

# FRU Replacement Instructions for Knee Array Baseplate Kit

---

## Kit Contents

1.	103779	Skid Pad, 1.13" x 2.25"	Qty 4 ea.
2.	104146	Skid Pad, 1.00" x 11.50"	Qty 2 ea.
3.	103718	Lateral Pointer, HRK Coil	Qty 1 ea.
4.	103949	Baseplate, Molded, GE HRK	Qty 1 ea.
5.	103618	Lock Plate Post, HRK Coil	Qty 2 ea.
6.	103659	Pad, Gripping, HRK Locking Cam	Qty 1 ea.
7.	103891	Clutch Plate, HRK	Qty 1 ea.
8.	100684	Hub	Qty 1 ea.
9.	100072	Hub Gasket	Qty 1 ea.
10.	103890	Clutch Tension Hub	Qty 1 ea.
11.	900144	Screw, #10-32UNC x 1-1/4" FHMS Brass	Qty 2 ea.
12.	900145	Screw, #10-32UNC x 1-1/2" FHMS Brass	Qty 4 ea.
13.	201297	FRU Replacement Instruction, Baseplate kit	Qty 1 ea.
14.	103789	Lateral Scale	Qty 1 ea.

## Instruction

Reference figure 1 for the following procedure.

- 1.) Separate the upper section from the lower section of the coil and turn the lower section over to gain access to the baseplate attaching hardware.
- 2.) Remove the six screws, items 11 and 12 from the lower section and remove the baseplate parts.
- 3.) Remove the backing from the skid pads, items 1 and 2 and install Pads onto the baseplate, item 4.
- 4.) Remove the backing from the Lateral Scale, item 14 and install onto the baseplate, item 4 as shown.
- 5.) Re-install Baseplate as shown.

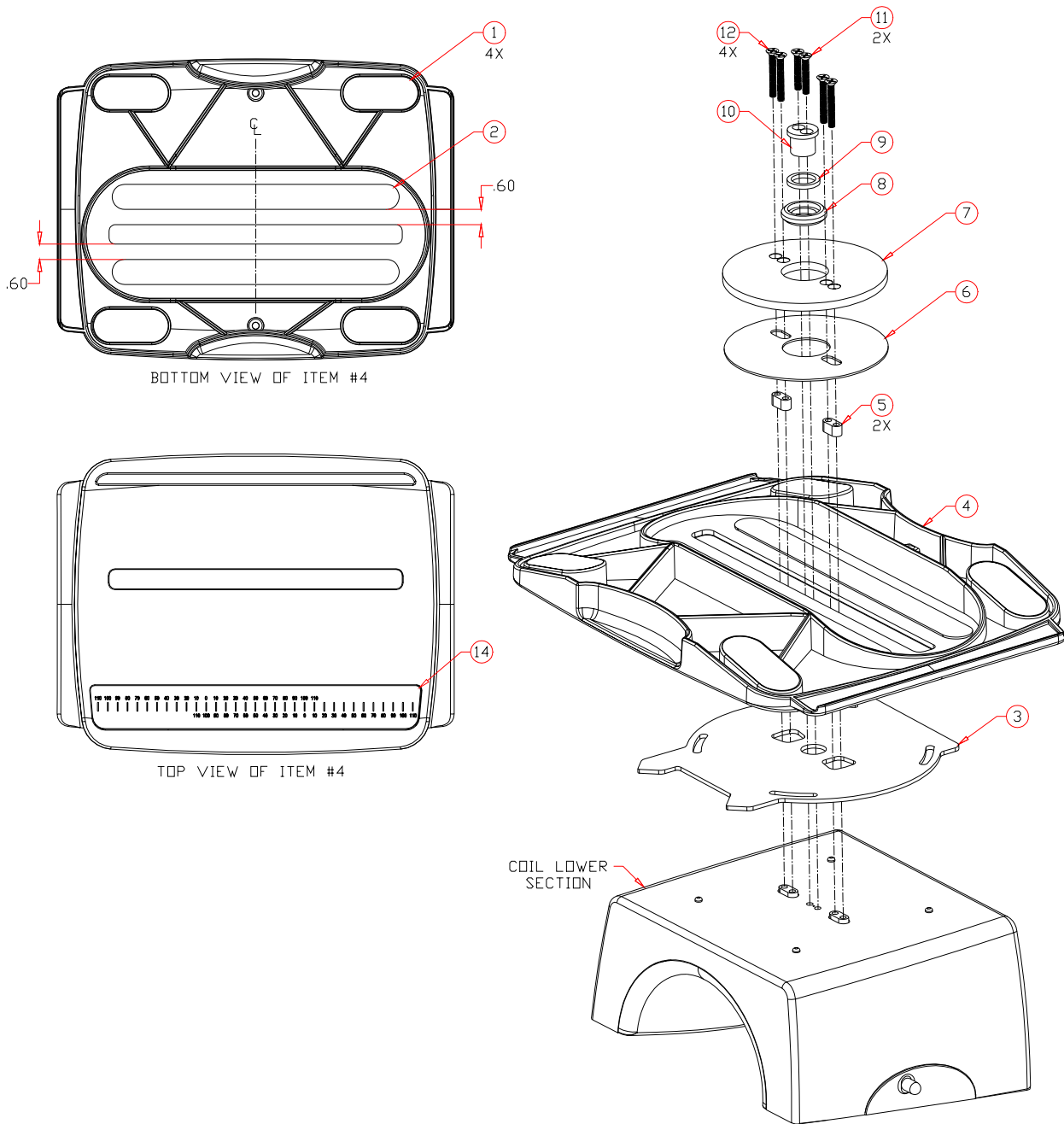


Figure 1