

FRU Replacement Instructions for Knee Array Latch Kit

Kit Contents

1.	105191	GE Locking Bail Assembly, HRK	Qty 1 ea.
2.	105182	Insert, Bail	Qty 2 ea.
3.	105183	Cap, Insert, Bail	Qty 2 ea.
4.	900105	Screw, #6-32UNC x 3/4" FHMS, Brass	Qty 2 ea.
5.	105677	Removal Tool, Locking Bail Insert	Qty 1 ea.
6.	201298	FRU Replacement Instructions, Latch Kit	Qty 1 ea.

Instruction

- 1.) Remove the two Bail Caps, item 3, and two #6 x 3/4" screws, item 4 as shown in figure 1.
- 2.) Hand tighten the Removal tool, item 5, into the Bail insert, item 2, and pull the tool away from the coil to remove the insert. Repeat step for opposing insert.
- 3.) Flex the Bail Assembly, item 1, away from the coil housing to remove it from the coil assembly. See figure 2.
- 4.) Reverse steps 1 through 3 for installation.

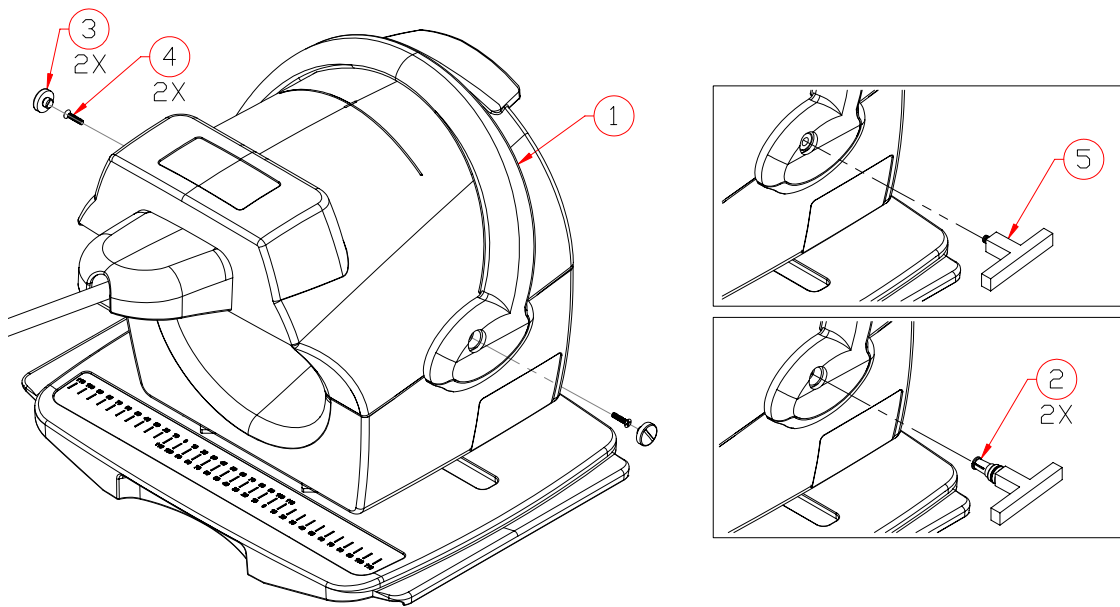


Figure 1

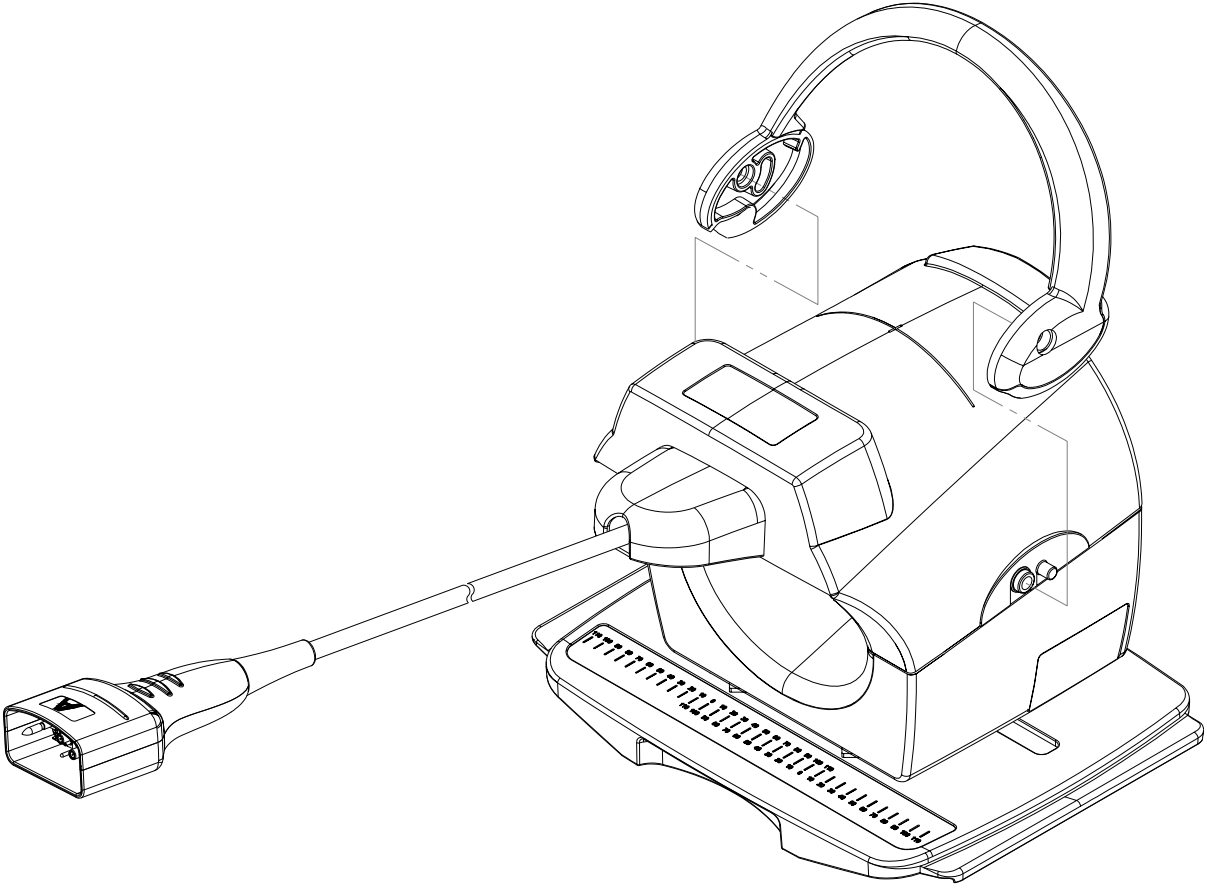


Figure 2