

**IS THIS THE LATEST REVISION OF THIS DOCUMENT?**

Before proceeding, please verify that you are using the latest approved revision of this document. To do this you may check with your Document Control Administrator. If you are not sure how to do this, please ask your team leader or manager.



## **LITE TABLE FRU LIST**

Approved and Reviewed by: M.Ravichandran	Date: <small>(This revision)</small>	<b>LITE TABLE_FRU LIST</b>			
Author: Munish Inamdar	Date: 25-FEB-2013 <small>(This revision)</small>				
This document is the property of GE Medical Systems. It can be neither reproduced nor communicated to a third party without written permission from a specially mandated person from the company.		Number	Type	Format	Sheets
<b>GE Medical Systems – MR engineering Bangalore - India</b>		5457659	SNT	A4	Page 1 of 12
					Rev   1

**Revision History**

Rev	Date	Author	Change	Description
1	25/FEB/2013	Munish Inamdar	List revised	Initial Release

Approved and Reviewed by: M. Ravichandran Author: Munish Inamdar	Date: <small>(This revision)</small>	<b>LITE TABLE_FRU LIST</b>			
	Date: 25-FEB-2013 <small>(This revision)</small>				
<small>This document is the property of GE Medical Systems. It can be neither reproduced nor communicated to a third party without written permission from a specially mandated person from the company.</small>		Number	Type	Format	Sheets
<b>GE Medical Systems – MR engineering Bangalore - India</b>		5457659	SNT	A4	Page 2 of 12
					Rev   1

SI No.	Part Number Lite	Part Description	Qty per system	FRU Assembly Drawing	Page No.	New/ Existing Part N/E (This revision)
1	5179918	HOUSING (WHEEL)(6 WHEELS PER KIT)	3	CRADLE ASSY	6	E
2	5177505	CRADLE ASSEMBLY+PACKING	1	TABLE TOP AND BASE ASSY	10	E
3	5437312	CATIS CASTER ASSY+PACK AGING	1	LOWER BASE ASSY-2	7	N
4	2333047	PIN_CYLINDER_MTG-SIGNA LX	2	VERTICAL DRIVE ASSY	12	E
5	5437893-2	PINCH GAURD-SIGNA LX	2	TABLE TOP ASSY	11	N
6	5437115	FOOT END BUMPER-RH	1	TABLE TOP ASSY	11	N
7	5437892	FOOT END SLOT BUMPER-SIGNA LX	1	TABLE TOP ASSY	11	N
8	2369234	HANDLE CAP-LH	1	TABLE TOP AND BASE ASSY	10	E
9	5145983	PANEL ASSY LH-SIGNA LX	1	TABLE TOP ASSY	11	E
10	5151332	FLIPPER ASSY-SIGNA LX	1	TABLE TOP ASSY	11	E
11	2340113	SHAFT-PUMP LINK	2	LOWER BASE-3	8	E
12	2340116	PUMP LINK	1	LOWER BASE-3	8	E
13	2341546	WEAR BLOCK	1	TABLE TOP ASSY	11	E
14	2341817	PIN-DOCK HOOK	1	LOWER BASE ASSY-2	7	E
15	5442686	BELLOWS SIGNA LX TABLE	1	TABLE TOP AND BASE ASSY	10	N
16	5151337	TOP OUTER COVER ASSY-LH	1	TABLE TOP AND BASE ASSY	10	E
17	2345662	STOPPER-DELTRIN	1	REAR SUPPORT ASSY	9	E
18	5437897	ARMBOARD ASSEMBLY-LH	1	TABLE TOP AND BASE ASSY	10	N
19	5451966	ARMBOARD ASSEMBLY-RH	1	TABLE TOP AND BASE ASSY	10	N
20	5461487	HANDLE-RH	1	TABLE TOP ASSY	11	N
21	5461487-2	HANDLE-LH	1	TABLE TOP ASSY	11	N
22	2351462	DRIP PAN-FRONT	1	TABLE TOP AND BASE ASSY	10	E
23	2351463	DRIP PAN-REAR	1	TABLE TOP AND BASE ASSY	10	E
24	2351466	SPRING BOOST ASSEMBLY	4	LOWER BASE-3	8	E
25	2357437	CONNECTING BLOCK	1	LOWER BASE-3	8	E
26	2357438	NEW PUMP LINK	2	LOWER BASE-3	8	E
27	2357816	PIN	2	LOWER BASE-3	8	E
28	2357817	SHAFT	1	LOWER BASE-3	8	E
29	5125305	HYD CYLINDER ASSY-DIA	1	VERTICAL DRIVE	12	E

Approved and Reviewed by: M. Ravichandran	Date: (This revision)	<b>LITE TABLE_FRU LIST</b>			
Author: Munish Inamdar	Date: 25-FEB-2013 (This revision)				
This document is the property of GE Medical Systems. It can be neither reproduced nor communicated to a third party without written permission from a specially mandated person from the company.		Number	Type	Format	Sheets
		<b>5457659</b>	<b>SNT</b>	<b>A4</b>	Page 3 of 12
<b>GE Medical Systems – MR engineering Bangalore - India</b>					Rev 1

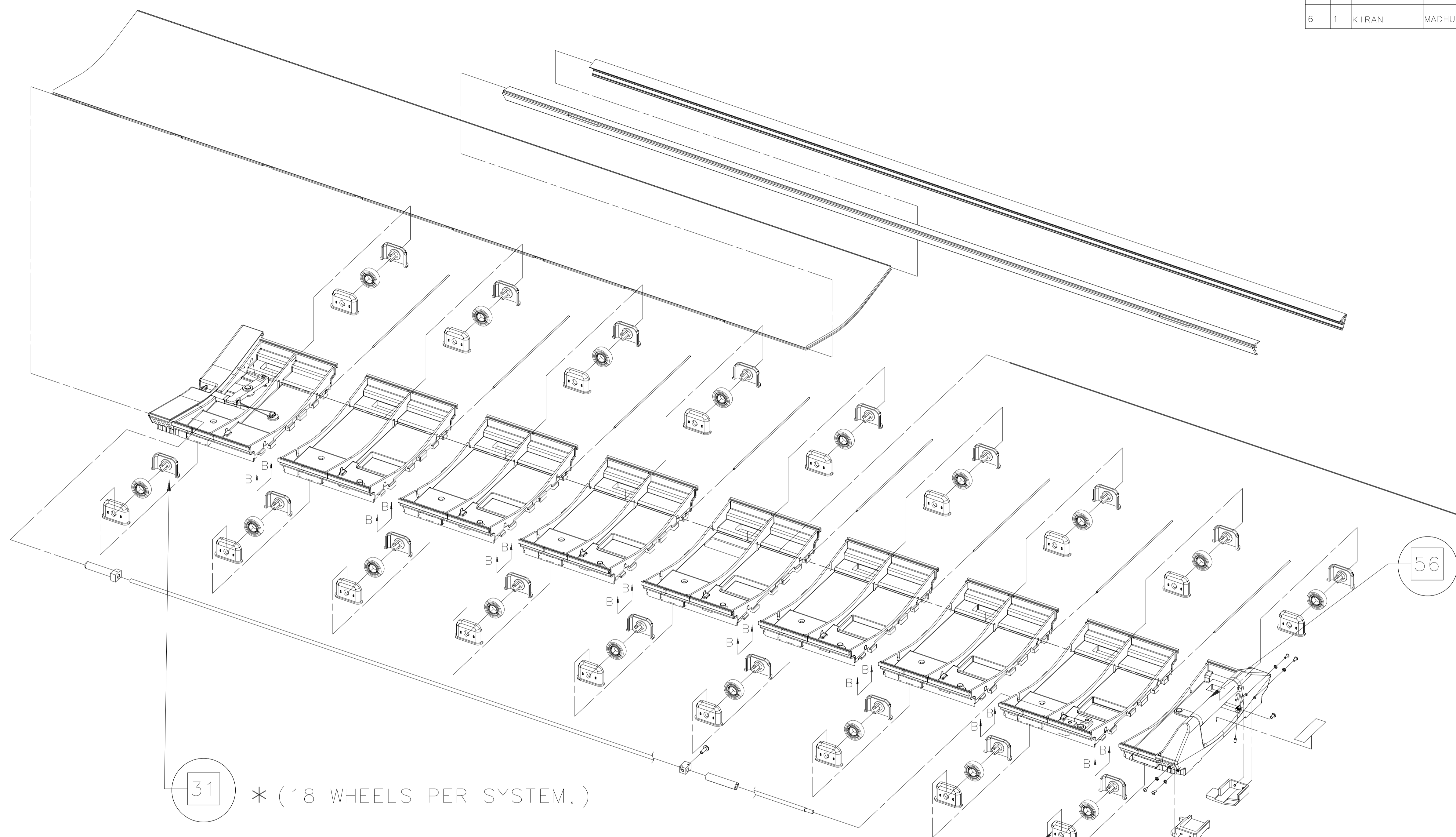
		45MM		ASSY		
30	5145983-2	PANEL ASSY RH-SIGNA LX	1	TABLE TOP ASSY	11	E
31	5177597	CRADLE WHEEL BEARING - 11 BALL	18	CRADLE ASSY	6	E
32	46-256080P1	CABLE, PUSH PULL, NYLON, MOLYBDENUM	(20ft)	LOWER BASE ASSY-2	7	E
33	5135744	HYDRAULIC PUMP ASSEMBLY	1	LOWER BASE ASSY-2	7	E
34	5451964	22 INCH SIDE BUMPER, INFINITY COLOR	2	TABLE TOP ASSY	11	N
35	5451964-2	16.25 INCHES SIDE BUMPER, INFINITY	2	TABLE TOP ASSY	11	N
36	5446706	TABLE HEAD END BUMPER, INFINITY	1	TABLE TOP ASSY	11	N
37	46-271511P1	CABLE	4	LOWER BASE ASSY-2	7	E
38	2389561	ADJUSTMENT SCREW	3	VERTICAL DRIVE ASSY	12	E
39	46-271551G1	DETACHABLE, TELESCOPING IV SUPPORT	1	TABLE TOP ASSY	11	E
40	46-271761P1	CASTER BUSHING, TAPERED ID, BRASS	4	REAR SUPPORT ASSY	9	E
41	46-271771P1	PAD, _NEOPRENE RUBBER PEDAL BUMPER.	3	LOWER BASE ASSY-2	7	E
42	46-271895P1	THREADED CASTER-MOUNTING CAP	4	LOWER BASE ASSY-2	7	E
43	46-271921P1	HYDR CYL CABLE, FITTINGS BOTH ENDS	1	LOWER BASE ASSY-2	7	E
44	5151338	TOP OUTER COVER ASSY-RH	1	TABLE TOP AND BASE ASSY	10	E
45	5437115-2	FOOT END BUMPER-LH	1	TABLE TOP ASSY	11	N
46	2369234-2	HANDLE CAP-RH	1	TABLE TOP AND BASE ASSY	10	E
47	5452816	FRP_BOTTOM COVER-RH	1	TABLE TOP AND BASE ASSY	10	N
48	5452816-2	FRP_BOTTOM COVER-LH	1	TABLE TOP AND BASE ASSY	10	N
49	2390958	RESERVOIR ASSEMBLY	1	LOWER BASE ASSY-2	7	E
50	46-271946P1	FILTER	1	LOWER BASE ASSY-2	7	E
51	5193207	FLIPPER CABLE FRU KIT	1	TABLE TOP ASSY	11	E
52	2376037	WARNING LABEL	1	VERTICAL DRIVE ASSY	12	E
53	5450369	SIGNALITE TABLE PADS	1	TABLE TOP AND	10	N

Approved and Reviewed by: M. Ravichandran	Date: (This revision)	<b>LITE TABLE_FRU LIST</b>			
Author: Munish Inamdar	Date: 25-FEB-2013 (This revision)				
This document is the property of GE Medical Systems. It can be neither reproduced nor communicated to a third party without written permission from a specially mandated person from the company.		Number	Type	Format	Sheets
		<b>5457659</b>	<b>SNT</b>	<b>A4</b>	Page 4 of 12
<b>GE Medical Systems – MR engineering</b> <b>Bangalore - India</b>					Rev 1

		SET		BASE ASSY		
54	5108543	DOWN RELEASE ADJUSTMENT GAGE	1	TABLE TOP AND BASE ASSY	10	E
55	2348467	ELBOW	1	LOWER BASE ASSY- 2	7	E
56	5145972	CRADLE HANDLE	1	CRADLE ASSY	6	E
57	5441875-2	ARM BOARD BUMPER	2	TABLE TOP AND BASE ASSY	10	N
58	5145965	FLIPPER COVER	1	TABLE TOP AND BASE ASSY	10	E
59	5152089	COVER	1	TABLE TOP AND BASE ASSY	10	E
60	5146009	FLIPPER	1	TABLE TOP ASSY	11	E
61	5193208	DOWN RELEASE CABLE FRU KIT	1	VERTICAL DRIVE ASSY	12	E
62	5151330	SIDE BUMPER NEW- SIGNA LX	2	TABLE TOP ASSY	11	E
63	5189056	SCISSOR ASSEMBLYREPLACEMEN T FRU KIT	1	LOWER BASE ASSY- 2	7	E
64	5154756	LINK UNDOCK WITH PACKAGING	1	LOWER BASE-3	8	E
65	5191923	HOSE ASSEMBLY FRU KIT	1	LOWER BASE-3	8	E
66	2375943	10-32 3/4~ BUTTON HEAD SCREW	10	TABLE TOP AND BASE ASSY	10	E
67	46-208938P5	10-32, 3/8~ HEX X .130 THK, 18-8 SST	10	TABLE TOP AND BASE ASSY	10	E
68	2365191	SUPPORT-BELLOW	1	TABLE TOP AND BASE ASSY	10	E
69	2348919	DAMPNER CYLINDER ASSEMBLY	1	LOWER BASE ASSY- 2	7	E
70	5193237	UP INDICATOR BRACKET FRU KIT	1	LOWER BASE ASSY- 2	7	E
71	5267100	LINK DOCK FRU KIT ASSEMBLY	1	LOWER BASE-3	8	E
72	5266524	CABLE CLAMP FRU KIT ASSEMBLY	1	TABLE TOP AND BASE ASSY	10	E

Approved and Reviewed by:M.Ravichandran	Date: (This revision)	<b>LITE TABLE_FRU LIST</b>			
Author: Munish Inamdar	Date:25-FEB-2013 (This revision)				
This document is the property of GE Medical Systems. It can be neither reproduced nor communicated to a third party without written permission from a specially mandated person from the company.		Number	Type	Format	Sheets
		<b>5457659</b>	<b>SNT</b>	<b>A4</b>	Page 5 of 12
<b>GE Medical Systems – MR engineering Bangalore - India</b>					Rev   1

REVISIONS						
REV	QTY	MODIFIED BY	CHECKED BY	DATE	ECN/PCN NO.	DESCRIPTION
1	1	NARENDAR.V	PRASAD.SGV	03/12/19		INITIAL RELEASE.
2	1	KIRAN	ANAND	06/09/27		SIGNALITE AND HD® FRU LIST UPDATED AND DETAIL FRU ASSY DRGS ADDED.
3	1	KIRAN	ANAND	06/12/15	2037659	FRU-KIT CRADLE ASSEMBLY-SIGNA LX TABLE (5151339) CHANGED TO CRADLE ASSEMBLY+PACKING(5177505)
4	1	KIRAN	ANAND	07/01/29	2039042	5132699 PUMP PART HAS BEEN REPLACED BY NEW PUMP PART 5135744.
5	1	KIRAN	MADHU	05DEC07	2051767	REFER TO REVISION HISTORY TAB.
6	1	KIRAN	MADHU	04MAY2009	2082926	PANEL ASSY LH(SL.NO 9) & RH(SL.NO 30) WITH NEW PANEL ASSY LH & RH FRU KIT



31 \* (18 WHEELS PER SYSTEM.)

\*(ONE SET CONSISTS OF 6 WHEEL ASSEMBLY.)

1

□ - INDICATES FRU  
PHYSICAL ID:

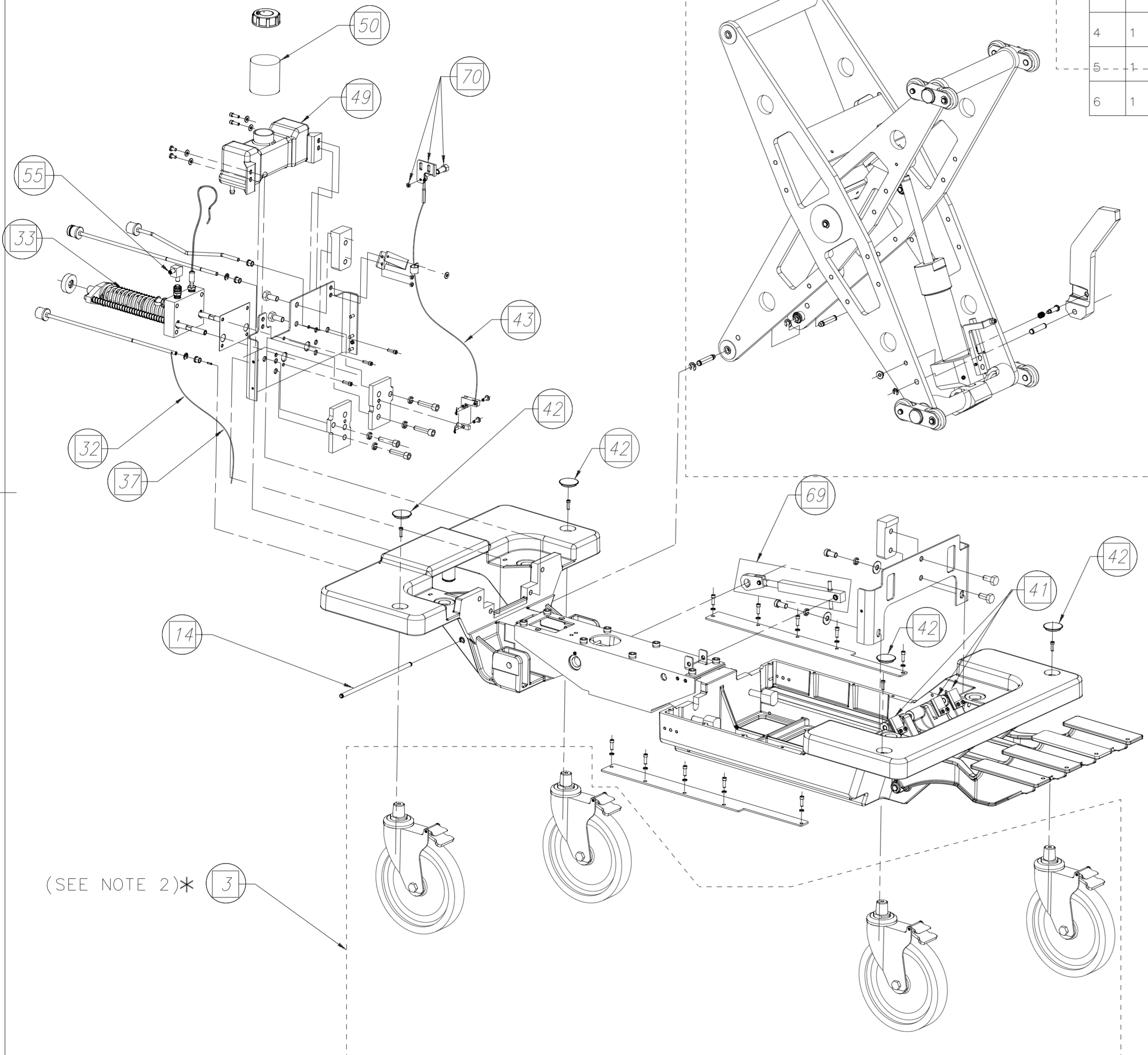
This document is the property of GE Medical Systems. It can neither be reproduced, nor be communicated to the third party without written permission from specially mandated person from the company.

MATERIAL:		FINISH:		SURFACE ROUGHNESS	
CHECKER		METRIC		THIRD ANGLE PROJECTION	
SOURCING		DIMENSIONS WITHOUT TOLERANCE INDICATION			
MFG		NOMINAL DIMENSION#			ANGLES
ENG		PERMISSIBLE VARIATIONS			
DES		TITLE			
APPROVALS	YY/MM/DD	CRADLE ASSY		REV 6	
MADE BY	03/12/12	FIRST MADE FOR: SIGNA LX		MOD CODE	
ISSUED/CH	04/02/16	GE Medical Systems		PAGE 6/12	
		BANGALORE-INDIA			

FIRST DESIGNED IN CONJUNCTION WITH:

A  
B  
C  
D  
E  
F  
G  
H

REVISIONS						
REV	QTY	MODIFIED BY	CHECKED BY	DATE	ECN/PCN NO.	DESCRIPTION
1	1	NARENDAR.V	PRASAD.SGV	03/12/19		INITIAL RELEASE.
2	1	KIRAN	ANAND	06/09/27		SIGNALITE AND HDe FRU LIST UPDATED AND DETAIL FRU ASSY DRGS ADDED.
3	1	KIRAN	ANAND	06/12/15	2037659	FRU-KIT CRADLE ASSEMBLY-SIGNA LX TABLE (5151339) CHANGED TO CRADLE ASSEMBLY+PACKING(5177505)
4	1	KIRAN	ANAND	07/01/29	2039042	5132699 PUMP PART HAS BEEN REPLACED BY NEW PUMP PART 5135744.
5	1	KIRAN	MADHU	05DEC07	2051767	REFER TO REVISION HISTORY TAB.
6	1	KIRAN	MADHU	04MAY2009	2082976	PANEL ASSY LH(SL.NO 9) & RH(SL.NO 30) WITH NEW PANEL ASSY LH & RH FRU KIT



63 \* (SEE NOTE 1)

NOTE:  
 1)FRU KIT WITHOUT HYDRAULIC CYLINDER ASSEMBLY.  
 2)CATIS CASTER SET CONSISTS OF 3 TOTAL LOCK CASTER & 1 DIRECTIONAL LOCK CASTER.

- INDICATES FRU

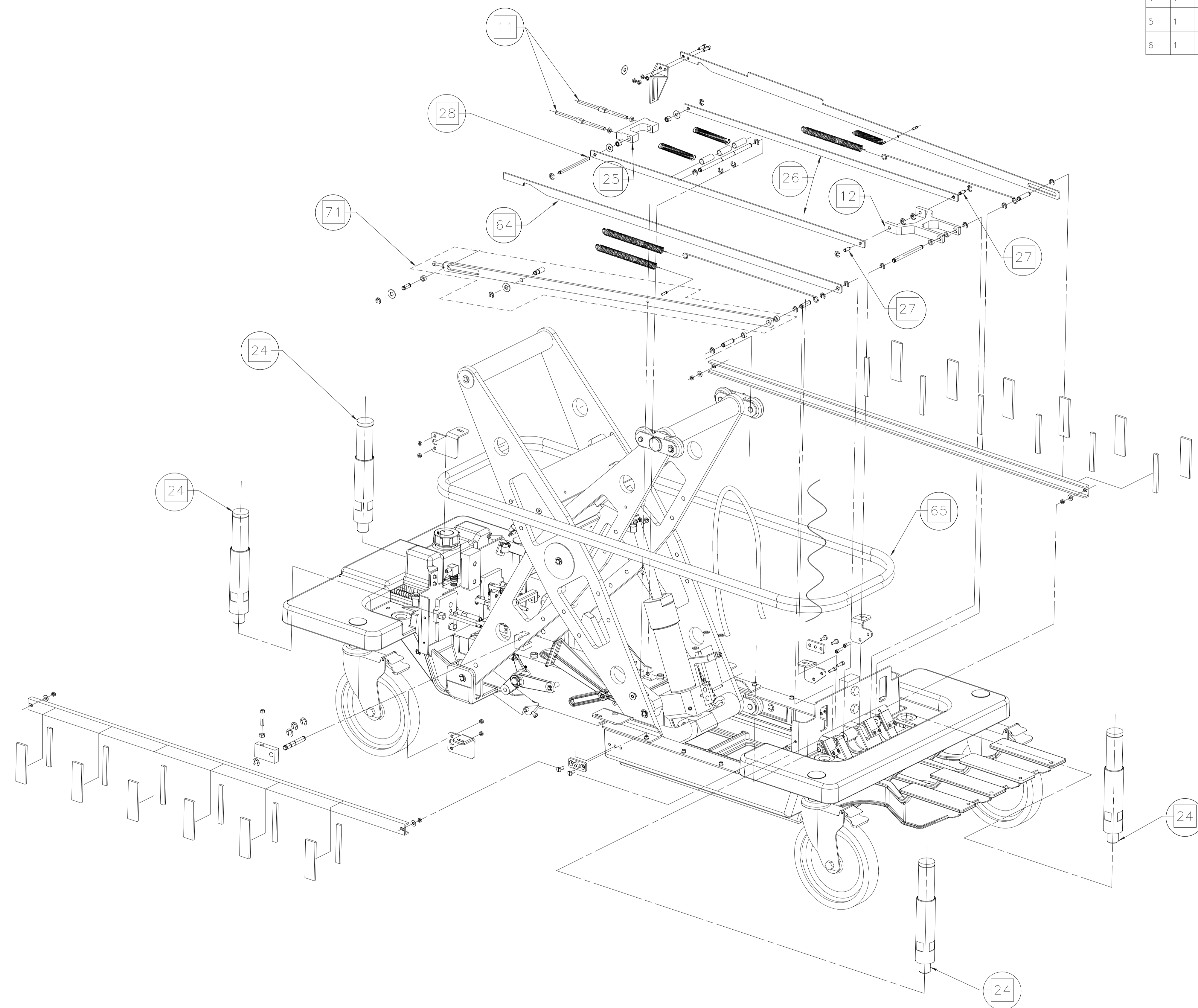
PHYSICAL ID:

*This document is the property of GE Medical Systems. It can neither be reproduced, nor be communicated to the third party without written permission from specially mandated person from the company.*

(SEE NOTE 2)\* 3

MATERIAL:		FINISH:		SURFACE ROUGHNESS	
				✓	
CHECKER		METRIC		APPLIED PRACTICES	
SOURCING				THIRD ANGLE PROJECTION	
MFG					
ENG				DIMENSIONS WITHOUT TOLERANCE INDICATION	
DES					
APPROVALS		YY/MM/DD		TITLE	
				LOWER BASE ASSY-2	
MADE BY NAREN		03/12/08		FIRST MADE FOR: SIGNA LX	
ISSUED/CH PRASAD SGV		03/12/08		MOD CODE	
				REV 6	
				PAGE 7/12	
				BANGALORE-INDIA	

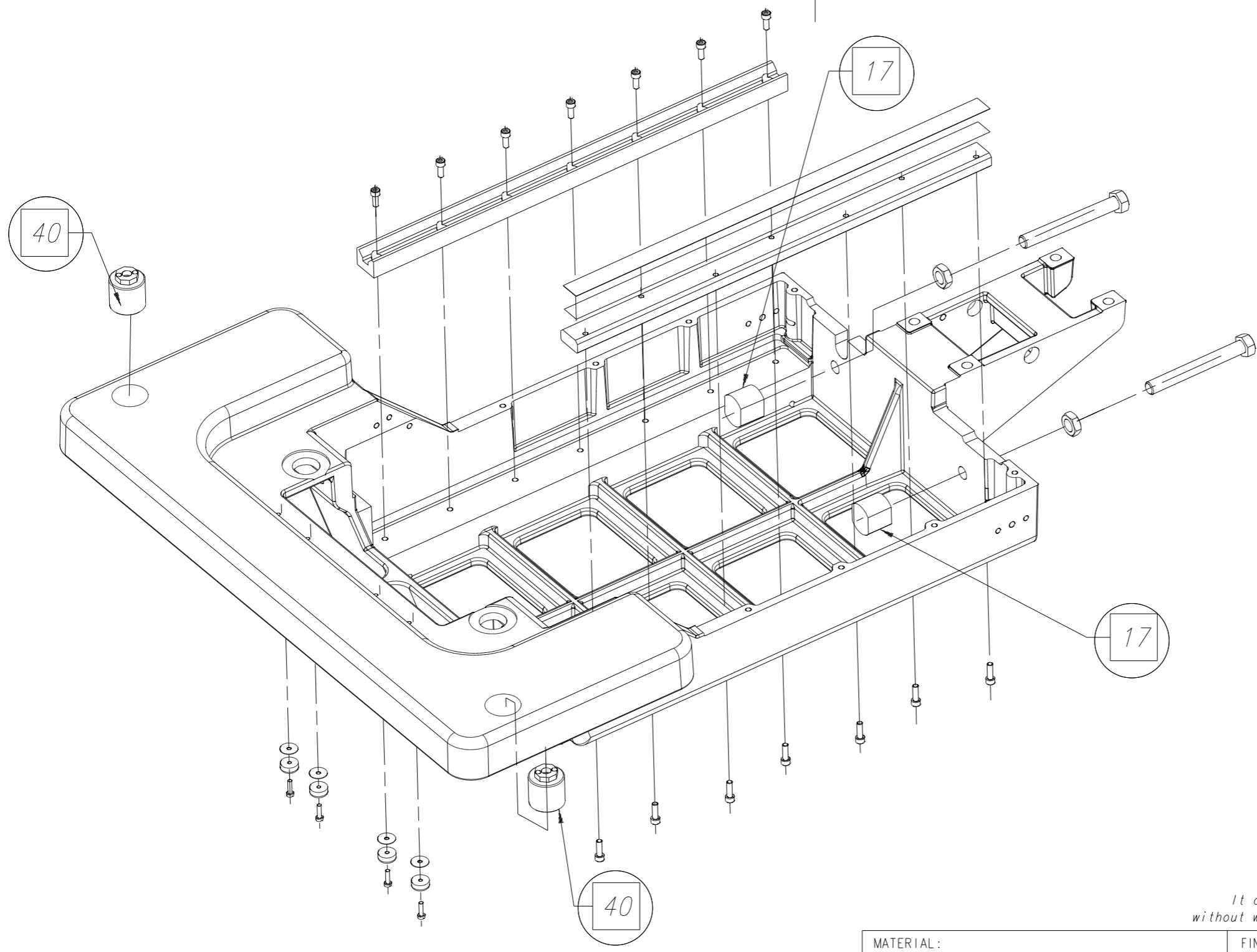
REVISIONS						
REV	QTY	MODIFIED BY	CHECKED BY	DATE	ECN/PCN NO.	DESCRIPTION
1	1	NARENDAR.V	PRASAD.SGV	03/12/19		INITIAL RELEASE.
2	1	KIRAN	ANAND	06/09/27		SIGNALITE AND HD6 FRU LIST UPDATED AND DETAIL FRU ASSY DRGS ADDED.
3	1	KIRAN	ANAND	06/12/15	2037659	FRU-KIT CRADLE ASSEMBLY-SIGNA LX TABLE (5151339) CHANGED TO CRADLE ASSEMBLY+PACKING(5177505).
4	1	KIRAN	ANAND	07/01/29	2039042	5132699 PUMP PART HAS BEEN REPLACED BY NEW PUMP PART 5135744.
5	1	KIRAN	MADHU	05DEC07	2051767	REFER TO REVISION HISTORY TAB.
6	1	KIRAN	MADHU	04MAY2009	2082976	PANEL ASSY LH(SL.NO 9) & RH(SL.NO 30) WITH NEW PANEL ASSY LH & RH FRU KIT



 - INDICATES FRU

PHYSICAL ID:  
THIS PART TO LABELED PER  
GEMS DWG 46-274914, CLASS 1  
LABEL PLACEMENT IS NOT CRITICAL.

MATERIAL:		FINISH:		SURFACE ROUGHNESS	
CHECKER		METRIC		APPLIED PRACTICES	THIRD ANGLE PROJECTION
SOURCING		46-316917		DIMENSIONS WITHOUT TOLERANCE INDICATION	
MFG		NOMINAL DIMENSION#			
ENG		PERMISSIBLE VARIATIONS			
DES		TITLE			REV
APPROVALS	YY/MM/DD	LOWER BASE-3			6
MADE BY	03/12/12	FIRST MADE FOR:			
ISSUED/CH	03/12/12	GE Medical Systems			
		BANGALORE-INDIA			PAGE 8/12



 - INDICATES FRU

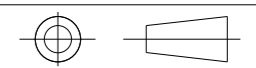
PHYSICAL ID:

*This document is the property of GE Medical Systems. It can neither be reproduced, nor be communicated to the third party without written permission from specially mandated person from the company.*

REV	MODIFIED BY	CHECKED BY	DATE	ECN/PCN NO.	DESCRIPTION
6	KIRAN	MADHU	04MAY2009	2082976	PANEL ASSY LH(SL.NO 9) & RH(SL.NO 30) WITH NEW PANEL ASSY LH & RH FRU KIT
5	KIRAN	MADHU	05DEC07	2051767	REFER TO REVISION HISTORY TAB.
4	KIRAN	ANAND	07/01/29	2039042	5132699 PUMP PART HAS BEEN REPLACED BY NEW PUMP PART 5135744.
3	KIRAN	ANAND	06/12/15	2037659	FRU-KIT CRADLE ASSEMBLY-SIGNA LX TABLE (5151339) CHANGED TO CRADLE ASSEMBLY+PACKING(5177505).
2	KIRAN	ANAND	06/09/27		SIGNALITE AND HDe FRU LIST UPDATE AND DETAILED FRU ASSY DRGS ADDED.
1	NARENDAR.V	PRASAD SGV	03/05/06		INITIAL RELEASE.

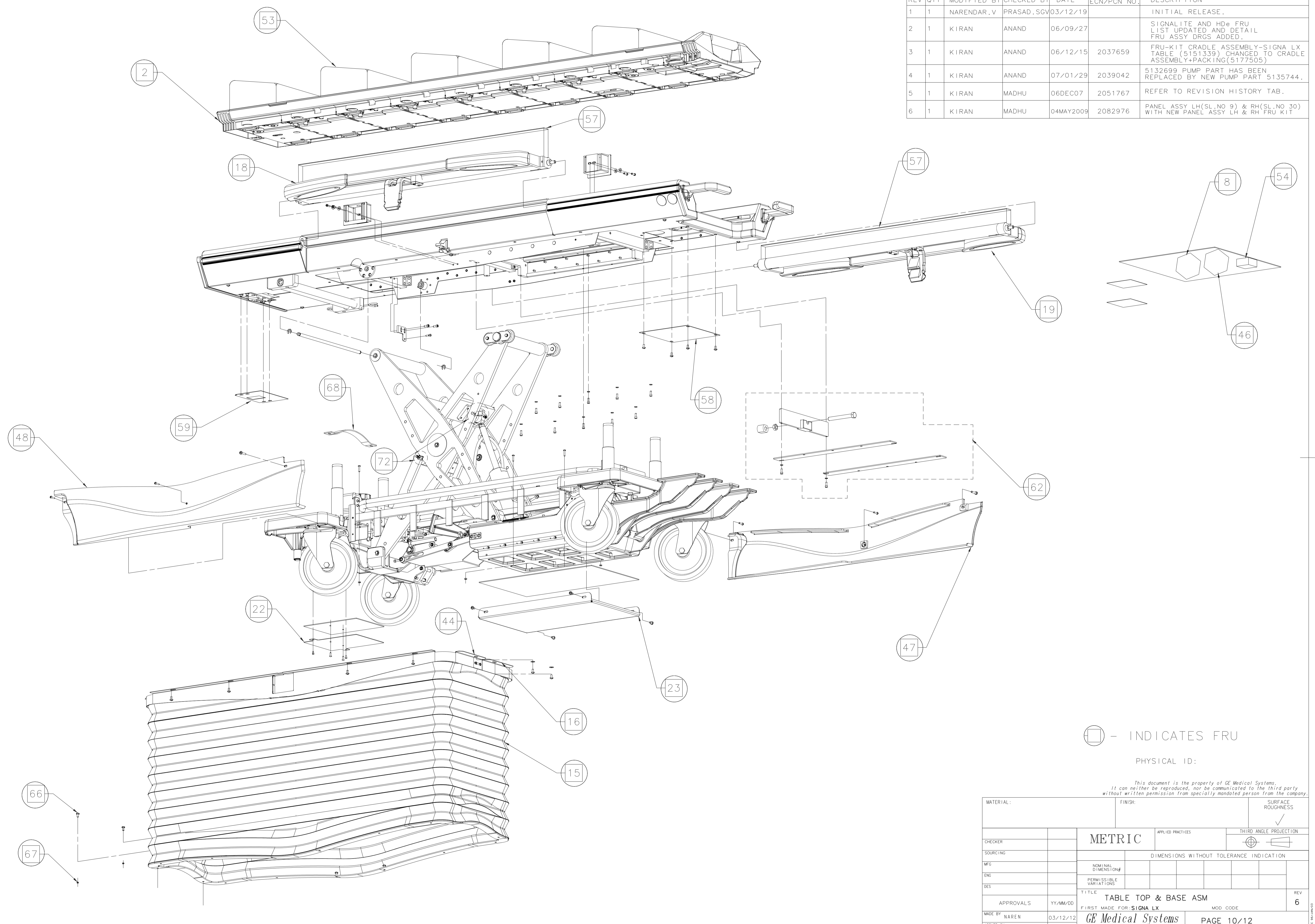
REVISIONS

FIRST DESIGNED IN CONJUNCTION WITH:

MATERIAL : —		FINISH: —		SURFACE ROUGHNESS ✓		
CHECKER		INCH		APPLIED PRACTICES 46-131001		
SOURCING				THIRD ANGLE PROJECTION 		
MFG		DIMENSIONS WITHOUT TOLERANCE INDICATION				ANGLES
ENG		NOMINAL DIMENSION#				
DES		PERMISSIBLE VARIATIONS				
APPROVALS		YY/MM/DD	TITLE REAR SUPPORT ASSY			REV 6
MADE BY NAREN		03/12/12	FIRST MADE FOR: SIGNA Lx			
ISSUED/CH S.G.V.PRASAD		03/12/12	GE MEDICAL SYSTEMS BANGALORE-INDIA		PAGE 9/12	

REV B 93/FEB/22

REVISIONS						
REV	QTY	MODIFIED BY	CHECKED BY	DATE	ECN/PCN NO.	DESCRIPTION
1	1	NARENDAR.V	PRASAD.SGV	03/12/19		INITIAL RELEASE.
2	1	KIRAN	ANAND	06/09/27		SIGNAL LITE AND HD® FRU LIST UPDATED AND DETAIL FRU ASSY DRGS ADDED.
3	1	KIRAN	ANAND	06/12/15	2037659	FRU-KIT CRADLE ASSEMBLY-SIGNA LX TABLE (5151339) CHANGED TO CRADLE ASSEMBLY+PACKING(5177505)
4	1	KIRAN	ANAND	07/01/29	2039042	5132699 PUMP PART HAS BEEN REPLACED BY NEW PUMP PART 5135744.
5	1	KIRAN	MADHU	06DEC07	2051767	REFER TO REVISION HISTORY TAB.
6	1	KIRAN	MADHU	04MAY2009	2082976	PANEL ASSY LH(SL.NO 9) & RH(SL.NO 30) WITH NEW PANEL ASSY LH & RH FRU KIT



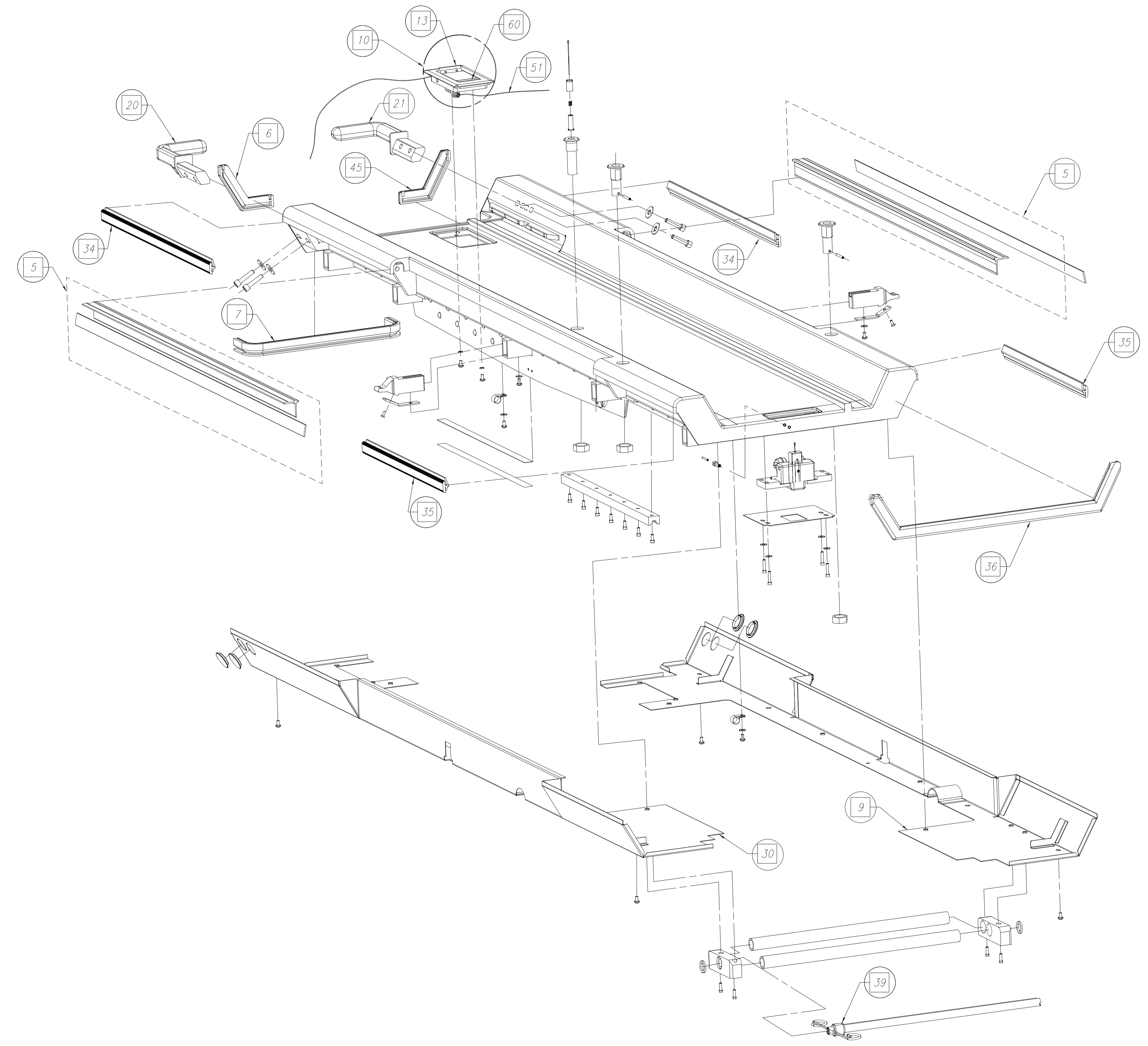
□ - INDICATES FRU  
PHYSICAL ID:

This document is the property of GE Medical Systems. It can neither be reproduced, nor be communicated to the third party without written permission from specially mandated person from the company.

MATERIAL:	FINISH:	SURFACE ROUGHNESS
CHECKER	METRIC	THIRD ANGLE PROJECTION
SOURCING	DIMENSIONS WITHOUT TOLERANCE INDICATION	
MFG	NOMINAL DIMENSION#	
ENG	PERMISSIBLE VARIATIONS	
DES	TITLE	REV
APPROVALS	YY/MM/DD	6
MADE BY NAREN	03/12/12	
ISSUED/CH PRASAD.SGV	03/12/12	
TABLE TOP & BASE ASM FIRST MADE FOR: <b>SIGNA LX</b> <b>GE Medical Systems</b> BANGALORE-INDIA		MOD CODE PAGE 10/12

A  
B  
C  
D  
E  
F  
G  
H

REVISIONS						
REV	QTY	MODIFIED BY	CHECKED BY	DATE	ECN/PCN NO.	DESCRIPTION
1	1	NARENDAR.V	PRASAD.SGV	03/12/19		INITIAL RELEASE.
2	1	KIRAN	ANAND	06/09/27		SIGNALITE AND HD® FRU LIST UPDATED AND DETAIL FRU ASSY DRGS ADDED.
3	1	KIRAN	ANAND	06/12/15	2037659	FRU-KIT CRADLE ASSEMBLY-SIGNA LX TABLE (5151339) CHANGED TO CRADLE ASSEMBLY+PACKING(5177505).
4	1	KIRAN	ANAND	07/01/29	2039042	5132699 PUMP PART HAS BEEN REPLACED BY NEW PUMP PART 5135744.
5	1	KIRAN	MADHU	05DEC07	2051767	REFER TO REVISION HISTORY TAB.
6	1	KIRAN	MADHU	04MAY2009	2082976	PANEL ASSY LH(SL.NO 9) & RH(SL.NO 30) WITH NEW PANEL ASSY LH & RH FRU KIT



□ - INDICATES FRU

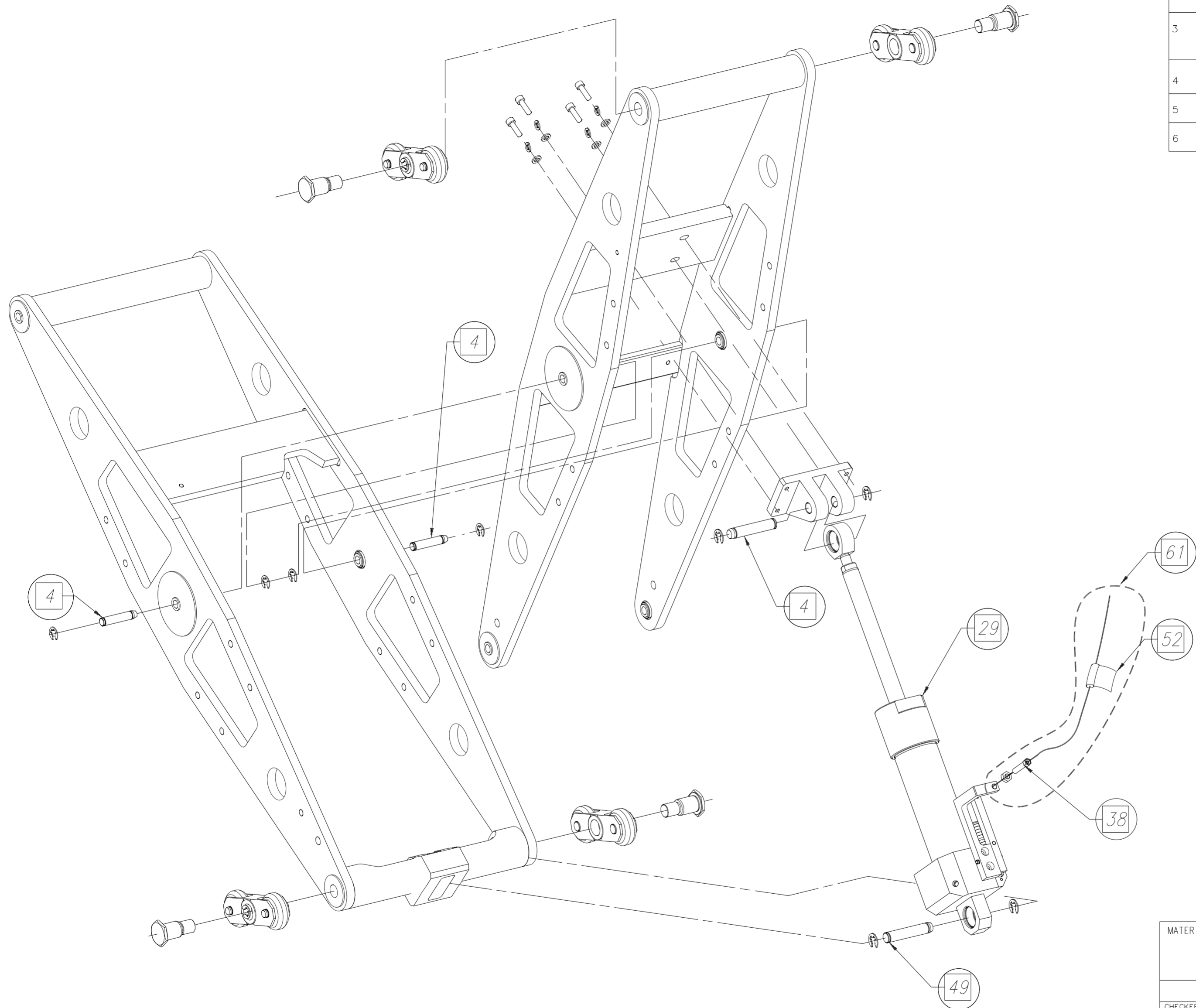
PHYSICAL ID:

This document is the property of GE Medical Systems. It can neither be reproduced, nor be communicated to the third party without written permission from specially mandated person from the company.

MATERIAL:		FINISH:		SURFACE ROUGHNESS	
CHECKER		METRIC		THIRD ANGLE PROJECTION	
SOURCING		DIMENSIONS WITHOUT TOLERANCE INDICATION			
MFG		NOMINAL DIMENSION#			
ENG		PERMISSIBLE VARIATIONS			
DES		TITLE			
APPROVALS	YY/MM/DD	TABLE TOP ASM			REV
MADE BY	NAREN	FIRST MADE FOR: SIGNA LX			6
ISSUED/CH	PRASAD.SGV	GE Medical Systems			
	03/12/10	BANGALORE-INDIA			
	03/12/10	PAGE 11/12			

FIRST DESIGNED IN CONSTRUCTION WITH:

1 2 3 4 5 6 7 8 9 10 11 12



- INDICATES FRU

PHYSICAL ID:

*This document is the property of GE Medical Systems. It can neither be reproduced, nor be communicated to the third party without written permission from specially mandated person from the company.*

REVISIONS						
REV	QTY	MODIFIED BY	CHECKED BY	DATE	ECN/PCN NO.	DESCRIPTION
1	1	NARENDAR.V	PRASAD.SGV	03/12/19		INITIAL RELEASE.
2	1	KIRAN	ANAND	06/09/27		SIGNALITE AND HD <sub>e</sub> FRU LIST UPDATED AND DETAIL FRU ASSY DRGS ADDED.
3	1	KIRAN	ANAND	06/12/15	2037659	FRU-KIT CRADLE ASSEMBLY-SIGNA LX TABLE (5151339) CHANGED TO CRADLE ASSEMBLY+PACKING(5177505).
4	1	KIRAN	ANAND	07/01/29	2039042	5132699 PUMP PART HAS BEEN REPLACED BY NEW PUMP PART 5135744.
5	1	KIRAN	ANAND	06DEC07	2051767	REFER TO REVISION HISTORY TAB.
6	1	KIRAN	ANAND	04MAY2009	2082976	PANEL ASSY LH(SL.NO 9) & RH(SL.NO 30) WITH NEW PANEL ASSY LH & RH FRU KIT

MATERIAL:		FINISH:		SURFACE ROUGHNESS	
CHECKER		METRIC		APPLIED PRACTICES 46-316849	
SOURCING		DIMENSIONS WITHOUT TOLERANCE INDICATION		THIRD ANGLE PROJECTION	
MFG		NOMINAL DIMENSION#			
ENG		PERMISSIBLE VARIATIONS			
DES		TITLE		REV	
APPROVALS		VERTICAL DRIVE ASSY		6	
MADE BY NAREN		FIRST MADE FOR: SIGNA LX		MOD CODE	
ISSUED/CH PRASAD SGV		GE Medical Systems		PAGE 12/12	
03/12/05		BANGALORE-INDIA			