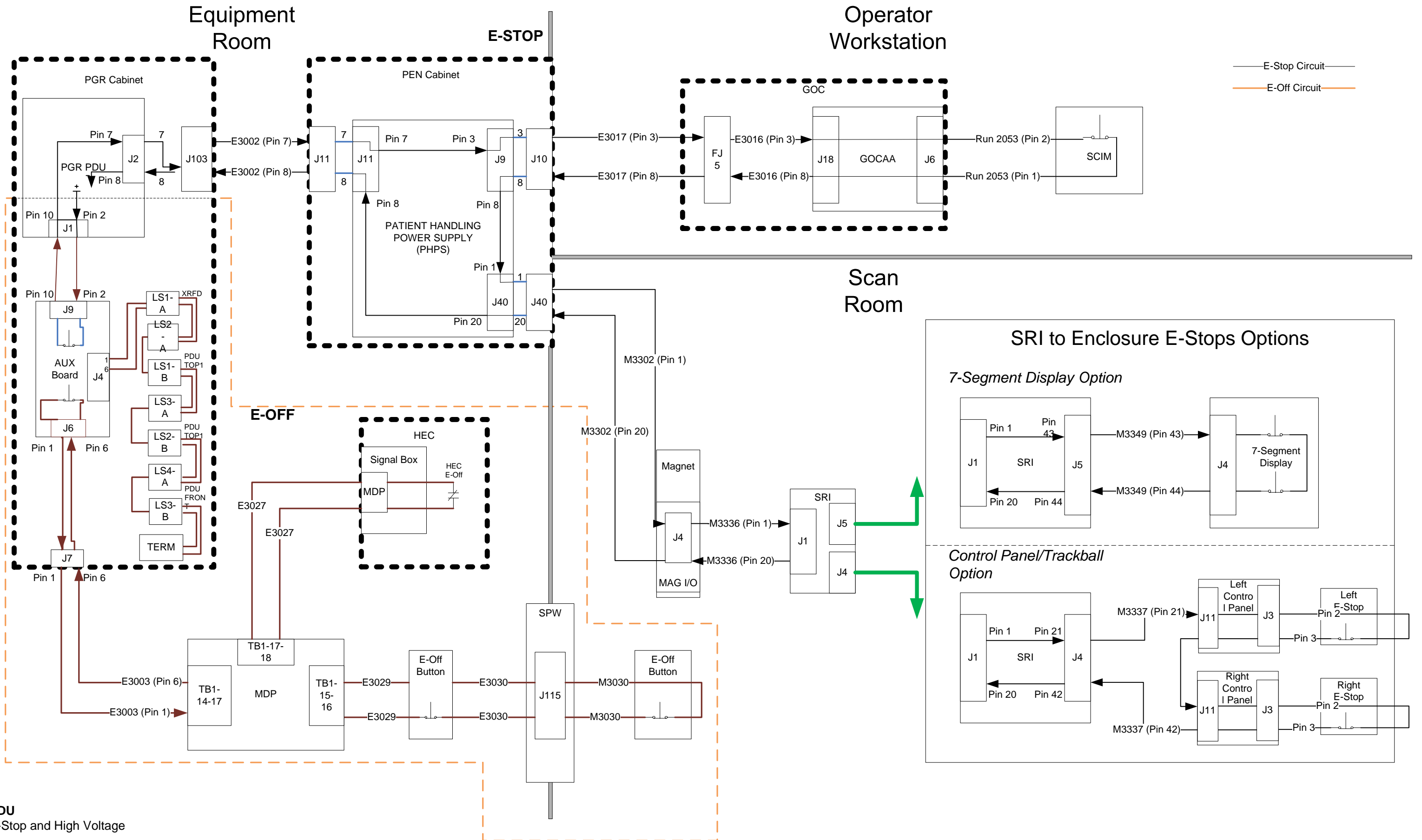


POWER DISTRIBUTION UNIT

TABLE OF CONTENTS

<u>SECTION</u>	<u>PAGE</u>
5 – POWER DISTRIBUTION UNIT	
E-Stop and High Voltage.....	5-1
Power Distribution Module.....	5-2
AC Distribution.....	5-3



Equipment Room

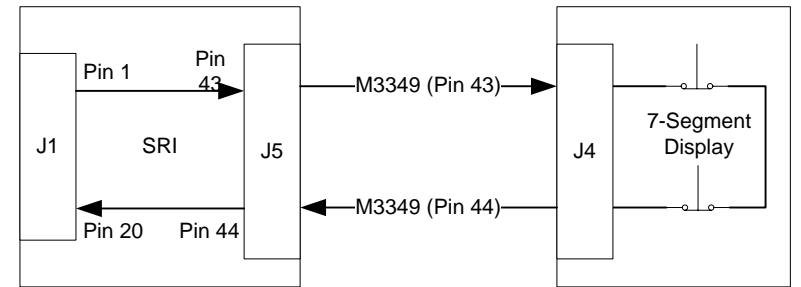
Operator Workstation

E-STOP

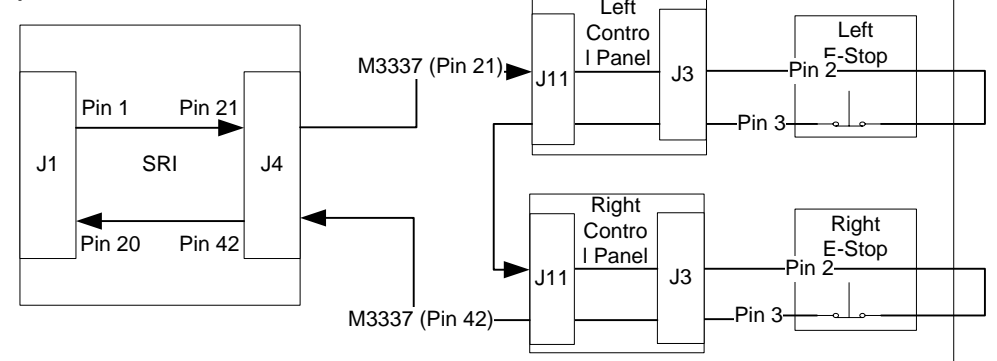
E-OFF

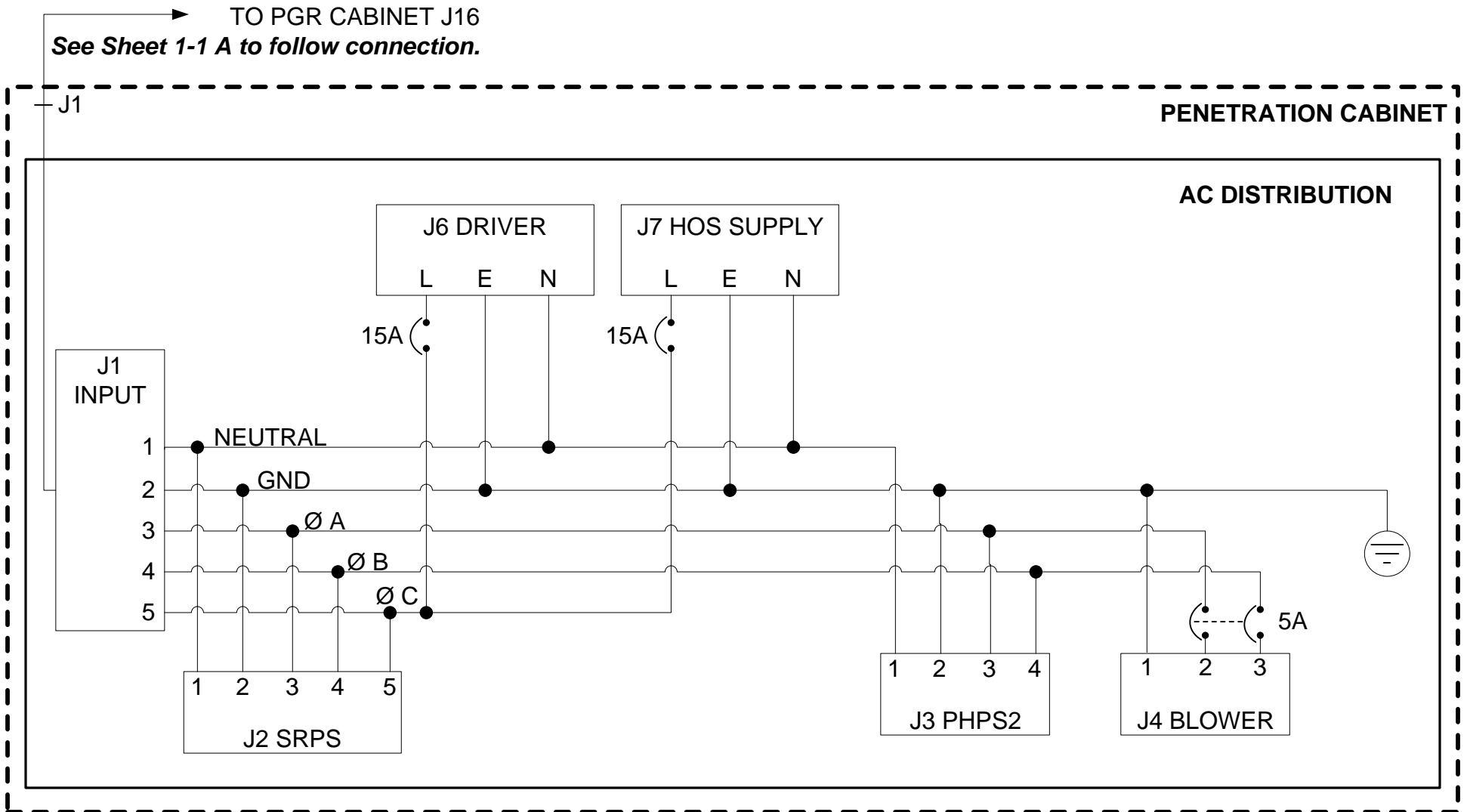
SRI to Enclosure E-Stops Options

7-Segment Display Option



Control Panel/Trackball Option





PEN Cabinet
AC Distribution