



Field Service Instruction
FRU, Head Mirror Kit, 1.5T/ 8CH P& 3.0T
Brain Coil, GE

Document No.:
4535-303-36820

Revision: 2

Purpose: The purpose of this document is to provide instructions for field replacement of 5146634-7 (4535-302-9076*) FRU, HEAD MIRROR MOUNT KIT, 1.5T & 3.0T 8CH BRAIN COIL. This FRU is compatible with the following coils:

- 5146634-2 (9896-031-0250*) 1.5T HD 8Ch HiRes Brain Array
- 2380637-2 (9896-031-0194*) 3.0T High Resolution Brain Array
- 2317112-2 (9896-031-0173*) Top Level Assy, 1.5T 8Ch HRB
- 5306772-2 (9896-031-0976*) 1.5T GE 8Ch HDe Value HRB Coil
- 5147134-2 (9896-031-0255*) HRH BRAIN COIL, 3.0T GE 8 CH

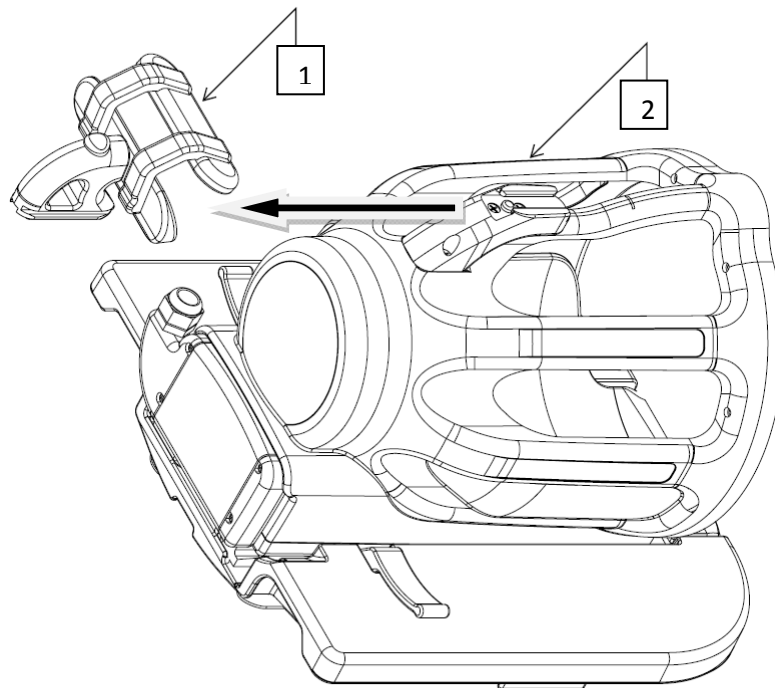
*(On product labeling, the revision number shall appear as the last digit replacing the * symbol.)*

Equipment

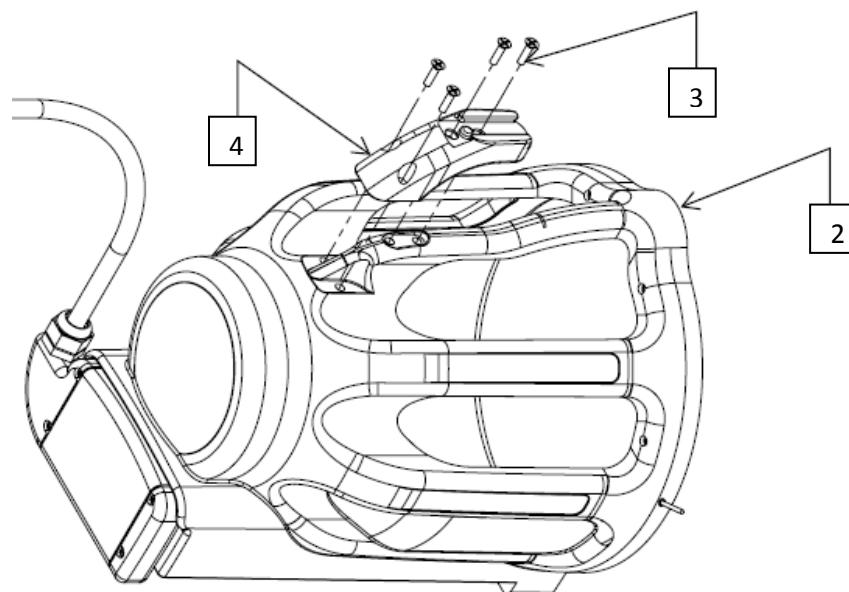
Required: Phillips Head Screwdriver (Point 1, 3/16" Blade dia. X 6-3/4" lg. Phillips Head Screwdriver suggested)

Instructions:

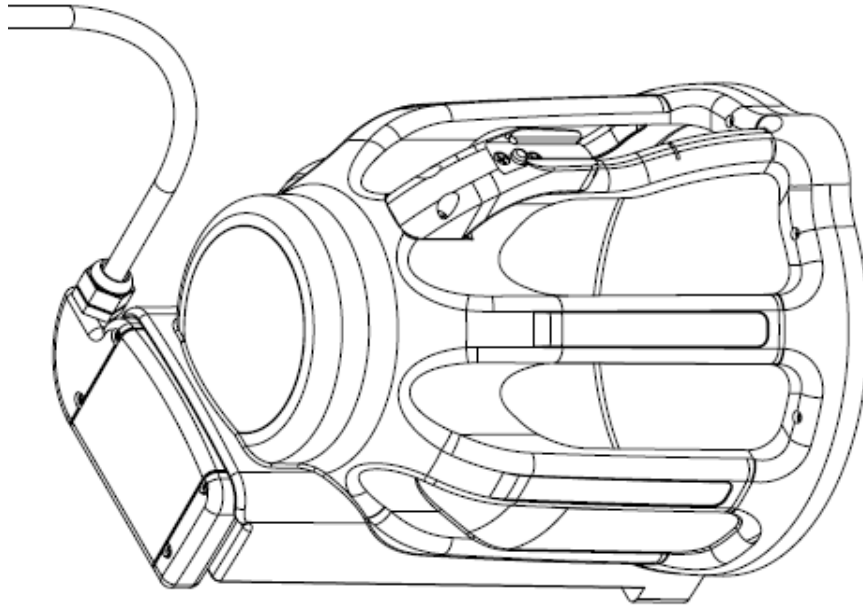
1. Refer to Detail A, B, C and D for following instructions.
2. Remove Mirror Assy (Item # 1) by pressing release button and sliding in the direction of arrow (superior direction) as shown in Detail A.
3. Remove the 4 Screws (Item # 3) securing the current Head Mirror Mount Kit (Item # 4) to the coil (Item # 2). See Detail B.
4. Remove the Head Mirror Mount Kit (Item # 4) from the coil. See Detail B.
5. Place the new field replaceable Head Mirror Mount Kit (Item # 4) on the coil. See Detail B.
6. Secure the new field replaceable Head Mirror Mount Kit (Item # 4) to the coil with 4 screws (Item # 3). See Detail B.
7. Attach Mirror Assy (Item # 1) by sliding back as shown in See Detail D.



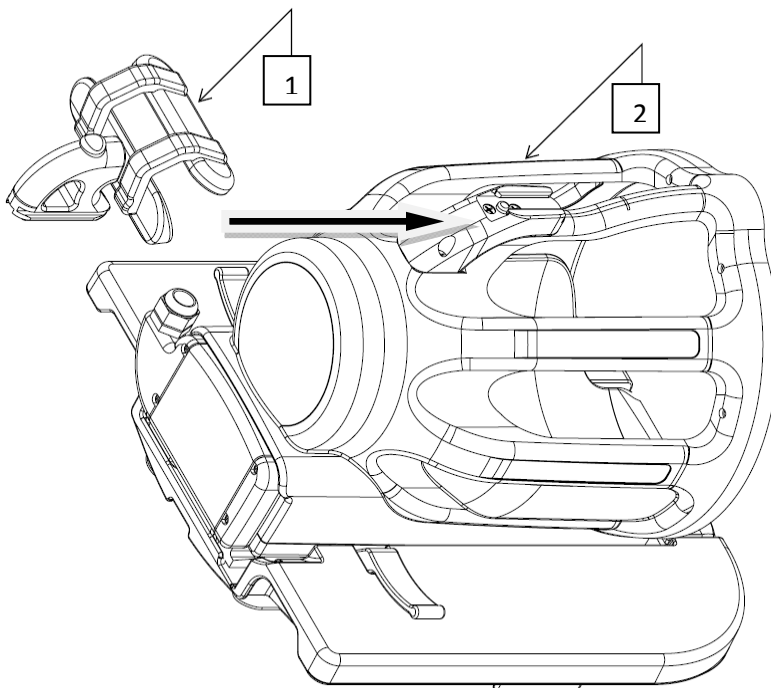
Detail A {Removal of Mirror Assy by pressing release button on the Mirror Assy and sliding in direction of arrow (superior direction)}



Detail B {Removal of current and Replacement of new Head Mirror Mount Kit by securing 4 screws}



Detail C {Assembled new Head Mirror Mount Kit}



Detail D {Replacement of Mirror Assy by sliding in direction of arrow (inferior direction)}