



Field Service Instruction
FRU, HEADBUCKET KIT, 1.5T & 3.0T 8CH
BRAIN COIL, GE

Document No.:
4535-303-36830

Revision: 3

Purpose: The purpose of this document is to provide instructions for the field replacement of 5147134-5 (4535-302-9078*) FRU, HEADBUCKET KIT, 1.5T & 3.0T 8CH BRAIN COIL. This FRU is compatible with the following coils:

- 5146634-2 (9896-031-0250*) 1.5T HD 8Ch HiRes Brain Array
- 2380637-2 (9896-031-0194*) 3.0T High Resolution Brain Array
- 2317112-2 (9896-031-0173*) Top Level Assy, 1.5T 8Ch HRB
- 5306772-2 (9896-031-0976*) 1.5T GE 8Ch HDe Value HRB Coil
- 5147134-2 (9896-031-0255*) HRH BRAIN COIL, 3.0T GE 8 CH

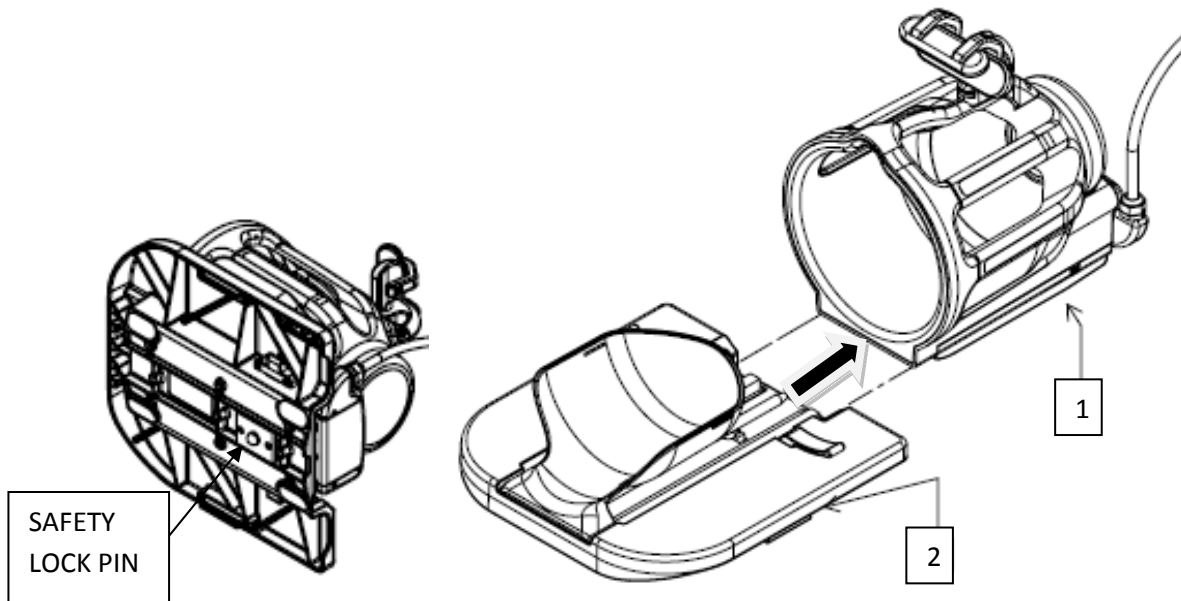
*(On product labeling, the revision number shall appear as the last digit replacing the * symbol.)*

Equipment

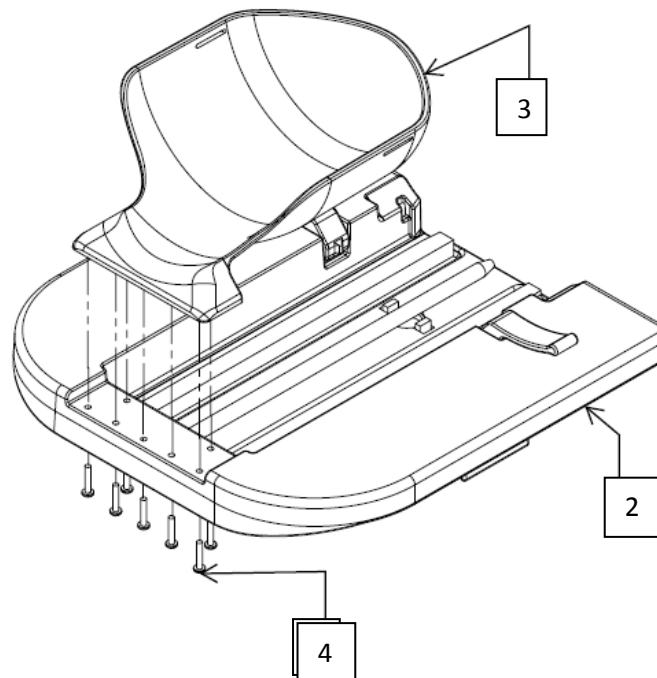
Required: Flat Head Screwdriver (3/16" Blade Dia X 6-5/8" Lg. Standard Fluted Flat Head Screwdriver suggested)

Instructions:

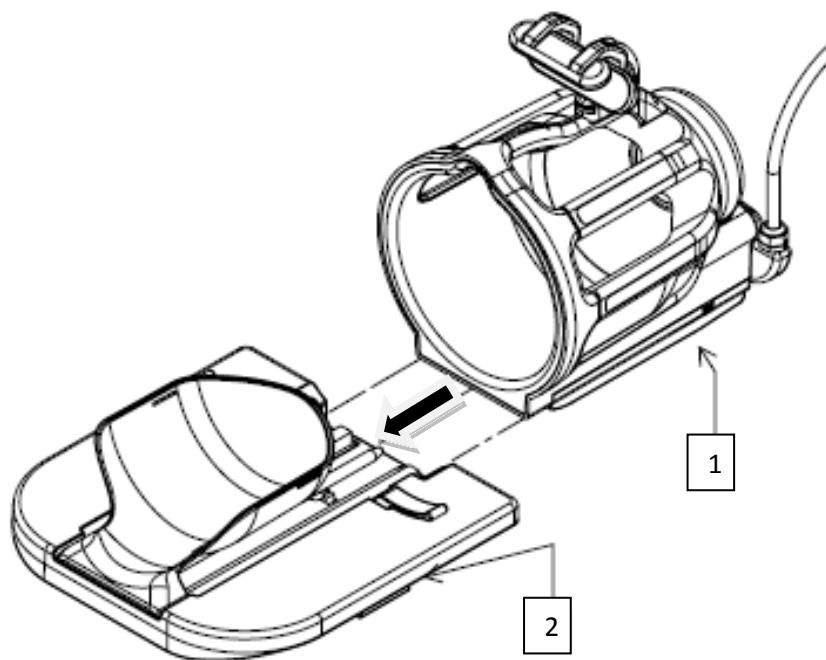
1. Refer to Detail A, B and C for following instructions.
2. Slide Brain Coil (Item # 1) out and separate from Baseplate (Item # 2). For HDe coils make sure to press safety pin below Baseplate while sliding. See Detail A.
3. Remove the 7 screws (Item # 4) securing the current Head Bucket Kit (Item # 3) to the Baseplate (Item # 2). See Detail B.
4. Remove the Head Bucket Kit (Item # 3) from the Baseplate (Item # 2).
5. Place the new field replaceable Head Bucket Kit (Item # 3) on the coil.
6. Secure the new field replaceable Head Bucket Kit (Item # 3) to the coil with 7 screws (Item # 4). See Detail B.
7. Slide back Brain Coil (Item # 1) and assemble with the Baseplate (Item # 2). See Detail C.



Detail A {Slide Brain Coil (Item # 1) and separate from Baseplate (Item # 2)}



Detail B {Removal and Replacement of Head Bucket Kit (Item # 3) by securing screw (Item # 4)}



Detail C {Slide Brain Coil (Item # 1) and assemble with Baseplate (Item # 2)}




Field Service Instruction
FRU, HEADBUCKET KIT, 1.5T & 3.0T 8CH
BRAIN COIL, GE

Document No.:
4535-303-36830

Revision: 2

Revision History

Revision	Date	Description of Changes	Initials	DCN
A	4/19/12	Initial Release		
1	4/27/12	Release	MV	11065
2		Added FRU compatible coil		
3		Updated instruction 2 and Detail A		

Approved By:  Ryan Law	Date <u>5/23/12</u>	Signature File:
---	------------------------	-----------------