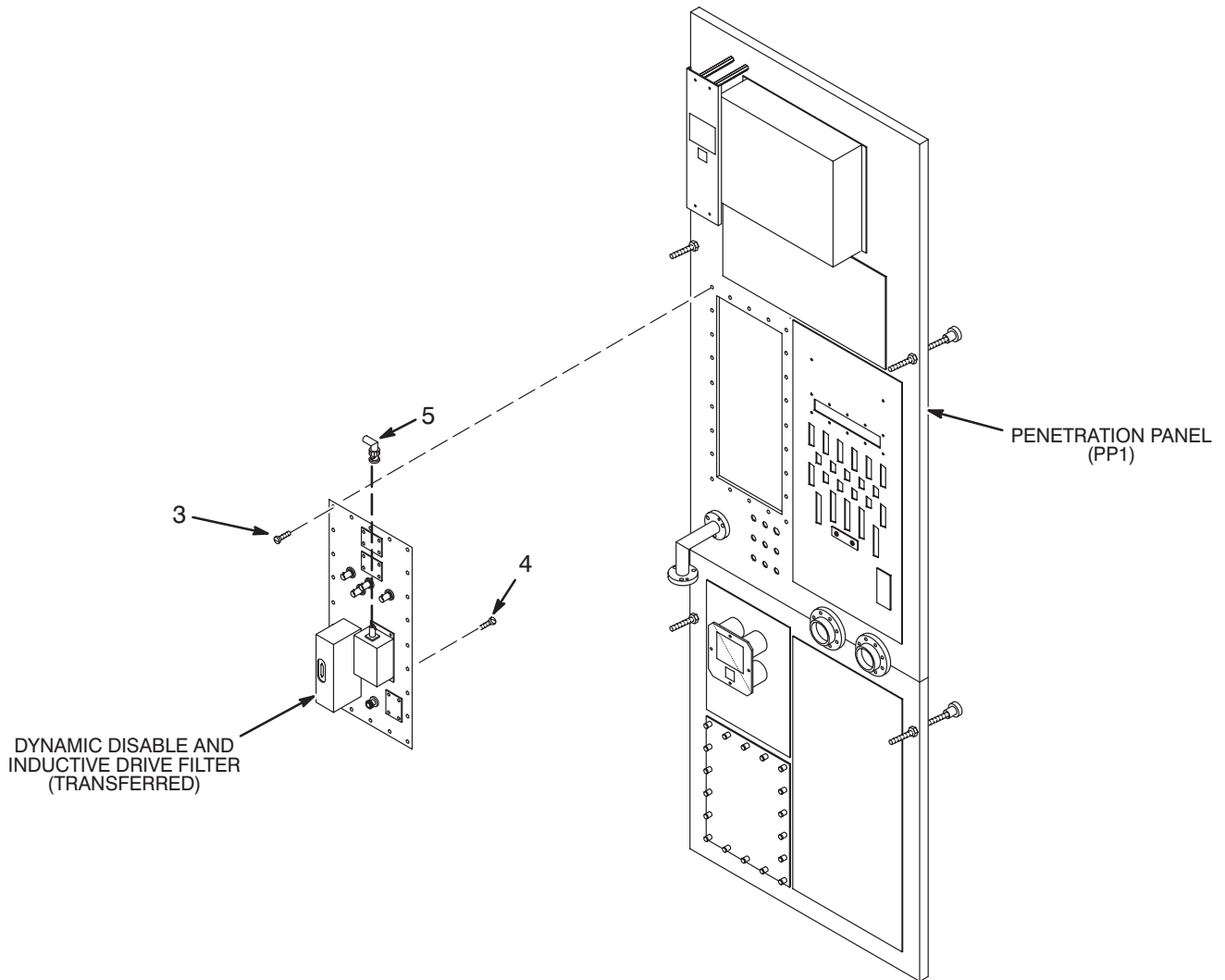


PENETRATION PANEL KIT

46-30775G1

PP1

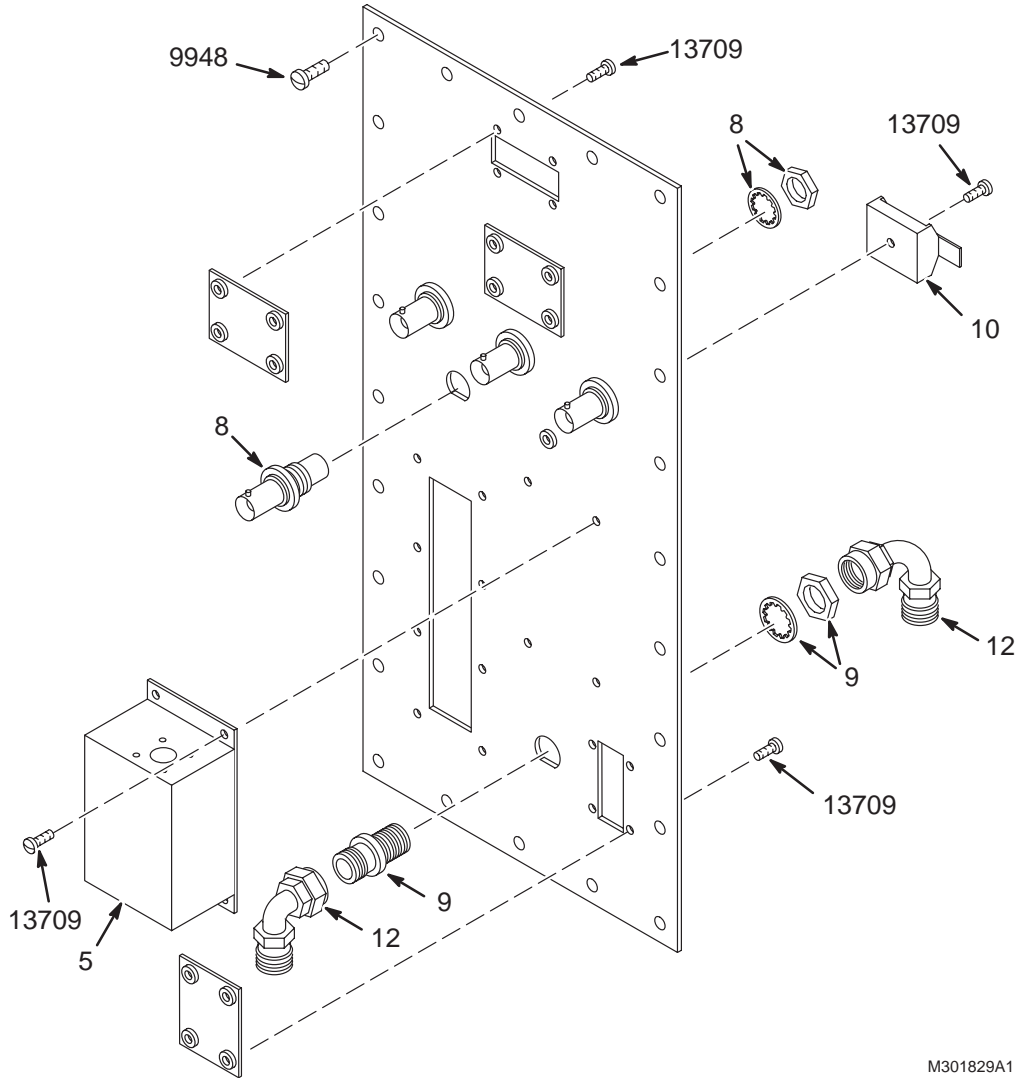


M3479A

PEN WALL KIT 46-30775G1 REV 1 PART OF M1040FF (PG 1) & M1040FK (PG 2)

Item	Part Number	FRU	Name	Quantity	Description (Remarks)
2	46-301829G1	N	PLATE ASM	1	20 dB GAIN BLOCK (PP1 A13) PLATE ASM (SEE PAGE 24)
3	46-208560P123	2	SCREW,MACH	24	010-32 X 0.375 LG BIND HD SST 18-8
4	516A770P604	2	SCREW,MACH	8	006-32 X 0.250 LG BIND HD SST 18-8
5	46-233422P1	2	BNC ANG AD	1	BNC JACK-PLUG, RIGHT ANGLE ADAPTER.

20 dB GAIN BLOCK (PP1 A13) PLATE ASM 46-301829G1



M301829A1

ADPT PLT ASM 46-301829G1 REV AD PART OF PEN WALL KIT (PG 23)

Item	Part Number	FRU	Name	Quantity	Description (Remarks)
2	46-301174P1	2	PLATE	1	SIGNA ADVANTAGE OPTION ADAPTER PLATE
5	46-264814G1	1	CIRCUIT BD	1	20 dB GAIN BLOCK (PP1 A13)
8	46-208990P1	2	ADAPTER	4	BNC BULKHEAD ADAPTER (JACK-JACK).
9	46-306505P1	2	ADAPTER	1	SC COAX ADAPTER JACK-JACK, PANEL MT.
10	46-220191P1	2	CLAMP	1	CABLE CLAMPS FOR FLAT CABLE
11	46-243775G743	2	CABLE	1	PP1-J79 TO PP1-A13-IN, 8" BNC COAX
12A	46-306507P1	2	ADAPTER	2	90 DEG. SC JACK TO SC PLUG ADAPTOR.
12B	46-306507P2	N	ADAPTER	ALT	USE 46-306507P1 FOR REPLACEMENTS
13709	516A770P604	2	SCREW,MACH	17	006-32 X 0.250 LG BIND HD SST 18-8