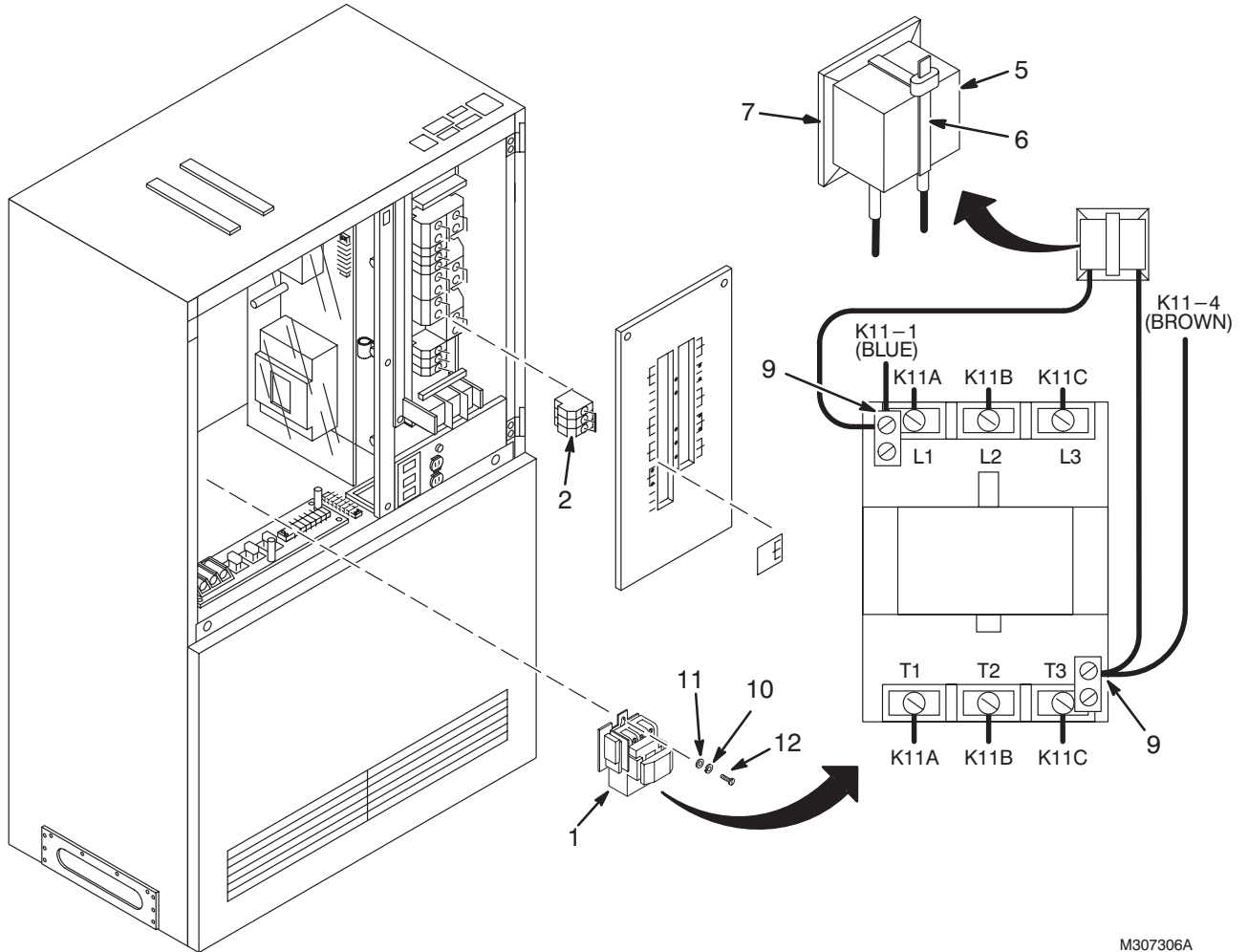


PDU FEEDER 5 KIT

46-301826G1

PD1 K11, CB7



M307306A

PDU KIT

46-301826G1

REV AE

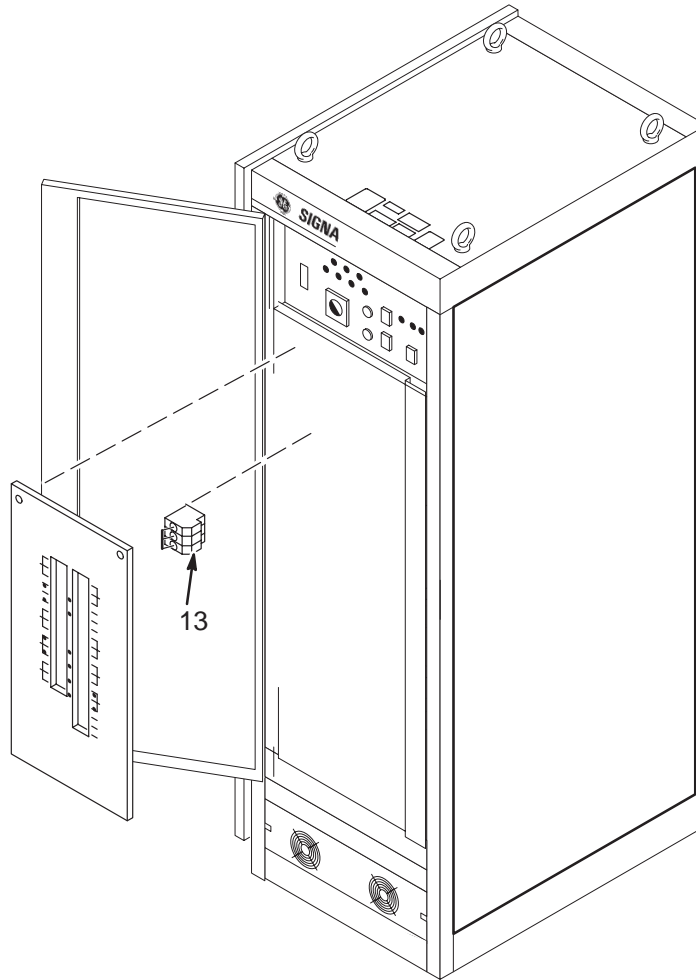
PART OF M1040FF (PG 1)

Item	Part Number	FRU	Name	Quantity	Description (Remarks)
1	46-221898P1	2	CONTACTOR	1	120VAC 60HZ 90A 600V NEMA SIZE 3
2	46-221905P33	2	CKT BREAKER	1	030.000 AMP 3 POLE FIG M UL/
5	46-265520G1	2	AC COIL FILT	1	AC COIL FILTER, "SNUBBER"
6	46-208758P2	2	STRAP	1	5.5" X .140" SELF-LOCKING CABLE TIE.
7	46-208747P2	2	MOUNT	1	CABLE TIE,ADH.BACKED
10	46-220181P6	2	WASHER,LOCK	3	SCREW SIZE 1/4 (0.250) STL NI PLT
11	1000904P171	2	WASHER,FLAT	3	ID 0.2660 OD 0.5000 THK .0320
12	46-220203P30	2	SCREW MACH	3	001/4-20 X 0.500 LG RD HD PHILLIPS
13	46-320337P1		CKT BREAKER	1	FOR COMPACT PDU (SEE NEXT PAGE)

PDU KIT

46-301826G2

PD1



M4171A

PDU KIT

46-301826G2

REV 0

PART OF M1040FK (PG 2)

Item	Part Number	FRU	Name	Quantity	Description (Remarks)
13	46-320337P1	2	CKT BREAKER	1	ON-LINE AAA 9100-118-06 3P 30A 240V