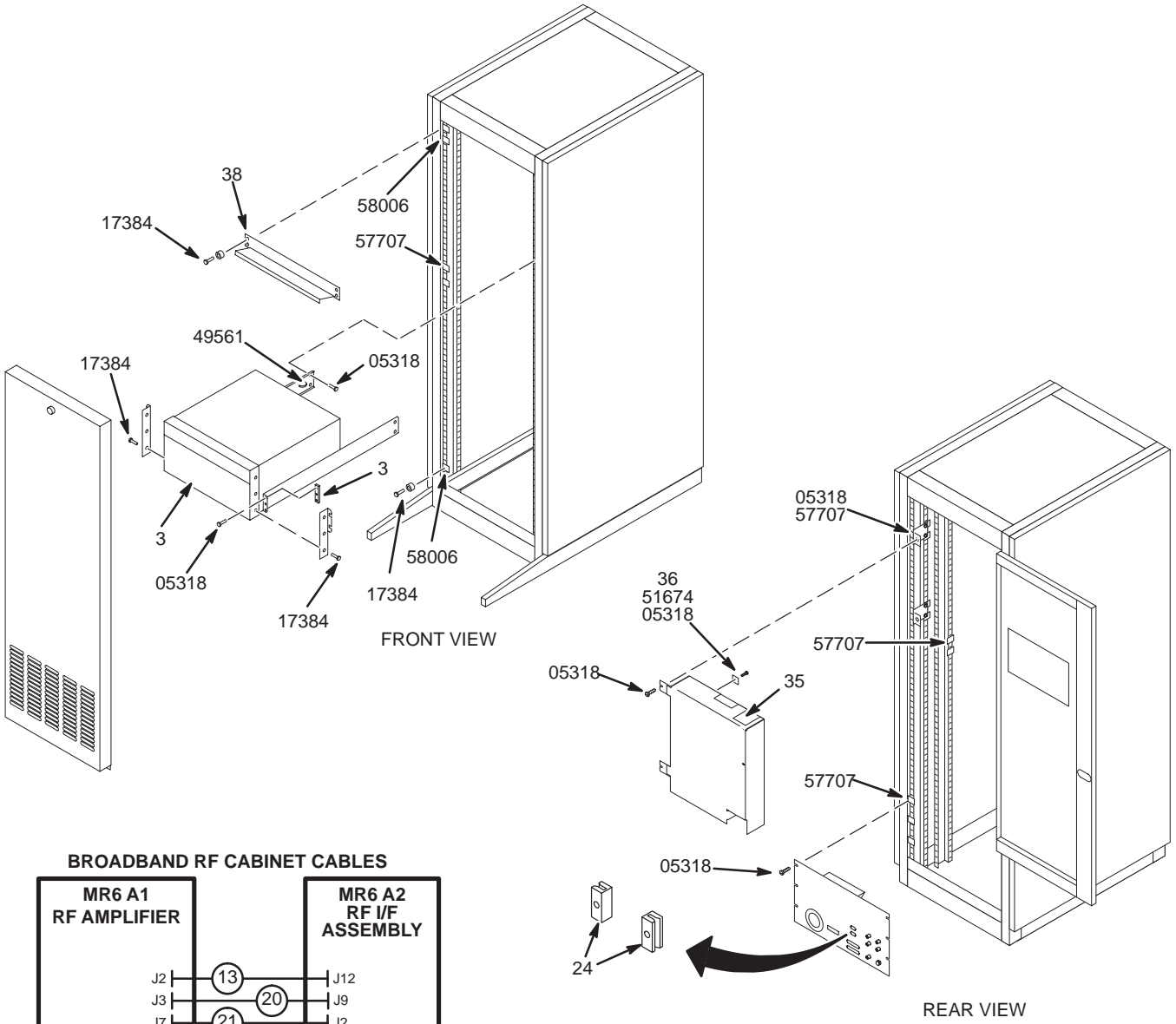


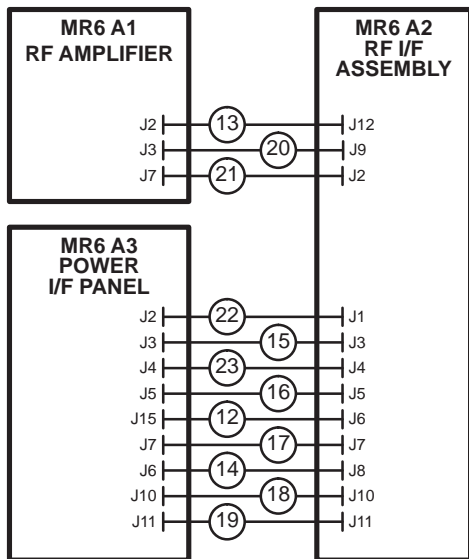
BROADBAND RF CABINET (FF)

MODEL 46-301697G2

MR6



BROADBAND RF CABINET CABLES



M301697A (G2)

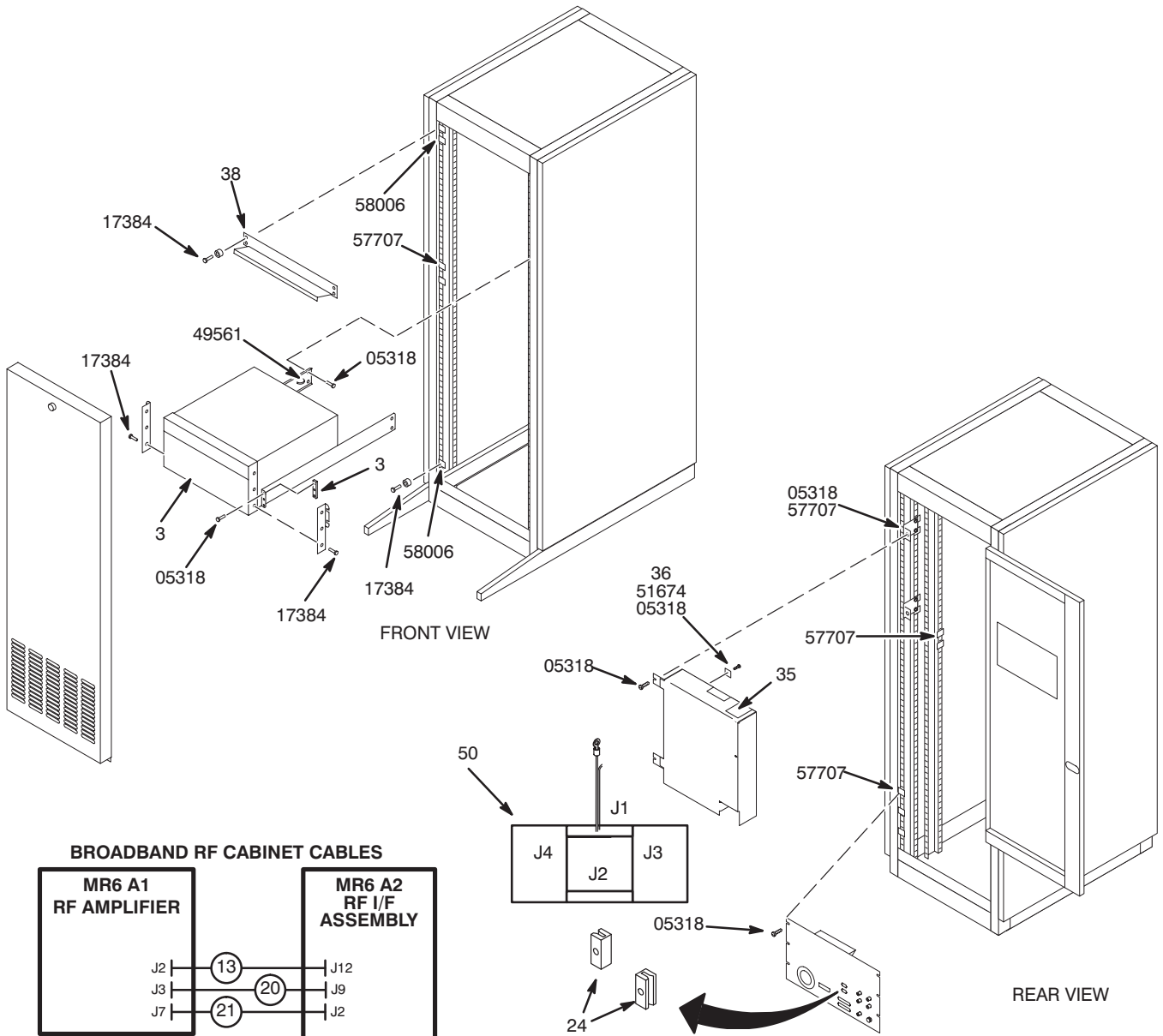
BB RF CABINET (FF) 46-301697G2 REV 4 PART OF M1040FF (PG 1)

Item	Part Number	FRU	Name	Quantity	Description (Remarks)
3	46-301464P1	1	BROADBAND AMP	1	ENI MRI-2000 RF AMPLIFIER + Cord, MR6 A1
	46-301464P2	1	BROADBAND AMP	1	ANALOGIC AN8063G RF AMPLIFIER + Cord, MR6 A1
4	46-301822G1	N	I/F ASSEMBLY	1	RF I/F ASSEMBLY, MR6 A2 (SEE PAGE 7)
5	46-301698G1	N	PWR I/F PANL	1	POWER I/F PANEL, MR6 A3 (SEE PAGE 11)
6	46-307298G1	2	COVER ASM	1	SLAM-LATCH FRONT COVER, SINGLE-BAY
9	46-258075G1	2	MTG. BRKT.	2	ANGLE BRACKET WITH 10-32 PEM NUTS
12	46-301772P1	2	CABLE	1	MR6-A3-J15 TO MR6-A2-J6, RF OUT COAX
13	46-301776P1	2	CABLE	1	MR6-A1-J2 TO MR6-A2-J12, ENI RF COAX
14	46-243775G711	2	CABLE	1	MR2-A2-J8 TO MR6-A3-J6, 5', 37 COND.
15	46-243775G712	2	CABLE	1	MR6-A2-J3 TO MR6-A3-J3, 4' RG58 COAX
16	46-243775G713	2	CABLE	1	MR6-A2-J5 TO MR6-A3-J5, 4' RG58 COAX
17	46-243775G714	2	CABLE	1	MR6-A2-J7 TO MR6-A3-J7, 5FT, 9 COND.
18	46-243775G715	2	CABLE	1	MR6-A2-J10 - MR6-A3-J10 4' RG58 COAX
19	46-243775G716	2	CABLE	1	MR6-A2-J11 - MR6-A3-J11 4' RG58 COAX
20	46-243775G717	2	CABLE	1	MR6-A1-J3 - MR6-A2-J9 6.5' RG58 COAX
21	46-243775G718	2	CABLE	1	MR6-A1-J7 TO MR6-A2-J2, 5' 15-COND.
22	46-243775G719	2	CABLE	1	MR6-A2-J1 TO MR6-A3-J2, 5FT, 9 COND.
23	46-243775G720	2	CABLE	1	MR6-A2-J4 TO MR6-A3-J4, 4' RG58 COAX
24	46-265067P1	2	CABLE MOUNT	4	I/F PANEL CABLE INTERCONNECT
35	46-221865P12	2	CONNECTOR	1	BNC PLUG TO N JACK STRAIGHT ADAPTER.
36	46-208718P4	2	CLAMP	1	ID 0.4375 LOOP TYPE
38	46-301989P1	2	BRACKET	1	FRONT COVER "SLAM LATCH" RETAINER
40	46-221865P3	2	CONNECTOR	1	UG-27B RT-ANGLE N, 50-OHM JACK-PLUG
5318	46-170015P6	2	SCR,SEMS	27	00010-32 X 0.500 LG BIND HD STL EXT
25858	46-208560P30	2	SCREW,MACH	3	010-32 X 0.500 LG BIND HD STL F70B5A
49561	46-208758P2	2	STRAP	21	5.5" X .140" SELF-LOCKING CABLE TIE.
51674	46-170012P39	2	NUT,LOCK	1	0010-32 HEX 3/8 NUT THK 1/8
57707	46-220288P1	2	NUT, CLIP	20	SELF-LOCKING 10-32 UNF

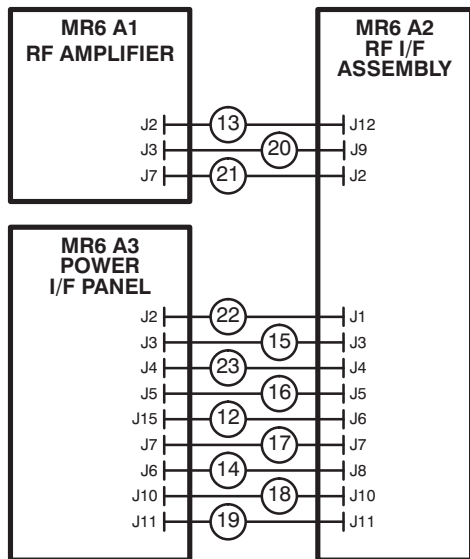
BROADBAND RF CABINET (FK)

MODEL 46-301697G3/G4

MR6



BROADBAND RF CABINET CABLES



M301697A  
(G2)

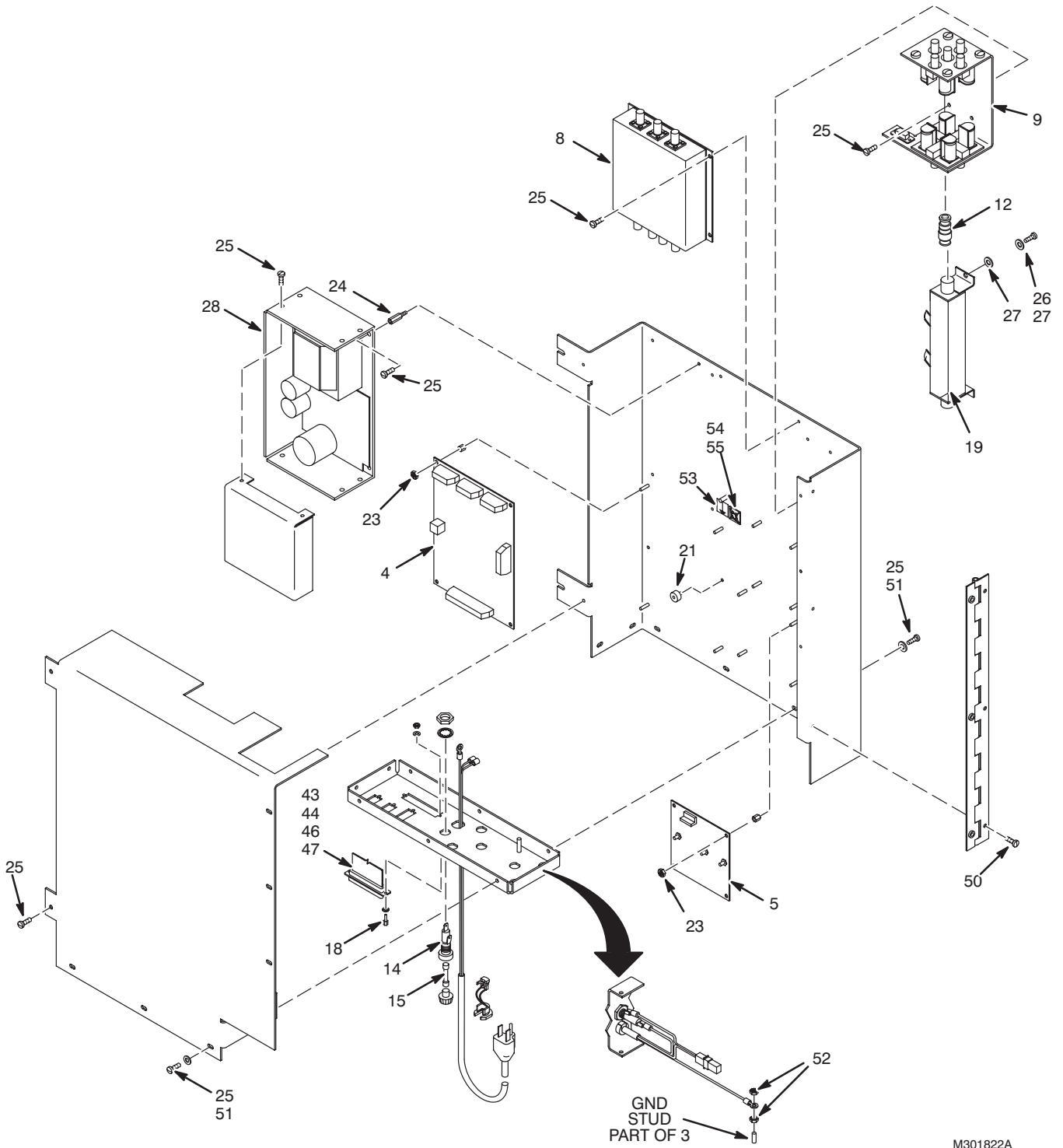
BB RF CABINET (FK) 46-301697G3/G4 REV 0 PART OF M1040FK (PG 1)

Item	Part Number	FRU	Name	Quantity	Description (Remarks)
3	46-301464P1	1	BROADBAND AMP	1	ENI MRI-2000 RF AMPLIFIER, MR6 A1
	46-301464P2	1	BROADBAND AMP	1	ANALOGIC AN8063G RF AMPLIFIER, MR6 A1
4	46-301822G2	N	I/F ASSEMBLY	1	RF I/F ASSEMBLY, MR6 A2 (SEE PAGE 9)
5	46-301698G1	N	PWR I/F PANL	1	POWER I/F PANEL, MR6 A3 (SEE PAGE 11)
6	46-307298G1	2	COVER ASM	1	SLAM-LATCH FRONT COVER, SINGLE-BAY
9	46-258075G1	2	MTG. BRKT.	2	ANGLE BRACKET WITH 10-32 PEM NUTS
12	46-301772P2	2	CABLE ASM	1	MR6-A3-J15 TO MR6-A4-J2, "N" RG/214
13	46-301776P1	2	CABLE	1	MR6-A1-J2 TO MR6-A2-J12, ENI RF COAX
14	46-243775G711	2	CABLE	1	MR2-A2-J8 TO MR6-A3-J6, 5', 37 COND.
15	46-243775G712	2	CABLE	1	MR6-A2-J3 TO MR6-A3-J3, 4' RG58 COAX
16	46-243775G713	2	CABLE	1	MR6-A2-J5 TO MR6-A3-J5, 4' RG58 COAX
17	46-243775G714	2	CABLE	1	MR6-A2-J7 TO MR6-A3-J7, 5FT, 9 COND.
18	46-328000G884	2	CABLE	1	MR6-A3-J10 TO MR6-A4-J3, 4' RG58 BNC
19	46-328000G885	2	CABLE	1	MR6-A3-J11 TO MR6-A4-J4, BNC COAX 4'
20	46-243775G717	2	CABLE	1	MR6-A1-J3 - MR6-A2-J9 6.5' RG58 COAX
21	46-243775G718	2	CABLE	1	MR6-A1-J7 TO MR6-A2-J2, 5' 15-COND.
22	46-243775G719	2	CABLE	1	MR6-A2-J1 TO MR6-A3-J2, 5FT, 9 COND.
23	46-243775G720	2	CABLE	1	MR6-A2-J4 TO MR6-A3-J4, 4' RG58 COAX
24	46-265067P1	2	CABLE MOUNT	4	I/F PANEL CABLE INTERCONNECT
35	46-221865P12	2	CONNECTOR	1	BNC PLUG TO N JACK STRAIGHT ADAPTER.
36	46-208718P4	2	CLAMP	1	ID 0.4375 LOOP TYPE
38	46-301989P1	2	BRACKET	1	FRONT COVER "SLAM LATCH" RETAINER
40	46-221865P3	2	CONNECTOR	1	UG-27B RT-ANGLE N, 50-OHM JACK-PLUG
50	2104697	1	DIR COUPLER	1	SPECTROSCOPY DIRECTIONAL COUPLER
5318	46-170015P6	2	SCR,SEMS	31	00010-32 X 0.500 LG BIND HD STL EXT
25858	46-208560P30	2	SCREW,MACH	3	010-32 X 0.500 LG BIND HD STL F70B5A
49561	46-208758P2	2	STRAP	21	5.5" X .140" SELF-LOCKING CABLE TIE.
51674	46-170012P39	2	NUT,LOCK	1	0010-32 HEX 3/8 NUT THK 1/8
57707	46-220288P1	2	NUT, CLIP	24	SELF-LOCKING 10-32 UNF

RF I/F ASSEMBLY (FF)

46-301822G1

MR6 A2



I/F ASSEMBLY (FF)                      46-301822G1                      REV AE                      PART OF BB CABINET (PG 4)

Item	Part Number	FRU	Name	Quantity	Description (Remarks)
4	46-264818G1	1	CIRCUIT BD	1	RF INTERFACE BOARD, MR6 A2 A4
5	46-264920G1	1	CIRCUIT BD	1	RF INPUT BOARD, MR6 A2 A7
6	46-288004G1	1	CIRCUIT BD	1	SENSOR DRIVER BOARD, MR6 A2 A5 (Obsolete by FMI 60420)
7	46-255754P5	1	SENSOR ELMNT	2	2500W, 25-60 MHZ SENSOR ELEMENT (Obsolete by FMI 60420)
8	46-264866G1	1	CIRCUIT BD	1	THREE-BAND LOW PASS FILTER MR6 A2 A2
9	46-301704G1	1	FILTER,RELAY	1	RELAY ASSEMBLY, MR6 A2 A3
12	46-221865P12	2	CONNECTOR	1	BNC PLUG TO N JACK STRAIGHT ADAPTER.
14	46-315759P1	2	FUSE HOLDER	1	FIG.B 3AG QUICK-CONN TABS UL/CSA
15	46-170021P30	2	FUSE	1	2.0A, 250V SLO-BLO FUSE.
16	46-208697P49	2	BUSHING	1	HEYCO PART NO.1207 SR-6P3-4 BLACK
17	46-307233G19	2	POWER CORD	1	79" W/PIN, PUSH-ON, & RING TERMINALS
18	46-221417P3	2	SCREWLOCK	4	FEMALE SCREWLOCKS FOR HD CONNECTORS.
19	46-301780P1	2	LINE SENSOR	1	50 OHM LINE SENSOR HOUSING (Obsolete by FMI 60420)
21	46-220182P1	2	BUMPER	2	0.500 OD X 0.25 THK W/ 6-32 X 0.25
23	46-170012P36	2	NUT,LOCK	14	6-32 HEX 5/16 NUT THK 7/64
24	46-208984P11	2	SPACER	4	HEX 0.250 THD EXT 6-32 INT 6-32
25	46-170015P19	2	SCR,SEMS	27	00006-32 X 0.375 LG BIND HD STL EXT
26	46-170015P6	2	SCR,SEMS	2	00010-32 X 0.500 LG BIND HD STL EXT
27	12-276	2	WASHER	5	ID 0.2040 OD 0.5630 THK .0478
28	46-301847G1	1	POWER SUPPLY	1	5VDC & 12VDC POWER SUPPLY, MR6 A2 A1
29	46-301915P1	2	CABLE	1	A3J3 TO A2J1, 4.4" RT ANGLE BNC COAX
30	46-301915P2	2	CABLE	1	A3J4 TO A2J3, 4.4" RT ANGLE BNC COAX
31	46-301915P3	2	CABLE	1	A3J8 TO A2J4, 5" RT ANGLE BNC COAX
32	46-301915P4	2	CABLE	1	A3J7 TO A2J2, 5" RT ANGLE BNC COAX
33	46-301915P5	2	CABLE	1	A3J6 TO A2J6, 7.3" RT ANGLE BNC COAX
34	46-301915P6	2	CABLE	1	A3J5 TO A2J5, 7" RT ANGLE BNC COAX
35	46-301918P1	2	CABLE ASM	1	A5J1 - A6J2 BNC & 90 DEG SMB 8" COAX
36	46-301918P2	2	CABLE ASM	1	A5J3 - A6J3 BNC & 90 DEG SMB 8" COAX
37	46-301923P1	2	CABLE ASM	1	A8J3 - A7J1 BNC JACK & SMB 5.5" COAX
38	46-301923P2	2	CABLE ASM	1	A8J5 - A7J3 BNC JACK & SMB 5.5" COAX
39	46-301923P3	2	CABLE ASM	1	A8J9 - A7J2 BNC JACK & SMB 5.5" COAX
40	46-301923P4	2	CABLE ASM	1	A8J11- A5J4 BNC JACK & SMB 8.5" COAX
41	46-301923P5	2	CABLE ASM	1	A8J10- A5J2 BNC JACK & SMB 8.5" COAX
42	46-301926P1	2	CABLE	1	A2J7 - A8J4 BNC JACK/PLUG 13.7" COAX
43	46-301949P1	2	RIBBON CABLE	1	A4J3 TO A8J7, 10 COND. FLAT CABLE
44	46-301949P2	2	RIBBON CABLE	1	A4J2 TO A8J1, 10 COND. FLAT CABLE
45	46-301949P3	2	RIBBON CABLE	1	A4J1 TO A3J9, 10 COND. FLAT CABLE
46	46-301950P1	2	RIBBON CABLE	1	A4J6 TO A8J8, 40 COND. FLAT CABLE
47	46-301951P1	2	RIBBON CABLE	1	A4J5 TO A8J2, 16 COND. FLAT CABLE
48	46-301929G1	2	HARNESS	1	DC POWER DISTRIBUTION CABLE HARNESS
50	46-208560P33	2	SCREW,MACH	3	008-32 X 0.375 LG BIND HD STL F70B5A
51	12-277	2	WASHER	11	ID 0.1770 OD 0.5000 THK .0478

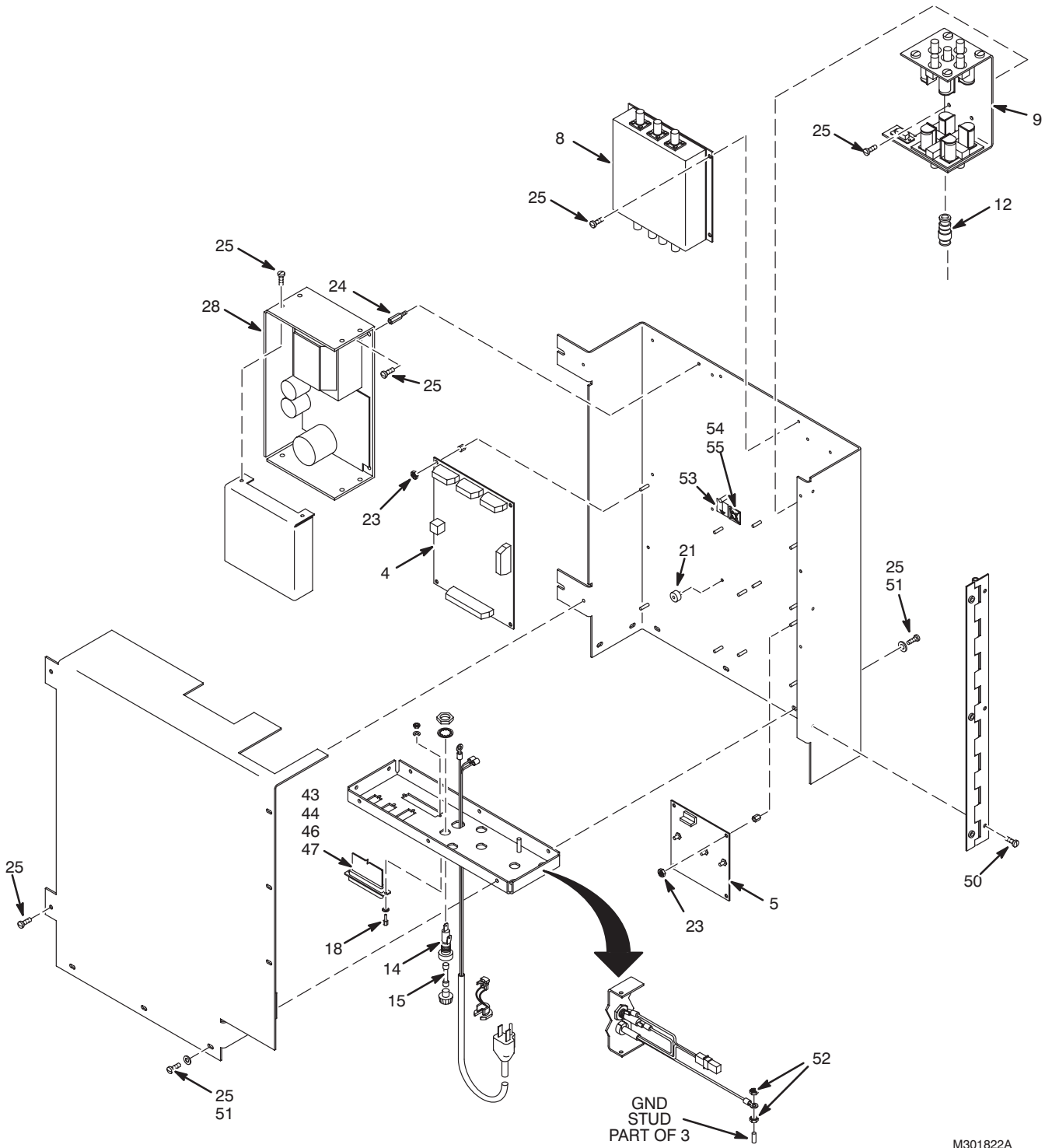
**FMI 60420 HARDWARE COMPONENTS**

19	2104697-2	1	DIR. COUPLER	1	Spectroscopy Directional Coupler replacing the 50 Ohm Line Sensor Housing and both Spectroscopy Sensor Elements
6	46-282520P13	N	SMB ADAPTOR	2	SMB to SMB Bullet Connector (AMP #228553-1) replacing the Sensor Driver Board

RF I/F ASSEMBLY (FK)

46-301822G2

MR6 A2



M301822A

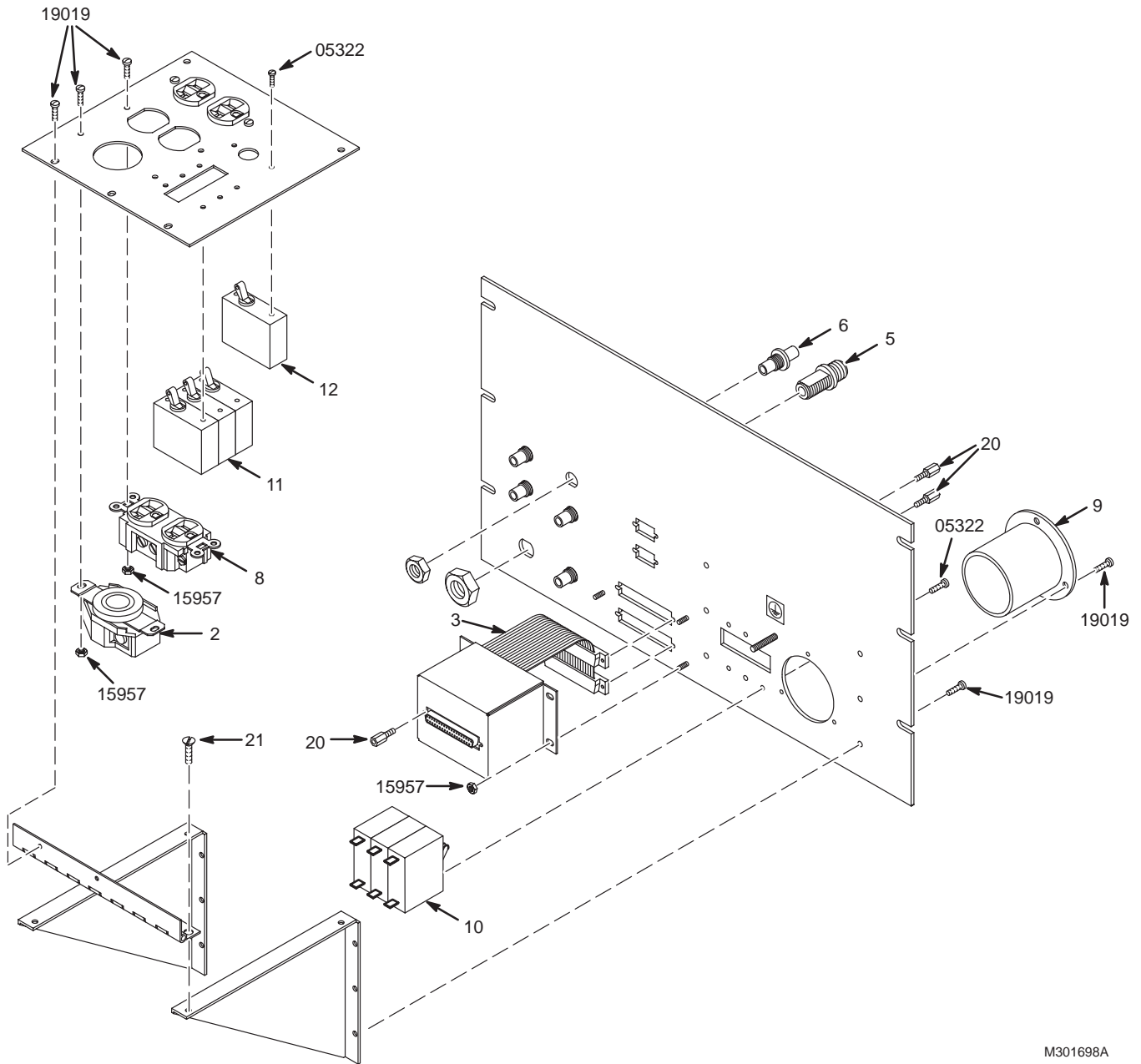
I/F ASSEMBLY (FK)                      46-301822G2                      REV 0                      PART OF BB CABINET (PG 6)

Item	Part Number	FRU	Name	Quantity	Description (Remarks)
4	46-264818G1	1	CIRCUIT BD	1	RF INTERFACE BOARD, MR6 A2 A4
5	46-264920G1	1	CIRCUIT BD	1	RF INPUT BOARD, MR6 A2 A7
8	46-264866G1	1	CIRCUIT BD	1	THREE-BAND LOW PASS FILTER MR6 A2 A2
9	46-301704G1	1	FILTER,RELAY	1	RELAY ASSEMBLY, MR6 A2 A3
12	46-221865P12	2	CONNECTOR	1	BNC PLUG TO N JACK STRAIGHT ADAPTER
14	46-315759P1	2	FUSE HOLDER	1	FIG.B 3AG QUICK-CONN TABS UL/CSA
15	46-170021P30	2	FUSE	1	2.0A, 250V SLO-BLO FUSE.
16	46-208697P49	2	BUSHING	1	HEYCO PART NO.1207 SR-6P3-4 BLACK
17	46-307233G19	2	POWER CORD	1	79" W/PIN, PUSH-ON, & RING TERMINALS
18	46-221417P3	2	SCREWLOCK	4	FEMALE SCREWLOCKS FOR HD CONNECTORS
21	46-220182P1	2	BUMPER	2	0.500 OD X 0.25 THK W/ 6-32 X 0.25
23	46-170012P36	2	NUT,LOCK	10	6-32 HEX 5/16 NUT THK 7/64
24	46-208984P11	2	SPACER	4	HEX 0.250 THD EXT 6-32 INT 6-32
25	46-170015P19	2	SCR,SEMS	27	00006-32 X 0.375 LG BIND HD STL EXT
28	46-301847G1	1	POWER SUPPLY	1	5VDC & 12VDC POWER SUPPLY, MR6 A2 A1
29	46-301915P1	2	CABLE	1	A3J3 TO A2J1, 4.4" RT ANGLE BNC COAX
30	46-301915P2	2	CABLE	1	A3J4 TO A2J3, 4.4" RT ANGLE BNC COAX
31	46-301915P3	2	CABLE	1	A3J8 TO A2J4, 5" RT ANGLE BNC COAX
32	46-301915P4	2	CABLE	1	A3J7 TO A2J2, 5" RT ANGLE BNC COAX
33	46-301915P5	2	CABLE	1	A3J6 TO A2J6, 7.3" RT ANGLE BNC COAX
34	46-301915P6	2	CABLE	1	A3J5 TO A2J5, 7" RT ANGLE BNC COAX
37	46-301923P1	2	CABLE ASM	1	A8J3 - A7J1 BNC JACK & SMB 5.5" COAX
38	46-301923P2	2	CABLE ASM	1	A8J5 - A7J3 BNC JACK & SMB 5.5" COAX
39	46-301923P3	2	CABLE ASM	1	A8J9 - A7J2 BNC JACK & SMB 5.5" COAX
42	46-301926P1	2	CABLE	1	A2J7 - A8J4 BNC JACK/PLUG 13.7" COAX
43	46-301949P1	2	RIBBON CABLE	1	A4J3 TO A8J7, 10 COND. FLAT CABLE
44	46-301949P2	2	RIBBON CABLE	1	A4J2 TO A8J1, 10 COND. FLAT CABLE
45	46-301949P3	2	RIBBON CABLE	1	A4J1 TO A3J9, 10 COND. FLAT CABLE
46	46-301950P1	2	RIBBON CABLE	1	A4J6 TO A8J8, 40 COND. FLAT CABLE
47	46-301951P1	2	RIBBON CABLE	1	A4J5 TO A8J2, 16 COND. FLAT CABLE
48	46-301929G1	2	HARNESS	1	DC POWER DISTRIBUTION CABLE HARNESS
50	46-208560P33	2	SCREW,MACH	3	008-32 X 0.375 LG BIND HD STL F70B5A
51	12-277	2	WASHER	11	ID 0.1770 OD 0.5000 THK .0478
52	46-170012P39	2	NUT,LOCK	2	0010-32 HEX 3/8 NUT THK 1/8
53	46-271110P1	2	LABEL	2	PROTECTIVE EARTH (GROUND)
54	46-208747P2	2	MOUNT	1	CABLE TIE,ADH.BACKED
55	46-208758P2	2	STRAP	2	5.5" X .140" SELF-LOCKING CABLE TIE.
56	46-221313P1	2	BUSHING	2	INSULATING BUSHING FOR BULKHEAD JACK
57	46-136323P36	2	TUB,SHRINK	.210	BLACK EXPANDED ID .500

POWER I/F PANEL

46-301698G1

MR6 A3



M301698A

PWR I/F PANL 46-301698G1 REV AE PART OF BB RF CABINT (PG 4 & 6)

Item	Part Number	FRU	Name	Quantity	Description (Remarks)
2	46-307544P1	2	RECEPTACLE	1	20A, 250V, 3-WIRE, 2 POLE, SOCKET
3	46-287390P1	2	RIBBON CABLE	1	37 CONDUCTOR, 9" LONG, 3 SUB-D PLUGS
5	46-221865P1	2	CONNECTOR	1	UG-30, N BULKHEAD, 50-OHM, JACK-JACK
6	46-208990P1	2	ADAPTER	4	BNC BULKHEAD ADAPTER (JACK-JACK).
8	46-287941P1	2	RECEPTACLE	2	20 AMP, 125V, DUPLEX RECEPTACLE,
9	46-317671P1	2	RECEPT,MALE	1	AMPS 30 VOLTS 120/208 POLES 4 WIRES
10	46-271382P10	2	CKT BREAKER	1	3 POLE, 30 AMP, STD TIME DELAY,
11	46-271382P9	2	CKT BREAKER	1	3 POLE, 20 AMP, STD TIME DELAY,
12	46-271382P6	2	CKT BREAKER	1	1 POLE, 15 AMP, STD TIME DELAY,
16	46-271110P1	2	LABEL	1	PROTECTIVE EARTH (GROUND)
20	46-221417P2	2	SCREWLOCK	3	FEMALE SCREWLOCK FOR HD CONNECTORS.
21	46-208908P18	2	SCREW,MACH	2	00006-32 X 0.250 SLOT FLT HD F70B5A
23	46-208761P1	2	STRAP	2	NATURAL NYLON, LOCKING CABLE TIE.
24	46-271110P5	2	LABEL	1	EQUIPOTENTIALITY
26	46-230194P1	2	CONNECTOR	1	50 OHM, BNC COAXIAL ADAPTOR.
5322	46-170015P10	2	SCR,SEMS	14	00006-32 X 0.250 LG BIND HD STL EXT
5792	46-170015P19	2	SCR,SEMS	18	00006-32 X 0.375 LG BIND HD STL EXT
15957	46-170012P36	2	NUT,LOCK	12	6-32 HEX 5/16 NUT THK 7/64
16755	46-208935P8	2	NUT,HEX,MS	2	001/4-20 .438 X .188 THK BR
17233	46-208599P5	2	WASHER,LOCK	3	SCREW SIZE 1/4 EXTERNAL TOOTH
17882	46-220184P52	2	SCREW MACH	1	01/4-20 X 0.750 LG RD HD SLOT BRASS
51674	46-170012P39	2	NUT,LOCK	4	0010-32 HEX 3/8 NUT THK 1/8