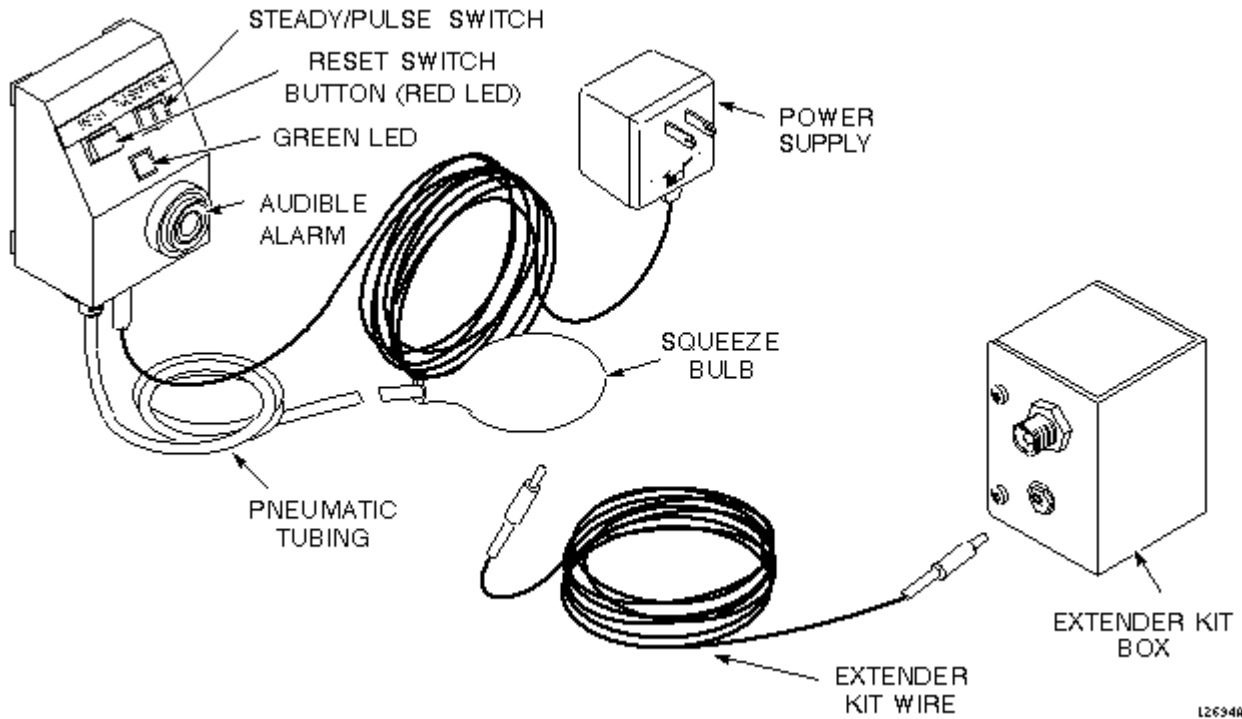


TABLE OF CONTENTS

| | |
|---|---|
| TABLE OF CONTENTS | 1 |
| 1- PNEUMATIC PATIENT ALERT SYSTEM COMPONENT LOCATIONS | 2 |
| REVISION HISTORY..... | 5 |

1- PNEUMATIC PATIENT ALERT SYSTEM COMPONENT LOCATIONS

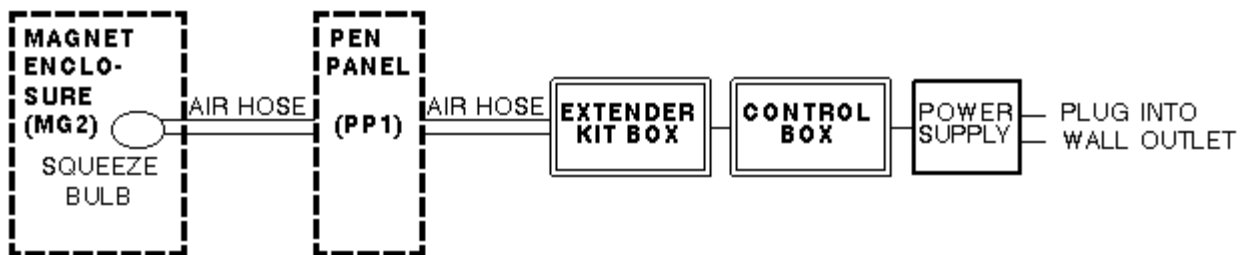
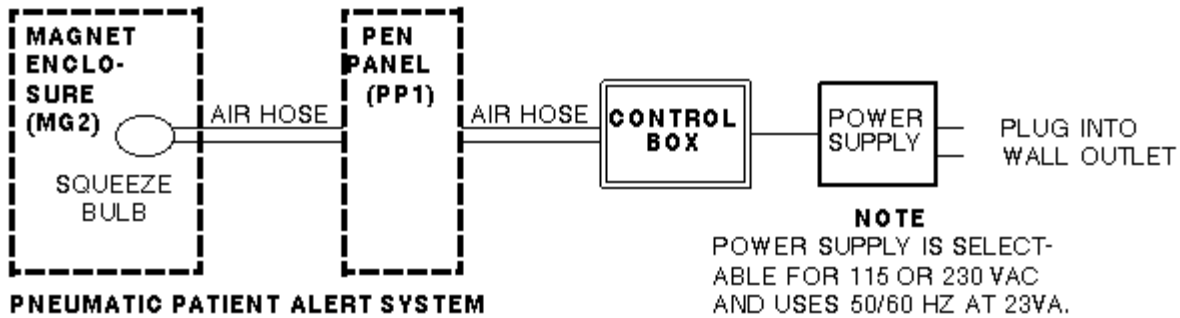
See Illustration 1-1 for Pneumatic Patient Alert System component locations.



PNEUMATIC PATIENT ALERT SYSTEM COMPONENT LOCATIONS
ILLUSTRATION 1-1

1- PNEUMATIC PATIENT ALERT SYSTEM COMPONENT LOCATIONS (continued)

See Illustration 1-2 for Pneumatic Patient Alert interconnects.



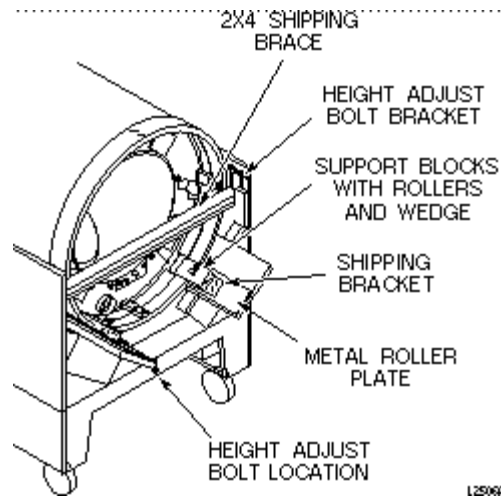
SIGNA ADVANTAGE 1.5T, 1.0T, & 0.5T - PATIENT HANDLING
PNEUMATIC PATIENT ALERT SYSTEM
 SHEET 1 OF 1

L2636A

PNEUMATIC PATIENT ALERT SYSTEM
 ILLUSTRATION 1-2

1- PNEUMATIC PATIENT ALERT SYSTEM COMPONENT LOCATIONS (continued)

For more information on pneumatic patient alert see Illustration 1-3.



**PNEUMATIC PATIENT ALERT
ILLUSTRATION 1-3**

REVISION HISTORY

| REV | DATE | AUTHOR | PRIMARY REASONS FOR CHANGE |
|-----|----------------|------------|-----------------------------------|
| A | April 27, 1998 | W. Pasciak | Initial release converted to Word |
| | | | |
| | | | |
| | | | |