



GE Medical Systems

Technical Publications

Direction 2186374

Revision 2

Signar Horizont 8.x Video Option Installation

Copyright© 1997 by General Electric Company

Operating Documentation

SECTION 1 – INTRODUCTION

The Indigo² Video package enables you to conduct video conferences, output graphics to videotape, display video in a graphics window, and save (capture) video to hard disk.

Total installation time for the hardware is two hours for one installer working efficiently.

Installation instructions are also found in illustrations as numbered “steps”. The procedures are sequenced to optimize installation efficiency. Review step sequence (read the manual) before starting to have a time-effective installation. Past experience and the “instinctively obvious” may not always be the most efficient way.

Note

Before starting, take time to review the entire installation procedure for this option. Verify that the installation can be completed before shutting the customer down by checking availability of the prerequisites that are required and other items that may be needed.

1-1 HORIZON 8.X OPTIONS INSTALLED BY THIS MANUAL

This manual describes installation of the following options:

Catalog M1090SZ – VCR Interface Kit

Catalog M1090SY – Video Conferencing Kit (M1090SZ is a prerequisite)

1-2 CONTENTS OF VIDEO OPTION

M1090SZ is for Signa Horizon 8.x systems only.

1. Indigo² Video Board
2. IndyCam Camera
3. Wrist Strap
4. Indigo² Video Cable
5. Video-graphic Cables
6. Pull Straps (3 sets)
7. 4 Standoffs
8. Standoff Wrench
9. Screwdriver
10. IMPACT™ Digital Media CD (Not applicable for this installation)
11. Indigo² Video™ for Indigo² IMPACT™ Owner's Guide
12. IndyCam™ Installation Guide for Indigo²™ Workstations
13. Microphone

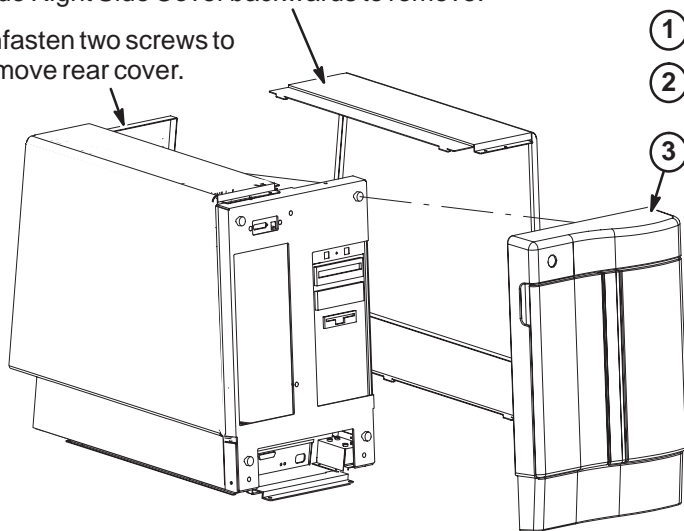
SECTION 2 – VIDEO BOARD INSTALLATION

2-1 REMOVE GRAPHIC BOARD (MARDI GRAS) SET

1. Remove front, rear, and sides covers from the OW Cabinet. See illustration below.

④ Unfasten screws (front top and bottom rear) and slide Right Side Cover backwards to remove.

⑤ Unfasten two screws to remove rear cover.



① Shutdown Signa software.

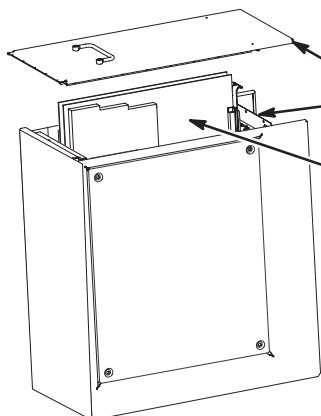
② Power off the Host computer. At the PDU, turn off the Host circuit breaker (Lockout/Tagout).

③ Remove front cover (pull on top sides).

2. Remove SGI top cover and IP graphic board (Mardi Gras) set. See Illustration below.



Static electricity can damage circuit boards and other delicate electrical equipment. Always use appropriate ESD procedures and an ESD Kit. Use a grounding wrist strap and ESD Storage Bag.



① Disconnect Network Hub power cable (not shown) located above top cover.

② Remove top SGI cover (loosen 3 screws at rear).

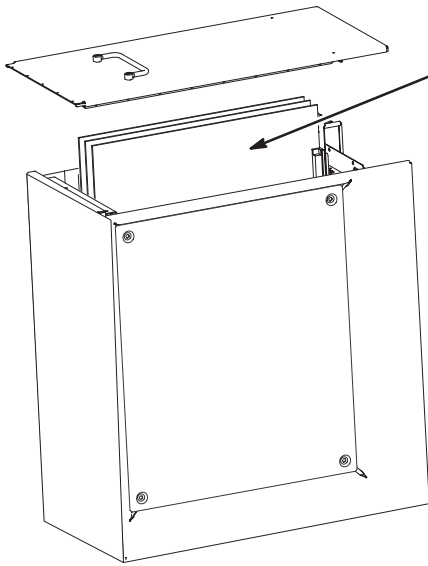
③ Carefully remove graphic board* set (3 screws hold board set in card rack).

***CAUTION
Use appropriate static handling.**

2-2 INSTALLING THE INDIGO² VIDEO BOARD ON THE GRAPHIC BOARDS

Refer to the Indigo² Video™ for Indigo² IMPACT™ Owner’s Guide, pages 12 thru 21, *Installing the Indigo² Video Board*, for installing the Indigo² Video Board to the Mardi Gras two-board set removed in section 2-1. On future revisions of the Owner’s Guide you may find this section starting on a different page.

2-3 INSTALLING THE GRAPHIC/VIDEO BOARD SET INTO THE SGI



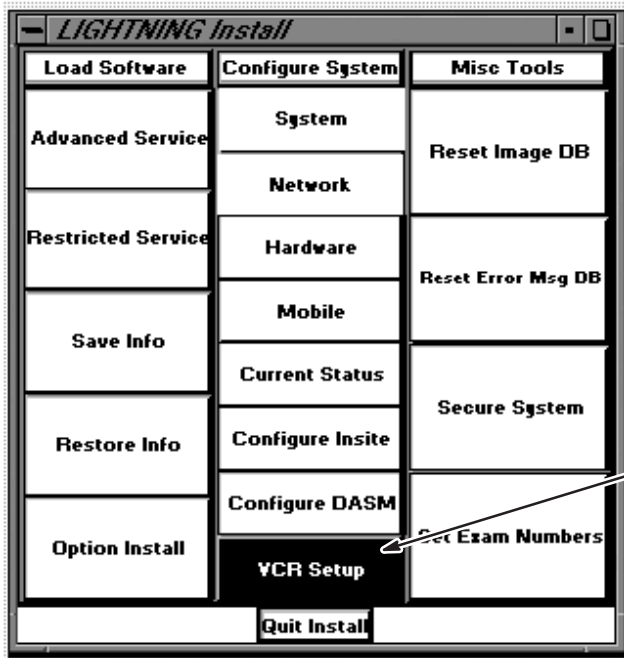
- ① Slide Graphic/Video board* set into SGI. Fasten screws previously removed.

***CAUTION**

Use appropriate static handling.

- ② Reinstall SGI cover.
- ③ Connect Network Hub power cable (not shown) located above SGI cover.
- ④ Reinstall all covers (except back cover).
- ⑤ Turn power back ON.
- ⑥ Boot Signa software.

2-4 SELECT VIDEO FORMAT



- ① From the Service Desktop, click on [Install]. Enter preferred video standard (NTSC or PAL) using the VCR Setup selection on the Lightning Install menu.

SECTION 3 – INSTALL VIDEO CABLES (M1090SZ)

Note

Do not use the IMPACT™ Digital Media CD supplied with the Interface Kit. The VCR setup information is located on the MR Service Methods CD-ROM.

3-1 INSTALL INDIGO² VIDEO CABLE

1. Refer to the Indigo² Video™ for Indigo² IMPACT™ Owner's Guide, page 48–49, *Recording Indigo² Sessions on Videotape*, for connecting Indigo² video cable to SGI.
2. Install Rear Cover on Operator Workspace cabinet after connecting video cable.

3-2 VIDEO SETUP

1. Refer to the Indigo² Video™ for Indigo² IMPACT™ Owner's Guide, pages 50–52, *Recording Indigo² Sessions on Videotape*, for setting up the video for VCR recording.
2. If necessary, refer to page 33 for checking and troubleshooting the installation.

SECTION 4 – INSTALL INDYCAM (M1090SY)

This option is available beginning with Release 8.1 software.

Note

Do not use the IMPACT™ Digital Media CD supplied with the Interface Kit. The Video Conferencing setup information is located on the MR Service Methods CD-ROM.

4-1 CONTENTS OF VIDEO CONFERENCING OPTION

1. Videoconference Option Floppy (2162030)
2. IndyCam Extension Cable (2181124)

4-2 CONNECT INDIGO² VIDEO CABLE AND INDYCAM CAMERA

This option is available beginning with Release 8.1 software.

1. Remove Rear Cover on Operator Workspace cabinet.
2. Refer to the Indigo² Video™ for Indigo² IMPACT™ Owner's Guide, pages 31 and 32, *Connecting the Cables and IndyCam Camera*, for connecting video cable and IndyCam camera to Indigo² Video board in SGI. Install the Extension Cable (2181124) between the IndyCam Camera and the video board.

Note

The Video Conferencing option uses the keyboard microphone.

3. Install the Video Conferencing software option floppy (2162030). Refer to the Host Software Install procedure on the MR Service Methods CD-ROM, section 10 – Software Options Installation.
4. Perform "Video Conferencing Checks" procedure on the MR Service Methods CD-ROM. If necessary, refer to pages 33 thru 35 in the Indigo² Video™ for Indigo² IMPACT™ Owner's Guide for troubleshooting the installation.
5. Install Rear Cover on Operator Workspace cabinet after connecting video cable.