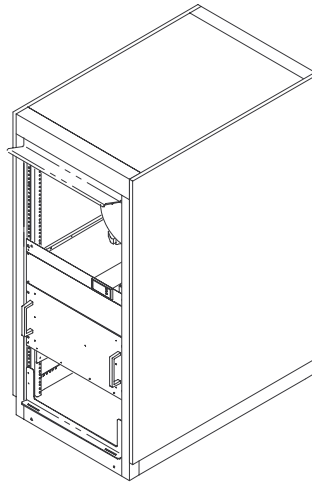


# SECTION 17 – TAC CABINET

## TABLE OF CONTENTS

**SECTION**

**PAGE**



17-1	TwinSpeed ACCESSORY CABINET (TAC) .....	2239500 .....	17-2
17-2	TwinSpeed ACCESSORY CABINET (TAC) w/SIMPLIFIED VACUUM REGULATOR ....	5116064 .....	17-6



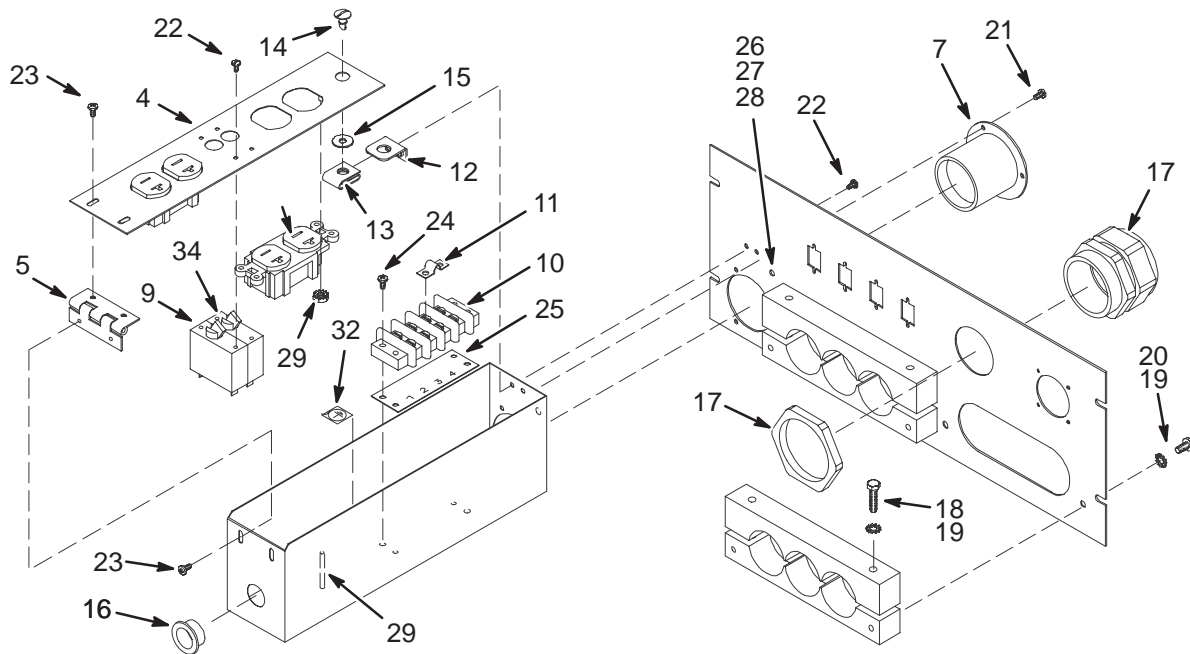
TwinSpeed ACCESSORY CABINET ASM 2239500 FRU N

(PART OF

Item	Part Number	FRU	Name	Quantity	Description (Remarks)
2	2251300	N	ASSEMBLY	1	TWIN ACCESSORY BASIC CABINET ASM
3	2292007	N	COVER ASM	1	TWIN CABINET FRONT COVER ASM
4	2292008	N	I/F PNL ASM	1	TWIN CABINET INTERFACE POWER PANEL (SEE PAGE 17-4)
5	2282045	1	PUMP	1	TWIN VACUUM PUMP SUPPLY
	2282045-2	1	FRU	1	TWIN VACUUM PUMP TIP SEAL KIT
6	2329620	N	GAGE	1	VACUUM SENSOR GAUGE (SEE PAGE 17-5)
7	2253466	1	BOX SIWTCH	1	TWIN GRAD SWITCH BOX
8	2293754	1	FAN,COOLING	3	TWIN COOLING FAN
9	2293755	N	GRILL, FAN	3	TWIN COOLING FAN GRILL
10	2292021	N	PLATE	1	TWIN CABINET MOUNTING PLATE
11	46-306565P1	1	AIR FILTER	1	RESEARCH PRODUCTS 10"EZ-CLEAN FILTER
12	46-306565P2	1	AIR FILTER	1	ALUMINUM MESH AIR FILTER 10 X 10
13	2142125-2	N	COVER	1	COVER FOR TWIN ACCESSORY CABINET
15	2109866-13	N	SCREW	4	SCREW HEXAGON HEAD 6 MM 25 MM
16	2279742-2	N	SCREW	18	SCREW PAN HEAD 5 MM 16 MM
17	2103585-5	N	SCREW	15	SCREW PAN HEAD 4 MM 16 MM
19	46-328425P1	N	NUT	12	NUT HEXAGON 4 MM
21	2109878-7	N	WASHER	12	WASHER PLAIN - NORMAL 5.3 MM 10 MM
22	2317283	N	WASHER, FLAT	4	M6 FIBERGLASS FLAT WASHER
23	46-265067P1	N	CABLE MOUNT	6	I/F PANEL CABLE SCREWLOCK CONNECTOR
26	2293607	N	HOSE,FLEXIBL	13	FLEXIBLE VACUUM HOSE
27	2293608	N	RING, CENTER	4	QF25 CENTERING RING W/O-RING
28	2293609	2	ELBOW	1	QF25 ELBOW (MACROVAC)
29	2293616	2	CONNECTORS	3	QF25 TO 1" HOSE CONNECTOR (MACROVAC)
30	2293618-2	2	CLAMP	4	QF25 CHAIN CLAMP
31	2294010-3	2	HOSE CLAMP	8	WORM DRIVE, 3/4 TO 1-1/2 DIA, SST
32	2283292	N	CABLE	1	(975) PC-RS232 TO TWIN GSW J6
33	2263200-92	N	CABLE COLL	1	TAC-J12 TO GSW-J5
34	2284301	2	CABLE	1	VAC GAUGE TO TAC CABLE
35	2296931-2	N	CABLES	1	GRADIENT SWITCH POWER CABLE
36	2296931-3	N	CABLES	1	VACUUM PUMP POWER CABLE
37	2296931-4	N	CABLES	1	VACUUM GAUGE POWER CABLE
38	46-271110P1	1	LABEL	2	LABEL, PROTECTIVE EARTH (GROUND)
40	46-328425P2	N	NUT	2	NUT HEXAGON 6 MM
41	46-208758P3	N	TY-RAP	10	7.31" X .184" SELF-LOCKING CABLE TIE
42	46-208758P5	N	TY-RAP	2	SELF LOCKING CABLE TIE
46	2290281	N	PART	1	TWIN GRADIENT GROUND WIRE
47	2302524	N	KIT OF PARTS	1	TRM ACCESS CABINET LABELS
49	46-170686P2	N	ADHESIVE	AR	LOCTITE 242, 10CC
51	2297760	N	MISCELLANEOU	AR	VACUUM GREASE MSDS# 8366442
52	2315708	N	FITTING	2	HOSE FITTING
53	2317288	N	VALVE, SOLEN	1	2-WAY, N.C. ZERO DIF SOLENOID VALVE
54	2316569	N	BRACKET	1	VALVE BRACKET
55	2309113	1	CHASSIS	1	VACUUM REGULATOR ASSEMBLY
56	2109873-24	N	SCREW	10	SCREW PAN HEAD 6 MM 12 MM
57	2316981	N	CABLE PT	1	VALVE CABLE
58	46-252065P19	N	MATERIALS	AR	TEFLON TAPE .50 WIDE
59	2317302	N	CABLE PT	1	CORDSET 10A
60	46-328425P12	N	NUT	3	NUT HEXAGON 8 MM
61	2318461	N	CLAMP	1	VACUUM HOIST CLAMP
62	2319180	N	SHACKLE	1	SST 3/16" ANCHOR SHACKLE
63	2293618	1	CLAMP	1	QF16 CHAIN CLAMP
64	2293608-2	1	RING, CENTER	1	QF16 CENTERING RING W/O-RING
65	2293617	1	TEE	1	QF25/25/16 REDUCING TEE (MACROVAC)
66	2356662	1	PART	1	MECHANICAL ABSOLUTE VACUUM REGULATOR

TAC INTERFACE POWER PANEL

2292008



TAC INTERFACE POWER PANEL

2292008 FRU N

(PART OF 2239500 PAGE 17-3)

Item	Part Number	FRU	Name	Quantity	Description (Remarks)
4	2292017	N	COVER	1	TWIN CABINET POWER BOX COVER
5	2287295	N	PART	1	HINGE, POWER BOX
6	2178952	N	CLAMP	2	CABLE CLAMP FOR SGD CABINET
7	2297667	1	HARNESS	1	HUBBELL RECEPTACLE WIRE HARNESS
8	46-287941P1	N	CONNECTOR	2	20 AMP, 125V, DUPLEX RECEPTACLE,
9	46-271382P6	1	CIRCUIT BREA	1	1 POLE, 15 AMP, STD TIME DELAY,
10	46-221880P4	N	TERMINAL	1	04 TERMINALS 50 AMP 1700 VOLTS
11	46-220492P4	N	TERMINAL	1	JUMPER WITH 0.69" CENTERS,
12	46-243709G1	N	BRACKET	1	COVER LATCH RETAINER MOUNT BRACKET
13	46-316410P1	N	FASTENER	1	RECEPTACLE CLIP-ON, SOUTHCO
14	46-220370P6	N	FASTENER	1	STUD, OVAL HD 1/4 TURN SOUTHCO
15	46-316411P1	N	FASTENER	1	RETAINER SPLIT RING TYPE
16	46-208695P61	N	BUSHING	1	HEYCO PART NO.2126 SB-875-11 BLACK
17	2293759	N	STRAIN RELIE	1	TWIN VACUUM HOSE STRAIN RELIEF
18	46-328416P17	N	SCREW	4	SCREW HEXAGON HEAD 6 MM 50 MM
19	46-328433P3	N	WASHER	8	WASHER LOCK - EXTERNAL 6.4 MM 11 MM
20	46-328421P27	N	SCREW	4	SCREW PAN HEAD 6 MM 25 MM
21	46-328421P15	N	SCREW	3	SCREW PAN HEAD 4 MM 12 MM
22	46-170015P10	N	SCREW	6	SEMS, 6-32 X .25
23	2103585	N	SCREW	4	SCREW PAN HEAD 4 MM 8 MM
24	46-328421P17	N	SCREW	2	SCREW PAN HEAD 4 MM 20 MM
25	2304974	N	STRIP MARKER	1	1-4 HORIZONTAL READING MARKING STRIP
26	46-220184P54	N	SCREW	1	SCREW
27	46-208599P5	N	WASHER	1	1/4" SCREW SIZE EXTERNAL TOOTH STEEL
28	46-208935P8	N	NUT	2	1/4-20, 7/16" HEX X 3/16 THK, BRASS
29	46-312346P2	N	NUT	12	NUT, M4 X 0.7 HEX WITH LOCK WASHER
31	2297666	N	HARNESS	1	TAC PDU WIRE HARNESS
32	46-271110P1	1	LABEL	2	LABEL, PROTECTIVE EARTH (GROUND)
33	46-271110P5	N	LABEL	1	LABEL
34	46-271382P15	1	CIRCUIT BREA	1	1 POLE, 20 AMP, STD TIME DELAY,

VACUUM SENSOR GAUGE

2329620 FRU N

(PART 6 OF 2239500 PAGE 17-3)

Item	Part Number	FRU	Name	Quantity	Description (Remarks)
	2329620-2	1	PART	1	VACUUM GAUGE CONTROLLER
	2329620-3	1	PART	1	VACUUM SENSOR W/KF16 FLANGE
	2329620-4	1	PART	1	VACUUM, GAUGE CONTROLLER CABLE



TwinSpeed ACCESSORY CABINET

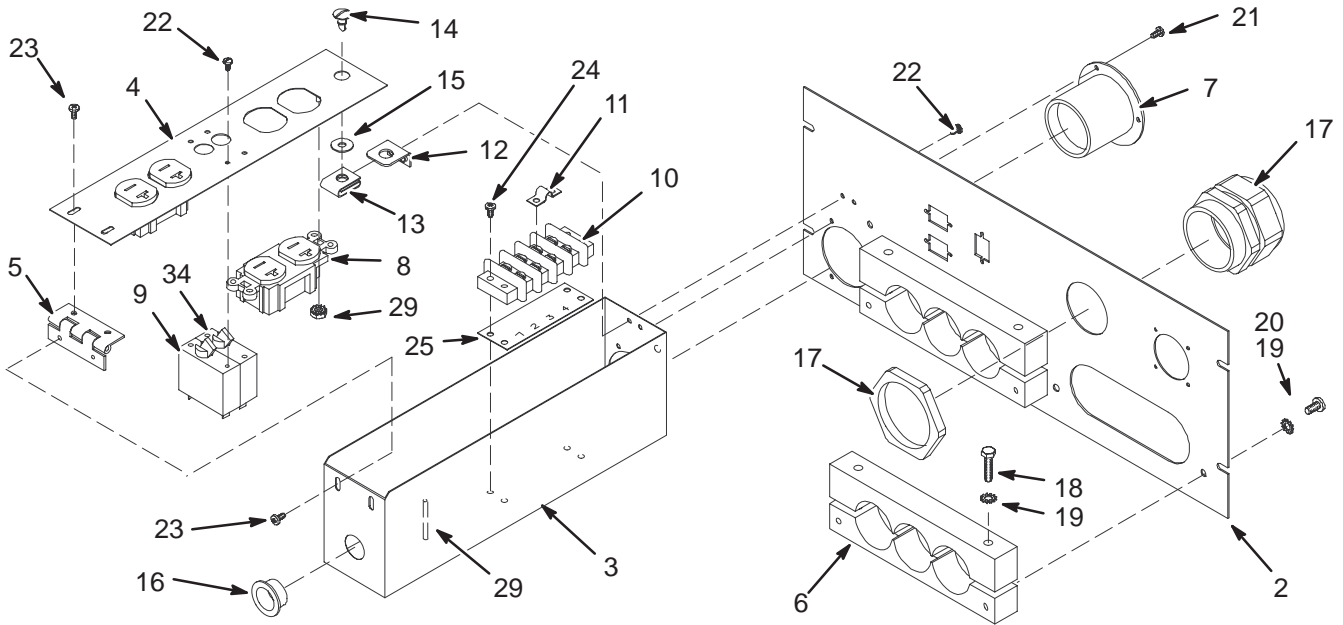
5116064 FRU N

(PART 72 OF M3000TD PAGE 1-76)

Item	Part Number	FRU	Name	Quantity	Description (Remarks)
2	5119232	N	PDM ASSEMBLY	1.0	NEW TWIN ACCESSORY BASIC CABINET ASM
3	2292007	N	COVER ASM	1.0	TWIN CABINET FRONT COVER ASM
4	5119228	N	PDM ASSEMBLY	1.0	INTERFACE POWER PANEL ASSEMBLY
7	2253466	N	BOX SIWTCH	1.0	TWIN GRAD SWITCH BOX
8	2293754	N	OUT OF CATAL	3.0	TWIN COOLING FAN
9	2293755	N	OUT OF CATAL	3.0	TWIN COOLING FAN GRILL
10	2292021	N	PLATE	1.0	TWIN CABINET MOUNTING PLATE
11	46-306565P1	N	AIR FILTER	1.0	RESEARCH PRODUCTS 10"EZ-CLEAN FILTER
12	46-306565P2	N	AIR FILTER	1.0	ALUMINUM MESH AIR FILTER 10 X 10
13	2142125-2	N	COVER	1.0	COVER FOR TWIN ACCESSORY CABINET
16	2279742-2	N	SCREW	16.0	SCREW PAN HEAD 5 MM 16 MM
17	2103585-5	N	PDM PART	15.0	SCREW PAN HEAD 4 MM 16 MM
19	46-328425P1	N	PDM PART	12.0	NUT HEXAGON 4 MM
21	2109878-7	N	PDM PART	12.0	WASHER PLAIN - NORMAL 5.3 MM 10 MM
23	46-265067P1	N	CABLE MOUNT	2.0	I/F PANEL CABLE SCREWLOCK CONNECTOR
32	2283292	N	CABLE	1.0	(975) PC-RS232 TO TWIN GSW J6
33	2263200-92	N	CABLE COLL	1.0	TAC-J12 TO GSW-J5
35	2296931-2	N	CABLES	1.0	GRADIENT SWITCH POWER CABLE
38	46-271110P1	N	PDM PART	2.0	LABEL, PROTECTIVE EARTH (GROUND)
40	46-328425P2	N	PDM PART	2.0	NUT HEXAGON 6 MM
41	46-208758P3	N	TY-RAP	14.0	7.31" X .184" SELF-LOCKING CABLE TIE
46	2290281	N	PART	1.0	TWIN GRADIENT GROUND WIRE
47	2302524	N	KIT OF PARTS	1.0	TRM ACCESS CABINET LABELS
48	46-328421P23	N	PDM PART	2.0	SCREW PAN HEAD 6 MM 10 MM
60	46-328425P12	N	PDM PART	3.0	NUT HEXAGON 8 MM
61	2318461	N	CLAMP	1.0	VACUUM HOIST CLAMP
62	2319180	N	OUT OF CATAL	1.0	SST 3/16" ANCHOR SHACKLE
80	5119169	N	PDM ASSEMBLY	1.0	VACUUM SYSTEM
81	46-208747P2	N	PDM PART	2.0	ADHESIVE MOUNT - CABLE TIE

TAC INTERFACE POWER PANEL

5119228



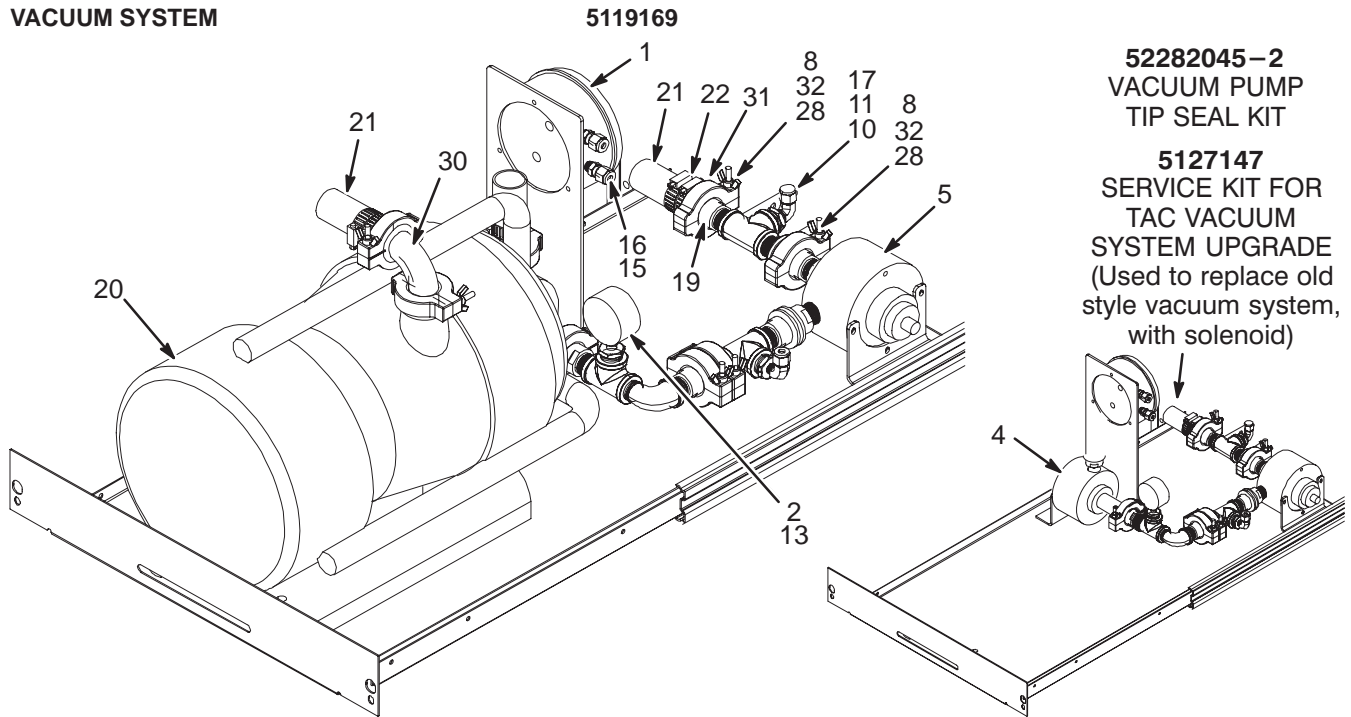
TAC INTERFACE POWER PANEL

5119228 FRU N

(PART 4 OF 5116064 PAGE 17-7)

Item	Part Number	FRU	Name	Quantity	Description (Remarks)
2	5116077	N	PDM PART	1.0	REAR ACCESS PANEL
3	2292016	N	BOX	1.0	TWIN CABINET ENCLOSURE POWER BOX
4	2292017	N	COVER	1.0	TWIN CABINET POWER BOX COVER
5	2287295	N	PART	1.0	HINGE, POWER BOX
6	2178952	N	CLAMP	2.0	CABLE CLAMP FOR SGD CABINET
7	2297667	1	HARNESS	1.0	HUBBELL RECEPTACLE WIRE HARNESS
8	46-287941P1	1	CONNECTOR	2.0	20 AMP, 125V, DUPLEX RECEPTACLE,
9	46-271382P6	1	CIRCUIT BREA	1.0	1 POLE, 15 AMP, STD TIME DELAY,
10	46-221880P4	2	TERMINAL	1.0	04 TERMINALS 50 AMP 1700 VOLTS
11	46-220492P4	2	TERMINAL	1.0	JUMPER WITH 0.69" CENTERS,
12	46-243709G1	N	BRACKET	1.0	COVER LATCH RETAINER MOUNT BRACKET
13	46-316410P1	N	PDM PART	1.0	RECEPTACLE CLIP-ON, SOUTHCO
14	46-220370P6	N	PDM PART	1.0	STUD, OVAL HD 1/4 TURN SOUTHCO
15	46-316411P1	N	PDM PART	1.0	RETAINER SPLIT RING TYPE
16	46-208695P61	2	PDM PART	1.0	HEYCO PART NO.2126 SB-875-11 BLACK
17	2293759	N	OUT OF CATAL	1.0	TWIN VACUUM HOSE STRAIN RELIEF
18	46-328416P17	N	PDM PART	4.0	SCREW HEXAGON HEAD 6 MM 50 MM
19	46-328433P3	N	PDM PART	8.0	WASHER LOCK - EXTERNAL 6.4 MM 11 MM
20	46-328421P27	N	PDM PART	4.0	SCREW PAN HEAD 6 MM 25 MM
21	46-328421P15	N	PDM PART	3.0	SCREW PAN HEAD 4 MM 12 MM
22	46-170015P10	N	PDM PART	6.0	SEMS, 6-32 X .25
23	2103585	N	PDM PART	4.0	SCREW PAN HEAD 4 MM 8 MM
24	46-328421P17	N	PDM PART	2.0	SCREW PAN HEAD 4 MM 20 MM
25	2304974	N	OUT OF CATAL	1.0	1-4 HORIZONTAL READING MARKING STRIP
26	46-220184P54	N	PDM PART	1.0	SCREW
27	46-208599P5	N	PDM PART	1.0	1/4" SCREW SIZE EXTERNAL TOOTH STEEL
28	46-208935P8	N	PDM PART	2.0	1/4-20, 7/16" HEX X 3/16 THK, BRASS
29	46-312346P2	N	PDM PART	12.0	NUT, M4 X 0.7 HEX WITH LOCK WASHER
31	2297666	N	HARNESS	1.0	TAC PDU WIRE HARNESS
32	46-271110P1	1	PDM PART	2.0	LABEL, PROTECTIVE EARTH (GROUND)
34	46-271382P15	1	CIRCUIT BREA	1.0	1 POLE, 20 AMP, STD TIME DELAY,

VACUUM SYSTEM



**52282045-2**  
VACUUM PUMP  
TIP SEAL KIT

**5127147**  
SERVICE KIT FOR  
TAC VACUUM  
SYSTEM UPGRADE  
(Used to replace old  
style vacuum system,  
with solenoid)

VACUUM SYSTEM

5119169 FRU N

(PART 80 OF 5116064 PAGE 17-7)

Item	Part Number	FRU	Name	Quantity	Description (Remarks)
1	5117422	2	OUT OF CATAL	1.0	PRESSURE DIFFERENTIAL GAGE
2	5117424	2	OUT OF CATAL	1.0	VACUUM GAGE
4	5117418	2	PDM ASSEMBLY	1.0	MECHANICAL REGULATOR 140 TORR
5	5117419	2	PDM ASSEMBLY	1.0	MECHANICAL REGULATOR 160 TORR
6	5118092	N	PDM PART	1.0	BRACKET FOR PRESSURE DIFFERENTIAL GA
8	5118818	N	OUT OF CATAL	8.0	CLAMP NW 20-25
9	5123084	N	OUT OF CATAL	2.8	THREAD SEALANT
10	5118819	N	OUT OF CATAL	3.0	FEMALE TEE, CAST RED BRASS NPT X NPT
11	5118820	N	OUT OF CATAL	2.0	HEX BUSHING MALE-FEMALE CAST BRASS
12	5118821	N	OUT OF CATAL	1.0	90 DEGREE ELBOW, MALE X FEMALE CAST
13	5124834	N	OUT OF CATAL	1.0	HEX BUSHING MALE-FEMALE CAST BRASS
15	5119175	N	OUT OF CATAL	0.7	HOSE FOR PRESSURE DIFFERENTIAL GAGE
16	5118915	N	OUT OF CATAL	2.0	COMPRESSION FITTING - STRAIGHT
17	5118916	N	OUT OF CATAL	2.0	COMPRESSION FITTING - ELBOW
19	5118640	N	OUT OF CATAL	6.0	FLANGE NW 25 X 1-2 MNPT
20	2282045	N	PUMP	1.0	TWIN VACUUM PUMP SUPPLY
21	2293607	N	OUT OF CATAL	9.2	FLEXIBLE VACUUM HOSE
22	2294010-3	N	OUT OF CATAL	8.0	WORM DRIVE, 3/4 TO 1-1/2 DIA, SST
23	2109866-13	N	PDM PART	4.0	SCREW HEXAGON HEAD 6 MM 25 MM
24	46-170686P2	N	ADHESIVE	0.05	LOCTITE 242, 10CC
25	2317283	N	WASHER, FLAT	4.0	M6 FIBERGLASS FLAT WASHER
27	46-328432P3	N	PDM PART	9.0	WASHER LOCK - SPRING 6.1 MM 11.8 MM
28	2297760	N	OUT OF CATAL	0.1	VACUUM GREASE MSDS# 8366442
29	46-220181P3	N	PDM PART	3.0	WASHER HELICAL#6 SCREW SIZE (0.138)
30	2293609	N	OUT OF CATAL	1.0	QF25 ELBOW (MACROVAC)
31	2293616	N	OUT OF CATAL	4.0	QF25 TO 1" HOSE CONNECTOR (MACROVAC)
32	2293608	N	OUT OF CATAL	8.0	QF25 CENTERING RING W/O-RING
33	46-328417P13	N	PDM PART	9.0	SCREW HEXAGON SOCKET 6 MM 16 MM
34	46-328431P2	N	PDM PART	9.0	WASHER PLAIN - LARGE 6.4 MM 18 MM