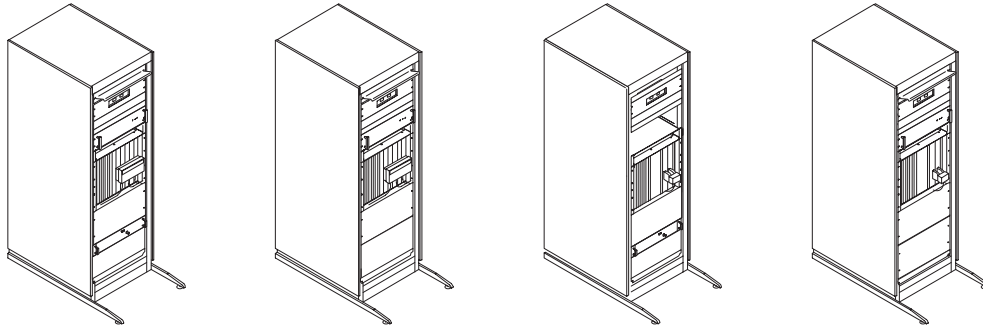


SECTION 8 – SYSTEM CABINET

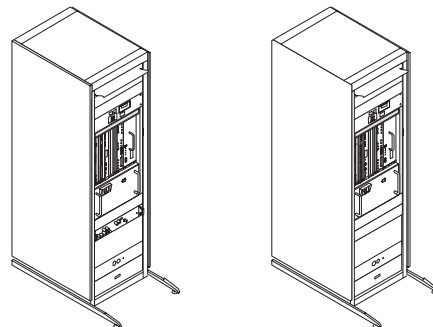
TABLE OF CONTENTS

SECTION

PAGE



8-1 HORIZON 5.x SYSTEM CABINETS	8-3
Contains information on Horizon 5.x various System Cabinet configurations	
5.x 1.5T ECHOSPEED with MULTI-COIL & FAST RECEIVER	2117956 8-4
5.x 1.5T HISPEED with MULTI-COIL & w/o FAST RECEIVER	2117958 8-7
5.x 1.0T HISPEED with MULTI-COIL & w/o FAST RECEIVER	2117958-2 8-9
5.x 1.5T ECHOSPEED with FAST RECEIVER & w/o MULTI-COIL	2117960 8-12
5.x 1.5T w/o MULTI-COIL or FAST RECEIVER	2117962 8-15
5.x 1.0T w/o MULTI-COIL or FAST RECEIVER	2117962-2 8-17

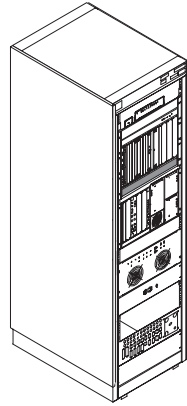


8-2 HORIZON LX SYSTEM CABINETS	8-50
Contains information on Horizon 5.x various System Cabinet configurations	
LX 1.5T with MULTI-COIL & FAST RECEIVER	2138300-2 8-51
LX 1.5T with MULTI-COIL & w/o FAST RECEIVER	2138300-3 8-53
LX 1.5T w/o MULTI-COIL or FAST RECEIVER	2138300-4 8-55
LX 1.0T w/o MULTI-COIL	2138300-6 8-57
LX 1.0T with MULTI-COIL	2138300-9 8-59
LX 1.5T CRM with MULTI-COIL & FAST RECEIVER	2138300-16 8-61
LX 1.5T EchoSpeed with MULTI-COIL & FAST RECEIVER	2138300-19 8-63
LX 1.5T BASE & HiSpeed with MULTI-COIL	2138300-20 8-65
LX 1.5T BASE w/o MULTI-COIL	2138300-21 8-67
LX 1.0T BASE & HiSpeed with MULTI-COIL	2138300-23 8-70

TABLE OF CONTENTS (continued)

SECTION

PAGE

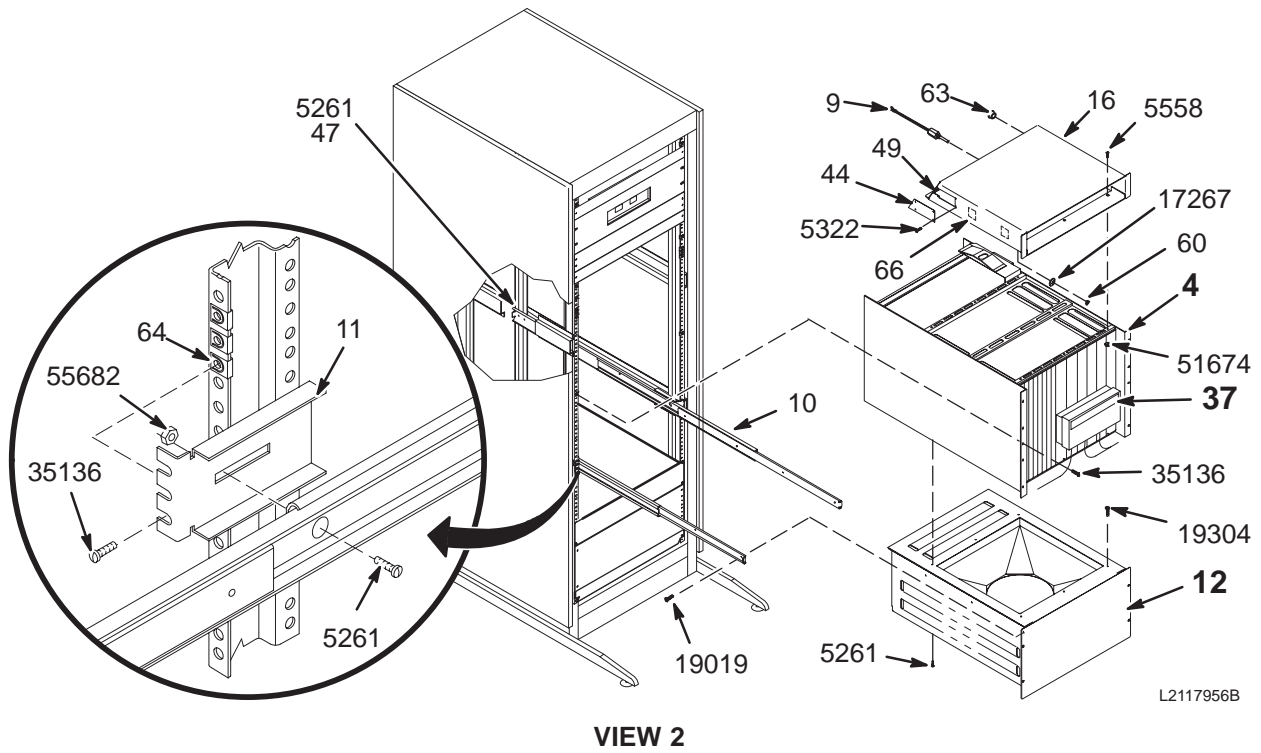
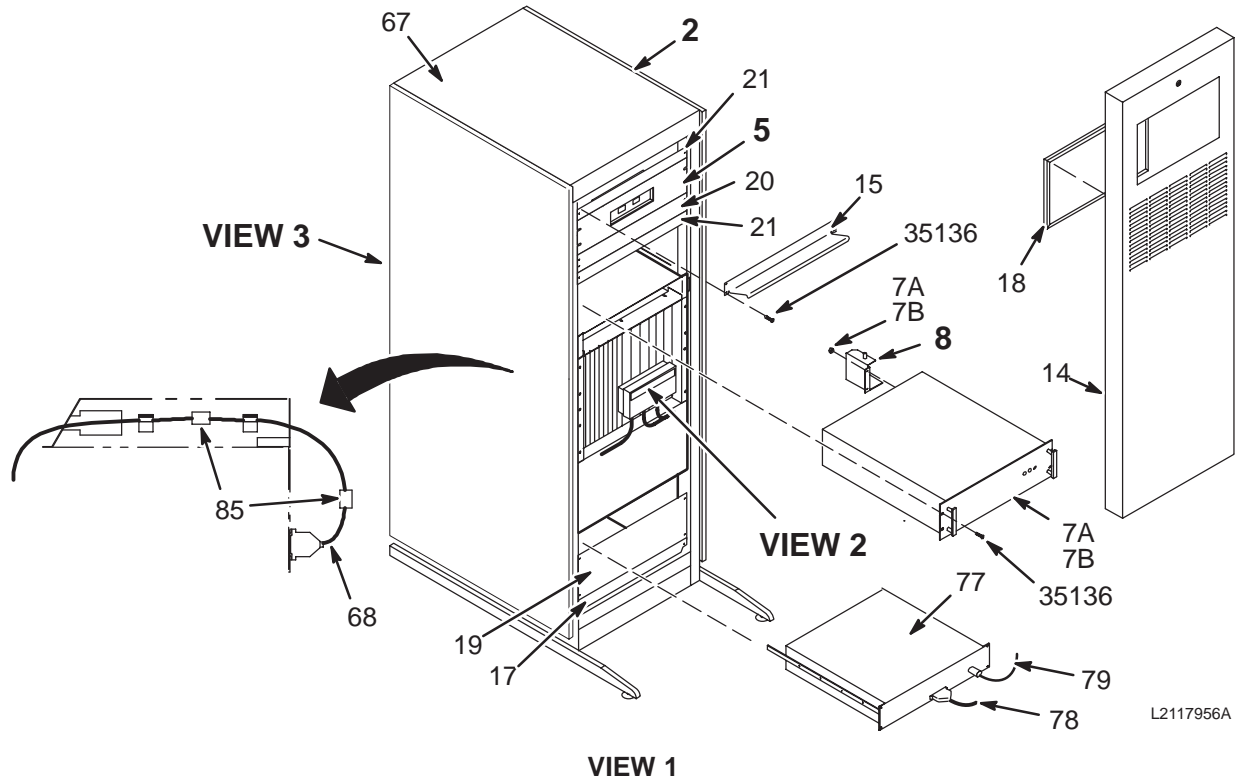


8-3	EXCITE SYSTEM CABINETS	8-89
	EXCITE I 1.5T SYSTEM CABINET UPGRADE FOR LINUX PC (EXCITE II)	2396085 8-89
	EXCITE II 1.5T SYSTEM CABINET	2357500-2 8-91

8-1 HORIZON 5.x SYSTEM CABINETS

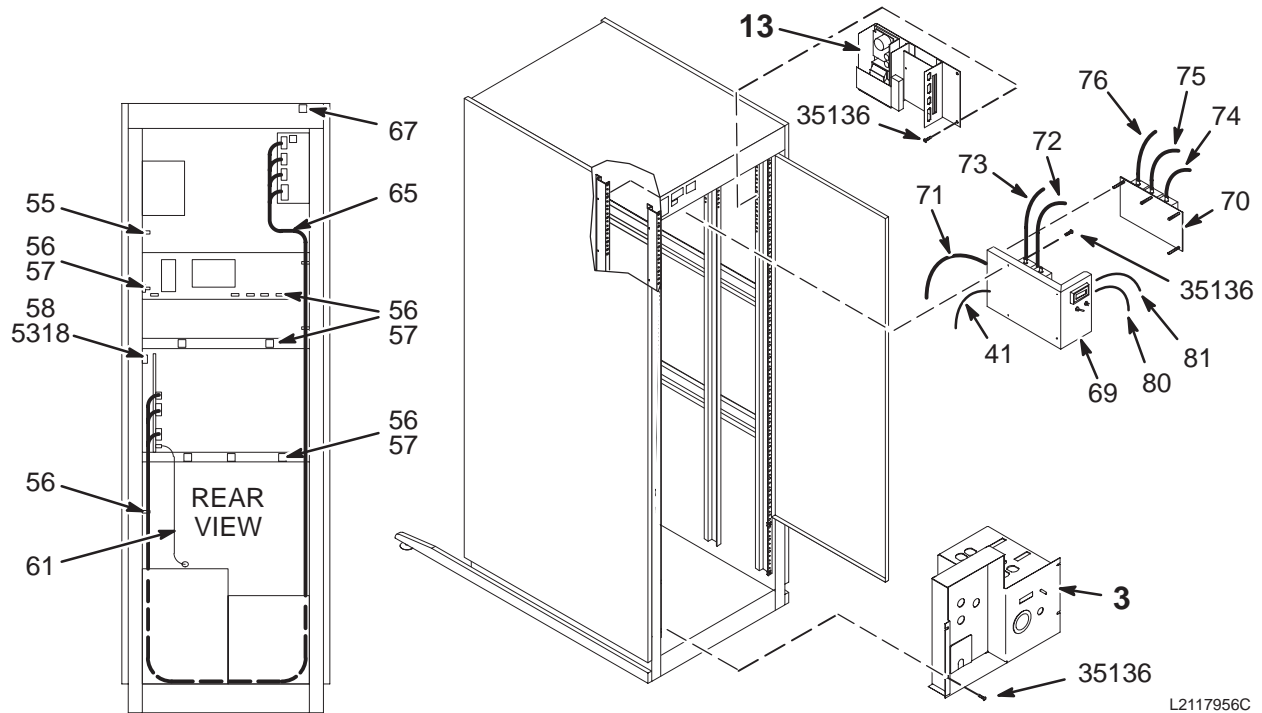
5.x 1.5T ECHOSPEED SYSTEM CABINET WITH MULTI-COIL & FAST RECEIVER (MR2)

2117956



5.x 1.5T ECHOSPEED SYSTEM CABINET WITH MULTI-COIL & FAST RECEIVER (MR2)

2117956



L2117956C

VIEW 3

5.x 1.5T SYS CAB w/MC & FST RCVR 2117956 FRU N

(PART OF 46-27100G30 SECTION 1)

Item	Part Number	FRU	Name	Quantity	Description (Remarks)
2	46-307364G1	N	AMCO CABINET	1	PURCHASED AMCO SINGLE-BAY CABINET (SEE PAGE 8-49)
3	46-307528G3	N	I/F PANEL	1	POWER AND I/F PANEL MR2 A11, MR2 A12 (SEE PAGE 8-41)
4	2117957	N	TPS W/MC&FR	1	1.5T TPS CHASSIS W/MC & FAST RECVR (SEE PAGE 8-21)
5	46-307974G1	N	REM CNTL ASM	1	PDU REMOTE CONTROL, MR2 A19 (SEE PAGE 8-47)
7A	46-306950P3	1	POWER SUPPLY	1	TPS POWER SUPPLY MR2-A14 (5V @ 150A)
7B	46-306950P1	1	POWER SUPPLY	ALT	TPS POWER SUPPLY MR2-A14 (5V @ 300A)
8	46-287438G1	N	INTERLOCK	1	LOCKING PIN ASSEMBLY (SEE PAGE 8-46)
9	46-251976G2	2	THERMOST ASM	1	TEMPERATURE SENSOR, MR2 A21
10	46-195551P1	2	SLIDE	2	SYMMETRICAL SLIDE FOR LEFT OR RIGHT
11	46-222465P1	2	BRACKET	2	SLIDE MOUNTING BRACKET
12	46-307189G1	N	FAN MODULE	1	TPS FAN MODULE, MR2 A16 (SEE PAGE 8-44)
13	46-307332G2	N	SCB ASSEMBLY	1	SIGNAL COLLECTING BOARD ASM, MR2 A23 (SEE PAGE 8-48)
14	46-307318G1	2	COVER ASM	1	MR2 CABINET "SLAM LATCH" FRONT COVER
15	46-301989P1	2	BRACKET	1	FRONT COVER "SLAM LATCH" RETAINER
16	46-307319P1	2	AIR INTAKE	1	TPS COOLING AIR INTAKE PLENUM, STEEL
17	46-307323P1	2	COVER STRIP	1	FILLER STRIP, CHARCOAL, 19" X 2.12"
18	46-306565P1	2	AIR FILTER	1	RESEARCH PRODUCTS 10"EZ-CLEAN FILTER
19	46-282213P1	2	COVER PLATE	1	BLANK CRYO METER PLATE, 7" X 19"
20	46-306509P4	2	COVER PLATE	1	FILLER PANEL, CHARCOAL, 19" X 3.44"
21	46-306509P5	2	COVER PLATE	2	FILLER PANEL, CHARCOAL, 19" X 1.68"

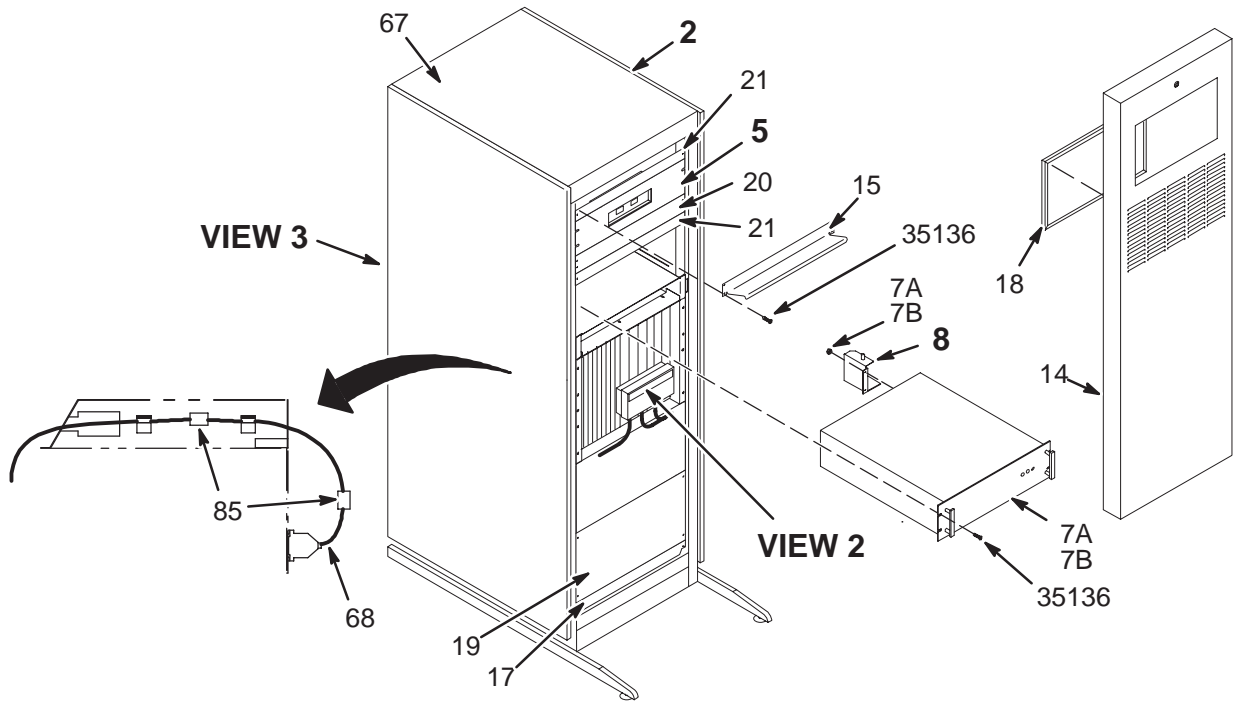
Parts List Continued On Next Page

5.x 1.5T SYS CAB w/MC & FST RCVR 2117956FRUN (CONTINUED FROM PREVIOUS PAGE)

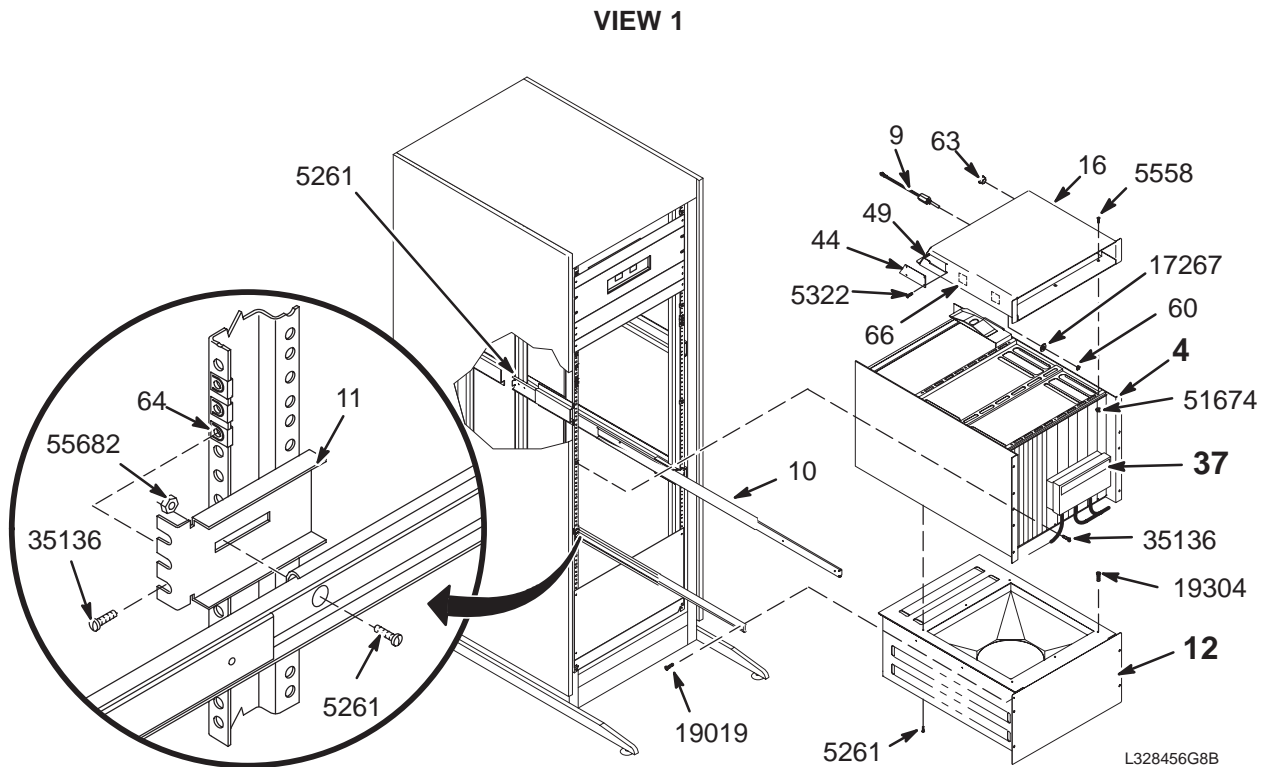
Item	Part Number	FRU	Name	Quantity	Description (Remarks)
37	46-328453G1	N	RF SPLITTER	1	RF SPLITTER MODULE, MR2-A15-A17 (SEE PAGE 8-45)
41	46-271121G1	2	WIRING	1	TEMP SENSE TS1-PDU REMOTE J2 HARNESS
44	46-307654P1	2	PLATE	1	BIT-3 CABLE ACCESS PLATE, 5" X 2.12"
47	46-220288P3	2	NUT, CLIP	2	SELF-LOCKING 8-32 UNC
49	46-220178P10	2	GROMMET	.333	12.75" LONG GROMMET STRIP, OFF WHITE
55	46-208758P2	2	STRAP	6	5.5" X .140" SELF-LOCKING CABLE TIE.
56	46-208758P3	2	STRAP	29	7.31" X .184" SELF-LOCKING CABLE TIE
57	46-208747P2	2	MOUNT	7	CABLE TIE, ADHESIVE BACKED
58	46-208759P1	2	STRAP	3	7.81" X .184" SELF-LOCKING CABLE TIE
60	46-208643P10	2	NUT,LOCK	1	1/8-27 NPS, HEX 1/2, THK 1/16, BRASS
61	46-258203G2	2	CABLE ASM	1	18" RG174/U COAX W/SMB & BNC CONNECT
63	46-208695P61	2	BUSHING	1	HEYCO PART NO.2126 SB-875-11 BLACK
64	46-220288P1	2	NUT, CLIP	58	SELF-LOCKING 10-32 UNF
65	46-317726P1	2	CABLE ASM FO	1	MR2-A15-A23-J5 TO MR2-A23-A2-J6, 15'
66	46-306626P2	2	CABLE CLIP	4	ADHESIVE MOUNTED, LOCKING CABLE CLIP
67	46-306626P1	2	CABLE CLIP	1	ADHESIVE-MOUNTED LOCKING CABLE CLIP
68	46-307265P6	2	BIT3 VME I/F	1	RUN 719 MR2-A15-A3-J1 - CC1-A1-A6-J1
69	2114342-17	1	1.5T TNS 2CH	1	1.5T 2 CHAN EXTENDED BANDWIDTH TNF
70	2114342-18	1	1.5T TNS 3CH	1	1.5T 3 CHAN EXTENDED BANDWIDTH TNF
71	2118110	2	PWR HARNESS	1	TNS POWER INTERCONNECT, 2-WIRE, 42"
72	2118109	2	BNC CABLE	1	MR2-A11-J2 TO MR2-A24-A1-A1-J2, 7 FT
73	2118109-2	2	BNC CABLE	1	MR2-A11-J5 TO MR2-A24-A1-A2-J5, 7 FT
74	2118109-3	2	BNC CABLE	1	MR2-A11-J8 TO MR2-A24-A2-A1-J8, 7 FT
75	2118109-4	2	BNC CABLE	1	MR2-A11-J9 TO MR2-A24-A2-A2-J9, 7 FT
76	2118109-5	2	BNC CABLE	1	MR2-A11-J10 TO MR2-A24-A2-A3-J10, 7'
77	2111359	1	FAST RCVR	1	FAST RECEIVER, PURCHASED ASSEMBLY
78	2137306	2	CABLE	1	MR2-A15-A16-J14 TO MR2-A25-DIG I/F
79	2113888	2	BNC CABLE	1	MR2-A15-A16-J11 TO MR2-A25-2.5MHZ IN
80	46-328000G934	2	CABLE ASM	1	MR2-A24-A1-J1 TO MR2-A15-A9-J6
81	46-328000G912	2	CABLE	1	MR2-A24-A1-J2 TO MR2-A15-A16-J5
84	2128071	2	LABEL	1	CABINET LABEL: "CAUTION"
85	46-276217P2	1	CORE,EMI	2	COMBINATION NYLON CASE AND
5261	46-170015P2	2	SCR,SEMS	4	8-32 X 1/2 LG BIND HD STL EXT TOOTH
5318	46-170015P6	2	SCR,SEMS	3	10-32 X 1/2 LG BIND HD STL EXT TOOTH
5322	46-170015P10	2	SCR,SEMS	4	6-32 X 1/4" LG BIND HD STL EXT TOOTH
5558	46-170015P16	2	SCR,SEMS	8	10-32 X 3/8 LG BIND HD STL EXT TOOTH
17267	46-220205P3	2	WASHER WROT	3	FOR 3/8" SCREW, 1" OD, 7/16 ID, 5/64
19019	46-170015P27	2	SCR,SEMS	6	6-32 X 1/2" LG BIND HD STL EXT TOOTH
19304	46-170015P36	2	SCR,SEMS	3	8-32 X 9/16 LG BIND HD STL EXT TOOTH
35136	46-170015P62	2	SCR,SEMS	60	10-32 X 3/4 LG BIND HD STL EXT TOOTH
51674	46-170012P39	2	NUT,LOCK	4	10-32, 3/8" HEX KEPS NUT, 1/8" THICK
55682	46-170012P38	2	NUT,LOCK	2	8-32 KEPS, HEX 5/16 NUT THK 7/64

5.x 1.5T and 1.0T HISPEED SYSTEM CABINET WITH MULTI-COIL (MR2)

2117958 SERIES



L2117958A

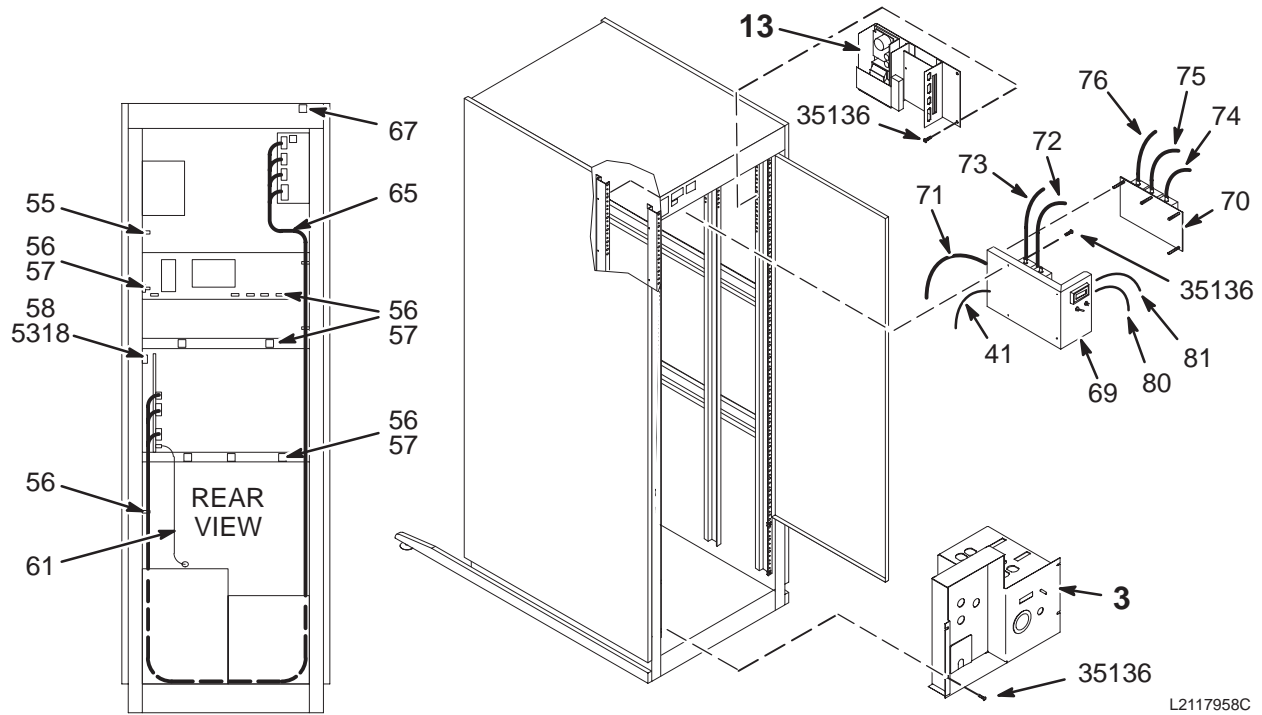


L328456G8B

VIEW 2

5.x 1.5T and 1.0T HISPEED SYSTEM CABINET WITH MULTI-COIL (MR2)

2117958 SERIES



L2117958C

VIEW 3

5.x 1.5T SYS CAB w/MC

2117958 FRU N

(PART OF 46-27100G28 SECTION 1)

Item	Part Number	FRU	Name	Quantity	Description (Remarks)
2	46-307364G1	N	AMCO CABINET	1	PURCHASED AMCO SINGLE-BAY CABINET (SEE PAGE 8-49)
3	46-307528G3	N	I/F PANEL	1	POWER AND I/F PANEL MR2 A11, MR2 A12 (SEE PAGE 8-41)
4	2117959	N	TPS ASM W/MC	1	1.5T TPS CHASSIS W/MC & W/O FAST RCV (SEE PAGE 8-24)
5	46-307974G1	N	REM CNTL ASM	1	PDU REMOTE CONTROL, MR2 A19 (SEE PAGE 8-47)
7A	46-306950P3	1	POWER SUPPLY	1	TPS POWER SUPPLY MR2-A14 (5V @ 150A)
7B	46-306950P1	1	POWER SUPPLY	ALT	TPS POWER SUPPLY MR2-A14 (5V @ 300A)
8	46-287438G1	N	INTERLOCK	1	LOCKING PIN ASSEMBLY (SEE PAGE 8-46)
9	46-251976G2	2	THERMOST ASM	1	TEMPERATURE SENSOR, MR2 A21
10	46-195551P1	2	SLIDE	2	SYMMETRICAL SLIDE FOR LEFT OR RIGHT
11	46-222465P1	2	BRACKET	2	SLIDE MOUNTING BRACKET
12	46-307189G1	N	FAN MODULE	1	TPS FAN MODULE, MR2 A16 (SEE PAGE 8-44)
13	46-307332G2	N	SCB ASSEMBLY	1	SIGNAL COLLECTING BOARD ASM, MR2 A23 (SEE PAGE 8-48)
14	46-307318G1	2	COVER ASM	1	MR2 CABINET "SLAM LATCH" FRONT COVER
15	46-301989P1	2	BRACKET	1	FRONT COVER "SLAM LATCH" RETAINER
16	46-307319P1	2	AIR INTAKE	1	TPS COOLING AIR INTAKE PLENUM, STEEL
17	46-307323P1	2	COVER STRIP	1	FILLER STRIP, CHARCOAL, 19" X 2.12"
18	46-306565P1	2	AIR FILTER	1	RESEARCH PRODUCTS 10"EZ-CLEAN FILTER
19	46-306509P3	2	COVER	1	FILLER PANEL, CHARCOAL, 19" X 10.44"
20	46-306509P4	2	COVER PLATE	1	FILLER PANEL, CHARCOAL, 19" X 3.44"
21	46-306509P5	2	COVER PLATE	2	FILLER PANEL, CHARCOAL, 19" X 1.68"

Parts List Continued On Next Page

5.x 1.5T SYS CAB w/MC

2117958 FRU N

(CONTINUED FROM PREVIOUS PAGE)

Item	Part Number	FRU	Name	Quantity	Description (Remarks)
37	46-328453G1	N	RF SPLITTER	1	RF SPLITTER MODULE, MR2-A15-A17 (SEE PAGE 8-45)
41	46-271121G1	2	WIRING	1	TEMP SENSE TS1-PDU REMOTE J2 HARNESS
44	46-307654P1	2	PLATE	1	BIT-3 CABLE ACCESS PLATE, 5" X 2.12"
47	46-220288P3	2	NUT, CLIP	2	SELF-LOCKING 8-32 UNC
49	46-220178P10	2	GROMMET	.333	12.75" LONG GROMMET STRIP, OFF WHITE
55	46-208758P2	2	STRAP	6	5.5" X .140" SELF-LOCKING CABLE TIE.
56	46-208758P3	2	STRAP	29	7.31" X .184" SELF-LOCKING CABLE TIE
57	46-208747P2	2	MOUNT	7	CABLE TIE, ADHESIVE BACKED
58	46-208759P1	2	STRAP	3	7.81" X .184" SELF-LOCKING CABLE TIE
60	46-208643P10	2	NUT,LOCK	1	1/8-27 NPS, HEX 1/2, THK 1/16, BRASS
61	46-258203G2	2	CABLE ASM	1	18" RG174/U COAX W/SMB & BNC CONNECT
63	46-208695P61	2	BUSHING	1	HEYCO PART NO.2126 SB-875-11 BLACK
64	46-220288P1	2	NUT, CLIP	54	SELF-LOCKING 10-32 UNF
65	46-317726P1	2	CABLE ASM FO	1	MR2-A15-A23-J5 TO MR2-A23-A2-J6, 15'
66	46-306626P2	2	CABLE CLIP	4	ADHESIVE MOUNTED, LOCKING CABLE CLIP
67	46-306626P1	2	CABLE CLIP	1	ADHESIVE-MOUNTED LOCKING CABLE CLIP
68	46-307265P6	2	BIT3 VME I/F	1	RUN 719 MR2-A15-A3-J1 - CC1-A1-A6-J1
69	2114342-17	1	1.5T TNS 2CH	1	1.5T 2 CHAN EXTENDED BANDWIDTH TNF
70	2114342-18	1	1.5T TNS 3CH	1	1.5T 3 CHAN EXTENDED BANDWIDTH TNF
71	2118110	2	PWR HARNESS	1	TNS POWER INTERCONNECT, 2-WIRE, 42"
72	2118109	2	BNC CABLE	1	MR2-A11-J2 TO MR2-A24-A1-A1-J2, 7 FT
73	2118109-2	2	BNC CABLE	1	MR2-A11-J5 TO MR2-A24-A1-A2-J5, 7 FT
74	2118109-3	2	BNC CABLE	1	MR2-A11-J8 TO MR2-A24-A2-A1-J8, 7 FT
75	2118109-4	2	BNC CABLE	1	MR2-A11-J9 TO MR2-A24-A2-A2-J9, 7 FT
76	2118109-5	2	BNC CABLE	1	MR2-A11-J10 TO MR2-A24-A2-A3-J10, 7'
80	46-328000G934	2	CABLE ASM	1	MR2-A24-A1-J1 TO MR2-A15-A9-J6
81	46-328000G912	2	CABLE	1	MR2-A24-A1-J2 TO MR2-A15-A16-J5
84	2128071	2	LABEL	1	CABINET LABEL: "CAUTION"
85	46-276217P2	1	CORE,EMI	2	COMBINATION NYLON CASE AND
5261	46-170015P2	2	SCR,SEMS	4	8-32 X 1/2 LG BIND HD STL EXT TOOTH
5318	46-170015P6	2	SCR,SEMS	3	10-32 X 1/2 LG BIND HD STL EXT TOOTH
5322	46-170015P10	2	SCR,SEMS	4	6-32 X 1/4" LG BIND HD STL EXT TOOTH
5558	46-170015P16	2	SCR,SEMS	8	10-32 X 3/8 LG BIND HD STL EXT TOOTH
17267	46-220205P3	2	WASHER WROT	3	FOR 3/8" SCREW, 1" OD, 7/16 ID, 5/64
19019	46-170015P27	2	SCR,SEMS	6	6-32 X 1/2" LG BIND HD STL EXT TOOTH
19304	46-170015P36	2	SCR,SEMS	3	8-32 X 9/16 LG BIND HD STL EXT TOOTH
35136	46-170015P62	2	SCR,SEMS	56	10-32 X 3/4 LG BIND HD STL EXT TOOTH
51674	46-170012P39	2	NUT,LOCK	4	10-32, 3/8" HEX KEPS NUT, 1/8" THICK
55682	46-170012P38	2	NUT,LOCK	2	8-32 KEPS, HEX 5/16 NUT THK 7/64

5.x 1.0T SYS CAB w/MC 2117958-2 FRU N (PART OF 46-271000G68 SECTION 1)

Item	Part Number	FRU	Name	Quantity	Description (Remarks)
2	46-307364G1	N	AMCO CABINET	1	PURCHASED AMCO SINGLE-BAY CABINET (SEE PAGE 8-49)
3	46-307528G3	N	I/F PANEL	1	POWER AND I/F PANEL MR2 A11, MR2 A12 (SEE PAGE 8-41)
4	2117959-2	N	TPS ASM W/MC	1	1.0T TPS CHASSIS W/MULTICOIL (SEE PAGE 8-27)
5	46-307974G1	N	REM CNTL ASM	1	PDU REMOTE CONTROL, MR2 A19 (SEE PAGE 8-47)
7A	46-306950P3	1	POWER SUPPLY	1	TPS POWER SUPPLY MR2-A14 (5V @ 150A)
7B	46-306950P1	1	POWER SUPPLY	ALT	TPS POWER SUPPLY MR2-A14 (5V @ 300A)
8	46-287438G1	N	INTERLOCK	1	LOCKING PIN ASSEMBLY (SEE PAGE 8-46)
9	46-251976G2	2	THERMOST ASM	1	TEMPERATURE SENSOR, MR2 A21
10	46-195551P1	2	SLIDE	2	SYMMETRICAL SLIDE FOR LEFT OR RIGHT
11	46-222465P1	2	BRACKET	2	SLIDE MOUNTING BRACKET
12	46-307189G1	N	FAN MODULE	1	TPS FAN MODULE, MR2 A16 (SEE PAGE 8-44)
13	46-307332G2	N	SCB ASSEMBLY	1	SIGNAL COLLECTING BOARD ASM, MR2 A23 (SEE PAGE 8-48)
14	46-307318G1	2	COVER ASM	1	MR2 CABINET "SLAM LATCH" FRONT COVER
15	46-301989P1	2	BRACKET	1	FRONT COVER "SLAM LATCH" RETAINER
16	46-307319P1	2	AIR INTAKE	1	TPS COOLING AIR INTAKE PLENUM, STEEL
17	46-307323P1	2	COVER STRIP	1	FILLER STRIP, CHARCOAL, 19" X 2.12"
18	46-306565P1	2	AIR FILTER	1	RESEARCH PRODUCTS 10"EZ-CLEAN FILTER
19	46-306509P3	2	COVER	1	FILLER PANEL, CHARCOAL, 19" X 10.44"
20	46-306509P4	2	COVER PLATE	1	FILLER PANEL, CHARCOAL, 19" X 3.44"
21	46-306509P5	2	COVER PLATE	2	FILLER PANEL, CHARCOAL, 19" X 1.68"
37	46-328453G1	N	RF SPLITTER	1	RF SPLITTER MODULE, MR2-A15-A17 (SEE PAGE 8-45)
41	46-271121G1	2	WIRING	1	TEMP SENSE TS1-PDU REMOTE J2 HARNESS
44	46-307654P1	2	PLATE	1	BIT-3 CABLE ACCESS PLATE, 5" X 2.12"
47	46-220288P3	2	NUT, CLIP	2	SELF-LOCKING 8-32 UNC
49	46-220178P10	2	GROMMET	.333	12.75" LONG GROMMET STRIP, OFF WHITE
55	46-208758P2	2	STRAP	6	5.5" X .140" SELF-LOCKING CABLE TIE.
56	46-208758P3	2	STRAP	29	7.31" X .184" SELF-LOCKING CABLE TIE
57	46-208747P2	2	MOUNT	7	CABLE TIE, ADHESIVE BACKED
58	46-208759P1	2	STRAP	3	7.81" X .184" SELF-LOCKING CABLE TIE
60	46-208643P10	2	NUT, LOCK	1	1/8-27 NPS, HEX 1/2, THK 1/16, BRASS
61	46-258203G2	2	CABLE ASM	1	18" RG174/U COAX W/SMB & BNC CONNECT
63	46-208695P61	2	BUSHING	1	HEYCO PART NO.2126 SB-875-11 BLACK
64	46-220288P1	2	NUT, CLIP	54	SELF-LOCKING 10-32 UNF
65	46-317726P1	2	CABLE ASM FO	1	MR2-A15-A23-J5 TO MR2-A23-A2-J6, 15'
66	46-306626P2	2	CABLE CLIP	4	ADHESIVE MOUNTED, LOCKING CABLE CLIP
67	46-306626P1	2	CABLE CLIP	1	ADHESIVE-MOUNTED LOCKING CABLE CLIP
68	46-307265P6	2	BIT3 VME I/F	1	RUN 719 MR2-A15-A3-J1 - CC1-A1-A6-J1
69	2114342-2	1	1.0T TNS 2CH	1	TRANSIENT NOISE FILTER ASM; 1.0T 2 CHAN
70	2114342-5	1	1.0T TNS 3CH	1	1.0T M/C TRANSIENT NOISE FILTER 3 CHAN
71	2118110	2	PWR HARNESS	1	TNS POWER INTERCONNECT, 2-WIRE, 42"

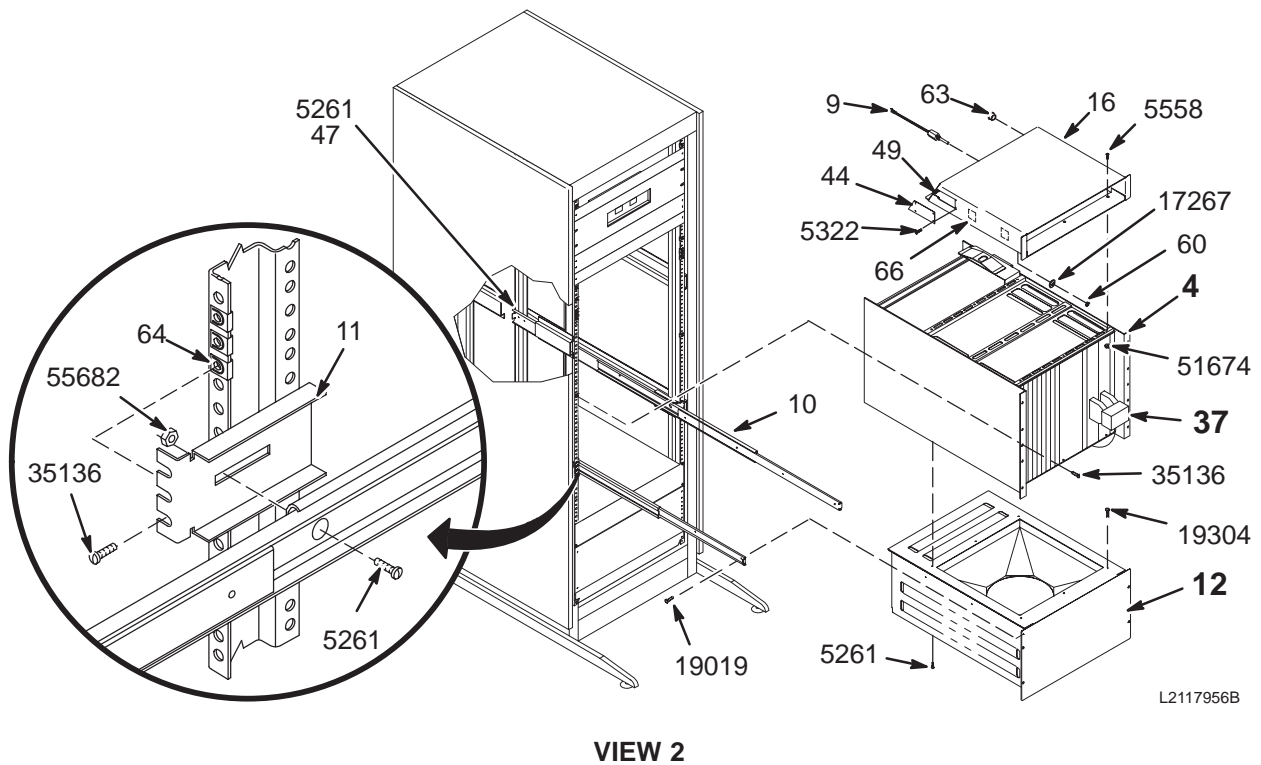
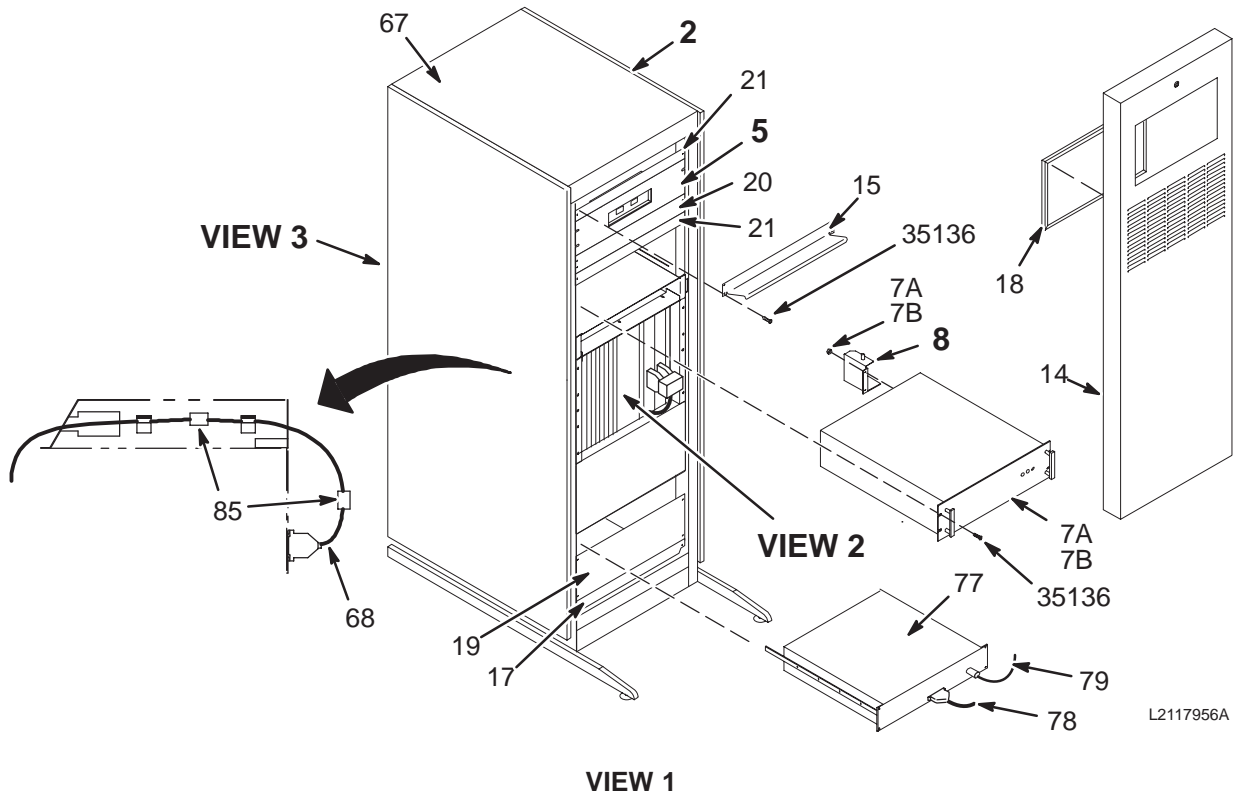
Parts List Continued On Next Page

5.x 1.0T SYS CAB w/MC 2117958-2 FRU N (CONTINUED FROM PREVIOUS PAGE)

Item	Part Number	FRU	Name	Quantity	Description (Remarks)
72	2118109	2	BNC CABLE	1	MR2-A11-J2 TO MR2-A24-A1-A1-J2, 7 FT
73	2118109-2	2	BNC CABLE	1	MR2-A11-J5 TO MR2-A24-A1-A2-J5, 7 FT
74	2118109-3	2	BNC CABLE	1	MR2-A11-J8 TO MR2-A24-A2-A1-J8, 7 FT
75	2118109-4	2	BNC CABLE	1	MR2-A11-J9 TO MR2-A24-A2-A2-J9, 7 FT
76	2118109-5	2	BNC CABLE	1	MR2-A11-J10 TO MR2-A24-A2-A3-J10, 7'
80	46-328000G934	2	CABLE ASM	1	MR2-A24-A1-J1 TO MR2-A15-A9-J6
81	46-328000G912	2	CABLE	1	MR2-A24-A1-J2 TO MR2-A15-A16-J5
84	2128071	2	LABEL	1	CABINET LABEL: "CAUTION"
85	46-276217P2	1	CORE,EMI	2	COMBINATION NYLON CASE AND
5261	46-170015P2	2	SCR,SEMS	4	8-32 X 1/2 LG BIND HD STL EXT TOOTH
5318	46-170015P6	2	SCR,SEMS	3	10-32 X 1/2 LG BIND HD STL EXT TOOTH
5322	46-170015P10	2	SCR,SEMS	4	6-32 X 1/4" LG BIND HD STL EXT TOOTH
5558	46-170015P16	2	SCR,SEMS	8	10-32 X 3/8 LG BIND HD STL EXT TOOTH
17267	46-220205P3	2	WASHER WROT	3	FOR 3/8" SCREW, 1" OD, 7/16 ID, 5/64
19019	46-170015P27	2	SCR,SEMS	6	6-32 X 1/2" LG BIND HD STL EXT TOOTH
19304	46-170015P36	2	SCR,SEMS	3	8-32 X 9/16 LG BIND HD STL EXT TOOTH
35136	46-170015P62	2	SCR,SEMS	56	10-32 X 3/4 LG BIND HD STL EXT TOOTH
51674	46-170012P39	2	NUT,LOCK	4	10-32, 3/8" HEX KEPS NUT, 1/8" THICK
55682	46-170012P38	2	NUT,LOCK	2	8-32 KEPS, HEX 5/16 NUT THK 7/64

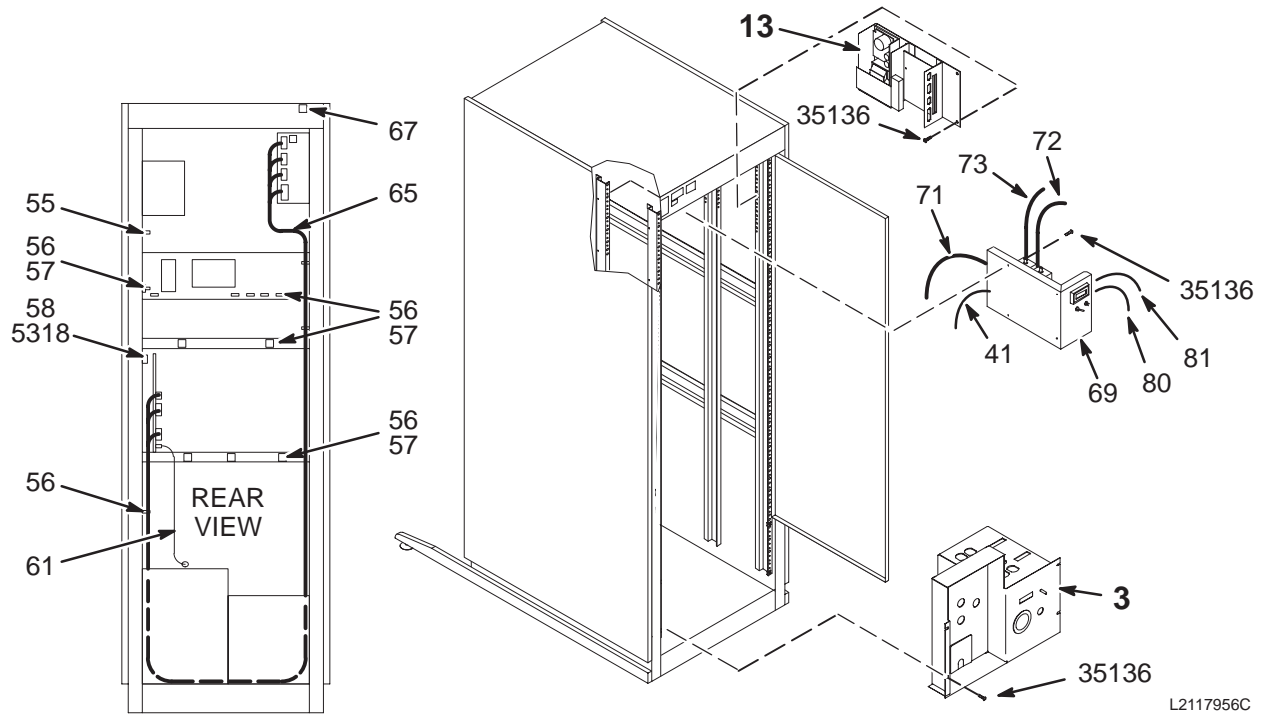
5.x 1.5T ECHOSPEED SYSTEM CABINET WITH FAST RECEIVER & w/o MULTI-COIL (MR2)

2117960



5.x 1.5T ECHOSPEED SYSTEM CABINET WITH FAST RECEIVER & w/o MULTI-COIL (MR2)

2117960



L2117956C

VIEW 3

5.x 1.5T SYS CAB w/FST RCVR 2117960 FRU N (PART OF 46-27100G29 SECTION 1)

Item	Part Number	FRU	Name	Quantity	Description (Remarks)
2	46-307364G1	N	AMCO CABINET	1	PURCHASED AMCO SINGLE-BAY CABINET (SEE PAGE 8-49)
3	46-307528G3	N	I/F PANEL	1	POWER AND I/F PANEL MR2 A11, MR2 A12 (SEE PAGE 8-41)
4	2117961	N	TPS ASM W/FR	1	1.5T TPS CHASSIS W/O MC & W/FAST RCV (SEE PAGE 8-30)
5	46-307974G1	N	REM CNTL ASM	1	PDU REMOTE CONTROL, MR2 A19 (SEE PAGE 8-47)
7A	46-306950P3	1	POWER SUPPLY	1	TPS POWER SUPPLY MR2-A14 (5V @ 150A)
7B	46-306950P1	1	POWER SUPPLY	ALT	TPS POWER SUPPLY MR2-A14 (5V @ 300A)
8	46-287438G1	N	INTERLOCK	1	LOCKING PIN ASSEMBLY (SEE PAGE 8-46)
9	46-251976G2	2	THERMOST ASM	1	TEMPERATURE SENSOR, MR2 A21
10	46-195551P1	2	SLIDE	2	SYMMETRICAL SLIDE FOR LEFT OR RIGHT
11	46-222465P1	2	BRACKET	2	SLIDE MOUNTING BRACKET
12	46-307189G1	N	FAN MODULE	1	TPS FAN MODULE, MR2 A16 (SEE PAGE 8-44)
13	46-307332G2	N	SCB ASSEMBLY	1	SIGNAL COLLECTING BOARD ASM, MR2 A23 (SEE PAGE 8-48)
14	46-307318G1	2	COVER ASM	1	MR2 CABINET "SLAM LATCH" FRONT COVER
15	46-301989P1	2	BRACKET	1	FRONT COVER "SLAM LATCH" RETAINER
16	46-307319P1	2	AIR INTAKE	1	TPS COOLING AIR INTAKE PLENUM, STEEL
17	46-307323P1	2	COVER STRIP	1	FILLER STRIP, CHARCOAL, 19" X 2.12"
18	46-306565P1	2	AIR FILTER	1	RESEARCH PRODUCTS 10"EZ-CLEAN FILTER
19	46-282213P1	2	COVER PLATE	1	BLANK CRYO METER PLATE, 7" X 19"
20	46-306509P4	2	COVER PLATE	1	FILLER PANEL, CHARCOAL, 19" X 3.44"
21	46-306509P5	2	COVER PLATE	2	FILLER PANEL, CHARCOAL, 19" X 1.68"

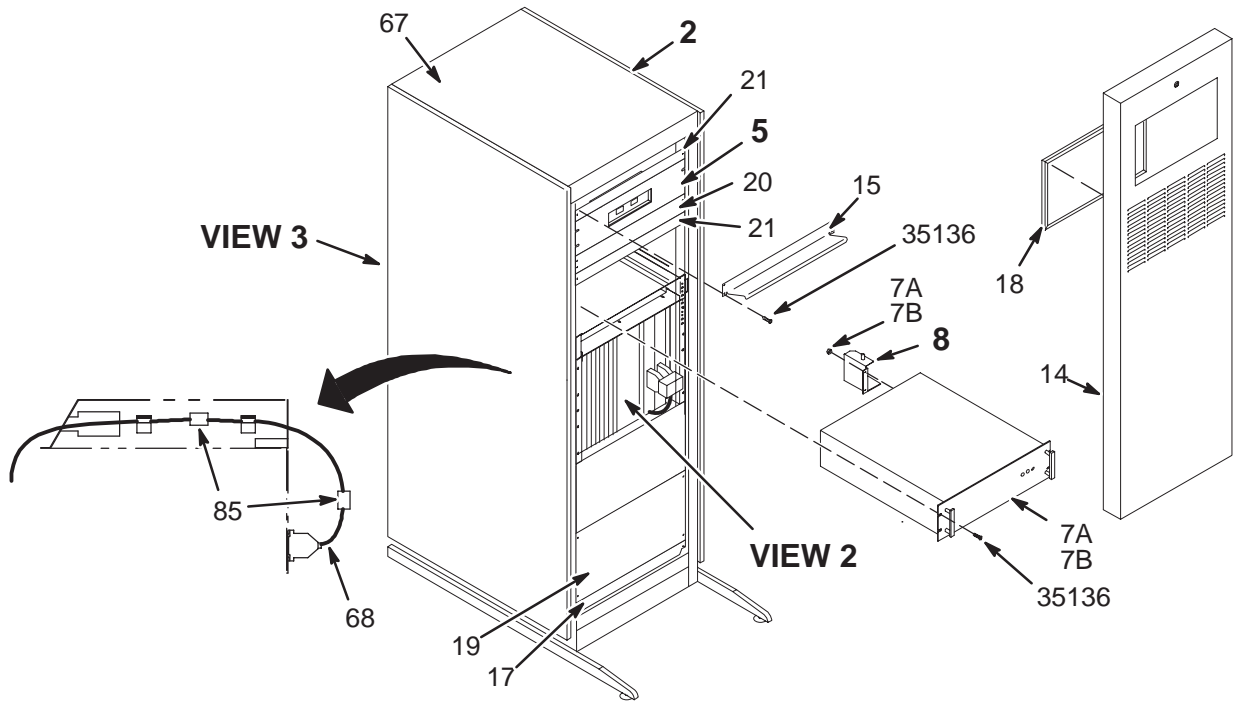
Parts List Continued On Next Page

5.x 1.5T SYS CAB w/FST RCVR 2117960 FRU N (CONTINUED FROM PREVIOUS PAGE)

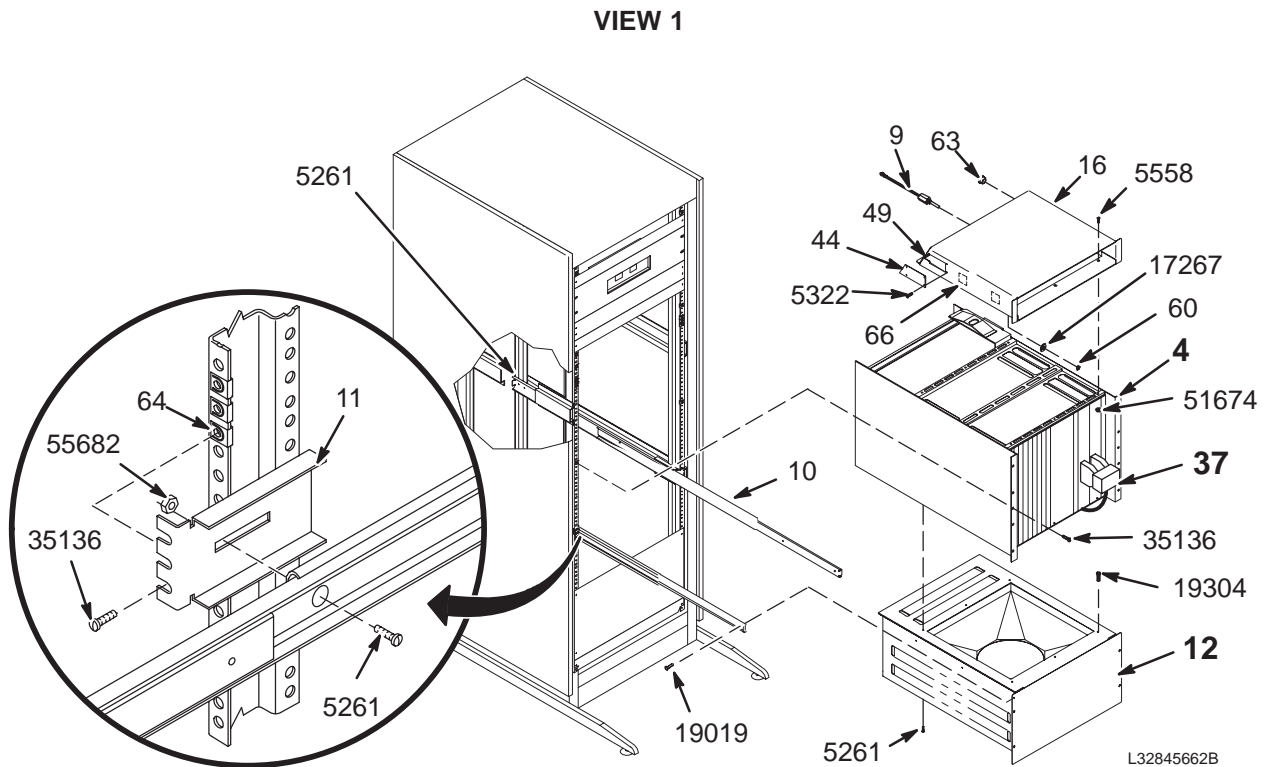
Item	Part Number	FRU	Name	Quantity	Description (Remarks)
37	46-301638P1	2	CABLE ASM	1	RF COAX CABLE ASM, I/F PANEL TO TPS
41	46-271121G1	2	WIRING	1	TEMP SENSE TS1-PDU REMOTE J2 HARNESS
44	46-307654P1	2	PLATE	1	BIT-3 CABLE ACCESS PLATE, 5" X 2.12"
47	46-220288P3	2	NUT, CLIP	2	SELF-LOCKING 8-32 UNC
49	46-220178P10	2	GROMMET	.333	12.75" LONG GROMMET STRIP, OFF WHITE
55	46-208758P2	2	STRAP	6	5.5" X .140" SELF-LOCKING CABLE TIE.
56	46-208758P3	2	STRAP	29	7.31" X .184" SELF-LOCKING CABLE TIE
57	46-208747P2	2	MOUNT	7	CABLE TIE, ADHESIVE BACKED
58	46-208759P1	2	STRAP	3	7.81" X .184" SELF-LOCKING CABLE TIE
60	46-208643P10	2	NUT,LOCK	1	1/8-27 NPS, HEX 1/2, THK 1/16, BRASS
61	46-258203G2	2	CABLE ASM	1	18" RG174/U COAX W/SMB & BNC CONNECT
63	46-208695P61	2	BUSHING	1	HEYCO PART NO.2126 SB-875-11 BLACK
64	46-220288P1	2	NUT, CLIP	58	SELF-LOCKING 10-32 UNF
65	46-317726P1	2	CABLE ASM FO	1	MR2-A15-A23-J5 TO MR2-A23-A2-J6, 15'
66	46-306626P2	2	CABLE CLIP	4	ADHESIVE MOUNTED, LOCKING CABLE CLIP
67	46-306626P1	2	CABLE CLIP	1	ADHESIVE-MOUNTED LOCKING CABLE CLIP
68	46-307265P6	2	BIT3 VME I/F	1	RUN 719 MR2-A15-A3-J1 - CC1-A1-A6-J1
69	2114342-17	1	1.5T TNS 2CH	1	1.5T 2 CHAN EXTENDED BANDWIDTH TNF
71	2118110	2	PWR HARNESS	1	TNS POWER INTERCONNECT, 2-WIRE, 42"
72	2118109	2	BNC CABLE	1	MR2-A11-J2 TO MR2-A24-A1-A1-J2, 7 FT
73	2118109-2	2	BNC CABLE	1	MR2-A11-J5 TO MR2-A24-A1-A2-J5, 7 FT
77	2111359	1	FAST RCVR	1	FAST RECEIVER, PURCHASED ASSEMBLY
78	2137306	2	CABLE	1	MR2-A15-A16-J14 TO MR2-A25-DIG I/F
79	2113888	2	BNC CABLE	1	MR2-A15-A16-J11 TO MR2-A25-2.5MHZ IN
80	46-328000G934	2	CABLE ASM	1	MR2-A24-A1-J1 TO MR2-A15-A9-J6
81	46-328000G912	2	CABLE	1	MR2-A24-A1-J2 TO MR2-A15-A16-J5
84	2128071	2	LABEL	1	CABINET LABEL: "CAUTION"
85	46-276217P2	1	CORE,EMI	2	COMBINATION NYLON CASE AND
5261	46-170015P2	2	SCR,SEMS	4	8-32 X 1/2 LG BIND HD STL EXT TOOTH
5318	46-170015P6	2	SCR,SEMS	3	10-32 X 1/2 LG BIND HD STL EXT TOOTH
5322	46-170015P10	2	SCR,SEMS	4	6-32 X 1/4" LG BIND HD STL EXT TOOTH
5558	46-170015P16	2	SCR,SEMS	8	10-32 X 3/8 LG BIND HD STL EXT TOOTH
17267	46-220205P3	2	WASHER WROT	3	FOR 3/8" SCREW, 1" OD, 7/16 ID, 5/64
19019	46-170015P27	2	SCR,SEMS	6	6-32 X 1/2" LG BIND HD STL EXT TOOTH
19304	46-170015P36	2	SCR,SEMS	3	8-32 X 9/16 LG BIND HD STL EXT TOOTH
35136	46-170015P62	2	SCR,SEMS	60	10-32 X 3/4 LG BIND HD STL EXT TOOTH
51674	46-170012P39	2	NUT,LOCK	5	10-32, 3/8" HEX KEPS NUT, 1/8" THICK
55682	46-170012P38	2	NUT,LOCK	2	8-32 KEPS, HEX 5/16 NUT THK 7/64

5.x 1.5T and 1.0T SYSTEM CABINET w/o MULTI-COIL or FAST RECEIVER (MR2)

2117962 SERIES



L2117962A

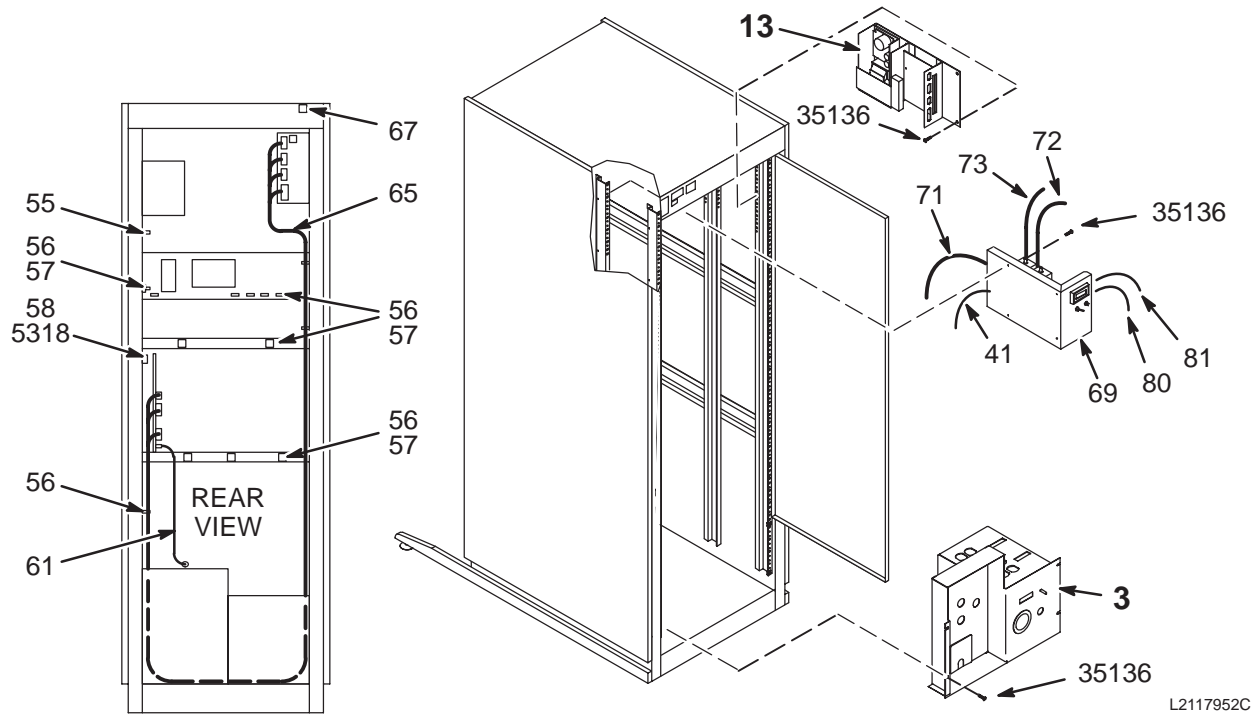


L32845662B

VIEW 2

5.x 1.5T and 1.0T SYSTEM CABINET w/o MULTI-COIL or FAST RECEIVER (MR2)

2117962 SERIES



VIEW 3

5.x 1.5T SYS CAB w/o MC or FS 2117962 FRU N (PART OF 46-271000G25, G27 SECTION 1)

Item	Part Number	FRU	Name	Quantity	Description (Remarks)
2	46-307364G1	N	AMCO CABINET	1	PURCHASED AMCO SINGLE-BAY CABINET (SEE PAGE 8-49)
3	46-307528G3	N	I/F PANEL	1	POWER AND I/F PANEL MR2 A11, MR2 A12 (SEE PAGE 8-41)
4	2117963	N	TPS ASM	1	1.5T TPS CHASSIS W/O MC OR FAST RCVR (SEE PAGE 8-33)
5	46-307974G1	N	REM CNTL ASM	1	PDU REMOTE CONTROL, MR2 A19 (SEE PAGE 8-47)
7A	46-306950P3	1	POWER SUPPLY	1	TPS POWER SUPPLY MR2-A14 (5V @ 150A)
7B	46-306950P1	1	POWER SUPPLY	ALT	TPS POWER SUPPLY MR2-A14 (5V @ 300A)
8	46-287438G1	N	INTERLOCK	1	LOCKING PIN ASSEMBLY (SEE PAGE 8-46)
9	46-251976G2	2	THERMOST ASM	1	TEMPERATURE SENSOR, MR2 A21
10	46-195551P1	2	SLIDE	2	SYMMETRICAL SLIDE FOR LEFT OR RIGHT
11	46-222465P1	2	BRACKET	2	SLIDE MOUNTING BRACKET
12	46-307189G1	N	FAN MODULE	1	TPS FAN MODULE, MR2 A16 (SEE PAGE 8-44)
13	46-307332G2	N	SCB ASSEMBLY	1	SIGNAL COLLECTING BOARD ASM, MR2 A23 (SEE PAGE 8-48)
14	46-307318G1	2	COVER ASM	1	MR2 CABINET "SLAM LATCH" FRONT COVER
15	46-301989P1	2	BRACKET	1	FRONT COVER "SLAM LATCH" RETAINER
16	46-307319P1	2	AIR INTAKE	1	TPS COOLING AIR INTAKE PLENUM, STEEL
17	46-307323P1	2	COVER STRIP	1	FILLER STRIP, CHARCOAL, 19" X 2.12"
18	46-306565P1	2	AIR FILTER	1	RESEARCH PRODUCTS 10"EZ-CLEAN FILTER
19	46-306509P3	2	COVER	1	FILLER PANEL, CHARCOAL, 19" X 10.44"
20	46-306509P4	2	COVER PLATE	1	FILLER PANEL, CHARCOAL, 19" X 3.44"
21	46-306509P5	2	COVER PLATE	2	FILLER PANEL, CHARCOAL, 19" X 1.68"

Parts List Continued On Next Page

5.x 1.5T SYS CAB w/o MC or FR 2117962 FRU N (CONTINUED FROM PREVIOUS PAGE)

Item	Part Number	FRU	Name	Quantity	Description (Remarks)
37	46-301638P1	2	CABLE ASM	1	RF COAX CABLE ASM, I/F PANEL TO TPS
41	46-271121G1	2	WIRING	1	TEMP SENSE TS1-PDU REMOTE J2 HARNESS
44	46-307654P1	2	PLATE	1	BIT-3 CABLE ACCESS PLATE, 5" X 2.12"
47	46-220288P3	2	NUT, CLIP	2	SELF-LOCKING 8-32 UNC
49	46-220178P10	2	GROMMET	.333	12.75" LONG GROMMET STRIP, OFF WHITE
55	46-208758P2	2	STRAP	6	5.5" X .140" SELF-LOCKING CABLE TIE.
56	46-208758P3	2	STRAP	29	7.31" X .184" SELF-LOCKING CABLE TIE
57	46-208747P2	2	MOUNT	7	CABLE TIE, ADHESIVE BACKED
58	46-208759P1	2	STRAP	3	7.81" X .184" SELF-LOCKING CABLE TIE
60	46-208643P10	2	NUT,LOCK	1	1/8-27 NPS, HEX 1/2, THK 1/16, BRASS
61	46-258203G2	2	CABLE ASM	1	18" RG174/U COAX W/SMB & BNC CONNECT
63	46-208695P61	2	BUSHING	1	HEYCO PART NO.2126 SB-875-11 BLACK
64	46-220288P1	2	NUT, CLIP	54	SELF-LOCKING 10-32 UNF
65	46-317726P1	2	CABLE ASM FO	1	MR2-A15-A23-J5 TO MR2-A23-A2-J6, 15'
66	46-306626P2	2	CABLE CLIP	4	ADHESIVE MOUNTED, LOCKING CABLE CLIP
67	46-306626P1	2	CABLE CLIP	1	ADHESIVE-MOUNTED LOCKING CABLE CLIP
68	46-307265P6	2	BIT3 VME I/F	1	RUN 719 MR2-A15-A3-J1 - CC1-A1-A6-J1
69	2114342-17	1	1.5T TNS 2CH	1	1.5T 2 CHAN EXTENDED BANDWIDTH TNF
71	2118110	2	PWR HARNESS	1	TNS POWER INTERCONNECT, 2-WIRE, 42"
72	2118109	2	BNC CABLE	1	MR2-A11-J2 TO MR2-A24-A1-A1-J2, 7 FT
73	2118109-2	2	BNC CABLE	1	MR2-A11-J5 TO MR2-A24-A1-A2-J5, 7 FT
80	46-328000G934	2	CABLE ASM	1	MR2-A24-A1-J1 TO MR2-A15-A9-J6
81	46-328000G912	2	CABLE	1	MR2-A24-A1-J2 TO MR2-A15-A16-J5
84	2128071	2	LABEL	1	CABINET LABEL: "CAUTION"
85	46-276217P2	1	CORE,EMI	2	COMBINATION NYLON CASE AND
5261	46-170015P2	2	SCR,SEMS	4	8-32 X 1/2 LG BIND HD STL EXT TOOTH
5318	46-170015P6	2	SCR,SEMS	3	10-32 X 1/2 LG BIND HD STL EXT TOOTH
5322	46-170015P10	2	SCR,SEMS	4	6-32 X 1/4" LG BIND HD STL EXT TOOTH
5558	46-170015P16	2	SCR,SEMS	8	10-32 X 3/8 LG BIND HD STL EXT TOOTH
17267	46-220205P3	2	WASHER WROT	3	FOR 3/8" SCREW, 1" OD, 7/16 ID, 5/64
19019	46-170015P27	2	SCR,SEMS	6	6-32 X 1/2" LG BIND HD STL EXT TOOTH
19304	46-170015P36	2	SCR,SEMS	3	8-32 X 9/16 LG BIND HD STL EXT TOOTH
35136	46-170015P62	2	SCR,SEMS	56	10-32 X 3/4 LG BIND HD STL EXT TOOTH
51674	46-170012P39	2	NUT,LOCK	4	10-32, 3/8" HEX KEPS NUT, 1/8" THICK
55682	46-170012P38	2	NUT,LOCK	2	8-32 KEPS, HEX 5/16 NUT THK 7/64

5.x 1.0T SYS CAB w/o MC or FS 2117962-2 FRU N (PART OF 46-271000G65, G67 SECTION 1)

Item	Part Number	FRU	Name	Quantity	Description (Remarks)
2	46-307364G1	N	AMCO CABINET	1	PURCHASED AMCO SINGLE-BAY CABINET (SEE PAGE 8-49)
3	46-307528G3	N	I/F PANEL	1	POWER AND I/F PANEL MR2 A11, MR2 A12 (SEE PAGE 8-41)
4	2117963-2	N	TPS ASM	1	1.0T TPS CHASSIS W/O MC OR FAST RCVR (SEE PAGE 8-36)
5	46-307974G1	N	REM CNTL ASM	1	PDU REMOTE CONTROL, MR2 A19 (SEE PAGE 8-47)
7A	46-306950P3	1	POWER SUPPLY	1	TPS POWER SUPPLY MR2-A14 (5V @ 150A)
7B	46-306950P1	1	POWER SUPPLY	ALT	TPS POWER SUPPLY MR2-A14 (5V @ 300A)
8	46-287438G1	N	INTERLOCK	1	LOCKING PIN ASSEMBLY (SEE PAGE 8-46)
9	46-251976G2	2	THERMOST ASM	1	TEMPERATURE SENSOR, MR2 A21
10	46-195551P1	2	SLIDE	2	SYMMETRICAL SLIDE FOR LEFT OR RIGHT
11	46-222465P1	2	BRACKET	2	SLIDE MOUNTING BRACKET
12	46-307189G1	N	FAN MODULE	1	TPS FAN MODULE, MR2 A16 (SEE PAGE 8-44)
13	46-307332G2	N	SCB ASSEMBLY	1	SIGNAL COLLECTING BOARD ASM, MR2 A23 (SEE PAGE 8-48)
14	46-307318G1	2	COVER ASM	1	MR2 CABINET "SLAM LATCH" FRONT COVER
15	46-301989P1	2	BRACKET	1	FRONT COVER "SLAM LATCH" RETAINER
16	46-307319P1	2	AIR INTAKE	1	TPS COOLING AIR INTAKE PLENUM, STEEL
17	46-307323P1	2	COVER STRIP	1	FILLER STRIP, CHARCOAL, 19" X 2.12"
18	46-306565P1	2	AIR FILTER	1	RESEARCH PRODUCTS 10"EZ-CLEAN FILTER
19	46-306509P3	2	COVER	1	FILLER PANEL, CHARCOAL, 19" X 10.44"
20	46-306509P4	2	COVER PLATE	1	FILLER PANEL, CHARCOAL, 19" X 3.44"
21	46-306509P5	2	COVER PLATE	2	FILLER PANEL, CHARCOAL, 19" X 1.68"
37	46-301638P1	2	CABLE ASM	1	RF COAX CABLE ASM, I/F PANEL TO TPS
41	46-271121G1	2	WIRING	1	TEMP SENSE TS1-PDU REMOTE J2 HARNESS
44	46-307654P1	2	PLATE	1	BIT-3 CABLE ACCESS PLATE, 5" X 2.12"
47	46-220288P3	2	NUT, CLIP	2	SELF-LOCKING 8-32 UNC
49	46-220178P10	2	GROMMET	.333	12.75" LONG GROMMET STRIP, OFF WHITE
55	46-208758P2	2	STRAP	6	5.5" X .140" SELF-LOCKING CABLE TIE.
56	46-208758P3	2	STRAP	29	7.31" X .184" SELF-LOCKING CABLE TIE
57	46-208747P2	2	MOUNT	7	CABLE TIE, ADHESIVE BACKED
58	46-208759P1	2	STRAP	3	7.81" X .184" SELF-LOCKING CABLE TIE
60	46-208643P10	2	NUT, LOCK	1	1/8-27 NPS, HEX 1/2, THK 1/16, BRASS
61	46-258203G2	2	CABLE ASM	1	18" RG174/U COAX W/SMB & BNC CONNECT
63	46-208695P61	2	BUSHING	1	HEYCO PART NO.2126 SB-875-11 BLACK
64	46-220288P1	2	NUT, CLIP	54	SELF-LOCKING 10-32 UNF
65	46-317726P1	2	CABLE ASM FO	1	MR2-A15-A23-J5 TO MR2-A23-A2-J6, 15'
66	46-306626P2	2	CABLE CLIP	4	ADHESIVE MOUNTED, LOCKING CABLE CLIP

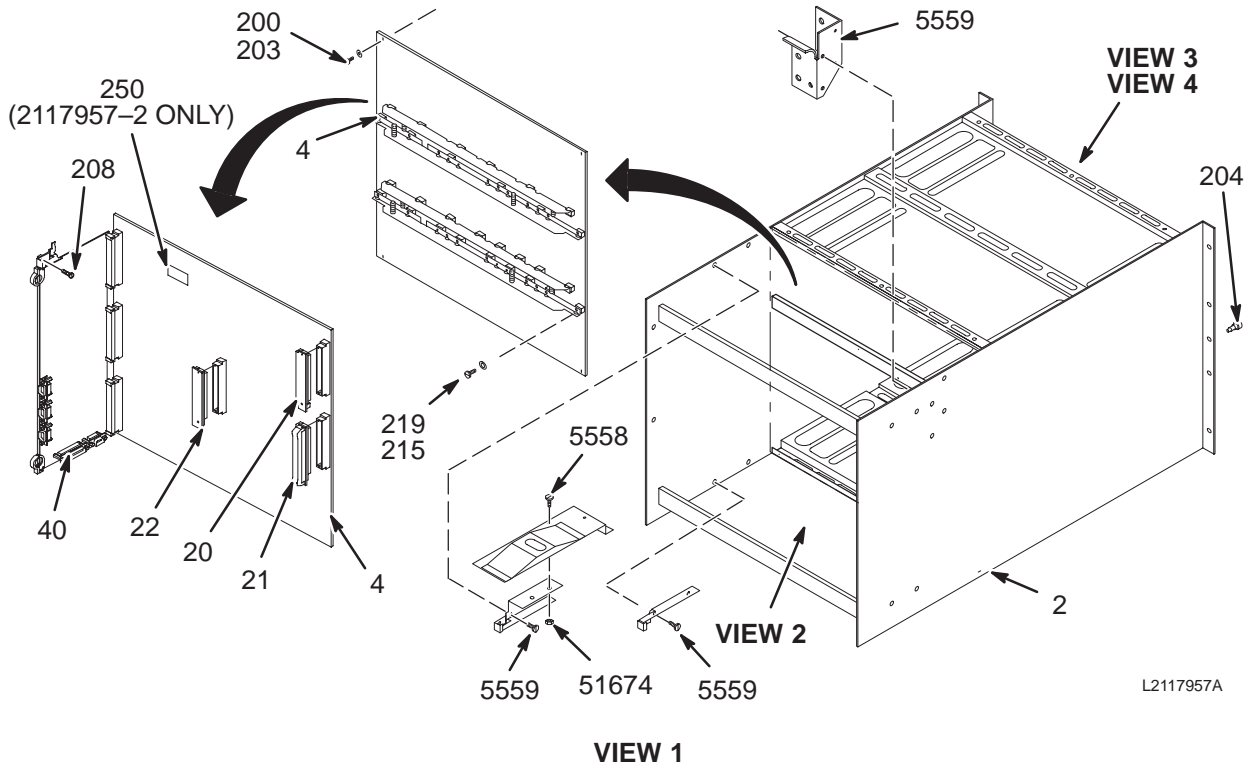
Parts List Continued On Next Page

5.x 1.0T SYS CAB w/o MC or FR 2117962-2 FRU N (CONTINUED FROM PREVIOUS PAGE)

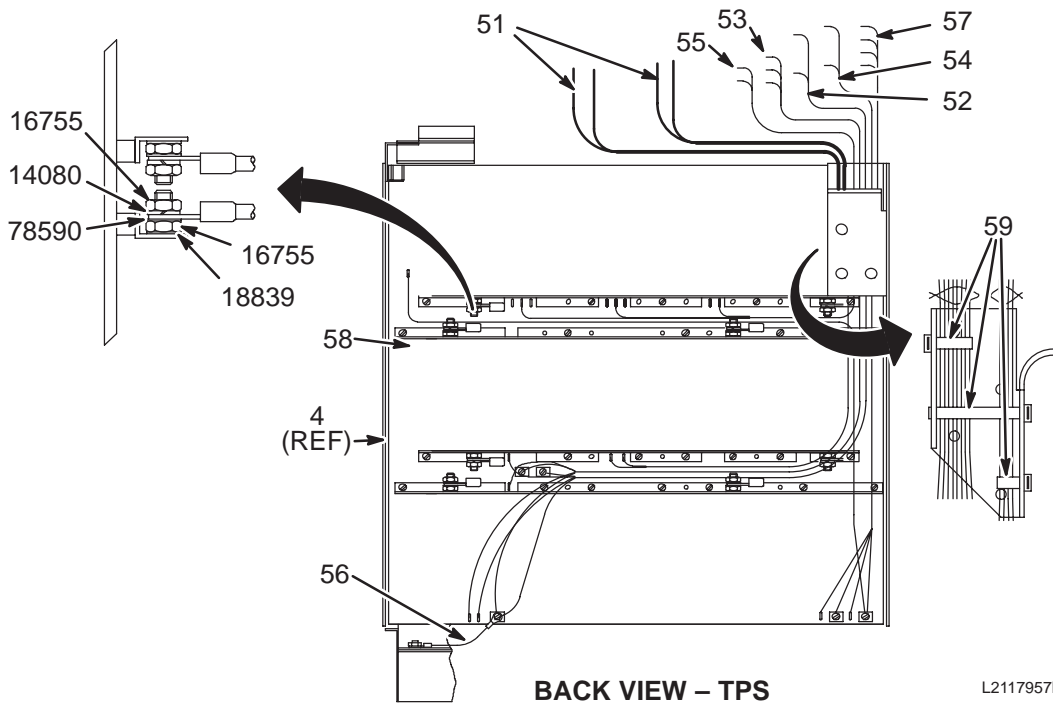
Item	Part Number	FRU	Name	Quantity	Description (Remarks)
67	46-306626P1	2	CABLE CLIP	1	ADHESIVE-MOUNTED LOCKING CABLE CLIP
68	46-307265P6	2	BIT3 VME I/F	1	RUN 719 MR2-A15-A3-J1 - CC1-A1-A6-J1
69	2114342-17	1	1.5T TNS 2CH	1	1.5T 2 CHAN EXTENDED BANDWIDTH TNF
71	2118110	2	PWR HARNESS	1	TNS POWER INTERCONNECT, 2-WIRE, 42"
72	2118109	2	BNC CABLE	1	MR2-A11-J2 TO MR2-A24-A1-A1-J2, 7 FT
73	2118109-2	2	BNC CABLE	1	MR2-A11-J5 TO MR2-A24-A1-A2-J5, 7 FT
80	46-328000G934	2	CABLE ASM	1	MR2-A24-A1-J1 TO MR2-A15-A9-J6
81	46-328000G912	2	CABLE	1	MR2-A24-A1-J2 TO MR2-A15-A16-J5
84	2128071	2	LABEL	1	CABINET LABEL: "CAUTION"
85	46-276217P2	1	CORE,EMI	2	COMBINATION NYLON CASE AND
5261	46-170015P2	2	SCR,SEMS	4	8-32 X 1/2 LG BIND HD STL EXT TOOTH
5318	46-170015P6	2	SCR,SEMS	3	10-32 X 1/2 LG BIND HD STL EXT TOOTH
5322	46-170015P10	2	SCR,SEMS	4	6-32 X 1/4" LG BIND HD STL EXT TOOTH
5558	46-170015P16	2	SCR,SEMS	8	10-32 X 3/8 LG BIND HD STL EXT TOOTH
17267	46-220205P3	2	WASHER WROT	3	FOR 3/8" SCREW, 1" OD, 7/16 ID, 5/64
19019	46-170015P27	2	SCR,SEMS	6	6-32 X 1/2" LG BIND HD STL EXT TOOTH
19304	46-170015P36	2	SCR,SEMS	3	8-32 X 9/16 LG BIND HD STL EXT TOOTH
35136	46-170015P62	2	SCR,SEMS	56	10-32 X 3/4 LG BIND HD STL EXT TOOTH
51674	46-170012P39	2	NUT,LOCK	4	10-32, 3/8" HEX KEPS NUT, 1/8" THICK
55682	46-170012P38	2	NUT,LOCK	2	8-32 KEPS, HEX 5/16 NUT THK 7/64
69	2114342-17	1	1.5T TNS 2CH	1	1.5T 2 CHAN EXTENDED BANDWIDTH TNF
70	2114342-18	1	1.5T TNS 3CH	1	1.5T 3 CHAN EXTENDED BANDWIDTH TNF

1.5T TPS ASM WITH MULTI-COIL & FAST RECEIVER (MR2 A15)

2117957



L2117957A

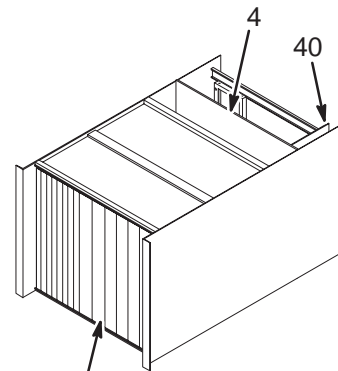
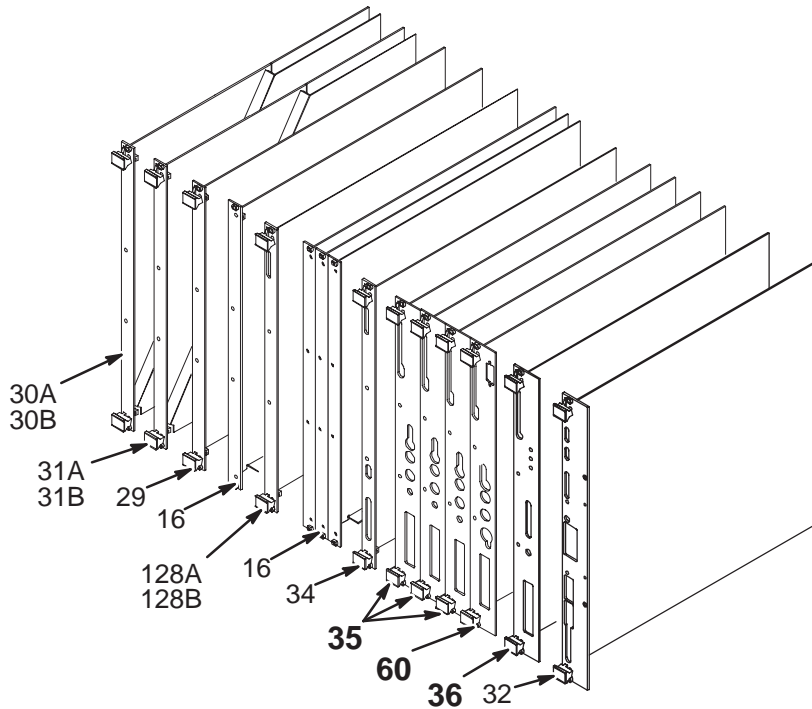


L2117957B

VIEW 2

1.5T TPS ASM WITH MULTI-COIL & FAST RECEIVER (MR2 A15)

2117957



PROCEED TO **VIEW 4** FOR ADDITIONAL INFORMATION ON BOARD SLOT ASSIGNMENTS.

L2117957C

VIEW 3

TPS CIRCUIT BD SLOT ASSIGNMENTS

P/L	SLOT	PART #	DESCRIPTION
30A	1	46-282983G3	TPS CONTROLLER (CPU), MR2 A15 A1
30B	1	46-287013G2	TPS CONTROLLER (CPU), MR2 A15 A1
31A	2	46-307869G1	ARRAY PROCESSOR (AP), MR2 A15 A2
31B	2	46-307912G1	ARRAY PROCESSOR (AP), MR2 A15 A2
29	3	46-307265G2	TPS VME INTERFACE, MR2 A15 A3
128A	5	46-321324G5	128MB BULK MEMORY BD (BAM)
128B	5	46-317038G8	128MB BULK MEMORY BD (BAM)
	6-8	46-321324G5	128MB EXPANSION BAM BOARD (OPTIONAL)
	6-8	46-317038G8	128MB EXPANSION BAM BOARD (OPTIONAL)
34	9	46-287251G1	DAB, MR2 A15 A9
35	10,12,14	46-287252G3	1.5T TPS RECEIVER ASSEMBLY
60	16	2111251	1.5T FAST RECEIVER-0, MR2 A15 A16
36	18	2111395	SIGNA HORIZON EXCITER, MR2 A15 A18
32	20	2160818-6	SIGNA HORIZON IPG II, MR2A15 A20
40	—	46-288412G1	TYME BOARD, MR2 A15 A23
4	—	46-320456G1	TPS BACKPLANE/CHASSIS ASM

L2117957D

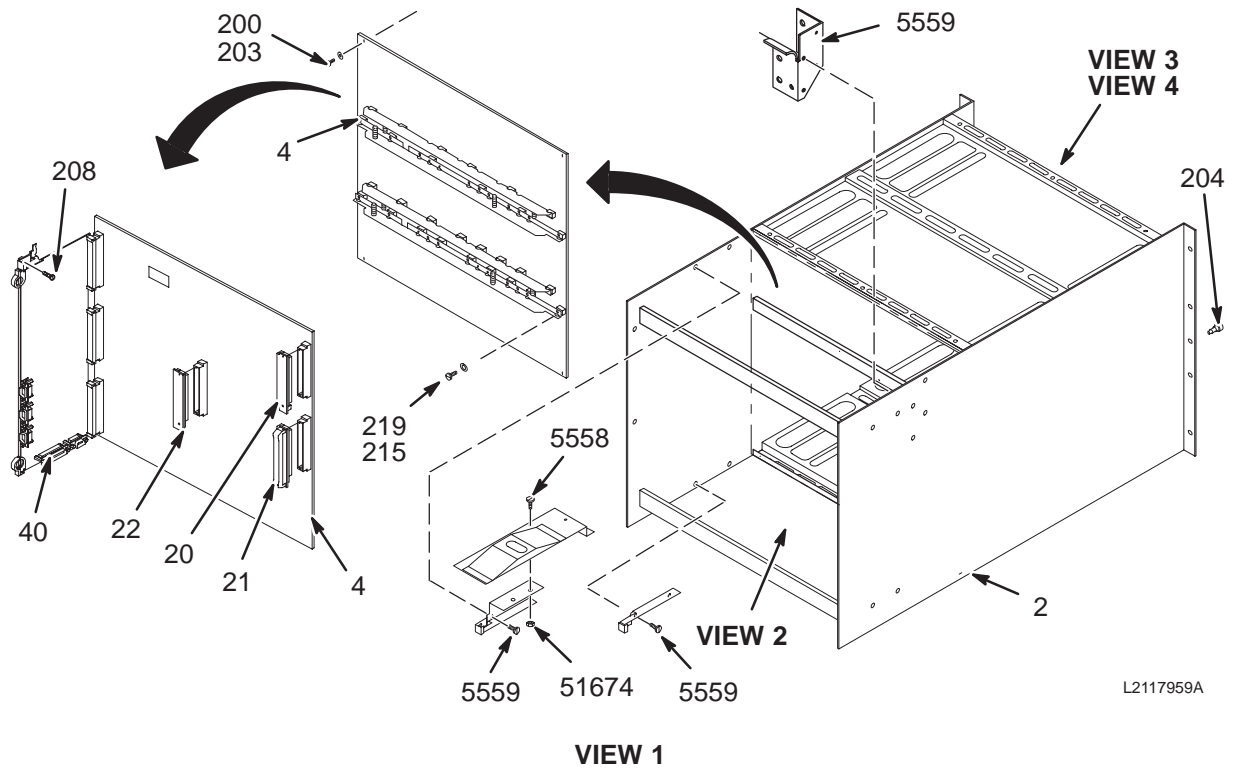
VIEW 4

1.5T TPS ASM W/MC & F/R 2117957 FRU N (PART OF 2117956 PAGE 8-4)

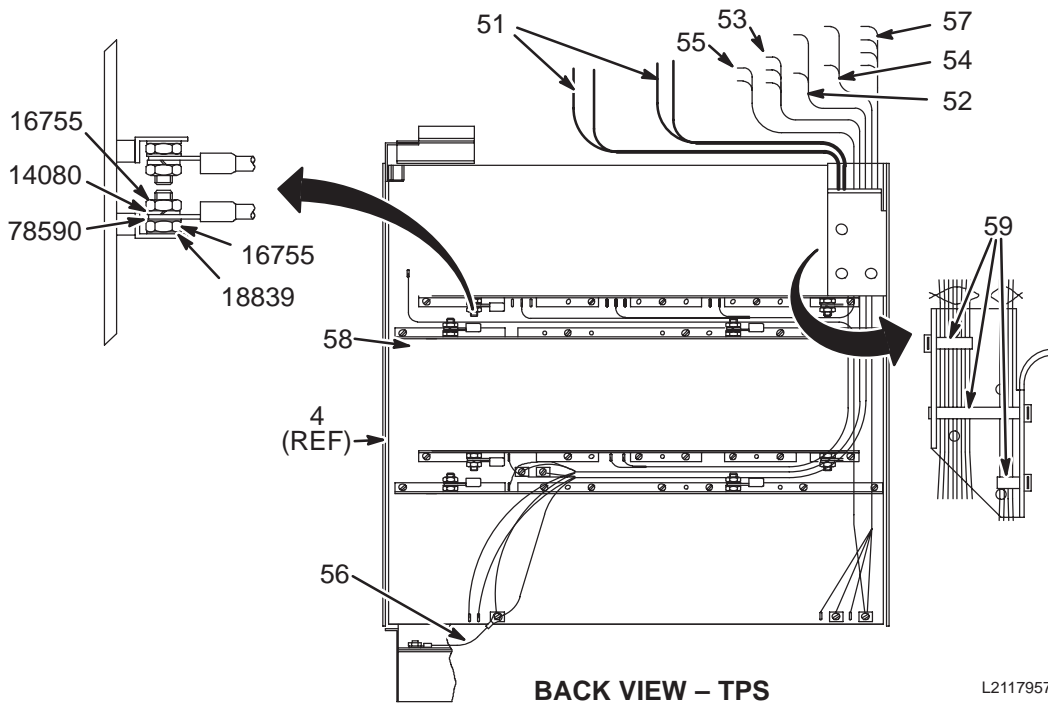
Item	Part Number	FRU	Name	Quantity	Description (Remarks)
2	46-282134P1	N	CHASSIS/BAM	1	TPS CHASSIS, USE APPLICABLE TPS FRU 5.X TPS FRU IS 46-320456G1 4.X TPS FRU IS 46-320608G1
4	46-301980P2	N	BACKPLANE	1	TPS BACKPLANE SUBSTITUTE 46-320456G1
16	46-287992G1	2	AIR PANEL	4	BLANK AIR FLOW CHANNEL PANEL
20	46-287264P1	2	TERMINATOR	1	J1 VME BACKPLANE BUS TERMINATOR.
21	46-287264P3	2	TERMINATOR	1	J2 VME BACKPLANE BUS TERMINATOR.
22	46-301011P1	2	TERMINATOR	1	VSB BACKPLANE BUS TERMINATOR MODULE
29	46-307265G2	1	BIT3 VME I/F	1	TPS VME INTERFACE, MR2 A15 A3
30A	46-282983G3	1	CPU BD (BUY)	1	TPS CONTROLLER (CPU), MR2 A15 A1
30B	46-287013G2	1	CPU (MAKE)	ALT	TPS CONTROLLER (CPU), MR2 A15 A1
31A	46-307869G1	1	AP BD (BUY)	1	ARRAY PROCESSOR (AP), MR2 A15 A2
31B	46-307912G1	1	AP BD (MAKE)	ALT	ARRAY PROCESSOR (AP), MR2 A15 A2
32	2160818-8	1	CIRCUIT BOAR	1	IPGII VME STYLE FRONT PANEL
32A	2112565-7	2	IPG ASM	ALT	IPG ASM WITH PHASE FIX
32B	2112565-8	2	IPG ASM	ALT	IPG ASM WITH PHASE FIX
34	46-287251G1	1	DAB BD ASM	1	DAB MR2A15A11(4.X) OR MR2A15A9 (5.X)
35	46-287252G3	1	1.5T RECEIVR	3	1.5T TPS STANDARD RECEIVER ASSEMBLY (SEE PAGE 8-37)
36	2111395	1	1.5T EXCITER	1	SIGNA HORIZON EXCITER, MR2-A15-A18 (SEE PAGE 8-39)
40	46-288412G1	1	CIRCUIT BD	1	TYME BOARD, MR2 A15 A23
51	46-282401G1	2	WIRES	1	SET OF 8 #4 BLACK POWER WIRES (5VDC)
52	46-307578G1	2	CABLE	1	MR2-A14 +18V TO MR2-A15, 40" #14AWG
53	46-307558G1	2	HARNESS	1	A-14+/-12V TO A-15-J1/J2 3-#18 CABLE
54	46-307577G1	2	CABLE	1	MR2-A14 -18V TO MR2-A15, 39" #14AWG
55	46-282513G1	2	CABLE	1	A-14 +5SEN TO A-15-J2/J3 2-#22 CABLE
56	46-301700G1	2	LEAD	1	BLACK JUMPER WIRE
57	46-307559G1	2	POWER CABLE	1	A14 5V TO A15 V-COM, V+/-S, VEE; 28"
58	46-307579P1	2	CABLE	1	VEE JUMPER
59	46-208758P5	2	STRAP	3	13.38"X .301" SELF-LOCKING CABLE TIE
60	2111251	1	FAST RECVR	1	1.5T FAST RECEIVER-0, MR2-A15-A18 (SEE PAGE 8-38)
128A	46-321324G5	1	TPS MEM ASM	1	128MB BULK MEMORY BOARD (BAM)
128B	46-317038G8	1	TPS MEM ASM	ALT	128MB BULK MEMORY BOARD (BAM)
200	46-287190P7	2	(M) MACH SCR	36	2.5M CHEESE-HEAD SCREW, 12MM LONG
203	46-301611P1	2	WASHER FLAT	36	0.12 ID, 0.218 OD, 0.037 THK, NYLON
208	46-170015P15	2	SCR,SEMS	2	6-32 X 3/16 LG BIND HD STL EXT TOOTH
215	46-220184P11	2	SCREW MACH	29	6-32 X 1/4 LG SLOTTED RD HEAD, BRASS
219	46-208601P20	2	WASHER,LOCK	29	#6 SCREW, INTERNAL TOOTH, PHOZ BRZ
5558	46-170015P16	2	SCR,SEMS	2	10-32 X 3/8 LG BIND HD STL EXT TOOTH
5559	46-170015P17	2	SCR,SEMS	8	10-32 X 1/4 LG BIND HD STL EXT TOOTH
14080	46-220196P4	2	WASHER,LOCK	8	1/4" SCREW SIZE (0.250), SST
16755	46-208935P8	2	NUT,HEX,MS	16	1/4-20, 7/16" HEX X 3/16 THK, BRASS
18839	12-251	2	WASHER	8	ID 0.250 OD 0.375 THK .020
51674	46-170012P39	2	NUT,LOCK	2	10-32, 3/8" HEX KEPS NUT, 1/8" THICK
78590	46-136356P9	2	WASHER	8	ID NOM .250 OD NOM .500 MAT THK .025

1.5T TPS ASM WITH MULTI-COIL & w/o FAST RECEIVER (MR2 A15)

2117959



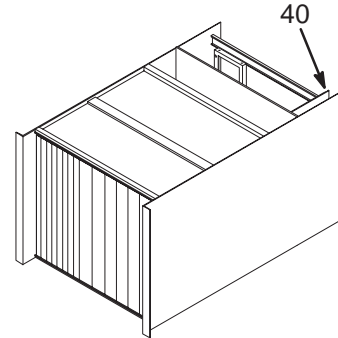
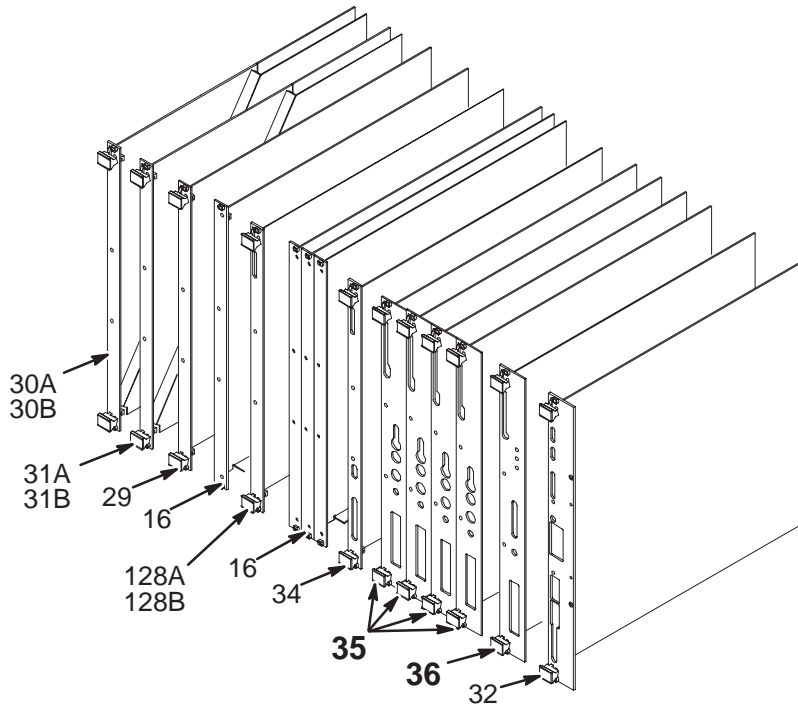
L2117959A



L2117957B

1.5T TPS ASM WITH MULTI-COIL & w/o FAST RECEIVER (MR2 A15)

2117959



PROCEED TO **VIEW 4** FOR ADDITIONAL INFORMATION ON BOARD SLOT ASSIGNMENTS.

L2117959C

VIEW 3

TPS CIRCUIT BD SLOT ASSIGNMENTS

P/L	SLOT	PART #	DESCRIPTION
30A	1	46-282983G3	TPS CONTROLLER (CPU), MR2 A15 A1
30B	1	46-287013G2	TPS CONTROLLER (CPU), MR2 A15 A1
31A	2	46-307869G1	ARRAY PROCESSOR (AP), MR2 A15 A2
31B	2	46-307912G1	ARRAY PROCESSOR (AP), MR2 A15 A2
29	3	46-307265G2	TPS VME INTERFACE, MR2 A15 A3
128A	5	46-321324G5	128MB BULK MEMORY BD (BAM)
128B	5	46-317038G8	128MB BULK MEMORY BD (BAM)
	6-8	46-321324G5	128MB EXPANSION BAM BOARD (OPTIONAL)
	6-8	46-317038G8	128MB EXPANSION BAM BOARD (OPTIONAL)
34	9	46-287251G1	DAB, MR2 A15 A9
35	10,12,14,16	46-287252G3	1.5T TPS RECEIVER ASSEMBLY
36	18	2111395	1.5T HORIZON EXCITER, MR2 A15 A18
32	20	2160818-6	SIGNA HORIZON IPG II, MR2A15 A20
40	—	46-288412G1	TYME BOARD, MR2 A15 A23
4		46-320456G1	TPS BACKPLANE/CHASSIS ASM

L2117957D

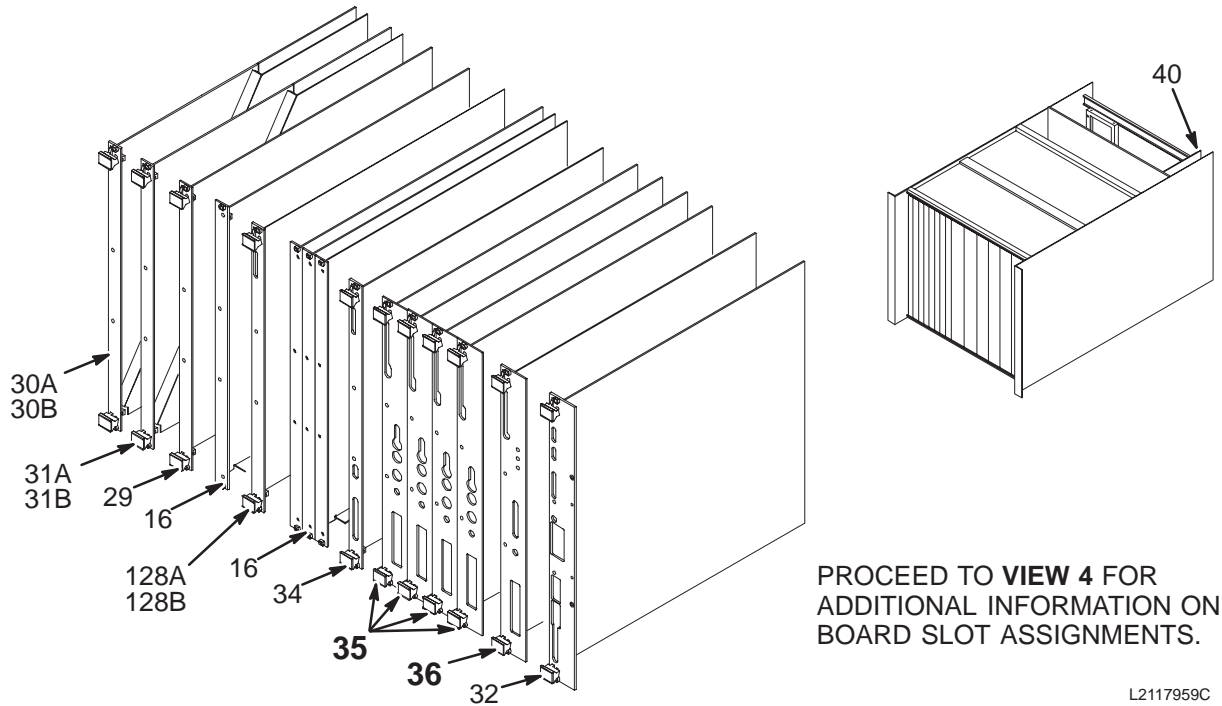
VIEW 4

1.5T TPS ASM w/MC & w/o FR 2117959 FRU N (PART OF 2117958 PAGE 8-7)

Item	Part Number	FRU	Name	Quantity	Description (Remarks)
2	46-282134P1	N	CHASSIS/BAM	1	TPS CHASSIS, USE APPLICABLE TPS FRU 5.X TPS FRU IS 46-320456G1 4.X TPS FRU IS 46-320608G1
4	46-301980P2	N	BACKPLANE	1	TPS BACKPLANE SUBSTITUTE 46-320456G1
16	46-287992G1	2	AIR PANEL	4	BLANK AIR FLOW CHANNEL PANEL
20	46-287264P1	2	TERMINATOR	1	J1 VME BACKPLANE BUS TERMINATOR.
21	46-287264P3	2	TERMINATOR	1	J2 VME BACKPLANE BUS TERMINATOR.
22	46-301011P1	2	TERMINATOR	1	VSB BACKPLANE BUS TERMINATOR MODULE
29	46-307265G2	1	BIT3 VME I/F	1	TPS VME INTERFACE, MR2 A15 A3
30A	46-282983G3	1	CPU BD (BUY)	1	TPS CONTROLLER (CPU), MR2 A15 A1
30B	46-287013G2	1	CPU (MAKE)	ALT	TPS CONTROLLER (CPU), MR2 A15 A1
31A	46-307869G1	1	AP BD (BUY)	1	ARRAY PROCESSOR (AP), MR2 A15 A2
31B	46-307912G1	1	AP BD (MAKE)	ALT	ARRAY PROCESSOR (AP), MR2 A15 A2
32	2160818-8	1	CIRCUIT BOAR	1	IPGII VME STYLE FRONT PANEL
32A	2112565-5	2	IPG ASM	ALT	IPG ASM WITH PHASE FIX
32B	2112565-6	2	IPG ASM	ALT	IPG ASM WITH PHASE FIX
34	46-287251G1	1	DAB BD ASM	1	DAB MR2A15A11(4.X) OR MR2A15A9 (5.X)
35	46-287252G3	1	1.5T RECEIVR	3	1.5T TPS STANDARD RECEIVER ASSEMBLY (SEE PAGE 8-37)
36	2111395	1	1.5T EXCITER	1	SIGNA HORIZON EXCITER, MR2-A15-A18 (SEE PAGE 8-39)
40	46-288412G1	1	CIRCUIT BD	1	TYME BOARD, MR2 A15 A23
51	46-282401G1	2	WIRES	1	SET OF 8 #4 BLACK POWER WIRES (5VDC)
52	46-307578G1	2	CABLE	1	MR2-A14 +18V TO MR2-A15, 40" #14AWG
53	46-307558G1	2	HARNESS	1	A-14+/-12V TO A-15-J1/J2 3-#18 CABLE
54	46-307577G1	2	CABLE	1	MR2-A14 -18V TO MR2-A15, 39" #14AWG
55	46-282513G1	2	CABLE	1	A-14 +5SEN TO A-15-J2/J3 2-#22 CABLE
56	46-301700G1	2	LEAD	1	BLACK JUMPER WIRE
57	46-307559G1	2	POWER CABLE	1	A14 5V TO A15 V-COM, V+/-S, VEE; 28"
58	46-307579P1	2	CABLE	1	VEE JUMPER
59	46-208758P5	2	STRAP	3	13.38"X .301" SELF-LOCKING CABLE TIE
128A	46-321324G5	1	TPS MEM ASM	1	128MB BULK MEMORY BOARD (BAM)
128B	46-317038G8	1	TPS MEM ASM	ALT	128MB BULK MEMORY BOARD (BAM)
200	46-287190P7	2	(M) MACH SCR	36	2.5M CHEESE-HEAD SCREW, 12MM LONG
203	46-301611P1	2	WASHER FLAT	36	0.12 ID, 0.218 OD, 0.037 THK, NYLON
208	46-170015P15	2	SCR,SEMS	2	6-32 X 3/16 LG BIND HD STL EXT TOOTH
215	46-220184P11	2	SCREW MACH	29	6-32 X 1/4 LG SLOTTED RD HEAD, BRASS
219	46-208601P20	2	WASHER,LOCK	29	#6 SCREW, INTERNAL TOOTH, PHOZ BRZ
5558	46-170015P16	2	SCR,SEMS	2	10-32 X 3/8 LG BIND HD STL EXT TOOTH
5559	46-170015P17	2	SCR,SEMS	8	10-32 X 1/4 LG BIND HD STL EXT TOOTH
14080	46-220196P4	2	WASHER,LOCK	8	1/4" SCREW SIZE (0.250), SST
16755	46-208935P8	2	NUT,HEX,MS	16	1/4-20, 7/16" HEX X 3/16 THK, BRASS
18839	12-251	2	WASHER	8	ID 0.250 OD 0.375 THK .020
51674	46-170012P39	2	NUT,LOCK	2	10-32, 3/8" HEX KEPS NUT, 1/8" THICK
78590	46-136356P9	2	WASHER	8	ID NOM .250 OD NOM .500 MAT THK .025

1.0T TPS ASM WITH MULTI-COIL & w/o FAST RECEIVER (MR2 A15)

2117959-2



VIEW 3

TPS CIRCUIT BD SLOT ASSIGNMENTS

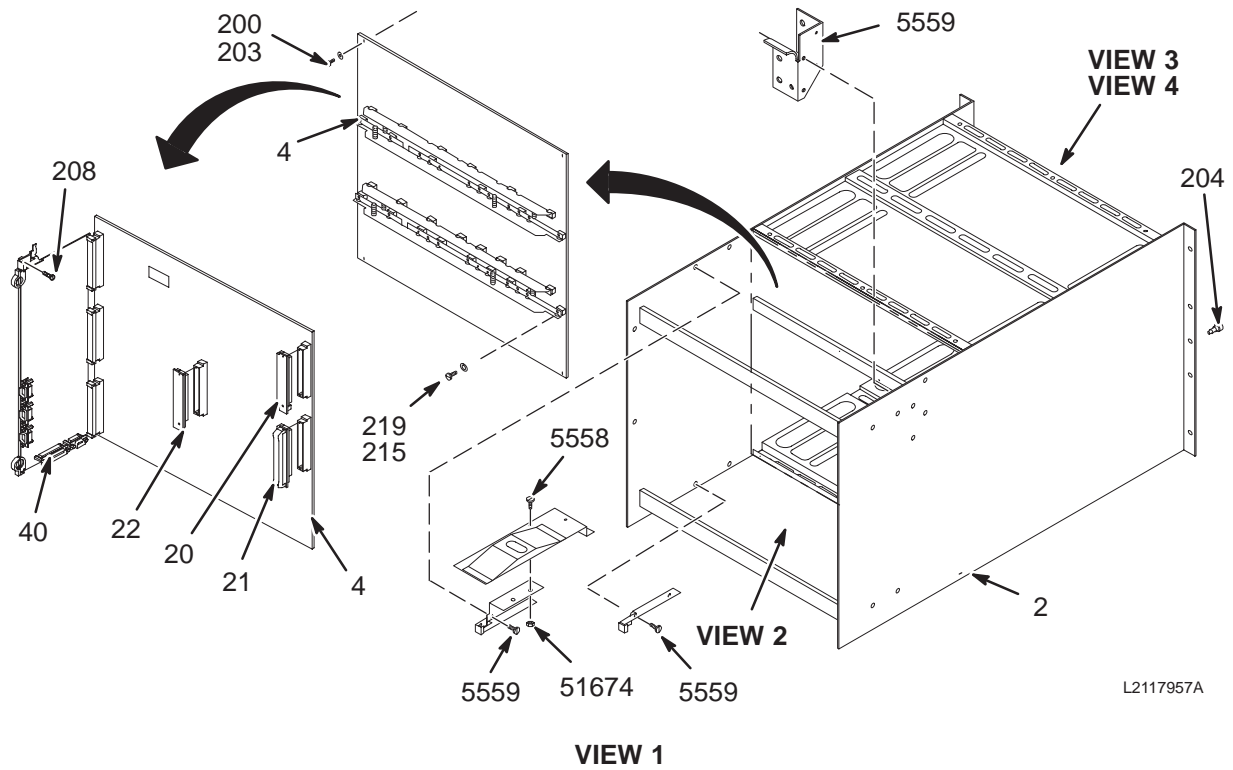
P/L	SLOT	PART #	DESCRIPTION
30A	1	46-282983G3	TPS CONTROLLER (CPU), MR2 A15 A1
30B	1	46-287013G2	TPS CONTROLLER (CPU), MR2 A15 A1
31A	2	46-307869G1	ARRAY PROCESSOR (AP), MR2 A15 A2
31B	2	46-307912G1	ARRAY PROCESSOR (AP), MR2 A15 A2
29	3	46-307265G2	TPS VME INTERFACE, MR2 A15 A3
128A	5	46-321324G5	128MB BULK MEMORY BD (BAM)
128B	5	46-317038G8	128MB BULK MEMORY BD (BAM)
	6-8	46-321324G5	128MB EXPANSION BAM BOARD (OPTIONAL)
	6-8	46-317038G8	128MB EXPANSION BAM BOARD (OPTIONAL)
34	9	46-287251G1	DAB, MR2 A15 A9
35	10,12,14,16	46-287252G7	1.0T TPS RECEIVER ASSEMBLY
36	18	2111395-2	1.0T HORIZON EXCITER, MR2 A15 A18
32	20	2160818-6	SIGNA HORIZON IPG II, MR2A15 A20
40	—	46-288412G1	TYME BOARD, MR2 A15 A23
4		46-320456G1	TPS BACKPLANE/CHASSIS ASM

L2117959-2D

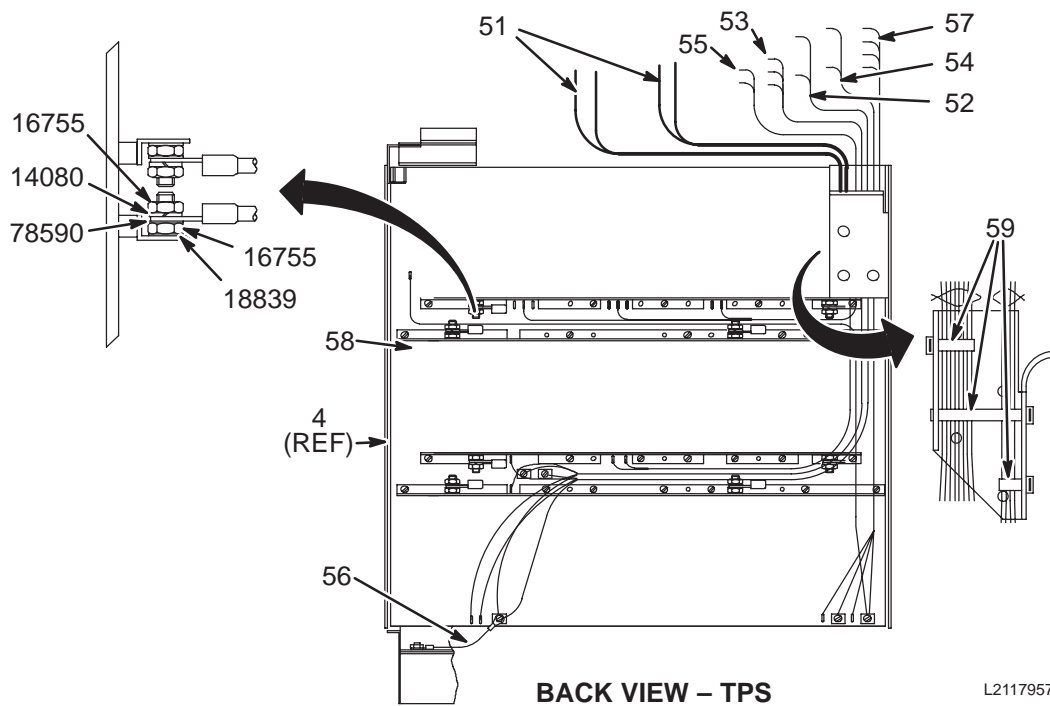
VIEW 4

1.5T TPS ASM WITH FAST RECEIVER & w/o MULTI-COIL (MR2 A15)

2117961



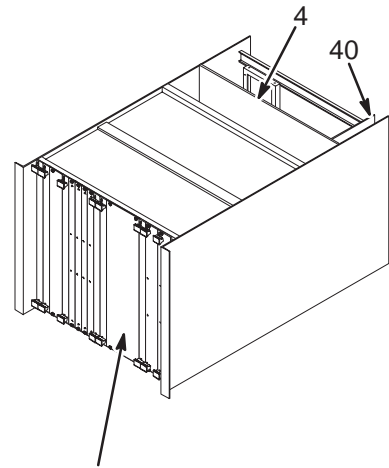
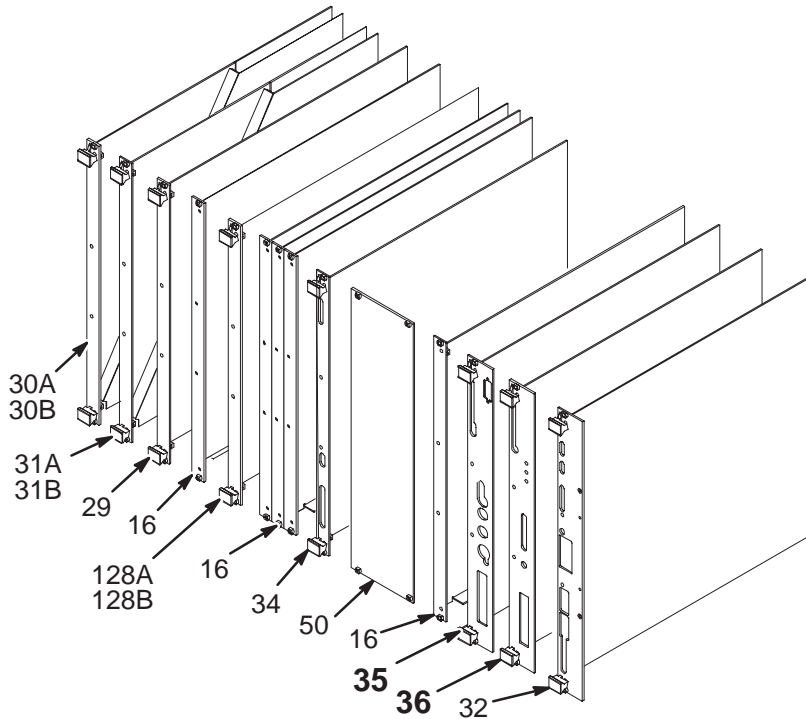
L2117957A



L2117957B

1.5T TPS ASM WITH FAST RECEIVER & w/o MULTI-COIL (MR2 A15)

2117961



PROCEED TO **VIEW 4** FOR ADDITIONAL INFORMATION ON BOARD SLOT ASSIGNMENTS AND EXPANSION BAM BOARDS.

L2117961C

VIEW 3

TPS CIRCUIT BD SLOT ASSIGNMENTS

P/L	SLOT	PART #	DESCRIPTION
30A	1	46-282983G3	TPS CONTROLLER (CPU), MR2 A15 A1
30B	1	46-287013G2	TPS CONTROLLER (CPU), MR2 A15 A1
31A	2	46-307869G1	ARRAY PROCESSOR (AP), MR2 A15 A2
31B	2	46-307912G1	ARRAY PROCESSOR (AP), MR2 A15 A2
29	3	46-307265G2	TPS VME INTERFACE, MR2 A15 A3
128A	5	46-321324G5	128MB BULK MEMORY BD (BAM)
128B	5	46-317038G8	128MB BULK MEMORY BD (BAM)
	6-8	46-321324G5	128MB EXPANSION BAM BOARD (OPTIONAL)
	6-8	46-317038G8	128MB EXPANSION BAM BOARD (OPTIONAL)
34	9	46-287251G1	DAB, MR2 A15 A9
35	16	2111251	1.5T FAST RECEIVER-0, MR2 A15 A16
36	18	2111395	1.5T HORIZON EXCITER, MR2 A15 A18
32	20	2160818-6	SIGNA HORIZON IPG II, MR2A15 A20
40	—	46-288412G1	TYME BOARD, MR2 A15 A23
4		46-320456G1	TPS BACKPLANE/CHASSIS ASM

L2117961D

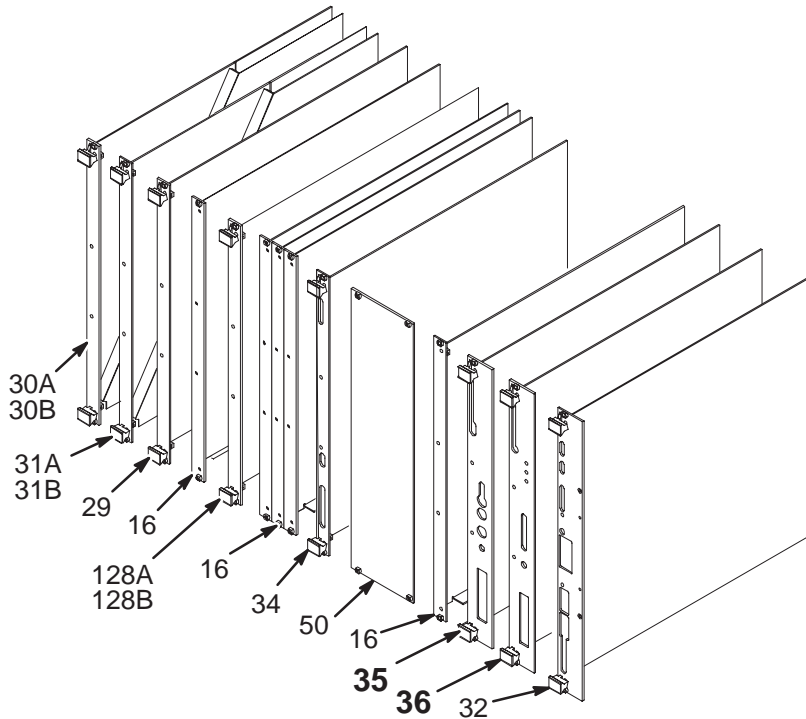
VIEW 4

1.5T TPS ASM w/o MC & w/FR 2117961 FRU N (PART OF 2117960 PAGE 8-12)

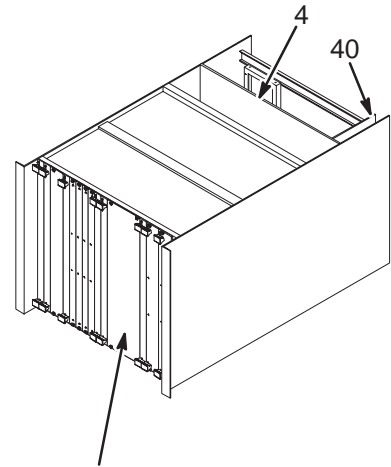
Item	Part Number	FRU	Name	Quantity	Description (Remarks)
2	46-282134P1	N	CHASSIS/BAM	1	TPS CHASSIS, USE APPLICABLE TPS FRU 5.X TPS FRU IS 46-320456G1 4.X TPS FRU IS 46-320608G1
4	46-301980P2	N	BACKPLANE	1	TPS BACKPLANE SUBSTITUTE 46-320456G1
16	46-287992G1	2	AIR PANEL	5	BLANK AIR FLOW CHANNEL PANEL
20	46-287264P1	2	TERMINATOR	1	J1 VME BACKPLANE BUS TERMINATOR.
21	46-287264P3	2	TERMINATOR	1	J2 VME BACKPLANE BUS TERMINATOR.
22	46-301011P1	2	TERMINATOR	1	VSB BACKPLANE BUS TERMINATOR MODULE
29	46-307265G2	1	BIT3 VME I/F	1	TPS VME INTERFACE, MR2 A15 A3
30A	46-282983G3	1	CPU BD (BUY)	1	TPS CONTROLLER (CPU), MR2 A15 A1
30B	46-287013G2	1	CPU (MAKE)	ALT	TPS CONTROLLER (CPU), MR2 A15 A1
31A	46-307869G1	1	AP BD (BUY)	1	ARRAY PROCESSOR (AP), MR2 A15 A2
31B	46-307912G1	1	AP BD (MAKE)	ALT	ARRAY PROCESSOR (AP), MR2 A15 A2
32	2160818-8	1	CIRCUIT BOAR	1	IPGII VME STYLE FRONT PANEL, MR2 A15 A20
32A	2112565-7	2	IPG ASM	ALT	IPG ASM WITH PHASE FIX
32B	2112565-8	2	IPG ASM	ALT	IPG ASM WITH PHASE FIX
34	46-287251G1	1	DAB BD ASM	1	DAB MR2A15A11(4.X) OR MR2A15A9 (5.X)
35	2111251	1	FAST RECVR	1	1.5T FAST RECEIVER-0, MR2-A15-A18 (SEE PAGE 8-38)
36	2111395	1	1.5T EXCITER	1	SIGNA HORIZON EXCITER, MR2-A15-A18 (SEE PAGE 8-39)
40	46-288412G1	1	CIRCUIT BD	1	TYME BOARD, MR2 A15 A23
46	46-287066G5	2	COVER AIR	1	CARD GUIDE COVER, W/4 1/4 TURN LATCH
50	46-287111P5	2	COVER FRONT	1	FRONT COVER, 3.985" X 15.555", ALUM
51	46-282401G1	2	WIRES	1	SET OF 8 #4 BLACK POWER WIRES (5VDC)
52	46-307578G1	2	CABLE	1	MR2-A14 +18V TO MR2-A15, 40" #14AWG
53	46-307558G1	2	HARNESS	1	A-14+/-12V TO A-15-J1/J2 3-#18 CABLE
54	46-307577G1	2	CABLE	1	MR2-A14 -18V TO MR2-A15, 39" #14AWG
55	46-282513G1	2	CABLE	1	A-14 +5SEN TO A-15-J2/J3 2-#22 CABLE
56	46-301700G1	2	LEAD	1	BLACK JUMPER WIRE
57	46-307559G1	2	POWER CABLE	1	A14 5V TO A15 V-COM, V+/-S, VEE; 28"
58	46-307579P1	2	CABLE	1	VEE JUMPER
59	46-208758P5	2	STRAP	3	13.38"X .301" SELF-LOCKING CABLE TIE
128A	46-321324G5	1	TPS MEM ASM	1	128MB BULK MEMORY BOARD (BAM)
128B	46-317038G8	1	TPS MEM ASM	ALT	128MB BULK MEMORY BOARD (BAM)
200	46-287190P7	2	(M) MACH SCR	36	2.5M CHEESE-HEAD SCREW, 12MM LONG
203	46-301611P1	2	WASHER FLAT	36	0.12 ID, 0.218 OD, 0.037 THK, NYLON
208	46-170015P15	2	SCR,SEMS	2	6-32 X 3/16 LG BIND HD STL EXT TOOTH
215	46-220184P11	2	SCREW MACH	29	6-32 X 1/4 LG SLOTTED RD HEAD, BRASS
218	46-287657P1	2	(M)SCR COLLR	4	M2.5 X.45 CAPTIVE PANEL SCREW, BRASS
219	46-208601P20	2	WASHER,LOCK	29	#6 SCREW, INTERNAL TOOTH, PHOZ BRZ
5558	46-170015P16	2	SCR,SEMS	2	10-32 X 3/8 LG BIND HD STL EXT TOOTH
5559	46-170015P17	2	SCR,SEMS	8	10-32 X 1/4 LG BIND HD STL EXT TOOTH
14080	46-220196P4	2	WASHER,LOCK	8	1/4" SCREW SIZE (0.250), SST
16755	46-208935P8	2	NUT,HEX,MS	16	1/4-20, 7/16" HEX X 3/16 THK, BRASS
18839	12-251	2	WASHER	8	ID 0.250 OD 0.375 THK .020
51674	46-170012P39	2	NUT,LOCK	2	10-32, 3/8" HEX KEPS NUT, 1/8" THICK
78590	46-136356P9	2	WASHER	8	ID NOM .250 OD NOM .500 MAT THK .025

1.5T TPS ASM w/o MULTI-COIL or FAST RECIEVER (MR2 A15)

2117963



VIEW 3



PROCEED TO **VIEW 4** FOR
ADDITIONAL INFORMATION ON
BOARD SLOT ASSIGNMENTS
AND EXPANSION BAM BOARDS.

L2117963C

TPS CIRCUIT BD SLOT ASSIGNMENTS

P/L	SLOT	PART #	DESCRIPTION
30A	1	46-282983G3	TPS CONTROLLER (CPU), MR2 A15 A1
30B	1	46-287013G2	TPS CONTROLLER (CPU), MR2 A15 A1
31A	2	46-307869G1	ARRAY PROCESSOR (AP), MR2 A15 A2
31B	2	46-307912G1	ARRAY PROCESSOR (AP), MR2 A15 A2
29	3	46-307265G2	TPS VME INTERFACE, MR2 A15 A3
128A	5	46-321324G5	128MB BULK MEMORY BD (BAM)
128B	5	46-317038G8	128MB BULK MEMORY BD (BAM)
	6-8	46-321324G5	128MB EXPANSION BAM BOARD (OPTIONAL)
	6-8	46-317038G8	128MB EXPANSION BAM BOARD (OPTIONAL)
34	9	46-287251G1	DAB, MR2 A15 A9
35	16	46-287252G3	1.5T TPS RECEIVER ASSEMBLY
36	18	2111395	1.5T HORIZON EXCITER, MR2 A15 A18
32	20	2160818-6	SIGNA HORIZON IPG II, MR2A15 A20
40	—	46-288412G1	TYME BOARD, MR2 A15 A23
4		46-320456G1	TPS BACKPLANE/CHASSIS ASM

L2117963D

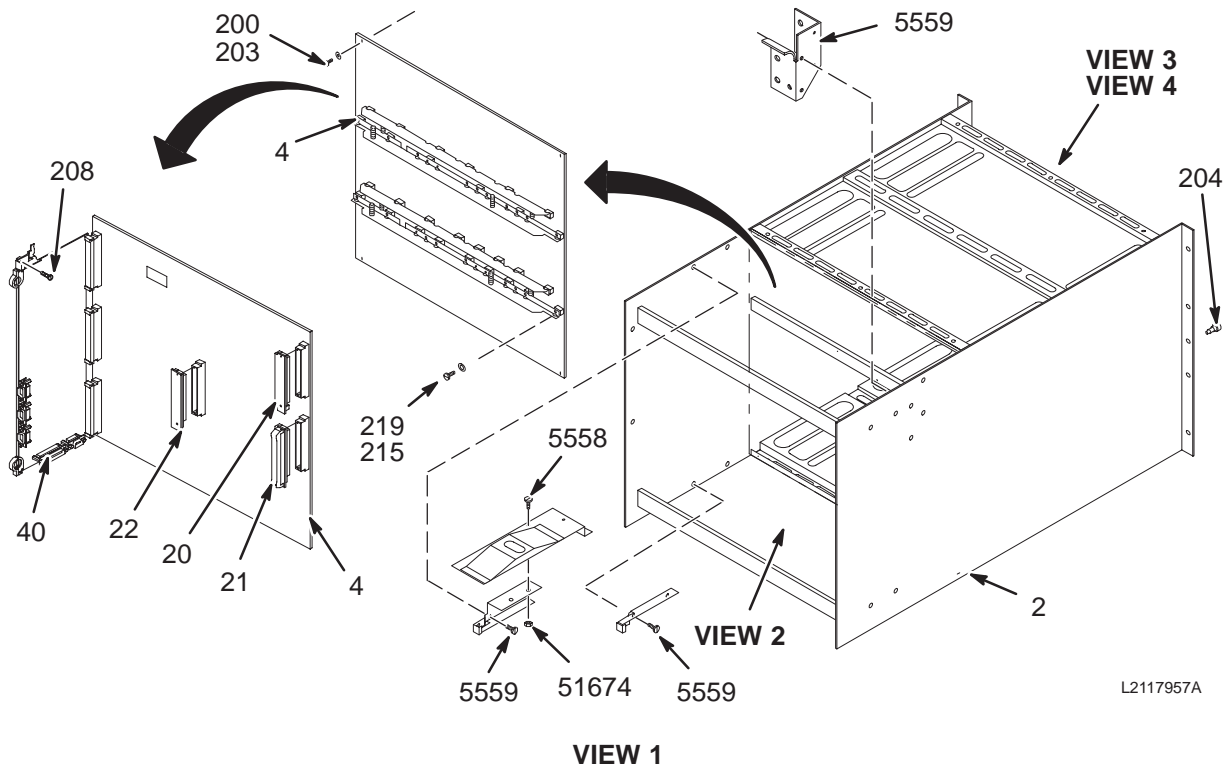
VIEW 4

1.5T TPS ASM w/o MC or FR 2117963 FRU N (PART OF 2117962 PAGE 8-15)

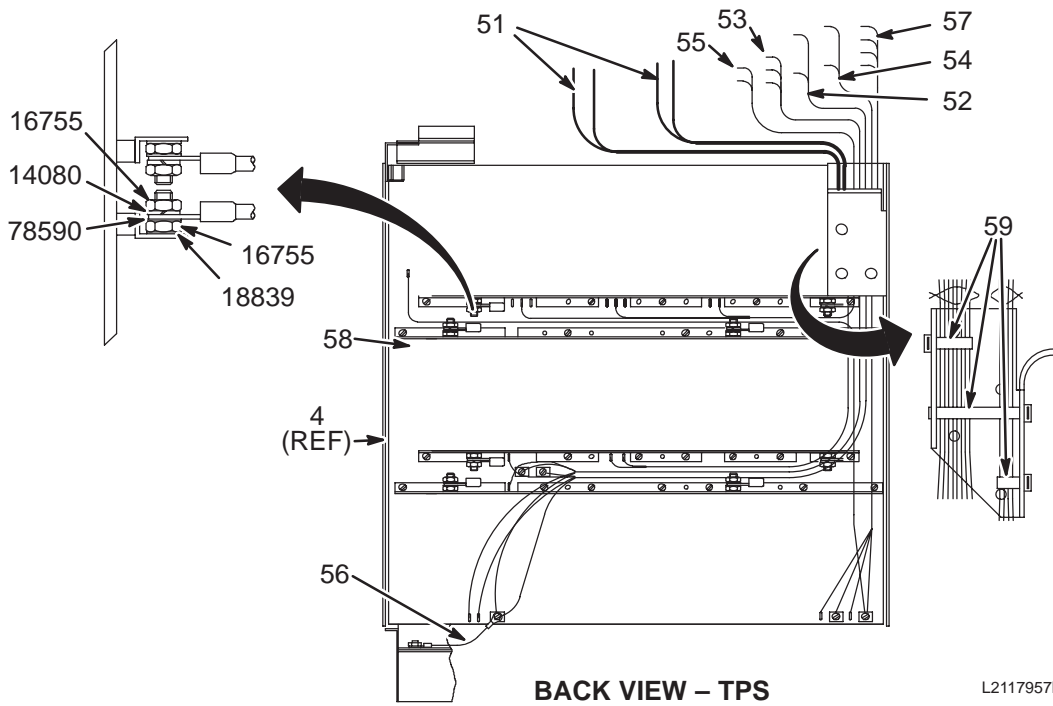
Item	Part Number	FRU	Name	Quantity	Description (Remarks)
2	46-282134P1	N	CHASSIS/BAM	1	TPS CHASSIS, USE APPLICABLE TPS FRU 5.X TPS FRU IS 46-320456G1 4.X TPS FRU IS 46-320608G1
4	46-301980P2	N	BACKPLANE	1	TPS BACKPLANE SUBSTITUTE 46-320456G1
16	46-287992G1	2	AIR PANEL	5	BLANK AIR FLOW CHANNEL PANEL
20	46-287264P1	2	TERMINATOR	1	J1 VME BACKPLANE BUS TERMINATOR.
21	46-287264P3	2	TERMINATOR	1	J2 VME BACKPLANE BUS TERMINATOR.
22	46-301011P1	2	TERMINATOR	1	VSB BACKPLANE BUS TERMINATOR MODULE
29	46-307265G2	1	BIT3 VME I/F	1	TPS VME INTERFACE, MR2 A15 A3
30A	46-282983G3	1	CPU BD (BUY)	1	TPS CONTROLLER (CPU), MR2 A15 A1
30B	46-287013G2	1	CPU (MAKE)	ALT	TPS CONTROLLER (CPU), MR2 A15 A1
31A	46-307869G1	1	AP BD (BUY)	1	ARRAY PROCESSOR (AP), MR2 A15 A2
31B	46-307912G1	1	AP BD (MAKE)	ALT	ARRAY PROCESSOR (AP), MR2 A15 A2
32	2160818-8	1	CIRCUIT BOAR	1	IPGII VME STYLE FRONT PANEL, MR2 A15 A20
32A	2112565-7	2	IPG ASM	ALT	IPG ASM WITH PHASE FIX
32B	2112565-8	2	IPG ASM	ALT	IPG ASM WITH PHASE FIX
34	46-287251G1	1	DAB BD ASM	1	DAB MR2A15A11(4.X) OR MR2A15A9 (5.X)
35	46-287252G3	1	1.5T RECEIVR	1	1.5T TPS STANDARD RECEIVER ASSEMBLY (SEE PAGE 8-37)
36	2111395	1	1.5T EXCITER	1	SIGNA HORIZON EXCITER, MR2-A15-A18 (SEE PAGE 8-39)
40	46-288412G1	1	CIRCUIT BD	1	TYME BOARD, MR2 A15 A23
46	46-287066G5	2	COVER AIR	1	CARD GUIDE COVER, W/4 1/4 TURN LATCH
50	46-287111P5	2	COVER FRONT	1	FRONT COVER, 3.985" X 15.555", ALUM
51	46-282401G1	2	WIRES	1	SET OF 8 #4 BLACK POWER WIRES (5VDC)
52	46-307578G1	2	CABLE	1	MR2-A14 +18V TO MR2-A15, 40" #14AWG
53	46-307558G1	2	HARNESS	1	A-14+/-12V TO A-15-J1/J2 3-#18 CABLE
54	46-307577G1	2	CABLE	1	MR2-A14 -18V TO MR2-A15, 39" #14AWG
55	46-282513G1	2	CABLE	1	A-14 +5SEN TO A-15-J2/J3 2-#22 CABLE
56	46-301700G1	2	LEAD	1	BLACK JUMPER WIRE
57	46-307559G1	2	POWER CABLE	1	A14 5V TO A15 V-COM, V+/-S, VEE; 28"
58	46-307579P1	2	CABLE	1	VEE JUMPER
59	46-208758P5	2	STRAP	3	13.38"X .301" SELF-LOCKING CABLE TIE
128A	46-321324G5	1	TPS MEM ASM	1	128MB BULK MEMORY BOARD (BAM)
128B	46-317038G8	1	TPS MEM ASM	ALT	128MB BULK MEMORY BOARD (BAM)
200	46-287190P7	2	(M) MACH SCR	36	2.5M CHEESE-HEAD SCREW, 12MM LONG
203	46-301611P1	2	WASHER FLAT	36	0.12 ID, 0.218 OD, 0.037 THK, NYLON
208	46-170015P15	2	SCR,SEMS	2	6-32 X 3/16 LG BIND HD STL EXT TOOTH
215	46-220184P11	2	SCREW MACH	29	6-32 X 1/4 LG SLOTTED RD HEAD, BRASS
218	46-287657P1	2	(M)SCR COLLR	4	M2.5 X.45 CAPTIVE PANEL SCREW, BRASS
219	46-208601P20	2	WASHER,LOCK	29	#6 SCREW, INTERNAL TOOTH, PHOZ BRZ
5558	46-170015P16	2	SCR,SEMS	2	10-32 X 3/8 LG BIND HD STL EXT TOOTH
5559	46-170015P17	2	SCR,SEMS	8	10-32 X 1/4 LG BIND HD STL EXT TOOTH
14080	46-220196P4	2	WASHER,LOCK	8	1/4" SCREW SIZE (0.250), SST
16755	46-208935P8	2	NUT,HEX,MS	16	1/4-20, 7/16" HEX X 3/16 THK, BRASS
18839	12-251	2	WASHER	8	ID 0.250 OD 0.375 THK .020
51674	46-170012P39	2	NUT,LOCK	2	10-32, 3/8" HEX KEPS NUT, 1/8" THICK
78590	46-136356P9	2	WASHER	8	ID NOM .250 OD NOM .500 MAT THK .025

1.0T TPS ASM w/o MULTI-COIL or FAST RECEIVER (MR2 A15)

2117963-2



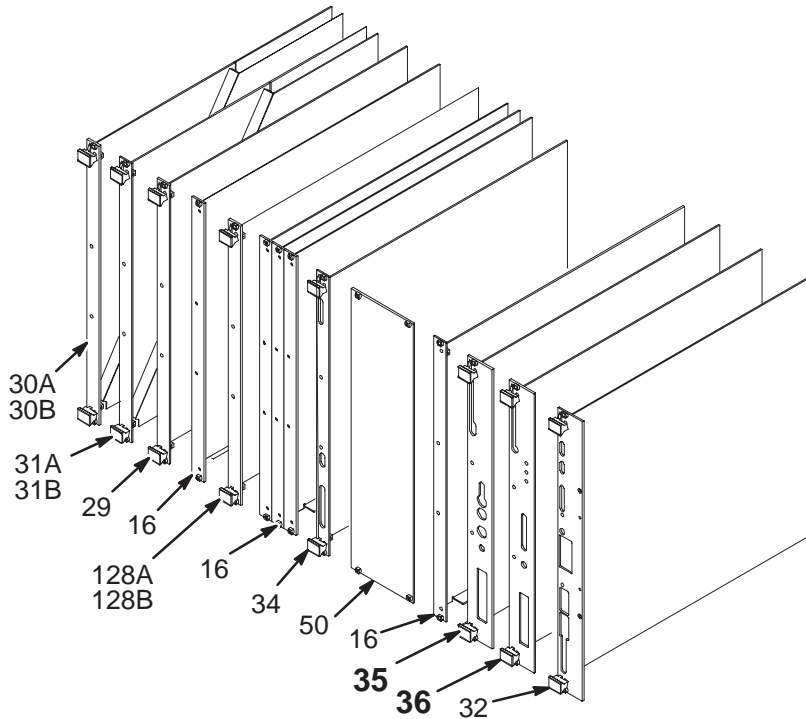
L2117957A



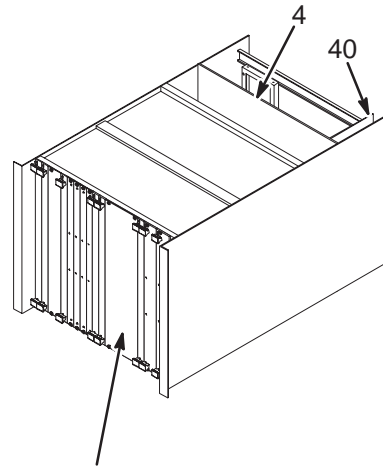
L2117957B

1.0T TPS ASM w/o MULTI-COIL or FAST RECIEVER (MR2 A15)

2117963-2



VIEW 3



PROCEED TO **VIEW 4** FOR ADDITIONAL INFORMATION ON BOARD SLOT ASSIGNMENTS AND EXPANSION BAM BOARDS.

L2117963C

TPS CIRCUIT BD SLOT ASSIGNMENTS

P/L	SLOT	PART #	DESCRIPTION
30A	1	46-282983G3	TPS CONTROLLER (CPU), MR2 A15 A1
30B	1	46-287013G2	TPS CONTROLLER (CPU), MR2 A15 A1
31A	2	46-307869G1	ARRAY PROCESSOR (AP), MR2 A15 A2
31B	2	46-307912G1	ARRAY PROCESSOR (AP), MR2 A15 A2
29	3	46-307265G2	TPS VME INTERFACE, MR2 A15 A3
128A	5	46-321324G5	128MB BULK MEMORY BD (BAM)
128B	5	46-317038G8	128MB BULK MEMORY BD (BAM)
	6-8	46-321324G5	128MB EXPANSION BAM BOARD (OPTIONAL)
	6-8	46-317038G8	128MB EXPANSION BAM BOARD (OPTIONAL)
34	9	46-287251G1	DAB, MR2 A15 A9
35	16	46-287252G7	1.0T HORIZON TPS RECEIVER
36	18	2111395-2	1.0T HORIZON EXCITER, MR2 A15 A18
32	20	2160818-6	SIGNA HORIZON IPG II, MR2A15 A20
40	—	46-288412G1	TYME BOARD, MR2 A15 A23
4		46-320456G1	TPS BACKPLANE/CHASSIS ASM

L2117963D

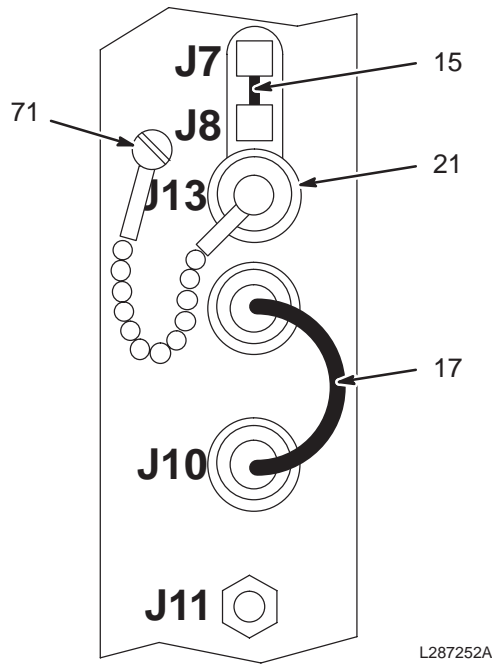
VIEW 4

1.0T TPS ASM w/o MC or FR 2117963-2 FRU N (PART OF 2117962-2 PAGE 8-17)

Item	Part Number	FRU	Name	Quantity	Description (Remarks)
2	46-282134P1	N	CHASSIS/BAM	1	TPS CHASSIS, USE APPLICABLE TPS FRU 5.X TPS FRU IS 46-320456G1 4.X TPS FRU IS 46-320608G1
4	46-301980P2	N	BACKPLANE	1	TPS BACKPLANE SUBSTITUTE 46-320456G1
16	46-287992G1	2	AIR PANEL	5	BLANK AIR FLOW CHANNEL PANEL
20	46-287264P1	2	TERMINATOR	1	J1 VME BACKPLANE BUS TERMINATOR.
21	46-287264P3	2	TERMINATOR	1	J2 VME BACKPLANE BUS TERMINATOR.
22	46-301011P1	2	TERMINATOR	1	VSB BACKPLANE BUS TERMINATOR MODULE
29	46-307265G2	1	BIT3 VME I/F	1	TPS VME INTERFACE, MR2 A15 A3
30A	46-282983G3	1	CPU BD (BUY)	1	TPS CONTROLLER (CPU), MR2 A15 A1
30B	46-287013G2	1	CPU (MAKE)	ALT	TPS CONTROLLER (CPU), MR2 A15 A1
31A	46-307869G1	1	AP BD (BUY)	1	ARRAY PROCESSOR (AP), MR2 A15 A2
31B	46-307912G1	1	AP BD (MAKE)	ALT	ARRAY PROCESSOR (AP), MR2 A15 A2
32	2160818-8	1	CIRCUIT BOAR	1	IPGII VME STYLE FRONT PANEL, MR2 A15 A20
32A	2112565-7	2	IPG ASM	ALT	IPG ASM WITH PHASE FIX
32B	2112565-8	2	IPG ASM	ALT	IPG ASM WITH PHASE FIX
34	46-287251G1	1	DAB BD ASM	1	DAB MR2A15A11(4.X) OR MR2A15A9 (5.X)
35	46-287252G7	1	1.0T RECEIVR	1	1.0T SIGNA HORIZON TPS RECEIVER (SEE PAGE 8-37)
36	2111395-2	1	FST XTR 1.0T	1	1T SIGNA HORIZON EXCITER, MR2A15A18 (SEE PAGE 8-39)
40	46-288412G1	1	CIRCUIT BD	1	TYME BOARD, MR2 A15 A23
46	46-287066G5	2	COVER AIR	1	CARD GUIDE COVER, W/4 1/4 TURN LATCH
50	46-287111P5	2	COVER FRONT	1	FRONT COVER, 3.985" X 15.555", ALUM
51	46-282401G1	2	WIRES	1	SET OF 8 #4 BLACK POWER WIRES (5VDC)
52	46-307578G1	2	CABLE	1	MR2-A14 +18V TO MR2-A15, 40" #14AWG
53	46-307558G1	2	HARNESS	1	A-14+/-12V TO A-15-J1/J2 3-#18 CABLE
54	46-307577G1	2	CABLE	1	MR2-A14 -18V TO MR2-A15, 39" #14AWG
55	46-282513G1	2	CABLE	1	A-14 +5SEN TO A-15-J2/J3 2-#22 CABLE
56	46-301700G1	2	LEAD	1	BLACK JUMPER WIRE
57	46-307559G1	2	POWER CABLE	1	A14 5V TO A15 V-COM, V+/-S, VEE; 28"
58	46-307579P1	2	CABLE	1	VEE JUMPER
59	46-208758P5	2	STRAP	3	13.38"X .301" SELF-LOCKING CABLE TIE
128A	46-321324G5	1	TPS MEM ASM	1	128MB BULK MEMORY BOARD (BAM)
128B	46-317038G8	1	TPS MEM ASM	ALT	128MB BULK MEMORY BOARD (BAM)
200	46-287190P7	2	(M) MACH SCR	36	2.5M CHEESE-HEAD SCREW, 12MM LONG
203	46-301611P1	2	WASHER FLAT	36	0.12 ID, 0.218 OD, 0.037 THK, NYLON
208	46-170015P15	2	SCR,SEMS	2	6-32 X 3/16 LG BIND HD STL EXT TOOTH
215	46-220184P11	2	SCREW MACH	29	6-32 X 1/4 LG SLOTTED RD HEAD, BRASS
218	46-287657P1	2	(M)SCR COLLR	4	M2.5 X.45 CAPTIVE PANEL SCREW, BRASS
219	46-208601P20	2	WASHER,LOCK	29	#6 SCREW, INTERNAL TOOTH, PHOZ BRZ
250	46-307859P5		LABEL	1	"FOR USE ON SIGNA 1.0T SYSTEM ONLY"
5558	46-170015P16	2	SCR,SEMS	2	10-32 X 3/8 LG BIND HD STL EXT TOOTH
5559	46-170015P17	2	SCR,SEMS	8	10-32 X 1/4 LG BIND HD STL EXT TOOTH
14080	46-220196P4	2	WASHER,LOCK	8	1/4" SCREW SIZE (0.250), SST
16755	46-208935P8	2	NUT,HEX,MS	16	1/4-20, 7/16" HEX X 3/16 THK, BRASS
18839	12-251	2	WASHER	8	ID 0.250 OD 0.375 THK .020
51674	46-170012P39	2	NUT,LOCK	2	10-32, 3/8" HEX KEPS NUT, 1/8" THICK
78590	46-136356P9	2	WASHER	8	ID NOM .250 OD NOM .500 MAT THK .025

1.5T & 1.0T RECEIVER CABLES

46-287252G3 & 46-287252G7



1.5T RECEIVER CABLES

46-287252G3 FRU 1

(PART OF 2117957 PAGE 8-21)
 (PART OF 2117959 PAGE 8-24)
 (PART OF 2117963 PAGE 8-33)

Item	Part Number	FRU	Name	Quantity	Description (Remarks)
15	46-287553P1	2	CABLE ASM.	1	J7 TO J8, RG316DS COAX W/SMB, 3.5"
17	46-301622P1	2	CABLE	1	J9 TO J10, RG-108A/U TWINAX, BNC, 7"
21	46-301643P1	2	CAP	1	DUST CAP WITH CHAIN FOR FEMALE BNC
71	46-208560P12	2	SCREW,MACH	1	4-40 X 5/16" LG BIND HD STL F70B5A

1.0T RECEIVER CABLES

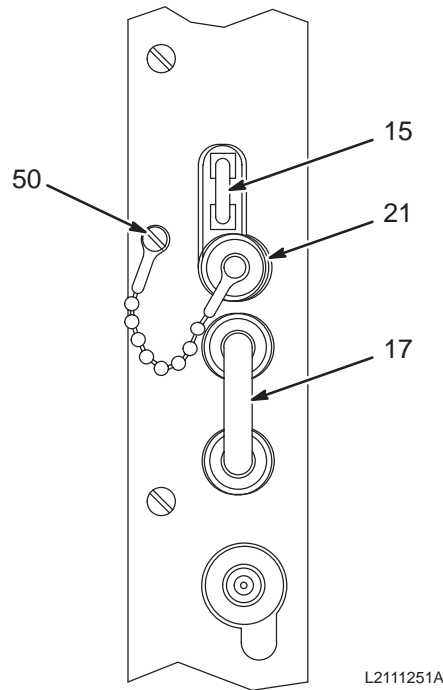
46-287252G7 FRU 1

(PART OF 2117959-2 PAGE 8-27)
 (PART OF 2117963-2 PAGE 8-36)

Item	Part Number	FRU	Name	Quantity	Description (Remarks)
15	46-287553P1	2	CABLE ASM.	1	J7 TO J8, RG316DS COAX W/SMB, 3.5"
17	46-301622P1	2	CABLE	1	J9 TO J10, RG-108A/U TWINAX, BNC, 7"
21	46-301643P1	2	CAP	1	DUST CAP WITH CHAIN FOR FEMALE BNC
71	46-208560P12	2	SCREW,MACH	1	4-40 X 5/16" LG BIND HD STL F70B5A

1.5T TPS RECEIVER CABLES

2111251



1.5T TPS RECEIVER CABLES

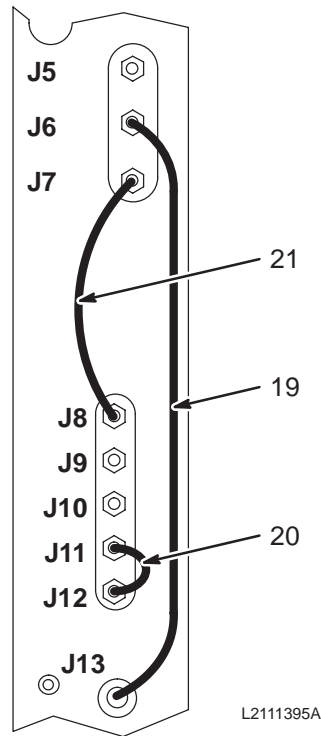
2111251 FRU 1

(PART OF 2117957 PAGE 8-21)
 (PART OF 2117959 PAGE 8-24)
 (PART OF 2117961 PAGE 8-30)

Item	Part Number	FRU	Name	Quantity	Description (Remarks)
15	46-287553P1	2	CABLE ASM.	1	J7 TO J8, RG316DS COAX W/SMB, 3.5"
17	46-301622P1	2	CABLE	1	J9 TO J10, RG-108A/U TWINAX, BNC, 7"
21	46-301643P1	2	CAP	1	DUST CAP WITH CHAIN FOR FEMALE BNC
50	46-208560P12	2	SCREW,MACH	4	4-40 X 5/16" LG BIND HD STL F70B5A

1.5T & 1.0T EXCITER CABLES

2111395 SERIES



1.5T EXCITER CABLES

2111395 FRU 1

(PART OF 2117957 PAGE 8-21)
 (PART OF 2117959 PAGE 8-24)
 (PART OF 2117961 PAGE 8-30)
 (PART OF 2117963 PAGE 8-33)

Item	Part Number	FRU	Name	Quantity	Description (Remarks)
19	46-287553P4	2	CABLE ASM.	1	J6 TO J13, RG316DS COAX W/SMB, 8.25"
20	46-287553P2	2	CABLE ASM.	1	J11 TO J12, RG316DS COAX W/SMB, 3.5"
21	46-287553P3	2	CABLE ASM.	1	J7 TO J8, RG316DS COAX W/SMB, 5.25"

1.0T EXCITER CABLES

2111395-2 FRU 1

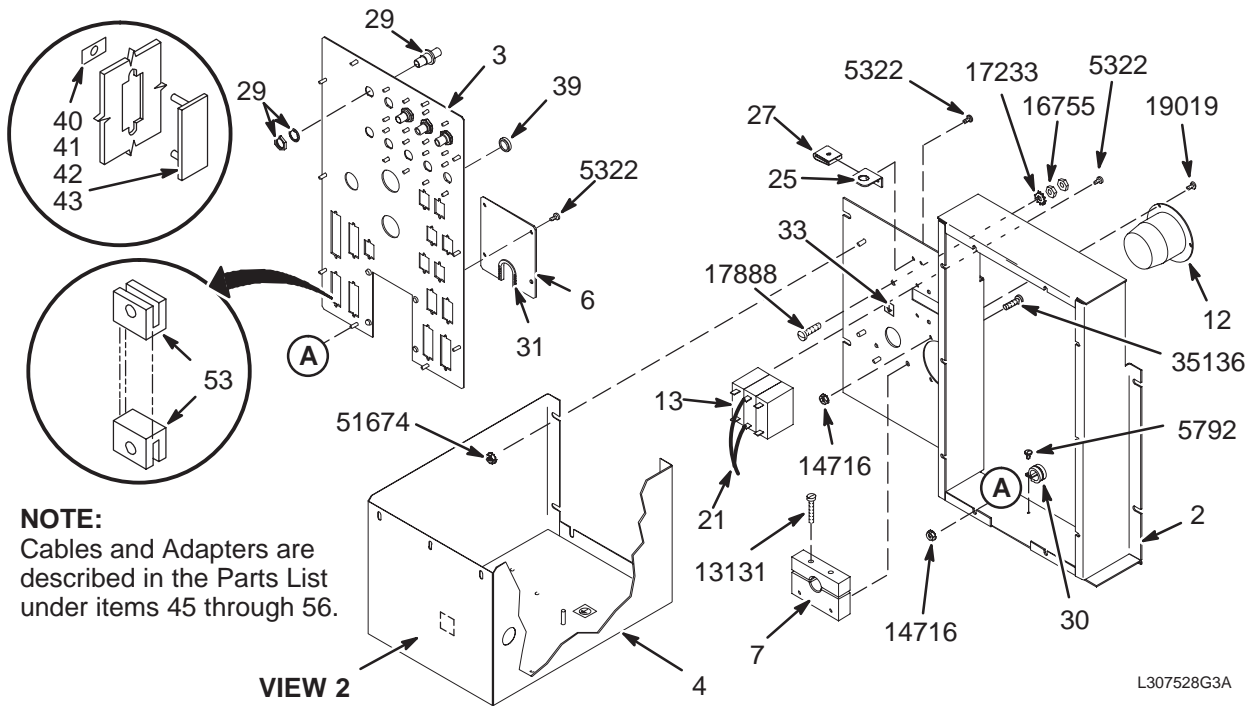
(PART OF 2117959-2 PAGE 8-27)
 (PART OF 2117963-2 PAGE 8-36)

Item	Part Number	FRU	Name	Quantity	Description (Remarks)
19	46-287553P4	2	CABLE ASM.	1	J6 TO J13, RG316DS COAX W/SMB, 8.25"
20	46-287553P2	2	CABLE ASM.	1	J11 TO J12, RG316DS COAX W/SMB, 3.5"
21	46-287553P3	2	CABLE ASM.	1	J7 TO J8, RG316DS COAX W/SMB, 5.25"

POWER & INTERFACE PANEL

46-307528G3

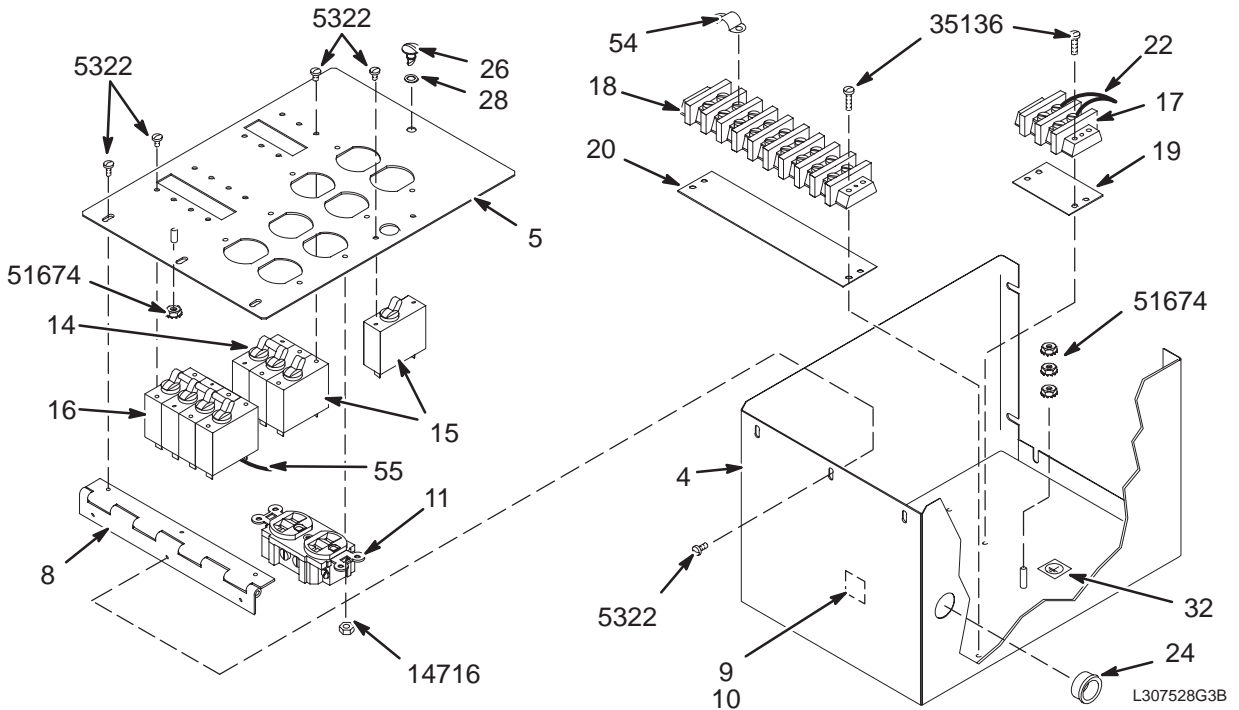
MR2 A11, MR2 A12



NOTE:
Cables and Adapters are described in the Parts List under items 45 through 56.

L307528G3A

VIEW 1



L307528G3B

VIEW 2

POWER & I/F PANEL 46-307528G3 FRU N (PART OF 2117956 PAGE 8-4)
 (PART OF 2117958 PAGE 8-7)
 (PART OF 2117958-2 PAGE 8-9)
 (PART OF 2117960 PAGE 8-12)
 (PART OF 2117962 PAGE 8-15)
 (PART OF 2117962-2 PAGE 8-17)

Item	Part Number	FRU	Name	Quantity	Description (Remarks)
2	46-307253P1	2	I/F ENCLOSUR	1	J1, J2, CB1 ON/OFF PANEL, MR2 A12
3	2122645	2	I/F PANEL	1	EMC PLATED INTERFACE PANEL, MR2 A11
4	46-307252P1	2	ENCLOSURE	1	POWER MODULE BOX, 11.5" X 8" X 7.5"H
5	46-307251P1	2	COVER	1	OUTLET/BREAKER POWER PANEL COVER
6	46-307256P1	2	ACCESS PLATE	1	BIT-3 RUN 719 J-27 I/F PANEL ADAPTER
7	46-307257P1	2	CABLE CLAMP	1	2-PIECE SET, SINGLE .68" HOLE CLAMP
8	46-307254P1	2	HINGE	1	POWER MODULE COVER HINGE, 7.5" LONG
9	46-208747P2	2	MOUNT	1	CABLE TIE, ADHESIVE BACKED
10	46-208758P3	2	STRAP	1	7.31" X .184" SELF-LOCKING CABLE TIE
11	46-287941P1	2	RECEPTACLE	4	20 AMP, 125V, DUPLEX RECEPTACLE,
12	46-317671P1	2	RECEPT,MALE	1	FLANGED INLET, 30A, 120/208 3-PHASE
13	46-271382P10	2	CKT BREAKER	1	3 POLE, 30 AMP, STD TIME DELAY,
14	46-271382P3	2	CKT BREAKER	1	2 POLE, 20 AMP, STD TIME DELAY,
15	46-271382P6	2	CKT BREAKER	2	1 POLE, 15 AMP, STD TIME DELAY,
16	46-271382P27	2	CKT BREAKER	1	4 POLE, 20 AMP, STD TIME DELAY,
17	46-313195P1	2	TERM. STRIP	1	2 POSITION TERMINAL STRIP, DUAL ROW,
18	46-221880P22	2	TERM. STRIP	1	9 TERMINALS 50 AMP, 1700 VOLT,
19	514A350P306	2	MARKER STR	1	2 POSITION, 1 THRU, 2 LEFT TO RIGHT
20	514A350P305	2	MARKER STR	1	9 POSITION, 1 THRU 9, LEFT TO RIGHT
21	46-307395G1	2	HARNESS	1	FRONT PLATE & TS1 CONNECT WIRING
22	46-307411G1	2	HARNESS	1	COVER PLATE & TS1/TS2 CONNECT WIRING
23	46-307414G1	2	LEAD DATA	1	SET OF 4 #12AWG JUMPER WIRES W/TERM
24	46-208695P61	2	BUSHING	1	HEYCO PART NO.2126 SB-875-11 BLACK
25	46-243709G1	2	BRACKET	1	COVER LATCH RETAINER MOUNT BRACKET
26	46-220370P6	2	FASTENER	1	STUD, OVAL HD 1/4 TURN SOUTHCO
27	46-316410P1	2	FASTENER	1	RECEPTACLE CLIP-ON, SOUTHCO
28	46-316411P1	2	RETAINER	1	RETAINER SPLIT RING TYPE
29	46-208990P1	2	ADAPTER	7	50 OHM BNC BULKHEAD ADAP'R JACK-JACK
30	46-208718P2	2	CLAMP	1	5/16 ID LOOP TYPE TA MFG CO. TA713D5
31	46-220178P6	2	GROMMET	.210	PLASTIGLIDE 122-NN-1500
32	46-271110P1	2	LABEL	1	PROTECTIVE EARTH (GROUND)
33	46-271110P5	2	LABEL	1	EQUIPOTENTIALITY
39	46-136385P12	2	BUTTON,PLUG	3	HOLE DIA 0.500 MAT'L THK .037-.062
40	46-270695P1	2	COVER SUB D	3	COVER FOR 9 PIN D-SUBMINI CONNECTOR
41	46-270695P2	2	COVER SUB D	1	COVER FOR 15 PIN D-SUBMINI CONNECTOR
42	46-270695P3	2	COVER SUB D	1	COVER FOR 25 PIN D SUBMINI CONNECTOR
43	46-270695P4	2	COVER SUB D	1	COVER FOR 37 PIN D-SUBMINI CONNECTOR
45	46-243775G798	2	CABLE	1	MR2-A15-A23-J22 TO MR2-A11-J18
46	46-243775G799	2	CABLE	1	MR2-A23-A1-J5 TO MR2-A11-J23
47	46-243775G800	2	CABLE	1	MR2-A23-A1-J2 TO MR2-A11-J15

Parts List Continued On Next Page

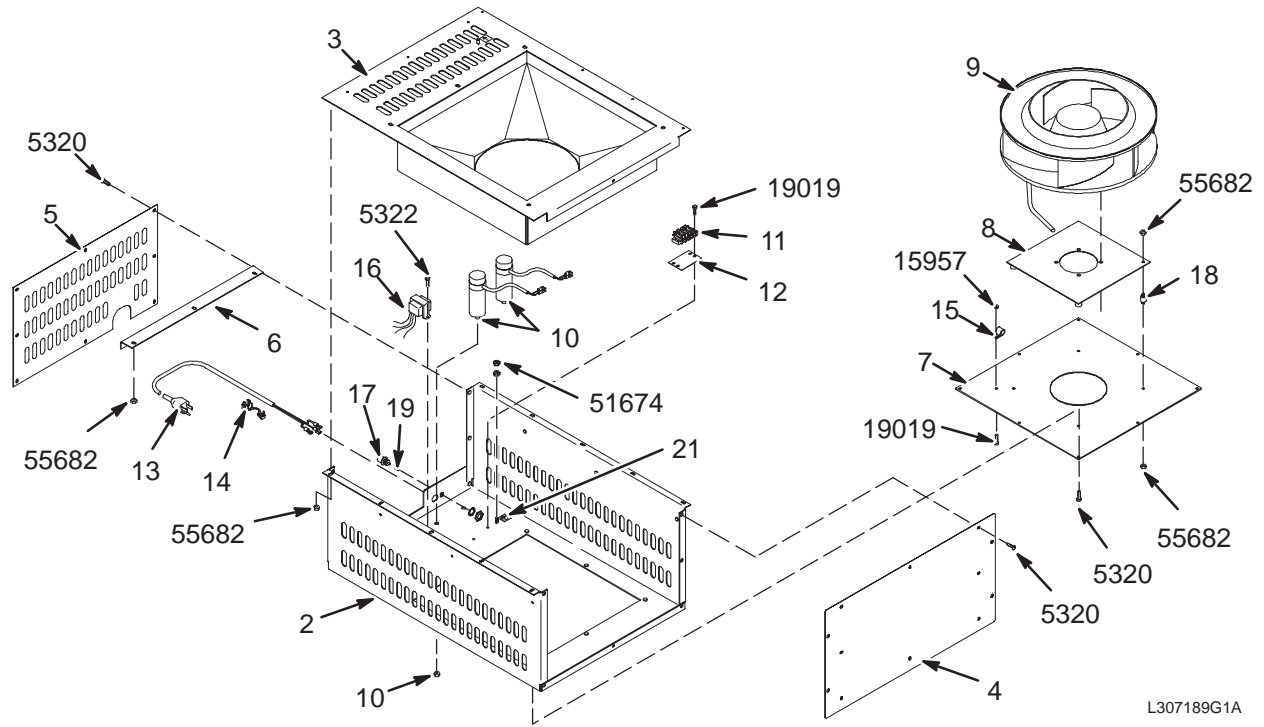
POWER & I/F PANEL 46-307528G3 FRU N (CONTINUED FROM PREVIOUS PAGE)

Item	Part Number	FRU	Name	Quantity	Description (Remarks)
48	46-243775G801	2	CABLE	1	MR2-A23-A1-J1 TO MR2-A11-J25
49	46-243775G802	2	CABLE	1	MR2-A23-A2-J4 TO MR2-A11-J26
50	46-243775G803	2	CABLE	1	MR2-A19-J1 TO MR2-A11-J14
51	46-243775G804	2	CABLE	1	MR2-A11-J11 TO MR2-A3-J403
52	46-307546G1	2	CABLE ASM	1	MR2-A15-A23-J20 TO MR2-A11-J29, 8 FT
53	46-265067P1	2	CABLE MOUNT	18	I/F PANEL CABLE SCREWLOCK CONNECTOR
54	46-220492P4	2	JUMPER	5	JUMPER WITH 0.69" CENTERS,
55	46-287474G1	2	CABLE TPS	1	MR2-A14 TO MR2-A12 5-#12 POWER CABLE
56A	2144535-3	2	CABLE	1	J30 UFI TNS PHONE MODULE TO IF PANEL
56B	2144535	2	CABLE	1	J30 UFI TNS PHONE MODULE TO IF PANEL
5322	46-170015P10	2	SCR,SEMS	34	6-32 X 1/4" LG BIND HD STL EXT TOOTH
5792	46-170015P19	2	SCR,SEMS	1	6-32 X 3/8 LG BIND HD STL EXT TOOTH
13131	46-208560P10	2	SCREW,MACH	2	10-32 X 1-1/4 LG BIND HD STL
14716	46-170012P35	2	NUT,LOCK	21	6-32, 1/4" HEX KEPS NUT, 3/32 THICK
15957	46-170012P36	2	NUT,LOCK	8	6-32 HEX 5/16 NUT THK 7/64, KEPS
16755	46-208935P8	2	NUT,HEX,MS	2	1/4-20, 7/16" HEX X 3/16 THK, BRASS
17233	46-208599P5	2	WASHER,LOCK	1	1/4" SCREW SIZE EXTERNAL TOOTH STEEL
17888	46-220184P54	2	SCREW MACH	1	1/4-20 X 1" LG, RND HD SLOT, BRASS
19019	46-170015P27	2	SCR,SEMS	3	6-32 X 1/2" LG BIND HD STL EXT TOOTH
35136	46-170015P62	2	SCR,SEMS	6	10-32 X 3/4 LG BIND HD STL EXT TOOTH
51674	46-170012P39	2	NUT,LOCK	11	10-32, 3/8" HEX KEPS NUT, 1/8" THICK

TPS FAN MODULE

46-307189G1

MR2 A16

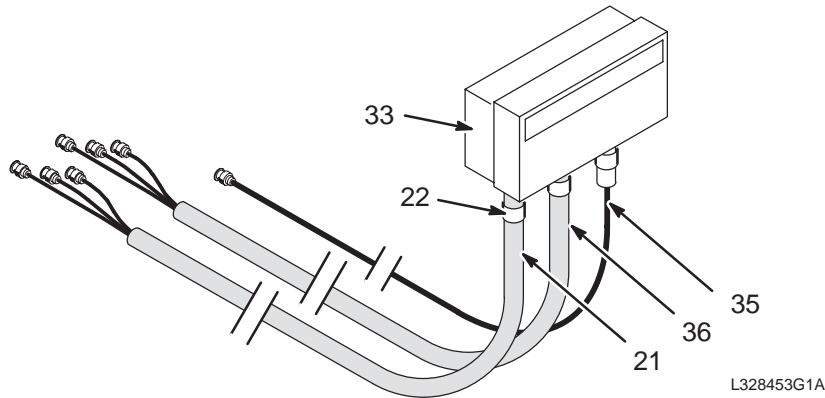


L307189G1A

RF SPLITTER MODULE

46-328453G1

MR2 A17



RF SPLITTER MODULE

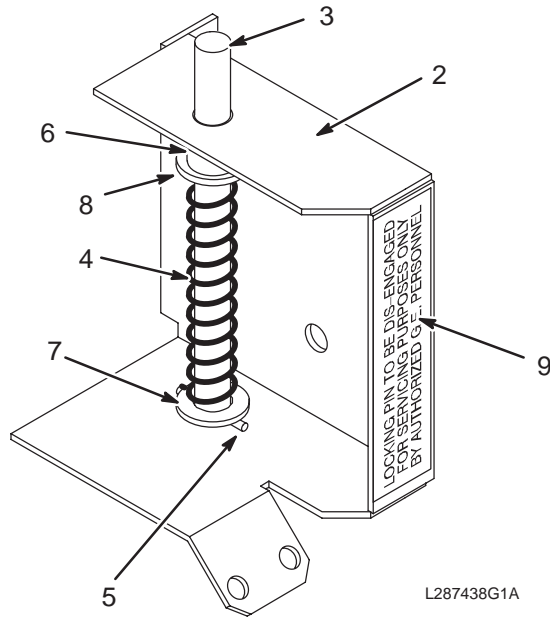
46-328453G1 FRU N

(PART OF 2117956 PAGE 8-4)
 (PART OF 2117958 PAGE 8-7)
 (PART OF 2117958-2 PAGE 8-9)

Item	Part Number	FRU	Name	Quantity	Description (Remarks)
21	46-306988P1	2	CABLE ASM	1	MC2, MC3, AND MC4 RECEIVE FROM TPS
22	46-208765P3	2	CLAMP,HOSE	3	DIA RANGE 9/16 - 1-1/16
33	46-328523G1	1	RF SPLTR MOD	1	1.5T/1.0T RF SPLITTER MODULE
35	46-328454P1	2	CABLE ASM	1	EXCITER RF FROM TPS TO I/F, 8' RG223
36	46-328455P1	2	CABLE ASM	1	MR2-A11-J2 & J3 & J5 TO M/C SPLITTER

INTERLOCK

46-287438G1



INTERLOCK

46-287438G1 FRU N

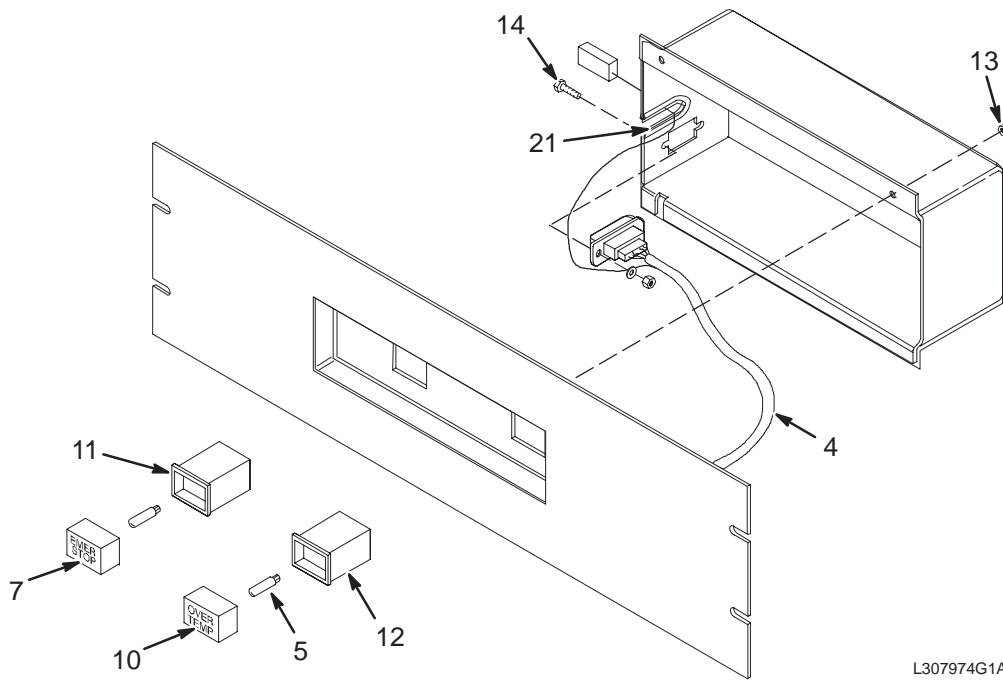
(PART OF 2117956 PAGE 8-4)
 (PART OF 2117958 PAGE 8-7)
 (PART OF 2117958-2 PAGE 8-9)
 (PART OF 2117960 PAGE 8-12)
 (PART OF 2117962 PAGE 8-15)
 (PART OF 2117962-2 PAGE 8-17)

Item	Part Number	FRU	Name	Quantity	Description (Remarks)
2	46-287419P1	2	BRACKET	1	POWER SUPPLY LOCKING PIN BRACKET
3	46-287428P1	2	ROD	1	KNURLED POWER SUPPLY LOCKING PIN
4	46-136353P78	2	SPRING COMP	1	OD 0.480 WIRE DIA .042
5	46-208735P41	2	PIN,SPRING	1	SPLIT LENGTHWISE .094 DIA X 0.937 LG
6	1000274P126	2	SPACER	1	0.406 ID X 0.531 OD X 0.500 LG
7	1000904P153	2	WASHER,FLAT	2	ID 0.4060 OD 0.7500 THK .0598
8	46-220277P8	2	RING RETAIN	1	EXT RADIAL MOUNT 0.375 SHAFT DIA
9	46-301840P1	2	LABEL	1	LOCKING PIN TO BE DISENGAGED FOR ...

PDU REMOTE CONTROL ASM

46-307974G1

MR2 A19



L307974G1A

REMOTE CONTROL ASM

46-307974G1 FRU N

(PART OF 2117956 PAGE 8-4)
 (PART OF 2117958 PAGE 8-7)
 (PART OF 2117958-2 PAGE 8-9)
 (PART OF 2117960 PAGE 8-12)
 (PART OF 2117962 PAGE 8-15)
 (PART OF 2117962-2 PAGE 8-17)

Item	Part Number	FRU	Name	Quantity	Description (Remarks)
4	46-307977G1	N	HARNESS ASM	1	PDU REMOTE CONTROL MODULE WIRING (SEE PAGE 8-47)
5	46-170045P11	2	LAMP	2	28V.04A WEDGE BASE T 1 3/4 TYPE
7	46-251919P2	2	BUTTON	1	RECTANGULAR RED "EMERG STOP" BUTTON
10	46-251919P5	2	BUTTON	1	RECTANGULAR WHITE "OVER TEMP"
11	46-221732P2	2	SWITCH	1	DPDT, INCANDESCENT PUSHBUTTON SWITCH
12	46-221733P2	2	INDICATOR	1	RECTANGULAR 1-LAMP INDICATOR HOUSING
13	46-170012P39	2	NUT,LOCK	4	10-32, 3/8" HEX KEPS NUT, 1/8" THICK
14	46-221417P1	2	SCREWLOCK	1	FEMALE SCREWLOCKS, TWO PER KIT
16	46-307973G1	2	LEAD DATA	1	LMP1 TO SW2-4 JUMPER, 6" #22, WHITE
21	46-220178P10	2	GROMMET	.250	12.75" LONG GROMMET STRIP, OFF WHITE

PDU RCM HARNESS

46-307977G1 REV 0

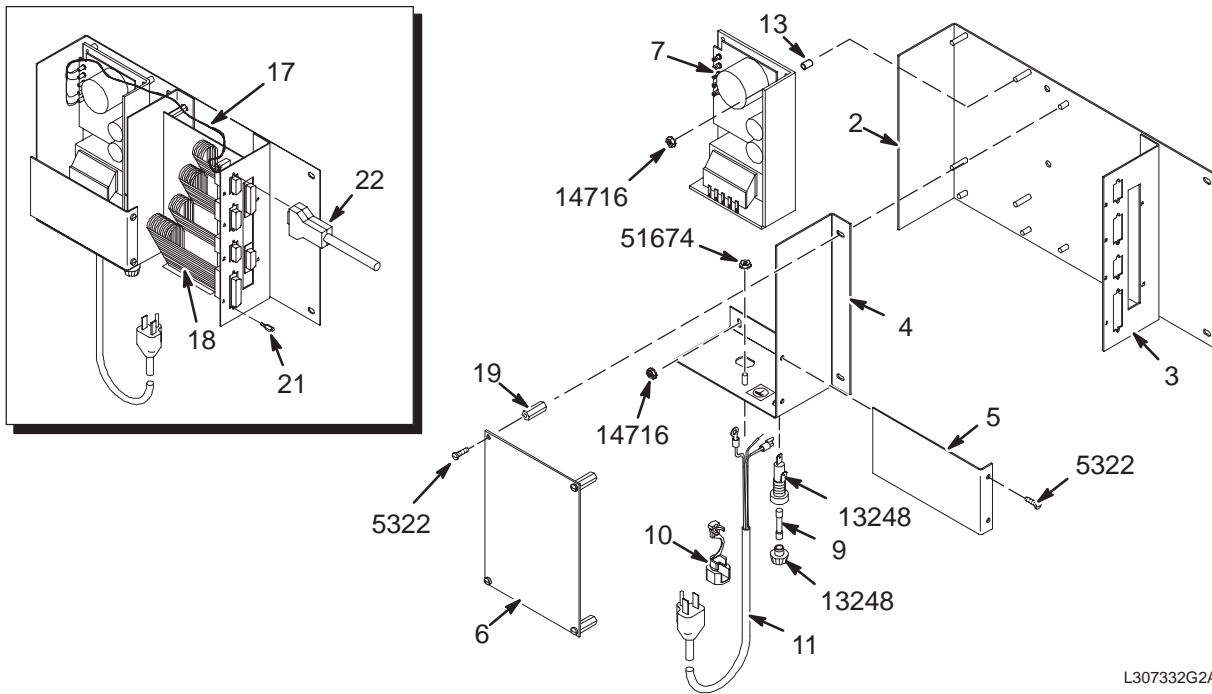
(PART OF 46-307974G1 PAGE 8-47)

Item	Part Number	FRU	Name	Quantity	Description (Remarks)
2	46-221846P11	2	CONNECTOR	1	9 CONTACT PLUG, HDP-20, AMP 205204-4
3	44107	2	WIRE	7.625	300V #22 WHT 1004705P2
4	511A590P182	2	TERMINAL	6	PIN FOR CPC SERIES 2 & HD-20
5	511A590P105	2	TERMINAL	2	SOCKET CONTACT 24-18 AWG WIRE SIZE
6	46-170451P27	2	CONNECTOR	1	002 CONT SOCK CRIMP-ON CABLE MT

SCB ASM

46-307332G2

MR2 A23



L307332G2A

SCB ASM

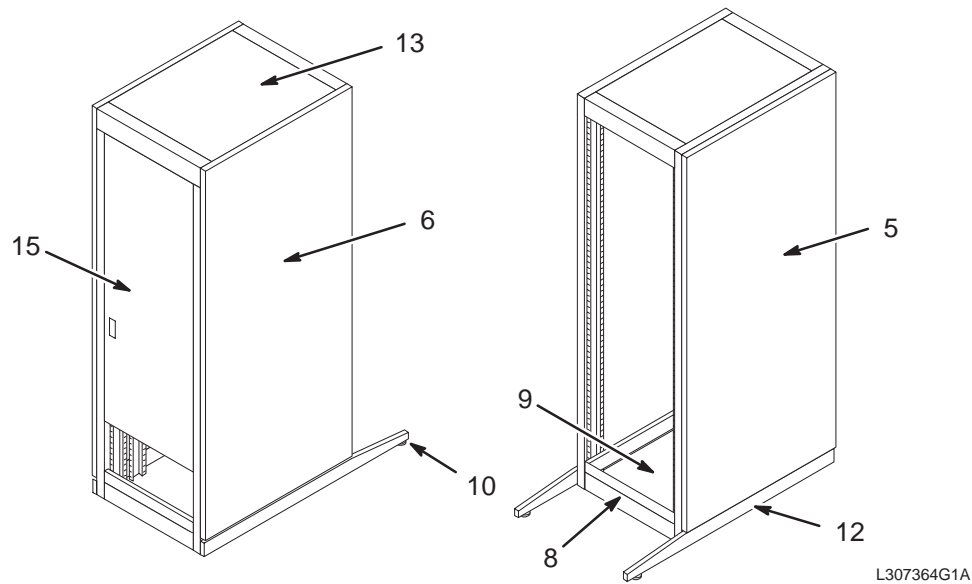
46-307332G2 FRU N

(PART OF 2117956 PAGE 8-4)
 (PART OF 2117958 PAGE 8-7)
 (PART OF 2117958-2 PAGE 8-9)
 (PART OF 2117960 PAGE 8-12)
 (PART OF 2117962 PAGE 8-15)
 (PART OF 2117962-2 PAGE 8-17)

Item	Part Number	FRU	Name	Quantity	Description (Remarks)
2	46-307333P1	2	MTG BRACKET	1	14" X 8" X 3" L-MOUNTING PLATE
3	46-307334P1	2	I/F PANEL	1	SCB J1 TO J6 I/F BRACKET, MR2 A23 A1
4	46-307335P1	2	ANGLE	1	POWER SUPPLY ENCLOSURE PLATE
5	46-307351P1	2	COVER	1	POWER INTERCONNECT COVER, LEXAN
6	46-288166G2	1	SCB BOARD	1	SIGNAL COLLECTING BOARD, MR2 A23 A2
7	46-320102G1	1	POWER SUPPLY	1	5VDC @ 2A; +15V @ 400MA; -15V @ 0.4A
9	46-170021P40	2	FUSE	1	3AG, 3/4A, 250V SLO-BLO FUSE.
10	46-208696P3	2	BUSHING	1	HEYCO PART NO. 1327 SR-11-2 BLACK
11	46-307233G20	2	POWER CORD	1	6FT-7IN. W/TERMINALS GND & HOTLEADS
13	46-170150P4	2	SPACER	4	ID 0.1380 OD 0.2500 LGTH 0.375
16	46-271110P1	2	LABEL	1	PROTECTIVE EARTH (GROUND)
17	46-307597G1	2	HARNESS	1	5V/12VDC POWER TO SCB BOARD J1
18	46-307588P1	2	RIB CAB ASM	1	60 CONDUCTOR SCB TO J1, J2, J5, J6
19	507A732P55	2	STUD	4	HEX 0.250, THD 6-32, LGTH 1.00
20	46-307810G1	2	LEAD DATA	1	FUSE TO POWER SUPPLY JUMPER, 4" BLK
21	46-221417P2	2	SCREWLOCK	8	FEMALE SCREWLOCK FOR HD CONNECTORS
22	46-287271G3	2	CABLE ASM	1	MR2-A23-A1-J6 TO MR2-A3-J1
5322	46-170015P10	2	SCR,SEMS	6	6-32 X 1/4" LG BIND HD STL EXT TOOTH
13248	46-315759P1	2	FUSE HOLDER	1	250V/15A 3AG QUICK-CONN TABS UL/CSA
14716	46-170012P35	2	NUT,LOCK	6	6-32, 1/4" HEX KEPS NUT, 3/32 THICK
51674	46-170012P39	2	NUT,LOCK	1	10-32, 3/8" HEX KEPS NUT, 1/8" THICK

CABINET ASM

46-307364G1



L307364G1A

CABINET ASM

46-307364G1 FRU N

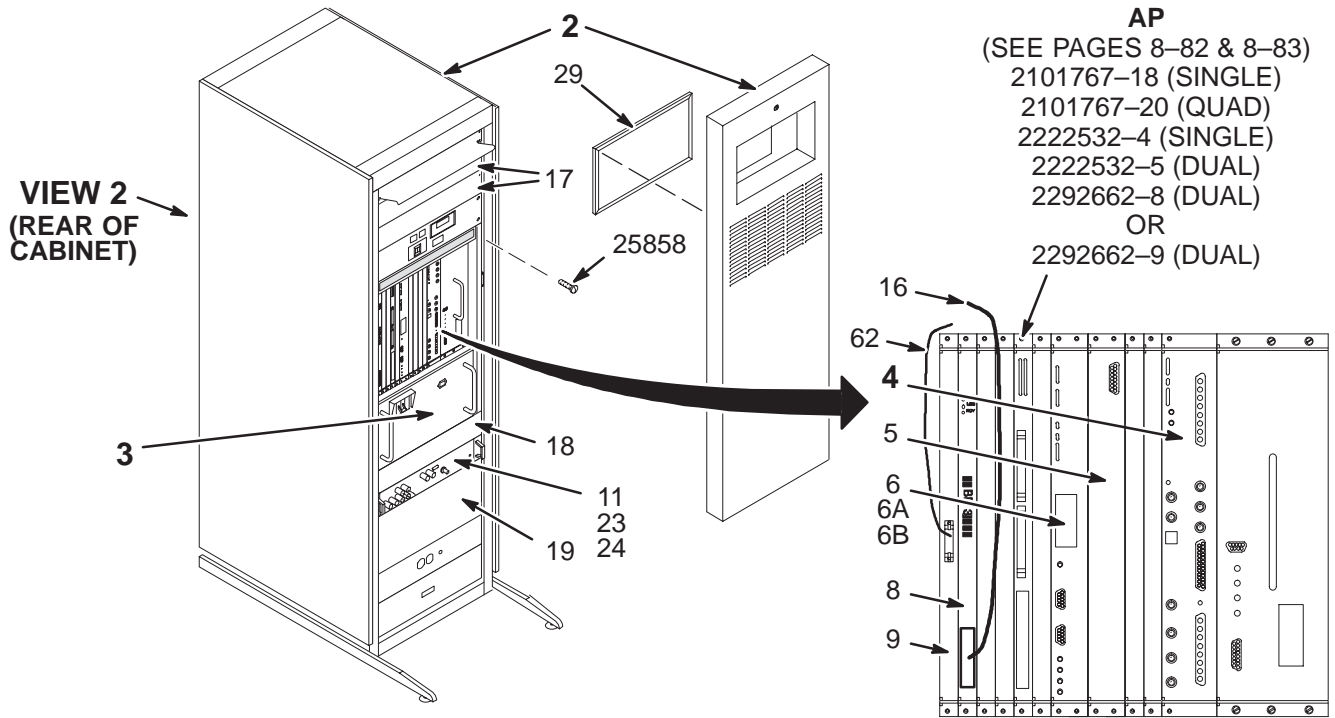
(PART OF 2117956 PAGE 8-4)
 (PART OF 2117958 PAGE 8-7)
 (PART OF 2117958-2 PAGE 8-9)
 (PART OF 2117960 PAGE 8-12)
 (PART OF 2117962 PAGE 8-15)
 (PART OF 2117962-2 PAGE 8-17)

Item	Part Number	FRU	Name	Quantity	Description (Remarks)
5	46-307364P5	2	CABINET SPEC	1	AMCO S-11272-11R RIGHT SIDE PANEL
6	46-307364P6	2	CABINET SPEC	1	AMCO S-11272-11L LEFT SIDE PANEL
8	46-307364P8	2	CABINET SPEC	2	AMCO CBX-19 BASE COWLING, CHARCOAL
9	46-307364P9	2	CABINET SPEC	1	AMCO 6235-19-30 BASE PLATE, CHARCOAL
10	46-307364P10	2	CABINET SPEC	4	AMCO S22129-12 HEAVY DUTY CASTER
12	46-307364P12	2	CABINET SPEC	2	AMCO ATLE-30-1 ANTI-TIP LEGS, PAIR
13	46-307364P13	2	CABINET SPEC	1	AMCO S-11272-15 TOP PANEL, CHARCOAL
15	46-307364P15	2	CABINET SPEC	1	AMCO S13533-10R REAR DOOR

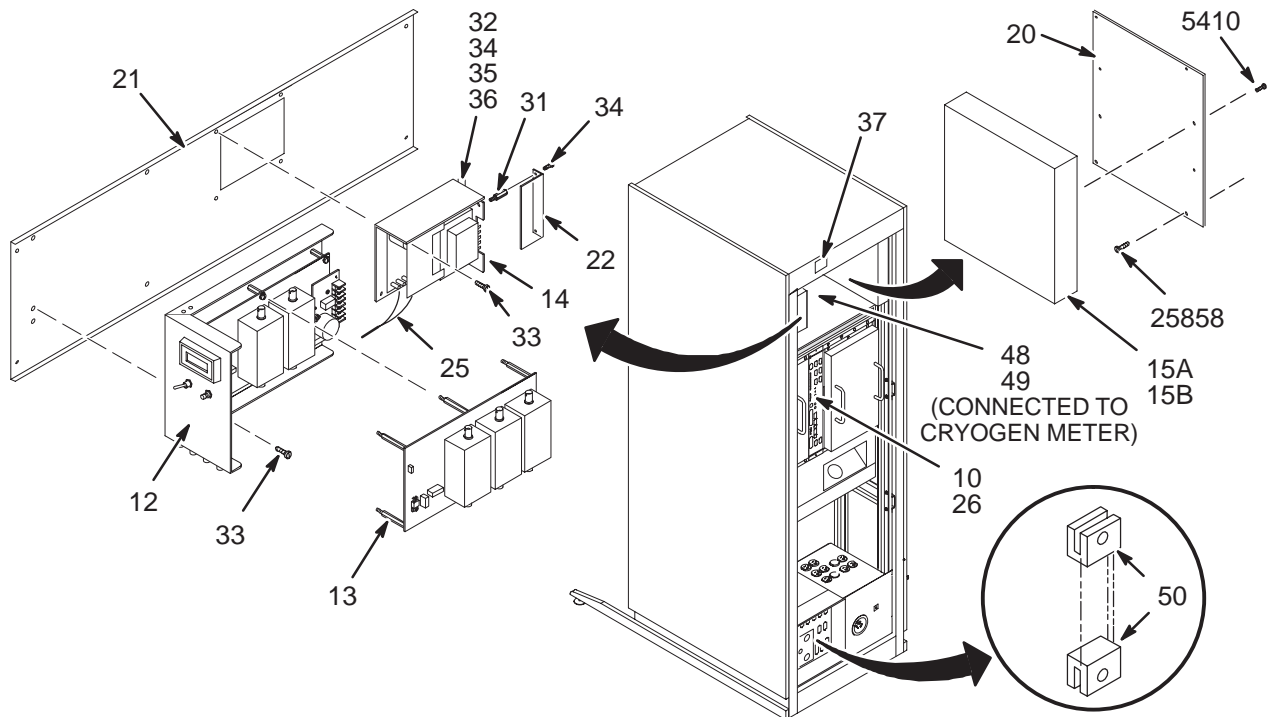
8-2 HORIZON LX SYSTEM CABINETS

LX 1.5T SYSTEM CABINET with FAST RECEIVER & MULTICOIL

2138300-2



VIEW 1



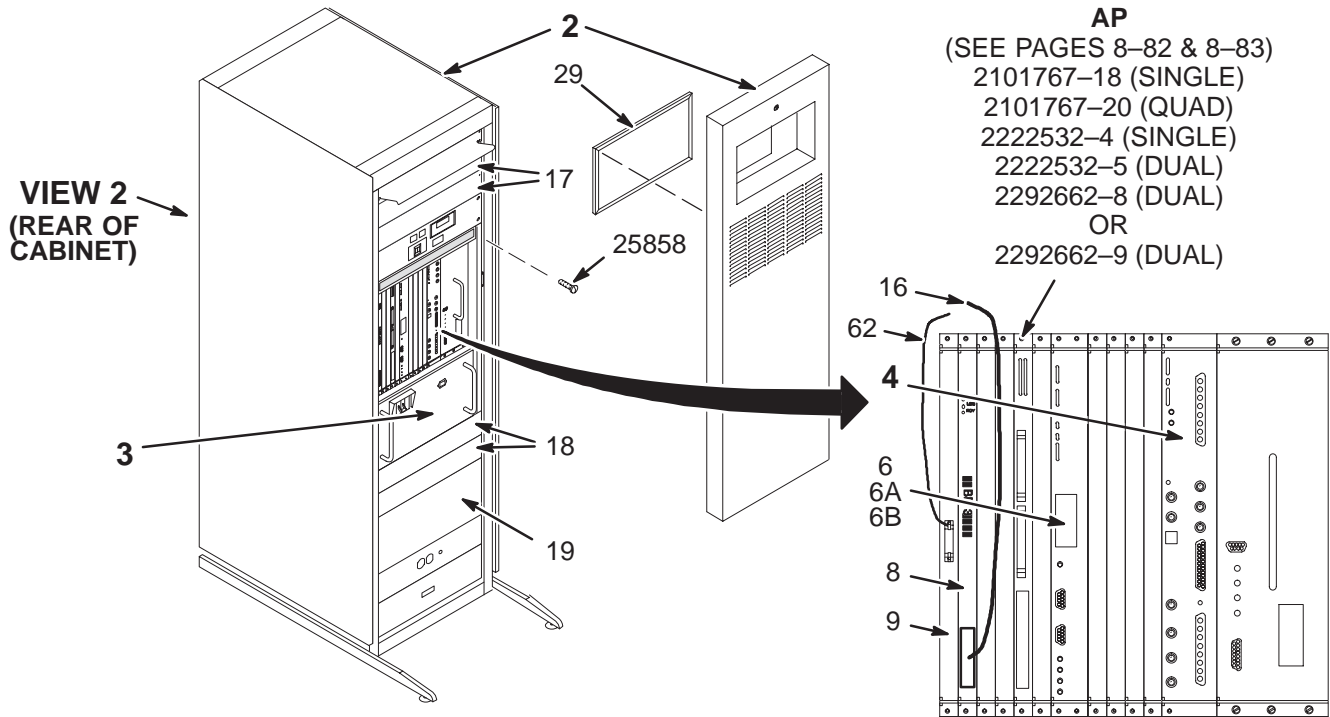
VIEW 2

LX 1.5T SYS CAB with FR & M-C 2138300-2 FRU N (PART OF 46-271000G37 SECTION 1)

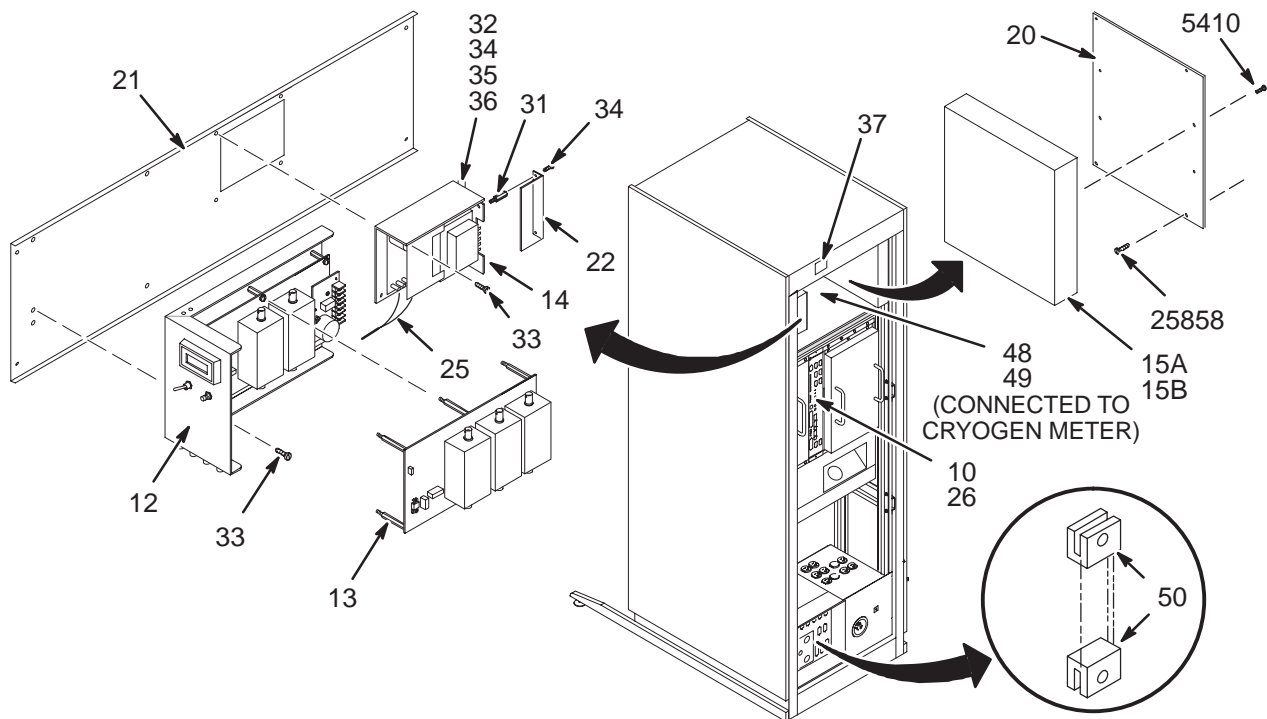
Item	Part Number	FRU	Name	Quantity	Description (Remarks)
2	2148375	N	SYSTEM CABIN	1	HLB BASIC LX SYS CAB (SEE PAGE 8-75)
3	2138600	N	ISE CHASSIS	1	19" RACK MOUNTBLE VMEBUS CARD CAGE (SEE PAGE 8-87)
4	2102500-6	N	4CH 1.5T	1	4 CHANNEL 1.5T CERD MODULE (SEE PAGE 8-85)
5	2148437	1	RECEIVER	1	RECEIVER FOR LIGHTNING PROGRAM
6	2160818-7	1	CIRCUIT BOAR	1	IPGII SUN STYLE FRONT PANEL
6A	2112566-7	2	IPG ASSEMBLY	ALT	VMX IPG ASSEMBLY WITH PHASE FIX
6B	2112566-8	2	IPG ASSEMBLY	ALT	VMX IPG ASSEMBLY WITH PHASE FIX
8	2124215	1	BIT3 CRD SET	1	VMEBUS CARD ASSEMBLY INCLUDING:
9	2100968-2	1	MVME 162 CPU	1	TPS MVME 162 SINGLE BD CONTROLLER
10	2115088-2	1	TYME II	1	TYME II ASSEMBLY
11	2111359	1	FAST RCVR	1	FAST RECEIVER, WITH TWO 5" BNC CABLES
12	2114342-17	1	1.5T TNS 2CH	1	1.5T 2 CHAN EXTENDED BANDWIDTH TNF
13	2114342-18	1	1.5T TNS 2CH	1	1.5T 3 CHAN EXTENDED BANDWIDTH TNF
14	2149851	1	POWER SUPPLY	1	POWER ONE 18VDC 1.5AMP PWR SUPPLY
15A	2149852	N	BIT 3 BOX	1	BIT 3 FIBER OPTIC INTERFACE 400-60
15B	2149852-3	1	BIT 3 BOX	1	BIT 3 FIBER OPTIC INTERFACE 400-60 REV M
16	2149853	2	CABLE	1	BIT 3 FIBER OPTIC TO VME BOARD CABLE
17	46-306509P4	2	COVER PLATE	3	FILLER PANEL, CHARCOAL, 19" X 3.44"
18	2142125	2	COVER	1	COVER
19	2142705	2	COVER	1	COVER
20	2143376	2	BRACKET	1	BRACKET
21	2155692	2	PART	1	BRACKET
22	2146716	2	COVER	1	COVER
23	2137306	2	CABLE	1	MR2-A15-A16-J14 TO MR2-A25-DIG I/F
24	2144527	2	CABLE ASM	1	CERD (I/F1) TO FAST REC MODULE
25	2148702	2	HARNESS	1	WIRE HARNESS
26	46-328000G941	2	ASSEMBLY	1	MR2-A12-J5 TO MR2-A30-A23-J24
28	46-307233G12	N	POWER CORD	1	9 FT 3-#18 CORD, 1-#10 RING TERMINAL
29	46-306565P1	2	AIR FILTER	1	RESEARCH PRODUCTS 10"EZ-CLEAN FILTER
31	46-208984P11	2	SPACER	2	HEX 0.250 THD EXT 6-32 INT 6-32
32	46-170012P35	2	NUT	4	6-32, 1/4" HEX KEPS NUT, 3/32 THICK
33	2103585-2	2	SCREW	8	SCREW PAN 4 MM 10 MM
34	46-170015P19	2	SCREW	4	6-32 X 3/8 LG BIND HD STL EXT TOOTH
35	46-208750P1	2	VIBRATION IS	1	TIE ANCHOR PANDUIT TA158-M
36	46-208758P3	2	TY-RAP	5	7.31" X .184" SELF-LOCKING CABLE TIE
37	2165323	2	LABEL	1	LABEL ELECTRICAL
48	46-287271G3	2	CABLE ASM	1	MR2-A23-A1-J6 TO MR2-A3-J1
49	46-243775G804	2	CABLE	1	MR2-A11-J11 TO MR2-A3-J403 (CRYOGEN METER ONLY)
50	46-265067P1	2	CABLE MOUNT	2	I/F PANEL CABLE SCREWLOCK CONNECTOR
60	46-271920P4	N	CONNECTOR	1	CONNECTOR 37 CONTACTS 100 VOLTS 5 AM
61	2196827	N	JACKSCREW	2	D-SUB ZINC PLATED STEEL 4-40 X .62
62	2198994	2	CABLE	1	LX2 DEBUG I/F
5410	46-170015P14	2	SCREW	4	8-32 X 3/8 LG BIND HD STL EXT TOOTH
25858	46-208560P30	2	SCREW	48	10-32 X 1/2" LONG, BIND HEAD, STEEL

LX 1.5T SYSTEM CABINET with MULTICOIL

2138300-3



VIEW 1



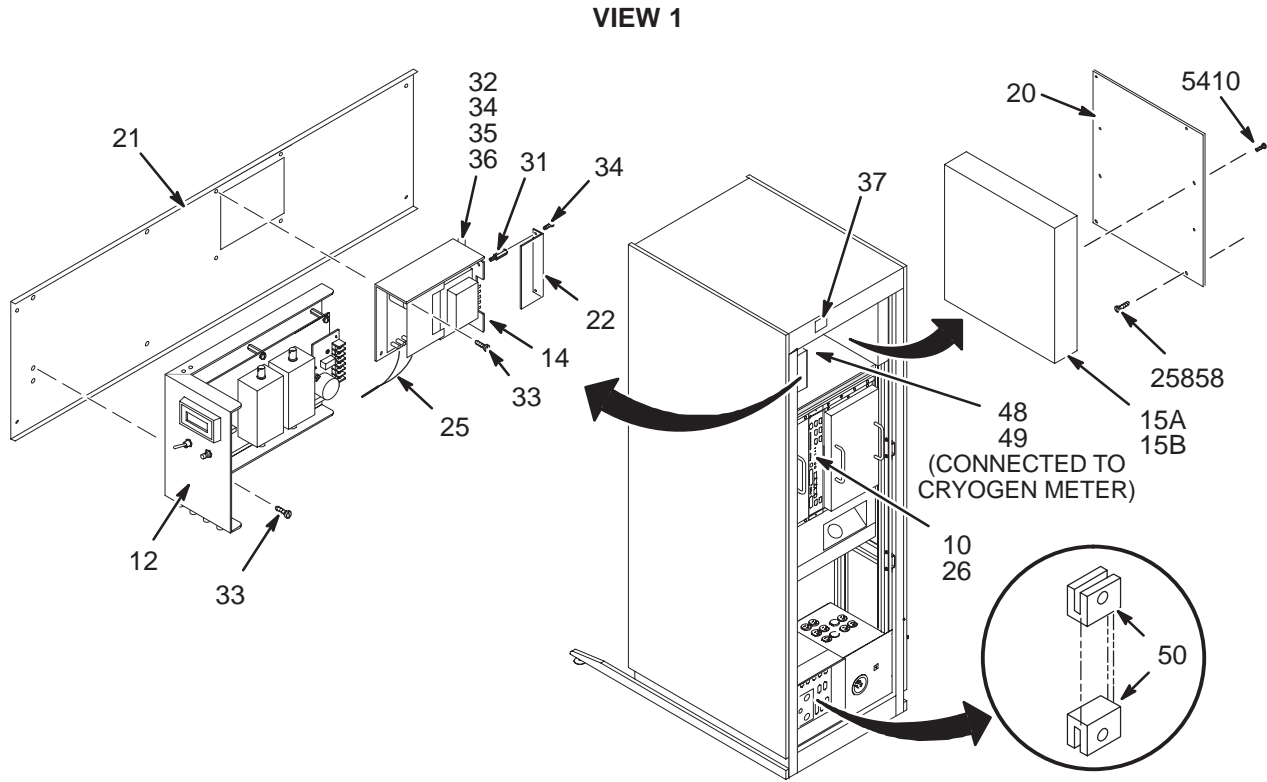
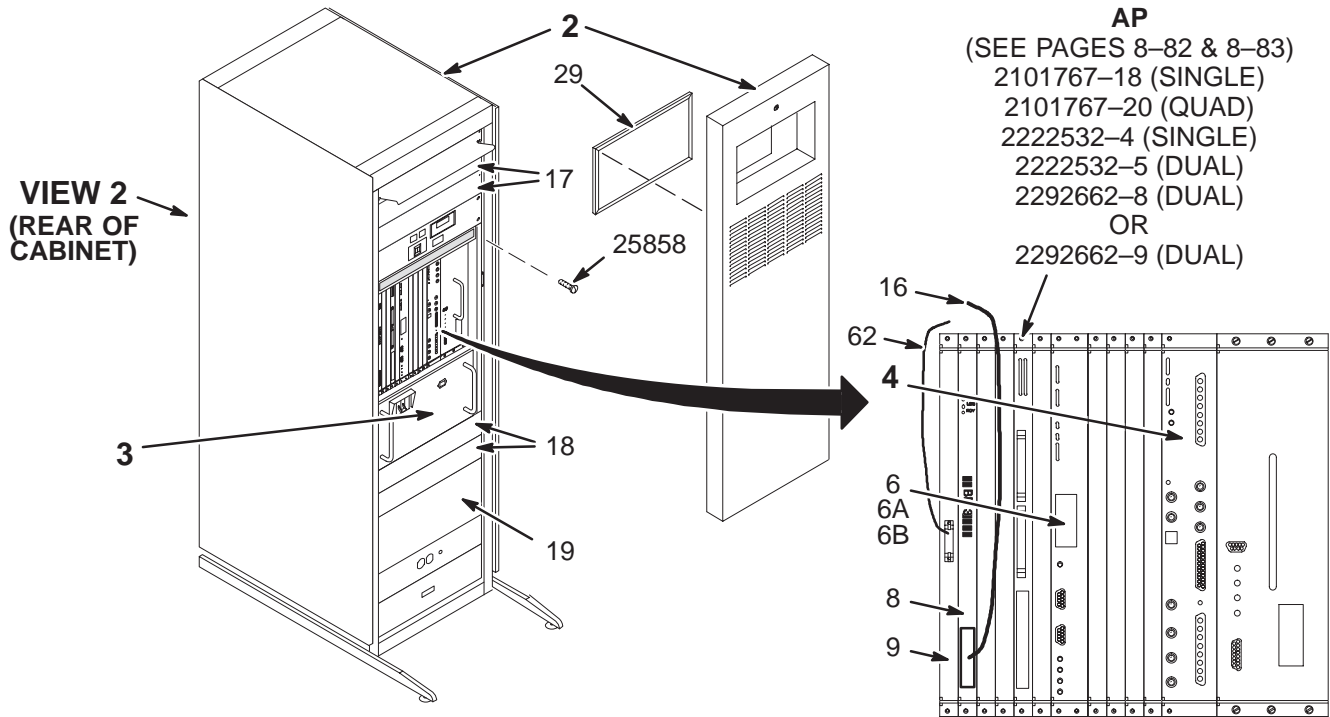
VIEW 2

LX 1.5T SYS CAB with M-C 2138300-3 FRU N (PART OF 46-271000G35 SECTION 1)
 (PART OF 46-271000G36 SECTION 1)

Item	Part Number	FRU	Name	Quantity	Description (Remarks)
2	2148375	N	SYSTEM CABIN	1	HLB BASIC LX SYS CAB (SEE PAGE 8-75)
3	2138600	N	ISE CHASSIS	1	19" RACK MOUNTABL VMEBUS CARD CAGE (SEE PAGE 8-87)
4	2102500-6	N	4CH 1.5T	1	4 CHANNEL 1.5T CERD MODULE (SEE PAGE 8-85)
6	2160818-7	1	CIRCUIT BOAR	1	IPGII SUN STYLE FRONT PANEL
6A	2112566-7	2	IPG ASSEMBLY	ALT	VMX IPG ASSEMBLY WITH PHASE FIX
6B	2112566-8	2	IPG ASSEMBLY	ALT	VMX IPG ASSEMBLY WITH PHASE FIX
8	2124215	1	BIT3 CRD SET	1	VMEBUS CARD ASSEMBLY INCLUDING:
9	2100968-2	1	MVME 162 CPU	1	TPS MVME 162 SINGLE BD CONTROLLER
10	2115088-2	1	TYME II	1	TYME II ASSEMBLY
12	2114342	1	1.5T TNS 2CH	1	TRANSIENT NOISE FILTER ASM - 1.5T
13	2114342-4	1	1.5T TNS 3CH	1	1.5T M/C TRANSIENT NOISE FILTER
14	2149851	1	POWER SUPPLY	1	POWER ONE 18VDC 1.5AMP PWR SUPPLY
15A	2149852	N	BIT 3 BOX	1	BIT 3 FIBER OPTIC INTERFACE 400-60
15B	2149852-3	1	BIT 3 BOX	1	BIT 3 FIBER OPTIC INTERFACE 400-60 REV M
16	2149853	2	CABLE	1	BIT 3 FIBER OPTIC TO VME BOARD CABLE
17	46-306509P4	2	COVER PLATE	3	FILLER PANEL, CHARCOAL, 19" X 3.44"
18	2142125	2	COVER	2	COVER
19	2142705	2	COVER	1	COVER
20	2143376	2	BRACKET	1	BRACKET
21	2155692	2	PART	1	BRACKET
22	2146716	2	COVER	1	COVER
25	2148702	2	HARNESS	1	WIRE HARNESS
26	46-328000G941	2	ASSEMBLY	1	MR2-A12-J5 TO MR2-A30-A23-J24
29	46-306565P1	2	AIR FILTER	1	RESEARCH PRODUCTS 10"EZ-CLEAN FILTER
31	46-208984P11	2	SPACER	2	HEX 0.250 THD EXT 6-32 INT 6-32
32	46-170012P35	2	NUT	4	6-32, 1/4" HEX KEPS NUT, 3/32 THICK
33	2103585-2	2	SCREW	8	SCREW PAN 4 MM 10 MM
34	46-170015P19	2	SCREW	4	6-32 X 3/8 LG BIND HD STL EXT TOOTH
35	46-208750P1	2	VIBRATION IS	1	TIE ANCHOR PANDUIT TA158-M
36	46-208758P3	2	TY-RAP	5	7.31" X .184" SELF-LOCKING CABLE TIE
37	2165323	2	LABEL	1	LABEL ELECTRICAL
48	46-287271G3	2	CABLE ASM	1	MR2-A23-A1-J6 TO MR2-A3-J1
49	46-243775G804	2	CABLE	1	MR2-A11-J11 TO MR2-A3-J403 (CRYOGEN METER ONLY)
50	46-265067P1	2	CABLE MOUNT	2	I/F PANEL CABLE SCREWLOCK CONNECTOR
62	2198994	2	CABLE	1	LX2 DEBUG I/F
05410	46-170015P14	2	SCREW	4	8-32 X 3/8 LG BIND HD STL EXT TOOTH
25858	46-208560P30	2	SCREW	48	10-32 X 1/2" LONG, BIND HEAD, STEEL

LX 1.5T SYSTEM CABINET w/o MULTICOIL OR FAST RECEIVER

2138300-4

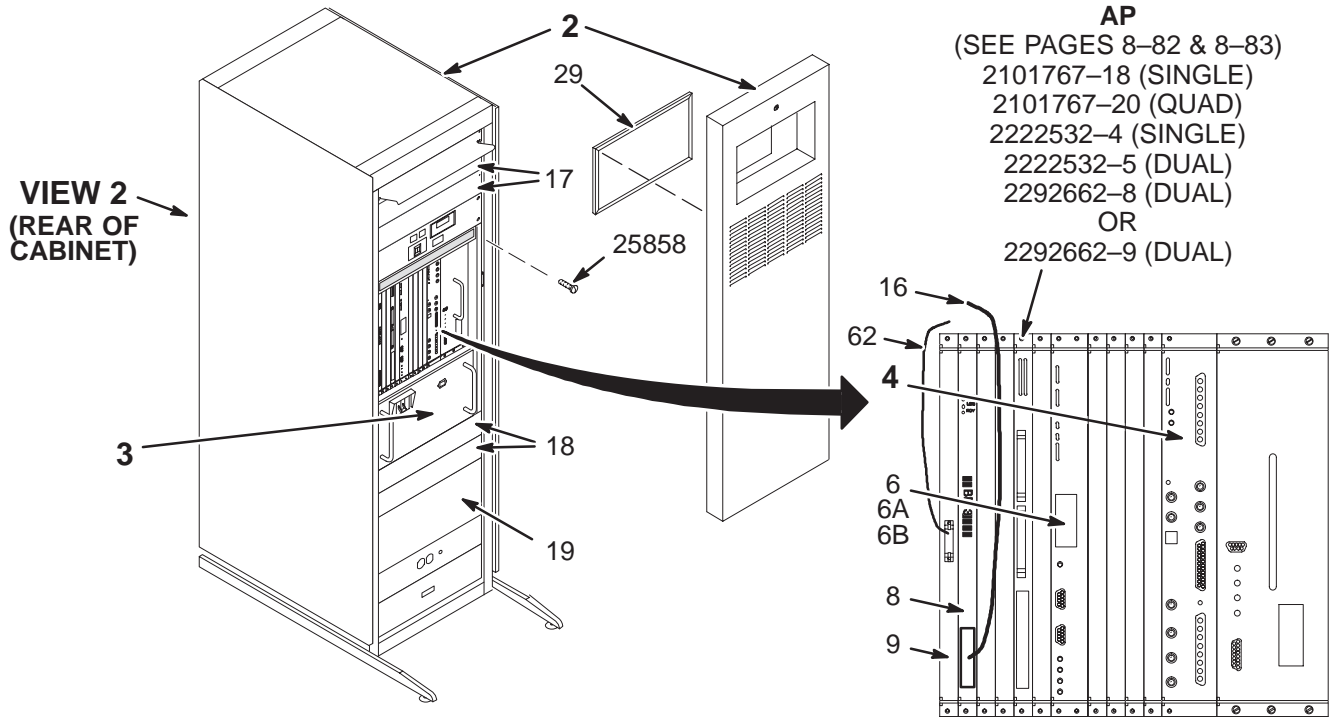


LX 1.5T SYS CAB w/o FR or M-C 2138300-4 FRU N (PART OF 46-271000G33 SECTION 1)

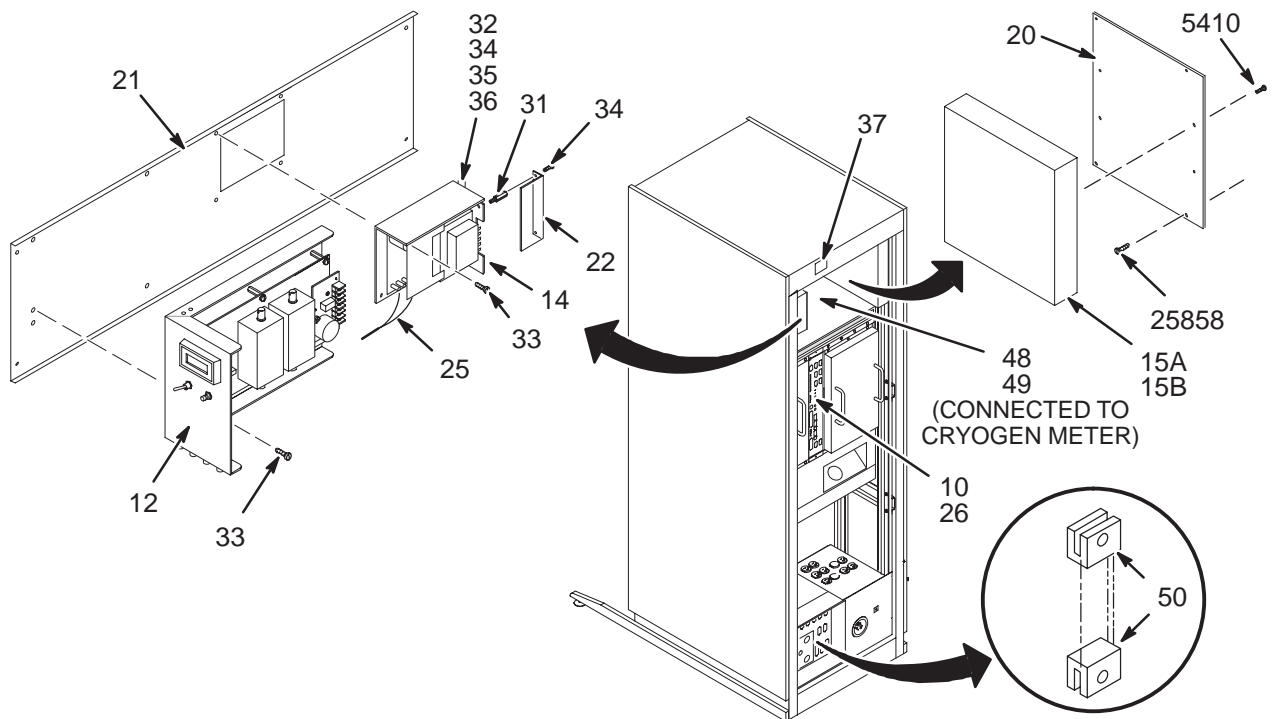
Item	Part Number	FRU	Name	Quantity	Description (Remarks)
2	2148375	N	SYSTEM CABIN	1	HLB BASIC LX SYS CAB (SEE PAGE 8-75)
3	2138600	N	ISE CHASSIS	1	19" RACK MOUNTABL VMEBUS CARD CAGE (SEE PAGE 8-87)
4	2102500-3	N	CERD MODULE	1	1 CHANNEL 1.5T CERD MODULE (SEE PAGE 8-84)
6	2160818-7	1	CIRCUIT BOAR	1	IPGII SUN STYLE FRONT PANEL
6A	2112566-7	2	IPG ASSEMBLY	ALT	VMX IPG ASSEMBLY WITH PHASE FIX
6B	2112566-8	2	IPG ASSEMBLY	ALT	VMX IPG ASSEMBLY WITH PHASE FIX
8	2124215	1	BIT3 CRD SET	1	VMEBUS CARD ASSEMBLY INCLUDING:
9	2100968-2	1	MVME 162 CPU	1	TPS MVME 162 SINGLE BD CONTROLLER
10	2115088-2	1	TYME II	1	TYME II ASSEMBLY
12	2114342	1	1.5T TNS 2CH	1	TRANSIENT NOISE FILTER ASM - 1.5T
14	2149851	1	POWER SUPPLY	1	POWER ONE 18VDC 1.5AMP PWR SUPPLY
15A	2149852	N	BIT 3 BOX	1	BIT 3 FIBER OPTIC INTERFACE 400-60
15B	2149852-3	1	BIT 3 BOX	1	BIT 3 FIBER OPTIC INTERFACE 400-60 REV M
16	2149853	2	CABLE	1	BIT 3 FIBER OPTIC TO VME BOARD CABLE
17	46-306509P4	2	COVER PLATE	3	FILLER PANEL, CHARCOAL, 19" X 3.44"
18	2142125	2	COVER	2	COVER
19	2142705	2	COVER	1	COVER
20	2143376	2	BRACKET	1	BRACKET
21	2155692	2	PART	1	BRACKET
22	2146716	2	COVER	1	COVER
25	2148702	2	HARNESS	1	WIRE HARNESS
26	46-328000G941	2	ASSEMBLY	1	MR2-A12-J5 TO MR2-A30-A23-J24
29	46-306565P1	2	AIR FILTER	1	RESEARCH PRODUCTS 10"EZ-CLEAN FILTER
31	46-208984P11	2	SPACER	2	HEX 0.250 THD EXT 6-32 INT 6-32
32	46-170012P35	2	NUT	4	6-32, 1/4" HEX KEPS NUT, 3/32 THICK
33	2103585-2	2	SCREW	8	SCREW PAN 4 MM 10 MM
34	46-170015P19	2	SCREW	4	6-32 X 3/8 LG BIND HD STL EXT TOOTH
35	46-208750P1	2	VIBRATION IS	1	TIE ANCHOR PANDUIT TA158-M
36	46-208758P3	2	TY-RAP	5	7.31" X .184" SELF-LOCKING CABLE TIE
37	2165323	2	LABEL	1	LABEL ELECTRICAL
48	46-287271G3	2	CABLE ASM	1	MR2-A23-A1-J6 TO MR2-A3-J1
49	46-243775G804	2	CABLE	1	MR2-A11-J11 TO MR2-A3-J403 (CRYOGEN METER ONLY)
50	46-265067P1	2	CABLE MOUNT	2	I/F PANEL CABLE SCREWLOCK CONNECTOR
62	2198994	2	CABLE	1	LX2 DEBUG I/F
05410	46-170015P14	2	SCREW	4	8-32 X 3/8 LG BIND HD STL EXT TOOTH
25858	46-208560P30	2	SCREW	48	10-32 X 1/2" LONG, BIND HEAD, STEEL

LX 1.0T SYSTEM CABINET w/o MULTICOIL

2138300-6



VIEW 1



VIEW 2

LX 1.0T SYS CAB w/o FR or M-C 2138300-6 FRU N

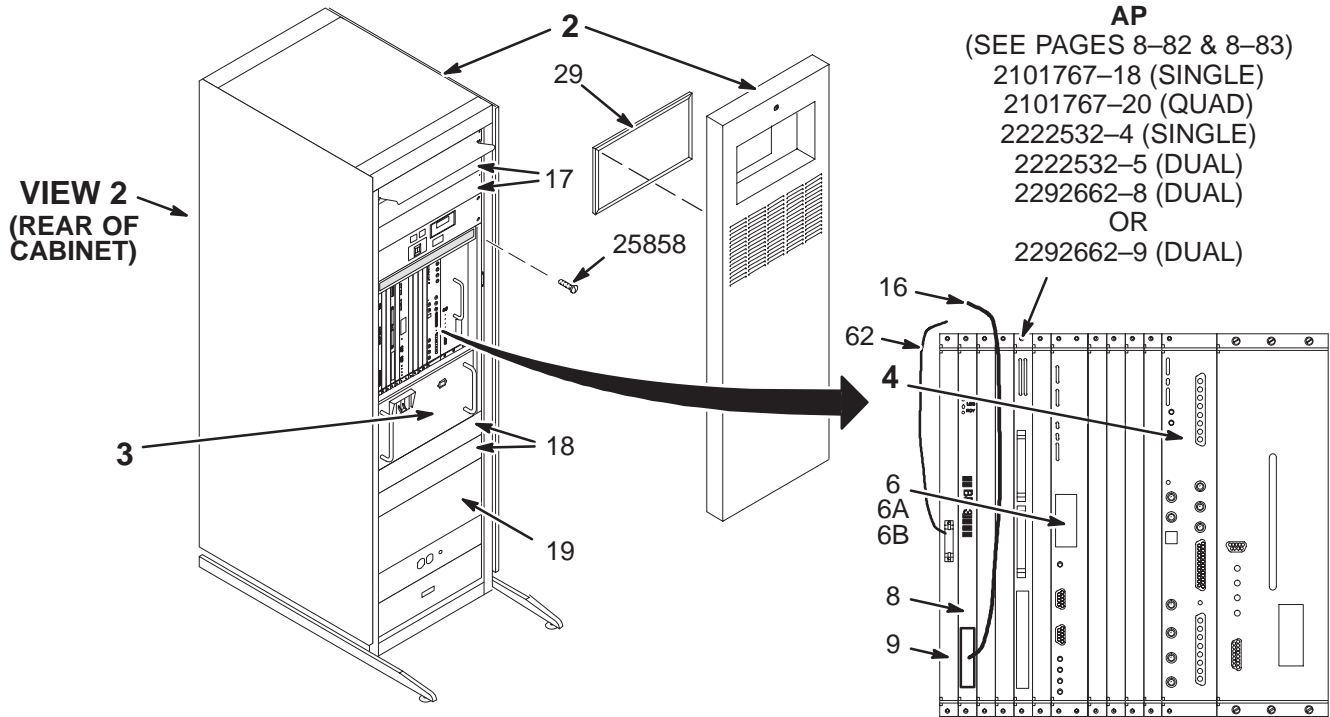
(PART OF 46-271000G73 SECTION 1)

(PART OF 46-271000G77 SECTION 1)

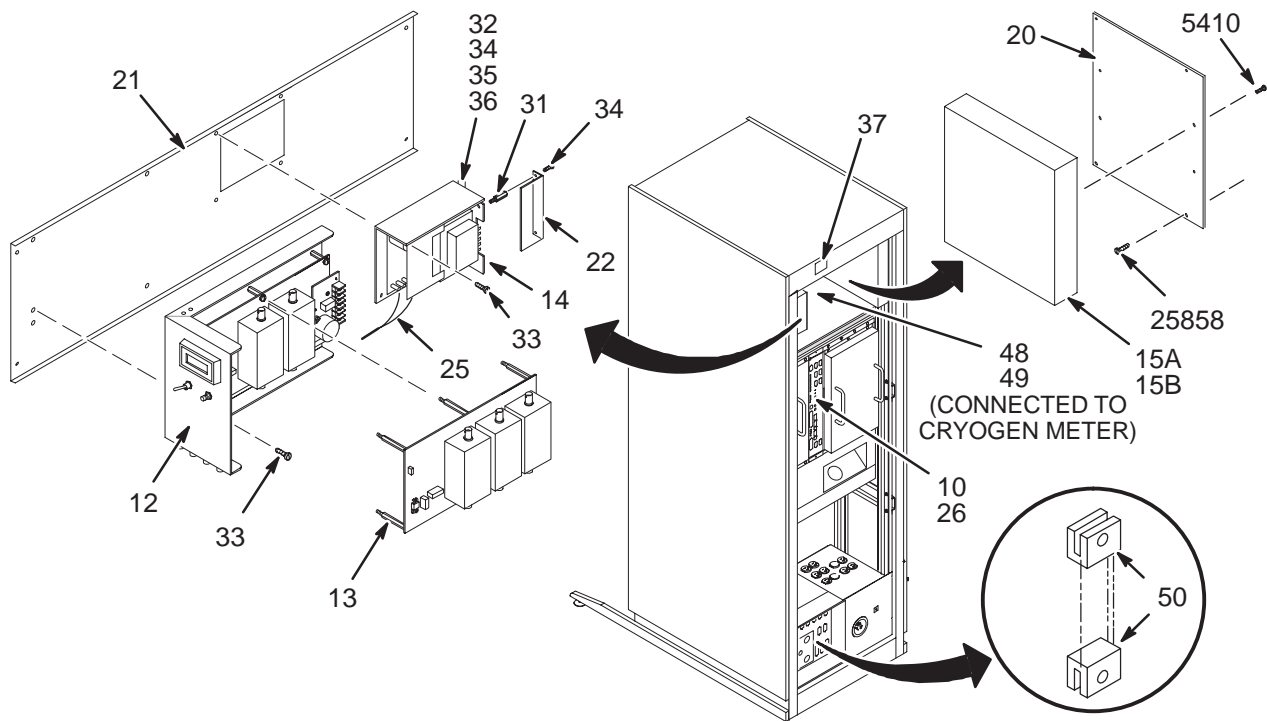
Item	Part Number	FRU	Name	Quantity	Description (Remarks)
2	2148375	N	SYSTEM CABIN	1	HLB BASIC LX SYS CAB (SEE PAGE 8-75)
3	2138600	N	ISE CHASSIS	1	19" RACK MOUNTABL VMEBUS CARD CAGE (SEE PAGE 8-87)
4	2102500-2	N	CERD MODULE	1	1 CHANNEL 1.0T CERD MODULE (SEE PAGE 8-84)
6	2160818-7	1	CIRCUIT BOAR	1	IPGII SUN STYLE FRONT PANEL
6A	2112566-7	2	IPG ASSEMBLY	ALT	VMX IPG ASSEMBLY WITH PHASE FIX
6B	2112566-8	2	IPG ASSEMBLY	ALT	VMX IPG ASSEMBLY WITH PHASE FIX
8	2124215	1	BIT3 CRD SET	1	VMEBUS CARD ASSEMBLY INCLUDING:
9	2100968-2	1	MVME 162 CPU	1	TPS MVME 162 SINGLE BD CONTROLLER
10	2115088-2	1	TYME II	1	TYME II ASSEMBLY
12	2114342-2	1	1.0T TNS 2CH	1	TRANSIENT NOISE FILTER ASM; 1.0T
14	2149851	1	POWER SUPPLY	1	POWER ONE 18VDC 1.5AMP PWR SUPPLY
15A	2149852	N	BIT 3 BOX	1	BIT 3 FIBER OPTIC INTERFACE 400-60
15B	2149852-3	1	BIT 3 BOX	1	BIT 3 FIBER OPTIC INTERFACE 400-60 REV M
16	2149853	2	CABLE	1	BIT 3 FIBER OPTIC TO VME BOARD CABLE
17	46-306509P4	2	COVER PLATE	3	FILLER PANEL, CHARCOAL, 19" X 3.44"
18	2142125	2	COVER	2	COVER
19	2142705	2	COVER	1	COVER
20	2143376	2	BRACKET	1	BRACKET
21	2155692	2	PART	1	BRACKET
22	2146716	2	COVER	1	COVER
25	2148702	2	HARNESS	1	WIRE HARNESS
26	46-328000G941	2	ASSEMBLY	1	MR2-A12-J5 TO MR2-A30-A23-J24
29	46-306565P1	2	AIR FILTER	1	RESEARCH PRODUCTS 10"EZ-CLEAN FILTER
31	46-208984P11	2	SPACER	2	HEX 0.250 THD EXT 6-32 INT 6-32
32	46-170012P35	2	NUT	4	6-32, 1/4" HEX KEPS NUT, 3/32 THICK
33	2103585-2	2	SCREW	8	SCREW PAN 4 MM 10 MM
34	46-170015P19	2	SCREW	4	6-32 X 3/8 LG BIND HD STL EXT TOOTH
35	46-208750P1	2	VIBRATION IS	1	TIE ANCHOR PANDUIT TA158-M
36	46-208758P3	2	TY-RAP	5	7.31" X .184" SELF-LOCKING CABLE TIE
37	2165323	2	LABEL	1	LABEL ELECTRICAL
48	46-287271G3	2	CABLE ASM	1	MR2-A23-A1-J6 TO MR2-A3-J1
49	46-243775G804	2	CABLE	1	MR2-A11-J11 TO MR2-A3-J403 (CRYOGEN METER ONLY)
50	46-265067P1	2	CABLE MOUNT	2	I/F PANEL CABLE SCREWLOCK CONNECTOR
62	2198994	2	CABLE	1	LX2 DEBUG I/F
05410	46-170015P14	2	SCREW	4	8-32 X 3/8 LG BIND HD STL EXT TOOTH
25858	46-208560P30	2	SCREW	48	10-32 X 1/2" LONG, BIND HEAD, STEEL

LX 1.0T SYSTEM CABINET with MULTICOIL

2138300-9



VIEW 1



VIEW 2

LX 1.0T SYS CAB with M-C

2138300-9 FRU N

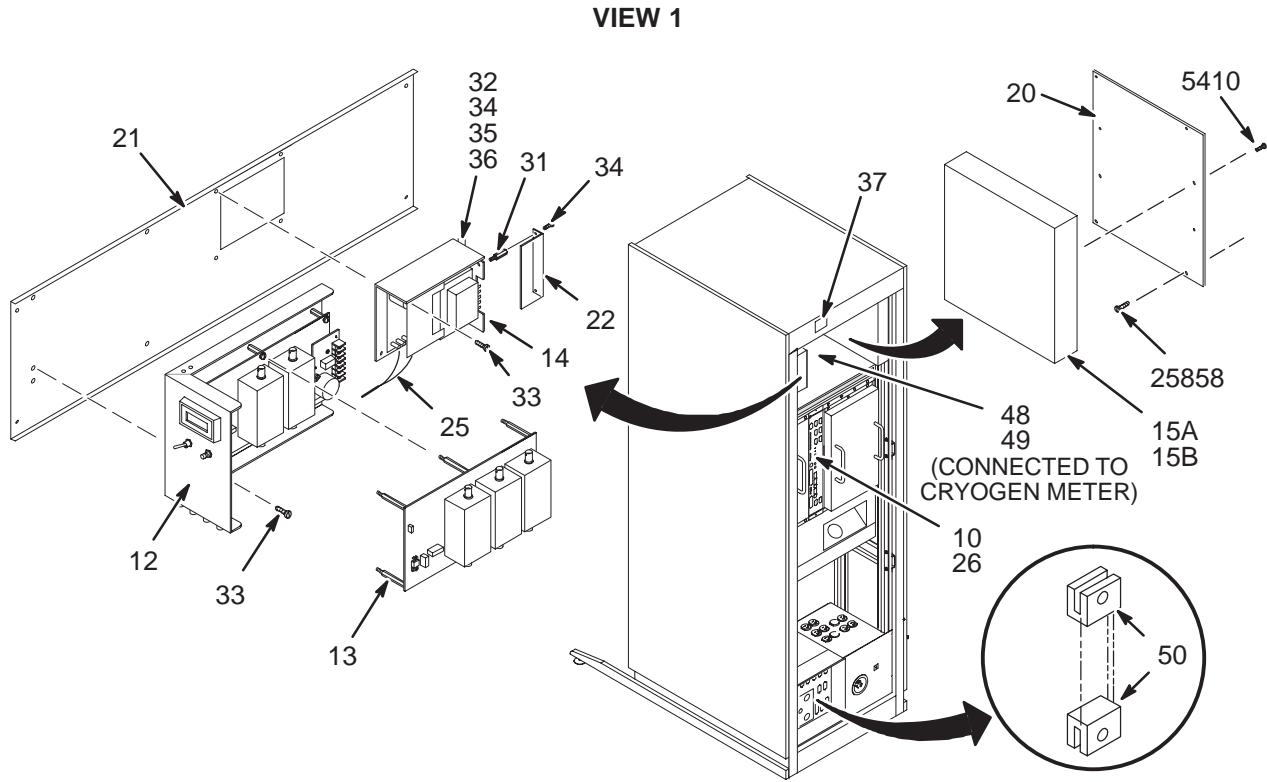
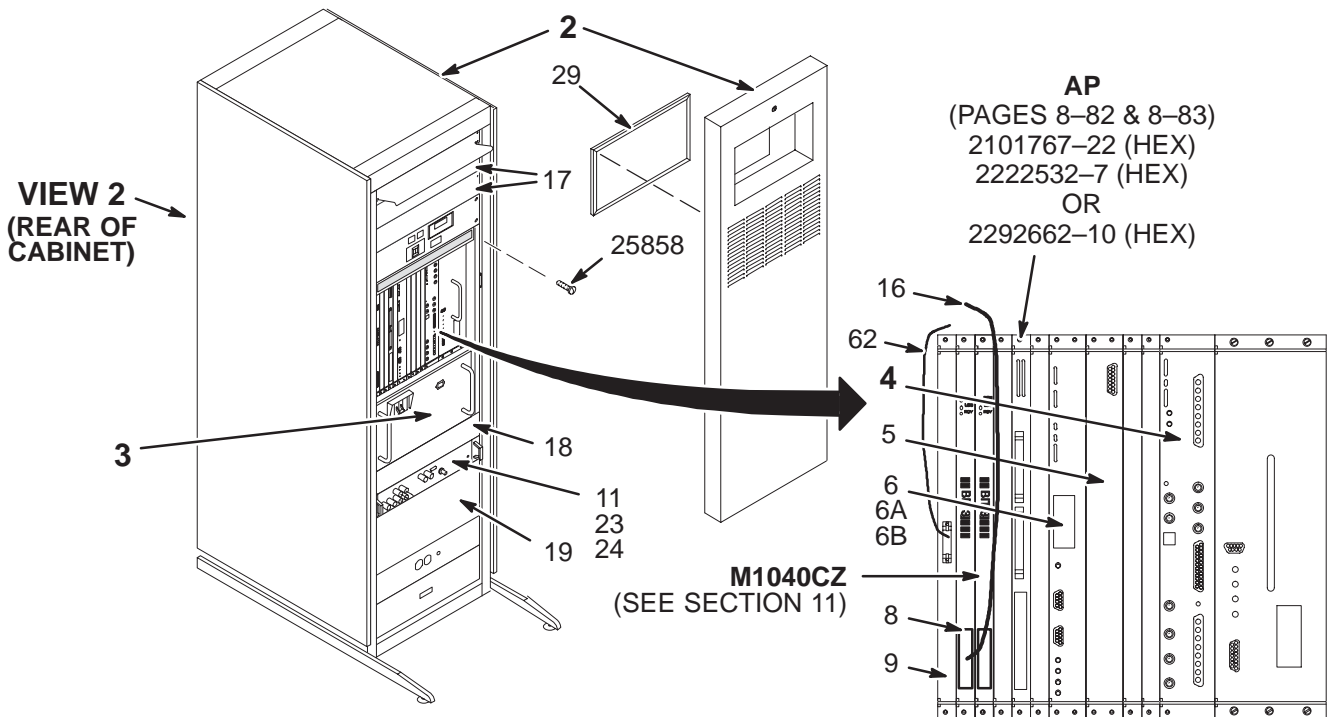
(PART OF 46-271000G76 SECTION 1)

(PART OF 46-271000G78 SECTION 1)

Item	Part Number	FRU	Name	Quantity	Description (Remarks)
2	2148375	N	SYSTEM CABIN	1	HLB BASIC LX SYS CAB (SEE PAGE 8-75)
3	2138600	N	ISE CHASSIS	1	19" RACK MOUNTABL VMEBUS CARD CAGE (SEE PAGE 8-87)
4	2102500-5	N	4CH 1.0T	1	4 CHANNEL 1.0T CERD MODULE (SEE PAGE 8-85)
6	2160818-7	1	CIRCUIT BOAR	1	IPGII SUN STYLE FRONT PANEL
6A	2112566-7	2	IPG ASSEMBLY	ALT	VMX IPG ASSEMBLY WITH PHASE FIX
6B	2112566-8	2	IPG ASSEMBLY	ALT	VMX IPG ASSEMBLY WITH PHASE FIX
8	2124215	1	BIT3 CRD SET	1	VMEBUS CARD ASSEMBLY INCLUDING:
9	2100968-2	1	MVME 162 CPU	1	TPS MVME 162 SINGLE BD CONTROLLER
10	2115088-2	1	TYME II	1	TYME II ASSEMBLY
12	2114342-2	1	1.0T TNS 2CH	1	TRANSIENT NOISE FILTER ASM; 1.0T
13	2114342-5	1	1.0T TNS 3CH	1	1.0T M/C TRANSIENT NOISE FILTER
14	2149851	1	POWER SUPPLY	1	POWER ONE 18VDC 1.5AMP PWR SUPPLY
15A	2149852	N	BIT 3 BOX	1	BIT 3 FIBER OPTIC INTERFACE 400-60
15B	2149852-3	1	BIT 3 BOX	1	BIT 3 FIBER OPTIC INTERFACE 400-60 REV M
16	2149853	2	CABLE	1	BIT 3 FIBER OPTIC TO VME BOARD CABLE
17	46-306509P4	2	COVER PLATE	3	FILLER PANEL, CHARCOAL, 19" X 3.44"
18	2142125	2	COVER	2	COVER
19	2142705	2	COVER	1	COVER
20	2143376	2	BRACKET	1	BRACKET
21	2155692	2	PART	1	BRACKET
22	2146716	2	COVER	1	COVER
25	2148702	2	HARNESS	1	WIRE HARNESS
26	46-328000G941	2	ASSEMBLY	1	MR2-A12-J5 TO MR2-A30-A23-J24
29	46-306565P1	2	AIR FILTER	1	RESEARCH PRODUCTS 10"EZ-CLEAN FILTER
31	46-208984P11	2	SPACER	2	HEX 0.250 THD EXT 6-32 INT 6-32
32	46-170012P35	2	NUT	4	6-32, 1/4" HEX KEPS NUT, 3/32 THICK
33	2103585-2	2	SCREW	8	SCREW PAN 4 MM 10 MM
34	46-170015P19	2	SCREW	4	6-32 X 3/8 LG BIND HD STL EXT TOOTH
35	46-208750P1	2	VIBRATION IS	1	TIE ANCHOR PANDUIT TA158-M
36	46-208758P3	2	TY-RAP	5	7.31" X .184" SELF-LOCKING CABLE TIE
37	2165323	2	LABEL	1	LABEL ELECTRICAL
48	46-287271G3	2	CABLE ASM	1	MR2-A23-A1-J6 TO MR2-A3-J1
49	46-243775G804	2	CABLE	1	MR2-A11-J11 TO MR2-A3-J403 (CRYOGEN METER ONLY)
50	46-265067P1	2	CABLE MOUNT	2	I/F PANEL CABLE SCREWLOCK CONNECTOR
62	2198994	2	CABLE	1	LX2 DEBUG I/F
05410	46-170015P14	2	SCREW	4	8-32 X 3/8 LG BIND HD STL EXT TOOTH
25858	46-208560P30	2	SCREW	48	10-32 X 1/2" LONG, BIND HEAD, STEEL

LX 1.5T CRM SYSTEM CABINET with FAST RECEIVER & MULTICOIL

2138300-16



VIEW 2

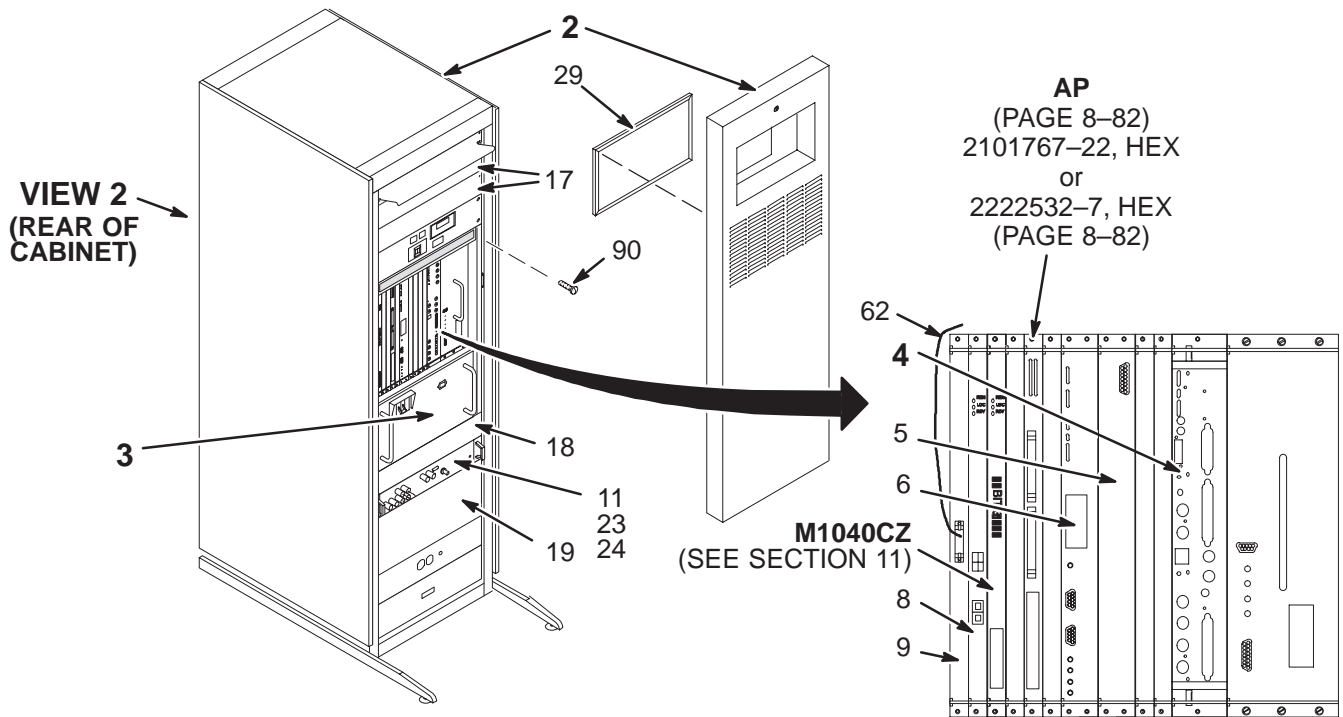
LX 1.5T CRM SYS CAB w/FR & M-C 2138300-16 FRU N

(PART OF 46-271000G109 SECTION 1)

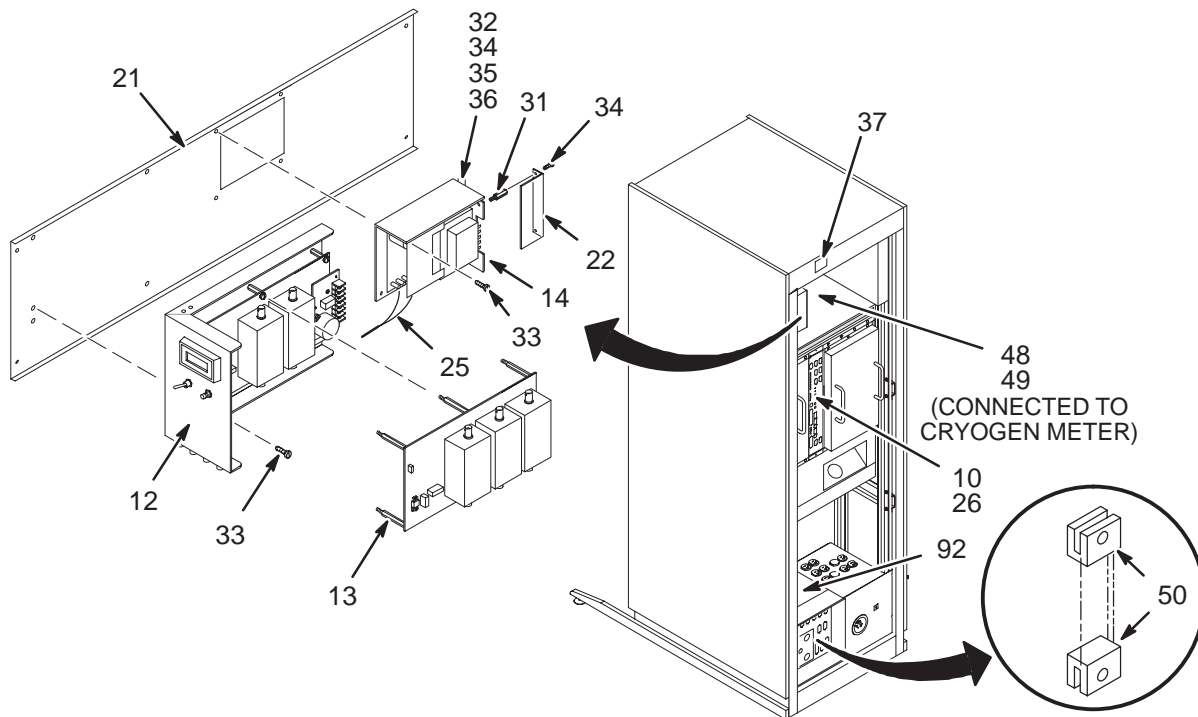
Item	Part Number	FRU	Name	Quantity	Description (Remarks)
2	2148375	N	SYSTEM CABIN	1	HLB BASIC LX SYS CAB (SEE PAGE 8-75)
3	2138600	N	ISE CHASSIS	1	19" RACK MOUNTBLE VMEBUS CARD CAGE (SEE PAGE 8-87)
4	2102500-12	N	4CH 1.5T	1	4 CHANNEL 1.5T CERD MOD FOR CRM (SEE PAGE 8-85)
5	2148437	1	RECEIVER	1	RECEIVER FOR LIGHTNING PROGRAM
6	2160818-7	1	CIRCUIT BOAR	1	IPGII SUN STYLE FRONT PANEL
6A	2112566-7	2	IPG ASSEMBLY	ALT	VMX IPG ASSEMBLY
6B	2112566-8	2	IPG ASSEMBLY	ALT	VMX IPG ASSEMBLY
8	2124215	1	BIT3 CRD SET	1	VMEBUS CARD ASSEMBLY INCLUDING:
9	2100968-2	1	MVME 162 CPU	1	TPS MVME 162 SINGLE BD CONTROLLER
10	2115088-2	1	TYME II	1	TYME II ASSEMBLY
11	2111359	1	FAST RCVR	1	FAST RECEIVER, WITH TWO 5" BNC CABLES
12	2114342-17	1	1.5T TNS 2CH	1	1.5T 2 CHAN EXTENDED BANDWIDTH TNF
13	2114342-18	1	1.5T TNS 2CH	1	1.5T 3 CHAN EXTENDED BANDWIDTH TNF
14	2149851	1	POWER SUPPLY	1	POWER ONE 18VDC 1.5AMP PWR SUPPLY
15A	2149852	N	BIT 3 BOX	1	BIT 3 FIBER OPTIC INTERFACE 400-60
15B	2149852-3	1	BIT 3 BOX	1	BIT 3 FIBER OPTIC INTERFACE 400-60 REV M
16	2149853	2	CABLE	1	BIT 3 FIBER OPTIC TO VME BOARD CABLE
17	46-306509P4	2	COVER PLATE	3	FILLER PANEL, CHARCOAL, 19" X 3.44"
18	2142125	2	COVER	1	COVER
19	2142705	2	COVER	1	COVER
20	2143376	2	BRACKET	1	BRACKET
21	2155692	2	PART	1	BRACKET
22	2146716	2	COVER	1	COVER
23	2137306	2	CABLE	1	MR2-A15-A16-J14 TO MR2-A25-DIG I/F
24	2144527	2	CABLE ASM	1	CERD (I/F1) TO FAST REC MODULE
25	2148702	2	HARNESS	1	WIRE HARNESS
26	46-328000G941	2	ASSEMBLY	1	MR2-A12-J5 TO MR2-A30-A23-J24
29	46-306565P1	2	AIR FILTER	1	RESEARCH PRODUCTS 10"EZ-CLEAN FILTER
31	46-208984P11	2	SPACER	2	HEX 0.250 THD EXT 6-32 INT 6-32
32	46-170012P35	2	NUT	4	6-32, 1/4" HEX KEPS NUT, 3/32 THICK
33	2103585-2	2	SCREW	8	SCREW PAN 4 MM 10 MM
34	46-170015P19	2	SCREW	4	6-32 X 3/8 LG BIND HD STL EXT TOOTH
35	46-208750P1	2	VIBRATION IS	1	TIE ANCHOR PANDUIT TA158-M
36	46-208758P3	2	TY-RAP	5	7.31" X .184" SELF-LOCKING CABLE TIE
37	2165323	2	LABEL	1	LABEL ELECTRICAL
48	46-287271G3	2	CABLE ASM	1	MR2-A23-A1-J6 TO MR2-A3-J1
49	46-243775G804	2	CABLE	1	MR2-A11-J11 TO MR2-A3-J403 (CRYOGEN METER ONLY)
50	46-265067P1	2	CABLE MOUNT	2	I/F PANEL CABLE SCREWLOCK CONNECTOR
62	2198994	2	CABLE	1	LX2 DEBUG I/F
5410	46-170015P14	2	SCREW	4	8-32 X 3/8 LG BIND HD STL EXT TOOTH
25858	46-208560P30	2	SCREW	48	10-32 X 1/2" LONG, BIND HEAD, STEEL

1.5T SYSTEM CABINET SR120 with MULTICOIL & FAST RECEIVER

2138300-19



VIEW 1



VIEW 2

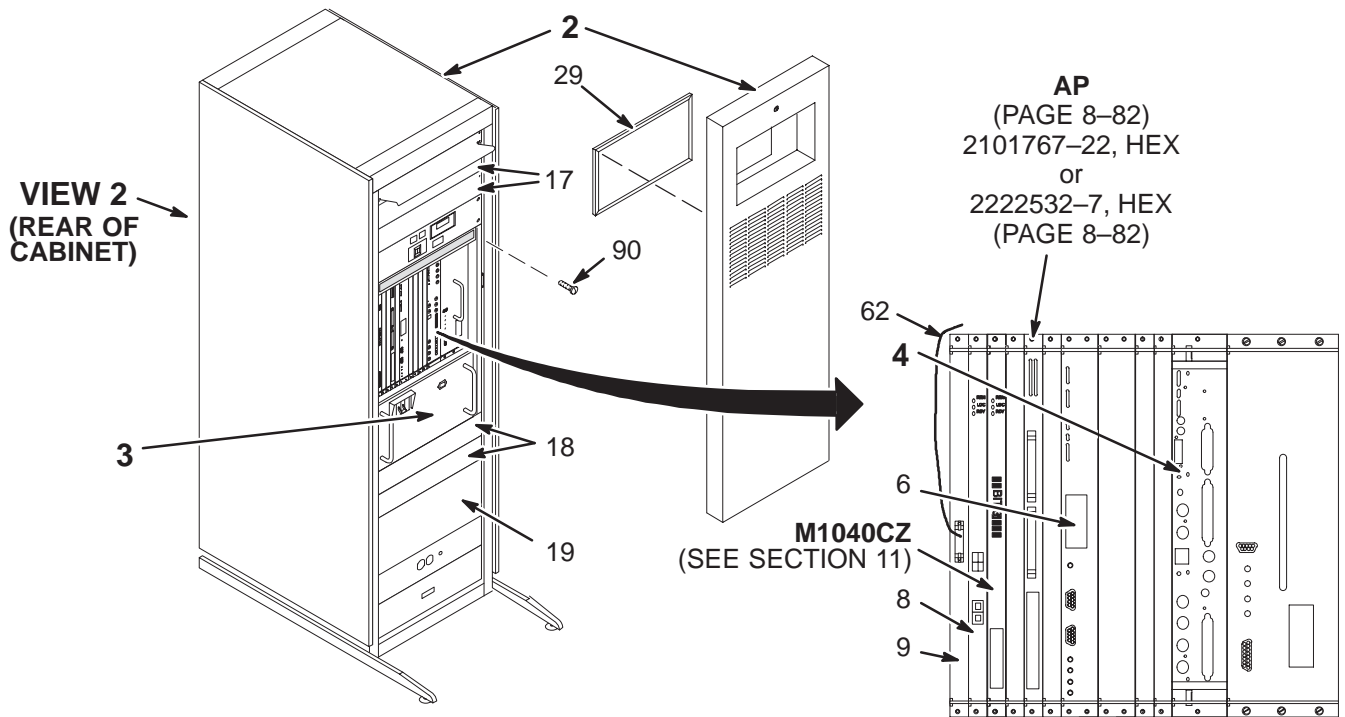
1.5T SYS CAB SR120 w/MC & FR 2138300-19 FRU N

(PART 4 OF 46-271000G114 PAGE 1-164)
 (PART OF M3000AD PAGE 1-49)
 (PART OF M3000AE PAGE 1-49)

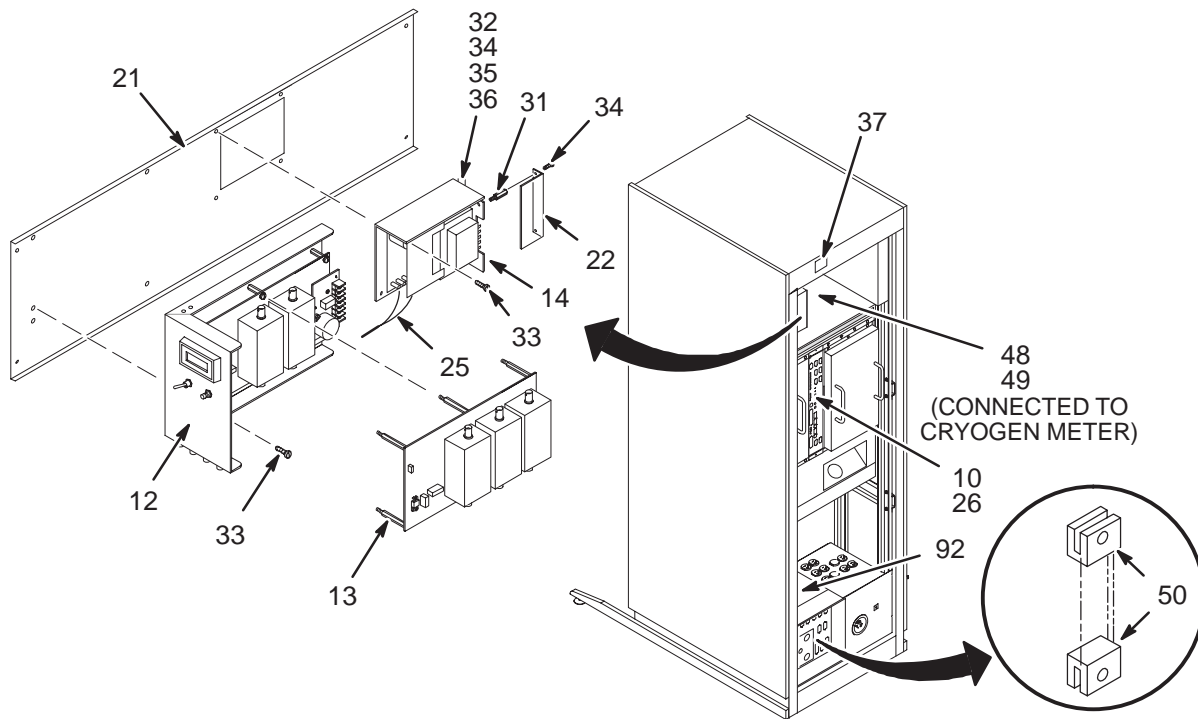
Part Number	FRU	Name	Quantity	Description (Remarks)
2A	2297066	N CABINET	1	MR SYSTEM CABINET W/CABLES+SLIDES (SEE PAGE 8-76)
2B	2148375	N SYSTEM CABIN	ALT	HLB BASIC LX SYS CAB (SEE PAGE 8-75)
3	2138600-31	N ISE CHASSIS	1	19" MOUNTABLE CARDRACK-UCERD (SEE PAGE 8-88)
4	2221400-4	N ASSEMBLY	1	UNIVERSAL CERD II WITH PHASED ARRAY (SEE PAGE 8-72)
5	2148437	1 RECEIVER	1	RECEIVER FOR LIGHTNING PROGRAM
6	2160818-7	1 CIRCUIT BOAR	1	IPGII SUN STYLE FRONT PANEL
8	2235744-2	1 BIT3 CRD SET	1	VMEBUS ADAPTER CARD
9	2100968-2	1 MVME 162 CPU	1	TPS MVME 162 SINGLE BD CONTROLLER
10	2115088-2	1 TYME II	1	TYME II ASSEMBLY
11	2111359	1 FAST RCVR	1	FAST RECEIVER, PURCHASED ASSEMBLY
12	2114342-25	1 1.5T TNS 2CH	1	1.5T 2 CHAN EXTENDED BANDWIDTH TNF
13	2114342-18	1 1.5T TNS 2CH	1	1.5T 3 CHAN EXTENDED BANDWIDTH TNF
14	2149851	1 POWER SUPPLY	1	POWER ONE 18VDC 1.5AMP PWR SUPPLY
17	46-306509P4	N COVER PLATE	3	FILLER PANEL, CHARCOAL, 19" X 3.44"
18	2142125	N COVER	1	COVER
19	2142705	N COVER	1	COVER
21	2155692	N PART	1	BRACKET
22	2146716	N COVER	1	COVER
23	2137306	N CABLE	1	MR2-A15-A16-J14 TO MR2-A25-DIG I/F
24	2144527	N CABLE ASM	1	CERD (I/F1) TO FAST REC MODULE
25	2148702	N HARNESS	1	WIRE HARNESS
26	46-328000G941	N ASSEMBLY	1	MR2-A12-J5 TO MR2-A30-A23-J24
29	46-306565P1	2 AIR FILTER	1	RESEARCH PRODUCTS 10"EZ-CLEAN FILTER
31	46-208984P11	N SPACER	2	HEX 0.250 THD EXT 6-32 INT 6-32
32	46-170012P35	N NUT	4	6-32, 1/4" HEX KEPS NUT, 3/32 THICK
33	2103585-2	N SCREW	8	SCREW PAN HEAD 4 MM 10 MM
34	46-170015P19	N SCREW	4	SCREW
35	46-208750P1	N VIBRATION IS	1	TIE ANCHOR PANDUIT TA158-M
36	46-208758P3	N TY-RAP	5	7.31" X .184" SELF-LOCKING CABLE TIE
37	2165323	N LABEL	1	LABEL
48	46-287271G3	2 CABLE ASM	1	MR2-A23-A1-J6 TO MR2-A3-J1
49	46-243775G804	2 CABLE	1	MR2-A11-J11 TO MR2-A3-J403 (CRYOGEN METER ONLY)
50	46-265067P1	N CABLE MOUNT	2	I/F PANEL CABLE SCREWLOCK CONNECTOR
62	2198994	2 CABLE	1	LX2 DEBUG I/F
90	46-208560P30	N SCREW	44	SCREW 10-32 X 1/2
92	46-276217P2	1 FERRITE BEAD	2	FERRITE BEADS/FILTERS

1.5T SYSTEM CABINET SR20/77 with MULTICOIL

2138300-20



VIEW 1



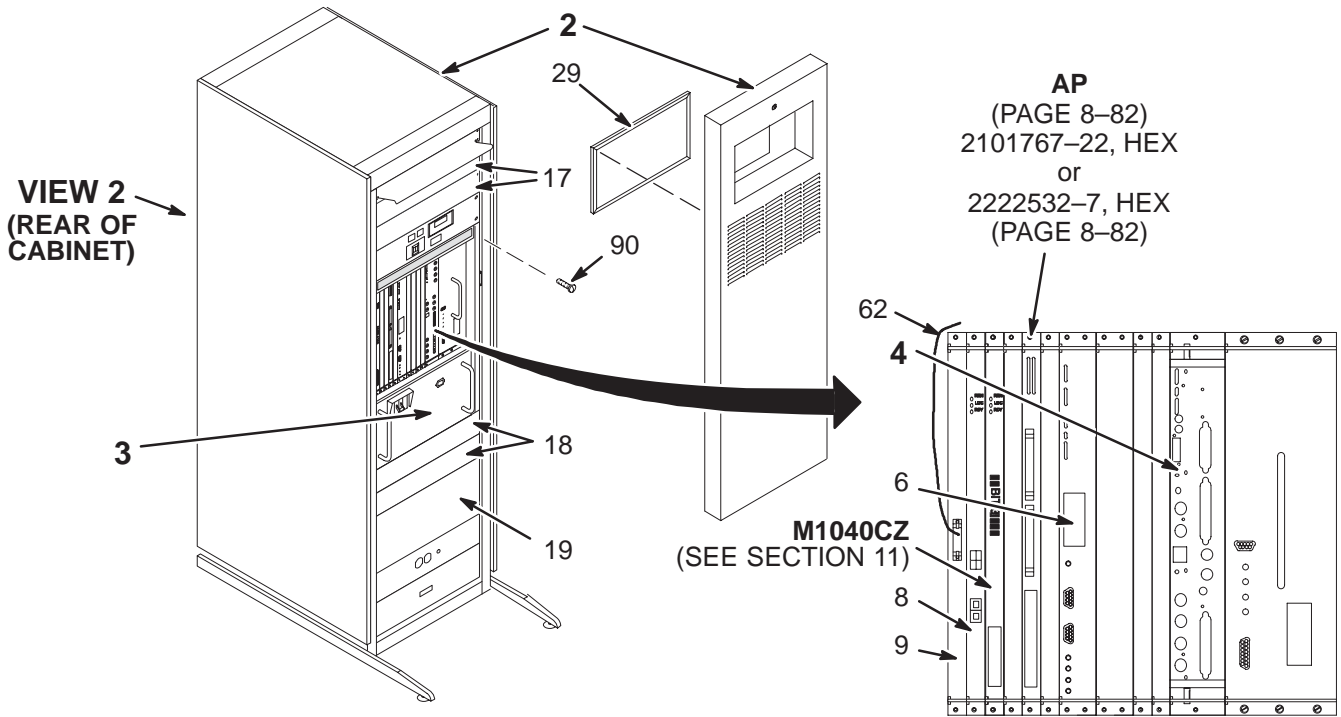
VIEW 2

1.5T SYS CAB SR20/77 w/MC 2138300-20 FRU N (PART 4 OF 46-271000G112 PAGE 1-164)
 (PART 4 OF 46-271000G113 PAGE 1-164)
 (PART 17 OF M3000AB PAGE 1-49)
 (PART 17 OF M3000AC PAGE 1-49)

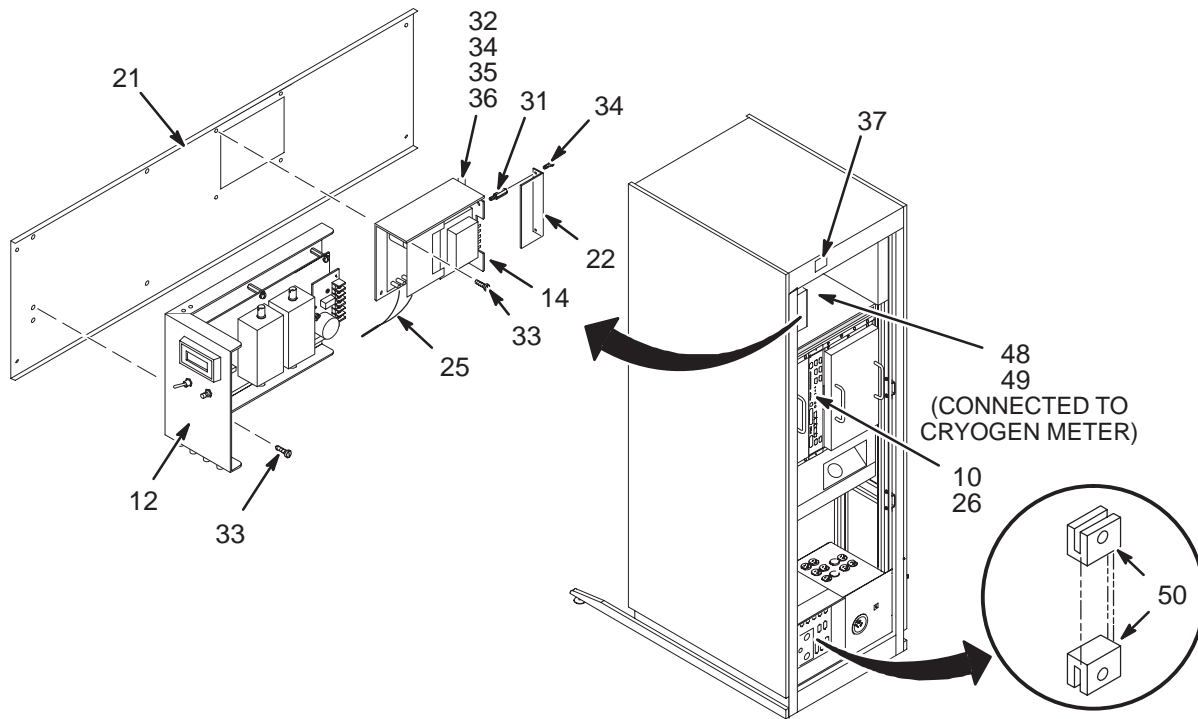
Part Number	FRU	Name	Quantity	Description (Remarks)	
2A	2297066	N	CABINET	1	MR SYSTEM CABINET W/CABLES+SLIDES (SEE PAGE 8-76)
2B	2148375	N	SYSTEM CABIN	ALT	HLB BASIC LX SYS CAB (SEE PAGE 8-75)
3	2138600-31	N	ISE CHASSIS	1	19" MOUNTABLE CARDRACK-UCERD (SEE PAGE 8-88)
4	2221400-4	N	ASSEMBLY	1	UNIVERSAL CERD II WITH PHASED ARRAY (SEE PAGE 8-72)
6	2160818-7	1	CIRCUIT BOAR	1	IPGII SUN STYLE FRONT PANEL
8	2235744-2	1	BIT3 CRD SET	1	VMEBUS ADAPTER CARD
9	2100968-2	1	MVME 162 CPU	1	TPS MVME 162 SINGLE BD CONTROLLER
10	2115088-2	1	TYME II	1	TYME II ASSEMBLY
12	2114342-25	1	1.5T TNS 2CH	1	1.5T 2 CHAN EXTENDED BANDWIDTH TNF
13	2114342-18	1	1.5T TNS 2CH	1	1.5T 3 CHAN EXTENDED BANDWIDTH TNF
14	2149851	1	POWER SUPPLY	1	POWER ONE 18VDC 1.5AMP PWR SUPPLY
17	46-306509P4	N	COVER PLATE	3	FILLER PANEL, CHARCOAL, 19" X 3.44"
18	2142125	N	COVER	2	COVER
19	2142705	N	COVER	1	COVER
21	2155692	N	PART	1	BRACKET
22	2146716	N	COVER	1	COVER
25	2148702	N	HARNESS	1	WIRE HARNESS
26	46-328000G941	N	ASSEMBLY	1	MR2-A12-J5 TO MR2-A30-A23-J24
29	46-306565P1	2	AIR FILTER	1	RESEARCH PRODUCTS 10"EZ-CLEAN FILTER
31	46-208984P11	N	SPACER	2	HEX 0.250 THD EXT 6-32 INT 6-32
32	46-170012P35	N	NUT	4	6-32, 1/4" HEX KEPS NUT, 3/32 THICK
33	2103585-2	N	SCREW	8	SCREW PAN HEAD 4 MM 10 MM
34	46-170015P19	N	SCREW	4	SCREW
35	46-208750P1	N	VIBRATION IS	1	TIE ANCHOR PANDUIT TA158-M
36	46-208758P3	N	TY-RAP	5	7.31" X .184" SELF-LOCKING CABLE TIE
37	2165323	N	LABEL	1	LABEL
48	46-287271G3	2	CABLE ASM	1	MR2-A23-A1-J6 TO MR2-A3-J1
49	46-243775G804	2	CABLE	1	MR2-A11-J11 TO MR2-A3-J403 (CRYOGEN METER ONLY)
50	46-265067P1	N	CABLE MOUNT	2	I/F PANEL CABLE SCREWLOCK CONNECTOR
62	2198994	2	CABLE	1	LX2 DEBUG I/F
90	46-208560P30	N	SCREW	44	SCREW 10-32 X 1/2
92	46-276217P2	1	FERRITE BEAD	2	FERRITE BEADS/FILTERS

1.5T SYSTEM CABINET SR20 w/o MULTICOIL
 1.0T SYSTEM CABINET SR20 w/o MULTICOIL

2138300-21
 2138300-22



VIEW 1



VIEW 2

1.5T SYS CAB SR20 w/o MC 2138300-21 FRU N (PART 4 OF 46-271000G111 PAGE 1-164)

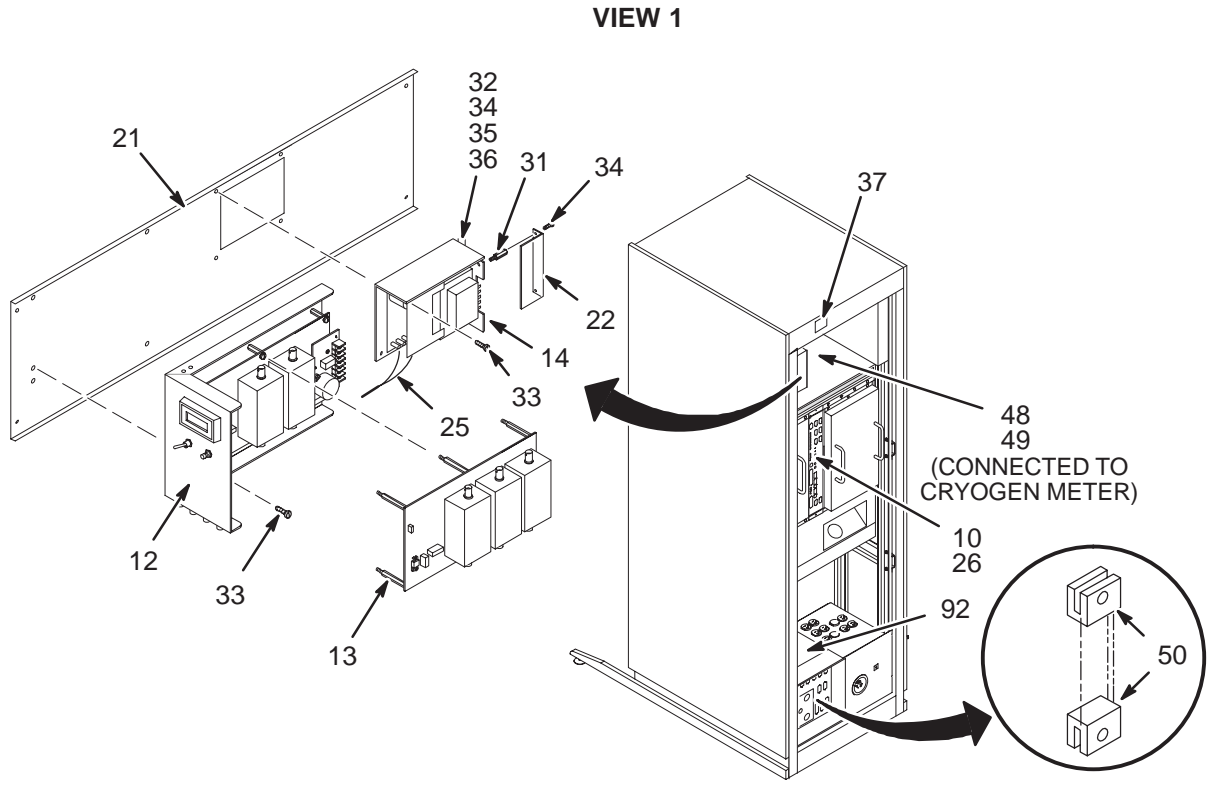
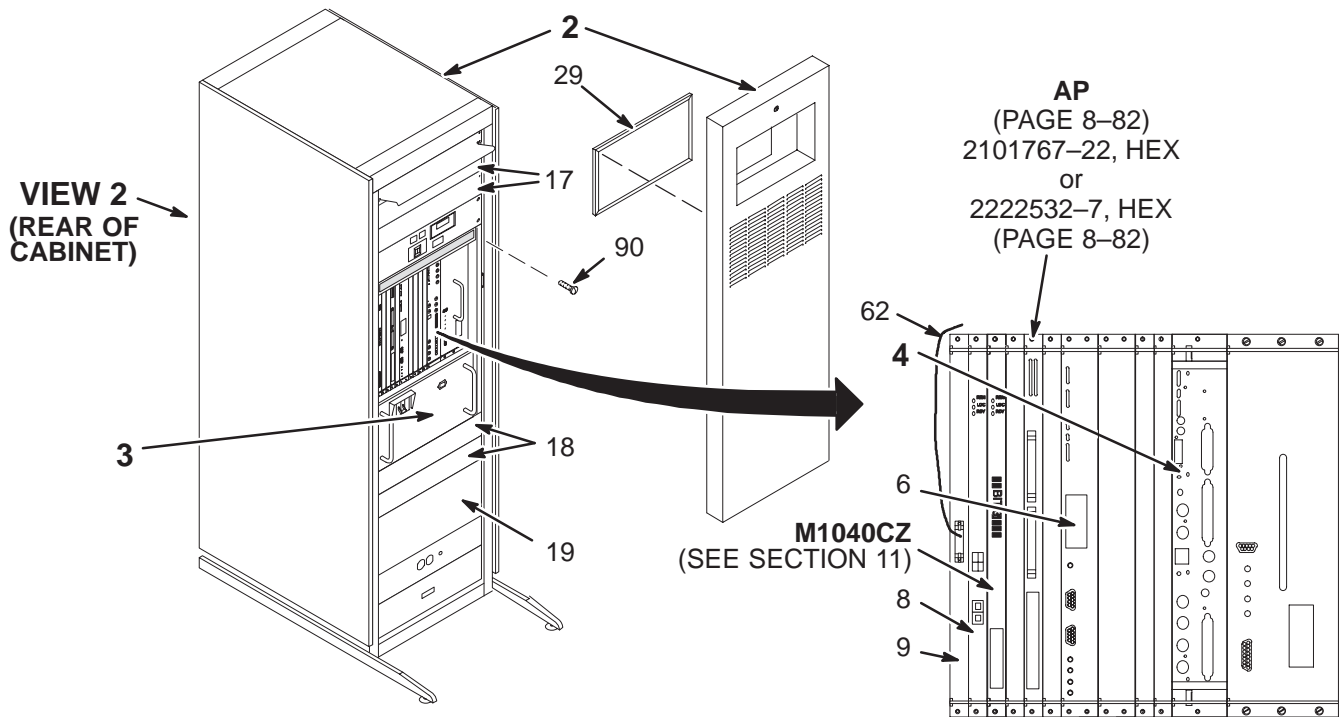
Part Number	FRU	Name	Quantity	Description (Remarks)
2	2148375	N	1	SYSTEM CABIN
3	2138600-31	N	1	HLB BASIC LX SYS CAB (SEE PAGE 8-75)
4	2221400-5	N	1	19" MOUNTABLE CARDRACK-UCERD (SEE PAGE 8-88)
6	2160818-7	1	1	UNIVERSAL CERD II W/O PHASED ARRAY (SEE PAGE 8-74)
8	2235744-2	1	1	CIRCUIT BOAR
			1	IPGII SUN STYLE FRONT PANEL
			1	BIT3 CRD SET
			1	VMEBUS ADAPTER CARD
9	2100968-2	1	1	MVME 162 CPU
10	2115088-2	1	1	TPS MVME 162 SINGLE BD CONTROLLER
12	2114342-25	1	1	TYME II
14	2149851	1	1	TYME II ASSEMBLY
17	46-306509P4	N	1	1.5T 2 CHAN EXTENDED BANDWIDTH TNF
			1	POWER ONE 18VDC 1.5AMP PWR SUPPLY
			3	FILLER PANEL, CHARCOAL, 19" X 3.44"
18	2142125	N	2	COVER PLATE
19	2142705	N	1	COVER
21	2155692	N	1	COVER
22	2146716	N	1	PART
25	2148702	N	1	BRACKET
			1	COVER
			1	WIRE HARNESS
26	46-328000G941	N	1	ASSEMBLY
29	46-306565P1	2	1	MR2-A12-J5 TO MR2-A30-A23-J24
31	46-208984P11	N	1	AIR FILTER
32	46-170012P35	N	2	RESEARCH PRODUCTS 10"EZ-CLEAN FILTER
33	2103585-2	N	2	SPACER
34	46-170015P19	N	4	HEX 0.250 THD EXT 6-32 INT 6-32
35	46-208750P1	N	4	NUT
36	46-208758P3	N	8	6-32, 1/4" HEX KEPS NUT, 3/32 THICK
37	2165323	N	8	SCREW PAN HEAD 4 MM 10 MM
48	46-287271G3	2	4	SCREW
49	46-243775G804	2	1	SCREW
50	46-265067P1	N	1	VIBRATION IS
62	2198994	2	1	TY-RAP
90	46-208560P30	N	5	7.31" X .184" SELF-LOCKING CABLE TIE
92	46-276217P2	1	1	LABEL
			1	CABLE ASM
			1	MR2-A23-A1-J6 TO MR2-A3-J1
			1	MR2-A11-J11 TO MR2-A3-J403 (CRYOGEN METER ONLY)
			2	I/F PANEL CABLE SCREWLOCK CONNECTOR
			1	LX2 DEBUG I/F
			44	SCREW 10-32 X 1/2
			2	FERRITE BEADS/FILTERS

1.0T SYS CAB SR20 w/o MC 2138300-22 FRU N (PART 4 OF 46-271000G16 PAGE 1-156)
 (PART 4 OF 46-271000G213 PAGE 1-166)
 (PART 4 OF 46-271000G215 PAGE 1-166)
 (PART OF M3800AA PAGE 1-56)

Part Number	FRU	Name	Quantity	Description (Remarks)	
2A	2297066	N	CABINET	1	MR SYSTEM CABINET W/CABLES+SLIDES (SEE PAGE 8-76)
2B	2148375	N	SYSTEM CABIN	ALT	HLB BASIC LX SYS CAB (SEE PAGE 8-75)
3	2138600-31	N	ISE CHASSIS	1	19" RACK MOUNTABLE CARDRACK - UCERD (SEE PAGE 8-88)
4	2221400-2	N	ASSEMBLY	1	UNIVERSAL CERD W/O PHASED ARRAY (SEE PAGE 8-74)
6	2160818-7	1	CIRCUIT BOAR	1	IPGII SUN STYLE FRONT PANEL
8	2235744-2	1	BIT3 CRD SET	1	VMEBUS ADAPTER CARD
9	2100968-2	1	MVME 162 CPU	1	TPS MVME 162 SINGLE BD CONTROLLER
10	2115088-2	1	TYME II	1	TYME II ASSEMBLY
12	2114342-26	1	1.5T TNS 2CH	1	1.0T TNSA (42.63MHZ INF) W/CABLES
14	2149851	1	POWER SUPPLY	1	POWER ONE 18VDC 1.5AMP PWR SUPPLY
17	46-306509P4	2	COVER PLATE	3	FILLER PANEL, CHARCOAL, 19" X 3.44"
18	2142125	2	COVER	2	COVER
19	2142705	2	COVER	1	COVER
21	2155692	2	PART	1	BRACKET
22	2146716	2	COVER	1	COVER
25	2148702	2	HARNESS	1	WIRE HARNESS
26	46-328000G941	2	ASSEMBLY	1	MR2-A12-J5 TO MR2-A30-A23-J24
29	46-306565P1	2	AIR FILTER	1	RESEARCH PRODUCTS 10"EZ-CLEAN FILTER
31	46-208984P11	2	SPACER	2	HEX 0.250 THD EXT 6-32 INT 6-32
32	46-170012P35	2	NUT	4	6-32, 1/4" HEX KEPS NUT, 3/32 THICK
33	2103585-2	2	SCREW	8	SCREW PAN HEAD 4 MM 10 MM
34	46-170015P19	2	SCREW	4	SCREW
35	46-208750P1	2	VIBRATION IS	1	CABLE TIE ANCHOR
36	46-208758P3	2	TY-RAP	5	7.31" X .184" SELF-LOCKING CABLE TIE
38	46-306626P2	N	CLAMP OR CLI	2	CLAMP OR CLIP
50	46-265067P1	2	CABLE MOUNT	2	I/F PANEL CABLE SCREWLOCK CONNECTOR
60	46-271920P4	N	CONNECTOR	1	CONNECTOR 37 CONTACTS 100 VOLTS 5 AM
61	2196827	N	JACKSCREW	2	JACKSCREW, D-SUB STEEL 4-40 X .62
90	46-208560P30	2	SCREW	44	SCREW 10-32 X 1/2
92	46-276217P2	1	FERRITE BEAD	2	FERRITE BEADS/FILTERS

1.0T SR20/77 SYSTEM CABINET with MULTICOIL

2138300-23



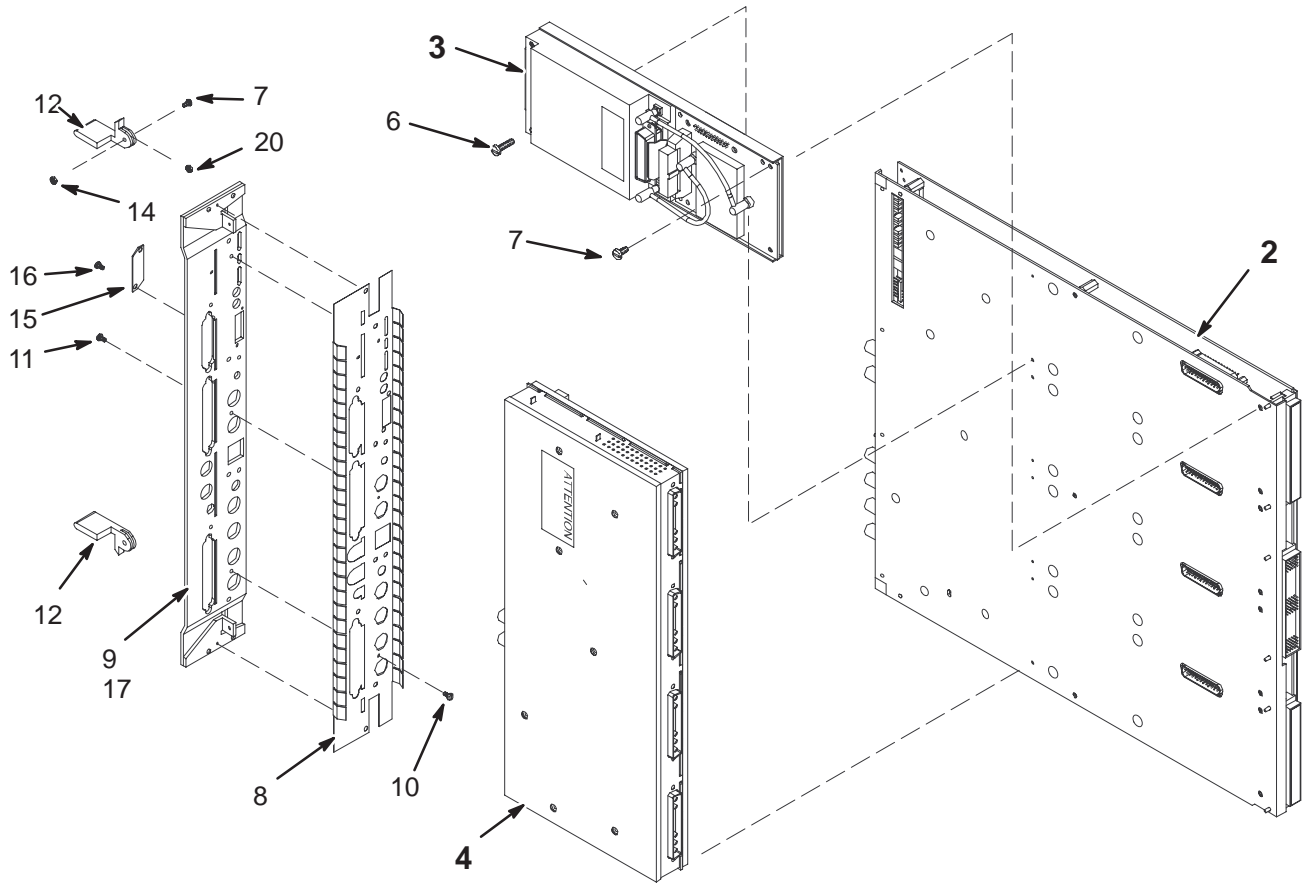
1.0T SR20/77 SYS CAB with MC 2138300-23 FRU N

(PART 4 OF 46-271000G17 PAGE 1-156)
 (PART 4 OF 46-271000G214 PAGE 1-166)
 (PART 4 OF 46-271000G216 PAGE 1-166)
 (PART 19 OF M3800AB PAGE 1-56)
 (PART 19 OF M3800AD PAGE 1-56)

Part Number	FRU	Name	Quantity	Description (Remarks)
2A	2297066	N CABINET	1	MR SYSTEM CABINET W/CABLES+SLIDES (SEE PAGE 8-76)
2B	2148375	N SYSTEM CABIN	ALT	HLB BASIC LX SYS CAB (SEE PAGE 8-75)
3	2138600-31	N ISE CHASSIS	1	19" MOUNTABLE CARDRACK-UCERD (SEE PAGE 8-88)
4	2221400-4	N ASSEMBLY	1	UNIVERSAL CERD II WITH PHASED ARRAY (SEE PAGE 8-72)
6	2160818-7	1 CIRCUIT BOAR	1	IPGII SUN STYLE FRONT PANEL
8	2235744-2	1 BIT3 CRD SET	1	VMEBUS ADAPTER CARD
9	2100968-2	1 MVME 162 CPU	1	TPS MVME 162 SINGLE BD CONTROLLER
10	2115088-2	1 TYME II	1	TYME II ASSEMBLY
12	2114342-26	1 1.0T TNS 2CH	1	1.0T TNSA (42.63MHZ INF) W/CABLES
13	2114342-5	1 1.0T TNS 3CH	1	1.0T M/C TRANSIENT NOISE FILTER
14	2149851	1 POWER SUPPLY	1	POWER ONE 18VDC 1.5AMP PWR SUPPLY
17	46-306509P4	2 COVER PLATE	3	FILLER PANEL, CHARCOAL, 19" X 3.44"
18	2142125	2 COVER	2	COVER
19	2142705	2 COVER	1	COVER
21	2155692	2 PART	1	BRACKET
22	2146716	2 COVER	1	COVER
25	2148702	2 HARNESS	1	WIRE HARNESS
26	46-328000G941	2 ASSEMBLY	1	MR2-A12-J5 TO MR2-A30-A23-J24
29	46-306565P1	2 AIR FILTER	1	RESEARCH PRODUCTS 10"EZ-CLEAN FILTER
31	46-208984P11	2 SPACER	2	HEX 0.250 THD EXT 6-32 INT 6-32
32	46-170012P35	2 NUT	4	6-32, 1/4" HEX KEPS NUT, 3/32 THICK
33	2103585-2	2 SCREW	8	SCREW PAN HEAD 4 MM 10 MM
34	46-170015P19	2 SCREW	4	SCREW
35	46-208750P1	2 VIBRATION IS	1	TIE ANCHOR PANDUIT TA158-M
36	46-208758P3	2 TY-RAP	5	7.31" X .184" SELF-LOCKING CABLE TIE
37	2165323	2 LABEL	1	LABEL
48	46-287271G3	2 CABLE ASM	1	MR2-A23-A1-J6 TO MR2-A3-J1
49	46-243775G804	2 CABLE	1	MR2-A11-J11 TO MR2-A3-J403 (CRYOGEN METER ONLY)
50	46-265067P1	2 CABLE MOUNT	2	I/F PANEL CABLE SCREWLOCK CONNECTOR
62	2198994	2 CABLE	1	LX2 DEBUG I/F
90	46-208560P30	N SCREW	44	SCREW 10-32 X 1/2
92	46-276217P2	1 FERRITE BEAD	2	FERRITE BEADS/FILTERS

UNIVERSAL CERD with MULTICOIL

2221400 & -4



UNIVERSAL CERD II w/MULTICOIL 2221400-4 FRU N

(PART 4 OF 2138300-19 PAGE 8-63)

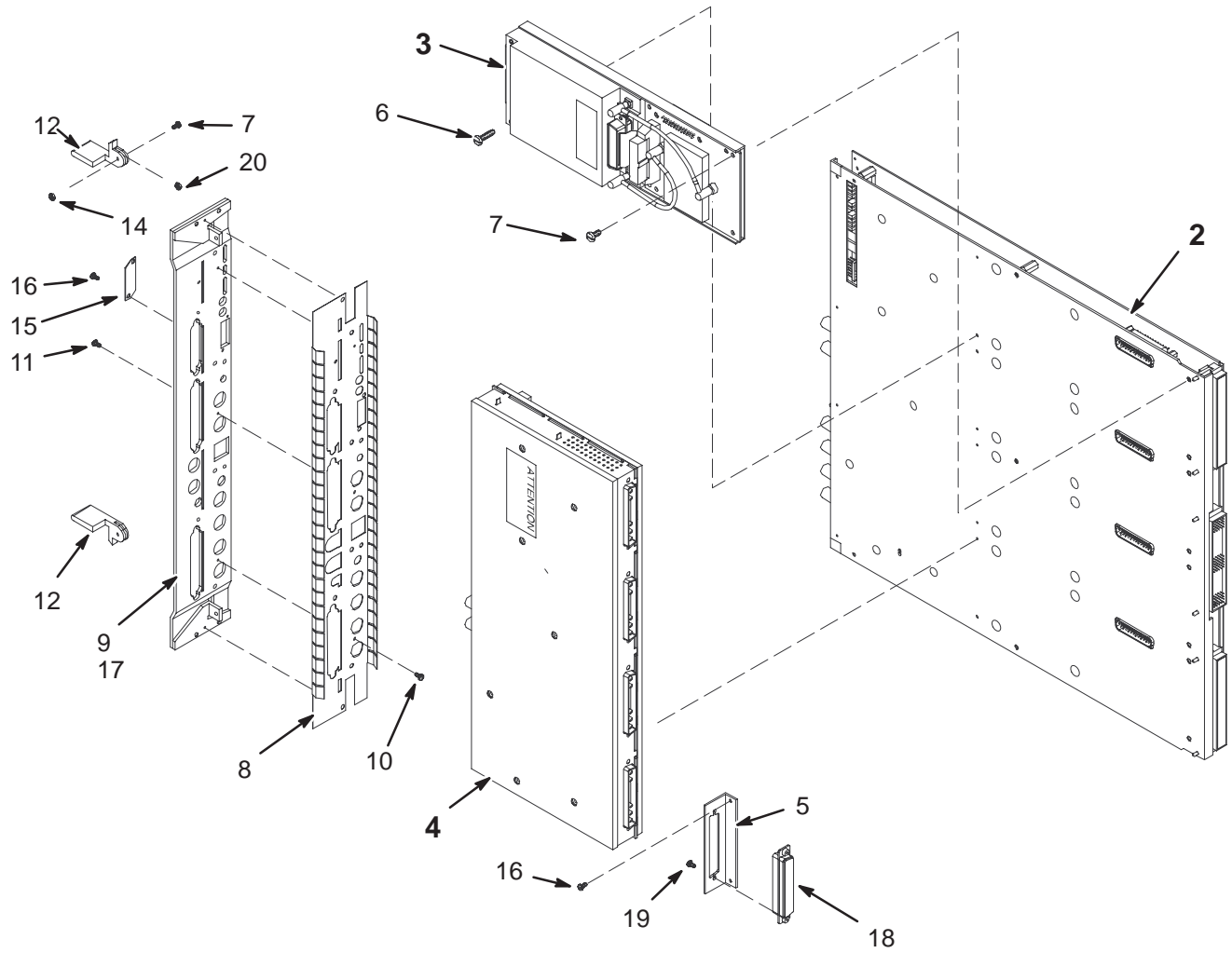
(PART 4 OF 2138300-20 PAGE 8-65)

(PART 4 OF 2138300-23 PAGE 8-70)

Part Number	FRU	Name	Quantity	Description (Remarks)
2	2206099	1 ASSEMBLY	1	UNIVERSAL CERD DIGITAL
3	2206100	1 ASSEMBLY	4	UNIVERSAL CERD RECEIVER
4	2221399-6	1 ASSEMBLY	1	UNIVERSAL CERD EXCITER II
6	46-312342P28	N PHLPS PN HD	2	M3 X 0.5 X 30MM PHILLIPS CROSS
7	46-312342P24	N PHLPS PN HD	10	M3 X 0.5 X 12MM PHILLIPS CROSS
8	2224576	N PART	1	EMC FINGER CERD
9	2223312	N PART	1	FRONT PANEL UCERD
10	46-328421P1	N SCREW	3	SCREW PAN HEAD 2.5 MM 3 MM
11	46-328421P5	N SCREW	8	SCREW PAN HEAD 2.5 MM 8 MM
12	46-327035P1	N EJECTOR	1	EJECTOR, RIGHT HAND & LEFT HAND USED
14	851352P205	N NUT	2	NUT HEXAGON_THIN 3 MM
15	2123389	N COVER	1	EMULATOR CONNECTOR ACCESS COVER
16	46-328421P505	N SCREW	2	SCREW PAN HEAD 3 MM 4 MM
17	46-287657P1	N (M)SCR COLLR	2	M2.5 X.45 CAPTIVE PANEL SCREW, BRASS
20	2238655	N SPACER	2	FIBERGLASS .062"THK .50"OD .142"ID
21	46-230729P1	N LABEL	1	BAR CODE LABEL
22	2370380	N PART	1	GROUNDING FINGER

UNIVERSAL CERD without MULTICOIL

2221400-2 & -5



UNIVERSAL CERD w/o MULTICOIL 2221400-2 FRU N (PART 4 OF 2138300-22 PAGE 8-68)

Part Number	FRU	Name	Quantity	Description (Remarks)
2	2206099	1 ASSEMBLY	1	UNIVERSAL CERD DIGITAL
3	2206100	1 ASSEMBLY	1	UNIVERSAL CERD RECEIVER
4A	2221399-3	1 ASSEMBLY	1	UNIVERSAL CERD EXCITER
4B	2221399-2	1 ASSEMBLY	ALT	UNIVERSAL CERD EXCITER
5	2228299	2 PART	1	RECEIVER BRKT FOR 1 CHAN
6	46-312342P28	2 PHLPS PN HD	1	M3 X 0.5 X 30MM PHILLIPS CROSS
7	46-312342P24	2 PHLPS PN HD	10	M3 X 0.5 X 12MM PHILLIPS CROSS
8	2224576	2 PART	1	EMC FINGER CERD
9	2223312	2 PART	1	FRONT PANEL UCERD
10	46-328421P1	2 SCREW	3	SCREW PAN HEAD 2.5 MM 3 MM
11	46-328421P5	2 SCREW	8	SCREW PAN HEAD 2.5 MM 8 MM
12	46-327035P1	2 EJECTOR	1	EJECTOR, RIGHT HAND & LEFT HAND USED
14	851352P205	2 NUT	2	NUT HEXAGON_THIN 3 MM
15	2123389	2 COVER	1	EMULATOR CONNECTOR ACCESS COVER
16	46-328421P505	2 SCREW	4	SCREW PAN HEAD 3 MM 4 MM
17	46-287657P1	2 (M)SCR COLLR	2	M2.5 X.45 CAPTIVE PANEL SCREW, BRASS
18	2234585	2 SHELL	1	CONN,D-SUB,17W5P;W/O CONT.,TIN
19	2234447	2 SCREW	2	SCREW PAN HEAD 4-40 X 1/4" ZINC
20	2238655	2 SPACER	2	FIBERGLASS .062"THK .50"OD .142"ID

UNIVERSAL CERD II w/o MULTICOIL 2221400-5 FRU N (PART 4 OF 2138300-21 PAGE 8-67)

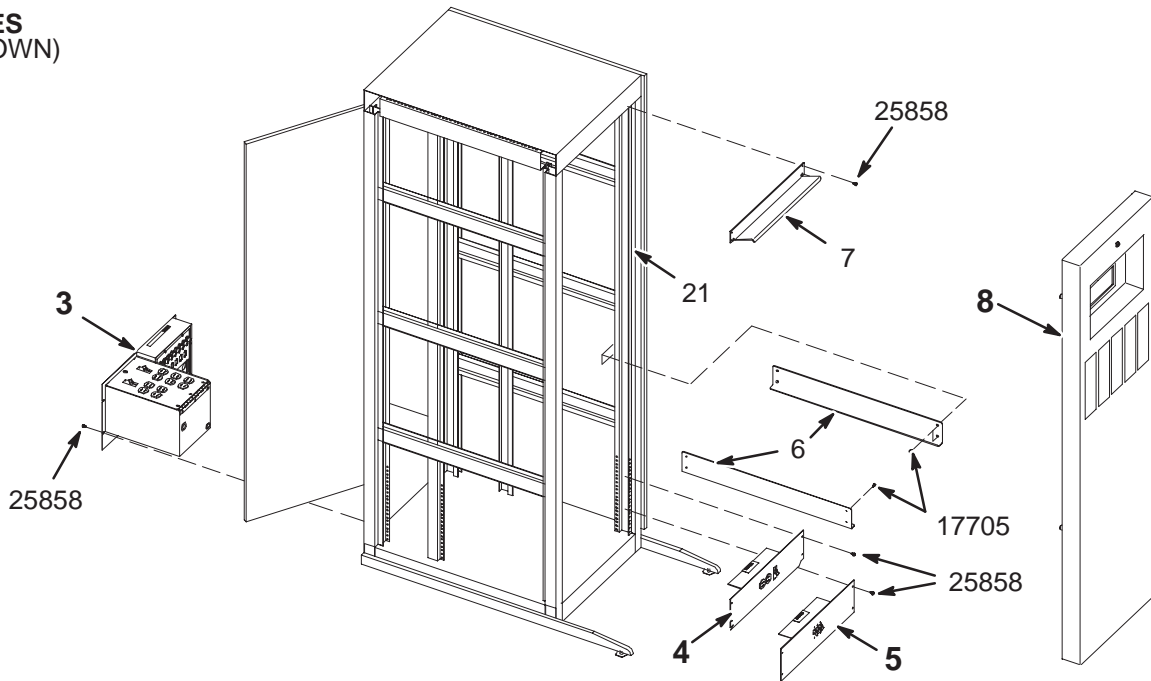
Part Number	FRU	Name	Quantity	Description (Remarks)
2	2206099	1 ASSEMBLY	1	UNIVERSAL CERD DIGITAL
3	2206100	1 ASSEMBLY	1	UNIVERSAL CERD RECEIVER
4	2221399-6	1 ASSEMBLY	1	UNIVERSAL CERD EXCITER II
5	2228299	N PART	1	RECEIVER BRKT FOR 1 CHAN
6	46-312342P28	N PHLPS PN HD	1	M3 X 0.5 X 30MM PHILLIPS CROSS
7	46-312342P24	N PHLPS PN HD	4	M3 X 0.5 X 12MM PHILLIPS CROSS
8	2224576	N PART	1	EMC FINGER CERD
9	2223312	N PART	1	FRONT PANEL UCERD
10	46-328421P1	N SCREW	3	SCREW PAN HEAD 2.5 MM 3 MM
11	46-328421P5	N SCREW	8	SCREW PAN HEAD 2.5 MM 8 MM
12	46-327035P1	N EJECTOR	1	EJECTOR, RIGHT HAND & LEFT HAND USED
14	851352P205	N NUT	2	NUT HEXAGON_THIN 3 MM
15	2123389	N COVER	1	EMULATOR CONNECTOR ACCESS COVER
16	46-328421P505	N SCREW	4	SCREW PAN HEAD 3 MM 4 MM
17	46-287657P1	N (M)SCR COLLR	2	M2.5 X.45 CAPTIVE PANEL SCREW, BRASS
18	2234585	N SHELL	1	CONN,D-SUB,17W5P;W/O CONT.,TIN
19	2234447	N SCREW	2	SCREW PAN HEAD 4-40 X 1/4" ZINC
20	2238655	N SPACER	2	FIBERGLASS .062"THK .50"OD .142"ID
21	46-230729P1	N LABEL	1	BAR CODE LABEL

LX BASIC SYSTEM CABINET

2148375 & 2297066

CABLES
(NOT SHOWN)

- 9
- 10
- 11
- 12
- 13
- 14
- 15
- 16
- 17
- 18
- 19
- 20



LX BASIC SYSTEM CABINET

2148375 FRU N

(PART 2 OF 2138300-2, -3, -4, -6, -9, -12, -21
PAGES 8-51 THRU 8-70)

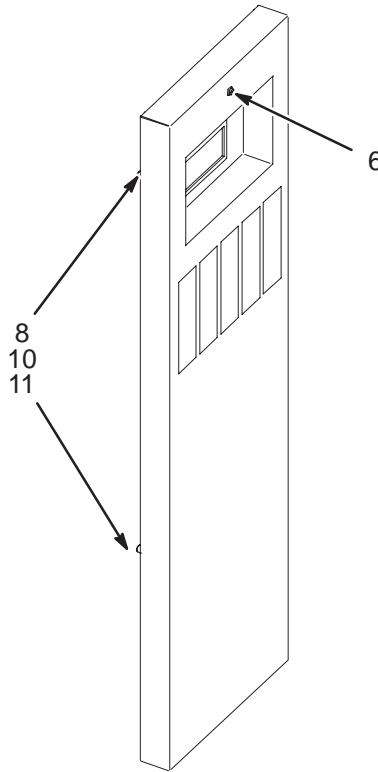
Item	Part Number	FRU	Name	Quantity	Description (Remarks)
3	2138944	N	I/F PANEL	1	CABINET I/O PANEL & CABINET PDU BOX (SEE PAGE 8-79)
4	2148446	N	COVER ASM	1	COVER WITH DUPLEX RECEPTACLE & CB (SEE PAGE 8-80)
5	2148447	N	COVER ASM	1	COVER WITH 3P CIRCUIT BREAKER (SEE PAGE 8-81)
6	2143934	2	ANGLE SUPPRT	2	ANGLE
7	46-301989P1	2	BRACKET	1	FRONT COVER "SLAM LATCH" RETAINER
8	2155687	2	PART	1	COVER ASSEMBLY (SEE PAGE 8-77)
9	2118109	2	BNC CABLE	1	MR2-A11-J2 TO MR2-A24-A1-A1-J2, 7 FT
10	2118109-2	2	BNC CABLE	1	MR2-A11-J5 TO MR2-A24-A1-A2-J5, 7 FT
11	2118109-3	2	BNC CABLE	1	MR2-A11-J8 TO MR2-A24-A2-A1-J8, 7 FT
12	2118109-4	2	BNC CABLE	1	MR2-A11-J9 TO MR2-A24-A2-A2-J9, 7 FT
13	2118109-5	2	BNC CABLE	1	MR2-A11-J10 TO MR2-A24-A2-A3-J10, 7'
14	2144535-2	2	CABLE	1	J30 LX TNS PHONE MODULE TO I/F PANEL
15	2144523	2	CABLE ASM	1	TYME II TO I/F PANEL
16	2144525-2	2	CABLE ASM	1	UCERD TO TNS AND I/F PANEL
17	2144521	2	TWISTED PAIR	1	TNS MODULE TO I/F PANEL
18	2135997	2	CABLE ASM	1	9 COND. MALE-MALE SUB-D 8FT LONG
19	46-328000G942	2	ASSEMBLY	1	MR2-A24-A1-J1 TO MR2-A30-A13-J5
20	46-328000G935	2	CABLE ASM	1	MR2TYMEJ11 TO MR2CERDPSJ2
21	46-220288P1	2	FASTENER	86	SELF-LOCKING 10-32 UNF
22	46-265067P1	2	CABLE MOUNT	14	I/F PANEL CABLE SCREWLOCK CONNECTOR
23	46-208758P3	2	TY-RAP	10	7.31" X .184" SELF-LOCKING CABLE TIE
17705	46-208908P46	2	SCREW	8	10-32 X 1/2" SLOT FLAT-HD F70B5A
25858	46-208560P30	2	SCREW	16	10-32 X 1/2" LONG, BIND HEAD, STEEL

LX BASIC SYSTEM CABINET 2297066 FRU N (PART 2 OF 2138300-19 PAGE 8-63)
 (PART 2 OF 2138300-20 PAGE 8-65)
 (PART 2 OF 2138300-22 PAGE 8-68)
 (PART 2 OF 2138300-23 PAGE 8-70)

Item	Part Number	FRU	Name	Quantity	Description (Remarks)
2	2297065	N	PART	1	MR SYSTEM CABINET BASIC
3	2138944	N	I/F PANEL	1	CABINET I/O PANEL & CABINET PDU BOX (SEE PAGE 8-79)
4	2148446	N	COVER ASM	1	COVER WITH DUPLEX RECEPTACLE & CB (SEE PAGE 8-80)
5	2148447	N	COVER ASM	1	COVER WITH 3P CIRCUIT BREAKER (SEE PAGE 8-81)
6	2143934	N	ANGLE SUPPRT	2	ANGLE
7	46-301989P1	N	BRACKET	1	FRONT COVER "SLAM LATCH" RETAINER
8	2155687	N	PART	1	COVER ASSEMBLY (SEE PAGE 8-77)
9	2118109	N	BNC CABLE	1	MR2-A11-J2 TO MR2-A24-A1-A1-J2, 7 FT
10	2118109-2	N	BNC CABLE	1	MR2-A11-J5 TO MR2-A24-A1-A2-J5, 7 FT
11	2118109-3	N	BNC CABLE	1	MR2-A11-J8 TO MR2-A24-A2-A1-J8, 7 FT
12	2118109-4	N	BNC CABLE	1	MR2-A11-J9 TO MR2-A24-A2-A2-J9, 7 FT
13	2118109-5	N	BNC CABLE	1	MR2-A11-J10 TO MR2-A24-A2-A3-J10, 7'
14	2144535-3	N	CABLE	1	J30 UFI TNS PHONE MODULE TO IF PANEL
15	2271498	N	CABLE	1	TYME 2 J16 TO TNS, NAV AND I/F PANEL
16A	2304692	1	CABLE	1	MR2 CERD J109 TO INTERFACE PANEL
16B	2144525-2	N	CABLE ASM	ALT	UCERD TO TNS AND I/F PANEL
17	2273084	N	HARNESS	1	TNS J5 TO I/F PANEL J14
18	2135997	N	CABLE ASM	1	9 COND. MALE-MALE SUB-D 8FT LONG
19	2241538	N	CABLE	1	CABLE TNF DIW LX SYS.
20	46-328000G935	N	CABLE ASM	1	MR2TYMEJ11 TO MR2CERDPSJ2
21	46-220288P1	N	FASTENER	86	SELF-LOCKING 10-32 UNF
22	46-265067P1	N	CABLE MOUNT	16	I/F PANEL CABLE SCREWLOCK CONNECTOR
23	46-208758P3	N	TY-RAP	10	7.31" X .184" SELF-LOCKING CABLE TIE
25	2198994	N	CABLE	1	LX2 DEBUG I/F_(J31 TO CERD,IPG,CPU)
17705	46-208908P46	N	SCREW	8	10-32 X 1/2 FLAT HEAD SCREW
25858	46-208560P30	N	SCREW	16	SCREW 10-32 X 1/2

COVER ASSEMBLY

2155687



COVER ASSEMBLY

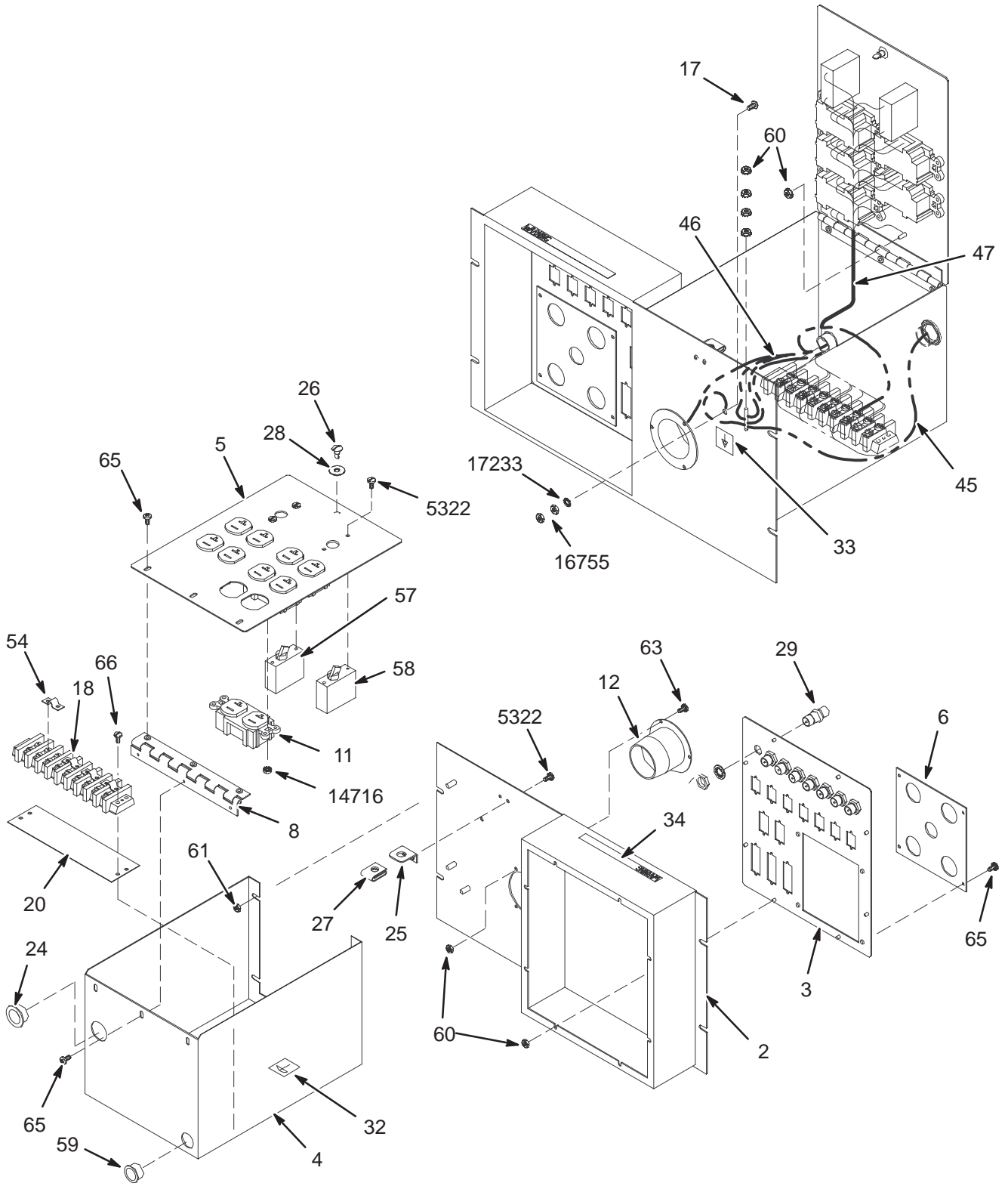
2155687 FRU 2

(PART 8 OF 2148375 PAGE 8-75)
(PART 8 OF 2297066 PAGE 8-76)

Item	Part Number	FRU	Name	Quantity	Description (Remarks)
6	46-301852P1	2	LATCH	1	LATCH ASM FOR SLAM-LATCH COVERS
8	46-328428P1	2	NUT	10	NUT HEXAGON 4 MM
10	2152298	2	BUMPER	4	BLACK RUBBER BUMPER
11	46-328421P16	2	SCREW	4	SCREW PAN 4 MM 16 MM

INTERFACE PANEL & PDU BOX

2138944



INTERFACE PANEL & PDU BOX 2138944 FRU N

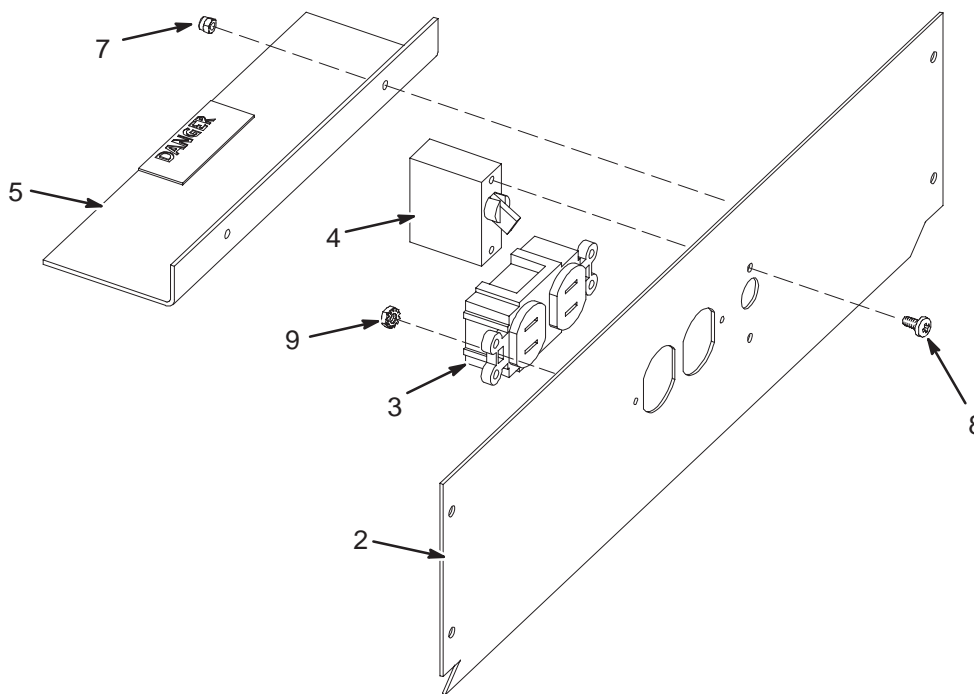
(PART 3 OF 2148375 PAGE 8-75)

(PART 3 OF 2297066 PAGE 8-76)

Item	Part Number	FRU	Name	Quantity	Description (Remarks)
2	2137247	2	BOX	1	CABINET I/F ENCLOSURE
3	2137601	2	I/F PANEL	1	I/F PANEL, SYS CAB
4	2138943	2	BOX	1	ENCLOSURE, POWER MODULE BOX
5	2138942	2	COVER	1	COVER, POWER MODULE
6	2138597	2	ACCESS PLATE	1	ACCESS PLATE
11	46-287941P1	2	CONNECTOR	5	20 AMP, 125V, DUPLEX RECEPTACLE,
12	46-317671P1	2	CONNECTOR	1	FLANGED INLET, 30A, 120/208 3-PHASE
18	46-221880P22	2	TERMINAL	1	9 TERMINALS 50 AMP, 1700 VOLT,
20	514A350P305	2	TERMINAL	1	9 POSITION, 1 THRU 9, LEFT TO RIGHT
24	46-208695P61	2	BUSHING	1	HEYCO PART NO.2126 SB-875-11 BLACK
25	46-243709G1	2	BRACKET	1	COVER LATCH RETAINER MOUNT BRACKET
26	46-220370P6	2	FASTENER	1	STUD, OVAL HD 1/4 TURN SOUTHCO
27	46-316410P1	2	FASTENER	1	RECEPTACLE CLIP-ON, SOUTHCO
28	46-316411P1	2	FASTENER	1	RETAINER SPLIT RING TYPE
29	46-208990P1	2	CONNECTOR	8	50 OHM BNC BULKHEAD ADAP'R JACK-JACK
32	46-271110P1	2	MECHANICAL/M	1	PROTECTIVE EARTH (GROUND)
33	46-271110P5	2	LABEL	1	MECHANICAL/MATERIAL COMP
34	46-182519P1	2	MECHANICAL/M	1	WARNING-CERTAIN CIRCUITS IN THIS
45	2147457	2	POWER CORD	1	LX SYSTEMS POWER CORD
46	2147005	2	HARNESS	1	LX SYSTEM J1 POWER HARNESS
47	2147004	2	HARNESS	1	LX SYSTEMS PDU POWER HARNESS
54	46-220492P4	2	TERMINAL	4	JUMPER WITH 0.69" CENTERS,
57	46-271382P6	2	CIRCUIT BREA	1	1 POLE, 15 AMP, STD TIME DELAY,
58	46-271382P15	2	CIRCUIT BREA	1	1 POLE, 20 AMP, STD TIME DELAY,
59	46-208695P65	2	BUSHING	1	HEYCO PART NO.2160 SB-1093-13 BLACK
60	46-328428P1	2	NUT	16	NUT HEXAGON 4 MM
61	46-328428P2	2	NUT	6	NUT HEXAGON 6 MM
63	46-328421P15	2	SCREW	3	SCREW PAN 4 MM 12 MM
65	2103585	2	SCREW	10	SCREW PAN 4 MM 8 MM
66	46-328421P17	2	SCREW	2	SCREW PAN 4 MM 20 MM
5322	46-170015P10	2	SCREW	6	6-32 X 1/4" LG BIND HD STL EXT TOOTH
14716	46-170012P35	2	NUT	10	6-32, 1/4" HEX KEPS NUT, 3/32 THICK
16755	46-208935P8	2	NUT	2	1/4-20, 7/16" HEX X 3/16 THK, BRASS
17233	46-208599P5	2	WASHER	1	1/4" SCREW SIZE EXTERNAL TOOTH STEEL
17888	46-220184P54	2	SCREW	1	1/4-20 X 1" LG, RND HD SLOT, BRASS

DUPLEX RECEPTACLE COVER

2148446



DUPLEX RECEPTACLE COVER

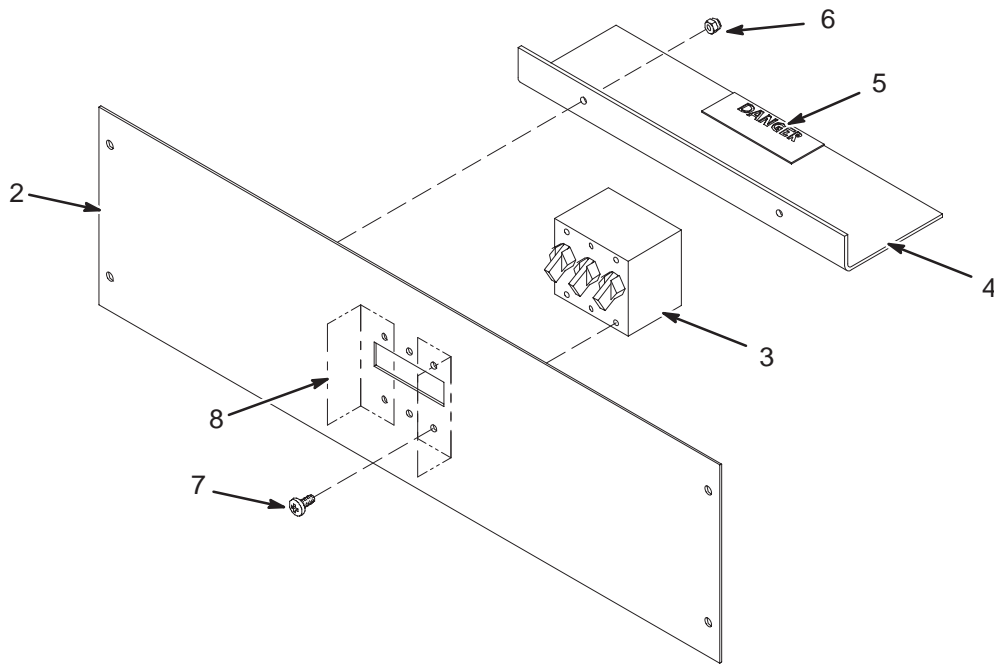
2148446 FRU N

(PART 4 OF 2148375 PAGE 8-75)
(PART 4 OF 2297066 PAGE 8-76)

Item	Part Number	FRU	Name	Quantity	Description (Remarks)
2	2142464	2	COVER	1	COVER
3	46-278446P1	2	CONNECTOR	1	15A, 125VAC, 2 POLE, 3 WIRE
4	46-271382P6	2	CIRCUIT BREA	1	1 POLE, 15 AMP, STD TIME DELAY,
5	46-320656P1	2	COVER	1	TERMINAL BLOCK SHIELD 3" X 10" LEXAN
6	46-287757P1	N	LABEL	1	LABEL
7	46-328428P1	2	NUT	2	NUT HEXAGON 4 MM
8	46-170015P10	N	SCREW	2	SEMS,6-32 X .25
9	46-170012P35	N	NUT	2	6-32, 1/4" HEX KEPS NUT, 3/32 THICK

CIRCUIT BREAKER COVER

2148447



CIRCUIT BREAKER COVER

2148447 FRU N

(PART 5 OF 2148375 PAGE 8-75)

(PART 5 OF 2297066 PAGE 8-76)

Item	Part Number	FRU	Name	Quantity	Description (Remarks)
2	2142122	2	COVER	1	COVER, CIRCUIT BREAKER
3	46-271382P10	2	CIRCUIT BREA	1	3 POLE, 30 AMP, STD TIME DELAY,
4	46-320656P1	2	COVER	1	TERMINAL BLOCK SHIELD 3" X 10" LEXAN
6	46-328428P1	2	NUT	2	NUT HEXAGON 4 MM
7	46-170015P10	2	SCREW	6	6-32 X 1/4" LG BIND HD STL EXT TOOTHREV 8

AP RECON PROCESSOR-SINGLE 2101767-18 FRU N (PART OF M1000ML - SECTION 1)

Item	Part Number	FRU	Name	Quantity	Description (Remarks)
1	2101767-16	1	MEDCAM	1	MERCURY 900-05017 MEDCAM BASEBD W/NEW EMC SHIELD
2	2101767-2	1	MEDCAM FRU	1	MERCURY TBD DC1P8-8M CE NODE MODULE
4	2101767-4	1	MEDCAM FRU	1	MEDCAM VMX 128 MB MEMORY BOARD

AP RECON PROCESSOR-QUAD 2101767-20 FRU N (PART OF M1000MM - SECTION 1)

Item	Part Number	FRU	Name	Quantity	Description (Remarks)
1	2101767-16	1	MEDCAM	1	MERCURY 900-05017 MEDCAM BASEBD W/NEW EMC SHIELD
2	2101767-4	1	MEDCAM FRU	1	MEDCAM VMX 128 MB MEMORY BOARD
4	2101767-8	1	MEDCAM FRU	2	16MB DUAL CE NODE

AP RECON PROCESSOR-HEX 2101767-22 FRU N (PART OF M1000MG - SECTION 1)

Item	Part Number	FRU	Name	Quantity	Description (Remarks)
1	2101767-16	1	MEDCAM	1	MERCURY 900-05017 MEDCAM BASEBD W/NEW EMC SHIELD
2	2101767-4	1	MEDCAM FRU	1	MEDCAM VMX 128 MB MEMORY BOARD
4	2101767-8	1	MEDCAM FRU	3	16MB DUAL CE NODE

AP POWER PC W/128MB - SINGLE 2222532-4 FRU N (PART OF M1000RL - SECTION 1)

Item	Part Number	FRU	Name	Quantity	Description (Remarks)
1	2222532	1	MEDCAM	1	PPC COMPATIBLE MEDCAM BASEBOARD
2	2222532-2	1	MEDCAM	1	32MB SINGLE PPC MODULE
3	2101767-4	1	MEDCAM FRU	1	MEDCAM VMX 128 MB MEMORY BOARD

AP POWER PC W/128MB - DUAL 2222532-5 FRU N (PART OF M1000RM - SECTION 1)

Item	Part Number	FRU	Name	Quantity	Description (Remarks)
1	2222532	1	MEDCAM	1	PPC COMPATIBLE MEDCAM BASEBOARD
2	2222532-3	1	MEDCAM	1	DUAL PPC MODULE W/64MB(32MB/CE NODE)
3	2101767-4	1	MEDCAM FRU	1	MEDCAM VMX 128 MB MEMORY BOARD

AP POWER PC W/128MB - HEX 2222532-7 FRU N (PART OF M1000RN - SECTION 1)

Item	Part Number	FRU	Name	Quantity	Description (Remarks)
1	2222532	1	MEDCAM	1	PPC COMPATIBLE MEDCAM BASEBOARD
2	2222532-3	1	MEDCAM	3	DUAL PPC MODULE W/64MB(32MB/CE NODE)
3	2101767-4	1	MEDCAM FRU	1	MEDCAM VMX 128 MB MEMORY BOARD

34MHZ PPC W/256MB – DUAL 2292662–8 FRU N (PART OF M3000RC – SECTION 1)

Item	Part Number	FRU	Name	Quantity	Description (Remarks)
1	2292662	1	MEDCAM	1	34 MHZ DUTCHBOY MEDACM W/FLEX ASIC
2	2292662–3	1	MEDCAM	2	128MB PMOD MEMORY BOARD
3	2222532–3	1	MEDCAM	1	DUAL PPC MODULE W/64MB(32MB/CE NODE)
4	2292662–6	1	MEDCAM	6	MEDCAM DAUGHTERCARD SITE TERMINATOR

34MHZ PPC W/512MB – DUAL 2292662–9 FRU N (PART OF M3000RB – SECTION 1)

Item	Part Number	FRU	Name	Quantity	Description (Remarks)
1	2292662	1	MEDCAM	1	34 MHZ DUTCHBOY MEDACM W/FLEX ASIC
2	2222532–3	1	MEDCAM	1	DUAL PPC MODULE W/64MB(32MB/CE NODE)
3	2292662–3	1	MEDCAM	4	128MB PMOD MEMORY BOARD
4	2292662–6	1	MEDCAM	4	MEDCAM DAUGHTERCARD SITE TERMINATOR

34MHZ PPC W/512MB – HEX 2292662–10 FRU N (PART OF M3000RA – SECTION 1)

Item	Part Number	FRU	Name	Quantity	Description (Remarks)
1	2292662	1	MEDCAM	1	34 MHZ DUTCHBOY MEDACM W/FLEX ASIC
2	2222532–3	1	MEDCAM	3	DUAL PPC MODULE W/64MB(32MB/CE NODE)
3	2292662–3	1	MEDCAM	4	128MB PMOD MEMORY BOARD

AMI MEDCAM DUAL PPC w/256MB 2292662–12 FRU N (PART OF M3000RA – SECTION 1)

Item	Part Number	FRU	Name	Quantity	Description (Remarks)
1	2292662–11	1	MEDCAM	1	AMI MEDCAM PPC BASEBOARD W/FP COVER
2	2292662–3	1	MEDCAM	2	128MB PMOD MEMORY BOARD
3	2222532–3	1	MEDCAM	1	DUAL PPC MODULE W/64MB(32MB/CE NODE)

AMI MEDCAM DUAL PPC w/512MB 2292662–13 FRU N (PART OF M3000RB – SECTION 1)

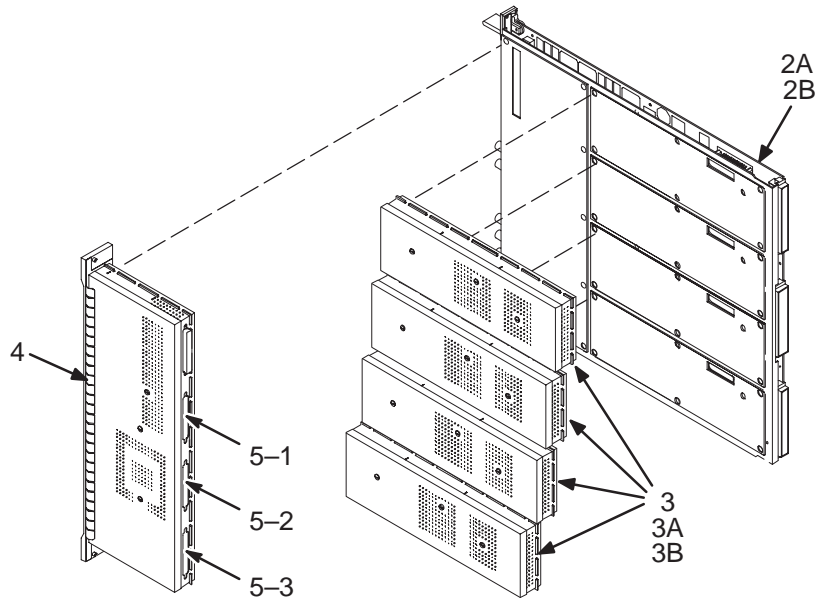
Item	Part Number	FRU	Name	Quantity	Description (Remarks)
1	2292662–11	1	MEDCAM	1	AMI MEDCAM PPC BASEBOARD W/FP COVER
2	2222532–3	1	MEDCAM	1	DUAL PPC MODULE W/64MB(32MB/CE NODE)
3	2292662–3	1	MEDCAM	4	128MB PMOD MEMORY BOARD

AMI MEDCAM HEX PPC w/512MB 2292662–14 FRU N (PART OF M3000RA – SECTION 1)

Item	Part Number	FRU	Name	Quantity	Description (Remarks)
1	2292662–11	1	MEDCAM	1	AMI MEDCAM PPC BASEBOARD W/FP COVER
2	2222532–3	1	MEDCAM	3	DUAL PPC MODULE W/64MB(32MB/CE NODE)
3	2292662–3	1	MEDCAM	4	128MB PMOD MEMORY BOARD

1.0T & 1.5T 4 CHANNEL CERD MODULE

2102500-5, -6, & -12



4 CHANNEL 1.0T CERD MODULE 2102500-5 FRU N (PART OF 2138300-9 PAGE 8-59)

Item	Part Number	FRU	Name	Quantity	Description (Remarks)
2A	46-328055G7	1	DIG BRD ASM	1	CERD DIGITAL PHASE IV - 256K & 4005E
2B	46-328055G5	1	DIG BRD ASM	ALT	DIGITAL SHIELD ASSEMBLY
3A	2101901-11	1	RECEIVER	4	1.0T CERD RF RECEIVER ASSEMBLY
3B	2101901-7	1	RECEIVER	ALT	1.0T RECEIVER SHIELD ASM
4A	2148300-7	1	ASSEMBLY	1	1.0T CERD EXCITER ASM 97 W/S
4B	2148300-5	1	ASSEMBLY	ALT	1.0T CERD EXCITER ASM 97
5	2210553	N	KIT OF PARTS	1	CERD CABLE KIT (SEE PAGE 8-86)

4 CHANNEL 1.5T CERD MODULE 2102500-6 FRU N (PART OF 2138300-2 PAGE 8-51)
(PART OF 2138300-3 PAGE 8-53)

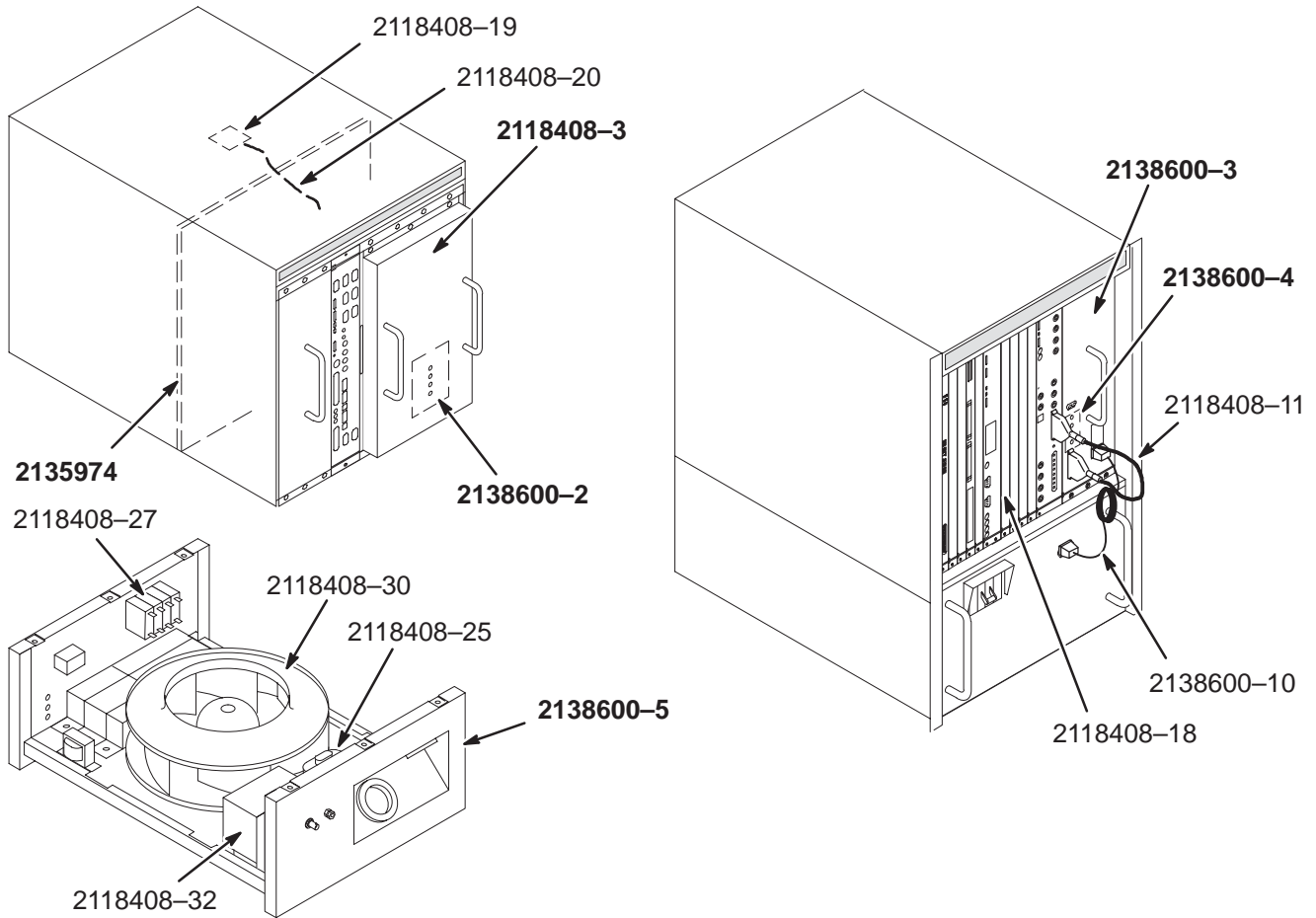
Item	Part Number	FRU	Name	Quantity	Description (Remarks)
2A	46-328055G7	1	DIG BRD ASM	1	CERD DIGITAL PHASE IV - 256K & 4005E
2B	46-328055G5	1	DIG BRD ASM	ALT	DIGITAL SHIELD ASSEMBLY
3A	2101901-12	1	RECEIVER	4	1.5T CERD RF RECEIVER ASSEMBLY
3B	2101901-8	1	RECEIVER	ALT	1.5T RECEIVER SHIELD ASM
4A	2148300-8	1	ASSEMBLY	1	1.5T CERD EXCITER ASM 97 W/S
4B	2148300-6	1	ASSEMBLY	ALT	1.5T CERD EXCITER ASM 97
5	2210553	N	KIT OF PARTS	1	CERD CABLE KIT (SEE PAGE 8-86)

4 CHAN 1.5T CERD MOD - CVMR 2102500-12 FRU N (PART OF 2138300-12 PAGE 8-61)

Item	Part Number	FRU	Name	Quantity	Description (Remarks)
2A	46-328055G7	1	DIG BRD ASM	1	CERD DIGITAL PHASE IV - 256K & 4005E
2B	46-328055G5	1	DIG BRD ASM	ALT	DIGITAL SHIELD ASSEMBLY
3	2101901-12	1	RECEIVER	4	1.5T CERD RF RECEIVER ASSEMBLY
4A	2148300-8	1	ASSEMBLY	1	1.5T CERD EXCITER ASM 97 W/S
4B	2148300-6	1	ASSEMBLY	ALT	1.5T CERD EXCITER ASM 97
5A	2210553	N	CERD CBL KIT	1	CERD CABLE KIT (SEE PAGE 8-86)
5B	2148436	N	CERD CBL KIT	ALT	CERD CABLE KIT (SEE PAGE 8-86)

LX ISE CHASSIS

2138600



LX ISE CHASSIS

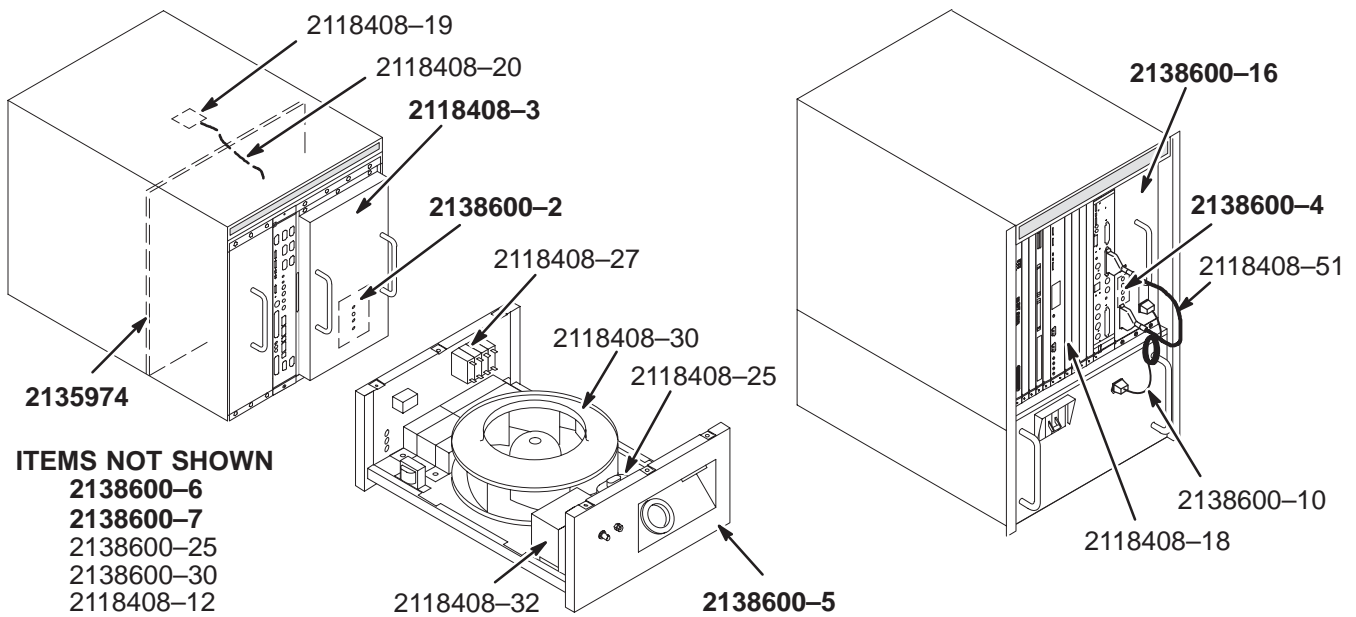
2138600

FRU N

(PART 3 OF 2138300-2 PAGE 8-51)
 (PART 3 OF 2138300-3 PAGE 8-53)
 (PART 3 OF 2138300-4 PAGE 8-55)
 (PART 3 OF 2138300-6 PAGE 8-57)
 (PART 3 OF 2138300-9 PAGE 8-59)
 (PART 3 OF 2138300-16 PAGE 8-61)

Item	Part Number	FRU	Name	Quantity	Description (Remarks)
	2138600-2	1		1	MAIN POWER SUPPLY REMOTE ADJ PCB ASM
	2138600-3	1		1	ISE LX CERD POWER SUPPLY ASM
	2138600-4	1		1	LX CERD REMOTE ADJ PCB ASM
	2138600-5	1		1	LX FAN TRAY ASM
	2138600-10	2		1	CERD LINEAR POWER SUPPLY AC POWER CABLE ASM (EXT)
	2118408-3	1		1	MAIN POWER SUPPLY - BACKPLANE
	2118408-11	2		1	CERD DC POWER CABLE (EXT)
	2118408-18	2			SINGLE WIDE TYPE SLOT BLOCKER
	2118408-19	2		1	TEMPERATURE SENSOR BOARD
	2118408-20	2		1	THREML SENSE CABLE (INT)
	2118408-25	2		1	FAN MOTOR CAPACITOR, 15UF
	2118408-27	2		1	MAIN CIRCUIT BREAKER 4PL SP/2T
	2118408-30	2		1	FAN WITH HARNESS
	2118408-32	2		1	6.3 VAC TRANSFORMER WITH HARNESS
	2135974	1		1	ISE CHASSIS BACKPLANE

LX ISE CHASSIS 2138600-31



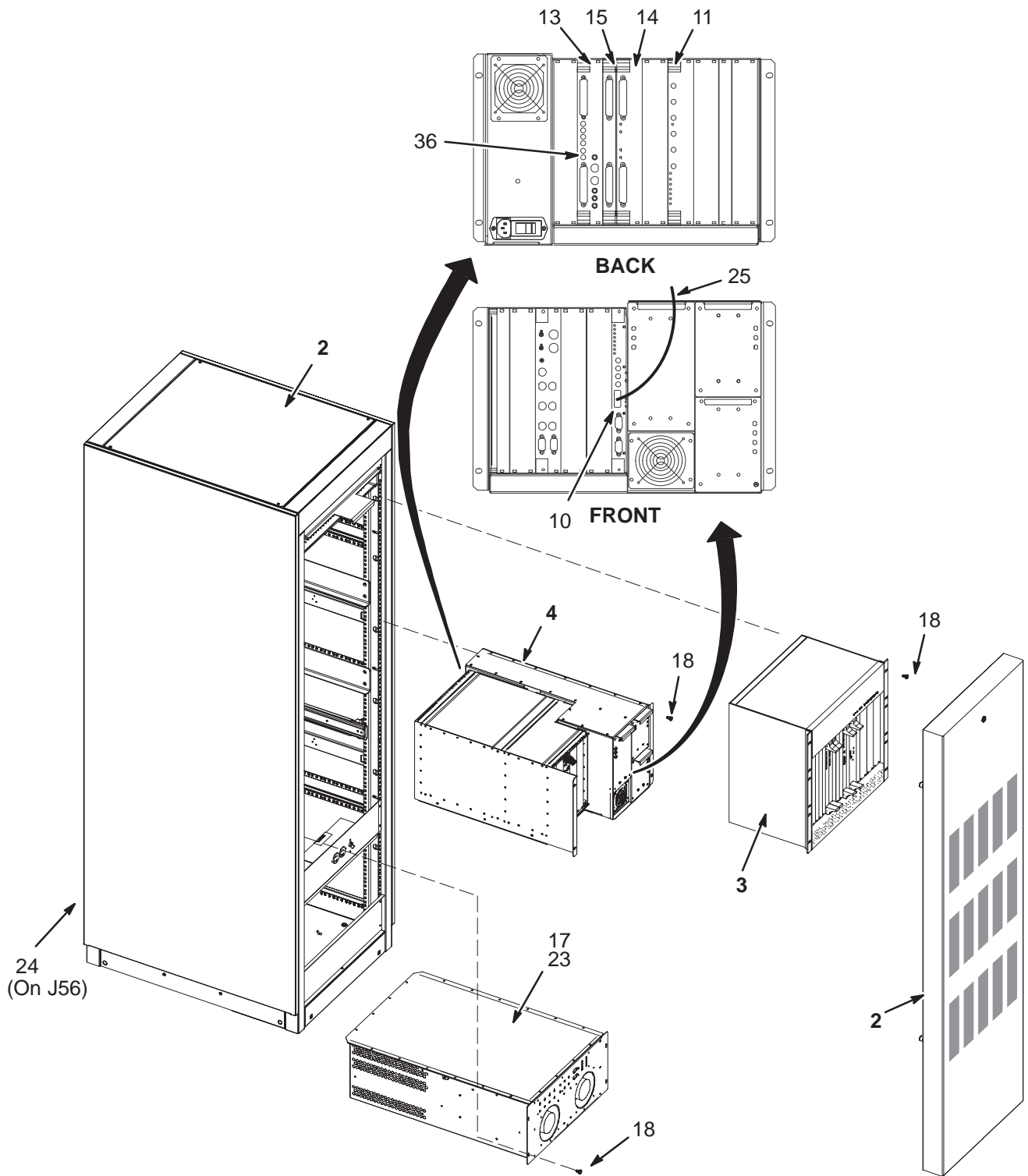
ITEMS NOT SHOWN
 2138600-6
 2138600-7
 2138600-25
 2138600-30
 2118408-12

LX ISE CHASSIS 2138600-31 FRU N (PART 3 OF 2138300-19 PAGE 8-63)
 (PART 3 OF 2138300-20 PAGE 8-65)
 (PART 3 OF 2138300-21 PAGE 8-67)
 (PART 3 OF 2138300-23 PAGE 8-70)

Item	Part Number	FRU	Name	Quantity	Description (Remarks)
	2138600-2	1		1	MAIN POWER SUPPLY REMOTE ADJ PCB ASM
	2138600-16	1		1	ISE LX CERC POWER SUPPLY ASM
	2138600-4	1		1	LX CERC REMOTE ADJ PCB ASM
	2138600-5	1		1	LX FAN TRAY ASM
	2138600-6	1		1	SPECTRO LINEAR PSU ASM W/REMOTE ADJ (NOT SHOWN)
	2138600-7	1		1	SPECTRO PANEL (NOT SHOWN)
	2138600-10	2		1	CERC LINEAR POWER SUPPLY AC POWER CABLE ASM (EXT)
	2118408-18	2			SINGLE WIDE TYPE SLOT BLOCKER
	2118408-19	2		1	TEMPERATURE SENSOR BOARD
	2118408-20	2		1	THERMAL SENSE CABLE (INT)
	2118408-25	2		1	FAN MOTOR CAPACITOR, 15UF
	2118408-27	2		1	MAIN CIRCUIT BREAKER 4PL SP/2T
	2118408-30	2		1	FAN WITH HARNESS
	2118408-32	2		1	6.3 VAC TRANSFORMER WITH HARNESS
	2135974	1		1	ISE CHASSIS BACKPLANE
	2118408-3	1		1	ISE II MAIN POWER SUPPLY
	2118408-12	2		1	LINE TRIGGER CABLE (NOT SHOWN)
	2118408-51	2		1	CERC DC POWER CABLE ASM (EXT.)
	2138600-30	2		1	UCERC PSU DC POWER CABLE ASM (EXT.) (NOT SHOWN)
	2138600-32	2		1	TOLERANCE COMPENSATOR SPRINGSTRIP (CERC PS LeftSide)
	2138600-25	2		1	FAN TRAY AC PANEL CONNECTOR KIT (NOT SHOWN)
	2138600-27	2		1	OUTLET (PART OF 2138600-25)
	2138600-23	2		1	PLUG, TWIST LOCK 208VAC, 20A (PART OF 2138600-25)
	2138600-24	2		1	RECEPT. , TWIST LOCK, 208VAC, 20A (PART OF 2138600-25)
	2138600-26	2		1	HARNESS, FAN TRAY AC POWER (INT.)

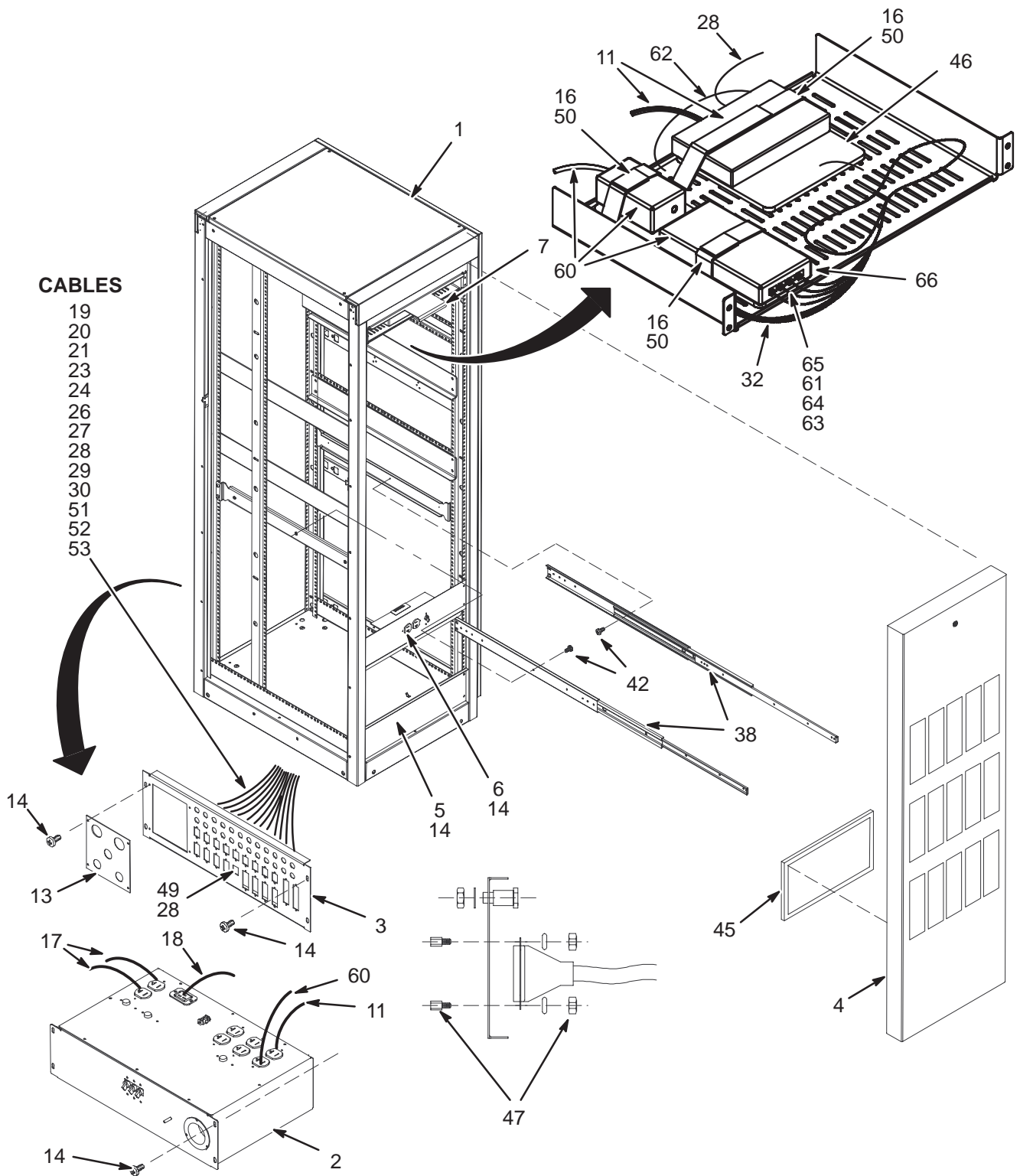
EXCITE II 1.5T SYSTEM CABINET

2357500-2



EXCITE II 1.5T SYSTEM CABINET SUBSYSTEM

2372910

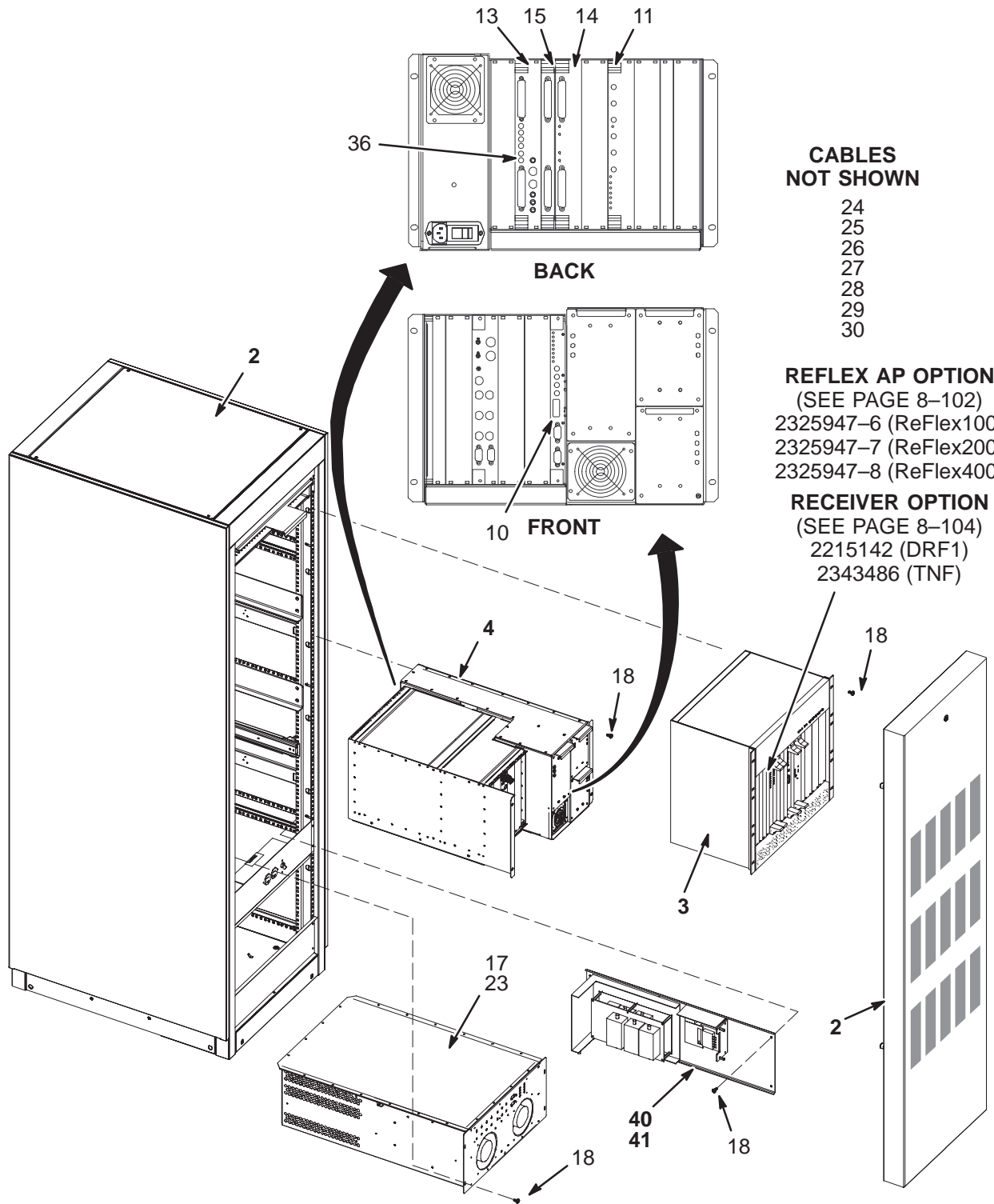


EXCITE II SYSTEM CAB SUB-ASM 2372910 FRU N (PART 2 OF 2357500-2 PAGE 8-91)

Item	Part Number	FRU	Name	Quantity	Description (Remarks)
1	2294301	N	PART	1.0	BASIC SYSTEM CABINET (MR)
2	2316741	2	MODULE	1.0	MGD SYSTEM CABINET AC DISTRIBUTION (SEE PAGE 8-98)
3	2315371	N	I/F PANEL	1.0	I/F PANEL MGD SYSTEM CAB
4	2316740	N	COVER	1.0	MGD SYSTEM CABINET FRONT COVER
5	2316661	N	COVER	1.0	COVER SUPPORT BLANK PANEL
6	2325142	N	PART	1.0	MGD SERVICE PANEL (SEE PAGE 8-99)
7	2271488	N	BRACKET	1.0	SLAM LATCH BRACKET
11	2340663	N	OUT OF CATAL	1.0	SWITCH, ETHERNET, 8 PORT
13	2336523	N	PART	1.0	MGD FIBER CABLE ADAPTER PLATE
14	2279742-2	N	SCREW	32.0	SCREW PAN HEAD 5 MM 16 MM
15	2180698-2	N	NUT	72.0	NUT CLIP ON 5 MM
16	2238826	N	OUT OF CATAL	0.0	VELCRO STRAP 1 INCH BLACK TYPE 889
17	2322427	N	OUT OF CATAL	2.0	POWER CORD NEMA MALE TO IEC320F 7FT
18	2322434	N	OUT OF CATAL	1.0	POWER CORD IEC-320-C19 TO C20 8FT
19	2308729	2	CABLE	1.0	BNC TO SMB CABLE(MUXJ8 TO I/OJ1)
20	2308728	2	CABLE	1.0	8W8 CABLE ASSEMBLY
21	2322578	2	PART	1.0	J15/23/25/26 DATA INPUT CABLE
23	2322580	2	PART	1.0	J18 UNBLANK CABLE
24	2322581	2	PART	1.0	J24 CABLE MAGNET MONITOR
26	2322583	2	PART	1.0	J62 USSS 1 CABLE (15 PIN SUBD)
27	2322586	2	PART	1.0	J61 USSS 2 CABLE (37PIND)
28	2315093-2	2	CABLE	1.0	ETHERNET CABLE 2500 MM
29	2308729-2	2	CABLE	1.0	BNC TO SMB CABLE(MUXJ13 TO I/OJ2)
30	2308729-3	2	CABLE	1.0	BNC TO SMB CABLE(MUXJ14 TO I/O J3)
32	2315093	2	CABLE	3.0	ETHERNET CABLE 1000MM
37	2324170	N	HARNESS	1.0	MGD SYSTEM CABINET LEAD DATA
38	2323328	N	OUT OF CATAL	1.0	BALL BEARING SLIDES (1 PAIR)QTY 2
45	46-306565P1	2	AIR FILTER	3.0	RESEARCH PRODUCTS 10"EZ-CLEAN FILTER
46	2100969	N	PAD	1.0	BATTERY SEPARATOR PAD
47	46-221417P1	N	CONNECTOR	15.0	FEMALE SCREWLOCKS, TWO PER KIT
49	2301294-2	N	OUT OF CATAL	1.0	SHIELDED RJ45 BULKHEAD FEEDTHRU
50	46-136246P15	N	TAPE	0.0	3/4" WIDE, WHT ADH BACK, VELCRO LOOP
51	2368552-3	N	PART	1.0	CABLE RF SLOT 12R-J31 TO I/O J54
52	2308729-4	N	CABLE	1.0	BNC TO SMB CABLE(MUXJ9 TO I/O J52)
53	2363363	N	PART	1.0	CAN CABLE DRVR J1 TO I/O PANEL J56
60	2379186	2	OUT OF CATAL	1.0	TERM.SERVER, PWR SUP/CORD, REALPORT
61	2378841	N	PART	1.0	MGD SLOT 12F CONSOLE TO TERM/SERV3
62	2378844	N	PART	1.0	TERM/SERV TO LAND HUB
63	2378848	N	PART	1.0	MGD SLOT1F COM 1 TO TERM/SERV 1
64	2378848-2	N	PART	1.0	MGD 10F COM1 TO TERM/SERV 2
65	2378848-3	N	PART	1.0	MGD SLOT13R -J4 TO TERM/SERVER 4
66	2379189	N	PAD	1.0	TERMINAL SERVER PAD EXCITE II

EXCITE 1.5T SYSTEM CABINET

2294302



CABLES NOT SHOWN

- 24
- 25
- 26
- 27
- 28
- 29
- 30

REFLEX AP OPTION
(SEE PAGE 8-102)

- 2325947-6 (ReFlex100)
- 2325947-7 (ReFlex200)
- 2325947-8 (ReFlex400)

RECEIVER OPTION
(SEE PAGE 8-104)

- 2215142 (DRF1)
- 2343486 (TNF)

EXCITE I SYSTEM CABINET ASM, 2294302 FRU N (PART 1 OF 2396085 PAGE 8-89)

Item	Part Number	FRU	Name	Quantity	Description (Remarks)
2	2316712	N	CABINET	1	SYSTEM CABINET SUBSYSTEM (MGD) (SEE PAGE 8-97)
3	2320127	N	COLLECTOR	1	MGD (PINOT) AND GEMS BOARDS (4 CHAN) (SEE PAGE 8-100)
4	2308900	N	ASSEMBLY	1	RF MODULE W/POWER SUPPLIES (SEE PAGE 8-107)
10	5250028	2	CIRCUIT BOARD	1.0	REMOTE RF BOARD
11	2274186	2	CIRCUIT BOARD	1	REMOTE RF MASTER EXCITER
13	2274188	2	CIRCUIT BOARD	1	REMOTE RF MULTIPLEXOR
14	2274190	2	CIRCUIT BOARD	1	REMOTE RF QUAD ADC
15	2344270	2	CIRCUIT BOARD	1	UNIVERSAL TRANSIENT NOISE SUPPRESSOR
17	2296100	2	MODULE	1	DRIVER MODULE
18	2279742-2	N	SCREW	20	SCREW PAN HEAD 5 MM 16 MM
22	46-208758P2	N	TY-RAP	20	5.5" X .140" SELF-LOCKING CABLE TIE.
23	2109873-14	N	SCREW	6	SCREW PAN HEAD Z M4X10 A2-70
24	2303317	2	PART	1	CAN TERMINATION (MALE)
25	2354020	2	PART	1	FIBER CABLE RF/DF-J21 TO IRF I/O-J20
26	2323878	2	PART	1	9PIN SUBD CABLE RFDF J22 TO SCP PMC2
27	2323878-2	2	PART	1	9PIN SUBD CABLE(RF/IO J16 -USSS J19)
28	2297731	2	CABLE	1	CABLE 8W8 TO 8W8 (RG316DS)
29	2297729-3	2	CABLE	1	SMB TO SMB (RG316DS) 210 MM
30	2297730	2	CABLE	1	CABLE 8W8 TO 17W5(RG316DS)
36	2329754	2	PART	1	TERMINATOR,50 OHM SMB
38	2282929-2	N	MISCELLANEOU	1	ESD CAN DRIVER FOR VXWORKS(MR)
39	2323878-3	2	PART	1	9PIN SUBD CABLE(USSS J2 TO RFDF J23)
40	2343486	N	ASSEMBLY	1	1.5T TRANSIENT NOISE SUPPRESSOR (SEE PAGE 8-105)
41	2344312	N	CABLE KIT	1	EXCITE TNF CABLE KIT (SEE PAGE 8-106)

EXCITE I CABINET UPGRADE H/W 2388675-3 FRU N (PART 2 OF 2396085 PAGE 8-89)

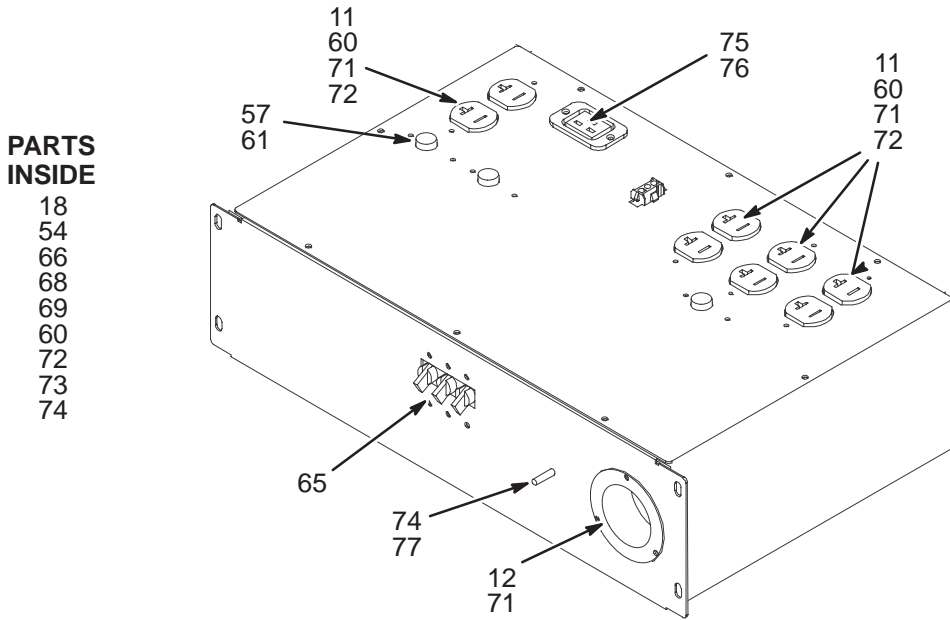
Item	Part Number	FRU	Name	Quantity	Description (Remarks)
1	2378848-3	N	PART	1.0	MGD SLOT13R -J4 TO TERM/SERVER 4
2	2378848	N	PART	1.0	MGD SLOT1F COM 1 TO TERM/SERV 1
3	2378848-2	N	PART	1.0	MGD 10F COM1 TO TERM/SERV 2
4	2378841	N	PART	1.0	MGD SLOT 12F CONSOLE TO TERM/SERV3
5	2378844	N	PART	1.0	TERM/SERV TO LAND HUB
6	2379189	N	PAD	1.0	TERMINAL SERVER PAD EXCITE II
7	2386538	N	PART	2.0	VELCRO STRAP TYPE 889
12	2379186	N	OUT OF CATAL	1.0	TERM.SERVER, PWR SUP/CORD, REALPORT

EXCITE SYSTEM CAB SUBSYSTEM, 2316712 FRU N

(PART OF 2294302 PAGE 8-95)

Item	Part Number	FRU	Name	Quantity	Description (Remarks)
1	2294301	N	PART	1	BASIC SYSTEM CABINET (MR)
2	2316741	2	MODULE	1	MGD SYSTEM CABINET AC DISTRIBUTION (SEE PAGE 8-98)
3	2315371	N	I/F PANEL	1	I/F PANEL MGD SYSTEM CAB
4	2316740	N	COVER	1	MGD SYSTEM CABINET FRONT COVER
5	2316661	N	COVER	1	COVER SUPPORT BLANK PANEL
6	2325142	N	PART	1	MGD SERVICE PANEL (SEE PAGE 8-99)
7	2271488	N	BRACKET	1	SLAM LATCH BRACKET
8	2308257	N	BRACKET	1	HUB BRACKET
9	2143934	N	ANGLE SUPPRT	4	ANGLE
11	2340663	N	PART	1	SWITCH, ETHERNET, 8 PORT
13	2336523	N	PART	1	MGD FIBER CABLE ADAPTER PLATE
14	2279742-2	N	SCREW	32	SCREW PAN HEAD 5 MM 16 MM
15	2180698-2	N	NUT	66	NUT CLIP ON 5 MM
16	2238826	N	VELCRO STRAP	AR	VELCRO STRAP 1 INCH BLACK TYPE 889
17	2322427	N	PART	2	POWER CORD NEMA MALE TO IEC320F 7FT
18	2322434	N	PART	1	POWER CORD IEC-320-C19 TO C20 8FT
19	2308729	2	CABLE	1	BNC TO SMB CABLE(MUXJ8 TO I/OJ1)
20	2308728	2	CABLE	1	8W8 CABLE ASSEMBLY
21	2322578	2	PART	1	J15/23/25/26 DATA INPUT CABLE
23	2322580	2	PART	1	J18 UNBLANK CABLE
24	2322581	2	PART	1	J24 CABLE MAGNET MONITOR
25	2322582	2	PART	1	J30/31 SERIAL EXP CABLE
26	2322583	2	PART	1	J62 USSS 1 CABLE (15 PIN SUBD)
27	2322586	2	PART	1	J61 USSS 2 CABLE (37PIND)
28	2315093-2	2	CABLE	1	ETHERNET CABLE 2500 MM
29	2308729-2	2	CABLE	1	BNC TO SMB CABLE(MUXJ13 TO I/OJ2)
30	2308729-3	2	CABLE	1	BNC TO SMB CABLE(MUXJ14 TO I/O J3)
32	2315093	2	CABLE	3	ETHERNET CABLE 1000MM
37	2324170	N	HARNESS	1	MGD SYSTEM CABINET LEAD DATA
38	2323328	N	RAIL	2	RAILS FOR A 30" CABINET
39	2318471	N	PART	2	BRACKET,SLIDE,3307-26 FOR 30" CAB
41	2109873-23	N	SCREW	6	SCREW PAN HEAD M4X10 MM
43	2326333	N	PART	16	SCREW FLAT HEAD 5 MM 20 MM
45	46-306565P1	2	AIR FILTER	3	RESEARCH PRODUCTS 10"EZ-CLEAN FILTER
46	2100969	N	PAD	1	BATTERY SEPARATOR PAD
47	46-221417P1	N	CONNECTOR	11	FEMALE SCREWLOCKS, TWO PER KIT
48	46-208758P3	N	TY-RAP	10	7.31" X .184" SELF-LOCKING CABLE TIE
49	2301294-2	N	PART	1	SHIELDED RJ45 BULKHEAD FEEDTHRU

EXCITE SYSTEM CABINET AC DISTRIBUTION, 2316741



**PARTS
INSIDE**

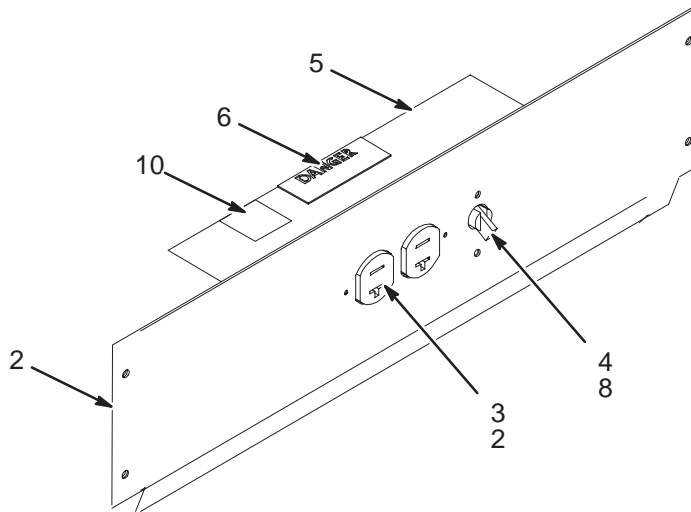
- 18
- 54
- 66
- 68
- 69
- 60
- 72
- 73
- 74

EXCITE SYS CAB AC DISTRIBUTION, 2316741 FRU 1

(PART 2 OF 2372910 PAGE 8-93)
(PART 2 OF 2316712 PAGE 8-97)

Item	Part Number	FRU	Name	Quantity	Description (Remarks)
2	2309829	N	COVER	1	COVER, A/C DISTRIBUTION PANEL
3	2309830	N	BOX	1	BOX, A/C DISTRIBUTION
11	46-278446P1	2	CONNECTOR	4	15A, 125VAC, 2 POLE, 3 WIRE
12	46-317671P1	2	CONNECTOR	1	FLANGED INLET, 30A, 120/208 3-PHASE
13	2325139	N	LEAD DATA	1	MGD AC DIST LEAD DATA
14	2325140	N	HARNESS	1	MGD AC DIST HARNESS
18	46-221880P22	N	TERMINAL	1	9 TERMINALS 50 AMP, 1700 VOLT,
24	46-208695P61	N	BUSHING	1	HEYCO PART NO.2126 SB-875-11 BLACK
54	46-220492P4	N	TERMINAL	4	JUMPER WITH 0.69" CENTERS,
57	46-271382P6	2	CIRCUIT BREA	3	1 POLE, 15 AMP, STD TIME DELAY,
60	46-328425P1	N	NUT	14	NUT HEXAGON 4 MM
61	46-170015P10	N	SCREW	8	SEMS,6-32 X .25
62	46-170015P18	N	SCREW	4	SEMS,6-32 X .3125
65	46-271382P10	2	CIRCUIT BREA	1	3 POLE, 30 AMP, STD TIME DELAY,
66	2327509	N	PART	1	MGD TRANSFORMER ASSEMBLY
68	46-170021P34	1	FUSE	1	001.500A 0250V 3AG FAST UL/C
69	46-236576P3	N	FUSE	1	1/4X1-1/4 (UL) RECOG. FUSE HOLDER
70	46-208759P1	N	TY-RAP	1	7.81" X .184" SELF-LOCKING CABLE TIE
71	2103584	N	SCREW	10	SCREW PAN HEAD 4 MM 8 MM
72	46-328433P2	N	WASHER	13	WASHER LOCK - EXTERNAL 4.3 MM 8 MM
73	46-328425P2	N	NUT	2	NUT HEXAGON 6 MM
74	46-328433P3	N	WASHER	3	WASHER LOCK - EXTERNAL 6.4 MM 11 MM
75	2301198	N	RECEPTACLE	1	20A, 125VAC REMALE RECEPTACLE
76	2327665	N	PART	2	SCREW FLAT HEAD 3 MM 10 MM
77	2327686	N	PART	1	WING NUT M6
78	2341592	N	PART	2	3 POLE CKT BREAKER PROTECTOR
79	46-328421P13	N	SCREW	1	SCREW PAN HEAD 4 MM 8 MM

EXCITE SYSTEM CABINET SERVICE PANEL 2325142



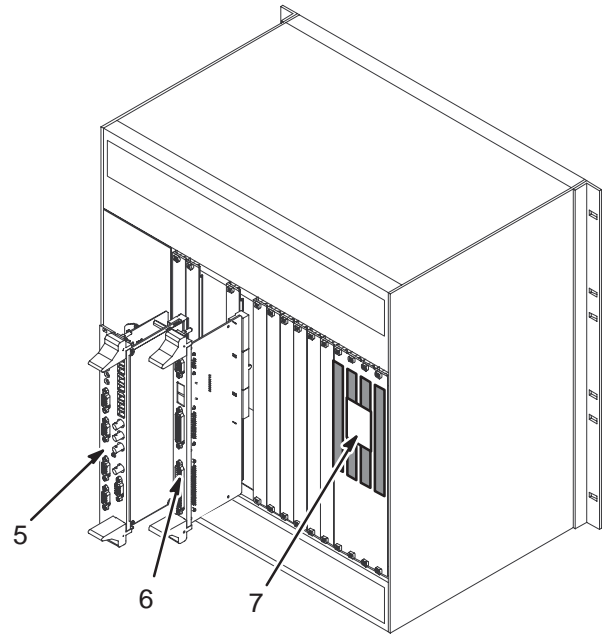
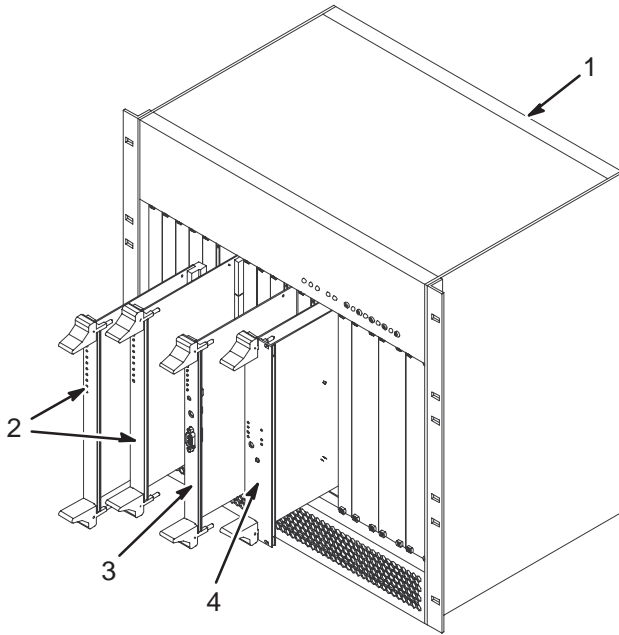
EXCITE SYSTEM CAB SERVICE PANEL 2325142 FRU N

(PART 2 OF 2372910 PAGE 8-93)
 (PART OF 6 2316712 PAGE 8-97)

Item	Part Number	FRU	Name	Quantity	Description (Remarks)
2	2325145	N	PART	1	MGD SERVICE PANEL
3	46-278446P1	N	CONNECTOR	1	15A, 125VAC, 2 POLE, 3 WIRE
4	46-271382P6	N	CIRCUIT BREA	1	1 POLE, 15 AMP, STD TIME DELAY,
5	46-320656P1	N	COVER	1	TERMINAL BLOCK SHIELD 3" X 10" LEXAN
6	46-287757P1	N	LABEL	1	LABEL
7	46-328428P1	N	NUT	2	NUT HEXAGON 4 MM
8	46-170015P10	N	SCREW	2	SEMS,6-32 X .25
9	46-170012P35	N	NUT	2	6-32, 1/4" HEX KEPS NUT, 3/32 THICK
10	46-271110P3	N	LABEL	1	DANGEROUS VOLTAGE GRAPHIC SYMBOL

MGD CHASSIS with BOARDS

2320127 and 2320127-3



MGD CHASSIS & BOARDS

2320127 FRU N

(PART 3 OF 2294302 PAGE 8-95)

Item	Part Number	FRU	Name	Quantity	Description (Remarks)
1	2294300	N	PART	1	MGD CHASSIS (COMPACT PCI) (SEE PAGE 8-101)
2	2215142	1	CIRCUIT BOAR	2	DRF1 CIRCUIT BOARD
3	2274194	1	CIRCUIT BOAR	1	INTERFACE & REMOTE RF MAIN
4	2280951	1	ASSEMBLY	1	SRF/TRF CIRCUIT BOARD ASSEMBLY
5	2280952	1	ASSEMBLY	1	SRF/TRF I/O CIRCUIT BOARD ASSEMBLY
6	2274196	1	CIRCUIT BOAR	1	INTERFACE& REMOTE RF TRANSITION

MGD2 CHASSIS & BOARDS

2320127-3 FRU N

(PART 3 OF 2357500-2 PAGE 8-91)

Item	Part Number	FRU	Name	Quantity	Description (Remarks)
1	2294300-13	N	PART	1.0	MGD2 CHASSIS (COMPACT PCI) (SEE PAGE 8-101)
2	2215142	2	CIRCUIT BOAR	2.0	DRF1 CIRCUIT BOARD
3	2274194	2	CIRCUIT BOAR	1.0	INTERFACE & REMOTE RF MAIN
4	2280951	2	ASSEMBLY	1.0	SRF/TRF CIRCUIT BOARD ASSEMBLY
5	2280952-2	2	PDM ASSEMBLY	1.0	STIF ASSEMBLY
6	2274196	2	CIRCUIT BOAR	1.0	INTERFACE& REMOTE RF TRANSITION
7	2325947-14	2	PROCESSOR	1.0	MERCURY 910-07053 PIM

REV 14

DIRECTION 2138247

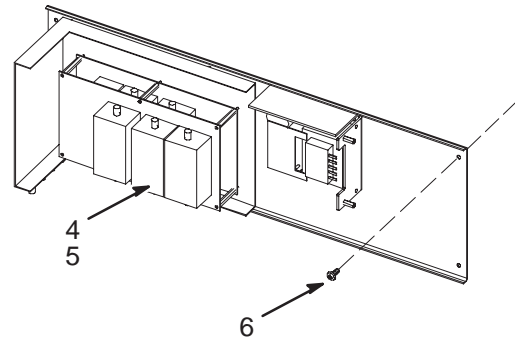
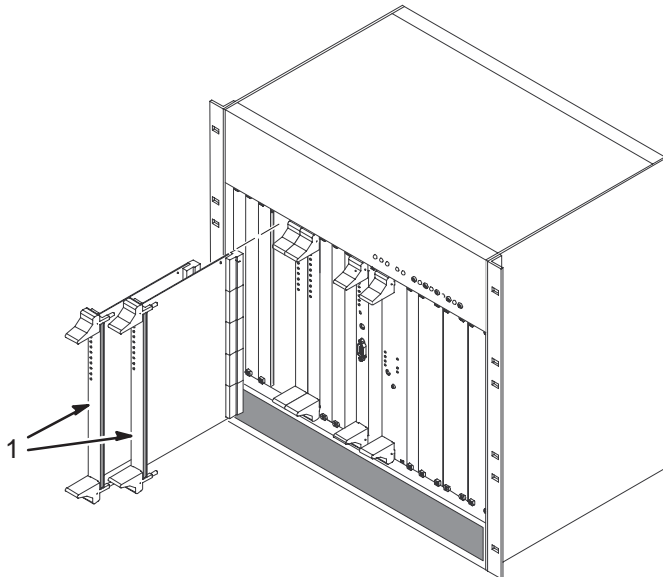
CATALOG M3000RH FRU N REFLEX 200B EXCITE II

Item	Part Number	FRU	Name	Quantity	Description (Remarks)
1	2325947-14	N	PROCESSOR	1	MERCURY 910-07053 PIM
2	2325947-11	1	PROCESSOR	2	MAVERICK II
3	46-302200P12	N	RATING PLATE	1	KIT ADDED RATING PLATE - NO S/N
4	2376837	N	DIRECTION	1	REFLEX AP OPTION INSTALL FOR EXCITE2

CATALOG M3000RJ FRU N REFLEX 400B EXCITE II

Item	Part Number	FRU	Name	Quantity	Description (Remarks)
1	2325947-14	N	PROCESSOR	1	MERCURY 910-07053 PIM
2	2325947-12	1	PROCESSOR	1	MINERVA II MASTER (MERCURY 900-07072
3	2325947-13	1	PROCESSOR	1	MINERVA II SLAVE (MERCURY 900-07072
4	46-302200P12	N	RATING PLATE	1	KIT ADDED RATING PLATE - NO S/N
5	2376837	N	DIRECTION	1	REFLEX AP OPTION INSTALL FOR EXCITE2

DIGITAL RECEIVER FILTER OPTION



CATALOG M3033CA FRU N DIGITAL RECEIVER FILTER

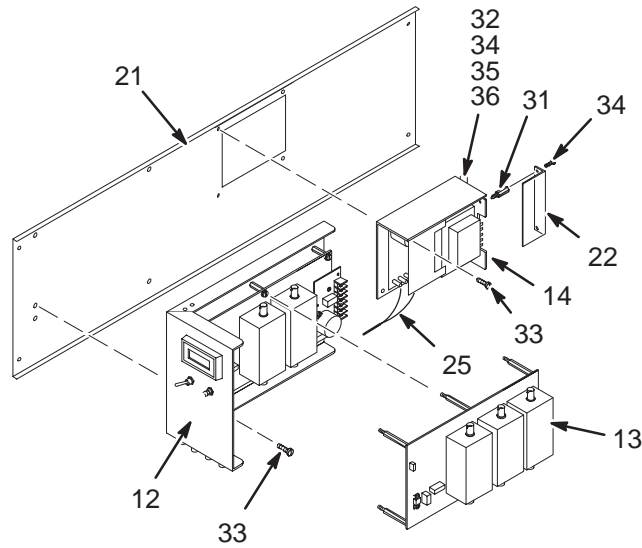
Item	Part Number	FRU	Name	Quantity	Description (Remarks)
1	2215142	N	CIRCUIT BOAR	2	DRF1 CIRCUIT BOARD
2	46-302200P12	N	RATING PLATE	1	KIT ADDED RATING PLATE – NO S/N
3	2333496	N	DIRECTION	1	SIGNA RECEIVER OPTION INSTALL – MGD
4	2343486	N	ASSEMBLY	1	1.5T TRANSIENT NOISE SUPPRESSOR (SEE PAGE 8-105)
5	2344312-2	N	CABLE KIT	1	EXCITE TNF CABLE KIT(FIELD INSTALL) (SEE PAGE 8-106)
6	2279742-2	N	SCREW	4	SCREW PAN HEAD 5 MM 16 MM

CATALOG M3033CB FRU N EXCITE II 8 CHANNEL OPTION

Item	Part Number	FRU	Name	Quantity	Description (Remarks)
1	2215142	N	CIRCUIT BOAR	2	DRF1 CIRCUIT BOARD
2	46-302200P12	N	RATING PLATE	1	KIT ADDED RATING PLATE – NO S/N
3	2366218	N	CIRCUIT BOAR	1	UTNS 3
4	2368552-3	N	PART	1	CABLE RF SLOT 12R-J31 TO I/O J54

1.5T TNF MODULE

2343486



1.5T TNF MODULE

2343486 FRU N

(PART 40 OF 2294302 PAGE 8-95)
(PART OF M3033CA PAGE 8-104)

Item	Part Number	FRU	Name	Quantity	Description (Remarks)
12	2114342-25	1	1.5T TNS 2CH	1	1.5T 2CH. EXTENDED BW TNF W/CABLES
13	2114342-18	1	1.5T TNS 2CH	1	1.5T 3 CHAN EXTENDED BANDWIDTH TNF
14	2149851	1	POWER SUPPLY	1	POWER ONE 18VDC 1.5AMP PWR SUPPLY
21	2155692	N	PART	1	BRACKET
22	2146716	N	COVER	1	COVER
25	2148702	N	HARNES	1	WIRE HARNES
28	46-307233G12	N	POWER CORD	1	9 FT 3-#18 CORD, 1-#10 RING TERMINAL
31	46-208984P11	N	SPACER	2	HEX 0.250 THD EXT 6-32 INT 6-32
32	46-170012P35	N	NUT	4	6-32, 1/4" HEX KEPS NUT, 3/32 THICK
33	2103585-2	N	SCREW	8	SCREW PAN HEAD 4 MM 10 MM
34	46-170015P19	N	SCREW	4	SCREW
35	46-208750P1	N	VIBRATION IS	1	CABLE TIE ANCHOR
36	46-208758P3	N	TY-RAP	5	7.31" X .184" SELF-LOCKING CABLE TIE

1.5T EXCITE TNF CABLES 2344312 FRU N (PART 41 OF 2294302 PAGE 8-95)

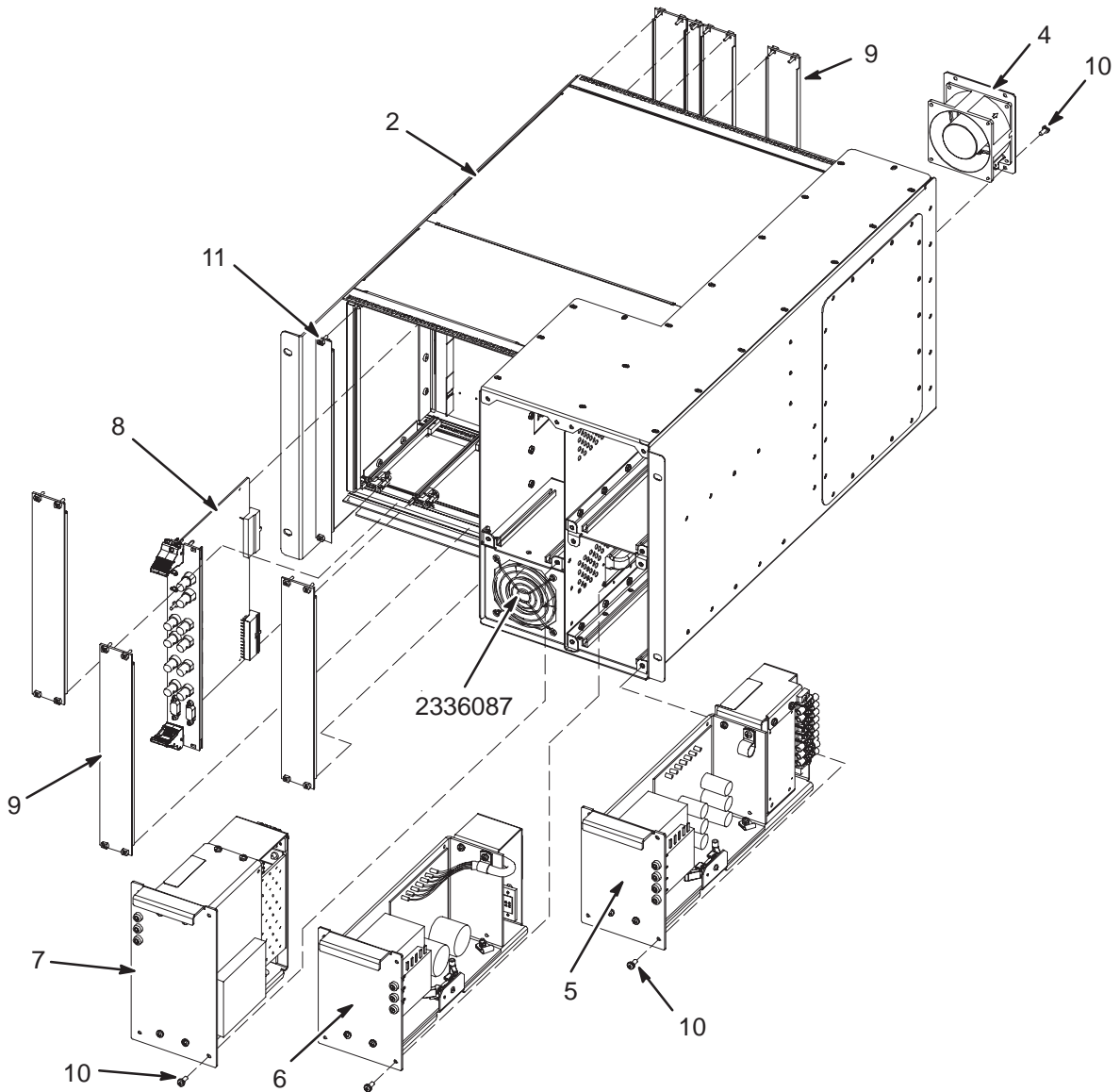
Item	Part Number	FRU	Name	Quantity	Description (Remarks)
1	2344311	N	PART	5	COAX (BNC MALE TO BNC BLKHD RG223)
2	46-296816P1	N	CONNECTOR	1	ADAPTER, BNC TEE, 50 OHM
3	46-220427P2	N	CONNECTOR	5	BNC STRAIGHT PLUG-PLUG ADAPTOR.
6	2344512	N	PART	1	BNC TO SMB CABLE (72 IN)
7	46-251905P326	N	CABLE LABEL	1	TNF1-J18
8	46-251905P327	N	CABLE LABEL	1	TNF1-J19
9	46-251905P328	N	CABLE LABEL	1	TNF1-J20
10	46-251905P329	N	CABLE LABEL	1	TNF1-J12
11	46-251905P330	N	CABLE LABEL	1	TNF1-J5
12	46-251905P331	N	CABLE LABEL	1	TNF1-J8
13	46-251905P332	N	CABLE LABEL	1	TNF1-J9
14	46-251905P333	N	CABLE LABEL	1	TNF1-J10
15	46-251905P334	N	CABLE LABEL	1	TNF1-J2
16	46-251905P335	N	CABLE LABEL	1	I/O PANEL J5
17	46-251905P336	N	CABLE LABEL	1	I/O PANEL J8
18	46-251905P337	N	CABLE LABEL	1	I/O PANEL J9
19	46-251905P338	N	CABLE LABEL	1	I/O PANEL J10
20	46-251905P339	N	CABLE LABEL	1	I/O PANEL J2
21	46-251905P340	N	CABLE LABEL	1	RRF/DIF J19
22	46-251905P341	N	CABLE LABEL	1	TNF1-J1
23	46-251905P354	N	CABLE LABEL	1	TNF1-J15

1.5T EXCITE TNF CABLES 2344312-2 FRU N (PART OF M3033CA PAGE 8-104)

Item	Part Number	FRU	Name	Quantity	Description (Remarks)
1	2344311	N	PART	4	COAX (BNC MALE TO BNC BLKHD RG223)
3	46-220427P2	N	CONNECTOR	4	BNC STRAIGHT PLUG-PLUG ADAPTOR.
4	2344510	N	PART	1	BNC RT ANGLE TO BNC RT ANGLE (36 IN)
5	46-251905P341	N	CABLE LABEL	1	TNF1-J1
6	46-251905P342	N	CABLE LABEL	1	TNF2-J15
7	46-251905P343	N	CABLE LABEL	1	TNF2-J18
8	46-251905P344	N	CABLE LABEL	1	TNF2-J19
9	46-251905P345	N	CABLE LABEL	1	TNF2-J20
10	46-251905P346	N	CABLE LABEL	1	TNF2-J5
11	46-251905P347	N	CABLE LABEL	1	TNF2-J8
12	46-251905P348	N	CABLE LABEL	1	TNF2-J9
13	46-251905P349	N	CABLE LABEL	1	TNF2-J10
14	46-251905P350	N	CABLE LABEL	1	I/O PANEL J40
15	46-251905P351	N	CABLE LABEL	1	I/O PANEL J41
16	46-251905P352	N	CABLE LABEL	1	I/O PANEL J42
17	46-251905P353	N	CABLE LABEL	1	I/O PANEL J43
18	46-251905P355	N	CABLE LABEL	1	TNF2-J1

RF MODULE w/POWER SUPPLIES

2308900



RF MODULE w/POWER SUPPLIES 2308900 FRU N

(PART 4 OF 2357500-2 PAGE 8-91)
(PART 4 OF 2294302 PAGE 8-95)

Item	Part Number	FRU	Name	Quantity	Description (Remarks)
2	2305884	1	CHASSIS	1	RF MODULE ASSEM(CHASSIS W MIDPLANE)
4	2334934	1	FAN ASSEMBLY	1	RF MODULE REAR MOUNT FAN ASSEMBLY
5	2292267	1	POWER SUPPLY	1	5V RF MODULE RF POWER SUPPLY
6	2292268	1	POWER SUPPLY	1	15V RF MODULE RF POWER SUPPLY
7	2292265	1	POWER SUPPLY	1	5V RF MODULE DIGITAL POWER SUPPLY
8	2281038	1	CIRCUIT BOAR	1	REMOTE RF FRONT PANEL IO
9	2294728	1	PANEL	6	COMPACT PCI FRONT PANEL BLANK (8HP)
10	2103585-2	N	SCREW	16	SCREW PAN HEAD 4 MM 10 MM
11	2319152	1	PART	2	COMPACT PCI FRONT PANEL BLANK (4HP)
12	2336677	N	PACKING MATE	1	PACKING FOR RRF CHASSISJ
	2336087	1	FAN	1	RF MODULE FRONT FAN ASM