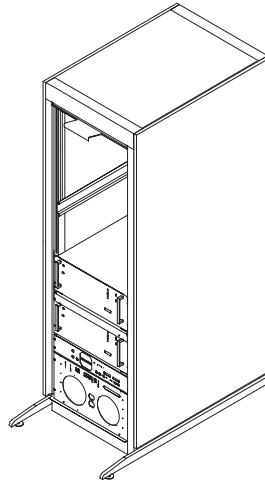


SECTION 16 – SRF CABINET

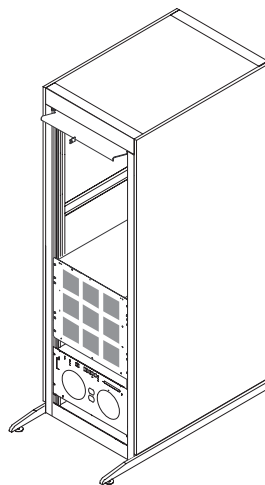
TABLE OF CONTENTS

SECTION

PAGE



16-1 SRF CABINET	16-2
Contains information on Solid State RF Cabinets	
1.5T SRF CABINET	2296300 16-2
1.0T SRF CABINET	2296300-2 16-2
1.5T SRF CABINET	2174500 16-4
1.0T SRF CABINET	2174500-2 16-7

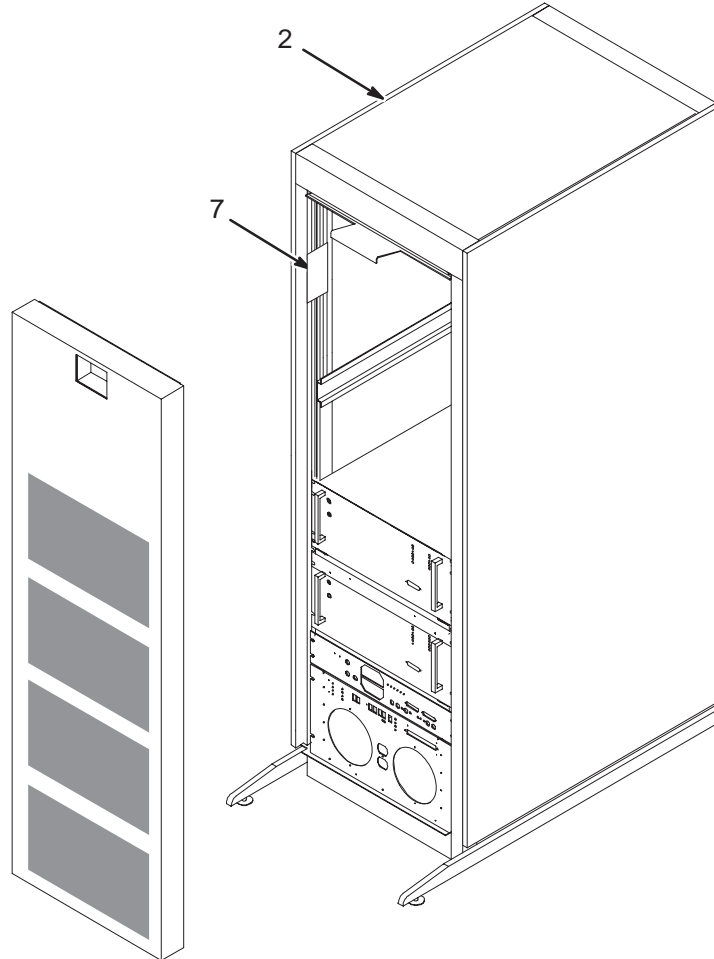


16-2 SRFD II CABINET	16-9
Contains information on Solid State RF Cabinets	
1.5T SRFD II CABINET	2275000 16-11

16-1 SRF CABINETS

SRF CABINET ASM

2296300 & 2296300-2



1.5T SRF CABINET ASM

2296300 FRU N

(PART OF 2355993 PAGE 1-62)

Item	Part Number	FRU	Name	Quantity	Description (Remarks)
2	2296299	N	CABINET	1	1.5T RF SOLID STATE CABINET (SEE PAGE 16-5)
7	2146243	N	UFI LABEL KT	1	MULTI-LINGUAL LABEL KIT (SEE PAGE 16-14)

1.0T SRF CABINET ASM

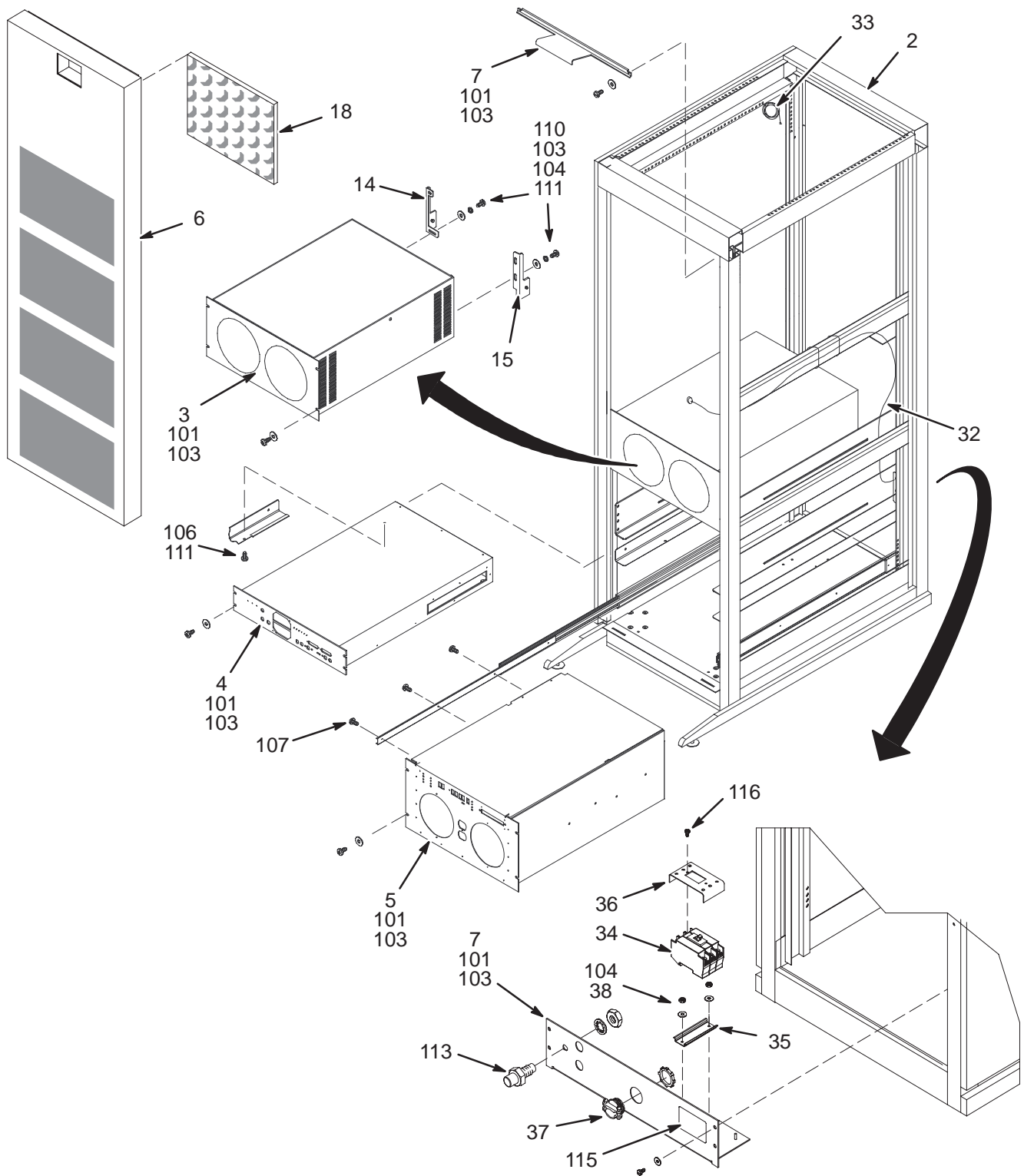
2296300-2 FRU N

(PART OF 2355994 PAGE 1-62)

Item	Part Number	FRU	Name	Quantity	Description (Remarks)
2	2296299-2	N	CABINET	1	1.0T RF SOLID STATE CABINET (SEE PAGE 16-8)
7	2146243	N	UFI LABEL KT	1	MULTI-LINGUAL LABEL KIT (SEE PAGE 16-14)

1.5T RF SOLID STATE CABINET

2174500 & 2296299



1.5T RF SOLID STATE CABINET

2174500 FRU N

(PART OF 2355993 PAGE 1-62)

Item	Part Number	FRU	Name	Quantity	Description (Remarks)
2	2277026	N	CABINET	1	ACGD SRF BASIC CABINET WITH RAILS
3	2224562	2	POWER MODULE	2	1.5T RF AMPLIFIER POWER MODULE
	2224562-2	1	FRU	1	1.5T RF AMPLIFIER POWER MODULE FRU (SEE PAGE 16-12)
4	2255388	N	MODULE	1	1.5T RF INTERFACE MODULE
	2263188	1	FRU	1	1.5T RF INTERFACE MODULE FRU (SEE PAGE 16-13)
5	2160200-43	1	RF/PEN CAB	1	ERBTEC #550020 SYSTEM SUPPORT MOD (SEE PAGE 16-13)
6	2265347	N	COVER ASM	1	FRT COVER SCALEABLE RF CAB W/O PDU
7	2195381	N	PART	1	DOOR BRKT SCALE RF
14	2229091	N	BRACKET	2	1.5T REAR RF AMP BRACKET, RH
15	2229092	N	BRACKET	2	1.5T REAR RF AMP BRACKET, LH
17	2273379	N	PART	1	RF CABINET AC PANEL
18A	2284074	1	FILTER	4	ALUMINUM AIR FILTER
18B	2160200-44	N	RF/PEN CAB	ALT	ERBTEC #510062 CAB COVER AIR FILTERS
19	2197474	N	PART	1	CABLE
20	46-328000G982	N	ASSEMBLY	1	MR1-A23-J11 TO MR1-A21-J3
21	46-328000G983	N	ASSEMBLY	1	MR1-A23-J12 TO MR1-A22-J3
22	46-328000G984	N	ASSEMBLY	1	MR1-A23-J16 TO MR1-A21-J1
23	46-328000G985	N	ASSEMBLY	1	MR1-A23-J17 TO MR1-A22-J1
24	2317095	N	CABLE	1	23", RG214 WITH HN CONNECTORS
25	2317095-2	N	CABLE	1	23", RG214 WITH HN CONNECTORS
26	46-328000G967	N	ASSEMBLY	1	MR1-A23-J5 TO MR1-A7-J106
27	46-328000G968	N	ASSEMBLY	1	MR1-A23-J6 TO MR1-A7-J107
28	46-328000G969	N	ASSEMBLY	1	MR1-A23-J7 TO MR1-J7-J108
29	46-328000G970	N	ASSEMBLY	1	MR1-A23-J8 TO MR1-A7-J110
30	46-328000G971	N	ASSEMBLY	1	MR1-A23-J9 TO MR1-A7-J409
31	46-328000G972	N	ASSEMBLY	1	MR1-A23-J10 TO MR1-A7-J408
32	46-328000G973	N	ASSEMBLY	1	MR1-A23-J14 TO MR1-A24-J1
33	46-320252P1	N	TEST CABLE	1	RF AMPLIFIER SERIAL PORT INTERFACE
34	2273399	1	PART	1	40 AMP CIRCUIT BREAKER
35	2273400	N	PART	1	DIN MOUNTING RAIL
36	2273401	N	PART	1	COVER,CIRCUIT BREAKER
37	2273402	N	PART	1	CABLE STRAIN RELIEF
38	46-328425P1	N	NUT	4	NUT HEXAGON 4 MM
39	2273403	N	PART	1	ACGD SRF CABINET LEAD DATA
56	2211994-2	N	PLUG CAP	9	PLASTIC COVER 9 MM I.D. POLYETHYLENE
58	46-208758P5	N	TY-RAP OLD	3	SELF LOCKING CABLE TIE
101	46-328421P16	N	SCREW	22	SCREW PAN HEAD 4 MM 16 MM
103	46-328431P1	N	WASHER	32	WASHER PLAIN - LARGE 4.3 MM 12 MM
104	46-328433P2	N	WASHER	10	WASHER LOCK - EXTERNAL 4.3 MM 8 MM
106	46-328421P22	N	SCREW	2	SCREW PAN HEAD 6 MM 8 MM
107	46-170015P14	N	SCREW	6	PAN HD SCREW 8-32 X 3/8
108	46-208758P3	N	TY-RAP OLD	2	7.31" X .184" SELF-LOCKING CABLE TIE
110	46-328421P15	N	SCREW	10	SCREW PAN HEAD 4 MM 12 MM
111	46-170686P2	N	ADHESIVE OLD	AR	LOCTITE 242, 10CC
113	46-208990P1	N	CONNECTOR	1	50 OHM BNC BULKHEAD ADAP'R JACK-JACK
114	46-208758P2	N	TY-RAP OLD	AR	5.5" X .140" SELF-LOCKING CABLE TIE.
115	2187457	N	LABEL	1	LABEL CAUTION (MORE THAN ONE SOURCE)
116	2281474	N	SCREW	2	SCREW PAN HEAD 3 MM 5 MM
117	2146243	N	UFI LABEL KT	1	MULTI-LINGUAL LABEL KIT (SEE PAGE 16-14)

1.5T RF SOLID STATE CABINET

2296299 FRU N

(PART OF 2296300 PAGE 16-2)

Item	Part Number	FRU	Name	Quantity	Description (Remarks)
2	2277026	N	CABINET	1	ACGD SRF BASIC CABINET WITH RAILS
3	2224562	2	POWER MODULE	2	1.5T RF AMPLIFIER POWER MODULE
	2224562-2	1	FRU	1	1.5T RF AMPLIFIER POWER MODULE FRU (SEE PAGE 16-12)
4	2255388	N	MODULE	1	1.5T RF INTERFACE MODULE
	2263188	1	FRU	1	1.5T RF INTERFACE MODULE FRU (SEE PAGE 16-13)
5	2160200-43	1	RF/PEN CAB	1	ERBTEC #550020 SYSTEM SUPPORT MOD (SEE PAGE 16-13)
6	2265347	N	COVER ASM	1	FRT COVER SCALEABLE RF CAB W/O PDU
7	2195381	N	PART	1	DOOR BRKT SCALE RF
14	2229091	N	BRACKET	2	1.5T REAR RF AMP BRACKET, RH
15	2229092	N	BRACKET	2	1.5T REAR RF AMP BRACKET, LH
17	2273379	N	PART	1	RF CABINET AC PANEL
18	2284074	1	FILTER	4	ALUMINUM AIR FILTER
19	2197474	N	PART	1	CABLE
20	46-328000G982	N	ASSEMBLY	1	MR1-A23-J11 TO MR1-A21-J3
21	46-328000G983	N	ASSEMBLY	1	MR1-A23-J12 TO MR1-A22-J3
22	46-328000G984	N	ASSEMBLY	1	MR1-A23-J16 TO MR1-A21-J1
23	46-328000G985	N	ASSEMBLY	1	MR1-A23-J17 TO MR1-A22-J1
24	2317095	N	CABLE	1	23", RG214 WITH HN CONNECTORS
25	2317095-2	N	CABLE	1	23", RG214 WITH HN CONNECTORS
26	46-328000G967	N	ASSEMBLY	1	MR1-A23-J5 TO MR1-A7-J106
27	46-328000G968	N	ASSEMBLY	1	MR1-A23-J6 TO MR1-A7-J107
28	46-328000G969	N	ASSEMBLY	1	MR1-A23-J7 TO MR1-J7-J108
29	46-328000G970	N	ASSEMBLY	1	MR1-A23-J8 TO MR1-A7-J110
30	46-328000G971	N	ASSEMBLY	1	MR1-A23-J9 TO MR1-A7-J409
31	46-328000G972	N	ASSEMBLY	1	MR1-A23-J10 TO MR1-A7-J408
32	46-328000G973	N	ASSEMBLY	1	MR1-A23-J14 TO MR1-A24-J1
33	46-320252P1	N	TEST CABLE	1	RF AMPLIFIER SERIAL PORT INTERFACE
34	2273399	1	PART	1	40 AMP CIRCUIT BREAKER
35	2273400	N	PART	1	DIN MOUNTING RAIL
36	2273401	N	PART	1	COVER, CIRCUIT BREAKER
37	2273402	N	PART	1	CABLE STRAIN RELIEF
38	46-328425P1	N	NUT	4	NUT HEXAGON 4 MM
39	2273403	N	PART	1	ACGD SRF CABINET LEAD DATA
56	2211994-2	N	PLUG CAP	9	PLASTIC COVER 9 MM I.D. POLYETHYLENE
58	46-208758P5	N	TY-RAP OLD	3	SELF LOCKING CABLE TIE
101	46-328421P16	N	SCREW	22	SCREW PAN HEAD 4 MM 16 MM
103	46-328431P1	N	WASHER	32	WASHER PLAIN - LARGE 4.3 MM 12 MM
104	46-328433P2	N	WASHER	10	WASHER LOCK - EXTERNAL 4.3 MM 8 MM
106	46-328421P22	N	SCREW	2	SCREW PAN HEAD 6 MM 8 MM
107	46-170015P14	N	SCREW	6	PAN HD SCREW 8-32 X 3/8
108	46-208758P3	N	TY-RAP OLD	2	7.31" X .184" SELF-LOCKING CABLE TIE
110	46-328421P15	N	SCREW	10	SCREW PAN HEAD 4 MM 12 MM
111	46-170686P2	N	ADHESIVE OLD	AR	LOCTITE 242, 10CC
113	46-208990P1	N	CONNECTOR	1	50 OHM BNC BULKHEAD ADAP'R JACK-JACK
114	46-208758P2	N	TY-RAP OLD	AR	5.5" X .140" SELF-LOCKING CABLE TIE.
115	2187457	N	LABEL	1	LABEL CAUTION (MORE THAN ONE SOURCE)
116	2281474	N	SCREW	2	SCREW PAN HEAD 3 MM 5 MM

1.0T RF SOLID STATE CABINET 2174500-2 FRU N (PART OF 2355994 PAGE 1-62)

Item	Part Number	FRU	Name	Quantity	Description (Remarks)
2	2277026	N	CABINET	1	ACGD SRF BASIC CABINET WITH RAILS
3	2170783	1	POWER MODULE	2	RF AMPLIFIER POWER MODULE
	2170783-2	1	FRU	1	RF AMPLIFIER POWER MODULE FRU (SEE PAGE 16-12)
4	2194013	1	PART	1	RF INTERFACE SCALEABLE RF
5	2160200-43	1	RF/PEN CAB	1	ERBTEC #550020 SYSTEM SUPPORT MOD (SEE PAGE 16-13)
6	2265347	N	COVER ASM	1	FRT COVER SCALEABLE RF CAB W/O PDU
7	2195381	N	PART	1	DOOR BRKT SCALE RF
14	2195380	N	PART	4	PLUNGER BRKT ASM SCALE RF
17	2273379	N	PART	1	RF CABINET AC PANEL
18A	2284074	1	FILTER	4	ALUMINUM AIR FILTER
18B	2160200-44	N	RF/PEN CAB	ALT	ERBTEC #510062 CAB COVER AIR FILTERS
19	2197474	N	PART	1	CABLE
20	46-328000G961	N	ASSEMBLY	1	MR1-A23-J11 TO MR1-A21-J3
21	46-328000G962	N	ASSEMBLY	1	MR1-A23-J12 TO MR1-A22-J2
22	46-328000G963	N	ASSEMBLY	1	MR1-A23-J16 TO MR1-A21-J1
23	46-328000G964	N	ASSEMBLY	1	MR1-A23-J17 TO MR1-A22-J1
24	46-328000G965	N	ASSEMBLY	1	MR1-A23-J1 TO MR1-A21-J4
25	46-328000G966	N	ASSEMBLY	1	MR1-A23-J2 TO MR1-A22-J4
26	46-328000G967	N	ASSEMBLY	1	MR1-A23-J5 TO MR1-A7-J106
27	46-328000G968	N	ASSEMBLY	1	MR1-A23-J6 TO MR1-A7-J107
28	46-328000G969	N	ASSEMBLY	1	MR1-A23-J7 TO MR1-J7-J108
29	46-328000G970	N	ASSEMBLY	1	MR1-A23-J8 TO MR1-A7-J110
30	46-328000G971	N	ASSEMBLY	1	MR1-A23-J9 TO MR1-A7-J409
31	46-328000G972	N	ASSEMBLY	1	MR1-A23-J10 TO MR1-A7-J408
32	46-328000G973	N	ASSEMBLY	1	MR1-A23-J14 TO MR1-A24-J1
33	46-320252P1	N	TEST CABLE	1	RF AMPLIFIER SERIAL PORT INTERFACE
34	2273399	1	PART	1	40 AMP CIRCUIT BREAKER
35	2273400	N	PART	1	DIN MOUNTING RAIL
36	2273401	N	PART	1	COVER,CIRCUIT BREAKER
37	2273402	N	PART	1	CABLE STRAIN RELIEF
38	46-328425P1	N	NUT	4	NUT HEXAGON 4 MM
39	2273403	N	PART	1	ACGD SRF CABINET LEAD DATA
56	2211994-2	N	PLUG CAP	9	PLASTIC COVER 9 MM I.D. POLYETHYLENE
58	46-208758P5	N	TY-RAP OLD	3	SELF LOCKING CABLE TIE
100	46-328421P13	N	SCREW	8	SCREW PAN HEAD 4 MM 8 MM
101	46-328421P16	N	SCREW	30	SCREW PAN HEAD 4 MM 16 MM
103	46-328431P1	N	WASHER	38	WASHER PLAIN - LARGE 4.3 MM 12 MM
104	46-328433P2	N	WASHER	8	WASHER LOCK - EXTERNAL 4.3 MM 8 MM
106	46-328421P22	N	SCREW	2	SCREW PAN HEAD 6 MM 8 MM
107	46-170015P14	N	SCREW	6	PAN HD SCREW 8-32 X 3/8
108	46-208758P3	N	TY-RAP OLD	7	7.31" X .184" SELF-LOCKING CABLE TIE
111	46-170686P2	N	ADHESIVE OLD	AR	LOCTITE 242, 10CC
113	46-208990P1	N	CONNECTOR	1	50 OHM BNC BULKHEAD ADAP'R JACK-JACK
114	46-208758P2	N	TY-RAP OLD	AR	5.5" X .140" SELF-LOCKING CABLE TIE.
115	2187457	N	LABEL	1	LABEL CAUTION (MORE THAN ONE SOURCE)
116	2281474	N	SCREW	2	SCREW PAN HEAD 3 MM 5 MM
117	2146243	N	UFI LABEL KT	1	MULTI-LINGUAL LABEL KIT (SEE PAGE 16-14)

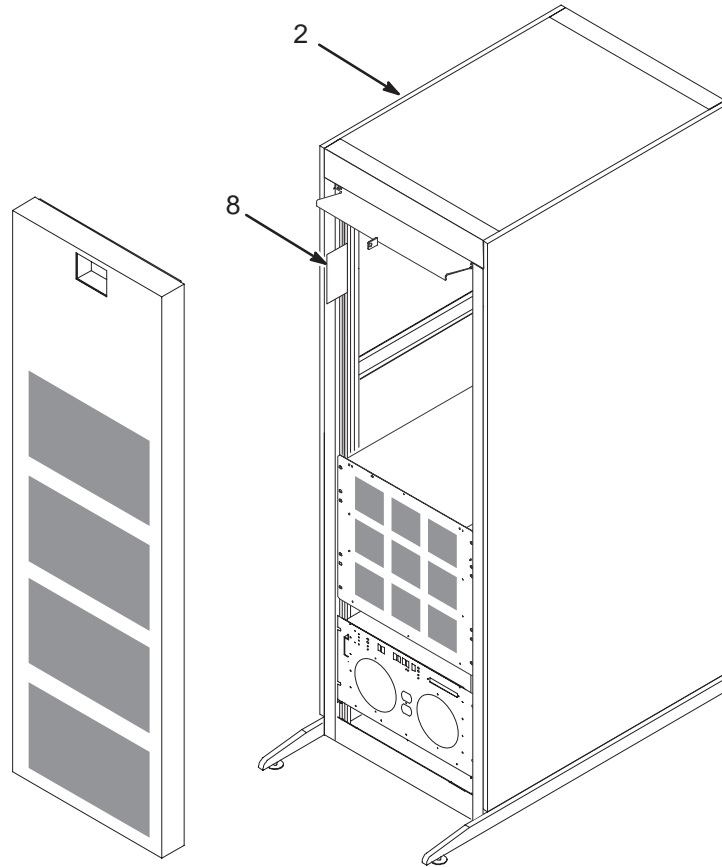
1.0T RF SOLID STATE CABINET 2296299-2 FRU N (PART OF 2296300-2 PAGE 16-2)

Item	Part Number	FRU	Name	Quantity	Description (Remarks)
2	2277026	N	CABINET	1	ACGD SRF BASIC CABINET WITH RAILS
3	2170783	N	POWER MODULE	2	RF AMPLIFIER POWER MODULE
	2170783-2	1	FRU	1	RF AMPLIFIER POWER MODULE FRU (SEE PAGE 16-12)
4	2194013	1	PART	1	RF INTERFACE SCALEABLE RF
5	2160200-43	1	RF/PEN CAB	1	ERBTEC #550020 SYSTEM SUPPORT MOD (SEE PAGE 16-13)
6	2265347	N	COVER ASM	1	FRT COVER SCALEABLE RF CAB W/O PDU
7	2195381	N	PART	1	DOOR BRKT SCALE RF
14	2195380	N	PART	4	PLUNGER BRKT ASM SCALE RF
17	2273379	N	PART	1	RF CABINET AC PANEL
18	2284074	1	FILTER	4	ALUMINUM AIR FILTER
19	2197474	N	PART	1	CABLE
20	46-328000G961	N	ASSEMBLY	1	MR1-A23-J11 TO MR1-A21-J3
21	46-328000G962	N	ASSEMBLY	1	MR1-A23-J12 TO MR1-A22-J2
22	46-328000G963	N	ASSEMBLY	1	MR1-A23-J16 TO MR1-A21-J1
23	46-328000G964	N	ASSEMBLY	1	MR1-A23-J17 TO MR1-A22-J1
24	46-328000G965	N	ASSEMBLY	1	MR1-A23-J1 TO MR1-A21-J4
25	46-328000G966	N	ASSEMBLY	1	MR1-A23-J2 TO MR1-A22-J4
26	46-328000G967	N	ASSEMBLY	1	MR1-A23-J5 TO MR1-A7-J106
27	46-328000G968	N	ASSEMBLY	1	MR1-A23-J6 TO MR1-A7-J107
28	46-328000G969	N	ASSEMBLY	1	MR1-A23-J7 TO MR1-J7-J108
29	46-328000G970	N	ASSEMBLY	1	MR1-A23-J8 TO MR1-A7-J110
30	46-328000G971	N	ASSEMBLY	1	MR1-A23-J9 TO MR1-A7-J409
31	46-328000G972	N	ASSEMBLY	1	MR1-A23-J10 TO MR1-A7-J408
32	46-328000G973	N	ASSEMBLY	1	MR1-A23-J14 TO MR1-A24-J1
33	46-320252P1	N	TEST CABLE	1	RF AMPLIFIER SERIAL PORT INTERFACE
34	2273399	1	PART	1	40 AMP CIRCUIT BREAKER
35	2273400	N	PART	1	DIN MOUNTING RAIL
36	2273401	N	PART	1	COVER,CIRCUIT BREAKER
37	2273402	N	PART	1	CABLE STRAIN RELIEF
38	46-328425P1	N	NUT	4	NUT HEXAGON 4 MM
39	2273403	N	PART	1	ACGD SRF CABINET LEAD DATA
56	2211994-2	N	PLUG CAP	9	PLASTIC COVER 9 MM I.D. POLYETHYLENE
58	46-208758P5	N	TY-RAP OLD	3	SELF LOCKING CABLE TIE
100	46-328421P13	N	SCREW	8	SCREW PAN HEAD 4 MM 8 MM
101	46-328421P16	N	SCREW	30	SCREW PAN HEAD 4 MM 16 MM
103	46-328431P1	N	WASHER	38	WASHER PLAIN - LARGE 4.3 MM 12 MM
104	46-328433P2	N	WASHER	8	WASHER LOCK - EXTERNAL 4.3 MM 8 MM
106	46-328421P22	N	SCREW	2	SCREW PAN HEAD 6 MM 8 MM
107	46-170015P14	N	SCREW	6	PAN HD SCREW 8-32 X 3/8
108	46-208758P3	N	TY-RAP OLD	7	7.31" X .184" SELF-LOCKING CABLE TIE
111	46-170686P2	N	ADHESIVE OLD	AR	LOCTITE 242, 10CC
113	46-208990P1	N	CONNECTOR	1	50 OHM BNC BULKHEAD ADAP'R JACK-JACK
114	46-208758P2	N	TY-RAP OLD	AR	5.5" X .140" SELF-LOCKING CABLE TIE.
115	2187457	N	LABEL	1	LABEL CAUTION (MORE THAN ONE SOURCE)
116	2281474	N	SCREW	2	SCREW PAN HEAD 3 MM 5 MM
201	2365023	N	FERRITE CORE	2	SNAP-ON TYPE FERRITE CORE

16-2 SRFD II CABINET

1.5T RF SRFD2 CABINET ASM

2275000



1.5T RF SRFD2 CABINET ASM

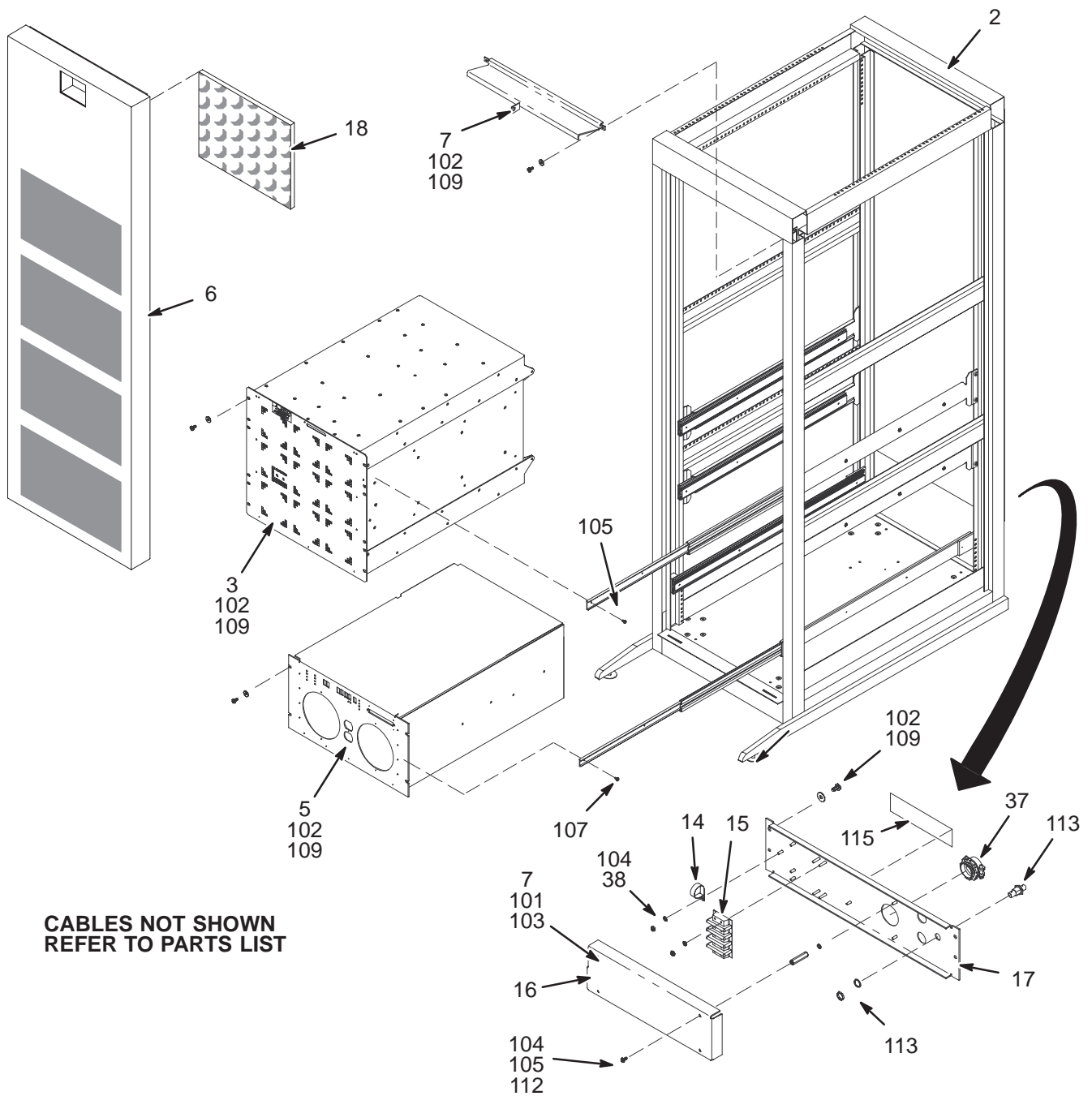
2275000 FRU N

(PART OF 2355992 PAGE 1-62)

Item	Part Number	FRU	Name	Quantity	Description (Remarks)
2	2315350	N	ASSEMBLY	1	1.5T RF SRFD2 CABINET (SEE PAGE 16-11)
8	2146243	N	UFI LABEL KT	1	MULTI-LINGUAL LABEL KIT (SEE PAGE 16-14)

1.0T RF SOLID STATE CABINET

2174500-2 & 2296299-2



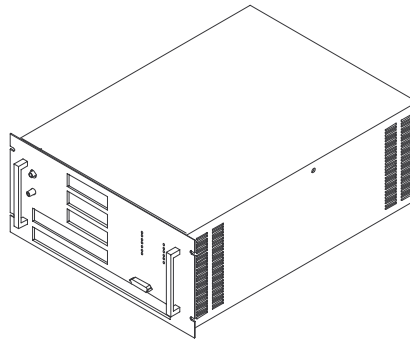
1.5T RF SRFD2 CABINET

2315350 FRU N

(PART OF 2275000 PAGE 16-9)

Item	Part Number	FRU	Name	Quantity	Description (Remarks)
2	2307999	N	ASSEMBLY	1	1.5T RF SRFD2 BASIC CABINET W/RAILS
3	2230683	N	RF AMP/INTER	1	SRFDII RF AMP AND INTERFACE
	2351573	1	FRU	1	SRFDII RF AMP AND INTERFACE FRU ASM (SEE PAGE 16-14)
5	2160200-43	1	RF/PEN CAB	1	ERBTEC #550020 SYSTEM SUPPORT MOD (SEE PAGE 16-13)
6	2265347	N	COVER ASM	1	FRT COVER SCALEABLE RF CAB W/O PDU
7	2195381	N	PART	1	DOOR BRKT SCALE RF
14	46-208718P10	N	CLAMP OLD	1	ID 0.8125 LOOP TYPE
15	2315703-2	N	STRIP	1	TERMINAL STRIP, 50A, 3POLE, 600V, W/
16	2323894	N	COVER	1	TERMINAL COVER
17	2327659	N	BRACKET	1	RF CABINET AC PANEL BRACKET
18	2284074	1	FILTER	4	ALUMINUM AIR FILTER
19	2197474-2	N	PART	1	CABLE
26	2263200-101	N	CABLE COLL	1	MR1-A25-J5 TO MR1-A7-J106
27	2263200-102	N	CABLE COLL	1	MR1-A25-J6 TO MR1-A7-J107
28	2263200-103	N	CABLE COLL	1	MR1-A25-J7 TO MR1-A7-J108
29	2263200-104	N	CABLE COLL	1	MR1-A25-J8 TO MR1-A7-J110
30	2263200-105	N	CABLE COLL	1	MR1-A25-J9 TO MR1-A7-J409
31	2263200-106	N	CABLE COLL	1	MR1-A25-J10 TO MR1-A7-J408
32	2263200-107	N	CABLE COLL	1	MR1-A25-J14 TO MR1-A24-J1
37	2273402-2	N	PART	1	CABLE STRAIN RELIEF, 1 1/4"
38	46-328425P1	N	NUT	7	NUT HEXAGON 4 MM
39	2273403-2	N	PART	1	ACGD SRF CABINET LEAD DATA
56	2211994-2	N	PLUG CAP	11	PLASTIC COVER 9 MM I.D. POLYETHYLENE
57	2211994-3	N	PLUG CAP	1	PLASTIC COVER 15MM I.D. POLYETHYLENE
58	46-208758P5	N	TY-RAP OLD	3	SELF LOCKING CABLE TIE
59	2211994-4	N	PLUG CAP	1	PLASTIC COVER 18MM I.D. POLYETHYLENE
102	2279742-2	N	SCREW	18	SCREW PAN HEAD 5 MM 16 MM
104	46-328433P2	N	WASHER	11	WASHER LOCK - EXTERNAL 4.3 MM 8 MM
105	2103585-2	N	SCREW	20	SCREW PAN HEAD 4 MM 10 MM
107	46-170015P14	N	SCREW	6	PAN HD SCREW 8-32 X 3/8
108	46-208758P3	N	TY-RAP OLD	7	7.31" X .184" SELF-LOCKING CABLE TIE
109	12-276	N	WASHER OLD	18	ID 0.2040 OD 0.5630 THK .0478
112	46-312766P39	N	THD HEX SPCR	4	M4 X 30MM LG (FEMALE THDS BOTH ENDS)
113	46-208990P1	N	CONNECTOR	1	50 OHM BNC BULKHEAD ADAP'R JACK-JACK
114	46-208758P2	N	TY-RAP OLD	16	5.5" X .140" SELF-LOCKING CABLE TIE.
115	2187457	N	LABEL	1	LABEL CAUTION (MORE THAN ONE SOURCE)

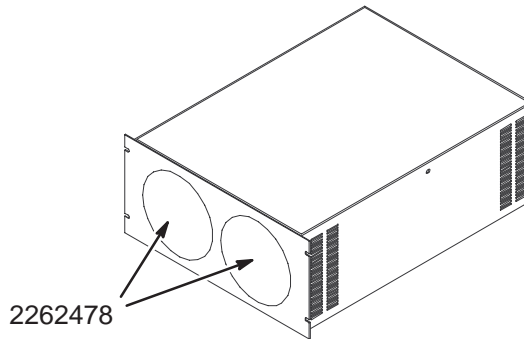
1.0T RF AMPLIFIER POWER MODULE FRU ASM 2170783-2



1.0T RF AMP POWER MODULE FRU 2170783-2 FRU 1 (PART OF 2174500-2 PAGE 16-7)
 (PART OF 2296299-2 PAGE 16-8)

Item	Part Number	FRU	Name	Quantity	Description (Remarks)
1	2170783	N	POWER MODULE	1	RF AMPLIFIER POWER MODULE
2	2209785	N	BOX	1	SHIPPING BOX FOR SRF AMP PWR MOD FRU

1.5T RF AMPLIFIER POWER MODULE FRU ASM 2224562-2

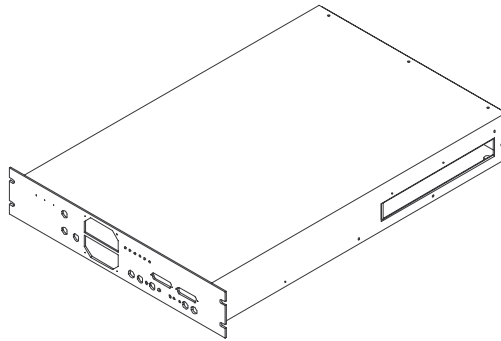


1.5T RF AMP POWER MODULE FRU 2224562-2 FRU 1 (PART OF 2174500 PAGE 16-4)
 (PART OF 2296299 PAGE 16-5)

Item	Part Number	FRU	Name	Quantity	Description (Remarks)
1	2224562	2	POWER MODULE	1	1.5T RF AMPLIFIER POWER MODULE
2	2224562-3	N	POWER MODULE	4	LIFTING BRACKET FOR SRFD AMPS
3	2239894	N	BOX	1	SHIP'G BOX FOR 1.5&0.7T SRFD AMP FRU
	2262478	1	FAN	2	RF FAN

1.5T RF INTERFACE MODULE FRU ASM

2263188



1.5T RF INTERFACE MODULE FRU

2263188 FRU 1

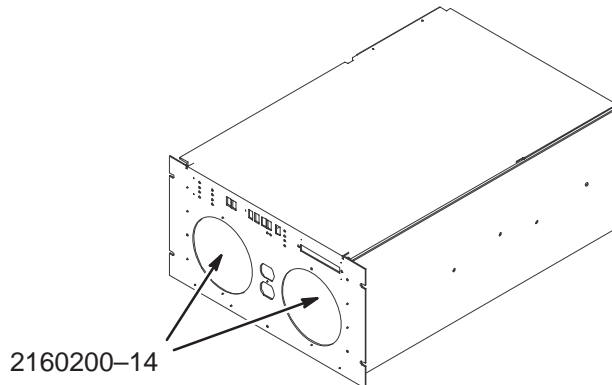
(PART OF 2174500 PAGE 16-4)

(PART OF 2296299 PAGE 16-5)

Item	Part Number	FRU	Name	Quantity	Description (Remarks)
1	2255388	N	MODULE	1	1.5T RF INTERFACE MODULE
2	2317095	N	CABLE	1	23", RG214 WITH HN CONNECTORS
3	2317095-2	N	CABLE	1	23", RG214 WITH HN CONNECTORS

SYSTEM SUPPORT MODULE

2160200-43



2160200-14

SYSTEM SUPPORT MODULE

2160200-43 FRU 1

(PART OF 2174500 PAGE 16-4)

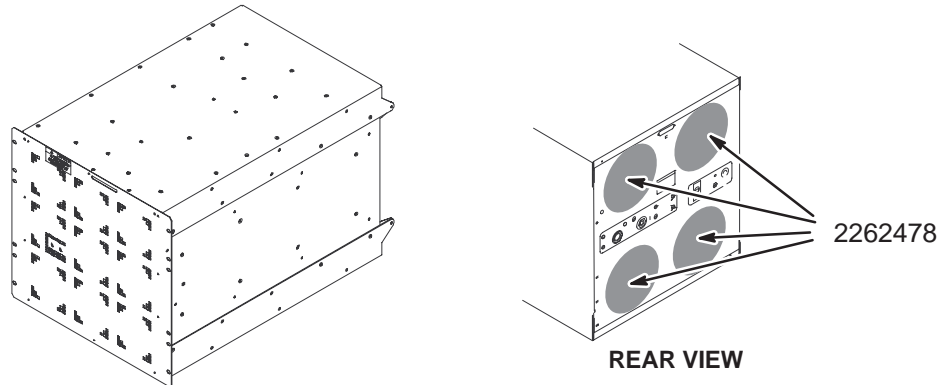
(PART OF 2296299 PAGE 16-5)

(PART OF 2315350 PAGE 16-11)

Item	Part Number	FRU	Name	Quantity	Description (Remarks)
	2160200-14	1	FAN	1	COOLING FAN

SRFD II RF AMPLIFIER FRU ASM

2351573



SRFD II RF AMP FRU ASM

2351573 FRU 1

(PART OF 2315350 PAGE 16-11)

Item	Part Number	FRU	Name	Quantity	Description (Remarks)
2	2230683	N	RF AMP/INTER	1	SRFDII RF AMP AND INTERFACE
3	2337527	N	PART	AR	DANGER LABEL
4	2344324	N	LABEL (WARN)	AR	LOCK-OUT, TAG-OUT WARNING LABEL
5	46-317258P1	N	CHANNEL	1	RAIL
6	2342113	N	CASE	1	1.5T SRFD2 REUSABLE FRU CASE
	2262478	1	FAN	4	COOLING FAN FRU

MULTI-LINGUAL LABEL KIT

2146243 FRU N

(PART OF 2296300 PAGE 16-2)
 (PART OF 2296300-2 PAGE 16-2)
 (PART OF 2174500 PAGE 16-4)
 (PART OF 2174500-2 PAGE 16-7)
 (PART OF 2275000 PAGE 16-9)

Item	Part Number	FRU	Name	Quantity	Description (Remarks)
2	2146833	2	VINYL STRIP	20	WHITE VINYL STRIP, 1"X5", ADHES BACK
3	2146832	2	WARNING TAG	20	UFI WARNING TAG, ADHESIVE BACK
4	2146831	2	WARN LABEL	2	UFI WARNING LABEL - ENGLISH
5	2146831-2	2	WARN LABEL	2	UFI WARNING LABEL - SPANISH
6	2146831-3	2	WARN LABEL	2	UFI WARNING LABEL - PORTUGUESE
7	2146831-4	2	WARN LABEL	2	UFI WARNING LABEL - ITALIAN
8	2146831-5	2	WARN LABEL	2	UFI WARNING LABEL - GERMAN
9	2146831-6	2	WARN LABEL	2	UFI WARNING LABEL - FRENCH
10	2146831-7	2	WARN LABEL	2	UFI WARNING LABEL - CHINESE
11	2146831-8	2	WARN LABEL	2	UFI WARNING LABEL - JAPANESE