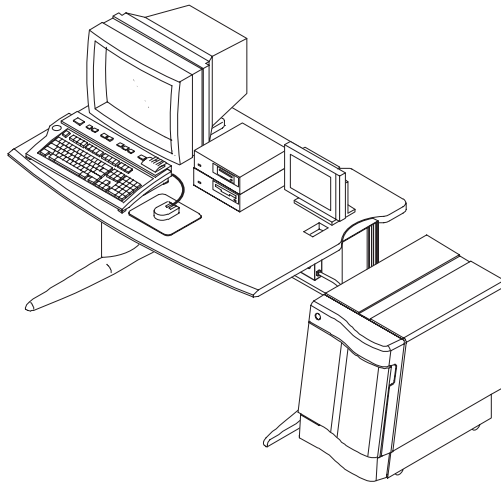


# SECTION 13 – OPERATOR WORKSPACE

## TABLE OF CONTENTS

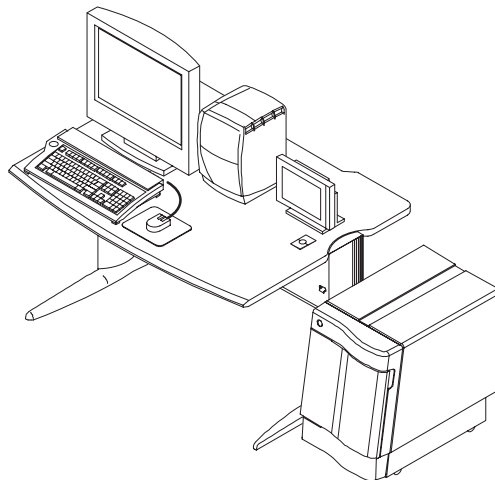
**SECTION**

**PAGE**



**13-1 INDIGO COMPUTER** ..... 13-3  
 Contains information on Indigo Computer, Cabinet and related components

INDIGO OPERATOR WORKSPACE TABLE COMPONENTS – BLACK & WHITE MONITOR ..... 13-3  
 INDIGO OPERATOR WORKSPACE TABLE COMPONENTS – COLOR MONITOR ..... 13-3  
 INDIGO OPERATOR WORKSPACE CABINET ..... 13-7



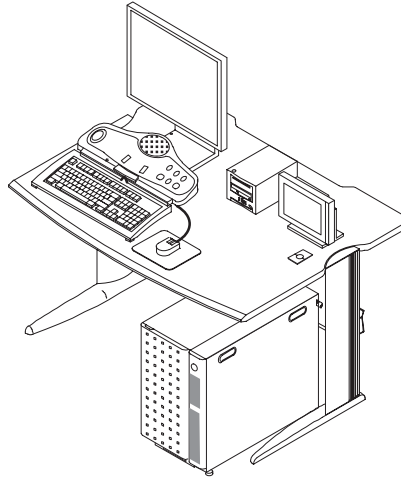
**13-2 OCTANE COMPUTER** ..... 13-15  
 Contains information on Octane and Octane II Computers, Cabinets and related components

OCTANE OPERATOR WORKSPACE TABLE COMPONENTS ..... 13-15  
 OCTANE OPERATOR WORKSPACE CABINET ..... 13-16

TABLE OF CONTENTS (continued)

SECTION

PAGE



**13-3 11.x EXCITE II with LINUX COMPUTER** ..... 13-40  
Contains information on Linux Computer, GOC Cabinet and related components

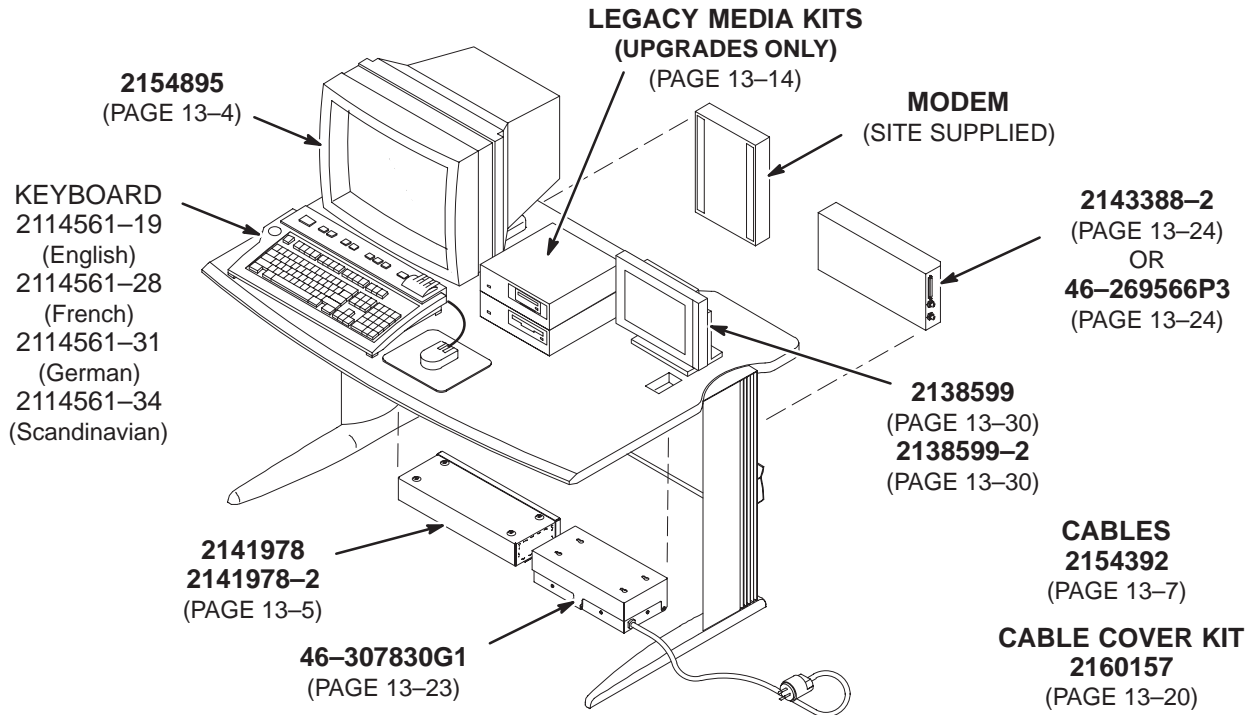
EXCITE II OPERATOR WORKSPACE TABLE COMPONENTS ..... 13-41

GOC CABINET ..... 13-42

13-1 INDIGO COMPUTER

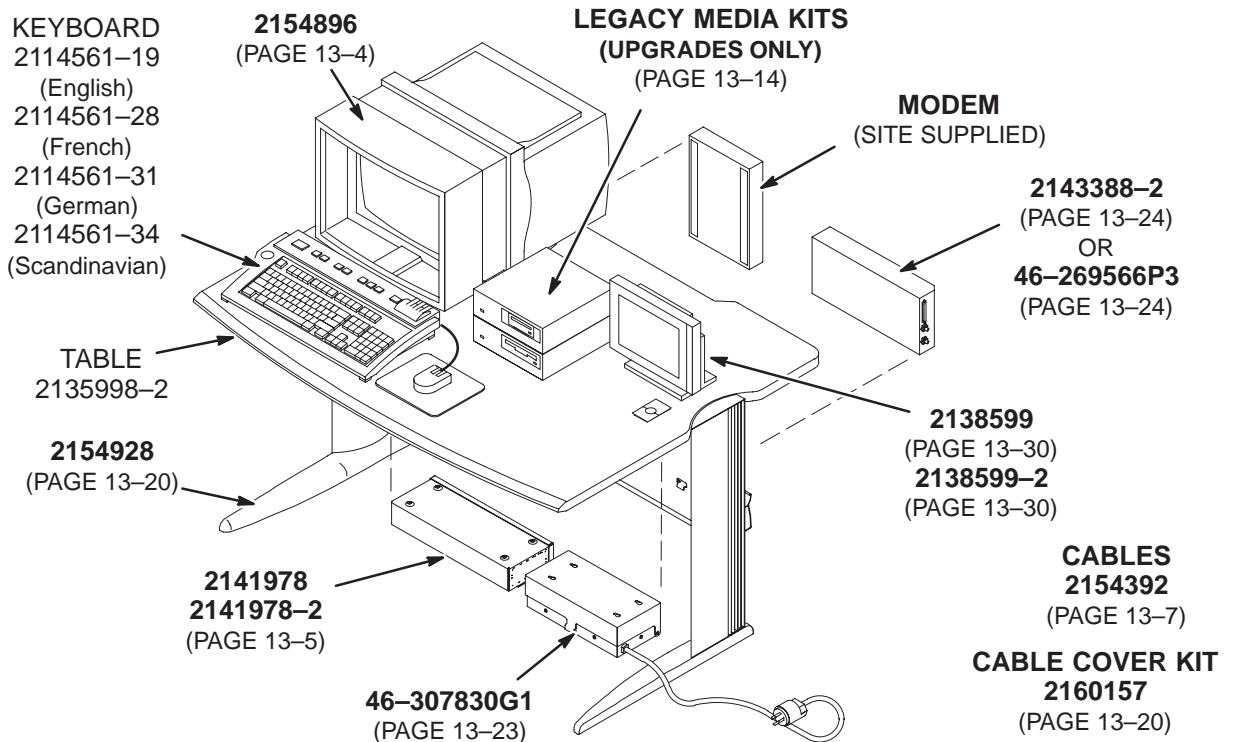
INDIGO OPERATOR WORKSPACE – BLACK & WHITE MONITOR

OW1 A1



INDIGO OPERATOR WORKSPACE – COLOR MONITOR

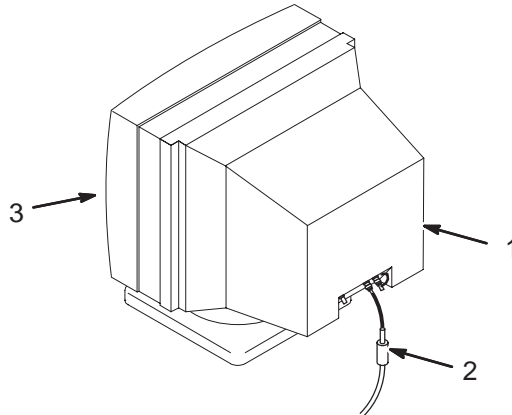
OW1 A1



8.x MONOCHROME MONITOR KIT

2154895

OW1 A1 A4



8.x MONOCHROME MONITOR KIT

2154895 FRU N

(PART OF M1000MY – SECTION 1)

Item	Part Number	FRU	Name	Quantity	Description (Remarks)
1	2133089	1	DISPLAY MNTR	1	SIGNA LIGHTNING DISPLAY MONITOR
2	2150533	1	CABLE ASM	1	(799) OW1A2A3 MONITOR TO OW1A4 VIDEO
3	46-328398G2	1	MON DISP KIT	1	LX MONITOR ADJUSTMENT KIT (SEE PAGE 13-4)

MONITOR ADJUSTMENT KIT

46-328398G2 FRU 1

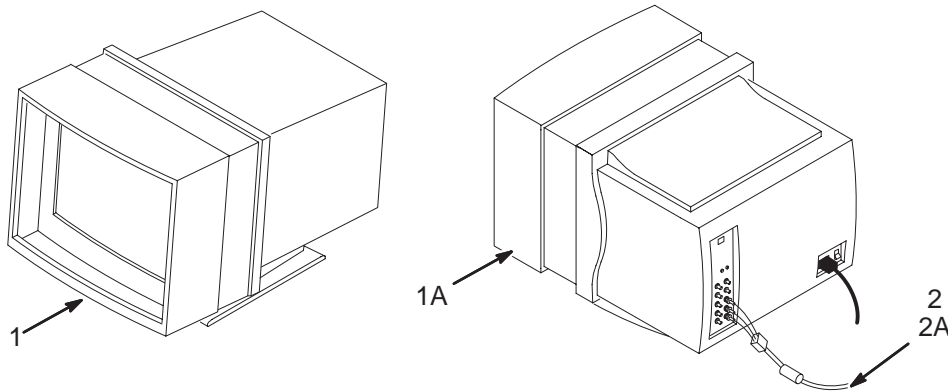
(PART OF 2154895 PAGE 13-4)

Item	Part Number	FRU	Name	Quantity	Description (Remarks)
2	46-328399P1	N	MAGNET,CERAM	20	CERAMIC MAGNET
3	46-328399P2	N	MAGNET,CERAM	20	2.00 LG X 1.00 HIGH X .187THK
4	46-170619P1	2	ADHESIVE	1	RTV SILICON RUBBER ADHESIVE SEALANT.

COLOR MONITOR KIT

2154896

OW1 A1 A6



COLOR MONITOR KIT

2154896 FRU N

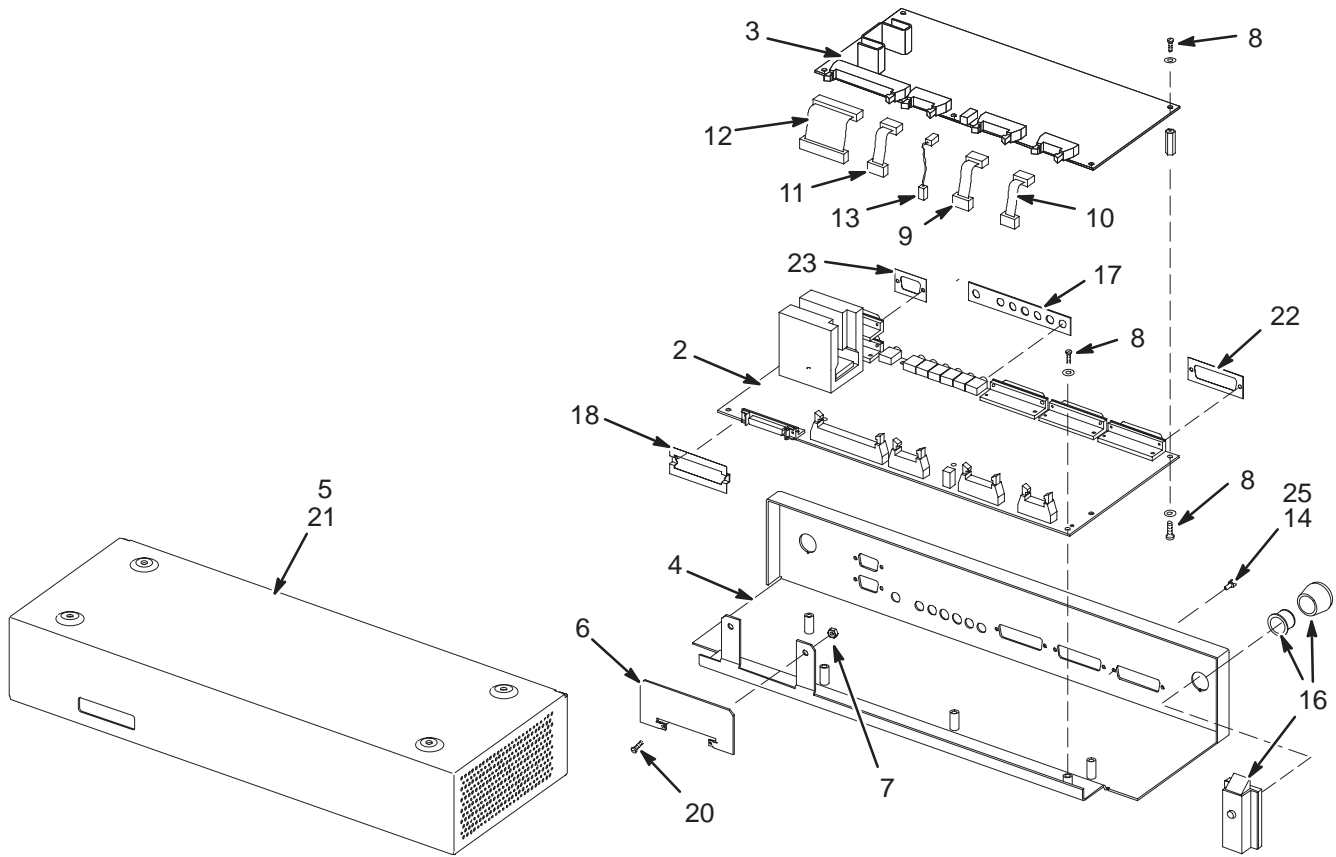
(PART OF M1000MZ – SECTION 1)

Item	Part Number	FRU	Name	Quantity	Description (Remarks)
1	2197655	1	MONITOR	1	BARCO COLOR MONITOR FOR LX2
1A	2141622	1	LX COLOR MON	ALT	LIGHTNING COLOR MONITOR
2	2150533-2	1	CABLE ASM	1	(821/798) OW1A2A3 MONITOR TO OW1A6R,G,B
2A	2177357	1	CABLE	ALT	COLOR VIDEO CABLE

8.x OPERATOR WORKSPACE INTERFACE MODULE

2141978

OW1 A1 A4



8.x OW INTERFACE MODULE

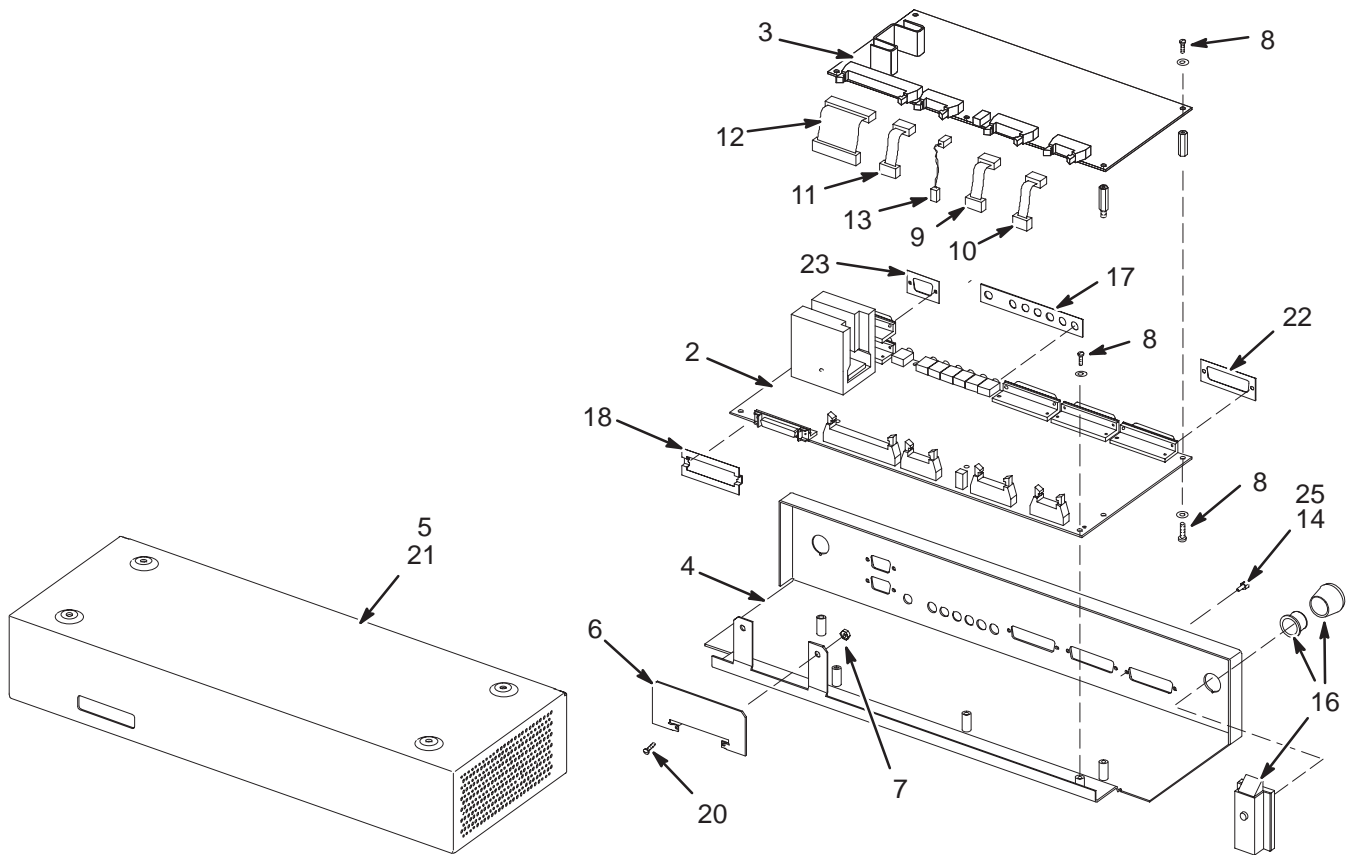
2141978 FRU 1

(PART OF M1000N & M1800N SERIES – SECTION 1)

Item	Part Number	FRU	Name	Quantity	Description (Remarks)
2	2141832	2	CIRCUIT BOAR	1	PERIPHERAL INTERFACE BOARD
3	2117167-4	1	CONSOLE INTE	1	CONSOLE INTERCOM PCB
4	2145691	2	I/F MOD COVR	1	INTERFACE MODULE COVER – BOARD MOUNT
5	2145690	2	I/F MOD COVR	1	INTERFACE MODULE COVER – DESK MOUNT
6	2145692	2	CLAMP	1	RETAINER CONNECTOR CLEARANCE HOLE
7	46-328425P1	2	NUT	2	NUT HEXAGON 4 MM
8	46-208924P6	2	MECHANICAL/M	10	DIN84 M4X0.7 X 8 STL F70B5A
9	2148299	2	CABLE ASM	1	LX I/F BD INTERCOM CABLE #4
10	2148298	2	CABLE ASM	1	LX I/F BD INTERCOM CABLE #3
11	2148297	2	CABLE ASM	1	LX I/F BD INTERCOM CABLE #2
12	2148296	2	CABLE ASM	1	LX I/F BD INTERCOM CABLE #1
13	2148301	2	CABLE ASM	1	LX I/F BD INTERCOM CABLE #5
14	46-221417P1	2	CONNECTOR	5	FEMALE SCREWLOCKS, TWO PER KIT
16	2105611	2	SLAM LATCH	2	HAND ACTUATED SLAM LATCH
17	2105758	N	AUDIO CONN	1	EMI SHIELD, AUDIO CONNECTORS
18	2105759	N	KEYBD CONN	1	EMI SHIELD, KEYBOARD CONNECTOR
20	46-170015P60	2	SCREW	2	00002-56 X 0.250 LG BIND HD STL INT
21	2152296	2	GASKET STRIP	1.260	EMI GASKET STRIP
22	46-221754P3	2	CONNECTOR	3	RFI GASKET USED WITH 25 PIN SUB-D
23	46-221754P1	2	CONNECTOR	2	RFI GASKET USED WITH 9 PIN SUB-D
25	46-170686P1	2	ADHESIVE	AR	LOCTITE 242, 0.5CC TUBE

8.x OPERATOR WORKSPACE INTERFACE MODULE 2141978-2

OW1 A1 A4

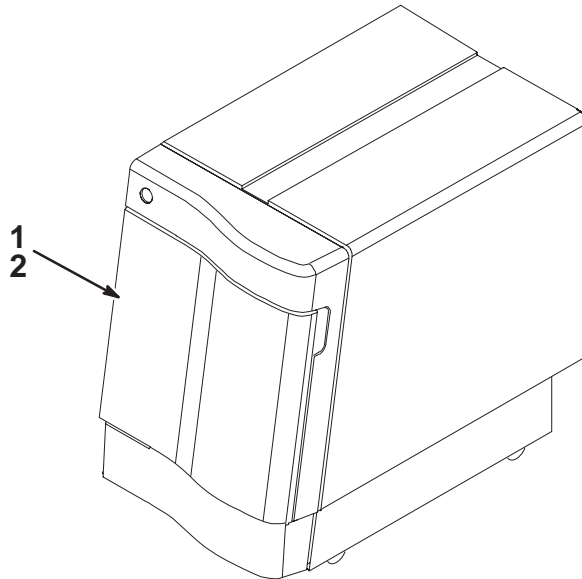


8.x OW INTERFACE MODULE 2141978-2 FRU 1 (PART OF M1000 & M1800 SERIES – SECTION 1)

Item	Part Number	FRU	Name	Quantity	Description (Remarks)
2	2141832-2	2	CIRCUIT BOAR	1	PERIPHERAL INTERFACE BOARD
3	2117167-4	1	CONSOLE INTE	1	CONSOLE INTERCOM PCB
4	2145691	2	I/F MOD COVR	1	INTERFACE MODULE COVER – BOARD MOUNT
5	2145690	2	I/F MOD COVR	1	INTERFACE MODULE COVER – DESK MOUNT
6	2145692	2	CLAMP	1	RETAINER CONNECTOR CLEARANCE HOLE
7	46-328425P1	2	NUT	2	NUT HEXAGON 4 MM
8	46-208924P6	2	MECHANICAL/M	10	DIN84 M4X0.7 X 8 STL F70B5A
9	2148299	2	CABLE ASM	1	LX I/F BD INTERCOM CABLE #4
10	2148298	2	CABLE ASM	1	LX I/F BD INTERCOM CABLE #3
11	2148297	2	CABLE ASM	1	LX I/F BD INTERCOM CABLE #2
12	2148296	2	CABLE ASM	1	LX I/F BD INTERCOM CABLE #1
13	2148301	2	CABLE ASM	1	LX I/F BD INTERCOM CABLE #5
14	46-221417P1	2	CONNECTOR	5	FEMALE SCREWLOCKS, TWO PER KIT
16	2105611	2	SLAM LATCH	2	HAND ACTUATED SLAM LATCH
20	46-170015P60	2	SCREW	2	00002-56 X 0.250 LG BIND HD STL INT
21	2152296	2	GASKET STRIP	1.260	EMI GASKET STRIP
22	46-221754P3	2	CONNECTOR	3	RFI GASKET USED WITH 25 PIN SUB-D
23	46-221754P1	2	CONNECTOR	2	RFI GASKET USED WITH 9 PIN SUB-D
25	46-170686P1	2	ADHESIVE	AR	LOCTITE 242, 0.5CC TUBE

INDIGO COMPUTER CABINET ASM WITH SOFTWARE 2163093

OW1 A2



INDIGO COMPUTER CAB W/ S/W 2163093-3 FRU N (PART OF 46-271000 8.x SERIES - SECTION 1)

Item	Part Number	FRU	Name	Quantity	Description (Remarks)
1	2136000-3	N	ASSEMBLY	1	SYSTEM COMPUTER (SEE PAGE 13-9)
2	2156158-7	2	COLLECTOR	1	LX LFC SOFTWARE COLLECTOR-M4 (SEE PAGE (13-7))

INDIGO LFC S/W COLLECTOR-M4 2156158-7 FRU 2 (PART OF 2163093 PAGE 13-7)

Item	Part Number	FRU	Name	Quantity	Description (Remarks)
1	2204244-4	1	LFC CDROM	1	APP S/W LFC - 8.2 M4 RELEASE
2	2204245-2	1	CD-ROM	1	LX IRIX OS RELEASE 6.2 M4
3	2204247	1	FLOPPY	1	LX2 PC BOOT FLOPPY M3 MEDIA
6	2202250	1	SOFTWARE	1	UPGRADE FOR WIN95 OPERATING SYS
10	2142726	2	MO MEDIA	2	DICOM MAGNETO OPTICAL DISK MEDIA (1.3GB)
11	2216271-2	1	MEDIA	1	LX MR PC CDROM APPS (M4)

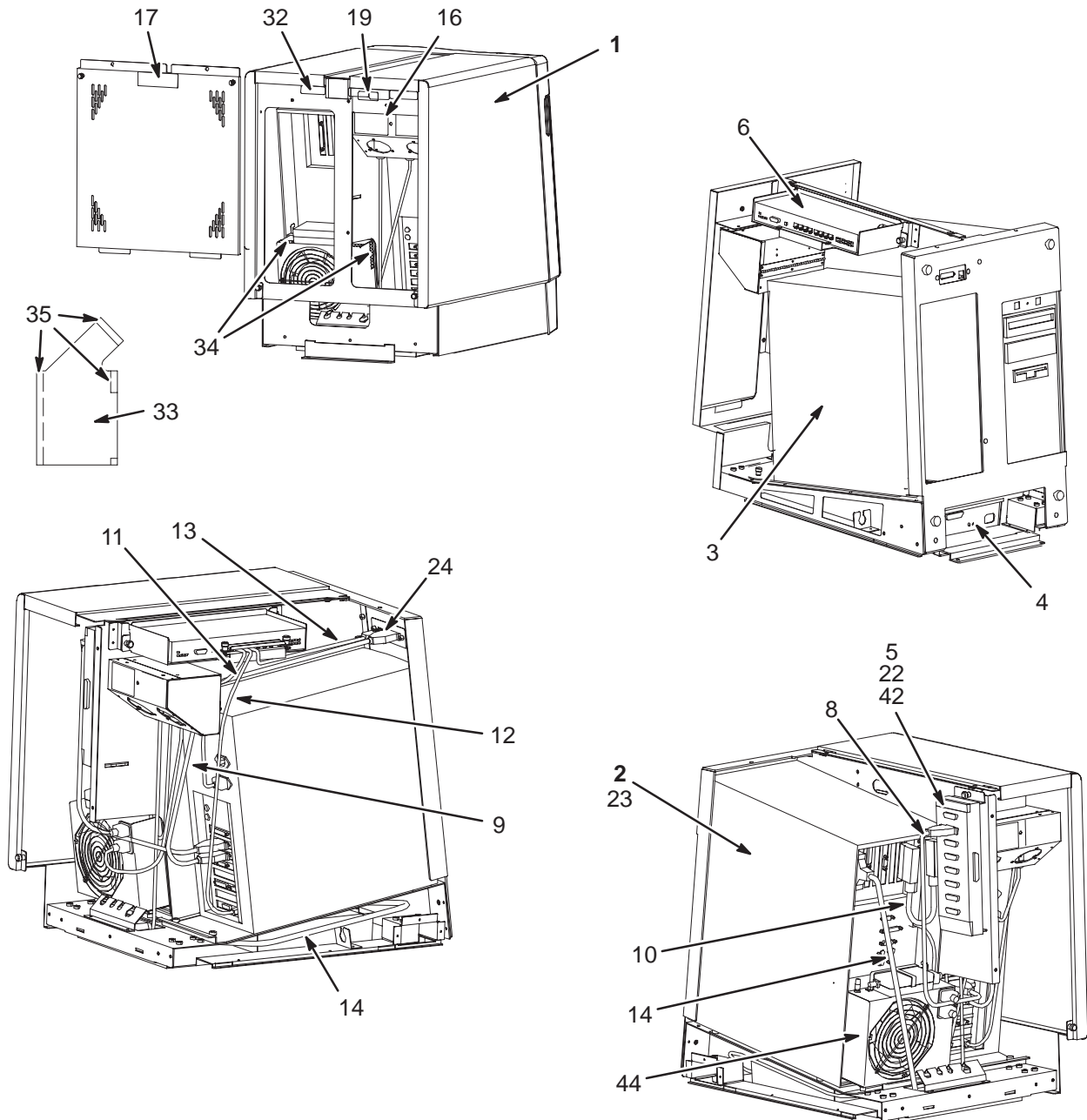
8.x INDIGO OW CABLES 2154392 FRU N (PART OF M1000N & M1800N SERIES - SECTION 1)

Item	Part Number	FRU	Name	Quantity	Description (Remarks)
2	2141980	2	CABLE	1	(796) OW1A1A4J8 TO OW1A2A3 KBD,MOUSE
4	2148289	2	CABLE	1	(793) OW1A1A4J9 TO OW1A2A1 KBD,MOUSE
6	2148293	2	CABLE	1	(795) OW1A1A4J17 TO OW1A2A3 PWR I/O
7	2153395	2	CABLE	1	(806) OW1A2A3 SER1 TO OW1A13 MODEM
8	2168505	2	CABLE	1	CERD SPIKE NOISE TEST CABLE

INDIGO SYSTEM COMPUTER CABINET

2136000-3

OW1 A2



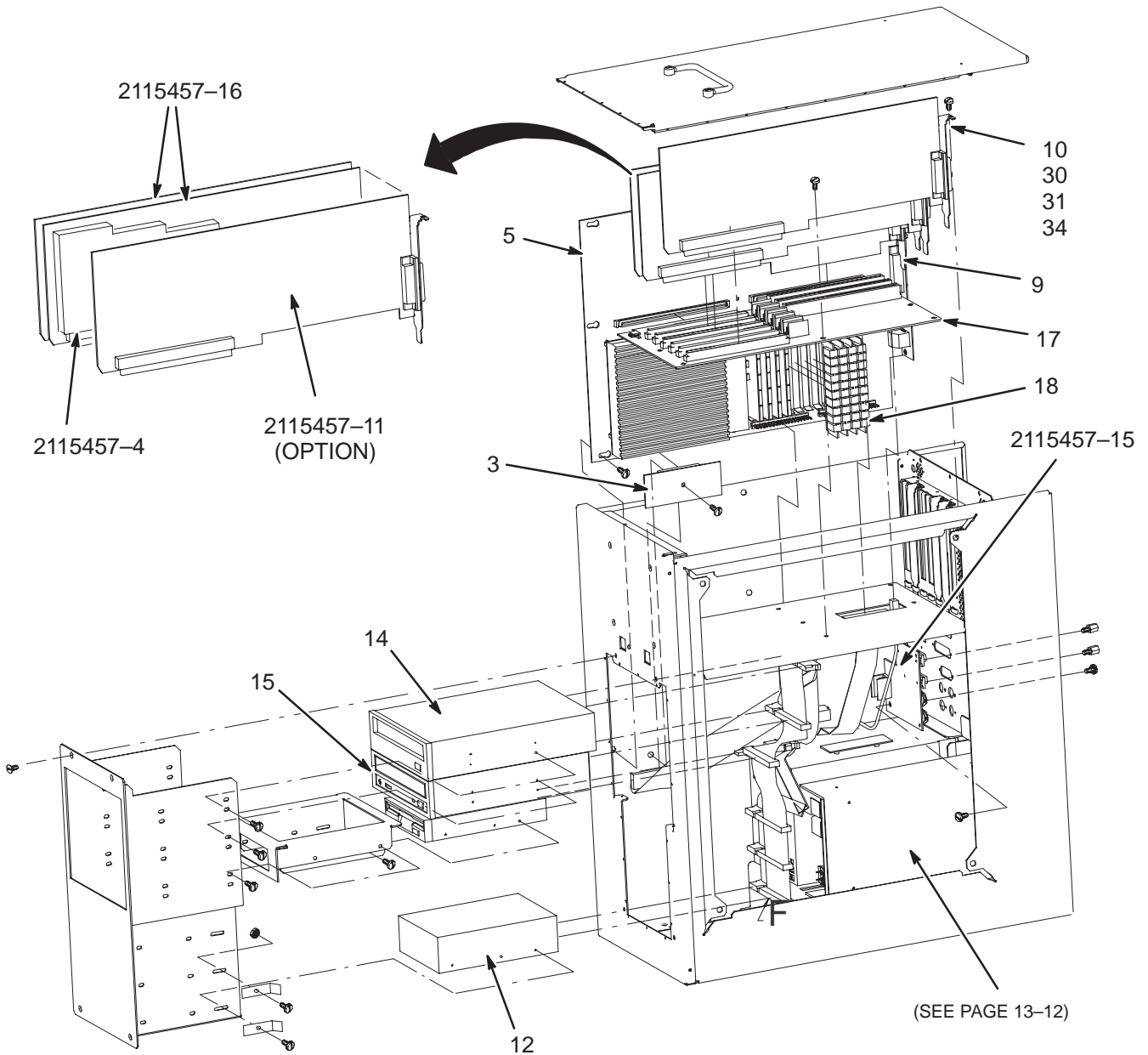
INDIGO SYSTEM COMPUTER CAB 2136000-3 FRU N (PART OF 2163093 PAGE 13-7)

Item	Part Number	FRU	Name	Quantity	Description (Remarks)
1	2135999	N	LX DUPLEX	1	COMPUTER CABINET FOR LIGHTNING (SEE PAGE 13-13)
2	2136001-2	N	LX BASE SYS	1	LIGHTNING HOST COMPUTER BASE SYST (SEE PAGE 13-11)
3	2137942	1	PC WORKSTATN	1	LIGHTNING PC WORKSTATION
4A	2149852	1	BIT 3 BOX	1	BIT 3 FIBER OPTIC INTERFACE 400-60
4B	2149852-3	1	BIT 3 BOX	ALT	BIT3 FIBEROPTIC I/F 400-60 REV M
5	2139035-5	1	SERIAL CARD	1	MTA(MODULAR TERMINAL ADAPTER) WITH 8 DB25 RS232 SERIAL PORTS
6	2142316	1	HUB	1	BAY NETWORKS, 800, 10BASE-T HUB
8	2148291	2	PART	1	LIGHTNING PC TO HOST SERIAL CABLE
9	2148292	2	PART	1	LIGHTNING PC SECURITY KEY CABLE
10	2151857	2	PART	1	CABLE, SERIAL PORT INTERCONNECT
11	2153396-2	2	PART	1	82 CM LX SHIELD LAN CABLE
12	2153396	2	PART	1	72 CM LX SHIELD LAN CABLE
13	2151181	2	CABLE	1	MODULAR JACK TO PLUG CABLE
14	2151277-3	2	CABLE	1	COPPER CONDUCTOR CABLE, 52"
16	2172316	2	WARNING LABE	1	DUPLEX POWER DISCONNECT WARNING LABL
17	2160390	2	WARNING LABE	1	DUPLEX POWER WARNING LABEL
19	2165323	2	LABEL	1	PDU ONLY POWER LABEL
22	2109873-15	2	SCREW	4	SCREW PAN HEAD 4 MM 12 MM
23	46-208908P49	2	SCREW	4	SCREW
24	2166263	2	SCREW	2	SCREW PAN HEAD 3 MM 8 MM
33	2175795-4	2	PART	1	BAFFLE, LX COMPUTER, W/O VELCRO
34	46-136246P11	2	TAPE	1	5/8" WIDE, BLK ADH BACK, VELCRO HOOK
35	46-136246P12	2	TAPE	1	0.625 WIDE X 25 YD,BLK,ADH BACK,LOOP
42	46-271920P3	2	CONNECTOR	1	CONNECTOR 25 CONTACTS 100 VOLTS 5 AM
44	2138601-8	2	HOST CPU CHS	1	FAN MODULE ASM

8.x HOST COMPUTER BASE SYSTEM

2136001

OW1 A2 A3



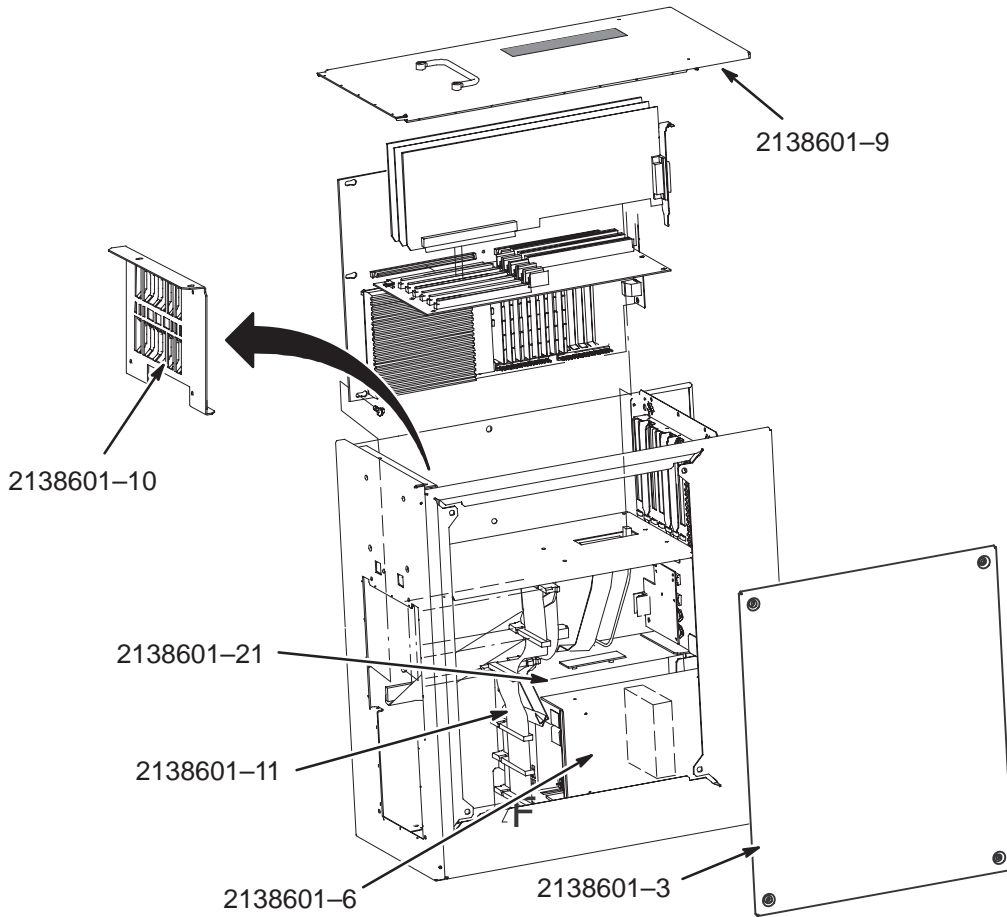
8.x HOST COMPUTER BASE SYSTEM 2136001 FRU N (PART OF 2136000 PAGE 13-9)

Item	Part Number	FRU	Name	Quantity	Description (Remarks)
3	2146710	1	CIRCUIT BOAR	1	LX SCSI IF BOARD
5	2115457-24	1	SGI SYS	1	MR STANDARD BUNDLED SYSTEM
9	2139035-2	1	SERIAL CARD	1	XIO EISA HALF-CARD FORM FACTOR
10	2124215-2	1	GIO 64 BIT3	1	GI064BUS CARD ADAPTER
12A	2185744	1	DISK DRIVE	1	QUANTUM ATLAS II 4.5 GIG ULTRA SCSI 3 DRIVE
12B	2180997	1	4GB DISK DRI	ALT	OC SYSTEM DISK
12C	2149866	1	HARD DISK	ALT	3.5" FULL HEIGHT 4.3GB SCSI-II HARD DISK
14	2140444-2	1	PART	1	MAGNETO OPTICAL DRIVE
15	2143385	1	CDROM DRIVE	1	RHAPSODE LFC/CBT DEVICE
17	2142755	1	MID-PLANE EX	1	MID-PLANE EXTENDER
18	2149503	1	MEMORY	4	MEMORY 60N SE; 72 SIM 8M X 36 BIT DYNAMIC RAM MODULE
21	2103585-2	2	SCREW	2	SCREW PAN HEAD 4 MM 10 MM
30	46-221754P3	2	CONNECTOR	2	RFI GASKET USED WITH 25 PIN SUB-D
31	46-221754P2	2	CONNECTOR	2	RFI GASKET USED WITH 15 PIN
34	46-221417P2	2	CONNECTOR	2	FEMALE SCREWLOCK FOR HD CONNECTORS
35	2209698	2	COVER	1	SLOTBLOCKER FOR SGI INDIGO COMPUTER
	2115457-4	1	BOARD PART	1	MARDI GRAS X,4 TRAM UPGRADE FOR M1,1 OR MG 2,1
	2115457-11	1	OPTION	1	VCR VIDEO: INDIGO2 MARDI GRAS VIDEO DAUGHTERBOARD
	2115457-15	1	CIRCUIT BOARD	1	FULLHOUSE I/O BOARD
	2115457-16	1	BOARD SET	1	MARDI GRAS 1,1 GRAPHICS BOARD (MG 1,1)
	2115457-21	1	POWER SUPPLY	1	MARDI GRAS POWER SUPPLY

HOST COMPUTER TOWER CHASSIS

2138601

OW1 A2 A3

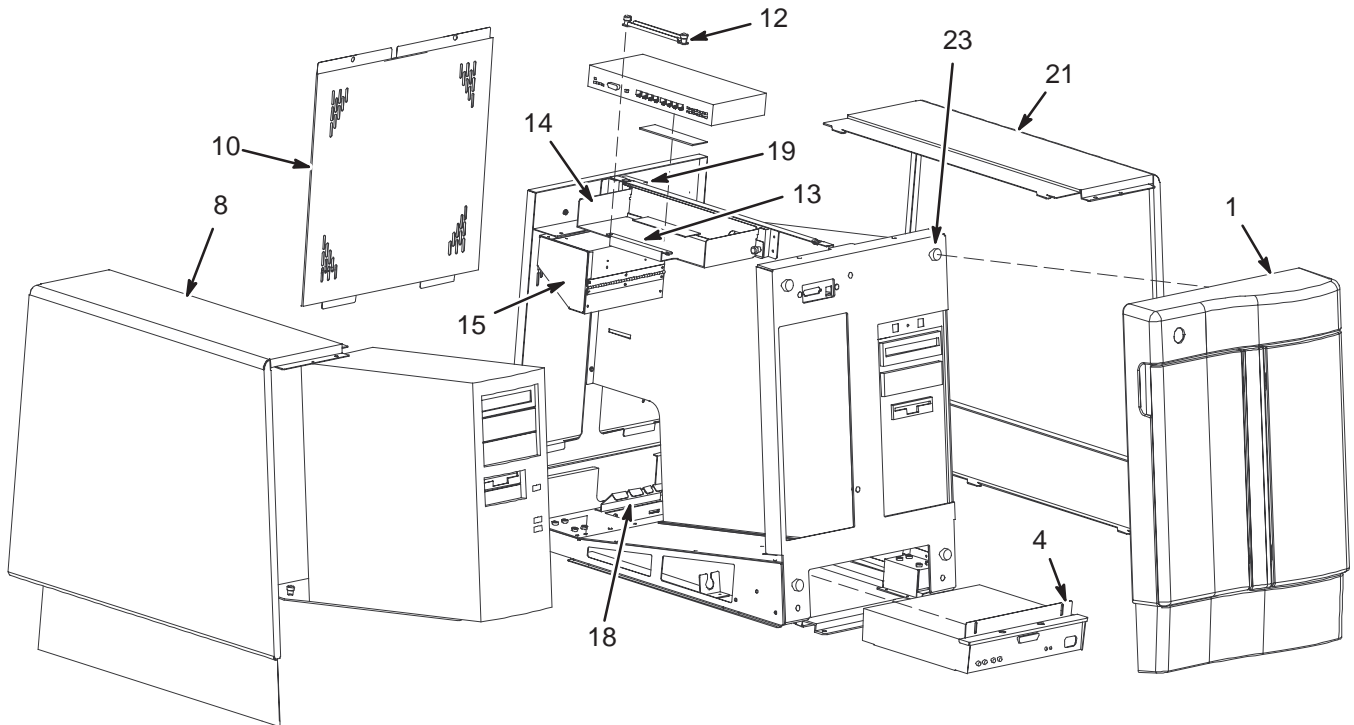


HOST COMPUTER TOWER CHASSIS      2138601    FRU N      (PART OF 2136001 PAGE 13-11)

Item	Part Number	FRU	Name	Quantity	Description (Remarks)
	2138601-3	1	COVER	1	SIDE COVER
	2138601-5	1	PS	1	POWER SUPPLY ZYTEC
	2138601-6	1	PS	1	AUXILIARY POWER SUPPLY TODD
	2138601-9	2	COVER	1	THERMAL MODIFIED TOP COVER
	2138601-10	2	PART	2	PCB GUIDE ASM
	2138601-11	1	CABLE	1	SCSI CABLE

INDIGO COMPUTER CABINET

2135999



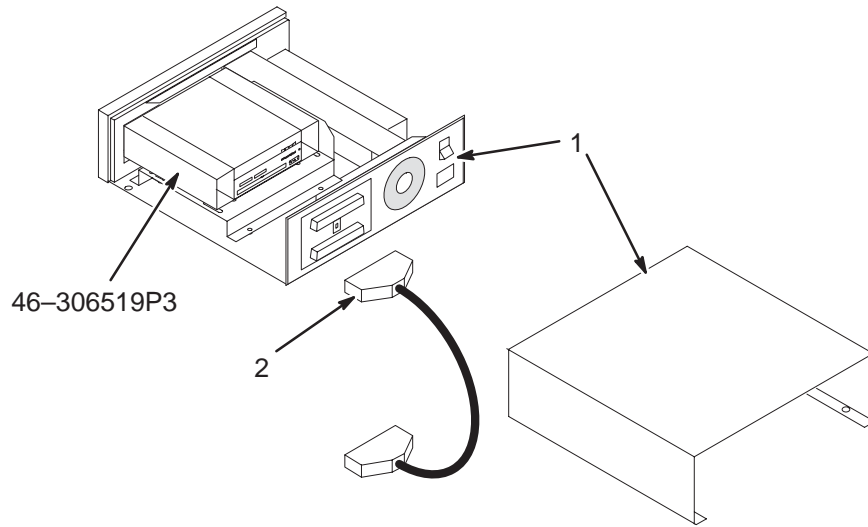
INDIGO COMPUTER CABINET                      2135999 FRU N                      (PART OF 2136000 PAGE 13-9)

Item	Part Number	FRU	Name	Quantity	Description (Remarks)
1	2135999-2	2	PART	1	COMPUTER CABINET FRONT BEZEL
4	2135999-3	2	PART	1	COMPUTER CABINET BIT 3 BRACKET
8	2135999-4	2	PART	1	COMPUTER CABINET LEFT COVER
10	2135999-5	2	PART	1	COMPUTER CABINET REAR DRESS PANEL
12	2135999-6	2	PART	1	COMPUTER CABINET T HUB CLAMP
13	2135999-7	2	PART	1	COMPUTER CABINET T HUB GASKET
14	2135999-8	2	PART	1	COMPUTER CABINET T HUB BRACKET
15	2135999-9	2	PART	1	COMPUTER CABINET AC POWER DISTRIBUTION BOX
18	2135999-10	2	PART	1	COMPUTER CABINET CARD BRACKET
19	2135999-11	2	PART	1	COMPUTER CABINET EXPANSION BRACKET
20	2135999-12	2	PART	1	COMPUTER CABINET SGI MOUNTING PLATE
21	2135999-13	2	PART	1	COMPUTER CABINET RIGHT COVER
23	2135999-16	N	PART	4	COMPUTER CABINET TIMMERMAN BALL STUD
28	2135999-14	2	PART	1	COMPUTER CABINET FRONT SKID BRACKET
29	2135999-15	2	PART	1	COMPUTER CABINET REAR SKID BRACKET

DAT HOUSING W/DAT

2164737

OW1 A14



DAT HOUSING W/DAT

2164737 FRU 2

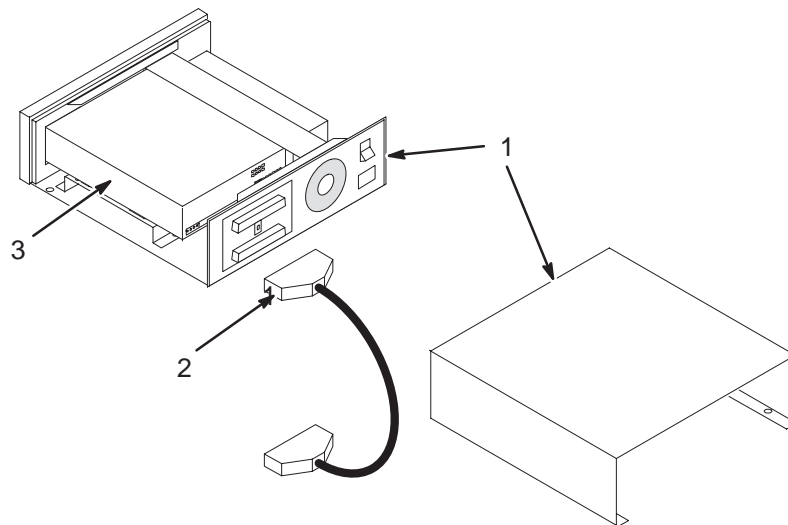
(PART OF M1090ML)

Item	Part Number	FRU	Name	Quantity	Description (Remarks)
1	2142293	1	MOD ENCLOSRE	1	MAGNETO OPTICAL DRIVE EXTERNAL ENCL
2	2110496-2	2	CABLE	1	SCSI CABLE - 1.5 FT

MOD CHASSIS W/DRIVE & CABLES

2164738

OW1 A14



MOD CHASSIS W/DRIVE & CABLES

2164738 FRU N

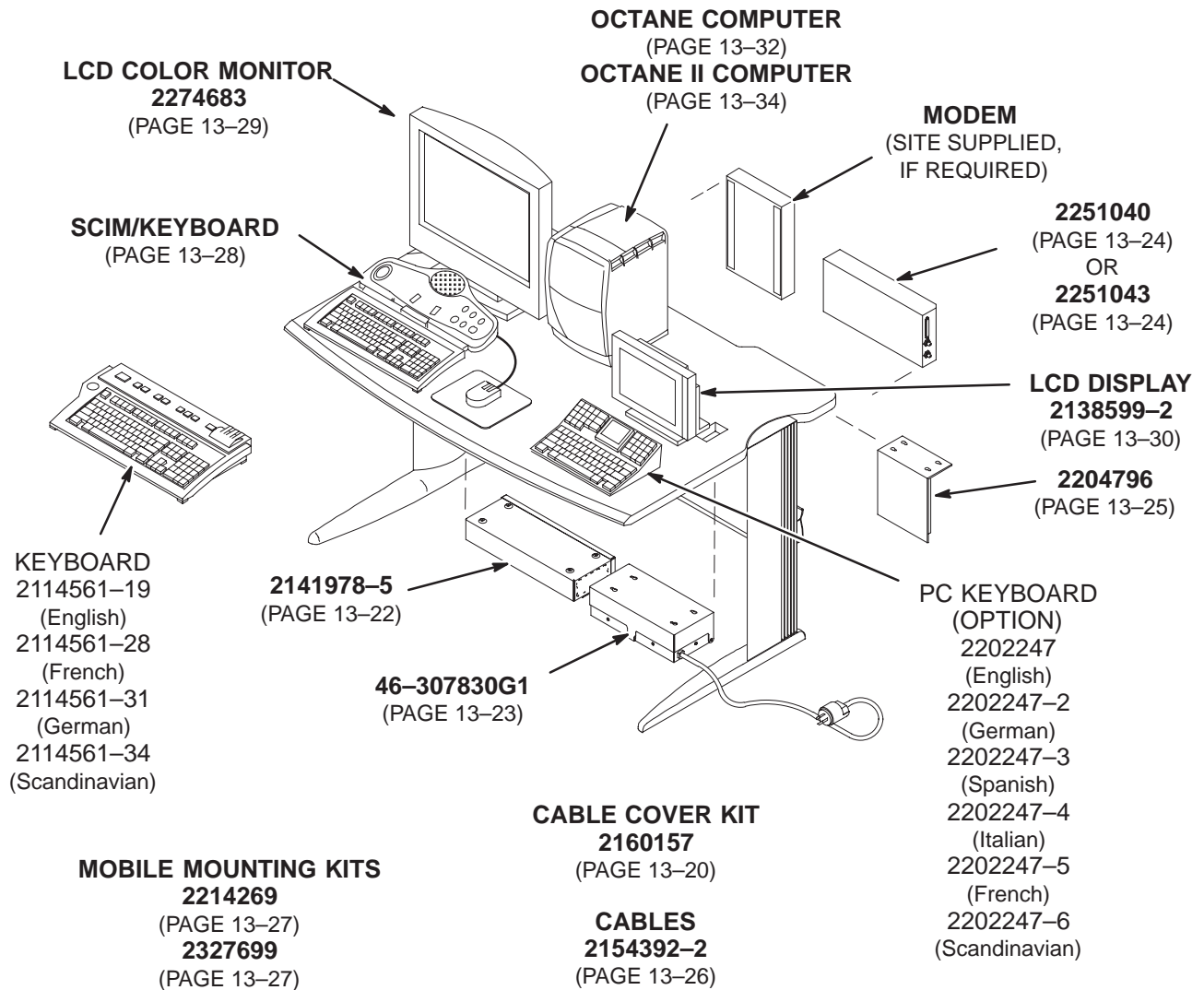
(PART OF M1000MN)

Item	Part Number	FRU	Name	Quantity	Description (Remarks)
1	2108048	1	EXTERNAL MOD	1	EXTERNAL MOD DRIVE W/ENCLOSURE
2	2110496-2	2	CABLE	1	SCSI CABLE - 1.5 FT
3	46-269578P1	N	MAG.OPT.MEDI	1	USE E8001P AS FIELD REPLACEMENT

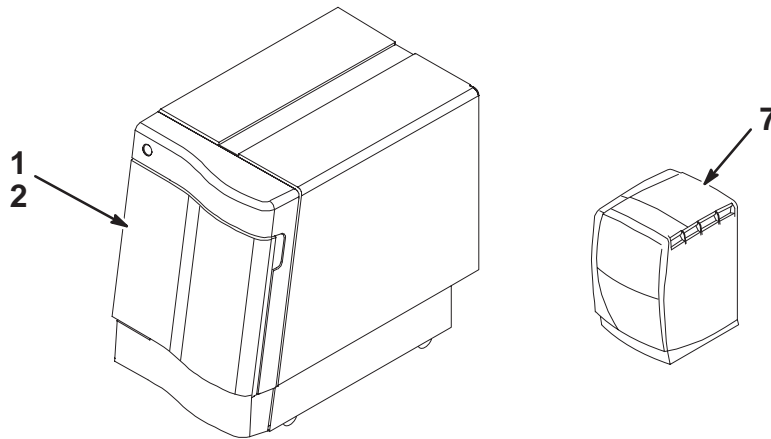
13-2 OCTANE COMPUTER

OCTANE OPERATOR WORKSPACE TABLE COMPONENTS

OW1 A1



OCTANE OPERATOR WORKSPACE SYSTEM with 8.x SOFTWARE



OCTANE OW SYSTEM W/8.x S/W                      2207030 FRU N                      (PART OF 46-271000 LX2 SERIES – SECTION 1)

Item	Part Number	FRU	Name	Quantity	Description (Remarks)
1	2189500	N	ASSEMBLY	1	LX2 SYSTEM COMPUTER ASM (SEE PAGE 13-36)
2	2156158-14	2	COLLECTOR	1	LX2 S/W COLLECTOR—825 M4 (SEE PAGE 13-18)
7A	2198999-2	N	ASSEMBLY	1	OCTANE SYS COMP 225 MHZ (SEE PAGE 13-32)
7B	2198999	N	ASSEMBLY	ALT	SGI OCTANE COMPUTER SYSTEM (SEE PAGE 13-32)

OCTANE OW SYSTEM W/CRM S/W                      2207030-2 FRU N                      (PART OF 46-271000G109 – SECTION 1)

Item	Part Number	FRU	Name	Quantity	Description (Remarks)
1	2189500	N	ASSEMBLY	1	LX2 SYSTEM COMPUTER ASM (SEE PAGE 13-36)
2	2156158-14	2	COLLECTOR	1	LX2 S/W COLLECTOR —825 M4 (SEE PAGE 13-18)
7A	2198999-2	N	ASSEMBLY	1	OCTANE COMPUTER SYSTEM 225 MHZ (SEE PAGE 13-32)
7B	2198999	N	ASSEMBLY	1	SGI OCTANE COMPUTER SYSTEM (SEE PAGE 13-32)

LX3 OCTANE OW W/8.3 S/W                      2207030-3 FRU N                      (PART 10 OF 46-271000G111 THRU G216 – SECTION 1)

Item	Part Number	FRU	Name	Quantity	Description (Remarks)
1A	2189500-3	N	ASSEMBLY	1	LX3 SYST COMP ASM W/ 1/100 BASE-T HUB (SEE PAGE 13-37)
1B	2189500-2	N	ASSEMBLY	1	LX3 SYSTEM COMPUTER ASM (SEE PAGE 13-37)
2	2156158-17	2	COLLECTOR	1	LX3 S/W COLLECTOR—8.3 M5 (SEE PAGE 13-18)
7A	2198999-4	N	ASSEMBLY	1	ENCORE LX3 OCTANE R12K COMP 270MHZ (SEE PAGE 13-32)
7B	2198999-3	N	ASSEMBLY	ALT	LX3 OCTANE COMPUTER (SEE PAGE 13-32)

LX3 PULSAR OCTANE W/8.4 S/W                      2207030-6 FRU N                      (PART 10 OF 46-271000G115 – SECTION 1)

Item	Part Number	FRU	Name	Quantity	Description (Remarks)
1	2189500-3	N	ASSEMBLY	1	LX3 SYS COMP ASM W/ 1/100 BASE-T HUB (SEE PAGE 13-37)
2	2156158-18	N	COLLECTOR	1	PULSAR S/W COLLECTOR—8.4 M4 (SEE PAGE 13-18)
7A	2198999-4	N	ASSEMBLY	1	OCTANE R12K COMP 270MHZ (SEE PAGE 13-32)
7B	2198999-3	N	ASSEMBLY	ALT	ENCORE LX3 OCTANE COMPUTER (SEE PAGE 13-32)

**LX3 TWIN/ACGD OCTANE W/9.x S/W 2207030-13 FRU N (PART 10 OF 46-271000G151 - SECTION 1)**

Item	Part Number	FRU	Name	Quantity	Description (Remarks)
1	2189500-3	N	ASSEMBLY	1	LX3 SYS COMP ASM W/ 1/100 BASE-T HUB (SEE PAGE 13-37)
2	2156158-28	1	COLLECTOR	1	LX 9.0 M4 S/W COLLECTOR (SEE PAGE 13-18)
7	2198999-8	N	ASSEMBLY	1	LX3 OCTN V10 R12KS 360MHZ_W/18GBHD (SEE PAGE 13-34)

**LX3 CNV4 OCTANE S/W 2207030-14 FRU N (PART 10 OF 46-271000G22 - SECTION 1)**

Item	Part Number	FRU	Name	Quantity	Description (Remarks)
1	2189500-3	N	ASSEMBLY	1	LX3 SYS COMP ASM W/ 1/100 BASE-T HUB (SEE PAGE 13-37)
2	2156158-29	N	COLLECTOR	1	CNV4 S/W COLLECTOR (SEE PAGE 13-18)
7A	2198999-4	N	ASSEMBLY	1	OCTANE R12K COMP 270MHZ (SEE PAGE 13-32)
7B	2198999-3	N	ASSEMBLY	ALT	ENCORE LX3 OCTANE COMPUTER (SEE PAGE 13-32)

**LX3 ACGD OCTANE W/9.x S/W 2207030-16 FRU N (PART 10 OF 46-271000G14, 15, 16, 17 - SECTION 1)**

Item	Part Number	FRU	Name	Quantity	Description (Remarks)
1A	2189500-3	N	ASSEMBLY	1	LX3 SYS COMP ASM W/ 1/100 BASE-T HUB (SEE PAGE 13-37)
1B	2189500-2	N	ASSEMBLY	ALT	LX3 SYS COMP ASM (SEE PAGE 13-37)
2	2156158-28	1	COLLECTOR	1	LX 9.0 M4 S/W COLLECTOR (SEE PAGE 13-18)
7	2198999-8	N	ASSEMBLY	1	LX3 OCTN V10 R12KS 360MHZ_W/18GBHD (SEE PAGE 13-34)

**LX3 EXCITE OCTANE2 W/10.0 S/W 2207030-19 FRU N (PART 10 OF 46-271000G46, 47 - SECTION 1)**

Item	Part Number	FRU	Name	Quantity	Description (Remarks)
1	2189500-3	N	ASSEMBLY	1	LX3 SYS COMP ASM W/ 1/100 BASE-T HUB (SEE PAGE 13-37)
2	2156158-34	N	COLLECTOR	1	S/W COLLECTOR EXCITE 10.0 M4
7	2198999-6	N	ASSEMBLY	1	MGD OCTANE V10 R12K COMP 360MHZ (SEE PAGE 13-35)

**LX3 INFINITY 9.1 OCTANE S/W 2207030-22 FRU N (PART 10 OF M3000TA - SECTION 1)**

Item	Part Number	FRU	Name	Quantity	Description (Remarks)
1	2189500-3	N	ASSEMBLY	1	LX3 SYS COMP ASM W/ 1/100 BASE-T HUB
2	2156158-36	1	COLLECTOR	1	S/W COLLECTOR—SIGNA INFINITY 9.1 M4
7	2198999-8	N	ASSEMBLY	1	LX3 OCTANE V10 R12KS 360MHZ_W/18GBHD

LX2 OCTANE SYS S/W-8.2.5 M4                      2156158-14 FRU 2                      (PART 2 OF 2207030 PAGE 13-16)  
 (PART 2B OF 2207030-2 PAGE 13-16)

Item	Part Number	FRU	Name	Quantity	Description (Remarks)
1	2204244-9	1	LFC CDROM	1	APP S/W LFC - 8.2.5.9927C (M4)
2	2212597	1	CD-ROM	1	LX IRIX OS RELEASE 6.4
9	2214164	2	2.3GB MOD ME	1	5.25" 2.3GB 512 BYTES/SECTOR MOD

LX3 OCTANE SYS S/W-8.3 M5                      2156158-17 FRU 2                      (PART 2 OF 2207030-3 PAGE 13-16)

Item	Part Number	FRU	Name	Quantity	Description (Remarks)
1	2204244-11	1	LFC CDROM	1	APP S/W LFC FOR M5
2	2256092-3	1	MEDIA	1	SIGNA HORIZON LX IRIX 6.5 OS
9	2214164	2	2.3GB MOD ME	1	5.25" 2.3GB 512 BYTES/SECTOR MOD
10	2274462-2	1	MEDIA	1	8.3 POST M5 PATCH CD-ROM

LX3 PULSAR S/W-8.4 M4                      2156158-18 FRU N                      (PART 2 OF 2207030-3 PAGE 13-16)

Item	Part Number	FRU	Name	Quantity	Description (Remarks)
1	2204244-14	1	LFC CDROM	1	APP S/W LFC FOR PULSAR 8.4
2	2256092-3	1	MEDIA	1	SIGNA HORIZON LX IRIX 6.5 OS
9	2214164	2	2.3GB MOD ME	1	5.25" 2.3GB 512 BYTES/SECTOR MOD

LX3 OCTANE S/W-9.0 M4                      2156158-28 FRU 1                      (PART 2 OF 2207030-13 PAGE 13-17)  
 (PART 2 OF 2207030-16 PAGE 13-17)

Item	Part Number	FRU	Name	Quantity	Description (Remarks)
1	2204244-26	N	LFC CDROM	1	APP S/W LFC RELEASE 9.0 M4
2	2256092-5	N	MEDIA	1	SIGNA HORIZON LX IRIX OS OCTANE CDS
3	2283323-3	N	MEDIA	1	SIGNA HORIZON LX IRIX BOOT OCTANE
4	2214164	N	2.3GB MOD ME	1	5.25" 2.3GB 512 BYTES/SECTOR MOD
5	2323302-3	N	CD ROM	1	SIGNA HORIZON LX IRIX VCR/PRINTER
6	2327548-3	N	CD-ROM	1	SIGNA LX PATCH FOR 9.0 M4, SW004
7	2350782	N	CD-ROM	1	RELEASE 9.0 SRFD2 SUPPORT PATCH CD

LX3 CNV4 S/W                      2156158-29 FRU N                      (PART 2 OF 2207030-14 PAGE 13-17)

Item	Part Number	FRU	Name	Quantity	Description (Remarks)
1	2204244-24	N	LFC CDROM	1	APP S/W LFC CNV4 S/W COLLECTOR
2	2256092-4	N	MEDIA	1	SIGNA HORIZON LX IRIX OS OCTANE CDS
9	2214164	2	2.3GB MOD ME	1	5.25" 2.3GB 512 BYTES/SECTOR MOD
10	2283323	N	MEDIA	1	SIGNA HORIZON LX IRIX BOOT OCTANE CD-ROM
13	2250664	1	MEDIA	1	SGD PERFORMANCE OPTION SOFTWARE MOD
14	2210001	1	MEDIA	1	ECHOSPEED OPTION KEY COLLECTOR

OW TABLE/DESKTOP KIT

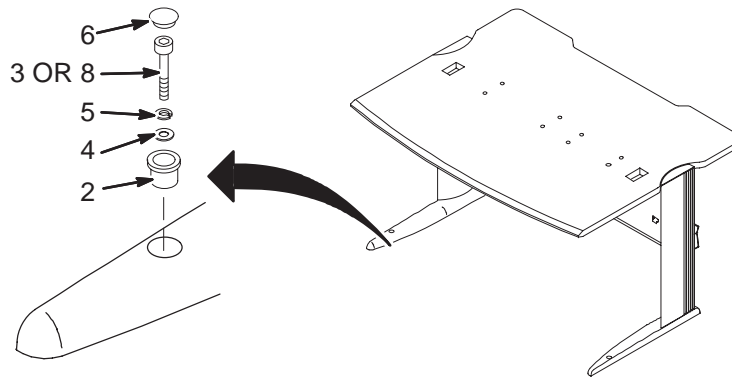
2321156 FRU N

(PART 16 OF M3000AB PAGE 1-49)  
 (PART 16 OF M3000AC PAGE 1-49)  
 (PART 16 OF M3000AD PAGE 1-49)  
 (PART 16 OF M3000AE PAGE 1-49)  
 (PART 16 OF M3800AA PAGE 1-56)  
 (PART 16 OF M3800AB PAGE 1-56)  
 (PART 16 OF M3800AD PAGE 1-56)  
 (PART 16 OF M3000TA PAGE 1-72)

Item	Part Number	FRU	Name	Quantity	Description (Remarks)
1A	2141978-6	1	WKSP I/F MOD	1	LX WORKSPACE INTERFACE MODULE (SEE PAGE 13-22)
1B	2141978-5	1	WKSP I/F MOD	1	LX WORKSPACE INTERFACE MODULE (SEE PAGE 13-22)
2A	2363727	1	MONITOR	1	15" MONITOR W/VIDEO & PWR CABLE (SEE PAGE 13-30)
2B	2296617	1	MONITOR	1	12.1" MONITOR W/CABLE & PWR SUPPLY (SEE PAGE 13-30)
3	2154392-2	1	COLLECTOR	1	OPERATOR WORKSTATION CABLES/LX2 (SEE PAGE 13-26)
4	46-307830G1	N	POWER MODULE	1	POWER DISTRIBUTION BOX (SEE PAGE 13-23)
5	2160157	N	CABLE COVER	1	LIGHTNING CABLE COVER KIT
6	2204796	2	ASSEMBLY	1	CENTRAL DATA SERIAL EXPANSION & MTG (SEE PAGE 13-25)
7	2166395	N	MOUSE PAD	1	MOUSE PAD FOR SIGNA HORIZON LX
8	46-317758P1	2	ALERT SYSTEM	1	PNEUMATIC PATIENT ALERT SYSTEM (SEE PAGE 1-115)

COLOR MONITOR TABLE TIE DOWN KIT

2154928



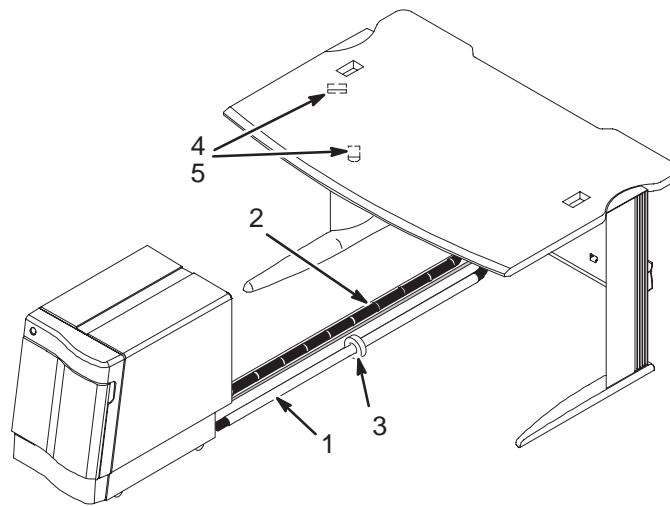
COLOR MONITOR TABLE TIE DOWN KIT 2154928 FRU 2

(PART OF M1000MW – SECTION 1)

Item	Part Number	FRU	Name	Quantity	Description (Remarks)
2	2151454	N	PART	2	STAINLESS STEEL 3/4" ROUND BUSHING
3	2168250	N	CAPSCREW	2	1/4-20 X 1 3/4 18-8 SST HEX SOCKET
4	2168251	N	FLAT WASHER	6	6.4M ID X 12.5 OD X 1.6 THK 18-8 SST
5	2168252	N	LOCK WASHER	2	.363 OD X .260 ID X .078 THK 18-8SST
6	2168253	N	ANCHOR	2	1/4-20 X .375 OD ZINC PLATED STEEL
7	2168254	N	PLUG .50 DIA	2	.500 HEYCO BLACK NYLON PLUG
8	2168780	N	PART	2	1/4-20X2" 18-8 SST HEX SOCKET CAPSCR
9	2168781	N	TOOL	1	SETTING TOOL FOR DROP-IN ANCHOR RAWL

8.x CABLE COVER KIT

2160157



8.x CABLE COVER KIT

2160157 FRU N

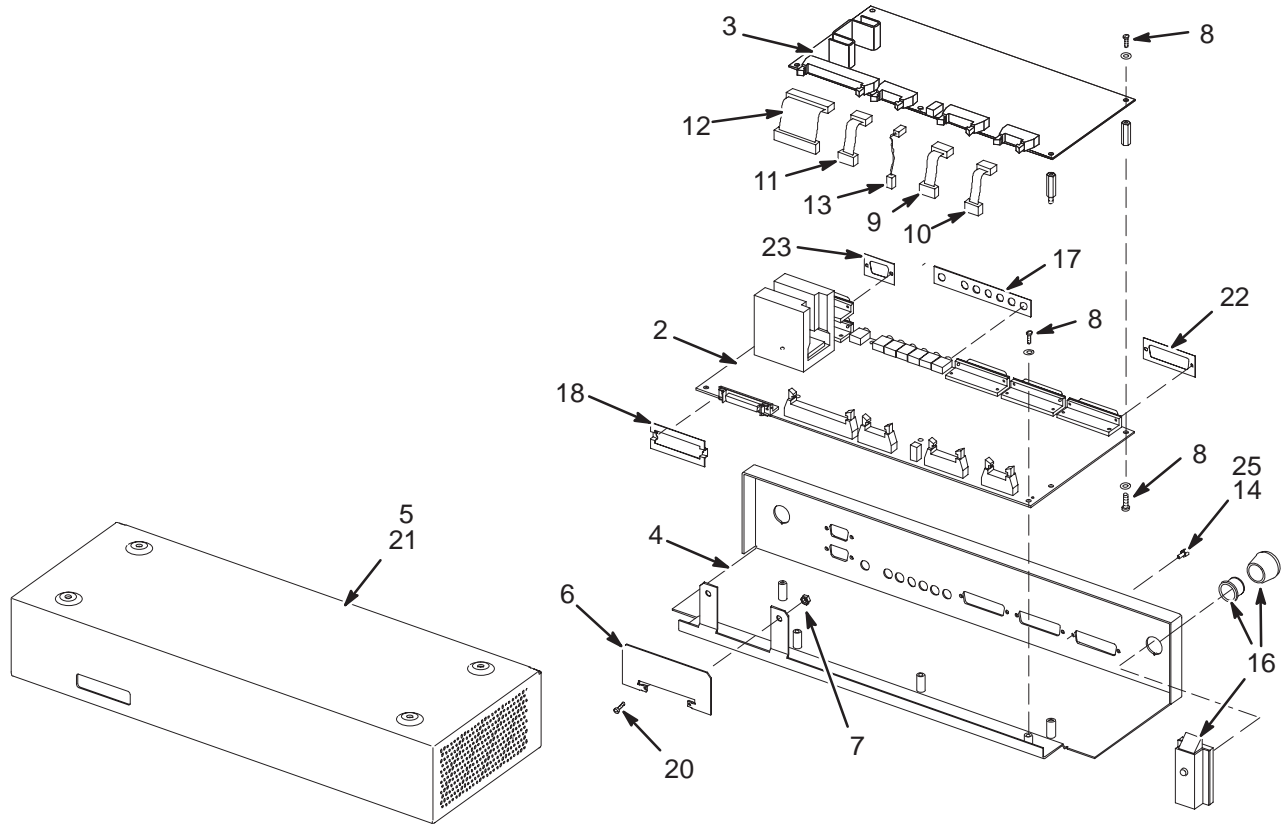
(PART OF M1000N & M1800N SERIES – SECTION 1)

Item	Part Number	FRU	Name	Quantity	Description (Remarks)
1	46-307872P1	2	CABLE COVER	2	CABLE COVER
2	46-208758P3	2	TY-RAP	20	7.31" X .184" SELF-LOCKING CABLE TIE
3	46-307873P1	2	CLAMP	2	CLAMP
4	2290671	2	CLAMP	2	ROUND CABLE CLAMP, ADJUSTABLE
5	2290672	2	SCREW	2	SCREW- INCH PAN HEAD .14 INCHES .58

8.x OPERATOR WORKSPACE INTERFACE MODULE

2141978-5

OW1 A1 A4



8.x OW INTERFACE MODULE

2141978-5 FRU 1

(PART 1 OF 2321156 PAGE 13-19)  
(PART OF M1000 & M1800 - SECTION 1)

Item	Part Number	FRU	Name	Quantity	Description (Remarks)
2	2141832-5	2	CIRCUIT BOAR	1	PERIPHERAL INTERFACE BOARD
3A	2204382	1	CIRCUIT BOAR	1	CONSOLE INTERCOM BOARD
3B	2117167-4	1	CONSOLE INTE	ALT	CONSOLE INTERCOM PCB
4	2145691	2	I/F MOD COVR	1	INTERFACE MODULE COVER - BOARD MOUNT
5	2145690	2	I/F MOD COVR	1	INTERFACE MODULE COVER - DESK MOUNT
6	2145692	2	CLAMP	1	RETAINER CONNECTOR CLEARANCE HOLE
7	46-328425P1	2	NUT	2	NUT HEXAGON 4 MM
8	46-208924P6	2	SCREW	10	SCREW
9	2148299	2	CABLE ASM	1	LX I/F BD INTERCOM CABLE #4
10	2148298	2	CABLE ASM	1	LX I/F BD INTERCOM CABLE #3
11	2148297	2	CABLE ASM	1	LX I/F BD INTERCOM CABLE #2
12	2148296	2	CABLE ASM	1	LX I/F BD INTERCOM CABLE #1
13	2148301	2	CABLE ASM	1	LX I/F BD INTERCOM CABLE #5
14	46-221417P1	2	CONNECTOR	5	FEMALE SCREWLOCKS, TWO PER KIT
16	2105611	2	SLAM LATCH	2	HAND ACTUATED SLAM LATCH
20	46-170015P60	2	SCREW	2	SCREW
21	2152296	2	GASKET STRIP	1.260	EMI GASKET STRIP
22	46-221754P3	2	CONNECTOR	3	RFI GASKET USED WITH 25 PIN SUB-D
23	46-221754P1	2	CONNECTOR	2	RFI GASKET USED WITH 9 PIN SUB-D
25	46-170686P1	2	ADHESIVE	AR	LOCTITE 242, 0.5CC TUBE

LX OW INTERFACE MODULE

2141978-6 FRU 1

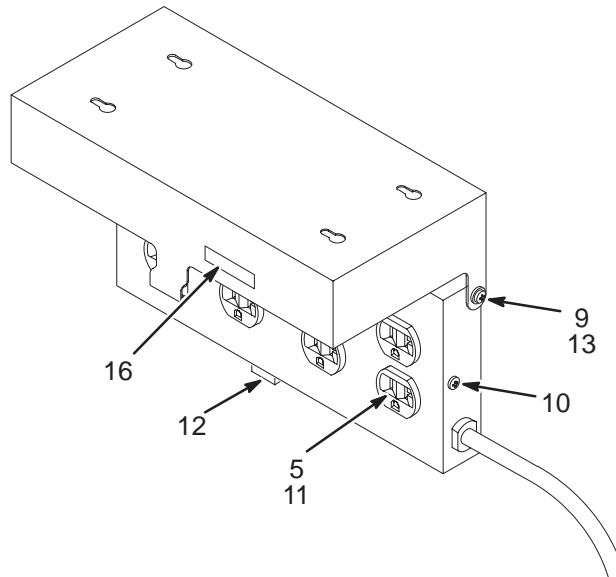
(PART 1 OF 2321156 PAGE 13-19)

Item	Part Number	FRU	Name	Quantity	Description (Remarks)
2	2141832-5	2	CIRCUIT BOAR	1	PERIPHERAL INTERFACE BOARD
3A	2204382	1	CIRCUIT BOAR	1	CONSOLE INTERCOM BOARD
3B	2117167-4	1	CONSOLE INTE	ALT	CONSOLE INTERCOM PCB
4	2145691	2	I/F MOD COVR	1	INTERFACE MODULE COVER - BOARD MOUNT
5	2145690	2	I/F MOD COVR	1	INTERFACE MODULE COVER - DESK MOUNT
6	2145692	2	CLAMP	1	RETAINER CONNECTOR CLEARANCE HOLE
7	46-328425P1	2	NUT	2	NUT HEXAGON 4 MM
8	46-208924P6	2	SCREW	10	SCREW
9	2148299	2	CABLE ASM	1	LX I/F BD INTERCOM CABLE #4
10	2148298	2	CABLE ASM	1	LX I/F BD INTERCOM CABLE #3
11	2148297	2	CABLE ASM	1	LX I/F BD INTERCOM CABLE #2
12	2385997	2	CABLE ASM	1	WIM CONTROL CABLE
13	2148301	2	CABLE ASM	1	LX I/F BD INTERCOM CABLE #5
14	46-221417P1	2	CONNECTOR	5	FEMALE SCREWLOCKS, TWO PER KIT
16	2105611	2	SLAM LATCH	2	HAND ACTUATED SLAM LATCH
20	46-170015P60	2	SCREW	2	SCREW
21	2152296	2	GASKET STRIP	1.260	EMI GASKET STRIP
22	46-221754P3	2	CONNECTOR	3	RFI GASKET USED WITH 25 PIN SUB-D
23	46-221754P1	2	CONNECTOR	2	RFI GASKET USED WITH 9 PIN SUB-D
25	46-170686P1	2	ADHESIVE	AR	LOCTITE 242, 0.5CC TUBE

8.x POWER DISTRIBUTION BOX

46-307830G1

OW1 A1 A1



8.x POWER DISTRIBUTION BOX

46-307830G1 FRU N

(PART 4 OF 2321156 PAGE 13-19)  
(PART OF M1000 & M1800 SERIES - SECTION 1)

Item	Part Number	FRU	Name	Quantity	Description (Remarks)
5	46-287941P1	2	CONNECTOR	4	20 AMP, 125V, DUPLEX RECEPTACLE,
9	46-328421P13	2	SCREW	2	SCREW PAN 4 MM 8 MM
10	46-328421P22	2	SCREW	6	SCREW PAN 6 MM 8 MM
11	46-328425P1	2	NUT	8	NUT HEXAGON 4 MM
12	46-301852P1	2	LATCH	1	LATCH ASM FOR SLAM-LATCH COVERS
13	46-328431P1	2	WASHER	2	WASHER PLAIN - LARGE 4.3 MM
16	2165323	2	LABEL	1	LABEL ELECTRICAL

**8.x DIGITAL DASM FILMING I/F                    2143388-2 FRU 1                    (PART OF M1000MK – SECTION 1)**

<b>Item</b>	<b>Part Number</b>	<b>FRU</b>	<b>Name</b>	<b>Quantity</b>	<b>Description (Remarks)</b>
	2143388-3	1	DASM/LCAM	1	DASM/LCAM ONLY FOR CT/MR
	2143388-4	1	CABLE	1	50P/37P/25P Y-CABLE FOR CT/MR
	2163386	2	CABLE	1	SCSI CABLE (RUN 807)
	46-269601P5	1	TERMINATOR	1	SCSI TERMINATOR

**8.x ANALOG DASM FILMING I/F                    46-269566P3 FRU 1                    (PART OF M1000MJ – SECTION 1)**

<b>Item</b>	<b>Part Number</b>	<b>FRU</b>	<b>Name</b>	<b>Quantity</b>	<b>Description (Remarks)</b>
	46-269566P5		DASM/LCAM	1	REPLACEMENT DASM/VDB UNIT
	46-269566P7		CABLE	1	SCSI CABLE (RUN 807)
	46-269566P8		TERMINATOR	1	SCSI TERMINATOR
	46-269566P9		CABLE	1	25P/37P STUB CABLE

**8.x ANALOG DASM II VDB                    2251040 FRU N                    (PART OF M1000MJ – SECTION 1)**

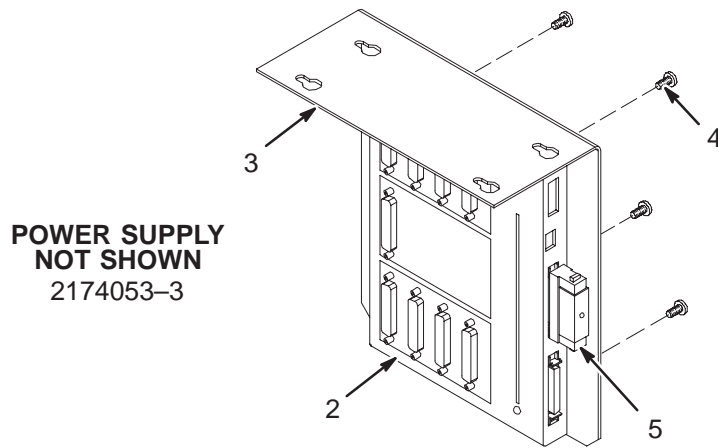
<b>Item</b>	<b>Part Number</b>	<b>FRU</b>	<b>Name</b>	<b>Quantity</b>	<b>Description (Remarks)</b>
1	2249894-3	1	DASM-2 VDB	1	ANALOG DASM II VDB WITH FIRMWARE
2	2163386	2	CABLE	1	(807) OW1A5 DASM TO OW1A2A3 HOST

**8.x DIGITAL DASM II LCAM                    2251043 FRU N                    (PART OF M1000MK – SECTION 1)**

<b>Item</b>	<b>Part Number</b>	<b>FRU</b>	<b>Name</b>	<b>Quantity</b>	<b>Description (Remarks)</b>
1	2249895	1	DASM-II LCAM	1	DIGITAL DASM II CAM
2	2163386	2	CABLE	1	(807) OW1A5 DASM TO OW1A2A3 HOST
3	2150320	2	PART	1	37 PIN RS485 TYPE ADAPTEUR MALE/MALE

CENTRAL DATA SERIAL EXPANSION BOX ASM 2204796

OW1 A16



SERIAL EXPANSION BOX ASM 2204796 FRU N

(PART 6 OF 2321156 PAGE 13-19)  
(PART OF M1000 & M1800 SERIES - SECTION 1)

Item	Part Number	FRU	Name	Quantity	Description (Remarks)
2	2189510	1	EXPANSION BOX	1	SCSI 8 PORT SERIAL EXPANSION BOX
	2174053-2	1	EXPANSION BOX	ALT	SERIAL PORT EXPANDER (SPE) MODULE ONLY SUPPLIED AS SPARE PART
	2170453-3	1	POWER CORD	1	SPARE SERIAL EXPANDER POWER SUPPLY
3	2198593	2	BRACKET	1	SERIAL EXPANSION BOX BRACKET
4	46-170015P48	2	SCREW	4	4-40 x 5/8 MACHINE SCREW
5	46-269601P6	1	TERMINATOR	1	HIGH DENSITY 50-PIN SLICK TERMINATOR

8.x OCTANE OW CABLES

2154392-2 FRU N

(PART 3 OF 2321156 PAGE 13-19)  
 (PART OF M1000 & M1800 SERIES - SECTION 1)

Item	Part Number	FRU	Name	Quantity	Description (Remarks)
2	2141980-2	2	CABLE	1	(810) OW1A1A2J8 TO OW1A15 KBD,MOUSE
4	2196990	2	CABLE	1	(814) OW1A1A4J9 TO OW1A2A1 KBD,MOUSE
6	46-328000G958	2	ASSEMBLY	1	(817) OW1A1A2J17 TO OW1A2A5POWER I/O
7	2188746	2	CABLE	1	(812) OW1A15 TO MODEM LX2 MODEM CBL
8	2168505	2	CABLE	1	CERD SPIKE NOISE TEST CABLE
9	2188747	2	CABLE	1	(813) OW1A2A1COM2 TO OW1A15PORT7
10	2153396-3	2	PART	1	(811) OW1A2A4 TO OW1A15 365 CM LX2
11	2198995	2	CABLE	1	(819) OW1A15 TO OW1A2A7 LX2 SCSI
12	2198983	2	CABLE	1	(815) OW1A16 TO OW1A15 SCSI

**MOBILE MR OW MOUNTING KIT                    2214269 FRU 2                    (PART OF LX INSTALLATIONS)**

<b>Item</b>	<b>Part Number</b>	<b>FRU</b>	<b>Name</b>	<b>Quantity</b>	<b>Description (Remarks)</b>
1	2206260	2	MTG PAD	1	RUBBER MONITOR MOUNTING PAD
2	2204492	2	BRACKET	2	OCTANE MOBILE MOUNTING BRACKET
5	2212686	2	STRAP BRKT.	1	MOBILE MONITOR HOLD DOWN STRAP BRKT
6	2204498	2	BRACKET	1	MONITOR MOUNTING BRACKET
7	2296617-2	1	OUT OF CATAL	1	12.1" MONITOR MOBILE BASE
8	2363733	1	KIT OF PARTS	1	MONITOR BASE FOR MOBILE W HARDWARES
232769	4MR MOBILE KIT		9BOM 00		

**MOBILE MR OW MOUNTING KIT                    2327699 FRU N                    (PART OF LX INSTALLATIONS)**

<b>Item</b>	<b>Part Number</b>	<b>FRU</b>	<b>Name</b>	<b>Quantity</b>	<b>Description (Remarks)</b>
2	5129339	N	PDM PART	2.0	PLATE, ADAPTER 15 INCH LCD MONITOR M
3	2318499	N	OUT OF CATAL	2.0	PIVOTHEAD BASE/HEAD 0/90 TILT
4	2318497	N	OUT OF CATAL	2.0	EXPRESS SERIES MNT FLAT BASE PLT_9"
5	2276109	N	OUT OF CATAL	2.0	LOCKING MULTI-MEDIA DRAWER
6	2109874-20	N	PDM PART	6.0	SCREW COUNTERSUNK HEA 6 MM 16 MM
7	2109880-3	N	PDM PART	6.0	WASHER LOCK - SPRING 6.1 MM 11.8 MM
8	46-328426P2	N	PDM PART	6.0	NUT HEXAGON_THIN 6 MM
9	2204492	N	BRACKET	2.0	OCTANE MOBILE MOUNTING BRACKET
13	2135839-3	2	OUT OF CATAL	6.0	T&B G2-12 TERMINAL, 1/2" RING, 2 AWG

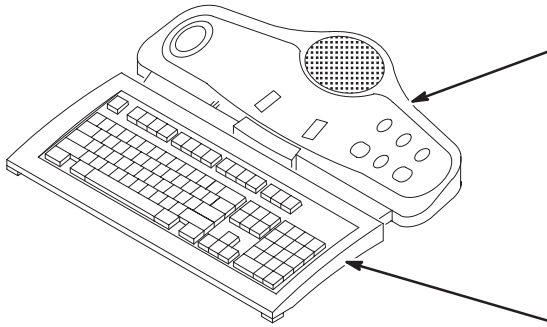
**HDx MOBILE MR OW MOUNTING KIT                    5160776 FRU N                    (PART OF HDx INSTALLATIONS)**

<b>Item</b>	<b>Part Number</b>	<b>FRU</b>	<b>Name</b>	<b>Quantity</b>	<b>Description (Remarks)</b>
2	5161537	N	PDM PART	1.0	SUPPORT PLATE FOR MOBILE MONITOR KIT
3	2318499	N	OUT OF CATAL	1.0	PIVOTHEAD BASE/HEAD 0/90 TILT
4	5161539	N	PDM PART	1.0	STAND FOR 23 INCH MOBILE MONITOR
5	2276109	N	OUT OF CATAL	1.0	LOCKING MULTI-MEDIA DRAWER
6	2109874-20	N	PDM PART	3.0	SCREW COUNTERSUNK HEA 6 MM 16 MM
7	2109880-3	N	PDM PART	3.0	WASHER LOCK - SPRING 6.1 MM 11.8 MM
8	46-328426P2	N	PDM PART	3.0	NUT HEXAGON_THIN 6 MM
9	2204492	N	BRACKET	2.0	OCTANE MOBILE MOUNTING BRACKET
13	2135839-3	2	OUT OF CATAL	6.0	T&B G2-12 TERMINAL, 1/2" RING, 2 AWG
14	46-328422P15	N	PDM PART	4.0	SCREW COUNTERSUNK HEA 4 MM 12 MM

SCIM/KEYBOARD FRU'S 2307175

FRU N

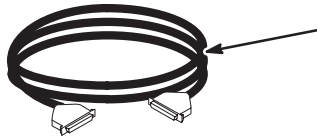
(PART OF M1000MN – SECTION 1)



- 2289697-2 SCIM <sup>W</sup>/ENGLISH OVERLAY
- 2289697-8 MR SCIM GLOBAL OVERLAY SET  
(Contains French, German, Italian,  
Portuguese, and Spanish)

**KEYBOARDS ONLY:**

- 2275756 (English)
- 2275756-2 (French)
- 2275756-3 (German)
- 2275756-4 (Scandinavian)
- 2275756-5 (Italian)
- 2275756-6 (Portuguese)
- 2275756-7 (Spanish)

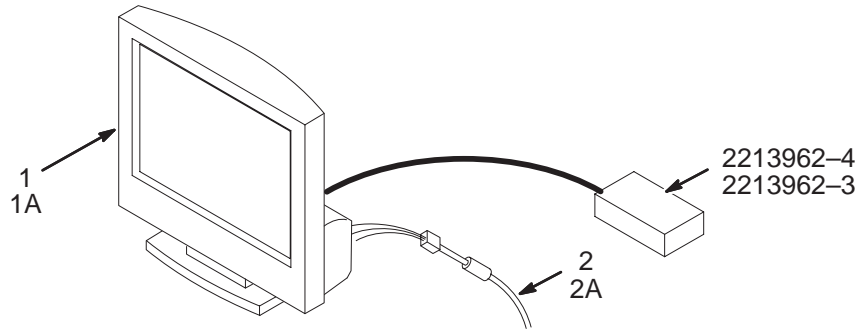


- 2262158-9 CABLE, 50 PIN SCIM KEYBOARD  
OR
- 2114561-46 LX SCSI LONG CABLE – 63 INCH  
(FOR EARLY VERSION KEYBOARDS)

20 INCH LCD COLOR MONITOR

2216029

OW1 A6



20 INCH LCD COLOR MONITOR

2216029 FRU N

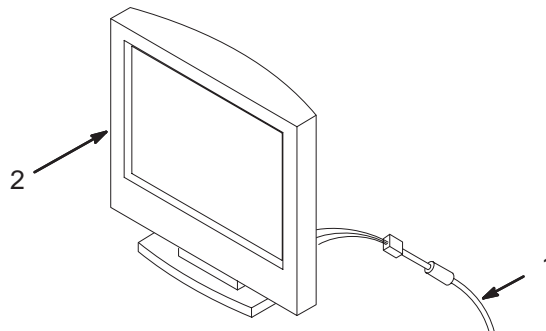
(PART OF M1000NZ – SECTION 1)

Item	Part Number	FRU	Name	Quantity	Description (Remarks)
1	2213962-2	1	MONITOR	1	LX LCD COLOR MONITOR 2
	2213962-4	1	PWR SUPPLY	1	LX LCD COLOR MONITOR 2 POWER SUPPLY
1A	2213962	1	MONITOR	ALT.	LX LCD COLOR MONITOR
	2213962-3	1	PWR SUPPLY	1	LX LCD COLOR MONITOR POWER SUPPLY
2	2150533-2	1	CABLE ASM	1	(821/798) OW1A2A3 MONITOR TO OW1A6R,G,B
2A	2177357	1	CABLE	ALT	COLOR VIDEO CABLE

18 INCH LCD COLOR MONITOR

2349792

OW1 A6



18 INCH LCD COLOR MONITOR\*

2349792 FRU 1

(PART OF M1000NT – SECTION 1)

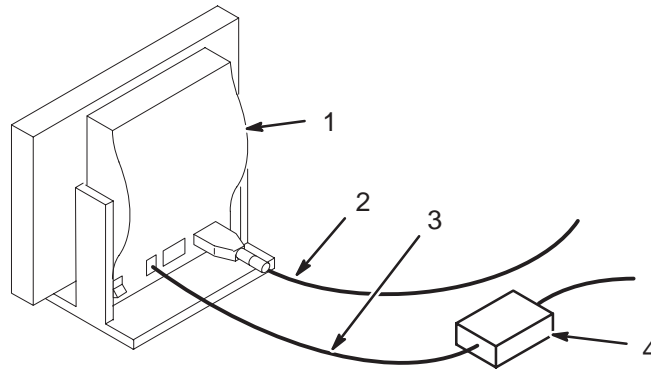
Item	Part Number	FRU	Name	Quantity	Description (Remarks)
1	2295019	1	CABLE	1	CABLE, 13W3-DB15 RGB LCD STRAIGHT CONNECTOR
2	2306872	1	MONITOR	ALT	18.1 INCH LCD MONITOR LCD

\* For installation of LCD Flat Panel Monitor in Mobile, refer to E6900CG, page 11-116, for mounting parts & hardware.

LCD DISPLAY MONITOR

2138599, 2138599-2, 2296617, & 2363727

OW1 A3



8.x LCD DISPLAY MONITOR 2138599 FRU 1 (PART OF M1000 & M1800 SERIES – SECTION 1)

Item	Part Number	FRU	Name	Quantity	Description (Remarks)
1	2138599	1	MONITOR	1	LCD DISPLAY (640 X 480) WITH POWER CORD, VGA VIDEO CABLE AND ANY MOUNTING HARDWARE
2	2138599-3	1	CABLE	1	VGA VIDEO CABLE
3	2138599-4	2	CABLE	1	POWER CABLE AND EXTERNAL POWER SUPPLY
4	2138599-5	1	PWR SUPPLY	1	EXTERNAL POWER SUPPLY

8.x LCD DISPLAY MONITOR 2138599-2 FRU 1 (PART 2B OF 2321156 PAGE 13-19)  
(PART OF M1000 & M1800 SERIES – SECTION 1)

Item	Part Number	FRU	Name	Quantity	Description (Remarks)
1	2138599-2	1	MONITOR	1	LCD DISPLAY (800X600) WITH POWER CORD, VGA VIDEO CABLE AND ANY MOUNTING HARDWARE
2	2138599-3	1	CABLE	1	VGA VIDEO CABLE
3	2138599-4	2	CABLE	1	POWER CABLE AND EXTERNAL POWER SUPPLY
4	2138599-5	1	PWR SUPPLY	1	EXTERNAL POWER SUPPLY

8.x LCD MONITOR w/CABLE & PWR SUP 2296617 FRU 1 (PART 2B OF 2321156 PAGE 13-19)  
(PART OF M3000 & M3800 SERIES – SECTION 1)

Item	Part Number	FRU	Name	Quantity	Description (Remarks)
	2296617	1	MONITOR	1	12.1" MONITOR WITH 3 METER CABLE AND POWER SUPPLY
	2296617-2	1	MOUNTING	1	12.1" MONITOR MOBILE BASE
	2296617-3	1	PWR SUPPLY	1	12.1" MONITOR POWER SUPPLY
	2296617-4	1	CABLE	1	12.1" MONITOR VIDEO CABLE

15" LCD MONITOR w/CABLES 2363727 FRU 1 (PART 2A OF 2321156 PAGE 13-19)

Item	Part Number	FRU	Name	Quantity	Description (Remarks)
	2363727	1	MONITOR	1	15" MONITOR WITH VIDEO AND POWER CABLES
	2363727-2	1	CABLE	1	15" MONITOR POWER CABLE
	2363727-3	1	CABLE	1	15" MONITOR 3 METER VIDEO CABLE

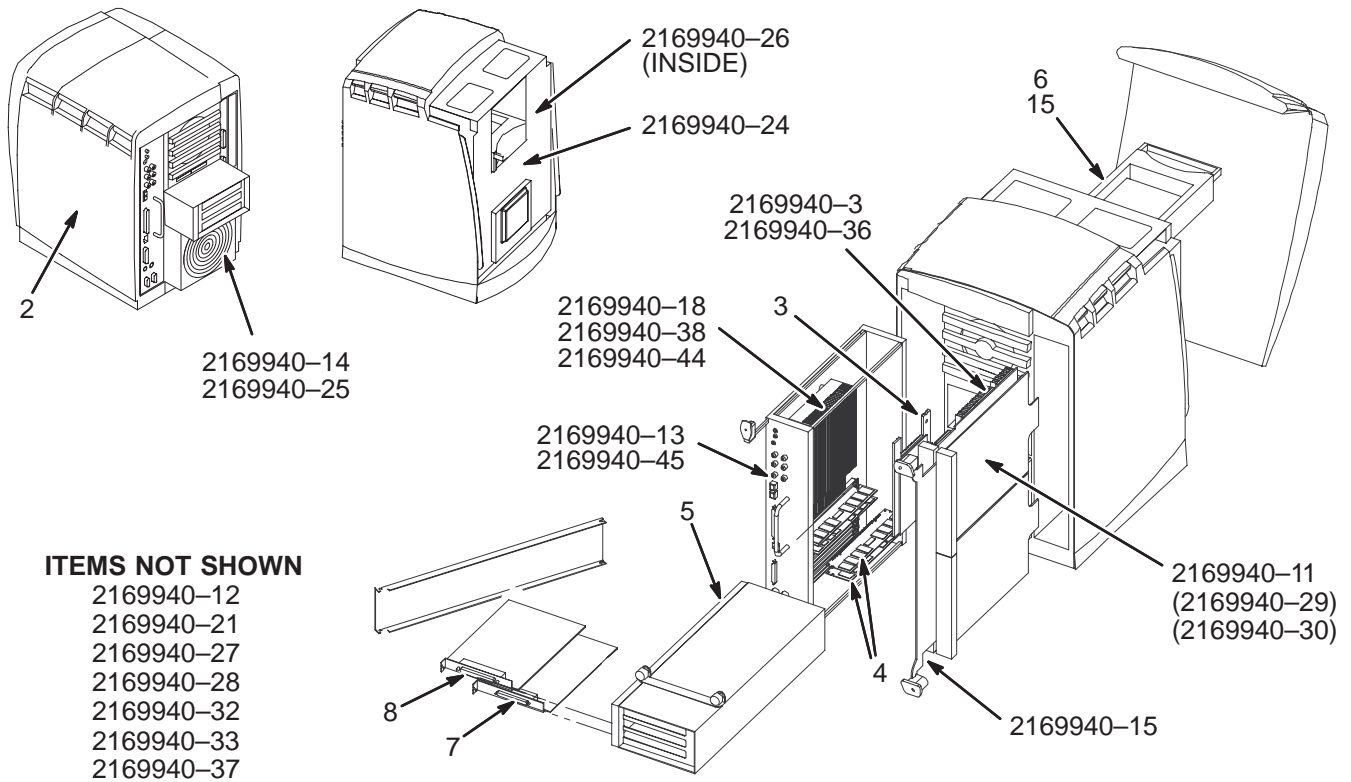
OCTANE-1 HOST COMPUTER

2198999 THRU 2198999-4

OW1 A15

**WARNING!**

**OCTANE-1 AND OCTANE-2 PARTS ARE NOT INTERCHANGEABLE.  
EXCHANGING THEM WILL RESULT IN SOFTWARE AND HARDWARE DAMAGE**



**ITEMS NOT SHOWN**

- 2169940-12
- 2169940-21
- 2169940-27
- 2169940-28
- 2169940-32
- 2169940-33
- 2169940-37

195MHz OCTANE-1 COMPUTER                      2198999 FRU N    (PART 7B OF 2207030 PAGE 13-16)  
 (PART 7B OF 2207030-2 PAGE 13-16)

Item	Part Number	FRU	Name	Quantity	Description (Remarks)
2	2169940	N	COMPUTER	1	CT/MR BASE OCTANE COMPUTER SYSTEM
3	2169940-4	1	COMPUTER	1	OPTION 4MB TEXTURE MEMORY
4	2199806-2	1	MEMORY MODUL	1	128 MB BANK FOR SGI OCTANE
5	2169940-82	1	OUT OF CATAL	1	OPTION PCI CARDCAGE - RIGID VHDM
6	2169940-10	1	COMPUTER	1	OPTION SECOND 4GB DISK DRIVE
7	2169940-9	1	COMPUTER	1	OPTION PCI SCSI CARD
8	2124215-8	1	BIT3 CRD SET	1	BIT3 617-1 PCI CARD FOR OCTANE

225MHz OCTANE-1 COMPUTER                      2198999-2 FRU 2    (PART 7A OF 2207030 PAGE 13-16)  
 (PART 7A OF 2207030-2 PAGE 13-16)

Item	Part Number	FRU	Name	Quantity	Description (Remarks)
2A	2169940-40	N	COMPUTER	1	BASE OCTANE 225MHZ/SE/4GB/256MB
2B	2247891	N	COMP SYSTEM	1	SGI 225MHZ OCTANE COMP+DATARAM 128MB
3	2169940-37	1	COMPUTER	1	4MB SE TEXTURE MEMORY OPTION/SPARE
5	2169940-82	1	OUT OF CATAL	1	OPTION PCI CARDCAGE - RIGID VHDM
6	2169940-10	1	COMPUTER	1	OPTION SECOND 4GB DISK DRIVE
7	2169940-9	1	COMPUTER	1	OPTION PCI SCSI CARD
8	2124215-8	1	BIT3 CRD SET	1	BIT3 617-1 PCI CARD FOR OCTANE

LX3 225MHZ OCTANE-1 COMPUTER                      2198999-3 FRU N    (PART 7B OF 2207030-3 PAGE 13-16)  
 (PART 7A OF 2207030-6 PAGE 13-16)  
 (PART 7A OF 2207030-14 PAGE 13-17)

Part Number	FRU	Name	Quantity	Description (Remarks)	
2	2169940-40	N	COMPUTER	1	BASE OCTANE 225MHZ/SE/4GB/256MB
2A	2247891	N	COMP SYSTEM	ALT	SGI 225MHZ OCTANE COMP+DATARAM 128MB
3	2169940-37	1	COMPUTER	1	4MB SE TEXTURE MEMORY OPTION/SPARE
4	2199806-5	1	MEMORY MODUL	1	2 X 128 MB OCTANE KIT/PAIR
5	2169940-82	1	OUT OF CATAL	1	OPTION PCI CARDCAGE - RIGID VHDM
6	2169940-10	1	COMPUTER	1	OPTION SECOND 4GB DISK DRIVE
7	2169940-9	1	COMPUTER	1	OPTION PCI SCSI CARD
8	2235744-3	1	BIT3 CRD SET	1	PCI ADAPTER CARD

LX3 270MHz OCTANE-1 COMPUTER                      2198999-4 FRU N    (PART 7A OF 2207030-3 PAGE 13-16)  
 (PART 7A OF 2207030-6 PAGE 13-16)  
 (PART 7A OF 2207030-14 PAGE 13-17)

Part Number	FRU	Name	Quantity	Description (Remarks)	
2	2169940-43	N	COMPUTER	1	R12K BASE CT/MR OCTANE COMPUTER
3	2169940-37	1	COMPUTER	1	4MB SE TEXTURE MEMORY OPTION/SPARE
4	2199806-5	1	MEMORY MODUL	1	2 X 128 MB OCTANE KIT/PAIR
5	2169940-82	1	OUT OF CATAL	1	OPTION PCI CARDCAGE - RIGID VHDM
7	2169940-9	1	COMPUTER	1	OPTION PCI SCSI CARD
8	2235744-3	1	BIT3 CRD SET	1	PCI ADAPTER CARD
15	2169940-12	1	COMPUTER	1	OPTION 9GB DISK DRIVE

LISTED BELOW ARE PARTS COMMON TO OCTANE-1

Item	Part Number	FRU	Name	Quantity	Description (Remarks)
	2169940-3	1	BOARD	1	GRAPHICS CARD
	2169940-4	1	PART	1	4MB TEXTURE MEMORY OPTION
	2169940-5	1	PART	1	64MB MEMORYOPTION
	2169940-6	1	PART	1	128MB MEMORY OPTION
	2169940-10	1	COMPUTER	1	SECOND 4GB DISK DRIVE OPTION
	2169940-11	N	COMPUTER	1	VIDEO OPTION KIT (REFER TO E8803FG)
	2169940-12	1	COMPUTER	1	9GB DISK DRIVE OPTION/SPARE
	2169940-13	1	COMPUTER	1	SYSTEM MODULE W/O PM (NO BRICK)
	2169940-14	1	COMPUTER	1	OCTANE POWER SUPPLY MODULE
	2169940-15	2	COMPUTER	1	XIO MODULE BLANK PANEL SPARE
	2169940-18	1	COMPUTER	1	SINGLE 195MHZ/1MB PM (BRICK ONLY)
	2169940-21	2	COMPUTER	1	XIO CONNECTOR PROTECTIVE CAP
	2169940-24	1	COMPUTER	1	FRONTPLANE MODULE ASM
	2169940-25	1	PART	1	FRONTPLANE FAN MODULE
	2169940-26	2	COMPUTER	1	SYSTEM ID MODULE SPARE
	2169940-27	2	COMPUTER	1	INTERNAL DRIVE BAY MODULE ASM
	2169940-28	1	COMPUTER	1	MOUSE
	2169940-29	1	BOARD	1	VIDEO I/O CARD (W/DAUGHTERBOARD)
	2169940-30	1	CAMERA	1	VIDEO CAM
	2169940-32	2	COMPUTER	1	LIGHTBAR MODULE ASM
	2169940-33	2	COMPUTER	1	SGI MICROPHONE

The following unique parts were added at the introduction of the 225Mhz/SE version of the host computer system. All other options and spares for the 225Mhz/SE version are the same as the 195Mhz/SI version listed previously.

- \* The new 225Mhz/SE option/spare parts below are BACKWARD compatible with the 195Mhz/SI. The old 195Mhz/SI spare parts are NOT FORWARD compatible (due to speed of performance).

Item	Part Number	FRU	Name	Quantity	Description (Remarks)
	2169940-36	1	BOARD	1	DUAL HEAD GRAPHICS OPTION/SPARE (SE CARD)
	2169940-37	1	BOARD	1	4MB TEXTURE MEMORY OPTION/SPARE (FOR SE/SI CARD)
	2169940-38	1	COMPUTER	1	SINGLE 225MHZ/1MB L2 CACHE PROCESSR MODULE SPARE

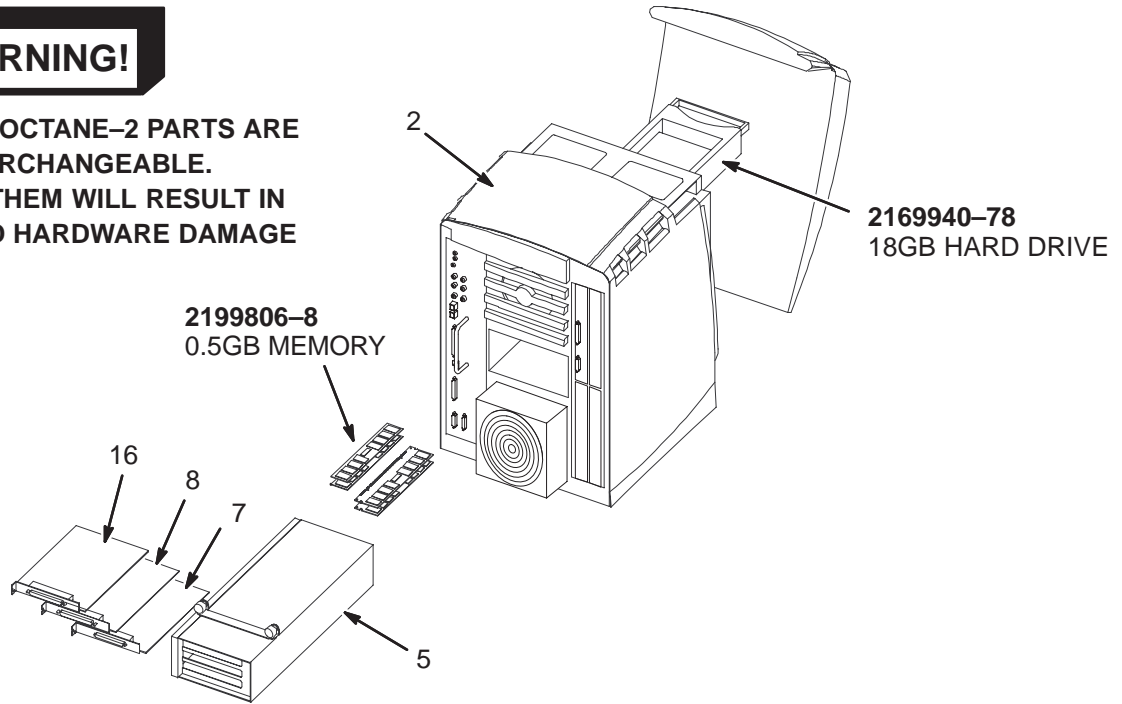
The following spare parts were added for the 270Mhz/SE R12K base system.

Item	Part Number	FRU	Name	Quantity	Description (Remarks)
	2169940-43	N	COMPUTER	1	R12K-270Mhz/SEBASE COMPUTER SYS w/9GB SYSTEM DISK
	2169940-44	1	COMPUTER	1	PCA R12K 270MHZ 2MB CACHE PROCESSOR MODULE
	2169940-45	1	COMPUTER	1	PCA REV F HEART 1P30 SYSTEM BOARD
	2169940-46	1	COMPUTER	1	PCA 9GB DISK DRIVE

LX3 V10 360MHz w/18GBHD OCTANE-2 COMPUTER 2198999-6 & 2198999-8



**OCTANE-1 AND OCTANE-2 PARTS ARE NOT INTERCHANGEABLE. EXCHANGING THEM WILL RESULT IN SOFTWARE AND HARDWARE DAMAGE**



MGD V10 360MHz w/18GBHD OCTANE2 2198999-6 FRU N

(PART 7 OF 2207030-19 PAGE 13-17)

Part Number	FRU	Name	Quantity	Description (Remarks)	
2A	2169940-75	N	COMPUTER	1	MR OCTANE 2 BASE (SEE 2300169-3 PAGE 13-35)
2B	2169940-60	N	COMPUTER	ALT	MR LX BASE OCTANE II BUY LEVEL
5	2169940-82	N	OUT OF CATAL	1	OPTION PCI CARD CAGE - RIGID VHDM
7	2169940-9	1	COMPUTER	1	OPTION PCI SCSI CARD
8	2235744-4	1	BIT3 CRD SET	1	PCI ADAPTER CARD (MGD) (IT HOST)
13	2245994	N	BRACKET	1	ENCORE FIBER OPTIC STRAIN RELIEF
14	46-208560P112	N	SCREW	2	SCREW, BHMS 4-40 X 3/8 SS
16	2169940-8	1	COMPUTER	1	OPTION PCI ETHERNET CARD
	2199806-6	1	COMPUTER	1	MEMORY, 2X256MB, LOW PROFILE
	2169940-78	1	COMPUTER	1	OCT2 18GB 10K RPM DRIVE

LX3 V10 360MHz w/18GBHD OCTANE2 2198999-8 FRU N

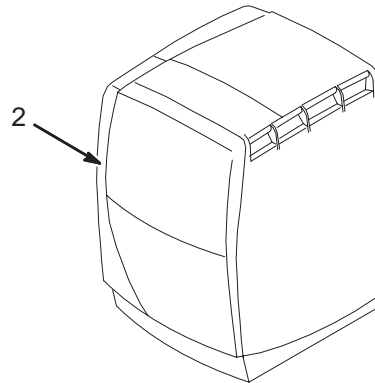
(PART 7 OF 2207030-13 PAGE 13-17)

(PART 7 OF 2207030-16 PAGE 13-17)

Part Number	FRU	Name	Quantity	Description (Remarks)	
2	2169940-75	N	COMPUTER	1	MR OCTANE 2 BASE (SEE 2300169-3 PAGE 13-35)
5	2169940-82	1	OUT OF CATAL	1	OPTION PCI CARD CAGE - RIGID VHDM
7	2169940-9	1	COMPUTER	1	OPTION PCI SCSI CARD
8	2235744-3	1	BIT3 CRD SET	1	PCI ADAPTER CARD
13	2245994	N	BRACKET	1	ENCORE FIBER OPTIC STRAIN RELIEF
14	46-208560P112	N	SCREW	2	SCREW, BHMS 4-40 X 3/8 SS
	2199806-6	1	COMPUTER	1	MEMORY, 2X256MB, LOW PROFILE
	2169940-78	1	COMPUTER	1	OCT2 18GB 10K RPM DRIVE

OCTANE2, MR SINGLE PROCESSOR UNIT, V10

2300169-3



OCTANE2, MR SINGLE PROC UNIT, V10 2300169-3 FRU 1

(PART 2 OF 2198999-6 PAGE 13-34)

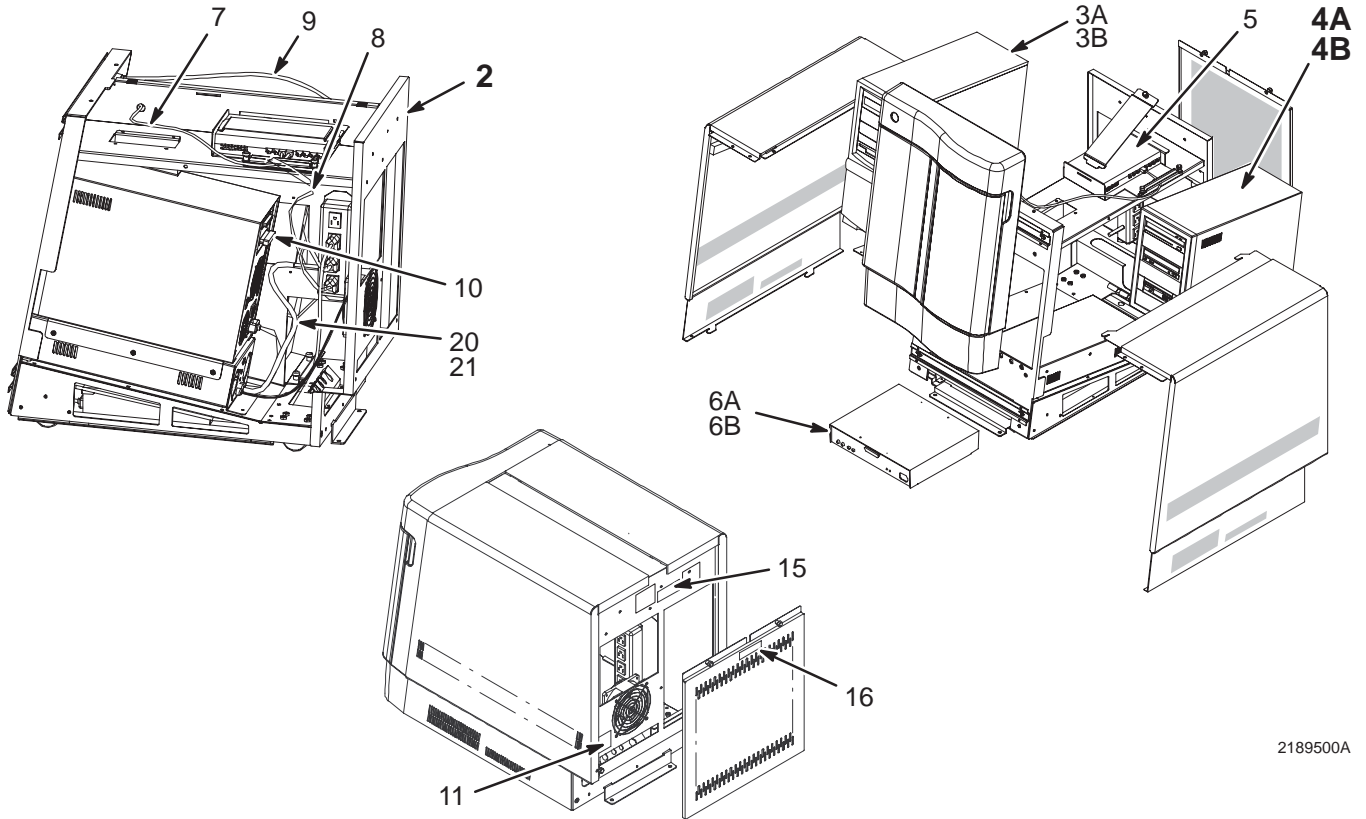
(PART 2 OF 2198999-8 PAGE 13-34)

Item	Part Number	FRU	Name	Quantity	Description (Remarks)
2	2169940-75	N	COMPUTER	1	MR OCTANE2 BASE – INCLUDES: SINGLE R12KS-360Mhz, 2Mb L2 CACHE, 512Mb (2 X 256) DIMM MEMMORY, SINGLE 18GB 10K RPM DISK, V10 GRAPHICS (32Mb). MOUSE, 120VAC POWER CORD, MICROPHONE EXCLUDES: CRT MONITOR, KEYBOARD, AND S/W CD'S.

OCTANE COMPUTER CABINET

2189500, 2189500-2, 2189500-3

OW1 A2



2189500A

LX2 OCTANE COMPUTER CABINET

2189500 FRU N

(PART 1 OF 2207030 PAGE 13-16)  
(PART 1 OF 2207030-2 PAGE 13-16)

Item	Part Number	FRU	Name	Quantity	Description (Remarks)
2	2189501	2	ASSEMBLY	1	LIGHTNING 2 DUPLEX ASSEMBLY (SEE PAGE 13-38)
3A	2284297	1	PC WORKSTATION	1	MR OP WORKSPACE PC W/-2 BOOT FLOPPY
3B	2192746-3	1	PC WORKSTATION	1	LX3 BASE SYSTEM W/2192746-4 S/W
4A	2199817-13	N	BOX	1	DUPLEX SCSI EXPANSION BOX - DATALINK (SEE PAGE 13-39)
4B	2199817-14	N	BOX	1	DUPLEX SCSI EXPANSION BOX - GRANITE (SEE PAGE 13-39)
5	2189511	1	HUB	1	8 PORT 10BASE T NETWORK HUB FOR LX2
6A	2149852	1	BIT 3 BOX	1	BIT 3 FIBER OPTIC INTERFACE 400-60
6B	2149852-3	1	BIT 3 BOX	ALT	BIT 3 FIBER OPTIC INTERFACE 400-60 REV M
7	2151181	2	CABLE	1	MODULAR JACK TO PLUG CABLE
8	2153396	2	PART	1	72 CM LX SHIELD LAN CABLE
9	2148292	2	PART	1	LIGHTNING PC SECURITY KEY CABLE
10	46-269601P5	1	TERMINATOR	1	"SLICK" CIRCUIT ACTIVE TERMINATOR
11	2172316	2	LABEL	1	DUPLEX POWER DISCONNECT WARNING LABEL
15	2165323	2	LABEL	1	PDU ONLY POWER LABEL
16	2160390	2	WARNING LABEL	1	DUPLEX POWER WARNING LABEL
17	46-208758P3	2	TY-RAP	3	7.31" X .184" SELF-LOCKING CABLE TIE
18	46-208910P17	2	SCREW	6	SCREW
19	2166263	2	SCREW	2	SCREW PAN HEAD 3 MM 8 MM
20	46-208747P2	2	VIBRATION IS	2	CABLE TIE, ADHESIVE BACKED
21	46-208758P2	2	TY-RAP	3	5.5" X .140" SELF-LOCKING CABLE TIE.

**LX3 SYSTEM COMPUTER ASM                    2189500-2   FRU N                    (PART 1 OF 2207030-3 PAGE 13-16)**

<b>Item</b>	<b>Part Number</b>	<b>FRU</b>	<b>Name</b>	<b>Quantity</b>	<b>Description (Remarks)</b>
2	2189501	2	ASSEMBLY	1	LIGHTNING 2 DUPLEX ASSEMBLY (SEE PAGE 13-38)
3A	2192746-3	1	PC WORKSTATI	1	LX3 BASE SYSTEM W/2192746-4 S/W
3B	2192746	1	PC WORKSTATI	ALT	LX2 PC WORKSTATION WITH MOD
4A	2199817-13	N	BOX	1	DUPLEX SCSI EXPANSION BOX - DATALINK (SEE PAGE 13-39)
4B	2199817-14	N	BOX	1	DUPLEX SCSI EXPANSION BOX - GRANITE (SEE PAGE 13-39)
5	2189511	1	HUB	1	8 PORT 10BASE T NETWORK HUB FOR LX2
7	2151181	2	CABLE	1	MODULAR JACK TO PLUG CABLE
8	2153396	2	PART	1	72 CM LX SHIELD LAN CABLE
9	2148292	2	PART	1	LIGHTNING PC SECURITY KEY CABLE
10	46-269601P5	1	TERMINATOR	1	"SLICK" CIRCUIT ACTIVE TERMINATOR
11	2172316	2	WARNING LABEL	1	DUPLEX POWER DISCONNECT WARNING LABEL
15	2165323	2	LABEL	1	PDU ONLY POWER LABEL
16	2160390	2	WARNING LABEL	1	DUPLEX POWER WARNING LABEL
17	46-208758P3	N	TY-RAP	3	7.31" X .184" SELF-LOCKING CABLE TIE
18	46-208910P17	N	SCREW	6	SCREW
19	2166263	N	SCREW	2	PHILIPS MACHINE SCREW, PAN HD
20	46-208747P2	N	VIBRATION IS	2	CABLE TIE, ADHESIVE BACKED
21	46-208758P2	N	TY-RAP	3	5.5" X .140" SELF-LOCKING CABLE TIE.

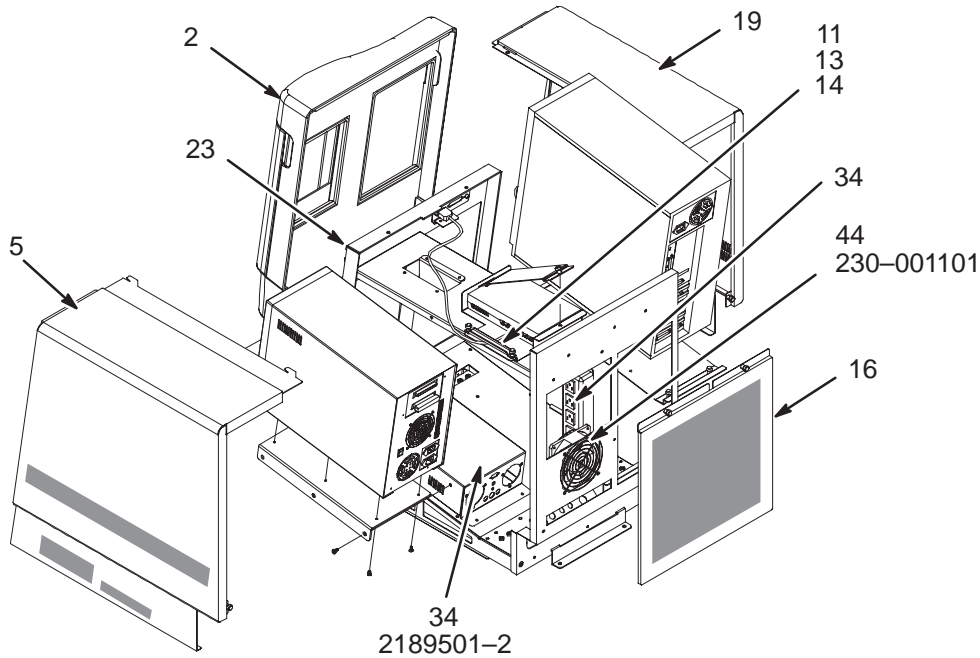
**LX3 SYSTEM COMPUTER ASM                    2189500-3   FRU N                    (PART 1 OF 2207030-6 PAGE 13-16)**

<b>Item</b>	<b>Part Number</b>	<b>FRU</b>	<b>Name</b>	<b>Quantity</b>	<b>Description (Remarks)</b>
2	2189501-3	2	ASSEMBLY	1	LX2 DUPLEX ASM W/ 10/100 BASE-T HUB (SEE PAGE 13-38)
3A	2284297	1	PC COMPUTER	1	MR OP WORKSPACE PC W/-2 BOOT FLOPPY
3B	2192746-3	1	PC WORKSTATI	ALT	LX3 BASE SYSTEM W/2192746-4 S/W
4A	2199817-13	N	BOX	1	DUPLEX SCSI EXPANSION BOX - DATALINK (SEE PAGE 13-39)
4B	2199817-14	N	BOX	1	DUPLEX SCSI EXPANSION BOX - GRANITE (SEE PAGE 13-39)
5	2340663	1	HUB	1	SWITCH, ETHERNET, 8 PORT
7	2301294	2	CABLE	1	SHIELDED RJ45 BULKHEAD FEEDTHRU
8	2153396	2	PART	1	72 CM LX SHIELD LAN CABLE
9	2148292	2	PART	1	LIGHTNING PC SECURITY KEY CABLE
10	46-269601P5	1	TERMINATOR	1	"SLICK" CIRCUIT ACTIVE TERMINATOR
11	2172316	2	WARNING LABE	1	DUPLEX POWER DISCONNECT WARNING LABL
15	2165323	2	LABEL	1	LABEL - POWER FOR THIS DEVICE TO BE PROVIDED BY PDU
16	2160390	2	WARNING LABEL	1	DUPLEX POWER WARNING LABEL
17	46-208758P3	N	TY-RAP	3	7.31" X .184" SELF-LOCKING CABLE TIE
18	46-208910P17	N	SCREW	6	18-8 SST SCREW
19	2166263	N	SCREW	2	PHILIPS MACHINE SCREW, M3 X .5 X 8MM PAN HD
20	46-208747P2	N	VIBRATION IS	3	CABLE TIE MOUNT ADHESIVE BACKED

OCTANE COMPUTER CABINET ASSEMBLY

2189501

OW1 A2



LX2 OCTANE COMPUTER CABINET

2189501 FRU 2

(PART OF 2189500 PAGE 13-36)  
 (PART 2 OF 2189500-2 PAGE 13-37)  
 (PART 2 OF 2189500-3 PAGE 13-37)

LX3 OCTANE COMPUTER CABINET

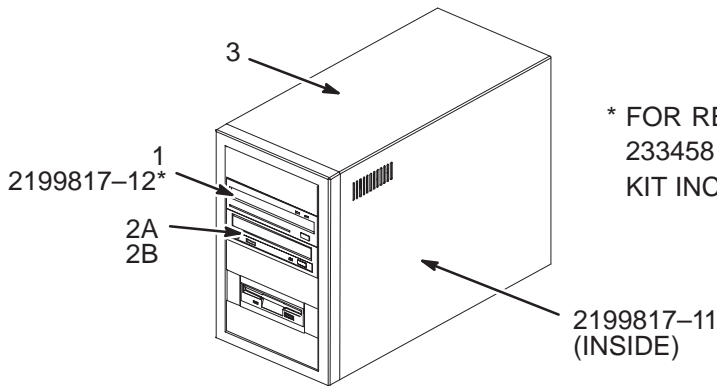
2189501-3 FRU 2

Item	Part Number	FRU	Name	Quantity	Description (Remarks)
2	2135999-2	2	PART	1	COMPUTER CABINET FRONT BEZEL
5	2135999-4	2	PART	1	COMPUTER CABINET LEFT COVER
11	2135999-7	2	PART	1	COMPUTER CABINET T HUB GASKET
13	2135999-6	2	PART	1	COMPUTER CABINET T HUB CLAMP
14	2135999-8	2	PART	1	COMPUTER CABINET T HUB BRACKET
16	2135999-5	2	PART	1	COMPUTER CABINET REAR DRESS PANEL
19	2135999-13	2	PART	1	COMPUTER CABINET RIGHT COVER
23	2135999-16	N	PART	4	COMPUTER CABINET TIMMERMAN BALL STUD
34	2135999-9	2	PART	1	COMPUTER CABINET POWER BOX ASM
	2189501-2	2	PART	1	POWER BOX ASM
44	2189501-4	1	PART	1	LX2 DUPLEX AC FAN
	230-001101	2	PART	1	FAN, COMAIR ROTRAN #WR2A1

SCSI EXPANSION BOX (DATALINK)

2199817-13

OW1 A7



\* FOR REPLACEMENT OF MAXOPTIX, ORDER 2334581, MAXOPTIX TO SONY UPGRADE KIT. KIT INCLUDES SCSI CABLE 2199817-17.

SCSI EXPANSION BOX (DATALINK) 2199817-13 FRU N

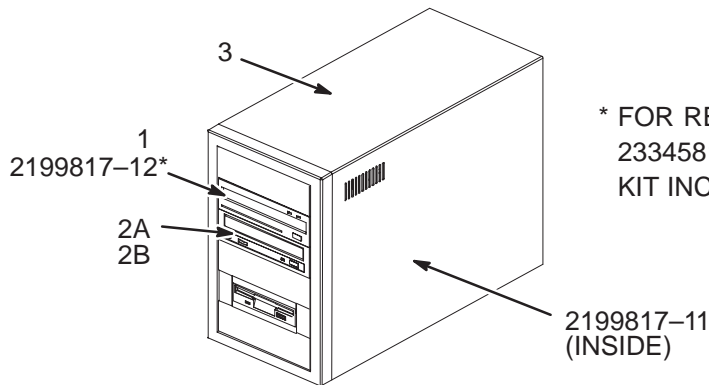
(PART 4A OF 2189500 PAGE 13-36)  
 (PART 4A OF 2189500-2 PAGE 13-37)  
 (PART 4A OF 2189500-3 PAGE 13-37)

Item	Part Number	FRU	Name	Quantity	Description (Remarks)
1	2318598	1	MOD	1	SONY MOD SMO-F551-SD
2A	2365675	1	DRIVE	1	DVD-ROM DRIVE SCSI INTERNAL 10X/40X
2B	2199817-7	1	BOX	ALT	DUPLEX SCSI EXP BOX HOST CD-ROM
3	2199817-5	1	BOX	1	DUPLEX SCSI EXP BOX CASE W/PS ONLY
	2199817-11	2	CABLE	1	SCSI CABLE
	2199817-12*	1	MODULE	1	T5-2600 STAR SERIES MOD REV H4.5 OR MOD FRMWARE A7.0

SCSI EXPANSION BOX (GRANITE)

2199817-14

OW1 A7



\* FOR REPLACEMENT OF MAXOPTIX, ORDER 2334581, MAXOPTIX TO SONY UPGRADE KIT. KIT INCLUDES SCSI CABLE 2199817-17.

SCSI EXPANSION BOX (GRANITE) 2199817-14 FRU N

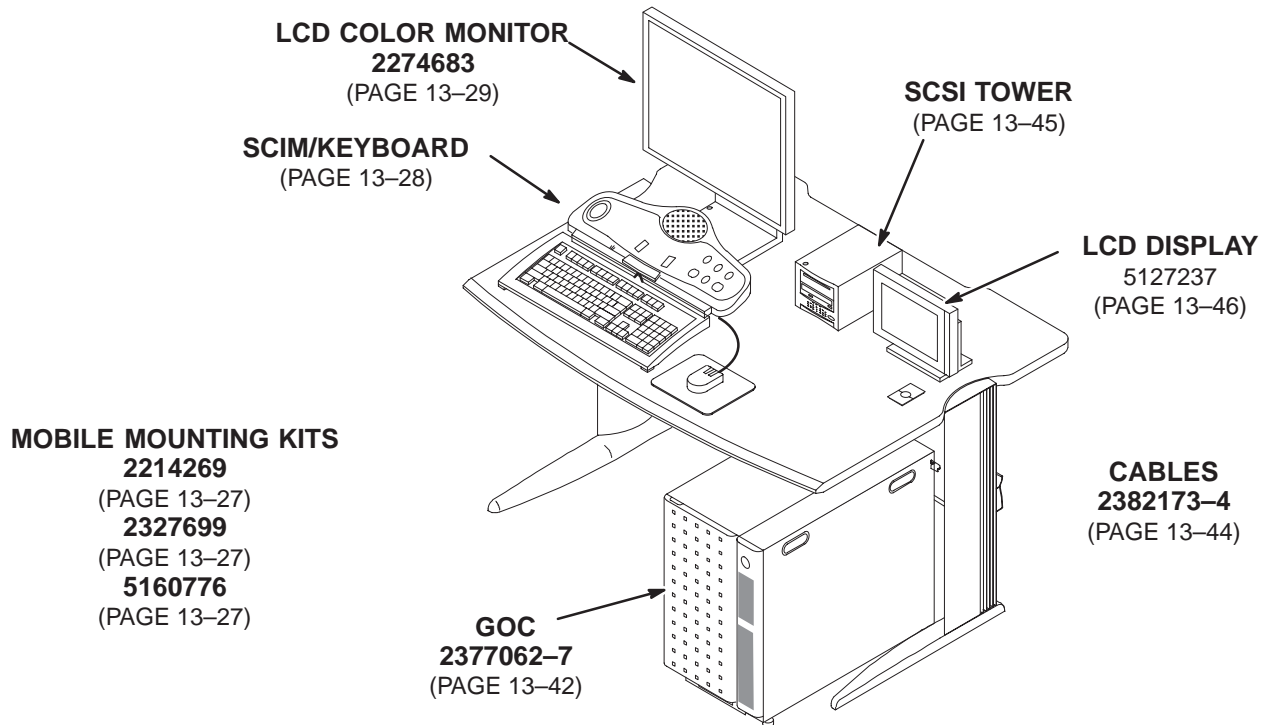
(PART 4B OF 2189500 PAGE 13-36)  
 (PART 4B OF 2189500-2 PAGE 13-37)  
 (PART 4B OF 2189500-3 PAGE 13-37)

Item	Part Number	FRU	Name	Quantity	Description (Remarks)
1	2318598	1	MOD	1	SONY MOD SMO-F551-SD
2A	2365675	1	DRIVE	1	DVD-ROM DRIVE SCSI INTERNAL 10X/40X
2B	2199817-7	1	BOX	ALT	DUPLEX SCSI EXP BOX HOST CD-ROM
3	2199817-5	1	BOX	1	DUPLEX SCSI EXP BOX CASE W/PS ONLY
	2199817-11	2	CABLE	1	SCSI CABLE
	2199817-12*	1	MODULE	1	T5-2600 STAR SERIES MOD REV H4.5 OR MOD FRMWARE A7.0

13-3 11.x EXCITE II with LINUX COMPUTER

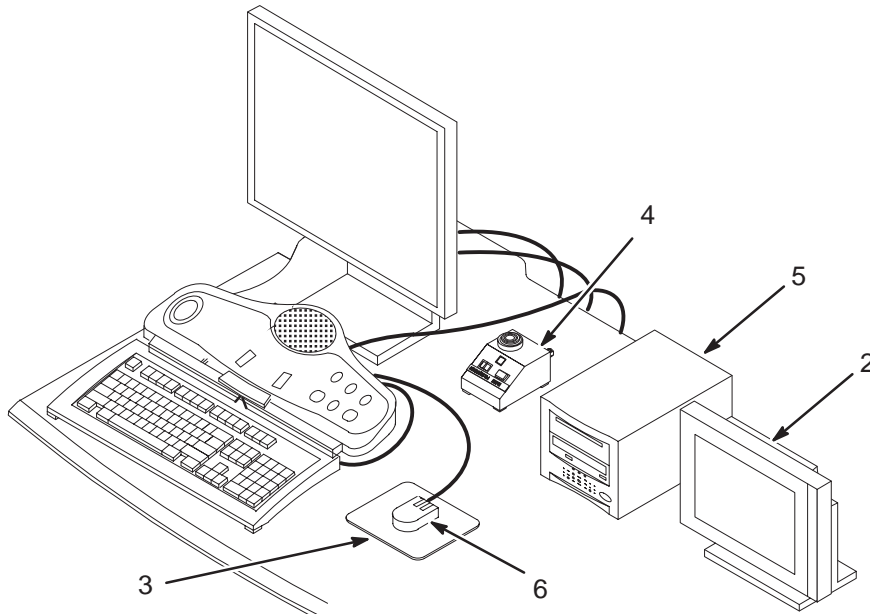
11.x EXCITE II OPERATOR WORKSPACE TABLE COMPONENTS

OW1



11.x EXCITE II OW TABLE/DESKTOP KIT

2321156-9



11.x EXCITE II OW TABLE/DESKTOP KIT 2321156-9 FRU N

(PART 16 OF M3000DB PAGE 1-60)  
 (PART 16 OF M3000DC PAGE 1-60)  
 (PART 16 OF M3000DD PAGE 1-60)

Item	Part Number	FRU	Name	Quantity	Description (Remarks)
2	5127237	1	PDM PART	1.0	15 INCH LCD DESKTOP MONITOR (SEE PAGE 13-46)
3	2166395	N	MOUSE PAD	1.0	MOUSE PAD FOR SIGNA HORIZON LX
4	46-317758P1	N	ALERT SYSTEM	1.0	PNEUMATIC PATIENT ALERT SYSTEM (SEE PAGE 1-115)
5	2381744	2	COLLECTOR	1.0	EXCITE II SCSI TOWER ASSY (SEE PAGE 13-45)
6	2368697-2	2	PC WORKSTATI	1.0	LINUX DDR WORKSTATION 3BUTTON PS2 MO
7	2156158-42	2	PDM COLLECTO	1.0	NMR 11.0 M4 SOFTWARE COLLECTOR (SEE PAGE 13-41)

11.x EXCITE S/W COLLECTOR

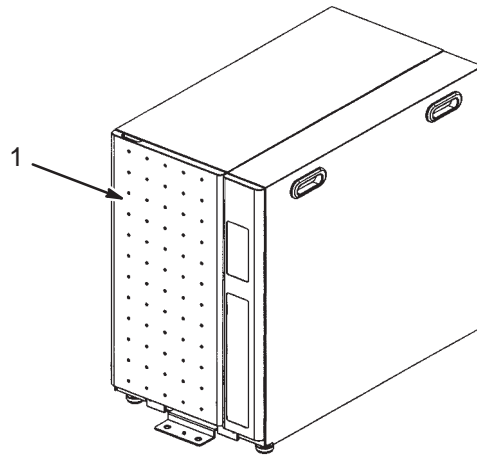
2156158-42 FRU N

(PART 7 OF 2321156-9 PAGE 13-41)

Item	Part Number	FRU	Name	Quantity	Description (Remarks)
1	5109575	N	PDM TECH PUB	1.0	NMR END USER LICENSE DOCUMENT.
2	2214164	1	OUT OF CATAL	1.0	5.25" 2.3GB 512 BYTES/SECTOR MOD
4	2396304-3	N	PDM PART	1.0	NMR CTT LINUX 1.8.9 OS
5	2385092-3	N	PDM SOFTWARE	1.0	NMR SIGNA EXCITELL APPLICATIONS CDRO
6	2391620-2	N	PDM SOFTWARE	1.0	NMR 9.1 AND 10.0 CONNECTIVITY PATC
8	2136115	2	STICKER,ADHS	1.0	HOLE COVER STICKERS UFI

EXCITE II 11.x GOC ASM

M20082BK



EXCITE 11.x GOC ASM

M20082BK FRU N

(PART 16 OF M3000DB PAGE 1-60)  
 (PART 16 OF M3000DC PAGE 1-60)  
 (PART 16 OF M3000DD PAGE 1-60)

Item	Part Number	FRU	Name	Quantity	Description (Remarks)
1	2377062-7	N	PDM ASSEMBLY	1	GOC W-GOC AA (SEE PAGE 13-42)

GOC CABINET

2377062-7 FRU N

(PART 1 OF M20082BK PAGE 13-42)

Item	Part Number	FRU	Name	Quantity	Description (Remarks)
1	2381885-8	N	PDM ASSEMBLY	1.0	PC ENCLO ASSY GOCAA W HD15V-CABLE (SEE PAGE 13-43)
2	2382984	N	ASSEMBLY	1.0	P9421AJ LINUX PC WITH DATABLIZZARD (SEE PAGE 13-42)

LINUX PC w/DATABLIZZARD

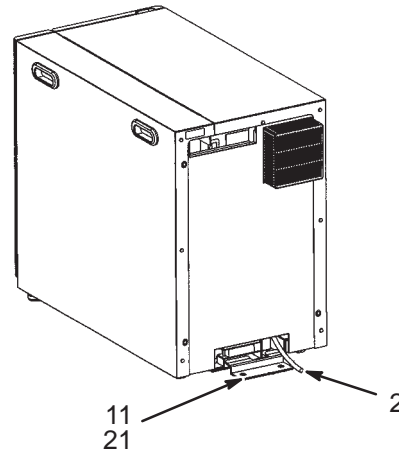
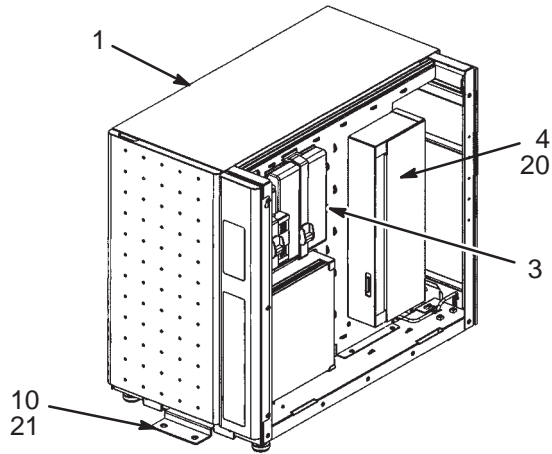
2382984 FRU N

(PART 2 OF 2377062-7 PAGE 13-42)

Item	Part Number	FRU	Name	Quantity	Description (Remarks)
2	2235744-5	2	OUT OF CATAL	1.0	PCI ADAPTER CARD EXCITE II(IT HOST)
6	2368697-4	2	PC WORKSTATI	0.0	LINUX WORKST'N 36GB 15K RPM 3.5" Ultra320 DISK DRIVE
8	2368697-8	2	PC WORKSTATI	1.0	LINUX DDR WORKSTATION - GEMS MR USA
11	5104925	N	PDM PART	1.0	GOC ADHESIVE COVER

PC ENCLOSURE ASM and CABLES

2381885-8



PC ENCLOSURE ASM and CABLES

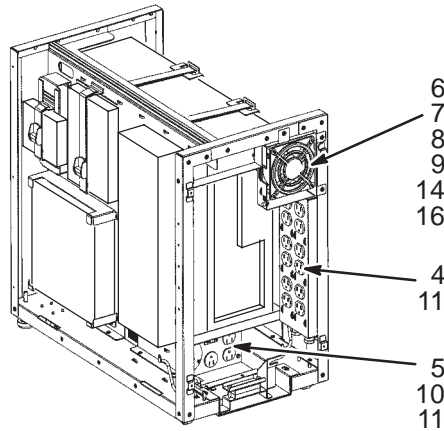
2381885-8 FRU N

(PART 1 OF 2377062-7 PAGE 13-42)

Item	Part Number	FRU	Name	Quantity	Description (Remarks)
1	2377730	N	ASSEMBLY	1.0	P9421AD PC BOX ASSY (SEE PAGE 13-44)
2	2382173-4	N	PDM COLLECTO	1.0	GOC CABLE ASSY W-AUDIO CBL (SEE PAGE 13-44)
3A	5139480	N	OUT OF CATAL	1.0	SWITCH HUB, GIGABIT ETHERNET, 8 PORT
3B	2340663	N	OUT OF CATAL	1.0	SWITCH, ETHERNET, 8 PORT
4	2395043	N	PART	1.0	GOC AUDIO BOX
10	2382770	N	PART	1.0	P9421GN SEISMIC MOUNT FRONT
11	2382769	N	PART	1.0	P9421GP SEISMIC MOUNT REAR
20	N9510HR	N	SCREW	4.0	SCREW TP
21	N9620ZX	N	PDM PART	4.0	SCREW HEXAGON SOCKET 12 MM 20 MM

PC BOX ASM

2377730



PC BOX ASM

2377730 FRU N

(PART 1 OF 2381885-8 PAGE 13-43)

Item	Part Number	FRU	Name	Quantity	Description (Remarks)
1	2376146	N	ASSEMBLY	1.0	P9421EA FRAME ASSY
2	2377015	N	PART	1.0	P9421FA ENCLOSURE ASSY
3	2377026	N	ASSEMBLY	1.0	P9421FG SV KEY BOX ASSY
4	2377734	N	ASSEMBLY	1.0	P9421FS PW STRIP 12 OUTLET ASSY
5	2381299	2	ASSEMBLY	1.0	P9421AE GOC PDU ASSY
6	2377751	2	ASSEMBLY	1.0	P9421FV REAR FAN ASSY
7	U0610AM	N	FAN ACCESSOR	2.0	FAN ACCESSORIES FINGER GUARD
8	2360644	N	PART	8.0	P9426LF WASHER
9	2383122	N	PDM PART	4.0	N9350JS_SCREW
10	N9408LK	N	PDM PART	2.0	SCREW PAN HEAD 4 MM 8 MM
11	N9408HR	N	SCREW	11.0	SCREW
14	N9301BS	2	PDM PART	4.0	NUT HEXAGON 3 MM
15	N9501BS	N	PDM PART	3.0	NUT HEXAGON 5 MM
16	N9510ZX	N	PDM PART	1.0	SCREW HEXAGON SOCKET 5 MM 10 MM
17	N9500SS	N	PART	3.0	WASHER

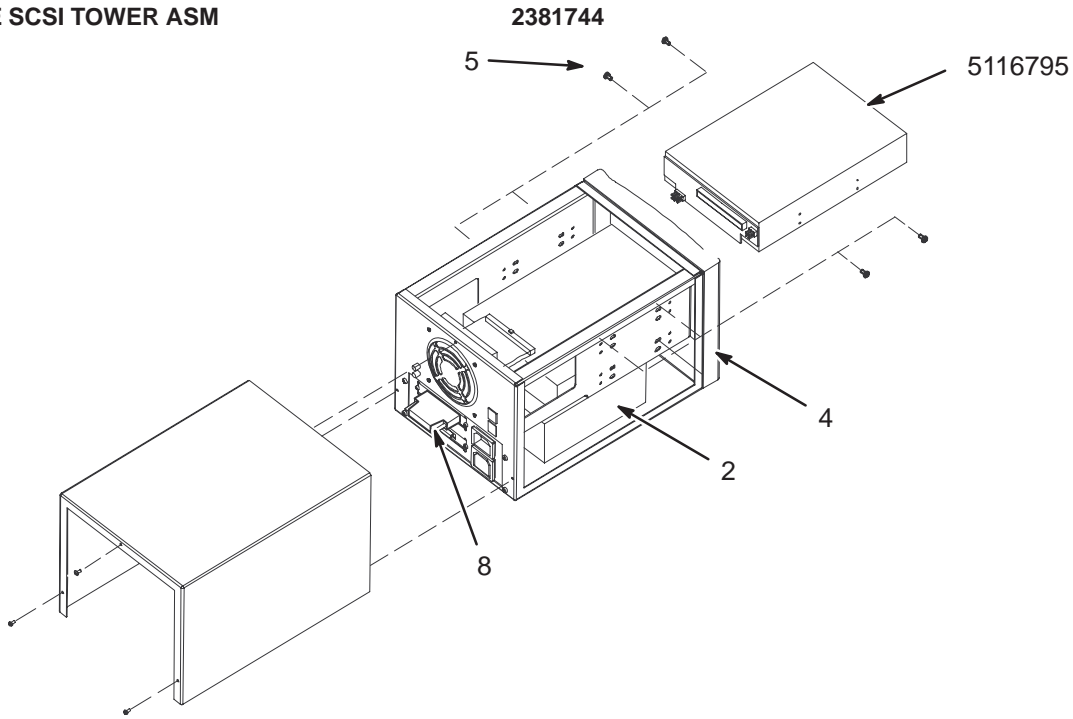
GOC CABLE COLLECTOR

2382173-4 FRU N

(PART 2 OF 2381885-8 PAGE 13-43)

Item	Part Number	FRU	Name	Quantity	Description (Remarks)
1	2379447	N	PART	1.0	(1071) HOST COMPUTER POWER CABLE
2	2378148	N	PART	1.0	(1070) SCSI MEDIA BAY POWER CABLE
3	2378149	N	PART	1.0	(1069) LCD DISPLAY POWER CABLE
4	2378150	N	PART	1.0	(1065) HOST MONITOR POWER CABLE
5	2378151	N	PART	1.0	(1067) OW1A15 SCSI2 TO OW1A5 DASM
6	2378152	2	PART	1.0	(1063) OW1A15 MONITOR1 TO OW1A6 MNTR
7	2378153	N	PART	1.0	(1055) OW1A15 USB TO A18 GOC FRONT
8	2378154	N	PART	1.0	(1056) OW1A17 LANHUB TO A12 GOC FRNT
9	2395735	2	CABLE ASSY	1.0	GOC SCIM-AUDIO CBL
10	2378156	N	PART	1.0	(1068) OW1A15 MNTR2 TO OW1A3 LCD
11	2378157	N	PART	1.0	(1064) OW1A15 SCSI1 TO OW1A16 MEDIA
12	2378158	N	PART	1.0	(1061) OW1A15 KYBD,MS TO OW1A21J8
13	2378159	N	PART	1.0	(1060) OW1A21J17 TO OW1A19J3 PWR CBL
14	2378160	N	PART	1.0	(1066) OW1A15 RS232 TO OW1A13 MODEM
15	2378161	N	PART	1.0	(1059) OW1A15 ETHERNET TO OW1A17 HUB
16	2382771	N	ASSEMBLY	1.0	CBL OW1A15 USB TO SERIAL ASM/RUN1076

EXCITE SCSI TOWER ASM



EXCITE SCSI TOWER ASM

2381744 FRU 2

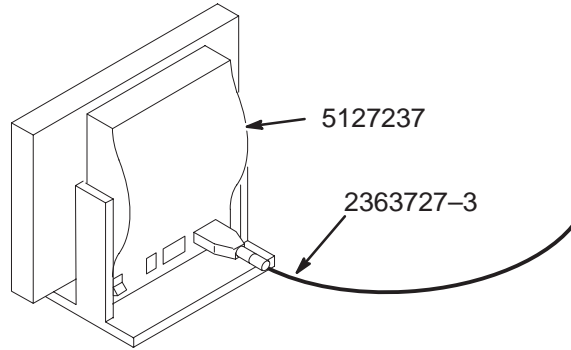
(PART 6 OF 2321156-9 PAGE 13-41)

Item	Part Number	FRU	Name	Quantity	Description (Remarks)
2	2318598	1	OUT OF CATAL	1	SONY MOD SMO-F551-SD
4	2315118	N	OUT OF CATAL	1	2 BAY EXTERNAL SCSI TOWER
5	46-328421P501	2	PDM PART	4	SCREW PAN HEAD 3 MM 5 MM
8	2350404	1	OUT OF CATAL	1	TERMINATOR, CENT50, ACTIVE
	5116795	2	OUT OF CATAL	1	SONY DVD-RW INTERNAL DRIVE

15 INCH LCD DISPLAY MONITOR

5127237

OW1 A3



15" LCD DISPLAY MONITOR

5127237 FRU 1

(PART 2 OF 2321156-9 PAGE 13-41)

Item	Part Number	FRU	Name	Quantity	Description (Remarks)
	2363727-3	1	CABLE	1	3 METER VGA CABLE FOR 15" MONITOR