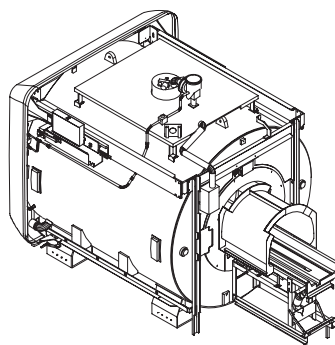
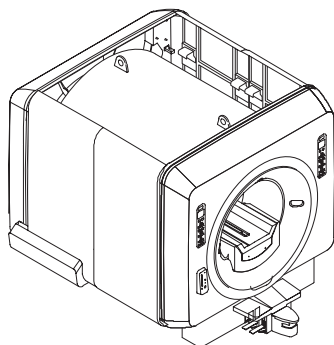


SECTION 2 – MAGNET ENCLOSURE

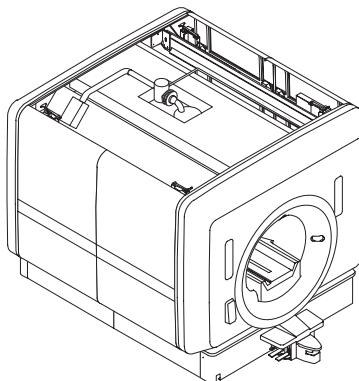
TABLE OF CONTENTS

SECTION

PAGE



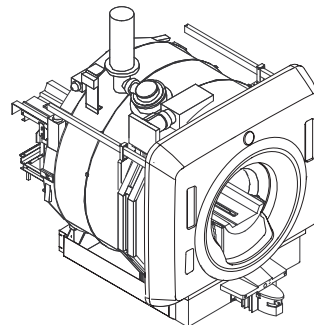
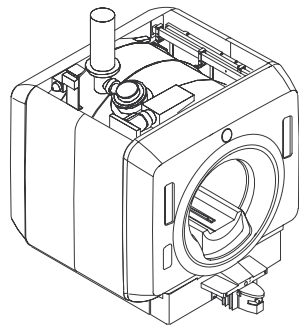
2-1 S-SERIES MAGNET ENCLOSURES	2-5
Contains information on Fixed, T/R, and Mobile enclosures for non-Magnishield magnet enclosures	
1.5T FIXED SITE MAGNET ENCLOSURE w/o MULTICOIL	2118422-3 2-7
1.5T FIXED SITE MAGNET ENCLOSURE with MULTICOIL	2118422-5 2-9
1.0T FIXED SITE MAGNET ENCLOSURE w/o MULTICOIL	2118422-7 2-11
1.0T FIXED SITE MAGNET ENCLOSURE with MULTICOIL	2118422-9 2-13
1.5T MOBILE & T/R MAGNET ENCLOSURE w/o MULTICOIL	2118422-2 2-28
1.5T MOBILE & T/R MAGNET ENCLOSURE with MULTICOIL	2118422-4 2-30
1.0T MOBILE & T/R MAGNET ENCLOSURE w/o MULTICOIL	2118422-6 2-32
1.0T MOBILE & T/R MAGNET ENCLOSURE with MULTICOIL	2118422-8 2-34



2-2 MAGNISHIELD MAGNET ENCLOSURES	2-65
Contains information on Magnishield magnet enclosures	
1.5T MAGNISHIELD ENCLOSURE w/o MULTICOIL	2118423 2-67
1.5T MAGNISHIELD ENCLOSURE with MULTICOIL	2118423-2 2-69

TABLE OF CONTENTS (continued)

<u>SECTION</u>	<u>PAGE</u>
2-3 SRI AND PAC ASSEMBLIES	2-96
2-4 BLOWER CABINETS	2-100
2-5 S-SERIES AND MAGNISHIELD REAR PEDESTALS	2-105
2-6 BODY HYBRID SPLITTER ASSEMBLIES	2-128
2-7 STANDARD AND MAGNISHIELD BRIDGES WITH CARRIAGE ASSEMBLIES	2-130
2-8 BRM INSTALLATION KIT FOR S-SERIES MAGNETS	2-153

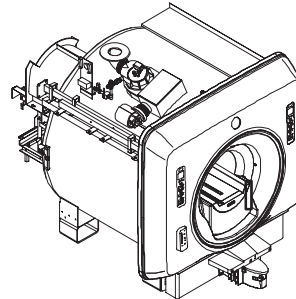
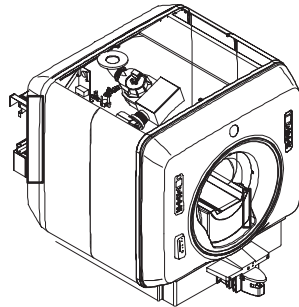


2-9 Cx HORIZON MAGNET ENCLOSURES	2-154
Contains information on Cx Fixed and Mobile magnet enclosures	
1.0T Cx FIXED SITE MAGNET ENCLOSURE w/o MULTICOIL	2142000 2-155
1.0T Cx FIXED SITE MAGNET ENCLOSURE with MULTICOIL	2142000-2 2-155
1.0T Cx MOBILE MAGNET ENCLOSURE w/o MULTICOIL	2142000-3 2-156
1.0T Cx MOBILE MAGNET ENCLOSURE with MULTICOIL	2142000-4 2-156
1.5T Cx FIXED SITE MAGNET ENCLOSURE w/o MULTICOIL	2142000-5 2-157
1.5T Cx FIXED SITE MAGNET ENCLOSURE with MULTICOIL	2142000-6 2-157
1.5T Cx MOBILE MAGNET ENCLOSURE w/o MULTICOIL	2142000-7 2-158
1.5T Cx MOBILE MAGNET ENCLOSURE with MULTICOIL	2142000-8 2-158
1.5T Cx CRM FIXED SITE MAGNET ENCLOSURE with MULTICOIL	2142000-9 2-158

TABLE OF CONTENTS (continued)

SECTION

PAGE



2-10 LCC HORIZON MAGNET ENCLOSURES 2-173
 Contains information on LCC Horizon Fixed and Mobile magnet enclosures

1.0T LCC FIXED SITE MAGNET ENCLOSURE w/o MULTICOIL 2142000-11 2-174
 1.0T LCC FIXED SITE MAGNET ENCLOSURE with MULTICOIL 2142000-12 2-174
 1.5T LCC FIXED SITE MAGNET ENCLOSURE w/o MULTICOIL 2142000-13 2-175
 1.5T LCC FIXED SITE MAGNET ENCLOSURE with MULTICOIL 2142000-14 2-175
 1.0T LCC MOBILE MAGNET ENCLOSURE w/o MULTICOIL 2142000-15 2-176
 1.0T LCC MOBILE MAGNET ENCLOSURE with MULTICOIL 2142000-16 2-176
 1.5T LCC MOBILE MAGNET ENCLOSURE w/o MULTICOIL 2142000-17 2-177
 1.5T LCC MOBILE MAGNET ENCLOSURE with MULTICOIL 2142000-18 2-177
 1.5T LCC CVMR FIXED SITE MAGNET ENCLOSURE with MULTICOIL 2142000-19 2-178

LCC MOBILE MAGNET FRAME KIT 2204359 2-191
 LCC FIXED SITE MAGNET FRAME KIT 2204359-2 2-192

2-11 Cx AND LCC HORIZON BRIDGE AND CARRIAGE ASSEMBLIES 2-193

2-12 Cx AND LCC HORIZON BRIDGE AND LOW PROFILE CARRIAGE COVER (LPCC) ASSEMBLIES 2-205

2-13 Cx AND LCC HORIZON REAR PEDESTALS 2-220

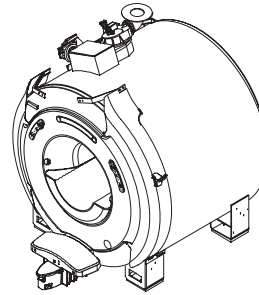
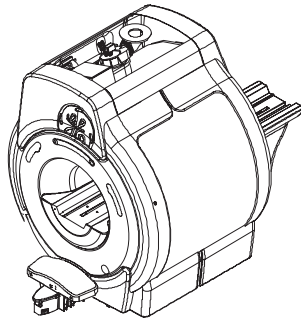
2-14 Cx AND LCC HORIZON ENCLOSURE COVERS, END BELLS, AND BORE LAMP 2-229

2-15 Cx AND LCC HORIZON DOCK ASSEMBLY 2-243

TABLE OF CONTENTS (continued)

SECTION

PAGE



2-16 WideOpen MAGNET ENCLOSURES 2-246
 Contains information on WideOpen Fixed and Mobile magnet enclosures

1.0T WideOpen FIXED SITE MAGNET ENCLOSURE w/o MULTICOIL 2202900 2-247
 1.0T WideOpen FIXED SITE MAGNET ENCLOSURE with MULTICOIL 2202900-2 2-247
 1.0T WideOpen MOBILE MAGNET ENCLOSURE w/o MULTICOIL 2202900-3 2-247
 1.5T WideOpen MOBILE MAGNET ENCLOSURE with MULTICOIL 2202900-4 2-248
 1.0T WideOpen FIXED SITE MAGNET ENCLOSURE w/o MULTICOIL 2202900-5 2-248
 1.0T WideOpen FIXED SITE MAGNET ENCLOSURE with MULTICOIL 2202900-6 2-248
 1.5T WideOpen MOBILE MAGNET ENCLOSURE w/o MULTICOIL 2202900-7 2-249
 1.5T WideOpen MOBILE MAGNET ENCLOSURE with MULTICOIL 2202900-8 2-249
 1.5T WideOpen CARDIAC FIXED SITE MAGNET ENCLOSURE w/MULTICOIL 2202900-9 2-249

2-17 WideOpen ENCLOSURE COVERS AND END BELLS FOR LONG BRIDGE 2-258

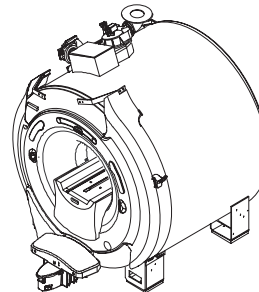
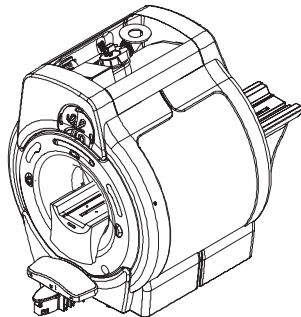
2-18 WideOpen CARDIAC ENCLOSURE COVERS AND END BELLS FOR LONG BRIDGE 2-270

2-19 WideOpen LONG BRIDGE AND CARRIAGE ASSEMBLIES 2-278

2-20 WideOpen ENCLOSURE COVERS AND END BELLS WITH SPLIT BRIDGE 2-285

2-22 WideOpen REAR PEDESTALS 2-317

2-23 WideOpen DOCK ASSEMBLIES 2-331



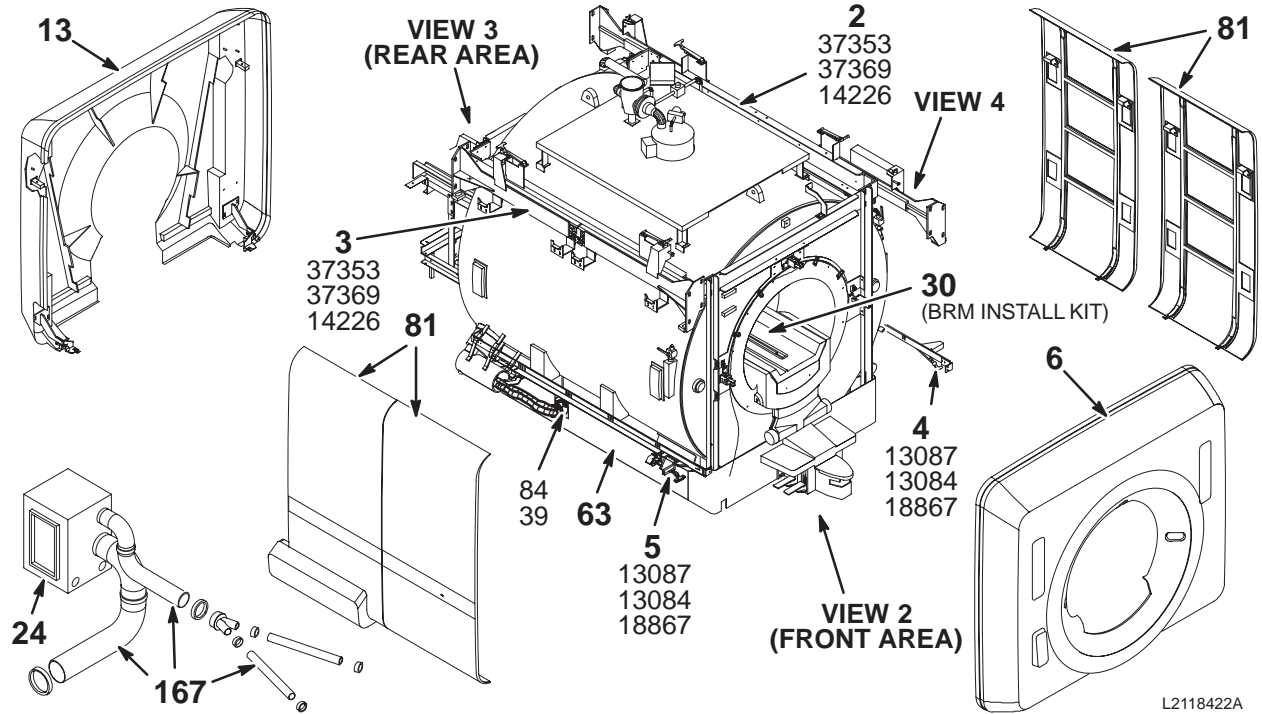
2-24 TwinSpeed ENCLOSURE COVERS AND END BELLS WITH SPLIT BRIDGE 2-336
 Contains information on INFINITY TwinSpeed Fixed, T/R, and Mobile magnet enclosures

INFINITY TwinSpeed FIXED AND T/R MAGNET ENCLOSURE 2297122 2-341
 INFINITY TwinSpeed MOBILE MAGNET ENCLOSURE 2297122-2 2-343

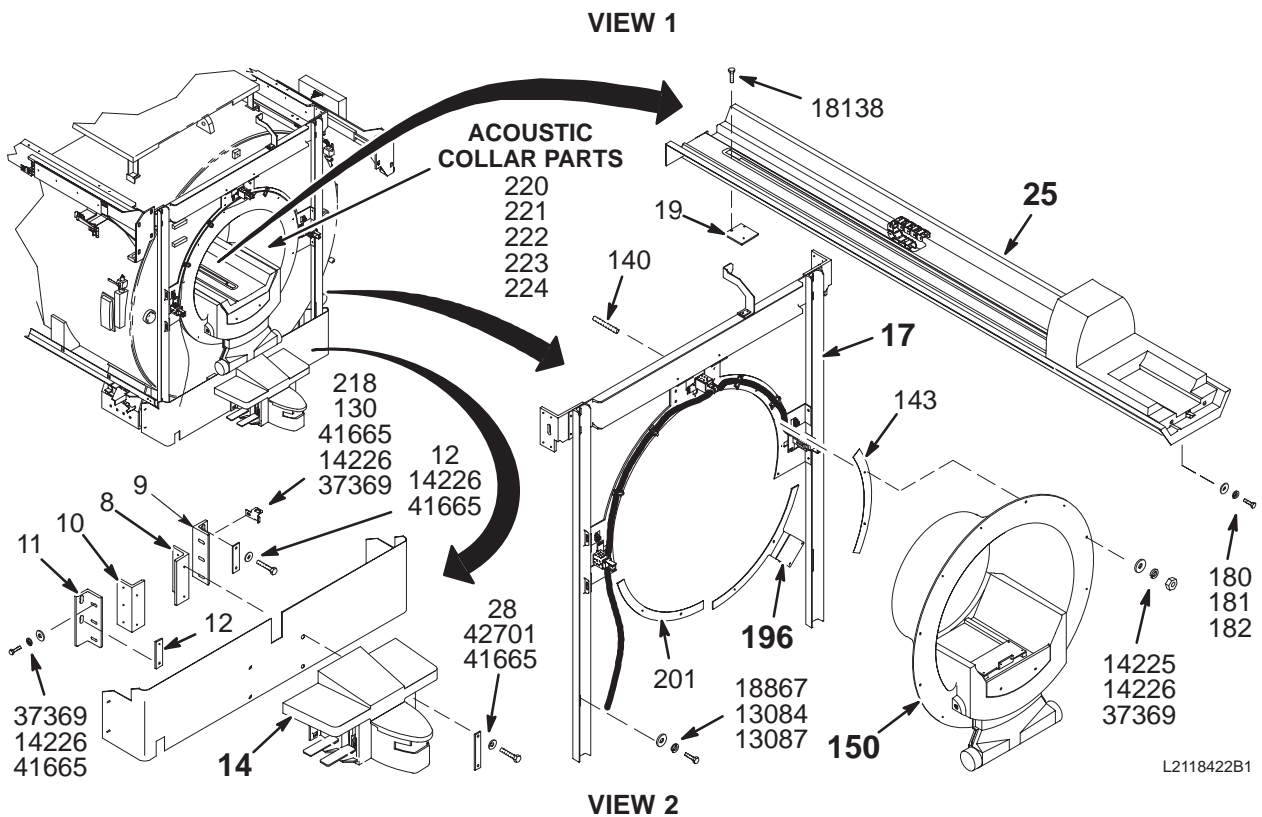
2-1 S-SERIES MAGNET ENCLOSURES

1.5T & 1.0T HORIZON MAGNET ENCLOSURE - FIXED SITE

2118422 SERIES



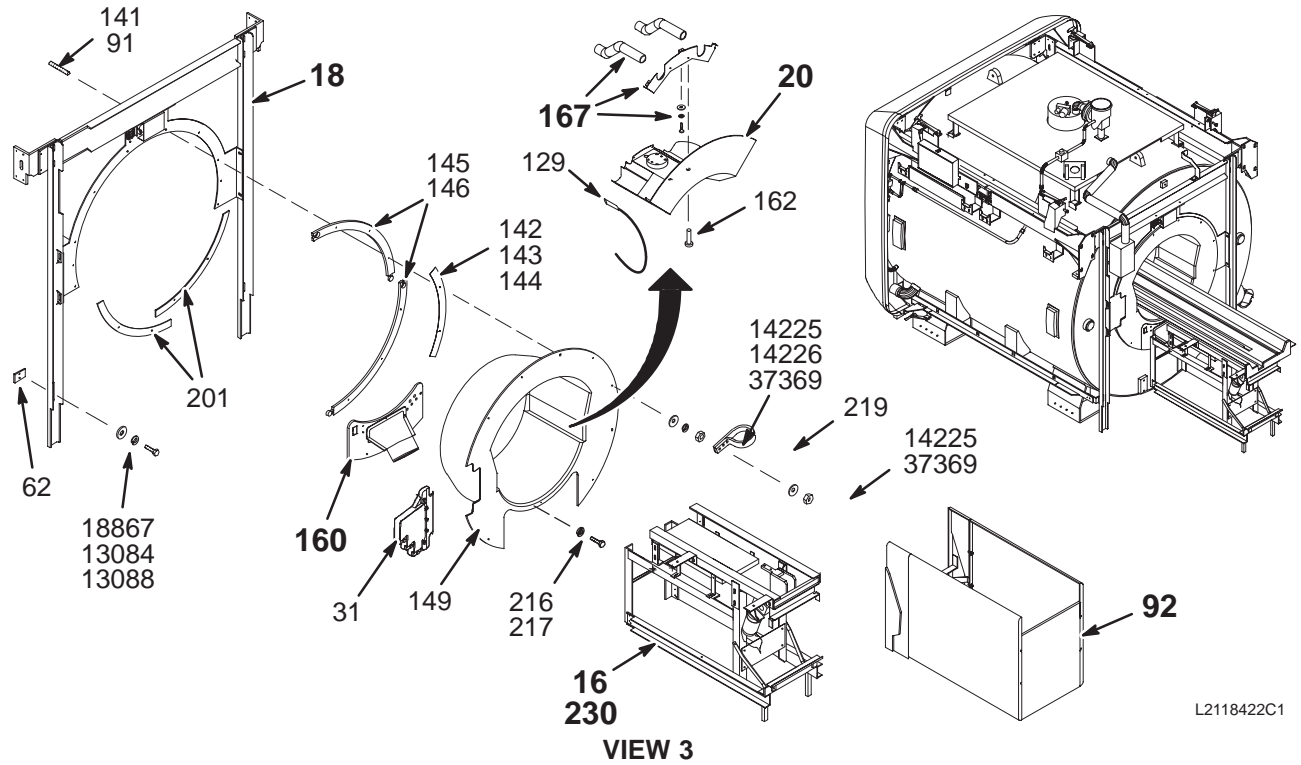
L2118422A



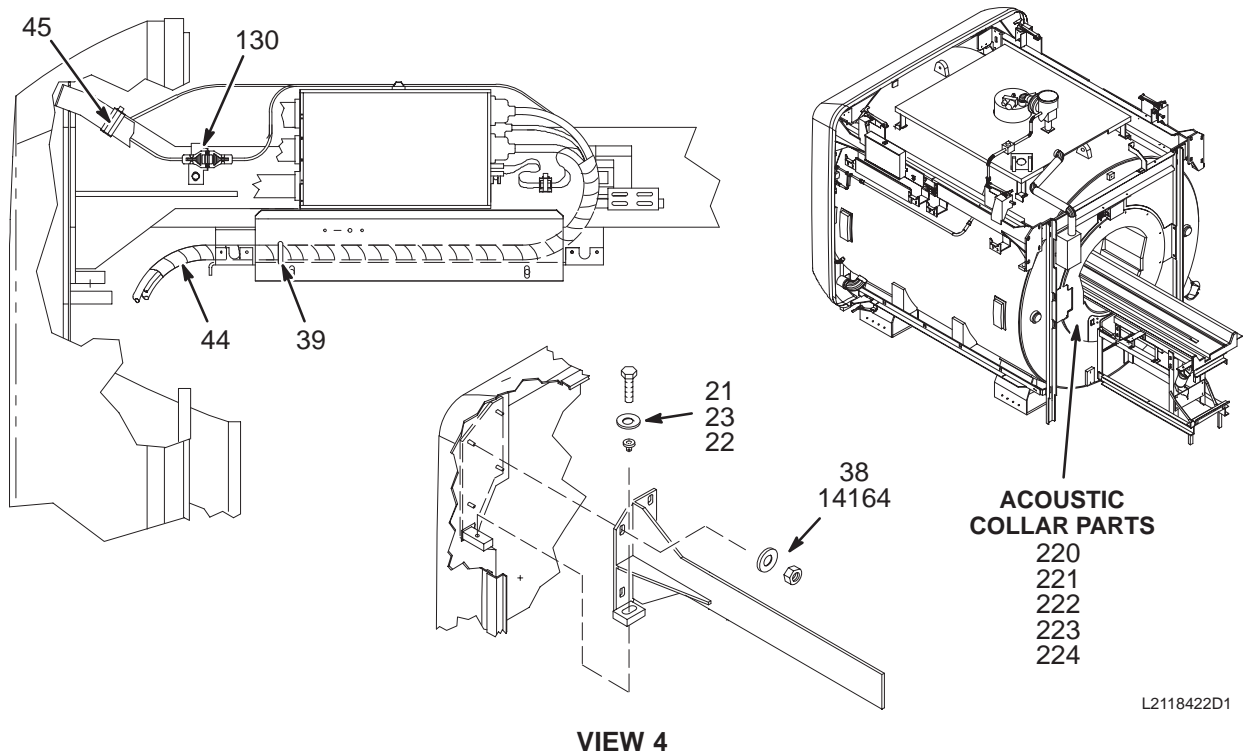
L2118422B1

1.5T & 1.0T HORIZON MAGNET ENCLOSURE – FIXED SITE

2118422 SERIES



L2118422C1



L2118422D1

1.5T FIXED MAG ENCL w/o M-C

2118422-3 FRU N

(PART OF M1000PM)
(PART OF M1000PN)

Item	Part Number	FRU	Name	Quantity	Description (Remarks)
2	46-307712G8	N		XXX	RIGHT SLIDE ASM W/SRI, FIXED SITE (SEE ITEM 300)
3	46-307713G3	N		XXX	LEFT SLIDE ASSEMBLY, FIXED SITE (SEE ITEM 300)
4	46-307707G2	N		XXX	LOWER RIGHT RAIL ASM, FIXED SITE (SEE ITEM 300)
5	46-307708G2	N		XXX	LOWER LEFT RAIL ASSEMBLY, FIXED SITE (SEE ITEM 300)
6	2120888	N	FRONT COVER	1	UFI ENCLOSURE FRONT COVER ASSEMBLY (SEE PAGE 2-47)
8	46-282017P1	2	ANGLE	1	RIGHT DOCK SUPPORT - DOCK MOUNT
9	46-282018P1	2	ANGLE	1	RIGHT DOCK SUPPORT - MAGNET MOUNT
10	46-282019P1	2	ANGLE	1	LEFT DOCK SUPPORT - DOCK MOUNT
11	46-282020P1	2	ANGLE	1	LEFT DOCK SUPPORT - MAGNET MOUNT
12	46-282339P1	2	BAR	2	SHORT CLAMP BAR FOR DOCK SUPPORT
13	46-320275G3	N	REAR COVER	1	UFI REAR COVER STD GE ENCLOSURE (SEE PAGE 2-51)
14	46-271260G1	N	DOCK ASM.	1	NON-HYDRAULIC DOCK ASM, MG2 A29 (SEE PAGE 2-63)
16	46-328137G4	N	PEDESTAL	1	5.5 1.5T FIXED STD ENCLOSURE REAR (SEE PAGE 2-106)
17	46-307710G2	N		XXX	5.5 STD FIXED SITE ENCL/FRONT FRAME (SEE ITEM 300)
18	46-307711G2	N		XXX	5.5 FIXED SITE REAR FRAME (SEE ITEM 300)
19	2132034	N	BRIDGE MOUNT	1	REAR BRIDGE MOUNT ASM (SEE PAGE 2-127)
20	2128650	N	PAT COMF MOD	1	COMFORT MOD ASM (NOT MAGNISHIELD) (SEE PAGE 2-52)
21	46-208932P38	2	SCREW	4	1/2-13 X 3.75 LG HEX HD, 18-8 SST
22	46-307447P1	2	BUSHING	4	FRONT/REAR COVER ADJUST, BRASS
23	46-251379P2	2	WASHER	4	1.5 DIA 17/32 HOLE 5/64 THK 18-8 SST
24A	2121199-7	N	BLOWER (MG6)	1	REINFORCED BLOWER CABINET, MG6 (SEE PAGE 2-100)
24B	2121199	N	BLOWER (MG6)	ALT	BLOWER CABINET, MG6 (SEE PAGE 2-100)
25	2119595	N	PREAMB BRDGE	1	5.5 1.5T STD PREASSEMBLED BRIDGE (SEE PAGE 2-131)
28	46-258509P2	2	PLATE	2	DOCK CLAMP PLATE, 7.25"X1.25 .25 SST
30	2167251	2	KIT OF PARTS	1	BRM INSTALLATION KIT - GE MAGNET (SEE PAGE 2-153)
31	2120143	2	CABLE BLOCK	1	GRADIENT COIL CABLE TERMINAL BLOCK
38	46-251379P3	2	WASHER	16	1.75" DIA 3/8 HOLE 3/16 THK 18-8 SST
39	46-208758P5	2	TY-RAP	18	13.38"X .301" SELF-LOCKING CABLE TIE
44	46-230653P5	2	TUBING	7	SPIRALLY CUT POLYETHYLENE, 3/4" DIA.
45	46-220191P3	2	CLAMP	1	PANDUIT FCM2-A-C14 GRAY, FLAT CABLE
62	46-307802P1	2	SPACER PLATE	2	1/4" THICK ALUM. 2"X3" W/2 3/8 HOLES
63	2131491	N	TRIM KIT	1	ENCLOSURE TRIM PANELS KIT (SEE PAGE 2-53)
81	2131493	N	COVER KIT	1	ENCLOSURE SIDE COVERS (SEE PAGE 2-54)
84	46-287178P1	2	PAD	1	9.5" SQUARE, 1/2" THICK BLUE FOAM
91	2119594	2	LUBRICANT	1	ANTI-SEIZE LUBRICANT, 1 OZ TUBE
92	2131492	N	COVER KIT	1	ENCLOSURE PEDESTAL COVERS (SEE PAGE 2-55)
129	46-328326G1	2	KIT	1	RUN 749 TEMPERATURE SENSOR CABLE KIT
130	46-265067P1	2	CABLE MOUNT	4	I/F PANEL CABLE SCREWLOCK CONNECTOR
140	2116325	2	STUD,MAGNET	12	STUD, 3/8-16 X 55MM, STAINLESS STEEL

Parts List Continued on Next Page

1.5T FIXED MAG ENCL w/o M-C

2118422-3

(CONT'D FROM PREVIOUS PAGE)

Item	Part Number	FRU	Name	Quantity	Description (Remarks)
141	2116325-4	2	STUD, MAGNET	12	STUD, 3/8-16 X 105MM STAINLESS STEEL
142	2115369	2	SEAL, 0.03"	6	3/4MM THICK RUBBER SEAL W/ADHESIVE
143	2115369-2	2	SEAL, 0.06"	12	1.5MM THICK RUBBER SEAL W/ADHESIVE
144	2115369-3	2	SEAL, 0.09"	18	2.25MM THICK RUBBER SEAL W/ADHESIVE
145	2115370	2	SEAL, 0.50"	8	12.7MM THK INTERLOCKING RUBBER SEAL
146	2115370-2	2	SEAL, 0.31"	4	7.9MM THK INTERLOCKING RUBBER SEAL
149	2113076	2	END BELL	1	END BELL REAR 600MM
150	46-317004G1	N	END BELL STD	1	STANDARD FRONT END BELL ASM (SEE PAGE 2-58)
160	2129410	N	BULKHEAD ASM	1	REAR BULKHEAD UFI ENCL (SEE PAGE 2-59)
162	2109873-27	2	SCREW	2	M6X25 SST CROSS RECESSED PAN HD SCR
167	2129412	N	HOSE KIT	1	BLOWER HOSE KIT UFI (SEE PAGE 2-101)
180	2109866-20	2	SCREW	2	M10 X 25 HEX HEAD SCREW SST
181	2109880-4	2	WASHER	2	M10 SST SPRING LOCK WASHER
182	2109878-4	2	WASHER	2	M10 FLAT WASHER, 20MM OD, 2MM, SST
196	46-282757G4	N	DOCK CONTROL	1	UFI DOCK CONTROL ASSEMBLY (SEE PAGE 2-60)
201	2129823	2	SPACER	3	MAGNET END-RING SECTION SPACER
216	2109866-13	2	SCREW	3	M6X25 SST HEX-HEAD SCREW
217	2109878-3	2	WASHER	3	M6 FLAT WASHER, 12MM OD, 1.6MM, SST
218	2109027	2	BRACKET	1	FRONT COVER MICROPHONE CABLE MOUNT
219	2139049	2	STRAP, NYLON	7.300	.875"W, 0.39 HOLE @ 0.625 SPACING
220	46-282896P1	2	MECHANICAL/M	1	NOMEX ACOUSTIC FELT W/VELCRO, FRONT
221	46-136246P21	2	TAPE	20	2" WIDE X 25 YD WHITE VELCRO HOOKS
222	46-282896P2	2	MECHANICAL/M	1	NOMEX ACOUSTIC FELT W/VELCRO, REAR
223	46-287118P1	2	TAPE	2	3/16" DIA X 90 FT ROPE CAULK, BROWN
224	46-320868P1	2	PIPE INSUL	4	POLYETHYLENE CLOSED CELL MATERIAL
230	2143475	N	SHIELD KIT	1	REAR PEDESTAL DRIP SHIELD PLATE KIT (SEE PAGE 2-61)
300	2158536-2	N	COLLECTOR	1	SUPPORTS & SLIDES FOR FIXED ENCL CVR (SEE PAGE 2-15)
13084	46-220196P5	2	WASHER	8	5/16" SCREW SIZE (0.313), SST
13087	46-208932P3	2	SCREW	4	5/16-18 X 3/4", 18-8 SST
13088	46-208932P11	2	SCREW	4	5/16-18 X 1", HEX HD, 18-8 SST
14164	46-208946P1	2	NUT	16	5/16-18 1/2" HEX X .188 THK 18-8 SST
14225	46-208948P2	2	NUT	35	3/8-16 .563 HEX X .328 THK, 18-8 SST
14226	46-220196P6	2	WASHER	54	3/8" SCREW SIZE (0.375), 18-8 SST
14325	46-208758P3	2	TY-RAP	30	7.31" X .184" SELF-LOCKING CABLE TIE
18138	46-220184P47	2	SCREW	2	10-32 X 1.5", ROUND HEAD SLOT, BRASS
18867	12-280	2	WASHER	8	ID 0.336, OD 0.75, THK .064, BRASS
37353	46-208932P4	2	SCREW	16	3/8-16 X 1", HEX HEAD, 18-8 SST
37369	1000904P447	2	WASHER	47	25/64 ID, 1" OD, 1/16" THICK, B7A34C
41665	46-208932P8	2	SCREW	10	3/8-16 X 1.25" HEX HEAD, 18-8 SST
42701	46-208932P15	2	SCREW	4	3/8-16 X 2", HEX HEAD, 18-8 SST

1.5T FIXED MAG ENCL with M-C

2118422-5 FRU N

(PART OF M1001PM)

(PART OF M1001PN)

Item	Part Number	FRU	Name	Quantity	Description (Remarks)
2	46-307712G8	N		XXX	RIGHT SLIDE ASM W/SRI, FIXED SITE (SEE ITEM 300)
3	46-307713G3	N		XXX	LEFT SLIDE ASSEMBLY, FIXED SITE (SEE ITEM 300)
4	46-307707G2	N		XXX	LOWER RIGHT RAIL ASM, FIXED SITE (SEE ITEM 300)
5	46-307708G2	N		XXX	LOWER LEFT RAIL ASSEMBLY, FIXED SITE (SEE ITEM 300)
6	2120888	N	FRONT COVER	1	UFI ENCLOSURE FRONT COVER ASSEMBLY (SEE PAGE 2-47)
8	46-282017P1	2	ANGLE	1	RIGHT DOCK SUPPORT - DOCK MOUNT
9	46-282018P1	2	ANGLE	1	RIGHT DOCK SUPPORT - MAGNET MOUNT
10	46-282019P1	2	ANGLE	1	LEFT DOCK SUPPORT - DOCK MOUNT
11	46-282020P1	2	ANGLE	1	LEFT DOCK SUPPORT - MAGNET MOUNT
12	46-282339P1	2	BAR	2	SHORT CLAMP BAR FOR DOCK SUPPORT
13	46-320275G3	N	REAR COVER	1	UFI REAR COVER STD GE ENCLOSURE (SEE PAGE 2-51)
14	46-271260G1	N	DOCK ASM.	1	NON-HYDRAULIC DOCK ASM, MG2 A29 (SEE PAGE 2-63)
16	46-328137G9	N	PEDESTAL	1	5.5 1.5T FXD STD ENCL REAR PEDESTAL (SEE PAGE 2-115)
17	46-307710G2	N		XXX	5.5 STD FIXED SITE ENCL/FRONT FRAME (SEE ITEM 300)
18	46-307711G2	N		XXX	5.5 FIXED SITE REAR FRAME (SEE ITEM 300)
19	2132034	N	BRIDGE MOUNT	1	REAR BRIDGE MOUNT ASM (SEE PAGE 2-127)
20	2128650	N	PAT COMF MOD	1	COMFORT MODULE (NOT MAGNASHIELD) (SEE PAGE 2-52)
21	46-208932P38	2	SCREW	4	1/2-13 X 3.75 LG HEX HD, 18-8 SST
22	46-307447P1	2	BUSHING	4	FRONT/REAR COVER ADJUST, BRASS
23	46-251379P2	2	WASHER	4	1.5 DIA 17/32 HOLE 5/64 THK 18-8 SST
24A	2121199-7	N	BLOWER (MG6)	1	REINFORCED BLOWER CABINET, MG6 (SEE PAGE 2-100)
24B	2121199	N	BLOWER (MG6)	ALT	BLOWER CABINET, MG6 (SEE PAGE 2-100)
25	2119595-4	N	PREASM BRDGE	1	5.5 1.5T STD PREASSEMBLED BRIDGE (SEE PAGE 2-141)
28	46-258509P2	2	PLATE	2	DOCK CLAMP PLATE, 7.25"X1.25 .25 SST
30	2167251	2	KIT OF PARTS	1	BRM INSTALLATION KIT - GE MAGNET (SEE PAGE 2-153)
31	2120143	2	CABLE BLOCK	1	GRADIENT COIL CABLE TERMINAL BLOCK
38	46-251379P3	2	WASHER	16	1.75" DIA 3/8 HOLE 3/16 THK 18-8 SST
39	46-208758P5	2	TY-RAP	18	13.38"X .301" SELF-LOCKING CABLE TIE
44	46-230653P5	2	TUBING	7	SPIRALLY CUT POLYETHYLENE, 3/4" DIA.
45	46-220191P3	2	CLAMP	1	PANDUIT FCM2-A-C14 GRAY, FLAT CABLE
62	46-307802P1	2	SPACER PLATE	2	1/4" THICK ALUM. 2"X3" W/2 3/8 HOLES
63	2131491	N	TRIM KIT	1	ENCLOSURE TRIM PANELS KIT (SEE PAGE 2-53)
81	2131493	N	COVER KIT	1	ENCLOSURE SIDE COVERS (SEE PAGE 2-54)
84	46-287178P1	2	PAD	1	9.5" SQUARE, 1/2" THICK BLUE FOAM
91	2119594	2	LUBRICANT	1	ANTI-SEIZE LUBRICANT, 1 OZ TUBE
92	2131492	N	COVER KIT	1	ENCLOSURE PEDESTAL COVERS (SEE PAGE 2-55)
129	46-328326G1	2	KIT	1	RUN 749 TEMPERATURE SENSOR CABLE KIT
130	46-265067P1	2	CABLE MOUNT	4	I/F PANEL CABLE SCREWLOCK CONNECTOR
140	2116325	2	STUD,MAGNET	12	STUD, 3/8-16 X 55MM, STAINLESS STEEL
141	2116325-4	2	STUD, MAGNET	12	STUD, 3/8-16 X 105MM STAINLESS STEEL

Parts List Continued on Next Page

1.5T FIXED MAG ENCL with M-C

2118422-5

(CONT'D FROM PREVIOUS PAGE)

Item	Part Number	FRU	Name	Quantity	Description (Remarks)
142	2115369	2	SEAL, 0.03"	6	3/4MM THICK RUBBER SEAL W/ADHESIVE
143	2115369-2	2	SEAL, 0.06"	12	1.5MM THICK RUBBER SEAL W/ADHESIVE
144	2115369-3	2	SEAL, 0.09"	18	2.25MM THICK RUBBER SEAL W/ADHESIVE
145	2115370	2	SEAL, 0.50"	8	12.7MM THK INTERLOCKING RUBBER SEAL
146	2115370-2	2	SEAL, 0.31"	4	7.9MM THK INTERLOCKING RUBBER SEAL
149	2113076	2	END BELL	1	END BELL REAR 600MM
150	46-317004G1	N	END BELL STD	1	STANDARD FRONT END BELL ASM (SEE PAGE 2-58)
160	2129410	N	BULKHEAD ASM	1	REAR BULKHEAD UFI ENCL (SEE PAGE 2-59)
162	2109873-27	2	SCREW	2	M6X25 SST CROSS RECESSED PAN HD SCR
167	2129412	N	HOSE KIT	1	BLOWER HOSE KIT UFI (SEE PAGE 2-101)
180	2109866-20	2	SCREW	2	M10 X 25 HEX HEAD SCREW SST
181	2109880-4	2	WASHER	2	M10 SST SPRING LOCK WASHER
182	2109878-4	2	WASHER	2	M10 FLAT WASHER, 20MM OD, 2MM, SST
196	46-282757G4	N	DOCK CONTROL	1	UFI DOCK CONTROL ASSEMBLY (SEE PAGE 2-60)
201	2129823	2	SPACER	3	MAGNET END-RING SECTION SPACER
216	2109866-13	2	SCREW	3	M6X25 SST HEX-HEAD SCREW
217	2109878-3	2	WASHER	3	M6 FLAT WASHER, 12MM OD, 1.6MM, SST
218	2109027	2	BRACKET	1	FRONT COVER MICROPHONE CABLE MOUNT
219	2139049	2	STRAP, NYLON	7.300	.875"W, 0.39 HOLE @ 0.625 SPACING
220	46-282896P1	2	MECHANICAL/M	1	NOMEX ACOUSTIC FELT W/VELCRO, FRONT
221	46-136246P21	2	TAPE	20	2" WIDE X 25 YD WHITE VELCRO HOOKS
222	46-282896P2	2	MECHANICAL/M	1	NOMEX ACOUSTIC FELT W/VELCRO, REAR
223	46-287118P1	2	TAPE	2	3/16" DIA X 90 FT ROPE CAULK, BROWN
224	46-320868P1	2	PIPE INSUL	4	POLYETHYLENE CLOSED CELL MATERIAL
230	2143475	N	SHIELD KIT	1	REAR PEDESTAL DRIP SHIELD PLATE KIT (SEE PAGE 2-61)
300	2158536-2	N	COLLECTOR	1	SUPPORTS & SLIDES FOR FIXED ENCL CVR (SEE PAGE 2-15)
13084	46-220196P5	2	WASHER	8	5/16" SCREW SIZE (0.313), SST
13087	46-208932P3	2	SCREW	4	5/16-18 X 3/4", 18-8 SST
13088	46-208932P11	2	SCREW	4	5/16-18 X 1", HEX HD, 18-8 SST
14164	46-208946P1	2	NUT	16	5/16-18 1/2" HEX X .188 THK 18-8 SST
14225	46-208948P2	2	NUT	35	3/8-16 .563 HEX X .328 THK, 18-8 SST
14226	46-220196P6	2	WASHER	54	3/8" SCREW SIZE (0.375), 18-8 SST
14325	46-208758P3	2	TY-RAP	30	7.31" X .184" SELF-LOCKING CABLE TIE
18138	46-220184P47	2	SCREW	2	10-32 X 1.5", ROUND HEAD SLOT, BRASS
18867	12-280	2	WASHER	8	ID 0.336, OD 0.75, THK .064, BRASS
37353	46-208932P4	2	SCREW	16	3/8-16 X 1", HEX HEAD, 18-8 SST
37369	1000904P447	2	WASHER	47	25/64 ID, 1" OD, 1/16" THICK, B7A34C
41665	46-208932P8	2	SCREW	10	3/8-16 X 1.25" HEX HEAD, 18-8 SST
42701	46-208932P15	2	SCREW	4	3/8-16 X 2", HEX HEAD, 18-8 SST

1.0T FIXED MAG ENCL w/o M-C

2118422-7 FRU N

(PART OF M1800PM)

(PART OF M1800PN)

Item	Part Number	FRU	Name	Quantity	Description (Remarks)
2	46-307712G8	N		XXX	RIGHT SLIDE ASM W/SRI, FIXED SITE (SEE ITEM 300)
3	46-307713G3	N		XXX	LEFT SLIDE ASSEMBLY, FIXED SITE (SEE ITEM 300)
4	46-307707G2	N		XXX	LOWER RIGHT RAIL ASM, FIXED SITE (SEE ITEM 300)
5	46-307708G2	N		XXX	LOWER LEFT RAIL ASSEMBLY, FIXED SITE (SEE ITEM 300)
6	2120888	N	FRONT COVER	1	UFI ENCLOSURE FRONT COVER ASSEMBLY (SEE PAGE 2-47)
8	46-282017P1	2	ANGLE	1	RIGHT DOCK SUPPORT – DOCK MOUNT
9	46-282018P1	2	ANGLE	1	RIGHT DOCK SUPPORT – MAGNET MOUNT
10	46-282019P1	2	ANGLE	1	LEFT DOCK SUPPORT – DOCK MOUNT
11	46-282020P1	2	ANGLE	1	LEFT DOCK SUPPORT – MAGNET MOUNT
12	46-282339P1	2	BAR	2	SHORT CLAMP BAR FOR DOCK SUPPORT
13	46-320275G3	N	REAR COVER	1	UFI REAR COVER STD GE ENCLOSURE (SEE PAGE 2-51)
14	46-271260G1	N	DOCK ASM.	1	NON-HYDRAULIC DOCK ASM, MG2 A29 (SEE PAGE 2-63)
16	46-328137G6	N	PEDESTAL	1	5.5 1.0T FIXED STD ENCLOSURE REAR (SEE PAGE 2-110)
17	46-307710G2	N		XXX	5.5 STD FIXED SITE ENCL/FRONT FRAME (SEE ITEM 300)
18	46-307711G2	N		XXX	5.5 FIXED SITE REAR FRAME (SEE ITEM 300)
19	2132034	N	BRIDGE MOUNT	1	REAR BRIDGE MOUNT ASM (SEE PAGE 2-127)
20	2128650	N	PAT COMF MOD	1	COMFORT MODULE (NOT MAGNISHIELD) (SEE PAGE 2-52)
21	46-208932P38	2	SCREW	4	1/2-13 X 3.75 LG HEX HD, 18-8 SST
22	46-307447P1	2	BUSHING	4	FRONT/REAR COVER ADJUST, BRASS
23	46-251379P2	2	WASHER	4	1.5 DIA 17/32 HOLE 5/64 THK 18-8 SST
24A	2121199-7	N	BLOWER (MG6)	1	REINFORCED BLOWER CABINET, MG6 (SEE PAGE 2-100)
24B	2121199	N	BLOWER (MG6)	ALT	BLOWER CABINET, MG6 (SEE PAGE 2-100)
25	2119595-3	N	PREASM BRDGE	1	5.5 1.0T STD PREASSEMBLED BRIDGE (SEE PAGE 2-137)
28	46-258509P2	2	PLATE	2	DOCK CLAMP PLATE, 7.25"X1.25 .25 SST
30	2167251	2	KIT OF PARTS	1	BRM INSTALLATION KIT – GE MAGNET (SEE PAGE 2-153)
31	2120143	2	CABLE BLOCK	1	GRADIENT COIL CABLE TERMINAL BLOCK
38	46-251379P3	2	WASHER	16	1.75" DIA 3/8 HOLE 3/16 THK 18-8 SST
39	46-208758P5	2	TY-RAP	18	13.38"X .301" SELF-LOCKING CABLE TIE
44	46-230653P5	2	TUBING	7	SPIRALLY CUT POLYETHYLENE, 3/4" DIA.
45	46-220191P3	2	CLAMP	1	PANDUIT FCM2-A-C14 GRAY, FLAT CABLE
62	46-307802P1	2	SPACER PLATE	2	1/4" THICK ALUM. 2"X3" W/2 3/8 HOLES
63	2131491	N	TRIM KIT	1	ENCLOSURE TRIM PANELS KIT (SEE PAGE 2-53)
81	2131493	N	COVER KIT	1	ENCLOSURE SIDE COVERS (SEE PAGE 2-54)
84	46-287178P1	2	PAD	1	9.5" SQUARE, 1/2" THICK BLUE FOAM
91	2119594	2	LUBRICANT	1	ANTI-SEIZE LUBRICANT, 1 OZ TUBE
92	2131492	N	COVER KIT	1	ENCLOSURE PEDESTAL COVERS (SEE PAGE 2-55)
129	46-328326G1	2	KIT	1	RUN 749 TEMPERATURE SENSOR CABLE KIT
130	46-265067P1	2	CABLE MOUNT	4	
140	2116325	2	STUD,MAGNET	12	STUD, 3/8-16 X 55MM, STAINLESS STEEL
141	2116325-4	2	STUD, MAGNET	12	STUD, 3/8-16 X 105MM STAINLESS STEEL

Parts List Continued on Next Page

1.0T FIXED MAG ENCL w/o M-C

2118422-7

(CONT'D FROM PREVIOUS PAGE)

Item	Part Number	FRU	Name	Quantity	Description (Remarks)
142	2115369	2	SEAL, 0.03"	6	3/4MM THICK RUBBER SEAL W/ADHESIVE
143	2115369-2	2	SEAL, 0.06"	12	1.5MM THICK RUBBER SEAL W/ADHESIVE
144	2115369-3	2	SEAL, 0.09"	18	2.25MM THICK RUBBER SEAL W/ADHESIVE
145	2115370	2	SEAL, 0.50"	8	12.7MM THK INTERLOCKING RUBBER SEAL
146	2115370-2	2	SEAL, 0.31"	4	7.9MM THK INTERLOCKING RUBBER SEAL
149	2113076	2	END BELL	1	END BELL REAR 600MM
150	46-317004G1	N	END BELL STD	1	STANDARD FRONT END BELL ASM (SEE PAGE 2-58)
160	2129410	N	BULKHEAD ASM	1	REAR BULKHEAD UFI ENCL (SEE PAGE 2-59)
162	2109873-27	2	SCREW	2	M6X25 SST CROSS RECESSED PAN HD SCR
167	2129412	N	HOSE KIT	1	BLOWER HOSE KIT UFI (SEE PAGE 2-101)
180	2109866-20	2	SCREW	2	M10 X 25 HEX HEAD SCREW SST
181	2109880-4	2	WASHER	2	M10 SST SPRING LOCK WASHER
182	2109878-4	2	WASHER	2	M10 FLAT WASHER, 20MM OD, 2MM, SST
196	46-282757G4	N	DOCK CONTROL	1	UFI DOCK CONTROL ASSEMBLY (SEE PAGE 2-60)
201	2129823	2	SPACER	3	MAGNET END-RING SECTION SPACER
216	2109866-13	2	SCREW	3	M6X25 SST HEX-HEAD SCREW
217	2109878-3	2	WASHER	3	M6 FLAT WASHER, 12MM OD, 1.6MM, SST
218	2109027	2	BRACKET	1	FRONT COVER MICROPHONE CABLE MOUNT
219	2139049	2	STRAP, NYLON	7.300	.875"W, 0.39 HOLE @ 0.625 SPACING
220	46-282896P1	2	MECHANICAL/M	1	NOMEX ACOUSTIC FELT W/VELCRO, FRONT
221	46-136246P21	2	TAPE	20	2" WIDE X 25 YD WHITE VELCRO HOOKS
222	46-282896P2	2	MECHANICAL/M	1	NOMEX ACOUSTIC FELT W/VELCRO, REAR
223	46-287118P1	2	TAPE	2	3/16" DIA X 90 FT ROPE CAULK, BROWN
224	46-320868P1	2	PIPE INSUL	4	POLYETHYLENE CLOSED CELL MATERIAL
230	2143475	N	SHIELD KIT	1	REAR PEDESTAL DRIP SHIELD PLATE KIT (SEE PAGE 2-61)
300	2158536-2	N	COLLECTOR	1	SUPPORTS & SLIDES FOR FIXED ENCL CVR (SEE PAGE 2-15)
13084	46-220196P5	2	WASHER	8	5/16" SCREW SIZE (0.313), SST
13087	46-208932P3	2	SCREW	4	5/16-18 X 3/4", 18-8 SST
13088	46-208932P11	2	SCREW	4	5/16-18 X 1", HEX HD, 18-8 SST
14164	46-208946P1	2	NUT	16	5/16-18 1/2" HEX X .188 THK 18-8 SST
14225	46-208948P2	2	NUT	35	3/8-16 .563 HEX X .328 THK, 18-8 SST
14226	46-220196P6	2	WASHER	54	3/8" SCREW SIZE (0.375), 18-8 SST
14325	46-208758P3	2	TY-RAP	30	7.31" X .184" SELF-LOCKING CABLE TIE
18138	46-220184P47	2	SCREW	2	10-32 X 1.5", ROUND HEAD SLOT, BRASS
18867	12-280	2	WASHER	8	ID 0.336, OD 0.75, THK .064, BRASS
37353	46-208932P4	2	SCREW	16	3/8-16 X 1", HEX HEAD, 18-8 SST
37369	1000904P447	2	WASHER	47	25/64 ID, 1" OD, 1/16" THICK, B7A34C
41665	46-208932P8	2	SCREW	10	3/8-16 X 1.25" HEX HEAD, 18-8 SST
42701	46-208932P15	2	SCREW	4	3/8-16 X 2", HEX HEAD, 18-8 SST

1.0T FIXED MAG ENCL with M-C

2118422-9 FRU N

(PART OF M1801PM)

(PART OF M1801PN)

Item	Part Number	FRU	Name	Quantity	Description (Remarks)
2	46-307712G8	N		XXX	RIGHT SLIDE ASM W/SRI, FIXED SITE (SEE ITEM 300)
3	46-307713G3	N		XXX	LEFT SLIDE ASSEMBLY, FIXED SITE (SEE ITEM 300)
4	46-307707G2	N		XXX	LOWER RIGHT RAIL ASM, FIXED SITE (SEE ITEM 300)
5	46-307708G2	N		XXX	LOWER LEFT RAIL ASSEMBLY, FIXED SITE (SEE ITEM 300)
6	2120888	N	FRONT COVER	1	UFI ENCLOSURE FRONT COVER ASSEMBLY (SEE PAGE 2-47)
8	46-282017P1	2	ANGLE	1	RIGHT DOCK SUPPORT – DOCK MOUNT
9	46-282018P1	2	ANGLE	1	RIGHT DOCK SUPPORT – MAGNET MOUNT
10	46-282019P1	2	ANGLE	1	LEFT DOCK SUPPORT – DOCK MOUNT
11	46-282020P1	2	ANGLE	1	LEFT DOCK SUPPORT – MAGNET MOUNT
12	46-282339P1	2	BAR	2	SHORT CLAMP BAR FOR DOCK SUPPORT
13	46-320275G3	N	REAR COVER	1	UFI REAR COVER STD GE ENCLOSURE (SEE PAGE 2-51)
14	46-271260G1	N	DOCK ASM.	1	NON-HYDRAULIC DOCK ASM, MG2 A29 (SEE PAGE 2-63)
16	46-328137G11	N	PEDESTAL	1	5.5 1.0T FIXED STD REAR ENCLOSURE (SEE PAGE 2-119)
17	46-307710G2	N		XXX	5.5 STD FIXED SITE ENCL/FRONT FRAME (SEE ITEM 300)
18	46-307711G2	N		XXX	5.5 FIXED SITE REAR FRAME (SEE ITEM 300)
19	2132034	N	BRIDGE MOUNT	1	REAR BRIDGE MOUNT ASM (SEE PAGE 2-127)
20	2128650	N	PAT COMF MOD	1	COMFORT MODULE (NOT MAGNISHIELD) (SEE PAGE 2-52)
21	46-208932P38	2	SCREW	4	1/2-13 X 3.75 LG HEX HD, 18-8 SST
22	46-307447P1	2	BUSHING	4	FRONT/REAR COVER ADJUST, BRASS
23	46-251379P2	2	WASHER	4	1.5 DIA 17/32 HOLE 5/64 THK 18-8 SST
24A	2121199-7	N	BLOWER (MG6)	1	REINFORCED BLOWER CABINET, MG6 (SEE PAGE 2-100)
24B	2121199	N	BLOWER (MG6)	ALT	BLOWER CABINET, MG6 (SEE PAGE 2-100)
25	2119595-6	N	PREASM BRDGE	1	5.5 1.0T STD PREASSEMBLED BRIDGE (SEE PAGE 2-150)
28	46-258509P2	2	PLATE	2	DOCK CLAMP PLATE, 7.25"X1.25 .25 SST
30	2167251	2	KIT OF PARTS	1	BRM INSTALLATION KIT – GE MAGNET (SEE PAGE 2-153)
31	2120143	2	CABLE BLOCK	1	GRADIENT COIL CABLE TERMINAL BLOCK
38	46-251379P3	2	WASHER	16	1.75" DIA 3/8 HOLE 3/16 THK 18-8 SST
39	46-208758P5	2	TY-RAP	18	13.38"X .301" SELF-LOCKING CABLE TIE
44	46-230653P5	2	TUBING	7	SPIRALLY CUT POLYETHYLENE, 3/4" DIA.
45	46-220191P3	2	CLAMP	1	PANDUIT FCM2-A-C14 GRAY, FLAT CABLE
62	46-307802P1	2	SPACER PLATE	2	1/4" THICK ALUM. 2"X3" W/2 3/8 HOLES
63	2131491	N	TRIM KIT	1	ENCLOSURE TRIM PANELS KIT (SEE PAGE 2-53)
81	2131493	N	COVER KIT	1	ENCLOSURE SIDE COVERS (SEE PAGE 2-54)
84	46-287178P1	2	PAD	1	9.5" SQUARE, 1/2" THICK BLUE FOAM
91	2119594	2	LUBRICANT	1	ANTI-SEIZE LUBRICANT, 1 OZ TUBE
92	2131492	N	COVER KIT	1	ENCLOSURE PEDESTAL COVERS (SEE PAGE 2-55)
129	46-328326G1	2	KIT	1	RUN 749 TEMPERATURE SENSOR CABLE KIT
130	46-265067P1	2	CABLE MOUNT	4	I/F PANEL CABLE SCREWLOCK CONNECTOR
140	2116325	2	STUD,MAGNET	12	STUD, 3/8-16 X 55MM, STAINLESS STEEL
141	2116325-4	2	STUD, MAGNET	12	STUD, 3/8-16 X 105MM STAINLESS STEEL

Parts List Continued on Next Page

1.0T FIXED MAG ENCL with M-C

2118422-9

(CONT'D FROM PREVIOUS PAGE)

Item	Part Number	FRU	Name	Quantity	Description (Remarks)
142	2115369	2	SEAL, 0.03"	6	3/4MM THICK RUBBER SEAL W/ADHESIVE
143	2115369-2	2	SEAL, 0.06"	12	1.5MM THICK RUBBER SEAL W/ADHESIVE
144	2115369-3	2	SEAL, 0.09"	18	2.25MM THICK RUBBER SEAL W/ADHESIVE
145	2115370	2	SEAL, 0.50"	8	12.7MM THK INTERLOCKING RUBBER SEAL
146	2115370-2	2	SEAL, 0.31"	4	7.9MM THK INTERLOCKING RUBBER SEAL
149	2113076	2	END BELL	1	END BELL REAR 600MM
150	46-317004G1	N	END BELL STD	1	STANDARD FRONT END BELL ASM (SEE PAGE 2-58)
160	2129410	N	BULKHEAD ASM	1	REAR BULKHEAD UFI ENCL (SEE PAGE 2-59)
162	2109873-27	2	SCREW	2	M6X25 SST CROSS RECESSED PAN HD SCR
167	2129412	N	HOSE KIT	1	BLOWER HOSE KIT UFI (SEE PAGE 2-101)
180	2109866-20	2	SCREW	2	M10 X 25 HEX HEAD SCREW SST
181	2109880-4	2	WASHER	2	M10 SST SPRING LOCK WASHER
182	2109878-4	2	WASHER	2	M10 FLAT WASHER, 20MM OD, 2MM, SST
196	46-282757G4	N	DOCK CONTROL	1	UFI DOCK CONTROL ASSEMBLY (SEE PAGE 2-60)
201	2129823	2	SPACER	3	MAGNET END-RING SECTION SPACER
216	2109866-13	2	SCREW	3	M6X25 SST HEX-HEAD SCREW
217	2109878-3	2	WASHER	3	M6 FLAT WASHER, 12MM OD, 1.6MM, SST
218	2109027	2	BRACKET	1	FRONT COVER MICROPHONE CABLE MOUNT
219	2139049	2	STRAP, NYLON	7.300	.875"W, 0.39 HOLE @ 0.625 SPACING
220	46-282896P1	2	MECHANICAL/M	1	NOMEX ACOUSTIC FELT W/VELCRO, FRONT
221	46-136246P21	2	TAPE	20	2" WIDE X 25 YD WHITE VELCRO HOOKS
222	46-282896P2	2	MECHANICAL/M	1	NOMEX ACOUSTIC FELT W/VELCRO, REAR
223	46-287118P1	2	TAPE	2	3/16" DIA X 90 FT ROPE CAULK, BROWN
224	46-320868P1	2	PIPE INSUL	4	POLYETHYLENE CLOSED CELL MATERIAL
230	2143475	N	SHIELD KIT	1	REAR PEDESTAL DRIP SHIELD PLATE KIT (SEE PAGE 2-61)
300	2158536-2	N	COLLECTOR	1	SUPPORTS & SLIDES FOR FIXED ENCL CVR (SEE PAGE 2-15)
13084	46-220196P5	2	WASHER	8	5/16" SCREW SIZE (0.313), SST
13087	46-208932P3	2	SCREW	4	5/16-18 X 3/4", 18-8 SST
13088	46-208932P11	2	SCREW	4	5/16-18 X 1", HEX HD, 18-8 SST
14164	46-208946P1	2	NUT	16	5/16-18 1/2" HEX X .188 THK 18-8 SST
14225	46-208948P2	2	NUT	35	3/8-16 .563 HEX X .328 THK, 18-8 SST
14226	46-220196P6	2	WASHER	54	3/8" SCREW SIZE (0.375), 18-8 SST
14325	46-208758P3	2	TY-RAP	30	7.31" X .184" SELF-LOCKING CABLE TIE
18138	46-220184P47	2	SCREW	2	10-32 X 1.5", ROUND HEAD SLOT, BRASS
18867	12-280	2	WASHER	8	ID 0.336, OD 0.75, THK .064, BRASS
37353	46-208932P4	2	SCREW	16	3/8-16 X 1", HEX HEAD, 18-8 SST
37369	1000904P447	2	WASHER	47	25/64 ID, 1" OD, 1/16" THICK, B7A34C
41665	46-208932P8	2	SCREW	10	3/8-16 X 1.25" HEX HEAD, 18-8 SST
42701	46-208932P15	2	SCREW	4	3/8-16 X 2", HEX HEAD, 18-8 SST

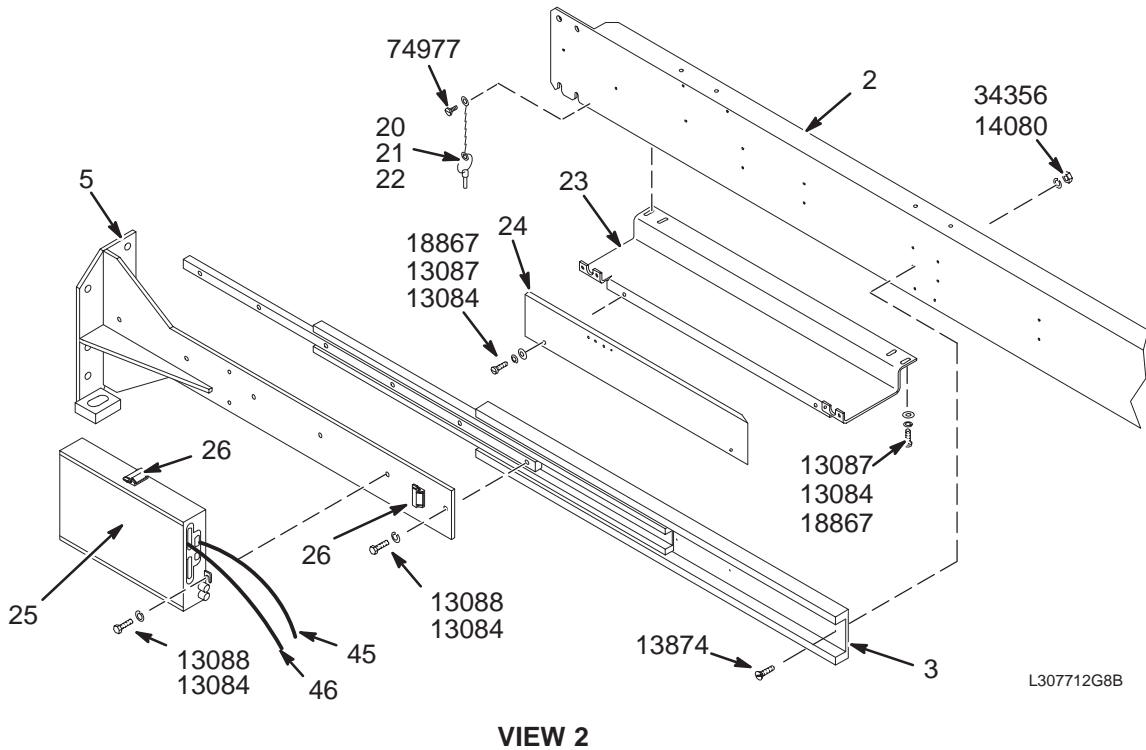
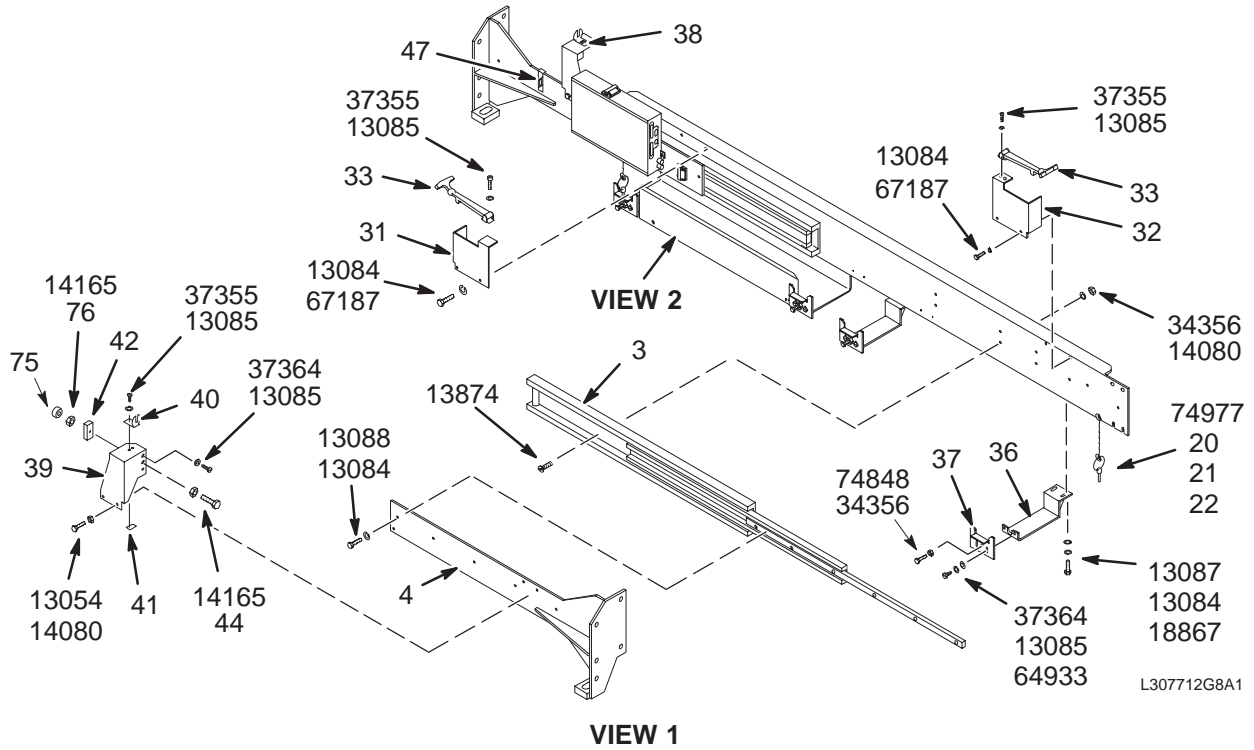
FIXED ENCL SUPPORTS/SLIDES 2158536-2 FRU N

(PART OF 2118422-3 PAGE 2-7)
 (PART OF 2118422-5 PAGE 2-9)
 (PART OF 2118422-7 PAGE 2-11)
 (PART OF 2118422-9 PAGE 2-13)

Item	Part Number	FRU	Name	Quantity	Description (Remarks)
2	46-307712G8	N	SLIDE ASM	1	RIGHT SLIDE ASM W/SRI, FIXED SITE (SEE PAGE 2-17)
3	46-307713G3	N	SLIDE ASM LF	1	LEFT SLIDE ASSEMBLY, FIXED SITE (SEE PAGE 2-19)
4	46-307707G2	N	LOW RL RIGHT	1	LOWER RIGHT RAIL ASM, FIXED SITE (SEE PAGE 2-20)
5	46-307708G2	N	LOW RL LEFT	1	LOWER LEFT RAIL ASSEMBLY, FIXED SITE (SEE PAGE 2-21)
17	46-307710G2	N	FRONT FRAME	1	5.5 STD FIXED SITE ENCL/FRONT FRAME (SEE PAGE 2-23)
18	46-307711G2	N	REAR FRAME	1	5.5 FIXED SITE REAR FRAME (SEE PAGE 2-25)

RIGHT SLIDE ASM WITH SRI

46-307712G8

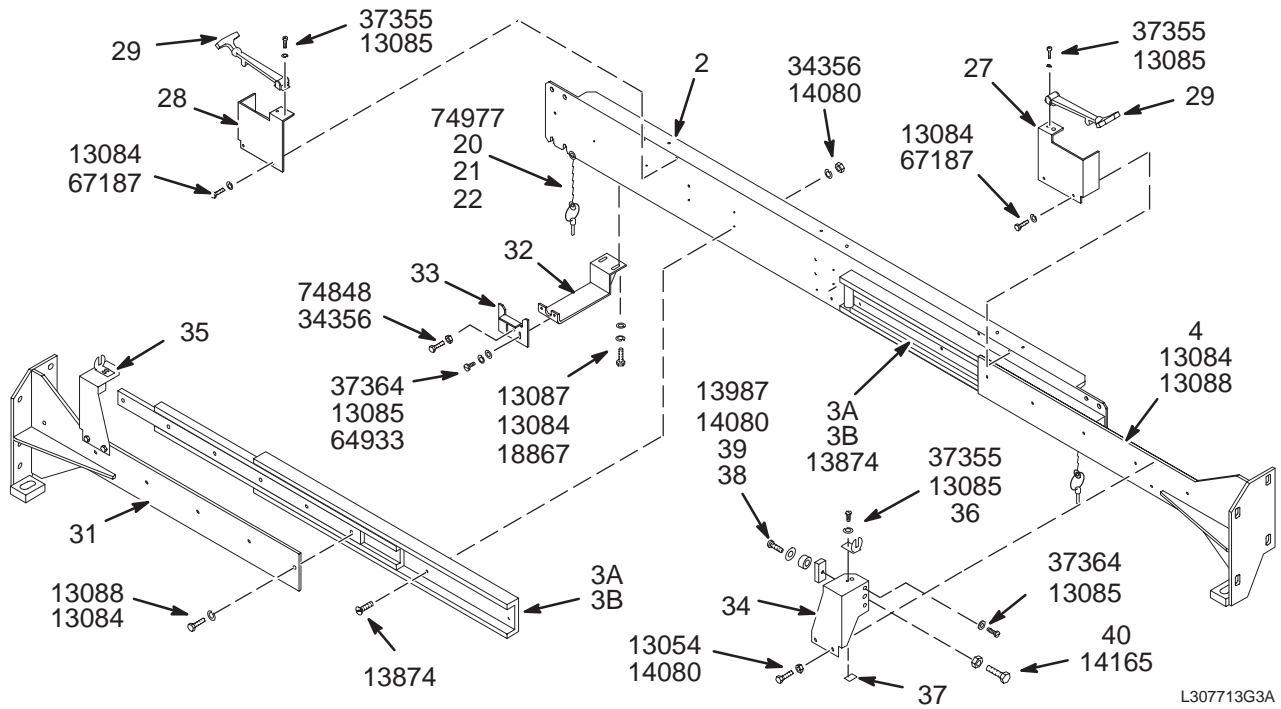


RIGHT SLIDE ASM w/SRI 46-307712G8 FRU N (PART OF 2158536-2 PAGE 2-15)

Item	Part Number	FRU	Name	Quantity	Description (Remarks)
2	46-282113P1	2	CHANNEL,SIDE	1	UPPER SLIDE SUPPORT
3A	46-320138P1	2	COVER SLIDE	2	ENCLOSURE FRONT/REAR COVER EXTENDING
3B	46-244780P1	2	MECHANICAL/M	ALT	ENCLOSURE FRONT/REAR COVER EXTENDING
5	46-244762G1	2	MOUNT-WELD	1	MOUNT FOR FRONT COVER (RIGHT) OR FOR
20	46-221889P1	2	PIN	2	NOM DIA 0.18, GRIP .70 QUICK-RELEASE
21	46-316457P1	2	CHAIN	2	#10 BEAD, 0.178 DIA, SST
22	46-230530P10	2	CHAIN	4	#10 TYPE A OFFSET BEAD CHAIN 10A-156
23	46-282048G1	2	BRACKET	1	FRONT SLIDE CABLE TAKE-UP TROUGH
24	46-287408P1	2	GUARD,CABLE	1	DSIM/SRI CABLE TAKE-UP GUARD PLATE
25	46-287370G8	1	DSIM/SRI BD	1	SCAN ROOM INTERFACE (SRI) (SEE PAGE 2-97)
26	46-220191P1	2	CLAMP	2	CLAMP FOR FLAT CABLE
31	46-271849P2	2	BRACKET	1	UPPER LATCH RIGHT-FRONT OR LEFT-REAR
32	46-271849P1	2	BRACKET	1	UPPER LATCH LEFT-FRONT OR RIGHT-REAR
33	46-251360P1	2	MECHANICAL/M	2	T-HANDLE FLEX LATCH
35	46-244762G2	2	MOUNT-WELD	1	MOUNT FOR FRONT COVER (LEFT) OR FOR
36	46-282326G1	2	BRACKET WELD	2	SIDE COVER HANGER EXTENSION
37	46-271943P1	2	BRACKET	4	SIDE COVER HANGER BRACKET
38	46-258429P2	2	BRACKET	1	KEEPER/STOP FRONT-RIGHT OR REAR-LEFT
39	46-258429P1	2	BRACKET	1	KEEPER/STOP FRONT-LEFT OR REAR-RIGHT
40	46-251360P2	2	MECHANICAL/M	2	FLEX LATCH KEEPER
41	46-251307P1	2	NUT PLATE	2	10-32 THREAD, TWO HOLES, .5" SPACING
42	46-258416P1	2	STOP BLOCK	2	BUMPER ADJUST SCREW SUPPORT
44	46-208932P43	2	SCREW	2	1/2-13 X 4.00 THREAD TO HEAD 18-8
45	46-287908G1	2	CABLE	1	RUN 421, MG2-A33-J3 TO MG2-A31-J1
46	46-243775G668	2	CABLE	1	RUN 422, MG3-A1-J4 TO MG2-A33-J2
47	2133208	2	BRACKET	1	PAC CABLE INTERFACE MOUNT/GROUND
75	46-328574P2	2	SPRING	2	SPRING COMPRESSION 22.225 MM 22.225
76	46-170686P3	2	ADHESIVE	AR	LOCTITE 242, 50CC
13054	46-208932P10	2	SCREW	4	1/4-20 X 1/2" LG, HEX HD, 18-8 SST
13084	46-220196P5	2	WASHER	25	5/16" SCREW SIZE (0.313), SST
13085	46-220196P3	2	WASHER	20	#10 SCREW SIZE (0.190), SST
13087	46-208932P3	2	SCREW	10	5/16-18 X 3/4", 18-8 SST
13088	46-208932P11	2	SCREW	11	5/16-18 X 1", HEX HD, 18-8 SST
13874	46-208910P19	2	SCREW	18	1/4-20 X 1", FLAT HD SLOTTED, SST
14080	46-220196P4	2	WASHER	22	1/4" SCREW SIZE (0.250), SST
14165	46-208948P3	2	NUT	4	1/2-13, 3/4" HEX, 7/16" THK 18-8 SST
18867	12-280	2	WASHER	10	ID 0.336, OD 0.75, THK .064, BRASS
34356	46-208948P5	2	NUT	22	1/4-20 .438 HEX X .226 THK, 18-8 SST
37355	46-208737P12	2	SCREW	8	10-32 X 1/2", HEX SOC HEAD, 18-8 SST
37364	46-208560P102	2	SCREW	12	10-32 X 5/8", BIND HEAD, 18-8 SST
64933	1000904P425	2	WASHER	8	0.2 ID, 0.5 OD, .04 THK, B11H89C
67187	46-208560P83	2	SCREW	4	5/16-18 X 1/2", SST 302
74848	46-208932P24	2	SCREW	4	1/4-20 X 1.5", HEX HEAD, SST 18-8
74977	46-208560P110	2	SCREW	2	6-32 X 3/8 BINDING HEAD, 18-8 SST

LEFT SLIDE ASM

46-307713G3



LEFT SLIDE ASM

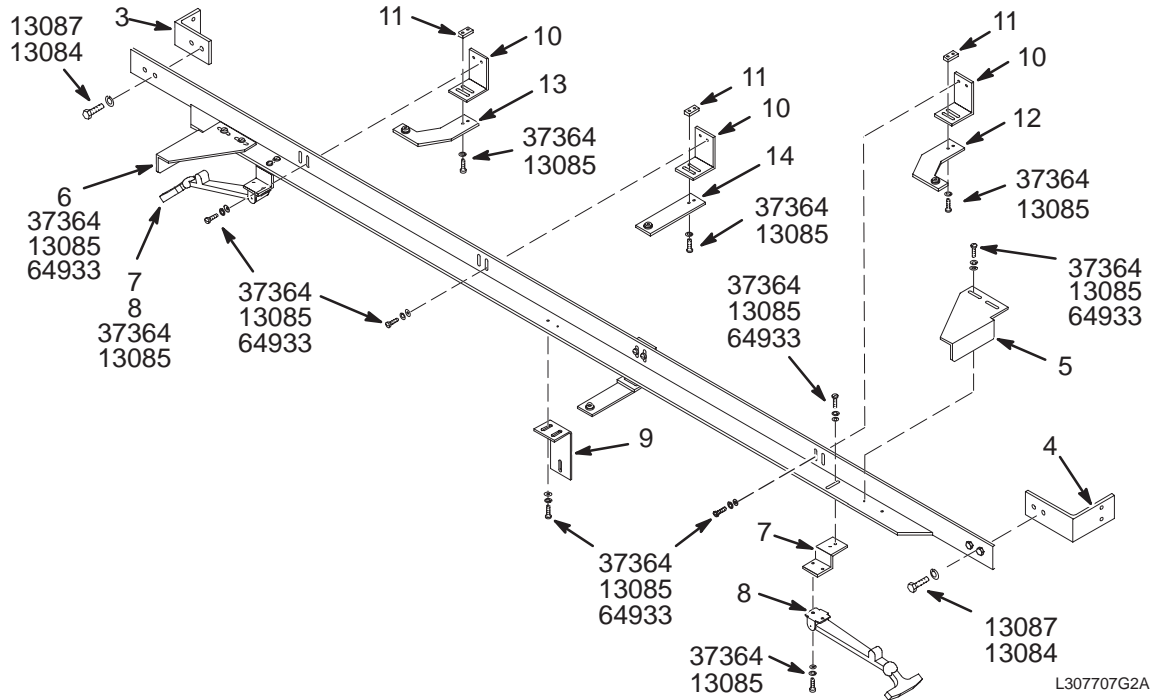
46-307713G3 FRU N

(PART OF 2158536-2 PAGE 2-15)

Item	Part Number	FRU	Name	Quantity	Description (Remarks)
2	46-282113P1	2	CHANNEL,SIDE	1	UPPER SLIDE SUPPORT
3A	46-320138P1	2	COVER SLIDE	2	ENCLOSURE FRONT/REAR COVER EXTENDING
3B	46-244780P1	2	SLIDE	ALT	ENCLOSURE FRONT/REAR COVER EXTENDING
4	46-244762G2	2	MOUNT-WELD	1	FRONT COVER RIGHT OR REAR COVER LEFT
20	46-221889P1	2	PIN,LOCK	2	NOM DIA 0.18, GRIP .70 QUICK-RELEASE
21	46-316457P1	2	CHAIN, BEAD	2	#10 BEAD, 0.178 DIA, SST
22	46-230530P10	2	COUPLING	4	#10 TYPE A OFFSET BEAD CHAIN 10A-156
27	46-271849P1	2	BRACKET	1	UPPER LATCH LEFT-FRONT OR RIGHT-REAR
28	46-271849P2	2	BRACKET	1	UPPER LATCH RIGHT-FRONT OR LEFT-REAR
29	46-251360P1	2	FLEX LATCH	2	T-HANDLE FLEX LATCH
31	46-244762G1	2	MOUNT-WELD	1	FRONT COVER LEFT OR REAR COVER RIGHT
32	46-282326G1	2	BRACKET WELD	4	SIDE COVER HANGER EXTENSION
33	46-271943P1	2	SUPPORT	4	SIDE COVER HANGER BRACKET
34	46-258429P1	2	BRACKET	1	KEEPER/STOP FRONT-LEFT OR REAR-RIGHT
35	46-258429P2	2	BRACKET	1	KEEPER/STOP FRONT-RIGHT OR REAR-LEFT
36	46-251360P2	2	FLEX LATCH	2	FLEX LATCH KEEPER
37	46-251307P1	2	NUT PLATE	2	10-32 THREAD, TWO HOLES, .5" SPACING
38	46-258416P1	2	STOP BLOCK	2	BUMPER ADJUST SCREW SUPPORT
39	46-251156G1	2	PAD	2	1.2" DIA, .62" THK. URETHANE, BLACK
40	46-255887P1	2	SCREW	2	BUMPER ADJUST, 1/2-13 X 3.75", BRASS
13054	46-208932P10	2	SCREW,CAP	4	1/4-20 X 1/2" LG, HEX HD, 18-8 SST
13084	46-220196P5	2	WASHER,LOCK	24	5/16" SCREW SIZ (0.313), SST
13085	46-220196P3	2	WASHER,LOCK	20	#10 SCREW SIZE (0.190), SST
13087	46-208932P3	2	SCREW,CAP	8	5/16-18 X 3/4", 18-8 SST
13088	46-208932P11	2	SCREW,CAP	12	5/16-18 X 1", HEX HD, 18-8 SST
13874	46-208910P19	2	SCREW,MACH	18	1/4-20 X 1", FLAT HD SLOTTED, SST
13987	46-208737P27	2	SCREW,CAP	2	1/4-20 X 3/4", HEX SOC HEAD, SST
14080	46-220196P4	2	WASHER,LOCK	24	1/4" SCREW SIZE (0.250), SST
14165	46-208948P3	2	NUT,HEX	2	1/2-13, 3/4" HEX, 7/16" THK 18-8 SST
18867	12-280	2	WASHER	8	ID 0.336, OD 0.75, THK .064, BRASS
34356	46-208948P5	2	NUT,HEX	22	1/4-20 .438 HEX X .226 THK, 18-8 SST
37355	46-208737P12	2	SCREW,CAP	8	10-32 X 1/2", HEX SOC HEAD, 18-8 SST
37364	46-208560P102	2	SCREW,MACH	12	10-32 X 5/8", BIND HEAD, 18-8 SST
64933	1000904P425	2	WASHER,FLAT	8	ID 0.2, OD 0.5, THK .04, B11H89C
67187	46-208560P83	2	SCREW,MACH	4	5/16-18 X 1/2", SST 302
74848	46-208932P24	2	SCREW,CAP	4	1/4-20 X 1.5", HEX HEAD, SST 18-8
74977	46-208560P110	2	SCREW,MACH	2	6-32 X 3/8 BINDING HEAD, 18-8 SST

RIGHT LOWER RAIL

46-307707G2



RIGHT LOWER RAIL

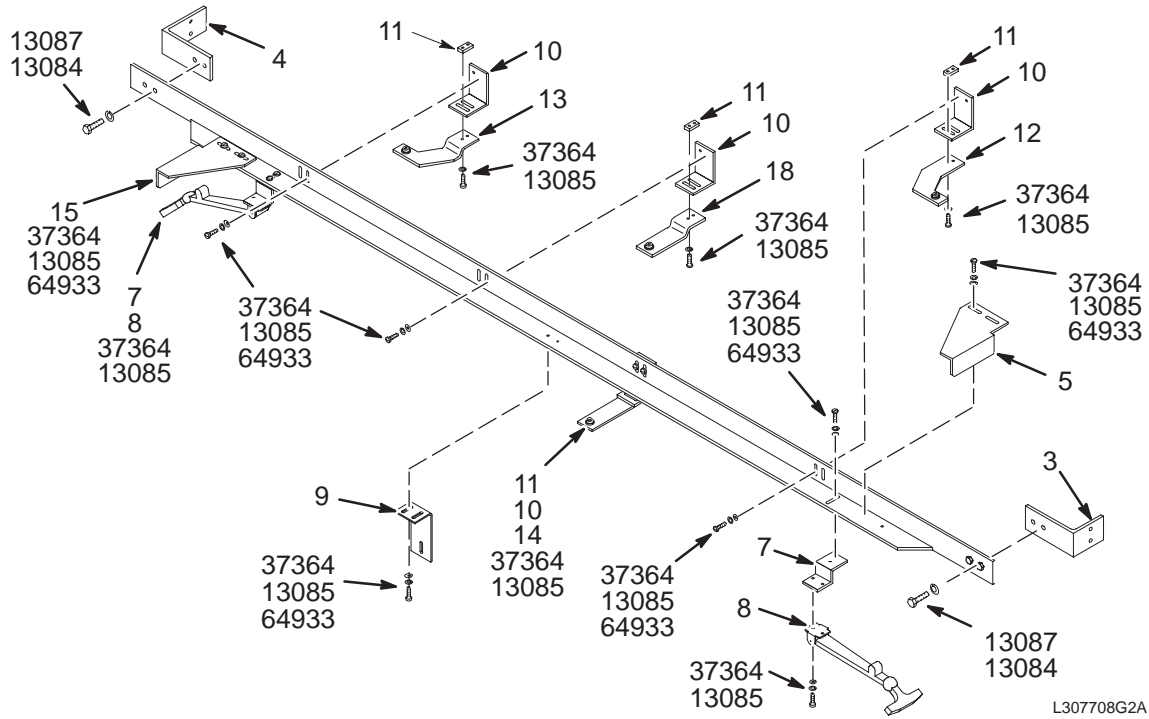
46-307707G2 FRU N

(PART OF 2158536-2 PAGE 2-15)

Item	Part Number	FRU	Name	Quantity	Description (Remarks)
2	46-282002P1	2	SIDE ANGLE	1	LOWER SIDE SUPPORT RAIL
3	46-282161P1	2	BRACKET FRT	1	FRONT LOWER SIDE-SUPPORT ANGLE-BRKT
4	46-282162P1	2	BRACKET REAR	1	REAR LOWER SIDE-SUPPORT ANGLE-BRAKET
5	46-271856P1	2	BRACKET	1	COVER LOWER BUMPER STOP PLATE
6	46-271856P2	2	BRACKET	1	COVER LOWER BUMPER STOP PLATE
7	46-271851P1	2	BRACKET	2	LOWER T-HANDLE FLEX LATCH MOUNT
8	46-251360P1	2	FLEX LATCH	2	T-HANDLE FLEX LATCH
9	46-282121P1	2	BRACKET	1	SIDE SKIRT CENTER MOUNTING ANGLE
10	46-271850P1	2	BRACKET	4	SIDE COVER SECURING ANGLE BRACKET
11	46-251307P1	2	NUT PLATE	4	10-32 THREAD, TWO HOLES, .5" SPACING
12	46-271853G1	2	BRACKET	1	SIDE COVER SECURING OFFSET EXTENSION
13	46-271853G2	2	BRACKET	1	SIDE COVER SECURING OFFSET EXTENSION
14	46-271852G1	2	BRACKET	2	SIDE COVER BASE SECURING EXTENSION
13084	46-220196P5	2	WASHER,LOCK	4	SCREW SIZE 5/16 (0.313) SST
13085	46-220196P3	2	WASHER,LOCK	30	SCREW SIZE 10 (0.190) SST
13087	46-208932P3	2	SCREW,CAP	4	5/16-18 X 0.750 18-8 SST
37355	46-208737P12	2	SCREW,CAP	4	00010-32 X 0.500 LG HEX SOC HD SST
37364	46-208560P102	2	SCREW,MACH	26	10-32 X 0.625 LG BIND HD 18-8 SST
64933	1000904P425	2	WASHER,FLAT	18	ID 0.2000 OD 0.5000 THK .0400

LEFT LOWER RAIL

46-307708G2



LEFT LOWER RAIL

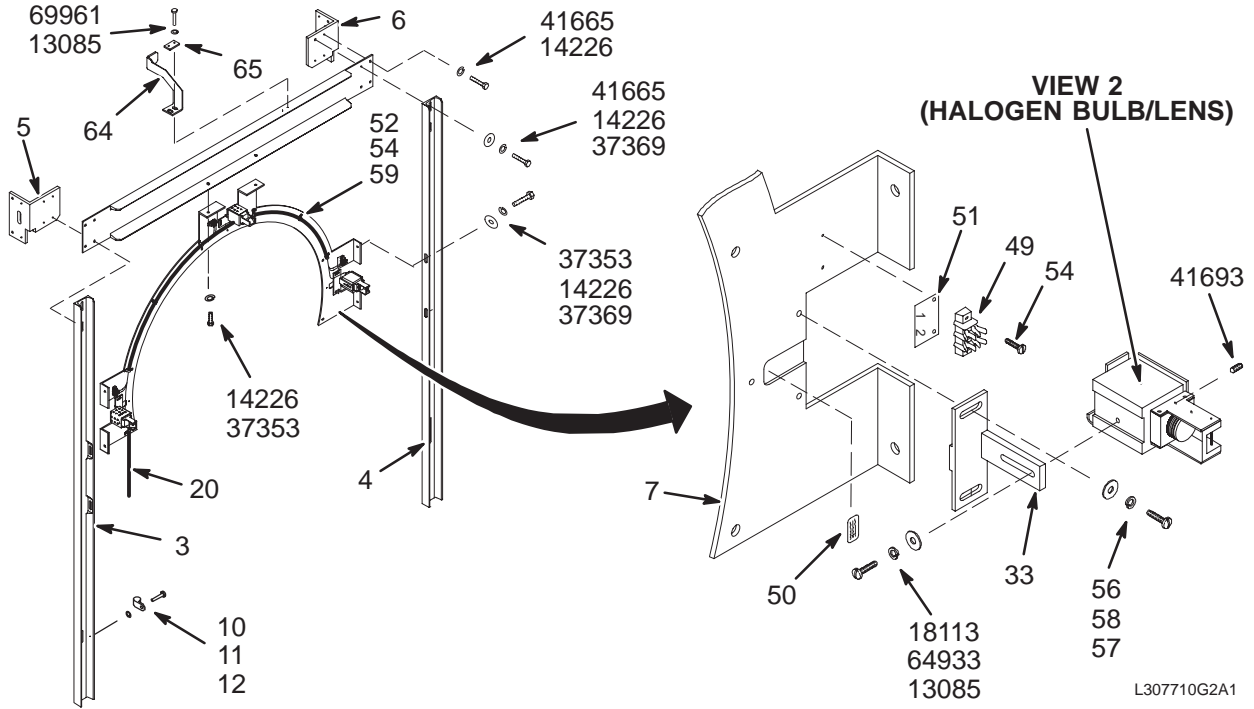
46-307708G2 FRU N

(PART OF 2158536-2 PAGE 2-15)

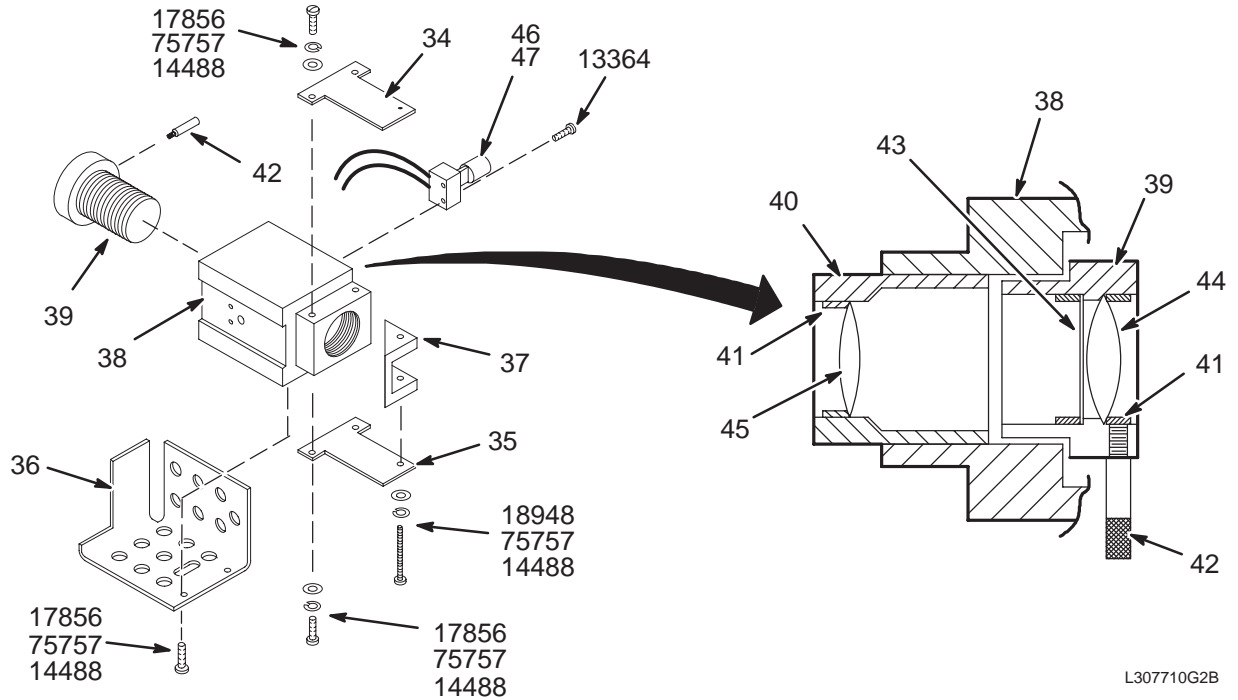
Item	Part Number	FRU	Name	Quantity	Description (Remarks)
2	46-282002P1	2	SIDE ANGLE	1	LOWER SIDE SUPPORT RAIL
3	46-282161P1	2	BRACKET FRT	1	FRONT LOWER SIDE-SUPPORT ANGLE-BRKT
4	46-282162P1	2	BRACKET REAR	1	REAR LOWER SIDE-SUPPORT ANGLE-BRACKET
5	46-271856P1	2	BRACKET	1	COVER LOWER BUMPER STOP PLATE
6	46-271851P1	2	BRACKET	2	LOWER T-HANDLE FLEX LATCH MOUNT
7	46-251360P1	2	FLEX LATCH	2	T-HANDLE FLEX LATCH
9	46-282121P1	2	BRACKET	1	SIDE SKIRT CENTER MOUNTING ANGLE
10	46-271850P1	2	BRACKET	4	SIDE COVER SECURING ANGLE BRACKET
11	46-251307P1	2	NUT PLATE	4	10-32 THREAD, TWO HOLES, .5" SPACING
12	46-271853G1	2	BRACKET	1	SIDE COVER SECURING OFFSET EXTENSION
13	46-282310G1	2	BRACKET	1	SIDE COVER SECURING OFFSET EXTENSION
14	46-271852G1	2	BRACKET	1	SIDE COVER BASE SECURING EXTENSION
15	46-320132P1	2	BRACKET	1	COVER LOWER BUMPER STOP PLATE
18	46-282309G1	2	BRACKET	1	SIDE COVER BASE SECURING EXTENSION
13084	46-220196P5	2	WASHER,LOCK	4	SCREW SIZE 5/16 (0.313) SST
13085	46-220196P3	2	WASHER,LOCK	30	SCREW SIZE 10 (0.190) SST
13087	46-208932P3	2	SCREW,CAP	4	5/16-18 X 0.750 18-8 SST
37355	46-208737P12	2	SCREW,CAP	4	00010-32 X 0.500 LG HEX SOC HD SST
37364	46-208560P102	2	SCREW,MACH	26	10-32 X 0.625 LG BIND HD 18-8 SST
64933	1000904P425	2	WASHER,FLAT	18	ID 0.2000 OD 0.5000 THK .0400

ENCLOSURE FRONT FRAME

46-307710G2



VIEW 1



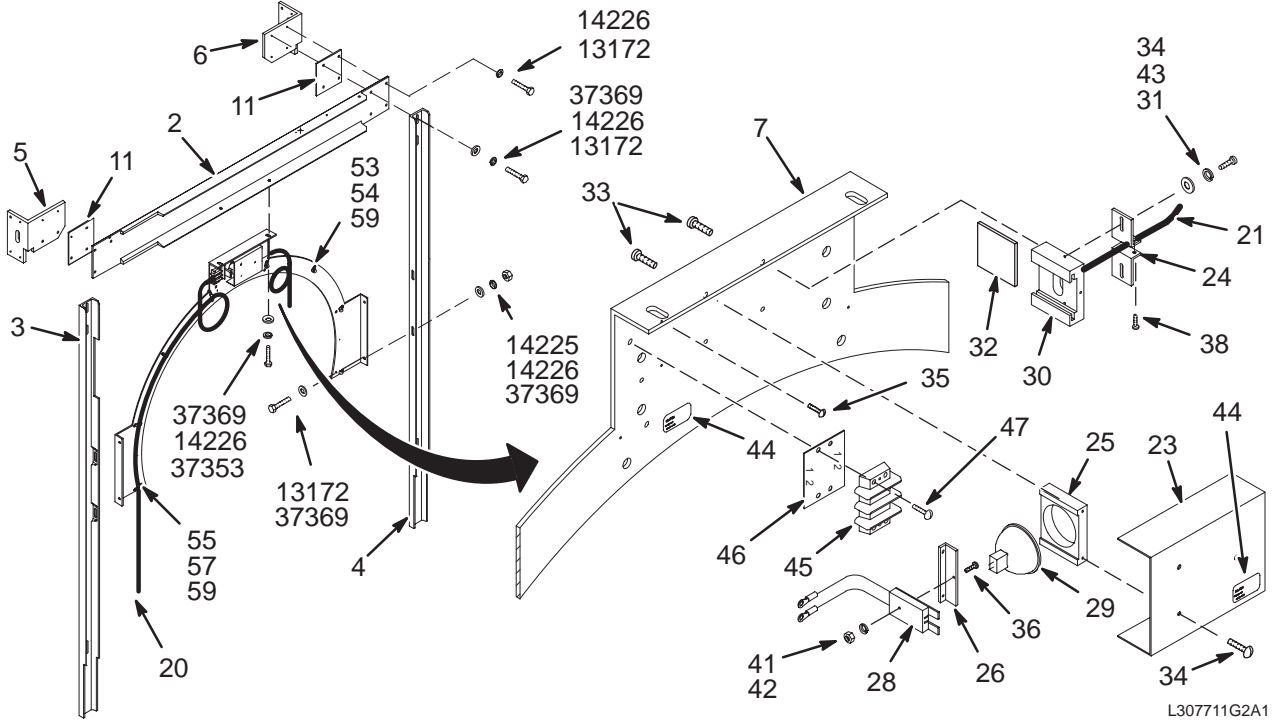
VIEW 2

FRONT FRAME 46-307710G2 FRU N (PART OF 2158536-2 PAGE 2-15)

Item	Part Number	FRU	Name	Quantity	Description (Remarks)
2	46-282087P1	2	CHANNEL	1	TOP CHANNEL – FRONT FRAME
3	46-271998P1	2	UPRIGHT	1	LEFT FRONT UPRIGHT
4	46-271998P2	2	UPRIGHT	1	RIGHT FRONT UPRIGHT
5	46-282100P1	2	ANGLE,FRONT	1	TOP CORNER ANGLE BRACKET, FRONT-LEFT
6	46-282100P2	2	ANGLE,FRONT	1	TOP CORNER ANGLE BRACKET FRONT-RIGHT
7	2115371	2	PLATE	1	PLATE FRONT
10	46-208560P102	2	SCREW,MACH	1	10-32 X 5/8", BIND HEAD, 18-8 SST
11	46-208599P18	2	WASHER,LOCK	1	#10, EXTERNAL TOOTH
12	46-328556P1	2	CLAMP, LOOP	1	ALUMINUM, .250 DIA. CABLE, .204 HOLE
20	46-307329G501	2	CABLE	1	(385M) PP1-J20 TO MG2-A30-TS1 TO TS3
33	2116144	2	BRACKET	3	ADJUSTABLE LIGHT MOUNTING BRACKET
34	46-271781P1	2	MIRROR BRKT	3	1/16" THICK WITH 0.14" HOLE
35	46-271781P2	2	MIRROR BRKT	3	3/16" THICK WITH 6-32 THREADED HOLE
36	46-271338P1	2	COVER	3	VENTILATED HALOGEN LAMP SAFETY COVER
37	46-271339G1	2	MIRROR ASM	3	FIRST SURFACE MIRROR ATTACHED
38	46-271780P1	2	LENS BLOCK	3	HALOGEN LAMP AND LENS MOUNTING BLOCK
39	46-271329P1	2	LENS HOLDER	3	#1 LENS AND APERATURE MOUNT
40	46-271330P1	2	LENS HOLDER	3	#2 LENS MOUNT
41	46-271331P1	2	LENS RET	9	SPLIT RING LENS RETAINER
42	46-271332P1	2	PIN	3	2-46 THREAD, 3/4" LONG W/KNURL, SST
43	46-271327P1	2	APERATURE	3	CROSS-SLIT APERATURE, .003 COPPER
44	46-271326P1	2	LENS	3	BI-CONVEX LENS 17.5MM X 18MM FOCAL
45	46-271326P2	2	LENS	3	BI-CONVEX LENS, 17.3MM X 30MM FOCAL
46	46-271324P1	2	SOCKET, LAMP	3	LAMPHOLDER USED FOR G-4 SIZE HALOGEN
47	46-271323P1	1	HALOGEN LAMP	3	HALOGEN LAMP BASE G4 14 VOLTS, 65 W.
49	403B335P21	2	TERM STRIP	3	2 POSITION TERMINAL STRIP, 20 AMP,
50	46-287268P1	2	LABEL	3	CAUTION, EXTREMELY HOT HALOGEN LAMPS
51	403B320P94	2	MARKER STR	3	2 POSITION MARKER STRIP, 1 & 2
52	46-208718P5	2	CLAMP	7	1/2" ID LOOP TYPE, TA MFG CO TA713D8
54	2109873-15	2	PAN HD SCREW	13	M4X12 SST CROSS RECESSED PAN HD SCR
56	2109873-24	2	PAN HD SCREW	6	M6X12 SST CROSS RECESSED PAN HD SCR
57	2109878-3	2	WASHER	6	M6 FLAT WASHER, 12MM OD, 1.6MM SST
58	2109880-3	2	WASHER, LK	6	M6 SST SPRING LOCK WASHER
59	2109878-2	2	WASHER	7	METRIC SST PLAIN WASHER
64	46-282154P1	2	LOCK PLATE	1	FRONT COVER LOCK LATCH
65	46-282311P1	2	CLAMP PLATE	1	REINFORCING PLATE W/TWO .238 HOLES
13085	46-220196P3	2	WASHER,LOCK	5	#10 SCREW SIZE (0.190), SST
13364	516A770P208	2	SCREW,MACH	6	2-56 X 1/2 LG BIND HEAD, SST 18-8
14226	46-220196P6	2	WASHER,LOCK	14	3/8" SCREW SIZE (0.375), 18-8 SST
14488	46-220196P2	2	WASHER,LOCK	21	#6 SCREW SIZE (0.138), SST
17856	46-220184P13	2	SCREW MACH	18	6-32 X 3/8" ROUND HEAD SLOT, BRASS
18113	46-220184P41	2	SCREW MACH	3	10-32 X 1/2" SLOT ROUND HEAD, BRASS
18948	46-220184P21	2	SCREW MACH	3	6-32 X 1.75" ROUND HEAD SLOT, BRASS
37353	46-208932P4	2	SCREW,CAP	6	3/8-16 X 1", HEX HEAD, 18-8 SST
37369	1000904P447	2	WASHER,FLAT	8	25/64 ID, 1" OD, 1/16" THICK, B7A34C
41665	46-208932P8	2	SCREW,CAP	8	3/8-16 X 1.25" HEX HEAD, 18-8 SST
41693	46-208563P84	2	SCREW,SET	6	4-40 X 1/4" HEX SOC CUP PT, #316 SST
64933	1000904P425	2	WASHER,FLAT	3	0.2 ID, 0.5 OD, .04 THK, B11H89C
69961	46-208560P70	2	SCREW,MACH	2	10-32 X 1", 18-8 SST, F65D6B1 BLK OX
75757	1000904P2	2	WASHER,FLAT	21	ID 0.144, OD 0.297, THK .032, BRASS

ENCLOSURE REAR FRAME

46-307711G2

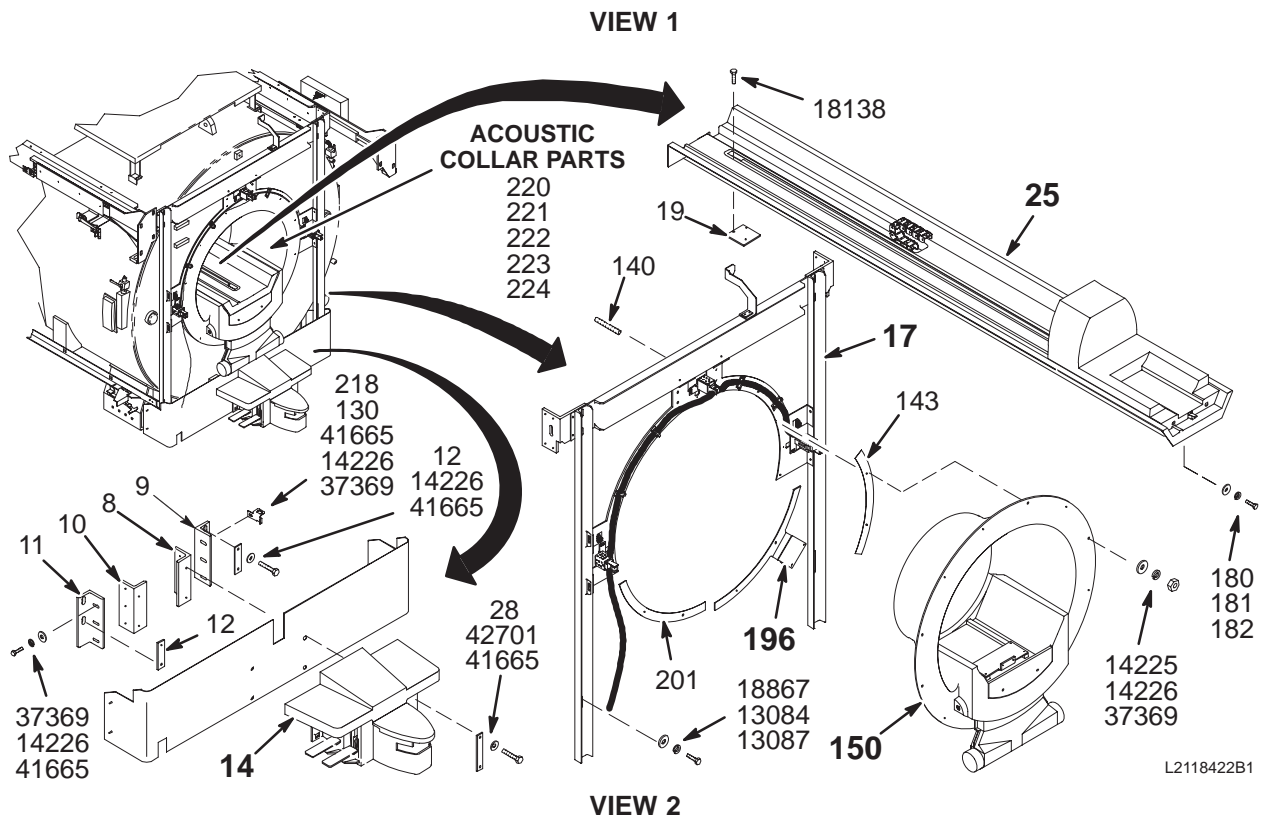
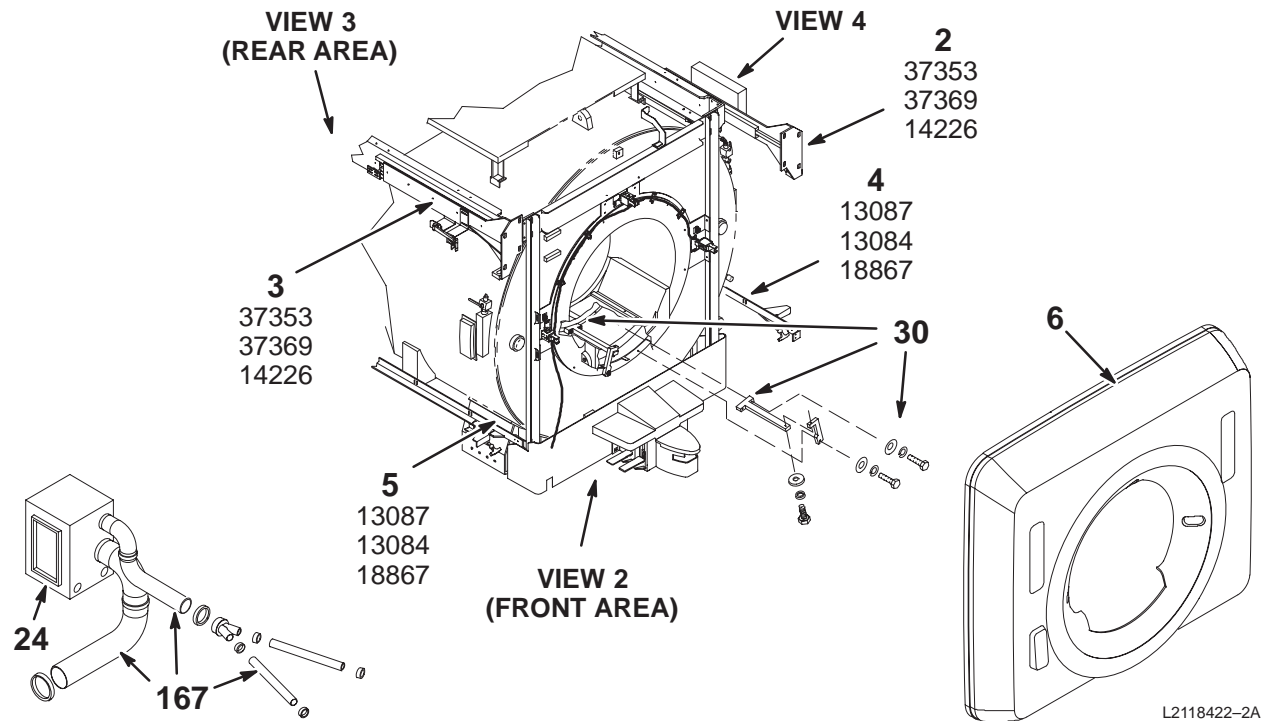


REAR FRAME 46-307711G2 FRU N (PART OF 2158536-2 PAGE 2-15)

Item	Part Number	FRU	Name	Quantity	Description (Remarks)
2	46-282086P1	2	CHANNEL	1	TOP CHANNEL – REAR FRAME
3	46-282082P1	2	UPRIGHT,REAR	1	RIGHT REAR UPRIGHT
4	46-271999P1	2	UPRIGHT	1	LEFT REAR UPRIGHT
5	46-282101P1	2	ANGLE,REAR	1	TOP CORNER ANGLE BRACKET, REAR-RIGHT
6	46-282101P2	2	ANGLE,REAR	1	TOP CORNER ANGLE BRACKET, REAR-LEFT
7	2117124	2	PLATE, REAR	1	BORE LAMP MOUNTING PLATE
11	46-307356P3	2	SPACER	2	6”X5-3/8”, 1/4” THICK ALUMINUM PLATE
20	46-251566G601	2	CABLE ASM	1	RUN 300T, PP1-J15 TO MG2-A15, 60 FT.
21	46-251636G3	2	FIBER BUNDLE	2	BORE LIGHT FIBEROPTIC LINE, 79.5” LONG
23	46-251639P1	2	COVER	1	BORE LIGHT COVER (NO WARNING LABEL)
24	46-251640P1	2	FIBER CLAMP	2	FIBER OPTIC LINES CLAMP BRACKET
25	46-251641P1	2	BULB RET	1	BORE LIGHT BULB RETAINER
26	2121519	2	SOC MTG PLT	1	BORE LIGHT SOCKET BRACKET
28	46-255153G1	2	SOCKET ASM	1	BORE LIGHT SOCKET WITH TERMINALS
29	46-230111P1	1	LAMP	1	HALOGEN REFLECTOR LAMP 12V, 75W
30	46-251644P1	2	FIBER MOUNT	1	HEAT MIRROR AND FIBEROPTIC END MOUNT
31	1000904P2	2	WASHER,FLAT	2	ID 0.144, OD 0.297, THK .032, BRASS
32	46-251679P1	2	MIRROR	1	HEAT-REFLECT, LIGHT-TRANSMIT GLASS
33	46-220184P14	2	SCREW MACH	4	6-32 X 1/2” ROUND HEAD SLOT, BRASS
34	46-220184P13	2	SCREW MACH	5	6-32 X 3/8” ROUND HEAD SLOT, BRASS
35	2109873-13	2	PAN HD SCREW	2	M4X8 SST CROSS RECESSED PAN HD SCR
36	46-220184P8	2	SCREW MACH	1	4-40 X 7/8”, ROUND HEAD SLOT, BRASS
38	46-220184P20	2	SCREW MACH	2	6-32 X 1.25” ROUN HEAD SLOT, BRASS
41	46-208601P19	2	WASHER,LOCK	1	#4 SCREW, INTERNAL TOOTH, PHOZ BRZ
42	46-208935P4	2	NUT,HEX,MS	1	4-40, 1/4” HEX X .093 THK, BRASS
43	46-208601P20	2	WASHER,LOCK	2	#6 SCREW, INTERNAL TOOTH, PHOZ BRZ
44	46-287268P1	2	LABEL	2	CAUTION, EXTREMELY HOT HALOGEN LAMPS
45	46-313195P1	2	TERM. STRIP	1	2 POSITION TERMINAL STRIP, DUAL ROW,
46	46-317552P1	2	MARKER STR	1	2 POSITION MARKER STRIP, 1 & 2
47	2109873-18	2	PAN HD SCREW	2	M4X25 SST CROSS RECESSED PAN HD SCR
53	46-208759P1	2	STRAP	4	7.81” X .184” SELF-LOCKING CABLE TIE
54	2109873-15	2	PAN HD SCREW	4	M4X12 SST CROSS RECESSED PAN HD SCR
55	2109873-12	2	PAN HD SCREW	4	M4X6 SST CROSS RECESSED PAN HD SCR
57	46-208718P5	2	CLAMP	4	1/2” ID LOOP TYPE, TA MFG CO TA713D8
59	2109878-2	2	WASHER	8	METRIC SST PLAIN WASHER
13172	46-208932P13	2	SCREW,CAP	12	3/8-16 X 1.5” HEX HEAD, 18-8 SST
14225	46-208948P2	2	NUT,HEX	4	3/8-16 .563 HEX X .328 THK, 18-8 SST
14226	46-220196P6	2	WASHER,LOCK	14	3/8” SCREW SIZE (0.375), 18-8 SST
37353	46-208932P4	2	SCREW,CAP	2	3/8-16 X 1”, HEX HEAD, 18-8 SST
37369	1000904P447	2	WASHER,FLAT	14	25/64 ID, 1” OD, 1/16” THICK, B7A34C

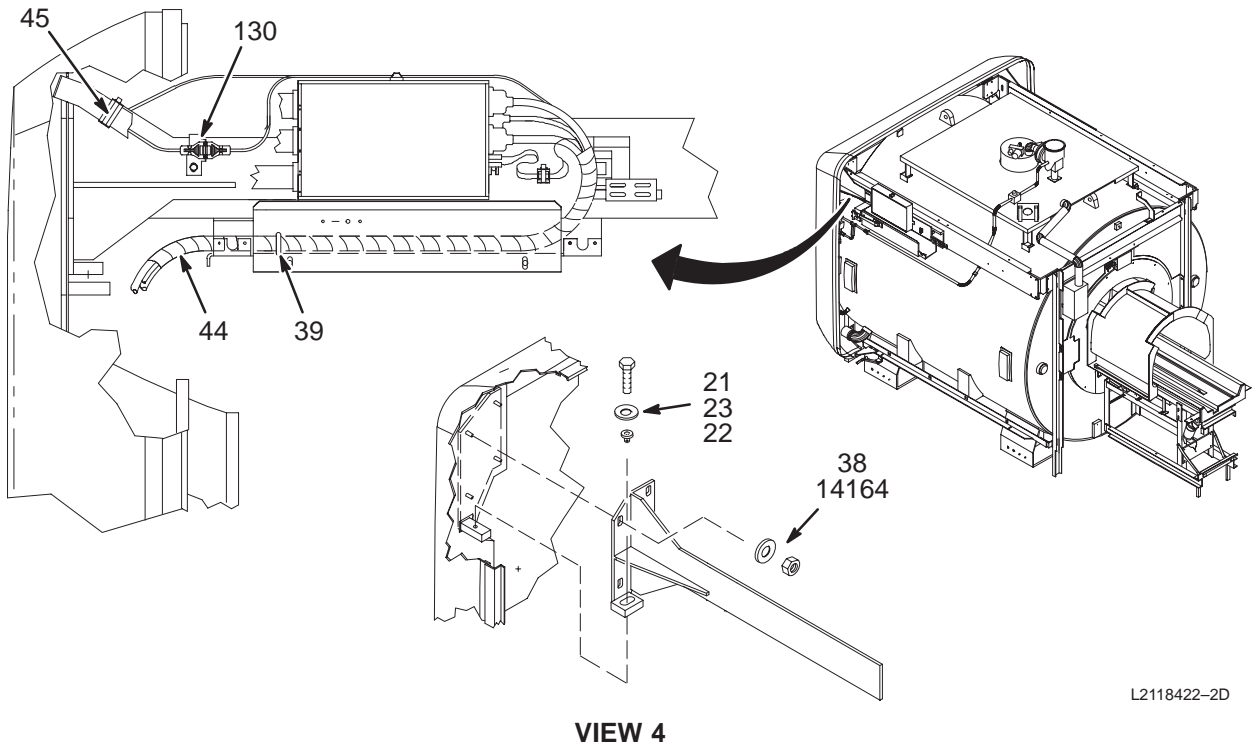
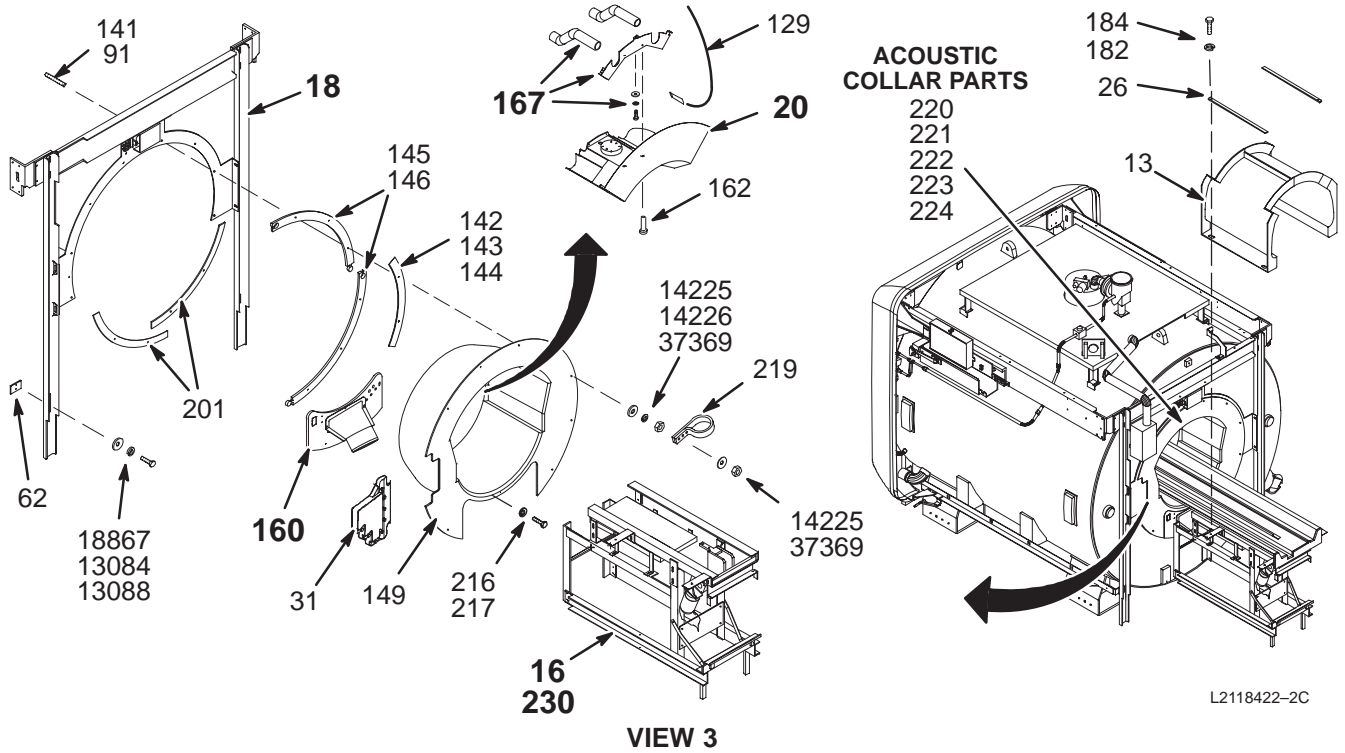
1.5T & 1.0T HORIZON MAGNET ENCLOSURE – MOBILE AND T/R

2118422 SERIES



1.5T & 1.0T HORIZON MAGNET ENCLOSURE – MOBILE AND T/R

2118422 SERIES



1.5T T/R MAGNET ENCL w/o M-C

2118422-2 FRU N

(PART OF M1020PM)

(PART OF M1020PN)

Item	Part Number	FRU	Name	Quantity	Description (Remarks)
2	46-307712G7	N		XXX	RIGHT SLIDE ASM W/SRI, MOBILE SITES (SEE ITEM 300)
3	46-307713G2	N		XXX	LEFT SLIDE ASSEMBLY, MOBILE SITE (SEE ITEM 300)
4	46-307707G1	N		XXX	COMMON LOWER RIGHT RAIL SUB-ASM (SEE ITEM 300)
5	46-307708G1	N		XXX	COMMON LOWER LEFT RAIL SUB-ASSEMBLY (SEE ITEM 300)
6	2120888	N	FRONT COVER	1	UFI ENCLOSURE FRONT COVER ASSEMBLY (SEE PAGE 2-47)
8	46-282017P1	2	ANGLE	1	RIGHT DOCK SUPPORT - DOCK MOUNT
9	46-282018P1	2	ANGLE	1	RIGHT DOCK SUPPORT - MAGNET MOUNT
10	46-282019P1	2	ANGLE	1	LEFT DOCK SUPPORT - DOCK MOUNT
11	46-282020P1	2	ANGLE	1	LEFT DOCK SUPPORT - MAGNET MOUNT
12	46-282339P1	2	BAR	2	SHORT CLAMP BAR FOR DOCK SUPPORT
13	2117063	2	BACK COVER	1	COVER REAR (RF TUBE EXT)
14	46-271260G1	N	DOCK ASM.	1	NON-HYDRAULIC DOCK ASM, MG2 A29 (SEE PAGE 2-63)
16	46-328137G7	N	PEDESTAL	1	5.5 1.5T STD MOB & T/R REAR PEDESTAL (SEE PAGE 2-112)
17	46-307710G3	N		XXX	FRONT FRAME (SEE ITEM 300)
18	46-307711G3	N		XXX	5.5 MOBILE T/R SITE REAR FRAME (SEE ITEM 300)
19	2132034	N	BRIDGE MOUNT	1	REAR BRIDGE MOUNT ASM (SEE PAGE 2-127)
20	2128650	N	PAT COMF MOD	1	COMFORT MOD ASM (NOT MAGNISHIELD) (SEE PAGE 2-52)
21	46-208932P38	2	SCREW	2	1/2-13 X 3.75 LG HEX HD, 18-8 SST
22	46-307447P1	2	BUSHING	2	FRONT/REAR COVER ADJUST, BRASS
23	46-251379P2	2	WASHER	2	1.5 DIA 17/32 HOLE 5/64 THK 18-8 SST
24A	2121199-7	N	BLOWER (MG6)	1	REINFORCED BLOWER CABINET, MG6 (SEE PAGE 2-100)
24B	2121199	N	BLOWER (MG6)	ALT	BLOWER CABINET, MG6 (SEE PAGE 2-100)
25	2119595	N	PREASM BRDGE	1	5.5 1.5T STD PREASSEMBLED BRIDGE (SEE PAGE 2-131)
26	2142012	2	NUT BAR	2	TUNNEL EXTENSION NUT BAR
28	46-258509P2	2	PLATE	2	DOCK CLAMP PLATE, 7.25"X1.25 .25 SST
30	2167251	2	KIT OF PARTS	1	BRM INSTALLATION KIT - GE MAGNET (SEE PAGE 2-153)
31	2120143	2	CABLE BLOCK	1	GRADIENT COIL CABLE TERMINAL BLOCK
38	46-251379P3	2	WASHER	8	1.75" DIA 3/8 HOLE 3/16 THK 18-8 SST
39	46-208758P5	2	TY-RAP	16	13.38"X .301" SELF-LOCKING CABLE TIE
44	46-230653P5	2	TUBING	7	SPIRALLY CUT POLYETHYLENE, 3/4" DIA.
45	46-220191P3	2	CLAMP	1	PANDUIT FCM2-A-C14 GRAY, FLAT CABLE
62	46-307802P1	2	SPACER PLATE	2	1/4" THICK ALUM. 2"X3" W/2 3/8 HOLES
91	2119594	2	LUBRICANT	1	ANTI-SEIZE LUBRICANT, 1 OZ TUBE
129	46-328326G1	2	KIT	1	RUN 749 TEMPERATURE SENSOR CABLE KIT
130	46-265067P1	2	CABLE MOUNT	4	I/F PANEL CABLE SCREWLOCK CONNECTOR
140	2116325	2	STUD,MAGNET	12	STUD, 3/8-16 X 55MM, STAINLESS STEEL
141	2116325-4	2	STUD, MAGNET	12	STUD, 3/8-16 X 105MM STAINLESS STEEL
142	2115369	2	SEAL, 0.03"	6	3/4MM THICK RUBBER SEAL W/ADHESIVE
143	2115369-2	2	SEAL, 0.06"	12	1.5MM THICK RUBBER SEAL W/ADHESIVE
144	2115369-3	2	SEAL, 0.09"	18	2.25MM THICK RUBBER SEAL W/ADHESIVE
145	2115370	2	SEAL, 0.50"	8	12.7MM THK INTERLOCKING RUBBER SEAL

Parts List Continued on Next Page

1.5T T/R MAGNET ENCL w/o M-C

2118422-2

(CONT'D FROM PREVIOUS PAGE)

Item	Part Number	FRU	Name	Quantity	Description (Remarks)
146	2115370-2	2	SEAL, 0.31"	4	7.9MM THK INTERLOCKING RUBBER SEAL
149	2113076	2	END BELL	1	END BELL REAR 600MM
150	46-317004G1	N	END BELL STD	1	STANDARD FRONT END BELL ASM (SEE PAGE 2-58)
160	2129410	N	BULKHEAD ASM	1	REAR BULKHEAD UFI ENCL (SEE PAGE 2-59)
162	2109873-27	2	SCREW	2	M6X25 SST CROSS RECESSED PAN HD SCR
167	2129412	N	HOSE KIT	1	BLOWER HOSE KIT UFI (SEE PAGE 2-101)
180	2109866-20	2	SCREW	2	M10 X 25 HEX HEAD SCREW SST
181	2109880-4	2	WASHER	2	M10 SST SPRING LOCK WASHER
182	2109878-4	2	WASHER	6	M10 FLAT WASHER, 20MM OD, 2MM, SST
184	2109866-22	2	SCREW	4	M10 X 35 HEX HEAD SCREW, SST
196	46-282757G4	N	DOCK CONTROL	1	UFI DOCK CONTROL ASSEMBLY (SEE PAGE 2-60)
201	2129823	2	SPACER	3	MAGNET END-RING SECTION SPACER
216	2109866-13	2	SCREW	3	M6X25 SST HEX-HEAD SCREW
217	2109878-3	2	WASHER	3	M6 FLAT WASHER, 12MM OD, 1.6MM, SST
218	2109027	2	BRACKET	1	FRONT COVER MICROPHONE CABLE MOUNT
219	2139049	2	STRAP, NYLON	7.300	.875"W, 0.39 HOLE @ 0.625 SPACING
220	46-282896P1	2	MECHANICAL/M	1	NOMEX ACOUSTIC FELT W/VELCRO, FRONT
221	46-136246P21	2	TAPE	20	2" WIDE X 25 YD WHITE VELCRO HOOKS
222	46-282896P2	2	MECHANICAL/M	1	NOMEX ACOUSTIC FELT W/VELCRO, REAR
223	46-287118P1	2	TAPE	2	3/16" DIA X 90 FT ROPE CAULK, BROWN
224	46-320868P1	2	PIPE INSUL	4	POLYETHYLENE CLOSED CELL MATERIAL
230	2143475	N	SHIELD KIT	1	REAR PEDESTAL DRIP SHIELD PLATE KIT (SEE PAGE 2-61)
300	2158536	N	COLLECTOR	1	SUPTS/SLIDES FOR MOB & T/R ENCL CVRS (SEE PAGE 2-36)
13084	46-220196P5	2	WASHER	8	5/16" SCREW SIZE (0.313), SST
13087	46-208932P3	2	SCREW	4	5/16-18 X 3/4", 18-8 SST
13088	46-208932P11	2	SCREW	4	5/16-18 X 1", HEX HD, 18-8 SST
14164	46-208946P1	2	NUT	8	5/16-18 1/2" HEX X .188 THK 18-8 SST
14225	46-208948P2	2	NUT	35	3/8-16 .563 HEX X .328 THK, 18-8 SST
14226	46-220196P6	2	WASHER	54	3/8" SCREW SIZE (0.375), 18-8 SST
14325	46-208758P3	2	TY-RAP	30	7.31" X .184" SELF-LOCKING CABLE TIE
18138	46-220184P47	2	SCREW	2	10-32 X 1.5", ROUND HEAD SLOT, BRASS
18867	12-280	2	WASHER	8	ID 0.336, OD 0.75, THK .064, BRASS
37353	46-208932P4	2	SCREW	16	3/8-16 X 1", HEX HEAD, 18-8 SST
37369	1000904P447	2	WASHER	47	25/64 ID, 1" OD, 1/16" THICK, B7A34C
41665	46-208932P8	2	SCREW	10	3/8-16 X 1.25" HEX HEAD, 18-8 SST
42701	46-208932P15	2	SCREW	4	3/8-16 X 2", HEX HEAD, 18-8 SST

1.5T T/R MAGNET ENCL with M-C

2118422-4 FRU N

(PART OF M1021PM)

(PART OF M1021PN)

Item	Part Number	FRU	Name	Quantity	Description (Remarks)
2	46-307712G7	N		XXX	RIGHT SLIDE ASM W/SRI, MOBILE SITES (SEE ITEM 300)
3	46-307713G2	N		XXX	LEFT SLIDE ASSEMBLY, MOBILE SITE (SEE ITEM 300)
4	46-307707G1	N		XXX	COMMON LOWER RIGHT RAIL SUB-ASM (SEE ITEM 300)
5	46-307708G1	N		XXX	COMMON LOWER LEFT RAIL SUB-ASSEMBLY (SEE ITEM 300)
6	2120888	N	FRONT COVER	1	UFI ENCLOSURE FRONT COVER ASSEMBLY (SEE PAGE 2-47)
8	46-282017P1	2	ANGLE	1	RIGHT DOCK SUPPORT - DOCK MOUNT
9	46-282018P1	2	ANGLE	1	RIGHT DOCK SUPPORT - MAGNET MOUNT
10	46-282019P1	2	ANGLE	1	LEFT DOCK SUPPORT - DOCK MOUNT
11	46-282020P1	2	ANGLE	1	LEFT DOCK SUPPORT - MAGNET MOUNT
12	46-282339P1	2	BAR	2	SHORT CLAMP BAR FOR DOCK SUPPORT
13	2117063	2	BACK COVER	1	COVER REAR (RF TUBE EXT)
14	46-271260G1	N	DOCK ASM.	1	NON-HYDRAULIC DOCK ASM, MG2 A29 (SEE PAGE 2-63)
16	46-328137G12	N	PEDESTAL	1	5.5 1.5T STD MOB&T/R REAR PEDESTAL (SEE PAGE 2-121)
17	46-307710G3	N		XXX	FRONT FRAME (SEE ITEM 300)
18	46-307711G3	N		XXX	5.5 MOBILE T/R SITE REAR FRAME (SEE ITEM 300)
19	2132034	N	BRIDGE MOUNT	1	REAR BRIDGE MOUNT ASM (SEE PAGE 2-127)
20	2128650	N	PAT COMF MOD	1	COMFORT MOD ASM (NOT MAGNISHIELD) (SEE PAGE 2-52)
21	46-208932P38	2	SCREW	2	1/2-13 X 3.75 LG HEX HD, 18-8 SST
22	46-307447P1	2	BUSHING	2	FRONT/REAR COVER ADJUST, BRASS
23	46-251379P2	2	WASHER	2	1.5 DIA 17/32 HOLE 5/64 THK 18-8 SST
24A	2121199-7	N	BLOWER (MG6)	1	REINFORCED BLOWER CABINET, MG6 (SEE PAGE 2-100)
24	2121199	N	BLOWER (MG6)	ALT	BLOWER CABINET, MG6 (SEE PAGE 2-100)
25	2119595-4	N	PREAMB BRDGE	1	5.5 1.5T STD PREASSEMBLED BRIDGE (SEE PAGE 2-141)
26	2142012	2	NUT BAR	2	TUNNEL EXTENSION NUT BAR
28	46-258509P2	2	PLATE	2	DOCK CLAMP PLATE, 7.25"X1.25 .25 SST
30	2167251	2	KIT OF PARTS	1	BRM INSTALLATION KIT - GE MAGNET (SEE PAGE 2-153)
31	2120143	2	CABLE BLOCK	1	GRADIENT COIL CABLE TERMINAL BLOCK
38	46-251379P3	2	WASHER	8	1.75" DIA 3/8 HOLE 3/16 THK 18-8 SST
39	46-208758P5	2	TY-RAP	16	13.38"X .301" SELF-LOCKING CABLE TIE
44	46-230653P5	2	TUBING	7	SPIRALLY CUT POLYETHYLENE, 3/4" DIA.
45	46-220191P3	2	CLAMP	1	PANDUIT FCM2-A-C14 GRAY, FLAT CABLE
62	46-307802P1	2	SPACER PLATE	2	1/4" THICK ALUM. 2"X3" W/2 3/8 HOLES
91	2119594	2	LUBRICANT	1	ANTI-SEIZE LUBRICANT, 1 OZ TUBE
129	46-328326G1	2	KIT	1	RUN 749 TEMPERATURE SENSOR CABLE KIT
130	46-265067P1	2	CABLE MOUNT	4	I/F PANEL CABLE SCREWLOCK CONNECTOR
140	2116325	2	STUD,MAGNET	12	STUD, 3/8-16 X 55MM, STAINLESS STEEL
141	2116325-4	2	STUD, MAGNET	12	STUD, 3/8-16 X 105MM STAINLESS STEEL
142	2115369	2	SEAL, 0.03"	6	3/4MM THICK RUBBER SEAL W/ADHESIVE
143	2115369-2	2	SEAL, 0.06"	12	1.5MM THICK RUBBER SEAL W/ADHESIVE
144	2115369-3	2	SEAL, 0.09"	18	2.25MM THICK RUBBER SEAL W/ADHESIVE
145	2115370	2	SEAL, 0.50"	8	12.7MM THK INTERLOCKING RUBBER SEAL

Parts List Continued on Next Page

1.5T T/R MAGNET ENCL with M-C 2118422-4

(CONT'D FROM PREVIOUS PAGE)

Item	Part Number	FRU	Name	Quantity	Description (Remarks)
146	2115370-2	2	SEAL, 0.31"	4	7.9MM THK INTERLOCKING RUBBER SEAL
149	2113076	2	END BELL	1	END BELL REAR 600MM
150	46-317004G1	N	END BELL STD	1	STANDARD FRONT END BELL ASM (SEE PAGE 2-58)
160	2129410	N	BULKHEAD ASM	1	REAR BULKHEAD UFI ENCL (SEE PAGE 2-59)
162	2109873-27	2	SCREW	2	M6X25 SST CROSS RECESSED PAN HD SCR
167	2129412	N	HOSE KIT	1	BLOWER HOSE KIT UFI (SEE PAGE 2-101)
180	2109866-20	2	SCREW	2	M10 X 25 HEX HEAD SCREW SST
181	2109880-4	2	WASHER	2	M10 SST SPRING LOCK WASHER
182	2109878-4	2	WASHER	6	M10 FLAT WASHER, 20MM OD, 2MM, SST
184	2109866-22	2	SCREW	4	M10 X 35 HEX HEAD SCREW, SST
196	46-282757G4	N	DOCK CONTROL	1	UFI DOCK CONTROL ASSEMBLY (SEE PAGE 2-60)
201	2129823	2	SPACER	3	MAGNET END-RING SECTION SPACER
216	2109866-13	2	SCREW	3	M6X25 SST HEX-HEAD SCREW
217	2109878-3	2	WASHER	3	M6 FLAT WASHER, 12MM OD, 1.6MM, SST
218	2109027	2	BRACKET	1	FRONT COVER MICROPHONE CABLE MOUNT
219	2139049	2	STRAP, NYLON	7.300	.875"W, 0.39 HOLE @ 0.625 SPACING
220	46-282896P1	2	MECHANICAL/M	1	NOMEX ACOUSTIC FELT W/VELCRO, FRONT
221	46-136246P21	2	TAPE	20	2" WIDE X 25 YD WHITE VELCRO HOOKS
222	46-282896P2	2	MECHANICAL/M	1	NOMEX ACOUSTIC FELT W/VELCRO, REAR
223	46-287118P1	2	TAPE	2	3/16" DIA X 90 FT ROPE CAULK, BROWN
224	46-320868P1	2	PIPE INSUL	4	POLYETHYLENE CLOSED CELL MATERIAL
230	2143475	N	SHIELD KIT	1	REAR PEDESTAL DRIP SHIELD PLATE KIT (SEE PAGE 2-61)
300	2158536	N	COLLECTOR	1	SUPTS/SLIDES FOR MOB & T/R ENCL CVRS (SEE PAGE 2-36)
13084	46-220196P5	2	WASHER	8	5/16" SCREW SIZE (0.313), SST
13087	46-208932P3	2	SCREW	4	5/16-18 X 3/4", 18-8 SST
13088	46-208932P11	2	SCREW	4	5/16-18 X 1", HEX HD, 18-8 SST
14164	46-208946P1	2	NUT	8	5/16-18 1/2" HEX X .188 THK 18-8 SST
14225	46-208948P2	2	NUT	35	3/8-16 .563 HEX X .328 THK, 18-8 SST
14226	46-220196P6	2	WASHER	54	3/8" SCREW SIZE (0.375), 18-8 SST
14325	46-208758P3	2	TY-RAP	30	7.31" X .184" SELF-LOCKING CABLE TIE
18138	46-220184P47	2	SCREW	2	10-32 X 1.5", ROUND HEAD SLOT, BRASS
18867	12-280	2	WASHER	8	ID 0.336, OD 0.75, THK .064, BRASS
37353	46-208932P4	2	SCREW	16	3/8-16 X 1", HEX HEAD, 18-8 SST
37369	1000904P447	2	WASHER	47	25/64 ID, 1" OD, 1/16" THICK, B7A34C
41665	46-208932P8	2	SCREW	10	3/8-16 X 1.25" HEX HEAD, 18-8 SST
42701	46-208932P15	2	SCREW	4	3/8-16 X 2", HEX HEAD, 18-8 SST

1.0T MOBILE MAG ENCL w/o M-C 2118422-6 FRU N (PART OF M1810PM)
 (PART OF M1810PN)

Item	Part Number	FRU	Name	Quantity	Description (Remarks)
2	46-307712G7	N		XXX	RIGHT SLIDE ASM W/SRI, MOBILE SITES (SEE ITEM 300)
3	46-307713G2	N		XXX	LEFT SLIDE ASSEMBLY, MOBILE SITE (SEE ITEM 300)
4	46-307707G1	N		XXX	COMMON LOWER RIGHT RAIL SUB-ASM (SEE ITEM 300)
5	46-307708G1	N		XXX	COMMON LOWER LEFT RAIL SUB-ASSEMBLY (SEE ITEM 300)
6	2120888	N	FRONT COVER	1	UFI ENCLOSURE FRONT COVER ASSEMBLY (SEE PAGE 2-47)
8	46-282017P1	2	ANGLE	1	RIGHT DOCK SUPPORT – DOCK MOUNT
9	46-282018P1	2	ANGLE	1	RIGHT DOCK SUPPORT – MAGNET MOUNT
10	46-282019P1	2	ANGLE	1	LEFT DOCK SUPPORT – DOCK MOUNT
11	46-282020P1	2	ANGLE	1	LEFT DOCK SUPPORT – MAGNET MOUNT
12	46-282339P1	2	BAR	2	SHORT CLAMP BAR FOR DOCK SUPPORT
13	2117063	2	BACK COVER	1	COVER REAR (RF TUBE EXT)
14	46-271260G1	N	DOCK ASM.	1	NON-HYDRAULIC DOCK ASM, MG2 A29 (SEE PAGE 2-63)
16	46-328137G8	N	PEDESTAL	1	5.5 1.0T STD MOB & T/R REAR PEDESTAL (SEE PAGE 2-113)
17	46-307710G3	N		XXX	FRONT FRAME (SEE ITEM 300)
18	46-307711G3	N		XXX	5.5 MOBILE T/R SITE REAR FRAME (SEE ITEM 300)
19	2132034	N	BRIDGE MOUNT	1	REAR BRIDGE MOUNT ASM (SEE PAGE 2-127)
20	2128650	N	PAT COMF MOD	1	COMFORT MODULE (NOT MAGNISHIELD) (SEE PAGE 2-52)
21	46-208932P38	2	SCREW	2	1/2-13 X 3.75 LG HEX HD, 18-8 SST
22	46-307447P1	2	BUSHING	2	FRONT/REAR COVER ADJUST, BRASS
23	46-251379P2	2	WASHER	2	1.5 DIA 17/32 HOLE 5/64 THK 18-8 SST
24A	2121199-7	N	BLOWER (MG6)	1	REINFORCED BLOWER CABINET, MG6 (SEE PAGE 2-100)
24B	2121199	N	BLOWER (MG6)	ALT	BLOWER CABINET, MG6 (SEE PAGE 2-100)
25	2119595-3	N	PREASM BRDGE	1	5.5 1.0T STD PREASSEMBLED BRIDGE (SEE PAGE 2-137)
26	2142012	2	NUT BAR	2	TUNNEL EXTENSION NUT BAR
28	46-258509P2	2	PLATE	2	DOCK CLAMP PLATE, 7.25"X1.25 .25 SST
30	2167251	2	KIT OF PARTS	1	BRM INSTALLATION KIT – GE MAGNET (SEE PAGE 2-153)
31	2120143	2	CABLE BLOCK	1	GRADIENT COIL CABLE TERMINAL BLOCK
38	46-251379P3	2	WASHER	8	1.75" DIA 3/8 HOLE 3/16 THK 18-8 SST
39	46-208758P5	2	TY-RAP	16	13.38"X .301" SELF-LOCKING CABLE TIE
44	46-230653P5	2	TUBING	7	SPIRALLY CUT POLYETHYLENE, 3/4" DIA.
45	46-220191P3	2	CLAMP	1	PANDUIT FCM2-A-C14 GRAY, FLAT CABLE
62	46-307802P1	2	SPACER PLATE	2	1/4" THICK ALUM. 2"X3" W/2 3/8 HOLES
91	2119594	2	LUBRICANT	1	ANTI-SEIZE LUBRICANT, 1 OZ TUBE
129	46-328326G1	2	KIT	1	RUN 749 TEMPERATURE SENSOR CABLE KIT
130	46-265067P1	2	CABLE MOUNT	4	I/F PANEL CABLE SCREWLOCK CONNECTOR
140	2116325	2	STUD,MAGNET	12	STUD, 3/8-16 X 55MM, STAINLESS STEEL
141	2116325-4	2	STUD, MAGNET	12	STUD, 3/8-16 X 105MM STAINLESS STEEL
142	2115369	2	SEAL, 0.03"	6	3/4MM THICK RUBBER SEAL W/ADHESIVE
143	2115369-2	2	SEAL, 0.06"	12	1.5MM THICK RUBBER SEAL W/ADHESIVE
144	2115369-3	2	SEAL, 0.09"	18	2.25MM THICK RUBBER SEAL W/ADHESIVE
145	2115370	2	SEAL, 0.50"	8	12.7MM THK INTERLOCKING RUBBER SEAL

Parts List Continued on Next Page

1.0T MOBILE MAG ENCL w/o M-C

2118422-6

(CONT'D FROM PREVIOUS PAGE)

Item	Part Number	FRU	Name	Quantity	Description (Remarks)
146	2115370-2	2	SEAL, 0.31"	4	7.9MM THK INTERLOCKING RUBBER SEAL
149	2113076	2	END BELL	1	END BELL REAR 600MM
150	46-317004G1	N	END BELL STD	1	STANDARD FRONT END BELL ASM (SEE PAGE 2-58)
160	2129410	N	BULKHEAD ASM	1	REAR BULKHEAD UFI ENCL (SEE PAGE 2-59)
162	2109873-27	2	SCREW	2	M6X25 SST CROSS RECESSED PAN HD SCR
167	2129412	N	HOSE KIT	1	BLOWER HOSE KIT UFI (SEE PAGE 2-101)
180	2109866-20	2	SCREW	2	M10 X 25 HEX HEAD SCREW SST
181	2109880-4	2	WASHER	2	M10 SST SPRING LOCK WASHER
182	2109878-4	2	WASHER	6	M10 FLAT WASHER, 20MM OD, 2MM, SST
184	2109866-22	2	SCREW	4	M10 X 35 HEX HEAD SCREW, SST
196	46-282757G4	N	DOCK CONTROL	1	UFI DOCK CONTROL ASSEMBLY (SEE PAGE 2-60)
201	2129823	2	SPACER	3	MAGNET END-RING SECTION SPACER
216	2109866-13	2	SCREW	3	M6X25 SST HEX-HEAD SCREW
217	2109878-3	2	WASHER	3	M6 FLAT WASHER, 12MM OD, 1.6MM, SST
218	2109027	2	BRACKET	1	FRONT COVER MICROPHONE CABLE MOUNT
219	2139049	2	STRAP, NYLON	7.300	.875"W, 0.39 HOLE @ 0.625 SPACING
220	46-282896P1	2	MECHANICAL/M	1	NOMEX ACOUSTIC FELT W/VELCRO, FRONT
221	46-136246P21	2	TAPE	20	2" WIDE X 25 YD WHITE VELCRO HOOKS
222	46-282896P2	2	MECHANICAL/M	1	NOMEX ACOUSTIC FELT W/VELCRO, REAR
223	46-287118P1	2	TAPE	2	3/16" DIA X 90 FT ROPE CAULK, BROWN
224	46-320868P1	2	PIPE INSUL	4	POLYETHYLENE CLOSED CELL MATERIAL
230	2143475	N	SHIELD KIT	1	REAR PEDESTAL DRIP SHIELD PLATE KIT (SEE PAGE 2-61)
300	2158536	N	COLLECTOR	1	SUPTS/SLIDES FOR MOB & T/R ENCL CVRS (SEE PAGE 2-36)
13084	46-220196P5	2	WASHER	8	5/16" SCREW SIZE (0.313), SST
13087	46-208932P3	2	SCREW	4	5/16-18 X 3/4", 18-8 SST
13088	46-208932P11	2	SCREW	4	5/16-18 X 1", HEX HD, 18-8 SST
14164	46-208946P1	2	NUT	8	5/16-18 1/2" HEX X .188 THK 18-8 SST
14225	46-208948P2	2	NUT	35	3/8-16 .563 HEX X .328 THK, 18-8 SST
14226	46-220196P6	2	WASHER	54	3/8" SCREW SIZE (0.375), 18-8 SST
14325	46-208758P3	2	TY-RAP	30	7.31" X .184" SELF-LOCKING CABLE TIE
18138	46-220184P47	2	SCREW	2	10-32 X 1.5", ROUND HEAD SLOT, BRASS
18867	12-280	2	WASHER	8	ID 0.336, OD 0.75, THK .064, BRASS
37353	46-208932P4	2	SCREW	16	3/8-16 X 1", HEX HEAD, 18-8 SST
37369	1000904P447	2	WASHER	47	25/64 ID, 1" OD, 1/16" THICK, B7A34C
41665	46-208932P8	2	SCREW	10	3/8-16 X 1.25" HEX HEAD, 18-8 SST
42701	46-208932P15	2	SCREW	4	3/8-16 X 2", HEX HEAD, 18-8 SST

1.0T MOBILE MAG ENCL with M-C 2118422-8 FRU N (PART OF M1811PM)
 (PART OF M1811PN)
 1.0T T/R MAG ENCL with M-C 2118422-8 FRU N (PART OF M1821PM)
 (PART OF M1821PN)

Item	Part Number	FRU	Name	Quantity	Description (Remarks)
2	46-307712G7	N		XXX	RIGHT SLIDE ASM W/SRI, MOBILE SITES (SEE ITEM 300)
3	46-307713G2	N		XXX	LEFT SLIDE ASSEMBLY, MOBILE SITE (SEE ITEM 300)
4	46-307707G1	N		XXX	COMMON LOWER RIGHT RAIL SUB-ASM (SEE ITEM 300)
5	46-307708G1	N		XXX	COMMON LOWER LEFT RAIL SUB-ASSEMBLY (SEE ITEM 300)
6	2120888	N	FRONT COVER	1	UFI ENCLOSURE FRONT COVER ASSEMBLY (SEE PAGE 2-47)
8	46-282017P1	2	ANGLE	1	RIGHT DOCK SUPPORT - DOCK MOUNT
9	46-282018P1	2	ANGLE	1	RIGHT DOCK SUPPORT - MAGNET MOUNT
10	46-282019P1	2	ANGLE	1	LEFT DOCK SUPPORT - DOCK MOUNT
11	46-282020P1	2	ANGLE	1	LEFT DOCK SUPPORT - MAGNET MOUNT
12	46-282339P1	2	BAR	2	SHORT CLAMP BAR FOR DOCK SUPPORT
13	2117063	2	BACK COVER	1	COVER REAR (RF TUBE EXT)
14	46-271260G1	N	DOCK ASM.	1	NON-HYDRAULIC DOCK ASM, MG2 A29 (SEE PAGE 2-63)
16	46-328137G13	N	PEDESTAL	1	5.5 1.0T STD MOB & T/R REAR PEDESTAL (SEE PAGE 2-122)
17	46-307710G3	N		XXX	FRONT FRAME (SEE ITEM 300)
18	46-307711G3	N		XXX	5.5 MOBILE T/R SITE REAR FRAME (SEE ITEM 300)
19	2132034	N	BRIDGE MOUNT	1	REAR BRIDGE MOUNT ASM (SEE PAGE 2-127)
20	2128650	N	PAT COMF MOD	1	COMFORT MODULE (NOT MAGNISHIELD) (SEE PAGE 2-52)
21	46-208932P38	2	SCREW	2	1/2-13 X 3.75 LG HEX HD, 18-8 SST
22	46-307447P1	2	BUSHING	2	FRONT/REAR COVER ADJUST, BRASS
23	46-251379P2	2	WASHER	2	1.5 DIA 17/32 HOLE 5/64 THK 18-8 SST
24A	2121199-7	N	BLOWER (MG6)	1	REINFORCED BLOWER CABINET, MG6 (SEE PAGE 2-100)
24	2121199	N	BLOWER (MG6)	ALT	BLOWER CABINET, MG6 (SEE PAGE 2-100)
25	2119595-6	N	PREASM BRDGE	1	5.5 1.0T STD PREASSEMBLED BRIDGE (SEE PAGE 2-150)
26	2142012	2	NUT BAR	2	TUNNEL EXTENSION NUT BAR
28	46-258509P2	2	PLATE	2	DOCK CLAMP PLATE, 7.25"X1.25 .25 SST
30	2167251	2	KIT OF PARTS	1	BRM INSTALLATION KIT - GE MAGNET (SEE PAGE 2-153)
31	2120143	2	CABLE BLOCK	1	GRADIENT COIL CABLE TERMINAL BLOCK
38	46-251379P3	2	WASHER	8	1.75" DIA 3/8 HOLE 3/16 THK 18-8 SST
39	46-208758P5	2	TY-RAP	16	13.38"X .301" SELF-LOCKING CABLE TIE
44	46-230653P5	2	TUBING	7	SPIRALLY CUT POLYETHYLENE, 3/4" DIA.
45	46-220191P3	2	CLAMP	1	PANDUIT FCM2-A-C14 GRAY, FLAT CABLE
62	46-307802P1	2	SPACER PLATE	2	1/4" THICK ALUM. 2"X3" W/2 3/8 HOLES
91	2119594	2	LUBRICANT	1	ANTI-SEIZE LUBRICANT, 1 OZ TUBE
129	46-328326G1	2	KIT	1	RUN 749 TEMPERATURE SENSOR CABLE KIT
130	46-265067P1	2	CABLE MOUNT	4	I/F PANEL CABLE SCREWLOCK CONNECTOR
140	2116325	2	STUD,MAGNET	12	STUD, 3/8-16 X 55MM, STAINLESS STEEL
141	2116325-4	2	STUD, MAGNET	12	STUD, 3/8-16 X 105MM STAINLESS STEEL
142	2115369	2	SEAL, 0.03"	6	3/4MM THICK RUBBER SEAL W/ADHESIVE
143	2115369-2	2	SEAL, 0.06"	12	1.5MM THICK RUBBER SEAL W/ADHESIVE
144	2115369-3	2	SEAL, 0.09"	18	2.25MM THICK RUBBER SEAL W/ADHESIVE
145	2115370	2	SEAL, 0.50"	8	12.7MM THK INTERLOCKING RUBBER SEAL

Parts List Continued on Next Page

1.0T MOBILE & T/R MAG ENCL with M-C

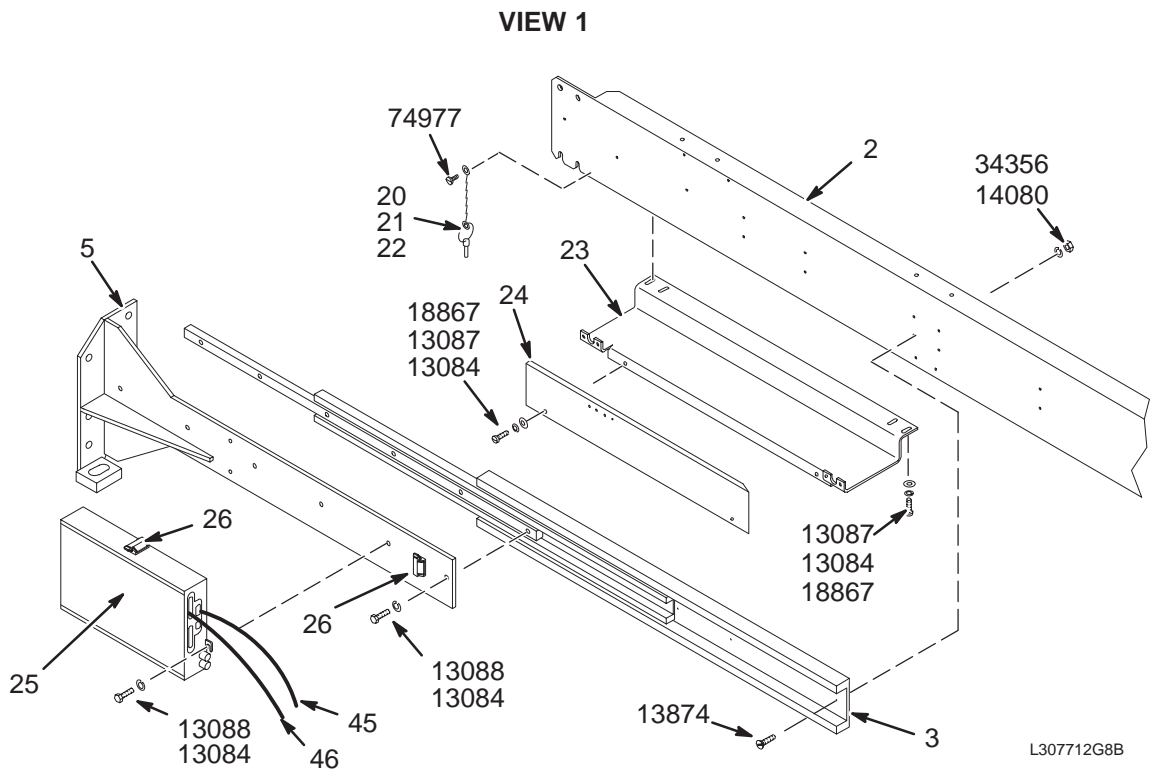
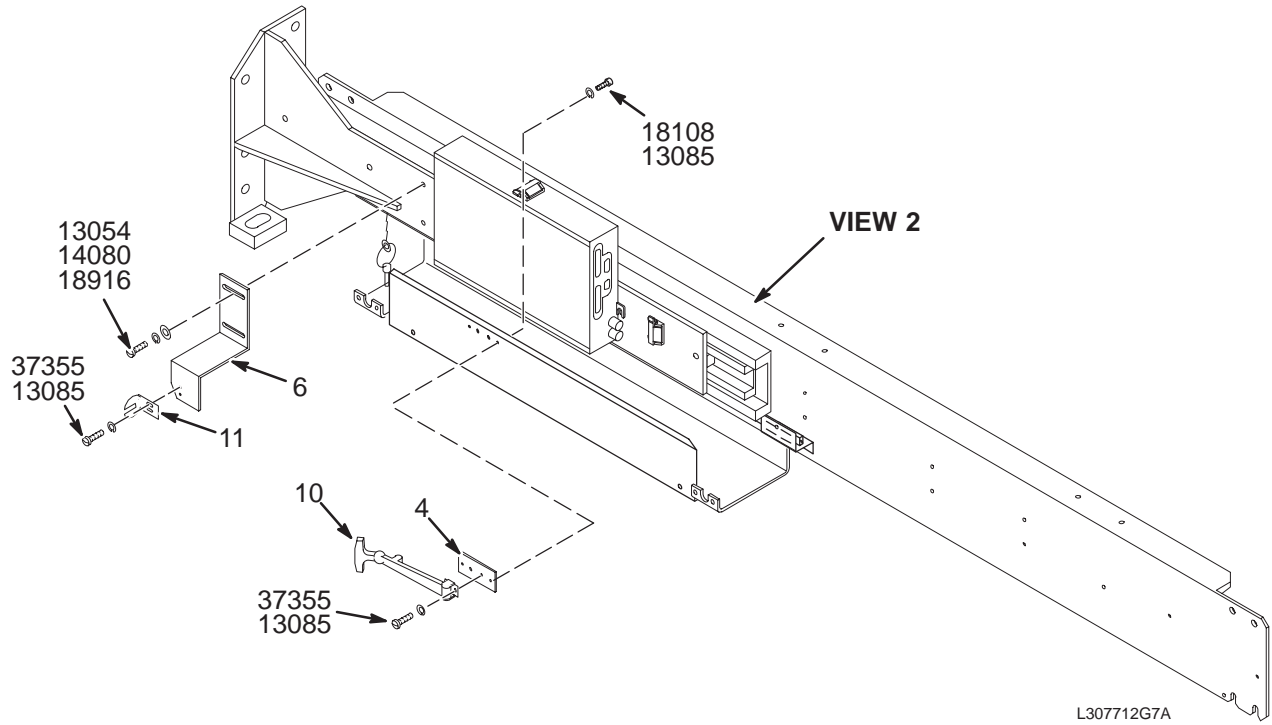
2118422-8

(CONT'D FROM PREVIOUS PAGE)

Item	Part Number	FRU	Name	Quantity	Description (Remarks)
146	2115370-2	2	SEAL, 0.31"	4	7.9MM THK INTERLOCKING RUBBER SEAL
149	2113076	2	END BELL	1	END BELL REAR 600MM
150	46-317004G1	N	END BELL STD	1	STANDARD FRONT END BELL ASM (SEE PAGE 2-58)
160	2129410	N	BULKHEAD ASM	1	REAR BULKHEAD UFI ENCL (SEE PAGE 2-59)
162	2109873-27	2	SCREW	2	M6X25 SST CROSS RECESSED PAN HD SCR
167	2129412	N	HOSE KIT	1	BLOWER HOSE KIT UFI (SEE PAGE 2-101)
180	2109866-20	2	SCREW	2	M10 X 25 HEX HEAD SCREW SST
181	2109880-4	2	WASHER	2	M10 SST SPRING LOCK WASHER
182	2109878-4	2	WASHER	6	M10 FLAT WASHER, 20MM OD, 2MM, SST
184	2109866-22	2	SCREW	4	M10 X 35 HEX HEAD SCREW, SST
196	46-282757G4	N	DOCK CONTROL	1	UFI DOCK CONTROL ASSEMBLY (SEE PAGE 2-60)
201	2129823	2	SPACER	3	MAGNET END-RING SECTION SPACER
216	2109866-13	2	SCREW	3	M6X25 SST HEX-HEAD SCREW
217	2109878-3	2	WASHER	3	M6 FLAT WASHER, 12MM OD, 1.6MM, SST
218	2109027	2	BRACKET	1	FRONT COVER MICROPHONE CABLE MOUNT
219	2139049	2	STRAP, NYLON	7.300	.875"W, 0.39 HOLE @ 0.625 SPACING
220	46-282896P1	2	MECHANICAL/M	1	NOMEX ACOUSTIC FELT W/VELCRO, FRONT
221	46-136246P21	2	TAPE	20	2" WIDE X 25 YD WHITE VELCRO HOOKS
222	46-282896P2	2	MECHANICAL/M	1	NOMEX ACOUSTIC FELT W/VELCRO, REAR
223	46-287118P1	2	TAPE	2	3/16" DIA X 90 FT ROPE CAULK, BROWN
224	46-320868P1	2	PIPE INSUL	4	POLYETHYLENE CLOSED CELL MATERIAL
230	2143475	N	SHIELD KIT	1	REAR PEDESTAL DRIP SHIELD PLATE KIT (SEE PAGE 2-61)
300	2158536	N	COLLECTOR	1	SUPTS/SLIDES FOR MOB & T/R ENCL CVRS (SEE PAGE 2-36)
13084	46-220196P5	2	WASHER	8	5/16" SCREW SIZE (0.313), SST
13087	46-208932P3	2	SCREW	4	5/16-18 X 3/4", 18-8 SST
13088	46-208932P11	2	SCREW	4	5/16-18 X 1", HEX HD, 18-8 SST
14164	46-208946P1	2	NUT	8	5/16-18 1/2" HEX X .188 THK 18-8 SST
14225	46-208948P2	2	NUT	35	3/8-16 .563 HEX X .328 THK, 18-8 SST
14226	46-220196P6	2	WASHER	54	3/8" SCREW SIZE (0.375), 18-8 SST
14325	46-208758P3	2	TY-RAP	30	7.31" X .184" SELF-LOCKING CABLE TIE
18138	46-220184P47	2	SCREW	2	10-32 X 1.5", ROUND HEAD SLOT, BRASS
18867	12-280	2	WASHER	8	ID 0.336, OD 0.75, THK .064, BRASS
37353	46-208932P4	2	SCREW	16	3/8-16 X 1", HEX HEAD, 18-8 SST
37369	1000904P447	2	WASHER	47	25/64 ID, 1" OD, 1/16" THICK, B7A34C
41665	46-208932P8	2	SCREW	10	3/8-16 X 1.25" HEX HEAD, 18-8 SST
42701	46-208932P15	2	SCREW	4	3/8-16 X 2", HEX HEAD, 18-8 SST

MOBILE RIGHT SLIDE ASM WITH SRI

46-307712G7



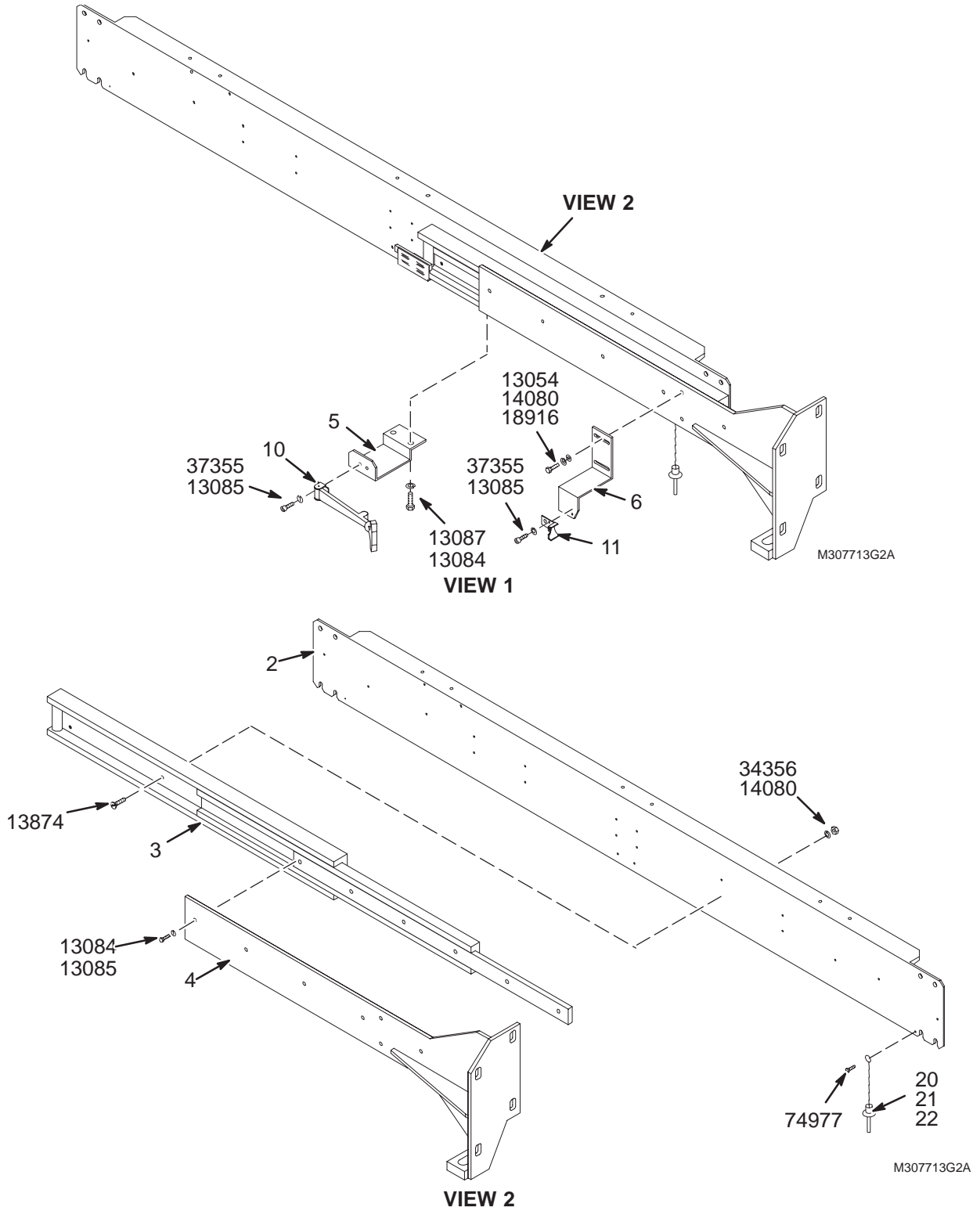
MOBILE RIGHT SLIDE ASM W/SRI 46-307712G7 FRU N

(PART OF 2158536 PAGE 2-36)

Item	Part Number	FRU	Name	Quantity	Description (Remarks)
2	46-282113P1	2	CHANNEL,SIDE	1	UPPER SLIDE SUPPORT
3A	46-320138P1	2	COVER SLIDE	1	ENCLOSURE FRONT/REAR COVER EXTENDING
3B	46-244780P1	2	MECHANICAL/M	ALT	ENCLOSURE FRONT/REAR COVER EXTENDING
4	46-307187P1	2	NUT BAR	1	1.5"X3.76" (4) 10-32 HOLES @1", ALUM
5	46-244762G1	2	MOUNT-WELD	1	MOUNT FOR FRONT COVER (RIGHT) OR FOR
6	46-307143P1	2	BRACKET	1	RIGHT SIDE
10	46-251360P1	2	MECHANICAL/M	1	T-HANDLE FLEX LATCH
11	46-251360P2	2	MECHANICAL/M	1	FLEX LATCH KEEPER
20	46-221889P1	2	PIN	1	NOM DIA 0.18, GRIP .70 QUICK-RELEASE
21	46-316457P1	2	CHAIN	1	#10 BEAD, 0.178 DIA, SST
22	46-230530P10	2	CHAIN	2	#10 TYPE A OFFSET BEAD CHAIN 10A-156
23	46-282048G1	2	BRACKET	1	FRONT SLIDE CABLE TAKE-UP TROUGH
24	46-287408P1	2	GUARD,CABLE	1	DSIM/SRI CABLE TAKE-UP GUARD PLATE
25	46-287370G8	1	DSIM/SRI BD	1	SCAN ROOM INTERFACE (SRI) (SEE PAGE 2-97)
26	46-220191P1	2	CLAMP	2	CLAMP FOR FLAT CABLE
45	46-287908G1	2	CABLE	1	RUN 421, MG2-A33-J3 TO MG2-A31-J1
46	46-243775G668	2	CABLE	1	RUN 422, MG3-A1-J4 TO MG2-A33-J2
47	2133208	2	BRACKET	1	PAC CABLE INTERFACE MOUNT/GROUND
13054	46-208932P10	2	SCREW	2	1/4-20 X 1/2" LG, HEX HD, 18-8 SST
13084	46-220196P5	2	WASHER	11	5/16" SCREW SIZE (0.313), SST
13085	46-220196P3	2	WASHER	6	#10 SCREW SIZE (0.190), SST
13087	46-208932P3	2	SCREW	6	5/16-18 X 3/4", 18-8 SST
13088	46-208932P11	2	SCREW	5	5/16-18 X 1", HEX HD, 18-8 SST
13874	46-208910P19	2	SCREW	9	1/4-20 X 1", FLAT HD SLOTTED, SST
14080	46-220196P4	2	WASHER	11	1/4" SCREW SIZE (0.250), SST
18108	46-220184P40	2	SCREW	2	10-32 X 3/8", ROUND HEAD SLOT, BRASS
18867	12-280	2	WASHER	6	ID 0.336, OD 0.75, THK .064, BRASS
18916	12-1213	2	WASHER	2	ID 0.266, OD 0.563, THK .051, BRASS
34356	46-208948P5	2	NUT	9	1/4-20 .438 HEX X .226 THK, 18-8 SST
37355	46-208737P12	2	SCREW	4	10-32 X 1/2", HEX SOC HEAD, 18-8 SST
74977	46-208560P110	2	SCREW	1	6-32 X 3/8 BINDING HEAD, 18-8 SST

MOBILE LEFT SLIDE ASM

46-307713G2



MOBILE LEFT SLIDE ASM

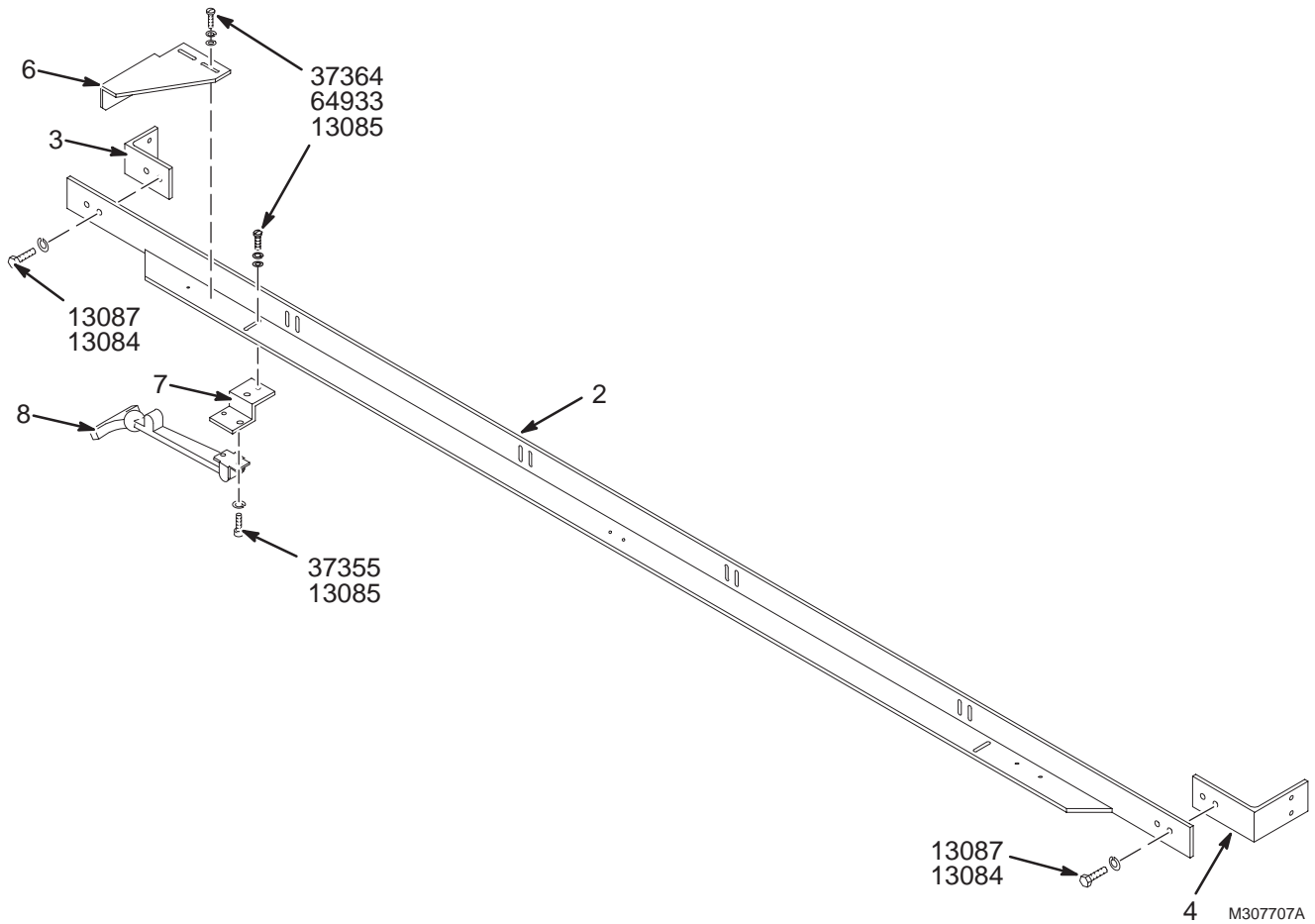
46-307713G2 FRU N

(PART OF 2158536 PAGE 2-36)

Item	Part Number	FRU	Name	Quantity	Description (Remarks)
2	46-282113P1	2	CHANNEL,SIDE	1	UPPER SLIDE SUPPORT
3A	46-320138P1	2	COVER SLIDE	1	ENCLOSURE FRONT/REAR COVER EXTENDING
3B	46-244780P1	2	MECHANICAL/M	ALT	ENCLOSURE FRONT/REAR COVER EXTENDING
4	46-244762G2	2	MOUNT-WELD	1	MOUNT FOR FRONT COVER (LEFT) OR FOR
5	46-307359P1	2	BRACKET	1	T-HANDLE FLEX LATCH MOUNT, ALUM
6	46-307143P2	2	BRACKET	1	FLEX LATCH KEEPER MOUNT, .190 ALUM.
10	46-251360P1	2	MECHANICAL/M	1	T-HANDLE FLEX LATCH
11	46-251360P2	2	MECHANICAL/M	1	FLEX LATCH KEEPER
20	46-221889P1	2	PIN	1	NOM DIA 0.18, GRIP .70 QUICK-RELEASE
21	46-316457P1	2	CHAIN	1	#10 BEAD, 0.178 DIA, SST
22	46-230530P10	2	CHAIN	2	#10 TYPE A OFFSET BEAD CHAIN 10A-156
13054	46-208932P10	2	SCREW	2	1/4-20 X 1/2" LG, HEX HD, 18-8 SST
13084	46-220196P5	2	WASHER	8	5/16" SCREW SIZE (0.313), SST
13085	46-220196P3	2	WASHER	4	#10 SCREW SIZE (0.190), SST
13087	46-208932P3	2	SCREW	2	5/16-18 X 3/4", 18-8 SST
13088	46-208932P11	2	SCREW	6	5/16-18 X 1", HEX HD, 18-8 SST
13874	46-208910P19	2	SCREW	9	1/4-20 X 1", FLAT HD SLOTTED, SST
14080	46-220196P4	2	WASHER	11	1/4" SCREW SIZE (0.250), SST
18916	12-1213	2	WASHER	2	ID 0.266, OD 0.563, THK .051, BRASS
34356	46-208948P5	2	NUT	9	1/4-20 .438 HEX X .226 THK, 18-8 SST
37355	46-208737P12	2	SCREW	4	10-32 X 1/2", HEX SOC HEAD, 18-8 SST
74977	46-208560P110	2	SCREW	1	6-32 X 3/8 BINDING HEAD, 18-8 SST

MOBILE LOWER RIGHT RAIL

46-307707G1

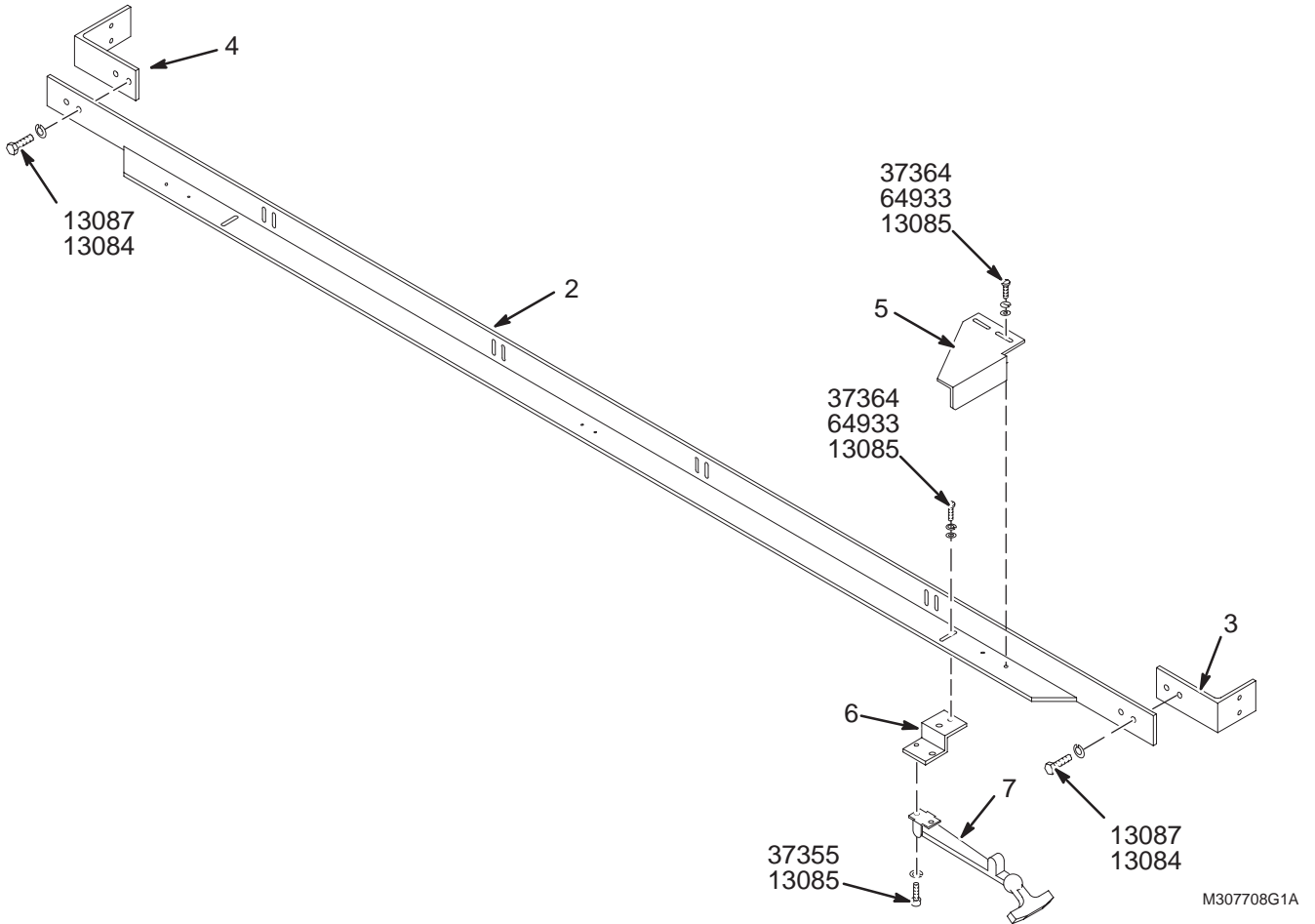


MOBILE LOWER RIGHT RAIL 46-307707G1 FRU N (PART OF 2158536 PAGE 2-36)

Item	Part Number	FRU	Name	Quantity	Description (Remarks)
2	46-282002P1	2	SIDE ANGLE	1	LOWER SIDE SUPPORT RAIL
3	46-282161P1	2	BRACKET FRT	1	FRONT LOWER SIDE-SUPPORT ANGLE-BRKT
4	46-282162P1	2	BRACKET REAR	1	REAR LOWER SIDE-SUPPORT ANGLE-BRAKET
6	46-271856P2	2	BRACKET	1	COVER LOWER BUMPER STOP PLATE
7	46-271851P1	2	BRACKET	1	LOWER T-HANDLE FLEX LATCH MOUNT
8	46-251360P1	2	MECHANICAL/M	1	T-HANDLE FLEX LATCH
13084	46-220196P5	2	WASHER	4	5/16" SCREW SIZE (0.313), SST
13085	46-220196P3	2	WASHER	6	#10 SCREW SIZE (0.190), SST
13087	46-208932P3	2	SCREW	4	5/16-18 X 3/4", 18-8 SST
37355	46-208737P12	2	SCREW	2	10-32 X 1/2", HEX SOC HEAD, 18-8 SST
37364	46-208560P102	2	SCREW	4	10-32 X 5/8", BIND HEAD, 18-8 SST
64933	1000904P425	2	WASHER	4	0.2 ID, 0.5 OD, 04 THK, B11H89C

MOBILE LOWER LEFT RAIL

46-307708G1



M307708G1A

MOBILE LOWER LEFT RAIL

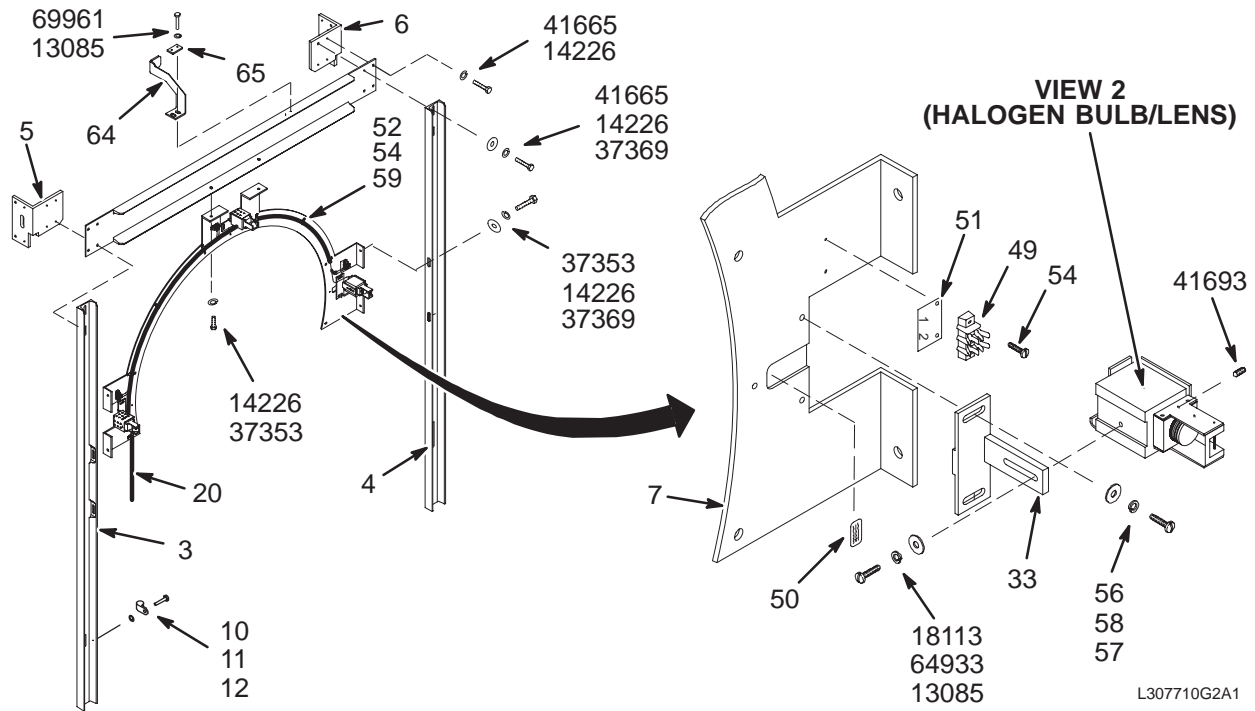
46-307708G1 FRU N

(PART OF 2158536 PAGE 2-36)

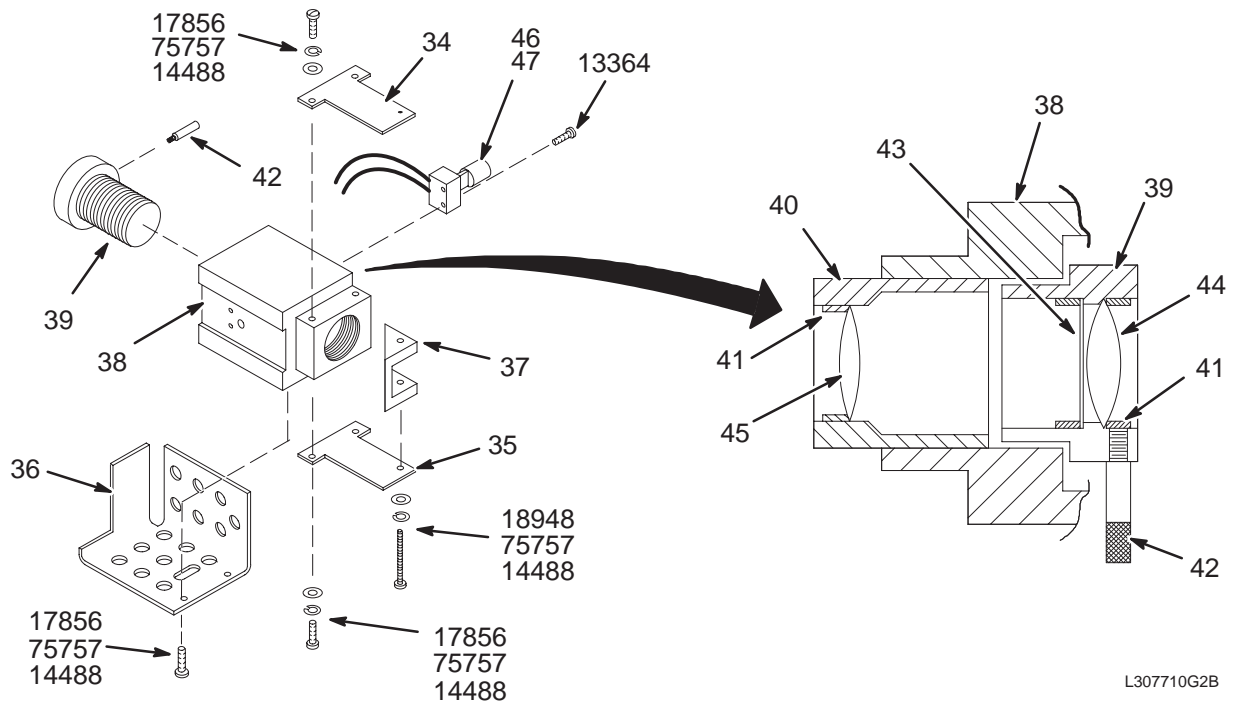
Item	Part Number	FRU	Name	Quantity	Description (Remarks)
2	46-282002P1	2	SIDE ANGLE	1	LOWER SIDE SUPPORT RAIL
3	46-282161P1	2	BRACKET FRT	1	FRONT LOWER SIDE-SUPPORT ANGLE-BRKT
4	46-282162P1	2	BRACKET REAR	1	REAR LOWER SIDE-SUPPORT ANGLE-BRAKET
5	46-271856P1	2	BRACKET	1	COVER LOWER BUMPER STOP PLATE
6	46-271851P1	2	BRACKET	1	LOWER T-HANDLE FLEX LATCH MOUNT
7	46-251360P1	2	MECHANICAL/M	1	T-HANDLE FLEX LATCH
13084	46-220196P5	2	WASHER	4	5/16" SCREW SIZE (0.313), SST
13085	46-220196P3	2	WASHER	6	#10 SCREW SIZE (0.190), SST
13087	46-208932P3	2	SCREW	4	5/16-18 X 3/4", 18-8 SST
37355	46-208737P12	2	SCREW	2	10-32 X 1/2", HEX SOC HEAD, 18-8 SST
37364	46-208560P102	2	SCREW	4	10-32 X 5/8", BIND HEAD, 18-8 SST
64933	1000904P425	2	WASHER	4	0.2 ID, 0.5 OD, 04 THK, B11H89C

MOBILE ENCLOSURE FRONT FRAME

46-307710G3



VIEW 1



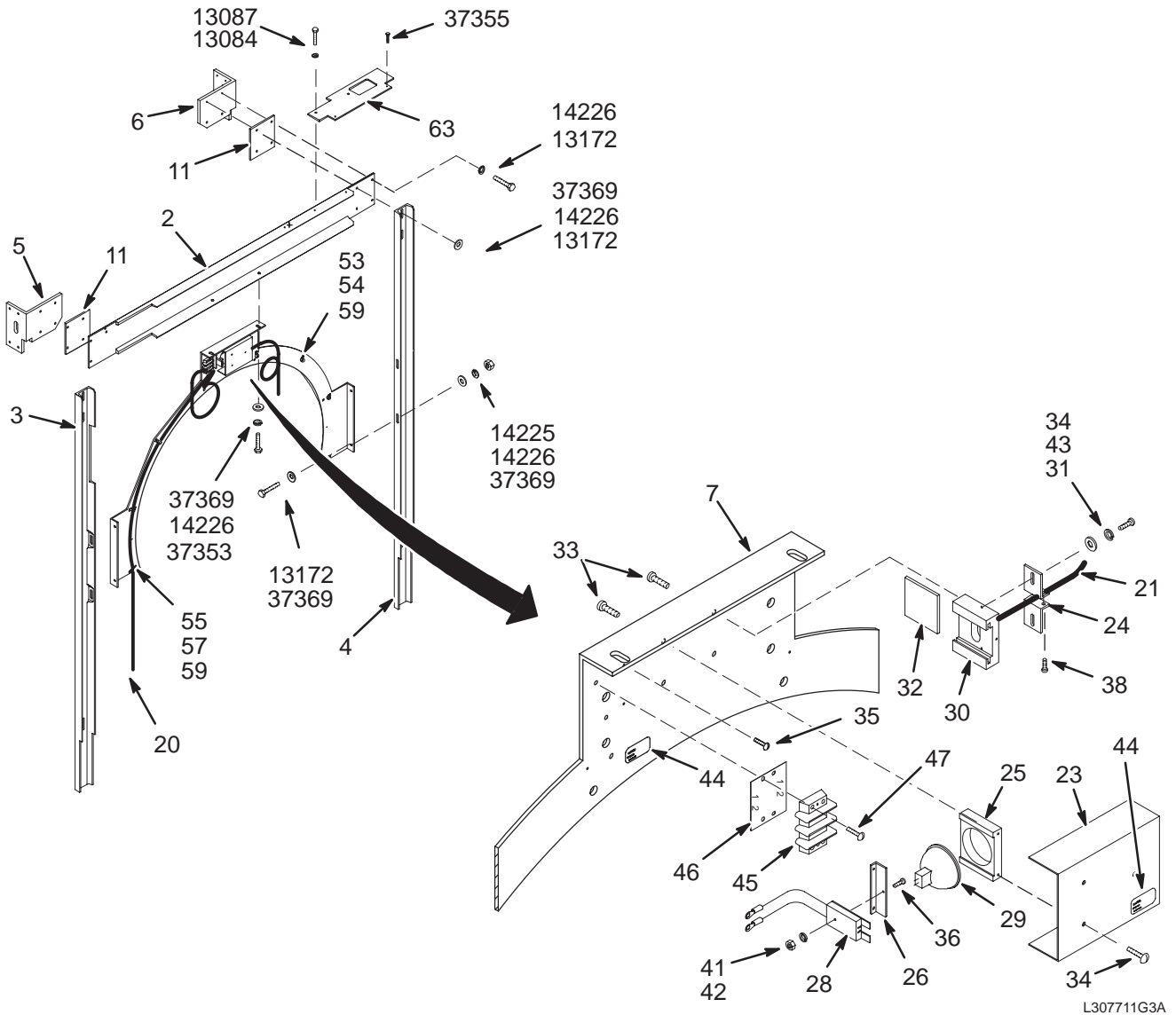
VIEW 2

MOBILE FRONT FRAME 46-307710G3 FRU N (PART OF 2158536 PAGE 2-36)

Item	Part Number	FRU	Name	Quantity	Description (Remarks)
2	46-282087P1	2	CHANNEL	1	TOP CHANNEL – FRONT FRAME
3	46-271998P1	2	UPRIGHT	1	LEFT FRONT UPRIGHT
4	46-271998P2	2	UPRIGHT	1	RIGHT FRONT UPRIGHT
5	46-282100P1	2	ANGLE,FRONT	1	TOP CORNER ANGLE BRACKET, FRONT-LEFT
6	46-282100P2	2	ANGLE,FRONT	1	TOP CORNER ANGLE BRACKET FRONT-RIGHT
7	2115371	2	PLATE	1	PLATE FRONT
10	46-208560P102	2	SCREW	1	10-32 X 5/8", BIND HEAD, 18-8 SST
11	46-208599P18	2	WASHER	1	#10, EXTERNAL TOOTH
12	46-328556P1	2	CLAMP, LOOP	1	ALUMINUM, .250 DIA. CABLE, .204 HOLE
20	46-307329G701	2	CABLE	1	(385V) PP1-J20 TO MG2-A20-TS1
33	2116144	2	BRACKET	3	ADJUSTABLE LIGHT MOUNTING BRACKET
34	46-271781P1	2	MIRROR BRKT	3	1/16" THICK WITH 0.14" HOLE
35	46-271781P2	2	MIRROR BRKT	3	3/16" THICK WITH 6-32 THREADED HOLE
36	46-271338P1	2	COVER	3	VENTILATED HALOGEN LAMP SAFETY COVER
37	46-271339G1	2	MIRROR ASM	3	FIRST SURFACE MIRROR ATTACHED
38	46-271780P1	2	LENS BLOCK	3	HALOGEN LAMP AND LENS MOUNTING BLOCK
39	46-271329P1	2	LENS HOLDER	3	#1 LENS AND APERATURE MOUNT
40	46-271330P1	2	LENS HOLDER	3	#2 LENS MOUNT
41	46-271331P1	2	LENS RET	9	SPLIT RING LENS RETAINER
42	46-271332P1	2	PIN	3	2-46 THREAD, 3/4" LONG W/KNURL, SST
43	46-271327P1	2	APERATURE	3	CROSS-SLIT APERATURE, .003 COPPER
44	46-271326P1	2	LENS	3	BI-CONVEX LENS 17.5MM X 18MM FOCAL
45	46-271326P2	2	LENS	3	BI-CONVEX LENS, 17.3MM X 30MM FOCAL
46	46-271324P1	2	SOCKET	3	LAMPHOLDER USED FOR G-4 SIZE HALOGEN
47	46-271323P1	1	LAMP	3	HALOGEN LAMP BASE G4 14 VOLTS, 65 W.
49	403B335P21	2	TERMINAL	3	2 POSITION TERMINAL STRIP, 20 AMP,
50	46-287268P1	2	MECHANICAL/M	3	CAUTION, EXTREMELY HOT HALOGEN LAMPS
51	403B320P94	2	TERMINAL	3	2 POSITION MARKER STRIP, 1 & 2
52	46-208718P5	2	CLAMP	7	1/2" ID LOOP TYPE, TA MFG CO TA713D8
54	2109873-15	2	SCREW	13	M4X12 SST CROSS RECESSED PAN HD SCR
56	2109873-24	2	SCREW	6	M6X12 SST CROSS RECESSED PAN HD SCR
57	2109878-3	2	WASHER	6	M6 FLAT WASHER, 12MM OD, 1.6MM, SST
58	2109880-3	2	WASHER	6	M6 SST SPRING LOCK WASHER
59	2109878-2	2	WASHER	7	M4 FLAT WASHER, 9MM OD, 0.8MM, SST
64	46-282154P1	2	LOCK PLATE	1	FRONT COVER LOCK LATCH
65	46-282311P1	2	CLAMP PLATE	1	REINFORCING PLATE W/TWO .238 HOLES
13085	46-220196P3	2	WASHER	5	#10 SCREW SIZE (0.190), SST
13364	516A770P208	2	SCREW	6	2-56 X 1/2 LG BIND HEAD, SST 18-8
14226	46-220196P6	2	WASHER	14	3/8" SCREW SIZE (0.375), 18-8 SST
14488	46-220196P2	2	WASHER	21	#6 SCREW SIZE (0.138), SST
17856	46-220184P13	2	SCREW	18	6-32 X 3/8" ROUND HEAD SLOT, BRASS
18113	46-220184P41	2	SCREW	3	10-32 X 1/2" SLOT ROUND HEAD, BRASS
18948	46-220184P21	2	SCREW	3	6-32 X 1.75" ROUND HEAD SLOT, BRASS
37353	46-208932P4	2	SCREW	6	3/8-16 X 1", HEX HEAD, 18-8 SST
37369	1000904P447	2	WASHER	8	25/64 ID, 1" OD, 1/16" THICK, B7A34C
41665	46-208932P8	2	SCREW	8	3/8-16 X 1.25" HEX HEAD, 18-8 SST
41693	46-208563P84	2	SCREW	6	4-40 X 1/4" HEX SOC CUP PT, #316 SST
64933	1000904P425	2	WASHER	3	0.2 ID, 0.5 OD, .04 THK, B11H89C
69961	46-208560P70	2	SCREW	2	10-32 X 1", 18-8 SST, F65D6B1 BLK OX
75757	1000904P2	2	WASHER	21	ID 0.144, OD 0.297, THK .032, BRASS

MOBILE ENCLOSURE REAR FRAME

46-30771G3

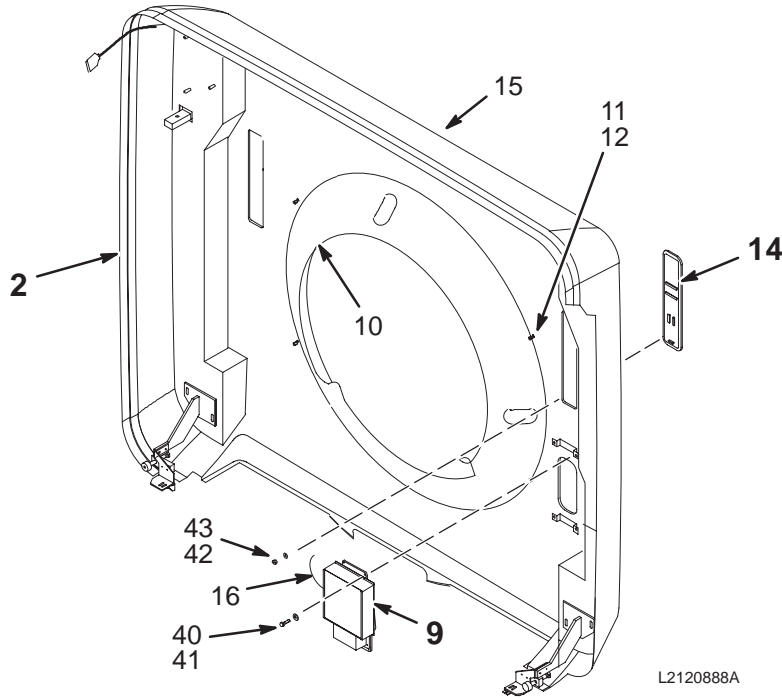


MOBILE REAR FRAME 46-307711G3 FRU N (PART OF 2158536 PAGE 2-36)

Item	Part Number	FRU	Name	Quantity	Description (Remarks)
2	46-282086P1	2	CHANNEL	1	TOP CHANNEL – REAR FRAME
3	46-282082P1	2	UPRIGHT,REAR	1	RIGHT REAR UPRIGHT
4	46-271999P1	2	UPRIGHT	1	LEFT REAR UPRIGHT
5	46-282101P1	2	ANGLE,REAR	1	TOP CORNER ANGLE BRACKET, REAR-RIGHT
6	46-282101P2	2	ANGLE,REAR	1	TOP CORNER ANGLE BRACKET, REAR-LEFT
7	2117124	2	PLATE, REAR	1	BORE LAMP MOUNTING PLATE
11	46-307356P3	2	SPACER	2	6"X5-3/8", 1/4" THICK ALUMINUM PLATE
20	46-251566G701	2	CABLE ASM	1	(300V) MG2-A15 TO PP1-J15
21	46-251636G3	2	FIBER BUNDLE	2	BORE LIGHT FIBEROPTIC, 79.5" LONG
23	46-251639P1	2	COVER	1	BORE LIGHT COVER (NO WARNING LABEL)
24	46-251640P1	2	FIBER CLAMP	2	FIBER OPTIC LINES CLAMP BRACKET
25	46-251641P1	2	BULB RET	1	BORE LIGHT BULB RETAINER
26	2121519	2	SOC MTG PLT	1	BORE LIGHT SOCKET BRACKET
28	46-255153G1	2	SOCKET ASM	1	BORE LIGHT SOCKET WITH TERMINALS
29	46-230111P1	1	LAMP	1	HALOGEN REFLECTOR LAMP 12V, 75W
30	46-251644P1	2	FIBER MOUNT	1	HEAT MIRROR AND FIBEROPTIC END MOUNT
31	1000904P2	2	WASHER	2	ID 0.144, OD 0.297, THK .032, BRASS
32	46-251679P1	2	MECHANICAL/M	1	HEAT-REFLECT, LIGHT-TRANSMIT GLASS
33	46-220184P14	2	SCREW	4	6-32 X 1/2" ROUND HEAD SLOT, BRASS
34	46-220184P13	2	SCREW	5	6-32 X 3/8" ROUND HEAD SLOT, BRASS
35	2109873-13	2	SCREW	2	M4X8 SST CROSS RECESSED PAN HD SCR
36	46-220184P8	2	SCREW	1	4-40 X 7/8", ROUND HEAD SLOT, BRASS
38	46-220184P20	2	SCREW	2	6-32 X 1.25" ROUN HEAD SLOT, BRASS
41	46-208601P19	2	WASHER	1	#4 SCREW, INTERNAL TOOTH, PHOZ BRZ
42	46-208935P4	2	NUT	1	4-40, 1/4" HEX X .093 THK, BRASS
43	46-208601P20	2	WASHER	2	#6 SCREW, INTERNAL TOOTH, PHOZ BRZ
44	46-287268P1	2	MECHANICAL/M	2	CAUTION, EXTREMELY HOT HALOGEN LAMPS
45	46-313195P1	2	TERMINAL	1	2 POSITION TERMINAL STRIP, DUAL ROW,
46	46-317552P1	2	TERMINAL	1	2 POSITION MARKER STRIP, 1 & 2
47	2109873-18	2	SCREW	2	M4X25 SST CROSS RECESSED PAN HD SCR
53	46-208759P1	2	TY-RAP	4	7.81" X .184" SELF-LOCKING CABLE TIE
54	2109873-15	2	SCREW	4	M4X12 SST CROSS RECESSED PAN HD SCR
55	2109873-12	2	SCREW	4	M4X6 SST CROSS RECESSED PAN HD SCR
57	46-208718P5	2	CLAMP	4	1/2" ID LOOP TYPE, TA MFG CO TA713D8
59	2109878-2	2	WASHER	8	M4 FLAT WASHER, 9MM OD, 0.8MM, SST
63	46-317469P1	2	BRACKET	1	MAGNET SERVICE LADDER MOUNT, ALUM
13084	46-220196P5	2	WASHER	2	5/16" SCREW SIZE (0.313), SST
13087	46-208932P3	2	SCREW	2	5/16-18 X 3/4", 18-8 SST
13172	46-208932P13	2	SCREW	12	3/8-16 X 1.5" HEX HEAD, 18-8 SST
14225	46-208948P2	2	NUT	4	3/8-16 .563 HEX X .328 THK, 18-8 SST
14226	46-220196P6	2	WASHER	14	3/8" SCREW SIZE (0.375), 18-8 SST
37353	46-208932P4	2	SCREW	2	3/8-16 X 1", HEX HEAD, 18-8 SST
37355	46-208737P12	2	SCREW	2	10-32 X 1/2", HEX SOC HEAD, 18-8 SST
37369	1000904P447	2	WASHER	14	25/64 ID, 1" OD, 1/16" THICK, B7A34C

FRONT COVER ASM

2120888



L2120888A

FRONT COVER ASM

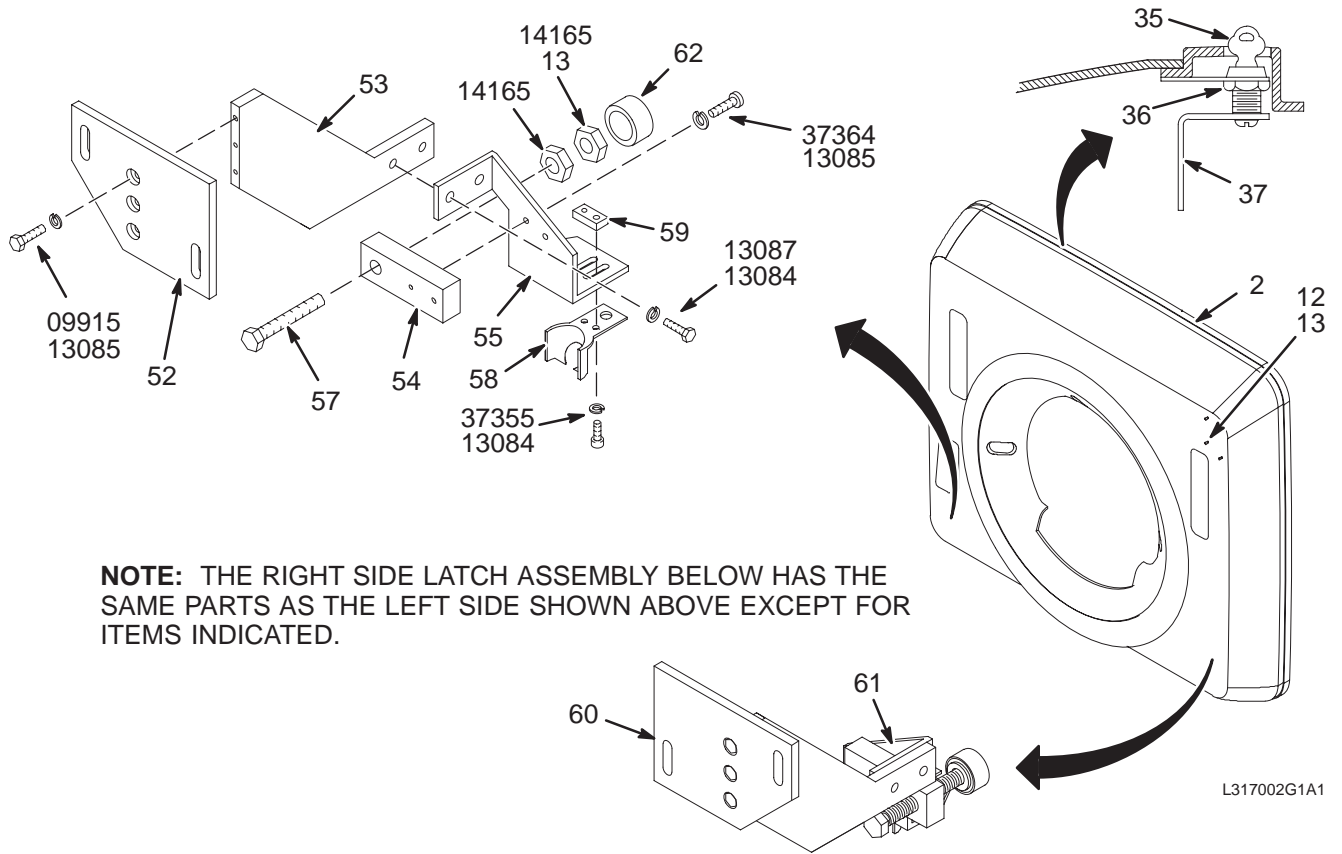
2120888 FRU N

(PART OF 2118422-3 PAGE 2-7)
 (PART OF 2118422-5 PAGE 2-9)
 (PART OF 2118422-7 PAGE 2-11)
 (PART OF 2118422-9 PAGE 2-13)
 (PART OF 2118422-2 PAGE 2-28)
 (PART OF 2118422-4 PAGE 2-30)
 (PART OF 2118422-6 PAGE 2-32)
 (PART OF 2118422-8 PAGE 2-34)

Item	Part Number	FRU	Name	Quantity	Description (Remarks)
2	46-317002G1	N	FRONT COVER	1	UFI STANDARD FRONT FIBERGLASS COVER (SEE PAGE 2-49)
9	2122268-3	1	PAC-II ASSY	1	PHYSIOLOGICAL ACQUISITION CONTROLLER (SEE PG 2-99)
10	2120887	2	CONE	1	FRONT COVER FIBERGLAS RING W/3 LENS
11	2124156	2	KNURLED KNOB	4	UFI FRONT COVER CONE SECURING KNOB
12	2109879-2	2	WASHER	4	M6 FLAT WASHER, 18MM DIA, 1,6MM SST
14	2120458	N	OPR BP/D KIT	1	OPERATOR BUTTON PANEL/DISPLAY&CABLES (SEE PG 2-50)
15	2142724	2	MEATBALL	1	FRONT COVER GE LOGO INJECTION MOLDED
15A	2135885	2	LABEL PT	ALT	COVER G.E. LOGO PLATE
16	46-328000G932	2	CABLE ASM	1	MG2-A11-A1-J2 TO RUN 716
40	2109866-12	2	SCREW	4	M6X20 SST HEX HEAD SCREW
41	2109878-3	2	WASHER	4	M6 FLAT WASHER, 12MM OD, 1.6MM, SST
42	46-208935P4	2	NUT	16	4-40, 1/4" HEX X .093 THK, BRASS
43	1000904P142	2	WASHER	16	ID 0.1495, OD 0.438, THK .016, BRASS

FRONT COVER

46-317002G1

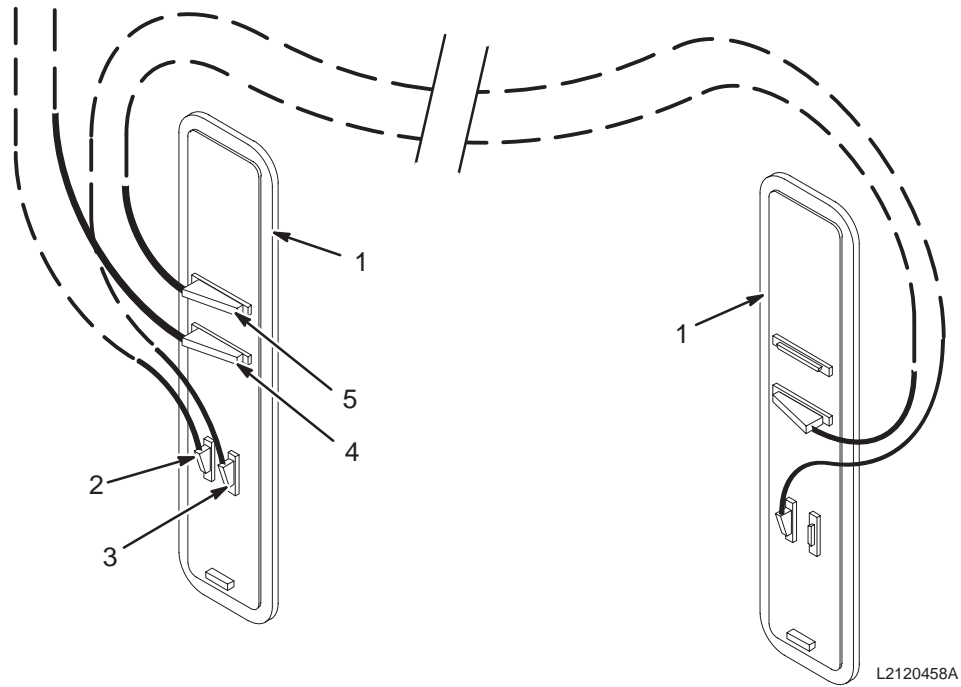


NOTE: THE RIGHT SIDE LATCH ASSEMBLY BELOW HAS THE SAME PARTS AS THE LEFT SIDE SHOWN ABOVE EXCEPT FOR ITEMS INDICATED.

FRONT COVER 46-317002G1 FRU N (PART OF 2120888 PAGE 2-47)

Item	Part Number	FRU	Name	Quantity	Description (Remarks)
2	2118415	N	FRONT COVER	1	USE 46-317002G2 AS FIELD REPLACEMENT
12	46-251997P1	2	STUD-COVER	8	5/16-18 X 1-3/4, SST
13	46-170686P3	2	ADHESIVE	AR	LOCTITE 242, 50CC
35	46-251584P2	2	MECHANICAL/M	1	BRASS AND ZINC LOCK W/2 BRASS KEYS
36	46-251585P1	2	NUT	1	NUT
37	46-258424P1	2	PAWL LOCK	1	COVER LOCK SWINGING BRACKET
52	46-271855P2	2	PLATE	1	LOWER CORNER MOUNTING PLATE
53	46-271858P1	2	PLATE	2	BUMPER AND KEEPER BRACKET MOUNT ARM
54	46-271854P1	2	BLOCK	2	BUMPER ADJUST SCREW SUPPORT
55	46-271857P1	2	BRACKET	1	FLEX-LATCH KEEPER AND BUMPER MOUNT
57	46-208932P43	2	SCREW	2	1/2-13 X 4.00 THREAD TO HEAD 18-8
58	46-251360P2	2	MECHANICAL/M	2	FLEX LATCH KEEPER
59	46-251307P1	2	NUT PLATE	2	10-32 THREAD, TWO HOLES, .5" SPACING
60	46-271855P1	2	PLATE	1	LOWER CORNER MOUNTING PLATE
61	46-271857P2	2	BRACKET	1	FLEX-LATCH KEEPER AND BUMPER MOUNT
62	46-328574P2	2	SPRING	2	SPRING COMPRESSION 22.225 MM 22.225
9915	46-221922P6	2	SCREW	6	10-32 X 1/2" HEX HD, SST 18-8
13084	46-220196P5	2	WASHER	8	5/16" SCREW SIZE (0.313), SST
13085	46-220196P3	2	WASHER	14	#10 SCREW SIZE (0.190), SST
13087	46-208932P3	2	SCREW	4	5/16-18 X 3/4", 18-8 SST
13088	46-208932P11	2	SCREW	4	5/16-18 X 1", HEX HD, 18-8 SST
14165	46-208948P3	2	NUT	4	1/2-13, 3/4" HEX, 7/16" THK 18-8 SST
18867	12-280	2	WASHER	4	ID 0.336, OD 0.75, THK .064, BRASS
36427	46-208560P93	2	SCREW	1	5/16-18 X 3/8". BIND HEAD, 18-8 SST
37355	46-208737P12	2	SCREW	4	10-32 X 1/2", HEX SOC HEAD, 18-8 SST
37364	46-208560P102	2	SCREW	4	10-32 X 5/8", BIND HEAD, 18-8 SST
58925	1000904P419	2	WASHER	1	ID 0.328, OD 0.5, THK .016, B11H89C

OPERATOR BUTTON PANEL & DISPLAY/CABLE ASM2120458



BUTTON PANEL & DISPLAY ASM

2120458 FRU N

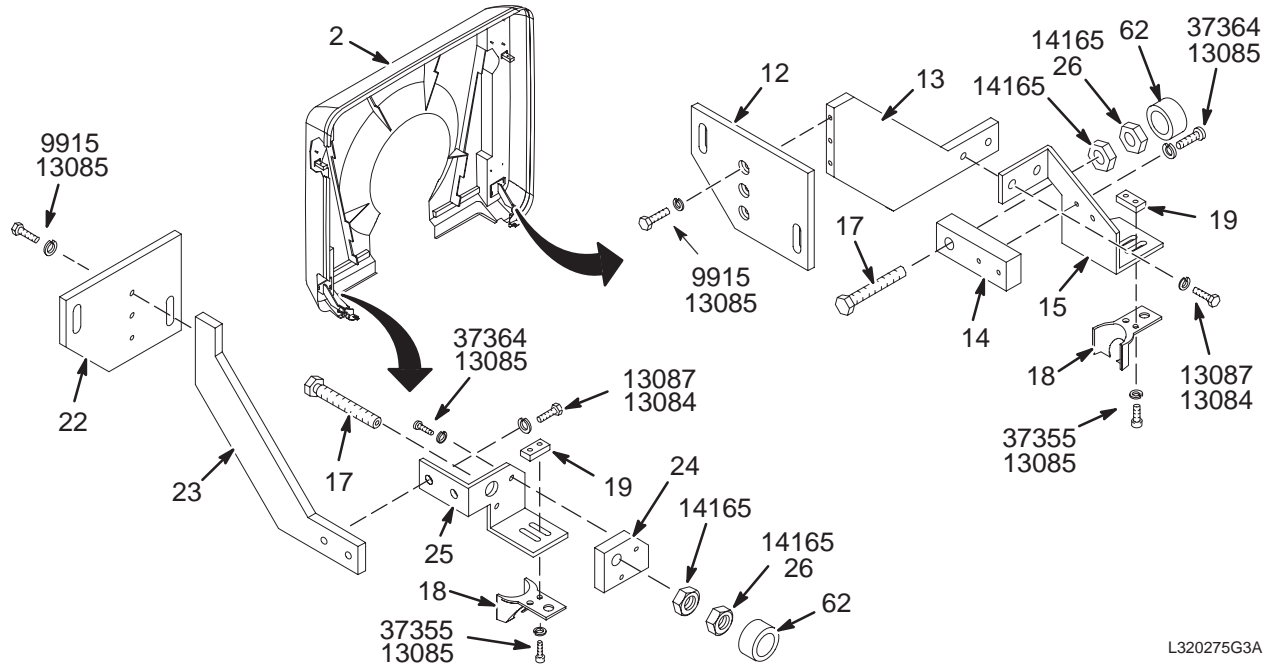
(PART OF 2120888 PAGE 2-47)

(PART OF 2120889 PAGE 2-87)

Item	Part Number	FRU	Name	Quantity	Description (Remarks)
1	2120458-2	1	BP/D MODULE	2	OPERATOR CONTROL/DISPLAY MODULE
2	2120458-3	2	CABLE FRU	1	CABLE, MG2-A33-J4 TO MG2-A4-J3
3	2120458-4	2	CABLE FRU	1	CABLE, MG2-A4-J2 TO MG2-A5-J3
4	2120458-5	2	CABLE FRU	1	CABLE, MG2-A33-J5,6,7,8,9 TO MG2A4-J4
5	2120458-6	2	CABLE FRU	1	CABLE, MG2-14-J5 TO MG2-A5-J4

REAR COVER ASM

46-320275G3



L320275G3A

REAR COVER ASM

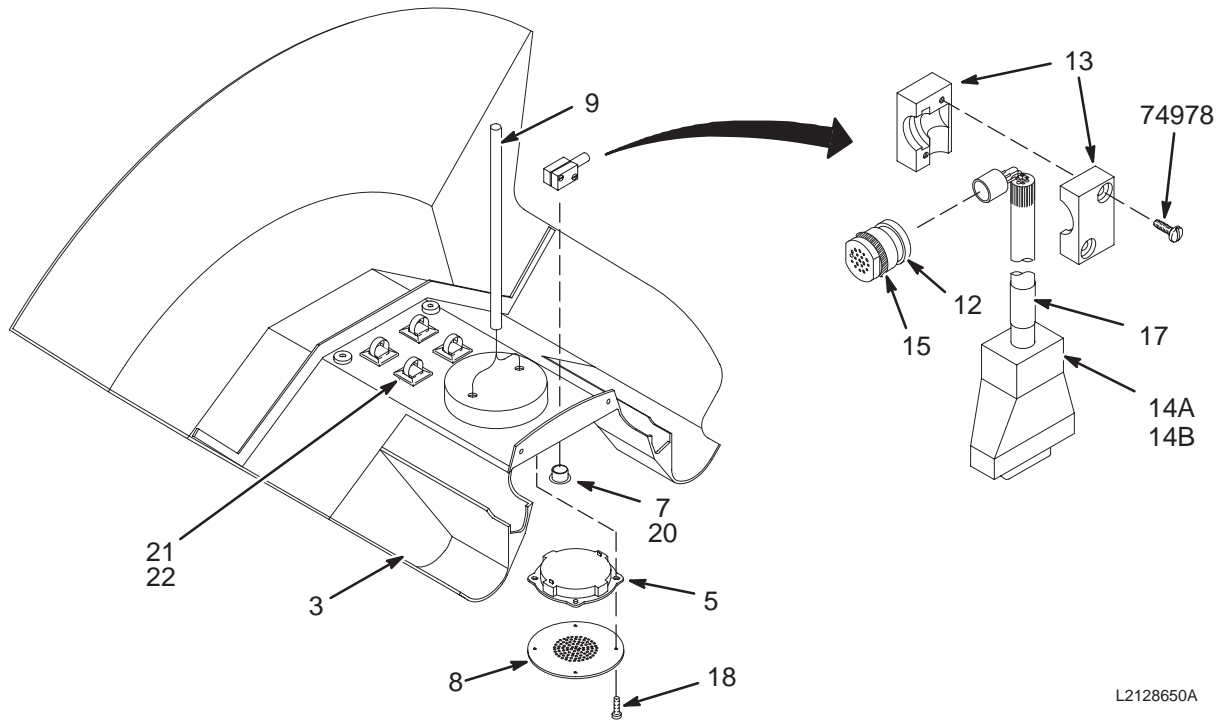
46-320275G3 FRU N

(PART OF 2118422-3 PAGE 2-7)
 (PART OF 2118422-5 PAGE 2-9)
 (PART OF 2118422-7 PAGE 2-11)
 (PART OF 2118422-9 PAGE 2-13)

Item	Part Number	FRU	Name	Quantity	Description (Remarks)
2	46-320517P1	2	REAR COVER	1	FIBERGLAS COVER W/IMBEDDED PLATES
12	46-271855P2	2	PLATE	1	LOWER CORNER MOUNTING PLATE
13	46-271858P1	2	PLATE	1	BUMPER AND KEEPER BRACKET MOUNT ARM
14	46-271854P1	2	BLOCK	1	BUMPER ADJUST SCREW SUPPORT
15	46-271857P1	2	BRACKET	1	FLEX-LATCH KEEPER AND BUMPER MOUNT
16	46-251156G1	2	PAD	2	1.2" DIA, .62" THK. URETHANE, BLACK
17	46-208932P43	2	SCREW	2	1/2-13 X 4.00 THREAD TO HEAD 18-8
18	46-251360P2	2	FLEX LATCH	2	FLEX LATCH KEEPER
19	46-251307P1	2	NUT PLATE	2	10-32 THREAD, TWO HOLES, .5" SPACING
22	46-320118P1	2	MTG. PLATE	1	LOWER CORNER MOUNTING PLATE
23	46-320079P1	2	MTG BRACKET	1	BUMPER AND KEEPER BRACKET MOUNT ARM
24	46-320052P1	2	MTG BLOCK	1	BUMPER ADJUST SCREW SUPPORT
25	46-320078P1	2	BRACKET	1	FLEX-LATCH KEEPER AND BUMPER MOUNT
26	46-170686P3	2	ADHESIVE	AR	LOCTITE 242, 50CC
62	46-328574P2	2	SPRING	2	SPRING COMPRESSION 22.225 MM 22.225
9915	46-221922P6	2	SCREW,MACH	6	10-32 X 1/2" HEX HD, SST 18-8
13084	46-220196P5	2	WASHER,LOCK	8	5/16" SCREW SIZE (0.313), SST
13085	46-220196P3	2	WASHER,LOCK	14	#10 SCREW SIZE (0.190), SST
13087	46-208932P3	2	SCREW,CAP	4	5/16-18 X 3/4", 18-8 SST
13088	46-208932P11	2	SCREW,CAP	4	5/16-18 X 1", HEX HD, 18-8 SST
14165	46-208948P3	2	NUT,HEX	2	1/2-13, 3/4" HEX, 7/16" THK 18-8 SST
18867	12-280	2	WASHER	4	ID 0.336, OD 0.75, THK .064, BRASS
37355	46-208737P12	2	SCREW,CAP	4	10-32 X 1/2", HEX SOC HEAD, 18-8 SST
37364	46-208560P102	2	SCREW,MACH	4	10-32 X 5/8", BIND HEAD, 18-8 SST

PATIENT COMFORT MODULE

2128650



L2128650A

PATIENT COMFORT MODULE

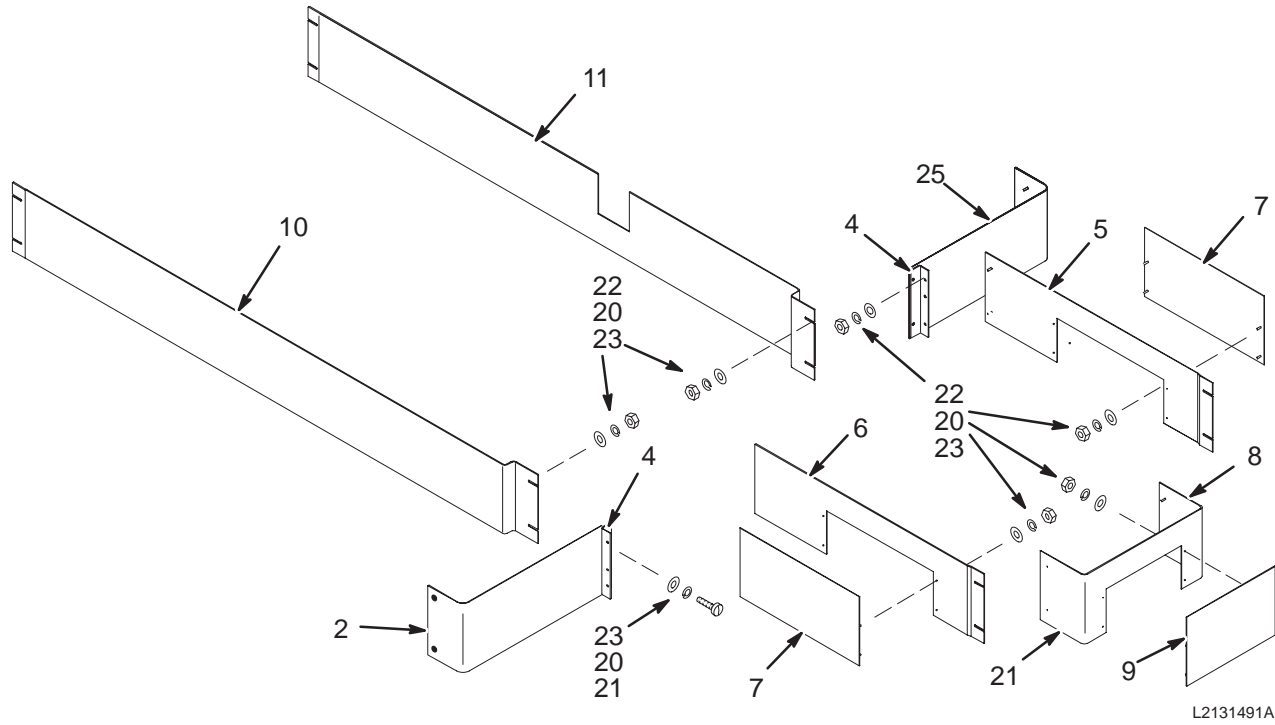
2128650 FRU N

(PART OF 2118422-3 PAGE 2-7)
 (PART OF 2118422-5 PAGE 2-9)
 (PART OF 2118422-7 PAGE 2-11)
 (PART OF 2118422-9 PAGE 2-13)
 (PART OF 2118422-2 PAGE 2-28)
 (PART OF 2118422-4 PAGE 2-30)
 (PART OF 2118422-6 PAGE 2-32)
 (PART OF 2118422-8 PAGE 2-34)

Item	Part Number	FRU	Name	Quantity	Description (Remarks)
3	2126806	2	COMFORT MOD	1	COMFORT MOD UFI
5	46-221773P2	2	SPEAKER	1	SPEAKER, PIEZOELECTRIC, 3.2" SQUARE
7	46-221523P26	2	BUTTON,PLUG	1	VENT PLUG, WHITE, 7/8 DIA.
8	46-287121P1	2	GRILL	1	SPEAKER GRILL, ALUMINUM MIST GRAY
9	46-317252G1	2	CABLE ASM	1	COMFORT MODULE SPEAKER CABLE
12	46-317134P1	N	MIKE HOUSING	1	USE 46-317109G1 AS FIELD REPLACEMENT
13	46-317135P1	N	CABLE CLAMP	1	USE 46-317109G1 AS FIELD REPLACEMENT
14A	46-317157G2	N	CABLE ASM.	1	USE 46-317109G1 AS FIELD REPLACEMENT
14B	46-317157G1	N	CABLE ASM.	ALT	USE 46-317109G1 AS FIELD REPLACEMENT
15	46-136374P65	2	O-RING	1	WIDTH .07, ID 0.551, DUROMETER A 70
17	46-251905P208	2	CABLE LABEL	1	MG3-A2-J7 REAR MIKE 46-317109G1
18	2136944	2	SCREW,NYLON	4	M4 X 7 FLAT HEAD SLOTTED NYLON
20	46-170617P2	2	ADHESIVE	AR	RTV SILICON RUBBER ADHESIVE SEALANT.
21	46-208747P1	2	VIBRATION IS	4	CABLE TIE,ADH.BACKED
22	46-208758P2	2	TY-RAP	4	5.5" X .140" SELF-LOCKING CABLE TIE.
74978	46-208560P11	2	SCREW,MACH	2	6-32 X 5/8" BIND HEAD, SST 18-8

ENCLOSURE TRIM PANELS KIT

2131491



L2131491A

ENCLOSURE TRIM PANELS

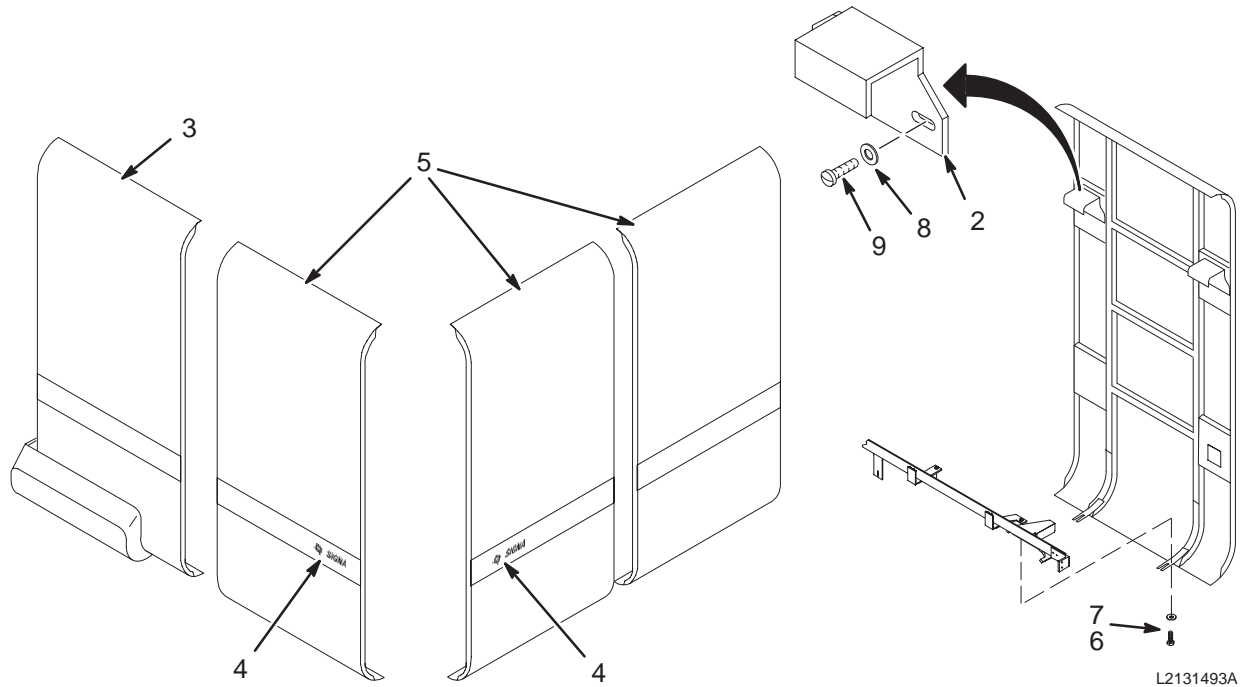
2131491 FRU N

(PART OF 2118422-3 PAGE 2-7)
 (PART OF 2118422-5 PAGE 2-9)
 (PART OF 2118422-7 PAGE 2-11)
 (PART OF 2118422-9 PAGE 2-13)

Item	Part Number	FRU	Name	Quantity	Description (Remarks)
2	2344253	2	TRIM REAR	2	ENCLOSURE REAR LEFT/RIGHT TRIM SKIRT
4	46-243681P1	2	ANGLE	2	RIGHT ANGLE CORNER BRACKET, 9 X 1.5"
5	46-243689G1	2	BASE TRIM SD	1	REAR PEDESTAL, LEFT SIDE SKIRT
6	46-243689G3	2	BASE TRIM SD	1	REAR PEDESTAL, RIGHT SIDE SKIRT
7	46-251686G1	2	TRIM COVER	2	PEDESTAL SIDE CABLE ACCESS PANEL
8	46-243692G1	2	BASE TRIM RR	1	REAR PEDESTAL, REAR TRIM SKIRT
9	46-251684G1	2	TRIM COVER	1	REAR SKIRT CABLE ACCESS PANEL
10	46-282115G1	2	BASE TRIM SD	1	ENCLOSURE LEFT SIDE SKIRT, 83" LONG
11	46-282115G2	2	BASE TRIM SD	1	ENCLOSURE RIGHT SIDE SKIRT, 83" LONG
20	46-220196P3	2	WASHER, LOCK	34	#10 SCREW SIZE (0.190), SST
21	46-208560P102	2	SCREW, MACH	4	10-32 X 5/8", BIND HEAD, 18-8 SST
22	46-208938P5	2	NUT, HEX, MS	34	10-32, 3/8" HEX X .130 THK, 18-8 SST
23	1000904P425	2	WASHER, FLAT	34	0.2 ID, 0.5 OD, .04 THK, B11H89C
25	2344253-2	2	TRIM REAR	2	ENCLOSURE REAR LEFT/RIGHT TRIM SKIRT

ENCLOSURE SIDE COVERS

2131493



L2131493A

ENCLOSURE SIDE COVERS

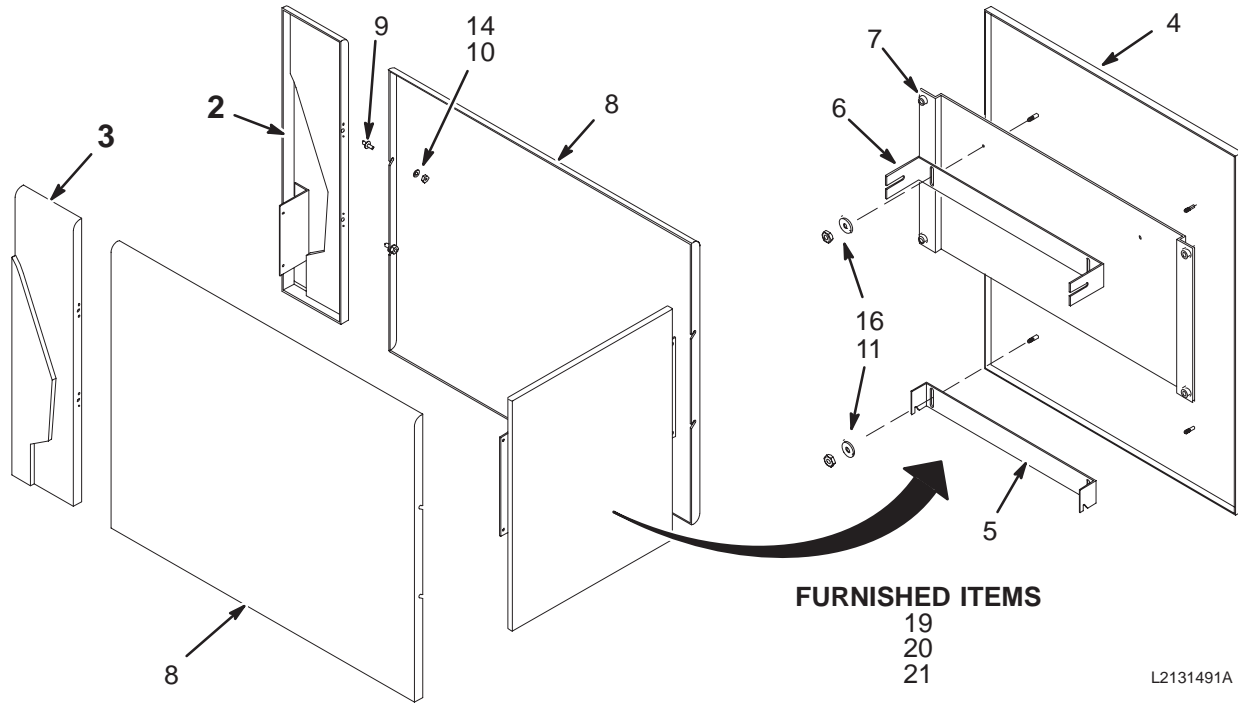
2131493 FRU N

(PART OF 2118422-3 PAGE 2-7)
 (PART OF 2118422-5 PAGE 2-9)
 (PART OF 2118422-7 PAGE 2-11)
 (PART OF 2118422-9 PAGE 2-13)

Item	Part Number	FRU	Name	Quantity	Description (Remarks)
2	46-255133P1	2	BRACKET	8	MAGNET ENCLOSURE SIDE COVER HANGER
3	46-317950P1	2	SIDE COVER	1	ENCLOSURE LEFT REAR SIDE COVER
4	46-287648P1	2	SIGNA DECAL	2	GE MONOGRAM AND SIGNA, GREY
5	46-320249P1	2	SIDE COVER	3	MAGNET ENCLOSURE SIDE COVER
6	46-208932P1	2	SCREW,CAP	8	1/4-20 X 3/4, 18-8 SST
7	12-241	2	WASHER	8	ID 0.266, OD 0.75, THK .051, BRASS
8	1000904P446	2	WASHER,FLAT	16	ID 0.266, OD 0.68, THK .05, B7A34C
9	46-208932P5	2	SCREW,CAP	16	1/4-20 X 5/8" HEX HEAD. 18-8 SST

ENCLOSURE REAR PEDESTAL COVERS

2131492



L2131491A

REAR PEDESTAL COVERS

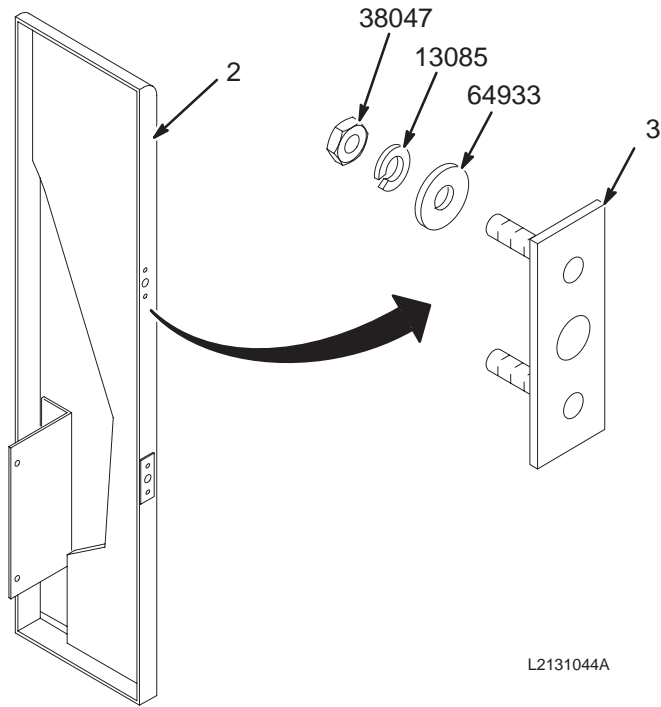
2131492 FRU N

(PART OF 2118422-3 PAGE 2-7)
 (PART OF 2118422-5 PAGE 2-9)
 (PART OF 2118422-7 PAGE 2-11)
 (PART OF 2118422-9 PAGE 2-13)

Item	Part Number	FRU	Name	Quantity	Description (Remarks)
2	2131044	N	COVER ASM	1	RIGHT REAR SIDE COVER ASM, UFI STD (SEE PAGE 2-56)
3	2131045	N	COVER ASM	1	LEFT REAR SIDE COVER ASM, UFI STD (SEE PAGE 2-57)
4	46-320523P1	2	REAR COVER	1	PEDESTAL REAR COVER
5	46-287228P1	2	BRCKT R C B	1	BRACKET, REAR COVER BOTTOM
6	46-287227P1	2	BRCKT R C T	1	BACK COVER ATTACHING
7	2124053	2	BKT, SCD	1	BRACKET, REAR COVER (DOGHOUSE)
8	46-282124P1	2	COVER SIDE	2	REAR PEDESTAL SIDE COVER, FIBERGLAS
9	46-287233P1	2	PIN, GUIDE	4	REAR PEDESTAL SIDE COVER MOUNTING
10	46-208935P9	2	NUT,HEX,MS	8	5/16-18, .563 HEX X .219 THK, BRASS
11	46-208935P7	2	NUT,HEX,MS	4	10-32, 3/8 HEX, 1/8" THICK, BRASS
12	46-265486P15	2	SCREW,MACH	4	5/16-18 X 1 PAN HEAD, DELRIN NATURAL
13	46-220196P3	2	WASHER,LOCK	2	#10 SCREW SIZE (0.190), SST
14	12-280	2	WASHER	8	ID 0.336, OD 0.75, THK .064, BRASS
15	46-208560P102	2	SCREW,MACH	2	10-32 X 5/8", BIND HEAD, 18-8 SST
16	1000904P425	2	WASHER,FLAT	6	0.2 ID, 0.5 OD, 04 THK, B11H89C
19	46-208932P3	2	SCREW,CAP	4	5/16-18 X 3/4", 18-8 SST
20	46-220196P5	2	WASHER,LOCK	4	5/16" SCREW SIZE (0.313), SST
21	2109878-3	2	WASHER	4	M6 FLAT WASHER, 12MM OD, 1.6MM, SST

RIGHT SIDE PEDESTAL COVER

2131044



L2131044A

RT SIDE PEDESTAL COVER

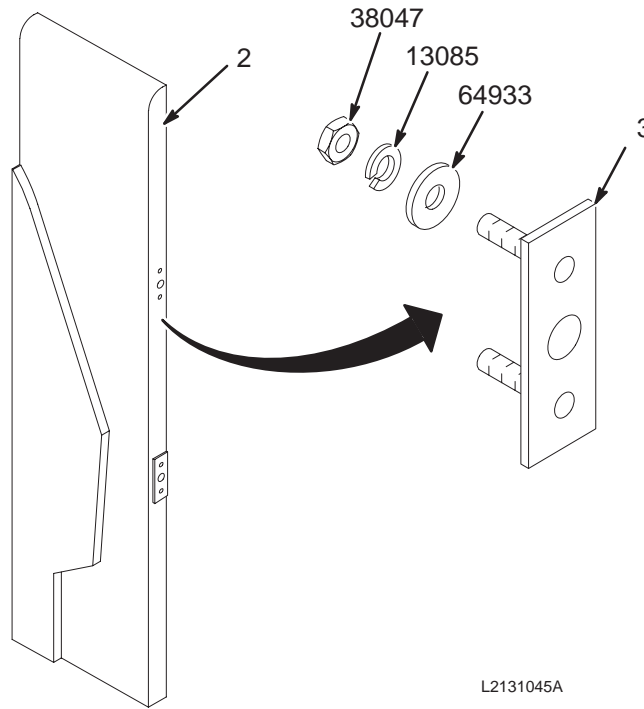
2131044 FRU N

(PART OF 2131492 PAGE 2-55)

Item	Part Number	FRU	Name	Quantity	Description (Remarks)
2	2114462	2	COVER	1	RIGHT SIDE REAR PEDESTAL COVER
3	46-287234G1	2	PIN SUPPORT	2	REAR PEDESTAL COVER GUIDE PIN INSERT
13085	46-220196P3	2	WASHER,LOCK	4	#10 SCREW SIZE (0.190), SST
38047	46-208938P5	2	NUT,HEX,MS	4	10-32, 3/8" HEX X .130 THK, 18-8 SST
64933	1000904P425	2	WASHER,FLAT	4	0.2 ID, 0.5 OD, .04 THK, B11H89C

LEFT SIDE REAR PEDESTAL COVER

2131045



L2131045A

LT SIDE PEDESTAL COVER

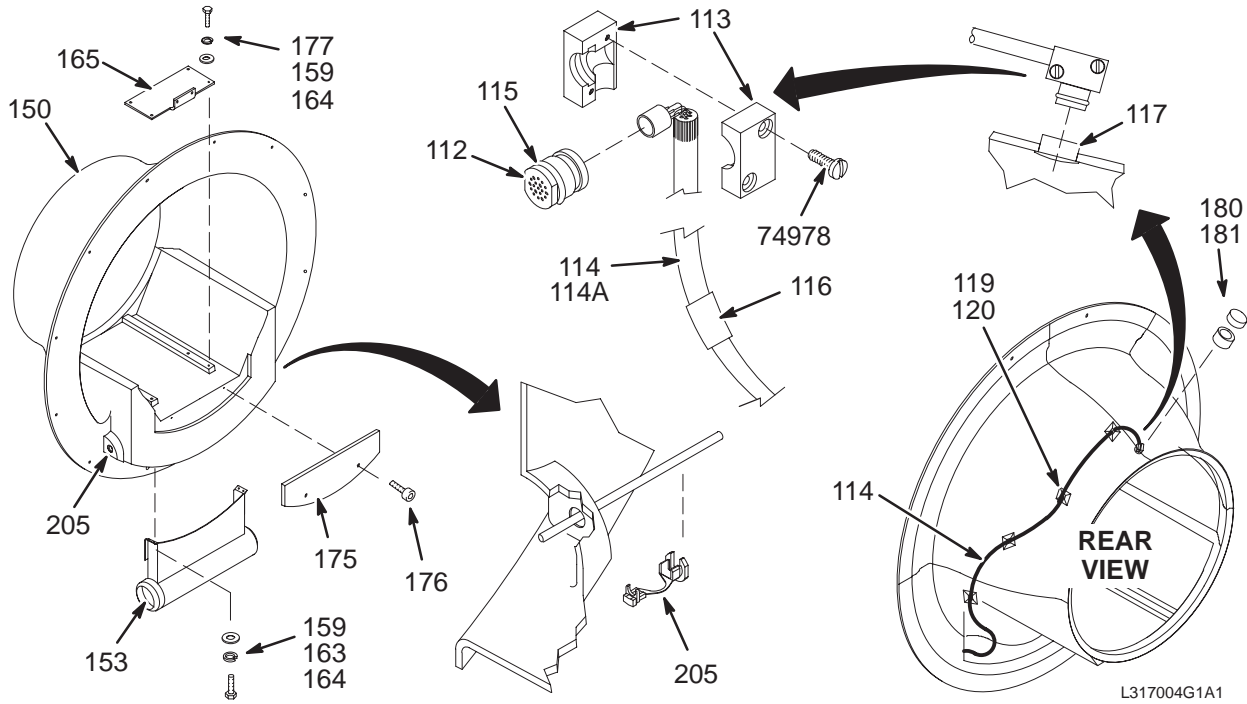
2131045 FRU N

(PART OF 2131492 PAGE 2-55)

Item	Part Number	FRU	Name	Quantity	Description (Remarks)
2	2114463	2	COVER	1	LEFT SIDE REAR PEDESTAL COVER
3	46-287234G1	2	PIN SUPPORT	2	REAR PEDESTAL COVER GUIDE PIN INSERT
13085	46-220196P3	2	WASHER,LOCK	4	#10 SCREW SIZE (0.190), SST
38047	46-208938P5	2	NUT,HEX,MS	4	10-32, 3/8" HEX X .130 THK, 18-8 SST
64933	1000904P425	2	WASHER,FLAT	4	0.2 ID, 0.5 OD, .04 THK, B11H89C

STANDARD FRONT END BELL ASM

46-317004G1



L317004G1A1

FRONT END BELL ASM

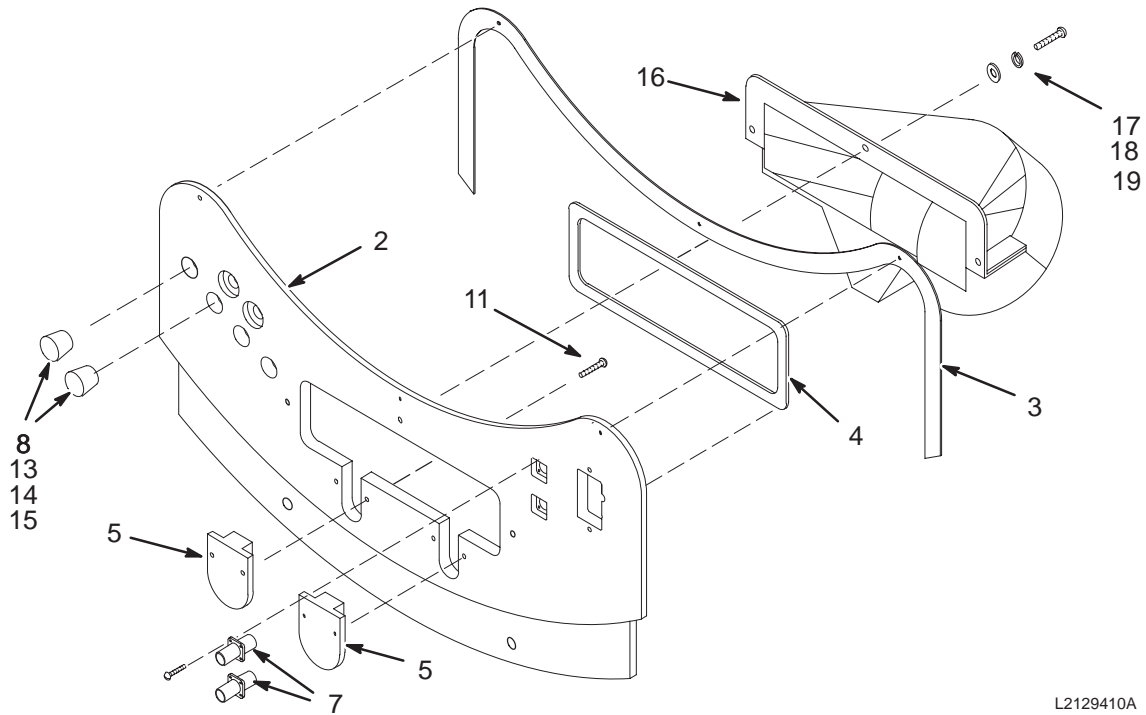
46-317004G1 FRU N

(PART OF 2118422-ODD PAGE 2-7 THRU 2-13)
(PART OF 2118422-EVEN PAGE 2-28 THRU 2-34)

Item	Part Number	FRU	Name	Quantity	Description (Remarks)
112	46-317134P1	N	MIKE HOUSING	1	USE 46-317109G1 AS FIELD REPLACEMENT
113	46-317135P1	N	CABLE CLAMP	1	USE 46-317109G1 AS FIELD REPLACEMENT
114	46-317157G2	N	CABLE ASM.	1	USE 46-317109G1 AS FIELD REPLACEMENT
114A	46-317157G1	N	CABLE ASM.	ALT	USE 46-317109G1 AS FIELD REPLACEMENT
115	46-136374P65	2	O-RING	1	WIDTH .07, ID 0.551, DUROMETER A 70
116	46-251905P207	2	CABLE LABEL	1	MG2-A35, FRONT MIKE, 46-317109G1
117	46-221523P26	2	BUTTON,PLUG	1	VENT PLUG, WHITE, 7/8 DIA.
118	46-170617P2	2	COMPOUND	AR	RTV SILICON RUBBER ADHESIVE SEALANT.
119	46-208747P1	2	MOUNT	4	CABLE TIE,ADH.BACKED
120	46-208758P2	2	STRAP	4	5.5" X .140" SELF-LOCKING CABLE TIE.
150	2120885	2	END BELL	1	FRONT END BELL STD N.L.
153	2195497	2	PLENUM,FRONT	1	FRT AIR PLENUM W.B.
159	2109880-3	2	WASHER, LK	8	M6 SST SPRING LOCK WASHER
163	2109873-25	2	PAN HD SCREW	4	M6X16 SST CROSS RECESSED PAN HD SCR
164	2109878-3	2	WASHER	8	M6 FLAT WASHER, 12MM OD, 1.6MM SST
165	2121451	2	BRACKET	1	FRT BRIDGE BRKT LOWER
175	2121932	2	PANEL	1	N. L. END BELL PANEL
176	2109873-27	2	PAN HD SCREW	2	M6X25 SST CROSS RECESSED PAN HD SCR
177	2109866-12	2	SCREW,HEX HD	4	M6X20 SST HEX HEAD SCREW/BOLT
180	2145725	2	TOP BARRIER	1	MICROPHONE TOP SOUND BARRIER
181	2145724	2	SIDE BARRIER	1	MICROPHONE SIDE SOUND BARRIER
205	2138233	2	BUSHING	2	STRAIN RELIEF BUSHING
74978	46-208560P111	2	SCREW,MACH	2	6-32 X 5/8" BIND HEAD, SST 18-8

REAR BULKHEAD UFI ASM

2129410



L2129410A

REAR BULKHEAD UFI ASM

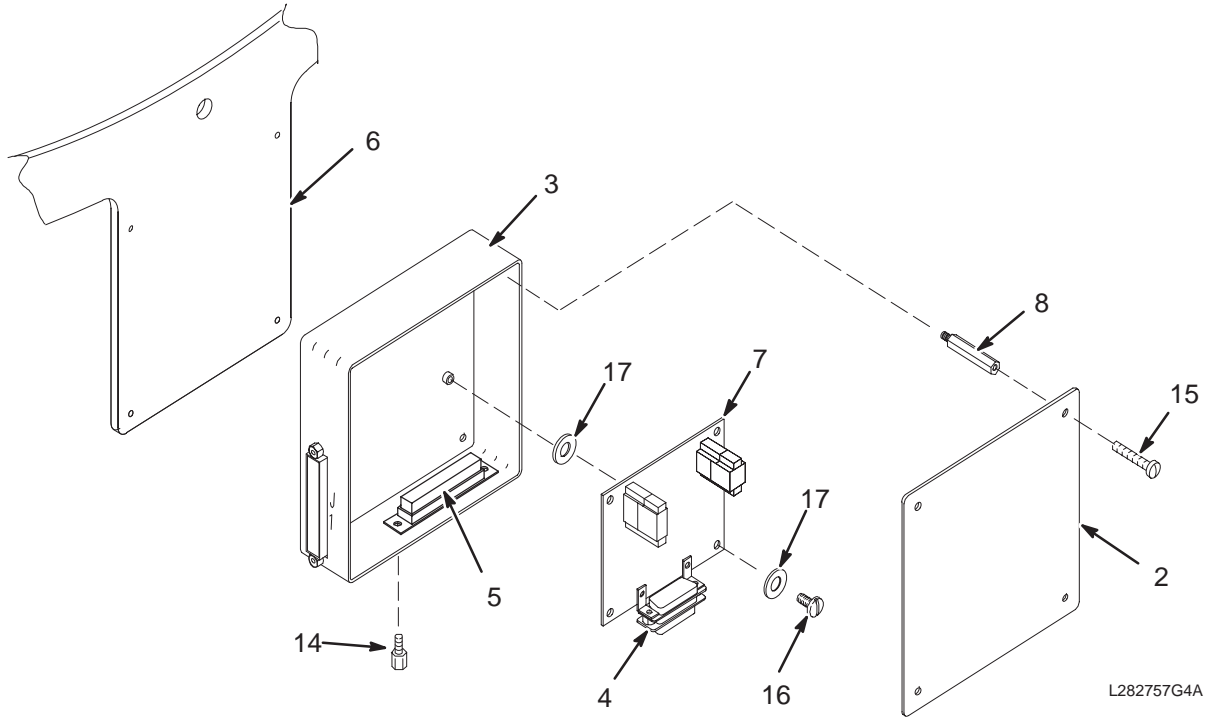
2129410 FRU N

(PART OF 2118422—ODD PAGE 2-7 THRU 2-13)
 (PART OF 2118422—EVEN PAGE 2-28 THRU 2-34)
 (PART OF 2118423 PAGE 2-67)
 (PART OF 2118423-2 PAGE 2-69)

Item	Part Number	FRU	Name	Quantity	Description (Remarks)
2	2128865	2	BULKHEAD	1	BULKHEAD PLATE
3	2129537	2	GASKET	1	GASKET, BULKHEAD
4	2125015	2	GASKET	1	GASKET, DUCT, AIR, REAR
5	2128867	2	PLUG	2	PLUG, CLOSED, 1 INCH
7	2112592	2	MHV ST ADAPT	2	JACK TO JACK STRAIGHT ADAPTER
8	2128871	2	PLUG	2	PLUG, .75 DIA
11	2109874-12	2	FLT HD SCREW	4	M4X16 SST CROSS REC'D C'SK FLT HD
13	2128866	2	PLUG	2	PLUG, OPEN, 1 INCH
14	2128868	2	PLUG	1	PLUG, OPEN, .5 INCH
15	2128869	2	PLUG	1	PLUG, OPEN, SMALL
16	2113675	2	PLENUM	1	PLENUM 600 MM REAR
17	2109880-3	2	WASHER, LK	3	M6 SST SPRING LOCK WASHER
18	2109873-25	2	PAN HD SCREW	3	M6X16 SST CROSS RECESSED PAN HD SCR
19	2109878-3	2	WASHER	3	M6 FLAT WASHER, 12MM OD, 1.6MM SST

DOCK CONTROL ASM

46-282757G4



DOCK CONTROL ASM

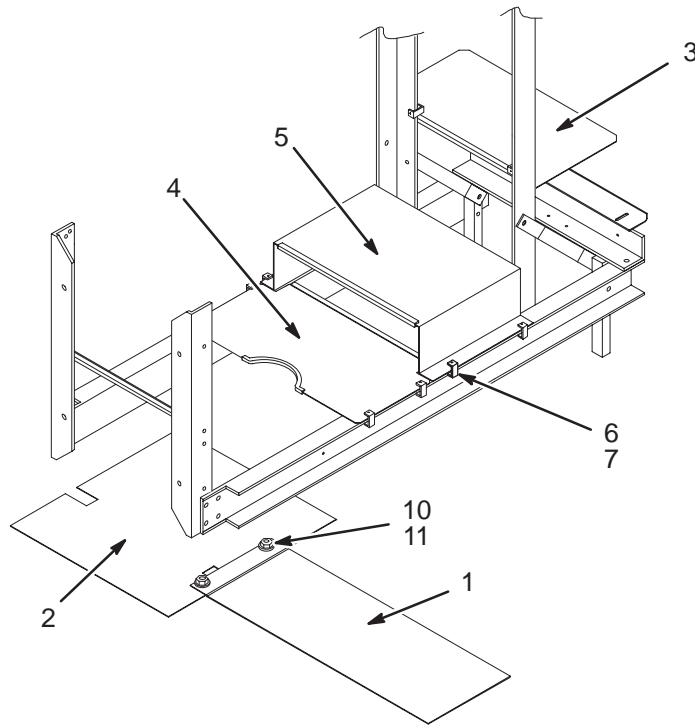
46-282757G4 FRU N

(PART OF 2118422-ODD PAGE 2-7 THRU 2-13)
 (PART OF 2118422-EVEN PAGE 2-28 THRU 2-34)
 (PART OF 2118423 PAGE 2-67)
 (PART OF 2118423-2 PAGE 2-69)

Item	Part Number	FRU	Name	Quantity	Description (Remarks)
2	46-282320P1	2	COVER	1	5" X 5" BOX COVER, ALUMINUM
3	46-282405G1	2	BOX	1	DOCK LIMIT MODULE BOX - EMPTY
4	46-282426G1	2	HARNESS	1	DOCK LIMIT SWITCH BOARD J1
5	46-282427G1	2	HARNESS	1	DOCK LIMIT SWITCH BOARD J2 AND J3
6	2129109	2	RING SEGMENT	1	LOWER RIGHT W/DOCK LIMIT MOUNT
7	46-264028G1	1	CIRCUIT BD	1	DOCK LIMIT SWITCH BOARD, MG2 A31 A1
8	46-208984P2	2	SPACER	4	HEX 1/4", EXT/INT THD 6-32, 1.5" LG
14	46-221417P2	2	SCREWLOCK	4	FEMALE SCREWLOCK FOR HD CONNECTORS
15	46-208921P5	2	SCREW,MACH	4	6-32 X 3/8", BRASS
16	46-208922P2	2	SCREW,MACH	4	6-32 X 3/16", NYLON
17	1000904P298	2	WASHER,FLAT	8	ID 0.1875, OD 0.375, THK .01, A1D2B

PEDESTAL DRIP PAN KIT

2143475



PEDESTAL DRIP PAN KIT

2143475 FRU N

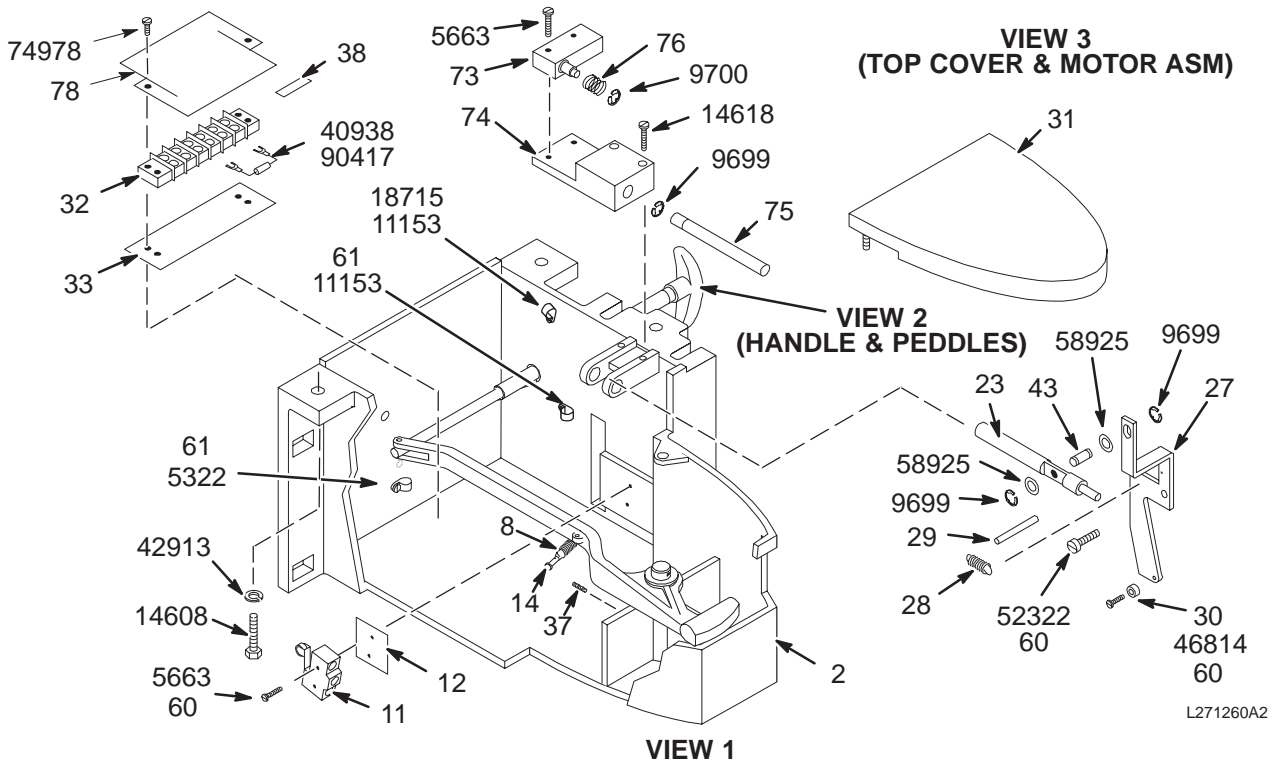
(PART OF 2118422-3 PAGE 2-7)
 (PART OF 2118422-5 PAGE 2-9)
 (PART OF 2118422-7 PAGE 2-11)
 (PART OF 2118422-9 PAGE 2-13)
 (PART OF 2118422-2 PAGE 2-28)
 (PART OF 2118422-4 PAGE 2-30)
 (PART OF 2118422-6 PAGE 2-32)
 (PART OF 2118422-8 PAGE 2-34)
 (PART OF 2118423 PAGE 2-67)
 (PART OF 2118423-2 PAGE 2-69)

Item	Part Number	FRU	Name	Quantity	Description (Remarks)
1	2139558	2	FLOOR PLATE	1	GRADIENT CABLE EXTENSION FLOOR PLATE
2	2139559	2	FLOOR PLATE	1	PEDESTAL FRONT FLOOR PLATE
3	2143041	2	SHIELD, REAR	1	REAR PEDESTAL BACK-UPPER SHIELD ASM
4	2143040	2	SHIELD,REAR	1	REAR PEDESTAL MID-SECTION SHIELD
5	2143073	2	SHIELD ASM	1	REAR PEDESTAL MID-FRONT SHIELD PLATE
6	2143074	2	C-CLAMP	10	C-CLAMP, REAR PEDESTAL SHIELD MOUNTS
7	2109873-15	2	SCREW	10	M4X12 SST CROSS RECESSED PAN HD SCR
10	2109877	2	NUT	2	M4 SST PREVAILING TORQUE HEX NUT
11	2109878-2	2	WASHER	2	M4 FLAT WASHER, 9MM OD, 0.8MM, SST

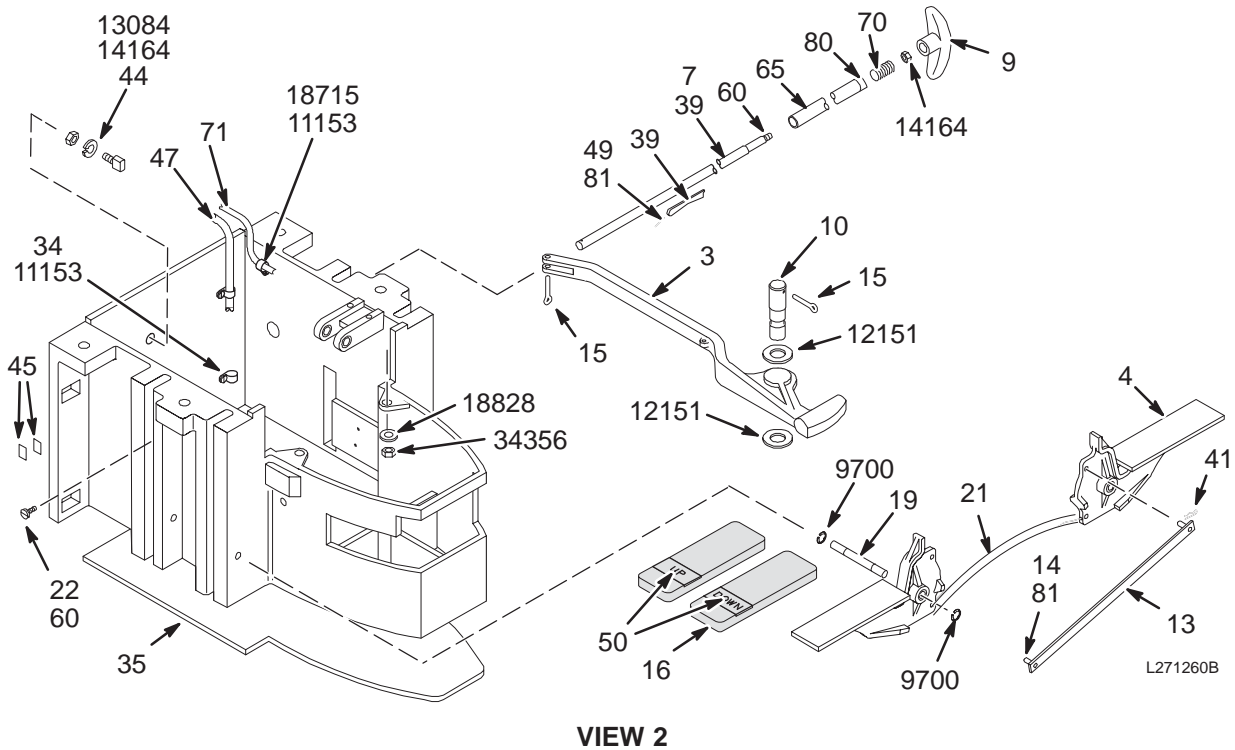
DOCK ASM

46-271260G1

MG2 A29



L271260A2

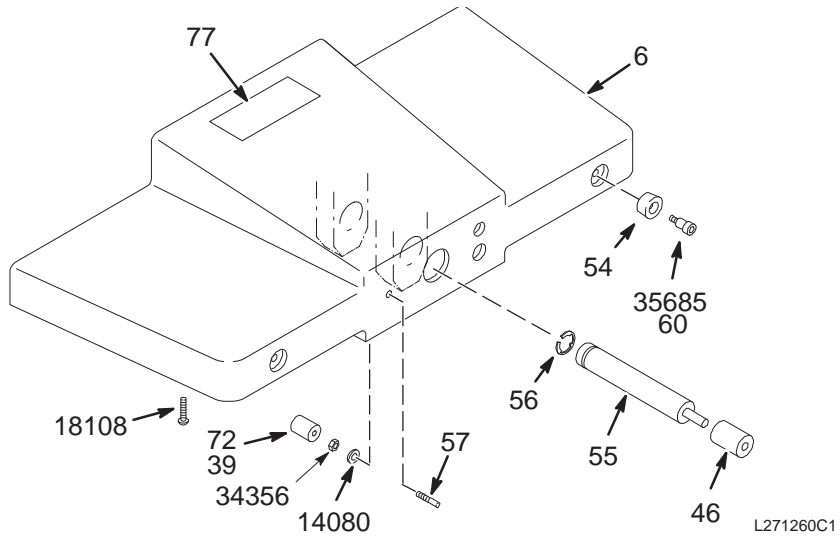
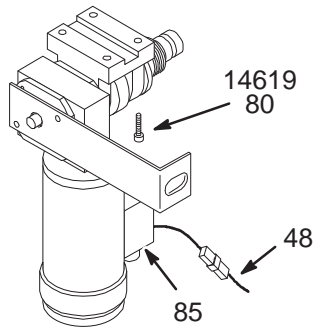


L271260B

DOCK ASM

46-271260G1

MG2 A29



VIEW 3

DOCK ASM

46-271260G1 FRU N

(PART OF 2118422-ODDS PAGE 2-7 THRU 2-13)
 (PART OF 2118422-EVENS PAGE 2-28 THRU 2-34)
 (PART OF 2118423 PAGE 2-67)
 (PART OF 2118423-2 PAGE 2-69)

Item	Part Number	FRU	Name	Quantity	Description (Remarks)
2	46-271405G1	N	DOCK ASM.	1	DOCK CASTING WITH BEARINGS
3	46-271123P1	2	LEVER ARM	1	DOCK HOOK EMERGENCY RELEASE ARM
4	46-271407G1	2	PEDAL ASM.	4	PEDAL CASTING WITH 3 BRONZE BEARINGS
6	46-271406G1	2	COVER ASM.	1	CASTING W/BEARINGS, NO WARNING LABEL
7	46-271248P1	2	ROD	1	EMERGENCY RELEASE LINKAGE ROD
8	46-221954P5	2	SPRING	1	OD .500 WIRE DIA .045 MAX LB
9	46-271266P1	2	TEE HANDLE	1	DOCK HOOK EMERGENCY RELEASE HANDLE
10	46-271249P1	2	PIN	1	DOCK HOOK RELEASE ARM PIVOT
11	46-136334P49	2	SWITCH	1	SPDT SNAP-ACTION SWITCH W/SCREW TER.
12	46-271251P1	2	INSULATOR	1	MOTOR ON SWITCH INSULATOR, FISHPAPER
13	46-271270G1	2	BAR ASM	2	PEDAL LINKAGE BAR AND PIN ASSEMBLY
14	46-221304P7	2	PIN	1	0.188 DIA X 0.65 TOTAL LENGTH
15	46-221828P7	2	PIN,COTTER	2	0.125 DIA X 1.500 LG SST
16	46-265905P1	2	FOOT PAD	4	FOOT PEDAL PAD
19	46-265887P5	2	SHAFT	2	PEDAL ASM PIVOT SHAFT
21	46-271152P1	2	SPRING	2	10.42" AUSTENITIC STN. STEEL WIRE
22	46-220437P1	2	BUMPER	2	ATLANTIC INDIA 827-S-120 W/1/2 STUD
23	46-271255P1	2	ROD	1	TABLE DOWN VALVE PUSH ROD
27	46-271256P1	2	BRACKET	1	TABLE DOWN PEDAL LINKAGE LEVER
28	46-221954P3	2	SPRING	1	OD .360 WIRE DIA .045 MAX LB
29	46-208735P86	2	PIN,SPRING	1	SPIROL .187 DIA X 1.75 LG
30	46-271257P1	2	ROLLER	1	DOWN PEDAL CAM ROLLER, NYLON
31	46-243341G1	2	BUMPER	1	FRONT COVER, CHARCOAL GREY URETHANE
32	46-315119P1	2	TERM. STRIP	1	06 POSITION TERMINAL STRIP
33	514A350P36	2	MARKER STR	1	6 POSITION MARKER STRIP
34	46-208718P5	2	CLAMP	2	1/2" ID LOOP TYPE,

Parts List Continued on Next Page

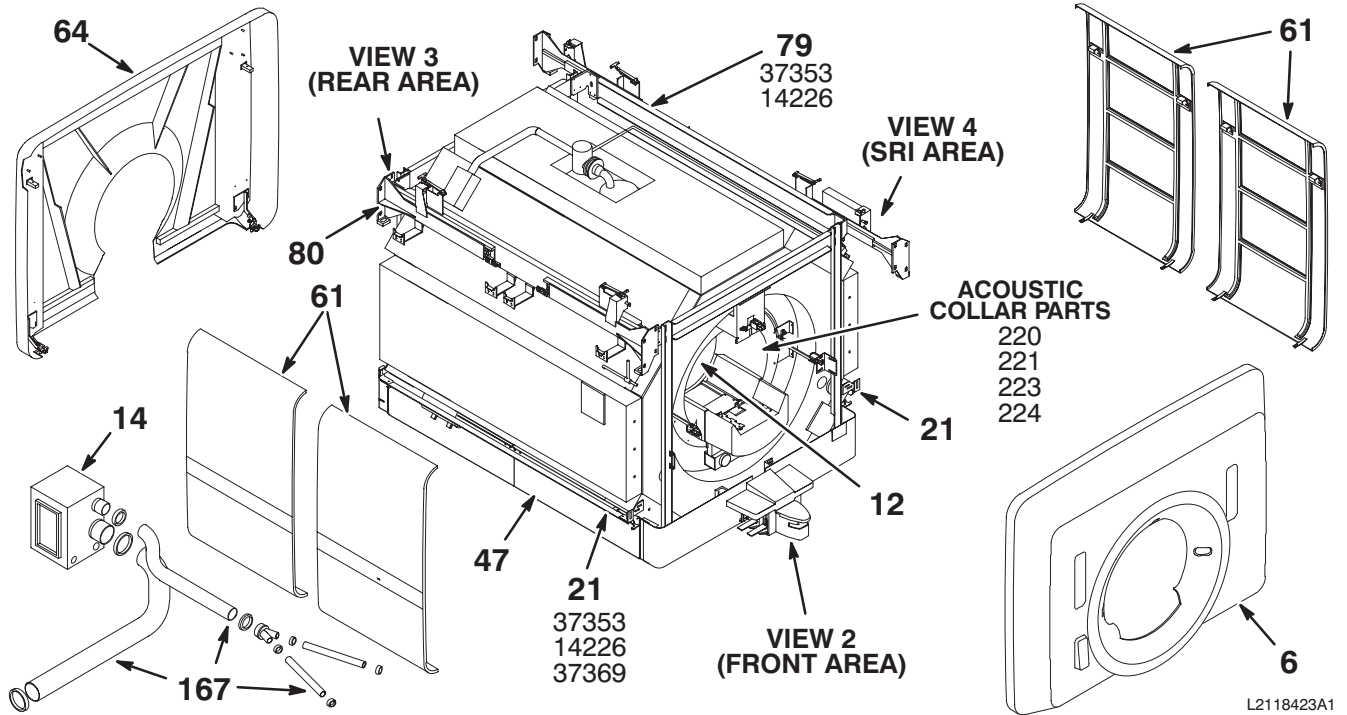
DOCK ASM 46-271260G1 FRU N (PARTS LIST CONTINUED)

Item	Part Number	FRU	Name	Quantity	Description (Remarks)
35	46-271258P1	2	PAD	1	DOCK BASE PAD
37	46-208732P9	2	SCREW,SET	1	00010-32 X 0.375 LG HEX SOC HD FLAT
38	46-220492P3	2	JUMPER	2	JUMPER WITH 0.56" CENTERS,
39	46-197385P1	2	GREASE	1	WHITE LITHIUM, MULTI-PURPOSE GREASE.
41	46-230434P2	2	COTTER PIN	4	0.047 WIRE DIA X 0.594 LG 302 SST
43	46-271195P9	2	.312 PIN,SST	1	TABLE DOWN LINKAGE PIVOT
44	46-271794P1	2	HOOK STOP	1	DOCK HOOK RELEASE LEVER STOP
45	46-170228P1	2	TAPE,FOAM	AR	SGL COAT URETHANE MIL-R-5001 GRADE A
46	46-271735P1	2	TUBE SPRING	1	HYDRAULIC PUMP ROD END, POLYURETHANE
47	46-271460G1	2	CABLE	1	DOCK POWER CABLE, MG2-A29-P1 TO TS1
48	46-271459G1	2	HARNESS	1	DOCK TS1, MOTOR, & SW1 INTERCONNECT
50	46-271125P1	2	LABEL	2	FOOT PAD "UP" AND "DOWN" LABEL SET
54	46-271263P1	2	BUMPER	2	BLACK NEOPRENE
55	46-271264P1	2	ROD	1	HYDRAULIC PUMP ACTUATING PUSH ROD
56	46-220277P25	2	RING RETAIN	1	EXT RADIAL MOUNT 1.000 SHAFT DIA
57	46-271265P1	2	ROD	1	CRADLE LATCH ACTUATOR
60	46-170686P1	2	SEALANT	AR	LOCTITE 242 0.5CC
61	46-208718P1	2	CLAMP	2	ID 0.25 LOOP TYPE
65	46-271542P1	2	TUBE	1	EMERGENCY RELEASE LINKAGE BRASS TUBE
66	46-271543P1	2	STOP	1	DOCK HOOK RELEASE ROD/TUBE RETAINER
67	46-271544P1	2	SPRING	1	RETAINER PIN, 302 SST SPRING TEMPER
70	46-136353P108	2	SPRING COMP	1	OD 0.562 WIRE DIA .072 STN STL
71	46-282547G1	2	CABLE	1	DOCK "MG2-A31-J2", 37 PIN SUB-D PLUG
72	46-271935P1	2	TUBE SPRING	1	CAST POLYURETHANE
73	46-136334P56	2	SWITCH	1	SPDT, BASIC SWITCH W/ OT PLUNGER.
74	46-271928G1	2	BEARING BLOK	1	UP LIMIT SWITCH ACTUATOR GUIDELOCK
75	46-271926P1	2	SHAFT	1	UP LIMIT SWITCH PUSH ROD
76	46-136353P111	2	SPRING COMP	1	OD 0.600 WIRE DIA .045 MATL SST
77	46-271901P1	2	LABEL	1	WARNING, FERROUS COMPONENTS INSIDE..
78	2179561	1	BARRIER	1	SHIELD
80	46-170684P1	2	SEALANT	AR	LOCTITE 271, 0.5CC VIAL
81	46-230957P1	2	SEALANT	AR	LOCTITE 680, 50ML BOTTLE
85	46-282221G1	1	MOTOR ASM	1	GEAR-MOTOR AND CLUTCH ASM
5322	46-170015P10	2	SCR,SEMS	1	00006-32 X 0.250 LG BIND HD STL EXT
5663	46-220184P18	2	SCREW MACH	4	0006-32 X 1.000 LG RD HD SLOT BRASS
9699	46-220277P22	2	RING RETAIN	3	EXT RADIAL MOUNT 0.312 SHAFT DIA
9700	46-220277P23	2	RING RETAIN	5	EXT RADIAL MOUNT 0.375 SHAFT DIA
11153	46-208560P82	2	SCREW,MACH	4	10-32 X 3/8, BINDING HEAD, SST 18-8
12151	1000904P496	2	WASHER,FLAT	2	ID 0.812 OD 1.500 THK .078
13084	46-220196P5	2	WASHER,LOCK	1	SCREW SIZE 5/16 (0.313) SST
14080	46-220196P4	2	WASHER,LOCK	1	SCREW SIZE 1/4 (0.250) SST
14164	46-208946P1	2	NUT,HEX,JAM	2	05/16-18 .500 HEX X .188 THK
14608	46-208932P30	2	SCREW,CAP	4	001/2-13 X 1.25 LG HEX HD 18-8 SST
14618	46-208737P18	2	SCREW,CAP	2	00010-32 X 1.500 LG HEX SOC HD S ST
14619	46-208737P19	2	SCREW,CAP	4	05/16-18 X 1.250 LG HEX SOC HD S ST
18108	46-220184P40	2	SCREW MACH	1	10-32 X 3/8", ROUND HEAD SLOT, BRASS
18715	46-208718P2	2	CLAMP	1	ID 0.3125 LOOP TYPE
18828	12-241	2	WASHER	2	ID 0.2660 OD 0.7500 THK .0510
34356	46-208948P5	2	NUT,HEX	3	001/4-20 .438 HEX X .226 THK
35685	46-170024P20	2	SCREW,SHLD	2	SHLD DIA 0.3120 X SHLD LG 0.2505 THD
40938	511A590P206	2	TERMINAL	2	#6 SPRING TYPE SPADE TERMINAL, RED,
42913	46-220196P7	2	WASHER,LOCK	4	SCREW SIZE 1/2 (0.500) 18-8 SST
46814	46-170024P4	2	SCREW,SHLD	1	SHLD DIA 0.124 X SHLD LG 0.375 THD
52322	46-170024P8	2	SCREW,SHLD	1	SHLD DIA 0.249 X SHLD LG 0.125 THD
58925	1000904P419	2	WASHER,FLAT	2	ID 0.328 OD 0.500 THK .016
74978	46-208560P111	2	SCREW,MACH	2	006-32 X 0.625 LG BIND HD SST 18-8
90417	46-253940P122	2	RES	1	182.0 OHM 1% .25W 100PPM/C

2-2 MAGNISHIELD MAGNET ENCLOSURES

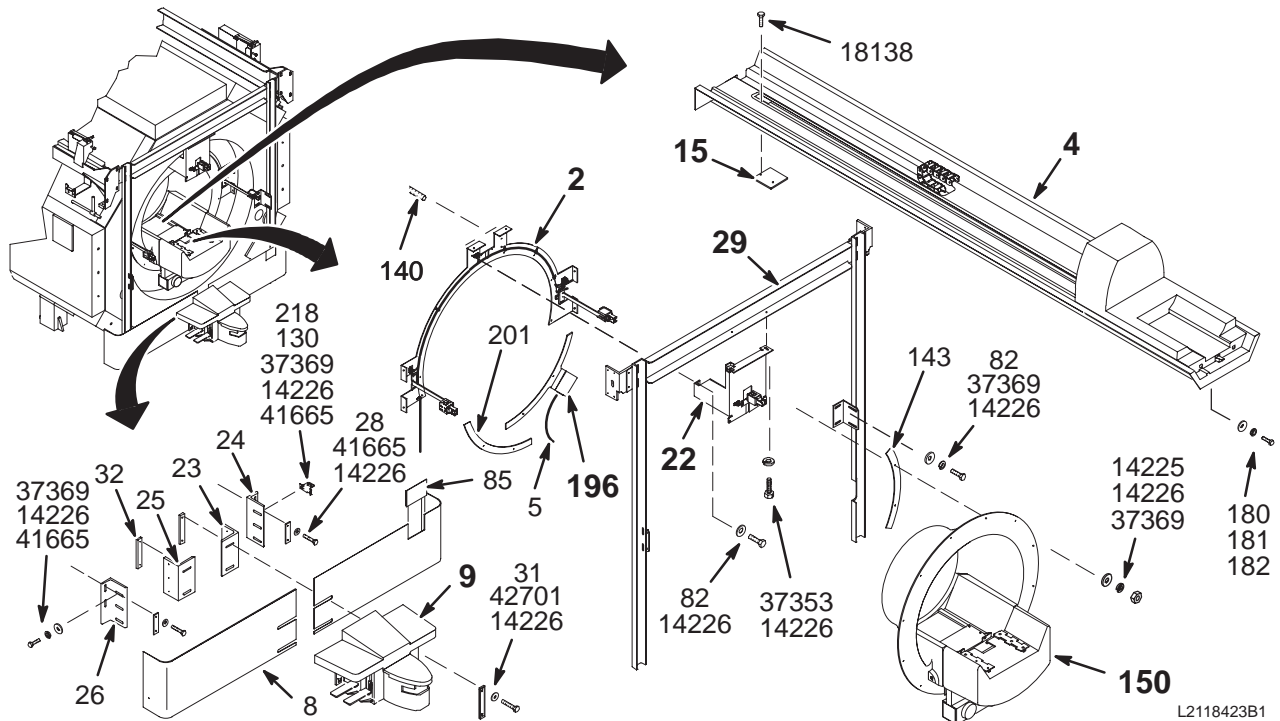
1.5T HORIZON MAGNISHIELD ENCLOSURE

2118423 SERIES



L2118423A1

VIEW 1

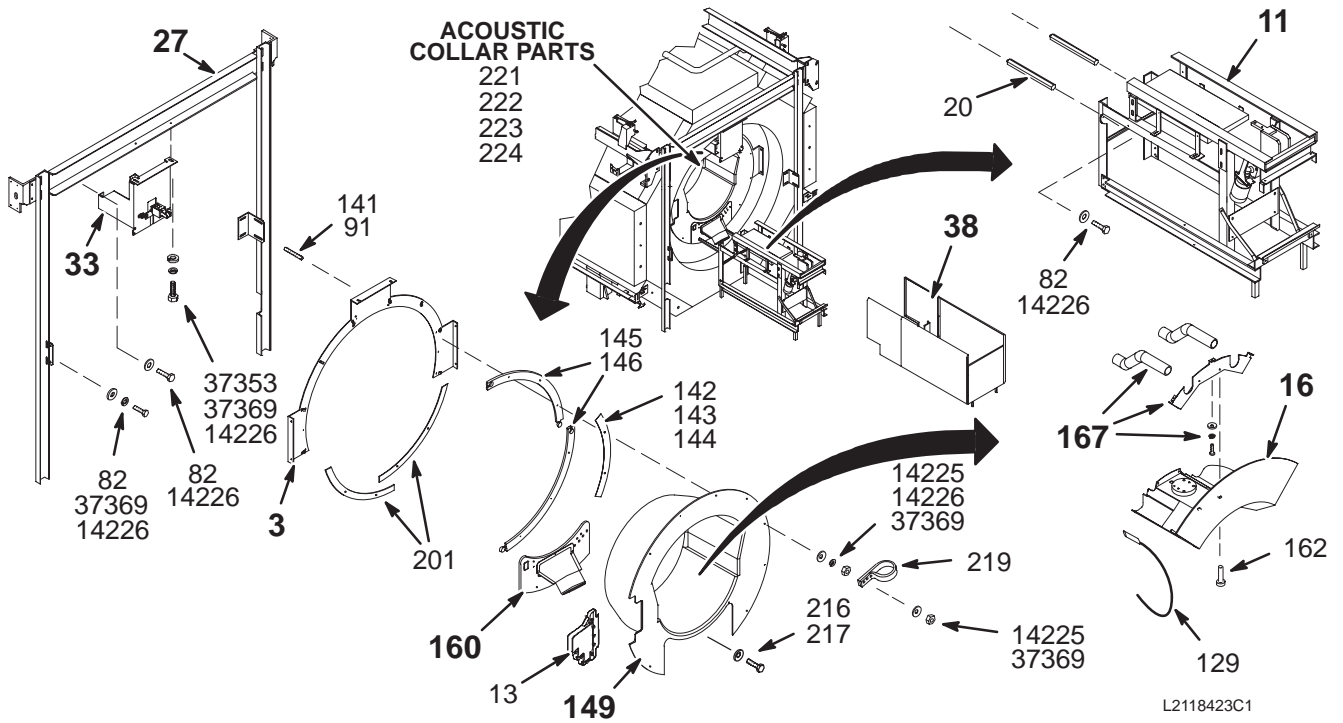


L2118423B1

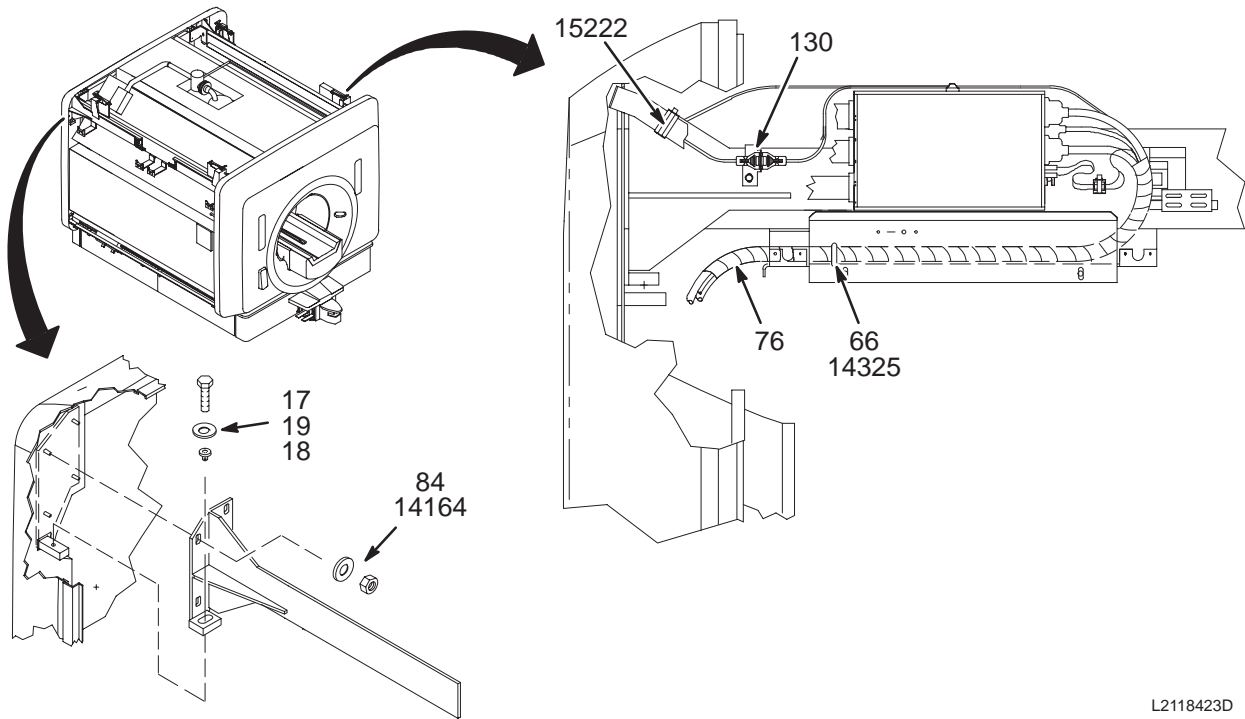
VIEW 2

1.5T HORIZON MAGNISHIELD ENCLOSURE

2118423 SERIES



VIEW 3



VIEW 4

1.5T MAGNISHIELD ENCL w/o M-C

2118423 FRU N

(PART OF M1030PM)

Item	Part Number	FRU	Name	Quantity	Description (Remarks)
2	46-307710G4	N		XXX	WIDE BODY FRONT RING ASSEMBLY (SEE ITEM 300)
3	46-307711G4	N		XXX	5.5 WIDE BODY REAR RING ASM (SEE ITEM 300)
4	2119595-2	N	PREASM BRDGE	1	5.5 1.5T WIDE BODY PREASSEMBLED (SEE PAGE 2-134)
5	2143072	2	CABLE EXTEN	1	CABLE EXTENSION FOR DOCK CONTROL BOX
6	2120889	N	WB FRT COVER	1	FRT COVER ASM W.B. (SEE PAGE 2-87)
8	2139251	2	UFI BASE TRM	1	MAGNISHIELD FRONT SKIRT, LEFT HALF
9	46-271260G1	N	DOCK ASM.	1	NON-HYDRAULIC DOCK ASM, MG2 A29 (SEE PAGE 2-63)
11	46-328137G5	N	PEDESTAL	1	5.5 1.5T MAGNISHIELD ENCLOSURE REAR (SEE PAGE 2-108)
12	2167251	2	KIT OF PARTS	1	BRM INSTALLATION KIT - GE MAGNET (SEE PAGE 2-153)
13	2120143	2	CABLE BLOCK	1	GRADIENT COIL CABLE TERMINAL BLOCK
14A	2121199-7	N	BLOWER (MG6)	1	REINFORCED BLOWER CABINET, MG6 (SEE PAGE 2-100)
14B	2121199	N	BLOWER (MG6)	ALT	BLOWER CABINET, MG6 (SEE PAGE 2-100)
15	2132034	N	BRIDGE MOUNT	1	REAR BRIDGE MOUNT ASM (SEE PAGE 2-127)
16	2128650-2	N	WB PAT COMF	1	COMFORT MODUL ASM FOR MAGNISHIELD (SEE PAGE 2-95)
17	46-208932P38	2	SCREW	4	1/2-13 X 3.75 LG HEX HD, 18-8 SST
18	46-307447P1	2	BUSHING	4	FRONT/REAR COVER ADJUST, BRASS
19	46-251379P2	2	WASHER	4	1.5 DIA 17/32 HOLE 5/64 THK 18-8 SST
20	2124040	2	SPACER	2	HEX SPACER
21	46-306553G1	N		XXX	LOWER RAIL ASSEMBLY, LEFT OR RIGHT (SEE ITEM 300)
22	2129348	N		XXX	UFI UPPER ALIGNMENT LIGHT (SEE ITEM 300)
23	46-301091P1	2	ANGLE	1	DOCK MOUNTING, RIGHT
24	46-301090P1	2	ANGLE	1	SHIELD MOUNTING, RIGHT
25	46-301091P2	2	ANGLE	1	DOCK MOUNTING, LEFT
26	46-301090P2	2	ANGLE	1	SHIELD MOUNTING, LEFT
27	46-306520G1	N		XXX	FRAME ASSEMBLY, FRONT OR REAR (SEE ITEM 300)
28	46-282339P1	2	BAR	2	SHORT CLAMP BAR FOR DOCK SUPPORT
29	46-306520G2	N		XXX	FRONT FRAME FOR WIDE BODY UFI (SEE ITEM 300)
31	46-258509P2	2	PLATE	2	DOCK CLAMP PLATE, 7.25"X1.25 .25 SST
32	46-301092P1	2	NUT BAR	2	3/8-16 THREAD
33	2129349	N		XXX	5.5 WIDE BODY REAR BRACKET ASM (SEE ITEM 300)
38	2131492-2	N	COVER KIT	1	WIDE BODY ENCLOSURE PEDSTL COVERS (SEE PAGE 2-89)
47	2131491-2	N	TRIM KIT	1	WIDE BODY ENCLOSURE TRIM PANELS KIT (SEE PAGE 2-92)
61	2131493-2	N	COVER KIT	1	WIDE BODY ENCLOSURE SIDE COVERS (SEE PAGE 2-93)
64	46-301515G2	N	REAR COVER	1	5.5 REAR COVER WIDE BODY ENCLOSURE (SEE PAGE 2-94)
66	46-208758P5	2	TY-RAP	16	13.38"X .301" SELF-LOCKING CABLE TIE
76	46-230653P5	2	TUBING	7	SPIRALLY CUT POLYETHYLENE, 3/4" DIA.
79	46-306540G3	N		XXX	MAGNISHIELD, UPPER SLIDE ASM, RIGHT (SEE ITEM 300)
80	46-306521G1	N		XXX	MAGNISHIELD, UPPER SLIDE ASM, LEFT (SEE ITEM 300)
82	46-208932P36	2	SCREW	14	3/8-16 X 3/4" HEX HEAD 18-8 SST
84	46-251379P3	2	WASHER	16	1.75" DIA 3/8 HOLE 3/16 THK 18-8 SST
85	2139555-2	2	COVER PLATE	1	MAGNISHIELD VACUUM BREAK PORT ACCESS
91	2119594	2	LUBRICANT	1	ANTI-SEIZE LUBRICANT, 1 OZ TUBE
129	46-328326G1	2	KIT	1	RUN 749 TEMPERATURE SENSOR CABLE KIT
130	46-265067P1	2	CABLE MOUNT	4	I/F PANEL CABLE SCREWLOCK CONNECTOR
140	2116325	2	STUD,MAGNET	12	STUD, 3/8-16 X 55MM, STAINLESS STEEL
141	2116325-4	2	STUD, MAGNET	12	STUD, 3/8-16 X 105MM STAINLESS STEEL

Parts List Continued on Next Page

1.5T MAGNISHIELD ENCL w/o M-C

2118423

(CONT'D FROM PREVIOUS PAGE)

Item	Part Number	FRU	Name	Quantity	Description (Remarks)
142	2115369	2	SEAL, 0.03"	6	3/4MM THICK RUBBER SEAL W/ADHESIVE
143	2115369-2	2	SEAL, 0.06"	12	1.5MM THICK RUBBER SEAL W/ADHESIVE
144	2115369-3	2	SEAL, 0.09"	18	2.25MM THICK RUBBER SEAL W/ADHESIVE
145	2115370	2	SEAL, 0.50"	8	12.7MM THK INTERLOCKING RUBBER SEAL
146	2115370-2	2	SEAL, 0.31"	4	7.9MM THK INTERLOCKING RUBBER SEAL
149	2113076	2	END BELL	1	END BELL REAR 600MM
150A	46-317004G5	N	END BELL WB	1	WIDE BODY FRNT END BELL W/DUAL SNSR (SEE PAGE 2-86)
150B	46-317004G2	N	END BELL WB	1	WIDE BODY FRONT END BELL ASM (SEE PAGE 2-85)
160	2129410	N	BULKHEAD ASM	1	REAR BULKHEAD UFI ENCL (SEE PAGE 2-59)
162	2109873-27	2	SCREW	2	M6X25 SST CROSS RECESSED PAN HD SCR
167	2129412	N	HOSE KIT	1	BLOWER HOSE KIT UFI (SEE PAGE 2-101)
180	2109866-20	2	SCREW	2	M10 X 25 HEX HEAD SCREW SST
181	2109880-4	2	WASHER	2	M10 SST SPRING LOCK WASHER
182	2109878-4	2	WASHER	2	M10 FLAT WASHER, 20MM OD, 2MM, SST
196	46-282757G4	N	DOCK CONTROL	1	UFI DOCK CONTROL ASSEMBLY (SEE PAGE 2-60)
201	2129823	2	SPACER	3	MAGNET END-RING SECTION SPACER
216	2109866-13	2	SCREW	3	M6X25 SST HEX-HEAD SCREW
217	2109878-3	2	WASHER	3	M6 FLAT WASHER, 12MM OD, 1.6MM, SST
218	2109027	2	BRACKET	1	FRONT COVER MICROPHONE CABLE MOUNT
219	2139049	2	STRAP, NYLON	7.300	.875"W, 0.39 HOLE @ 0.625 SPACING
220	46-282896P1	2	MECHANICAL/M	1	NOMEX ACOUSTIC FELT W/VELCRO, FRONT
221	46-136246P21	2	TAPE	20	2" WIDE X 25 YD WHITE VELCRO HOOKS
222	46-282896P2	2	MECHANICAL/M	1	NOMEX ACOUSTIC FELT W/VELCRO, REAR
223	46-287118P1	2	TAPE	2	3/16" DIA X 90 FT ROPE CAULK, BROWN
224	46-320868P1	2	PIPE INSUL	4	POLYETHYLENE CLOSED CELL MATERIAL
230	2143475	N	SHIELD KIT	1	REAR PEDESTAL DRIP SHIELD PLATE KIT (SEE PAGE 2-61)
300	2158536-3	N	COLLECTOR	1	SUPPORTS & SLIDES FOR WB ENCL COVERS (SEE PG 2-71)
14164	46-208946P1	2	NUT,HEX,JAM	16	5/16-18 1/2" HEX X .188 THK 18-8 SST
14225	46-208948P2	2	NUT,HEX	33	3/8-16 .563 HEX X .328 THK, 18-8 SST
14226	46-220196P6	2	WASHER,LOCK	78	3/8" SCREW SIZE (0.375), 18-8 SST
14325	46-208758P3	2	STRAP	30	7.31" X .184" SELF-LOCKING CABLE TIE
15522	46-220191P3	2	CLAMP	1	PANDUIT FCM2-A-C14 GRAY, FLAT CABLE
18138	46-220184P47	2	SCREW MACH	2	10-32 X 1.5", ROUND HEAD SLOT, BRASS
37353	46-208932P4	2	SCREW,CAP	28	3/8-16 X 1", HEX HEAD, 18-8 SST
37369	1000904P447	2	WASHER,FLAT	63	25/64 ID, 1" OD, 1/16" THICK, B7A34C
41665	46-208932P8	2	SCREW,CAP	10	3/8-16 X 1.25" HEX HEAD, 18-8 SST
42701	46-208932P15	2	SCREW,CAP	4	3/8-16 X 2", HEX HEAD, 18-8 SST

1.5T MAGNISHIELD ENCL w/M-C

2118423-2 FRU N

(PART OF M1031PM)

Item	Part Number	FRU	Name	Quantity	Description (Remarks)
2	46-307710G4	N		XXX	WIDE BODY FRONT RING ASSEMBLY (SEE ITEM 300)
3	46-307711G4	N		XXX	5.5 WIDE BODY REAR RING ASM (SEE ITEM 300)
4	2119595-5	N	PREASM BRDGE	1	5.5 1.5T WIDE BODY PREASSEMBLED (SEE PAGE 2-145)
5	2143072	2	CABLE EXTEN	1	CABLE EXTENSION FOR DOCK CONTROL BOX
6	2120889	N	WB FRT COVER	1	FRT COVER ASM W.B. (SEE PAGE 2-87)
8	2139251	2	UFI BASE TRM	1	MAGNISHIELD FRONT SKIRT, LEFT HALF
9	46-271260G1	N	DOCK ASM.	1	NON-HYDRAULIC DOCK ASM, MG2 A29 (SEE PAGE 2-63)
11	46-328137G10	N	PEDESTAL	1	5.5 1.5T MAGNISHIELD ENCLOSURE REAR (SEE PAGE 2-117)
12	2167251	2	KIT OF PARTS	1	BRM INSTALLATION KIT - GE MAGNET (SEE PAGE 2-153)
13	2120143	2	CABLE BLOCK	1	GRADIENT COIL CABLE TERMINAL BLOCK
14A	2121199-7	N	BLOWER (MG6)	1	REINFORCED BLOWER CABINET, MG6 (SEE PAGE 2-100)
14B	2121199	N	BLOWER (MG6)	ALT	BLOWER CABINET, MG6 (SEE PAGE 2-100)
15	2132034	N	BRIDGE MOUNT	1	REAR BRIDGE MOUNT ASM (SEE PAGE 2-127)
16	2128650-2	N	WB PAT COMF	1	COMFORT MODULE ASM FOR MAGNISHIELD (SEE PG 2-95)
17	46-208932P38	2	SCREW	4	1/2-13 X 3.75 LG HEX HD, 18-8 SST
18	46-307447P1	2	BUSHING	4	FRONT/REAR COVER ADJUST, BRASS
19	46-251379P2	2	WASHER	4	1.5 DIA 17/32 HOLE 5/64 THK 18-8 SST
20	2124040	2	SPACER	2	HEX SPACER
21	46-306553G1	N		XXX	LOWER RAIL ASSEMBLY, LEFT OR RIGHT (SEE ITEM 300)
22	2129348	N		XXX	UFI UPPER ALIGNMENT LIGHT (SEE ITEM 300)
23	46-301091P1	2	ANGLE	1	DOCK MOUNTING, RIGHT
24	46-301090P1	2	ANGLE	1	SHIELD MOUNTING, RIGHT
25	46-301091P2	2	ANGLE	1	DOCK MOUNTING, LEFT
26	46-301090P2	2	ANGLE	1	SHIELD MOUNTING, LEFT
27	46-306520G1	N		XXX	FRAME ASSEMBLY, FRONT OR REAR (SEE ITEM 300)
28	46-282339P1	2	BAR	2	SHORT CLAMP BAR FOR DOCK SUPPORT
29	46-306520G2	N		XXX	FRONT FRAME FOR WIDE BODY UFI (SEE ITEM 300)
31	46-258509P2	2	PLATE	2	DOCK CLAMP PLATE, 7.25"X1.25 .25 SST
32	46-301092P1	2	NUT BAR	2	3/8-16 THREAD
33	2129349	N		XXX	5.5 WIDE BODY REAR BRACKET ASM (SEE ITEM 300)
38	2131492-2	N	COVER KIT	1	WIDE BODY ENCLOSURE PEDSTL COVERS (SEE PAGE 2-89)
47	2131491-2	N	TRIM KIT	1	WIDE BODY ENCLOSURE TRIM PANELS KIT (SEE PAGE 2-92)
61	2131493-2	N	COVER KIT	1	WIDE BODY ENCLOSURE SIDE COVERS (SEE PAGE 2-93)
64	46-301515G2	N	REAR COVER	1	5.5 REAR COVER WIDE BODY ENCLOSURE (SEE PAGE 2-94)
66	46-208758P5	2	TY-RAP	16	13.38"X .301" SELF-LOCKING CABLE TIE
76	46-230653P5	2	TUBING	7	SPIRALLY CUT POLYETHYLENE, 3/4" DIA.
79	46-306540G3	N		XXX	MAGNISHIELD, UPPER SLIDE ASM, RIGHT (SEE ITEM 300)
80	46-306521G1	N		XXX	MAGNISHIELD, UPPER SLIDE ASM, LEFT (SEE ITEM 300)
82	46-208932P36	2	SCREW	14	3/8-16 X 3/4" HEX HEAD 18-8 SST
84	46-251379P3	2	WASHER	16	1.75" DIA 3/8 HOLE 3/16 THK 18-8 SST
85	2139555-2	2	COVER PLATE	1	MAGNISHIELD VACUUM BREAK PORT ACCESS
91	2119594	2	LUBRICANT	1	ANTI-SEIZE LUBRICANT, 1 OZ TUBE
129	46-328326G1	2	KIT	1	RUN 749 TEMPERATURE SENSOR CABLE KIT
130	46-265067P1	2	CABLE MOUNT	4	I/F PANEL CABLE SCREWLOCK CONNECTOR
140	2116325	2	STUD,MAGNET	12	STUD, 3/8-16 X 55MM, STAINLESS STEEL
141	2116325-4	2	STUD, MAGNET	12	STUD, 3/8-16 X 105MM STAINLESS STEEL

Parts List Continued on Next Page

1.5T MAGNISHIELD ENCL w/M-C 2118423-2 (CONT'D FROM PREVIOUS PAGE)

Item	Part Number	FRU	Name	Quantity	Description (Remarks)
142	2115369	2	SEAL, 0.03"	6	3/4MM THICK RUBBER SEAL W/ADHESIVE
143	2115369-2	2	SEAL, 0.06"	12	1.5MM THICK RUBBER SEAL W/ADHESIVE
144	2115369-3	2	SEAL, 0.09"	18	2.25MM THICK RUBBER SEAL W/ADHESIVE
145	2115370	2	SEAL, 0.50"	8	12.7MM THK INTERLOCKING RUBBER SEAL
146	2115370-2	2	SEAL, 0.31"	4	7.9MM THK INTERLOCKING RUBBER SEAL
149	2113076	2	END BELL	1	END BELL REAR 600MM
150A	46-317004G5	N	END BELL WB	1	WIDE BODY FRNT END BELL W/DUAL SNSR (SEE PAGE 2-86)
150B	46-317004G2	N	END BELL WB	1	WIDE BODY FRONT END BELL ASM (SEE PAGE 2-85)
160	2129410	N	BULKHEAD ASM	1	REAR BULKHEAD UFI ENCL (SEE PAGE 2-59)
162	2109873-27	2	SCREW	2	M6X25 SST CROSS RECESSED PAN HD SCR
167	2129412	N	HOSE KIT	1	BLOWER HOSE KIT UFI (SEE PAGE 2-101)
180	2109866-20	2	SCREW	2	M10 X 25 HEX HEAD SCREW SST
181	2109880-4	2	WASHER	2	M10 SST SPRING LOCK WASHER
182	2109878-4	2	WASHER	2	M10 FLAT WASHER, 20MM OD, 2MM, SST
196	46-282757G4	N	DOCK CONTROL	1	UFI DOCK CONTROL ASSEMBLY (SEE PAGE 2-60)
201	2129823	2	SPACER	3	MAGNET END-RING SECTION SPACER
216	2109866-13	2	SCREW	3	M6X25 SST HEX-HEAD SCREW
217	2109878-3	2	WASHER	3	M6 FLAT WASHER, 12MM OD, 1.6MM, SST
218	2109027	2	BRACKET	1	FRONT COVER MICROPHONE CABLE MOUNT
219	2139049	2	STRAP, NYLON	7.300	NYLON STRAP
220	46-282896P1	2	MECHANICAL/M	1	NOMEX ACOUSTIC FELT W/VELCRO, FRONT
221	46-136246P21	2	TAPE	20	2" WIDE X 25 YD WHITE VELCRO HOOKS
222	46-282896P2	2	MECHANICAL/M	1	NOMEX ACOUSTIC FELT W/VELCRO, REAR
223	46-287118P1	2	TAPE	2	3/16" DIA X 90 FT ROPE CAULK, BROWN
224	46-320868P1	2	PIPE INSUL	4	POLYETHYLENE CLOSED CELL MATERIAL
230	2143475	N	SHIELD KIT	1	REAR PEDESTAL DRIP SHIELD PLATE KIT (SEE PAGE 2-61)
300	2158536-3	N	COLLECTOR	1	SUPPORTS & SLIDES FOR WB ENCL COVERS (SEE PG 2-71)
14164	46-208946P1	2	NUT,HEX,JAM	16	5/16-18 1/2" HEX X .188 THK 18-8 SST
14225	46-208948P2	2	NUT,HEX	33	3/8-16 .563 HEX X .328 THK, 18-8 SST
14226	46-220196P6	2	WASHER,LOCK	78	3/8" SCREW SIZE (0.375), 18-8 SST
14325	46-208758P3	2	STRAP	30	7.31" X .184" SELF-LOCKING CABLE TIE
15522	46-220191P3	2	CLAMP	1	PANDUIT FCM2-A-C14 GRAY, FLAT CABLE
18138	46-220184P47	2	SCREW MACH	2	10-32 X 1.5", ROUND HEAD SLOT, BRASS
37353	46-208932P4	2	SCREW,CAP	28	3/8-16 X 1", HEX HEAD, 18-8 SST
37369	1000904P447	2	WASHER,FLAT	63	25/64 ID, 1" OD, 1/16" THICK, B7A34C
41665	46-208932P8	2	SCREW,CAP	10	3/8-16 X 1.25" HEX HEAD, 18-8 SST
42701	46-208932P15	2	SCREW,CAP	4	3/8-16 X 2", HEX HEAD, 18-8 SST

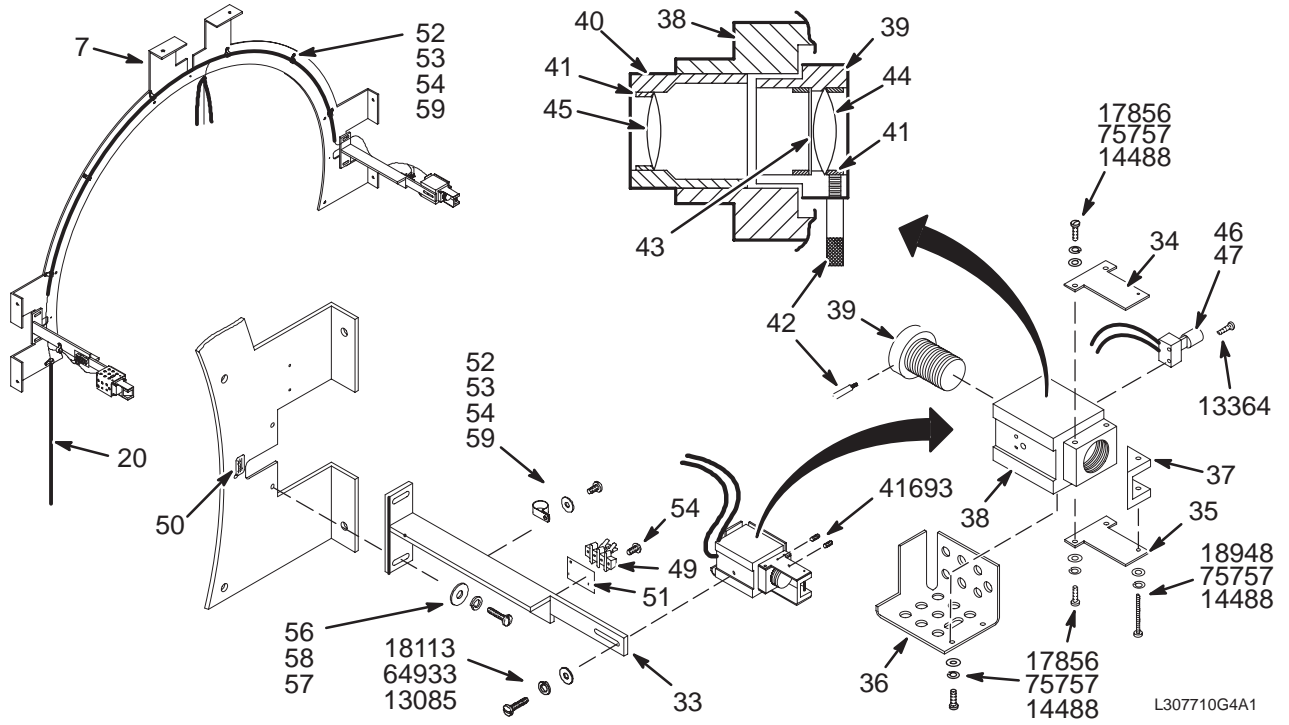
MAG ENCL SUPPORTS & SLIDES 2158536-3 FRU N

(PART OF 2118423 PAGE 2-67)
(PART OF 2118423-2 PAGE 2-69)

Item	Part Number	FRU	Name	Quantity	Description (Remarks)
2	46-307710G4	N	WB FRT RING	1	WIDE BODY FRONT RING ASSEMBLY (SEE PAGE 2-73)
3	46-307711G4	N	WB REAR RING	1	5.5 WIDE BODY REAR RING ASM (SEE PAGE 2-74)
21	46-306553G1	N	LOW RAIL ASM	2	LOWER RAIL ASSEMBLY, LEFT OR RIGHT (SEE PAGE 2-76)
22	2129348	N	ALIGNMENT LT	1	UFI UPPER ALIGNMENT LIGHT (SEE PAGE 2-78)
27	46-306520G1	N	FRAME F&R	2	FRAME ASSEMBLY, FRONT OR REAR (SEE PAGE 2-79)
29	46-306520G2	N	FRAME FRONT	1	FRONT FRAME FOR WIDE BODY UFI (SEE PAGE 2-80)
33	2129349	N	WB REAR BKT	1	5.5 WIDE BODY REAR BRACKET ASM (SEE PAGE 2-75)
79	46-306540G3	N	SLIDE ASM	1	MAGNISHIELD, UPPER SLIDE ASM, RIGHT (SEE PAGE 2-82)
80	46-306521G1	N	SLIDE ASM L	1	MAGNISHIELD, UPPER SLIDE ASM, LEFT (SEE PAGE 2-84)

MAGNISHIELD FRONT RING ASM

46-307710G4



M/S FRONT RING ASM

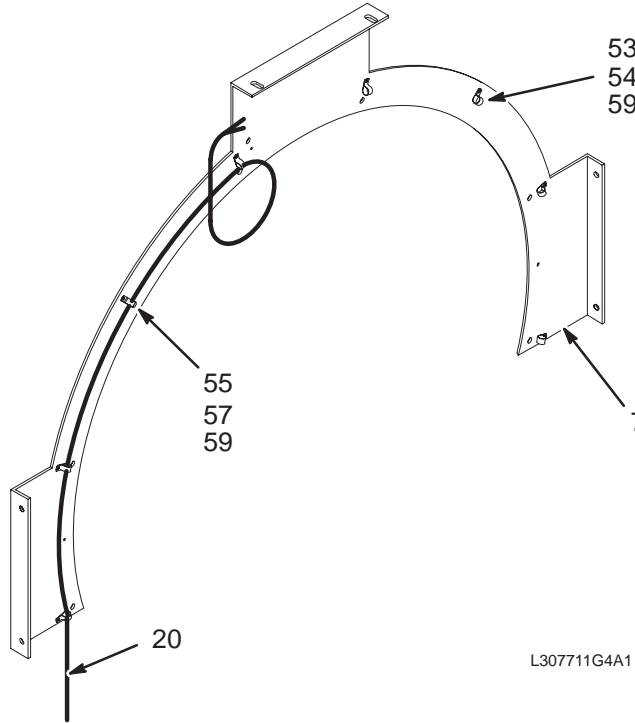
46-307710G4 FRU N

(PART OF 2158536-3 PAGE 2-71)

Item	Part Number	FRU	Name	Quantity	Description (Remarks)
7	2115371	2	PLATE	1	PLATE FRONT
20	46-307329G501	2	CABLE	1	(385M) PP1-J20 TO MG2-A30-TS1 TO TS3
33	2123355	2	BRACKET	2	BRACKET (WIDE BODY), LIGHTS
34	46-271781P1	2	MIRROR BRKT	2	1/16" THICK WITH 0.14" HOLE
35	46-271781P2	2	MIRROR BRKT	2	3/16" THICK WITH 6-32 THREADED HOLE
36	46-271338P1	2	COVER	2	VENTILATED HALOGEN LAMP SAFETY COVER
37	46-271339G1	2	MIRROR ASM	2	FIRST SURFACE MIRROR ATTACHED
38	46-271780P1	2	LENS BLOCK	2	HALOGEN LAMP AND LENS MOUNTING BLOCK
39	46-271329P1	2	LENS HOLDER	2	#1 LENS AND APERATURE MOUNT
40	46-271330P1	2	LENS HOLDER	2	#2 LENS MOUNT
41	46-271331P1	2	LENS RET	6	SPLIT RING LENS RETAINER
42	46-271332P1	2	PIN	2	2-46 THREAD, 3/4" LONG W/KNURL, SST
43	46-271327P1	2	APERATURE	2	CROSS-SLIT APERATURE, .003 COPPER
44	46-271326P1	2	LENS	2	BI-CONVEX LENS 17.5MM X 18MM FOCAL
45	46-271326P2	2	LENS	2	BI-CONVEX LENS, 17.3MM X 30MM FOCAL
46	46-271324P1	2	SOCKET	2	LAMPHOLDER USED FOR G-4 SIZE HALOGEN
47	46-271323P1	1	LAMP	2	HALOGEN LAMP BASE G4 14 VOLTS, 65 W.
49	403B335P21	2	TERMINAL	2	2 POSITION TERMINAL STRIP, 20 AMP,
50	46-287268P1	2	MECHANICAL/M	2	CAUTION, EXTREMELY HOT HALOGEN LAMPS
51	403B320P94	2	TERMINAL	2	2 POSITION MARKER STRIP, 1 & 2
52	46-208718P5	2	CLAMP	9	1/2" ID LOOP TYPE, TA MFG CO TA713D8
54	2109873-15	2	SCREW	13	M4X12 SST CROSS RECESSED PAN HD SCR
56	2109873-24	2	SCREW	4	M6X12 SST CROSS RECESSED PAN HD SCR
57	2109878-3	2	WASHER	4	M6 FLAT WASHER, 12MM OD, 1.6MM, SST
58	2109880-3	2	WASHER	4	M6 SST SPRING LOCK WASHER
59	2109878-2	2	WASHER	9	M4 FLAT WASHER, 9MM OD, 0.8MM, SST
13085	46-220196P3	2	WASHER	2	#10 SCREW SIZE (0.190), SST
13364	516A770P208	2	SCREW	4	2-56 X 1/2 LG BIND HEAD, SST 18-8
14488	46-220196P2	2	WASHER	14	#6 SCREW SIZE (0.138), SST
17856	46-220184P13	2	SCREW	12	6-32 X 3/8" ROUND HEAD SLOT, BRASS
18113	46-220184P41	2	SCREW	2	10-32 X 1/2" SLOT ROUND HEAD, BRASS
18948	46-220184P21	2	SCREW	2	6-32 X 1.75" ROUND HEAD SLOT, BRASS
41693	46-208563P84	2	SCREW	4	4-40 X 1/4" HEX SOC CUP PT, #316 SST
64933	1000904P425	2	WASHER	2	0.2 ID, 0.5 OD, 04 THK, B11H89C
75757	1000904P2	2	WASHER	14	ID 0.144, OD 0.297, THK .032, BRASS

MAGNISHIELD REAR RING ASM

46-307711G4



REAR RING ASM

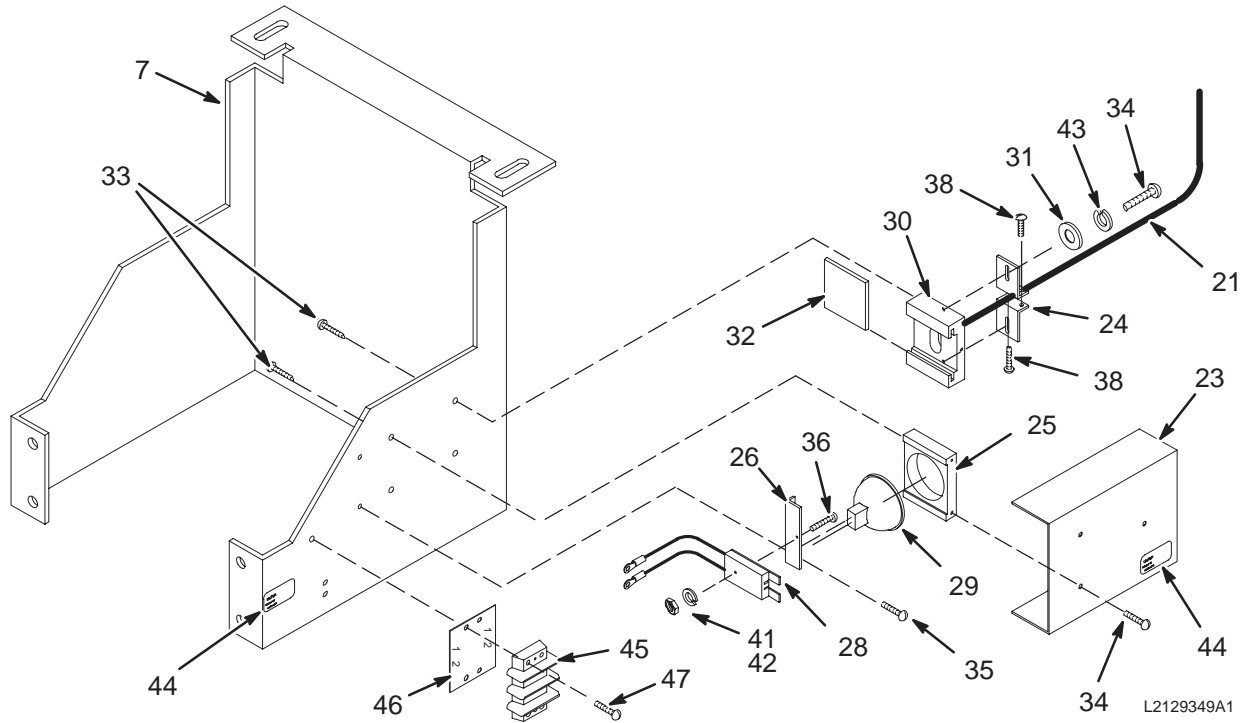
46-307711G4 FRU N

(PART OF 2158536-3 PAGE 2-71)

Item	Part Number	FRU	Name	Quantity	Description (Remarks)
7	2117124	2	PLATE, REAR	1	BORE LAMP MOUNTING PLATE
20	46-251566G601	2	CABLE ASM	1	RUN 300T, PP1-J15 TO MG2-A15, 60 FT.
53	46-208759P1	2	STRAP	4	7.81" X .184" SELF-LOCKING CABLE TIE
54	2109873-15	2	PAN HD SCREW	4	M4X12 SST CROSS RECESSED PAN HD SCR
55	2109873-12	2	PAN HD SCREW	4	M4X6 SST CROSS RECESSED PAN HD SCR
57	46-208718P5	2	CLAMP	4	1/2" ID LOOP TYPE, TA MFG CO TA713D8
59	2109878-2	2	WASHER	8	METRIC SST PLAIN WASHER

MAGNISHIELD BORE LIGHT ASM

2129349



M/S BORE LIGHT ASM

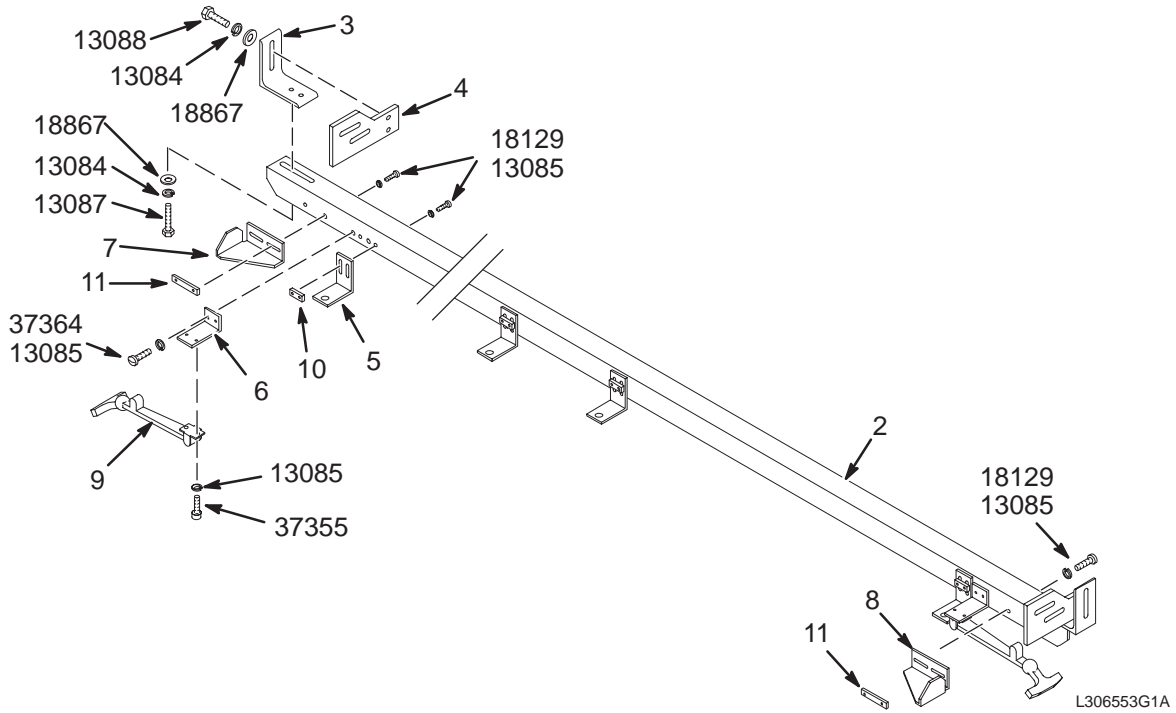
2129349 FRU N

(PART OF 2158536-3 PAGE 2-71)

Item	Part Number	FRU	Name	Quantity	Description (Remarks)
7	2120129-2	2	BRACKET	1	WIDE BODY TOP BRACKET
21	46-251636G1	2	FIBER BUNDLE	2	BORE LIGHT FIBEROPTIC LINE, 89" LONG
23	46-251639P1	2	COVER	1	BORE LIGHT COVER (NO WARNING LABEL)
24	46-251640P1	2	FIBER CLAMP	2	FIBER OPTIC LINES CLAMP BRACKET
25	46-251641P1	2	BULB RET	1	BORE LIGHT BULB RETAINER
26	2121519	2	SOC MTG PLT	1	BORE LIGHT SOCKET BRACKET
28	46-255153G1	2	SOCKET ASM	1	BORE LIGHT SOCKET WITH TERMINALS
29	46-230111P1	1	LAMP	1	HALOGEN REFLECTOR LAMP 12V, 75W
30	46-251644P1	2	FIBER MOUNT	1	HEAT MIRROR AND FIBEROPTIC END MOUNT
31	1000904P2	2	WASHER,FLAT	2	ID 0.144, OD 0.297, THK .032, BRASS
32	46-251679P1	2	MIRROR	1	HEAT-REFLECT, LIGHT-TRANSMIT GLASS
33	46-220184P14	2	SCREW MACH	4	6-32 X 1/2" ROUND HEAD SLOT, BRASS
34	46-220184P13	2	SCREW MACH	5	6-32 X 3/8" ROUND HEAD SLOT, BRASS
35	2109873-13	2	PAN HD SCREW	2	M4X8 SST CROSS RECESSED PAN HD SCR
36	46-220184P8	2	SCREW MACH	1	4-40 X 7/8", ROUND HEAD SLOT, BRASS
38	46-220184P20	2	SCREW MACH	2	6-32 X 1.25" ROUN HEAD SLOT, BRASS
41	46-208601P19	2	WASHER,LOCK	1	#4 SCREW, INTERNAL TOOTH, PHOZ BRZ
42	46-208935P4	2	NUT,HEX,MS	1	4-40, 1/4" HEX X .093 THK, BRASS
43	46-208601P20	2	WASHER,LOCK	2	#6 SCREW, INTERNAL TOOTH, PHOZ BRZ
44	46-287268P1	2	LABEL	2	CAUTION, EXTREMELY HOT HALOGEN LAMPS
45	46-313195P1	2	TERM. STRIP	1	2 POSITION TERMINAL STRIP, DUAL ROW,
46	46-317552P1	2	MARKER STR	1	2 POSITION MARKER STRIP, 1 & 2
47	2109873-18	2	PAN HD SCREW	2	M4X25 SST CROSS RECESSED PAN HD SCR

MAGNISHIELD LOWER RAIL ASM

46-306553G1



M/S LOWER RAIL ASM

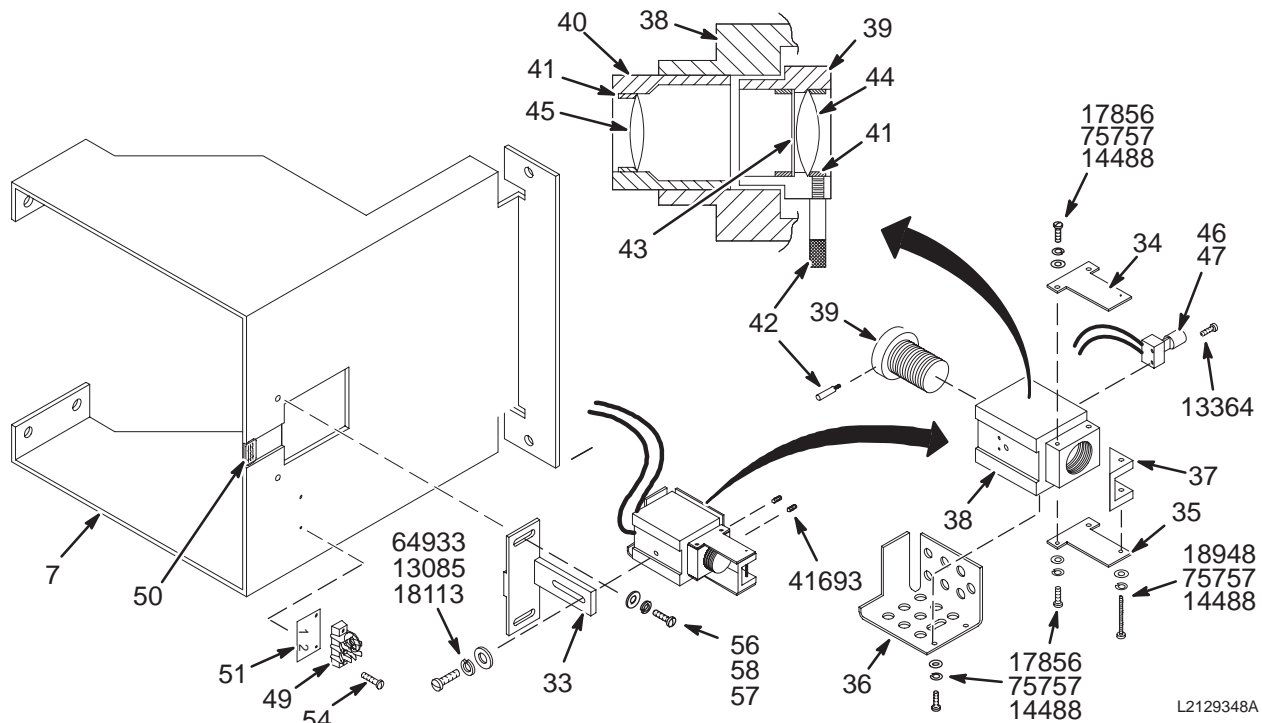
46-306553G1 FRU N

(PART OF 2158536-3 PAGE 2-71)

Item	Part Number	FRU	Name	Quantity	Description (Remarks)
2	46-301131P1	2	SIDE ANGLE	1	MAGNISHIELD LOWER RAIL
3	46-301116P1	2	ANGLE	2	END BRACKET
4	46-301113P1	2	PLATE	2	END PLATE
5	46-301137P1	2	BRACKET	4	SIDE COVER SECURING
6	46-301138P1	2	BRACKET	2	FLEX LATCH MOUNTING
7	46-301139P1	2	BRACKET	1	LOWER COVER BUMPER STOP
8	46-301139P2	2	BRACKET	1	LOWER COVER BUMPER STOP
9	46-251360P1	2	FLEX LATCH	2	T-HANDLE FLEX LATCH
10	46-301845P1	2	NUT PLATE	4	TWO 10-32 THREADED HOLES
11	46-301846P1	2	NUT PLATE	2	TWO 10-32 THREADED HOLES
13084	46-220196P5	2	WASHER,LOCK	8	SCREW SIZE 5/16 (0.313) SST
13085	46-220196P3	2	WASHER,LOCK	20	SCREW SIZE 10 (0.190) SST
13087	46-208932P3	2	SCREW,CAP	4	5/16-18 X 0.750 18-8 SST
13088	46-208932P11	2	SCREW,CAP	4	05/16-18 X 1.000 LG HEX HD S ST 18-8
18129	46-220184P45	2	SCREW MACH	12	10-32 X 1", ROUND HEAD SLOT, BRASS
18867	12-280	2	WASHER	8	ID 0.3360 OD 0.7500 THK .0640
37355	46-208737P12	2	SCREW,CAP	4	00010-32 X 0.500 LG HEX SOC HD SST
37364	46-208560P102	2	SCREW,MACH	4	10-32 X 0.625 LG BIND HD 18-8 SST

MAGNISHIELD UPPER ALIGNMENT LIGHT

2129348

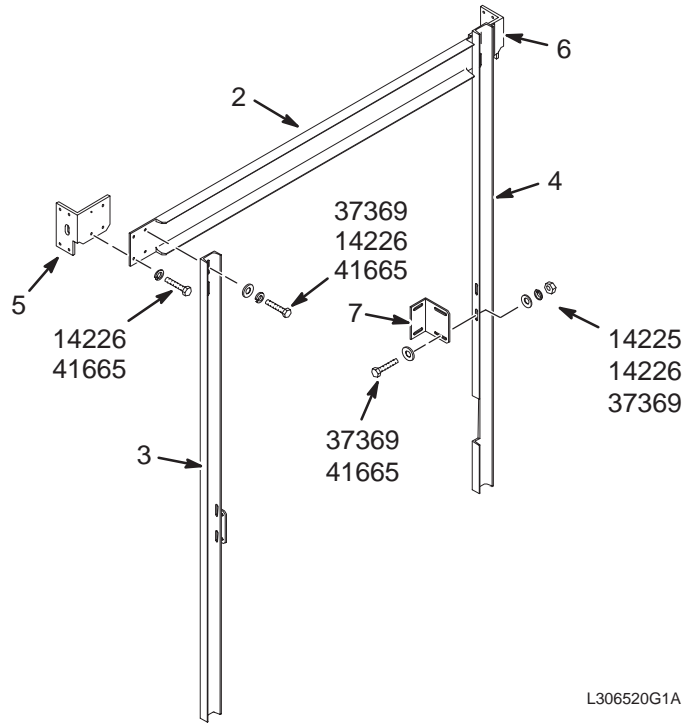


M/S UPPER ALIGNMENT LIGHT 2129348 FRU N (PART OF 2158536-3 PAGE 2-71)

Item	Part Number	FRU	Name	Quantity	Description (Remarks)
7	2120129	2	BRACKET	1	WIDE BODY TOP BRACKET
33	2116144	2	BRACKET	1	ADJUSTABLE LIGHT MOUNTING BRACKET
34	46-271781P1	2	MIRROR BRKT	1	1/16" THICK WITH 0.14" HOLE
35	46-271781P2	2	MIRROR BRKT	1	3/16" THICK WITH 6-32 THREADED HOLE
36	46-271338P1	2	COVER	1	VENTILATED HALOGEN LAMP SAFETY COVER
37	46-271339G1	2	MIRROR ASM	1	FIRST SURFACE MIRROR ATTACHED
38	46-271780P1	2	LENS BLOCK	1	HALOGEN LAMP AND LENS MOUNTING BLOCK
39	46-271329P1	2	LENS HOLDER	1	#1 LENS AND APERATURE MOUNT
40	46-271330P1	2	LENS HOLDER	1	#2 LENS MOUNT
41	46-271331P1	2	LENS RET	3	SPLIT RING LENS RETAINER
42	46-271332P1	2	PIN	1	2-46 THREAD, 3/4" LONG W/KNURL, SST
43	46-271327P1	2	APERATURE	1	CROSS-SLIT APERATURE, .003 COPPER
44	46-271326P1	2	LENS	1	BI-CONVEX LENS 17.5MM X 18MM FOCAL
45	46-271326P2	2	LENS	1	BI-CONVEX LENS, 17.3MM X 30MM FOCAL
46	46-271324P1	2	SOCKET, LAMP	1	LAMPHOLDER USED FOR G-4 SIZE HALOGEN
47	46-271323P1	1	HALOGEN LAMP	1	HALOGEN LAMP BASE G4 14 VOLTS, 65 W.
49	403B335P21	2	TERM STRIP	1	2 POSITION TERMINAL STRIP, 20 AMP,
50	46-287268P1	2	LABEL	1	CAUTION, EXTREMELY HOT HALOGEN LAMPS
51	403B320P94	2	MARKER STR	1	2 POSITION MARKER STRIP, 1 & 2
54	2109873-15	2	PAN HD SCREW	2	M4X12 SST CROSS RECESSED PAN HD SCR
56	2109873-24	2	PAN HD SCREW	2	M6X12 SST CROSS RECESSED PAN HD SCR
57	2109878-3	2	WASHER	2	M6 FLAT WASHER, 12MM OD, 1.6MM SST
58	2109880-3	2	WASHER, LK	2	M6 SST SPRING LOCK WASHER
13085	46-220196P3	2	WASHER,LOCK	1	#10 SCREW SIZE (0.190), SST
13364	516A770P208	2	SCREW,MACH	2	2-56 X 1/2 LG BIND HEAD, SST 18-8
14488	46-220196P2	2	WASHER,LOCK	7	#6 SCREW SIZE (0.138), SST
17856	46-220184P13	2	SCREW MACH	6	6-32 X 3/8" ROUND HEAD SLOT, BRASS
18113	46-220184P41	2	SCREW MACH	1	10-32 X 1/2" SLOT ROUND HEAD, BRASS
18948	46-220184P21	2	SCREW MACH	1	6-32 X 1.75" ROUND HEAD SLOT, BRASS
41693	46-208563P84	2	SCREW,SET	2	4-40 X 1/4" HEX SOC CUP PT, #316 SST
64933	1000904P425	2	WASHER,FLAT	1	0.2 ID, 0.5 OD, .04 THK, B11H89C
75757	1000904P2	2	WASHER,FLAT	7	ID 0.144, OD 0.297, THK .032, BRASS

MAGNISHIELD REAR FRAME

46-306520G1



L306520G1A

M/S REAR FRAME

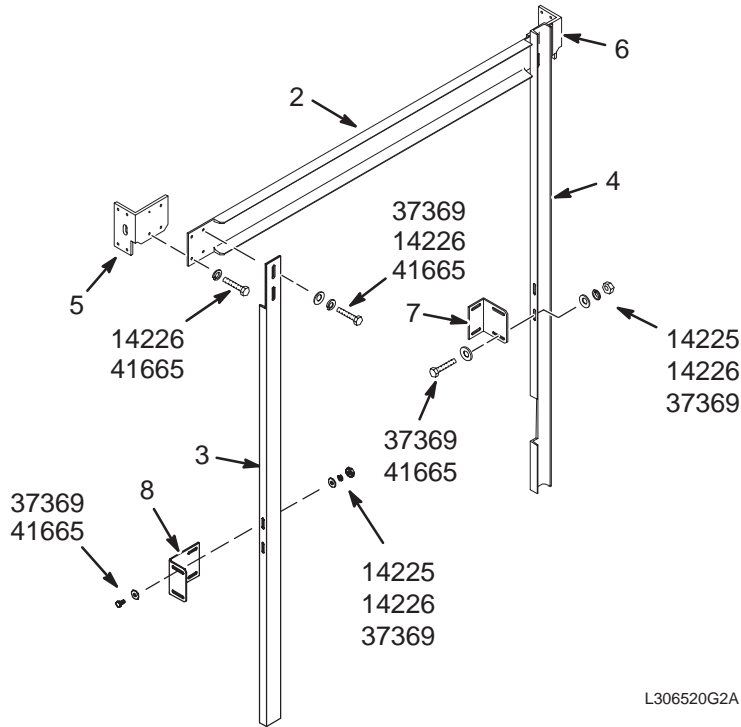
46-306520G1 FRU N

(PART OF 2158536-3 PAGE 2-71)

Item	Part Number	FRU	Name	Quantity	Description (Remarks)
2	46-301065P1	2	CHANNEL	1	TOP CHANNEL
3	46-301067P1	2	UPRIGHT	1	FRONT LEFT OR REAR RIGHT UPRIGHT
4	46-301067P2	2	UPRIGHT	1	FRONT RIGHT OR REAR LEFT UPRIGHT
5	46-301060P1	2	ANGLE, TOP	1	UPPER CORNER BRACKET, LEFT OR RIGHT
6	46-301060P2	2	ANGLE, TOP	1	UPPER CORNER BRACKET, RIGHT OR LEFT
7	46-301079P1	2	BRACKET	2	MAGNISHIELD FRAME ATTACHMENT
14225	46-208948P2	2	NUT,HEX	4	003/8-16 .563 HEX X .328 THK
14226	46-220196P6	2	WASHER,LOCK	12	SCREW SIZE 3/8 (0.375) 18-8 S ST
37369	1000904P447	2	WASHER,FLAT	12	ID 0.391 OD 1.000 THK .062
41665	46-208932P8	2	SCREW,CAP	12	003/8-16 X 1.250 18-8 S ST HEX HD

MAGNISHIELD FRONT FRAME

46-306520G2



M/S FRAME FRONT FRAME

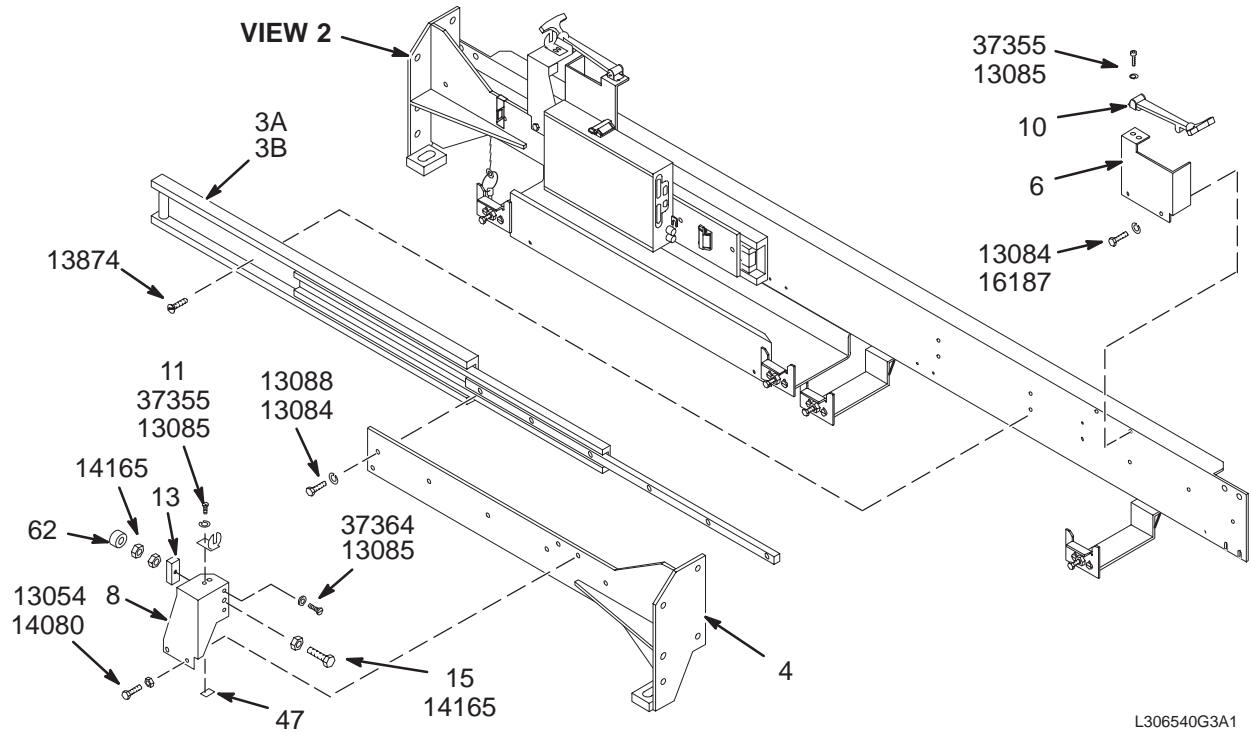
46-306520G2 FRU N

(PART OF 2158536-3 PAGE 2-71)

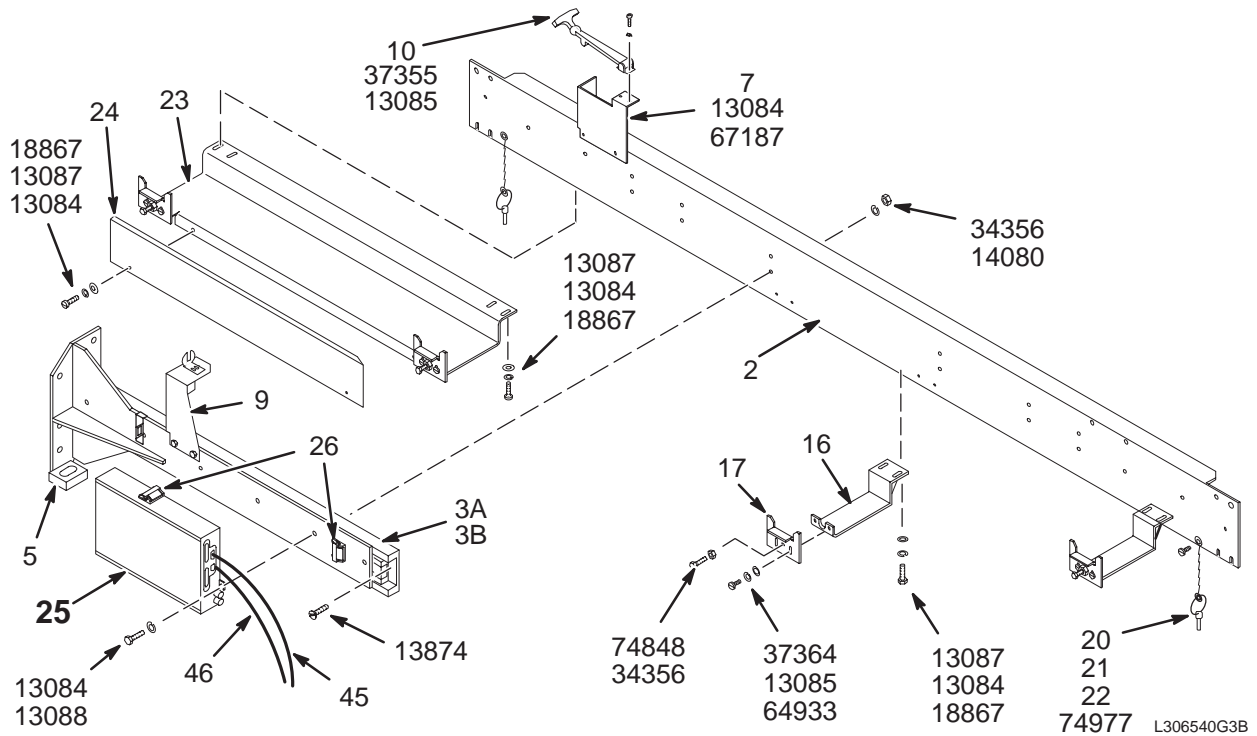
Item	Part Number	FRU	Name	Quantity	Description (Remarks)
2	46-301065P1	2	CHANNEL	1	TOP CHANNEL
3	2120127	2	UPRIGHT W.B.	1	UPRIGHT FRONT LEFT BRACKET
4	46-301067P2	2	UPRIGHT	1	FRONT RIGHT OR REAR LEFT UPRIGHT
5	46-301060P1	2	ANGLE, TOP	1	UPPER CORNER BRACKET, LEFT OR RIGHT
6	46-301060P2	2	ANGLE, TOP	1	UPPER CORNER BRACKET, RIGHT OR LEFT
7	46-301079P1	2	BRACKET	1	MAGNISHIELD FRAME ATTACHMENT
8	2142631	2	UPRIGHT	1	FRONT FRAME LEFT BRACKET MAGNISHIELD
14225	46-208948P2	2	NUT	4	3/8-16 .563 HEX X .328 THK, 18-8 SST
14226	46-220196P6	2	WASHER	12	3/8" SCREW SIZE (0.375), 18-8 SST
37369	1000904P447	2	WASHER	12	25/64 ID, 1" OD, 1/16" THICK, B7A34C
41665	46-208932P8	2	SCREW	12	3/8-16 X 1.25" HEX HEAD, 18-8 SST

MAGNISHIELD RIGHT SLIDE ASSEMBLY

46-306540G3



VIEW 1



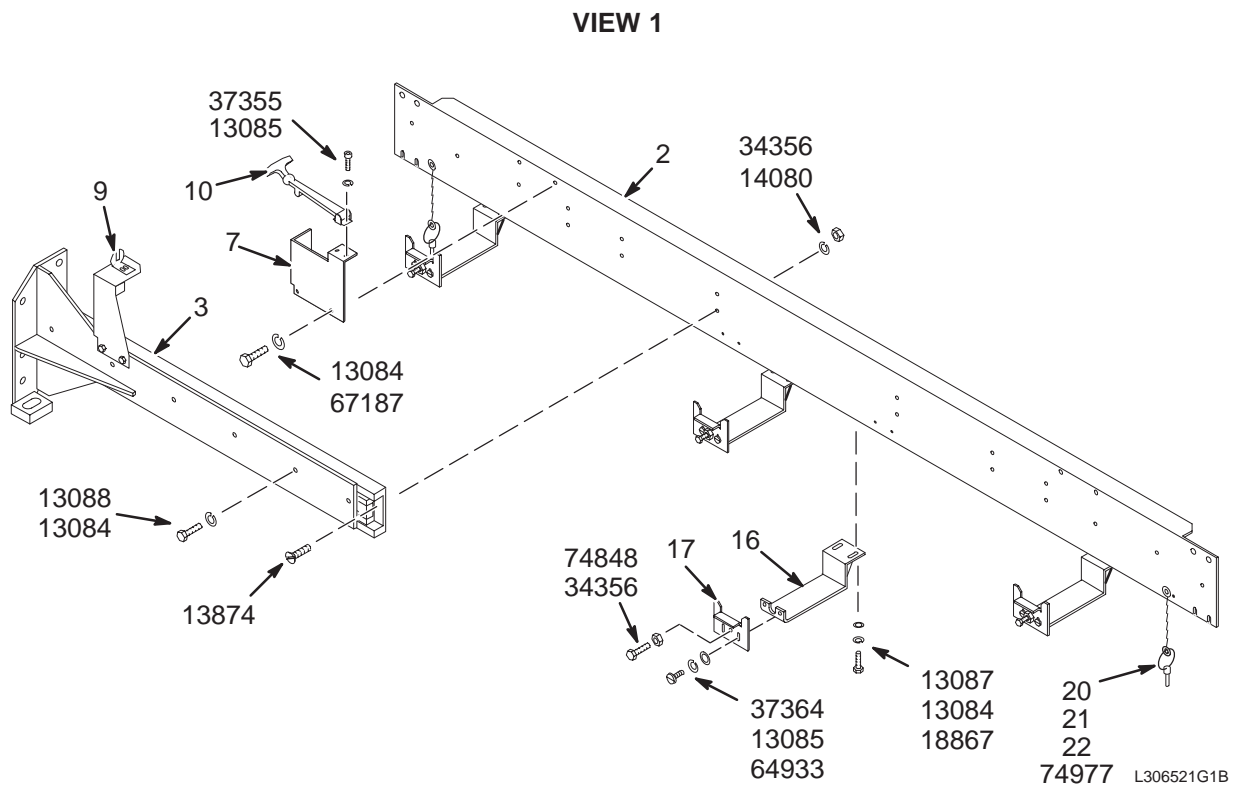
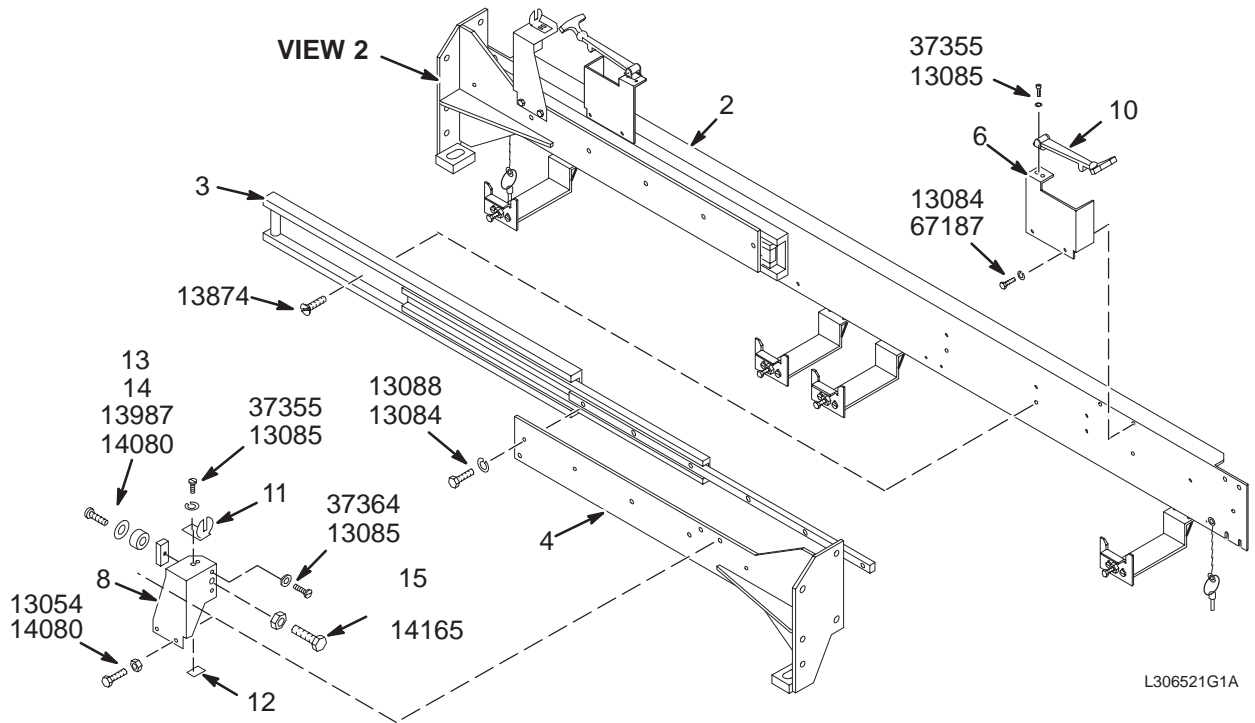
VIEW 2

M/S RIGHT SLIDE ASM 46-306540G3 FRU N (PART OF 2158536-3 PAGE 2-71)

Item	Part Number	FRU	Name	Quantity	Description (Remarks)
2	46-301055P1	2	CHANNEL,SIDE	1	MAGNISHIELD UPPER SLIDE SUPPORT
3A	46-320138P1	2	COVER SLIDE	2	ENCLOSURE FRONT/REAR COVER EXTENDING
3B	46-244780P1	2	SLIDE	ALT	ENCLOSURE FRONT/REAR COVER EXTENDING
4	46-244762G2	2	MOUNT-WELD	1	FRONT COVER LEFT OR REAR COVER RIGHT
5	46-244762G1	2	MOUNT-WELD	1	FRONT COVER RIGHT OR REAR COVER LEFT
6	46-271849P1	2	BRACKET	1	UPPER LATCH LEFT-FRONT OR RIGHT-REAR
7	46-271849P2	2	BRACKET	1	UPPER LATCH RIGHT-FRONT OR LEFT-REAR
8	46-258429P1	2	BRACKET	1	KEEPER/STOP FRONT-LEFT OR REAR-RIGHT
9	46-258429P2	2	BRACKET	1	KEEPER/STOP FRONT-RIGHT OR REAR-LEFT
10	46-251360P1	2	FLEX LATCH	2	T-HANDLE FLEX LATCH
11	46-251360P2	2	FLEX LATCH	2	FLEX LATCH KEEPER
12	46-251307P1	2	NUT PLATE	2	10-32 THREAD, TWO HOLES, .5" SPACING
13	46-258416P1	2	STOP BLOCK	2	BUMPER ADJUST SCREW SUPPORT
15	46-208932P43	2	SCREW	2	1/2-13 X 4.00 THREAD TO HEAD 18-8
16	46-301089P1	2	BRACKET	4	SIDE COVER HANGER EXTENSION
17	46-271943P1	2	SUPPORT	4	SIDE COVER HANGER BRACKET
20	46-221889P1	2	PIN,LOCK	2	NOM DIA 0.18 GRIP .70 QUICK-RELEASE
21	46-316457P1	2	CHAIN, BEAD	2	NO. 10 BEAD DIA .178
22	46-230530P10	2	COUPLING	4	NO. 10 TYPE A OFFSET
23	46-301077P1	2	BRACKET	1	MAGNISHIELD DSIM CABLE TROUGH
24	46-301082P1	2	GUARD CABLE	1	MAGNISHIELD DSIM CABLE GUARD
25	46-287370G8	1	DSIM/SRI BD	1	SCAN ROOM INTERFACE (SRI) (SEE PAGE 2-97)
26	46-220191P1	2	CLAMP	2	CLAMP FOR FLAT CABLE
45	46-287908G1	2	CABLE	1	(421) MG2-A33-J3 TO MG2-A31-J1
46	46-243775G668	2	CABLE	1	(422) MG3-A1-J4 TO MG2-A33-J2
47	2133208	2	BRACKET	1	PAC CABLE INTERFACE MOUNT/GROUND
62	46-328574P2	2	SPRING	2	SPRING COMPRESSION 22.225 MM 22.225
96	46-170686P3	2	ADHESIVE	AR	LOCTITE 242, 50CC
13054	46-208932P10	2	SCREW,CAP	4	001/4-20 X 0.500 LG HEX HD S ST 18-8
13084	46-220196P5	2	WASHER,LOCK	25	SCREW SIZE 5/16 (0.313) SST
13085	46-220196P3	2	WASHER,LOCK	20	SCREW SIZE 10 (0.190) SST
13087	46-208932P3	2	SCREW,CAP	10	5/16-18 X 0.750 18-8 SST
13088	46-208932P11	2	SCREW,CAP	11	05/16-18 X 1.000 LG HEX HD S ST 18-8
13874	46-208910P19	2	SCREW,MACH	18	001/4-20 X 1.000 LG FLAT HD SLOTTED
14080	46-220196P4	2	WASHER,LOCK	22	SCREW SIZE 1/4 (0.250) SST
14165	46-208948P3	2	NUT,HEX	4	001/2-13 .750 HEX X .438 THK
18867	12-280	2	WASHER	10	ID 0.3360 OD 0.7500 THK .0640
34356	46-208948P5	2	NUT,HEX	22	001/4-20 .438 HEX X .226 THK
37355	46-208737P12	2	SCREW,CAP	8	00010-32 X 0.500 LG HEX SOC HD SST
37364	46-208560P102	2	SCREW,MACH	12	10-32 X 0.625 LG BIND HD 18-8 SST
64933	1000904P425	2	WASHER,FLAT	8	ID 0.2000 OD 0.5000 THK .0400
67187	46-208560P83	2	SCREW,MACH	4	5/16-18 X 0.500 SST 302
74848	46-208932P24	2	SCREW,CAP	4	001/4-20 X 1.500 LG HEX HD SST 18-8
74977	46-208560P110	2	SCREW	2	6-32 X 3/8 BINDING HEAD, 18-8 SST

MAGNISHIELD LEFT SLIDE ASM

46-306521G1



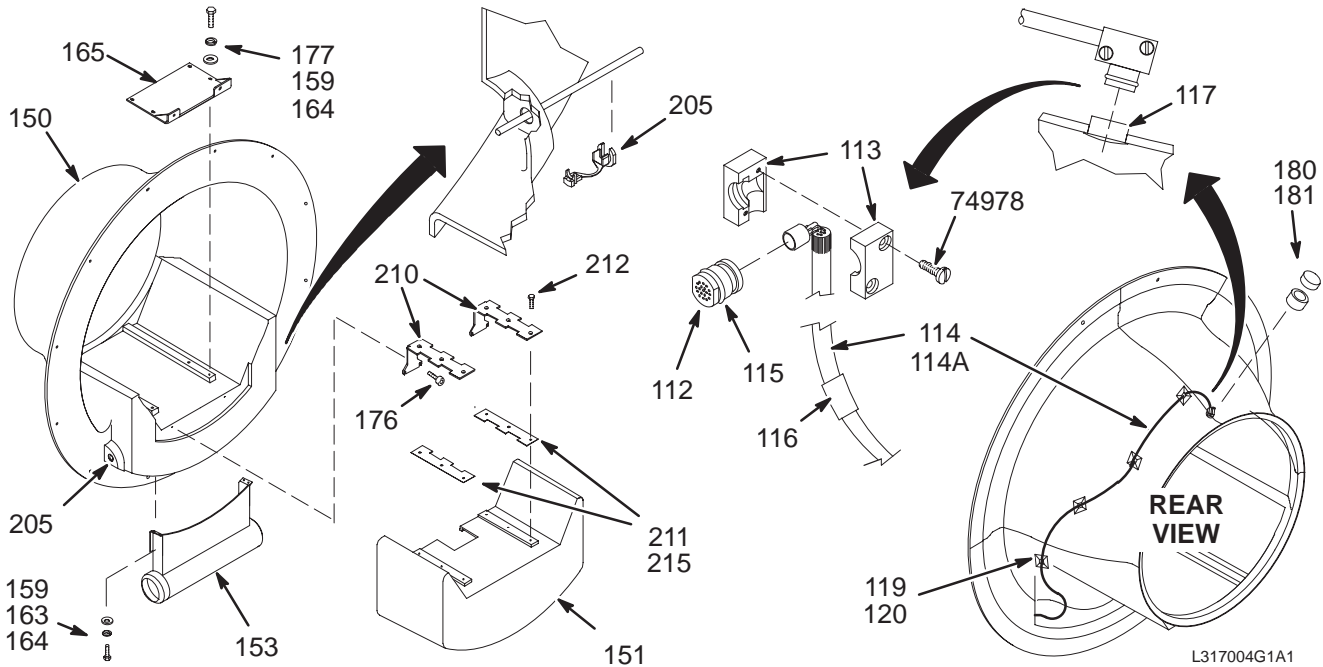
VIEW 2

M/S LEFT SLIDE ASM 46-306521G1 FRU N (PART OF 2158536-3 PAGE 2-71)

Item	Part Number	FRU	Name	Quantity	Description (Remarks)
2	46-301055P1	2	CHANNEL,SIDE	1	MAGNISHIELD UPPER SLIDE SUPPORT
3A	46-320138P1	2	COVER SLIDE	2	ENCLOSURE FRONT/REAR COVER EXTENDING
3B	46-244780P1	2	SLIDE	ALT	ENCLOSURE FRONT/REAR COVER EXTENDING
4	46-244762G2	2	MOUNT-WELD	1	FRONT COVER LEFT OR REAR COVER RIGHT
5	46-244762G1	2	MOUNT-WELD	1	FRONT COVER RIGHT OR REAR COVER LEFT
6	46-271849P1	2	BRACKET	1	UPPER LATCH LEFT-FRONT OR RIGHT-REAR
7	46-271849P2	2	BRACKET	1	UPPER LATCH RIGHT-FRONT OR LEFT-REAR
8	46-258429P1	2	BRACKET	1	KEEPER/STOP FRONT-LEFT OR REAR-RIGHT
9	46-258429P2	2	BRACKET	1	KEEPER/STOP FRONT-RIGHT OR REAR-LEFT
10	46-251360P1	2	FLEX LATCH	2	T-HANDLE FLEX LATCH
11	46-251360P2	2	FLEX LATCH	2	FLEX LATCH KEEPER
12	46-251307P1	2	NUT PLATE	2	10-32 THREAD, TWO HOLES, .5" SPACING
13	46-258416P1	2	STOP BLOCK	2	BUMPER ADJUST SCREW SUPPORT
14	46-251156G1	2	PAD	2	1.2" DIA, .62" THK. URETHANE, BLACK
15	46-255887P1	2	SCREW	2	BUMPER ADJUST, 1/2-13 X 3.75", BRASS
16	46-301089P1	2	BRACKET	4	SIDE COVER HANGER EXTENSION
17	46-271943P1	2	SUPPORT	4	SIDE COVER HANGER BRACKET
20	46-221889P1	2	PIN,LOCK	2	NOM DIA 0.18 GRIP .70 QUICK-RELEASE
21	46-316457P1	2	CHAIN, BEAD	2	NO. 10 BEAD DIA .178
22	46-230530P10	2	COUPLING	4	NO. 10 TYPE A OFFSET
13054	46-208932P10	2	SCREW,CAP	4	001/4-20 X 0.500 LG HEX HD S ST 18-8
13084	46-220196P5	2	WASHER,LOCK	24	SCREW SIZE 5/16 (0.313) SST
13085	46-220196P3	2	WASHER,LOCK	20	SCREW SIZE 10 (0.190) SST
13087	46-208932P3	2	SCREW,CAP	8	5/16-18 X 0.750 18-8 SST
13088	46-208932P11	2	SCREW,CAP	12	05/16-18 X 1.000 LG HEX HD S ST 18-8
13874	46-208910P19	2	SCREW,MACH	18	001/4-20 X 1.000 LG FLAT HD SLOTTED
13987	46-208737P27	2	SCREW,CAP	2	001/4-20 X 0.750 LG HEX SOC HD SST
14080	46-220196P4	2	WASHER,LOCK	24	SCREW SIZE 1/4 (0.250) SST
14165	46-208948P3	2	NUT,HEX	2	001/2-13 .750 HEX X .438 THK
18867	12-280	2	WASHER	8	ID 0.3360 OD 0.7500 THK .0640
34356	46-208948P5	2	NUT,HEX	22	001/4-20 .438 HEX X .226 THK
37355	46-208737P12	2	SCREW,CAP	8	00010-32 X 0.500 LG HEX SOC HD SST
37364	46-208560P102	2	SCREW,MACH	12	10-32 X 0.625 LG BIND HD 18-8 SST
64933	1000904P425	2	WASHER,FLAT	8	ID 0.2000 OD 0.5000 THK .0400
67187	46-208560P83	2	SCREW,MACH	4	5/16-18 X 0.500 SST 302
74848	46-208932P24	2	SCREW,CAP	4	001/4-20 X 1.500 LG HEX HD SST 18-8
74977	46-208560P110	2	SCREW,MACH	2	6-32 X 3/8 BINDING HEAD, 18-8 SST

MAGNISHIELD FRONT END BELL ASM

46-317004G2



M/S FRONT END BELL ASM

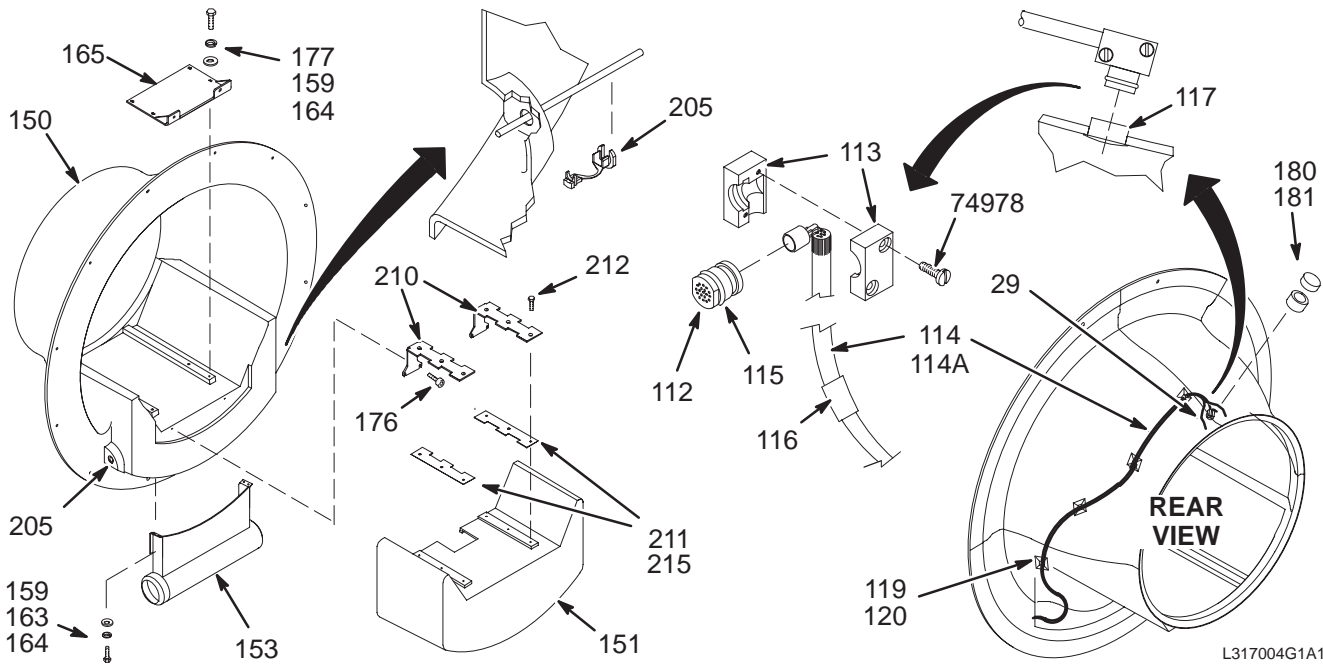
46-317004G2 FRU N

(PART OF 2118423 PAGE 2-67)
(PART OF 2118423-2 PAGE 2-69)

Item	Part Number	FRU	Name	Quantity	Description (Remarks)
112	46-317134P1	N	MIKE HOUSING	1	USE 46-317109G1 AS FIELD REPLACEMENT
113	46-317135P1	N	CABLE CLAMP	1	USE 46-317109G1 AS FIELD REPLACEMENT
114	46-317157G2	N	CABLE ASM.	1	USE 46-317109G1 AS FIELD REPLACEMENT
114A	46-317157G1	N	CABLE ASM.	ALT	USE 46-317109G1 AS FIELD REPLACEMENT
115	46-136374P65	2	O-RING	1	WIDTH .07, ID 0.551, DUROMETER A 70
116	46-251905P207	2	CABLE LABEL	1	MG2-A35, FRONT MIKE, 46-317109G1
117	46-221523P26	2	BUTTON,PLUG	1	VENT PLUG, WHITE, 7/8 DIA.
118	46-170617P2	2	COMPOUND	AR	RTV SILICON RUBBER ADHESIVE SEALANT.
119	46-208747P1	2	MOUNT	4	CABLE TIE,ADH.BACKED
120	46-208758P2	2	STRAP	4	5.5" X .140" SELF-LOCKING CABLE TIE.
150	2120885	2	END BELL	1	FRONT END BELL STD N.L
151	2134042	2	WB END BELL	1	FRT EXTEN. W.B. END BELL
153	2195497	2	PLENUM,FRONT	1	FRONT AIR DUCT
159	2109880-3	2	WASHER, LK	8	M6 SST SPRING LOCK WASHER
163	2109873-25	2	PAN HD SCREW	4	M6X16 SST CROSS RECESSED PAN HD SCR
164	2109878-3	2	WASHER	8	M6 FLAT WASHER, 12MM OD, 1.6MM SST
165	2138084	2	BRIDGE SUPPT	1	SPPT, BRIDGE, FRT, LOWER
175	2121932	2	PANEL	1	N. L. END BELL PANEL
176	2109873-27	2	METRIC SCREW	2	M6 X 25 CROSS-RECESSED PAN HEAD, SST
177	2109866-12	2	SCREW,HEX HD	4	M6X20 SST HEX HEAD SCREW/BOLT
180	2145725	2	TOP BARRIER	1	MICROPHONE TOP SOUND BARRIER
181	2145724	2	SIDE BARRIER	1	MICROPHONE SIDE SOUND BARRIER
205	2138233	2	BUSHING	2	STRAIN RELIEF BUSHING
210	2138086	2	SLIDE,METAL	2	SLIDE, EXT, METAL
211	2138085	2	SLIDE,PLASTC	2	SLIDE, EXT, PLASTIC
212	2109874-22	2	PART	6	METRIC SST CROSS REC'D C'SK FLT HD
215	46-208585P2	2	TAPE	AR	3M #950, 3" WIDE X 60 YD ROLL
74978	46-208560P111	2	SCREW,MACH	2	6-32 X 5/8" BIND HEAD, SST 18-8

MAGNISHIELD FRONT END BELL ASM w/ DUAL SENSOR

46-317004G5



L317004G1A1

M/S FRONT END BELL ASM

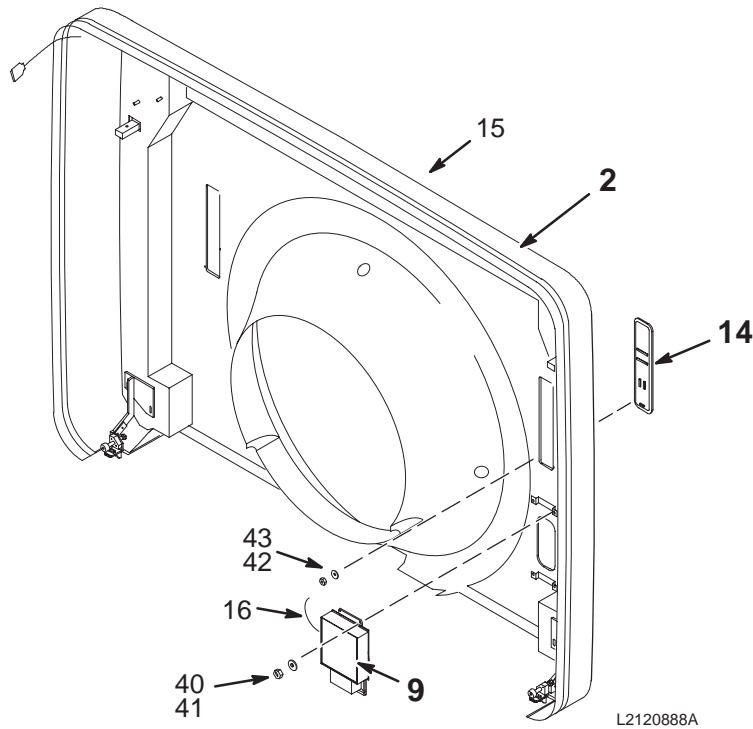
46-317004G5 FRU N

(PART OF 2118423 PAGE 2-67)
(PART OF 2118423-2 PAGE 2-69)

Item	Part Number	FRU	Name	Quantity	Description (Remarks)
29	2285729	2	CABLE	1	(749) MG2-J33-J10 TO MG2-A36 (DUAL)
112	46-317134P1	N	MIKE HOUSING	1	USE 46-317109G1 AS FIELD REPLACEMENT
113	46-317135P1	N	CABLE CLAMP	1	USE 46-317109G1 AS FIELD REPLACEMENT
114	46-317157G2	N	CABLE ASM.	1	USE 46-317109G1 AS FIELD REPLACEMENT
114A	46-317157G1	N	CABLE ASM.	ALT	USE 46-317109G1 AS FIELD REPLACEMENT
115	46-136374P65	2	O-RING	1	WIDTH .07, ID 0.551, DUROMETER A 70
116	46-251905P207	2	CABLE LABEL	1	MG2-A35, FRONT MIKE, 46-317109G1
117	46-221523P26	2	BUTTON,PLUG	1	VENT PLUG, WHITE, 7/8 DIA.
118	46-170617P2	2	COMPOUND	AR	RTV SILICON RUBBER ADHESIVE SEALANT.
119	46-208747P1	2	MOUNT	4	CABLE TIE,ADH.BACKED
120	46-208758P2	2	STRAP	4	5.5" X .140" SELF-LOCKING CABLE TIE.
150	2120885-2	2	END BELL	1	FRONT END BELL STD N.L. W/2ND SENSOR
151	2134042	2	WB END BELL	1	FRT EXTEN. W.B. END BELL
153	2195497	2	PLENUM,FRONT	1	FRONT AIR DUCT
159	2109880-3	2	WASHER, LK	8	M6 SST SPRING LOCK WASHER
163	2109873-25	2	PAN HD SCREW	4	M6X16 SST CROSS RECESSED PAN HD SCR
164	2109878-3	2	WASHER	8	M6 FLAT WASHER, 12MM OD, 1.6MM SST
165	2138084	2	BRIDGE SUPPT	1	SPPT, BRIDGE, FRT, LOWER
175	2121932	2	PANEL	1	N. L. END BELL PANEL
176	2109873-27	2	METRIC SCREW	2	M6 X 25 CROSS-RECESSED PAN HEAD, SST
177	2109866-12	2	SCREW,HEX HD	4	M6X20 SST HEX HEAD SCREW/BOLT
180	2145725	2	TOP BARRIER	1	MICROPHONE TOP SOUND BARRIER
181	2145724	2	SIDE BARRIER	1	MICROPHONE SIDE SOUND BARRIER
205	2138233	2	BUSHING	2	STRAIN RELIEF BUSHING
210	2138086	2	SLIDE,METAL	2	SLIDE, EXT, METAL
211	2138085	2	SLIDE,PLASTC	2	SLIDE, EXT, PLASTIC
212	2109874-22	2	PART	6	METRIC SST CROSS REC'D C'SK FLT HD
215	46-208585P2	2	TAPE	AR	3M #950, 3" WIDE X 60 YD ROLL
74978	46-208560P111	2	SCREW,MACH	2	6-32 X 5/8" BIND HEAD, SST 18-8

MAGNISHIELD FRONT COVER ASM

2120889



MAGNISHIELD FRONT COVER

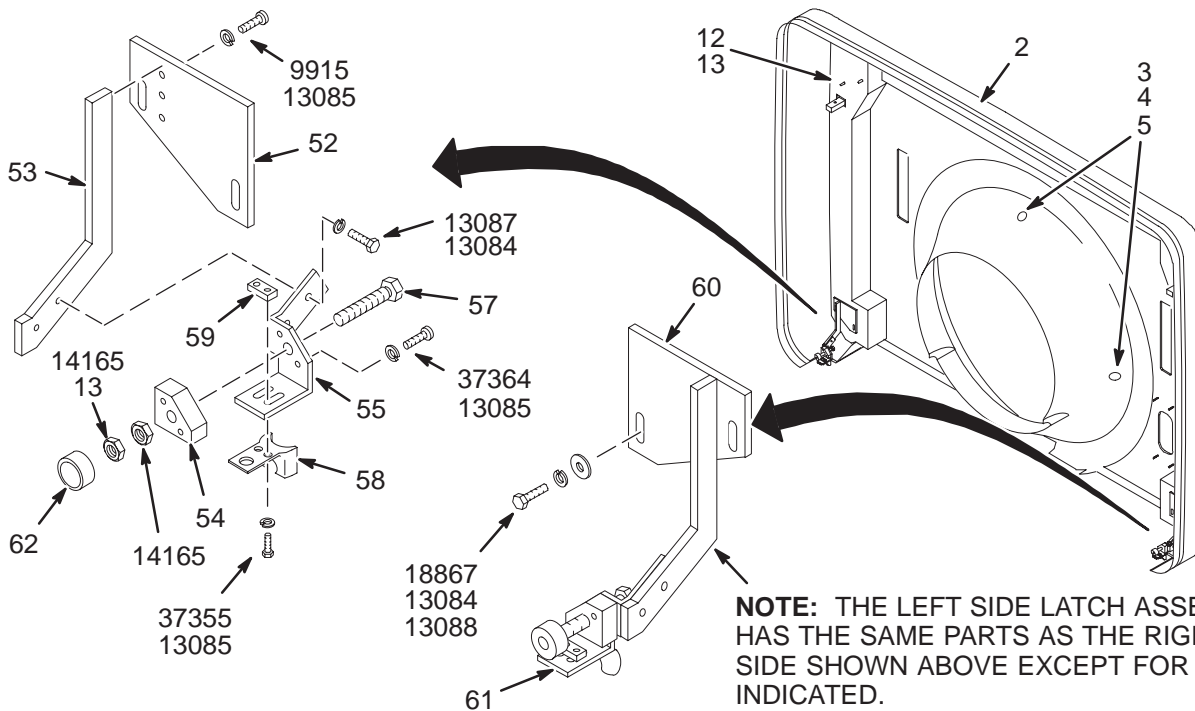
2120889 FRU N

(PART OF 2118423 PAGE 2-67)
(PART OF 2118423-2 PAGE 2-69)

Item	Part Number	FRU	Name	Quantity	Description (Remarks)
2	46-317003G1	N	W.B. FRT CVR	1	UFI WIDE BODY FRONT COVER ASM (SEE PAGE 2-88)
9	2122268-3	1	PAC-II ASSY	1	PHYSIOLOGICAL ACQUISITION CONTROLLER (SEE PG 2-99)
14	2120458	N	OPR BP/D KIT	1	OPERATOR BUTTON PANEL/DISPLAY&CABLES (SEE PG 2-50)
15	2142724	2	MEATBALL	1	FRONT COVER GE LOGO INJECTION MOLDED
15A	2135885	2	LABEL PT	ALT	COVER G.E. LOGO PLATE
16	46-328000G932	2	CABLE ASM	1	MG2-A11-A1-J2 TO RUN 716
40	2109866-12	2	SCREW	4	M6X20 SST HEX HEAD SCREW
41	2109878-3	2	WASHER	4	M6 FLAT WASHER, 12MM OD, 1.6MM, SST
42	46-208935P4	2	NUT	16	4-40, 1/4" HEX X .093 THK, BRASS
43	1000904P142	2	WASHER	16	ID 0.1495, OD 0.438, THK .016, BRASS

MAGNISHIELD FRONT COVER

46-317003G1



L317003G1A

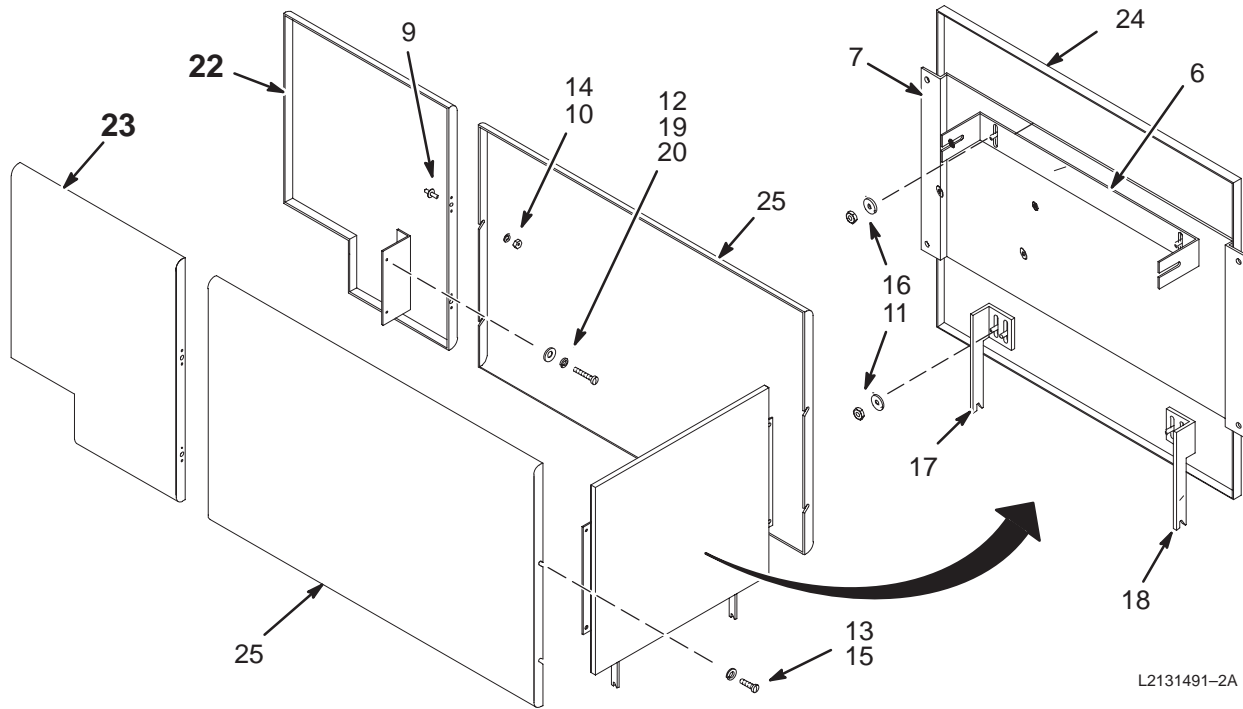
M/S FRONT COVER

46-317003G1 FRU N

(PART OF 2120889 PAGE 2-87)

Item	Part Number	FRU	Name	Quantity	Description (Remarks)
2	2118416	N	W.B. FRT CVR	1	USE 46-317003G2 AS FIELD REPLACEMENT
3	2142279	2	CLAMP	3	MAGNISHIELD COVER WINDOW CLAMP
4	2109873-15	2	SCREW	6	M4X12 SST CROSS RECESSED PAN HD SCR
5	2133610	2	BEZEL	3	W.B. FRONT COVER WINDOW, ACRYLIC
12	46-251997P1	2	STUD-COVER	8	5/16-18 X 1-3/4, SST
13	46-170686P3	2	ADHESIVE	AR	LOCTITE 242, 50CC
52	46-301115P2	2	PLATE	1	FRONT LOWER RIGHT OR REAR LOWER LEFT
53	46-301114P1	2	PLATE	2	LATCH AND BUMPER EXTENSION ARM
54	46-301141P1	2	BLOCK	2	BUMPER ADJUST SCREW SUPPORT
55	46-301140P2	2	BRACKET	1	FRONT LOWER RIGHT OR REAR LOWER LEFT
57	46-208932P43	2	SCREW	2	1/2-13 X 4.00 THREAD TO HEAD 18-8
58	46-251360P2	2	MECHANICAL/M	2	FLEX LATCH KEEPER
59	46-251307P1	2	NUT PLATE	2	10-32 THREAD, TWO HOLES, .5" SPACING
60	46-301115P1	2	PLATE	1	FRONT LOWER LEFT OR REAR LOWER RIGHT
61	46-301140P1	2	BRACKET	1	FRONT LOWER LEFT OR REAR LOWER RIGHT
62	46-328574P2	2	SPRING	2	SPRING COMPRESSION 22.225 MM 22.225
9915	46-221922P6	2	SCREW	6	10-32 X 1/2" HEX HD, SST 18-8
13084	46-220196P5	2	WASHER	8	5/16" SCREW SIZE (0.313), SST
13085	46-220196P3	2	WASHER	14	#10 SCREW SIZE (0.190), SST
13087	46-208932P3	2	SCREW	4	5/16-18 X 3/4", 18-8 SST
13088	46-208932P11	2	SCREW	4	5/16-18 X 1", HEX HD, 18-8 SST
14165	46-208948P3	2	NUT	4	1/2-13, 3/4" HEX, 7/16" THK 18-8 SST
18867	12-280	2	WASHER	4	ID 0.336, OD 0.75, THK .064, BRASS
37355	46-208737P12	2	SCREW	4	10-32 X 1/2", HEX SOC HEAD, 18-8 SST
37364	46-208560P102	2	SCREW	4	10-32 X 5/8", BIND HEAD, 18-8 SST

MAGNISHIELD ENCLOSURE REAR PEDESTAL COVERS 2131492-2



L2131491-2A

M/S REAR PEDESTAL COVER

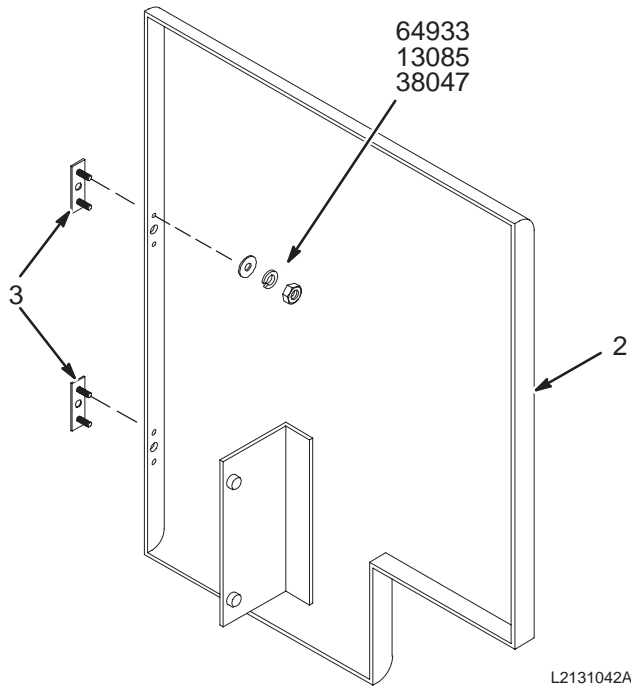
2131492-2 FRU N

(PART OF 2118423 PAGE 2-67)
(PART OF 2118423-2 PAGE 2-69)

Item	Part Number	FRU	Name	Quantity	Description (Remarks)
6	46-287227P1	2	BRCKT R C T	1	BACK COVER ATTACHING
7	2124053	2	BKT, SCD	1	BRACKET, REAR COVER (DOGHOUSE)
9	46-287233P1	2	SPACER	4	REAR PEDESTAL SIDE COVER MOUNTING
10	46-208935P9	2	NUT	4	5/16-18, .563 HEX X .219 THK, BRASS
11	46-208935P7	2	NUT	6	10-32, 3/8 HEX, 1/8" THICK, BRASS
12	46-265486P15	2	SCREW	4	5/16-18 X 1 PAN HEAD, DELRIN NATURAL
13	46-220196P3	2	WASHER	2	#10 SCREW SIZE (0.190), SST
14	12-280	2	WASHER	4	ID 0.336, OD 0.75, THK .064, BRASS
15	46-208560P102	2	SCREW	2	10-32 X 5/8", BIND HEAD, 18-8 SST
16	1000904P425	2	WASHER	8	0.2 ID, 0.5 OD, 04 THK, B11H89C
17	46-301105P1	2	BRACKET	1	BACK COVER SUPPORT LEG, LEFT
18	46-301105P2	2	BRACKET	1	BACK COVER SUPPORT LEG, RIGHT
19	2109866-13	2	SCREW	4	M6X25 SST HEX-HEAD SCREW
20	2109880-3	2	WASHER	4	M6 SST SPRING LOCK WASHER
21	2109878-3	2	WASHER	4	M6 FLAT WASHER, 12MM OD, 1.6MM, SST
22	2131043	N	REAR COVER	1	REAR COVER ASM W.B. RIGHT (SEE PAGE 2-91)
23	2131042	N	SIDE COVER	1	SIDE COVER ASM W.B. LEFT (SEE PAGE 2-90)
24	2124054	2	COVER	1	REAR COVER (DOGHOUSE)
25	46-320524P1	2	SIDE COVER	2	

LEFT SIDE REAR PEDESTAL COVER

2131042



LEFT REAR PED SIDE COVER

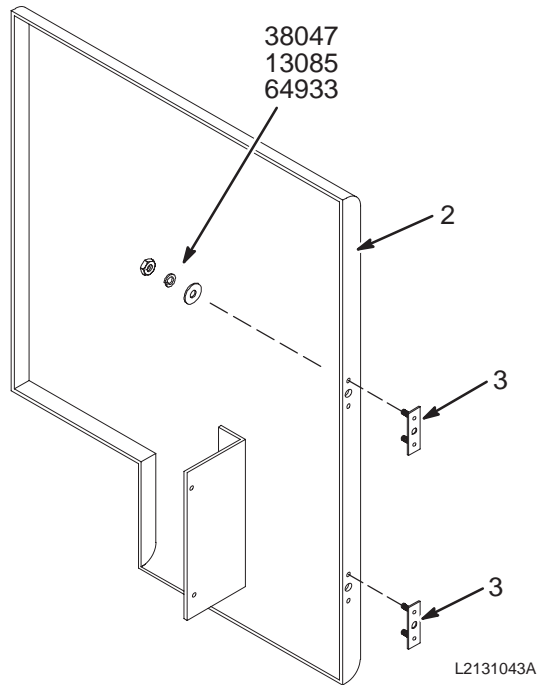
2131042 FRU N

(PART OF 2131492-2 PAGE 2-89)

Item	Part Number	FRU	Name	Quantity	Description (Remarks)
2	46-320518P1	2	SIDE COVER	1	SIDE REAR COVER LEFT W.B.
3	46-287234G1	2	PIN SUPPORT	2	REAR PEDESTAL COVER GUIDE PIN INSERT
13085	46-220196P3	2	WASHER,LOCK	4	#10 SCREW SIZE (0.190), SST
38047	46-208938P5	2	NUT,HEX,MS	4	10-32, 3/8" HEX X .130 THK, 18-8 SST
64933	1000904P425	2	WASHER,FLAT	4	0.2 ID, 0.5 OD, .04 THK, B11H89C

RIGHT SIDE REAR PEDESTAL COVER

2131043



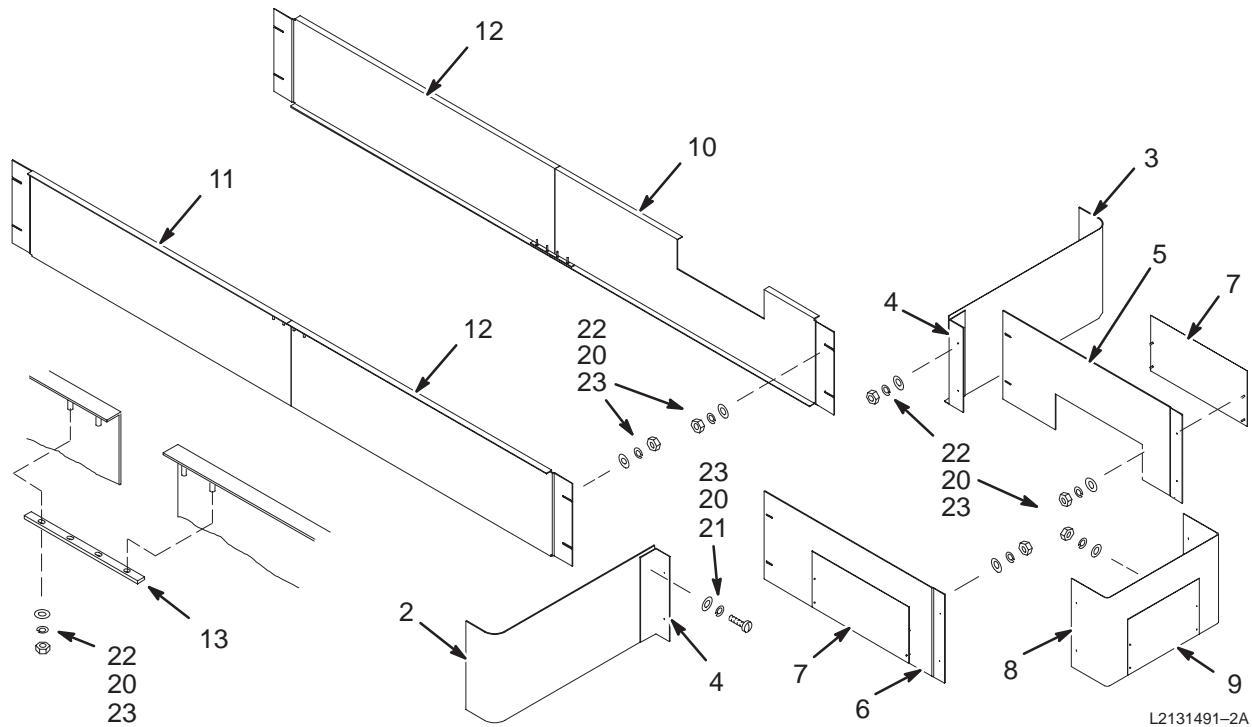
RIGHT SIDE REAR PED COVER

2131043 FRU N

(PART OF 2131492-2 PAGE 2-89)

Item	Part Number	FRU	Name	Quantity	Description (Remarks)
2	46-320519P1	2	SIDE COVER	1	SIDE REAR COVER RIGHT W.B.
3	46-287234G1	2	PIN SUPPORT	2	REAR PEDESTAL COVER GUIDE PIN INSERT
13085	46-220196P3	2	WASHER,LOCK	4	#10 SCREW SIZE (0.190), SST
38047	46-208938P5	2	NUT,HEX,MS	4	10-32, 3/8" HEX X .130 THK, 18-8 SST
64933	1000904P425	2	WASHER,FLAT	4	0.2 ID, 0.5 OD, .04 THK, B11H89C

MAGNISHIELD ENCLOSURE TRIM COVERS 2131491-2



L2131491-2A

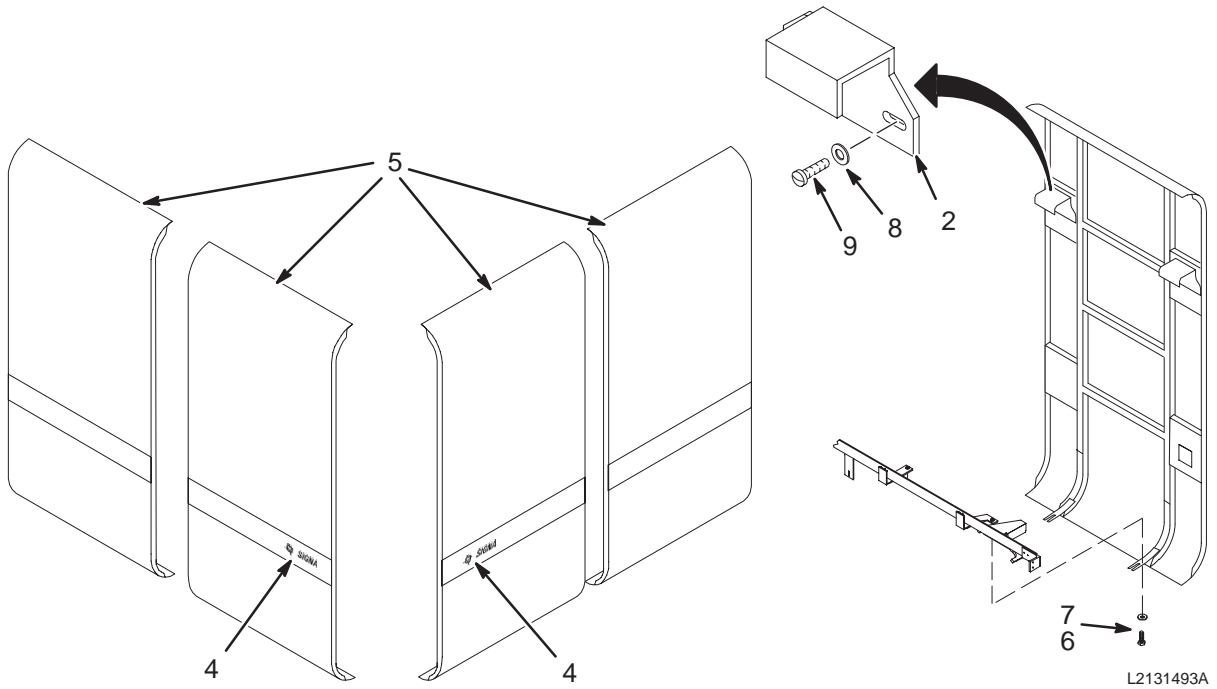
M/S ENCL TRIM PANELS

2131491-2 FRU N

(PART OF 2118423 PAGE 2-67)
(PART OF 2118423-2 PAGE 2-69)

Item	Part Number	FRU	Name	Quantity	Description (Remarks)
2	46-301157P2	2	BASE TRIM RR	1	MAGNISHIELD RIGHT REAR TRIM SKIRT
3	46-301157P1	2	BASE TRIM RR	1	MAGNISHIELD LEFT REAR TRIM SKIRT
4	46-301160P1	2	TRIM ANGLE	2	TRIM SKIRT MOUNTING BRACKET
5	46-301158P1	2	TRIM SIDE	1	REAR PEDESTAL, LEFT SIDE SKIRT
6	46-301158P2	2	TRIM SIDE	1	REAR PEDESTAL, RIGHT SIDE SKIRT
7	46-251686G1	2	TRIM COVER	2	PEDESTAL SIDE CABLE ACCESS PANEL
8	46-301159P1	2	TRIM REAR	1	REAR PEDESTAL, REAR TRIM SKIRT
9	46-251684G1	2	TRIM COVER	1	REAR SKIRT CABLE ACCESS PANEL
10	46-301155P3	2	BASE TRIM SD	1	SIDE SKIRT, LEFT REAR
11	46-301155P2	2	BASE TRIM SD	1	SIDE SKIRT, RIGHT FRONT
12	46-301155P1	2	BASE TRIM SD	2	SIDE SKIRT, RIGHT REAR OR LEFT FRONT
13	46-301161P1	2	SKIRT SPLICE	4	MAGNISHIELD SIDE SKIRT SPLICE BAR
20	46-220196P3	2	WASHER, LOCK	48	#10 SCREW SIZE (0.190), SST
21	46-208560P102	2	SCREW, MACH	12	10-32 X 5/8", BIND HEAD, 18-8 SST
22	46-208938P5	2	NUT, HEX, MS	36	10-32, 3/8" HEX X .130 THK, 18-8 SST
23	1000904P425	2	WASHER, FLAT	48	0.2 ID, 0.5 OD, .04 THK, B11H89C

MAGNISHIELD ENCLOSURE SIDE COVERS 2131493-2



M/S ENCL SIDE COVERS

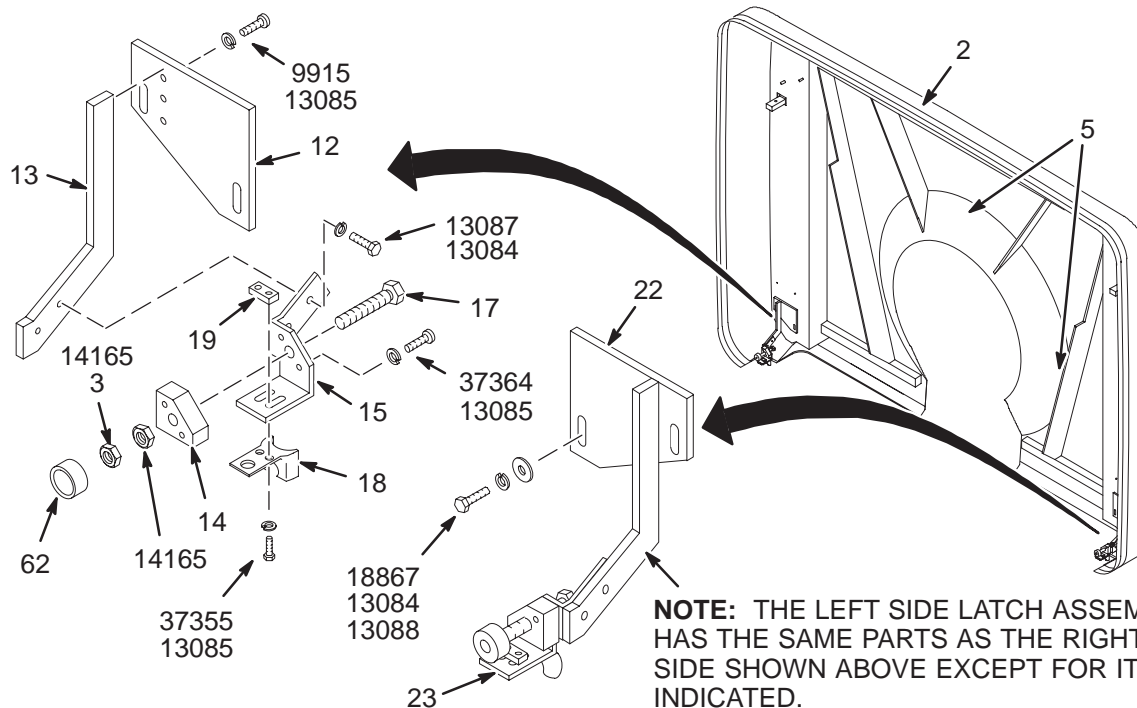
2131493-2 FRU N

(PART OF 2118423 PAGE 2-67)
(PART OF 2118423-2 PAGE 2-69)

Item	Part Number	FRU	Name	Quantity	Description (Remarks)
2	46-255133P1	2	BRACKET	8	MAGNET ENCLOSURE SIDE COVER HANGER
4	46-287648P1	2	SIGNA DECAL	2	GE MONOGRAM AND SIGNA, GREY
5	46-287949P1	2	SIDE COVER	4	MAGNISHIELD ENCLOSURE SIDE COVER
6	46-208932P1	2	SCREW,CAP	8	1/4-20 X 3/4, 18-8 SST
7	12-241	2	WASHER	8	ID 0.266, OD 0.75, THK .051, BRASS
8	1000904P446	2	WASHER,FLAT	16	ID 0.266, OD 0.68, THK .05, B7A34C
9	46-208932P5	2	SCREW,CAP	16	1/4-20 X 5/8" HEX HEAD. 18-8 SST

MAGNISHIELD BACK COVER ASM

46-301515G2



MAGNISHIELD BACK COVER

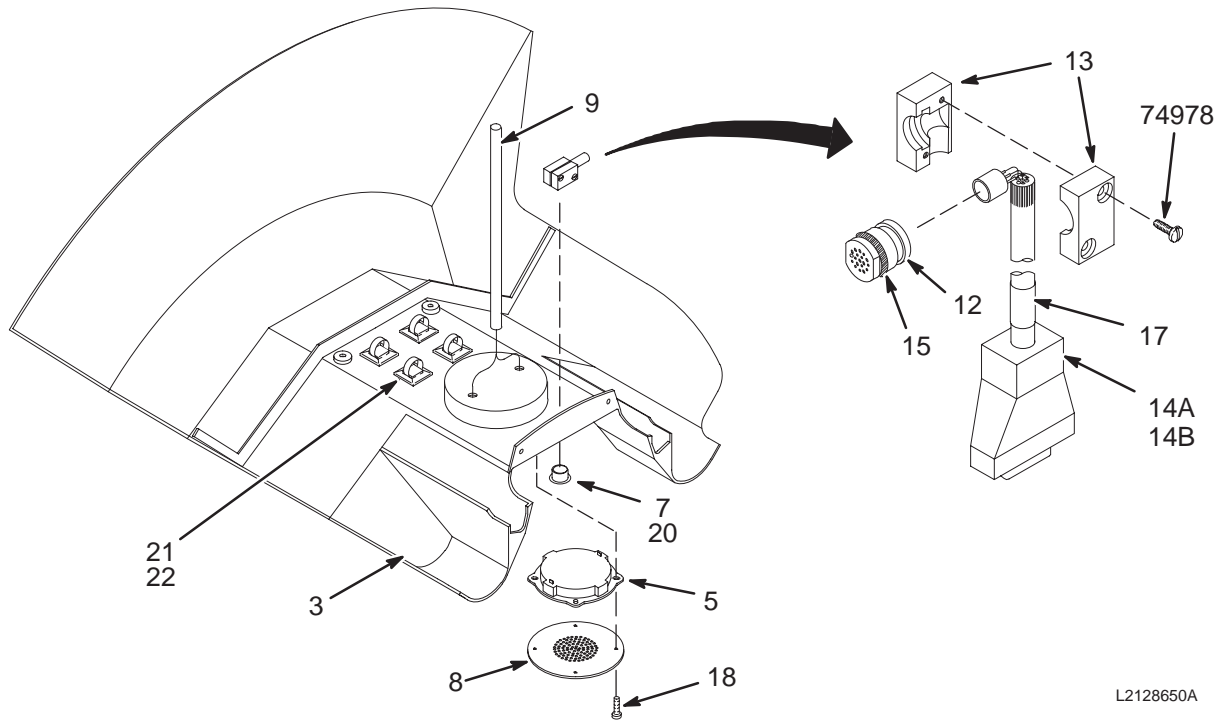
46-301515G2 FRU N

(PART OF 2118423 PAGE 2-67)
(PART OF 2118423-2 PAGE 2-69)

Item	Part Number	FRU	Name	Quantity	Description (Remarks)
2	2118419	N	WB REAR CVR	1	USE 46-301515G3 AS FIELD REPLACEMENT
3	46-170686P3	2	ADHESIVE	AR	LOCTITE 242, 50CC
4	46-251997P1	2	STUD-COVER	8	5/16-18 X 1-3/4, SST
12	46-301115P2	2	PLATE	1	FRONT LOWER RIGHT OR REAR LOWER LEFT
13	46-301114P1	2	PLATE	2	LATCH AND BUMPER EXTENSION ARM
14	46-301141P1	2	BLOCK	2	BUMPER ADJUST SCREW SUPPORT
15	46-301140P2	2	BRACKET	1	FRONT LOWER RIGHT OR REAR LOWER LEFT
17	46-208932P43	2	SCREW	2	1/2-13 X 4.00 THREAD TO HEAD 18-8
18	46-251360P2	2	MECHANICAL/M	2	FLEX LATCH KEEPER
19	46-251307P1	2	NUT PLATE	2	10-32 THREAD, TWO HOLES, .5" SPACING
22	46-301115P1	2	PLATE	1	FRONT LOWER LEFT OR REAR LOWER RIGHT
23	46-301140P1	2	BRACKET	1	FRONT LOWER LEFT OR REAR LOWER RIGHT
62	46-328574P2	2	SPRING	2	SPRING COMPRESSION 22.225 MM 22.225
9915	46-221922P6	2	SCREW	6	10-32 X 1/2" HEX HD, SST 18-8
13084	46-220196P5	2	WASHER	8	5/16" SCREW SIZE (0.313), SST
13085	46-220196P3	2	WASHER	14	#10 SCREW SIZE (0.190), SST
13087	46-208932P3	2	SCREW	4	5/16-18 X 3/4", 18-8 SST
13088	46-208932P11	2	SCREW	4	5/16-18 X 1", HEX HD, 18-8 SST
14165	46-208948P3	2	NUT	2	1/2-13, 3/4" HEX, 7/16" THK 18-8 SST
18867	12-280	2	WASHER	4	ID 0.336, OD 0.75, THK .064, BRASS
37355	46-208737P12	2	SCREW	4	10-32 X 1/2", HEX SOC HEAD, 18-8 SST
37364	46-208560P102	2	SCREW	4	10-32 X 5/8", BIND HEAD, 18-8 SST

MAGNISHIELD PATIENT COMFORT MODULE

2128650-2



L2128650A

PATIENT COMFORT MODULE

2128650-2 FRU N

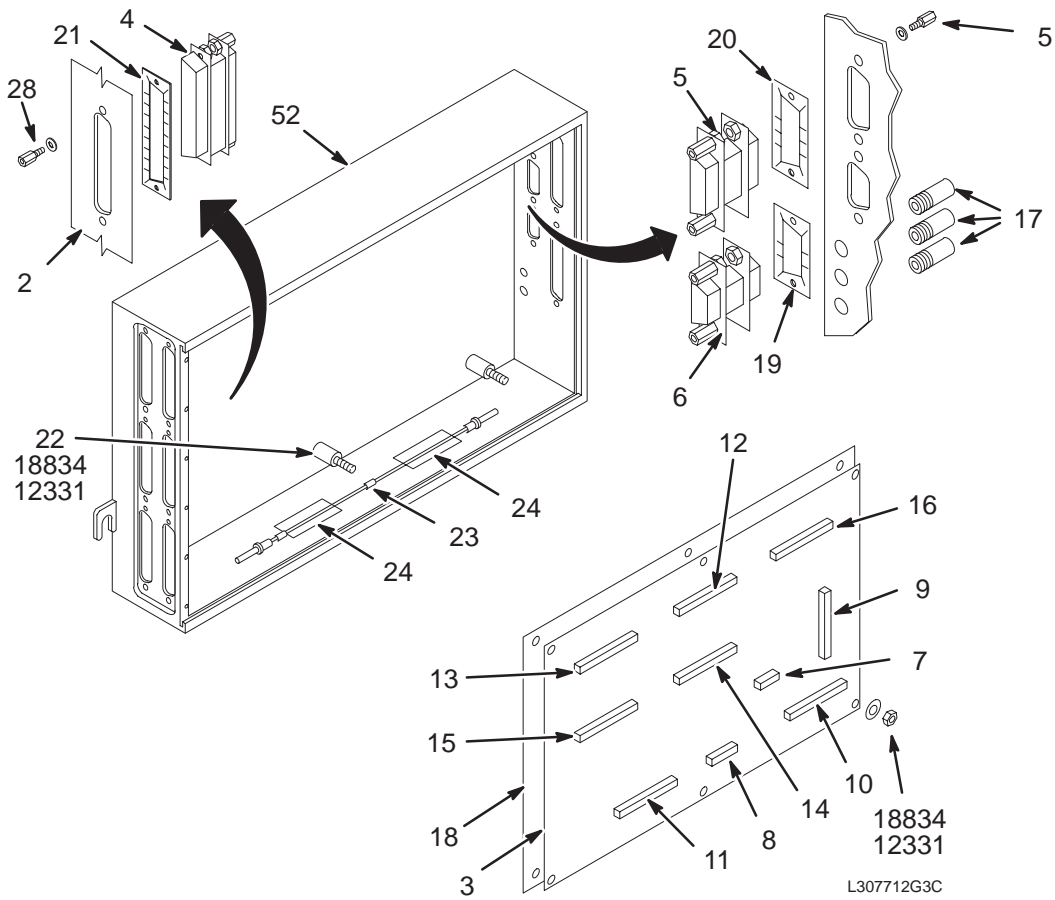
(PART OF 2118423 PAGE 2-67)
(PART OF 2118423-2 PAGE 2-69)

Item	Part Number	FRU	Name	Quantity	Description (Remarks)
3	2126806-2	2	HOUSING	1	COMFORT MOD UFI
5	46-221773P2	2	SPEAKER	1	SPEAKER, PIEZOELECTRIC, 3.2" SQUARE
7	46-221523P26	2	BUTTON,PLUG	1	VENT PLUG, WHITE, 7/8 DIA.
8	46-287121P1	2	GRILL	1	SPEAKER GRILL, ALUMINUM MIST GRAY
9A	46-317252G3	2	CABLE ASM	1	WIDE OPEN SPEAKER CABLE
9B	46-317252G1	2	CABLE ASM	1	COMFORT MODULE SPEAKER CABLE
12	46-317134P1	N	MIKE HOUSING	1	USE 46-317109G1 AS FIELD REPLACEMENT
13	46-317135P1	N	CABLE CLAMP	1	USE 46-317109G1 AS FIELD REPLACEMENT
14A	46-317157G6	N	CABLE ASM.	1	MICROPHONE CABLE WIDE OPEN
14B	46-317157G2	N	CABLE ASM.	ALT	USE 46-317109G1 AS FIELD REPLACEMENT
15	46-136374P65	2	O-RING	1	WIDTH .07, ID 0.551, DUROMETER A 70
17	46-251905P208	2	CABLE LABEL	1	MG3-A2-J7 REAR MIKE 46-317109G1
18	2136944	2	SCREW,NYLON	4	M4 X 7 FLAT HEAD SLOTTED NYLON
20	46-170617P2	2	COMPOUND	AR	RTV SILICON RUBBER ADHESIVE SEALANT.
21	46-208747P1	2	MOUNT	4	CABLE TIE,ADH.BACKED
22	46-208758P2	2	STRAP	4	5.5" X .140" SELF-LOCKING CABLE TIE.
74978	46-208560P111	2	SCREW,MACH	2	6-32 X 5/8" BIND HEAD, SST 18-8

2-3 SRI AND PAC ASSEMBLIES

SCAN ROOM INTERFACE (SRI) MODULE

46-287370G8



SRI MODULE

46-287370G8 FRU 1

(PART OF 46-307712G7 PAGE 2-38)

(PART OF 46-307712G8 PAGE 2-17)

(PART OF 46-306540G3 PAGE 2-82)

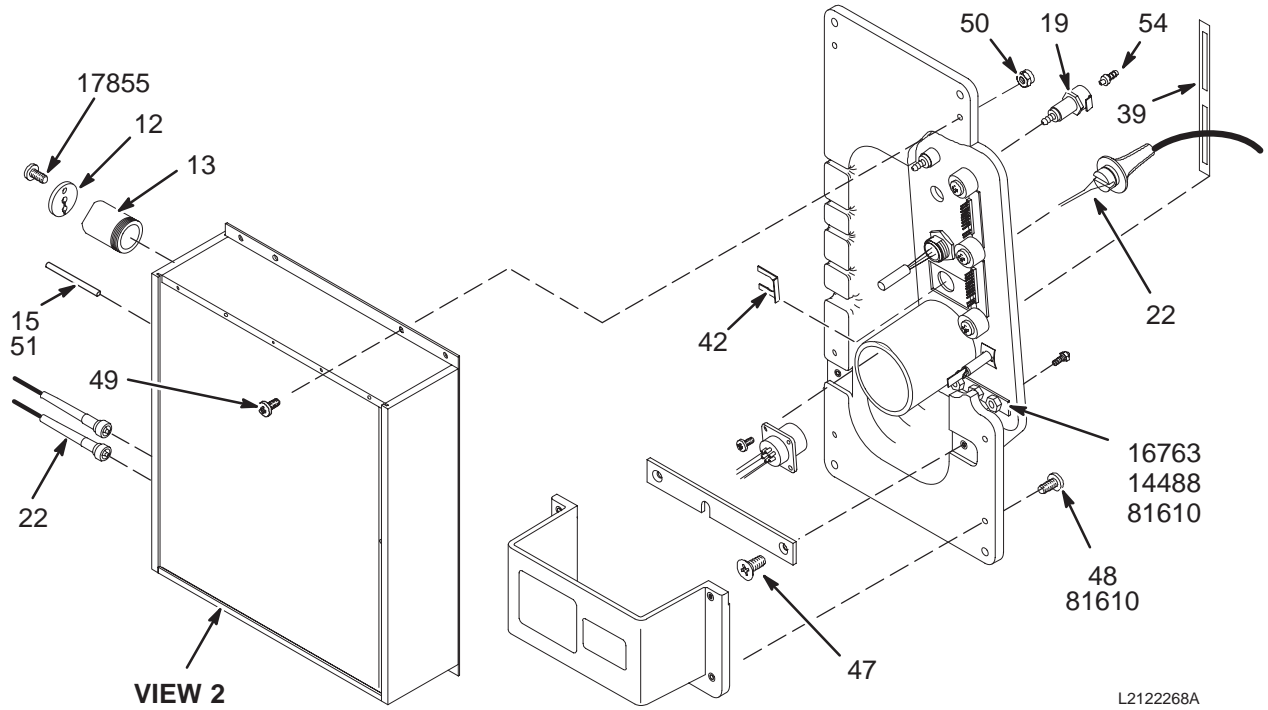
(PART OF 2168696 PAGE 2-159)

(PART OF 2168696-2 PAGE 2-179)

Item	Part Number	FRU	Name	Quantity	Description (Remarks)
2A	2255400	2	SRI BOX	1	SRI ENCLOSURE W/EMI GASKETS
2B	46-307138P1	2	SRI/DISM BOX	ALT	SRI ENCLOSURE BOX W/COVER - EMPTY
3	46-288016G9	1	SRI BOARD	1	SRI BOARD WITH DUAL SENSOR DAUGHTER BD
4	46-271920P4	2	CONNECTOR	8	CONNECTOR 37 CONTACTS 100 VOLTS 5 AM
5	46-271920P2	2	CONNECTOR	1	CONNECTOR 15 CONTACTS 100 VOLTS 5 AM
6	46-271920P1	2	CONNECTOR	1	CONNECTOR 9 CONTACTS 100 VOLTS 5 AMP
7	46-244890P110	2	RIBB.CBL.ASM	1	9 CONDUCTOR, 20 INCH LENGTH
8	46-244890P103	2	RIBB.CBL.ASM	1	15 CONDUCTOR, 16 INCH LENGTH
9	46-244890P111	2	RIBB.CBL.ASM	1	37 CONDUCTOR, 5.5 INCH LENGTH
10	46-244890P102	2	RIBB.CBL.ASM	1	37 CONDUCTOR, 14 INCH LENGTH
11	46-244890P104	2	RIBB.CBL.ASM	1	37 CONDUCTOR, 11.5 INCH LENGTH
12	46-244890P105	2	RIBB.CBL.ASM	1	37 CONDUCTOR, 10 INCH LENGTH
13	46-244890P106	2	RIBB.CBL.ASM	1	37 CONDUCTOR, 14 INCH LENGTH
14	46-244890P107	2	RIBB.CBL.ASM	1	37 CONDUCTOR, 10.5INCH LENGTH
15	46-244890P108	2	RIBB.CBL.ASM	1	37 CONDUCTOR, 6.5 INCH LENGTH
16	46-244890P109	2	RIBB.CBL.ASM	1	37 CONDUCTOR, 19 INCH LENGTH
17	46-287464P1	2	TUBE, WAVE	3	FIBEROPTIC CABLE FEED THROUGH
18	46-287406P1	2	INSULATOR OL	1	SRI/DSIM CIRCUIT BOARD INSULATOR
19	46-221754P1	2	CONNECTOR	1	RFI GASKET USED WITH 9 PIN SUB-D
20	46-221754P2	2	CONNECTOR	1	RFI GASKET USED WITH 15 PIN
21	46-221754P4	2	CONNECTOR	8	RFI GASKET USED WITH 37 PIN SUB-D
22	46-206518P1	2	SPACER	6	TUBULAR, LAMINATED COMPOUND
23	46-287282G1	2	CABLE ASM FO	1	SERVICING DEVICE LOOP BACK FO CABLE
24	46-136246P11	2	TAPE	0.334	5/8" WIDE, BLK ADH BACK, VELCRO HOOK
28	46-221449P2	2	SCREW	20	#4 SCREW SIZE (0.112) PHOS BRONZE
12331	46-208937P1	2	NUT	6	6-32 .313 HEX X .109 THK 316 SST
18834	12-244	2	WASHER	6	ID 0.1495, OD 0.438, THK .051, BRASS

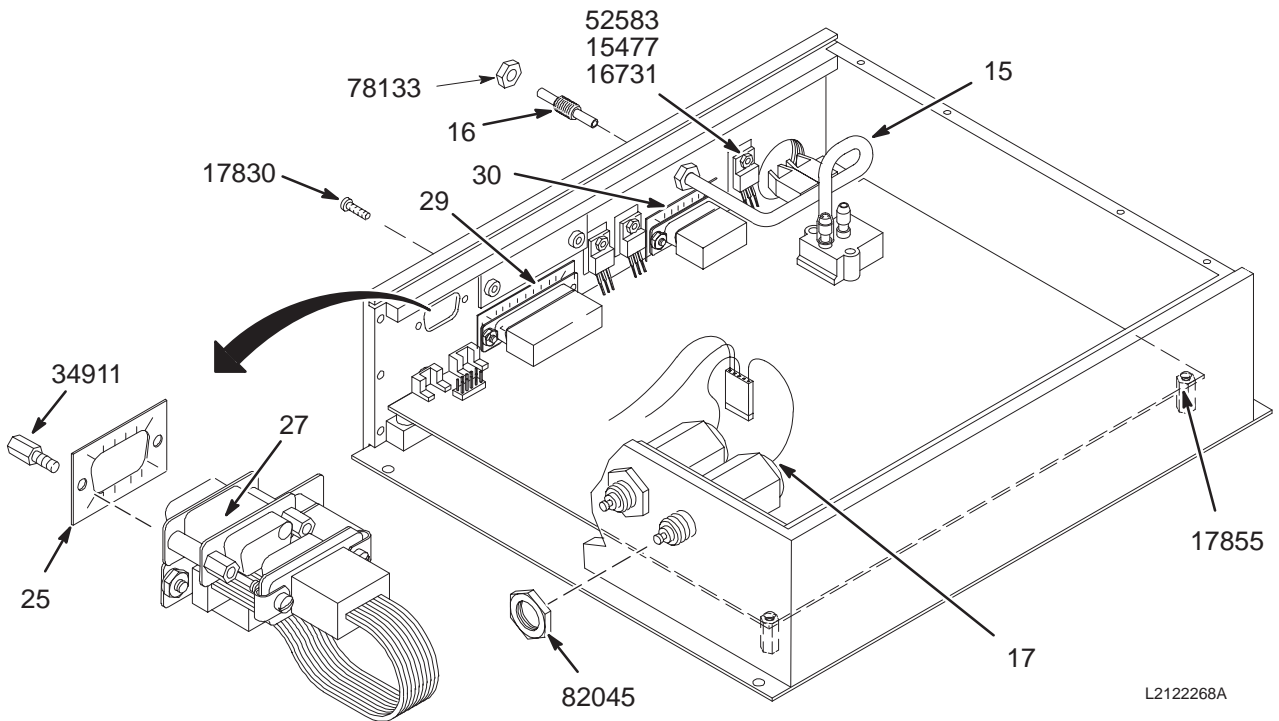
PAC-II ASM

2122268-2



L2122268A

VIEW 1



L2122268A

VIEW 2

PAC-II ASM

2122268-3 FRU 1

(PART OF 2120888 PAGE 2-47)

(PART OF 2120889 PAGE 2-87)

(PART OF 2142000 SERIES PAGES 2-155 THRU 2-158)

(PART OF 2142000 SERIES PAGES 2-174 THRU 2-178)

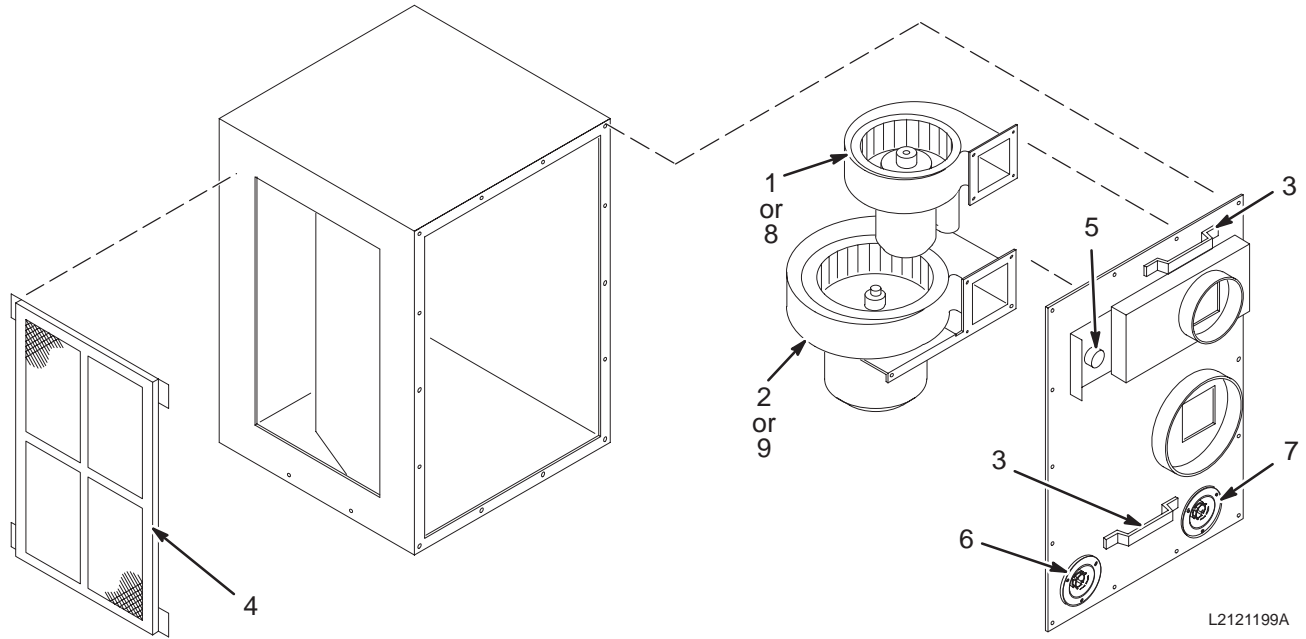
Item	Part Number	FRU	Name	Quantity	Description (Remarks)
7	46-307614G4	2	CABLE	1	PAC-II FRONT DISPLAY CABLE, 17"
12	46-307515P1	2	SHIELD,COVER	1	FIBEROPTIC CABLE INTERFACE COVER
13	46-307514P1	2	SHIELD	1	FIBEROPTIC CABLE INTERFACE SHIELD
15	46-170176P2	2	RUBBER TUB	1.624	MEDICAL-GRADE SILICON TUBING.
16	46-258715P1	2	TUBE	1	TUBING INTERCONNECT, BRASS
17	46-136323P2	2	TUB,SHRINK	.250	BLACK EXPANDED ID .125
18	46-228374P1	2	FLUX SOLDER	AR	TIN60/LEAD40, ROSIN CORE, 0.062" DIA
19	46-265651P1	2	CPLG,PNL MTG	2	COUPLING, PANEL MTG
22	46-317903G3	N	PPG ASSEMBLY	1	FIBER OPTIC PPG PROBE AND CABLE ASM
25	46-221754P1	2	RFI GASKET	1	RFI GASKET USED WITH 9 PIN SUB-D
27	46-271920P1	2	FILTER	1	9 PIN SUB-D CAPACITIVE FILTER, 100V
29	46-221754P3	2	RFI GASKET	1	RFI GASKET USED WITH 25 PIN SUB-D
30	46-221754P2	2	RFI GASKET	1	RFI GASKET USED WITH 15 PIN
39	2132089	2	LABEL,WINDOW	1	LABEL, WINDOW
47	2109874-11	2	FLAT HD SCRW	2	M4X12LG SST CROSS REC'D C'SK FLT HD
48	2109873-17	2	PAN HD SCREW	4	M4X20LG SST CROSS-RECES'D PAN HD SCR
49	2109873-16	2	PAN HD SCREW	2	M4X16 SST CROSS RECESSED PAN HD SCR
50	2109877	2	HEX NUT	2	M4 SST PREVAILING TORQUE HEX NUT
51	2136909	2	COUPLING	1	COUPLING, 1/8 TUBE
52	46-282264P1	2	OXY-BOND ADH	1	2 OZ DUAL-PAK CARTRIDGE EPOXY, CLEAR
54	46-265652P1	2	CPLG INSERT	2	COUPLING INSERT
14488	46-220196P2	2	WASHER,LOCK	4	#6 SCREW SIZE (0.138), SST
16731	46-208935P4	2	NUT,HEX,MS	3	4-40, 1/4" HEX X .093 THK, BRASS
16763	46-208936P1	2	NUT,HEX,MS	4	6-32, 1/4" HEX X .094 THICK, BRASS
17830	46-220184P5	2	SCREW MACH	2	4-40 X 1/4" ROUND HEAD SLOTTED, BRASS
17855	46-220184P12	2	SCREW MACH	4	6-32 X5/16 ROUND HEAD SLOTTED, BRASS
34911	46-221417P1	2	SCREWLOCK	3	FEMALE SCREWLOCKS, TWO PER KIT
52583	516A770P408	2	SCREW,MACH	3	4-40 X 1/2" LONG BIND HEAD, SST 18-8
78133	46-208936P6	2	NUT,HEX,MS	2	1/4-20, 3/8" HEX X .094 THICK, BRASS
81610	46-170686P2	2	SEALANT	AR	LOCTITE 242, 10CC
82045	46-208643P8	2	NUT,LOCK	4	1/2-28, 5/8" HEX, 1/16 THICK BRASS

2-4 BLOWER CABINETS

BLOWER CABINET

2121199, 2121199-7, & 2121199-12

MG6



L2121199A

BLOWER CABINET

2121199-7 FRU N

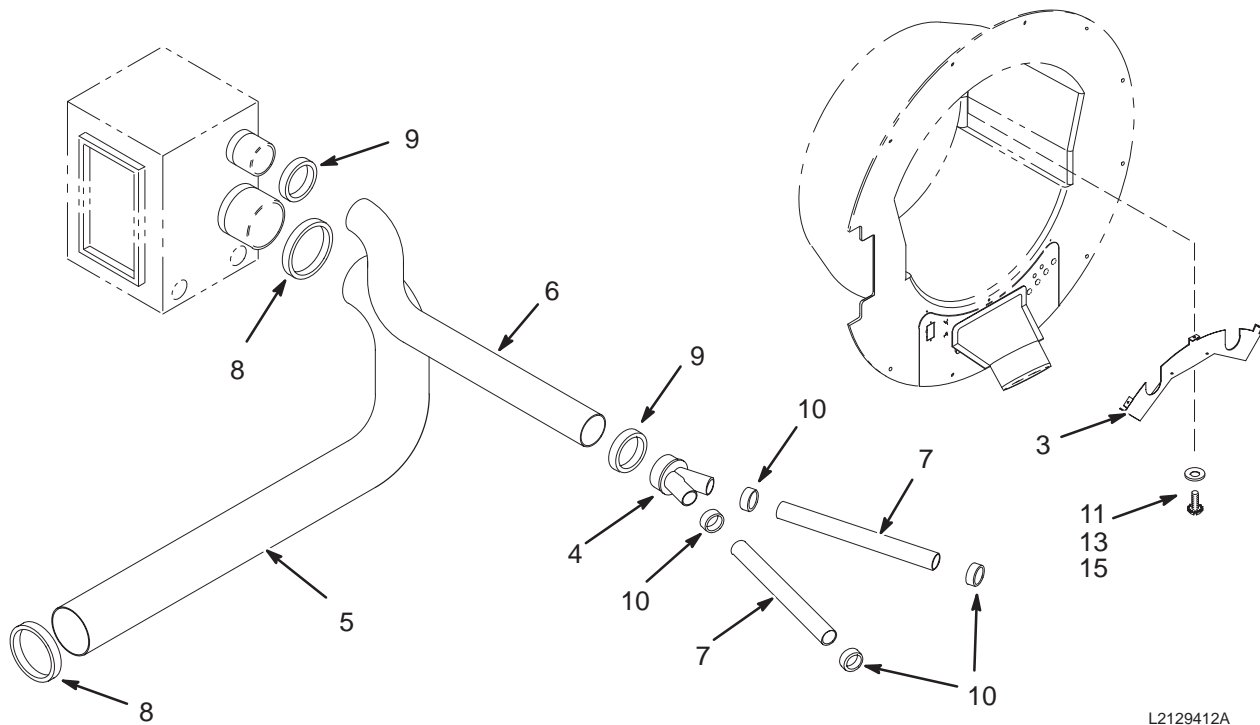
- (PART OF 2118422-3 PAGE 2-7)
- (PART OF 2118422-5 PAGE 2-9)
- (PART OF 2118422-7 PAGE 2-11)
- (PART OF 2118422-9 PAGE 2-13)
- (PART OF 2118422-2 PAGE 2-28)
- (PART OF 2118422-4 PAGE 2-30)
- (PART OF 2118422-6 PAGE 2-32)
- (PART OF 2118422-8 PAGE 2-34)
- (PART OF 2118423 PAGE 2-67)
- (PART OF 2118423-2 PAGE 2-69)
- (PART OF 2142000 SERIES PAGES 2-155 THRU 2-158)
- (PART OF 2142000 SERIES PAGES 2-174 THRU 2-177)
- (PART OF ACGD CATALOGS)

BLOWER CAB w/FIXED MNTG BRCKT 2121199-12 FRU N

Item	Part Number	FRU	Name	Quantity	Description (Remarks)
1	2121199-2	1	BLOWER ASM	1	CENTRIFUGAL BLOWER, COMFORT MODULE
2	2121199-3	1	BLOWER ASM	1	CENTRIFUGAL BLOWER - BODY COIL
3	2121199-4	2	HANDLE	2	HANDLE, FORMED STEEL
4	2121199-5	2	AIR FILTER	1	AIR FILTER
5	2121199-6	2	CLAMP KNOB	1	PLASTIC CLAMP KNOB
6	46-170036P6	2	RECEPTACLE	1	AMPS 20 VOLTS 208 POLES 4 WIRES 3
7	46-317671P1	2	RECEPT,MALE	1	FLANGED INLET, 30A, 120/208 3-PHASE
8	2121199-8	1	BLOWER ASM	1	SMALL BLOWER W/MTG BRACKET AND CAPACITOR ASM
9	2121199-9	1	BLOWER ASM	1	LARGE BLOWER W/MTG BRACKET AND CAPACITOR ASM

BLOWER HOSE KIT

2129412



BLOWER HOSE KIT

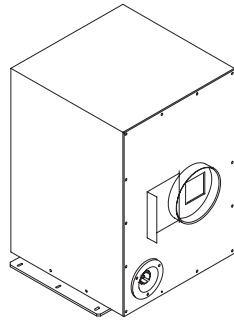
2129412 FRU N

(PART OF 2118422-ODD PAGE 2-7 THRU 2-13)
 (PART OF 2118422-EVEN PAGE 2-28 THRU 2-34)
 (PART OF 2118423 PAGE 2-67)
 (PART OF 2118423-2 PAGE 2-69)

Item	Part Number	FRU	Name	Quantity	Description (Remarks)
3	2126805	2	C.M. BRACKET	1	BRACKET UFI COMFORT MOD
4	2120631	2	2 WAY SPLIT	1	HEADER 2 WAY
5	46-282666P10	2	DUCT,AIR PVC	50	GOODYEAR GRAY PVC AIR DUCT
6	46-282666P9	2	DUCT,AIR PVC	50	GOODYEAR GRAY PVC AIR DUCT
7	46-282668P18	2	HOSE, NYLON	2	2 INCH DIAMETER, 132 INCH LENGTH
8	46-208765P29	2	CLAMP,HOSE	2	DIA RANGE 5-5/8 - 6-1/2 302/305 SST
9	46-208765P34	2	CLAMP,HOSE	2	DIA RANGE 3-9/16 - 4-1/2
10	46-208765P28	2	CLAMP,HOSE	4	DIA RANGE 1-13/16 - 2-3/4, 302/305
11	2109873-27	2	SCREW	3	M6X25 SST CROSS RECESSED PAN HD SCR
13	2109878-3	2	WASHER	3	M6 FLAT WASHER, 12MM OD, 1.6MM SST
14	46-208758P5	2	TY-RAP	4	13.38"X .301" SELF-LOCKING CABLE TIE
15	46-170686P1	2	ADHESIVE	AR	LOCTITE 242, 0,5CC TUBE

TwinSpeed BLOWER CABINET

2241999



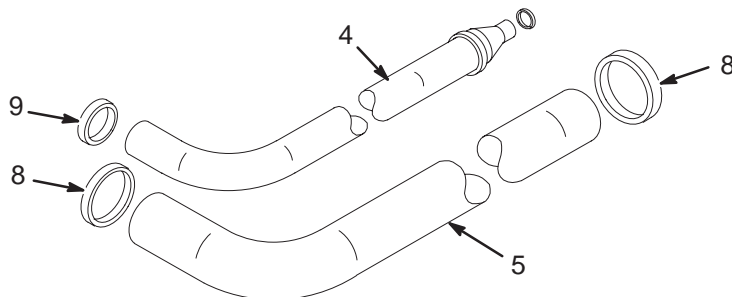
TwinSpeed BLOWER CABINET

2241999 FRU N (PART 54 OF M3043TA – M3063TA PAGES 1–74 TO 1–75)
 (PART 54 OF M3043TD PAGE 1–78)
 (PART 54 OF M3053TD PAGE 1–78)
 (PART 54 OF M3063TD PAGE 1–78)

Item	Part Number	FRU	Name	Quantity	Description (Remarks)
2	2295781	N	HOUSING ASM	1	TWIN BLOWER HOUSING
3	2295768	N	PLATE	1	TWIN SLIDE PLATE
4	2295769	N	BRACKET	1	TWIN SMALL FAN MOUNTING BRACKET
5	2295770	N	PLATE	1	TWIN SPACER PLATE
6	2295771	N	CLAMP	1	TWIN STRAP CLAMP
7	2295774	N	SPACER	1	TWIN TEFLON SPACER
8	2295866	N	DUCT	1	TWIN SMALL RING AIR DUCT
9	2295772	N	BAR	1	TWIN BUS BAR
10	2295773	N	COVER	1	TWIN FILTER COVER
11	2299474	N	BLOWER	1	TRM 200 CFM SMALL BLOWER
12	46-317671P1	N	CONNECTOR	1	FLANGED INLET, 30A, 120/208 3-PHASE
14	46-170391P1	N	CLAMP	1	WRAPAROUND MOUNTING BRACKET
15	2299468	N	MOUNT	4	TRM M6 CYLINDRICAL RUBBER MOUNT
16	2295775	N	FILTER	1	TWIN AIR FILTER
17	2295776	N	PAD	2	TWIN FOAM PAD SPECIALTY
18	2295778	N	STRIP	4	TWIN FOAM STRIP, SHORT
19	2295778-2	N	STRIP	4	TWIN FOAM STRIP, LONG
20	2295782	N	PAD	2	TWIN FOAM PAD, BOTTOM/TOP
21	2295782-2	N	PAD	1	TWIN FOAM PAD, SIDE
22	2295782-3	N	PAD	1	TWIN FOAM PAD, BACK
23	2295779	N	FOAM	1	TWIN MOTOR MOUNT FOAM
24	2295777	N	SPACER	1	TWIN FOAM SPACER
25	2299469	N	STUD	4	STUD CLINCH 22.2 MM 5 MM
26	2299470	N	WASHER	4	TRM NYLON WASHER
27	2299471	N	CLIP, RETAIN	4	TRM SST RETAINER CLIP
28	2109873-28	N	SCREW	2	SCREW PAN HEAD Z M6X30 A2-70
29	2109881-3	N	WASHER	6	WASHER LOCK – INTERNAL 6.4 MM 11 MM
30	2109876-3	N	NUT	7	NUT HEXAGON_THIN 6 MM
31	46-214689P33	N	TERMINAL	2	RING TERMINAL M6/1/4UN, 12-10 AWG
32	2299472	N	CLIP,CABLE	1	TRM PLASTIC CABLE CLIP
33	2299475	N	KNOB	1	TRM PLASTIC KNOB
34	2109873-14	N	SCREW	32	SCREW PAN HEAD Z M4X10 A2-70
35	2299476	N	NUT-INCH	4	NUT-INCH HEXAGON
36	2299477	N	NUT	4	NUT HEXAGON 5 MM
37	2109877	N	NUT	2	NUT HEXAGON 4 MM
38	2299479	N	SHOULDER	2	TRM NYLON SHOULDER
40	2295766	N	PLATE	1	TWIN COVER PLATE
43	2304249	N	COVER	1	TWIN DUCT TRIM COVER
44	2304250	N	PAD	2	TWIN BASE RUBBER PAD

WideOpen BLOWER HOSE KIT

2129412-3 & 2129412-6



WideOpen BLOWER HOSE KIT 2129412-3 FRU N (PART 11A OF 2202900 SERIES PAGES 2-247 TO 2-249)

Item	Part Number	FRU	Name	Quantity	Description (Remarks)
4	2162999-2	N	HOSE KIT	1	HOSE ASM W/REDUCER 4" TO 2" FOR W O (SEE PAGE 2-104)
5	46-282666P12	2	DUCT,AIR PVC	1	6" DIA GOODYEAR GRAY PVC AIR DUCT, 13 FT (3962mm) LONG
8	46-208765P29	2	CLAMP	2	DIA RANGE 5-5/8 - 6-1/2 302/305 SST
9	46-208765P34	2	CLAMP	1	DIA RANGE 3-9/16 - 4-1/2

TwinSpeed BLOWER HOSE KIT 2129412-4 FRU N

Item	Part Number	FRU	Name	Quantity	Description (Remarks)
4	2162999-3	2	HOSE KIT	1	HOSE ASM W/REDUCER 4" TO 2" FOR MRI (SEE PAGE 2-104)
5	46-282666P10	2	DUCT,AIR PVC	1	GOODYEAR GRAY PVC AIR DUCT
8	46-208765P29	2	CLAMP	2	DIA RANGE 5-5/8 - 6-1/2 302/305 SST

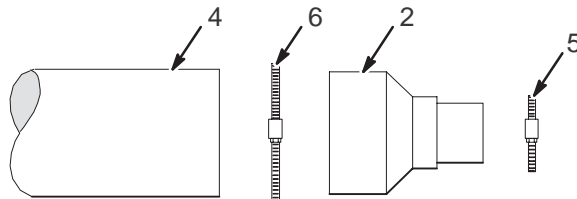
TwinSpeed BLOWER HOSE KIT 2129412-5 FRU N
 (PART 52 OF M3043TA PAGE 1-74)
 (PART 51 OF M3053TA PAGE 1-74)
 (PART 51 OF M3063TA PAGE 1-75)
 (PART 51 OF M3043TD PAGE 1-78)
 (PART 51 OF M3053TD PAGE 1-78)
 (PART 51 OF M3063TD PAGE 1-78)

Item	Part Number	FRU	Name	Quantity	Description (Remarks)
4	2162999-2	N	HOSE KIT	1	HOSE ASM W/REDUCER 4" TO 2" FOR W O (SEE PAGE 2-104)
9	46-208765P34	2	CLAMP	1	DIA RANGE 3-9/16 - 4-1/2

WideOpen BLOWER HOSE RETRO KIT 2129412-6 FRU N (PART 11B OF 2202900 SERIES PAGES 2-247 TO 2-249)

Item	Part Number	FRU	Name	Quantity	Description (Remarks)
4	2162999-4	N	HOSE KIT	1	HOSE ASM W/REDUCER 4" TO 2" FOR W O (SEE PAGE 2-104)
5	46-282666P14	N	DUCT,AIR PVC	1	6" DIA GOODYEAR GRAY PVC AIR DUCT, 20 FT (6096mm) LONG
8	46-208765P29	N	CLAMP	2	DIA RANGE 5-5/8 - 6-1/2 302/305 SST
9	46-208765P34	N	CLAMP	1	DIA RANGE 3-9/16 - 4-1/2

WideOpen HOSE ASM W/REDUCER 4" TO 2" 2162999-2 & 2162999-4



HOSE ASM W/REDUCER 2162999-2 FRU N (PART 4 OF 2129412-3 PAGE 2-103)
 (PART 4 OF 2129412-5 PAGE 2-103)

Item	Part Number	FRU	Name	Quantity	Description (Remarks)
2	2175143	2	REDUCING COU	1	1/12 TO 3 PVC REDUCER
4	46-282666P11	2	DUCT,AIR PVC	1	4" DIA GOODYEAR GRAY PVC AIR DUCT, 13 FT (3962mm) LONG
5	46-208765P28	2	CLAMP	1	DIA RANGE 1-13/16 - 2-3/4, 302/305
6	46-208765P34	2	CLAMP	1	DIA RANGE 3-9/16 - 4-1/2

HOSE ASM W/REDUCER 2162999-3 FRU N (PART OF 2129412-4 PAGE 2-103)

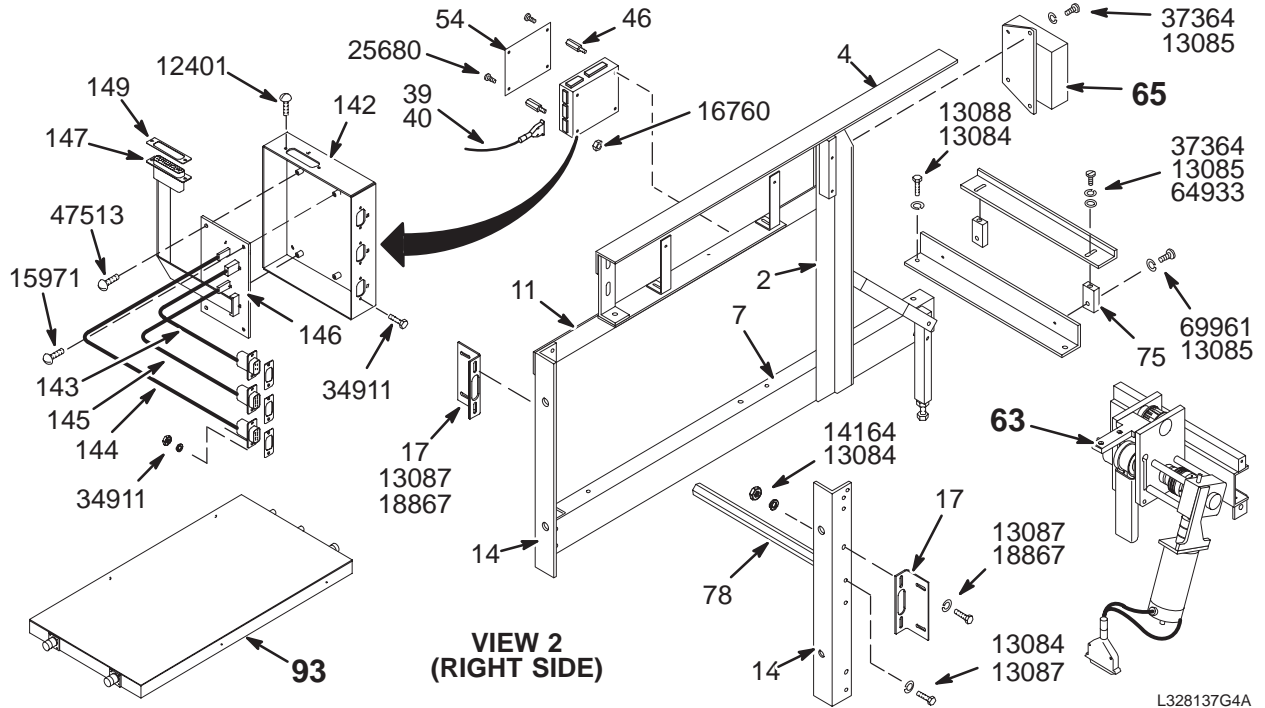
Item	Part Number	FRU	Name	Quantity	Description (Remarks)
2	2175143	2	REDUCING COU	1	1/12 TO 3 PVC REDUCER
4	46-282666P9	2	DUCT,AIR PVC	1	4" DIA GOODYEAR GRAY PVC AIR DUCT, 20 FT (15420mm) LONG
5	46-208765P28	2	CLAMP	1	DIA RANGE 1-13/16 - 2-3/4, 302/305
6	46-208765P34	2	CLAMP	1	DIA RANGE 3-9/16 - 4-1/2

HOSE ASM W/REDUCER 2162999-4 FRU N (PART 4 OF 2129412-6 PAGE 2-103)

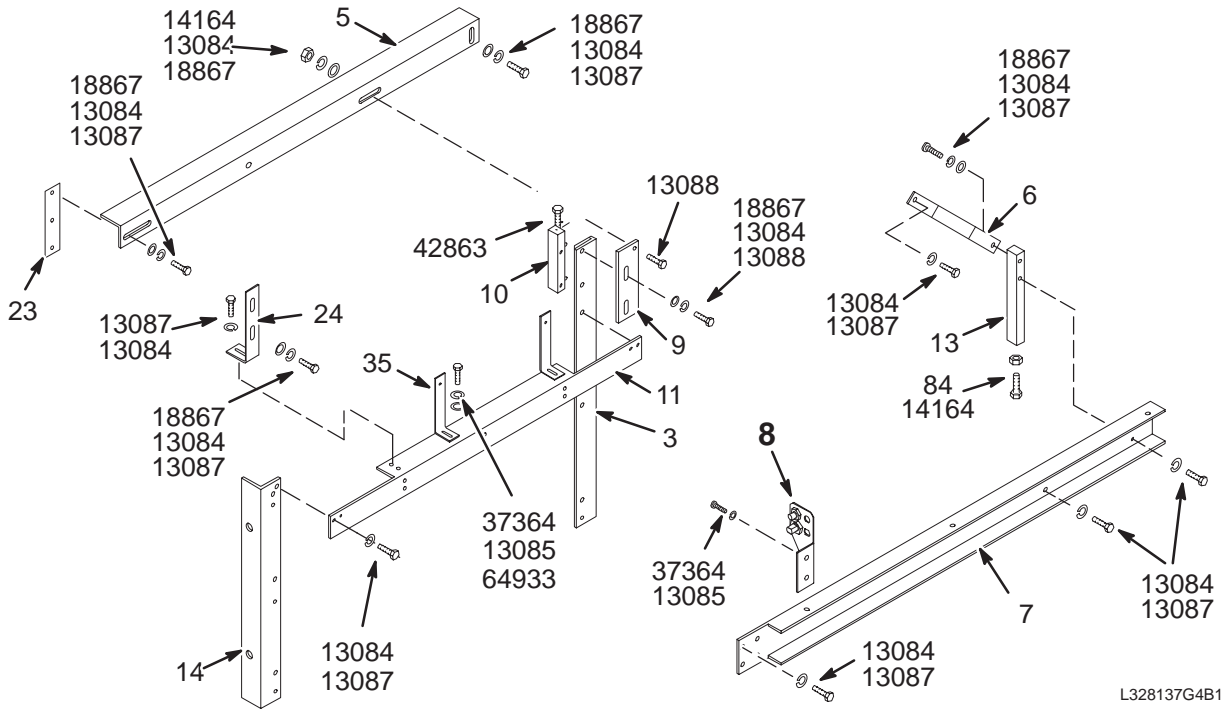
Item	Part Number	FRU	Name	Quantity	Description (Remarks)
2	2175143	2	REDUCING COU	1	1/12 TO 3 PVC REDUCER
4	46-282666P13	2	DUCT,AIR PVC	1	4" DIA GOODYEAR GRAY PVC AIR DUCT, 20 FT (6096mm) LONG
5	46-208765P28	2	CLAMP	1	DIA RANGE 1-13/16 - 2-3/4, 302/305
6	46-208765P34	2	CLAMP	1	DIA RANGE 3-9/16 - 4-1/2

2-5 S-SERIES AND MAGNISHIELD REAR PEDESTALS

1.5T REAR PEDESTAL FRAME ASM w/o M-C 46-328137G4



VIEW 1



VIEW 2

1.5T REAR PED w/o M-C

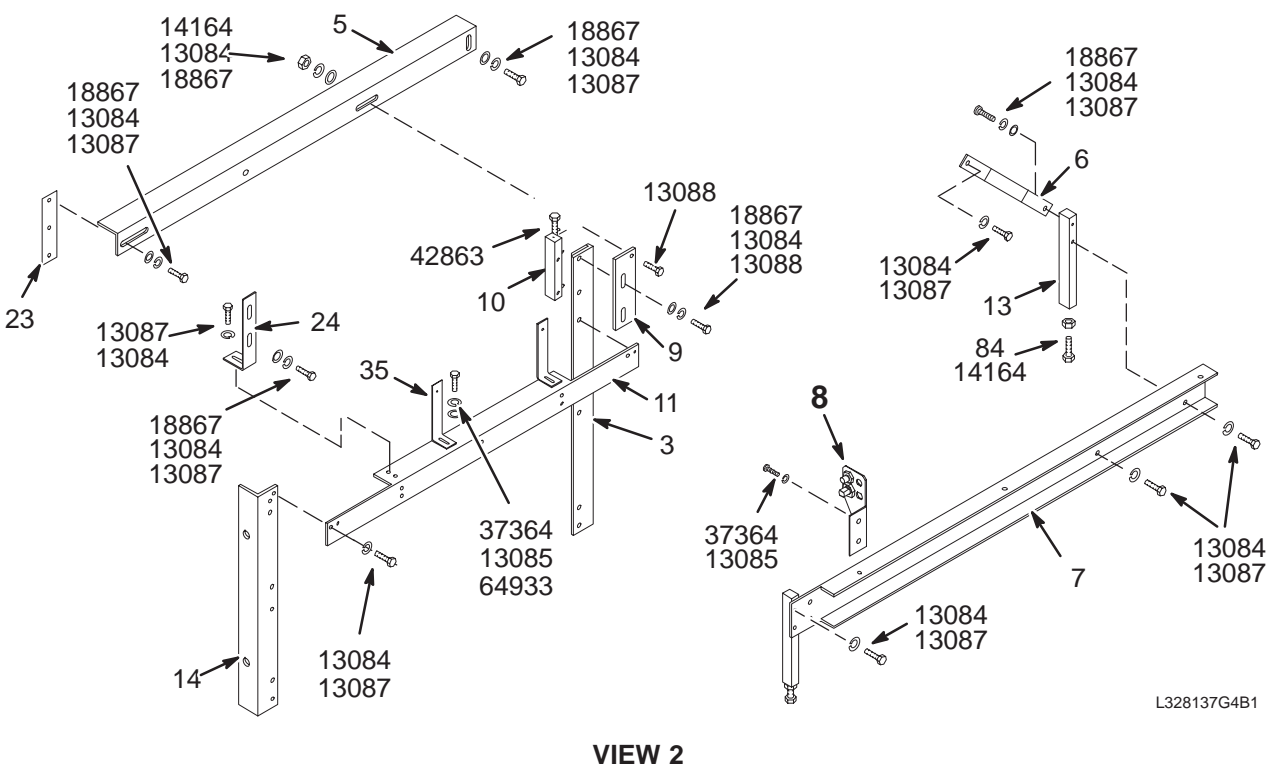
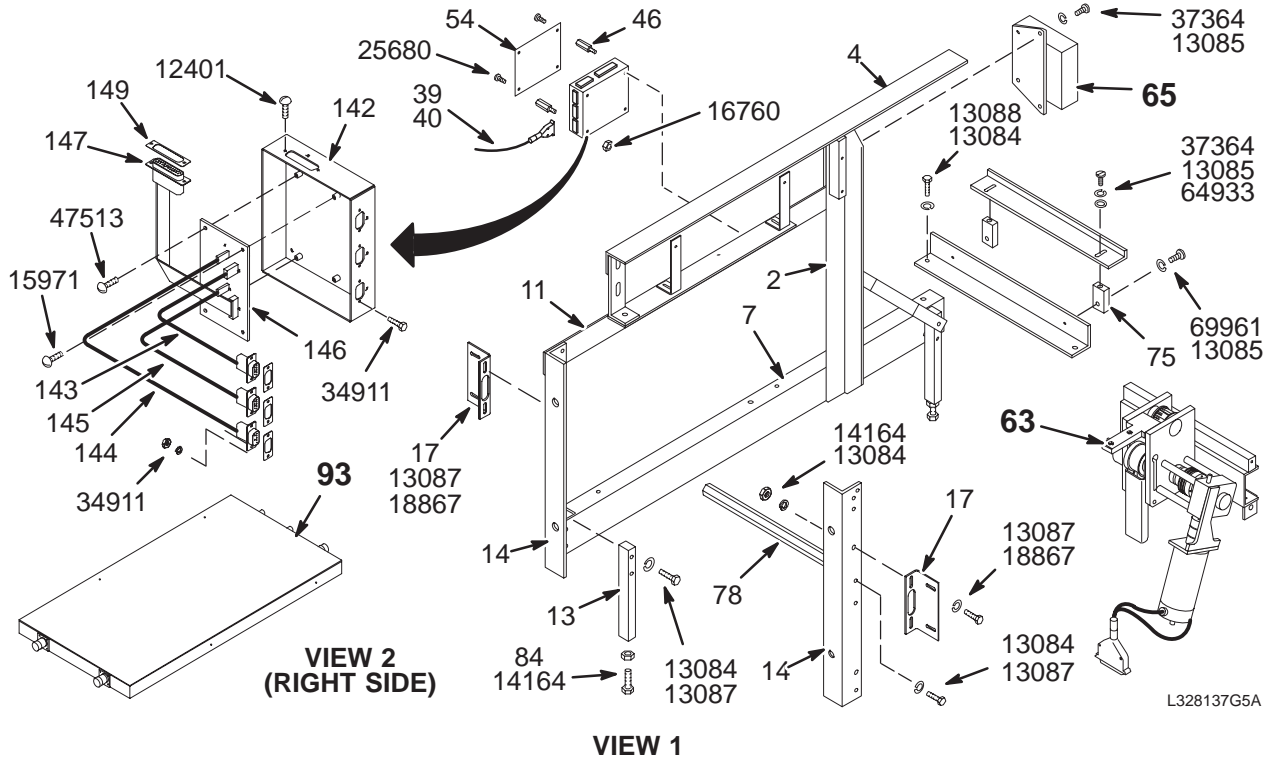
46-328137G4 FRU N

(PART OF 2118422-3 PAGE 2-7)

Item	Part Number	FRU	Name	Quantity	Description (Remarks)
2	46-271873P2	2	UPRIGHT-LONG	1	VERTICAL SUPPORT, LEFT
3	46-271866P2	2	UPRIGHT-REAR	1	VERTICAL SUPPORT, RIGHT
4	2128644-2	2	RAIL-ANGLE	1	RAIL ANGLE 600MM FOR LEFT BRIDGE MT
5	2128644	2	RAIL-ANGLE	1	RAIL ANGLE 600MM FOR RIGHT BRIDGE MT
6	46-282348P1	2	BRACKET	2	SUPPORT STRAP
7	2124939	2	CHANNEL-SUPT	2	CHAN REAR FRAME UFI
8	2128927	N	BRACKET ASM	1	CABLE BRACKET ASM FOR PEDESTAL (SEE PAGE 2-125)
9	46-271874P1	2	BRKT-SECR SM	2	BRIDGE MOUNT VERTICAL ADJUST CLAMP
10	2124940	2	SUPPORT	1	SUPPORT L.H. REAR FRAME UFI
11	2124941	2	SUPPORT	1	SUPPORT R.H. REAR FRAME UFI
13	46-271868P2	2	BRCKT-LEVELR	2	REAR PEDESTAL SUPPORTING LEG
14	2124938	2	UPRIGHT FRT	2	FRT UPRIGHT, REAR FRAME UFI
16	46-282422P2	2	REAR BRACE	1	LOWER FRAME REAR CHANNEL
17	2132597	2	BRKT,SIDE CV	2	BRACKET SIDE COVER UFI
23	46-287232P1	2	NUT BAR	2	5/16-18 THREAD
24	46-287235P1	2	BRCKT S F B	2	BRIDGE MOUNT SUPPORT, FRONT
35	46-282318P1	2	BRACKET	4	BODY QUADRATURE HYBRID ASM MOUNTING
39	46-317204G1	2	CABLE ASM	1	(414) MG2-A35 TO MG3-A2-J9 30' 9-CON
40	46-208758P5	2	STRAP	2	13.38"X .301" SELF-LOCKING CABLE TIE
46	46-208984P2	2	SPACER	4	HEX 1/4", EXT/INT THD 6-32, 1.5" LG
54	46-317200G1	2	COVER ASM.	1	INTERCOM BOX COVER W/RF SHIELDING
63	46-271439G3	N	LONGITDL DRV	1	LONGITUDINAL MOTOR DRIVE, MG3 A7 (SEE PAGE 2-124)
65	46-282694G1	N	MG3-A1 BOX	1	MAGNET INTERFACE #1, MG3 A1 (SEE PAGE 2-126)
75	46-287230P1	2	BRCKT SUPRT	2	MOUNTING BLOCK
76	46-287229P1	2	BRACKET	1	REAR PEDESTAL BACK COVER ATTACHING
78	46-306678P1	2	HEX SPACER	1	REAR FRAME FRONT BRACE
84	46-208932P40	2	SCREW,CAP	2	5/16-18 X 2", HEX HEAD, SST 18-8
93A	46-282260G12	N	SPLITTER ASM	1	LX 1.5T BODY HYBRID & PREAMP, MG3 A3 (SEE PAGE 2-129)
93B	46-282260G11	N	SPLITTER ASM	ALT	1.5T BODY QUADRATURE HYBRID, MG3 A3 (SEE PAGE 2-129)
142	46-317137P1	2	ENCLOSURE	1	PATIENT COMMUNICATION BOX - EMPTY
143	46-317177G1	2	HARNESS	1	MG3 A2 J8 TO MG2 A2 A1 J3, SPEAKER
144	46-317184G1	2	HARNESS	1	MG3 A2 J7 TO MG2 A2 A1 J1, C.M. MIKE
145	46-317184G2	2	HARNESS	1	MG3 A2 J9 TO MG2 A2 A1 J4, F.C. MIKE
146A	2204384	1	CIRCUIT BD	1	REMOTE INTERCOM BOARD, MG3 A2 A1
146B	46-264758G1	1	CIRCUIT BD	ALT	REMOTE INTERCOM BOARD, MG3 A2 A1
147	46-317201P1	2	CABLE ASM.	1	MG2 A2 J6 TO MG2 A2 A1 J6, RIBBON-14
148	46-221754P1	2	RFI GASKET	3	RFI GASKET USED WITH 9 PIN SUB-D
149	46-221754P3	2	RFI GASKET	1	RFI GASKET USED WITH 25 PIN SUB-D
12117	46-208601P21	2	WASHER,LOCK	4	#8 SCREW, INTERNAL TOOTH, PHOS BRZ
12401	46-221417P2	2	SCREWLOCK	1	FEMALE SCREWLOCK FOR HD CONNECTORS
13084	46-220196P5	2	WASHER,LOCK	44	5/16" SCREW SIZE (0.313), SST
13085	46-220196P3	2	WASHER,LOCK	12	#10 SCREW SIZE (0.190), SST
13087	46-208932P3	2	SCREW,CAP	36	5/16-18 X 3/4", 18-8 SST
13088	46-208932P11	2	SCREW,CAP	8	5/16-18 X 1", HEX HD, 18-8 SST
14164	46-208946P1	2	NUT,HEX,JAM	8	5/16-18 1/2" HEX X .188 THK 18-8 SST
15971	46-208921P28	2	SCREW,MACH	1	6-32 X 5/16" BINDING HEAD, BRASS
16760	46-208935P5	2	NUT,HEX,MS	2	6-32, .313 HEX X .109 THK, BRASS
18056	46-220184P26	2	SCREW MACH	4	8-32 X 1/2" ROUND HEAD SLOT, BRASS
18867	12-280	2	WASHER	22	ID 0.336, OD 0.75, THK .064, BRASS
25680	46-208921P6	2	SCREW,MACH	4	6-32 X 1/2", BRASS
34911	46-221417P1	2	SCREWLOCK	3	FEMALE SCREWLOCKS, TWO PER KIT
37364	46-208560P102	2	SCREW,MACH	10	10-32 X 5/8", BIND HEAD, 18-8 SST
47513	46-208922P4	2	SCREW,MACH	3	6-32 X 0.375 NYLON
64933	1000904P425	2	WASHER,FLAT	6	0.2 ID, 0.5 OD, .04 THK, B11H89C
69961	46-208560P70	2	SCREW,MACH	2	10-32 X 1", 18-8 SST, F65D6B1 BLK OX

1.5T MAGNISHIELD REAR PEDESTAL FRAME ASM w/o M-C

46-328137G5



1.5T M/S REAR PED w/o M-C

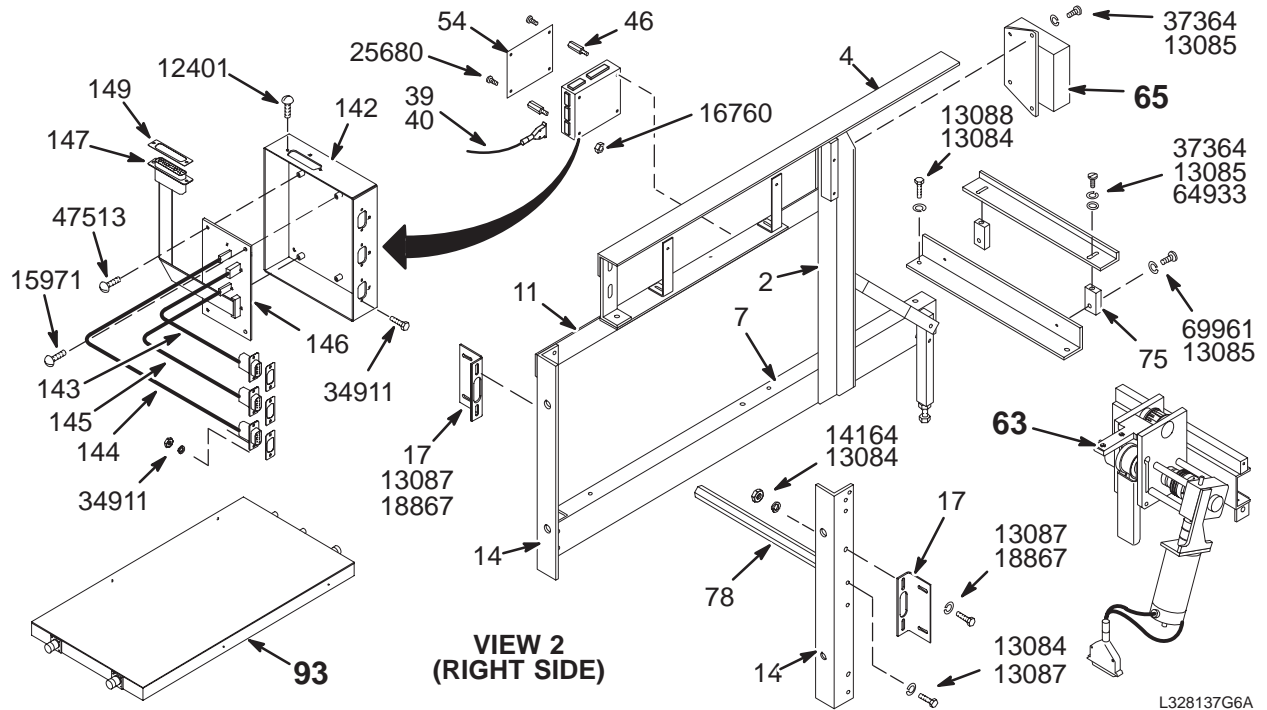
46-328137G5 FRU N

(PART OF 2118423 PAGE 2-67)

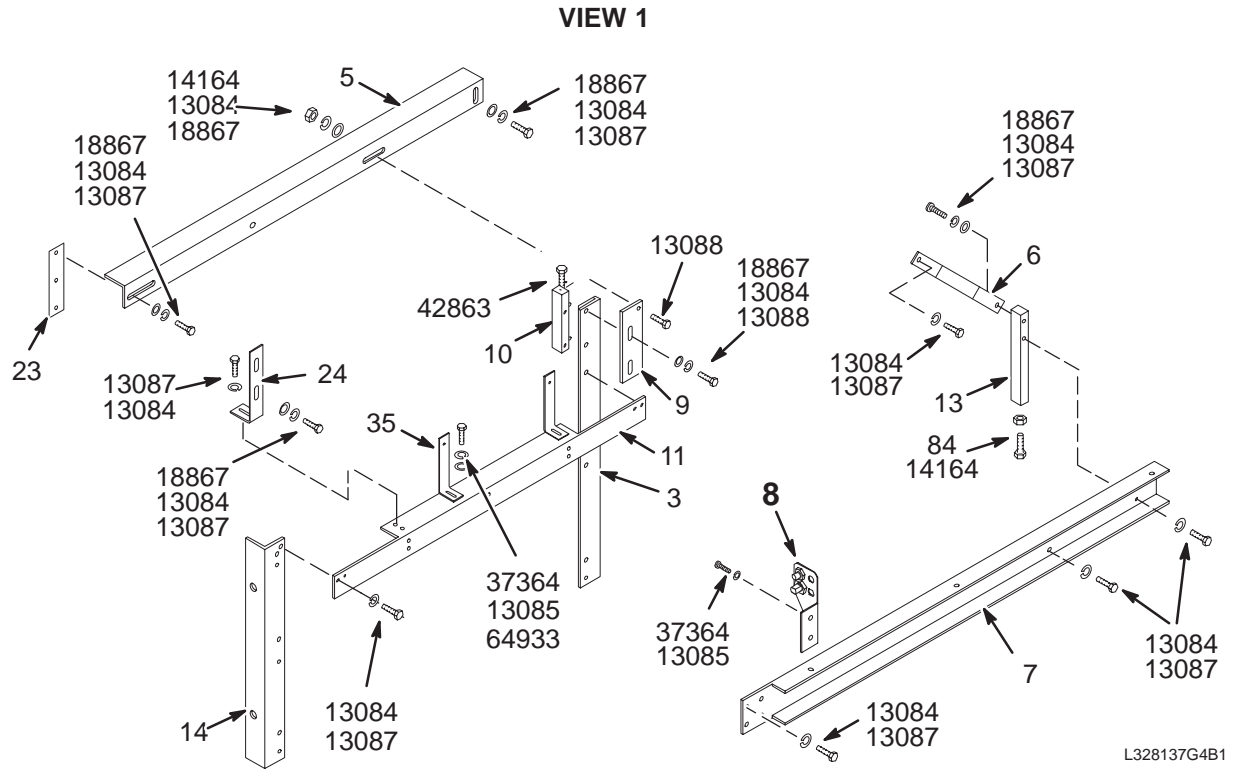
Item	Part Number	FRU	Name	Quantity	Description (Remarks)
2	46-271873P2	2	UPRIGHT-LONG	1	VERTICAL SUPPORT, LEFT
3	46-271866P2	2	UPRIGHT-REAR	1	VERTICAL SUPPORT, RIGHT
4	2128644-2	2	RAIL-ANGLE	1	RAIL ANGLE 600MM FOR LEFT BRIDGE MT
5	2128644	2	RAIL-ANGLE	1	RAIL ANGLE 600MM FOR RIGHT BRIDGE MT
6	46-282348P1	2	BRACKET	2	SUPPORT STRAP
7	2124939	2	CHANNEL-SUPT	2	CHAN REAR FRAME UFI
8	2128927	N	BRACKET ASM	1	CABLE BRACKET ASM FOR PEDESTAL (SEE PAGE 2-125)
9	46-271874P1	2	BRKT-SECR SM	2	BRIDGE MOUNT VERTICAL ADJUST CLAMP
10	2124940	2	SUPPORT	1	SUPPORT L.H. REAR FRAME UFI
11	2124941	2	SUPPORT	1	SUPPORT R.H. REAR FRAME UFI
13	46-271868P2	2	BRCKT-LEVELR	4	REAR PEDESTAL SUPPORTING LEG
14	2124938	2	UPRIGHT FRT	2	FRT UPRIGHT, REAR FRAME UFI
16	46-282422P2	2	REAR BRACE	1	LOWER FRAME REAR CHANNEL
17	2132597	2	BRKT,SIDE CV	2	BRACKET SIDE COVER UFI
23	46-287232P1	2	NUT BAR	2	5/16-18 THREAD
24	46-287235P1	2	BRCKT S F B	2	BRIDGE MOUNT SUPPORT, FRONT
35	46-282318P1	2	BRACKET	4	BODY QUADRATURE HYBRID ASM MOUNTING
39	46-317204G1	2	CABLE ASM	1	(414) MG2-A35 TO MG3-A2-J9 30' 9-CON
40	46-208758P5	2	STRAP	2	13.38"X .301" SELF-LOCKING CABLE TIE
46	46-208984P2	2	SPACER	4	HEX 1/4", EXT/INT THD 6-32, 1.5" LG
54	46-317200G1	2	COVER ASM.	1	INTERCOM BOX COVER W/RF SHIELDING
63	46-271439G3	N	LONGITDL DRV	1	LONGITUDINAL MOTOR DRIVE, MG3 A7 (SEE PAGE 2-124)
65	46-282694G1	N	MG3-A1 BOX	1	MAGNET INTERFACE #1, MG3 A1 (SEE PAGE 2-126)
75	46-287230P1	2	BRCKT SUPRT	2	MOUNTING BLOCK
76	46-287229P1	2	BRACKET	1	REAR PEDESTAL BACK COVER ATTACHING
78	46-306678P1	2	HEX SPACER	1	REAR FRAME FRONT BRACE
84	46-208932P40	2	SCREW,CAP	4	5/16-18 X 2", HEX HEAD, SST 18-8
93A	46-282260G12	N	SPLITTER ASM	1	LX 1.5T BODY HYBRID & PREAMP, MG3 A3 (SEE PAGE 2-129)
93B	46-282260G11	N	SPLITTER ASM	ALT	1.5T BODY QUADRATURE HYBRID, MG3 A3 (SEE PAGE 2-129)
142	46-317137P1	2	ENCLOSURE	1	PATIENT COMMUNICATION BOX - EMPTY
143	46-317177G1	2	HARNESS	1	MG3 A2 J8 TO MG2 A2 A1 J3, SPEAKER
144	46-317184G1	2	HARNESS	1	MG3 A2 J7 TO MG2 A2 A1 J1, C.M. MIKE
145	46-317184G2	2	HARNESS	1	MG3 A2 J9 TO MG2 A2 A1 J4, F.C. MIKE
146A	2204384	1	CIRCUIT BD	1	REMOTE INTERCOM BOARD, MG3 A2 A1
146B	46-264758G1	1	CIRCUIT BD	ALT	REMOTE INTERCOM BOARD, MG3 A2 A1
147	46-317201P1	2	CABLE ASM.	1	MG2 A2 J6 TO MG2 A2 A1 J6, RIBBON-14
148	46-221754P1	2	RFI GASKET	3	RFI GASKET USED WITH 9 PIN SUB-D
149	46-221754P3	2	RFI GASKET	1	RFI GASKET USED WITH 25 PIN SUB-D
12117	46-208601P21	2	WASHER,LOCK	4	#8 SCREW, INTERNAL TOOTH, PHOS BRZ
12401	46-221417P2	2	SCREWLOCK	1	FEMALE SCREWLOCK FOR HD CONNECTORS
13084	46-220196P5	2	WASHER,LOCK	48	5/16" SCREW SIZE (0.313), SST
13085	46-220196P3	2	WASHER,LOCK	12	#10 SCREW SIZE (0.190), SST
13087	46-208932P3	2	SCREW,CAP	40	5/16-18 X 3/4", 18-8 SST
13088	46-208932P11	2	SCREW,CAP	8	5/16-18 X 1", HEX HD, 18-8 SST
14164	46-208946P1	2	NUT,HEX,JAM	10	5/16-18 1/2" HEX X .188 THK 18-8 SST
15971	46-208921P28	2	SCREW,MACH	1	6-32 X 5/16" BINDING HEAD, BRASS
16760	46-208935P5	2	NUT,HEX,MS	2	6-32, .313 HEX X .109 THK, BRASS
18056	46-220184P26	2	SCREW MACH	4	8-32 X 1/2" ROUND HEAD SLOT, BRASS
18867	12-280	2	WASHER	22	ID 0.336, OD 0.75, THK .064, BRASS
25680	46-208921P6	2	SCREW,MACH	4	6-32 X 1/2", BRASS
34911	46-221417P1	2	SCREWLOCK	3	FEMALE SCREWLOCKS, TWO PER KIT
37364	46-208560P102	2	SCREW,MACH	10	10-32 X 5/8", BIND HEAD, 18-8 SST
47513	46-208922P4	2	SCREW,MACH	3	6-32 X 0.375 NYLON
64933	1000904P425	2	WASHER,FLAT	6	0.2 ID, 0.5 OD, .04 THK, B11H89C
69961	46-208560P70	2	SCREW,MACH	2	10-32 X 1", 18-8 SST, F65D6B1 BLK OX

1.0T REAR PEDESTAL FRAME ASM w/o M-C

46-328137G6



L328137G6A



L328137G4B1

1.0T REAR PED w/o M-C

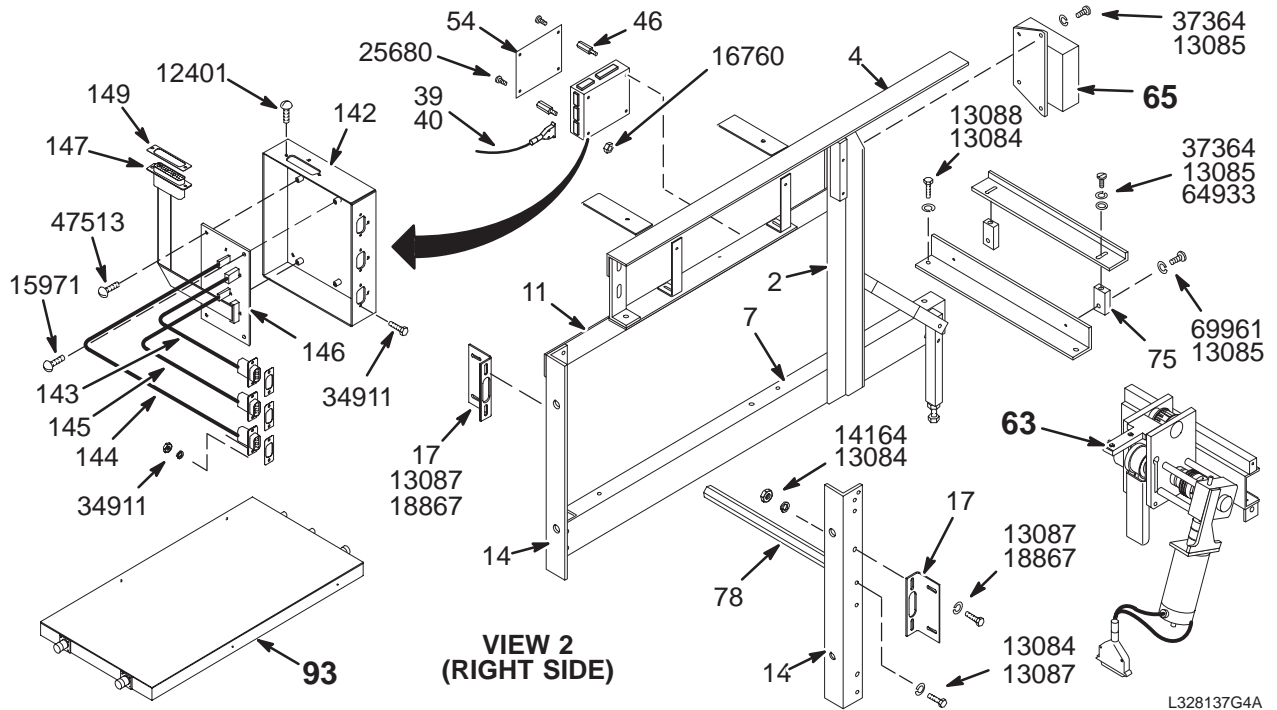
46-328137G6 FRU N

(PART OF 2118422-7 PAGE 2-11)

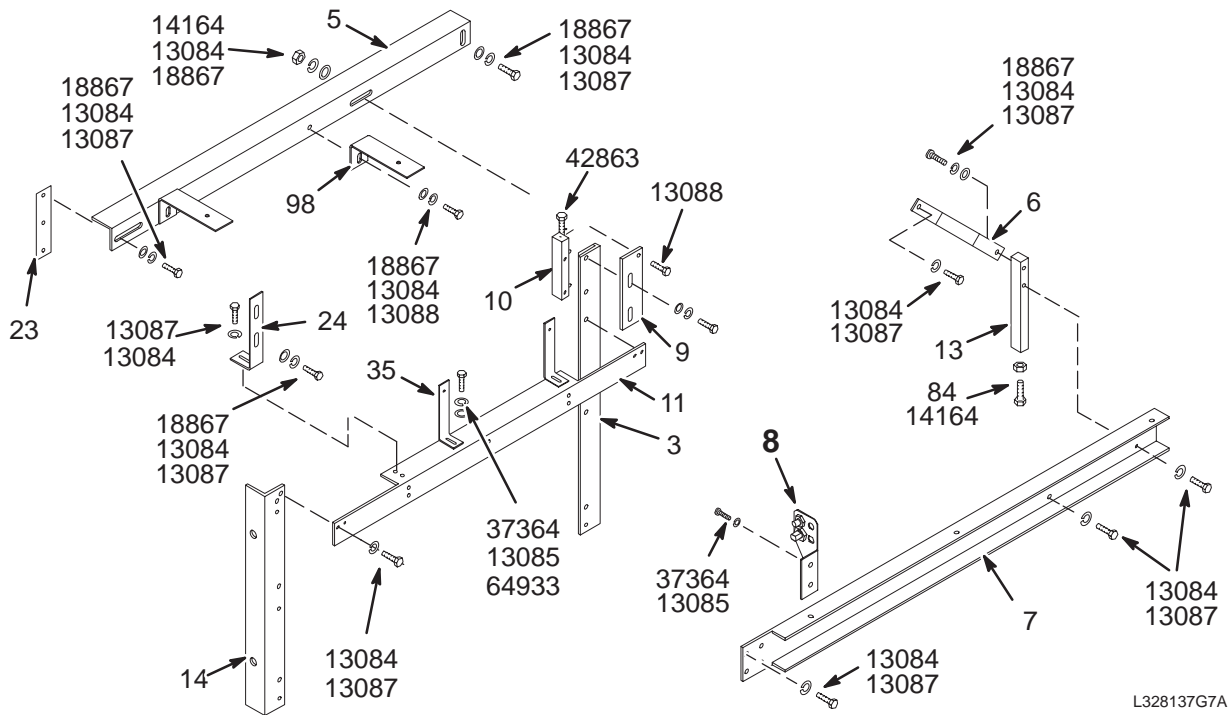
Item	Part Number	FRU	Name	Quantity	Description (Remarks)
2	46-271873P2	2	UPRIGHT-LONG	1	VERTICAL SUPPORT, LEFT
3	46-271866P2	2	UPRIGHT-REAR	1	VERTICAL SUPPORT, RIGHT
4	2128644-2	2	RAIL-ANGLE	1	RAIL ANGLE 600MM FOR LEFT BRIDGE MT
5	2128644	2	RAIL-ANGLE	1	RAIL ANGLE 600MM FOR RIGHT BRIDGE MT
6	46-282348P1	2	BRACKET	2	SUPPORT STRAP
7	2124939	2	CHANNEL-SUPT	2	CHAN REAR FRAME UFI
8	2128927	N	BRACKET ASM	1	CABLE BRACKET ASM FOR PEDESTAL (SEE PAGE 2-125)
9	46-271874P1	2	BRKT-SECR SM	2	BRIDGE MOUNT VERTICAL ADJUST CLAMP
10	2124940	2	SUPPORT	1	SUPPORT L.H. REAR FRAME UFI
11	2124941	2	SUPPORT	1	SUPPORT R.H. REAR FRAME UFI
13	46-271868P2	2	BRCKT-LEVELR	2	REAR PEDESTAL SUPPORTING LEG
14	2124938	2	UPRIGHT FRT	2	FRT UPRIGHT, REAR FRAME UFI
16	46-282422P2	2	REAR BRACE	1	LOWER FRAME REAR CHANNEL
17	2132597	2	BRKT,SIDE CV	2	BRACKET SIDE COVER UFI
23	46-287232P1	2	NUT BAR	2	5/16-18 THREAD
24	46-287235P1	2	BRCKT S F B	2	BRIDGE MOUNT SUPPORT, FRONT
35	46-282318P1	2	BRACKET	4	BODY QUADRATURE HYBRID ASM MOUNTING
39	46-317204G1	2	CABLE ASM	1	(414) MG2-A35 TO MG3-A2-J9 30' 9-CON
40	46-208758P5	2	STRAP	2	13.38"X .301" SELF-LOCKING CABLE TIE
46	46-208984P2	2	SPACER	4	HEX 1/4", EXT/INT THD 6-32, 1.5" LG
54	46-317200G1	2	COVER ASM.	1	INTERCOM BOX COVER W/RF SHIELDING
63	46-271439G3	N	LONGITDL DRV	1	LONGITUDINAL MOTOR DRIVE, MG3 A7 (SEE PAGE 2-124)
65	46-282694G1	N	MG3-A1 BOX	1	MAGNET INTERFACE #1, MG3 A1 (SEE PAGE 2-126)
75	46-287230P1	2	BRCKT SUPRT	2	MOUNTING BLOCK
76	46-287229P1	2	BRACKET	1	REAR PEDESTAL BACK COVER ATTACHING
78	46-306678P1	2	HEX SPACER	1	REAR FRAME FRONT BRACE
84	46-208932P40	2	SCREW,CAP	2	5/16-18 X 2", HEX HEAD, SST 18-8
93	46-282260G5	N	BRM SPLIT BX	1	BODY HYBRID, UFI 1.0T (SEE PAGE 2-128)
142	46-317137P1	2	ENCLOSURE	1	PATIENT COMMUNICATION BOX - EMPTY
143	46-317177G1	2	HARNESS	1	MG3 A2 J8 TO MG2 A2 A1 J3, SPEAKER
144	46-317184G1	2	HARNESS	1	MG3 A2 J7 TO MG2 A2 A1 J1, C.M. MIKE
145	46-317184G2	2	HARNESS	1	MG3 A2 J9 TO MG2 A2 A1 J4, F.C. MIKE
146A	2204384	1	CIRCUIT BD	1	REMOTE INTERCOM BOARD, MG3 A2 A1
146B	46-264758G1	1	CIRCUIT BD	ALT	REMOTE INTERCOM BOARD, MG3 A2 A1
147	46-317201P1	2	CABLE ASM.	1	MG2 A2 J6 TO MG2 A2 A1 J6, RIBBON-14
148	46-221754P1	2	RFI GASKET	3	RFI GASKET USED WITH 9 PIN SUB-D
149	46-221754P3	2	RFI GASKET	1	RFI GASKET USED WITH 25 PIN SUB-D
12117	46-208601P21	2	WASHER,LOCK	4	#8 SCREW, INTERNAL TOOTH, PHOS BRZ
12401	46-221417P2	2	SCREWLOCK	1	FEMALE SCREWLOCK FOR HD CONNECTORS
13084	46-220196P5	2	WASHER,LOCK	44	5/16" SCREW SIZE (0.313), SST
13085	46-220196P3	2	WASHER,LOCK	12	#10 SCREW SIZE (0.190), SST
13087	46-208932P3	2	SCREW,CAP	36	5/16-18 X 3/4", 18-8 SST
13088	46-208932P11	2	SCREW,CAP	8	5/16-18 X 1", HEX HD, 18-8 SST
14164	46-208946P1	2	NUT,HEX,JAM	8	5/16-18 1/2" HEX X .188 THK 18-8 SST
15971	46-208921P28	2	SCREW,MACH	1	6-32 X 5/16" BINDING HEAD, BRASS
16760	46-208935P5	2	NUT,HEX,MS	2	6-32, .313 HEX X .109 THK, BRASS
18056	46-220184P26	2	SCREW MACH	4	8-32 X 1/2" ROUND HEAD SLOT, BRASS
18867	12-280	2	WASHER	22	ID 0.336, OD 0.75, THK .064, BRASS
25680	46-208921P6	2	SCREW,MACH	4	6-32 X 1/2", BRASS
34911	46-221417P1	2	SCREWLOCK	3	FEMALE SCREWLOCKS, TWO PER KIT
37364	46-208560P102	2	SCREW,MACH	10	10-32 X 5/8", BIND HEAD, 18-8 SST
38047	46-208938P5	2	NUT,HEX,MS	2	10-32, 3/8" HEX X .130 THK, 18-8 SST
47513	46-208922P4	2	SCREW,MACH	3	6-32 X 0.375 NYLON
64933	1000904P425	2	WASHER,FLAT	6	0.2 ID, 0.5 OD, .04 THK, B11H89C
69961	46-208560P70	2	SCREW,MACH	2	10-32 X 1", 18-8 SST, F65D6B1 BLK OX

REAR PEDESTAL FRAME ASM w/o M-C

46-328137G7 & G8



VIEW 1



VIEW 2

1.5T MOB & T/R REAR PED w/o M-C 46-328137G7 FRU N

(PART OF 2118422-2 PAGE 2-28)

Item	Part Number	FRU	Name	Quantity	Description (Remarks)
2	46-271873P2	2	UPRIGHT-LONG	1	VERTICAL SUPPORT, LEFT
3	46-271866P2	2	UPRIGHT-REAR	1	VERTICAL SUPPORT, RIGHT
4	2128644-2	2	RAIL-ANGLE	1	RAIL ANGLE 600MM FOR LEFT BRIDGE MT
5	2128644	2	RAIL-ANGLE	1	RAIL ANGLE 600MM FOR RIGHT BRIDGE MT
6	46-282348P1	2	BRACKET	2	SUPPORT STRAP
7	2124939	2	CHANNEL-SUPT	2	CHAN REAR FRAME UFI
8	2128927	N	BRACKET ASM	1	CABLE BRACKET ASM FOR PEDESTAL (SEE PAGE 2-125)
9	46-271874P1	2	BRKT-SECR SM	2	BRIDGE MOUNT VERTICAL ADJUST CLAMP
10	2124940	2	BRACKET	1	SUPPORT L.H. REAR FRAME UFI
11	2124941	2	BRACKET	1	SUPPORT R.H. REAR FRAME UFI
13	46-271868P2	2	BRCKT-LEVELR	2	REAR PEDESTAL SUPPORTING LEG
14	2124938	2	UPRIGHT FRT	2	FRT UPRIGHT, REAR FRAME UFI
16	46-282422P2	2	REAR BRACE	1	LOWER FRAME REAR CHANNEL
17	2132597	2	BRKT,SIDE CV	2	BRACKET SIDE COVER UFI
23	46-287232P1	2	NUT BRKT	2	5/16-18 THREAD
24	46-287235P1	2	BRCKT S F B	2	BRIDGE MOUNT SUPPORT, FRONT
35	46-282318P1	2	BRACKET	4	BODY QUADRATURE HYBRID ASM MOUNTING
39	46-317204G1	2	CABLE ASM	1	(414) MG2-A35 TO MG3-A2-J9 30' 9-CON
40	46-208758P5	2	TY-RAP	2	13.38"X .301" SELF-LOCKING CABLE TIE
46	46-208984P2	2	SPACER	4	HEX 1/4", EXT/INT THD 6-32, 1.5" LG
54	46-317200G1	2	COVER ASM.	1	INTERCOM BOX COVER W/RF SHIELDING
63	46-271439G3	N	LONGITDL DRV	1	LONGITUDINAL MOTOR DRIVE, MG3 A7 (SEE PAGE 2-124)
65	46-282694G1	N	MG3-A1 BOX	1	MAGNET INTERFACE #1, MG3 A1 (SEE PAGE 2-126)
75	46-287230P1	2	BRCKT SUPRT	2	MOUNTING BLOCK
76	46-287229P1	2	BRACKET	1	REAR PEDESTAL BACK COVER ATTACHING
78	46-306678P1	2	HEX SPACER	1	REAR FRAME FRONT BRACE
84	46-208932P40	2	SCREW	2	5/16-18 X 2", HEX HEAD, SST 18-8
93A	46-282260G12	N	SPLITTER ASM	1	LX 1.5T BODY HYBRID & PREAMP, MG3 A3 (SEE PAGE 2-129)
93B	46-282260G11	N	SPLITTER ASM	ALT	1.5T BODY QUADRATURE HYBRID, MG3 A3 (SEE PAGE 2-129)
98	2128559	2	BRACKET	4	TUNNEL EXTENSION MOUNTING BRACKET
142	46-317137P1	2	BOX	1	PATIENT COMMUNICATION BOX - EMPTY
143	46-317177G1	2	HARNESS	1	MG3 A2 J8 TO MG2 A2 A1 J3, SPEAKER
144	46-317184G1	2	HARNESS	1	MG3 A2 J7 TO MG2 A2 A1 J1, C.M. MIKE
145	46-317184G2	2	HARNESS	1	MG3 A2 J9 TO MG2 A2 A1 J4, F.C. MIKE
146A	2204384	1	CIRCUIT BD	1	REMOTE INTERCOM BOARD, MG3 A2 A1
146B	46-264758G1	1	CIRCUIT BD	ALT	REMOTE INTERCOM BOARD, MG3 A2 A1
147	46-317201P1	2	CABLE ASM.	1	MG2 A2 J6 TO MG2 A2 A1 J6, RIBBON-14
148	46-221754P1	2	CONNECTOR	3	RFI GASKET USED WITH 9 PIN SUB-D
149	46-221754P3	2	CONNECTOR	1	RFI GASKET USED WITH 25 PIN SUB-D
12117	46-208601P21	2	WASHER	4	#8 SCREW, INTERNAL TOOTH, PHOS BRZ
12401	46-221417P2	2	CONNECTOR	1	FEMALE SCREWLOCK FOR HD CONNECTORS
13084	46-220196P5	2	WASHER	48	5/16" SCREW SIZE (0.313), SST
13085	46-220196P3	2	WASHER	12	#10 SCREW SIZE (0.190), SST
13087	46-208932P3	2	SCREW	40	5/16-18 X 3/4", 18-8 SST
13088	46-208932P11	2	SCREW	8	5/16-18 X 1", HEX HD, 18-8 SST
14164	46-208946P1	2	NUT	8	5/16-18 1/2" HEX X .188 THK 18-8 SST
15971	46-208921P28	2	SCREW	1	6-32 X 5/16" BINDING HEAD, BRASS
16760	46-208935P5	2	NUT	2	6-32, .313 HEX X .109 THK, BRASS
18056	46-220184P26	2	SCREW	4	8-32 X 1/2" ROUND HEAD SLOT, BRASS
18867	12-280	2	WASHER	26	ID 0.336, OD 0.75, THK .064, BRASS
25680	46-208921P6	2	SCREW	4	6-32 X 1/2", BRASS
34911	46-221417P1	2	CONNECTOR	3	FEMALE SCREWLOCKS, TWO PER KIT
37364	46-208560P102	2	SCREW	10	10-32 X 5/8", BIND HEAD, 18-8 SST
47513	46-208922P4	2	SCREW	3	6-32 X 0.375 NYLON
64933	1000904P425	2	WASHER	6	0.2 ID, 0.5 OD, 04 THK, B11H89C
69961	46-208560P70	2	SCREW	2	10-32 X 1", 18-8 SST, F65D6B1 BLK OX

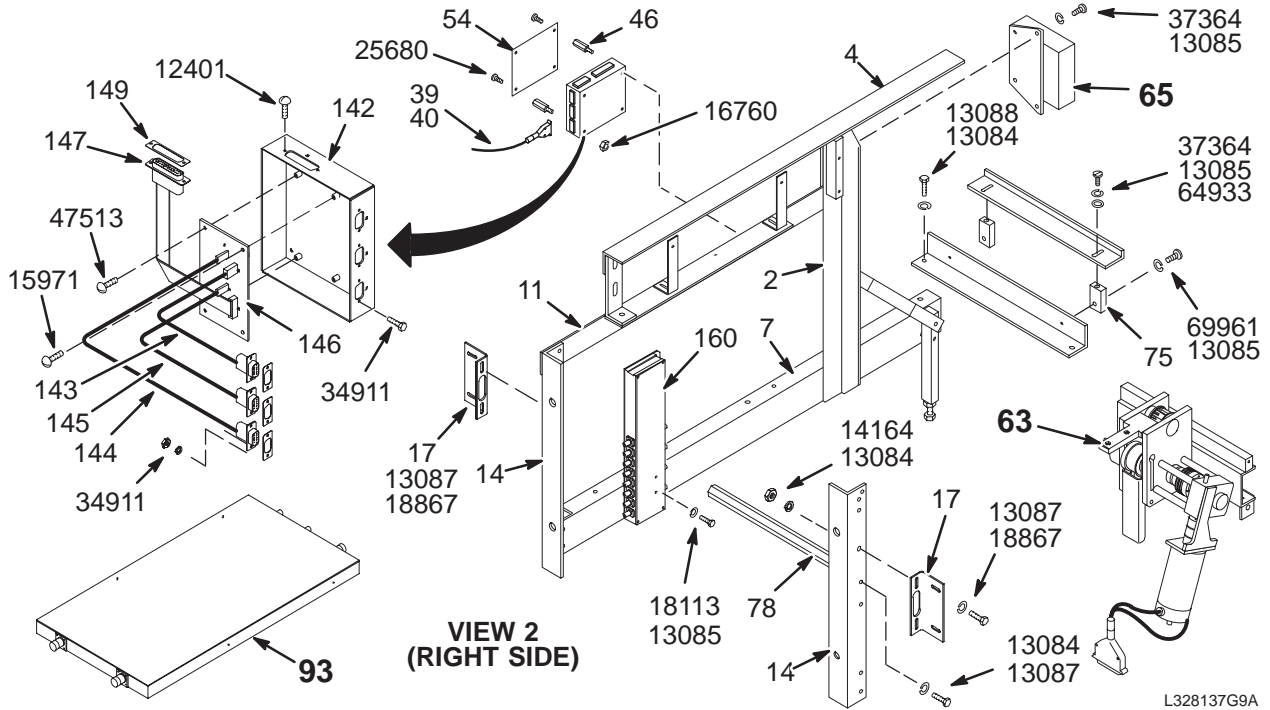
1.0T MOB & T/R REAR PED w/o M-C 46-328137G8 FRU N

(PART OF 2118422-6 PAGE 2-32)

Item	Part Number	FRU	Name	Quantity	Description (Remarks)
2	46-271873P2	2	UPRIGHT-LONG	1	VERTICAL SUPPORT, LEFT
3	46-271866P2	2	UPRIGHT-REAR	1	VERTICAL SUPPORT, RIGHT
4	2128644-2	2	RAIL-ANGLE	1	RAIL ANGLE 600MM FOR LEFT BRIDGE MT
5	2128644	2	RAIL-ANGLE	1	RAIL ANGLE 600MM FOR RIGHT BRIDGE MT
6	46-282348P1	2	BRACKET	2	SUPPORT STRAP
7	2124939	2	CHANNEL-SUPT	2	CHAN REAR FRAME UFI
8	2128927	N	BRACKET ASM	1	CABLE BRACKET ASM FOR PEDESTAL (SEE PAGE 2-125)
9	46-271874P1	2	BRKT-SECR SM	2	BRIDGE MOUNT VERTICAL ADJUST CLAMP
10	2124940	2	BRACKET	1	SUPPORT L.H. REAR FRAME UFI
11	2124941	2	BRACKET	1	SUPPORT R.H. REAR FRAME UFI
13	46-271868P2	2	BRCKT-LEVELR	2	REAR PEDESTAL SUPPORTING LEG
14	2124938	2	UPRIGHT FRT	2	FRT UPRIGHT, REAR FRAME UFI
16	46-282422P2	2	REAR BRACE	1	LOWER FRAME REAR CHANNEL
17	2132597	2	BRKT,SIDE CV	2	BRACKET SIDE COVER UFI
23	46-287232P1	2	NUT BAR	2	5/16-18 THREAD
24	46-287235P1	2	BRCKT S F B	2	BRIDGE MOUNT SUPPORT, FRONT
35	46-282318P1	2	BRACKET	4	BODY QUADRATURE HYBRID ASM MOUNTING
39	46-317204G1	2	CABLE ASM	1	(414) MG2-A35 TO MG3-A2-J9 30' 9-CON
40	46-208758P5	2	TY-RAP	2	13.38"X .301" SELF-LOCKING CABLE TIE
46	46-208984P2	2	SPACER	4	HEX 1/4", EXT/INT THD 6-32, 1.5" LG
54	46-317200G1	2	COVER ASM.	1	INTERCOM BOX COVER W/RF SHIELDING
63	46-271439G3	N	LONGITDL DRV	1	LONGITUDINAL MOTOR DRIVE, MG3 A7 (SEE PAGE 2-124)
65	46-282694G1	N	MG3-A1 BOX	1	MAGNET INTERFACE #1, MG3 A1 (SEE PAGE 2-126)
75	46-287230P1	2	BRCKT SUPRT	2	MOUNTING BLOCK
76	46-287229P1	2	BRACKET	1	REAR PEDESTAL BACK COVER ATTACHING
78	46-306678P1	2	HEX SPACER	1	REAR FRAME FRONT BRACE
84	46-208932P40	2	SCREW	2	5/16-18 X 2", HEX HEAD, SST 18-8
93	46-282260G5	N	BRM SPLIT BX	1	BODY HYBRID, UFI 1.0T (SEE PAGE 2-128)
98	2128559	2	BRACKET	4	TUNNEL EXTENSION MOUNTING BRACKET
142	46-317137P1	2	BOX	1	PATIENT COMMUNICATION BOX - EMPTY
143	46-317177G1	2	HARNESS	1	MG3 A2 J8 TO MG2 A2 A1 J3, SPEAKER
144	46-317184G1	2	HARNESS	1	MG3 A2 J7 TO MG2 A2 A1 J1, C.M. MIKE
145	46-317184G2	2	HARNESS	1	MG3 A2 J9 TO MG2 A2 A1 J4, F.C. MIKE
146A	2204384	1	CIRCUIT BD	1	REMOTE INTERCOM BOARD, MG3 A2 A1
146B	46-264758G1	1	CIRCUIT BD	ALT	REMOTE INTERCOM BOARD, MG3 A2 A1
147	46-317201P1	2	CABLE ASM.	1	MG2 A2 J6 TO MG2 A2 A1 J6, RIBBON-14
148	46-221754P1	2	CONNECTOR	3	RFI GASKET USED WITH 9 PIN SUB-D
149	46-221754P3	2	CONNECTOR	1	RFI GASKET USED WITH 25 PIN SUB-D
12117	46-208601P21	2	WASHER	4	#8 SCREW, INTERNAL TOOTH, PHOS BRZ
12401	46-221417P2	2	CONNECTOR	1	FEMALE SCREWLOCK FOR HD CONNECTORS
13084	46-220196P5	2	WASHER	48	5/16" SCREW SIZE (0.313), SST
13085	46-220196P3	2	WASHER	12	#10 SCREW SIZE (0.190), SST
13087	46-208932P3	2	SCREW	40	5/16-18 X 3/4", 18-8 SST
13088	46-208932P11	2	SCREW	8	5/16-18 X 1", HEX HD, 18-8 SST
14164	46-208946P1	2	NUT	8	5/16-18 1/2" HEX X .188 THK 18-8 SST
15971	46-208921P28	2	SCREW	1	6-32 X 5/16" BINDING HEAD, BRASS
16760	46-208935P5	2	NUT	2	6-32, .313 HEX X .109 THK, BRASS
18056	46-220184P26	2	SCREW	4	8-32 X 1/2" ROUND HEAD SLOT, BRASS
18867	12-280	2	WASHER	26	ID 0.336, OD 0.75, THK .064, BRASS
25680	46-208921P6	2	SCREW	4	6-32 X 1/2", BRASS
34911	46-221417P1	2	CONNECTOR	3	FEMALE SCREWLOCKS, TWO PER KIT
37364	46-208560P102	2	SCREW	10	10-32 X 5/8", BIND HEAD, 18-8 SST
47513	46-208922P4	2	SCREW	3	6-32 X 0.375 NYLON
64933	1000904P425	2	WASHER	6	0.2 ID, 0.5 OD, .04 THK, B11H89C
69961	46-208560P70	2	SCREW	2	10-32 X 1", 18-8 SST, F65D6B1 BLK OX

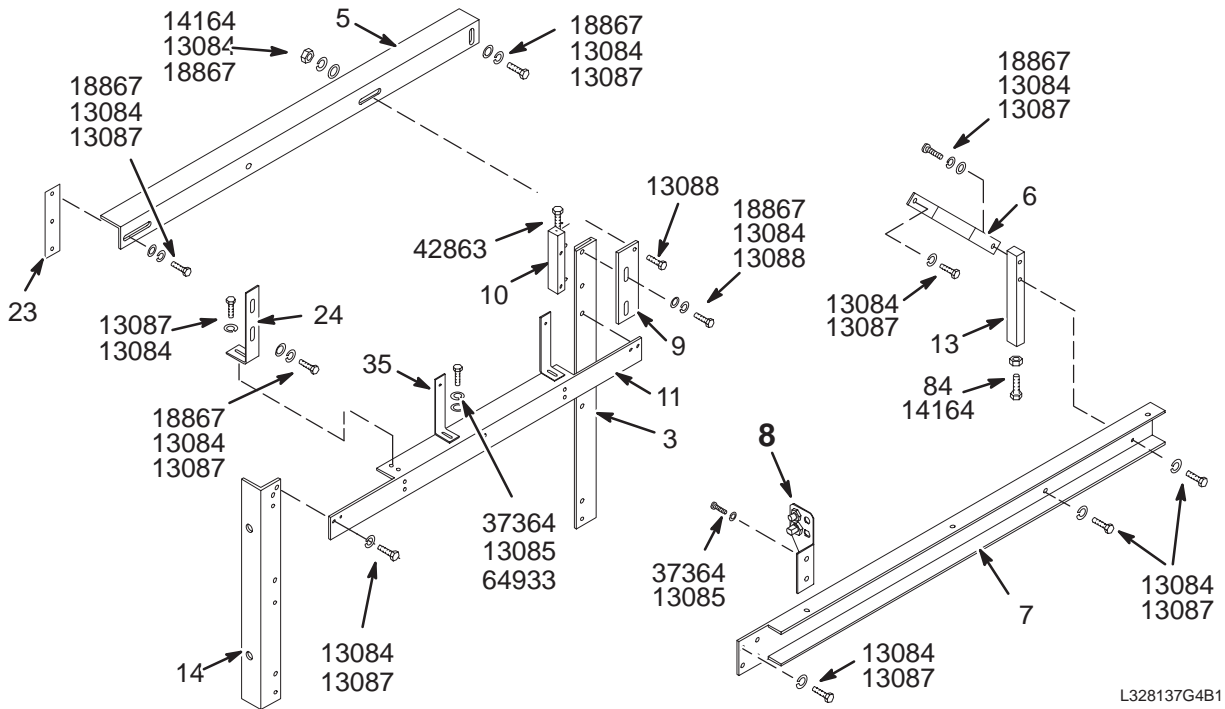
1.5T REAR PEDESTAL FRAME ASM w/M-C

46-328137G9



VIEW 2 (RIGHT SIDE)

VIEW 1



VIEW 2

L328137G9A

L328137G4B1

5.5 1.5T REAR PED w/M-C

46-328137G9 FRU N

(PART OF 2118422-5 PAGE 2-9)

Item	Part Number	FRU	Name	Quantity	Description (Remarks)
2	46-271873P2	2	UPRIGHT-LONG	1	VERTICAL SUPPORT, LEFT
3	46-271866P2	2	UPRIGHT-REAR	1	VERTICAL SUPPORT, RIGHT
4	2128644-2	2	RAIL-ANGLE	1	RAIL ANGLE 600MM FOR LEFT BRIDGE MT
5	2128644	2	RAIL-ANGLE	1	RAIL ANGLE 600MM FOR RIGHT BRIDGE MT
6	46-282348P1	2	BRACKET	2	SUPPORT STRAP
7	2124939	2	CHANNEL-SUPT	2	CHAN REAR FRAME UFI
8	2128927	N	BRACKET ASM	1	CABLE BRACKET ASM FOR PEDESTAL (SEE PAGE 2-125)
9	46-271874P1	2	BRKT-SECR SM	2	BRIDGE MOUNT VERTICAL ADJUST CLAMP
10	2124940	2	SUPPORT	1	SUPPORT L.H. REAR FRAME UFI
11	2124941	2	SUPPORT	1	SUPPORT R.H. REAR FRAME UFI
13	46-271868P2	2	BRCKT-LEVELR	2	REAR PEDESTAL SUPPORTING LEG
14	2124938	2	UPRIGHT FRT	2	FRT UPRIGHT, REAR FRAME UFI
16	46-282422P2	2	REAR BRACE	1	LOWER FRAME REAR CHANNEL
17	2132597	2	BRKT,SIDE CV	2	BRACKET SIDE COVER UFI
23	46-287232P1	2	NUT BAR	2	5/16-18 THREAD
24	46-287235P1	2	BRCKT S F B	2	BRIDGE MOUNT SUPPORT, FRONT
35	46-282318P1	2	BRACKET	4	BODY QUADRATURE HYBRID ASM MOUNTING
39	46-317204G1	2	CABLE ASM	1	(414) MG2-A35 TO MG3-A2-J9 30' 9-CON
40	46-208758P5	2	STRAP	2	13.38"X .301" SELF-LOCKING CABLE TIE
46	46-208984P2	2	SPACER	4	HEX 1/4", EXT/INT THD 6-32, 1.5" LG
54	46-317200G1	2	COVER ASM.	1	INTERCOM BOX COVER W/RF SHIELDING
63	46-271439G3	N	LONGITDL DRV	1	LONGITUDINAL MOTOR DRIVE, MG3 A7 (SEE PAGE 2-124)
65	46-282694G1	N	MG3-A1 BOX	1	MAGNET INTERFACE #1, MG3 A1 (SEE PAGE 2-126)
75	46-287230P1	2	BRCKT SUPRT	2	MOUNTING BLOCK
76	46-287229P1	2	BRACKET	1	REAR PEDESTAL BACK COVER ATTACHING
78	46-306678P1	2	HEX SPACER	1	REAR FRAME FRONT BRACE
84	46-208932P40	2	SCREW,CAP	2	5/16-18 X 2", HEX HEAD, SST 18-8
93A	46-282260G12	N	SPLITTER ASM	1	LX 1.5T BODY HYBRID & PREAMP, MG3 A3 (SEE PAGE 2-129)
93B	46-282260G11	N	SPLITTER ASM	ALT	1.5T BODY QUADRATURE HYBRID, MG3 A3 (SEE PAGE 2-129)
142	46-317137P1	2	ENCLOSURE	1	PATIENT COMMUNICATION BOX - EMPTY
143	46-317177G1	2	HARNESS	1	MG3 A2 J8 TO MG2 A2 A1 J3, SPEAKER
144	46-317184G1	2	HARNESS	1	MG3 A2 J7 TO MG2 A2 A1 J1, C.M. MIKE
145	46-317184G2	2	HARNESS	1	MG3 A2 J9 TO MG2 A2 A1 J4, F.C. MIKE
146A	2204384	1	CIRCUIT BD	1	REMOTE INTERCOM BOARD, MG3 A2 A1
146B	46-264758G1	1	CIRCUIT BD	ALT	REMOTE INTERCOM BOARD, MG3 A2 A1
147	46-317201P1	2	CABLE ASM.	1	MG2 A2 J6 TO MG2 A2 A1 J6, RIBBON-14
148	46-221754P1	2	RFI GASKET	3	RFI GASKET USED WITH 9 PIN SUB-D
149	46-221754P3	2	RFI GASKET	1	RFI GASKET USED WITH 25 PIN SUB-D
160	46-288546G2	1	CIRCUIT BD	1	MULTI-COIL SELECT SWITCH MG3-A36
12117	46-208601P21	2	WASHER,LOCK	4	#8 SCREW, INTERNAL TOOTH, PHOS BRZ
12401	46-221417P2	2	SCREWLOCK	1	FEMALE SCREWLOCK FOR HD CONNECTORS
13084	46-220196P5	2	WASHER,LOCK	44	5/16" SCREW SIZE (0.313), SST
13085	46-220196P3	2	WASHER,LOCK	14	#10 SCREW SIZE (0.190), SST
13087	46-208932P3	2	SCREW,CAP	36	5/16-18 X 3/4", 18-8 SST
13088	46-208932P11	2	SCREW,CAP	8	5/16-18 X 1", HEX HD, 18-8 SST
14164	46-208946P1	2	NUT,HEX,JAM	8	5/16-18 1/2" HEX X .188 THK 18-8 SST
15971	46-208921P28	2	SCREW,MACH	1	6-32 X 5/16" BINDING HEAD, BRASS
16760	46-208935P5	2	NUT,HEX,MS	2	6-32, .313 HEX X .109 THK, BRASS
18056	46-220184P26	2	SCREW MACH	4	8-32 X 1/2" ROUND HEAD SLOT, BRASS
18113	46-220184P41	2	SCREW MACH	2	10-32 X 1/2" SLOT ROUND HEAD, BRASS
18867	12-280	2	WASHER	22	ID 0.336, OD 0.75, THK .064, BRASS
25680	46-208921P6	2	SCREW,MACH	4	6-32 X 1/2", BRASS
34911	46-221417P1	2	SCREWLOCK	3	FEMALE SCREWLOCKS, TWO PER KIT
37364	46-208560P102	2	SCREW,MACH	10	10-32 X 5/8", BIND HEAD, 18-8 SST
47513	46-208922P4	2	SCREW,MACH	3	6-32 X 0.375 NYLON
64933	1000904P425	2	WASHER,FLAT	6	0.2 ID, 0.5 OD, 04 THK, B11H89C
69961	46-208560P70	2	SCREW,MACH	2	10-32 X 1", 18-8 SST, F65D6B1 BLK OX

1.5T M/S REAR PED w/M-C

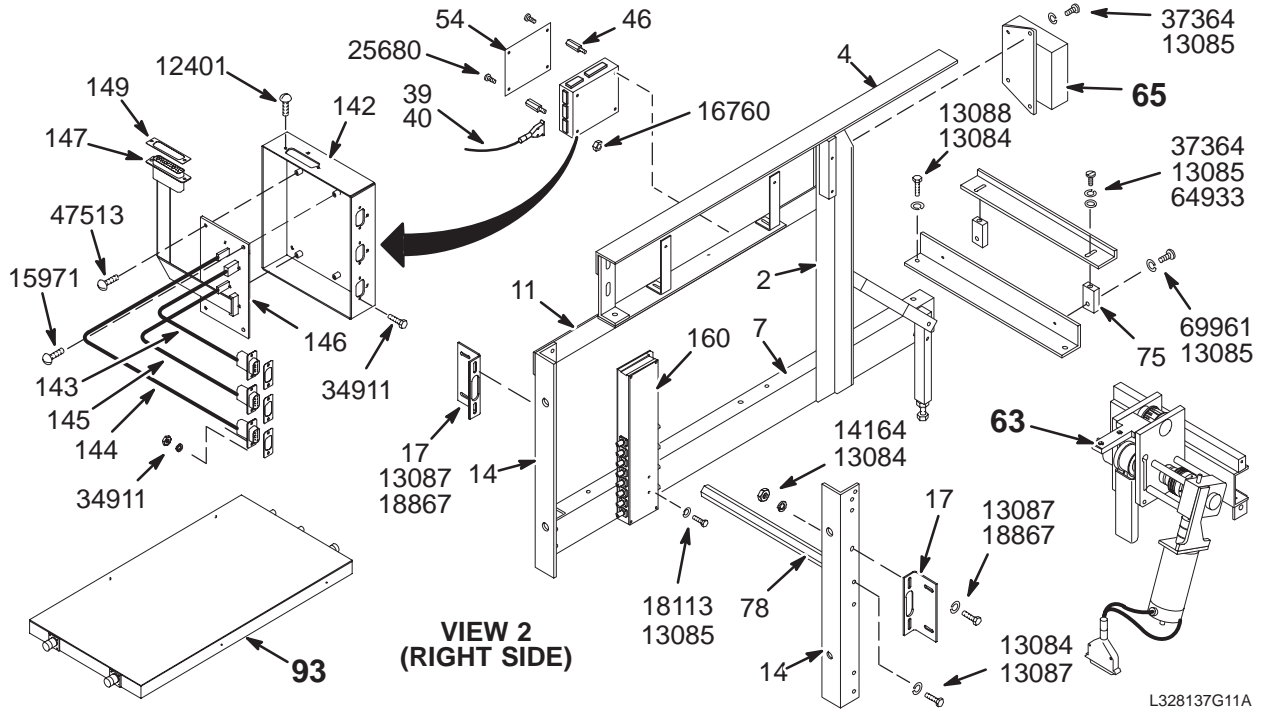
46-328137G10 FRU N

(PART OF 2118423-2 PAGE 2-69)

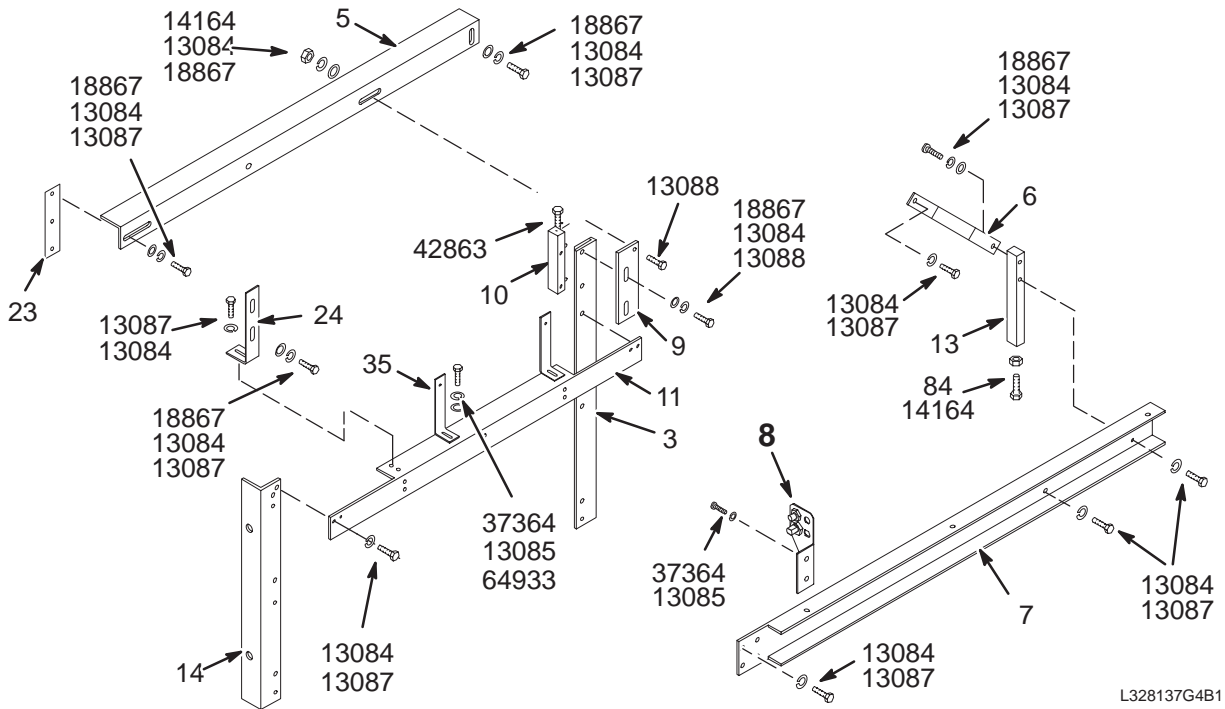
Item	Part Number	FRU	Name	Quantity	Description (Remarks)
2	46-271873P2	2	UPRIGHT-LONG	1	VERTICAL SUPPORT, LEFT
3	46-271866P2	2	UPRIGHT-REAR	1	VERTICAL SUPPORT, RIGHT
4	2128644-2	2	RAIL-ANGLE	1	RAIL ANGLE 600MM FOR LEFT BRIDGE MT
5	2128644	2	RAIL-ANGLE	1	RAIL ANGLE 600MM FOR RIGHT BRIDGE MT
6	46-282348P1	2	BRACKET	2	SUPPORT STRAP
7	2124939	2	CHANNEL-SUPT	2	CHAN REAR FRAME UFI
8	2128927	N	BRACKET ASM	1	CABLE BRACKET ASM FOR PEDESTAL (SEE PAGE 2-125)
9	46-271874P1	2	BRKT-SECR SM	2	BRIDGE MOUNT VERTICAL ADJUST CLAMP
10	2124940	2	SUPPORT	1	SUPPORT L.H. REAR FRAME UFI
11	2124941	2	SUPPORT	1	SUPPORT R.H. REAR FRAME UFI
13	46-271868P2	2	BRCKT-LEVELR	4	REAR PEDESTAL SUPPORTING LEG
14	2124938	2	UPRIGHT FRT	2	FRT UPRIGHT, REAR FRAME UFI
16	46-282422P2	2	REAR BRACE	1	LOWER FRAME REAR CHANNEL
17	2132597	2	BRKT,SIDE CV	2	BRACKET SIDE COVER UFI
23	46-287232P1	2	NUT BAR	2	5/16-18 THREAD
24	46-287235P1	2	BRCKT S F B	2	BRIDGE MOUNT SUPPORT, FRONT
35	46-282318P1	2	BRACKET	4	BODY QUADRATURE HYBRID ASM MOUNTING
39	46-317204G1	2	CABLE ASM	1	(414) MG2-A35 TO MG3-A2-J9 30' 9-CON
40	46-208758P5	2	STRAP	2	13.38"X .301" SELF-LOCKING CABLE TIE
46	46-208984P2	2	SPACER	4	HEX 1/4", EXT/INT THD 6-32, 1.5" LG
54	46-317200G1	2	COVER ASM.	1	INTERCOM BOX COVER W/RF SHIELDING
63	46-271439G3	N	LONGITDL DRV	1	LONGITUDINAL MOTOR DRIVE, MG3 A7 (SEE PAGE 2-124)
65	46-282694G1	N	MG3-A1 BOX	1	MAGNET INTERFACE #1, MG3 A1 (SEE PAGE 2-126)
75	46-287230P1	2	BRCKT SUPRT	2	MOUNTING BLOCK
76	46-287229P1	2	BRACKET	1	REAR PEDESTAL BACK COVER ATTACHING
78	46-306678P1	2	HEX SPACER	1	REAR FRAME FRONT BRACE
84	46-208932P40	2	SCREW,CAP	4	5/16-18 X 2", HEX HEAD, SST 18-8
93A	46-282260G12	N	SPLITTER ASM	1	LX 1.5T BODY HYBRID & PREAMP, MG3 A3 (SEE PAGE 2-129)
93B	46-282260G11	N	SPLITTER ASM	ALT	1.5T BODY QUADRATURE HYBRID, MG3 A3 (SEE PAGE 2-129)
142	46-317137P1	2	ENCLOSURE	1	PATIENT COMMUNICATION BOX - EMPTY
143	46-317177G1	2	HARNESS	1	MG3 A2 J8 TO MG2 A2 A1 J3, SPEAKER
144	46-317184G1	2	HARNESS	1	MG3 A2 J7 TO MG2 A2 A1 J1, C.M. MIKE
145	46-317184G2	2	HARNESS	1	MG3 A2 J9 TO MG2 A2 A1 J4, F.C. MIKE
146A	2204384	1	CIRCUIT BD	1	REMOTE INTERCOM BOARD, MG3 A2 A1
146B	46-264758G1	1	CIRCUIT BD	ALT	REMOTE INTERCOM BOARD, MG3 A2 A1
147	46-317201P1	2	CABLE ASM.	1	MG2 A2 J6 TO MG2 A2 A1 J6, RIBBON-14
148	46-221754P1	2	RFI GASKET	3	RFI GASKET USED WITH 9 PIN SUB-D
149	46-221754P3	2	RFI GASKET	1	RFI GASKET USED WITH 25 PIN SUB-D
160	46-288546G2	1	CIRCUIT BD	1	MULTI-COIL SELECT SWITCH MG3-A36
12117	46-208601P21	2	WASHER,LOCK	4	#8 SCREW, INTERNAL TOOTH, PHOS BRZ
12401	46-221417P2	2	SCREWLOCK	1	FEMALE SCREWLOCK FOR HD CONNECTORS
13084	46-220196P5	2	WASHER,LOCK	48	5/16" SCREW SIZE (0.313), SST
13085	46-220196P3	2	WASHER,LOCK	14	#10 SCREW SIZE (0.190), SST
13087	46-208932P3	2	SCREW,CAP	40	5/16-18 X 3/4", 18-8 SST
13088	46-208932P11	2	SCREW,CAP	8	5/16-18 X 1", HEX HD, 18-8 SST
14164	46-208946P1	2	NUT,HEX,JAM	10	5/16-18 1/2" HEX X .188 THK 18-8 SST
15971	46-208921P28	2	SCREW,MACH	1	6-32 X 5/16" BINDING HEAD, BRASS
16760	46-208935P5	2	NUT,HEX,MS	2	6-32, .313 HEX X .109 THK, BRASS
18056	46-220184P26	2	SCREW MACH	4	8-32 X 1/2" ROUND HEAD SLOT, BRASS
18113	46-220184P41	2	SCREW MACH	2	10-32 X 1/2" SLOT ROUND HEAD, BRASS
18867	12-280	2	WASHER	22	ID 0.336, OD 0.75, THK .064, BRASS
25680	46-208921P6	2	SCREW,MACH	4	6-32 X 1/2", BRASS
34911	46-221417P1	2	SCREWLOCK	3	FEMALE SCREWLOCKS, TWO PER KIT
37364	46-208560P102	2	SCREW,MACH	10	10-32 X 5/8", BIND HEAD, 18-8 SST
47513	46-208922P4	2	SCREW,MACH	3	6-32 X 0.375 NYLON
64933	1000904P425	2	WASHER,FLAT	6	0.2 ID, 0.5 OD, 04 THK, B11H89C
69961	46-208560P70	2	SCREW,MACH	2	10-32 X 1", 18-8 SST, F65D6B1 BLK OX

1.0T REAR PEDESTAL FRAME ASM w/M-C

46-328137G11



VIEW 1



VIEW 2

1.0T REAR PEDESTL w/M-C

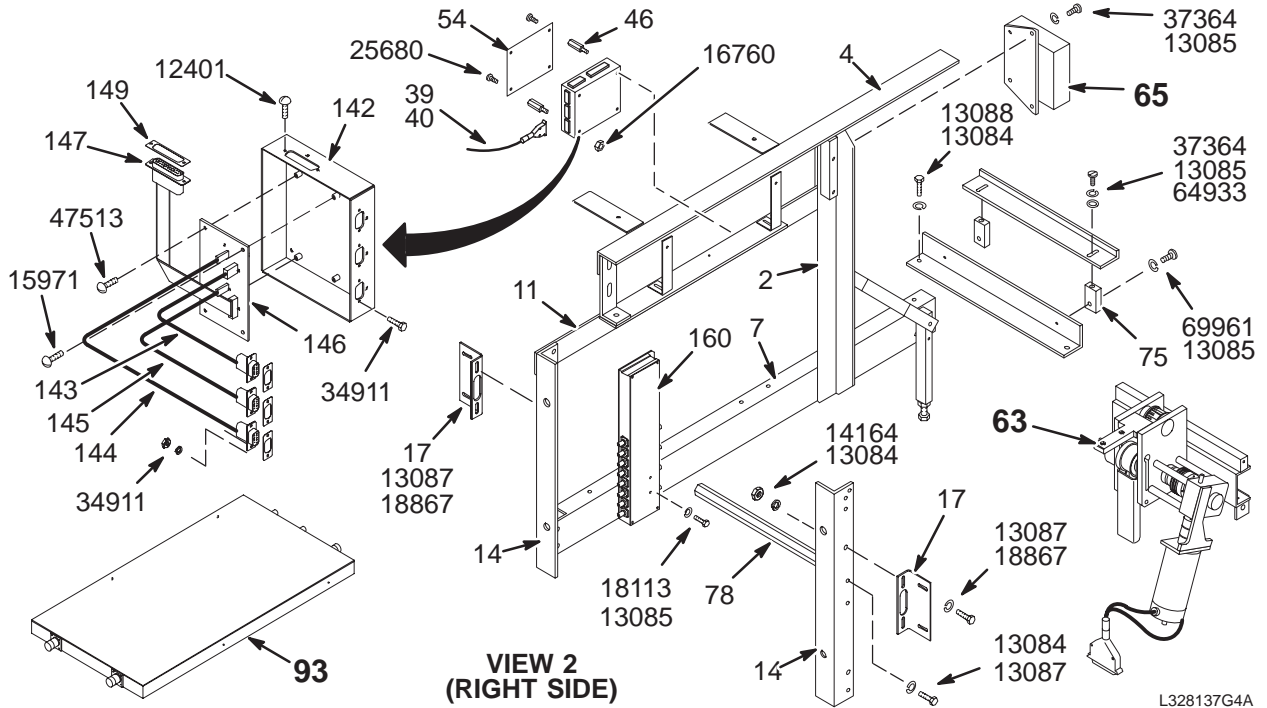
46-328137G11 FRU N

(PART OF 2118422-9 PAGE 2-13)

Item	Part Number	FRU	Name	Quantity	Description (Remarks)
2	46-271873P2	2	UPRIGHT-LONG	1	VERTICAL SUPPORT, LEFT
3	46-271866P2	2	UPRIGHT-REAR	1	VERTICAL SUPPORT, RIGHT
4	2128644-2	2	RAIL-ANGLE	1	RAIL ANGLE 600MM FOR LEFT BRIDGE MT
5	2128644	2	RAIL-ANGLE	1	RAIL ANGLE 600MM FOR RIGHT BRIDGE MT
6	46-282348P1	2	BRACKET	2	SUPPORT STRAP
7	2124939	2	CHANNEL-SUPT	2	CHAN REAR FRAME UFI
8	2128927	N	BRACKET ASM	1	CABLE BRACKET ASM FOR PEDESTAL (SEE PAGE 2-125)
9	46-271874P1	2	BRKT-SECR SM	2	BRIDGE MOUNT VERTICAL ADJUST CLAMP
10	2124940	2	SUPPORT	1	SUPPORT L.H. REAR FRAME UFI
11	2124941	2	SUPPORT	1	SUPPORT R.H. REAR FRAME UFI
13	46-271868P2	2	BRCKT-LEVELR	2	REAR PEDESTAL SUPPORTING LEG
14	2124938	2	UPRIGHT FRT	2	FRT UPRIGHT, REAR FRAME UFI
16	46-282422P2	2	REAR BRACE	1	LOWER FRAME REAR CHANNEL
17	2132597	2	BRKT,SIDE CV	2	BRACKET SIDE COVER UFI
23	46-287232P1	2	NUT BAR	2	5/16-18 THREAD
24	46-287235P1	2	BRCKT S F B	2	BRIDGE MOUNT SUPPORT, FRONT
35	46-282318P1	2	BRACKET	4	BODY QUADRATURE HYBRID ASM MOUNTING
39	46-317204G1	2	CABLE ASM	1	(414) MG2-A35 TO MG3-A2-J9 30' 9-CON
40	46-208758P5	2	STRAP	2	13.38"X .301" SELF-LOCKING CABLE TIE
46	46-208984P2	2	SPACER	4	HEX 1/4", EXT/INT THD 6-32, 1.5" LG
54	46-317200G1	2	COVER ASM.	1	INTERCOM BOX COVER W/RF SHIELDING
63	46-271439G3	N	LONGITDL DRV	1	LONGITUDINAL MOTOR DRIVE, MG3 A7 (SEE PAGE 2-124)
65	46-282694G1	N	MG3-A1 BOX	1	MAGNET INTERFACE #1, MG3 A1 (SEE PAGE 2-126)
75	46-287230P1	2	BRCKT SUPRT	2	MOUNTING BLOCK
76	46-287229P1	2	BRACKET	1	REAR PEDESTAL BACK COVER ATTACHING
78	46-306678P1	2	HEX SPACER	1	REAR FRAME FRONT BRACE
84	46-208932P40	2	SCREW,CAP	2	5/16-18 X 2", HEX HEAD, SST 18-8
93	46-282260G5	N	BRM SPLIT BX	1	BODY HYBRID, UFI 1.0T (SEE PAGE 2-128)
142	46-317137P1	2	ENCLOSURE	1	PATIENT COMMUNICATION BOX - EMPTY
143	46-317177G1	2	HARNESS	1	MG3 A2 J8 TO MG2 A2 A1 J3, SPEAKER
144	46-317184G1	2	HARNESS	1	MG3 A2 J7 TO MG2 A2 A1 J1, C.M. MIKE
145	46-317184G2	2	HARNESS	1	MG3 A2 J9 TO MG2 A2 A1 J4, F.C. MIKE
146A	2204384	1	CIRCUIT BD	1	REMOTE INTERCOM BOARD, MG3 A2 A1
146B	46-264758G1	1	CIRCUIT BD	ALT	REMOTE INTERCOM BOARD, MG3 A2 A1
147	46-317201P1	2	CABLE ASM.	1	MG2 A2 J6 TO MG2 A2 A1 J6, RIBBON-14
148	46-221754P1	2	RFI GASKET	3	RFI GASKET USED WITH 9 PIN SUB-D
149	46-221754P3	2	RFI GASKET	1	RFI GASKET USED WITH 25 PIN SUB-D
160	46-288546G2	1	CIRCUIT BD	1	MULTI-COIL SELECT SWITCH MG3-A36
12117	46-208601P21	2	WASHER,LOCK	4	#8 SCREW, INTERNAL TOOTH, PHOS BRZ
12401	46-221417P2	2	SCREWLOCK	1	FEMALE SCREWLOCK FOR HD CONNECTORS
13084	46-220196P5	2	WASHER,LOCK	44	5/16" SCREW SIZE (0.313), SST
13085	46-220196P3	2	WASHER,LOCK	14	#10 SCREW SIZE (0.190), SST
13087	46-208932P3	2	SCREW,CAP	36	5/16-18 X 3/4", 18-8 SST
13088	46-208932P11	2	SCREW,CAP	8	5/16-18 X 1", HEX HD, 18-8 SST
14164	46-208946P1	2	NUT,HEX,JAM	8	5/16-18 1/2" HEX X .188 THK 18-8 SST
15971	46-208921P28	2	SCREW,MACH	1	6-32 X 5/16" BINDING HEAD, BRASS
16760	46-208935P5	2	NUT,HEX,MS	2	6-32, .313 HEX X .109 THK, BRASS
18056	46-220184P26	2	SCREW MACH	4	8-32 X 1/2" ROUND HEAD SLOT, BRASS
18113	46-220184P41	2	SCREW MACH	2	10-32 X 1/2" SLOT ROUND HEAD, BRASS
18867	12-280	2	WASHER	22	ID 0.336, OD 0.75, THK .064, BRASS
25680	46-208921P6	2	SCREW,MACH	4	6-32 X 1/2", BRASS
34911	46-221417P1	2	SCREWLOCK	3	FEMALE SCREWLOCKS, TWO PER KIT
37364	46-208560P102	2	SCREW,MACH	10	10-32 X 5/8", BIND HEAD, 18-8 SST
47513	46-208922P4	2	SCREW,MACH	3	6-32 X 0.375 NYLON
64933	1000904P425	2	WASHER,FLAT	6	0.2 ID, 0.5 OD, .04 THK, B11H89C
69961	46-208560P70	2	SCREW,MACH	2	10-32 X 1", 18-8 SST, F65D6B1 BLK OX

REAR PEDESTAL FRAME ASM with M-C

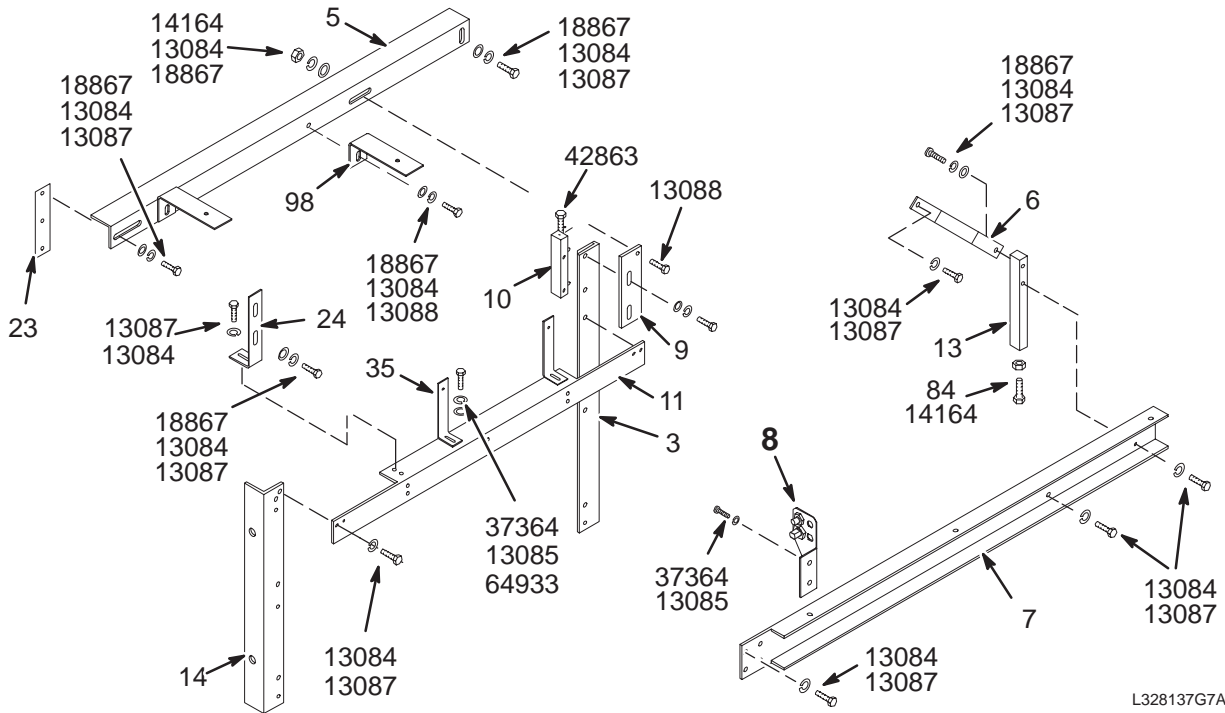
46-328137G12 & G13



VIEW 2 (RIGHT SIDE)

L328137G4A

VIEW 1



VIEW 2

L328137G7A

1.5T MOB & T/R REAR PED w/M-C 46-328137G12 FRU N

(PART OF 2118422-4 PAGE 2-30)

Item	Part Number	FRU	Name	Quantity	Description (Remarks)
2	46-271873P2	2	UPRIGHT-LONG	1	VERTICAL SUPPORT, LEFT
3	46-271866P2	2	UPRIGHT-REAR	1	VERTICAL SUPPORT, RIGHT
4	2128644-2	2	RAIL-ANGLE	1	RAIL ANGLE 600MM FOR LEFT BRIDGE MT
5	2128644	2	RAIL-ANGLE	1	RAIL ANGLE 600MM FOR RIGHT BRIDGE MT
6	46-282348P1	2	BRACKET	2	SUPPORT STRAP
7	2124939	2	CHANNEL-SUPT	2	CHAN REAR FRAME UFI
8	2128927	N	BRACKET ASM	1	CABLE BRACKET ASM FOR PEDESTAL (SEE PAGE 2-125)
9	46-271874P1	2	BRKT-SECR SM	2	BRIDGE MOUNT VERTICAL ADJUST CLAMP
10	2124940	2	BRACKET	1	SUPPORT L.H. REAR FRAME UFI
11	2124941	2	BRACKET	1	SUPPORT R.H. REAR FRAME UFI
13	46-271868P2	2	BRCKT-LEVELR	2	REAR PEDESTAL SUPPORTING LEG
14	2124938	2	UPRIGHT FRT	2	FRT UPRIGHT, REAR FRAME UFI
16	46-282422P2	2	REAR BRACE	1	LOWER FRAME REAR CHANNEL
17	2132597	2	BRKT,SIDE CV	2	BRACKET SIDE COVER UFI
23	46-287232P1	2	NUT BAR	2	5/16-18 THREAD
24	46-287235P1	2	BRCKT S F B	2	BRIDGE MOUNT SUPPORT, FRONT
35	46-282318P1	2	BRACKET	4	BODY QUADRATURE HYBRID ASM MOUNTING
39	46-317204G1	2	CABLE ASM	1	(414) MG2-A35 TO MG3-A2-J9 30' 9-CON
40	46-208758P5	2	TY-RAP	2	13.38"X .301" SELF-LOCKING CABLE TIE
46	46-208984P2	2	SPACER	4	HEX 1/4", EXT/INT THD 6-32, 1.5" LG
54	46-317200G1	2	COVER ASM.	1	INTERCOM BOX COVER W/RF SHIELDING
63	46-271439G3	N	LONGITDL DRV	1	LONGITUDINAL MOTOR DRIVE, MG3 A7 (SEE PAGE 2-124)
65	46-282694G1	N	MG3-A1 BOX	1	MAGNET INTERFACE #1, MG3 A1 (SEE PAGE 2-126)
75	46-287230P1	2	BRCKT SUPRT	2	MOUNTING BLOCK
76	46-287229P1	2	BRACKET	1	REAR PEDESTAL BACK COVER ATTACHING
78	46-306678P1	2	HEX SPACER	1	REAR FRAME FRONT BRACE
84	46-208932P40	2	SCREW	2	5/16-18 X 2", HEX HEAD, SST 18-8
93A	46-282260G12	N	SPLITTER ASM	1	LX 1.5T BODY HYBRID & PREAMP, MG3 A3 (SEE PAGE 2-129)
93B	46-282260G11	N	SPLITTER ASM	ALT	1.5T BODY QUADRATURE HYBRID, MG3 A3 (SEE PAGE 2-129)
98	2128559	2	BRACKET	4	TUNNEL EXTENSION MOUNTING BRACKET
142	46-317137P1	2	BOX	1	PATIENT COMMUNICATION BOX - EMPTY
143	46-317177G1	2	HARNESS	1	MG3 A2 J8 TO MG2 A2 A1 J3, SPEAKER
144	46-317184G1	2	HARNESS	1	MG3 A2 J7 TO MG2 A2 A1 J1, C.M. MIKE
145	46-317184G2	2	HARNESS	1	MG3 A2 J9 TO MG2 A2 A1 J4, F.C. MIKE
146A	2204384	1	CIRCUIT BD	1	REMOTE INTERCOM BOARD, MG3 A2 A1
146B	46-264758G1	1	CIRCUIT BD	ALT	REMOTE INTERCOM BOARD, MG3 A2 A1
147	46-317201P1	2	CABLE ASM.	1	MG2 A2 J6 TO MG2 A2 A1 J6, RIBBON-14
148	46-221754P1	2	CONNECTOR	3	RFI GASKET USED WITH 9 PIN SUB-D
149	46-221754P3	2	CONNECTOR	1	RFI GASKET USED WITH 25 PIN SUB-D
160	46-288546G2	1	CIRCUIT BD	1	MULTI-COIL SELECT SWITCH MG3-A36
12117	46-208601P21	2	WASHER	4	#8 SCREW, INTERNAL TOOTH, PHOS BRZ
12401	46-221417P2	2	CONNECTOR	1	FEMALE SCREWLOCK FOR HD CONNECTORS
13084	46-220196P5	2	WASHER	48	5/16" SCREW SIZE (0.313), SST
13085	46-220196P3	2	WASHER	14	#10 SCREW SIZE (0.190), SST
13087	46-208932P3	2	SCREW	40	5/16-18 X 3/4", 18-8 SST
13088	46-208932P11	2	SCREW	8	5/16-18 X 1", HEX HD, 18-8 SST
14164	46-208946P1	2	NUT	8	5/16-18 1/2" HEX X .188 THK 18-8 SST
15971	46-208921P28	2	SCREW	1	6-32 X 5/16" BINDING HEAD, BRASS
16760	46-208935P5	2	NUT	2	6-32, .313 HEX X .109 THK, BRASS
18056	46-220184P26	2	SCREW	4	8-32 X 1/2" ROUND HEAD SLOT, BRASS
18113	46-220184P41	2	SCREW	2	10-32 X 1/2" SLOT ROUND HEAD, BRASS
18867	12-280	2	WASHER	26	ID 0.336, OD 0.75, THK .064, BRASS
25680	46-208921P6	2	SCREW	4	6-32 X 1/2", BRASS
34911	46-221417P1	2	CONNECTOR	3	FEMALE SCREWLOCKS, TWO PER KIT
37364	46-208560P102	2	SCREW	10	10-32 X 5/8", BIND HEAD, 18-8 SST
47513	46-208922P4	2	SCREW	3	6-32 X 0.375 NYLON
64933	1000904P425	2	WASHER	6	0.2 ID, 0.5 OD, 04 THK, B11H89C
69961	46-208560P70	2	SCREW	2	10-32 X 1", 18-8 SST, F65D6B1 BLK OX

1.0T MOB & T/R REAR PED w/M-C 46-328137G13 FRU N

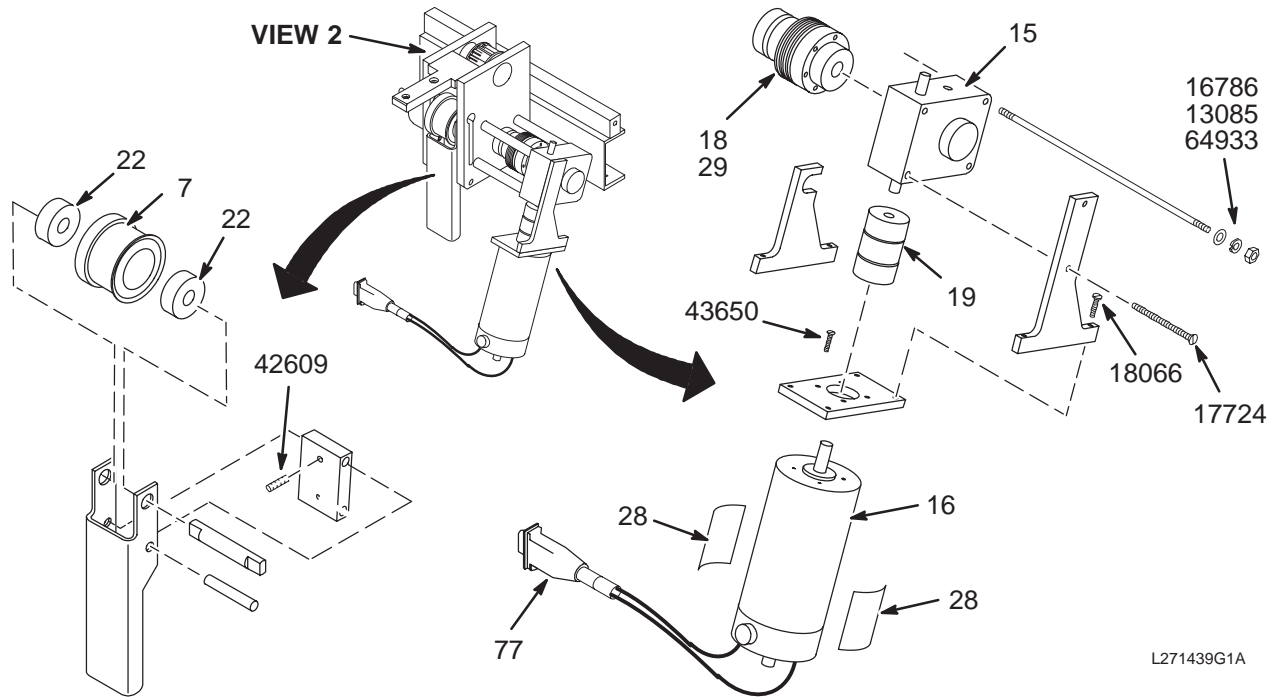
(PART OF 2118422-8 PAGE 2-34)

Item	Part Number	FRU	Name	Quantity	Description (Remarks)
2	46-271873P2	2	UPRIGHT-LONG	1	VERTICAL SUPPORT, LEFT
3	46-271866P2	2	UPRIGHT-REAR	1	VERTICAL SUPPORT, RIGHT
4	2128644-2	2	RAIL-ANGLE	1	RAIL ANGLE 600MM FOR LEFT BRIDGE MT
5	2128644	2	RAIL-ANGLE	1	RAIL ANGLE 600MM FOR RIGHT BRIDGE MT
6	46-282348P1	2	BRACKET	2	SUPPORT STRAP
7	2124939	2	CHANNEL-SUPT	2	CHAN REAR FRAME UFI
8	2128927	N	BRACKET ASM	1	CABLE BRACKET ASM FOR PEDESTAL (SEE PAGE 2-125)
9	46-271874P1	2	BRKT-SECR SM	2	BRIDGE MOUNT VERTICAL ADJUST CLAMP
10	2124940	2	BRACKET	1	SUPPORT L.H. REAR FRAME UFI
11	2124941	2	BRACKET	1	SUPPORT R.H. REAR FRAME UFI
13	46-271868P2	2	BRCKT-LEVELR	2	REAR PEDESTAL SUPPORTING LEG
14	2124938	2	UPRIGHT FRT	2	FRT UPRIGHT, REAR FRAME UFI
16	46-282422P2	2	REAR BRACE	1	LOWER FRAME REAR CHANNEL
17	2132597	2	BRKT,SIDE CV	2	BRACKET SIDE COVER UFI
23	46-287232P1	2	NUT BAR	2	5/16-18 THREAD
24	46-287235P1	2	BRCKT S F B	2	BRIDGE MOUNT SUPPORT, FRONT
35	46-282318P1	2	BRACKET	4	BODY QUADRATURE HYBRID ASM MOUNTING
39	46-317204G1	2	CABLE ASM	1	(414) MG2-A35 TO MG3-A2-J9 30' 9-CON
40	46-208758P5	2	TY-RAP	2	13.38"X .301" SELF-LOCKING CABLE TIE
46	46-208984P2	2	SPACER	4	HEX 1/4", EXT/INT THD 6-32, 1.5" LG
54	46-317200G1	2	COVER ASM.	1	INTERCOM BOX COVER W/RF SHIELDING
63	46-271439G3	N	LONGITDL DRV	1	LONGITUDINAL MOTOR DRIVE, MG3 A7 (SEE PAGE 2-124)
65	46-282694G1	N	MG3-A1 BOX	1	MAGNET INTERFACE #1, MG3 A1 (SEE PAGE 2-126)
75	46-287230P1	2	BRCKT SUPRT	2	MOUNTING BLOCK
76	46-287229P1	2	BRACKET	2	REAR PEDESTAL BACK COVER ATTACHING
78	46-306678P1	2	HEX SPACER	1	REAR FRAME FRONT BRACE
84	46-208932P40	2	SCREW	2	5/16-18 X 2", HEX HEAD, SST 18-8
93	46-282260G5	N	BRM SPLIT BX	1	BODY HYBRID, UFI 1.0T (SEE PAGE 2-128)
98	2128559	2	BRACKET	4	TUNNEL EXTENSION MOUNTING BRACKET
142	46-317137P1	2	BOX	1	PATIENT COMMUNICATION BOX - EMPTY
143	46-317177G1	2	HARNESS	1	MG3 A2 J8 TO MG2 A2 A1 J3, SPEAKER
144	46-317184G1	2	HARNESS	1	MG3 A2 J7 TO MG2 A2 A1 J1, C.M. MIKE
145	46-317184G2	2	HARNESS	1	MG3 A2 J9 TO MG2 A2 A1 J4, F.C. MIKE
146A	2204384	1	CIRCUIT BD	1	REMOTE INTERCOM BOARD, MG3 A2 A1
146B	46-264758G1	1	CIRCUIT BD	ALT	REMOTE INTERCOM BOARD, MG3 A2 A1
147	46-317201P1	2	CABLE ASM.	1	MG2 A2 J6 TO MG2 A2 A1 J6, RIBBON-14
148	46-221754P1	2	CONNECTOR	3	RFI GASKET USED WITH 9 PIN SUB-D
149	46-221754P3	2	CONNECTOR	1	RFI GASKET USED WITH 25 PIN SUB-D
160	46-288546G2	1	CIRCUIT BD	1	MULTI-COIL SELECT SWITCH MG3-A36
12117	46-208601P21	2	WASHER	4	#8 SCREW, INTERNAL TOOTH, PHOS BRZ
12401	46-221417P2	2	CONNECTOR	1	FEMALE SCREWLOCK FOR HD CONNECTORS
13084	46-220196P5	2	WASHER	48	5/16" SCREW SIZE (0.313), SST
13085	46-220196P3	2	WASHER	14	#10 SCREW SIZE (0.190), SST
13087	46-208932P3	2	SCREW	40	5/16-18 X 3/4", 18-8 SST
13088	46-208932P11	2	SCREW	8	5/16-18 X 1", HEX HD, 18-8 SST
14164	46-208946P1	2	NUT	8	5/16-18 1/2" HEX X .188 THK 18-8 SST
15971	46-208921P28	2	SCREW	1	6-32 X 5/16" BINDING HEAD, BRASS
16760	46-208935P5	2	NUT	2	6-32, .313 HEX X .109 THK, BRASS
18056	46-220184P26	2	SCREW	4	8-32 X 1/2" ROUND HEAD SLOT, BRASS
18113	46-220184P41	2	SCREW	2	10-32 X 1/2" SLOT ROUND HEAD, BRASS
18867	12-280	2	WASHER	26	ID 0.336, OD 0.75, THK .064, BRASS
25680	46-208921P6	2	SCREW	4	6-32 X 1/2", BRASS
34911	46-221417P1	2	CONNECTOR	3	FEMALE SCREWLOCKS, TWO PER KIT
37364	46-208560P102	2	SCREW	10	10-32 X 5/8", BIND HEAD, 18-8 SST
47513	46-208922P4	2	SCREW	3	6-32 X 0.375 NYLON
64933	1000904P425	2	WASHER	6	0.2 ID, 0.5 OD, 04 THK, B11H89C
69961	46-208560P70	2	SCREW	2	10-32 X 1", 18-8 SST, F65D6B1 BLK OX

LONGITUDINAL MOTOR DRIVE

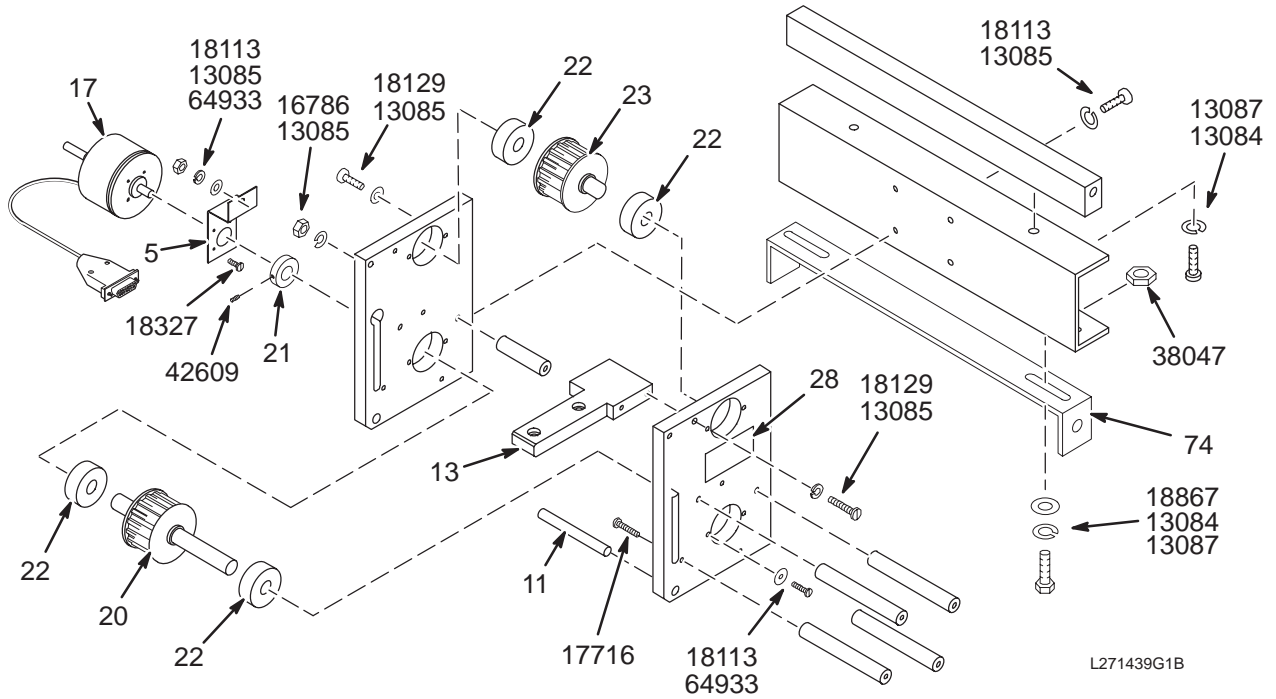
46-271439G3

MG3 A7



L271439G1A

VIEW 1



L271439G1B

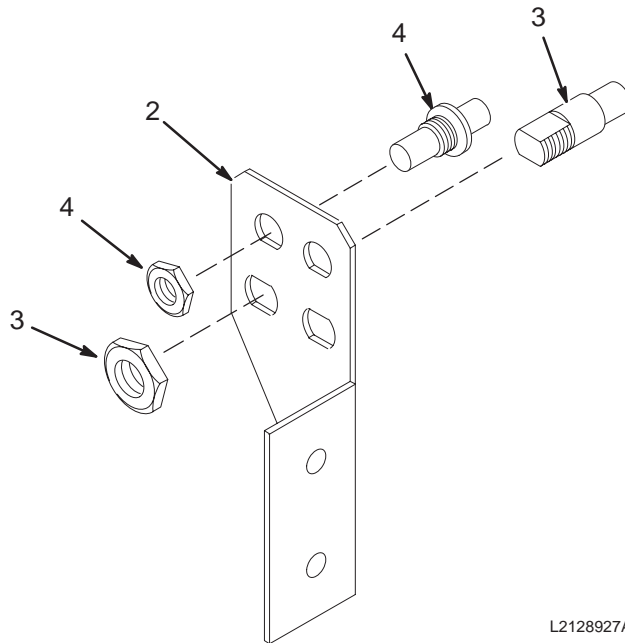
VIEW 2

LONGTDNL MOTOR DRIVE 46-271439G3 FRU N (PART OF 46-328137G4-13 PAGES 2-106 THRU 2-122)
 (PART OF 46-328137G16-23 PAGES 2-221 THRU 2-228)

Item	Part Number	FRU	Name	Quantity	Description (Remarks)
2	46-271419P1	N	PLATE, SUP,T	1	MOUNTING CHANNEL
3	46-271420P1	N	ARM, T-U PIV	1	BELT TENSION ARM
4	46-271421P1	N	PLATE, R B M	2	SIDE PLATE
5	46-271422P1	N	BRACKET, END	1	ENCODER MOUNTING BRACKET
6	46-271423P1	N	BRACKET, MTR	1	MOTOR MOUNTING BRACKET
7	46-271425P1	N	ROLLER	1	BELT TENSION PULLEY
8	46-271426P1	N	SUPPORT,PIVT	1	BELT TENSION LATCHING BLOCK
9	46-271427P1	N	SHAFT	1	TENSION ARM PIVOT PIN
10	46-271428P1	N	PLATE,MTR MT	1	LONGITUDINAL DRIVE MOTOR MOUNT PLATE
11	46-271427P2	N	SHAFT	1	LATCHING BLOCK PIVOT PIN
12	46-271430P1	N	SHAFT, T-U	1	TENSION PULLEY SHAFT
13	46-271432P1	N	MOUNT BRIDGE	1	BRIDGE ATTACHMENT TONGUE
14	46-271865P1	N	MOUNTING BAR	1	REAR PEDESTAL MOUNT
15	46-282359P2	2	SPEED REDUCE	1	40 TO 1 NON-MAGNETIC GEAR REDUCER
16	46-282360P1	1	MOTOR	1	LONG DRIVE MOTOR, MG3-A7 (NO LABELS)
17	46-282361P1	1	ENCODER	1	LONGITUDINAL ENCODER, MG3 A6
18	46-282362P1	N	CLUTCH	1	ADJUSTABLE RANGE = 1.8 TO 50LB/INCH,
19	46-282363P1	N	COUPLING	1	NON-MAGNETIC FLEXIBLE COUPLING
20	46-282727G1	N	PULLEY ASM	1	DRIVE BELT DRIVEN PULLEY
21	46-282402P1	N	COLLAR	1	ENCODER SHAFT COUPLING
22	46-282471P12	N	BEARING	6	SKF BEARING #1621 DC **MAGNETIC**
23	46-282646G1	N	PULLEY ASM	1	DRIVE BELT IDLER PULLEY
24	46-282688P1	N	STANDOFF	2	1/2" DIA X 3-5/8, 10-32 THREAD, ALUM
25	46-282689P1	N	STANDOFF	2	1/2" DIA X 3-5/8, .2 THRU HOLE, ALUM
26	46-282689P2	N	STANDOFF	2	1/2" DIA X 1.950, .2 THRU HOLE, ALUM
27	46-282690P1	N	STUD	2	8-3/4 LONG, 10-32 THREAD, BRASS
28	46-282756P1	N	LABEL	4	WARNING, CONTAINS FERROUS MATERIAL
29	46-170686P1	N	SEALANT	AR	LOCTITE 242, 0.5CC TUBE
31	46-320678P1	N	BRACKET	1	MOTOR/GEARBOX SUPPORT BRACKET
74	46-287226G1	N	BRACKET	1	REAR PEDESTAL BACK COVER MOUNTING
77	46-258066G1	N	CABLE ASM	1	LONGITUDINAL DRIVE MOTOR CABLE
13084	46-220196P5	N	WASHER,LOCK	2	5/16" SCREW SIZE (0.313), SST
13085	46-220196P3	N	WASHER,LOCK	15	#10 SCREW SIZE (0.190), SST
13087	46-208932P3	N	SCREW,CAP	2	5/16-18 X 3/4", 18-8 SST
16786	46-208935P7	N	NUT,HEX,MS	4	10-32, 3/8 HEX, 1/8" THICK, BRASS
17716	46-208913P29	N	SCREW,MACH	2	10-32 X 1" SLOTTED FLAT HEAD, BRASS
17724	46-208913P30	N	SCREW,MACH	2	10-32 X 2" SLOT FLAT HEAD, BRASS
18066	46-220184P29	N	SCREW MACH	4	8-32 X 3/4" ROUND HEAD SLOT, BRASS
18113	46-220184P41	N	SCREW MACH	13	10-32 X 1/2" SLOT ROUND HEAD, BRASS
18129	46-220184P45	N	SCREW MACH	4	10-32 X 1", ROUND HEAD SLOT, BRASS
18327	46-208921P2	N	SCREW,MACH	4	4-40 X 3/16", BRASS
37364	46-208560P102	N	SCREW,MACH	2	10-32 X 5/8", BIND HEAD, 18-8 SST
38047	46-208938P5	N	NUT,HEX,MS	2	10-32, 3/8" HEX X .130 THK, 18-8 SST
42609	46-208732P9	N	SCREW,SET	3	10-32 X 3/8" HEX SOC HD FLAT PT, SST
43650	46-208913P14	N	SCREW,MACH	4	6-32 X 1/2" SLOTTED FLAT HEAD, BRASS
64933	1000904P425	N	WASHER,FLAT	13	0.2 ID, 0.5 OD, .04 THK, B11H89C

REAR PEDESTAL CABLE BRACKET ASM

2128927



L2128927A

CABLE BRACKET ASM

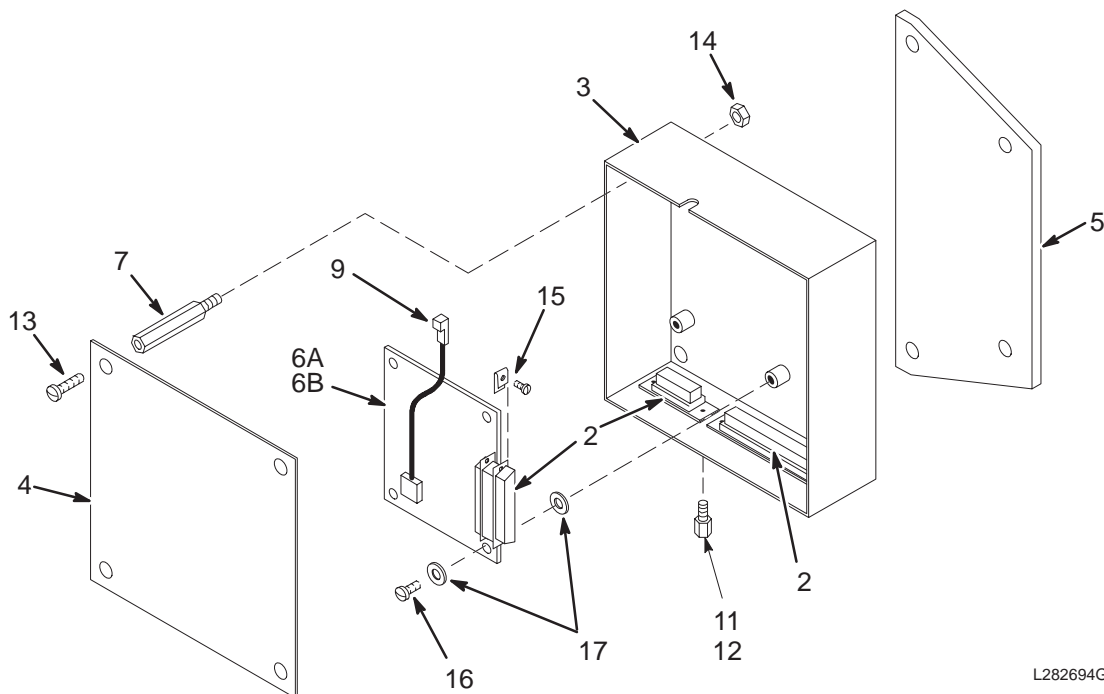
2128927 FRU N

- (PART OF 46-328137G4 PAGE 2-106)
- (PART OF 46-328137G5 PAGE 2-108)
- (PART OF 46-328137G6 PAGE 2-110)
- (PART OF 46-328137G7 PAGE 2-112)
- (PART OF 46-328137G8 PAGE 2-113)
- (PART OF 46-328137G9 PAGE 2-115)
- (PART OF 46-328137G10 PAGE 2-117)
- (PART OF 46-328137G11 PAGE 2-119)
- (PART OF 46-328137G12 PAGE 2-121)
- (PART OF 46-328137G13 PAGE 2-122)
- (PART OF 46-328137G16-23 PAGES 2-221 THRU 2-228)

Item	Part Number	FRU	Name	Quantity	Description (Remarks)
2	46-301998P1	2	BRACKET	1	COIL CABLE TAKEUP INTERFACE, MG3 A17
3	46-221865P1	2	CONNECTOR	1	UG-30, N BULKHEAD, 50-OHM, JACK-JACK
4	46-208990P1	2	ADAPTER	1	50 OHM BNC BULKHEAD ADAP'R JACK-JACK

ENCODER BOX

46-282694G1



L282694G1A1

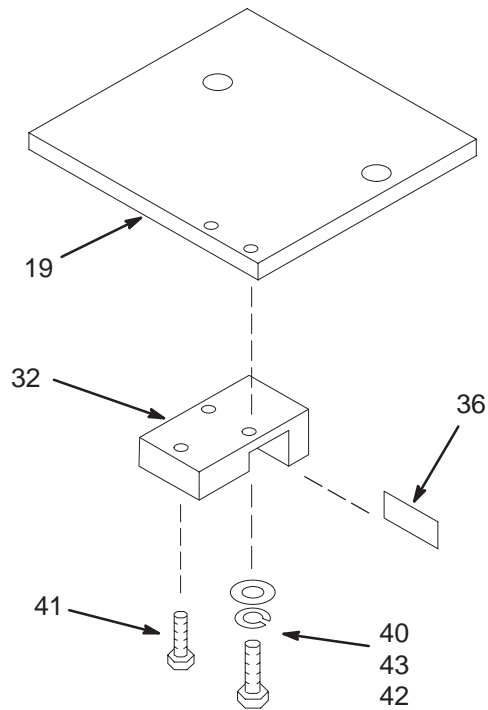
ENCODER BOX

46-282694G1 FRU N(PART 65 OF 46-328137G4 TO G13 PAGES 2-106 TO 2-122)
 (PART 65 OF 46-328137G16 TO 23 PAGES 2-221 TO 2-228)
 (PART 65 OF 2199000 TO 2199000-10 PAGES 2-318 TO 2-325)
 (PART 65 OF 2382930 PAGE 2-327)

Item	Part Number	FRU	Name	Quantity	Description (Remarks)
2	46-282315G1	2	HARNESS	1	MAGNET INTERFACE #1 INTERNAL CONNECT
3	46-282317G1	2	BOX	1	MAGNET INTERFACE #1 BOX - EMPTY
4	46-282320P1	2	COVER	1	5" X 5" BOX COVER, ALUMINUM
5	46-282445P1	2	BRACKET	1	MAGNET INTERFACE #1 MOUNTING PLATE
6A	46-226552G2	1	CIRCUIT BD	1	LIMIT SWITCH BOARD, MG3 A1 A1 (ONLY)
6B	46-226552G1	1	CIRCUIT BD	ALT	LIMIT SWITCH BOARD, MG3 A1 A1, ETC.
7	46-208984P2	2	SPACER	4	HEX 0.250 THD EXT 6-32 INT 6-32
9	46-244822G1	2	REF. SENSOR	1	LIMIT SWITCH SENSOR AND HARNESS
11	46-170686P3	2	SEALANT	AR	LOCTITE 242, 50CC
12	46-221417P2	2	CONNECTOR	4	FEMALE SCREWLOCK FOR HD CONNECTORS
13	46-208921P5	2	SCREW,MACH	4	006-32 X 0.375 BRS
14	46-208935P5	2	NUT,HEX,MS	2	00006-32 .313 HEX X .109 THK BR
15	46-221415P1	2	RETAINER	1	4-40 X .22" SCREW W/ RETAINING CLIP.
16	46-208922P2	2	SCREW,MACH	4	00006-32 X 0.188 NYLON
17	1000904P298	2	WASHER,FLAT	8	ID 0.1875 OD 0.375 THK .010

REAR BRIDGE MOUNT ASM

2132034



REAR BRIDGE MOUNT ASM

2132034 FRU N

- (PART OF 2118422-3 PAGE 2-7)
- (PART OF 2118422-5 PAGE 2-9)
- (PART OF 2118422-7 PAGE 2-11)
- (PART OF 2118422-9 PAGE 2-13)
- (PART OF 2118422-2 PAGE 2-28)
- (PART OF 2118422-4 PAGE 2-30)
- (PART OF 2118422-6 PAGE 2-32)
- (PART OF 2118422-8 PAGE 2-34)
- (PART OF 2118423 PAGE 2-67)
- (PART OF 2118423-2 PAGE 2-69)
- (PART OF 46-328137G16-23 PAGES 2-221 THRU 2-228)
- (PART 27 OF 2382930 PAGE 2-327)

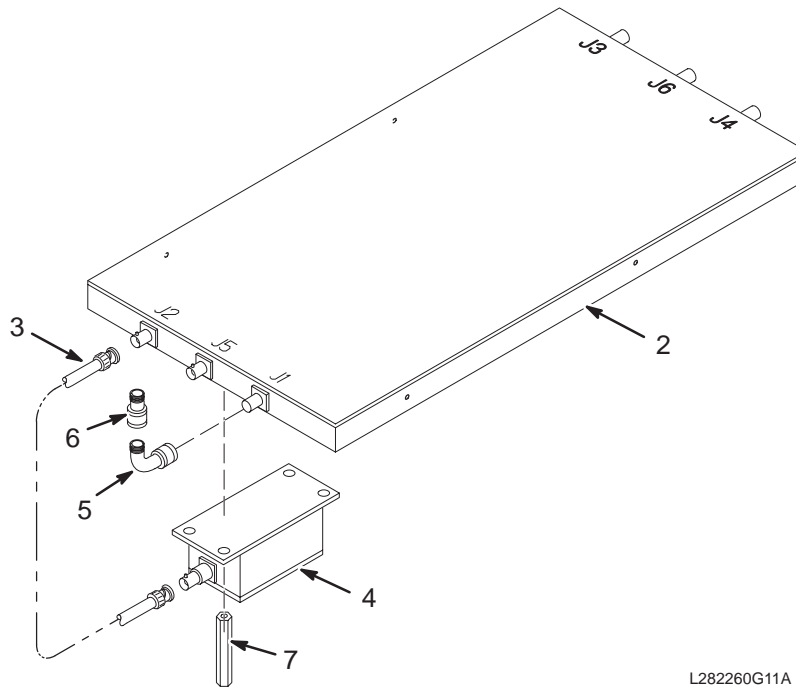
Item	Part Number	FRU	Name	Quantity	Description (Remarks)
19	46-271431P1	2	BRIDGE PLATE	1	BRIDGE ATTACHMENT CLAMP PLATE
32	46-282437P1	2	SENSOR BRKT	1	MOUNTS REFERENCE SENSOR & REFLECTOR
36	46-282981P1	2	REFLECTOR	1	REFLECTOR FOR REFERENCE SENSOR
40	46-220196P2	2	WASHER,LOCK	2	#6 SCREW SIZE (0.138), SST
41	46-220184P6	2	SCREW MACH	1	4-40 X 3/8" ROUND HEAD SLOT, BRASS
42	46-208560P110	2	SCREW,MACH	2	6-32 X 3/8 BINDING HEAD, 18-8 SST
43	1000904P2	2	WASHER,FLAT	2	ID 0.144, OD 0.297, THK .032, BRASS

2-6 BODY HYBRID SPLITTER ASSEMBLIES

1.0T SPLITTER BOX

46-282260G5

MG3 A3



1.0T SPLITTER BOX

46-282260G5 FRU N

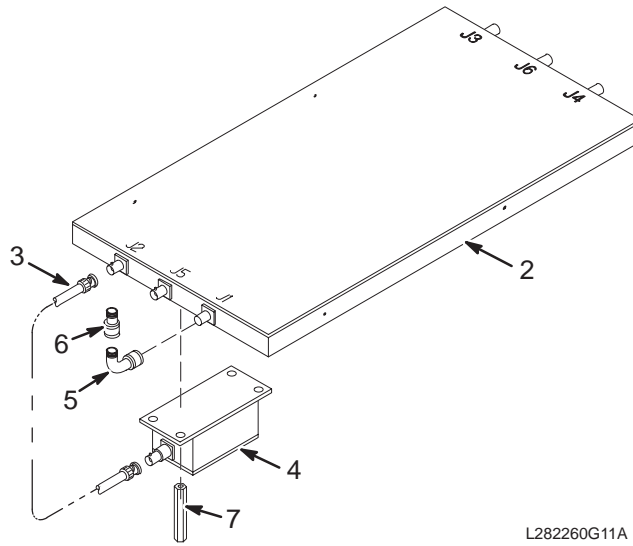
- (PART OF 46-328137G6 PAGE 2-110)
- (PART OF 46-328137G8 PAGE 2-113)
- (PART OF 46-328137G11 PAGE 2-119)
- (PART OF 46-328137G13 PAGE 2-122)
- (PART OF 46-328137G16-19 PAGES 2-221 THRU 2-224)
- (PART 29 OF 2321160-7 PAGE 2-251)
- (PART 29 OF 2321160-8 PAGE 2-251)
- (PART 29 OF 2321160-9 PAGE 2-251)
- (PART 29 OF 2321160-10 PAGE 2-251)

Item	Part Number	FRU	Name	Quantity	Description (Remarks)
2	46-321312G5	1	BRM BODY HYB	1	1.0T BRM BODY HYBRID
3A	2364795	2	CABLE COAX.	1	(893) MG3-A-A5-IN TO MG3-A3-J2 SEMI-RIGID COAXIAL
3B	46-282352G1	2	CABLE COAX.	ALT 1	(893) MG3-A-A5-IN; 6.6"
4	46-321338G3	1	PREAMP BOX	1	PREAMP W/MICROWAVE ABSORBER & DIODES
5	46-221865P3	2	CONNECTOR	1	UG-27B RT-ANGLE N, 50-OHM JACK-PLUG
6	46-221865P11	2	CONNECTOR	1	HN JACK TO N PLUG STRAIGHT ADAPTER.
7	46-307125P1	2	NUT	3	SLOTTED 6-32 EXTENSION NUT, 1/4" HEX

1.5T SPLITTER BOX

46-282260G11 & G12

MG3 A3



1.5T SPLITTER BOX

46-282260G11 FRU N

(PART OF 46-328137G4 PAGE 2-106)
 (PART OF 46-328137G5 PAGE 2-108)
 (PART OF 46-328137G7 PAGE 2-112)
 (PART OF 46-328137G9 PAGE 2-115)
 (PART OF 46-328137G10 PAGE 2-117)
 (PART OF 46-328137G12 PAGE 2-121)

Item	Part Number	FRU	Name	Quantity	Description (Remarks)
2	46-321312G3	1	BODY HYBRID	1	1.5T BODY T/R SW. & HYBRID MG3-A3-A1
3A	2364795	2	CABLE COAX.	1	(893) MG3-A-A5-IN TO MG3-A3-J2 SEMI-RIGID COAXIAL
3B	46-282352G1	2	CABLE COAX.	ALT	(893) MG3-A-A5-IN; 6.6"
4	46-264442G3	1	PREAMP BOX	1	1.5T PREAMPLIFIER WITH DIODE FIX
5	46-221865P3	2	CONNECTOR	1	UG-27B RT-ANGLE N, 50-OHM JACK-PLUG
6	46-221865P11	2	CONNECTOR	1	HN JACK TO N PLUG STRAIGHT ADAPTER.
7	46-307125P1	2	NUT	3	SLOTTED 6-32 EXTENSION NUT, 1/4" HEX

1.5T SPLITTER BOX

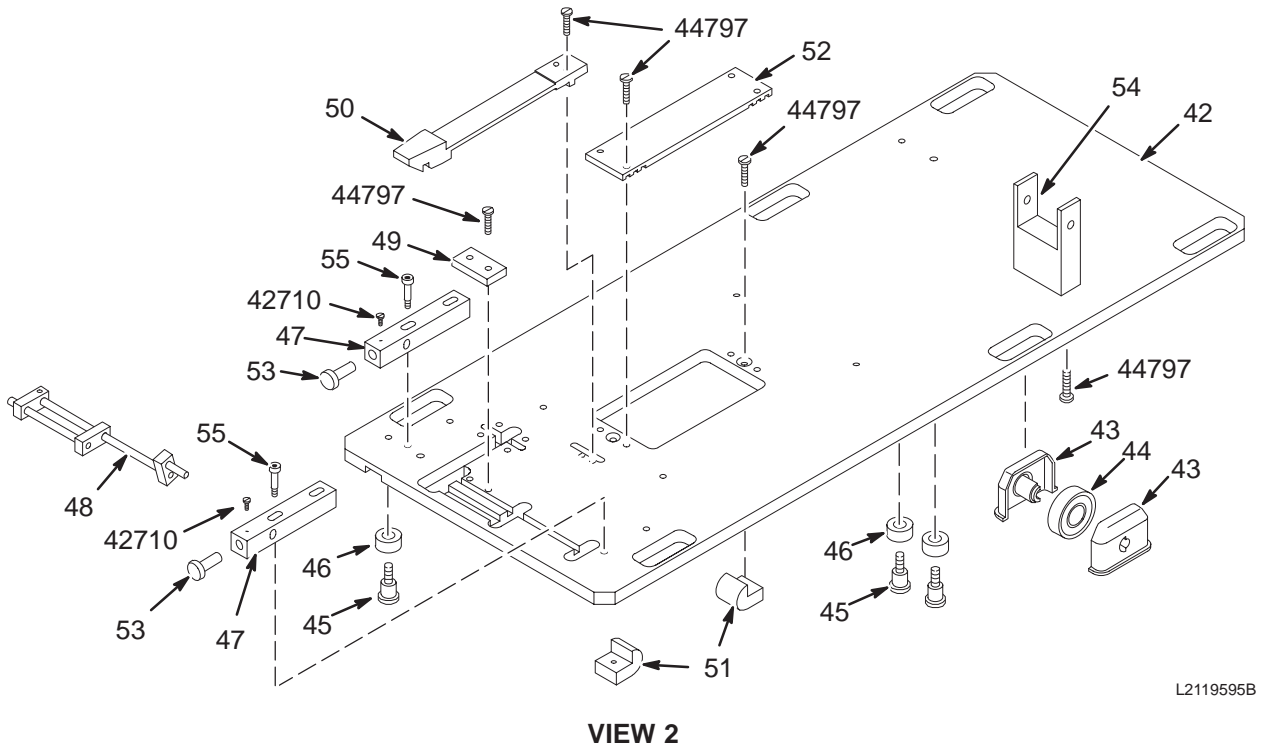
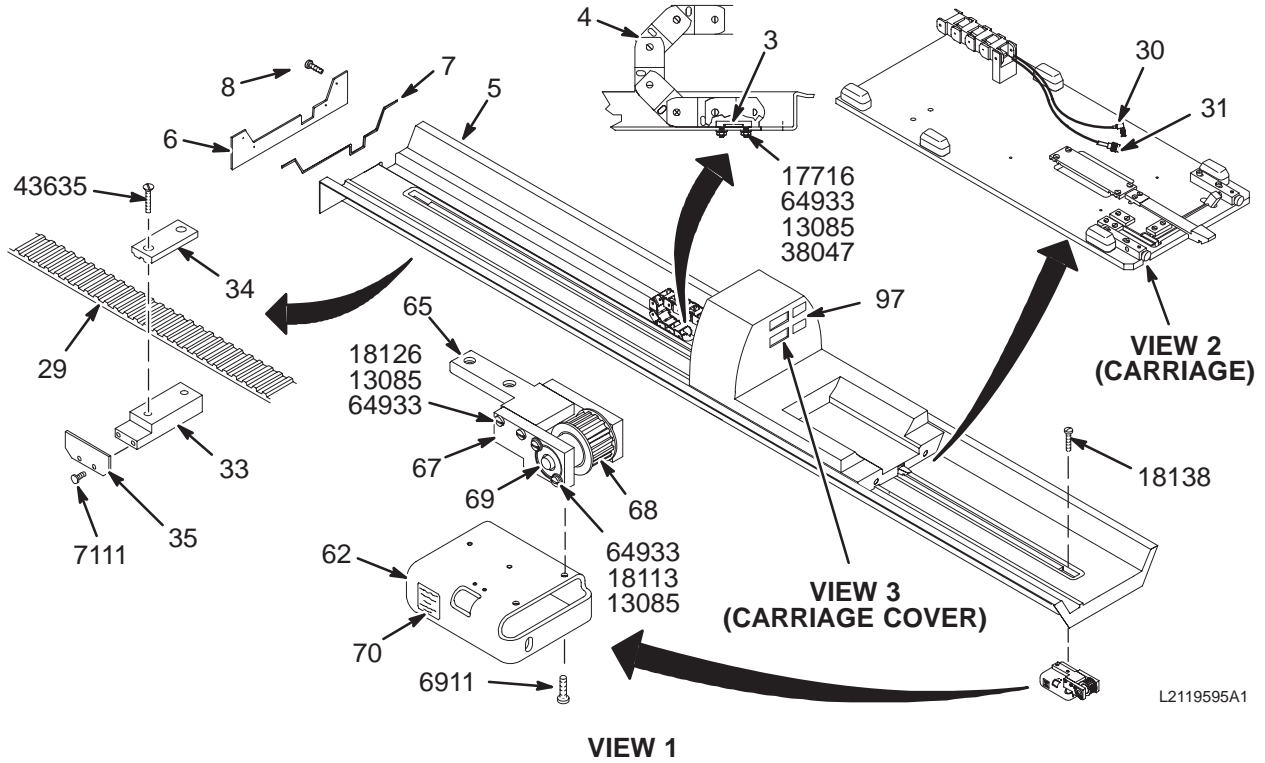
46-282260G12 FRU N

(PART OF 46-328137G4 PAGE 2-106)
 (PART OF 46-328137G5 PAGE 2-108)
 (PART OF 46-328137G7 PAGE 2-112)
 (PART OF 46-328137G9 PAGE 2-115)
 (PART OF 46-328137G10 PAGE 2-117)
 (PART OF 46-328137G12 PAGE 2-121)
 (PART 93 OF 2321160 PAGE 2-250)
 (PART 93 OF 2321160-2 PAGE 2-250)
 (PART 93 OF 2321160-3 PAGE 2-251)
 (PART 93 OF 2332734 PAGE 2-327)

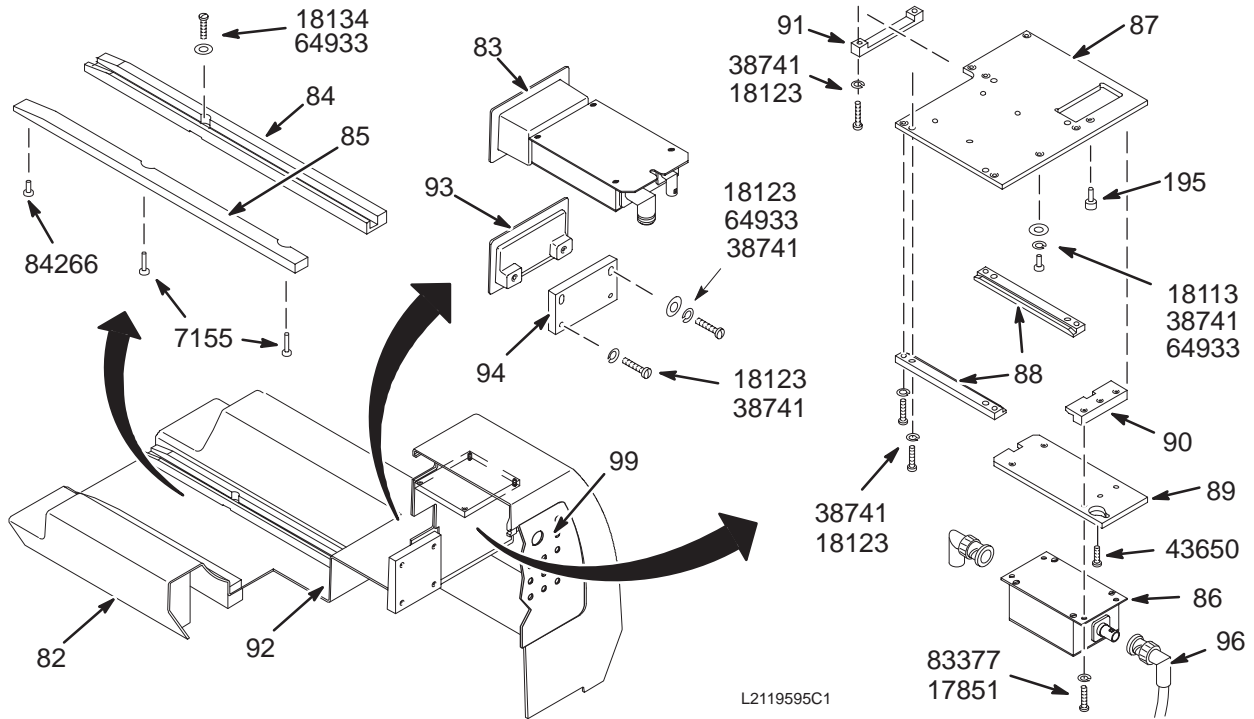
Item	Part Number	FRU	Name	Quantity	Description (Remarks)
2	2274266	1	BODY HYBRID	1	1.5T BODY HYBRID/T/R ASM MG3-A3-A1
3A	2364795	2	CABLE COAX.	1	(893) MG3-A-A5-IN TO MG3-A3-J2 SEMI-RIGID COAXIAL
3B	46-282352G1	2	CABLE COAX.	ALT	(893) MG3-A-A5-IN; 6.6"
4	46-264442G3	1	PREAMP BOX	1	1.5T PREAMPLIFIER WITH DIODE FIX
5	46-221865P3	2	CONNECTOR	1	UG-27B RT-ANGLE N, 50-OHM JACK-PLUG
6	46-221865P11	2	CONNECTOR	1	HN JACK TO N PLUG STRAIGHT ADAPTER.
7	46-307125P1	2	NUT	3	SLOTTED 6-32 EXTENSION NUT, 1/4" HEX

2-7 STANDARD AND MAGNISHIELD BRIDGES WITH CARRIAGE ASSEMBLIES

1.5T STANDARD BRIDGE ASM w/o MULTI-COIL2119595



1.5T STANDARD BRIDGE ASM w/o MULTI-COIL2119595



VIEW 3

1.5T BRIDGE ASM w/o M-C

2119595 FRU N

(PART OF 2118422-3 PAGE 2-7)
(PART OF 2118422-2 PAGE 2-28)

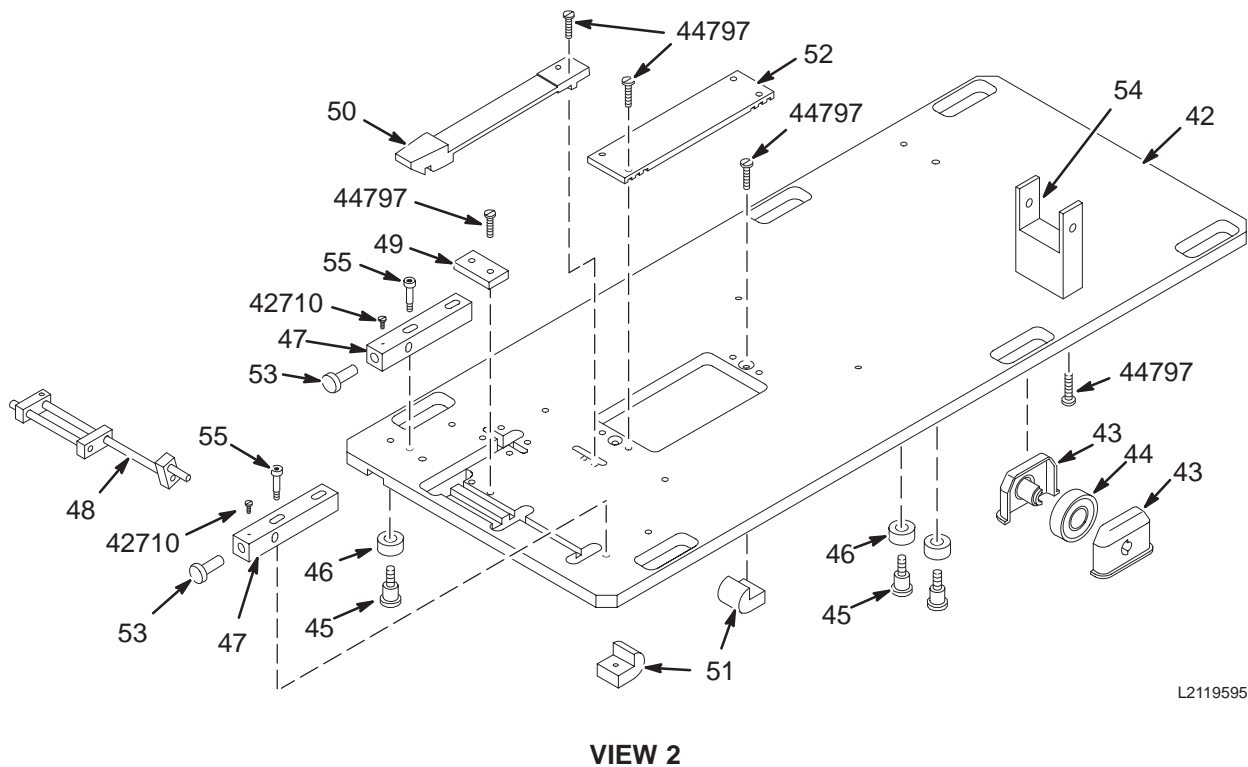
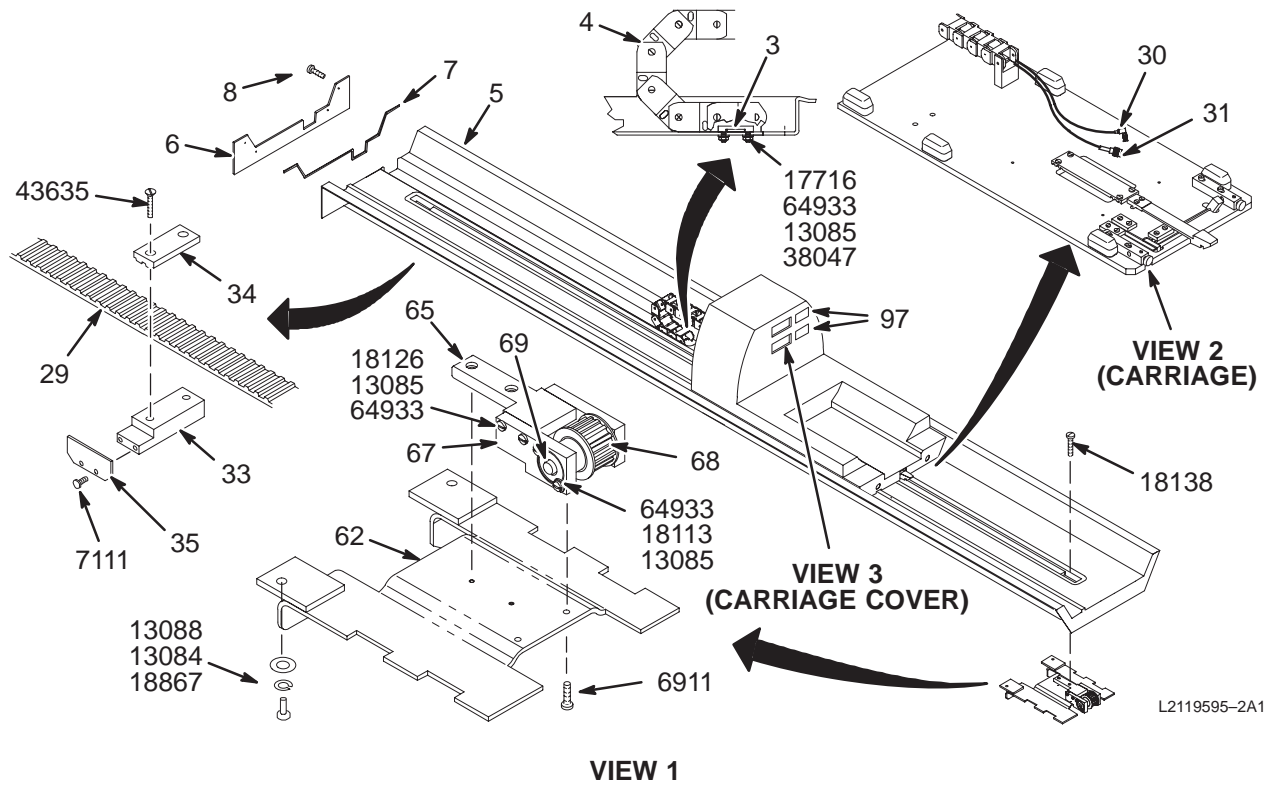
Item	Part Number	FRU	Name	Quantity	Description (Remarks)
3	46-282169P1	2	CLAMP	1	CABLETRACK MOUNT
4	46-282389P1	2	CABLETRAK	1	40 LINK MULTIPLE CABLE TAKE-UP
5	2114811	2	BRIDGE	1	5.5 MAG ENCL BRIDGE
6	2129351	2	COVER, REAR	1	REAR BRIDGE COVER
7	2131304	2	COVER,GASKET	1	GASKET, COVER, BRIDGE
8	2109873-26	2	PAN HD SCREW	4	METRIC SST CROSS RECESSED PAN HD SCR
29	46-282388P1	2	BELT,DRIVE	1	3/8" PITCH GEARBELT, 1" W. 22.75" L.
30	46-243775G757	2	CABLE	1	RUN 485 MG3-A17-J2 TO MG2-A16-A3-J4
31	46-320888G1	2	CABLE ASM	1	RUN 404 MG2-A16-A5-J6 TO MG3-A17-J1
33	46-271465P1	2	CLAMP, BLOCK	1	SENSOR FLAG MOUNTING CLAMP BLOCK
34	46-271436P1	2	CLAMP, BELT	1	SENSOR FLAG TOP CLAMP
35	46-282436P1	2	FLAG	1	CARRIAGE TRAVEL SENSOR FLAG
42	46-282163P1	2	BASE PLATE	1	QUAD HEAD COIL CARRIAGE BASEPLATE
43	46-243167P1	2	HOUSING	12	WHEEL HOUSING, MOLDED NORYL
44	46-243494P1	2	WHEEL	6	3/4" ID, 1-3/4 OD, 1/2" WIDE PLASTIC
45	46-243141P1	2	SHLD SCR	4	PLASTIC BEARING MOUNT SHOULDER SCREW
46	46-243178P2	2	BALL BEARING	4	ID 0.375", OD 0.875", WIDTH 0.281"
47	46-282164P1	2	PLUNGER	2	CARRIAGE RELEASE PLUNGER, DELRIN
48	46-282824G1	2	CRANK ASM.	1	LATCH HOOK RELEASE LINKAGE
49	46-282168P1	2	HOLD DOWN	1	LINKAGE RETAINER BLOCK, DELRIN

Parts List Continued on Next Page

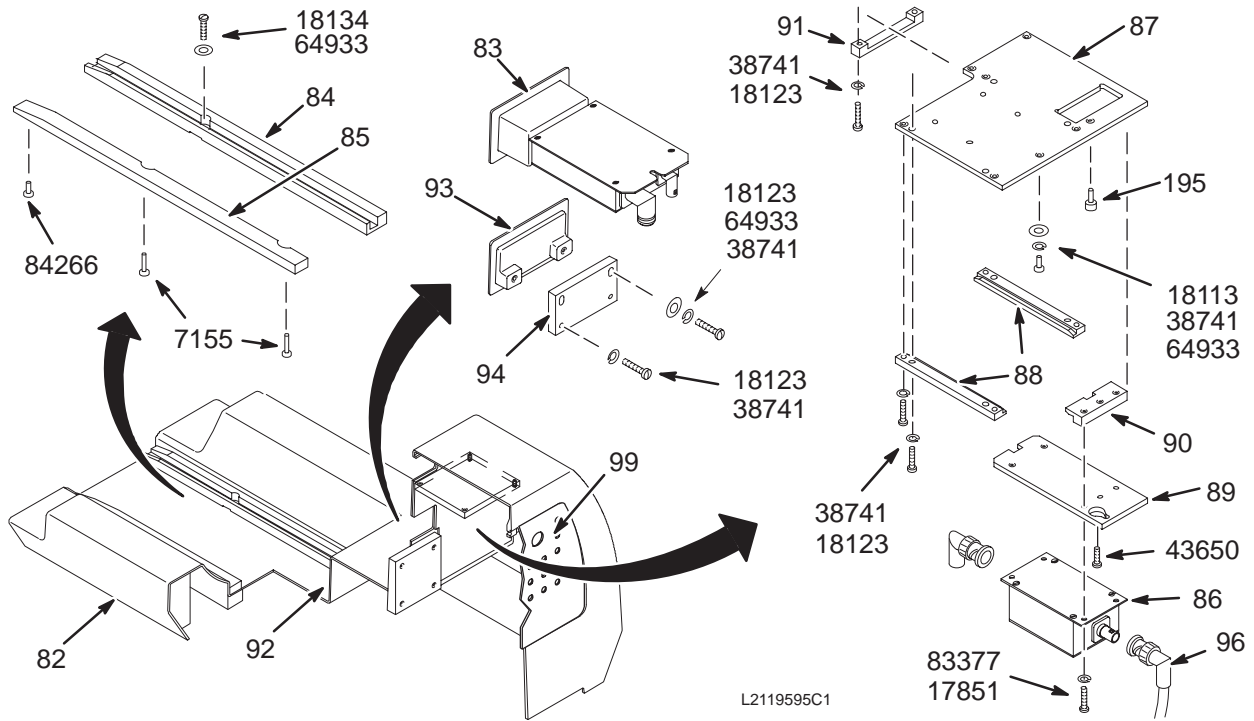
1.5T STANDARD BRIDGE ASM w/o MULTI-COIL2119595(CONT'D FROM PREVIOUS PAGE)

Item	Part Number	FRU	Name	Quantity	Description (Remarks)
50	46-317169P1	2	HOOK	1	CRADLE LATCH HOOK
51	46-271435P1	2	SUPPORT, B R	2	BELT GUIDE, DELRIN
52	46-282171P1	2	CLAMP BELT	1	BELT CLAMP PLATE, DELRIN
53	46-265089P1	2	SCREW	2	CARRIAGE RELEASE THREADED ACTUATOR
54	46-282170P1	2	CLIP	1	CABLETRACK MOUNTING BRACKET, DELRIN
55	46-282826P1	2	SCREW,SHLDR.	4	SHOULDER BOLT, 10-32 THREAD, DELRIN
62	2115366	2	TOP MTG PLTE	1	FRT BRIDGE BRKT
65	46-271432P1	2	MOUNT BRIDGE	1	BRIDGE ATTACHMENT TONGUE
67	46-328446P1	2	SUPPORT BLK.	2	SUPPORT BLOCK
68	46-282646G1	2	PULLEY ASM	1	DRIVE BELT IDLER PULLEY
69	46-282471P12	2	BEARING	2	SKF BEARING #1621 DC **MAGNETIC**
70	46-282756P1	2	LABEL	2	WARNING, CONTAINS FERROUS MATERIAL
82	46-306655P1	2	CARRIAGE CVR	1	MOLDED FIBERGLAS, NO PARTS INSTALLED
83	46-264988G1	1	CIRCUIT BD	1	1.5T HEAD TR ASSEMBLY, MG2 A16 A5
84	46-306657P1	2	CARR RAIL LH	1	LEFT GROOVED GUIDE RAIL 16.5" DELRIN
85	46-306656P1	2	CARR RAIL RH	1	COIL RIGHT SUPPORT RAIL 16.5" DELRIN
86	46-264442G3	1	PREAMP BOX	1	1.5T PREAMPLIFIER, HEAD, BODY, ETC.
87	46-306679P1	2	SUPPORT PL	1	PREAMP & TR SWITCH MOUNTING PLATE
88	46-306680P1	2	GUIDE RAIL	2	HEAD COIL TR SWITCH GUIDE RAIL
89	46-306681P1	2	MOUNTING PL	1	HEAD PREAMPLIFIER MOUNTING PLATE
90	46-306682P1	2	HANGER	1	PREAMPLIFIER MOUNT PLATE REAR LATCH
91	46-306683P1	2	RETAINER	1	PREAMPLIFIER MOUNT PLATE FRONT LATCH
92	46-136246P15	2	TAPE FAST	AR	3/4" WIDE, WHT ADH BACK, VELCRO LOOP
93	46-306732P1	2	COVER	1	FOR MULTICOIL QD OPENING, FIBERGLASS
94	46-306733P1	2	COV. SUPPORT	1	3/8" THICK, PHENOLIC
95	46-237420P1	2	THUMB SCR	1	KNURLED HD TYPE 10-32 X .625
96	46-306697G1	2	CABLE ASM	1	MG2-A16-A5-J5 TO MG2A15-A3-J3, 5.25"
97	2146831	2	WARN LABEL	2	UFI WARNING LABEL - ENGLISH
99	46-317722P1	2	COVER	1	CARRIAGE COVER ACCESS PANEL, VENTED
6911	46-208913P12	2	SCREW	2	10-32 X 1/2", SLOT FLAT-HEAD, BRASS
7111	46-265486P8	2	SCREW,MACH	2	6-32 X .31 PAN HEAD, DELRIN
7115	46-265486P10	2	SCREW,MACH	4	8-32 X 3/4 PAN HEAD, DELRIN
13085	46-220196P3	2	WASHER,LOCK	8	#10 SCREW SIZE (0.190), SST
17716	46-208913P29	2	SCREW,MACH	2	10-32 X 1" SLOTTED FLAT HEAD, BRASS
17851	46-220184P11	2	SCREW MACH	2	6-32 X 1/4 LG SLOTTED RD HEAD, BRASS
17869	46-220184P15	2	SCREW MACH	2	6-32 X 5/8 ROUND HEAD SLOTTED, BRASS
18113	46-220184P41	2	SCREW MACH	7	10-32 X 1/2" SLOT ROUND HEAD, BRASS
18123	46-220184P43	2	SCREW MACH	14	10-32 X 3/4 SLOT ROUND HEAD, BRASS
18126	46-220184P44	2	SCREW MACH	4	10-32 X 7/8 SLOT ROUND HEAD, BRASS
18134	46-220184P46	2	SCREW MACH	4	10-32 X 1.25" ROUND HEAD SLOT, BRASS
18138	46-220184P47	2	SCREW MACH	2	10-32 X 1.5", ROUND HEAD SLOT, BRASS
38047	46-208938P5	2	NUT,HEX,MS	2	10-32, 3/8" HEX X .130 THK, 18-8 SST
38741	46-221449P5	2	WASHER	15	#10 SCREW SIZE (0.190), PHOS BRONZE
42710	46-208933P15	2	SCREW,MACH	2	10-32 X 1/2" HEX HEAD, NYLON
43635	46-230008P1	2	SCREW,MACH	2	10-32 X 1/2", DELRIN
43650	46-208913P14	2	SCREW,MACH	1	6-32 X 1/2" SLOTTED FLAT HEAD, BRASS
44797	46-243737P2	2	SCREW	12	10-32 X 3/4", WHITE ACETAL
64933	1000904P425	2	WASHER,FLAT	17	0.2 ID, 0.5 OD, .04 THK, B11H89C
83377	46-221449P3	2	WASHER	4	#6 SCREW SIZE (0.138) SILICONE BRONZ
84266	46-265486P6	2	SCREW,MACH	2	8-32 X 3/8, PAN HEAD, DELRIN

1.5T MAGNISHIELD BRIDGE ASM w/o MULTI-COIL2119595-2



1.5T MAGNISHIELD BRIDGE ASM w/o MULTI-COIL2119595-2



VIEW 3

1.5T M/S BRIDGE ASM w/o M-C

2119595-2 FRU N

(PART OF 2118423 PAGE 2-67)

Item	Part Number	FRU	Name	Quantity	Description (Remarks)
3	46-282169P1	2	CLAMP	1	CABLETRACK MOUNT
4	46-282389P2	2	CABLETRAK	1	MAGNISHIELD LENGTH CABLE TAKE-UP
5	2114811-2	2	BRIDGE	1	5.5 ENCLOSURE BRIDGE
6	2129351	2	COVER, REAR	1	REAR BRIDGE COVER
7	2131304	2	COVER,GASKET	1	GASKET, COVER, BRIDGE
8	2109873-26	2	PAN HD SCREW	4	METRIC SST CROSS RECESSED PAN HD SCR
29	46-282388P2	2	BELT,DRIVE	1	MAGNISHIELD LENGTH
30	46-243775G757	2	CABLE	1	RUN 485 MG3-A17-J2 TO MG2-A16-A3-J4
31	46-320888G1	2	CABLE ASM	1	RUN 404 MG2-A16-A5-J6 TO MG3-A17-J1
33	46-271465P1	2	CLAMP, BLOCK	1	SENSOR FLAG MOUNTING CLAMP BLOCK
34	46-271436P1	2	CLAMP, BELT	1	SENSOR FLAG TOP CLAMP
35	46-282436P1	2	FLAG	1	CARRIAGE TRAVEL SENSOR FLAG
42	46-282163P1	2	BASE PLATE	1	QUAD HEAD COIL CARRIAGE BASEPLATE
43	46-243167P1	2	HOUSING	12	WHEEL HOUSING, MOLDED NORYL
44	46-243494P1	2	WHEEL	6	3/4" ID, 1-3/4 OD, 1/2" WIDE PLASTIC
45	46-243141P1	2	SHLD SCR	4	PLASTIC BEARING MOUNT SHOULDER SCREW
46	46-243178P2	2	BALL BEARING	4	ID 0.375", OD 0.875", WIDTH 0.281"
47	46-282164P1	2	PLUNGER	2	CARRIAGE RELEASE PLUNGER, DELRIN
48	46-282824G1	2	CRANK ASM.	1	LATCH HOOK RELEASE LINKAGE
49	46-282168P1	2	HOLD DOWN	1	LINKAGE RETAINER BLOCK, DELRIN

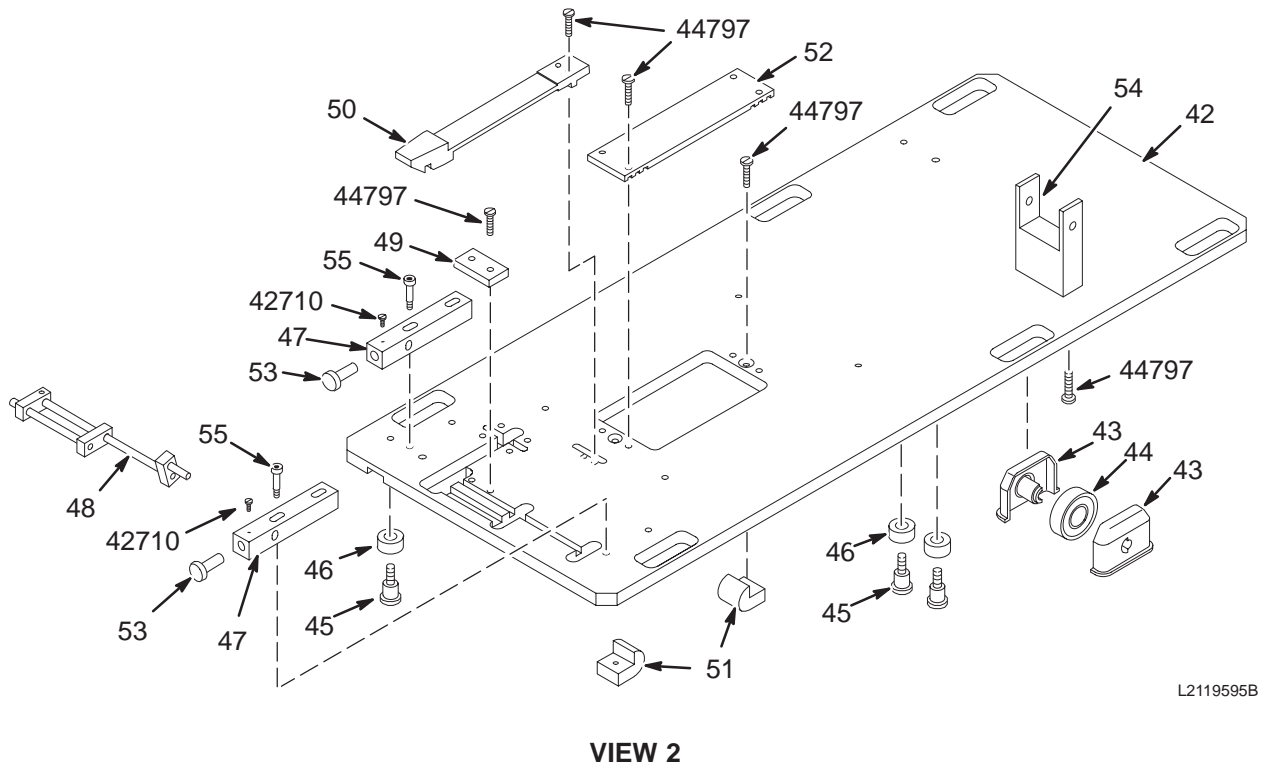
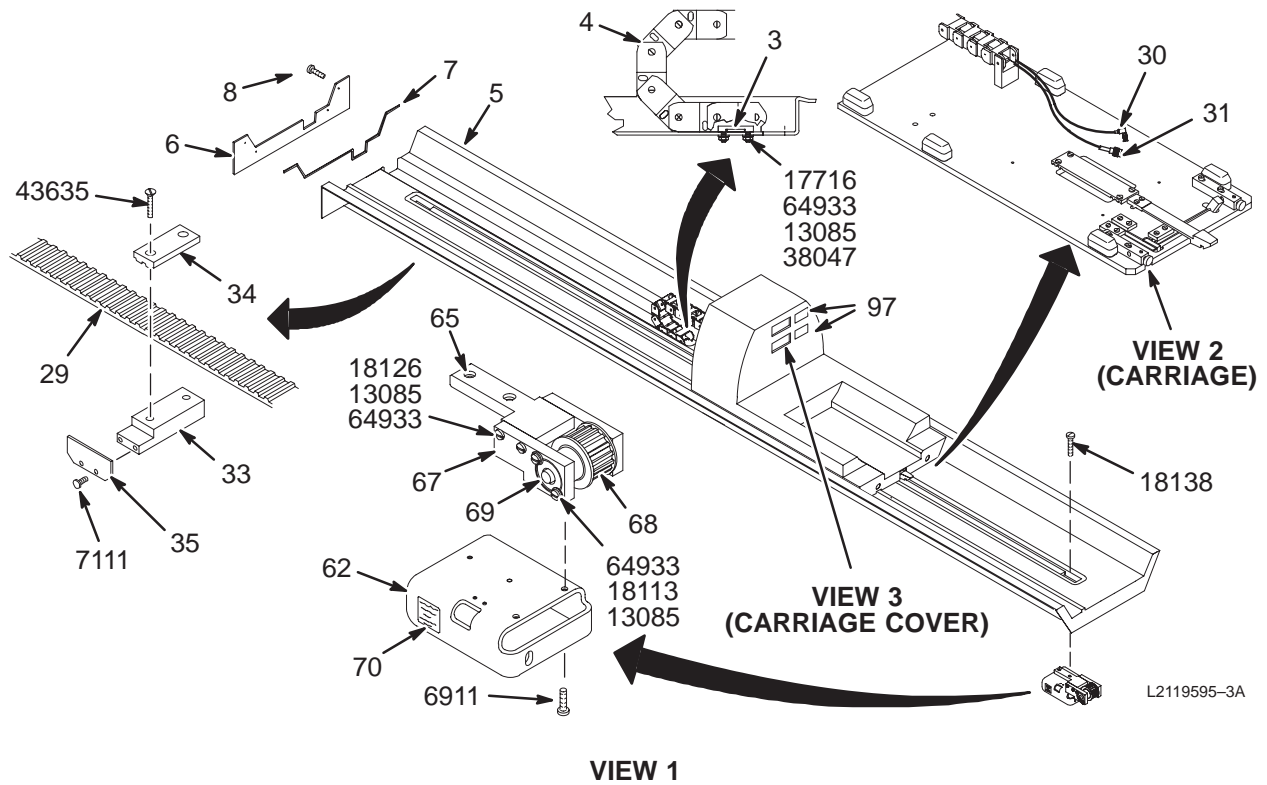
Parts List Continued on Next Page

1.5T MAGNISHIELD BRIDGE ASM w/o MULTI-COIL2119595-2

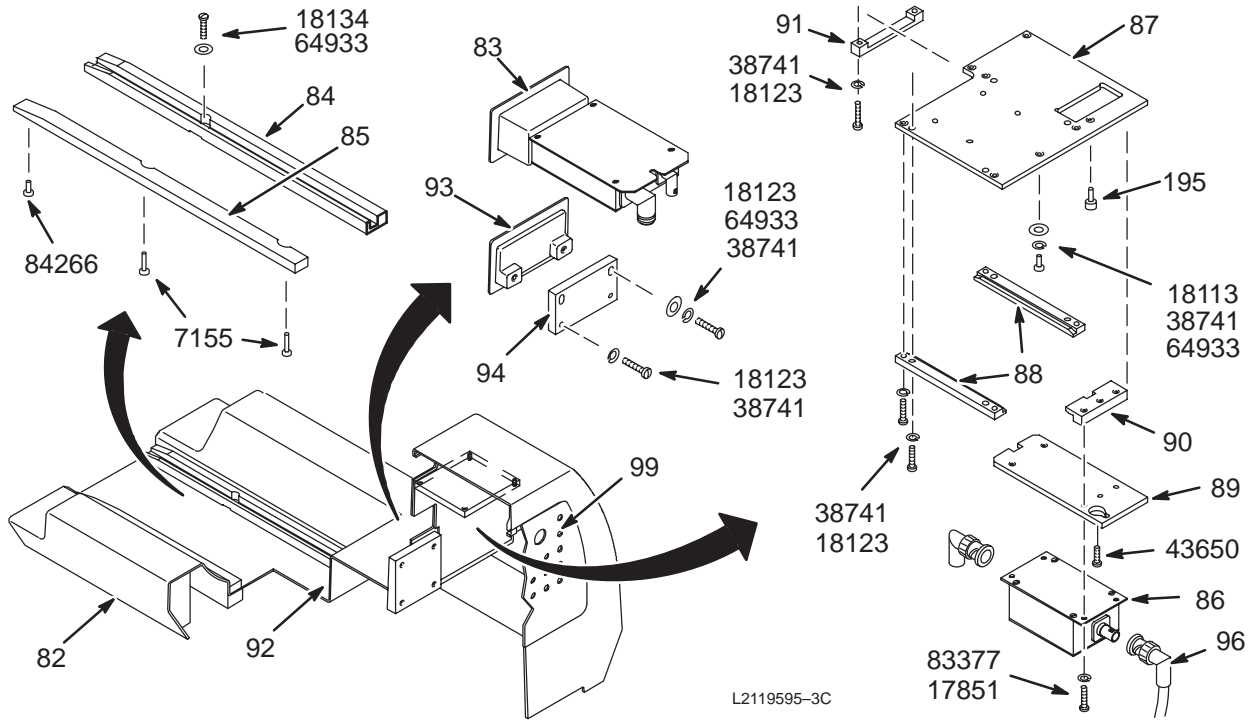
(CONT'D FROM PREVIOUS PAGE)

Item	Part Number	FRU	Name	Quantity	Description (Remarks)
50	46-317169P1	2	HOOK	1	CRADLE LATCH HOOK
51	46-271435P1	2	SUPPORT, B R	2	BELT GUIDE, DELRIN
52	46-282171P1	2	CLAMP BELT	1	BELT CLAMP PLATE, DELRIN
53	46-265089P1	2	SCREW	2	CARRIAGE RELEASE THREADED ACTUATOR
54	46-282170P1	2	CLIP	1	CABLETRACK MOUNTING BRACKET, DELRIN
55	46-282826P1	2	SCREW,SHLDR.	4	SHOULDER BOLT, 10-32 THREAD, DELRIN
62	2138083	2	BRIDGE SUPPT	1	SPPT, BRIDGE, FRT, UPPER
65	46-271432P1	2	MOUNT BRIDGE	1	BRIDGE ATTACHMENT TONGUE
67	46-328446P1	2	SUPPORT BLK.	2	SUPPORT BLOCK
68	46-282646G1	2	PULLEY ASM	1	DRIVE BELT IDLER PULLEY
69	46-282471P12	2	BEARING	2	SKF BEARING #1621 DC **MAGNETIC**
70	46-282756P1	2	LABEL	2	WARNING, CONTAINS FERROUS MATERIAL
82	46-306655P1	2	CARRIAGE CVR	1	MOLDED FIBERGLAS, NO PARTS INSTALLED
83	46-264988G1	1	CIRCUIT BD	1	1.5T HEAD TR ASSEMBLY, MG2 A16 A5
84	46-306657P1	2	CARR RAIL LH	1	LEFT GROOVED GUIDE RAIL 16.5" DELRIN
85	46-306656P1	2	CARR RAIL RH	1	COIL RIGHT SUPPORT RAIL 16.5" DELRIN
86	46-264442G3	1	PREAMP BOX	1	1.5T PREAMPLIFIER, HEAD, BODY ETC.
87	46-306679P1	2	SUPPORT PL	1	PREAMP & TR SWITCH MOUNTING PLATE
88	46-306680P1	2	GUIDE RAIL	2	HEAD COIL TR SWITCH GUIDE RAIL
89	46-306681P1	2	MOUNTING PL	1	HEAD PREAMPLIFIER MOUNTING PLATE
90	46-306682P1	2	HANGER	1	PREAMPLIFIER MOUNT PLATE REAR LATCH
91	46-306683P1	2	RETAINER	1	PREAMPLIFIER MOUNT PLATE FRONT LATCH
92	46-136246P15	2	TAPE FAST	AR	3/4" WIDE, WHT ADH BACK, VELCRO LOOP
93	46-306732P1	2	COVER	1	FOR MULTICOIL QD OPENING, FIBERGLASS
94	46-306733P1	2	COV. SUPPORT	1	3/8" THICK, PHENOLIC
95	46-237420P1	2	THUMB SCR	1	KNURLED HD TYPE 10-32 X .625
96	46-306697G1	2	CABLE ASM	1	MG2-A16-A5-J5 TO MG2A15-A3-J3, 5.25"
97	2146831	2	WARN LABEL	2	UFI WARNING LABEL - ENGLISH
99	46-317722P1	2	COVER	1	CARRIAGE COVER ACCESS PANEL, VENTED
6911	46-208913P12	2	SCREW	2	10-32 X 1/2", SLOT FLAT-HEAD, BRASS
7111	46-265486P8	2	SCREW,MACH	2	6-32 X .31 PAN HEAD, DELRIN
7115	46-265486P10	2	SCREW,MACH	4	8-32 X 3/4 PAN HEAD, DELRIN
13084	46-220196P5	2	WASHER	2	5/16" SCREW SIZE (0.313), SST
13085	46-220196P3	2	WASHER,LOCK	8	#10 SCREW SIZE (0.190), SST
13088	46-208932P1	2	SCREW	2	5/16-18 X 1", HEX HD, 18-8 SST
17716	46-208913P29	2	SCREW,MACH	2	10-32 X 1" SLOTTED FLAT HEAD, BRASS
17851	46-220184P11	2	SCREW MACH	2	6-32 X 1/4 LG SLOTTED RD HEAD, BRASS
17869	46-220184P15	2	SCREW MACH	2	6-32 X 5/8 ROUND HEAD SLOTTED, BRASS
18113	46-220184P41	2	SCREW MACH	7	10-32 X 1/2" SLOT ROUND HEAD, BRASS
18123	46-220184P43	2	SCREW MACH	14	10-32 X 3/4 SLOT ROUND HEAD, BRASS
18126	46-220184P44	2	SCREW MACH	4	10-32 X 7/8 SLOT ROUND HEAD, BRASS
18134	46-220184P46	2	SCREW MACH	4	10-32 X 1.25" ROUND HEAD SLOT, BRASS
18138	46-220184P47	2	SCREW MACH	2	10-32 X 1.5", ROUND HEAD SLOT, BRASS
18867	12-280	2	WASHER	2	ID 0.336, OD 0.75, THK .064, BRASS
38047	46-208938P5	2	NUT,HEX,MS	2	10-32, 3/8" HEX X .130 THK, 18-8 SST
38741	46-221449P5	2	WASHER	15	#10 SCREW SIZE (0.190), PHOS BRONZE
42710	46-208933P15	2	SCREW,MACH	2	10-32 X 1/2" HEX HEAD, NYLON
43635	46-230008P1	2	SCREW,MACH	2	10-32 X 1/2", DELRIN
43650	46-208913P14	2	SCREW,MACH	1	6-32 X 1/2" SLOTTED FLAT HEAD, BRASS
44797	46-243737P2	2	SCREW	12	10-32 X 3/4", WHITE ACETAL
64933	1000904P425	2	WASHER,FLAT	17	0.2 ID, 0.5 OD, .04 THK, B11H89C
83377	46-221449P3	2	WASHER	4	#6 SCREW SIZE (0.138) SILICONE BRONZ
84266	46-265486P6	2	SCREW,MACH	2	8-32 X 3/8, PAN HEAD, DELRIN

1.0T STANDARD BRIDGE ASM w/o MULTI-COIL2119595-3



1.0T STANDARD BRIDGE ASM w/o MULTI-COIL2119595-3



VIEW 3

1.0T BRIDGE ASM w/o M-C

2119595-3 FRU N

(PART OF 2118422-7 PAGE 2-11)
(PART OF 2118422-6 PAGE 2-32)

Item	Part Number	FRU	Name	Quantity	Description (Remarks)
3	46-282169P1	2	CLAMP	1	CABLETRAK MOUNT
4	46-282389P1	2	CABLETRAK	1	40 LINK MULTIPLE CABLE TAKE-UP
5	2114811	2	BRIDGE	1	5.5 MAG ENCL BRIDGE
6	2129351	2	COVER, REAR	1	REAR BRIDGE COVER
7	2131304	2	COVER,GASKET	1	GASKET, COVER, BRIDGE
8	2109873-26	2	PAN HD SCREW	4	METRIC SST CROSS RECESSED PAN HD SCR
29	46-282388P1	2	BELT,DRIVE	1	3/8" PITCH GEARBELT, 1" W. 22.75" L.
30	46-243775G757	2	CABLE	1	RUN 485 MG3-A17-J2 TO MG2-A16-A3-J4
31	46-320888G1	2	CABLE ASM	1	RUN 404 MG2-A16-A5-J6 TO MG3-A17-J1
33	46-271465P1	2	CLAMP, BLOCK	1	SENSOR FLAG MOUNTING CLAMP BLOCK
34	46-271436P1	2	CLAMP, BELT	1	SENSOR FLAG TOP CLAMP
35	46-282436P1	2	FLAG	1	CARRIAGE TRAVEL SENSOR FLAG
42	46-282163P1	2	BASE PLATE	1	QUAD HEAD COIL CARRIAGE BASEPLATE
43	46-243167P1	2	HOUSING	12	WHEEL HOUSING, MOLDED NORYL
44	46-243494P1	2	WHEEL	6	3/4" ID, 1-3/4 OD, 1/2" WIDE PLASTIC
45	46-243141P1	2	SHLD SCR	4	PLASTIC BEARING MOUNT SHOULDER SCREW
46	46-243178P2	2	BALL BEARING	4	ID 0.375", OD 0.875", WIDTH 0.281"
47	46-282164P1	2	PLUNGER	2	CARRIAGE RELEASE PLUNGER, DELRIN
48	46-282824G1	2	CRANK ASM.	1	LATCH HOOK RELEASE LINKAGE
49	46-282168P1	2	HOLD DOWN	1	LINKAGE RETAINER BLOCK, DELRIN

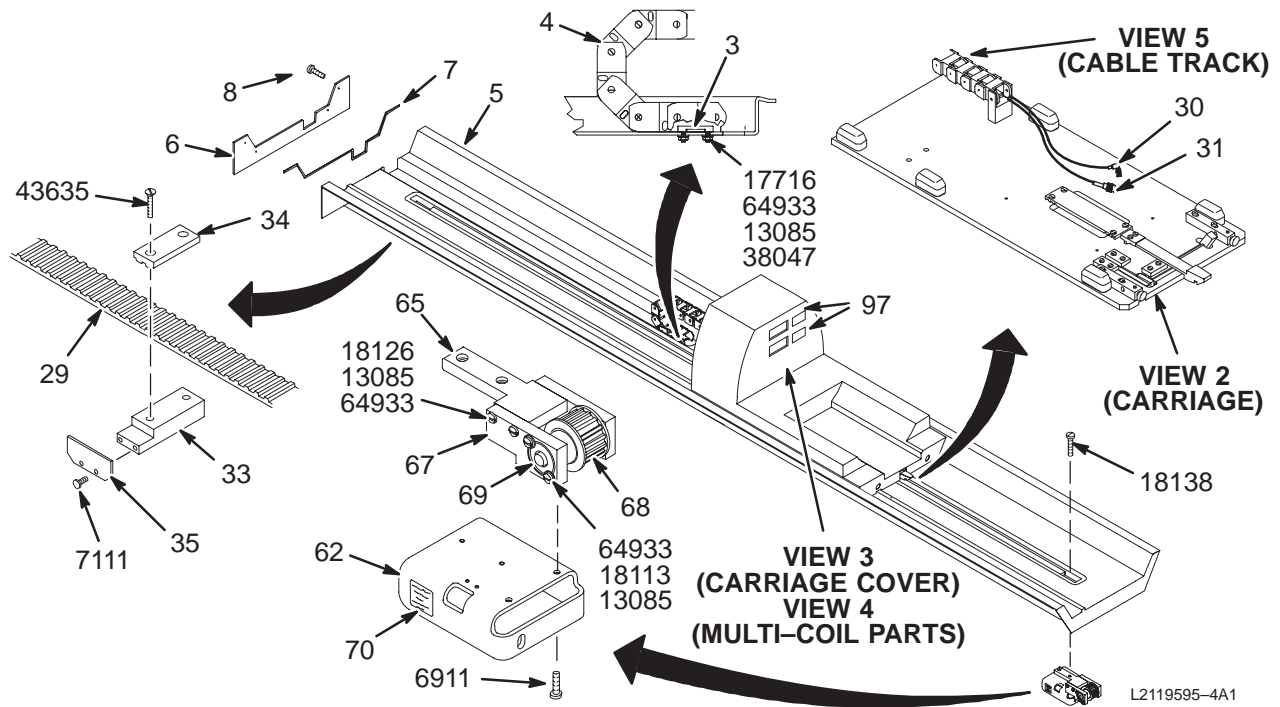
Parts List Continued on Next Page

1.5T STANDARD BRIDGE ASM w/o MULTI-COIL2119595-3

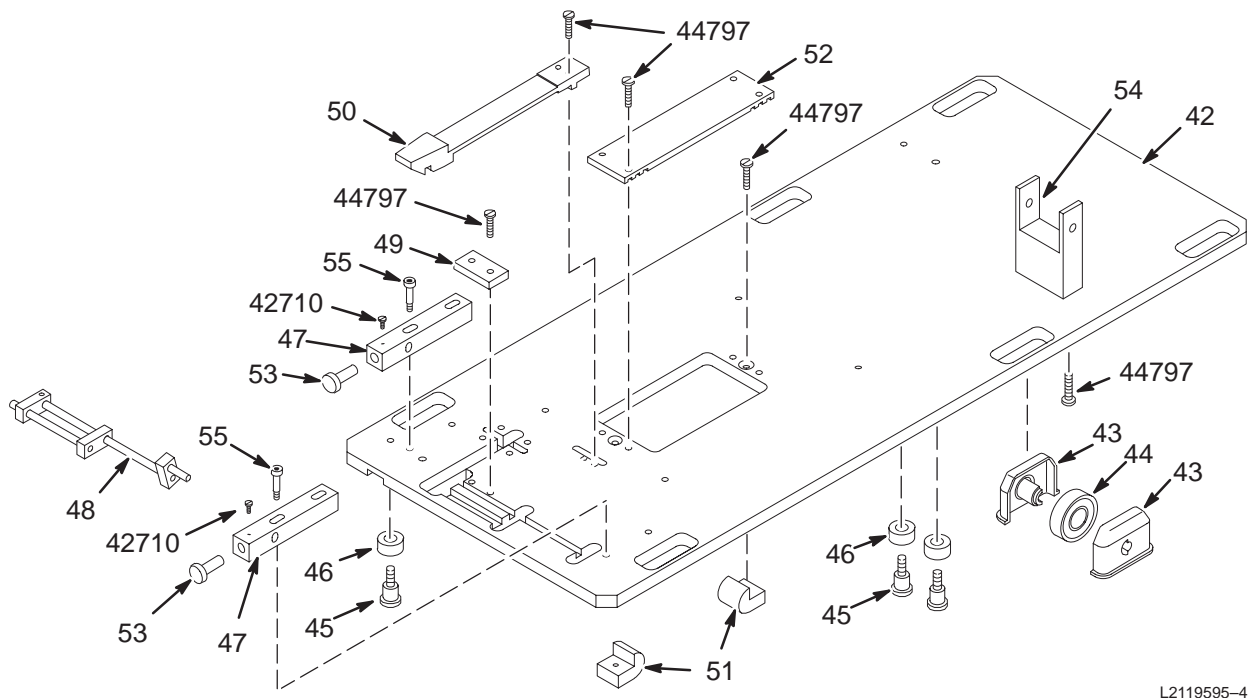
(CONT'D FROM PREVIOUS PAGE)

Item	Part Number	FRU	Name	Quantity	Description (Remarks)
50	46-317169P1	2	HOOK	1	CRADLE LATCH HOOK
51	46-271435P1	2	SUPPORT, B R	2	BELT GUIDE, DELRIN
52	46-282171P1	2	CLAMP BELT	1	BELT CLAMP PLATE, DELRIN
53	46-265089P1	2	SCREW	2	CARRIAGE RELEASE THREADED ACTUATOR
54	46-282170P1	2	CLIP	1	CABLETRACK MOUNTING BRACKET, DELRIN
55	46-282826P1	2	SCREW,SHLDR.	4	SHOULDER BOLT, 10-32 THREAD, DELRIN
62	2115366	2	TOP MTG PLTE	1	FRT BRIDGE BRKT
65	46-271432P1	2	MOUNT BRIDGE	1	BRIDGE ATTACHMENT TONGUE
67	46-328446P1	2	SUPPORT BLK.	2	SUPPORT BLOCK
68	46-282646G1	2	PULLEY ASM	1	DRIVE BELT IDLER PULLEY
69	46-282471P12	2	BEARING	2	SKF BEARING #1621 DC **MAGNETIC**
70	46-282756P1	2	LABEL	2	WARNING, CONTAINS FERROUS MATERIAL
82	46-306655P1	2	CARRIAGE CVR	1	MOLDED FIBERGLAS, NO PARTS INSTALLED
83	46-321336G1	1	CIRCUIT BD	1	1.0T HEAD T/R SWITCH ASSEMBLY
84	46-306657P1	2	CARR RAIL LH	1	LEFT GROOVED GUIDE RAIL 16.5" DELRIN
85	46-306656P1	2	CARR RAIL RH	1	COIL RIGHT SUPPORT RAIL 16.5" DELRIN
86	46-321338G3	1	PREAMP BOX	1	1.0T PRE AMPLIFIER ASSEMBLY
87	46-306679P1	2	SUPPORT PL	1	PREAMP & TR SWITCH MOUNTING PLATE
88	46-306680P1	2	GUIDE RAIL	2	HEAD COIL TR SWITCH GUIDE RAIL
89	46-306681P1	2	MOUNTING PL	1	HEAD PREAMPLIFIER MOUNTING PLATE
90	46-306682P1	2	HANGER	1	PREAMPLIFIER MOUNT PLATE REAR LATCH
91	46-306683P1	2	RETAINER	1	PREAMPLIFIER MOUNT PLATE FRONT LATCH
92	46-136246P15	2	TAPE FAST	AR	3/4" WIDE, WHT ADH BACK, VELCRO LOOP
93	46-306732P1	2	COVER	1	FOR MULTICOIL QD OPENING, FIBERGLASS
94	46-306733P1	2	COV. SUPPORT	1	3/8" THICK, PHENOLIC
95	46-237420P1	2	THUMB SCR	1	KNURLED HD TYPE 10-32 X .625
96	46-306697G1	2	CABLE ASM	1	MG2-A16-A5-J5 TO MG2A15-A3-J3, 5.25"
99	46-317722P1	2	COVER	1	CARRIAGE COVER ACCESS PANEL, VENTED
6911	46-208913P12	2	SCREW	2	10-32 X 1/2", SLOT FLAT-HEAD, BRASS
7111	46-265486P8	2	SCREW,MACH	2	6-32 X .31 PAN HEAD, DELRIN
7115	46-265486P10	2	SCREW,MACH	4	8-32 X 3/4 PAN HEAD, DELRIN
13085	46-220196P3	2	WASHER,LOCK	8	#10 SCREW SIZE (0.190), SST
17716	46-208913P29	2	SCREW,MACH	2	10-32 X 1" SLOTTED FLAT HEAD, BRASS
17851	46-220184P11	2	SCREW MACH	2	6-32 X 1/4 LG SLOTTED RD HEAD, BRASS
17869	46-220184P15	2	SCREW MACH	2	6-32 X 5/8 ROUND HEAD SLOTTED, BRASS
18113	46-220184P41	2	SCREW MACH	7	10-32 X 1/2" SLOT ROUND HEAD, BRASS
18123	46-220184P43	2	SCREW MACH	14	10-32 X 3/4 SLOT ROUND HEAD, BRASS
18126	46-220184P44	2	SCREW MACH	4	10-32 X 7/8 SLOT ROUND HEAD, BRASS
18134	46-220184P46	2	SCREW MACH	4	10-32 X 1.25" ROUND HEAD SLOT, BRASS
18138	46-220184P47	2	SCREW MACH	2	10-32 X 1.5", ROUND HEAD SLOT, BRASS
38047	46-208938P5	2	NUT,HEX,MS	2	10-32, 3/8" HEX X .130 THK, 18-8 SST
38741	46-221449P5	2	WASHER	15	#10 SCREW SIZE (0.190), PHOS BRONZE
42710	46-208933P15	2	SCREW,MACH	2	10-32 X 1/2" HEX HEAD, NYLON
43635	46-230008P1	2	SCREW,MACH	2	10-32 X 1/2", DELRIN
43650	46-208913P14	2	SCREW,MACH	1	6-32 X 1/2" SLOTTED FLAT HEAD, BRASS
44797	46-243737P2	2	SCREW	12	10-32 X 3/4", WHITE ACETAL
64933	1000904P425	2	WASHER,FLAT	17	0.2 ID, 0.5 OD, .04 THK, B11H89C
83377	46-221449P3	2	WASHER	4	#6 SCREW SIZE (0.138) SILICONE BRONZ
84266	46-265486P6	2	SCREW,MACH	2	8-32 X 3/8, PAN HEAD, DELRIN

1.5T STANDARD BRIDGE ASM w/MULTI-COIL L2119595-4

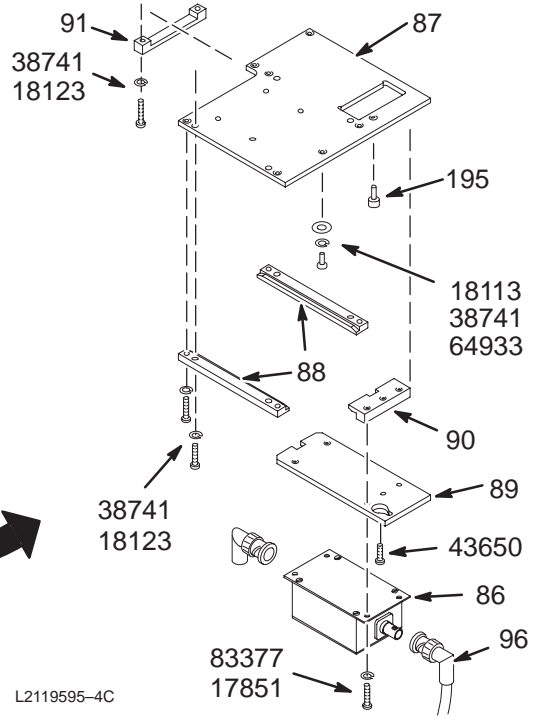
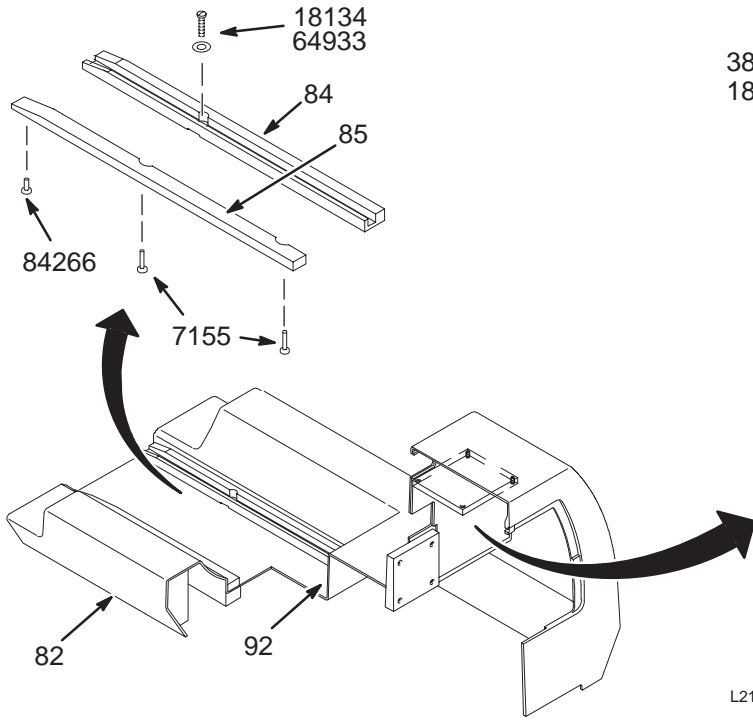


VIEW 1



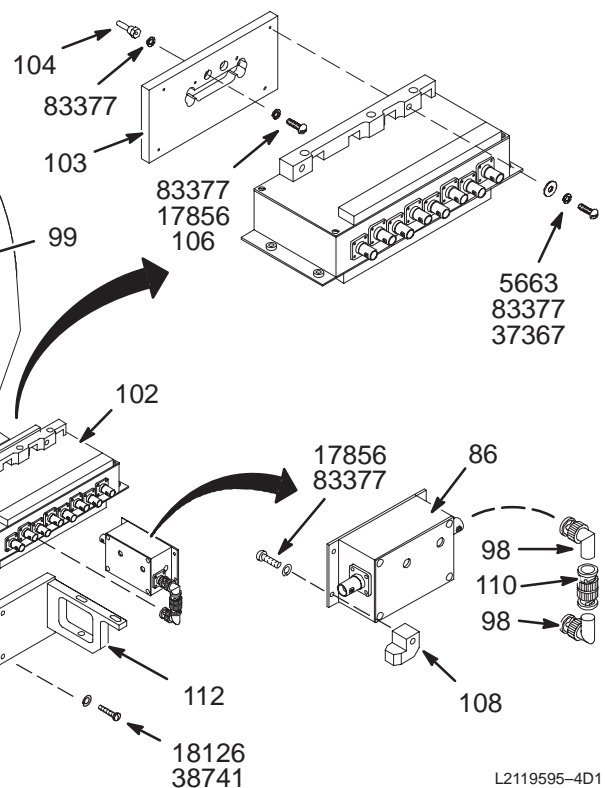
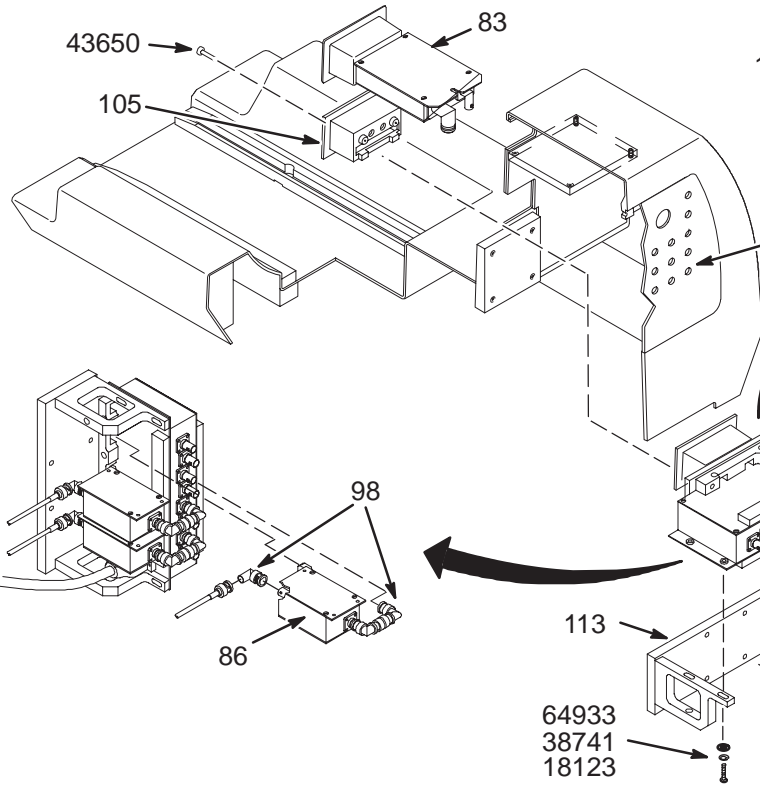
VIEW 2

1.5T STANDARD BRIDGE ASM w/MULTI-COIL L2119595-4



L2119595-4C

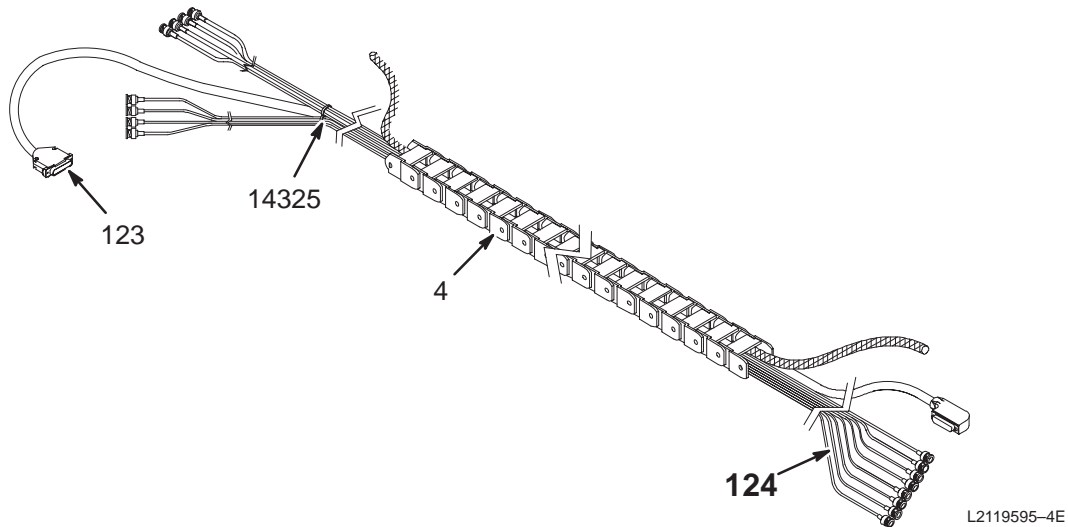
VIEW 3



L2119595-4D1

VIEW 4

1.5T STANDARD BRIDGE ASM w/MULTI-COIL2119595-4



VIEW 5

1.5T BRIDGE ASM w/M-C

2119595-4 FRU N

(PART OF 2118422-5 PAGE 2-9)
(PART OF 2118422-4 PAGE 2-30)

Item	Part Number	FRU	Name	Quantity	Description (Remarks)
3	46-282169P1	2	CLAMP	1	CABLETRACK MOUNT
4	2151445	2	PART	1	40 LINK CABLE TRACK W/HINGED OPEN'GS
5	2114811	2	BRIDGE	1	5.5 MAG ENCL BRIDGE
6	2129351	2	COVER, REAR	1	REAR BRIDGE COVER
7	2131304	2	COVER,GASKET	1	GASKET, COVER, BRIDGE
8	2109873-26	2	PAN HD SCREW	4	METRIC SST CROSS RECESSED PAN HD SCR
29	46-282388P1	2	BELT,DRIVE	1	3/8" PITCH GEARBELT, 1" W. 22.75' L.
30	46-243775G757	2	CABLE	1	RUN 485 MG3-A17-J2 TO MG2-A16-A3-J4
31	46-320888G1	2	CABLE ASM	1	RUN 404 MG2-A16-A5-J6 TO MG3-A17-J1
33	46-271465P1	2	CLAMP, BLOCK	1	SENSOR FLAG MOUNTING CLAMP BLOCK
34	46-271436P1	2	CLAMP, BELT	1	SENSOR FLAG TOP CLAMP
35	46-282436P1	2	FLAG	1	CARRIAGE TRAVEL SENSOR FLAG
42	46-282163P1	2	BASE PLATE	1	QUAD HEAD COIL CARRIAGE BASEPLATE
43	46-243167P1	2	HOUSING	12	WHEEL HOUSING, MOLDED NORYL
44	46-243494P1	2	WHEEL	6	3/4" ID, 1-3/4 OD, 1/2" WIDE PLASTIC
45	46-243141P1	2	SHLD SCR	4	PLASTIC BEARING MOUNT SHOULDER SCREW
46	46-243178P2	2	BALL BEARING	4	ID 0.375", OD 0.875", WIDTH 0.281"
47	46-282164P1	2	PLUNGER	2	CARRIAGE RELEASE PLUNGER, DELRIN
48	46-282824G1	2	CRANK ASM.	1	LATCH HOOK RELEASE LINKAGE
49	46-282168P1	2	HOLD DOWN	1	LINKAGE RETAINER BLOCK, DELRIN
50	46-317169P1	2	HOOK	1	CRADLE LATCH HOOK
51	46-271435P1	2	SUPPORT, B R	2	BELT GUIDE, DELRIN
52	46-282171P1	2	CLAMP BELT	1	BELT CLAMP PLATE, DELRIN
53	46-265089P1	2	SCREW	2	CARRIAGE RELEASE THREADED ACTUATOR
54	46-282170P1	2	CLIP	1	CABLETRACK MOUNTING BRACKET, DELRIN
55	46-282826P1	2	SCREW,SHLDR.	4	SHOULDER BOLT, 10-32 THREAD, DELRIN
62	2115366	2	TOP MTG PLTE	1	FRT BRIDGE BRKT
65	46-271432P1	2	MOUNT BRIDGE	1	BRIDGE ATTACHMENT TONGUE
67	46-328446P1	2	SUPPORT BLK.	2	SUPPORT BLOCK
68	46-282646G1	2	PULLEY ASM	1	DRIVE BELT IDLER PULLEY

Parts List Continued on Next Page

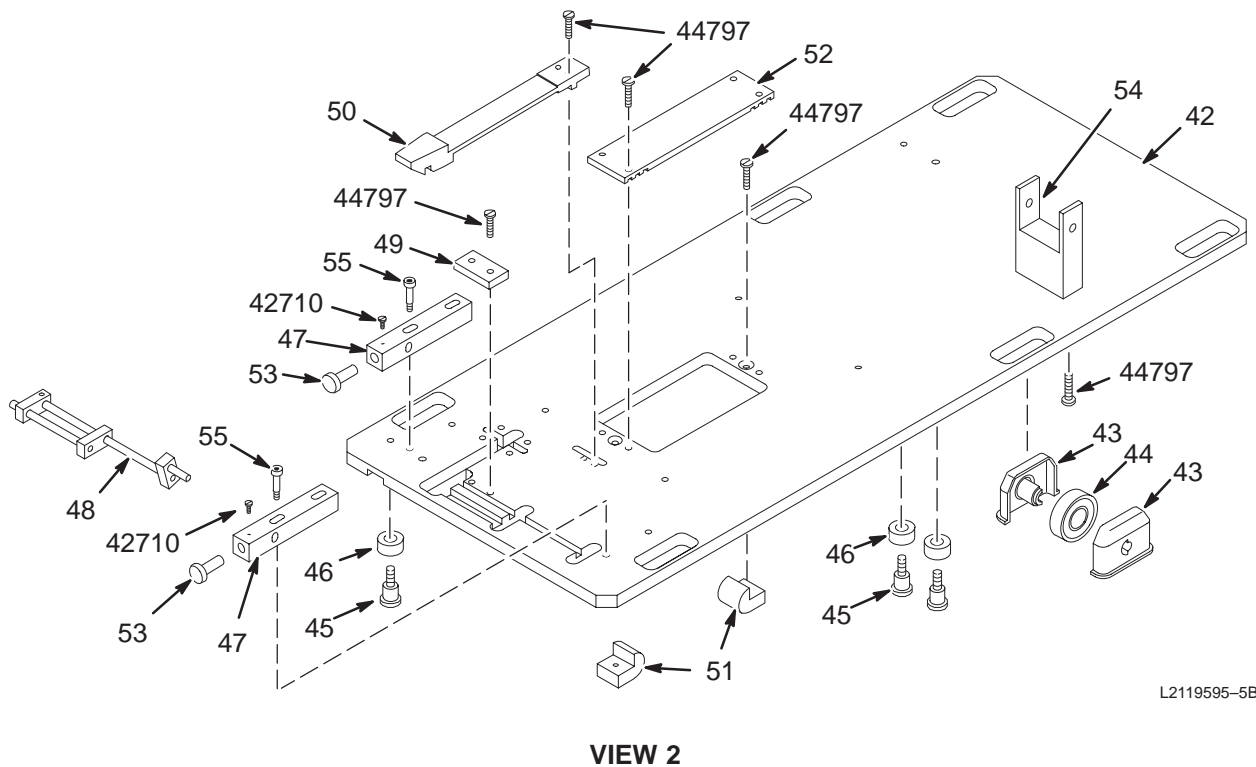
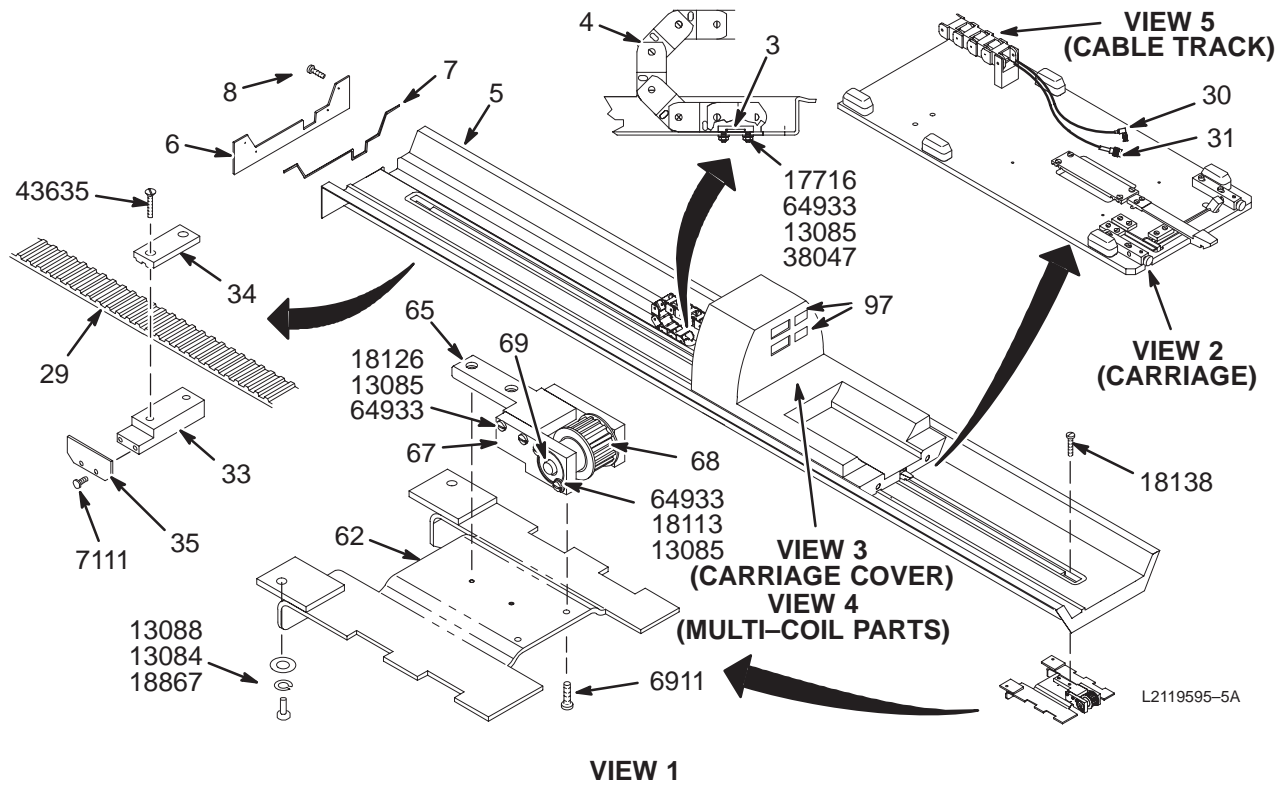
1.5T BRIDGE ASM w/M-C

2119595-4

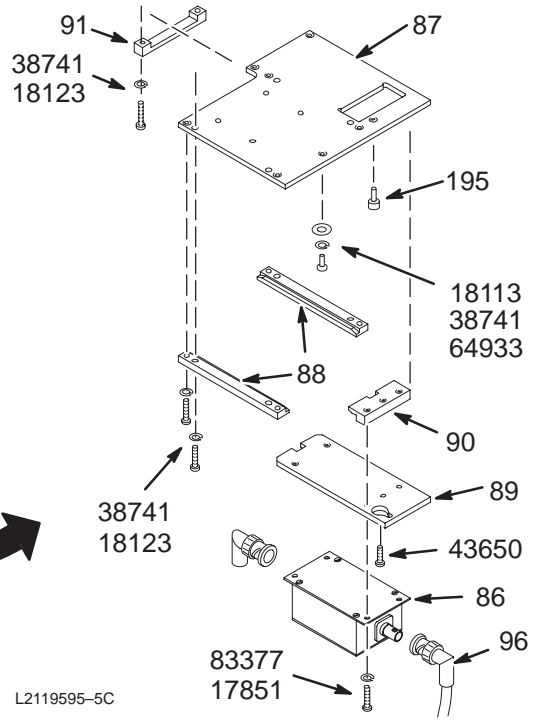
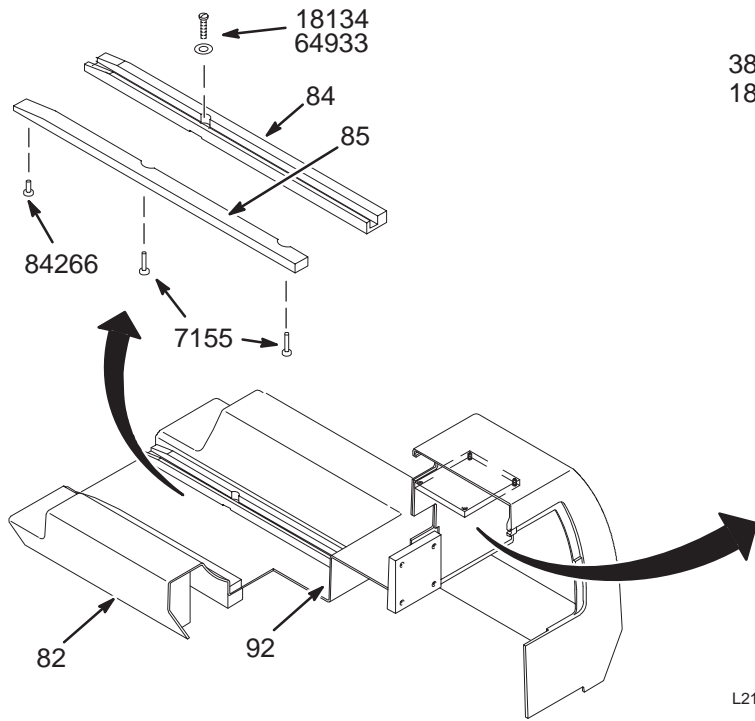
(CONT'D FROM PREVIOUS PAGE)

Item	Part Number	FRU	Name	Quantity	Description (Remarks)
69	46-282471P12	2	BEARING	2	SKF BEARING #1621 DC **MAGNETIC**
70	46-282756P1	2	LABEL	2	WARNING, CONTAINS FERROUS MATERIAL
82	46-306655P1	2	CARRIAGE CVR	1	MOLDED FIBERGLAS, NO PARTS INSTALLED
83	46-264988G1	1	CIRCUIT BD	1	1.5T HEAD TR ASSEMBLY, MG2 A16 A5
84	46-306657P1	2	CARR RAIL LH	1	LEFT GROOVED GUIDE RAIL 16.5" DELRIN
85	46-306656P1	2	CARR RAIL RH	1	COIL RIGHT SUPPORT RAIL 16.5" DELRIN
86	46-264442G3	1	PREAMP BOX	7	1.5T PREAMPLIFIER, HEAD, BODY ETC
87	46-306679P1	2	SUPPORT PL	1	PREAMP & TR SWITCH MOUNTING PLATE
88	46-306680P1	2	GUIDE RAIL	2	HEAD COIL TR SWITCH GUIDE RAIL
89	46-306681P1	2	MOUNTING PL	1	HEAD PREAMPLIFIER MOUNTING PLATE
90	46-306682P1	2	HANGER	1	PREAMPLIFIER MOUNT PLATE REAR LATCH
91	46-306683P1	2	RETAINER	1	PREAMPLIFIER MOUNT PLATE FRONT LATCH
92	46-136246P15	2	TAPE FAST	AR	3/4" WIDE, WHT ADH BACK, VELCRO LOOP
95	46-237420P1	2	THUMB SCR	1	KNURLED HD TYPE 10-32 X .625
96	46-306697G1	2	CABLE ASM	1	MG2-A16-A5-J5 TO MG2A15-A3-J3, 5.25"
97	2146831	2	WARN LABEL	2	UFI WARNING LABEL - ENGLISH
98	46-233422P1	2	BNC ANG AD	17	BNC JACK-PLUG, RIGHT ANGLE ADAPTER.
99	46-317722P1	2	COVER	1	CARRIAGE COVER ACCESS PANEL, VENTED
102	46-288510G1	N	CIRCUIT BD	1	USE 46-328036G2 AS FIELD REPLACEMENT
103	46-320938P1	2	BEZEL PLATE	1	1.5T KEYED BEZEL INTERFACE PLATE
104	46-282460P1	2	BANANA PLUG	2	STANDARD, UNINSULATED BANANA PLUG.
105	46-320939P1	2	BEZEL	1	1.5T KEYED BEZEL
106	46-170686P1	2	SEALANT	1	LOCTITE 242, 0.5CC TUBE
108	46-317022P1	2	BLOCK LOCATO	6	MOUNTING FINGER, MOLDED WHITE ACETAL
110	46-220427P2	2	ADAPTER	6	BNC STRAIGHT PLUG-PLUG ADAPTOR.
112	46-317016P1	2	SIDE SUPPORT	2	1/2" THK LAMINATED COMPOUND
113	46-317015P1	2	MTG PLATE	1	9-3/8" X 3-1/4", 1/2" THK LAMINATE
120	46-287119P1	2	MOUNT,CABLE	2	SELF-ADHERE TIE-STRAP ANCHOR, NYLON
123	46-328371P1	2	CABLE ASM	1	RUN 736 MG3-A36-J19 TO MG2-A16-A8-J9
124	46-317220G20	N	RF CABLE	1	MULTI-COIL CABLE TAKE-UP RF CABLES (SEE PAGE 2-152)
5663	46-220184P18	2	SCREW MACH	4	6-32 X 1", ROUND HEAD SLOT, BRASS
6911	46-208913P12	2	SCREW	2	10-32 X 1/2", SLOT FLAT-HEAD, BRASS
7111	46-265486P8	2	SCREW,MACH	2	6-32 X .31 PAN HEAD, DELRIN
7115	46-265486P10	2	SCREW,MACH	4	8-32 X 3/4 PAN HEAD, DELRIN
13085	46-220196P3	2	WASHER,LOCK	8	#10 SCREW SIZE (0.190), SST
14325	46-208758P3	2	STRAP	4	7.31" X .184" SELF-LOCKING CABLE TIE
17716	46-208913P29	2	SCREW,MACH	2	10-32 X 1" SLOTTED FLAT HEAD, BRASS
17851	46-220184P11	2	SCREW MACH	2	6-32 X 1/4 LG SLOTTED RD HEAD, BRASS
17856	46-220184P13	2	SCREW MACH	8	6-32 X 3/8" ROUND HEAD SLOT, BRASS
17869	46-220184P15	2	SCREW MACH	2	6-32 X 5/8 ROUND HEAD SLOTTED, BRASS
18113	46-220184P41	2	SCREW MACH	7	10-32 X 1/2" SLOT ROUND HEAD, BRASS
18123	46-220184P43	2	SCREW MACH	14	10-32 X 3/4 SLOT ROUND HEAD, BRASS
18126	46-220184P44	2	SCREW MACH	8	10-32 X 7/8 SLOT ROUND HEAD, BRASS
18129	46-220184P45	2	SCREW MACH	4	10-32 X 1", ROUND HEAD SLOT, BRASS
18134	46-220184P46	2	SCREW MACH	4	10-32 X 1.25" ROUND HEAD SLOT, BRASS
18138	46-220184P47	2	SCREW MACH	2	10-32 X 1.5", ROUND HEAD SLOT, BRASS
37367	1000904P445	2	WASHER,FLAT	4	ID 0.172 OD 0.438 THK .036
38047	46-208938P5	2	NUT,HEX,MS	2	10-32, 3/8" HEX X .130 THK, 18-8 SST
38741	46-221449P5	2	WASHER	23	#10 SCREW SIZE (0.190), PHOS BRONZE
42710	46-208933P15	2	SCREW,MACH	2	10-32 X 1/2" HEX HEAD, NYLON
43635	46-230008P1	2	SCREW,MACH	2	10-32 X 1/2", DELRIN
43650	46-208913P14	2	SCREW,MACH	3	6-32 X 1/2" SLOTTED FLAT HEAD, BRASS
44797	46-243737P2	2	SCREW	12	10-32 X 3/4", WHITE ACETAL
64933	1000904P425	2	WASHER,FLAT	19	0.2 ID, 0.5 OD, .04 THK, B11H89C
83377	46-221449P3	2	WASHER	18	#6 SCREW SIZE (0.138) SILICONE BRONZ
84266	46-265486P6	2	SCREW,MACH	2	8-32 X 3/8, PAN HEAD, DELRIN

1.5T MAGNISHIELD BRIDGE ASM w/MULTI-COIL L2119595-5

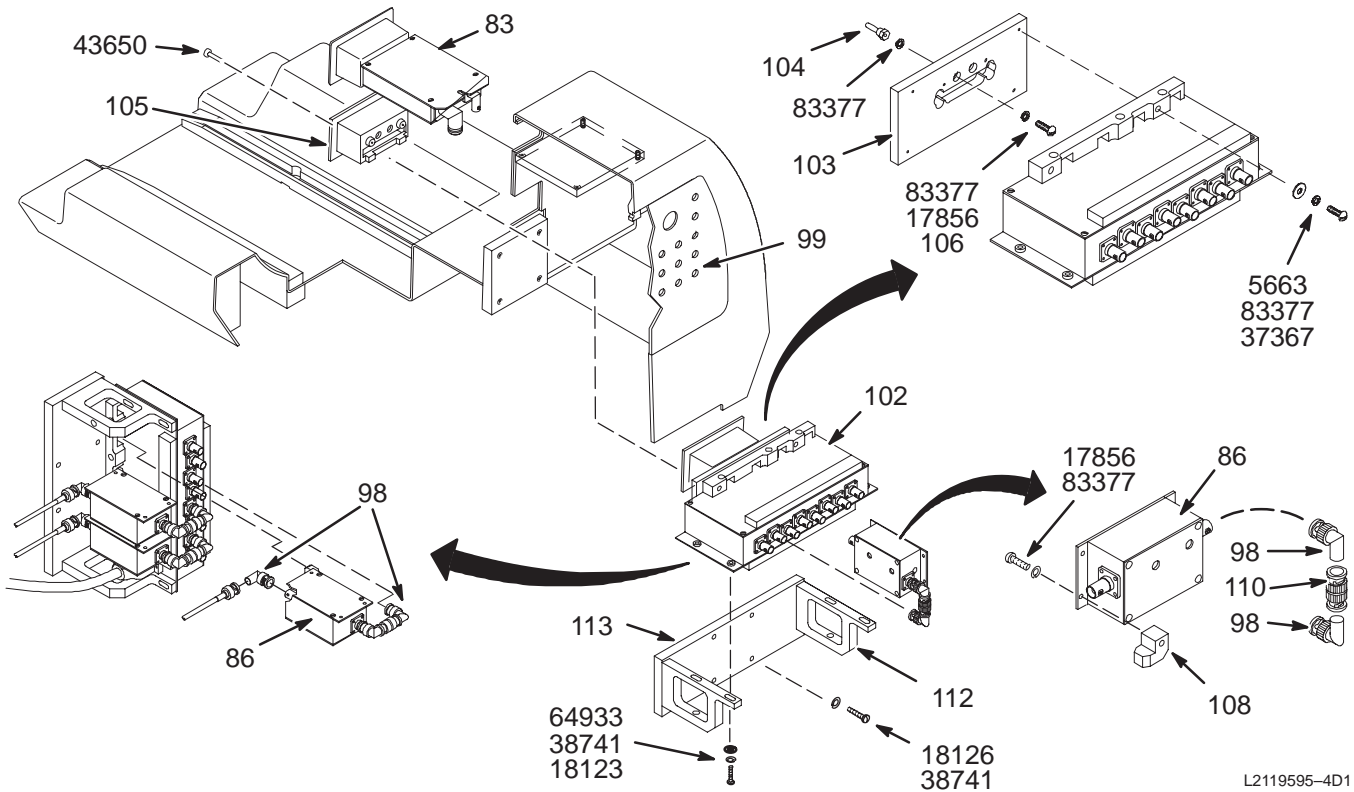


1.5T MAGNISHIELD BRIDGE ASM w/MULTI-COIL L2119595-5



L2119595-5C

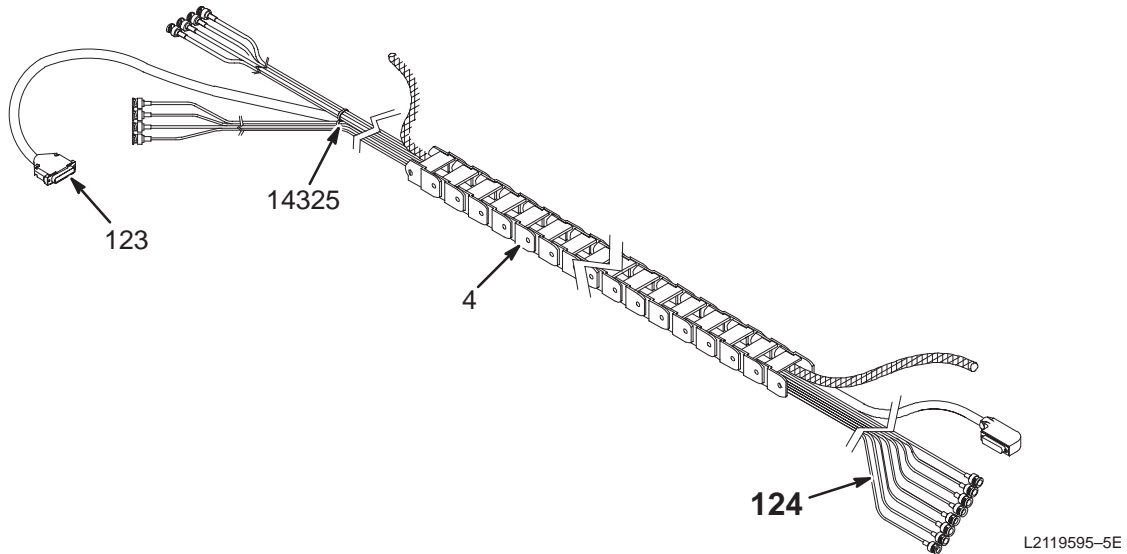
VIEW 3



L2119595-4D1

VIEW 4

1.5T MAGNISHIELD BRIDGE ASM w/MULTI-COIL2119595-5



VIEW 5

1.5T M/S BRIDGE ASM w/M-C 2119595-5 FRU N (PART OF 2118423-2 PAGE 2-69)

Item	Part Number	FRU	Name	Quantity	Description (Remarks)
3	46-282169P1	2	CLAMP	1	CABLETRACK MOUNT
4	2151445-2	2	PART	1	50 LINK CABLE TRACK W/HINGED OPEN'GS
5	2114811-2	2	BRIDGE	1	5.5 ENCLOSURE BRIDGE
6	2129351	2	COVER, REAR	1	REAR BRIDGE COVER
7	2131304	2	COVER,GASKET	1	GASKET, COVER, BRIDGE
8	2109873-26	2	PAN HD SCREW	4	METRIC SST CROSS RECESSED PAN HD SCR
29	46-282388P2	2	BELT,DRIVE	1	MAGNISHIELD LENGTH
30	46-243775G757	2	CABLE	1	RUN 485 MG3-A17-J2 TO MG2-A16-A3-J4
31	46-320888G1	2	CABLE ASM	1	RUN 404 MG2-A16-A5-J6 TO MG3-A17-J1
33	46-271465P1	2	CLAMP, BLOCK	1	SENSOR FLAG MOUNTING CLAMP BLOCK
34	46-271436P1	2	CLAMP, BELT	1	SENSOR FLAG TOP CLAMP
35	46-282436P1	2	FLAG	1	CARRIAGE TRAVEL SENSOR FLAG
42	46-282163P1	2	BASE PLATE	1	QUAD HEAD COIL CARRIAGE BASEPLATE
43	46-243167P1	2	HOUSING	12	WHEEL HOUSING, MOLDED NORYL
44	46-243494P1	2	WHEEL	6	3/4" ID, 1-3/4 OD, 1/2" WIDE PLASTIC
45	46-243141P1	2	SHLD SCR	4	PLASTIC BEARING MOUNT SHOULDER SCREW
46	46-243178P2	2	BALL BEARING	4	ID 0.375", OD 0.875", WIDTH 0.281"
47	46-282164P1	2	PLUNGER	2	CARRIAGE RELEASE PLUNGER, DELRIN
48	46-282824G1	2	CRANK ASM.	1	LATCH HOOK RELEASE LINKAGE
49	46-282168P1	2	HOLD DOWN	1	LINKAGE RETAINER BLOCK, DELRIN
50	46-317169P1	2	HOOK	1	CRADLE LATCH HOOK
51	46-271435P1	2	SUPPORT, B R	2	BELT GUIDE, DELRIN
52	46-282171P1	2	CLAMP BELT	1	BELT CLAMP PLATE, DELRIN
53	46-265089P1	2	SCREW	2	CARRIAGE RELEASE THREADED ACTUATOR
54	46-282170P1	2	CLIP	1	CABLETRACK MOUNTING BRACKET, DELRIN

Parts List Continued on Next Page

1.5T M/S BRIDGE ASM w/M-C

2119595-5

(CONT'D FROM PREVIOUS PAGE)

Item	Part Number	FRU	Name	Quantity	Description (Remarks)
55	46-282826P1	2	SCREW,SHLDR.	4	SHOULDER BOLT, 10-32 THREAD, DELRIN
62	2138083	2	BRIDGE SUPPT	1	SPPT, BRIDGE, FRT, UPPER
65	46-271432P1	2	MOUNT BRIDGE	1	BRIDGE ATTACHMENT TONGUE
67	46-328446P1	2	SUPPORT BLK.	2	SUPPORT BLOCK
68	46-282646G1	2	PULLEY ASM	1	DRIVE BELT IDLER PULLEY
69	46-282471P12	2	BEARING	2	SKF BEARING #1621 DC **MAGNETIC**
70	46-282756P1	2	LABEL	2	WARNING, CONTAINS FERROUS MATERIAL
82	46-306655P1	2	CARRIAGE CVR	1	MOLDED FIBERGLAS, NO PARTS INSTALLED
83	46-264988G1	1	CIRCUIT BD	1	1.5T HEAD TR ASSEMBLY, MG2 A16 A5
84	46-306657P1	2	CARR RAIL LH	1	LEFT GROOVED GUIDE RAIL 16.5" DELRIN
85	46-306656P1	2	CARR RAIL RH	1	COIL RIGHT SUPPORT RAIL 16.5" DELRIN
86	46-264442G3	1	PREAMP BOX	7	1.5T PREAMPLIFIER, HEAD, BODY ETC.
87	46-306679P1	2	SUPPORT PL	1	PREAMP & TR SWITCH MOUNTING PLATE
88	46-306680P1	2	GUIDE RAIL	2	HEAD COIL TR SWITCH GUIDE RAIL
89	46-306681P1	2	MOUNTING PL	1	HEAD PREAMPLIFIER MOUNTING PLATE
90	46-306682P1	2	HANGER	1	PREAMPLIFIER MOUNT PLATE REAR LATCH
91	46-306683P1	2	RETAINER	1	PREAMPLIFIER MOUNT PLATE FRONT LATCH
92	46-136246P15	2	TAPE FAST	AR	3/4" WIDE, WHT ADH BACK, VELCRO LOOP
95	46-237420P1	2	THUMB SCR	1	KNURLED HD TYPE 10-32 X .625
96	46-306697G1	2	CABLE ASM	1	MG2-A16-A5-J5 TO MG2A15-A3-J3, 5.25"
97	2146831	2	WARN LABEL	2	UFI WARNING LABEL - ENGLISH
98	46-233422P1	2	BNC ANG AD	17	BNC JACK-PLUG, RIGHT ANGLE ADAPTER.
99	46-317722P1	2	COVER	1	CARRIAGE COVER ACCESS PANEL, VENTED
102	46-288510G1	N	CIRCUIT BD	1	USE 46-328036G2 AS FIELD REPLACEMENT
103	46-320938P1	2	BEZEL PLATE	1	1.5T KEYED BEZEL INTERFACE PLATE
104	46-282460P1	2	BANANA PLUG	2	STANDARD, UNINSULATED BANANA PLUG.
105	46-320939P1	2	BEZEL	1	1.5T KEYED BEZEL
106	46-170686P1	2	SEALANT	1	LOCTITE 242, 0.5CC TUBE
108	46-317022P1	2	BLOCK LOCATO	6	MOUNTING FINGER, MOLDED WHITE ACETAL
110	46-220427P2	2	ADAPTER	6	BNC STRAIGHT PLUG-PLUG ADAPTOR.
112	46-317016P1	2	SIDE SUPPORT	2	1/2" THK LAMINATED COMPOUND
113	46-317015P1	2	MTG PLATE	1	9-3/8" X 3-1/4", 1/2" THK LAMINATE
120	46-287119P1	2	MOUNT,CABLE	2	SELF-ADHERE TIE-STRAP ANCHOR, NYLON
123	46-328371P1	2	CABLE ASM	1	RUN 736 MG3-A36-J19 TO MG2-A16-A8-J9
124	46-317220G20	N	RF CABLE	1	MULTI-COIL CABLE TAKE-UP RF CABLES (SEE PAGE 2-152)
5663	46-220184P18	2	SCREW MACH	4	6-32 X 1", ROUND HEAD SLOT, BRASS
6911	46-208913P12	2	SCREW	2	10-32 X 1/2", SLOT FLAT-HEAD, BRASS
7111	46-265486P8	2	SCREW,MACH	2	6-32 X .31 PAN HEAD, DELRIN
7115	46-265486P10	2	SCREW,MACH	4	8-32 X 3/4 PAN HEAD, DELRIN
13084	46-220196P5	2	WASHER	2	5/16" SCREW SIZE (0.313), SST
13085	46-220196P3	2	WASHER,LOCK	8	#10 SCREW SIZE (0.190), SST
13088	46-208932P11	2	SCREW	2	5/16-18 X 1", HEX HD, 18-8 SST
14325	46-208758P3	2	STRAP	4	7.31" X .184" SELF-LOCKING CABLE TIE
17716	46-208913P29	2	SCREW,MACH	2	10-32 X 1" SLOTTED FLAT HEAD, BRASS
17851	46-220184P11	2	SCREW MACH	2	6-32 X 1/4 LG SLOTTED RD HEAD, BRASS
17856	46-220184P13	2	SCREW MACH	8	6-32 X 3/8" ROUND HEAD SLOT, BRASS
17869	46-220184P15	2	SCREW MACH	2	6-32 X 5/8 ROUND HEAD SLOTTED, BRASS
18113	46-220184P41	2	SCREW MACH	7	10-32 X 1/2" SLOT ROUND HEAD, BRASS
18123	46-220184P43	2	SCREW MACH	14	10-32 X 3/4 SLOT ROUND HEAD, BRASS

Parts List Continued on Next Page

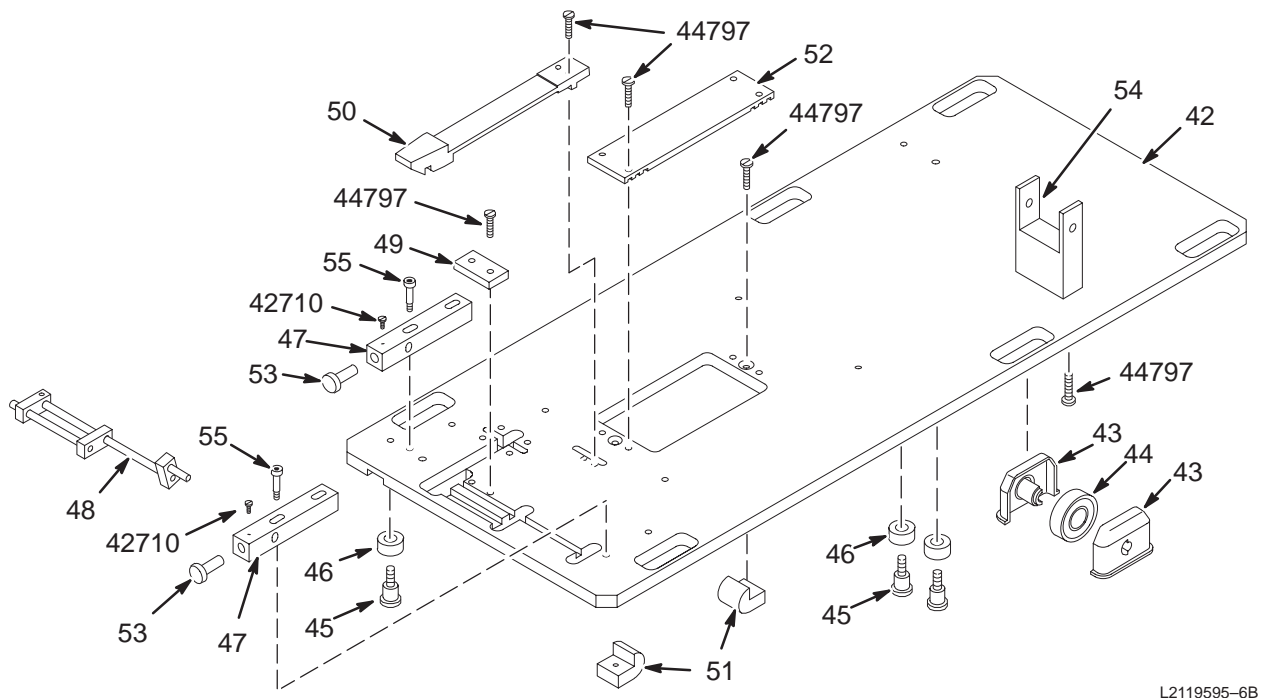
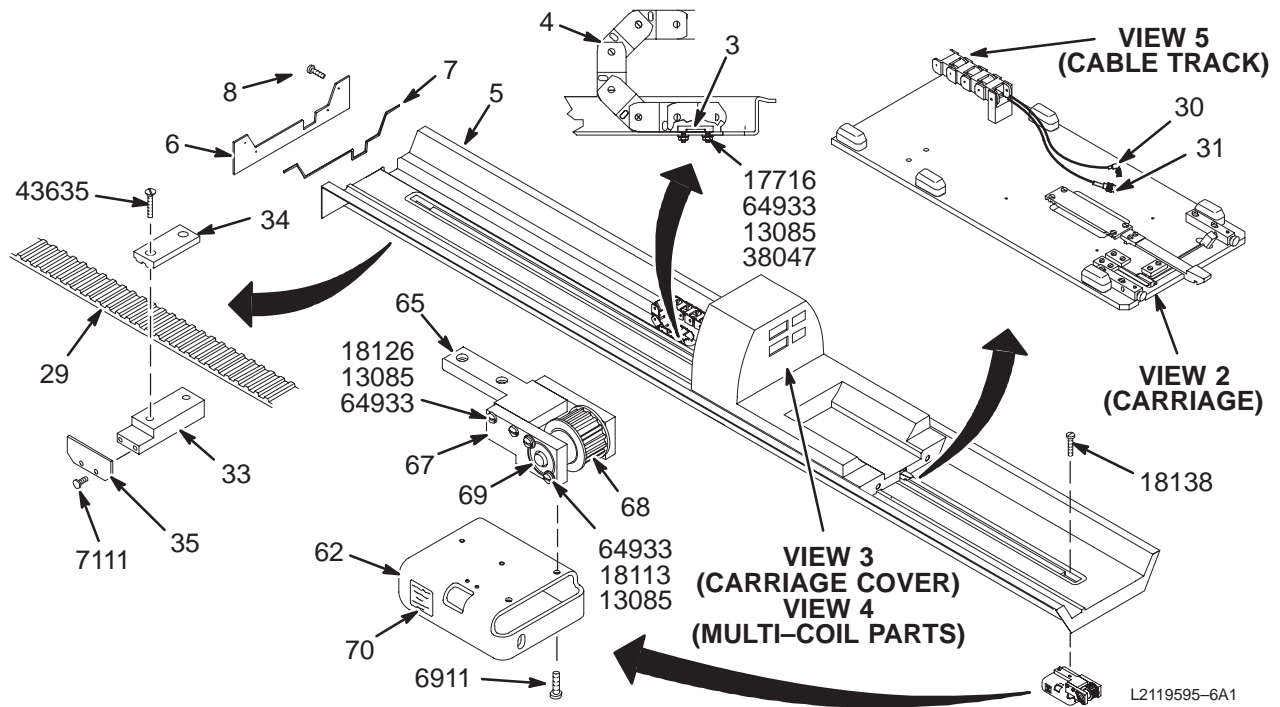
1.5T M/S BRIDGE ASM w/M-C

2119595-5

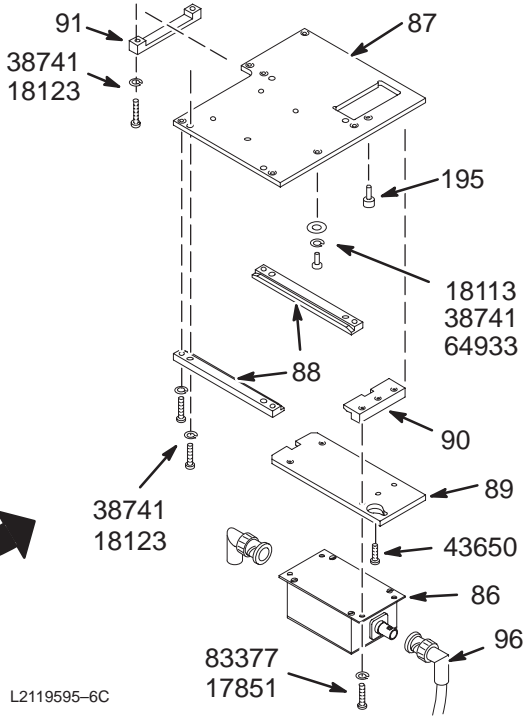
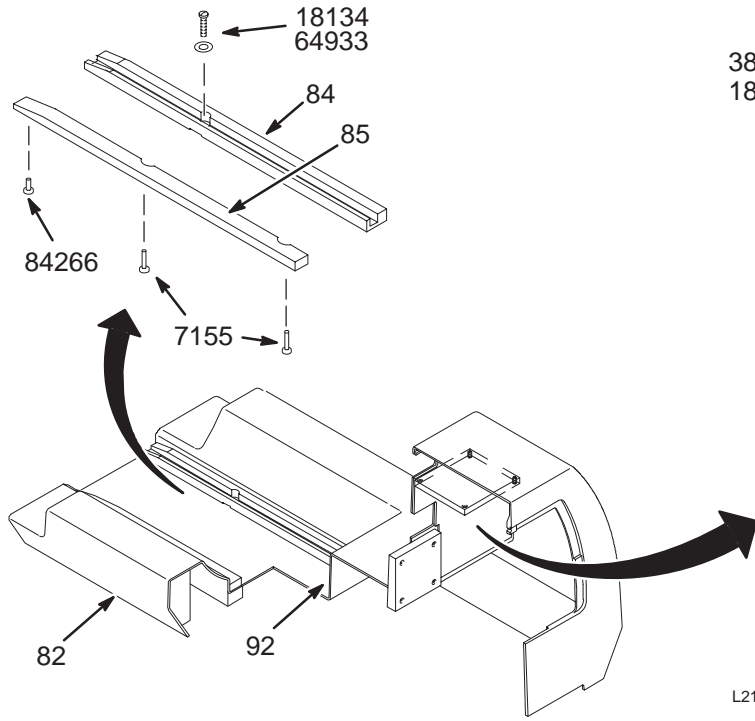
(CONT'D FROM PREVIOUS PAGE)

Item	Part Number	FRU	Name	Quantity	Description (Remarks)
18126	46-220184P44	2	SCREW MACH	8	10-32 X 7/8 SLOT ROUND HEAD, BRASS
18129	46-220184P45	2	SCREW MACH	4	10-32 X 1", ROUND HEAD SLOT, BRASS
18134	46-220184P46	2	SCREW MACH	4	10-32 X 1.25" ROUND HEAD SLOT, BRASS
18138	46-220184P47	2	SCREW MACH	2	10-32 X 1.5", ROUND HEAD SLOT, BRASS
18867	12-280	2	WASHER	2	ID 0.336, OD 0.75, THK .064, BRASS
37367	1000904P445	2	WASHER,FLAT	4	ID 0.172 OD 0.438 THK .036
38047	46-208938P5	2	NUT,HEX,MS	2	10-32, 3/8" HEX X .130 THK, 18-8 SST
38741	46-221449P5	2	WASHER	23	#10 SCREW SIZE (0.190), PHOS BRONZE
42710	46-208933P15	2	SCREW,MACH	2	10-32 X 1/2" HEX HEAD, NYLON
43635	46-230008P1	2	SCREW,MACH	2	10-32 X 1/2", DELRIN
43650	46-208913P14	2	SCREW,MACH	3	6-32 X 1/2" SLOTTED FLAT HEAD, BRASS
44797	46-243737P2	2	SCREW	12	10-32 X 3/4", WHITE ACETAL
64933	1000904P425	2	WASHER,FLAT	19	0.2 ID, 0.5 OD, 04 THK, B11H89C
83377	46-221449P3	2	WASHER	18	#6 SCREW SIZE (0.138) SILICONE BRONZ
84266	46-265486P6	2	SCREW,MACH	2	8-32 X 3/8, PAN HEAD, DELRIN

1.0T STANDARD BRIDGE ASM w/MULTI-COIL L2119595-6

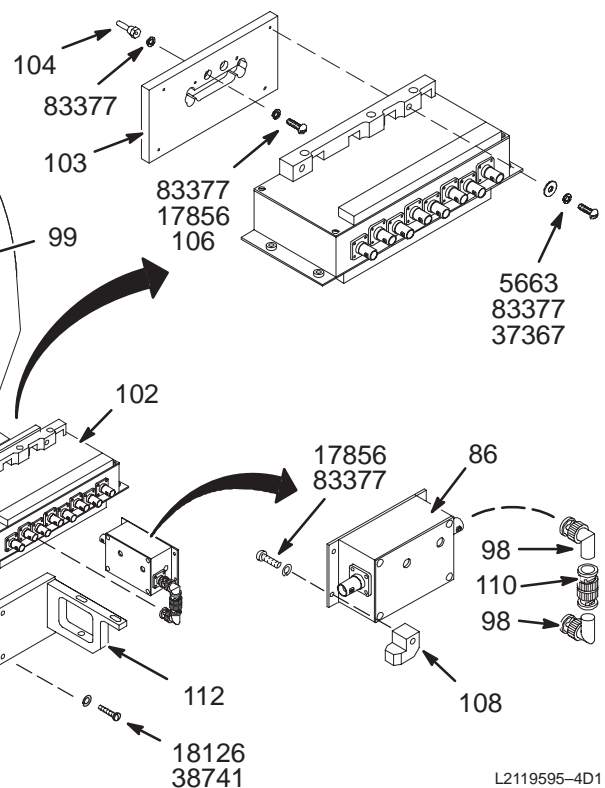
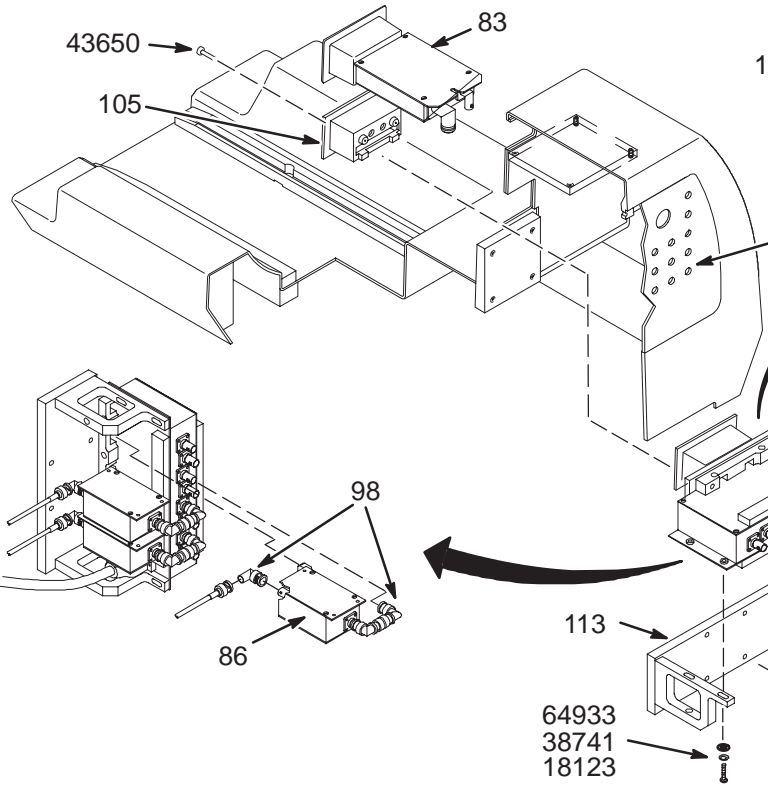


1.0T STANDARD BRIDGE ASM w/MULTI-COIL L2119595-6



L2119595-6C

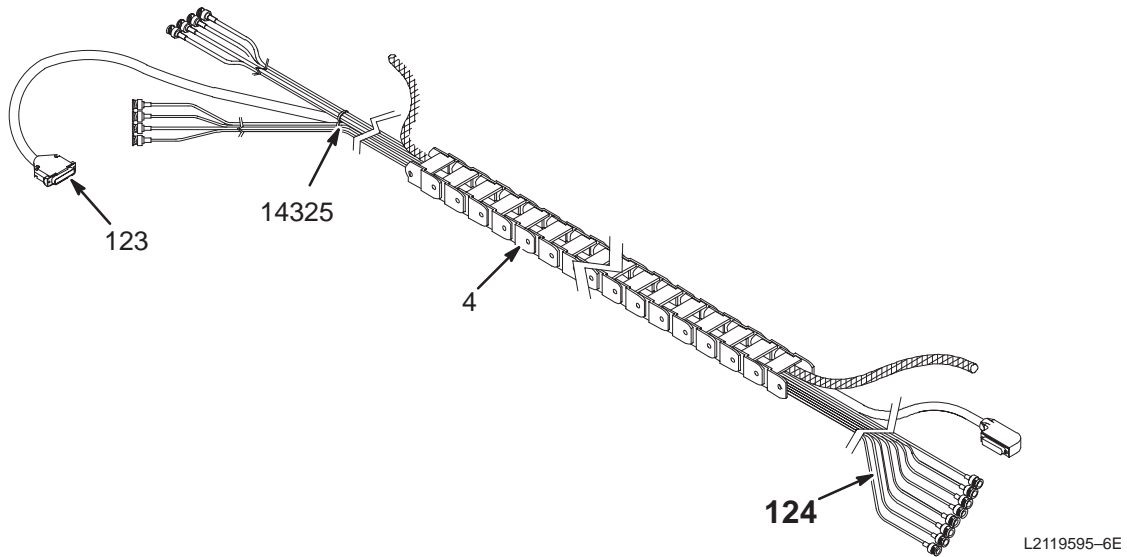
VIEW 3



L2119595-4D1

VIEW 4

1.0T STANDARD BRIDGE ASM w/MULTI-COIL2119595-6



VIEW 5

1.0T BRIDGE ASM w/M-C

2119595-6 FRU N

(PART OF 2118422-9 PAGE 2-13)

(PART OF 2118422-8 PAGE 2-34)

Item	Part Number	FRU	Name	Quantity	Description (Remarks)
3	46-282169P1	2	CLAMP	1	CABLETRACK MOUNT
4	2151445	2	PART	1	40 LINK CABLE TRACK W/HINGED OPEN'GS
5	2114811	2	BRIDGE	1	5.5 MAG ENCL BRIDGE
6	2129351	2	COVER, REAR	1	REAR BRIDGE COVER
7	2131304	2	COVER,GASKET	1	GASKET, COVER, BRIDGE
8	2109873-26	2	PAN HD SCREW	4	METRIC SST CROSS RECESSED PAN HD SCR
29	46-282388P1	2	BELT,DRIVE	1	3/8" PITCH GEARBELT, 1" W. 22.75" L.
30	46-243775G757	2	CABLE	1	RUN 485 MG3-A17-J2 TO MG2-A16-A3-J4
31	46-320888G1	2	CABLE ASM	1	RUN 404 MG2-A16-A5-J6 TO MG3-A17-J1
33	46-271465P1	2	CLAMP, BLOCK	1	SENSOR FLAG MOUNTING CLAMP BLOCK
34	46-271436P1	2	CLAMP, BELT	1	SENSOR FLAG TOP CLAMP
35	46-282436P1	2	FLAG	1	CARRIAGE TRAVEL SENSOR FLAG
42	46-282163P1	2	BASE PLATE	1	QUAD HEAD COIL CARRIAGE BASEPLATE
43	46-243167P1	2	HOUSING	12	WHEEL HOUSING, MOLDED NORYL
44	46-243494P1	2	WHEEL	6	3/4" ID, 1-3/4 OD, 1/2" WIDE PLASTIC
45	46-243141P1	2	SHLD SCR	4	PLASTIC BEARING MOUNT SHOULDER SCREW
46	46-243178P2	2	BALL BEARING	4	ID 0.375", OD 0.875", WIDTH 0.281"
47	46-282164P1	2	PLUNGER	2	CARRIAGE RELEASE PLUNGER, DELRIN
48	46-282824G1	2	CRANK ASM.	1	LATCH HOOK RELEASE LINKAGE
49	46-282168P1	2	HOLD DOWN	1	LINKAGE RETAINER BLOCK, DELRIN
50	46-317169P1	2	HOOK	1	CRADLE LATCH HOOK
51	46-271435P1	2	SUPPORT, B R	2	BELT GUIDE, DELRIN
52	46-282171P1	2	CLAMP BELT	1	BELT CLAMP PLATE, DELRIN
53	46-265089P1	2	SCREW	2	CARRIAGE RELEASE THREADED ACTUATOR
54	46-282170P1	2	CLIP	1	CABLETRACK MOUNTING BRACKET, DELRIN
55	46-282826P1	2	SCREW,SHLDR.	4	SHOULDER BOLT, 10-32 THREAD, DELRIN
62	2115366	2	TOP MTG PLTE	1	FRT BRIDGE BRKT
65	46-271432P1	2	MOUNT BRIDGE	1	BRIDGE ATTACHMENT TONGUE
67	46-328446P1	2	SUPPORT BLK.	2	SUPPORT BLOCK

Parts List Continued on Next Page

1.0T BRIDGE ASM w/M-C

2119595-6

(CONT'D FROM PREVIOUS PAGE)

Item	Part Number	FRU	Name	Quantity	Description (Remarks)
68	46-282646G1	2	PULLEY ASM	1	DRIVE BELT IDLER PULLEY
69	46-282471P12	2	BEARING	2	SKF BEARING #1621 DC **MAGNETIC**
70	46-282756P1	2	LABEL	2	WARNING, CONTAINS FERROUS MATERIAL
82	46-306655P1	2	CARRIAGE CVR	1	MOLDED FIBERGLAS, NO PARTS INSTALLED
83	46-321336G1	1	CIRCUIT BD	1	1.0T HEAD T/R SWITCH ASSEMBLY
84	46-306657P1	2	CARR RAIL LH	1	LEFT GROOVED GUIDE RAIL 16.5" DELRIN
85	46-306656P1	2	CARR RAIL RH	1	COIL RIGHT SUPPORT RAIL 16.5" DELRIN
86	46-321338G3	1	PREAMP BOX	7	1.0T PREAMPLIFIER WITH DIODE FIX
87	46-306679P1	2	SUPPORT PL	1	PREAMP & TR SWITCH MOUNTING PLATE
88	46-306680P1	2	GUIDE RAIL	2	HEAD COIL TR SWITCH GUIDE RAIL
89	46-306681P1	2	MOUNTING PL	1	HEAD PREAMPLIFIER MOUNTING PLATE
90	46-306682P1	2	HANGER	1	PREAMPLIFIER MOUNT PLATE REAR LATCH
91	46-306683P1	2	RETAINER	1	PREAMPLIFIER MOUNT PLATE FRONT LATCH
92	46-136246P15	2	TAPE FAST	AR	3/4" WIDE, WHT ADH BACK, VELCRO LOOP
95	46-237420P1	2	THUMB SCR	1	KNURLED HD TYPE 10-32 X .625
96	46-306697G1	2	CABLE ASM	1	MG2-A16-A5-J5 TO MG2A15-A3-J3, 5.25"
98	46-233422P1	2	BNC ANG AD	17	BNC JACK-PLUG, RIGHT ANGLE ADAPTER.
99	46-317722P1	2	COVER	1	CARRIAGE COVER ACCESS PANEL, VENTED
102	46-321218G2	N	PWB	1	USE 46-328036G6 AS FIELD REPLACEMENT
103	46-320927P1	2	BEZEL PLATE	1	KEYED MULTI-COIL BEZEL I/F PLATE
104	46-282460P1	2	BANANA PLUG	2	STANDARD, UNINSULATED BANANA PLUG.
105	46-320928P1	2	BEZEL	1	0.5T/1.0T MULTI-COIL KEYED BEZEL
106	46-170686P1	2	SEALANT	1	LOCTITE 242, 0.5CC TUBE
108	46-317022P1	2	BLOCK LOCATO	6	MOUNTING FINGER, MOLDED WHITE ACETAL
110	46-220427P2	2	ADAPTER	6	BNC STRAIGHT PLUG-PLUG ADAPTOR.
112	46-317016P1	2	SIDE SUPPORT	2	1/2" THK LAMINATED COMPOUND
113	46-317015P1	2	MTG PLATE	1	9-3/8" X 3-1/4", 1/2" THK LAMINATE
120	46-287119P1	2	MOUNT,CABLE	2	SELF-ADHERE TIE-STRAP ANCHOR, NYLON
123	46-328371P1	2	CABLE ASM	1	RUN 736 MG3-A36-J19 TO MG2-A16-A8-J9
124	46-317220G20	N	RF CABLE	1	MULTI-COIL CABLE TAKE-UP RF CABLES (SEE PAGE 2-152)
5663	46-220184P18	2	SCREW MACH	4	6-32 X 1", ROUND HEAD SLOT, BRASS
6911	46-208913P12	2	SCREW	2	10-32 X 1/2", SLOT FLAT-HEAD, BRASS
7111	46-265486P8	2	SCREW,MACH	2	6-32 X .31 PAN HEAD, DELRIN
7115	46-265486P10	2	SCREW,MACH	4	8-32 X 3/4 PAN HEAD, DELRIN
13085	46-220196P3	2	WASHER,LOCK	8	#10 SCREW SIZE (0.190), SST
14325	46-208758P3	2	STRAP	4	7.31" X .184" SELF-LOCKING CABLE TIE
17716	46-208913P29	2	SCREW,MACH	2	10-32 X 1" SLOTTED FLAT HEAD, BRASS
17851	46-220184P11	2	SCREW MACH	2	6-32 X 1/4 LG SLOTTED RD HEAD, BRASS
17856	46-220184P13	2	SCREW MACH	8	6-32 X 3/8" ROUND HEAD SLOT, BRASS
17869	46-220184P15	2	SCREW MACH	2	6-32 X 5/8 ROUND HEAD SLOTTED, BRASS
18113	46-220184P41	2	SCREW MACH	7	10-32 X 1/2" SLOT ROUND HEAD, BRASS
18123	46-220184P43	2	SCREW MACH	14	10-32 X 3/4 SLOT ROUND HEAD, BRASS
18126	46-220184P44	2	SCREW MACH	8	10-32 X 7/8 SLOT ROUND HEAD, BRASS
18129	46-220184P45	2	SCREW MACH	4	10-32 X 1", ROUND HEAD SLOT, BRASS
18134	46-220184P46	2	SCREW MACH	4	10-32 X 1.25" ROUND HEAD SLOT, BRASS
18138	46-220184P47	2	SCREW MACH	2	10-32 X 1.5", ROUND HEAD SLOT, BRASS
37367	1000904P445	2	WASHER,FLAT	4	ID 0.172 OD 0.438 THK .036
38047	46-208938P5	2	NUT,HEX,MS	2	10-32, 3/8" HEX X .130 THK, 18-8 SST
38741	46-221449P5	2	WASHER	23	#10 SCREW SIZE (0.190), PHOS BRONZE
42710	46-208933P15	2	SCREW,MACH	2	10-32 X 1/2" HEX HEAD, NYLON
43635	46-230008P1	2	SCREW,MACH	2	10-32 X 1/2", DELRIN
43650	46-208913P14	2	SCREW,MACH	3	6-32 X 1/2" SLOTTED FLAT HEAD, BRASS
44797	46-243737P2	2	SCREW	12	10-32 X 3/4", WHITE ACETAL
64933	1000904P425	2	WASHER,FLAT	19	0.2 ID, 0.5 OD, .04 THK, B11H89C
83377	46-221449P3	2	WASHER	18	#6 SCREW SIZE (0.138) SILICONE BRONZ
84266	46-265486P6	2	SCREW,MACH	2	8-32 X 3/8, PAN HEAD, DELRIN

MULTI-COIL RF CABLES

46-317220G20 FRU N

(PART OF 2119595-4 PAGE 2-141)
 (PART OF 2119595-5 PAGE 2-145)
 (PART OF 2119595-6 PAGE 2-150)

Item	Part Number	FRU	Name	Quantity	Description (Remarks)
1	46-317220P1	2	RF CABLE	1	RUN 728 MG3-A36-J11 / MG2-A16-OUT-J1
2	46-317220P2	2	RF CABLE	1	RUN 729 MG3-A36-J12 / MG2-A16-OUT-J2
3	46-317220P3	2	RF CABLE	1	RUN 730 MG3-A36-J13 / MG2-A16-OUT-J3
4	46-317220P4	2	RF CABLE	1	RUN 731 MG3-A36-J14 / MG2-A16-OUT-J4
5	46-317220P5	2	RF CABLE	1	RUN 732 MG3-A36-J15 / MG2-A16-OUT-J5
6	46-317220P6	2	RF CABLE	1	RUN 733 MG3-A36-J16 / MG2-A16-OUT-J6
7	46-317220P7	2	RF CABLE	1	RUN 734 MG3-A36-J17 / MG2-A16-OUT-J7
8	46-317220P8	2	RF CABLE	1	RUN 735 MG3-A36-J18 / MG2-A16-OUT-J8

2-8 BRM INSTALLATION KIT FOR S-SERIES MAGNETS

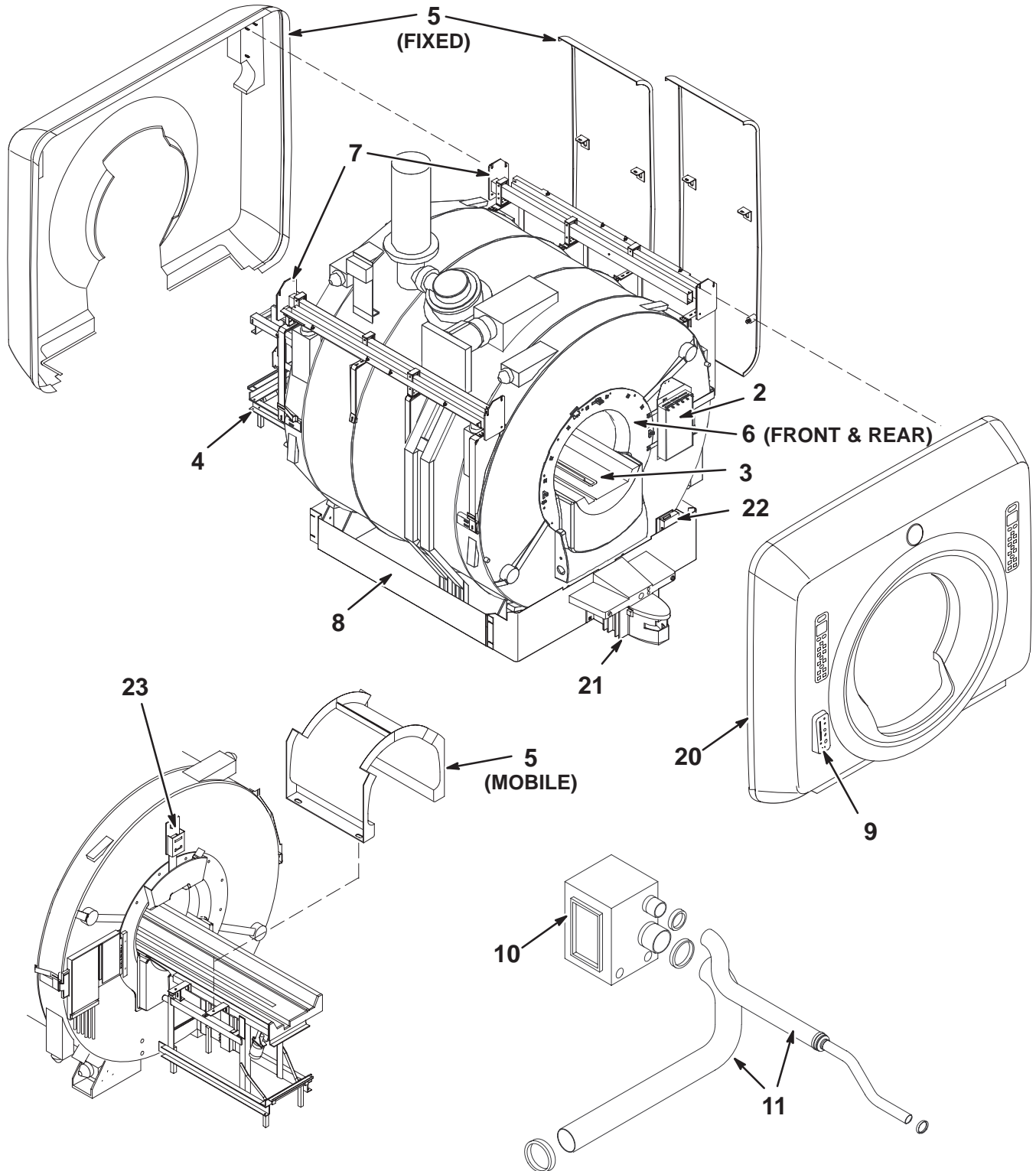
BRM INSTALL KIT – GE MAGNET 2167251 FRU N (PART OF 2118422-3 PAGE 2-7)
 (PART OF 2118422-5 PAGE 2-9)
 (PART OF 2118422-7 PAGE 2-11)
 (PART OF 2118422-9 PAGE 2-13)
 (PART OF 2118422-2 PAGE 2-28)
 (PART OF 2118422-4 PAGE 2-30)
 (PART OF 2118422-6 PAGE 2-32)
 (PART OF 2118422-8 PAGE 2-34)
 (PART OF 2118423 PAGE 2-67)
 (PART OF 2118423-2 PAGE 2-69)

Item	Part Number	FRU	Name	Quantity	Description (Remarks)
1	2127523	2	TVL BKT	2	MOBILE GRAD BRKT 600MM
2	2127522	2	TVL LATCH	2	MOBILE BRKT 600MM
3	2109880-4	2	WASHER	8	M10 SST SPRING LOCK WASHER
4	2109878-4	2	WASHER	8	M10 FLAT WASHER, 20MM OD, 2MM, SST
5	2109866-25	2	SCREW	8	M10 X 60 HEX HEAD BOLT, SST
6	2131956	2	CAP SCREW	8	SCREW M16
7	2131955	2	MTG PAD	8	MTG PAD
8	2135234	2	PAD RUBBER	6	600MM X 300MM X 9.5MM THK NEOPRENE
9	2126201	2	RUBBER PAD	2	750MM X 500MM X 6.5MM THK NEOPRENE
10	2135234-2	2	PAD RUBBER	2	600MM X 300MM X 3,2MM THK NEOPRENE
11	2131953	2	MTG PAD	8	MTG PAD
12	46-170684P2	2	ADHESIVE	1	LOCTITE 271, 10CC BOTTLE
13	2170490	2	SPACER	2	40 X 40 X 12 1/2MM SHIPPING SPACER

2-9 Cx MAGNET ENCLOSURES

Cx 1.5T & 1.0T HORIZON MAGNET ENCLOSURE - FIXED & MOBILE

2142000 SERIES



Cx 1.0T FXD MAG ENCL w/o M-C 2142000 FRU N (PART OF M1840PN)

Item	Part Number	FRU	Name	Quantity	Description (Remarks)
2	2168697	N	SRI ASM	1	SRI ASSEMBLY FOR Cx (SEE PAGE 2-159)
3	2119595-8	N	PREASM BRDGE	1	CX 1.0T STD PREASSEM BRIDGE W/O PA (SEE PAGE 2-194)
4	46-328137G16	N	PEDESTAL	1	1.0T FIXED SITE W/O PA REAR PEDESTAL (SEE PAGE 2-221)
5	2158571	N	ASSEMBLY	1	FIBERGLASS COVER KIT (SEE PAGE 2-229)
6	2158572	N	ASSEMBLY	1	END BELL KIT - FIXED SITE (SEE PAGE 2-160)
7	2158576	N	ASSEMBLY	1	MAIN FRAMEWORK & CVR SLIDES-FIXED (SEE PAGE 2-163)
8	2131491-3	N	TRIM KIT	1	ENCLOSURE TRIM PANELS KIT (SEE PAGE 2-238)
9	2122268-3	1	PAC-II ASSY	1	PHYSIOLOGICAL ACQUISITION CNTRLLR (SEE PAGE 2-99)
10A	2121199-7	N	BLOWER (MG6)	1	REINFORCED BLOWER CABINET, MG6 (SEE PAGE 2-100)
10B	2121199	N	BLOWER (MG6)	ALT	BLOWER CABINET, MG6 (SEE PAGE 2-100)
11	2129412-2	N	HOSE KIT	1	BLOWER HOSE KIT - Cx (SEE PAGE 2-169)
20	2157262	N	ASSEMBLY	1	FRONT COVER ASM Cx (SEE PAGE 2-170)
21	46-271260G2	N	ASSEMBLY	1	DOCK ASSEMBLY (SEE PAGE 2-244)
22	46-282757G5	2	DOCK CONTROL	1	DOCK CONTROL BOX FOR Cx MAGNET (SEE PAGE 2-172)
23	2164869	N	ASSEMBLY	1	BORE LAMP ASSEMBLY Cx-FIXED (SEE PAGE 2-240)

Cx 1.0T FXD MAG ENCL w/M-C 2142000-2 FRU N (PART OF M1841PN)

Item	Part Number	FRU	Name	Quantity	Description (Remarks)
2	2168697	N	SRI ASM	1	SRI ASSEMBLY FOR Cx (SEE PAGE 2-159)
3	2119595-9	N	PREASM BRDGE	1	CX 1.0T STD PREASSEM BRIDGE W/PA (SEE PAGE 2-200)
4	46-328137G17	N	PEDESTAL	1	1.0T FIXED SITE W/PA REAR PEDESTAL (SEE PAGE 2-222)
5	2158571	N	ASSEMBLY	1	FIBERGLASS COVER KIT (SEE PAGE 2-229)
6	2158572	N	ASSEMBLY	1	END BELL KIT - FIXED SITE (SEE PAGE 2-160)
7	2158576	N	ASSEMBLY	1	MAIN FRAMEWORK & CVR SLIDES-FIXED (SEE PAGE 2-163)
8	2131491-3	N	TRIM KIT	1	ENCLOSURE TRIM PANELS KIT (SEE PAGE 2-238)
9	2122268-3	1	PAC-II ASSY	1	PHYSIOLOGICAL ACQUISITION CNTRLLR (SEE PAGE 2-99)
10A	2121199-7	N	BLOWER (MG6)	1	REINFORCED BLOWER CABINET, MG6 (SEE PAGE 2-100)
10B	2121199	N	BLOWER (MG6)	ALT	BLOWER CABINET, MG6 (SEE PAGE 2-100)
11	2129412-2	N	HOSE KIT	1	BLOWER HOSE KIT - Cx (SEE PAGE 2-169)
20	2157262	N	ASSEMBLY	1	FRONT COVER ASM Cx (SEE PAGE 2-170)
21	46-271260G2	N	ASSEMBLY	1	DOCK ASSEMBLY (SEE PAGE 2-244)
22	46-282757G5	2	DOCK CONTROL	1	DOCK CONTROL BOX FOR Cx MAGNET (SEE PAGE 2-172)
23	2164869	N	ASSEMBLY	1	BORE LAMP ASSEMBLY Cx-FIXED (SEE PAGE 2-240)

Cx 1.5T FXD MAG ENCL w/o M-C 2142000-5 FRU N (PART OF M1040PN)

Item	Part Number	FRU	Name	Quantity	Description (Remarks)
2	2168697	N	SRI ASM	1	SRI ASSEMBLY FOR Cx (SEE PAGE 2-159)
3	2119595-10	N	PREASM BRDGE	1	CX 1.5T STD PREASSEM BRIDGE W/O PA (SEE PAGE 2-196)
4	46-328137G20	N	PEDESTAL	1	1.5T FIXED SITE W/O PA REAR PEDESTAL (SEE PAGE 2-225)
5	2158571	N	ASSEMBLY	1	FIBERGLASS COVER KIT (SEE PAGE 2-229)
6	2158572	N	ASSEMBLY	1	END BELL KIT - FIXED SITE (SEE PAGE 2-160)
7	2158576	N	ASSEMBLY	1	MAIN FRAMEWORK & CVR SLIDES-FIXED (SEE PAGE 2-163)
8	2131491-3	N	TRIM KIT	1	ENCLOSURE TRIM PANELS KIT (SEE PAGE 2-238)
9	2122268-3	1	PAC-II ASSY	1	PHYSIOLOGICAL ACQUISITION CNTROLLR (SEE PAGE 2-99)
10A	2121199-7	N	BLOWER (MG6)	1	REINFORCED BLOWER CABINET, MG6 (SEE PAGE 2-100)
10B	2121199	N	BLOWER (MG6)	ALT	BLOWER CABINET, MG6 (SEE PAGE 2-100)
11	2129412-2	N	HOSE KIT	1	BLOWER HOSE KIT - Cx (SEE PAGE 2-169)
20	2157262	N	ASSEMBLY	1	FRONT COVER ASM Cx (SEE PAGE 2-170)
21	46-271260G2	N	ASSEMBLY	1	DOCK ASSEMBLY (SEE PAGE 2-244)
22	46-282757G5	2	DOCK CONTROL	1	DOCK CONTROL BOX FOR Cx MAGNET (SEE PAGE 2-172)
23	2164869	N	ASSEMBLY	1	BORE LAMP ASSEMBLY Cx-FIXED (SEE PAGE 2-240)

Cx 1.5T FXD MAG ENCL w/M-C 2142000-6 FRU N (PART OF M1041PN)

Item	Part Number	FRU	Name	Quantity	Description (Remarks)
2	2168697	N	SRI ASM	1	SRI ASSEMBLY FOR Cx (SEE PAGE 2-159)
3	2119595-11	N	PREASM BRDGE	1	CX 1.5T STD PREASSEM BRIDGE WITH PA (SEE PAGE 2-202)
4	46-328137G21	N	PEDESTAL	1	1.5T FIXED SITE W/PA REAR PEDESTAL (SEE PAGE 2-226)
5	2158571	N	ASSEMBLY	1	FIBERGLASS COVER KIT (SEE PAGE 2-229)
6	2158572	N	ASSEMBLY	1	END BELL KIT - FIXED SITE (SEE PAGE 2-160)
7	2158576	N	ASSEMBLY	1	MAIN FRAMEWORK & CVR SLIDES-FIXED (SEE PAGE 2-163)
8	2131491-3	N	TRIM KIT	1	ENCLOSURE TRIM PANELS KIT (SEE PAGE 2-238)
9	2122268-3	1	PAC-II ASSY	1	PHYSIOLOGICAL ACQUISITION CNTROLLR (SEE PAGE 2-99)
10A	2121199-7	N	BLOWER (MG6)	1	REINFORCED BLOWER CABINET, MG6 (SEE PAGE 2-100)
10B	2121199	N	BLOWER (MG6)	ALT	BLOWER CABINET, MG6 (SEE PAGE 2-100)
11	2129412-2	N	HOSE KIT	1	BLOWER HOSE KIT - Cx (SEE PAGE 2-169)
20	2157262	N	ASSEMBLY	1	FRONT COVER ASM Cx (SEE PAGE 2-170)
21	46-271260G2	N	ASSEMBLY	1	DOCK ASSEMBLY (SEE PAGE 2-244)
22	46-282757G5	2	DOCK CONTROL	1	DOCK CONTROL BOX FOR Cx MAGNET (SEE PAGE 2-172)
23	2164869	N	ASSEMBLY	1	BORE LAMP ASSEMBLY Cx-FIXED (SEE PAGE 2-240)

Cx 1.5T MOB MAG ENCL w/o M-C 2142000-7 FRU N (PART OF M1050PN)
 (PART OF M1060PN)

Item	Part Number	FRU	Name	Quantity	Description (Remarks)
2	2168697	N	SRI ASM	1	SRI ASSEMBLY FOR Cx (SEE PAGE 2-159)
3	2119595-10	N	PREASM BRDGE	1	CX 1.5T STD PREASSEM BRIDGE W/O PA (SEE PAGE 2-196)
4	46-328137G22	N	PEDESTAL	1	1.5T MOBILE W/O PA REAR PEDESTAL (SEE PAGE 2-227)
5	2117063-2	N	BACK COVER	1	COVER REAR (RF TUBE EXT)
6	2158572-2	N	ASSEMBLY	1	MOBILE END BELL KIT (SEE PAGE 2-160)
7	2158576-2	N	ASSEMBLY	1	MAIN FRAMEWORK & CVR SLIDES-MOBILE (SEE PAGE 2-164)
9	2122268-3	1	PAC-II ASSY	1	PHYSIOLOGICAL ACQUISITION CNTROLLR (SEE PAGE 2-99)
10A	2121199-7	N	BLOWER (MG6)	1	REINFORCED BLOWER CABINET, MG6 (SEE PAGE 2-100)
10B	2121199	N	BLOWER (MG6)	ALT	BLOWER CABINET, MG6 (SEE PAGE 2-100)
11	2129412-2	N	HOSE KIT	1	BLOWER HOSE KIT - Cx (SEE PAGE 2-169)
20	2157262	N	ASSEMBLY	1	FRONT COVER ASM Cx (SEE PAGE 2-170)
21	46-271260G2	N	ASSEMBLY	1	DOCK ASSEMBLY (SEE PAGE 2-244)
22	46-282757G5	2	DOCK CONTROL	1	DOCK CONTROL BOX FOR Cx MAGNET (SEE PAGE 2-172)
23	2164869-2	N	LAMP	1	BORE LAMP ASSEMBLY Cx-MOBILE (SEE PAGE 2-241)

Cx 1.5T MOB MAG ENCL w/M-C 2142000-8 FRU N (PART OF M1051PN)
 (PART OF M1061PN)

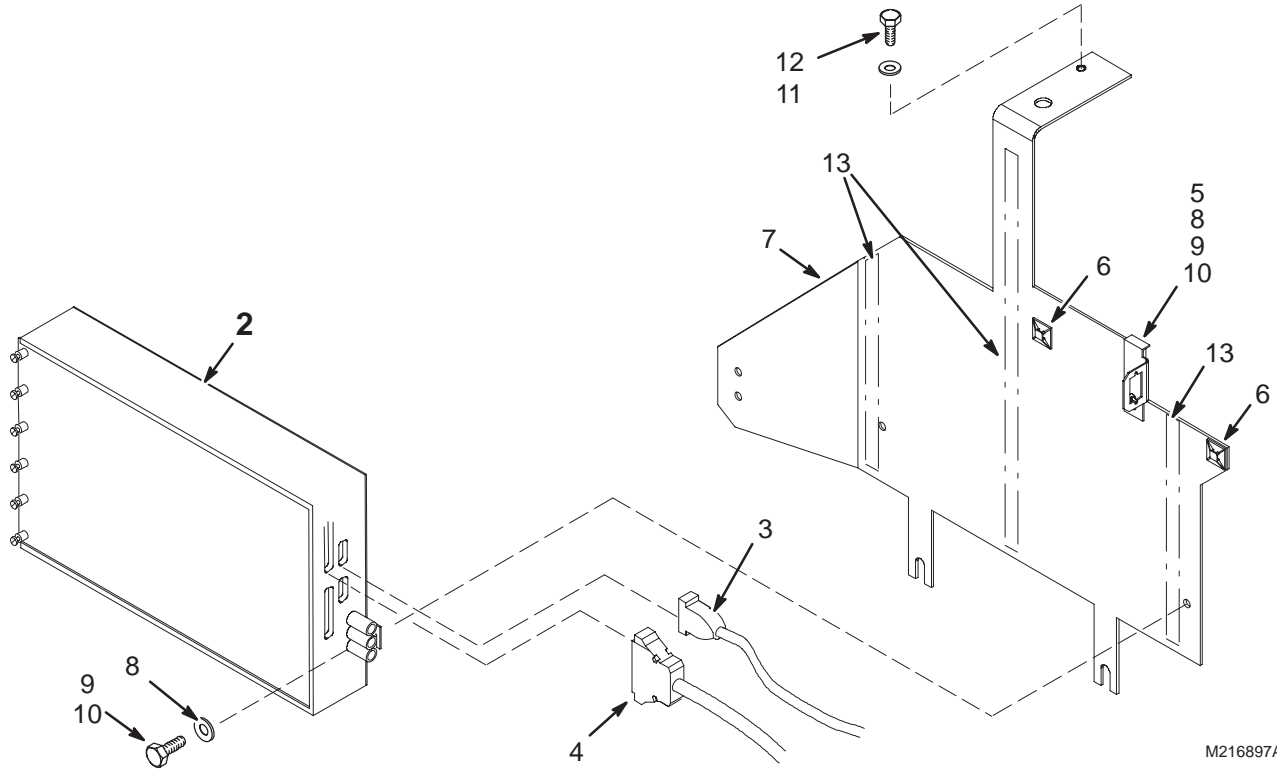
Item	Part Number	FRU	Name	Quantity	Description (Remarks)
2	2168697	N	SRI ASM	1	SRI ASSEMBLY FOR Cx (SEE PAGE 2-159)
3	2119595-11	N	PREASM BRDGE	1	CX 1.5T STD PREASSEM BRIDGE WITH PA (SEE PAGE 2-202)
4	46-328137G23	N	PEDESTAL	1	1.5T MOBILE W/PA REAR PEDESTAL (SEE PAGE 2-228)
5	2117063-2	N	BACK COVER	1	COVER REAR (RF TUBE EXT)
6	2158572-2	N	ASSEMBLY	1	MOBILE END BELL KIT (SEE PAGE 2-160)
7	2158576-2	N	ASSEMBLY	1	MAIN FRAMEWORK & CVR SLIDES-MOBILE (SEE PAGE 2-164)
9	2122268-3	1	PAC-II ASSY	1	PHYSIOLOGICAL ACQUISITION CNTROLLR (SEE PAGE 2-99)
10A	2121199-7	N	BLOWER (MG6)	1	REINFORCED BLOWER CABINET, MG6 (SEE PAGE 2-100)
10B	2121199	N	BLOWER (MG6)	ALT	BLOWER CABINET, MG6 (SEE PAGE 2-100)
11	2129412-2	N	HOSE KIT	1	BLOWER HOSE KIT - Cx (SEE PAGE 2-169)
20	2157262	N	ASSEMBLY	1	FRONT COVER ASM Cx (SEE PAGE 2-170)
21	46-271260G2	N	ASSEMBLY	1	DOCK ASSEMBLY (SEE PAGE 2-244)
22	46-282757G5	2	DOCK CONTROL	1	DOCK CONTROL BOX FOR Cx MAGNET (SEE PAGE 2-172)
23	2164869-2	N	LAMP	1	BORE LAMP ASSEMBLY Cx-MOBILE (SEE PAGE 2-241)

Cx CRM 1.5T FXD MAG ENCL w/M-C 2142000-9 FRU N (PART OF M1071PR)

Item	Part Number	FRU	Name	Quantity	Description (Remarks)
2	2168697	N	SRI ASM	1	SRI ASSEMBLY FOR CONQUEST (SEE PAGE 2-159)
3	2205099	N	ASSEMBLY	1	CRM FWD PROD BRIDGE FOR Cx/LCC (SEE PAGE 2-206)
4	46-328137G21	N	PEDESTAL	1	1.5T FIXED SITE W/PA REAR PEDESTAL (SEE PAGE 2-226)
5	2158571	N	ASSEMBLY	1	FIBERGLASS COVER KIT (SEE PAGE 2-229)
6	2198317	N	ASSEMBLY	1	END BELL KIT, CX/CRM FXD (SEE PAGE 2-161)
7	2158576	N	ASSEMBLY	1	MAIN FRAMEWORK & CVR SLIDES-FIXED (SEE PAGE 2-163)
8	2131491-3	N	TRIM KIT	1	ENCLOSURE TRIM PANELS KIT (SEE PAGE 2-238)
9	2122268-3	1	PAC-II ASSY	1	PHYSIOLOGICAL ACQUISITION CONTRLLR (SEE PAGE 2-99)
10A	2121199-7	N	BLOWER (MG6)	1	REINFORCED BLOWER CABINET, MG6 (SEE PAGE 2-100)
10B	2121199	N	BLOWER (MG6)	ALT	BLOWER CABINET, MG6 (SEE PAGE 2-100)
11	2129412-2	N	HOSE KIT	1	BLOWER HOSE KIT (SEE PAGE 2-169)
20	2157262	N	ASSEMBLY	1	FRONT COVER ASM CONQUEST (SEE PAGE 2-170)
21	46-271260G2	N	ASSEMBLY	1	DOCK ASSEMBLY (SEE PAGE 2-244)
22	46-282757G5	2	DOCK CONTROL	1	DOCK CONTROL BOX FOR Cx MAGNET (SEE PAGE 2-172)
23	2164869-3	2	PART	1	BORE LAMP ASSEMBLY Cx-CRM (SEE PAGE 2-242)

Cx SRI ASSEMBLY

2168697



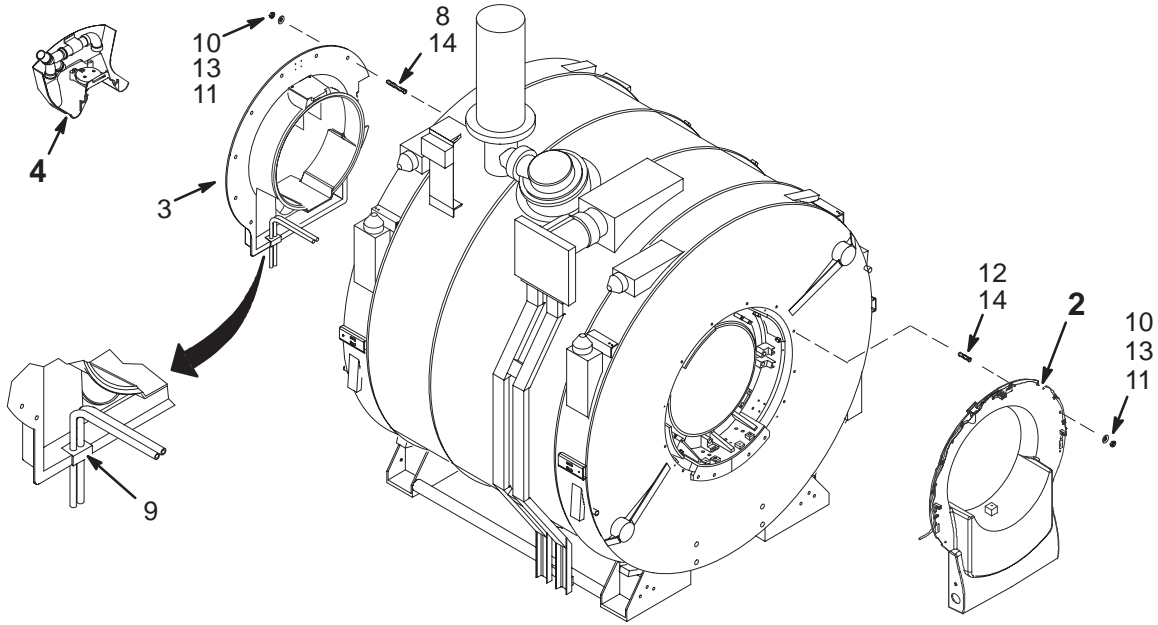
M216897A

Cx SRI ASSEMBLY 2168697 FRU N (PART OF 2142000 SERIES PAGES 2-155 THRU 2-158)

Item	Part Number	FRU	Name	Quantity	Description (Remarks)
2	46-287370G7	1	DSIM/SRI BD	1	SCAN ROOM INTERFACE (SRI) (SEE PAGE 2-97)
2	46-287370G6	N	DSIM/SRI BD	ALT	SCAN ROOM INTERFACE (SRI)
2	46-287370G8	N	DSIM/SRI BD	ALT	SCAN ROOM INTERFACE (SRI)
3	46-287908G2	2	CABLE	1	15 COND. 30" CABLE
4	46-243775G668	2	CABLE	1	RUN 422, MG3-A1-J4 TO MG2-A33-J2
5	2133208	2	BRACKET	1	PAC CABLE INTERFACE MOUNT/GROUND
6	46-208747P1	2	VIBRATION IS	2	CABLE TIE,ADH.BACKED
7	2168507	2	SRI MTG PLAT	1	SRI MOUNTING PLATE
8	2109878-3	2	WASHER	3	WASHER PLAIN - NORMAL 6.4 MM 12 MM
9	2109866-10	2	SCREW	3	SCREW HEXAGON HEAD
10	46-170686P3	N	ADHESIVE	AR	LOCTITE 242, 50CC
11	2109866-19	2	SCREW	1	SCREW HEXAGON HEAD
12	2109878-4	2	WASHER	1	WASHER PLAIN - NORMAL 10.5 MM 20 MM
13	2174929	2	CONFOR FOAM	AR	OPEN CELL POLYURETHANE FOAM

Cx END BELL KIT – FIXED AND MOBILE

2158572 & 2158572-2



Cx END BELL KIT – FIXED

2158572 FRU N

(PART OF 2142000 PAGE 2-155)
 (PART OF 2142000-2 PAGE 2-155)
 (PART OF 2142000-5 PAGE 2-157)
 (PART OF 2142000-6 PAGE 2-157)

Item	Part Number	FRU	Name	Quantity	Description (Remarks)
2	2158573	2	ASSEMBLY	1	FRT END BELL ASM (SEE PAGE 2-232)
3	2157328	2	PART	1	REAR ENDBELL-Cx
4	2158378	N	ASSEMBLY	1	COMFORT MODULE Cx (SEE PAGE 2-237)
7	2167321	2	WASHER	58	WASHER, NEOPRENE RUBBER
8	2116325-2	2	STUD, MAGNET	8	STUD SST M10 X 65
9	2169967	2	FOAM INSERT	1	FOAM BLOCK
10	2109878-4	2	WASHER	18	WASHER PLAIN – NORMAL 10.5 MM 20 MM
11	46-170686P3	N	ADHESIVE	1	LOCTITE 242, 50CC
12	2116325-7	2	STUD, MAGNET	10	STUD SST M10 X 35MM
13	2109875-4	2	NUT	18	NUT HEXAGON M10 A2-70
14	2119594	N	LUBRICANT	1	ANTI-SEIZE LUBRICANT, 1 OZ TUBE

Cx END BELL KIT – MOBILE

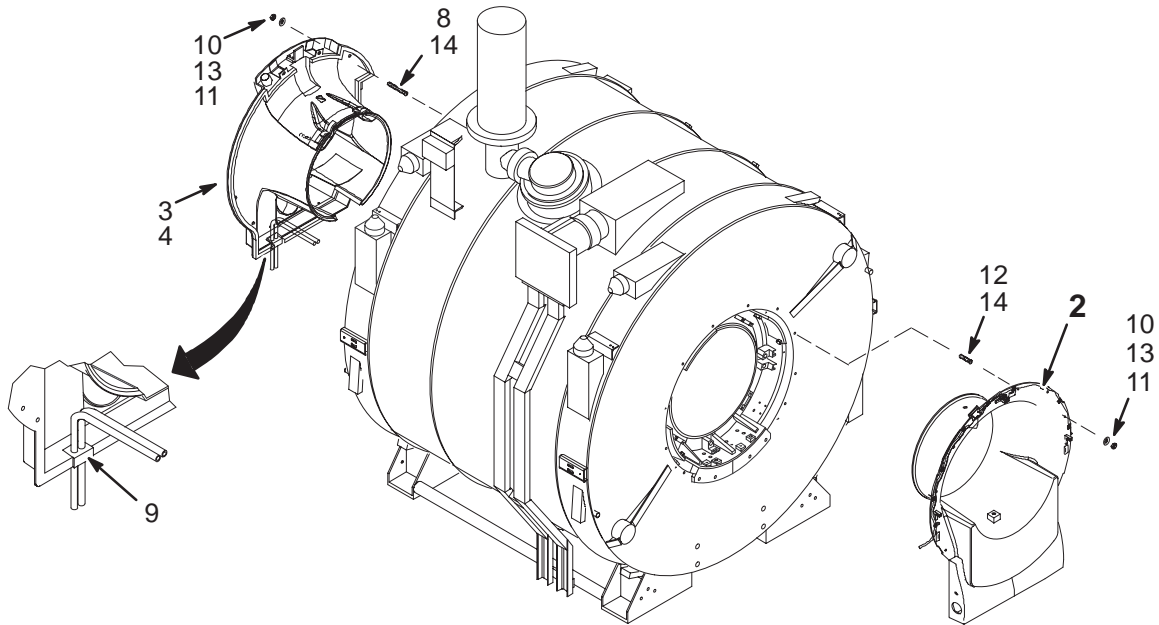
2158572-2 FRU N

(PART OF 2142000-3 PAGE 2-156)
 (PART OF 2142000-4 PAGE 2-156)
 (PART OF 2142000-7 PAGE 2-158)
 (PART OF 2142000-8 PAGE 2-158)

Item	Part Number	FRU	Name	Quantity	Description (Remarks)
2	2158573-2	N	ASSEMBLY	1	MOBILE FRT END BELL ASM (SEE PAGE 2-233)
3	2157328	2	PART	1	REAR ENDBELL-Cx
4	2158378	N	ASSEMBLY	1	COMFORT MODULE Cx (SEE PAGE 2-237)
7	2167321	2	WASHER	58	WASHER
8	2116325-2	2	STUD, MAGNET	8	STUD SST M10 X 65
9	2169967	2	FOAM INSERT	1	FOAM BLOCK
10	2109878-4	2	WASHER	18	WASHER PLAIN – NORMAL 10.5 MM 20 MM
12	2116325-7	2	STUD, MAGNET	10	STUD SST M10 X 35MM
13	2109875-4	2	NUT	18	NUT HEXAGON 10 MM

Cx CRM END BELL KIT – FIXED

2198317



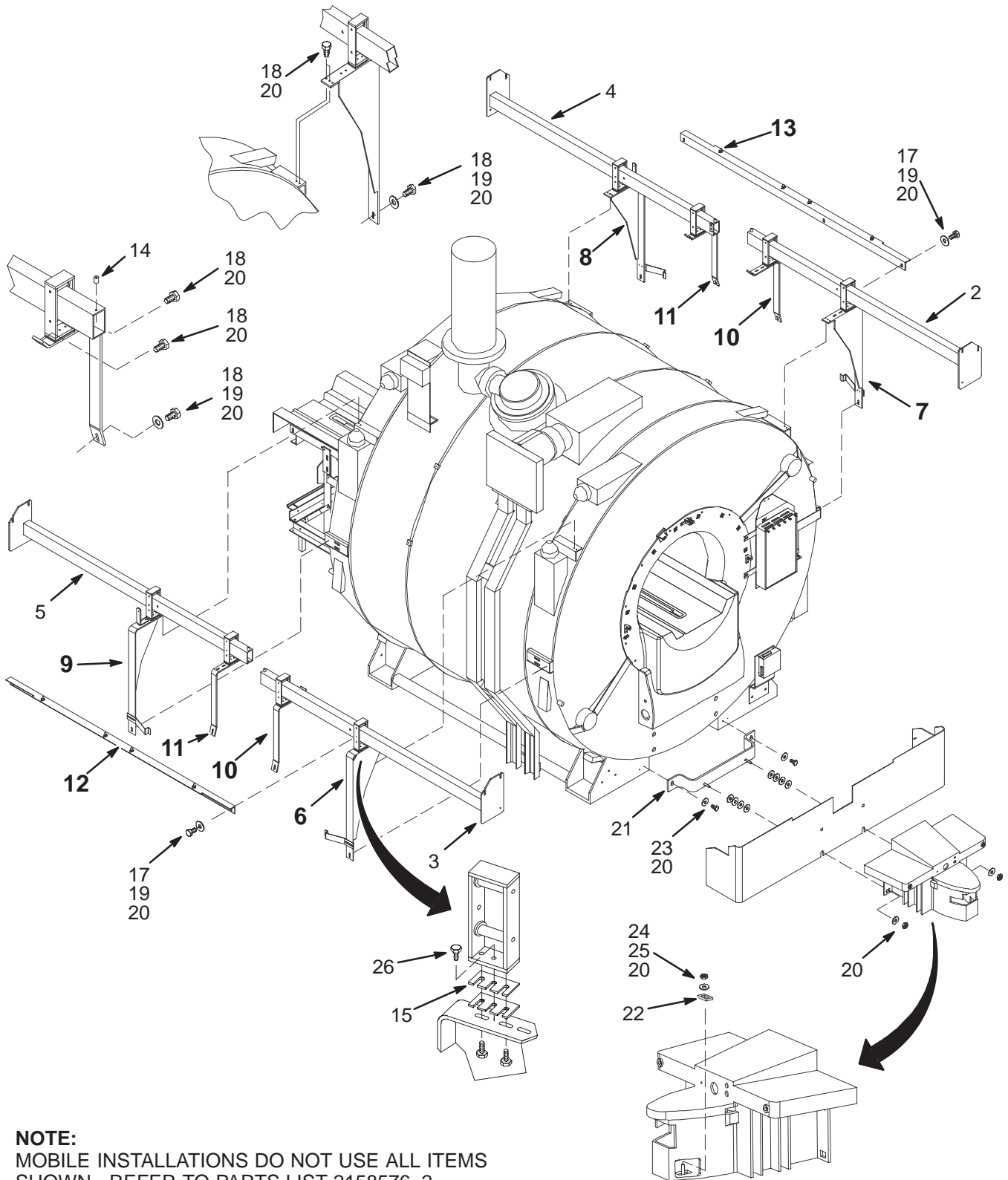
Cx CRM END BELL KIT – FIXED

2198317 FRU N

(PART 6 OF 2142000-9 PAGE 2-158)

Item	Part Number	FRU	Name	Quantity	Description (Remarks)
2	2158573-3	N	ASSEMBLY	1	CX/LCC FXD CRM FRONT END BELL ASM (SEE PAGE 2-235)
3	2195877	N	PART	1	ENDBELL ASSEMBLY CX (SEE PAGE 2-236)
4	2208875	2	PART	1	FOAM BLOCK, CRM REAR ENDBELL GASKET
7	2167321	2	WASHER	108	WASHER
8	2116325-2	2	STUD, MAGNET	8	STUD SST M10 X 65
9	2169967	2	FOAM INSERT	1	FOAM BLOCK
10	2109878-4	2	WASHER	18	WASHER PLAIN – NORMAL 10.5 MM 20 MM
11	46-170686P2	2	ADHESIVE OLD	1	LOCTITE 242, 10CC
12	2116325-8	2	STUD,MAGNET	10	STUD, M10 X 45 MM, STAINLESS STEEL
13	2109875-4	2	NUT	18	NUT HEXAGON 10 MM
14	2119594	N	LUBRICANT	1	ANTI-SEIZE LUBRICANT, 1 OZ TUBE

Cx FRAMEWORK & COVER SLIDES – FIXED & MOBILE 2158576 & 2158576-2



NOTE:
MOBILE INSTALLATIONS DO NOT USE ALL ITEMS SHOWN. REFER TO PARTS LIST 2158576-2.

FRAMEWORK & CVR SLIDES-MOB 2158576-2 FRU N

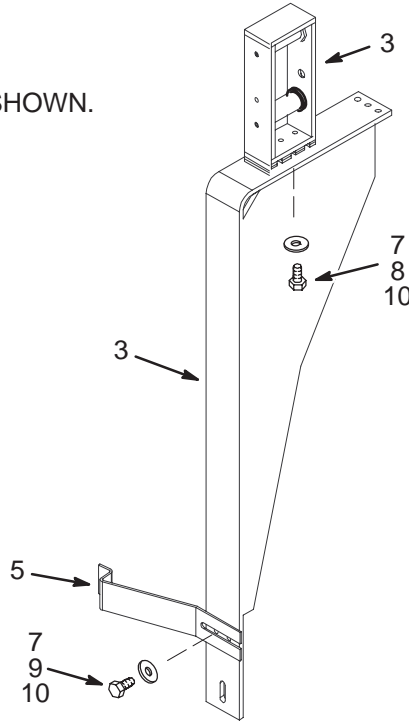
(PART OF 2142000-3 PAGE 2-156)
 (PART OF 2142000-4 PAGE 2-156)
 (PART OF 2142000-7 PAGE 2-158)
 (PART OF 2142000-8 PAGE 2-158)

Item	Part Number	FRU	Name	Quantity	Description (Remarks)
2	2181840	N	COVER SLIDE	1	COVER SLIDE MTG. RIGHT FRONT
3	2181840-2	N	COVER SLIDE	1	COVER SLIDE MTG.LEFT FRONT
6	2172744	N	ASSEMBLY	1	SLIDE BLOCK MTG ASM (SEE PAGE 2-165)
7	2172744-2	N	ASSEMBLY	1	SLIDE BLOCK MTG ASM (SEE PAGE 2-165)
10	2166492	N	ASSEMBLY	2	SLIDE BLOCK MTG ASM (SEE PAGE 2-167)
14	2182293	N	SLIDE STOP	2	PVC 13MM DIA X 16MM LG STANDOFF M6
15	2182141	N	SPACER PLATE	4	3MM THICK ALUMINUM SPACER PLATE
18	2109866-11	2	SCREW	12	SCREW HEXAGON HEAD 6 MM 16 MM
19	2109879-2	2	WASHER	14	WASHER PLAIN - NORMAL 6.4 MM 12 MM
20	46-170686P3	2	ADHESIVE	1	LOCTITE 242, 50CC
21	2175704	N	DOCK MOUNTIN	1	DOCK MOUNTING SUPPORT
22	2178874	N	DOCK CLAMP P	1	DOCK CLAMP PLATE
23	2109866-21	2	SCREW	2	SCREW HEXAGON HEAD 10 MM 30 MM
24	2109878-4	2	WASHER	1	WASHER PLAIN - NORMAL 10.5 MM 20 MM
25	2109875-4	2	NUT	1	NUT HEXAGON 10 MM
26	46-208932P44	2	SCREW	2	SCREW
27	46-208758P2	2	TY-RAP	4	5.5" X .140" SELF-LOCKING CABLE TIE.
28	46-208758P5	2	TY-RAP	14	13.38"X .301" SELF-LOCKING CABLE TIE

Cx SLIDE BLOCK MOUNTING ASM – LEFT AND RIGHT FRONT

2172744 & 2172744-2

NOTE:
LEFT SIDE BRACKET ASM SHOWN.



SLIDE BLOCK MOUNTING ASM

2172744 FRU N

(PART OF 2158576 PAGE 2-163)
(PART OF 2158576-2 PAGE 2-164)

Item	Part Number	FRU	Name	Quantity	Description (Remarks)
2	2182140	N	SLIDE BLOCK	1	SLIDE BLOCK ASM
3	2172745	N	PART	1	BRACKET
4	2182141	N	SPACER PLATE	2	3MM THICK ALUMINUM SPACER PLATE
5	2175497	2	LATCHING SPR	1	Cx FRONT COVER LOCKING LATCH
7	2109879-2	2	WASHER	4	WASHER PLAIN – LARGE 6.4 MM 12 MM
8	2109866-13	2	SCREW	3	SCREW HEXAGON HEAD 6 MM 25 MM
9	2109866-11	2	SCREW	2	SCREW HEXAGON HEAD 6 MM 16 MM
10	46-170686P3	2	ADHESIVE	AR	LOCTITE 242, 50CC

SLIDE BLOCK MOUNTING ASM

2172744-2 FRU N

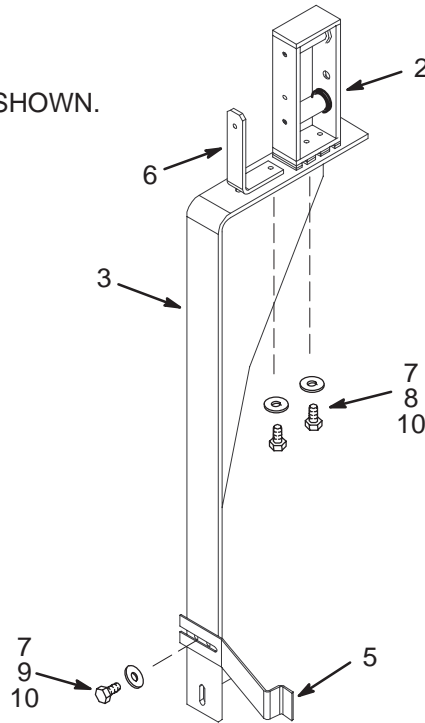
(PART OF 2158576 PAGE 2-163)
(PART OF 2158576-2 PAGE 2-164)

Item	Part Number	FRU	Name	Quantity	Description (Remarks)
2	2182140	N	SLIDE BLOCK	1	SLIDE BLOCK ASM
3	2172745-2	N	PART	1	BRACKET
4	2182141	N	SPACER PLATE	2	3MM THICK ALUMINUM SPACER PLATE
5	2175497	N	LATCHING SPR	1	Cx FRONT COVER LOCKING LATCH
7	2109879-2	2	WASHER	4	WASHER PLAIN – LARGE 6.4 MM 12 MM
8	2109866-13	2	SCREW	3	SCREW HEXAGON HEAD 6 MM 25 MM
9	2109866-11	2	SCREW	2	SCREW HEXAGON HEAD 6 MM 16 MM
10	46-170686P3	2	ADHESIVE	AR	LOCTITE 242, 50CC

Cx SLIDE BLOCK MOUNTING ASM – LEFT AND RIGHT REAR

2172744-3 & 2172744-4

NOTE:
LEFT SIDE BRACKET ASM SHOWN.



SLIDE BLOCK MOUNTING ASM 2172744-3 FRU N (PART OF 2158576 PAGE 2-163)

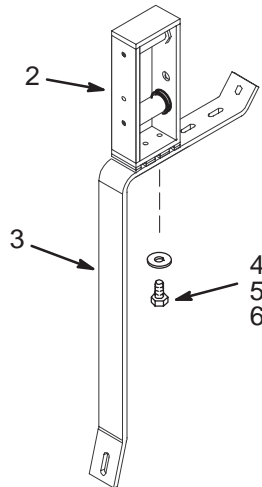
Item	Part Number	FRU	Name	Quantity	Description (Remarks)
2	2182140	N	SLIDE BLOCK	1	SLIDE BLOCK ASM
3	2172745	N	PART	1	BRACKET
4	2182141	N	SPACER PLATE	2	3MM THICK ALUMINUM SPACER PLATE
5	2175497	N	LATCHING SPR	1	Cx FRONT COVER LOCKING LATCH
7	2109879-2	2	WASHER	5	WASHER PLAIN – LARGE 6.4 MM 12 MM
8	2109866-13	2	SCREW	3	SCREW HEXAGON HEAD 6 MM 25 MM
9	2109866-11	2	SCREW	3	SCREW HEXAGON HEAD 6 MM 16 MM
10	46-170686P3	2	ADHESIVE	AR	LOCTITE 242, 50CC

SLIDE BLOCK MOUNTING ASM 2172744-4 FRU N (PART OF 2158576 PAGE 2-163)

Item	Part Number	FRU	Name	Quantity	Description (Remarks)
2	2182140	N	SLIDE BLOCK	1	SLIDE BLOCK ASM
3	2172745-2	N	PART	1	BRACKET
4	2182141	N	SPACER PLATE	2	3MM THICK ALUMINUM SPACER PLATE
5	2175497	N	LATCHING SPR	1	Cx FRONT COVER LOCKING LATCH
6	2182139	N	L BRACKET	1	L-BRACKET
7	2109879-2	2	WASHER	5	WASHER PLAIN – LARGE 6.4 MM 12 MM
8	2109866-13	2	SCREW	3	SCREW HEXAGON HEAD 6 MM 25 MM
9	2109866-11	2	SCREW	3	SCREW HEXAGON HEAD 6 MM 16 MM
10	46-170686P3	2	ADHESIVE	AR	LOCTITE 242, 50CC

Cx SLIDE BLOCK MOUNTING ASM

2166492 & 2166492-2



SLIDE BLOCK MOUNTING ASM

2166492 FRU N

(PART OF 2158576 PAGE 2-163)
(PART OF 2158576-2 PAGE 2-164)

Item	Part Number	FRU	Name	Quantity	Description (Remarks)
2	2182140	N	SLIDE BLOCK	1	SLIDE BLOCK ASM
3	2166102	N	BRACKET	1	ANGLE BRACKET SLIDE ASM Cx
4	2109866-13	2	SCREW	3	SCREW HEXAGON HEAD 6 MM 25 MM
5	2109879-2	2	WASHER	2	WASHER PLAIN - LARGE 6.4 MM 12 MM
6	46-170686P3	2	ADHESIVE	AR	LOCTITE 242, 50CC
7	2182141	N	SPACER PLATE	2	3MM THICK ALUMINUM SPACER PLATE

SLIDE BLOCK MOUNTING ASM

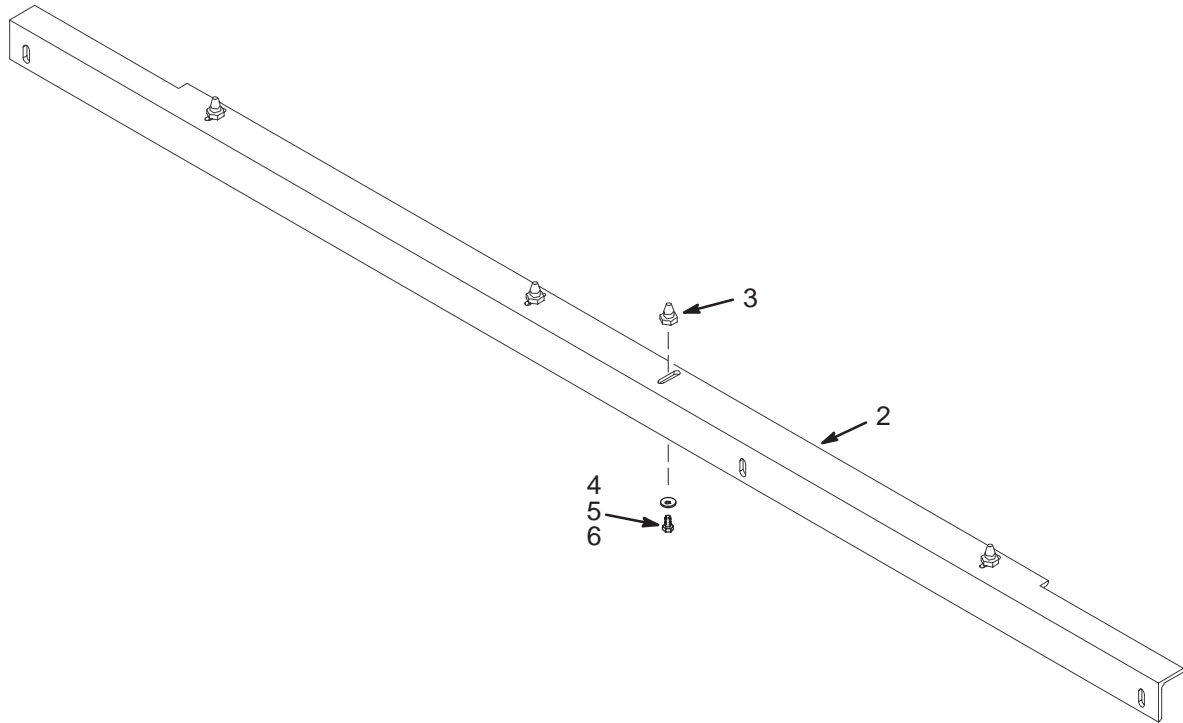
2166492-2 FRU N

(PART OF 2158576 PAGE 2-163)

Item	Part Number	FRU	Name	Quantity	Description (Remarks)
2	2182140	N	SLIDE BLOCK	1	SLIDE BLOCK ASM
3	2166102	N	BRACKET	1	ANGLE BRACKET SLIDE ASM Cx
4	2109866-13	2	SCREW	3	SCREW HEXAGON HEAD 6 MM 25 MM
5	2109879-2	2	WASHER	2	WASHER PLAIN - LARGE 6.4 MM 12 MM
6	46-170686P3	2	ADHESIVE	AR	LOCTITE 242, 50CC
7	2182141	N	SPACER PLATE	2	3MM THICK ALUMINUM SPACER PLATE

BRACKET SLIDE COVER – LEFT AND RIGHT

2166652 & 2166652-2



Cx LEFT BRACKET SLIDE COVER 2166652 FRU N (PART OF 2158576 PAGE 2-163)

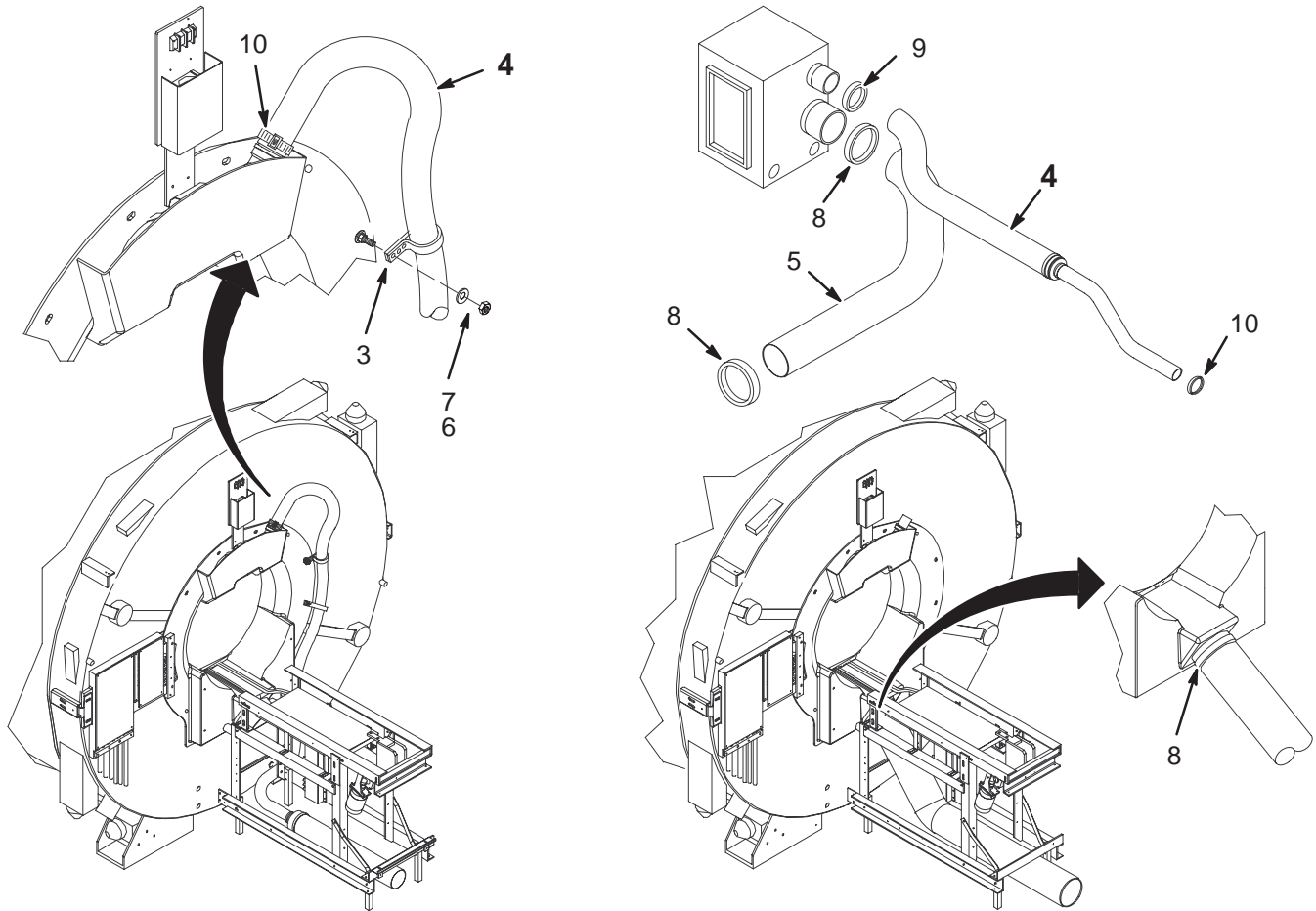
Item	Part Number	FRU	Name	Quantity	Description (Remarks)
2	2164902	N	ANGLE	1	ANGLE
3	2182138	N	LOCATOR PIN	4	LOCATOR PIN
4	2109866-11	2	SCREW	4	SCREW HEXAGON HEAD 6 MM 16 MM
5	2109878-3	2	WASHER	4	WASHER PLAIN – NORMAL 6.4 MM 12 MM
6	46-170686P2	2	ADHESIVE	AR	LOCTITE 242, 10CC

Cx RIGHT BRACKET SLIDE COVER 2166652-2 FRU N (PART OF 2158576 PAGE 2-163)

Item	Part Number	FRU	Name	Quantity	Description (Remarks)
3	2182138	N	LOCATOR PIN	4	LOCATOR PIN
4	2109866-11	2	SCREW	4	SCREW HEXAGON HEAD 6 MM 16 MM
5	2109878-3	2	WASHER	4	WASHER PLAIN – NORMAL 6.4 MM 12 MM
6	46-170686P2	2	ADHESIVE	AR	LOCTITE 242, 10CC
7	2164902-2	N	ANGLE	1	ANGLE

Cx BLOWER HOSE KIT

2129412-2



Cx BLOWER HOSE KIT 2129412-2 FRU N (PART OF 2142000 SERIES PAGES 2-155 THRU 2-158)

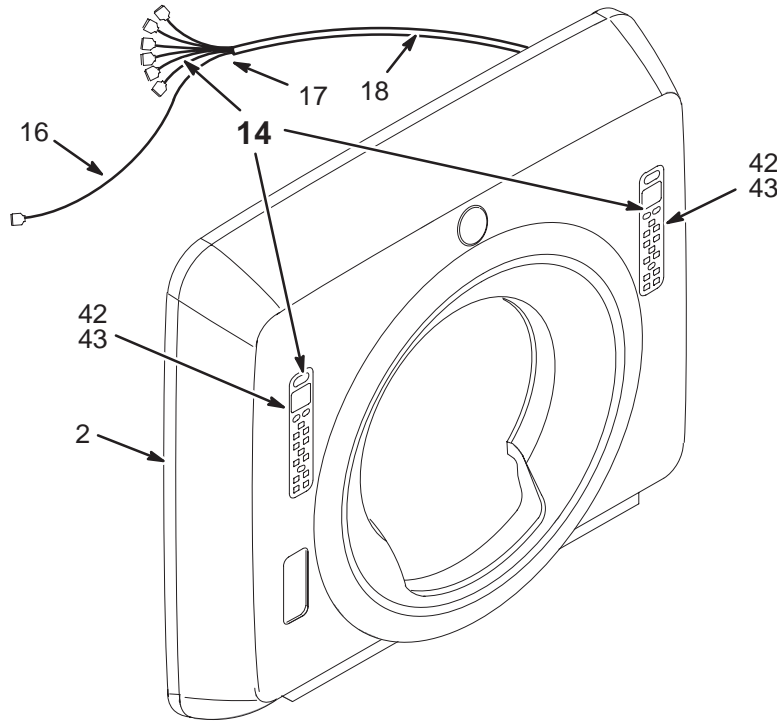
Item	Part Number	FRU	Name	Quantity	Description (Remarks)
3	2162277	2	NYLON_STRAPP	2	.88W .07THK .39HLOES .63CENTERS
4	2162999	N	HOSE KIT	1	HOSE ASM W/REDUCER 4" TO 2" (SEE PAGE 2-169)
5	46-282666P12	2	DUCT,AIR PVC	1	GOODYEAR GRAY PVC AIR DUCT
6	2109875-4	2	NUT	2	NUT HEXAGON 10 MM
7	2109878-4	2	WASHER	2	WASHER PLAIN - NORMAL 10.5 MM 20 MM
8	46-208765P29	2	CLAMP	2	DIA RANGE 5-5/8 - 6-1/2 302/305 SST
9	46-208765P34	2	CLAMP	1	DIA RANGE 3-9/16 - 4-1/2
10	46-208765P28	2	CLAMP	1	DIA RANGE 1-13/16 - 2-3/4, 302/305

HOSE ASM W/REDUCER 4" TO 2" 2162999 FRU N (PART OF 2129412-2 PAGE 2-169)

Item	Part Number	FRU	Name	Quantity	Description (Remarks)
2	2175143	2	REDUCING COU	1	1/12 TO 3 PVC
3	46-282668P19	2	HOSE,NYL RNF	1	2 INCH DIAMETER, 108 INCH LENGTH
4	46-282666P11	2	DUCT,AIR PVC	1	GOODYEAR GRAY PVC AIR DUCT
5	46-208765P28	2	CLAMP	1	DIA RANGE 1-13/16 - 2-3/4, 302/305
6	46-208765P34	2	CLAMP	1	DIA RANGE 3-9/16 - 4-1/2

Cx FRONT COVER ASM

2157262

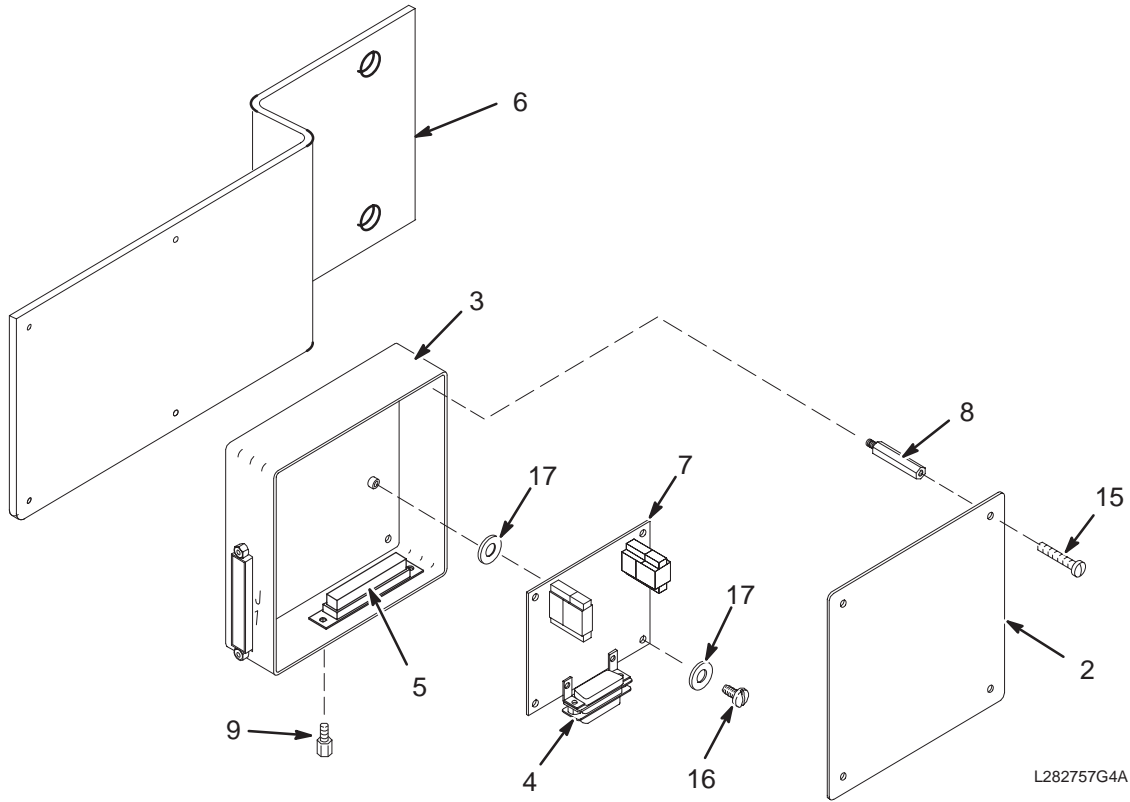


Cx FRONT COVER ASM 2157262 FRU N (PART OF 2142000 SERIES PAGES 2-155 THRU 2-158)

Item	Part Number	FRU	Name	Quantity	Description (Remarks)
2	2175179	2	FRONT COVER	1	COVER/CONE/LOGO/LABELS (SEE PAGE 2-171)
14	2168023	N	OPR BP/D KIT	1	Cx MAGENC BUTTON PANEL/DISPLAY (SEE PAGE 2-171)
16	46-328000G940	2	ASSEMBLY	1	MG2-A11-A1-J2 TO MG2-A11-A1-J2
17	46-208758P3	1	TY-RAP	2	7.31" X .184" SELF-LOCKING CABLE TIE
18	46-230653P5	2	TUBING	7	SPIRALLY CUT POLYETHYLENE, 3/4" DIA.
42	46-208935P4	2	NUT	16	4-40, 1/4" HEX X .093 THK, BRASS
43	1000904P142	2	WASHER	16	ID 0.1495, OD 0.438, THK .016, BRASS

Cx DOCK CONTROL ASM

46-282757G5



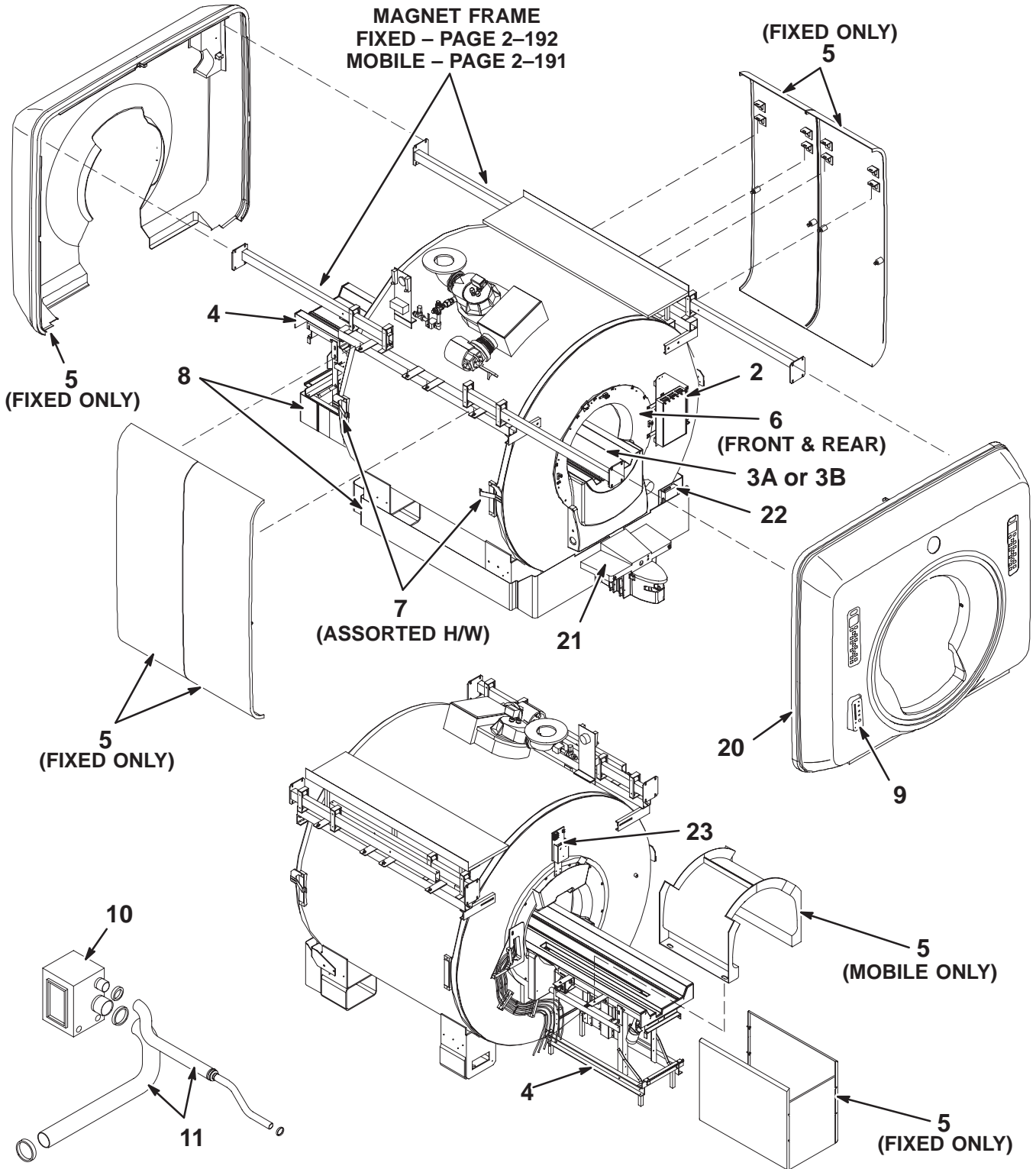
Cx DOCK CONTROL ASM 46-282757G5 FRU N (PART OF 2142000 SERIES PAGES 2-155 THRU 2-158)

Item	Part Number	FRU	Name	Quantity	Description (Remarks)
2	46-282320P1	2	COVER	1	5" X 5" BOX COVER, ALUMINUM
3	46-282405G1	2	BOX	1	DOCK LIMIT MODULE BOX - EMPTY
4	46-282426G1	2	HARNESS	1	DOCK LIMIT SWITCH BOARD J1
5	46-282427G1	2	HARNESS	1	DOCK LIMIT SWITCH BOARD J2 AND J3
6	2174470	N	BRACKET	1	BRACKET
7	46-264028G1	1	CIRCUIT BD	1	DOCK LIMIT SWITCH BOARD, MG2 A31 A1
8	46-208984P2	2	SPACER	4	HEX 1/4", EXT/INT THD 6-32, 1.5" LG
9	46-221417P2	2	CONNECTOR	4	FEMALE SCREWLOCK FOR HD CONNECTORS
15	46-208921P5	2	SCREW	4	SCREW
16	46-208922P2	2	SCREW	4	SCREW
17	1000904P298	2	WASHER	8	ID 0.1875, OD 0.375, THK .01, A1D2B

2-10 LCC HORIZON MAGNET ENCLOSURES

LCC 1.5T & 1.0T HORIZON MAGNET ENCLOSURE – FIXED & MOBILE

2142000-11 THRU 2142000-19



1.0T FIXED LCC ENCL w/o M-C 2142000-11 FRU N (PART 3 OF M1842PR)

Item	Part Number	FRU	Name	Quantity	Description (Remarks)
2	2168697-2	N	SRI ASM	1	SRI ASSEMBLY FOR LCC (SEE PAGE 2-179)
3A	2205100-3	N	ASSEMBLY	1	1.0T W/O PA BRIDGE W/LPCC FOR BRM (SEE PAGE 2-209)
3B	2119595-8	N	PREASM BRDGE	ALT	1.0T STD PREASSEM BRIDGE W/O PA (SEE PAGE 2-194)
4	46-328137G16	N	PEDESTAL	1	1.0T FIXED SITE W/O PA REAR PEDESTAL (SEE PAGE 2-221)
5	2158571-2	N	ASSEMBLY	1	FIBERGLASS COVER KIT - LCC SEE PAGE 2-229)
6	2158572-3	N	ASSEMBLY	1	END BELL KIT - FIXED SITE - LCC (SEE PAGE 2-181)
7	2158576-3	N	ASSEMBLY	1	LCC ENCLOSURE HARDWARE KIT - FIXED (SEE PAGE 2-184)
8	2131491-6	N	TRIM KIT	1	LCC ENCLOSURE TRIM PANELS KIT (SEE PAGE 2-238)
9	2122268-3	1	PAC-II ASSY	1	PHYSIOLOGICAL ACQUISITION CNTROLLR (SEE PAGE 2-99)
10A	2121199-7	N	BLOWER (MG6)	1	REINFORCED BLOWER CABINET, MG6 (SEE PAGE 2-100)
10B	2121199	N	BLOWER (MG6)	ALT	BLOWER CABINET, MG6 (SEE PAGE 2-100)
11	2129412-2	N	HOSE KIT	1	BLOWER HOSE KIT (SEE PAGE 2-186)
20	2157262-2	N	ASSEMBLY	1	FRONT COVER ASM - LCC (SEE PAGE 2-188)
21	46-271260G2	N	ASSEMBLY	1	DOCK ASSEMBLY (SEE PAGE 2-244)
22	46-282757G6	2	DOCK CONTROL	1	DOCK CONTROL BOX FOR LCC MAGNET (SEE PAGE 2-190)
23	2164869	N	PART	1	BORE LAMP ASSEMBLY—FIXED (SEE PAGE 2-240)

1.0T FIXED LCC ENCL w/M-C 2142000-12 FRU N (PART 3 OF M1843PR)

Item	Part Number	FRU	Name	Quantity	Description (Remarks)
2	2168697-2	N	SRI ASM	1	SRI ASSEMBLY FOR LCC (SEE PAGE 2-179)
3A	2205100-4	N	ASSEMBLY	1	1.0T W/PA BRIDGE W/LPCC FOR BRM (SEE PAGE 2-212)
3B	2119595-9	N	PREASM BRDGE	ALT	1.0T STD PREASSEM BRIDGE W/PA (SEE PAGE 2-200)
4	46-328137G17	N	PEDESTAL	1	1.0T FIXED SITE W/PA REAR PEDESTAL (SEE PAGE 2-222)
5	2158571-2	N	ASSEMBLY	1	FIBERGLASS COVER KIT - LCC SEE PAGE 2-229)
6	2158572-3	N	ASSEMBLY	1	END BELL KIT - FIXED SITE - LCC (SEE PAGE 2-181)
7	2158576-3	N	ASSEMBLY	1	LCC ENCLOSURE HARDWARE KIT - FIXED (SEE PAGE 2-184)
8	2131491-6	N	TRIM KIT	1	LCC ENCLOSURE TRIM PANELS KIT (SEE PAGE 2-238)
9	2122268-3	1	PAC-II ASSY	1	PHYSIOLOGICAL ACQUISITION CNTROLLR(SEE PAGE 2-99)
10A	2121199-7	N	BLOWER (MG6)	1	REINFORCED BLOWER CABINET, MG6 (SEE PAGE 2-100)
10B	2121199	N	BLOWER (MG6)	ALT	BLOWER CABINET, MG6 (SEE PAGE 2-100)
11	2129412-2	N	HOSE KIT	1	BLOWER HOSE KIT (SEE PAGE 2-186)
20	2157262-2	N	ASSEMBLY	1	FRONT COVER ASM - LCC (SEE PAGE 2-188)
21	46-271260G2	N	ASSEMBLY	1	DOCK ASSEMBLY (SEE PAGE 2-244)
22	46-282757G6	2	DOCK CONTROL	1	DOCK CONTROL BOX FOR LCC MAGNET (SEE PAGE 2-190)
23	2164869	N	PART	1	BORE LAMP ASSEMBLY—FIXED (SEE PAGE 2-240)

1.0T MOBILE LCC ENCL w/o M-C 2142000-13 FRU N

(PART 3 OF M1852PR)
(PART 3 OF M1862PR)

Item	Part Number	FRU	Name	Quantity	Description (Remarks)
2	2168697-2	N	SRI ASM	1	SRI ASSEMBLY FOR LCC (SEE PAGE 2-179)
3A	2205100-3	N	ASSEMBLY	1	1.0T W/O PA BRIDGE W/LPCC FOR BRM (SEE PAGE 2-209)
3B	2119595-8	N	PREASM BRDGE	ALT	1.0T STD PREASSEM BRIDGE W/O PA (SEE PAGE 2-194)
4	46-328137G18	N	PEDESTAL	1	1.0T MOBILE W/O PA REAR PEDESTAL (SEE PAGE 2-223)
5	2117063-2	N	BACK COVER	1	COVER REAR (RF TUBE EXT)
6	2158572-4	N	ASSEMBLY	1	MOBILE END BELL KIT - LCC (SEE PAGE 2-181)
7	2158576-4	N	ASSEMBLY	1	LCC ENCLOSURE HARDWARE KIT-MOBILE (SEE PAGE 2-184)
9	2122268-3	1	PAC-II ASSY	1	PHYSIOLOGICAL ACQUISITION CNTROLLR(SEE PAGE 2-99)
10A	2121199-7	N	BLOWER (MG6)	1	REINFORCED BLOWER CABINET, MG6 (SEE PAGE 2-100)
10B	2121199	N	BLOWER (MG6)	ALT	BLOWER CABINET, MG6 (SEE PAGE 2-100)
11	2129412-2	N	HOSE KIT	1	BLOWER HOSE KIT (SEE PAGE 2-186)
20	2157262-2	N	ASSEMBLY	1	FRONT COVER ASM - LCC (SEE PAGE 2-188)
21	46-271260G2	N	ASSEMBLY	1	DOCK ASSEMBLY (SEE PAGE 2-244)
22	46-282757G6	2	DOCK CONTROL	1	DOCK CONTROL BOX FOR LCC MAGNET (SEE PAGE 2-190)
23	2164869-2	N	PART	1	BORE LAMP ASSEMBLY—MOBILE (SEE PAGE 2-241)

1.0T MOBILE LCC ENCL w/M-C 2142000-14 FRU N

(PART 3 OF M1853PR)
(PART 3 OF M1863PR)

Item	Part Number	FRU	Name	Quantity	Description (Remarks)
2	2168697-2	N	SRI ASM	1	SRI ASSEMBLY FOR LCC (SEE PAGE 2-179)
3A	2205100-4	N	ASSEMBLY	1	1.0T W/PA BRIDGE W/LPCC FOR BRM (SEE PAGE 2-212)
3B	2119595-9	N	PREASM BRDGE	ALT	1.0T STD PREASSEM BRIDGE W/PA (SEE PAGE 2-200)
4	46-328137G19	N	PEDESTAL	1	1.0T MOBILE W/PA REAR PEDESTAL (SEE PAGE 2-224)
5	2117063-2	N	BACK COVER	1	COVER REAR (RF TUBE EXT)
6	2158572-4	N	ASSEMBLY	1	MOBILE END BELL KIT - LCC (SEE PAGE 2-181)
7	2158576-4	N	ASSEMBLY	1	LCC ENCLOSURE HARDWARE KIT-MOBILE (SEE PAGE 2-184)
9	2122268-3	1	PAC-II ASSY	1	PHYSIOLOGICAL ACQUISITION CNTROLLR(SEE PAGE 2-99)
10A	2121199-7	N	BLOWER (MG6)	1	REINFORCED BLOWER CABINET, MG6 (SEE PAGE 2-100)
10B	2121199	N	BLOWER (MG6)	ALT	BLOWER CABINET, MG6 (SEE PAGE 2-100)
11	2129412-2	N	HOSE KIT	1	BLOWER HOSE KIT (SEE PAGE 2-186)
20	2157262-2	N	ASSEMBLY	1	FRONT COVER ASM - LCC (SEE PAGE 2-188)
21	46-271260G2	N	ASSEMBLY	1	DOCK ASSEMBLY (SEE PAGE 2-244)
22	46-282757G6	2	DOCK CONTROL	1	DOCK CONTROL BOX FOR LCC MAGNET (SEE PAGE 2-190)
23	2164869-2	N	PART	1	BORE LAMP ASSEMBLY—MOBILE (SEE PAGE 2-241)

1.5T FIXED LCC ENCL w/o M-C 2142000-15 FRU N (PART 3 OF M1042PR)

Item	Part Number	FRU	Name	Quantity	Description (Remarks)
2	2168697-2	N	SRI ASM	1	SRI ASSEMBLY FOR LCC (SEE PAGE 2-179)
3A	2205100	N	ASSEMBLY	1	1.5T W/O PA BRIDGE W/LPCC FOR BRM (SEE PAGE 2-208)
3B	2119595-10	N	PREASM BRDGE	ALT	1.5T STD PREASSEM BRIDGE W/O PA (SEE PAGE 2-196)
4	46-328137G20	N	PEDESTAL	1	1.5T FIXED SITE W/O PA REAR PEDESTAL (SEE PAGE 2-225)
5	2158571-2	N	ASSEMBLY	1	FIBERGLASS COVER KIT - LCC SEE PAGE 2-229)
6	2158572-3	N	ASSEMBLY	1	END BELL KIT - FIXED SITE - LCC (SEE PAGE 2-181)
7	2158576-3	N	ASSEMBLY	1	LCC ENCLOSURE HARDWARE KIT - FIXED (SEE PAGE 2-184)
8	2131491-6	N	TRIM KIT	1	LCC ENCLOSURE TRIM PANELS KIT (SEE PAGE 2-238)
9	2122268-3	1	PAC-II ASSY	1	PHYSIOLOGICAL ACQUISITION CNTROLLR(SEE PAGE 2-99)
10A	2121199-7	N	BLOWER (MG6)	1	REINFORCED BLOWER CABINET, MG6 (SEE PAGE 2-100)
10B	2121199	N	BLOWER (MG6)	ALT	BLOWER CABINET, MG6 (SEE PAGE 2-100)
11	2129412-2	N	HOSE KIT	1	BLOWER HOSE KIT (SEE PAGE 2-186)
20	2157262-2	N	ASSEMBLY	1	FRONT COVER ASM - LCC (SEE PAGE 2-188)
21	46-271260G2	N	ASSEMBLY	1	DOCK ASSEMBLY (SEE PAGE 2-244)
22	46-282757G6	2	DOCK CONTROL	1	DOCK CONTROL BOX FOR LCC MAGNET (SEE PAGE 2-190)
23	2164869	N	PART	1	BORE LAMP ASSEMBLY—FIXED (SEE PAGE 2-240)

1.5T FIXED LCC ENCL w/M-C 2142000-16 FRU N (PART 3 OF M1043PR)

Item	Part Number	FRU	Name	Quantity	Description (Remarks)
2	2168697-2	N	SRI ASM	1	SRI ASSEMBLY FOR LCC (SEE PAGE 2-179)
3A	2205100-2	N	ASSEMBLY	1	1.5T W/PA BRIDGE W/LPCC FOR BRM (SEE PAGE 2-211)
3B	2119595-11	N	PREASM BRDGE	ALT	1.5T STD PREASSEM BRIDGE WITH PA (SEE PAGE 2-202)
4	46-328137G21	N	PEDESTAL	1	1.5T FIXED SITE W/PA REAR PEDESTAL (SEE PAGE 2-226)
5	2158571-2	N	ASSEMBLY	1	FIBERGLASS COVER KIT - LCC SEE PAGE 2-229)
6	2158572-3	N	ASSEMBLY	1	END BELL KIT - FIXED SITE - LCC (SEE PAGE 2-181)
7	2158576-3	N	ASSEMBLY	1	LCC ENCLOSURE HARDWARE KIT - FIXED (SEE PAGE 2-184)
8	2131491-6	N	TRIM KIT	1	LCC ENCLOSURE TRIM PANELS KIT (SEE PAGE 2-238)
9	2122268-3	1	PAC-II ASSY	1	PHYSIOLOGICAL ACQUISITION CNTROLLR(SEE PAGE 2-99)
10A	2121199-7	N	BLOWER (MG6)	1	REINFORCED BLOWER CABINET, MG6 (SEE PAGE 2-100)
10B	2121199	N	BLOWER (MG6)	ALT	BLOWER CABINET, MG6 (SEE PAGE 2-100)
11	2129412-2	N	HOSE KIT	1	BLOWER HOSE KIT (SEE PAGE 2-186)
20	2157262-2	N	ASSEMBLY	1	FRONT COVER ASM - LCC (SEE PAGE 2-188)
21	46-271260G2	N	ASSEMBLY	1	DOCK ASSEMBLY (SEE PAGE 2-244)
22	46-282757G6	2	DOCK CONTROL	1	DOCK CONTROL BOX FOR LCC MAGNET (SEE PAGE 2-190)
23	2164869	N	PART	1	BORE LAMP ASSEMBLY—FIXED (SEE PAGE 2-240)

1.5T MOBILE LCC ENCL w/o M-C 2142000-17 FRU N

(PART 3 OF M1052PR)
(PART 3 OF M1062PR)

Item	Part Number	FRU	Name	Quantity	Description (Remarks)
2	2168697-2	N	SRI ASM	1	SRI ASSEMBLY FOR LCC (SEE PAGE 2-179)
3A	2205100	N	ASSEMBLY	1	1.5T W/O PA BRIDGE W/LPCC FOR BRM (SEE PAGE 2-208)
3B	2119595-10	N	PREASM BRDGE	ALT	1.5T STD PREASSEM BRIDGE W/O PA (SEE PAGE 2-196)
4	46-328137G22	N	PEDESTAL	1	1.5T MOBILE W/O PA REAR PEDESTAL (SEE PAGE 2-227)
5	2117063-2	N	BACK COVER	1	COVER REAR (RF TUBE EXT)
6	2158572-4	N	ASSEMBLY	1	MOBILE END BELL KIT - LCC (SEE PAGE 2-181)
7	2158576-4	N	ASSEMBLY	1	LCC ENCLOSURE HARDWARE KIT-MOBILE (SEE PAGE 2-184)
9	2122268-3	1	PAC-II ASSY	1	PHYSIOLOGICAL ACQUISITION CNTROLLR (SEE PAGE 2-99)
10A	2121199-7	N	BLOWER (MG6)	1	REINFORCED BLOWER CABINET, MG6 (SEE PAGE 2-100)
10B	2121199	N	BLOWER (MG6)	ALT	BLOWER CABINET, MG6 (SEE PAGE 2-100)
11	2129412-2	N	HOSE KIT	1	BLOWER HOSE KIT (SEE PAGE 2-186)
20	2157262-2	N	ASSEMBLY	1	FRONT COVER ASM - LCC (SEE PAGE 2-188)
21	46-271260G2	N	ASSEMBLY	1	DOCK ASSEMBLY (SEE PAGE 2-244)
22	46-282757G6	2	DOCK CONTROL	1	DOCK CONTROL BOX FOR LCC MAGNET (SEE PAGE 2-190)
23	2164869-2	N	PART	1	BORE LAMP ASSEMBLY-MOBILE (SEE PAGE 2-241)

1.5T MOBILE LCC ENCL w/M-C 2142000-18 FRU N

(PART 3 OF M1053PR)
(PART 3 OF M1063PR)

Item	Part Number	FRU	Name	Quantity	Description (Remarks)
2	2168697-2	N	SRI ASM	1	SRI ASSEMBLY FOR LCC (SEE PAGE 2-179)
3A	2205100-2	N	ASSEMBLY	1	1.5T W/PA BRIDGE W/LPCC FOR BRM (SEE PAGE 2-211)
3B	2119595-11	N	PREASM BRDGE	ALT	1.5T STD PREASSEM BRIDGE WITH PA (SEE PAGE 2-202)
4	46-328137G23	N	PEDESTAL	1	1.5T MOBILE W/PA REAR PEDESTAL (SEE PAGE 2-228)
5	2117063-2	N	BACK COVER	1	COVER REAR (RF TUBE EXT)
6	2158572-4	N	ASSEMBLY	1	MOBILE END BELL KIT - LCC (SEE PAGE 2-181)
7	2158576-4	N	ASSEMBLY	1	LCC ENCLOSURE HARDWARE KIT-MOBILE (SEE PAGE 2-184)
9	2122268-3	1	PAC-II ASSY	1	PHYSIOLOGICAL ACQUISITION CNTROLLR(SEE PAGE 2-99)
10A	2121199-7	N	BLOWER (MG6)	1	REINFORCED BLOWER CABINET, MG6 (SEE PAGE 2-100)
10B	2121199	N	BLOWER (MG6)	ALT	BLOWER CABINET, MG6 (SEE PAGE 2-100)
11	2129412-2	N	HOSE KIT	1	BLOWER HOSE KIT (SEE PAGE 2-186)
20	2157262-2	N	ASSEMBLY	1	FRONT COVER ASM - LCC (SEE PAGE 2-188)
21	46-271260G2	N	ASSEMBLY	1	DOCK ASSEMBLY (SEE PAGE 2-244)
22	46-282757G6	2	DOCK CONTROL	1	DOCK CONTROL BOX FOR LCC MAGNET (SEE PAGE 2-190)
23	2164869-2	N	PART	1	BORE LAMP ASSEMBLY-MOBILE (SEE PAGE 2-241)

1.5T FXD LCC CRM ENCL w/M-C

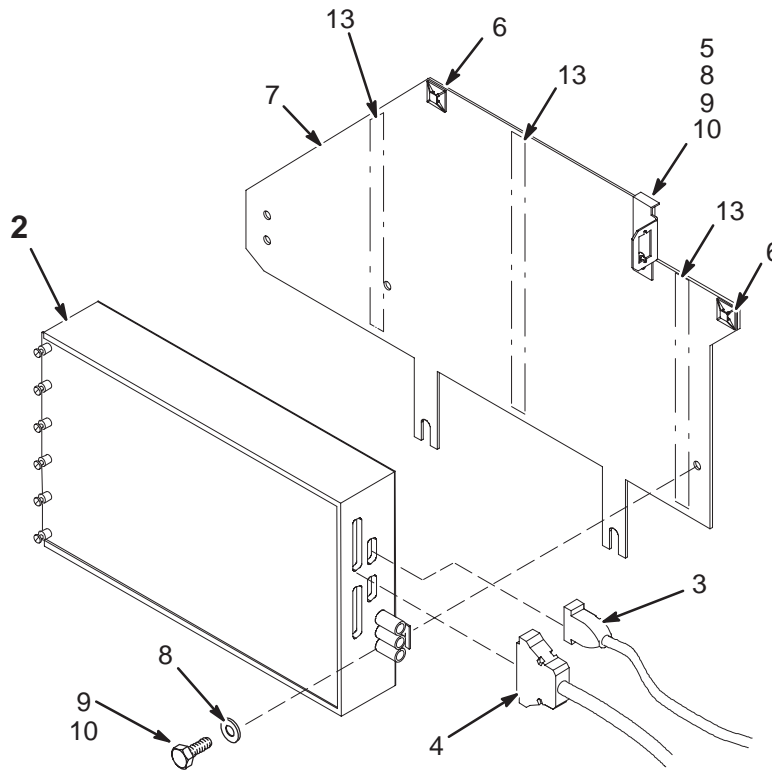
2142000-19 FRU N

(PART 3 OF M1073PR)

Item	Part Number	FRU	Name	Quantity	Description (Remarks)
2	2168697-2	N	SRI ASM	1	SRI ASSEMBLY FOR LCC (SEE PAGE 2-179)
3	2205099	N	ASSEMBLY	1	CRM FWD PROD BRIDGE FOR CX/LCC (SEE PAGE 2-206)
4	46-328137G21	N	PEDESTAL	1	1.5T FIXED SITE W/PA REAR PEDESTAL (SEE PAGE 2-226)
5	2158571-2	N	ASSEMBLY	1	FIBERGLASS COVER KIT - LCC (SEE PAGE 2-229)
6	2198317-3	N	ASSEMBLY	1	END BELL KIT, LCC/CRM FIXED (SEE PAGE 2-182)
7	2158576-3	N	ASSEMBLY	1	LCC ENCLOSURE HARDWARE KIT - FIXED (SEE PAGE 2-184)
8	2131491-6	N	TRIM KIT	1	LCC ENCLOSURE TRIM PANELS KIT (SEE PAGE 2-238)
9	2122268-3	1	PAC-II ASSY	1	PHYSIOLOGICAL ACQUISITION CONTROLLR (SEE PAGE 2-99)
10A	2121199-7	N	BLOWER (MG6)	1	REINFORCED BLOWER CABINET, MG6 (SEE PAGE 2-100)
10B	2121199	N	BLOWER (MG6)	ALT	BLOWER CABINET, MG6 (SEE PAGE 2-100)
11	2129412-2	N	HOSE KIT	1	BLOWER HOSE KIT (SEE PAGE 2-186)
20	2157262-2	N	ASSEMBLY	1	FRONT COVER ASM - LCC (SEE PAGE 2-188)
21	46-271260G2	N	ASSEMBLY	1	DOCK ASSEMBLY (SEE PAGE 2-244)
22	46-282757G6	2	DOCK CONTROL	1	DOCK CONTROL BOX FOR LCC MAGNET (SEE PAGE 2-190)
23	2164869-3	N	PART	1	BORE LAMP ASSEMBLY Cx-CRM SEE PAGE 2-242)

LCC SRI ASSEMBLY

2168697-2



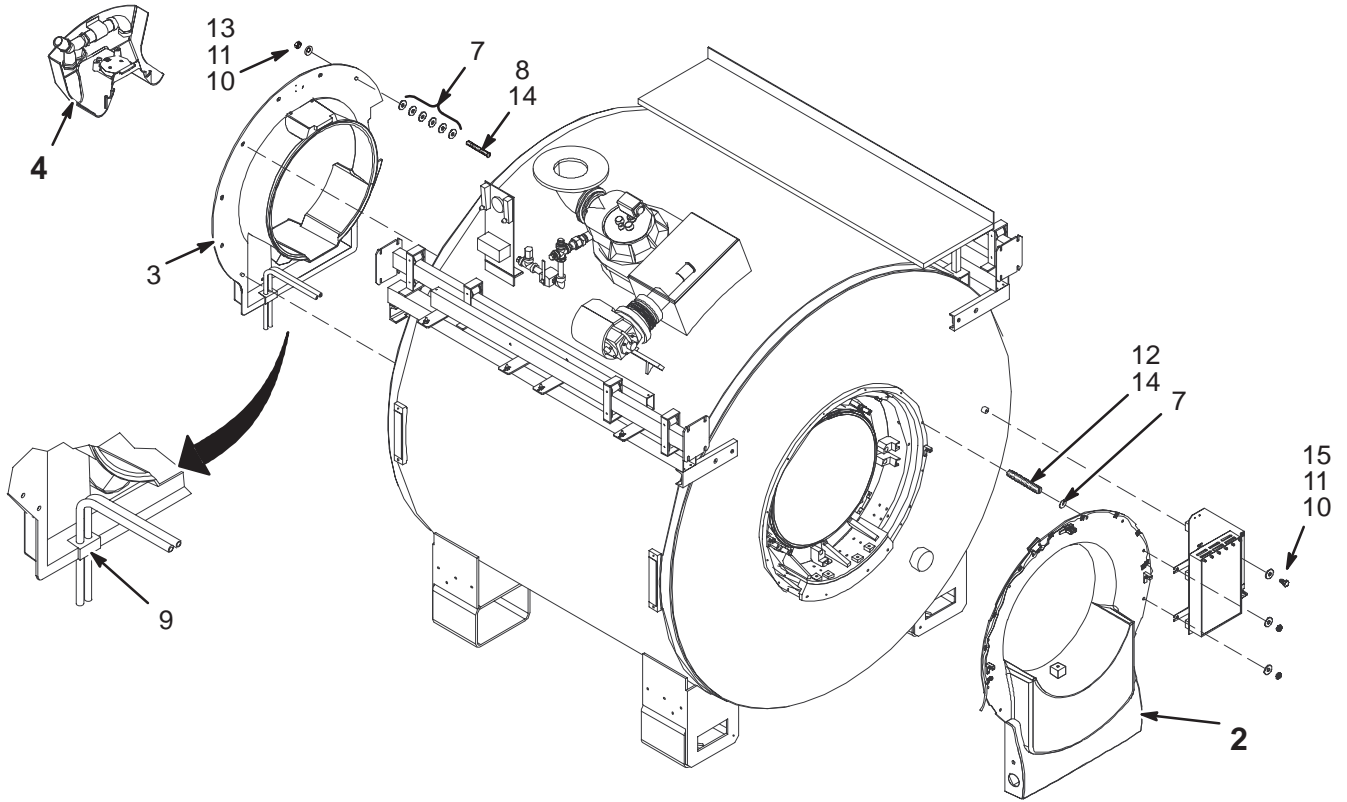
LCC SRI ASSEMBLY

2168697-2 FRU N (PART 2 OF 2142000 SERIES PAGES 2-174 THRU 2-178)

Item	Part Number	FRU	Name	Quantity	Description (Remarks)
2A	46-287370G7	1	DSIM/SRI BD	1	SCAN ROOM INTERFACE (SRI) (SEE PAGE 2-97)
2B	46-287370G6	N	DSIM/SRI BD	1	SCAN ROOM INTERFACE (SRI)
2C	46-287370G8	N	DSIM/SRI BD	1	SCAN ROOM INTERFACE (SRI)
3	46-287908G2	2	CABLE	1	15 COND. 30" CABLE
4	46-243775G668	2	CABLE	1	RUN 422, MG3-A1-J4 TO MG2-A33-J2
5	2133208	2	BRACKET	1	PAC CABLE INTERFACE MOUNT/GROUND
6	46-208747P1	2	VIBRATION IS	2	CABLE TIE,ADH.BACKED
7	2196384	2	SRI MTG PLAT	1	LCC SRI MOUNTING PLATE
8	2109878-3	2	WASHER	3	WASHER PLAIN - NORMAL 6.4 MM 12 MM
9	2109866-10	2	SCREW	3	SCREW HEXAGON HEAD 6 MM 12 MM
13	2174929-4	2	CONFOR FOAM	1	OPEN CELL POLYURETHANE FOAM, 30" LG

LCC END BELL KIT – FIXED AND MOBILE

2158572-3 & 2158572-4



LCC END BELL KIT – FIXED **2158572–3 FRU N** **(PART 6 OF 2142000–11 PAGE 2–174)**
(PART 6 OF 2142000–12 PAGE 2–174)
(PART 6 OF 2142000–15 PAGE 2–176)
(PART 6 OF 2142000–16 PAGE 2–176)

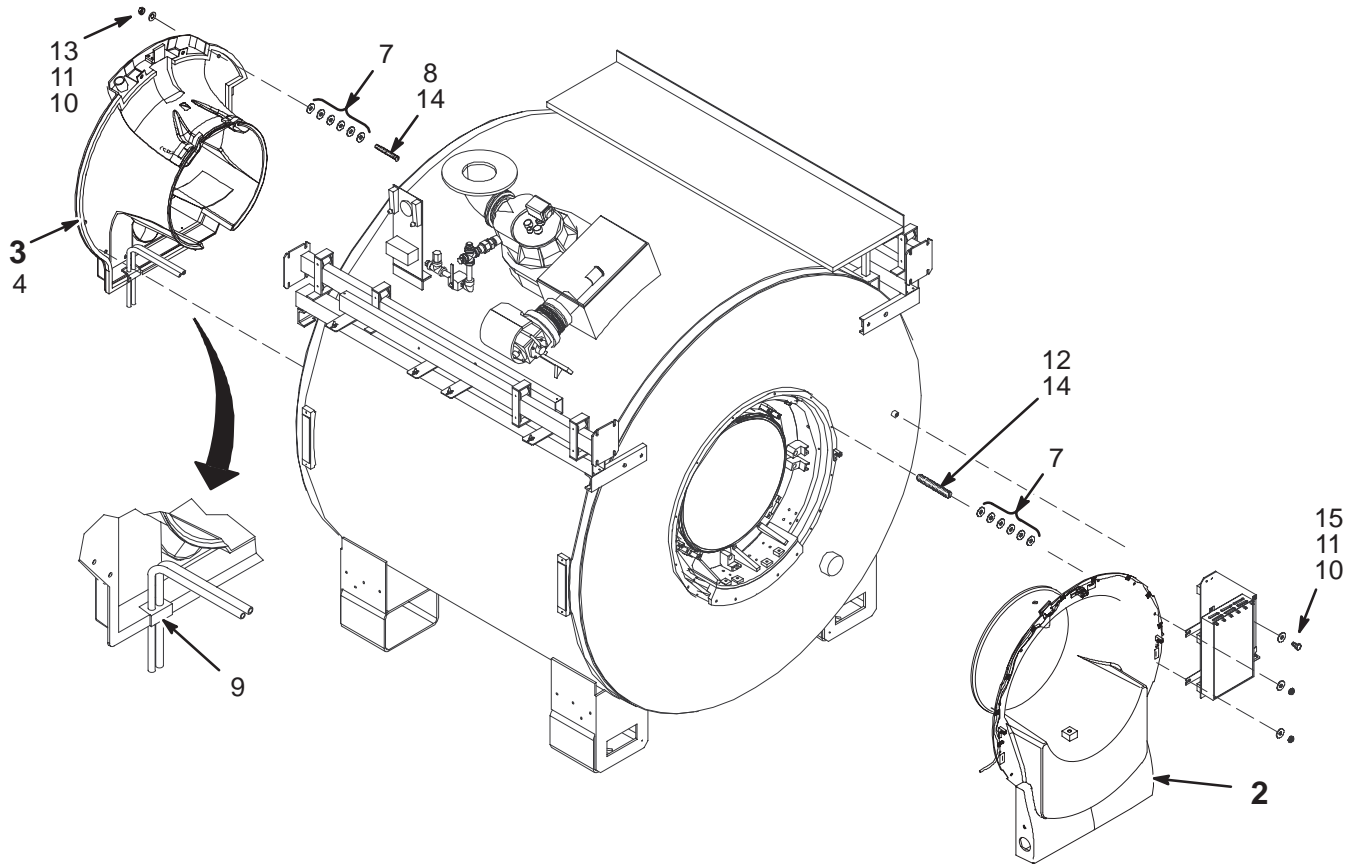
Item	Part Number	FRU	Name	Quantity	Description (Remarks)
2	2158573	N	ASSEMBLY	1	FRT END BELL ASM (SEE PAGE 2–232)
3	2157328–2	2	PART	1	REAR ENDBELL–LCC
4	2158378	N	ASSEMBLY	1	COMFORT MODULE LCC (SEE PAGE 2–237)
7	2167321	2	WASHER	58	WASHER
8	2116325–2	2	STUD, MAGNET	8	STUD SST M10 X 65
9	2169967	2	FOAM INSERT	1	FOAM BLOCK
10	2109878–4	2	WASHER	19	WASHER PLAIN – NORMAL 10.5 MM 20 MM
11	46–170686P3	N	ADHESIVE	1	LOCTITE 242, 50CC
12	2116325–7	2	STUD,MAGNET	10	STUD SST M10 X 35MM
13	2109875–4	2	NUT	18	NUT HEXAGON 10 MM
14	2119594	N	LUBRICANT	1	ANTI–SEIZE LUBRICANT, 1 OZ TUBE
15	2167384	2	PART	1	STN STL HEX HD BOLT M10 X 16

LCC END BELL KIT – MOBILE **2158572–4 FRU N** **(PART 6 OF 2142000–13 PAGE 2–175)**
(PART 6 OF 2142000–14 PAGE 2–175)
(PART 6 OF 2142000–17 PAGE 2–177)
(PART 6 OF 2142000–18 PAGE 2–177)

Item	Part Number	FRU	Name	Quantity	Description (Remarks)
2	2158573–2	N	ASSEMBLY	1	MOBILE FRT END BELL ASM (SEE PAGE 2–233)
3	2157328–2	2	PART	1	REAR ENDBELL–LCC
4	2158378	N	ASSEMBLY	1	COMFORT MODULE LCC (SEE PAGE 2–237)
7	2167321	2	WASHER	58	WASHER
8	2116325–2	2	STUD, MAGNET	8	STUD SST M10 X 65
9	2169967	2	FOAM INSERT	1	FOAM BLOCK
10	2109878–4	2	WASHER	19	WASHER PLAIN – NORMAL 10.5 MM 20 MM
11	46–170686P3	N	ADHESIVE	1	LOCTITE 242, 50CC
12	2116325–7	2	STUD,MAGNET	10	STUD SST M10 X 35MM
13	2109875–4	2	NUT	18	NUT HEXAGON 10 MM
14	2119594	N	LUBRICANT	1	ANTI–SEIZE LUBRICANT, 1 OZ TUBE
15	2167384	2	PART	1	STN STL HEX HD BOLT M10 X 16

LCC CRM END BELL KIT – FIXED

2198317-3



LCC CRM END BELL KIT – FIXED

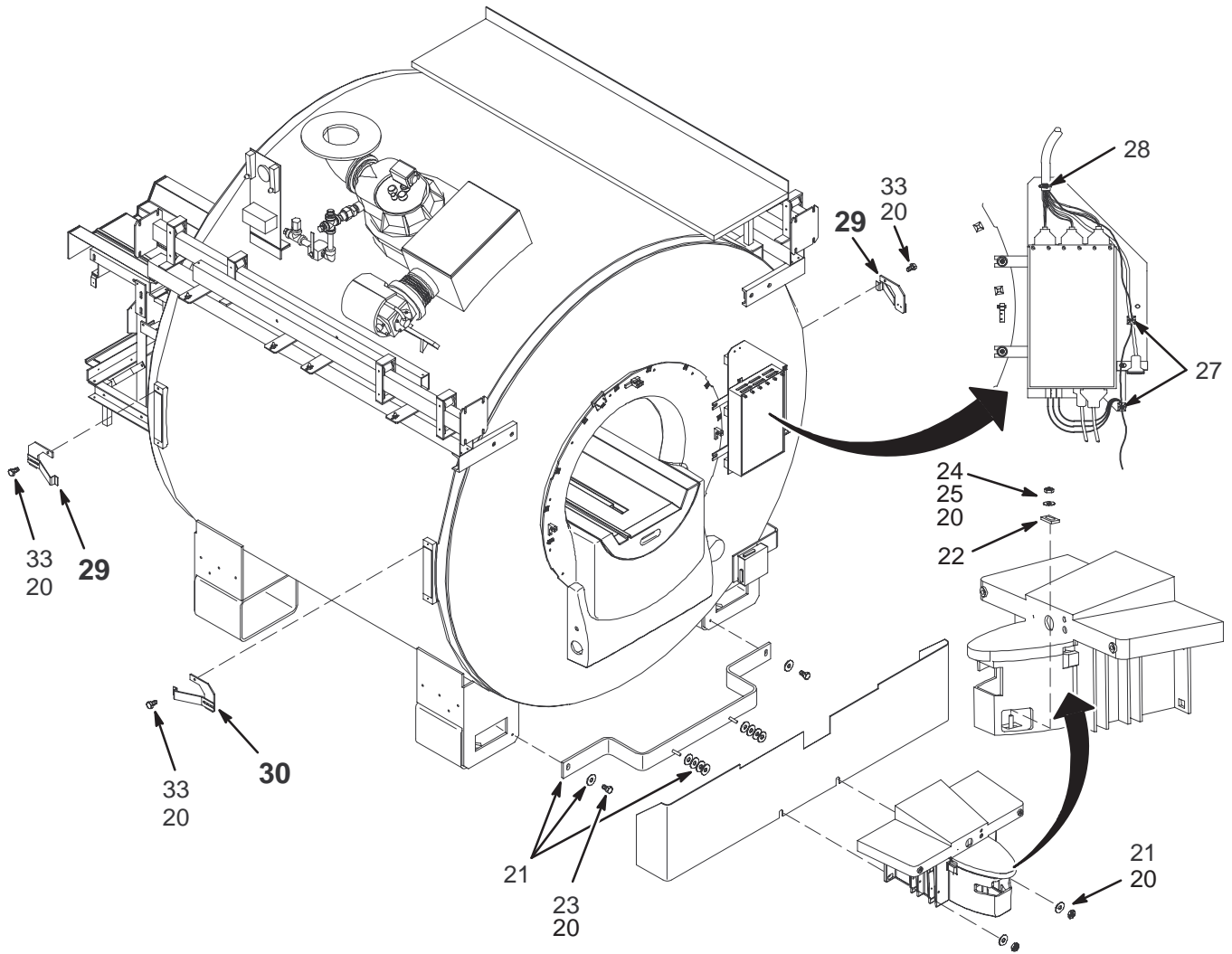
2198317-3 FRU N

(PART 6 OF 2142000-19 PAGE 2-178)

Item	Part Number	FRU	Name	Quantity	Description (Remarks)
2	2158573-3	N	ASSEMBLY	1	CX/LCC FXD CRM FRONT END BELL ASM (SEE PAGE 2-235)
3	2195877-2	N	PART	1	ENDBELL ASSEMBLY LCC (SEE PAGE 2-236)
4	2208875	2	PART	1	FOAM BLOCK, CRM REAR ENDBELL GASKET
7	2167321	2	WASHER	108	WASHER
8	2116325-2	2	STUD, MAGNET	8	STUD SST M10 X 65
9	2169967	2	FOAM INSERT	1	FOAM BLOCK
10	2109878-4	2	WASHER	19	WASHER PLAIN – NORMAL 10.5 MM 20 MM
11	46-170686P2	2	ADHESIVE	1	LOCTITE 242, 10CC
12	2116325-8	2	STUD, MAGNET	10	STUD, M10 X 45 MM, STAINLESS STEEL
13	2109875-4	2	NUT	18	NUT HEXAGON 10 MM
14	2119594	N	LUBRICANT	1	ANTI-SEIZE LUBRICANT, 1 OZ TUBE
15	2167384	2	PART	1	STN STL HEX HD BOLT M10 X 16

LCC ENCLOSURE HARDWARE KIT – FIXED AND MOBILE

2158576-3 & 2158576-4



2205065 s5 IDW

LCC ENCLOSURE HARDWARE KIT – FIXED 2158576–3FRU N

(PART 7 OF 2142000–11 PAGE 2–174)
 (PART 7 OF 2142000–12 PAGE 2–174)
 (PART 7 OF 2142000–15 PAGE 2–176)
 (PART 7 OF 2142000–16 PAGE 2–176)
 (PART 7 OF 2142000–19 PAGE 2–178)

Item	Part Number	FRU	Name	Quantity	Description (Remarks)
20	46–170686P3	2	ADHESIVE	1	LOCTITE 242, 50CC
21	2196373	N	DOC MTG SUPP	1	LCC DOCK MOUNTING SUPPORT
22	2178874	N	DOCK CLAMP P	1	DOCK CLAMP PLATE
23	2109866–21	2	SCREW	2	SCREW HEXAGON HEAD 10 MM 30 MM
24	2109878–4	2	WASHER	1	WASHER PLAIN – NORMAL 10.5 MM 20 MM
25	2109875–4	2	NUT	1	NUT HEXAGON 10 MM
26	46–208932P44	2	SCREW	2	SCREW
27	46–208758P2	2	TY–RAP	4	5.5" X .140" SELF–LOCKING CABLE TIE
28	46–208758P5	2	TY–RAP	14	13.38"X .301" SELF–LOCKING CABLE TIE
29	2205307	N	SPRING LATCH	2	LCC MAG ENCL SPRING LATCH ASM (SEE PAGE 2–185)
30	2205307–2	N	SPRING LATCH	2	LCC MAG ENCL SPRING LATCH ASM (SEE PAGE 2–185)
33	2167384	2	PART	3	STN STL HEX HD BOLT M10 X 16

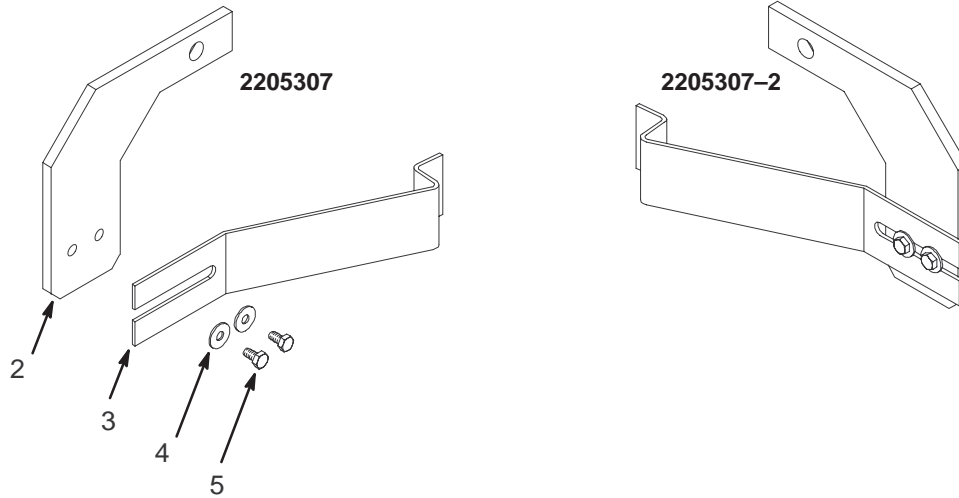
LCC ENCLOSURE HARDWARE KIT – MOBILE 2158576–4 FRU N

(PART 7 OF 2142000–13 PAGE 2–175)
 (PART 7 OF 2142000–14 PAGE 2–175)
 (PART 7 OF 2142000–17 PAGE 2–177)
 (PART 7 OF 2142000–18 PAGE 2–177)

Item	Part Number	FRU	Name	Quantity	Description (Remarks)
20	46–170686P3	2	ADHESIVE	1	LOCTITE 242, 50CC
21	2196373	N	DOC MTG SUPP	1	LCC DOCK MOUNTING SUPPORT
22	2178874	N	DOCK CLAMP P	1	DOCK CLAMP PLATE
23	2109866–21	2	SCREW	2	SCREW HEXAGON HEAD 10 MM 30 MM
24	2109878–4	2	WASHER	1	WASHER PLAIN – NORMAL 10.5 MM 20 MM
25	2109875–4	2	NUT	1	NUT HEXAGON 10 MM
26	46–208932P44	2	SCREW	2	SCREW
27	46–208758P2	2	TY–RAP	4	5.5" X .140" SELF–LOCKING CABLE TIE
28	46–208758P5	2	TY–RAP	14	13.38"X .301" SELF–LOCKING CABLE TIE
29	2205307	N	SPRING LATCH	2	LCC MAG ENCL SPRING LATCH ASM (SEE PAGE 2–185)
30	2205307–2	N	SPRING LATCH	2	LCC MAG ENCL SPRING LATCH ASM (SEE PAGE 2–185)
33	2167384	2	PART	2	STN STL HEX HD BOLT M10 X 16

LCC MAG ENCL SPRING LATCH ASM

2205307 & 2205307-2

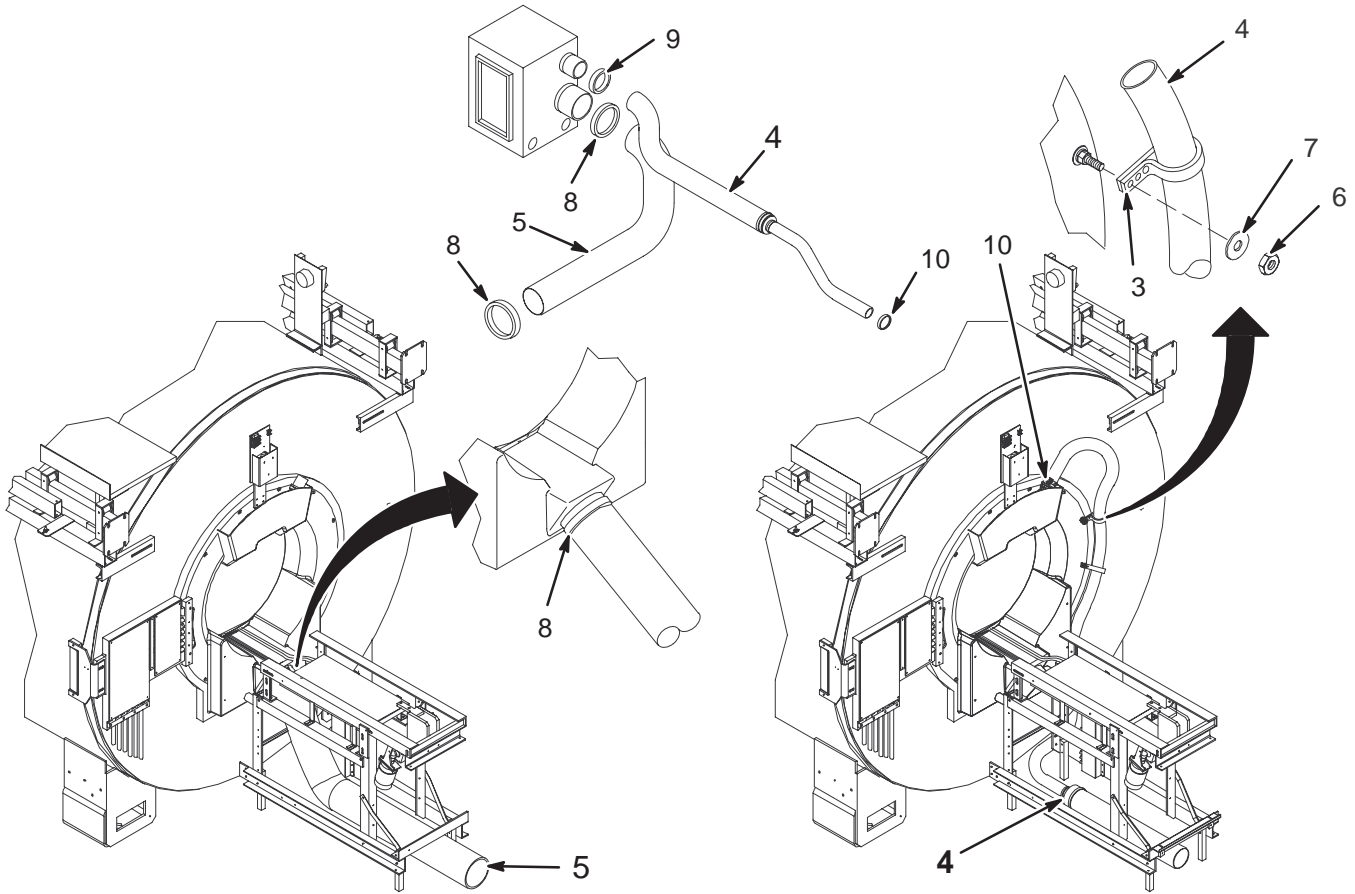


LCC MAG ENCL SPRING LATCH ASM 2205307 & 2205307-2 FRU N (PART OF 2158576-3 & 2158576-4 PAGE 2-184)

Item	Part Number	FRU	Name	Quantity	Description (Remarks)
2	2198610	N	SPRING LATCH	1	LCC MAGNET ENCL SPRING LATCH BRACKET
3	2175497	N	LATCHING SPR	1	FRONT COVER LOCKING LATCH
4	2109879-2	2	WASHER	2	WASHER PLAIN - LARGE 6.4 MM 12 MM
5	2109866-10	2	SCREW	2	SCREW HEXAGON HEAD 6 MM 12 MM

LCC BLOWER HOSE KIT

2129412-2



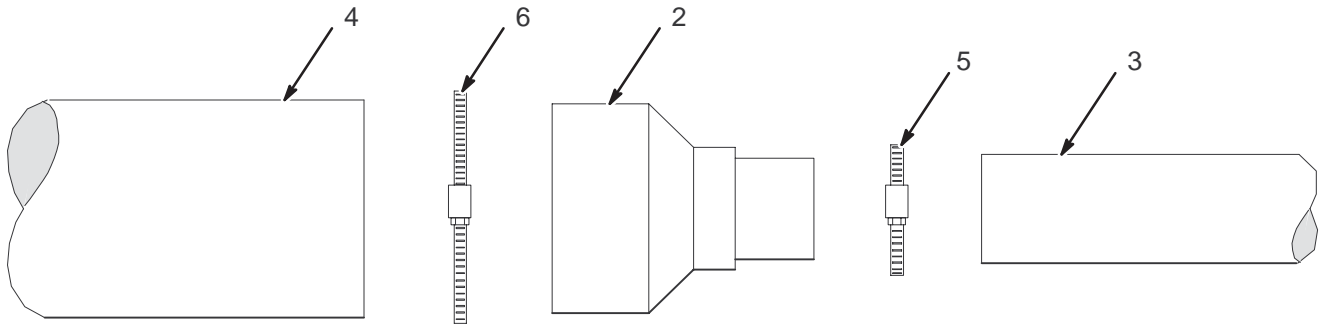
LCC BLOWER HOSE KIT

2129412-2 FRU N (PART 11 OF 2142000 SERIES PAGES 2-174 THRU 2-178)

Item	Part Number	FRU	Name	Quantity	Description (Remarks)
3	2162277	2	NYLON_STRAPP	2	.88W .07THK .39HLOES .63CENTERS
4	2162999	N	HOSE KIT	1	HOSE ASM W/REDUCER 4" TO 2" (SEE PAGE 2-187)
5	46-282666P12	2	DUCT,AIR PVC	1	GOODYEAR GRAY PVC AIR DUCT
6	2109875-4	2	NUT	2	NUT HEXAGON 10 MM
7	2109878-4	2	WASHER	2	WASHER PLAIN - NORMAL 10.5 MM 20 MM
8	46-208765P29	2	CLAMP	2	DIA RANGE 5-5/8 - 6-1/2 302/305 SST
9	46-208765P34	2	CLAMP	1	DIA RANGE 3-9/16 - 4-1/2
10	46-208765P28	2	CLAMP	1	DIA RANGE 1-13/16 - 2-3/4, 302/305

HOSE ASM W/REDUCER 4" TO 2"

2162999



HOSE ASM W/REDUCER 4" TO 2"

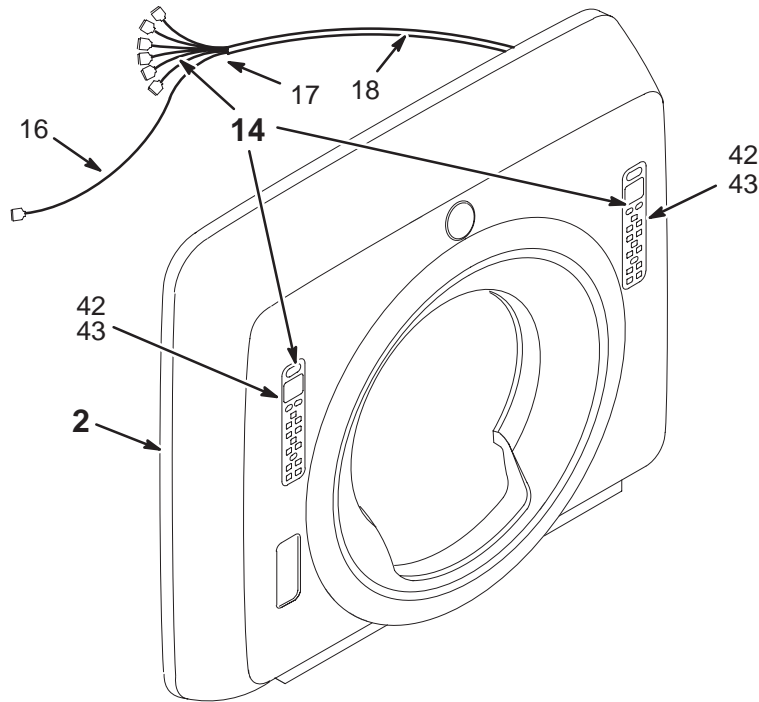
2162999 FRU N

(PART 4 OF 2129412-2 PAGE 2-186)

Item	Part Number	FRU	Name	Quantity	Description (Remarks)
2	2175143	2	REDUCING COU	1	1/12 TO 3 PVC
3	46-282668P19	2	HOSE,NYL RNF	1	2 INCH DIAMETER, 108 INCH LENGTH
4	46-282666P11	2	DUCT,AIR PVC	1	GOODYEAR GRAY PVC AIR DUCT
5	46-208765P28	2	CLAMP	1	DIA RANGE 1-13/16 - 2-3/4, 302/305
6	46-208765P34	2	CLAMP	1	DIA RANGE 3-9/16 - 4-1/2

LCC FRONT COVER ASM

2157262-2



LCC FRONT COVER ASM

2157262-2 FRU N (PART 20 OF 2142000 SERIES PAGES 2-174 THRU 2-178)

Item	Part Number	FRU	Name	Quantity	Description (Remarks)
2	2175179-2	N	FRONT COVER	1	COVER/CONE/LOGO/LABELS (SEE PAGE 2-189)
14	2168023	N	OPR BP/D KIT	1	Cx MAGENC BUTTON PANEL/DISPLAY (SEE PAGE 2-188)
16	46-328000G940	2	ASSEMBLY	1	MG2-A11-A1-J2 TO MG2-A11-A1-J2
17	46-208758P3	2	TY-RAP	2	7.31" X .184" SELF-LOCKING CABLE TIE
18	46-230653P5	2	TUBING	7	SPIRALLY CUT POLYETHYLENE, 3/4" DIA.
42	46-208935P4	2	NUT	16	4-40, 1/4" HEX X .093 THK, BRASS
43	1000904P142	2	WASHER	16	ID 0.1495, OD 0.438, THK .016, BRASS

LCC BUTTON PANEL/DISPLAY

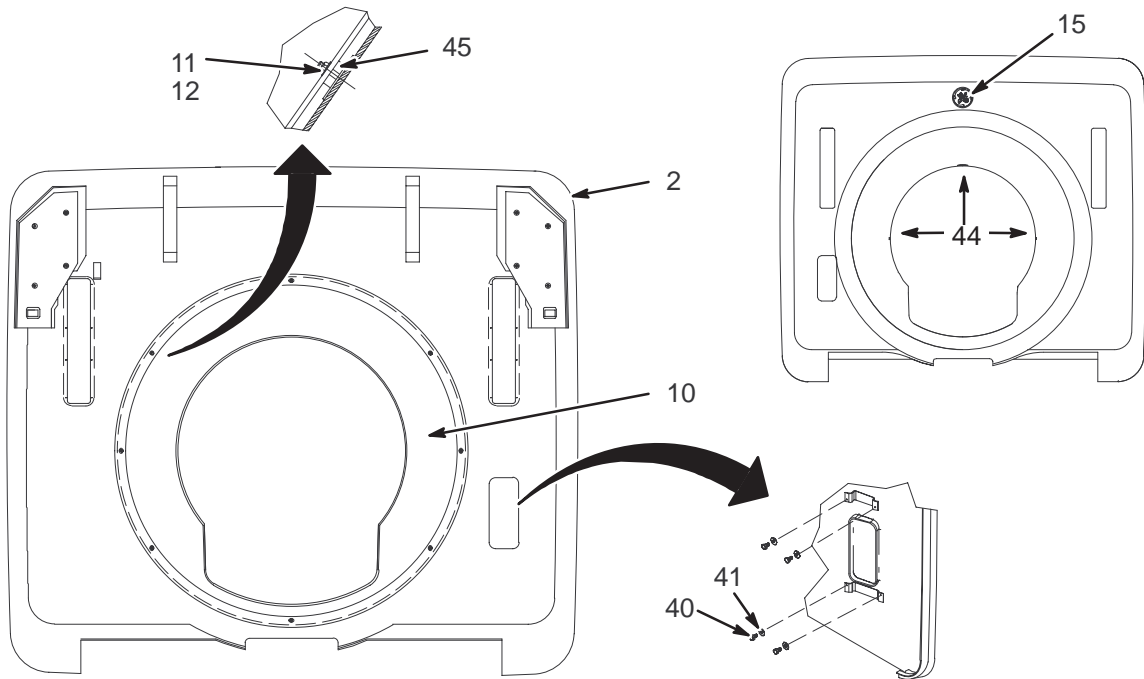
2168023 FRU N

(PART 14 OF 2157262-2 PAGE 2-188)

Item	Part Number	FRU	Name	Quantity	Description (Remarks)
1	2168023-2	1	OPR BP/D KIT	2	BUTTON PANEL/DISPLAY MOD W/O CABLES
2	2168023-3	2	OPR BP/D KIT	1	CABLE, MG2-A33-J4 TO MG2-A4-J3
3	2168023-4	2	OPR BP/D KIT	1	CABLE, MG2-A4-J2 TO MG2-A5-J3
4	2168023-5	2	OPR BP/D KIT	1	CABLE, MG2-A33-J5,6,7,8,9 TO MG2A4-J4
5	2168023-6	2	OPR BP/D KIT	1	CABLE, MG2-A4-J5 TO MG2-A5-J4

COVER/CONE/LOGO/LABELS

2175179-2



COVER/CONE/LOGO/LABELS

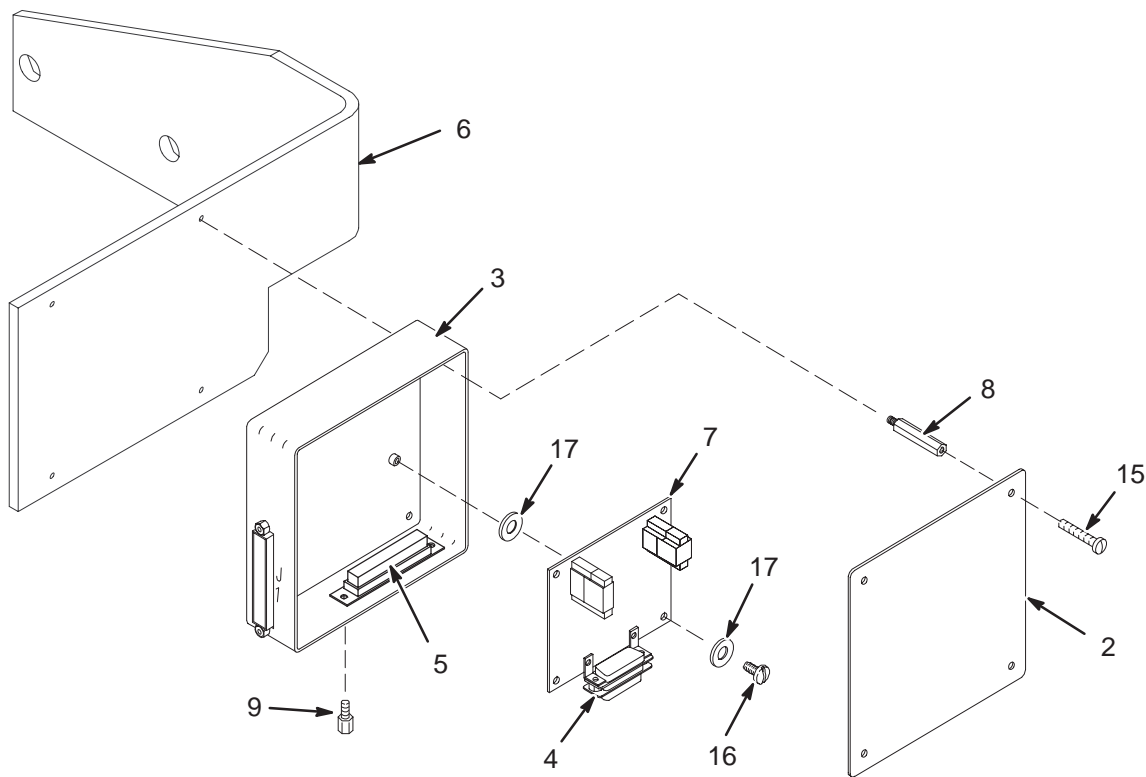
2175179-2 FRU N

(PART 2 OF 2157262-2 PAGE 2-188)

Item	Part Number	FRU	Name	Quantity	Description (Remarks)
2	2166522-2	N	FRONT COVER	1	FRONT ENCLOSURE COVER - LCC
10	2152617	2	PART	1	COVER,FRT CONE
11	2109875-3	2	NUT	8	NUT HEXAGON 6 MM
12	2109879-2	2	WASHER	8	WASHER PLAIN - LARGE 6.4 MM 12 MM
15	2142724	2	MEATBALL	1	FRONT COVER GE LOGO INJECTION MOLDED
40	2109866-12	2	SCREW	4	SCREW HEXAGON HEAD 6 MM 20 MM
41	2109878-3	2	WASHER	4	WASHER PLAIN - NORMAL 6.4 MM 12 MM
44	46-229060P1	2	LABEL	3	LASER APERTURE, DONT STARE INTO BEAM
45	2180420	2	RUBBER SPACE	8	NEOPRENE 45-55 DUROMETER SHORE A

LCC DOCK CONTROL ASM

46-282757

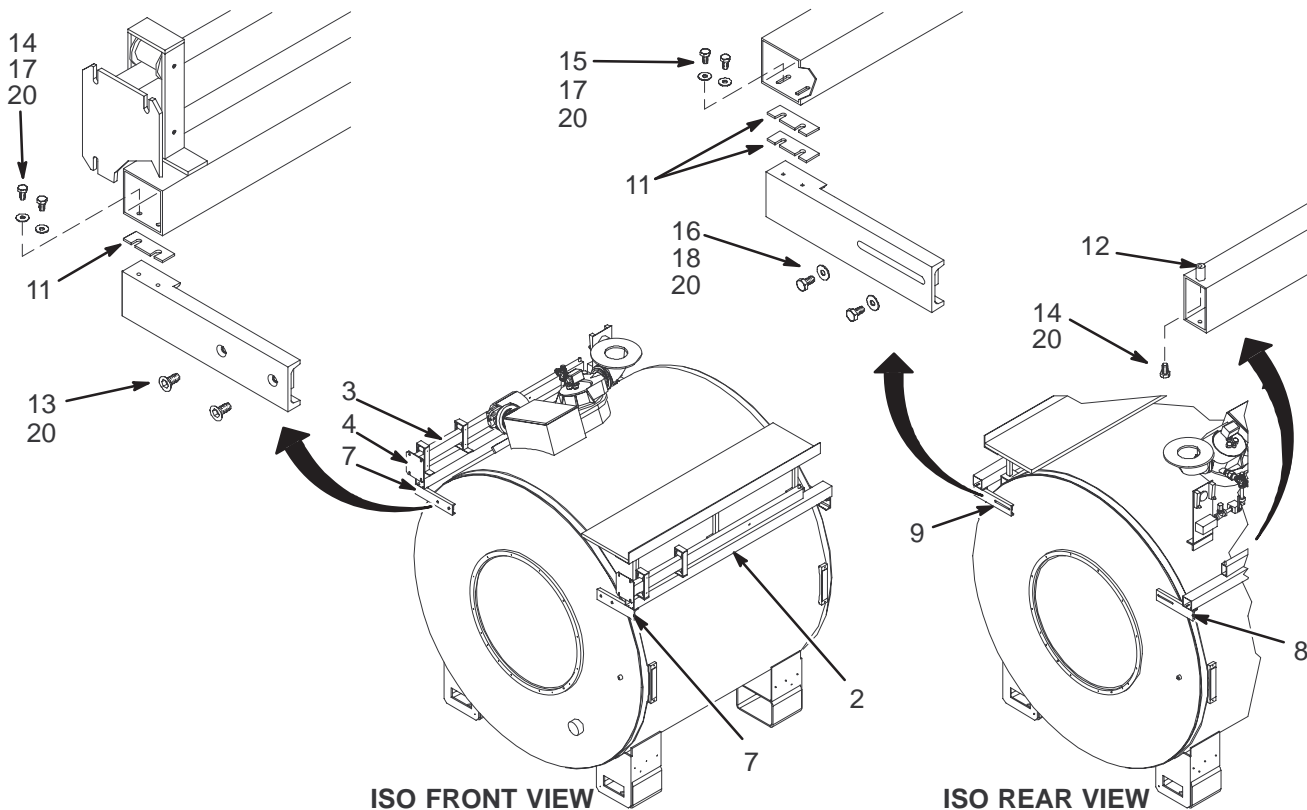


LCC DOCK CONTROL ASM 46-282757G6 FRU N (PART 22 OF 2142000 SERIES PAGES 2-174 THRU 2-178)

Item	Part Number	FRU	Name	Quantity	Description (Remarks)
2	46-282320P1	2	COVER	1	5" X 5" BOX COVER, ALUMINUM
3	46-282405G1	2	BOX	1	DOCK LIMIT MODULE BOX - EMPTY
4	46-282426G1	2	HARNESS	1	DOCK LIMIT SWITCH BOARD J1
5	46-282427G1	2	HARNESS	1	DOCK LIMIT SWITCH BOARD J2 AND J3
6	2198613	N	BRACKET	1	DOCK CONTROL BOX BRACKET - LCC
7	46-264028G1	1	CIRCUIT BD	1	DOCK LIMIT SWITCH BOARD, MG2 A31 A1
8	46-208984P2	2	SPACER	4	HEX 1/4", EXT/INT THD 6-32, 1.5" LG
9	46-221417P2	2	CONNECTOR	4	FEMALE SCREWLOCK FOR HD CONNECTORS
15	46-208921P5	2	SCREW	4	SCREW
16	46-208922P2	2	SCREW	4	SCREW
17	1000904P298	2	WASHER	8	ID 0.1875, OD 0.375, THK .01, A1D2B

LCC MOBILE MAGNET FRAME KIT

2204359



LCC MOBILE MAGNET FRAME KIT

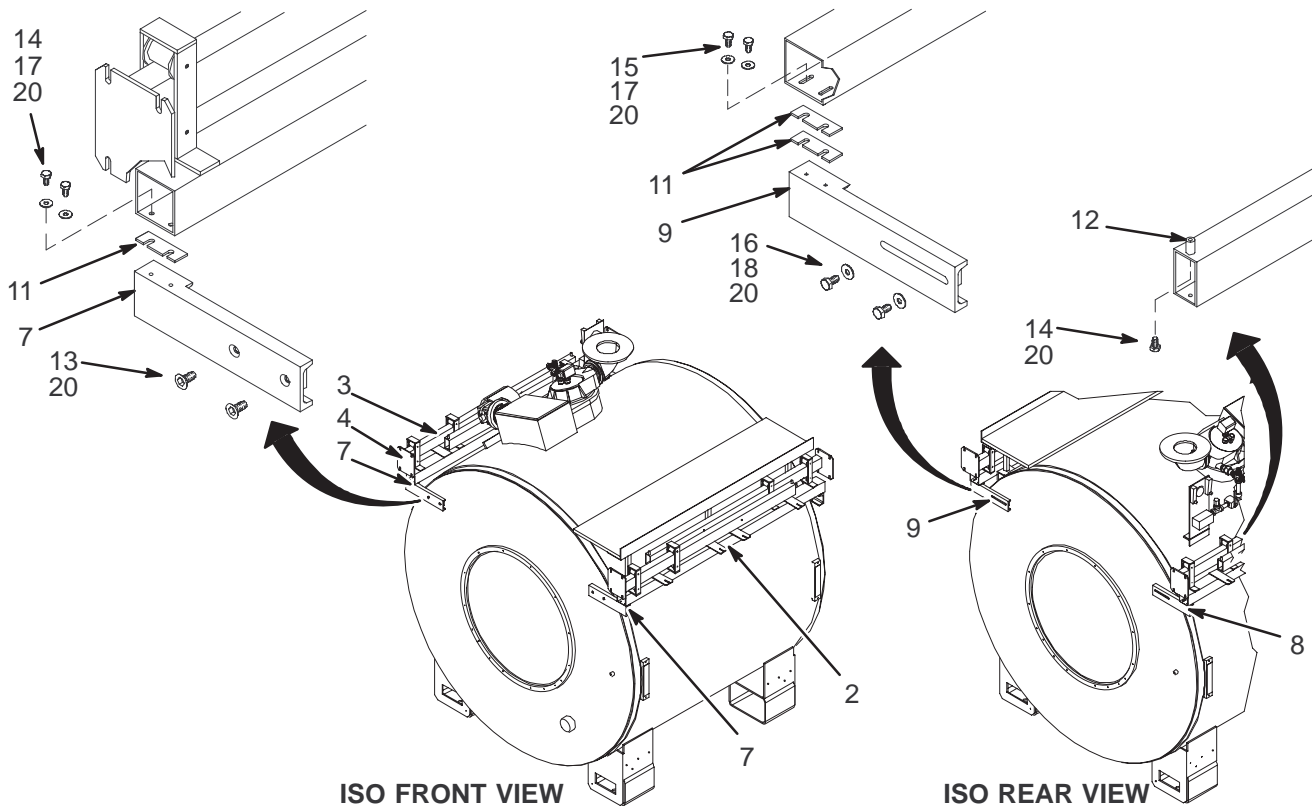
2204359FRU N

(PART 2 OF M1061JS – SECTION 1)

Item	Part Number	FRU	Name	Quantity	Description (Remarks)
2	2202330	N	SLIDE BLOCK	1	LCC MAG ENCL RT MOBILE SLIDE SUPPORT
3	2202330-2	N	SLIDE BLOCK	1	LCC MAG ENCL LEFT MOBILE SLIDE SPT
4	2202771	N	COVER SLIDE	2	LCC MAG ENCL BEAM AND MTG PLATE
7	2202533	N	MTG LEG CHAN	2	LCC ENCL FRAME MTG BKT FRONT
8	2202533-2	N	MTG LEG CHAN	1	LCC ENCL FRAME MTG BKT RIGHT REAR
9	2202533-3	N	MTG LEG CHAN	1	LCC ENCL FRAME MTG BKT LEFT REAR
11	2202646	2	SPACER PLATE	8	SPACER PLATE
12	2182293	2	SLIDE STOP	2	PVC 13MM DIA X 16MM LG STANDOFF M6
13	2109884-21	2	SCREW	4	SCREW COUNTERSUNK HEA 10 MM 16 MM
14	2109866-11	2	SCREW	6	SCREW HEXAGON HEAD 6 MM 16 MM
15	2109866-14	2	SCREW	4	SCREW HEXAGON HEAD 6 MM 30 MM
16	2109866-19	2	SCREW	4	SCREW HEXAGON HEAD 10 MM 20 MM
17	2109879-2	2	WASHER	8	WASHER PLAIN – LARGE 6.4 MM 12 MM
18	2109879-3	2	WASHER	4	WASHER PLAIN – LARGE 10.5 MM 30 MM
20	46-170686P3	N	ADHESIVE	AR	LOCTITE 242, 50CC

LCC FIXED SITE MAGNET FRAME KIT

2204359-2



LCC FIXED SITE MAGNET FRAME KIT 2204359-2FRU N

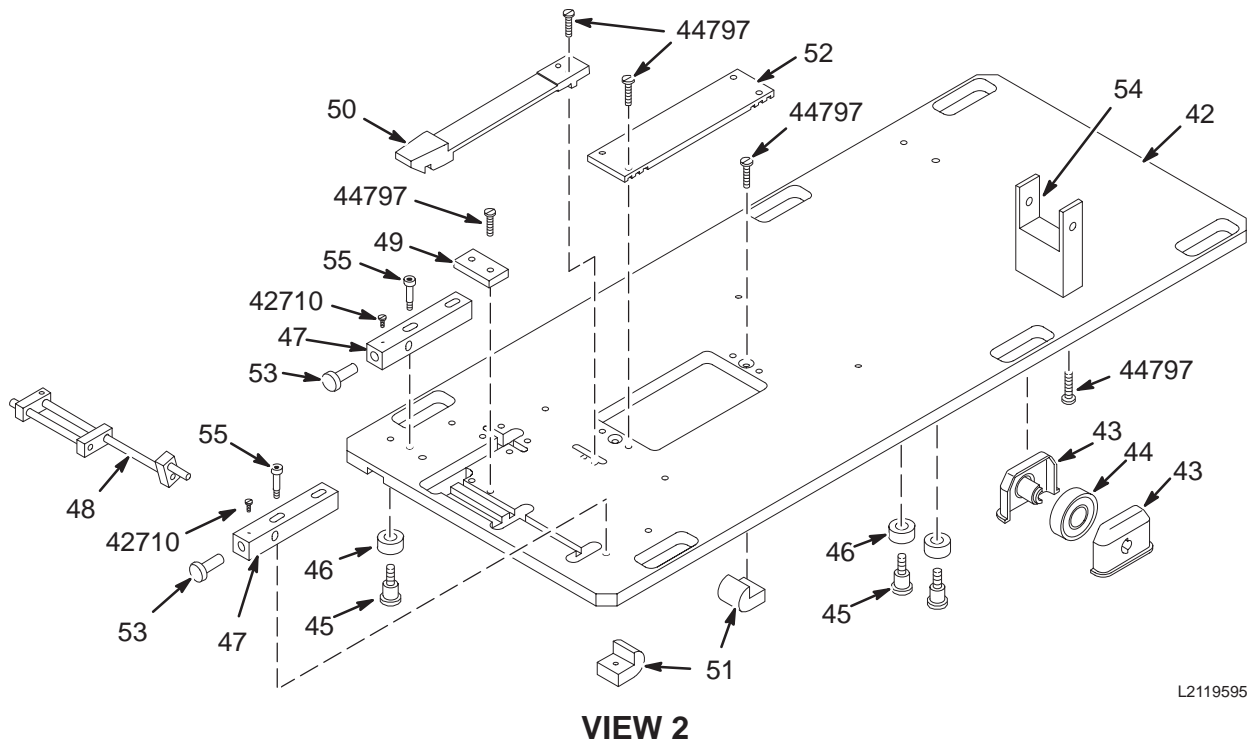
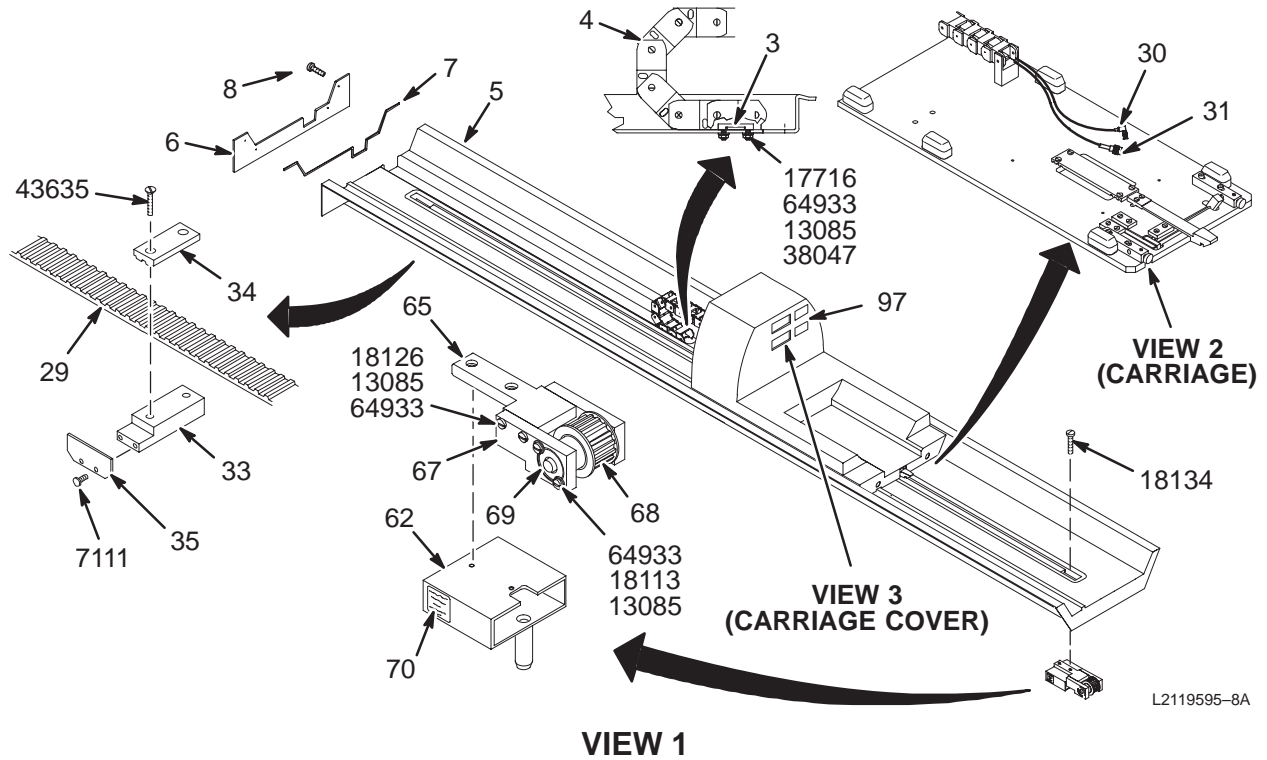
(PART 2 OF M1060JS – SECTION 1)

Item	Part Number	FRU	Name	Quantity	Description (Remarks)
2	2202330-3	N	SLIDE BLOCK	1	LCC MAG ENCL RT FIXED SLIDES SUPPORT
3	2202330-4	N	SLIDE BLOCK	1	LCC MAG ENCL LFT FXD SLIDES SUPPORT
4	2202771	N	COVER SLIDE	4	LCC MAG ENCL BEAM AND MTG PLATE
7	2202533	N	MTG LEG CHAN	2	LCC ENCL FRAME MTG BKT FRONT
8	2202533-2	N	MTG LEG CHAN	1	LCC ENCL FRAME MTG BKT RIGHT REAR
9	2202533-3	N	MTG LEG CHAN	1	LCC ENCL FRAME MTG BKT LEFT REAR
11	2202646	2	SPACER PLATE	8	SPACER PLATE
12	2182293	2	SLIDE STOP	4	PVC 13MM DIA X 16MM LG STANDOFF M6
13	2109884-21	2	SCREW	4	SCREW COUNTERSUNK HEA 10 MM 16 MM
14	2109866-11	2	SCREW	8	SCREW HEXAGON HEAD 6 MM 16 MM
15	2109866-14	2	SCREW	4	SCREW HEXAGON HEAD 6 MM 30 MM
16	2109866-19	2	SCREW	4	SCREW HEXAGON HEAD 10 MM 20 MM
17	2109879-2	2	WASHER	8	WASHER PLAIN – LARGE 6.4 MM 12 MM
18	2109879-3	2	WASHER	4	WASHER PLAIN – LARGE 10.5 MM 30 MM

2-11 Cx AND LCC HORIZON BRIDGE AND CARRIAGE ASSEMBLIES

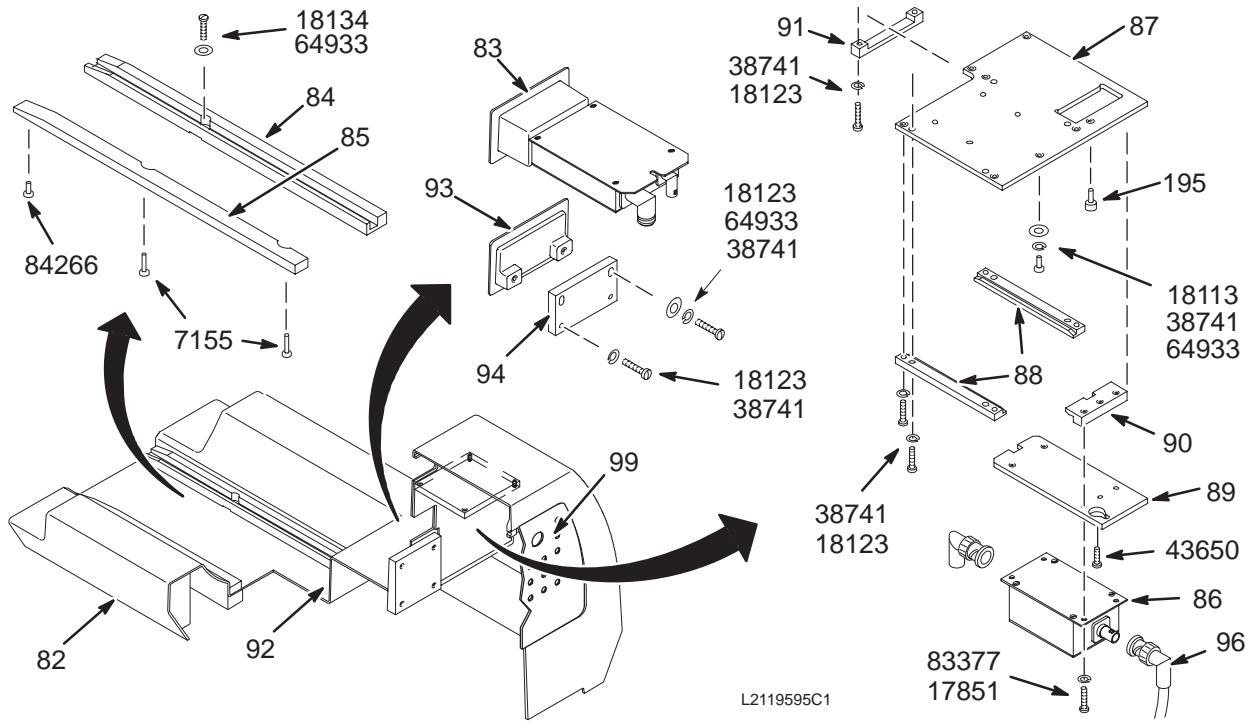
Cx & LCC 1.5T & 1.0T BRIDGE ASM w/o M-C or PA

2119595-8 & 2119595-10



Cx & LCC 1.5T & 1.0T BRIDGE ASM w/o M-C or PA

2119595-8 & 2119595-10



VIEW 3

Cx 1.0T BRIDGE ASM w/o M-C

2119595-8 FRU N

(PART OF 2142000 PAGE 2-155)

LCC 1.0T BRIDGE ASM w/o PA

2119595-8 FRU N

(PART OF 2142000-3 PAGE 2-156)

(PART OF 2142000-11 PAGE 2-174)

(PART OF 2142000-13 PAGE 2-175)

Item	Part Number	FRU	Name	Quantity	Description (Remarks)
3	46-282169P1	2	CLAMP	1	CABLETRACK MOUNT
4	46-282389P4	2	CABLETRAK	1	35 LINK CABLE TRACK
5	2114811-3	2	BRIDGE	1	Cx MAGNET ENCL BRIDGE
6	2129351	2	COVER, REAR	1	REAR BRIDGE COVER
7	2131304	2	COVER,GASKET	1	GASKET, COVER, BRIDGE
8	2109873-26	2	SCREW	4	SCREW PAN HEAD 6 MM 20 MM
29	46-282388P3	2	BELT	1	3/8" PITCH GEARBELT, 1" WIDE, 19.5"L
30	46-328000G757	2	ASSEMBLY	1	(485) MG3-A17-J2 TO MW2-A16-A3-J4
31	46-320888G2	2	CABLE ASM	1	11.17' RG58C/U
33	46-271465P1	2	CLAMP, BLOCK	1	SENSOR FLAG MOUNTING CLAMP BLOCK
34	46-271436P1	2	CLAMP, BELT	1	SENSOR FLAG TOP CLAMP
35	46-282436P1	2	FLAG	1	CARRIAGE TRAVEL SENSOR FLAG
42	46-282163P1	2	BASE PLATE	1	QUAD HEAD COIL CARRIAGE BASEPLATE
43	46-243167P1	2	BOX	12	WHEEL HOUSING, MOLDED NORYL
44	46-243494P1	2	CASTER	6	3/4" ID, 1-3/4 OD, 1/2" WIDE PLASTIC
45	46-243141P1	2	SHLD SCR	4	PLASTIC BEARING MOUNT SHOULDER SCREW
46	46-243178P2	2	BEARING	4	ID 0.375", OD 0.875", WIDTH 0.281"
47	46-282164P1	2	PLUNGER	2	CARRIAGE RELEASE PLUNGER, DELRIN
48	46-282824G1	2	CRANK ASM.	1	LATCH HOOK RELEASE LINKAGE

Parts List Continued on Next Page

Cx & LCC 1.0T BRIDGE ASM w/o M-C or PA

2119595-8

(CONT'D FROM PREVIOUS PAGE)

Item	Part Number	FRU	Name	Quantity	Description (Remarks)
49	46-282168P1	2	HOLD DOWN	1	LINKAGE RETAINER BLOCK, DELRIN
50	46-317169P1	2	HOOK	1	CRADLE LATCH HOOK
51	46-271435P1	2	SUPPORT, B R	2	BELT GUIDE, DELRIN
52	46-282171P1	2	CLAMP BELT	1	BELT CLAMP PLATE, DELRIN
53	46-265089P1	2	SCREW	2	CARRIAGE RELEASE THREADED ACTUATOR
54	46-282170P1	2	CLAMP	1	CABLETRACK MOUNTING BRACKET, DELRIN
55	46-282826P1	2	SCREW	4	SHOULDER BOLT, 10-32 THREAD, DELRIN
62	2160019	2	PART	1	SUPPORT UPPER FRT-BRIDGE Cx
65	46-271432P1	2	MOUNT BRIDGE	1	BRIDGE ATTACHMENT TONGUE
67	46-328446P1	2	SUPPORT BLK.	2	SUPPORT BLOCK
68	46-282646G1	2	PULLEY ASM	1	DRIVE BELT IDLER PULLEY
69	46-282471P12	2	BEARING	2	SKF BEARING #1621 DC **MAGNETIC**
70	46-282756P1	2	LABEL	2	WARNING, CONTAINS FERROUS MATERIAL
82	46-306655P1	2	CARRIAGE CVR	1	MOLDED FIBERGLAS, NO PARTS INSTALLED
83	46-321336G1	1	CIRCUIT BD	1	1.0T HEAD T/R SWITCH ASSEMBLY
84	46-306657P1	2	CARR RAIL LH	1	LEFT GROOVED GUIDE RAIL 16.5" DELRIN
85	46-306656P1	2	CARR RAIL RH	1	COIL RIGHT SUPPORT RAIL 16.5" DELRIN
86	46-321338G3	1	PREAMP BOX	1	PREAMP W/MICROWAVE ABSORBER & DIODES
87	46-306679P1	2	SUPPORT PL	1	PREAMP & TR SWITCH MOUNTING PLATE
88	46-306680P1	2	GUIDE RAIL	2	HEAD COIL TR SWITCH GUIDE RAIL
89	46-306681P1	2	MOUNTING PL	1	HEAD PREAMPLIFIER MOUNTING PLATE
90	46-306682P1	2	HANGER	1	PREAMPLIFIER MOUNT PLATE REAR LATCH
91	46-306683P1	2	CLAMP	1	PREAMPLIFIER MOUNT PLATE FRONT LATCH
92	46-136246P15	2	TAPE	AR	3/4" WIDE, WHT ADH BACK, VELCRO LOOP
93	46-306732P1	2	COVER	1	FOR MULTICOIL QD OPENING, FIBERGLASS
94	46-306733P1	2	COV. SUPPORT	1	3/8" THICK, PHENOLIC
95	46-237420P1	2	SCREW	1	KNURLED HD TYPE 10-32 X .625
96	46-306697G1	2	CABLE ASM	1	MG2-A16-A5-J5 TO MG2A15-A3-J3, 5.25"
99	46-317722P1	2	COVER	1	CARRIAGE COVER ACCESS PANEL, VENTED
7111	46-265486P8	2	SCREW	2	SCREW
7115	46-265486P10	2	SCREW	4	SCREW
13085	46-220196P3	2	WASHER	10	#10 SCREW SIZE (0.190), SST
17716	46-208913P29	2	SCREW	2	SCREW
17851	46-220184P11	2	SCREW	2	SCREW
17869	46-220184P15	2	SCREW	2	SCREW
18113	46-220184P41	2	SCREW	5	SCREW
18123	46-220184P43	2	SCREW	14	SCREW
18126	46-220184P44	2	SCREW	4	SCREW
18134	46-220184P46	2	SCREW	6	SCREW
38047	46-208938P5	2	NUT	2	10-32, 3/8" HEX X .130 THK, 18-8 SST
38741	46-221449P5	2	WASHER	15	#10 SCREW SIZE (0.190), PHOS BRONZE
42710	46-208933P15	2	SCREW	2	SCREW
43635	46-230008P1	2	SCREW	2	SCREW
43650	46-208913P14	2	SCREW	1	SCREW
44797	46-243737P2	2	SCREW	12	SCREW
64933	1000904P425	2	WASHER	17	0.2 ID, 0.5 OD, .04 THK, B11H89C
83377	46-221449P3	2	WASHER	4	#6 SCREW SIZE (0.138) SILICONE BRONZ
84266	46-265486P6	2	SCREW	2	SCREW

Cx 1.5T BRIDGE ASM w/o M-C 2119595-10 FRU N (PART OF 2142000-5 PAGE 2-157)
 (PART OF 2142000-7 PAGE 2-158)
 LCC 1.5T BRIDGE ASM w/o PA 2119595-10 FRU N (PART OF 2142000-15 PAGE 2-176)
 (PART OF 2142000-17 PAGE 2-177)

Item	Part Number	FRU	Name	Quantity	Description (Remarks)
3	46-282169P1	2	CLAMP	1	CABLETRACK MOUNT
4	46-282389P4	2	CABLETRAK	1	35 LINK CABLE TRACK
5	2114811-3	2	BRIDGE	1	Cx MAGNET ENCL BRIDGE
6	2129351	2	COVER, REAR	1	REAR BRIDGE COVER
7	2131304	2	COVER,GASKET	1	GASKET, COVER, BRIDGE
8	2109873-26	2	SCREW	4	SCREW PAN HEAD 6 MM 20 MM
29	46-282388P3	2	BELT	1	3/8" PITCH GEARBELT, 1" WIDE, 19.5'L
30	46-328000G757	2	ASSEMBLY	1	(485) MG3-A17-J2 TO MW2-A16-A3-J4
31	46-320888G2	2	CABLE ASM	1	11.17' RG58C/U
33	46-271465P1	2	CLAMP, BLOCK	1	SENSOR FLAG MOUNTING CLAMP BLOCK
34	46-271436P1	2	CLAMP, BELT	1	SENSOR FLAG TOP CLAMP
35	46-282436P1	2	FLAG	1	CARRIAGE TRAVEL SENSOR FLAG
42	46-282163P1	2	BASE PLATE	1	QUAD HEAD COIL CARRIAGE BASEPLATE
43	46-243167P1	2	BOX	12	WHEEL HOUSING, MOLDED NORYL
44	46-243494P1	2	CASTER	6	3/4" ID, 1-3/4 OD, 1/2" WIDE PLASTIC
45	46-243141P1	2	SHLD SCR	4	PLASTIC BEARING MOUNT SHOULDER SCREW
46	46-243178P2	2	BEARING	4	ID 0.375", OD 0.875", WIDTH 0.281"
47	46-282164P1	2	PLUNGER	2	CARRIAGE RELEASE PLUNGER, DELRIN
48	46-282824G1	2	CRANK ASM.	1	LATCH HOOK RELEASE LINKAGE
49	46-282168P1	2	HOLD DOWN	1	LINKAGE RETAINER BLOCK, DELRIN
50	46-317169P1	2	HOOK	1	CRADLE LATCH HOOK
51	46-271435P1	2	SUPPORT, B R	2	BELT GUIDE, DELRIN
52	46-282171P1	2	CLAMP BELT	1	BELT CLAMP PLATE, DELRIN
53	46-265089P1	2	SCREW	2	CARRIAGE RELEASE THREADED ACTUATOR
54	46-282170P1	2	CLAMP	1	CABLETRACK MOUNTING BRACKET, DELRIN
55	46-282826P1	2	SCREW	4	SHOULDER BOLT, 10-32 THREAD, DELRIN
62	2160019	2	PART	1	SUPPORT UPPER FRT-BRIDGE Cx
65	46-271432P1	2	MOUNT BRIDGE	1	BRIDGE ATTACHMENT TONGUE
67	46-328446P1	2	SUPPORT BLK.	2	SUPPORT BLOCK
68	46-282646G1	2	PULLEY ASM	1	DRIVE BELT IDLER PULLEY
69	46-282471P12	2	BEARING	2	SKF BEARING #1621 DC **MAGNETIC**
70	46-282756P1	2	LABEL	2	WARNING, CONTAINS FERROUS MATERIAL
82	46-306655P1	2	CARRIAGE CVR	1	MOLDED FIBERGLAS, NO PARTS INSTALLED
83	46-264988G1	1	CIRCUIT BD	1	1.5T HEAD TR ASSEMBLY, MG2 A16 A5
84	46-306657P1	2	CARR RAIL LH	1	LEFT GROOVED GUIDE RAIL 16.5" DELRIN
85	46-306656P1	2	CARR RAIL RH	1	COIL RIGHT SUPPORT RAIL 16.5" DELRIN
86	46-264442G3	1	PREAMP BOX	1	1.5T PREAMPLIFIER WITH DIODE FIX
87	46-306679P1	2	SUPPORT PL	1	PREAMP & TR SWITCH MOUNTING PLATE
88	46-306680P1	2	GUIDE RAIL	2	HEAD COIL TR SWITCH GUIDE RAIL
89	46-306681P1	2	MOUNTING PL	1	HEAD PREAMPLIFIER MOUNTING PLATE
90	46-306682P1	2	HANGER	1	PREAMPLIFIER MOUNT PLATE REAR LATCH
91	46-306683P1	2	CLAMP	1	PREAMPLIFIER MOUNT PLATE FRONT LATCH
92	46-136246P15	2	TAPE	AR	3/4" WIDE, WHT ADH BACK, VELCRO LOOP
93	46-306732P1	2	COVER	1	FOR MULTICOIL QD OPENING, FIBERGLASS
94	46-306733P1	2	COV. SUPPORT	1	3/8" THICK, PHENOLIC

Parts List Continued on Next Page

Cx & LCC 1.5T BRIDGE ASM w/o M-C or PA

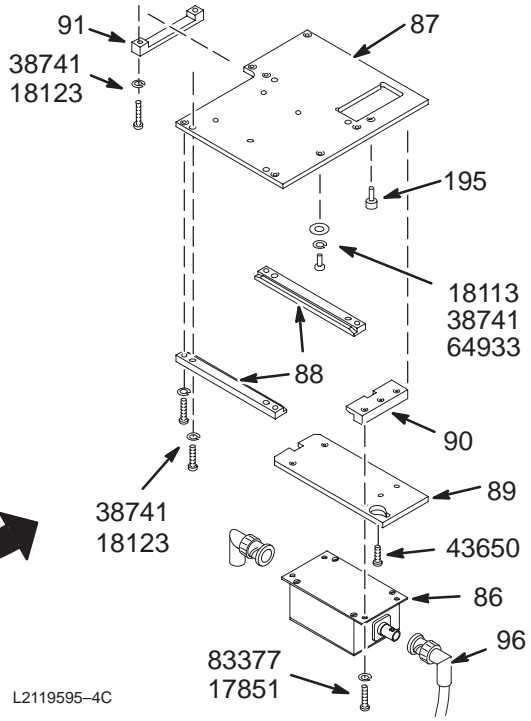
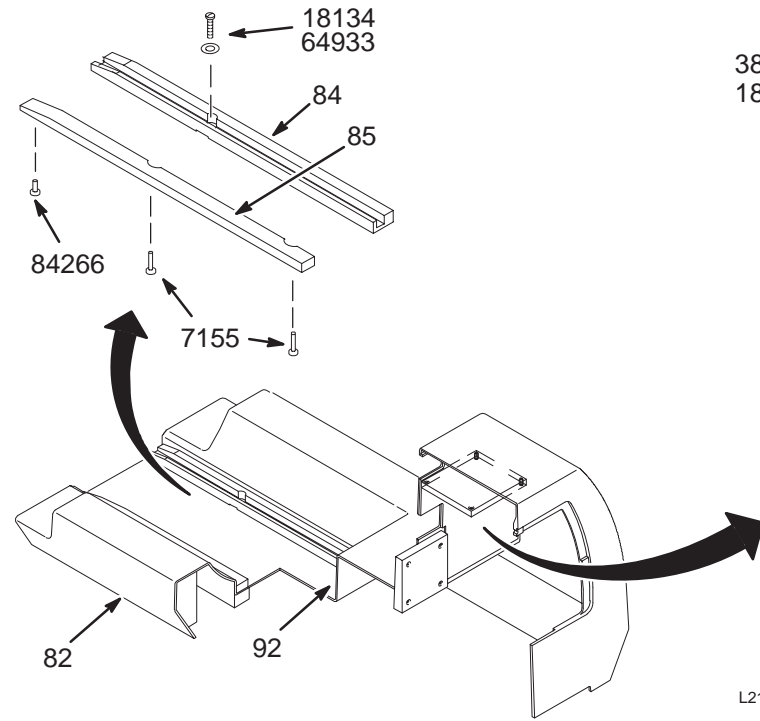
2119595-10

(CONT'D FROM PREVIOUS PAGE)

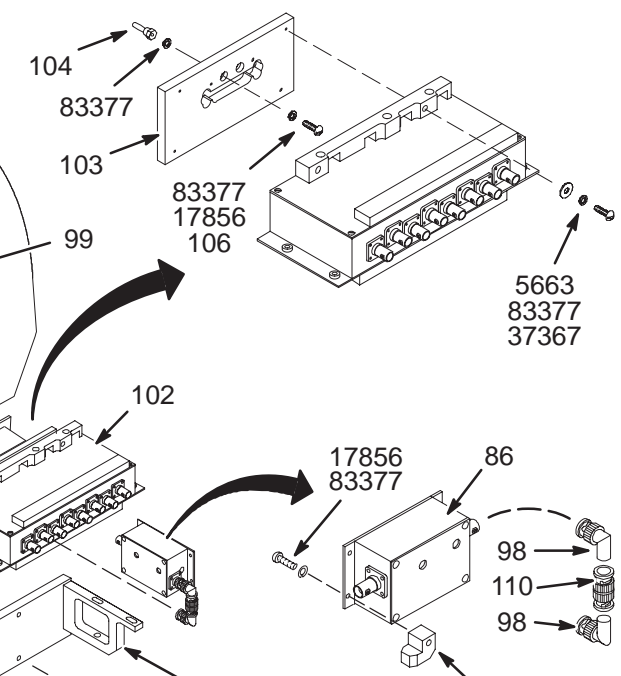
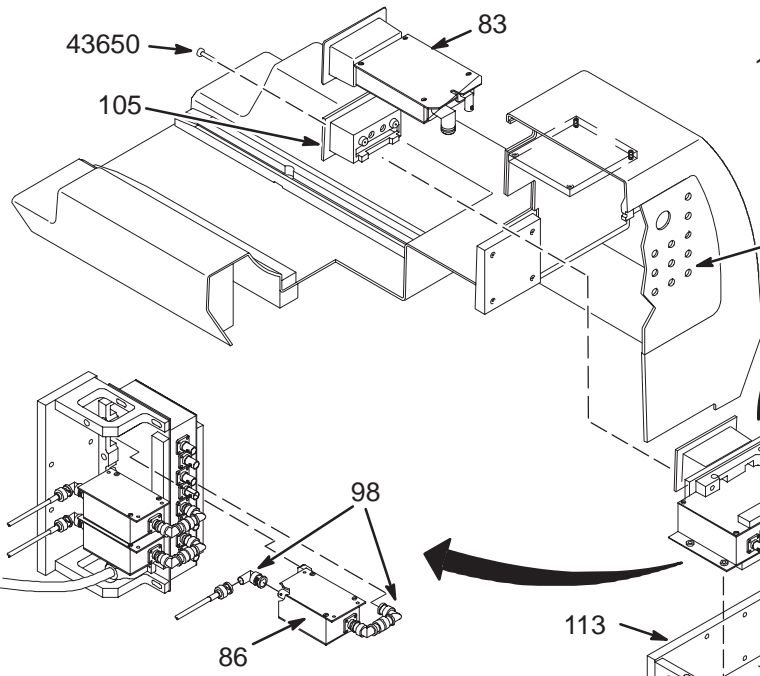
Item	Part Number	FRU	Name	Quantity	Description (Remarks)
95	46-237420P1	2	SCREW	1	KNURLED HD TYPE 10-32 X .625
96	46-306697G1	2	CABLE ASM	1	MG2-A16-A5-J5 TO MG2A15-A3-J3, 5.25"
97	2146831	2	WARN LABEL	2	UFI WARNING LABEL - ENGLISH
99	46-317722P1	2	COVER	1	CARRIAGE COVER ACCESS PANEL, VENTED
7111	46-265486P8	2	SCREW	2	SCREW
7115	46-265486P10	2	SCREW	4	SCREW
13085	46-220196P3	2	WASHER	10	#10 SCREW SIZE (0.190), SST
17716	46-208913P29	2	SCREW	2	SCREW
17851	46-220184P11	2	SCREW	2	SCREW
17869	46-220184P15	2	SCREW	2	SCREW
18113	46-220184P41	2	SCREW	5	SCREW
18123	46-220184P43	2	SCREW	14	SCREW
18126	46-220184P44	2	SCREW	4	SCREW
18134	46-220184P46	2	SCREW	6	SCREW
38047	46-208938P5	2	NUT	2	10-32, 3/8" HEX X .130 THK, 18-8 SST
38741	46-221449P5	2	WASHER	15	#10 SCREW SIZE (0.190), PHOS BRONZE
42710	46-208933P15	2	SCREW	2	SCREW
43635	46-230008P1	2	SCREW	2	SCREW
43650	46-208913P14	2	SCREW	1	SCREW
44797	46-243737P2	2	SCREW	12	SCREW
64933	1000904P425	2	WASHER	17	0.2 ID, 0.5 OD, .04 THK, B11H89C
83377	46-221449P3	2	WASHER	4	#6 SCREW SIZE (0.138) SILICONE BRONZ
84266	46-265486P6	2	SCREW	2	SCREW

Cx & LCC 1.5T & 1.0T BRIDGE ASM w/M-C or PA

2119595-9 & 2119595-11



VIEW 3

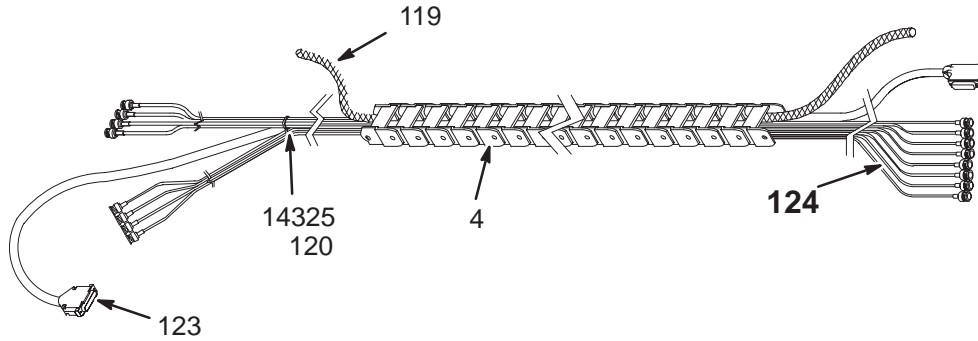


VIEW 4



Cx & LCC 1.5T & 1.0T BRIDGE ASM w/M-C or PA

2119595-9 & 2119595-11



L2119595-4E

VIEW 5

Cx 1.0T BRIDGE ASM w/M-C

2119595-9 FRU N

(PART OF 2142000-2 PAGE 2-155)

(PART OF 2142000-4 PAGE 2-156)

LCC 1.0T BRIDGE ASM w/PA

2119595-9 FRU N

(PART OF 2142000-12 PAGE 2-174)

(PART OF 2142000-14 PAGE 2-175)

Item	Part Number	FRU	Name	Quantity	Description (Remarks)
3	46-282169P1	2	CLAMP	1	CABLETRACK MOUNT
4	2151445-4	2	PART	1	35 LINK CABLE TRACK W/HINGED OPEN'GS
5	2114811-3	2	BRIDGE	1	Cx MAGNET ENCL BRIDGE
6	2129351	2	COVER, REAR	1	REAR BRIDGE COVER
7	2131304	2	COVER,GASKET	1	GASKET, COVER, BRIDGE
8	2109873-26	2	SCREW	4	SCREW PAN HEAD 6 MM 20 MM
29	46-282388P3	2	BELT	1	3/8" PITCH GEARBELT, 1" WIDE, 19.5'L
30	46-328000G757	2	ASSEMBLY	1	(485) MG3-A17-J2 TO MW2-A16-A3-J4
31	46-320888G2	2	CABLE ASM	1	11.17' RG58C/U
33	46-271465P1	2	CLAMP, BLOCK	1	SENSOR FLAG MOUNTING CLAMP BLOCK
34	46-271436P1	2	CLAMP, BELT	1	SENSOR FLAG TOP CLAMP
35	46-282436P1	2	FLAG	1	CARRIAGE TRAVEL SENSOR FLAG
42	46-282163P1	2	BASE PLATE	1	QUAD HEAD COIL CARRIAGE BASEPLATE
43	46-243167P1	2	BOX	12	WHEEL HOUSING, MOLDED NORYL
44	46-243494P1	2	CASTER	6	3/4" ID, 1-3/4 OD, 1/2" WIDE PLASTIC
45	46-243141P1	2	SHLD SCR	4	PLASTIC BEARING MOUNT SHOULDER SCREW
46	46-243178P2	2	BEARING	4	ID 0.375", OD 0.875", WIDTH 0.281"
47	46-282164P1	2	PLUNGER	2	CARRIAGE RELEASE PLUNGER, DELRIN
48	46-282824G1	2	CRANK ASM.	1	LATCH HOOK RELEASE LINKAGE
49	46-282168P1	2	HOLD DOWN	1	LINKAGE RETAINER BLOCK, DELRIN
50	46-317169P1	2	HOOK	1	CRADLE LATCH HOOK
51	46-271435P1	2	SUPPORT, B R	2	BELT GUIDE, DELRIN
52	46-282171P1	2	CLAMP BELT	1	BELT CLAMP PLATE, DELRIN
53	46-265089P1	2	SCREW	2	CARRIAGE RELEASE THREADED ACTUATOR
54	46-282170P1	2	CLAMP	1	CABLETRACK MOUNTING BRACKET, DELRIN
55	46-282826P1	2	SCREW	4	SHOULDER BOLT, 10-32 THREAD, DELRIN
62	2160019	2	PART	1	SUPPORT UPPER FRT-BRIDGE Cx
65	46-271432P1	2	MOUNT BRIDGE	1	BRIDGE ATTACHMENT TONGUE
67	46-328446P1	2	SUPPORT BLK.	2	SUPPORT BLOCK
68	46-282646G1	2	PULLEY ASM	1	DRIVE BELT IDLER PULLEY

Parts List Continued on Next Page

Cx & LCC 1.0T BRIDGE ASM w/M-C or PA

2119595-9

(CONT'D FROM PREVIOUS PAGE)

Item	Part Number	FRU	Name	Quantity	Description (Remarks)
69	46-282471P12	2	BEARING	2	SKF BEARING #1621 DC **MAGNETIC**
70	46-282756P1	2	LABEL	2	WARNING, CONTAINS FERROUS MATERIAL
82	46-306655P1	2	CARRIAGE CVR	1	MOLDED FIBERGLAS, NO PARTS INSTALLED
83	46-321336G1	1	CIRCUIT BD	1	1.0T HEAD T/R SWITCH ASSEMBLY
84	46-306657P1	2	CARR RAIL LH	1	LEFT GROOVED GUIDE RAIL 16.5" DELRIN
85	46-306656P1	2	CARR RAIL RH	1	COIL RIGHT SUPPORT RAIL 16.5" DELRIN
86	46-321338G3	1	PREAMP BOX	7	PREAMP W/MICROWAVE ABSORBER & DIODES
87	46-306679P1	2	SUPPORT PL	1	PREAMP & TR SWITCH MOUNTING PLATE
88	46-306680P1	2	GUIDE RAIL	2	HEAD COIL TR SWITCH GUIDE RAIL
89	46-306681P1	2	MOUNTING PL	1	HEAD PREAMPLIFIER MOUNTING PLATE
90	46-306682P1	2	HANGER	1	PREAMPLIFIER MOUNT PLATE REAR LATCH
91	46-306683P1	2	CLAMP	1	PREAMPLIFIER MOUNT PLATE FRONT LATCH
92	46-136246P15	2	TAPE	AR	3/4" WIDE, WHT ADH BACK, VELCRO LOOP
95	46-237420P1	2	SCREW	1	KNURLED HD TYPE 10-32 X .625
96	46-306697G1	2	CABLE ASM	1	MG2-A16-A5-J5 TO MG2A15-A3-J3, 5.25"
98	46-233422P1	2	CONNECTOR	17	BNC JACK-PLUG, RIGHT ANGLE ADAPTER.
99	46-317722P1	2	COVER	1	CARRIAGE COVER ACCESS PANEL, VENTED
102	46-321218G2	N	PWB	1	USE 46-328036G6 AS FIELD REPLACEMENT
103	46-320927P1	2	BEZEL PLATE	1	KEYED MULTI-COIL BEZEL I/F PLATE
104	46-282460P1	2	CONNECTOR	2	STANDARD, UNINSULATED BANANA PLUG.
105	46-320928P1	2	BEZEL	1	0.5T/1.0T MULTI-COIL KEYED BEZEL
106	46-170686P1	2	ADHESIVE	1	LOCTITE 242, 0.5CC TUBE
108	46-317022P1	2	BLOCK LOCATO	6	MOUNTING FINGER, MOLDED WHITE ACETAL
110	46-220427P2	2	CONNECTOR	6	BNC STRAIGHT PLUG-PLUG ADAPTOR.
112	46-317016P1	2	SIDE SUPPORT	2	1/2" THK LAMINATED COMPOUND
113	46-317015P1	2	MTG PLATE	1	9-3/8" X 3-1/4", 1/2" THK LAMINATE
120	46-287119P1	2	VIBRATION IS	2	SELF-ADHERE TIE-STRAP ANCHOR, NYLON
123	46-328371P2	2	CABLE ASM	1	(736) MG3-A36-J19 TO MG2-A16-A8-J9
124	46-317220G21	N	RF CABLE	1	MULTICOIL CABLE TAKEUP RF CABLES (SEE PAGE 2-204)
5663	46-220184P18	2	SCREW	4	SCREW
7111	46-265486P8	2	SCREW	2	SCREW
7115	46-265486P10	2	SCREW	4	SCREW
13085	46-220196P3	2	WASHER	10	#10 SCREW SIZE (0.190), SST
14325	46-208758P3	2	TY-RAP	4	7.31" X .184" SELF-LOCKING CABLE TIE
17716	46-208913P29	2	SCREW	2	SCREW
17851	46-220184P11	2	SCREW	2	SCREW
17856	46-220184P13	2	SCREW	8	SCREW
17869	46-220184P15	2	SCREW	2	SCREW
18113	46-220184P41	2	SCREW	5	SCREW
18123	46-220184P43	2	SCREW	14	SCREW
18126	46-220184P44	2	SCREW	8	SCREW
18129	46-220184P45	2	SCREW	4	SCREW
18134	46-220184P46	2	SCREW	6	SCREW
37367	1000904P445	2	WASHER	4	ID 0.172 OD 0.438 THK .036
38047	46-208938P5	2	NUT	2	10-32, 3/8" HEX X .130 THK, 18-8 SST
38741	46-221449P5	2	WASHER	23	#10 SCREW SIZE (0.190), PHOS BRONZE
42710	46-208933P15	2	SCREW	2	SCREW
43635	46-230008P1	2	SCREW	2	SCREW
43650	46-208913P14	2	SCREW	3	SCREW
44797	46-243737P2	2	SCREW	12	SCREW
64933	1000904P425	2	WASHER	19	0.2 ID, 0.5 OD, .04 THK, B11H89C
83377	46-221449P3	2	WASHER	18	#6 SCREW SIZE (0.138) SILICONE BRONZ
84266	46-265486P6	2	SCREW	2	SCREW

Cx 1.5T BRIDGE ASM w/M-C 2119595-11 FRU N (PART OF 2142000-6 PAGE 2-157)
 (PART OF 2142000-8 PAGE 2-158)
 LCC 1.5T BRIDGE ASM w/PA 2119595-11 FRU N (PART OF 2142000-16 PAGE 2-176)
 (PART OF 2142000-18 PAGE 2-177)

Item	Part Number	FRU	Name	Quantity	Description (Remarks)
3	46-282169P1	2	CLAMP	1	CABLETRACK MOUNT
4	2151445-4	2	PART	1	35 LINK CABLE TRACK W/HINGED OPEN'GS
5	2114811-3	2	BRIDGE	1	Cx MAGNET ENCL BRIDGE
6	2129351	2	COVER, REAR	1	REAR BRIDGE COVER
7	2131304	2	COVER,GASKET	1	GASKET, COVER, BRIDGE
8	2109873-26	2	SCREW	4	SCREW PAN HEAD 6 MM 20 MM
29	46-282388P3	2	BELT	1	3/8" PITCH GEARBELT, 1" WIDE, 19.5'L
30	46-328000G757	2	ASSEMBLY	1	(485) MG3-A17-J2 TO MW2-A16-A3-J4
31	46-320888G2	2	CABLE ASM	1	11.17' RG58C/U
33	46-271465P1	2	CLAMP, BLOCK	1	SENSOR FLAG MOUNTING CLAMP BLOCK
34	46-271436P1	2	CLAMP, BELT	1	SENSOR FLAG TOP CLAMP
35	46-282436P1	2	FLAG	1	CARRIAGE TRAVEL SENSOR FLAG
42	46-282163P1	2	BASE PLATE	1	QUAD HEAD COIL CARRIAGE BASEPLATE
43	46-243167P1	2	BOX	12	WHEEL HOUSING, MOLDED NORYL
44	46-243494P1	2	CASTER	6	3/4" ID, 1-3/4 OD, 1/2" WIDE PLASTIC
45	46-243141P1	2	SHLD SCR	4	PLASTIC BEARING MOUNT SHOULDER SCREW
46	46-243178P2	2	BEARING	4	ID 0.375", OD 0.875", WIDTH 0.281"
47	46-282164P1	2	PLUNGER	2	CARRIAGE RELEASE PLUNGER, DELRIN
48	46-282824G1	2	CRANK ASM.	1	LATCH HOOK RELEASE LINKAGE
49	46-282168P1	2	HOLD DOWN	1	LINKAGE RETAINER BLOCK, DELRIN
50	46-317169P1	2	HOOK	1	CRADLE LATCH HOOK
51	46-271435P1	2	SUPPORT, B R	2	BELT GUIDE, DELRIN
52	46-282171P1	2	CLAMP BELT	1	BELT CLAMP PLATE, DELRIN
53	46-265089P1	2	SCREW	2	CARRIAGE RELEASE THREADED ACTUATOR
54	46-282170P1	2	CLAMP	1	CABLETRACK MOUNTING BRACKET, DELRIN
55	46-282826P1	2	SCREW	4	SHOULDER BOLT, 10-32 THREAD, DELRIN
62	2160019	2	PART	1	SUPPORT UPPER FRT-BRIDGE Cx
65	46-271432P1	2	MOUNT BRIDGE	1	BRIDGE ATTACHMENT TONGUE
67	46-328446P1	2	SUPPORT BLK.	2	SUPPORT BLOCK
68	46-282646G1	2	PULLEY ASM	1	DRIVE BELT IDLER PULLEY
69	46-282471P12	2	BEARING	2	SKF BEARING #1621 DC **MAGNETIC**
70	46-282756P1	2	LABEL	2	WARNING, CONTAINS FERROUS MATERIAL
82	46-306655P1	2	CARRIAGE CVR	1	MOLDED FIBERGLAS, NO PARTS INSTALLED
83	46-264988G1	1	CIRCUIT BD	1	1.5T HEAD TR ASSEMBLY, MG2 A16 A5
84	46-306657P1	2	CARR RAIL LH	1	LEFT GROOVED GUIDE RAIL 16.5" DELRIN
85	46-306656P1	2	CARR RAIL RH	1	COIL RIGHT SUPPORT RAIL 16.5" DELRIN
86	46-264442G3	1	PREAMP BOX	7	1.5T PREAMPLIFIER WITH DIODE FIX
87	46-306679P1	2	SUPPORT PL	1	PREAMP & TR SWITCH MOUNTING PLATE
88	46-306680P1	2	GUIDE RAIL	2	HEAD COIL TR SWITCH GUIDE RAIL
89	46-306681P1	2	MOUNTING PL	1	HEAD PREAMPLIFIER MOUNTING PLATE
90	46-306682P1	2	HANGER	1	PREAMPLIFIER MOUNT PLATE REAR LATCH
91	46-306683P1	2	CLAMP	1	PREAMPLIFIER MOUNT PLATE FRONT LATCH
92	46-136246P15	2	TAPE	AR	3/4" WIDE, WHT ADH BACK, VELCRO LOOP
95	46-237420P1	2	SCREW	1	KNURLED HD TYPE 10-32 X .625
96	46-306697G1	2	CABLE ASM	1	MG2-A16-A5-J5 TO MG2A15-A3-J3, 5.25"

Parts List Continued on Next Page

Cx & LCC 1.5T BRIDGE ASM w/M-C or PA

2119595-11

(CONT'D FROM PREVIOUS PAGE)

Item	Part Number	FRU	Name	Quantity	Description (Remarks)
97	2146831	2	WARN LABEL	2	UFI WARNING LABEL – ENGLISH
98	46-233422P1	2	CONNECTOR	17	BNC JACK-PLUG, RIGHT ANGLE ADAPTER.
99	46-317722P1	2	COVER	1	CARRIAGE COVER ACCESS PANEL, VENTED
102	46-288510G1	N	CIRCUIT BD	1	USE 46-328036G2 AS FIELD REPLACEMENT
103	46-320938P1	2	BEZEL PLATE	1	1.5T KEYED BEZEL INTERFACE PLATE
104	46-282460P1	2	CONNECTOR	2	STANDARD, UNINSULATED BANANA PLUG.
105	46-320939P1	2	BEZEL	1	1.5T KEYED BEZEL
106	46-170686P1	2	ADHESIVE	1	LOCTITE 242, 0.5CC TUBE
108	46-317022P1	2	BLOCK LOCATO	6	MOUNTING FINGER, MOLDED WHITE ACETAL
110	46-220427P2	2	CONNECTOR	6	BNC STRAIGHT PLUG-PLUG ADAPTOR.
112	46-317016P1	2	SIDE SUPPORT	2	1/2" THK LAMINATED COMPOUND
113	46-317015P1	2	MTG PLATE	1	9-3/8" X 3-1/4", 1/2" THK LAMINATE
120	46-287119P1	2	VIBRATION IS	2	SELF-ADHERE TIE-STRAP ANCHOR, NYLON
123	46-328371P2	2	CABLE ASM	1	(736) MG3-A36-J19 TO MG2-A16-A8-J9
124	46-317220G21	N	RF CABLE	1	MULTICOIL CABLE TAKEUP RF CABLES (SEE PAGE 2-204)
5663	46-220184P18	2	SCREW	4	SCREW
7111	46-265486P8	2	SCREW	2	SCREW
7115	46-265486P10	2	SCREW	4	SCREW
13085	46-220196P3	2	WASHER	10	#10 SCREW SIZE (0.190), SST
14325	46-208758P3	2	TY-RAP	4	7.31" X .184" SELF-LOCKING CABLE TIE
17716	46-208913P29	2	SCREW	2	SCREW
17851	46-220184P11	2	SCREW	2	SCREW
17856	46-220184P13	2	SCREW	8	SCREW
17869	46-220184P15	2	SCREW	2	SCREW
18113	46-220184P41	2	SCREW	5	SCREW
18123	46-220184P43	2	SCREW	14	SCREW
18126	46-220184P44	2	SCREW	8	SCREW
18129	46-220184P45	2	SCREW	4	SCREW
18134	46-220184P46	2	SCREW	6	SCREW
37367	1000904P445	2	WASHER	4	ID 0.172 OD 0.438 THK .036
38047	46-208938P5	2	NUT	2	10-32, 3/8" HEX X .130 THK, 18-8 SST
38741	46-221449P5	2	WASHER	23	#10 SCREW SIZE (0.190), PHOS BRONZE
42710	46-208933P15	2	SCREW	2	SCREW
43635	46-230008P1	2	SCREW	2	SCREW
43650	46-208913P14	2	SCREW	3	SCREW
44797	46-243737P2	2	SCREW	12	SCREW
64933	1000904P425	2	WASHER	19	0.2 ID, 0.5 OD, .04 THK, B11H89C
83377	46-221449P3	2	WASHER	18	#6 SCREW SIZE (0.138) SILICONE BRONZE
84266	46-265486P6	2	SCREW	2	SCREW

MULTICOIL RF CABLES

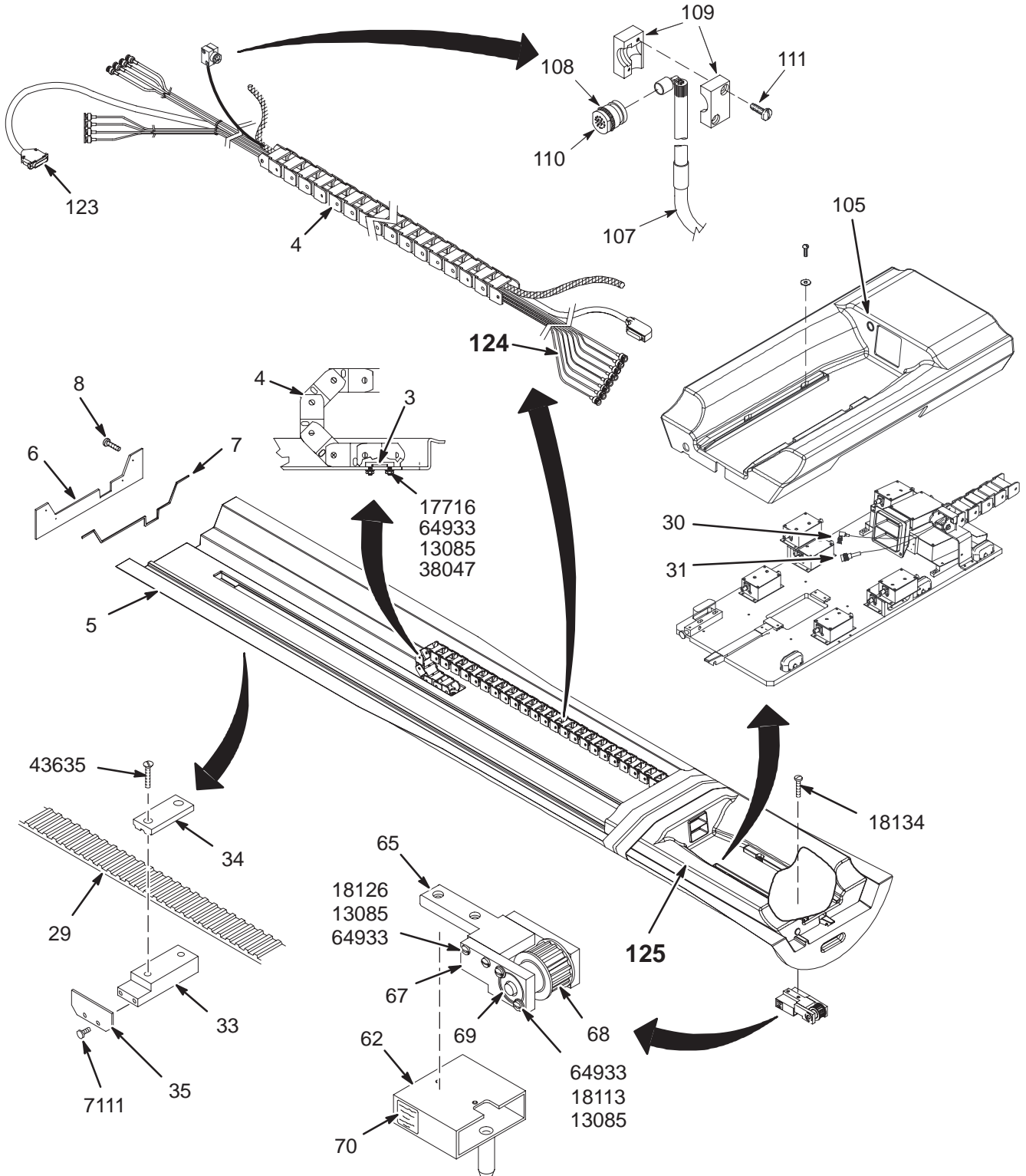
46-317220G21 FRU N

(PART 124 OF 2119595-9 PAGE 2-200)
 (PART 124 OF 2119595-11 PAGE 2-202)
 (PART 124 OF 2205099 PAGE 2-206)
 (PART 124 OF 2205100-2 PAGE 2-211)
 (PART 124 OF 2205100-4 PAGE 2-212)

Item	Part Number	FRU	Name	Quantity	Description (Remarks)
1	46-317220P11	2	RF CABLE	1	(728) MG3-A36-J11 / MG2-A16-OUT-J1
2	46-317220P12	2	RF CABLE	1	(729) MG3-A36-J12 / MG2-A16-OUT-J2
3	46-317220P13	2	RF CABLE	1	(730) MG3-A36-J13 / MG2-A16-OUT-J3
4	46-317220P14	2	RF CABLE	1	(731) MG3-A36-J14 / MG2-A16-OUT-J4
5	46-317220P15	2	RF CABLE	1	(732) MG3-A36-J15 / MG2-A16-OUT-J5
6	46-317220P16	2	RF CABLE	1	(733) MG3-A36-J16 / MG2-A16-OUT-J6
7	46-317220P17	2	RF CABLE	1	(734) MG3-A36-J17 / MG2-A16-OUT-J7
8	46-317220P18	2	RF CABLE	1	(735) MG3-A16-J18 / MG2-A16-OUT-J8

2-12 Cx AND LCC HORIZON BRIDGE AND LOW PROFILE CARRIAGE COVER (LPCC) ASSEMBLIES

1.5T BRIDGE w/LPCC with MULTI-COIL FOR CRM 2205099



1.5T CRM BRIDGE w/LPCC w/o MC

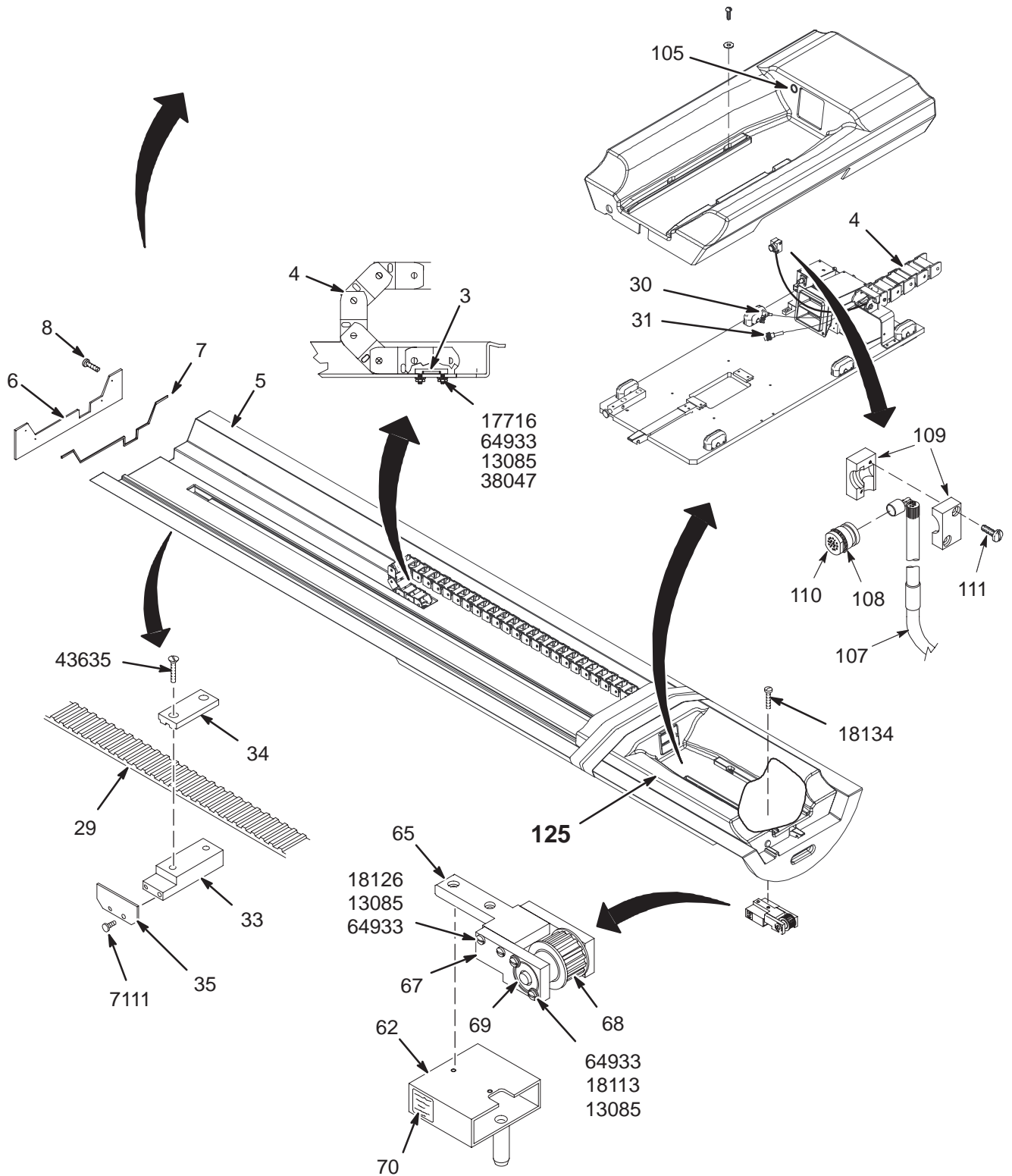
2205099 FRU N

(PART 3 OF 2142000-9 PAGE 2-158)

(PART 3 OF 2142000-19 PAGE 2-178)

Item	Part Number	FRU	Name	Quantity	Description (Remarks)
3	46-282169P1	2	CLAMP	1	CABLETRACK MOUNT
4	2151445-4	2	PART	1	35 LINK CABLE TRACK W/HINGED OPEN'GS
5	2186362	2	PART	1	BRIDGE, Cx/CRM
6	2129351	2	COVER, REAR	1	REAR BRIDGE COVER
7	2131304	2	COVER,GASKET	1	GASKET, COVER, BRIDGE
8	2109873-26	2	SCREW	4	SCREW PAN HEAD 6 MM 20 MM
29	46-282388P3	2	BELT	1	3/8" PITCH GEARBELT, 1" WIDE, 19.5'L
30	46-328000G757	2	ASSEMBLY	1	(485) MG3-A17-J2 TO MW2-A16-A3-J4
31	46-320888G2	2	CABLE ASM	1	11.17' RG58C/U
33	46-271465P1	2	CLAMP, BLOCK	1	SENSOR FLAG MOUNTING CLAMP BLOCK
34	46-271436P1	2	CLAMP, BELT	1	SENSOR FLAG TOP CLAMP
35	46-282436P1	2	FLAG	1	CARRIAGE TRAVEL SENSOR FLAG
62	2160019	2	PART	1	SUPPORT UPPER FRT-BRIDGE Cx
65	46-271432P1	2	MOUNT BRIDGE	1	BRIDGE ATTACHMENT TONGUE
67	46-328446P1	2	SUPPORT BLK.	2	SUPPORT BLOCK
68	46-282646G1	2	PULLEY ASM	1	DRIVE BELT IDLER PULLEY
69	46-282471P12	2	BEARING	2	BEARING
70	46-282756P1	2	LABEL	2	WARNING, CONTAINS FERROUS MATERIAL
105	46-221523P26	2	BUTTON	1	VENT PLUG, WHITE, 7/8 DIA.
107	46-317157G6	2	CABLE ASM.	1	MICROPHONE CABLE ASM WIDEOPEN
108	46-136374P65	2	RING	1	WIDTH .07, ID 0.551, DUROMETER A 70
109	46-317135P1	2	CABLE CLAMP	1	USE 46-317109G1 AS FIELD REPLACEMENT
110	46-317134P1	2	MIKE HOUSING	1	USE 46-317109G1 AS FIELD REPLACEMENT
111	46-208560P111	2	SCREW	2	SCREW 6-32 X 5/8 SS
123	46-328371P3	2	CABLE ASM	1	(736) MG3-A36-J19 TO MG2-A16-A8-J9
124	46-317220G21	N	RF CABLE	1	MULTICOIL CABLE TAKEUP RF CABLES (SEE PAGE 2-204)
125	2205098-2	N	ASSEMBLY	1	1.5T W/PA LOW PROFILE CARRIAGE CVR (SEE PAGE 2-217)
7111	46-265486P8	2	SCREW	2	SCREW
13085	46-220196P3	2	WASHER	10	#10 SCREW SIZE (0.190), SST
17716	46-208913P29	2	SCREW	2	BRS SLOTTED FLT HD SCR 10-32 X 1"
18113	46-220184P41	2	SCREW	4	BRS SLOTTED RND HD SCR 10-32 X 1/2
18126	46-220184P44	2	SCREW	4	SCREW
18134	46-220184P46	2	SCREW	2	BRS SLOTTED RND HD SCR 10-32 X 1/4"
38047	46-208938P5	2	NUT	2	10-32, 3/8" HEX X .130 THK, 18-8 SST
43635	46-230008P1	2	SCREW	2	SCREW
64933	1000904P425	2	WASHER	10	0.2 ID, 0.5 OD, .04 THK, B11H89C

1.5T & 1.0T BRIDGE w/LPCC w/o MULTI-COIL FOR BRM 2205100 & 2205100-3



1.5T BRIDGE w/LPCC w/o MC

2205100 FRU N

(PART 3A OF 2142000-15 PAGE 2-176)

(PART 3A OF 2142000-17 PAGE 2-177)

Item	Part Number	FRU	Name	Quantity	Description (Remarks)
3	46-282169P1	2	CLAMP	1	CABLETRACK MOUNT
4	46-282389P4	2	CABLETRAK	1	35 LINK CABLE TRACK
5	2114811-3	2	BRIDGE	1	Cx MAGNET ENCL BRIDGE
6	2129351	2	COVER, REAR	1	REAR BRIDGE COVER
7	2131304	2	COVER,GASKET	1	GASKET, COVER, BRIDGE
8	2109873-26	2	SCREW	4	SCREW PAN HEAD 6 MM 20 MM
29	46-282388P3	2	BELT	1	3/8" PITCH GEARBELT, 1" WIDE, 19.5'L
30	46-328000G757	2	ASSEMBLY	1	(485) MG3-A17-J2 TO MW2-A16-A3-J4
31	46-320888G2	2	CABLE ASM	1	11.17' RG58C/U
33	46-271465P1	2	CLAMP, BLOCK	1	SENSOR FLAG MOUNTING CLAMP BLOCK
34	46-271436P1	2	CLAMP, BELT	1	SENSOR FLAG TOP CLAMP
35	46-282436P1	2	FLAG	1	CARRIAGE TRAVEL SENSOR FLAG
62	2160019	2	PART	1	SUPPORT UPPER FRT-BRIDGE Cx
65	46-271432P1	2	MOUNT BRIDGE	1	BRIDGE ATTACHMENT TONGUE
67	46-328446P1	2	SUPPORT BLK.	2	SUPPORT BLOCK
68	46-282646G1	2	PULLEY ASM	1	DRIVE BELT IDLER PULLEY
69	46-282471P12	2	BEARING	2	BEARING
70	46-282756P1	2	LABEL	2	WARNING, CONTAINS FERROUS MATERIAL
105	46-221523P26	2	BUTTON	1	VENT PLUG, WHITE, 7/8 DIA.
106	46-282264P1	2	ADHESIVE	1	2 OZ DUAL PAK CARTRIDGE EPOXY, CLEAR
107	46-317157G6	2	CABLE ASM.	1	MICROPHONE CABLE ASM WIDEOPEN
108	46-136374P65	2	RING	1	WIDTH .07, ID 0.551, DUROMETER A 70
109	46-317135P1	2	CABLE CLAMP	1	USE 46-317109G1 AS FIELD REPLACEMENT
110	46-317134P1	2	MIKE HOUSING	1	USE 46-317109G1 AS FIELD REPLACEMENT
111	46-208560P111	2	SCREW	2	SCREW 6-32 X 5/8 SS
125	2205098	N	ASSEMBLY	1	1.5T W/O PA LOW PROFILE CARRIAGE CVR (SEE PAGE 2-214)
7111	46-265486P8	2	SCREW	2	SCREW
13085	46-220196P3	2	WASHER	10	#10 SCREW SIZE (0.190), SST
17716	46-208913P29	2	SCREW	2	BRS SLOTTED FLT HD SCR 10-32 X 1"
18113	46-220184P41	2	SCREW	4	BRS SLOTTED RND HD SCR 10-32 X 1/2
18126	46-220184P44	2	SCREW	4	SCREW
18134	46-220184P46	2	SCREW	2	BRS SLOTTED RND HD SCR 10-32 X 1/4"
38047	46-208938P5	2	NUT	2	10-32, 3/8" HEX X .130 THK, 18-8 SST
43635	46-230008P1	2	SCREW	2	SCREW
64933	1000904P425	2	WASHER	10	0.2 ID, 0.5 OD, .04 THK, B11H89C

1.0T BRIDGE w/LPCC w/o MC

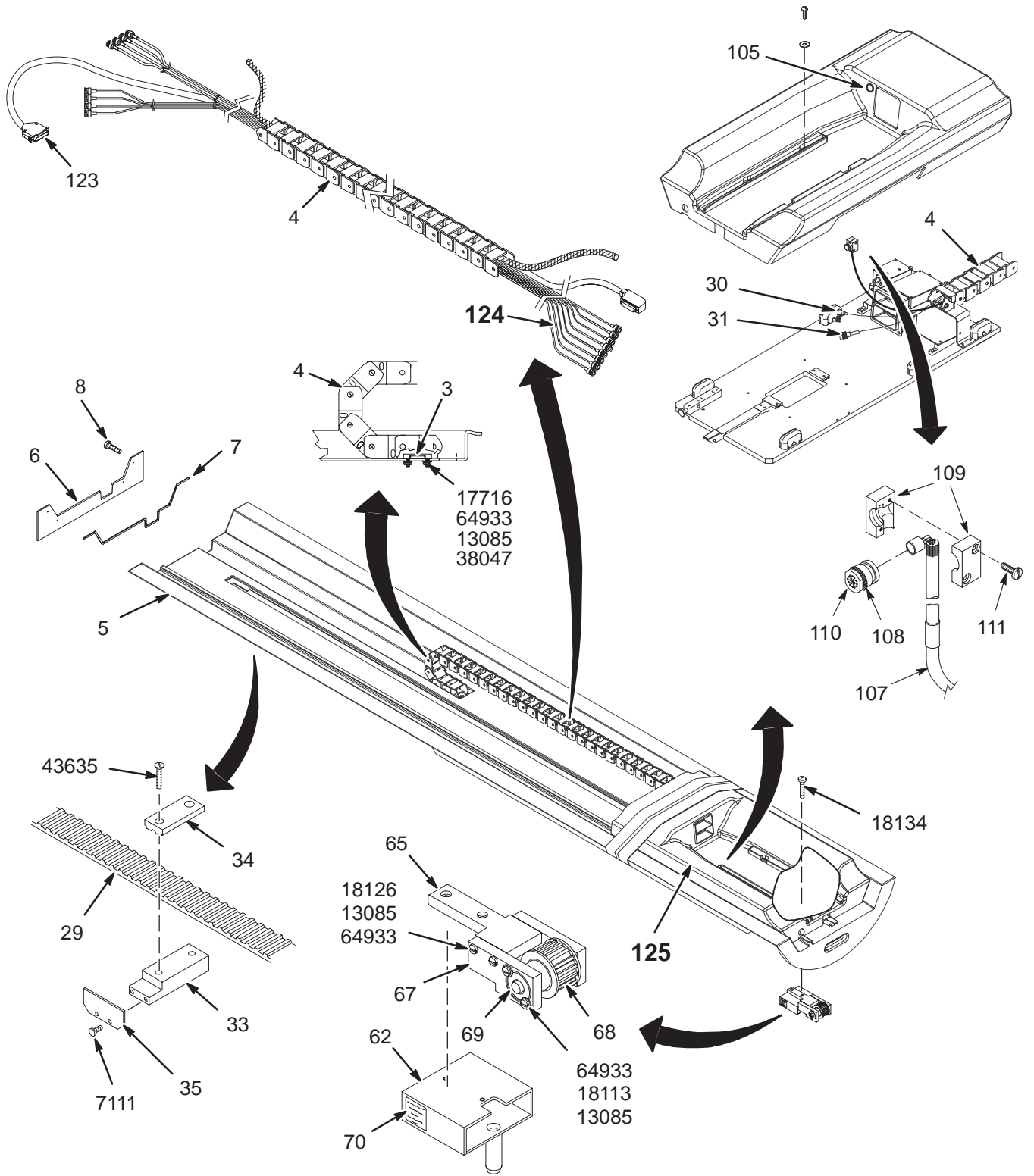
2205100-3 FRU N

(PART 3A OF 2142000-11 PAGE 2-174)

(PART 3A OF 2142000-13 PAGE 2-175)

Item	Part Number	FRU	Name	Quantity	Description (Remarks)
3	46-282169P1	2	CLAMP	1	CABLETRACK MOUNT
4	46-282389P4	2	CABLETRAK	1	35 LINK CABLE TRACK
5	2114811-3	2	BRIDGE	1	Cx MAGNET ENCL BRIDGE
6	2129351	2	COVER, REAR	1	REAR BRIDGE COVER
7	2131304	2	COVER,GASKET	1	GASKET, COVER, BRIDGE
8	2109873-26	2	SCREW	4	SCREW PAN HEAD 6 MM 20 MM
29	46-282388P3	2	BELT	1	3/8" PITCH GEARBELT, 1" WIDE, 19.5'L
30	46-328000G757	2	ASSEMBLY	1	(485) MG3-A17-J2 TO MW2-A16-A3-J4
31	46-320888G2	2	CABLE ASM	1	11.17' RG58C/U
33	46-271465P1	2	CLAMP, BLOCK	1	SENSOR FLAG MOUNTING CLAMP BLOCK
34	46-271436P1	2	CLAMP, BELT	1	SENSOR FLAG TOP CLAMP
35	46-282436P1	2	FLAG	1	CARRIAGE TRAVEL SENSOR FLAG
62	2160019	2	PART	1	SUPPORT UPPER FRT-BRIDGE Cx
65	46-271432P1	2	MOUNT BRIDGE	1	BRIDGE ATTACHMENT TONGUE
67	46-328446P1	2	SUPPORT BLK.	2	SUPPORT BLOCK
68	46-282646G1	2	PULLEY ASM	1	DRIVE BELT IDLER PULLEY
69	46-282471P12	2	BEARING	2	BEARING
70	46-282756P1	2	LABEL	2	WARNING, CONTAINS FERROUS MATERIAL
105	46-221523P26	2	BUTTON	1	VENT PLUG, WHITE, 7/8 DIA.
106	46-282264P1	2	ADHESIVE	1	2 OZ DUAL PAK CARTRIDGE EPOXY, CLEAR
107	46-317157G6	2	CABLE ASM.	1	MICROPHONE CABLE ASM WIDEOOPEN
108	46-136374P65	2	RING	1	WIDTH .07, ID 0.551, DUROMETER A 70
109	46-317135P1	2	CABLE CLAMP	1	USE 46-317109G1 AS FIELD REPLACEMENT
110	46-317134P1	2	MIKE HOUSING	1	USE 46-317109G1 AS FIELD REPLACEMENT
111	46-208560P111	2	SCREW	2	SCREW 6-32 X 5/8 SS
125	2205098-3	N	ASSEMBLY	1	1.0T W/O PA LOW PROFILE CARRIAGE CVR (SEE PAGE 2-215)
7111	46-265486P8	2	SCREW	2	SCREW
13085	46-220196P3	2	WASHER	10	#10 SCREW SIZE (0.190), SST
17716	46-208913P29	2	SCREW	2	BRS SLOTTED FLT HD SCR 10-32 X 1"
18113	46-220184P41	2	SCREW	4	BRS SLOTTED RND HD SCR 10-32 X 1/2
18126	46-220184P44	2	SCREW	4	SCREW
18134	46-220184P46	2	SCREW	2	BRS SLOTTED RND HD SCR 10-32 X 1/4"
38047	46-208938P5	2	NUT	2	10-32, 3/8" HEX X .130 THK, 18-8 SST
43635	46-230008P1	2	SCREW	2	SCREW
64933	1000904P425	2	WASHER	10	0.2 ID, 0.5 OD, .04 THK, B11H89C

1.5T & 1.0T BRIDGE w/LPCC with MULTI-COIL FOR BRM 2205100-2 & 2205100-4



1.5T BRIDGE w/LPCC with MC

2205100-2 FRU N

(PART 3A OF 2142000-16 PAGE 2-176)

(PART 3A OF 2142000-18 PAGE 2-177)

Item	Part Number	FRU	Name	Quantity	Description (Remarks)
3	46-282169P1	2	CLAMP	1	CABLETRACK MOUNT
4	2151445-4	2	PART	1	35 LINK CABLE TRACK W/HINGED OPEN'GS
5	2114811-3	2	BRIDGE	1	Cx MAGNET ENCL BRIDGE
6	2129351	2	COVER, REAR	1	REAR BRIDGE COVER
7	2131304	2	COVER,GASKET	1	GASKET, COVER, BRIDGE
8	2109873-26	2	SCREW	4	SCREW PAN HEAD 6 MM 20 MM
29	46-282388P3	2	BELT	1	3/8" PITCH GEARBELT, 1" WIDE, 19.5'L
30	46-328000G757	2	ASSEMBLY	1	(485) MG3-A17-J2 TO MW2-A16-A3-J4
31	46-320888G2	2	CABLE ASM	1	11.17' RG58C/U
33	46-271465P1	2	CLAMP, BLOCK	1	SENSOR FLAG MOUNTING CLAMP BLOCK
34	46-271436P1	2	CLAMP, BELT	1	SENSOR FLAG TOP CLAMP
35	46-282436P1	2	FLAG	1	CARRIAGE TRAVEL SENSOR FLAG
62	2160019	2	PART	1	SUPPORT UPPER FRT-BRIDGE Cx
65	46-271432P1	2	MOUNT BRIDGE	1	BRIDGE ATTACHMENT TONGUE
67	46-328446P1	2	SUPPORT BLK.	2	SUPPORT BLOCK
68	46-282646G1	2	PULLEY ASM	1	DRIVE BELT IDLER PULLEY
69	46-282471P12	2	BEARING	2	BEARING
70	46-282756P1	2	LABEL	2	WARNING, CONTAINS FERROUS MATERIAL
105	46-221523P26	2	BUTTON	1	VENT PLUG, WHITE, 7/8 DIA.
106	46-282264P1	2	ADHESIVE	1	2 OZ DUAL PAK CARTRIDGE EPOXY, CLEAR
107	46-317157G6	2	CABLE ASM.	1	MICROPHONE CABLE ASM WIDEOPEN
108	46-136374P65	2	RING	1	WIDTH .07, ID 0.551, DUROMETER A 70
109	46-317135P1	2	CABLE CLAMP	1	USE 46-317109G1 AS FIELD REPLACEMENT
110	46-317134P1	2	MIKE HOUSING	1	USE 46-317109G1 AS FIELD REPLACEMENT
111	46-208560P111	2	SCREW	2	SCREW 6-32 X 5/8 SS
123	46-328371P3	2	CABLE ASM	1	(736) MG3-A36-J19 TO MG2-A16-A8-J9
124	46-317220G21	N	RF CABLE	1	MULTICOIL CABLE TAKEUP RF CABLES (SEE PAGE 2-204)
125	2205098-2	N	ASSEMBLY	1	1.5T W/PA LOW PROFILE CARRIAGE CVR (SEE PAGE 2-217)
7111	46-265486P8	2	SCREW	2	SCREW
13085	46-220196P3	2	WASHER	10	#10 SCREW SIZE (0.190), SST
17716	46-208913P29	2	SCREW	2	BRS SLOTTED FLT HD SCR 10-32 X 1"
18113	46-220184P41	2	SCREW	4	BRS SLOTTED RND HD SCR 10-32 X 1/2
18126	46-220184P44	2	SCREW	4	SCREW
18134	46-220184P46	2	SCREW	2	BRS SLOTTED RND HD SCR 10-32 X 1/4"
38047	46-208938P5	2	NUT	2	10-32, 3/8" HEX X .130 THK, 18-8 SST
43635	46-230008P1	2	SCREW	2	SCREW
64933	1000904P425	2	WASHER	10	0.2 ID, 0.5 OD, .04 THK, B11H89C

1.0T BRIDGE w/LPCC with MC

2205100-4 FRU N

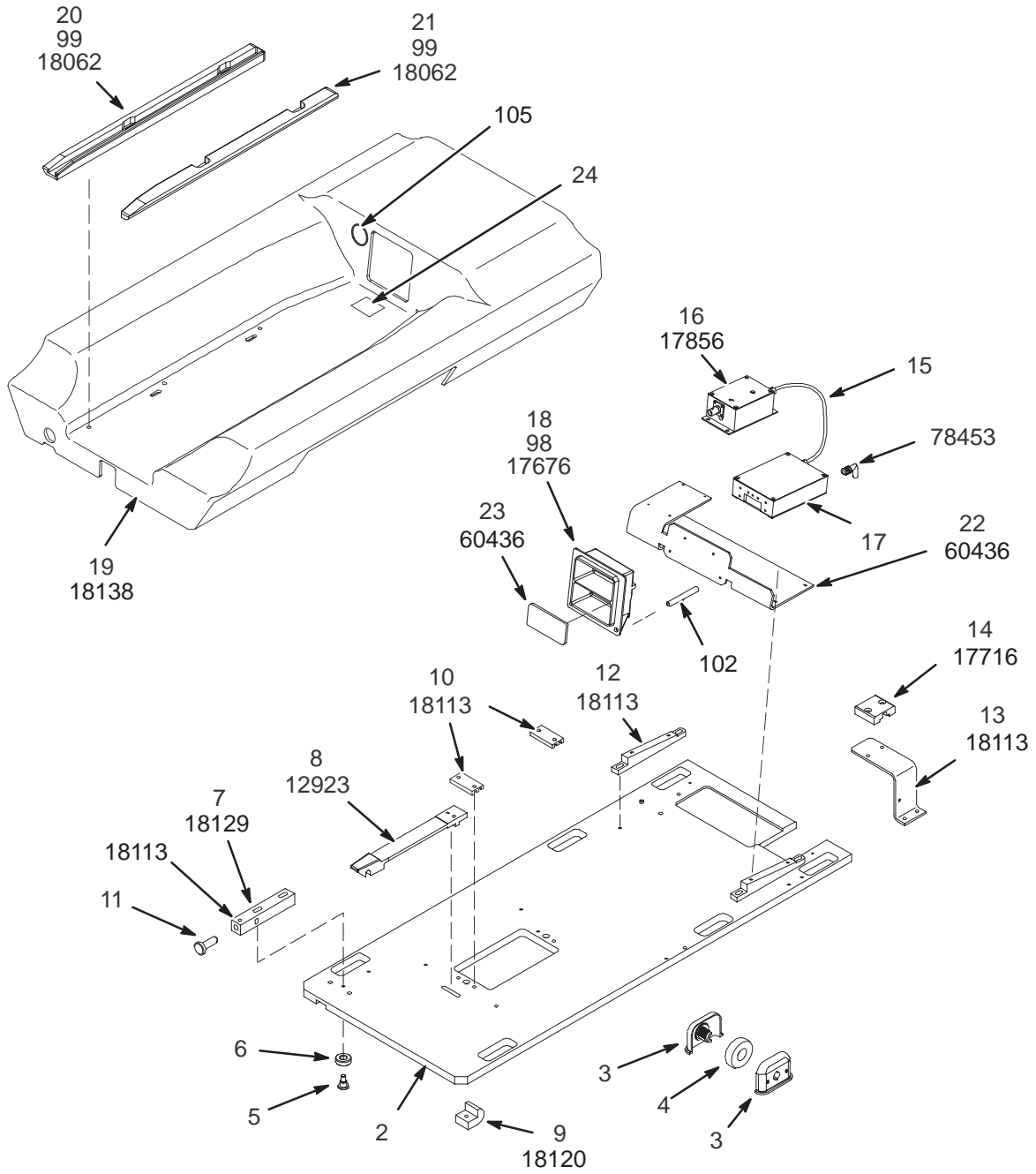
(PART 3A OF 2142000-12 PAGE 2-174)

(PART 3A OF 2142000-14 PAGE 2-175)

Item	Part Number	FRU	Name	Quantity	Description (Remarks)
3	46-282169P1	2	CLAMP	1	CABLETRACK MOUNT
4	2151445-4	2	PART	1	35 LINK CABLE TRACK W/HINGED OPEN'GS
5	2114811-3	2	BRIDGE	1	Cx MAGNET ENCL BRIDGE
6	2129351	2	COVER, REAR	1	REAR BRIDGE COVER
7	2131304	2	COVER,GASKET	1	GASKET, COVER, BRIDGE
8	2109873-26	2	SCREW	4	SCREW PAN HEAD 6 MM 20 MM
29	46-282388P3	2	BELT	1	3/8" PITCH GEARBELT, 1" WIDE, 19.5'L
30	46-328000G757	2	ASSEMBLY	1	(485) MG3-A17-J2 TO MW2-A16-A3-J4
31	46-320888G2	2	CABLE ASM	1	11.17' RG58C/U
33	46-271465P1	2	CLAMP, BLOCK	1	SENSOR FLAG MOUNTING CLAMP BLOCK
34	46-271436P1	2	CLAMP, BELT	1	SENSOR FLAG TOP CLAMP
35	46-282436P1	2	FLAG	1	CARRIAGE TRAVEL SENSOR FLAG
62	2160019	2	PART	1	SUPPORT UPPER FRT-BRIDGE Cx
65	46-271432P1	2	MOUNT BRIDGE	1	BRIDGE ATTACHMENT TONGUE
67	46-328446P1	2	SUPPORT BLK.	2	SUPPORT BLOCK
68	46-282646G1	2	PULLEY ASM	1	DRIVE BELT IDLER PULLEY
69	46-282471P12	2	BEARING	2	BEARING
70	46-282756P1	2	LABEL	2	WARNING, CONTAINS FERROUS MATERIAL
105	46-221523P26	2	BUTTON	1	VENT PLUG, WHITE, 7/8 DIA.
106	46-282264P1	2	ADHESIVE	1	2 OZ DUAL PAK CARTRIDGE EPOXY, CLEAR
107	46-317157G6	2	CABLE ASM.	1	MICROPHONE CABLE ASM WIDEOPEN
108	46-136374P65	2	RING	1	WIDTH .07, ID 0.551, DUROMETER A 70
109	46-317135P1	2	CABLE CLAMP	1	USE 46-317109G1 AS FIELD REPLACEMENT
110	46-317134P1	2	MIKE HOUSING	1	USE 46-317109G1 AS FIELD REPLACEMENT
111	46-208560P111	2	SCREW	2	SCREW 6-32 X 5/8 SS
123	46-328371P3	2	CABLE ASM	1	(736) MG3-A36-J19 TO MG2-A16-A8-J9
124	46-317220G21	N	RF CABLE	1	MULTICOIL CABLE TAKEUP RF CABLES (SEE PAGE 2-204)
125	2205098-4	N	ASSEMBLY	1	1.0T W/PA LOW PROFILE CARRIAGE CVR (SEE PAGE 2-218)
7111	46-265486P8	2	SCREW	2	SCREW
13085	46-220196P3	2	WASHER	10	#10 SCREW SIZE (0.190), SST
17716	46-208913P29	2	SCREW	2	BRS SLOTTED FLT HD SCR 10-32 X 1"
18113	46-220184P41	2	SCREW	4	BRS SLOTTED RND HD SCR 10-32 X 1/2
18126	46-220184P44	2	SCREW	4	SCREW
18134	46-220184P46	2	SCREW	2	BRS SLOTTED RND HD SCR 10-32 X 1/4"
38047	46-208938P5	2	NUT	2	10-32, 3/8" HEX X .130 THK, 18-8 SST
43635	46-230008P1	2	SCREW	2	SCREW
64933	1000904P425	2	WASHER	10	0.2 ID, 0.5 OD, .04 THK, B11H89C

1.5T & 1.0T LOW PROFILE CARRIAGE COVER without MULTI-COIL

2205098 & 2205098-3



1.5T LPCC w/o MC

2205098 FRU N

(PART 125 OF 2205100 PAGE 2-208)

Item	Part Number	FRU	Name	Quantity	Description (Remarks)
2	46-282163P2	2	BASE PLATE	1	LPCC CARRIAGE BASEPLATE
3	46-243167P1	2	BOX	12	WHEEL HOUSING, MOLDED NORYL
4	46-243494P1	2	CASTER	6	3/4" ID, 1-3/4 OD, 1/2" WIDE PLASTIC
5	46-243141P1	2	SHLD SCR	4	PLASTIC BEARING MOUNT SHOULDER SCREW
6	46-243178P2	2	BEARING	4	BEARING
7	46-282164P1	2	PLUNGER	1	CARRIAGE RELEASE PLUNGER, DELRIN
8	46-317169P1	2	HOOK	1	CRADLE LATCH HOOK
9	46-271435P1	2	SUPPORT, B R	2	BELT GUIDE, DELRIN
10	2212191	2	CLAMP BELT T	2	DRIVE BELT CLAMP PLATE LPCC
11	46-265089P1	2	SCREW	1	SCREW
12	2212188	2	MOUNTING SUP	2	BEZEL ASSEMBLY SUPPORT LPCC
13	2212187	2	CABLE TRACK	1	CABLE TRACK TO BASEPLATE BKT LPCC
14	2212186	2	CLAMP TAKE-U	1	CABLE TRACK CLAMP LPCC
15	2214666	2	CABLE	1	LCC HD T/R TO HD PREAMP SHIELDED CBL
16	46-264442G3	1	PREAMP BOX	1	1.5T PREAMPLIFIER WITH DIODE FIX
17	46-264988G2	1	CIRCUIT BD	1	LPCC 1.5T HEAD T/R ASSEMBLY
18	2213331-3	2	DOUBLE BEZEL	1	1.5T LPCC BEZEL WITH POKE-A-YOKE
19A	2323896-2	1	CARRIAGE COV	1	LPCC COVER THERMAL FORM
19B	2210816	2	CARRIAGE COV	ALT	LPCC COVER
20	2212193	2	CARRIAGE RAI	1	LEFT RAIL FOR THE COVER ASSEMBLY
21	2212192	2	CARRIAGE RAI	1	RIGHT RAIL FOR THE COVER ASSEMBLY
22	2216528	2	BEZEL BRACKE	1	BEZEL & ELECTRONICS BKT LPCC W/O PA
23	2215931	2	BLANK	1	BLANK FOR DOUBLE BEZEL LPCC_W/O PA
24	2146831	2	WARN LABEL	1	UFI WARNING LABEL - ENGLISH
98	46-208913P36	2	SCREW-INCH	2	SCREW-INCH COUNTERSUNK HEA 1.75 INCH
99	46-208921P36	2	SCREW	2	BRS SLOTTED BND HD SCR 8-32 X 3/8"
102	2223862	2	SPACER	2	BRASS 1/4" TUBULAR SPACER
105	46-221523P26	2	BUTTON	1	VENT PLUG, WHITE, 7/8 DIA.
106	46-282264P1	2	ADHESIVE	1	2 OZ DUAL PAK CARTRIDGE EPOXY, CLEAR
12923	46-208921P9	2	SCREW	11	BRS SLOTTED RND HD SCR 10-32 X 3/4"
17676	46-208913P7	2	SCREW	4	BRASS SLOTTED FLT HD SCR 8-32 X 1/2"
17716	46-208913P29	2	SCREW	2	BRS SLOTTED FLT HD SCR 10-32 X 1"
17856	46-220184P13	2	SCREW	4	BRS SLOTTED RND HD SCR 6-32 X 3/8"
18062	46-220184P28	2	SCREW	4	BRS SLOTTED RND HD SCR 8-32 X 5/8"
18113	46-220184P41	2	SCREW	11	BRS SLOTTED RND HD SCR 10-32 X 1/2"
18120	46-220184P42	2	SCREW	4	BRS SLOTTED RND HD SCR 10-32 X 5/8"
18129	46-220184P45	2	SCREW	2	BRS SLOTTED RND HD SCR 10-32 X 1"
18138	46-220184P47	2	SCREW	4	BRS SLOTTED RND HD SCR 10-32 X 1-1/2"
60436	46-208921P8	2	SCREW	4	BRS SLOTTED BND HD SCR 10-32 X 3/8"
78453	46-221865P3	2	CONNECTOR	1	UG-27B RT-ANGLE N, 50-OHM JACK-PLUG

1.0T LPCC w/o MC

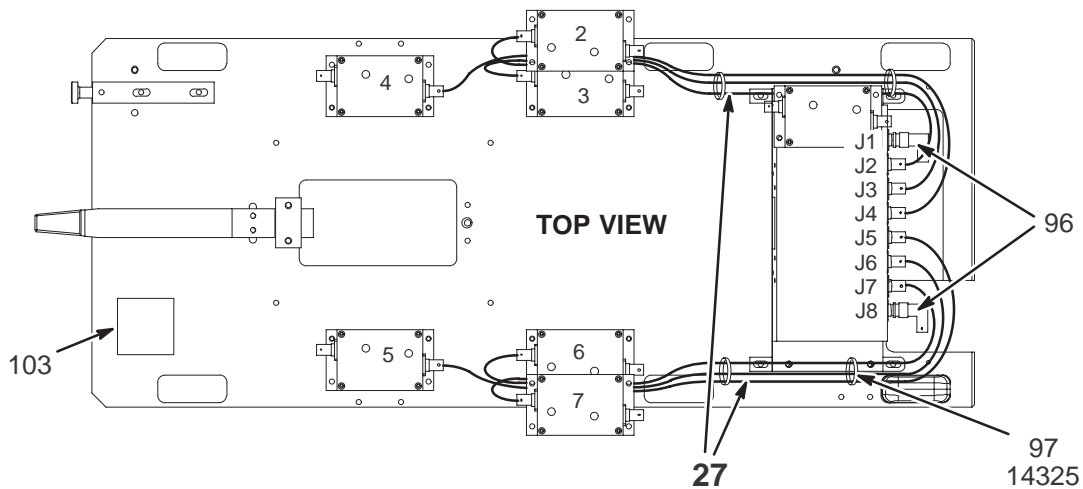
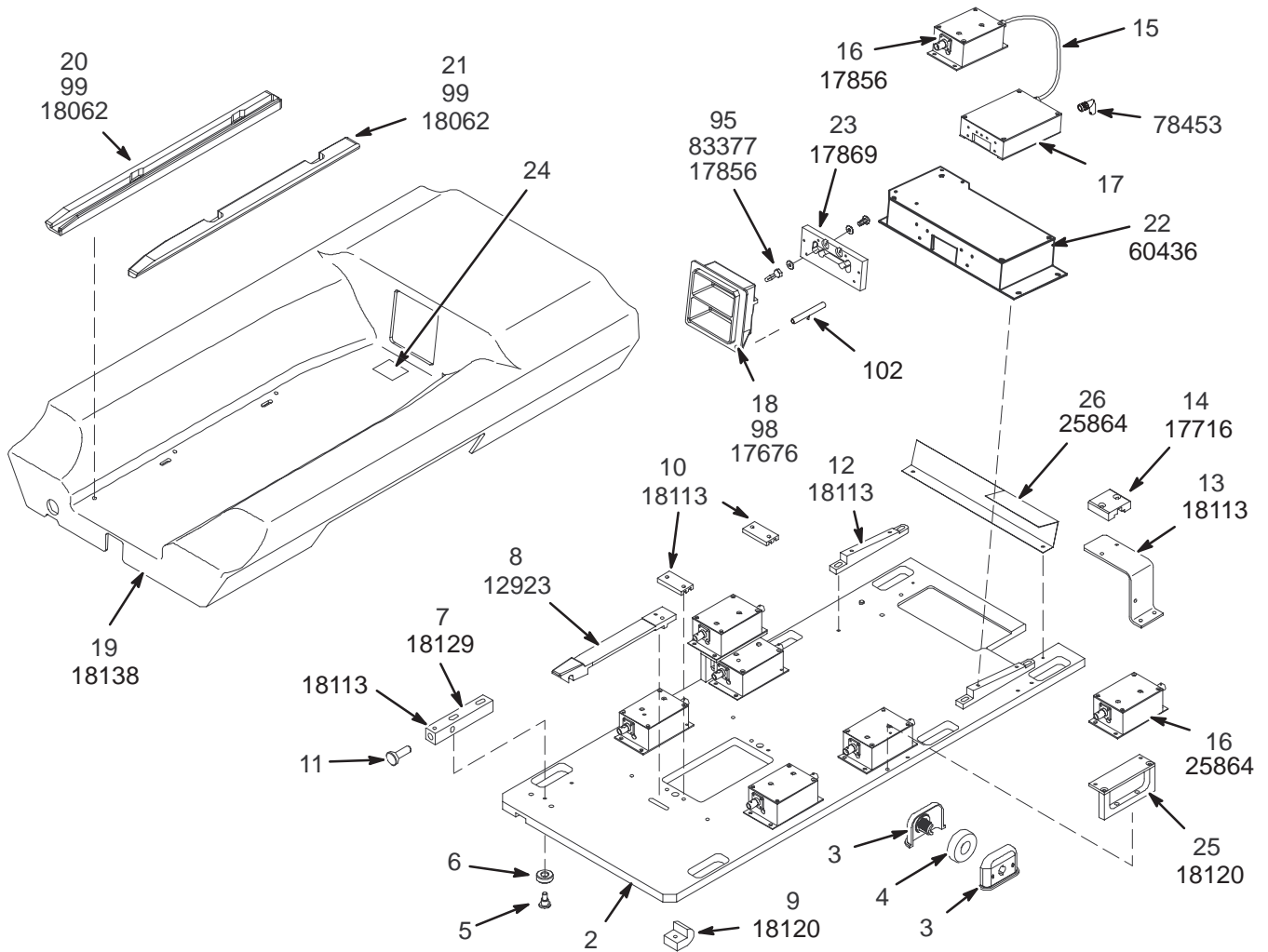
2205098-3 FRU N

(PART 125 OF 2205100-3 PAGE 2-209)

Item	Part Number	FRU	Name	Quantity	Description (Remarks)
2	46-282163P2	2	BASE PLATE	1	LPCC CARRIAGE BASEPLATE
3	46-243167P1	2	BOX	12	WHEEL HOUSING, MOLDED NORYL
4	46-243494P1	2	CASTER	6	3/4" ID, 1-3/4 OD, 1/2" WIDE PLASTIC
5	46-243141P1	2	SHLD SCR	4	PLASTIC BEARING MOUNT SHOULDER SCREW
6	46-243178P2	2	BEARING	4	BEARING
7	46-282164P1	2	PLUNGER	1	CARRIAGE RELEASE PLUNGER, DELRIN
8	46-317169P1	2	HOOK	1	CRADLE LATCH HOOK
9	46-271435P1	2	SUPPORT, B R	2	BELT GUIDE, DELRIN
10	2212191	2	CLAMP BELT T	2	DRIVE BELT CLAMP PLATE LPCC
11	46-265089P1	2	SCREW	1	SCREW
12	2212188	2	MOUNTING SUP	2	BEZEL ASSEMBLY SUPPORT LPCC
13	2212187	2	CABLE TRACK	1	CABLE TRACK TO BASEPLATE BKT LPCC
14	2212186	2	CLAMP TAKE-U	1	CABLE TRACK CLAMP LPCC
15	2214666	2	CABLE	1	LCC HD T/R TO HD PREAMP SHIELDED CBL
16	46-321338G3	1	PREAMP BOX	1	1.0T PREAMPLIFIER WITH DIODE FIX
17	46-321336G2	1	CIRCUIT BD	1	LPCC 1.0T HEAD T/R ASSEMBLY
18	2213331-2	2	DOUBLE BEZEL	1	1.0T LPCC DOUBLE BEZEL
19A	2323896-2	1	CARRIAGE COV	1	LPCC COVER THERMAL FORM
19B	2210816	2	CARRIAGE COV	ALT	LPCC COVER
20	2212193	2	CARRIAGE RAI	1	LEFT RAIL FOR THE COVER ASSEMBLY
21	2212192	2	CARRIAGE RAI	1	RIGHT RAIL FOR THE COVER ASSEMBLY
22	2216528	2	BEZEL BRACKE	1	BEZEL & ELECTRONICS BKT LPCC W/O PA
23	2215931	2	BLANK	1	BLANK FOR DOUBLE BEZEL LPCC_W/O PA
98	46-208913P36	2	SCREW-INCH	2	SCREW-INCH COUNTERSUNK HEA 1.75 INCH
99	46-208921P36	2	SCREW	2	BRS SLOTTED BND HD SCR 8-32 X 3/8"
102	2223862	2	SPACER	2	BRASS 1/4" TUBULAR SPACER
105	46-221523P26	2	BUTTON	1	VENT PLUG, WHITE, 7/8 DIA.
106	46-282264P1	2	ADHESIVE	1	2 OZ DUAL PAK CARTRIDGE EPOXY, CLEAR
12923	46-208921P9	2	SCREW	11	BRS SLOTTED RND HD SCR 10-32 X 3/4"
17676	46-208913P7	2	SCREW	4	BRASS SLOTTED FLT HD SCR 8-32 X 1/2"
17716	46-208913P29	2	SCREW	2	BRS SLOTTED FLT HD SCR 10-32 X 1"
17856	46-220184P13	2	SCREW	4	BRS SLOTTED RND HD SCR 6-32 X 3/8"
18062	46-220184P28	2	SCREW	4	BRS SLOTTED RND HD SCR 8-32 X 5/8"
18113	46-220184P41	2	SCREW	11	BRS SLOTTED RND HD SCR 10-32 X 1/2"
18120	46-220184P42	2	SCREW	4	BRS SLOTTED RND HD SCR 10-32 X 5/8"
18129	46-220184P45	2	SCREW	2	BRS SLOTTED RND HD SCR 10-32 X 1"
18138	46-220184P47	2	SCREW	4	BRS SLOTTED RND HD SCR 10-32 X 1-1/2"
60436	46-208921P8	2	SCREW	4	BRS SLOTTED BND HD SCR 10-32 X 3/8"
78453	46-221865P3	2	CONNECTOR	1	UG-27B RT-ANGLE N, 50-OHM JACK-PLUG

1.5T & 1.0T LOW PROFILE CARRIAGE COVER with MULTI-COIL

2205098-2 & 2205098-4



1.5T LPCC w/MC

2205098-2 FRU N

(PART 125 OF 2205099 PAGE 2-206)
(PART 125 OF 2205100-2 PAGE 2-211)

Item	Part Number	FRU	Name	Quantity	Description (Remarks)
2	46-282163P2	2	BASE PLATE	1	LPCC CARRIAGE BASEPLATE
3	46-243167P1	2	BOX	12	WHEEL HOUSING, MOLDED NORYL
4	46-243494P1	2	CASTER	6	3/4" ID, 1-3/4 OD, 1/2" WIDE PLASTIC
5	46-243141P1	2	SHLD SCR	4	PLASTIC BEARING MOUNT SHOULDER SCREW
6	46-243178P2	2	BEARING	4	BEARING
7	46-282164P1	2	PLUNGER	1	CARRIAGE RELEASE PLUNGER, DELRIN
8	46-317169P1	2	HOOK	1	CRADLE LATCH HOOK
9	46-271435P1	2	SUPPORT, B R	2	BELT GUIDE, DELRIN
10	2212191	2	CLAMP BELT T	2	DRIVE BELT CLAMP PLATE LPCC
11	46-265089P1	2	SCREW	1	SCREW
12	2212188	2	MOUNTING SUP	2	BEZEL ASSEMBLY SUPPORT LPCC
13	2212187	2	CABLE TRACK	1	CABLE TRACK TO BASEPLATE BKT LPCC
14	2212186	2	CLAMP TAKE-U	1	CABLE TRACK CLAMP LPCC
15	2214666	2	CABLE	1	LCC HD T/R TO HD PREAMP SHIELDED CBL
16	46-264442G3	1	PREAMP BOX	7	1.5T PREAMPLIFIER WITH DIODE FIX
17	46-264988G2	1	CIRCUIT BD	1	LPCC 1.5T HEAD T/R ASSEMBLY
18	2213331-3	2	DOUBLE BEZEL	1	1.5T LPCC BEZEL WITH POKE-A-YOKE
19A	2323896-2	1	CARRIAGE COV	1	LPCC COVER THERMAL FORM
19B	2210816	2	CARRIAGE COV	ALT	LPCC COVER
20	2212193	2	CARRIAGE RAI	1	LEFT RAIL FOR THE COVER ASSEMBLY
21	2212192	2	CARRIAGE RAI	1	RIGHT RAIL FOR THE COVER ASSEMBLY
22	46-288510G4	1	CIRCUIT BD	1	LPCC 1.5T PREAMP PROTECTION ASM APA
23	46-320938P2	2	BEZEL PLATE	1	LPCC 1.5T BEZEL PLATE
24	2146831	2	WARN LABEL	1	UFI WARNING LABEL - ENGLISH
25	2212189	2	PRE AMP MOUN	2	PREAMP SUPPORT ASSEMBLY LPCC W/PA
26	2210732	2	BASE PLATE	1	FISHPAPER INSULATOR LPCC W/PA
27	2214665-9	2	CABLE	1	LPCC PREAMP INPUT CABLE COLLECTOR (SEE PAGE 2-219)
95	46-282460P1	2	CONNECTOR	2	STD, HEX BRASS UNINSULATED BANANA
96	46-233422P1	2	CONNECTOR	2	BNC JACK-PLUG, RIGHT ANGLE ADAPTER.
97	46-287119P1	2	VIBRATION IS	10	SELF-ADHERE TIE-STRAP ANCHOR, NYLON
98	46-208913P36	2	SCREW-INCH	2	SCREW-INCH COUNTERSUNK HEA 1.75 INCH
99	46-208921P36	2	SCREW	2	BRS SLOTTED BND HD SCR 8-32 X 3/8"
102	2223862	2	SPACER	2	BRASS 1/4" TUBULAR SPACER
103	2255802	2	LABEL	1	ATTENTION, DO NOT KINK CABLE, LPCC
105	46-221523P26	2	BUTTON	1	VENT PLUG, WHITE, 7/8 DIA.
106	46-282264P1	2	ADHESIVE	1	2 OZ DUAL PAK CARTRIDGE EPOXY, CLEAR
12923	46-208921P9	2	SCREW	11	BRS SLOTTED RND HD SCR 10-32 X 3/4"
14325	46-208758P3	2	TY-RAP	12	7.31" X .184" SELF-LOCKING CABLE TIE
17676	46-208913P7	2	SCREW	4	BRASS SLOTTED FLT HD SCR 8-32 X 1/2"
17716	46-208913P29	2	SCREW	2	BRS SLOTTED FLT HD SCR 10-32 X 1"
17856	46-220184P13	2	SCREW	6	BRS SLOTTED RND HD SCR 6-32 X 3/8"
17869	46-220184P15	2	SCREW	2	BRS SLOTTED RND HD SCR 6-32 X 5/8"
18062	46-220184P28	2	SCREW	4	BRS SLOTTED RND HD SCR 8-32 X 5/8"
18113	46-220184P41	2	SCREW	11	BRS SLOTTED RND HD SCR 10-32 X 1/2
18120	46-220184P42	2	SCREW	8	BRS SLOTTED RND HD SCR 10-32 X 5/8"
18129	46-220184P45	2	SCREW	2	BRS SLOTTED RND HD SCR 10-32 X 1"
18138	46-220184P47	2	SCREW	4	BRS SLOTTED RND HD SCR 10-32 X 1-1/2"
25864	46-208921P7	2	SCREW	14	SCREW
60436	46-208921P8	2	SCREW	4	BRS SLOTTED BND HD SCR 10-32 X 3/8"
78453	46-221865P3	2	CONNECTOR	1	UG-27B RT-ANGLE N, 50-OHM JACK-PLUG
83377	46-221449P3	2	WASHER	4	#6 SCREW SIZE (0.138) SILICONE BRONZ

1.0T LPCC w/MC

2205098-4 FRU N

(PART 125 OF 2205100-4 PAGE 2-212)

Item	Part Number	FRU	Name	Quantity	Description (Remarks)
2	46-282163P2	2	BASE PLATE	1	LPCC CARRIAGE BASEPLATE
3	46-243167P1	2	BOX	12	WHEEL HOUSING, MOLDED NORYL
4	46-243494P1	2	CASTER	6	3/4" ID, 1-3/4 OD, 1/2" WIDE PLASTIC
5	46-243141P1	2	SHLD SCR	4	PLASTIC BEARING MOUNT SHOULDER SCREW
6	46-243178P2	2	BEARING	4	BEARING
7	46-282164P1	2	PLUNGER	1	CARRIAGE RELEASE PLUNGER, DELRIN
8	46-317169P1	2	HOOK	1	CRADLE LATCH HOOK
9	46-271435P1	2	SUPPORT, B R	2	BELT GUIDE, DELRIN
10	2212191	2	CLAMP BELT T	2	DRIVE BELT CLAMP PLATE LPCC
11	46-265089P1	2	SCREW	1	SCREW
12	2212188	2	MOUNTING SUP	2	BEZEL ASSEMBLY SUPPORT LPCC
13	2212187	2	CABLE TRACK	1	CABLE TRACK TO BASEPLATE BKT LPCC
14	2212186	2	CLAMP TAKE-U	1	CABLE TRACK CLAMP LPCC
15	2214666	2	CABLE	1	LCC HD T/R TO HD PREAMP SHIELDED CBL
16	46-321338G3	1	PREAMP BOX	7	1.0T PREAMPLIFIER WITH DIODE FIX
17	46-321336G2	1	CIRCUIT BD	1	LPCC 1.0T HEAD T/R ASSEMBLY
18	2213331-2	2	DOUBLE BEZEL	1	1.0T LPCC DOUBLE BEZEL
19A	2323896-2	1	CARRIAGE COV	1	LPCC COVER THERMAL FORM
19B	2210816	2	CARRIAGE COV	ALT	LPCC COVER
20	2212193	2	CARRIAGE RAI	1	LEFT RAIL FOR THE COVER ASSEMBLY
21	2212192	2	CARRIAGE RAI	1	RIGHT RAIL FOR THE COVER ASSEMBLY
22	46-321218G3	1	CIRCUIT BD	1	LPCC 1.0T PREAMP PROTECTION
23	46-320938P3	2	BEZEL PLATE	1	LPCC 1.0T BEZEL PLATE
25	2212189	2	PRE AMP MOUN	2	PREAMP SUPPORT ASSEMBLY LPCC W/PA
26	2210732	2	BASE PLATE	1	FISHPAPER INSULATOR LPCC W/PA
27	2214665-9	2	CABLE	1	LPCC PREAMP INPUT CABLE COLLECTOR (SEE PAGE 2-219)
95	46-282460P1	2	CONNECTOR	2	STD, HEX BRASS UNINSULATED BANANA
96	46-233422P1	2	CONNECTOR	2	BNC JACK-PLUG, RIGHT ANGLE ADAPTER.
97	46-287119P1	2	VIBRATION IS	10	SELF-ADHERE TIE-STRAP ANCHOR, NYLON
98	46-208913P36	2	SCREW-INCH	2	SCREW-INCH COUNTERSUNK HEA 1.75 INCH
99	46-208921P36	2	SCREW	2	BRS SLOTTED BND HD SCR 8-32 X 3/8"
102	2223862	2	SPACER	2	BRASS 1/4" TUBULAR SPACER
103	2255802	2	LABEL	1	ATTENTION, DO NOT KINK CABLE, LPCC
105	46-221523P26	2	BUTTON	1	VENT PLUG, WHITE, 7/8 DIA.
106	46-282264P1	2	ADHESIVE	1	2 OZ DUAL PAK CARTRIDGE EPOXY, CLEAR
12923	46-208921P9	2	SCREW	11	BRS SLOTTED RND HD SCR 10-32 X 3/4"
14325	46-208758P3	2	TY-RAP	12	7.31" X .184" SELF-LOCKING CABLE TIE
17676	46-208913P7	2	SCREW	4	BRASS SLOTTED FLT HD SCR 8-32 X 1/2"
17716	46-208913P29	2	SCREW	2	BRS SLOTTED FLT HD SCR 10-32 X 1"
17856	46-220184P13	2	SCREW	6	BRS SLOTTED RND HD SCR 6-32 X 3/8"
17869	46-220184P15	2	SCREW	2	BRS SLOTTED RND HD SCR 6-32 X 5/8"
18062	46-220184P28	2	SCREW	4	BRS SLOTTED RND HD SCR 8-32 X 5/8"
18113	46-220184P41	2	SCREW	11	BRS SLOTTED RND HD SCR 10-32 X 1/2"
18120	46-220184P42	2	SCREW	8	BRS SLOTTED RND HD SCR 10-32 X 5/8"
18129	46-220184P45	2	SCREW	2	BRS SLOTTED RND HD SCR 10-32 X 1"
18138	46-220184P47	2	SCREW	4	BRS SLOTTED RND HD SCR 10-32 X 1-1/2"
25864	46-208921P7	2	SCREW	14	SCREW
60436	46-208921P8	2	SCREW	4	BRS SLOTTED BND HD SCR 10-32 X 3/8"
78453	46-221865P3	2	CONNECTOR	1	UG-27B RT-ANGLE N, 50-OHM JACK-PLUG
83377	46-221449P3	2	WASHER	4	#6 SCREW SIZE (0.138) SILICONE BRONZ

LPCC PREAMP INPUT CABLES

2214665-9 FRU 2

(PART 27 OF 2205098-2 PAGE 2-217)

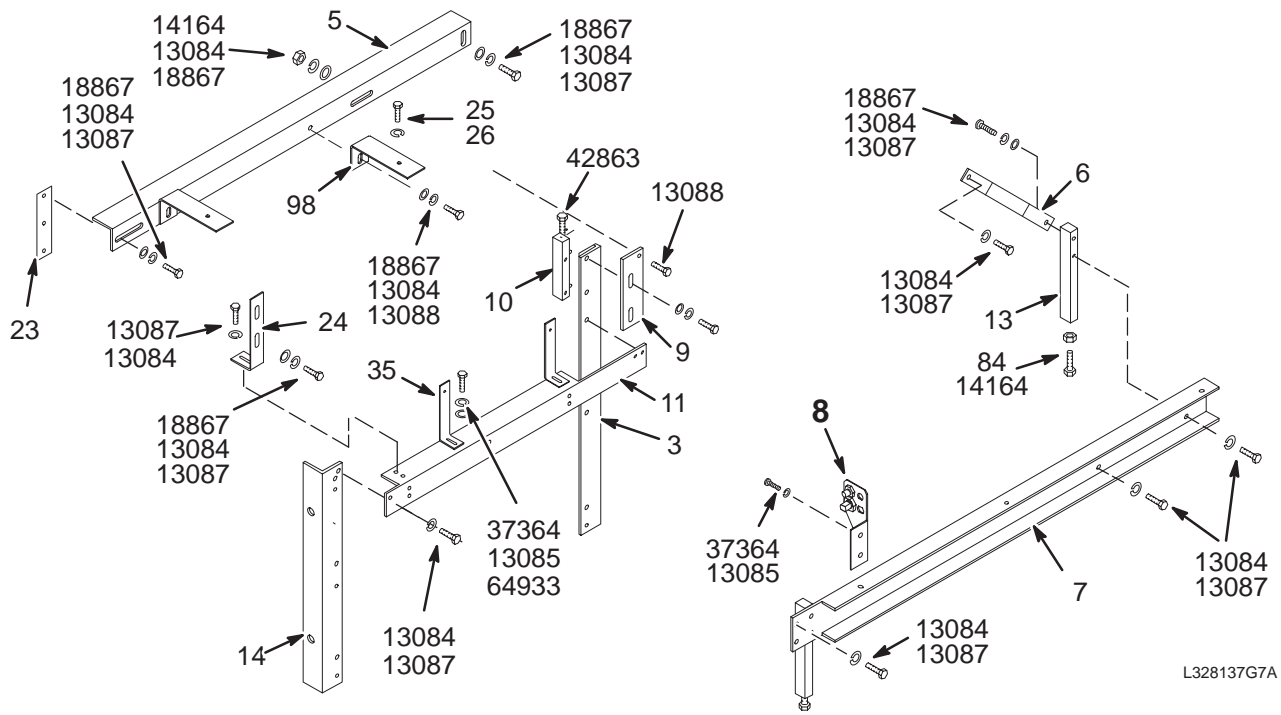
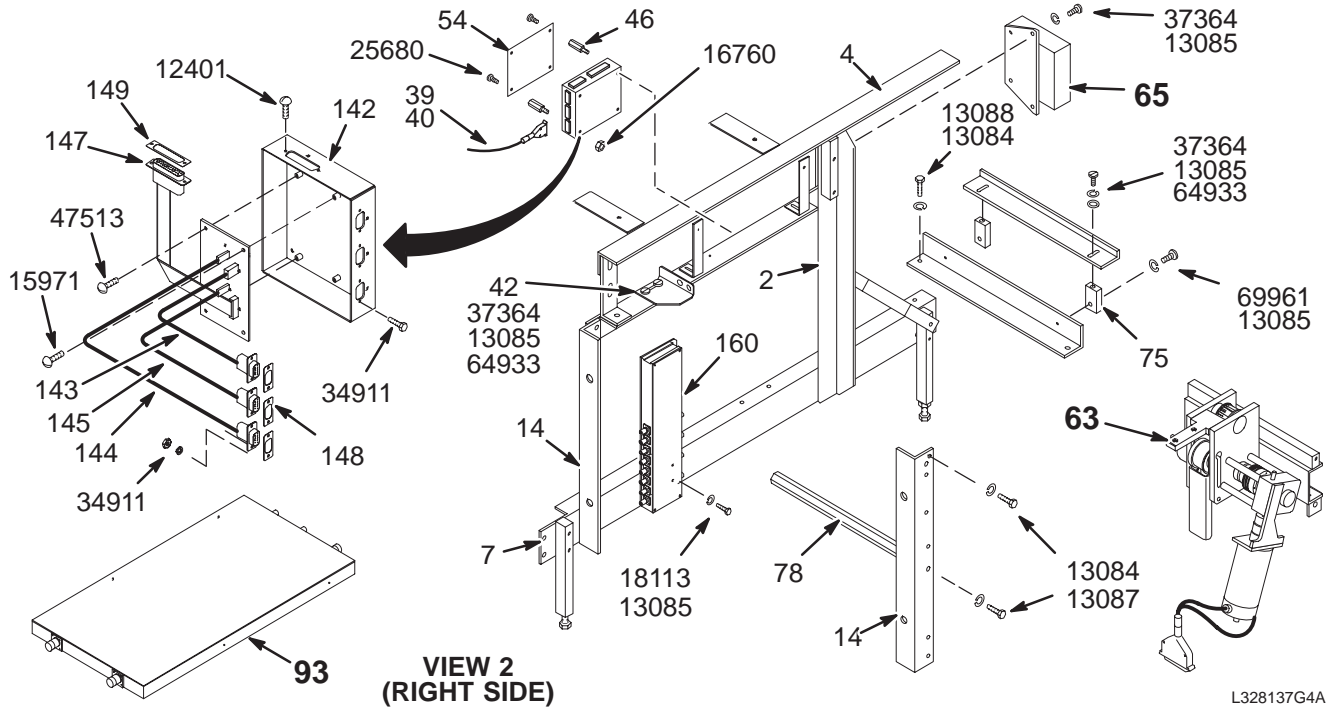
(PART 27 OF 2205098-4 PAGE 2-218)

Item	Part Number	FRU	Name	Quantity	Description (Remarks)
1	2214665-2	2	CABLE	1	LPCC PREAMP #2 INPUT SHIELDED CABLE
2	2214665-3	2	CABLE	1	LPCC PREAMP #3 INPUT SHIELDED CABLE
3	2214665-4	2	CABLE	1	LPCC PREAMP #4 INPUT SHIELDED CABLE
4	2214665-5	2	CABLE	1	LPCC PREAMP #5 INPUT SHIELDED CABLE
5	2214665-6	2	CABLE	1	LPCC PREAMP #6 INPUT SHIELDED CABLE
6	2214665-7	2	CABLE	1	LPCC PREAMP #7 INPUT SHIELDED CABLE

2-13 Cx AND LCC HORIZON REAR PEDESTALS

Cx & LCC REAR PEDESTAL FRAME ASM

46-328137G16, 17, G18, G19, G20, G21, G22, G23



1.0T FIXED REAR PED w/o M-C 46-328137G16 FRU N

(PART OF 2142000 PAGE 2-155)
(PART OF 2142000-11 PAGE 2-174)

Item	Part Number	FRU	Name	Quantity	Description (Remarks)
6	46-282348P1	2	BRACKET	2	SUPPORT STRAP
7	2124939	2	CHANNEL-SUPT	2	CHAN REAR FRAME UFI
8	2128927	N	BRACKET ASM	1	CABLE BRACKET ASM FOR PEDESTAL (SEE PAGE 2-125)
9	46-271874P1	2	BRKT-SECR SM	2	BRIDGE MOUNT VERTICAL ADJUST CLAMP
10	2162465	2	SUPPORT, REA	1	SUPPORT, REAR FRAME
11	2162465-2	2	SUPPORT, REA	1	SUPPORT, REAR FRAME
13	46-271868P2	2	BRCKT-LEVELR	4	REAR PEDESTAL SUPPORTING LEG
14	2124938	2	UPRIGHT FRT	2	FRT UPRIGHT, REAR FRAME UFI
16	46-282422P2	2	REAR BRACE	1	LOWER FRAME REAR CHANNEL
23	46-287232P1	2	NUT BAR	2	5/16-18 THREAD
24	46-287235P1	2	BRCKT S F B	2	BRIDGE MOUNT SUPPORT, FRONT
27	2132034	N	BRIDGE MOUNT	1	REAR BRIDGE MOUNT ASM (SEE PAGE 2-127)
35	46-282318P1	2	BRACKET	4	BODY QUADRATURE HYBRID ASM MOUNTING
42	2169617	2	BRACKET	1	BRACKET
46	46-208984P2	2	SPACER	4	HEX 1/4", EXT/INT THD 6-32, 1.5" LG
54	46-317200G1	2	COVER ASM.	1	INTERCOM BOX COVER W/RF SHIELDING
63	46-271439G3	N	LONGITDL DRV	1	LONGITUDINAL MOTOR DRIVE, MG3 A7 (SEE PAGE 2-124)
65	46-282694G1	N	MG3-A1 BOX	1	MAGNET INTERFACE #1, MG3 A1 (SEE PAGE 2-126)
75	46-287230P1	2	BRCKT SUPRT	2	MOUNTING BLOCK
76	46-287229P1	2	BRACKET	1	REAR PEDESTAL BACK COVER ATTACHING
78	46-306678P1	2	HEX SPACER	1	REAR FRAME FRONT BRACE
84	46-208932P40	2	SCREW	4	SCREW
93	46-282260G5	N	BRM SPLIT BX	1	BODY HYBRID, UFI 1.0T (SEE PAGE 2-128)
142	46-317137P1	2	BOX	1	PATIENT COMMUNICATION BOX - EMPTY
143	46-317177G1	2	HARNESS	1	MG3 A2 J8 TO MG2 A2 A1 J3, SPEAKER
144	46-317184G1	2	HARNESS	1	MG3 A2 J7 TO MG2 A2 A1 J1, C.M. MIKE
145	46-317184G2	2	HARNESS	1	MG3 A2 J9 TO MG2 A2 A1 J4, F.C. MIKE
146A	2204384	1	CIRCUIT BD	1	REMOTE INTERCOM BOARD, MG3 A2 A1
146B	46-264758G1	1	CIRCUIT BD	ALT	REMOTE INTERCOM BOARD, MG3 A2 A1
147	46-317201P1	2	CABLE ASM.	1	MG2 A2 J6 TO MG2 A2 A1 J6, RIBBON-14
148	46-221754P1	2	CONNECTOR	3	RFI GASKET USED WITH 9 PIN SUB-D
149	46-221754P3	2	CONNECTOR	1	RFI GASKET USED WITH 25 PIN SUB-D
12117	46-208601P21	2	WASHER	4	#8 SCREW, INTERNAL TOOTH, PHOS BRZ
12401	46-221417P2	2	CONNECTOR	1	FEMALE SCREWLOCK FOR HD CONNECTORS
13084	46-220196P5	2	WASHER	44	5/16" SCREW SIZE (0.313), SST
13085	46-220196P3	2	WASHER	16	#10 SCREW SIZE (0.190), SST
13087	46-208932P3	2	SCREW	28	SCREW
13088	46-208932P11	2	SCREW	16	SCREW
14164	46-208946P1	2	NUT	6	5/16-18 1/2" HEX X .188 THK 18-8 SST
15971	46-208921P28	2	SCREW	1	SCREW
16760	46-208935P5	2	NUT	2	6-32, .313 HEX X .109 THK, BRASS
18056	46-220184P26	2	SCREW	4	SCREW
18138	46-220184P47	2	SCREW	2	SCREW
18867	12-280	2	WASHER	18	ID 0.336, OD 0.75, THK .064, BRASS
25680	46-208921P6	2	SCREW	4	SCREW
34911	46-221417P1	2	CONNECTOR	3	FEMALE SCREWLOCKS, TWO PER KIT
37364	46-208560P102	2	SCREW	14	SCREW
47513	46-208922P4	2	SCREW	3	SCREW
64933	1000904P425	2	WASHER	10	0.2 ID, 0.5 OD, .04 THK, B11H89C
69961	46-208560P70	2	SCREW	2	SCREW

1.0T FIXED REAR PED w/M-C

46-328137G17 FRU N

(PART OF 2142000-2 PAGE 2-155)

(PART OF 2142000-12 PAGE 2-174)

Item	Part Number	FRU	Name	Quantity	Description (Remarks)
6	46-282348P1	2	BRACKET	2	SUPPORT STRAP
7	2124939	2	CHANNEL-SUPT	2	CHAN REAR FRAME UFI
8	2128927	N	BRACKET ASM	1	CABLE BRACKET ASM FOR PEDESTAL (SEE PAGE 2-125)
9	46-271874P1	2	BRKT-SECR SM	2	BRIDGE MOUNT VERTICAL ADJUST CLAMP
10	2162465	2	SUPPORT, REA	1	SUPPORT, REAR FRAME
11	2162465-2	2	SUPPORT, REA	1	SUPPORT, REAR FRAME
13	46-271868P2	2	BRCKT-LEVELR	4	REAR PEDESTAL SUPPORTING LEG
14	2124938	2	UPRIGHT FRT	2	FRT UPRIGHT, REAR FRAME UFI
16	46-282422P2	2	REAR BRACE	1	LOWER FRAME REAR CHANNEL
23	46-287232P1	2	NUT BAR	2	5/16-18 THREAD
24	46-287235P1	2	BRCKT S F B	2	BRIDGE MOUNT SUPPORT, FRONT
27	2132034	N	BRIDGE MOUNT	1	REAR BRIDGE MOUNT ASM (SEE PAGE 2-127)
35	46-282318P1	2	BRACKET	4	BODY QUADRATURE HYBRID ASM MOUNTING
42	2169617	2	BRACKET	1	BRACKET
46	46-208984P2	2	SPACER	4	HEX 1/4", EXT/INT THD 6-32, 1.5" LG
54	46-317200G1	2	COVER ASM.	1	INTERCOM BOX COVER W/RF SHIELDING
63	46-271439G3	N	LONGITDL DRV	1	LONGITUDINAL MOTOR DRIVE, MG3 A7 (SEE PAGE 2-124)
65	46-282694G1	N	MG3-A1 BOX	1	MAGNET INTERFACE #1, MG3 A1 (SEE PAGE 2-126)
75	46-287230P1	2	BRCKT SUPRT	2	MOUNTING BLOCK
76	46-287229P1	2	BRACKET	1	REAR PEDESTAL BACK COVER ATTACHING
78	46-306678P1	2	HEX SPACER	1	REAR FRAME FRONT BRACE
84	46-208932P40	2	SCREW	4	SCREW
93	46-282260G5	N	BRM SPLIT BX	1	BODY HYBRID, UFI 1.0T (SEE PAGE 2-128)
142	46-317137P1	2	BOX	1	PATIENT COMMUNICATION BOX - EMPTY
143	46-317177G1	2	HARNESS	1	MG3 A2 J8 TO MG2 A2 A1 J3, SPEAKER
144	46-317184G1	2	HARNESS	1	MG3 A2 J7 TO MG2 A2 A1 J1, C.M. MIKE
145	46-317184G2	2	HARNESS	1	MG3 A2 J9 TO MG2 A2 A1 J4, F.C. MIKE
146A	2204384	1	CIRCUIT BD	1	REMOTE INTERCOM BOARD, MG3 A2 A1
146B	46-264758G1	1	CIRCUIT BD	ALT	REMOTE INTERCOM BOARD, MG3 A2 A1
147	46-317201P1	2	CABLE ASM.	1	MG2 A2 J6 TO MG2 A2 A1 J6, RIBBON-14
148	46-221754P1	2	CONNECTOR	3	RFI GASKET USED WITH 9 PIN SUB-D
149	46-221754P3	2	CONNECTOR	1	RFI GASKET USED WITH 25 PIN SUB-D
160	46-288546G2	1	CIRCUIT BD	1	MULTI-COIL SELECT SWITCH MG3-A36
12117	46-208601P21	2	WASHER	4	#8 SCREW, INTERNAL TOOTH, PHOS BRZ
12401	46-221417P2	2	CONNECTOR	1	FEMALE SCREWLOCK FOR HD CONNECTORS
13084	46-220196P5	2	WASHER	44	5/16" SCREW SIZE (0.313), SST
13085	46-220196P3	2	WASHER	18	#10 SCREW SIZE (0.190), SST
13087	46-208932P3	2	SCREW	28	SCREW
13088	46-208932P11	2	SCREW	16	SCREW
14164	46-208946P1	2	NUT	6	5/16-18 1/2" HEX X .188 THK 18-8 SST
15971	46-208921P28	2	SCREW	1	SCREW
16760	46-208935P5	2	NUT	2	6-32, .313 HEX X .109 THK, BRASS
18056	46-220184P26	2	SCREW	4	SCREW
18113	46-220184P41	2	SCREW	2	SCREW
18138	46-220184P47	2	SCREW	2	SCREW
18867	12-280	2	WASHER	18	ID 0.336, OD 0.75, THK .064, BRASS
25680	46-208921P6	2	SCREW	4	SCREW
34911	46-221417P1	2	CONNECTOR	3	FEMALE SCREWLOCKS, TWO PER KIT
37364	46-208560P102	2	SCREW	14	SCREW
47513	46-208922P4	2	SCREW	3	SCREW
64933	1000904P425	2	WASHER	10	0.2 ID, 0.5 OD, .04 THK, B11H89C
69961	46-208560P70	2	SCREW	2	SCREW

1.0T MOB REAR PED w/o M-C 46-328137G18 FRU N (PART OF 2142000-3 PAGE 2-156)
 (PART OF 2142000-13 PAGE 2-175)

Item	Part Number	FRU	Name	Quantity	Description (Remarks)
6	46-282348P1	2	BRACKET	2	SUPPORT STRAP
7	2124939	2	CHANNEL-SUPT	2	CHAN REAR FRAME UFI
8	2128927	N	BRACKET ASM	1	CABLE BRACKET ASM FOR PEDESTAL (SEE PAGE 2-125)
9	46-271874P1	2	BRKT-SECR SM	2	BRIDGE MOUNT VERTICAL ADJUST CLAMP
10	2162465	2	SUPPORT, REA	1	SUPPORT, REAR FRAME
11	2162465-2	2	SUPPORT, REA	1	SUPPORT, REAR FRAME
13	46-271868P2	2	BRCKT-LEVELR	4	REAR PEDESTAL SUPPORTING LEG
14	2124938	2	UPRIGHT FRT	2	FRT UPRIGHT, REAR FRAME UFI
16	46-282422P2	2	REAR BRACE	1	LOWER FRAME REAR CHANNEL
23	46-287232P1	2	NUT BAR	2	5/16-18 THREAD
24	46-287235P1	2	BRCKT S F B	2	BRIDGE MOUNT SUPPORT, FRONT
25	2109866-22	2	SCREW	4	SCREW HEXAGON HEAD
26	2109878-4	2	WASHER	4	WASHER PLAIN - NORMAL 10.5 MM 20 MM
27	2132034	N	BRIDGE MOUNT	1	REAR BRIDGE MOUNT ASM (SEE PAGE 2-127)
35	46-282318P1	2	BRACKET	4	BODY QUADRATURE HYBRID ASM MOUNTING
42	2169617	2	BRACKET	1	BRACKET
46	46-208984P2	2	SPACER	4	HEX 1/4", EXT/INT THD 6-32, 1.5" LG
54	46-317200G1	2	COVER ASM.	1	INTERCOM BOX COVER W/RF SHIELDING
63	46-271439G3	N	LONGITDL DRV	1	LONGITUDINAL MOTOR DRIVE, MG3 A7 (SEE PAGE 2-124)
65	46-282694G1	N	MG3-A1 BOX	1	MAGNET INTERFACE #1, MG3 A1 (SEE PAGE 2-126)
75	46-287230P1	2	BRCKT SUPRT	2	MOUNTING BLOCK
76	46-287229P1	2	BRACKET	1	REAR PEDESTAL BACK COVER ATTACHING
78	46-306678P1	2	HEX SPACER	1	REAR FRAME FRONT BRACE
84	46-208932P40	2	SCREW	4	SCREW
93	46-282260G5	N	BRM SPLIT BX	1	BODY HYBRID, UFI 1.0T (SEE PAGE 2-128)
98	2128559	2	BRACKET	4	TUNNEL EXTENSION MOUNTING BRACKET
142	46-317137P1	2	BOX	1	PATIENT COMMUNICATION BOX - EMPTY
143	46-317177G1	2	HARNESS	1	MG3 A2 J8 TO MG2 A2 A1 J3, SPEAKER
144	46-317184G1	2	HARNESS	1	MG3 A2 J7 TO MG2 A2 A1 J1, C.M. MIKE
145	46-317184G2	2	HARNESS	1	MG3 A2 J9 TO MG2 A2 A1 J4, F.C. MIKE
146A	2204384	1	CIRCUIT BD	1	REMOTE INTERCOM BOARD, MG3 A2 A1
146B	46-264758G1	1	CIRCUIT BD	ALT	REMOTE INTERCOM BOARD, MG3 A2 A1
147	46-317201P1	2	CABLE ASM.	1	MG2 A2 J6 TO MG2 A2 A1 J6, RIBBON-14
148	46-221754P1	2	CONNECTOR	3	RFI GASKET USED WITH 9 PIN SUB-D
149	46-221754P3	2	CONNECTOR	1	RFI GASKET USED WITH 25 PIN SUB-D
12117	46-208601P21	2	WASHER	4	#8 SCREW, INTERNAL TOOTH, PHOS BRZ
12401	46-221417P2	2	CONNECTOR	1	FEMALE SCREWLOCK FOR HD CONNECTORS
13084	46-220196P5	2	WASHER	48	5/16" SCREW SIZE (0.313), SST
13085	46-220196P3	2	WASHER	14	#10 SCREW SIZE (0.190), SST
13087	46-208932P3	2	SCREW	32	SCREW
13088	46-208932P11	2	SCREW	16	SCREW
14164	46-208946P1	2	NUT	6	5/16-18 1/2" HEX X .188 THK 18-8 SST
15971	46-208921P28	2	SCREW	1	SCREW
16760	46-208935P5	2	NUT	2	6-32, .313 HEX X .109 THK, BRASS
18056	46-220184P26	2	SCREW	4	SCREW
18138	46-220184P47	2	SCREW	2	SCREW
18867	12-280	2	WASHER	22	ID 0.336, OD 0.75, THK .064, BRASS
25680	46-208921P6	2	SCREW	4	SCREW
34911	46-221417P1	2	CONNECTOR	3	FEMALE SCREWLOCKS, TWO PER KIT
37364	46-208560P102	2	SCREW	12	SCREW
47513	46-208922P4	2	SCREW	3	SCREW
64933	1000904P425	2	WASHER	8	0.2 ID, 0.5 OD, .04 THK, B11H89C
69961	46-208560P70	2	SCREW	2	SCREW

1.0T MOB REAR PED w/M-C

46-328137G19 FRU N

(PART OF 2142000-4 PAGE 2-156)

(PART OF 2142000-14 PAGE 2-175)

Item	Part Number	FRU	Name	Quantity	Description (Remarks)
6	46-282348P1	2	BRACKET	2	SUPPORT STRAP
7	2124939	2	CHANNEL-SUPT	2	CHAN REAR FRAME UFI
8	2128927	N	BRACKET ASM	1	CABLE BRACKET ASM FOR PEDESTAL (SEE PAGE 2-125)
9	46-271874P1	2	BRKT-SECR SM	2	BRIDGE MOUNT VERTICAL ADJUST CLAMP
10	2162465	2	SUPPORT, REA	1	SUPPORT, REAR FRAME
11	2162465-2	2	SUPPORT, REA	1	SUPPORT, REAR FRAME
13	46-271868P2	2	BRCKT-LEVELR	4	REAR PEDESTAL SUPPORTING LEG
14	2124938	2	UPRIGHT FRT	2	FRT UPRIGHT, REAR FRAME UFI
16	46-282422P2	2	REAR BRACE	1	LOWER FRAME REAR CHANNEL
23	46-287232P1	2	NUT BAR	2	5/16-18 THREAD
24	46-287235P1	2	BRCKT S F B	2	BRIDGE MOUNT SUPPORT, FRONT
25	2109866-22	2	SCREW	4	SCREW HEXAGON HEAD
26	2109878-4	2	WASHER	4	WASHER PLAIN - NORMAL 10.5 MM 20 MM
27	2132034	N	BRIDGE MOUNT	1	REAR BRIDGE MOUNT ASM (SEE PAGE 2-127)
35	46-282318P1	2	BRACKET	4	BODY QUADRATURE HYBRID ASM MOUNTING
42	2169617	2	BRACKET	1	BRACKET
46	46-208984P2	2	SPACER	4	HEX 1/4", EXT/INT THD 6-32, 1.5" LG
54	46-317200G1	2	COVER ASM.	1	INTERCOM BOX COVER W/RF SHIELDING
63	46-271439G3	N	LONGITDL DRV	1	LONGITUDINAL MOTOR DRIVE, MG3 A7 (SEE PAGE 2-124)
65	46-282694G1	N	MG3-A1 BOX	1	MAGNET INTERFACE #1, MG3 A1 (SEE PAGE 2-126)
75	46-287230P1	2	BRCKT SUPRT	2	MOUNTING BLOCK
76	46-287229P1	2	BRACKET	1	REAR PEDESTAL BACK COVER ATTACHING
78	46-306678P1	2	HEX SPACER	1	REAR FRAME FRONT BRACE
84	46-208932P40	2	SCREW	4	SCREW
93	46-282260G5	N	BRM SPLIT BX	1	BODY HYBRID, UFI 1.0T (SEE PAGE 2-128)
98	2128559	2	BRACKET	4	TUNNEL EXTENSION MOUNTING BRACKET
142	46-317137P1	2	BOX	1	PATIENT COMMUNICATION BOX - EMPTY
143	46-317177G1	2	HARNESS	1	MG3 A2 J8 TO MG2 A2 A1 J3, SPEAKER
144	46-317184G1	2	HARNESS	1	MG3 A2 J7 TO MG2 A2 A1 J1, C.M. MIKE
145	46-317184G2	2	HARNESS	1	MG3 A2 J9 TO MG2 A2 A1 J4, F.C. MIKE
146A	2204384	1	CIRCUIT BD	1	REMOTE INTERCOM BOARD, MG3 A2 A1
146B	46-264758G1	1	CIRCUIT BD	ALT	REMOTE INTERCOM BOARD, MG3 A2 A1
147	46-317201P1	2	CABLE ASM.	1	MG2 A2 J6 TO MG2 A2 A1 J6, RIBBON-14
148	46-221754P1	2	CONNECTOR	3	RFI GASKET USED WITH 9 PIN SUB-D
149	46-221754P3	2	CONNECTOR	1	RFI GASKET USED WITH 25 PIN SUB-D
160	46-288546G2	1	CIRCUIT BD	1	MULTI-COIL SELECT SWITCH MG3-A36
12117	46-208601P21	2	WASHER	4	#8 SCREW, INTERNAL TOOTH, PHOS BRZ
12401	46-221417P2	2	CONNECTOR	1	FEMALE SCREWLOCK FOR HD CONNECTORS
13084	46-220196P5	2	WASHER	48	5/16" SCREW SIZE (0.313), SST
13085	46-220196P3	2	WASHER	16	#10 SCREW SIZE (0.190), SST
13087	46-208932P3	2	SCREW	32	SCREW
13088	46-208932P11	2	SCREW	16	SCREW
14164	46-208946P1	2	NUT	6	5/16-18 1/2" HEX X .188 THK 18-8 SST
15971	46-208921P28	2	SCREW	1	SCREW
16760	46-208935P5	2	NUT	2	6-32, .313 HEX X .109 THK, BRASS
18056	46-220184P26	2	SCREW	4	SCREW
18113	46-220184P41	2	SCREW	2	SCREW
18138	46-220184P47	2	SCREW	2	SCREW
18867	12-280	2	WASHER	22	ID 0.336, OD 0.75, THK .064, BRASS
25680	46-208921P6	2	SCREW	4	SCREW
34911	46-221417P1	2	CONNECTOR	3	FEMALE SCREWLOCKS, TWO PER KIT
37364	46-208560P102	2	SCREW	12	SCREW
64933	1000904P425	2	WASHER	8	0.2 ID, 0.5 OD, .04 THK, B11H89C

1.5T FIXED REAR PED w/o M-C 46-328137G20 FRU N

(PART OF 2142000-5 PAGE 2-157)

(PART OF 2142000-15 PAGE 2-176)

Item	Part Number	FRU	Name	Quantity	Description (Remarks)
6	46-282348P1	2	BRACKET	2	SUPPORT STRAP
7	2124939	2	CHANNEL-SUPT	2	CHAN REAR FRAME UFI
8	2128927	N	BRACKET ASM	1	CABLE BRACKET ASM FOR PEDESTAL (SEE PAGE 2-125)
9	46-271874P1	2	BRKT-SECR SM	2	BRIDGE MOUNT VERTICAL ADJUST CLAMP
10	2162465	2	SUPPORT, REA	1	SUPPORT, REAR FRAME
11	2162465-2	2	SUPPORT, REA	1	SUPPORT, REAR FRAME
13	46-271868P2	2	BRCKT-LEVELR	4	REAR PEDESTAL SUPPORTING LEG
14	2124938	2	UPRIGHT FRT	2	FRT UPRIGHT, REAR FRAME UFI
16	46-282422P2	2	REAR BRACE	1	LOWER FRAME REAR CHANNEL
23	46-287232P1	2	NUT BAR	2	5/16-18 THREAD
24	46-287235P1	2	BRCKT S F B	2	BRIDGE MOUNT SUPPORT, FRONT
27	2132034	N	BRIDGE MOUNT	1	REAR BRIDGE MOUNT ASM (SEE PAGE 2-127)
35	46-282318P1	2	BRACKET	4	BODY QUADRATURE HYBRID ASM MOUNTING
42	2169617	2	BRACKET	1	BRACKET
46	46-208984P2	2	SPACER	4	HEX 1/4", EXT/INT THD 6-32, 1.5" LG
54	46-317200G1	2	COVER ASM.	1	INTERCOM BOX COVER W/RF SHIELDING
63	46-271439G3	N	LONGITDL DRV	1	LONGITUDINAL MOTOR DRIVE, MG3 A7 (SEE PAGE 2-124)
65	46-282694G1	N	MG3-A1 BOX	1	MAGNET INTERFACE #1, MG3 A1 (SEE PAGE 2-126)
75	46-287230P1	2	BRCKT SUPRT	2	MOUNTING BLOCK
76	46-287229P1	2	BRACKET	1	REAR PEDESTAL BACK COVER ATTACHING
78	46-306678P1	2	HEX SPACER	1	REAR FRAME FRONT BRACE
84	46-208932P40	2	SCREW	4	SCREW
93A	46-282260G12	N	SPLITTER ASM	1	LX 1.5T BODY HYBRID & PREAMP, MG3 A3 (SEE PAGE 2-129)
93B	46-282260G11	N	SPLITTER ASM	ALT	1.5T BODY QUADRATURE HYBRID, MG3 A3
142	46-317137P1	2	BOX	1	PATIENT COMMUNICATION BOX - EMPTY
143	46-317177G1	2	HARNESS	1	MG3 A2 J8 TO MG2 A2 A1 J3, SPEAKER
144	46-317184G1	2	HARNESS	1	MG3 A2 J7 TO MG2 A2 A1 J1, C.M. MIKE
145	46-317184G2	2	HARNESS	1	MG3 A2 J9 TO MG2 A2 A1 J4, F.C. MIKE
146A	2204384	1	CIRCUIT BD	1	REMOTE INTERCOM BOARD, MG3 A2 A1
146B	46-264758G1	1	CIRCUIT BD	ALT	REMOTE INTERCOM BOARD, MG3 A2 A1
147	46-317201P1	2	CABLE ASM.	1	MG2 A2 J6 TO MG2 A2 A1 J6, RIBBON-14
148	46-221754P1	2	CONNECTOR	3	RFI GASKET USED WITH 9 PIN SUB-D
149	46-221754P3	2	CONNECTOR	1	RFI GASKET USED WITH 25 PIN SUB-D
12117	46-208601P21	2	WASHER	4	#8 SCREW, INTERNAL TOOTH, PHOS BRZ
12401	46-221417P2	2	CONNECTOR	1	FEMALE SCREWLOCK FOR HD CONNECTORS
13084	46-220196P5	2	WASHER	44	5/16" SCREW SIZE (0.313), SST
13085	46-220196P3	2	WASHER	16	#10 SCREW SIZE (0.190), SST
13087	46-208932P3	2	SCREW	28	SCREW
13088	46-208932P11	2	SCREW	16	SCREW
14164	46-208946P1	2	NUT	6	5/16-18 1/2" HEX X .188 THK 18-8 SST
15971	46-208921P28	2	SCREW	1	SCREW
16760	46-208935P5	2	NUT	2	6-32, .313 HEX X .109 THK, BRASS
18056	46-220184P26	2	SCREW	4	SCREW
18138	46-220184P47	2	SCREW	2	SCREW
18867	12-280	2	WASHER	18	ID 0.336, OD 0.75, THK .064, BRASS
25680	46-208921P6	2	SCREW	4	SCREW
34911	46-221417P1	2	CONNECTOR	3	FEMALE SCREWLOCKS, TWO PER KIT
37364	46-208560P102	2	SCREW	14	SCREW
47513	46-208922P4	2	SCREW	3	SCREW
64933	1000904P425	2	WASHER	10	0.2 ID, 0.5 OD, .04 THK, B11H89C
69961	46-208560P70	2	SCREW	2	SCREW

1.5T FIXED REAR PED w/M-C 46-328137G21 FRU N (PART 4 OF 2142000-6 PAGE 2-157)
 (PART 4 OF 2142000-9 PAGE 2-158)
 (PART 4 OF 2142000-16 PAGE 2-176)
 (PART 4 OF 2142000-19 PAGE 2-178)

Item	Part Number	FRU	Name	Quantity	Description (Remarks)
6	46-282348P1	2	BRACKET	2	SUPPORT STRAP
7	2124939	2	CHANNEL-SUPT	2	CHAN REAR FRAME UFI
8	2128927	N	BRACKET ASM	1	CABLE BRACKET ASM FOR PEDESTAL (SEE PAGE 2-125)
9	46-271874P1	2	BRKT-SECR SM	2	BRIDGE MOUNT VERTICAL ADJUST CLAMP
10	2162465	2	SUPPORT, REA	1	SUPPORT, REAR FRAME
11	2162465-2	2	SUPPORT, REA	1	SUPPORT, REAR FRAME
13	46-271868P2	2	BRCKT-LEVELR	4	REAR PEDESTAL SUPPORTING LEG
14	2124938	2	UPRIGHT FRT	2	FRT UPRIGHT, REAR FRAME UFI
16	46-282422P2	2	REAR BRACE	1	LOWER FRAME REAR CHANNEL
23	46-287232P1	2	NUT BAR	2	5/16-18 THREAD
24	46-287235P1	2	BRCKT S F B	2	BRIDGE MOUNT SUPPORT, FRONT
27	2132034	N	BRIDGE MOUNT	1	REAR BRIDGE MOUNT ASM (SEE PAGE 2-127)
35	46-282318P1	2	BRACKET	4	BODY QUADRATURE HYBRID ASM MOUNTING
42	2169617	2	BRACKET	1	BRACKET
46	46-208984P2	2	SPACER	4	HEX 1/4", EXT/INT THD 6-32, 1.5" LG
54	46-317200G1	2	COVER ASM.	1	INTERCOM BOX COVER W/RF SHIELDING
63	46-271439G3	N	LONGITDL DRV	1	LONGITUDINAL MOTOR DRIVE, MG3 A7 (SEE PAGE 2-124)
65	46-282694G1	N	MG3-A1 BOX	1	MAGNET INTERFACE #1, MG3 A1 (SEE PAGE 2-126)
75	46-287230P1	2	BRCKT SUPRT	2	MOUNTING BLOCK
76	46-287229P1	2	BRACKET	1	REAR PEDESTAL BACK COVER ATTACHING
78	46-306678P1	2	HEX SPACER	1	REAR FRAME FRONT BRACE
84	46-208932P40	2	SCREW	4	SCREW
93A	46-282260G12	N	SPLITTER ASM	1	LX 1.5T BODY HYBRID & PREAMP, MG3 A3 (SEE PAGE 2-129)
93B	46-282260G11	N	SPLITTER ASM	ALT	1.5T BODY QUADRATURE HYBRID, MG3 A3
142	46-317137P1	2	BOX	1	PATIENT COMMUNICATION BOX - EMPTY
143	46-317177G1	2	HARNESS	1	MG3 A2 J8 TO MG2 A2 A1 J3, SPEAKER
144	46-317184G1	2	HARNESS	1	MG3 A2 J7 TO MG2 A2 A1 J1, C.M. MIKE
145	46-317184G2	2	HARNESS	1	MG3 A2 J9 TO MG2 A2 A1 J4, F.C. MIKE
146A	2204384	1	CIRCUIT BD	1	REMOTE INTERCOM BOARD, MG3 A2 A1
146B	46-264758G1	1	CIRCUIT BD	ALT	REMOTE INTERCOM BOARD, MG3 A2 A1
147	46-317201P1	2	CABLE ASM.	1	MG2 A2 J6 TO MG2 A2 A1 J6, RIBBON-14
148	46-221754P1	2	CONNECTOR	3	RFI GASKET USED WITH 9 PIN SUB-D
149	46-221754P3	2	CONNECTOR	1	RFI GASKET USED WITH 25 PIN SUB-D
160	46-288546G2	1	CIRCUIT BD	1	MULTI-COIL SELECT SWITCH MG3-A36
12117	46-208601P21	2	WASHER	4	#8 SCREW, INTERNAL TOOTH, PHOS BRZ
12401	46-221417P2	2	CONNECTOR	1	FEMALE SCREWLOCK FOR HD CONNECTORS
13084	46-220196P5	2	WASHER	44	5/16" SCREW SIZE (0.313), SST
13085	46-220196P3	2	WASHER	18	#10 SCREW SIZE (0.190), SST
13087	46-208932P3	2	SCREW	28	SCREW
13088	46-208932P11	2	SCREW	16	SCREW
14164	46-208946P1	2	NUT	6	5/16-18 1/2" HEX X .188 THK 18-8 SST
15971	46-208921P28	2	SCREW	1	SCREW
16760	46-208935P5	2	NUT	2	6-32, .313 HEX X .109 THK, BRASS
18056	46-220184P26	2	SCREW	4	SCREW
18113	46-220184P41	2	SCREW	2	SCREW
18138	46-220184P47	2	SCREW	2	SCREW
18867	12-280	2	WASHER	18	ID 0.336, OD 0.75, THK .064, BRASS
25680	46-208921P6	2	SCREW	4	SCREW
34911	46-221417P1	2	CONNECTOR	3	FEMALE SCREWLOCKS, TWO PER KIT
37364	46-208560P102	2	SCREW	14	SCREW
47513	46-208922P4	2	SCREW	3	SCREW
64933	1000904P425	2	WASHER	10	0.2 ID, 0.5 OD, .04 THK, B11H89C

1.5T MOB REAR PED w/o M-C

46-328137G22 FRU N

(PART OF 2142000-7 PAGE 2-158)

(PART OF 2142000-17 PAGE 2-177)

Item	Part Number	FRU	Name	Quantity	Description (Remarks)
6	46-282348P1	2	BRACKET	2	SUPPORT STRAP
7	2124939	2	CHANNEL-SUPT	2	CHAN REAR FRAME UFI
8	2128927	N	BRACKET ASM	1	CABLE BRACKET ASM FOR PEDESTAL (SEE PAGE 2-125)
9	46-271874P1	2	BRKT-SECR SM	2	BRIDGE MOUNT VERTICAL ADJUST CLAMP
10	2162465	2	SUPPORT, REA	1	SUPPORT, REAR FRAME
11	2162465-2	2	SUPPORT, REA	1	SUPPORT, REAR FRAME
13	46-271868P2	2	BRCKT-LEVELR	4	REAR PEDESTAL SUPPORTING LEG
14	2124938	2	UPRIGHT FRT	2	FRT UPRIGHT, REAR FRAME UFI
16	46-282422P2	2	REAR BRACE	1	LOWER FRAME REAR CHANNEL
23	46-287232P1	2	NUT BAR	2	5/16-18 THREAD
24	46-287235P1	2	BRCKT S F B	2	BRIDGE MOUNT SUPPORT, FRONT
25	2109866-22	2	SCREW	4	SCREW HEXAGON HEAD
26	2109878-4	2	WASHER	4	WASHER PLAIN - NORMAL 10.5 MM 20 MM
27	2132034	N	BRIDGE MOUNT	1	REAR BRIDGE MOUNT ASM (SEE PAGE 2-127)
35	46-282318P1	2	BRACKET	4	BODY QUADRATURE HYBRID ASM MOUNTING
42	2169617	2	BRACKET	1	BRACKET
46	46-208984P2	2	SPACER	4	HEX 1/4", EXT/INT THD 6-32, 1.5" LG
54	46-317200G1	2	COVER ASM.	1	INTERCOM BOX COVER W/RF SHIELDING
63	46-271439G3	N	LONGITDL DRV	1	LONGITUDINAL MOTOR DRIVE, MG3 A7 (SEE PAGE 2-124)
65	46-282694G1	N	MG3-A1 BOX	1	MAGNET INTERFACE #1, MG3 A1 (SEE PAGE 2-126)
75	46-287230P1	2	BRCKT SUPRT	2	MOUNTING BLOCK
76	46-287229P1	2	BRACKET	1	REAR PEDESTAL BACK COVER ATTACHING
78	46-306678P1	2	HEX SPACER	1	REAR FRAME FRONT BRACE
84	46-208932P40	2	SCREW	4	SCREW
93A	46-282260G12	N	SPLITTER ASM	1	LX 1.5T BODY HYBRID & PREAMP, MG3 A3 (SEE PAGE 2-129)
93B	46-282260G11	N	SPLITTER ASM	ALT	1.5T BODY QUADRATURE HYBRID, MG3 A3
98	2128559	2	BRACKET	4	TUNNEL EXTENSION MOUNTING BRACKET
142	46-317137P1	2	BOX	1	PATIENT COMMUNICATION BOX - EMPTY
143	46-317177G1	2	HARNESS	1	MG3 A2 J8 TO MG2 A2 A1 J3, SPEAKER
144	46-317184G1	2	HARNESS	1	MG3 A2 J7 TO MG2 A2 A1 J1, C.M. MIKE
145	46-317184G2	2	HARNESS	1	MG3 A2 J9 TO MG2 A2 A1 J4, F.C. MIKE
146A	2204384	1	CIRCUIT BD	1	REMOTE INTERCOM BOARD, MG3 A2 A1
146B	46-264758G1	1	CIRCUIT BD	ALT	REMOTE INTERCOM BOARD, MG3 A2 A1
147	46-317201P1	2	CABLE ASM.	1	MG2 A2 J6 TO MG2 A2 A1 J6, RIBBON-14
148	46-221754P1	2	CONNECTOR	3	RFI GASKET USED WITH 9 PIN SUB-D
149	46-221754P3	2	CONNECTOR	1	RFI GASKET USED WITH 25 PIN SUB-D
12117	46-208601P21	2	WASHER	4	#8 SCREW, INTERNAL TOOTH, PHOS BRZ
12401	46-221417P2	2	CONNECTOR	1	FEMALE SCREWLOCK FOR HD CONNECTORS
13084	46-220196P5	2	WASHER	48	5/16" SCREW SIZE (0.313), SST
13085	46-220196P3	2	WASHER	14	#10 SCREW SIZE (0.190), SST
13087	46-208932P3	2	SCREW	32	SCREW
13088	46-208932P11	2	SCREW	16	SCREW
14164	46-208946P1	2	NUT	6	5/16-18 1/2" HEX X .188 THK 18-8 SST
15971	46-208921P28	2	SCREW	1	SCREW
16760	46-208935P5	2	NUT	2	6-32, .313 HEX X .109 THK, BRASS
18056	46-220184P26	2	SCREW	4	SCREW
18138	46-220184P47	2	SCREW	2	SCREW
18867	12-280	2	WASHER	22	ID 0.336, OD 0.75, THK .064, BRASS
25680	46-208921P6	2	SCREW	4	SCREW
34911	46-221417P1	2	CONNECTOR	3	FEMALE SCREWLOCKS, TWO PER KIT
37364	46-208560P102	2	SCREW	12	SCREW
47513	46-208922P4	2	SCREW	3	SCREW
64933	1000904P425	2	WASHER	8	0.2 ID, 0.5 OD, .04 THK, B11H89C
69961	46-208560P70	2	SCREW	2	SCREW

1.5T MOB REAR PED w/M-C

46-328137G23 FRU N

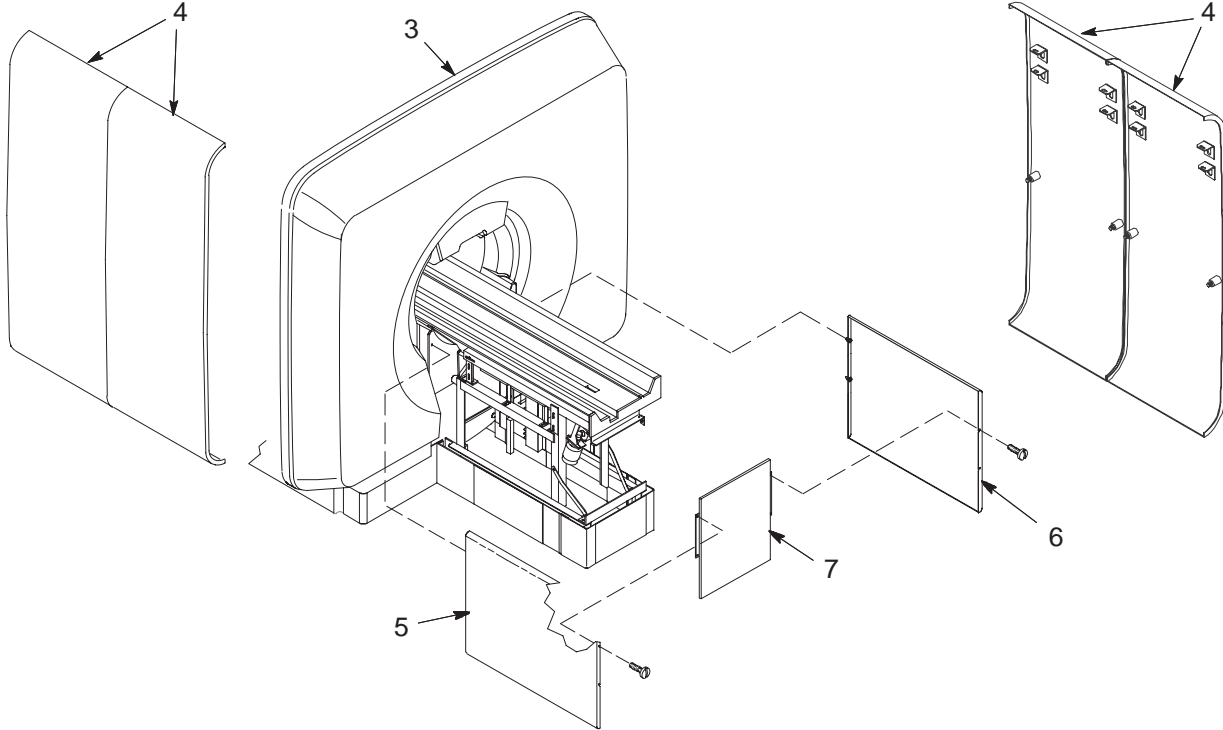
(PART OF 2142000-8 PAGE 2-158)
(PART OF 2142000-18 PAGE 2-177)

Item	Part Number	FRU	Name	Quantity	Description (Remarks)
6	46-282348P1	2	BRACKET	2	SUPPORT STRAP
7	2124939	2	CHANNEL-SUPT	2	CHAN REAR FRAME UFI
8	2128927	N	BRACKET ASM	1	CABLE BRACKET ASM FOR PEDESTAL (SEE PAGE 2-125)
9	46-271874P1	2	BRKT-SECR SM	2	BRIDGE MOUNT VERTICAL ADJUST CLAMP
10	2162465	2	SUPPORT, REA	1	SUPPORT, REAR FRAME
11	2162465-2	2	SUPPORT, REA	1	SUPPORT, REAR FRAME
13	46-271868P2	2	BRCKT-LEVELR	4	REAR PEDESTAL SUPPORTING LEG
14	2124938	2	UPRIGHT FRT	2	FRT UPRIGHT, REAR FRAME UFI
16	46-282422P2	2	REAR BRACE	1	LOWER FRAME REAR CHANNEL
23	46-287232P1	2	NUT BAR	2	5/16-18 THREAD
24	46-287235P1	2	BRCKT S F B	2	BRIDGE MOUNT SUPPORT, FRONT
25	2109866-22	2	SCREW	4	SCREW HEXAGON HEAD
26	2109878-4	2	WASHER	4	WASHER PLAIN - NORMAL 10.5 MM 20 MM
27	2132034	N	BRIDGE MOUNT	1	REAR BRIDGE MOUNT ASM (SEE PAGE 2-127)
35	46-282318P1	2	BRACKET	4	BODY QUADRATURE HYBRID ASM MOUNTING
42	2169617	2	BRACKET	1	BRACKET
46	46-208984P2	2	SPACER	4	HEX 1/4", EXT/INT THD 6-32, 1.5" LG
54	46-317200G1	2	COVER ASM.	1	INTERCOM BOX COVER W/RF SHIELDING
63	46-271439G3	N	LONGITDL DRV	1	LONGITUDINAL MOTOR DRIVE, MG3 A7 (SEE PAGE 2-124)
65	46-282694G1	N	MG3-A1 BOX	1	MAGNET INTERFACE #1, MG3 A1 (SEE PAGE 2-126)
75	46-287230P1	2	BRCKT SUPRT	2	MOUNTING BLOCK
76	46-287229P1	2	BRACKET	1	REAR PEDESTAL BACK COVER ATTACHING
78	46-306678P1	2	HEX SPACER	1	REAR FRAME FRONT BRACE
84	46-208932P40	2	SCREW	4	SCREW
93A	46-282260G12	N	SPLITTER ASM	1	LX 1.5T BODY HYBRID & PREAMP, MG3 A3 (SEE PAGE 2-129)
93B	46-282260G11	N	SPLITTER ASM	ALT	1.5T BODY QUADRATURE HYBRID, MG3 A3
98	2128559	2	BRACKET	4	TUNNEL EXTENSION MOUNTING BRACKET
142	46-317137P1	2	BOX	1	PATIENT COMMUNICATION BOX - EMPTY
143	46-317177G1	2	HARNESS	1	MG3 A2 J8 TO MG2 A2 A1 J3, SPEAKER
144	46-317184G1	2	HARNESS	1	MG3 A2 J7 TO MG2 A2 A1 J1, C.M. MIKE
145	46-317184G2	2	HARNESS	1	MG3 A2 J9 TO MG2 A2 A1 J4, F.C. MIKE
146A	2204384	1	CIRCUIT BD	1	REMOTE INTERCOM BOARD, MG3 A2 A1
146B	46-264758G1	1	CIRCUIT BD	ALT	REMOTE INTERCOM BOARD, MG3 A2 A1
147	46-317201P1	2	CABLE ASM.	1	MG2 A2 J6 TO MG2 A2 A1 J6, RIBBON-14
148	46-221754P1	2	CONNECTOR	3	RFI GASKET USED WITH 9 PIN SUB-D
149	46-221754P3	2	CONNECTOR	1	RFI GASKET USED WITH 25 PIN SUB-D
160	46-288546G2	1	CIRCUIT BD	1	MULTI-COIL SELECT SWITCH MG3-A36
12117	46-208601P21	2	WASHER	4	#8 SCREW, INTERNAL TOOTH, PHOS BRZ
12401	46-221417P2	2	CONNECTOR	1	FEMALE SCREWLOCK FOR HD CONNECTORS
13084	46-220196P5	2	WASHER	48	5/16" SCREW SIZE (0.313), SST
13085	46-220196P3	2	WASHER	16	#10 SCREW SIZE (0.190), SST
13087	46-208932P3	2	SCREW	32	SCREW
13088	46-208932P11	2	SCREW	16	SCREW
14164	46-208946P1	2	NUT	6	5/16-18 1/2" HEX X .188 THK 18-8 SST
15971	46-208921P28	2	SCREW	1	SCREW
16760	46-208935P5	2	NUT	2	6-32, .313 HEX X .109 THK, BRASS
18056	46-220184P26	2	SCREW	4	SCREW
18113	46-220184P41	2	SCREW	2	SCREW
18138	46-220184P47	2	SCREW	2	SCREW
18867	12-280	2	WASHER	22	ID 0.336, OD 0.75, THK .064, BRASS
25680	46-208921P6	2	SCREW	4	SCREW
34911	46-221417P1	2	CONNECTOR	3	FEMALE SCREWLOCKS, TWO PER KIT
37364	46-208560P102	2	SCREW	12	SCREW
64933	1000904P425	2	WASHER	8	0.2 ID, 0.5 OD, .04 THK, B11H89C

2-14 Cx AND LCC HORIZON ENCLOSURE COVERS, END BELLS, AND BORE LAMP

Cx & LCC FIBERGLASS COVER KIT

2158571 & 2158571-2



Cx FIBERGLASS COVER KIT

2158571 FRU N

(PART 5 OF 2142000 PAGE 2-155)
 (PART 5 OF 2142000-2 PAGE 2-155)
 (PART 5 OF 2142000-5 PAGE 2-157)
 (PART 5 OF 2142000-6 PAGE 2-157)
 (PART 5 OF 2142000-9 PAGE 2-158)

Item	Part Number	FRU	Name	Quantity	Description (Remarks)
3	2158755	N	PART	1	REAR COVER
4	2158377	N	PART	4	SIDE COVER (OUTER SHELL)
5	2158346	N	PART	1	SIDE COVER REAR FRAME ASM R SIDE
6	2158346-2	N	PART	1	SIDE COVER REAR FRAME ASM L SIDE
7	2168022	N	ASSEMBLY	1	PEDESTAL REAR COVER, BACK (SEE PAGE 2-230)

LCC FIBERGLASS COVER KIT

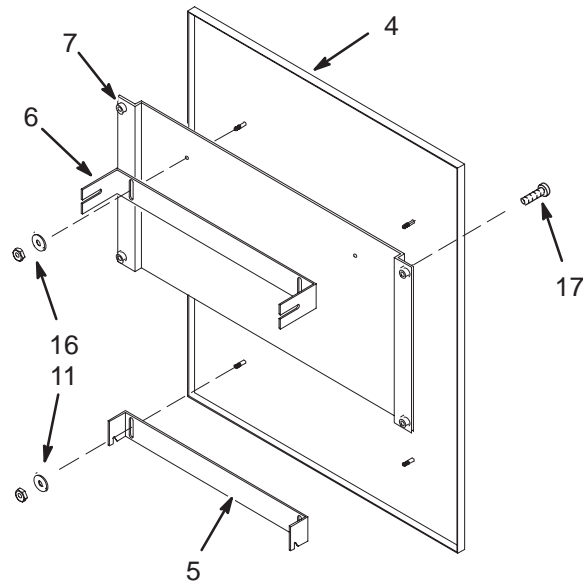
2158571-2 FRU N

(PART OF 2142000-11 PAGE 2-174)
 (PART OF 2142000-12 PAGE 2-174)
 (PART OF 2142000-15 PAGE 2-176)
 (PART OF 2142000-16 PAGE 2-176)

Item	Part Number	FRU	Name	Quantity	Description (Remarks)
3	2158755-2	N	PART	1	REAR COVER CONQUEST - LCC
4	2158377	N	PART	4	SIDE COVER (OUTER SHELL)
5	2158346	N	PART	1	SIDE COVER REAR FRAME ASM R SIDE
6	2158346-2	N	PART	1	SIDE COVER REAR FRAME ASM L SIDE
7	2168022	N	ASSEMBLY	1	PEDESTAL REAR COVER, BACK (SEE PAGE 2-230)

Cx & LCC PEDESTAL REAR COVER

2168022



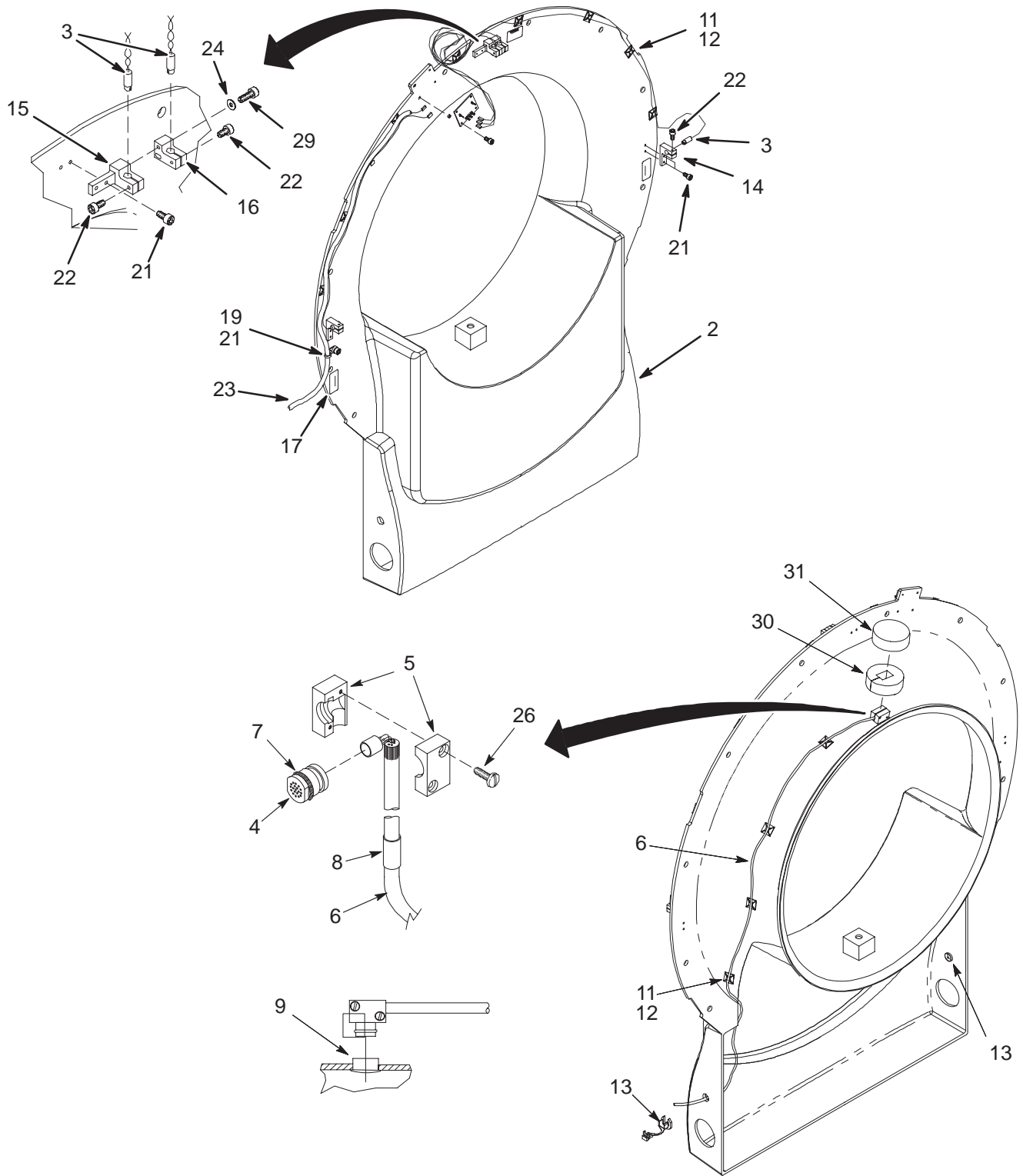
Cx & LCC PEDESTAL REAR COVER

2168022 FRU N

(PART OF 2158571 PAGE 2-229)

Item	Part Number	FRU	Name	Quantity	Description (Remarks)
4	46-320523P1	2	REAR COVER	1	PEDESTAL REAR COVER
5	46-287228P1	2	BRCKT R C B	1	BRACKET, REAR COVER BOTTOM
6	46-287227P1	2	BRCKT R C T	1	BACK COVER ATTACHING
7	2124053	2	BKT, SCD	1	BRACKET, REAR COVER (DOGHOUSE)
11	46-208935P7	2	NUT	4	10-32, 3/8 HEX, 1/8" THICK, BRASS
16	1000904P425	2	WASHER	4	0.2 ID, 0.5 OD, 04 THK, B11H89C
17	46-265486P15	2	SCREW	4	SCREW

Cx & LCC FRONT END BELL ASM – FIXED AND MOBILE 2158573 & 2158573-2

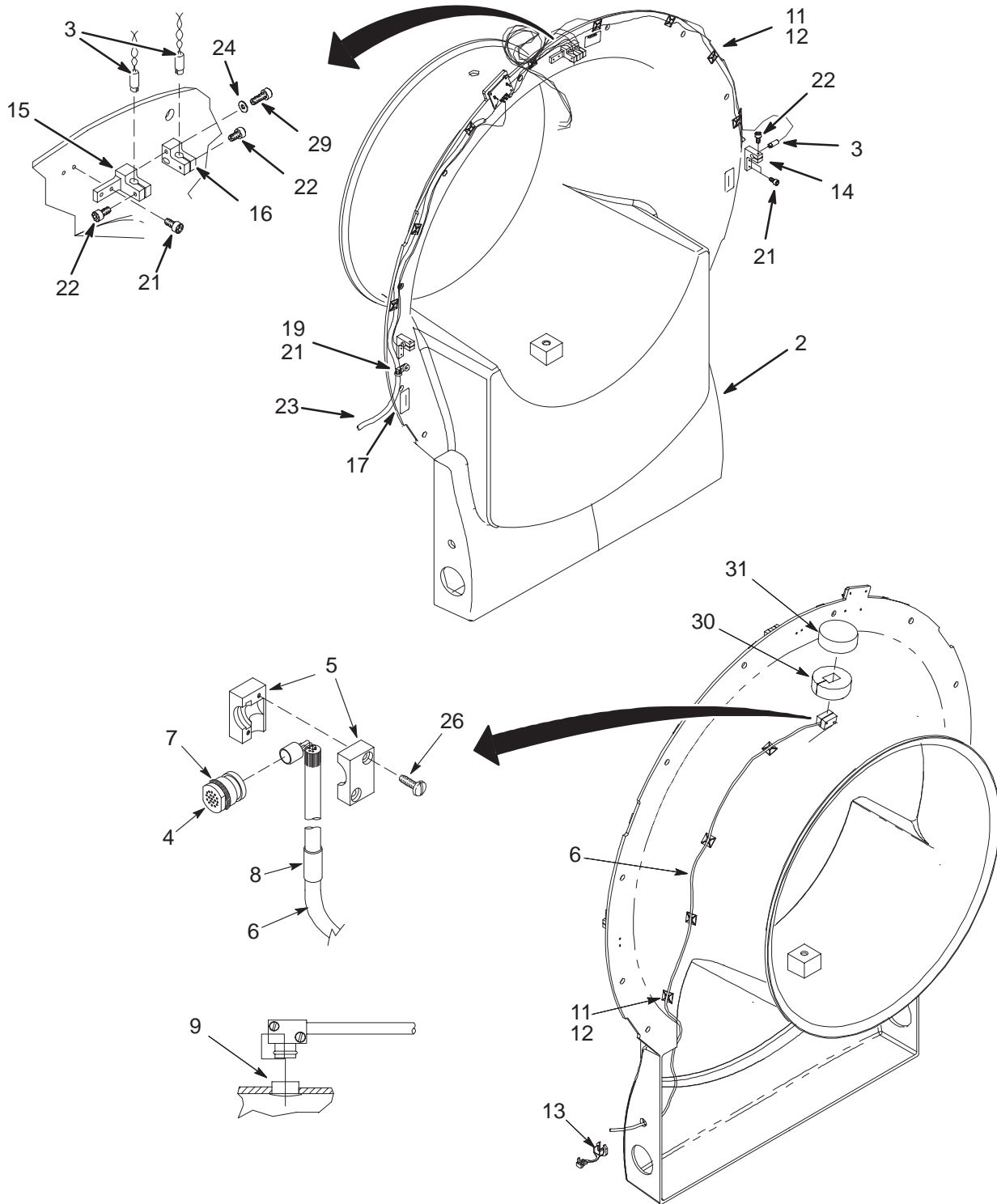


Cx MOBILE FRONT END BELL ASM 2158573-2 FRU N (PART OF 2158572-2 PAGE 2-160)
 LCC MOBILE FRONT END BELL ASM 2158573-2 FRU N (PART OF 2158572-4 PAGE 2-181)

Item	Part Number	FRU	Name	Quantity	Description (Remarks)
2A	2151742	N	PART	1	FRONT ENDBELL Cx MAG
2B	2154752-2	N	PART	1	FRONT ENDBELL Cx MAG - ASP2
3A	2162554-2	2	LASER DIODE	4	LASER FOR Cx MAG FRT COVER ASM
3B	2162554	2	LASER DIODE	ALT	LASER FOR Cx MAG FRT COVER ASM
4	46-317134P1	2	MIKE HOUSING	1	USE 46-317109G1 AS FIELD REPLACEMENT
5	46-317135P1	2	CABLE CLAMP	1	USE 46-317109G1 AS FIELD REPLACEMENT
6	46-317157G3	2	CABLE ASM.	1	Cx FRONT END BELL CABLE ASM
7	46-136374P65	2	RING	1	WIDTH .07, ID 0.551, DUROMETER A 70
8	46-251905P207	2	CABLE LABEL	1	MG2-A35, FRONT MIKE, 46-317109G1
9	46-221523P26	2	BUTTON	1	VENT PLUG, WHITE, 7/8 DIA.
10	46-170617P2	2	ADHESIVE	AR	RTV SILICON RUBBER ADHESIVE SEALANT
11	46-208747P1	2	VIBRATION IS	12	CABLE TIE,ADH.BACKED
12	46-208758P2	2	TY-RAP	12	5.5" X .140" SELF-LOCKING CABLE TIE
13	2138233	2	BUSHING	2	STRAIN RELIEF BUSHING
14	2160195	N	PART	2	BLOCK, MTG LASER Cx
15	2172746	N	PART	1	LASER HOLDER
16	2172747	N	PART	1	LASER HOLDER
17	2163109	N	PART	3	WARNING LABEL - CONTAINS FERROUS
18	2180032	2	WASHER	4	WASHER BEARING 4.34 MM 10 MM
19	46-208759P1	2	TY-RAP	1	7.81" X .184" SELF-LOCKING CABLE TIE
20	46-170686P2	2	ADHESIVE	AR	LOCTITE 242, 10CC
21	2109867-4	2	SCREW	11	SCREW HEXAGON SOCKET 4 MM 12 MM
22	2109867-5	2	SCREW	4	SCREW HEXAGON SOCKET 4 MM 16 MM
23	2162563-2	2	CABLE	1	LASER LIGHT CONNECTION CABLE
24	2109878-2	2	WASHER	1	WASHER PLAIN - NORMAL 4.3 MM 9 MM
25	2163748	2	CIRCUIT BOAR	1	Cx VOLTAGE REGULATOR
26	46-208560P111	2	SCREW	2	SCREW
29	2109867-7	2	SCREW	2	SCREW HEXAGON SOCKET 4 MM 25 MM
30	2145724	2	SIDE BARRIER	1	MICROPHONE SIDE SOUND BARRIER
31	2145725	2	TOP BARRIER	1	MICROPHONE TOP SOUND BARRIER

Cx & LCC CRM FRONT END BELL ASM – FIXED

2158573-3



Cx & LCC CRM FRONT END BELL ASM 2158573-3 FRU N

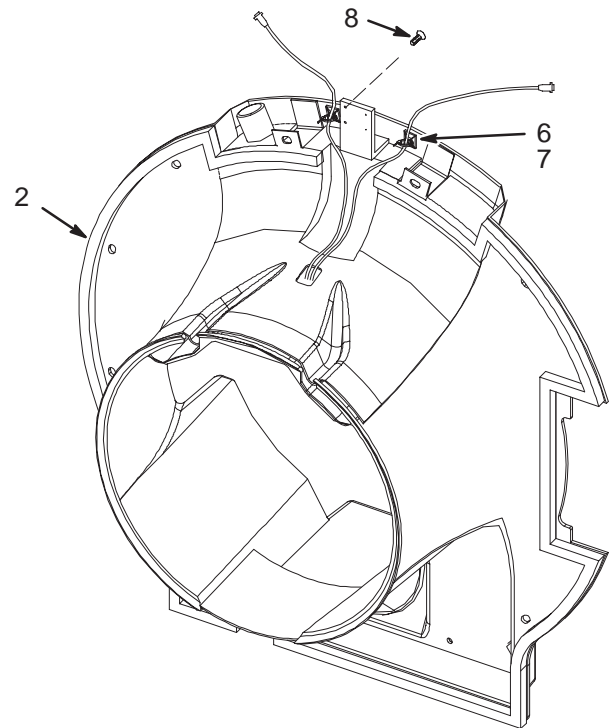
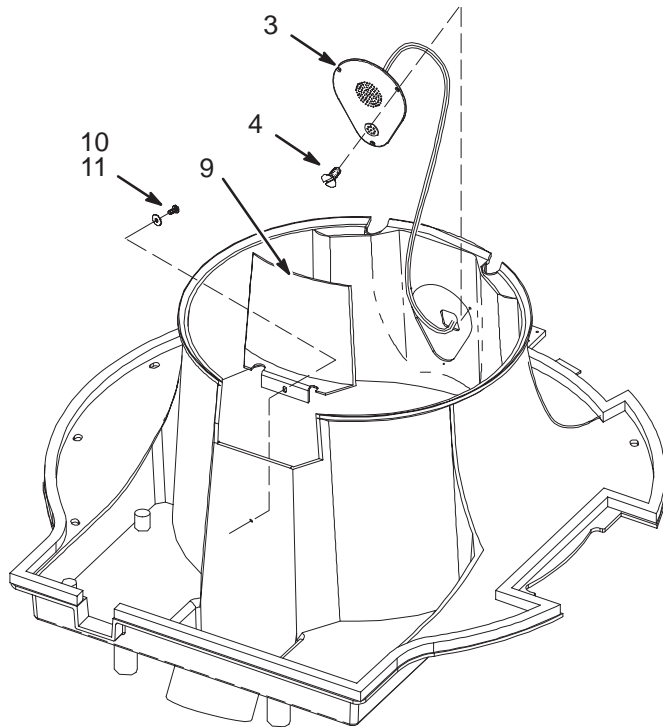
(PART 2 OF 2198317 PAGE 2-161)

(PART 2 OF 2198317-3 PAGE 2-182)

Item	Part Number	FRU	Name	Quantity	Description (Remarks)
2	2188728	2	PART	1	FRONT ENDBELL, Cx CRM
3A	2162554-2	2	LASER DIODE	4	LASER FOR Cx MAG FRT COVER ASM
3B	2162554	2	LASER DIODE	ALT	LASER FOR Cx MAG FRT COVER ASM
4	46-317134P1	2	MIKE HOUSING	1	USE 46-317109G1 AS FIELD REPLACEMENT
5	46-317135P1	2	CABLE CLAMP	1	USE 46-317109G1 AS FIELD REPLACEMENT
6	46-317157G3	2	CABLE ASM.	1	Cx FRONT END BELL CABLE ASM
7	46-136374P65	2	RING	1	WIDTH .07, ID 0.551, DUROMETER A 70
8	46-251905P207	2	CABLE LABEL	1	MG2-A35, FRONT MIKE, 46-317109G1
9	46-221523P26	2	BUTTON	1	VENT PLUG, WHITE, 7/8 DIA.
10	46-170617P2	2	ADHESIVE	AR	RTV SILICON RUBBER ADHESIVE SEALANT.
11	46-208747P1	2	VIBRATION IS	12	CABLE TIE,ADH.BACKED
12	46-208758P2	2	TY-RAP	12	5.5" X .140" SELF-LOCKING CABLE TIE.
13	2138233	2	BUSHING	2	STRAIN RELIEF BUSHING
14	2160195	N	PART	2	BLOCK, MTG LASER Cx
15	2172746	N	PART	1	LASER HOLDER
16	2172747	N	PART	1	LASER HOLDER
17	2163109	N	PART	3	WARNING LABEL - CONTAINS FERROUS
18	2180032	2	WASHER	4	WASHER PLAIN - LARGE 4.34 MM
19	46-208759P1	2	TY-RAP	1	7.81" X .184" SELF-LOCKING CABLE TIE
20	46-170686P2	2	ADHESIVE	AR	LOCTITE 242, 10CC
21	2109867-4	2	SCREW	11	SCREW HEXAGON SOCKET 4 MM 12 MM_SST
22	2109867-5	2	SCREW	4	SCREW HEXAGON SOCKET 4 MM 16 MM
23	2162563	2	CABLE	1	LASER LIGHT CONNECTION CABLE
24	2109878-2	2	WASHER	1	WASHER PLAIN - NORMAL 4.3 MM 9 MM
25	2163748	2	CIRCUIT BOAR	1	Cx VOLTAGE REGULATOR
26	46-208560P111	2	SCREW	2	SCREW
29	2109867-7	2	SCREW	2	SCREW HEXAGON SOCKET 4 MM 25 MM
30	2145724	2	SIDE BARRIER	1	MICROPHONE SIDE SOUND BARRIER
31	2145725	2	TOP BARRIER	1	MICROPHONE TOP SOUND BARRIER

Cx & LCC CRM REAR END BELL ASM

2195877 & 2195877-2



Cx CRM REAR END BELL ASM

2195877 FRU N

(PART 3 OF 2198317 PAGE 2-161)

Item	Part Number	FRU	Name	Quantity	Description (Remarks)
2	2188729	2	PART	1	REAR ENDBELL, Cx CRM
3	2194556	2	PART	1	SPEAKER ASSEMBLY
4	2206437	2	SCREW	3	SCREW COUNTERSUNK HEA 4 MM 12 MM
6	46-208747P1	2	VIBRATION IS	2	CABLE TIE,ADH.BACKED
7	46-208758P2	2	TY-RAP	2	5.5" X .140" SELF-LOCKING CABLE TIE.
8	2109874-12	2	SCREW	4	SCREW COUNTERSUNK HEA 4 MM 16 MM
9	2206155	2	PART	1	COVER, REAR ENBELL DRIVE CABLE, CRM
10	2109873-23	2	SCREW	1	SCREW PAN HEAD 6 MM 10 MM
11	2109879-2	2	WASHER	1	WASHER PLAIN - LARGE 6.4 MM 18 MM

LCC CRM REAR END BELL ASM

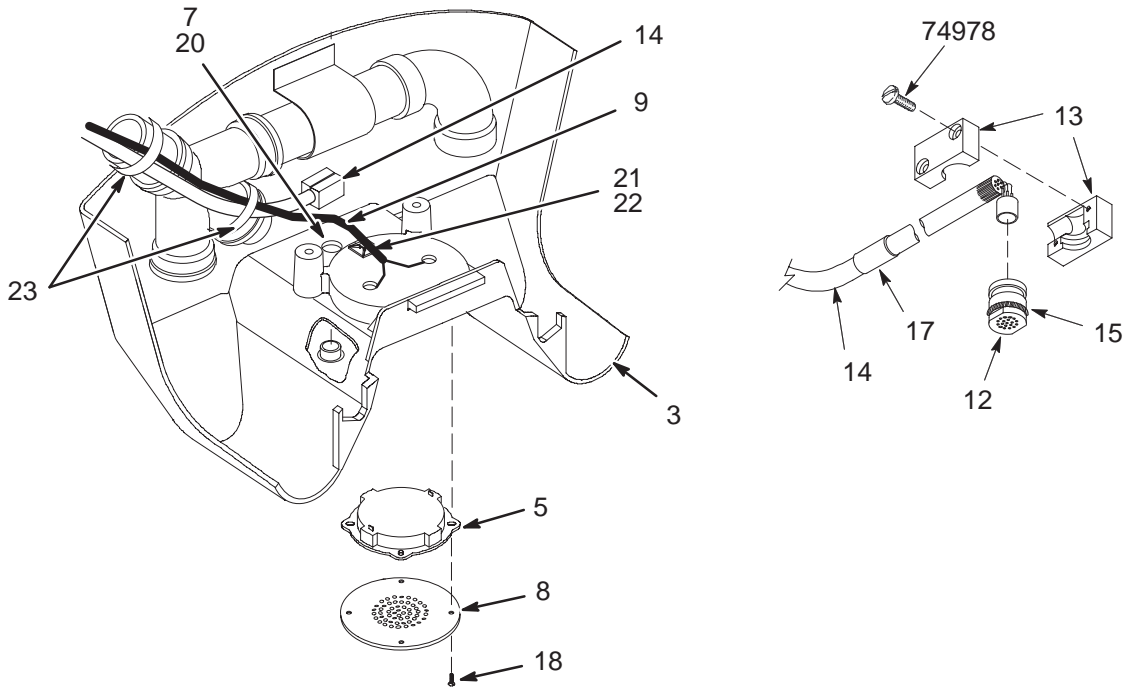
2195877-2 FRU N

(PART 3 OF 2198317-3 PAGE 2-182)

Item	Part Number	FRU	Name	Quantity	Description (Remarks)
2	2188729-2	2	PART	1	REAR ENDBELL, Cx CRM
3	2194556	2	PART	1	SPEAKER ASSEMBLY
4	2206437	2	SCREW	3	SCREW COUNTERSUNK HEA 4 MM 12 MM
6	46-208747P1	2	VIBRATION IS	2	CABLE TIE,ADH.BACKED
7	46-208758P2	2	TY-RAP	2	5.5" X .140" SELF-LOCKING CABLE TIE.
8	2109874-12	2	SCREW	4	SCREW COUNTERSUNK HEA 4 MM 16 MM
9	2206155	2	PART	1	COVER, REAR ENBELL DRIVE CABLE, CRM
10	2109873-23	2	SCREW	1	SCREW PAN HEAD 6 MM 10 MM
11	2109879-2	2	WASHER	1	WASHER PLAIN - LARGE 6.4 MM 18 MM

Cx & LCC COMFORT MODULE

2158378



Cx COMFORT MODULE

2158378 FRU N

(PART OF 2158572 PAGE 2-160)

LCC COMFORT MODULE

2158378 FRU N

(PART OF 2158572-2 PAGE 2-160)

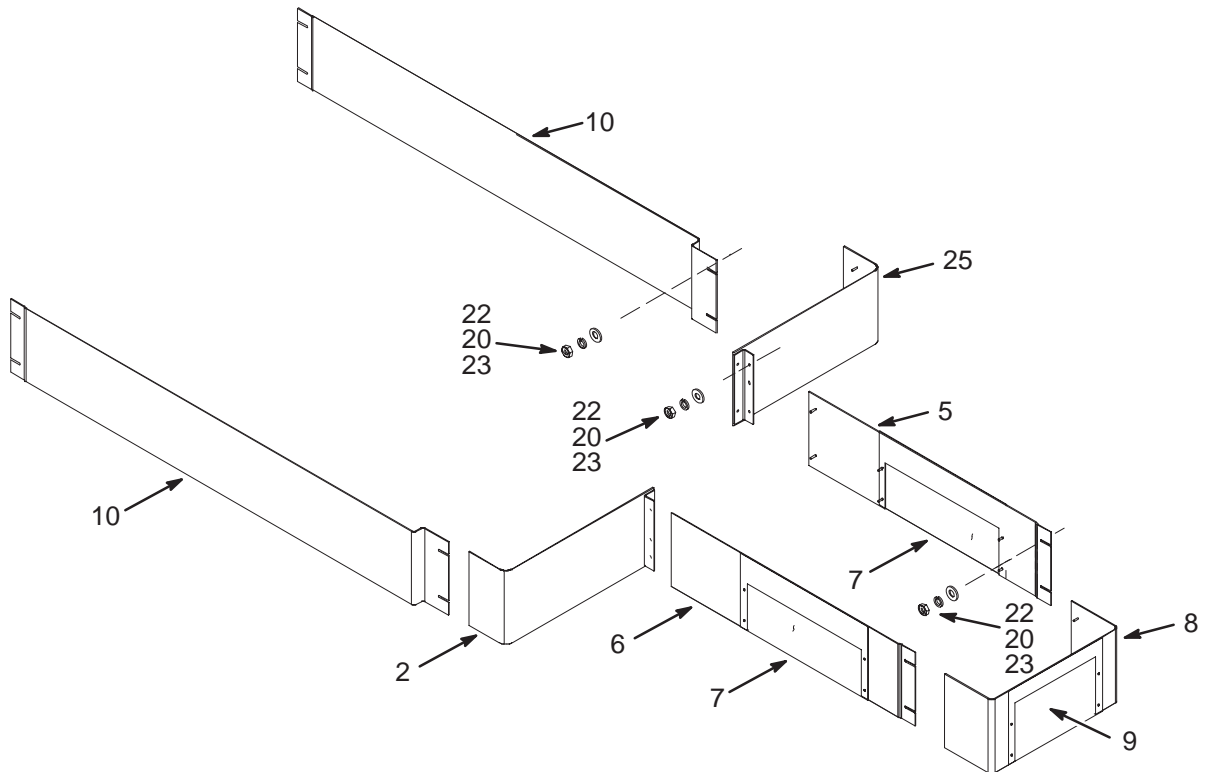
(PART OF 2158572-3 PAGE 2-181)

(PART OF 2158572-4 PAGE 2-181)

Item	Part Number	FRU	Name	Quantity	Description (Remarks)
3	2157094	2	PART	1	COMFORT MODULE Cx
5	46-221773P2	2	TRANSDUCER	1	SPEAKER, PIEZOELECTRIC, 3.2" SQUARE
7	46-221523P26	2	BUTTON	1	VENT PLUG, WHITE, 7/8 DIA.
8	46-287121P2	2	GRILL	1	SPEAKER GRILL, ALUMINUM MIST GRAY
9	46-317252G1	2	CABLE ASM	1	COMFORT MODULE SPEAKER CABLE
12	46-317134P1	N	MIKE HOUSING	1	USE 46-317109G1 AS FIELD REPLACEMENT
13	46-317135P1	N	CABLE CLAMP	1	USE 46-317109G1 AS FIELD REPLACEMENT
14A	46-317157G2	N	CABLE ASM.	1	USE 46-317109G1 AS FIELD REPLACEMENT
14B	46-317157G1	N	CABLE ASM.	ALT	USE 46-317109G1 AS FIELD REPLACEMENT
15	46-136374P65	2	RING	1	WIDTH .07, ID 0.551, DUROMETER A 70
17	46-251905P208	2	CABLE LABEL	1	MG3-A2-J7 REAR MIKE 46-317109G1
18	2136944	2	SCREW,NYLON	4	M4 X 7 FLAT HEAD SLOTTED NYLON
20	46-170617P2	2	ADHESIVE	AR	RTV SILICON RUBBER ADHESIVE SEALANT
21	46-208747P1	2	VIBRATION IS	1	CABLE TIE,ADH.BACKED
22	46-208758P2	2	TY-RAP	2	5.5" X .140" SELF-LOCKING CABLE TIE
23	46-208758P5	2	TY-RAP	2	13.38"X .301" SELF-LOCKING CABLE TIE
74978	46-208560P111	2	SCREW	2	SCREW

Cx & LCC FIXED ENCLOSURE TRIM PANELS

2131491-3 & 2131491-6



Cx ENCLOSURE TRIM PANELS

2131491-3 FRU N

(PART OF 2142000 PAGE 2-155)
 (PART OF 2142000-2 PAGE 2-155)
 (PART OF 2142000-5 PAGE 2-157)
 (PART OF 2142000-6 PAGE 2-157)
 (PART OF 2142000-9 PAGE 2-158)

LCC ENCLOSURE TRIM PANELS

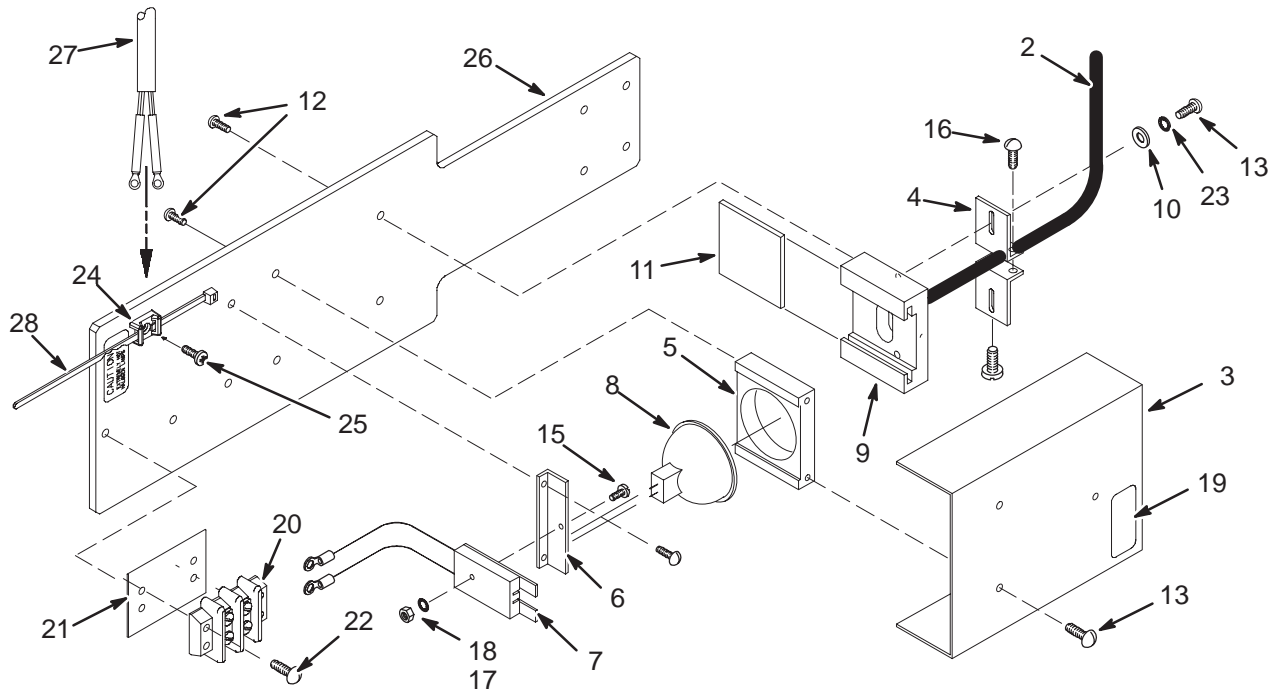
2131491-6 FRU N

(PART OF 2142000-11 PAGE 2-174)
 (PART OF 2142000-12 PAGE 2-174)
 (PART OF 2142000-15 PAGE 2-176)
 (PART OF 2142000-16 PAGE 2-176)
 (PART 7 OF 2142000-19 PAGE 2-178)

Item	Part Number	FRU	Name	Quantity	Description (Remarks)
2	2344253	N	TRIM REAR	1	MODIFIED REAR CORNER SKIRT
4	46-243681P1	2	ANGLE	2	RIGHT ANGLE CORNER BRACKET, 9 X 1.5"
5	46-243689G1	2	BASE TRIM SD	1	REAR PEDESTAL, LEFT SIDE SKIRT
6	46-243689G3	2	BASE TRIM SD	1	REAR PEDESTAL, RIGHT SIDE SKIRT
7	46-251686G1	2	TRIM COVER	2	PEDESTAL SIDE CABLE ACCESS PANEL
8	46-243692G1	2	BASE TRIM RR	1	REAR PEDESTAL, REAR TRIM SKIRT
9	46-251684G1	2	TRIM COVER	1	REAR SKIRT CABLE ACCESS PANEL
10	2159613	2	PART	2	ENCLOSURE LEFT SIDE SKIRT, 164CM LG
20	46-220196P3	2	WASHER	32	#10 SCREW SIZE (0.190), SST
21	46-208560P102	2	SCREW	4	SCREW
22	46-208938P5	2	NUT	32	10-32, 3/8" HEX X .130 THK, 18-8 SST
23	1000904P425	2	WASHER	32	0.2 ID, 0.5 OD, .04 THK, B11H89C
25	2344253-2	N	TRIM REAR	1	MODIFIED REAR CORNER SKIRT

Cx & LCC BORE LAMP ASM – FIXED & MOBILE
LCC CRM BORE LAMP ASM – FIXED

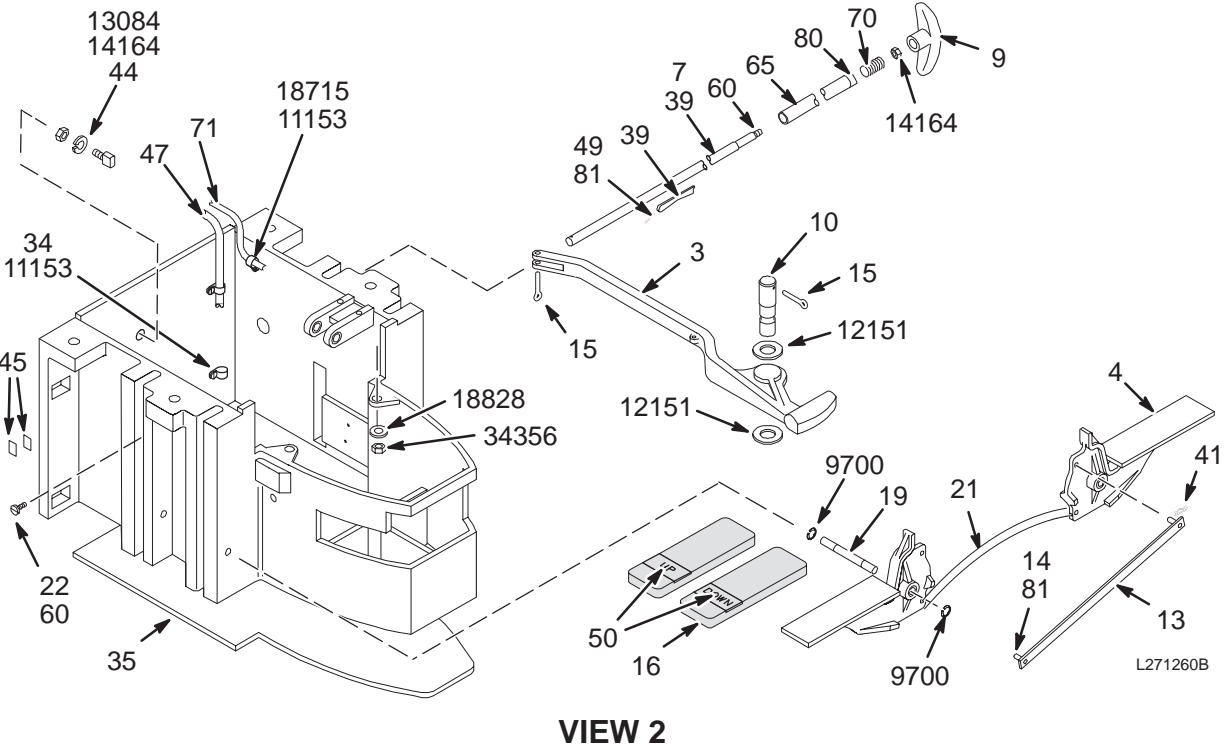
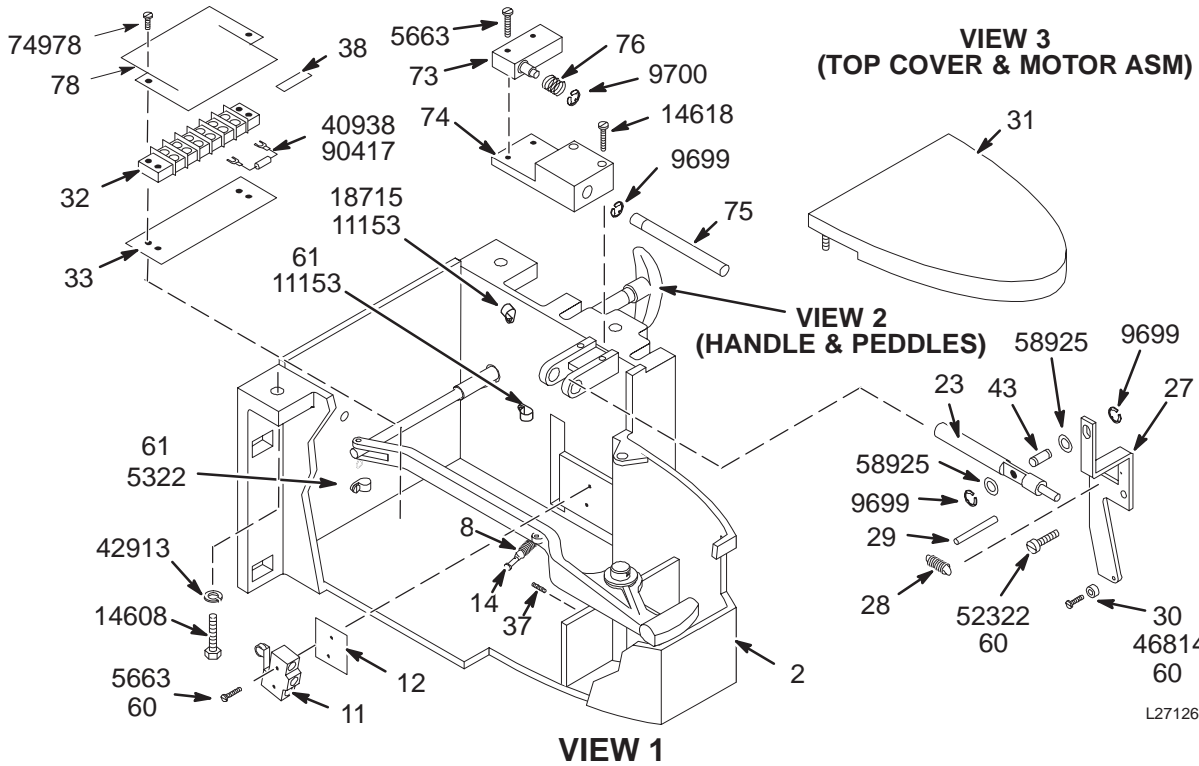
2164869 & 2164869-2
2164869-3



2-15 Cx AND LCC HORIZON DOCK ASSEMBLY

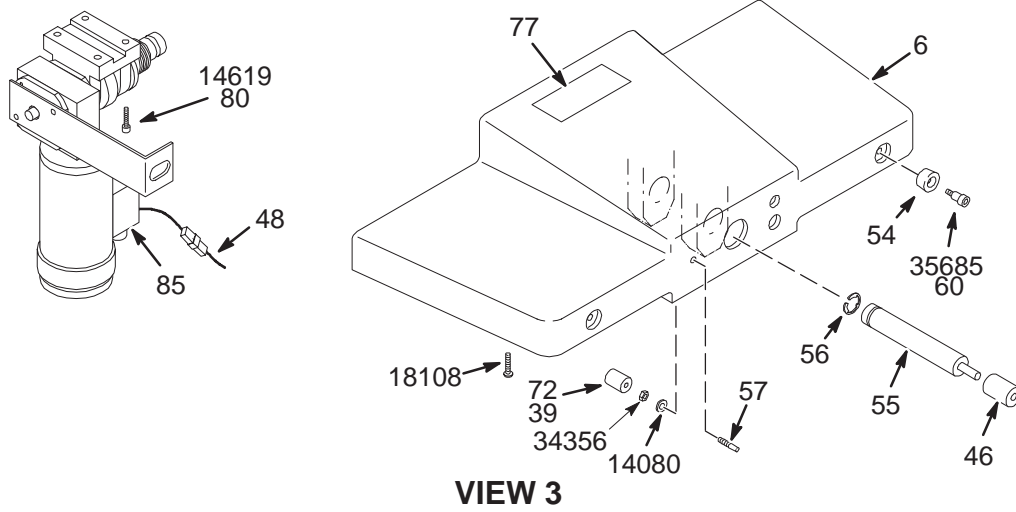
DOCK ASM

46-271260G2



DOCK ASM

46-271260G2



DOCK ASSEMBLY

46-271260G2 FRU N

(PART OF 2142000 SERIES PAGES 2-155 THRU 2-158)
(PART OF 2142000 SERIES PAGES 2-174 THRU 2-178)

Item	Part Number	FRU	Name	Quantity	Description (Remarks)
2	46-271405G2	2	DOCK ASM.	1	Cx DOCK CASTING
3	46-271123P1	2	LEVER ARM	1	DOCK HOOK EMERGENCY RELEASE ARM
4	46-271407G1	2	PEDAL ASM.	4	PEDAL CASTING WITH 3 BRONZE BEARINGS
6	46-271406G1	2	COVER ASM.	1	CASTING W/BEARINGS, NO WARNING LABEL
7	46-271248P1	2	BAR	1	EMERGENCY RELEASE LINKAGE ROD
8	46-221954P5	2	SPRING	1	1/2" OD, WIRE DIA .045, MAX LB
9	46-271266P1	2	HANDLE	1	DOCK HOOK EMERGENCY RELEASE HANDLE
10	46-271249P1	2	PIN	1	DOCK HOOK RELEASE ARM PIVOT
11	46-136334P49	2	SWITCH	1	SPDT SNAP-ACTION SWITCH W/SCREW TERM
12	46-271251P1	2	MECHANICAL/M	1	MOTOR ON SWITCH INSULATOR, FISHPAPER
13	46-271270G1	2	BAR ASM	2	PEDAL LINKAGE BAR AND PIN ASSEMBLY
14	46-221304P7	2	PIN	1	0.188 DIA X 0.65 LENGTH, 303 SST
15	46-221828P7	2	PIN	2	0.125 DIA X 1.5" LONG, SST
16	46-265905P1	2	FOOT PAD	4	FOOT PEDAL PAD, RUBBER
19	46-265887P5	2	BAR	2	PEDAL ASM PIVOT SHAFT
21	46-271152P1	2	SPRING	2	10.42" AUSTENITIC STN. STEEL WIRE
22	46-220437P1	2	BUMPER	2	ATLANTIC INDIA 827-S-120 W/1/2 STUD
23	46-271255P1	2	BAR	1	TABLE DOWN VALVE PUSH ROD
27	46-271256P1	2	BRACKET	1	TABLE DOWN PEDAL LINKAGE LEVER
28	46-221954P3	2	SPRING	1	OD .360, WIRE DIA .045, MAX LB
29	46-208735P86	2	PIN	1	SPIROL .187 DIA X 1.75 LG
30	46-271257P1	2	BAR	1	DOWN PEDAL CAM ROLLER, NYLON
31	46-243341G1	2	BUMPER	1	FRONT COVER, CHARCOAL GREY URETHANE
32	46-315119P1	2	TERMINAL	1	6-POSITION TERMINAL STRIP
33	514A350P36	2	TERMINAL	1	6 POS'N MARKER STRIP, 1-6 LEFT RIGHT
34	46-208718P5	2	CLAMP	2	1/2" ID LOOP TYPE TA MFG CO TA713D8
35	2230001	2	PAD	1	RUBBER PAD
37	46-208732P9	2	SCREW	1	SCREW
38	46-220492P3	2	TERMINAL	2	JUMPER, 0.56" CTR, #8 SCREW, .37" W
39	46-197385P1	2	MECHANICAL/M	1	WHITE LITHIUM, MULTI-PURPOSE GREASE.
41	46-230434P2	2	PIN	4	0.047 WIRE DIA X 0.594 LG 302 SST

Parts List Continued on Next Page

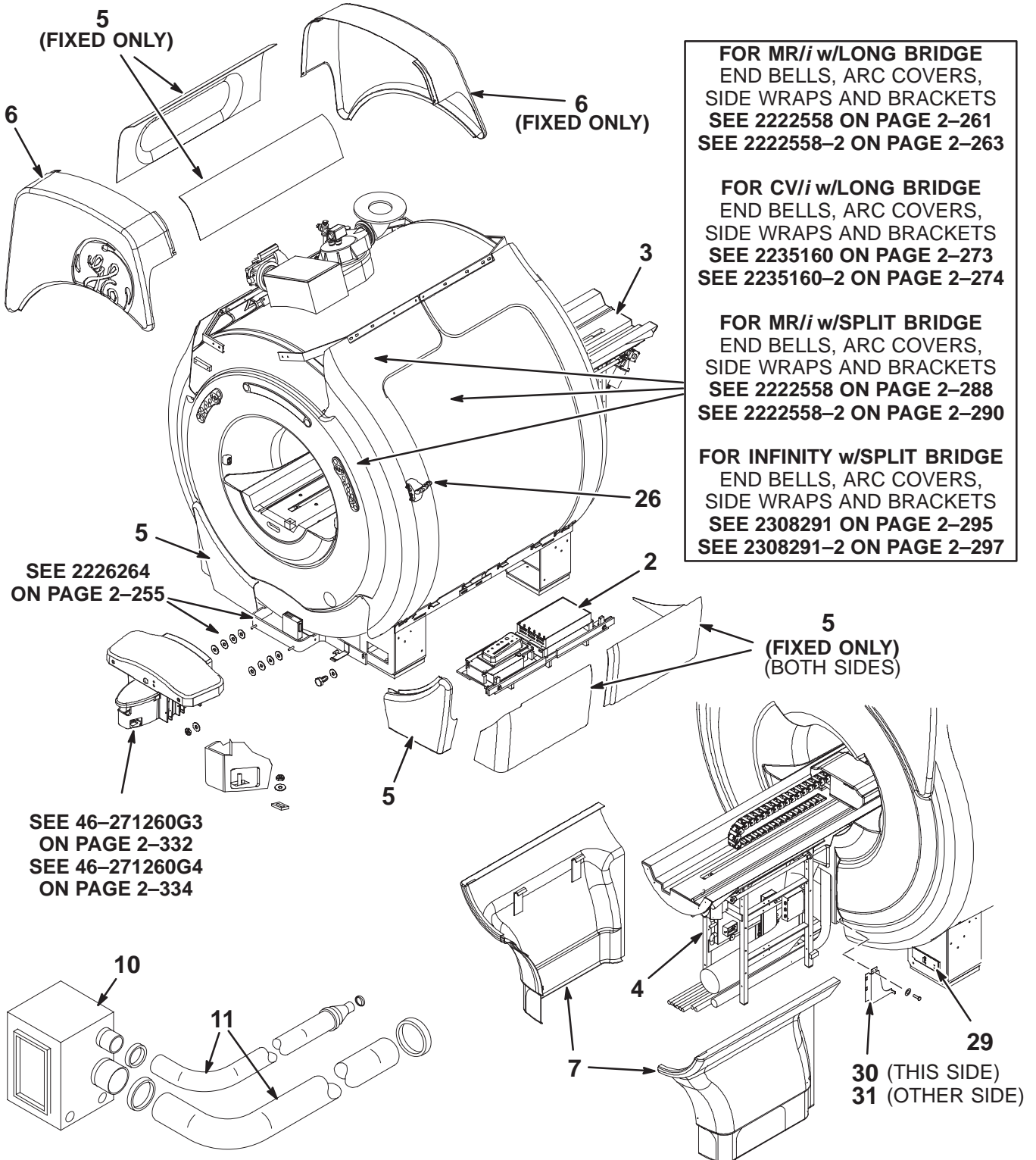
DOCK ASM 46-271260G2 FRU N (PARTS LIST CONTINUED)

Item	Part Number	FRU	Name	Quantity	Description (Remarks)
43	46-271195P9	2	.312 PIN,SST	1	TABLE DOWN LINKAGE PIVOT
44	46-271794P1	2	HOOK STOP	1	DOCK HOOK RELEASE LEVER STOP
45	46-170228P1	2	TAPE	AR	SGL COAT URETHANE MIL-R-5001 GRADE A
46	46-271735P1	2	TUBE SPRING	1	HYDRAULIC PUMP ROD END, POLYURETHANE
47	46-271460G1	2	CABLE	1	DOCK POWER CABLE, MG2-A29-P1 TO TS1
48	46-271459G1	2	HARNESS	1	DOCK TS1, MOTOR, & SW1 INTERCONNECT
50	46-271125P1	2	LABEL	2	FOOT PAD "UP" AND "DOWN" LABEL SET
54	46-271263P1	2	BUMPER	2	BLACK NEOPRENE MINOR RUBBER #ZB-1013
55	46-271264P1	2	BAR	1	HYDRAULIC PUMP ACTUATING PUSH ROD
56	46-220277P25	2	RETAINING RI	1	EXT RADIAL MOUNT, 1" SHAFT DIA
57	46-271265P1	2	BAR	1	CRADLE LATCH ACTUATOR
60	46-170686P1	2	ADHESIVE	AR	LOCTITE 242, 0.5CC TUBE
61	46-208718P1	2	CLAMP	2	ID 1/4" LOOP TYPE, TA MFG CO TA713D4
65	46-271542P1	2	TUBE	1	EMERGENCY RELEASE LINKAGE BRASS TUBE
66	46-271543P1	2	STOP	1	DOCK HOOK RELEASE ROD/TUBE RETAINER
67	46-271544P1	2	SPRING	1	RETAINER PIN, 302 SST SPRING TEMPER
70	46-136353P108	2	SPRING	1	OD 0.562, WIRE DIA .072, STN STEEL
71	46-282547G2	2	CABLE ASM	1	DOCK "MG2-A31-J2", 37 PIN SUB-D PLUG
72	46-271935P1	2	TUBE SPRING	1	CAST POLYURETHANE
73	46-136334P56	2	SWITCH	1	SPDT, BASIC SWITCH W/ OT PLUNGER.
74	46-271928G1	2	BEARING BLOK	1	UP LIMIT SWITCH ACTUATOR GUIDEBLOCK
75	46-271926P1	2	BAR	1	UP LIMIT SWITCH PUSH ROD
76	46-136353P111	2	SPRING	1	OD 0.6", WIRE DIA .045, MATL SST
77	46-271901P1	2	LABEL	1	WARNING, FERROUS COMPONENTS INSIDE..
78	2179561	1	BARRIER	1	SHIELD
80	46-170684P1	2	ADHESIVE	AR	LOCTITE 271, 0.5CC VIAL
81	46-230957P1	2	ADHESIVE	AR	LOCTITE 680, 50ML BOTTLE
85	46-282221G1	1	MOTOR ASM	1	GEAR-MOTOR AND CLUTCH ASM
5322	46-170015P10	2	SCREW	1	SCREW
5663	46-220184P18	2	SCREW	4	SCREW
9699	46-220277P22	2	RETAINING RI	3	EXT RADIAL MOUNT 0.312 SHAFT DIA
9700	46-220277P23	2	RETAINING RI	5	EXT RADIAL MOUNT 0.375 SHAFT DIA
11153	46-208560P82	2	SCREW	4	SCREW
12151	1000904P496	2	WASHER	2	ID 0.812, OD 1.5, THK .078, SST
13084	46-220196P5	2	WASHER	1	5/16" SCREW SIZE (0.313), SST
14080	46-220196P4	2	WASHER	1	1/4" SCREW SIZE (0.250), SST
14164	46-208946P1	2	NUT	2	5/16-18 1/2" HEX X .188 THK 18-8 SST
14608	46-208932P30	2	SCREW	4	SCREW
14618	46-208737P18	2	SCREW	2	SCREW
14619	46-208737P19	2	SCREW	4	SCREW
18108	46-220184P40	2	SCREW	1	SCREW
18715	46-208718P2	2	CLAMP	1	5/16 ID LOOP TYPE TA MFG CO. TA713D5
18828	12-241	2	WASHER	2	ID 0.266, OD 0.75, THK .051, BRASS
34356	46-208948P5	2	NUT	3	1/4-20 .438 HEX X .226 THK, 18-8 SST
35685	46-170024P20	2	SCREW	2	SCREW
40938	511A590P206	2	TERMINAL	2	#6 SPRING TYPE SPADE TERMINAL, RED,
42913	46-220196P7	2	WASHER	4	1/2" SCREW SIZE (0.5), 18-8 SST
46814	46-170024P4	2	SCREW	1	SCREW
52322	46-170024P8	2	SCREW	1	SCREW
58925	1000904P419	2	WASHER	2	ID 0.328, OD 0.5, THK .016, B11H89C
74978	46-208560P111	2	SCREW	2	SCREW
90417	46-253940P122	2	RESISTOR	1	RESISTOR 182 OHMS 1 %

2-16 WideOpen TOP LEVEL ENCLOSURE COLLECTORS

WideOpen LCC 1.5T & 1.0T MAGNET ENCLOSURE – FIXED, T/R, & MOBILE

2202900 THRU 2202900-9



**1.0T FXD WideOpen ENCL w/o M-C 2202900 FRU N (PART 3 OF M1842PS – SECTION 1)
(PART 3 OF M1862PS – SECTION 1)**

Item	Part Number	FRU	Name	Quantity	Description (Remarks)
3	2205100-6	N	ASSEMBLY	1	1.0T W/O PA BRIDGE W/LPCC FOR BRM-F (SEE PAGE 2-282)
4	2199000	N	ASSEMBLY	ALT	1.0T W/O PA REAR PEDESTAL (SEE PAGE 2-318)
5A	2222541-2	N	COLLECTOR	1	WideOpen ENCL TRIM COVERS (SEE PAGE 2-253)
5B	2222542	N	COLLECTOR	1	TWIN COVERS W/CLIPS (SEE PAGE 2-253)
6	2222541-10	N	COLLECTOR	1	WideOpen ENCLOSURE TOP COVERS (SEE PAGE 2-254)
7	2222541-9	N	COLLECTOR	1	WideOpen REAR PEDESTAL COVERS (SEE PAGE 2-252)
10A	2121199	N	BLOWER (MG6)	1	BLOWER CABINET, MG6 (SEE PAGE 2-100)
10B	2121199-12	N	BLOWER (MG6)	1	BLOWER CABINET, MG6 (SEE PAGE 2-100)
11A	2129412-3	N	HOSE KIT	1	BLOWER HOSE KIT (SEE PAGE 2-103)
11B	2129412-6	N	HOSE KIT	1	RETRO BLOWER HOSE KIT (SEE PAGE 2-103)
41	2321159	N	COLLECTOR	1	MFG PAC AND SRI KIT — US COLLECTOR (SEE PAGE 2-313)
42	2321160-7	N	COLLECTOR	1	MFG REAR PED W/O PA 1.0T FIXED COLL (SEE PAGE 2-251)

**1.0T FXD WideOpen ENCL with M-C 2202900-2 FRU N (PART 3 OF M1843PS – SECTION 1)
(PART 3 OF M1863PS – SECTION 1)**

Item	Part Number	FRU	Name	Quantity	Description (Remarks)
3	2205100-8	N	ASSEMBLY	1	1.0T W/PA BRIDGE W/LPCC FOR BRM-F (SEE PAGE 2-284)
4	2199000-2	N	ASSEMBLY	ALT	1.0T W/PA REAR PEDESTAL (SEE PAGE 2-319)
5A	2222541-2	N	COLLECTOR	1	WideOpen ENCL TRIM COVERS (SEE PAGE 2-253)
5B	2222542	N	COLLECTOR	1	TWIN COVERS W/CLIPS (SEE PAGE 2-253)
6	2222541-10	N	COLLECTOR	1	WideOpen ENCLOSURE TOP COVERS (SEE PAGE 2-254)
7	2222541-9	N	COLLECTOR	1	WideOpen REAR PEDESTAL COVERS (SEE PAGE 2-252)
10A	2121199	N	BLOWER (MG6)	1	BLOWER CABINET, MG6 (SEE PAGE 2-100)
10B	2121199-12	N	BLOWER (MG6)	1	BLOWER CABINET, MG6 (SEE PAGE 2-100)
11A	2129412-3	N	HOSE KIT	1	BLOWER HOSE KIT (SEE PAGE 2-103)
11B	2129412-6	N	HOSE KIT	1	RETRO BLOWER HOSE KIT (SEE PAGE 2-103)
41	2321159	N	COLLECTOR	1	MFG PAC AND SRI KIT — US COLLECTOR (SEE PAGE 2-313)
42	2321160-8	N	COLLECTOR	1	MFG REAR PED W/PA 1.0T FIXED COLL (SEE PAGE 2-251)

1.0T MOB WideOpen ENCL w/o M-C 2202900-3 FRU N (PART 3 OF M1852PS – SECTION 1)

Item	Part Number	FRU	Name	Quantity	Description (Remarks)
3	2205100-6	N	ASSEMBLY	1	1.0T W/O PA BRIDGE W/LPCC FOR BRM-F (SEE PAGE 2-282)
4	2199000	N	ASSEMBLY	ALT	1.0T W/O PA REAR PEDESTAL (SEE PAGE 2-318)
5A	2222541-5	N	COLLECTOR	1	WideOpen ENCL MOB TRIM COVERS (SEE PAGE 2-253)
5B	2297542-2	N	COLLECTOR	1	TWIN COVERS ARREM MKE W/CLIPS (SEE PAGE 2-253)
6	2217457	N	COLLECTOR	1	WideOpen TOP FRONT COVER
7	2222541-9	N	COLLECTOR	1	WideOpen REAR PEDESTAL COVERS (SEE PAGE 2-252)
10A	2121199	N	BLOWER (MG6)	1	BLOWER CABINET, MG6 (SEE PAGE 2-100)
10B	2121199-12	N	BLOWER (MG6)	1	BLOWER CABINET, MG6 (SEE PAGE 2-100)
11A	2129412-3	N	HOSE KIT	1	BLOWER HOSE KIT (SEE PAGE 2-103)
11B	2129412-6	N	HOSE KIT	1	RETRO BLOWER HOSE KIT (SEE PAGE 2-103)
41	2321159	N	COLLECTOR	1	MFG PAC AND SRI KIT — US COLLECTOR (SEE PAGE 2-313)
42	2321160-9	N	COLLECTOR	1	MFG REAR PED W/O PA 1.0T MOBILE COLL (SEE PAGE 2-251)

1.0T MOB WideOpen ENCL with M-C 2202900-4 FRU N (PART 3 OF M1853PS – SECTION 1)

Item	Part Number	FRU	Name	Quantity	Description (Remarks)
3	2205100-8	N	ASSEMBLY	1	1.0T W/PA BRIDGE W/LPCC FOR BRM-F (SEE PAGE 2-284)
4	2199000-2	N	ASSEMBLY	ALT	1.0T W/PA REAR PEDESTAL (SEE PAGE 2-319)
5A	2222541-5	N	COLLECTOR CO	1	WideOpen ENCL MOB TRIM COVERS (SEE PAGE 2-253)
5B	2297542-2	N	COLLECTER	1	TWIN COVERS ARREM MKE W/CLIPS (SEE PAGE 2-253)
6	2217457	N	TOP FRONT CO	1	WideOpen TOP FRONT COVER
7	2222541-9	N	COLLECTER CO	1	WideOpen REAR PEDESTAL COVERS (SEE PAGE 2-252)
10A	2121199	N	BLOWER (MG6)	1	BLOWER CABINET, MG6 (SEE PAGE 2-100)
10B	2121199-12	N	BLOWER (MG6)	1	BLOWER CABINET, MG6 (SEE PAGE 2-100)
11A	2129412-3	N	HOSE KIT	1	BLOWER HOSE KIT (SEE PAGE 2-103)
11B	2129412-6	N	HOSE KIT	1	RETRO BLOWER HOSE KIT (SEE PAGE 2-103)
41	2321159	N	COLLECTOR	1	MFG PAC AND SRI KIT — US COLLECTOR (SEE PAGE 2-313)
42	2321160-10	N	COLLECTOR	1	MFG REAR PED W/PA 1.0T MOBILE COLL (SEE PAGE 2-251)

**1.5T FXD WideOpen ENCL w/o M-C 2202900-5 FRU N (PART 3 OF M1042PS – SECTION 1)
(PART 3 OF M1062PS – SECTION 1)**

Item	Part Number	FRU	Name	Quantity	Description (Remarks)
2	2223440	2	COLLECTOR	1	WideOpen PAC/SRI/PLATFORM ASM (SEE PAGE 2-315)
3	2205100-7	N	ASSEMBLY	1	1.5T W/O PA BRIDGE W/LPCC FOR BRM-F (SEE PAGE 2-283)
4	2199000-3	N	ASSEMBLY	1	1.5T W/O PA REAR PEDESTAL (SEE PAGE 2-320)
5A	2222541-2	N	COLLECTER CO	1	WideOpen ENCL COVERS (SEE PAGE 2-253)
5B	2222542	N	COLLECTER	1	TWIN COVERS W/CLIPS (SEE PAGE 2-253)
6	2222541-10	N	COLLECTER CO	1	WideOpen ENCLOSURE TOP COVERS (SEE PAGE 2-254)
7	2222541-9	N	COLLECTER CO	1	WideOpen REAR PEDESTAL COVERS (SEE PAGE 2-252)
10A	2121199	N	BLOWER (MG6)	1	BLOWER CABINET, MG6 (SEE PAGE 2-100)
10B	2121199-12	N	BLOWER (MG6)	1	BLOWER CABINET, MG6 (SEE PAGE 2-100)
11A	2129412-3	N	HOSE KIT	1	BLOWER HOSE KIT (SEE PAGE 2-103)
11B	2129412-6	N	HOSE KIT	1	RETRO BLOWER HOSE KIT (SEE PAGE 2-103)
26	2227142	N	REMOTE PAC I	1	WideOpen REMOTE PAC I/F ASM (SEE PAGE 2-316)
29	2222547	2	LIGHT ASM	1	WideOpen BORE LIGHT ASSEMBLY-FXD (SEE PAGE 2-257)
30	2228970	N	PART	1	COVER PLATE, REAR ENDBELL (SEE PAGE 2-254)
31	2228970-2	N	PART	1	COVER PLATE, REAR ENDBELL (SEE PAGE 2-254)

**1.5T FXD WideOpen ENCL with M-C 2202900-6 FRU N (PART 3 OF M1043PS – SECTION 1)
(PART 3 OF M1063PS – SECTION 1)**

Item	Part Number	FRU	Name	Quantity	Description (Remarks)
3	2205100-5	N	ASSEMBLY	1	1.5T W/PA BRIDGE W/LPCC FOR BRM-F (SEE PAGE 2-281)
4	2199000-4	N	ASSEMBLY	ALT	1.5T W/PA REAR PEDESTAL (SEE PAGE 2-321)
5A	2222541-2	N	COLLECTER CO	1	WideOpen ENCL COVERS (SEE PAGE 2-253)
5B	2222542	N	COLLECTER	1	TWIN COVERS W/CLIPS (SEE PAGE 2-253)
6	2222541-10	N	COLLECTER CO	1	WideOpen ENCLOSURE TOP COVERS (SEE PAGE 2-254)
7	2222541-9	N	COLLECTER CO	1	WideOpen REAR PEDESTAL COVERS (SEE PAGE 2-252)
10A	2121199	N	BLOWER (MG6)	1	BLOWER CABINET, MG6 (SEE PAGE 2-100)
10B	2121199-12	N	BLOWER (MG6)	1	BLOWER CABINET, MG6 (SEE PAGE 2-100)
11A	2129412-3	N	HOSE KIT	1	BLOWER HOSE KIT (SEE PAGE 2-103)
11B	2129412-6	N	HOSE KIT	1	RETRO BLOWER HOSE KIT (SEE PAGE 2-103)
41	2321159	N	COLLECTOR	1	MFG PAC AND SRI KIT — US COLLECTOR (SEE PAGE 2-313)
42	2321160	N	COLLECTOR	1	MFG REAR PED 1.5T FIXED COLLECTOR (SEE PAGE 2-250)

1.5T MOB WideOpen ENCL w/o M-C 2202900-7 FRU N (PART 3 OF M1052PS – SECTION 1)

Item	Part Number	FRU	Name	Quantity	Description (Remarks)
2	2223440	2	COLLECTOR	1	WideOpen PAC/SRI/PLATFORM ASM (SEE PAGE 2-315)
3	2205100-7	N	ASSEMBLY	1	1.5T W/O PA BRIDGE W/LPCC FOR BRM-F (SEE PAGE 2-283)
4	2199000-3	N	ASSEMBLY	1	1.5T W/O PA REAR PEDESTAL (SEE PAGE 2-320)
5A	2222541-5	N	COLLECTER CO	1	WideOpen ENCL MOB TRIM COVERS (SEE PAGE 2-253)
5B	2297542-2	N	COLLECTER	1	TWIN COVERS ARREM MKE W/CLIPS (SEE PAGE 2-253)
6	2217457	N	TOP FRONT CO	1	WideOpen TOP FRONT COVER
7	2222541-9	N	COLLECTER CO	1	WideOpen REAR PEDESTAL COVERS (SEE PAGE 2-252)
10A	2121199	N	BLOWER (MG6)	1	BLOWER CABINET, MG6 (SEE PAGE 2-100)
10B	2121199-12	N	BLOWER (MG6)	1	BLOWER CABINET, MG6 (SEE PAGE 2-100)
11A	2129412-3	N	HOSE KIT	1	BLOWER HOSE KIT (SEE PAGE 2-103)
11B	2129412-6	N	HOSE KIT	1	RETRO BLOWER HOSE KIT (SEE PAGE 2-103)
26	2227142	N	REMOTE PAC I	1	WideOpen REMOTE PAC I/F ASM (SEE PAGE 2-316)
29	2222547-2	2	LIGHT ASM	1	WideOpen BORE LIGHT ASSEMBLY-MOB (SEE PAGE 2-257)
32	46-320868P1	N	PIPE INSUL	2	POLYETHYLENE CLOSED CELL MATERIAL

1.5T MOB WideOpen ENCL with M-C 2202900-8 FRU N (PART 3 OF M1053PS – SECTION 1)

Item	Part Number	FRU	Name	Quantity	Description (Remarks)
3	2205100-5	N	ASSEMBLY	1	1.5T W/PA BRIDGE W/LPCC FOR BRM-F (SEE PAGE 2-281)
4	2199000-4	N	ASSEMBLY	ALT	1.5T W/PA REAR PEDESTAL (SEE PAGE 2-321)
5A	2222541-5	N	COLLECTER CO	1	WideOpen ENCL MOB TRIM COVERS (SEE PAGE 2-253)
5B	2297542-2	N	COLLECTER	1	TWIN COVERS ARREM MKE W/CLIPS (SEE PAGE 2-253)
6	2217457	N	TOP FRONT CO	1	WideOpen TOP FRONT COVER
7	2222541-9	N	COLLECTER CO	1	WideOpen REAR PEDESTAL COVERS (SEE PAGE 2-252)
10A	2121199	N	BLOWER (MG6)	1	BLOWER CABINET, MG6 (SEE PAGE 2-100)
10B	2121199-12	N	BLOWER (MG6)	1	BLOWER CABINET, MG6 (SEE PAGE 2-100)
11A	2129412-3	N	HOSE KIT	1	BLOWER HOSE KIT (SEE PAGE 2-103)
11B	2129412-6	N	HOSE KIT	1	RETRO BLOWER HOSE KIT (SEE PAGE 2-103)
41	2321159	N	COLLECTOR	1	MFG PAC AND SRI KIT — US COLLECTOR (SEE PAGE 2-313)
42	2321160-2	N	COLLECTOR	1	MFG REAR PED 1.5T MOBILE COLLECTOR (SEE PAGE 2-250)

1.5T CARDIAC FXD WideOpen w/M-C 2202900-9 FRU N (PART 3 OF M1073PS – SECTION 1)

Item	Part Number	FRU	Name	Quantity	Description (Remarks)
3	2205099-8	N	ASSEMBLY	1	CRM BRIDGE WideOpen W/LPCC_1.5 T (SEE PAGE 2-279)
4	2199000-4	N	ASSEMBLY	ALT	1.5T W/PA REAR PEDESTAL (SEE PAGE 2-321)
5A	2222541-2	N	COLLECTER CO	1	WideOpen ENCL COVERS (SEE PAGE 2-253)
5B	2222542	N	COLLECTER	1	TWIN COVERS W/CLIPS (SEE PAGE 2-253)
6	2222541-10	N	COLLECTER CO	1	WideOpen ENCLOSURE TOP COVERS (SEE PAGE 2-254)
7	2222541-9	N	COLLECTER CO	1	WideOpen REAR PEDESTAL COVERS (SEE PAGE 2-252)
10A	2121199	N	BLOWER (MG6)	1	BLOWER CABINET, MG6 (SEE PAGE 2-100)
10B	2121199-12	N	BLOWER (MG6)	1	BLOWER CABINET, MG6 (SEE PAGE 2-100)
11A	2129412-3	N	HOSE KIT	1	BLOWER HOSE KIT (SEE PAGE 2-103)
11B	2129412-6	N	HOSE KIT	1	RETRO BLOWER HOSE KIT (SEE PAGE 2-103)
41	2321159	N	COLLECTOR	1	MFG PAC AND SRI KIT — US COLLECTOR (SEE PAGE 2-313)
42	2321160-3	N	COLLECTOR	1	MFG REAR PED CRM FIXED COLLECTOR (SEE PAGE 2-251)

1.5T FXD REAR PEDESTAL w/MC ASM 2321160 FRU N (PART 42 OF 2202900-6 PAGE 2-248)
 (PART 58 OF M3043PA PAGE 1-52)
 (PART 58 OF M3044PA PAGE 1-52)
 (PART 58 OF M3063PA PAGE 1-53)
 (PART 60 OF M3043TA PAGE 1-74)
 (PART 59 OF M3063TA PAGE 1-75)

Item	Part Number	FRU	Name	Quantity	Description (Remarks)
4	2199000-9	N	ASSEMBLY	1	REAR PEDESTAL WITH PHASED ARRAY (SEE PAGE 2-324)
29	2222547	N	LIGHT ASM	1	WideOpen BORE LIGHT ASSEMBLY-FIXED (SEE PAGE 2-257)
30	2228970	N	PART	1	COVER PLATE, REAR ENDBELL (SEE PAGE 2-254)
31	2228970-2	N	PART	1	COVER PLATE, REAR ENDBELL (SEE PAGE 2-254)
93	46-282260G12	N	SPLIT BOX	1	LX 1.5T BODY HYBRID & PREAMP (SEE PAGE 2-129)

1.5T MOB REAR PEDESTAL w/MC ASM 2321160-2 FRU N (PART 42 OF 2202900-8 PAGE 2-249)
 (PART 59 OF M3053PA PAGE 1-53)
 (PART 60 OF M3053TA PAGE 1-74)

Item	Part Number	FRU	Name	Quantity	Description (Remarks)
4	2199000-9	N	ASSEMBLY	1	REAR PEDESTAL WITH PHASED ARRAY (SEE PAGE 2-324)
29	2222547-2	N	LIGHT ASM	1	WideOpen BORE LIGHT ASSEMBLY-MOB (SEE PAGE 2-257)
32	46-320868P1	N	PIPE INSUL	2	POLYETHYLENE CLOSED CELL MATERIAL
93	46-282260G12	N	SPLIT BOX	1	LX 1.5T BODY HYBRID & PREAMP (SEE PAGE 2-129)

1.5T CRM REAR PEDESTAL w/MC ASM 2321160-3 FRU N (PART 42 OF 2202900-9 PAGE 2-249)
 (PART 58 OF M3073PA PAGE 1-54)
 (PART 58 OF M3093PA PAGE 1-55)

Item	Part Number	FRU	Name	Quantity	Description (Remarks)
4	2199000-10	N	ASSEMBLY	1	CARDIAC REAR PEDESTAL W/PHSD ARRAY (SEE PAGE 2-325)
29	2222547	N	LIGHT ASM	1	WideOpen BORE LIGHT ASSEMBLY-FIXED (SEE PAGE 2-257)
30	2228970	N	PART	1	COVER PLATE, REAR ENDBELL (SEE PAGE 2-254)
31	2228970-2	N	PART	1	COVER PLATE, REAR ENDBELL (SEE PAGE 2-254)
93	46-282260G12	N	SPLIT BOX	1	LX 1.5T BODY HYBRID & PREAMP (SEE PAGE 2-129)

1.5T MOB CRM REAR PED w/MC ASM 2321160-4 FRU N (PART 59 OF M3083PA PAGE 1-54)

Item	Part Number	FRU	Name	Quantity	Description (Remarks)
4	2199000-10	N	ASSEMBLY	1	CARDIAC REAR PEDESTAL W/PHSD ARRAY (SEE PAGE 2-325)
29	2222547-2	N	LIGHT ASM	1	WIDE OPEN BORE LIGHT ASSEMBLY-MOB (SEE PAGE 2-257)
93	46-282260G12	N	SPLIT BOX	1	LX 1.5T BODY HYBRID & PREAMP (SEE PAGE 2-129)

**1.0T FXD REAR PEDESTAL w/o MC 2321160-7 FRU N (PART 42 OF 2202900 PAGE 2-247)
(PART 59 OF M3842PA PAGE 1-57)
(PART 59 OF M3862PA PAGE 1-59)**

Item	Part Number	FRU	Name	Quantity	Description (Remarks)
4	2199000-8	N	ASSEMBLY	1	REAR PEDESTAL W/O PHASED ARRAY (SEE PAGE 2-323)
29	2222547	N	LIGHT ASM	1	WideOpen BORE LIGHT ASSEMBLY-FIXED (SEE PAGE 2-257)
30	2228970	N	PART	1	COVER PLATE, REAR ENDBELL (SEE PAGE 2-254)
31	2228970-2	N	PART	1	COVER PLATE, REAR ENDBELL (SEE PAGE 2-254)
93	46-282260G5	N	BRM SPLIT BX	1	BODY HYBRID, UFI 1.0T (SEE PAGE 2-128)

**1.0T FXD REAR PEDESTAL w/o MC 2321160-8 FRU N (PART 42 OF 2202900-2 PAGE 2-247)
(PART 59 OF M3843PA PAGE 1-57)
(PART 58 OF M3863PA PAGE 1-59)**

Item	Part Number	FRU	Name	Quantity	Description (Remarks)
4	2199000-9	N	ASSEMBLY	1	REAR PEDESTAL WITH PHASED ARRAY (SEE PAGE 2-324)
29	2222547	N	LIGHT ASM	1	WideOpen BORE LIGHT ASSEMBLY-FIXED (SEE PAGE 2-257)
30	2228970	N	PART	1	COVER PLATE, REAR ENDBELL (SEE PAGE 2-254)
31	2228970-2	N	PART	1	COVER PLATE, REAR ENDBELL (SEE PAGE 2-254)
93	46-282260G5	N	BRM SPLIT BX	1	BODY HYBRID, UFI 1.0T (SEE PAGE 2-128)

1.0T MOB REAR PEDESTAL w/o MC 2321160-9 FRU N (PART 42 OF 2202900-3 PAGE 2-247)

Item	Part Number	FRU	Name	Quantity	Description (Remarks)
4	2199000-8	N	ASSEMBLY	1	REAR PEDESTAL W/O PHASED ARRAY (SEE PAGE 2-323)
29	2222547-2	N	LIGHT ASM	1	WideOpen BORE LIGHT ASSEMBLY-MOB (SEE PAGE 2-257)
32	46-320868P1	N	PIPE INSUL	2	POLYETHYLENE CLOSED CELL MATERIAL
93	46-282260G5	N	BRM SPLIT BX	1	BODY HYBRID, UFI 1.0T (SEE PAGE 2-128)

**1.0T MOB REAR PEDESTAL w/o MC 2321160-10 FRU N (PART 42 OF 2202900-4 PAGE 2-248)
(PART 60 OF M3853PA PAGE 1-58)**

Item	Part Number	FRU	Name	Quantity	Description (Remarks)
4	2199000-9	N	ASSEMBLY	1	REAR PEDESTAL WITH PHASED ARRAY (SEE PAGE 2-324)
29	2222547-2	N	LIGHT ASM	1	WideOpen BORE LIGHT ASSEMBLY-MOB (SEE PAGE 2-257)
32	46-320868P1	N	PIPE INSUL	1	POLYETHYLENE CLOSED CELL MATERIAL
93	46-282260G5	N	BRM SPLIT BX	1	BODY HYBRID, UFI 1.0T (SEE PAGE 2-128)

1.5T EXCITE II FIXED REAR PED 2321160-16 FRU N (PART 5 OF M3043PD PAGE 1-62)
 (PART 5 OF M3063PD PAGE 1-62)
 (PART 5 OF M3043TD PAGE 1-78)
 (PART 5 OF M3063TD PAGE 1-78)

Item	Part Number	FRU	Name	Quantity	Description (Remarks)
12	2382930	N	ASSEMBLY	1	EXCITE II REAR PEDESTAL ASM (SEE PAGE 2-327)
29	2222547	N	LIGHT ASM	1	WideOpen BORE LIGHT ASSEMBLY-FIXED (SEE PAGE 2-257)
30	2228970	N	PART	1	COVER PLATE, REAR ENDBELL (SEE PAGE 2-254)
31	2228970-2	N	PART	1	COVER PLATE, REAR ENDBELL (SEE PAGE 2-254)

1.5T EXCITE II MOBILE REAR PED 2321160-17 FRU N (PART 59 OF M3053PD PAGE 1-62)
 (PART 59 OF M3053TD PAGE 1-78)

Item	Part Number	FRU	Name	Quantity	Description (Remarks)
12	2382930	N	ASSEMBLY	1	EXCITE II REAR PEDESTAL ASM (SEE PAGE 2-327)
29	2222547-2	N	LIGHT ASM	1	WideOpen BORE LIGHT ASSEMBLY-MOB (SEE PAGE 2-257)
32	46-320868P1	N	PIPE INSUL	2	POLYETHYLENE CLOSED CELL MATERIAL

WideOpen REAR PEDESTAL COVERS 2222541-9 FRU N (PART 7 OF 2202900 SERIES PAGES 2-247 TO 2-249)
 (PART 55 OF M3043PD PAGE 1-62)
 (PART 55 OF M3053PD PAGE 1-62)
 (PART 55 OF M3063PD PAGE 1-62)
 (PART 53 OF M3043TD PAGE 1-78)
 (PART 53 OF M3053TD PAGE 1-78)
 (PART 53 OF M3063TD PAGE 1-78)

Item	Part Number	FRU	Name	Quantity	Description (Remarks)
3	2217705	2	PEDESTAL COV	1	WideOpen LEFT PEDESTAL COVER
4	2217704	2	PEDESTAL COV	1	WideOpen RIGHT PEDESTAL COVER

WideOpen FXD TRIM COVERS **2222541-2 FRU N** **(PART 5A OF 2202900 PAGE 2-247)**
(PART 5A OF 2202900-2 PAGE 2-247)
(PART 5A OF 2202900-5 PAGE 2-248)
(PART 5A OF 2202900-6 PAGE 2-248)
(PART 5A OF 2202900-9 PAGE 2-249)

Item	Part Number	FRU	Name	Quantity	Description (Remarks)
1	2270873	2	COVER ASM	1	WideOpen TOP LEFT COVER ASSEMBLY (SEE PAGE 2-254)
2	2217313	2	TOP RIGHT CO	1	WideOpen TOP RIGHT COVER
3	2217308	2	RIGHT FOOT C	1	WideOpen FRONT RIGHT FOOT COVER
4	2217310	2	LEFT FOOT CO	1	WideOpen FRONT LEFT FOOT COVER
5	2217311	2	BASE TRIM FR	1	WideOpen RIGHT FRONT BASE TRIM CVR
6	2217312	2	BASE TRIM RE	1	WideOpen LEFT FRONT BASE TRIM CVR
7	2225982	2	ASSEMBLY DWG	1	WideOpen BASE TRIM REAR RIGHT_ASM
8	2225982-2	2	ASSEMBLY DWG	1	WideOpen BASE TRIM REAR LEFT_ASM

TWIN FXD TRIM COVERS W/CLIPS **2297542 FRU N** **(PART 5B OF 2202900 PAGE 2-247)**
(PART 5B OF 2202900-2 PAGE 2-247)
(PART 5B OF 2202900-5 PAGE 2-248)
(PART 5B OF 2202900-6 PAGE 2-248)
(PART 5B OF 2202900-9 PAGE 2-249)
(PART 5 OF M3043TD PAGE 1-78)
(PART 5 OF M3063TD PAGE 1-78)

Item	Part Number	FRU	Name	Quantity	Description (Remarks)
1	2270873	N	COVER ASM	1	WideOpen TOP LEFT COVER ASSEMBLY (SEE PAGE 2-254)
2	2270873-2	N	COVER ASM	1	WideOpen TOP RIGHT COVER ASSEMBLY
3	2217308-2	N	RIGHT FOOT C	1	WideOpen FRONT RIGHT FOOT COVER
4	2217310-2	N	LEFT FOOT CO	1	WideOpen FRONT LEFT FOOT COVER
5	2217311-2	N	BASE TRIM FR	1	WideOpen RIGHT BASE TRIM FRONT CVR
6	2217312-2	N	BASE TRIM RE	1	WideOpen LEFT FRONT BASE TRIM CVR
7	2225982-3	N	ASSEMBLY DWG	1	WideOpen BASE TRIM REAR RIGHT ASM
8	2225982-4	N	ASSEMBLY DWG	1	WideOpen BASE TRIM REAR LEFT_ASM

WideOpen MOB TRIM COVERS **2222541-5 FRU N** **(PART 5A OF 2202900-3 PAGE 2-247)**
(PART 5A OF 2202900-4 PAGE 2-248)
(PART 5A OF 2202900-7 PAGE 2-249)
(PART 5A OF 2202900-8 PAGE 2-249)

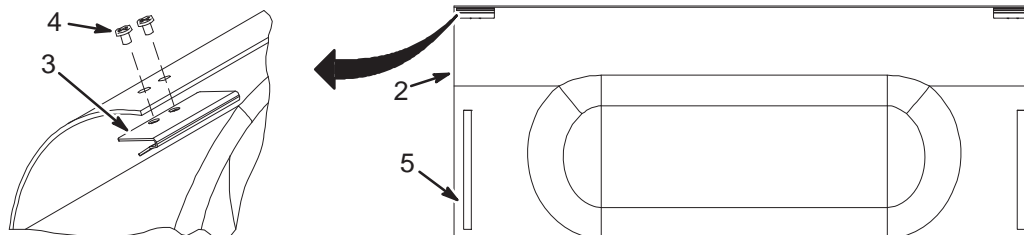
Item	Part Number	FRU	Name	Quantity	Description (Remarks)
3	2217308	2	RIGHT FOOT C	1	WideOpen RIGHT FOOT COVER
4	2217310	2	LEFT FOOT CO	1	WideOpen LEFT FOOT COVER

TWIN MOB TRIM COVERS W/CLIPS **2297542-2 FRU N** **(PART 5B OF 2202900-3 PAGE 2-247)**
(PART 5B OF 2202900-4 PAGE 2-248)
(PART 5B OF 2202900-7 PAGE 2-249)
(PART 5B OF 2202900-8 PAGE 2-249)
(PART 5 OF M3053TD PAGE 1-78)

Item	Part Number	FRU	Name	Quantity	Description (Remarks)
3	2217308-2	N	RIGHT FOOT C	1	WideOpen FRONT RIGHT FOOT COVER
4	2217310-2	N	LEFT FOOT CO	1	WideOpen FRONT LEFT FOOT COVER

WideOpen TOP LEFT COVER ASM

2270873



WideOpen TOP LEFT COVER ASM 2270873 FRU 2 (PART 1 OF 2222541-2 PAGE 2-253)
 (PART 1 OF 2297542 PAGE 2-253)

Item	Part Number	FRU	Name	Quantity	Description (Remarks)
2	2217314-2	N	TOP LEFT COV	1	W/O TOP LEFT COVER W/ADDED HOLES
3	2270693	N	PART	2	CLIP, ENCLOSURE
4	2274932-2	N	SCREW	4	SCREW PAN HEAD 6 MM 10 MM; 1MM PITCH
5	46-136246P11	N	TAPE	2	5/8" WIDE, BLK ADH BACK, VELCRO HOOK

WideOpen TOP END COVERS 2222541-10 FRU N (PART 6 OF 2202900 PAGE 2-247)
 (PART 6 OF 2202900-2 PAGE 2-247)
 (PART 6 OF 2202900-5 PAGE 2-248)
 (PART 6 OF 2202900-6 PAGE 2-248)
 (PART 6 OF 2202900-9 PAGE 2-249)
 (PART 52 OF M3043TD PAGE 1-78)
 (PART 52 OF M3063TD PAGE 1-78)

Item	Part Number	FRU	Name	Quantity	Description (Remarks)
1	2217457	2	TOP FRONT CO	1	WideOpen TOP FRONT COVER
2	2217458	2	TOP REAR COV	1	WideOpen TOP REAR COVER

LEFT REAR END BELL COVER PLATE 2228970 FRU N (PART 30 OF 2202900-5 PAGE 2-248)
 (PART 30 OF 2321160 PAGE 2-250)
 (PART 30 OF 2321160-3 PAGE 2-251)
 (PART 30 OF 2321160-7 PAGE 2-251)
 (PART 30 OF 2321160-8 PAGE 2-251)
 (PART 29 OF 2321160-16 PAGE 2-252)

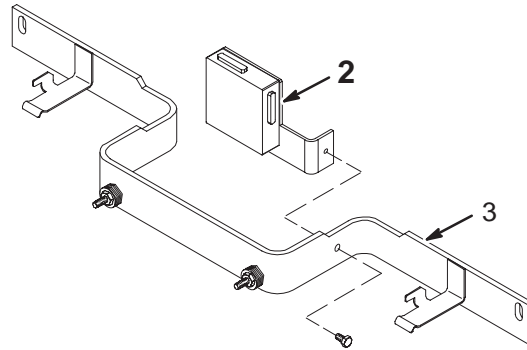
Item	Part Number	FRU	Name	Quantity	Description (Remarks)
	2109879	2	WASHER	2	M4 SS PLAIN WASHER, 4,3 ID X 12 OD
	2109873-13	2	SCREW	2	M4 8MM LONG SS PAN HEAD SCREW

RIGHT REAR END BELL COVER PLATE 2228970-2 FRU N (PART 31 OF 2202900-5 PAGE 2-248)
 (PART 31 OF 2321160 PAGE 2-250)
 (PART 31 OF 2321160-3 PAGE 2-251)
 (PART 31 OF 2321160-7 PAGE 2-251)
 (PART 31 OF 2321160-8 PAGE 2-251)
 (PART 29 OF 2321160-16 PAGE 2-252)

Item	Part Number	FRU	Name	Quantity	Description (Remarks)
	2109879	2	WASHER	2	M4 SS PLAIN WASHER, 4,3 ID X 12 OD
	2109873-13	2	SCREW	2	M4 8MM LONG SS PAN HEAD SCREW

WideOpen DOCK BRACKET ASSEMBLY

2226264



WideOpen DOCK BRACKET ASM

2226264

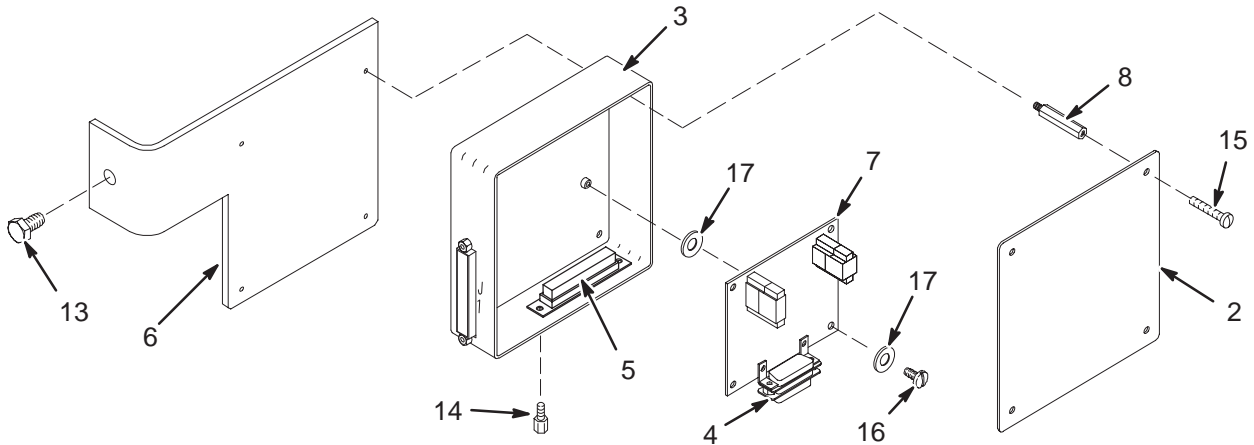
FRU 2

(PART 22 OF 2202900 SERIES PAGES 2-247 TO 2-249)

Item	Part Number	FRU	Name	Quantity	Description (Remarks)
2	46-282757G7	2	DOCK CONTROL	1	WideOpen DOCK CONTROL BOX/BRCKT (SEE PAGE 2-255)
3	2218120	2	DOCK MTG SUP	1	WideOpen DOCK MOUNTING SUPPORT
4	46-170686P2	2	ADHESIVE	AR	LOCTITE 242, 10CC

WideOpen DOCK CONTROL ASM

46-282757G7



LCC DOCK CONTROL ASM

46-282757G7

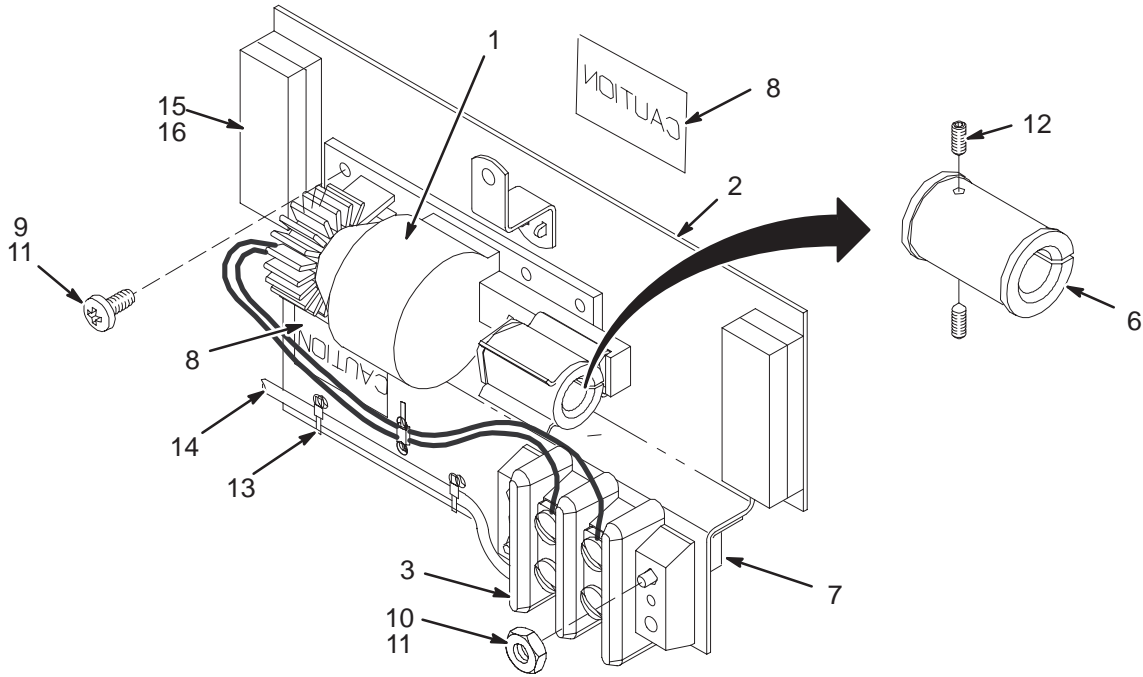
FRU N

(PART 2 OF 2226264 PAGE 2-255)

Item	Part Number	FRU	Name	Quantity	Description (Remarks)
2	46-282320P1	2	COVER	1	5" X 5" BOX COVER, ALUMINUM
3	46-282405G1	2	BOX	1	DOCK LIMIT MODULE BOX - EMPTY
4	46-282426G1	2	HARNESS	1	DOCK LIMIT SWITCH BOARD J1
5	46-282427G1	2	HARNESS	1	DOCK LIMIT SWITCH BOARD J2 AND J3
6	2218122	N	DOCK BOX BRA	1	WideOpen DOCK BOX BRACKET
7	46-264028G1	1	CIRCUIT BD	1	DOCK LIMIT SWITCH BOARD, MG2 A31 A1
8	46-208984P2	2	SPACER	4	HEX 1/4", EXT/INT THD 6-32, 1.5" LG
13	2109866-20	2	SCREW	1	SCREW HEXAGON HEAD 10 MM 25 MM
14	46-221417P2	2	CONNECTOR	4	FEMALE SCREWLOCK FOR HD CONNECTORS
15	46-208921P5	2	SCREW	4	SCREW
16	46-208922P2	2	SCREW	4	SCREW
17	1000904P298	2	WASHER	8	ID 0.1875, OD 0.375, THK .01, A1D2B

WideOpen BORE LIGHT ASSEMBLY – FIXED AND MOBILE

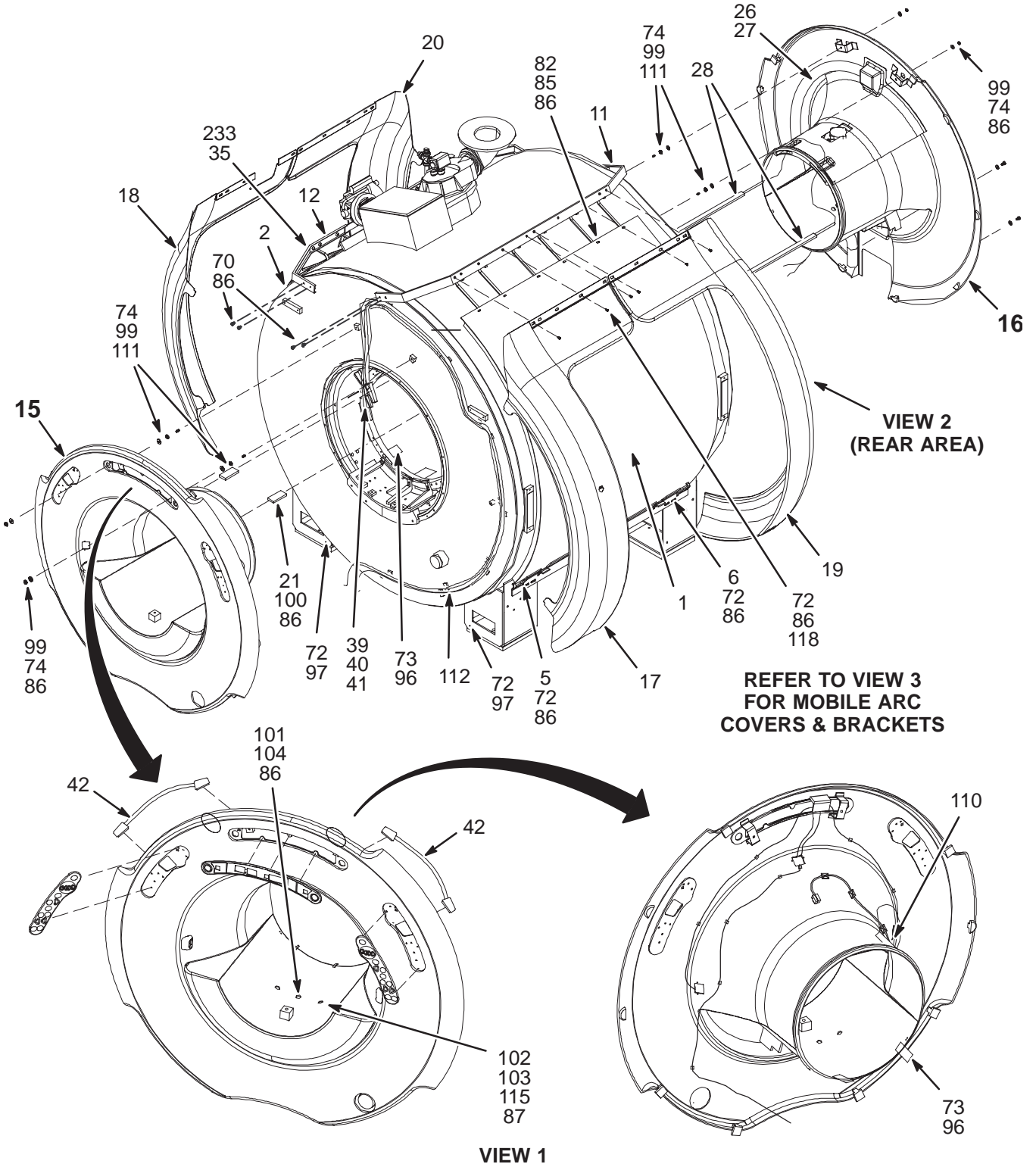
222547 & 222547-2



2-17 WideOpen ENCLOSURE COVERS AND END BELLS FOR LONG BRIDGE

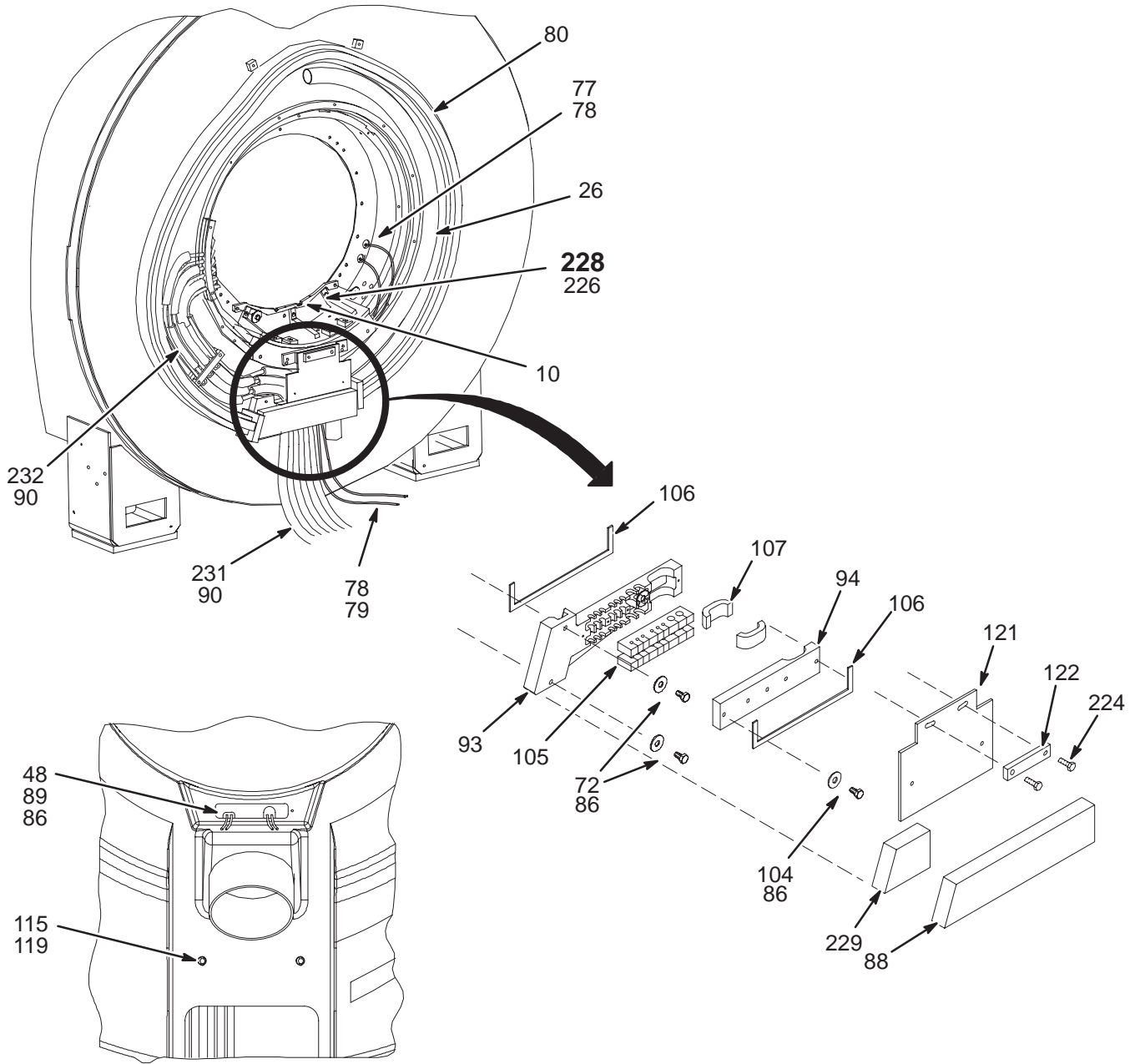
WideOpen MAGNET ENCLOSURE with LONG BRIDGE

2222558 & 2222558-2



WideOpen MAGNET ENCLOSURE with LONG BRIDGE

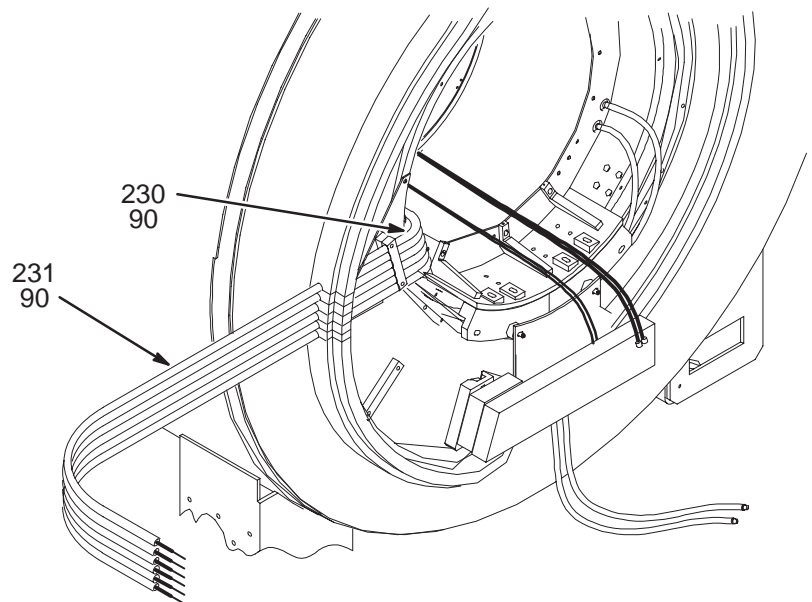
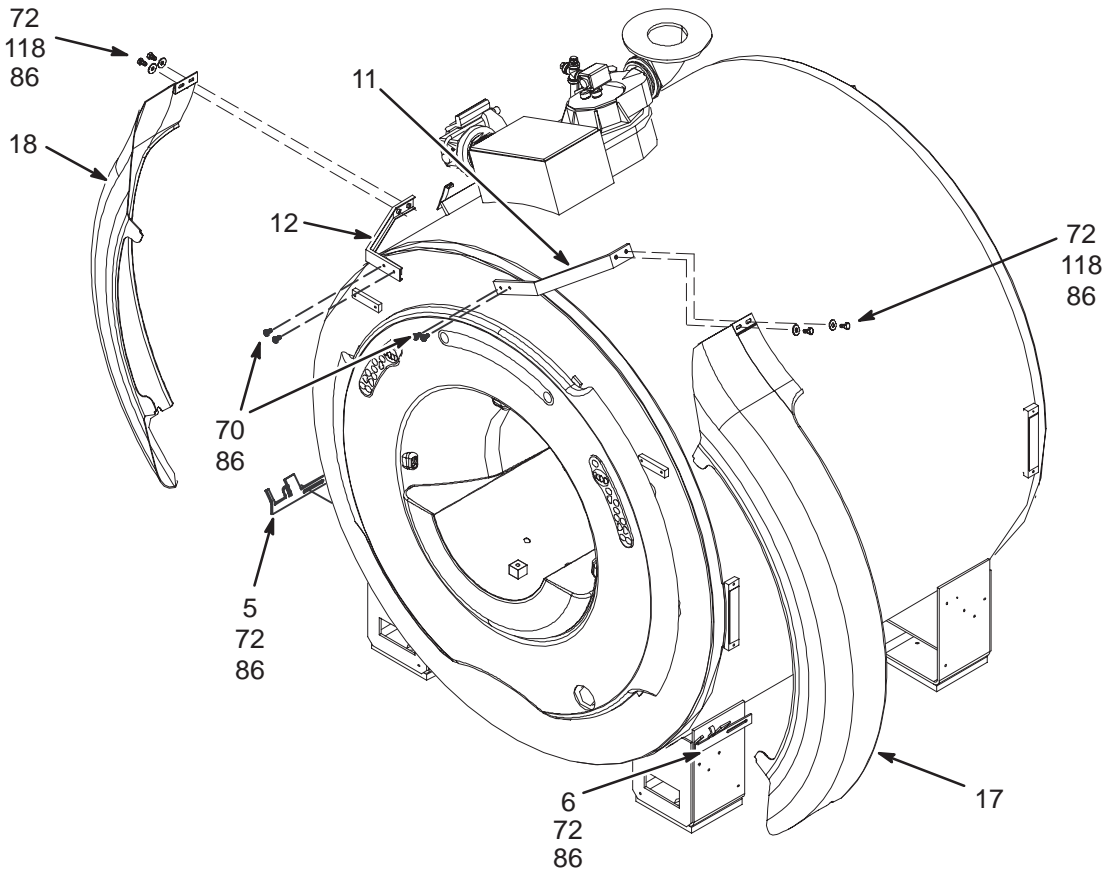
2222558 & 2222558-2



VIEW 2

WideOpen MAGNET ENCLOSURE with LONG BRIDGE

2222558 & 2222558-2



VIEW 3
MOBILE ARC COVERS AND BRACKETS

FXD & T/R WideOpen w/LONG BRIDGE 2222558 FRU N

(PART OF M1060LA – SECTION 1)

(PART OF M1860LA – SECTION 1)

Item	Part Number	FRU	Name	Quantity	Description (Remarks)
1	2217702	2	WRAP COVER R	1	WideOpen WRAP COVER RIGHT
2	2217703	2	WRAP COVER L	1	WideOpen WRAP COVER LEFT
5	2218146	2	LOWER CLAMP	2	WideOpen LOWER CLAMPING BRACKET
6	2218146-2	2	LOWER CLAMP	2	WideOpen LOWER CLAMPING BRACKET
10	2235935	2	BRIDGE SUPPO	2	WideOpen BRIDGE SUPPORT
11	2218898	2	TOP RIGHT FR	1	WideOpen TOP RIGHT FRAME
12	2218897	2	TOP LEFT FRA	1	WideOpen TOP LEFT FRAME
15	2238719	2	END BELL ASM	1	FRONT END BELL ASM (SEE PAGE 2-266)
16	2238731	2	END BELL ASM	1	REAR END BELL ASM (SEE PAGE 2-268)
17	2217461	2	ARC FRONT RI	1	WideOpen ARC COVER FRONT, RIGHT
18	2217462	2	ARC FRONT LE	1	WideOpen ARC FRONT LEFT COVER
19	2217463	2	ARC REAR RIG	1	WideOpen ARC REAR RIGHT COVER
20	2217464	2	ARC REAR LEF	1	WideOpen ARC COVER REAR, LEFT
21	2218899	2	BORE LIGHT E	2	WideOpen BORE LIGHT ENDCAP
26	46-282668P18	2	HOSE, NYLON	1	2 INCH DIAMETER, 132 INCH LENGTH
27	46-208765P28	2	CLAMP	1	DIA RANGE 1-13/16 - 2-3/4, 302/305
28	2222549	2	LIGHT PANEL	2	WideOpen LUMITEX LIGHT PANEL
35	46-294151P48	N	ADHES SPEC	0.200	GE FAST CURE RTV 5818, TRANSLUCENT
39	2221945	2	CABLE	1	MG2-A4-J5 TO MG2-A11-J4
40	2221948	2	CABLE	1	(897) MG2-A4-J3 TO MG2-A39-J9
41	2221947	2	CABLE	1	MG2A4J4 TO MG2A33J5/J6/J7/J8/J9
42	2221946	2	CABLE	2	MG2-A4-J1/J2 TO MG2-A5-J1/J2
48	2222329	2	PART	1	RF COIL FEED THRU COVER
64	2174929-6	2	CONFOR FOAM	2	OPEN CELL POLYURETHANE FOAM, 45" LG
68	2109877-3	2	NUT	4	NUT HEXAGON 10 MM
70	2109866-50	N	SCREW	8	SCREW HEXAGON HEAD
72	2109866-20	2	SCREW	30	SCREW HEXAGON HEAD 10 MM 25 MM
73	2224551	2	LATCH	4	WideOpen END BELL LATCH
74	2234780	1	WASHER	8	WASHER PLAIN - LARGE 10.5 MM 20 MM
77	2226103	2	TUBE	2	HOSE
78	2226095	2	HOSE CLAMP	4	HOSE CLAMP,WORM DRIVE
79	46-294167P28	2	MTL CROSSREF	2	TUBE MENDER,CAT #91355K85, BRASS
80	2222806-4	1	PART	1	FOAM BLOCK, WideOpen FIXED INSTALL
82	2109872-6	2	SCREW	12	SCREW BUTTON HEAD 6 MM 12 MM
85	2229794	2	WASHER PLAST	12	M6 NYLON WASHER
86	46-294151P2	2	ADHES SPEC	AR	LOCTITE #242 TYPE 11
87	2226752-2	1	PART	2	FOAM GASKET, BRIDGE SUPPORT SPACER
88	2239902-3	2	FOAM SEAL	1	CONFOR FOAM
89	2109867-4	2	SCREW	4	SCREW HEXAGON SOCKET 4 MM 12 MM_SST
90	46-208758P2	2	TY-RAP	24	5.5" X .140" SELF-LOCKING CABLE TIE.
93	2227395	2	PART	1	CABLE/HOSE CLAMP, TOP
94	2227396	2	PART	1	CABLE/HOSE CLAMP, BASE
96	2227318	2	SCREW	20	SCREW CHEESE HEAD 5 MM 8 MM
97	2109879-3	2	WASHER	2	WASHER PLAIN - LARGE 10.5 MM 30 MM
99	2109875-4	2	NUT	8	NUT HEXAGON 10 MM
101	2323549	N	SPACER	1	LOCATING PIN
102	2109867-62	2	SCREW	4	SCREW HEXAGON SOCKET 6 MM 90 MM
103	2222353	2	PART	4	BRIDGE SUPPORT SPACER
104	2109867-16	2	SCREW	6	SCREW HEXAGON SOCKET 6 MM 30 MM
105	2227841	2	PART	2	FOAM GASKET, HOSE/CABLE CLAMP

Parts List Continued on Next Page

FXD & T/R WideOpen w/LONG BRIDGE 2222558 FRU N

(CONTINUED FROM PREVIOUS PAGE)

Item	Part Number	FRU	Name	Quantity	Description (Remarks)
106	2228286	2	PART	2	FOAM SEAL, CABLE/HOSE CLAMP
107	2228287	2	PART	2	FOAM BLOCK, CABLE/HOSE CLAMP
110	46-170212P1	2	ADHESIVE	AR	ADHESIVE
111	2116325-10	2	STUD,MAGNET	4	STUD, M10 X 75MM, STAINLESS STEEL
112	46-220191P1	2	CLAMP	14	CLAMP FOR FLAT CABLE
115	2228717	2	PART	6	WASHER, BRIDGE SUPPORT
119	2109867-19	2	SCREW	2	SCREW HEXAGON SOCKET 6 MM 50 MM
121	2235605	2	PLATE	1	ENDBELL ANCHOR PLATE
122	2235606	2	BLOCK	1	WASHER BLOCK
224	2109866-21	2	SCREW	2	SCREW HEXAGON HEAD 10 MM 30 MM
225	2237017	2	SHOULDER BOL	2	SHOULDER BOLT FOR BRIDGE SUPPORT (SEE PAGE 2-269)
226	46-294151P8	1	ADHES SPEC	0.010	BOSTIK "NEVER-SEEZE" LUBRICATING
228	2237017-2	2	SHOULDER BOL	2	SHOULDER BOLT FOR BRIDGE SUPPORT
229	2239902-2	2	FOAM SEAL	1	CONFOR FOAM
231	2239904	2	PIPE INSULAT	6	PIPE INSULATION
232	2239904-4	2	PIPE INSULAT	6	PIPE INSULATION
233	2237254	2	TROUGH	1	TROUGH WITH SPONGE
251	2109867-17	N	SCREW	1	SCREW HEXAGON SOCKET 6 MM 35 MM
252	2116325-5	1	STUD, MAGNET	2	STUD SST M10 X 110MM
253	2318950	1	PART	2	CAP, SUPPORT
254	2318948	1	PART	2	CUP, CAP SUPPORT
255	46-136374P37	1	RING	2	WIDTH .139 ID 0.734 DUROMETER A 70
256	2109866-22	N	SCREW	2	CAP SCREW HEXAGON HEAD

MOBILE WideOpen w/LONG BRIDGE 2222558-2 FRU N

(PART OF M1061LA – SECTION 1)
(PART OF M1861LA – SECTION 1)

Item	Part Number	FRU	Name	Quantity	Description (Remarks)
5	2218146-5	2	LOWER CLAMP	1	WideOpen LOWER CLAMPING BRACKET—MOB
6	2218146-6	2	LOWER CLAMP	1	WideOpen LOWER CLAMPING BRACKET—MOB
10	2235935	2	BRIDGE SUPPO	2	WideOpen BRIDGE SUPPORT
11	2218898-2	2	TOP RIGHT FR	1	WideOpen TOP RIGHT FRAME – MOBILE
12	2218897-2	N	TOP LEFT FRA	1	WideOpen TOP LEFT FRAME – MOBILE
15	2238719	2	END BELL ASM	1	FRONT END BELL ASM (SEE PAGE 2-266)
16	2238731	2	END BELL ASM	1	REAR END BELL ASM (SEE PAGE 2-268)
17	2217461-2	2	ARC FRONT RI	1	WideOpen ARC COVER FRONT,RIGHT—MOBILE
18	2217462-2	2	ARC FRONT LE	1	WideOpen ARC FRONT LEFT COVER—MOBILE
21	2218899	2	BORE LIGHT E	2	WideOpen BORE LIGHT ENDCAP
26	46-282668P18	2	HOSE, NYLON	1	2 INCH DIAMETER, 132 INCH LENGTH
27	46-208765P28	2	CLAMP	1	DIA RANGE 1-13/16 – 2-3/4, 302/305
28	2222549	2	LIGHT PANEL	2	WideOpen LUMITEX LIGHT PANEL
35	46-170617P1	N	ADHESIVE	AR	RTV SILICON RUBBER ADHESIVE SEALANT.
39	2221945	2	CABLE	1	MG2-A4-J5 TO MG2-A11-J4
40	2221948	2	CABLE	1	(897) MG2-A4-J3 TO MG2-A39-J9
41	2221947	2	CABLE	1	MG2A4J4 TO MG2A33J5/J6/J7/J8/J9
42	2221946	2	CABLE	2	MG2-A4-J1/J2 TO MG2-A5-J1/J2
48	2222329	2	PART	1	RF COIL FEED THRU COVER
64	2174929-6	2	CONFOR FOAM	2	OPEN CELL POLYURETHANE FOAM, 45" LG
68	2109877-3	2	NUT	4	NUT HEXAGON 10 MM
70	2109866-50	2	SCREW	4	SCREW HEXAGON HEAD
72	2109866-20	2	SCREW	14	SCREW HEXAGON HEAD 10 MM 25 MM
73	2224551	2	LATCH	4	WideOpen END BELL LATCH
74	2167321	2	WASHER	8	WASHER
77	2226103	2	TUBE	2	HOSE
78	2226095	2	HOSE CLAMP	4	HOSE CLAMP,WORM DRIVE
79	46-294167P28	2	MTL CROSSREF	2	TUBE MENDER,CAT #91355K85, BRASS
80	2222806-3	2	PART	1	FOAM BLOCK, WideOpen MOBILE INSTALL
86	46-294151P2	2	ADHES SPEC	AR	LOCKTITE #242 TYPE 11
87	2226752	2	PART	4	FOAM GASKET, BRIDGE SUPPORT SPACER
88	2239902-3	2	FOAM SEAL	1	CONFOR FOAM
89	2109867-4	2	SCREW	4	SCREW HEXAGON SOCKET 4 MM 12 MM_SST
90	46-208758P2	2	TY-RAP	48	5.5" X .140" SELF-LOCKING CABLE TIE.
93	2227395	2	PART	1	CABLE/HOSE CLAMP, TOP
94	2227396	2	PART	1	CABLE/HOSE CLAMP, BASE
96	2227318	2	SCREW	20	SCREW CHEESE HEAD 5 MM 8 MM
97	2109879-3	2	WASHER	2	WASHER PLAIN – LARGE 10.5 MM 30 MM
99	2109875-4	2	NUT	8	NUT HEXAGON 10 MM
100	2109873-14	2	SCREW	4	SCREW PAN HEAD 4 MM 10 MM
101	2227708	2	SPACER	1	WideOpen RF TUBE LOCATING SPACER
102	2109867-62	2	SCREW	4	SCREW HEXAGON SOCKET 6 MM 90 MM
103	2222353	2	PART	4	BRIDGE SUPPORT SPACER
104	2109867-16	2	SCREW	6	SCREW HEXAGON SOCKET 6 MM 30 MM
105	2227841	2	PART	2	FOAM GASKET, HOSE/CABLE CLAMP
106	2228286	2	PART	2	FOAM SEAL, CABLE/HOSE CLAMP
107	2228287	2	PART	2	FOAM BLOCK, CABLE/HOSE CLAMP
110	46-170212P1	2	ADHESIVE	AR	ADHESIVE
111	2116325-10	2	STUD,MAGNET	4	STUD, M10 X 75MM, STAINLESS STEEL
112	46-220191P1	2	CLAMP	14	CLAMP FOR FLAT CABLE

Parts List Continued on Next Page

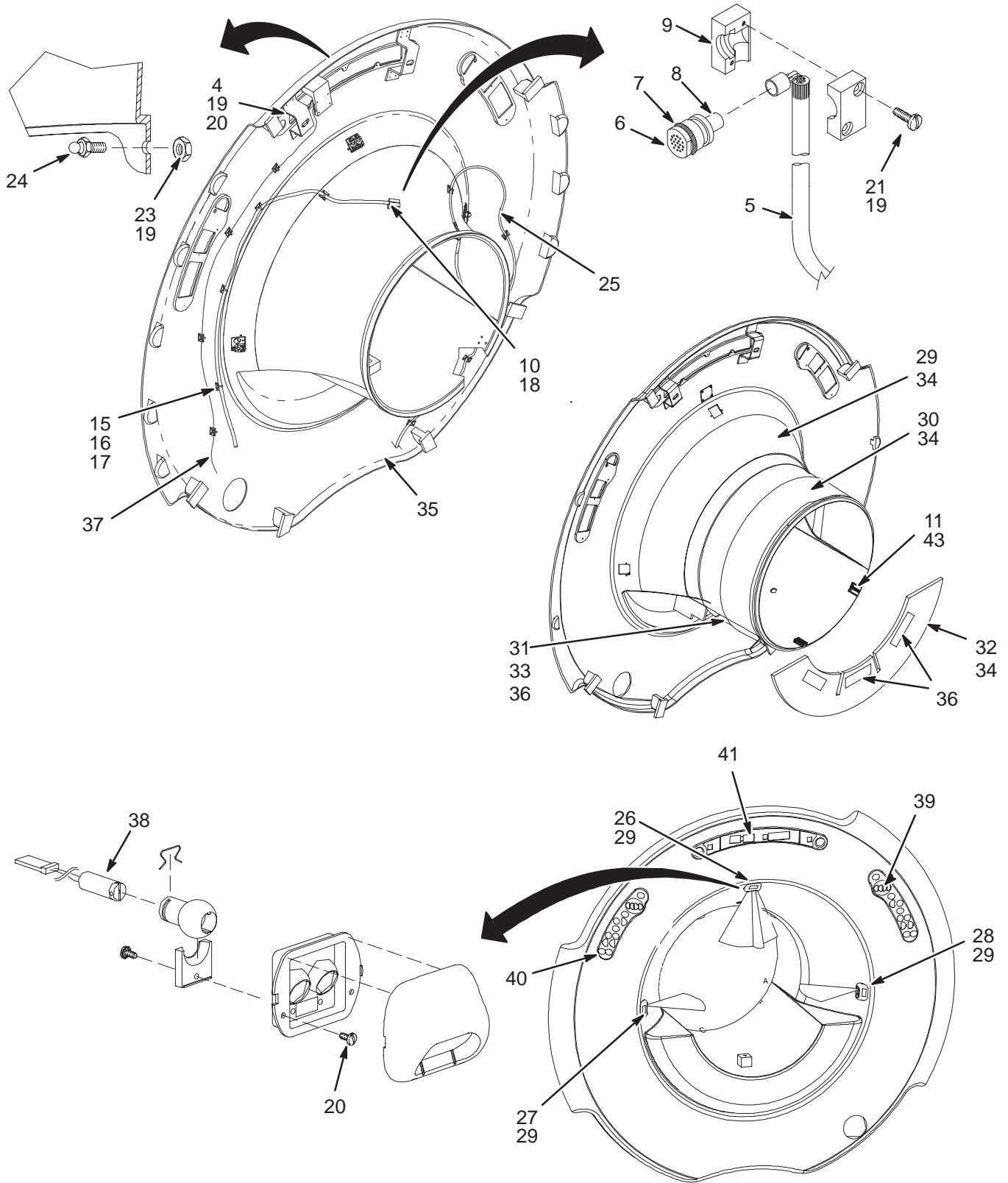
MOBILE WideOpen w/LONG BRIDGE 222558-2 FRU N

(CONTINUED FROM PREVIOUS PAGE)

Item	Part Number	FRU	Name	Quantity	Description (Remarks)
115	2228717	N	PART	6	WASHER, BRIDGE SUPPORT
118	2234780	2	WASHER	4	WASHER PLAIN - LARGE 10.5 MM 20 MM
119	2109867-19	2	SCREW	2	SCREW HEXAGON SOCKET 6 MM 50 MM
121	2235605	2	PLATE	1	ENDBELL ANCHOR PLATE
122	2235606	2	BLOCK	1	WASHER BLOCK
224	2109866-21	2	SCREW	2	SCREW HEXAGON HEAD 10 MM 30 MM
225	2237017	2	SHOULDER BOL	2	SHOULDER BOLT FOR BRIDGE SUPPORT (SEE PAGE 2-269)
226	46-170684P2	2	ADHESIVE	AR	LOCTITE 271, 10CC BOTTLE
227	2237017-2	2	SHOULDER BOL	2	SHOULDER BOLT FOR BRIDGE SUPPORT
229	2239902-2	2	FOAM SEAL	1	CONFOR FOAM
230	2239904-2	2	PIPE INSULAT	6	PIPE INSULATION
231	2239904	2	PIPE INSULAT	9	PIPE INSULATION
233	2237254	2	TROUGH	1	TROUGH WITH SPONGE

WideOpen FRONT END BELL ASSEMBLY

2238719



FRONT END BELL ASM for LONG BRIDGE2238719 FRU 2

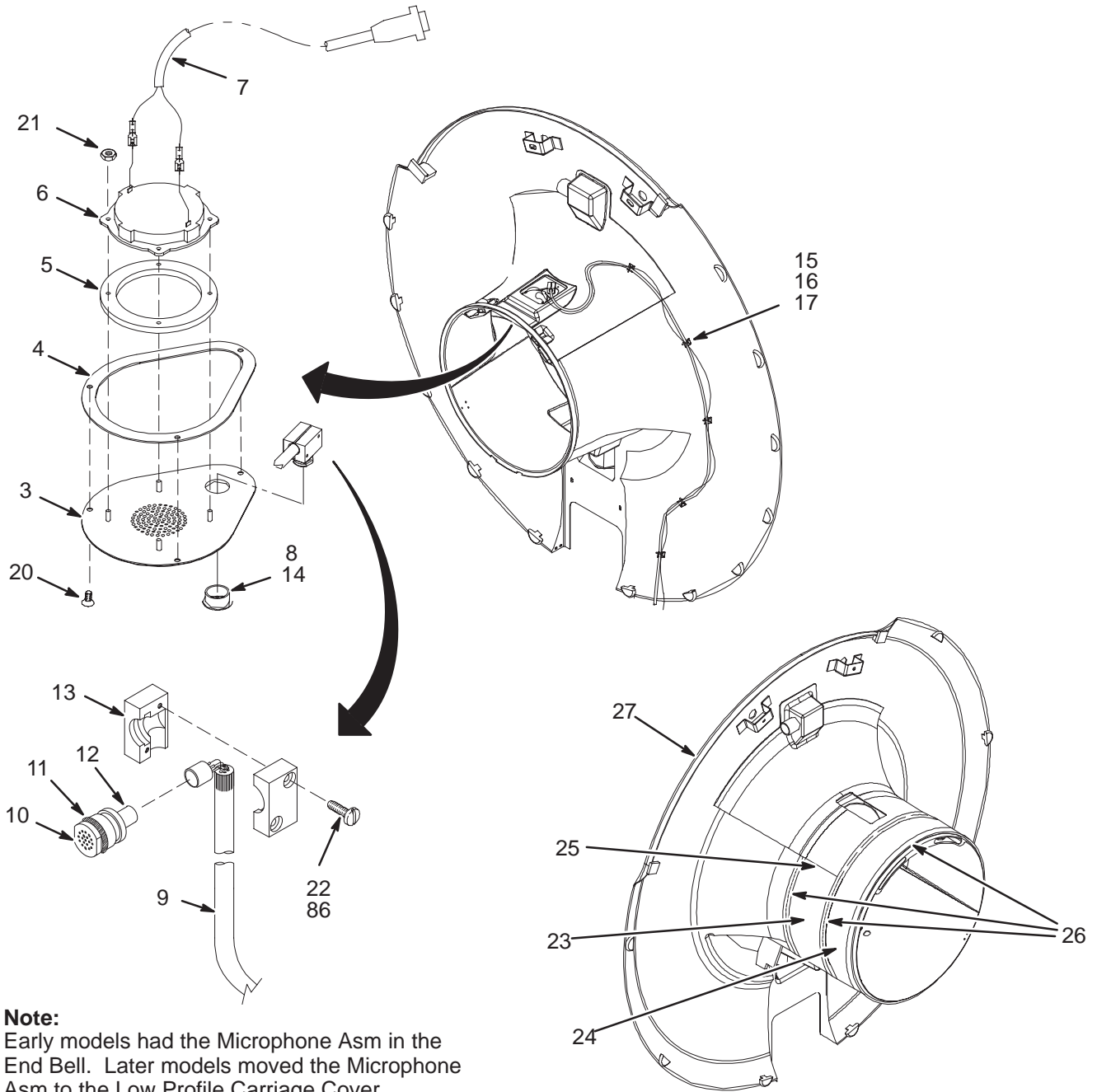
(PART 15 OF 2222558 PAGE 2-261)

(PART 15 OF 2222558-2 PAGE 2-263)

Item	Part Number	FRU	Name	Quantity	Description (Remarks)
4	2163748	2	CIRCUIT BOAR	1	Cx VOLTAGE REGULATOR
5	46-317157G3	2	CABLE ASM.	1	(414) FRNT MICROPHN CABLE TO MG3A2J9
6	46-317134P1	2	MIKE HOUSING	1	USE 46-317109G1 AS FIELD REPLACEMENT
7	46-136374P65	2	RING	1	WIDTH .07, ID 0.551, DUROMETER A 70
8	2229616	2	MIC FOAM BAF	1	WideOpen MICROPHONE FOAM BAFFLE
9	46-317135P1	2	CABLE CLAMP	1	USE 46-317109G1 AS FIELD REPLACEMENT
10	46-221523P26	2	BUTTON	1	VENT PLUG, WHITE, 7/8 DIA.
15	46-208747P1	1	VIBRATION IS	12	CABLE TIE,ADH.BACKED
16	46-208758P2	1	TY-RAP	12	5.5" X .140" SELF-LOCKING CABLE TIE.
17	46-282264P1	2	ADHESIVE	AR	2 OZ DUAL-PAK CARTRIDGE EPOXY, CLEAR
18	46-170617P2	2	ADHESIVE	AR	RTV SILICON RUBBER ADHESIVE SEALANT.
19	46-294151P2	2	ADHES SPEC	AR	LOCKTITE #242 TYPE 11
20	2109873-14	2	SCREW	6	SCREW PAN HEAD 4 MM 10 MM
21	46-208560P111	2	SCREW	2	SCREW
23	46-208935P5	2	NUT	10	6-32, .313 HEX X .109 THK, BRASS
24	46-136365P2	2	FASTENER	10	TINNERMAN P116-473-12-495
25A	46-328354P1	2	CABLE ASM	1	RUN 749, MG2-A33-J10 TO MG2-A36, 35'
25B	2285729	2	CABLE ASM	1	RUN 749, MG2-A33-J10 TO MG2-A36, 35' (DUAL)
26	2221465-2	2	MODULE	1	WideOpen ALIGNMENT LIGHT MODULE_TOP
27	2221465-3	2	MODULE	1	WideOpen ALIGNMENT LIGHT MODULE_LEFT
28	2221465-4	2	MODULE	1	WideOpen ALIGNMENT LIGHT MODULE_RIGHT
29	2224962	2	JACKET	1	END BELL UPPER INSULATION JACKET
30	2224962-2	2	JACKET	1	END BELL UPPER INSULATION JACKET
31	2224963	2	JACKET	1	END BELL LOWER INSULATION JACKET
32	2224963-2	2	JACKET	1	END BELL LOWER INSULATION JACKET
33	46-136246P21	2	TAPE	3	2" WIDE X 25 YD WHITE VELCRO HOOKS
34	2143771-2	2	TEFLON TAPE	AR	2" TEFLON TAPE
35	2217452	2	FRONT ENDBEL	1	WideOpen FRONT ENDBELL
36	2225495	2	TAPE	AR	2" WIDE DOUBLE SIDED POLYESTER FILM
37	2162563	2	CABLE	1	(385) PP1-J20 TO MG2-A30-JP1 PAL BD
38	2162554-2	2	LASER DIODE	4	LASER FOR Cx MAG FRT COVER ASM
39	2215716-2	2	OPR BP/D KIT	1	WideOpen MAGNET HOUSING RH DISPLAY
40	2215716-3	2	OPR BP/D KIT	1	WideOpen MAGNET HOUSING LH DISPLAY
41	2215716-4	1	OPR BP/D KIT	1	WideOpen MAGNET HOUSING CNTR DISPLAY

WideOpen REAR END BELL ASSEMBLY

2238731



Note:
Early models had the Microphone Asm in the End Bell. Later models moved the Microphone Asm to the Low Profile Carriage Cover.

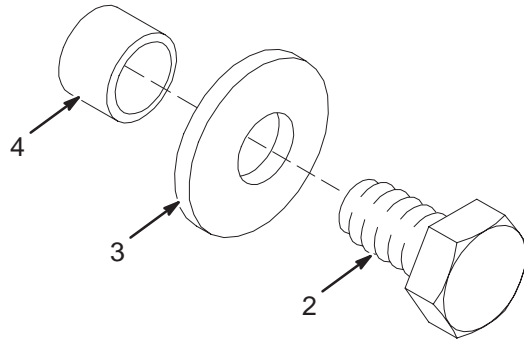
REAR END BELL ASM for LONG BRIDGE 2238731 FRU 2

(PART 16 OF 2222558 PAGE 2-261)

(PART 16 OF 2222558-2 PAGE 2-263)

Item	Part Number	FRU	Name	Quantity	Description (Remarks)
3	2220483	2	PART	1	SPEAKER GRILL, WideOpen REAR ENDBELL
4	2195321	2	PART	1	GASKET
5	2224271	2	PART	1	SPEAKER GRILL GASKET
6	46-221773P2	2	TRANSDUCER	1	SPEAKER, PIEZOELECTRIC, 3.2" SQUARE
7	46-317252G3	2	CABLE ASM	1	WideOpen SPEAKER CABLE
8	46-221523P26	2	BUTTON	1	VENT PLUG, WHITE, 7/8 DIA.
9	46-317157G6	2	CABLE ASM.	1	MICROPHONE CABLE WideOpen SERVICE
10	46-317134P1	2	MIKE HOUSING	1	USE 46-317109G1 AS FIELD REPLACEMENT
11	46-136374P65	2	RING	1	WIDTH .07, ID 0.551, DUROMETER A 70
12	2229616	2	MIC FOAM BAF	1	WideOpen MICROPHONE FOAM BAFFLE
13	46-317135P1	2	CABLE CLAMP	1	USE 46-317109G1 AS FIELD REPLACEMENT
14	46-170617P2	2	ADHESIVE	AR	RTV SILICON RUBBER ADHESIVE SEALANT.
15	46-208747P1	1	VIBRATION IS	5	CABLE TIE,ADH.BACKED
16	46-208758P2	1	TY-RAP	5	5.5" X .140" SELF-LOCKING CABLE TIE.
17	46-282264P1	2	ADHESIVE	AR	2 OZ DUAL-PAK CARTRIDGE EPOXY, CLEAR
20	2109874-12	2	SCREW	3	SCREW COUNTERSUNK HEA 4 MM 16 MM
21	2109877	2	NUT	4	NUT HEXAGON 4 MM
22	46-208560P11	2	SCREW	2	SCREW
23	2224961	2	JACKET	1	FRONT END BELL INSULATION JACKET
24	2224961-2	2	JACKET	1	FRONT END BELL INSULATION JACKET
25	46-136246P21	2	TAPE	2	2" WIDE X 25 YD WHITE VELCRO HOOKS
26	2143771-2	2	TEFLON TAPE	AR	2" TEFLON TAPE
27	2217454	2	REAR ENDBELL	1	WideOpen REAR ENDBELL
86	46-294151P2	2	ADHES SPEC	AR	LOCKTITE #242 TYPE 11

WideOpen SHOULDER BOLT FOR BRIDGE SUPPORT 2237017



BRIDGE SUPPORT SHOULDER BOLT 2237017 FRU 2

(PART 225 OF 2222558 PAGE 2-261)
 (PART 225 OF 2222558-2 PAGE 2-263)

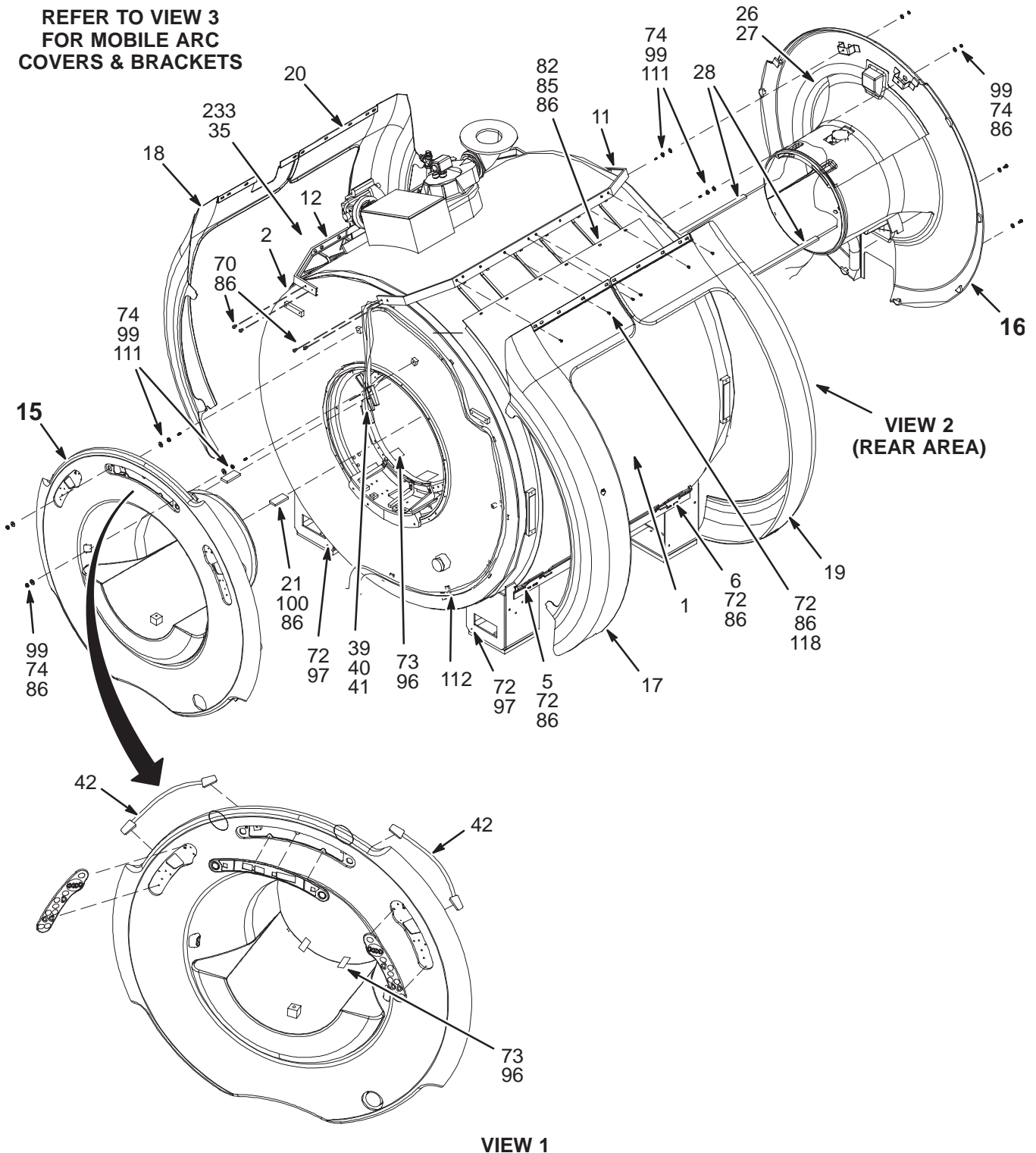
Item	Part Number	FRU	Name	Quantity	Description (Remarks)
2	2109866-20	2	SCREW	1	SCREW HEXAGON HEAD 10 MM 25 MM
3	2221418-2	2	WASHER	1	WASHER PLAIN - LARGE 10.5 MM 38.1 MM
4	2237026	2	TUBE -.50 OD	1	DIELECTRIC SPACER

2-18 WideOpen CARDIAC ENCLOSURE COVERS AND END BELLS

CARDIAC WideOpen MAGNET ENCLOSURE

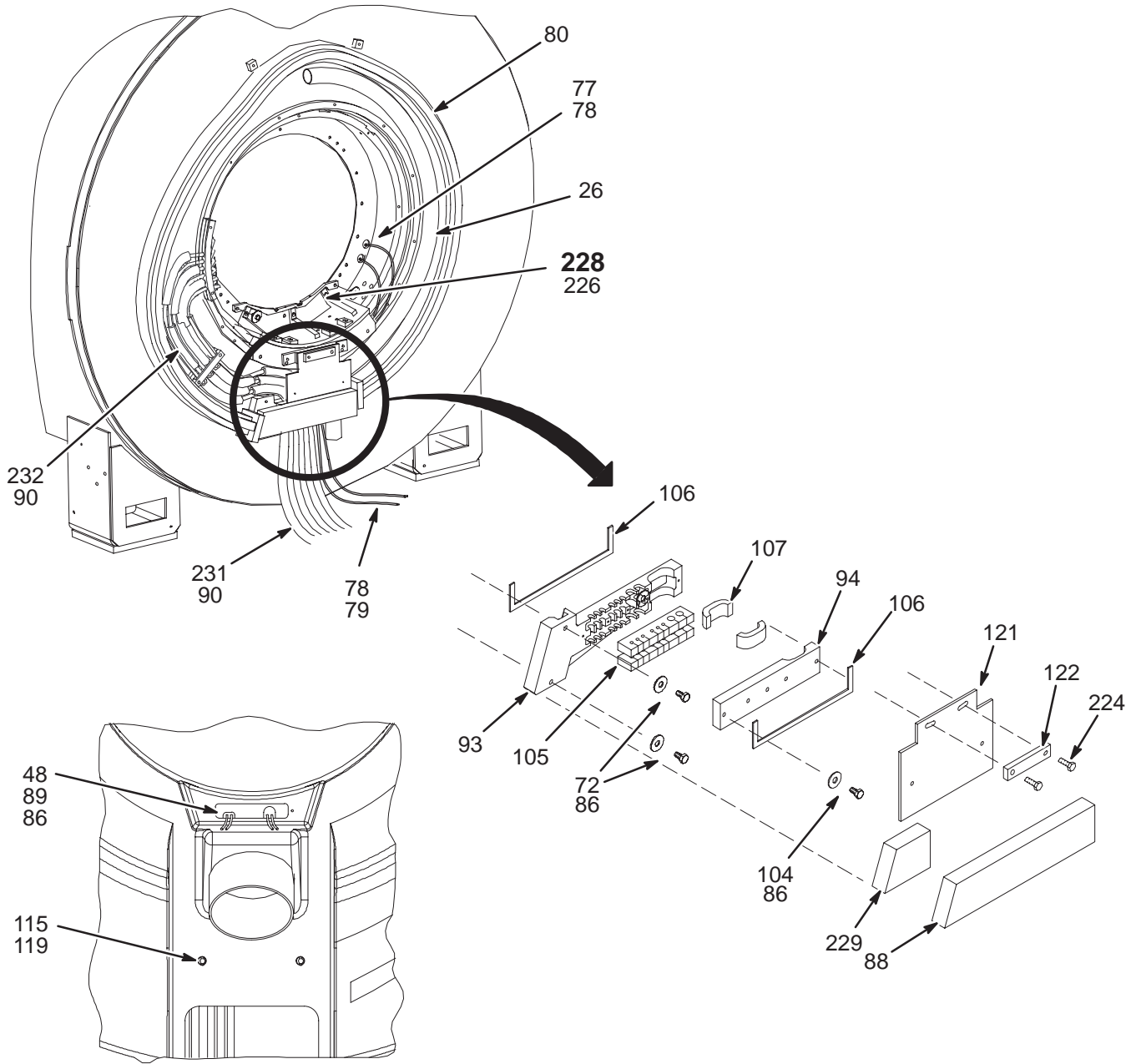
2235160 & 2235160-2

REFER TO VIEW 3
FOR MOBILE ARC
COVERS & BRACKETS



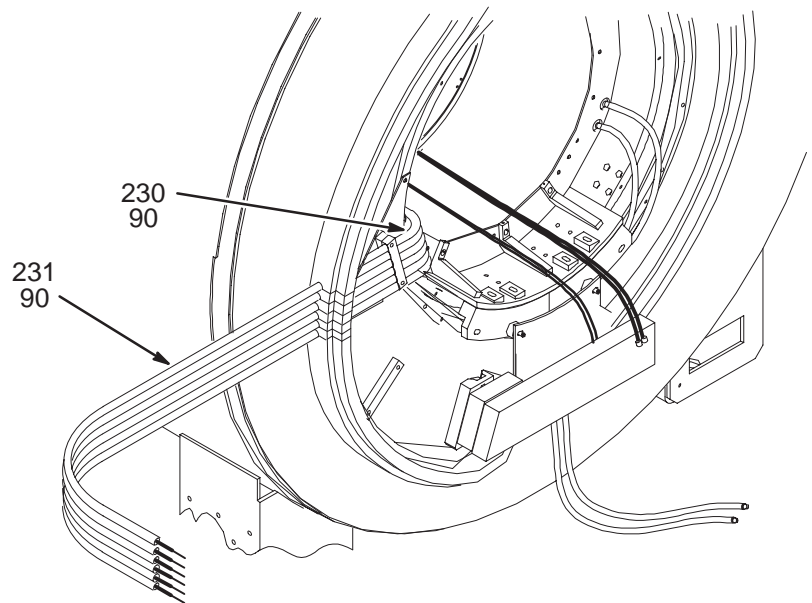
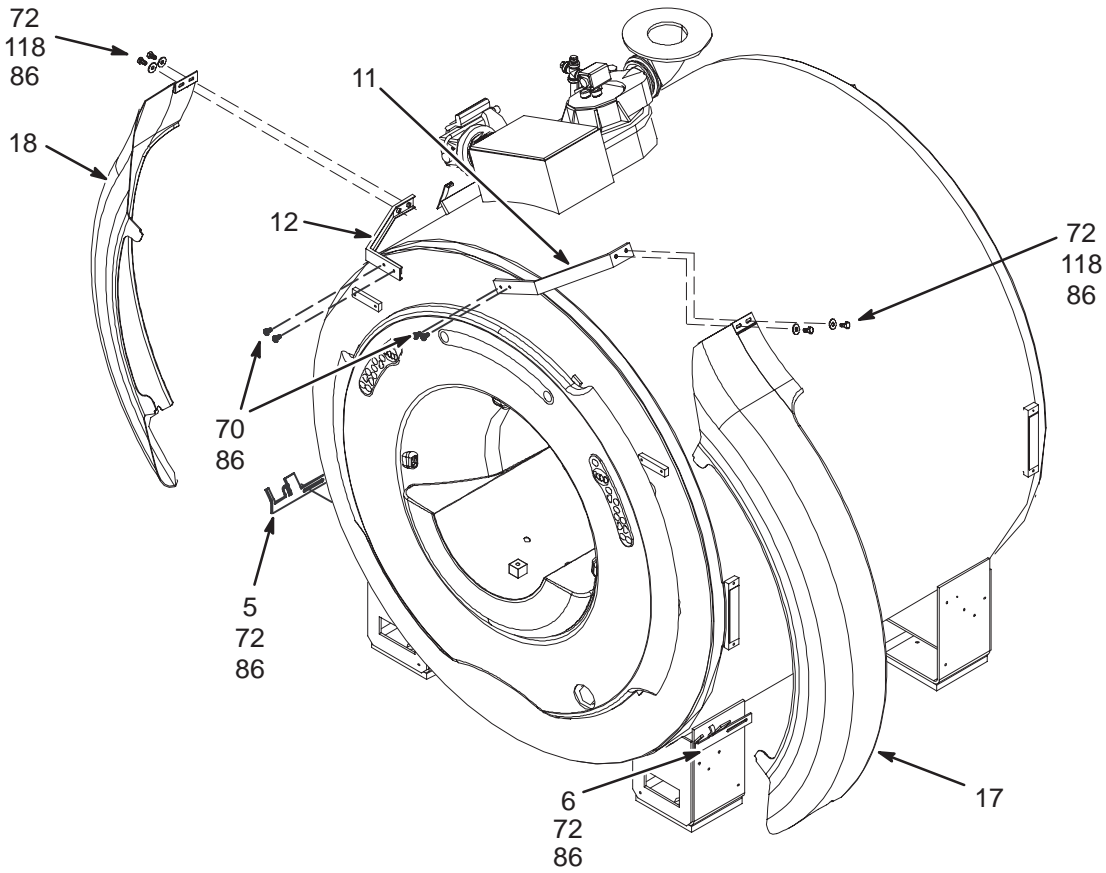
CARDIAC WideOpen MAGNET ENCLOSURE

2235160 & 2235160-2



VIEW 2

CARDIAC WideOpen MOBILE MAGNET ENCLOSURE 2235160-2



VIEW 3
MOBILE ARC COVERS AND BRACKETS

CARDIAC WideOpen ENCLOSURE

2235160 FRU N

(PART OF M1060LB – SECTION 1)

Item	Part Number	FRU	Name	Quantity	Description (Remarks)
1	2217702	2	WRAP COVER R	1	WideOpen WRAP COVER RIGHT
2	2217703	2	WRAP COVER L	1	WideOpen WRAP COVER LEFT
5	2218146	2	LOWER CLAMP	2	WideOpen LOWER CLAMPING BRACKET
6	2218146-2	2	LOWER CLAMP	2	WideOpen LOWER CLAMPING BRACKET
11	2218898	2	TOP RIGHT FR	1	WideOpen TOP RIGHT FRAME
12	2218897	2	TOP LEFT FRA	1	WideOpen TOP LEFT FRAME
15	2233034	2	FEB MIC & BA	1	CARDIAC_FRONT END BELL ASM (SEE PAGE 2-277)
16	2233036	2	REB SPEAKER	1	CARDIAC_REAR END BELL ASM (SEE PAGE 2-275)
17	2217461	2	ARC FRONT RI	1	WideOpen ARC COVER FRONT, RIGHT
18	2217462	2	ARC FRONT LE	1	WideOpen ARC FRONT LEFT COVER
19	2217463	2	ARC REAR RIG	1	WideOpen ARC REAR RIGHT COVER
20	2217464	2	ARC REAR LEF	1	WideOpen ARC COVER REAR, LEFT
21	2218899	2	BORE LIGHT E	2	WideOpen BORE LIGHT ENDCAP
26	46-282668P18	2	HOSE, NYLON	1	2 INCH DIAMETER, 132 INCH LENGTH
27	46-208765P28	2	CLAMP	1	DIA RANGE 1-13/16 - 2-3/4, 302/305
28	2222549-2	2	LIGHT PANEL	2	CARDIAC WideOpen LUMITEX LIGHT PNL
35	46-170617P1	2	ADHESIVE	AR	RTV SILICON RUBBER ADHESIVE SEALANT.
39	2221945	2	CABLE	1	MG2-A4-J5 TO MG2-A11-J4
40	2221948	2	CABLE	1	(897) MG2-A4-J3 TO MG2-A39-J9
41	2221947	2	CABLE	1	MG2A4J4 TO MG2A33J5/J6/J7/J8/J9
42	2221946	2	CABLE	2	MG2-A4-J1/J2 TO MG2-A5-J1/J2
48	2222329	2	PART	1	RF COIL FEED THRU COVER
70	2109866-50	2	SCREW	8	SCREW HEXAGON HEAD
72	2109866-20	2	SCREW	30	SCREW HEXAGON HEAD 10 MM 25 MM
73	2224551	2	LATCH	4	WideOpen END BELL LATCH
74	2167321	2	WASHER	8	WASHER
77	2226103	2	TUBE	2	HOSE
78	2226095	2	HOSE CLAMP	4	HOSE CLAMP,WORM DRIVE
79	46-294167P28	2	MTL CROSSREF	2	TUBE MENDER,CAT #91355K85, BRASS
80	2222806-2	2	PART	1	FOAM BLOCK, WideOpen REAR ENDBELL
82	2109872-6	2	SCREW	12	SCREW BUTTON HEAD 6 MM 12 MM
85	2229794	2	WASHER PLAST	12	M6 NYLON WASHER
86	46-294151P2	2	ADHES SPEC	AR	LOCKTITE #242 TYPE 11
88	2239902-3	2	FOAM SEAL	1	CONFOR FOAM
89	2109867-4	2	SCREW	4	SCREW HEXAGON SOCKET 4 MM 12 MM_SST
90	46-208758P2	2	TY-RAP	32	5.5" X .140" SELF-LOCKING CABLE TIE.
93	2227395	2	PART	1	CABLE/HOSE CLAMP, TOP
94	2227396	2	PART	1	CABLE/HOSE CLAMP, BASE
96	2227318	2	SCREW	20	SCREW CHEESE HEAD 5 MM 8 MM
97	2109879-3	2	WASHER	2	WASHER PLAIN - LARGE 10.5 MM 30 MM
99	2109875-4	2	NUT	8	NUT HEXAGON 10 MM
104	2109867-16	2	SCREW	5	SCREW HEXAGON SOCKET 6 MM 30 MM
105	2227841	2	PART	2	FOAM GASKET, HOSE/CABLE CLAMP
106	2228286	2	PART	2	FOAM SEAL, CABLE/HOSE CLAMP
107	2228287	2	PART	2	FOAM BLOCK, CABLE/HOSE CLAMP
110	46-170212P1	2	ADHESIVE	0.010	ADHESIVE
111	2116325-10	2	STUD,MAGNET	4	STUD, M10 X 75MM, STAINLESS STEEL
112	46-220191P1	2	CLAMP	14	CLAMP FOR FLAT CABLE
115	2228717	2	PART	2	WASHER, BRIDGE SUPPORT
118	2234780	2	WASHER	20	WASHER PLAIN - LARGE 10.5 MM 20 MM
119	2109867-19	2	SCREW	2	SCREW HEXAGON SOCKET 6 MM 50 MM
121	2235605	2	PLATE	1	ENDBELL ANCHOR PLATE
122	2235606	2	BLOCK	1	WASHER BLOCK
224	2109866-21	2	SCREW	2	SCREW HEXAGON HEAD 10 MM 30 MM
229	2239902-2	2	FOAM SEAL	1	CONFOR FOAM
231	2239904	2	PIPE INSULAT	9	PIPE INSULATION
233	2237254	2	TROUGH	1	TROUGH WITH SPONGE
250	2239904-3	2	PIPE INSULAT	3	PIPE INSULATION

CARDIAC MOB WideOpen ENCL

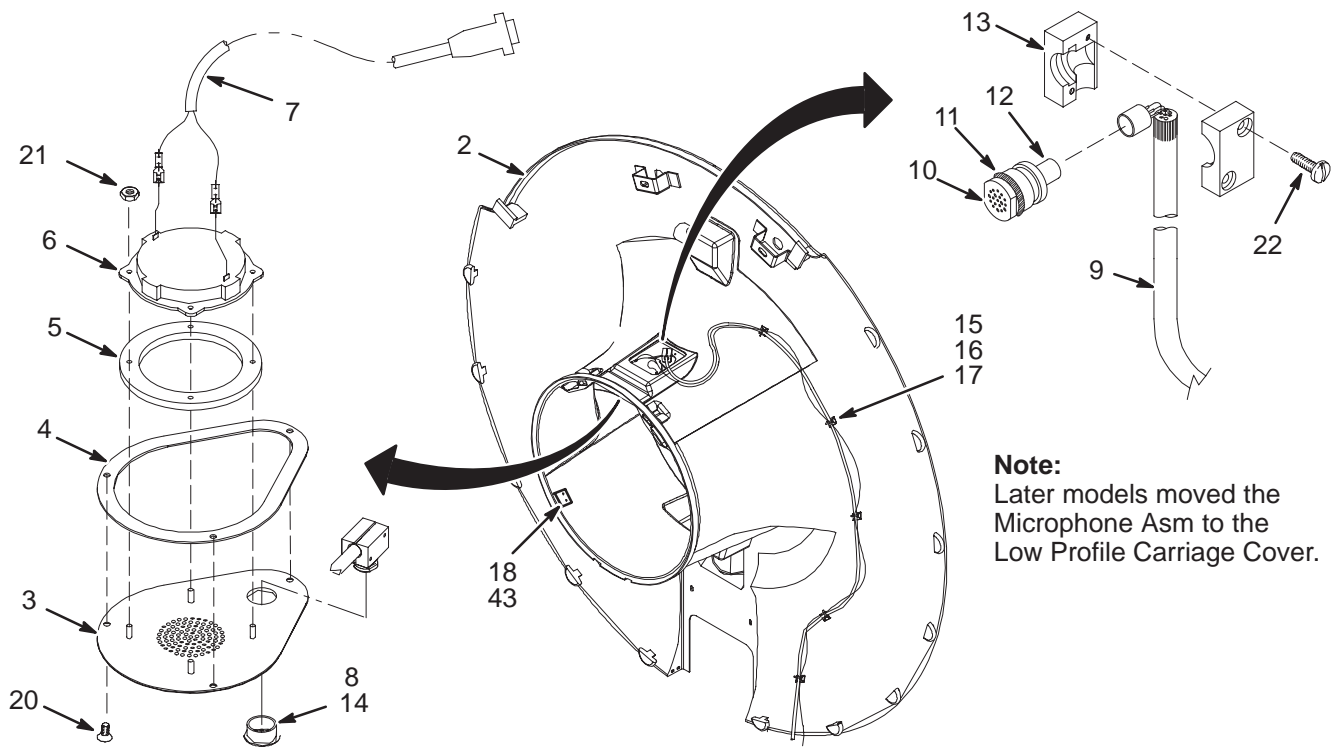
2235160-2 FRU N

(PART OF M1061LB – SECTION 1)

Item	Part Number	FRU	Name	Quantity	Description (Remarks)
5	2218146-5	2	LOWER CLAMP	1	WideOpen LOWER CLAMPING BRACKET—MOB
6	2218146-6	2	LOWER CLAMP	1	WideOpen LOWER CLAMPING BRACKET—MOB
11	2218898-2	2	TOP RIGHT FR	1	WideOpen TOP RIGHT FRAME – MOBILE
12	2218897-2	N	TOP LEFT FRA	1	WideOpen TOP LEFT FRAME – MOBILE
15	2233034	2	FEB MIC & BA	1	CARDIAC_FRONT END BELL ASM (SEE PAGE 2-277)
16	2233036	2	REB SPEAKER	1	CARDIAC_REAR END BELL ASM (SEE PAGE 2-275)
17	2217461-2	2	ARC FRONT RI	1	WideOpen ARC COVER FRONT,RIGHT—MOBILE
18	2217462-2	2	ARC FRONT LE	1	WideOpen ARC FRONT LEFT COVER—MOBILE
21	2218899	2	BORE LIGHT E	2	WideOpen BORE LIGHT ENDCAP
26	46-282668P18	2	HOSE, NYLON	1	2 INCH DIAMETER, 132 INCH LENGTH
27	46-208765P28	2	CLAMP	1	DIA RANGE 1-13/16 – 2-3/4, 302/305
28	2222549-2	2	LIGHT PANEL	2	CARDIAC WideOpen LUMITEX LIGHT PNL
35	46-170617P1	2	ADHESIVE	AR	RTV SILICON RUBBER ADHESIVE SEALANT.
39	2221945	2	CABLE	1	MG2-A4-J5 TO MG2-A11-J4
40	2221948	2	CABLE	1	(897) MG2-A4-J3 TO MG2-A39-J9
41	2221947	2	CABLE	1	MG2A4J4 TO MG2A33J5/J6/J7/J8/J9
42	2221946	2	CABLE	2	MG2-A4-J1/J2 TO MG2-A5-J1/J2
48	2222329	2	PART	1	RF COIL FEED THRU COVER
70	2109866-50	2	SCREW	4	SCREW HEXAGON HEAD
72	2109866-20	2	SCREW	16	SCREW HEXAGON HEAD 10 MM 25 MM
73	2224551	2	LATCH	4	WideOpen END BELL LATCH
74	2167321	2	WASHER	8	WASHER
77	2226103	2	TUBE	2	HOSE
78	2226095	2	HOSE CLAMP	4	HOSE CLAMP,WORM DRIVE
79	46-294167P28	2	MTL CROSSREF	2	TUBE MENDER,CAT #91355K85, BRASS
80	2222806-3	2	PART	1	FOAM BLOCK, WideOpen MOBILE INSTALL
86	46-294151P2	2	ADHES SPEC	AR	LOCKTITE #242 TYPE 11
88	2239902-3	2	FOAM SEAL	1	CONFOR FOAM
89	2109867-4	2	SCREW	4	SCREW HEXAGON SOCKET 4 MM 12 MM_SST
90	46-208758P2	2	TY-RAP	48	5.5" X .140" SELF-LOCKING CABLE TIE.
93	2227395	2	PART	1	CABLE/HOSE CLAMP, TOP
94	2227396	2	PART	1	CABLE/HOSE CLAMP, BASE
96	2227318	2	SCREW	20	SCREW CHEESE HEAD 5 MM 8 MM
97	2109879-3	2	WASHER	2	WASHER PLAIN – LARGE 10.5 MM 30 MM
99	2109875-4	2	NUT	8	NUT HEXAGON 10 MM
104	2109867-16	2	SCREW	5	SCREW HEXAGON SOCKET 6 MM 30 MM
105	2227841	2	PART	2	FOAM GASKET, HOSE/CABLE CLAMP
106	2228286	2	PART	2	FOAM SEAL, CABLE/HOSE CLAMP
107	2228287	2	PART	2	FOAM BLOCK, CABLE/HOSE CLAMP
110	46-170212P1	2	ADHESIVE	0.010	ADHESIVE
111	2116325-10	2	STUD,MAGNET	4	STUD, M10 X 75MM, STAINLESS STEEL
112	46-220191P1	2	CLAMP	14	CLAMP FOR FLAT CABLE
115	2228717	2	PART	2	WASHER, BRIDGE SUPPORT
118	2234780	2	WASHER	4	WASHER PLAIN – LARGE 10.5 MM 20 MM
119	2109867-19	2	SCREW	2	SCREW HEXAGON SOCKET 6 MM 50 MM
121	2235605	2	PLATE	1	ENDBELL ANCHOR PLATE
122	2235606	2	BLOCK	1	WASHER BLOCK
224	2109866-21	2	SCREW	2	SCREW HEXAGON HEAD 10 MM 30 MM
229	2239902-2	2	FOAM SEAL	1	CONFOR FOAM
230	2239904-2	2	PIPE INSULAT	6	PIPE INSULATION
231	2239904	2	PIPE INSULAT	9	PIPE INSULATION
233	2237254	2	TROUGH	1	TROUGH WITH SPONGE

CARDIAC REAR END BELL ASSEMBLY

2233036



Note:
Later models moved the
Microphone Asm to the
Low Profile Carriage Cover.

CARDIAC REAR END BELL ASM

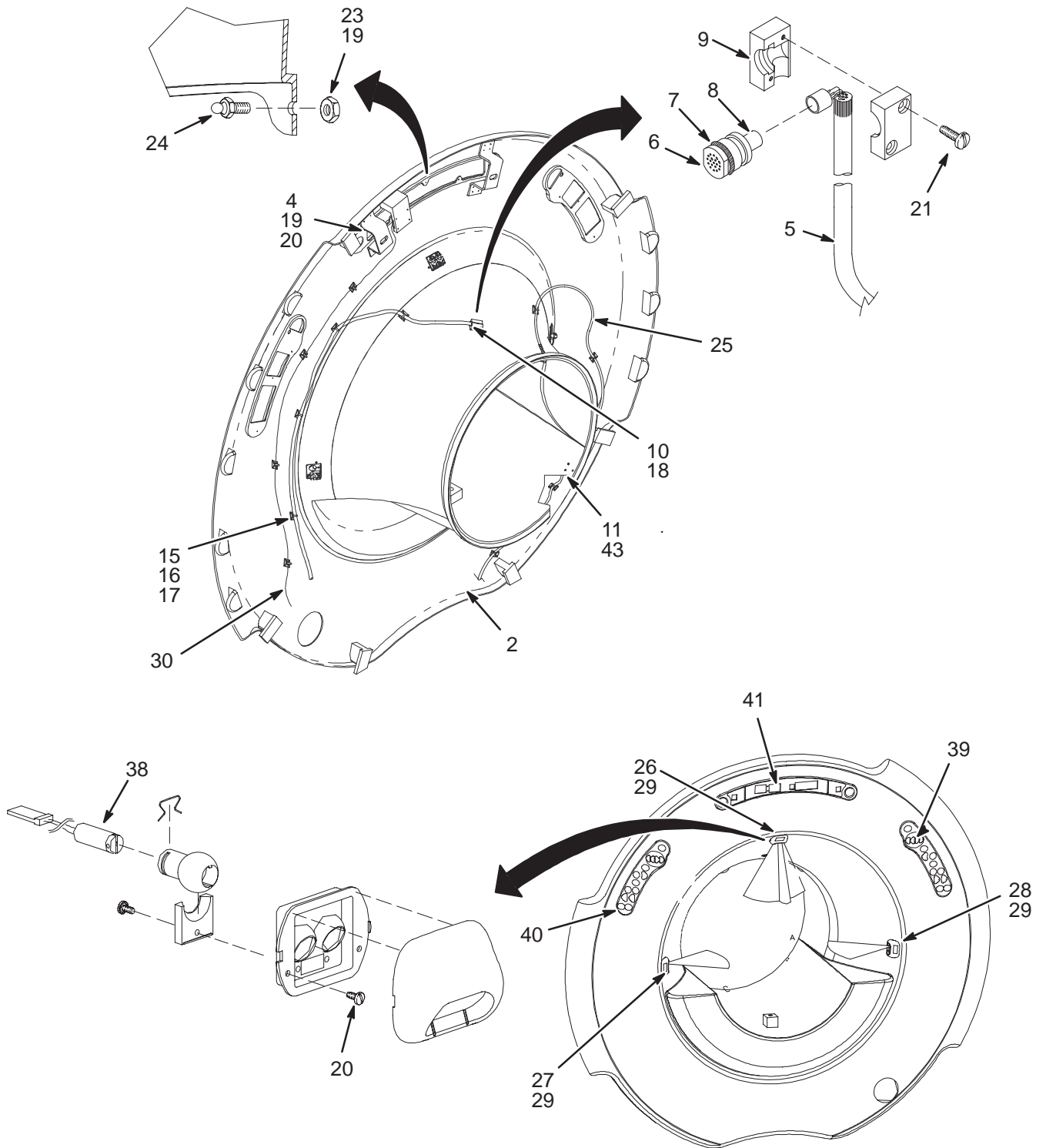
2233036 FRU 2

(PART 16 OF 2235160 PAGE 2-273)
(PART 16 OF 2235160-2 PAGE 2-274)

Item	Part Number	FRU	Name	Quantity	Description (Remarks)
2	2222877	2	ENCLOSURE --	1	CARDIAC REAR END BELL WideOpen
3A	2194557-2	2	PART	1	COVER
3B	2194557	2	PART	1	COVER
4	2195321	2	PART	1	GASKET
5	2224271	2	PART	1	SPEAKER GRILL GASKET
6	46-221773P2	2	TRANSDUCER	1	SPEAKER, PIEZOELECTRIC, 3.2" SQUARE
7	46-317252G3	2	CABLE ASM	1	WideOpen SPEAKER CABLE
8	46-221523P26	2	BUTTON	1	VENT PLUG, WHITE, 7/8 DIA.
9	46-317157G6	2	CABLE ASM.	1	MICROPHONE CABLE WideOpen SERVICE
10	46-317134P1	2	MIKE HOUSING	1	USE 46-317109G1 AS FIELD REPLACEMENT
11	46-136374P65	2	RING	1	WIDTH .07, ID 0.551, DUROMETER A 70
12	2229616	2	MIC FOAM BAF	1	WideOpen MICROPHONE FOAM BAFFLE
13	46-317135P1	2	CABLE CLAMP	1	USE 46-317109G1 AS FIELD REPLACEMENT
14	46-170617P2	2	ADHESIVE	AR	RTV SILICON RUBBER ADHESIVE SEALANT.
15	46-208747P1	1	VIBRATION IS	5	CABLE TIE,ADH.BACKED
16	46-208758P2	1	TY-RAP	5	5.5" X .140" SELF-LOCKING CABLE TIE.
18	2255884	2	PART	2	LATCH KEEPER
17	46-282264P1	2	ADHESIVE	AR	2 OZ DUAL-PAK CARTRIDGE EPOXY, CLEAR
20	2109874-12	2	SCREW	3	SCREW COUNTERSUNK HEA 4 MM 16 MM
21	2109877	2	NUT	4	NUT HEXAGON 4 MM
22	46-208560P111	2	SCREW	2	SCREW
43	2227318	2	SCREW	4	SCREW CHEESE HEAD 5 MM 8 MM

CARDIAC FRONT END BELL ASSEMBLY

2233034



CARDIAC FRONT END BELL ASM

2233034 FRU 2

(PART 15 OF 2235160 PAGE 2-273)

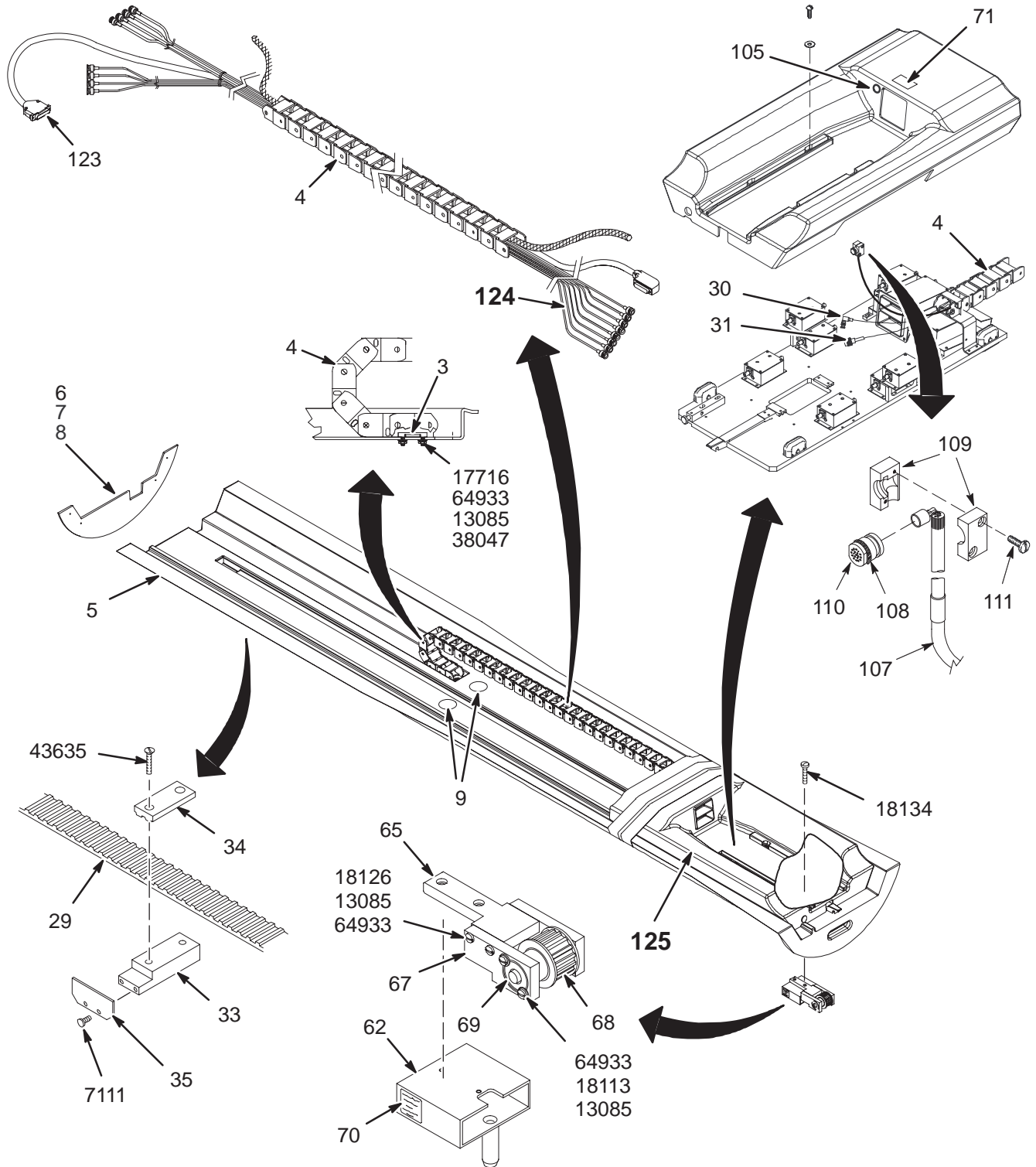
(PART 15 OF 2235160-2 PAGE 2-274)

Item	Part Number	FRU	Name	Quantity	Description (Remarks)
2	2222876	2	ENCLOSURE –	1	CARDIAC FRONT END BELL WideOpen
4	2163748	2	CIRCUIT BOAR	1	Cx VOLTAGE REGULATOR
5	46-317157G3	2	CABLE ASM.	1	(414) FRNT MICROPHN CABLE TO MG3A2J9
6	46-317134P1	2	MIKE HOUSING	1	USE 46-317109G1 AS FIELD REPLACEMENT
7	46-136374P65	2	RING	1	WIDTH .07, ID 0.551, DUROMETER A 70
8	2229616	2	MIC FOAM BAF	1	WideOpen MICROPHONE FOAM BAFFLE
9	46-317135P1	2	CABLE CLAMP	1	USE 46-317109G1 AS FIELD REPLACEMENT
10	46-221523P26	2	BUTTON	1	VENT PLUG, WHITE, 7/8 DIA.
11	2255884	N	PART	2	LATCH KEEPER
15	46-208747P1	1	VIBRATION IS	12	CABLE TIE,ADH.BACKED
16	46-208758P2	1	TY-RAP	12	5.5" X .140" SELF-LOCKING CABLE TIE.
17	46-282264P1	2	ADHESIVE	AR	2 OZ DUAL-PAK CARTRIDGE EPOXY, CLEAR
18	46-170617P2	2	ADHESIVE	AR	RTV SILICON RUBBER ADHESIVE SEALANT.
19	46-294151P2	2	ADHES SPEC	AR	LOCTITE #242 TYPE 11
20	2109873-14	2	SCREW	10	SCREW PAN HEAD 4 MM 10 MM
21	46-208560P11	2	SCREW	2	SCREW
23	46-208935P5	2	NUT	10	6-32, .313 HEX X .109 THK, BRASS
24	46-136365P2	2	FASTENER	10	TINNERMAN P116-473-12-495
25A	46-328354P1	2	CABLE ASM	1	(749), MG2-A33-J10 TO MG2-A36, 35'
25B	2285729	2	CABLE	1	(749) MG2-J33-J10 TO MG2-A36 (DUAL)
26	2221465-2	2	MODULE	1	ALIGNMENT LIGHT MODULE_TOP
27	2221465-3	2	MODULE	1	ALIGNMENT LIGHT MODULE_LEFT
28	2221465-4	2	MODULE	1	ALIGNMENT LIGHT MODULE_RIGHT
29	2109873-14	2	SCREW	6	SCREW PAN HEAD 4 MM 10 MM
30	2162563	2	CABLE	1	(385) PP1-J20 TO MG2-A30-JP1 PAL BD
38	2162554-2	2	LASER DIODE	4	LASER FOR Cx MAG FRT COVER ASM
39	2215716-2	2	OPR BP/D KIT	1	MAGNET HOUSING RH DISPLAY
40	2215716-3	2	OPR BP/D KIT	1	MAGNET HOUSING LH DISPLAY
41	2215716-4	1	OPR BP/D KIT	1	MAGNET HOUSING CNTR DISPLAY
42	2266751	N	TAPE	AR	TAPE, POLYETHYLENE, 1.50 WIDE, WHITE
43	2227318	2	SCREW	4	SCREW CHEESE HEAD 5 MM 8 MM

2-19 WideOpen LONG BRIDGE AND CARRIAGE ASSEMBLIES

1.5T WideOpen BRIDGE w/LPCC with MULTI-COIL FOR CRM

2205099-8



1.5T CRM WideOpen BRIDGE with M-C 2205099-8 FRU N

(PART 3 OF 2202900-9 PAGE 2-249)

(PART 50 OF M3073PA PAGE 1-54)

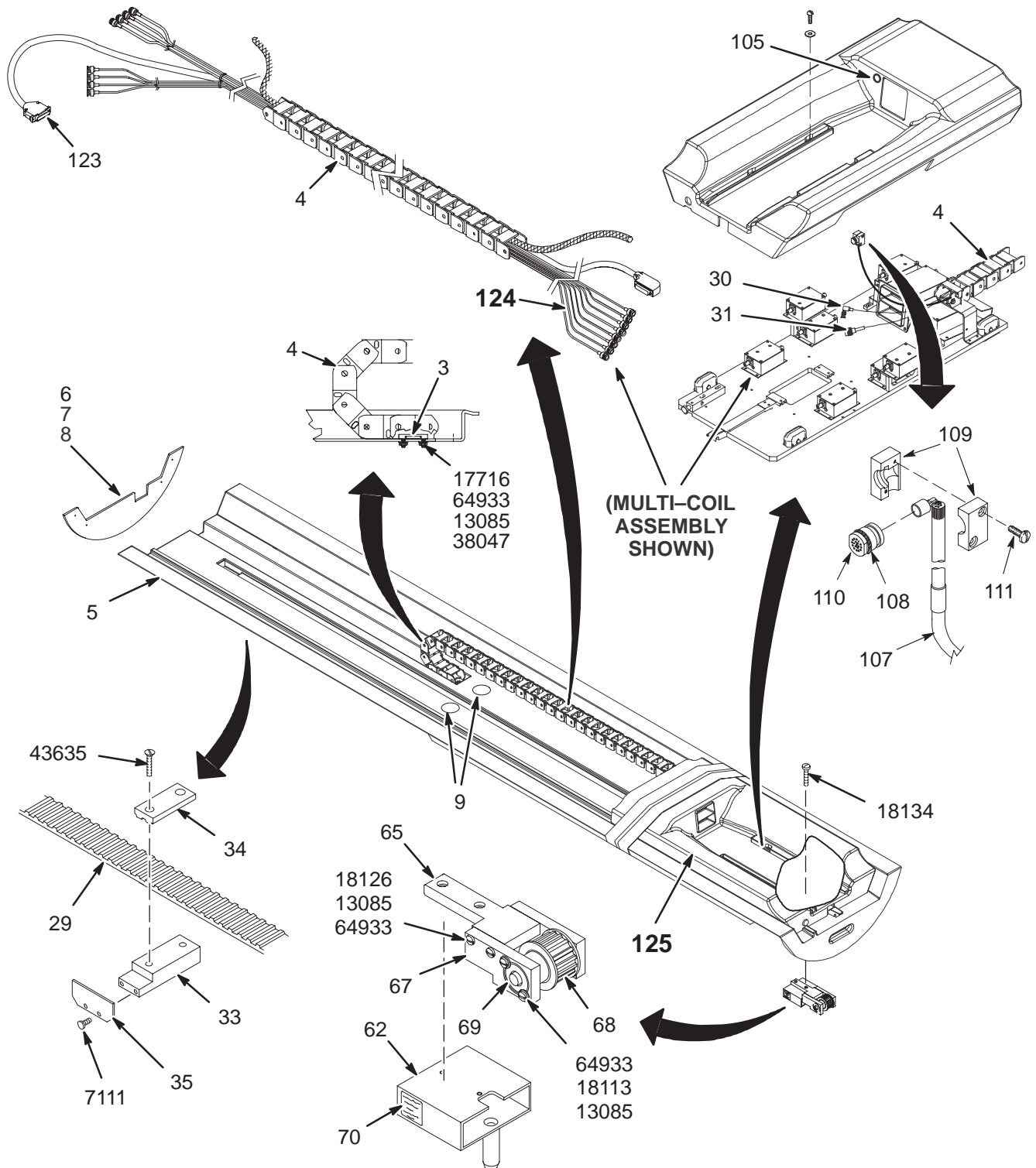
(PART 50 OF M3083PA PAGE 1-54)

(PART 50 OF M3093PA PAGE 1-55)

Item	Part Number	FRU	Name	Quantity	Description (Remarks)
3	46-282169P1	2	CLAMP	1	CABLETRACK MOUNT
4	2151445-4	2	PART	1	35 LINK CABLE TRACK W/HINGED OPEN'GS
5	2186362-4	2	PART	1	BRIDGE, S SERIES/CRM
6	2226929	2	COVER	1	WideOpen BRIDGE COVER W/LABELS
7	2131304	2	COVER,GASKET	1	GASKET, COVER, BRIDGE
8	2109873-26	2	SCREW	4	SCREW PAN HEAD 6 MM 20 MM
29	46-282388P3	2	BELT	1	3/8" PITCH GEARBELT, 1" WIDE, 19.5'L
30	46-328000G757	2	ASSEMBLY	1	(485) MG3-A17-J2 TO MW2-A16-A3-J4
31	46-320888G2	2	CABLE ASM	1	(404) MG2-A16-A5-J6 TO MG3-A17-J1
33	46-271465P1	2	CLAMP, BLOCK	1	SENSOR FLAG MOUNTING CLAMP BLOCK
34	46-271436P1	2	CLAMP, BELT	1	SENSOR FLAG TOP CLAMP
35	46-282436P1	2	FLAG	1	CARRIAGE TRAVEL SENSOR FLAG
62	2160019	2	PART	1	SUPPORT UPPER FRT-BRIDGE Cx
65	46-271432P1	2	MOUNT BRIDGE	1	BRIDGE ATTACHMENT TONGUE
67	46-328446P1	2	SUPPORT BLK.	2	SUPPORT BLOCK
68	46-282646G1	2	PULLEY ASM	1	DRIVE BELT IDLER PULLEY
69	46-282471P12	2	BEARING	2	BEARING
70	46-282756P1	2	LABEL	2	WARNING, CONTAINS FERROUS MATERIAL
71	2214469-2	2	LABEL	1	CRM HEAD/NECK COIL ATTN MULTILINGUAL
105	46-221523P26	2	BUTTON	1	VENT PLUG, WHITE, 7/8 DIA.
106	46-282264P1	2	ADHESIVE	AR	2 OZ DUAL-PAK CARTRIDGE EPOXY, CLEAR
107	46-317157G6	2	CABLE ASM.	1	MICROPHONE CABLE WideOpen SERVICE
108	46-136374P65	2	RING	1	WIDTH .07, ID 0.551, DUROMETER A 70
109	46-317135P1	2	CABLE CLAMP	1	CABLE CLAMP - USE 46-317109G1 AS
110	46-317134P1	2	MIKE HOUSING	1	MIKE HOUSING—USE 46-317109G1 AS
111	46-208560P111	2	SCREW	2	SCREW 6-32 X 5/8 SS
123	46-328371P3	2	CABLE ASM	1	(736) MG3-A36-J19 TO MG2-A16-A8-J9
124	46-317220G21	N	RF CABLE	1	MULTICOIL CABLE TAKEUP RF CABLES (SEE PAGE 2-204)
125	2205098-2	N	ASSEMBLY	1	1.5T W/PA LOW PROFILE CARRIAGE CVR (SEE PAGE 2-217)
7111	46-265486P8	2	SCREW	2	SCREW
13085	46-220196P3	2	WASHER	10	#10 SCREW SIZE (0.190), SST
17716	46-208913P29	2	SCREW	2	BRS SLOTTED FLT HD SCR 10-32 X 1"
18113	46-220184P41	2	SCREW	4	BRS SLOTTED RND HD SCR 10-32 X 1/2
18126	46-220184P44	2	SCREW	4	SCREW
18134	46-220184P46	2	SCREW	2	BRS SLOTTED RND HD SCR 10-32 X 1 1/4
38047	46-208938P5	2	NUT	2	10-32, 3/8" HEX X .130 THK, 18-8 SST
43635	46-230008P1	2	SCREW	2	SCREW
64933	1000904P425	2	WASHER	10	0.2 ID, 0.5 OD, .04 THK, B11H89C

1.5T & 1.0T WideOpen BRIDGE w/LPCC

2205100-5 THRU 2205100-8



1.5T WideOpen BRIDGE with M-C

2205100-5 FRU N

(PART 3 OF 2202900-6 PAGE 2-248)

(PART 3 OF 2202900-8 PAGE 2-249)

Item	Part Number	FRU	Name	Quantity	Description (Remarks)
3	46-282169P1	2	CLAMP	1	CABLETRACK MOUNT
4	2151445-4	2	PART	1	35 LINK CABLE TRACK W/HINGED OPEN'GS
5	2219401	2	BRIDGE	1	WideOpen, 60 CM BRIDGE
6	2226929	2	COVER	1	WideOpen BRIDGE COVER W/LABELS
7	2131304	2	COVER,GASKET	1	GASKET, COVER, BRIDGE
8	2109873-26	2	SCREW	4	SCREW PAN HEAD 6 MM 20 MM
9	46-214708P38	2	PLUG, HOLE	4	HEYCO PLUG 2754 WHITE 1-3/8
29	46-282388P3	2	BELT	1	3/8" PITCH GEARBELT, 1" WIDE, 19.5'L
30	46-328000G757	2	ASSEMBLY	1	(485) MG3-A17-J2 TO MW2-A16-A3-J4
31	46-320888G2	2	CABLE ASM	1	(404) MG2-A16-A5-J6 TO MG3-A17-J1
33	46-271465P1	2	CLAMP, BLOCK	1	SENSOR FLAG MOUNTING CLAMP BLOCK
34	46-271436P1	2	CLAMP, BELT	1	SENSOR FLAG TOP CLAMP
35	46-282436P1	2	FLAG	1	CARRIAGE TRAVEL SENSOR FLAG
62	2160019	2	PART	1	SUPPORT UPPER FRT-BRIDGE Cx
65	46-271432P1	2	MOUNT BRIDGE	1	BRIDGE ATTACHMENT TONGUE
67	46-328446P1	2	SUPPORT BLK.	2	SUPPORT BLOCK
68	46-282646G1	2	PULLEY ASM	1	DRIVE BELT IDLER PULLEY
69	46-282471P12	2	BEARING	2	BEARING
70	46-282756P1	2	LABEL	2	WARNING, CONTAINS FERROUS MATERIAL
105	46-221523P26	2	BUTTON	1	VENT PLUG, WHITE, 7/8 DIA.
106	46-282264P1	2	ADHESIVE	AR	2 OZ DUAL-PAK CARTRIDGE EPOXY, CLEAR
107	46-317157G6	2	CABLE ASM.	1	MICROPHONE CABLE WideOpen SERVICE
108	46-136374P65	2	RING	1	WIDTH .07, ID 0.551, DUROMETER A 70
109	46-317135P1	2	CABLE CLAMP	1	CABLE CLAMP - USE 46-317109G1 AS
110	46-317134P1	2	MIKE HOUSING	1	MIKE HOUSING—USE 46-317109G1 AS
111	46-208560P111	2	SCREW	2	SCREW 6-32 X 5/8 SS
123	46-328371P3	2	CABLE ASM	1	(736) MG3-A36-J19 TO MG2-A16-A8-J9
124	46-317220G21	N	RF CABLE	1	MULTICOIL CABLE TAKEUP RF CABLES (SEE PAGE 2-204)
125	2205098-2	N	ASSEMBLY	1	1.5T W/PA LOW PROFILE CARRIAGE CVR (SEE PAGE 2-217)
7111	46-265486P8	2	SCREW	2	SCREW
13085	46-220196P3	2	WASHER	10	#10 SCREW SIZE (0.190), SST
17716	46-208913P29	2	SCREW	2	BRS SLOTTED FLT HD SCR 10-32 X 1"
18113	46-220184P41	2	SCREW	4	BRS SLOTTED RND HD SCR 10-32 X 1/2
18126	46-220184P44	2	SCREW	4	SCREW
18134	46-220184P46	2	SCREW	2	BRS SLOTTED RND HD SCR 10-32 X 1 1/4
38047	46-208938P5	2	NUT	2	10-32, 3/8" HEX X .130 THK, 18-8 SST
43635	46-230008P1	2	SCREW	2	SCREW
64933	1000904P425	2	WASHER	10	0.2 ID, 0.5 OD, .04 THK, B11H89C

1.0T WideOpen BRIDGE w/o M-C

2205100-6 FRU N

(PART 3 OF 2202900 PAGE 2-247)

(PART 3 OF 2202900-3 PAGE 2-247)

Item	Part Number	FRU	Name	Quantity	Description (Remarks)
3	46-282169P1	2	CLAMP	1	CABLETRACK MOUNT
4	46-282389P4	2	CABLETRAK	1	35 LINK CABLE TRACK
5	2219401	2	BRIDGE	1	WideOpen II, 60 CM BRIDGE
6	2226929	2	COVER	1	WideOpen BRIDGE COVER W/LABELS
7	2131304	2	COVER,GASKET	1	GASKET, COVER, BRIDGE
8	2109873-26	2	SCREW	4	SCREW PAN HEAD 6 MM 20 MM
9	46-214708P38	2	PLUG, HOLE	4	HEYCO PLUG 2754 WHITE 1-3/8
29	46-282388P3	2	BELT	1	3/8" PITCH GEARBELT, 1" WIDE, 19.5'L
30	46-328000G757	2	ASSEMBLY	1	(485) MG3-A17-J2 TO MW2-A16-A3-J4
31	46-320888G2	2	CABLE ASM	1	(404) MG2-A16-A5-J6 TO MG3-A17-J1
33	46-271465P1	2	CLAMP, BLOCK	1	SENSOR FLAG MOUNTING CLAMP BLOCK
34	46-271436P1	2	CLAMP, BELT	1	SENSOR FLAG TOP CLAMP
35	46-282436P1	2	FLAG	1	CARRIAGE TRAVEL SENSOR FLAG
62	2160019	2	PART	1	SUPPORT UPPER FRT-BRIDGE Cx
65	46-271432P1	2	MOUNT BRIDGE	1	BRIDGE ATTACHMENT TONGUE
67	46-328446P1	2	SUPPORT BLK.	2	SUPPORT BLOCK
68	46-282646G1	2	PULLEY ASM	1	DRIVE BELT IDLER PULLEY
69	46-282471P12	2	BEARING	2	BEARING
70	46-282756P1	2	LABEL	2	WARNING, CONTAINS FERROUS MATERIAL
105	46-221523P26	2	BUTTON	1	VENT PLUG, WHITE, 7/8 DIA.
106	46-282264P1	2	ADHESIVE	AR	2 OZ DUAL-PAK CARTRIDGE EPOXY, CLEAR
107	46-317157G6	2	CABLE ASM.	1	MICROPHONE CABLE WideOpen SERVICE
108	46-136374P65	2	RING	1	WIDTH .07, ID 0.551, DUROMETER A 70
109	46-317135P1	2	CABLE CLAMP	1	CABLE CLAMP - USE 46-317109G1 AS
110	46-317134P1	2	MIKE HOUSING	1	MIKE HOUSING—USE 46-317109G1 AS
111	46-208560P111	2	SCREW	2	SCREW 6-32 X 5/8 SS
125	2205098-3	N	ASSEMBLY	1	1.0T W/O PA LOW PROFILE CARRIAGE CVR (SEE PAGE 2-215)
7111	46-265486P8	2	SCREW	2	SCREW
13085	46-220196P3	2	WASHER	10	#10 SCREW SIZE (0.190), SST
17716	46-208913P29	2	SCREW	2	BRS SLOTTED FLT HD SCR 10-32 X 1"
18113	46-220184P41	2	SCREW	4	BRS SLOTTED RND HD SCR 10-32 X 1/2
18126	46-220184P44	2	SCREW	4	SCREW
18134	46-220184P46	2	SCREW	2	BRS SLOTTED RND HD SCR 10-32 X 1/4"
38047	46-208938P5	2	NUT	2	10-32, 3/8" HEX X .130 THK, 18-8 SST
43635	46-230008P1	2	SCREW	2	SCREW
64933	1000904P425	2	WASHER	10	0.2 ID, 0.5 OD, .04 THK, B11H89C

1.5T WideOpen BRIDGE w/o M-C

2205100-7 FRU N

(PART 3 OF 2202900-5 PAGE 2-248)

(PART 3 OF 2202900-7 PAGE 2-249)

Item	Part Number	FRU	Name	Quantity	Description (Remarks)
3	46-282169P1	2	CLAMP	1	CABLETRACK MOUNT
4	46-282389P4	2	CABLETRAK	1	35 LINK CABLE TRACK
5	2219401	2	BRIDGE	1	WideOpen II, 60 CM BRIDGE
6	2226929	2	COVER	1	WideOpen BRIDGE COVER W/LABELS
7	2131304	2	COVER,GASKET	1	GASKET, COVER, BRIDGE
8	2109873-26	2	SCREW	4	SCREW PAN HEAD 6 MM 20 MM
9	46-214708P38	2	PLUG, HOLE	4	HEYCO PLUG 2754 WHITE 1-3/8
29	46-282388P3	2	BELT	1	3/8" PITCH GEARBELT, 1" WIDE, 19.5'L
30	46-328000G757	2	ASSEMBLY	1	(485) MG3-A17-J2 TO MW2-A16-A3-J4
31	46-320888G2	2	CABLE ASM	1	(404) MG2-A16-A5-J6 TO MG3-A17-J1
33	46-271465P1	2	CLAMP, BLOCK	1	SENSOR FLAG MOUNTING CLAMP BLOCK
34	46-271436P1	2	CLAMP, BELT	1	SENSOR FLAG TOP CLAMP
35	46-282436P1	2	FLAG	1	CARRIAGE TRAVEL SENSOR FLAG
62	2160019	2	PART	1	SUPPORT UPPER FRT-BRIDGE Cx
65	46-271432P1	2	MOUNT BRIDGE	1	BRIDGE ATTACHMENT TONGUE
67	46-328446P1	2	SUPPORT BLK.	2	SUPPORT BLOCK
68	46-282646G1	2	PULLEY ASM	1	DRIVE BELT IDLER PULLEY
69	46-282471P12	2	BEARING	2	BEARING
70	46-282756P1	2	LABEL	2	WARNING, CONTAINS FERROUS MATERIAL
105	46-221523P26	2	BUTTON	1	VENT PLUG, WHITE, 7/8 DIA.
106	46-282264P1	2	ADHESIVE	AR	2 OZ DUAL-PAK CARTRIDGE EPOXY, CLEAR
107	46-317157G6	2	CABLE ASM.	1	MICROPHONE CABLE WideOpen SERVICE
108	46-136374P65	2	RING	1	WIDTH .07, ID 0.551, DUROMETER A 70
109	46-317135P1	2	CABLE CLAMP	1	CABLE CLAMP - USE 46-317109G1 AS
110	46-317134P1	2	MIKE HOUSING	1	MIKE HOUSING—USE 46-317109G1 AS
111	46-208560P111	2	SCREW	2	SCREW 6-32 X 5/8 SS
125	2205098	N	ASSEMBLY	1	1.5T W/O PA LOW PROFILE CARRIAGE CVR (SEE PAGE 2-214)
7111	46-265486P8	2	SCREW	2	SCREW
13085	46-220196P3	2	WASHER	10	#10 SCREW SIZE (0.190), SST
17716	46-208913P29	2	SCREW	2	BRS SLOTTED FLT HD SCR 10-32 X 1"
18113	46-220184P41	2	SCREW	4	BRS SLOTTED RND HD SCR 10-32 X 1/2
18126	46-220184P44	2	SCREW	4	SCREW
18134	46-220184P46	2	SCREW	2	BRS SLOTTED RND HD SCR 10-32 X 1/4"
38047	46-208938P5	2	NUT	2	10-32, 3/8" HEX X .130 THK, 18-8 SST
43635	46-230008P1	2	SCREW	2	SCREW
64933	1000904P425	2	WASHER	10	0.2 ID, 0.5 OD, .04 THK, B11H89C

1.0T WideOpen BRIDGE with M-C

2205100-8 FRU N

(PART 3 OF 2202900-2 PAGE 2-247)

(PART 3 OF 2202900-4 PAGE 2-248)

(PART 3 OF 2202900-9 PAGE 2-249)

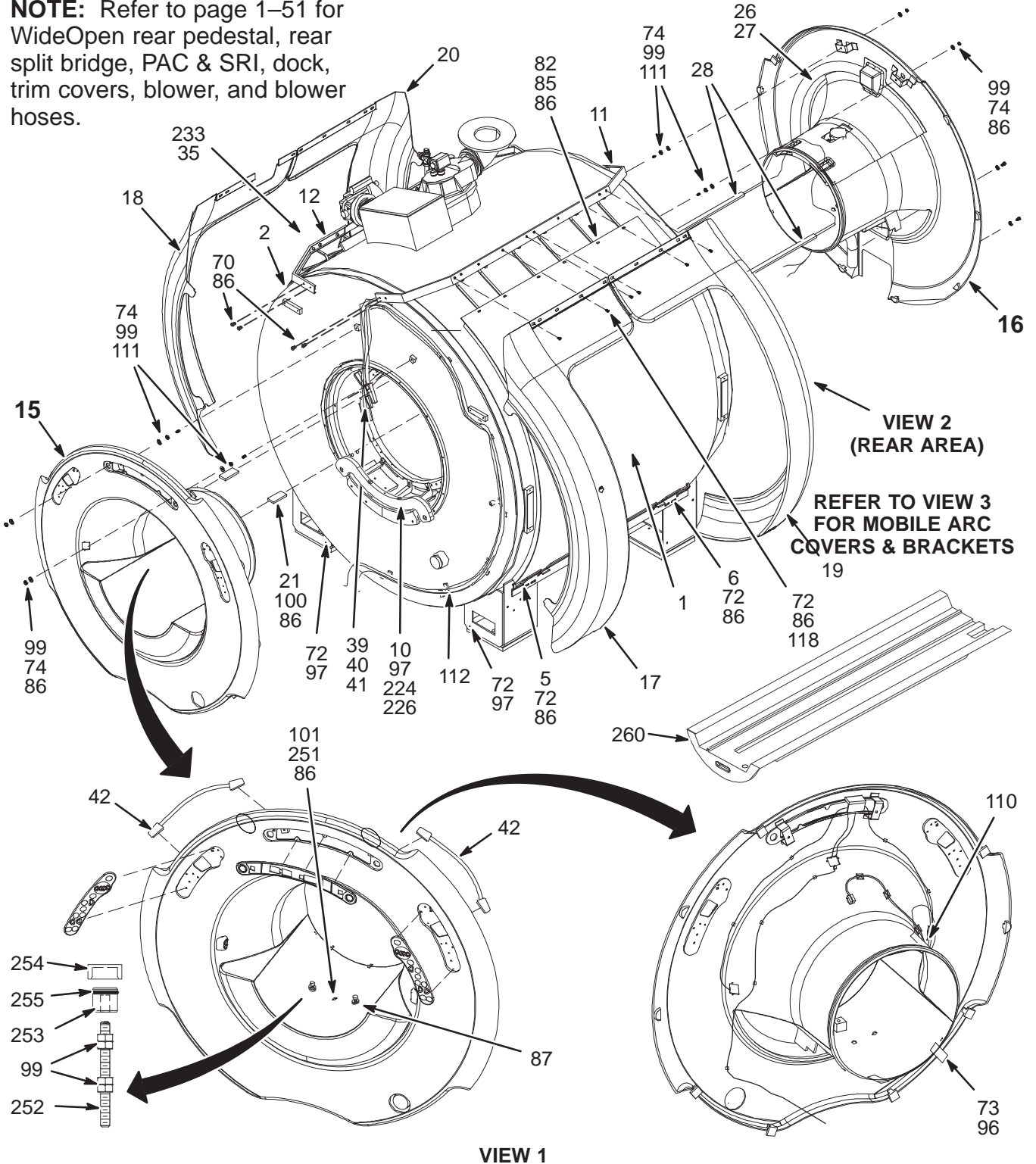
Item	Part Number	FRU	Name	Quantity	Description (Remarks)
3	46-282169P1	2	CLAMP	1	CABLETRACK MOUNT
4	2151445-4	2	PART	1	35 LINK CABLE TRACK W/HINGED OPEN'GS
5	2219401	2	BRIDGE	1	WideOpen II, 60 CM BRIDGE
6	2226929	2	COVER	1	WideOpen BRIDGE COVER W/LABELS
7	2131304	2	COVER,GASKET	1	GASKET, COVER, BRIDGE
8	2109873-26	2	SCREW	4	SCREW PAN HEAD 6 MM 20 MM
9	46-214708P38	2	PLUG, HOLE	4	HEYCO PLUG 2754 WHITE 1-3/8
29	46-282388P3	2	BELT	1	3/8" PITCH GEARBELT, 1" WIDE, 19.5'L
30	46-328000G757	2	ASSEMBLY	1	(485) MG3-A17-J2 TO MW2-A16-A3-J4
31	46-320888G2	2	CABLE ASM	1	(404) MG2-A16-A5-J6 TO MG3-A17-J1
33	46-271465P1	2	CLAMP, BLOCK	1	SENSOR FLAG MOUNTING CLAMP BLOCK
34	46-271436P1	2	CLAMP, BELT	1	SENSOR FLAG TOP CLAMP
35	46-282436P1	2	FLAG	1	CARRIAGE TRAVEL SENSOR FLAG
62	2160019	2	PART	1	SUPPORT UPPER FRT-BRIDGE Cx
65	46-271432P1	2	MOUNT BRIDGE	1	BRIDGE ATTACHMENT TONGUE
67	46-328446P1	2	SUPPORT BLK.	2	SUPPORT BLOCK
68	46-282646G1	2	PULLEY ASM	1	DRIVE BELT IDLER PULLEY
69	46-282471P12	2	BEARING	2	BEARING
70	46-282756P1	2	LABEL	2	WARNING, CONTAINS FERROUS MATERIAL
105	46-221523P26	2	BUTTON	1	VENT PLUG, WHITE, 7/8 DIA.
106	46-282264P1	2	ADHESIVE	AR	2 OZ DUAL-PAK CARTRIDGE EPOXY, CLEAR
107	46-317157G6	2	CABLE ASM.	1	MICROPHONE CABLE WideOpen SERVICE
108	46-136374P65	2	RING	1	WIDTH .07, ID 0.551, DUROMETER A 70
109	46-317135P1	2	CABLE CLAMP	1	CABLE CLAMP - USE 46-317109G1 AS
110	46-317134P1	2	MIKE HOUSING	1	MIKE HOUSING—USE 46-317109G1 AS
111	46-208560P111	2	SCREW	2	SCREW 6-32 X 5/8 SS
123	46-328371P3	2	CABLE ASM	1	(736) MG3-A36-J19 TO MG2-A16-A8-J9
124	46-317220G21	N	RF CABLE	1	MULTICOIL CABLE TAKEUP RF CABLES (SEE PAGE 2-204)
125	2205098-4	N	ASSEMBLY	1	1.0T W/PA LOW PROFILE CARRIAGE CVR (SEE PAGE 2-218)
7111	46-265486P8	2	SCREW	2	SCREW
13085	46-220196P3	2	WASHER	10	#10 SCREW SIZE (0.190), SST
17716	46-208913P29	2	SCREW	2	BRS SLOTTED FLT HD SCR 10-32 X 1"
18113	46-220184P41	2	SCREW	4	BRS SLOTTED RND HD SCR 10-32 X 1/2
18126	46-220184P44	2	SCREW	4	SCREW
18134	46-220184P46	2	SCREW	2	BRS SLOTTED RND HD SCR 10-32 X 1/4"
38047	46-208938P5	2	NUT	2	10-32, 3/8" HEX X .130 THK, 18-8 SST
43635	46-230008P1	2	SCREW	2	SCREW
64933	1000904P425	2	WASHER	10	0.2 ID, 0.5 OD, .04 THK, B11H89C

2-20 WideOpen ENCLOSURE COVERS AND END BELLS WITH SPLIT BRIDGE

WideOpen MAGNET ENCLOSURE with SPLIT BRIDGE

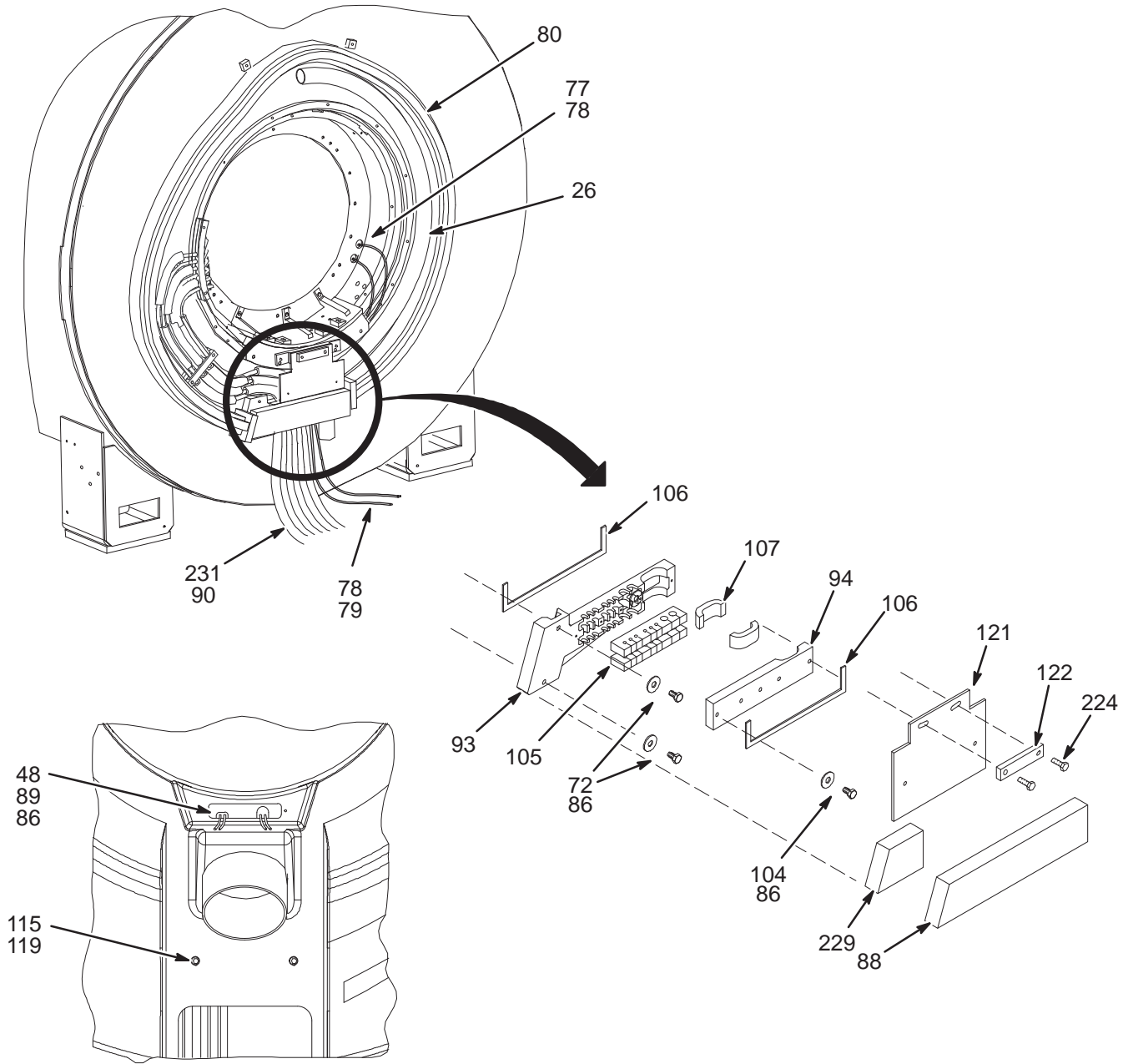
2222558 & 2222558-2

NOTE: Refer to page 1-51 for WideOpen rear pedestal, rear split bridge, PAC & SRI, dock, trim covers, blower, and blower hoses.



WideOpen MAGNET ENCLOSURE with SPLIT BRIDGE

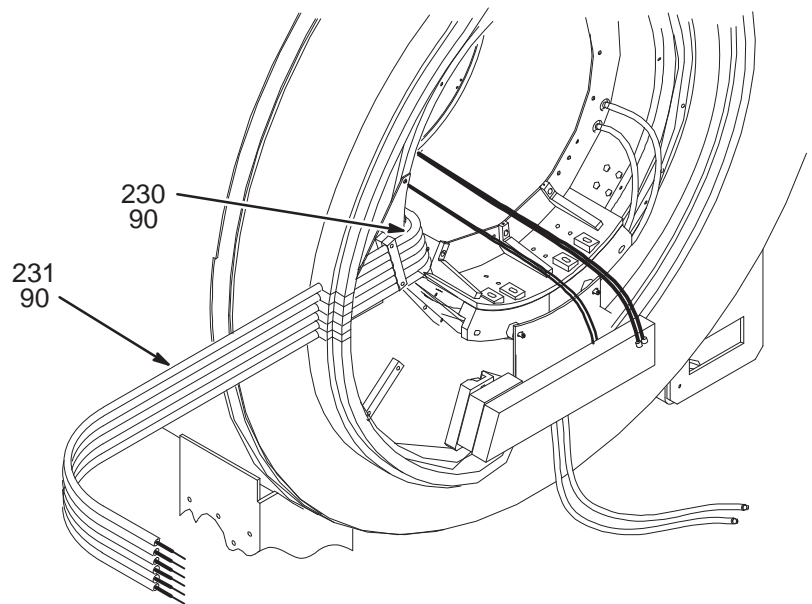
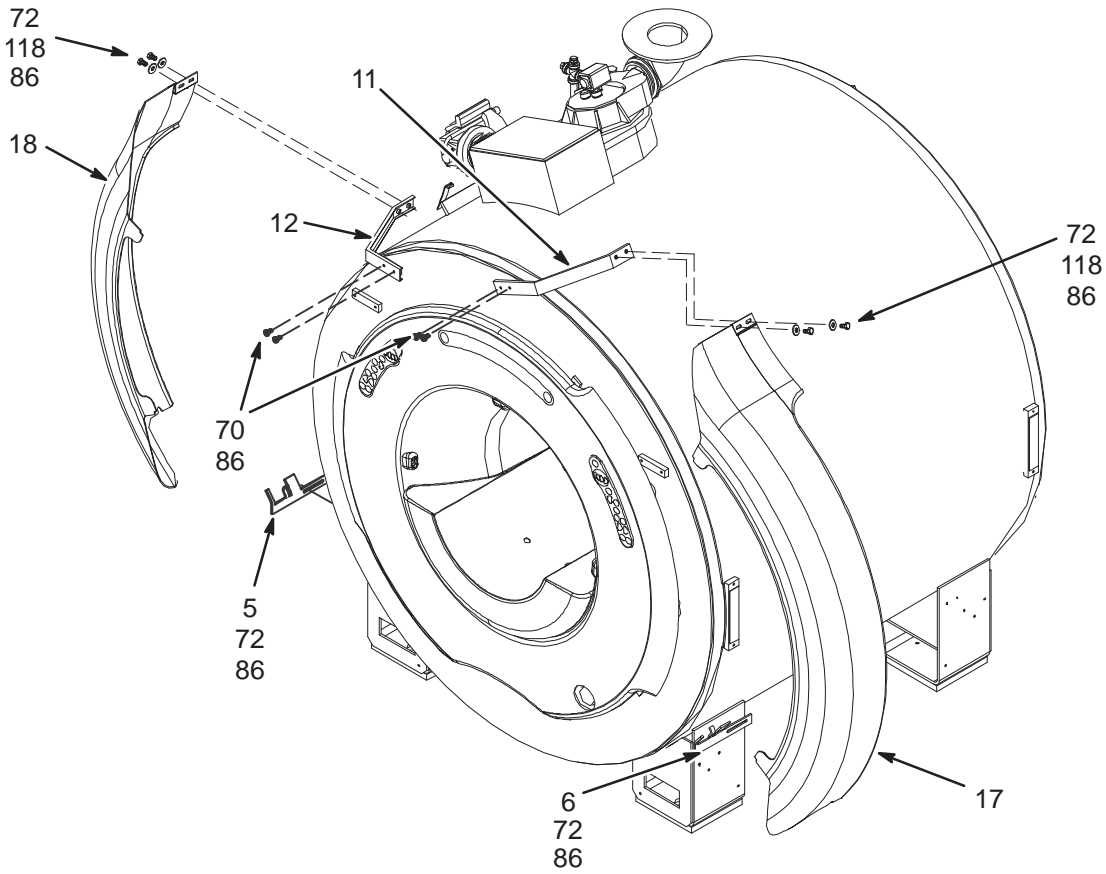
2222558 & 2222558-2



VIEW 2

WideOpen MAGNET ENCLOSURE with SPLIT BRIDGE

2222558 & 2222558-2



VIEW 3
MOBILE ARC COVERS AND BRACKETS

FXD & T/R WideOpen w/SPLIT BRIDGE 2222558 FRU N

(PART OF M1060LA – SECTION 1)

(PART OF M1860LA – SECTION 1)

Item	Part Number	FRU	Name	Quantity	Description (Remarks)
1	2217702	2	WRAP COVER R	1	WideOpen WRAP COVER RIGHT
2	2217703	2	WRAP COVER L	1	WideOpen WRAP COVER LEFT
5	2218146	2	LOWER CLAMP	2	WideOpen LOWER CLAMPING BRACKET
6	2218146-2	2	LOWER CLAMP	2	WideOpen LOWER CLAMPING BRACKET
10	2293379	1	PART	1	BRIDGE SUPPORT SPLIT BRDG
11	2218898	2	TOP RIGHT FR	1	WideOpen TOP RIGHT FRAME
12	2218897	2	TOP LEFT FRA	1	WideOpen TOP LEFT FRAME
15	2315088	1	FRONT PANEL	1	ENDBELL ASM, LCC, FRONT,SPLIT BRIDGE (SEE PAGE 2-300)
16	5120954	1	BASE	1	ENDBELL ASM, LCC, REAR, SPLIT BRIDGE (SEE PAGE NO TAG)
17	2217461	2	ARC FRONT RI	1	WideOpen ARC COVER FRONT, RIGHT
18	2217462	2	ARC FRONT LE	1	WideOpen ARC FRONT LEFT COVER
19	2217463	2	ARC REAR RIG	1	WideOpen ARC REAR RIGHT COVER
20	2217464	2	ARC REAR LEF	1	WideOpen ARC COVER REAR, LEFT
21	2218899	2	BORE LIGHT E	2	WideOpen BORE LIGHT ENDCAP
26	46-282668P18	2	HOSE, NYLON	1	2 INCH DIAMETER, 132 INCH LENGTH
27	46-208765P28	2	CLAMP	1	DIA RANGE 1-13/16 - 2-3/4, 302/305
28	2222549	2	LIGHT PANEL	2	WideOpen LUMITEX LIGHT PANEL
35	46-294151P48	N	ADHES SPEC	0.200	GE FAST CURE RTV 5818, TRANSLUCENT
39	2221945	2	CABLE	1	(848) MG2-A4-J5 TO MG2-A11-J4
40	2221948	2	CABLE	1	(897) MG2-A4-J3 TO MG2-A33-J4
41	2221947	2	CABLE	1	(861) MG2A4J4 - MG2A33J5/J6/J7/J8/J9
42	2221946	2	CABLE	2	(862/863) MG2-A4-J1/J2 TO MG2-A5-J1/
48	2222329	2	PART	1	RF COIL FEED THRU COVER
64	2174929-6	2	CONFOR FOAM	2	OPEN CELL POLYURETHANE FOAM, 45" LG
70	2109866-50	N	SCREW	8	SCREW HEXAGON HEAD
72	2109866-20	2	SCREW	30	SCREW HEXAGON HEAD 10 MM 25 MM
74	2234780	1	WASHER	8	WASHER PLAIN - LARGE 10.5 MM 20 MM
77	2226103	2	TUBE	2	HOSE
78	2226095	2	HOSE CLAMP	4	HOSE CLAMP,WORM DRIVE
79	46-294167P28	2	MTL CROSSREF	2	TUBE MENDER,CAT #91355K85, BRASS
80	2222806-4	1	PART	1	FOAM BLOCK, WideOpen FIXED INSTALL
82	2109872-6	2	SCREW	12	SCREW BUTTON HEAD 6 MM 12 MM
85	2229794	2	WASHER PLAST	12	M6 NYLON WASHER
86	46-294151P2	2	ADHES SPEC	0.100	LOCKTITE #242 TYPE 11
87	2226752-2	1	PART	2	FOAM GASKET, BRIDGE SUPPORT SPACER
88	2239902-3	2	FOAM SEAL	1	CONFOR FOAM
89	2109867-4	2	SCREW	4	SCREW HEXAGON SOCKET 4 MM 12 MM_SST
90	46-208758P2	2	TY-RAP	30	5.5" X .140" SELF-LOCKING CABLE TIE.
93	2377933	N	BASE	1.0	CLAMP BASE, HOSE & CABLE, BRM LD BRD
94	2227396	2	PART	1	CABLE/HOSE CLAMP, BASE
96	2227318	2	SCREW	20	SCREW CHEESE HEAD 5 MM 8 MM
97	2109879-3	2	WASHER	4	WASHER PLAIN - LARGE 10.5 MM 30 MM
99	2109875-4	2	NUT	12	NUT HEXAGON M10 A2-70
101	2323549	N	SPACER	1	LOCATING PIN
104	2109867-16	2	SCREW	6	SCREW HEX SOCKET CAP M6X30 A2-70

Parts List Continued on Next Page

FXD & T/R WideOpen w/SPLIT BRIDGE 2222558 FRU N (CONTINUED FROM PREVIOUS PAGE)

Item	Part Number	FRU	Name	Quantity	Description (Remarks)
105	2227841	2	PART	2	FOAM GASKET, HOSE/CABLE CLAMP
106	2228286	2	PART	2	FOAM SEAL, CABLE/HOSE CLAMP
107	2228287	2	PART	2	FOAM BLOCK, CABLE/HOSE CLAMP
110	46-170212P1	2	ADHESIVE	0.010	WAKEFIELD #120-2 JOINT CMPOUND
111	2116325-10	2	STUD,MAGNET	4	STUD, M10 X 75MM, STAINLESS STEEL
112	46-220191P1	2	CLAMP	14	CLAMP FOR FLAT CABLE
115	2228717	2	PART	2	WASHER, BRIDGE SUPPORT
119	2109867-19	2	SCREW	2	SCREW HEXAGON SOCKET 6 MM 50 MM
121	2235605	2	PLATE	1	ENDBELL ANCHOR PLATE
122	2235606	2	BLOCK	1	WASHER BLOCK
224	2109866-21	2	SCREW	4	SCREW HEXAGON HEAD 10 MM 30 MM
226	46-294151P8	1	ADHES SPEC	0.010	BOSTIK "NEVER-SEEZE" LUBRICATING
229	2239902-2	2	FOAM SEAL	1	CONFOR FOAM
231	2239904	2	PIPE INSULAT	6	PIPE INSULATION
233	2237254	2	TROUGH	1	TROUGH WITH SPONGE
251	2109867-17	N	SCREW	1	SCREW HEXAGON SOCKET 6 MM 35 MM
252	2116325-5	1	STUD, MAGNET	2	STUD SST M10 X 110MM
253	2318950	1	PART	2	CAP, SUPPORT
254	2318948	1	PART	2	CUP, CAP SUPPORT
255	46-136374P37	1	RING	2	WIDTH .139 ID 0.734 DUROMETER A 70
256	2109866-22	N	SCREW	2	CAP SCREW HEXAGON HEAD
260	2282800	1	BRIDGE ASM	1	FRONT SPLIT BRIDGE ASSEMBLY (SEE PAGE 2-303)

MOBILE WideOpen w/SPLIT BRIDGE 2222558-2 FRU N

(PART OF M1061LA – SECTION 1)

(PART OF M1861LA – SECTION 1)

Item	Part Number	FRU	Name	Quantity	Description (Remarks)
5	2218146-5	2	LOWER CLAMP	1	WideOpen LOWER CLAMPING BRACKET—MOB
6	2218146-6	2	LOWER CLAMP	1	WideOpen LOWER CLAMPING BRACKET—MOB
10	2293379	1	PART	1	BRIDGE SUPPORT SPLIT BRDG
11	2218898-2	2	TOP RIGHT FR	1	WideOpen TOP RIGHT FRAME – MOBILE
12	2218897-2	N	TOP LEFT FRA	1	WideOpen TOP LEFT FRAME – MOBILE
15	2315088	1	FRONT PANEL	1	ENDBELL ASM, LCC, FRONT,SPLIT BRIDGE (SEE PAGE 2-300)
16	5120954	1	BASE	1	ENDBELL ASM, LCC, REAR, SPLIT BRIDGE (SEE PAGE NO TAG)
17	2217461-2	2	ARC FRONT RI	1	WideOpen ARC COVER FRONT,RIGHT—MOBILE
18	2217462-2	2	ARC FRONT LE	1	WideOpen ARC FRONT LEFT COVER—MOBILE
21	2218899	2	BORE LIGHT E	2	WideOpen BORE LIGHT ENDCAP
26	46-282668P18	2	HOSE, NYLON	1	2 INCH DIAMETER, 132 INCH LENGTH
27	46-208765P28	2	CLAMP	1	DIA RANGE 1-13/16 – 2-3/4, 302/305
28	2222549	2	LIGHT PANEL	2	WideOpen LUMITEX LIGHT PANEL
35	46-294151P48	N	ADHES SPEC	0.200	GE FAST CURE RTV 5818, TRANSLUCENT
39	2221945	2	CABLE	1	(848) MG2-A4-J5 TO MG2-A11-J4
40	2221948	2	CABLE	1	(897) MG2-A4-J3 TO MG2-A33-J4
41	2221947	2	CABLE	1	(861) MG2A4J4 – MG2A33J5/J6/J7/J8/J9
42	2221946	2	CABLE	2	(862/863) MG2-A4-J1/J2 TO MG2-A5-J1/
48	2222329	2	PART	1	RF COIL FEED THRU COVER
64	2174929-6	2	CONFOR FOAM	2	OPEN CELL POLYURETHANE FOAM, 45" LG
70	2109866-50	2	SCREW	4	SCREW HEXAGON HEAD
72	2109866-20	2	SCREW	14	SCREW HEXAGON HEAD 10 MM 25 MM
73	2224551	2	LATCH	4	WideOpen END BELL LATCH
74	2234780	1	WASHER	8	WASHER PLAIN – LARGE 10.5 MM 20 MM
77	2226103	2	TUBE	2	HOSE
78	2226095	2	HOSE CLAMP	4	HOSE CLAMP,WORM DRIVE
79	46-294167P28	2	MTL CROSSREF	2	TUBE MENDER,CAT #91355K85, BRASS
80	2222806-5	1	PART	1	FOAM BLOCK, WideOpen MOBILE INSTALL
86	46-294151P2	2	ADHES SPEC	0.100	LOCKTITE #242 TYPE 11
87	2226752-2	1	PART	2	FOAM GASKET, BRIDGE SUPPORT SPACER
88	2239902-3	2	FOAM SEAL	1	CONFOR FOAM
89	2109867-4	2	SCREW	4	SCREW HEXAGON SOCKET 4 MM 12 MM_SST
90	46-208758P2	2	TY-RAP	48	5.5" X .140" SELF-LOCKING CABLE TIE.
93	2227395	2	PART	1	CABLE/HOSE CLAMP, TOP
94	2227396	2	PART	1	CABLE/HOSE CLAMP, BASE
96	2227318	2	SCREW	20	SCREW CHEESE HEAD 5 MM 8 MM
97	2109879-3	2	WASHER	4	WASHER PLAIN – LARGE 10.5 MM 30 MM
99	2109875-4	2	NUT	12	NUT HEXAGON M10 A2-70
100	2109873-14	2	SCREW	4	SCREW PAN HEAD Z M4X10 A2-70
101	2323549	N	SPACER	1	LOCATING PIN
104	2109867-16	2	SCREW	6	SCREW HEX SOCKET CAP M6X30 A2-70
105	2227841	2	PART	2	FOAM GASKET, HOSE/CABLE CLAMP
106	2228286	2	PART	2	FOAM SEAL, CABLE/HOSE CLAMP
107	2228287	2	PART	2	FOAM BLOCK, CABLE/HOSE CLAMP
110	46-170212P1	2	ADHESIVE	0.010	WAKEFIELD #120-2 JOINT CMPOUND

Parts List Continued on Next Page

MOBILE WideOpen w/SPLIT BRIDGE 222558-2 FRU N

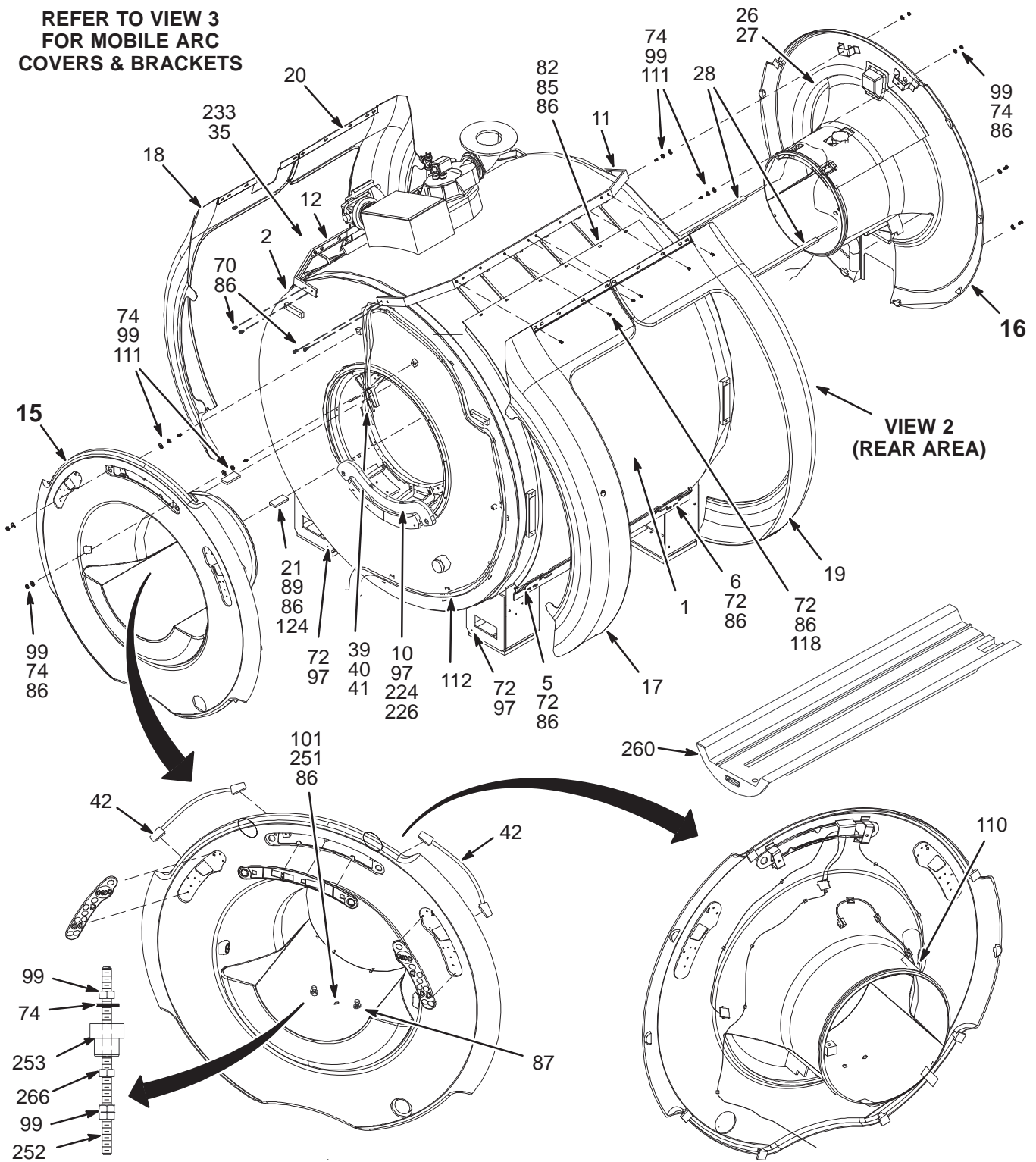
(CONTINUED FROM PREVIOUS PAGE)

Item	Part Number	FRU	Name	Quantity	Description (Remarks)
111	2116325-10	2	STUD,MAGNET	4	STUD, M10 X 75MM, STAINLESS STEEL
112	46-220191P1	2	CLAMP	14	CLAMP FOR FLAT CABLE
115	2228717	N	PART	2	WASHER, BRIDGE SUPPORT
118	2234780	2	WASHER	4	WASHER PLAIN - LARGE 10.5 MM 20 MM
119	2109867-19	2	SCREW	2	SCREW HEXAGON SOCKET 6 MM 50 MM
121	2235605	2	PLATE	1	ENDBELL ANCHOR PLATE
122	2235606	2	BLOCK	1	WASHER BLOCK
224	2109866-21	2	SCREW	4	SCREW HEXAGON HEAD 10 MM 30 MM
226	46-294151P8	1	ADHES SPEC	0.010	BOSTIK "NEVER-SEEZE" LUBRICATING
229	2239902-2	2	FOAM SEAL	1	CONFOR FOAM
230	2239904-2	2	PIPE INSULAT	12	PIPE INSULATION
231	2239904	2	PIPE INSULAT	9	PIPE INSULATION
233	2237254	2	TROUGH	1	TROUGH WITH SPONGE
251	2109867-17	N	SCREW	1	SCREW HEXAGON SOCKET 6 MM 35 MM
252	2116325-5	1	STUD, MAGNET	2	STUD SST M10 X 110MM
253	2318950	1	PART	2	CAP, SUPPORT
254	2318948	1	PART	2	CUP, CAP SUPPORT
255	46-136374P37	1	RING	2	WIDTH .139 ID 0.734 DUROMETER A 70
256	2109866-22	N	SCREW	2	CAP SCREW HEXAGON HEAD
260	2282800	1	BRIDGE ASM	1	FRONT SPLIT BRIDGE ASSEMBLY (SEE PAGE 2-303)

INFINITY WideOpen MAGNET ENCLOSURE with SPLIT BRIDGE

2308291 & 2308291-2

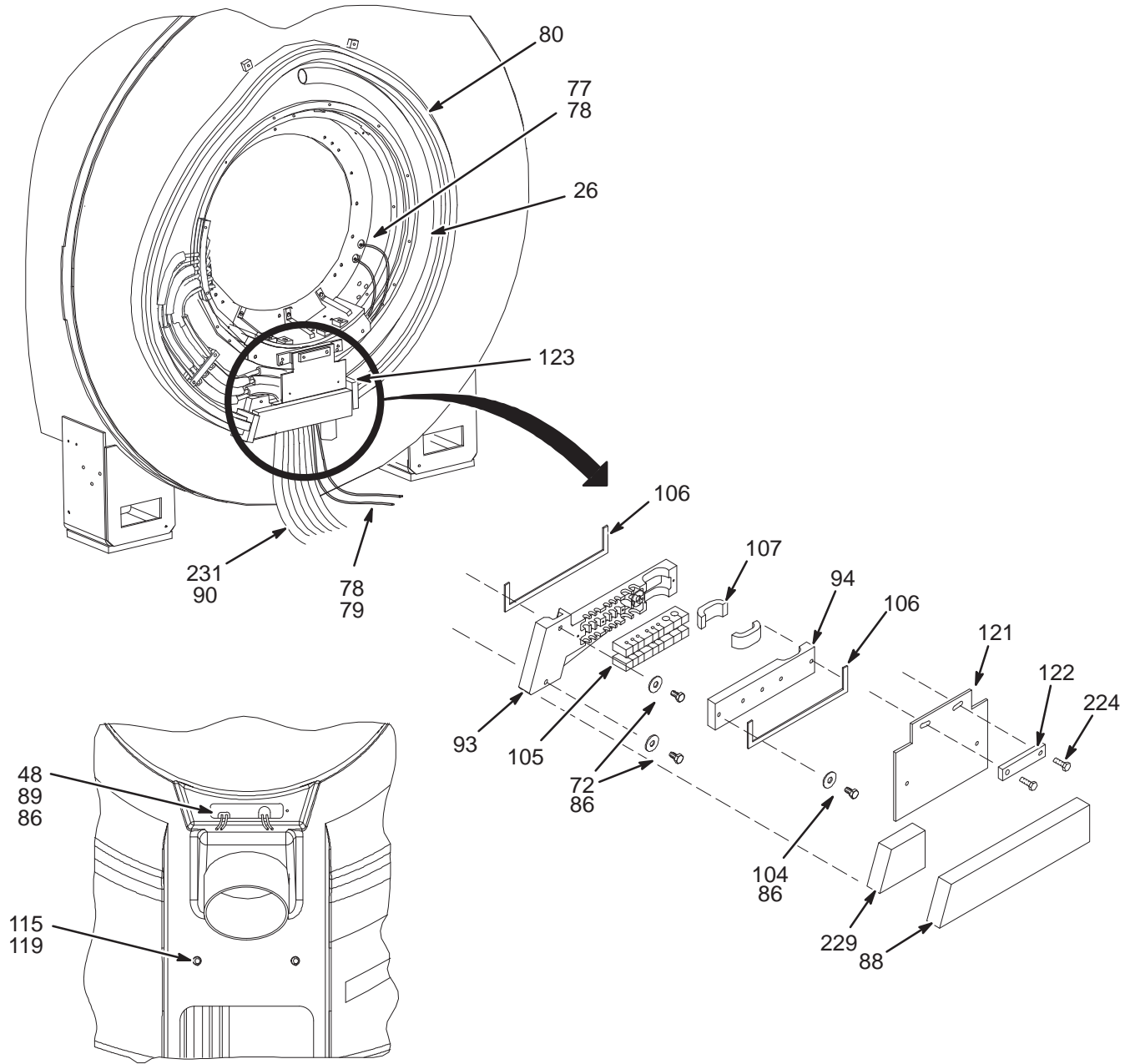
REFER TO VIEW 3
FOR MOBILE ARC
COVERS & BRACKETS



VIEW 1

INFINITY WideOpen MAGNET ENCLOSURE with SPLIT BRIDGE

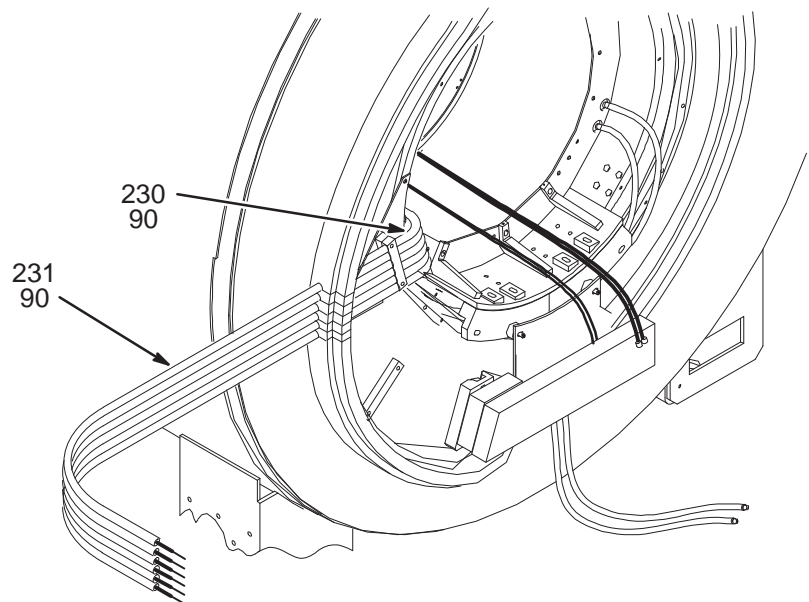
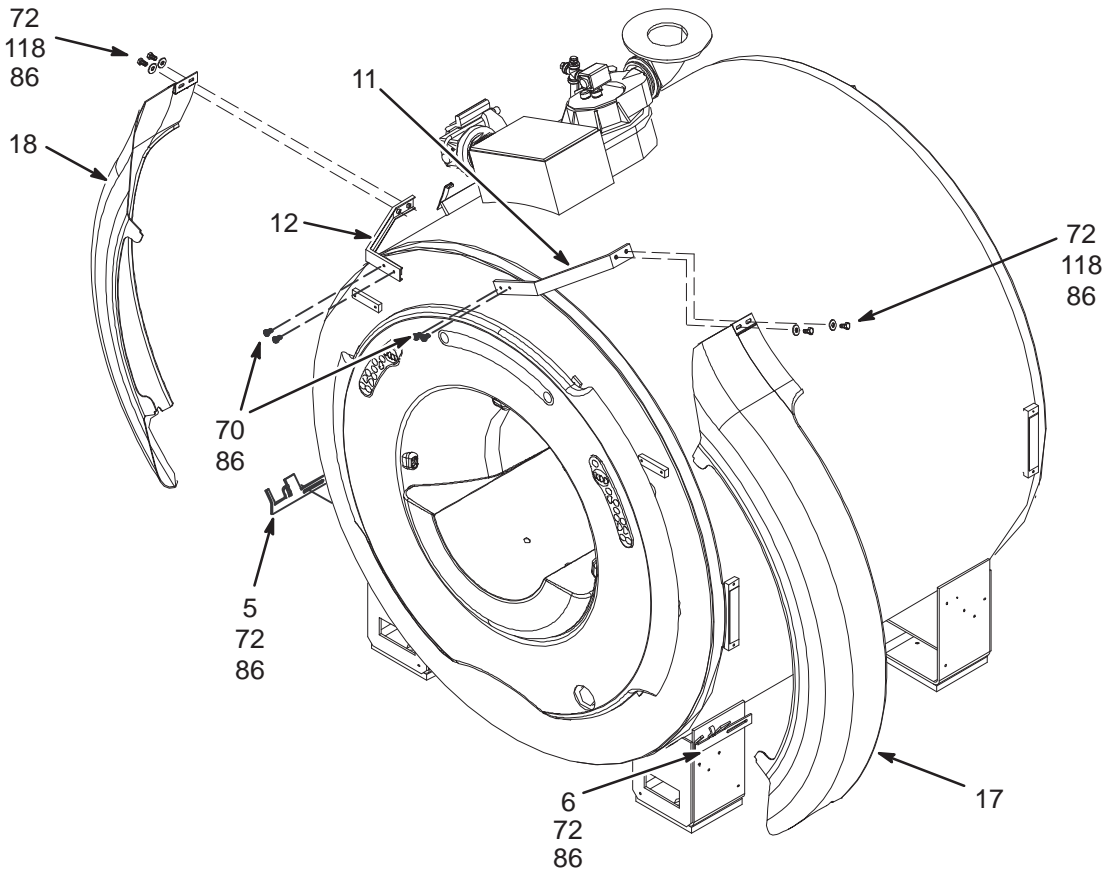
2308291 & 2308291-2



VIEW 2

INFINITY WideOpen MAGNET ENCLOSURE with SPLIT BRIDGE

2308291 & 2308291-2



VIEW 3
MOBILE ARC COVERS AND BRACKETS

INFINITY FXD & T/R WideOpen
w/SPLIT BRIDGE

2308291 FRU N

(PART 2 OF 2307972 PAGE 1-116)

Item	Part Number	FRU	Name	Quantity	Description (Remarks)
1	2217702-2	2	WRAP COVER R	1.0	TWIN WRAP COVER RIGHT
2	2217703-2	2	WRAP COVER L	1.0	TWIN WRAP COVER LEFT
5	2218146	2	LOWER CLAMP	2.0	MAESTRO LOWER CLAMPING BRACKET
6	2218146-2	2	LOWER CLAMP	2.0	MAESTRO LOWER CLAMPING BRACKET
10	2293379	2	PART	1.0	BRIDGE SUPPORT SPLIT BRDG
11	2218898	2	TOP RIGHT FR	1.0	MAESTRO TOP RIGHT FRAME
12	2218897	2	TOP LEFT FRA	1.0	MAESTRO TOP LEFT FRAME
15	2315088	2	FRONT PANEL	1.0	ENDBELL ASM, LCC, FRONT, SPLIT BRIDGE (SEE PAGE 2-300)
16	5120954	2	BASE	1.0	ENDBELL ASM, LCC, REAR, SPLIT BRIDGE (SEE PAGE NO TAG)
17	2217461-3	2	ARC FRONT RI	1.0	TWIN ARC COVER FRONT
18	2217462-3	2	ARC FRONT LE	1.0	TWIN ARC FRONT LEFT COVER
19	2217463-2	2	ARC REAR RIG	1.0	TWIN ARC REAR RIGHT COVER
20	2217464-2	2	ARC REAR LEF	1.0	TWIN ARC COVER REAR_LEFT
21	2218899	2	BORE LIGHT E	2.0	MAESTRO BORE LIGHT ENDCAP
26	46-282668P18	2	HOSE, NYLON	1.0	2 INCH DIAMETER, 132 INCH LENGTH
27	46-208765P28	2	PDM PART	1.0	DIA RANGE 1-13/16 - 2-3/4, 302/305
28	2222549	2	LIGHT PANEL	2.0	WIDE OPEN LUMITEX LIGHT PANEL
35	46-294151P48	2	ADHES SPEC	0.2	GE FAST CURE RTV 5818, TRANSLUCENT
39	2221945	2	CABLE	1.0	(848) MG2-A4-J5 TO MG2-A11-J4
40	2221948	2	CABLE	1.0	(897) MG2-A4-J3 TO MG2-A33-J4
41	2306310	2	CABLE PT	1.0	(1011)MG2-A4-J4 TO MG2-A33-J5 (SRI2)
42	2221946	2	CABLE	2.0	(862/863) MG2-A4-J1/J2 TO MG2-A5-J1/
48	2222329	2	PART	1.0	RF COIL FEED THRU COVER
64	2174929-6	2	CONFOR FOAM	2.0	OPEN CELL POLYURETHANE FOAM, 45" LG
70	2109866-50	2	PDM PART	8.0	SCREW HEXAGON HEAD
72	2109866-20	2	PDM PART	30.0	SCREW HEXAGON HEAD 10 MM 25 MM
74	46-294167P73	N	MTL CROSSREF	32.0	FLAT WASHER, METRIC, NYLON, M10
77	2226103	2	TUBE	2.0	HOSE
78	2226095	2	HOSE CLAMP	4.0	HOSE CLAMP, WORM DRIVE
79	46-294167P28	2	MTL CROSSREF	2.0	TUBE MENDER, CAT #91355K85, BRASS
80	2222806-4	2	PART	1.0	FOAM BLOCK, MAESTRO FIXED INSTALL
82	2109872-6	2	PDM PART	12.0	SCREW BUTTON HEAD 6 MM 12 MM
85	2229794	2	OUT OF CATAL	12.0	M6 NYLON WASHER
86	46-170686P3	N	ADHESIVE OLD	0.01	LOCTITE 242, 50CC
87	2226752-2	2	PART	2.0	FOAM GASKET, BRIDGE SUPPORT SPACER
88	2239902-3	2	FOAM SEAL	1.0	CONFOR FOAM
89	2109867-4	2	PDM PART	4.0	SCREW HEXAGON SOCKET 4 MM 12 MM_SST
90	46-208758P2	2	TY-RAP OLD	30.0	5.5" X .140" SELF-LOCKING CABLE TIE.
93	2377933	N	BASE	1.0	CLAMP BASE, HOSE & CABLE, BRM LD BRD
94	2227396	2	PART	1.0	CABLE/HOSE CLAMP, TOP
97	2109879-3	2	PDM PART	4.0	WASHER PLAIN - LARGE 10.5 MM 30 MM
99	2109875-4	2	NUT	14.0	NUT HEXAGON M10 A2-70
101	2323549	N	SPACER	1.0	LOCATING PIN
104	2109867-16	2	SCREW	5.0	SCREW HEX SOCKET CAP M6X30 A2-70
105	2227841	2	PART	2.0	FOAM GASKET, HOSE/CABLE CLAMP
106	2228286	2	PART	2.0	FOAM SEAL, CABLE/HOSE CLAMP
107	2228287	2	PART	2.0	FOAM BLOCK, CABLE/HOSE CLAMP
110	46-170212P1	2	ADHESIVE	0.01	WAKEFIELD #120-2 JOINT CMPOUND
111	2116325-10	2	STUD, MAGNET	4.0	STUD, M10 X 75MM, STAINLESS STEEL
112	46-220191P1	2	CLAMP OLD	14.0	CLAMP FOR FLAT CABLE

Parts List Continued on Next Page

INFINITY FXD & T/R w/SPLIT BRIDGE 2308291 FRU N (CONTINUED FROM PREVIOUS PAGE)

Item	Part Number	FRU	Name	Quantity	Description (Remarks)
115	2221418	N	PDM PART	2.0	WASHER PLAIN – LARGE 6.8 MM 38.1 MM
119	2109867–19	2	PDM PART	2.0	SCREW HEXAGON SOCKET 6 MM 50 MM
121	2235605	2	PLATE	1.0	ENDBELL ANCHOR PLATE
122	2235606	2	BLOCK	1.0	WASHER BLOCK
123	2185175	N	PART	8.0	FOAM, CLOSED CELL, BRM CONQUEST
124	2174929–8	N	CONFOR FOAM	0.2	OPEN CELL POLYURETHANE FOAM, 112” LG
125	2143771–2	N	OUT OF CATAL	3.0	2” TEFLON TAPE
126	2167321	N	PDM PART	2.0	WASHER, NEOPRENE RUBBER
224	2109866–21	2	PDM PART	4.0	SCREW HEXAGON HEAD 10 MM 30 MM
226	46–294151P8	2	ADHES SPEC	0.1	BOSTIK “NEVER–SEEZE” LUBRICATING
229	2239902–2	2	FOAM SEAL	1.0	CONFOR FOAM
233	2237254	2	TROUGH	1.0	TROUGH WITH SPONGE
251	2109867–17	N	PDM PART	1.0	SCREW HEXAGON SOCKET 6 MM 35 MM
252	2116325–12	2	STUD,MAGNET	2.0	STUD, M10 X 165MM, STAINLESS STEEL
253	2293381	2	PART	2.0	BRIDGE SUPPORT ADJ. NUT SPLIT BRDG
255	2116325–8	2	STUD,MAGNET	2.0	STUD, M10 X 45 MM, STAINLESS STEEL
256	2221625	2	WEDGE	2.0	TWIN SHIPPING SUPPORT BASE
257	2293383	2	PART	2.0	BRIDGE SUPPORT ADJ FLNG SPLIT BRDG
258	2109867–13	2	SCREW	2.0	SCREW HEX SOCKET CAP M6X16 A2–70
259	2109878–3	2	PDM PART	2.0	WASHER PLAIN – NORMAL 6.4 MM 12 MM
260	2282800	2	BRIDGE ASM	1.0	FRONT SPLIT BRIDGE ASSEMBLY (SEE PAGE 2–303)
261	2338759	N	PART	1.0	WARNING TAG
262	2214896	N	BEAM	2.0	ANGLE,LIFT BEAM
263	46–281707P15	N	SCREW, CAP	12.0	SCREW,HEX HD CAP,CARBON,GRADE8,.5–13
264	46–208758P5	N	PDM PART	30.0	SELF LOCKING CABLE TIE
265	2398124–2	N	PDM PART	1.0	MULTI–LINGUAL LASER WARNING LABEL SH
266	2293956	N	OUT OF CATAL	2.0	HEX NUT, NYLON, M10X1.5MM, 9.8 HIGH

INFINITY MOBILE WideOpen
w/SPLIT BRIDGE

2308291-2 FRU N

(PART 2 OF 2308298 PAGE 1-118)

Item	Part Number	FRU	Name	Quantity	Description (Remarks)
5	2218146-5	2	LOWER CLAMP	2.0	MAESTRO LOWER CLAMPING BRACKET—MOB
6	2218146-6	2	LOWER CLAMP	2.0	MAESTRO LOWER CLAMPING BRACKET—MOB
10	2293379	2	PART	1.0	BRIDGE SUPPORT SPLIT BRDG
11	2218898-2	2	TOP RIGHT FR	1.0	MAESTRO TOP RIGHT FRAME – MOBILE
12	2218897-2	N	TOP LEFT FRA	1.0	MAESTRO TOP LEFT FRAME – MOBILE
15	2315088	2	FRONT PANEL	1.0	ENDBELL ASM, LCC, FRONT,SPLIT BRIDGE (SEE PAGE 2-300)
16	5120954	2	BASE	1.0	ENDBELL ASM, LCC, REAR, SPLIT BRIDGE (SEE PAGE NO TAG)
17	2217461-4	2	ARC FRONT RI	1.0	TWIN ARC COVER FRONT
18	2217462-4	2	ARC FRONT LE	0.2	TWIN ARC FRONT LEFT COVER
21	2218899	2	BORE LIGHT E	2.0	MAESTRO BORE LIGHT ENDCAP
26	46-282668P18	2	HOSE, NYLON	1.0	2 INCH DIAMETER, 132 INCH LENGTH
27	46-208765P28	2	PDM PART	1.0	DIA RANGE 1-13/16 – 2-3/4, 302/305
28	2222549	2	LIGHT PANEL	2.0	WIDE OPEN LUMITEX LIGHT PANEL
35	46-294151P48	N	ADHES SPEC	0.2	GE FAST CURE RTV 5818, TRANSLUCENT
39	2221945	2	CABLE	1.0	(848) MG2-A4-J5 TO MG2-A11-J4
40	2221948	2	CABLE	1.0	(897) MG2-A4-J3 TO MG2-A33-J4
41	2306310	2	CABLE PT	1.0	(1011)MG2-A4-J4 TO MG2-A33-J5 (SRI2)
42	2221946	2	CABLE	2.0	(862/863) MG2-A4-J1/J2 TO MG2-A5-J1/
48	2222329	2	PART	1.0	RF COIL FEED THRU COVER
64	2174929-6	2	CONFOR FOAM	2.0	OPEN CELL POLYURETHANE FOAM, 45" LG
70	2109866-50	2	PDM PART	8.0	SCREW HEXAGON HEAD
72	2109866-20	2	PDM PART	30.0	SCREW HEXAGON HEAD 10 MM 25 MM
74	2234780	2	WASHER	8.0	WASHER PLAIN – LARGE 10.5 MM 20 MM
77	2226103	2	TUBE	2.0	HOSE
78	2226095	2	HOSE CLAMP	4.0	HOSE CLAMP,WORM DRIVE
79	46-294167P28	2	MTL CROSSREF	2.0	TUBE MENDER,CAT #91355K85, BRASS
80	2222806-5	2	PART	1.0	FOAM BLOCK, MAESTRO MOBILE INSTALL
86	46-294151P2	2	ADHES SPEC	0.1	LOCKTITE #242 TYPE 11
87	2226752-2	2	PART	2.0	FOAM GASKET, BRIDGE SUPPORT SPACER
88	2239902-3	2	FOAM SEAL	1.0	CONFOR FOAM
89	2109867-4	2	PDM PART	4.0	SCREW HEXAGON SOCKET 4 MM 12 MM_SST
90	46-208758P2	2	TY-RAP OLD	48.0	5.5" X .140" SELF-LOCKING CABLE TIE.
93	2227395	2	PART	1.0	CABLE/HOSE CLAMP, BASE
94	2227396	2	PART	1.0	CABLE/HOSE CLAMP, TOP
96	2227318	2	SCREW	20.0	SCREW CHEESE HEAD 5 MM 8 MM
97	2109879-3	2	PDM PART	4.0	WASHER PLAIN – LARGE 10.5 MM 30 MM
99	2109875-4	2	NUT	14.0	NUT HEXAGON M10 A2-70
100	2109873-14	2	SCREW	4.0	SCREW PAN HEAD Z M4X10 A2-70
101	2227708	2	OUT OF CATAL	1.0	WIDE OPEN RF TUBE LOCATING SPACER
104	2109867-16	2	SCREW	5.0	SCREW HEX SOCKET CAP M6X30 A2-70
105	2227841	2	PART	2.0	FOAM GASKET, HOSE/CABLE CLAMP
106	2228286	2	PART	2.0	FOAM SEAL, CABLE/HOSE CLAMP
107	2228287	2	PART	2.0	FOAM BLOCK, CABLE/HOSE CLAMP
110	46-170212P1	2	ADHESIVE	0.01	WAKEFIELD #120-2 JOINT CMPOUND
111	2116325-10	2	STUD,MAGNET	4.0	STUD, M10 X 75MM, STAINLESS STEEL
112	46-220191P1	2	CLAMP OLD	14.0	CLAMP FOR FLAT CABLE
115	2228717	2	PART	2.0	WASHER, BRIDGE SUPPORT
119	2109867-19	2	PDM PART	2.0	SCREW HEXAGON SOCKET 6 MM 50 MM
121	2235605	2	PLATE	1.0	ENDBELL ANCHOR PLATE
122	2235606	2	BLOCK	1.0	WASHER BLOCK

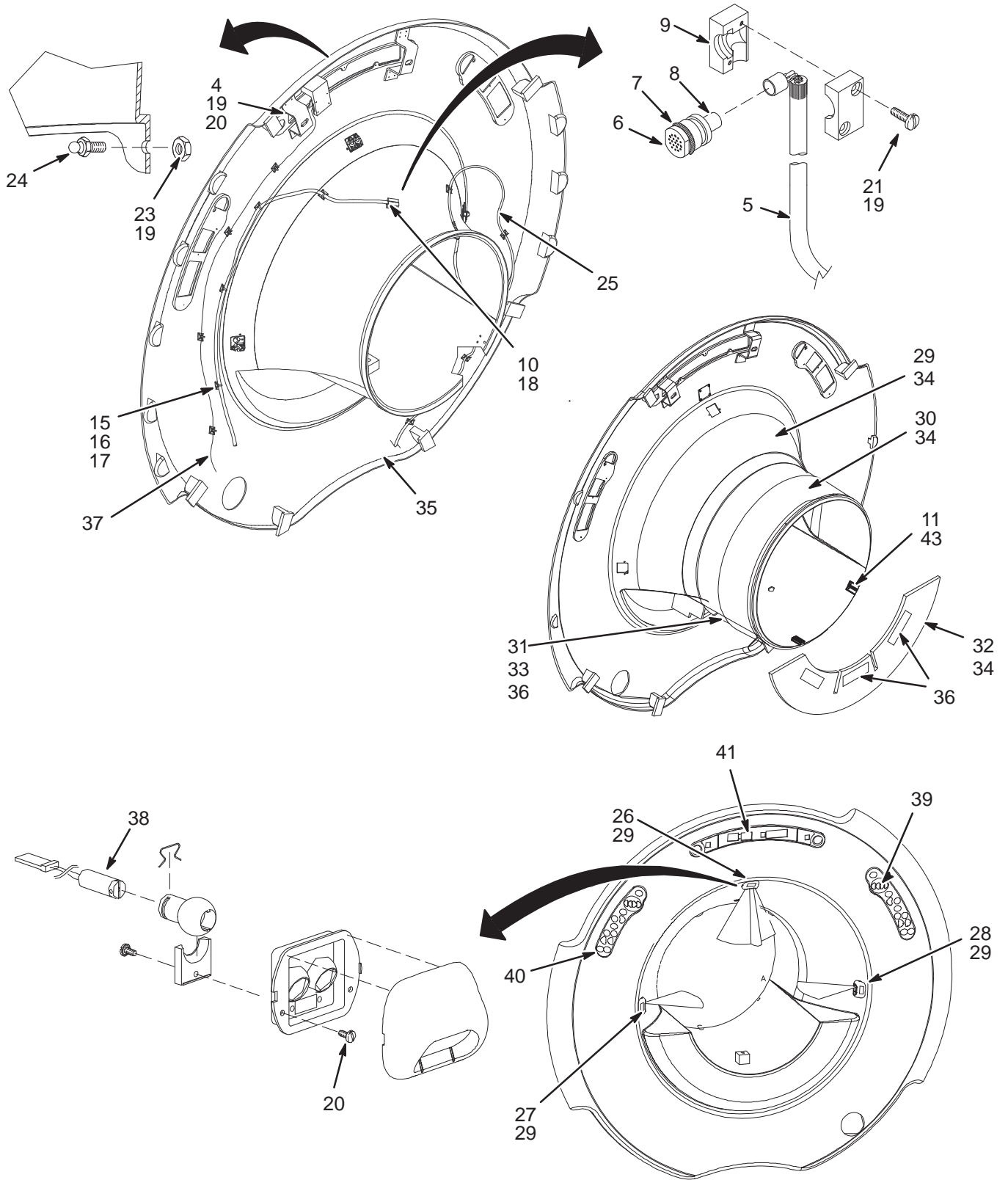
Parts List Continued on Next Page

INFINITY MOBILE w/SPLIT BRIDGE 2308291-2 FRU N (CONTINUED FROM PREVIOUS PAGE)

Item	Part Number	FRU	Name	Quantity	Description (Remarks)
224	2109866-21	2	PDM PART	4.0	SCREW HEXAGON HEAD 10 MM 30 MM
226	46-294151P8	2	ADHES SPEC	0.01	BOSTIK "NEVER-SEEZE" LUBRICATING
229	2239902-2	2	FOAM SEAL	1.0	CONFOR FOAM
230	2239904-2	2	PIPE INSULAT	12.0	PIPE INSULATION
233	2237254	2	TROUGH	1.0	TROUGH WITH SPONGE
251	2109867-20	2	SCREW	1.0	SCREW HEX SOCKET CAP M6X60/24 A2-70
252	2116325-12	2	STUD,MAGNET	2.0	STUD, M10 X 165MM, STAINLESS STEEL
253	2293381	2	PART	2.0	BRIDGE SUPPORT ADJ. NUT SPLIT BRDG
255	2116325-8	2	STUD,MAGNET	2.0	STUD, M10 X 45 MM, STAINLESS STEEL
256	2221625	2	WEDGE	2.0	TWIN SHIPPING SUPPORT BASE
257	2293383	2	PART	2.0	BRIDGE SUPPORT ADJ FLNG SPLIT BRDG
258	2109867-13	2	SCREW	2.0	SCREW HEX SOCKET CAP M6X16 A2-70
259	2109878-3	2	PDM PART	2.0	WASHER PLAIN - NORMAL 6.4 MM 12 MM
260	2282800	2	BRIDGE ASM	1.0	FRONT SPLIT BRIDGE ASSEMBLY (SEE PAGE 2-303)
261	2338759	N	PART	1.0	WARNING TAG
262	2214896	N	BEAM	2.0	ANGLE,LIFT BEAM
263	46-281707P15	N	SCREW,CAP	12.0	SCREW,HEX HD CAP,CARBON,GRADE8,.5-13
264	46-208758P5	N	PDM PART	30.0	SELF LOCKING CABLE TIE
265	2398124-2	N	PDM PART	1.0	MULTI-LINGUAL LASER WARNING LABEL SH
266	46-294167P73	N	MTL CROSSREF	2.0	FLAT WASHER, METRIC, NYLON, M10
267	2293956	N	OUT OF CATAL	2.0	HEX NUT, NYLON, M10X1.5MM, 9.8 HIGH

WideOpen FRONT END BELL ASSEMBLY for SPLIT BRIDGE

2315088



FRONT END BELL for SPLIT BRIDGE 2315088 FRU 1

(PART 15 OF 2222558 PAGE 2-288)

(PART 15 OF 2222558-2 PAGE 2-290)

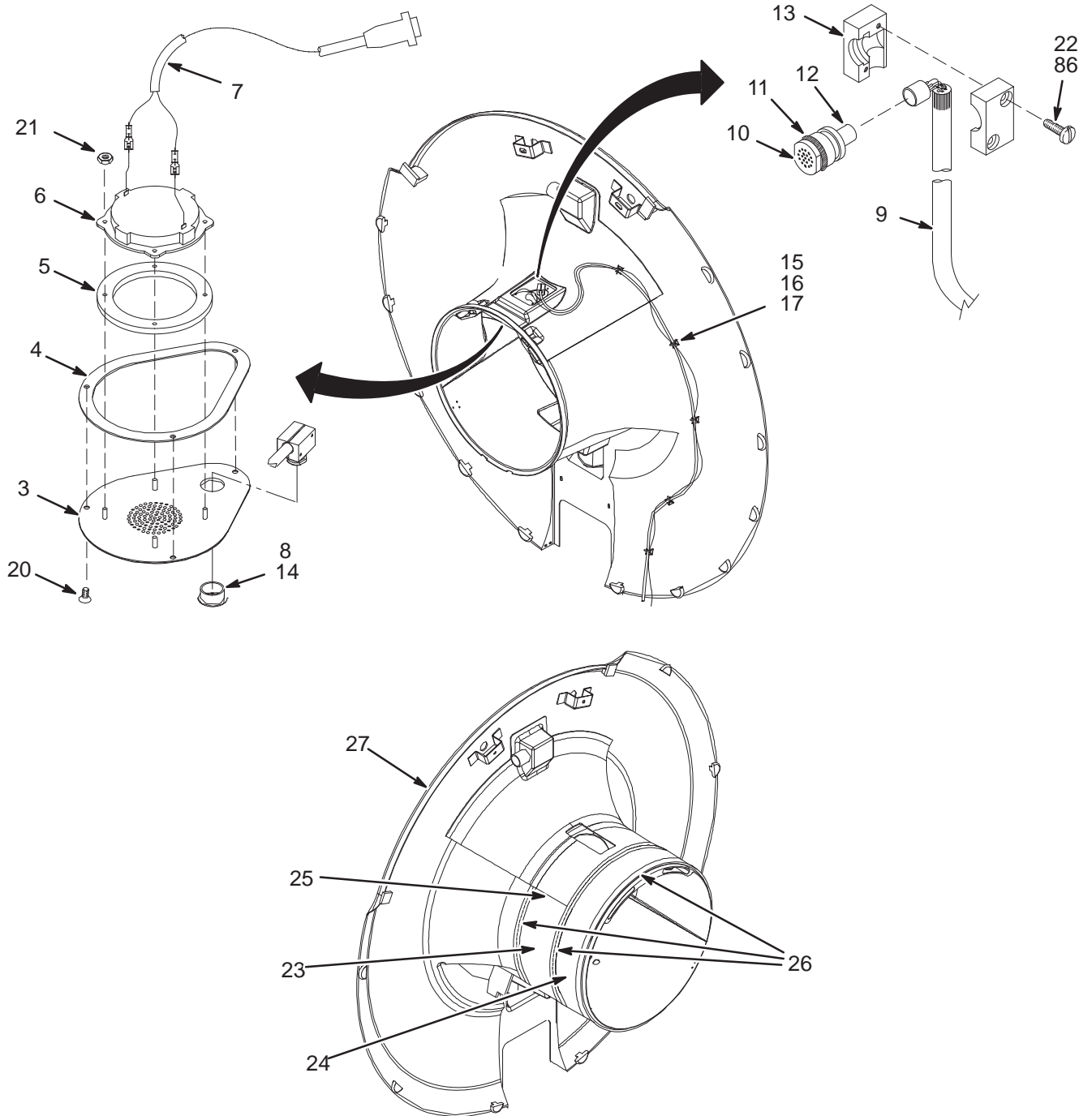
(PART 15 OF 2308291 PAGE 2-295)

(PART 15 OF 2308291-2 PAGE 2-297)

Item	Part Number	FRU	Name	Quantity	Description (Remarks)
4	2163748	N	CIRCUIT BOAR	1	Cx VOLTAGE REGULATOR
5	46-317157G3	N	CABLE ASM.	1	(414) FRNT MICROPHN CABLE TO MG3A2J9
6	46-317134P1	N	MIKE HOUSING	1	MIKE HOUSING—USE 46-317109G1 AS
7	46-136374P65	N	RING	1	WIDTH .07, ID 0.551, DUROMETER A 70
9	46-317135P1	N	CABLE CLAMP	1	CABLE CLAMP – USE 46-317109G1 AS
10	46-221523P26	N	BUTTON	1	VENT PLUG, WHITE, 7/8 DIA.
11	2255884	N	PART	2	LATCH KEEPER
15	46-208747P1	N	VIBRATION IS	12	CABLE TIE,ADH.BACKED
16	46-208758P2	N	TY-RAP	12	5.5" X .140" SELF-LOCKING CABLE TIE.
17	46-282264P1	N	ADHESIVE	AR	2 OZ DUAL-PAK CARTRIDGE EPOXY, CLEAR
18	46-170617P2	N	ADHESIVE	AR	RTV SILICON RUBBER ADHESIVE SEALANT.
19	46-294151P2	N	ADHES SPEC	AR	LOCKTITE #242 TYPE 11
20	2109873-14	N	SCREW	6	SCREW PAN HEAD Z M4X10 A2-70
21	46-208560P111	N	SCREW	2	SCREW 6-32 X 5/8 SS
23	46-208935P5	N	NUT	10	6-32, .313 HEX X .109 THK, BRASS
24	46-136365P2	N	FASTENER	10	TINNERMAN P116-473-12-495
25	2285729	N	CABLE	1	(749) MG2-J33-J10 TO MG2-A36 (DUAL)
26	2221465-2	N	MODULE	1	WideOpen ALIGNMENT LIGHT MODULE_TOP
27	2221465-3	N	MODULE	1	WideOpen ALIGNMENT LIGHT MODULE_LEFT
28	2221465-4	N	MODULE	1	WideOpen ALIGNMENT LIGHT MODULE_RIGHT
29	2224962	N	JACKET	1	END BELL UPPER INSULATION JACKET
30	2224962-2	N	JACKET	1	END BELL UPPER INSULATION JACKET
31	2224963	N	JACKET	1	END BELL LOWER INSULATION JACKET
32	2224963-2	N	JACKET	1	END BELL LOWER INSULATION JACKET
33	46-136246P21	N	TAPE	3	2" WIDE X 25 YD WHITE VELCRO HOOKS
34	2266751	N	TAPE	AR	TAPE, POLYETHYLENE, 1.50 WIDE, WHITE
35	2306247	N	FRONT ENDBEL	1	FRONT ENDBELL, WideOpen
36	2225495	N	TAPE	AR	2" WIDE DOUBLE SIDED POLYESTER FILM
37	2162563	N	CABLE	1	(385) PP1-J20 TO MG2-A30-JP1 PAL BD
38	2162554-2	N	LASER DIODE	4	LASER FOR Cx MAG FRT COVER ASM
39	2215716-2	N	OPR BP/D KIT	1	WideOpen MAGNET HOUSING RH DISPLAY
40	2215716-3	N	OPR BP/D KIT	1	WideOpen MAGNET HOUSING LH DISPLAY
41	2215716-4	N	OPR BP/D KIT	1	WideOpen MAGNET HOUSING CNTR DISPLAY
43	2227318	N	SCREW	4	SCREW CHEESE HEAD 5 MM 8 MM

WideOpen REAR END BELL ASSEMBLY for SPLIT BRIDGE

5120954



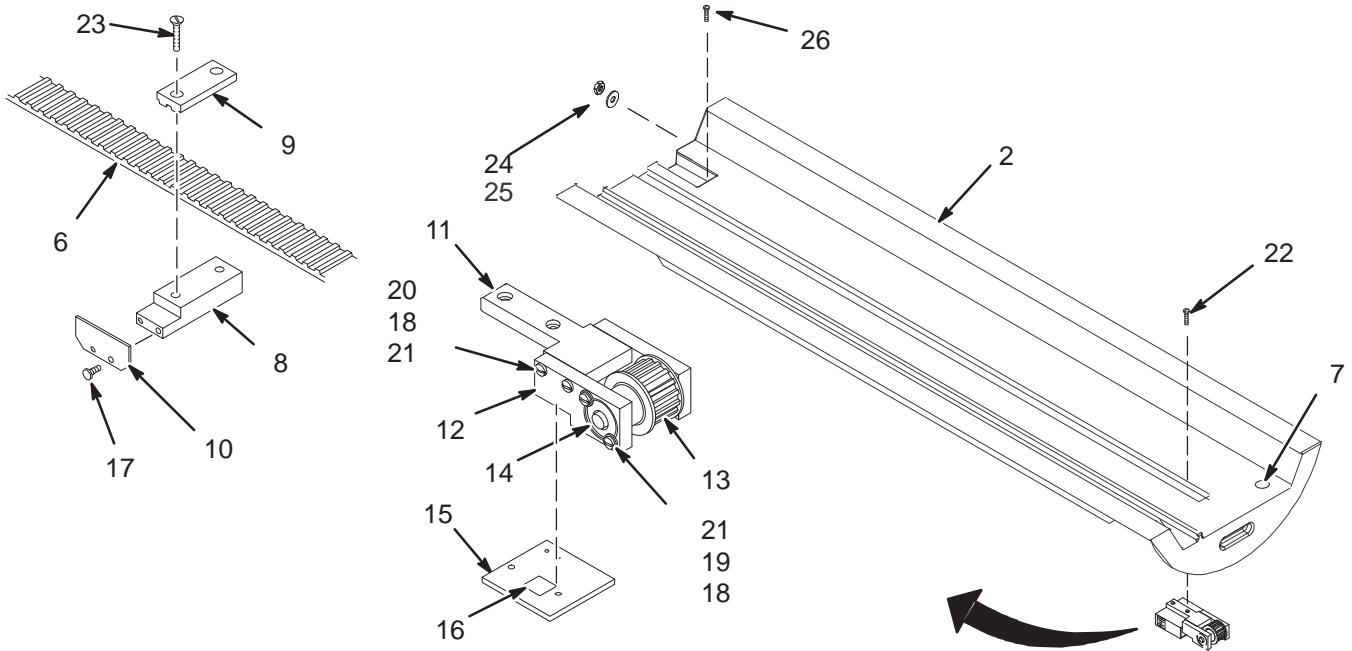
REAR END BELL for SPLIT BRIDGE 5120954 FRU 1

(PART 16 OF 2222558 PAGE 2-288)
 (PART 16 OF 2222558-2 PAGE 2-290)
 (PART 16 OF 2308291 PAGE 2-295)
 (PART 16 OF 2308291-2 PAGE 2-297)

Item	Part Number	FRU	Name	Quantity	Description (Remarks)
3	2220483	N	PART	1	SPEAKER GRILL, WideOpen REAR ENDBELL
4	2195321	N	PART	1	GASKET
5	2224271	N	PART	1	SPEAKER GRILL GASKET
6	46-221773P2	N	TRANSDUCER	1	SPEAKER, PIEZOELECTRIC, 3.2" SQUARE
7	46-317252G4	N	CABLE ASM	1	(869) MG2-A14-A2 TO MG3-A2-J8
15	46-208747P1	N	VIBRATION IS	5	CABLE TIE,ADH.BACKED
16	46-208758P2	N	TY-RAP	5	5.5" X .140" SELF-LOCKING CABLE TIE.
17	46-282264P1	N	ADHESIVE	AR	2 OZ DUAL-PAK CARTRIDGE EPOXY, CLEAR
18	2255884	N	PART	2	LATCH KEEPER
20	2206437	N	SCREW	3	SCREW COUNTERSUNK HEA 4 MM 12 MM
21	2109877	N	NUT	4	NUT HEXAGON 4 MM
23	2224961	N	JACKET	1	FRONT END BELL INSULATION JACKET
24	2224961-2	N	JACKET	1	FRONT END BELL INSULATION JACKET
25	46-136246P21	N	TAPE	2	2" WIDE X 25 YD WHITE VELCRO HOOKS
26	2266751	N	TAPE	AR	TAPE, POLYETHYLENE, 1.50 WIDE, WHITE
27	2306248	N	REAR ENDBELL	1	REAR ENDBELL, MAESRTO
43	2227318	N	SCREW	4	SCREW CHEESE HEAD 5 MM 8 MM

FRONT SPLIT BRIDGE ASM

2282800



FRONT SPLIT BRIDGE ASM

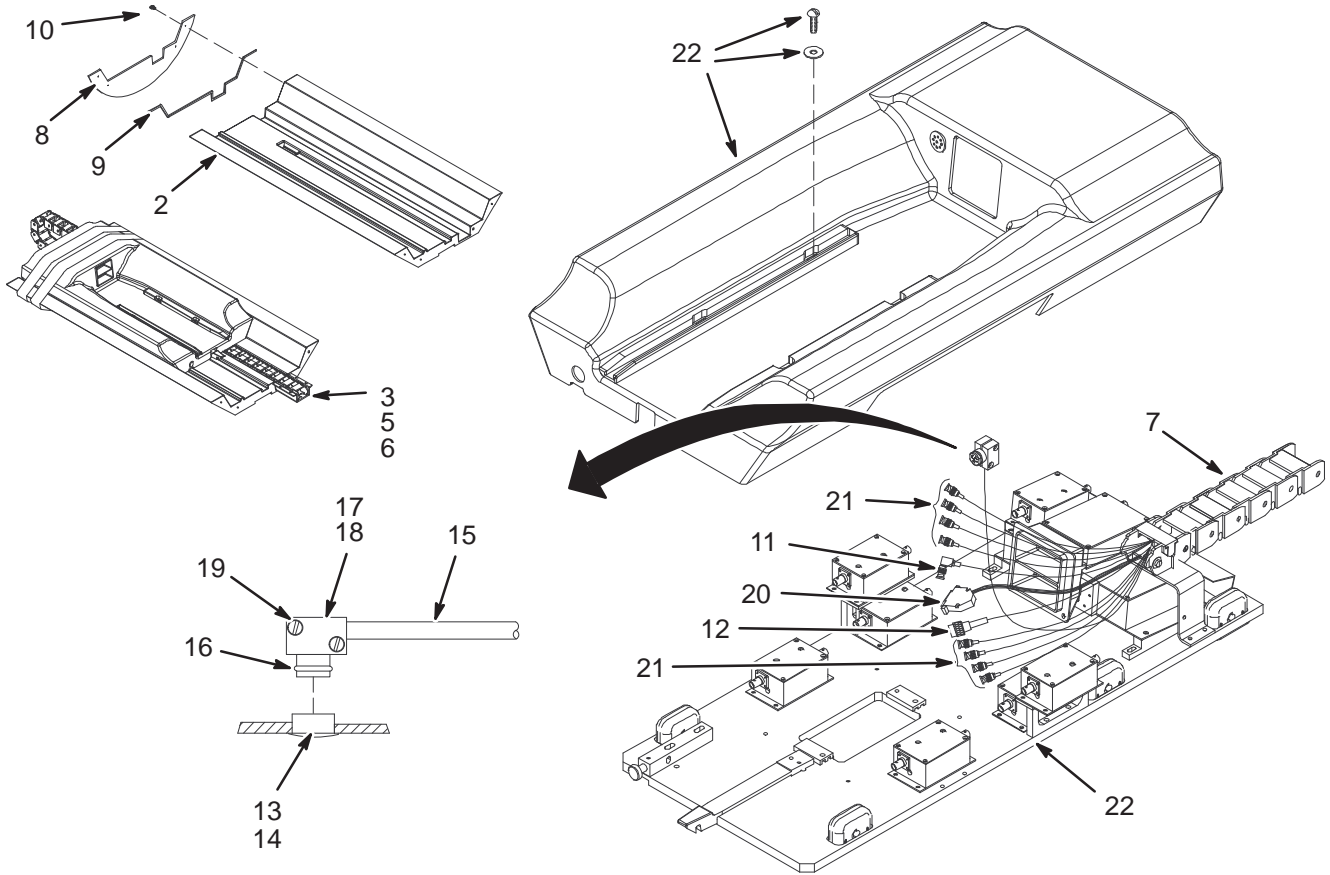
2282800 FRU N

(PART 260 OF 2222558 PAGE 2-288)
 (PART 260 OF 2222558-2 PAGE 2-290)
 (PART 260 OF 2308291 PAGE 2-295)
 (PART 260 OF 2308291-2 PAGE 2-297)
 (PART 59 OF 2297122 PAGE 2-341)
 (PART 59 OF 2297122-2 PAGE 2-343)

Item	Part Number	FRU	Name	Quantity	Description (Remarks)
2	2293203	N	PART	1	SPLIT BRIDGE FRONT
6	46-282388P3	N	BELT	1	3/8" PITCH GEARBELT, 1" WIDE, 19.5'L
7	46-221523P34	1	BUTTON	2	HOLE DIA 1.187 MAT'L THK .125 MAX
8	46-271465P1	N	CLAMP, BLOCK	1	SENSOR FLAG MOUNTING CLAMP BLOCK
9	46-271436P1	N	CLAMP, BELT	1	SENSOR FLAG TOP CLAMP
10	46-282436P1	N	FLAG	1	CARRIAGE TRAVEL SENSOR FLAG
11	46-271432P1	N	MOUNT BRIDGE	1	BRIDGE ATTACHMENT TONGUE
12	46-328446P1	N	SUPPORT BLK.	2	SUPPORT BLOCK
13	46-282646G1	N	PULLEY ASM	1	DRIVE BELT IDLER PULLEY
14	46-282471P12	N	BEARING	1	BEARING
15	46-271431P1	N	BRIDGE PLATE	1	BRIDGE ATTACHMENT CLAMP PLATE
16	46-282756P1	N	LABEL	1	WARNING, CONTAINS FERROUS MATERIAL
17	46-265486P8	N	SCREW	2	SCREW
18	46-220196P3	N	WASHER	8	WASHER, #10 SCREW SIZE (0.190), SST
19	46-220184P41	N	SCREW	4	BRS SLOTTED RND HD SCR 10-32 X 1/2
20	46-220184P44	N	SCREW	4	SCREW
21	1000904P425	N	WASHER	8	0.2 ID, 0.5 OD, .04 THK, B11H89C
22	46-220184P47	N	SCREW	2	SCREW SLOTTED ROUND HEAD BRASS
23	46-230008P1	N	SCREW	2	SCREW
24	2109877-3	N	NUT	4	NUT HEXAGON 10 MM
25	2228717-2	1	PART	2	WASHER, BRIDGE SUPPORT
26	2296958	1	SCREW	4	NYLON SCREW PAN HEAD 6MM X 12MM
27	46-208758P3	N	TY-RAP	1	7.31" X .184" SELF-LOCKING CABLE TIE

REAR SPLIT BRIDGE ASM

2282801, 2282801-3, 2282801-7



1.5T REAR SPLIT BRIDGE ASM w/MC

2282801 FRU N

(PART OF M3053PA PAGE 1-53)
(PART OF M3063PA PAGE 1-53)

Item	Part Number	FRU	Name	Quantity	Description (Remarks)
2	2293204	N	PART	1	SPLIT BRIDGE REAR
3	2294091	N	PART	1	CABLETRACK CUP, SPLIT BRIDGE
5	46-208913P12	N	SCREW	2	SCREW
6	46-282169P1	N	CLAMP	1	CABLETRACK MOUNT
7	2151445-4	N	PART	1	35 LINK CABLE TRACK W/HINGED OPEN'GS
8	2226929	N	COVER	1	WIDE OPEN BRIDGE COVER W/LABELS
9	2131304	N	COVER,GASKET	1	GASKET, COVER, BRIDGE
10	2109873-26	N	SCREW	4	SCREW PAN HEAD 6 MM 20 MM
11	46-328000G757	N	ASSEMBLY	1	(485) MG3-A17-J2 TO MG2-A16-A3-J4
12	46-320888G2	N	CABLE ASM	1	(404) MG2-A16-A5-J6 TO MG3-A17-J1
13	46-221523P26	N	BUTTON	1	VENT PLUG, WHITE, 7/8 DIA.
14	46-282264P1	N	ADHESIVE	AR	2 OZ DUAL-PAK CARTRIDGE EPOXY, CLEAR
15	46-317157G6	N	CABLE ASM.	1	MICROPHONE CABLE WIDE OPEN SERVICE
16	46-136374P65	N	RING	1	WIDTH .07, ID 0.551, DUROMETER A 70
17	46-317135P1	N	CABLE CLAMP	1	CABLE CLAMP - USE 46-317109G1 AS
18	46-317134P1	N	MIKE HOUSING	1	MIKE HOUSING—USE 46-317109G1 AS
19	46-208560P111	N	SCREW	2	SCREW 6-32 X 5/8 SS
20	46-328371P3	N	CABLE ASM	1	(736) MG3-A36-J19 TO MG2-A16-A8-J9
21	46-317220G21	2	RF CABLE	1	MULTICOIL CABLE TAKEUP RF CABLES (SEE PAGE 2-312)
22	2205098-2	N	ASSEMBLY	1	1.5T W/PA LOW PROFILE CARRIAGE CVR (SEE PAGE 2-217)

1.0T REAR SPLIT BRIDGE ASM w/MC 2282801-3 FRU N

(PART OF M3843PA PAGE 1-57)
 (PART OF M3853PA PAGE 1-58)
 (PART OF M3863PA PAGE 1-59)

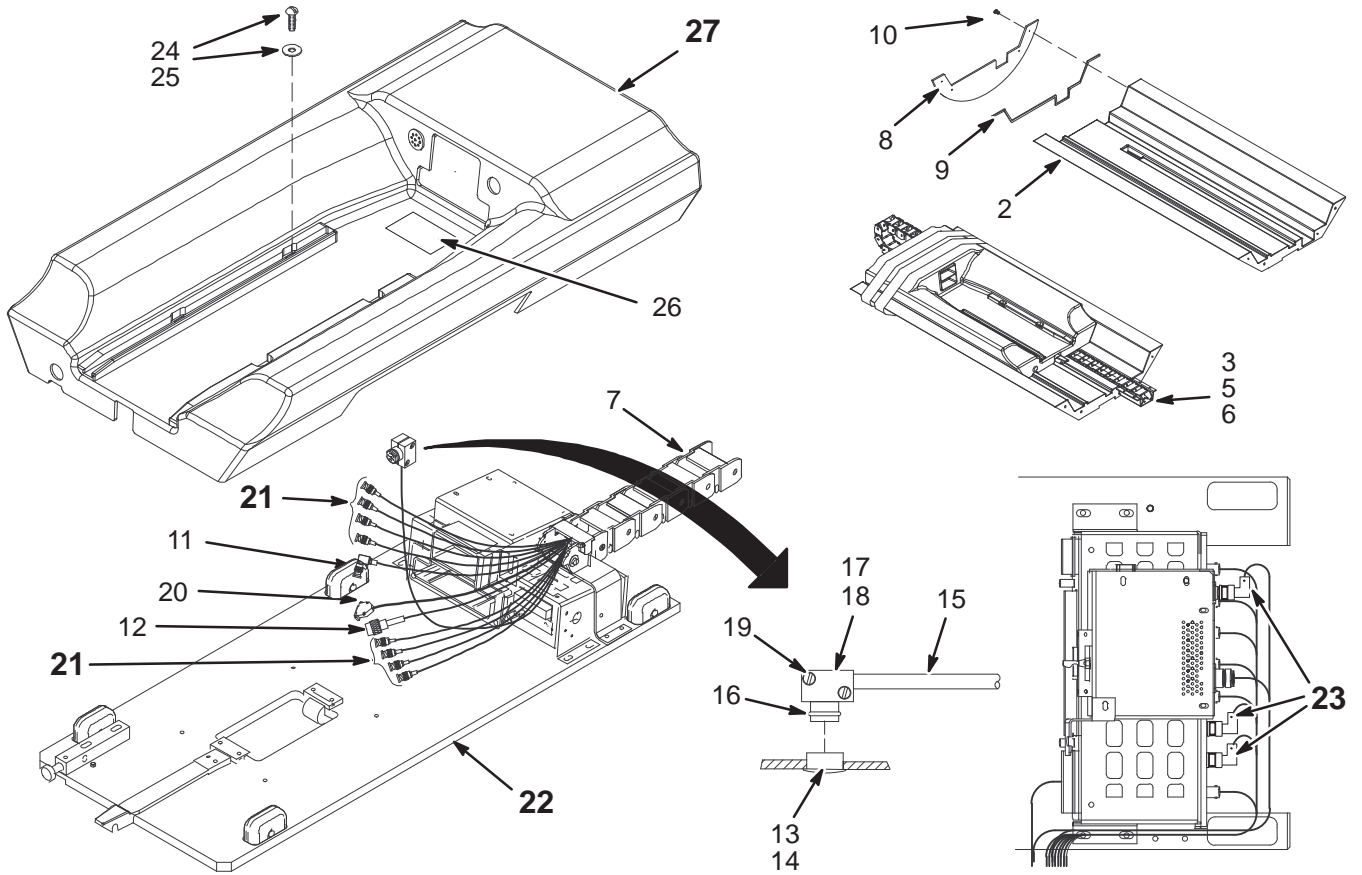
Item	Part Number	FRU	Name	Quantity	Description (Remarks)
2	2293204	N	PART	1	SPLIT BRIDGE REAR
3	2294091	N	PART	1	CABLETRACK CUP, SPLIT BRIDGE
5	46-208913P12	N	SCREW	2	SCREW
6	46-282169P1	N	CLAMP	1	CABLETRACK MOUNT
7	2151445-4	N	PART	1	35 LINK CABLE TRACK W/HINGED OPEN'GS
8	2226929	N	COVER	1	WIDE OPEN BRIDGE COVER W/LABELS
9	2131304	N	COVER,GASKET	1	GASKET, COVER, BRIDGE
10	2109873-26	N	SCREW	4	SCREW PAN HEAD 6 MM 20 MM
11	46-328000G757	N	ASSEMBLY	1	(485) MG3-A17-J2 TO MG2-A16-A3-J4
12	46-320888G2	N	CABLE ASM	1	(404) MG2-A16-A5-J6 TO MG3-A17-J1
13	46-221523P26	N	BUTTON	1	VENT PLUG, WHITE, 7/8 DIA.
14	46-282264P1	N	ADHESIVE	AR	2 OZ DUAL-PAK CARTRIDGE EPOXY, CLEAR
15	46-317157G6	N	CABLE ASM.	1	MICROPHONE CABLE WIDE OPEN SERVICE
16	46-136374P65	N	RING	1	WIDTH .07, ID 0.551, DUROMETER A 70
17	46-317135P1	N	CABLE CLAMP	1	CABLE CLAMP - USE 46-317109G1 AS
18	46-317134P1	N	MIKE HOUSING	1	MIKE HOUSING—USE 46-317109G1 AS
19	46-208560P111	N	SCREW	2	SCREW 6-32 X 5/8 SS
20	46-328371P3	N	CABLE ASM	1	(736) MG3-A36-J19 TO MG2-A16-A8-J9
21	46-317220G21	2	RF CABLE	1	MULTICOIL CABLE TAKEUP RF CABLES (SEE PAGE 2-312)
22	2205098-4	N	ASSEMBLY	1	1.0T W/PA LOW PROFILE CARRIAGE CVR (SEE PAGE 2-218)

1.0T REAR SPLIT BRIDGE ASM w/o MC 2282801-7 FRU N

(PART OF M3842PA PAGE 1-57)
 (PART OF M3862PA PAGE 1-59)

Item	Part Number	FRU	Name	Quantity	Description (Remarks)
2	2293204	N	PART	1	SPLIT BRIDGE REAR
3	2294091	N	PART	1	CABLETRACK CUP, SPLIT BRIDGE
5	46-208913P12	N	SCREW	2	SCREW
6	46-282169P1	N	CLAMP	1	CABLETRACK MOUNT
7	46-282389P4	N	CABLETRAK	1	35 LINK CABLE TRACK
8	2226929	N	COVER	1	WIDE OPEN BRIDGE COVER W/LABELS
9	2131304	N	COVER,GASKET	1	GASKET, COVER, BRIDGE
10	2109873-26	N	SCREW	4	SCREW PAN HEAD 6 MM 20 MM
11	46-328000G757	N	ASSEMBLY	1	(485) MG3-A17-J2 TO MG2-A16-A3-J4
12	46-320888G2	N	CABLE ASM	1	(404) MG2-A16-A5-J6 TO MG3-A17-J1
13	46-221523P26	N	BUTTON	1	VENT PLUG, WHITE, 7/8 DIA.
14	46-282264P1	N	ADHESIVE	AR	2 OZ DUAL-PAK CARTRIDGE EPOXY, CLEAR
15	46-317157G6	N	CABLE ASM.	1	MICROPHONE CABLE WIDE OPEN SERVICE
16	46-136374P65	N	RING	1	WIDTH .07, ID 0.551, DUROMETER A 70
17	46-317135P1	N	CABLE CLAMP	1	CABLE CLAMP - USE 46-317109G1 AS
18	46-317134P1	N	MIKE HOUSING	1	MIKE HOUSING—USE 46-317109G1 AS
19	46-208560P111	N	SCREW	2	SCREW 6-32 X 5/8 SS
22	2205098-3	N	ASSEMBLY	1	1.0T W/O PA LOW PROFILE CARRIAGE CVR (SEE PAGE 2-215)

EXCITE II 1.5T LPCA & REAR SPLIT BRIDGE 2382400



EXCITE II 1.5T LPCA & REAR BRIDGE 2382400 FRU N

(PART 50 OF M3043PD PAGE 1-62)
 (PART 50 OF M3053PD PAGE 1-62)
 (PART 50 OF M3063PD PAGE 1-62)
 (PART 50 OF M3043TD PAGE 1-78)
 (PART 50 OF M3053TD PAGE 1-78)
 (PART 50 OF M3063TD PAGE 1-78)

Item	Part Number	FRU	Name	Quantity	Description (Remarks)
2	2293204	2	PART	1.0	SPLIT BRIDGE REAR
3	2294091	N	PART	1.0	CABLETRACK CUP, SPLIT BRIDGE
5	46-208913P12	2	PDM PART	1.0	SCREW
6	46-282169P1	N	CLAMP	1.0	CABLETRACK MOUNT
7	2151445-4	2	PART	1.0	35 LINK CABLE TRACK W/HINGED OPEN'GS
8	2226929	2	COVER	1.0	WIDE OPEN BRIDGE COVER W/LABELS
9	2131304	N	COVER,GASKET	1.0	GASKET, COVER, BRIDGE
10	2109873-26	N	PDM PART	4.0	SCREW PAN HEAD 6 MM 20 MM
11	5114423-2	2	PDM PART	1.0	RUN 1035 MG3 A36 J21 TO MG2 A16A5 J4
12	46-320888G2	N	CABLE ASM	1.0	(404) MG2-A16-A5-J6 TO MG3-A17-J1
15	46-317157G6	N	CABLE ASM.	1.0	MICROPHONE CABLE WIDE OPEN SERVICE
16	46-136374P65	N	PDM PART	1.0	WIDTH .07, ID 0.551, DUROMETER A 70
17	46-317135P1	N	CABLE CLAMP	1.0	CABLE CLAMP - USE 46-317109G1 AS
18	46-317134P1	N	MIKE HOUSING	1.0	MIKE HOUSING—USE 46-317109G1 AS
19	46-208560P11	N	PDM PART	2.0	SCREW 6-32 X 5/8 SS
20	2327887	2	PART	1.0	(1049)MG3-A36-J19 TO MG2-A16-A8-J9
21	46-317220G21	N	RF CABLE	1.0	MULTICOIL CABLE TAKEUP RF CABLES (SEE PAGE 2-312)
22	2296091-3	N	CARRIAGE	1.0	1.5T LPCA W/O COVER (SEE PAGE 2-309)
23	46-233422P1	N	CONNECTOR	3.0	BNC JACK-PLUG, RIGHT ANGLE ADAPTER.
24	2109873-21	N	SCREW	4.0	SCREW PAN HEAD Z M4X40 A2-70
25	2109879-2	N	PDM PART	4.0	WASHER PLAIN - LARGE 6.4 MM, 18MM OD
26	2146831	N	WARN LABEL	1.0	UFI WARNING LABEL - ENGLISH
27	2382398	2	COLLECTOR	1.0	EXCITE II LPCC (SEE PAGE 2-310)

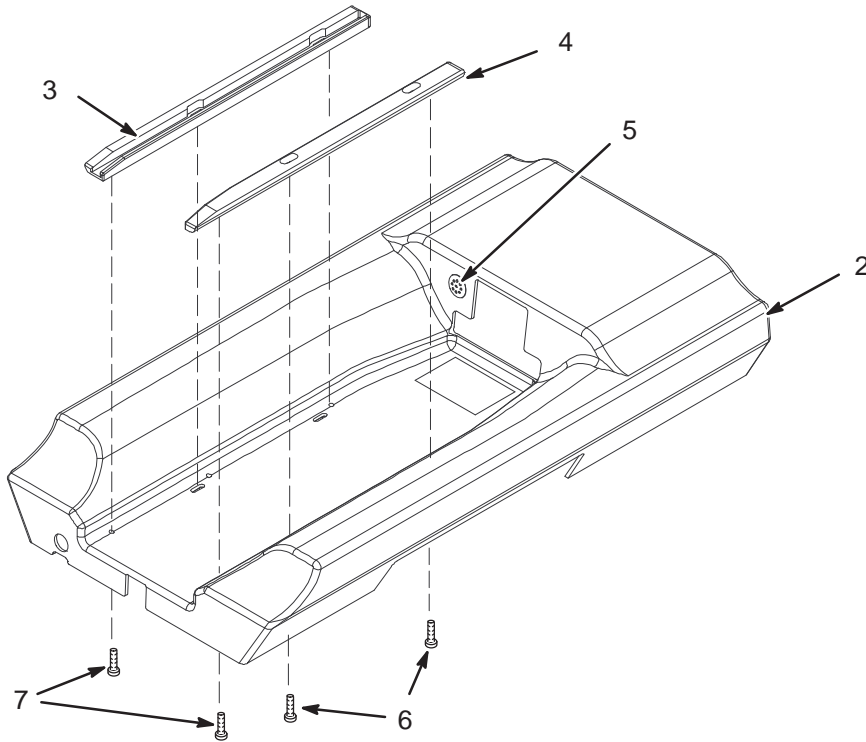
EXCITE LOW PROFILE CARRIAGE ASM 2296091-3 FRU N

(PART 22 OF 2382400 PAGE 2-307)

Item	Part Number	FRU	Name	Quantity	Description (Remarks)
2	2330280	N	BLOCK	1.0	BASE PLATE
3	46-243167P1	N	BOX	12.0	WHEEL HOUSING, MOLDED NORYL
4	46-243494P1	N	PDM PART	6.0	3/4" ID, 1-3/4 OD, 1/2" WIDE PLASTIC
5	2330275	2	CLAMP	4.0	SCREW SHOULDER
6	46-243178P2	N	PDM PART	4.0	BEARING
7	2330269	2	BAR	1.0	PLUNGER_SLIDE
8	2330270	2	BAR	1.0	HOOK
9	5112710-2	N	PDM PART	2.0	SUPPORT, BELT RADIUS
10	2330273	N	CLAMP	2.0	CLAMP BELT
11	2330272	2	BAR	1.0	SCREW
13	2330268	N	BRACKET	1.0	CABLE TRACK MOUNTING
14	2330271	N	CLAMP	1.0	TAKE UP CLAMP
16	2296093-2	N	COIL ASM	1.0	INTEGRATED MULTICOIL ASSEMBLY (SEE PAGE 2-311)
17	2296092-2	N	HEAD ASM	1.0	INTEGRATED HEAD ASSEMBLY
18	2333822	N	PART	1.0	CABLE ASSEMBLY
99	2109873-14	N	SCREW	7.0	SCREW PAN HEAD Z M4X10 A2-70
109	2354090	N	OUT OF CATAL	2.0	WASHERM4X10
110	2109873-17	N	PDM PART	6.0	SCREW PAN HEAD 4 MM 20 MM
113	2109874-12	N	PDM PART	2.0	SCREW COUNTERSUNK HEA 4 MM 16 MM
119	2109873-18	N	SCREW	2.0	SCREW PAN HEAD Z M4X25 A2-70
123	46-221865P3	N	CONNECTOR	1.0	UG-27B RT-ANGLE N, 50-OHM JACK-PLUG
125	46-170686P2	N	ADHESIVE OLD	0.01	LOCTITE 242, 10CC
126	2335299-2	N	PACKING MATE	1.0	PACKING FOR LPCA EXCITE2
127	2348506	N	PAD	2.0	FOAM-CABLE TRACK MOUNTING
129	2370733	N	PART	1.0	INDIA IDENTIFICATION LABEL
130	46-312342P34	N	PHLPS PN HD	2.0	M4 X 0.7 X 16MM PHILLIPS CROSS
156	5125257	N	PDM PART	2.0	DELTRIN WASHER

EXCITE II LPCA

2382398



EXCITE II LPCA

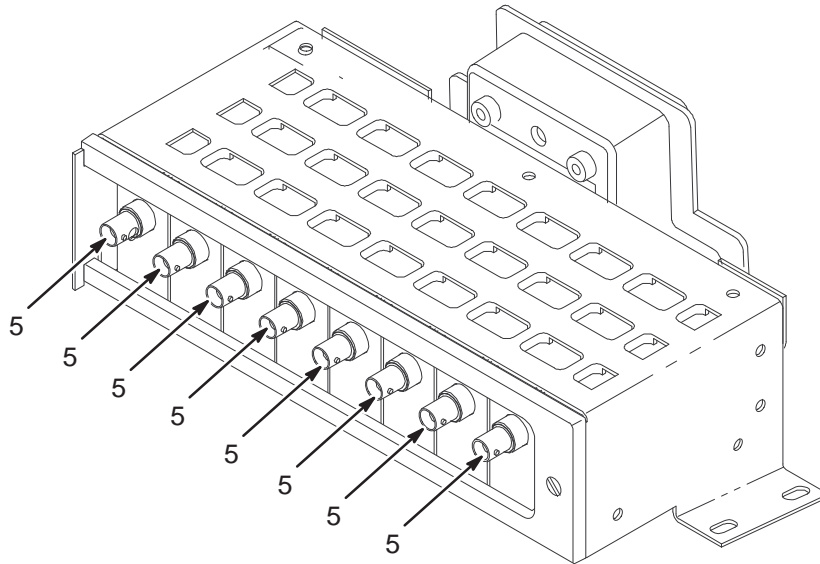
2382398 FRU N

(PART 27 OF 2382400 PAGE 2-307)

Item	Part Number	FRU	Name	Quantity	Description (Remarks)
2	2323896	N	COVER	1	CARRIAGE COVER THERMAL FORM COVER
3	2330266	N	BAR	1	CARRIAGE RAIL LH
4	2378413	N	BAR	1	CARRIAGE RAIL RH
5	46-221523P26	N	PDM PART	1	VENT PLUG, WHITE, 7/8 DIA.
6	2109873-17	N	PDM PART	4	SCREW PAN HEAD 4 MM 20 MM
7	2109873-14	N	SCREW	2	SCREW PAN HEAD Z M4X10 A2-70

EXCITE INTEGRATED MULTICOIL ASM

2296093-2



EXCITE INTEGRATED MULTICOIL ASM 2296093-2 FRU 1

(PART OF 2296091-3 PAGE 2-309)

Item	Part Number	FRU	Name	Quantity	Description (Remarks)
2	2330277	N	COVER	1	ENCLOSURE
3	2330279	N	COVER	1	COVER
4	2295860	N	CIRCUIT BOAR	1	MOTHER BOARD
5	2323890-2	N	HEAD TR ASM	8	PREAMP BOARD ASSEMBLY
6	2305452	N	BEZEL	1	DOUBLE BEZEL
7	2330278	N	BAR	1	BAR
8	2323893	N	BRACKET	1	9 PIN SUB-D CONNECTOR BRACKET
9	2327365	N	BRACKET	1	25 PIN SUB-D CONNECTOR BRACKET
10	2334666	N	BAR	1	PREAMP ENCLOSURE RETAINING BAR
11	2334708	N	SPACER/SHIM	2	TUBULAR SPACER
12	46-282460P1	N	CONNECTOR	2	STD, HEX BRASS UNINSULATED BANANA
13	46-221417P5	N	CONNECTOR	4	FEMALE SCREWLOCKS FOR HD CONNECTORS.
14	2109874-15	N	PDM PART	2	SCREW COUNTERSUNK HEA 4 MM 30 MM
15	2109874-8	N	PDM PART	2	SCREW COUNTERSUNK HEA 4 MM 6 MM
17	2109873-11	N	PDM PART	8	SCREW PAN HEAD 4 MM X 5 MM
18	46-312512P26	N	METRIC NUT	4	SST METRIC M3 X 0.50
19	2229599	N	WASHER	6	WASHER FLAT ISO7089 M3 A4
21	46-220184P13	N	PDM PART	2	BRS SLOTTED RND HD SCR 6-32 X 3/8"
22	46-170686P2	N	ADHESIVE	0.010	LOCTITE 242, 10CC
23	2109874-12	N	PDM PART	2	SCREW COUNTERSUNK HEA 4 MM 16 MM
24	2348561	N	PAD	1	FOAM-ENCLOSURE_BAR
26	2340673-2	N	SCREW	11	SCREW COUNTERSUNK HEA 3 MM 4 MM
28	2109874-10	N	PDM PART	2	SCREW COUNTERSUNK HEA 4 MM 10 MM
29	1000904P484	N	PDM PART	2	ID 0.1470 OD 0.375 THK .0310
30	46-220196P2	N	PDM PART	2	WASHER, #6 SCREW SIZE (0.138), SST

MULTI-COIL RF CABLES

46-317220G21 FRU N

(PART OF 2282801 PAGE 2-304)

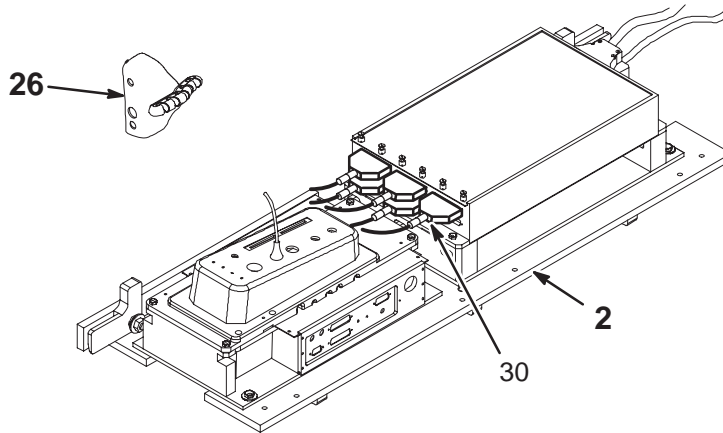
(PART OF 2282801-3 PAGE 2-305)

Item	Part Number	FRU	Name	Quantity	Description (Remarks)
1	46-317220P11	2	RF CABLE	1	(728) MG3-A36-J11 / MG2-A16-OUT-J1
2	46-317220P12	2	RF CABLE	1	(729) MG3-A36-J12 / MG2-A16-OUT-J2
3	46-317220P13	2	RF CABLE	1	(730) MG3-A36-J13 / MG2-A16-OUT-J3
4	46-317220P14	2	RF CABLE	1	(731) MG3-A36-J14 / MG2-A16-OUT-J4
5	46-317220P15	2	RF CABLE	1	(732) MG3-A36-J15 / MG2-A16-OUT-J5
6	46-317220P16	2	RF CABLE	1	(733) MG3-A36-J16 / MG2-A16-OUT-J6
7	46-317220P17	2	RF CABLE	1	(734) MG3-A36-J17 / MG2-A16-OUT-J7
8	46-317220P18	2	RF CABLE	1	(735) MG3-A36-J18 / MG2-A16-OUT-J8

2-21 WideOpen PAC/SRI PLATFORM ASSEMBLY

PAC & SRI ASM

2321159



PAC & SRI ASM

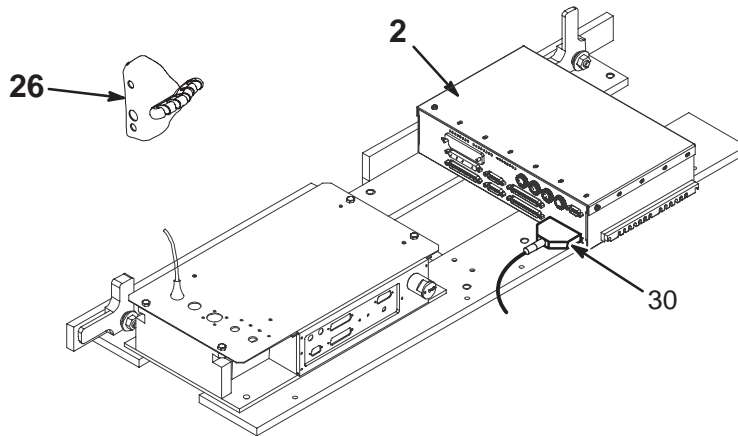
2321159 FRU N

(PART 41 OF 2202900 PAGE 2-247)
 (PART 41 OF 2202900-2 PAGE 2-247)
 (PART 41 OF 2202900-3 PAGE 2-247)
 (PART 41 OF 2202900-4 PAGE 2-248)
 (PART 41 OF 2202900-6 PAGE 2-248)
 (PART 41 OF 2202900-8 PAGE 2-249)
 (PART 41 OF 2202900-9 PAGE 2-249)

Item	Part Number	FRU	Name	Quantity	Description (Remarks)
2	2223440	2	COLLECTOR	1	WideOpen PAC/SRI/PLATFORM ASM (SEE PAGE 2-315)
26	2227142	N	REMOTE PAC I	1	WideOpen REMOTE PAC INTERFACE ASM (SEE PAGE 2-316)
30	2221947	N	CABLE	1	(861) MG2A4J4 - MG2A33J5/J6/J7/J8/J9

PAC & SRI-2 ASM

2321159-4



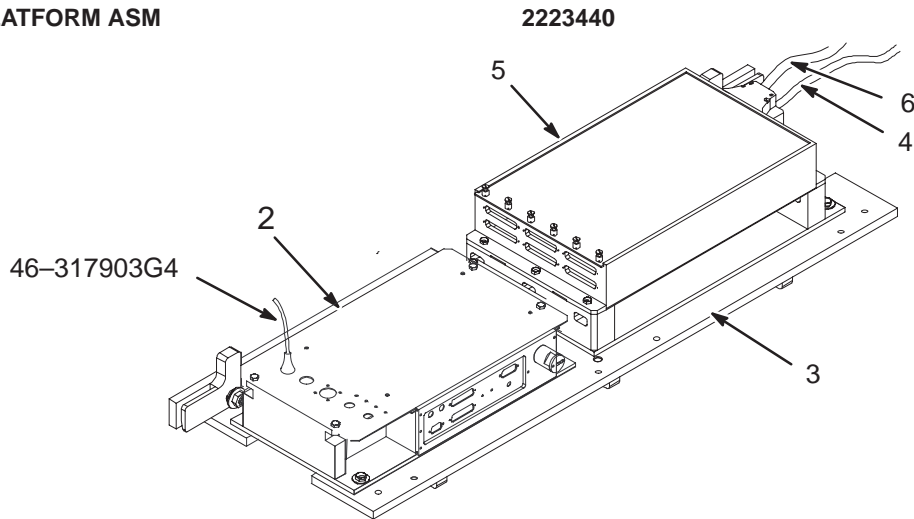
PAC & SRI-2 ASM

2321159-4 FRU N

(PART 57 OF M3043PD PAGE 1-62)
 (PART 57 OF M3053PD PAGE 1-62)
 (PART 57 OF M3063PD PAGE 1-62)
 (PART 57 OF M3043TD PAGE 1-78)
 (PART 57 OF M3053TD PAGE 1-78)
 (PART 57 OF M3063TD PAGE 1-78)

Item	Part Number	FRU	Name	Quantity	Description (Remarks)
2	2223440-4	N	COLLECTOR	1	WIDE OPEN PAC/SRI II PLATFORM ASM (SEE PAGE 2-315)
26	2227142	1	REMOTE PAC I	1	WIDE OPEN REMOTE PAC INTERFACE ASM (SEE PAGE 2-316)
30	2306310	N	CABLE PT	1	(1011)MG2-A4-J4 TO MG2-A33-J5 (SRI2)

PAC/SRI PLATFORM ASM



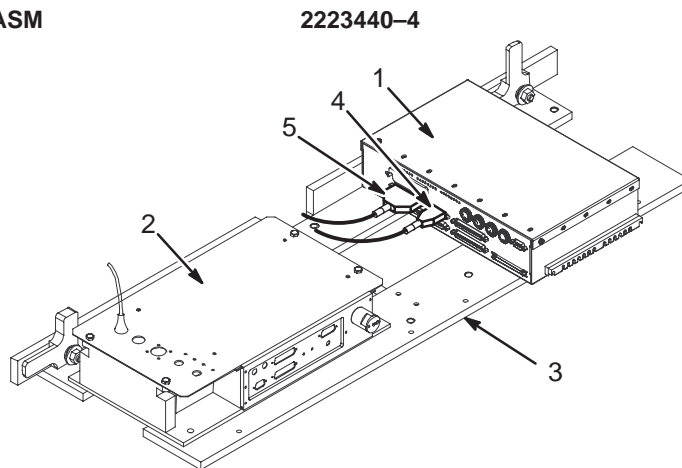
PAC/SRI PLATFORM ASM

2223440 FRU 2

(PART 2 OF 2202900-5 PAGE 2-248)
 (PART 2 OF 2202900-7 PAGE 2-249)
 (PART 2 OF 2321159 PAGE 2-313)

Item	Part Number	FRU	Name	Quantity	Description (Remarks)
2	2305633	1	PAC	1	PAC ASSEMBLY
3	2219777	2	PAC-SIR ASM	1	PAC-SRI-WideOpen
4	5155274	N	PDM PART	1.0	(422) MG3-A1-J4 TO RUN #422 MG2-A
5	46-287370G8	1	DSIM/SRI BD	ALT	SCAN ROOM INTERFACE (SRI)
6	46-287908G1	2	CABLE	1	RUN 421, MG2-A33-J3 TO MG2-A31-J1

PAC/SRI-2 PLATFORM ASM



PAC/SRI-2 PLATFORM ASM

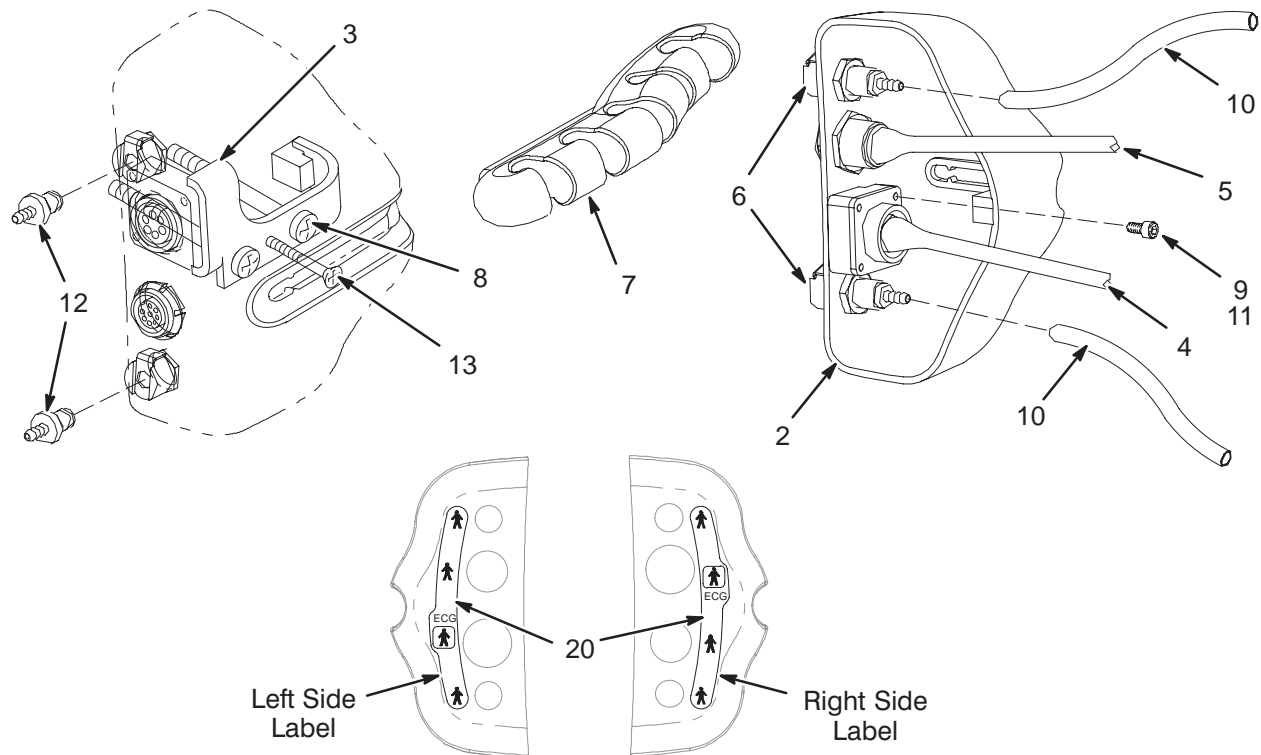
2223440-4 FRU N

(PART 2 OF 2321159-4 PAGE 2-314)

Item	Part Number	FRU	Name	Quantity	Description (Remarks)
1	5115910	N	PDM ASSEMBLY	1.0	SRI-2 TESTED ASSEMBLY
	2299497	1	MODULE	1.0	ORDER FOR SRI-2 REPLACEMENT FRU
2	2305633	1	PAC	1.0	PAC ASSEMBLY
3	2372356	N	PART	1.0	PAC-SRI II PLATFORM
4	46-287908G1	N	CABLE	1.0	(421) MG2-A33-J3 TO MG2-A31-J1
5	5155274	N	PDM PART	1.0	(422) MG3-A1-J4 TO RUN #422 MG2-A

WideOpen REMOTE PAC INTERFACE ASM

2227142



REMOTE PAC INTERFACE ASM

2227142 FRU N

(PART 26 OF 2202900-5 PAGE 2-248)
 (PART 26 OF 2202900-7 PAGE 2-249)
 (PART 26 OF 2321159 PAGE 2-313)
 (PART 26 OF 2321159-4 PAGE 2-314)

Item	Part Number	FRU	Name	Quantity	Description (Remarks)
2	2221024	2	PAC_HANGER_C	1	WideOpen PAC HANGER CABLE INTERFACE
3	2222710	2	CLAMP BRCKT	1	WideOpen PAC INTERFACE CLAMP BRCKT
4	2219096	2	CABLE	1	ECG EXTENSION CABLE_MG2A11-ECG
5	2219097	2	CABLE	1	EXTEN. CABLE_MG2A11 PERIPHERAL PULSE
6	46-265651P1	2	FITTING	2	COUPLING, PANEL MTG
7	2221023	2	PAC_HANGER_B	1	WideOpen PAC HANGER BAR
8	2238216	N	SCREW	2	SCREW HEXAGON SOCKET 6 MM 70 MM
9	46-328420P502	N	SCREW	4	SCREW BUTTON HEAD 3 MM 8 MM
10	46-317758P18	N	ALERT SYSTEM	2	TUBING
11	46-294151P2	N	ADHES SPEC	AR	LOCKTITE #242 TYPE 11
12	46-265652P1	N	FITTING	2	COUPLING INSERT
13	2109874-17	2	SCREW	1	SCREW COUNTERSUNK HEA 4 MM 40 MM
20	2298299	N	LABEL PT	1	REMOTE INTERFACE ASM. LABELS

1.0T WideOpen REAR PEDESTAL w/o MC 2199000 FRU N

(PART 3 OF 2202900 PAGE 2-247)

(PART 3 OF 2202900-3 PAGE 2-247)

Item	Part Number	FRU	Name	Quantity	Description (Remarks)
2	2199001	N	ASSEMBLY	1	REAR PEDESTAL FRAME WELDMENT
3	2221408	2	BAR	2	REAR PEDESTAL COVER SUPPORT BAR
4	2221407	2	END CAP	4	REAR PEDESTAL END CAP FOR BAR
8	2128927-2	N	BRACKET ASM	1	CABLE BRACKET ASM FOR PEDESTAL (SEE PAGE 2-328)
10	2221414	2	INSULATOR	1	INSULATOR FIBERGLASS
11	2219098-2	2	BRACKET	2	REAR PEDESTAL BAR MOUNTING BRACKET
13	2221418	2	WASHER	14	WASHER PLAIN - LARGE 6.8 MM 38.1 MM
14	2221412	2	SPACER	3	REAR PEDESTAL INSULATED SPACER
27	2132034	N	BRIDGE MOUNT	1	REAR BRIDGE MOUNT ASM (SEE PAGE 2-127)
42	2223190	2	PART	1	BRACKET, IQ MOUNTING
46	46-208984P2	2	SPACER	4	HEX 1/4", EXT/INT THD 6-32, 1.5" LG
54	46-317200G1	2	COVER ASM.	1	INTERCOM BOX COVER W/RF SHIELDING
63	46-271439G4	2	LONGITDL DRV	1	LONGITUDINAL MOTOR DRIVE, MG3 A7 (SEE PAGE 2-330)
65	46-282694G2	N	MG3-A1 BOX	1	MAGNET INTERFACE #1, MG3 A1 (SEE PAGE 2-126)
93	46-282260G5	N	BRM SPLIT BX	1	BODY HYBRID, UFI 1.0T (SEE PAGE 2-128)
94	2223171	2	PART	2	INSULATOR, REAR PED
97	2109866-10	2	SCREW	7	SCREW HEXAGON HEAD 6 MM 12 MM
98	2109866-13	2	SCREW	11	SCREW HEXAGON HEAD 6 MM 25 MM
100	2109866-17	2	SCREW	4	SCREW HEXAGON HEAD 6 MM 50 MM
102	2109880-3	2	WASHER	2	WASHER LOCK - SPRING 6.1 MM 11.8 MM
103	2109879-2	2	WASHER	6	WASHER PLAIN - LARGE 6.4 MM 12 MM
107	46-170686P2	2	ADHESIVE	AR	LOCTITE 242, 10CC
108	2109866-12	2	SCREW	6	SCREW HEXAGON HEAD 6 MM 20 MM
109	46-271110P1	2	LABEL	1	PROTECTIVE EARTH (GROUND)
110	2222871	2	PART	1	GROUND WIRE
111	46-208599P19	2	WASHER	1	1/4 EXTERNAL TOOTH PHOS, BRONZE
112	46-208758P2	2	TY-RAP	1	5.5" X .140" SELF-LOCKING CABLE TIE.
113	2229552	2	BRACKET	1	RF COIL REAR BULKHEAD
120	2235607	2	LOCATOR	2	BRIDGE LOCATOR
142	46-317137P1	2	BOX	1	PATIENT COMMUNICATION BOX - EMPTY
143	46-317177G1	2	HARNESS	1	MG3 A2 J8 TO MG2 A2 A1 J3, SPEAKER
144	46-317184G1	2	HARNESS	1	MG3 A2 J7 TO MG2 A2 A1 J1, C.M. MIKE
145	46-317184G2	2	HARNESS	1	MG3 A2 J9 TO MG2 A2 A1 J4, F.C. MIKE
146A	2204384	1	CIRCUIT BD	1	REMOTE INTERCOM BOARD, MG3 A2 A1
146B	46-264758G1	1	CIRCUIT BD	ALT	REMOTE INTERCOM BOARD, MG3 A2 A1
147	46-317201P1	2	CABLE ASM.	1	MG2 A2 J6 TO MG2 A2 A1 J6, RIBBON-14
148	46-221754P1	2	CONNECTOR	3	RFI GASKET USED WITH 9 PIN SUB-D
149	46-221754P3	2	CONNECTOR	1	RFI GASKET USED WITH 25 PIN SUB-D
150	2236130-2	2	COVER	1	CONNECTOR WRAP
12401	46-221417P2	2	CONNECTOR	1	FEMALE SCREWLOCK FOR HD CONNECTORS
15971	46-208921P28	2	SCREW	1	SCREW
16760	46-208935P5	2	NUT	2	6-32, .313 HEX X .109 THK, BRASS
18138	46-220184P47	2	SCREW	2	SCREW
25680	46-208921P6	2	SCREW	4	SCREW
34911	46-221417P1	2	CONNECTOR	3	FEMALE SCREWLOCKS, TWO PER KIT
47513	46-208922P4	2	SCREW	3	SCREW

1.0T WideOpen REAR PEDESTAL w/MC 2199000-2 FRU N

(PART 3 OF 2202900-2 PAGE 2-247)

(PART 3 OF 2202900-4 PAGE 2-248)

Item	Part Number	FRU	Name	Quantity	Description (Remarks)
2	2199001	N	ASSEMBLY	1	REAR PEDESTAL FRAME WELDMENT
3	2221408	2	BAR	2	REAR PEDESTAL COVER SUPPORT BAR
4	2221407	2	END CAP	4	REAR PEDESTAL END CAP FOR BAR
8	2128927-2	2	BRACKET ASM	1	CABLE BRACKET ASM FOR PEDESTAL (SEE PAGE 2-328)
10	2221414	2	INSULATOR	1	INSULATOR FIBERGLASS
11	2219098-2	2	BRACKET	2	REAR PEDESTAL BAR MOUNTING BRACKET
13	2221418	2	WASHER	14	WASHER PLAIN - LARGE 6.8 MM 38.1 MM
14	2221412	2	SPACER	3	REAR PEDESTAL INSULATED SPACER
27	2132034	N	BRIDGE MOUNT	1	REAR BRIDGE MOUNT ASM (SEE PAGE 2-127)
42	2223190	2	PART	1	BRACKET, IQ MOUNTING
46	46-208984P2	2	SPACER	4	HEX 1/4", EXT/INT THD 6-32, 1.5" LG
54	46-317200G1	2	COVER ASM.	1	INTERCOM BOX COVER W/RF SHIELDING
63	46-271439G4	N	LONGITDL DRV	1	LONGITUDINAL MOTOR DRIVE, MG3 A7 (SEE PAGE 2-330)
65	46-282694G2	N	MG3-A1 BOX	1	MAGNET INTERFACE #1, MG3 A1 (SEE PAGE 2-126)
93	46-282260G5	N	BRM SPLIT BX	1	BODY HYBRID, UFI 1.0T (SEE PAGE 2-128)
94	2223171	2	PART	2	INSULATOR, REAR PED
97	2109866-10	2	SCREW	7	SCREW HEXAGON HEAD 6 MM 12 MM
98	2109866-13	2	SCREW	11	SCREW HEXAGON HEAD 6 MM 25 MM
100	2109866-17	2	SCREW	4	SCREW HEXAGON HEAD 6 MM 50 MM
102	2109880-3	2	WASHER	2	WASHER LOCK - SPRING 6.1 MM 11.8 MM
103	2109879-2	2	WASHER	6	WASHER PLAIN - LARGE 6.4 MM 12 MM
107	46-170686P2	2	ADHESIVE	AR	LOCTITE 242, 10CC
108	2109866-12	2	SCREW	6	SCREW HEXAGON HEAD 6 MM 20 MM
109	46-271110P1	2	LABEL	1	PROTECTIVE EARTH (GROUND)
110	2222871	2	PART	1	GROUND WIRE
111	46-208599P19	2	WASHER	1	1/4 EXTERNAL TOOTH PHOS, BRONZE
112	46-208758P2	2	TY-RAP	1	5.5" X .140" SELF-LOCKING CABLE TIE.
113	2229552	2	BRACKET	1	RF COIL REAR BULKHEAD
120	2235607	2	LOCATOR	2	BRIDGE LOCATOR
142	46-317137P1	2	BOX	1	PATIENT COMMUNICATION BOX - EMPTY
143	46-317177G1	2	HARNESS	1	MG3 A2 J8 TO MG2 A2 A1 J3, SPEAKER
144	46-317184G1	2	HARNESS	1	MG3 A2 J7 TO MG2 A2 A1 J1, C.M. MIKE
145	46-317184G2	2	HARNESS	1	MG3 A2 J9 TO MG2 A2 A1 J4, F.C. MIKE
146A	2204384	1	CIRCUIT BD	1	REMOTE INTERCOM BOARD, MG3 A2 A1
146B	46-264758G1	1	CIRCUIT BD	ALT	REMOTE INTERCOM BOARD, MG3 A2 A1
147	46-317201P1	2	CABLE ASM.	1	MG2 A2 J6 TO MG2 A2 A1 J6, RIBBON-14
148	46-221754P1	2	CONNECTOR	3	RFI GASKET USED WITH 9 PIN SUB-D
149	46-221754P3	2	CONNECTOR	1	RFI GASKET USED WITH 25 PIN SUB-D
150	2236130-2	2	COVER	1	CONNECTOR WRAP
160	46-288546G2	1	CIRCUIT BD	1	MULTI-COIL SELECT SWITCH MG3-A36
12401	46-221417P2	2	CONNECTOR	1	FEMALE SCREWLOCK FOR HD CONNECTORS
15971	46-208921P28	2	SCREW	1	SCREW
16760	46-208935P5	2	NUT	2	6-32, .313 HEX X .109 THK, BRASS
18138	46-220184P47	2	SCREW	2	SCREW
25680	46-208921P6	2	SCREW	4	SCREW
34911	46-221417P1	2	CONNECTOR	3	FEMALE SCREWLOCKS, TWO PER KIT
47513	46-208922P4	2	SCREW	3	SCREW

1.5T WideOpen REAR PEDESTAL w/o MC2199000-3 FRU N

(PART 3 OF 2202900-5 PAGE 2-248)

(PART 3 OF 2202900-7 PAGE 2-249)

Item	Part Number	FRU	Name	Quantity	Description (Remarks)
2	2199001	N	ASSEMBLY	1	REAR PEDESTAL FRAME WELDMENT
3	2221408	2	BAR	2	REAR PEDESTAL COVER SUPPORT BAR
4	2221407	2	END CAP	4	REAR PEDESTAL END CAP FOR BAR
8	2128927-2	2	BRACKET ASM	1	CABLE BRACKET ASM FOR PEDESTAL (SEE PAGE 2-328)
10	2221414	2	INSULATOR	1	INSULATOR FIBERGLASS
11	2219098-2	2	BRACKET	2	REAR PEDESTAL BAR MOUNTING BRACKET
13	2221418	2	WASHER	14	WASHER PLAIN - LARGE 6.8 MM 38.1 MM
14	2221412	2	SPACER	3	REAR PEDESTAL INSULATED SPACER
27	2132034	N	BRIDGE MOUNT	1	REAR BRIDGE MOUNT ASM (SEE PAGE 2-127)
42	2223190	N	PART	1	BRACKET, IQ MOUNTING
46	46-208984P2	2	SPACER	4	HEX 1/4", EXT/INT THD 6-32, 1.5" LG
54	46-317200G1	2	COVER ASM.	1	INTERCOM BOX COVER W/RF SHIELDING
63	46-271439G4	1	LONGITDL DRV	1	LONGITUDINAL MOTOR DRIVE, MG3 A7 (SEE PAGE 2-330)
65	46-282694G2	N	MG3-A1 BOX	1	MAGNET INTERFACE #1, MG3 A1 (SEE PAGE 2-126)
93A	46-282260G12	N	SPLITTER ASM	1	LX 1.5T BODY HYBRID & PREAMP, MG3 A3 (SEE PAGE 2-129)
93B	46-282260G11	N	SPLITTER ASM	ALT	1.5T BODY QUADRATURE HYBRID, MG3 A3
94	2223171	2	PART	2	INSULATOR, REAR PED
97	2109866-10	2	SCREW	7	SCREW HEXAGON HEAD 6 MM 12 MM
98	2109866-13	2	SCREW	11	SCREW HEXAGON HEAD 6 MM 25 MM
100	2109866-17	2	SCREW	4	SCREW HEXAGON HEAD 6 MM 50 MM
102	2109880-3	2	WASHER	2	WASHER LOCK - SPRING 6.1 MM 11.8 MM
103	2109879-2	2	WASHER	6	WASHER PLAIN - LARGE 6.4 MM 12 MM
107	46-170686P2	2	ADHESIVE	AR	LOCTITE 242, 10CC
108	2109866-12	2	SCREW	6	SCREW HEXAGON HEAD 6 MM 20 MM
109	46-271110P1	2	LABEL	1	PROTECTIVE EARTH (GROUND)
110	2222871	2	PART	1	GROUND WIRE
111	46-208599P19	2	WASHER	1	1/4 EXTERNAL TOOTH PHOS, BRONZE
112	46-208758P2	2	TY-RAP	1	5.5" X .140" SELF-LOCKING CABLE TIE.
113	2229552	2	BRACKET	1	RF COIL REAR BULKHEAD
120	2235607	2	LOCATOR	2	BRIDGE LOCATOR
142	46-317137P1	2	BOX	1	PATIENT COMMUNICATION BOX - EMPTY
143	46-317177G1	2	HARNESS	1	MG3 A2 J8 TO MG2 A2 A1 J3, SPEAKER
144	46-317184G1	2	HARNESS	1	MG3 A2 J7 TO MG2 A2 A1 J1, C.M. MIKE
145	46-317184G2	2	HARNESS	1	MG3 A2 J9 TO MG2 A2 A1 J4, F.C. MIKE
146A	2204384	1	CIRCUIT BD	1	REMOTE INTERCOM BOARD, MG3 A2 A1
146B	46-264758G1	1	CIRCUIT BD	ALT	REMOTE INTERCOM BOARD, MG3 A2 A1
147	46-317201P1	2	CABLE ASM.	1	MG2 A2 J6 TO MG2 A2 A1 J6, RIBBON-14
148	46-221754P1	2	CONNECTOR	3	RFI GASKET USED WITH 9 PIN SUB-D
149	46-221754P3	2	CONNECTOR	1	RFI GASKET USED WITH 25 PIN SUB-D
150	2236130-2	2	COVER	1	CONNECTOR WRAP
12401	46-221417P2	2	CONNECTOR	1	FEMALE SCREWLOCK FOR HD CONNECTORS
15971	46-208921P28	2	SCREW	1	SCREW
16760	46-208935P5	2	NUT	2	6-32, .313 HEX X .109 THK, BRASS
18138	46-220184P47	2	SCREW	2	SCREW
25680	46-208921P6	2	SCREW	4	SCREW
34911	46-221417P1	2	CONNECTOR	3	FEMALE SCREWLOCKS, TWO PER KIT
47513	46-208922P4	2	SCREW	3	SCREW

1.5T WideOpen REAR PEDESTAL w/MC 2199000-4 FRU N

(PART 3 OF 2202900-6 PAGE 2-248)

(PART 3 OF 2202900-8 PAGE 2-249)

(PART 4 OF 2202900-9 PAGE 2-249)

Item	Part Number	FRU	Name	Quantity	Description (Remarks)
2	2199001	N	ASSEMBLY	1	REAR PEDESTAL FRAME WELDMENT
3	2221408	2	BAR	2	REAR PEDESTAL COVER SUPPORT BAR
4	2221407	2	END CAP	4	REAR PEDESTAL END CAP FOR BAR
8	2128927-2	N	BRACKET ASM	1	CABLE BRACKET ASM FOR PEDESTAL (SEE PAGE 2-328)
10	2221414	2	INSULATOR	1	INSULATOR FIBERGLASS
11	2219098-2	2	BRACKET	2	REAR PEDESTAL BAR MOUNTING BRACKET
13	2221418	2	WASHER	14	WASHER PLAIN - LARGE 6.8 MM 38.1 MM
14	2221412	2	SPACER	3	REAR PEDESTAL INSULATED SPACER
27	2132034	N	BRIDGE MOUNT	1	REAR BRIDGE MOUNT ASM (SEE PAGE 2-127)
42	2223190	N	PART	1	BRACKET, IQ MOUNTING
46	46-208984P2	2	SPACER	4	HEX 1/4", EXT/INT THD 6-32, 1.5" LG
54	46-317200G1	2	COVER ASM.	1	INTERCOM BOX COVER W/RF SHIELDING
63	46-271439G4	N	LONGITDL DRV	1	LONGITUDINAL MOTOR DRIVE, MG3 A7 (SEE PAGE 2-330)
65	46-282694G2	N	MG3-A1 BOX	1	MAGNET INTERFACE #1, MG3 A1 (SEE PAGE 2-126)
93A	46-282260G12	N	SPLITTER ASM	1	LX 1.5T BODY HYBRID & PREAMP, MG3 A3 (SEE PAGE 2-129)
93B	46-282260G11	N	SPLITTER ASM	ALT	1.5T BODY QUADRATURE HYBRID, MG3 A3
94	2223171	2	PART	2	INSULATOR, REAR PED
97	2109866-10	2	SCREW	7	SCREW HEXAGON HEAD 6 MM 12 MM
98	2109866-13	2	SCREW	11	SCREW HEXAGON HEAD 6 MM 25 MM
100	2109866-17	2	SCREW	4	SCREW HEXAGON HEAD 6 MM 50 MM
102	2109880-3	2	WASHER	2	WASHER LOCK - SPRING 6.1 MM 11.8 MM
103	2109879-2	2	WASHER	6	WASHER PLAIN - LARGE 6.4 MM 12 MM
107	46-170686P2	2	ADHESIVE	AR	LOCTITE 242, 10CC
108	2109866-12	2	SCREW	6	SCREW HEXAGON HEAD 6 MM 20 MM
109	46-271110P1	2	LABEL	1	PROTECTIVE EARTH (GROUND)
110	2222871	2	PART	1	GROUND WIRE
111	46-208599P19	2	WASHER	1	1/4 EXTERNAL TOOTH PHOS, BRONZE
112	46-208758P2	2	TY-RAP	1	5.5" X .140" SELF-LOCKING CABLE TIE.
113	2229552	2	BRACKET	1	RF COIL REAR BULKHEAD
120	2235607	2	LOCATOR	2	BRIDGE LOCATOR
142	46-317137P1	2	BOX	1	PATIENT COMMUNICATION BOX - EMPTY
143	46-317177G1	2	HARNESS	1	MG3 A2 J8 TO MG2 A2 A1 J3, SPEAKER
144	46-317184G1	2	HARNESS	1	MG3 A2 J7 TO MG2 A2 A1 J1, C.M. MIKE
145	46-317184G2	2	HARNESS	1	MG3 A2 J9 TO MG2 A2 A1 J4, F.C. MIKE
146A	2204384	1	CIRCUIT BD	1	REMOTE INTERCOM BOARD, MG3 A2 A1
146B	46-264758G1	1	CIRCUIT BD	ALT	REMOTE INTERCOM BOARD, MG3 A2 A1
147	46-317201P1	2	CABLE ASM.	1	MG2 A2 J6 TO MG2 A2 A1 J6, RIBBON-14
148	46-221754P1	2	CONNECTOR	3	RFI GASKET USED WITH 9 PIN SUB-D
149	46-221754P3	2	CONNECTOR	1	RFI GASKET USED WITH 25 PIN SUB-D
150	2236130-2	2	COVER	1	CONNECTOR WRAP
160	46-288546G2	2	CIRCUIT BD	1	MULTI-COIL SELECT SWITCH MG3-A36
12401	46-221417P2	2	CONNECTOR	1	FEMALE SCREWLOCK FOR HD CONNECTORS
15971	46-208921P28	2	SCREW	1	SCREW
16760	46-208935P5	2	NUT	2	6-32, .313 HEX X .109 THK, BRASS
18138	46-220184P47	2	SCREW	2	SCREW
25680	46-208921P6	2	SCREW	4	SCREW
34911	46-221417P1	2	CONNECTOR	3	FEMALE SCREWLOCKS, TWO PER KIT
47513	46-208922P4	2	SCREW	3	SCREW

WideOpen REAR PEDESTAL w/o MC 2199000-8 FRU N

(PART 29 OF 2321160-7 PAGE 2-251)

(PART 29 OF 2321160-9 PAGE 2-251)

Item	Part Number	FRU	Name	Quantity	Description (Remarks)
2	2199001	N	ASSEMBLY	1	REAR PEDESTAL FRAME WELDMENT
3	2221408	N	BAR	2	REAR PEDESTAL COVER SUPPORT BAR
4	2221407	N	END CAP	4	REAR PEDESTAL END CAP FOR BAR
8	2128927-2	N	BRACKET ASM	1	CABLE BRACKET ASM FOR PEDESTAL (SEE PAGE 2-328)
10	2221414	N	INSULATOR	1	INSULATOR FIBERGLASS
11	2219098-2	N	BRACKET	2	REAR PEDESTAL BAR MOUNTING BRACKET
13	2221418	2	WASHER	14	WASHER PLAIN - LARGE 6.8 MM 38.1 MM
14	2221412	2	SPACER	3	REAR PEDESTAL INSULATED SPACER
27	2132034	N	BRIDGE MOUNT	1	REAR BRIDGE MOUNT ASM (SEE PAGE 2-127)
42	2223190	N	PART	1	BRACKET, IQ MOUNTING
46	46-208984P2	N	SPACER	4	HEX 1/4", EXT/INT THD 6-32, 1.5" LG
54	46-317200G1	N	COVER ASM.	1	INTERCOM BOX COVER W/RF SHIELDING
63	46-271439G4	N	LONGITDL DRV	1	LONGITUDINAL MOTOR DRIVE, MG3 A7 (SEE PAGE 2-330)
65	46-282694G2	N	MG3-A1 BOX	1	MAGNET INTERFACE #1, MG3 A1 (SEE PAGE 2-126)
94	2223171	N	PART	2	INSULATOR, REAR PED
97	2109866-10	N	SCREW	7	SCREW HEXAGON HEAD 6 MM 12 MM
98	2109866-13	N	SCREW	11	SCREW HEXAGON HEAD 6 MM 25 MM
100	2109866-17	N	SCREW	4	SCREW HEXAGON HEAD 6 MM 50 MM
102	2109880-3	N	WASHER	2	WASHER LOCK - SPRING 6.1 MM 11.8 MM
103	2109879-2	N	WASHER	6	WASHER PLAIN - LARGE 6.4 MM, 18MM OD
107	46-170686P2	N	ADHESIVE	AR	LOCTITE 242, 10CC
108	2109866-12	N	SCREW	6	SCREW HEXAGON HEAD 6 MM 20 MM
109	46-271110P1	N	LABEL	1	LABEL, PROTECTIVE EARTH (GROUND)
110	2222871	N	PART	1	GROUND WIRE
111	46-208599P19	N	WASHER	1	1/4 EXTERNAL TOOTH PHOS, BRONZE
112	46-208758P2	N	TY-RAP	1	5.5" X .140" SELF-LOCKING CABLE TIE.
113	2229552	2	BRACKET	1	RF COIL REAR BULKHEAD
120	2235607	2	LOCATOR	2	BRIDGE LOCATOR
142	46-317137P1	2	BOX	1	PATIENT COMMUNICATION BOX - EMPTY
143	46-317177G1	2	HARNESS	1	MG3 A2 J8 TO MG2 A2 A1 J3, SPEAKER
144	46-317184G1	2	HARNESS	1	MG3 A2 J7 TO MG2 A2 A1 J1, C.M. MIKE
145	46-317184G2	2	HARNESS	1	MG3 A2 J9 TO MG2 A2 A1 J4, F.C. MIKE
146	2204384	1	CIRCUIT BOAR	1	REMOTE INTERCOM BOARD
147	46-317201P1	2	CABLE ASM.	1	MG2 A2 J6 TO MG2 A2 A1 J6, RIBBON-14
148	46-221754P1	2	CONNECTOR	3	RFI GASKET USED WITH 9 PIN SUB-D
149	46-221754P3	2	CONNECTOR	1	RFI GASKET USED WITH 25 PIN SUB-D
150	2236130-2	2	CONNECTOR WR	1	177 X 200 CONNECTOR WRAP
151	46-221417P2	N	CONNECTOR	1	FEMALE SCREWLOCK FOR HD CONNECTORS
152	46-208921P28	N	SCREW	1	SCREW BRASS, BINDING HD 6-32 X .3125
153	46-208935P5	N	NUT	2	6-32, .313 HEX X .109 THK, BRASS
154	46-220184P47	N	SCREW	2	SCREW__SLOTTED ROUND HEAD BRASS
155	46-208921P6	N	SCREW	4	SCREW
156	46-221417P1	N	CONNECTOR	3	FEMALE SCREWLOCKS, TWO PER KIT
157	46-208922P4	N	SCREW	3	SCREW 0375" LONG

WideOpen REAR PEDESTAL w/MC 2199000-9 FRU N

(PART 29 OF 2321160 PAGE 2-250)
 (PART 29 OF 2321160-2 PAGE 2-250)
 (PART 29 OF 2321160-8 PAGE 2-251)
 (PART 29 OF 2321160-10 PAGE 2-251)

Item	Part Number	FRU	Name	Quantity	Description (Remarks)
2	2199001	N	ASSEMBLY	1	REAR PEDESTAL FRAME WELDMENT
3	2221408	N	BAR	2	REAR PEDESTAL COVER SUPPORT BAR
4	2221407	N	END CAP	4	REAR PEDESTAL END CAP FOR BAR
8	2128927-2	N	BRACKET ASM	1	CABLE BRACKET ASM FOR PEDESTAL (SEE PAGE 2-328)
10	2221414	N	INSULATOR	1	INSULATOR FIBERGLASS
11	2219098-2	N	BRACKET	2	REAR PEDESTAL BAR MOUNTING BRACKET
13	2221418	2	WASHER	14	WASHER PLAIN - LARGE 6.8 MM 38.1 MM
14	2221412	2	SPACER	3	REAR PEDESTAL INSULATED SPACER
27	2132034	N	BRIDGE MOUNT	1	REAR BRIDGE MOUNT ASM (SEE PAGE 2-127)
42	2223190	N	PART	1	BRACKET, IQ MOUNTING
46	46-208984P2	N	SPACER	4	HEX 1/4", EXT/INT THD 6-32, 1.5" LG
54	46-317200G1	N	COVER ASM.	1	INTERCOM BOX COVER W/RF SHIELDING
63	46-271439G4	N	LONGITDL DRV	1	LONGITUDINAL MOTOR DRIVE, MG3 A7 (SEE PAGE 2-330)
65	46-282694G2	N	MG3-A1 BOX	1	MAGNET INTERFACE #1, MG3 A1 (SEE PAGE 2-126)
94	2223171	N	PART	2	INSULATOR, REAR PED
97	2109866-10	N	SCREW	7	SCREW HEXAGON HEAD 6 MM 12 MM
98	2109866-13	N	SCREW	11	SCREW HEXAGON HEAD 6 MM 25 MM
100	2109866-17	N	SCREW	4	SCREW HEXAGON HEAD 6 MM 50 MM
102	2109880-3	N	WASHER	2	WASHER LOCK - SPRING 6.1 MM 11.8 MM
103	2109879-2	N	WASHER	6	WASHER PLAIN - LARGE 6.4 MM, 18MM OD
107	46-170686P2	N	ADHESIVE	AR	LOCTITE 242, 10CC
108	2109866-12	N	SCREW	6	SCREW HEXAGON HEAD 6 MM 20 MM
109	46-271110P1	N	LABEL	1	LABEL, PROTECTIVE EARTH (GROUND)
110	2222871	N	PART	1	GROUND WIRE
111	46-208599P19	N	WASHER	1	1/4 EXTERNAL TOOTH PHOS, BRONZE
112	46-208758P2	N	TY-RAP	1	5.5" X .140" SELF-LOCKING CABLE TIE.
113	2229552	2	BRACKET	1	RF COIL REAR BULKHEAD
120	2235607	2	LOCATOR	2	BRIDGE LOCATOR
142	46-317137P1	2	BOX	1	PATIENT COMMUNICATION BOX - EMPTY
143	46-317177G1	2	HARNESS	1	MG3 A2 J8 TO MG2 A2 A1 J3, SPEAKER
144	46-317184G1	2	HARNESS	1	MG3 A2 J7 TO MG2 A2 A1 J1, C.M. MIKE
145	46-317184G2	2	HARNESS	1	MG3 A2 J9 TO MG2 A2 A1 J4, F.C. MIKE
146	2204384	1	CIRCUIT BOAR	1	REMOTE INTERCOM BOARD
147	46-317201P1	2	CABLE ASM.	1	MG2 A2 J6 TO MG2 A2 A1 J6, RIBBON-14
148	46-221754P1	2	CONNECTOR	3	RFI GASKET USED WITH 9 PIN SUB-D
149	46-221754P3	2	CONNECTOR	1	RFI GASKET USED WITH 25 PIN SUB-D
150	2236130-2	2	CONNECTOR WR	1	177 X 200 CONNECTOR WRAP
151	46-221417P2	N	CONNECTOR	1	FEMALE SCREWLOCK FOR HD CONNECTORS
152	46-208921P28	N	SCREW	1	SCREW BRASS, BINDING HD 6-32 X .3125
153	46-208935P5	N	NUT	2	6-32, .313 HEX X .109 THK, BRASS
154	46-220184P47	N	SCREW	2	SCREW__SLOTTED ROUND HEAD BRASS
155	46-208921P6	N	SCREW	4	SCREW
156	46-221417P1	N	CONNECTOR	3	FEMALE SCREWLOCKS, TWO PER KIT
157	46-208922P4	N	SCREW	3	SCREW
160	46-288546G2	1	CIRCUIT BD	1	MULTI-COIL SELECT SWITCH MG3-A36

CRM WideOpen REAR PED w/MC 2199000-10 FRU N

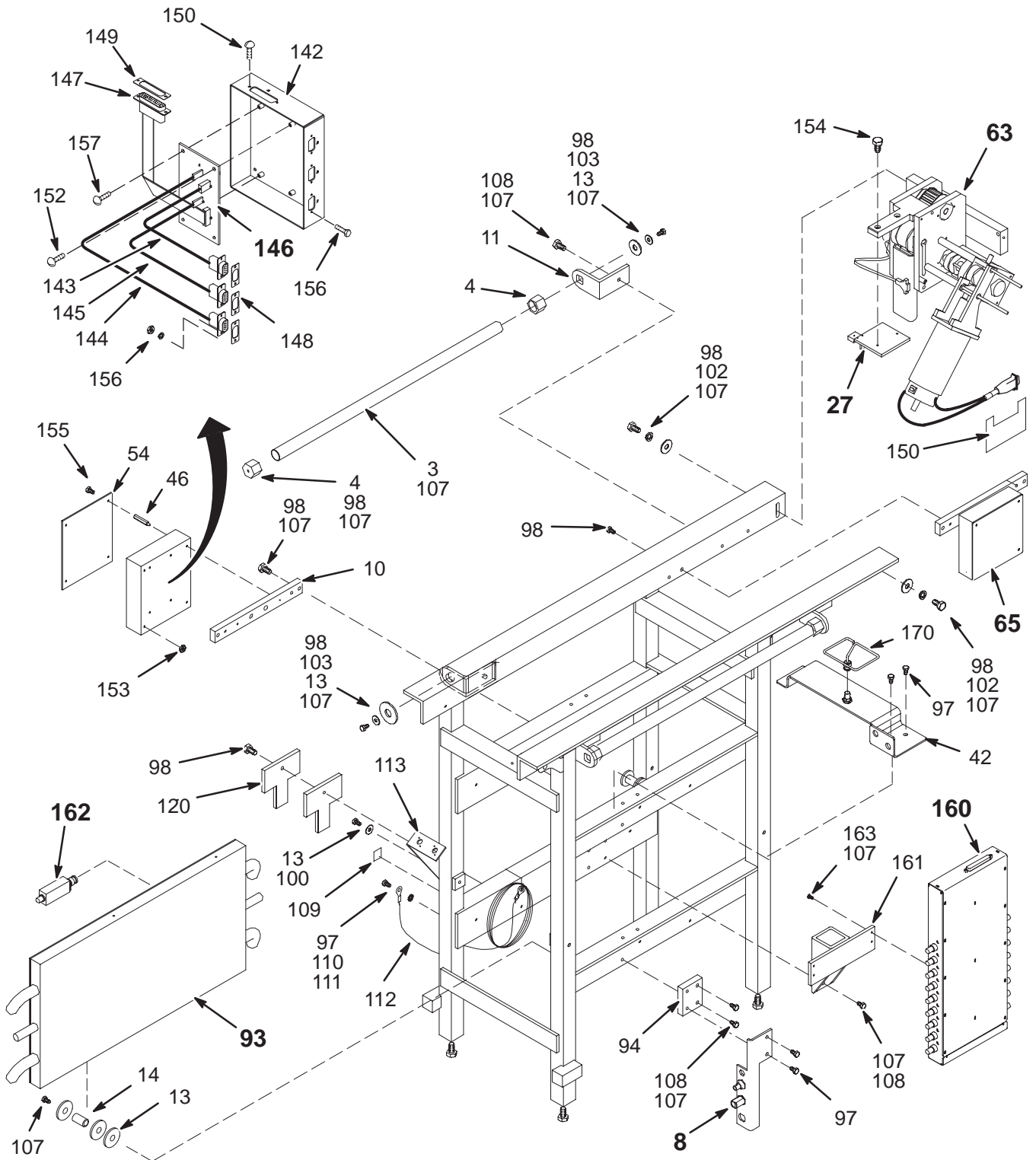
(PART 4 OF 2321160-3 PAGE 2-250)

(PART 4 OF 2321160-4 PAGE 2-251)

Item	Part Number	FRU	Name	Quantity	Description (Remarks)
2	2199001	N	ASSEMBLY	1	REAR PEDESTAL FRAME WELDMENT
3	2221408	N	BAR	2	REAR PEDESTAL COVER SUPPORT BAR
4	2221407	N	END CAP	4	REAR PEDESTAL END CAP FOR BAR
8	2128927-2	N	BRACKET ASM	1	CABLE BRACKET ASM FOR PEDESTAL (SEE PAGE 2-328)
10	2221414	N	INSULATOR	1	INSULATOR FIBERGLASS
11	2219098-2	N	BRACKET	2	REAR PEDESTAL BAR MOUNTING BRACKET
13	2221418	2	WASHER	14	WASHER PLAIN - LARGE 6.8 MM 38.1 MM
14	2221412	2	SPACER	3	REAR PEDESTAL INSULATED SPACER
27	2132034	N	BRIDGE MOUNT	1	REAR BRIDGE MOUNT ASM (SEE PAGE 2-127)
42	2223190	N	PART	1	BRACKET, IQ MOUNTING
46	46-208984P2	N	SPACER	4	HEX 1/4", EXT/INT THD 6-32, 1.5" LG
54	46-317200G1	N	COVER ASM.	1	INTERCOM BOX COVER W/RF SHIELDING
63	46-271439G4	N	LONGITDL DRV	1	LONGITUDINAL MOTOR DRIVE, MG3 A7 (SEE PAGE 2-330)
65	46-282694G2	N	MG3-A1 BOX	1	MAGNET INTERFACE #1, MG3 A1 (SEE PAGE 2-126)
94	2223171	N	PART	2	INSULATOR, REAR PED
97	2109866-10	N	SCREW	8	SCREW HEXAGON HEAD 6 MM 12 MM
98	2109866-13	N	SCREW	11	SCREW HEXAGON HEAD 6 MM 25 MM
100	2109866-17	N	SCREW	3	SCREW HEXAGON HEAD 6 MM 50 MM
102	2109880-3	N	WASHER	2	WASHER LOCK - SPRING 6.1 MM 11.8 MM
103	2109879-2	N	WASHER	6	WASHER PLAIN - LARGE 6.4 MM, 18MM OD
107	46-170686P2	N	ADHESIVE	AR	LOCTITE 242, 10CC
108	2109866-12	N	SCREW	6	SCREW HEXAGON HEAD 6 MM 20 MM
109	46-271110P1	N	LABEL	1	LABEL, PROTECTIVE EARTH (GROUND)
110	2222871	N	PART	1	GROUND WIRE
111	46-208599P19	N	WASHER	1	1/4 EXTERNAL TOOTH PHOS, BRONZE
112	46-208758P2	N	TY-RAP	1	5.5" X .140" SELF-LOCKING CABLE TIE.
113	2229552	2	BRACKET	1	RF COIL REAR BULKHEAD
120	2235607	2	LOCATOR	2	BRIDGE LOCATOR
142	46-317137P1	2	BOX	1	PATIENT COMMUNICATION BOX - EMPTY
143	46-317177G1	2	HARNESS	1	MG3 A2 J8 TO MG2 A2 A1 J3, SPEAKER
144	46-317184G1	2	HARNESS	1	MG3 A2 J7 TO MG2 A2 A1 J1, C.M. MIKE
145	46-317184G2	2	HARNESS	1	MG3 A2 J9 TO MG2 A2 A1 J4, F.C. MIKE
146	2204384	1	CIRCUIT BOAR	1	REMOTE INTERCOM BOARD
147	46-317201P1	2	CABLE ASM.	1	MG2 A2 J6 TO MG2 A2 A1 J6, RIBBON-14
148	46-221754P1	2	CONNECTOR	3	RFI GASKET USED WITH 9 PIN SUB-D
149	46-221754P3	2	CONNECTOR	1	RFI GASKET USED WITH 25 PIN SUB-D
150	2236130-2	2	CONNECTOR WR	1	177 X 200 CONNECTOR WRAP
151	46-221417P2	N	CONNECTOR	1	FEMALE SCREWLOCK FOR HD CONNECTORS
152	46-208921P28	N	SCREW	1	SCREW BRASS, BINDING HD 6-32 X .3125
153	46-208935P5	N	NUT	2	6-32, .313 HEX X .109 THK, BRASS
154	46-220184P47	N	SCREW	2	SCREW__SLOTTED ROUND HEAD BRASS
155	46-208921P6	N	SCREW	4	SCREW
156	46-221417P1	N	CONNECTOR	3	FEMALE SCREWLOCKS, TWO PER KIT
157	46-208922P4	N	SCREW	3	SCREW
160	46-288546G2	2	CIRCUIT BD	1	MULTI-COIL SELECT SWITCH MG3-A36

EXCITE II 1.5T WideOpen REAR PEDESTAL

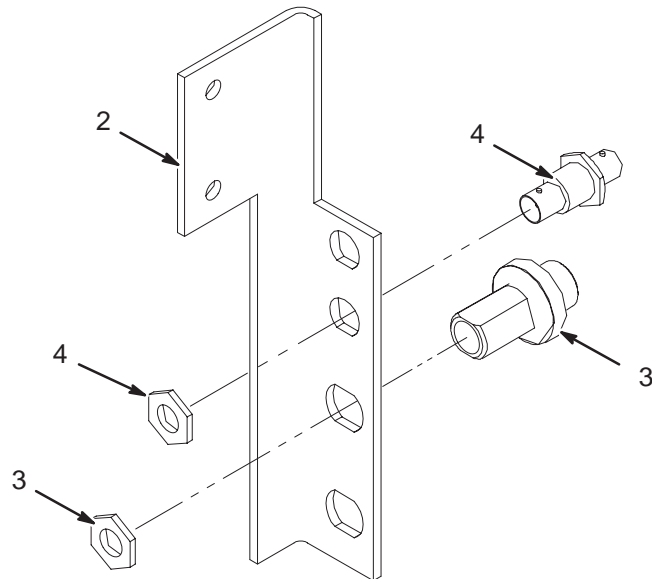
2382930



EXCITE II 1.5T WideOpen REAR PED 2382930 FRU N (PART 12 OF 2321160-16 PAGE 2-252)
 (PART 12 OF 2321160-17 PAGE 2-252)

Item	Part Number	FRU	Name	Quantity	Description (Remarks)
2	2199001	N	ASSEMBLY	1	REAR PEDESTAL FRAME WELDMENT
3	2221408	N	BAR	2	REAR PEDESTAL COVER SUPPORT BAR
4	2221407	N	END CAP	4	REAR PEDESTAL END CAP FOR BAR
8	2128927-2	N	BRACKET ASM	1	CABLE BRACKET ASM FOR PEDESTAL (SEE PAGE 2-328)
10	2221414	N	PDM PART	1	INSULATOR FIBERGLASS
11	2219098-2	N	BRACKET	2	REAR PEDESTAL BAR MOUNTING BRACKET
13	2221418	N	PDM PART	14	WASHER PLAIN - LARGE 6.8 MM 38.1 MM
14	2221412	N	PDM PART	3	REAR PEDESTAL INSULATED SPACER
27	2132034	N	BRIDGE MOUNT	1	REAR BRIDGE MOUNT ASM (SEE PAGE 2-127)
42	2384445	N	PART	1	UTNS ANTENNA BRACKET
46	46-208984P2	N	PDM PART	4	HEX 1/4", EXT/INT THD 6-32, 1.5" LG
54	46-317200G1	N	COVER ASM.	1	INTERCOM BOX COVER W/RF SHIELDING
63	46-271439G4	N	LONGITDL DRV	1	LONGITUDINAL MOTOR DRIVE, MG3 A7 (SEE PAGE 2-330)
65	46-282694G2	N	MG3-A1 BOX	1	MAGNET INTERFACE #1, MG3 A1 (SEE PAGE 2-126)
93A	46-282260G12	N	SPLIT BOX	1	LX 1.5T BODY HYBRID & PREAMP (SEE PAGE 2-129)
94	2223171	N	PART	1	INSULATOR, REAR PED
97	2109866-10	N	PDM PART	5	SCREW HEXAGON HEAD 6 MM 12 MM
98	2109866-13	N	PDM PART	11	SCREW HEXAGON HEAD 6 MM 25 MM
100	2109866-17	N	PDM PART	4	SCREW HEXAGON HEAD 6 MM 50 MM
102	2109880-3	N	PDM PART	2	WASHER LOCK - SPRING 6.1 MM 11.8 MM
103	2109879-2	N	PDM PART	6	WASHER PLAIN - LARGE 6.4 MM, 18MM OD
107	46-170686P2	N	ADHESIVE	AR	LOCTITE 242, 10CC
108	2109866-12	N	PDM PART	6	SCREW HEXAGON HEAD 6 MM 20 MM
109	46-271110P1	N	PDM PART	1	LABEL, PROTECTIVE EARTH (GROUND)
110	2222871	N	PART	1	GROUND WIRE
111	46-208599P19	N	PDM PART	1	1/4 EXTERNAL TOOTH PHOS, BRONZE
112	46-208758P2	N	TY-RAP	1	5.5" X .140" SELF-LOCKING CABLE TIE.
113	2229552	N	BRACKET	1	RF COIL REAR BULKHEAD
120	2235607	N	LOCATOR	2	BRIDGE LOCATOR
142	46-317137P1	N	BOX	1	PATIENT COMMUNICATION BOX - EMPTY
143	46-317177G1	N	HARNESS	1	MG3 A2 J8 TO MG2 A2 A1 J3, SPEAKER
144	46-317184G1	N	HARNESS	1	MG3 A2 J7 TO MG2 A2 A1 J1, C.M. MIKE
145	46-317184G2	N	HARNESS	1	MG3 A2 J9 TO MG2 A2 A1 J4, F.C. MIKE
146A	2204384	1	CIRCUIT BOAR	1	REMOTE INTERCOM BOARD
147	46-317201P1	N	CABLE ASM.	1	MG2 A2 J6 TO MG2 A2 A1 J6, RIBBON-14
148	46-221754P1	N	CONNECTOR	3	RFI GASKET USED WITH 9 PIN SUB-D
149	46-221754P3	N	CONNECTOR	1	RFI GASKET USED WITH 25 PIN SUB-D
150	2236130-2	N	CONNECTOR WR	1	177 X 200 CONNECTOR WRAP
151	46-221417P2	N	CONNECTOR	1	FEMALE SCREWLOCK FOR HD CONNECTORS
152	46-208921P28	N	PDM PART	1	SCREW BRASS, BINDING HD 6-32 X .3125
153	46-208935P5	N	PDM PART	2	6-32, .313 HEX X .109 THK, BRASS
154	46-220184P47	N	PDM PART	2	SCREW__SLOTTED ROUND HEAD BRASS
155	46-208921P6	N	PDM PART	4	SCREW
156	46-221417P1	N	CONNECTOR	3	FEMALE SCREWLOCKS, TWO PER KIT
157	46-208922P4	N	PDM PART	3	.0375" LONG
160	2362995	N	SWITCH ASM	1	8 CHANNEL SWITCH
161	2334116	N	PART	1	BRACKET
162	2305086-2	1	FILTER	1	NOTCH FILTER
163	2109873-15	N	PDM PART	4	SCREW PAN HEAD 4 MM 12 MM
170	2355200	N	PART	1	UTNS 2 LOOP ANTENNA

CABLE BRACKET ASSEMBLY FOR REAR PEDESTAL 2128927-2



CABLE BRACKET ASM

2128927-2 FRU N

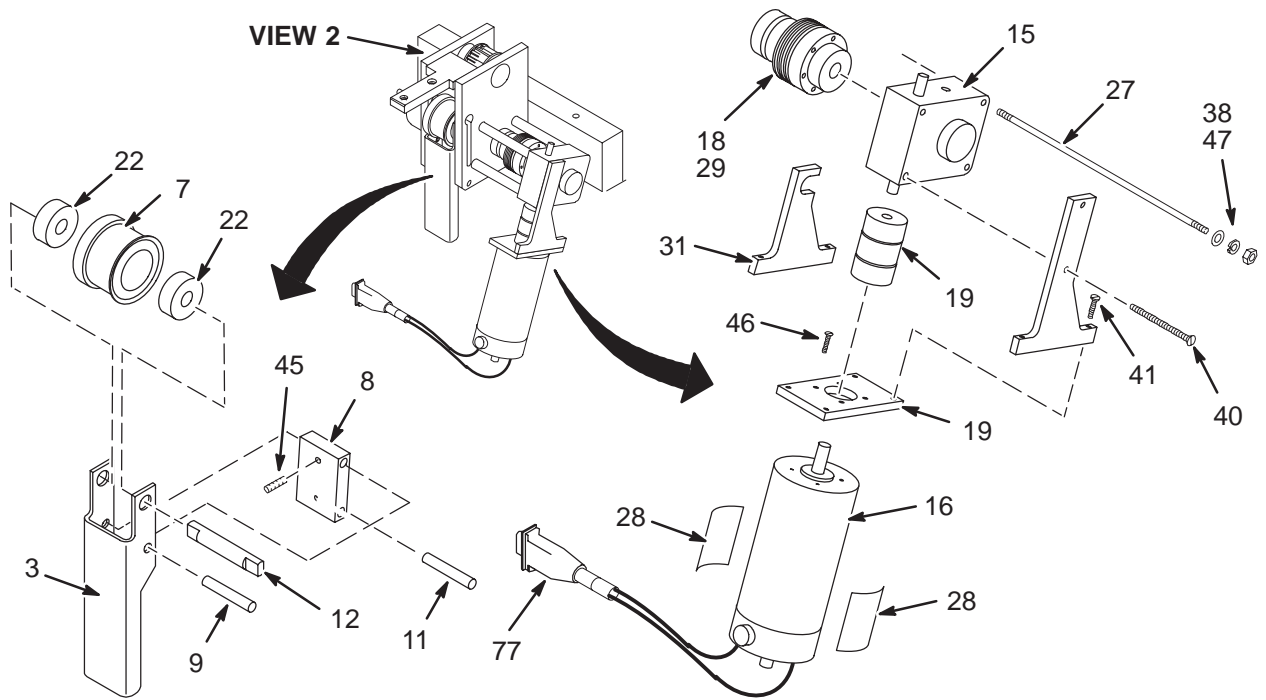
(PART 8 OF 2199000 PAGE 2-318)
 (PART 8 OF 2199000-2 PAGE 2-319)
 (PART 8 OF 2199000-3 PAGE 2-320)
 (PART 8 OF 2199000-4 PAGE 2-321)
 (PART 8 OF 2199000-8 PAGE 2-323)
 (PART 8 OF 2199000-9 PAGE 2-324)
 (PART 8 OF 2199000-10 PAGE 2-325)
 (PART 8 OF 2332734 PAGE 2-327)

Item	Part Number	FRU	Name	Quantity	Description (Remarks)
2	2219099	2	BRACKET	1	SMALL HELIAX CABLE CONNECTION BRKT
3	46-221865P1	2	CONNECTOR	1	UG-30, N BULKHEAD, 50-OHM, JACK-JACK
4	46-208990P1	2	CONNECTOR	1	50 OHM BNC BULKHEAD ADAP'R JACK-JACK

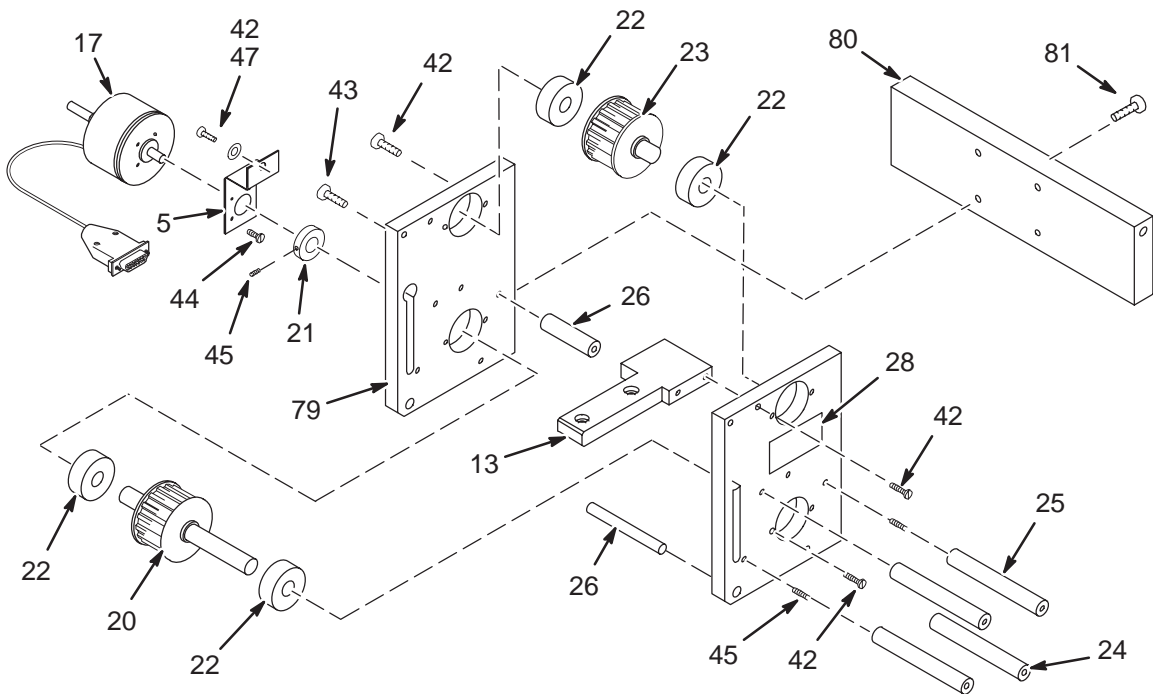
LONGITUDINAL MOTOR DRIVE

46-271439G4

MG3 A7



VIEW 1



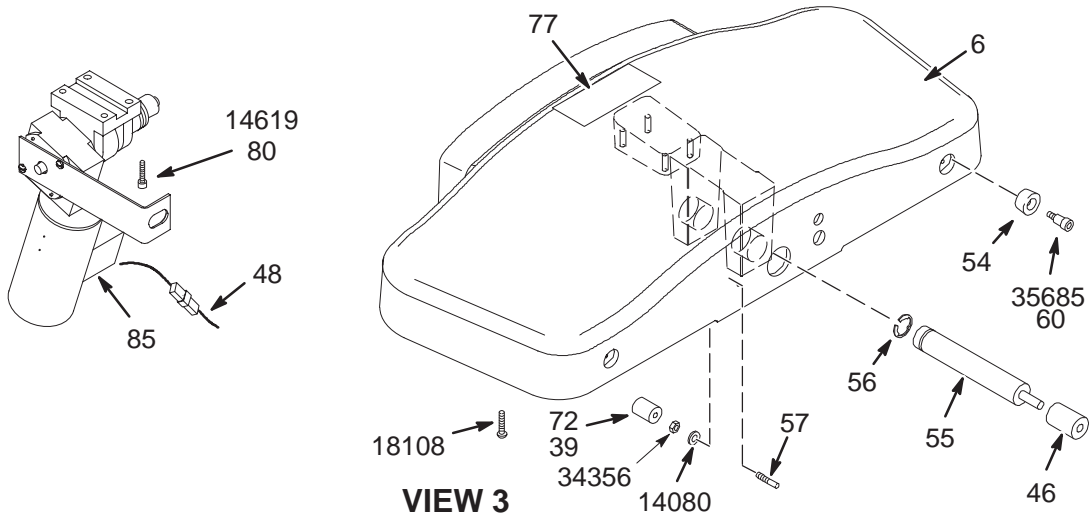
VIEW 2

LONGITUDINAL MOTOR DRIVE 46-271439G4 FRU N
 (PART 63 OF 2199000 PAGE 2-318)
 (PART 63 OF 2199000-2 PAGE 2-319)
 (PART 63 OF 2199000-3 PAGE 2-320)
 (PART 63 OF 2199000-4 PAGE 2-321)
 (PART 63 OF 2199000-8 PAGE 2-323)
 (PART 63 OF 2199000-9 PAGE 2-324)
 (PART 63 OF 2199000-10 PAGE 2-325)
 (PART 63 OF 2382930 PAGE 2-327)

Item	Part Number	FRU	Name	Quantity	Description (Remarks)
3	46-271420P1	N	ARM, T-U PIV	1	BELT TENSION ARM
5	46-271422P1	N	BRACKET, END	1	ENCODER MOUNTING BRACKET
6	46-271423P1	N	BRACKET, MTR	1	MOTOR MOUNTING BRACKET
7	46-271425P1	N	BAR	1	BELT TENSION PULLEY
8	46-271426P1	N	SUPPORT,PIVT	1	BELT TENSION LATCHING BLOCK
9	46-271427P1	N	BAR	1	TENSION ARM PIVOT PIN
10	46-271428P1	N	PLATE,MTR MT	1	LONGITUDINAL DRIVE MOTOR MOUNT PLATE
11	46-271427P2	N	BAR	1	LATCHING BLOCK PIVOT PIN
12	46-271430P1	N	SHAFT, T-U	1	TENSION PULLEY SHAFT
13	46-271432P1	N	MOUNT BRIDGE	1	BRIDGE ATTACHMENT TONGUE
15	46-282359P2	1	GEAR	1	GEAR 16 MM
16	46-282360P1	1	MOTOR	1	LONG DRIVE MOTOR, MG3-A7
17	46-282361P1	1	ENCODER	1	LONGITUDINAL ENCODER, MG3 A6
18	46-282362P1	N	CLUTCH	1	CLUTCH
19	46-282363P1	N	COUPLING	1	NON-MAGNETIC FLEXIBLE COUPLING
20	46-282727G1	N	PULLEY ASM	1	DRIVE BELT DRIVEN PULLEY
21	46-282402P1	N	COLLAR	1	ENCODER SHAFT COUPLING
22	46-282471P12	N	BEARING	6	BEARING
23	46-282646G1	N	PULLEY ASM	1	DRIVE BELT IDLER PULLEY
24	46-282688P1	N	STANDOFF	2	1/2" DIA X 3-5/8, 10-32 THREAD, ALUM
25	46-282689P1	N	STANDOFF	2	1/2" DIA X 3-5/8, .2 THRU HOLE, ALUM
26	46-282689P2	N	STANDOFF	2	1/2" DIA X 1.950, .2 THRU HOLE, ALUM
27	46-282690P1	N	STUD	2	8-3/4 LONG, 10-32 THREAD, BRASS
28	46-282756P1	N	LABEL	2	WARNING, CONTAINS FERROUS MATERIAL
29	46-170686P2	N	ADHESIVE	AR	LOCTITE 242, 10CC
31	46-320678P1	N	BRACKET	1	MOTOR/GEARBOX SUPPORT BRACKET
38	46-208935P7	N	NUT	6	10-32, 3/8 HEX, 1/8" THICK, BRASS
40	46-208913P30	N	SCREW	2	SCREW
41	46-220184P29	N	SCREW	4	SCREW
42	46-220184P41	N	SCREW	9	BRS SLOTTED RND HD SCR 10-32 X 1/2
43	46-220184P45	N	SCREW	4	BRS SLOTTED RND HD SCR10-32 X 1"
44	46-208921P2	N	SCREW	4	SLOTTED BINDING HEAD BRASS
45	46-208732P9	N	SCREW	5	SCREW,SET,HEX SOCKET,FLAT NYLOK W/PE
46	46-208913P14	N	SCREW	4	SCREW
47	1000904P425	N	WASHER	5	0.2 ID, 0.5 OD, .04 THK, B11H89C
77	46-258066G1	N	CABLE ASM	1	LONGITUDINAL DRIVE MOTOR CABLE
79	2221416	N	SIDE PLATE	2	REAR PEDESTAL MOTOR ASM SIDE PLATE
80	2221415	N	MOUNTING BAR	1	REAR PEDESTAL MOTOR ASM MOUNTING BAR
81	2109866-14	N	SCREW	4	SCREW HEXAGON HEAD 6 MM 30 MM
82	46-208758P5	N	TY-RAP	1	SELF LOCKING CABLE TIE

WideOpen DOCK ASSEMBLY

46-271260G3



WideOpen DOCK ASSEMBLY 46-271260G3 FRU N (PART OF WideOpen ENCLOSURE CATALOGS – SECT 1)

Item	Part Number	FRU	Name	Quantity	Description (Remarks)
2	46-271405G3	2	DOCK ASM.	1	LCC DOCK CASTING
3	46-271123P1	2	LEVER ARM	1	DOCK HOOK EMERGENCY RELEASE ARM
4	46-271407G2	2	PEDAL ASM.	4	PEDAL ASM – LCC
6	46-271406G2	2	COVER ASM.	1	LCC CASTING W/BEARINGS
7	46-271248P1	2	BAR	1	EMERGENCY RELEASE LINKAGE ROD
8	46-221954P5	2	SPRING-INCH	1	SPRING-INCH EXTENSION 1.75 INCHES .5
9	46-271266P1	2	HANDLE	1	DOCK HOOK EMERGENCY RELEASE HANDLE
10	46-271249P1	2	PIN	1	DOCK HOOK RELEASE ARM PIVOT
11	46-136334P49	2	SWITCH	1	SPDT SNAP-ACTION SWITCH W/SCREW TERM
12	46-271251P1	2	INSULATOR BA	1	MOTOR ON SWITCH INSULATOR, FISHPAPER
13	46-271270G1	2	BAR ASM	2	PEDAL LINKAGE BAR AND PIN ASSEMBLY
14	46-221304P7	2	PIN	1	0.188 DIA X 0.65 LENGTH, 303 SST
15	46-221828P7	2	PIN	2	0.125 DIA X 1.5" LONG, SST
16	46-265905P1	2	FOOT PAD	4	FOOT PEDAL PAD, RUBBER
19	46-265887P5	2	BAR	2	PEDAL ASM PIVOT SHAFT
21	46-271152P1	2	SPRING EXTEN	2	10.42" AUSTENITIC STN. STEEL WIRE
22	46-220437P1	2	BUMPER	2	ATLANTIC INDIA 827-S-120 W/1/2 STUD
23	46-271255P1	2	BAR	1	TABLE DOWN VALVE PUSH ROD
27	46-271256P1	2	BRACKET	1	TABLE DOWN PEDAL LINKAGE LEVER
28	46-221954P3	2	SPRING-INCH	1	SPRING-INCH EXTENSION 1.12 INCHES .3
29	46-208735P86	2	PIN	1	SPIROL .187 DIA X 1.75 LG
30	46-271257P1	2	BAR	1	DOWN PEDAL CAM ROLLER, NYLON
31	46-243341G3	2	BUMPER	1	LCC DOCK BUMPER
32	46-315119P1	2	TERMINAL	1	6-POSITION TERMINAL STRIP
33	514A350P36	2	TERMINAL	1	6 POS'N MARKER STRIP, 1-6 LEFT RIGHT
34	46-208718P5	2	CLAMP	2	1/2" ID LOOP TYPE, TA MFG CO TA713D8
35	2230001	2	SPACER PAD	1	RUBBER PAD
37	46-208732P9	2	SCREW	1	SCREW
38	46-220492P3	2	TERMINAL	2	JUMPER, 0.56" CTR, #8 SCREW, .37" W
39	46-197385P1	2	MECHANICAL/M	1	WHITE LITHIUM, MULTI-PURPOSE GREASE.
41	46-230434P2	2	PIN	4	0.047 WIRE DIA X 0.594 LG 302 SST
43	46-271195P9	2	.312 PIN,SST	1	TABLE DOWN LINKAGE PIVOT
44	46-271794P1	2	HOOK STOP	1	DOCK HOOK RELEASE LEVER STOP

Parts List Continued on Next Page

WideOpen DOCK ASM

46-271260G3 FRU N

(PARTS LIST CONTINUED)

Item	Part Number	FRU	Name	Quantity	Description (Remarks)
45	46-170228P1	2	TAPE	AR	SGL COAT URETHANE MIL-R-5001 GRADE A
46	46-271735P1	2	TUBE SPRING	1	HYDRAULIC PUMP ROD END, POLYURETHANE
47	46-271460G1	2	CABLE	1	DOCK POWER CABLE, MG2-A29-P1 TO TS1
48	46-271459G1	2	HARNESS	1	DOCK TS1, MOTOR, & SW1 INTERCONNECT
50	46-271125P1	2	LABEL	4	FOOT PAD "UP" AND "DOWN" LABEL SET
54	46-271263P1	2	BUMPER	2	BLACK NEOPRENE MINOR RUBBER #ZB-1013
55	46-271264P1	2	BAR	1	HYDRAULIC PUMP ACTUATING PUSH ROD
56	46-220277P25	2	RETAINING RI	1	EXT RADIAL MOUNT, 1" SHAFT DIA
57	46-271265P1	2	BAR	1	CRADLE LATCH ACTUATOR
60	46-170686P1	2	ADHESIVE	AR	LOCTITE 242, 0.5CC TUBE
61	46-208718P1	2	CLAMP	2	ID 1/4" LOOP TYPE, TA MFG CO TA713D4
65	46-271542P1	2	TUBE	1	EMERGENCY RELEASE LINKAGE BRASS TUBE
66	46-271543P1	2	STOP	1	DOCK HOOK RELEASE ROD/TUBE RETAINER
67	46-271544P1	2	SPRING EXTEN	1	RETAINER PIN, 302 SST SPRING TEMPER
70	46-136353P108	2	SPRING-INCH	1	SPRING-INCH COMPRESSION 1 INCHES .56
71	46-282547G2	2	CABLE ASM	1	DOCK "MG2-A31-J2", 37 PIN SUB-D PLUG
72	46-271935P1	2	TUBE SPRING	1	CAST POLYURETHANE
73	46-136334P56	2	SWITCH	1	SPDT, BASIC SWITCH W/ OT PLUNGER.
74	46-271928G1	2	BEARING BLOK	1	UP LIMIT SWITCH ACTUATOR GUIDEBLOCK
75	46-271926P1	2	BAR	1	UP LIMIT SWITCH PUSH ROD
76	46-136353P111	2	SPRING-INCH	1	SPRING-INCH
77	46-271901P1	2	LABEL	1	WARNING, FERROUS COMPONENTS INSIDE..
78	2179561	1	BARRIER	1	SHIELD
80	46-170684P1	2	ADHESIVE	AR	LOCTITE 271, 0.5CC VIAL
81	46-230957P1	2	ADHESIVE	AR	LOCTITE 680, 50ML BOTTLE
85	46-282221G2	1	MOTOR ASM	1	GEAR-MOTOR AND CLUTCH ASM (BALDOR)
90	2236130-4	2	COVER	1	CONNECTOR WRAP
100	2178874	2	DOCK CLAMP P	1	DOCK CLAMP PLATE
101	2109878-4	2	WASHER	1	WASHER PLAIN - NORMAL 10.5 MM 20 MM
102	2109875-4	2	NUT	1	NUT HEXAGON 10 MM
103	508A865P9	2	PACKING	1	PACKING
104	46-170151P1	2	TAPE	2	REINFORCED ELECTRICAL FILM TAPE
5322	46-170015P10	2	SCREW	1	SCREW
5663	46-220184P18	2	SCREW	4	SCREW
9699	46-220277P22	2	RETAINING RI	3	EXT RADIAL MOUNT 0.312 SHAFT DIA
9700	46-220277P23	2	RETAINING RI	5	EXT RADIAL MOUNT 0.375 SHAFT DIA
11153	46-208560P82	2	SCREW	4	SCREW
12151	1000904P496	2	WASHER	2	ID 0.812, OD 1.5, THK .078, SST
13084	46-220196P5	2	WASHER	1	5/16" SCREW SIZE (0.313), SST
14080	46-220196P4	2	WASHER	1	1/4" SCREW SIZE (0.250), SST
14164	46-208946P1	2	NUT	2	5/16-18 1/2" HEX X .188 THK 18-8 SST
14608	46-208932P30	2	SCREW	4	SCREW
14618	46-208737P18	2	SCREW	2	SCREW
14619	46-208737P19	2	SCREW	4	SCREW
18108	46-220184P40	2	SCREW	1	SCREW
18715	46-208718P2	2	CLAMP	1	5/16 ID LOOP TYPE TA MFG CO. TA713D5
18828	12-241	2	WASHER	2	ID 0.266, OD 0.75, THK .051, BRASS
34356	46-208948P5	2	NUT	3	1/4-20 .438 HEX X .226 THK, 18-8 SST
35685	46-170024P20	2	SCREW-INCH	2	SCREW-INCH
40938	511A590P206	2	TERMINAL	2	#6 SPRING TYPE SPADE TERMINAL, RED,
42913	46-220196P7	2	WASHER	4	1/2" SCREW SIZE (0.5), 18-8 SST
46814	46-170024P4	2	SCREW-INCH	1	SCREW-INCH
52322	46-170024P8	2	SCREW-INCH	1	SCREW-INCH
58925	1000904P419	2	WASHER	2	ID 0.328, OD 0.5, THK .016, B11H89C
74978	46-208560P111	2	SCREW	2	SCREW
90417	46-253940P122	2	RESISTOR	1	RESISTOR 182 OHMS 1 %

INFINITY WideOpen DOCK ASM 46-271260G4 FRU N (PART OF WideOpen ENCLOSURE CATALOGS – SECT 1)

Item	Part Number	FRU	Name	Quantity	Description (Remarks)
2	46-271405G4	N	DOCK ASM.	1	LCC INFINITY DOCK CASTING
3	46-271123P1	N	LEVER ARM	1	DOCK HOOK EMERGENCY RELEASE ARM
4	46-271407G3	N	PEDAL ASM.	4	LCC INFINITY PEDAL ASM
6	46-271406G3	N	COVER ASM.	1	LCC INFINITY CASTING W/BEARINGS
7	46-271248P1	N	BAR	1	EMERGENCY RELEASE LINKAGE ROD
8	46-221954P5	N	SPRING-INCH	1	SPRING-INCH EXTENSION 1.75 INCHES .5
9	46-271266P1	N	HANDLE	1	DOCK HOOK EMERGENCY RELEASE HANDLE
10	46-271249P1	N	PIN	1	DOCK HOOK RELEASE ARM PIVOT
11	46-136334P49	N	SWITCH	1	SPDT SNAP-ACTION SWITCH W/SCREW TERM
12	46-271251P1	N	INSULATOR BA	1	MOTOR ON SWITCH INSULATOR, FISHPAPER
13	46-271270G1	N	BAR ASM	2	PEDAL LINKAGE BAR AND PIN ASSEMBLY
14	46-221304P7	N	PIN	1	0.188 DIA X 0.65 LENGTH, 303 SST
15	46-221828P7	N	PIN	2	0.125 DIA X 1.5" LONG, SST
16	46-265905P1	N	FOOT PAD	4	FOOT PEDAL PAD, RUBBER
19	46-265887P5	N	BAR	2	PEDAL ASM PIVOT SHAFT
21	46-271152P1	N	SPRING EXTEN	2	10.42" AUSTENITIC STN. STEEL WIRE
22	46-220437P1	N	BUMPER	2	ATLANTIC INDIA 827-S-120 W/1/2 STUD
23	46-271255P1	N	BAR	1	TABLE DOWN VALVE PUSH ROD
27	46-271256P1	N	BRACKET	1	TABLE DOWN PEDAL LINKAGE LEVER
28	46-221954P3	N	SPRING-INCH	1	SPRING-INCH EXTENSION 1.12 INCHES .3
29	46-208735P86	N	PIN	1	SPIROL .187 DIA X 1.75 LG
30	46-271257P1	N	BAR	1	DOWN PEDAL CAM ROLLER, NYLON
31	2326740	N	BUMPER ASM	1	INFINITY DOCK BUMPER
32	46-315119P1	N	TERMINAL	1	6-POSITION TERMINAL STRIP
33	514A350P36	N	TERMINAL	1	6 POS'N MARKER STRIP, 1-6 LEFT RIGHT
34	46-208718P5	N	CLAMP	2	1/2" ID LOOP TYPE, TA MFG CO TA713D8
35	2230001	N	SPACER PAD	1	RUBBER PAD
37	46-208732P9	N	SCREW	1	SCREW,SET,HEX SOCKET,FLAT NYLOK W/PE
38	46-220492P3	N	TERMINAL	2	JUMPER, 0.56" CTR, #8 SCREW, .37" W
39	46-197385P1	N	MECHANICAL/M	1	WHITE LITHIUM, MULTI-PURPOSE GREASE.
41	46-230434P2	N	PIN	4	0.047 WIRE DIA X 0.594 LG 302 SST
43	46-271195P9	N	.312 PIN,SST	1	TABLE DOWN LINKAGE PIVOT
44	46-271794P1	N	HOOK STOP	1	DOCK HOOK RELEASE LEVER STOP
45	46-170228P1	N	TAPE	AR	SGL COAT URETHANE MIL-R-5001 GRADE A
46	46-271735P1	N	TUBE SPRING	1	HYDRAULIC PUMP ROD END, POLYURETHANE
47	46-271460G1	N	CABLE	1	DOCK POWER CABLE, MG2-A29-P1 TO TS1
48	46-271459G1	N	HARNESS	1	DOCK TS1, MOTOR, & SW1 INTERCONNECT
50	46-271125P1	N	LABEL	4	FOOT PAD "UP" AND "DOWN" LABEL SET
54	46-271263P1	N	BUMPER	2	BLACK NEOPRENE MINOR RUBBER #ZB-1013
55	46-271264P1	N	BAR	1	HYDRAULIC PUMP ACTUATING PUSH ROD
56	46-220277P25	N	RETAINING RI	1	EXT RADIAL MOUNT, 1" SHAFT DIA
57	46-271265P1	N	BAR	1	CRADLE LATCH ACTUATOR
60	46-170686P1	N	ADHESIVE	AR	LOCTITE 242, 0.5CC TUBE
61	46-208718P1	N	CLAMP	2	ID 1/4" LOOP TYPE, TA MFG CO TA713D4
65	46-271542P1	N	TUBE	1	EMERGENCY RELEASE LINKAGE BRASS TUBE
66	46-271543P1	N	STOP	1	DOCK HOOK RELEASE ROD/TUBE RETAINER
67	46-271544P1	N	SPRING EXTEN	1	RETAINER PIN, 302 SST SPRING TEMPER
70	46-136353P108	N	SPRING-INCH	1	SPRING-INCH COMPRESSION 1 INCHES .56
71	46-282547G2	N	CABLE ASM	1	DOCK "MG2-A31-J2", 37 PIN SUB-D PLUG

Parts List Continued on Next Page

INFINITY WideOpen DOCK ASM 46-271260G4 FRU N (PARTS LIST CONTINUED)

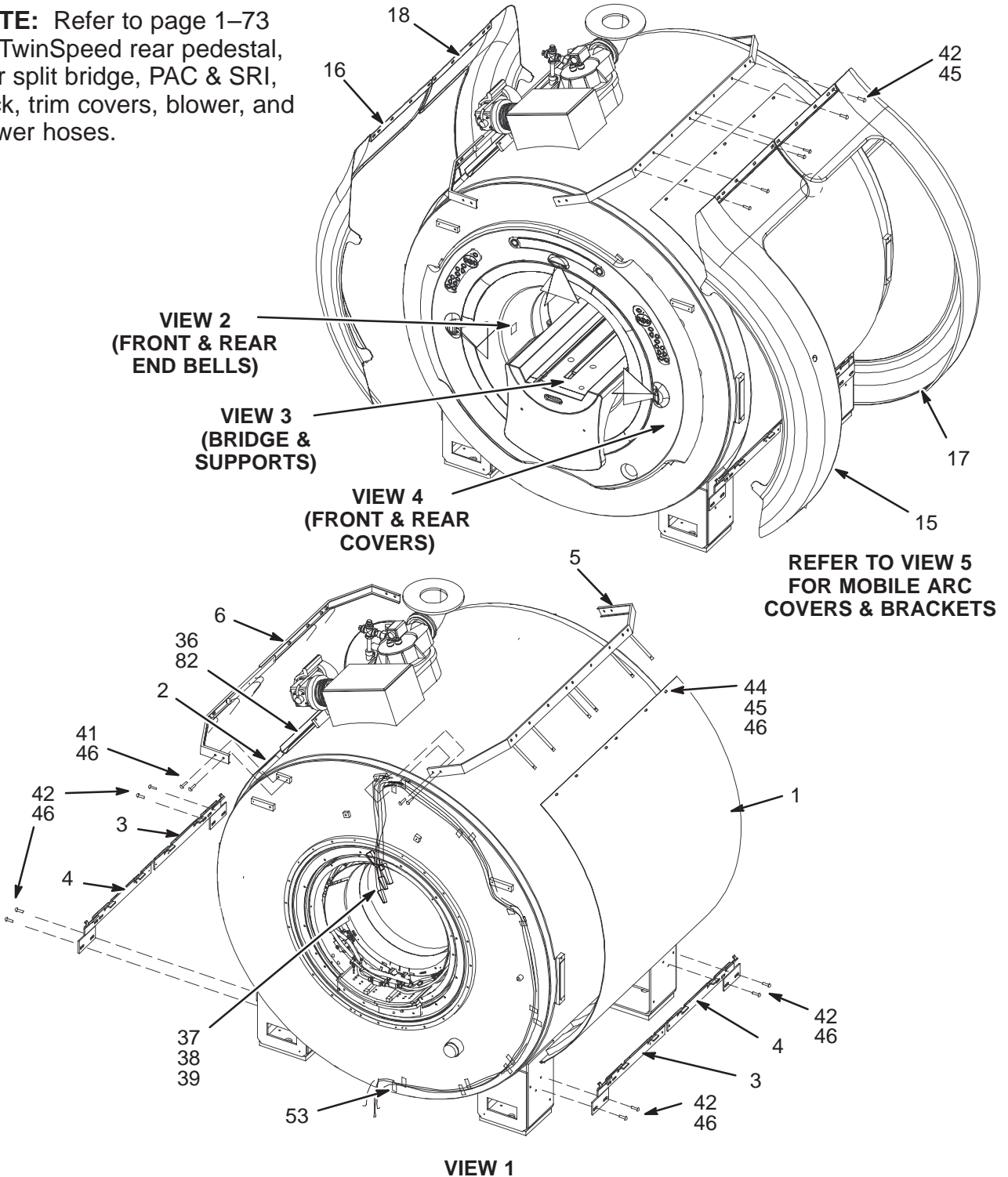
Item	Part Number	FRU	Name	Quantity	Description (Remarks)
72	46-271935P1	N	TUBE SPRING	1	CAST POLYURETHANE
73	46-136334P56	N	SWITCH	1	SPDT, BASIC SWITCH W/ OT PLUNGER.
74	46-271928G1	N	BEARING BLOK	1	UP LIMIT SWITCH ACTUATOR GUIDEBLOCK
75	46-271926P1	N	BAR	1	UP LIMIT SWITCH PUSH ROD
76	46-136353P111	N	SPRING-INCH	1	SPRING-INCH
77	46-271901P1	N	LABEL	1	WARNING, FERROUS COMPONENTS INSIDE..
78	2179561	1	BARRIER	1	SHIELD
80	46-170684P1	N	ADHESIVE	AR	LOCTITE 271, 0.5CC VIAL
81	46-230957P1	N	ADHESIVE	AR	LOCTITE 680, 50ML BOTTLE
85	46-282221G1	1	MOTOR ASM	1	GEAR-MOTOR AND CLUTCH ASSEMBLY
90	2236130-4	N	CONNECTOR WR	1	184 X 305 CONNECTOR WRAP
100	2178874	N	DOCK CLAMP P	1	DOCK CLAMP PLATE
101	2109878-4	N	WASHER	1	WASHER FLAT ISO7089 M10 A2
102	2109875-4	N	NUT	1	NUT HEXAGON M10 A2-70
103	508A865P9	N	PACKING	1	PACKING
104	46-170151P1	N	TAPE	2	REINFORCED ELECTRICAL FILM TAPE
105	46-170015P10	N	SCREW	1	SCREW
106	46-220184P18	N	SCREW	4	SCREW
107	46-220277P22	N	RETAINING RI	3	EXT RADIAL MOUNT 0.312 SHAFT DIA
108	46-220277P23	N	RETAINING RI	5	EXT RADIAL MOUNT 0.375 SHAFT DIA
109	46-208560P82	N	SCREW	4	SCREW, 10-32 X 3/8 BHMS, SS
110	1000904P496	N	WASHER	2	ID 0.812, OD 1.5, THK .078, SST
111	46-220196P5	N	WASHER	1	WASHER, 5/16" SCREW SIZE (0.313), SST
112	46-220196P4	N	WASHER	1	WASHER LOCK, .25 SCREW SIZE, SST SPG
113	46-208946P1	N	NUT	2	5/16-18 1/2" HEX X .188 THK 18-8 SST
114	46-208932P30	N	SCREW	4	SCREW
115	46-208737P18	N	SCREW	2	SCREW
116	46-208737P19	N	SCREW	4	SCREW
117	46-220184P40	N	SCREW	1	SCREW
118	46-208718P2	N	CLAMP	1	5/16 ID LOOP TYPE TA MFG CO. TA713D5
119	12-241	N	WASHER	2	ID 0.266, OD 0.75, THK .051, BRASS
120	46-208948P5	N	NUT	3	1/4-20 .438 HEX X .226 THK, 18-8 SST
121	46-170024P20	N	SCREW-INCH	2	SCREW-INCH
122	511A590P206	N	TERMINAL	2	#6 SPRING TYPE SPADE TERMINAL, RED,
123	46-220196P7	N	WASHER	4	WASHER, 1/2" SCREW SIZE(0.5), 18-8 SST
124	46-170024P4	N	SCREW-INCH	1	SCREW-INCH
125	46-170024P8	N	SCREW-INCH	1	SCREW-INCH
126	1000904P419	N	WASHER	2	ID 0.328, OD 0.5, THK .016, B11H89C
127	46-208560P111	N	SCREW	2	SCREW 6-32 X 5/8 SS
128	46-253940P122	N	RESISTOR	1	RESISTOR 182 OHMS 1 %

2-24 TwinSpeed MAGNET ENCLOSURE WITH SPLIT BRIDGE

INFINITY TwinSpeed MAGNET ENCLOSURE with SPLIT BRIDGE

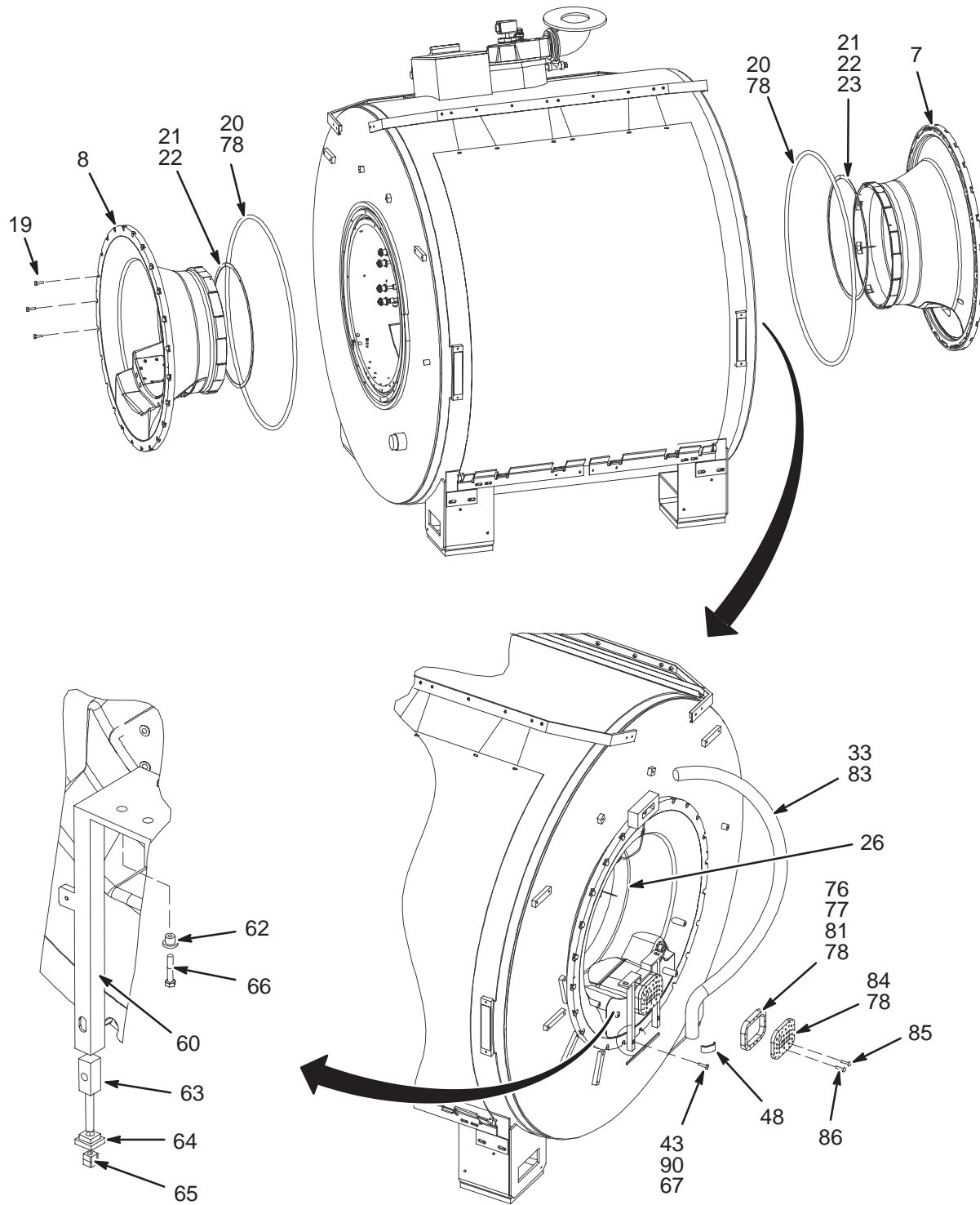
2297122 & 2297122-2

NOTE: Refer to page 1-73 for TwinSpeed rear pedestal, rear split bridge, PAC & SRI, dock, trim covers, blower, and blower hoses.



INFINITY TwinSpeed MAGNET ENCLOSURE with SPLIT BRIDGE

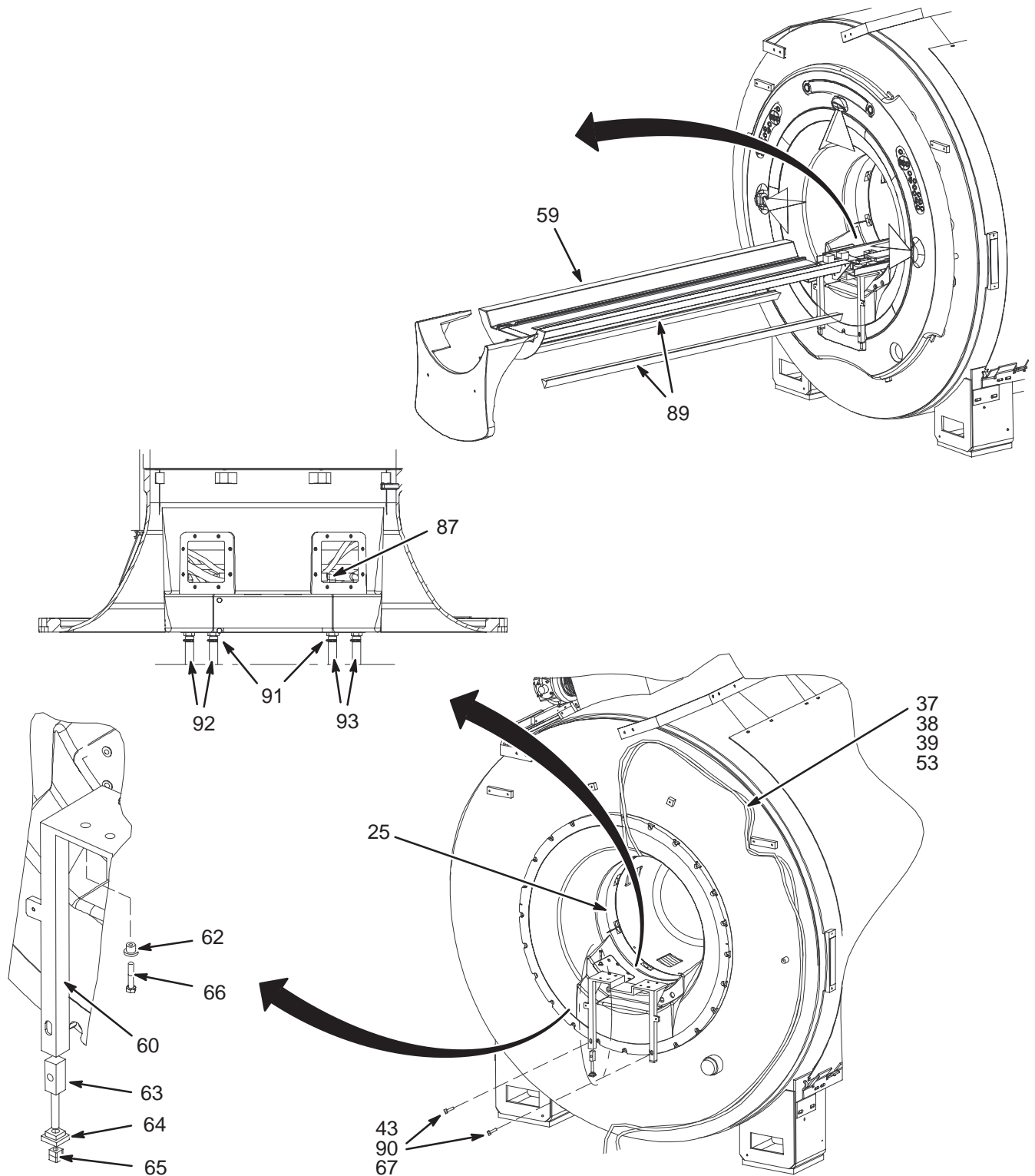
2297122 & 2297122-2



**VIEW 2
FRONT & REAR END BELLS**

INFINITY TwinSpeed MAGNET ENCLOSURE with SPLIT BRIDGE

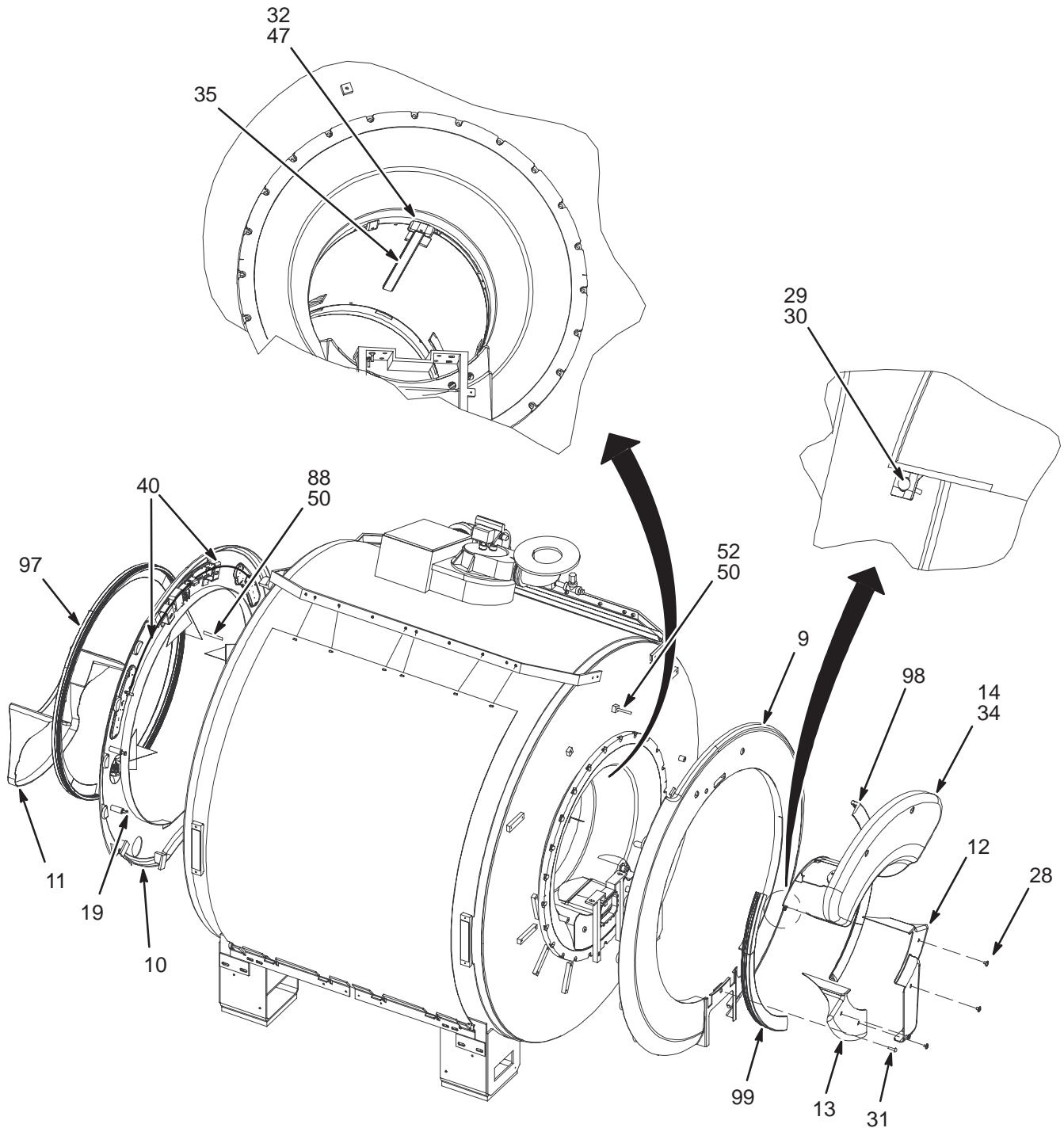
2297122 & 2297122-2



VIEW 3
BRIDGE, BRIDGE SUPPORT, AND HOSES

INFINITY TwinSpeed MAGNET ENCLOSURE with SPLIT BRIDGE

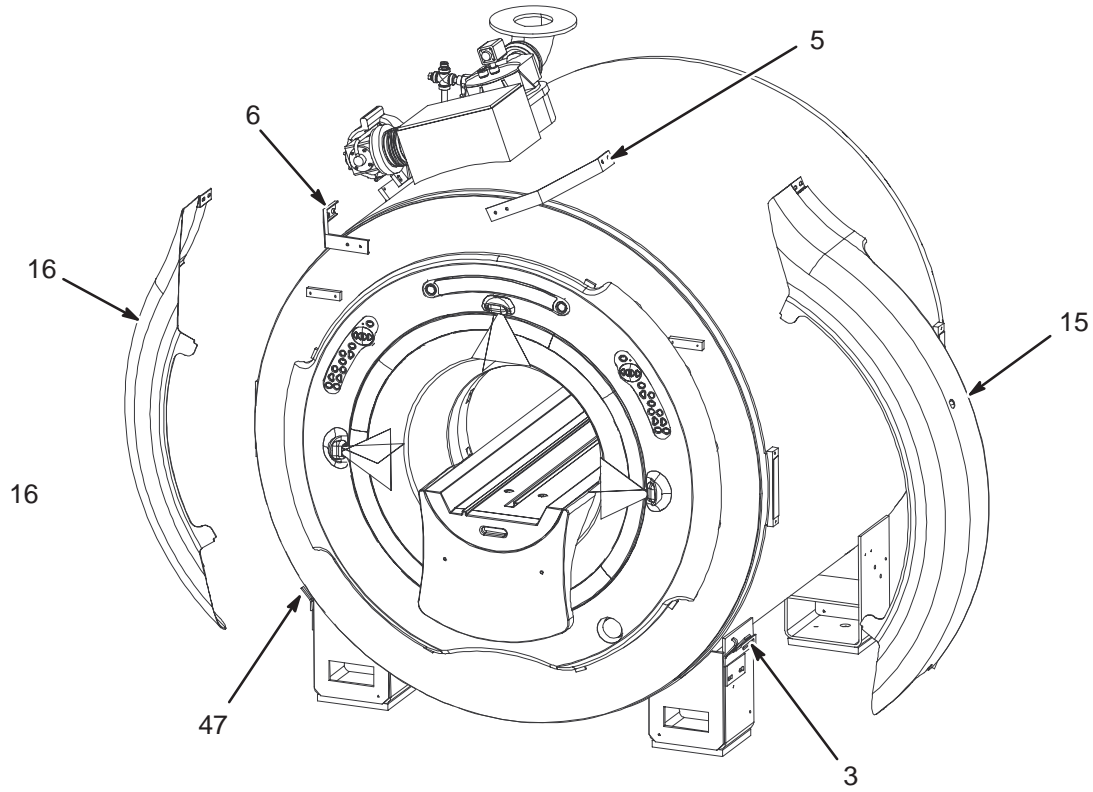
2297122 & 2297122-2



VIEW 4
FRONT & REAR COVERS

INFINITY TwinSpeed MOBILE MAGNET ENCLOSURE with SPLIT BRIDGE

2297122-2



VIEW 5
MOBILE ARC COVERS AND BRACKETS

INFINITY TwinSpeed FXD & T/R ENCL 2297122 FRU N

(PART 2 OF 2297123 PAGE 1-120)

Item	Part Number	FRU	Name	Quantity	Description (Remarks)
1	2217702-2	N	WRAP COVER R	1.0	TWIN WRAP COVER RIGHT
2	2217703-2	N	WRAP COVER L	1.0	TWIN WRAP COVER LEFT
3	2218146	N	LOWER CLAMP	2.0	MAESTRO LOWER CLAMPING BRACKET
4	2218146-2	N	LOWER CLAMP	2.0	MAESTRO LOWER CLAMPING BRACKET
5	2218898	N	TOP RIGHT FR	1.0	MAESTRO TOP RIGHT FRAME
6	2218897	N	TOP LEFT FRA	1.0	MAESTRO TOP LEFT FRAME
7	2284170	2	ASSEMBLY	1.0	TWIN REAR ENDBELL VACUUM ASM
8	2296177	2	END BELL ASM	1.0	FRONT VACUUM ENDBELL (SEE PAGE 2-345)
9	2296182	N	ASSEMBLY	1.0	REAR COSM COVER ASM
10	2287744	N	COVER ASM	1.0	FRONT COSMETIC COVER ASM (SEE PAGE 2-347)
11	2287607	N	BRIDGE COVER	1.0	FRONT BRIDGE COVER
12	2287512	N	PART	1.0	REAR BRIDGE COVER LEFT
13	2287511	N	PART	1.0	REAR BRIDGE COVER RIGHT
14	2284175	N	ASSEMBLY	1.0	COMFORT MODULE ASM (SEE PAGE 2-348)
15	2217461-3	N	ARC FRONT RI	1.0	TWIN ARC COVER FRONT
16	2217462-3	N	ARC FRONT LE	1.0	TWIN ARC FRONT LEFT COVER
17	2217463-2	N	ARC REAR RIG	1.0	TWIN ARC REAR RIGHT COVER
18	2217464-2	N	ARC REAR LEF	1.0	TWIN ARC COVER REAR_LEFT
19	2109867-27	N	PDM PART	48.0	SCREW HEXAGON SOCKET
20	2293323	N	ORING	2.0	O-RING MAGNET RING
21	2294358-2	N	GASKET	2.0	GASKET RF TUBE-ENDBELL-6MM THICK
22	2294358	N	GASKET	2.0	GASKET RF TUBE-ENDBELL-4MM THICK
23	2294358-3	N	GASKET	2.0	GASKET RF TUBE-ENDBELL-9.5MM THICK
25	2287881	N	SHIELD CABLE	1.0	COVER STRAP, FRONT
26	2287881-3	N	SHIELD CABLE	1.0	COVER STRAP, REAR, FOR LARGER CLIPS
27	2209823-7	N	SCREW	2.0	SCREW CHEESE HEAD 6MM 20MM NYLON
28	2284368	N	PART	4.0	BRIDGE COVER SCREW
29	2346041	N	PART	2.0	COMFORT MODULE CLAMP
30	2109873-25	N	SCREW	2.0	SCREW PAN HEAD Z M6X16 A2-70
31	2109873-26	N	PDM PART	1.0	SCREW PAN HEAD 6 MM 20 MM
32	2344509	N	PART	2.0	END CAP,BORE LIGHT
33	46-282668P18	N	HOSE, NYLON	1.0	2 INCH DIAMETER, 132 INCH LENGTH
34	46-208765P28	N	PDM PART	1.0	DIA RANGE 1-13/16 - 2-3/4, 302/305
35	2222549-4	N	LIGHT PANEL	2.0	TWIN LUMITEX LIGHT PANEL
36	46-294151P48	N	ADHES SPEC	0.3	GE FAST CURE RTV 5818, TRANSLUCENT
37	2221945	N	CABLE	1.0	(848) MG2-A4-J5 TO MG2-A11-J4
38	2221948	N	CABLE	1.0	(897) MG2-A4-J3 TO MG2-A33-J4
39	2306310	2	CABLE PT	1.0	(1011)MG2-A4-J4 TO MG2-A33-J5 (SRI2)
40	2221946	N	CABLE	2.0	(862/863) MG2-A4-J1/J2 TO MG2-A5-J1/
41	2109866-50	N	PDM PART	8.0	SCREW HEXAGON HEAD
42	2109866-20	N	PDM PART	30.0	SCREW HEXAGON HEAD 10 MM 25 MM
43	2234780	N	WASHER	8.0	WASHER PLAIN - LARGE 10.5 MM 20 MM
44	2109872-6	N	PDM PART	12.0	SCREW BUTTON HEAD 6 MM 12 MM
45	2229794	N	OUT OF CATAL	28.0	M6 NYLON WASHER
46	46-294151P2	N	ADHES SPEC	0.2	LOCTITE #242 TYPE 11
47	2109867-4	N	PDM PART	2.0	SCREW HEXAGON SOCKET 4 MM 12 MM_SST
48	46-208758P2	N	TY-RAP	30.0	5.5" X .140" SELF-LOCKING CABLE TIE.
49	2109879-3	N	PDM PART	6.0	WASHER PLAIN - LARGE 10.5 MM 30 MM
50	2109875-4	N	NUT	8.0	NUT HEXAGON M10 A2-70
52	2116325-11	N	STUD,MAGNET	2.0	STUD, M10 X 140MM, STAINLESS STEEL

Parts List Continued on Next Page

INFINITY TwinSpeed FXD & T/R ENCL 2297122 FRU N

(CONTINUED FROM PREVIOUS PAGE)

Item	Part Number	FRU	Name	Quantity	Description (Remarks)
53	46-220191P1	N	CLAMP	14.0	CLAMP FOR FLAT CABLE
59	2282800	N	BRIDGE ASM	1.0	FRONT SPLIT BRIDGE ASSEMBLY (SEE PAGE 2-303)
60	2293202	N	PART	1.0	TWIN BRIDGE SUPPORT FRT
61	2293201	N	PART	1.0	TWIN BRIDGE SUPPORT REAR
62	2293539	N	BUSHING(MACH	6.0	TWIN BRIDGE SUPPORT BUSHING
63	2293540	N	LOCK SUPPORT	4.0	TWIN SUPPORT LOCK TOP
64	2293541	N	LOCK SUPPORT	4.0	TWIN BRIDGE SUPPORT SLIDER
65	2293956	N	OUT OF CATAL	8.0	HEX NUT, NYLON, M10X1.5MM, 9.8 HIGH
66	2109867-17	N	PDM PART	6.0	SCREW HEXAGON SOCKET 6 MM 35 MM
67	2109866-26	N	PDM PART	4.0	SCREW HEXAGON HEAD 10 MM 80 MM
76	2297540	2	PART	1.0	GRAD BLOCK GASKET, 4MM THICK
77	2297540-2	2	PART	1.0	GRAD BLOCK GASKET, 6MM THICK
78	2297760	N	OUT OF CATAL	0.1	VACUUM GREASE MSDS# 8366442
81	2297540-3	N	PART	1.0	GRAD BLOCK GASKET—12,7 MM THICK
82	2237254	N	TROUGH	1.0	TROUGH WITH SPONGE
84	2285381	N	PART	1.0	GRAD CABLE BLOCK COVER
85	2109873-18	N	SCREW	16.0	SCREW PAN HEAD Z M4X25 A2-70
86	2109873-28	N	SCREW	18.0	SCREW PAN HEAD Z M6X30 A2-70
87	2262660-9	2	OUT OF CATAL	4.0	SAFETY CLIP
88	2116325-2	N	STUD, MAGNET	2.0	STUD SST M10 X 65
89	2293538	2	FOAM	2.0	TWIN BRIDGE EDGE FOAM
90	2167321	2	PDM PART	4.0	WASHER, NEOPRENE RUBBER
91	2226095	N	HOSE CLAMP	4.0	HOSE CLAMP,WORM DRIVE
92	2293610-2	N	OUT OF CATAL	2.0	BLACK RUBBER HOSE 1/2" ID
93	2293610-3	N	OUT OF CATAL	2.0	BLUE RUBBER HOSE 1/2" ID
94	2209826	N	NUT	32.0	NUT HEXAGON 6 MM
95	2315734	N	PART	2.0	BUTTON PLUG NYLON PAINT,FRT BRDG CVR
96	2315734-2	N	PART	2.0	BUTTON PLUG NYLON PAINT, COMFORT_MOD
97	2331842	N	PART	1.0	COSMETIC RING FRONT
98	2331842-2	N	PART	1.0	COSMETIC RING REAR RIGHT
99	2331842-3	N	PART	1.0	COSMETIC RING REAR LEFT
100	2370892	N	WASHER,FIBRE	4.0	G10 FIBERGLASS FLAT WASHER
101	2338759	N	PART	1.0	WARNING TAG
102	2214896	N	BEAM	2.0	ANGLE,LIFT BEAM
103	46-281707P15	N	SCREW, CAP	12.0	SCREW,HEX HD CAP,CARBON,GRADE8,.5-13
104	46-208758P5	N	PDM PART	60.0	SELF LOCKING CABLE TIE
105	2398124-2	N	PDM PART	1.0	MULTI-LINGUAL LASER WARNING LABEL SH

INFINITY TwinSpeed MOBILE ENCL 2297122-2 FRU N

(PART 2 OF 2297124 PAGE 1-120)

Item	Part Number	FRU	Name	Quantity	Description (Remarks)
3	2218146-5	N	LOWER CLAMP	2.0	MAESTRO LOWER CLAMPING BRACKET—MOB
4	2218146-6	N	LOWER CLAMP	2.0	MAESTRO LOWER CLAMPING BRACKET—MOB
5	2218898-2	N	TOP RIGHT FR	1.0	MAESTRO TOP RIGHT FRAME – MOBILE
6	2218897-2	N	TOP LEFT FRA	1.0	MAESTRO TOP LEFT FRAME – MOBILE
7	2284170	2	ASSEMBLY	1.0	TWIN REAR ENDBELL VACUUM ASM
8	2296177	2	END BELL ASM	1.0	FRONT VACUUM ENDBELL (SEE PAGE 2-345)
9	2296182	N	ASSEMBLY	1.0	REAR COSM COVER ASM
10	2287744	N	COVER ASM	1.0	FRONT COSMETIC COVER ASM (SEE PAGE 2-347)
11	2287607	N	BRIDGE COVER	1.0	FRONT BRIDGE COVER
12	2287512	N	PART	1.0	REAR BRIDGE COVER LEFT
13	2287511	N	PART	1.0	REAR BRIDGE COVER RIGHT
14	2284175	N	ASSEMBLY	1.0	COMFORT MODULE ASM (SEE PAGE 2-348)
15	2217461-4	N	ARC FRONT RI	1.0	TWIN ARC COVER FRONT
16	2217462-4	N	ARC FRONT LE	1.0	TWIN ARC FRONT LEFT COVER
19	2109867-27	N	PDM PART	48.0	SCREW HEXAGON SOCKET
20	2293323	N	ORING	2.0	O-RING MAGNET RING
21	2294358-2	N	GASKET	2.0	GASKET RF TUBE-ENDBELL—6MM THICK
22	2294358	N	GASKET	1.0	GASKET RF TUBE-ENDBELL—4MM THICK
23	2294358-3	N	GASKET	1.0	GASKET RF TUBE-ENDBELL—9.5MM THICK
25	2287881	N	SHIELD CABLE	1.0	COVER STRAP, FRONT
26	2287881-3	N	SHIELD CABLE	1.0	COVER STRAP, REAR, FOR LARGER CLIPS
27	2209823-7	N	SCREW	2.0	SCREW CHEESE HEAD 6MM 20MM NYLON
28	2284368	N	PART	4.0	BRIDGE COVER SCREW
29	2346041	N	PART	2.0	COMFORT MODULE CLAMP
30	2109873-25	N	SCREW	2.0	SCREW PAN HEAD Z M6X16 A2-70
31	2109873-26	N	PDM PART	1.0	SCREW PAN HEAD 6 MM 20 MM
32	2344509	N	PART	2.0	END CAP,BORE LIGHT
33	46-282668P18	N	HOSE, NYLON	1.0	2 INCH DIAMETER, 132 INCH LENGTH
34	46-208765P28	N	PDM PART	1.0	DIA RANGE 1-13/16 – 2-3/4, 302/305
35	2222549-4	N	LIGHT PANEL	2.0	TWIN LUMITEX LIGHT PANEL
36	46-294151P48	N	ADHES SPEC	0.3	GE FAST CURE RTV 5818, TRANSLUCENT
37	2221945	N	CABLE	1.0	(848) MG2-A4-J5 TO MG2-A11-J4
38	2221948	N	CABLE	1.0	(897) MG2-A4-J3 TO MG2-A33-J4
39	2306310	2	CABLE PT	1.0	(1011)MG2-A4-J4 TO MG2-A33-J5 (SRI2)
40	2221946	N	CABLE	2.0	(862/863) MG2-A4-J1/J2 TO MG2-A5-J1/
41	2109866-50	N	PDM PART	8.0	SCREW HEXAGON HEAD
42	2109866-20	N	PDM PART	30.0	SCREW HEXAGON HEAD 10 MM 25 MM
43	2234780	N	WASHER	8.0	WASHER PLAIN – LARGE 10.5 MM 20 MM
46	46-294151P2	N	ADHES SPEC	0.2	LOCTITE #242 TYPE 11
47	2109867-4	N	PDM PART	2.0	SCREW HEXAGON SOCKET 4 MM 12 MM_SST
48	46-208758P2	N	TY-RAP	30.0	5.5" X .140" SELF-LOCKING CABLE TIE.
49	2109879-3	N	PDM PART	6.0	WASHER PLAIN – LARGE 10.5 MM 30 MM
50	2109875-4	N	NUT	8.0	NUT HEXAGON M10 A2-70
52	2116325-11	N	STUD,MAGNET	4.0	STUD, M10 X 140MM, STAINLESS STEEL
53	46-220191P1	N	CLAMP	14.0	CLAMP FOR FLAT CABLE
54	2109867-19	N	PDM PART	2.0	SCREW HEXAGON SOCKET 6 MM 50 MM
55	46-170684P2	N	PDM PART	0.2	LOCTITE 271, 10CC BOTTLE
58	2293538	2	FOAM	2.0	TWIN BRIDGE EDGE FOAM
59	2282800	N	BRIDGE ASM	1.0	FRONT SPLIT BRIDGE ASSEMBLY (SEE PAGE 2-303)
60	2293202	N	PART	1.0	TWIN BRIDGE SUPPORT FRT

Parts List Continued on Next Page

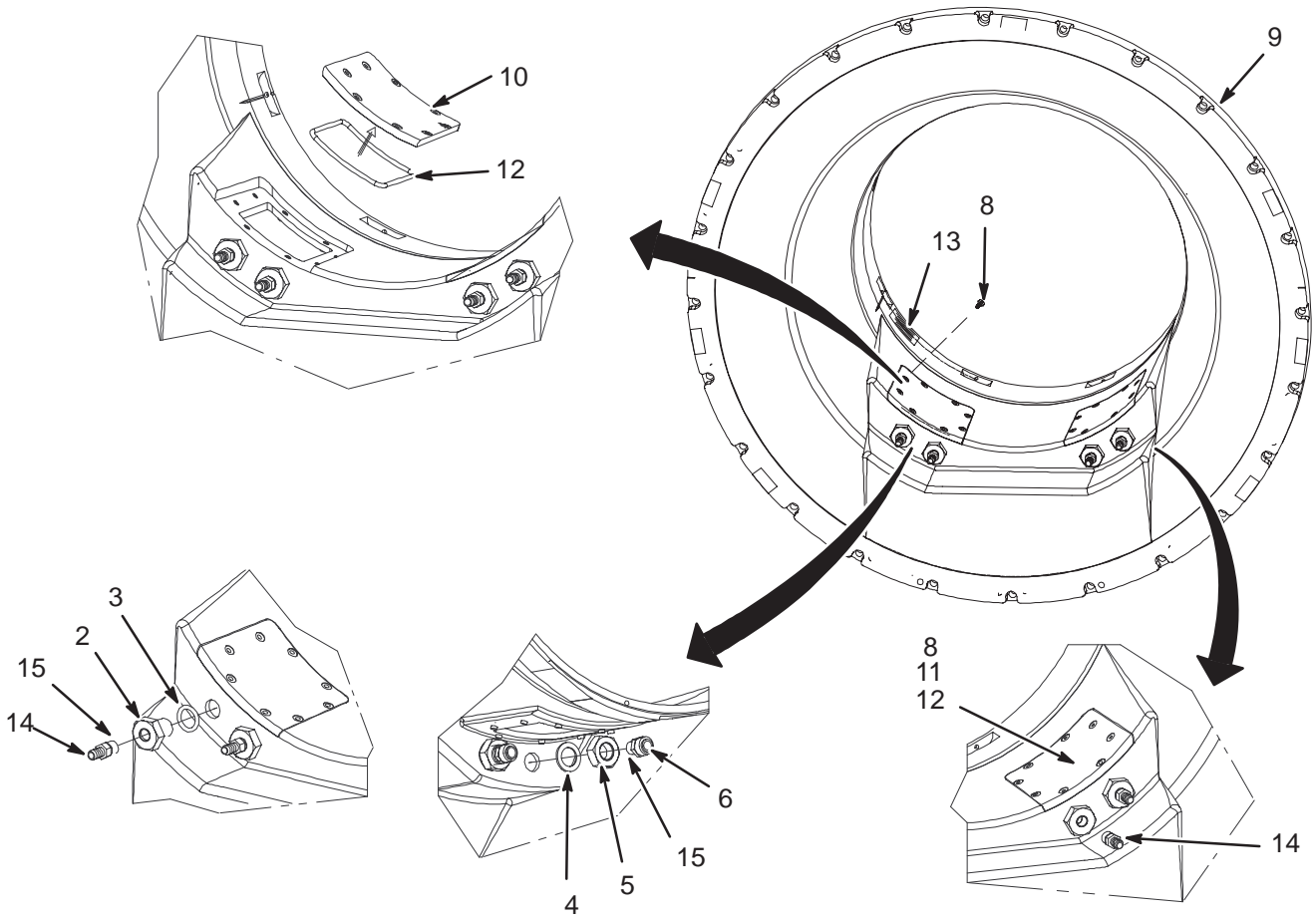
INFINITY TwinSpeed MOBILE ENCL 2297122-2 FRU N

(CONTINUED FROM PREVIOUS PAGE)

Item	Part Number	FRU	Name	Quantity	Description (Remarks)
61	2293201	N	PART	1.0	TWIN BRIDGE SUPPORT REAR
62	2293539	N	BUSHING(MACH	6.0	TWIN BRIDGE SUPPORT BUSHING
63	2293540	N	LOCK SUPPORT	4.0	TWIN SUPPORT LOCK TOP
64	2293541	N	LOCK SUPPORT	4.0	TWIN BRIDGE SUPPORT SLIDER
65	2293956	N	OUT OF CATAL	8.0	HEX NUT, NYLON, M10X1.5MM, 9.8 HIGH
66	2109867-17	N	PDM PART	6.0	SCREW HEXAGON SOCKET 6 MM 35 MM
67	2109866-27	N	PDM PART	4.0	SCREW HEXAGON HEAD 10 MM 100 MM
75	2297540	2	PART	1.0	GRAD BLOCK GASKET, 4MM THICK
76	2297540-2	2	PART	1.0	GRAD BLOCK GASKET, 6MM THICK
78	2297760	N	OUT OF CATAL	0.1	VACUUM GREASE MSDS# 8366442
81	2297540-3	N	PART	1.0	GRAD BLOCK GASKET—12,7 MM THICK
82	2237254	N	TROUGH	1.0	TROUGH WITH SPONGE
84	2285381	N	PART	1.0	GRAD CABLE BLOCK COVER
85	2109873-18	N	SCREW	16.0	SCREW PAN HEAD Z M4X25 A2-70
86	2109873-28	N	SCREW	18.0	SCREW PAN HEAD Z M6X30 A2-70
87	2306244	N	FITTING	4.0	1/2" FITTING SAFETY CLIP
97	2331842	N	PART	1.0	COSMETIC RING FRONT
98	2331842-2	N	PART	1.0	COSMETIC RING REAR RIGHT
99	2331842-3	N	PART	1.0	COSMETIC RING REAR LEFT
100	2370892	N	WASHER,FIBRE	4.0	G10 FIBERGLASS FLAT WASHER
101	2338759	N	PART	1.0	WARNING TAG
102	2214896	N	BEAM	2.0	ANGLE,LIFT BEAM
103	46-281707P15	N	SCREW, CAP	12.0	SCREW,HEX HD CAP,CARBON,GRADE8,.5-13
104	46-208758P5	N	PDM PART	60.0	SELF LOCKING CABLE TIE
105	2398124-2	N	PDM PART	1.0	MULTI-LINGUAL LASER WARNING LABEL SH

TwinSpeed FRONT END BELL

2296177



TwinSpeed FRONT END BELL

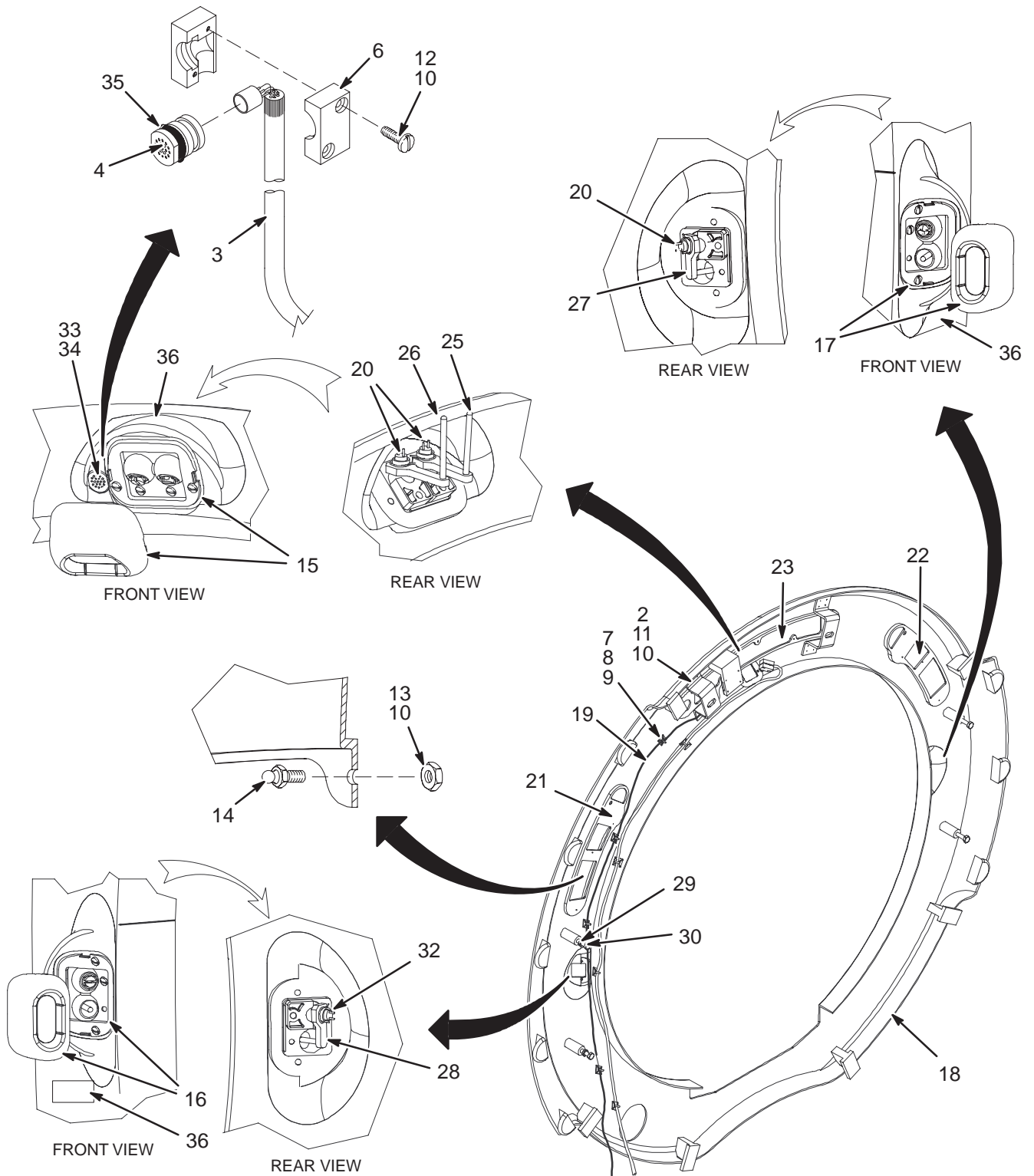
2296177 FRU N

(PART 8 OF 2297122 PAGE 2-341)
(PART 8 OF 2297122-2 PAGE 2-343)

Item	Part Number	FRU	Name	Quantity	Description (Remarks)
2	2293532	N	FITTING	4.0	WATERLINE FEEDTHROUGH
3	2297761	2	OUT OF CATAL	4.0	WATERLINE FEEDTHROUGH O-RING
4	2293534	N	FLAT WASHER	4.0	WASHER, WATERLINE FEEDTHROUGH
5	2293533	N	HEX NUT	4.0	TWIN ENCLOSURE HEX NUT
6	2262660-7	N	OUT OF CATAL	4.0	.5" TO .375" TUBE TO MNPT CONNECTOR
8	2109873-25	N	SCREW	16.0	SCREW PAN HEAD Z M6X16 A2-70
9	2287718	N	FRONT ENDBEL	1.0	FRONT VACUUM ENDBELL
10	2295414	N	COVER	1.0	ACCESS PANEL LEFT
11	2295414-2	N	COVER	1.0	ACCESS PANEL RIGHT
12	2360397	2	O-RING	2.0	O-RING ROUND 132.72 MM 5.33 MM
13	2297103	N	PART	2.0	LABEL,CAUTION
14	2293612-5	N	OUT OF CATAL	4.0	MALE CONN FOR 1/2" HOSE TO 3/8" MNPT
15	46-170617P1	N	ADHESIVE	0.0	RTV SILICON RUBBER ADHESIVE SEALANT.
16	2331453	N	OUT OF CATAL	350.0	DUAL LOCK RECLOSABLE FASTENER
17	46-220312P1	N	ADHESIVE	0.0	LOCTITE SUPERBONDER 416,

TwinSpeed FRONT COSMETIC COVER

2287744



TwinSpeed FRONT COSMETIC COVER 2287744 FRU N

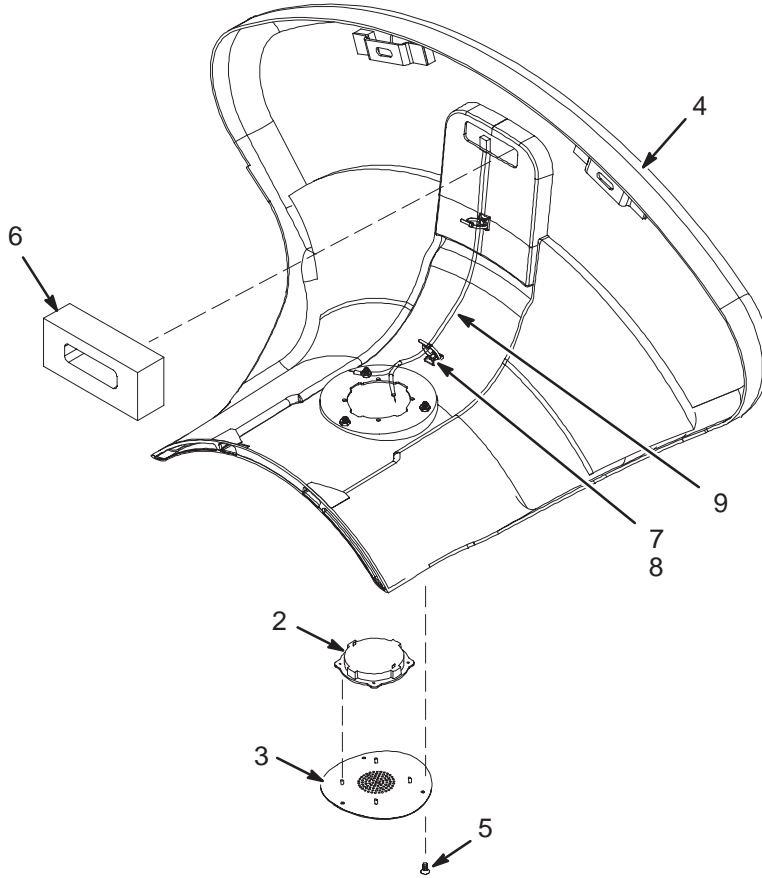
(PART 10 OF 2297122 PAGE 2-341)

(PART 10 OF 2297122-2 PAGE 2-343)

Item	Part Number	FRU	Name	Quantity	Description (Remarks)
2	2163748	N	CIRCUIT BOAR	1.0	CONQUEST VOLTAGE REGULATOR
3	46-317157G3	N	CABLE ASM.	1.0	(414) FRNT MICROPHN CABLE TO MG3A2J9
4	2287892	N	HOUSING	1.0	MICROPHONE HOUSING
6	46-317135P1	N	CABLE CLAMP	1.0	CABLE CLAMP - USE 46-317109G1 AS
7	46-208747P1	2	PDM PART	8.0	ADHESIVE MOUNT - CABLE TIE
8	46-208758P2	2	TY-RAP	8.0	5.5" X .140" SELF-LOCKING CABLE TIE.
9	46-282264P1	N	ADHESIVE	0.0	2 OZ DUAL-PAK CARTRIDGE EPOXY, CLEAR
10	46-294151P2	N	ADHES SPEC	0.0	LOCTITE #242 TYPE 11
11	2109873-14	N	SCREW	6.0	SCREW PAN HEAD Z M4X10 A2-70
12	46-208560P111	N	PDM PART	2.0	SCREW 6-32 X 5/8 SS
13	46-208935P5	N	PDM PART	10.0	6-32, .313 HEX X .109 THK, BRASS
14	46-136365P2	N	PDM PART	10.0	TINNERMAN P116-473-12-495
15	2221465-2	N	MODULE	1.0	MAESTRO ALIGNMENT LIGHT MODULE_TOP
16	2221465-3	N	MODULE	1.0	MAESTRO ALIGNMENT LIGHT MODULE_LEFT
17	2221465-4	N	MODULE	1.0	MAESTRO ALIGNMENT LIGHT MODULE_RIGHT
18	2287752	N	COVER	1.0	FRONT COSMETIC COVER
19	2162563	N	CABLE	1.0	(385) PP1-J20 TO MG2-A30-JP1 PAL BD
20	2162554-2	N	LASER DIODE	3.0	LASER FOR CONQUEST MAG FRT COVER ASM
21	2215716-2	N	OPR BP/D KIT	1.0	MAESTRO MAGNET HOUSING RH DISPLAY
22	2215716-3	N	OPR BP/D KIT	1.0	MAESTRO MAGNET HOUSING LH DISPLAY
23	2215716-4	N	OPR BP/D KIT	1.0	MAESTRO MAGNET HOUSING CNTR DISPLAY
25	2292564	N	ALIGN PLATE	1.0	LASER ALIGNMENT PLATE TOP
26	2292566	N	ALIGN PLATE	1.0	LASER ALIGNMENT PLATE TOP-SIDE
27	2292562	N	ALIGN PLATE	1.0	LASER ALIGNMENT PLATE TOP-RIGHT
28	2292562-2	N	ALIGN PLATE	1.0	LASER ALIGNMENT PLATE TOP-LEFT
29	2293956	N	OUT OF CATAL	4.0	HEX NUT, NYLON, M10X1.5MM, 9.8 HIGH
30	2296183-2	N	SCREW	4.0	SCREW HEXAGON HEAD 10 MM 50 MM,NYLON
32	2162554-4	N	LASER DIODE	1.0	LASER FOR CONQUEST MAG FRT COVER ASM
33	46-221523P46	N	PDM PART	1.0	WHITE NYLON PLUG, MAT'L THK .125"
34	46-170617P2	N	ADHESIVE	0.0	RTV SILICON RUBBER ADHESIVE SEALANT.
35	46-136374P36	N	PDM PART	1.0	PARKER 2-010, BUNA N, ID 0.239
36	2398124	N	LABEL	3.0	LASER ALIGNMENT LIGHT WARNING LABEL

TwinSpeed COMFORT MODULE

2284175



TwinSpeed COMFORT MODULE

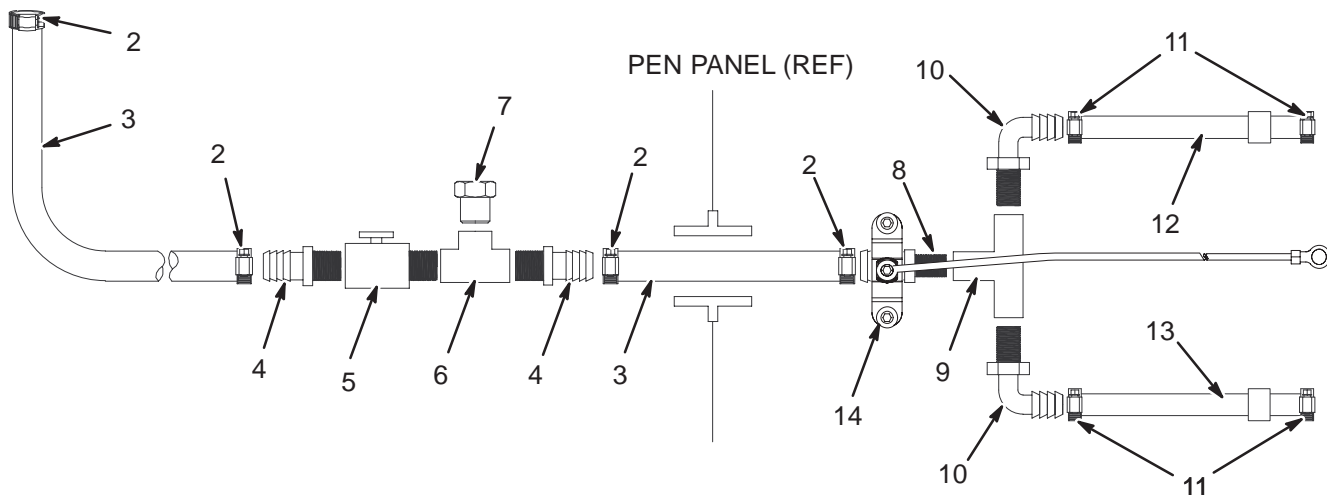
2284175 FRU N

(PART 14 OF 2297122 PAGE 2-341)

(PART 14 OF 2297122-2 PAGE 2-343)

Item	Part Number	FRU	Name	Quantity	Description (Remarks)
2	2284367	N	PART	1	SPEAKER COVER
3	46-221773P2	N	TRANSDUCER	1	SPEAKER, PIEZOELECTRIC, 3.2" SQUARE
4	2296181	N	COMFORT MOD	1	COMFORT MOD
5	2206437	N	SCREW	3	SCREW COUNTERSUNK HEA 4 MM 12 MM
6	2294433	N	PART	1	FOAM AIR SPACER
7	46-208747P2	N	VIBRATION IS	2	CABLE TIE MOUNT ADHESIVE BACKED
8	46-208758P2	N	TY-RAP	2	5.5" X .140" SELF-LOCKING CABLE TIE.
9	2296297	N	CABLE	1	COMFORT MODULE SPEAKER LINK CABLE

TwinSpeed GRADIENT COOLANT HOSE ASM 2295225



TwinSpeed GRADIENT HOSE ASM 2295225 FRU N

(PART 56 OF M3043TA PAGE 1-74)
 (PART 56 OF M3053TA PAGE 1-74)
 (PART 56 OF M3063TA PAGE 1-75)
 (PART 5 OF M3053TD PAGE 1-78)
 (PART 5 OF M3063TD PAGE 1-78)
 (PART 6 OF M3143TD PAGE 1-79)
 (PART 6 OF M3144TD PAGE 1-79)
 (PART 6 OF M3145TD PAGE 1-79)

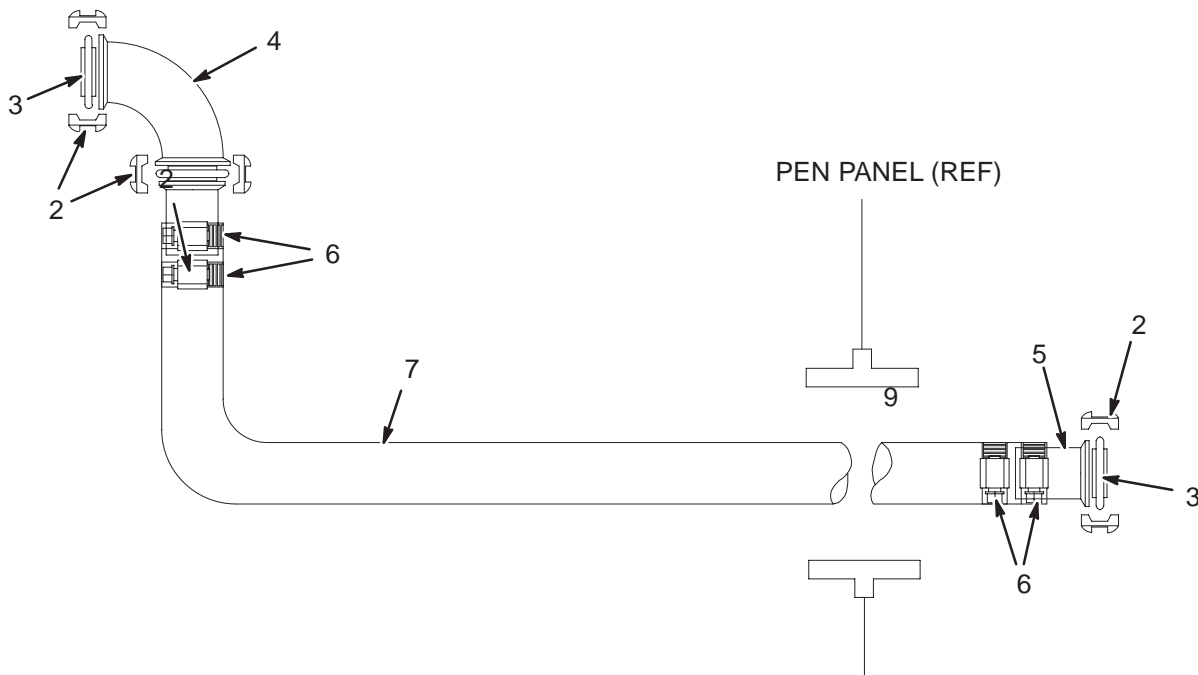
Item	Part Number	FRU	Name	Quantity	Description (Remarks)
2	2294010-2	N	HOSE CLAMP	8	WORM DRIVE, 1/2 TO 1-1/4 DIA, SST
3	2293610	N	HOSE PUSH-LO	2	PUSH-LOK HOSE 3/4" I.D., 100' LENGTH
4	2293612	N	CONNECTORS	4	MALE CONN FOR 3/4" HOSE TO 3/4" NPT
5	2293620	N	VALVE BALL	2	TEE HANDLE 3/4" MALE-FEM PIPE ENDS
6	2293613	N	TEE	2	UNION TEE 3/4" FNPT
7	2293614	N	PLUG	2	HEX-HEAD PLUG 3/4" MNPT
8	2293612-3	N	CONNECTORS	2	MALE CONN FOR 3/4" HOSE TO 1/2" MNPT
9	2293613-2	N	TEE	2	UNION TEE 1/2" FNPT
10	2293612-4	N	CONNECTORS	4	MALE ELBOW CN 1/2" HOSE TO 1/2" MNPT
11	2294010	N	HOSE CLAMP	8	WORM DRIVE, 1/2 TO 1-1/16 DIA, SST
12	2293610-2	N	HOSE PUSH-LO	72	BLACK RUBBER HOSE 1/2" ID
13	2293610-3	N	HOSE PUSH-LO	72	BLUE RUBBER HOSE 1/2" ID
14	5122582	N	PDM COLLECTO	1.0	WATER ASM POTENTIAL EQUALIZATION (SEE PAGE 2-351)

TRM COOLING CIRCUIT REPAIR KIT 2299498 FRU 1

Item	Part Number	FRU	Name	Quantity	Description (Remarks)
2	2297574	N	REPAIR	1	TRM EXTERIOR COOLANT CIRCUIT ASM
3	2138069	N	REPAIR	1	PRODUCT IDENTIFIER
4	2318411	N	REPAIR	1	POLYETHYLENE SIPHON PUMP

TwinSpeed VACUUM HOSE ASM

2295226



TwinSpeed VACUUM HOSE ASM

2295226 FRU N

- (PART 57 OF M3043TA PAGE 1-74)
- (PART 57 OF M3053TA PAGE 1-74)
- (PART 57 OF M3063TA PAGE 1-75)
- (PART 56 OF M3053TD PAGE 1-78)
- (PART 56 OF M3063TD PAGE 1-78)
- (PART 6 OF M3143TD PAGE 1-79)
- (PART 6 OF M3144TD PAGE 1-79)
- (PART 6 OF M3145TD PAGE 1-79)

Item	Part Number	FRU	Name	Quantity	Description (Remarks)
2	2293618-2	2	CLAMP	3	QF25 CHAIN CLAMP
3	2293608	2	RING, CENTER	3	QF25 CENTERING RING W/O-RING
4	2293609	2	ELBOW	1	QF25 ELBOW (MACROVAC)
5	2293616	2	CONNECTORS	2	QF25 TO 1" HOSE CONNECTOR (MACROVAC)
6	2294010-3	2	HOSE CLAMP	4	WORM DRIVE, 3/4 TO 1-1/2 DIA, SST
7	2293607	N	HOSE,FLEXIBL	100	FLEXIBLE VACUUM HOSE

WATER ASM POTENTIAL EQUALIZATION 5122582 FRU N

(PART 14 OF 2295225 PAGE 2-349)

Item	Part Number	FRU	Name	Quantity	Description (Remarks)
1	5126242	N	PDM ASSEMBLY	2.0	CLAMP WITH SS SCREWS ADDED FOR POTEN
2	5126241	N	PDM ASSEMBLY	2.0	WIRE JUMPER FOR POTENTIAL EQUALIZATI
3	5126058	N	PDM PART	1.0	INSTRUCTIONS FOR POTENTIAL EQUALIZAT
4	46-294691P5	N	PDM PART	4.0	LOCKNUT, .250-20UNC HEX, 18-8 STAINL
7	5112522-3	N	PDM PART	8.0	TIE WRAP, NYLON 18 LB MINIMUM X .87
8	46-208747P1	N	PDM PART	8.0	ADHESIVE MOUNT - CABLE TIE
9	2236130-2	N	CONNECTOR WR	4.0	VELCRO WRAP TYPE 889 - 177 X 200