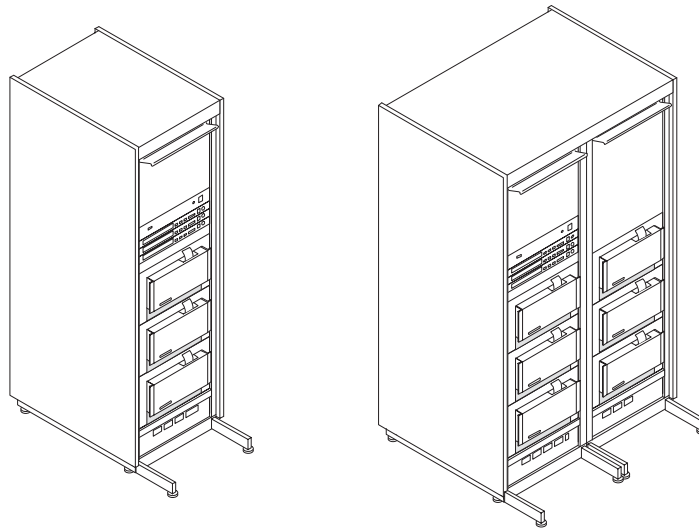


SECTION 9 – GRADIENT CABINET

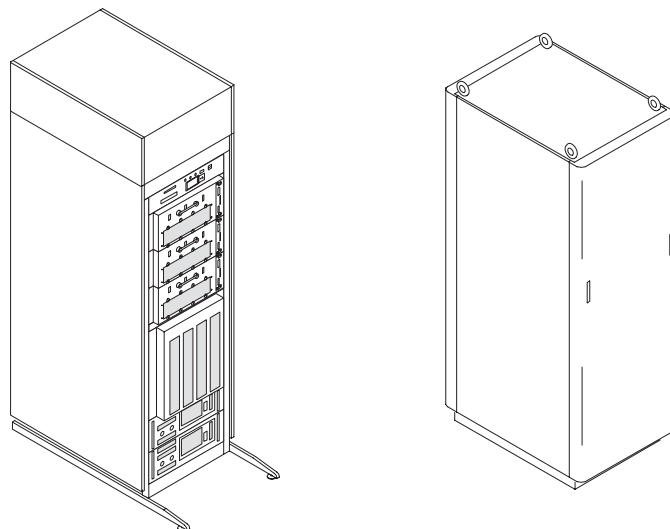
TABLE OF CONTENTS

SECTION

PAGE



9-1 HORIZON 8645 GRADIENT CABINETS 9-2
 Contains information on Horizon single and double bay 8645 Gradient Cabinet configurations
 SINGLE-BAY 8645 GRADIENT CABINET 2108800 9-2
 DOUBLE-BAY 8645 GRADIENT CABINET 2108800-2 9-7



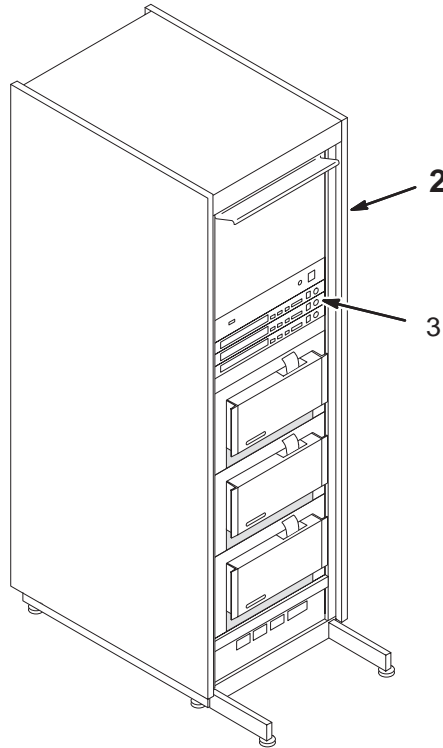
9-2 SGD GRADIENT CABINETS 9-12
 Contains information on Hi-Slew and Base SGD Gradient Cabinets
 SGD HI-SLEW GRADIENT CABINET 2169944 9-13
 SGD BASE GRADIENT CABINET 2172035 9-20

9-1 HORIZON SINGLE AND DOUBLE BAY 8645 GRADIENT CABINETS

SINGLE AMP/AXIS GRADIENT CABINET

2108800

MR3

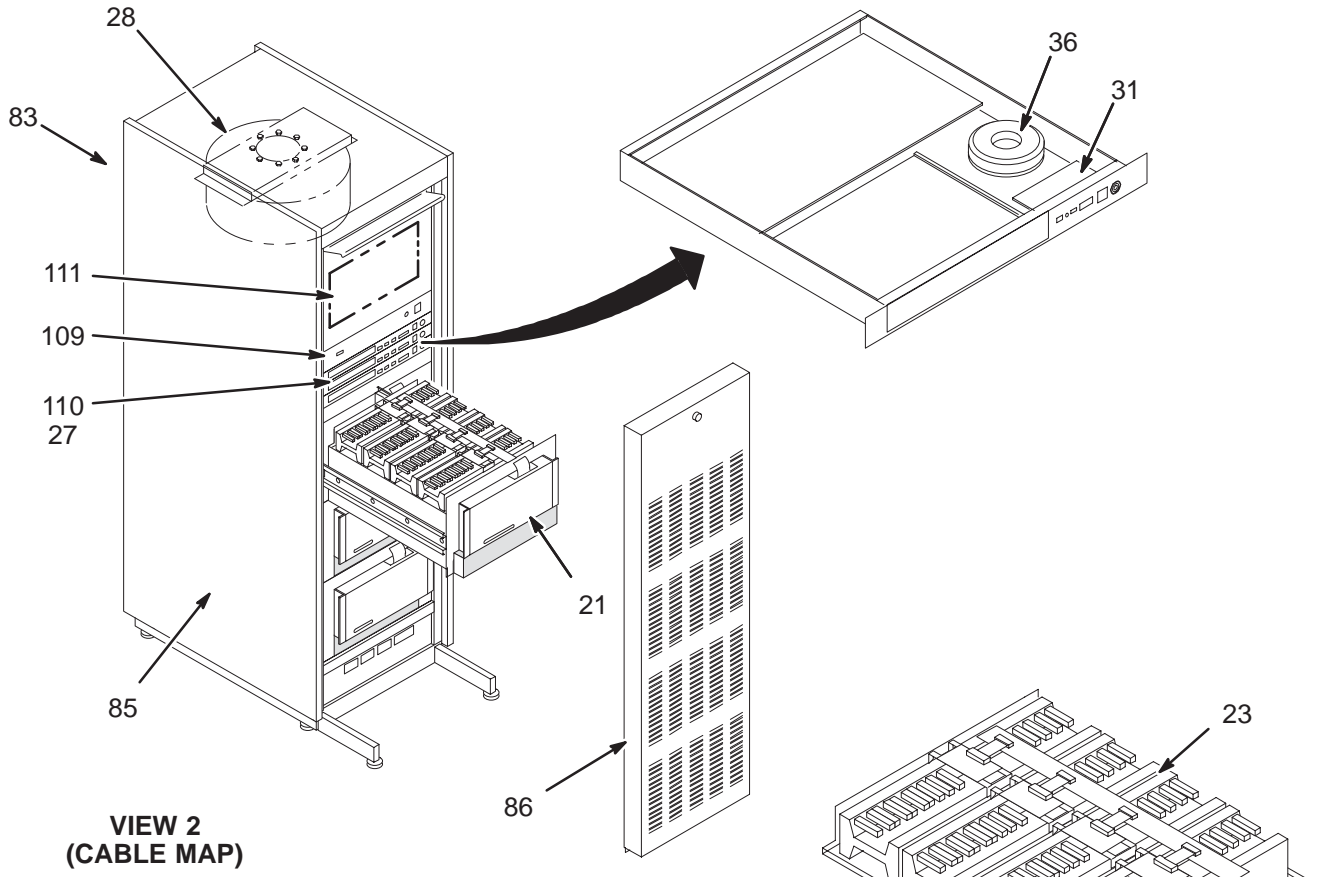


SINGLE AMP/AXIS GRAD CAB 2108800 FRU N (PART OF HiSpeed SYSTEM – SECTION 1)

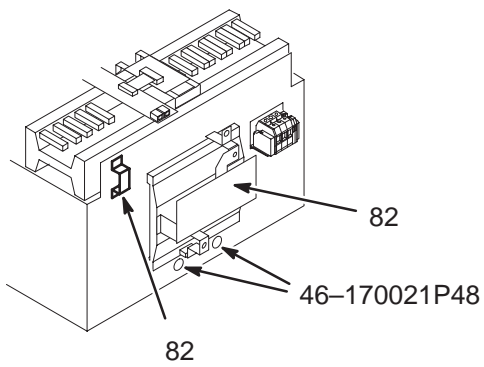
Item	Part Number	FRU	Name	Quantity	Description (Remarks)
2	46-328206P5	N	GRADIENT AMP	1	8645 GRAD CABINET – 1 AMP/AXIS (SEE PAGE 9-5)
3	2111447	1	ASM MIF	3	ANALOG SERVICE MODULE, 8645 GRADIENT

8645 GRADIENT CABINET – SINGLE AMP/AXIS46–328206P5

MR3



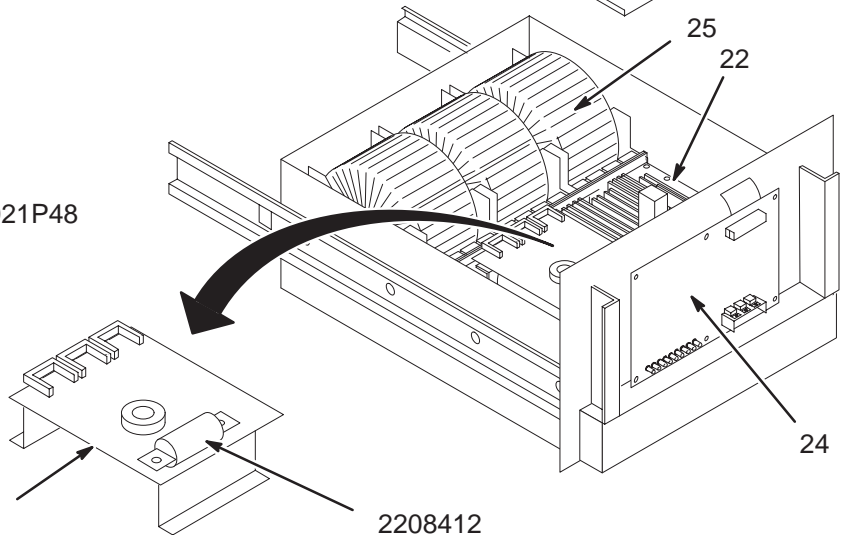
VIEW 2
(CABLE MAP)



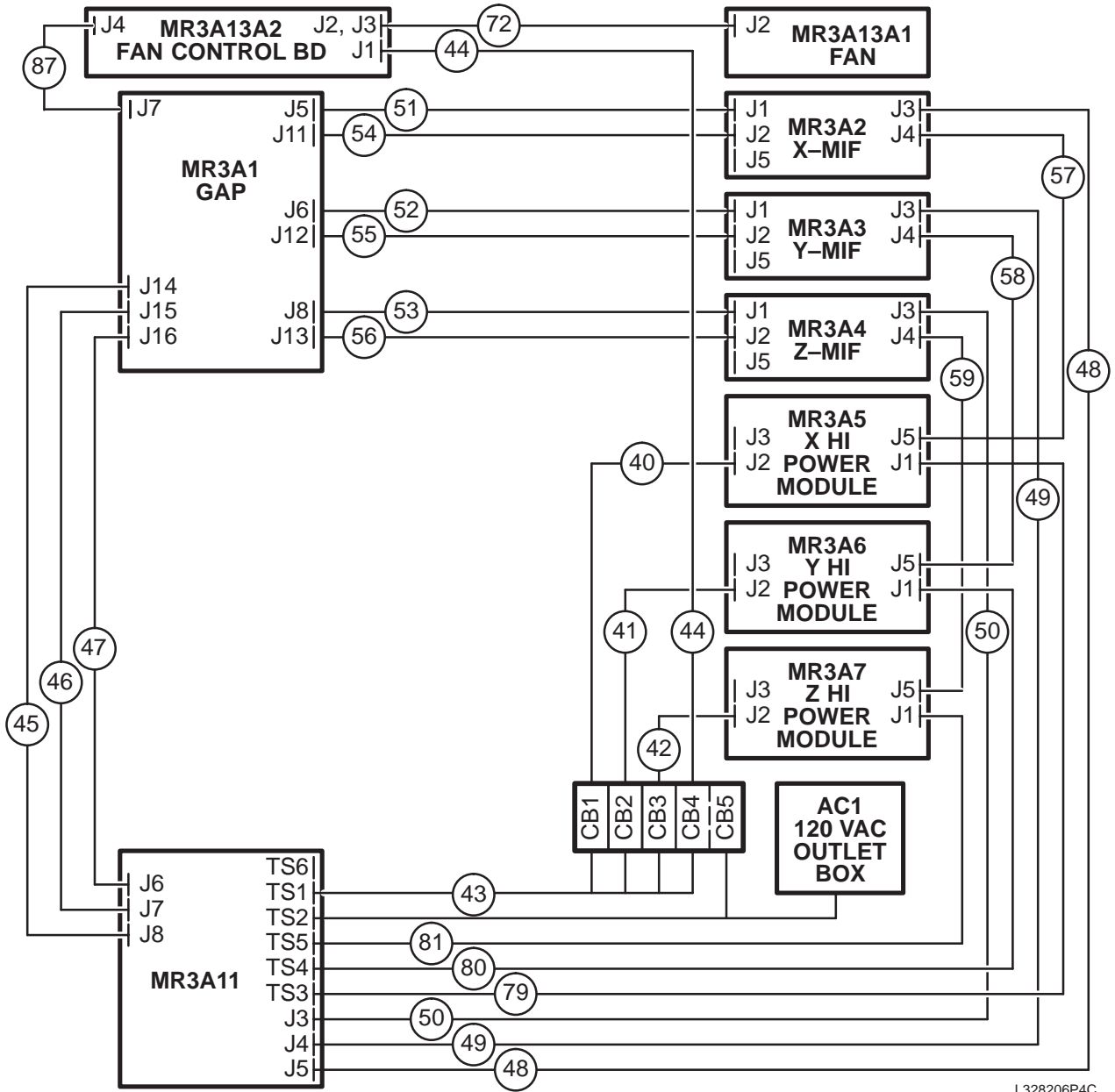
2207489

2208412

VIEW 1



CABLE MAP



L328206P4C

VIEW 2

1-BAY 8645 GRADIENT CAB 46-328206P5 FRU N (PART OF 2108800 PAGE 9-2)

Item	Part Number	FRU	Name	Quantity	Description (Remarks)
21	46-328206P115	1	CROWN FRU	3	CROWN A10999-G2 POWER MODULE WITH CROWBAR
22	46-328206P114	1	CROWN FRU	3	CROWN 012388-3 PPBM WITH CROWBAR
23	46-328206P23	1	CROWN FRU	3	CROWN A10998-G1 8645 OUTPUT SHELF
24	46-328206P24	1	CROWN FRU	3	CROWN A10967-1 MAIN CONTROL BOARD
25	46-328206P25	1	CROWN FRU	3	CROWN A10974-G1 TOROID POWER SUPPLY
26	46-328206P26	1	CROWN FRU	3	CROWN A10666-G1 MIF MODULE (NO ASM)
27	46-328206P27	N	CROWN FRU	1	CROWN A10589-1 ASM BD (USE 2111447)
28	46-328206P28	1	CROWN FRU	1	CROWN A10794-G1 FAN ASSEMBLY
30	46-328206P30	1	CROWN FRU	1	CROWN A11030-1 FAN CONTROL BOARD
31	46-328206P31	2	CROWN FRU		CROWN A10671-1 MIF FRONT PANEL PWB
33	46-328206P33	1	CROWN FRU		CROWN A10576-G1 GAP MODULE W/BOARD
36	46-328206P36	2	CROWN FRU		CROWN A10675-G1 TOROID PS MIF
37	46-328206P37	2	CROWN FRU		CROWN A10958-1 CIRCUIT BREAKER 4-P
39	46-328206P39	2	CROWN FRU		CROWN C9790-4 CIRCUIT BREAKER 3-POLE
40	46-328206P40	2	CROWN FRU		CROWN A11075-G1 POWER CORD, 208/30 X
41	46-328206P41	2	CROWN FRU		CROWN A11075-G3 POWER CORD, 208/30 Y
42	46-328206P42	2	CROWN FRU		CROWN A11075-G5 POWER CORD 208/30 Z
43	46-328206P43	2	CROWN FRU		CROWN A11073-G2 WIRE HARNESS
44	46-328206P44	2	CROWN FRU		CROWN A11076-G1 WIRES FAN POWER CORD
45	46-328206P88	2	CROWN FRU		CROWN A11403-1 CABLE X GAP/GRAM I/O
	46-328206P45		CROWN FRU		CROWN A11086-1 CABLE X GAP/GRAM I/O
46	46-328206P89	2	CROWN FRU		CROWN A11403-2 CABLE Y GAP/GRAM I/O
	46-328206P46		CROWN FRU		CROWN A11086-2 CABLE Y GAP/GRAM I/O
47	46-328206P90	2	CROWN FRU		CROWN A11403-3 CABLE Z GAP/GRAM I/O
	46-328206P47		CROWN FRU		CROWN A11086-3 CABLE Z GAP/GRAM I/O
48	46-328206P91	2	CROWN FRU		CROWN A11406-1 CABLE X MIF/GRAM S/C
	46-328206P48		CROWN FRU		CROWN A11087-1 CABLE X MIF/GRAM S/C
49	46-328206P92	2	CROWN FRU		CROWN A11406-2 CABLE Y MIF/GRAM S/C
	46-328206P49		CROWN FRU		CROWN A11087-2 CABLE Y MIF/GRAM S/C
50	46-328206P93	2	CROWN FRU		CROWN A11406-3 CABLE Z MIF/GRAM S/C
	46-328206P50		CROWN FRU		CROWN A11087-3 CABLE Z MIF/GRAM S/C
51	46-328206P94	2	CROWN FRU		CROWN A11425-1 CABLE MIF/GAP HSSD X
	46-328206P51	2	CROWN FRU		CROWN A11088-1 CABLE MIF/GAP HSSD X
52	46-328206P95	2	CROWN FRU		CROWN A11425-2 CABLE MIF/GAP HSSD Y
	46-328206P52	2	CROWN FRU		CROWN A11088-2 CABLE MIF/GAP HSSD Y
53	46-328206P96	2	CROWN FRU		CROWN A11425-3 CABLE MIF/GAP HSSD Z
	46-328206P53	2	CROWN FRU		CROWN A11088-3 CABLE MIF/GAP HSSD Z
54	46-328206P97	2	CROWN FRU		CROWN A11401-1 CABLE MIF/GAP I/O X
	46-328206P54		CROWN FRU		CROWN A11089-1 CABLE MIF/GAP I/O X
55	46-328206P98	2	CROWN FRU		CROWN A11401-2 CABLE MIF/GAP I/O Y
	46-328206P55		CROWN FRU		CROWN A11089-2 CABLE MIF/GAP I/O Z
56	46-328206P99	2	CROWN FRU		CROWN A11401-3 CABLE MIF/GAP I/O Y
	46-328206P56		CROWN FRU		CROWN A11089-3 CABLE MIF/GAP I/O Z
57	46-328206P100	2	CROWN FRU		CROWN A11426-1 CABLE PM/MIF S/C X HI
	46-328206P57		CROWN FRU		CROWN A11091-1 CABLE PM/MIF S/C X HI
58	46-328206P102	2	CROWN FRU		CROWN A11426-3 CABLE PM/MIF S/C Y HI
	46-328206P58		CROWN FRU		CROWN A11091-3 CABLE PM/MIF S/C Y HI
59	46-328206P104	2	CROWN FRU		CROWN A11426-5 CABLE PM/MIF S/C Z HI
	46-328206P59		CROWN FRU		CROWN A11091-5 CABLE PM/MIF S/C Z HI

Parts List Continued On Next Page

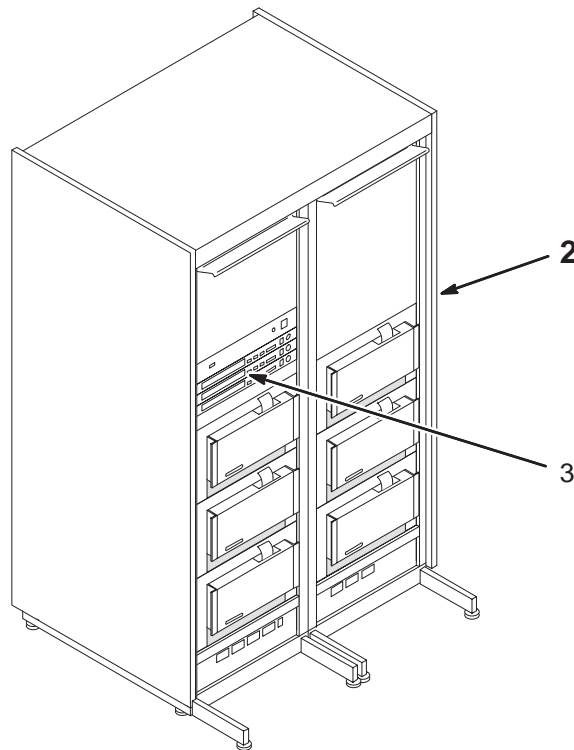
1-BAY 8645 GRADIENT CAB 46-328206P5 FRU N (CONTINUED FROM PREVIOUS PAGE)

Item	Part Number	FRU	Name	Quantity	Description (Remarks)
60	46-328206P60	2	CROWN FRU		CROWN A11077-1 CABLE OUTPUT X HI
61	46-328206P61	2	CROWN FRU		CROWN A11077-2 CABLE OUTPUT Y HI
62	46-328206P62	2	CROWN FRU		CROWN A11077-3 CABLE PUTPUT Z HI
66	46-328206P66	2	CROWN FRU		CROWN C9920-7 3/4 IN. STRAP, 2-HOLE
79	46-328206P79	2	CROWN FRU		CROWN A11077-2 CABLE OUTPUT X LO
80	46-328206P80	2	CROWN FRU		CROWN A11077-4 CABLE OUTPUT Y LO
81	46-328206P81	2	CROWN FRU		CROWN A11077-6 CABLE OUTOUT Z LO
82	46-328206P82	1	CROWN FRU	3	CROWN A11060-G1 140A EXTERNAL SHUNT
83	46-328206P83	2	CROWN FRU		CROWN A10151-4 CABINET SIDE COVER
85	46-328206P85	2	CROWN FRU		CROWN A10152-10 REAR DOOR R. H. HINGE
86	46-328206P86	2	CROWN FRU		CROWN A10688-G1 CABINET FRONT COVER
87	46-328206P87	2	CROWN FRU		CROWN A11438-1 CABLE FAN CONTROL
109	46-328206P109	2	CROWN FRU		CROWN A11457-G1 EMC 8645 GAP MODULE
110	46-328206P110	2	CROWN FRU		CROWN A11516-G1 EMC 8645 MIF MODULE
111	46-328206P111	2	CROWN FRU		CROWN G46328206P111 P5 FAN CONNCT BD
2207489	2207489	2	CROWN FRU	3	CROWBAR CIRCUIT BOARD/BRACKET ASM
2208412	2208412	1	CROWN FRU	3	500V, 100A, FAST-ACTING FUSE
	46-170021P48	2	FUSE	2	250V, 0.125A, SLO-BLO FUSE

DOUBLE AMP/AXIS GRADIENT CABINET

2108800-2

MR3

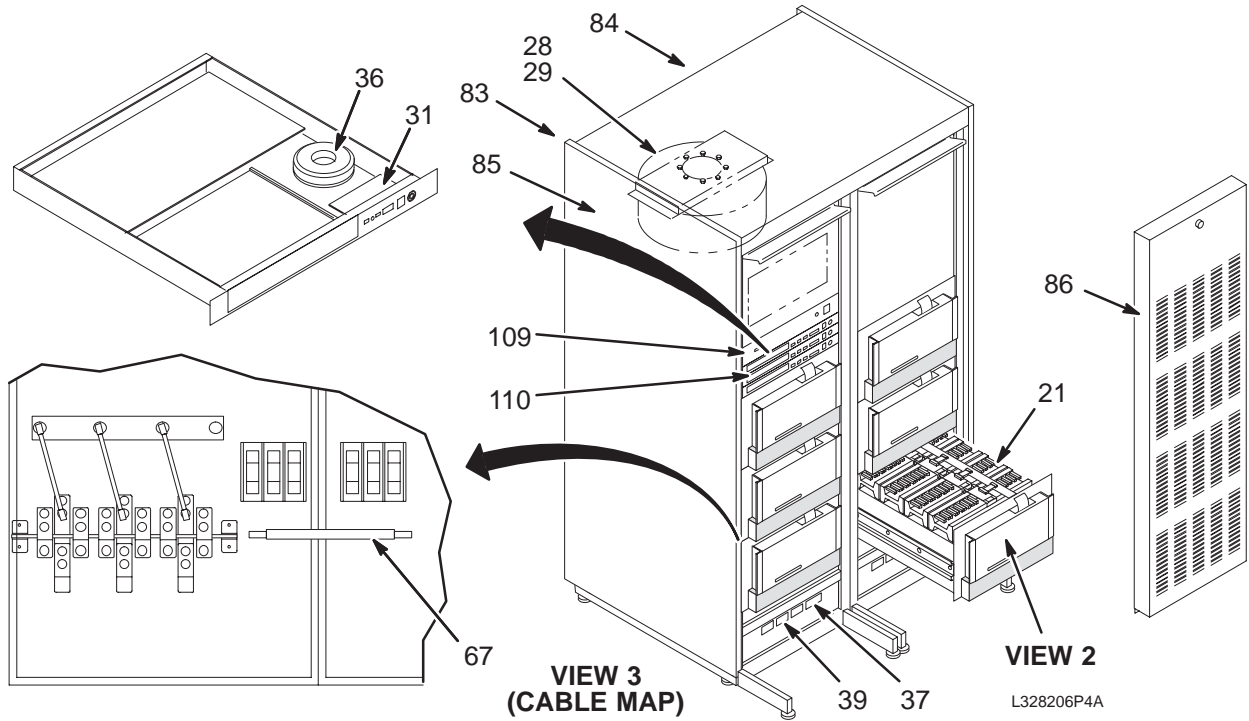


DOUBLE AMP/AXIS GRAD CAB 2108800-2 FRU N (PART OF Base & EchoSpeed – SECTION 1)

Item	Part Number	FRU	Name	Quantity	Description (Remarks)
2	46-328206P4	N	GRADIENT AMP	1	8645 GRADIENT CAB – 2 AMPS/AXIS (SEE PAGE 9-10)
3	2111447	1	ASM MIF	3	ANALOG SERVICE MODULE, 8645 GRADIENT

8645 GRADIENT CABINET – DOUBLE AMP/AXIS 46-328206P4

MR3

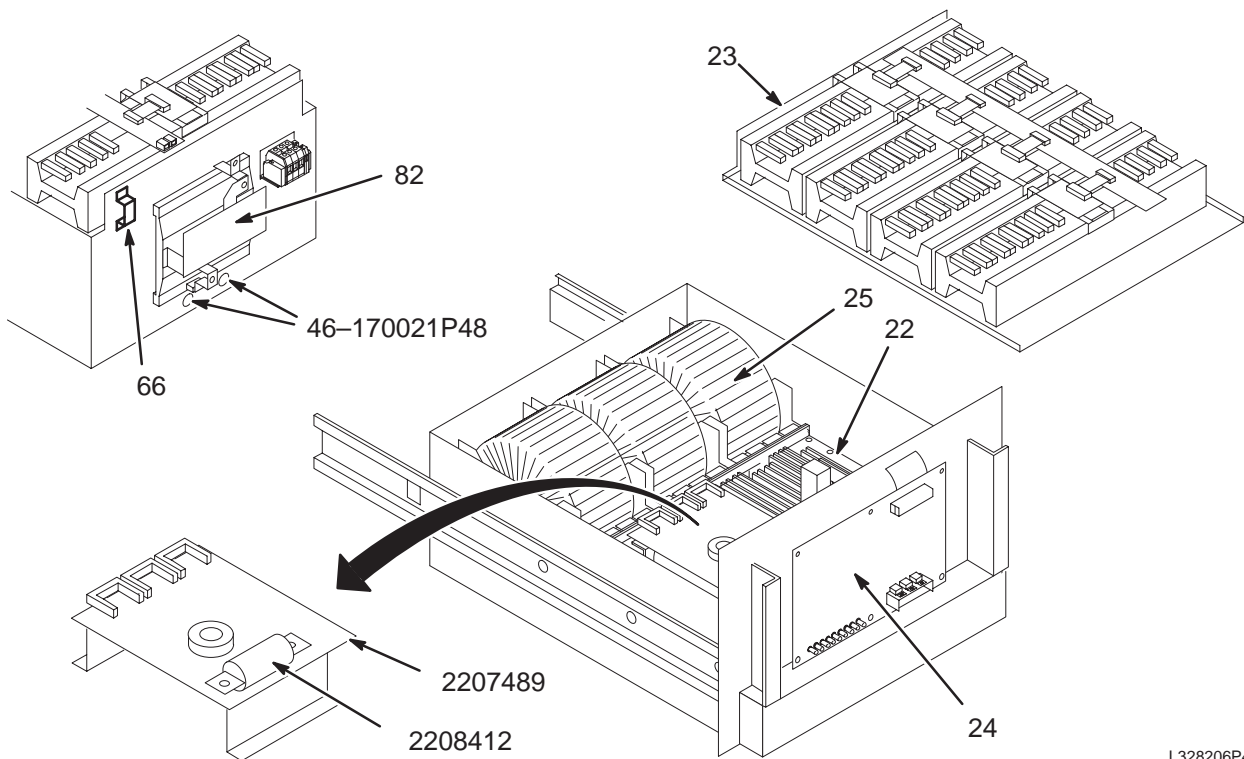


L328206P4A

VIEW 1

VIEW 3
(CABLE MAP)

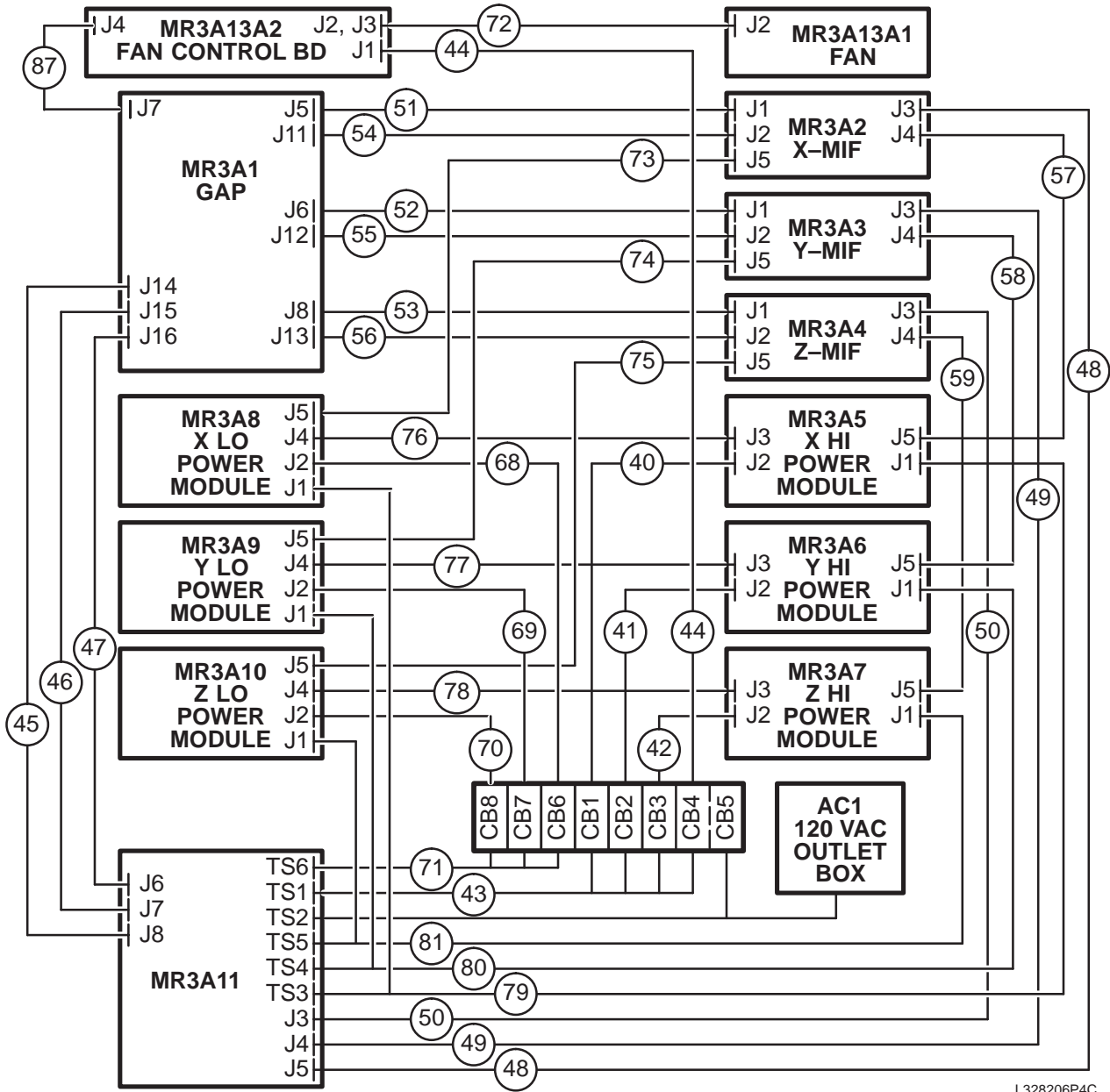
VIEW 2



L328206P4B

VIEW 2

CABLE MAP



L328206P4C

VIEW 3

2-BAY 8645 GRADIENT CAB 46-328206P4 FRU N (PART OF 2108800-2 PAGE 9-7)

Item	Part Number	FRU	Name	Quantity	Description (Remarks)
21	46-328206P115	1	CROWN FRU	3	CROWN A10999-G2 POWER MODULE WITH CROWBAR
22	46-328206P114	1	CROWN FRU	3	CROWN 012388-3 PPBM WITH CROWBAR
23	46-328206P23	1	CROWN FRU		CROWN A10998-G1 8645 OUTPUT SHELF
24	46-328206P24	1	CROWN FRU		CROWN A10967-1 MAIN CONTROL BOARD
25	46-328206P25	1	CROWN FRU		CROWN A10974-G1 TOROID POWER SUPPLY
26	46-328206P26	1	CROWN FRU		CROWN A10666-G1 MIF MODULE (NO ASM)
27	46-328206P27	N	CROWN FRU		CROWN A10589-1 ASM BD (USE 2111447)
28	46-328206P28	1	CROWN FRU		CROWN A10794-G1 FAN ASSEMBLY
30	46-328206P30	1	CROWN FRU		CROWN A11030-1 FAN CONTROL BOARD
31	46-328206P31	2	CROWN FRU		CROWN A10671-1 MIF FRONT PANEL PWB
33	46-328206P33	1	CROWN FRU		CROWN A10576-G1 GAP MODULE W/BOARD
36	46-328206P36	2	CROWN FRU		CROWN A10675-G1 TOROID PS MIF
37	46-328206P37	2	CROWN FRU		CROWN A10958-1 CIRCUIT BREAKER 4-P
39	46-328206P39	2	CROWN FRU		CROWN C9790-4 CIRCUIT BREAKER 3-POLE
40	46-328206P40	2	CROWN FRU		CROWN A11075-G1 POWER CORD, 208/30 X
41	46-328206P41	2	CROWN FRU		CROWN A11075-G3 POWER CORD, 208/30 Y
42	46-328206P42	2	CROWN FRU		CROWN A11075-G5 POWER CORD 208/30 Z
43	46-328206P43	2	CROWN FRU		CROWN A11073-G2 WIRE HARNESS
44	46-328206P44	2	CROWN FRU		CROWN A11076-G1 WIRES FAN POWER CORD
45	46-328206P88	2	CROWN FRU		CROWN A11403-1 CABLE X GAP/GRAM I/O
	46-328206P45		CROWN FRU		CROWN A11086-1 CABLE X GAP/GRAM I/O
46	46-328206P89	2	CROWN FRU		CROWN A11403-2 CABLE Y GAP/GRAM I/O
	46-328206P46		CROWN FRU		CROWN A11086-2 CABLE Y GAP/GRAM I/O
47	46-328206P90	2	CROWN FRU		CROWN A11403-3 CABLE Z GAP/GRAM I/O
	46-328206P47		CROWN FRU		CROWN A11086-3 CABLE Z GAP/GRAM I/O
48	46-328206P91	2	CROWN FRU		CROWN A11406-1 CABLE X MIF/GRAM S/C
	46-328206P48		CROWN FRU		CROWN A11087-1 CABLE X MIF/GRAM S/C
49	46-328206P92	2	CROWN FRU		CROWN A11406-2 CABLE Y MIF/GRAM S/C
	46-328206P49		CROWN FRU		CROWN A11087-2 CABLE Y MIF/GRAM S/C
50	46-328206P93	2	CROWN FRU		CROWN A11406-3 CABLE Z MIF/GRAM S/C
	46-328206P50		CROWN FRU		CROWN A11087-3 CABLE Z MIF/GRAM S/C
51	46-328206P94	2	CROWN FRU		CROWN A11425-1 CABLE MIF/GAP HSSD X
	46-328206P51	2	CROWN FRU		CROWN A11088-1 CABLE MIF/GAP HSSD X
52	46-328206P95	2	CROWN FRU		CROWN A11425-2 CABLE MIF/GAP HSSD Y
	46-328206P52	2	CROWN FRU		CROWN A11088-2 CABLE MIF/GAP HSSD Y
53	46-328206P96	2	CROWN FRU		CROWN A11425-3 CABLE MIF/GAP HSSD Z
	46-328206P53	2	CROWN FRU		CROWN A11088-3 CABLE MIF/GAP HSSD Z
54	46-328206P97	2	CROWN FRU		CROWN A11401-1 CABLE MIF/GAP I/O X
	46-328206P54		CROWN FRU		CROWN A11089-1 CABLE MIF/GAP I/O X
55	46-328206P98	2	CROWN FRU		CROWN A11401-2 CABLE MIF/GAP I/O Y
	46-328206P55		CROWN FRU		CROWN A11089-2 CABLE MIF/GAP I/O Z
56	46-328206P99	2	CROWN FRU		CROWN A11401-3 CABLE MIF/GAP I/O Y
	46-328206P56		CROWN FRU		CROWN A11089-3 CABLE MIF/GAP I/O Z
57	46-328206P100	2	CROWN FRU		CROWN A11426-1 CABLE PM/MIF S/C X HI
	46-328206P57		CROWN FRU		CROWN A11091-1 CABLE PM/MIF S/C X HI
58	46-328206P102	2	CROWN FRU		CROWN A11426-3 CABLE PM/MIF S/C Y HI
	46-328206P58		CROWN FRU		CROWN A11091-3 CABLE PM/MIF S/C Y HI
59	46-328206P104	2	CROWN FRU		CROWN A11426-5 CABLE PM/MIF S/C Z HI
	46-328206P59		CROWN FRU		CROWN A11091-5 CABLE PM/MIF S/C Z HI

Parts List Continued On Next Page

2-BAY 8645 GRADIENT CAB 46-328206P4 FRU N (CONTINUED FROM PREVIOUS PAGE)

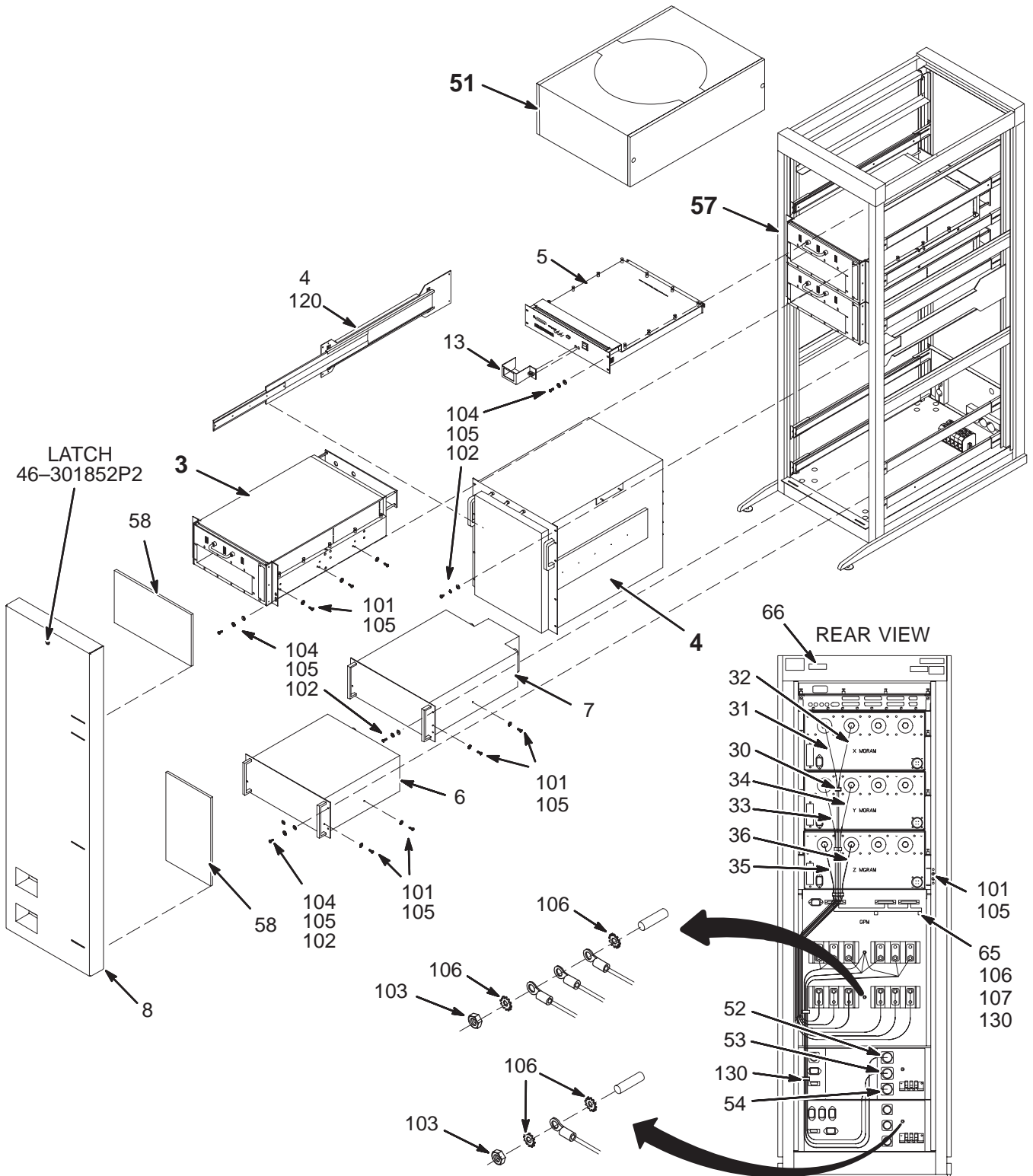
Item	Part Number	FRU	Name	Quantity	Description (Remarks)
60	46-328206P60	2	CROWN FRU		CROWN A11077-1 CABLE OUTPUT X HI
61	46-328206P61	2	CROWN FRU		CROWN A11077-2 CABLE OUTPUT Y HI
62	46-328206P62	2	CROWN FRU		CROWN A11077-3 CABLE PUTPUT Z HI
66	46-328206P66	2	CROWN FRU		CROWN C9920-7 3/4 IN. STRAP, 2-HOLE
67	46-328206P67	2	CROWN FRU		CROWN A10354-G2 STRAP CABINET GROUND
68	46-328206P68	2	CROWN FRU		CROWN A11075-G2 POWER CORD 208/30 X
69	46-328206P69	2	CROWN FRU		CROWN A11075-G4 POWER CORD 208/30 Y
70	46-328206P70	2	CROWN FRU		CROWN A11075-G6 POWER CORD 208/30 Z
71	46-328206P71	2	CROWN FRU		CROWN A11072-G1 WIRES PM LO BAR/BLOK
72	46-328206P72	2	CROWN FRU		CROWN A11085-1 CABLE FAN CONTROL
73	46-328206P101	2	CROWN FRU		CROWN A11426-2 CABLE PM/MIF S/C X LO
	46-328206P73	2	CROWN FRU		CROWN A11091-2 CABLE PM/MIF S/C X LO
74	46-328206P103	2	CROWN FRU		CROWN A11426-4 CABLE PM/MIF S/C Y LO
	46-328206P74	2	CROWN FRU		CROWN A11091-4 CABLE PM/MIF S/C Y LO
75	46-328206P105	2	CROWN FRU		CROWN A11426-6 CABLE PM/MIF S/C Z LO
	46-328206P75	2	CROWN FRU		CROWN A11091-6 CABLE PM/MIF S/C Z LO
76	46-328206P106	2	CROWN FRU		CROWN A11407-1 CABLE PM/PM INTERLOCK
	46-328206P76	2	CROWN FRU		CROWN A11090-1 CABLE PM/PM INTERLOCK
77	46-328206P107	2	CROWN FRU		CROWN A11407-3 CABLE PM/PM INTERLOCK
	46-328206P77	2	CROWN FRU		CROWN A11090-3 CABLE PM/PM INTERLOCK
78	46-328206P108	2	CROWN FRU		CROWN A11407-2 CABLE PM/PM INTERLOCK
	46-328206P78	2	CROWN FRU		CROWN A11090-2 CABLE PM/PM INTERLOCK
79	46-328206P79	2	CROWN FRU		CROWN A11077-2 CABLE OUTPUT X LO
80	46-328206P80	2	CROWN FRU		CROWN A11077-4 CABLE OUTPUT Y LO
81	46-328206P81	2	CROWN FRU		CROWN A11077-6 CABLE OUTOUT Z LO
82	46-328206P82	1	CROWN FRU	3	CROWN A11060-G1 140A EXTERNAL SHUNT
83	46-328206P83	2	CROWN FRU		CROWN A10151-4 CABINET SIDE COVER
84	46-328206P84	2	CROWN FRU		CROWN A10152-5 REAR DOOR L. H. HINGE
85	46-328206P85	2	CROWN FRU		CROWN A10152-10 REAR DOOR R. H. HINGE
86	46-328206P86	2	CROWN FRU		CROWN A10688-G1 CABINET FRONT COVER
87	46-328206P87	2	CROWN FRU		CROWN A11438-1 CABLE FAN CONTROL
109	46-328206P109	2	CROWN FRU		CROWN A11457-G1 EMC 8645 GAP MODULE
110	46-328206P110	2	CROWN FRU		CROWN A11516-G1 EMC 8645 MIF MODULE
2207489	2207489	2	CROWN FRU		CROWBAR CIRCUIT BOARD/BRACKET ASM
2208412	2208412	1	CROWN FRU		500V, 100A, FAST-ACTING FUSE
	46-170021P48	2	FUSE	2	250V, 0.125A, SLO-BLO FUSE

9-2 SGD GRADIENT CABINETS

SGD HI-SLEW GRADIENT CABINET ASM

2169944

MR3



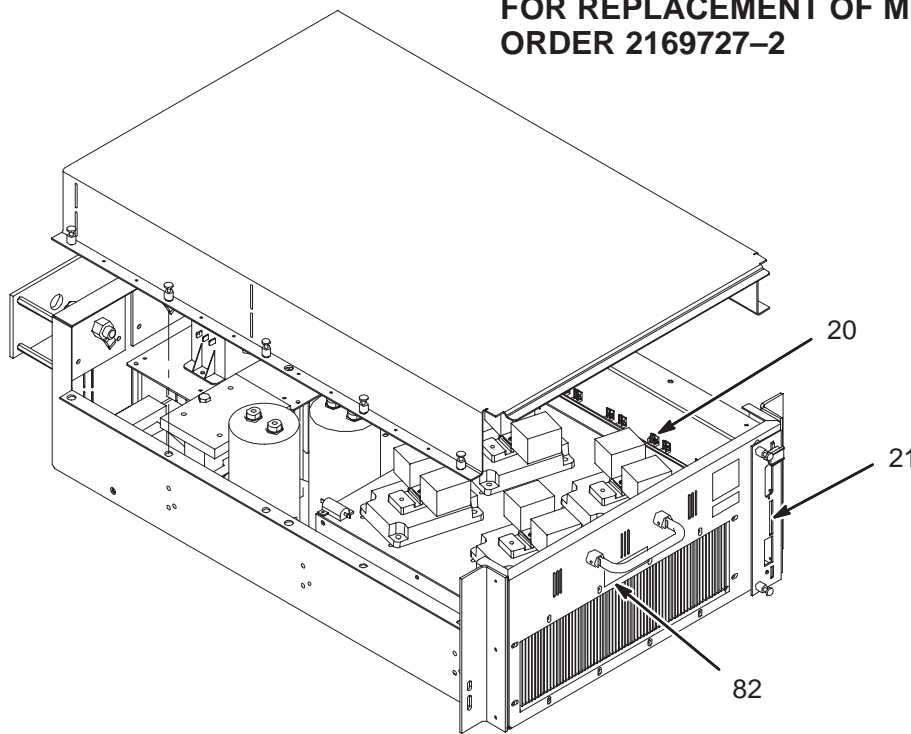
SGD HI-SLEW GRADIENT CABINET 2169944 FRU N (PART OF SGD HI-SLEW CATALOGS – SECTION 1)

Item	Part Number	FRU	Name	Quantity	Description (Remarks)
3	2169727-3	1	CHASSIS	3	MINI GRAM ASSEMBLY (SEE PAGE 9-14)
	2169727-4	1	FRU	AR	MINI GRAM WITH FRU PACKAGING
4	2151183	1	ASSEMBLY	1	GRADIENT POWER MODULE – SGD (SEE PAGE 9-18)
5	2169941	1	CHASSIS	1	GIP ASSEMBLY FOR SGD
6	2154416-2	1	SGD POWER SU	1	MINIGRAM POWER SUPPLY (GRAM-PS)
7	2154416-3	1	SGD POWER SU	1	GRADIENT POWER MODULE POWER SUPPLY
8	2166510	2	FRONT PANEL	1	FRONT COVER FOR SGD
13	2168615	N	COVER MOUNT	1	FRONT COVER MOUNTING BRACKET
31	2178856	2	CABLE	1	MR3XGRAMJ1+ TO MR3GPMXOUTPUT
32	2178856-2	2	CABLE	1	MR3XGRAMJ2- TO MR3GPMXCOMMON
33	2178856-3	2	CABLE	1	MR3YGRAMJ1+ TO MR3GPMYOUTPUT
34	2178856-4	2	CABLE	1	MR3YGRAMJ2- TO MR3GPMYCOMMON
35	2178856-5	2	CABLE	1	MR3ZGRAMJ1+ TO MR3GPMZOUTPUT
36	2178856-6	2	CABLE	1	MR3ZGRAMJ2- TO MR3GPMZCOMMON
51	2173642	2	FAN ASSEMBLY	1	FAN ASSEMBLY FOR SGD CABINET (SEE PAGE 9-19)
52	2180282	2	CABLE	1	MR3GPMPSJ7 TO MR3GPMX
53	2180282-2	2	CABLE	1	MR3GPMPSJ8 TO MR3GPMY
54	2180282-3	2	CABLE	1	MR3GPMPSJ9 TO MR3GPMZ
57	2182062	2	CAB ASM.	1	SGD CABINET ASSEMBLY (SEE PAGE 9-16)
58	46-306565P1	1	AIR FILTER	4	RESEARCH PRODUCTS 10"EZ-CLEAN FILTER
59	2187457	N	LABEL	1	LABEL CAUTION
65	2190102	N	SUPPORT	1	CABLE SUPPORT
66	2165323	2	LABEL	1	"POWER FOR THIS DEVICE....PDU ONLY"
101	46-328421P13	2	SCREW	38	SCREW PAN HEAD 4 MM 8 MM
102	46-328421P16	2	SCREW	32	SCREW PAN HEAD 4 MM 16 MM
103	46-328425P2	2	NUT	1	NUT HEXAGON 6 MM
104	46-328431P1	2	WASHER	28	WASHER PLAIN – LARGE 4.3 MM 12 MM
105	46-328433P2	2	WASHER	66	WASHER LOCK – EXTERNAL 4.3 MM 8 MM
106	46-328433P3	2	WASHER	4	WASHER LOCK – EXTERNAL 6.4 MM 11 MM
107	46-328421P22	2	SCREW	2	SCREW PAN HEAD 6 MM 8 MM
120	46-170015P21	2	SCREW	8	SCREW
130	46-208758P3	2	TY-RAP	8	7.31" X .184" SELF-LOCKING CABLE TIE

MINI GRAM ASSEMBLY

2169727

**FOR REPLACEMENT OF MINI GRAM ASSEMBLY
ORDER 2169727-2**



MINI GRAM ASSEMBLY 2169727-3 FRU 1 (PART 3 OF 2169944 PAGE 9-13)

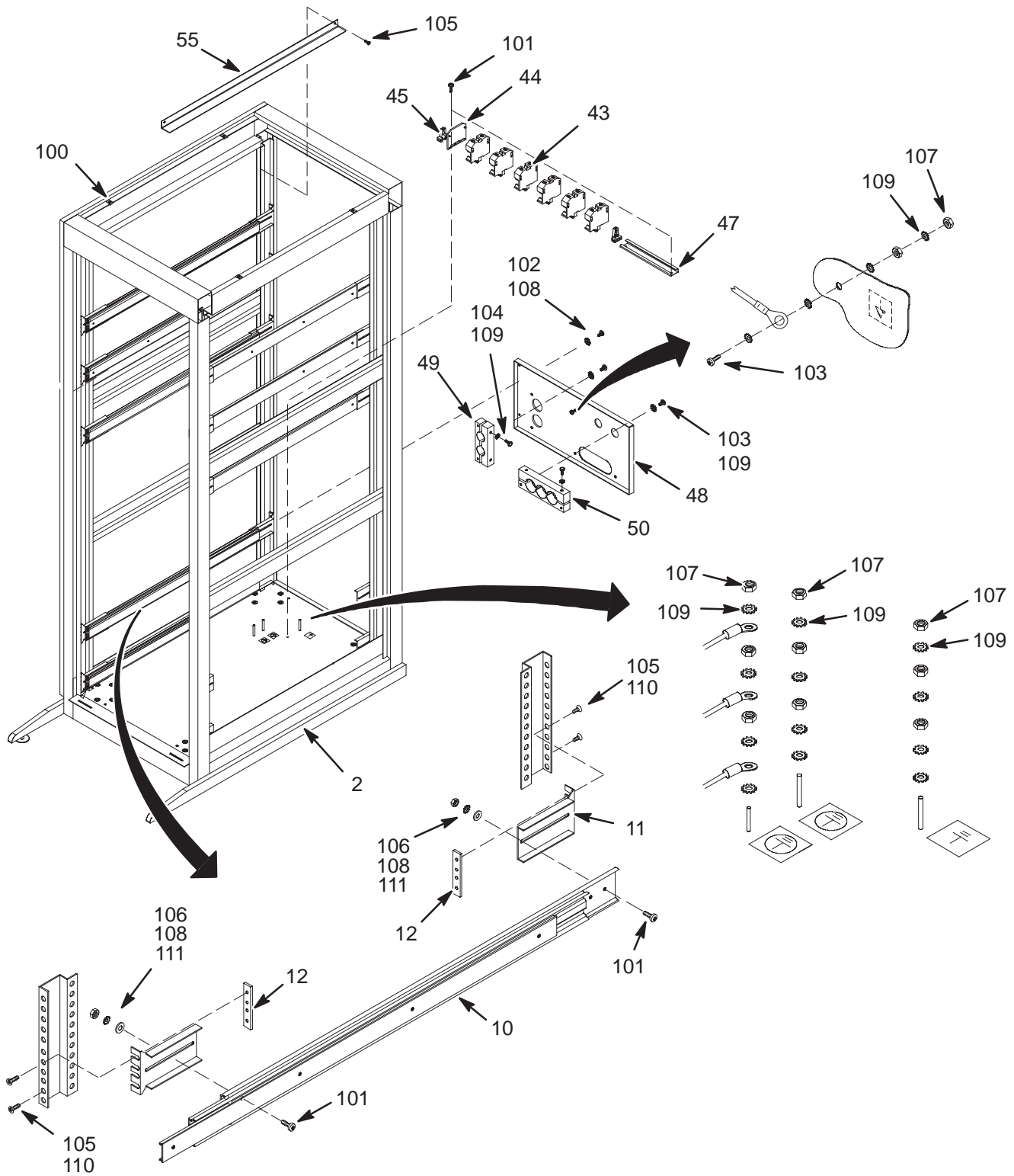
Item	Part Number	FRU	Name	Quantity	Description (Remarks)
20	46-288946G2	1	PWB	1	GRAM GATE DRIVER
21	2172312	1	CONTROL BD	1	MINI GRAM CONTROL BOARD ASSEMBLY (SEE PAGE 9-14)
82	2177260	2	LABEL	2	SGD DANGER LABEL

MINI GRAM CONTROL BOARD ASM 2172312 FRU 1 (PART 21 OF 2169727 PAGE 9-14)

Item	Part Number	FRU	Name	Quantity	Description (Remarks)
2	2154578	1	CIRCUIT BOAR	1	MINI GRAM CONTROL BOARD
4	46-221417P2	2	CONNECTOR	2	FEMALE SCREWLOCK FOR HD CONNECTORS
5	46-170686P3	2	ADHESIVE	AR	LOCTITE 242, 50CC
6	46-287183P1	2	KIT FRT PNL	1	FRONT PANEL PWB EXTRACTORS, 24 PARTS

SGD HI-SLEW GRADIENT CABINET CHASSIS

2182062

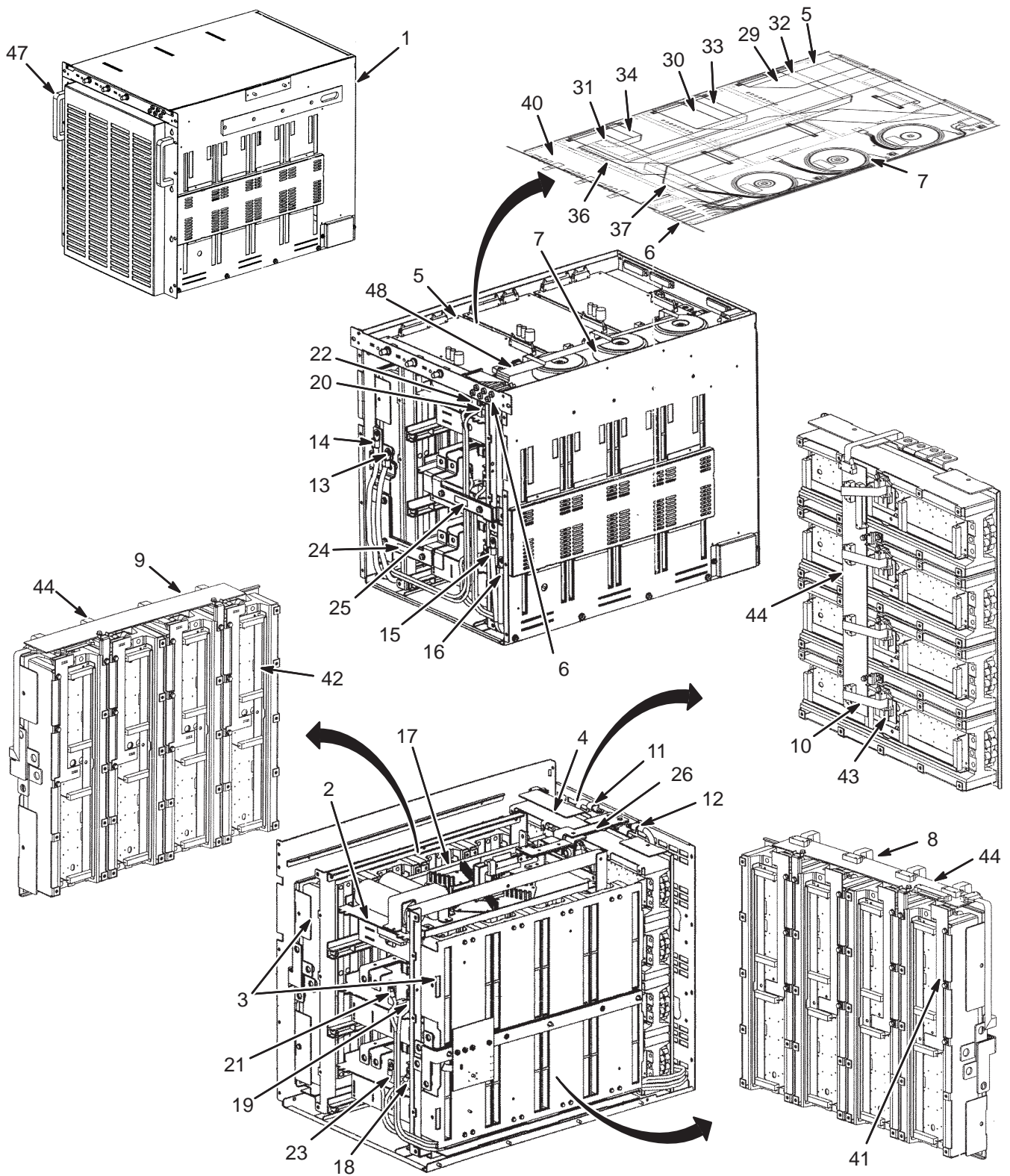


SGD HI-SLEW CABINET CHASSIS 2182062 FRU 2 (PART OF 2169944 PAGE 9-13)

Item	Part Number	FRU	Name	Quantity	Description (Remarks)
2	2169582	N	CHASSIS	1	ELECTRONICS CABINET
10	46-195551P1	N	MECHANICAL/M	10	SYMMETRICAL SLIDE FOR LEFT OR RIGHT
11	46-195552P2	N	BRACKET MTG	20	SINGLE BRACKET—JONATHAN #SP0466
12	2179064	N	PART	20	NUT BAR FOR SLIDE BRACKET W/M4 THDS
14	2178851	2	CABLE	1	MR3GRAMPSJ5 TO MR3GIP (208 VOLTS)
15	2178851-2	2	CABLE	1	MR3GRAMPSJ1 TO MR3XGRAMJ6 (208 VOLT)
16	2178851-3	2	CABLE	1	MR3GRAMPSJ2 TO MR3YGRAMJ6 (208 VOLT)
17	2178851-4	2	CABLE	1	MR3GRAMPSJ3 TO MR3ZGRAMJ6 (208 VOLT)
18	2178851-5	2	CABLE	1	MR3GPMPJSJ5 TO MR3GPM (208 VOLTS)
19	2180281	2	CABLE	1	MR3GRAMPSJ9 TO MR3ZGRAMJ7
20	2180281-2	2	CABLE	1	MR3GRAMPSJ8 TO MR3YGRAMJ7
21	2180281-3	2	CABLE	1	MR3GRAMPSJ7 TO MR3XGRAMJ7
23	46-328000G947	2	ASSEMBLY	1	MR3XGRAMJ5 TO MR3GIPJ8
24	46-328000G948	2	ASSEMBLY	1	MR3YGRAMJ5 TO MR3GIPJ10
25	46-328000G949	2	ASSEMBLY	1	MR3ZGRAMJ5 TO MR3GIPJ12
26	46-328000G943	2	ASSEMBLY	1	MR3GIPJ7 TO MR3GPMXSTAT
27	46-328000G944	2	ASSEMBLY	1	MR3GIPJ9 TO MR3GPMYSTAT
28	46-328000G945	2	ASSEMBLY	1	MR3GIPJ11 TO MR3GPMZSTAT
29	46-328000G950	2	ASSEMBLY	1	MR3GRAMPSJ6 TO MR3GIPJ14
30	46-328000G946	2	ASSEMBLY	1	MR3GIPJ13 TO MR3GPMPJSJ6
37	2178853	2	CABLE	1	MR3XGRAMJ3+ TO MR3TB1-1+
38	2178853-2	2	CABLE	1	MR3XGRAMJ4- TO MR3TB1-2-
39	2178853-3	2	CABLE	1	MR3YGRAMJ3+ TO MR3TB1-3+
40	2178853-4	2	CABLE	1	MR3YGRAMJ4- TO MR3TB1-4-
41	2178853-5	2	CABLE	1	MR3ZGRAMJ3+ TO MR3TB1-5+
42	2178853-6	2	CABLE	1	MR3ZGRAMJ4- TO MR3TB1-6-
43	2179070	1	MISCELLANEOU	6	FEED-THROUGH TERMINAL BLOCK
44	2179070-2	2	MISCELLANEOU	1	TERMINAL BLOCK END PLATE
45	2179070-3	2	MISCELLANEOU	2	TERMINAL BLOCK END BRACKET
46	2179070-4	2	MISCELLANEOU	1	TERMINAL BLOCK HEXAGON KEY TOOL
47	2179141	2	PART	1	TERMINAL BLOCK MOUNTING RAIL
48	2178950	N	PANEL	1	INTERFACE PANEL FOR SGD CABINET
49	2178951	N	CLAMP	1	CABLE CLAMP FOR SGD CABINET
50	2178952	N	CLAMP	1	CABLE CLAMP FOR SGD CABINET
55	2168691	N	BRACKET	2	MODULE SUPPORT BRACKET
56	2180280	2	CABLE	1	SGD FAN CABLE
80	2182676	2	LEAD DATA	1	SGD CABINET GROUND WIRES
81	46-271110P1	N	LABEL	2	PROTECTIVE EARTH (GROUND)
82	46-271110P2	N	LABEL	1	LABEL
83	46-271110P5	N	LABEL	1	LABEL
100	2180698	N	NUT	26	NUT CLIP ON 4 MM
101	46-328421P14	N	SCREW	22	SCREW PAN HEAD 4 MM 10 MM
102	46-328421P18	N	SCREW	4	SCREW PAN HEAD 4 MM 25 MM
103	46-328421P27	N	SCREW	5	SCREW PAN HEAD 6 MM 25 MM
104	46-328416P18	N	SCREW	4	SCREW HEXAGON HEAD 6 MM 60 MM
105	46-328422P14	N	SCREW	44	SCREW COUNTERSUNK HEA 4 MM 10 MM
106	46-328425P1	N	NUT	20	NUT HEXAGON 4 MM
107	46-328425P2	N	NUT	11	NUT HEXAGON 6 MM
108	46-328433P2	N	WASHER	24	WASHER LOCK - EXTERNAL 4.3 MM 8 MM
109	46-328433P3	N	WASHER	24	WASHER LOCK - EXTERNAL 6.4 MM 11 MM
110	46-170686P1	N	ADHESIVE	AR	LOCTITE 242, 0.5CC TUBE
111	46-328430P2	N	WASHER	20	WASHER PLAIN - NORMAL 4.3 MM 9 MM
112	46-208758P3	N	TY-RAP	28	7.31" X .184" SELF-LOCKING CABLE TIE

GRADIENT POWER MODULE

2101221

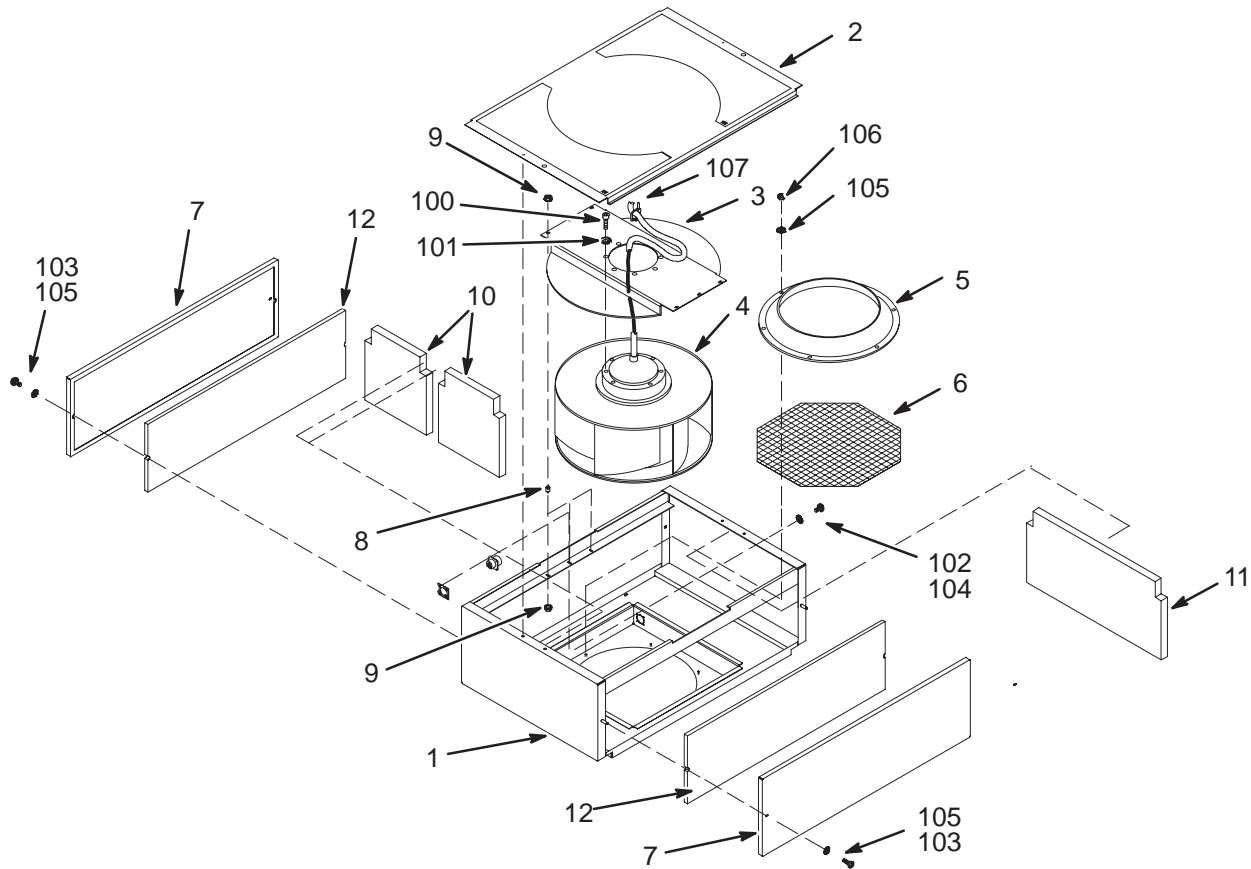


GRADIENT POWER MODULE 2151183 FRU 1 (PART OF 2169944 PAGE 9-13)

Item	Part Number	FRU	Name	Quantity	Description (Remarks)
1	2175599	1	ASSEMBLY	1	TECHRON GRADIENT PWR MOD #100976
2	2175599-2	1	ASSEMBLY	1	TECHRON #100978-1, PPBM
3	2175599-3	1	ASSEMBLY	1	TECHRON #101577-1, OUTPUT SHELF X,Y
4	2175599-4	1	ASSEMBLY	1	TECHRON #101577-2, OUTPUT SHELF Z
5	2175599-5	1	ASSEMBLY	1	TECHRON #101276-1, MAIN BOARD
6	2175599-6	1	ASSEMBLY	1	TECHRON #A10285-6, FUSE
7	2175599-7	1	ASSEMBLY	1	TECHRON #100735-1, XFMR, SEC. POWER
8	2175599-8	2	ASSEMBLY	1	TECHRON #100275-1, CABLE, EXTENDER X
9	2175599-9	2	ASSEMBLY	1	TECHRON #100276-1, CABLE, EXTENDER Y
10	2175599-10	2	ASSEMBLY	1	TECHRON #100277-1, CABLE, EXTENDER Z
11	2175599-11	2	ASSEMBLY	1	TECHRON #100947-1, Z AXIS OUTPUT CBL
12	2175599-12	2	ASSEMBLY	1	TECHRON #100947-2, Z AXIS COMMON CBL
13	2175599-13	2	ASSEMBLY	1	TECHRON #100947-3, Y AXIS OUTPUT CBL
14	2175599-14	2	ASSEMBLY	1	TECHRON #100947-4, Y AXIS COMMON CBL
15	2175599-15	2	ASSEMBLY	1	TECHRON #100947-5, X AXIS OUTPUT CBL
16	2175599-16	2	ASSEMBLY	1	TECHRON #100947-6, X AXIS COMMON CBL
17	2175599-17	2	ASSEMBLY	1	TECHRON #100948-1 CBL, PPBM-VSS JMPR
18	2175599-18	2	ASSEMBLY	1	TECHRON#100948-2 CBL,Y AXIS PPBM COM
19	2175599-19	2	ASSEMBLY	1	TECHRON#100948-3 CBL,X AXIS PPBM COM
20	2175599-20	2	ASSEMBLY	1	TECHRON#100948-4 CBL,Z AXIS PPBM COM
21	2175599-21	2	ASSEMBLY	1	TECHRON#100948-5 CBL,X AXIS PPBM PWR
22	2175599-22	2	ASSEMBLY	1	TECHRON#100948-6 CBL,Z AXIS PPBM PWR
23	2175599-23	2	ASSEMBLY	1	TECHRON#100948-7 CBL,Y AXIS PPBM PWR
24	2175599-24	2	ASSEMBLY	1	TECHRON#100982-1, Y PPBM TO Y SHELF
25	2175599-25	2	ASSEMBLY	1	TECHRON#100983-1, X PPBM TO X SHELF
26	2175599-26	2	ASSEMBLY	1	TECHRON#100984-1, Z PPBM TO Z SHELF
29	2175599-29	2	ASSEMBLY	1	TECHRON#101145-3,CBL,STATUS/CONTRL Z
30	2175599-30	2	ASSEMBLY	1	TECHRON#101145-2,CBL,STATUS/CONTRL Y
31	2175599-31	2	ASSEMBLY	1	TECHRON#101145-1,CBL,STATUS/CONTRL X
32	2175599-32	2	ASSEMBLY	1	TECHRON#101146-3, CABLE, TRAY PPBM Z
33	2175599-33	2	ASSEMBLY	1	TECHRON#101146-2, CABLE, TRAY PPBM Y
34	2175599-34	2	ASSEMBLY	1	TECHRON#101146-1, CABLE, TRAY PPBM X
35	2175599-35	2	ASSEMBLY	1	TECHRON#101147-3,CBL,MAIN TO SHELF Z
36	2175599-36	2	ASSEMBLY	1	TECHRON#101147-2,CBL,MAIN TO SHELF Y
37	2175599-37	2	ASSEMBLY	1	TECHRON#101147-1,CBL,MAIN TO SHELF X
38	2175599-38	2	ASSEMBLY	1	TECHRON#101460-1, PPBM CONTROL CABLE
39	2175599-39	2	ASSEMBLY	1	TECHRON#100817-1,INTRCONN 10 PIN CBL
40	2175599-40	2	ASSEMBLY	1	TECHRON#A11712-1, DISPLAY BOARD
41	2175599-41	2	ASSEMBLY	1	TECHRON #A11917-1, X EXTENSION BOARD
42	2175599-42	2	ASSEMBLY	1	TECHRON #A11918-1, Y EXTENSION BOARD
43	2175599-43	2	ASSEMBLY	1	TECHRON #A11919-1, Z EXTENSION BOARD
44	2175599-44	2	ASSEMBLY	1	TECHRON #A11921-1,INTERCONNECT BOARD
45	2175599-45	2	ASSEMBLY	1	TECHRON#101377-1, SLIDE RL MTG 28.5
46	2175599-46	2	ASSEMBLY	1	TECHRON#100942-1,SLIDEROLLR BEARINGS
47	2175599-47	2	ASSEMBLY	1	TECHRON#100836-1, HANDLE
48	2175599-48	2	ASSEMBLY	1	TECHRON #100744 DISPLAY CABLE
49	2175599-49	2	ASSEMBLY	1	TECHRON #100982-1 BUS BAR Y-PPBM TO
50	2175599-50	2	ASSEMBLY	1	TECHRON #100983-1 BUS BAR X-PPBM TO

SGD CABINET FAN ASM

2173642



SGD CABINET FAN ASM

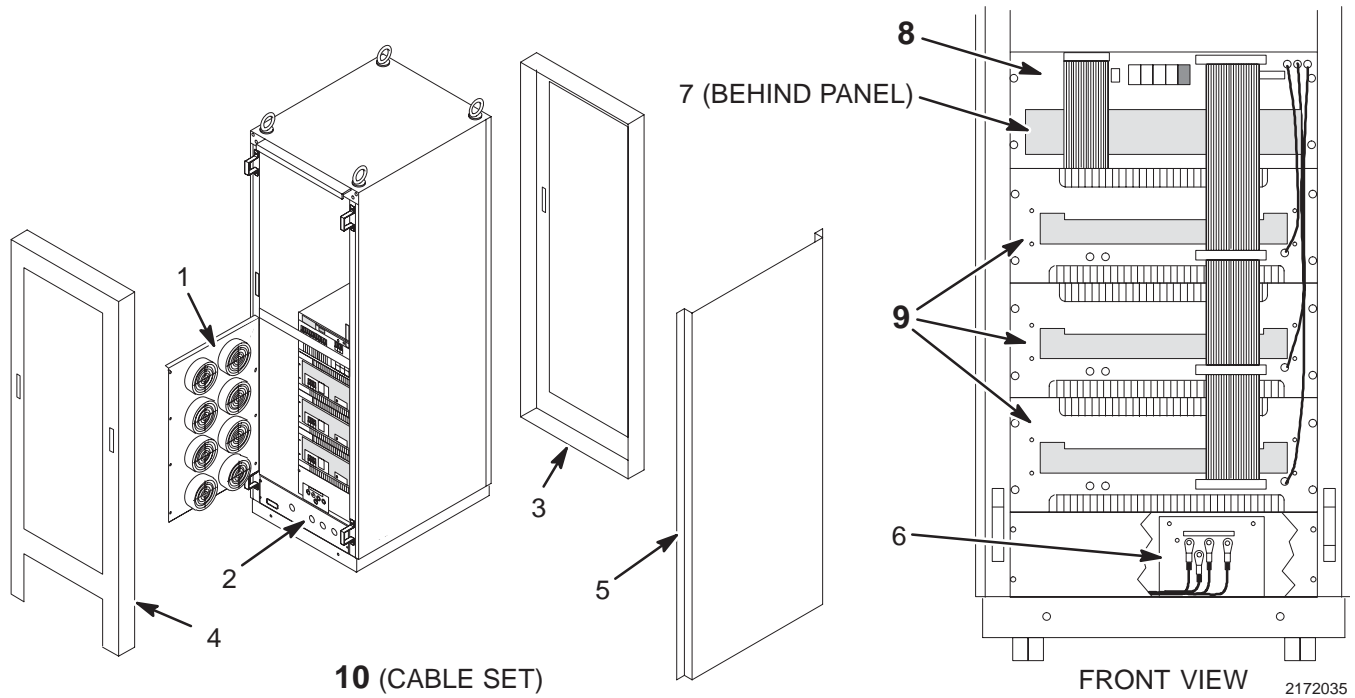
2173642 FRU 2

(PART OF 2169944 PAGE 9-13)

Item	Part Number	FRU	Name	Quantity	Description (Remarks)
1	2167400	N	CHASSIS	1	FAN CHASSIS ASSEMBLY
2	2167402	N	COVER ASM	1	FAN TOP COVER ASSEMBLY
3	2167443	N	FAN MOUNT	1	FAN MOUNTING CHANNEL
4	2181131	1	FAN, COOLING	1	FAN ASSEMBLY WITH CONNECTOR
5	2179239	N	PART	1	RING, INLET FOR SGD CABINET
6	2179241	N	PART	1	SCREEN, FAN FINGER GUARD
7	2181133	N	COVER	2	SIDE COVER FOR FAN MODULE
8	46-251739P7	2	SPACER	6	7/16" DIA. RUBBER MOUNT, 8-32 STUDS
9	46-170012P37	2	NUT	12	8-32, HEX 11/32, NUT THK 1/8, KEPS
10	2181594	N	BARRIER	2	ACOUSTICAL FOAM BARRIER (FRONT)
11	2181594-2	N	BARRIER	1	ACOUSTICAL FOAM BARRIER (BACK)
12	2181595	N	BARRIER	2	ACOUSTICAL FOAM BARRIER (SIDES)
100	46-328417P21	2	SCREW	8	SCREW HEXAGON SOCKET 10 MM 16 MM
101	46-328432P4	2	WASHER	8	WASHER LOCK - SPRING 10.2 MM 18.1 MM
102	46-328421P6	2	SCREW	4	SCREW PAN HEAD 2.5 MM 10 MM
103	46-328421P16	2	SCREW	4	SCREW PAN HEAD 4 MM 16 MM
104	46-328433P1	N	WASHER	4	WASHER LOCK - EXTERNAL 2.7 MM 5.5 MM
105	46-328433P2	2	WASHER	10	WASHER LOCK - EXTERNAL 4.3 MM 8 MM
106	46-328425P1	2	NUT	6	NUT HEXAGON 4 MM
107	46-208758P2	2	TY-RAP	2	5.5" X .140" SELF-LOCKING CABLE TIE.

SGD BASE GRADIENT CABINET

2173642

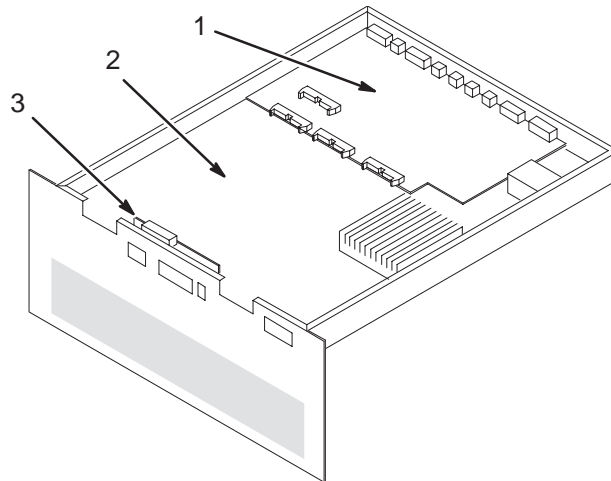


SGD BASE GRADIENT CABINET 2172035 FRU N (PART OF SGD BASE CATALOGS – SECTION 1)

Item	Part Number	FRU	Name	Quantity	Description (Remarks)
1	2176113	2	ASSEMBLY	1	P9358GL FAN PANEL ASSY
2	2176124	2	ASSEMBLY	1	P9358GW OUTPUT PANEL
3	2176125	2	PART	1	P9358GX FRONT DOOR
4	2176126	2	PART	1	P9358GY BACK DOOR
5	2176127	2	PART	1	P9358GZ SIDE PANELS
6	2176256	1	PART	1	P9358QB LINE FILTER
7	2176108	1	ASSEMBLY	1	P9358GF PSU
8	2176109	2	ASSEMBLY	1	P9358GG SCA (SEE PAGE 9-21)
9A	2165248-2	1	ASSEMBLY	3	P9358XC AMPLIFIER UNIT (SEE PAGE 9-21)
9B	2165248-3	1	ASSEMBLY	ALT	AMPLIFIER UNIT
10	2176115	2	CABLE AS	1	AN8280G-TK CABLE SET (SEE PAGE 9-22)

SYSTEM CONTROL ASSEMBLY MODULE

2176109



2176109

SCA MODULE

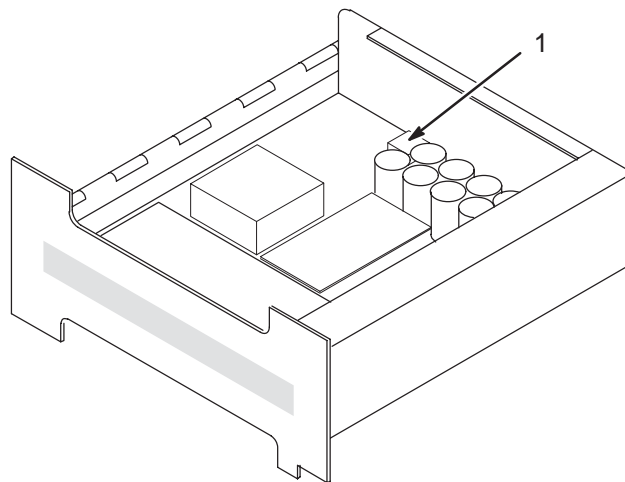
2176109 FRU 2

(PART OF 2172035 PAGE 9-20)

Item	Part Number	FRU	Name	Quantity	Description (Remarks)
1	2176110	1	ASSEMBLY	1	P9358GH FRONT PANEL ASSY
2	2176111	1	PWB	1	P9358GJ SCA PWA
3	2176112	1	PWB	1	P9358GK AUX POWER PWA

AMPLIFIER UNIT

2165248-2



2165248-2

AMPLIFIER UNIT

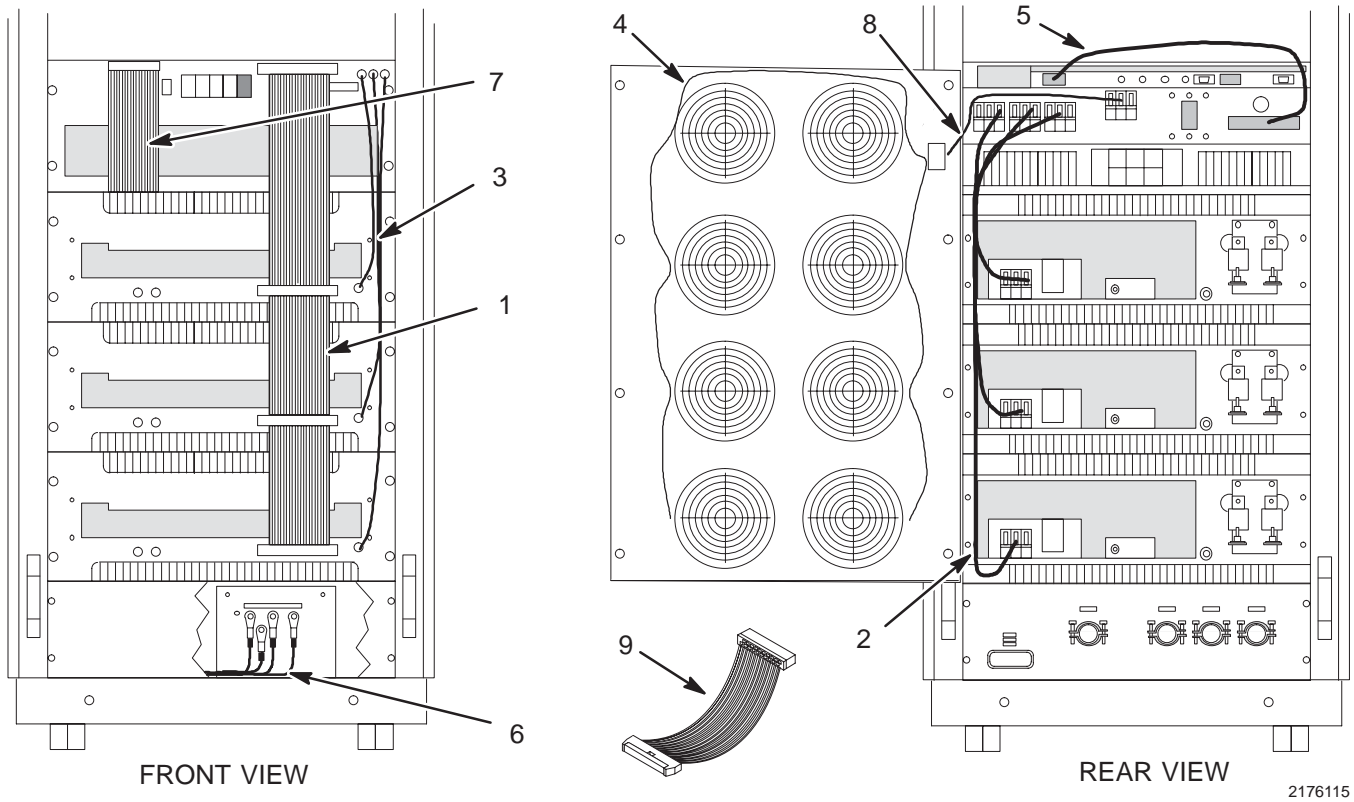
2165248-2 FRU 1

(PART OF 2172035 PAGE 9-20)

Item	Part Number	FRU	Name	Quantity	Description (Remarks)
1	2178387	2	PART	1	P9358MA DIODE BRIDGE

SGD BASE GRADIENT CABINET CABLE SET

2173642



2176115

SGD BASE CABLE SET

2176115 FRU 2

(PART OF 2172035 PAGE 9-20)

Item	Part Number	FRU	Name	Quantity	Description (Remarks)
1	2176116	1	CABLE AS	1	P9358GP CABLE AMP BUS ASSY
2	2165257	2	CABLE AS	1	P9358ZB CABLE AMP HV ASSY
3	2176117	2	CABLE AS	1	P9358GQ CABLE AUX POWER ASSY
4	2176118	2	CABLE AS	1	P9358GR FAN PANEL CABLE ASSY
5	2176120	1	CABLE AS	1	P9358GS 300V UNREG DC CABLE ASSY
6	2176129	2	CABLE AS	1	P9358GA LINE FILTER CABLE ASSY
7	2176121	1	CABLE AS	1	P9358GT PSU BUS INTERCON CABLE ASSY
8	2176122	2	CABLE AS	1	P9358GU 48V AUX POWER CABLE ASSY
9	2176123	2	CABLE AS	1	P9358GV AMP TEST EXTENSION CABLE