

SECTION 5 – CONSOLE

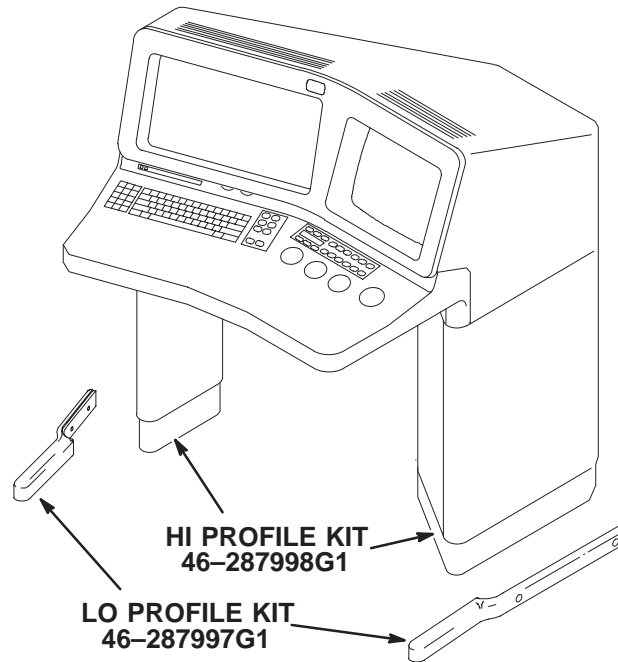


TABLE OF CONTENTS

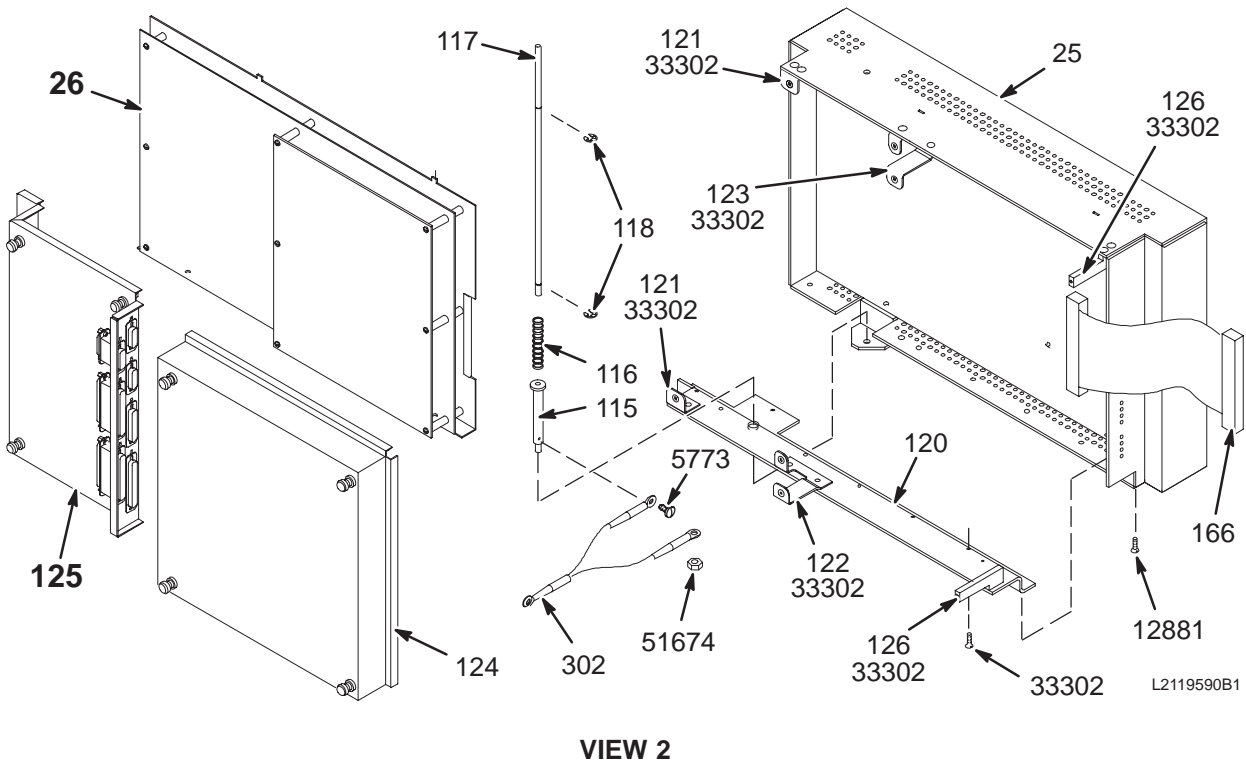
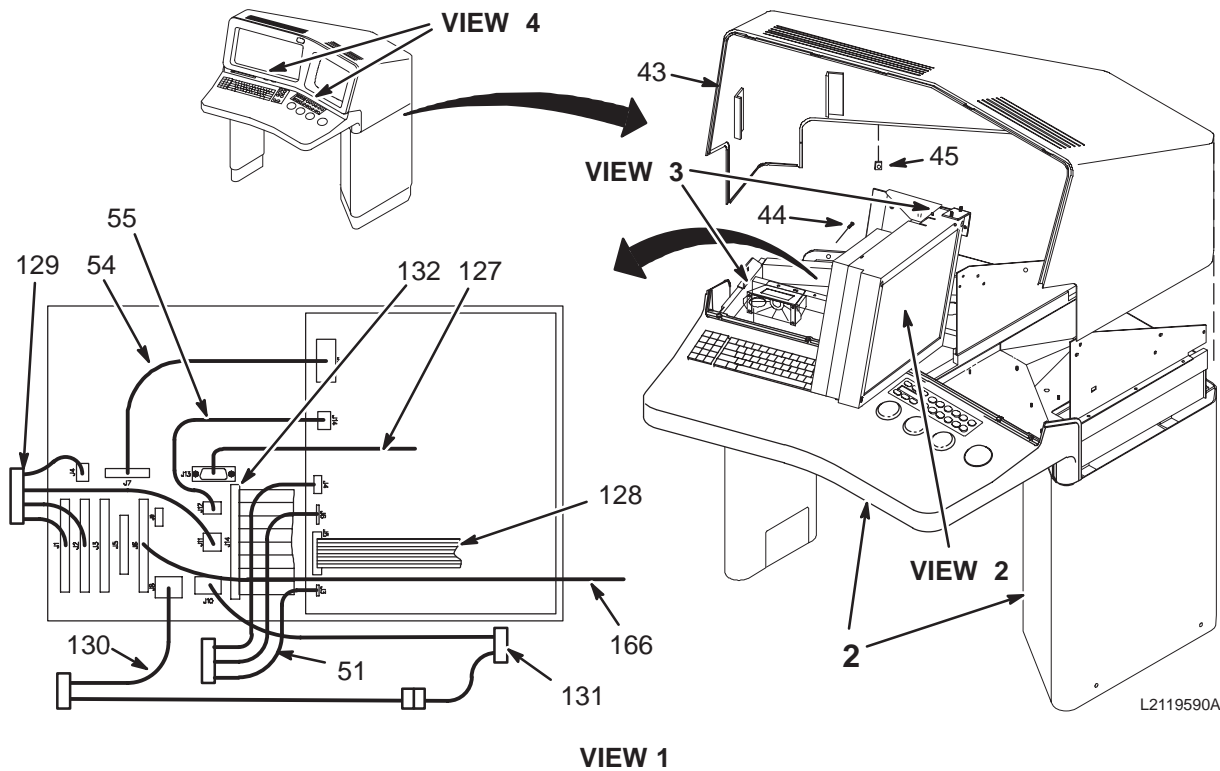
<u>SECTION</u>	<u>PAGE</u>
5-1 HORIZON OPERATOR CONSOLE	5-2
Contains information on Horizon 5.x Operator Console	
EMC OPERATOR CONSOLE	2119590 5-4
LOW PROFILE KIT	46-287997G1 ... 5-19
HI PROFILE KIT	46-287998G1 ... 5-20

5-1 HORIZON OPERATOR CONSOLE

EMC OPERATOR CONSOLE

2119590

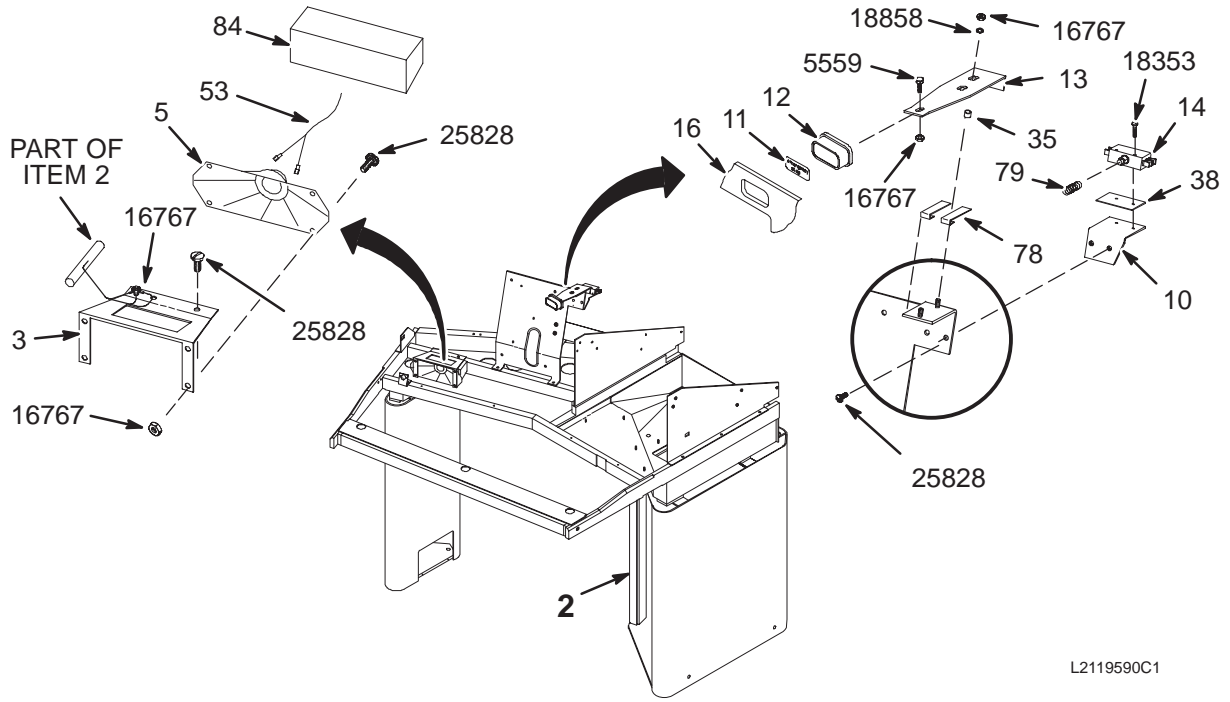
OC1



EMC OPERATOR CONSOLE

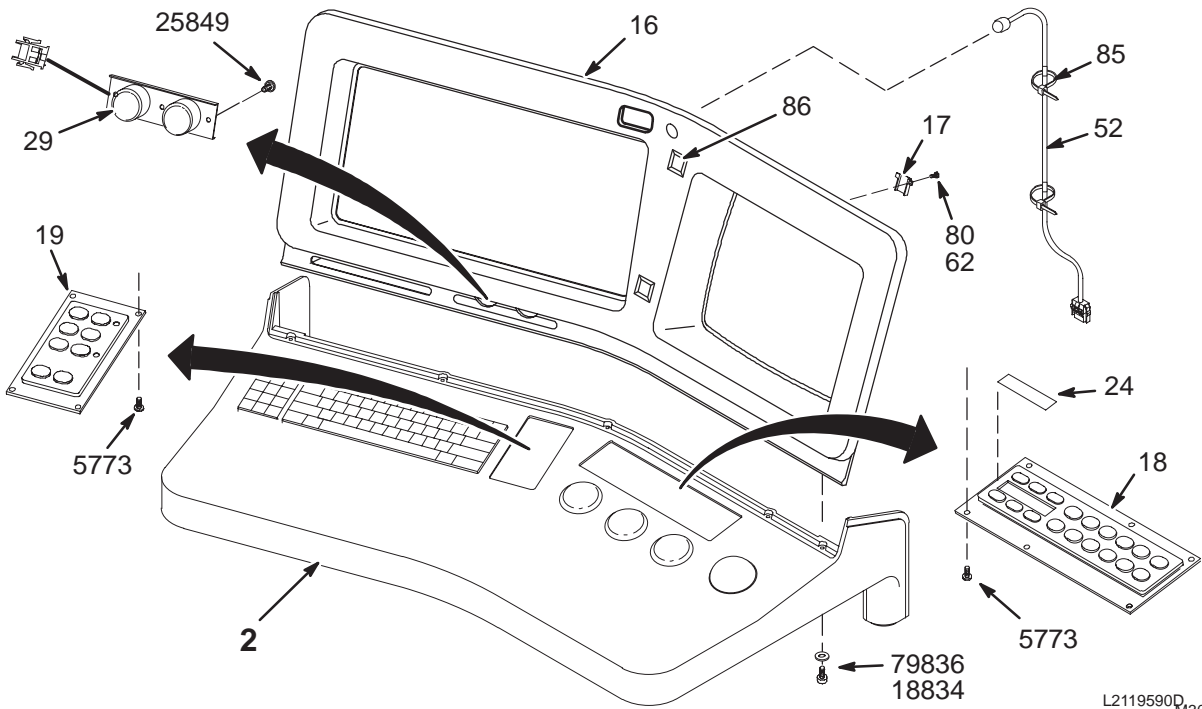
2119590

OC1



L2119590C1

VIEW 3



L2119590D
M301000A
SHT2 G9

VIEW 4

EMC OPERATOR CONSOLE 2119590 FRU N (PART OF 46-317998G10 SECTION 1)

Item	Part Number	FRU	Name	Quantity	Description (Remarks)
2	2119589	N	EMC IC/OC	1	COMMON OPERATOR/INDEPENDNT CONSOLE (SEE PG 5-12)
3	2116350	2	SPEAKER BRKT	1	OP CONSOLE SPEAKER MOUNTING BRACKET
5	46-287429P1	2	SPEAKER	1	8 OHM, 6 WATT RECTANGULAR SPEAKER.
10	46-301787P1	2	SWITCH BRKT	1	EMERGENCY STOP SWITCH MOUNT .09 ALUM
11	46-287759P1	2	LABEL INSERT	1	RED LABEL "EMERGENCY STOP" .03 LEXAN
12	46-307619P1	2	PUSH BUTTON	1	SWITCH BUTTON, MOLDED GREY LEXAN
13	2116347	2	SWITCH SLIDE	1	EMERGENCY STOP SWITCH ACTUATOR
14	46-287823P1	2	SWITCH	1	15 AMP 125/250VAC DPDT SWITCH
16	46-317877G2	2	BEZEL ASM.	1	OC1 CONSOLE BEZEL/GRILL/LABEL ASM
17	46-287802P1	2	CLIP	5	CONSOLE BEZEL RETAINING TAB CLIP
18	2111849-2	1	KEY PAD ASM	1	18-BUTTON KEYPAD FOR OC (NO VIEW OC)
19	2112357-3	1	KEYPAD ASM	1	8-BUTTON (SCAN/IMAGE) KEYPAD FOR OC
24	46-287053P1	2	INSERT	1	ANATOMY LABEL, FROSTED .030 MYLAR
25	2150587	1	TOUCH SCREEN	1	TOUCH SCREEN EMC ASM OC1/IC1 A1 A1
26	2126171	N	BOARD ASM	1	GCB AND AUTOVOICE BOARD ASSEMBLY (SEE PAGE 5-7)
29	46-317878G1	1	POT/KNOB ASM	1	OC1 INTERCOM POT/KNOB ASSEMBLY
35	46-301250P1	2	SPACER	2	3/8"DIA, .2" HOLE, 1/8" THICK, NYLON
38	46-116223P27	2	FISHPAPER	1	2.17"X 1.25"X .031 THK, (2).19 HOLES
40	508A865P9	2	BAG	1	9" X 12" ZIP CLOSURE, NO STRING
43	46-287104P1	2	TOP COVER	1	CONSOLE TOP ENCLOSURE COVER
44	46-306758P2	2	SCREW	5	6SM-20 X 3/4" PHILLIPS HEAD, WHITE
45	46-306814P1	2	U CLIP	5	TINNERMAN # C15520-6A-4
51	2117559	2	CABLE ASM	1	OC1-A3-J3 TO OC1-A1-A3-J3, J4, & J6
52	46-320682G1	2	CABLE ASM	1	MICROPHONE W/ INTERCONNECT CABLE ASM
53	2117560	2	CABLE ASM	1	OC1-A1-A3TO OC1-SP1 OC1-MK1 OC1-R1R2
54	46-301438P1	2	RIBBON CABLE	1	16 CONDUCTOR CABLE, 11.5", J7 TO J8
55	46-301431G1	2	CABLE	1	6 #18 WIRE HARNESS, 6", J12 TO J14
62	46-170686P1	2	SEALANT	AR	LOCTITE 242, 0.5CC TUBE
78	46-170632P2	2	TAPE	AR	UHMW POLYETHYLENE FILM TAPE, 5/8"W
79	46-136353P11	2	SPRING COMP	1	OD 0.6", WIRE DIA .045, MATL SST
80	516A770P403	2	SCREW,MACH	5	4-40 X 0.188 LG BIND HD SST 18-8
84	46-320721P1	2	ACUSTIC FOAM	1	2" WIDE, 6" LONG, 1.5" TO 2" HIGH
85	46-208758P2	2	STRAP	2	5.5" X .140" SELF-LOCKING CABLE TIE.
86	46-208747P2	2	MOUNT	2	CABLE TIE, ADHESIVE BACKED
115	2124208	2	SPRING TUBE	1	PIVOT SHAFT SPRING TUBE
116	46-221953P2	2	SPRING	1	OD 0.420 WIRE DIA 0.045 MAX LB
117	46-301248P1	2	SHAFT	1	TOUCH SCREEN PIVOT SHAFT, 1/4" X 12"
118	46-220277P19	2	RING RETAIN	2	EXT RADIAL MOUNT 0.250 SHAFT DIA
120	2119844	2	BRACKET	1	PLASMA MOUNTING BRACKET, HORIZONTAL
121	2116334	2	ANGLE BRKT	2	I/F PANEL CAPTIVE SCREW RECEPTOR
122	2116333	2	BRACKET, LH	1	UPPER I/F PANEL & ACCESS PANEL MOUNT
123	2116330	2	BRACKET, RH	1	LOWER I/F PANEL & ACCESS PANEL MOUNT
124	2116335	2	HOUSING	1	EMC PLASMA REMOVABLE ACCESS COVER
125	2126170	N	I/F ASSEMBLY	1	PLASMA EMC ENCLOSURE I/F PANEL ASM (SEE PAGE 5-6)
126	2116327	2	BAR, TAPPED	2	EMC PLASMA ASM ACCESS COVER MOUNT

Parts List Continued on Next Page

EMC OPERATOR CONSOLE

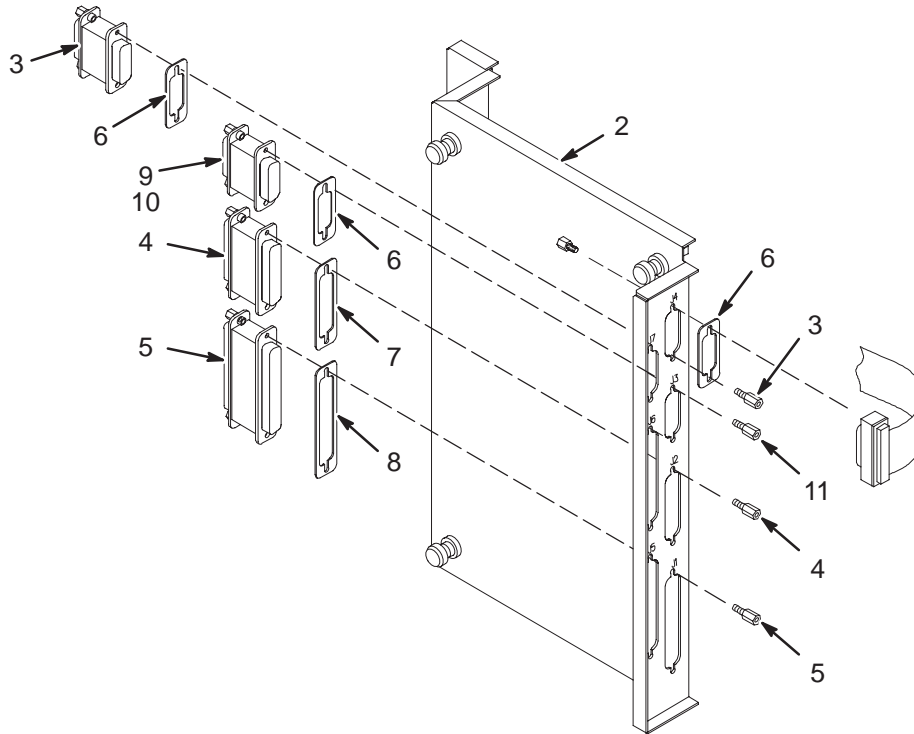
2119590

(CONT'D FROM PREVIOUS PAGE)

Item	Part Number	FRU	Name	Quantity	Description (Remarks)
127	2117555	2	CABLE	1	OC1-A1-J4 TO OC1-A2-J13 (GCP)
128	2117557	2	RIBBON CABLE	1	OC1-A1-J7 TO OC1-A1-A3-J7, 12"
129	2117561	2	CABLE ASM	1	OC1-A2-J2 TO GCP BOARD J1,J2,J4,J11
130	2117564	2	CABLE ASM	1	OC1-A1-J1 TO PLASMA +24V&OC1-A1-A2J8
131	2117567	2	CABLE ASM	1	OC1A1A1-J7 TO OC1A1A2-J12&PLASMA+24V
132	2117568	2	RIBBON CABLE	1	OC1-A1-J5/J6 TO OCI-A2-J14 (GCP)
166	2127428	2	RIBBON CABLE	1	23", 50 COND. GCP J6 TO PLASMA J2
302	2117570	2	CABLE ASM	1	PLASMA BOX GROUND BRAID
5559	46-170015P17	2	SCR,SEMS	1	10-32 X 1/4 LG BIND HD STL EXT TOOTH
5773	46-170015P18	2	SCR,SEMS	11	6-32 X 0.312 LG BIND HD STL EXT
12881	46-170498P31	2	SCREW,	7	10-32 X 0.375 LG HEX SOC HD STL
16767	46-208941P8	2	NUT,HEX,MS	3	10-32 .375 HEX X .124 THK STL F70B5A
17666	46-208908P31	2	SCREW,MACH	2	8-32 X 0.260 SLOT FLT HD F70B5A
18353	46-208560P3	2	SCREW,MACH	2	6-32 X 1.000 LG BIND HD STL F70B5A
18834	12-244	2	WASHER	5	ID 0.1495, OD 0.438, THK .051, BRASS
18858	12-276	2	WASHER	2	ID 0.2040 OD 0.5630 THK .0478
25828	46-208560P45	2	SCREW,MACH	8	10-32 X 0.375 LG BIND HD STL F70B5A
25849	46-208560P48	2	SCREW,MACH	3	6-32 X 0.380 LG BIND HD STL F70B5A
33302	46-208562P21	2	SCREW OLD	12	00008-32 X 0.375 LG HEX SOC FLAT HD
51674	46-170012P39	2	NUT,LOCK	1	10-32, 3/8" HEX KEPS NUT, 1/8" THICK
79836	46-208737P39	2	SCREW,CAP	5	6-32 X 1/2, HEX SOC HEAD, SST 18-8

LOWER HOUSING ASM

2126170

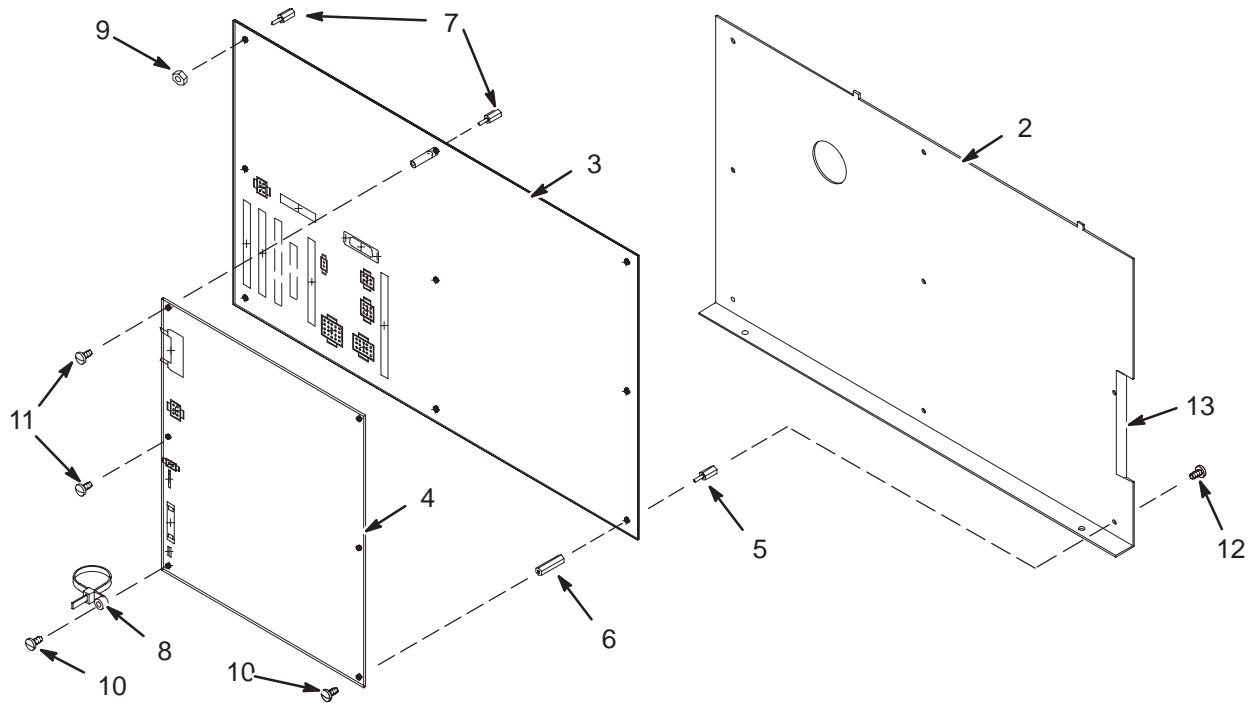


LOWER HOUSING ASM 2126170 FRU N (PART OF 2119590 PAGE 5-4)

Item	Part Number	FRU	Name	Quantity	Description (Remarks)
2	2116336	2	I/F COVER	1	PLASMA ASM EMC COVER & I/F PLATE
3	46-271920P2	2	CONNECTOR	2	CONNECTOR 15 CONTACTS 100 VOLTS 5 AM
4	46-271920P3	2	CONNECTOR	1	CONNECTOR 25 CONTACTS 100 VOLTS 5 AM
5	46-271920P4	2	CONNECTOR	3	CONNECTOR 37 CONTACTS 100 VOLTS 5 AM
6	2119591	2	GASKET	3	15 PIN SUB-D EMI FILTER GASKET
7	2119591-2	2	GASKET	1	25 PIN SUB-D EMI FILTER GASKET
8	2119591-3	2	GASKET	3	37 PIN SUB-D EMI FILTER GASKET
9	2138108	2	CONNECTOR	1	CONNECTOR 15 CONTACTS
10	46-221417P1	2	CONNECTOR	1	FEMALE SCREWLOCKS, TWO PER KIT
11	46-221417P5	2	CONNECTOR	1	FEMALE SCREWLOCKS FOR HD CONNECTORS.
12	2141180	2	SCREWLOCK	2	4-40 FEMALE SCREWLOCK, .938 LONG

GCB & AUTOVOICE BOARD ASM

2126171

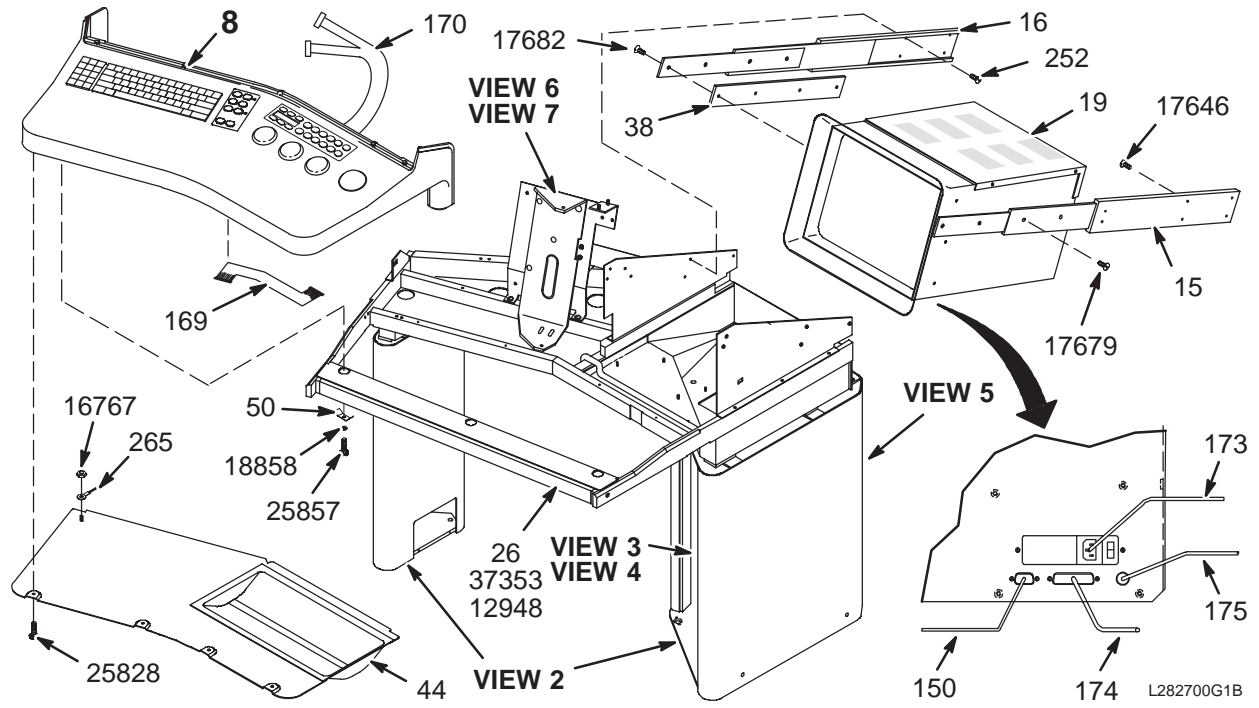


GCB & AUTOVOICE BD ASM 2126171 FRU N (PART OF 2119590 PAGE 5-4)

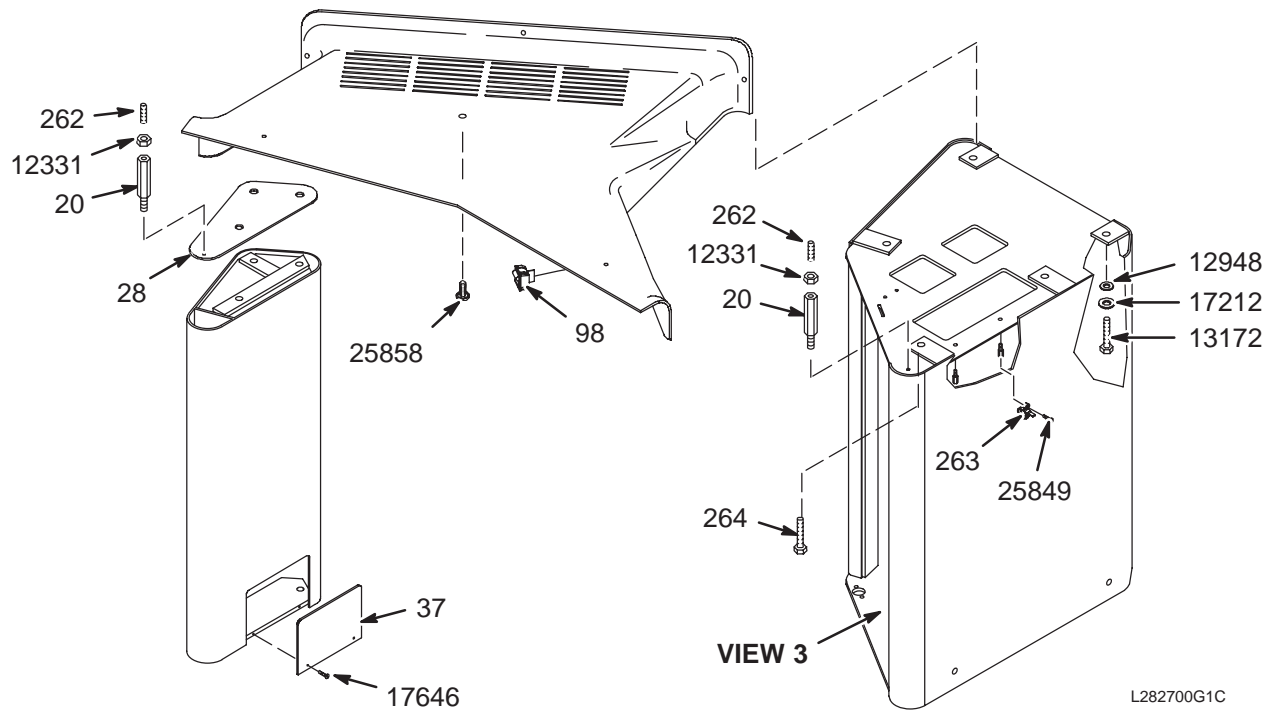
Item	Part Number	FRU	Name	Quantity	Description (Remarks)
2	2119847	2	GCP MOUNT	1	GCP/AUTOVOICE BOARD MOUNTING PLATE
3	46-264380G8	1	CIRCUIT BD	1	GCP BOARD OC1/1C1 A1 A2
4	46-264756G5	1	CIRCUIT BD	1	AUTOVOICE BOARD, OC1 A1 A3
5	46-208984P1	2	SPACER	9	HEX 0.250 THD EXT 6-32 INT 6-32
6	46-301017P1	2	SPACER	3	1/4" HEX X 1" LG, 6-32 THD, BRASS
7	46-256109P4	2	STANDOFF	3	SWIVEL,ROUND,FEMALE/FEMALE,
8	46-208759P6	2	STRAP	1	7.81" X .184" SELF-LOCKING CABLE TIE
9	46-208935P5	2	NUT,HEX,MS	3	6-32, .313 HEX X .109 THK, BRASS
10	46-170015P27	2	SCR,SEMS	4	6-32 X 1/2" LG BIND HD STL EXT TOOTH
11	46-208560P68	2	SCREW,MACH	2	6-32 X 1/4" LONG, BIND HEAD, STEEL
12	46-208560P48	2	SCREW,MACH	9	6-32 X 0.380 LG BIND HD STL F70B5A
13	46-170209P1	2	TAPE	AR	0.034 X 1.00 X 100 FT

COMMON CONSOLE

2119589



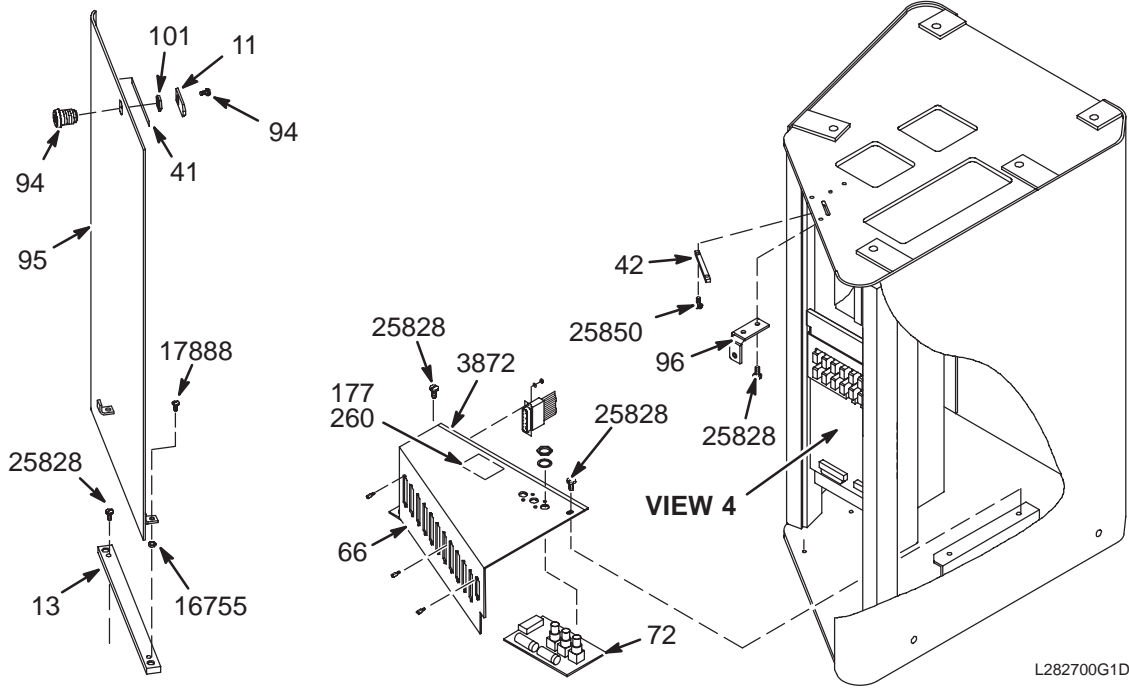
VIEW 1



VIEW 2

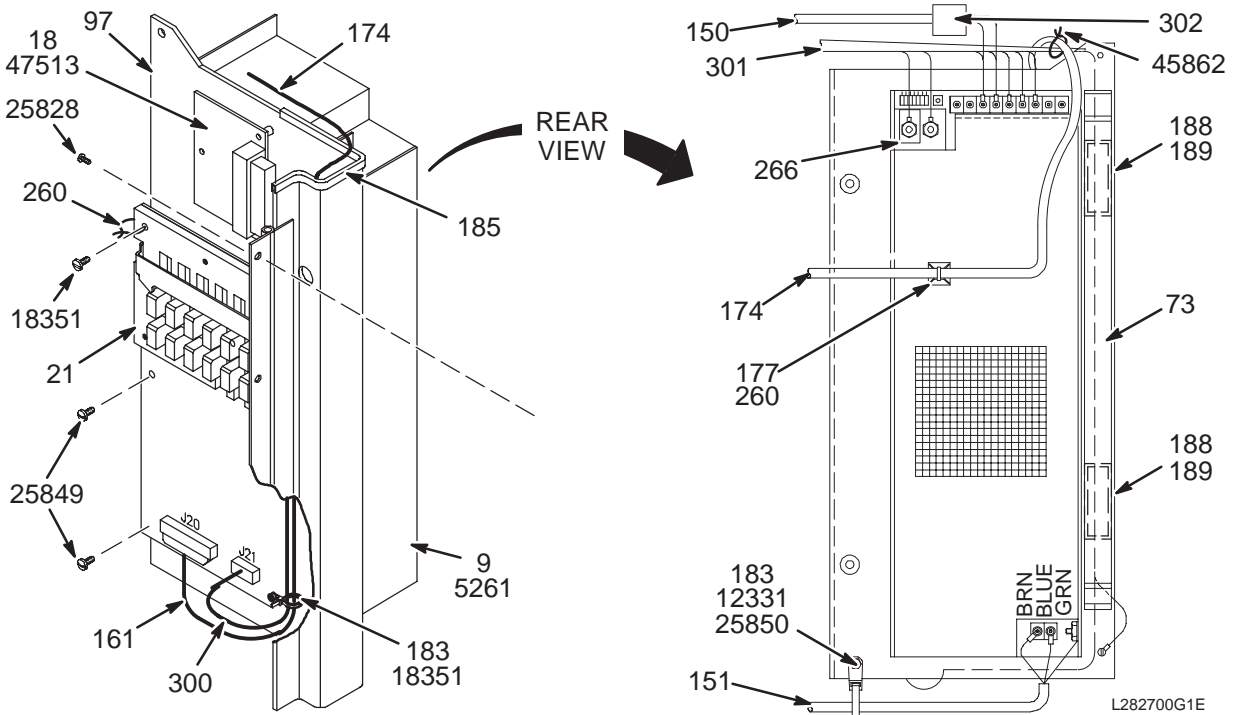
COMMON CONSOLE

2119589



L282700G1D

VIEW 3

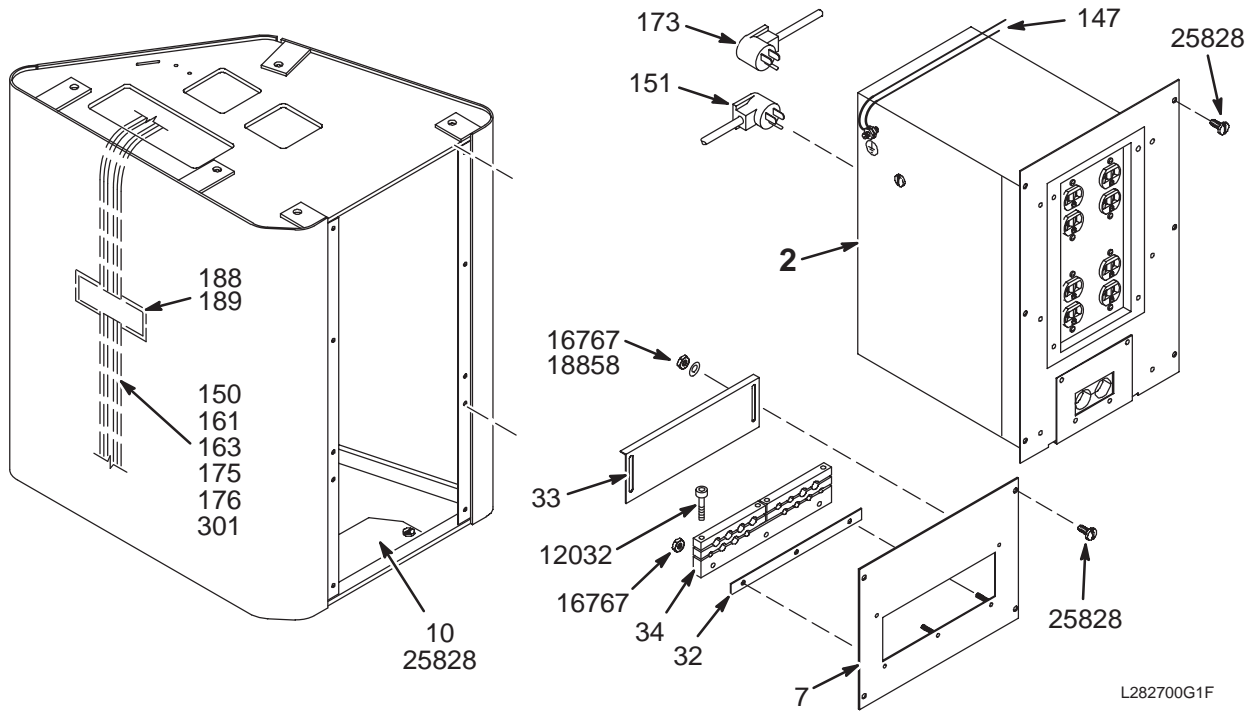


L282700G1E

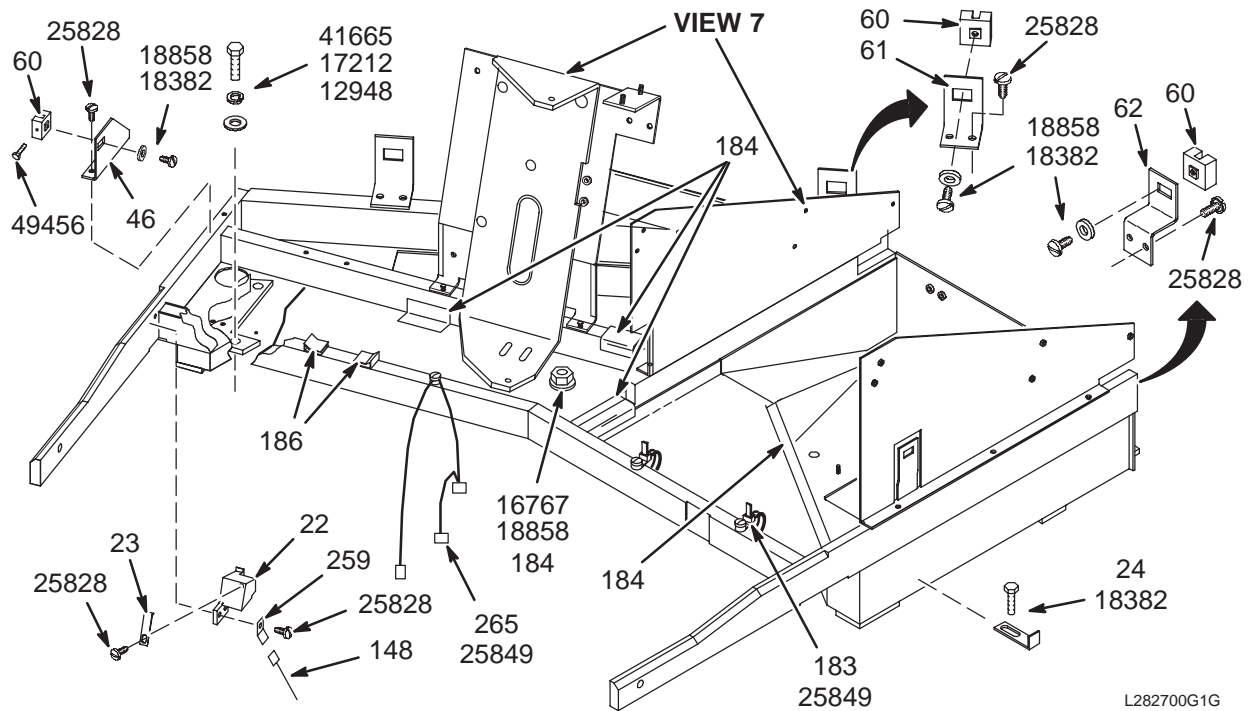
VIEW 4

COMMON CONSOLE

2119589



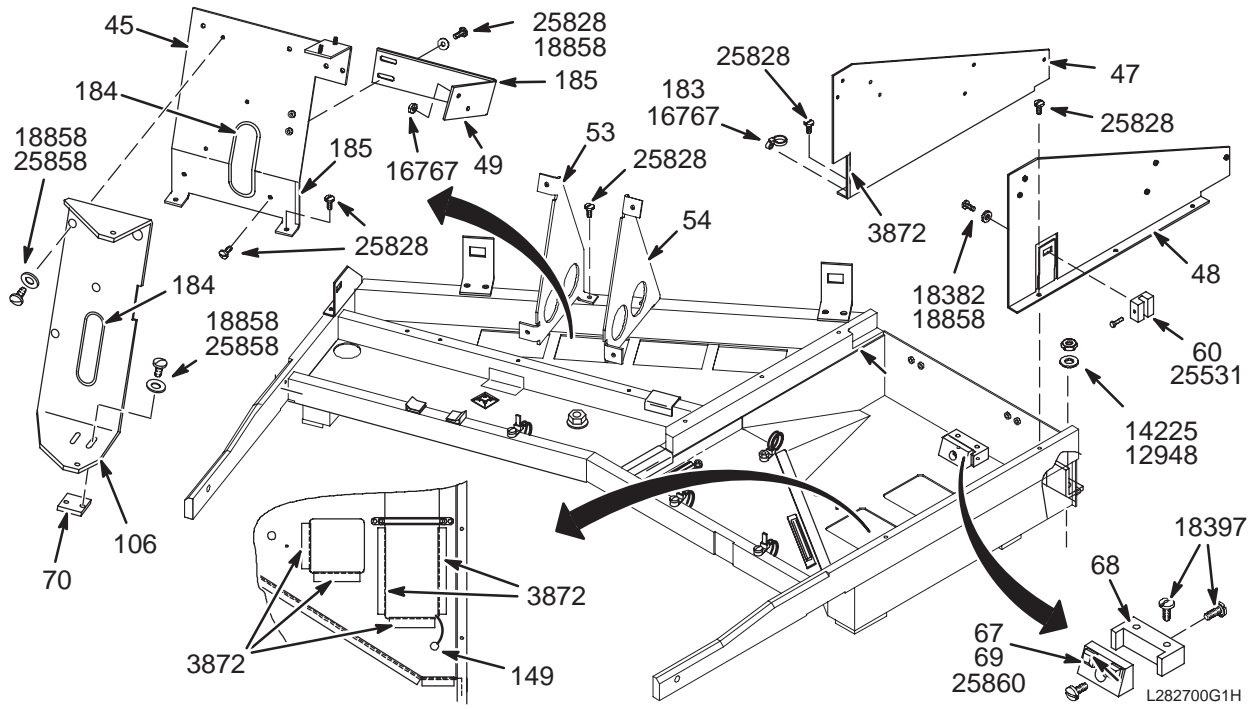
VIEW 5



VIEW 6

COMMON CONSOLE

2119589



VIEW 7

EMC COMMON CONSOLE 2119589 FRU N (PART OF 2119590 PAGE 5-4)

Item	Part Number	FRU	Name	Quantity	Description (Remarks)
2	46-287999G1	N	PWR DIST MOD	1	CONSOLE POWER MODULE, IC1/OC1 A12 (SEE PAGE 5-17)
7	46-287109P1	2	REAR COVER	1	SIGNAL CABLE STRAIN RELIEF PLATE
8	46-282880G1	N	KEYBOARD ASM	1	CONSOLE KEYBOARD ASSEMBLY (SEE PAGE 5-15)
9	46-301520P2	1	POWER SUPPLY	1	EMC CONSOLE POWER SUPPLY, OC1 A11 A3
10	46-287392P1	2	ACCESS COVER	1	FLOOR ENTRY COVER PLATE
11	46-287990P1	2	PLATE, LATCH	1	ACCESS DOOR LATCH BAR
13	46-317097P1	2	BRACKET	1	ACCESS DOOR LOWER BOLT GUIDE BAR
15	46-287517P1	2	SLIDE	1	RIGHT SIDE SLIDE TRACK, 21" EXTEND
16	46-287517P2	2	SLIDE	1	LEFT SIDE SLIDE TRACK, 21" EXTEND
18	46-282884P3	2	REMOTE BOARD	1	IMAGE MON. REM. ADJ. BD.OC1/IC1A11A1
19	46-282884P4	1	MONITOR	1	COST REDUCED GENESIS MONITOR
20	506A657P76	2	EXTENSION	2	HEX 0.500 THD EXT 10-32 INT 6-32
21	46-301195G2	1	BOARD ASM	1	SECURITY BOARD ASM, OC1/IC1 A11 A2
22	2116348	2	MTG BLOCK	1	EMC TOUCHSCREEN HOLD DOWN CLIP MOUNT
23	46-301463P1	2	STOP BRKT	1	TOUCH SCREEN HOLD DOWN CLIP
24	46-307889P1	2	SPRING CLIP	2	1.75L X .5W X .5H ALUM ANGLE BRACKET
26	46-301262P1	2	BAR	1	UPPER FRONT SUPPORT BAR
28	46-301604P1	2	PLATE	1	SUPPORT PEDESTAL TOP COVER
32	46-282944P1	2	SPACER	1	8.6"L X .62"W, 1/16" THICK ALUMINUM
33	46-282869P1	2	COVER	1	CABLE STRAIN RELIEF COVER PLATE
34	46-287391P1	2	CLAMP	1	SIGNAL CABLE STRAIN RELIEF, 5 PC SET
37	46-287393P1	2	ACCESS COVER	1	SUPPORT PEDESTAL ACCESS COVER PLATE
38	46-301640P1	2	SPACER PLT	1	IMAGE MONITOR SLIDE TRACK SPACER
41	46-301760P1	2	GASKET	.250	RFI/EMI SHIELDING GASKET.
42	46-301790P1	2	GRND BAR	1	4"L X 3/8"W, 1/4' THICK BRASS
44	46-287642P1	2	CVR KBD HSNB	1	KEYBOARD HOUSING BOTTOM PAN
45	2116340	2	PLASMA BRKT	1	EMC TOUCH SCREEN ASM MOUNTING PLATE
46	46-301782P1	2	SIDE BRKT	1	ENCLOSURE COVER CLAMP BLOCK MOUNT
47	46-301789P1	2	MIDDLE BRKT	1	MIDDLE VERTICAL SUPPORT PLATE
48	46-287223P1	2	UP FRAME RS	1	RIGHT SIDE VERTICAL SUPPORT PLATE
49	2116346	2	SUPPORT BRKT	1	EMC TOUCH SCREEN PLATE REINFORCE
50	46-301327P1	2	CLAMP	3	KEYBOARD ASM RETAINING SADDLE CLIP
51	46-230516P3	2	ANCHOR	6	RAWL 9340H/S DROP-IN HEAVY DUTY 3/8"
53	2116342	2	LEFT SUPPORT	1	EMC PLASMA ASM PLATE SUPPORT BRACKET
54	2116344	2	RGHT SUPPORT	1	EMC PLASMA ASM PLATE SUPPORT BRACKET
55	46-301813P1	2	BASE DECAL	2	CHARCOAL GRAY .005 LEXAN 45"X 2-3/4"
60	46-301466P1	2	CLAMP BLOCK	6	ENCLOSURE TOP COVER CLAMPING BLOCK
61	46-287834P1	2	BRACKET	2	ENCLOSURE COVER CLAMP BLOCK BRACKET
62	46-287835P1	2	BRACKET	2	ENCLOSURE COVER CLAMP BLOCK SUPPORT
66	46-287923P1	2	VIDEO PANEL	1	CONSOLE I/F PANEL, OC1/IC1 A10
67	46-220183P1	2	BUMPER	2	0.500 SQ X 0.225 THK BLK PLASTIC
68	46-287212P1	2	MTG BLOCK	1	IMAGE MONITOR BUMPER BLOCK MOUNT
69	46-287213P1	2	STOP BLOCK	1	ADJUSTABLE IMAGE MONITOR BUMPER STOP
70	2116006	2	SUPPORT SHIM	1	EMC PLASMA ASM PIVOT BRACKET SUPPORT
72	46-288872G1	1	CIRCUIT BD	1	DIFFERENTIAL VIDEO BOARD—

Parts List Continued on Next Page

EMC OPERATOR CONSOLE

2119589

(CONT'D FROM PREVIOUS PAGE)

Item	Part Number	FRU	Name	Quantity	Description (Remarks)
73	46-306962P1	2	HANDLE	1	IMAGE MONITOR PULL-OUT TOOL (HANDLE)
94	46-251584P1	2	LOCK	1	BRASS AND ZINC LOCK WITH TWO KEYS
95	46-287220P1	2	DOOR,CABINET	1	POWER PEDESTAL ACCESS DOOR
96	46-287055P1	2	BRACKET	1	SWING PANEL LATCH BRACKET
97	46-287956P1	2	SWING PANEL	1	CONSOLE SWING PANEL, OC1/IC1 A11
98	46-221866P5	2	SWITCH	1	CONSOLE ON/OFF SWITCH, OC1/IC1 S1
101	46-251585P1	2	NUT	1	3/4-27 THREAD, 7/8" HEX, BRASS
104	46-287225P1	2	BUTTON	4	MIST GRAY PLUG BUTTON, 5/16" HOLE
106	2108452	2	PIVOT BRKT	1	EMC PLASMA ASSEMBLY PIVOT BRACKET
124	46-306556P1	2	FISH PAPER	1	2 PIECE, 20 X 8-1/2 & 9-1/2 X 8-1/2"
125	46-287053P2	2	INSERT	1	BLANK KEYPAD INSERT LABEL, MYLAR
147	2127715	2	LEAD DATA	1	.25" BRAID, RING TERMS, 9.50" LG
148	2127716	2	LEAD DATA	1	PUSH-ON/RING TERMS, 7.25" LG
150	2117562	2	CABLE ASM	1	OC1-A2-J2 TO OC1-A10-J1/J4 ETC. ETC.
151	46-301417G1	2	POWER CORD	1	27" BLACK 3-#18 CORD, RT ANGLE PLUG
161	2117571	2	CABLE	1	OC1-A10-J10 TO OC1-A11-A2-J20, 72"
163	2117556	2	CABLE	1	OC1-A10-J12 TO OC1-A1-J4, 8-FOOT
169	46-301436P1	2	RIBBON CABLE	1	IP KEYPAD J4 TO SYSTEM KEYPAD J1
170	2117569	2	RIBBON CABLE	1	OC1-A4-J5 TO OC1-A1-J6 AND OC1-A1-J5
173	46-301440G1	2	AC PWRCORD	1	48" BLACK 3-#18 CORD, IMAGE MONITOR
174	2127427	2	EMC CABLE	1	MONITOR TO MONITOR REMOTE BD, EMC
175	46-301442G1	2	CABLE	1	IMAGE MONITOR TO VIDEO RELAY J14
176	2117558	2	CABLE	1	OC1-A10-J9 TO OC1-A1-J7, 7'4"
177	46-208747P2	2	MOUNT	2	CABLE TIE, ADHESIVE BACKED
178	506A657P74	2	EXTENSION	2	1/4" HEX X 13/16" 6-32 THREAD, SST
183	46-208759P1	2	STRAP	9	7.81" X .184" SELF-LOCKING CABLE TIE
184	46-170209P1	2	TAPE	AR	0.034 X 1.00 X 100 FT
185	46-279632P1	2	GROM STRIP	AR	POLYETHYLENE STRIP, ELECTROVERT GS-4
186	46-208712P1	2	CLIP,WIRE	2	DEK PART NO. 031-0100
188	46-136246P14	2	TAPE FAST	1.100	2" WIDE, WHT, ADH BACK, VELCRO LOOP
189	46-136246P21	2	TAPE FAST	1.100	2" WIDE X 25 YD WHITE HOOKS
259	46-211422P10	2	TAB	1	0.250" PUSH-ON TAB (FASTON).
260	46-208758P2	2	STRAP	3	5.5" X .140" SELF-LOCKING CABLE TIE.
261	508A865P9	2	BAG	1	9" X 12" ZIP CLOSURE, NO STRING
262	46-286424P1	2	CUSTOM SCREW	2	SET SCREW, 6-32 THD, .062 HEX SOCKET
263	46-208718P8	2	CLAMP	2	ID 0.6875 LOOP TYPE
264	46-328473P1	2	BT.HD. SCREW	1	3/8-16 X 1.500 BUTTONHEAD CAP SCREW
265	2121433	2	CABLE	1	GROUND WIRE "DAISY-CHAIN" ASSEMBLY
266	2133773	2	GROUND STRIP	1	GROUND STRIP
300	2117563	2	CABLE	1	OC1-A11-A2-J21 TO +V1, -V1, -V1, 25"
301	2117565	2	CABLE	1	OC1-A1-J1 TO OC1-A11-A3, 7-FT LONG
302	46-276217P2	2	LINE FILTER	1	COMBINATION NYLON CASE AND
3872	46-220178P10	2	GROMMET	3.200	12.75" LONG GROMMET STRIP, OFF WHITE
5261	46-170015P2	2	SCR,SEMS	4	8-32 X 1/2 LG BIND HD STL EXT TOOTH
12032	46-170498P33	2	SCREW,	4	10-32 X 1.750 LG HEX SOC HD STL

Parts List Continued on Next Page

EMC OPERATOR CONSOLE

2119589

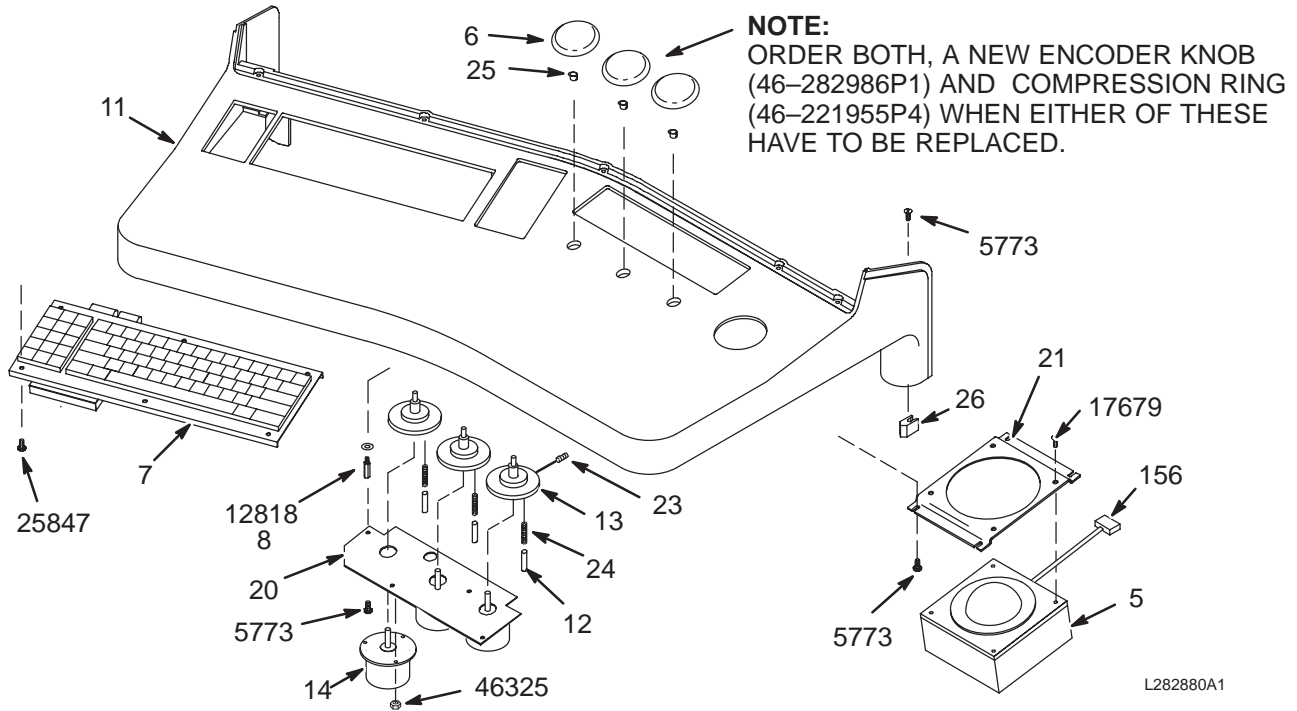
(CONT'D FROM PREVIOUS PAGE)

Item	Part Number	FRU	Name	Quantity	Description (Remarks)
12331	46-208937P1	2	NUT,HEX,MS	3	6-32 .313 HEX X .109 THK 316 SST
12948	1000904P153	2	WASHER,FLAT	24	ID 0.4060 OD 0.7500 THK .0598
13172	46-208932P13	2	SCREW,CAP	4	3/8-16 X 1.5" HEX HEAD, 18-8 SST
14225	46-208948P2	2	NUT,HEX	5	3/8-16 .563 HEX X .328 THK, 18-8 SST
16755	46-208935P8	2	NUT,HEX,MS	2	1/4-20, 7/16" HEX X 3/16 THK, BRASS
16760	46-208935P5	2	NUT,HEX,MS	3	6-32, .313 HEX X .109 THK, BRASS
16767	46-208941P8	2	NUT,HEX,MS	12	10-32 .375 HEX X .124 THK STL F70B5A
17212	46-220181P9	2	WASHER,LOCK	11	SCREW SIZE 3/8 (0.375) STL
17646	46-208908P20	2	SCREW,MACH	12	6-32 X 0.375 SLOT FLT HD F70B5A
17679	46-208908P36	2	SCREW,MACH	4	8-32 X 0.626 SLOT FLT HD F70B5A
17682	46-208908P37	2	SCREW,MACH	4	8-32 X 0.750 SLOT FLT HD F70B5A
17888	46-220184P54	2	SCREW MACH	2	1/4-20 X 1" LG, RND HD SLOT, BRASS
18351	46-208560P28	2	SCREW,MACH	4	6-32 X 0.750 LG BIND HD STL F70B5A
18382	46-208560P36	2	SCREW,MACH	7	10-32 X 0.312 LG BIND HD STL F70B5A
18397	46-208560P37	2	SCREW,MACH	4	10-32 X 1.000 LG BIND HD STL F70B5A
18599	46-208561P41	2	SCREW,CAP	4	3/8-16 X 1.000 LG HEX HD STL GRADE
18858	12-276	2	WASHER	21	ID 0.2040 OD 0.5630 THK .0478
25531	46-170498P32	2	SCREW,	6	10-32 X 0.625 LG HEX SOC HD STL
25828	46-208560P45	2	SCREW,MACH	56	10-32 X 0.375 LG BIND HD STL F70B5A
25849	46-208560P48	2	SCREW,MACH	7	6-32 X 0.380 LG BIND HD STL F70B5A
25850	46-208560P25	2	SCREW,MACH	3	6-32 X 0.625 LG BIND HD STL F70B5A
25857	46-208560P74	2	SCREW,MACH	3	10-32 X 0.438 LG BIND HD STL F70B5A
25858	46-208560P30	2	SCREW,MACH	9	10-32 X 1/2" LONG, BIND HEAD, STEEL
25860	46-208560P49	2	SCREW,MACH	1	10-32 X 0.750 LG BIND HD STL F70B5A
37353	46-208932P4	2	SCREW,CAP	2	3/8-16 X 1", HEX HEAD, 18-8 SST
41665	46-208932P8	2	SCREW,CAP	3	3/8-16 X 1.25" HEX HEAD, 18-8 SST
45862	46-208758P1	2	STRAP	5	3.62" X .094" CABLE TIE
47513	46-208922P4	2	SCREW,MACH	3	6-32 X 0.375 NYLON
49334	46-170498P50	2	SCREW,	6	3/8-16 X 2.000 LG HEX SOC HD STL

KEYBOARD ASSEMBLY

46-282880G1

IC1 A3



L282880A1

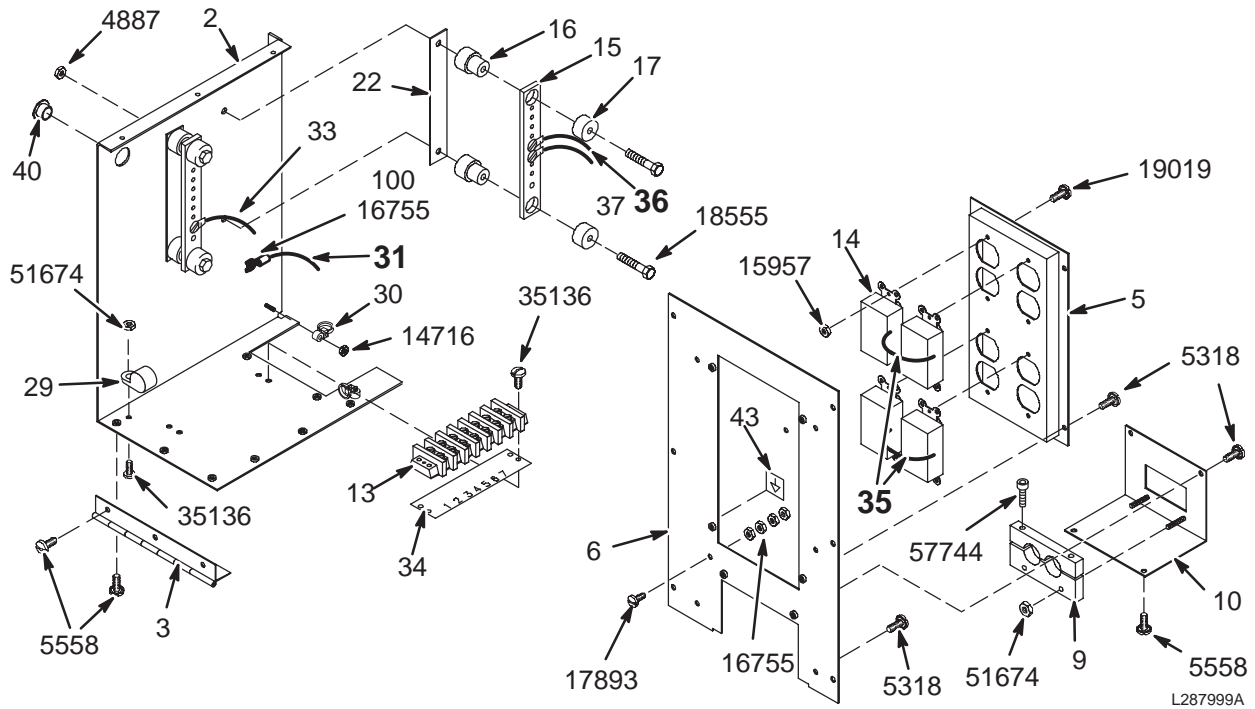
KEYBOARD ASM 46-282880G1 FRU N (PART OF 2119589 PAGE 5-12)

Item	Part Number	FRU	Name	Quantity	Description (Remarks)
5	46-282936P1	1	TRACKBALL	1	TRACKBALL, OC1/IC1 A9
6	46-282986P1	2	ENCODER KNOB	3	ENCODER KNOB, MIST GRAY LEXAN
7	46-282885P1	1	MR/CT KEYBD	1	A/N KEYBOARD, OC1/IC1 A3
8	506A657P74	2	EXTENSION	4	1/4" HEX X 13/16" 6-32 THREAD, SST
11	46-287054P1	2	HOUSING KEYB	1	MOLDED NORYL, MIST GRAY FINISH
12	46-243378P1	2	FRICTION PIN	3	NYLON, .094" DIA. X 1/4" LONG
13	46-287052P1	2	FLYWHEEL	3	2-1/2" DIA. 1/4" SHAFT INSERT, BRASS
14	46-301046P1	1	ENCODER ASM.	3	ENCODER #1, #2, #3, OC1/IC1 A6,A7,A8
20	46-287033P1	2	ENCOD SUPPRT	1	3-ENCODER MOUNTING PLATE
21	46-287034P1	2	TRAKB SUPPRT	1	TRACKBALL MOUNTING BRACKET
23	46-208563P30	2	SCREW,SET	6	00006-32 X 0.500 LG HEX SOC CUP PT
24	46-136353P77	2	SPRING COMP	3	OD 0.088 WIRE DIA .008
25	46-221955P4	2	COMPR RING	3	TINNERMAN #C2122-014-4 COMPRESSION
26	46-307274P1	2	GUIDE	2	ALUMINUM, GOLD IRIDITE FINISH
156	46-301419G1	2	CABLE	1	6" CABLE, TRACKBALL TO IP KEYPAD J6
5773	46-170015P18	2	SCR,SEMS	10	00006-32 X 0.312 LG BIND HD STL EXT
12818	1000904P22	2	WASHER,FLAT	4	ID 0.147 OD 0.250 THK .064
17679	46-208908P36	2	SCREW,MACH	4	00008-32 X 0.626 SLOT FLT HD F70B5A
25847	46-208560P24	2	SCREW,MACH	6	006-32 X 0.187 LG BIND HD STL F70B5A
46325	46-170012P34	2	NUT,LOCK	9	0004-40 HEX 1/4 NUT THK 3/32

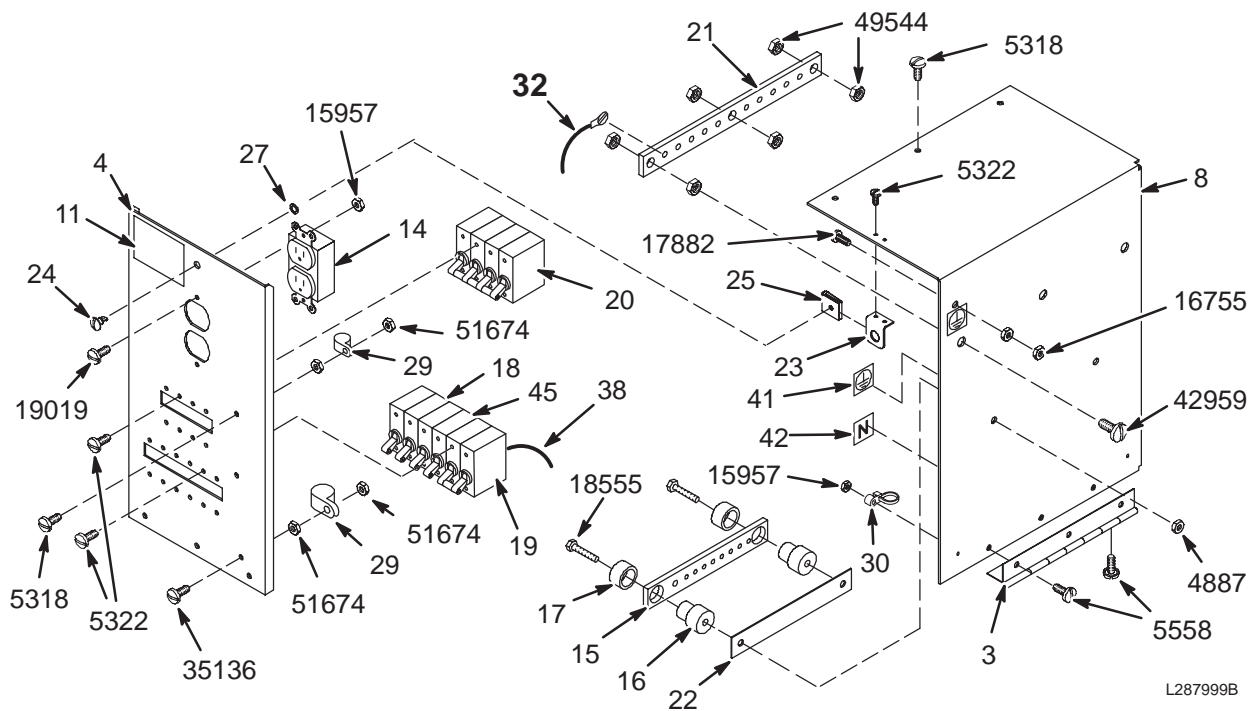
CONSOLE POWER DIST MODULE

46-287999G1

IC1 A12



VIEW 1



VIEW 2

POWER DIST MODULE 46-287999G1 FRU N (PART OF 2119589 PAGE 5-12)

Item	Part Number	FRU	Name	Quantity	Description (Remarks)
2	46-287364P1	2	L.S. COVER	1	STATIONARY LEFT SIDE & BOTTOM PLATE
3	46-287919P1	2	HINGE	2	7-3/8" LONG, 2" WIDE, 6 MOUNT HOLES
4	46-287922P1	2	PWR BOX DOOR	1	POWER MODULE SWING-DOWN FRONT PANEL
5	46-287909P1	2	OUTLET PANEL	1	DISTRIBUTION OUTLETS J3 TO J10 PANEL
6	46-287912P1	2	REAR PANEL	1	POWER MODULE ECCLOSURE BACK PANEL
8	46-287222P1	2	R.S. COVER	1	SWING-OUT RIGHT SIDE & TOP PANEL
9	46-287952P1	2	CLAMP	1	2-PIECE SET, 2 POWER CABLE CLAMP
10	46-287951P1	2	BRACKET	1	POWER CABLE STRAIN RELIEF
11	46-306713P1	2	WARNING LAB	1	WARNING...ELECTRICAL SHOCK... LABEL
13	46-221880P7	2	TERM. STRIP	1	7 TERMINALS, 50 AMP, 1700 VOLTS
14	46-230695P2	2	RECEPTACLE	5	AMPS 20 VOLTS 125 POLES 2 WIRES 3
15	46-243710P3	2	BUS BAR	3	POWER DISTRIBUTION, 8" LONG, COPPER
16	46-255895P1	2	STANDOFF	6	BUS BAR INSULATING STAND-OFF, LEXAN
17	46-255896P1	2	WASHER	6	BUS BAR INSULATING CAP, LEXAN
18	46-271382P15	2	CKT BREAKER	3	1 POLE, 20 AMP, STD TIME DELAY,
19	46-271382P3	2	CKT BREAKER	1	2 POLE, 20 AMP, STD TIME DELAY,
20	46-271382P26	2	CKT BREAKER	1	4 POLE, 30 AMP, STD TIME DELAY,
21	46-243711P1	2	GROUND BAR	1	GROUND BUS BAR, 10" LONG, COPPER
22	46-258021P5	2	INSULATOR	3	BUS BAR INSULATOR, LEXAN, 6.75" X 1"
23	46-243709G1	2	BRACKET	1	COVER LATCH RETAINER MOUNT BRACKET
24	46-220370P6	2	FASTENER	1	STUD,OVAL HD 1/4 TURN SOUTHCO
25	46-316410P1	2	FASTENER	1	RECEPTACLE CLIP-ON SOUTHCO
27	46-316411P1	2	RETAINER	1	RETAINER SPLIT RING TYPE
29	46-208718P12	2	CLAMP	4	ID 1.00 LOOP TYPE
30	46-208759P1	2	STRAP	4	7.81" X .184" SELF-LOCKING CABLE TIE
31	46-301318G1	N	HARNESS	1	OUTLET J4, J8 NEU/GND INTERCONNECT (SEE PAGE 5-18)
32	46-317419G1	N	HARNESS	1	CIRCUIT BREAKER INTERCONNECT WIRING (SEE PAGE 5-18)
34	46-315115P1	2	TERMINAL MKR	1	1-7 MARKER STRIP W/4 MOUNTING HOLES.
35	46-301445G1	N	LEAD DATA	1	SET OF 4 JUMPER WIRES W/TERMINALS (SEE PAGE 5-18)
36	46-301429G1	N	HARNESS	1	W1 & CB5 TO ON/OFF SWITCH WIRING (SEE PAGE 5-18)
38	46-315128P1	2	CONNECTOR	2	STATIONARY MALE/FEMALE TERMINAL
40	46-208695P51	2	BUSHING	1	HEYCO PART NO.2110 SB-875-6 BLACK
41	46-271110P1	2	LABEL	2	PROTECTIVE EARTH (GROUND)
42	46-271110P4	2	LABEL	1	NEUTRAL
43	46-271110P5	2	LABEL	1	EQUIPOTENTIALITY
45	46-271382P6	2	CKT BREAKER	1	1 POLE, 15 AMP, STD TIME DELAY,
100	46-220184P49	2	SCREW MACH	7	01/4-20 X 0.375 LG RD HD SLOT BRASS
4887	46-170012P40	2	NUT,LOCK	6	1/4-20 HEX 7/16 NUT THK 3/16
5318	46-170015P6	2	SCR,SEMS	18	00010-32 X 0.500 LG BIND HD STL EXT
5322	46-170015P10	2	SCR,SEMS	22	00006-32 X 0.250 LG BIND HD STL EXT
5558	46-170015P16	2	SCR,SEMS	14	00010-32 X 0.375 LG BIND HD STL EXT
15957	46-170012P36	2	NUT,LOCK	14	6-32 HEX 5/16 NUT THK 7/64
16755	46-208935P8	2	NUT,HEX,MS	7	001/4-20 .438 X .188 THK BR
17882	46-220184P52	2	SCREW MACH	1	01/4-20 X 0.750 LG RD HD SLOT BRASS
17893	46-220184P55	2	SCREW MACH	1	01/4-20 X 1.250 LG RD HD SLOT BRASS
18102	46-220184P38	2	SCREW MACH	9	0010-32 X 0.250 LG RD HD SLOT BRASS
18555	46-208561P16	2	SCREW,CAP	6	001/4-20 X 2.000 LG HEX HD STL GRADE
19019	46-170015P27	2	SCR,SEMS	10	00006-32 X 0.500 LG BIND HD STL EXT
35136	46-170015P62	2	SCR,SEMS	7	00010-32 X 0.750 LG BIND HD STL EXT
42959	46-220184P63	2	SCREW MACH	3	03/8-16 X 1.500 LG RD HD SLOT BRASS
49544	46-208935P10	2	NUT,HEX,MS	6	3/8-16 .625 HEX X .250 THK BRASS
51674	46-170012P39	2	NUT,LOCK	8	0010-32 HEX 3/8 NUT THK 1/8
57744	46-170498P34	2	SCREW,	2	00010-32 X 1.250 LG HEX SOC HD STL

OUTLET/NEU/GND HARNESS 46-301318G1 FRU N (PART OF 46-287999G1 PAGE 5-17)

Item	Part Number	FRU	Name	Quantity	Description (Remarks)
2	07578	2	WIRE	6	600V #12 GRN/YEL 1004705P73
3	07430	2	WIRE	5.850	600V #12 WHT 1004705P1
4	511A590P40	2	TERMINAL	4	12-10 AWG RING TONGUE TERMINAL.
5	511A590P19	2	TERMINAL	2	RING TONGUE TERMINAL FOR #12-10 AWG,
6	511A590P255	2	TERMINAL	4	#8 SPRING SPADE TERMINAL.
7	07390	2	WIRE	2.625	600V #10 GRN/YEL 1004705P73
15	46-208781P2	2	CABLE MARKER	1	WRITE-ON LABEL FOR MARKING CABLES,

CIRCUIT BRKR HARNESS 46-317419G1 FRU N (PART OF 46-287999G1 PAGE 5-17)

Item	Part Number	FRU	Name	Quantity	Description (Remarks)
2	511A590P255	2	TERMINAL	5	#8 SPRING SPADE TERMINAL.
3	511A590P19	2	TERMINAL	17	RING TONGUE TERMINAL FOR #12-10 AWG,
4	511A590P40	2	TERMINAL	1	12-10 AWG RING TONGUE TERMINAL.
5	46-208781P4	2	CABLE MARKER	1	WRITE-ON LABEL FOR MARKING CABLES,
6	511A590P46	2	TERMINAL	17	0.250" X 0.032" FEMALE PUSH-ON
7	07443	2	WIRE	25.500	600V #10 BLK 1004705P74
8	46-317522P2	2	WIRE	13	#12 AWG BLACK SINGLE CONDUCTOR WIRE
9	46-317522P1	2	WIRE	2.500	#10 AWG WHITE SINGLE CONDUCTOR WIRE
10	46-317522P3	2	WIRE	2.500	#12 AWG WHITE SINGLE CONDUCTOR WIRE
11	07578	2	WIRE	2.500	600V #12 GRN/YEL 1004705P73

ON/OFF SWITCH HARNESS 46-301429G1 FRU N (PART OF 46-287999G1 PAGE 5-17)

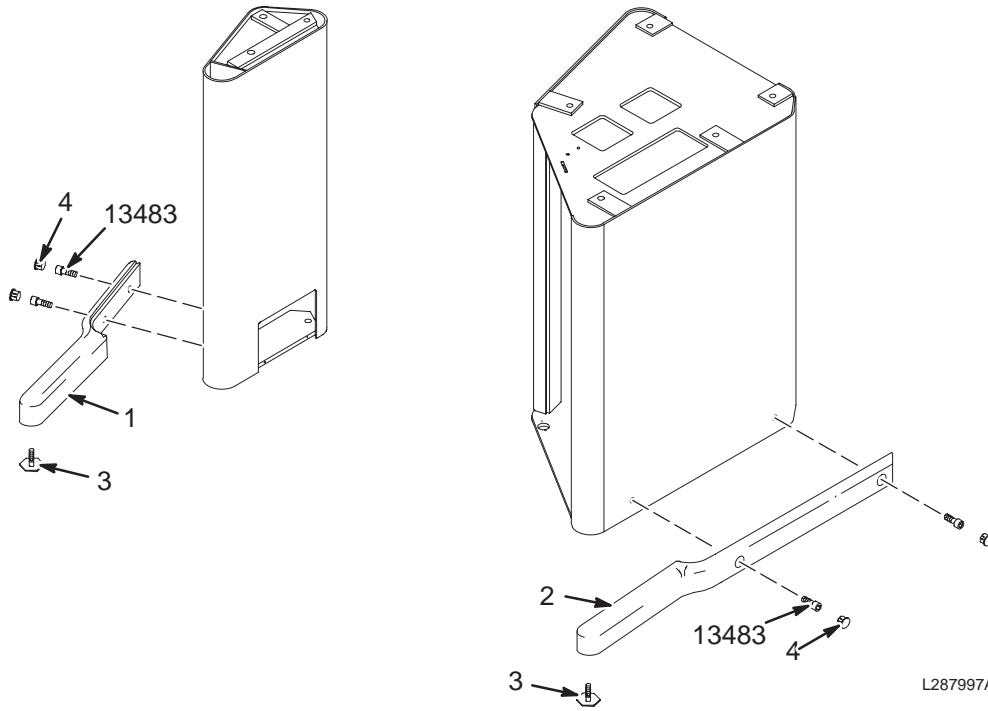
Item	Part Number	FRU	Name	Quantity	Description (Remarks)
3	511A590P19	2	TERMINAL	1	RING TONGUE TERMINAL FOR #12-10 AWG,
4	511A590P46	2	TERMINAL	3	0.250" X 0.032" FEMALE PUSH-ON

4-WIRE LEAD DATA 46-301445G1 FRU N (PART OF 46-287999G1 PAGE 5-17)

Item	Part Number	FRU	Name	Quantity	Description (Remarks)
2	07430	2	WIRE	.750	600V #12 WHT 1004705P1
3	511A590P255	2	TERMINAL	6	#8 SPRING SPADE TERMINAL.
4	44154	2	WIRE	1	600V #12 BLK 1004705P1
5	511A590P19	2	TERMINAL	2	RING TONGUE TERMINAL FOR #12-10 AWG,

LOW PROFILE KIT

46-287997G1

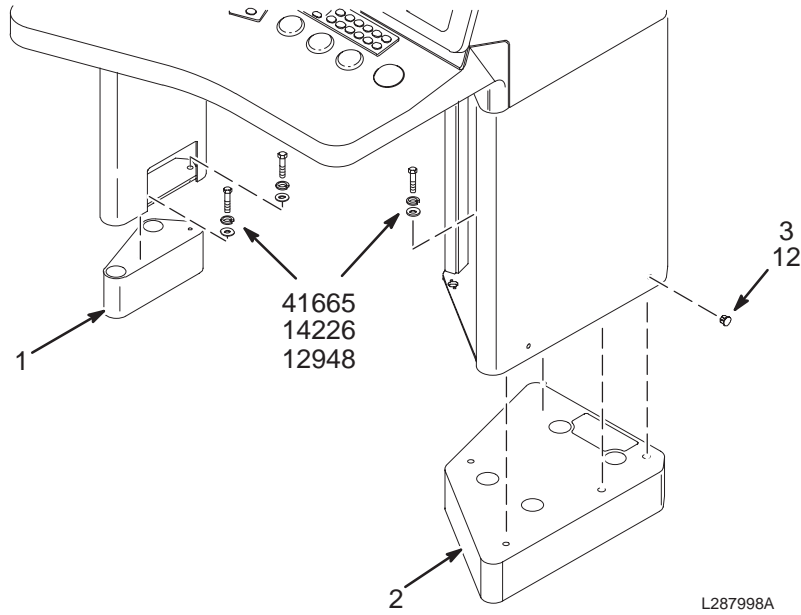


LOW PROFILE KIT 46-287997G1 FRU N (PART OF 46-317909G1 SECTION 11)

Item	Part Number	FRU	Name	Quantity	Description (Remarks)
1	46-287422P1	2	FOOT SUPPORT	1	SUPPORT PEDESTAL SUPPORT LEG
2	46-287103P1	2	FOOT SUPPORT	1	POWER PEDESTAL SUPPORT LEG
3	46-287782P1	2	LEVELR SCREW	2	LEVELING SCREW, 5/16-18 THREAD
4	46-287224P1	2	BUTTON	4	PLUG BUTTON, 0.82 DIA. HOLE, LEXAN
13483	46-170498P46	2	SCREW,	4	003/8-16 X 1.000 LG HEX SOC HD STL

HI PROFILE KIT

46-287998G1



HI PROFILE KIT 46-287998G1 FRU N (PART OF 46-244813G20/G40 SECTION 1)

Item	Part Number	FRU	Name	Quantity	Description (Remarks)
1	46-287211P1	2	BASE CASTING	1	SUPPORT PEDESTAL 3-3/4" RISER
2	46-287216P1	2	CAST BASE RS	1	POWER PEDESTAL 3-3/4" RISER
3	46-287225P1	2	BUTTON	4	MIST GRAY PLUG BUTTON, 5/16" HOLE
12	46-287225P2	2	PART	4	CHARCOAL GRAY BUTTON FOR 3/8 HOLE
12948	1000904P153	2	WASHER,FLAT	7	ID 0.4060 OD 0.7500 THK .0598
14226	46-220196P6	2	WASHER,LOCK	7	SCREW SIZE 3/8 (0.375) 18-8 S ST
41665	46-208932P8	2	SCREW,CAP	7	003/8-16 X 1.250 18-8 S ST HEX HD