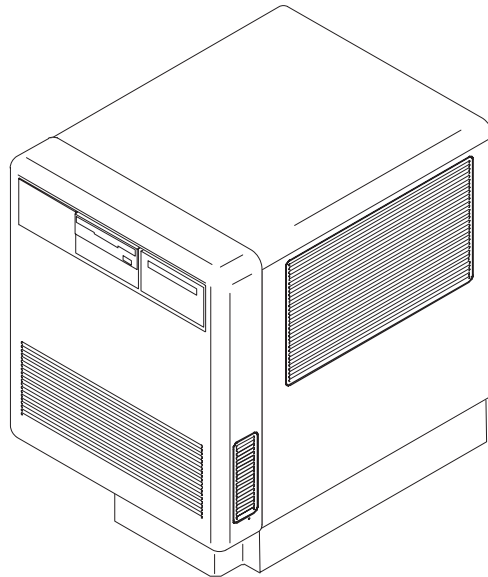


## SECTION 7 – COMPUTER



### TABLE OF CONTENTS

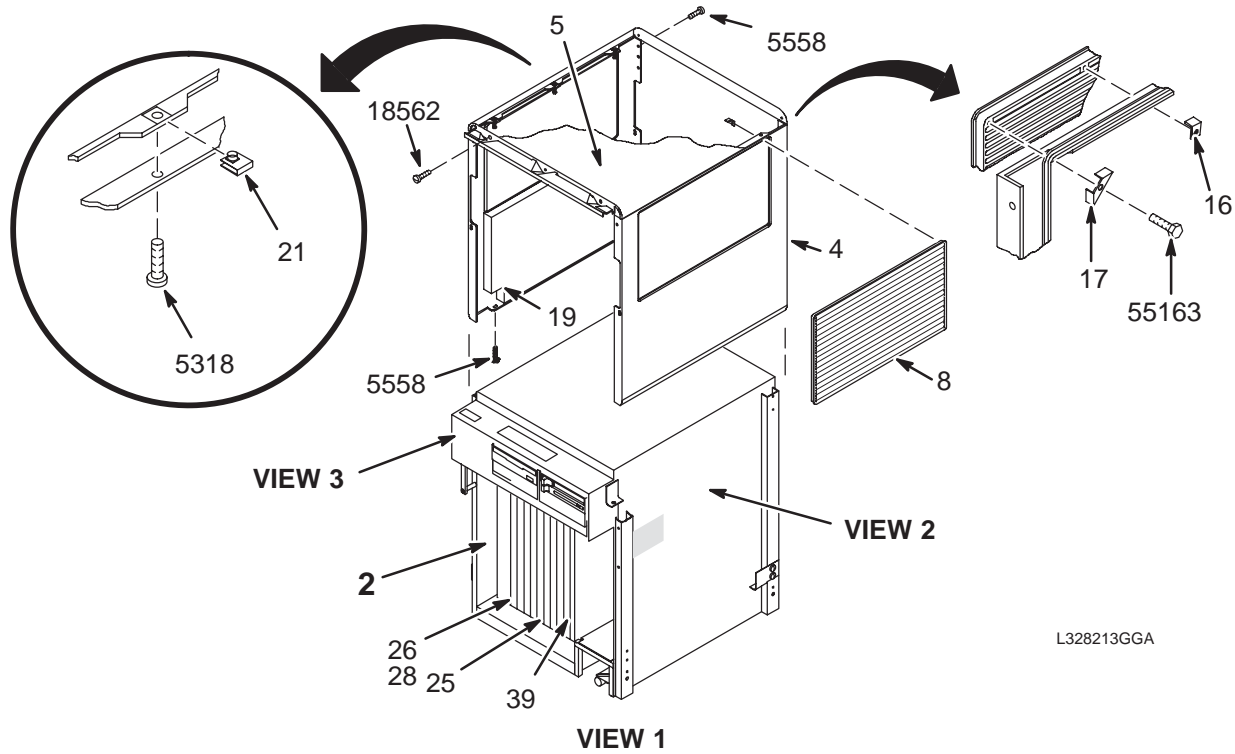
<u>SECTION</u>	<u>PAGE</u>
7-1 <b>STEALTH COMPUTER</b> .....	7-2
Contains information on Horizon 5.x Computer	
7-2 <b>STEALTH COMPUTER INTERFACE KIT</b> .....	7-8

7-1 STEALTH COMPUTER

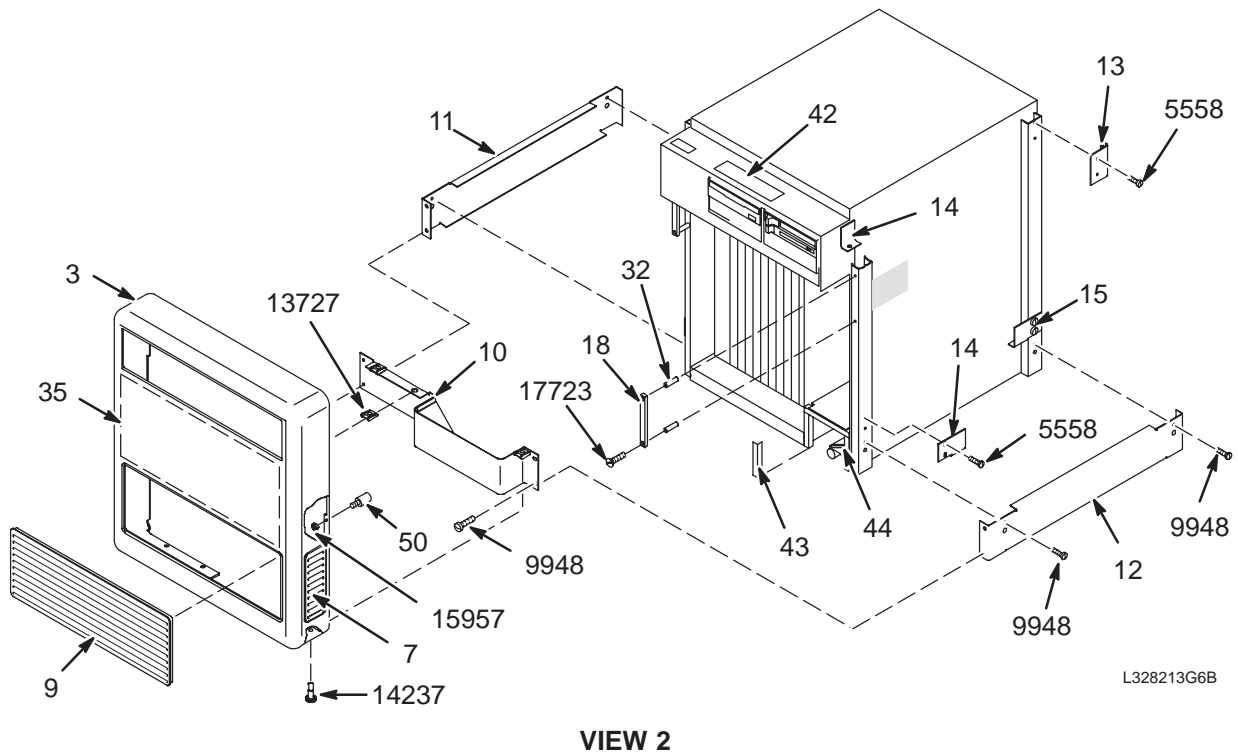
STEALTH COMPUTER

46-328213G6

CC1



L328213GGA

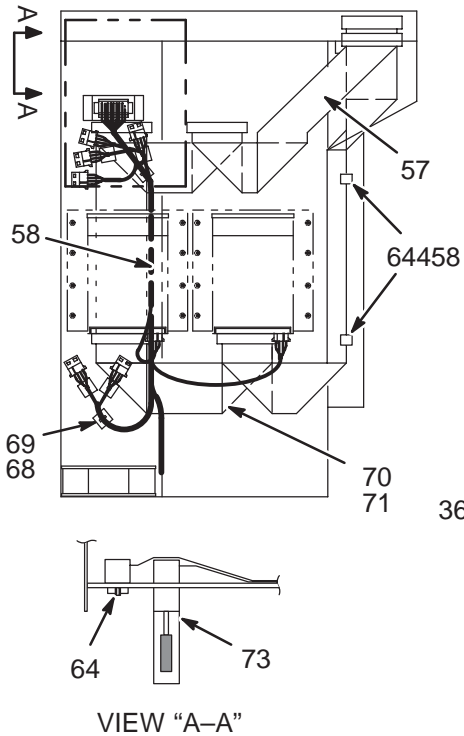


L328213G6B

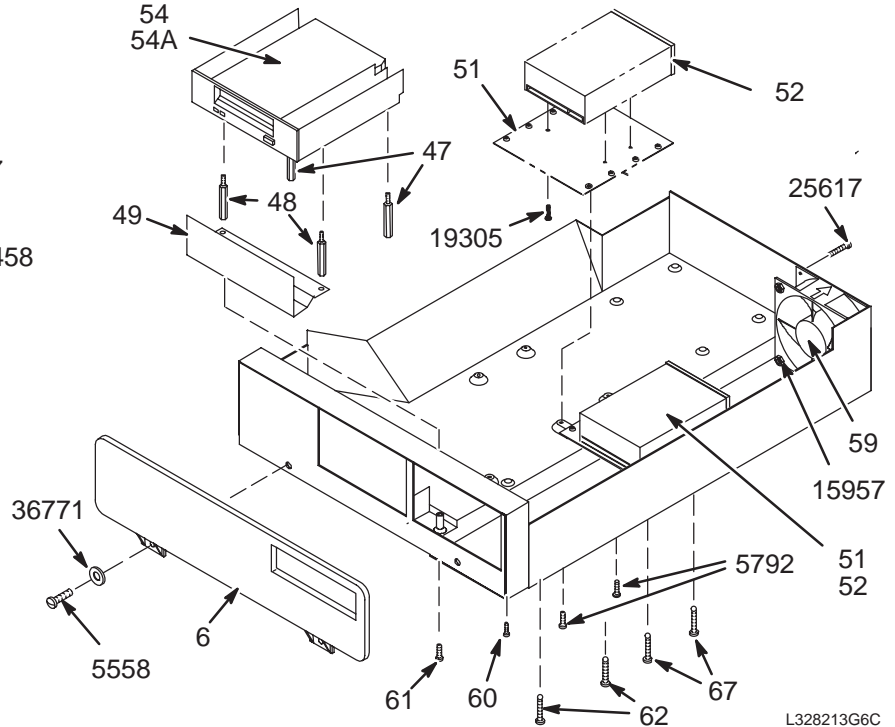
STEALTH COMPUTER

46-328213G6

CC1



VIEW "A-A"



VIEW 3

L328213G6C

STEALTH COMPUTER 46-328213G6 FRU N (PART OF 46-317998G10 SECTION 1)

Item	Part Number	FRU	Name	Quantity	Description (Remarks)
2	46-269579G1	N	SUN COMPUTER	1	SOURCED SUN COMPUTER STEALTH CONFIG. (SEE PG 7-5)
3	46-301306P1	2	FRT COVER	1	COMPUTER ENCLOSURE FRONT COVER
4	46-301308P1	2	SIDE COVER	2	COMPUTER ENCLOSURE SIDE COVER
5	46-301307P1	2	TOP COVER	1	COMPUTER ENCLOSURE TOP COVER
6	46-307620P1	2	BEZEL	1	CARTRIDGE TAPE DRIVE BEZEL
7	46-301309P1	2	GRILL	1	MIST GRAY PLASTIC, 6-3/8 X 2-3/16"
8	46-301310P1	2	GRILL LG	2	MIST GRAY PLASTIC, 10" X 17-1/4"
9	46-301310P2	2	GRILL LG	1	MIST GRAY PLASTIC, 6-3/8" X 17-1/4"
10	46-301314P1	2	FRONT TRIM	1	FRONT TRIM PANEL, CHARCOAL GRAY
11	46-301313P1	2	SIDE TRIM	1	LEFT SIDE TRIM PANEL, CHARCOAL GRAY
12	46-301313P2	2	SIDE TRIM	1	RIGHT SIDE TRIM PANEL, CHARCOAL GRAY
13	46-301311P1	2	BRACKET	2	COVER MOUNTING BRACKET, UPPER REAR
14	46-301312P1	2	BRACKET	2	COVER MOUNTING BRACKET, FRONT RIGHT
15	46-301312P2	2	BRACKET	2	COVER MOUNTING BRACKET, LOWER
16	46-301339P1	2	CLIP, RETAIN	12	GRILL MOUNTING CLIP, CENTER
17	46-301316P1	2	CLAMP	16	GRILL MOUNTING CLIP, CORNER
18	46-301395P1	2	HANDLE	2	1/2" X 5/16" X 4-3/8" ALUMINUM BAR
19	46-301476P1	2	ACOUSTC FOAM	2	SIDE COVER SOUNDFOAM, 1" THICK
21	46-278036P1	2	FASTENER	6	#10 - 32 TINNEMAN
25	46-307265G1	1	BIT3 VME I/F	1	BIT3 RPQ600356 CARD/CABLE ASM - SUN

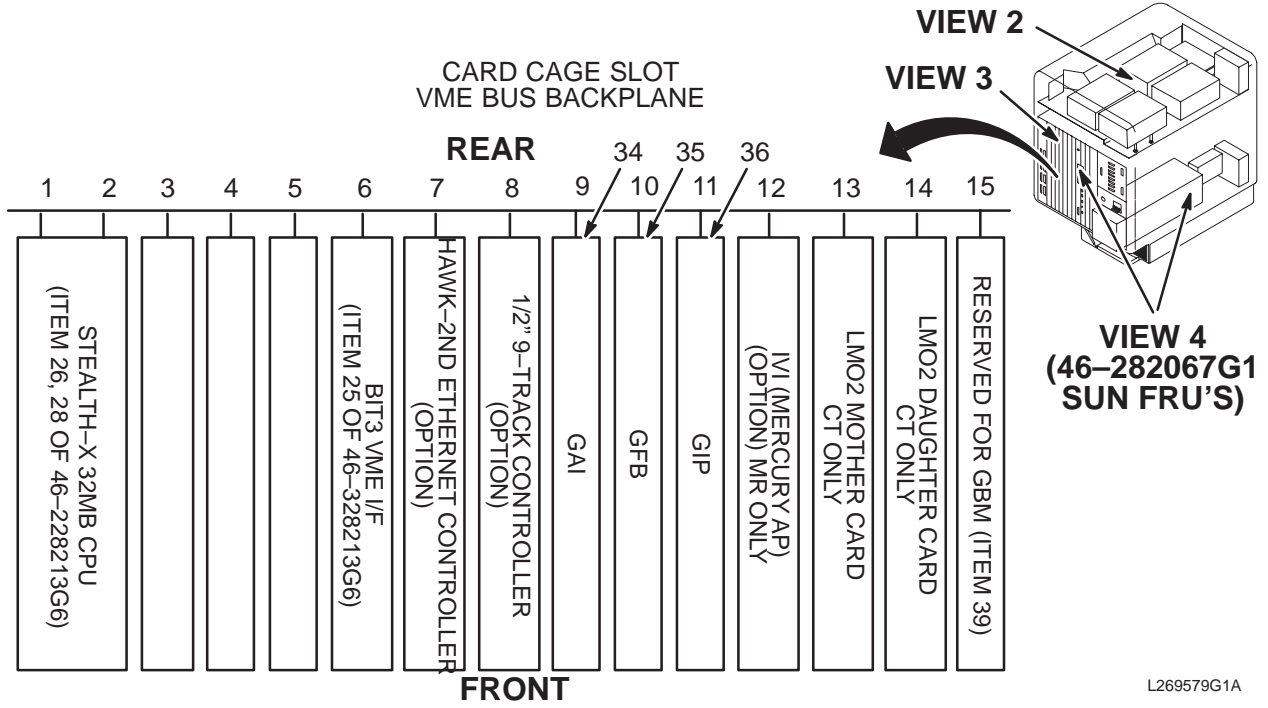
Parts List Continued On Next Page

COMPUTER 46-328213G6 FRU N (CONTINUED FROM PREVIOUS PAGE)

Item	Part Number	FRU	Name	Quantity	Description (Remarks)
26A	46-320144G2	1	STEALTH CPU	1	STEALTH-X CPU, 64 MB
26B	46-320144G1	1	STEALTH CPU	1	STEALTH-X CPU, 32 MB
28	2101900	1	MODULE	1	32 MB EXPANSION MODULE, STEALTH CPU
29	46-301819P1	2	BRACKET	2	COMPUTER MOUNTING BRACKET, FRONT
30	46-301818P1	2	BRACKET	1	COMPUTER MOUNTING BRACKET-RIGHT REAR
31	46-301818P2	2	BRACKET	1	COMPUTER MOUNTING BRACKET, LEFT REAR
32	46-301870P1	2	SPACER, HNDL	4	3/8" DIA. X 1-1/4" ALUMINUM TUBE
39	46-321280G1	1	CIRCUIT BD	1	32MB BULK MEMORY BOARD (GBM) FOR IP
41	46-302200P9	N	RATING PLATE	1	BLANK RATING PLATE FOR SERIAL NO ETC
42	46-306831P1	2	LABEL	1	WARNING - HEAVY DRAWER W/O END STOPS
43	46-170209P1	2	TAPE	AR	0.034 X 1.00 X 100 FT
44	46-279632P1	2	MECHANICAL/M	AR	POLYETHYLENE STRIP, ELECTROVERT GS-4
47	46-320865P1	2	(M)SPACER	2	1/4" HEX STANDOFF X 1.88", M3 THREAD
48	46-320865P2	2	(M)SPACER	2	1/4" HEX STANDOFF X 1.81", M3 THREAD
49	46-320866P1	2	COVER	1	ESD COVER PLATE
50	46-307430P1	2	STANDOFF	4	STANDOFF, 1/4" DIA X 3/8" LG, 6-32
51	46-328478P1	2	BRACKET	2	ST-1980 DISC DRIVE ADAPTING PLATE
52	46-269587P5	1	DISK DRIVE	2	3.5 INCH FORM FACTOR LOW PROFILE
52A	46-269587P3	1	DISK DRIVE	2	SEAGATE 3.5 INCH FORM FACTOR LOW PROFILE
54	46-306519P3	1	DAT DRIVE	1	3.5" HALF HEIGHT FORM FACTOR 2.0 GB
54A	46-306519P2	1	DAT DRIVE	ALT	3.5" DAT DRIVE W/BRACKETS AND BEZEL
57	2101566	2	RIBBON CABLE	1	50 CONDUCTOR, FOR ST1980N SCSI TRAY
58	46-307636G1	2	HARNESS	1	SCSI MULTI-INTERCONNECT DC CABLE
59	46-307681P1	1	FAN	1	4.69" X 4.69" X 1.54" DC BRUSHLESS.
60	46-307729P5	2	M3 SCREW	1	8MM LONG, METRIC SLOTTED CHEESE HEAD
61	46-307729P10	2	M3 SCREW	1	25MM LONG METRIC SLOTTED CHEESE HEAD
62	46-307729P13	2	M3 SCREW	2	40MM LONG METRIC SLOTTED CHEESE HEAD
64	46-221417P2	2	CONNECTOR	4	FEMALE SCREWLOCK FOR HD CONNECTORS
67	46-220185P123	2	SCREW	2	6-32 X 1-5/8" LG RD HEAD SLOT, STEEL
68	46-208747P1	2	VIBRATION IS	6	CABLE TIE,ADH.BACKED
69	46-208758P2	2	TY-RAP	6	5.5" X .140" SELF-LOCKING CABLE TIE.
73	46-269601P1	1	TERMINATOR	1	ACTIVE REGULATED SCSI TERMINATOR
5318	46-170015P6	2	SCREW	6	10-32 X 1/2 LG BIND HD STL EXT TOOTH
5558	46-170015P16	2	SCREW	25	10-32 X 3/8 LG BIND HD STL EXT TOOTH
5792	46-170015P19	2	SCREW	6	6-32 X 3/8 LG BIND HD STL EXT TOOTH
9948	46-208560P123	2	SCREW	8	10-32 X 3/8 BINDING HEAD, 18-8 SST
13727	46-316410P1	2	FASTENER	3	RECEPTACLE CLIP-ON, SOUTHCO
14237	46-220370P8	2	FASTENER	3	STUD,OVAL HD 1/4 TURN SOUTHCO
15957	46-170012P36	2	NUT	8	6-32 HEX 5/16 NUT THK 7/64, KEPS
16755	46-208935P8	2	NUT	4	1/4-20, 7/16" HEX X 3/16 THK, BRASS
16786	46-208935P7	2	NUT	4	10-32, 3/8 HEX, 1/8" THICK, BRASS
17215	46-208599P4	2	WASHER	4	#10 SCREW SIZE, EXTERNAL TOOTH
17723	46-208908P85	2	SCREW	4	10-32 X 1-3/4" LG, FLAT HEAD SLOTTED
18562	46-208561P69	2	SCREW	2	5/16-18 X 1/2" HEX HD, GRADE 5 STEEL
19305	46-170015P37	2	SCREW	8	6-32 X 5/8" LG BIND HD STL EXT TOOTH
24281	46-208601P6	2	WASHER	4	1/4" SCREW SIZE, INTERNAL TOOTH
25617	46-208908P86	2	SCREW	4	6-32 X 1-3/4" FLAT HEAD SLOT, STEEL
41665	46-208932P8	2	SCREW	4	3/8-16 X 1.25" HEX HEAD, 18-8 SST
53148	46-170024P37	2	SCREW	2	5/16-18 HEX SOCKET HEAD, ALLOY STEEL
55163	46-208734P19	2	SCREW	28	6-32 X 5/16" LONG, HEX WASHER
64458	46-208712P1	2	CLAMP	2	DEK PART NO. 031-0100
72869	46-230516P3	2	SCREW	4	RAWL 9340H/S DROP-IN HEAVY DUTY 3/8"

COMMON COMPUTER SYSTEM

MODEL 46-269579G1



VIEW 1

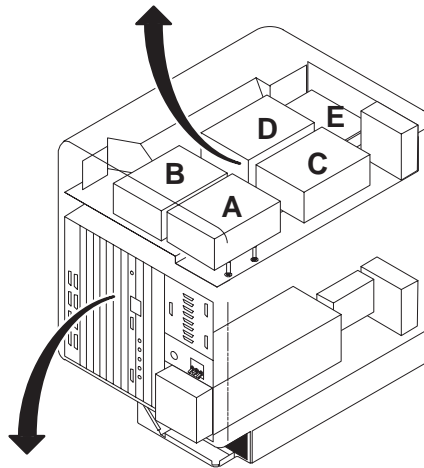
COMMON COMP SYS      46-269579G1      FRU   N      (PART OF 46-328213G6 PAGE 7-3)

Item	Part Number	FRU	Name	Quantity	Description (Remarks)
34	46-282067P34	1	SUN GAI SPEC	1	APPLICATIONS I/F (SEE 46-307090P14)
35	46-282067P35	1	SUN GFB SPEC	1	FRAME BUFFER (SEE 46-307090P16)
36	46-282067P36	1	SUN GIP SPEC	1	INTERPOLATOR (SEE 46-307090P15)
801	46-282067G1	N	SUN OC FRUS	X	SUN FRUS USED W/MR OC COMPUTER (SEE PAGE 7-7)

COMMON COMPUTER SYSTEM

MODEL 46-328213 SERIES

MODEL	LOCATION	DESCRIPTION		PART NUMBER
G6	A	DAT	3.5" HALF HEIGHT FORM FACTOR DIGITAL	46-306519P2
	B	OPT DISK	OPTICAL DISK DRIVE KIT, INCLUDES "E" BELOW (OPTIONAL)	46-317242G1
	B ALT.	MOD (1/2HGT)	5-1/4" MAGNETO OPTICAL DISK, "E" NOT USED (OPTIONAL)	46-307575P4
	C	DISK	SEAGATE ST1980N, 3.5" FORM FACTOR	46-269587P1
	D	2ND DISK	SEAGATE ST1980N, 3.5" FORM FACTOR (OPTIONAL)	46-269587P1
	E	OPT DISK	SEE "B" ABOVE	46-317242G1



L269579G1B

VIEW 2

SLOT	BOARDS	PART NUMBER	LISTED UNDER P/L:
1/2	STEALTH-X 32MB CPU	46-320144G1	46-328213G6
1/2	STEALTH-X 64MB CPU	46-320144G2	46-328213G6
3	EMPTY		
4	EMPTY		
5	EMPTY		
6	BIT 3 SCANNER INTERFACE (MR CC1 ONLY)	46-307265G1	46-328213G6
7	HAWK 2ND ETHERNET CONTROLLER*	46-269604P1	
8	1/2" MAG TAPE CONTROLLER*	46-282067P54	
9	GENESIS APPLICATIONS INTERFACE (GAI)	46-307090P14	46-282067G1
10	GENESIS FRAME BUFFER (GFB)	46-307090P16	46-282067G1
11	GENESIS INTERPOLATOR PROCESSOR (GIP)	46-307090P15	46-282067G1
12	i860 ARRAY PROCESSOR*(FOR IVI OPTION)	46-307869G2	M1095AF/AG
13	EMPTY		
14	EMPTY		
15	GENESIS BULK MEMORY*	46-307090P17	46-282067G1

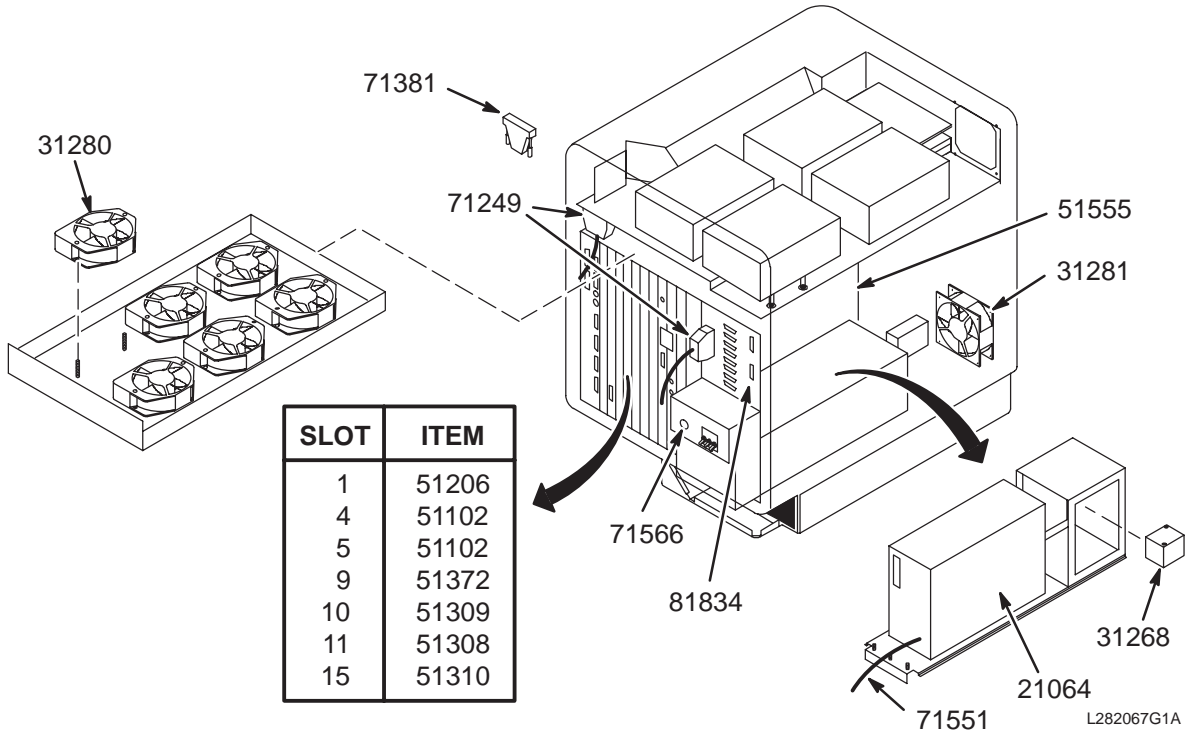
\* DENOTES OPTIONAL BOARD

L269579G1C

VIEW 3

SUN FRU'S

46-282067G1



VIEW 4

SUN FRU'S

46-282067G1

FRU N

(PART OF 46-269579G1 PAGE 7-5)

Item	Part Number	FRU	Name	Quantity	Description (Remarks)
21064	46-307090P1	1	SUN FRU	1	SUN 300-1064 1600W POWER SUPPLY
31268	46-307090P3	2	SUN FRU	1	SUN 370-1268 EMI AC LINE FILTER
31280	46-307090P23	2	SUN FRU	6	SUN 370-1280 FAN, AC 175 CFM
31281	46-307090P8	2	SUN FRU	1	SUN 370-1281 FAN
51102	46-307090P20	1	SUN FRU	ALT	SUN 501-1102 8MB EXPANSION MEMORY BD
51206	46-307090P18	1	SUN FRU	ALT	SUN 501-1206 3/260 CPU BOARD
51308	46-307090P15	1	SUN FRU	1	SUN 501-1308 GIP CIRCUIT BOARD
51309	46-307090P16	1	SUN FRU	1	SUN 501-1309 GFB CIRCUIT BOARD
51310	46-307090P17	1	SUN FRU	ALT	SUN 501-1310 GBM CIRCUIT BOARD
51372	46-307090P14	1	SUN FRU	1	SUN 501-1372 GAI CIRCUIT BOARD
51555	46-307090P24	1	SUN FRU	1	SUN 501-1555 BACKPLANE
71249	46-307090P29	2	SUN FRU	2	SUN 530-1249 CABLE
71381	46-307090P32	1	SUN FRU	1	SUN 530-1381-02 SCSI TERMINATOR
71551	46-307090P21	2	SUN FRU	1	SUN 530-1551 5VDC TO BACKPLANE CABLE
71566	46-307090P31	2	SUN FRU	1	SUN 530-1566 POWER INDICATOR & CABLE
81834	46-307090P30	2	SUN FRU	1	SUN @X540-1834 SERIAL I/O PANEL

7-2 STEALTH COMPUTER INTERFACE KIT

INTERFACE KIT 46-317995G1 FRU N (PART OF 46-317998G6 SECTION 1)

Item	Part Number	FRU	Name	Quantity	Description (Remarks)
1	46-287532P2	1	ETHER XCEIVR	1	THIN NET ETHERNET TRANSCEIVER
2	46-296980G1	2	CABLE ASM	1	LASER CAMERA
3	46-296861G6	2	CABLE ASM	1	COMPUTER ETHERNET TO XCVR
4	46-296817P1	2	CONNECTOR	1	50 OHM BNC TERMINATOR W/CHAIN, 1/2 W
5	46-313025G1	2	INTER. CABLE	1	PIXEL CABLE
6	46-313025G2	2	INTER. CABLE	1	VIDEO CABLE
7	46-307698P2	2	CABLE ASM	1	CI1-A1-A7-J3601 TO VCR, 80 FT RG59
8	46-136246P15	2	TAPE	0.500	3/4" WIDE, WHT ADH BACK, VELCRO LOOP
9	46-136246P17	2	TAPE	0.500	3/4" WIDE, WHT ADH BACK, HOOK VELCRO
10	46-220427P3	2	CONNECTOR	2	50 OHM BNC STRAIT JACK-JACK ADAPTOR
11	46-136323P29	2	TUBING	0.500	BLACK EXPANDED ID .750
12	46-320325G1	2	FILTER ASM	1	INTERCOM FILTER ASSEMBLY FOR RUN 704
16	46-313020P1	2	TERMINATOR	1	BNC 50 OHM TERMINATOR WITH