

## SECTION 11 – COILS, ACCESSORIES, AND OPTIONS

This Section contains a listing of Coils, Accessories and other Options available with MR Signa 5.x and 8.x, 9.x, and 11.x Systems. The listings are divided into three separate categories; Signa Option Catalogs, E–Catalog and R–Catalog Facility Accessories Options.

SEC	CATALOG	DESCRIPTION	PAGE
11–1	<b>OXYGEN MONITOR OPTION</b>		<b>11–7</b>
	M1060KM	Oxygen Monitor	11–7
11–2	<b>SIGNA OPTIONS</b>		<b>11–8</b>
	M1010AM	Slave Monitor	11–8
	M1010BW	1.2 Advantage Windows Workstation	11–8
	M1010GM	Domestic Isolation Transformer	11–9
	M1010GN	International Isolation Transformer	11–9
	M1010GS	Low Rise Legs Kit	11–9
	M1020BD	2ndLightweight Patient Transport With Quad Head Coil	11–9
	M1030YA	GE LaserCam HQ	11–9
	M1030YC	GE LaserCam HQ–S	11–9
	M1033BM	Brain Wave	11–10
	M1033K	Indigo to Octane Upgrade Kit	11–11
	M1033PA	Performed Procedure Step	11–11
	M1040AH	GE Magnet Resistive Shim Kit	11–12
	M1040BH	GE S–III Magnet Resistive Shim Kit	11–13
	M1040BJ	Spectroscopy Software Asm for Spectroscopy Analysis Workstation	11–14
	M1040BP	Multiple Suite Interface	11–14
	M1040BR	Multiple Suite Interface for 5.4 RP Systems	11–14
	M1040CS	Signa CVMR Advanced Development Workstation (ADW) Base Hardware	11–15
	M1040CT	Solaris O/S Software	11–15
	M1040CW	Cardio Vascular Workstation Software	11–15
	M1040CY	IDL License/Package	11–15
	M1040CZ	Advanced Development Workstation (ADW) BIT3 Interconnect Hardware	11–15
11–3	<b>SIGNA PRE–EXCITE SOFTWARE OPTIONS</b>		<b>11–16</b>
	M1033J	ScanTools 2000 Upgrade	11–16
	M1033JA	iDRIVE Pro 2000 (formerly RTIA)	11–16
	M1033JB	SmartPrep 2000 (Includes SmartStep)	11–16
	M1033JD	Probe 2000	11–16
	M1033JE	SR20 EchoPlus Option Key	11–16
	M1033JF	Scantools 2000	11–16
	M1033JH	SmartPrep 2000 Upgrade (SmartStep only)	11–16
	M1033JJ	Probe 2000 Upgrade	11–17
	M1033JK	Functool 2000	11–17
	M1033JL	LX Tools	11–17
	M1033JR	iDRIVE Pro Plus	11–17

SEC	CATALOG	DESCRIPTION	PAGE
11-3	<b>SIGNA PRE-EXCITE SOFTWARE OPTIONS (Continued)</b>		
	M1040HT	PROBE / SV	11-15
	M1040LA	VP NV Software	11-17
	M1090AD	ConnectPro	11-17
	M1090AT	3-D Option Floppy Key for Advantage Windows	11-17
	M1090AW	Laser Camera Interface for Advantage Windows	11-18
	M1090BF	Cine Plus	11-18
	M1090CP	Genesis to Stealth CPU Upgrade Kit	11-18
	M1090CR	Cardiac	11-18
	M1090DB	5-1/4" Optical Disk	11-19
	M1090DT	Diffusion Tensor Imaging	11-20
	M1090DW	5-1/4" Magneto Optical Disk	11-20
	M1090EA	Fast Enhancements II	11-21
	M1090EC	FSE-XL	11-21
	M1090FD	Expansion 32MB Bulk Memory Board (BAM)	11-22
	M1090FE	Expansion 128MB Bulk Memory Board (BAM)	11-22
	M1090FJ	8-MB Array Processor Add-On Memory	11-23
	M1090FK	BAM Interface Board	11-24
	M1090FL	16MB Additional Memory	11-24
	M1090FT	Navigator 2D Software for Advantage Windows 1.2	11-24
	M1090GR	2D/3D Fast SPGR	11-25
	M1090GS	2D Fast Spin Echo	11-25
	M1090GT	IP Memory for Advanced Display (5.4)	11-26
	M1090JZ	5.x Spectroscopy Compatibility Kit	11-53
	M1090KJ	Fiesta 2D	11-27
	M1090KK	Fiesta 3D	11-27
	M1090KL	5.x 2D/3D Fast Spin Echo	11-27
	M1090KM	5.x 3D Fast Spin Echo	11-27
	M1090KR	Delayed Enhanced	11-27
	M1090KS	LX All Options Key MOD	11-27
	M1090KZ	Functool for Advantage Windows	11-28
	M1090LA	Fast Gradient Echo	11-28
	M1090LB	Fast Spin Echo and FLAIR	11-28
	M1090LC	Echo Planar Imaging	11-28
	M1090LD	Proactive Service	11-28
	M1090LE	Fast Enhancement Package – 5.4 to SR17	11-29
	M1090LF	Phase Contrast Vascular	11-29
	M1090LG	CINE	11-29
	M1090LH	Time of Flight	11-29
	M1090LJ	Interactive Vascular Imaging	11-29
	M1090LK	Spectroscopy/Probe	11-29
	M1090LL	3D Surface / Voxtool	11-30
	M1090LM	Research	11-30
	M1090LN	Research PSD	11-30
	M1090LP	8.x Echoplus	11-30
	M1090LR	8.x SS-FSE	11-30

SEC	CATALOG	DESCRIPTION	PAGE
11-3	<b>SIGNA PRE-EXCITE SOFTWARE OPTIONS (Continued)</b>		
	M1090LS	EPI-1 .....	11-30
	M1090LT	SmartPrep .....	11-30
	M1090LW	Echo Plus .....	11-30
	M1090LY	Fastpack .....	11-30
	M1090LZ	Fastrack .....	11-30
	M1090MS	5.8 Software with MS/MA – Non-Z Version .....	11-31
	M1090MT	5.8 Software without MS/MA – Z Version .....	11-31
	M1090MW	8.x Software with MS/MA – Non-Z Version .....	11-31
	M1090MZ	8.x Clariview .....	11-31
	M1090NN	Functool .....	11-31
	M1090PL	ConnectPro .....	11-31
	M1090PN	Clarview Image Filtering .....	11-32
	M1090PR	Flow Analysis – Advantage Windows Version 2.0/3.1 .....	11-32
	M1092NP	Neuro Imaging Package .....	11-32
	M1095AA	Interactive Vascular Imaging Key .....	11-33
	M1095AH	Flow Analysis Key .....	11-33
	M1095BD	Phase Contrast Vascular Key .....	11-33
	M1095BE	Imaging Enhancement Key .....	11-34
	M1095BF	No-Phase Wrap Key (5.4) .....	11-34
	M1095CA	Cardiac Analysis Package Advantage .....	11-34
	M1095CC	Cardiac Analysis Package 3.1 Advantage .....	11-34
11-4	<b>SIGNA PRE-EXCITE HARDWARE UPGRADES</b> .....		<b>11-35</b>
	M1033JM	1.5T 100KHz CERD Upgrade .....	11-35
	M1033JN	1.0T 100KHz CERD Upgrade .....	11-35
	M1033JP	1.5T +/- 125KHz CERD Receiver Upgrade .....	11-35
	M1090MF	Second 800MB ST1890N 3 1/2" Disk Drive .....	11-36
	M1090MK	32MB Expansion Memory – Stealth CPU .....	11-37
	M1090ML	Legacy Media Kit .....	11-37
	M1090PB	1.5T 2 Channel Multicoil for 5.5 .....	11-38
	M1090PC	1.5T 4 Channel Multicoil for 5.5 .....	11-38
	M1090PF	1.5T 4 Channel Multicoil for LX .....	11-38
	M1090PH	1.5T 4 Channel Multicoil for Pre-LX .....	11-38
	M1090PJ	1.5T 2 Channel Pre-LX to 4 Channel Multicoil LX .....	11-38
	M1090PM	8.x with Bar Code Reader .....	11-49
	M1090RT	1.0T/1.5T Recon Processor Upgrade to Quad I860 .....	11-49
	M1090RW	1.0T/1.5T Acquisiton Memory Kit – 128MB .....	11-49
	M1090RY	128MB of Host Memory .....	11-49
	M1090RZ	Pre-4.5 to LX Upgrade Adder' .....	11-49
	M1090SY	VideoConferencing .....	11-49
	M1090SZ	VCR Interface Kit – Indigo .....	11-49
	M1090TZ	VCR Interfade Kit – Octane .....	11-49
	M1095AC	Vascular Imaging .....	11-50
	M1095AG	Advanced Applications Hardware w/o CPU for IVI .....	11-51
	M1033JC	Multi-nuclear Spectroscopy .....	11-52

SEC	CATALOG	DESCRIPTION	PAGE
11-5	<b>SIGNA PRE-EXCITE AND EXCITE SPECTROSCOPY OPTIONS</b>		<b>11-52</b>
	M1040JB	Spectroscopy Acquisition Hardware	11-52
	M1090JZ	Spectroscopy Compatibility Kit	11-53
	M3090LA	EXCITE II MNS Kit	11-54
	M3090LB	EXCITE II Forward Production MNS Kit	11-54
	M3090LC	EXCITE II Legacy MNS Upgrade Kit	11-54
	M3090LJ	EXCITE II SRFD2 with MNS	11-54
11-6	<b>SIGNA 1.5T PRE-EXCITE AND EXCITE COILS</b>		<b>11-58</b>
	M1040PH	1.5T Phosphorous Flex Coil	11-58
	M1085AC	1.5T Extremity Surface Coil and Cushions	11-59
	M1085AK	1.5T Anterior Neck Coil	11-60
	M1085AM	1.5T Posterior Cervical Spine Coil	11-60
	M1085AN	1.5T Shoulder Coil	11-60
	M1085AP	1.5T Quad Thoracic/Lumbar Spine Coil with Positioner	11-61
	M1085AR	1.5T Quad Cervical Spine Coil	11-61
	M1085BE	1.5T Body Flex Coil	11-62
	M1085BR	1.5T Bilateral Breast Coil	11-63
	M1085E	1.5T Quad Extremity Knee/Foot Coil	11-64
	M1085EE	1.5T Auto Tuning Device (ATD) II	11-65
	M1085EG	1.5T Dual Head Coil Positioning Accessories – Quad	11-66
	M1085GA	1.5T 3 Inch Round Surface Coil	11-67
	M1085GF	1.5T General Purpose Flex Coil	11-67
	M1085GR	1.5T General Purpose Flex Coil	11-67
	M1085HA	1.5T 5 Inch Round Surface Coil	11-68
	M1085HN	1.5T Neurovascular Coil (Head/Neck)	11-68
	M1085NA	1.5T MAI Quad Extremity Coil w/Coil ID	11-69
	M1085NJ	1.5T General Purpose Coil Cable w/Coil ID	11-69
	M1085PA	1.5T Quad Extremity Cable w/Coil ID	11-69
	M1085PB	1.5T T/R Phased Array Knee/Foot Cable w/Coil ID	11-69
	M1085PC	1.5T Linear Extremity Cable w/Coil ID	11-69
	M1085PD	1.5T Quad Neurovascular Cable w/Coil ID	11-69
	M1085PJ	1.5T Classic Head Coil Cable w/Coil ID	11-69
	M1087AA	1.5T Phased Array Knee Coil	11-70
	M1087AT	1.5T Auto Tuning Device III	11-71
	M1087BT	1.5T Open Breast Coil	11-71
	M1087CA	1.5T Cardiac Phased Array Coil	11-72
	M1087CT	1.5T CTL (Cervical Thoracic Lumbar) Coil	11-73
	M1887CY	1.5T Signa Quad Imaging Preamp Kit	11-73
	M1087DA	1.5T Phased Array Dual Coil Adapter	11-76
	M1087E	1.5T Phased Array T/R Knee/Foot Imaging Coil	11-77
	M1087EE	Surface Coil Positioner/Head Holder	11-77
	M1087HW	1.5T High Resolution Wrist Array Coil	11-78
	M1087N	1.5T Neurovascular Array Coil – MRID	11-78
	M1087NB	1.5T Neurovascular Array Coil w/New Top	11-78
	M1087NC	1.5T 4 Channel Neurovascular Imaging Coil – Medrad	11-79
	M1087PA	1.5T Phased Array Pelvic Coil	11-80
	M1087PR	1.5T Cardiac Peripheral Vascular Coil	11-84
	M1087PW	1.5T Peripheral Vascular Phased Array Coil – USAI	11-84

SEC	CATALOG	DESCRIPTION	PAGE
<b>11-6</b>	<b>SIGNA 1.5T PRE-EXCITE AND EXCITE COILS (Continued)</b>		
	M1087SD	1.5T Shoulder Phased Array Coil – MRID .....	11-85
	M1087SE	1.5T USAI Shoulder Coil Imaging Option .....	11-85
	M1087SH	1.5T Shoulder Phased Array Coil .....	11-85
	M1087SP	1.5T CTL Spline Phased Array Coil .....	11-85
	M1087TA	1.5T Torso Phased Array Flex-coil .....	11-86
	M1087TB	1.5T Torso Phased Array Coil .....	11-87
	M1087TP	1.5T Torso Pelvis Coil .....	11-88
	M3087JA	1.5T 8 Channel High Resolution Brain Imaging .....	11-89
	M3087JB	1.5T 8 Channel Neurovascular Array Imaging .....	11-89
	M3087JC	1.5T 8 Channel CTL Spine Coil .....	11-90
	M3087JD	1.5T 8 Channel Cardiac Coil .....	11-90
	M3087JE	1.5T 8 Channel Torso Coil .....	11-90
<b>11-7</b>	<b>SIGNA EXCITE 1.5T UPGRADES .....</b>		<b>11-91</b>
	M3033KH	Adaptive Phased Array 2 (APA2) .....	11-91
	M3033KK	APA2 for Forward Production 1.5T .....	11-91
	M3033KJ	Infinity Image Quality Package .....	11-92
	M3033MG	Delta Work Station .....	11-93
<b>11-8</b>	<b>SIGNA 1.0T COILS .....</b>		<b>11-94</b>
	M1885AC	1.0T Extremity Surface Coil and Cushions .....	11-94
	M1885AG	1.0T 3" Round Surface Coil .....	11-95
	M1885AK	1.0T Anterior Neck Coil .....	11-96
	M1885AM	1.0T Posterior Cervical Spine Coil .....	11-96
	M1885AN	1.0T Shoulder Coil .....	11-97
	M1885AP	1.0T Quadrature T/L Spine Coil with Positioner .....	11-97
	M1885BE	1.0T Body Flex Coil .....	11-98
	M1885BR	1.0T Bilateral Breast Coil .....	11-99
	M1885DG	1.0T Dual Coil TMJ Coil Kit .....	11-100
	M1885E	1.0T Quad Extremity Knee/Foot Coil .....	11-102
	M1885EE	1.0T Auto Tuning Device (ATD) II Coil .....	11-102
	M1885GP	1.0T General Purpose Flex Coil .....	11-103
	M1887AC	1.0T Phased Array Pelvic Coil .....	11-104
	M1887AD	1.0T Phased Array Dual Coil Adapter .....	11-107
	M1887CT	1.0T Quad CTL Phased Array Coil .....	11-108
	M1887CY	1.0T Signa Quad Imaging Preamp Kit .....	11-108
	M1887DP	1.0T Dual Array Spine Pad .....	11-109
	M1887HW	1.0T High Resolution Wrist Array Coil .....	11-109
	M1887NB	1.0T Neurovascular Phased Array Coil w/New Top .....	11-110
	M1887PW	1.0T Peripheral Vascular Phased Array Coil .....	11-110
	M1887TB	1.0T Torso Phased Array Coil .....	11-111
<b>11-9</b>	<b>SIGNA 1.0T UPGRADES .....</b>		<b>11-112</b>
	M1890PB	1.0T 2 Channel Multicoil for 5.5 .....	11-112
	M1890PC	1.0T 4 Channel Multicoil for 5.5 .....	11-112
	M1890PF	1.0T 4 Channel Multicoil for LX .....	11-112
	M1890PH	1.0T 4 Channel Multicoil for Pre-LX .....	11-112
	M1890PJ	1.0T 2 Channel Pre-LX to 4 Channel Multicoil LX .....	11-112

SEC	CATALOG	DESCRIPTION	PAGE
-----	---------	-------------	------

**11-10 ACCESSORY PACKAGES** ..... **11-116**

The following E-Catalog accessories are available for purchase with M-Catalogs for Signa Systems.

CATALOG	DESCRIPTION	PAGE
E6900CG	Mobile Mounting Kit for Flat Panel Monitor	11-116
E7014LA	Color Postscript Printer for Advantage Windows	11-116
E8001ND	MOD Option for Genesis	11-116
E8801CA	Eye/Ear Surface Coil Holder	11-116
E8801F	Extremity Surface Coil Accessories	11-116
E8801FD	Foam Triangle Sponge	11-117
E8801G	Spine Coil Restraint System	11-117
E8801H	Quad Head Coil Restraint System	11-118
E8801M	Head Coil Restraint/Pad Set	11-118
E8801MA	Forehead Straps	11-119
E8801MB	Chin Straps	11-119
E8801MD	Rectangular Sponge Set	11-119
E8801ME	Quad Head Cushion	11-119
E8801ND	Rectangular Coil Positioning Cushion	11-119
E8801PB	Gray Rectangular Pad	11-119
E8802MC	Wide Security Strap	11-119
E8802MD	Narrow Security Strap	11-119
E8802MG	Cradle Pad	11-119
E8802P	Patient Positioning Sponge Kit	11-120
E8803AF	1.05 GB External Hard Drive	11-120
E8803AG	64MB SIMMS Memory for Advantage Windows (Sparc 10 only)	11-120
E8803AM	MOD Drive Archive for Advantage Windows	11-120
E8803AY	Monitor with Internal Magnetic Shield for Advantage Windows	11-120
E8803AZ	Scan Converter/VCR Interface for Advantage Windows	11-121
E8803BD	Operator's Console Chair with Foot Ring	11-121
E8803BE	Console Chair With Arm Rests	11-121
E8807AA	MR Patient Log Book, Set of Six	11-121
E8811EB	Fastener Kit For Patient Leadwire Set	11-121
E8811EC	Patient ECG Leadwire Set	11-121
E8811ED	Cardiac/Respiratory Bellows Assembly	11-121
E8811PA	PPG Cables	11-121

11-1 OXYGEN MONITOR OPTION

CATALOG M1060KM FRU N OXYGEN MONITOR

Item	Part Number	FRU	Name	Quantity	Description (Remarks)
1	2107184	2	KIT OF PARTS	1	ENMET OXYGEN MONITOR KIT – P/L ONLY (SEE PAGE 11-7)

ENMET OXYGEN MONITOR KIT 2107184 FRU 2 (PART OF M1060KM PAGE 11-7)

Item	Part Number	FRU	Name	Quantity	Description (Remarks)
1	46-317271G1	N	O2 MONITOR	1	O2 MONITR KIT W/CABLES & REMOTE OM3 (SEE PAGE 11-7)

O2 MONITOR KIT 46-317271G1 FRU N (PART OF 2107184 PAGE 11-7)

Item	Part Number	FRU	Name	Quantity	Description (Remarks)
2	46-301672P2	2	O2 MON PARTS	1	REMOTE SENSOR MODULE
3	46-301672P3	2	O2 MON PARTS	1	SENSOR AND MOUNTING BOARD KIT
4	46-243775G707	2	CABLE	1	(458) PP1-J17 TO OM3
5	46-317992G1	2	CABLE ASM	1	(457) PP1-J17 TO OM1-TB4
10	46-306515G2	2	O2 MONITOR	1	OXYGEN MONITOR, OM1

11-2 SIGNA PRE-EXCITE OPTIONS

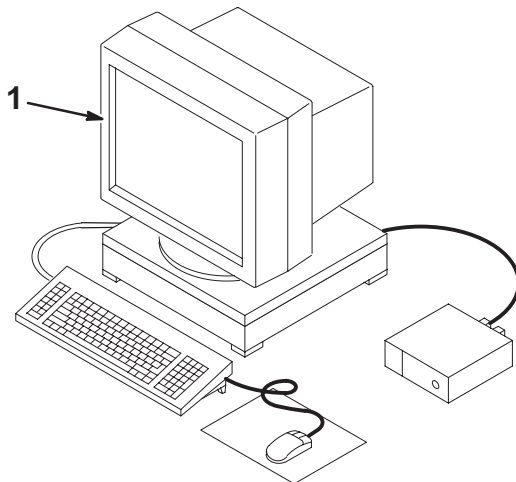
CATALOG M1010AM FRU N SLAVE MONITOR

Item	Part Number	FRU	Name	Quantity	Description (Remarks)
1	46-271468G2	N	9"MONITOR	1	REMOTE 9" VIDEO SLAVE MONITR OPTION (SEE PAGE 11-8)

9" MONITOR 46-271468G2 FRU N (PART OF M1010AM PAGE 11-8)

Item	Part Number	FRU	Name	Quantity	Description (Remarks)
2	46-306858P2	1	MONITOR	1	REMOTE VIDEO MONITOR, 9 INCH
3	46-202502P3	2	1X WALL MT	1	MONITOR WALL MOUNT AND ADAPTER KIT
5	46-237414P1	2	FILTER	1	VIDEO NOISE FILTER (HUM ELIMINATOR).
10	46-251375G15	2	CABLE ASM	1	8 FOOT RG59/U COAX CABLE, BNC
11	46-189168G4	2	VIDEO CABLE	1	15 FT RG 59/U COAXIAL CABLE,BNC
12	46-189168G7	2	VIDEO CABLE	1	75 FT RG 59/U COAXIAL CABLE,BNC
15	46-230194P1	2	CONNECTOR	2	50 OHM, BNC COAXIAL ADAPTOR.
16	46-208560P32	2	SCREW,MACH	4	008-32 X 0.312 LG BIND HD STL F70B5A
17	46-208560P14	2	SCREW,MACH	4	008-32 X 0.500 LG BIND HD STL F70B5A

1.2 ADVANTAGE WINDOWS WORKSTATION M1010BW



FOR MORE PARTS INFORMATION SEE THE FOLLOWING E-CATALOGS:

- E7014LA**
- E8803AF**
- E8803AG**
- E8803AM**
- E8803AY**
- E8803AZ**

CATALOG M1010BW FRU N 1.2 ADVANTAGE WINDOWS WORKSTATION

Item	Part Number	FRU	Name	Quantity	Description (Remarks)
1	46-313419G2	N	AW 1.2 ASM	1	ADV WINDOWS VERSION 1.2 KIT OF PARTS (SEE PAGE 11-8)
7	2117792	N	OPERATOR GUI	1	ADVANTAGE WINDOWS 1.2 S/W REL. NOTES
11	2154030	2	AW 1.2 INSTA	1	ADVANTAGE WINDOWS 1.2 INSTALLATION

A/W WORKSTATION 1.2 KIT 46-313419G2 FRU N (PART OF M1010AW PAGE 11-8)

Item	Part Number	FRU	Name	Quantity	Description (Remarks)
6	46-287532P2	1	ETHER XCEIVR	1	THIN NET ETHERNET TRANSCEIVER
8	46-296454G2	2	CABLE, BNC	1	CABLE, BNC, COAXIAL INTERCONNECT
9	46-296817P1	2	CONNECTOR	1	50 OHM BNC TERMINATOR W/CHAIN, 1/2 W
10	46-220427P3	2	CONNECTOR	1	50 OHM BNC STRAIT JACK-JACK ADAPTOR
12	46-269385P1	2	WIRE AND CAB	1	JUMPER POWER CORD, SJT TYPE, 3'3"LG
20	46-297003P1	2	MECHANICAL/M	1	4-OUTLET, 15A, 125V OUTLET STRIP.

CATALOG M1010GM FRU N DOMESTIC ISOLATION TRANSFORMER

Item	Part Number	FRU	Name	Quantity	Description (Remarks)
1	46-301716P1	2	MAGNETICS	1	60HZ TRANSFORMER

CATALOG M1010GN FRU N INTERNATIONAL ISOLATION TRANSFORMER

Item	Part Number	FRU	Name	Quantity	Description (Remarks)
1	46-301716P3	2	MAGNETICS	1	50HZ TRANSFORMER

CATALOG M1010GS FRU N LOW RISE LEGS KIT

Item	Part Number	FRU	Name	Quantity	Description (Remarks)
1	46-307123G1	N	MFG COLLECTR	1	MANUFACTURING COLLECTOR – M1010GS (SEE PG 11-9)

MFG COLLECTOR 46-307123G1 FRU N (PART OF CATALOG M1010GS PAGE 11-9)

Item	Part Number	FRU	Name	Quantity	Description (Remarks)
1	46-287997G1	N	IC LEG KIT	1	CONSOLE SUPPORT LEG KIT (SEE SECTION 5)
2	46-306635P3	2	CHAIR	1	CONSOLE CHAIR WITH ARM RESTS-E8803BE

CATALOG M1020BD FRU N 2ND PATIENT TRANSPORT W/QUAD HEAD COIL

Item	Part Number	FRU	Name	Quantity	Description (Remarks)
1	46-265300G1	N	TABLE ASM	1	LIGHTWEIGHT PATIENT TRANSPORT, PT1 (SEE SECTION 3)
3	46-282079G1	2	HC HOLDR ASM	1	QUADRATURE HEAD COIL HOLDER ASM (SEE SECTION 1)
4	46-306570G1	N	HD RESTRAINT	1	HEAD COIL RESTRAINT/PAD SET (E8801M) (SEE PAGE 11-118)
6	46-306572G1	N	POSITION KT	1	PATIENT POSITIONING KIT (E8802P)
7	46-306594P1	N	WIDE STRAP	1	ORDER E8802MC FOR REPLACEMENT STRAP
8	46-306593P1	N	NARROW STRAP	1	ORDER E8802MD FOR REPLACEMENT STRAP
9	46-306582P2	N	CUSHION	1	ORDER E8802MG FOR NEW CRADLE PAD
13	46-265845G1	N	FASTENER KIT	1	ORDER E8811EB FOR REPLACEMENT KIT
14	46-306578P1	N	HEAD CUSHION	1	ORDER E88101ME FOR REPLACEMENT PAD

CATALOG M1030YA FRU N GE LASERCAM HQ

Item	Part Number	FRU	Name	Quantity	Description (Remarks)
1	46-313514P1	1	LASER CAMERA	1	BASIC LASER CAMERA

CATALOG M1030YC FRU N GE LASERCAM HQ-S

Item	Part Number	FRU	Name	Quantity	Description (Remarks)
1	46-313514P8	2	HQS-LASERCAM	1	LASERCAM HQ-S FOR CT/MR

CATALOG M1033BM FRU N BRAINWAVE

Item	Part Number	FRU	Name	Quantity	Description (Remarks)
2	2303343	N	OPT.MODULE	1	MR BRAIN MAPPING STIMULUS PC (SEE PAGE 11-10)
	2301428-3	N	OPT.MODULE	1	MR BRAINWAVE VIDEO FRU LIST (SEE PAGE 11-10)
	2301428-4	N	OPT.MODULE	1	MR BRAINWAVE AUDIO FRU LIST (SEE PAGE 11-10)
	2301428-6	N	OPT.MODULE	1	MR BRAINWAVE BASE SYSTEM FRU LIST (SEE PAGE 11-10)

MR BRAIN MAPPING STIMULUS PC 2303343 FRU N (PART OF M1033BM PAGE 11-10)

Item	Part Number	FRU	Name	Quantity	Description (Remarks)
	2303343-2	1	OPT.MODULE	X	STIMULUS PC CHASSIS (PRE-LOADED)
	2303343-3	1	OPT.MODULE	X	KEYBOARD
	2303343-4	1	OPT.MODULE	X	MOUSE
	2303343-6	1	OPT.MODULE	X	STIMULUS PC CASE SOFTWARE CD
	2303343-7	1	OPT.MODULE	X	VIDEO CABLE
	2303343-8	1	OPT.MODULE	X	LCD MONITOR
	2303343-9	N	OPT.MODULE	X	SOFTWARE INSTALLATION MANUAL
	2303343-10	N	OPT.MODULE	X	SOFTWARE TROUBLESHOOTING MANUAL
	2308743	1	OPT.MODULE	X	AW BRAINMAPPING APPLICATION CD

MR BRAINWAVE VIDEO FRU LIST 2301428-3 FRU N (PART OF M1033BM PAGE 11-10)

Item	Part Number	FRU	Name	Quantity	Description (Remarks)
	2301428-11	1	OPT.MODULE	X	GOGGLES MOUNT
	2301428-12	1	OPT.MODULE	X	VIDEO INTERFACE BOX
	2301428-13	1	OPT.MODULE	X	VIDEO MAINTENANCE KIT W/LAMPS & FUSES ONLY
	2301428-26	1	OPT.MODULE	X	VIDEO BRAINMAP CABLE KIT
	2301428-28	1	OPT.MODULE	X	VISUAL PROJECTOR
	2301428-29	1	OPT.MODULE	X	PROJECTOR IMAGE GUIDES
	2301428-30	1	OPT.MODULE	X	PROJECTOR GLASSES
	2301428-31	1	OPT.MODULE	X	VISUAL DISPLAY ASM (PRJECTR, LIGHT GUIDES, GOGGLES)

MR BRAINWAVE AUDIO FRU LIST 2301428-4 FRU N (PART OF M1033BM PAGE 11-10)

Item	Part Number	FRU	Name	Quantity	Description (Remarks)
	2301428-14	1	OPT.MODULE	X	STETHOSCOPIC HEADSET
	2301428-15	1	OPT.MODULE	X	EARTIPS FOR STETHOSCOPIC HEADSET
	2301428-16	1	OPT.MODULE	X	FULL COVERAGE HEADSET
	2301428-17	1	OPT.MODULE	X	REPLACEABLE FULL HEADSET COVERS
	2301428-18	1	OPT.MODULE	X	AUDIO ACOUSTIC TUBING ASM
	2301428-19	1	OPT.MODULE	X	RESEARCH AUDIO ACOUSTIC TUBING ASM
	2301428-20	1	OPT.MODULE	X	AUDIO TRANSDUCER
	2301428-22	1	OPT.MODULE	X	AUDIO OPERATOR CONSOLE
	2301428-23	1	OPT.MODULE	X	STEREO INTERFACE CABLE
	2301428-24	1	OPT.MODULE	X	GRAPHIC EQUALIZER WITH CABLES
	2301428-27	1	OPT.MODULE	X	AUDIO BRAINMAP CABLE KIT

MR BRAINWAVE BASE SYS FRU LIST 2301428-4 FRU N (PART OF M1033BM PAGE 11-10)

Item	Part Number	FRU	Name	Quantity	Description (Remarks)
	2295525	1	OPT.MODULE	X	FILTER PANEL ASM FOR PENETRATION PANEL
	2301428-8	1	OPT.MODULE	X	RESPONSE BUTTON ASM
	2301428-9	1	OPT.MODULE	X	RESPONSE INTERFACE BOX
	2301428-10	1	OPT.MODULE	X	GEMS DESIGNED SIGNAL CONVERTER BOX
	2301428-25	1	OPT.MODULE	X	BASE BRAINMAP CABLE KIT
	2301428-36	1	OPT.MODULE	X	CEDRUS RESPONSE SYSTEMS BASE CABLE KIT

CATALOG M1033K FRU N INFINITY 9.1 INDIGO TO OCTANE UPGRADE KIT

Item	Part Number	FRU	Name	Quantity	Description (Remarks)
1	2207030-23	N	COLLECTOR	1	INFINITY 9.1 INDY TO OCTANE UPGRADE (SEE PAGE 11-11)
10	2321156-5	N	COLLECTOR	1	MFG DESKTOP KIT FOR INDY-OCTANE (SEE PAGE 11-11)

INDIGO TO OCTANE UPGRADE 2207030-23 FRU N (PART OF M1033K PAGE 11-11)

Item	Part Number	FRU	Name	Quantity	Description (Remarks)
1	2189500-3	N	ASSEMBLY	1	LX3 SYS COMP ASM W/ 1/100 BASE-T HUB (SEE SECTION 13)
2	2156158-36	1	COLLECTOR	1	S/W COLLECTOR—SIGNA INFINITY 9.1 M4 (SEE SECTION 13)
7	2198999-8	N	ASSEMBLY	1	LX3 OCTANE V10 R12KS 360MHZ_W/18GB (SEE SECTION 13)

DESKTOP KIT FOR INDY-OCTANE U/G 2321156-5 FRU N (PART OF M1033K PAGE 11-11)

Item	Part Number	FRU	Name	Quantity	Description (Remarks)
2	2204796	2	ASSEMBLY	1	CENTRAL DATA SERIAL EXPANSION & MTG
3A	2154392-2	N	COLLECTOR	1	OPERATOR WORKSTATION CABLES/MRLX2 (SEE SEC. 13)
3B	2154392-3	N	COLLECTOR	ALT	OPERATOR WORKSTATION CABLES/MRLX2
4	2335480-33	N	COLLECTOR	1	MFG COLLECTOR—TECH PUB (GOLDSEAL)
5	2235744-2	1	BIT3 CRD SET	1	VMEBUS ADAPTER CARD
6	2241052-2	N	FIBER OPTIC	1	(836) OW1A15-BIT3 TO MR2A11A30-BIT3
7	2198993	N	CABLE	1	(818) MR2-A11-J31 TO OW1-A16-6,7,8
8	2269111	N	SCREW-INCH	4	SCREW-#10 (.19) X 1 INCH ROUND HEAD

CATALOG M1033PA FRU N PERFORMED PROCEDURE STEP

Item	Part Number	FRU	Name	Quantity	Description (Remarks)
1	2283324	1	MEDIA	1	LX PERFORMED PROCEDURE STEP
2	2199603	N	DIRECTION	1	HORIZON LX HIS/RIS OPTION INSTALL'TN

CATALOG

M1040AH FRU N

GE MAGNET RESISTIVE SHIM KIT

Item	Part Number	FRU	Name	Quantity	Description (Remarks)
1	46-260554G2	N	RSHIMUPGRADE	1	(SEE PAGE 11-12)
2	46-271364G5	2	CABLE ASM	1	RUN 011, MG4/MS3 TO PD1-A2-TS1-7,8,9
3	46-271282G1	2	SHIM FILTER	1	SHIM INTERCONNECT BOX, PP1 A5 (SEE PAGE 11-12)

RESISTIVE SHIM UPGRADE KIT

46-260554G2 FRU N

(PART OF M1040AH PAGE 11-12)

Item	Part Number	FRU	Name	Quantity	Description (Remarks)
2	46-252234G6	2	SPC RES SHIM	1	RESISTIVE SHIM ASSEMBLY
6	46-252532P2	2	SCR AX IN CR	26	3/8-16UNC X 5/8 LG STAINLESS STL
7	46-252531P1	2	SCR AX CRY	26	
8	46-252614P10	2	WASHER,LOCK	26	.375 STN. STL.
10	46-252612P4	2	SCREW CAP	2	0008-32 .50 LG
11	46-252065P21	2	MATERIALS	26	5/16 FLAT WASHER,300 SERIES S.S.,
12	46-252065P20	2	MATERIALS	26	5/16-24 HEX JAM NUT,300 SERIES S.S.
13	46-252182G8	2	SHM CONT CAB	1	
14	46-252856G1	2	RES SHM CBLE	1	RESISTIVE SHIM WIRE HARNESS ASM.
15	46-260327G1	2	MAT RES W HR	1	MATING RESISTIVE SHIM WIRE HARNESS

SHIM INTERCONNECT BOX

46-271282G1 FRU 2

(PART OF M1040AH PAGE 11-12)

Item	Part Number	FRU	Name	Quantity	Description (Remarks)
2	46-271286G1	2	BOX	1	FILTER ENCLOSURE EQUIPMENT-ROOM SIDE
3	46-271285P1	2	BOX	1	FILTER ENCLOSURE, MAGNET-ROOM SIDE
4	46-271283P1	2	COVER	1	SHIM FILTER COVER PLATE, 14.2"X6.88"
5	46-221831P1	2	LINE FILTER	34	EMI/RFI FILTER,150V 10A 80DB AT 10MH
6	46-271308G1	2	HARNESS	1	MAGNET ROOM 104-PIN PLUG AND WIRING
7	46-271307G1	2	HARNESS	1	EQUIPMENT ROOM 104-PIN PLUG & WIRING
9	46-228374P1	2	MECHANICAL/M	AR	TIN60/LEAD40, ROSIN CORE, 0.062" DIA
10	46-208937P5	2	NUT	24	#8-32 LOCK NUT, NYLOCK SST
11	46-306514G1	2	CONNECTORKIT	1	SHIM CABLE RIGHT-ANGLE ADAPTER KIT
200	46-158905P1	2	CONNECTOR HA	2	0.815" LONG, FIXED MALE JACKSCREW.
201	46-158905P2	2	CONNECTOR HA	2	0.837" LG, FIXED FEMALE JACKSCREW.
227	46-158906P3	2	CONNECTOR	2	SLOTTED, CORNER MALE GUIDE PIN.
228	46-158906P4	2	CONNECTOR	2	SLOTTED, CORNER FEMALE GUIDE PIN.
12331	46-208937P1	2	NUT	30	6-32 .313 HEX X .109 THK 316 SST
16755	46-208935P8	2	NUT	4	1/4-20, 7/16" HEX X 3/16 THK, BRASS
18164	46-220184P50	2	SCREW	4	1/4-20 X 1/2" ROUND HEAD SLOT, BRASS
18916	12-1213	2	WASHER	8	ID 0.266, OD 0.563, THK .051, BRASS

CATALOG

M1040BH FRU N

GE S-III MAGNET RESISTIVE SHIM KIT

Item	Part Number	FRU	Name	Quantity	Description (Remarks)
1	46-260554G6	N	RSHIMUPGRADE	1	RESISTIVE SHIM UPGRADE KIT - SIII (SEE PAGE 11-13)
3	46-271282G2	2	SHIM FILTER	1	GE MAG SHIM INTERCONNECT BOX, PP1A5 (SEE PAGE 11-13)
4A	46-221898P6	2	CONTACTOR OL	SEL	120VAC 60HZ 27A 600V NEMA SIZE 1
7	46-265520G1	2	AC COIL FILT	1	AC COIL FILTER, "SNUBBER"
12	46-252635P6	2	STN STL WASH	3	#10 STN STL, PLAIN FLAT WASHER
13	46-320337P4	2	CKT BREAKER	1	ON-LINE 9100-118-07, 15A CKT BREAKER

RESISTIVE SHIM UPGRADE KIT 46-260554G6 FRU N (PART OF M1040BH PAGE 11-13)

Item	Part Number	FRU	Name	Quantity	Description (Remarks)
2	46-252234G6	2	SPC RES SHIM	1	RESISTIVE SHIM ASSEMBLY
6	46-252532P2	2	SCR AX IN CR	26	3/8-16UNC X 5/8 LG STAINLESS STL
8	46-252614P10	2	WASHER,LOCK	26	.375 STN. STL.
10	46-252612P4	2	SCREW CAP	2	0008-32 .50 LG
13	46-281817G1	1	RES SHM PWR	1	POWER SUPPLY PHASE IIIE (RESISTIVE)
14	46-252856G1	2	RES SHM CBLE	1	RESISTIVE SHIM WIRE HARNESS ASM.
15	46-260327G1	2	MAT RES W HR	1	MATING RESISTIVE SHIM WIRE HARNESS
18	46-294068P1	2	PWR CORD,IEC	1	

SHIM INTERCONNECT BOX 46-271282G2 FRU 2 (PART OF M1040BH PAGE 11-13)

Item	Part Number	FRU	Name	Quantity	Description (Remarks)
2	46-271286G1	2	BOX	1	FILTER ENCLOSURE EQUIPMENT-ROOM SIDE
3	46-271285P1	2	BOX	1	FILTER ENCLOSURE, MAGNET-ROOM SIDE
4	46-271283P1	2	COVER	1	SHIM FILTER COVER PLATE, 14.2"X6.88"
5	46-221831P1	2	LINE FILTER	18	EMI/RFI FILTER,150V 10A 80DB AT 10MH
9	46-228374P1	2	MECHANICAL/M	AR	TIN60/LEAD40, ROSIN CORE, 0.062" DIA
10	46-208937P5	2	NUT	24	#8-32 LOCK NUT, NYLOCK SST
11	46-306514G1	2	CONNECTORKIT	1	SHIM CABLE RIGHT-ANGLE ADAPTER KIT
200	46-158905P1	2	CONNECTOR HA	2	0.815" LONG, FIXED MALE JACKSCREW.
201	46-158905P2	2	CONNECTOR HA	2	0.837" LG, FIXED FEMALE JACKSCREW.
227	46-158906P3	2	CONNECTOR	2	SLOTTED, CORNER MALE GUIDE PIN.
228	46-158906P4	2	CONNECTOR	2	SLOTTED, CORNER FEMALE GUIDE PIN.
12331	46-208937P1	2	NUT	30	6-32 .313 HEX X .109 THK 316 SST
16755	46-208935P8	2	NUT	20	1/4-20, 7/16" HEX X 3/16 THK, BRASS
18164	46-220184P50	2	SCREW	20	1/4-20 X 1/2" ROUND HEAD SLOT, BRASS
18916	12-1213	2	WASHER	40	ID 0.266, OD 0.563, THK .051, BRASS

**CATALOG M1040BJ FRU N SPECTROSCOPY SOFTWARE ASM FOR WORKSTATION**

Item	Part Number	FRU	Name	Quantity	Description (Remarks)
1	2108873	2	FLOPPY DISK	1	SAGE SOFTWARE DISKETTE VERSION
2	46-307392G2	2	SAGE SPARC	1	SAGE SOFTWARE ON CARTRIDGE TAPE

**CATALOG M1040BP FRU N MULTIPLE SUITE INTERFACE**

Item	Part Number	FRU	Name	Quantity	Description (Remarks)
1	46-278862G1	N	INT-SUIT NET	1	INTER-SUITE NETWORK (SEE PAGE 11-14)

**INTER-SUITE NETWORK 46-278862G1 FRU N (PART OF M1040BP PAGE 11-14)**

Item	Part Number	FRU	Name	Quantity	Description (Remarks)
2	46-282067P53	1	COM COMP SYS	1	SECOND ETHERNET CONTROLLER BOARD
3	46-287532P2	1	ETHER XCEIVR	1	THIN NET ETHERNET TRANSCEIVER
4	46-296454G6	2	CABLE, BNC	1	CABLE, BNC, COAXIAL INTERCONNECT
5	46-296817P1	2	TERMINATOR	1	50 OHM BNC TERMINATOR W/CHAIN, 1/2 W
6	46-220427P3	2	ADAPTER	1	50 OHM BNC STRAIT JACK-JACK ADAPTOR
7	46-221417P1	2	SCREWLOCK	1	FEMALE SCREWLOCKS, TWO PER KIT
8	46-296861G1	2	CABLE ASM	1	COMPUTER ETHERNET TO XCVR

**CATALOG M1040BR FRU N MULTIPLE SUITE INTERFACE FOR 5.4 RP SYSTEMS**

Item	Part Number	FRU	Name	Quantity	Description (Remarks)
1	46-278862G2	N	ASSEMBLY	1	860-931118 INTER-SUITE NET FOR RP (SEE PAGE 11-14)

**INTER-SUITE NETWORK 46-278862G2 FRU N (PART OF M1040BR PAGE 11-14)**

Item	Part Number	FRU	Name	Quantity	Description (Remarks)
2	46-269604P1	1	PURCH. SPEC.	1	HAWK ETHERNET BOARD
3	46-287532P2	1	ETHER XCEIVR	1	THIN NET ETHERNET TRANSCEIVER
4	46-296454G6	2	CABLE, BNC	1	CABLE, BNC, COAXIAL INTERCONNECT
5	46-296817P1	2	TERMINATOR	1	50 OHM BNC TERMINATOR W/CHAIN, 1/2 W
6	46-220427P3	2	ADAPTER	1	50 OHM BNC STRAIT JACK-JACK ADAPTOR
8	46-296861G1	2	CABLE ASM	1	COMPUTER ETHERNET TO XCVR

CATALOG M1040CS FRU N CVMR ADVANCED DEVELOPMENT WORKSTATION H/W

Item	Part Number	FRU	Name	Quantity	Description (Remarks)
1	2210997	1	WORKSTATION	1	SUN ULTRASPARC 2 W/4GB HD
2	2154347	1	PART	1	100' 13W3 MONITOR CABLE
3	2154348	2	CABLE	1	100' KEYBRD EXTENSION CABLE
4	2210999	1	CABLE	1	100 FOOT 10 BASE-T CABLE
5	2211001	1	POWER STRIP	1	15 AMP POWER STRIP (15' CORD)
6	2213506	2	CABINET,EQUI	1	ADW EQUIPMENT CABINET
7	2213509	1	FLOPPY ASM	1	ADWS AUTO INSTALL ASSEMBLY
8	2212772	2	DIRECTION	1	SIGNA ADW INSTALLATION MANUAL

CATALOG M1040CT FRU N SOLARIS O/S SOFTWARE

Item	Part Number	FRU	Name	Quantity	Description (Remarks)
1	2210539	1		XXX	SOLARIS 2.5.1 NOV97

CATALOG M1040CW FRU N CARDIO VASCULAR WORK STATION SOFTWARE

Item	Part Number	FRU	Name	Quantity	Description (Remarks)
1	2249760	1	CD-ROM	1	VP APPLICATION CD-ROM
2	2249778	1	FLOPPY	1	VP CV FLOPPY
3	2249776	1	FLOPPY	1	VP SOLARIS JUMPSTART FLOPPY
4	2249761	1	CD-ROM	1	VP PLATFORM CD-ROM
7	2250182-100	N	OPERATOR MAN	1	OP MAN FOR CV/I VISUALIZATION PLTFRM

CATALOG M1040CY FRU N IDL LICENSE/PACKAGE

Item	Part Number	FRU	Name	Quantity	Description (Remarks)
1	2214143	1		XXX	IDL SUN SINGLEUSER NODE LOCKED LICNS
2	2214144	1		XXX	IDL 1 YR SOFTWARE MAINTENANCE

CATALOG M1040CZ FRU N ADW BIT3 INTERCONNECT HARDWARE

Item	Part Number	FRU	Name	Quantity	Description (Remarks)
1	2124215-5	1	PART	1	BIT 3 SBUS ADAPTER; PART #467-1-201
2	2124215	1	BIT3 CRD SET	1	VMEBUS CARD ASSEMBLY INCLUDING:
3	2154353	1	CABLE	1	25' BIT3 CABLE

CATALOG M1040HT FRU N 5.x PROBE / SV

Item	Part Number	FRU	Name	Quantity	Description (Remarks)
1	46-320370G1	N	COLLECTOR	1	MFG COLLECTOR FOR M1040HT 5.X (SEE PAGE 11-15)

PROBE / SV COLLECTOR 46-320370G1 FRU N (PART OF M1040HT PAGE 11-15)

Item	Part Number	FRU	Name	Quantity	Description (Remarks)
1	46-317350G1	1	SPECTRO MR	1	1.5T SPECTROSCOPY OPTION KEY
2	46-320103P1	2	FIRMWARE KIT	1	SPECTROSCOPY ERBTEC U-17 PROCESSOR
3	46-282467G4	1	Q D PLUG ASM	1	SPECT. COIL ADAPTER (MG2 A16 A7 A3)

11-3 SIGNA PRE-EXCITE SOFTWARE OPTIONS

CATALOG M1033J FRU N SCANTOOLS 2000 UPGRADE

Item	Part Number	FRU	Name	Quantity	Description (Remarks)
1	2254691	1	MEDIA	1	SCANTOOLS 2000 UPGRADE
3	2209382	N	DIRECTION	1	HORIZON LX S/W OPTIONS INSTALL (MOD)

CATALOG M1033JA FRU N IDRIVE PRO 2000 (FORMERLY RTIA)

Item	Part Number	FRU	Name	Quantity	Description (Remarks)
1	2253724	1	MEDIA	1	IDRIVE PRO 2000
3	2209382	N	DIRECTION	1	HORIZON LX S/W OPTIONS INSTALL (MOD)

CATALOG M1033JB FRU N SMARTPREP2000 (INCLUDES SMARTSTEP

Item	Part Number	FRU	Name	Quantity	Description (Remarks)
1	2254639	1	MEDIA	1	SMARTPREP 2000
3	2209382	N	DIRECTION	1	HORIZON LX S/W OPTIONS INSTALL (MOD)

CATALOG M1033JD FRU N PROBE2000

Item	Part Number	FRU	Name	Quantity	Description (Remarks)
1	2254641	1	MEDIA	1	PROBE2000
3	46-320103P1	2	FIRMWARE KIT	1	SPECTROSCOPY ERBTEC U-17 PROCESSOR
5	2192603-200	N	APPS GUIDES	1	SIGNA APPLICATIONS GUIDES CD VOL1-6
11	2152220	1	ASSEMBLY	1	MRS HEAD SPHERE WITH SOLUTION
12	2209382	N	DIRECTION	1	HORIZON LX S/W OPTIONS INSTALL (MOD)

CATALOG M1033JE FRU N SR20 ECHOPLUS

Item	Part Number	FRU	Name	Quantity	Description (Remarks)
1	2224221	1	MEDIA	1	SR20 ECHO PLUS OPTION MOD SOFTWARE
3	2209382	N	DIRECTION	1	HORIZON LX S/W OPTIONS INSTALL (MOD)

CATALOG M1033JF FRU N SCANTOOLS 2000

Item	Part Number	FRU	Name	Quantity	Description (Remarks)
1	2254688	1	MEDIA	1	SCANTOOLS 2000
4	2209382	N	DIRECTION	1	HORIZON LX S/W OPTIONS INSTALL (MOD)

CATALOG M1033JH FRU N SMARTPREP2000 UPDATE (SMARTSTEP ONLY)

Item	Part Number	FRU	Name	Quantity	Description (Remarks)
1	2254640	1	MEDIA	1	SMARTPREP 2000 UPDATE
3	2209382	N	DIRECTION	1	HORIZON LX S/W OPTIONS INSTALL (MOD)

REV 14

DIRECTION 2138247

CATALOG M1033JJ FRU N PROBE 2000 UPGRADE

Item	Part Number	FRU	Name	Quantity	Description (Remarks)
1	2254642	1	MEDIA	1	PROBE2000 UPGRADE
3	2209382	N	DIRECTION	1	HORIZON LX S/W OPTIONS INSTALL (MOD)

CATALOG M1033JK FRU N FUNCTOOL 2000

Item	Part Number	FRU	Name	Quantity	Description (Remarks)
1	2210338	1	MEDIA	1	LX FUNCTOOLS OPTION S/W
3	2209382	N	DIRECTION	1	HORIZON LX S/W OPTIONS INSTALL (MOD)

CATALOG M1033JL FRU N LX TOOLS

Item	Part Number	FRU	Name	Quantity	Description (Remarks)
1	2254693	1	MEDIA	1	LX TOOLS
2	2209595	1	MEDIA	1	INTERACTIVE VASCULAR S/W
3	2209382	N	DIRECTION	1	HORIZON LX S/W OPTIONS INSTALL (MOD)

CATALOG M1033JR FRU N IDRIVE PRO PLUS

Item	Part Number	FRU	Name	Quantity	Description (Remarks)
1	2272136	1	OPTION KEY	1	SIGNA IDRIVE PRO PLUS OPTION KEY
3	2209382	N	DIRECTION	1	HORIZON LX S/W OPTIONS INSTALL (MOD)

CATALOG M1040LA REV 0 VP NV SOFTWARE

Item	Part Number	FRU	Name	Quantity	Description (Remarks)
1	2249760	1	CD-ROM	1	VP APPLICATION CD-ROM
2	2249762	1	CD-ROM	1	VP EPI RT CD-ROM
3	2249776	1	FLOPPY	1	VP SOLARIS JUMPSTART FLOPPY
4	2249777	1	FLOPPY	1	VP NV KEY FLOPPY
5	2249761	1	CD-ROM	1	VP PLATFORM CD-ROM
6	2250664	1	MEDIA	1	SGD PERFORMANCE OPTION SOFTWARE MOD
9	2250181-100	N	OPERATOR MAN	1	NV/I VISUALIZATION PLATFORM I OP MAN

CATALOG M1090AD FRU N CONNECTPRO

Item	Part Number	FRU	Name	Quantity	Description (Remarks)
1	2230238	1	IMAGE S/W	1	CONNECTPRO SOFTWARE OPTION
2	2229946	N	DIRECTIONS	1	SIGNA HORIZON OPTION HIS/RIS
5	2221405-100	N	OPERATOR MAN	1	CONNECTPRO OP MAN (AKA UFI4)
6	2239103	1	IMAGE S/W	1	HISPATCH MEDIA SOFTWARE

CATALOG M1090AT FRU N 3-D OPTION FLOPPY KEY FOR A/W

Item	Part Number	FRU	Name	Quantity	Description (Remarks)
5	2102276-2	2	ADV WINDOWS		REPLACEMENT 3-D OPTION FLOPPY KEY

CATALOG M1090AW FRU N LASER CAMERA INTERFACE FOR A/W

Item	Part Number	FRU	Name	Quantity	Description (Remarks)
1	46-313456G1	N	FILM. OPTION	1	LASER CAMERA INTERFACE DEVICE (SEE PAGE 11-18)

CAMERA I/F DEVICE 46-313456G1 FRU N (PART OF M1090AW PAGE 11-18)

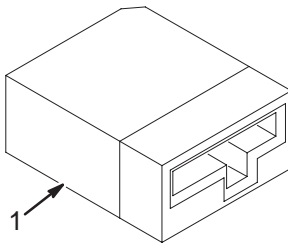
Item	Part Number	FRU	Name	Quantity	Description (Remarks)
1	46-269566P1	1	DASM-VDB	1	ANALOGIC/CDA DASM-VDB (SEE PAGE 11-18)

DASM-VDB UNIT 46-269566P1 FRU N (PART OF 46-313456G1 PAGE 11-18)

Item	Part Number	FRU	Name	Quantity	Description (Remarks)
1	46-269566P101	1	DASM-VDB	1	INTERFACE BOX REF.#76266-FRU
2	46-269566P102	1	DASM-VDB	1	SCSI TERMINATOR REF.#18662
3	46-269566P104	1	DASM-VDB	1	SCSI CABLE #23731
5	46-269566P106	1	DASM-VDB	1	CAMERA INTERFACE STUB CABLE

CINE PLUS

M1090BF



CATALOG M1090BF FRU N CINE PLUS

Item	Part Number	FRU	Name	Quantity	Description (Remarks)
1	46-317344G1	1	CINE MR	1	OPTION KEY FOR CINE PLUS OPTION

CATALOG M1090CP FRU N GENESIS TO STEALTH CPU UPGRADE KIT

Item	Part Number	FRU	Name	Quantity	Description (Remarks)
1	2105623	N	STEALTH KIT	1	GENESIS TO STEALTH CPU UPGRADE KIT (SEE PAGE 11-18)

CPU UPGRADE KIT 2105623 FRU N (PART OF M1090CP PAGE 11-18)

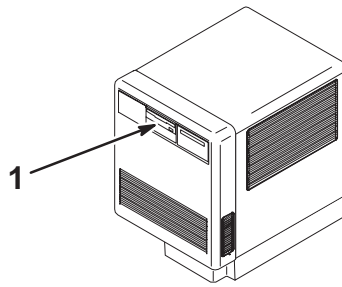
Item	Part Number	FRU	Name	Quantity	Description (Remarks)
2	46-320144G1	1	STEALTH CPU	1	STEALTH-X CPU, 32 MB
3	46-269601P1	1	TERMINATOR	1	ACTIVE REGULATED SCSI TERMINATOR
7	46-221852P2	2	MECHANICAL/M	8	LOW PROFILE SHUNT W/ .100" CENTERS.
9	46-221575P5	2	MECHANICAL/M	4	TRANSPARENT ANTI-STATIC BAG 18 X 18"
10	46-279112P1	2	MECHANICAL/M	4	18-1/8 X 1-7/8 X 18-1/4
11	46-279111P1	2	MECHANICAL/M	4	18 X 1-1/8 X 18

CATALOG M1090CR FRU N CARDIAC

Item	Part Number	FRU	Name	Quantity	Description (Remarks)
1	2220154	1	MEDIA	1	CARDIAC OPTION MOD SOFTWARE
3	2209382	N	DIRECTION	1	HORIZON LX S/W OPTIONS INSTALL (MOD)
5	2265525-100	N	OPERATOR MAN	1	SIGNA MR/I AND SIGNA LX ECHOSPEED SY

5-1/4" OPTICAL DISK

M1090DB



CATALOG

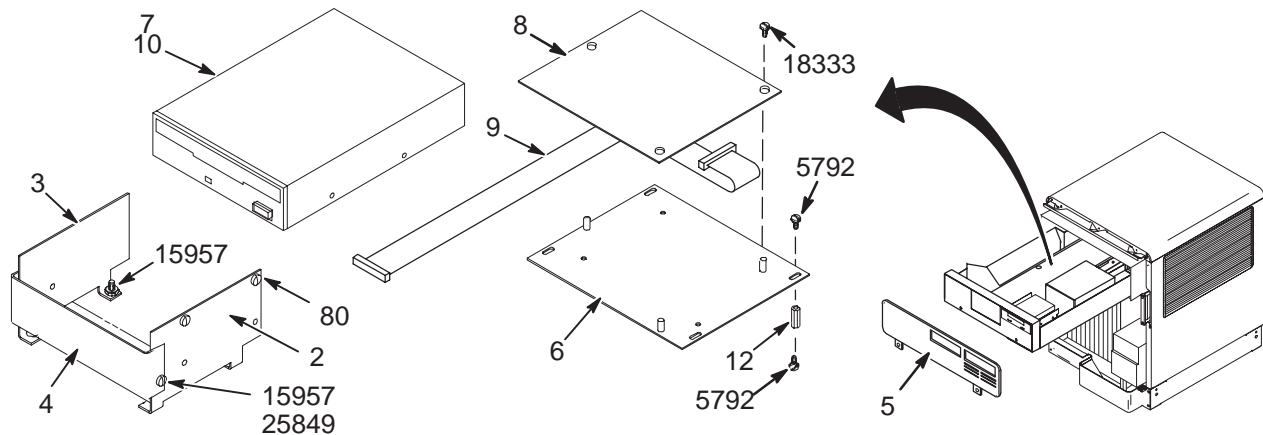
M1090DB FRU N

5-1/4" OPTICAL DISK

Item	Part Number	FRU	Name	Quantity	Description (Remarks)
1	46-307501G1	N	OPT DISK COL	1	OD INSTALLATION KIT (SEE PAGE 11-19)

OPTICAL DISK KIT

46-307501G1



OPTICAL DISK KIT

46-307501G1 FRU N

(PART OF M1090DB PAGE 11-19)

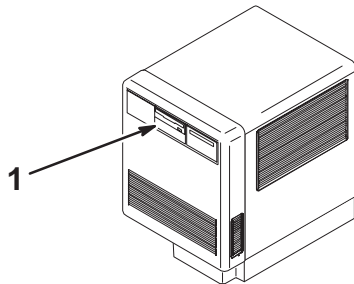
Item	Part Number	FRU	Name	Quantity	Description (Remarks)
2	46-306623P1	2	DISK BRACKET	1	OPTICAL DISK MOUNT BRACKET, RIGHT
3	46-306623P2	2	DISK BRACKET	1	OPTICAL DISK MOUNT BRACKET, LEFT
4	46-306624P1	2	BLANK PANEL	1	BLANK FILLER PANEL, OPTICAL DISK
5	46-307621P1	2	BEZEL	1	TAPE & OPTICAL DISK BEZEL, W/VENTS
6	46-307706P1	2	PLATE	1	OPTICAL DISK CONTROL BD MOUNT PLATE
7	46-287944P10	N	OPTICAL DISK	1	SUBSTITUTE 46-317242G1 UNIT/PWB KIT
8	46-287944P12	N	OPTICAL DISK	1	SUBSTITUTE 46-317242G1 UNIT/PWB KIT
9	46-287944P13	N	OPTICAL DISK	1	SUBSTITUTE 46-317242G1 UNIT/PWB KIT
10	46-301853P1	2	OPTIC MEDIA	1	5-1/4" OPTICAL DISK CARTRIDGE W/CASE
12	46-136375P3	2	SPACER	4	HEX 0.250 THD 6-32 LGTH 0.750
80	46-208924P22	2	SCREW,MACH	4	M4 X 0.7 X 6 DIN 84 STL
5792	46-170015P19	2	SCR,SEMS	8	00006-32 X 0.375 LG BIND HD STL EXT
15957	46-170012P36	2	NUT,LOCK	6	6-32 HEX 5/16 NUT THK 7/64
18333	46-208560P17	2	SCREW,MACH	3	004-40 X 0.375 LG BIND HD STL F70B5A
25849	46-208560P48	2	SCREW,MACH	2	6-32 X 0.380 LG BIND HD STL F70B5A

CATALOG M1090DT FRU N DIFFUSION TENSOR IMAGING

Item	Part Number	FRU	Name	Quantity	Description (Remarks)
1	2305179	1	OPTION KEY	1	SIGNA DIFFUSION TENSOR OPTION KEY
2	2209382	N	DIRECTION	1	HORIZON LX S/W OPTIONS INSTALL (MOD)
5	2305454-148	N	DIRECTION	1	CNV4 LEARNING REFERENCE GUIDE

5-1/4" MAGNETO OPTICAL DISK

M1090DW

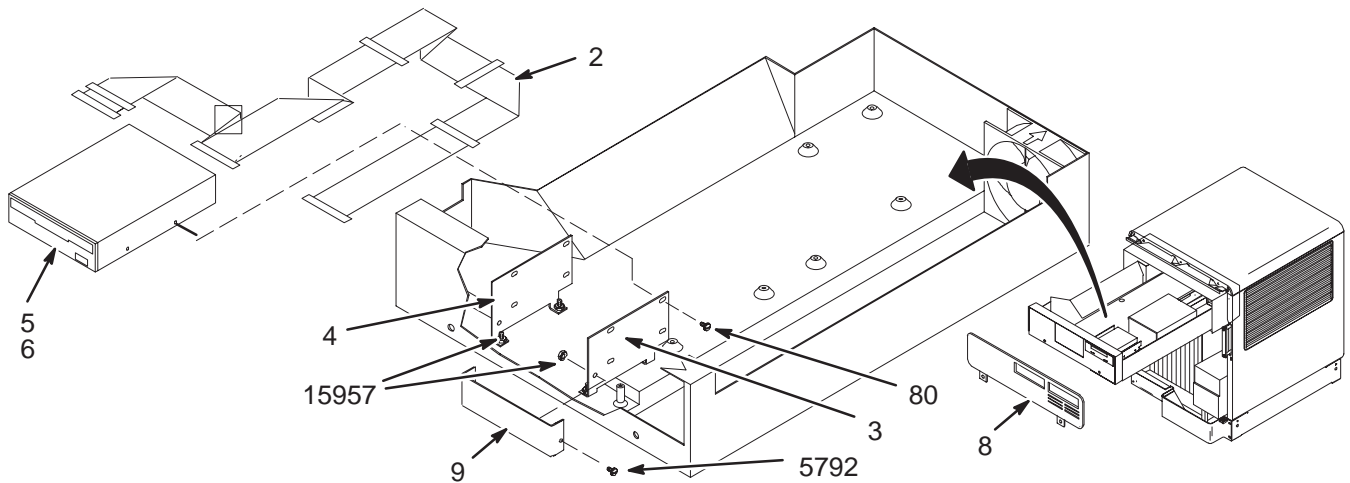


CATALOG M1090DW FRU N 5-1/4" MAGNETO OPTICAL DISK

Item	Part Number	FRU	Name	Quantity	Description (Remarks)
1	46-328138G1	N	COLLECTOR	1	UPGRADE KIT TO MOD FROM WORM OD (SEE PAGE 11-20)

MOD UPGRADE KIT

46-328138G1



MOD UPGRADE KIT 46-328138G1 FRU N (PART OF M1090DW PAGE 11-20)

Item	Part Number	FRU	Name	Quantity	Description (Remarks)
2	46-328012P1	2	RIBBON CABLE	1	50 CONDUCTOR, SCSI INTERCONNECT
3	46-306623P1	2	DISK BRACKET	1	OPTICAL DISK MOUNT BRACKET, RIGHT
4	46-306623P2	2	DISK BRACKET	1	OPTICAL DISK MOUNT BRACKET, LEFT
5	46-307575P4	1	OPTICAL DISK	1	5-1/4" MAGNETO OPTICAL DISC
6	46-269578P1	N	MAG.OPT.MEDI	1	USE E8001P AS FIELD REPLACEMENT
8	46-307621P1	2	BEZEL	1	TAPE & OPTICAL DISK BEZEL, W/VENTS
9	46-306624P1	2	BLANK PANEL	1	BLANK FILLER PANEL, OPTICAL DISK
80	46-208924P22	2	SCREW,MACH	4	M4 X 0.7 X 6 DIN 84 STL
5792	46-170015P19	2	SCR,SEMS	2	00006-32 X 0.375 LG BIND HD STL EXT
15957	46-170012P36	2	NUT,LOCK	6	6-32 HEX 5/16 NUT THK 7/64

CATALOG M1090EA FRU N FAST ENHANCEMENTS II

Item	Part Number	FRU	Name	Quantity	Description (Remarks)
1	2198992	N	KIT OF PARTS	1	FAST ENHANCEMENTS 2 SOFTWARE KIT (SEE PAGE 11-21)
2A	2219452	1	ECG LEADWIRE	1	HIGH IMPEDANCE ECG LEAD KIT (SEE PAGE 11-21)
2B	46-320609G1	N	CABLE KIT	ALT	CARDIAC GATING PAC CABLE & LEAD SET (SEE PAGE 11-21)
5	2195163	N	DIRECTION	1	HRZN 5.6 FAST ENHANCEMENTS II OPTION
6	2194775-100	N	OPERATOR MAN	1	FAST ENHANCEMENT II OP. MAN.
7	2198291-148	N	OPERATOR MAN	1	FAST ENHANCEMENT II REL.NOTES/ERRATA

FAST ENHANCEMENTS 2 S/W KIT 2198992 FRU N (PART 1 OF M1090EA PAGE 11-21)

Item	Part Number	FRU	Name	Quantity	Description (Remarks)
1	2198987	1	IMAGE S/W	1	FAST ENHANCEMENTS 2 - KEY
2	2198987-2	1	IMAGE S/W	1	FAST ENHANCEMENTS 2 - PSD TAPE
352	2219452	1	ECG LEADWIRE	1	HIGH IMPEDANCE ECG LEAD KIT

HIGH IMPEDANCE ECG LEAD KIT 2219452 FRU 1 (PART 2A OF M1090EA PAGE 11-21)

Item	Part Number	FRU	Name	Quantity	Description (Remarks)
	2219452-2	1	GATAING LEADS	1	HIGH IMPEDANCE MRI ECG LEAD WIRES (E8819RC)
	2219452-3	1	CABLE	1	HIGH IMPEDANCE ECG PATIENT CABLE (E8819RD)

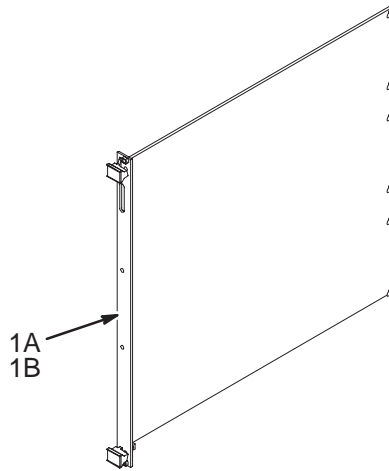
CARDIAC GATING CABLE/LEADS 46-320609G1 FRU N (PART 2B OF M1090EA PAGE 11-21)

Item	Part Number	FRU	Name	Quantity	Description (Remarks)
2	46-320457P1	N	GATING LEADS	6	USE E8811JA FOR FIELD REPLACEMENTS
3	46-320573G1	N	PAC CABLE	1	USE E8811JB FOR FIELD REPLACEMENTS

CATALOG M1090EC FRU N FSE-XL SOFTWARE PACKAGE

Item	Part Number	FRU	Name	Quantity	Description (Remarks)
1	2206417	1	IMAGE S/W	1	FSE-XL SOFTWARE OPTION

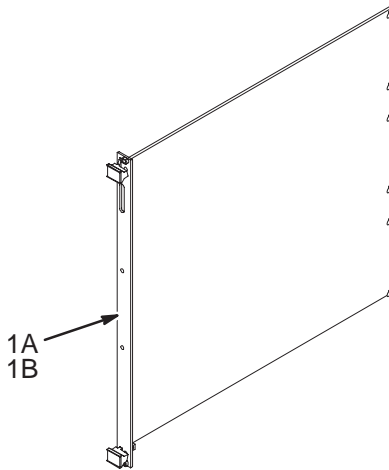
**EXPANSION 32MB BULK MEMORY BOARD (BAM) M1090FD**



CATALOG M1090FD FRU N EXPANSION 32MB BULK MEMORY BOARD (BAM)

Item	Part Number	FRU	Name	Quantity	Description (Remarks)
1A	46-321324G4	1	TPS MEMORY	1	32MB BULK MEMORY BOARD (BAM)
1B	46-317038G7	1	MEMORY, TPS	ALT	32MB BULK MEMORY BOARD (BAM)

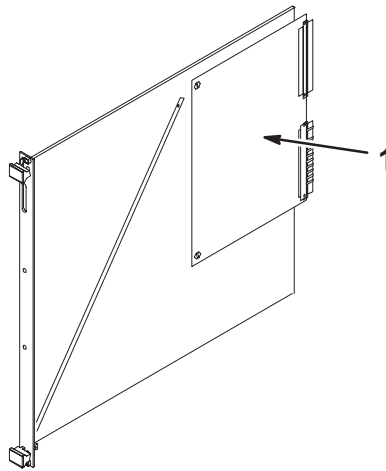
**EXPANSION 128MB BULK MEMORY BOARD (BAM)M1090FE**



CATALOG M1090FE FRU N EXPANSION 128MB BULK MEMORY BOARD (BAM)

Item	Part Number	FRU	Name	Quantity	Description (Remarks)
1A	46-321324G5	1	TPS MEMORY	1	128MB BULK MEMORY BOARD (BAM)
1B	46-317038G8	1	MEMORY, TPS	ALT	128MB BULK MEMORY BOARD (BAM)

8-MB ARRAY PROCESSOR ADD-ON MEMORY M1090FJ

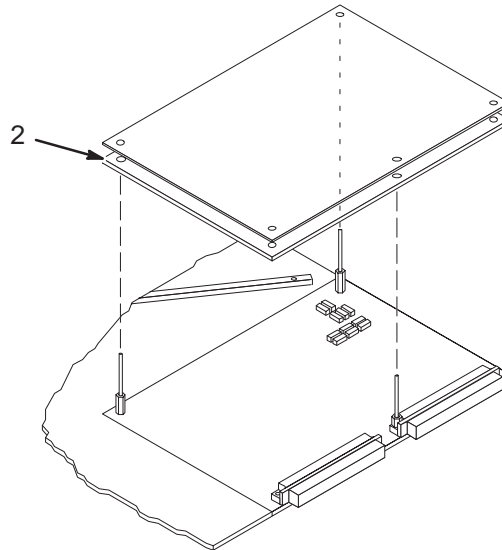


CATALOG M1090FJ FRU N 8-MB ARRAY PROCESSOR ADD-ON MEMORY

Item	Part Number	FRU	Name	Quantity	Description (Remarks)
1	46-307217G1	N	8 MB BD KIT	1	KIT TO INCREASE MEMORY TO 10MB (SEE PAGE 11-23)

8-MB MEMORY KIT

46-307217G1

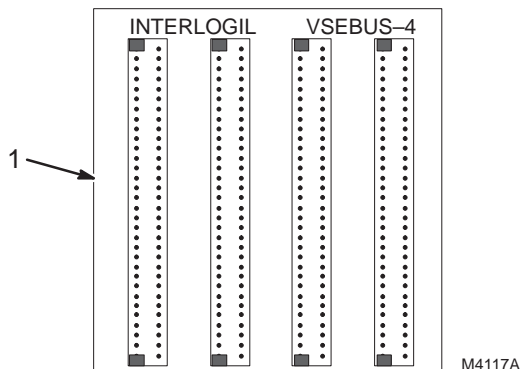


8-MB MEMORY KIT 46-307217G1 FRU N (PART OF 46-307217G1 PAGE 11-23)

Item	Part Number	FRU	Name	Quantity	Description (Remarks)
2	46-271974P2	N	ARRAY PROC.	1	USE 46-271974G2 AS FIELD REPLACEMENT
50	46-208908P3	2	SCREW,MACH	4	00002-56 X 0.250 SLOT FLT HD F70B5A
53	46-208941P1	2	NUT,HEX,MS	1	00002-56 .188 HEX X .062 THK
54	46-208560P53	2	SCREW,MACH	2	002-56 X 0.250 LG BIND HD STL F70B5A

BAM INTERFACE BOARD

M1090FK



CATALOG M1090FK FRU N BAM INTERFACE BOARD

Item	Part Number	FRU	Name	Quantity	Description (Remarks)
1	46-287122P4	2	VSB PIGGYBAK	1	VSB EXTENDER BOARD FOR 3RD BAM MEMORY

CATALOG M1090FL FRU N 16 MB ADDITIONAL MEMORY

Item	Part Number	FRU	Name	Quantity	Description (Remarks)
1	46-320602G1	N	COLLECTOR	1	COLLECTOR FOR 16MB COMPUTER BD (SEE PAGE 11-24)

16MB ADD MEMORY 46-320602G1 FRU N (PART OF M1090FL PAGE 11-24)

Item	Part Number	FRU	Name	Quantity	Description (Remarks)
1	46-282067P37	1	COM COMP SYS	1	16MB EXPANSION MEMORY, SUN 3/260 CP46U

CATALOG M1090FT FRU N NAVIGATOR 2D SOFTWARE FOR AW 1.2

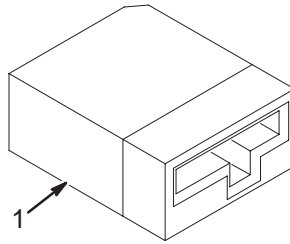
Item	Part Number	FRU	Name	Quantity	Description (Remarks)
3	2147729	N	SOFTWARE	1	AW NAVIGATOR S/W LICENSE
4	2153325-2	N	AW NAVIGATOR	1	A W NAVIGATOR S/W OPTION (SEE PAGE 11-24)

AW NAVIGATOR S/W OPTION 2153325-2 FRU N (PART OF M1090FT PAGE 11-24)

Item	Part Number	FRU	Name	Quantity	Description (Remarks)
2	2153326	2	SOFTWARE MOD	1	NAVIGATOR SECURITY KEY FLOPPY DISK
3	2166391	1	PART	1	NAVIGATOR SOFTWARE FLOPPY SET

**FAST SPGR KEY**

**M1090GR**



**CATALOG**

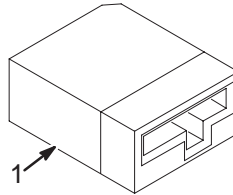
**M1090GR FRU N**

**FAST SPGR**

<u>Item</u>	<u>Part Number</u>	<u>FRU</u>	<u>Name</u>	<u>Quantity</u>	<u>Description (Remarks)</u>
1	46-320038G1	1	FSPGR KEY	1	FAST SPGR (SPOILED GRASS) OPTION KEY

**FAST SPIN ECHO KEY**

**M1090GS**



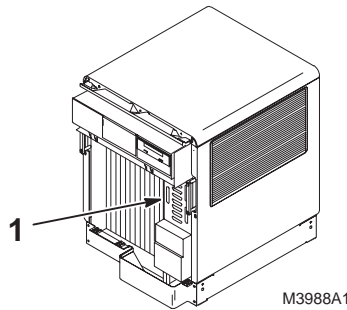
**CATALOG**

**M1090GS FRU N**

**FAST SPIN ECHO**

<u>Item</u>	<u>Part Number</u>	<u>FRU</u>	<u>Name</u>	<u>Quantity</u>	<u>Description (Remarks)</u>
1	46-317346G1	1	FSE KEY	1	FAST SPIN ECHO OPTION KEY

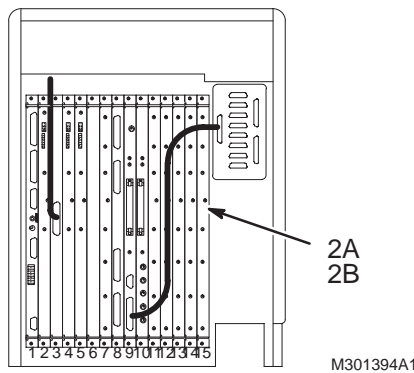
IP MEMORY FOR ADVANCED DISPLAY (5.4) M1090GT



CATALOG M1090GT FRU N IP MEMORY FOR ADVANCED DISPLAY (5.4)

Item	Part Number	FRU	Name	Quantity	Description (Remarks)
1	46-296928G1	N	ADV. DISPLAY	1	HARDWARE REFORMATION PACKAGE – INSTANT ARRANGE AND CINE/PAGING ON THE GENESIS OC OT IC. INCLUDES 32MB BULK MEMORY BOARD, OPTION KEY (SEE PAGE 11-26)

IP MEMORY ADVANCED DISPLAY 46-296928G1



IP MEM ADV DISPLAY 46-296928G1 FRU N (PART OF M1090GT PAGE 11-26)

Item	Part Number	FRU	Name	Quantity	Description (Remarks)
2A	46-321280G1	1	CIRCUIT BD	1	32MB BULK MEMORY BOARD (GBM) FOR IP
2B	46-282067P52	1	COM COMP SYS	ALT	32MB BULK MEMORY BOARD (GBM) FOR IP

CATALOG M1090KJ FRU N FIESTA 2D

Item	Part Number	FRU	Name	Quantity	Description (Remarks)
1	2272138	1	OPTION KEY	1	CV FIESTA 2D OPTION KEY
2	2306294	N	DIRECTION	1	REL. CNV4 S/W & OPTIONS INSTALLATION
4	2291039-148	N	DIRECTION	1	2D FIESTA SEQUENCES LRG
5	2323963	1	CD-ROM	1	CNV3/CNV4/LEO1 SOFTWARE PATCH
6	2327645	N	DIRECTION	1	FIESTA 2D PATCH
10	2298197	1	SOFTWARE	1	PATCH FOR 2271261-2 AW RTIP

CATALOG M1090KK FRU N FIESTA 3D

Item	Part Number	FRU	Name	Quantity	Description (Remarks)
1	2272141	1	OPTION KEY	1	CV FIESTA 3D OPTION KEY
2	2306294	N	DIRECTION	1	REL. CNV4 S/W & OPTIONS INSTALLATION
5	2291040-148	N	DIRECTION	1	3D FIESTA SEQUENCES LRG
10	2298197	1	SOFTWARE	1	PATCH FOR 2271261-2 AW RTIP

CATALOG M1090KL FRU N 2D/3D FAST SPIN ECHO

Item	Part Number	FRU	Name	Quantity	Description (Remarks)
1	2113166	1	FSE II KEY	1	FAST SPIN ECHO II OPTION KEY

CATALOG M1090KM FRU N 3D FAST SPIN ECHO

Item	Part Number	FRU	Name	Quantity	Description (Remarks)
1	2113166	1	FSE II KEY	1	FAST SPIN ECHO II OPTION KEY

CATALOG M1090KR REV 3 DELAYED ENHANCED

Item	Part Number	FRU	Name	Quantity	Description (Remarks)
1	2272142	1	OPTION KEY	1	CV DELAYED ENHANCEMENT OPTION KEY
2	2306294	N	DIRECTION	1	REL. CNV4 S/W & OPTIONS INSTALLATION
4	2291041-148	N	DIRECTION	1	MYOCARDIAL ASSESSMENT LRG
10	2298197	1	SOFTWARE	1	PATCH FOR 2271261-2 AW RTIP

CATALOG M1090KS FRU N LX ALL OPTIONS KEY MOD

Item	Part Number	FRU	Name	Quantity	Description (Remarks)
1	2227959	1	MEDIA	1	LX UPGRADES OPTION MOD
11	2209382	N	DIRECTION	1	HORIZON LX S/W OPTIONS INSTALL (MOD)

CATALOG M1090KZ FRU N FUNCTOOL FOR ADVANTAGE WINDOWS

Item	Part Number	FRU	Name	Quantity	Description (Remarks)
1	2186653	N	PART	1	FUNCTOOL (SEE PAGE 11-28)

FUNCTOOL COLLECTOR 2186653 FRU N (PART OF M1090KZ PAGE 11-28)

Item	Part Number	FRU	Name	Quantity	Description (Remarks)
1	2186645	N	PART	1	FUNCTOOL FULL S/W SET (SEE PAGE 11-28)

FUNCTOOL FULL S/W SET 2186645 FRU N (PART OF 2186653 PAGE 11-28)

Item	Part Number	FRU	Name	Quantity	Description (Remarks)
1	2186642	1	PART	1	FUNCTOOL S/W SET
2	2186643	1	PART	1	FUNCTOOL SECURITY FLOPPY KEY

CATALOG M1090LA FRU N FAST GRADIENT ECHO

Item	Part Number	FRU	Name	Quantity	Description (Remarks)
1	2209588	1	MEDIA	1	FAST GRAD OPTION S/W

CATALOG M1090LB FRU N FAST SPIN ECHO AND FLAIR

Item	Part Number	FRU	Name	Quantity	Description (Remarks)
1	2209589	1	MEDIA	1	FASTSPIN ECHO & FLAIR S/W

CATALOG M1090LC FRU N ECHO PLANAR IMAGING

Item	Part Number	FRU	Name	Quantity	Description (Remarks)
1	2209590	1	MEDIA	1	ECHO PLANAR IMAGING S/W

CATALOG M1090LD FRU N PROACTIVE SERVICE

Item	Part Number	FRU	Name	Quantity	Description (Remarks)
1	2162035	1	OPTION KEY	1	PROACTIVE SERVICE DISKETTE OPTION KEY

CATALOG M1090LE FRU N FAST ENHANCEMENT PACKAGE – 5.4 TO SR17

Item	Part Number	FRU	Name	Quantity	Description (Remarks)
3	2133388-3	2	ASSEMBLY	1	SPT PHANTOM POSITIONER KIT (SEE PAGE 11-29)
4	2134712	2	PROM KIT	1	SRI U140 PROM FOR FOR 5.5 UPGRADE
5	2131027-2	2	PHANTOM	1	SIGNA DQA III (SEE PAGE 11-29)
6	2149867-100	2	OPERATOR MAN	1	SIGNA ADVANTAGE OPERATOR REF MAN KIT
19	46-320932G1	1	MR VX	1	MR VX OPTION KEY

SPT PHANTOM FOAM SET 2133388-3 FRU 2 (PART OF M1090LE PAGE 11-29)

Item	Part Number	FRU	Name	Quantity	Description (Remarks)
7	2170481	2	EPI POSITINR	1	LX/HORIZON EPI FOAM POSITIONER
8	2141454	2	QUICK SHIM	1	QUICK SHIM POSITIONER

SIGNA DQA III 2131027-2 FRU 2 (PART OF M1090LE PAGE 11-29)

Item	Part Number	FRU	Name	Quantity	Description (Remarks)
4	2131027-6	2	STOP PLATE	1	DQA III STOP PLATE, FRONT
5	2131027-8	2	ANTIROTATION	1	DQA III ANTIROTATION PLATE
6	46-136374P12	2	RING	2	0.362 ID, BUNA N, PARKER 2-110
9	46-265486P1	2	SCREW	2	3/8-16 X 3/8" PAN HEAD SCREW, DELRIN
10	46-265486P14	2	SCREW	4	3/8-16 X 3/4" PAN HEAD SCREW, DELRIN
12	46-317781P1	2	LABEL	1	NICKEL (SUSPECT CARCINOGEN) WARNING!
17	2138253	N	LABEL, WARN	1	LABEL, CONTENTS

CATALOG M1090LF FRU N PHASE CONTRAST VASCULAR

Item	Part Number	FRU	Name	Quantity	Description (Remarks)
1	2209592	1	MEDIA	1	PHASE CONTRAST VASCLR S/W

CATALOG M1090LG FRU N CINE

Item	Part Number	FRU	Name	Quantity	Description (Remarks)
1	2209593	1	MEDIA	1	CINE OPTION S/W

CATALOG M1090LH FRU N TIME OF FLIGHT

Item	Part Number	FRU	Name	Quantity	Description (Remarks)
1	2209594	1	MEDIA	1	TIME OF FLIGHT

CATALOG M1090LJ FRU N INTERACTIVE VASCULAR IMAGING

Item	Part Number	FRU	Name	Quantity	Description (Remarks)
1	2209595	1	MEDIA	1	INTERACTIVE VASCULAR S/W

CATALOG M1090LK FRU N SPECTROSCOPY/PROBE

Item	Part Number	FRU	Name	Quantity	Description (Remarks)
1	2209596	1	MEDIA	1	SPECTROSCOPY/PROBE S/W
3	46-320103P1	2	FIRMWARE KIT	1	SPECTROSCOPY ERBTEC U-17 PROCESSOR
11	2152220	1	ASSEMBLY	1	MRS HEAD SPHERE WITH SOLUTION

CATALOG M1090LL FRU N 3D SURFACE / VOXTOOL

Item	Part Number	FRU	Name	Quantity	Description (Remarks)
1	2209597	1	MEDIA	1	3D SURFACE/VOXTOOL S/W

CATALOG M1090LM FRU N RESEARCH

Item	Part Number	FRU	Name	Quantity	Description (Remarks)
1	2209598	1	MEDIA	1	RESEARCH OPTION S/W

CATALOG M1090LN FRU N RESEARCH PSD

Item	Part Number	FRU	Name	Quantity	Description (Remarks)
1	2209599	1	MEDIA	1	RESEARCH PSD OPTION S/W

CATALOG M1090LP FRU N 8.x ECHOPLUS

Item	Part Number	FRU	Name	Quantity	Description (Remarks)
1	2209994	1	MEDIA	1	LX ECHOPLUS S/W OPTION

CATALOG M1090LR FRU N 8.x SS-FSE

Item	Part Number	FRU	Name	Quantity	Description (Remarks)
1	2209995	1	MEDIA	1	LX SS-FSE OPTION

CATALOG M1090LS FRU N EPI-1

Item	Part Number	FRU	Name	Quantity	Description (Remarks)
1	2113167	1	EPI KEY	1	ECHO PLANAR IMAGING OPTION KEY

CATALOG M1090LT FRU N SMARTPREP

Item	Part Number	FRU	Name	Quantity	Description (Remarks)
1	2209996	1	MEDIA	1	LX SMARTPREP OPTION S/W
5	2217265	1	S/W	1	SIGNA HORIZON LX SMART PATCH

CATALOG M1090LW FRU N ECHO PLUS

Item	Part Number	FRU	Name	Quantity	Description (Remarks)
1	2178309	1	IMAGE S/W	1	ECHO PLUS SOFTWARE OPTION TAPE

CATALOG M1090LY FRU N FASTPACK

Item	Part Number	FRU	Name	Quantity	Description (Remarks)
1	2178310	1	IMAGE S/W	1	FASTPACK SOFTWARE OPTION

CATALOG M1090LZ FRU N FASTRACK

Item	Part Number	FRU	Name	Quantity	Description (Remarks)
1	2178311	1	IMAGE S/W	1	FASTRACK SOFTWARE OPTION

**CATALOG M1090MS FRU N 5.8 SOFTWARE WITH MS/MA – NON-Z VERSION**

Item	Part Number	FRU	Name	Quantity	Description (Remarks)
1	46-317752G29	N	DAT S/W SET	1	M4 S/W 5.8 NONZ W Y2K UPD (SEE PAGE 11-31)
3	2256690	2	COLLECTOR	1	RF HEAD COIL UPGRADE

**5.8 NON-Z W/Y2K UPDATE S/W 46-317752G29 FRU N (PART OF M1090MS PAGE 11-31)**

Item	Part Number	FRU	Name	Quantity	Description (Remarks)
1	2103060-28	1	MR SYSTEM D	1	5.8 NON-Z SYSTEM D M4 SOFTWARE
5	46-317751P1	2	DAT	1	BLANK DIGITAL-AUDIO TAPE
7	46-320006P1	2	DAT CLEAN	1	CLEANING KIT FOR DAT DRIVES

**CATALOG M1090MT FRU N 5.8 SOFTWARE WITHOUT MS/MA – Z VERSION**

Item	Part Number	FRU	Name	Quantity	Description (Remarks)
1	46-317752G28	N	DAT S/W SET	1	M4 S/W FOR 5.8Z W Y2K UPD (SEE PAGE 11-31)
3	2256690	2	COLLECTOR	1	RF HEAD COIL UPGRADE

**5.8 NON-Z W/Y2K UPDATE S/W 46-317752G28 FRU N (PART OF M1090MT PAGE 11-31)**

Item	Part Number	FRU	Name	Quantity	Description (Remarks)
1	2103060-27	1	MR SYSTEM D	1	5.8Z SYSTEM D M4 SOFTWARE
5	46-317751P1	2	DAT	1	BLANK DIGITAL-AUDIO TAPE
7	46-320006P1	2	DAT CLEAN	1	CLEANING KIT FOR DAT DRIVES
9	2137752	N	DIRECTION	1	SERIES Z SOFTWARE LABEL INSTRUCTIONS
10	2206417	1	IMAGE S/W	1	FSE-XL SOFTWARE OPTION
11	2206429	N	DIRECTION	1	SIGNA HORIZON FSE-XL OPTION
12	2198243-148	N	OPERATOR MAN	1	SIGNA HORIZON FSE-XL OP. MAN.

**CATALOG M1090MW FRU N 8.x SOFTWARE WITH MS/MA – NON-Z VERSION**

Item	Part Number	FRU	Name	Quantity	Description (Remarks)
1	2209601	1	MEDIA	1	NON-Z W MULTI-SLICE S/W

**CATALOG M1090MZ FRU N 8.x CLARIVIEW**

Item	Part Number	FRU	Name	Quantity	Description (Remarks)
1	2209997	1	MEDIA	1	LX CLARIVIEW OPTION S/W

**CATALOG M1090NN FRU N FUNCTOOL**

Item	Part Number	FRU	Name	Quantity	Description (Remarks)
1	2210338	1	MEDIA	1	LX FUNCTOOLS OPTION S/W

**CATALOG M1090PL FRU N CONNECTPRO**

Item	Part Number	FRU	Name	Quantity	Description (Remarks)
1	2210339	1	MEDIA	1	LX CONNECPRO OPTION S/W

CATALOG M1090PN FRU N CLARIVIEW IMAGE FILTERING

Item	Part Number	FRU	Name	Quantity	Description (Remarks)
1	2203037	1	FLOPPY	1	AW1.2 CLARIVIEW FLOPPY ASSEMBLY
2	2203038	1	FLOPPY	1	AW2.0 CLARIVIEW FLOPPY ASSEMBLY
3	2203039	1	FLOPPY	1	SECURITY KEY FLOPPY ASSEMBLY
6	2197370	N	DIRECTION	1	ADVANTAG WINDOWS IMAGE FILTER OPTION
7	2196138-100	N	OPERATOR MAN	1	CLARIVIEW OPERATOR MANUAL
8	2204580-100	N	OPERATOR MAN	1	CLARIVIEW TELECON RECIPIENT GUIDE

CATALOG M1090PR FRU N FLOW ANALYSIS – ADVANTAGE WINDOWS VER 2.0/3.1

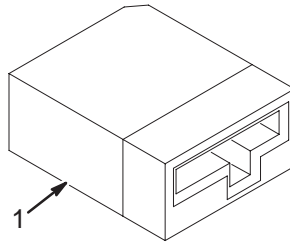
Item	Part Number	FRU	Name	Quantity	Description (Remarks)
1	2226321-3	2	FLOPPY	1	MR FLOW ANALYSIS MEDIA FOR AW 2.0
2	2226321-4	2	FLOPPY	1	MR FLOW ANALYSIS MEDIA FOR AW 3.1
4	2179549-100	N	OPERATOR MAN	1	FLOW ANALYSIS OPERATOR MANUAL
5	2218289	N	DIRECTION	1	SIGNA ADV FLOW ANALYSIS OPTION

CATALOG M1092NP FRU N 5.x NEURO IMAGING PACKAGE

Item	Part Number	FRU	Name	Quantity	Description (Remarks)
2	2146978-5	1	NEURO DAT	1	5.6 RELEASE REPLACEMENT DAT

INTERACTIVE VASCULAR IMAGING KEY

M1095AA



CATALOG

M1095AA FRU N

INTERACTIVE VASCULAR IMAGING

Item	Part Number	FRU	Name	Quantity	Description (Remarks)
1	46-317348G1	1	MR IVI KEY	1	MR VASCULAR IVI OPTION CONSOLE KEY

CATALOG

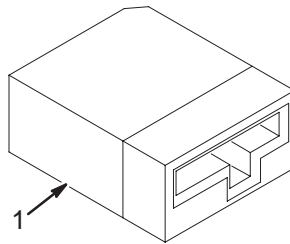
M1095AH FRU N

FLOW ANALYSIS

Item	Part Number	FRU	Name	Quantity	Description (Remarks)
1	2102862	N	COLLECTOR	1	FLOW ANALYSIS KEY (SEE PAGE 11-33)

FLOW ANALYSIS KEY

2101862



FLOW ANALYSIS KEY

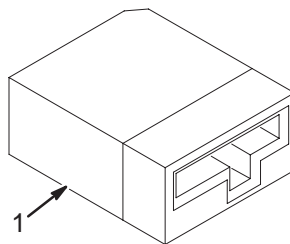
2101862 FRU N

(PART OF M1095AH PAGE 11-33)

Item	Part Number	FRU	Name	Quantity	Description (Remarks)
1	46-320620G1	1	FLOW ANALYSI	1	MR FLOW ANALYSIS KEY
2	2102637	2	CINE PATCH	1	PATCH TAPE FOR 4.8 FLOW ANALYSIS

PHASE CONTRAST VASCULAR KEY

M1095BD



CATALOG

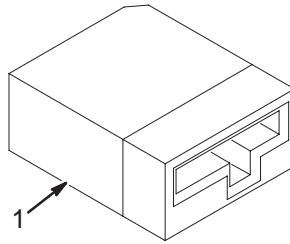
M1095BD FRU N

PHASE CONTRAST VASCULAR

Item	Part Number	FRU	Name	Quantity	Description (Remarks)
1	46-306828G1	1	MVP KEY ASM	1	MVP (VASCULAR/ANGIO) OPTION KEY

IMAGING ENHANCEMENT KEY

M1095BE



CATALOG

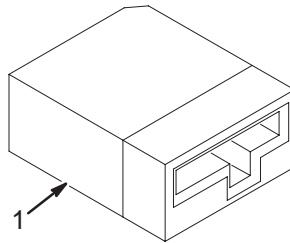
M1095BE FRU N

IMAGING ENHANCEMENT

Item	Part Number	FRU	Name	Quantity	Description (Remarks)
1	46-320932G1	1	MR VX	1	MR VX OPTION KEY

NO-PHASE WRAP KEY (5.4)

M1095BF



CATALOG

M1095BF FRU N

NO-PHASE WRAP KEY (5.4)

Item	Part Number	FRU	Name	Quantity	Description (Remarks)
1	46-328317G1	1	NO PHASE WRP	1	NO PHASE WRAP OPTION KEY FOR GENESIS

CATALOG

M1095CA FRU N

CARDIAC ANALYSIS PACKAGE ADV. WINDOWS 1.2

Item	Part Number	FRU	Name	Quantity	Description (Remarks)
1	2149321	N	KIT OF PARTS	1	CARDIAC ANALYSIS PACKAGE (SEE PAGE 11-34)

CARDIAC ANALYSIS PACKAGE

2149321 FRU N

(PART OF M1095CA PAGE 11-34)

Item	Part Number	FRU	Name	Quantity	Description (Remarks)
1	2148698	2	CAP DISKETTE	1	CAP SOFTWARE DISKETTE SET
2	2148657	N	CAP KEY ASM	1	USE 2148657-2 FOR FIELD REPLACEMENTS

CATALOG

M1095CC FRU N

CARDIAC ANALYSIS PKG, ADVANTAGE 3.1

Item	Part Number	FRU	Name	Quantity	Description (Remarks)
2	2149487	N	DIRECTION	1	CARDIAC ANALYSIS PACKAGE
3	2151398-100	N	DIRECTION	1	AW CAP TECHNICAL REFERENCE
4	2148698-3	2	CAP DISKETTE	1	3.1 CAP SOFTWARE DISKETTE SET
8	2220526-100	N	OPERATOR MAN	1	CARDIAC ANALYSIS PKG REL.NOTES/ERRAT

11-4 SIGNA PRE-EXCITE HARDWARE UPGRADES

CATALOG M1033JM FRU N 1.5T 100 KHZ CERD UPGRADE

Item	Part Number	FRU	Name	Quantity	Description (Remarks)
1	2101901-12	1	RECEIVER	1	1.5T CERD RF RECEIVER ASSEMBLY

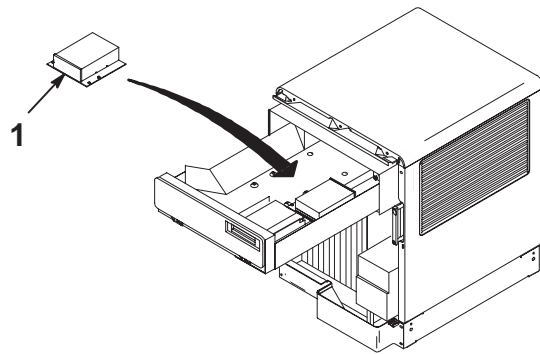
CATALOG M1033JN FRU N 1.0T 100 KHZ CERD UPGRADE

Item	Part Number	FRU	Name	Quantity	Description (Remarks)
1	2101901-11	1	RECEIVER	1	1.0T CERD RF RECEIVER ASSEMBLY

CATALOG M1033JP FRU N 1.5T +/- 125 KHZ CERD RECEIVER UPGRADE

Item	Part Number	FRU	Name	Quantity	Description (Remarks)
1	2101901-12	1	RECEIVER	4	1.5T CERD RF RECEIVER ASSEMBLY
2	2233684	N	DIRECTION	1	SIGNA 8.X +/-100KHZ RECEIVER OPTION

**SECOND 800MB ST1890N 3 1/2" DISK DRIVE M1090MF**

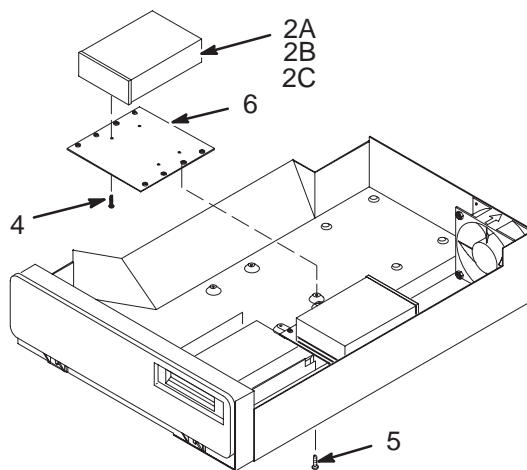


**CATALOG M1090MF FRU N SECOND 800MB ST1890N 3 1/2" DISK DRIVE**

Item	Part Number	FRU	Name	Quantity	Description (Remarks)
1	2103843	N	KIT OF PARTS	1	860-931115 2ND DISK FIELD KIT (SEE PAGE 11-36)

**2nd ST1890N DISK**

**2103843**



**2nd ST1890N DISK**

**2103843 FRU N**

**(PART OF M1090MF PAGE 11-36)**

Item	Part Number	FRU	Name	Quantity	Description (Remarks)
2A	46-269587P5	1	DISK DRIVE	1	3.5" (INCH) FORM FACTOR LOW PROFILE
2B	46-269587P3	1	DISK DRIVE	ALT	SEAGATE 3.5" FORM FACTOR LOW PROFILE
2C	46-269587P1	1	DISK DRIVE	ALT	SEAGATE ST1980N, 3.5" FORM FACTOR
4	46-170015P37	2	SCR,SEMS	4	6-32 X 5/8" LG BIND HD STL EXT TOOTH
5	46-170015P19	2	SCR,SEMS	4	6-32 X 3/8 LG BIND HD STL EXT TOOTH
6	46-328478P1	2	BRACKET	1	ST-1980 DISC DRIVE ADAPTING PLATE

CATALOG M1090MK FRU N 32MB EXPANSION MEMORY – STEALTH CPU

Item	Part Number	FRU	Name	Quantity	Description (Remarks)
1	2145937	N	COLLECTOR	1	040 STEALTH CPU BD 32MB EXPAN MEMORY

CATALOG M1090ML FRU N LEGACY MEDIA KIT

Item	Part Number	FRU	Name	Quantity	Description (Remarks)
1	2164737	2	COLLECTOR	1	KIT, PIONEER MOD EXTERNAL HOUSING (SEE PAGE 11-37)

PIONEER MOD EXTERNAL HOUSING 2164737 FRU 2 (PART OF M1090ML PAGE 11-37)

Item	Part Number	FRU	Name	Quantity	Description (Remarks)
1	2142293	1	MOD ENCLOSRE	1	MAGNETO OPTICAL DRIVE EXTERNAL ENCL
2	2110496-2	2	CABLE	1	SCSI CABLE – 1.5 FT

**CATALOG M1090PB FRU N 1.5T 2 CHANNEL MULTICOIL FOR 5.5**

Item	Part Number	FRU	Name	Quantity	Description (Remarks)
1	46-306974G2	N	SYS CAB KIT	1	1.5T SYS CAB PA2 KIT (SEE PAGE 11-41)
3	46-320990G3	N	MAG ENCL KIT	1	1.5T MAG ENC PA2 KIT (SEE PAGE 11-44)
4	2133922-2	N	FILTER PANEL	1	PLATE ASM. FOR MULTICOIL RETROFIT (SEE PAGE 11-48)
5	46-306978G2	N	CABLE KIT	1	CABLE KIT (SEE PAGE 11-39)

**CATALOG M1090PC FRU N 1.5T 4 CHANNEL MULTICOIL FOR 5.5**

Item	Part Number	FRU	Name	Quantity	Description (Remarks)
1	46-306974G3	N	SYS CAB KIT	1	1.5T SYS CAB PA4 KIT (SEE PAGE 11-41)
3	46-320990G2	N	MAGNET ENCL	1	MAGNET ENCL KIT 4-CHL MULTICOIL (SEE PAGE 11-44)
4	2133922-2	N	FILTER PANEL	1	PLATE ASM. FOR MULTICOIL RETROFIT (SEE PAGE 11-48)
5	46-306978G1	N	CABLE KIT	1	SYSTEM CABLES FOR MULTI-COIL OPTION (SEE PAGE 11-39)

**CATALOG M1090PF FRU N 1.5T 4 CHANNEL MULTICOIL FOR LX**

Item	Part Number	FRU	Name	Quantity	Description (Remarks)
1	2148760-4	N	ASSEMBLY	1	4 CHAN PHASED ARRAY 1.5T (SEE PAGE 11-40)
3	46-320990G2	N	MAGNET ENCL	1	MAGNET ENCL KIT 4-CHL MULTICOIL (SEE PAGE 11-44)
4	2133922-2	N	FILTER PANEL	1	PLATE ASM. FOR MULTICOIL RETROFIT (SEE PAGE 11-48)
5	46-306978G1	N	CABLE KIT	1	SYSTEM CABLES FOR MULTI-COIL OPTION (SEE PAGE 11-39)

**CATALOG M1090PH FRU N 1.5T 4 CHANNEL MULTICOIL FOR PRE-LX**

Item	Part Number	FRU	Name	Quantity	Description (Remarks)
3	46-320990G2	N	MAGNET ENCL	1	MAGNET ENCL KIT 4-CHL MULTICOIL (SEE PAGE 11-44)
4	2133922-2	N	FILTER PANEL	1	PLATE ASM. FOR MULTICOIL RETROFIT (SEE PAGE 11-48)
5	46-306978G1	N	CABLE KIT	1	SYSTEM CABLES FOR MULTI-COIL OPTION (SEE PAGE 11-39)

**CATALOG M1090PJ FRU N 1.5T 2 CHANNEL PRE-LX TO 4 CHANNEL MULTICOIL LX**

Item	Part Number	FRU	Name	Quantity	Description (Remarks)
3	46-320990G4	N	MAG ENCL KIT	1	1.5T MAG ENC PA2 TO PA4 (SEE PAGE 11-44)

**4 CHANNEL CABLE KIT**                      **46-306978G1 FRU N**                      **(PART OF M1090PC PAGE 11-38)**  
**(PART OF M1090PF PAGE 11-38)**  
**(PART OF M1090PH PAGE 11-38)**  
**(PART OF M1890PB PAGE 11-112)**  
**(PART OF M1890PC PAGE 11-112)**  
**(PART OF M1890PF PAGE 11-112)**  
**(PART OF M1890PH PAGE 11-112)**

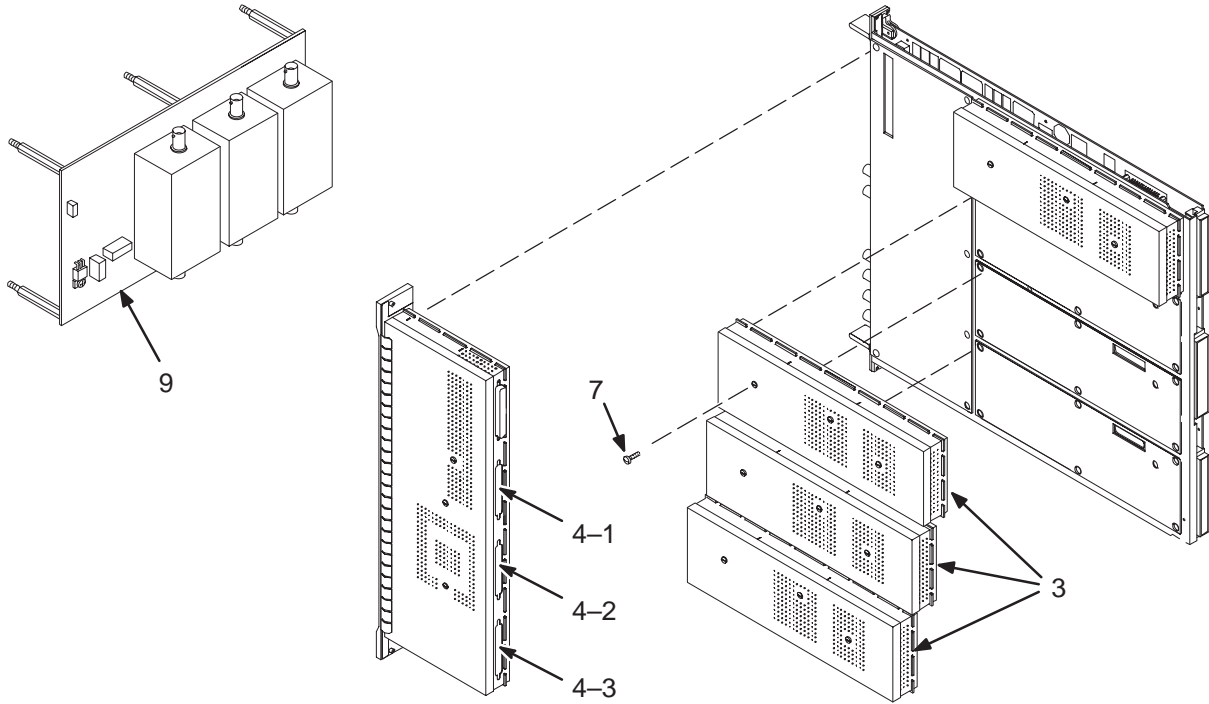
Item	Part Number	FRU	Name	Quantity	Description (Remarks)
1	46-243775G763	2	CABLE	1	RUN 486, PP1-A14-J85 TO MR1-A7-J22
2	46-243775G764	2	CABLE	1	RUN 487, MR1-A7-J20 TO PP1-A15-J78
3	46-243775G765	2	CABLE	1	RUN 488, MR2-A11-J8 TO PP1-J80
4	46-243775G766	2	CABLE	1	RUN 489, MR2-A11-J9 TO PP1-J81
5	46-243775G767	2	CABLE	1	RUN 490, MR2-A11-J10 TO PP1-J82
6	46-243775G768	2	CABLE	1	RUN 491, PP1-J80 TO MG3-A36-J7
7	46-243775G769	2	CABLE	1	RUN 492, PP1-J81 TO MG3-A36-J8
8	46-243775G770	2	CABLE	1	RUN 493, PP1-J82 TO MG3-A36-J9
9	46-243775G771	2	CABLE	1	RUN 494, PP1-A14-J87 TO MG3-A36-J6
10	46-243775G772	2	CABLE	1	RUN 495, PP1-A15-J78 TO MG3-A36-J10
17	46-243775G831	2	CABLE	1	RUN 726, MR1-A7-J18 TO PP1-A16-J77
18	46-243775G832	2	CABLE	1	RUN 727, PP1-A16-J77 TO MG3-A36-J5
41	46-221856P11	2	TAPE	1	WIDTH 0.75 THK .007 COLOR-YELLOW
42	46-221856P13	2	TAPE	1	WIDTH 0.75 THK .007 COLOR-BLUE
43	46-221856P14	2	TAPE	1	WIDTH 0.75 THK .007 COLOR-GREEN
44	46-221856P15	2	TAPE	1	WIDTH .075 THK .007 COLOR-ORANGE

**2 CHANNEL CABLE KIT**                      **46-306978G2 FRU N**                      **(PART OF M1090PB PAGE 11-38)**

Item	Part Number	FRU	Name	Quantity	Description (Remarks)
1	46-243775G763	2	CABLE	1	RUN 486, PP1-A14-J85 TO MR1-A7-J22
2	46-243775G764	2	CABLE	1	RUN 487, MR1-A7-J20 TO PP1-A15-J78
3	46-243775G765	2	CABLE	1	RUN 488, MR2-A11-J8 TO PP1-J80
4	46-243775G766	2	CABLE	1	RUN 489, MR2-A11-J9 TO PP1-J81
5	46-243775G767	2	CABLE	1	RUN 490, MR2-A11-J10 TO PP1-J82
6	46-243775G768	2	CABLE	1	RUN 491, PP1-J80 TO MG3-A36-J7
7	46-243775G769	2	CABLE	1	RUN 492, PP1-J81 TO MG3-A36-J8
8	46-243775G770	2	CABLE	1	RUN 493, PP1-J82 TO MG3-A36-J9
9	46-243775G771	2	CABLE	1	RUN 494, PP1-A14-J87 TO MG3-A36-J6
10	46-243775G772	2	CABLE	1	RUN 495, PP1-A15-J78 TO MG3-A36-J10
17	46-243775G831	2	CABLE	1	RUN 726, MR1-A7-J18 TO PP1-A16-J77
18	46-243775G832	2	CABLE	1	RUN 727, PP1-A16-J77 TO MG3-A36-J5
41	46-221856P11	2	TAPE	1	YELLOW, 3/4" WIDE, 0.007 THICK PVC
42	46-221856P13	2	TAPE	1	BLUE, 3/4" WIDTH, .007 THICK PVC
43	46-221856P14	2	TAPE	1	GREEN, 3/4" WIDE, .007 THICK PVC
44	46-221856P15	2	TAPE	1	ORANGE, 3/4" WIDE, .007 THICK PVC

LX 1.0T AND 1.5T 4 CHANNEL MULTICOIL

2148760-3 & -4



LX 1.0T 4 CHANNEL MULTICOIL

2148760-3 FRU N

(PART OF M1890PF PAGE 11-112)

Item	Part Number	FRU	Name	Quantity	Description (Remarks)
3	2101901-7	1	RECEIVER	3	1.0T RECEIVER SHIELD ASM
4	2148436	N	CERD CBL KIT	1	CERD CABLE KIT (SEE PAGE 8-86)
7	46-208560P13	2	SCREW	18	4-40 X 1/2 LG BIND HEAD, STEEL
9	2114342-5	1	1.5T TNS 3CH	1	1.0T M/C TRANSIENT NOISE FILTER

LX 1.5T 4 CHANNEL MULTICOIL

2148760-4 FRU N

(PART OF M1090PF PAGE 11-38)

Item	Part Number	FRU	Name	Quantity	Description (Remarks)
3	2101901-8	1	RECEIVER	3	1.5T RECEIVER SHIELD ASM
4	2148436	N	CERD CBL KIT	1	CERD CABLE KIT (SEE PAGE 8-86)
7	46-208560P13	2	SCREW	18	4-40 X 1/2 LG BIND HEAD, STEEL
9	2114342-4	1	1.5T TNS 3CH	1	1.5T M/C TRANSIENT NOISE FILTER

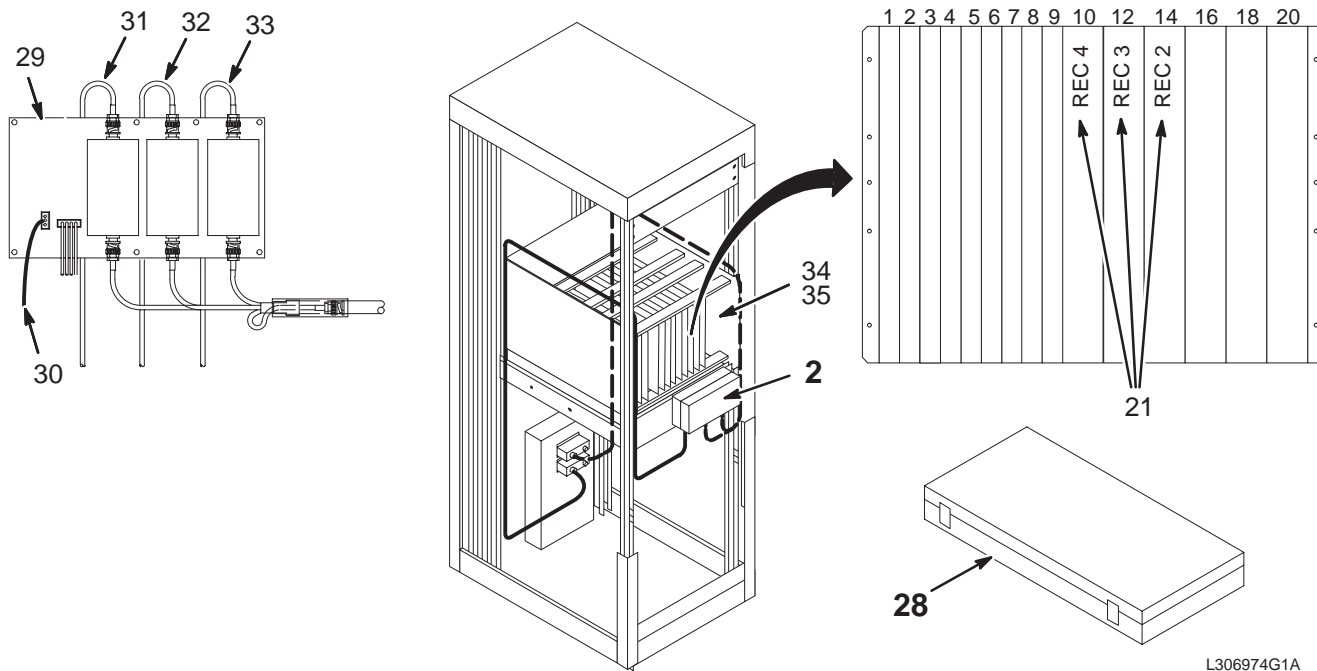
CERD CABLE KIT

2148436 FRU N

(PART OF 2148760-3 PAGE 11-40)  
(PART OF 2148760-4 PAGE 11-40)

Item	Part Number	FRU	Name	Quantity	Description (Remarks)
1	2144087	2	HARNESS	1	HARNESS
2	2144088	2	HARNESS	1	HARNESS
3	2144089	2	HARNESS	1	HARNESS

1.5T SYSTEM CABINET KIT FOR MULTI-COIL46-306974G2 & G3



1.5T SYS CAB 2 CHANNEL KIT      46-306974G2    FRU N      (PART OF M1090PB PAGE 11-38)

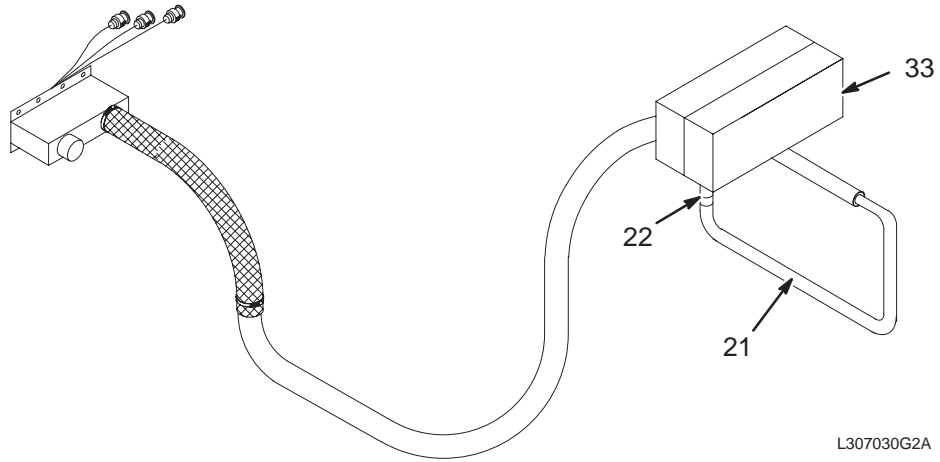
Item	Part Number	FRU	Name	Quantity	Description (Remarks)
2	46-307030G3	N	RF SPLITTER	1	1.5T RF SPLITTER MODULE, MR2-A17 (SEE PAGE 11-42)
21	46-287252G3	1	1.5T RECEIVR	1	1.5T TPS STANDARD RECEIVER ASSEMBLY
28	2113828	N	BOX OF PARTS	1	0.5T SYSTEM CABINET HARDWARE BOX (SEE PAGE 11-43)
29	2114342-18	1	1.5T TNS 3CH	1	1.5T 3 CHAN EXTENDED BANDWIDTH TNF
30	2118110	2	PWR HARNESS	1	TNS POWER INTERCONNECT, 2-WIRE, 42"
31	2118109-3	2	BNC CABLE	1	MR2-A11-J8 TO MR2-A24-A2-A1-J8, 7 FT
32	2118109-4	2	BNC CABLE	1	MR2-A11-J9 TO MR2-A24-A2-A2-J9, 7 FT
33	2118109-5	2	BNC CABLE	1	MR2-A11-J10 TO MR2-A24-A2-A3-J10, 7'
34	46-287066G4	2	COVER AIR	1	9U X 400MM EURO-RACK, 4 SLOTS
35	2142808	2	COVER FRONT	1	COVER FRONT, 9U EUROCARD RACK

1.5T SYS CAB 4 CHANNEL KIT      46-306974G3    FRU N      (PART OF M1090PC PAGE 11-38)

Item	Part Number	FRU	Name	Quantity	Description (Remarks)
2	46-307030G3	N	RF SPLITTER	1	1.5T RF SPLITTER MODULE, MR2-A17 (SEE PAGE 11-42)
21	46-287252G3	1	1.5T RECEIVR	3	1.5T TPS STANDARD RECEIVER ASSEMBLY
28	2113828	N	BOX OF PARTS	1	0.5T SYSTEM CABINET HARDWARE BOX (SEE PAGE 11-43)
29	2114342-18	1	1.5T TNS 3CH	1	1.5T 3 CHAN EXTENDED BANDWIDTH TNF
30	2118110	2	PWR HARNESS	1	TNS POWER INTERCONNECT, 2-WIRE, 42"
31	2118109-3	2	BNC CABLE	1	MR2-A11-J8 TO MR2-A24-A2-A1-J8, 7 FT
32	2118109-4	2	BNC CABLE	1	MR2-A11-J9 TO MR2-A24-A2-A2-J9, 7 FT
33	2118109-5	2	BNC CABLE	1	MR2-A11-J10 TO MR2-A24-A2-A3-J10, 7'

1.5T RF SPLITTER ASM

46-307030G3



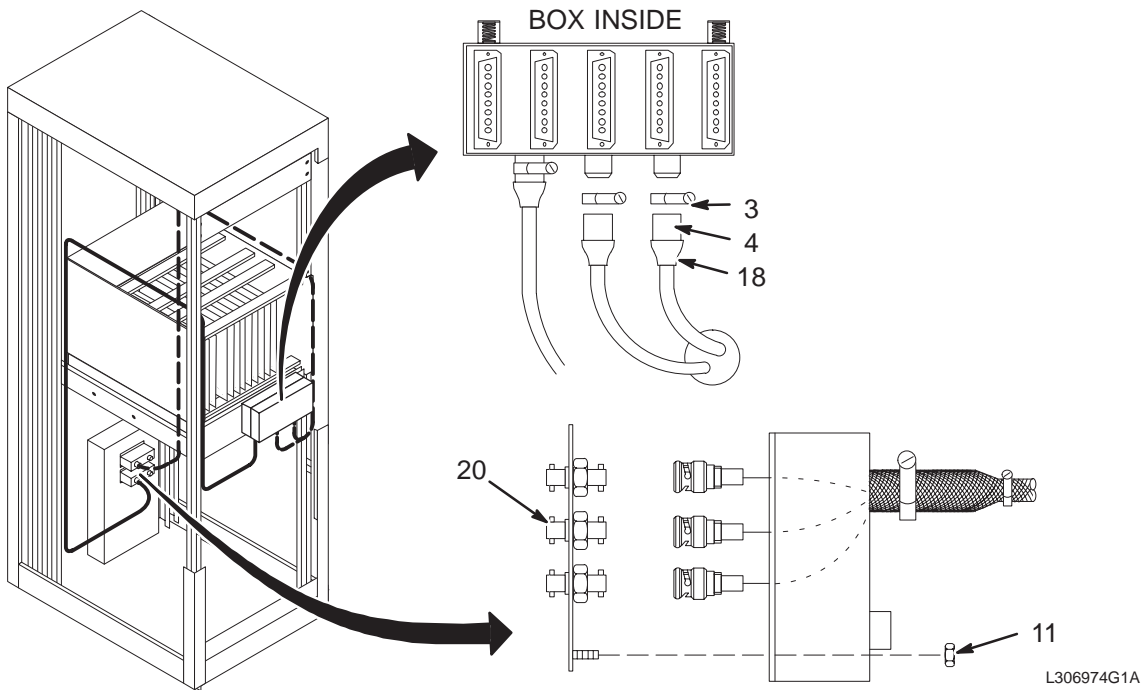
1.5T RF SPLITTER ASM

46-307030G3 FRU N

(PART OF 46-306974G2 PAGE 11-41)  
 (PART OF 46-306974G3 PAGE 11-41)  
 (PART OF 46-306974G6 PAGE 11-113)  
 (PART OF 46-306974G7 PAGE 11-113)

Item	Part Number	FRU	Name	Quantity	Description (Remarks)
21	46-306988P1	2	CABLE ASM	1	MC2, MC3, AND MC4 RECEIVE FROM TPS
22	46-208765P3	2	CLAMP	1	DIA RANGE 9/16 - 1-1/16
33	46-328523G1	1	RF SPLTR MOD	1	1.5T/1.0T RF SPLITTER MODULE

1.5T SYSTEM CABINET MULTI-COIL HARDWARE BOX2113828



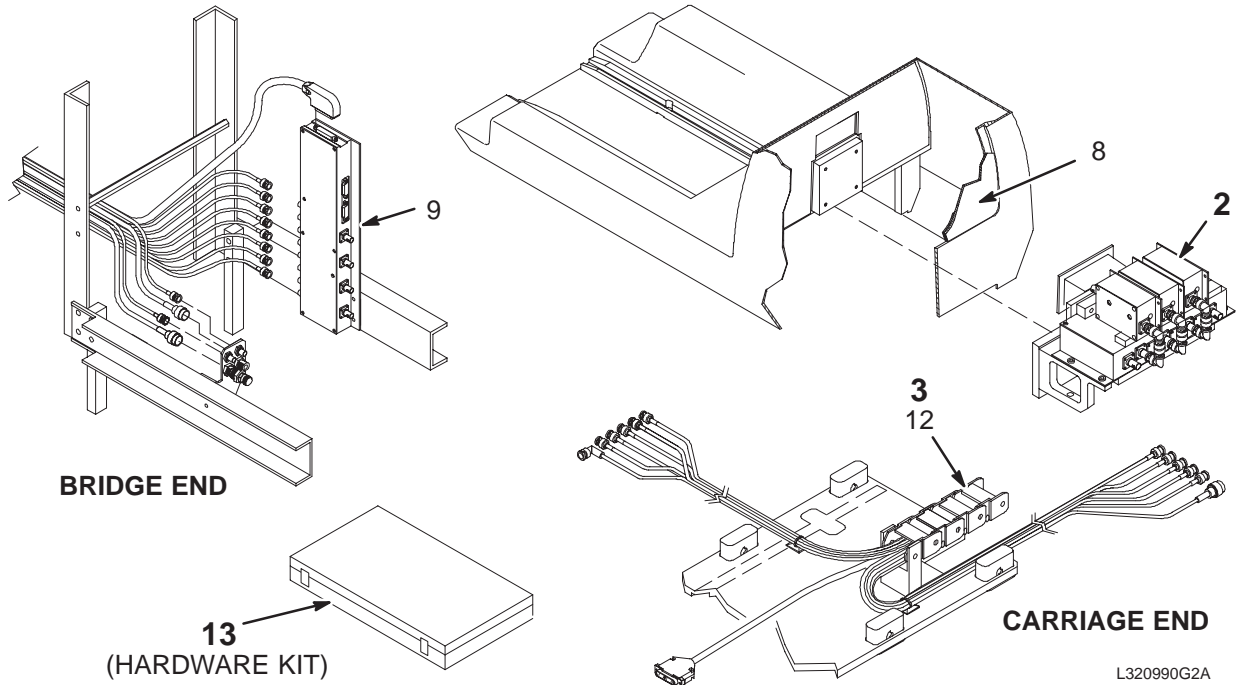
SYSTEM CABINET H/W BOX

2113828 FRU N

(PART OF 46-306974G2 PAGE 11-41)  
 (PART OF 46-306974G3 PAGE 11-41)  
 (PART OF 46-306974G6 PAGE 11-113)  
 (PART OF 46-306974G7 PAGE 11-113)

Item	Part Number	FRU	Name	Quantity	Description (Remarks)
3	46-208765P3	2	CLAMP	2	DIA RANGE 9/16 - 1-1/16
4	46-307149P1	2	WIRE AND CAB	0.400	#10 AWG TINNED COPPER FLAT BRAID.
10	46-306967P1	2	TOOL,CON/EXT	1	SUB-D COAX CONNECTOR EXTRACTION TOOL
11	46-170012P36	2	NUT	8	6-32 HEX 5/16 NUT THK 7/64, KEPS
14	46-208758P2	2	TY-RAP	6	5.5" X .140" SELF-LOCKING CABLE TIE.
18	46-136323P36	2	TUBING	0.400	BLACK EXPANDED ID .500
20	46-208990P1	2	CONNECTOR	3	50 OHM BNC BULKHEAD ADAP'R JACK-JACK
6674	46-170106P5	2	TAPE	AR	DBL COATED FILM .007 THK 0.50W

1.5T MAGNET ENCLOSURE MULTI-COIL KIT 46-320990G2, G3, & G4



MAG ENCL 4 CHANNEL KIT 46-320990G2 FRU N (PART OF M1090PC PAGE 11-38)

Item	Part Number	FRU	Name	Quantity	Description (Remarks)
2	46-328167G2	N	PREAMP COLL	1	1.5T PREAMP ASM SHRINK-WRAP PACKAGE (SEE PG 11-45)
3	46-328071G1	N	CABLE TRACK	1	CABLE TRACK W/MC CABLES PREINSTALLED (SEE PG 11-46)
8	46-317722P1	2	COVER	1	CARRIAGE COVER ACCESS PANEL, VENTED
9	46-288546G2	1	CIRCUIT BD	1	MULTI-COIL SELECT SWITCH MG3-A36
12	46-282389P3	2	CABLETRAK	1	10 LINK MULTIPLE CABLE TAKE-UP
13	2113459	N	BOX OF PARTS	1	MAGNET ENCLOSURE MULTI-COIL PART KIT (SEE PG 11-47)

MAG ENCL 2 CHANNEL KIT 46-320990G3 FRU N (PART OF M1090PB PAGE 11-38)

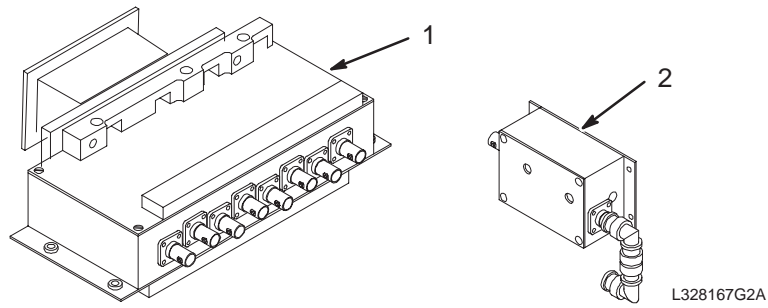
Item	Part Number	FRU	Name	Quantity	Description (Remarks)
2	46-328167G3	N	PREAMP COLL	1	PREAMP ASM SHRINK-WRAP PACKAGE (SEE PAGE 11-45)
3	46-328071G1	N	CABLE TRACK	1	CABLE TRACK W/MC CABLES PREINSTALLED (SEE PG 11-46)
8	46-317722P1	2	COVER	1	CARRIAGE COVER ACCESS PANEL, VENTED
9	46-288546G2	1	CIRCUIT BD	1	MULTI-COIL SELECT SWITCH MG3-A36
12	46-282389P3	2	CABLETRAK	1	10 LINK MULTIPLE CABLE TAKE-UP
13	2113459-2	N	BOX OF PARTS	1	MAGNET ENCLOSURE MULTI-COIL PART KIT (SEE PG 11-47)

MAG ENC 2 TO 4 CHANNEL KIT 46-320990G4 FRU N (PART OF M1090PJ PAGE 11-38)

Item	Part Number	FRU	Name	Quantity	Description (Remarks)
2	46-328040G2	N	PRE AMP ASM	3	1.5T PREAM ASM WITH RIGHT ANGLE (SEE PAGE 11-45)

1.5T PREAMP ASM

46-328167G2 & G3



1.5T 4 CHANNEL PREAMP ASM      46-328167G2    FRU N      (PART OF 46-320990G2 PAGE 11-44)

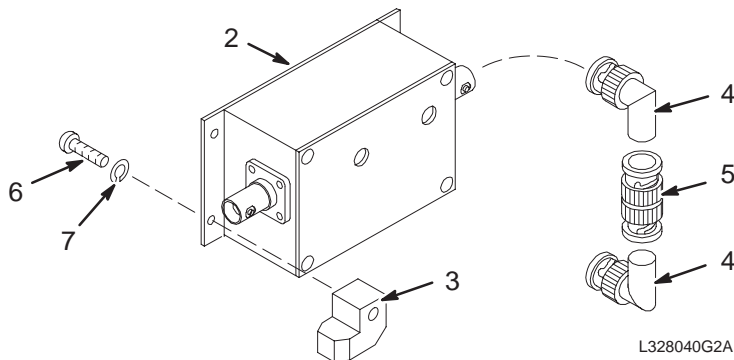
Item	Part Number	FRU	Name	Quantity	Description (Remarks)
1	46-328036G2	1	AMP PROTECT	1	1.5T PRE AMP PROTECTION
2	46-328040G2	N	PRE AMP ASM	6	1.5T PREAM ASM WITH RIGHT ANGLE (SEE PAGE 11-45)

1.5T 2 CHANNEL PREAMP ASM      46-328167G3    FRU N      (PART OF 46-320990G3 PAGE 11-44)

Item	Part Number	FRU	Name	Quantity	Description (Remarks)
1	46-328036G2	1	AMP PROTECT	1	1.5T PRE AMP PROTECTION
2	46-328040G2	N	PRE AMP ASM	3	1.5T PREAM ASM WITH RIGHT ANGLE (SEE PAGE 11-45)

1.5T MULTICOIL PREAMP W/ANGLE

46-328040G2

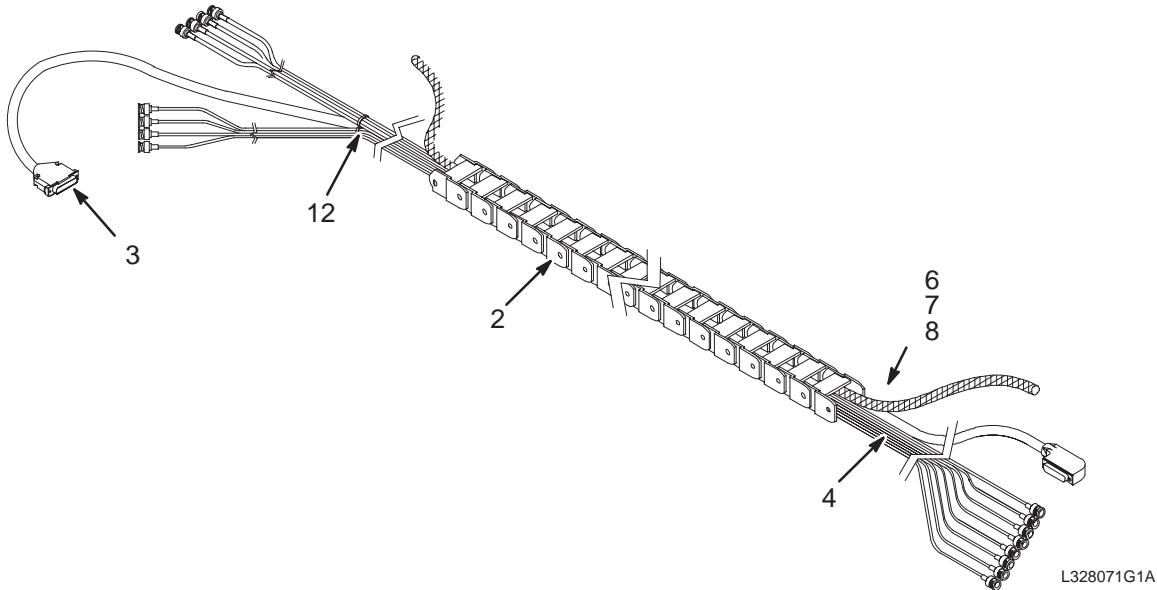


1.5T MULTICOIL PREAMP      46-328040G2    FRU N      (PART OF 46-320990G4 PAGE 11-44)  
 (PART OF 46-328167G2 PAGE 11-45)  
 (PART OF 46-328167G3 PAGE 11-45)

Item	Part Number	FRU	Name	Quantity	Description (Remarks)
2	46-264442G3	1	PREAMP BOX	1	1.5T PREAMPLIFIER WITH DIODE FIX
3	46-317022P1	2	BLOCK LOCATO	1	MOUNTING FINGER, MOLDED WHITE ACETAL
4	46-233422P1	2	CONNECTOR	2	BNC JACK-PLUG, RIGHT ANGLE ADAPTER.
5	46-220427P2	2	CONNECTOR	1	BNC STRAIGHT PLUG-PLUG ADAPTOR.
6	46-220184P13	2	SCREW	1	BRS SLOTTED RND HD SCR 6-32 X 3/8"
7	46-221449P3	2	WASHER	1	#6 SCREW SIZE (0.138) SILICONE BRONZ

CABLETRACK

46-328071G1



CABLETRACK

46-328071G1 FRU N

(PART OF 46-320990G2 PAGE 11-44)  
 (PART OF 46-320990G3 PAGE 11-44)  
 (PART OF 46-320990G6 PAGE 11-114)  
 (PART OF 46-320990G7 PAGE 11-114)

Item	Part Number	FRU	Name	Quantity	Description (Remarks)
2	2151445	2	PART	1	40 LINK CABLE TRACK W/HINGED OPEN'GS
3	46-328371P1	2	CABLE ASM	1	RUN 736 MG3-A36-J19 TO MG2-A16-A8-J9
4	46-317220G20	N	RF CABLE	1	MULTI-COIL CABLE TAKE-UP RF CABLES (SEE PAGE 11-46)
6	2151445-3	2	PART	1	10 LINK CABLE TRACK W/HINGED OPEN'GS
7	46-243775G757	2	CABLE	1	RUN 485 MG3-A17-J2 TO MG2-A16-A3-J4
8	46-320888G1	2	CABLE ASM	1	RUN 404 MG2-A16-A5-J6 TO MG3-A17-J1

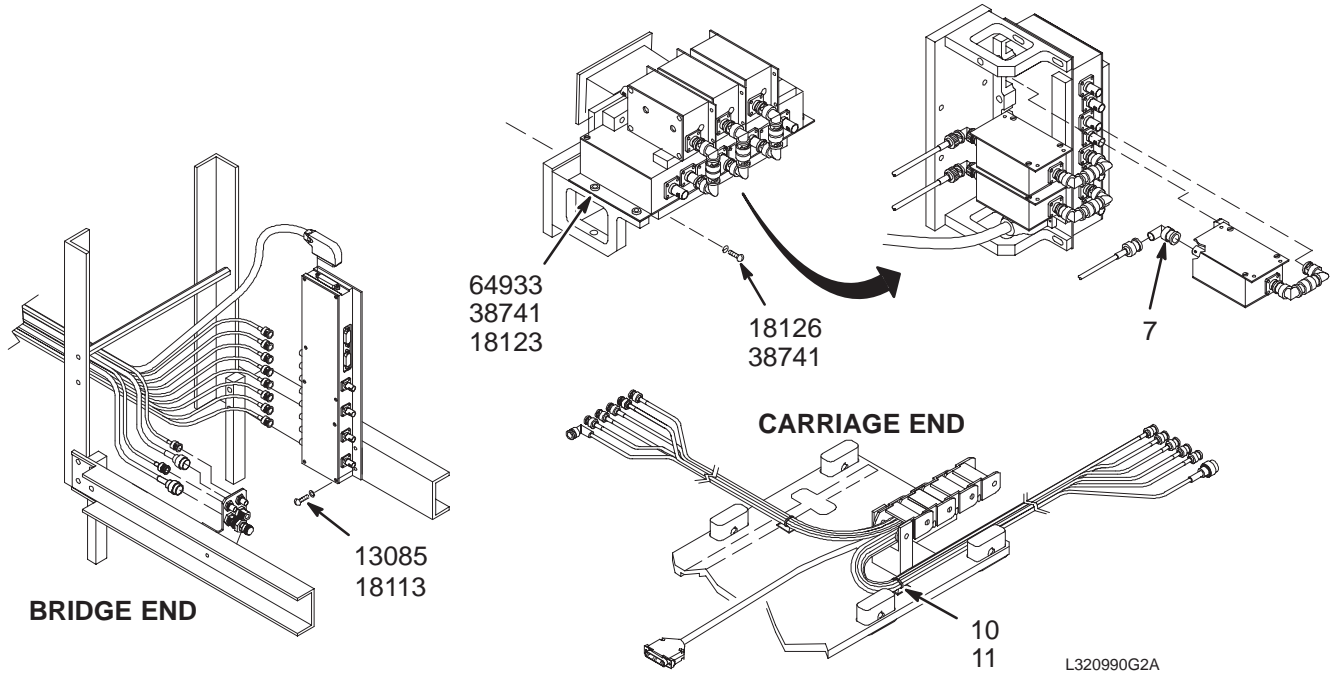
TAKE-UP RF CABLES

46-317220G20 FRU N

(PART OF 46-328071G1 PAGE 11-46)

Item	Part Number	FRU	Name	Quantity	Description (Remarks)
1	46-317220P1	2	RF CABLE	1	RUN 728 MG3-A36-J11 / MG2-A16-OUT-J1
2	46-317220P2	2	RF CABLE	1	RUN 729 MG3-A36-J12 / MG2-A16-OUT-J2
3	46-317220P3	2	RF CABLE	1	RUN 730 MG3-A36-J13 / MG2-A16-OUT-J3
4	46-317220P4	2	RF CABLE	1	RUN 731 MG3-A36-J14 / MG2-A16-OUT-J4
5	46-317220P5	2	RF CABLE	1	RUN 732 MG3-A36-J15 / MG2-A16-OUT-J5
6	46-317220P6	2	RF CABLE	1	RUN 733 MG3-A36-J16 / MG2-A16-OUT-J6
7	46-317220P7	2	RF CABLE	1	RUN 734 MG3-A36-J17 / MG2-A16-OUT-J7
8	46-317220P8	2	RF CABLE	1	RUN 735 MG3-A36-J18 / MG2-A16-OUT-J8

1.5T MAGNET ENCLOSURE KIT FOR MULTI-COIL2113459 & 2113459-2



4 CHANNEL MAG ENCL M-C H/W

2113459 FRU N

(PART OF 46-320990G2 PAGE 11-44)  
(PART OF 46-320990G6 PAGE 11-114)

Item	Part Number	FRU	Name	Quantity	Description (Remarks)
7	46-233422P1	2	BNC ANG AD	5	BNC JACK-PLUG, RIGHT ANGLE ADAPTER.
10	46-287119P1	2	MOUNT,CABLE	2	SELF-ADHERE TIE-STRAP ANCHOR, NYLON
11	46-208758P3	2	STRAP	2	7.31" X .184" SELF-LOCKING CABLE TIE
6674	46-170106P5	2	TAPE	AR	DBL COATED FILM .007 THK 0.50W
13085	46-220196P3	2	WASHER,LOCK	2	#10 SCREW SIZE (0.190), SST
18113	46-220184P41	2	SCREW MACH	2	10-32 X 1/2" SLOT ROUND HEAD, BRASS
18123	46-220184P43	2	SCREW MACH	4	10-32 X 3/4 SLOT ROUND HEAD, BRASS
18126	46-220184P44	2	SCREW MACH	4	10-32 X 7/8 SLOT ROUND HEAD, BRASS
38741	46-221449P5	2	WASHER	8	#10 SCREW SIZE (0.190), PHOS BRONZE
64933	1000904P425	2	WASHER,FLAT	4	ID 0.2, OD 0.5, THK .04, B11H89C

2 CHANNEL MAG ENCL M-C H/W

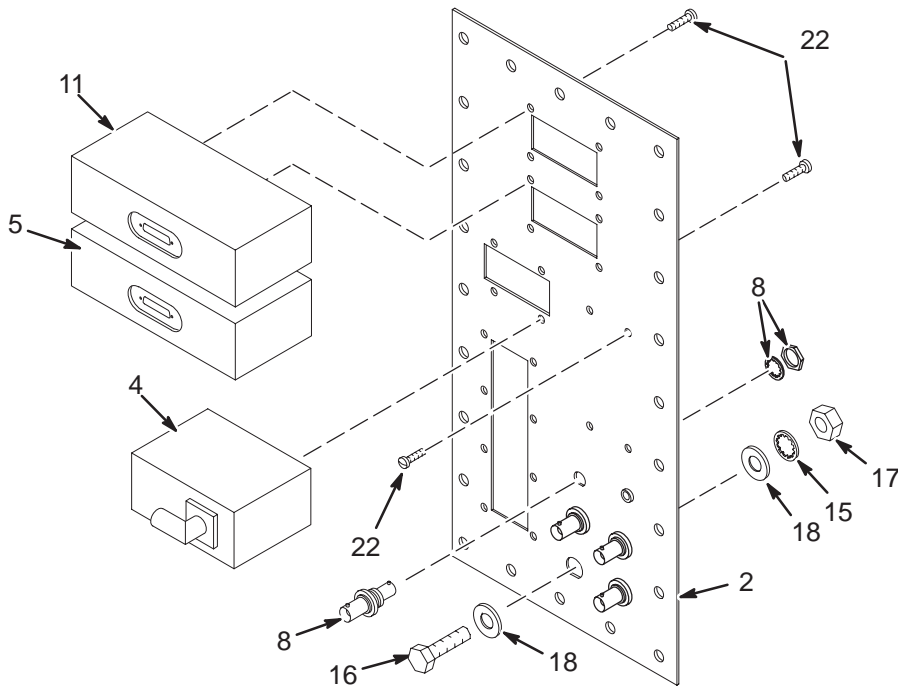
2113459-2 FRU N

(PART OF 46-320990G3 PAGE 11-44)  
(PART OF 46-320990G7 PAGE 11-114)

Item	Part Number	FRU	Name	Quantity	Description (Remarks)
7	46-233422P1	2	CONNECTOR	7	BNC JACK-PLUG, RIGHT ANGLE ADAPTER.
10	46-287119P1	2	MOUNT,CABLE	2	SELF-ADHERE TIE-STRAP ANCHOR, NYLON
11	46-208758P3	2	TY-RAP	2	7.31" X .184" SELF-LOCKING CABLE TIE
6674	46-170106P5	2	TAPE	AR	DBL COATED FILM .007 THK 0.50W
13085	46-220196P3	2	WASHER	2	#10 SCREW SIZE (0.190), SST
18113	46-220184P41	2	SCREW	2	10-32 X 1/2" SLOT ROUND HEAD, BRASS
18123	46-220184P43	2	SCREW	4	10-32 X 3/4 SLOT ROUND HEAD, BRASS
18126	46-220184P44	2	SCREW	4	10-32 X 7/8 SLOT ROUND HEAD, BRASS
38741	46-221449P5	2	WASHER	8	#10 SCREW SIZE (0.190), PHOS BRONZE
64933	1000904P425	2	WASHER	4	0.2 ID, 0.5 OD, .04 THK, B11H89C

FILTER PANEL

2133922-2



L306977G1A

FILTER PANEL

2133922-2 FRU N

- (PART OF M1090PB PAGE 11-38)
- (PART OF M1090PC PAGE 11-38)
- (PART OF M1090PF PAGE 11-38)
- (PART OF M1090PH PAGE 11-38)
- (PART OF M1890PB PAGE 11-112)
- (PART OF M1890PC PAGE 11-112)
- (PART OF M1890PF PAGE 11-112)
- (PART OF M1890PH PAGE 11-112)

Item	Part Number	FRU	Name	Quantity	Description (Remarks)
2	2133757	2	PLATE	1	EMPTY FILTER PLATE FOR MULTICOIL ETC
4	46-264992G1	1	CIRCUIT BD	1	MULTI-COIL RECEIVE SELECT SW. PP1A14
5	46-264994G1	1	CIRCUIT BD	1	MULTI-COIL SWITCHING FILTER, PP1-A15
8	46-208990P1	2	CONNECTOR	4	50 OHM BNC BULKHEAD ADAP'R JACK-JACK
11	46-264994G2	1	CIRCUIT BD	1	MULTI-COIL BIAS FILTER, PP1-A16
15	46-220196P6	2	WASHER	1	3/8" SCREW SIZE (0.375), 18-8 SST
16	46-208932P4	2	SCREW	1	3/8-16 X 1", HEX HEAD, 18-8 SST
17	46-208948P2	2	NUT	1	3/8-16 .563 HEX X .328 THK, 18-8 SST
18	1000904P447	2	WASHER	2	25/64 ID, 1" OD, 1/16" THICK, B7A34C
22	46-208921P4	2	SCREW	16	6-32 X 1/4", BRASS

**CATALOG M1090PM FRU N 8.x W/BAR CODE READER**

Item	Part Number	FRU	Name	Quantity	Description (Remarks)
1	2180690	N	BAR CODE REA	1	BAR CODE READER KIT (SEE PAGE 11-49)

**BAR CODE READER KIT 2180690 FRU N (PART OF M1090PM PAGE 11-49)**

Item	Part Number	FRU	Name	Quantity	Description (Remarks)
1	2180690-2	1	BAR CODE REA	1	BAR CODE READER_ONLY
2	2180690-3	1	BAR CODE REA	1	BAR CODE READER Y CABLE_ONLY
3	2180690-4	2	BAR CODE REA	1	RUBBER MOUNT ONLY

**CATALOG M1090RT FRU N 1.0T/1.5T RECON PROCESSOR UPGRADE TO QUAD I860**

Item	Part Number	FRU	Name	Quantity	Description (Remarks)
1	2101767-8	1	MEDCAM FRU	2	16MB DUAL CE NODE

**CATALOG M1090RW FRU N 1.0T/1.5T ACQUISITION MEMORY KIT-128MB**

Item	Part Number	FRU	Name	Quantity	Description (Remarks)
1	2101767-4	1	MEDCAM FRU	1	MEDCAM VMX 128 MB MEMORY BOARD

**CATALOG M1090RY FRU N 128MB OF HOST MEMORY**

Item	Part Number	FRU	Name	Quantity	Description (Remarks)
1	2149503	1	MEMORY	4	MEMORY 60N SE; 72 SIM

**CATALOG M1090RZ FRU N PRE 4.5 TO LX UPGRADE ADDER**

Item	Part Number	FRU	Name	Quantity	Description (Remarks)
1	46-306979G2	2	MG2/MG3 KIT	1	HI PASS MULTICOIL KIT LPCC
1B	46-306979G1	2	MG2/MG3 KIT	ALT	MULTICOIL CARRIAGE COVER UPGRADE KIT

**CATALOG M1090SY FRU N VIDEOCONFERENCING**

Item	Part Number	FRU	Name	Quantity	Description (Remarks)
1	2209602	1	MEDIA	1	VIDEOCONFERENCING S/W
2	2181124	1	CABLE	1	INDY CAM EXTENSION CABLE

**CATALOG M1090SZ FRU N VCR INTERFACE KIT - INDIGO**

Item	Part Number	FRU	Name	Quantity	Description (Remarks)
1	2167335	N	ASSEMBLY	1	VCR I/F KIT (SEE PAGE 11-49)

**VCR INTERFACE KIT 2167335 FRU N (PART OF M1090SZ PAGE 11-49)**

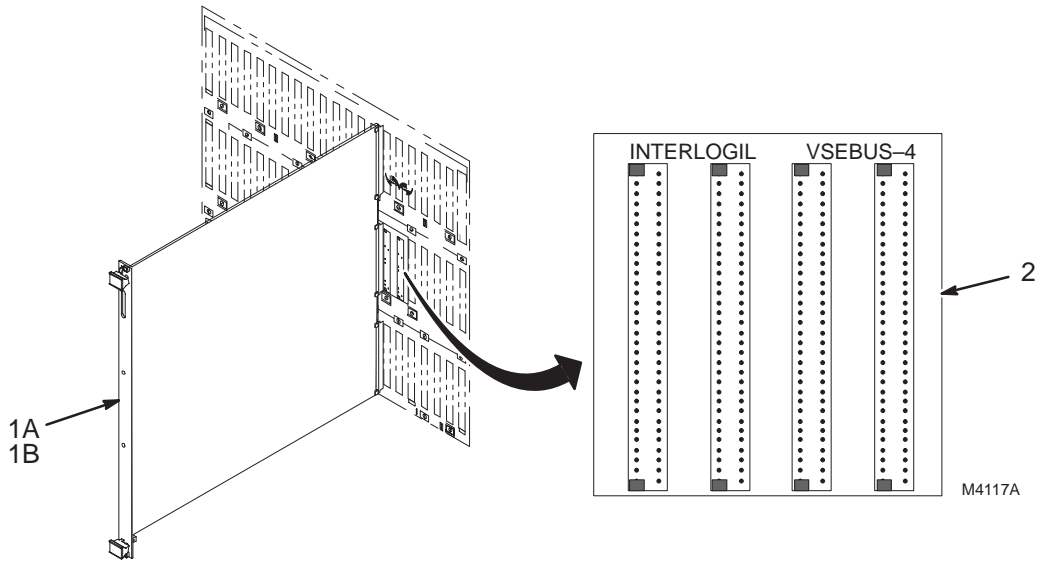
Item	Part Number	FRU	Name	Quantity	Description (Remarks)
1	2115457-11	1	PART	1	VCR VIDEO BOARD

**CATALOG M1090TZ FRU N VCR INTERFACE KIT - OCTANE**

Item	Part Number	FRU	Name	Quantity	Description (Remarks)
1	2169940-11	N	COMPUTER	1	OPTION PERSONAL VIDEO
3	2216373	N	DIRECTION	1	8.X VIDEO OPTION INSTALL-OCTANE

AUTOMATED VASCULAR IMAGING

M1095AC



CATALOG

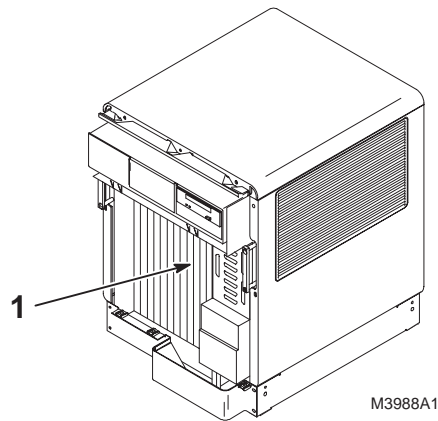
M1095AC FRU N

AUTOMATED VASCULAR IMAGING

Item	Part Number	FRU	Name	Quantity	Description (Remarks)
1A	46-321324G4	1	TPS MEMORY	1	32MB TPS BULK MEMORY BOARD (BAM) ASM
1B	46-317038G7	1	MEMORY, TPS	ALT	32MB TPS BULK MEMORY BOARD (BAM) ASM
2	46-287122P4	2	VSB PIGGYBAK	1	VSB EXTENDER BD FOR 3RD BAM MEMORY

ADVANCED APPLICATIONS W/O CPU FOR IVI

M1095AG



CATALOG

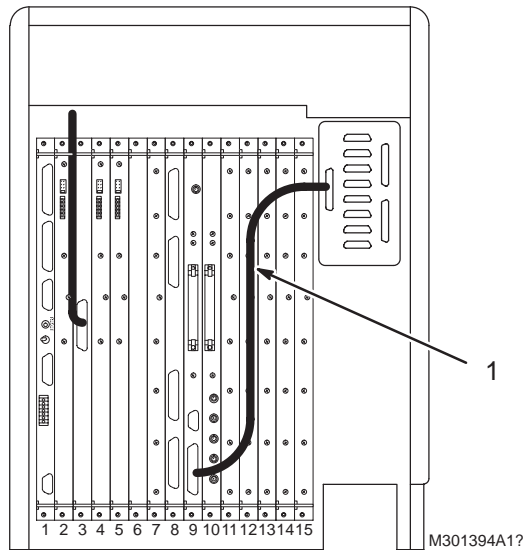
M1095AG FRU N

ADVANCED APPLICATIONS W/O CPU FOR IVI

Item	Part Number	FRU	Name	Quantity	Description (Remarks)
1	46-320374G1	N	COLLECTOR	1	MFG COLLECTOR FOR HARDWARE REQUIRED FOR ADV. APPLICATIONS ON A 5.X OP CONSOLE (SEE PAGE 11-51)

ARRAY PROCESSOR BD W/O CPU

46-320374G1



AP BD W/O CPU

46-320374G1 FRU N

(PART OF M1095AG PAGE 11-51)

Item	Part Number	FRU	Name	Quantity	Description (Remarks)
1	46-307869G2	1	ARRAY PROC.	1	MERCURY ARRAY PROCESSOR-SUN COMPUTER

11-5 SIGNA 1.5T PRE-EXCITE AND EXCITE SPECTROSCOPY OPTIONS

CATALOG M1033JC FRU N MULTI-NUCLEAR SPECTROSCOPY

Item	Part Number	FRU	Name	Quantity	Description (Remarks)
1	2254697	1	MEDIA	1	MULTINUCLEAR SPECTRO
2	46-320103P1	2	FIRMWARE KIT	1	SPECTROSCOPY ERBTEC U-17 PROCESSOR
4	2192603-200	N	APPS GUIDES	1	SIGNA APPLICATIONS GUIDES CD VOL1-6
5	2152220	1	ASSEMBLY	1	MRS HEAD SPHERE WITH SOLUTION

CATALOG M1040JB FRU N 5.x SPECTROSCOPY ACQUISITION HARDWARE

Item	Part Number	FRU	Name	Quantity	Description (Remarks)
1A	46-301464P2	1	BRD BAND AMP	1	ANOLOGIC BROAD BAND RF AMPLIFIER
1B	46-301464P1	1	BRD BAND AMP	ALT	ENI MRI-2000 RF AMPLIFIER, MR6 A1
2	46-301824G2	N	CABLE KIT	1	SYSTEM INTERCONNECT CABLE KIT (SEE PAGE 11-52)
4	46-301825G1	N	SYS CAB KIT	1	SYSTEM CABINET KIT (SEE PAGE 11-52)
5	2109930-11	N	RF/PEN CAB	1	1.5T RF/PEN II SPECTROSCOPY KIT (SEE PAGE 11-53)
6	2136365	N	ADAPTER PLT	1	ADAPTER PLATE ASM (SEE PAGE 11-53)
7	46-301548G1	N	MAG ENCL KIT	1	MAGNET ENCLOSURE KIT (PHOSPHORUS) (SEE PAGE 11-52)
8	46-317286G1	N	COIL/PHAN KT	1	SPECTROSCOPY P31 QA/SERVICE COIL (SEE PAGE 11-52)

SYSTEM CABLE KIT 46-301824G2 FRU N (PART OF M1040JB PAGE 11-52)

Item	Part Number	FRU	Name	Quantity	Description (Remarks)
7	46-328000G933	2	CABLE	1	(466) MR1-A7-J3 TO MR2-A11-J1
12	46-243775G734	2	CABLE	1	RUN 469 PP1-A13-OUT TO MR2-A11-J3
18	46-243775G740	2	CABLE	1	RUN 472 MG3-A17-J4 TO PP1-J79, 80'
19	46-301837P2	2	CABLE	1	(468) PP1-J83 TO MR1-A7-J45
20	46-301838P1	2	CABLE	1	RUN 473, MG3-A17-J3 TO PP1-J83

SYSTEM CABINET KIT 46-301825G1 FRU N (PART OF M1040JB PAGE 11-52)

Item	Part Number	FRU	Name	Quantity	Description (Remarks)
2	46-264232G1	1	CIRCUIT BD	1	BB RECEIVER (MR2 A15 A18 A3)
3	46-264230G2	1	CIRCUIT BD	1	BB EXCITER (MR2 A15 A20 A3)
6	46-208560P12	2	SCREW	10	4-40 X 5/16" LG BIND HD STL F70B5A
7	46-208785P2	2	TAPE	0.002	KAPTON PLASTIC FILM 0.88 W X 36 YD
8	46-320574P1	2	CABLE GUIDE	2	GUIDE FOR NON-RIGID EXCITER CABLE
9	2123273	2	TNS KIT C	1	SPECTRO ADDITIONAL INSTALL KIT "C"

MAGNET ENCLOSURE KIT 46-301548G1 FRU N (PART OF M1040JB PAGE 11-52)

Item	Part Number	FRU	Name	Quantity	Description (Remarks)
5	2100718	1	SPECT BOX	1	SPECTRO. T/R SW. MODULE (MG2 A16 A7)
6	46-282467G4	1	Q D PLUG ASM	1	SPECT. COIL ADAPTER (MG2 A16 A7 A3)
9	46-301690G1	2	CABLE ASM	1	(456) MG3 A17 J3 TO MG2 A16 J1
10	46-243775G708	2	CABLE	1	(455) MG3-A17-J4 TO MG2-A16-J2
23	2113568	N	BOX OF PARTS	1	MAGNET ENCLOSURE INSTALLATION PARTS

SPECTROSCOPY SERVICE COIL 46-317286G1 FRU N (PART OF M1040JB PAGE 11-52)

Item	Part Number	FRU	Name	Quantity	Description (Remarks)
1	46-265204G3	2	3"SPECT PHOS	1	P31 SERVICE COIL
2	46-317299G1	2	BOT W/LABEL	1	EMPTY PLASTIC BOTTLE LABELED FOR DILUTED
3	46-317299G2	2	BOT W/LABEL	1	EMPTY PLASTIC BOTTLE LABELED FOR CONCENTRATED

**CATALOG M1090JZ FRU N SPECTROSCOPY COMPATIBILITY KIT**

Item	Part Number	FRU	Name	Quantity	Description (Remarks)
1	2109930-11	N	RF/PEN CAB	1	1.5T RF/PEN II SPECTROSCOPY KIT (SEE PAGE 11-53)

**BB SPECTRO KIT W/O AMP 2109930-10 FRU N (PART OF M1090JZ PAGE 11-53)**

Item	Part Number	FRU	Name	Quantity	Description (Remarks)
1	2124498-27	1	PART	1	ERBTEC #P540001 SPECTRO MODULE ASM
2	2124497-47	2	PART	1	ERBTEC#P540004 SPECTRO OUT # TR BIAS
3	2124497-48	2	PART	1	ERBTEC #P540005 2KW RF IN CABLE ASM
4	2124497-49	2	PART	1	ERBTEC #P540015 I/F CABLE ASM
5	2124497-50	2	PART	1	ERBTEC #P540016 BB-I/F CABLE ASM
7	46-221806P2	2	SCREW	4	PHILLIPS PANHEAD SS 10-32 X 1/2
8	2124498-29	2	PART	4	STAINLESS STEEL #10 FLAT WASHER
9	2124497-51	2	PART	1	ERBTEC #P540009 SPECTRO RF IN
10	2124497-52	2	PART	1	ERBTEC #P540018 SPECTRO GROUND WIRE
11	2124497-53	2	HARNESS	1	ERBTEC #P540006 PWR MONITOR SENSE A
12	2124497-54	2	HARNESS	1	ERBTEC #P540007 PWR MONITOR SENSE B
13	2124497-55	2	HARNESS	1	ERBTEC #P540008 SPECTRO TR BIAS

**RF/PEN II SPECT KIT 2109930-11 FRU N (PART OF M1040JB PAGE 11-52) (PART OF M1090JZ PAGE 11-53)**

Item	Part Number	FRU	Name	Quantity	Description (Remarks)
1	2124498-36	2	PS MODULE	1	ERBTEC #401-2007 RF/PEN2 CBL LABELS
2	2124498-37	2	PS MODULE	1	ERBTEC #540034 RF/PEN2 SSM MICRO KIT
3	2124498-38	2	PS MODULE	1	ERBTEC #540035 RF/PEN 2 CHIMNEY KIT
4	2124498-39	2	PS MODULE	1	ERBTEC #540036 MR1A7 RF/PEN2 SPECTRO
5	2124498-40	2	PS MODULE	1	ERBTEC#540033 MR1A18 ATTENUATOR KIT
6	2124498-41	2	PS MODULE	1	ERBTEC #540037 SHELF ASSEMBLY KIT
7	2124498-42	N	PS MODULE	1	ERBTEC #540038 AMPLIFIER HARDWARE KT
8	2124498-27	1	PART	1	ERBTEC #P540001 SPECTRO MODULE ASM
9	2124497-52	2	PART	1	ERBTEC #P540018 SPECTRO GROUND WIRE
10	2124497-51	2	PART	1	ERBTEC#540009 SPECTRO RF IN TO ATTEN
11	2124497-56	2	HARNESS	1	ERBTEC #540031 CABLE, ATTN OUT TO
12	2124497-47	2	PART	1	ERBTEC#P540004 SPECTRO OUT # TR BIAS
13	2124497-49	2	PART	1	ERBTEC #P540015 I/F CABLE ASM
14	2124497-55	2	HARNESS	1	ERBTEC #P540008 SPECTRO TR BIAS
15	2124497-54	2	HARNESS	1	ERBTEC #P540007 PWR MONITOR SENSE B
16	2124497-53	2	HARNESS	1	ERBTEC #P540006 PWR MONITOR SENSE A
17	2124497-50	2	PART	1	ERBTEC #P540016 BB-I/F CABLE ASM
18	2124497-48	2	PART	1	ERBTEC #P540005 2KW RF IN CABLE ASM

**ADAPTER PLATE ASM 2136365 FRU N (PART OF M1040JB PAGE 11-52)**

Item	Part Number	FRU	Name	Quantity	Description (Remarks)
2	2133757	2	PLATE	1	EMPTY FILTER PLATE FOR MULTICOIL ETC
5	46-264814G1	1	CIRCUIT BD	1	20 DB GAIN BLOCK (PP1 A13)
6	46-301973P1	2	PLATE	2	PANEL OPENING COVER
7	46-301974P1	2	PLATE	1	PANEL OPENING COVER
8	46-208990P1	2	CONNECTOR	4	50 OHM BNC BULKHEAD ADAP'R JACK-JACK
9	46-306505P1	2	CONNECTOR	1	SC COAX ADAPTER JACK-JACK, PANEL MT.
11	46-243775G743	2	CABLE	1	PP1-J79 TO PP1-A13-IN, 8" BNC COAX
12	46-306507P1	2	CONNECTOR	2	90 DEG. SC JACK TO SC PLUG ADAPTOR.
13	46-233422P1	2	CONNECTOR	1	BNC JACK-PLUG, RIGHT ANGLE ADAPTER.
15	46-208921P4	2	SCREW	16	6-32 X 1/4", BRASS

CATALOG M3090LA FRU N EXCITE II MNS KIT

Item	Part Number	FRU	Name	Quantity	Description (Remarks)
2	2392228	N	KIT	1	MNS CABLE COLLECTOR (SEE PAGE 11-55)
3	2392229	N	KIT	1	MNS UPGRADE COLLECTOR (SEE PAGE 11-55)
4	5111649	1	PDM COLLECTO	1	MNS 2KW CPC AMPLIFIER - 10 MHZ TO 70 (SEE PAGE 11-55)
18	2390566	N	ASSEMBLY	1	EXCITE II MNS LPCC ASM (SEE PAGE 11-55)
19	2390569	N	KIT OF PARTS	1	EXCITE II MNS TRANSMIT CABLE KIT 100 (SEE PAGE 11-56)
24	2379200-2	N	COLLECTOR	1	MFG EXCITE II MNS KIT (SEE PAGE 11-56)
26	M3090MC	N	COMMERCIAL I	1	SAGE 7 FOR EXCITE (SEE PAGE 11-54)

CATALOG M3090LB FRU N EXCITE II FWD PRD MNS KIT

Item	Part Number	FRU	Name	Quantity	Description (Remarks)
18	2390566	N	ASSEMBLY	1	EXCITE II MNS LPCC ASM (SEE PAGE 11-55)
24	2379200-2	N	COLLECTOR	1	MFG EXCITE II MNS KIT (SEE PAGE 11-56)
26	M3090MC	N	COMMERCIAL I	1	SAGE 7 FOR EXCITE (SEE PAGE 11-54)
28	2393603	N	COLLECTOR	1	EXCITE-II FWD PROD MNS H/W COLL (SEE PAGE 11-57)

CATALOG M3090LC FRU N EXCITE II LEGACY MNS UPGRADE KIT

Item	Part Number	FRU	Name	Quantity	Description (Remarks)
8	2390566	N	ASSEMBLY	1	EXCITE II MNS LPCC ASM (SEE PAGE 11-55)
16	2393604	N	COLLECTOR	1	EXCITE II UPGRADE MNS H/W COLLECTOR (SEE PAGE 11-57)

CATALOG M3090LJ FRU N EXCITE II SRFD2 W/MNS

Item	Part Number	FRU	Name	Quantity	Description (Remarks)
2	2391014	N	CABINET ASM	1	SRFD2 TESTED CABINET WITH MNS

SAGE 7 FOR EXCITE M3090MC FRU N (PART 26 OF M3090LA PAGE 11-54)  
(PART 26 OF M3090LB PAGE 11-54)

Item	Part Number	FRU	Name	Quantity	Description (Remarks)
1	5116082	N	PDM SOFTWARE	1	SAGE 7 ELECTRONIC OPTION FOR EXCITE
4	2228585-100	N	OPERATOR MAN	1	SAGE 7 LX USER'S GUIDE

**MNS CABLE COLLECTOR** **2392228 FRU N** **(PART 2 OF M1030LA PAGE 11-54)**

Item	Part Number	FRU	Name	Quantity	Description (Remarks)
2	2390342	N	CABLE	1	POWER CABLE FOR EXCITE IIA MNS AMP
3	46-221865P1	N	CONNECTOR	2	UG-30, N BULKHEAD, 50-OHM, JACK-JACK
4	2390352	N	CABLE	1	I/O CONTROL & INTERFACE CABLE MNS
5	2390355	N	CABLE	1	CPC RF INPUT RUN # 1058
6	2390355-2	N	CABLE	1	CPC FWD PWR 1 MNS
7	2390355-3	N	CABLE	1	CPC FWD PWR 2 J12 CPC MNS AMP
8	2390355-4	N	CABLE	1	CPC TR BIAS J9 MNS AMP
9	2391621	N	CABLE	1	(1153) MG2-A16-J1 TO MG3-A17-J3
10	2394694	N	PART	1	CPC AMP GROUND CABLE EXCITE II

**MNS UPGRADE COLLECTOR** **2392229 FRU N** **(PART 3 OF M1030LA PAGE 11-54)**

Item	Part Number	FRU	Name	Quantity	Description (Remarks)
3	5114423-3	2	PDM PART	1.0	RUN 1154 MG3 A36 J28 TO MG2 A16 J2
4	2382445	N	PART	1.0	CABLE ASSEMBLY
5	2375989	N	PART	4.0	G3 RF ACC CABINET BRACKET
6	2326333	N	OUT OF CATAL	8.0	SCREW FLAT HEAD 5 MM 20 MM
7	2180698-2	N	NUT	16.0	NUT CLIP ON 5 MM
8	2279742-2	N	SCREW	8.0	SCREW PAN HEAD 5 MM 16 MM
9	46-302200P3	N	RATING PLATE	1.0	MODIFIED BY KIT, SERIAL #, MODEL#
11	2392448	N	OUT OF CATAL	1.0	SMA TO BNC BULKHEAD
12	2380819	N	PART	1.0	LPCA COVER BRACKET
14	2386337	N	PART	1.0	SPACER
15	2109873-14	N	SCREW	2.0	SCREW PAN HEAD Z M4X10 A2-70
16	5117333	N	PDM SOFTWARE	1.0	MNS ELECTRONIC OPTION KEY

**MNS 2KW CPC AMPLIFIER** **5111649 FRU N** **(PART 4 OF M3090LA PAGE 11-54)**

Item	Part Number	FRU	Name	Quantity	Description (Remarks)
1	2373317	N	RF AMP	1.0	1.5T 2KW RF MNS AMPLIFIER

**EXCITE II MNS LPCC ASM** **2390566 FRU N** **(PART 18 OF M3090LA PAGE 11-54)**  
**(PART 18 OF M3090LB PAGE 11-54)**  
**(PART 18 OF M3090LC PAGE 11-54)**

Item	Part Number	FRU	Name	Quantity	Description (Remarks)
2	2374198	N	PART	2	RAIL LPCA
3	2390567	N	COVER	1	EXCITE II MNS LPCC
4	46-221523P26	N	PDM PART	1	VENT PLUG, WHITE, 7/8 DIA.
5	2109873-15	N	PDM PART	6	SCREW PAN HEAD 4 MM 12 MM
6	2109878-2	N	PDM PART	6	WASHER PLAIN - NORMAL 4.3 MM 9 MM
7	2109880-2	N	PDM PART	6	WASHER LOCK - SPRING 4.1 MM 7.6 MM
8	46-282264P1	N	ADHESIVE OLD	AR	2 OZ DUAL-PAK CARTRIDGE EPOXY, CLEAR
9	2146831	N	WARN LABEL	1	UFI WARNING LABEL - ENGLISH

**EXCITE II MNS TRANSMIT CABLE KIT      2390569    FRU N      (PART 19 OF M3090LA PAGE 11-54)**

Item	Part Number	FRU	Name	Quantity	Description (Remarks)
1	2384847-3	N	PART	1.0	(1147)FROM 1158/1159 TO MG3A17-J3
2	2384852-5	N	PART	1.0	RUN 1137 CONNECT TO RUN 1158
4	2384852-7	N	PART	1.0	RUN 1147 MG3A17-J3
5	2384852-8	N	PART	1.0	RUN 1137 PP1-J83
7	46-220400P1	N	MECHANICAL/M	1.0	7" WIDE, 8" DEEP, 0.004" THICKNESS
8	2352193	N	OUT OF CATAL	1.0	LMR 600 STRIPPING TOOL
9	2352195	N	OUT OF CATAL	2.0	STRAIGHT MALE N FOR LMR 600
10	2384851-2	2	PART	1.0	(1158) MR1-CPC-J2 TO CONNECT TO 1137
19	5111565	N	OUT OF CATAL	1.0	RF CABLE CUTTING TOOL

**EXCITE II MNS KIT      2379200-2    FRU N      (PART 24 OF M3090LA PAGE 11-54)  
(PART 24 OF M3090LB PAGE 11-54)**

Item	Part Number	FRU	Name	Quantity	Description (Remarks)
2	2383979	N	PART	1.0	EXCITER (MNS UPGRADE) KIT (SEE PAGE 11-56)
4	2152220	N	ASSEMBLY	1.0	MRS HEAD SPHERE WITH SOLUTION
5	2109878-5	N	PDM PART	2.0	WASHER PLAIN - NORMAL 17 MM 30 MM
6	2192603-200	N	APPS GUIDES	1.0	SIGNA APPLICATIONS GUIDES CD VOL1-6
7	2100718	N	SPECT BOX	1.0	SPECTRO. T/R SW. MODULE (MG2 A16 A7)
8	2392707-2	N	FILTER	1.0	1.5T MNS REJECT FILTER, FLANGELESS
9	2391638	N	CABLE	1.0	MNS ADP CBLE RCV SIDE
10	2391426	N	CABLE PT	1.0	EXCITE II TRANSMIT CABLE ADAPTER
11	2391427	N	CABLE PT	1.0	EXT II MNS RECIEVE CBL ADP 31 P
12	2259502	N	COLLECTOR	1.0	1.5T MNS PHOSPHORUS FLEX COIL KIT (SEE PAGE 11-56)
20	2394696	N	LABELS	1.0	LEGACY MNS LABELS FOR EXCITE IIA
21	2361470-2	2	PDM CIRCUITB	1.0	NMR RRF MASTER EXCITER 2 BOARD EMC E
22	5115463	N	PDM COLLECTO	1.0	SSM D-SUB FILTER KIT TO REDUCE NOISE (SEE PG 11-56)

**EXCITER (MNS UPGRADE) KIT      2383979    FRU N      (PART 2 OF 2379200-2 PAGE 11-56)**

Item	Part Number	FRU	Name	Quantity	Description (Remarks)
1	2373070-2	2	PDM CIRCUITB	1.0	NMR RRF SLAVE EXCITER 1A EMC ED2 COM
2	2297729-2	N	CABLE	1.0	SMB TO SMB (RG316DS) 150 MM
3	2297729-4	N	CABLE	1.0	SMB TO SMB (RG316DS) 80 MM

**1.5T MNS PHOSPHORUS FLEX COIL KIT    2259502    FRU N      (PART 12 OF 2379200-2 PAGE 11-56)**

Item	Part Number	FRU	Name	Quantity	Description (Remarks)
1	2219090	1	FLEX COIL	1	MNS P31 COIL
2	2224905	2	CABLE ASSEMB	1	EXTENSION CABLE FOR MNS P31 FLEX
3	2241998	1	BOX	1	QUICK DISCONNECT BOX W/CABLE TRAP
4	2211425	N	STRAP,ADJ.	1	6"W X 60" LONG POLYNAP STRAP - FOR
5	2248047	N	STRAP,ADJ.	1	203,8MM W X 444,5MM L GREY POLYNAP
101	2263377-100	N	OPERATOR MAN	1	PHOSPHORUS 31P TRANSMIT/RCV FLEXCOIL

**SSM D-SUB FILTER KIT      5115463    FRU N      (PART 22 OF 2379200-2 PAGE 11-56)**

Item	Part Number	FRU	Name	Quantity	Description (Remarks)
1	46-271920P1	N	CONNECTOR	5.0	CONNECTOR 9 CONTACTS 100 VOLTS 5 AMP
2	46-271920P2	N	CONNECTOR	3.0	CONNECTOR 15 CONTACTS 100 VOLTS 5 AM
3	46-271920P3	N	CONNECTOR	6.0	CONNECTOR 25 CONTACTS 100 VOLTS 5 AM
4	46-271920P4	N	CONNECTOR	2.0	CONNECTOR 37 CONTACTS 100 VOLTS 5 AM
5	5120686	N	PDM TECH PUB	1.0	INSTALLATION OF MNS FILTERS ON SSM I
6	5126396	N	PDM PART	1.0	NUT DRIVER FOR DSUB SCREWLOCKS

**EXCITE-II FP MNS H/W COLLECTOR      2393603    FRU N      (PART 28 OF M3090LB PAGE 11-54)**

<b>Item</b>	<b>Part Number</b>	<b>FRU</b>	<b>Name</b>	<b>Quantity</b>	<b>Description (Remarks)</b>
5	46-221865P1	N	CONNECTOR	2.0	UG-30, N BULKHEAD, 50-OHM, JACK-JACK
7	2390355	N	CABLE	1.0	CPC RF INPUT RUN # 1058
15	5114423-3	N	PDM PART	1.0	RUN 1154 MG3 A36 J28 TO MG2 A16 J2
16	2382445	N	PART	1.0	CABLE ASSEMBLY
17	2380819	N	PART	1.0	LPCA COVER BRACKET
19	2390569	N	KIT OF PARTS	1.0	EXCITE II MNS TRANSMIT CABLE KIT 100
27	2392448	N	OUT OF CATAL	1.0	SMA TO BNC BULKHEAD
28	2391621	N	CABLE	1.0	(1153) MG2-A16-J1 TO MG3-A17-J3
30	2109873-14	N	SCREW	2.0	SCREW PAN HEAD Z M4X10 A2-70
31	2386337	N	PART	1.0	SPACER
32	5117333	N	PDM SOFTWARE	1.0	MNS ELECTRONIC OPTION KEY

**EXCITE-II U/G MNS H/W COLLECTOR      2393604    FRU N      (PART 16 OF M3090LC PAGE 11-54)**

<b>Item</b>	<b>Part Number</b>	<b>FRU</b>	<b>Name</b>	<b>Quantity</b>	<b>Description (Remarks)</b>
3	2391427	N	CABLE PT	1.0	EXT II MNS RECIEVE CBL ADP 31 P
4	2391426	N	CABLE PT	1.0	EXCITE II TRANSMIT CABLE ADAPTER
6	2382445	N	PART	1.0	CABLE ASSEMBLY
7	2380819	N	PART	1.0	LPCA COVER BRACKET
9	5117333	N	PDM SOFTWARE	1.0	MNS ELECTRONIC OPTION KEY
10	46-302200P3	N	RATING PLATE	1.0	MODIFIED BY KIT, SERIAL #, MODEL#
11	2383979	N	PART	1.0	EXCITER (MNS UPGRADE) KIT
12	2391621	N	CABLE	1.0	(1153) MG2-A16-J1 TO MG3-A17-J3
14	2391638	N	CABLE	1.0	MNS ADP CBLE RCV SIDE
15	2392448	N	OUT OF CATAL	1.0	SMA TO BNC BULKHEAD
16	5114423-3	N	PDM PART	1.0	RUN 1154 MG3 A36 J28 TO MG2 A16 J2
17	2192603-200	N	APPS GUIDES	1.0	SIGNA APPLICATIONS GUIDES CD VOL1-6
18	2392707-2	N	FILTER	1.0	1.5T MNS REJECT FILTER, FLANGELESS
20	2394696	N	LABELS	1.0	LEGACY MNS LABELS FOR EXCITE IIA
21	46-208781P2	N	LABEL OLD	12.0	WRITE-ON LABEL FOR MARKING CABLES
30	2109873-14	N	SCREW	2.0	SCREW PAN HEAD Z M4X10 A2-70
31	2386337	N	PART	1.0	SPACER
32	46-221865P1	N	CONNECTOR	2.0	UG-30, N BULKHEAD, 50-OHM, JACK-JACK
33	2361470-2	2	PDM CIRCUITB	1.0	NMR RRF MASTER EXCITER 2 BOARD EMC E
34	5115463	N	PDM COLLECTO	1.0	NMR: SSM D-SUB FILTER KIT TO REDUCE
33S00	2361470	N	CIRCUIT BOAR	ALT	REMOTE RF MASTER EXCITER 2 BOARD
33S00	2361470	N	CIRCUIT BOAR	ALT	REMOTE RF MASTER EXCITER 2 BOARD

11-6 SIGNA 1.5T PRE-EXCITE AND EXCITE COILS

CATALOG M1040PH FRU N 1.5T PHOSPHORUS FLEX COIL

Item	Part Number	FRU	Name	Quantity	Description (Remarks)
1	2259502	N	COLLECTOR	1	1.5T MNS PHOSPHORUS FLEX COIL KIT (SEE PAGE 11-58)
100	2194610	N	DIRECTION	1	HRZN MULTI-NUCLR SPECTRSCPY SUBSYSTEM
101	2257047	N	DIRECTION	1	P31 FLEX COIL OPTION INSTRUCTION

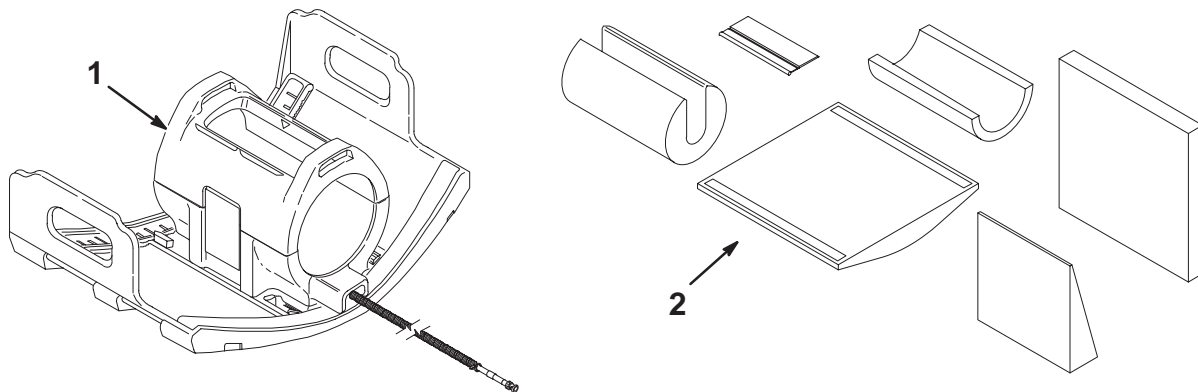
1.5T MNS PHOSPHOROUS FLEX COIL 2259502 FRU N (PART OF M1040PH PAGE 11-58)

Item	Part Number	FRU	Name	Quantity	Description (Remarks)
1	2219090	1	FLEX COIL	1	MNS P31 COIL
2	2224905	2	CABLE ASSEMB	1	EXTENSION CABLE FOR MNS P31 FLEX
3	2241998	1	BOX	1	QUICK DISCONNECT BOX W/CABLE TRAP
4	2211425	N	STRAP,ADJ.	1	6"W X 60" LONG POLYNAP STRAP - FOR
5	2248047	N	STRAP,ADJ.	1	203,8MM W X 444,5MM L GREY POLYNAP
101	2263377-100	N	OPERATOR MAN	1	PHOSPHORUS 31P TRANSMIT/RCV FLEXCOIL

1.5T MNS PHOS T/R FLEX COIL 2219090 FRU 1 (PART OF 2259503 PAGE 11-58)

Item	Part Number	FRU	Name	Quantity	Description (Remarks)
2	2224144	1	COIL ASM.	1	P31 FLEX COIL
3	46-317287G7	1	COAXIAL CBL	1	COAXIAL CABLE, 32"
4	2224142	2	COVER	1	BOTTOM COVER FOR P31 FLEX COIL
5	2224143	2	COVER	1	TOP COVER FOR P31 FLEX COIL
6	46-136375P23	N	SPACER	4	.250 HEX #6-32 THD .562 LG. NYLON
7	46-208922P16	N	SCREW	2	SCREW
8	46-230008P4	N	SCREW	10	SCREW
9	46-220184P5	N	SCREW	2	SCREW
13	2146832	N	WARNING TAG	1	UFI WARNING TAG, ADHESIVE BACK

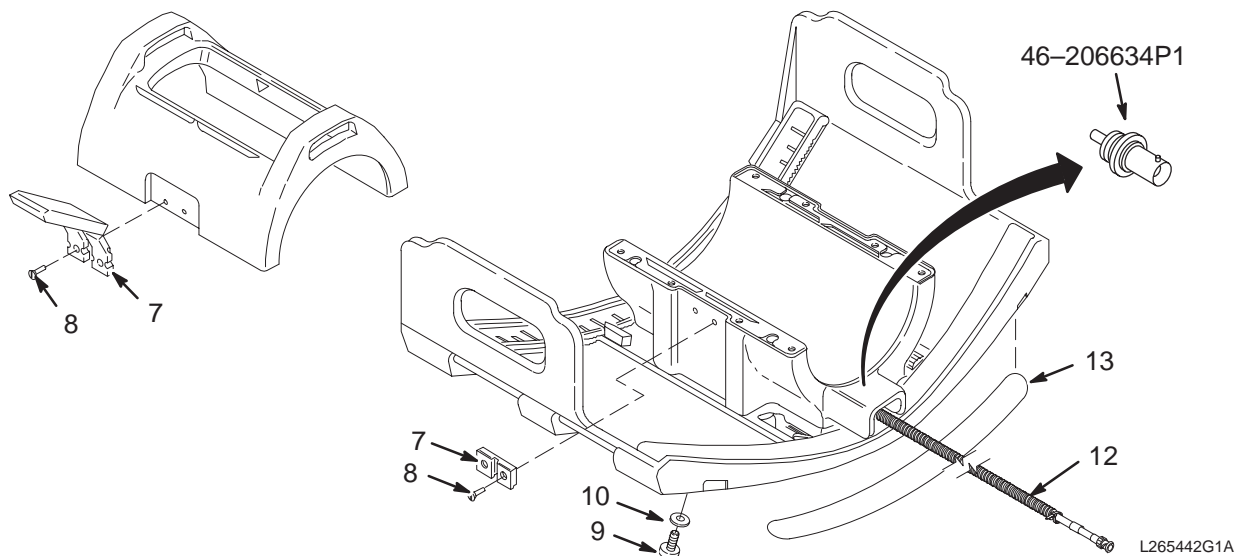
1.5T EXTREMITY SURFACE COIL & CUSHIONS M1085AC



CATALOG M1085AC FRU N 1.5T EXTREMITY SURFACE COIL & CUSHIONS

Item	Part Number	FRU	Name	Quantity	Description (Remarks)
1	46-265442G1	1	EXTREM. COIL	1	EXTREMITY SURFACE COIL, CYLINDRICAL (SEE PAGE 11-59)
2	46-306571G1	N	CUSHION SET	1	GRAY CUSHION SET FOR EXTREMITY COIL (SEE PAGE 11-117)

6.5 DIA EXTREMITY SURFACE COIL 46-265442G1

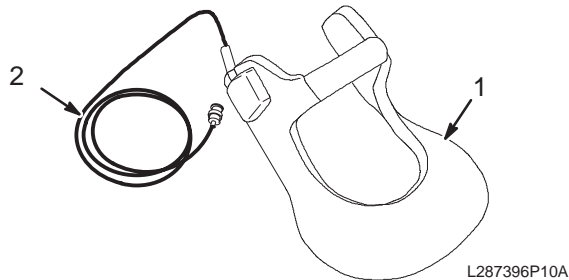


6.5 DIA EXTREMITY COIL 46-265442G1 FRU 1 (PART OF M1085AC PAGE 11-59)

Item	Part Number	FRU	Name	Quantity	Description (Remarks)
7	46-271203P1	2	MECHANICAL/M	2	LATCH AND KEEPER SET, POLYPROPYLENE
8	46-208913P14	2	SCREW	8	6-32 X 1/2" SLOTTED FLAT HEAD, BRASS
9	46-208921P33	2	SCREW	10	10-32 X 1/2", BIND HEAD SLOT, BRASS
10	1000904P485	2	WASHER	10	ID 0.219 OD 0.500 THK .032 WASHER
12	46-317278P1	1	CABLE ASM.	1	EXTREMITY COIL INTERCONNECT CABLE
	46-205634P1	2	CONNECTOR	1	BNC BULKHEAD RECPT. 50 OHM ISOLATED FRONT MOUNT

1.5T ANTERIOR NECK COIL

M1085AK



CATALOG

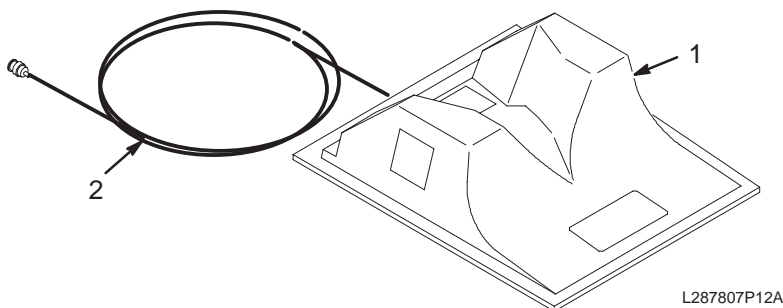
M1085AK FRU N

1.5T ANTERIOR NECK COIL

Item	Part Number	FRU	Name	Quantity	Description (Remarks)
1	46-287396P10	1	NECKCOIL MED	1	MEDIUM ANTERIOR NECK SURFACE COIL
2	2100937	2	MEDRAD FRU		MEDRAD 30523C07001 CABLE KIT

1.5T POSTERIOR CERVICAL NECK COIL

M1085AM



CATALOG

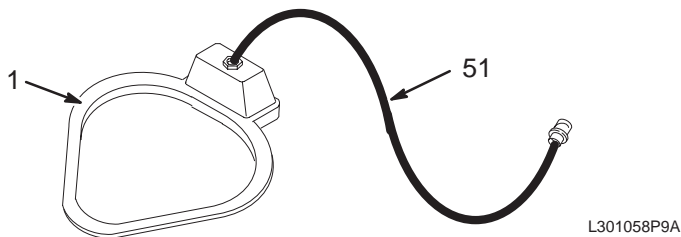
M1085AM FRU N

1.5T POSTERIOR CERVICAL SPINE COIL

Item	Part Number	FRU	Name	Quantity	Description (Remarks)
1	46-287807P12	1	POST NECK CL	1	MEDRAD POSTERIOR CERVICAL NECK COIL
2	2100937	2	MEDRAD FRU		MEDRAD 30523C07001 CABLE KIT

1.5T SHOULDER COIL

M1085AN



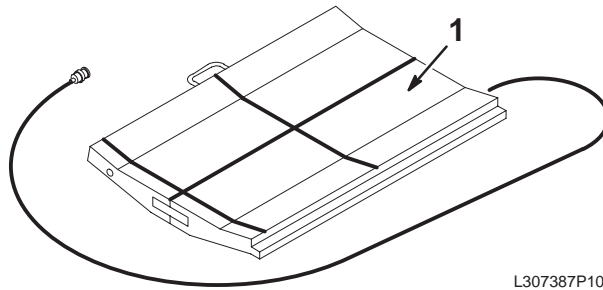
CATALOG

M1085AN FRU N

1.5T SHOULDER COIL

Item	Part Number	FRU	Name	Quantity	Description (Remarks)
1	46-301058P9	1	SHOULDR COIL	1	MEDRAD SHOULDER SURFACE COIL
51	2100937-29	2	MEDRAD FRU	1	MEDRAD 3000852 CABLE KIT

1.5T QUAD T/L SPINE COIL WITH POSITIONER M1085AP

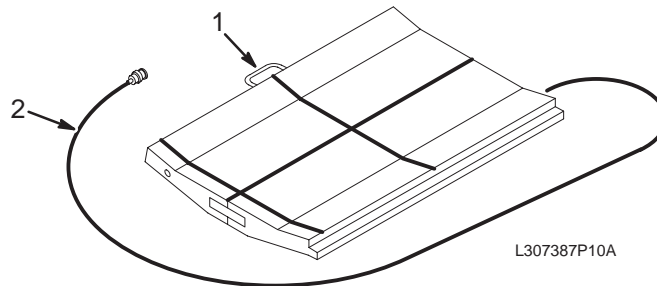


L307387P10A

CATALOG M1085AP FRU N 1.5T QUAD T/L SPINE COIL WITH POSITIONER

Item	Part Number	FRU	Name	Quantity	Description (Remarks)
1	46-307387P10	1	QUAD SPINE	1	MEDRAD QUADRATURE T/L SPINE COIL (SEE PAGE 11-61)

1.5T QUADRATURE T/L SPINE COIL 46-307387P10

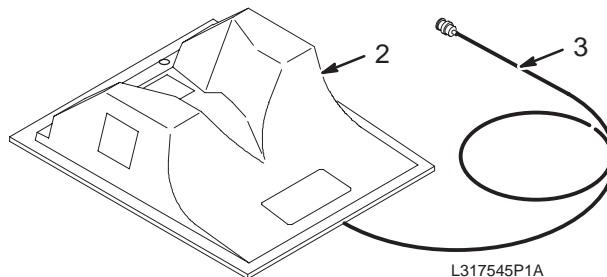


L307387P10A

1.5T QUAD T/L SPINE COIL 46-307387P10 FRU 1 (PART OF M1085AP PAGE 11-61)

Item	Part Number	FRU	Name	Quantity	Description (Remarks)
1	46-317047P1	2	POSITION FRU		MEDRAD 30523C17002 POSITIONER KIT
2	2100937-4	2	MEDRAD FRU		MEDRAD 30523C17004 CABLE KIT

1.5T QUAD CERVICAL SPINE COIL M1085AR



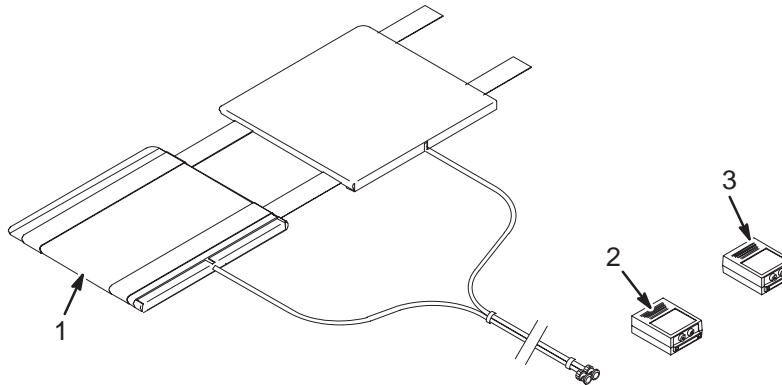
L317545P1A

CATALOG M1085AR FRU N 1.5T QUAD CERVICAL SPINE COIL

Item	Part Number	FRU	Name	Quantity	Description (Remarks)
2	46-320422P1	1	QUAD C-SPINE		1.5T SIGNA QUADRATURE C-SPINE COIL WITH CABLE
3	2100937-2	2	MEDRAD FRU		MEDRAD 30523C30001 CABLE KIT

1.5T BODY FLEX COIL

M1085BE



CATALOG

M1085BE FRU N

1.5T BODY FLEX COIL

Item	Part Number	FRU	Name	Quantity	Description (Remarks)
1	2148688	N	COLLECTOR	1	1.5T SIGNA BODY FLEX COIL SHIP COLL (SEE PAGE 11-62)
2	46-328215P1	1	CONNECTOR	1	1.5T DUAL-COIL CONNECTOR AND SLEEVE
3	46-282764G1	2	D COIL BOX	1	QUICK DISCONNECT DUAL COIL ADAPTER

FLEX COIL COLLECTOR

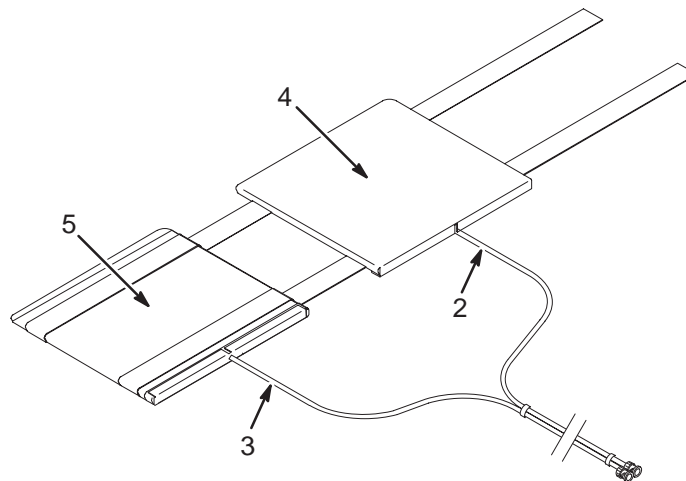
2148688 FRU N

(PART OF M1085BE PAGE 11-62)

Item	Part Number	FRU	Name	Quantity	Description (Remarks)
1	2148690	N	1.5T BODYFLX	1	1.5T SIGNA BODY FLEX COIL (SEE PAGE 11-62)

1.5T SIGNA BODY FLEX COIL

2148690



1.5T SIGNA BODY FLEX COIL

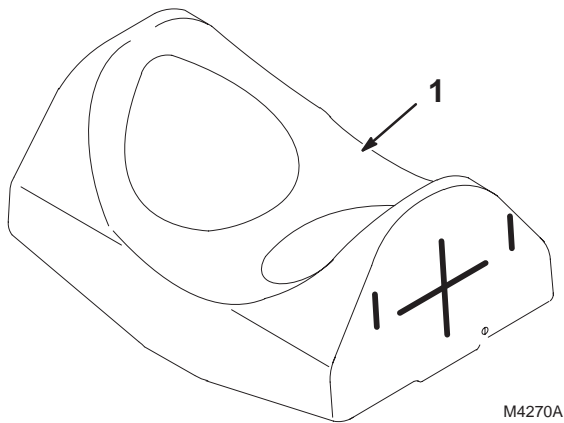
2148690 FRU N

(PART OF 2148688 PAGE 11-62)

Item	Part Number	FRU	Name	Quantity	Description (Remarks)
2	2151291	1	1.5T COIL	1	1.5T ANTERIOR COIL W/CABLE
3	2151291-2	1	1.5T COIL	1	1.5T POSTERIOR COIL W/CABLE
4	2148692	N	COVER,ANTERI	1	ANTERIOR REPLACEMENT COVER (ORDER E8801TA)
5	2148692-2	N	COVER,POSTER	1	POSTERIOR REPLACEMENT COVER (ORDER E8801TB)

1.5T BILATERAL BREAST COIL

M1085BR



CATALOG

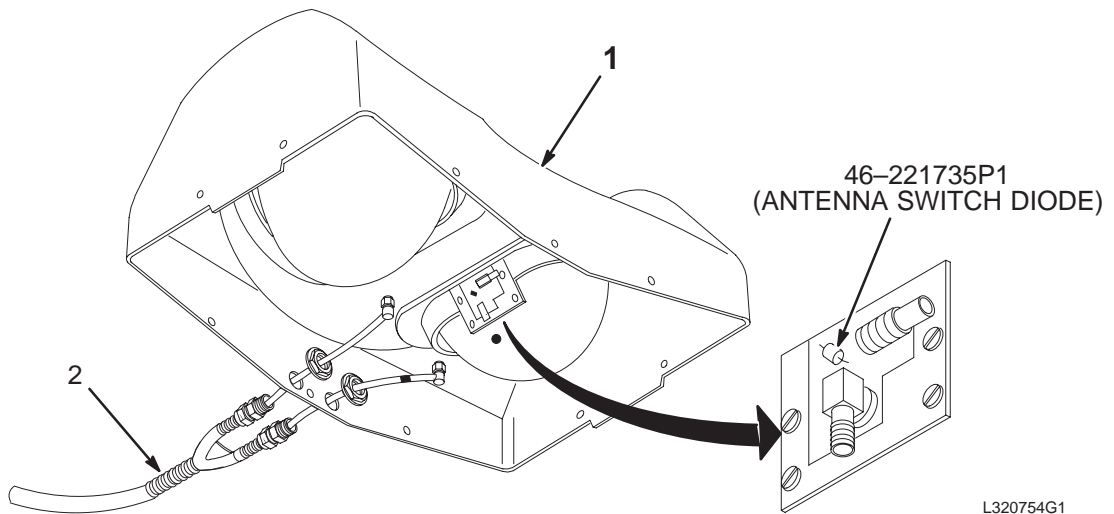
M1085BR FRU N

1.5T BILATERAL BREAST COIL

Item	Part Number	FRU	Name	Quantity	Description (Remarks)
1	46-320754G3	N	BRST CL COLL	1	MEDRAD BILATERAL BREAST COIL (SEE PAGE 11-63)

1.5T BREAST COIL

46-320754G2



1.5T BREAST COIL

46-320754G3 FRU N

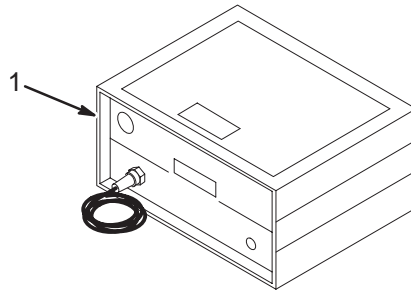
(PART OF M1085BR PAGE 11-63)

Item	Part Number	FRU	Name	Quantity	Description (Remarks)
1	46-320755G3	N	BREAST COIL	1	1.5T MEDRAD BREAST COIL FRU'S (SEE PAGE 11-64)
2	46-320756P2	1	BRST P/A CBL	1	PHASED ARRAY CABLE FOR 1.5T SIGNA
	46-221735P1	2	DIODE	2	50V, 10W PIN DIODE (ANTENNA SWITCH)
	46-320785P3	1	FRU	1	MEDRAD BREAST COIL WITHOUT CABLE
	46-320765P2	1	FRU	1	BREAST COIL CABLE W/UFI WARNING LABEL



1.5T AUTO TUNING DEVICE II

M1085EE



CATALOG

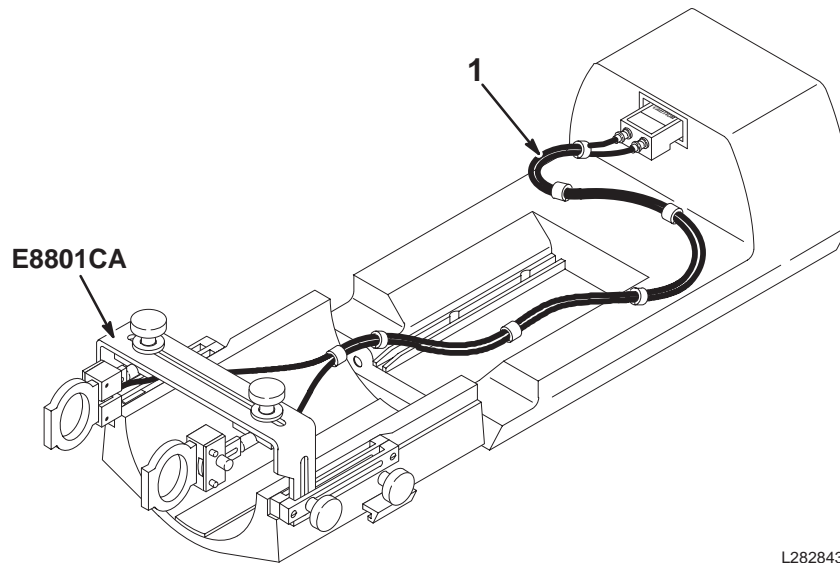
M1085EE FRU N

1.5T AUTO TUNING DEVICE II

<u>Item</u>	<u>Part Number</u>	<u>FRU</u>	<u>Name</u>	<u>Quantity</u>	<u>Description (Remarks)</u>
1	46-317599P1	1	ATD II	1	AUTOMATIC TUNING DEVICE FOR SIGNA 1.5T INTRA-CAVITY SURFACE COILS

1.5T DUAL HEAD COIL POSITIONING ACCESSORIES – QUAD

M1085EG



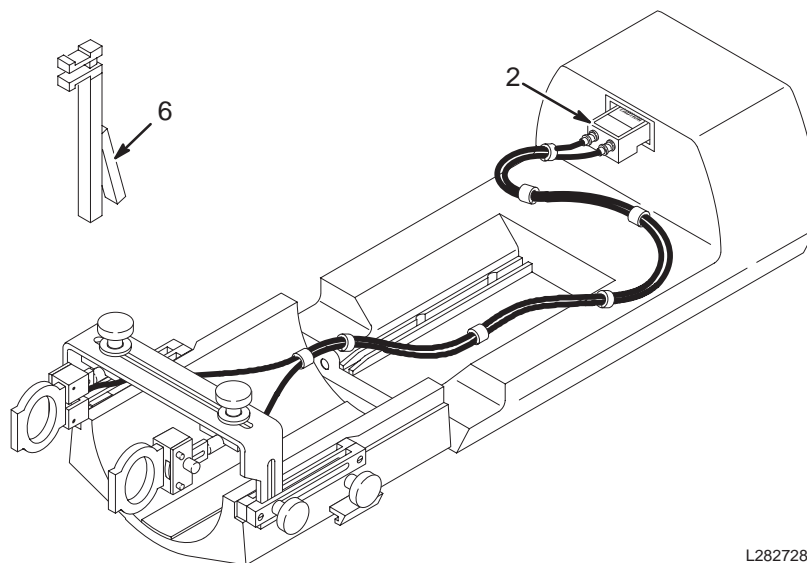
L282843G2A

CATALOG M1085EG FRU N 1.5T COIL POSITIONING ACCESSORIES – QUAD

Item	Part Number	FRU	Name	Quantity	Description (Remarks)
1	46-282728G2	N	DUAL SRF KIT	1	DUAL SURFACE COIL KIT-QUAD HEAD COIL (SEE PAGE 11-66)

DUAL SURFACE COIL COMBINER AND TMJ POSITIONING FOR QUAD HEAD COIL SITES

46-282728G2



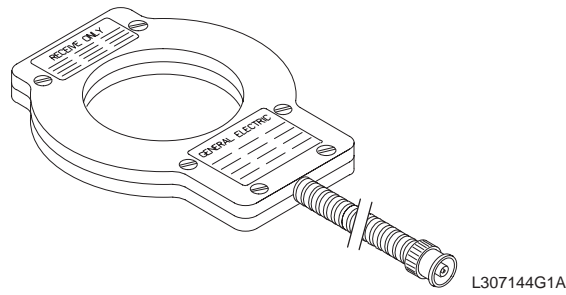
L282728G2A

1.5T DUAL SURFACE KIT 46-282728G2 FRU N (PART OF CATALOG M1085EG PAGE 11-66)

Item	Part Number	FRU	Name	Quantity	Description (Remarks)
2	46-282764G1	2	D COIL BOX	1	QUICK DISCONNECT DUAL COIL ADAPTER
6	46-282765P1	2	TMJ POSITION	1	PATIENT JAW-OPENING POSITION DEVICE

1.5T 3 INCH ROUND SURFACE COIL

M1085GA



CATALOG M1085GA FRU N 1.5T 3 INCH ROUND SURFACE COIL

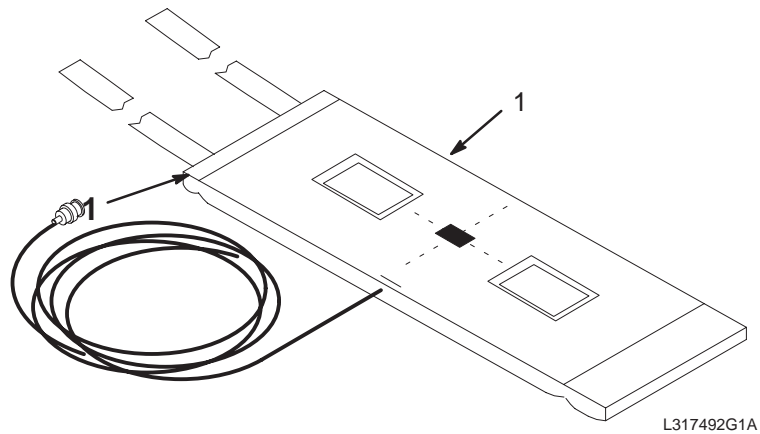
Item	Part Number	FRU	Name	Quantity	Description (Remarks)
1	2127315	2	3" RD CL	1	860-950222 3 IN ROUND COIL

CATALOG M1085GF FRU N 1.5T GENERAL PURPOSE FLEX COIL

Item	Part Number	FRU	Name	Quantity	Description (Remarks)
1	2320288	1	ASSEMBLY	1	GP FLEX COIL ASSEMBLY - 1.5T SIGNA
2	2324477	2	ASSEMBLY	1.0	COAXIAL CABLE ASSEMBLY

1.5T GENERAL PURPOSE FLEX COIL

M1085GR



CATALOG M1085GR FRU N 1.5T GENERAL PURPOSE FLEX COIL

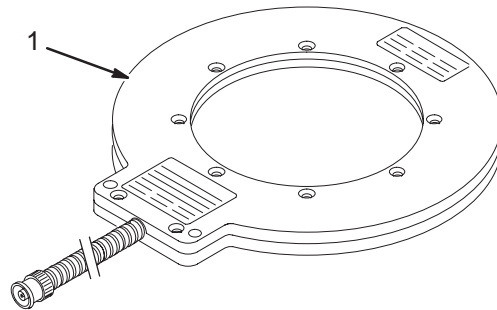
Item	Part Number	FRU	Name	Quantity	Description (Remarks)
1	2135236	N	COLLECTOR	1	GP FLEX COIL (SEE PAGE 11-67)

GP FLEX COIL 2135236 FRU N (PART OF M1085GR PAGE 11-67)

Item	Part Number	FRU	Name	Quantity	Description (Remarks)
1	2128554	2	GP FLEX COIL	1	GP FLEX COIL
3	2128557	2	GORE FRU	X	CABLE KIT
4	2128557-2	2	GORE FRU	X	COMPONENT COVER
5	2128557-3	2	GORE FRU	X	DIODE

1.5T 5 INCH ROUND SURFACE COIL

M1085HA



CATALOG

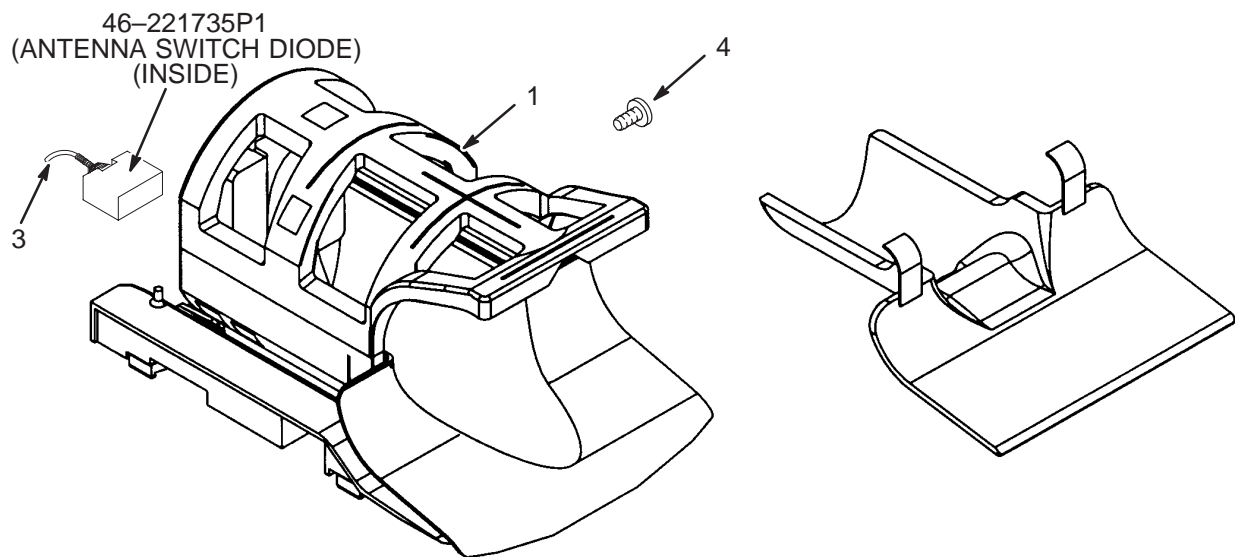
M1085HA FRU N

1.5T 5 INCH ROUND SURFACE COIL

Item	Part Number	FRU	Name	Quantity	Description (Remarks)
1	2127316	2	5" RD GP CL	1	5IN ROUND GENERAL PURPOSE COIL

1.5T NEUROVASCULAR COIL (HEAD/NECK)

M1085HN



CATALOG

M1085HN FRU N

1.5T NEUROVASCULAR COIL (HEAD/NECK)

Item	Part Number	FRU	Name	Quantity	Description (Remarks)
1	2118138-5	1	COIL ASM	1	1.5T NEUROVASCULAR COIL (HEAD/NECK)
3	2100937-22	2	MEDRADFRU	XXX	MEDRAD 305003531 CABLE KIT
4	2100937-23	2	MEDRADFRU	XXX	MEDRAD 305001412 BASE LOCKING SCREW
	2383614	1	FRU	XXX	QUAD NV CABLE

CATALOG M1085NA FRU N MAI QUAD EXTREMITY COIL W/COIL ID

Item	Part Number	FRU	Name	Quantity	Description (Remarks)
1	2383613	N	SURF COIL	1	1.5T QUAD EXTREMITY COIL W/COIL ID (SEE PAGE 11-69)

MAI QUAD EXTREMITY COIL W/COIL ID 2383613 FRU N (PART 1 OF M1085NA PAGE 11-69)

Item	Part Number	FRU	Name	Quantity	Description (Remarks)
1	2383613-2	1	SURF COIL	1	1.5T QUAD EXTREMITY COIL W/COIL ID
	2383613-3	1	FRU	1	1.5T MAI QUAD KNEE CABLE
2	2383613-4	N	SURF COIL	1	1.5T QUAD EXTREMITY OPERATOR/SERVICE
3	2225478-7	N	COIL ASM	1	COIL, QUAD KNEE/FT VELCRO STRAP/LATCH
4	2225478-10	N	COIL ASM	1	PHANTOM
5	2225478-12	N	COIL ASM	1	MSDS FOR PHANTOM
6	2225478-13	N	COIL ASM	1	TIPS SHEET
7	E8800TD	N	CATALOG ITEM	1	QUAD EXTREMITY KNEE PAD
8	E8800TE	N	CATALOG ITEM	1	QUAD EXTREMITY LEG/FOOT SUPPORT PAD
9	E8800TG	N	CATALOG ITEM	1	QUAD EXTREMITY TOE PAD
10	E8800TF	N	CATALOG ITEM	1	QUAD EXTREMITY FOOT SUPPORT PAD
11	46-271203P1	N	PDM PART	1	LATCH AND KEEPER SET, POLYPROPYLENE

CATALOG M1085NJ FRU N 1.5T GENERAL PURPOSE COIL CABLE W/COIL ID

Item	Part Number	FRU	Name	Quantity	Description (Remarks)
1	2383623	1	SURFACE COIL	1	1.5T SINGLE CHANNEL RECEIVE ONLY

CATALOG M1085PA FRU N 1.5T QUAD EXTREMITY CABLE W/COIL ID

Item	Part Number	FRU	Name	Quantity	Description (Remarks)
2	2383613-3	1	SURF COIL	1	1.5T QUAD EXTREMITY CBL W/COIL ID

CATALOG M1085PB FRU N 1.5T T/R PA KNEE/FOOT CABLE W/COIL ID

Item	Part Number	FRU	Name	Quantity	Description (Remarks)
1	2293674-13	1	COIL ASM	1	MRID 1.5T KNEE/FOOT CABLE W/COIL ID

CABLE M1085PC FRU N 1.5T LINEAR EXTREMITY CABLE W/COIL ID

Item	Part Number	FRU	Name	Quantity	Description (Remarks)
1	2383622	2	SURFACE COIL	1	1.5T LINEAR EXTREMITY CBL WITH COIL ID

CATALOG M1085PD FRU N 1.5T QUAD NV CABLE W/COIL ID

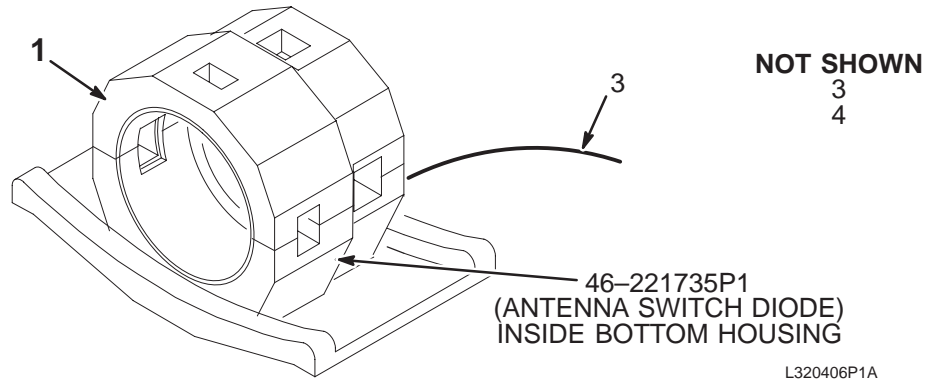
Item	Part Number	FRU	Name	Quantity	Description (Remarks)
1	2383614	1	SURF COIL	1	1.5T T/R QUAD NV CABLE WITH COIL ID

CATALOG M1085PJ FRU N 1.5T CLASSIC HEAD COIL CABLE W/COIL ID

Item	Part Number	FRU	Name	Quantity	Description (Remarks)
1	2384268	1	BOX	1	CLASSIC HEAD COIL CBL ASM W/COIL ID

1.5T PHASED ARRAY KNEE COIL

M1087AA



CATALOG

M1087AA FRU N

1.5T PHASED ARRAY KNEE COIL

Item	Part Number	FRU	Name	Quantity	Description (Remarks)
1	2108820	N	1.5T KNEE AR	1	1.5T KNEE PHASED-ARRAY COIL (SEE PAGE 11-70)
3	2100937-10	2	MEDRAD FRU		MEDRAD 305001497 PA KNEE COIL CABLE
4	2100937-30	2	MEDRAD FRU		MEDRAD 3001271 KNEE ARRAY SMALL PARTS
5	2100937-31	2	MEDRAD FRU		MEDRAD 3001722 KNEE ARRAY PANT SHIELD

1.5T KNEE COIL

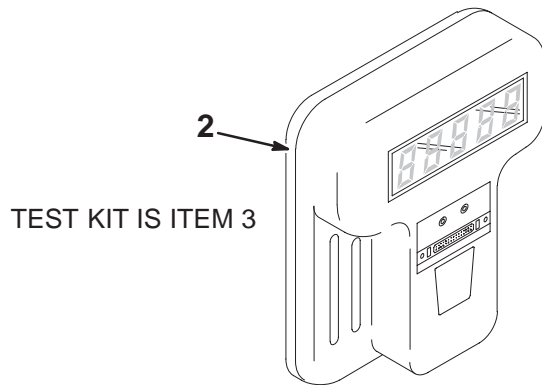
2108820 FRU N

(PART OF M1087AA PAGE 11-70)

Item	Part Number	FRU	Name	Quantity	Description (Remarks)
1	46-320406P1	1	KNEE ARRAY	1	1.5T SIGNA KNEE PHASED ARRAY COIL

1.5T AUTO TUNING DEVICE III

M1087AT



CATALOG

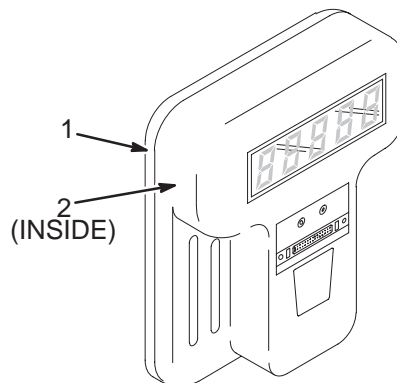
M1087AT FRU N

1.5T AUTO TUNING DEVICE III

Item	Part Number	FRU	Name	Quantity	Description (Remarks)
2	46-328534G2	1		XXX	REPLACEMENT 1.5T ATD III & I/F BD (SEE PAGE 11-71)
3	46-317824P1	2		XXX	MEDRAD 305000881 TEST COIL & PHANTOM

ATD III & I/F BOARD

46-328534G2



ATD III & I/F BOARD

46-328534G2 FRU 1

(PART OF M1087AT PAGE 11-71)

Item	Part Number	FRU	Name	Quantity	Description (Remarks)
1	46-317600P1	N	ATD III	1	USE 46-328534G2 AS FIELD REPLACEMENT
2	46-328131P2	1	I/F BOARD	1	MEDRAD 305003589 ATD III BOARD

CATALOG

M1087BT FRU N

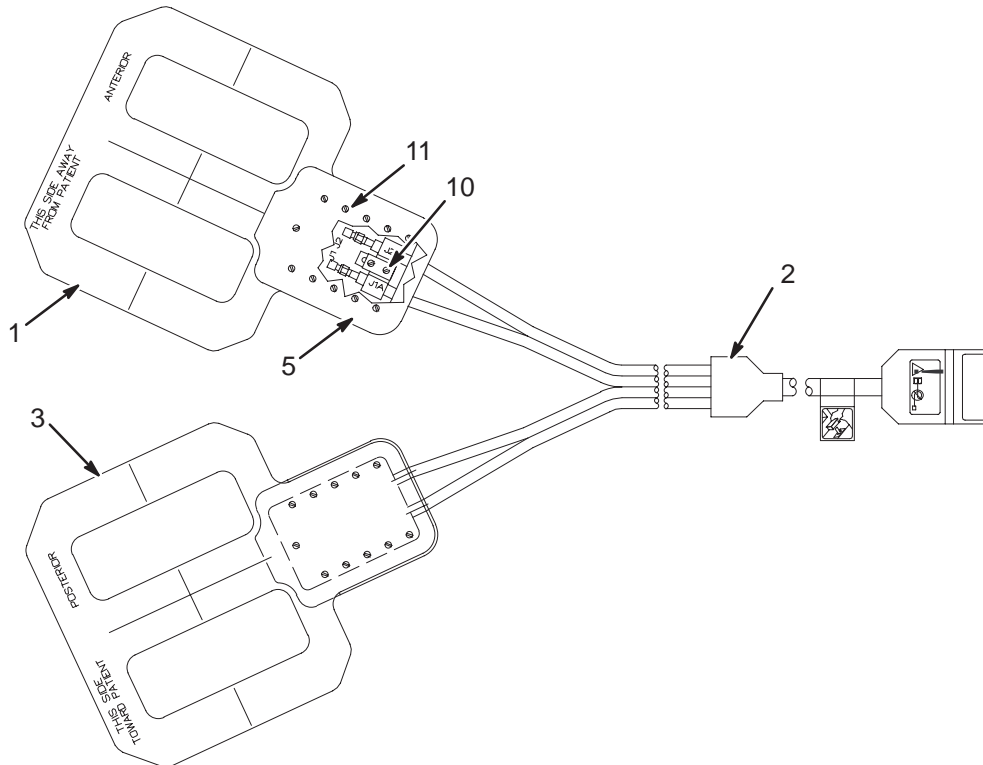
1.5T OPEN BREAST COIL

Item	Part Number	FRU	Name	Quantity	Description (Remarks)
2	2246360	1	COIL ASM	1	1.5T BREAST COIL
3	2246360-3	1		XXX	OPEN BREAST P/A COIL CABLE, 1.5T
4	2246360-5	N		XXX	OPEN BREAST P/A COIL RAMP PAD
5	2246360-6	N		XXX	OPEN BREAST P/A COIL STERNUM PAD
6	2246360-7	N		XXX	OPEN BREAST P/A COIL OPERATOR MANUAL
7	2246360-8	N		XXX	OPEN BREAST P/A COIL SERVICE MANUAL
8	2246360-9	2		XXX	OPEN BREAST PHANTOM POSITIONER
10	46-317586G1	2		XXX	4.38", SURFACE COIL, NICKEL CHLORIDE

CATALOG M1087CA FRU N 1.5T CARDIAC PHASED ARRAY IMAGING COIL

Item	Part Number	FRU	Name	Quantity	Description (Remarks)
1	2174499	1	ASSEMBLY	1	CARDIAC ARRAY – 1.5T (SEE PAGE 11–72)
2	2208990	N	PART	1	HEAD END CARDIAC PAD – ORDER E8802CA
3	2213746	2	PART	1	FOOT END CARDIAC/TORSO PAD – ORDER E8802CB
4	2211425	2	STRAP,ADJ.	2	6"W X 60" LONG POLYNAP STRAP – ORDER E8900AE (QTY 2)
100	2200460–100	N	OPERATOR MAN	1	1.5T SIGNA CARDIAC ARRAY OP MAN
101	2202522	N	DIRECTION	1	CARDIAC PHASED ARRAY COIL

1.5T CARDIAC PHASED ARRAY COIL 2174499



1.5T CARDIAC PHASED ARRAY COIL 2174499 FRU 1 (PART 1 OF M1087CA PAGE 11–72)

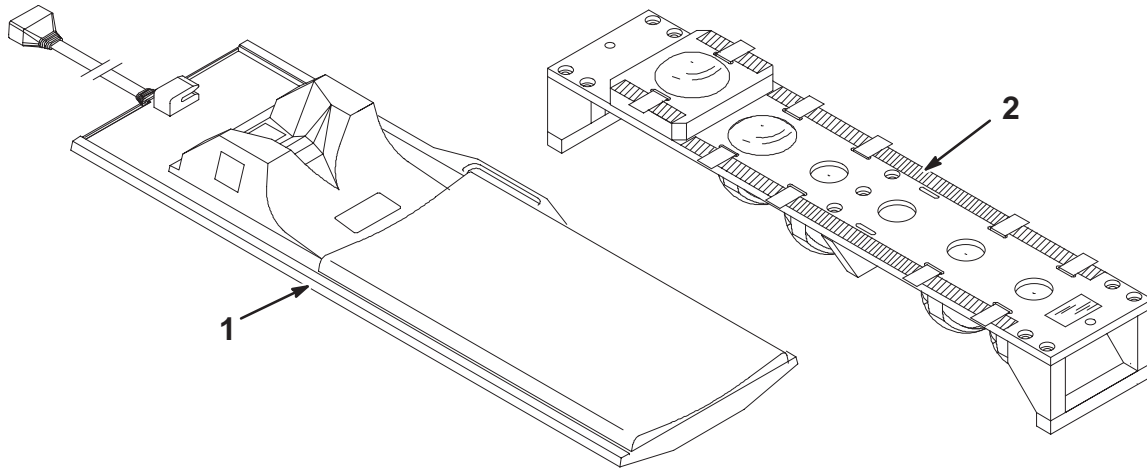
Item	Part Number	FRU	Name	Quantity	Description (Remarks)
4	5110652	N	PDM COLLECTO	1.0	NMR – 1.5T CARDIAC CABLE AND PADDLE (SEE PAGE 11–72)
5	2223669	2	COVER	2	COVER FOR CARDIAC ARRAY SURFACE COIL
10	46–208922P4	N	PDM PART	4	.0375" LONG
11	46–230008P14	2	SCREW	22	SCREW

1.5T CARDIAC CABLE AND PADDLE 5110652 FRU N (PART 4 OF 2174499 PAGE 11–72)

Item	Part Number	FRU	Name	Quantity	Description (Remarks)
1	2189499	1	ASSEMBLY	1	CARDIAC COIL ASM – ANTERIOR
2	2215748	1	CABEL,ASSY.	1	CABLE ASSEMBLY FOR 1.5T CARDIAC COIL
3	2189499–2	1	ASSEMBLY	1	CARDIAC COIL ASM – POSTERIOR

1.5T PHASED ARRAY CERVICAL THORACIC LUMBAR (CTL) COIL FOR HORIZON

M1087CT



CATALOG M1087CT FRU N 1.5T CTL COIL FOR HORIZON

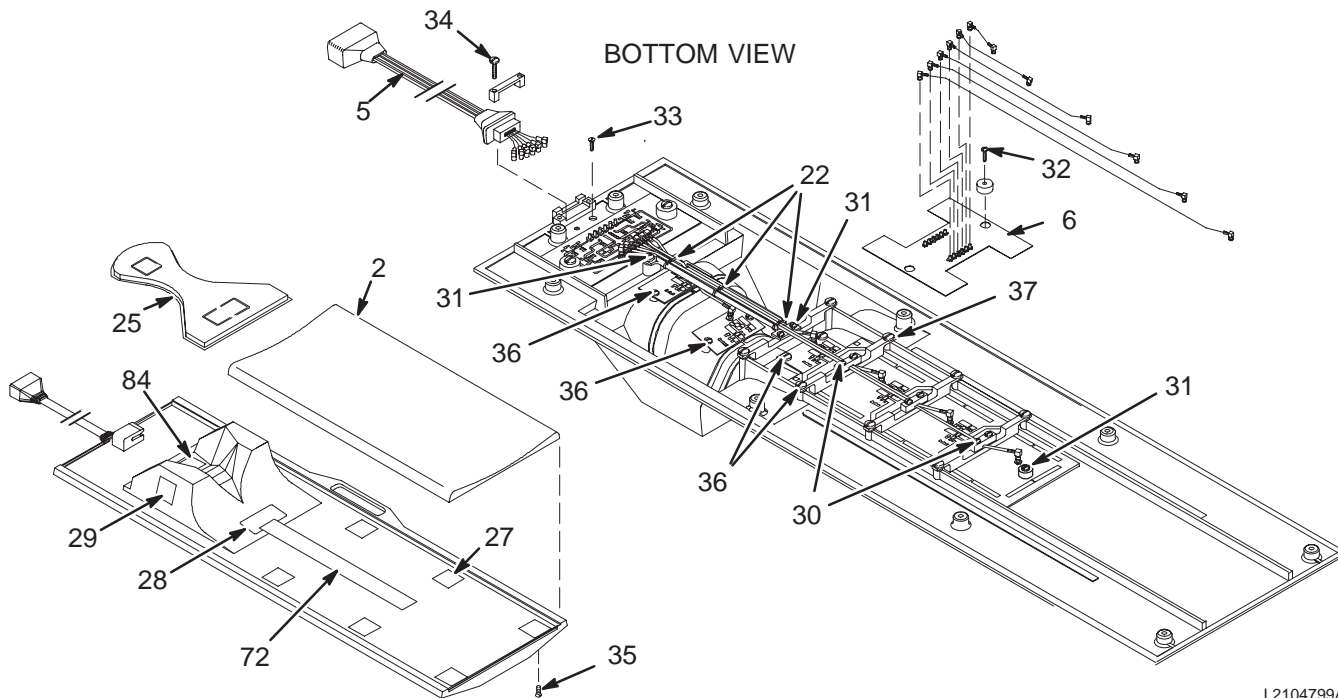
Item	Part Number	FRU	Name	Quantity	Description (Remarks)
1	2104799	1	CTL ARRAY	1	1.5T CTL MULTICOIL ASM W/NEW STYLE (SEE PAGE 11-74)
2	46-317605G1	2	CTL PHANTOM	1	CTL POSITIONER/PHANTOM ASSEMBLY (SEE PAGE 11-75)

CATALOG M1087CY FRU N 1.5T SIGNA QUAD IMAGING PREAMP KIT

Item	Part Number	FRU	Name	Quantity	Description (Remarks)
2	46-328040G2	N	PRE AMP ASM	2	1.5T PREAM ASM WITH RIGHT ANGLE (SEE PAGE 11-45)
25	2212189	2	PRE AMP MOUN	2	PREAMP SUPPORT ASSEMBLY LPCC W/PA
28	2214665	2	CABLE	1	LPCC PREAMP #1 INPUT SHIELDED CABLE
29	2214665-8	2	CABLE	1	LPCC PREAMP #8 INPUT SHIELDED CABLE
30	2238944	N	DIRECTION	1	SIGNA PRE-AMPLIFIER INSTALLATION
31	46-208758P3	2	TY-RAP	6	7.31" X .184" SELF-LOCKING CABLE TIE
32	46-220184P42	2	SCREW	4	BRS SLOTTED RND HD SCR 10-32 X 5/8"
33	46-208921P7	2	SCREW	4	SCREW

1.5T CTL SPINE COIL

2104799



L2104799A

1.5T CTL MULTICOIL ASM

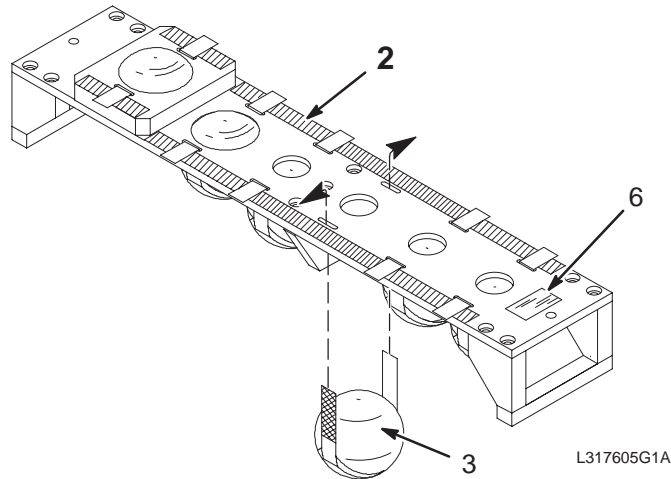
2104799 FRU 1

(PART OF M1087CT PAGE 11-73)

Item	Part Number	FRU	Name	Quantity	Description (Remarks)
2	2195703	2	PART	1	CTL COIL PAD
5	2133085	2	CABLE ASM	1	MULTICOIL CABLE, 1.5T
6	2121448	2	CIRCUIT BOAR	1	CTL PHASE ADJUST BOARD
22	46-208758P8	2	TY-RAP	4	5.50" X .140" SELF-LOCKING CABLE TIE
25	46-307593P1	2	PAD	1	NECK COIL PAD, NYLON W/VELCRO HOOKS
27	46-317475P1	2	VELCRO LOOPS	6	2"W X 2"L, WHITE, ADHESIVE BACKED
28	46-317475P2	2	VELCRO LOOPS	1	2"W X 4"L, WHITE, ADHESIVE BACKED
29	46-317476P2	2	VELCRO HOOKS	2	2"W X 4"L, WHITE, ADHESIVE BACKED
30	46-230007P9	2	SCREW	5	10-32 X 5/8" BIND HEAD SLOT, DELRIN
31	46-230007P8	2	SCREW	5	10-32 X 3/8" BIND HEAD SLOT, DELRIN
32	46-220184P40	2	SCREW	2	10-32 X 3/8", ROUND HEAD SLOT, BRASS
33	46-208913P12	2	SCREW	2	10-32 X 1/2", SLOT FLAT-HEAD, BRASS
34	46-220184P45	2	SCREW	2	10-32 X 1", ROUND HEAD SLOT, BRASS
35	46-220184P41	2	SCREW	10	10-32 X 1/2" SLOT ROUND HEAD, BRASS
36	46-230007P13	2	SCREW	4	10-32 X 1 SLOTTED BINDING HEAD
37	46-220184P42	2	SCREW	8	10-32 X 5/8", ROUND HEAD SLOT, BRASS
41	46-313398P1	2	MECHANICAL/M	AR	TIN63/LEAD37, ROSIN CORE, 0.062" DIA
47	46-317676P1	2	CHIN STRAP	5	24" LONG, WHITE VELCRO LOOP
48	46-317677P1	2	FOR'HD STRAP	5	24" LONG, 1" WIDE, WHITE VELCRO LOOP
72	46-317475P4	2	VELCRO LOOPS	1	2" W X 18" L, WHITE, ADHESIVE BACKED
77	46-307011P1	2	ROUND SPACER	1	0.312 OD. 0.193 ID. .25" LONG, NYLON
79	46-282398P1	2	TAPE	AR	ADHESIVE TRANSFER TAPE, TYPE A-25.
84	46-317475P5	2	VELCRO LOOP	1	2" W X 7" L, WHITE, ADHESIVE BACKED

CTL POSITIONER/PHANTOM ASM

46-317605G1



1.5T CTL PHANTOM ASM

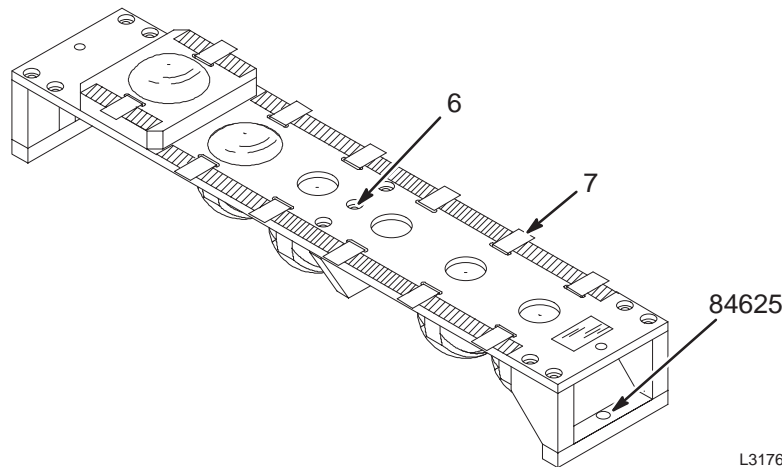
46-317605G1 FRU 2

(PART OF M1087CT PAGE 11-73)

Item	Part Number	FRU	Name	Quantity	Description (Remarks)
2	46-317641G1	N	HOLDER ASM	1	CTL PHANTOM ASM (SEE PAGE 11-75)
3	46-317586G1	2	SPHERE W/SOL	6	4.38", SURFACE COIL, NICKEL CHLORIDE
6	46-317781P1	2	LABEL	1	NICKEL (SUSPECT CARCINOGEN) WARNING!

CTL PHANTOM ASM

46-317641G1



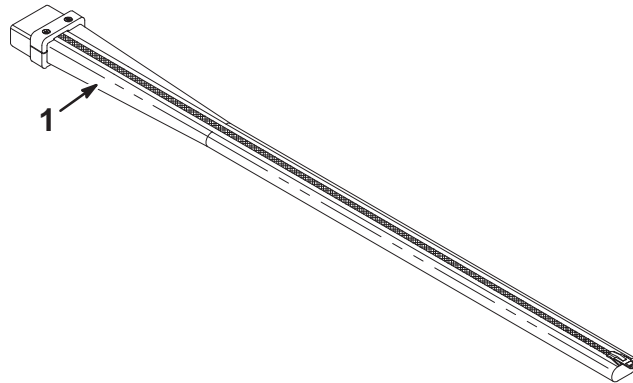
CTL PHANTOM ASM

46-317641G1 FRU N

(PART OF 46-317605G1 PAGE 11-75)

Item	Part Number	FRU	Name	Quantity	Description (Remarks)
6	46-265486P14	2	SCREW,MACH	15	3/8-16 X 3/4" PAN HEAD SCREW, DELRIN
7	46-317646P1	2	STRAP ASM	6	4.38" SPHERE MOUNTING, VELCRO LOOPS
84265	46-265486P5	2	SCREW,MACH	2	1/4-20 X 1.00 PAN HEAD DELRIN

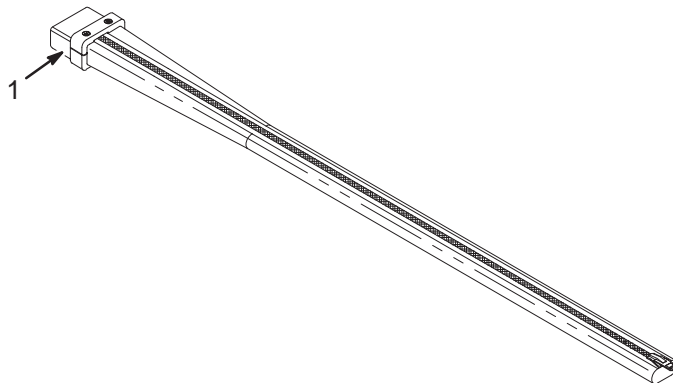
1.5T PHASED ARRAY DUAL-COIL ADAPTER M1087DA



CATALOG M1087DA FRU N 1.5T PHASED ARRAY DUAL-COIL ADAPTER

Item	Part Number	FRU	Name	Quantity	Description (Remarks)
1	2102291	N	COLLECTOR	1	1.5T SIGNA DUAL ARRAY OPTION (SEE PAGE 11-76)

1.5T DUAL-COIL CONNECTOR 2102291



1.5T DUAL-COIL CONNECTOR 2102291 FRU N (PART OF M1087DA PAGE 11-76)

Item	Part Number	FRU	Name	Quantity	Description (Remarks)
1	46-328215P1	1	CONNECTOR	1	1.5T DUAL-COIL CONNECTOR AND SLEEVE

CATALOG M1087E FRU N 1.5T PHASED ARRAY T/R KNEE/FOOT IMAGING COIL

Item	Part Number	FRU	Name	Quantity	Description (Remarks)
1	2293674	N	COIL ASM	1	1.5T PA TR KNEE/FOOT IMAGING OPTION (SSE PAGE 11-77)

1.5T PA T/R KNEE/FOOT IMAGING COIL 2293674 FRU N (PART OF M1087E PAGE 11-77)

Item	Part Number	FRU	Name	Quantity	Description (Remarks)
1	2293674-2	1	COIL ASM	1	1.5T PA TR KNEE/FOOT PA COIL W/CABLE
	2293674-8	1	FRU	1	1.5T PA TR KNEE/COIL CABLE
2	2293674-3	1	COIL ASM	1	PHANTOM 1.5T PA TR KNEE/FOOT
4	2293674-5	1	COIL ASM	1	1.5T PA TR KNEE/FOOT PHANTOM POS'NER
5	2293674-6	N	COIL ASM	1	1.5T PA TR KNEE/FOOT COIL OP MANUAL
6	2293674-7	N	COIL ASM	1	1.5T PA TR KNEE/FOOT CL SERVICE DIR
7	2293674-9	N	COIL ASM	1	1.5T PA TR KNEE SUPPORT PAD(E8801NG)
8	2293674-10	N	COIL ASM	1	1.5T TR FOREFOOT WEDGE PAD (E8801NH)
9	2293674-11	N	COIL ASM	1	1.5T T/R KNEE SUPPORT PAD (E8801NJ)
10	2293674-12	N	COIL ASM	1	T/R ALT KNEE SUPPORT PAD (E8801NK)
	2293674-13	1	FRU	1	1.5T PA TR KNEE/COIL CABLE W/COIL ID
	2293674-14	1	FRU	1	1.5T PA TR KNEE/COIL COIL W/COIL ID

CATALOG M1087EE FRU N SURFACE COIL POSITIONER/HEAD HOLDER

Item	Part Number	FRU	Name	Quantity	Description (Remarks)
1	46-258800G1	N	POSITIONER	1	SURFACE COIL POSITIONER/HEAD HOLDER (SEE PG 11-77)

SURFACE COIL PSTNR/HD HOLDER 46-258800G1 FRU N (PART 1 OF M1087EE PAGE 11-77)

Item	Part Number	FRU	Name	Quantity	Description (Remarks)
2	46-258791P1	2	SUPPORT TOP	1	SLOTTED-ADJUST COIL POSITION BRACKET
3	46-258792P1	2	SUPT HOLDER	2	COIL HOLDER SHAFT CLAMP BLOCK, DELRIN
4	46-258794P1	2	LOCK HOLDER	2	COIL HOLDER SHAFT SUPPORT, DELRIN
5	46-258795P1	2	SLIDE INNER	2	COIL POSITION BRACKET CLAMPING BAR
6	46-258796P1	2	SLIDE OUTER	2	SLOTTED EXTENSION ADJUST BRACKET
7	46-258797P1	2	NUT BLOCK	2	EXTENSION POSITION CLAMP NUT, 3/8-16
8	46-258799G1	2	CLAMP KNOB	2	COIL HOLDER LOCK KNOB, 3/8-16 X 5/8"
9	46-258799G2	2	CLAMP KNOB	2	EXTENSION LOCKING KNOB, 3/8-16 X 1/2
10	46-258799G3	2	CLAMP KNOB	1	CRADLE CLAMP LOCK KNOB, 3/8-16 X 1.5
11	46-258801P1	2	PUSH BLOCK	1	CRADLE CLAMP PUSHER BLOCK, DELRIN
12	46-258802P1	2	RAIL CLAMP	2	SLIDING CRADLE RAIL CLAMP
13	46-258832G1	2	HEAD HOLDER	1	HEAD HOLDER & COIL POSITIONER BASE
14	46-258833P1	2	PDM PART	2	1" DIA. .44" HOLE, 1/8" THK, DELRIN
15	46-258824P1	2	HOLDER SHAFT	2	SURFACE COIL HOLDER PIVOT SHAFT
16	46-258825P1	2	COIL HOLDER	2	SURFACE COIL HOLDER, POLYCARBONATE
17	46-258826P1	2	HOLDER CLAMP	2	COIL HOLDER CLAMP PLATE, DELRIN
18	46-258837P1	2	CLAMP KNOB	2	SURFACE COIL CLAMP KNOB, 1/4-20 THRD
19	46-208914P8	2	PDM PART	4	SCREW
20	46-208922P21	2	PDM PART	4	SCREW
21	46-208922P20	2	PDM PART	2	SCREW
22	46-208943P4	2	PDM PART	4	001/4-20 .438 HEX X .186 THK NYLON
23	46-221553P27	2	PDM PART	4	001/4-20 X 1.000 LG HEX SOC HD NYLON
30	46-136246P14	2	TAPE	1.333	2" WIDE, WHT, ADH BACK, VELCRO LOOP
32	46-282819G1	2	FASTENER KIT	1	SURFACE COIL CABLE VELCRO KIT, QUAD

**CATALOG M1087HW FRU N 1.5T HIGH RES WRIST ARRAY COIL**

Item	Part Number	FRU	Name	Quantity	Description (Remarks)
1	2293670	N	COIL ASM	1	1.5T HI RES WRIST ARRAY COIL (SEE PAGE 11-78)

**1.5T HIGH RES WRIST ARRAY COIL 2293670 FRU N (PART OF M1087HW PAGE 11-78)**

Item	Part Number	FRU	Name	Quantity	Description (Remarks)
1	2293670-2	1	COIL ASM	1	1.5T HI RES WRIST W/BASEPLATE ASM
2	2293670-3	1	COIL ASM	1	WRIST PHANTOM
3	2293670-4	1	COIL ASM	1	PHANTOM HOLDER
4	2293670-5	N	COIL ASM	1	OPERATOR MANUAL
5	2293670-6	N	COIL ASM	1	SERVICE MANUAL
6	2293670-7	N	COIL ASM	1	SMALL WRIST PAD A, PALM R, E8801W
7	2293670-8	N	COIL ASM	1	SMALL WRIST PAD B, BACK, E8801WA
8	2293670-9	N	COIL ASM	1	LARGE WRIST PAD A, PALM R, E8801WB
9	2293670-10	N	COIL ASM	1	LARGE WRIST PAD B, BACK, E8801WC
10	2293670-11	N	COIL ASM	1	BASEPLATE PAD, E8801WD

**CATALOG M1087N FRU N 1.5T MRID NEUROVASCULAR ARRAY COIL**

Item	Part Number	FRU	Name	Quantity	Description (Remarks)
2	2225476	N	COIL ASM	1	COIL,MR 1.5T NEUROVASCULA
3	2225476-2	1		XXX	COIL ASM.
4	2225476-3	1		XXX	CABLE ASM.
5	E8800LD	2		XXX	PAD, NEUROVASCULAR ARRAY
6	2225476-4	N		XXX	NEUROVASCULAR COIL OPERATOR MAN
7	2225476-5	N		XXX	NEUROVASCULAR COIL SERVICE MANL
8	2225476-6	1		XXX	NEUROVASCULAR COIL LATCHES
10	2293668-7	1	COIL ASM	1	NEUROVASCULAR PHANTOM POSITIONER

**CATALOG M1087NB FRU N 1.5T NEUROVASCULAR ARRAY COIL W/NEW TOP**

Item	Part Number	FRU	Name	Quantity	Description (Remarks)
1	2293668	N	COIL ASM	1	1.5T NEUROVASCULAR ARRAY W/NEW TOP

**1.5T NV ARRAY W/NEW TOP 2293668 FRU N (PART OF M1087NB PAGE 11-78)**

Item	Part Number	FRU	Name	Quantity	Description (Remarks)
2	2293668-2	1	COIL ASM	1	1.5T NEUROVASCULAR ARRAY W/CABLE
3	2293668-3	N	COIL ASM	1	1.5T NEUROVASCULAR ARRAY OP MANUAL
4	2293668-4	N	COIL ASM	1	1.5T NEUROVASCULAR ARRAY SERVICE DIR
5	2293668-5	N	COIL ASM	1	NEUROVASCULAR ARRAY WEDGE PAD
6	2293668-6	N	COIL ASM	1	NEUROVASCULAR ARRAY PAD
7	2293668-7	1	COIL ASM	1	NEUROVASCULAR PHANTOM POSITIONER
	2293668-8	1	FRU	1	NV ARRAY CABLE - HD COMPATABLE
	2225476-3	1	FRU	XXX	CABLE ASM.
	2225476-6	1	FRU	XXX	NEUROVASCULAR COIL LATCHES

CATALOG M1087NC FRU N MEDRAD 1.5T 4 CHANNEL NEUROVASCULAR IMAGING

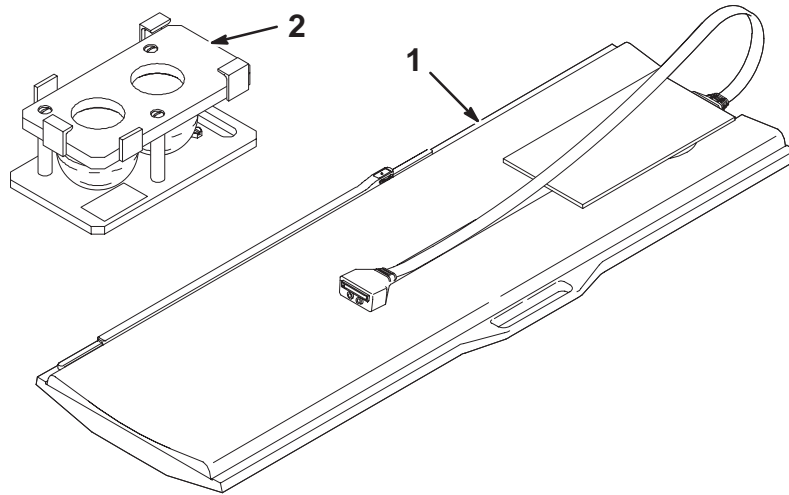
Item	Part Number	FRU	Name	Quantity	Description (Remarks)
1	2330440	N	SURF COIL	1	MEDRAD 1.5T 4CHANNEL NV COIL (SEE PAGE 11-79)

CATALOG 2330440 FRU N (PART OF M1087NC PAGE 11-79)

Item	Part Number	FRU	Name	Quantity	Description (Remarks)
2	2330440-2	1	SURF COIL	1	MEDRAD 1.5T 4CHANNEL NV COIL W/CABLE
3	46-265826G6	1	SPHERE W/SOL	1	TLT HEAD SPHERE WITH NICKLE CLORIDE
4	2330440-4	1	SURF COIL	1	MEDRAD 1.5T 4CH NV PHANTOM POSITIONR
5	2330440-5	N	SURF COIL	1	MEDRAD 1.5T 4CH NV OPERATOR MANUAL
6	2330440-6	N	SURF COIL	1	MEDRAD 1.5T 4CH NV SERVICE MANUAL
7	2330440-7	N	SURF COIL	1	MEDRAD 1.5T 4CH NV COMFORT PAD
8	2330440-8	N	SURF COIL	2	MEDRAD 1.5T 4CH NV POSITIONING PAD
9	2330440-9	N	SURF COIL	1	MEDRAD 1.5T 4CH NV DISPOSABLE LINERS

1.5T PHASED ARRAY PELVIC COIL

M1087PA



CATALOG

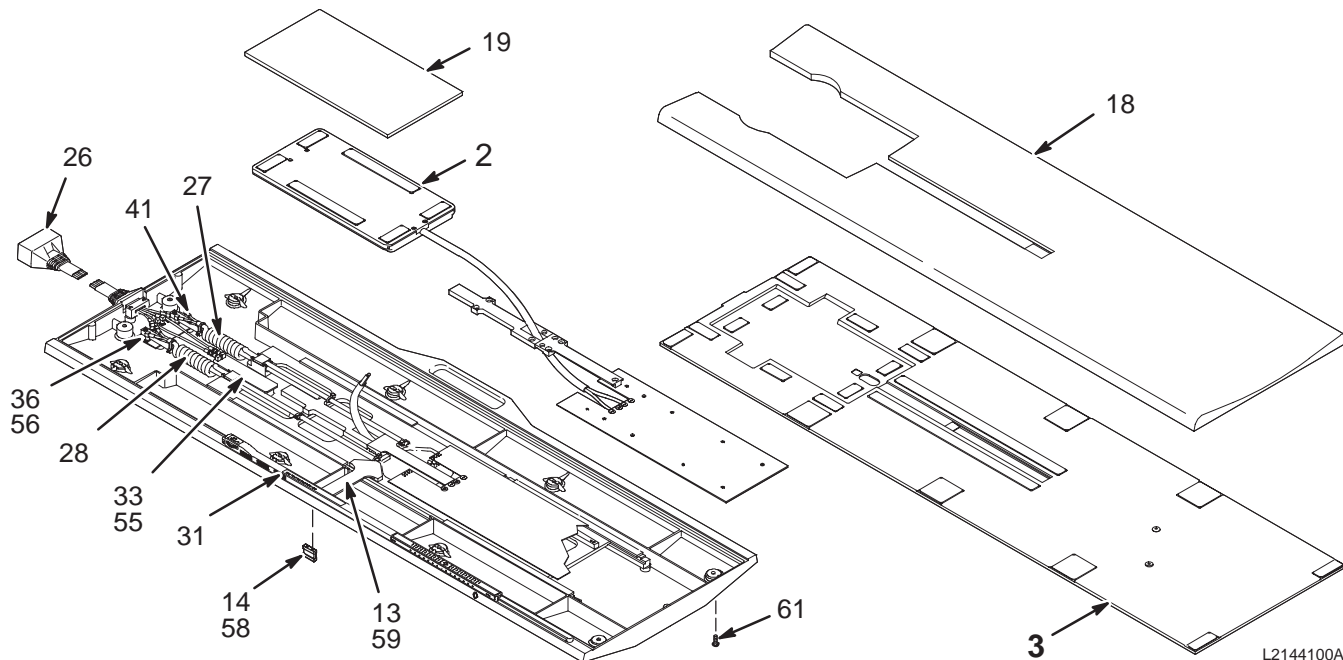
M1087PA FRU N

1.5T PHASED ARRAY PELVIC COIL

Item	Part Number	FRU	Name	Quantity	Description (Remarks)
1	2144100-2	1	PELVIC COIL	1	1.5T SIGNA PELVIC COIL (SEE PAGE 11-81)
2	46-306594P1	N	STRAP	1	ORDER E8802MC FOR 14 X 46 REPLACEMENT STRAP
3	46-317626G1	2	P/U PHANTOM	1	PROSTATE/UTERINE PHANTOM ASM (SEE PAGE 11-83)

1.5T PROSTATE/UTERINE COIL ASM

2144100



1.5T SIGNA PELVIC COIL

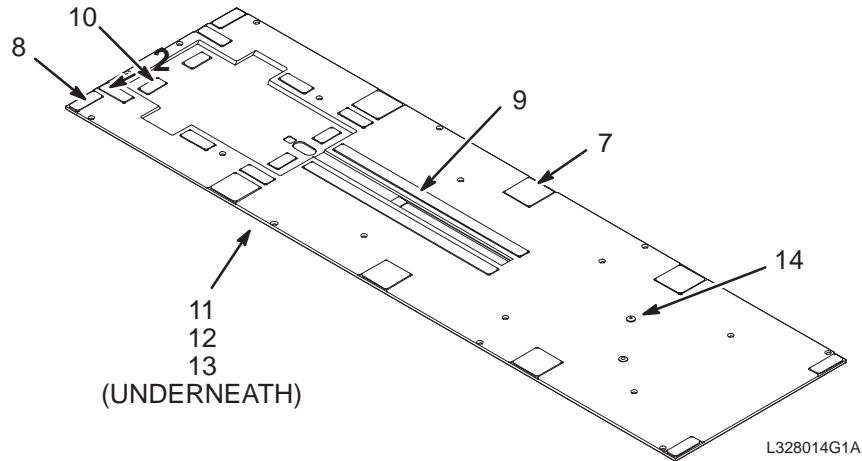
2144100-2 FRU 1

(PART OF M1087PA PAGE 11-80)

Item	Part Number	FRU	Name	Quantity	Description (Remarks)
2A	2144101-3	N	BOX	1	PELVIC ENCLOSURE ASM
2B	2144101-2	N	BOX	ALT	PELVIC ENCLOSURE ASM
3	46-328014G1	N	COVER PLT	1	BUCKY TRAY COVER PLATE ASSEMBLY (SEE PAGE 11-82)
13	46-307992P1	2	ARM	1	SLIDE PLATE ACTUATOR, DELRIN
14	46-307993P1	2	SPACER	1	.79"H X 1"W, 1/4" DELRIN, 6-32 HOLES
18	46-317449P1	2	COMFORT PAD	1	GREY NYLON FABRIC W/VELCRO HOOKS
19	46-317450P1	2	ENCL PAD	1	GREY NYLON FABRIC W/VELCRO HOOKS
26	46-307821G1	1	CABLE ASM	1	CABLE
27	46-317152P1	2	CABLE ASSEM	1	COILED CABLE, 2-COAX; 16-26, 15-25
28	46-317152P2	2	CABLE ASSEM	1	COILED CABLE, 2-COAX; 14-24, 13-23
31	46-317714P1	2	LABEL	1	"RAISE TABLE SIDE RAILS DURING EXAM"
33	46-288830G1	2	CIRCUIT BD	1	DUMMY INTERFACE BOARD FOR PROBE
36	2144806	1	CIRCUIT BOAR	1	1.5T PHASE ADJUST
41	46-208758P8	2	TY-RAP	6	5.50" X .140" SELF-LOCKING CABLE TIE
47	46-230007P5	2	SCREW	12	6-32 X 3/8" BIND HEAD SLOT, DELRIN
48	46-208921P22	2	SCREW	12	6-32 X 5/8", BRASS
49	46-230008P9	2	SCREW	10	4-40 X 5/8" LG FLAT HD, DELRIN
51	46-230008P1	2	SCREW	4	10-32 X 1/2", DELRIN
52	46-230008P11	2	SCREW	7	10-32 X 5/8" LG FLAT-HD, DELRIN
54	46-208921P5	2	SCREW	9	6-32 X 3/8", BRASS
55	46-208921P4	2	SCREW	2	6-32 X 1/4", BRASS
56	46-208921P6	2	SCREW	4	6-32 X 1/2", BRASS
57	46-208921P10	2	SCREW	2	10-32 X 7/8", BRASS
58	46-208913P26	2	SCREW	4	6-32 X 3/8" LG, SLOT FL HD BRS SCREW
59	46-208913P12	2	SCREW	3	10-32 X 1/2", SLOT FLAT-HEAD, BRASS
60	46-208913P9	2	SCREW	2	10-32 X 3/4" LG, SLOT FLAT-HD, BRASS
61	46-220184P41	2	SCREW	10	10-32 X 1/2" SLOT ROUND HEAD, BRASS

COVER PLATE ASM

46-328014G1



COVER PLATE ASM

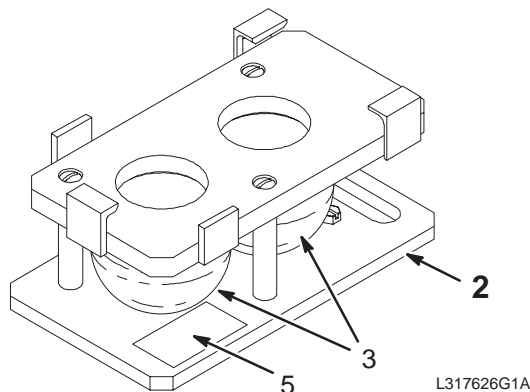
46-328014G1 FRU N

(PART OF 2144100 PAGE 11-81)  
(PART OF 2104800 PAGE 11-105)

Item	Part Number	FRU	Name	Quantity	Description (Remarks)
7	46-317475P1	2	VELCRO LOOPS	6	2"W X 2"L, WHITE, ADHESIVE BACKED
8	46-317499P2	2	VELCRO LOOPS	10	3/4"W X 2"LG, ADHESIVE BACK, WHITE
9	46-317499P4	2	VELCRO LOOPS	2	3/4"W X 14.5"L, ADHESIVE BACK, WHITE
10	46-317500P1	2	VELCRO HOOKS	4	3/4"W X 1.5"LG, ADHESIVE BACK, WHITE
11	46-282610P1	2	RUBBER BAND	AR	#33 SIZE, PURE RUBBER, 3-1/2 X 1/8"
12	46-230008P10	2	SCREW,MACH	1	6-32 X 0.375 LG FL HD DELRIN
13	46-208921P15	2	SCREW,MACH	4	2-56 X 0.250 LG BIND HD BRASS
14	46-317713P1	2	CAPLUG	2	FOR 1/4" SOCKET HD CAP SCREW, .5 DIA

PROSTATE/UTERINE PHANTOM ASM

46-317626G1



P/U PHANTOM

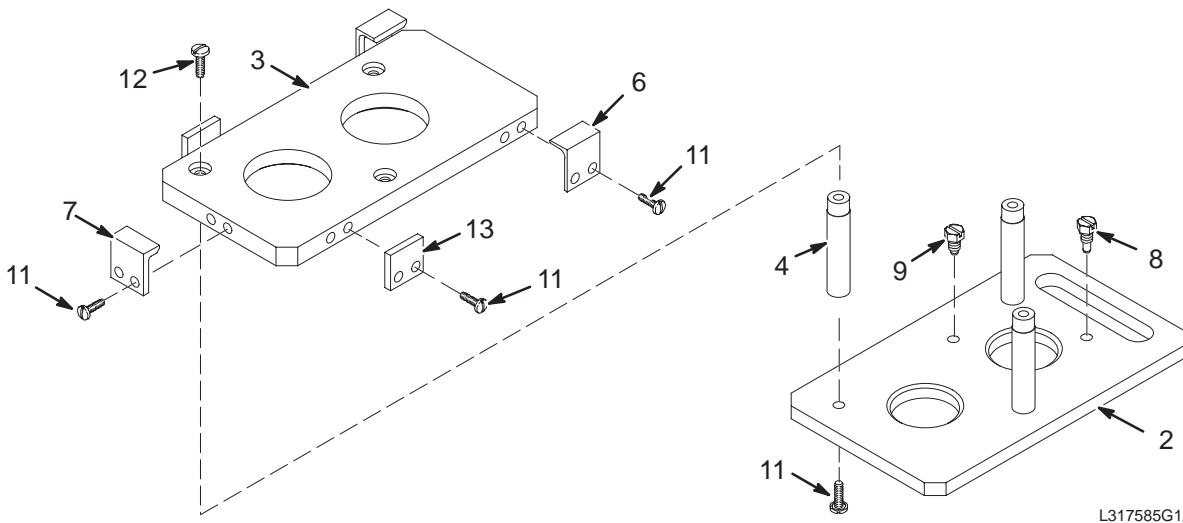
46-317626G1 FRU N

(PART OF M1087PA PAGE 11-80)  
(PART OF M1887AC PAGE 11-104)

Item	Part Number	FRU	Name	Quantity	Description (Remarks)
2	46-317585G1	N	SNR PU PHANT	1	P/U PHANTOM HOLDER ASM (SEE PAGE 11-83)

P/U PHANTOM HOLDER ASM

46-317585G1



P/U PHANTOM HOLDER

46-317585G1 FRU N

(PART OF 46-317626G1 PAGE 11-83)

Item	Part Number	FRU	Name	Quantity	Description (Remarks)
2	46-317594P1	2	BASE PLATE	1	BASE PLATE
3	46-317593P1	2	TOP PLATE	1	TOP PLATE
4	46-317592P1	2	SPACER	3	SPACER
6	46-317590P1	2	L BRACKET	2	L BRACKE
7	46-317591P1	2	L BRACKET	1	L BRACKET
8	46-317589P1	2	SCREW	1	SCREW
9	46-317588P1	2	SCREW	1	SCREW
11	46-265486P14	2	SCREW,MACH	13	3/8-16 X 3/4" PAN HEAD SCREW, DELRIN
12	46-265486P15	2	SCREW,MACH	3	5/16-18 X 1 PAN HEAD DELRIN NATURAL
13	46-317742P1	2	SIDE PLATE	2	SIDE PLATE

CATALOG M1087PR FRU N 1.5T CARDIAC PERIPHERAL VASCULAR COIL

Item	Part Number	FRU	Name	Quantity	Description (Remarks)
1	2293676	N	COIL ASM	1	1.5T CVNV PV ARRAY COIL (SEE PAGE 11-84)

1.5T CARDIAC PV ARRAY COIL 2293676 FRU N (PART OF M1087PR PAGE 11-84)

Item	Part Number	FRU	Name	Quantity	Description (Remarks)
1	2293676-2	1	COIL ASM	1	1.5T CVNV PV ARRAY COIL ONLY
	2293676-3	1	FRU	1	1.5T CVNV PV ARRAY COIL SCABLE ONLY
2	2293676-4	1	COIL ASM	1	1.5T CVNV PV ARRAY COIL SNR PHANTOM
3	2192406-7	1	1.5T COIL	1	1.5T PV COIL—LOADING PHANTOM
4	2293676-6	1	COIL ASM	1	1.5T CVNV PV PHANTOM POSITIONER SET
5	2293676-7	N	COIL ASM	1	1.5T CVNV PV ARRAY COIL OPERATOR MAN
6	2293676-8	N	COIL ASM	1	1.5T CVNV PV ARRAY COIL SERVICE MAN
7	2293676-9	N	COIL ASM	1	1.5T CVNV PV COMFORT PAD (E8800SC)
8	2293676-10	N	COIL ASM	1	1.5T CVNV PV COIL RAMP PAD (E8800SA)
9	2285178-10	N	1.0T COIL	1	1.0T PA VASC VELCRO STRAP (E8800ZZ)
10	2293676-12	N	COIL ASM	1	1.5T CVNV PV CL FOAM BLOCK (E8800SD)
11	2285178-4	1	1.0T COIL	1	1.0T PA VASC PHANTOM STRAP

CATALOG M1087PW FRU N USAI 1.5T PERIPHERAL VASCULAR ARRAY COIL

Item	Part Number	FRU	Name	Quantity	Description (Remarks)
2	2192406	2	1.5T COIL	1	PERIPHERAL VASCULAR 1.5T
3	2192406-2	1		XXX	SIGNA 1.5T PV ARRAY CABLE ASM
4	2192406-12	1		XXX	1.5T PV COIL—PV ARRAY FRU
6	2192406-5	1		XXX	1.5T PV COIL—PIN DIODES
7	2192406-6	1		XXX	1.5T PV COIL—SNR PHANTOM
8	2192406-7	1		XXX	1.5T PV COIL—LOADING PHANTOM
10	2192406-9	1		XXX	1.5T PV COIL—PHANTOM POSITIONER SET
11	2192406-10	N		XXX	1.5T PV COIL—OPERATOR MANUAL
12	2192406-11	N		XXX	1.5T PV COIL—SERVICE MANUAL

CATALOG M1087SD FRU N MRID 1.5T SHOULDER ARRAY COIL

Item	Part Number	FRU	Name	Quantity	Description (Remarks)
2	2225252	N	PART	1	COIL, MR 1.5T SHOULDER P
3	2225252-7	1		XXX	SMALL COIL ASM.
4	2225252-6	1		XXX	LARGE COIL ASM.
5	2225252-5	2		XXX	BASEPLATE ASM.
6	E8800MD	2		XXX	PAD,COIL,SHOULDER PA
7	2225252-2	N		XXX	SHOULDER ARRAY OP MANUAL
8	2225252-3	N		XXX	SHOULDER ARRAY SERVICE MANUAL

CATALOG M1087SE FRU N USAI 1.5T SHOULDER COIL IMAGING OPTION

Item	Part Number	FRU	Name	Quantity	Description (Remarks)
1	U1-100256	N	ASSEMBLY	1	PHASED ARRAY SHOULDER COIL
2	U1-150350	N	PART	1	PATIENT PAD 1.5T SHOULDER COIL
3	U1-150325	N	ASSEMBLY	1	PACKING SET SHOULDER COIL 1.5T
4	2375136-6	N	SURFACE COIL	1	OPERATOR MANUAL
5	2375136-7	N	SURFACE COIL	1	SERVICE MANUAL
6	U1-997113	N	PART	1	CARTON LBL SHOULDER COIL INSTRUCTION
7	U1-997001	N	PART	2	CARTON LBL CE BLACK ON WHITE 2 12 X
8	U1-997002	N	PART	2	CARTON LBL TRANSPORT AND STORAGE
9	U1-997003	N	PART	2	CARTON LBL USAI LOGO
10	U1-150375	N	ASSEMBLY	1	STRAP SET TAL FIELD SHOULDER COIL
11	U1-997135	N	PART	2	MCAT PRODUCT ID LBL, GE 1.5T SHOULDE
12	U1-997136	N	PART	1	ICD CARD, GE 1.5T SHOULDER COIL
13	U1-997042	N	PART	2	ENCLOSURE ENVELOPE ICD CARD
14	U1-150412	N	ASSEMBLY	1	PHANTOM HOLDER TAL FIELD SHOULDER CO
15	U1-995025	N	PART	91.440	POLY TUBING 24 X 3 MIL

CATALOG M1087SH FRU N 1.5T SHOULDER PHASED ARRAY COIL

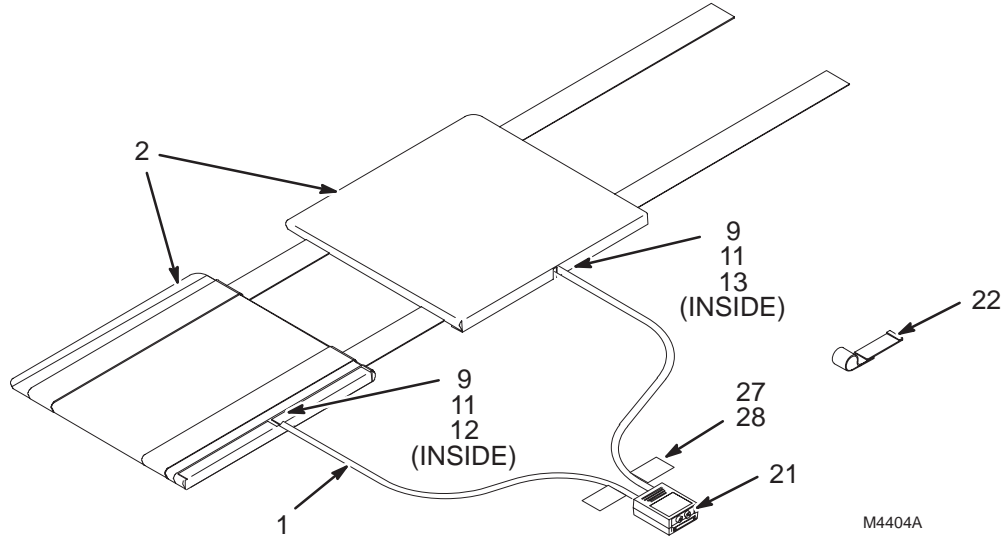
Item	Part Number	FRU	Name	Quantity	Description (Remarks)
3	2100937-17	1		XXX	MEDRAD 305002514 1.5T ANTERIOR W/CBL
4	2100937-18	2		XXX	MEDRAD 305002515 1.5T ANTERIOR CABLE
5	2100937-19	1		XXX	MEDRAD 305002516 1.5T POSTER'R W/CBL
6	2100937-20	2		XXX	MEDRAD 305002517 1.5T POSTERIOR CABL

CATALOG M1087SP FRU N USAI 1.5T CTL SPINE ARRAY COIL

Item	Part Number	FRU	Name	Quantity	Description (Remarks)
2	2225545	N	PART	1	COIL, MR, 1.5T CTL
3	2225545-6	1		XXX	1.5T CTL COIL W/CABLE & BRIDGE
4	2225545-2	1		XXX	CABLE ASM FRU FOR USAI CTL ARRAY;
5	2225545-3	2		XXX	PHANTOM, LOWER
6	2225545-4	2		XXX	PHANTOM, UPPER
7	2225545-5	N		XXX	OPERATOR MANUAL
8	2225545-8	1		XXX	ANTERIOR NECK COIL ASM 1.5T
9	2225545-9	1		XXX	C-SPINE ADAPTOR BLOCK, 1.5T
10	E8800PD	2		XXX	CTL FOAM PAD FOR 1.5T/1.0T COIL ASSY
11	E8800PE	2		XXX	PAD, C-SPINE, WEDGE
12	2225545-11	N		XXX	CTL SERVICE DIRECTION

1.5T TORSO PHASED ARRAY FLEX-COIL

M1087TA



CATALOG M1087TA FRU N 1.5T TORSO PHASED ARRAY FLEX-COIL

Item	Part Number	FRU	Name	Quantity	Description (Remarks)
1	2104700-2	1	ARRAY ASM	1	1.5T TORSO PHASED ARRAY FLEX-COIL (SEE PAGE 11-86)
2	2106940	N	COVER SET	1	USE E8801S FOR REPLACEMENT COVERS
3	2108265	N	DIRECTION	1	SIGNA TORSO ARRAY COIL MANUAL
5	2129469-148	N	DIRECTION	1	TORSO ARRAY OP MAN - 6 LANGUAGES
7	2254932	1		XXX	GORE 1.5T TORSO ANT CABLE FRU KIT
8	2254933	1		XXX	GORE 1.5T TORSO POST CABLE FRU KIT

1.5T TORSO ARRAY 2104700-2 FRU 1 (PART OF M1087TA PAGE 11-86)

Item	Part Number	FRU	Name	Quantity	Description (Remarks)
9	46-208758P7	2	TY-RAP	2	8.00" X .130" SELF-LOCKING CABLE TIE
11	46-208913P26	2	SCREW	8	6-32 X 3/8" LG, SLOT FL HD BRS SCREW
12	2111763-7	2	LABEL	1	LABEL - BODY FLEX COIL-ANTERIOR 1.5T
13	2111763-8	2	LABEL	1	LABEL - BODY FLEX COIL-ANTERIOR 1.5T
21	46-282448P1	2	CONNECTOR	2	FEMALE FOR 1/4" PROBE, 15 A, WHITE
22	2106946-2	2	VELCRO TIE	2	VELCRO CABLE TIES
27	2146833	2	VINYL STRIP	1	WHITE VINYL STRIP, 1"X5", ADHES BACK
28	2146832	2	WARNING TAG	1	UFI WARNING TAG, ADHESIVE BACK

CATALOG

M1087TB FRU N

1.5T TORSO PHASED ARRAY COIL

Item	Part Number	FRU	Name	Quantity	Description (Remarks)
1	2230952	2	KIT OF PARTS	1	1.5T TORSO ARRAY PARTS COLLECTOR (SEE PAGE 11-87)

1.5T TORSO ARRAY PARTS

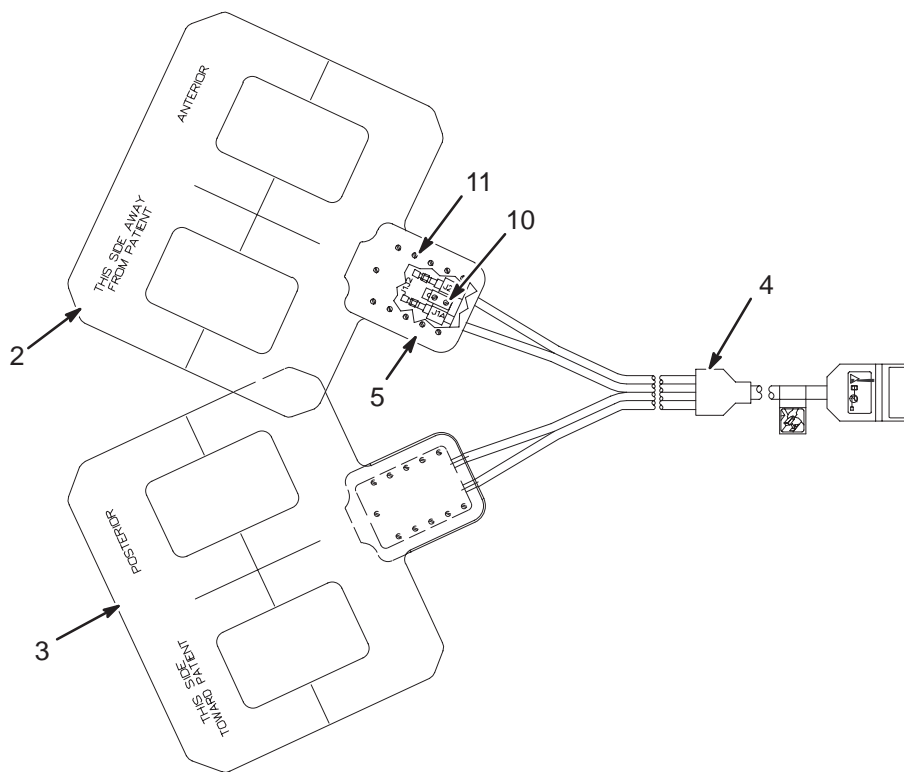
2230952 FRU 1

(PART OF M1087TB PAGE 11-87)

Item	Part Number	FRU	Name	Quantity	Description (Remarks)
1	2215261	1	ARRAY	1	TORSO ARRAY – 1.5T (SEE PAGE 11-87)
2	2218115	2	PART	1	HEAD END TORSO PAD – ORDER E8802C
3	2213746	2	PART	1	FOOT END CARDIAC/TORSO PAD – ORDER E8802CB
4	2211425	N	STRAP,ADJ.	2	6"W X 60" LONG POLYNAP STRAP – ORDER E8900AE (QTY 2)
100	2218411-148	N	OPERATOR MAN	1	TORSO ARRAY COIL MANUAL
101	2218805	N	DIRECTION	1	SIGNA TORSO PHASED ARRAY COIL

1.5T TORSO ARRAY COIL

2215261



1.5T TORSO ARRAY COIL

2215261 FRU 1

(PART 1 OF 2230952 PAGE 11-87)

Item	Part Number	FRU	Name	Quantity	Description (Remarks)
2	2215141	1	PART	1	1.5T TORSO ARRAY – ANTERIOR
3	2215141-2	1	PART	1	1.5T TORSO ARRAY – POSTERIOR
4	2215748-2	1	CABEL,ASSY.	1	CABLE ASSEMBLY FOR 1.5T TORSO COIL
5	2223669	2	COVER	2	CARDIAC ARRAY COVER
10	46-208922P4	2	SCREW	4	SCREW .0375" LONG
11	46-230008P14	2	SCREW	22	SCREW

CATALOG

M1087TP FRU N

1.5T TORSO PELVIS COIL

Item	Part Number	FRU	Name	Quantity	Description (Remarks)
1	2298043	N	COIL ASM	1	1.5T TORSO PELVIS COIL (SEE PAGE 11-88)

1.5T TORSO PELVIS COIL ASM

2298043 FRU N

(PART OF M1087TP PAGE 11-88)

Item	Part Number	FRU	Name	Quantity	Description (Remarks)
1	2298043-2	1	COIL ASM	1	1.5T TORSO PELVIS COIL ONLY
	2298043-3	1	FRU	XXX	1.5T TORSO PELVIS CABLE ASM
2	2298043-4	1	COIL ASM	1	1.5T TORSO PELVIS SNR PHANTOM ONLY
3	2298043-5	1	COIL ASM	1	1.5T TP PHANTOM POSITIONER SET ONLY
5	2298043-7	N	COIL ASM	1	1.5T TORSO PELVIS OPERATOR'S GUIDE
6	2298043-8	N	COIL ASM	1	1.5T TORSO PELVIS SERVICE MANUAL
7	2298043-9	N	COIL ASM	1	1.5T TORSO PELVIS ANTR PAD (E8800RB)
8	2298043-10	N	COIL ASM	1	1.5T TORSO PELVIS POST PAD (E8800RC)
9	2298043-11	N	COIL ASM	1	1.5T TORSO PELVIS VELCRO (E8800RA)

CATALOG M3087JA FRU N 1.5T 8 CHANNEL HIGH RES BRAIN IMAGING

Item	Part Number	FRU	Name	Quantity	Description (Remarks)
1	2317112	N	SURFACE COIL	1	1.5T 8CHANNEL HR BRAIN IMAGING OPT (SEE PAGE 11-89)

1.5T 8 CHANNEL HR BRAIN IMAGING 2317112 FRU N (PART OF M3087JA PAGE 11-89)

Item	Part Number	FRU	Name	Quantity	Description (Remarks)
2	2317112-2	1	SURFACE COIL	1	1.5T 8CHANNEL HR BRAIN CL/BASEPLATE
3	2317112-3	1	SURFACE COIL	1	1.5T 8CH HR BRAIN PHANTOM POSITIONER
4	2317112-4	N	SURFACE COIL	1	1.5T 8CH HR BRAIN OPERATOR MANUAL
5	2317112-5	N	SURFACE COIL	1	1.5T 8CH HR BRAIN SERVICE MANUAL
6	2317112-6	N	SURFACE COIL	1	1.5T 8CH HR BRAIN CL HD PAD E8801SE
7	2317112-7	N	SURFACE COIL	1	1.5T 8CH HR BRAIN SPACER PAD E8801SF
	2317112-8	1	FRU	XXX	1.5T 8 CHANNEL HR HEAD CABLE ASM
8	2317115-8	N	SURFACE COIL	2	1.5T 8 CHANNEL NV ARRAY WEDGE PAD
9	2317112-9	N	SURFACE COIL	1	1.5T 8CH HR BRAIN THICK HEAD PAD
10	2317112-10	N	SURFACE COIL	1	1.5T 8CH HR BRAIN THIN HEAD PAD
	2317112-12	1	FRU	XXX	1.5T 8 CHANNEL BRAIN LATCH KIT

CATALOG M3087JB FRU N 1.5T 8 CHANNEL NEUROVASCUALR ARRAY IMAGING

Item	Part Number	FRU	Name	Quantity	Description (Remarks)
1	2317115	N	SURFACE COIL	1	1.5T 8 CHANNEL NV ARRAY IMAGING OPT (SEE PAGE 11-89)

1.5T 8 CHANNEL NV ARRAY IMAGING 2317115 FRU N (PART OF M3087JB PAGE 11-89)

Item	Part Number	FRU	Name	Quantity	Description (Remarks)
2	2317115-2	1	SURFACE COIL	1	1.5T 8 CHANNEL NV ARRAY (SEE PAGE 11-89)
3	2317115-3	1	SURFACE COIL	1	8CH NV PHANTOM KIT
4	2317115-4	N	SURFACE COIL	1	1.5T 8CH NV ARRAY OPERATOR MANUAL
5	2317115-5	N	SURFACE COIL	1	1.5T 8CH NV ARRAY SERVICE MANUAL
6	2317115-6	N	SURFACE COIL	1	1.5T 8CH NV ARRAY HNC PAD E8801SG
7	2317115-8	N	SURFACE COIL	2	1.5T 8 CHANNEL NV ARRAY WEDGE PAD
	2317115-10	1	FRU	2	1.5T 8 CHANNEL RIGHT/LEFT LATCH KIT
	2317115-11	1	FRU	2	1.5T 8 CHANNEL SUPERIOR LATCH KIT

1.5T 8 CHANNEL NV ARRAY 2317115-2 FRU 1 (PART OF 2317115 PAGE 11-89)

Item	Part Number	FRU	Name	Quantity	Description (Remarks)
1	2317115-7	1	SURFACE COIL	1	1.5T 8 CHANNEL NV ARRAY CABLE ASM

CATALOG M3087JC FRU N 1.5T 8 CHANNEL CTL SPINE COIL

Item	Part Number	FRU	Name	Quantity	Description (Remarks)
1	2377426	N	SURFACE COIL	1	USAI 8CH CTL COIL IMAGING OPTION (SEE PAGE 11-90)

USAI 8CH CTL COIL IMAGING OPTION 2377426 FRU N (PART OF M3087JC PAGE 11-90)

Item	Part Number	FRU	Name	Quantity	Description (Remarks)
1	2377426-2	2	SURFACE COIL	1.0	USAI 8CH CTL COIL IMAGING OPTION
2	2377426-3	2	SURFACE COIL	1.0	USAI 8CH CTL COIL PHANTOM KIT
3	2377426-4	N	SURFACE COIL	1.0	USAI 8CH CTL COIL OPERATOR MANUAL
4	2377426-5	N	SURFACE COIL	1.0	USAI 8CH CTL COIL SERVICE MANUAL
5	2377426-6	N	SURFACE COIL	1.0	USAI 8CH CTL COIL PAD
6	2225545-9	2	OUT OF CATAL	1.0	C-SPINE ADAPTOR BLOCK, 1.5T
7	2377426-8	2	SURFACE COIL	1.0	USAI 8CH CTL CERVICAL BRIDGE
	2377426-7	1	FRU	XXX	USAI 8CH CTL COIL CABLE W/COIL ID
	2377426-10	N	FRU	XXX	USAI 8CH CTL COIL PREAMP, 1.5T

CATALOG M3087JD FRU N 1.5T 8 CHANNEL CARDIAC COIL

Item	Part Number	FRU	Name	Quantity	Description (Remarks)
1	2304255	N	COIL,SURFACE	1	8 CHANNEL CARDIAC ASSET ARRAY (SEE PAGE 11-90)

8 CHANNEL CARDIAC ASSET ARRAY 2304255 FRU N (PART OF M3087JD PAGE 11-90)

Item	Part Number	FRU	Name	Quantity	Description (Remarks)
1	2304255-2	2	COIL,SURFACE	1.0	8 CHANNEL CARDIAC ARRAY
2	2304255-4	N	COIL,SURFACE	1.0	8 CHANNEL CARDIAC ARRAY OP MANUAL
3	2304255-5	N	COIL,SURFACE	1.0	8 CHANNEL CARDIAC ARRAY SERVICE MANL
4	2304255-6	N	COIL,SURFACE	1.0	8 CHANNEL CARDIAC ARRAY CARDIAC PAD
5	2304255-3	2	COIL,SURFACE	1.0	8 CHANNEL CARDIAC ARRAY PHANTOM KIT
	2304255-7	1	FRU	XXX	8 CHANNEL CARDIAC ARRAY CABLE ASM
	2377426-10	N	FRU	XXX	USAI 8CH CTL COIL PREAMP, 1.5T

CATALOG M3087JE FRU N 1.5T 8 CHANNEL TORSO COIL

Item	Part Number	FRU	Name	Quantity	Description (Remarks)
1	2377425	N	TORSO ARRAY	1	USAI 8CH BODY COIL IMAGING OPTION (SEE PAGE 11-90)

USAI 8CH BODY COIL IMAGING OPTION 2377425 FRU N (PART OF M3087JE PAGE 11-90)

Item	Part Number	FRU	Name	Quantity	Description (Remarks)
1	2377425-2	2	TORSO ARRAY	1.0	USAI 8CH BODY ARRAY COIL, 1.5T
2	2377425-3	2	TORSO ARRAY	1.0	USAI 8CH BODY ARRAY PHANTOM KIT
3	2377425-4	N	TORSO ARRAY	1.0	USAI 8CH BODY ARRAY OPERATOR MANUAL
4	2377425-5	N	TORSO ARRAY	1.0	USAI 8CH BODY ARRAY SERVICE MANUAL
5	2377425-6	N	TORSO ARRAY	1.0	USAI 8CH BODY ARRAY BODY PAD KIT
	2377425-7	1	FRU	XXX	USAI 8CH BODY ARRAY CABLE ASM
	2377426-10	N	FRU	XXX	USAI 8CH CTL COIL PREAMP, 1.5T

11-7 SIGNA EXCITE 1.5T UPGRADES

CATALOG M3033KH FRU N ADAPTIVE PHASED ARRAY 2

Item	Part Number	FRU	Name	Quantity	Description (Remarks)
1	2316303	N	KIT	1	MR DRIVER SPLITTER UPGRADE KIT (SEE PAGE 11-91)
2	2329893	N	DIRECTION	1	APA-CTL UPGRADE INSTALLATION MANUAL

MR DRIVER SPLITTER UPGRADE KIT 2316303 FRU N (PART OF M3033KH PAGE 11-91)

Item	Part Number	FRU	Name	Quantity	Description (Remarks)
1	2308832	1	BOX	1	DRIVE SPLITTER ENCLOSURE
2	2308144	1	CABLE	1	APA2 MG2-A33-J7/RN861 TO MG3-A37-J2
3	2307994	1	CABLE	1	APA2 MG3-A36-J19 TO MG3-A37-J1
4	46-288510G4	1	CIRCUIT BD	1	LPCC 1.5T PREAMP PROTECTION ASM APA
5	2109873-12	N	SCREW	2	SCREW PAN HEAD Z M4X6 A2-70
6	2109874-23	N	SCREW	2	SCREW COUNTERSUNK HEA 6 MM 30 MM
8	46-220196P5	N	WASHER	2	WASHER,5/16" SCREW SIZE (0.313), SST
9	46-208946P1	N	NUT	2	5/16-18 1/2" HEX X .188 THK 18-8 SST
10	2308830	N	BRACKET	1	INSULATOR BRACKET
11	2308245	1	CABLE	1	MG2-A33-J12 TO MG3-A37-J2
12	46-208781P2	N	LABEL	1	WRITE-ON LABEL FOR MARKING CABLES
13	46-208932P11	N	SCREW	2	SCREW

CATALOG M3033KK FRU N APA2 FOR FORWARD PRODUCTION 1.5T

Item	Part Number	FRU	Name	Quantity	Description (Remarks)
1	2316303-2	N	KIT	1	MR DRIVER SPLITTER KIT FOR 1.5T (SEE PAGE 11-91)
2	2329893	N	DIRECTION	1	APA-CTL UPGRADE INSTALLATION MANUAL

MR DRIVER SPLITTER KIT FOR 1.5T 2316303-2 FRU N (PART OF M3033KK PAGE 11-91)

Item	Part Number	FRU	Name	Quantity	Description (Remarks)
1	2308832	1	BOX	1	DRIVE SPLITTER ENCLOSURE
2	2308144	1	CABLE	1	APA2 MG2-A33-J7/RN861 TO MG3-A37-J2
3	2307994	1	CABLE	1	APA2 MG3-A36-J19 TO MG3-A37-J1
5	2109873-12	N	SCREW	2	SCREW PAN HEAD Z M4X6 A2-70
6	2109874-23	N	SCREW	2	SCREW COUNTERSUNK HEA 6 MM 30 MM
8	2109878-3	N	WASHER	2	WASHER PLAIN - NORMAL 6.4 MM 12 MM
9	2109875-3	N	NUT	2	NUT HEXAGON M6 A2-70
10	2308830	N	BRACKET	1	INSULATOR BRACKET
11	2308245	1	CABLE	1	MG2-A33-J12 TO MG3-A37-J2
12	46-208781P2	N	LABEL	1	WRITE-ON LABEL FOR MARKING CABLES

CATALOG

M3033KJ FRU N

INFINITY IMAGE QUALITY PACKAGE

Item	Part Number	FRU	Name	Quantity	Description (Remarks)
1	2307608	N	KIT OF PARTS	1	BRM/CRM RADIAL SUPPORT FOR S SERIES (SEE PAGE 11-92)
2	2320728	N	KIT OF PARTS	1	RF SHIELD GROUNDING (SEE PAGE 11-92)
3	2319203	N	KIT OF PARTS	1	IQ BRIDGE UPGRADE KIT (SEE PAGE 11-92)
4	2329765	N	DIRECTION	1	IIQ HARDWARE INSTALLATION KIT

BRM/CRM RADIAL SUPPORT-S SERIES 2307608 FRU N

(PART OF M3033KJ PAGE 11-92)

Item	Part Number	FRU	Name	Quantity	Description (Remarks)
1	2307607	N	PART	4	SPACER, BRM/CRM RADIAL SUPPORT FOR
2	2325862	N	HEX NUT	4	METRIC HEX NUT, NYLON
4	2293535	N	SET SCREW	4	SET SCREW-MTG.PAD
5	2131953-6	N	MTG PAD	4	MTG PAD, 1/8" THICK NEOPRENE FOR
6	2212715-2	2	BEARING SHIM	4	LCC BRM MOUNTING
7	2181231-2	N	PART	4	FILLER PAD CONQUEST-DIECUT INSERTS
8	2379255	N	FOAM	2	FOAM, GRAY TEXTURED SURFACE, 116"LG.
9	2319693	N	DIRECTION	1	SIGNA GRADIENT RADIAL SUPPORT U/G

RF SHIELD GROUNDING

2320728 FRU N

(PART OF M3033KJ PAGE 11-92)

Item	Part Number	FRU	Name	Quantity	Description (Remarks)
1	2319685	N	DIRECTION	1	BRM RF SHIELD GROUNDING KIT
2	2320729	N	GROUND LEAD	1	GROUND LEAD FOR RF SHIELD GROUND KIT
3	2320730	N	HEX HD BOLT	1	GROUND LEAD STRAIN RELIEF, M10X15
4	46-208758P3	N	TY-RAP	8	7.31" X .184" SELF-LOCKING CABLE TIE
5	46-208759P6	N	TY-RAP	1	7.81" X .184" SELF-LOCKING CABLE TIE
6	46-252283P70	N	WRAP,TIE,TBG	4	CABLE TIE MOUNT, PANDUIT ABM3H-A-L
7	2109867-21	N	SCREW	1	SCREW HEX SOCKET CAP M10X16 A2-70
10	46-278535P1	N	ADHESIV	1	2-PART, SILVER EPOXY ADHESIVE.
11	2109873-16	N	SCREW	1	SCREW PAN HEAD Z M4X16 A2-70
13	2322944	N	TAPE,CLOTH	AR	CLOTH DUCT TAPE W/ SOLVENT RESISTANT
14	2326207	N	PART	1	HEAT PACK, MEDI-FIRST HOT COMPRESS
15	2326654	N	LEAD WIRE	1	EXTENSION WIRE, LONG BORE MAGNET
16	511A590P416	N	TERMINAL	1	AMP PART #35244 (BUTT SPLICE)
17	46-208737P47	N	SCREW	1	SCREW
18	2109875-7	N	NUT	1	NUT HEXAGON M8 A2-70

IQ BRIDGE UPGRADE KIT

2319203 FRU N

(PART OF M3033KJ PAGE 11-92)

Item	Part Number	FRU	Name	Quantity	Description (Remarks)
2	2293379-2	N	PART	1	BRIDGE SUPPORT SPLIT BRDG
3	2109866-21	N	SCREW	2	SCREW HEXAGON HEAD 10 MM 30 MM
4	2109875-4	N	NUT	8	NUT HEXAGON M10 A2-70
5	2318948	N	PART	2	CUP, CAP SUPPORT
6	2318950	N	PART	2	CAP, SUPPORT
7	2318951	N	PART	4	BRIDGE SUPPORT STIFFENER, BLOCK
8	2226752-2	N	PART	2	FOAM GASKET, BRIDGE SUPPORT SPACER
9	2322944	N	TAPE,CLOTH	AR	CLOTH DUCT TAPE W/ SOLVENT RESISTANT
10	2116325-5	N	STUD, MAGNET	2	STUD SST M10 X 110MM
11	46-136374P37	N	RING	2	WIDTH .139 ID 0.734 DUROMETER A 70
12	46-282264P1	N	ADHESIV	1	2 OZ DUAL-PAK CARTRIDGE EPOXY, CLEAR
14	2318581	N	DIRECTION	1	CX/K4 WIDEOPEN BRIDGE SUPPORT INSTR

REV 14

DIRECTION 2138247

CATALOG

M3033MG FRU N

DELTA WORK STATION

Item	Part Number	FRU	Name	Quantity	Description (Remarks)
2	5117866-26	1	PDM PART	1	MR REPORTCARD WORKSTATION
3	M1000NT	N	CATALOG	1	19" COLOR LCD MONITOR (SEE PAGE 11-93)
4	2390365	N	COLLECTOR	1	DELTA HARDWARE COLLECTOR (SEE PAGE 11-93)
5	2392501	N	COLLECTOR	1	DELTA TECH PUB COLLECTOR

19" COLOR LCD MONITOR

M1000NT FRU N

(PART OF M3033MG PAGE 11-93)

Item	Part Number	FRU	Name	Quantity	Description (Remarks)
1	2295019	1	CABLE	1	13W3-DB15 RGB LCD STRAIGHT CONN CBL
2A	5117545	1	OUT OF CATAL	1	MONITOR, 19 INCH COLOR LCD, SILVER,
2B	2349792	1	OUT OF CATAL	ALT	18.1 IN LCD COLOR MONITOR BEIGE
4	2376768	1	CD-ROM	1	GAMMA PATCH CD-ROM FOR LCD MONITORS
5	5131642	N	PDM PART	1	11.0 M4 PATCH 0 CD

DELTA HARDWARE COLLECTOR

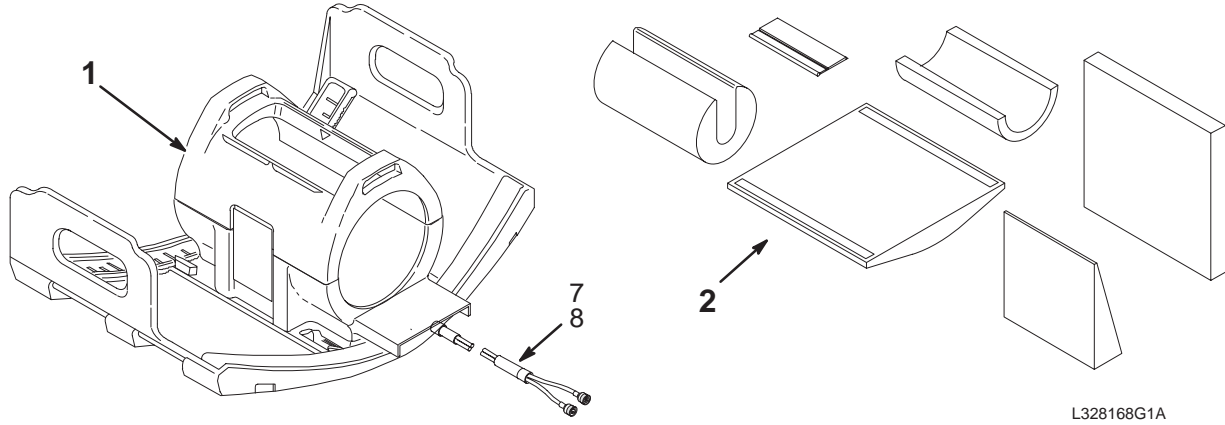
2390365 FRU N

(PART OF M3033MG PAGE 11-93)

Item	Part Number	FRU	Name	Quantity	Description (Remarks)
3	2166395	N	MOUSE PAD	1.0	MOUSE PAD FOR SIGNA HORIZON LX
4	2304737-2	N	OUT OF CATAL	1.0	CABLE, DVI VIDEO CABLE - OCTANE II
5	2215028-4	N	CABLE UTP CA	1.0	UTP CAT 5 PATCH CORD CABLE 5M LONG
6	46-208758P2	N	TY-RAP	1.0	5.5" X .140" SELF-LOCKING CABLE TIE.
8	2390369	N	SECURITY KEY	1.0	DELTA WORKSTATION OPTION KEY
9	5117866-29	N	PDM PART	1.0	US-ENGLISH PS2 KEYBOARD
10	5117866-30	N	PDM PART	1.0	FRENCH PS2 KEYBOARD
11	5117866-31	N	PDM PART	1.0	GERMAN PS2 KEYBOARD
12	5117866-32	N	PDM PART	1.0	SPANISH PS2 KEYBOARD
13	5117866-33	N	PDM PART	1.0	ITALIAN PS2 KEYBOARD
14	5117866-34	N	PDM PART	1.0	PORTUGUESE PS2 KEYBOARD
15	5117866-35	N	PDM PART	1.0	SWEDISH PS2 KEYBOARD
18	2390367-5	N	PDM COLLECTO	1.0	NMR REPORTCARD 2.0 M4 SOFTWARE COLL

11-8 SIGNA 1.0T COILS

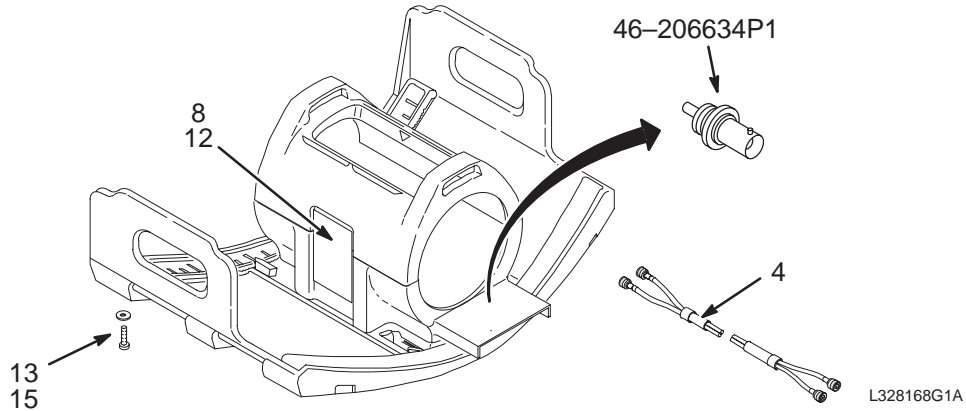
1.0T EXTREMITY SURFACE COIL & CUSHIONS M1885AC



CATALOG M1885AC FRU N 1.0T EXTREMITY SURFACE COIL & CUSHIONS

Item	Part Number	FRU	Name	Quantity	Description (Remarks)
1	46-328168G1	1	EXTREMITY CL	1	1.0T QUAD EXTREMITY COIL (SEE PAGE 11-94)
2	46-306571G1	N	CUSHION SET	1	GRAY CUSHION SET FOR EXTREMITY COIL (SEE PAGE 11-117)
7	46-317405P1	2	CABLE ASM		DETACHABLE CABLE, EXTREMITY COIL
8	46-230008P3	2	SCREW,MACH		00008-32 X 0.375 DELRIN

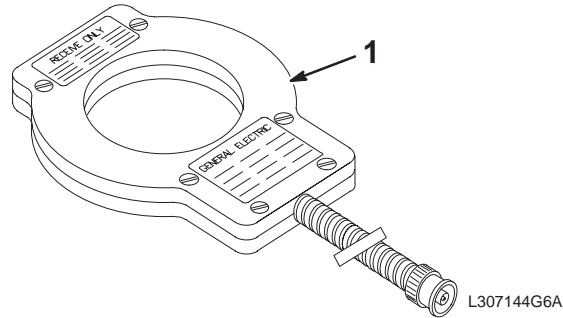
1.0T EXTREMITY COIL 46-328168G1



1.0T EXTREMITY COIL 46-328168G1 FRU 1 (PART OF M1885AC PAGE 11-94)

Item	Part Number	FRU	Name	Quantity	Description (Remarks)
4	46-317405P1	2	CABLE ASM	1	DETACHABLE CABLE, EXTREMITY COIL
8	46-271203P1	2	DRAW LATCH	2	LATCH AND KEEPER SET, POLYPROPYLENE
12	46-208913P14	2	SCREW,MACH	8	00006-32 X 0.50 LG SLOT FH BRS
13	46-208921P33	2	SCREW,MACH	10	0010-32 X 0.500 LG BRASS
15	1000904P485	2	WASHER,FLAT	10	ID 0.219 OD 0.500 THK .032
	46-205634P1	2	CONNECTOR	1	BNC BULKHEAD RECPT. 50 OHM ISOLATED FRONT MOUNT

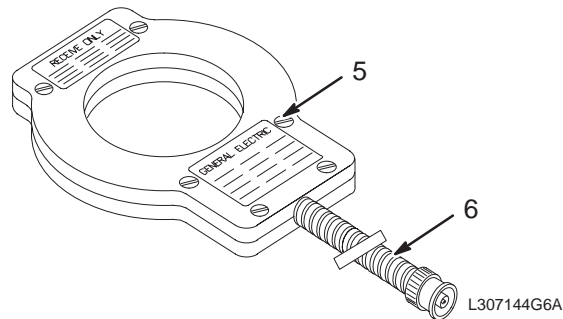
1.0T 3 INCH ROUND SURFACE COIL , M1885AG



CATALOG M1885AG FRU N 1.0T 3 INCH ROUND SURFACE COIL

Item	Part Number	FRU	Name	Quantity	Description (Remarks)
1	46-307144G6	1	3" RD COIL	1	1.0T 3" ROUND SURFACE COIL ASSEMBLY (SEE PAGE 11-95)

1.0T 3 INCH ROUND COIL, SMALL ANATOMY 46-307144G6

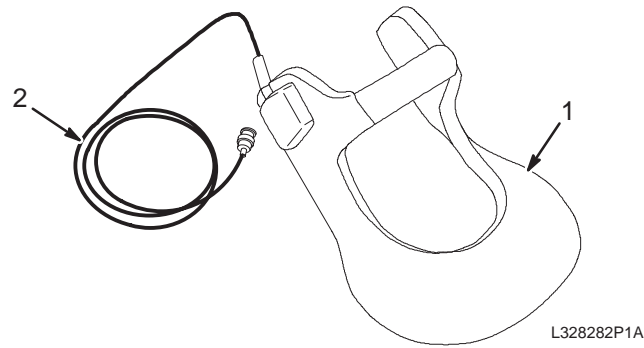


1.0T 3 INCH ROUND COIL 46-307144G6 FRU 1 (PART OF M1885AG PAGE 11-95)  
(PART OF 46-282728G6 PAGE 11-100)

Item	Part Number	FRU	Name	Quantity	Description (Remarks)
6	46-317287G1	2	COAXIAL CBL	1	3" ROUND COIL
7	46-230008P14	2	SCREW,MACH	6	#6-32 X 7/16 FLAT HEAD, WHITE DELRIN

1.0T ANTERIOR NECK COIL

M1885AK



CATALOG

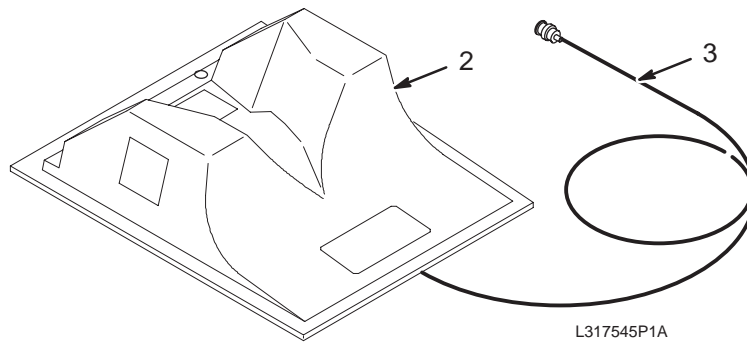
M1885AK FRU N

1.0T ANTERIOR NECK COIL

Item	Part Number	FRU	Name	Quantity	Description (Remarks)
2	46-328291P1	1	COIL FRU		MEDRAD 305000883 1.0T NECK COIL
3	2100937	2	MEDRAD FRU		MEDRAD 30523C07001 CABLE KIT

1.0T POSTERIOR CERVICAL SPINE COIL

M1885AM



CATALOG

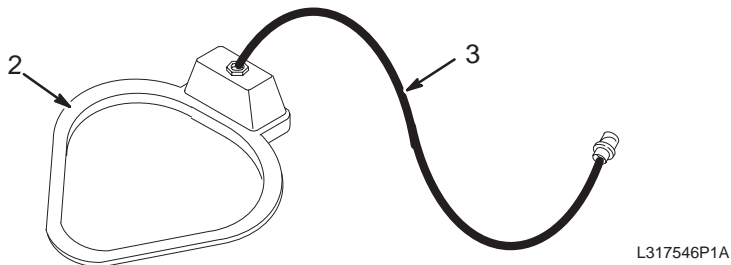
M1885AM FRU N

1.0T POSTERIOR CERVICAL SPINE COIL

Item	Part Number	FRU	Name	Quantity	Description (Remarks)
2	46-328292P1	1	COIL FRU		MEDRAD 305000884 1.0T C-SPINE COIL
3	2100937-2	2	MEDRAD FRU		MEDRAD 30523C30001 CABLE KIT

1.0T SHOULDER COIL

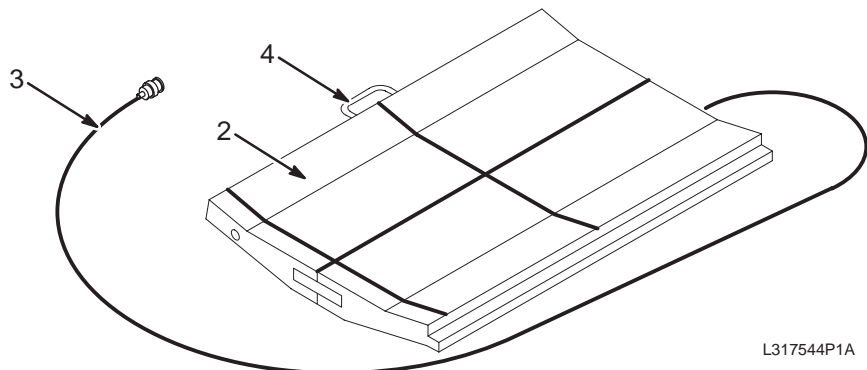
M1885AN



CATALOG M1885AN FRU N 1.0T SHOULDER COIL

Item	Part Number	FRU	Name	Quantity	Description (Remarks)
2	46-328299P1	1	COIL FRU		MEDRAD 305000886 1.0T SHOULDER COIL
3	2100937-7	2	MEDRAD FRU		MEDRAD 305000936 CABLE KIT

1.0T QUADRATURE T/L SPINE COIL WITH POSITIONER M1885AP

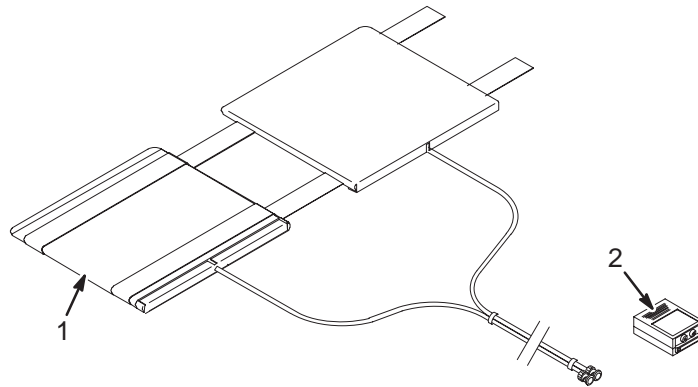


CATALOG M1885AP FRU N 1.0T QUADRATURE T/L SPINE COIL WITH POSITIONER

Item	Part Number	FRU	Name	Quantity	Description (Remarks)
2	46-328295P1	1	COIL FRU		MEDRAD 305000885 1.0T T/L SPINE COIL
3	2100937-4	2	MEDRAD FRU		MEDRAD 30523C17004 CABLE KIT
4	46-317047P1	2	POSITION FRU		MEDRAD 30523C17002 POSITIONER KIT

1.0T BODY FLEX COIL

M1885BE



CATALOG M1885BE FRU N 1.0T BODY FLEX COIL

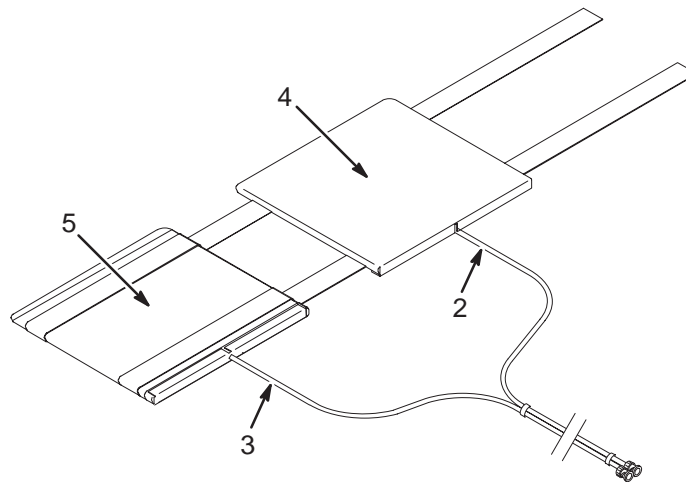
Item	Part Number	FRU	Name	Quantity	Description (Remarks)
1	2148689	N	COLLECTOR	1	1.0T SIGNA BODY FLEX COIL SHIP COLL (SEE PAGE 11-98)
2	46-328215P2	1	CONNECTOR	1	1.0T DUAL-COIL CONNECTOR AND SLEEVE

FLEX COIL COLLECTOR 2148689 FRU N (PART OF M1885BE PAGE 11-98)

Item	Part Number	FRU	Name	Quantity	Description (Remarks)
1	2148690-2	N	1.5T BODYFLX	1	1.0T SIGNA BODY FLEX COIL (SEE PAGE 11-98)

1.5T SIGNA BODY FLEX COIL

2148690

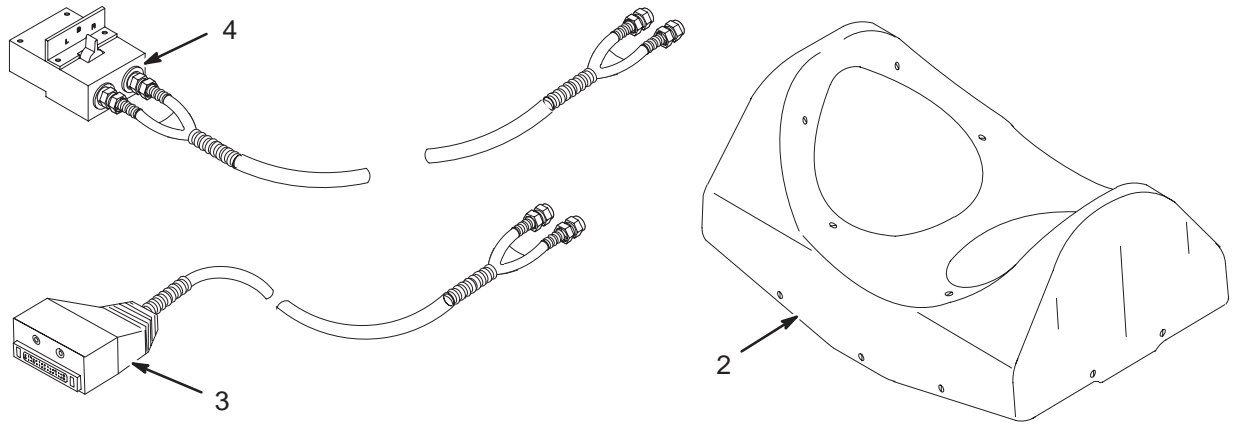


1.0T SIGNA BODY FLEX COIL 2148690-2 FRU N (PART OF 2148689 PAGE 11-98)

Item	Part Number	FRU	Name	Quantity	Description (Remarks)
2	2148696	1	1.5T COIL	1	1.0T ANTERIOR COIL W/CABLE
3	2148696-2	1	1.5T COIL	1	1.0T POSTERIOR COIL W/CABLE
4	2148692	N	COVER,ANTERI	1	ANTERIOR REPLACEMENT COVER (ORDER E8801TA)
5	2148692-2	N	COVER,POSTER	1	POSTERIOR REPLACEMENT COVER (ORDER E8801TB)

1.0T BILATERAL BREAST COIL

M1885BR



CATALOG

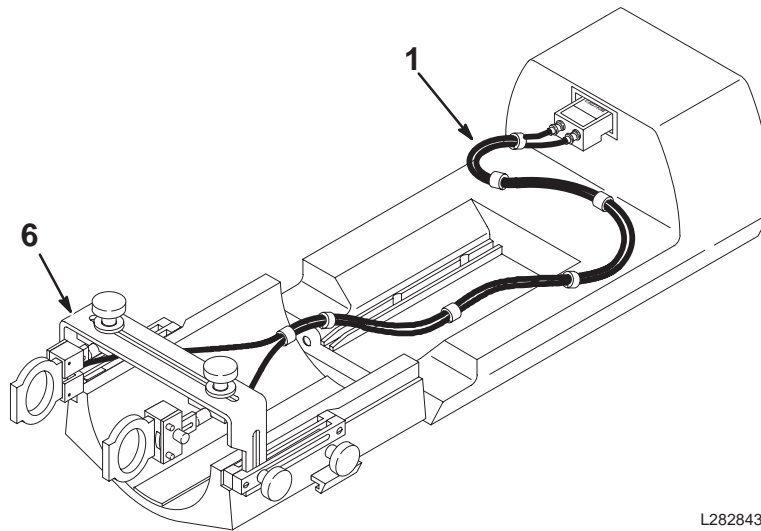
M1885BR FRU N

1.0T BILATERAL BREAST COIL

Item	Part Number	FRU	Name	Quantity	Description (Remarks)
2	46-328296P1	1	COIL FRU		MEDRAD 305000912 1.0T BREAST COIL
3	2100937-5	2	MEDRAD FRU		MEDRAD 305000858 BREAST COIL CABLE
4	2100937-6	2	MEDRAD FRU		MEDRAD 305000914 RECEIVER CABLE KIT

1.0T DUAL COIL TMJ KIT

M1885DG



CATALOG

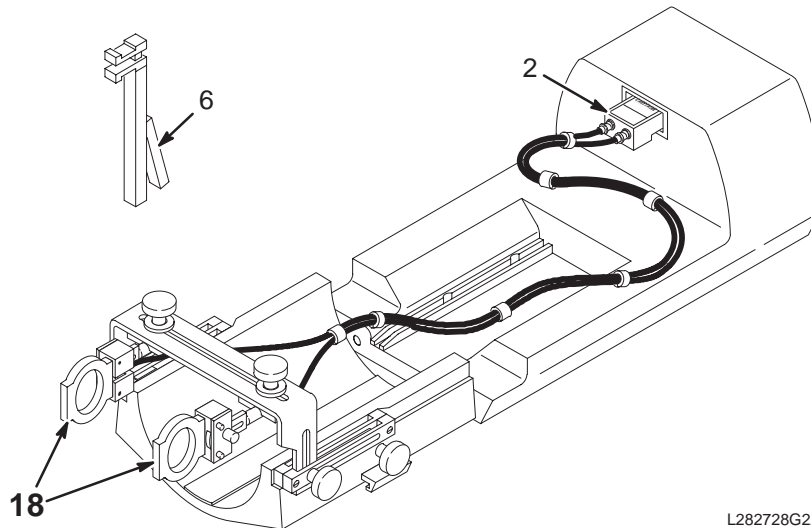
M1885DG FRU N

1.0T DUAL COIL TMJ KIT

Item	Part Number	FRU	Name	Quantity	Description (Remarks)
1	46-282728G6	N	DUAL SRF KIT	1	MR SURFACE COIL TMJ KIT FOR 1.0T (SEE PAGE 11-100)
6	46-258800G1	N	POSITIONER	1	SURFACE COIL POSITIONER/HEAD HOLDR (SEE PAGE 11-101)

DUAL SURFACE COIL COMBINER AND TMJ POSITIONING FOR QUAD HEAD COIL SITES

46-282728G6



1.0T DUAL TMJ COIL KIT

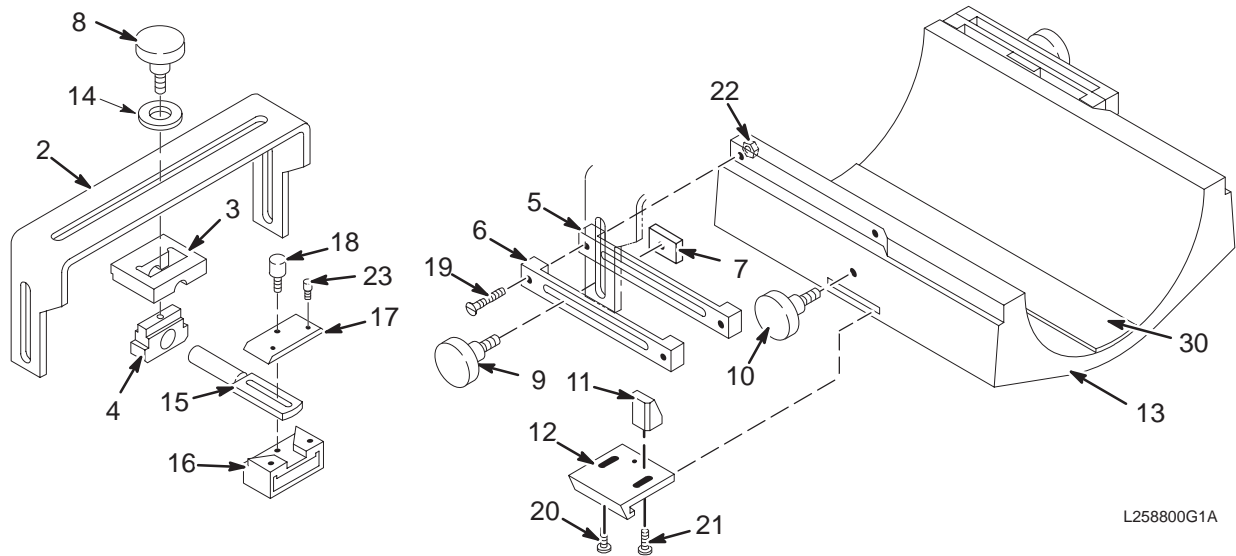
46-282728G6 FRU N

(PART OF M1885DG PAGE 11-100)

Item	Part Number	FRU	Name	Quantity	Description (Remarks)
2	46-317221G56	1	COIL ADAPTER	1	1.0T TMJ DUAL-COIL COMBINER
6	46-282765P1	2	TMJ POSITION	1	PATIENT JAW-OPENING POSITION DEVICE
18	46-307144G6	1	3" RD COIL	2	1.0T 3" ROUND SURFACE COIL ASSEMBLY (SEE PAGE 11-95)

COIL POSITIONER & HEAD HOLDER

46-258800G1



HEAD & COIL POSITIONER

46-258800G1 FRU N

(PART OF M1885DG PAGE 11-100)  
(PART OF E8801CA PAGE 11-116)

Item	Part Number	FRU	Name	Quantity	Description (Remarks)
2	46-258791P1	2	SUPPORT TOP	1	SLOTTED-ADJUST COIL POSITION BRACKET
3	46-258792P1	2	SUPT HOLDER	2	COIL HOLDER SHAFT CLAMP BLOCK, DELRIN
4	46-258794P1	2	LOCK HOLDER	2	COIL HOLDER SHAFT SUPPORT, DELRIN
5	46-258795P1	2	SLIDE INNER	2	COIL POSITION BRACKET CLAMPING BAR
6	46-258796P1	2	SLIDE OUTER	2	SLOTTED EXTENSION ADJUST BRACKET
7	46-258797P1	2	NUT BLOCK	2	EXTENSION POSITION CLAMP NUT, 3/8-16
8	46-258799G1	2	CLAMP KNOB	2	COIL HOLDER LOCK KNOB, 3/8-16 X 5/8"
9	46-258799G2	2	CLAMP KNOB	2	EXTENSION LOCKING KNOB, 3/8-16 X 1/2
10	46-258799G3	2	CLAMP KNOB	1	CRADLE CLAMP LOCK KNOB, 3/8-16 X 1.5
11	46-258801P1	2	PUSH BLOCK	1	CRADLE CLAMP PUSHER BLOCK, DELRIN
12	46-258802P1	2	RAIL CLAMP	2	SLIDING CRADLE RAIL CLAMP
13	46-258832G1	2	HEAD HOLDER	1	HEAD HOLDER & COIL POSITIONER BASE
14	46-258833P1	2	WASHER	2	1" DIA. .44" HOLE, 1/8" THK, DELRIN
15	46-258824P1	2	HOLDER SHAFT	2	SURFACE COIL HOLDER PIVOT SHAFT
16	46-258825P1	2	COIL HOLDER	2	SURFACE COIL HOLDER, POLYCARBONATE
17	46-258826P1	2	HOLDER CLAMP	2	COIL HOLDER CLAMP PLATE, DELRIN
18	46-258837P1	2	CLAMP KNOB	2	SURFACE COIL CLAMP KNOB, 1/4-20 THRD
19	46-208914P8	2	SCREW, MACH	4	001/4-20 X 1.75 LG SLOT FLAT HD
20	46-208922P21	2	SCREW, MACH	4	001/4-20 X 0.500 NYLON
21	46-208922P20	2	SCREW, MACH	2	00010-24 X 0.500 NYLON
22	46-208943P4	2	NUT, HEX, MS	4	001/4-20 .438 HEX X .186 THK NYLON
23	46-221553P27	2	SCREW, CAP	4	001/4-20 X 1.000 LG HEX SOC HD NYLON
30	46-136246P14	2	TAPE FAST	1.333	2.000 WIDE X 25 YD, WHT, ADH BACK, LOOP
32	46-282819G1	2	FASTENER KIT	1	SURFACE COIL CABLE VELCRO KIT, QUAD

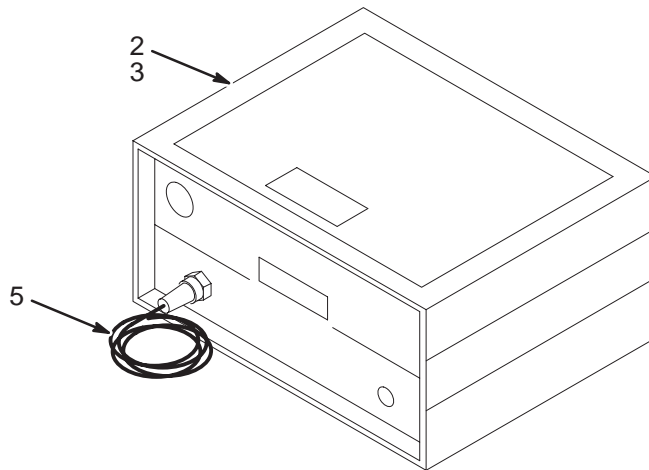
CATALOG M1885E REV 1 1.0T QUAD EXTREMITY KNEE/FOOT COIL

Item	Part Number	FRU	Name	Quantity	Description (Remarks)
2	2225478	N	COIL ASM	1	COIL,MR 1.0T QUAD KNEE/FT (SEE PAGE 11-102)

1.0T QUAD KNEE/FOOT COIL ASM 2225479 FRU N (PART OF M1885E PAGE 11-102)

Item	Part Number	FRU	Name	Quantity	Description (Remarks)
	2225478-7	1	FRU	1	VELCRO/LATCH REPAIR KIT
	2225479-8	1	FRU	1	1.0T EXTREMITY ASM WITH CABLE
	2225479-9	1	FRU	1	1.0T CABLE ONLY
	2225478-10	1	FRU	1	PHANTOM

1.0T AUTO TUNING DEVICE (ATD) II M1885EE

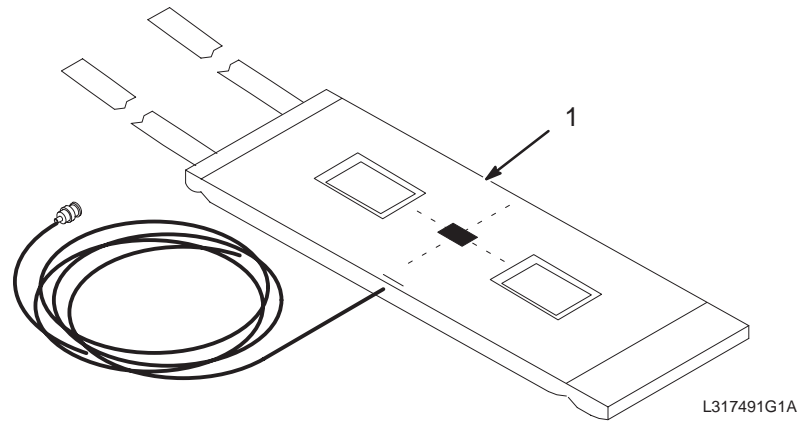


CATALOG M1885EE FRU N 1.0T AUTO TUNING DEVICE (ATD) II COIL

Item	Part Number	FRU	Name	Quantity	Description (Remarks)
2	46-328293P1	1	ATD-II FRU	X	MEDRAD 305000880 AUTO TUNE DEVICE-II
3	2100937-3	2	ATD-II FRU	X	MEDRAD 305000887 1.0T COIL SIMULATOR
5	2100937-8	2	MEDRAD FRU	X	MEDRAD 305001332 KIT, CABLE, ATD-II,

1.0T GENERAL PURPOSE FLEX COIL

M1885GP



CATALOG

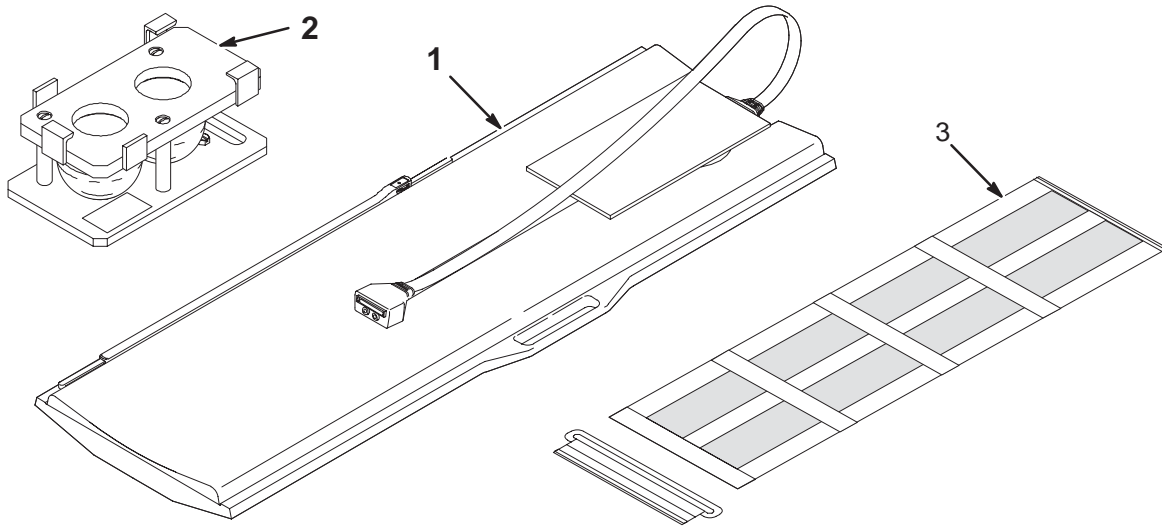
M1885GP FRU N

1.0T GENERAL PURPOSE FLEX COIL

Item	Part Number	FRU	Name	Quantity	Description (Remarks)
1	46-328527G1	1	1.0 FLEX ASM	1	GENERAL PURPOSE FLEXCOIL FOR 1.0T

1.0T PHASED ARRAY PELVIC COIL

M1887AC



CATALOG

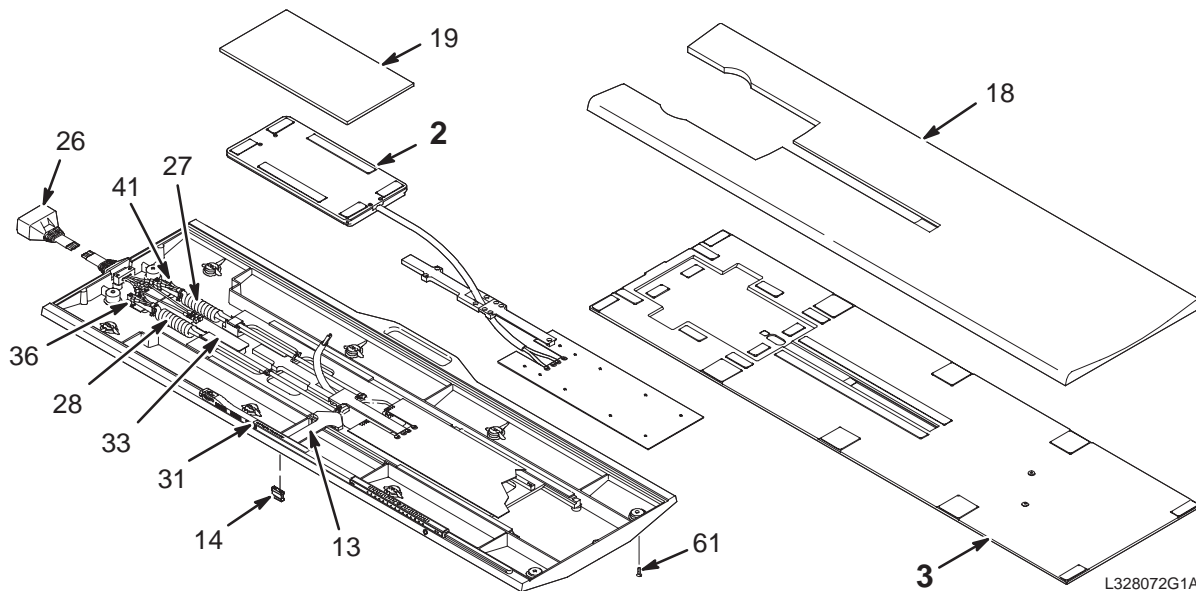
M1887AC FRU N

1.0T PHASED ARRAY PELVIC COIL

Item	Part Number	FRU	Name	Quantity	Description (Remarks)
1	2104800	1	P/U COIL	1	860-940408 1.0T P/U COIL RCV ONLY (SEE PAGE 11-105)
2	46-317626G1	2	P/U PHANTOM	1	PROSTATE/UTERINE PHANTOM ASM (SEE PAGE 11-83)
3	46-306594P1	N	WIDE STRAP	1	ORDER E8802MC FOR REPLACEMENT STRAP

1.0T PROSTATE/UTERINE COIL ASM

2104800



**NOTE:**

Replacement Pelvic Phased Array Coils contain the Dummy Probe Interface Board. It is necessary to remove the Probe Interface Board from your defective Pelvic Phased Array Coil and install it in the replacement Pelvic Phased Array Coil. The Dummy Probe Interface Board can be disposed of or saved.

1.0T P/U COIL ASM

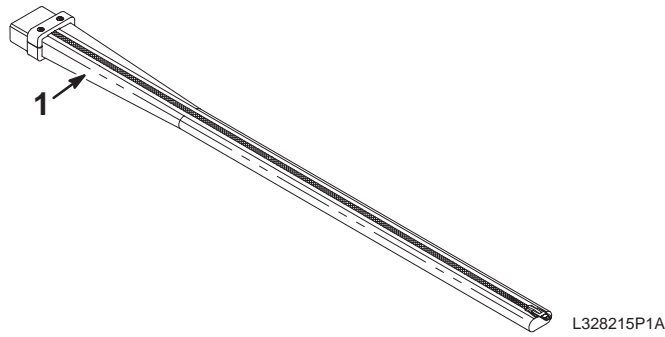
2104800 FRU 1

(PART OF M1887AC PAGE 11-104)

Item	Part Number	FRU	Name	Quantity	Description (Remarks)
2	2106959	N	1.0T CL ENC	1	1.0T PELVIC ENCLOSURE (SEE PAGE 11-106)
3	46-328014G1	N	COVER PLT	1	COVER PLATE ASSEMBLY (SEE PAGE 11-82)
13	46-307992P1	2	ARM	1	SLIDE PLATE ACTUATOR, DELRIN
14	46-307993P1	2	SPACER	1	.79"H X 1"W, 1/4" DELRIN, 6-32 HOLES
18	46-317449P1	2	COMFORT PAD	1	GREY NYLON FABRIC W/VELCRO HOOKS
19	46-317450P1	2	ENCL PAD	1	GREY NYLON FABRIC W/VELCRO HOOKS
26	2135994	2	PELVIC CABLE	1	0.5T/1.0T PELVIC CABLE
27	46-317152P1	2	CABLE ASSEM	1	COILED CABLE, 2-COAX; 16-26, 15-25
28	46-317152P2	2	CABLE ASSEM	1	COILED CABLE, 2-COAX; 14-24, 13-23
31	46-317714P1	2	LABEL	1	"RAISE TABLE SIDE RAILS DURING EXAM"
33	46-288830G1	2	CIRCUIT BD	1	DUMMY INTERFACE BOARD FOR PROBE
36	2106162	2	CIRCUIT BOAR	1	1.0T PELVIC ADJUST
41	46-208758P8	2	STRAP	6	5.50" X .140" SELF-LOCKING CABLE TIE
47	46-230007P5	2	SCREW,MACH	12	6-32 X 3/8" BIND HEAD SLOT, DELRIN
48	46-208921P22	2	SCREW,MACH	12	6-32 X 5/8", BRASS
49	46-230008P9	2	SCREW,MACH	10	4-40 X 5/8" LG FLAT HD, DELRIN
51	46-230008P1	2	SCREW,MACH	4	10-32 X 1/2", DELRIN
52	46-230008P11	2	SCREW,MACH	7	10-32 X 5/8" LG FLAT-HD, DELRIN
54	46-208921P5	2	SCREW,MACH	9	6-32 X 3/8", BRASS
55	46-208921P4	2	SCREW,MACH	2	6-32 X 1/4", BRASS
56	46-208921P6	2	SCREW,MACH	4	6-32 X 1/2", BRASS
57	46-208921P10	2	SCREW,MACH	2	10-32 X 7/8", BRASS
58	46-208913P26	2	SCREW,MACH	4	6-32 X 3/8" LG, SLOT FLAT-HEAD BRASS
59	46-208913P12	2	SCREW,MACH	3	10-32 X 1/2", SLOT FLAT-HEAD, BRASS
60	46-208913P9	2	SCREW,MACH	2	10-32 X 3/4" LG, SLOT FLAT-HD, BRASS
61	46-220184P41	2	SCREW MACH	10	10-32 X 1/2" SLOT ROUND HEAD, BRASS



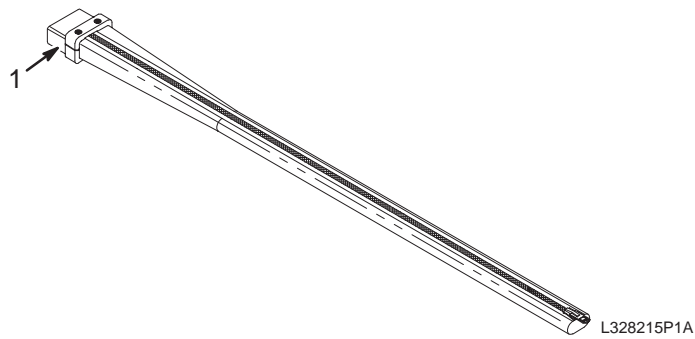
1.0T PHASED ARRAY DUAL-COIL ADAPTER M1887AD



CATALOG M1887AD FRU N 1.0T PHASED ARRAY DUAL COIL ADAPTER

Item	Part Number	FRU	Name	Quantity	Description (Remarks)
1	2102291-3	N	COLLECTOR	1	1.0T SIGNA DUAL ARRAY OPTION (SEE PAGE 11-107)

1.0T DUAL COIL ADAPTER 2102291-3

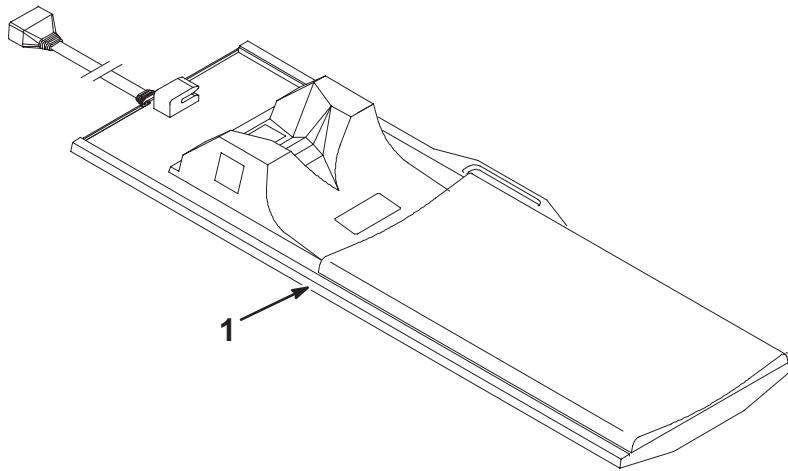


1.0T DUAL COIL ADAPTER 2102291-3 FRU N (PART OF M1887AD PAGE 11-107)

Item	Part Number	FRU	Name	Quantity	Description (Remarks)
1	46-328215P2	1	CONNECTOR	1	1.0T DUAL-COIL CONNECTOR AND SLEEVE

1.0T QUAD CERVICAL THORACIC LUMBAR (CTL) PHASED ARRAY COIL

M1887CT



CATALOG M1887CT FRU N 1.0T QUAD CTL PHASED ARRAY COIL

Item	Part Number	FRU	Name	Quantity	Description (Remarks)
1	2151178-4	1	1.0 QUAD CTL	1	1.0T SIGNA/HORIZON QUAD CTL ARRAY
2	46-328040G6	N	PRE AMP ASM	2	1.0T M/C PREAMP ASM W/MOUNT BLOCK (SEE PAGE 11-115)
3	46-317586G1	1	SPHERE W/SOL	6	4.38", SURFACE COIL, NICKEL CHLORIDE
4	2148283	1	LID U/G KIT	6	LID U/G KIT TO ADD ECCOSORB TO PREAMPLIFIERS
6	2100937-15	2		XXX	QUAD CTL CABLE KIT (FRU)
7	2100937-16	2		XXX	QUAD CTL PHANTOM HOLDER (FRU)
25	2212189	2	PRE AMP MOUN	2	PREAMP SUPPORT ASSEMBLY LPCC W/PA
28	2214665	2	CABLE	1	LPCC PREAMP #1 INPUT SHIELDED CABLE
29	2214665-8	2	CABLE	1	LPCC PREAMP #8 INPUT SHIELDED CABLE
14325	46-208758P3	2	TY-RAP	6	7.31" X .184" SELF-LOCKING CABLE TIE
18120	46-220184P42	2	SCREW	4	BRS SLOTTED RND HD SCR 10-32 X 5/8"
25864	46-208921P7	2	SCREW	4	SCREW

CATALOG M1887CY FRU N 1.0T SIGNA QUAD IMAGING PREAMP KIT

Item	Part Number	FRU	Name	Quantity	Description (Remarks)
2	46-328040G6	N	PRE AMP ASM	2	1.0T M/C PREAMP ASM W/MOUNT BLOCK (SEE PAGE 11-115)
25	2212189	2	PRE AMP MOUN	2	PREAMP SUPPORT ASSEMBLY LPCC W/PA
28	2214665	2	CABLE	1	LPCC PREAMP #1 INPUT SHIELDED CABLE
29	2214665-8	2	CABLE	1	LPCC PREAMP #8 INPUT SHIELDED CABLE
30	2238944	N	DIRECTION	1	SIGNA PRE-AMPLIFIER INSTALLATION
14325	46-208758P3	2	TY-RAP	6	7.31" X .184" SELF-LOCKING CABLE TIE
18120	46-220184P42	2	SCREW	4	BRS SLOTTED RND HD SCR 10-32 X 5/8"
25864	46-208921P7	2	SCREW	4	SCREW

CATALOG

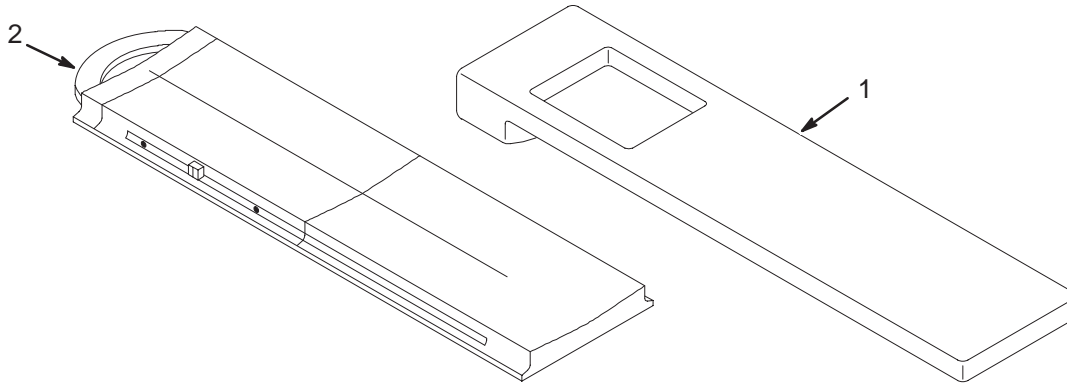
M1887DP FRU N

1.0T DUAL ARRAY SPINE PAD

Item	Part Number	FRU	Name	Quantity	Description (Remarks)
1	2124662	N	COMBIN COIL	1	COMBINATION COIL PAD (SEE PAGE 11-109)

COMBINATION COIL PAD

2124662



COMBINATION COIL PAD

2124662 FRU N

(PART OF M1887DP PAGE 11-109)

Item	Part Number	FRU	Name	Quantity	Description (Remarks)
1	2121425	2	COIL PAD	1	DOW CANVAS PAD #71374-00
2	2121425-2	2	CBL PROTECTR	1	MEDRAD CABLE PROTECTOR W/TEMPLATE,

CATALOG

M1887HW FRU N

1.0T HIGH RESOLUTION WRIST ARRAY COIL

Item	Part Number	FRU	Name	Quantity	Description (Remarks)
1	2293671	N	COIL ASM	1	1.0T HI RES WRIST ARRAY COIL (SEE PAGE 11-109)

1.0T HIGH RES WRIST ARRAY COIL

2293671 FRU N

(PART OF M1887HW PAGE 11-109)

Item	Part Number	FRU	Name	Quantity	Description (Remarks)
1	2293671-2	1	COIL ASM	1	1.0T HI RES WRIST W/BASEPLATE ASM
2	2293670-3	1	COIL ASM	1	WRIST PHANTOM
3	2293670-4	1	COIL ASM	1	PHANTOM HOLDER
4	2293670-5	N	COIL ASM	1	OPERATOR MANUAL
5	2293670-6	N	COIL ASM	1	SERVICE MANUAL
6	2293670-7	N	COIL ASM	1	SMALL WRIST PAD A, PALM R, E8801W
7	2293670-8	N	COIL ASM	1	SMALL WRIST PAD B, BACK, E8801WA
8	2293670-9	N	COIL ASM	1	LARGE WRIST PAD A, PALM R, E8801WB
9	2293670-10	N	COIL ASM	1	LARGE WRIST PAD B, BACK, E8801WC
10	2293670-11	N	COIL ASM	1	BASEPLATE PAD, E8801WD

CATALOG M1887NB FRU N 1.0T NEUROVASCULAR ARRAY COIL W/NEW TOP

Item	Part Number	FRU	Name	Quantity	Description (Remarks)
1	2293669	N	COIL ASM	1	1.0T NV ARRAY W/NEW TOP (SEE PAGE 11-110)

1.0T NV ARRAY W/NEW TOP 2293669 FRU N (PART OF M1887NB PAGE 11-110)

Item	Part Number	FRU	Name	Quantity	Description (Remarks)
2	2293669-2	1	COIL ASM	1	1.0T NEUROVASCULAR ARRAY W/CABLE
3	2293668-3	N	COIL ASM	1	1.5T NEUROVASCULAR ARRAY OP MANUAL
4	2293668-4	N	COIL ASM	1	1.5T NEUROVASCULAR ARRAY SERVICE DIR
5	2293668-5	N	COIL ASM	1	NEUROVASCULAR ARRAY WEDGE PAD
6	2293668-6	N	COIL ASM	1	NEUROVASCULAR ARRAY PAD
7	2293668-7	1	COIL ASM	1	NEUROVASCULAR PHANTOM POSITIONER

CATALOG M1887PW FRU N 1.0T PERIPHERAL VASCULAR PHASED ARRAY COIL

Item	Part Number	FRU	Name	Quantity	Description (Remarks)
1	2285178	N	1.0T COIL	1	1.0T PHASED ARRAY PV COIL (SEE PAGE 11-110)

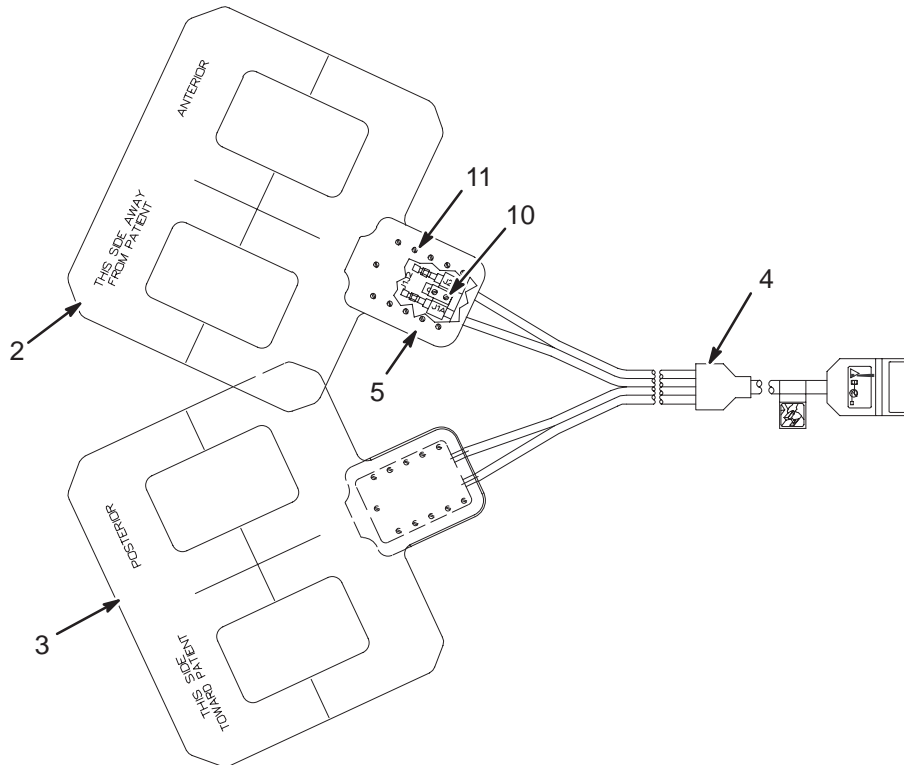
1.0T PV PHASED ARRAY COIL 2285178 FRU N (PART OF M1887PW PAGE 11-110)

Item	Part Number	FRU	Name	Quantity	Description (Remarks)
1	2285178-2	1	1.0T COIL	1	1.0T PA COIL ANTERIOR/POST HALVES
2	2285178-4	1	1.0T COIL	1	1.0T PA VASC PHANTOM STRAP
3	2285178-5	N	1.0T COIL	1	1.0T PA VASC OPERATOR MANUAL
6	2285178-8	N	1.0T COIL	1	1.0T PA VASC RAMP PAD (E8800ZT)
7	2285178-9	N	1.0T COIL	1	1.0T PA VASC FOAM BLOCK (E8800ZY)
8	2285178-10	N	1.0T COIL	1	1.0T PA VASC VELCRO STRAP (E8800ZZ)
9	2285178-11	N	1.0T COIL	1	1.0T PA VASC COMFORT PAD (E8800ZW)
10	2192406-11	N	1.5T COIL	1	1.5T PV COIL—SERVICE MANUAL
11	2192406-6	1	1.5T COIL	1	1.5T PV COIL—SNR PHANTOM
12	2192406-7	1	1.5T COIL	1	1.5T PV COIL—LOADING PHANTOM
13	2192406-9	1	1.5T COIL	1	1.5T PV COIL—PHANTOM POSITIONER SET
14	2285178-12	N	1.0T COIL	1	1.0T PA VASC SERVICE MANUAL

CATALOG M1887TB FRU N 1.0T TORSO PHASED ARRAY COIL

Item	Part Number	FRU	Name	Quantity	Description (Remarks)
1	2215261-2	2	ARRAY	1	TORSO ARRAY ASSEMBLY - 1.0T (SEE PAGE 11-111)
2	2218115	2	PART	1	HEAD END TORSO PAD - ORDER E8802C
3	2213746	2	PART	1	FOOT END CARDIAC/TORSO PAD - ORDER E8802CB
4	2211425	N	STRAP,ADJ.	2	6"W X 60" LONG POLYNAP STRAP - ORDER E8900AE (QTY 2)
100	2218411-100	N	OPERATOR MAN	1	TORSO ARRAY COIL MANUAL
101	2218805	N	DIRECTION	1	SIGNA TORSO PHASED ARRAY COIL

1.0T TORSO ARRAY COIL 2215261-2



1.0T TORSO ARRAY COIL 2215261-2 FRU N (PART 1 OF M1887TB PAGE 11-111)

Item	Part Number	FRU	Name	Quantity	Description (Remarks)
2	2215141-3	1	PART	1	1.0T TORSO ARRAY - ANTERIOR
3	2215141-4	1	PART	1	1.0T TORSO ARRAY - POSTERIOR
4	2215748-3	1	CABEL,ASSY.	1	CABLE ASSEMBLY FOR 1.0T TORSO COIL
5	2223669	2	COVER	2	COVER FOR CARDIAC ARRAY SURFACE COIL
10	46-208922P4	2	SCREW	4	SCREW, .0375" LONG
11	46-230008P14	2	SCREW	22	SCREW

11-9 SIGNA 1.0T UPGRADES

CATALOG M1890PB FRU N 1.0T 2 CHANNEL MULTICOIL FOR 5.5

Item	Part Number	FRU	Name	Quantity	Description (Remarks)
1	46-306974G6	N	SYS CAB KIT	1	1.0T SYS CAB PA2 KIT (SEE PAGE 11-113)
3	46-320990G7	N	MAG ENCL KIT	1	1.0T MAG ENC PA2 KIT (SEE PAGE 11-114)
4	2133922-2	N	FILTER PANEL	1	PLATE ASM. FOR MULTICOIL RETROFIT (SEE PAGE 11-48)
5	46-306978G1	N	CABLE KIT	1	SYSTEM CABLES FOR MULTI-COIL OPTION (SEE PAGE 11-39)

CATALOG M1890PC FRU N 1.0T 4 CHANNEL MULTICOIL FOR 5.5

Item	Part Number	FRU	Name	Quantity	Description (Remarks)
1	46-306974G7	N	SYS CAB KIT	1	1.0T SYS CAB PA4 KIT (SEE PAGE 11-113)
3	46-320990G6	N	MAG ENCL KIT	1	1.0T MULTI-COIL MAGNET ENCLOSURE KIT (SEE PAGE 11-114)
4	2133922-2	N	FILTER PANEL	1	PLATE ASM. FOR MULTICOIL RETROFIT (SEE PAGE 11-48)
5	46-306978G1	N	CABLE KIT	1	SYSTEM CABLES FOR MULTI-COIL OPTION (SEE PAGE 11-39)

CATALOG M1890PF FRU N 1.0T 4 CHANNEL MULTICOIL FOR LX

Item	Part Number	FRU	Name	Quantity	Description (Remarks)
1	2148760-3	N	ASSEMBLY	1	4 CHAN PHASED ARRAY 1.0T (SEE PAGE 11-40)
3	46-320990G6	N	MAG ENCL KIT	1	1.0T MULTI-COIL MAGNET ENCLOSURE KIT (SEE PAGE 11-114)
4	2133922-2	N	FILTER PANEL	1	PLATE ASM. FOR MULTICOIL RETROFIT (SEE PAGE 11-48)
5	46-306978G1	N	CABLE KIT	1	SYSTEM CABLES FOR MULTI-COIL OPTION (SEE PAGE 11-39)

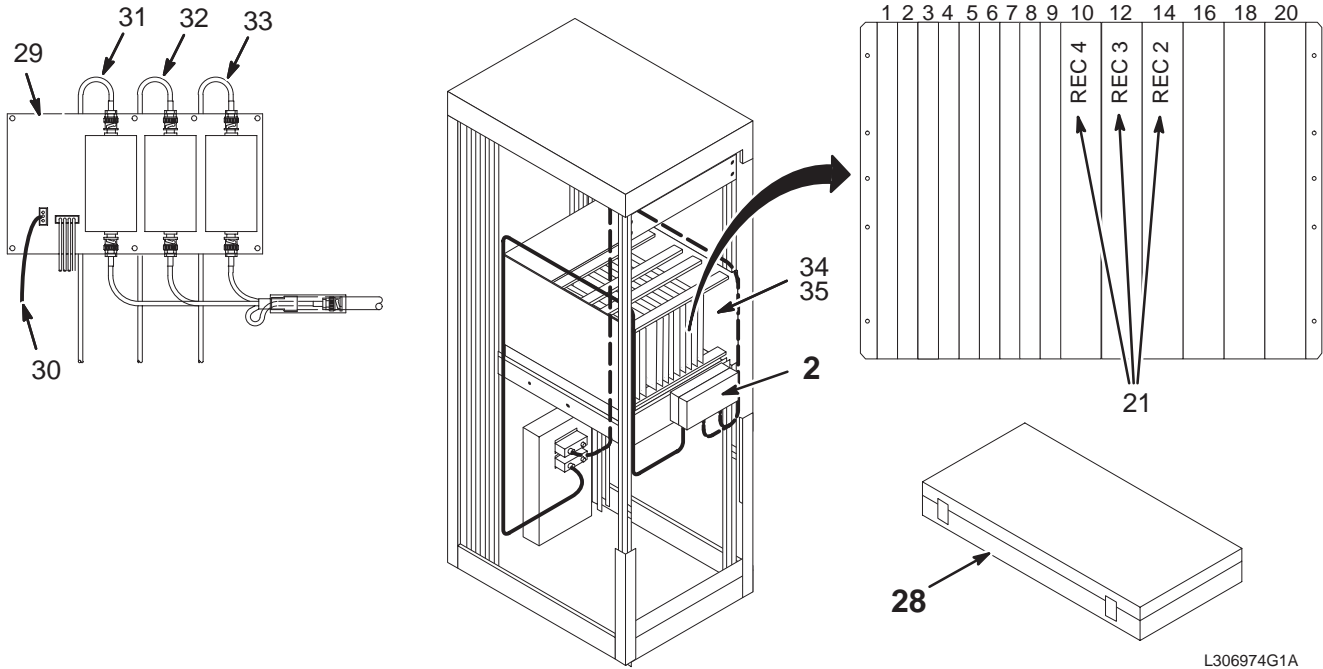
CATALOG M1890PH FRU N 1.0T 4 CHANNEL MULTICOIL FOR PRE-LX

Item	Part Number	FRU	Name	Quantity	Description (Remarks)
3	46-320990G6	N	MAG ENCL KIT	1	1.0T MULTI-COIL MAGNET ENCLOSURE KIT (SEE PAGE 11-114)
4	2133922-2	N	FILTER PANEL	1	PLATE ASM. FOR MULTICOIL RETROFIT (SEE PAGE 11-48)
5	46-306978G1	N	CABLE KIT	1	SYSTEM CABLES FOR MULTI-COIL OPTION (SEE PAGE 11-39)

CATALOG M1890PJ FRU N 1.0T 2 CHANNEL PRE-LX TO 4 CHANNEL MULTICOIL LX

Item	Part Number	FRU	Name	Quantity	Description (Remarks)
3	46-320990G8	N	MAG ENCL KIT	1	1.0T MAG ENC PA2 TO PA4 (SEE PAGE 11-114)

1.0T SYSTEM CABINET KIT FOR MULTI-COIL46-306974G6 & G7



L306974G1A

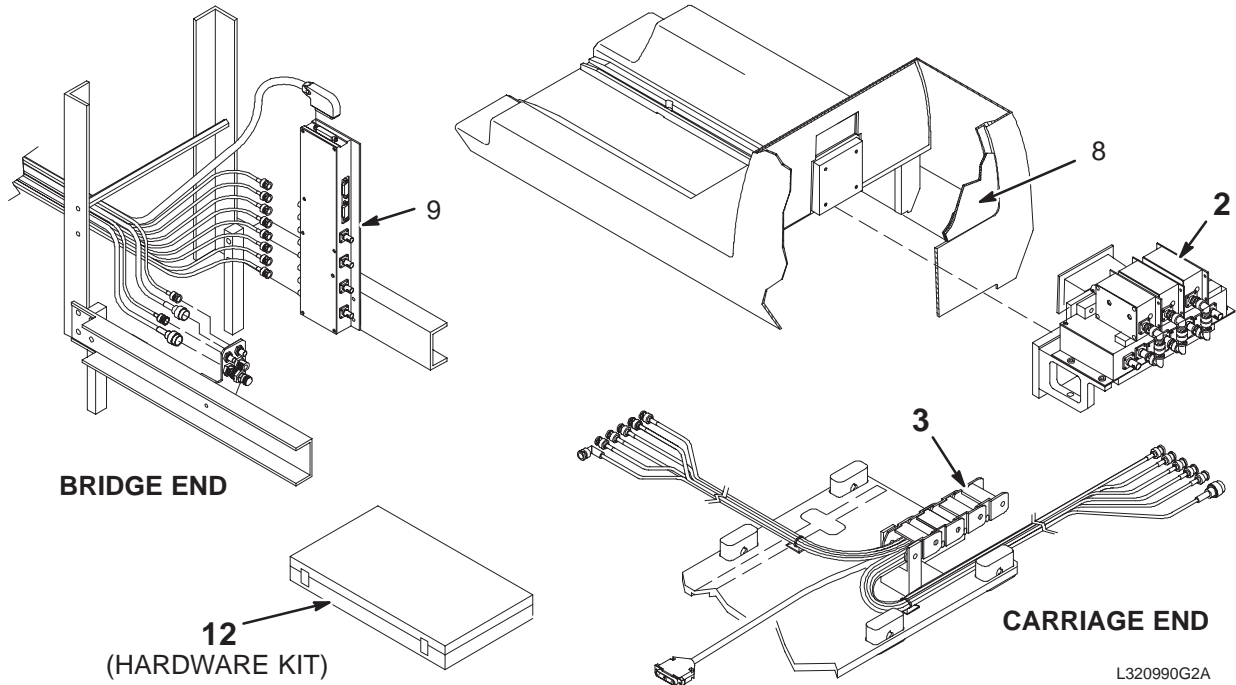
1.0T SYS CAB 2 CHANNEL KIT 46-306974G6 FRU N (PART OF M1890PB PAGE 11-112)

Item	Part Number	FRU	Name	Quantity	Description (Remarks)
2	46-307030G3	N	RF SPLITTER	1	1.5T RF SPLITTER MODULE, MR2-A17 (SEE PAGE 11-42)
21	46-287252G7	1	1.0T RECEIVR	1	1.0T SIGNA HORIZON TPS RECEIVER
28	2113828	N	BOX OF PARTS	1	0.5T SYSTEM CABINET HARDWARE BOX (SEE PAGE 11-43)
29	2114342-5	1	1.0T TNS 3CH	1	1.0T M/C TRANSIENT NOISE FILTER
30	2118110	2	PWR HARNESS	1	TNS POWER INTERCONNECT, 2-WIRE, 42"
31	2118109-3	2	BNC CABLE	1	MR2-A11-J8 TO MR2-A24-A2-A1-J8, 7 FT
32	2118109-4	2	BNC CABLE	1	MR2-A11-J9 TO MR2-A24-A2-A2-J9, 7 FT
33	2118109-5	2	BNC CABLE	1	MR2-A11-J10 TO MR2-A24-A2-A3-J10, 7'
34	46-287066G4	2	COVER AIR	1	9U X 400MM EURO-RACK, 4 SLOTS
35	2142808	2	COVER FRONT	1	COVER FRONT, 9U EUROCARD RACK

1.0T SYS CAB 4 CHANNEL KIT 46-306974G7 FRU N (PART OF M1890PC PAGE 11-112)

Item	Part Number	FRU	Name	Quantity	Description (Remarks)
2	46-307030G3	N	RF SPLITTER	1	1.5T RF SPLITTER MODULE, MR2-A17 (SEE PAGE 11-42)
21	46-287252G7	1	1.0T RECEIVR	3	1.0T SIGNA HORIZON TPS RECEIVER
28	2113828	N	BOX OF PARTS	1	0.5T SYSTEM CABINET HARDWARE BOX (SEE PAGE 11-43)
29	2114342-5	1	1.0T TNS 3CH	1	1.0T M/C TRANSIENT NOISE FILTER
30	2118110	2	PWR HARNESS	1	TNS POWER INTERCONNECT, 2-WIRE, 42"
31	2118109-3	2	BNC CABLE	1	MR2-A11-J8 TO MR2-A24-A2-A1-J8, 7 FT
32	2118109-4	2	BNC CABLE	1	MR2-A11-J9 TO MR2-A24-A2-A2-J9, 7 FT
33	2118109-5	2	BNC CABLE	1	MR2-A11-J10 TO MR2-A24-A2-A3-J10, 7'

1.0T MAGNET ENCLOSURE KIT FOR MULTI-COIL46-320990G6, G7, & G8



**MAG ENCL 4 CHANNEL KIT**      **46-320990G6**    **FRU N**      **(PART OF M1890PC PAGE 11-112)**  
**(PART OF M1890PF PAGE 11-112)**  
**(PART OF M1890PH PAGE 11-112)**

Item	Part Number	FRU	Name	Quantity	Description (Remarks)
2	46-328167G6	N	1.0T PREAMPS	1	1.0T M/C SKINPACK ASM COLLECTOR (SEE PAGE 11-115)
3	46-328071G1	N	CABLE TRACK	1	CABLE TRACK W/MC CABLES PREINSTALLED (SEE PG 11-46)
8	46-317722P1	2	COVER	1	CARRIAGE COVER ACCESS PANEL, VENTED
9	46-288546G2	1	CIRCUIT BD	1	MULTI-COIL SELECT SWITCH MG3-A36
12	2113459	N	BOX OF PARTS	1	MAGNET ENCLOSURE MULTI-COIL PART KIT (SEE PG 11-47)

**MAG ENCL 4 CHANNEL KIT**      **46-320990G7**    **FRU N**      **(PART OF M1890PB PAGE 11-112)**

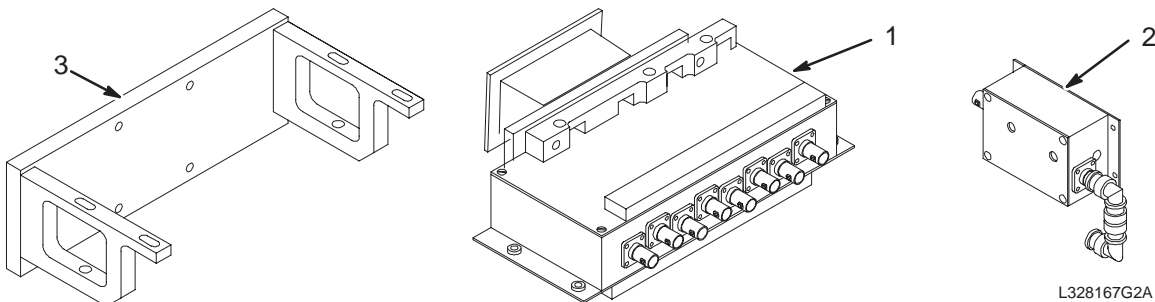
Item	Part Number	FRU	Name	Quantity	Description (Remarks)
2	46-328167G7	N	PREAMP COLL	1	SKINPACK ASSEMBLY COLLECTOR (SEE PAGE 11-115)
3	46-328071G1	N	CABLE TRACK	1	CABLE TRACK W/MC CABLES PREINSTALLED (SEE PG 11-46)
8	46-317722P1	2	COVER	1	CARRIAGE COVER ACCESS PANEL, VENTED
9	46-288546G2	1	CIRCUIT BD	1	MULTI-COIL SELECT SWITCH MG3-A36
12	2113459-2	N	BOX OF PARTS	1	MAGNET ENCLOSURE MULTI-COIL PART KIT (SEE PG 11-47)

**MAG ENC 2 TO 4 CHANNEL KIT**      **46-320990G8**    **FRU N**      **(PART OF M1890PJ PAGE 11-112)**

Item	Part Number	FRU	Name	Quantity	Description (Remarks)
2	46-328040G6	N	PRE AMP ASM	4	1.0T M/C PREAMP ASM W/ MOUNT BLOCK (SEE PAGE 11-115)

1.0T PREAMP ASM

46-328167G6



1.0T 4 CHANNEL PREAMP ASM      46-328167G6    FRU N      (PART OF 46-320990G6 PAGE 11-114)

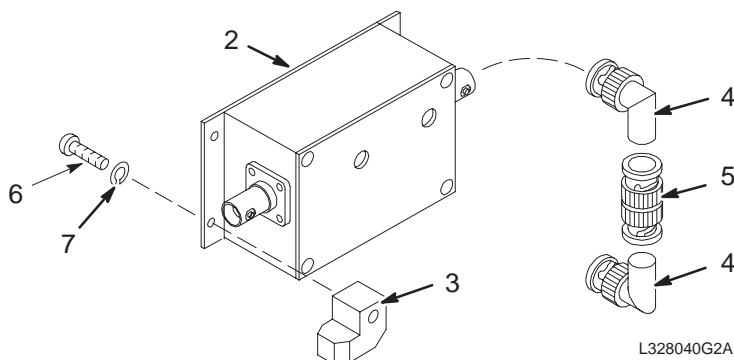
Item	Part Number	FRU	Name	Quantity	Description (Remarks)
1	46-328036G6	1	AMP PROTECT	1	1.0T MULTI-COIL PREAMP PROTECTION
2	46-328040G6	N	PRE AMP ASM	6	1.0T M/C PREAMP ASM W/ MOUNT BLOCK (SEE PAGE 11-115)
3	46-317257G1	2	SUPPORT ASM	1	FOR MULTI-COIL PREAMP/PREAMP-PROTECT

1.0T 2 CHANNEL PREAMP ASM      46-328167G7    FRU N      (PART OF 46-320990G7 PAGE 11-114)

Item	Part Number	FRU	Name	Quantity	Description (Remarks)
1	46-328036G6	1	AMP PROTECT	1	1.0T MULTI-COIL PREAMP PROTECTION
2	46-328040G6	N	PRE AMP ASM	2	1.0T M/C PREAMP ASM W/ MOUNT BLOCK (SEE PAGE 11-115)
3	46-317257G1	2	SUPPORT ASM	1	FOR MULTI-COIL PREAMP/PREAMP-PROTECT

1.0T MULTI-COIL PREAMP W/ANGLE

46-328040G6



1.0T MULTI-COIL PREAMP      46-328040G6    FRU N      (PART OF 46-320990G8 PAGE 11-114)  
 (PART OF 46-328167G6 PAGE 11-115)  
 (PART OF 46-328167G7 PAGE 11-115)  
 (PART OF M1887CT PAGE 11-108)

Item	Part Number	FRU	Name	Quantity	Description (Remarks)
2	46-321338G3	1	PREAMP BOX	1	1.0T PREAMPLIFIER WITH DIODE FIX
3	46-317022P1	2	BLOCK LOCATO	1	MOUNTING FINGER, MOLDED WHITE ACETAL
4	46-233422P1	2	CONNECTOR	2	BNC JACK-PLUG, RIGHT ANGLE ADAPTER.
5	46-220427P2	2	CONNECTOR	1	BNC STRAIGHT PLUG-PLUG ADAPTOR.
6	46-220184P13	2	SCREW	1	BRS SLOTTED RND HD SCR 6-32 X 3/8"
7	46-221449P3	2	WASHER	1	#6 SCREW SIZE (0.138) SILICONE BRONZ

**11-10 ACCESSORY PACKAGES**

The following E-Catalog accessories are available for purchase with M-Catalog Options for Signa Release 5.x and 8.x Systems

**CATALOG E6900CG FRU N MOBILE MOUNTING KIT FOR FLAT PANEL MONITOR**

Item	Part Number	FRU	Name	Quantity	Description (Remarks)
2	2316656	N	PLATE	1	PLATE, MONITOR ADAPTER
3	2318499	N	PART	1	PIVOTHEAD BASE/HEAD 0/90 TILT
4	2318497	N	STAND	1	EXPRESS SERIES MNT FLAT BASE PLT_9"
6	46-328422P23	N	SCREW	3	SCREW COUNTERSUNK HEA M6 X 10 MM
7	2109880-3	N	WASHER	3	WASHER LOCK - SPRING 6.1 MM 11.8 MM
8	46-328426P2	N	NUT	3	NUT HEXAGON_THIN 6 MM

**CATALOG E7014LA FRU N COLOR POSTSCRIPT PRINTER FOR A/W**

Item	Part Number	FRU	Name	Quantity	Description (Remarks)
1	2112346	1	COLOR PRINTR	1	POSTSCRIPT COLOR NETWORK PRINTER

**CATALOG E8001ND FRU N MOD OPTION FOR GENESIS**

Item	Part Number	FRU	Name	Quantity	Description (Remarks)
1	2225979	N	MOD DRIVE KIT	1	MAGNETO-OPTICAL DISK DRV (SEE PAGE 11-116)

**MAGNETO OPTICAL DISK DRIVE KIT 2225979 FRU N (PART OF E8001ND PAGE 11-116)**

Item	Part Number	FRU	Name	Quantity	Description (Remarks)
1	2225923	1	MAGNETO-OPTI	1	MAGNETO-OPTICAL DISK DRIVE
2	2142726	2	MO MEDIA	50	DICOM MAGNETO OPTICAL DISK MEDIA
3	2225975	N	MOD DRIVE IN	1	MAGNETO-OPTICAL DISK DRV (SEE PAGE 11-116)

**MAGNETO OPTICAL DISK DRIVE 2225975 FRU N (PART OF 2225979 PAGE 11-116)**

Item	Part Number	FRU	Name	Quantity	Description (Remarks)
3	46-306624P1	2	BLANK PANEL	1	BLANK FILLER PANEL, OPTICAL DISK
4	46-302200P3	2	RATING PLATE	1	MODIFIED BY KIT, SERIAL #, MODEL#
5	46-208560P48	2	SCREW	2	SCREW
6	46-170012P36	2	NUT	2	6-32 HEX 5/16 NUT THK 7/64, KEPS
7	2233080	N	DIRECTION	1	MAXOPTIX INSTALLATION MANUAL
8	2233570-100	N	OPERATOR MAN	1	ADDENDUM FOR PIONEER REPLACEMENT

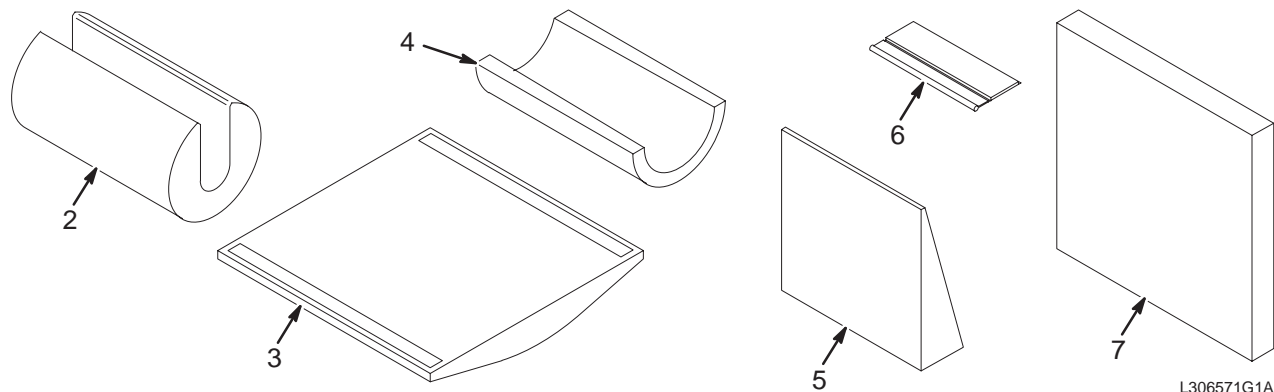
**CATALOG E8801CA FRU N EYE/EAR SURFACE COIL HOLDER**

Item	Part Number	FRU	Name	Quantity	Description (Remarks)
1	46-258800G1	N	POSITIONER	1	SURFACE COIL POSITIONER/HEAD HOLDR (SEE PAGE 11-101)

**CATALOG E8801F FRU N EXTREMITY SURFACE COIL ACCESSORIES**

Item	Part Number	FRU	Name	Quantity	Description (Remarks)
1	46-306571G1	N	CUSHION SET	1	GREY CUSHION SET FOR EXTREMITY COIL (SEE PAGE 11-117)

**EXTREMITY COIL POSITIONING PACKAGE 46-306571G1**



**CUSHION SET 46-306571G1 FRU N**

(PART OF M1085AC PAGE 11-59)  
 (PART OF M1885AC PAGE 11-94)  
 (PART OF E8801F PAGE 11-116)  
 (PART OF E8801M PAGE 11-118)

Item	Part Number	FRU	Name	Quantity	Description (Remarks)
2	46-306579P1	2	FOOT CUSHION	1	GRAY FOAM PAD, 6.6" DIA X 11.25" LG
3	46-306582P1	2	CUSHION	4	15.5X15.5" GRAY CURVED FOAM W/VELCRO
4	46-306580P1	2	KNEE CUSHION	1	GRAY FOAM PAD, 6.6" WIDE X 11.25" LG
5	46-306575P4	N	TRI SPONGE	3	ORDER E8801FD FOR REPLACEMENT SPONGE
6	46-306581P1	2	CUSH LOCATE	8	CUSHION LOCATOR WHITE VINYL W/VELCRO
7	46-306574P1	2	RECTANGL PAD	2	GRAY RECTANGLE PAD, 1.25"X 14" X 14"

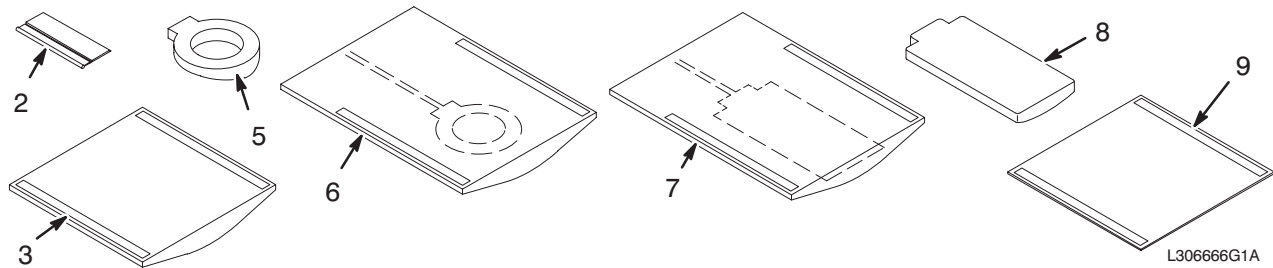
**CATALOG E8801FD FRU 2 FOAM TRIANGLE SPONGE**

Item	Part Number	FRU	Name	Quantity	Description (Remarks)
1	46-306575P4	N	TRI SPONGE	3	ORDER E8801FD FOR REPLACEMENT SPONGE

**CATALOG E8801G FRU N SPINE COIL RESTRAINT SYSTEM**

Item	Part Number	FRU	Name	Quantity	Description (Remarks)
1	46-306666G1	N	SURFACE CL PADS	1	GREY FLAT SURFACE COIL POSITION PADS (SEE PAGE 11-118)

**SPINE SURFACE COIL POSITIONING PACKAGE 46-30666G1**



**SURFACE COIL PADS 46-30666G1 FRU N (PART OF E8801G PAGE 11-117)**

Item	Part Number	FRU	Name	Quantity	Description (Remarks)
2	46-306581P1	2	CUSH LOCATE	10	CUSHION LOCATOR WHITE VINYL W/VELCRO
3	46-307407P1	2	POS CUSHION	2	GRAY PATIENT SUPPORT CUSHION 15 X 15
5	46-307083P1	2	PAD, FILLER	2	GRAY FILLER PAD, 5" ROUND COIL SHAPE
6	46-307085P1	2	CUSH, POSIT	1	GRAY 5" DIA COIL POSITION PAD 15X25"
7	46-307086P1	2	CUSH, POSIT	1	GRAY RECTANGLE COIL MOUNT PAD 21X15"
8	46-307084P1	2	PAD, FILLER	2	GRAY FILLER PAD, RECTANGLE COIL SIZE
9	46-307087P1	2	COVER, COIL	2	WHITE VINYL FABRIC W/VELCRO, 16"X16"

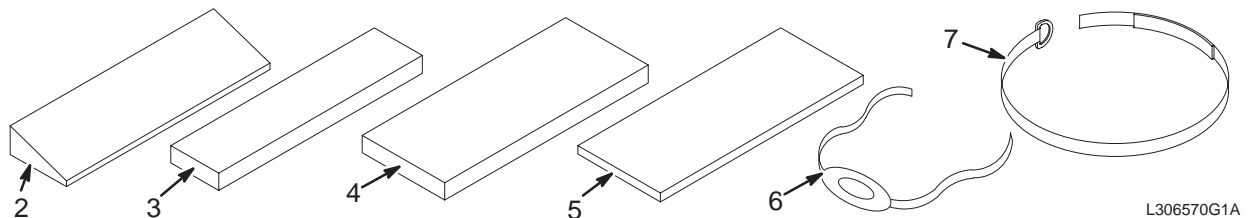
**CATALOG E8801H FRU N QUAD HEAD COIL RESTRAINT SYSTEM**

Item	Part Number	FRU	Name	Quantity	Description (Remarks)
1	46-306570G1	N	HD RESTRAINT	1	HEAD COIL RESTRAINT/PAD SET (E8801M) (SEE PAGE 11-118)
2	46-306578P1	N	HEAD CUSHION	1	ORDER E88101ME FOR REPLACEMENT PAD

**CATALOG E8801M FRU 2 HEAD COIL RESTRAINT/PAD SET**

Item	Part Number	FRU	Name	Quantity	Description (Remarks)
1	46-306570G1	N	HD RESTRAINT	1	HEAD COIL RESTRAINT/PAD SET (E8801M) (SEE PAGE 11-118)

**HEAD RESTRAINT 46-306570G1**



**HEAD RESTRAINT 46-306570G1 FRU N (PART OF M1020BD PAGE 11-9) (PART OF E8801H PAGE 11-118) (PART OF E8801M PAGE 11-118)**

Item	Part Number	FRU	Name	Quantity	Description (Remarks)
2	46-306575P4	N	TRI SPONGE	2	ORDER E8801FD FOR REPLACEMENT SPONGE
3	46-306574P2	2	RECTANGL PAD	2	GRAY RECTANGULAR SPONGE, 1X3X14.5"
4	46-306574P3	N	RECTANGL PAD	2	ORDER E8801MD FOR REPLACEMENT SPONGE
5	46-306574P4	N	RECTANGL PAD	2	ORDER E8801MD FOR REPLACEMENT SPONGE
6	46-306576P1	N	CHIN CUP	1	ORDER E8801MB FOR REPLACEMENT STRAP
7	46-306577P1	N	FOREHD STRAP	2	ORDER E8801MA FOR REPLACEMENT STRAP

REV 14

DIRECTION 2138247

**CATALOG E8801MA FRU 2 FOREHEAD STRAPS**

Item	Part Number	FRU	Name	Quantity	Description (Remarks)
1	46-306577P1	N	FOREHD STRAP	2	ORDER E8801MA FOR REPLACEMENT STRAP

**CATALOG E8801MB FRU 2 CHIN STRAPS**

Item	Part Number	FRU	Name	Quantity	Description (Remarks)
1	46-306576P1	N	CHIN CUP	2	ORDER E8801MB FOR REPLACEMENT STRAP

**CATALOG E8801MD FRU 2 RECTANGULAR SPONGE SET**

Item	Part Number	FRU	Name	Quantity	Description (Remarks)
1	46-306574P3	N	RECTANGL PAD	2	ORDER E8801MD FOR REPLACEMENT SPONGE
2	46-306574P4	N	RECTANGL PAD	2	ORDER E8801MD FOR REPLACEMENT SPONGE

**CATALOG E8801ME FRU 2 QUAD HEAD CUSHION**

Item	Part Number	FRU	Name	Quantity	Description (Remarks)
1	46-306578P1	N	HEAD CUSHION	1	ORDER E88101ME FOR REPLACEMENT PAD

**CATALOG E8801ND FRU 2 RECTANGULAR COIL POSITINING CUSHION**

Item	Part Number	FRU	Name	Quantity	Description (Remarks)
1	46-307084P1	2	PAD, FILLER	1	GRAY FILLER PAD, RECTANGLE COIL SIZE
2	46-307086P1	2	CUSH, POSIT	1	GRAY RECTANGLE COIL MOUNT PAD 21X15"
3	46-307087P1	2	COVER, COIL	1	WHITE VINYL FABRIC W/VELCRO, 16"X16"

**CATALOG E8801PB FRU N GRAY RECTANBULAR PAD**

Item	Part Number	FRU	Name	Quantity	Description (Remarks)
1	46-306574P1	2	RECTANGL PAD	2	GRAY RECTANGLE PAD, 1.25"X 14" X 14"

**CATALOG E8802MC FRU 2 WIDE SECURITY STRAP**

Item	Part Number	FRU	Name	Quantity	Description (Remarks)
1	46-306594P1	N	WIDE STRAP	1	ORDER E8802MC FOR REPLACEMENT STRAP

**CATALOG E8802MD FRU 2 NARROW SECURITY STRAP**

Item	Part Number	FRU	Name	Quantity	Description (Remarks)
1	46-306593P1	N	NARROW STRAP	1	ORDER E8802MD FOR REPLACEMENT STRAP

**CATALOG E8802MG FRU 2 CRADLE PAD**

Item	Part Number	FRU	Name	Quantity	Description (Remarks)
1	46-306582P2	N	CUSHION	1	ORDER E8802MG FOR NEW CRADLE PAD

CATALOG E8802P FRU N PATIENT POSITIONING SPONGE KIT

Item	Part Number	FRU	Name	Quantity	Description (Remarks)
1	46-306572G1	N	POSITION KT	1	PATIENT POSITIONING KIT (E8802P) (SEE PAGE 11-120)

POSITIONING KIT 46-306572G1 FRU N (PART OF M1020BD PAGE 11-9)  
(PART OF E8802P PAGE 11-120)

Item	Part Number	FRU	Name	Quantity	Description (Remarks)
2	46-306574P5	2	RECTANGL PAD	1	GRAY RECTANGULAR SPONGE, 2.5X14X24"
3	46-306574P6	2	RECTANGL PAD	6	GRAY RECTANGULAR SPONGE, .88"X3"X5"
4	46-306575P1	2	TRI SPONGE	2	GRAY TRIANGULAR SPONGE, 3"X10"X10"
5	46-306575P2	2	TRI SPONGE	1	GRAY TRIANGULAR SPONGE, 10"X10"X14"
6	46-306575P3	2	TRI SPONGE	1	GRAY TRIANGULAR SPONGE, 3.78"X8"X10"
8	46-306584P1	2	KNEE REST	1	16X7.5" CHARCOAL GRAY FOAM KNEE REST
9	46-306592P1	2	NECK SPONGE	1	ROUNDED 7.25X3X2.5" GREY NECK SPONGE

CATALOG E8803AF FRU N 1.05 GB EXTERNAL HARD DRIVE FOR A/W

Item	Part Number	FRU	Name	Quantity	Description (Remarks)
1	36007265	1	DISC DRIVE	1	SCSI DISK 3.5" 1.05GB, SUN # X545A

CATALOG E8803AG FRU N 64MB SIMMS MEMORY FOR A/W (SPARC 10 ONLY)

Item	Part Number	FRU	Name	Quantity	Description (Remarks)
1	36007266	N	SIMM PACKAGE	1	USE 46-269548P115 AS 16MB REPLACEMNT

CATALOG E8803AM FRU N MOD DRIVE ARCHIVE FOR A/W

Item	Part Number	FRU	Name	Quantity	Description (Remarks)
1	2111662	N	A.W. ARCHIVE	1	ARCHIVING MOD OPTION FOR AW (SEE PAGE 11-120)

MOD DRIVE ARCHIVE 2111662 FRU N (PART OF E8803AM PAGE 11-120)

Item	Part Number	FRU	Name	Quantity	Description (Remarks)
1	2108048	1	EXTERNAL MOD	1	EXTERNAL MOD DRIVE W/ENCLOSURE
2	2110495	2	CABLE	1	SCSI 1 TO SCSI 2 ADAPTER CABLE
3	2110496	2	CABLE	1	SCSI 1 TO SCSI 1 CABLE, 5.5+/-0.5FT.
4	46-269601P5	1	TERMINATOR	1	"SLICK" CIRCUIT ACTIVE TERMINATOR
5	46-269578P1	N	MAG.OPT.MEDI	1	USE E8001P AS FIELD REPLACEMENT
6	2118476	1	ARCHIVE DISK	1	ADV WINDOWS ARCHIVE SECURITY KEY

CATALOG E8803AY FRU N MONITOR W/INTERNAL MAGNETIC SHIELD - A/W

Item	Part Number	FRU	Name	Quantity	Description (Remarks)
1	2111664	1	MONITOR	1	MAGNETICALLY SHIELDED MONITOR
2	2110497	1	CABLE	1	MONITOR ADAPTOR DB13W3 MALE TO BNC

CATALOG E8803AZ FRU N SCAN CONVERTER/VCR INTERFACE FOR A/W

Item	Part Number	FRU	Name	Quantity	Description (Remarks)
1	2118101	N	VCR I/F KIT	1	SCAN CONVERTER W/MONITOR CABLES (SEE PAGE 11-121)

SCAN CONVERTER W/CABLES 2118101 FRU N (PART OF E8803AZ PAGE 11-121)

Item	Part Number	FRU	Name	Quantity	Description (Remarks)
1	2118102	1	CONVERTER	1	SCAN CONVERTER FOR VCR, NTSC VERSION
2	2110497	1	CABLE	2	MONITOR ADAPTOR DB13W3 MALE TO BNC
4	2118699	1	CABLE	1	MONITOR ADAPTER DB13W3 FEMALE TO BNC

CATALOG E8803BD FRU N OPERATOR'S CONSOLE CHAIR WITH FOOT RING

Item	Part Number	FRU	Name	Quantity	Description (Remarks)
1	46-306635P4	N	CHAIR	1	USE E8803BD AS REPLACEMENT OC CHAIR

CATALOG E8803BE FRU N CONSOLE CHAIR WITH ARM RESTS

Item	Part Number	FRU	Name	Quantity	Description (Remarks)
1	46-306635P3	2	CHAIR	1	CONSOLE CHAIR WITH ARM RESTS-E8803BE

CATALOG E8807AA FRU 2 MR PATIENT LOG BOOK, SET OF SIX

Item	Part Number	FRU	Name	Quantity	Description (Remarks)
1	46-258172G1	N	LOGBOOK	6	ORDER E8807AA FOR PATIENT LOG BOOKS

CATALOG E8811EB FRU 2 FASTENER KIT FOR PATIENT LEADWIRE SET

Item	Part Number	FRU	Name	Quantity	Description (Remarks)
1	46-265845G1	N	FASTENER KIT	1	ORDER E8811EB FOR REPLACEMENT KIT

CATALOG E8811EC FRU N PATIENT ECG LEADWIRE SET

Item	Part Number	FRU	Name	Quantity	Description (Remarks)
1A	2219452	1	PAT. CABLE	1	HIGH IMPEDENCE ECG LEAD KIT
1B	46-306867G1	1	PAT. CABLE	1	PATIENT ECG CABLE ASM (E8811EC)

CATALOG E8811ED FRU 2 CARDIAC/RESPIRATORY BELLOWS ASSEMBLY

Item	Part Number	FRU	Name	Quantity	Description (Remarks)
1	46-265679G1	N	BELLOWS ASM	1	ORDER E8811ED WHEN REPLACING

CATALOG E8811PA FRU N PPG CABLES

Item	Part Number	FRU	Name	Quantity	Description (Remarks)
1	46-317903G1	2	CABLE F. O.	1	FIBER OPTIC PPG CABLE ASM (E8811PA)
2	46-317037P1	2	CLIP	1	PAC RETAINING CLIP FOR PPG CABLE ASM
3	46-317500P4	2	VELCR O HOOKS	2	WHITE 2" X 1" STRIP, ADHESIVE BACK