



GE Medical Systems

**Technical
Publications**

Direction 2317755

Revision 3

**Signa® 1.5T TwinSpeed
Field Replaceable Units (FRU)**

Copyright© 2001 – 2003, 2005 by General Electric Company, Inc.

All Rights Reserved



GE Medical Systems

GE Medical Systems: Telex 3797371
P.O. Box 414, Milwaukee, Wisconsin 53201 U.S.A.
(Asia, Pacific, Latin America, North America)

GE Medical Systems – Europe: Telex 261794
Shortlands, Hammersmith, London W6 8BX U.K.



**COVER
BOTTOM
CROP LINE**

**5/16" RADIUS
CORNER TRIM
TYPICAL**



**COVER
LEFT
CROP LINE**

**COVER
FOLD
LINE** | **(2) CENTER STAPLES
FOR BINDING**

**COVER
RIGHT
CROP LINE**



**5/16" RADIUS
CORNER TRIM
TYPICAL**

**COVER
BOTTOM
CROP LINE**

REVISION HISTORY

REV DATE REASON FOR CHANGE

- 0 Oct 31, 01 Initial Production Release
- 1 Feb 02, 02 General corrections, changes, and omissions &; *Added Magnet Enclosure,Covers & Touch-up Paints, Page 2. Added Octane II Host Computer Page 19.*
- 2 Mar 13, 03 General part & format changes throughout to match current production/compliance &; *Magnet Enclosure,Covers & Touch-up Paints, Page 4. Workspace Scim And Keyboards Page 17. Octane II Host Computer Page 19. Pay close attention to Sections; Octane I & II Host Computers, Pgs. 18 & 19. Added SRFD II Cabinet, Page 25. Changed VAC Sensor parts, Page 27. General part & format changes throughout to match current production/compliance.*
- 3 Dec 30, 05 updated RF Body Coil a dn case part number. Updated OW monitor info. Added alternate TAC vacuum pump module.

SEND COMMENTS ABOUT THIS MANUAL TO:

GE MEDICAL SYSTEMS
MANAGER, SERVICE ENGINEERING
W-808
3200 N. GRANDVIEW BLVD.
WAUKESHA, WISCONSIN 53188
USA

This manual belongs to:

INTRODUCTION TO FIELD REPLACEABLE UNIT (FRU)

This direction is a guide to the FRU's.

Parts designated as a FRU are critical to maintain the safety and/or functionality of the system. FRU's are available on a Priority 1 basis from Service Parts Operation.

As a reference aid, the FRU's are listed under an upper-level part number where they are used. In most cases the upper-level part number is not a FRU. In some cases the parts listed under an upper-level assembly may have been nested in intermediate sub-assemblies which are not shown.

Where possible, FRU's which are part of Option Catalogs are shown under the area where they would be installed, rather than being listed in the Coils or Options Sections (SEE TABLE OF CONTENTS).

LIST OF EFFECTIVE PAGES

<u>PAGE</u>	<u>REV</u>	<u>PAGE</u>	<u>REV</u>	<u>PAGE</u>	<u>REV</u>
Cover Page ..	3	15	3	27 to 29	3
1 to 4	3	16 to 26	2	30 to 36	2
5 to 14	2				

TITLE	PAGE
INTRODUCTION TO FIELD REPLACEABLE UNIT(FRU)	1
MAGNET AND ENCLOSURE (ASSEMBLIES)	4, 5, 6 & 7
MISCELLANEOUS LIST (OF PARTS NOT SHOWN)	4
TRM LIST (OF PARTS NOT SHOWN)	4
FRONT COSMETIC COVER & PARTS (BACK VIEW)	4
ENCLOSURE & VACUUM RELATED PARTS	5
FRONT ENDBELL PARTS	5
REAR ENDBELL ASSEMBLY	5
COIL ASSEMBLY	5
BRIDGE SUPPORT PARTS	5
GRADIENT GASKETS	5
LOW PROFILE CARRIAGE COVER PARTS	6
LONGITUDINAL MOTOR DRIVE PARTS	6
MAGNET DOCKING PARTS	6
REMOTE INTERCOM BOARD	6
BRIDGE PARTS	6
COIL ADAPTERS	6
TOUCH-UP PAINTS	7
PATIENT SUPPORT TABLE	9
CHILLER	11
PENETRATION PANEL	13
OPERATOR WORKSPACE	15
WORKSPACE SCIM AND KEYBOARDS	17
OCTANE HOST COMPUTER	18
OCTANE II HOST COMPUTER	19
OPERATOR WORKSPACE CABINET	21
ACGD/PDU CABINET	23
SRF CABINET	24
SRFD II CABINET	25
SYSTEM CONTROL CABINET	26
ACCESSORY CABINET	27 & 28
MAIN DISCONNECT PANEL	29
ACCESSORIES	29
COILS	30 & 31
OPTIONS	32, 33, & 34

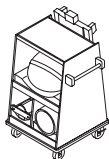
INTRO TO FIELD REPLACEABLE UNIT (FRU), PAGE 1

CHILLER PARTS, PAGE 11

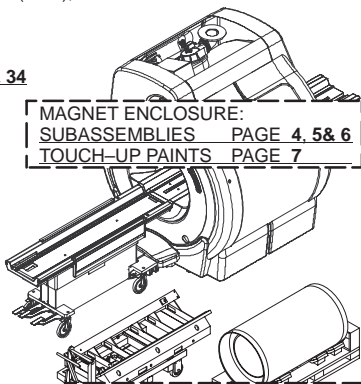
ACCESSORIES, PAGE 29

COILS, PAGE 30& 31

OPTIONS, PAGE 32, 33, & 34



PATIENT SUPPORT TABLE
PAGE 9



MAGNET ENCLOSURE:
SUBASSEMBLIES PAGE 4, 5& 6
TOUCH-UP PAINTS PAGE 7



PENETRATION PANEL
PAGE 13

MAGNET ROOM

OPERATOR ROOM



2219400
MAGNET MONITOR (MSM)



2241999
PATIENT AIR SUPPLY BLOWER CABINET (MG6)

OPERATOR WORKSPACE
PAGE 15

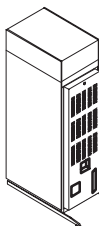
OCTANE HOST COMPUTER
PAGE 18

OR
OCTANE II HOST COMPUTER
PAGE 19

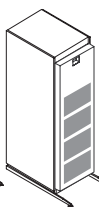
WORKSPACE SCIM AND KEYBOARDS
PAGE 17



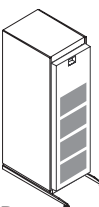
OPERATOR WORKSPACE CABINET
PAGE 21



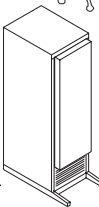
ACGD CABINET
PAGE 23



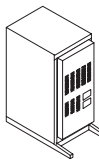
SRF OR
CABINET
PAGE 24



SRFD II
CABINET
PAGE 25



SYSTEM CONTROL CABINET
PAGE 26

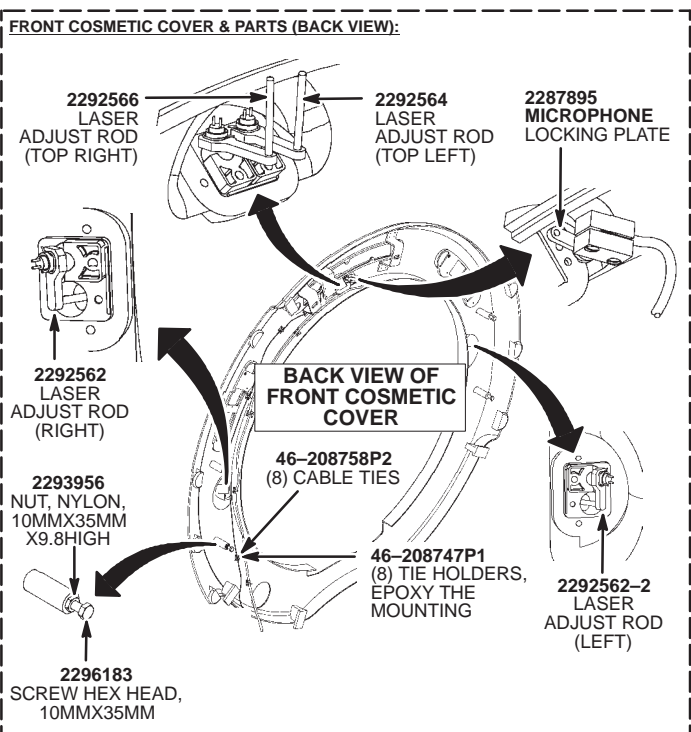


ACCESSORY CABINET
PAGES 27 & 28



MAIN DISCONNECT PANEL
PAGE 29

TABLE OF CONTENTS



TWIN LCC 1.5T FIXED W/TRM & Enclosure related parts **Not Shown**;

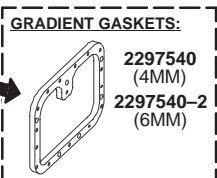
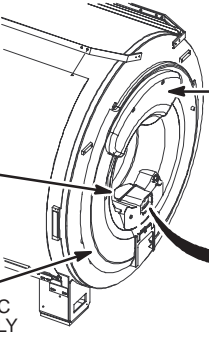
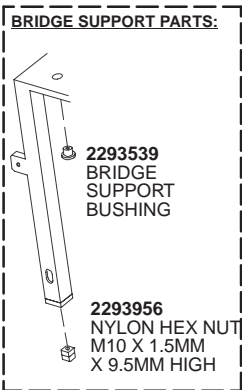
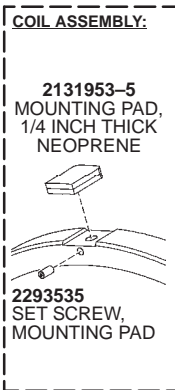
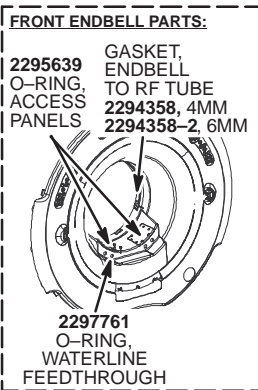
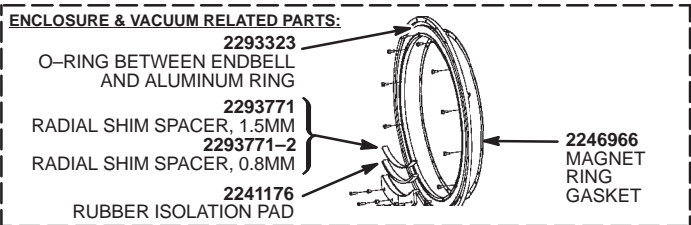
MISCELLANEOUS:

2203803	SPLIT O-RING
2242756	RELIEF VALVE, 3/8 NPT X 7 PSIG, GEN
2299843	MAGNET PRESSURE TRANSDUCER, SUNX DP2-41N
46-294231G1	MAGNET RUNDOWN UNIT
46-294231P1	BUSSMAN, F1, 110VAC .400 GDC
46-264758G1	REMOTE INTERCOM BOARD, MG3 A2 A1

TRM:

2208999-8	RF BODY COIL AND CASE
2299498	COOLING CIRCUIT REPAIR KIT
2303520	DIODE SLOT BOARD

4 MAGNET AND ENCLOSURE (ASSEMBLIES)



NOTE: The following parts are Not Shown.

2297760 VACUUM GREASE, MSDS# 8366442

2297672 GLYCOL, 1 GALLON/3.8 LITERS

LOW PROFILE CARRIAGE COVER PARTS:

46-264442G3
1.5T PREAMPLIFIER WITH DIODE FIX

46-264988G2
1.5T HEAD T/R ASSEMBLY

46-288510G3
1.5T PREAMP PROTECTION ASSEMBLY

COIL ADAPTERS:

2148308-2
1.5T HEAD COIL QUICK DISCONNECT (NORMAL POLARITY)

46-282468G1
1.5T EXTREMITY COIL ADAPTER

46-282468G2
1.5T SURFACE COIL ADAPTER

LONGITUDINAL MOTOR DRIVE PARTS:

46-282361P1
LONGITUDINAL ENCODER, MG3 A6

46-282359P2
GEAR 16 MM

46-282360P1
MOTOR, MG3-A7 (NO LABELS)

MAGNET DOCKING PARTS:

46-282221G1
GEAR-MOTOR AND CLUTCH ASSEMBLY

46-264028G1
DOCK LIMIT SWITCH BOARD, MG2 A31 A1

REMOTE INTERCOM BOARD

46-264758G1
REMOTE INTERCOM BOARD, MG3 A2 A1

BRIDGE PARTS:

2296958
(4) NYLON SCREWS PAN HD 6MMX10MM

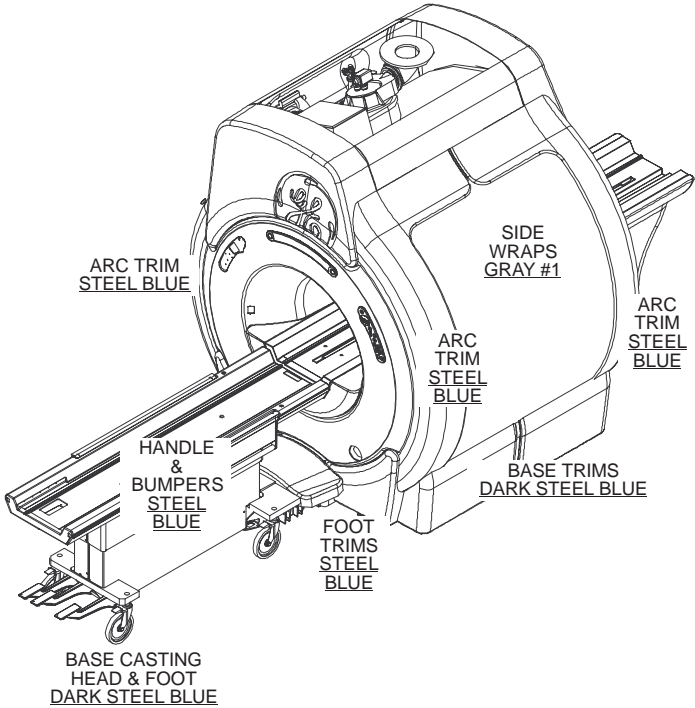
2228718-2
(4) WASHERS FIBERGLASS

46-221523P34
(2) HEYCO PLUG 2734, WHITE DP1187

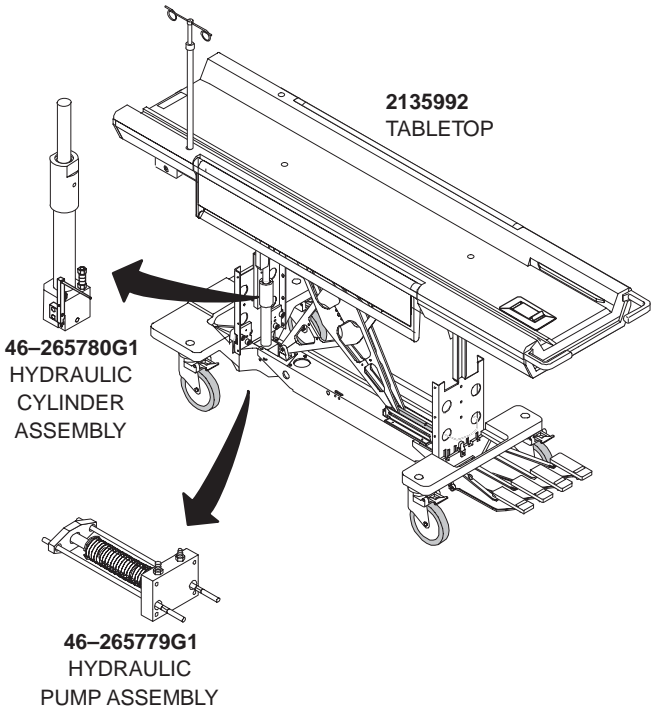
NOTE: The following part is not shown.
2293538 BRIDGE EDGE FOAM

TOUCH-UP PAINTS:

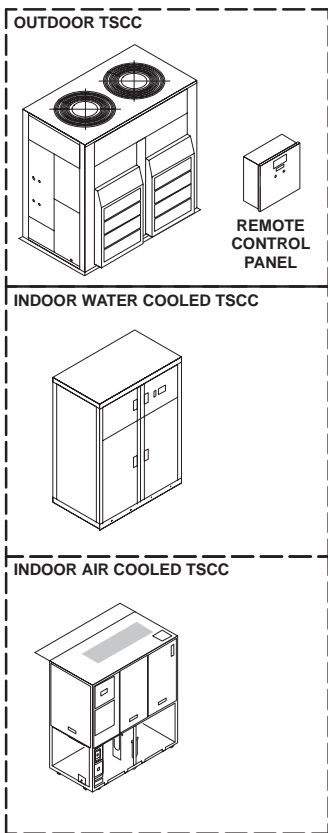
2183491-3	GRAY #1	0.6 OZ. NON-AEROSOL
46-303460P3	STEEL BLUE	0.6 OZ. NON-AEROSOL
46-303460P4	DARK STEEL BLUE	0.6 OZ. NON-AEROSOL



MAGNET AND ENCLOSURE



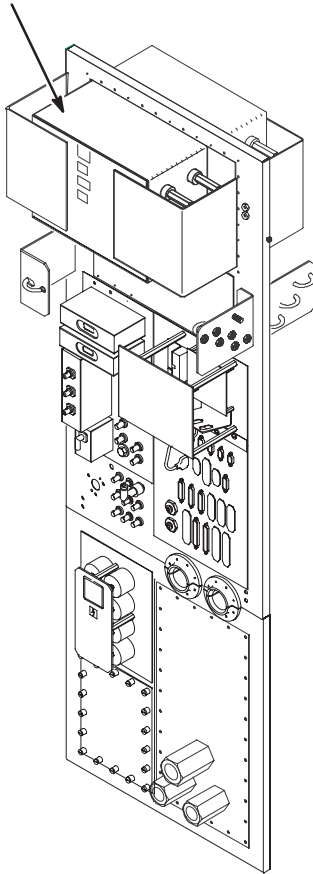
TWIN SYSTEM COOLING CABINET (TSCC);

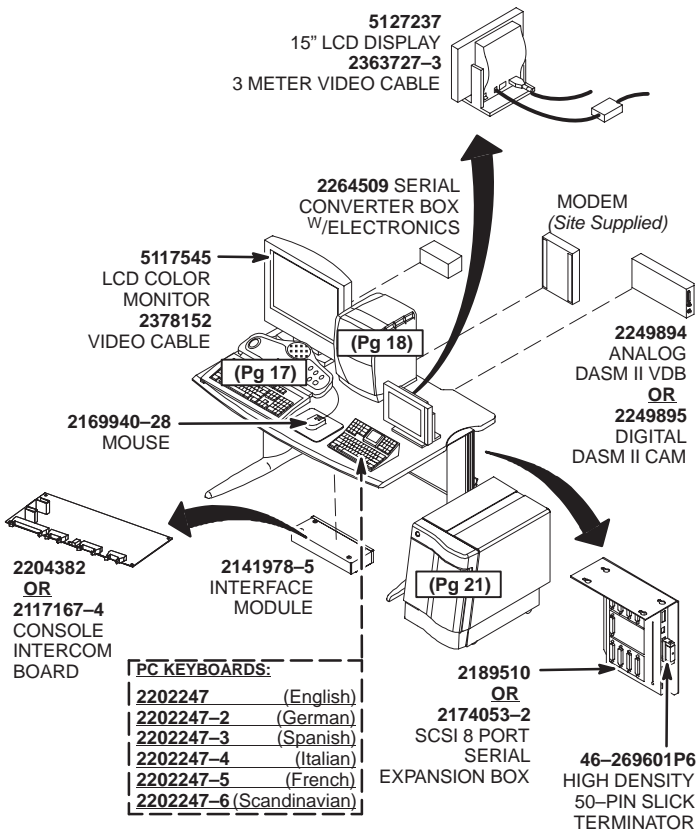


NOTE: The following Chiller Model LTL10 parts are not shown.

2298100-4	HEAT EXCHANGER CABINET
2298100-5	CONTROL PANEL FOR LTL10 ONLY

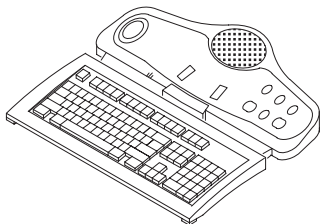
2268040
GRADIENT FILTER
ASSEMBLY





NOTE: The following parts are not shown.

2174053-3	SPARE SERIAL EXPANDER POWER SUPPLY
2156158-27	S/W COLLECTOR 9.0 M3
2256092-3	SIGNA HORIZON LX IRIX 6.5 OS
2274462	8.3 M5 PATCH CD-ROM
2160200-5	CPD MODULE
2209991	ECHOSPEED OPTION MEDIA
2213962-4	POWER SUPPLY FOR NEC2010 MONITOR
2150533-2	CABLE, NEC2010 MONITOR (821/798) OW1A15/OW1A2A3

LATEST VERSIONS:**KEYBOARDS ONLY:**

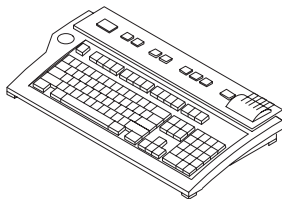
- 2275756 (English)
- *2275756-2 (French)
- *2275756-3 (German)
- *2275756-4 (Scandinavian)
- *2275756-5 (Italian)
- *2275756-6 (Portuguese)
- *2275756-7 (Spanish)

*** NOTE:**

These types of Keyboard/SCIM Assemblies were not available at the time this book was released, see below for earlier types.

NOTE: The following parts are Not Shown.

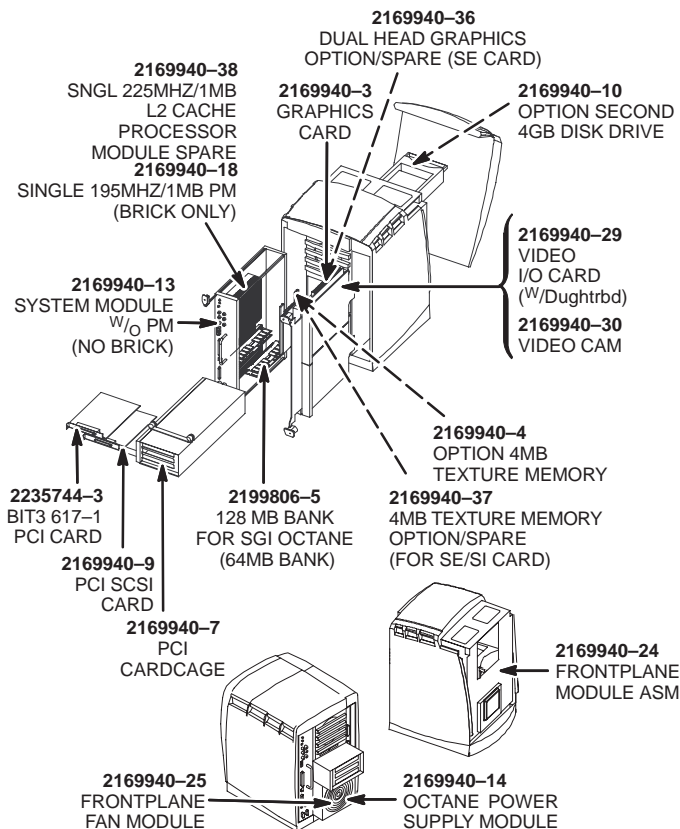
2262158-9	CABLE, 50 PIN SCIM KEYBOARD
2289697-2	SCIM ^W /ENGLISH OVERLAY
2289697-8	MR SCIM GLOBAL OVERLAY SET

EARLY VERSIONS:**KEYBOARDS ONLY:**

- 2114561-19 (English)
- 2114561-28 (French)
- 2114561-31 (German)
- 2114561-34 (Scandinavian)
- 2114561-43 (Italian)
- 2114561-44 (Portuguese)
- 2114561-45 (Spanish)

NOTE: The following part is Not Shown.

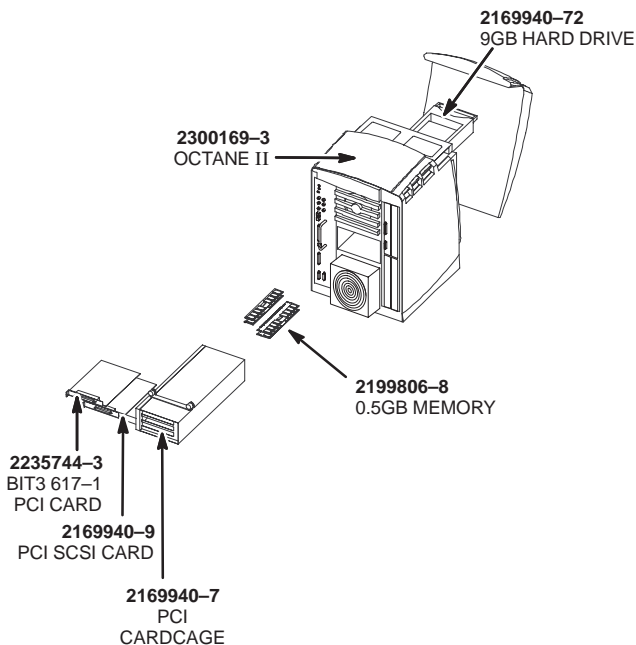
2114561-46	CABLE, LX SCSI LONG CABLE
------------	---------------------------



NOTE: The following parts are **Not Shown**.

2169940-78	18GB DISK DRIVE
2169940-32	SPARE LIGHTBAR ASSEMBLY
2169940-33	SGI MICROPHONE
2295019	CABLE, VGA (LCD MONITOR) to 13W3-DB15 RGB
2256485	CABLE, 3BNC-F to HD15 RGB (CRT MONITOR)
2169940-6	OPTION SINGLE 128MB MEMORY MODULE
2306872	COLOR LCD (HOST) MONITOR
2235744-4	IMAGE TRANSFER-HOST BOARD

-WARNING-
DO NOT INTERCHANGE FRU
PARTS BETWEEN OCTANE I
AND OCTANE II COMPUTERS.



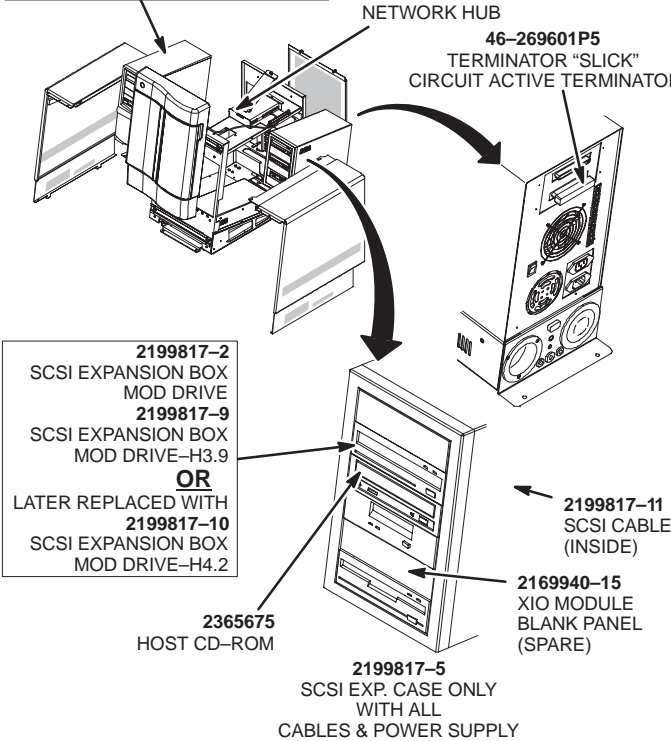
NOTE: The following parts are Not Shown.

2169940-78	18GB DISK DRIVE
2169940-32	SPARE LIGHTBAR ASSEMBLY
2169940-33	SGI MICROPHONE
2295019	CABLE, VGA (MONITOR) to 13W3 (OCTANE or INDIGO2)
2306872	LCD MONITOR

2284297 BOOT FLOPPY
OR
 2192746-3 PC WORKSTATION LX3
 BASE SYSTEM W/2192746-4 S/W
OR
 2192746 PC WORKSTATION LX2
 PC WORKSTATION W/MOD

2189511
 8 PORT 10 BASE T
 NETWORK HUB

46-269601P5
 TERMINATOR "SLICK"
 CIRCUIT ACTIVE TERMINATOR



2199817-2
 SCSI EXPANSION BOX
 MOD DRIVE
2199817-9
 SCSI EXPANSION BOX
 MOD DRIVE-H3.9
OR
 LATER REPLACED WITH
2199817-10
 SCSI EXPANSION BOX
 MOD DRIVE-H4.2

2365675
 HOST CD-ROM

2199817-11
 SCSI CABLE
 (INSIDE)

2169940-15
 XIO MODULE
 BLANK PANEL
 (SPARE)

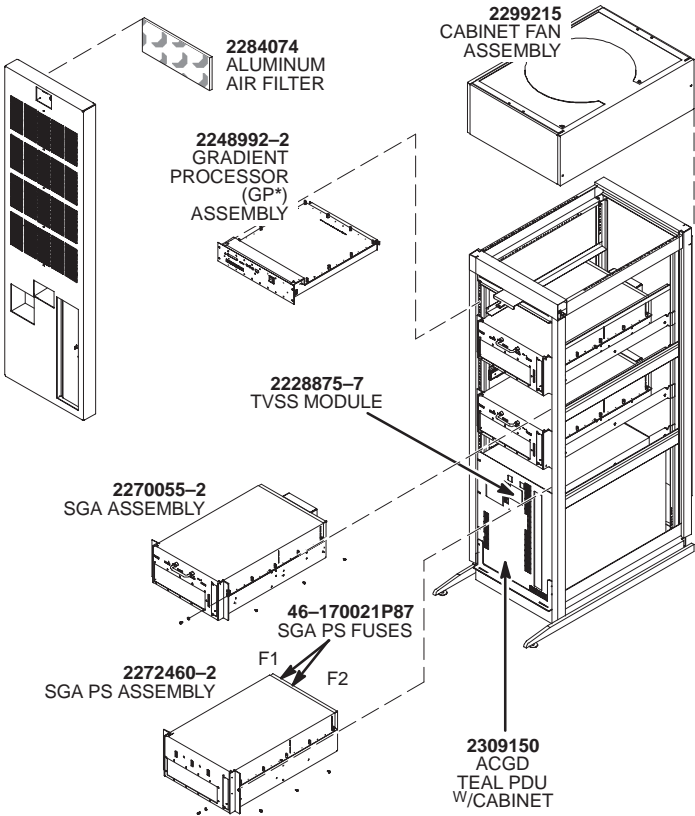
2199817-5
 SCSI EXP. CASE ONLY
 WITH ALL
 CABLES & POWER SUPPLY

NOTE: The following parts are Not Shown.

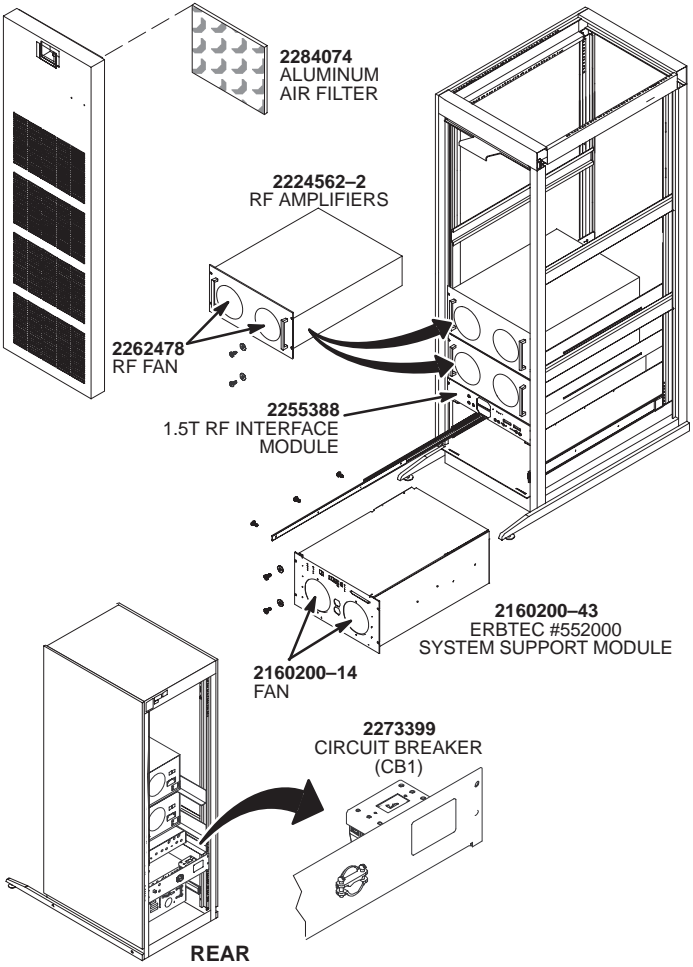
2169940-21	XIO CONNECTOR PROTECTIVE CAP
2169940-32	LIGHTBAR MODULE ASM
2169940-33	SGI MICROPHONE
2199817-7	ALT. SCSI EXPANSION BOX HOST CD-ROM

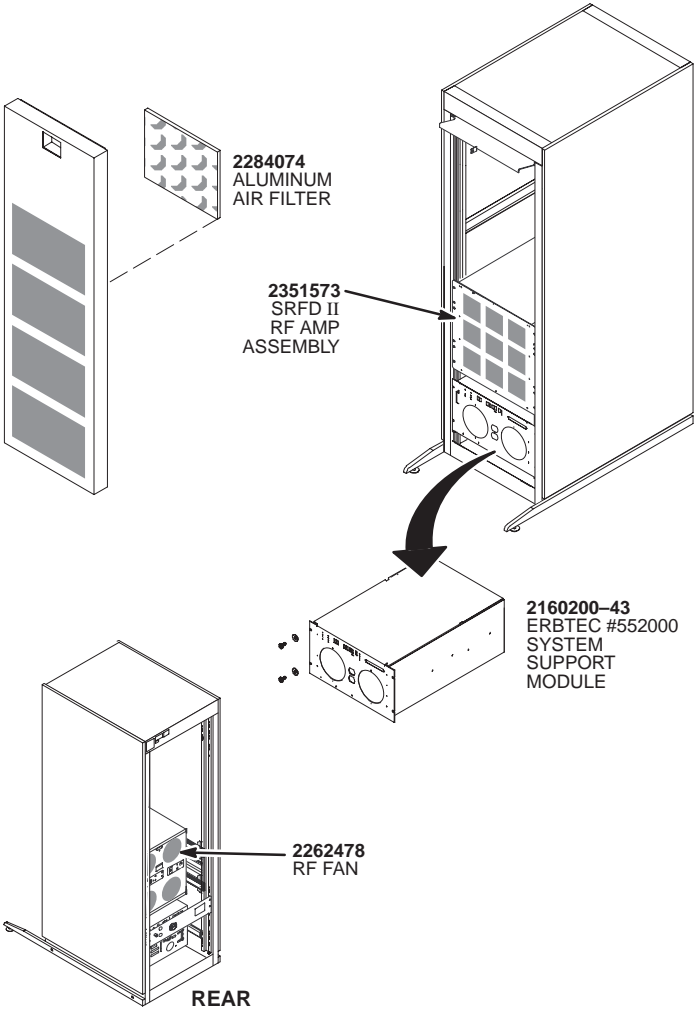
ACGD/PDU CABINET ASSEMBLY W/SGA/SGAPS/GP*:

*** NOTE WHEN ORDERING GP ASSEMBLY:**
 ORDER GP2, 2248992, IF YOU HAVE 9.0, 9.1, OR 10X S/W.
 ORDER GP1, 2248992-2, ONLY IF YOU HAVE 8X, OR ASP S/W.



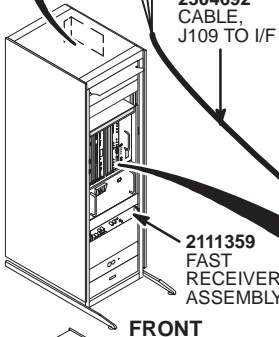
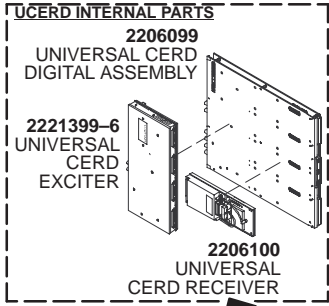
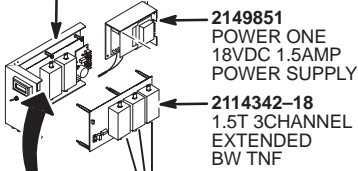
NOTE: The following Part is Not Shown.
 2261124-4 ACGD GRADIENT DATA PDL DOCUMENT





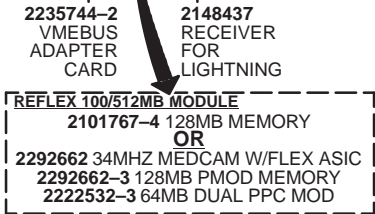
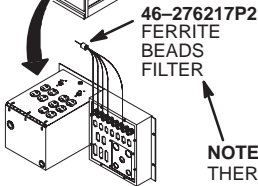
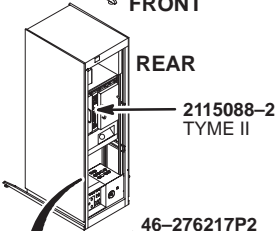
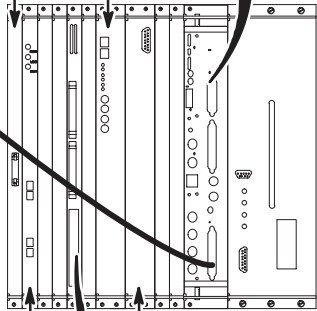
SRFD II CABINET

2114342-25
1.5T 2CHANNEL
EXTENDED BW TNF
W/CABLES

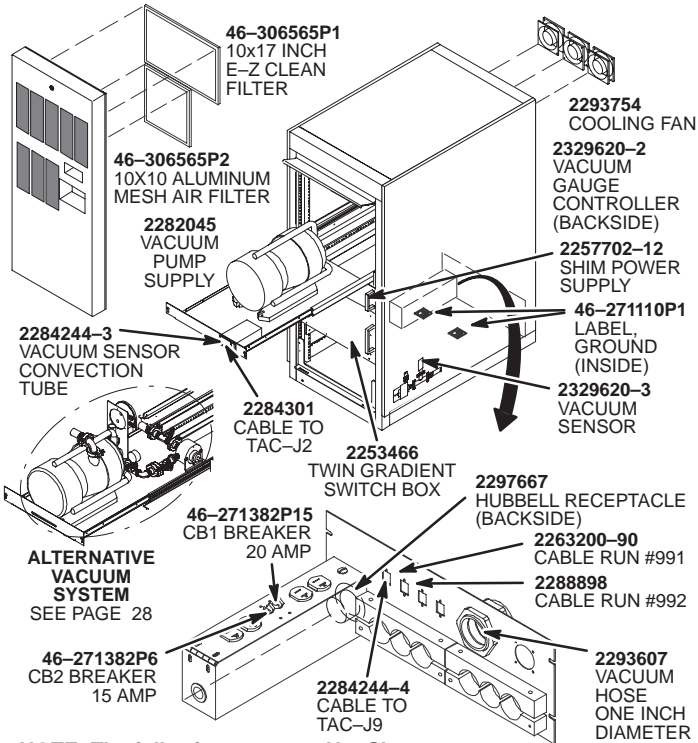


2100968-2
TPS MVME 162
SINGLE BD
CONTROLLER

2160818-7
IPG2 SUN STYLE
FRONT PANEL



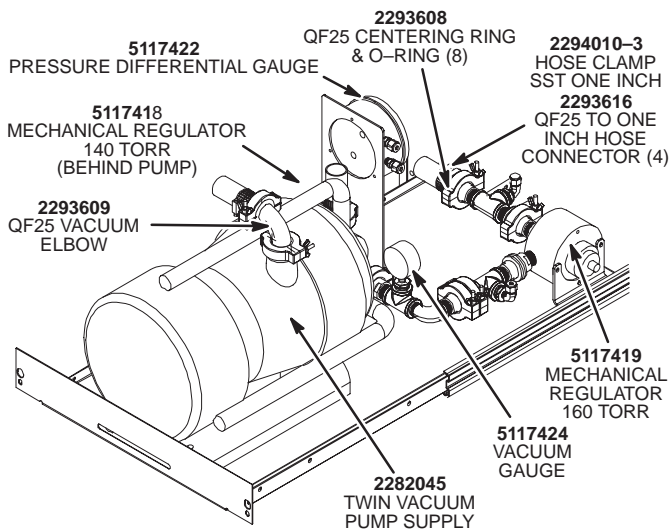
NOTE - FERRITE FILTER 46-276217P2 :
THERE ARE TWO FERRITE FILTERS ON
THE FIVE CABLES THAT RUN TO/FROM
I/F PANEL AND TNF ASSEMBLY.



NOTE: The following parts are Not Shown.

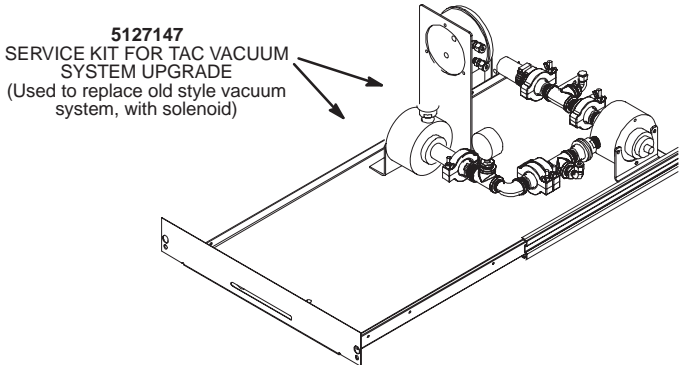
46-208758P3	CABLE TIE, SELF LOCKING, 50LB STRENGTH
2263200-93	CABLE RUN #990
2282045-2	TIP SEAL KIT
2293608	QF25 CENTERING RING & O-RING
2293608-2	QF16 CENTERING RING & O-RING
2293609	QF25 VACUUM ELBOW
2293616	QF25 ADAPTER TO ONE INCH HOSE
2293617	VACUUM REDUCING 'T'
2293618	QF16 CLAMP
2293618-2	QF25 CHAIN CLAMP
2294010-3	HOSE CLAMP, SST ONE INCH
2297760	VACUUM GREASE, MSDS# 8366442
2329620-4	VACUUM GAUGE CABLE

ACCESSORY CABINET



NOTE: The following parts are Not Shown.

2282045-2	VACUUM PUMP TIP SEAL KIT
5118818	CLAMP NW 20-25
2297760	VACUUM GREASE, MSDS# 8366442



TAC VACUUM SYSTEM

MAIN DISCONNECT PANEL:**NOTE:**

Refer to the Directions on CD-2160623 (Signa Service Methods) for additional product information.

LOCATION	AMPS	VOLTS	GEMS PART NUMBER	MANUFACTURER	
				BUSS	G-S
FUSE F1	1.25	480	2276547-2	SNQ-R-1-1/4	ATQR1-1/4
FUSE F2	3	120	2276547-3	FNQ-R-3	ATQR3
FUSE F3	1	12VDC	2276547-8	LP-CC-1	ATDR1
FUSE F4	0.12	480	2276547-9	SNQ-R-8	ATQR1/8
FUSE F5	125	480		LPJ125	AJT125
FUSE F6	50	480		LPJ-50	AJT50
FUSE F7	20	480	2276547-7	LPJ-20	AJT20
FUSE F8	5	480		FRS-R-5	TRS5R
FUSE F9	8	400	2276547-6	FRS-R-8	TRS8R
FUSE F10	10	120	2276547-11	FNQ-R-10	ATQR10
FUSE F11	10	120	2276547-11	FNQ-R-10	ATQR10

2276547-14 12 VDC BATTERY

2276547-16 12 VDC SUPPLY

ACCESSORIES:

The following E-Catalog accessories are available for purchase with M-Catalog Options.

COLOR POSTSCRIPT PRINTER FOR AW E7014LA
2112346 POSTSCRIPT COLOR NETWORK PRINTER

1.5T VOLUME NECK PA COIL E8800PJ
2254930-2 COIL,FRU,VOL NECK PA 1.5T
2254930-3 ANTERIOR BRIDGE
2254930-4 CABLE ASM
2254930-5 ADAPTER BLOCK

PATIENT ECG LEADWIRE SET E8811EC
2219452 HIGH IMPEDENCE ECG LEAD KIT
46-306867G1 PATIENT ECG CABLE ASM (E8811EC)

REVISION 2	DIRECTION 2317755
1.5T MNS PHOS FLEX COIL	M1040PH
2219090	MNS P31 COIL ASM.
2241998	QUICK DISCONNECT BOX W/CABLE TRAP
46-317287G7	COAXIAL CABLE, 32"
1.5T EXTREMITY SURFACE COIL	M1085AC
46-265442G1	COIL, CYLINDRICAL
46-317278P1	CABLE ASM.
1.5T ANTERIOR NECK COIL	M1085AK
46-287396P10	MEDIUM SURFACE COIL
1.5T POSTERIOR CERVICAL SPINE COIL	M1085AM
46-287807P12	MEDRAD NECK COIL
1.5T SHOULDER COIL	M1085AN
46-301058P9	MEDRAD SURFACE COIL
1.5T QUADRATURE T/L SPINE COIL	M1085AP
46-307387P10	MEDRAD COIL W/POSITIONER
1.5T QUADRATURE CERVICAL SPINE COIL	M1085AR
46-320422P1	COIL W/CABLE
1.5T BODY FLEX COIL	M1085BE
46-328215P1	DUAL-COIL CONNECTOR AND SLEEVE
2151291	ANTERIOR COIL W/CABLE
2151291-2	POSTERIOR COIL W/CABLE
1.5T BILATERAL BREAST COIL	M1085BR
46-320785P3	MEDRAD BREAST COIL W/O CABLE
46-320765P2	CABLE TO HEAD PORT
46-320756P2	PA CABLE
1.5T QUAD EXTREMITY KNEE/FOOT COIL	M1085E
2225478-7	VELCRO STRAP/LATCH
2225478-8	COIL ASM.
2225478-9	CABLE ASM.
2225478-10	PHANTOM
1.5T GENERAL PURPOSE FLEX COIL	M1085GR
2128554	COIL ASM.
2128557	CABLE KIT
1.5T NEUROVASCULAR HEAD/NECK COIL	M1085HN
2118138-5	COIL ASM.
1.5T PA KNEE COIL	M1087AA
46-320406P1	COIL ASM.
1.5T OPEN BREAST COIL	M1087BT
2246360	BREAST COIL
2246360-3	CABLE ASM.
1.5T CARDIAC PHASED ARRAY IMAGING OPTION	M1087CA
2174499	CARDIAC ARRAY
2189499	COIL ASM. - ANTERIOR
2189499-2	COIL ASM. - POSTERIOR
2215748	CABLE ASM.
1.5T CTL COIL	M1087CT
2104799	CTL MULTICOIL ASM.
1.5T PA TR KNEE/FOOT IMAGING OPTION	M1087E
2293674-2	COIL W/CABLE
2293674-8	CABLE
2293674-3	PHANTOM
2293674-5	PHANTOM POSITIONER

COILS CONTINUED ON NEXT PAGE.

COILS CONTINUED FROM PREVIOUS PAGE.

1.5T HIGH RES WRIST ARRAY	M1087HW
2293670-2	HIGH RES WRIST ARRAY W/BASEPLATE ASM.	
2293670-3	WRIST PHANTOM	
2293670-4	PHANTOM HOLDER	
1.5T NEUROVASCULAR ARRAY COIL	M1087N
2225476-2	COIL ASM.	
2225476-3	CABLE ASM.	
2225476-6	COIL LATCHES	
2225476-6	PHANTOM POSITIONER	
1.5T NEUROVASCULAR ARRAY COIL W/ NEW TOP	M1087NB
2293668-2	COIL W/CABLE	
2225476-3	CABLE ASM.	
2225476-6	COIL LATCHES	
2293668-7	PHANTOM POSITIONER	
1.5T PHASED ARRAY PELVIC COIL	M1087PA
2144100-2	PELVIC COIL	
46-307821G1	CABLE ASM.	
2144806	PHASE ADJUST	
1.5T CARDIAC PERIPHERAL VASCULAR COIL	M1087PR
2293676-2	CVNV PV ARRAY COIL	
2293676-3	CABLE ASM.	
2293676-4	PHANTOM	
2192406-7	LOADING PHANTOM	
2293676-6	PHANTOM POSITIONER	
2285178-4	PHANTOM STRAP	
1.5T PERIPHERAL VASCULAR ARRAY COIL	M1087PW
2192406-2	CABLE ASM	
2192406-12	COIL ASM.	
2192406-5	PIN DIODES	
2192406-6	SNR PHANTOM	
2192406-7	LOADING PHANTOM	
2192406-9	PHANTOM POSITIONER	
1.5T SHOULDER PHASED ARRAY COIL	M1087SH
2100937-17	MEDRAD ANTERIOR COIL W/CABLE	
2100937-18	MEDRAD ANTERIOR CABLE ASM.	
2100937-19	MEDRAD POSTERIOR COIL W/CABLE	
2100937-20	MEDRAD POSTERIOR CABLE ASM.	
1.5T SHOULDER ARRAY COIL	M1087SD
2225252-7	SMALL COIL ASM.	
2225252-6	LARGE COIL ASM.	
1.5T CTL SPINE ARRAY COIL	M1087SP
2225545-6	COIL W/CABLE & BRIDGE	
2225545-2	CABLE ASM.	
2225545-8	ANTERIOR NECK COIL ASM.	
2225545-9	ADAPTER BLOCK	
1.5T TORSO ARRAY COIL	M1087TB
2215261	COIL	
2215748-2	CABLE ASM.	
1.5T TORSO PELVIS COIL	M1087TP
2298043-2	COIL ASM.	
2298043-3	CABLE ASM.	
2298043-4	PHANTOM	
2298043-5	PHANTOM POSITIONER	

OPTIONS:

NOTE: Where possible, a FRU which is part of Option Catalog is shown under the area where it would be installed, rather than being listed in this section.

SIGNA REV. 9.0 M4 APPLICATIONS S/W	
2156158-28	9.0 M4 S/W COLLECTOR	
SIGNA REV. 9.0 3rd PATCH CD	
2327548-3	9.0 3rd PATCH CD	
SCANTOOLS 2000 UPGRADE	M1033J
2254691	SCANTOOLS 2000 UPGRADE	
IDRIVE PRO 2000	M1033JA
2253724	IDRIVE PRO 2000	
SMARTPREP2000	M1033JB
2254639	SMARTPREP 2000	
MULTI-NUCLEAR SPECTROSCOPY	M1033JC
2254697	MULTINUCLEAR SPECTRO	
PROBE2000	M1033JD
2254641	PROBE2000	
2152220	MRS HEAD SPHERE W/ SOLUTION	
SR20 ECHOPLUS OPTION KEY	M1033JE
2224221	SR20 ECHO PLUS OPTION MOD S/W	
SCANTOOLS 2000	M1033JF
2254688	SCANTOOLS 2000	
SMARTPREP2000 UPDATE	M1033JH
2254640	SMARTPREP 2000 UPDATE	
PROBE2000	M1033JJ
2254642	PROBE2000 UPGRADE	
FUNCTOOL2000	M1033JK
2210338	LX FUNCTOOLS OPTION S/W	
LX TOOLS	M1033JL
2254693	LX TOOLS	
2209595	INTERACTIVE VASCULAR S/W	
1.5T 100 KHZ CERD UPGRADE	M1033JM
2101901-12	1.5T CERD RF RECEIVER ASM.	
1.0T 100 KHZ CERD UPGRADE	M1033JN
2101901-11	1.0T CERD RF RECEIVER ASM.	
1.5T +/- 125 KHZ RECEIVER UPGRADE	M1033JP
2101901-12	1.5T CERD RF RECEIVER ASM.	
1.5T AUTO TUNING DEVICE II	M1085EE
46-317599P1	AUTOMATIC TUNING DEVICE FOR SIGNA 1.5T INTRA-CAVITY SURFACE COILS	
1.5T AUTO TUNING DEVICE III	M1087AT
46-328534G2	REPLACEMENT 1.5T ATD III & I/F BD	
46-328131P2	MEDRAD 305003589 ATD III BOARD	
1.5T PHASED ARRAY DUAL-COIL ADAPTER	M1087DA
46-328215P1	1.5T DUAL-COIL CONNECTOR AND SLEEVE	

OPTIONS CONTINUED ON NEXT PAGE.

OPTIONS CONTINUED FROM PREVIOUS PAGE.

CONNECTPRO		M1090AD
2230238	CONNECTPRO S/W OPTION	
2239103	HISPATCH MEDIA S/W	
CARDIAC OPTION KEY		M1090CR
2220154	CARDIAC OPTION MOD S/W	
LX UPGRADE OPTIONS EUROPE/ASIA		M1090KS
2227959	LX UPGRADES OPTION MOD	
FUNCTOOL FOR ADVANTAGE WINDOWS		M1090KZ
2186642	FUNCTOOL S/W SET	
2186643	FUNCTOOL SECURITY FLOPPY KEY	
FAST GRADIENT ECHO		M1090LA
2209588	FAST GRAD OPTION S/W	
FAST SPIN ECHO AND FLAIR		M1090LB
2209589	FASTSPIN ECHO & FLAIR S/W	
ECHO PLANAR IMAGING		M1090LC
2209590	ECHO PLANAR IMAGING S/W	
PROACTIVE SERVICE		M1090LD
2162035	PROACTIVE SERVICE DISKETTE OPTION KEY	
PHASE CONTRAST VASCULAR		M1090LF
2209592	PHASE CONTRAST VASCLR S/W	
CINE		M1090LG
2209593	CINE OPTION S/W	
TIME OF FLIGHT		M1090LH
2209594	TIME OF FLIGHT	
INTERACTIVE VASCULAR IMAGING		M1090LJ
2209595	INTERACTIVE VASCULAR S/W	
SPECTROSCOPY/PROBE		M1090LK
2209596	SPECTROSCOPY/PROBE S/W	
2152220	MRS HEAD SPHERE WITH SOLUTION	
3D SURFACE / VOXTOOL		M1090LL
2209597	3D SURFACE/VOXTOOL S/W	
RESEARCH		M1090LM
2209598	RESEARCH OPTION S/W	
RESEARCH PSD		M1090LN
2209599	RESEARCH PSD OPTION S/W	
8.x ECHOPLUS		M1090LP
2209994	LX ECHOPLUS S/W OPTION	
8.x SS-FSE		M1090LR
2209995	LX SS-FSE OPTION	
EPI-1		M1090LS
2113167	ECHO PLANAR IMAGING OPTION KEY	
SMARTPREP		M1090LT
2209996	LX SMARTPREP OPTION S/W	
2217265	SIGNA HORIZON LX SMART PATCH	
ECHO PLUS		M1090LW
2178309	ECHO PLUS S/W OPTION TAPE	

OPTIONS CONTINUED ON NEXT PAGE.

FASTPACK		M1090LY
2178310	FASTPACK S/W OPTION	
FASTRACK		M1090LZ
2178311	FASTRACK S/W OPTION	
8.x S/W WITH MS/MA – NON-Z VERSION		M1090MW
2209601	NON-Z W MULTI-SLICE S/W	
8.x CLARIVIEW		M1090MZ
2209997	LX CLARIVIEW OPTION S/W	
FUNCTOOL		M1090NN
2210338	LX FUNCTOOLS OPTION S/W	
CLARIVIEW IMAGE FILTERING		M1090PN
2203037	AW1.2 CLARIVIEW FLOPPY ASM.	
2203038	AW2.0 CLARIVIEW FLOPPY ASM.	
2203039	SECURITY KEY FLOPPY ASM.	
CONNECTPRO		M1090PL
2210339	LX CONNECPRO OPTION S/W	
1.0T/1.5T RECON PROCESSOR UPGRADE TO QUAD I860		M1090RT
2101767-8	16MB DUAL CE NODE	
1.0T/1.5T ACQUISITION MEMORY KIT-128MB		M1090RW
2101767-4	MEDCAM VMX 128 MB MEMORY BOARD	
BAR CODE READER KIT		
2180690-2	READER ONLY	
2180690-3	Y CABLE ONLY	

