



GE Medical Systems

Technical Publications

Direction 2138247

Revision 15

Signa® Illustrated Parts List (Releases 5.x, 8.x, 9.x, and 11.x)

**Copyright© 1995 – 2006, 2010 by General Electric Company, Inc.
All Rights Reserved**

Operating Documentation

DAMAGE IN TRANSPORTATION

All packages should be closely examined at time of delivery. If damage is apparent, have notation “**damage in shipment**” written on **all** copies of the freight or express bill **before** delivery is accepted or “signed for” by a General Electric representative or a hospital receiving agent. Whether noted or concealed, damage **MUST** be reported to the carrier **immediately** upon discovery, or in any event, within **14** days after receipt, and the contents and containers held for inspection by the carrier. A transportation company will not pay a claim for damage if an inspection is not requested within this **14** day period.

File a report with

- Call 1–800–548–3366. Select “Install Support Services for FOA and MIS”.
- Contact your local service coordinator for more information on this process.

Rev. 08/15/2003



GE Medical Systems

GE Medical Systems: Telex 3797371
P.O. Box 414, Milwaukee, Wisconsin 53201 U.S.A.
(Asia, Pacific, Latin America, North America)

GE Medical Systems — Europe: Telex 261794
Shortlands, Hammersmith, London W6 8BX U.K.

WARNING

- THIS SERVICE MANUAL IS AVAILABLE IN ENGLISH ONLY.
- IF A CUSTOMER'S SERVICE PROVIDER REQUIRES A LANGUAGE OTHER THAN ENGLISH, IT IS THE CUSTOMER'S RESPONSIBILITY TO PROVIDE TRANSLATION SERVICES.
- DO NOT ATTEMPT TO SERVICE THE EQUIPMENT UNLESS THIS SERVICE MANUAL HAS BEEN CONSULTED AND IS UNDERSTOOD.
- FAILURE TO HEED THIS WARNING MAY RESULT IN INJURY TO THE SERVICE PROVIDER, OPERATOR OR PATIENT FROM ELECTRIC SHOCK, MECHANICAL OR OTHER HAZARDS.

AVERTISSEMENT

- CE MANUEL DE MAINTENANCE N'EST DISPONIBLE QU'EN ANGLAIS.
- SI LE TECHNICIEN DU CLIENT A BESOIN DE CE MANUEL DANS UNE AUTRE LANGUE QUE L'ANGLAIS, C'EST AU CLIENT QU'IL INCOMBE DE LE FAIRE TRADUIRE.
- NE PAS TENTER D'INTERVENTION SUR LES ÉQUIPEMENTS TANT QUE LE MANUEL SERVICE N'A PAS ÉTÉ CONSULTÉ ET COMPRIS.
- LE NON-RESPECT DE CET AVERTISSEMENT PEUT ENTRAÎNER CHEZ LE TECHNICIEN, L'OPÉRATEUR OU LE PATIENT DES BLESSURES DUES À DES DANGERS ÉLECTRIQUES, MÉCANIQUES OU AUTRES.

WARNUNG

- DIESES KUNDENDIENST-HANDBUCH EXISTIERT NUR IN ENGLISCHER SPRACHE.
- FALLS EIN FREMDER KUNDENDIENST EINE ANDERE SPRACHE BENÖTIGT, IST ES AUFGABE DES KUNDEN FÜR EINE ENTSPRECHENDE ÜBERSETZUNG ZU SORGEN.
- VERSUCHEN SIE NICHT, DAS GERÄT ZU REPARIEREN, BEVOR DIESES KUNDENDIENST-HANDBUCH ZU RATE GEZOGEN UND VERSTANDEN WURDE.
- WIRD DIESE WARNUNG NICHT BEACHTET, SO KANN ES ZU VERLETZUNGEN DES KUNDENDIENSTTECHNIKERS, DES BEDIENERS ODER DES PATIENTEN DURCH ELEKTRISCHE SCHLÄGE, MECHANISCHE ODER SONSTIGE GEFAHREN KOMMEN.

AVISO

- ESTE MANUAL DE SERVICIO SÓLO EXISTE EN INGLÉS.
- SI ALGÚN PROVEEDOR DE SERVICIOS AJENO A GEMS SOLICITA UN IDIOMA QUE NO SEA EL INGLÉS, ES RESPONSABILIDAD DEL CLIENTE OFRECER UN SERVICIO DE TRADUCCIÓN.
- NO SE DEBERÁ DAR SERVICIO TÉCNICO AL EQUIPO, SIN HABER CONSULTADO Y COMPRENDIDO ESTE MANUAL DE SERVICIO.
- LA NO OBSERVANCIA DEL PRESENTE AVISO PUEDE DAR LUGAR A QUE EL PROVEEDOR DE SERVICIOS, EL OPERADOR O EL PACIENTE SUFRAN LESIONES PROVOCADAS POR CAUSAS ELÉCTRICAS, MECÁNICAS O DE OTRA NATURALEZA.

ATENÇÃO

- ESTE MANUAL DE ASSISTÊNCIA TÉCNICA SÓ SE ENCONTRA DISPONÍVEL EM INGLÊS.
- SE QUALQUER OUTRO SERVIÇO DE ASSISTÊNCIA TÉCNICA, QUE NÃO A GEMS, SOLICITAR ESTES MANUAIS NOUTRO IDIOMA, É DA RESPONSABILIDADE DO CLIENTE FORNECER OS SERVIÇOS DE TRADUÇÃO.
- NÃO TENTE REPARAR O EQUIPAMENTO SEM TER CONSULTADO E COMPREENDIDO ESTE MANUAL DE ASSISTÊNCIA TÉCNICA.
- O NÃO CUMPRIMENTO DESTE AVISO PODE POR EM PERIGO A SEGURANÇA DO TÉCNICO, OPERADOR OU PACIENTE DEVIDO A' CHOQUES ELÉTRICOS, MECÂNICOS OU OUTROS.

AVVERTENZA

- IL PRESENTE MANUALE DI MANUTENZIONE È DISPONIBILE SOLTANTO IN INGLESE.
- SE UN ADDETTO ALLA MANUTENZIONE ESTERNO ALLA GEMS RICHIEDE IL MANUALE IN UNA LINGUA DIVERSA, IL CLIENTE È TENUTO A PROVVEDERE DIRETTAMENTE ALLA TRADUZIONE.
- SI PROCEDA ALLA MANUTENZIONE DELL'APPARECCHIATURA SOLO DOPO AVER CONSULTATO IL PRESENTE MANUALE ED AVERNE COMPRESO IL CONTENUTO.
- NON TENERE CONTO DELLA PRESENTE AVVERTENZA POTREBBE FAR COMPIERE OPERAZIONI DA CUI DERIVINO LESIONI ALL'ADDETTO ALLA MANUTENZIONE, ALL'UTILIZZATORE ED AL PAZIENTE PER FOLGORAZIONE ELETTRICA, PER URTI MECCANICI OD ALTRI RISCHI.

警告

- ・このサービスマニュアルには英語版しかありません。
- ・GEMS以外でサービスを担当される業者が英語以外の言語を要求される場合、翻訳作業はその業者の責任で行うものとさせていただきます。
- ・このサービスマニュアルを熟読し理解せずに、装置のサービスを行わないで下さい。
- ・この警告に従わない場合、サービスを担当される方、操作員あるいは患者さんが、感電や機械的又はその他の危険により負傷する可能性があります。

注意:

- 本维修手册仅存有英文本。
- 非 GEMS 公司的维修员要求非英文本的维修手册时，客户需自行负责翻译。
- 未详细阅读和完全了解本手册之前，不得进行维修。
- 忽略本注意事项会对维修员，操作员或病人造成触电，机械伤害或其他伤害。

REVISION HISTORY

REV	DATE	PRIMARY REASON FOR CHANGE
0	Jul., 1995	Initial release for pre-production systems.
1	Oct. 23, 1995	Removed information that is now provided on Rev 1 of MR CD-ROM <i>Direction 2124201</i> , <i>MR Release 5.x Service Methods</i> . Changed the title of this Direction to reflect those procedures which are not provided on the MR CD-ROM yet (Release 5.5 renewal parts, and EPI calibration).
2	May, 24, 1996	Removed Tab 1 Calibration information. These procedures are now found on MR CD-ROM <i>Direction 2124201</i> .
3	Feb. 14, 1997	Changed manual title from Supplemental Service Methods to Renewal Parts. Added sections 3 and 7. Revised all sections to include new LX information. Added True Mobile, Relocatable and Transportable catalogs and related parts information. Added and expanded section 11 with new LX options. Section 9 was divided and the GRAM information, 9A, was moved to new section 12. New section 13, Operator Workspace, was added. Calibration tab and information was removed.
4	Aug. 24, 1997	Added Cx Magnet Enclosure, SGD Gradient Cabinet, and RF/PEN II catalog information in Section 1, along with other changes. Added Cx Magnet Enclosure parts information to Section 2. Added revised part changes to Section 8, System Cabinet. Added SGD Hi-Slew Gradient information to Section 9. Added RF/PEN II Cabinet information to Section 10. Revised and added parts in Section 13, Operator Workspace. Also made general corrections and changes in other parts of the manual.
5	Jun 12, 1998	Section 1 – Added Octane computer catalog information along with other changes and additions. Section 2 – Added parts and other update information via CQA referrals. Section 3 – Updated Patient Table information to reflect latest configuration. Section 9 – Added SGD Base Gradient Cabinet information. Section 11 – Updated Accessories and Options to include latest product offerings and other changes and revisions. Section 13 – Added Octane Computer information and updated Indigo computer area to reflect latest revisions and additions.
6	Sep 30, 1998	Changed the name of the manual to Signa Renewal Parts Release 5.x and 8.x to encompass new CVMR and other future product lines. Section 1 – Added LCC and CVMR catalog information. Section 2 – Added LCC and CVMR magnet enclosure structures and other miscellaneous correctons and addtions. Section 8 – Added CVMR system cabinet. Section 11 – Added new Torso Phased Array and Cardiac coils. Section 13 – Added CVMR Octane system computer information and other changes and additions through out the section. Section 14 – New RF/PDU tab and 1.0T RF/PDU cabinet to be added to manual.
7	Apr 30, 1999	Section 1 – Added MR/i and CV/i catalog information. Section 2 – Added MR/i and CV/i wide-open enclosure and other minor changes and additions. Section 4 – Added Mobile & T/R Penetration Panel cover. Section 8 – Updated section to add IPG II info. Section 9 – Minor corrections. Section 10 – Added several new options. Section 13 – Corrected part numbers and other minor revisions.
8	Oct 21, 1999	Section 1 – Added 8.s s/w, UCERD, and 1.5T RF/PDU catalog information. Section 7 – Added 46–320144g6 (CQA994035). Section 8 – Added new System cabinets with UCERD, new BIT3 and other changes. Section 9 – Added fuses to 8645 amps (CQA993726). Added MiniGram replacement information. Section 11 – Added 8.3 Option catalogs. Section 13 – Added Release 8.3 configurations and other minor corrections. Section 14 – Added 1.5T RF/PDU cabinet.
9	Feb 18, 2000	Section 2 – Updated hardware part numbers. Added missing spring to Dock asm (CQA995405) and updated gear-motor part number. Added replacement lamp and lead for Bore Light Asm (CQA997944). Updated WideOpen enclosure assemblies to reflect latest product structure. Section 8 – Added optional Bit3 module, 2149852–2. Highlighted FRU Oneson Page 8–82. Corrected UCERD illustration on Page 8–83. Section 13 – Corrected DASM fru codes. Added SCSI expansion box model 2199817–8.
10	Nov 10, 2000	Tab 13 – Removed muffin fan as FRU from auxiliary power supply in OW cabinet. Added Section 15, ACGD/PDU Cabinet, and Section 16, SRF Cabinet.
11	Jun 27, 2001	Tab 2 – Added ASP2 laser information to front Cx and LCC front covers. Corrected Dock Asm part numbers (CQA1012003). Tab 5 – Corrected compression ring part number (SPR#MRlge60072). Tab 8 – Added 34MHz ReFlex AP modules. Tab 13 – Updated cable collectors, added new LCD monitors, added new software collector. Tab 16 – Changed 2160200–43 to 2160200–45
12	Mar 19, 2002	Tab 13 – Added system software information for TwinSpeed, CNV4, 9.0, and Octane2 10.0. Added SCIM/Keyboard parts information. Updated 18 inch monitor and LCD display monitor part numbers. Revised Octane computer information by updating existing Octane 225MHz & 270MHz system parts (MRlge72954) and adding Octane2 parts. Updated network hub information. Added Granite SCSI box. Tab 15 – Added Control Board (MRlge73502), TVSS Module, & motor/fan information. Updated module part numbers. Tab 16 – Corrected SSM part number (MRlge73082) and added circuit breaker (MRlge67275). Updated other module part numbers.
13	Apr 18, 2003	Changed title of manual to <i>Signa Illustrated Parts List</i> . All pages have been updated with new headers. Tab 1 – Updated all existing M-cats and related structures. Added ACGD, EXCITE, and TwinSpeed catalogs. Updated gradient coils and RF coils with FRU information. Tab 2 – Updated all structures and added TwinSpeed and INFINITY structures. Tab 3 – Updated all parts lists and added WideOpen and INFINITY parts lists. Tab 4 – Updated all parts lists and added TwinSpeed and EXCITE information. Tab 5 – Updated pages with new headers. Tab 6 – Added Full-size PDU cabinets which were used on WideOpen upgrades. Tab 7 – Updated pages with new headers. Tab 8 – Updated all System cabinet structures and added EXCITE System cabinet illustrations and part lists. Tab 9 – Updated pages with new headers. Tab 10 – Updated pages with new headers. Tab 11 – Updated existing Option catalogs and added new ones including Brainwave, APA, EXCITE, and others. Tab 12 – Updated pages with new headers. Tab 13 – Updated all structures as needed. Added Octane II and EXCITE part lists. Tab 14 – Updated pages with new headers. Tab 15 – Updated section with more parts lists and illustrations. Tab 16 – Updated section with more parts lists and illustrations. Added Tab 17, TAC Cabinet, and related illustrations and parts lists.

REVISION HISTORY (Continued)

REV	DATE	PRIMARY REASON FOR CHANGE
14	Oct 3, 2006	Removed references to EXCITE (10.x) and added EXCITE II (11.x) product in tabs where applicable. Tab 1 – Corrected Head Coil Mirror replacement note for ordering of parts (Resolved MRlge89662, 90111, 90553, and 91137). Tab 2 – Updated and corrected various parts lists. Corrected LPCA part numbers (MRlhc12081) Tab 3 – Added related parts for Infinity design updates and associated color changes. Added filter assembly for hydraulic cylinder (MRlhc13922). Tab 4 – Added the EXCITE II Pen Panels and other updates. Tab 8 – Added EXCITE II System cabinet information and other updates. Tab 9 – Added 2165248–3 as an alternate amplifier unit (MRlhc18011). Tab 11 – Added EXCITE II catalogs and re–arranged section in to several sub–sections. Tab 13 – Changed part # for Indigo zytec power supply (MRlhc03789) Deleted Octane dual processor module, 2169940–20 (MRlge77333). Added reference for finding mobile hold–down kits. (MRlge87860). Added EXCITE II OW with Linux computer and GOC. Tab 15 – Updated parts for Cabinet Fan assembly and other minor changes. Tab 17 – Added TAC with simplified Vacuum regulator.
15	Dec 2, 2010	Sections 1, 2, 10, and 11: Revised the following parts to FRU N: 2121182, 2124497–16, 2218897–2, 2377426–10, 46–271405G1, 2124498–15, and 2270693 (MRlhc52545).

LIST OF EFFECTIVE PAGES

PAGE	REV	PAGE	REV	PAGE	REV	PAGE	REV	PAGE	REV
Title Page	15	2–100 to 2–104	14	3–25 to 3–28	13	8–2	14	11–91 to 11–121	14
Damage in Trans.	—	2–105 to 2–125	13	3–29 to 3–32	14	8–3 to 8–49	13	TAB 12 GRAM	
Direction 2128126	1*	2–126 to 2–129	14	3–33 to 3–37	13	8–50 to 8–107	14	2132240–100	—
A	14	2–130 to 2–245	13	3–38 to 3–45	14			12–1 to 12–9	13
B	15	2–246 to 2–253	14	TAB 4 PENETRATION		TAB 9 GRADIENT		TAB 13 OPERATOR	
i to xii	14	2–254	15	PANEL		MR239	—	WORKSPACE	
		2–255 to 2–262	14	2132238–100	—	9–1 to 9–19	13	2163917	—
		2–263	15	4–1 to 4–26	14	9–20	14	13–1 to 13–46	14
		2–264 to 2–273	14	TAB 5 CONSOLES		9–21 to 9–22	13	TAB 14 RF/PDU	
TAB 1 SYSTEM		2–274	15	MR235	—	TAB 10 RF/PEN		CABINET	
MR231	—	2–275 to 2–287	14	5–1 to 5–20	13	CABINET		2207068	—
1–1 to 1–136	14	2–288 to 2–291	15	TAB 6 POWER DIST.		2132239–100	—	14–1 to 14–15	13
1–137	15	2–292 to 2–294	14	UNIT		10–1 to 10–3	13	TAB 15 ACGD/PDU	
1–138 to 1–149	14	2–295 to 2–298	15	MR236	—	10–4	15	CABINET	
1–150	15	2–299 to 2–300	14	6–1 to 6–33	13	10–5 to 10–7	13	2285569	—
1–151 to 1–241	14	2–301 to 2–302	15	TAB 7 COMPUTER		10–8	15	15–1 to 15–11	14
		2–303 to 2–351	14	MR238	—	10–9 to 10–18	13	TAB 16 SRF CABINET	
TAB 2 MAGNET		TAB 3 PATIENT TABLE		7–1 to 7–8	13	TAB 11		2285570	—
ENCLOSURE		MR233	—	TAB 8 SYSTEM		ACCESSORIES AND		16–1 and 16–14	13
MR232	—	3–1 to 3–2	13	CABINET		MR241	—	TAB 17 TAC CABINET	
2–1 to 2–3	13	3–3 to 3–7	14	MR238	—	11–1 to 11–89	14	2308172	—
2–4	14	3–8 to 3–23	13	8–1	13	11–90	15	17–1 and 17–9	14
2–5 to 2–62	13	3–24	14						
2–63	15								
2–5 to 2–99	13								

* This revision number/letter corresponds to the indicated document's revision control system.

TABLE OF CONTENTS

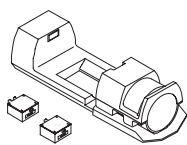
SIGNA 5.x, 8.x, 9.x, AND 10.x CATALOG STRUCTURE

The contents of this Direction include assemblies and parts that were delivered with Signa Release 5.x, 8.x, 9.x, or 10.x manufactured systems. For those systems which are modified to a Signa Upgrade configuration, refer to *Direction 15020, Signa Renewal Parts, Direction 15304, Signa Advantage Renewal Parts*, or MR Service Methods CD-ROM 2124201-3 (5.x) or 2160623-3 (LX) for *Direction 15404, Signa Advantage 1.5T, 1.0T, & 0.5T Renewal Parts*. These manuals/CD-ROMs identify those parts used on a system upgraded to a latest version Signa System that are different than a manufactured system.

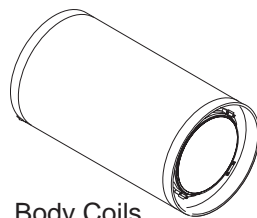
<u>SECTION</u>	<u>PAGE</u>
-----------------------	--------------------

Section 1 SIGNA HORIZON 5.x & 8.x SYSTEMS

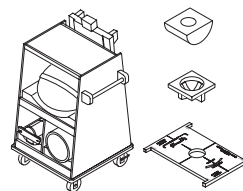
Includes M-catalogs, most cables, and the following:



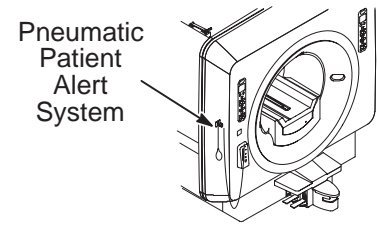
Head Coil and Adapters



Body Coils



Phantoms & Holders



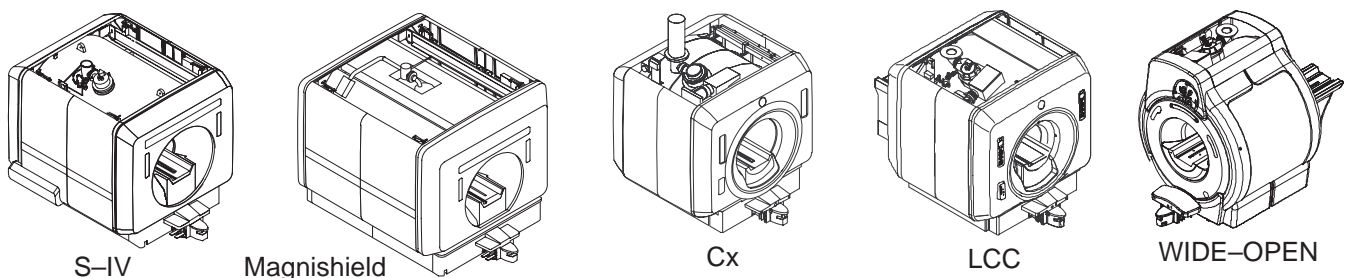
Pneumatic Patient Alert System

1-1	5.x SYSTEM CATALOGS 1-3 Contains information on Horizon 5.x systems using S-series magnet	1-3
1-2	8.x SYSTEM CATALOGS 1-10 Contains information on Horizon 8.x systems using S-series magnet and Indigo computer	1-10
1-3	LX SGD SYSTEM CATALOGS 1-16 Contains information on Signa LX systems using S-series magnet with SGD gradients and Indigo computer	1-16
1-4	LX SGD/OCTANE SYSTEM CATALOGS 1-21 Contains information on Signa LX systems with Cx or LCC magnets with SGD gradients and Octane computer	1-21
1-5	Cx LX SGD SYSTEM CATALOGS 1-24 Contains information on Signa LX systems using Cx magnet	1-24
1-6	LCC LX SGD SYSTEM CATALOGS 1-32 Contains information on Signa LX systems using LCC magnet	1-32
1-7	WideOpen LX SGD SYSTEM CATALOGS 1-39 Contains information on Signa LX systems with WideOpen enclosure and SGD Gradients	1-39
1-8	WideOpen ACGD SYSTEM CATALOGS 1-49 Contains information on Signa LX systems with WideOpen enclosure and ACGD Gradients	1-49
1-9	TwinSpeed ACGD SYSTEM CATALOGS 1-64 Contains information on Signa LX systems with TwinSpeed enclosure and ACGD Gradients	1-64
1-10	MOBILE AND T/R COLLECTORS 1-72 Contains information on parts for Mobile and T/R installations	1-72
1-11	SYSTEM ACCESSORIES AND PHANTOMS 1-73 Contains information on phantoms, pads, ECG, PPG, Coil Adapters, Head Coils, Patient Alert systems	1-73
1-12	WideOpen ENCLOSURES 1-94 Contains information on WideOpen enclosures and Body Coil mounting kit	1-94

TABLE OF CONTENTS (CONT'D)

<u>SECTION</u>	<u>PAGE</u>
1-13 BODY COILS	1-111
Contains information on Gradient and RF Body Coils and replacement coils	
1-14 SYSTEM COMPUTER AND CABINET COLLECTORS	1-134
Contains information on collectors with Indigo or Octane computers and System, RF, and ACGD/PDU cabinets	
1-15 SYSTEM CABINET OPTIONS	1-146
Contains information on Reconstruction Processor options for System cabinet	
1-16 OPERATOR WORKSPACE CATALOGS	1-148
Contains information on DASM's, Keyboards, Monitors, Table, and SOI long cables	
1-17 PDU CATALOGS	1-152
Contains information on Compact PDU's	
1-18 MAGNET MONITOR AND MODEM	1-153
Contains information on Magnet Montior equipment and cables, and Modem kits	
1-19 SYSTEM CABLE COLLECTORS	1-158
Contains information on system cables, hoses, and heat exchanger	
1-20 PDU CABLES	1-198
Contains information on PDU cables for all systems	
1-21 RF AND HELIAX CABLES	1-206
Contains information on RF and Heliax cables, and Penetration Panel adapters	
1-22 GRADIENT CABLES	1-212
Contains information on Gradient and GRAM cables for all systems	
1-23 FIBER OPTIC CABLES	1-215
Contains information on Fiber Optic cables for all systems	

Section 2 MAGNET ENCLOSURE



2-1 S-SERIES MAGNET ENCLOSURES	2-5
Contains information on Fixed, T/R, and Mobile enclosures for non-Magnishield magnet enclosures	
1.5T FIXED SITE MAGNET ENCLOSURE w/o MULTICOIL	2118422-3 2-7
1.5T FIXED SITE MAGNET ENCLOSURE with MULTICOIL	2118422-5 2-9
1.0T FIXED SITE MAGNET ENCLOSURE w/o MULTICOIL	2118422-7 2-11
1.0T FIXED SITE MAGNET ENCLOSURE with MULTICOIL	2118422-9 2-13
1.5T MOBILE & T/R MAGNET ENCLOSURE w/o MULTICOIL	2118422-2 2-28
1.5T MOBILE & T/R MAGNET ENCLOSURE with MULTICOIL	2118422-4 2-30
1.0T MOBILE & T/R MAGNET ENCLOSURE w/o MULTICOIL	2118422-6 2-32
1.0T MOBILE & T/R MAGNET ENCLOSURE with MULTICOIL	2118422-8 2-34

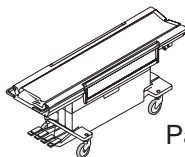
TABLE OF CONTENTS (CONT'D)

<u>SECTION</u>	<u>PAGE</u>
2-2 MAGNISHIELD MAGNET ENCLOSURES	2-65
Contains information on Magnishield magnet enclosures	
1.5T MAGNISHIELD ENCLOSURE w/o MULTICOIL	2118423 2-67
1.5T MAGNISHIELD ENCLOSURE with MULTICOIL	2118423-2 2-69
2-3 SRI AND PAC ASSEMBLIES	2-96
2-4 BLOWER CABINETS	2-100
2-5 S-SERIES AND MAGNISHIELD REAR PEDESTALS	2-105
2-6 BODY HYBRID SPLITTER ASSEMBLIES	2-128
2-7 STANDARD AND MAGNISHIELD BRIDGES WITH CARRIAGE ASSEMBLIES	2-130
2-8 BRM INSTALLATION KIT FOR S-SERIES MAGNETS	2-153
2-9 Cx HORIZON MAGNET ENCLOSURES	2-154
Contains information on Cx Fixed and Mobile magnet enclosures	
1.0T Cx FIXED SITE MAGNET ENCLOSURE w/o MULTICOIL	2142000 2-155
1.0T Cx FIXED SITE MAGNET ENCLOSURE with MULTICOIL	2142000-2 2-155
1.0T Cx MOBILE MAGNET ENCLOSURE w/o MULTICOIL	2142000-3 2-156
1.0T Cx MOBILE MAGNET ENCLOSURE with MULTICOIL	2142000-4 2-156
1.5T Cx FIXED SITE MAGNET ENCLOSURE w/o MULTICOIL	2142000-5 2-157
1.5T Cx FIXED SITE MAGNET ENCLOSURE with MULTICOIL	2142000-6 2-157
1.5T Cx MOBILE MAGNET ENCLOSURE w/o MULTICOIL	2142000-7 2-158
1.5T Cx MOBILE MAGNET ENCLOSURE with MULTICOIL	2142000-8 2-158
1.5T Cx CRM FIXED SITE MAGNET ENCLOSURE with MULTICOIL	2142000-9 2-158
2-10 LCC HORIZON MAGNET ENCLOSURES	2-173
Contains information on LCC Horizon Fixed and Mobile magnet enclosures	
1.0T LCC FIXED SITE MAGNET ENCLOSURE w/o MULTICOIL	2142000-11 2-174
1.0T LCC FIXED SITE MAGNET ENCLOSURE with MULTICOIL	2142000-12 2-174
1.5T LCC FIXED SITE MAGNET ENCLOSURE w/o MULTICOIL	2142000-13 2-175
1.5T LCC FIXED SITE MAGNET ENCLOSURE with MULTICOIL	2142000-14 2-175
1.0T LCC MOBILE MAGNET ENCLOSURE w/o MULTICOIL	2142000-15 2-176
1.0T LCC MOBILE MAGNET ENCLOSURE with MULTICOIL	2142000-16 2-176
1.5T LCC MOBILE MAGNET ENCLOSURE w/o MULTICOIL	2142000-17 2-177
1.5T LCC MOBILE MAGNET ENCLOSURE with MULTICOIL	2142000-18 2-177
1.5T LCC CVMR FIXED SITE MAGNET ENCLOSURE with MULTICOIL	2142000-19 2-178
LCC MOBILE MAGNET FRAME KIT	2204359 2-191
LCC FIXED SITE MAGNET FRAME KIT	2204359-2 2-192
2-11 Cx AND LCC HORIZON BRIDGE AND CARRIAGE ASSEMBLIES	2-193
2-12 Cx AND LCC HORIZON BRIDGE AND LOW PROFILE CARRIAGE COVER (LPCC) ASSEMBLIES	2-205
2-13 Cx AND LCC HORIZON REAR PEDESTALS	2-220
2-14 Cx AND LCC HORIZON ENCLOSURE COVERS, END BELLS, AND BORE LAMP	2-229
2-15 Cx AND LCC HORIZON DOCK ASSEMBLY	2-243

TABLE OF CONTENTS (CONT'D)

<u>SECTION</u>	<u>PAGE</u>
2-16 WideOpen MAGNET ENCLOSURES	2-246
Contains information on WideOpen Fixed and Mobile magnet enclosures	
1.0T WideOpen FIXED SITE MAGNET ENCLOSURE w/o MULTICOIL	2202900 2-247
1.0T WideOpen FIXED SITE MAGNET ENCLOSURE with MULTICOIL	2202900-2 2-247
1.0T WideOpen MOBILE MAGNET ENCLOSURE w/o MULTICOIL	2202900-3 2-247
1.5T WideOpen MOBILE MAGNET ENCLOSURE with MULTICOIL	2202900-4 2-248
1.0T WideOpen FIXED SITE MAGNET ENCLOSURE w/o MULTICOIL	2202900-5 2-248
1.0T WideOpen FIXED SITE MAGNET ENCLOSURE with MULTICOIL	2202900-6 2-248
1.5T WideOpen MOBILE MAGNET ENCLOSURE w/o MULTICOIL	2202900-7 2-249
1.5T WideOpen MOBILE MAGNET ENCLOSURE with MULTICOIL	2202900-8 2-249
1.5T WideOpen CARDIAC FIXED SITE MAGNET ENCLOSURE w/MULTICOIL	2202900-9 2-249
2-17 WideOpen ENCLOSURE COVERS AND END BELLS FOR LONG BRIDGE	2-260
2-18 WideOpen CARDIAC ENCLOSURE COVERS AND END BELLS FOR LONG BRIDGE	2-272
2-19 WideOpen LONG BRIDGE AND CARRIAGE ASSEMBLIES	2-280
2-20 WideOpen ENCLOSURE COVERS AND END BELLS WITH SPLIT BRIDGE	2-287
2-21 WideOpen REAR PEDESTALS	2-313
2-22 WideOpen DOCK ASSEMBLIES	2-327
2-23 TwinSpeed ENCLOSURE COVERS AND END BELLS WITH SPLIT BRIDGE	2-332
Contains information on INFINITY TwinSpeed Fixed, T/R, and Mobile magnet enclosures	
INFINITY TwinSpeed FIXED AND T/R MAGNET ENCLOSURE	2297122 2-337
INFINITY TwinSpeed MOBILE MAGNET ENCLOSURE	2297122-2 2-339

Section 3 PATIENT TABLE



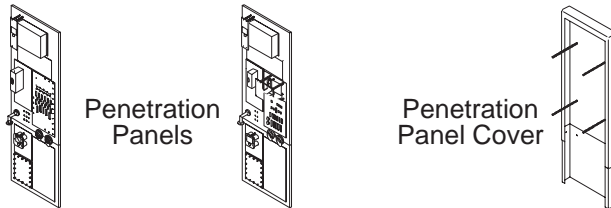
Lightweight Patient Transport

3-1 HORIZON PATIENT TABLE	46-265300G1 ... 3-3
Contains information on Patient Table with original colors	
3-2 WideOpen PATIENT TABLE	46-265300G2 ... 3-3
Contains information on Patient Table with WideOpen colors	
3-3 INFINITY PATIENT TABLE	46-265300G3 ... 3-3
Contains information on Patient Table with INFINITY colors	
HORIZON TABLE/BASE ASSEMBLY	2135993 3-5
WideOpen TABLE/BASE ASSEMBLY	2135993-2 3-6
INFINITY TABLE/BASE ASSEMBLY	2135993-3 3-7
HORIZON TABLE BASE KIT	2127700 3-14
WideOpen TABLE BASE KIT	2127700-2 3-17
INFINITY TABLE BASE KIT	2127700-3 3-20
HYDRAULIC PUMP ASSEMBLY	46-265779G1 ... 3-23
HYDRAULIC CYLINDER ASM	46-265780G1 ... 3-24
HYDRAULIC CYLINDER ASM	2323995 3-24

TABLE OF CONTENTS (CONT'D)

<u>SECTION</u>	<u>PAGE</u>
TABLE TOP	2135992 3-30
TABLE TOP – INFINITY	2135992-2 3-32
TABLE TOP ASSEMBLY	46-265991G1 ... 3-33
TABLE LATCH ASSEMBLY	46-317191G1 ... 3-34
DETACHABLE, TELESCOPING IV SUPPORT	46-271551G1 ... 3-35
ARMBOARD ASSEMBLY	46-271012G1 ... 3-37
ARMBOARD ASSEMBLY – INFINITY	46-271012G2 ... 3-37
CRADLE ASSEMBLY w/TWIST TO RELEASE	46-301222G1 ... 3-39
FRONT SECTION ASSEMBLY	46-301543G1 ... 3-40
MID SECTION ASSEMBLY	46-301544G1 ... 3-40
HORIZON TABLE COVER KIT	2127699 3-41
WideOpen TABLE COVER KIT	2127699-2 3-41
INFINITY TABLE COVER KIT	2127699-3 3-41
OUTER COVER FOR MRTBL2	2145822 3-42
OUTER COVER FOR MRTBL2 – WideOpen	2145822-2 3-43
OUTER COVER FOR MRTBL2 – INFINITY	2145823 3-44

Section 4 PENETRATION CABINET/PANEL

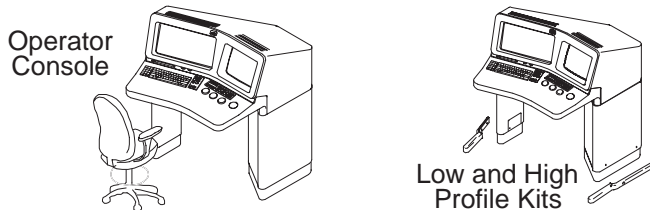


4-1 PENETRATION PANELS	3-3
Contains information on non-EXCITE, EXCITE, and TwinSpeed Penetration Panels	
PENETRATION PANEL w/o MULTICOIL	46-301383G12 .. 4-3
PENETRATION PANEL w/o MULTICOIL	46-301383G18 .. 4-4
PENETRATION PANEL w/MULTICOIL	46-301383G13 .. 4-6
PENETRATION PANEL w/MULTICOIL	46-301383G19 .. 4-7
EXCITE PENETRATION PANEL w/MULTICOIL	46-301383G22 .. 4-9
TwinSpeed PENETRATION PANEL w/MULTICOIL	46-301383G17 .. 4-11
TwinSpeed EXCITE PENETRATION PANEL w/MULTICOIL	46-301383G21 .. 4-13
4-2 PENETRATION PANEL COVERS	4-26
Contains information on Fixed, T/R, and Mobile covers	
PENETRATION PANEL COVER – FIXED	46-317126G3 ... 4-26
PENETRATION PANEL COVER – MOBILE & T/R	46-317126G4 ... 4-26

TABLE OF CONTENTS (CONT'D)

SECTION **PAGE**

Section 5 CONSOLES



3-1 HORIZON OPERATOR CONSOLE 3-3
 Contains information on Horizon 5.x Operator Console

EMC OPERATOR CONSOLE 2119590 5-4

LOW PROFILE KIT 46-287997G1 ... 5-19

HI PROFILE KIT 46-287998G1 ... 5-20

Section 6 POWER DISTRIBUTION UNIT



6-1 COMPACT PDU 6-2
 Contains information on Horizon 5.x and LX Compact PDU

5.x 60Hz 480V REGULATED & FILTERED 46-317099P10 .. 6-4

5.x 50/60Hz 380/400/415V REGULATED & FILTERED 46-317099P11 .. 6-8

LX COMPACT PDU – 60Hz 480V REGULATED & FILTERED 46-317099P20 .. 6-12

LX COMPACT PDU – 50/60Hz 380/400/415V REGULATED & FILTERED 46-317099P21 .. 6-16

6-2 FULL-SIZE PDU 6-18
 Contains information on Horizon 5.x and LX Full-size PDU

FULL-SIZE PDU 46-282368G3 ... 6-20

FULL-SIZE PDU UPGRADE TO LX 46-306985G4 ... 6-33

FULL-SIZE PDU UPGRADE TO WideOpen 2246052 6-33

Section 7 COMPUTER



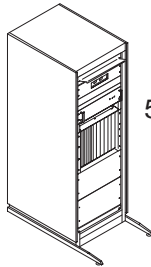
7-1 STEALTH COMPUTER 7-2
 Contains information on Horizon 5.x Computer

7-2 STEALTH COMPUTER INTERFACE KIT 7-8

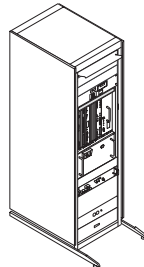
TABLE OF CONTENTS (CONT'D)

SECTION **PAGE**

Section 8 SYSTEM CABINET



5.x System Cabinet



8.x System Cabinet



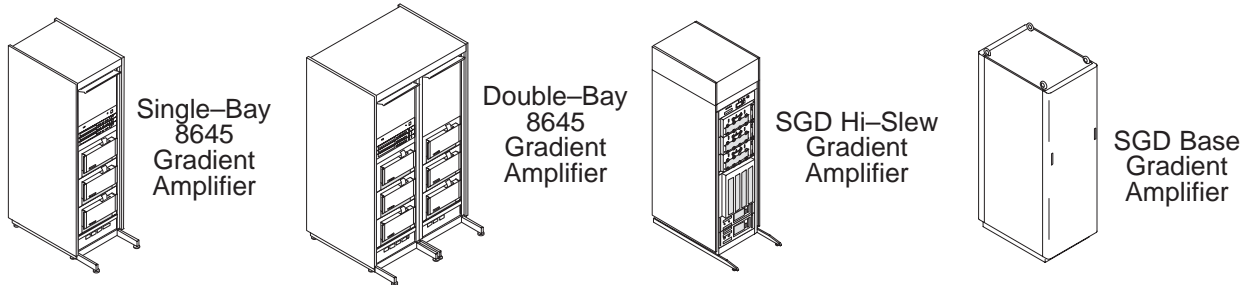
EXCITE System Cabinet

8-1	HORIZON 5.x SYSTEM CABINETS	8-3
	Contains information on Horizon 5.x various System Cabinet configurations	
	5.x 1.5T ECHOSPEED with MULTI-COIL & FAST RECEIVER	2117956 8-4
	5.x 1.5T HISPEED with MULTI-COIL & w/o FAST RECEIVER	2117958 8-7
	5.x 1.0T HISPEED with MULTI-COIL & w/o FAST RECEIVER	2117958-2 8-9
	5.x 1.5T ECHOSPEED with FAST RECEIVER & w/o MULTI-COIL	2117960 8-12
	5.x 1.5T w/o MULTI-COIL or FAST RECEIVER	2117962 8-15
	5.x 1.0T w/o MULTI-COIL or FAST RECEIVER	2117962-2 8-17
8-2	HORIZON LX SYSTEM CABINETS	8-50
	Contains information on Horizon 5.x various System Cabinet configurations	
	LX 1.5T with MULTI-COIL & FAST RECEIVER	2138300-2 8-51
	LX 1.5T with MULTI-COIL & w/o FAST RECEIVER	2138300-3 8-53
	LX 1.5T w/o MULTI-COIL or FAST RECEIVER	2138300-4 8-55
	LX 1.0T w/o MULTI-COIL	2138300-6 8-57
	LX 1.0T with MULTI-COIL	2138300-9 8-59
	LX 1.5T CRM with MULTI-COIL & FAST RECEIVER	2138300-16 8-61
	LX 1.5T EchoSpeed with MULTI-COIL & FAST RECEIVER	2138300-19 8-63
	LX 1.5T BASE & HiSpeed with MULTI-COIL	2138300-20 8-65
	LX 1.5T BASE w/o MULTI-COIL	2138300-21 8-67
	LX 1.0T BASE & HiSpeed with MULTI-COIL	2138300-23 8-70
8-3	EXCITE SYSTEM CABINET	8-89
	EXCITE 1.5T SYSTEM CABINET	2294302 8-90

TABLE OF CONTENTS (CONT'D)

SECTION **PAGE**

Section 9 GRADIENT CABINET



9-1 HORIZON 8645 GRADIENT CABINETS 9-2
 Contains information on Horizon single and double bay 8645 Gradient Cabinet configurations

SINGLE-BAY 8645 GRADIENT CABINET 2108800 9-2

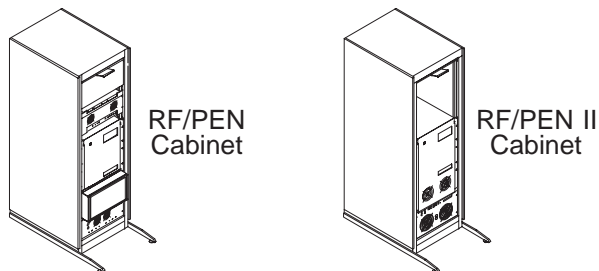
DOUBLE-BAY 8645 GRADIENT CABINET 2108800-2 9-7

9-2 SGD GRADIENT CABINETS 9-12
 Contains information on Hi-Slew and Base SGD Gradient Cabinets

SGD HI-SLEW GRADIENT CABINET 2169944 9-13

SGD BASE GRADIENT CABINET 2172035 9-20

Section 10 RF AMPLIFIER CABINET



10-1 RF/PENETRATION CABINET 10-2

1.5T RF/PENETRATION CABINET 2109930 10-4

1.0T RF/PENETRATION CABINET 2109930-2 10-8

10-2 RF/PENETRATION II CABINET 10-14

1.5T RF/PENETRATION II CABINET 2160200 10-17

1.0T RF/PENETRATION II CABINET 2160200-3 10-18

Section 11 ACCESSORIES AND OPTIONS

Section includes Surface Coils, Pads and Holders, Multi-coil Options, Software Keys Computer Options, Laser Cameras, E-catalogs, and R-catalogs

11-1 SIGNA OPTION CATALOGS 11-7

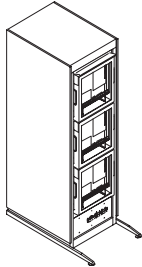
11-2 ACCESSORY PACKAGES 11-110

11-3 FACILITY OPTIONS 11-116

TABLE OF CONTENTS (CONT'D)

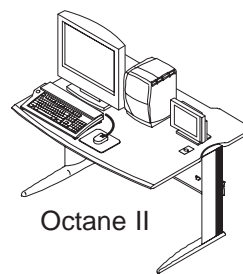
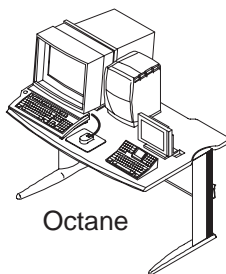
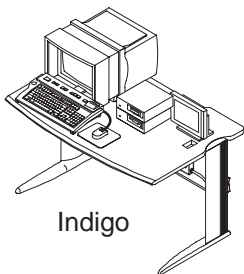
SECTION **PAGE**

Section 12 GRAM CABINET

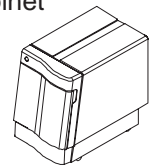


12-1 GRAM CABINET 12-2
 Contains information on GRAM Cabinet

Section 13 OPERATOR WORKSPACE



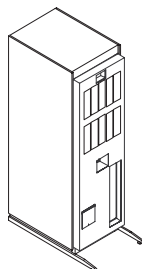
OW
Computer
Cabinet



13-1 INDIGO COMPUTER 13-2
 Contins information on Indigo Computer, Cabinet and related components
 INDIGO OPERATOR WORKSPACE TABLE COMPONENTS – BLACK & WHITE MONITOR 13-2
 INDIGO OPERATOR WORKSPACE TABLE COMPONENTS – COLOR MONITOR 13-2
 INDIGO OPERATOR WORKSPACE CABINET 13-6

13-2 OCTANE COMPUTER 13-14
 Contins information on Octane and Octane II Computers, Cabinets and related components
 OCTANE OPERATOR WORKSPACE TABLE COMPONENTS 13-14
 OCTANE OPERATOR WORKSPACE CABINET 13-15

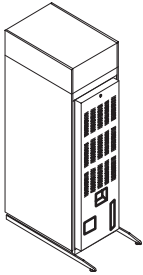
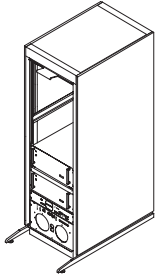
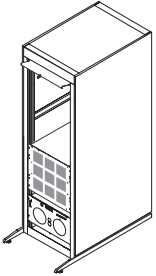
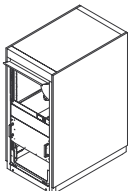
Section 14 RF/PDU CABINET



14-1 1.0T RF/PDU CABINET 14-2
 Contains information on 1.0T RF/PDU Cabinet

14-2 1.5T RF/PDU CABINET 14-10
 Contains information on 1.5T RF/PDU Cabinet

TABLE OF CONTENTS (CONT'D)

<u>SECTION</u>	<u>PAGE</u>
Section 15 ACGD/PDU CABINET	
	
15-1 ACGD/PDU CABINET	15-2
Contains information on ACGD/PDU Cabinet	
ACGD/PDU CABINET	2284300 15-2
ACGD/PDU CABINET	2238915 15-4
Section 16 SRF CABINET	
 SRF Cabinet  SRFD II Cabinet	
16-1 SRF CABINET	16-2
Contains information on Solid State RF Cabinets	
1.5T SRF CABINET	2296300 16-2
1.0T SRF CABINET	2296300-2 16-2
1.5T SRF CABINET	2174500 16-4
1.0T SRF CABINET	2174500-2 16-7
16-2 SRFD II CABINET	16-9
Contains information on Solid State RF Cabinets	
1.5T SRFD II CABINET	2275000 16-11
Section 17 TAC CABINET	
 TAC Cabinet	
17-1 TAC CABINET	17-2
Contains information on TwinSpeed Accessory Cabinet (TAC)	
TAC CABINET	2239500 17-3

SECTION 1 – SYSTEM

TABLE OF CONTENTS

<u>SECTION</u>	<u>PAGE</u>
1-1 5.x SYSTEM CATALOGS	1-3
Contains information on Horizon 5.x systems using S-series magnet	
1-2 8.x SYSTEM CATALOGS	1-10
Contains information on Horizon 8.x systems using S-series magnet and Indigo computer	
1-3 LX SGD SYSTEM CATALOGS	1-16
Contains information on Signa LX systems using S-series magnet with SGD gradients and Indigo computer	
1-4 LX SGD/OCTANE SYSTEM CATALOGS	1-21
Contains information on Signa LX systems with Cx or LCC magnets with SGD gradients and Octane computer	
1-5 Cx LX SGD SYSTEM CATALOGS	1-24
Contains information on Signa LX systems using Cx magnet	
1-6 LCC LX SGD SYSTEM CATALOGS	1-32
Contains information on Signa LX systems using LCC magnet	
1-7 WideOpen LX SGD SYSTEM CATALOGS	1-39
Contains information on Signa LX systems with WideOpen enclosure and SGD Gradients	
1-8 WideOpen ACGD SYSTEM CATALOGS	1-49
Contains information on Signa LX systems with WideOpen enclosure and ACGD Gradients	
1-9 EXCITE II 11.x SYSTEM CATALOGS	1-60
Contains information on Signa LX systems with WideOpen enclosure and ACGD Gradients	
1-10 TwinSpeed ACGD SYSTEM CATALOGS	1-72
Contains information on Signa LX systems with TwinSpeed enclosure and ACGD Gradients	
1-11 EXCITE II 11.x TwinSpeed SYSTEM CATALOGS and CABLES	1-76
Contains information on EXCITE TwinSpeed enclosures and cable collectors	
1-12 MAIN DISCONNECT PANEL	1-87
Contains information on TwinSpeed Main Disconnect Panel	
1-13 TwinSpeed COOLING CABINETS	1-88
Contains information on indoor and outdoor vendor supplied cooling cabinets	
1-14 ACGD/PDU and RF CABINETS	1-90
Contains information on ACGD/PDU and RF cabinets	
1-15 MOBILE AND T/R COLLECTORS	1-91
Contains information on parts for Mobile and T/R installations	
1-16 SYSTEM ACCESSORIES AND PHANTOMS	1-93
Contains information on phantoms, pads, ECG, PPG, Coil Adapters, Head Coils, Patient Alert systems	
1-17 WideOpen ENCLOSURES	1-116
Contains information on WideOpen enclosures and Body Coil mounting kit	
1-18 BODY COILS	1-133
Contains information on Gradient and RF Body Coils and replacement coils	
1-19 SYSTEM COMPUTER AND CABINET COLLECTORS	1-156
Contains information on collectors with Indigo or Octane computers and System, RF, and ACGD/PDU cabinets	

Table of Contents continued on next page

TABLE OF CONTENTS (continued)

<u>SECTION</u>	<u>PAGE</u>
1-20 SYSTEM CABINET OPTIONS	1-168
Contains information on Reconstruction Processor options for System cabinet	
1-21 OPERATOR WORKSPACE CATALOGS	1-170
Contains information on DASM's, Keyboards, Monitors, Table, and SOI long cables	
1-22 PDU CATALOGS	1-174
Contains information on Compact PDU's	
1-23 MAGNET MONITOR AND MODEM	1-175
Contains information on Magnet Montior equipment and cables, and Modem kits	
1-24 SYSTEM CABLE COLLECTORS	1-180
Contains information on system cables, hoses, and heat exchanger	
1-25 PDU CABLES	1-218
Contains information on PDU cables for all systems	
1-26 RF AND HELIAX CABLES	1-227
Contains information on RF and Heliax cables, and Penetration Panel adapters	
1-27 GRADIENT CABLES	1-234
Contains information on Gradient and GRAM cables for all systems	
1-28 FIBER OPTIC CABLES	1-237
Contains information on Fiber Optic cables for all systems	

1-1 5.x SYSTEM CATALOGS

CATALOG		M1000MA	FRU N	5.x 1.5T HORIZON BASE w/o MULTI-COIL	
Item	Part Number	FRU	Name	Quantity	Description (Remarks)
1	46-244813G25	N	1.5 SHIP COL	1	1.5T SIGNA HORIZON SHIPPING COLLEC'R (SEE PAGE 1-93)
2	46-265300G1	N	TABLE ASM	1	LIGHTWEIGHT PATIENT TRANSPORT, PT1 (SEE SECTION 3)
3	46-271000G25	N	1.5 SR20 W/O	1	5.5 1.5T SR20 W/O MULTICOIL (SEE PAGE 1-157)
5	46-317998G10	N	CONSOLE/COMP	1	EMC COMPLIANT CONSOLE/COMP W/64MB (SEE PG 1-8)
12	46-301708G11	N	MODEM KIT	1	MR INSITE MODEM KIT W/O MODUM (SEE PAGE 1-7)
13	46-271363G604	2	CABLE ASM	1	(042T) MR3-A12 TO PD1-TS-7,8,9 47FT.

CATALOG		M1000MB	FRU N	5.x 1.5T HORIZON BASE with MULTI-COIL	
Item	Part Number	FRU	Name	Quantity	Description (Remarks)
1	46-244813G25	N	1.5 SHIP COL	1	1.5T SIGNA HORIZON SHIPPING COLLEC'R (SEE PAGE 1-93)
2	46-265300G1	N	TABLE ASM	1	LIGHTWEIGHT PATIENT TRANSPORT, PT1 (SEE SECTION 3)
3	46-271000G26	N	1.5 SR20&M/C	1	5.5 1.5T SR20 W/MULTICOIL (SEE PAGE 1-157)
5	46-317998G10	N	CONSOLE/COMP	1	EMC COMPLIANT CONSOLE/COMP W/64MB (SEE PG 1-8)
12	46-301708G11	N	MODEM KIT	1	MR INSITE MODEM KIT W/O MODUM (SEE PAGE 1-7)
13	46-271363G604	2	CABLE ASM	1	(042T) MR3-A12 TO PD1-TS-7,8,9 47FT.

CATALOG		M1000MC	FRU N	5.x 1.5T HORIZON HiSpeed w/o MULTI-COIL	
Item	Part Number	FRU	Name	Quantity	Description (Remarks)
1	46-244813G25	N	1.5 SHIP COL	1	1.5T SIGNA HORIZON SHIPPING COLLEC'R (SEE PAGE 1-93)
2	46-265300G1	N	TABLE ASM	1	LIGHTWEIGHT PATIENT TRANSPORT, PT1 (SEE SECTION 3)
3	46-271000G27	N	MR SYSTEM	1	5.5 1.5T SR77 W/O MULTICOIL (SEE PAGE 1-157)
5	46-317998G10	N	CONSOLE/COMP	1	EMC COMPLIANT CONSOLE/COMP W/64MB (SEE PG 1-8)
10	2120963-2	N	GRAD CBL KIT	1	GRADIENT AMP OUTPUT CABLES TO GRAM (SEE PG 1-234)
11	2121430	N	CABLE KIT	1	GRAM POWER & GRADIENT TO GRAM CBLES (SEE PG 1-234)
12	46-301708G11	N	MODEM KIT	1	MR INSITE MODEM KIT W/O MODUM (SEE PAGE 1-7)

CATALOG		M1000MD	FRU N	5.x 1.5T HORIZON HiSpeed with MULTI-COIL	
Item	Part Number	FRU	Name	Quantity	Description (Remarks)
1	46-244813G25	N	1.5 SHIP COL	1	1.5T SIGNA HORIZON SHIPPING COLLEC'R (SEE PAGE 1-93)
2	46-265300G1	N	TABLE ASM	1	LIGHTWEIGHT PATIENT TRANSPORT, PT1 (SEE SECTION 3)
3	46-271000G28	N	1.5 SR77&M/C	1	5.5 1.5T SR77 WITH MULTICOIL (SEE PAGE 1-157)
5	46-317998G10	N	CONSOLE/COMP	1	EMC COMPLIANT CONSOLE/COMP W/64MB (SEE PG 1-8)
10	2120963-2	N	GRAD CBL KIT	1	GRADIENT AMP OUTPUT CABLES TO GRAM (SEE PG 1-234)
11	2121430	N	CABLE KIT	1	GRAM POWER & GRADIENT TO GRAM CBLES (SEE PG 1-234)
12	46-301708G11	N	MODEM KIT	1	MR INSITE MODEM KIT W/O MODUM (SEE PAGE 1-7)

CATALOG		M1000ME	FRU N	5.x 1.5T HORIZON EchoSpeed w/o MULTI-COIL	
Item	Part Number	FRU	Name	Quantity	Description (Remarks)
1	46-244813G25	N	1.5 SHIP COL	1	1.5T SIGNA HORIZON SHIPPING COLLEC'R (SEE PAGE 1-93)
2	46-265300G1	N	TABLE ASM	1	LIGHTWEIGHT PATIENT TRANSPORT, PT1 (SEE SECTION 3)
3	46-271000G29	N	1.5 SR120W/O	1	5.5 1.5T SR120 WITHOUT MULTICOIL (SEE PAGE 1-157)
5	46-317998G10	N	CONSOLE/COMP	1	EMC COMPLIANT CONSOLE/COMP W/64MB (SEE PG 1-8)
10	2120963-2	N	GRAD CBL KIT	1	GRADIENT AMP OUTPUT CABLES TO GRAM (SEE PG 1-234)
11	2121430	N	CABLE KIT	1	GRAM POWER/GRADIENT TO GRAM CABLES (SEE PG 1-234)
12	46-301708G11	N	MODEM KIT	1	MR INSITE MODEM KIT W/O MODUM (SEE PAGE 1-7)
13	46-271363G604	2	CABLE ASM	1	(042T) MR3-A12 TO PD1-TS-7,8,9 47FT.

CATALOG M1000MF FRU N 5.x 1.5T HORIZON EchoSpeed with MULTI-COIL

Item	Part Number	FRU	Name	Quantity	Description (Remarks)
1	46-244813G25	N	1.5 SHIP COL	1	1.5T SIGNA HORIZON SHIPPING COLLEC'R (SEE PAGE 1-93)
2	46-265300G1	N	TABLE ASM	1	LIGHTWEIGHT PATIENT TRANSPORT, PT1 (SEE SECTION 3)
3	46-271000G30	N	1.5 SR120&MC	1	5.5 1.5T SR120 WITH MULTICOIL (SEE PAGE 1-158)
5	46-317998G10	N	CONSOLE/COMP	1	EMC COMPLIANT CONSOLE/COMP W/64MB (SEE PG 1-8)
10	2120963-2	N	GRAD CBL KIT	1	GRADIENT AMP OUTPUT CABLES TO GRAM (SEE PG 1-234)
11	2121430	N	CABLE KIT	1	GRAM POWER/GRADIENT TO GRAM CABLES (SEE PG 1-234)
12	46-301708G11	N	MODEM KIT	1	MR INSITE MODEM KIT W/O MODUM (SEE PAGE 1-7)
13	46-271363G604	2	CABLE ASM	1	(042T) MR3-A12 TO PD1-TS-7,8,9 47FT.

CATALOG M1000PM FRU N 5.x 1.5T FIXED SITE w/o MULTI-COIL

Item	Part Number	FRU	Name	Quantity	Description (Remarks)
1	46-282429G26	N	INSTALLATION	1	UFI 1.5T FIXED SITE W/O MULTICOIL (SEE PAGE 1-180)
19	46-301383G12	N	PP1 ASSEMBLY	1	UFI PENETRATION PANEL, NO MULTICOIL (SEE SECTION 4)
30	2118422-3	N	MAG ENCLOSRE	1	1.5T 5.5 FIXED MAGNET ENCL W/O MC (SEE SECTION 2)
31	2124201-3	N	CD-ROM	1	RELEASE 5.X SIGNA SERVICE METHODS

CATALOG M1001PM FRU N 5.x 1.5T S3/S5 FIXED SITE with MULTI-COIL

Item	Part Number	FRU	Name	Quantity	Description (Remarks)
1	46-282429G28	N	INSTALLATION	1	UFI 1.5T FIXED SITE WITH MULTICOIL (SEE PAGE 1-180)
19	46-301383G13	N	PEN PANEL	1	UFI PENETRATION PANEL, W/ MULTI-COIL (SEE SECTION 4)
30	2118422-5	N	MAG ENCLOSRE	1	5.5 1.5T FIXED MAGNET ENCL WITH M/C (SEE SECTION 2)

CATALOG M1020PM FRU N 5.x 1.5T SIII/SV T/R w/o MULTI-COIL

Item	Part Number	FRU	Name	Quantity	Description (Remarks)
1	46-282429G27	N	INSTALLATION	1	UFI 1.5T TR SITE WITHOUT MULTICOIL (SEE PAGE 1-180)
20	46-301383G12	N	PP1 ASSEMBLY	1	UFI PENETRATION PANEL, NO MULTICOIL (SEE SECTION 4)
30	2118422-2	N	MAG ENCLOSRE	1	1.5T 5.5 MOB MAGNET ENCLOSURE W/O MC (SEE SECTION 2)

CATALOG M1021PM FRU N 5.x 1.5T T/R with MULTI-COIL

Item	Part Number	FRU	Name	Quantity	Description (Remarks)
1	46-282429G29	N	INSTALLATION	1	UFI 1.5T T/R SITE WITH MULTICOIL (SEE PAGE 1-181)
20	46-301383G13	N	PEN PANEL	1	UFI PENETRATION PANEL, W/ MULTI-COIL (SEE SECTION 4)
30	2118422-4	N	MAG ENCLOSRE	1	5.5 1.5T T/R MAGNET ENCLOSURE (SEE SECTION 2)

CATALOG M1030PM FRU N 5.x 1.5T MAGNISHIELD SITE w/o MULTI-COIL

Item	Part Number	FRU	Name	Quantity	Description (Remarks)
1	46-282429G26	N	INSTALLATION	1	UFI 1.5T FIXED SITE W/O MULTICOIL (SEE PAGE 1-180)
19	46-301383G12	N	PP1 ASSEMBLY	1	UFI PENETRATION PANEL, NO MULTICOIL (SEE SECTION 4)
30	2118423	N	MAGNET ENCL	1	1.5T 5.5 MAGNISHIELD W/O MULTICOIL (SEE SECTION 2)

CATALOG M1031PM FRU N 5.x 1.5T MAGNISHIELD SITE with MULTI-COIL

Item	Part Number	FRU	Name	Quantity	Description (Remarks)
1	46-282429G28	N	INSTALLATION	1	UFI 1.5T FIXED SITE WITH MULTICOIL (SEE PAGE 1-180)
19	46-301383G13	N	PEN PANEL	1	UFI PENETRATION PANEL, W/ MULTI-COIL (SEE SECTION 4)
30	2118423-2	N	MAGNET ENCL	1	5.5 WIDE BODY MAG ENCL W/MULTICOIL (SEE SECTION 2)
32	2124201-3	N	CD-ROM	1	RELEASE 5.X SIGNA SERVICE METHODS

CATALOG M1800MA FRU N 5.x 1.0T HORIZON BASE w/o MULTI-COIL

Item	Part Number	FRU	Name	Quantity	Description (Remarks)
1	46-244813G65	N	1.0T SHIP'NG	1	1.0T SIGNA HORIZON SHIPPING COLLEC'R (SEE PAGE 1-96)
2	46-265300G1	N	TABLE ASM	1	LIGHTWEIGHT PATIENT TRANSPORT, PT1 (SEE SECTION 3)
3	46-271000G65	N	1.0 SR20 W/O	1	5.5 1.0T SR20 WITHOUT MULTICOIL (SEE PAGE 1-160)
5	46-317998G10	N	CONSOLE/COMP	1	EMC COMPLIANT CONSOLE/COMP W/64MB (SEE PG 1-8)
12	46-301708G11	N	MODEM KIT	1	MR INSITE MODEM KIT W/O MODUM (SEE PAGE 1-7)
13	46-271363G604	2	CABLE ASM	1	(042T) MR3-A12 TO PD1-TS-7,8,9 47FT.

CATALOG M1800MB FRU N 5.x 1.0T HORIZON BASE with MULTI-COIL

Item	Part Number	FRU	Name	Quantity	Description (Remarks)
1	46-244813G65	N	1.0T SHIP'NG	1	1.0T SIGNA HORIZON SHIPPING COLLEC'R (SEE PAGE 1-96)
2	46-265300G1	N	TABLE ASM	1	LIGHTWEIGHT PATIENT TRANSPORT, PT1 (SEE SECTION 3)
3	46-271000G66	N	1.0 SR20&M/C	1	5.5 1.0T SR20 WITH MULTICOIL (SEE PAGE 1-160)
5	46-317998G10	N	CONSOLE/COMP	1	EMC COMPLIANT CONSOLE/COMP W/64MB (SEE PG 1-8)
12	46-301708G11	N	MODEM KIT	1	MR INSITE MODEM KIT W/O MODUM (SEE PAGE 1-7)
13	46-271363G604	2	CABLE ASM	1	(042T) MR3-A12 TO PD1-TS-7,8,9 47FT.

CATALOG M1800MC FRU N 5.x 1.0T HORIZON HiSpeed w/o MULTI-COIL

Item	Part Number	FRU	Name	Quantity	Description (Remarks)
1	46-244813G65	N	1.0T SHIP'NG	1	1.0T SIGNA HORIZON SHIPPING COLLEC'R (SEE PAGE 1-96)
2	46-265300G1	N	TABLE ASM	1	LIGHTWEIGHT PATIENT TRANSPORT, PT1 (SEE SECTION 3)
3	46-271000G67	N	1.0 SR77 W/O	1	5.5 1.0T SR77 WITHOUT MULTICOIL (SEE PAGE 1-160)
5	46-317998G10	N	CONSOLE/COMP	1	EMC COMPLIANT CONSOLE/COMP W/64MB (SEE PG 1-8)
10	2120963-2	N	GRAD CBL KIT	1	GRADIENT AMP OUTPUT CABLES TO GRAM (SEE PG 1-234)
11	2121430	N	CABLE KIT	1	GRAM POWER & GRADIENT TO GRAM CBLES (SEE PG 1-234)
12	46-301708G11	N	MODEM KIT	1	MR INSITE MODEM KIT W/O MODUM (SEE PAGE 1-7)

CATALOG M1800MD FRU N 5.x 1.0T HORIZON HiSpeed with MULTI-COIL

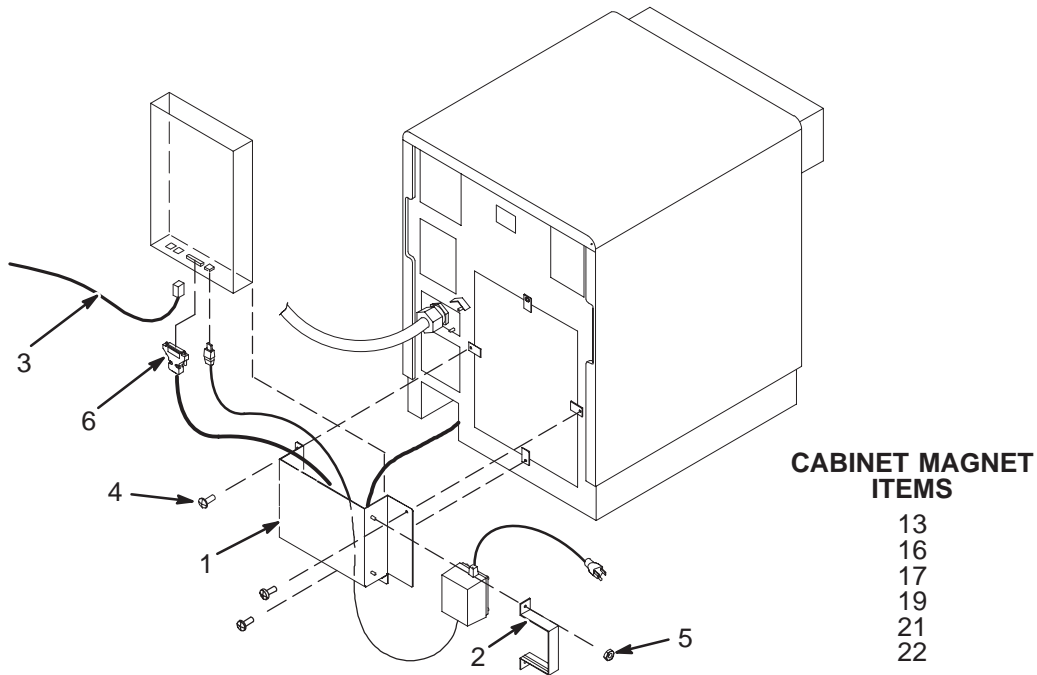
Item	Part Number	FRU	Name	Quantity	Description (Remarks)
1	46-244813G65	N	1.0T SHIP'NG	1	1.0T SIGNA HORIZON SHIPPING COLLEC'R (SEE PAGE 1-96)
2	46-265300G1	N	TABLE ASM	1	LIGHTWEIGHT PATIENT TRANSPORT, PT1 (SEE SECTION 3)
3	46-271000G68	N	1.0 SR77&M/C	1	5.5 1.0T SR77 WITH MULTICOIL (SEE PAGE 1-160)
5	46-317998G10	N	CONSOLE/COMP	1	EMC COMPLIANT CONSOLE/COMP W/64MB (SEE PG 1-8)
10	2120963-2	N	GRAD CBL KIT	1	GRADIENT AMP OUTPUT CABLES TO GRAM (SEE PG 1-234)
11	2121430	N	CABLE KIT	1	GRAM POWER & GRADIENT TO GRAM CBLES (SEE PG 1-234)
12	46-301708G11	N	MODEM KIT	1	MR INSITE MODEM KIT W/O MODUM (SEE PAGE 1-7)

CATALOG M1800PM FRU N 5.x 1.0T FIXED SITE w/o MULTI-COIL

Item	Part Number	FRU	Name	Quantity	Description (Remarks)
1	46-282429G63	N	INSTALLATION	1	UGI 1.0T FIXED SITE W/O MULTICOIL (SEE PAGE 1-184)
19	46-301383G12	N	PP1 ASSEMBLY	1	UFI PENETRATION PANEL, NO MULTICOIL (SEE SECTION 4)
30	2118422-7	N	MAG ENCLOSRE	1	5.5 1.0T FIXED MAG ENCL W/O M/C (SEE SECTION 2)
31	2124201-3	N	CD-ROM	1	RELEASE 5.X SIGNA SERVICE METHODS

5.x INSITE MODEM KIT

46-301708G11



- CABINET MAGNET ITEMS**
- 13
 - 16
 - 17
 - 19
 - 21
 - 22

5.x INSITE MODEM KIT

46-301708G11 FRU N

- (PART OF M1000MA PAGE 1-3)
- (PART OF M1000MB PAGE 1-3)
- (PART OF M1000MC PAGE 1-3)
- (PART OF M1000MD PAGE 1-3)
- (PART OF M1000ME PAGE 1-3)
- (PART OF M1000MF PAGE 1-4)
- (PART OF M1800MA PAGE 1-6)
- (PART OF M1800MB PAGE 1-6)
- (PART OF M1800MC PAGE 1-6)
- (PART OF M1800MD PAGE 1-6)

Item	Part Number	FRU	Name	Quantity	Description (Remarks)
1	46-313092G1	2	BRKT ASM	1	BRACKET TO MOUNT MODEM ON COMPUTER
2	46-313094G1	2	BRKT ASM	1	MODEM TRANSFORMER BRACKET ASM.
3	46-278763P1	2	LINE CORD	1	6 CONDUCTOR PHONE LINE CORD - 25 FT
4	46-170015P19	2	SCR,SEMS	3	6-32 X 3/8 LG BIND HD STL EXT TOOTH
5	46-170012P39	2	NUT,LOCK	2	10-32, 3/8" HEX KEPS NUT, 1/8" THICK
6	46-297005G3	2	CABLE	1	MODEM 6' 25 PIN
13	46-320095P1	2	ID MAGNETS	1	CABINET MAGNET - COMPUTER (MAIN)
16	46-320095P4	2	ID MAGNETS	1	CABINET MAGNET - PDU
17	46-320095P5	2	ID MAGNETS	1	CABINET MAGNET - SYSTEMS
19	46-320095P7	2	ID MAGNETS	1	CABINET MAGNET - GRADIENT
21	46-320095P13	2	ID MAGNETS	1	CABINET MAGNET - RF/PENETRATION
22	46-320095P14	2	ID MAGNETS	1	CABINET MAGNET - GRAM

REV 14

DIRECTION 2138247

CONSOLE/COMPUTER 46-317998G10 FRU N (PART OF M1000MC PAGE 1-3)
 (PART OF M1000MD PAGE 1-3)
 (PART OF M1000ME PAGE 1-3)
 (PART OF M1000MF PAGE 1-4)
 (PART OF M1800MC PAGE 1-6)
 (PART OF M1800MD PAGE 1-6)

Item	Part Number	FRU	Name	Quantity	Description (Remarks)
1	46-328213G6	N	MR-OC COMP'R	1	860-950531 MR OC COMPUTER (SEE SECTION 7)
2	2119590	N	EMC CONSOLE	1	OC1 OPERATOR CONSOLE, EMC COMPLIANT (SEE SEC. 5)
3	46-317995G1	N	OPTION I/F	1	CC1 I/F KIT FOR XCVR, VCR & LASRCM (SEE SECTION 7)
4	46-287998G1	N	HI PRFLE KIT	1	OPERATOR CONSOLE LEG RISER KIT (SEE SECTION 5)

CATALOG M1801PM FRU N 5.x 1.0T FIXED SITE with MULTI-COIL

Item	Part Number	FRU	Name	Quantity	Description (Remarks)
1	46-282429G66	N	INSTALLATION	1	UFI 1.0T FIXED SITE WITH MULTICOIL (SEE PAGE 1-185)
19	46-301383G13	N	PEN PANEL	1	UFI PENETRATION PANEL, W/ MULTI-COIL (SEE SECTION 4)
30	2118422-9	N	MAG ENCLOSRE	1	5.5 1.0T FXD MAG ENCL WITH MULTICOIL (SEE SECTION 2)

CATALOG M1810PM FRU N 5.x 1.0T MOBILE SITE w/o MULTI-COIL

Item	Part Number	FRU	Name	Quantity	Description (Remarks)
1	46-282429G65	N	INSTALLATION	1	UFI 1.0T MOBILE SITE W/O MULTICOIL (SEE PAGE 1-184)
20	46-301383G12	N	PP1 ASSEMBLY	1	UFI PENETRATION PANEL, NO MULTICOIL (SEE SECTION 4)
30	2118422-6	N	MAG ENCLOSRE	1	5.5 1.0T MOBILE MAG ENCL W/O M/C (SEE SECTION 2)

CATALOG M1811PM FRU N 5.x 1.0T MOBILE SITE with MULTI-COIL

Item	Part Number	FRU	Name	Quantity	Description (Remarks)
1	46-282429G68	N	INSTALLATION	1	UFI 1.0T MOBILE SITE WITH MULTICOIL (SEE PAGE 1-185)
20	46-301383G13	N	PEN PANEL	1	UFI PENETRATION PANEL, W/ MULTI-COIL (SEE SECTION 4)
30	2118422-8	N	MAG ENCLOSRE	1	5.5 1.0T MOB MAG ENCL W/MULTICOIL (SEE SECTION 2)

CATALOG M1820PM FRU N 5.x 1.0T T/R SITE w/o MULTI-COIL

Item	Part Number	FRU	Name	Quantity	Description (Remarks)
1	46-282429G64	N	INSTALLATION	1	UFI 1.0T T/R SITE W/O MULTICOIL (SEE PAGE 1-184)
20	46-301383G12	N	PP1 ASSEMBLY	1	UFI PENETRATION PANEL, NO MULTICOIL (SEE SECTION 4)
30	2118422-6	N	MAG ENCLOSRE	1	5.5 1.0T MOBILE MAG ENCL W/O M/C (SEE SECTION 2)

CATALOG M1821PM FRU N 5.x 1.0T T/R SITE with MULTI-COIL

Item	Part Number	FRU	Name	Quantity	Description (Remarks)
1	46-282429G67	N	INSTALLATION	1	UFI 1.0T T/R SITE WITH MULTICOIL (SEE PAGE 1-185)
20	46-301383G13	N	PEN PANEL	1	UFI PENETRATION PANEL, W/ MULTI-COIL (SEE SECTION 4)
30	2118422-8	N	MAG ENCLOSRE	1	5.5 1.0T MOB MAG ENCL W/MULTICOIL (SEE SECTION 2)

1-2 8.x SYSTEM CATALOGS

CATALOG		M1000NA FRU N		8.x 1.5T HORIZON BASE w/o MULTI-COIL	
Item	Part Number	FRU	Name	Quantity	Description (Remarks)
1	46-244813G27	N	ASSEMBLY	1	LX 1.5T SIGNA HORIZON SHIP COLLECTOR (SEE PAGE 1-94)
2	46-265300G1	N	TABLE ASM	1	LIGHTWEIGHT PATIENT TRANSPORT, PT1 (SEE SECTION 3)
3	46-271000G33	N	ASSEMBLY	1	LX 1.5T BASE SR20 W/O MULTICOIL (SEE PAGE 1-158)
13	46-271363G604	2	CABLE ASM	1	(042T) MR3-A12 TO PD1-TS-7,8,9 47FT.
14	2141978-5	1	WKSP I/F MOD	1	LIGHTNING WORKSPACE INTERFACE MODULE (SEE SEC. 13)
16A	2138599-2	1	LCD MONITOR	1	LCD DISPLAY (800 X 600); WITH CABLES (SEE SECTION 13)
16B	2138599	1	LCD MONITOR	ALT	LCD MONITOR FOR INTEGRATED WORKSPACE (SEE SEC. 13)
17	2154392	2	COLLECTOR	1	OPERATOR WORKSTATION CABLES/MRLX (SEE SECTION 13)
20	46-307830G1	N	POWER MODULE	1	POWER DISTRIBUTION BOX (SEE SECTION 13)
21	2160157	N	CABLE COVER	1	LIGHTNING CABLE COVER KIT (SEE SECTION 13)
23	2169940-28	1	COMPUTER	1	SGI OCTANE MOUSE
60	46-301708G14	N	8.0LX INSITE	1	8.0 LX INSITE KIT WITHOUT MODEM (SEE PAGE 1-179)

CATALOG		M1000ND FRU N		8.x 1.5T HORIZON BASE with MULTI-COIL	
Item	Part Number	FRU	Name	Quantity	Description (Remarks)
1	46-244813G27	N	ASSEMBLY	1	LX 1.5T SIGNA HORIZON SHIP COLLECTOR (SEE PAGE 1-94)
2	46-265300G1	N	TABLE ASM	1	LIGHTWEIGHT PATIENT TRANSPORT, PT1 (SEE SECTION 3)
3	46-271000G35	N	ASSEMBLY	1	LX 1.5T PERFORMANCE SR20 W/MULTICOIL (SEE PG 1-158)
13	46-271363G604	2	CABLE ASM	1	(042T) MR3-A12 TO PD1-TS-7,8,9 47FT.
14	2141978-5	1	WKSP I/F MOD	1	LIGHTNING WORKSPACE INTERFACE MODULE (SEE SEC. 13)
16A	2138599-2	1	LCD MONITOR	1	LCD DISPLAY (800 X 600); WITH CABLES (SEE SECTION 13)
16B	2138599	1	LCD MONITOR	ALT	LCD MONITOR FOR INTEGRATED WORKSPACE (SEE SEC. 13)
17	2154392	2	COLLECTOR	1	OPERATOR WORKSTATION CABLES/MRLX (SEE SECTION 13)
20	46-307830G1	N	POWER MODULE	1	POWER DISTRIBUTION BOX (SEE SECTION 13)
21	2160157	N	CABLE COVER	1	LIGHTNING CABLE COVER KIT (SEE SECTION 13)
23	2169940-28	1	COMPUTER	1	SGI OCTANE MOUSE
60	46-301708G14	N	8.0LX INSITE	1	8.0 LX INSITE KIT WITHOUT MODEM (SEE PAGE 1-179)

CATALOG		M1000NF FRU N		8.x 1.5T HORIZON HiSpeed with MULTI-COIL	
Item	Part Number	FRU	Name	Quantity	Description (Remarks)
1	46-244813G27	N	ASSEMBLY	1	LX 1.5T SIGNA HORIZON SHIP COLLECTOR (SEE PAGE 1-94)
2	46-265300G1	N	TABLE ASM	1	LIGHTWEIGHT PATIENT TRANSPORT, PT1 (SEE SECTION 3)
3	46-271000G36	N	ASSEMBLY	1	LX 1.5T PERFORMANCE SR77 W/MULTICOIL (SEE PG 1-158)
10	2120963-2	N	GRAD CBL KIT	1	GRADIENT AMP OUTPUT CABLES TO GRAM(SEE PAGE 1-234)
11	2121430	N	CABLE KIT	1	GRAM POWER & GRADIENT TO GRAM CBLES (SEE PG 1-234)
14	2141978-5	1	WKSP I/F MOD	1	LIGHTNING WORKSPACE INTERFACE MODULE (SEE SEC. 13)
16A	2138599-2	1	LCD MONITOR	1	LCD DISPLAY (800 X 600); WITH CABLES (SEE SECTION 13)
16B	2138599	1	LCD MONITOR	ALT	LCD MONITOR FOR INTEGRATED WORKSPACE (SEE SEC. 13)
17	2154392	2	COLLECTOR	1	OPERATOR WORKSTATION CABLES/MRLX (SEE SECTION 13)
20	46-307830G1	N	POWER MODULE	1	POWER DISTRIBUTION BOX (SEE SECTION 13)
21	2160157	N	CABLE COVER	1	LIGHTNING CABLE COVER KIT (SEE SECTION 13)
23	2169940-28	1	COMPUTER	1	SGI OCTANE MOUSE
60	46-301708G14	N	8.0LX INSITE	1	8.0 LX INSITE KIT WITHOUT MODEM (SEE PAGE 1-179)

CATALOG M1000NG FRU N 8.x 1.5T HORIZON EchoSpeed with MULTI-COIL

Item	Part Number	FRU	Name	Quantity	Description (Remarks)
1	46-244813G27	N	ASSEMBLY	1	LX 1.5T SIGNA HORIZON SHIP COLLECTOR (SEE PAGE 1-94)
2	46-265300G1	N	TABLE ASM	1	LIGHTWEIGHT PATIENT TRANSPORT, PT1 (SEE SECTION 3)
3	46-271000G37	N	ASSEMBLY	1	LX 1.5T PERFORMANCE SR120 WITH M/C (SEE PAGE 1-158)
10	2120963-2	N	GRAD CBL KIT	1	GRADIENT AMP OUTPUT CABLES TO GRAM(SEE PAGE 1-234)
11	2121430	N	CABLE KIT	1	GRAM POWER & GRADIENT TO GRAM CBLES (SEE PG 1-234)
13	46-271363G604	2	CABLE ASM	1	(042T) MR3-A12 TO PD1-TS-7,8,9 47FT.
14	2141978-5	1	WKSP I/F MOD	1	LIGHTNING WORKSPACE INTERFACE MODULE (SEE SEC. 13)
16A	2138599-2	1	LCD MONITOR	1	LCD DISPLAY (800 X 600); WITH CABLES (SEE SECTION 13)
16B	2138599	1	LCD MONITOR	ALT	LCD MONITOR FOR INTEGRATED WORKSPACE (SEE SEC. 13)
17	2154392	2	COLLECTOR	1	OPERATOR WORKSTATION CABLES/MRLX (SEE SECTION 13)
20	46-307830G1	N	POWER MODULE	1	POWER DISTRIBUTION BOX (SEE SECTION 13)
21	2160157	N	CABLE COVER	1	LIGHTNING CABLE COVER KIT (SEE SECTION 13)
23	2169940-28	1	COMPUTER	1	SGI OCTANE MOUSE
60	46-301708G14	N	8.0LX INSITE	1	8.0 LX INSITE KIT WITHOUT MODEM (SEE PAGE 1-179)

CATALOG M1000PN FRU N 8.x 1.5T FIXED SITE w/o MULTI-COIL

Item	Part Number	FRU	Name	Quantity	Description (Remarks)
1	46-282429G30	N	ASSEMBLY	1	LX 1.5T FIXED WITH OR W/O MULTICOIL (SEE PAGE 1-181)
2	46-301383G12	N	PP1 ASSEMBLY	1	UFI PENETRATION PANEL, NO MULTICOIL (SEE SECTION 4)
3	2118422-3	N	MAG ENCLOSRE	1	1.5T 5.5 FIXED MAGNET ENCL W/O MC (SEE SECTION 2)
4	2133388	N	PHANTOM KIT	1	SPT PHANTOM CART KIT (SEE PAGE 1-102)
104	2160623-3	N	DIRECTION	1	SIGNA RELEASE 8.X SERVICE METHODS

CATALOG M1001PN FRU N 8.x 1.5T S3/S5 FIXED SITE with MULTI-COIL

Item	Part Number	FRU	Name	Quantity	Description (Remarks)
1	46-282429G30	N	ASSEMBLY	1	LX 1.5T FIXED WITH OR W/O MULTICOIL (SEE PAGE 1-181)
2	46-301383G13	N	PEN PANEL	1	UFI PENETRATION PANEL, W/ MULTI-COIL (SEE SECTION 4)
3	2118422-5	N	MAG ENCLOSRE	1	5.5 1.5T FIXED MAGNET ENCL WITH M/C (SEE SECTION 2)
4	2133388	N	PHANTOM KIT	1	SPT PHANTOM CART KIT (SEE PAGE 1-102)
104	2160623-3	N	CD-ROM	1	SIGNA RELEASE 8.X SERVICE METHODS

CATALOG M1020PN FRU N 8.x 1.5T SIII/SV T/R w/o MULTI-COIL

Item	Part Number	FRU	Name	Quantity	Description (Remarks)
1	46-282429G31	N	ASSEMBLY	1	LX 1.5T T/R SITE WITH OR W/O MULTICL (SEE PAGE 1-181)
2	46-301383G12	N	PP1 ASSEMBLY	1	UFI PENETRATION PANEL, NO MULTICOIL (SEE SECTION 4)
3	2118422-2	N	MAG ENCLOSRE	1	1.5T 5.5 MOB MAGNET ENCLOSURE W/O MC (SEE SECTION 2)
4	2133388	N	PHANTOM KIT	1	SPT PHANTOM CART KIT (SEE PAGE 1-102)
104	2160623-3	N	CD-ROM	1	SIGNA RELEASE 8.X SERVICE METHODS

CATALOG M1021PN FRU N 8.x 1.5T T/R with MULTI-COIL

Item	Part Number	FRU	Name	Quantity	Description (Remarks)
1	46-282429G31	N	ASSEMBLY	1	LX 1.5T T/R SITE WITH OR W/O MULTICL (SEE PAGE 1-181)
2	46-301383G13	N	PEN PANEL	1	UFI PENETRATION PANEL, W/ MULTI-COIL (SEE SECTION 4)
3	2118422-4	N	MAG ENCLOSRE	1	5.5 1.5T T/R MAGNET ENCLOSURE (SEE SECTION 2)
4	2133388	N	PHANTOM KIT	1	SPT PHANTOM CART KIT (SEE PAGE 1-102)
104	2160623-3	N	DIRECTION	1	SIGNA RELEASE 8.X SERVICE METHODS

CATALOG M1030PN FRU N 8.x 1.5T MAGNISHIELD SITE w/o MULTI-COIL

Item	Part Number	FRU	Name	Quantity	Description (Remarks)
1	46-282429G30	N	ASSEMBLY	1	LX 1.5T FIXED WITH OR W/O MULTICOIL (SEE PAGE 1-181)
2	46-301383G12	N	PP1 ASSEMBLY	1	UFI PENETRATION PANEL, NO MULTICOIL (SEE SECTION 4)
3	2118423	N	MAGNET ENCL	1	ENCLOSURE WIDE BOD W/O MC (SEE SECTION 2)
4	2133388	N	PHANTOM KIT	1	SPT PHANTOM CART KIT (SEE PAGE 1-102)
104	2160623-3	N	CD-ROM	1	SIGNA RELEASE 8.X SERVICE METHODS

CATALOG M1031PN FRU N 8.x 1.5T MAGNISHIELD SITE with MULTI-COIL

Item	Part Number	FRU	Name	Quantity	Description (Remarks)
1	46-282429G30	N	ASSEMBLY	1	LX 1.5T FIXED WITH OR W/O MULTICOIL (SEE PAGE 1-181)
2	46-301383G13	N	PEN PANEL	1	UFI PENETRATION PANEL, W/ MULTI-COIL (SEE SECTION 4)
3	2118423-2	N	MAGNET ENCL	1	5.5 WIDE BODY MAG ENCL W/MULTICOIL (SEE SECTION 2)
4	2133388	N	PHANTOM KIT	1	SPT PHANTOM CART KIT (SEE PAGE 1-102)
104	2160623-3	N	CD-ROM	1	SIGNA RELEASE 8.X SERVICE METHODS

CATALOG M1800NA FRU N 8.x 1.0T HORIZON BASE w/o MULTI-COIL

Item	Part Number	FRU	Name	Quantity	Description (Remarks)
1	46-244813G67	N	ASSEMBLY	1	LX 1.0T SIGNA HORIZON SHIP COLLECTOR (SEE PAGE 1-97)
2	46-265300G1	N	TABLE ASM	1	LIGHTWEIGHT PATIENT TRANSPORT, PT1 (SEE SECTION 3)
3	46-271000G73	N	LX SR20 W/O	1	LX 1.0T BASE SR20 WITHOUT MULTICOIL (SEE PAGE 1-161)
13	46-271363G604	2	CABLE ASM	1	(042T) MR3-A12 TO PD1-TS-7,8,9 47FT.
14	2141978-5	1	WKSP I/F MOD	1	LIGHTNING WORKSPACE INTERFACE MODULE (SEE SEC. 13)
16A	2138599-2	1	LCD MONITOR	1	LCD DISPLAY (800 X 600); WITH CABLES (SEE SECTION 13)
16B	2138599	1	LCD MONITOR	ALT	LCD MONITOR FOR INTEGRATED WORKSPACE (SEE SEC. 13)
17	2154392	2	COLLECTOR	1	OPERATOR WORKSTATION CABLES/MRLX (SEE SECTION 13)
20	46-307830G1	N	POWER MODULE	1	POWER DISTRIBUTION BOX (SEE SECTION 13)
21	2160157	N	CABLE COVER	1	LIGHTNING CABLE COVER KIT (SEE SECTION 13)
23	2169940-28	1	COMPUTER	1	SGI OCTANE MOUSE
60	46-301708G14	N	8.0LX INSITE	1	8.0 LX INSITE KIT WITHOUT MODEM (SEE PAGE 1-179)

CATALOG M1800ND FRU N 8.x 1.0T HORIZON BASE with MULTI-COIL

Item	Part Number	FRU	Name	Quantity	Description (Remarks)
1	46-244813G67	N	ASSEMBLY	1	LX 1.0T SIGNA HORIZON SHIP COLLECTOR (SEE PAGE 1-97)
2	46-265300G1	N	TABLE ASM	1	LIGHTWEIGHT PATIENT TRANSPORT, PT1 (SEE SECTION 3)
3	46-271000G76	N	ASSEMBLY	1	LX 1.0T PERFORMANC SR20 W/MULTICOIL (SEE PAGE 1-161)
13	46-271363G604	2	CABLE ASM	1	(042T) MR3-A12 TO PD1-TS-7,8,9 47FT.
14	2141978-5	1	WKSP I/F MOD	1	LIGHTNING WORKSPACE INTERFACE MODULE (SEE SEC. 13)
16A	2138599-2	1	LCD MONITOR	1	LCD DISPLAY (800 X 600); WITH CABLES (SEE SECTION 13)
16B	2138599	1	LCD MONITOR	ALT	LCD MONITOR FOR INTEGRATED WORKSPACE (SEE SEC. 13)
17	2154392	2	COLLECTOR	1	OPERATOR WORKSTATION CABLES/MRLX (SEE SECTION 13)
20	46-307830G1	N	POWER MODULE	1	POWER DISTRIBUTION BOX (SEE SECTION 13)
21	2160157	N	CABLE COVER	1	LIGHTNING CABLE COVER KIT (SEE SECTION 13)
23	2169940-28	1	COMPUTER	1	SGI OCTANE MOUSE
60	46-301708G14	N	8.0LX INSITE	1	8.0 LX INSITE KIT WITHOUT MODEM (SEE PAGE 1-179)

CATALOG M1800NE FRU N 8.x 1.0T HORIZON HiSpeed w/o MULTI-COIL

Item	Part Number	FRU	Name	Quantity	Description (Remarks)
1	46-244813G67	N	ASSEMBLY	1	LX 1.0T SIGNA HORIZON SHIP COLLECTOR (SEE PAGE 1-97)
2	46-265300G1	N	TABLE ASM	1	LIGHTWEIGHT PATIENT TRANSPORT, PT1 (SEE SECTION 3)
3	46-271000G77	N	ASSEMBLY	1	LX 1.0T PERFORMANCE SR77 W/O MULTICL (SEE PAGE 1-161)
10	2120963-3	1	KIT OF PARTS	1	GRADIENT CABLE KIT FOR MOBILES (SEE PAGE 1-235)
11	2121430	N	CABLE KIT	1	GRAM POWER & GRADIENT TO GRAM CBLES (SEE PG 1-234)
14	2141978-2	1	WKSP I/F MOD	1	LIGHTNING WORKSPACE INTERFACE MODULE (SEE SEC. 13)
16A	2138599-2	1	LCD MONITOR	1	LCD DISPLAY (800 X 600) WITH CABLES (SEE SECTION 13)
16B	2138599	1	LCD MONITOR	ALT	LCD MONITOR FOR INTEGRATED WORKSPACE (SEE SEC. 13)
17	2154392	2	COLLECTOR	1	OPERATOR WORKSTATION CABLES/MRLX (SEE SECTION 13)
20	46-307830G1	N	POWER MODULE	1	POWER DISTRIBUTION BOX (SEE SECTION 13)
21	2160157	N	CABLE COVER	1	LIGHTNING CABLE COVER KIT (SEE SECTION 13)
23	2169940-28	1	COMPUTER	1	SGI OCTANE MOUSE
60	46-301708G14	N	8.0LX INSITE	1	8.0 LX INSITE KIT WITHOUT MODEM (SEE PAGE 1-179)

CATALOG		M1800NF FRU N		8.x 1.0T HORIZON HiSpeed with MULTI-COIL	
Item	Part Number	FRU	Name	Quantity	Description (Remarks)
1	46-244813G67	N	ASSEMBLY	1	LX 1.0T SIGNA HORIZON SHIP COLLECTOR (SEE PAGE 1-97)
2	46-265300G1	N	TABLE ASM	1	LIGHTWEIGHT PATIENT TRANSPORT, PT1 (SEE SECTION 3)
3	46-271000G78	N	ASSEMBLY	1	LX 1.0T PERFORMANCE SR77 W/MULTICOIL (SEE PG 1-161)
10	2120963-2	N	GRAD CBL KIT	1	GRADIENT AMP OUTPUT CABLES TO GRAM (SEE PG 1-234)
11	2121430	N	CABLE KIT	1	GRAM POWER & GRADIENT TO GRAM CBLES (SEE PG 1-234)
14	2141978-5	1	WKSP I/F MOD	1	LIGHTNING WORKSPACE INTERFACE MODULE (SEE SEC. 13)
16A	2138599-2	1	LCD MONITOR	1	LCD DISPLAY (800 X 600); WITH CABLES (SEE SECTION 13)
16B	2138599	1	LCD MONITOR	ALT	LCD MONITOR FOR INTEGRATED WORKSPACE (SEE SEC. 13)
17	2154392	2	COLLECTOR	1	OPERATOR WORKSTATION CABLES/MRLX (SEE SECTION 13)
20	46-307830G1	N	POWER MODULE	1	POWER DISTRIBUTION BOX (SEE SECTION 13)
21	2160157	N	CABLE COVER	1	LIGHTNING CABLE COVER KIT (SEE SECTION 13)
23	2169940-28	1	COMPUTER	1	SIG OCTANE MOUSE
60	46-301708G14	N	8.0LX INSITE	1	8.0 LX INSITE KIT WITHOUT MODEM (SEE PAGE 1-179)

CATALOG M1800PN FRU N 8.x 1.0T FIXED SITE w/o MULTI-COIL

Item	Part Number	FRU	Name	Quantity	Description (Remarks)
1	46-282429G69	N	ASSEMBLY	1	LX 1.0T FIXED SITE WITH OR W/O M/C (SEE PAGE 1-185)
2	46-301383G12	N	PP1 ASSEMBLY	1	UFI PENETRATION PANEL, NO MULTICOIL (SEE SECTION 4)
3	2118422-7	N	MAG ENCLOSRE	1	1.0T FIXED MAGNET ENCLOSURE W/O M/C (SEE SECTION 2)
4	2133388	N	PHANTOM KIT	1	SPT PHANTOM CART KIT (SEE PAGE 1-102)
104	2160623-3	N	DIRECTION	1	SIGNA LX SERVICE METHODS CD-ROM

CATALOG M1801PN FRU N 8.x 1.0T FIXED SITE with MULTI-COIL

Item	Part Number	FRU	Name	Quantity	Description (Remarks)
1	46-282429G69	N	ASSEMBLY	1	LX 1.0T FIXED SITE WITH OR W/O M/C (SEE PAGE 1-185)
2	46-301383G13	N	PEN PANEL	1	UFI PENETRATION PANEL, W/ MULTI-COIL (SEE SECTION 4)
3	2118422-9	N	MAG ENCLOSRE	1	UFI 1.0T FXD MAG ENCL WITH MULTICOIL (SEE SECTION 2)
4	2133388	N	PHANTOM KIT	1	SPT PHANTOM CART KIT (SEE PAGE 1-102)

CATALOG M1810PN FRU N 8.x 1.0T MOBILE SITE w/o MULTI-COIL

Item	Part Number	FRU	Name	Quantity	Description (Remarks)
1	46-282429G71	N	ASSEMBLY	1	LX 1.0T MOBILE SITE WITH OR W/O M/C (SEE PAGE 1-186)
2	46-301383G12	N	PP1 ASSEMBLY	1	UFI PENETRATION PANEL, NO MULTICOIL (SEE SECTION 4)
3	2118422-6	N	MAG ENCLOSRE	1	5.5 1.0T MOBILE MAG ENCL W/O M/C (SEE SECTION 2)
4	2133388-2	N	ASSEMBLY	1	SPT PHANTOM CART KIT MINUS CART (SEE PAGE 1-102)

CATALOG M1811PN FRU N 8.x 1.0T MOBILE SITE with MULTI-COIL

Item	Part Number	FRU	Name	Quantity	Description (Remarks)
1	46-282429G71	N	ASSEMBLY	1	LX 1.0T MOBILE SITE WITH OR W/O M/C (SEE PAGE 1-186)
2	46-301383G13	N	PEN PANEL	1	UFI PENETRATION PANEL, W/ MULTI-COIL (SEE SECTION 4)
3	2118422-8	N	MAG ENCLOSRE	1	5.5 1.0T MOB MAG ENCL W/MULTICOIL (SEE SECTION 2)
4	2133388-2	N	ASSEMBLY	1	SPT PHANTOM CART KIT MINUS CART (SEE PAGE 1-102)

CATALOG M1820PN FRU N 8.x 1.0T T/R SITE w/o MULTI-COIL

Item	Part Number	FRU	Name	Quantity	Description (Remarks)
1	46-282429G70	N	ASSEMBLY	1	LX 1.0T T/R SITE WITH OR W/O MULTICL (SEE PAGE 1-186)
2	46-301383G12	N	PP1 ASSEMBLY	1	UFI PENETRATION PANEL, NO MULTICOIL (SEE SECTION 4)
3	2118422-6	N	MAG ENCLOSRE	1	5.5 1.0T MOBILE MAG ENCL W/O M/C (SEE SECTION 2)
4	2133388	N	PHANTOM KIT	1	SPT PHANTOM CART KIT (SEE PAGE 1-102)

CATALOG M1821PN FRU N 8.x 1.0T T/R SITE with MULTI-COIL

Item	Part Number	FRU	Name	Quantity	Description (Remarks)
1	46-282429G70	N	ASSEMBLY	1	LX 1.0T T/R SITE WITH OR W/O MULTICL (SEE PAGE 1-186)
2	46-301383G13	N	PEN PANEL	1	UFI PENETRATION PANEL, W/ MULTI-COIL (SEE SECTION 4)
3	2118422-8	N	MAG ENCLOSRE	1	5.5 1.0T MOB MAG ENCL W/MULTICOIL (SEE SECTION 2)
4	2133388	N	PHANTOM KIT	1	SPT PHANTOM CART KIT (SEE PAGE 1-102)

1-3 LX SGD SYSTEM CATALOGS

CATALOG		M1000PR	FRU N	LX SGD 1.5T SIII/SV FIXED SITE w/o MULTI-COIL	
Item	Part Number	FRU	Name	Quantity	Description (Remarks)
1	46-282429G36	N	INSTALLATION	1	LX SGD 1.5T FIXED WITH OR W/O MC (SEE PAGE 1-182)
2	46-301383G12	N	PP1 ASSEMBLY	1	UFI PENETRATION PANEL, NO MULTICOIL (SEE SECTION 4)
3	2118422-3	N	MAG ENCLOSRE	1	1.5T 5.5 FIXED MAGNET ENCL W/O MC (SEE SECTION 2)
4	2133388	N	PHANTOM KIT	1	SPT PHANTOM CART KIT (SEE PAGE 1-102)
104	2160623-3	N	DIRECTION	1	SIGNA RELEASE LX SERVICE METHODS

CATALOG		M1001PR	FRU N	LX SGD 1.5T S3/S5 FIXED SITE with MULTI-COIL	
Item	Part Number	FRU	Name	Quantity	Description (Remarks)
1	46-282429G36	N	INSTALLATION	1	LX SGD 1.5T FIXED WITH OR W/O MC (SEE PAGE 1-182)
2	46-301383G13	N	PEN PANEL	1	UFI PENETRATION PANEL, W/ MULTI-COIL (SEE SECTION 4)
3	2118422-5	N	MAG ENCLOSRE	1	5.5 1.5T FIXED MAGNET ENCL WITH M/C (SEE SECTION 2)
4	2133388	N	PHANTOM KIT	1	SPT PHANTOM CART KIT (SEE PAGE 1-102)
104	2160623-3	N	CD-ROM	1	SIGNA RELEASE LX SERVICE METHODS

CATALOG		M1020PR	FRU N	LX SGD 1.5T SIII/SV T/R SITE w/o MULTI-COIL	
Item	Part Number	FRU	Name	Quantity	Description (Remarks)
1	46-282429G37	N	INSTALLATION	1	LX SGD 1.5T T/R SITE WITH OR W/O MC (SEE PAGE 1-183)
2	46-301383G12	N	PP1 ASSEMBLY	1	UFI PENETRATION PANEL, NO MULTICOIL (SEE SECTION 4)
3	2118422-4	N	MAG ENCLOSRE	1	1.5T 5.5 T/R MAGNET ENCLOSURE W/O MC (SEE SECTION 2)
4	2133388	N	PHANTOM KIT	1	SPT PHANTOM CART KIT (SEE PAGE 1-102)
104	2160623-3	N	CD-ROM	1	SIGNA RELEASE LX SERVICE METHODS

CATALOG		M1021PR	FRU N	LX SGD 1.5T SIII/SV T/R SITE with MULTI-COIL	
Item	Part Number	FRU	Name	Quantity	Description (Remarks)
1	46-282429G37	N	INSTALLATION	1	LX SGD 1.5T T/R SITE WITH OR W/O MC (SEE PAGE 1-183)
2	46-301383G13	N	PEN PANEL	1	UFI PENETRATION PANEL, W/ MULTI-COIL (SEE SECTION 4)
3	2118422-4	N	MAG ENCLOSRE	1	5.5 1.5T T/R MAGNET ENCLOSURE (SEE SECTION 2)
4	2133388	N	PHANTOM KIT	1	SPT PHANTOM CART KIT (SEE PAGE 1-102)

CATALOG		M1030PR	FRU N	LX SGD 1.5T SIII MAGNISHIELD SITE w/o MULTI-COIL	
Item	Part Number	FRU	Name	Quantity	Description (Remarks)
1	46-282429G36	N	INSTALLATION	1	LX SGD 1.5T FIXD WITH OR W/O MULTICOIL (SEE PAGE 1-182)
2	46-301383G12	N	PP1 ASSEMBLY	1	UFI PENETRATION PANEL, NO MULTICOIL (SEE SECTION 4)
3	2118423	N	MAGNET ENCL	1	ENCLOSURE WIDE BOD W/O MC (SEE SECTION 2)
4	2133388	N	PHANTOM KIT	1	SPT PHANTOM CART KIT (SEE PAGE 1-102)
104	2160623-3	N	CD-ROM	1	SIGNA RELEASE LX SERVICE METHODS

CATALOG		M1031PR	FRU N	LX SGD 1.5T SIII MAGNISHIELD SITE with MULTI-COIL	
Item	Part Number	FRU	Name	Quantity	Description (Remarks)
1	46-282429G36	N	INSTALLATION	1	LX SGD 1.5T FIXD WITH OR W/O MULTICOIL (SEE PAGE 1-182)
2	46-301383G13	N	PEN PANEL	1	UFI PENETRATION PANEL, W/ MULTI-COIL (SEE SECTION 4)
3	2118423-2	N	MAGNET ENCL	1	5.5 WIDE BODY MAG ENCL W/MULTICOIL (SEE SECTION 2)
4	2133388	N	PHANTOM KIT	1	SPT PHANTOM CART KIT (SEE PAGE 1-102)
104	2160623-3	N	CD-ROM	1	SIGNA RELEASE LX SERVICE METHODS

CATALOG		M1000RA		FRU N	LX SGD 1.5T HORIZON BASE w/o MULTI-COIL
Item	Part Number	FRU	Name	Quantity	Description (Remarks)
1	46-244813G27	N	ASSEMBLY	1	LX 1.5T SIGNA HORIZON SHIP COLLECTOR (SEE PAGE 1-94)
2	46-265300G1	N	TABLE ASM	1	LIGHTWEIGHT PATIENT TRANSPORT, PT1 (SEE SECTION 3)
3	46-271000G50	N	MR SYSTEM	1	LX SGD 1.5T HORIZON W/O PHASED ARRAY (SEE PAGE 1-159)
10	2210341	1	MEDIA	1	LX SR20 OPTION S/W
14	2141978-5	1	WKSP I/F MOD	1	LIGHTNING WORKSPACE INTERFACE MODULE (SEE SEC. 13)
16	2138599-2	1	LCD MONITOR	1	LCD DISPLAY (800 X 600) WITH CABLES (SEE SEC. 13)
17	2154392	2	COLLECTOR	1	OPERATOR WORKSTATION CABLES/MRLX (SEE SECTION 13)
20	46-307830G1	N	POWER MODULE	1	POWER DISTRIBUTION BOX (SEE SECTION 13)
21	2160157	N	CABLE COVER	1	LIGHTNING CABLE COVER KIT (SEE SECTION 13)
23	2169940-28	1	COMPUTER	1	SGI OCTANE MOUSE
60	46-301708G14	N	8.0LX INSITE	1	8.0 LX INSITE KIT WITHOUT MODEM (SEE PAGE 1-179)

CATALOG		M1000RD		FRU N	LX SGD 1.5T HORIZON BASE with MULTI-COIL
Item	Part Number	FRU	Name	Quantity	Description (Remarks)
1	46-244813G27	N	ASSEMBLY	1	LX 1.5T SIGNA HORIZON SHIP COLLECTOR (SEE PAGE 1-94)
2	46-265300G1	N	TABLE ASM	1	LIGHTWEIGHT PATIENT TRANSPORT, PT1 (SEE SECTION 3)
3	46-271000G51	N	MR SYSTEM	1	LX SGD 1.5T HORIZON W/PHASED ARRAY (SEE PAGE 1-159)
10	2210341	1	MEDIA	1	LX SR20 OPTION S/W
14	2141978-5	1	WKSP I/F MOD	1	LIGHTNING WORKSPACE INTERFACE MODULE (SEE SEC. 13)
16	2138599-2	1	LCD MONITOR	1	LCD DISPLAY (800 X 600) WITH CABLES (SEE SEC. 13)
17	2154392	2	COLLECTOR	1	OPERATOR WORKSTATION CABLES/MRLX (SEE SECTION 13)
20	46-307830G1	N	POWER MODULE	1	POWER DISTRIBUTION BOX (SEE SECTION 13)
21	2160157	N	CABLE COVER	1	LIGHTNING CABLE COVER KIT (SEE SECTION 13)
23	2169940-28	1	COMPUTER	1	SGI OCTANE MOUSE
60	46-301708G14	N	8.0LX INSITE	1	8.0 LX INSITE KIT WITHOUT MODEM (SEE PAGE 1-179)

CATALOG		M1000RF		FRU N	LX SGD 1.5T HORIZON HiSpeed with MULTI-COIL
Item	Part Number	FRU	Name	Quantity	Description (Remarks)
1	46-244813G27	N	ASSEMBLY	1	LX 1.5T SIGNA HORIZON SHIP COLLECTOR (SEE PAGE 1-94)
2	46-265300G1	N	TABLE ASM	1	LIGHTWEIGHT PATIENT TRANSPORT, PT1 (SEE SECTION 3)
3	46-271000G52	N	MR SYSTEM	1	LX SGD 1.5T HiSpeed W/PHASED ARRAY (SEE PAGE 1-159)
10	2210340	1	MEDIA	1	LX SR77/120 OPTION S/W
13	46-271363G7	2	CABLE ASM	1	(042T) MR3CABI/FJ7 TO PD1-A2
14	2141978-5	1	WKSP I/F MOD	1	LIGHTNING WORKSPACE INTERFACE MODULE (SEE SEC. 13)
16	2138599-2	1	LCD MONITOR	1	LCD DISPLAY (800 X 600) WITH CABLES (SEE SECTION 13)
17	2154392	2	COLLECTOR	1	OPERATOR WORKSTATION CABLES/MRLX (SEE SECTION 13)
20	46-307830G1	N	POWER MODULE	1	POWER DISTRIBUTION BOX (SEE SECTION 13)
21	2160157	N	CABLE COVER	1	LIGHTNING CABLE COVER KIT (SEE SECTION 13)
23	2169940-28	1	COMPUTER	1	SGI OCTANE MOUSE
60	46-301708G14	N	8.0LX INSITE	1	8.0 LX INSITE KIT WITHOUT MODEM (SEE PAGE 1-179)

CATALOG		M1000RG FRU N		LX SGD 1.5T HORIZON EchoSpeed with MULTI-COIL	
Item	Part Number	FRU	Name	Quantity	Description (Remarks)
1	46-244813G27	N	ASSEMBLY	1	LX 1.5T SIGNA HORIZON SHIP COLLECTOR (SEE PAGE 1-94)
2	46-265300G1	N	TABLE ASM	1	LIGHTWEIGHT PATIENT TRANSPORT, PT1 (SEE SECTION 3)
3	46-271000G53	N	MR SYSTEM	1	LX SGD 1.5T EchoSpeed W/PHASD ARRAY (SEE PAGE 1-159)
10	2210340	1	MEDIA	1	LX SR77/120 OPTION S/W
13	46-271363G7	2	CABLE ASM	1	(042T) MR3CABI/FJ7 TO PD1-A2
14	2141978-5	1	WKSP I/F MOD	1	LIGHTNING WORKSPACE INTERFACE MODULE (SEE SEC. 13)
16	2138599-2	1	LCD MONITOR	1	LCD DISPLAY (800 X 600) WITH CABLES (SEE SECTION 13)
17	2154392	2	COLLECTOR	1	OPERATOR WORKSTATION CABLES/MRLX (SEE SECTION 13)
20	46-307830G1	N	POWER MODULE	1	POWER DISTRIBUTION BOX (SEE SECTION 13)
21	2160157	N	CABLE COVER	1	LIGHTNING CABLE COVER KIT (SEE SECTION 13)
23	2169940-28	1	COMPUTER	1	SGI OCTANE MOUSE
60	46-301708G14	N	8.0LX INSITE	1	8.0 LX INSITE KIT WITHOUT MODEM (SEE PAGE 1-179)
70	2210001	N	ASSEMBLY	1	EchoSpeed OPTION KEY COLLECTOR (SEE PAGE 1-42)

CATALOG		M1800PR	FRU N	LX SGD 1.0T SX FIXED SITE with OR w/o MULTI-COIL	
Item	Part Number	FRU	Name	Quantity	Description (Remarks)
1	46-282429G72	N	ASSEMBLY	1	LX 1.0T SGD FIXED SITE WITH OR W/O MC (SEE PAGE 1-186)
2	46-301383G12	N	PP1 ASSEMBLY	1	UFI PENETRATION PANEL, NO MULTICOIL (SEE SECTION 4)
3	2118422-7	N	MAG ENCLOSRE	1	1.0T FIXED MAGNET ENCLOSURE W/O M/C (SEE SECTION 2)
4	2133388	N	PHANTOM KIT	1	SPT PHANTOM CART KIT (SEE PAGE 1-102)
104	2160623-3	N	DIRECTION	1	SIGNA LX SERVICE METHODS CD-ROM

CATALOG		M1800RA	FRU N	LX SGD 1.0T HORIZON BASE w/o MULTI-COIL	
Item	Part Number	FRU	Name	Quantity	Description (Remarks)
1	46-244813G67	N	ASSEMBLY	1	LX 1.0T SIGNA HORIZON SHIP COLLECTOR (SEE PAGE 1-97)
2	46-265300G1	N	TABLE ASM	1	LIGHTWEIGHT PATIENT TRANSPORT, PT1 (SEE SECTION 3)
3	46-271000G79	N	MR SYSTEM	1	LX SGD 1.0T HORIZON W/O PHASED ARRAY (SEE PAGE 1-161)
10	2210341	1	MEDIA	1	LX SR20 OPTION S/W
14	2141978-5	1	WKSP I/F MOD	1	LIGHTNING WORKSPACE INTERFACE MODULE (SEE SEC. 13)
16	2138599-2	1	LCD MONITOR	1	LCD DISPLAY (800 X 600) WITH CABLES (SEE SECTION 13)
17	2154392	2	COLLECTOR	1	OPERATOR WORKSTATION CABLES/MRLX (SEE SECTION 13)
20	46-307830G1	N	POWER MODULE	1	POWER DISTRIBUTION BOX (SEE SECTION 13)
21	2160157	N	CABLE COVER	1	LIGHTNING CABLE COVER KIT (SEE SECTION 13)
23	2169940-28	1	COMPUTER	1	SGI OCTANE MOUSE
60	46-301708G14	N	8.0LX INSITE	1	8.0 LX INSITE KIT WITHOUT MODEM (SEE PAGE 1-179)

CATALOG		M1800RD	FRU N	LX SGD 1.0T HORIZON BASE with MULTI-COIL	
Item	Part Number	FRU	Name	Quantity	Description (Remarks)
1	46-244813G67	N	ASSEMBLY	1	LX 1.0T SIGNA HORIZON SHIP COLLECTOR (SEE PAGE 1-97)
2	46-265300G1	N	TABLE ASM	1	LIGHTWEIGHT PATIENT TRANSPORT, PT1 (SEE SECTION 3)
3	46-271000G80	N	MR SYSTEM	1	LX SGD 1.0T HORIZON W/PHASED ARRAY (SEE PAGE 1-162)
10	2210341	1	MEDIA	1	LX SR20 OPTION S/W
14	2141978-5	1	WKSP I/F MOD	1	LIGHTNING WORKSPACE INTERFACE MODULE (SEE SEC. 13)
16	2138599-2	1	LCD MONITOR	1	LCD DISPLAY (800 X 600) WITH CABLES (SEE SECTION 13)
17	2154392	2	COLLECTOR	1	OPERATOR WORKSTATION CABLES/MRLX (SEE SECTION 13)
20	46-307830G1	N	POWER MODULE	1	POWER DISTRIBUTION BOX (SEE SECTION 13)
21	2160157	N	CABLE COVER	1	LIGHTNING CABLE COVER KIT (SEE SECTION 13)
23	2169940-28	1	COMPUTER	1	SGI OCTANE MOUSE
60	46-301708G14	N	8.0LX INSITE	1	8.0 LX INSITE KIT WITHOUT MODEM (SEE PAGE 1-179)

CATALOG		M1800RE	FRU N	LX SGD 1.0T HORIZON HiSpeed w/o MULTI-COIL	
Item	Part Number	FRU	Name	Quantity	Description (Remarks)
1	46-244813G67	N	ASSEMBLY	1	LX 1.0T SIGNA HORIZON SHIP COLLECTOR (SEE PAGE 1-97)
2	46-265300G1	N	TABLE ASM	1	LIGHTWEIGHT PATIENT TRANSPORT, PT1 (SEE SECTION 3)
3	46-271000G81	N	MR SYSTEM	1	LX SGD 1.0T HiSpeed W/O PHASED ARRAY (SEE PAGE 1-162)
10	2210340	1	MEDIA	1	LX SR77/120 OPTION S/W
13	46-271363G7	2	CABLE ASM	1	(042T) MR3CABI/FJ7 TO PD1-A2
14	2141978-5	1	WKSP I/F MOD	1	LIGHTNING WORKSPACE INTERFACE MODULE (SEE SEC. 13)
16	2138599-2	1	LCD MONITOR	1	LCD DISPLAY (800 X 600) WITH CABLES (SEE SECTION 13)
17	2154392	2	COLLECTOR	1	OPERATOR WORKSTATION CABLES/MRLX (SEE SECTION 13)
20	46-307830G1	N	POWER MODULE	1	POWER DISTRIBUTION BOX (SEE SECTION 13)
21	2160157	N	CABLE COVER	1	LIGHTNING CABLE COVER KIT (SEE SECTION 13)
23	2169940-28	1	COMPUTER	1	SGI OCTANE MOUSE
60	46-301708G14	N	8.0LX INSITE	1	8.0 LX INSITE KIT WITHOUT MODEM (SEE PAGE 1-179)

CATALOG		M1800RF	FRU N	LX SGD 1.0T HORIZON HiSpeed with MULTI-COIL	
Item	Part Number	FRU	Name	Quantity	Description (Remarks)
1	46-244813G67	N	ASSEMBLY	1	LX 1.0T SIGNA HORIZON SHIP COLLECTOR (SEE PAGE 1-97)
2	46-265300G1	N	TABLE ASM	1	LIGHTWEIGHT PATIENT TRANSPORT, PT1 (SEE SECTION 13)
3	46-271000G82	N	MR SYSTEM	1	LX SGD 1.0T HiSpeed W/PHASED ARRAY (SEE PAGE 1-162)
10	2210340	1	MEDIA	1	LX SR77/120 OPTION S/W
13	46-271363G7	2	CABLE ASM	1	(042T) MR3CABI/FJ7 TO PD1-A2
14	2141978-5	1	WKSP I/F MOD	1	LIGHTNING WORKSPACE INTERFACE MODULE (SEE SEC. 13)
16	2138599-2	1	LCD MONITOR	1	LCD DISPLAY (800 X 600) WITH CABLES (SEE SECTION 13)
17	2154392	2	COLLECTOR	1	OPERATOR WORKSTATION CABLES/MRLX (SEE SECTION 13)
20	46-307830G1	N	POWER MODULE	1	POWER DISTRIBUTION BOX (SEE SECTION 13)
21	2160157	N	CABLE COVER	1	LIGHTNING CABLE COVER KIT (SEE SECTION 13)
23	2169940-28	1	COMPUTER	1	SGI OCTANE MOUSE
60	46-301708G14	N	8.0LX INSITE	1	8.0 LX INSITE KIT WITHOUT MODEM (SEE PAGE 1-179)

CATALOG		M1801PR	FRU N	LX SGD 1.0T SX FIXED SITE with MULTI-COIL	
Item	Part Number	FRU	Name	Quantity	Description (Remarks)
1	46-282429G72	N	ASSEMBLY	1	LX 1.0T SGD FIXED SITE WITH OR W/O MC (SEE PAGE 1-186)
2	46-301383G13	N	PEN PANEL	1	UFI PENETRATION PANEL, W/ MULTI-COIL (SEE SECTION 4)
3	2118422-9	N	MAG ENCLOSRE	1	UFI 1.0T FXD MAG ENCL WITH MULTICOIL (SEE SECTION 2)
4	2133388	N	PHANTOM KIT	1	SPT PHANTOM CART KIT (SEE PAGE 1-102)

CATALOG		M1810PR	FRU N	LX SGD 1.0T SX MOBILE SITE w/o MULTI-COIL	
Item	Part Number	FRU	Name	Quantity	Description (Remarks)
1	46-282429G74	N	ASSEMBLY	1	LX SGD 1.0T MOBILE SITE WITH OR W/O MC (SEE PAGE 1-187)
2	46-301383G12	N	PP1 ASSEMBLY	1	UFI PENETRATION PANEL, NO MULTICOIL (SEE SECTION 4)
3	2118422-6	N	MAG ENCLOSRE	1	5.5 1.0T MOBILE MAG ENCL W/O M/C (SEE SECTION 2)
4	2133388-2	N	ASSEMBLY	1	SPT PHANTOM CART KIT MINUS CART (SEE PAGE 1-102)

CATALOG		M1811PR	FRU N	LX SGD 1.0T SX MOBILE SITE with MULTI-COIL	
Item	Part Number	FRU	Name	Quantity	Description (Remarks)
1	46-282429G74	N	ASSEMBLY	1	LX SGD 1.0T MOBILE SITE WITH OR W/O MC (SEE PAGE 1-187)
2	46-301383G13	N	PEN PANEL	1	UFI PENETRATION PANEL, W/ MULTI-COIL (SEE SECTION 4)
3	2118422-8	N	MAG ENCLOSRE	1	5.5 1.0T MOB MAG ENCL W/MULTICOIL (SEE SECTION 2)
4	2133388-2	N	ASSEMBLY	1	SPT PHANTOM CART KIT MINUS CART (SEE PAGE 1-102)

CATALOG		M1820PR	FRU N	LX SGD 1.0T SX T/R SITE w/o MULTI-COIL	
Item	Part Number	FRU	Name	Quantity	Description (Remarks)
1	46-282429G73	N	ASSEMBLY	1	LX SGD 1.0T T/R SITE WITH OR W/O MC (SEE PAGE 1-187)
2	46-301383G12	N	PP1 ASSEMBLY	1	UFI PENETRATION PANEL, NO MULTICOIL (SEE SECTION 4)
3	2118422-6	N	MAG ENCLOSRE	1	5.5 1.0T MOBILE MAG ENCL W/O M/C (SEE SECTION 2)
4	2133388	N	PHANTOM KIT	1	SPT PHANTOM CART KIT (SEE PAGE 1-102)

CATALOG		M1821PR	FRU N	LX SGD 1.0T SX T/R SITE with MULTI-COIL	
Item	Part Number	FRU	Name	Quantity	Description (Remarks)
1	46-282429G73	N	ASSEMBLY	1	LX SGD 1.0T T/R SITE WITH OR W/O MC (SEE PAGE 1-187)
2	46-301383G13	N	PEN PANEL	1	UFI PENETRATION PANEL, W/ MULTI-COIL (SEE SECTION 4)
3	2118422-8	N	MAG ENCLOSRE	1	5.5 1.0T MOB MAG ENCL W/MULTICOIL (SEE SECTION 2)
4	2133388	N	PHANTOM KIT	1	SPT PHANTOM CART KIT (SEE PAGE 1-102)

1-4 LX SGD/OCTANE SYSTEM CATALOGS

CATALOG M1000WA FRU N LX SGD/OCTANE 1.5T HORIZON BASE w/o MULTI-COIL

Item	Part Number	FRU	Name	Quantity	Description (Remarks)
1	46-244813G27	N	ASSEMBLY	1	LX 1.5T SIGNA HORIZON SHIP COLLECTOR (SEE PAGE 1-94)
2	46-265300G1	N	TABLE ASM	1	LIGHTWEIGHT PATIENT TRANSPORT, PT1 (SEE SECTION 3)
3	46-271000G105	N	MR SYSTEM	1	LX2 SGD 1.5T HORIZON W/O P/A (SEE PAGE 1-162)
10	2210341	1	MEDIA	1	LX SR20 OPTION S/W
14	2141978-5	1	WKSP I/F MOD	1	LIGHTNING WORKSPACE INTERFACE MODULE (SEE SEC. 13)
16	2138599-2	1	LCD MONITOR	1	LCD DISPLAY (800 X 600) WITH CABLES (SEE SECTION 13)
17	2154392-2	2	COLLECTOR	1	OPERATOR WORKSTATION CABLES/MRLX2 (SEE SECT. 13)
20	46-307830G1	N	POWER MODULE	1	POWER DISTRIBUTION BOX (SEE SECTION 13)
21	2160157	N	CABLE COVER	1	LIGHTNING CABLE COVER KIT (SEE SECTION 13)
22	2204796	N	ASSEMBLY	1	CENTRAL DATA SERIAL EXPANSION & MTG (SEE SECTION 13)
60	46-301708G14	N	8.0LX INSITE	1	8.0 LX INSITE KIT WITHOUT MODEM (SEE PAGE 1-179)

CATALOG M1000WD FRU N LX SGD/OCTANE 1.5T HORIZON BASE with MULTI-COIL

Item	Part Number	FRU	Name	Quantity	Description (Remarks)
1	46-244813G27	N	ASSEMBLY	1	LX 1.5T SIGNA HORIZON SHIP COLLECTOR (SEE PAGE 1-94)
2	46-265300G1	N	TABLE ASM	1	LIGHTWEIGHT PATIENT TRANSPORT, PT1 (SEE SECTION 3)
3	46-271000G106	N	MR SYSTEM	1	LX2 SGD 1.5T HORIZON W/PHASED ARRAY (SEE PAGE 1-162)
10	2210341	1	MEDIA	1	LX SR20 OPTION S/W
14	2141978-5	1	WKSP I/F MOD	1	LIGHTNING WORKSPACE INTERFACE MODULE (SEE SEC. 13)
16	2138599-2	1	LCD MONITOR	1	LCD DISPLAY (800 X 600) WITH CABLES (SEE SECTION 13)
17	2154392-2	2	COLLECTOR	1	OPERATOR WORKSTATION CABLES/MRLX2 (SEE SECT. 13)
20	46-307830G1	N	POWER MODULE	1	POWER DISTRIBUTION BOX (SEE SECTION 13)
21	2160157	N	CABLE COVER	1	LIGHTNING CABLE COVER KIT (SEE SECTION 13)
22	2204796	N	ASSEMBLY	1	CENTRAL DATA SERIAL EXPANSION & MTG (SEE SECTION 13)
60	46-301708G14	N	8.0LX INSITE	1	8.0 LX INSITE KIT WITHOUT MODEM (SEE PAGE 1-179)

CATALOG M1000WF FRU N LX SGD/OCTANE 1.5T HiSpeed with MULTI-COIL

Item	Part Number	FRU	Name	Quantity	Description (Remarks)
1	46-244813G27	N	ASSEMBLY	1	LX 1.5T SIGNA HORIZON SHIP COLLECTOR (SEE PAGE 1-94)
2	46-265300G1	N	TABLE ASM	1	LIGHTWEIGHT PATIENT TRANSPORT, PT1 (SEE SECTION 3)
3	46-271000G107	N	MR SYSTEM	1	LX2 SGD 1.5T HiSpeed W/PHASED ARRAY (SEE PAGE 1-163)
10	2210340	1	MEDIA	1	LX SR77/120 OPTION S/W
13	46-271363G7	2	CABLE ASM	1	(042T) MR3CABI/FJ7 TO PD1-A2
14	2141978-5	1	WKSP I/F MOD	1	LIGHTNING WORKSPACE INTERFACE MODULE (SEE SEC. 13)
16	2138599-2	1	LCD MONITOR	1	LCD DISPLAY (800 X 600) WITH CABLES (SEE SECTION 13)
17	2154392-2	2	COLLECTOR	1	OPERATOR WORKSTATION CABLES/MRLX2 (SEE SEC. 13)
20	46-307830G1	N	POWER MODULE	1	POWER DISTRIBUTION BOX (SEE SECTION 13)
21	2160157	N	CABLE COVER	1	LIGHTNING CABLE COVER KIT (SEE SECTION 13)
22	2204796	N	ASSEMBLY	1	CENTRAL DATA SERIAL EXPANSION & MTG (SEE SECTION 13)
60	46-301708G14	N	8.0LX INSITE	1	8.0 LX INSITE KIT WITHOUT MODEM (SEE PAGE 1-179)

CATALOG		M1000WG	FRU N	LX SGD/OCTANE 1.5T EchoSpeed with MULTI-COIL	
Item	Part Number	FRU	Name	Quantity	Description (Remarks)
1	46-244813G27	N	ASSEMBLY	1	LX 1.5T SIGNA HORIZON SHIP COLLECTOR (SEE PAGE 1-94)
2	46-265300G1	N	TABLE ASM	1	LIGHTWEIGHT PATIENT TRANSPORT, PT1 (SEE SECTION 3)
3	46-271000G108	N	MR SYSTEM	1	LX2 SGD 1.5T EchoSpeed W/PHSD ARRY (SEE PAGE 1-163)
10	2210340	1	MEDIA	1	LX SR77/120 OPTION S/W
13	46-271363G7	2	CABLE ASM	1	(042T) MR3CABI/FJ7 TO PD1-A2
14	2141978-5	1	WKSP I/F MOD	1	LIGHTNING WORKSPACE INTERFACE MODULE (SEE SEC. 13)
16	2138599-2	1	LCD MONITOR	1	LCD DISPLAY (800 X 600) WITH CABLES (SEE SECTION 13)
17	2154392-2	2	COLLECTOR	1	OPERATOR WORKSTATION CABLES/MRLX2 (SEE SECT. 13)
20	46-307830G1	N	POWER MODULE	1	POWER DISTRIBUTION BOX (SEE SECTION 13)
21	2160157	N	CABLE COVER	1	LIGHTNING CABLE COVER KIT (SEE SECTION 13)
22	2204796	N	ASSEMBLY	1	CENTRAL DATA SERIAL EXPANSION & MTG (SEE SECTION 13)
60	46-301708G14	N	8.0LX INSITE	1	8.0 LX INSITE KIT WITHOUT MODEM (SEE PAGE 1-179)
70	2210001	N	ASSEMBLY	1	EchoSpeed OPTION KEY COLLECTOR (SEE PAGE 1-42)

CATALOG		M1800WA	FRU N	LX SGD/OCTANE 1.0T HORIZON BASE w/o MULTI-COIL	
Item	Part Number	FRU	Name	Quantity	Description (Remarks)
1	46-244813G67	N	ASSEMBLY	1	LX 1.0T SIGNA HORIZON SHIP COLLECTOR (SEE PAGE 1-97)
2	46-265300G1	N	TABLE ASM	1	LIGHTWEIGHT PATIENT TRANSPORT, PT1 (SEE SECTION 3)
3	46-271000G205	N	MR SYSTEM	1	LX2 SGD 1.0T HORIZON W/O PH ARRAY (SEE PAGE 1-165)
10	2210341	1	MEDIA	1	LX SR20 OPTION S/W
14	2141978-5	1	WKSP I/F MOD	1	LIGHTNING WORKSPACE INTERFACE MODULE (SEE SEC. 13)
16	2138599-2	1	LCD MONITOR	1	LCD DISPLAY (800 X 600) WITH CABLES (SEE SECTION 13)
17	2154392-2	2	COLLECTOR	1	OPERATOR WORKSTATION CABLES/MRLX2 (SEE SEC. 13)
20	46-307830G1	N	POWER MODULE	1	POWER DISTRIBUTION BOX (SEE SECTION 13)
21	2160157	N	CABLE COVER	1	LIGHTNING CABLE COVER KIT (SEE SECTION 13)
22	2204796	N	ASSEMBLY	1	CENTRAL DATA SERIAL EXPANSION & MTG (SEE SECTION 13)
60	46-301708G14	N	8.0LX INSITE	1	8.0 LX INSITE KIT WITHOUT MODEM (SEE PAGE 1-179)

CATALOG		M1800WD	FRU N	LX SGD/OCTANE 1.0T HORIZON BASE with MULTI-COIL	
Item	Part Number	FRU	Name	Quantity	Description (Remarks)
1	46-244813G67	N	ASSEMBLY	1	LX 1.0T SIGNA HORIZON SHIP COLLECTOR (SEE PAGE 1-97)
2	46-265300G1	N	TABLE ASM	1	LIGHTWEIGHT PATIENT TRANSPORT, PT1 (SEE SECTION 3)
3	46-271000G206	N	MR SYSTEM	1	LX2 SGD 1.0T HORIZON W/PHASED ARRAY (SEE PAGE 1-165)
10	2210341	1	MEDIA	1	LX SR20 OPTION S/W
14	2141978-5	1	WKSP I/F MOD	1	LIGHTNING WORKSPACE INTERFACE MODULE (SEE SEC. 13)
16	2138599-2	1	LCD MONITOR	1	LCD DISPLAY (800 X 600) WITH CABLES (SEE SECTION 13)
17	2154392-2	2	COLLECTOR	1	OPERATOR WORKSTATION CABLES/MRLX2 (SEE SEC. 13)
20	46-307830G1	N	POWER MODULE	1	POWER DISTRIBUTION BOX (SEE SECTION 13)
21	2160157	N	CABLE COVER	1	LIGHTNING CABLE COVER KIT (SEE SECTION 13)
22	2204796	N	ASSEMBLY	1	CENTRAL DATA SERIAL EXPANSION & MTG (SEE SECTION 13)
60	46-301708G14	N	8.0LX INSITE	1	8.0 LX INSITE KIT WITHOUT MODEM (SEE PAGE 1-179)

CATALOG		M1800WE		FRU N	LX SGD/OCTANE 1.0T HiSpeed w/o MULTI-COIL
Item	Part Number	FRU	Name	Quantity	Description (Remarks)
1	46-244813G67	N	ASSEMBLY	1	LX 1.0T SIGNA HORIZON SHIP COLLECTOR (SEE PAGE 1-97)
2	46-265300G1	N	TABLE ASM	1	LIGHTWEIGHT PATIENT TRANSPORT, PT1 (SEE SECTION 3)
3	46-271000G207	N	MR SYSTEM	1	LX2 SGD 1.0T HiSpeed W/O PH ARRAY (SEE PAGE 1-165)
10	2210340	1	MEDIA	1	LX SR77/120 OPTION S/W
13	46-271363G6	2	CABLE ASM	1	(042T) MR3CABI/FJ7 TO PD1-A2
14	2141978-5	1	WKSP I/F MOD	1	LIGHTNING WORKSPACE INTERFACE MODULE (SEE SEC. 13)
16	2138599-2	1	LCD MONITOR	1	LCD DISPLAY (800 X 600) WITH CABLES (SEE SECTION 13)
17	2154392-2	2	COLLECTOR	1	OPERATOR WORKSTATION CABLES/MRLX2 (SEE SEC. 13)
20	46-307830G1	N	POWER MODULE	1	POWER DISTRIBUTION BOX (SEE SECTION 13)
21	2160157	N	CABLE COVER	1	LIGHTNING CABLE COVER KIT (SEE SECTION 13)
22	2204796	N	ASSEMBLY	1	CENTRAL DATA SERIAL EXPANSION & MTG (SEE SECTION 13)
60	46-301708G14	N	8.0LX INSITE	1	8.0 LX INSITE KIT WITHOUT MODEM (SEE PAGE 1-179)

CATALOG		M1800WF		FRU N	LX SGD/OCTANE 1.0T HiSpeed with MULTI-COIL
Item	Part Number	FRU	Name	Quantity	Description (Remarks)
1	46-244813G67	N	ASSEMBLY	1	LX 1.0T SIGNA HORIZON SHIP COLLECTOR (SEE PAGE 1-97)
2	46-265300G1	N	TABLE ASM	1	LIGHTWEIGHT PATIENT TRANSPORT, PT1 (SEE SECTION 3)
3	46-271000G208	N	MR SYSTEM	1	LX2 SGD 1.0T HiSpeed W/PHASED ARRAY (SEE PAGE 1-165)
10	2210340	1	MEDIA	1	LX SR77/120 OPTION S/W
13	46-271363G7	2	CABLE ASM	1	(042T) MR3CABI/FJ7 TO PD1-A2
14	2141978-5	1	WKSP I/F MOD	1	LIGHTNING WORKSPACE INTERFACE MODULE (SEE SEC. 13)
16	2138599-2	1	LCD MONITOR	1	LCD DISPLAY (800 X 600) WITH CABLES (SEE SECTION 13)
17	2154392-2	2	COLLECTOR	1	OPERATOR WORKSTATION CABLES/MRLX2 (SEE SEC. 13)
20	46-307830G1	N	POWER MODULE	1	POWER DISTRIBUTION BOX (SEE SECTION 13)
21	2160157	N	CABLE COVER	1	LIGHTNING CABLE COVER KIT (SEE SECTION 13)
22	2204796	N	ASSEMBLY	1	CENTRAL DATA SERIAL EXPANSION & MTG (SEE SECTION 13)
60	46-301708G14	N	8.0LX INSITE	1	8.0 LX INSITE KIT WITHOUT MODEM (SEE PAGE 1-179)

1-5 Cx LX SGD SYSTEM CATALOGS

CATALOG M1040PN FRU N Cx LX 1.5T FIXED SITE w/o MULTI-COIL

Item	Part Number	FRU	Name	Quantity	Description (Remarks)
1	46-282429G30	N	ASSEMBLY	1	LX 1.5T FIXED WITH OR W/O MULTICOIL (SEE PAGE 1-181)
2	46-301383G12	N	PP1 ASSEMBLY	1	UFI PENETRATION PANEL, NO MULTICOIL (SEE SECTION 4)
3	2142000-5	N	ASSEMBLY	1	1.5T FIXED Cx MAGNET ENCLOSUR (SEE SECTION 2)
4	2133388-6	N	PHANTOM KIT	1	Cx SPT PHANTOM CART KIT (SEE PAGE 1-102)
104	2160623-3	N	CD-ROM	1	SIGNA RELEASE LX SERVICE METHODS

CATALOG M1040PR FRU N Cx LX 1.5T SGD FIXED SITE w/o MULTI-COIL

Item	Part Number	FRU	Name	Quantity	Description (Remarks)
1	46-282429G36	N	INSTALLATION	1	LX SGD 1.5T FIXED WITH OR WITHOUT MC (SEE PAGE 1-182)
2	46-301383G12	N	PP1 ASSEMBLY	1	UFI PENETRATION PANEL, NO MULTICOIL (SEE SECTION 4)
3	2142000-5	N	ASSEMBLY	1	1.5T FIXED Cx MAGNET ENCLOSUR (SEE SECTION 2)
4	2133388-6	N	PHANTOM KIT	1	Cx SPT PHANTOM CART KIT (SEE PAGE 1-102)
104	2160623-3	N	CD-ROM	1	SIGNA RELEASE LX SERVICE METHODS

CATALOG M1041PN FRU N Cx LX 1.5T FIXED SITE with MULTI-COIL

Item	Part Number	FRU	Name	Quantity	Description (Remarks)
1	46-282429G30	N	ASSEMBLY	1	LX 1.5T FIXED WITH OR W/O MULTICOIL (SEE PAGE 1-181)
2	46-301383G13	N	PEN PANEL	1	UFI PENETRATION PANEL, W/ MULTI-COIL (SEE SECTION 4)
3	2142000-6	N	ASSEMBLY	1	1.5T FIXED Cx MAGNET ENCLOSUR (SEE SECTION 2)
4	2133388-6	N	PHANTOM KIT	1	Cx SPT PHANTOM CART KIT (SEE PAGE 1-102)
104	2160623-3	N	CD-ROM	1	SIGNA RELEASE LX SERVICE METHODS

CATALOG M1041PR FRU N Cx LX 1.5T SGD FIXED SITE with MULTI-COIL

Item	Part Number	FRU	Name	Quantity	Description (Remarks)
1	46-282429G36	N	INSTALLATION	1	LX SGD 1.5T FIXED WITH OR WITHOUT MC (SEE PAGE 1-182)
2	46-301383G13	N	PEN PANEL	1	UFI PENETRATION PANEL, W/ MULTI-COIL (SEE SECTION 4)
3	2142000-6	N	ASSEMBLY	1	1.5T FIXED Cx MAGNET ENCLOSUR (SEE SECTION 2)
4	2133388-6	N	PHANTOM KIT	1	Cx SPT PHANTOM CART KIT (SEE PAGE 1-102)
104	2160623-3	N	CD-ROM	1	SIGNA RELEASE LX SERVICE METHODS

CATALOG M1050PN FRU N Cx LX 1.5T MOBILE SITE w/o MULTI-COIL

Item	Part Number	FRU	Name	Quantity	Description (Remarks)
1	46-282429G32	N	ASSEMBLY	1	1.5T Cx LX MOBILE WITH OR W/O MC (SEE PG 1-182)
2	46-301383G12	N	PP1 ASSEMBLY	1	UFI PENETRATION PANEL, NO MULTICOIL (SEE SECTION 4)
3	2142000-7	N	ASSEMBLY	1	1.5T MOBILE Cx MAG ENCLOSURE (SEE SECTION 2)
4	2133388-7	N	PHANTOM KIT	1	CX SPT PHANTOM CART KIT MINUS CART (SEE PAGE 1-103)
104	2160623-3	N	CD-ROM	1	SIGNA RELEASE LX SERVICE METHODS

CATALOG M1050PR FRU N Cx LX 1.5T SGD MOBILE SITE w/o MULTI-COIL

Item	Part Number	FRU	Name	Quantity	Description (Remarks)
1	46-282429G38	N	INSTALLATION	1	LX SGD 1.5T Cx MOBILE SITE (SEE PAGE 1-183)
2	46-301383G12	N	PP1 ASSEMBLY	1	UFI PENETRATION PANEL, NO MULTICOIL (SEE SECTION 4)
3	2142000-7	N	ASSEMBLY	1	1.5T MOBILE Cx MAG ENCLOSURE (SEE SECTION 2)
4	2133388-7	N	PHANTOM KIT	1	CX SPT PHANTOM CART KIT MINUS CART (SEE PAGE 1-103)
5	2214269	2	KIT OF PARTS	1	MOBILE MR OW MOUNTING KIT (SEE PAGE 1-173)

CATALOG M1051PN FRU N Cx LX 1.5T MOBILE SITE with MULTI-COIL

Item	Part Number	FRU	Name	Quantity	Description (Remarks)
1	46-282429G32	N	ASSEMBLY	1	1.5T Cx LX MOBILE WITH OR W/O MC (SEE PG 1-182)
2	46-301383G13	N	PEN PANEL	1	UFI PENETRATION PANEL, W/ MULTI-COIL (SEE SECTION 4)
3	2142000-8	N	ASSEMBLY	1	1.5T MOBILE Cx MAG ENCLOSURE (SEE SECTION 2)
4	2133388-7	N	PHANTOM KIT	1	CX SPT PHANTOM CART KIT MINUS CART (SEE PAGE 1-103)
104	2160623-3	N	CD-ROM	1	SIGNA RELEASE LX SERVICE METHODS

CATALOG M1051PR FRU N Cx LX 1.5T SGD MOBILE SITE with MULTI-COIL

Item	Part Number	FRU	Name	Quantity	Description (Remarks)
1	46-282429G38	N	INSTALLATION	1	LX SGD 1.5T Cx MOBILE SITE (SEE PAGE 1-183)
2	46-301383G13	N	PEN PANEL	1	UFI PENETRATION PANEL, W/ MULTI-COIL (SEE SECTION 4)
3	2142000-8	N	ASSEMBLY	1	1.5T MOBILE Cx MAG ENCLOSURE (SEE SECTION 2)
4	2133388-7	N	PHANTOM KIT	1	CX SPT PHANTOM CART KIT MINUS CART (SEE PAGE 1-103)
104	2160623-3	N	CD-ROM	1	SIGNA RELEASE LX SERVICE METHODS

CATALOG M1060PN FRU N Cx LX 1.5T T/R SITE w/o MULTI-COIL

Item	Part Number	FRU	Name	Quantity	Description (Remarks)
1	46-282429G31	N	ASSEMBLY	1	LX 1.5T T/R SITE WITH OR W/O MULTICL (SEE PAGE 1-181)
2	46-301383G12	N	PP1 ASSEMBLY	1	UFI PENETRATION PANEL, NO MULTICOIL (SEE SECTION 4)
3	2142000-7	N	ASSEMBLY	1	1.5T MOBILE Cx MAG ENCLOSURE (SEE SECTION 2)
4	2133388-6	N	PHANTOM KIT	1	Cx SPT PHANTOM CART KIT (SEE PAGE 1-102)
104	2160623-3	N	DIRECTION	1	SIGNA LX SERVICE METHODS CD-ROM

CATALOG M1060PR FRU N Cx LX 1.5T SGD T/R SITE w/o MULTI-COIL

Item	Part Number	FRU	Name	Quantity	Description (Remarks)
1	46-282429G37	N	INSTALLATION	1	LX SGD 1.5T T/R WITH OR WITHOUT MC (SEE PAGE 1-183)
2	46-301383G12	N	PP1 ASSEMBLY	1	UFI PENETRATION PANEL, NO MULTICOIL (SEE SECTION 4)
3	2142000-7	N	ASSEMBLY	1	1.5T MOBILE Cx MAG ENCLOSURE (SEE SECTION 2)
4	2133388-6	N	PHANTOM KIT	1	Cx SPT PHANTOM CART KIT (SEE PAGE 1-102)
5	2214269	2	KIT OF PARTS	1	MOBILE MR OW MOUNTING KIT (SEE PAGE 1-173)
104	2160623-3	N	DIRECTION	1	SIGNA LX SERVICE METHODS CD-ROM

CATALOG M1061PN FRU N C.x LX 1.5T T/R SITE with MULTI-COIL

Item	Part Number	FRU	Name	Quantity	Description (Remarks)
1	46-282429G31	N	ASSEMBLY	1	LX 1.5T T/R SITE WITH OR W/O MULTICL (SEE PAGE 1-181)
2	46-301383G13	N	PEN PANEL	1	UFI PENETRATION PANEL, W/ MULTI-COIL (SEE SECTION 4)
3	2142000-8	N	ASSEMBLY	1	1.5T MOBILE Cx MAG ENCLOSURE (SEE SECTION 2)
4	2133388-6	N	PHANTOM KIT	1	Cx SPT PHANTOM CART KIT (SEE PAGE 1-102)
104	2160623-3	N	DIRECTION	1	SIGNA LX SERVICE METHODS CD-ROM

CATALOG M1061PR FRU N Cx LX 1.5T SGD T/R SITE with MULTI-COIL

Item	Part Number	FRU	Name	Quantity	Description (Remarks)
1	46-282429G37	N	INSTALLATION	1	LX SGD 1.5T T/R WITH OR WITHOUT MC (SEE PAGE 1-183)
2	46-301383G13	N	PEN PANEL	1	UFI PENETRATION PANEL, W/ MULTI-COIL (SEE SECTION 4)
3	2142000-8	N	ASSEMBLY	1	1.5T MOBILE Cx MAG ENCLOSURE (SEE SECTION 2)
4	2133388-6	N	PHANTOM KIT	1	Cx SPT PHANTOM CART KIT (SEE PAGE 1-102)
104	2160623-3	N	DIRECTION	1	SIGNA LX SERVICE METHODS CD-ROM

CATALOG M1071PR FRU N CVMR Cx LX 1.5T SGD FXD SITE with MULTI-COIL

Item	Part Number	FRU	Name	Quantity	Description (Remarks)
1	46-282429G36	N	INSTALLATION	1	LX SGD 1.5T FIXED WITH OR WITHOUT (SEE PAGE 1-182)
2	46-301383G13	N	PEN PANEL	1	UFI PENETRATION PANEL, W/ MULTI-COIL (SEE SECTION 4)
3	2142000-9	N	ASSEMBLY	1	CX CRM FXD MAG ENCL WITH PA (SEE SECTION 2)
4	2133388-6	N	PHANTOM KIT	1	Cx SPT PHANTOM CART KIT (SEE PAGE 1-102)
104	2160623-3	N	DIRECTION	1	SIGNA LX SERVICE METHODS CD-ROM

CATALOG M1060JJ FRU N Cx BRM INSTALLATION KIT

Item	Part Number	FRU	Name	Quantity	Description (Remarks)
3	2179396	N	Cx BRM	1	Cx MAGNET INSTALL PARTS LIST (SEE PAGE 1-26)

Cx MAGNET BRM INSTALL PARTS 2179396 FRU N (PART OF M1060JJ PAGE 1-26)

Item	Part Number	FRU	Name	Quantity	Description (Remarks)
2	2139560	N	BULKHEAD ASM	1	BULKHEAD ASSEMBLY (SEE PAGE 1-155)
3	2179397	N	BRM ISOLATIO	2	OPEN FOAM CAULKING STRIP - .25" THK
4	2165210	2	ASSEMBLY	1	GRAD TERMINAL BLOCK KIT CX BRM (SEE PAGE 1-27)
5	2159740	N	ASSEMBLY	1	BODY COIL MOUNTING KIT CX BRM (SEE PAGE 1-28)
6	2179397-2	N	BRM ISOLATIO	2	OPEN FOAM CAULKING STRIP - .375" THK
7	2200734	2	SUPPORT KIT	1	PLATFORM SUPPORT KIT (SEE PAGE 1-26)
8	2195887	2	SUPPORT ASM	1	SERVICE PLATFORM FOR CX

CATALOG M1060JK FRU N Cx CRM INSTALLATION KIT

Item	Part Number	FRU	Name	Quantity	Description (Remarks)
1	2191300	N	COLLECTOR	1	Cx MAGNET CRM INSTALL PARTS (SEE PAGE 1-26)

Cx MAGNET CRM INSTALL PARTS 2191300 FRU N (PART 1 OF M1060JK PAGE 1-26)

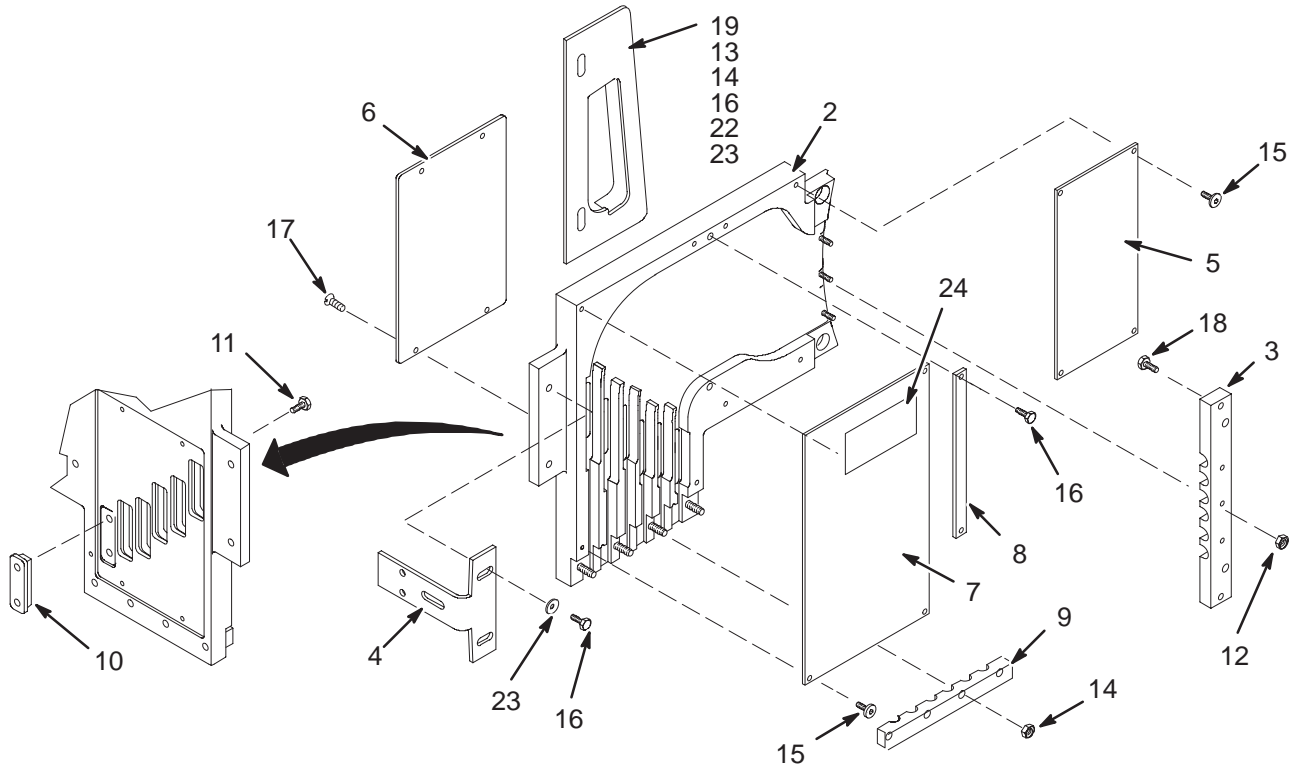
Item	Part Number	FRU	Name	Quantity	Description (Remarks)
2	2139560	N	BULKHEAD ASM	1	BULKHEAD ASSEMBLY (SEE PAGE 1-155)
3	2179397	N	BRM ISOLATIO	2	OPEN FOAM CAULKING STRIP - .25" THK
4	2165210	N	ASSEMBLY	1	GRAD TERMINAL BLOCK KIT CX BRM (SEE PAGE 1-27)
5	2200563	N	MOUNTING KIT	1	BODY COIL MOUNTING KIT CX CRM (SEE PAGE 1-29)
6	2179397-2	N	BRM ISOLATIO	2	OPEN FOAM CAULKING STRIP - .375" THK
7	2185175-2	N	PART	2	FOAM, CLOSED CELL, CRM
8	2200734	2	SUPPORT KIT	1	PLATFORM SUPPORT KIT (SEE PAGE 1-26)
9	2195887	2	SUPPORT ASM	1	SERVICE PLATFORM FOR CX

PLATFORM SUPPORT KIT 2200734 FRU N (PART OF 2179396 PAGE 1-26)
(PART OF 2191300 PAGE 1-26)

Item	Part Number	FRU	Name	Quantity	Description (Remarks)
2	2172744-5	2	ASSEMBLY	1	SLIDE BLOCK MTG ASM
3	2172744-6	2	ASSEMBLY	1	SLIDE BLOCK MTG ASM
4	2109866-11	2	SCREW	6	SCREW HEXAGON HEAD 6 MM 16 MM
5	2109879-2	2	WASHER	2	WASHER PLAIN - LARGE 6.4 MM 12 MM
6	46-170686P2	2	ADHESIVE	1	LOCTITE 242, 10CC

Cx BRM CABLE TERMINAL BLOCK

2165210



Cx BRM CABLE TERMINAL BLOCK

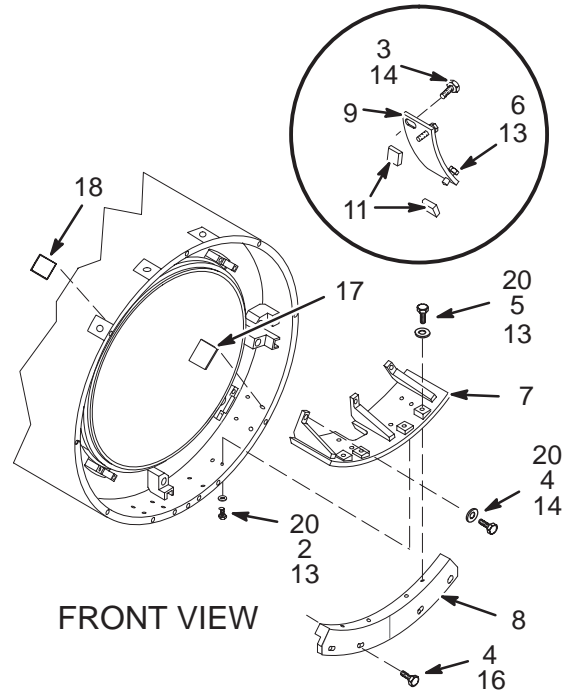
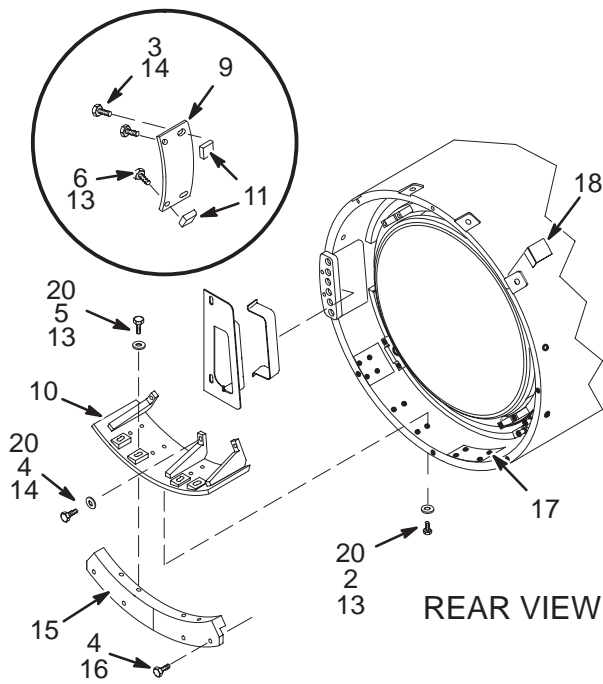
2165210 FRU N

(PART OF 2179396 PAGE 1-26)
(PART OF 2191300 PAGE 1-26)

Item	Part Number	FRU	Name	Quantity	Description (Remarks)
2	2165013	2	PART	1	TERMINAL BLOCK Cx
3	2176312	2	PART	1	TERM BLK WIRE CLAMP Cx
4	2165016	2	PART	1	TERM BLOCK BRKT FOR MAGNET
5	2165190	2	PART	1	FRT COVER TERM BLK Cx
6	2165014	2	PART	1	COVER TERM. BKL Cx
7	2165189	2	PART	1	FRT COVER TERM BLK Cx
8	2165191	2	PART	1	CABLE RETAINER TERM BLK
9	2165015	2	PART	1	CABLE RESTR BRM Cx
10	2165208	2	PART	6	CONN BLOCK TERM BLK Cx
11	2167381	2	PART	12	BRASS HEX HD BOLT M10 X 16
12	2109875-3	2	NUT	3	NUT HEXAGON 6 MM
13	2116325-10	2	STUD,MAGNET	2	STUD, M10 X 75MM, STAINLESS STEEL
14	2109875-4	2	NUT	8	NUT HEXAGON 10 MM
15	2109872-6	2	SCREW	8	SCREW BUTTON HEAD 6 MM 12 MM
16	2167384	2	PART	6	STN STL HEX HD BOLT M10 X 16
17	2109874-19	2	SCREW	4	SCREW COUNTERSUNK HEA 6 MM 12 MM
18	2109866-22	2	SCREW	2	SCREW HEXAGON HEAD 10 MM 35 MM
19	2177301	2	PART	1	GRADIENT AIR COVER REAR Cx
20	2180820	2	PART	1	5X7 BAG W/STRING Cx
21	2132180-15	2	EPOXY	AR	CORONA-RESISTANT EPOXY, GREEN
21A	2132180-15	2	EPOXY	ALT	CORONA-RESISTANT EPOXY, GREEN
22	2185175	2	PART	1	FOAM, CLOSED CELL, BRM Cx
23	46-214941P6	2	WASHER,NYLON	6	FLAT WASHER, NYLON, M10
24	2191404	2	LABEL	1	LABEL DANGER

Cx BRM BODY COIL MOUNTING KIT

2159740



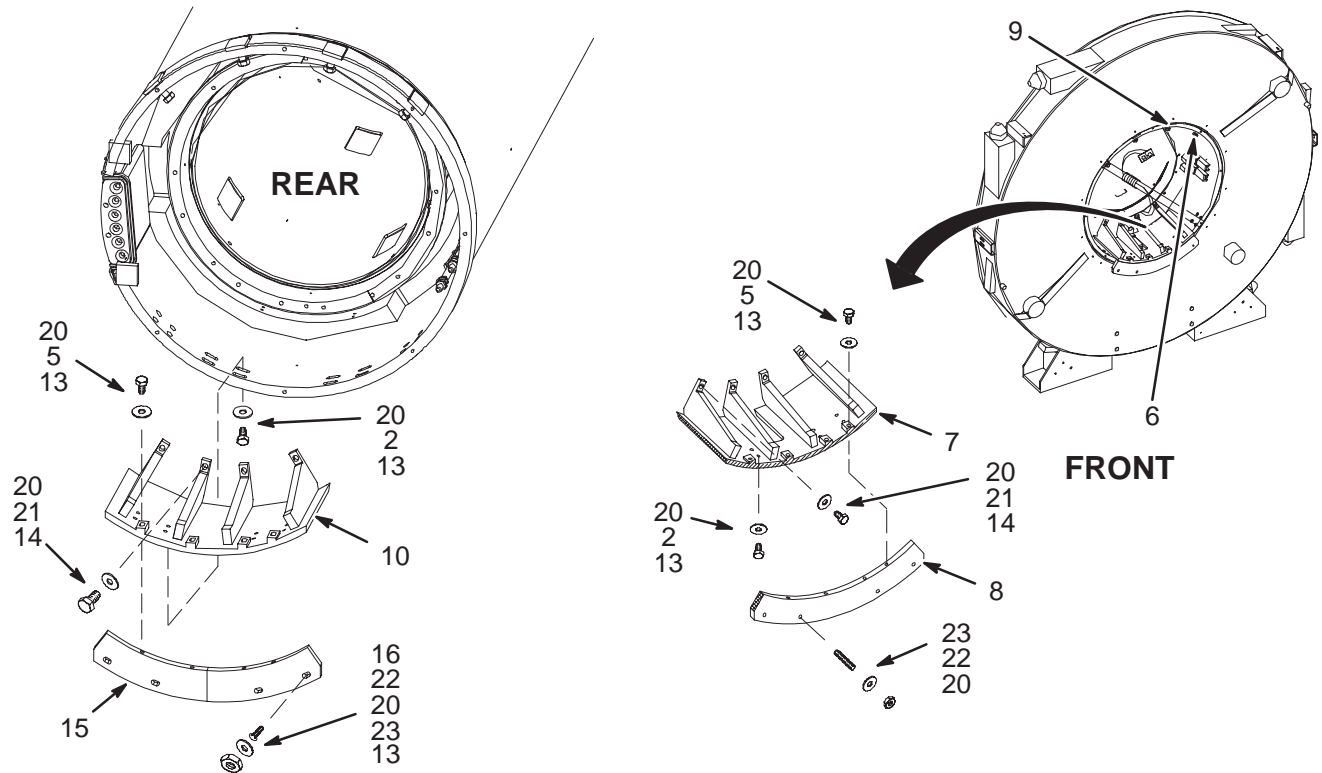
Cx BRM BODY COIL MOUNTING KIT 2159740 FRU N

(PART OF 2179396 PAGE 1-26)

Item	Part Number	FRU	Name	Quantity	Description (Remarks)
2	2109872-16	2	SCREW	16	M10X40 SST HEX SOCKET BUTTON HD SCRW
3	2109866-28	2	SCREW	8	SCREW HEXAGON HEAD 16 MM 30 MM
4	2109866-20	2	SCREW	8	SCREW HEXAGON HEAD 10 MM 25 MM
5	2109866-23	2	SCREW	8	SCREW HEXAGON HEAD 10 MM 40 MM
6	2108933	2	PART	8	CAP SCREW, SPECIAL, HEX HEAD METRIC
7	2147824	2	PART	1	SUPPORT ASM WELDMENT
8	2147826	2	PART	1	FRONT SUPPORT MTG.
9	2148162	2	PART	4	BEARING PLATE TOP BRM
10	2151740	2	PART	1	REAR SUPPORT FOR Cx
11	2148163	2	PART	8	BEARING PLATE TOP MTG PAD
13	46-170686P3	2	ADHESIVE	AR	LOCTITE 242, 50CC
14	46-170684P2	2	ADHESIVE	AR	LOCTITE 271, 10CC BOTTLE
15	2174668	2	PART	1	REAR SUPPORT MTG
16	46-294151P8	2	ADHES SPEC	AR	BOSTIK "NEVER-SEEZE" LUBRICATING
17	2181231	2	PART	4	FILLER PAD Cx
18	2181231-2	2	PART	8	FILLER PAD Cx—DIECUT INSERTS
19	2157414	2	TAPE	AR	3M TARTAN FILAMENT TAPE 48MM X 55M
20	2184009	2	WASHER	30	WASHER PLAIN - NORMAL 10.5 MM 18 MM
21	2109866-21	2	SCREW	6	SCREW HEXAGON HEAD 10 MM 30 MM

Cx CRM BODY COIL MOUNTING KIT

22200563



Cx CRM BODY COIL MOUNTING KIT

2200563 FRU N

(PART 5 OF 2191300 PAGE 1-26)

Item	Part Number	FRU	Name	Quantity	Description (Remarks)
2	2109872-16	2	SCREW	16	SCREW BUTTON HEAD
5	2109866-23	2	SCREW	8	SCREW HEXAGON HEAD 10 MM 40 MM
6	2131956-2	2	CAP SCREW	8	SCREW M16 HEX HD SST 18-8 40MM LG
7	2189813	2	SUPPORT	1	CRM FRONT SUPPORT
8	2189817	2	SUPPORT MTG	1	CRM FRONT SUPPORT MOUNTING
9	2131953-3	2	MTG PAD	8	MTG PAD
10	2189814	2	SUPPORT	1	CRM REAR SUPPORT
13	46-170686P2	2	ADHESIVE	AR	LOCTITE 242, 10CC
14	46-170684P2	2	ADHESIVE	AR	LOCTITE 271, 10CC BOTTLE
15	2189818	2	SUPPORT MTG	1	CRM REAR SUPPORT MOUNTING
16	46-294151P8	2	ADHES SPEC	AR	BOSTIK "NEVER-SEEZE" LUBRICATING
19	2157414	2	TAPE	AR	3M TARTAN FILAMENT TAPE 48MM X 55M
20	2109878-4	2	WASHER	40	WASHER PLAIN - NORMAL 10.5 MM 20 MM
21	2109866-21	2	SCREW	8	SCREW HEXAGON HEAD 10 MM 30 MM
22	2116325-8	2	STUD,MAGNET	8	STUD, M10 X 45 MM, STAINLESS STEEL
23	2109875-4	2	NUT	8	NUT HEXAGON 10 MM

CATALOG M1840PN FRU N Cx LX 1.0T FIXED SITE w/o MULTI-COIL

Item	Part Number	FRU	Name	Quantity	Description (Remarks)
1	46-282429G69	N	ASSEMBLY	1	LX 1.0T FIXED SITE WITH OR W/O M/C (SEE PAGE 1-185)
2	46-301383G12	N	PP1 ASSEMBLY	1	UFI PENETRATION PANEL, NO MULTICOIL (SEE SECTION 4)
3	2142000	N	ASSEMBLY	1	1.0T FXD Cx MAGNET ENCLOSURE (SEE SECTION 2)
4	2133388-6	N	PHANTOM KIT	1	Cx SPT PHANTOM CART KIT (SEE PAGE 1-102)

CATALOG M1840PR FRU N Cx LX SGD 1.0T FIXED SITE w/o MULTI-COIL

Item	Part Number	FRU	Name	Quantity	Description (Remarks)
1	46-282429G72	N	ASSEMBLY	1	LX 1.0T SGD FIXED SITE WITH OR W/O MC (SEE PAGE 1-186)
2	46-301383G12	N	PP1 ASSEMBLY	1	UFI PENETRATION PANEL, NO MULTICOIL (SEE SECTION 4)
3	2142000	N	ASSEMBLY	1	1.0T FXD Cx MAGNET ENCLOSURE (SEE SECTION 2)
4	2133388-6	N	PHANTOM KIT	1	Cx SPT PHANTOM CART KIT (SEE PAGE 1-102)

CATALOG M1841PN FRU N Cx LX 1.0T FIXED SITE with MULTI-COIL

Item	Part Number	FRU	Name	Quantity	Description (Remarks)
1	46-282429G69	N	ASSEMBLY	1	LX 1.0T FIXED SITE WITH OR W/O M/C (SEE PAGE 1-185)
2	46-301383G13	N	PEN PANEL	1	UFI PENETRATION PANEL, W/ MULTI-COIL (SEE SECTION 4)
3	2142000-2	N	ASSEMBLY	1	1.0T FIXED Cx MAGNET ENCLOSUR (SEE SECTION 2)
4	2133388-6	N	PHANTOM KIT	1	Cx SPT PHANTOM CART KIT (SEE PAGE 1-102)

CATALOG M1841PR FRU N Cx LX SGD 1.0T FIXED SITE with MULTI-COIL

Item	Part Number	FRU	Name	Quantity	Description (Remarks)
1	46-282429G72	N	ASSEMBLY	1	LX 1.0T SGD FIXED SITE WITH OR W/O MC (SEE PAGE 1-186)
2	46-301383G13	N	PEN PANEL	1	UFI PENETRATION PANEL, W/ MULTI-COIL (SEE SECTION 4)
3	2142000-2	N	ASSEMBLY	1	1.0T FIXED Cx MAGNET ENCLOSUR (SEE SECTION 2)
4	2133388-6	N	PHANTOM KIT	1	Cx SPT PHANTOM CART KIT (SEE PAGE 1-102)

CATALOG M1850PN FRU N Cx LX 1.0T MOBILE SITE w/o MULTI-COIL

Item	Part Number	FRU	Name	Quantity	Description (Remarks)
1	46-282429G71	N	ASSEMBLY	1	LX 1.0T MOBILE SITE WITH OR W/O M/C (SEE PAGE 1-186)
2	46-301383G12	N	PP1 ASSEMBLY	1	UFI PENETRATION PANEL, NO MULTICOIL (SEE SECTION 4)
3	2142000-3	N	ASSEMBLY	1	1.0T MOBILE Cx MAG ENCLOSURE (SEE SECTION 2)
4	2133388-7	N	PHANTOM KIT	1	CX SPT PHANTOM CART KIT MINUS CART (SEE PAGE 1-103)

CATALOG M1850PR FRU N Cx LX SGD 1.0T MOBILE SITE w/o MULTI-COIL

Item	Part Number	FRU	Name	Quantity	Description (Remarks)
1	46-282429G78	N	ASSEMBLY	1	LX SGD 1.0T MOBILE SITE WITH OR W/O M/C (SEE PAGE 1-186)
2	46-301383G12	N	PP1 ASSEMBLY	1	UFI PENETRATION PANEL, NO MULTICOIL (SEE SECTION 4)
3	2142000-3	N	ASSEMBLY	1	1.0T MOBILE Cx MAG ENCLOSURE (SEE SECTION 2)
4	2133388-7	N	PHANTOM KIT	1	CX SPT PHANTOM CART KIT MINUS CART (SEE PAGE 1-103)

CATALOG M1851PN FRU N Cx LX 1.0T MOBILE SITE with MULTI-COIL

Item	Part Number	FRU	Name	Quantity	Description (Remarks)
1	46-282429G71	N	ASSEMBLY	1	LX 1.0T MOBILE SITE WITH OR W/O M/C (SEE PAGE 1-186)
2	46-301383G13	N	PEN PANEL	1	UFI PENETRATION PANEL, W/ MULTI-COIL (SEE SECTION 4)
3	2142000-4	N	ASSEMBLY	1	1.0T MOBILE Cx MAG ENCLOSURE (SEE SECTION 2)
4	2133388-7	N	PHANTOM KIT	1	CX SPT PHANTOM CART KIT MINUS CART (SEE PAGE 1-103)

CATALOG M1851PR FRU N Cx LX SGD 1.0T MOBILE SITE with MULTI-COIL

Item	Part Number	FRU	Name	Quantity	Description (Remarks)
1	46-282429G74	N	ASSEMBLY	1	LX SGD 1.0T MOBILE WITH OR W/O M/C (SEE PAGE 1-187)
2	46-301383G13	N	PEN PANEL	1	UFI PENETRATION PANEL, W/ MULTI-COIL (SEE SECTION 4)
3	2142000-4	N	ASSEMBLY	1	1.0T MOBILE Cx MAG ENCLOSURE (SEE SECTION 2)
4	2133388-7	N	PHANTOM KIT	1	CX SPT PHANTOM CART KIT MINUS CART (SEE PAGE 1-103)

CATALOG M1860PN FRU N Cx LX 1.0T T/R SITE w/o MULTI-COIL

Item	Part Number	FRU	Name	Quantity	Description (Remarks)
1	46-282429G70	N	ASSEMBLY	1	LX 1.0T T/R SITE WITH OR W/O MULTICL (SEE PAGE 1-186)
2	46-301383G12	N	PP1 ASSEMBLY	1	UFI PENETRATION PANEL, NO MULTICOIL (SEE SECTION 4)
3	2142000-3	N	ASSEMBLY	1	1.0T MOBILE Cx MAG ENCLOSURE (SEE SECTION 2)
4	2133388-6	N	PHANTOM KIT	1	Cx SPT PHANTOM CART KIT (SEE PAGE 1-102)

CATALOG M1860PR FRU N Cx LX SGD 1.0T T/R SITE w/o MULTI-COIL

Item	Part Number	FRU	Name	Quantity	Description (Remarks)
1	46-282429G73	N	ASSEMBLY	1	LX SGD 1.0T T/R SITE WITH OR W/O M/C (SEE PAGE 1-187)
2	46-301383G12	N	PP1 ASSEMBLY	1	UFI PENETRATION PANEL, NO MULTICOIL (SEE SECTION 4)
3	2142000-3	N	ASSEMBLY	1	1.0T MOBILE Cx MAG ENCLOSURE (SEE SECTION 2)
4	2133388-6	N	PHANTOM KIT	1	Cx SPT PHANTOM CART KIT (SEE PAGE 1-102)
5	2214269	2	KIT OF PARTS	1	MOBILE MR OW MOUNTING KIT (SEE PAGE 1-173)

CATALOG M1861PN FRU N Cx LX 1.0T T/R SITE with MULTI-COIL

Item	Part Number	FRU	Name	Quantity	Description (Remarks)
1	46-282429G70	N	ASSEMBLY	1	LX 1.0T T/R SITE WITH OR W/O MULTICL (SEE PAGE 1-186)
2	46-301383G13	N	PEN PANEL	1	UFI PENETRATION PANEL, W/ MULTI-COIL (SEE SECTION 4)
3	2142000-4	N	ASSEMBLY	1	1.0T MOBILE Cx MAG ENCLOSURE (SEE SECTION 2)
4	2133388-6	N	PHANTOM KIT	1	Cx SPT PHANTOM CART KIT (SEE PAGE 1-102)

CATALOG M1861PR FRU N Cx LX SGD 1.0T T/R SITE with MULTI-COIL

Item	Part Number	FRU	Name	Quantity	Description (Remarks)
1	46-282429G73	N	ASSEMBLY	1	LX SGD 1.0T T/R SITE WITH OR W/O M/C (SEE PAGE 1-187)
2	46-301383G13	N	PEN PANEL	1	UFI PENETRATION PANEL, W/ MULTI-COIL (SEE SECTION 4)
3	2142000-4	N	ASSEMBLY	1	1.0T MOBILE Cx MAG ENCLOSURE (SEE SECTION 2)
4	2133388-6	N	PHANTOM KIT	1	Cx SPT PHANTOM CART KIT (SEE PAGE 1-102)
5	2214269	2	KIT OF PARTS	1	MOBILE MR OW MOUNTING KIT (SEE PAGE 1-173)

1-6 LCC LX SGD SYSTEM CATALOGS

CATALOG		M1000WH FRU N		LX SGD CRM LCC 1.5T EchoSpeed w/MULTI-COIL	
Item	Part Number	FRU	Name	Quantity	Description (Remarks)
1	46-244813G30	N	SHIPPING COL	1	CV 1.5T SHIPPING COLLECTOR (SEE PAGE 1-95)
2	46-265300G1	N	TABLE ASM	1	LIGHTWEIGHT PATIENT TRANSPORT, PT1 (SEE SECTION 3)
3	46-271000G109	N	MR SYSTEM	1	LX2 SGD CRM 1.5T EchoSpeed W/PA (SEE PAGE 1-163)
10	2210340	1	MEDIA	1	LX SR77/120 OPTION S/W
13	46-271363G7	2	CABLE ASM	1	(042T) MR3CABI/FJ7 TO PD1-A2
14	2141978-5	1	WKSP I/F MOD	1	LIGHTNING WORKSPACE INTERFACE MODULE (SEE SEC. 13)
16	2138599-2	1	LCD MONITOR	1	LCD DISPLAY (800 X 600); COMES (SEE SECTION 13)
17	2154392-2	2	COLLECTOR	1	OPERATOR WORKSTATION CABLES/MRLX2 (SEE SEC. 13)
20	46-307830G1	N	POWER MODULE	1	POWER DISTRIBUTION BOX (SEE SECTION 13)
21	2160157	N	CABLE COVER	1	LIGHTNING CABLE COVER KIT (SEE SECTION 13)
22	2204796	N	ASSEMBLY	1	CENTRAL DATA SERIAL EXPANSION & MTG (SEE SECTION 13)
23	2169940-28	1	COMPUTER	1	SGI OCTANE MOUSE
60	46-301708G14	N	8.0LX INSITE	1	8.0 LX INSITE KIT WITHOUT MODEM (SEE PAGE 1-179)
70	2210001	N	ASSEMBLY	1	EchoSpeed OPTION KEY COLLECTOR (SEE PAGE 1-42)

CATALOG		M1042PR FRU N		LCC LX SGD 1.5T FIXED SITE w/o MULTI-COIL	
Item	Part Number	FRU	Name	Quantity	Description (Remarks)
1	46-282429G36	N	INSTALLATION	1	LX SGD 1.5T FIXED WITH OR WITHOUT MC (SEE PAGE 1-182)
2	46-301383G12	N	PP1 ASSEMBLY	1	UFI PENETRATION PANEL, NO MULTICOIL (SEE SECTION 4)
3	2142000-15	N	ASSEMBLY	1	1.5T FXD LCC ENCL W/O PA (SEE SECTION 2)
4	2133388-6	N	PHANTOM KIT	1	Cx SPT PHANTOM CART KIT (SEE PAGE 1-102)
104	2160623-3	N	CD-ROM	1	SIGNA RELEASE LX SERVICE METHODS

CATALOG		M1043PR FRU N		LCC LX SGD 1.5T FIXED SITE with MULTI-COIL	
Item	Part Number	FRU	Name	Quantity	Description (Remarks)
1	46-282429G36	N	INSTALLATION	1	LX SGD 1.5T FIXED WITH OR WITHOUT MC (SEE PAGE 1-182)
2	46-301383G13	N	PEN PANEL	1	UFI PENETRATION PANEL, W/ MULTI-COIL (SEE SECTION 4)
3	2142000-16	N	ASSEMBLY	1	1.5TFIX LCC ENCL W/PA (SEE SECTION 2)
4	2133388-6	N	PHANTOM KIT	1	Cx SPT PHANTOM CART KIT (SEE PAGE 1-102)
104	2160623-3	N	CD-ROM	1	SIGNA RELEASE LX SERVICE METHODS

CATALOG		M1052PR FRU N		LCC LX 1.5T SGD MOBILE SITE w/o MULTI-COIL	
Item	Part Number	FRU	Name	Quantity	Description (Remarks)
1	46-282429G38	N	INSTALLATION	1	LX SGD 1.5T Cx MOBILE SITE (SEE PAGE 1-183)
2	46-301383G12	N	PP1 ASSEMBLY	1	UFI PENETRATION PANEL, NO MULTICOIL (SEE SECTION 4)
3	2142000-17	N	ASSEMBLY	1	1.5T MOB LCC ENCL W/O PA (SEE SECTION 2)
4	2133388-7	N	PHANTOM KIT	1	CX SPT PHANTOM CART KIT MINUS CART (SEE PAGE 1-103)
5	2214269	2	KIT OF PARTS	1	MOBILE MR OW MOUNTING KIT (SEE PAGE 1-173)
104	2160623-3	N	CD-ROM	1	SIGNA RELEASE LX SERVICE METHODS

CATALOG M1053PR FRU N LCC LX SGD 1.5T MOBILE SITE with MULTI-COIL

Item	Part Number	FRU	Name	Quantity	Description (Remarks)
1	46-282429G38	N	INSTALLATION	1	LX SGD 1.5T Cx MOBILE SITE (SEE PAGE 1-183)
2	46-301383G13	N	PEN PANEL	1	UFI PENETRATION PANEL, W/ MULTI-COIL (SEE SECTION 4)
3	2142000-18	N	ASSEMBLY	1	1.5T MOB LCC ENCL W/PA (SEE SECTION 2)
4	2133388-7	N	PHANTOM KIT	1	CX SPT PHANTOM CART KIT MINUS CART (SEE PAGE 1-103)
5	2214269	2	KIT OF PARTS	1	MOBILE MR OW MOUNTING KIT (SEE PAGE 1-173)
104	2160623-3	N	CD-ROM	1	SIGNA RELEASE LX SERVICE METHODS

CATALOG M1062PR FRU N LCC LX 1.5T SGD T/R SITE w/o MULTI-COIL

Item	Part Number	FRU	Name	Quantity	Description (Remarks)
1	46-282429G37	N	INSTALLATION	1	LX SGD 1.5T T/R SITE WITH OR WITHOUT (SEE PAGE 1-183)
2	46-301383G12	N	PP1 ASSEMBLY	1	UFI PENETRATION PANEL, NO MULTICOIL (SEE SECTION 4)
3	2142000-17	N	ASSEMBLY	1	1.5T MOB LCC ENCL W/O PA (SEE SECTION 2)
4	2133388-6	N	PHANTOM KIT	1	Cx SPT PHANTOM CART KIT (SEE PAGE 1-102)
5	2214269	2	KIT OF PARTS	1	MOBILE MR OW MOUNTING KIT (SEE PAGE 1-173)
104	2160623-3	N	DIRECTION	1	SIGNA LX SERVICE METHODS CD-ROM

CATALOG M1063PR FRU N LCC LX 1.5T SGD T/R SITE with MULTI-COIL

Item	Part Number	FRU	Name	Quantity	Description (Remarks)
1	46-282429G37	N	INSTALLATION	1	LX SGD 1.5T T/R SITE WITH OR WITHOUT (SEE PAGE 1-183)
2	46-301383G13	N	PEN PANEL	1	UFI PENETRATION PANEL, W/ MULTI-COIL (SEE SECTION 4)
3	2142000-18	N	ASSEMBLY	1	1.5T MOB LCC ENCL W/PA (SEE SECTION 2)
4	2133388-6	N	PHANTOM KIT	1	Cx SPT PHANTOM CART KIT (SEE PAGE 1-102)
5	2214269	2	KIT OF PARTS	1	MOBILE MR OW MOUNTING KIT (SEE PAGE 1-173)
104	2160623-3	N	DIRECTION	1	SIGNA LX SERVICE METHODS CD-ROM

CATALOG M1073PR FRU N CVMR LCC LX 1.5T SGD FXD SITE with MULTI-COIL

Item	Part Number	FRU	Name	Quantity	Description (Remarks)
1	46-282429G36	N	INSTALLATION	1	LX SGD 1.5T FIXED WITH OR W/O MC (SEE PAGE 1-182)
2	46-301383G13	N	PEN PANEL	1	UFI PENETRATION PANEL, W/ MULTI-COIL (SEE SECTION 4)
3	2142000-19	N	ASSEMBLY	1	1.5T FXD CRM LCC ENCL WPA (SEE SECTION 2)
4	2133388-6	N	PHANTOM KIT	1	Cx SPT PHANTOM CART KIT (SEE PAGE 1-102)
104	2160623-3	N	DIRECTION	1	SIGNA LX SERVICE METHODS CD-ROM

CATALOG M1060JS FRU N LCC FIXED BRM-D INSTALLATION KIT

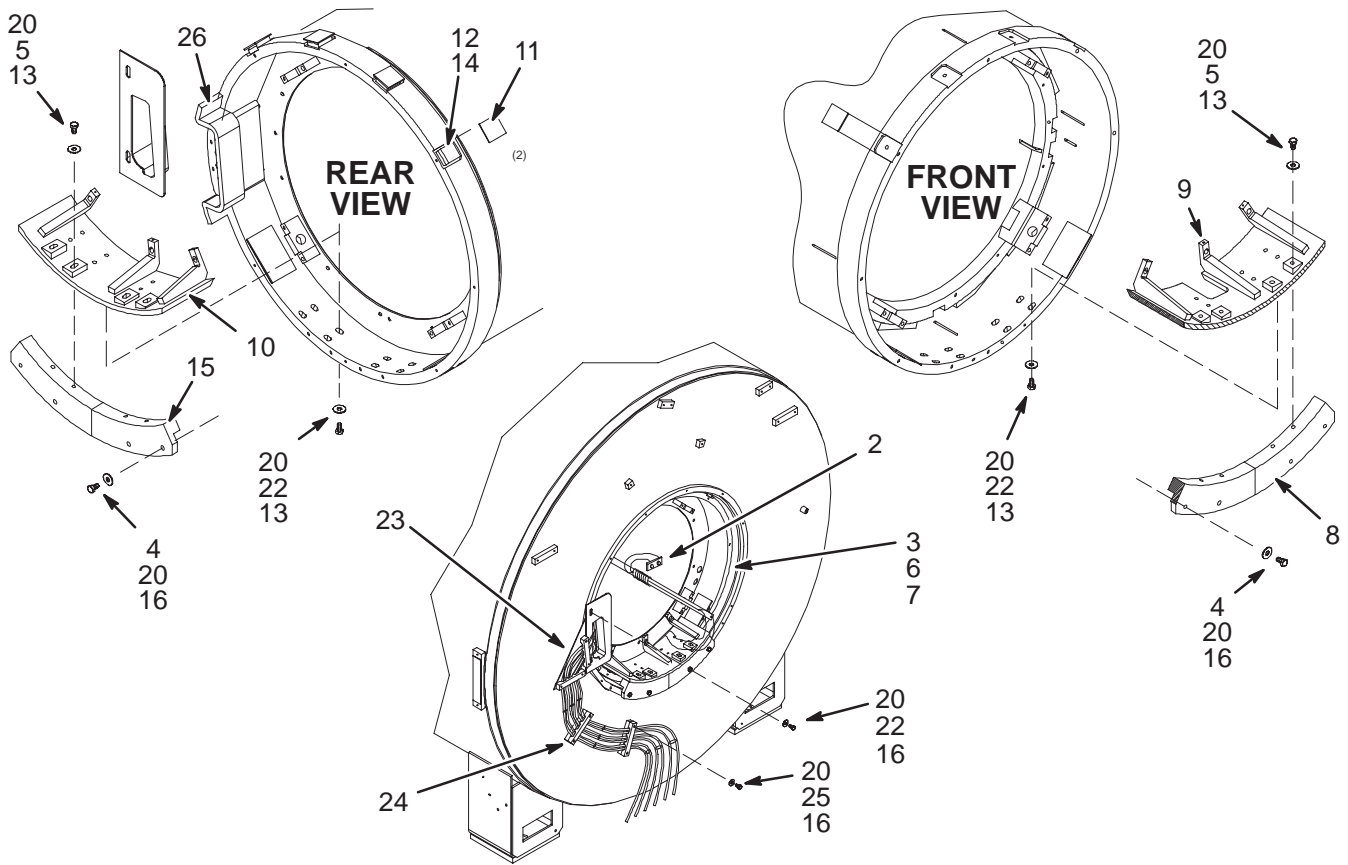
Item	Part Number	FRU	Name	Quantity	Description (Remarks)
1	2214166	N	INSTALLATION	1	BRM-D LCC MAGNET INSTALL PARTS LIST (SEE PAGE 1-35)
2	2204359-2	N	ENCLOSURE FR	1	LCC FIXED MAGNET FRAME KIT (SEE SECTION 2)

CATALOG M1061JS FRU N LCC MOBILE BRM-D INSTALLATION KIT

Item	Part Number	FRU	Name	Quantity	Description (Remarks)
1	2214166	N	INSTALLATION	1	BRM-D LCC MAGNET INSTALL PARTS LIST (SEE PAGE 1-35)
2	2204359	N	ENCLOSURE FR	1	LCC MOBILE MAGNET FRAME KIT (SEE SECTION 2)

LCC BRM-D MOUNTING KIT

2214166



LCC BRM-D INSTALL PARTS LIST

2214166 FRU N

(PART 1 OF M1060JS PAGE 1-34)

(PART 1 OF M1061JS PAGE 1-34)

Item	Part Number	FRU	Name	Quantity	Description (Remarks)
2	2139560	N	BULKHEAD ASM	1	BULKHEAD ASSEMBLY (SEE PAGE 1-155)
3	2179397	N	BRM ISOLATION	2	OPEN FOAM CAULKING STRIP - .25" THK
4	2109866-21	2	SCREW	6	SCREW HEXAGON HEAD 10 MM 30 MM
5	2109866-23	2	SCREW	8	SCREW HEXAGON HEAD 10 MM 40 MM
6	2179397-2	N	BRM ISOLATION	2	OPEN FOAM CAULKING STRIP - .375" THK
7	2179397-3	N	BRM ISOLATION	2	OPEN FOAM CAULKING STRIP - .500" THK
8	2147826	2	PART	1	FRONT SUPPORT MTG.
9	2213168	2	SUPPORT	1	BRM-D FRONT LOWER SUPPORT
10	2213167	2	SUPPORT	1	BRM-D REAR LOWER SUPPORT
11	2212715	2	BEARING SHIM	8	LCC BRM MOUNTING
12	2108933-2	2	PART	8	CAP SCREW, SPECIAL, HEX HEAD METRIC
13	46-170686P3	2	ADHESIVE	AR	LOCTITE 242, 50CC
14	46-170684P2	2	ADHESIVE	AR	LOCTITE 271, 10CC BOTTLE
15	2174668	2	PART	1	REAR SUPPORT MTG
16	46-294151P8	2	ADHES SPEC	AR	BOSTIK "NEVER-SEEZE" LUBRICATING
17	2181231	2	PART	4	FILLER PAD Cx
19	2157414	2	TAPE	AR	3M TARTAN FILAMENT TAPE 48MM X 55M
20	2184009	2	WASHER	54	WASHER PLAIN - NORMAL 10.5 MM 18 MM
22	2109872-16	2	SCREW	16	SCREW BUTTON HEAD
23	2214161	2	SUPPORT	1	GRADIENT CABLE SUPPORT
24	2214162	2	CLAMP	4	GRADIENT CABLE CLAMP
25	2109866-22	2	SCREW	8	SCREW HEXAGON HEAD 10 MM 35 MM

CATALOG		M1800WH FRU N		LX SGD/OCTANE 1.0T LCC HORIZON BASE w/o M-C	
Item	Part Number	FRU	Name	Quantity	Description (Remarks)
1	46-244813G67	N	ASSEMBLY	1	LX 1.0T SIGNA HORIZON SHIP COLLECTOR (SEE PAGE 1-97)
2	46-265300G1	N	TABLE ASM	1	LIGHTWEIGHT PATIENT TRANSPORT, PT1(SEE SECTION 3)
3	46-271000G209	N	MR SYSTEM	1	LX2 SGD 1.0T HORIZON WITHOUT PA (SEE PAGE 1-165)
10	2210341	1	MEDIA	1	LX SR20 OPTION S/W
14	2141978-5	1	WKSP I/F MOD	1	LIGHTNING WORKSPACE INTERFACE MODULE (SEE SEC. 13)
16	2138599-2	1	LCD MONITOR	1	LCD DISPLAY (800 X 600); COMES (SEE SECTION 13)
17	2154392-2	2	COLLECTOR	1	OPERATOR WORKSTATION CABLES/MRLX2 (SEE SEC. 13)
19	2166395	N	MOUSE PAD	1	MOUSE PAD FOR SIGNA HORIZON LX
20	46-307830G1	N	POWER MODULE	1	POWER DISTRIBUTION BOX (SEE SECTION 13)
21	2160157	N	CABLE COVER	1	LIGHTNING CABLE COVER KIT (SEE SECTION 13)
22	2204796	N	ASSEMBLY	1	CENTRAL DATA SERIAL EXPANSION & MTG (SEE SECTION 13)
60	46-301708G14	N	8.0LX INSITE	1	8.0 LX INSITE KIT WITHOUT MODEM (SEE PAGE 1-179)

CATALOG		M1800WJ FRU N		LX SGD/OCTANE 1.0T LCC HORIZON BASE w/M-C	
Item	Part Number	FRU	Name	Quantity	Description (Remarks)
1	46-244813G67	N	ASSEMBLY	1	LX 1.0T SIGNA HORIZON SHIP COLLECTOR (SEE PAGE 1-97)
2	46-265300G1	N	TABLE ASM	1	LIGHTWEIGHT PATIENT TRANSPORT, PT1 (SEE SECTION 3)
3	46-271000G210	N	MR SYSTEM	1	LX2 SGD LCC 1.0T HORIZON WITH PA SEE PAGE 1-165)
10	2210341	1	MEDIA	1	LX SR20 OPTION S/W
14	2141978-5	1	WKSP I/F MOD	1	LIGHTNING WORKSPACE INTERFACE MODULE (SEE SEC. 13)
16	2138599-2	1	LCD MONITOR	1	LCD DISPLAY (800 X 600); COMES (SEE SECTION 13)
17	2154392-2	2	COLLECTOR	1	OPERATOR WORKSTATION CABLES/MRLX2 (SEE SEC. 13)
20	46-307830G1	N	POWER MODULE	1	POWER DISTRIBUTION BOX (SEE SECTION 13)
21	2160157	N	CABLE COVER	1	LIGHTNING CABLE COVER KIT (SEE SECTION 13)
22	2204796	N	ASSEMBLY	1	CENTRAL DATA SERIAL EXPANSION & MTG (SEE SECTION 13)
60	46-301708G14	N	8.0LX INSITE	1	8.0 LX INSITE KIT WITHOUT MODEM (SEE PAGE 1-179)

CATALOG		M1800WK FRU N		LX SGD/OCTANE 1.0T LCC HiSpeed w/o M-C	
Item	Part Number	FRU	Name	Quantity	Description (Remarks)
1	46-244813G67	N	ASSEMBLY	1	LX 1.0T SIGNA HORIZON SHIP COLLECTOR (SEE PAGE 1-97)
2	46-265300G1	N	TABLE ASM	1	LIGHTWEIGHT PATIENT TRANSPORT, PT1 (SEE SECTION 3)
3	46-271000G211	N	MR SYSTEM	1	LX2 SGD 1.0T HI-SPEED WITHOUT PA (SEE PAGE 1-166)
10	2210340	1	MEDIA	1	LX SR77/120 OPTION S/W
13	46-271363G7	2	CABLE ASM	1	(042T) MR3CABI/FJ7 TO PD1-A2
14	2141978-5	1	WKSP I/F MOD	1	LIGHTNING WORKSPACE INTERFACE MODULE (SEE SEC. 13)
16	2138599-2	1	LCD MONITOR	1	LCD DISPLAY (800 X 600); COMES (SEE SECTION 13)
17	2154392-2	2	COLLECTOR	1	OPERATOR WORKSTATION CABLES/MRLX2 (SEE SEC. 13)
20	46-307830G1	N	POWER MODULE	1	POWER DISTRIBUTION BOX (SEE SECTION 13)
21	2160157	N	CABLE COVER	1	LIGHTNING CABLE COVER KIT (SEE SECTION 13)
22	2204796	N	ASSEMBLY	1	CENTRAL DATA SERIAL EXPANSION & MTG (SEE SECTION 13)
60	46-301708G14	N	8.0LX INSITE	1	8.0 LX INSITE KIT WITHOUT MODEM (SEE PAGE 1-179)

CATALOG M1800WL FRU N LX SGD/OCTANE 1.0T LCC HiSpeed with M-C

Item	Part Number	FRU	Name	Quantity	Description (Remarks)
1	46-244813G67	N	ASSEMBLY	1	LX 1.0T SIGNA HORIZON SHIP COLLECTOR (SEE PAGE 1-97)
2	46-265300G1	N	TABLE ASM	1	LIGHTWEIGHT PATIENT TRANSPORT, PT1 (SEE SECTION 3)
3	46-271000G212	N	MR SYSTEM	1	LX2 SGD LCC 1.0T HI-SPEED WITH PA (SEE PAGE 1-166)
10	2210340	1	MEDIA	1	LX SR77/120 OPTION S/W
13	46-271363G7	2	CABLE ASM	1	(042T) MR3CABI/FJ7 TO PD1-A2
14	2141978-5	1	WKSP I/F MOD	1	LIGHTNING WORKSPACE INTERFACE MODULE (SEE SEC. 13)
16	2138599-2	1	LCD MONITOR	1	LCD DISPLAY (800 X 600); COMES (SEE SECTION 13)
17	2154392-2	2	COLLECTOR	1	OPERATOR WORKSTATION CABLES/MRLX2 (SEE SEC. 13)
20	46-307830G1	N	POWER MODULE	1	POWER DISTRIBUTION BOX (SEE SECTION 13)
21	2160157	N	CABLE COVER	1	LIGHTNING CABLE COVER KIT (SEE SECTION 13)
22	2204796	N	ASSEMBLY	1	CENTRAL DATA SERIAL EXPANSION & MTG (SEE SECTION 13)
60	46-301708G14	N	8.0LX INSITE	1	8.0 LX INSITE KIT WITHOUT MODEM (SEE PAGE 1-179)

CATALOG M1842PR FRU N LCC LX SGD 1.0T FIXED SITE w/o MULTI-COIL

Item	Part Number	FRU	Name	Quantity	Description (Remarks)
1	46-282429G75	N	INSTALLATION	1	1.0T SGD FIXED CABLE COLLECTOR (SEE PAGE 1-187)
2	46-301383G12	N	PP1 ASSEMBLY	1	UFI PENETRATION PANEL, NO MULTICOIL (SEE SECTION 4)
3	2142000-11	N	ASSEMBLY	1	1.0T FXD LCC ENCL W/O PA (SEE SECTION 2)
4	2133388-6	N	PHANTOM KIT	1	Cx SPT PHANTOM CART KIT (SEE PAGE 1-102)

CATALOG M1843PR FRU N LCC LX SGD 1.0T FIXED SITE with MULTI-COIL

Item	Part Number	FRU	Name	Quantity	Description (Remarks)
1	46-282429G75	N	INSTALLATION	1	1.0T SGD FIXED CABLE COLLECTOR (SEE PAGE 1-187)
2	46-301383G13	N	PEN PANEL	1	UFI PENETRATION PANEL, W/ MULTI-COIL (SEE SECTION 4)
3	2142000-12	N	ASSEMBLY	1	1.0T FXD LCC MAG ENCL WITH PA (SEE SECTION 2)
4	2133388-6	N	PHANTOM KIT	1	Cx SPT PHANTOM CART KIT (SEE PAGE 1-102)

CATALOG M1852PR FRU N LCC LX SGD 1.0T MOBILE SITE w/o MULTI-COIL

Item	Part Number	FRU	Name	Quantity	Description (Remarks)
1	46-282429G76	N	INSTALLATION	1	1.0T SGD MOBILE CABLE COLLECTOR (SEE PAGE 1-188)
2	46-301383G12	N	PP1 ASSEMBLY	1	UFI PENETRATION PANEL, NO MULTICOIL (SEE SECTION 4)
3	2142000-13	N	ASSEMBLY	1	1.0T MOB LCC ENCL W/O PA (SEE SECTION 2)
4	2133388-7	N	PHANTOM KIT	1	CX SPT PHANTOM CART KIT MINUS CART (SEE PAGE 1-103)
5	2214269	2	KIT OF PARTS	1	MOBILE MR OW MOUNTING KIT (SEE PAGE 1-173)

CATALOG M1853PR FRU N LCC LX SGD 1.0T MOBILE SITE with MULTI-COIL

Item	Part Number	FRU	Name	Quantity	Description (Remarks)
1	46-282429G76	N	INSTALLATION	1	1.0T SGD MOBILE CABLE COLLECTOR (SEE PAGE 1-188)
2	46-301383G13	N	PEN PANEL	1	UFI PENETRATION PANEL, W/ MULTI-COIL (SEE SECTION 4)
3	2142000-14	N	ASSEMBLY	1	1.0T MOB LCC ENCL W/PA (SEE SECTION 2)
4	2133388-7	N	PHANTOM KIT	1	CX SPT PHANTOM CART KIT MINUS CART (SEE PAGE 1-103)
5	2214269	2	KIT OF PARTS	1	MOBILE MR OW MOUNTING KIT (SEE PAGE 1-173)

CATALOG M1862PR FRU N LCC LX SGD 1.0T T/R SITE with MULTI-COIL

Item	Part Number	FRU	Name	Quantity	Description (Remarks)
1	46-282429G77	N	INSTALLATION	1	1.0T SGD T/R CABLE COLLECTOR (SEE PAGE 1-188)
2	46-301383G12	N	PP1 ASSEMBLY	1	UFI PENETRATION PANEL, NO MULTICOIL (SEE SECTION 4)
3	2142000-13	N	ASSEMBLY	1	1.0T MOB LCC ENCL W/O PA (SEE SECTION 2)
4	2133388-6	N	PHANTOM KIT	1	Cx SPT PHANTOM CART KIT (SEE PAGE 1-102)
5	2214269	2	KIT OF PARTS	1	MOBILE MR OW MOUNTING KIT (SEE PAGE 1-173)

CATALOG M1863PR FRU N LCC LX SGD 1.0T T/R SITE with MULTI-COIL

Item	Part Number	FRU	Name	Quantity	Description (Remarks)
1	46-282429G77	N	INSTALLATION	1	1.0T SGD T/R CABLE COLLECTOR (SEE PAGE 1-188)
2	46-301383G13	N	PEN PANEL	1	UFI PENETRATION PANEL, W/ MULTI-COIL (SEE SECTION 4)
3	2142000-14	N	ASSEMBLY	1	1.0T MOB LCC ENCL W/PA (SEE SECTION 2)
4	2133388-6	N	PHANTOM KIT	1	Cx SPT PHANTOM CART KIT (SEE PAGE 1-102)
5	2214269	2	KIT OF PARTS	1	MOBILE MR OW MOUNTING KIT (SEE PAGE 1-173)

1-7 WideOpen LX SGD SYSTEM CATALOGS

CATALOG		M1000WY FRU N		LX SGD CRM WideOpen 1.5T EchoSpeed w/MC	
Item	Part Number	FRU	Name	Quantity	Description (Remarks)
1	46-244813G30	N	SHIPPING COL	1	CV 1.5T SHIPPING COLLECTOR (SEE PAGE 1-95)
2	46-265300G2	N	TABLE ASM	1	LCC PATIENT TRANSPORT – NEW COLORS (SEE SECTION 3)
3	46-271000G109	N	MR SYSTEM	1	LX2 SGD CRM 1.5T EchoSpeed W/PA (SEE PAGE 1-163)
10	2210340	1	MEDIA	1	LX SR77/120 OPTION S/W
13	46-271363G7	2	CABLE ASM	1	(042T) MR3CABI/FJ7 TO PD1-A2
14	2141978-5	1	WKSP I/F MOD	1	LIGHTNING WORKSPACE INTERFACE MODULE (SEE SEC. 13)
16	2138599-2	1	LCD MONITOR	1	LCD DISPLAY (800 X 600); COMES (SEE SECTION 13)
17	2154392-2	2	COLLECTOR	1	OPERATOR WORKSTATION CABLES/MRLX2 (SEE SEC. 13)
20	46-307830G1	N	POWER MODULE	1	POWER DISTRIBUTION BOX (SEE SECTION 13)
21	2160157	N	CABLE COVER	1	LIGHTNING CABLE COVER KIT (SEE SECTION 13)
22	2204796	N	ASSEMBLY	1	CENTRAL DATA SERIAL EXPANSION & MTG (SEE SECTION 13)
23	2169940-28	1	COMPUTER	1	SGI OCTANE MOUSE
60	46-301708G14	N	8.0LX INSITE	1	8.0 LX INSITE KIT WITHOUT MODEM (SEE PAGE 1-179)
70	2210001	N	ASSEMBLY	1	EchoSpeed OPTION KEY COLLECTOR (SEE PAGE 1-42)

CATALOG		M1000YA FRU N		LX SGD 1.5T WideOpen BASE w/o MULTI-COIL	
Item	Part Number	FRU	Name	Quantity	Description (Remarks)
1	46-244813G27	N	ASSEMBLY	1	LX 1.5T SIGNA HORIZON SHIP COLLECTOR (SEE PAGE 1-94)
2	46-265300G2	N	TABLE ASM	1	LCC PATIENT TRANSPORT – NEW COLORS (SEE SECTION 3)
3	46-271000G105	N	MR SYSTEM	1	LX2 SGD 1.5T HORIZN W/O PHASEDARRAY (SEE PAGE 1-162)
10	2210341	1	MEDIA	1	LX SR20 OPTION S/W
14	2141978-5	1	WKSP I/F MOD	1	LIGHTNING WORKSPACE INTERFACE MODULE (SEE SEC. 13)
16	2138599-2	1	LCD MONITOR	1	LCD DISPLAY (800 X 600); COMES (SEE SECTION 13)
17	2154392-2	2	COLLECTOR	1	OPERATOR WORKSTATION CABLES/MRLX2 (SEE SEC. 13)
20	46-307830G1	N	POWER MODULE	1	POWER DISTRIBUTION BOX (SEE SECTION 13)
21	2160157	N	CABLE COVER	1	LIGHTNING CABLE COVER KIT (SEE SECTION 13)
22	2204796	N	ASSEMBLY	1	CENTRAL DATA SERIAL EXPANSION & MTG (SEE SECTION 13)
60	46-301708G14	N	8.0LX INSITE	1	8.0 LX INSITE KIT WITHOUT MODEM (SEE PAGE 1-179)

CATALOG		M1000YD FRU N		LX SGD 1.5T WideOpen BASE with MULTI-COIL	
Item	Part Number	FRU	Name	Quantity	Description (Remarks)
1	46-244813G27	N	ASSEMBLY	1	LX 1.5T SIGNA HORIZON SHIP COLLECTOR (SEE PAGE 1-94)
2	46-265300G2	N	TABLE ASM	1	LCC PATIENT TRANSPORT – NEW COLORS (SEE SECTION 3)
3	46-271000G106	N	MR SYSTEM	1	LX2 SGD 1.5T HORIZON W/PHASED ARRAY (SEE PAGE 1-162)
10	2210341	1	MEDIA	1	LX SR20 OPTION S/W
14	2141978-5	1	WKSP I/F MOD	1	LIGHTNING WORKSPACE INTERFACE MODULE (SEE SEC. 13)
16	2138599-2	1	LCD MONITOR	1	LCD DISPLAY (800 X 600); COMES (SEE SECTION 13)
17	2154392-2	2	COLLECTOR	1	OPERATOR WORKSTATION CABLES/MRLX2 (SEE SEC. 13)
20	46-307830G1	N	POWER MODULE	1	POWER DISTRIBUTION BOX (SEE SECTION 13)
21	2160157	N	CABLE COVER	1	LIGHTNING CABLE COVER KIT (SEE SECTION 13)
22	2204796	N	ASSEMBLY	1	CENTRAL DATA SERIAL EXPANSION & MTG (SEE SECTION 13)
60	46-301708G14	N	8.0LX INSITE	1	8.0 LX INSITE KIT WITHOUT MODEM (SEE PAGE 1-179)

CATALOG		M1000YF FRU N		LX SGD 1.5T WideOpen HiSpeed with MULTI-COIL	
Item	Part Number	FRU	Name	Quantity	Description (Remarks)
1	46-244813G27	N	ASSEMBLY	1	LX 1.5T SIGNA HORIZON SHIP COLLECTOR (SEE PAGE 1-94)
2	46-265300G2	N	TABLE ASM	1	LCC PATIENT TRANSPORT – NEW COLORS (SEE SECTION 3)
3	46-271000G107	N	MR SYSTEM	1	LX2 SGD 1.5T HiSpeed W/PHASED ARRAY (SEE PAGE 1-163)
10	2210340	1	MEDIA	1	LX SR77/120 OPTION S/W
13	46-271363G7	2	CABLE ASM	1	(042T) MR3CABI/FJ7 TO PD1-A2
14	2141978-5	1	WKSP I/F MOD	1	LIGHTNING WORKSPACE INTERFACE MODULE (SEE SEC. 13)
16	2138599-2	1	LCD MONITOR	1	LCD DISPLAY (800 X 600); COMES (SEE SECTION 13)
17	2154392-2	2	COLLECTOR	1	OPERATOR WORKSTATION CABLES/MRLX2 (SEE SEC. 13)
20	46-307830G1	N	POWER MODULE	1	POWER DISTRIBUTION BOX (SEE SECTION 13)
21	2160157	N	CABLE COVER	1	LIGHTNING CABLE COVER KIT (SEE SECTION 13)
22	2204796	N	ASSEMBLY	1	CENTRAL DATA SERIAL EXPANSION & MTG (SEE SECTION 13)
60	46-301708G14	N	8.0LX INSITE	1	8.0 LX INSITE KIT WITHOUT MODEM (SEE PAGE 1-179)

CATALOG		M1000YG FRU N		LX SGD 1.5T WideOpen EchoSpeed w/MULTI-COIL	
Item	Part Number	FRU	Name	Quantity	Description (Remarks)
1	46-244813G27	N	ASSEMBLY	1	LX 1.5T SIGNA HORIZON SHIP COLLECTOR (SEE PAGE 1-94)
2	46-265300G2	N	TABLE ASM	1	LCC PATIENT TRANSPORT – NEW COLORS (SEE SECTION 3)
3	46-271000G108	N	MR SYSTEM	1	LX2 SGD 1.5T EchoSpeed W/PHSD ARRAY (SEE PAGE 1-163)
10	2210340	1	MEDIA	1	LX SR77/120 OPTION S/W
13	46-271363G7	2	CABLE ASM	1	(042T) MR3CABI/FJ7 TO PD1-A2
14	2141978-5	1	WKSP I/F MOD	1	LIGHTNING WORKSPACE INTERFACE MODULE (SEE SEC. 13)
16	2138599-2	1	LCD MONITOR	1	LCD DISPLAY (800 X 600); COMES (SEE SECTION 13)
17	2154392-2	2	COLLECTOR	1	OPERATOR WORKSTATION CABLES/MRLX2 (SEE SEC. 13)
20	46-307830G1	N	POWER MODULE	1	POWER DISTRIBUTION BOX (SEE SECTION 13)
21	2160157	N	CABLE COVER	1	LIGHTNING CABLE COVER KIT (SEE SECTION 13)
22	2204796	N	ASSEMBLY	1	CENTRAL DATA SERIAL EXPANSION & MTG (SEE SECTION 13)
60	46-301708G14	N	8.0LX INSITE	1	8.0 LX INSITE KIT WITHOUT MODEM (SEE PAGE 1-179)
70	2210001	N	ASSEMBLY	1	EchoSpeed OPTION KEY COLLECTOR (SEE PAGE 1-42)

CATALOG M1000ZA FRU N LX3 SGD 1.5T WideOpen SR20 w/o MULTI-COIL

Item	Part Number	FRU	Name	Quantity	Description (Remarks)
1	46-244813G27	N	ASSEMBLY	1	LX 1.5T SIGNA HORIZON SHIP COLLECTOR (SEE PAGE 1-94)
2	46-265300G2	N	TABLE ASM	1	LCC PATIENT TRANSPORT – NEW COLORS (SEE SECTION 3)
3	46-271000G111	N	MR SYSTEM	1	LX3 SGD 1.5T W/O PHASED ARRAY (SEE PAGE 1-164)
14	2141978-5	1	WKSP I/F MOD	1	LIGHTNING WORKSPACE INTERFACE MODULE (SEE SEC. 13)
16	2138599-2	1	LCD MONITOR	1	LCD DISPLAY (800 X 600); COMES (SEE SECTION 13)
17	2154392-2	2	COLLECTOR	1	OPERATOR WORKSTATION CABLES/MRLX2 (SEE SEC. 13)
19	2166395	N	MOUSE PAD	1	MOUSE PAD FOR SIGNA HORIZON LX
20	46-307830G1	N	POWER MODULE	1	POWER DISTRIBUTION BOX (SEE SECTION 13)
21	2160157	N	CABLE COVER	1	LIGHTNING CABLE COVER KIT (SEE SECTION 13)
22	2204796	N	ASSEMBLY	1	CENTRAL DATA SERIAL EXPANSION & MTG (SEE SECTION 13)
60	46-301708G14	N	8.0LX INSITE	1	8.0 LX INSITE KIT WITHOUT MODEM (SEE PAGE 1-179)

CATALOG M1000ZB FRU N LX3 SGD 1.5T WideOpen SR20 w/MULTI-COIL

Item	Part Number	FRU	Name	Quantity	Description (Remarks)
1	46-244813G27	N	ASSEMBLY	1	LX 1.5T SIGNA HORIZON SHIP COLLECTOR (SEE PAGE 1-94)
2	46-265300G2	N	TABLE ASM	1	LCC PATIENT TRANSPORT – NEW COLORS (SEE SECTION 3)
3	46-271000G112	N	MR SYSTEM	1	LX3 SGD 1.5T W/PHASED ARRAY (SEE PAGE 1-164)
14	2141978-5	1	WKSP I/F MOD	1	LIGHTNING WORKSPACE INTERFACE MODULE (SEE SEC. 13)
16	2138599-2	1	LCD MONITOR	1	LCD DISPLAY (800 X 600); COMES (SEE SECTION 13)
17	2154392-2	2	COLLECTOR	1	OPERATOR WORKSTATION CABLES/MRLX2 (SEE SEC. 13)
19	2166395	N	MOUSE PAD	1	MOUSE PAD FOR SIGNA HORIZON LX
20	46-307830G1	N	POWER MODULE	1	POWER DISTRIBUTION BOX (SEE SECTION 13)
21	2160157	N	CABLE COVER	1	LIGHTNING CABLE COVER KIT (SEE SECTION 13)
22	2204796	N	ASSEMBLY	1	CENTRAL DATA SERIAL EXPANSION & MTG (SEE SECTION 13)
60	46-301708G14	N	8.0LX INSITE	1	8.0 LX INSITE KIT WITHOUT MODEM (SEE PAGE 1-179)

CATALOG M1000ZH FRU N LX3 SGD 1.5T WideOpen HiSpeed w/MULTI-COIL

Item	Part Number	FRU	Name	Quantity	Description (Remarks)
1	46-244813G27	N	ASSEMBLY	1	LX 1.5T SIGNA HORIZON SHIP COLLECTOR (SEE PAGE 1-94)
2	46-265300G2	N	TABLE ASM	1	LCC PATIENT TRANSPORT – NEW COLORS (SEE SECTION 3)
3	46-271000G113	N	MR SYSTEM	1	LX3 SGD 1.5T HiSpeed W/PHASED ARRAY (SEE PAGE 1-164)
13	46-271363G7	2	CABLE ASM	1	(042T) MR3CABI/FJ7 TO PD1-A2
14	2141978-5	1	WKSP I/F MOD	1	LIGHTNING WORKSPACE INTERFACE MODULE (SEE SEC. 13)
16	2138599-2	1	LCD MONITOR	1	LCD DISPLAY (800 X 600); COMES (SEE SECTION 13)
17	2154392-2	2	COLLECTOR	1	OPERATOR WORKSTATION CABLES/MRLX2 (SEE SEC. 13)
19	2166395	N	MOUSE PAD	1	MOUSE PAD FOR SIGNA HORIZON LX
20	46-307830G1	N	POWER MODULE	1	POWER DISTRIBUTION BOX (SEE SECTION 13)
21	2160157	N	CABLE COVER	1	LIGHTNING CABLE COVER KIT (SEE SECTION 13)
22	2204796	N	ASSEMBLY	1	CENTRAL DATA SERIAL EXPANSION & MTG (SEE SECTION 13)
60	46-301708G14	N	8.0LX INSITE	1	8.0 LX INSITE KIT WITHOUT MODEM (SEE PAGE 1-179)

CATALOG M1000ZJ FRU N LX3 SGD 1.5T WideOpen EchoSpeed w/MULTI-COIL

Item	Part Number	FRU	Name	Quantity	Description (Remarks)
1	46-244813G27	N	ASSEMBLY	1	LX 1.5T SIGNA HORIZON SHIP COLLECTOR (SEE PAGE 1-94)
2	46-265300G2	N	TABLE ASM	1	LCC PATIENT TRANSPORT – NEW COLORS (SEE SECTION 3)
3	46-271000G114	N	MR SYSTEM	1	LX3 SGD 1.5T EchoSpeed W/PA (SEE PAGE 1-164)
13	46-271363G7	2	CABLE ASM	1	(042T) MR3CABI/FJ7 TO PD1-A2
14	2141978-5	1	WKSP I/F MOD	1	LIGHTNING WORKSPACE INTERFACE MODULE (SEE SEC. 13)
16	2138599-2	1	LCD MONITOR	1	LCD DISPLAY (800 X 600); COMES (SEE SECTION 13)
17	2154392-2	2	COLLECTOR	1	OPERATOR WORKSTATION CABLES/MRLX2 (SEE SEC. 13)
19	2166395	N	MOUSE PAD	1	MOUSE PAD FOR SIGNA HORIZON LX
20	46-307830G1	N	POWER MODULE	1	POWER DISTRIBUTION BOX (SEE SECTION 13)
21	2160157	N	CABLE COVER	1	LIGHTNING CABLE COVER KIT (SEE SECTION 13)
22	2204796	N	ASSEMBLY	1	CENTRAL DATA SERIAL EXPANSION & MTG (SEE SECTION 13)
60	46-301708G14	N	8.0LX INSITE	1	8.0 LX INSITE KIT WITHOUT MODEM (SEE PAGE 1-179)
70	2210001	N	ASSEMBLY	1	EchoSpeed OPTION KEY COLLECTOR (SEE PAGE 1-42)

CATALOG M1000ZK FRU N LX3 SGD CRM 1.5T WideOpen EchoSpeed w/MC

Item	Part Number	FRU	Name	Quantity	Description (Remarks)
1	46-244813G30	N	SHIPPING COL	1	CV 1.5T SHIPPING COLLECTOR (SEE PAGE 1-95)
2	46-265300G2	N	TABLE ASM	1	LCC PATIENT TRANSPORT – NEW COLORS (SEE SECTION 3)
3	46-271000G114	N	MR SYSTEM	1	LX3 SGD 1.5T EchoSpeed W/PA (SEE PAGE 1-164)
13	46-271363G7	2	CABLE ASM	1	(042T) MR3CABI/FJ7 TO PD1-A2
14	2141978-5	1	WKSP I/F MOD	1	LIGHTNING WORKSPACE INTERFACE MODULE (SEE SEC. 13)
16	2138599-2	1	LCD MONITOR	1	LCD DISPLAY (800 X 600); COMES (SEE SECTION 13)
17	2154392-2	2	COLLECTOR	1	OPERATOR WORKSTATION CABLES/MRLX2 (SEE SEC. 13)
19	2166395	N	MOUSE PAD	1	MOUSE PAD FOR SIGNA HORIZON LX
20	46-307830G1	N	POWER MODULE	1	POWER DISTRIBUTION BOX (SEE SECTION 13)
21	2160157	N	CABLE COVER	1	LIGHTNING CABLE COVER KIT (SEE SECTION 13)
22	2204796	N	ASSEMBLY	1	CENTRAL DATA SERIAL EXPANSION & MTG (SEE SECTION 13)
60	46-301708G14	N	8.0LX INSITE	1	8.0 LX INSITE KIT WITHOUT MODEM (SEE PAGE 1-179)
70	2210001	N	ASSEMBLY	1	EchoSpeed OPTION KEY COLLECTOR (SEE PAGE 1-42)

CATALOG M1000ZS FRU N PULSAR CRM 1.5T ECHOSPEED w/MC

Item	Part Number	FRU	Name	Quantity	Description (Remarks)
1	46-244813G30	N	SHIPPING COL	1	CV 1.5T SHIPPING COLLECTOR (SEE PAGE 1-95)
2	46-265300G2	N	TABLE ASM	1	LCC PATIENT TRANSPORT – NEW COLORS (SEE SECTION 3)
3	46-271000G115	N	MR SYSTEM	1	PULSAR SGD 1.5T ECHOSPEED W/PHSD ARR
13	46-271363G7	2	CABLE ASM	1	(042T) MR3CABI/FJ7 TO PD1-A2
14	2141978-5	1	WKSP I/F MOD	1	LIGHTNING WORKSPACE INTERFACE MODULE (SEE SEC. 13)
16	2138599-2	1	LCD MONITOR	1	LCD DISPLAY (800 X 600); COMES (SEE SECTION 13)
17	2154392-2	2	COLLECTOR	1	OPERATOR WORKSTATION CABLES/MRLX2 (SEE SEC. 13)
19	2166395	N	MOUSE PAD	1	MOUSE PAD FOR SIGNA HORIZON LX
20	46-307830G1	N	POWER MODULE	1	POWER DISTRIBUTION BOX (SEE SECTION 13)
21	2160157	N	CABLE COVER	1	LIGHTNING CABLE COVER KIT (SEE SECTION 13)
22	2204796	2	ASSEMBLY	1	CENTRAL DATA SERIAL EXPANSION & MTG (SEE SECTION 13)
60	46-301708G14	N	8.0LX INSITE	1	LX INSITE KIT—MAGNETIC CAB LABELS (SEE PAGE 1-179)
70	2210001	N	ASSEMBLY	1	ECHOSPEED OPTION KEY COLLECTOR (SEE PAGE 1-42)

EchoSpeed OPTION KEY COLLECTOR 2210001 FRU N (PART 70 OF M1000RG, WG, WH, WY, YG, ZJ, ZK, ZS PAGES 1-18 THRU 1-42)

Item	Part Number	FRU	Name	Quantity	Description (Remarks)
1	2209991	1	MEDIA	1	SIGNA LX EchoSpeed OPTION MEDIA
2	2209382	N	DIRECTION	1	HORIZON LX S/W OPTIONS INSTALL (MOD)

CATALOG M1042PS FRU N LX SGD 1.5T WideOpen FIXED w/o MULTI-COIL

Item	Part Number	FRU	Name	Quantity	Description (Remarks)
1	46-282429G83	N	INSTALLATION	1	1.5T SGD FIX CABLE COLL WideOpen (SEE PAGE 1-190)
2	46-301383G12	N	PP1 ASSEMBLY	1	UFI PENETRATION PANEL, NO MULTICOIL (SEE SECTION 4)
3	2202900-5	N	ASSEMBLY	1	1.5T FIX WideOpen W/O PA (SEE SECTION 2)
4	2133388-6	N	PHANTOM KIT	1	Cx SPT PHANTOM CART KIT (SEE PAGE 1-102)
51	2227157	N	COLLECTOR	1	WIDE OPEN TECH PUBS COLLECTOR

CATALOG M1043PS FRU N LX SGD 1.5T WideOpen FIXED with MULTI-COIL

Item	Part Number	FRU	Name	Quantity	Description (Remarks)
1	46-282429G83	N	INSTALLATION	1	1.5T SGD FIX CABLE COLL WideOpen (SEE PAGE 1-190)
2	46-301383G13	N	PEN PANEL	1	UFI PENETRATION PANEL, W/ MULTI-COIL (SEE SECTION 4)
3	2202900-6	N	ASSEMBLY	1	1.5T FIX LCC WideOpen ENCL W/PA (SEE SECTION 2)
4	2133388-6	N	PHANTOM KIT	1	Cx SPT PHANTOM CART KIT (SEE PAGE 1-102)
51	2227157	N	COLLECTOR	1	WIDE OPEN TECH PUBS COLLECTOR

CATALOG M1043PT FRU N LX 1.5T SGD FIXED w/MC & LONGER CABLES

Item	Part Number	FRU	Name	Quantity	Description (Remarks)
1	46-282429G50	N	INSTALLATION	1	1.5T SGD FIX WIDE OPEN LONGER CABLES (SEE PAGE 1-183)
2	46-301383G13	N	PEN PANEL	1	UFI PENETRATION PANEL, W/ MULTI-COIL (SEE SECTION 4)
3	2202900-6	N	ASSEMBLY	1	1.5T FIX LCC WIDE OPEN ENCL W/PA (SEE SECTION 2)
4	2133388-6	N	PHANTOM KIT	1	CONQUEST SPT PHANTOM CART KIT (SEE PAGE 1-102)

CATALOG M1052PS FRU N LX 1.5T SGD WideOpen MOBILE w/o MULTI-COIL

Item	Part Number	FRU	Name	Quantity	Description (Remarks)
1	46-282429G85	N	INSTALLATION	1	1.5T SGD MOB CAB COL WideOpen (SEE PAGE 1-190)
2	46-301383G12	N	PP1 ASSEMBLY	1	UFI PENETRATION PANEL, NO MULTICOIL (SEE SECTION 4)
3	2202900-7	N	ASSEMBLY	1	1.5T MOB WideOpen W/O PA (SEE SECTION 2)
4	2133388-7	N	PHANTOM KIT	1	CX SPT PHANTOM CART KIT MINUS CART (SEE PAGE 1-173)
5	2214269	N	KIT OF PARTS	1	MOBILE MR OW MOUNTING KIT (SEE PAGE 1-173)
51	2227157	N	COLLECTOR	1	WIDE OPEN TECH PUBS COLLECTOR

CATALOG M1053PS FRU N LX 1.5T SGD WideOpen MOBILE with MULTI-COIL

Item	Part Number	FRU	Name	Quantity	Description (Remarks)
1	46-282429G85	N	INSTALLATION	1	1.5T SGD MOB CAB COL WideOpen (SEE PAGE 1-190)
2	46-301383G13	N	PEN PANEL	1	UFI PENETRATION PANEL, W/ MULTI-COIL (SEE SECTION 4)
3	2202900-8	N	ASSEMBLY	1	1.5T MOB W/PA WideOpen (SEE SECTION 2)
4	2133388-7	N	PHANTOM KIT	1	CX SPT PHANTOM CART KIT MINUS CART (SEE PAGE 1-173)
5	2214269	N	KIT OF PARTS	1	MOBILE MR OW MOUNTING KIT (SEE PAGE 1-173)
51	2227157	N	COLLECTOR	1	WIDE OPEN TECH PUBS COLLECTOR

CATALOG M1062PS FRU N LX 1.5T SGD WideOpen T/R SITE w/o MULTI-COIL

Item	Part Number	FRU	Name	Quantity	Description (Remarks)
1	46-282429G84	N	INSTALLATION	1	1.5T SGD T/R CAB COL WideOpen (SEE PAGE 1-190)
2	46-301383G12	N	PP1 ASSEMBLY	1	UFI PENETRATION PANEL, NO MULTICOIL (SEE SECTION 4)
3	2202900-5	N	ASSEMBLY	1	1.5T FIX WideOpen W/O PA (SEE SECTION 2)
4	2133388-6	N	PHANTOM KIT	1	Cx SPT PHANTOM CART KIT (SEE PAGE 1-102)
5	2214269	2	KIT OF PARTS	1	MOBILE MR OW MOUNTING KIT (SEE PAGE 1-173)
51	2227157	N	COLLECTOR	1	WIDE OPEN TECH PUBS COLLECTOR

CATALOG M1063PS FRU N LX 1.5T SGD WideOpen T/R SITE with MULTI-COIL

Item	Part Number	FRU	Name	Quantity	Description (Remarks)
1	46-282429G84	N	INSTALLATION	1	1.5T SGD T/R CAB COL WideOpen (SEE PAGE 1-190)
2	46-301383G13	N	PEN PANEL	1	UFI PENETRATION PANEL, W/ MULTI-COIL (SEE SECTION 4)
3	2202900-6	N	ASSEMBLY	1	1.5T FIX LCC WideOpen ENCL W/PA (SEE SECTION 2)
4	2133388-6	N	PHANTOM KIT	1	Cx SPT PHANTOM CART KIT (SEE PAGE 1-102)
5	2214269	2	KIT OF PARTS	1	MOBILE MR OW MOUNTING KIT (SEE PAGE 1-173)
51	2227157	N	COLLECTOR	1	WIDE OPEN TECH PUBS COLLECTOR

CATALOG M1073PS FRU N CV/i LX SGD WideOpen FXD SITE w/MULTI-COIL

Item	Part Number	FRU	Name	Quantity	Description (Remarks)
1	46-282429G83	N	INSTALLATION	1	1.5T SGD FIX CABLE COLL WideOpen (SEE PAGE 1-190)
2	46-301383G13	N	PEN PANEL	1	UFI PENETRATION PANEL, W/ MULTI-COIL (SEE SECTION 4)
3	2202900-9	N	ASSEMBLY	1	1.5T FIX CARDIAC WIDE OPN (SEE SECTION 2)
4	2133388-6	N	PHANTOM KIT	1	CONQUEST SPT PHANTOM CART KIT (SEE PAGE 1-102)
51	2227157	N	COLLECTOR	1	WIDE OPEN TECH PUBS COLLECTOR

CATALOG M1093PS FRU N CV/i LX SGD WideOpen T/R SITE w/MULTI-COIL

Item	Part Number	FRU	Name	Quantity	Description (Remarks)
1	46-282429G84	N	INSTALLATION	1	1.5T SGD T/R CAB COL WIDE OPEN (SEE PAGE 1-190)
2	46-301383G13	N	PEN PANEL	1	UFI PENETRATION PANEL, W/ MULTI-COIL (SEE SECTION 4)
3	2202900-9	N	ASSEMBLY	1	1.5T FIX CARDIAC WIDE OPN (SEE SECTION 2)
4	2133388-6	N	PHANTOM KIT	1	CONQUEST SPT PHANTOM CART KIT (SEE PAGE 1-102)
5	2214269	2	KIT OF PARTS	1	MOBILE MR OW MOUNTING KIT (SEE PAGE 1-173)
51	2227157	N	COLLECTOR	1	WideOpen SERVICE PUBS COLLECTOR

CATALOG		M1800YA FRU N		LX SGD 1.0T WideOpen BASE w/o MULTI-COIL	
Item	Part Number	FRU	Name	Quantity	Description (Remarks)
1	46-244813G67	N	ASSEMBLY	1	LX 1.0T SIGNA HORIZON SHIP COLLECTOR (SEE PAGE 1-97)
2	46-265300G2	N	TABLE ASM	1	LCC PATIENT TRANSPORT – NEW COLORS (SEE SECTION 3)
3	46-271000G209	N	MR SYSTEM	1	LX2 SGD 1.0T HORIZON WITHOUT PA (SEE PAGE 1-165)
10	2210341	1	MEDIA	1	LX SR20 OPTION S/W
14	2141978-5	1	WKSP I/F MOD	1	LIGHTNING WORKSPACE INTERFACE MODULE (SEE SEC. 13)
16	2138599-2	1	LCD MONITOR	1	LCD DISPLAY (800 X 600); COMES (SEE SECTION 13)
17	2154392-2	2	COLLECTOR	1	OPERATOR WORKSTATION CABLES/MRLX2 (SEE SEC. 13)
19	2166395	N	MOUSE PAD	1	MOUSE PAD FOR SIGNA HORIZON LX
20	46-307830G1	N	POWER MODULE	1	POWER DISTRIBUTION BOX (SEE SECTION 13)
21	2160157	N	CABLE COVER	1	LIGHTNING CABLE COVER KIT (SEE SECTION 13)
22	2204796	N	ASSEMBLY	1	CENTRAL DATA SERIAL EXPANSION & MTG (SEE SECTION 13)
60	46-301708G14	N	8.0LX INSITE	1	8.0 LX INSITE KIT WITHOUT MODEM (SEE PAGE 1-179)

CATALOG		M1800YD FRU N		LX SGD 1.0T WideOpen BASE with MULTI-COIL	
Item	Part Number	FRU	Name	Quantity	Description (Remarks)
1	46-244813G67	N	ASSEMBLY	1	LX 1.0T SIGNA HORIZON SHIP COLLECTOR (SEE PAGE 1-97)
2	46-265300G2	N	TABLE ASM	1	LCC PATIENT TRANSPORT – NEW COLORS (SEE SECTION 3)
3	46-271000G210	N	MR SYSTEM	1	LX2 SGD LCC 1.0T HORIZON WITH PA (SEE PAGE 1-165)
10	2210341	1	MEDIA	1	LX SR20 OPTION S/W
14	2141978-5	1	WKSP I/F MOD	1	LIGHTNING WORKSPACE INTERFACE MODULE (SEE SEC. 13)
16	2138599-2	1	LCD MONITOR	1	LCD DISPLAY (800 X 600); COMES (SEE SECTION 13)
17	2154392-2	2	COLLECTOR	1	OPERATOR WORKSTATION CABLES/MRLX2 (SEE SEC. 13)
19	2166395	N	MOUSE PAD	1	MOUSE PAD FOR SIGNA HORIZON LX
20	46-307830G1	N	POWER MODULE	1	POWER DISTRIBUTION BOX (SEE SECTION 13)
21	2160157	N	CABLE COVER	1	LIGHTNING CABLE COVER KIT (SEE SECTION 13)
22	2204796	N	ASSEMBLY	1	CENTRAL DATA SERIAL EXPANSION & MTG (SEE SECTION 13)
60	46-301708G14	N	8.0LX INSITE	1	8.0 LX INSITE KIT WITHOUT MODEM (SEE PAGE 1-179)

CATALOG		M1800YE FRU N		LX SGD 1.0T WideOpen HiSpeed w/o MULTI-COIL	
Item	Part Number	FRU	Name	Quantity	Description (Remarks)
1	46-244813G67	N	ASSEMBLY	1	LX 1.0T SIGNA HORIZON SHIP COLLECTOR (SEE PAGE 1-97)
2	46-265300G2	N	TABLE ASM	1	LCC PATIENT TRANSPORT – NEW COLORS (SEE SECTION 3)
3	46-271000G211	N	MR SYSTEM	1	LX2 SGD 1.0T HI-SPEED WITHOUT PA (SEE PAGE 1-166)
10	2210340	1	MEDIA	1	LX SR77/120 OPTION S/W
13	46-271363G7	2	CABLE ASM	1	(042T) MR3CABI/FJ7 TO PD1-A2
14	2141978-5	1	WKSP I/F MOD	1	LIGHTNING WORKSPACE INTERFACE MODULE (SEE SEC. 13)
16	2138599-2	1	LCD MONITOR	1	LCD DISPLAY (800 X 600); COMES (SEE SECTION 13)
17	2154392-2	2	COLLECTOR	1	OPERATOR WORKSTATION CABLES/MRLX2 (SEE SEC. 13)
19	2166395	N	MOUSE PAD	1	MOUSE PAD FOR SIGNA HORIZON LX
20	46-307830G1	N	POWER MODULE	1	POWER DISTRIBUTION BOX (SEE SECTION 13)
21	2160157	N	CABLE COVER	1	LIGHTNING CABLE COVER KIT (SEE SECTION 13)
22	2204796	N	ASSEMBLY	1	CENTRAL DATA SERIAL EXPANSION & MTG (SEE SECTION 13)
60	46-301708G14	N	8.0LX INSITE	1	8.0 LX INSITE KIT WITHOUT MODEM (SEE PAGE 1-179)

CATALOG		M1800YF FRU N		LX SGD 1.0T WideOpen HiSpeed with MULTI-COIL	
Item	Part Number	FRU	Name	Quantity	Description (Remarks)
1	46-244813G67	N	ASSEMBLY	1	LX 1.0T SIGNA HORIZON SHIP COLLECTOR (SEE PAGE 1-97)
2	46-265300G2	N	TABLE ASM	1	LCC PATIENT TRANSPORT – NEW COLORS (SEE SECTION 3)
3	46-271000G212	N	MR SYSTEM	1	LX2 SGD LCC 1.0T HI-SPEED WITH PA (SEE PAGE 1-166)
10	2210340	1	MEDIA	1	LX SR77/120 OPTION S/W
13	46-271363G7	2	CABLE ASM	1	(042T) MR3CABI/FJ7 TO PD1-A2
14	2141978-5	1	WKSP I/F MOD	1	LIGHTNING WORKSPACE INTERFACE MODULE (SEE SEC. 13)
16	2138599-2	1	LCD MONITOR	1	LCD DISPLAY (800 X 600); COMES (SEE SECTION 13)
17	2154392-2	2	COLLECTOR	1	OPERATOR WORKSTATION CABLES/MRLX2 (SEE SEC. 13)
19	2166395	N	MOUSE PAD	1	MOUSE PAD FOR SIGNA HORIZON LX
20	46-307830G1	N	POWER MODULE	1	POWER DISTRIBUTION BOX (SEE SECTION 13)
21	2160157	N	CABLE COVER	1	LIGHTNING CABLE COVER KIT (SEE SECTION 13)
22	2204796	N	ASSEMBLY	1	CENTRAL DATA SERIAL EXPANSION & MTG (SEE SECTION 13)
60	46-301708G14	N	8.0LX INSITE	1	8.0 LX INSITE KIT WITHOUT MODEM (SEE PAGE 1-179)

CATALOG		M1800ZA FRU N		LX SGD 1.0T WideOpen BASE w/o MULTI-COIL	
Item	Part Number	FRU	Name	Quantity	Description (Remarks)
1	46-244813G67	N	ASSEMBLY	1	LX 1.0T SIGNA HORIZON SHIP COLLECTOR (SEE PAGE 1-97)
2	46-265300G2	N	TABLE ASM	1	LCC PATIENT TRANSPORT – NEW COLORS (SEE SECTION 3)
3	46-271000G213	N	MR SYSTEM	1	LX2 SGD 1.0T ENCORE W/O PA (SEE PAGE 1-166)
14	2141978-5	1	WKSP I/F MOD	1	LIGHTNING WORKSPACE INTERFACE MODULE (SEE SEC. 13)
16	2138599-2	1	LCD MONITOR	1	LCD DISPLAY (800 X 600); COMES (SEE SECTION 13)
17	2154392-2	2	COLLECTOR	1	OPERATOR WORKSTATION CABLES/MRLX2 (SEE SEC. 13)
19	2166395	N	MOUSE PAD	1	MOUSE PAD FOR SIGNA HORIZON LX
20	46-307830G1	N	POWER MODULE	1	POWER DISTRIBUTION BOX (SEE SECTION 13)
21	2160157	N	CABLE COVER	1	LIGHTNING CABLE COVER KIT (SEE SECTION 13)
22	2204796	N	ASSEMBLY	1	CENTRAL DATA SERIAL EXPANSION & MTG (SEE SECTION 13)
60	46-301708G14	N	8.0LX INSITE	1	8.0 LX INSITE KIT WITHOUT MODEM (SEE PAGE 1-179)

CATALOG		M1800ZB FRU N		LX SGD 1.0T WideOpen BASE with MULTI-COIL	
Item	Part Number	FRU	Name	Quantity	Description (Remarks)
1	46-244813G67	N	ASSEMBLY	1	LX 1.0T SIGNA HORIZON SHIP COLLECTOR (SEE PAGE 1-97)
2	46-265300G2	N	TABLE ASM	1	LCC PATIENT TRANSPORT – NEW COLORS (SEE SECTION 3)
3	46-271000G214	N	MR SYSTEM	1	LX2 SGD LCC 1.0T W/PHASED ARRAY (SEE PAGE 1-166)
14	2141978-5	1	WKSP I/F MOD	1	LIGHTNING WORKSPACE INTERFACE MODULE (SEE SEC. 13)
16	2138599-2	1	LCD MONITOR	1	LCD DISPLAY (800 X 600); COMES (SEE SECTION 13)
17	2154392-2	2	COLLECTOR	1	OPERATOR WORKSTATION CABLES/MRLX2 (SEE SEC. 13)
19	2166395	N	MOUSE PAD	1	MOUSE PAD FOR SIGNA HORIZON LX
20	46-307830G1	N	POWER MODULE	1	POWER DISTRIBUTION BOX (SEE SECTION 13)
21	2160157	N	CABLE COVER	1	LIGHTNING CABLE COVER KIT (SEE SECTION 13)
22	2204796	N	ASSEMBLY	1	CENTRAL DATA SERIAL EXPANSION & MTG (SEE SECTION 13)
60	46-301708G14	N	8.0LX INSITE	1	8.0 LX INSITE KIT WITHOUT MODEM (SEE PAGE 1-179)

CATALOG		M1800ZC FRU N		LX SGD 1.0T WideOpen HiSpeed w/o MULTI-COIL	
Item	Part Number	FRU	Name	Quantity	Description (Remarks)
1	46-244813G67	N	ASSEMBLY	1	LX 1.0T SIGNA HORIZON SHIP COLLECTOR (SEE PAGE 1-97)
2	46-265300G2	N	TABLE ASM	1	LCC PATIENT TRANSPORT – NEW COLORS (SEE SECTION 3)
3	46-271000G215	N	MR SYSTEM	1	LX2 SGD 1.0T HiSpeed W/O PA (SEE PAGE 1-166)
13	46-271363G7	2	CABLE ASM	1	(042T) MR3CABI/FJ7 TO PD1-A2
14	2141978-5	1	WKSP I/F MOD	1	LIGHTNING WORKSPACE INTERFACE MODULE (SEE SEC. 13)
16	2138599-2	1	LCD MONITOR	1	LCD DISPLAY (800 X 600); COMES (SEE SECTION 13)
17	2154392-2	2	COLLECTOR	1	OPERATOR WORKSTATION CABLES/MRLX2 (SEE SEC. 13)
19	2166395	N	MOUSE PAD	1	MOUSE PAD FOR SIGNA HORIZON LX
20	46-307830G1	N	POWER MODULE	1	POWER DISTRIBUTION BOX (SEE SECTION 13)
21	2160157	N	CABLE COVER	1	LIGHTNING CABLE COVER KIT (SEE SECTION 13)
22	2204796	N	ASSEMBLY	1	CENTRAL DATA SERIAL EXPANSION & MTG (SEE SECTION 13)
60	46-301708G14	N	8.0LX INSITE	1	8.0 LX INSITE KIT WITHOUT MODEM

CATALOG		M1800ZD FRU N		LX SGD 1.0T WideOpen HiSpeed with MULTI-COIL	
Item	Part Number	FRU	Name	Quantity	Description (Remarks)
1	46-244813G67	N	ASSEMBLY	1	LX 1.0T SIGNA HORIZON SHIP COLLECTOR (SEE PAGE 1-97)
2	46-265300G2	N	TABLE ASM	1	LCC PATIENT TRANSPORT – NEW COLORS (SEE SECTION 3)
3	46-271000G216	N	MR SYSTEM	1	LX2 SGD 1.0T HiSpeed W/PHASED ARRAY (SEE PAGE 1-166)
13	46-271363G7	2	CABLE ASM	1	(042T) MR3CABI/FJ7 TO PD1-A2
14	2141978-5	1	WKSP I/F MOD	1	LIGHTNING WORKSPACE INTERFACE MODULE (SEE SEC. 13)
16	2138599-2	1	LCD MONITOR	1	LCD DISPLAY (800 X 600); COMES (SEE SECTION 13)
17	2154392-2	2	COLLECTOR	1	OPERATOR WORKSTATION CABLES/MRLX2 (SEE SEC. 13)
19	2166395	N	MOUSE PAD	1	MOUSE PAD FOR SIGNA HORIZON LX
20	46-307830G1	N	POWER MODULE	1	POWER DISTRIBUTION BOX (SEE SECTION 13)
21	2160157	N	CABLE COVER	1	LIGHTNING CABLE COVER KIT (SEE SECTION 13)
22	2204796	N	ASSEMBLY	1	CENTRAL DATA SERIAL EXPANSION & MTG (SEE SECTION 13)
60	46-301708G14	N	8.0LX INSITE	1	8.0 LX INSITE KIT WITHOUT MODEM (SEE PAGE 1-179)

CATALOG		M1842PS FRU N		LX SGD 1.5T WideOpen FIXED w/o MULTI-COIL	
Item	Part Number	FRU	Name	Quantity	Description (Remarks)
1	46-282429G80	N	INSTALLATION	1	WideOpen 1.0T SGD FIXED CABLES (SEE PAGE 1-189)
2	46-301383G12	N	PP1 ASSEMBLY	1	UFI PENETRATION PANEL, NO MULTICOIL (SEE SECTION 4)
3	2202900	N	ASSEMBLY	1	1.0T FIX WideOpen W/O PA (SEE SECTION 2)
4	2133388-6	N	PHANTOM KIT	1	Cx SPT PHANTOM CART KIT (SEE PAGE 1-102)

CATALOG		M1843PS FRU N		LX SGD 1.0T WideOpen FIXED with MULTI-COIL	
Item	Part Number	FRU	Name	Quantity	Description (Remarks)
1	46-282429G80	N	INSTALLATION	1	WideOpen 1.0T SGD FIXED CABLES (SEE PAGE 1-189)
2	46-301383G13	N	PEN PANEL	1	UFI PENETRATION PANEL, W/ MULTI-COIL (SEE SECTION 4)
3	2202900-2	N	ASSEMBLY	1	1.0 FIX WideOpen W/PA (SEE SECTION 2)
4	2133388-6	N	PHANTOM KIT	1	Cx SPT PHANTOM CART KIT (SEE PAGE 1-102)

CATALOG		M1843PT FRU N		LX SGD 1.0T WideOpen FIXED w/MC & LONGER CABLES	
Item	Part Number	FRU	Name	Quantity	Description (Remarks)
1	46-282429G51	N	INSTALLATION	1	1.0T SGD WIDE OPEN FXD LONG CABLES (SEE PAGE 1-184)
2	46-301383G13	N	PEN PANEL	1	UFI PENETRATION PANEL, W/ MULTI-COIL (SEE SECTION 4)
3	2202900-6	N	ASSEMBLY	1	1.5T FIX LCC WIDE OPEN ENCL W/PA (SEE SECTION 2)
4	2133388-6	N	PHANTOM KIT	1	CONQUEST SPT PHANTOM CART KIT (SEE PAGE 1-102)

CATALOG M1852PS FRU N LX SGD 1.0T WideOpen MOBILE w/o MULTI-COIL

Item	Part Number	FRU	Name	Quantity	Description (Remarks)
1	46-282429G81	N	INSTALLATION	1	WideOpen 1.0 T SGD MOBILE CABLES (SEE PAGE 1-189)
2	46-301383G12	N	PP1 ASSEMBLY	1	UFI PENETRATION PANEL, NO MULTICOIL (SEE SECTION 4)
3	2202900-3	N	ASSEMBLY	1	1.0T MOB WideOpen W/O PA (SEE SECTION 2)
4	2133388-7	N	PHANTOM KIT	1	CX SPT PHANTOM CART KIT MINUS CART (SEE PAGE 1-103)
5	2214269	2	KIT OF PARTS	1	MOBILE MR OW MOUNTING KIT (SEE PAGE 1-173)

CATALOG M1853PS FRU N LX SGD 1.0T WideOpen MOBILE with MULTI-COIL

Item	Part Number	FRU	Name	Quantity	Description (Remarks)
1	46-282429G81	N	INSTALLATION	1	WideOpen 1.0 T SGD MOBILE CABLES (SEE PAGE 1-189)
2	46-301383G13	N	PEN PANEL	1	UFI PENETRATION PANEL, W/ MULTI-COIL (SEE SECTION 4)
3	2202900-4	N	ASSEMBLY	1	1.0T MOB WideOpen W/PA (SEE SECTION 2)
4	2133388-7	N	PHANTOM KIT	1	CX SPT PHANTOM CART KIT MINUS CART (SEE PAGE 1-103)
5	2214269	2	KIT OF PARTS	1	MOBILE MR OW MOUNTING KIT (SEE PAGE 1-173)

CATALOG M1862PS FRU N LX SGD 1.0T WideOpen T/R w/o MULTI-COIL

Item	Part Number	FRU	Name	Quantity	Description (Remarks)
1	46-282429G82	N	INSTALLATION	1	LX SGD 1.0T T/R SITE WideOpen CABLES (SEE PAGE 1-189)
2	46-301383G12	N	PP1 ASSEMBLY	1	UFI PENETRATION PANEL, NO MULTICOIL (SEE SECTION 4)
3	2202900	N	ASSEMBLY	1	1.0T FIX WideOpen W/O PA (SEE SECTION 2)
4	2133388-6	N	PHANTOM KIT	1	Cx SPT PHANTOM CART KIT (SEE PAGE 1-102)
5	2214269	2	KIT OF PARTS	1	MOBILE MR OW MOUNTING KIT (SEE PAGE 1-173)

CATALOG M1863PS FRU N LX SGD 1.0T WideOpen T/R with MULTI-COIL

Item	Part Number	FRU	Name	Quantity	Description (Remarks)
1	46-282429G82	N	INSTALLATION	1	LX SGD 1.0T T/R SITE WideOpen CABLES (SEE PAGE 1-189)
2	46-301383G13	N	PEN PANEL	1	UFI PENETRATION PANEL, W/ MULTI-COIL (SEE SECTION 4)
3	2202900-2	N	ASSEMBLY	1	1.0 FIX WideOpen W/PA (SEE SECTION 2)
4	2133388-6	N	PHANTOM KIT	1	Cx SPT PHANTOM CART KIT (SEE PAGE 1-102)
5	2214269	2	KIT OF PARTS	1	MOBILE MR OW MOUNTING KIT (SEE PAGE 1-173)

1-8 WideOpen ACGD SYSTEM CATALOGS

CATALOG M3000AB FRU N LX 1.5T ACGD SmartSpeed with MULTICOIL

Item	Part Number	FRU	Name	Quantity	Description (Remarks)
1	2299215	N	FAN ASM	1	ACGD CABINET FAN ASSEMBLY (SEE PAGE 15-8)
2A	46-265300G2	N	TABLE ASM	1	LCC PATIENT TRANSPORT – NEW COLORS (SEE SECTION 3)
2B	46-265300G3	N	TABLE ASM	1	PATIENT TRANSPORT – INFINITY COLORS (SEE SECTION 3)
14	2134337	N	KIT OF PARTS	1	PHANTOM KIT (SEE PAGE 1-100)
16	2321156	N	COLLECTOR	1	OW TABLE/DESKTOP KIT COLLECTOR (SEE PAGE 13-19)
17	2321157	N	COLLECTOR	1	PADS/ACC'Y KIT (1.5T) COLLECTOR (SEE PAGE 1-98)
18A	2366960	N	COLLECTOR	1	1.5T SPLIT HEAD COIL/PHANTOM COLCTR (SEE PAGE 1-113)
18B	2321161	N	COLLECTOR	1	HEAD COIL KIT (1.5T) COLLECTOR (SEE PAGE 1-112)
20	2138300-20	N	PERF SYS CAB	1	1.5T SR20/77 SYSTEM CABINET W/PA (SEE SECTION 8)
21	2207030-22	N	COLLECTOR	1	INFINITY 9.1 COMPUTER COLLECTOR (SEE SECTION 13)
22	2355993	N	COLLECTOR	1	1.5T RF CABINETS (SEE PAGE 1-90)
23	2355992	N	COLLECTOR	1	ACGD/PDU CABINETS (SEE PAGE 1-90)

CATALOG M3000AC FRU N LX 1.5T ACGD HiSpeed with MULTICOIL

Item	Part Number	FRU	Name	Quantity	Description (Remarks)
1	2299215	N	FAN ASM	1	ACGD CABINET FAN ASSEMBLY (SEE PAGE 15-8)
2A	46-265300G2	N	TABLE ASM	1	LCC PATIENT TRANSPORT – NEW COLORS (SEE SECTION 3)
2B	46-265300G3	N	TABLE ASM	1	PATIENT TRANSPORT – INFINITY COLORS (SEE SECTION 3)
4	2285279	N	MOD KEY	1	SR77 MOD OPTION KEY
14	2134337	N	KIT OF PARTS	1	PHANTOM KIT (SEE PAGE 1-100)
16	2321156	N	COLLECTOR	1	OW TABLE/DESKTOP KIT COLLECTOR (SEE PAGE 13-19)
17	2321157	N	COLLECTOR	1	PADS/ACC'Y KIT (1.5T) COLLECTOR (SEE PAGE 1-98)
18A	2366960	N	COLLECTOR	1	1.5T SPLIT HEAD COIL/PHANTOM COLCTR (SEE PAGE 1-113)
18B	2321161	N	COLLECTOR	1	HEAD COIL KIT (1.5T) COLLECTOR (SEE PAGE 1-112)
21	2138300-20	N	PERF SYS CAB	1	1.5T SR20/77 SYSTEM CABINET W/PA (SEE SECTION 8)
22	2207030-22	N	COLLECTOR	1	INFINITY 9.1 COMPUTER COLLECTOR (SEE SECTION 13)
23	2355993	N	COLLECTOR	1	1.5T RF CABINETS (SEE PAGE 1-90)
24	2355992	N	COLLECTOR	1	ACGD/PDU CABINETS (SEE PAGE 1-90)

CATALOG M3000AD FRU N LX 1.5T ACGD EchoSpeed with MULTICOIL

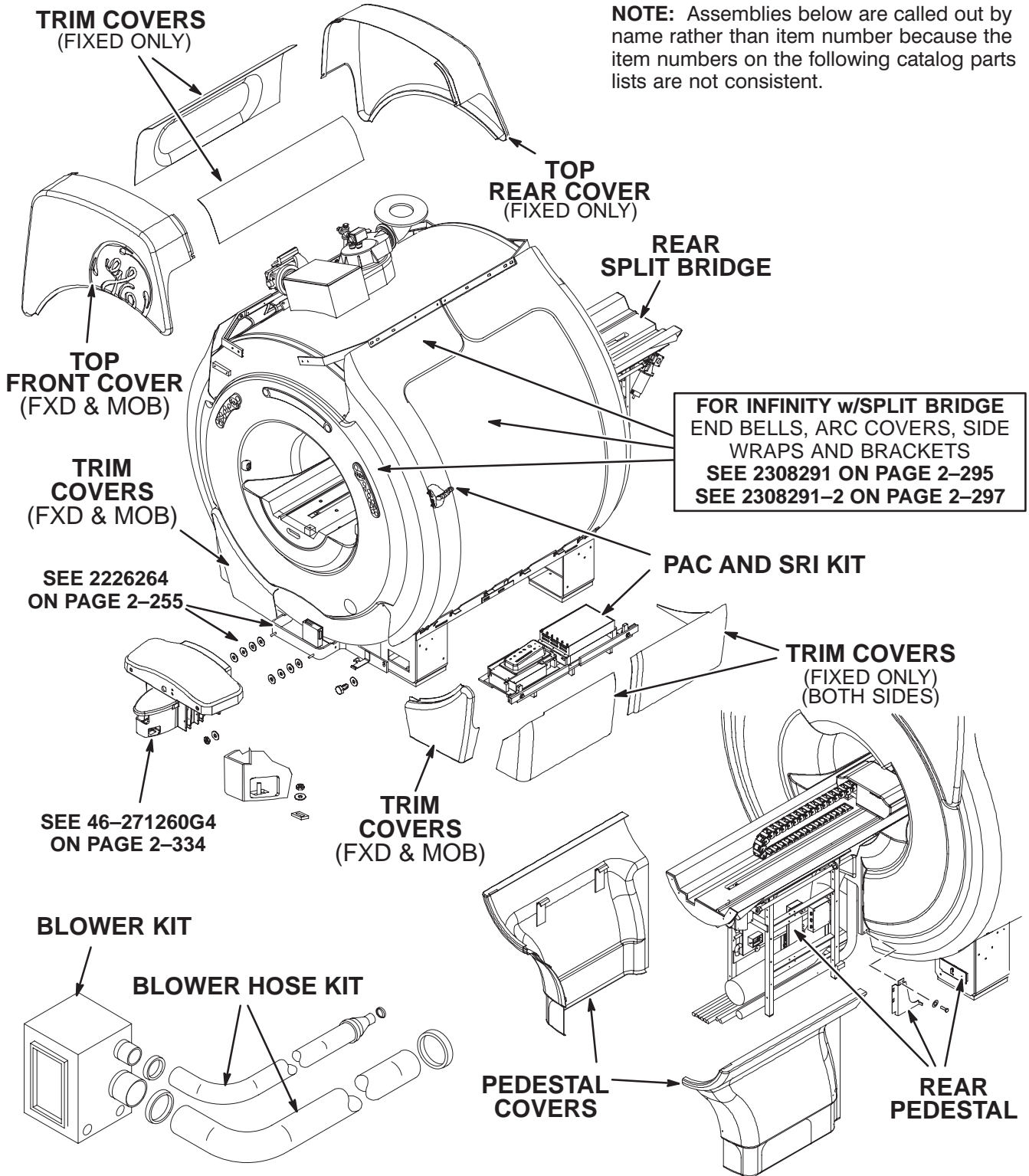
Item	Part Number	FRU	Name	Quantity	Description (Remarks)
1	2299215	N	FAN ASM	1	ACGD CABINET FAN ASSEMBLY (SEE PAGE 15-8)
2A	46-265300G2	N	TABLE ASM	1	LCC PATIENT TRANSPORT – NEW COLORS (SEE SECTION 3)
2B	46-265300G3	N	TABLE ASM	1	PATIENT TRANSPORT – INFINITY COLORS (SEE SECTION 3)
14	2134337	N	KIT OF PARTS	1	PHANTOM KIT (SEE PAGE 1-100)
16	2321156	N	COLLECTOR	1	OW TABLE/DESKTOP KIT COLLECTOR (SEE PAGE 13-19)
17	2321157	N	COLLECTOR	1	PADS/ACC'Y KIT (1.5T) COLLECTOR (SEE PAGE 1-98)
18A	2366960	N	COLLECTOR	1	1.5T SPLIT HEAD COIL/PHANTOM COLCTR (SEE PAGE 1-113)
18B	2321161	N	COLLECTOR	1	HEAD COIL KIT (1.5T) COLLECTOR (SEE PAGE 1-112)
70	2210001	N	MOD KEY	1	ECHOSPEED OPTION KEY COLLECTOR
72	2138300-19	N	PERF SYS CAB	1	1.5T SYSTEM CABINET W/PA (SEE SECTION 8)
73	2207030-22	N	COLLECTOR	1	INFINITY 9.1 COMPUTER COLLECTOR (SEE SECTION 13)
74	2355993	N	COLLECTOR	1	1.5T RF CABINETS (SEE PAGE 1-90)
75	2355992	N	COLLECTOR	1	ACGD/PDU CABINETS (SEE PAGE 1-90)

CATALOG M3000AE FRU N LX 1.5T ACGD CV2/NV1 CRM EchoSpeed w/MC

Item	Part Number	FRU	Name	Quantity	Description (Remarks)
1	2299215	N	FAN ASM	1	ACGD CABINET FAN ASSEMBLY (SEE PAGE 15-8)
2A	46-265300G2	N	TABLE ASM	1	LCC PATIENT TRANSPORT - NEW COLORS (SEE SECTION 3)
2B	46-265300G3	N	TABLE ASM	1	PATIENT TRANSPORT - INFINITY COLORS (SEE SECTION 3)
14	2134337	N	KIT OF PARTS	1	PHANTOM KIT (SEE PAGE 1-100)
16	2321156	N	COLLECTOR	1	OW TABLE/DESKTOP KIT COLLECTOR (SEE PAGE 13-19)
17	2321157	N	COLLECTOR	1	PADS/ACC'Y KIT (1.5T) COLLECTOR (SEE PAGE 1-98)
18	2321161-2	N	COLLECTOR	1	HEAD COIL KIT (CV) COLLECTOR (SEE PAGE 1-112)
20	2138300-19	N	PERF SYS CAB	1	1.5T SR20/77 SYSTEM CABINET W/PA (SEE SECTION 8)
21	2355993	N	COLLECTOR	1	1.5T RF CABINETS (SEE PAGE 1-90)
22	2207030-22	N	COLLECTOR	1	INFINITY 9.1 COMPUTER COLLECTOR (SEE SECTION 13)
23	2355992	N	COLLECTOR	1	ACGD/PDU CABINETS (SEE PAGE 1-90)

WideOpen 1.5T & 1.0T MAGNET ENCLOSURE for LX ACGD – FIXED, T/R, & MOBILE

NOTE: Assemblies below are called out by name rather than item number because the item numbers on the following catalog parts lists are not consistent.



CATALOG M3043PA FRU N 1.5T ACGD FIXED with MULTICOIL

Item	Part Number	FRU	Name	Quantity	Description (Remarks)
2	46-301383G19	N	PEN PANEL	1	PEN PANEL W/MULTICOIL GEMSPRO G13 (SEE SECTION 4)
4	2133388-6	N	PHANTOM KIT	1	CONQUEST SPT PHANTOM CART KIT (SEE PAGE 1-102)
5	2105371	N	RF CABLE SET	ALT	RF CABINET FLEXIBLE EXTENSION CBLES (SEE PAGE 1-229)
6	2120963-4	N	GRAD CBL KIT	1	100 FT CABLES, RUNS 762, 763, 764 (SEE PAGE 1-235)
7	46-258771G35	N	ASSEMBLY	1	LX FIXED SITE WITH OR W/O MULTICOIL (SEE PAGE 1-201)
8	46-258790G33	N	PDU CABLES	1	LX ACGD PDU CABLES - FIXED (SEE PAGE 1-222)
9	46-317249G25	N	CABLES F.O.	1	LX SGD FIXED SITE FIBEROPTIC SYS CBL (SEE PAGE 1-239)
10A	2300798	N	KIT OF PARTS	1	1.5 T HEAD/BODY COIL CABLE KIT-80 FT (SEE PAGE 1-227)
10B	46-317598G23	N	XMIT COLL	ALT	1.5T FIXED SITE HELIAX & CONNECTORS (SEE PAGE 1-230)
11	46-317126G3	N	COVER KIT	1	UFI PENETRATION PANEL COVER KIT (SEE SECTION 4)
50	2282801	N	BRIDGE ASM	1	REAR SPLIT BRIDGE ASM W/PA 1.5T (SEE PAGE 2-304)
51	2121199-12	N	BLOWER (MG6)	1	BLOWER CAB W/FXD MNTG BRACKETS (SEE PAGE 2-100)
52	2128542	N	HOSE KIT	1	2 RUBBER HOSE WITH 8 CLAMPS IN A BOX (SEE PAGE 1-217)
53	2129412-6	N	HOSE KIT	1	BLOWER HOSE KIT (SEE PAGE 2-103)
54	2222541-9	N	COLLECTOR CO	1	WideOpen ENCL PEDESTAL COVERS (SEE PAGE 2-252)
55	2222541-10	N	COLLECTOR CO	1	WideOpen TOP FRONT & REAR COVERS (SEE PAGE 2-254)
56	2297542	N	TRIM COVERS	1	INFINITY TRIM COVERS W/CLIPS (SEE PAGE 2-253)
57	2321159	N	COLLECTOR	1	PAC AND SRI KIT (SEE PAGE 2-313)
58	2321160	N	COLLECTOR	1	REAR PED 1.5T FIXED COLLECTOR (SEE PAGE 2-250)

CATALOG M3044PA FRU N 1.5T ACGD FIXED with MULTICOIL & LONG CABLES

Item	Part Number	FRU	Name	Quantity	Description (Remarks)
2	46-301383G19	N	PEN PANEL	1	PEN PANEL W/MULTICOIL GEMSPRO G13 (SEE SECTION 4)
4	2133388-6	N	PHANTOM KIT	1	CONQUEST SPT PHANTOM CART KIT (SEE PAGE 1-102)
5	46-317598G23	N	XMIT COLL	1	1.5T FIXED SITE HELIAX & CONNECTORS (SEE PAGE 1-230)
6	2105371	N	RF CABLE SET	1	RF CABINET FLEXIBLE EXTENSION CBLES (SEE PAGE 1-229)
7	2120963-4	N	GRAD CBL KIT	1	100 FT CABLES, RUNS 762, 763, 764 (SEE PAGE 1-235)
8	46-255947G608	N	GROUND WIRE	1	(038) MR1-A7-GND TO PD1-A2-A2 36 FT
9	46-258790G501	N	PDU CABLES	1	SOI PDU CABLES - ASP (SEE PAGE 1-226)
10	46-271364G504	N	CABLE ASM	1	(009M) MR1-J1 TO PD1-A2 35 FT
11	46-317249G250	N	CABLES F.O.	1	SOI FIBER OPTIC SYSTEM CABLES (SEE PAGE 1-241)
12	46-258771G350	N	SYSTEM CABLE	1	SOI FIXED SITE WITH OR W/O MULTICOIL (SEE PAGE 1-215)
13	46-258771G351	N	SYSTEM CABLE	1	SOI FIXED SITE WITH OR W/O MULTICOIL (SEE PAGE 1-216)
14	46-317126G3	N	COVER KIT	1	UFI PENETRATION PANEL COVER KIT (SEE SECTION 4)
50	2282801	N	BRIDGE ASM	1	REAR SPLIT BRIDGE ASM W/PA 1.5T (SEE PAGE 2-304)
51	2121199-12	N	BLOWER (MG6)	1	BLOWER CAB W/FXD MNTG BRACKETS (SEE PAGE 2-100)
52	2128542	N	HOSE KIT	1	2 RUBBER HOSE WITH 8 CLAMPS IN A BOX (SEE PAGE 1-217)
53	2129412-6	N	HOSE KIT	1	BLOWER HOSE KIT (SEE PAGE 2-103)
54	2222541-10	N	COLLECTOR CO	1	WideOpen TOP FRONT & REAR COVERS (SEE PAGE 2-254)
55	2222541-9	N	COLLECTOR CO	1	WideOpen ENCL PEDESTAL COVERS (SEE PAGE 2-252)
56	2297542	N	TRIM COVERS	1	INFINITY TRIM COVERS W/CLIPS (SEE PAGE 2-253)
57	2321159	N	COLLECTOR	1	PAC AND SRI KIT (SEE PAGE 2-313)
58	2321160	N	COLLECTOR	1	REAR PED 1.5T FIXED COLLECTOR (SEE PAGE 2-250)

CATALOG		M3053PA FRU N		1.5T ACGD MOBILE with MULTICOIL	
Item	Part Number	FRU	Name	Quantity	Description (Remarks)
2	46-301383G19	N	PEN PANEL	1	PEN PANEL W/MULTICOIL GEMSPRO G13 (SEE SECTION 4)
4	2133388-7	N	PHANTOM KIT	1	CX SPT PHANTOM CART KIT MINUS CART (SEE PAGE 1-103)
5	2322678	N	COLLECTOR	1	MFG MOBILE MISC ITEMS COLLECTOR (SEE PAGE 1-91)
10	2120963-5	N	GRAD CBL KIT	1	GRADIENT CABLE KIT FOR MOBILES (SEE PAGE 1-235)
11	46-258771G39	N	ASSEMBLY	1	LX MOBILE WITH OR W/O MULTICOIL (SEE PAGE 1-204)
12	46-258790G34	N	PDU CABLES	1	LX ACGD PDU CABLES-MOBILE (SEE PAGE 1-222)
13	46-317249G27	N	CABLES F.O.	1	LX SGD TRUE MOB FIBER OPTIC SYS CBL (SEE PAGE 1-240)
14A	2300798	N	KIT OF PARTS	1	1.5 T HEAD/BODY COIL CABLE KIT-80 FT (SEE PAGE 1-227)
14B	46-317598G24	N	XMIT COLL	ALT	TRUE MOBILE RF CABLES & ADAPTERS (SEE PAGE 1-230)
15	46-317126G4	N	COVER KIT	1	MOBILE-SITE PENETRATION PANEL COVER (SEE SECTION 4)
50	2282801	N	BRIDGE ASM	1	REAR SPLIT BRIDGE ASM W/PA 1.5T (SEE PAGE 2-304)
51	2121199-12	N	BLOWER (MG6)	1	BLOWER CAB W/FXD MNTG BRACKETS (SEE PAGE 2-100)
52	2128542	N	HOSE KIT	1	2 RUBBER HOSE WITH 8 CLAMPS IN A BOX (SEE PAGE 1-217)
53	2129412-6	N	HOSE KIT	1	BLOWER HOSE KIT (SEE PAGE 2-103)
54	2217457	N	TOP FRONT CO	1	WideOpen TOP FRONT COVER
55	2222541-9	N	COLLECTER CO	1	WideOpen ENCL PEDESTAL COVERS (SEE PAGE 2-252)
56	2224384	N	ASSEMBLY	1	LCC CEILING TRACK (MOBILE)
57	2297542-2	N	TRIM COVERS	1	INFINITY TRIM COVERS W/CLIPS (SEE PAGE 2-253)
58	2321159	N	COLLECTOR	1	PAC AND SRI KIT (SEE PAGE 2-313)
59	2321160-2	N	COLLECTOR	1	REAR PEDESTAL 1.5T MOBILE COLLECTOR (SEE PAGE 2-250)

CATALOG		M3063PA FRU N		1.5T ACGD T/R with MULTICOIL	
Item	Part Number	FRU	Name	Quantity	Description (Remarks)
2	46-301383G19	N	PEN PANEL	1	PEN PANEL W/MULTICOIL GEMSPRO G13 (SEE SECTION 4)
4	2133388-6	N	PHANTOM KIT	1	CONQUEST SPT PHANTOM CART KIT (SEE PAGE 1-102)
5	2322678-2	N	COLLECTOR	1	MFG T/R MISC ITEMS COLLECTOR (SEE PAGE 1-91)
6A	2300798	N	KIT OF PARTS	1	1.5 T HEAD/BODY COIL CABLE KIT-80 FT (SEE PAGE 1-227)
6B	46-317598G20	N	XMIT COLL	ALT	1.5T FIXED SITE HELIAX & CONNECTORS (SEE PAGE 1-230)
7	2120963-4	N	GRAD CBL KIT	1	100 FT CABLES, RUNS 762, 763, 764 (SEE PAGE 1-235)
8	46-258771G36	N	ASSEMBLY	1	LX 1.5T T/R WITH OR W/O MULTICOIL (SEE PAGE 1-202)
9	46-258790G35	N	PDU CABLES	1	LX ACGD PDU CABLES-T/R (SEE PAGE 1-222)
10	46-317249G26	N	CABLES F.O.	1	LX SGD T/R FIBER OPTIC SYSTEM CABLES (SEE PAGE 1-239)
11	46-317126G4	N	COVER KIT	1	MOBILE-SITE PENETRATION PANEL COVER (SEE SECTION 4)
50	2282801	N	BRIDGE ASM	1	REAR SPLIT BRIDGE ASM W/PA 1.5T (SEE PAGE 2-304)
51	2121199-12	N	BLOWER (MG6)	1	BLOWER CAB W/FXD MNTG BRACKETS (SEE PAGE 2-100)
52	2128542	N	HOSE KIT	1	2 RUBBER HOSE WITH 8 CLAMPS IN A BOX (SEE PAGE 1-217)
53	2129412-6	N	HOSE KIT	1	BLOWER HOSE KIT (SEE PAGE 2-103)
54	2222541-10	N	COLLECTER CO	1	WideOpen ENCLOSURE COVERS (SEE PAGE 2-254)
55	2222541-9	N	COLLECTER CO	1	WideOpen ENCL PEDESTAL COVERS (SEE PAGE 2-252)
56	2297542	N	TRIM COVERS	1	INFINITY TRIM COVERS W/CLIPS (SEE PAGE 2-253)
57	2321159	N	COLLECTOR	1	PAC AND SRI KIT (SEE PAGE 2-313)
58	2321160	N	COLLECTOR	1	REAR PEDESTAL 1.5T FIXED COLLECTOR (SEE PAGE 2-250)

CATALOG		M3073PA FRU N		CRM 1.5T ACGD FIXED with MULTICOIL	
Item	Part Number	FRU	Name	Quantity	Description (Remarks)
2	46-301383G19	N	PEN PANEL	1	PEN PANEL W/MULTICOIL GEMSPRO G13 (SEE SECTION 4)
4	2133388-6	N	PHANTOM KIT	1	CONQUEST SPT PHANTOM CART KIT (SEE PAGE 1-102)
5	46-317598G23	N	XMIT COLL	1	1.5T FIXED SITE HELIAX & CONNECTORS (SEE PAGE 1-230)
6	2105371	N	RF CABLE SET	1	RF CABINET FLEXIBLE EXTENSION CBLES (SEE PAGE 1-229)
7	2120963-4	N	GRAD CBL KIT	1	100 FT CABLES, RUNS 762, 763, 764 (SEE PAGE 1-235)
8	46-258771G35	N	ASSEMBLY	1	LX FIXED SITE WITH OR W/O MULTICOIL (SEE PAGE 1-201)
9	46-258790G33	N	PDU CABLES	1	LX ACGD PDU CABLES - FIXED (SEE PAGE 1-222)
10	46-317249G25	N	CABLES F.O.	1	LX SGD FIXED SITE FIBEROPTIC SYS CBL (SEE PAGE 1-239)
11	46-317126G3	N	COVER KIT	1	UFI PENETRATION PANEL COVER KIT (SEE SECTION 4)
50	2205099-8	N	ASSEMBLY	1	CRM BRIDGE WideOpen W/LPCC_1.5 T (SEE PAGE 2-279)
51	2121199-12	N	BLOWER (MG6)	1	BLOWER CAB W/FXD MNTG BRACKETS (SEE PAGE 2-100)
52	2128542	N	HOSE KIT	1	2 RUBBER HOSE WITH 8 CLAMPS IN A BOX (SEE PAGE 1-217)
53	2129412-6	N	HOSE KIT	1	BLOWER HOSE KIT (SEE PAGE 2-103)
54	2222541-10	N	COLLECTER CO	1	WideOpen TOP FRONT & REAR COVERS (SEE PAGE 2-254)
55	2222541-9	N	COLLECTER CO	1	WideOpen ENCL PEDESTAL COVERS (SEE PAGE 2-252)
56	2297542	N	TRIM COVERS	1	INFINITY TRIM COVERS W/CLIPS (SEE PAGE 2-253)
57	2321159	N	COLLECTOR	1	PAC AND SRI KIT (SEE PAGE 2-313)
58	2321160-3	N	COLLECTOR	1	REAR PED CRM FIXED COLLECTOR (SEE PAGE 2-250)

CATALOG		M3083PA FRU N		CRM 1.5T ACGD MOBILE with MULTICOIL	
Item	Part Number	FRU	Name	Quantity	Description (Remarks)
2	46-301383G19	N	PEN PANEL	1	PEN PANEL W/MULTICOIL GEMSPRO G13 (SEE SECTION 4)
4	2133388-7	N	PHANTOM KIT	1	CX SPT PHANTOM CART KIT MINUS CART (SEE PAGE 1-103)
5	2322678-3	N	COLLECTOR	1	MFG CRM MOBILE MISC ITEMS COLLECTOR (SEE PAGE 1-91)
6	46-317598G24	N	XMIT COLL	1	TRUE MOBILE RF CABLES & ADAPTERS (SEE PAGE 1-230)
7	2120963-5	N	GRAD CBL KIT	1	GRADIENT CABLE KIT FOR MOBILES (SEE PAGE 1-235)
8	46-258771G39	N	ASSEMBLY	1	LX MOBILE WITH OR W/O MULTICOIL (SEE PAGE 1-204)
9	46-258790G34	N	PDU CABLES	1	LX ACGD PDU CABLES-MOBILE (SEE PAGE 1-222)
10	46-317249G27	N	CABLES F.O.	1	LX SGD TRUE MOB FIBER OPTIC SYS CBL (SEE PAGE 1-240)
11	46-317126G4	N	COVER KIT	1	MOBILE-SITE PENETRATION PANEL COVER (SEE SECTION 4)
50	2205099-8	N	ASSEMBLY	1	CRM BRIDGE WideOpen W/LPCC_1.5 T (SEE PAGE 2-279)
51	2121199-12	N	BLOWER (MG6)	1	BLOWER CAB W/FXD MNTG BRACKETS (SEE PAGE 2-100)
52	2128542	N	HOSE KIT	1	2 RUBBER HOSE WITH 8 CLAMPS IN A BOX (SEE PAGE 1-217)
53	2129412-6	N	HOSE KIT	1	BLOWER HOSE KIT (SEE PAGE 2-103)
54	2217457	N	TOP FRONT CO	1	WideOpen TOP FRONT COVER
55	2222541-9	N	COLLECTER CO	1	WideOpen ENCL PEDESTAL COVERS (SEE PAGE 2-252)
56	2224384	N	ASSEMBLY	1	LCC CEILING TRACK (MOBILE)
57	2297542-2	N	TRIM COVERS	1	INFINITY TRIM COVERS W/CLIPS (SEE PAGE 2-253)
58	2321159	N	COLLECTOR	1	PAC AND SRI KIT (SEE PAGE 2-313)
59	2321160-4	N	COLLECTOR	1	REAR PEDESTAL CRM MOB COLLECTOR (SEE PAGE 2-251)

CATALOG		M3093PA FRU N		CRM 1.5T ACGD T/R with MULTICOIL	
Item	Part Number	FRU	Name	Quantity	Description (Remarks)
2	46-301383G19	N	PEN PANEL	1	PEN PANEL W/MULTICOIL GEMSPRO G13 (SEE SECTION 4)
4	2133388-6	N	PHANTOM KIT	1	CONQUEST SPT PHANTOM CART KIT (SEE PAGE 1-102)
5	2322678-2	N	COLLECTOR	1	MFG T/R MISC ITEMS COLLECTOR (SEE PAGE 1-91)
6	46-317598G20	N	XMIT COLL	1	1.5T FIXED SITE HELIAX & CONNECTORS (SEE PAGE 1-230)
7	2120963-4	N	GRAD CBL KIT	1	100 FT CABLES, RUNS 762, 763, 764 (SEE PAGE 1-235)
8	46-258771G36	N	ASSEMBLY	1	LX 1.5T T/R WITH OR W/O MULTICOIL (SEE PAGE 1-202)
9	46-258790G35	N	PDU CABLES	1	LX ACGD PDU CABLES-T/R (SEE PAGE 1-222)
10	46-317249G26	N	CABLES F.O.	1	LX SGD T/R FIBER OPTIC SYSTEM CABLES (SEE PAGE 1-239)
11	46-317126G4	N	COVER KIT	1	MOBILE-SITE PENETRATION PANEL COVER (SEE SECTION 4)
50	2205099-8	N	ASSEMBLY	1	CRM BRIDGE WideOpen W/LPCC_1.5 T (SEE PAGE 2-279)
51	2121199-12	N	BLOWER (MG6)	1	BLOWER CAB W/FXD MNTG BRACKETS (SEE PAGE 2-100)
52	2128542	N	HOSE KIT	1	2 RUBBER HOSE WITH 8 CLAMPS IN A BOX (SEE PAGE 1-217)
53	2129412-6	N	HOSE KIT	1	BLOWER HOSE KIT (SEE PAGE 2-103)
54	2222541-10	N	COLLECTER CO	1	WideOpen TOP FRONT & REAR COVERS (SEE PAGE 2-254)
55	2222541-9	N	COLLECTER CO	1	WideOpen ENCL PEDESTAL COVERS (SEE PAGE 2-252)
56	2297542	N	TRIM COVERS	1	INFINITY TRIM COVERS W/CLIPS (SEE PAGE 2-253)
57	2321159	N	COLLECTOR	1	PAC AND SRI KIT (SEE PAGE 2-313)
58	2321160-3	N	COLLECTOR	1	REAR PEDESTAL CRM FIXED COLLECTOR (SEE PAGE 2-250)

CATALOG M3800AA FRU N 1.0T ACGD SmartSpeed without MULTICOIL

Item	Part Number	FRU	Name	Quantity	Description (Remarks)
1	2299215	N	FAN ASM	1	ACGD CABINET FAN ASSEMBLY (SEE PAGE 15-8)
2A	46-265300G2	N	TABLE ASM	1	LCC PATIENT TRANSPORT – NEW COLORS (SEE SECTION 3)
2B	46-265300G3	N	TABLE ASM	1	PATIENT TRANSPORT – INFINITY COLORS (SEE SECTION 3)
14	2134337	N	KIT OF PARTS	1	PHANTOM KIT (SEE PAGE 1-100)
16	2321156	N	COLLECTOR	1	OW TABLE/DESKTOP KIT COLLECTOR (SEE PAGE 13-19)
17	2321157-2	N	COLLECTOR	1	MFG PADS/ACC'Y KIT (1.0T) COLLECTOR (SEE PAGE 1-98)
18	2321161-3	N	COLLECTOR	1	MFG HEAD COIL KIT (1.0T) COLLECTOR (SEE PAGE 1-112)
19	2138300-22	N	PERF SYS CAB	1	1.0T SYTEM CABINET W/O PA (SEE SECTION 8)
20	2207030-22	N	COLLECTOR	1	ACGD 1.5T WITH PHASED ARRAY (SEE SECTION 13)
21	2355992	N	COLLECTOR	1	ACGD ALTERNATES (SEE PAGE 1-90)
22	2355994	N	COLLECTOR	1	1.0T RF CAB ALTERNATES (SEE PAGE 1-90)

CATALOG M3800AB FRU N 1.0T ACGD SmartSpeed with MULTICOIL

Item	Part Number	FRU	Name	Quantity	Description (Remarks)
1	2299215	N	FAN ASM	1	ACGD CABINET FAN ASSEMBLY (SEE PAGE 15-8)
2A	46-265300G2	N	TABLE ASM	1	LCC PATIENT TRANSPORT – NEW COLORS (SEE SECTION 3)
2B	46-265300G3	N	TABLE ASM	1	PATIENT TRANSPORT – INFINITY COLORS (SEE SECTION 3)
14	2134337	N	KIT OF PARTS	1	PHANTOM KIT (SEE PAGE 1-100)
16	2321156	N	COLLECTOR	1	OW TABLE/DESKTOP KIT COLLECTOR (SEE PAGE 13-19)
17	2321157-2	N	COLLECTOR	1	MFG PADS/ACC'Y KIT (1.0T) COLLECTOR (SEE PAGE 1-98)
18A	2366962	N	COLLECTOR	1	1.0T SPLIT HEAD COIL/PHANTOM COLLECT
18B	2321161-3	N	COLLECTOR	1	MFG HEAD COIL KIT (1.0T) COLLECTOR (SEE PAGE 1-112)
19	2138300-23	N	PERF SYS CAB	1	1.0T SYSTEM CABINET W/PA (SEE SECTION 8)
20	2207030-22	N	COLLECTOR	1	INFINITY 9.1 COMPUTER COLLECTOR (SEE SECTION 13)
21	2355992	N	COLLECTOR	1	ACGD ALTERNATES (SEE PAGE 1-90)
22	2355994	N	COLLECTOR	1	1.0T RF CAB ALTERNATES (SEE PAGE 1-90)

CATALOG M3800AD FRU N 1.0T ACGD HiSpeed with MULTICOIL

Item	Part Number	FRU	Name	Quantity	Description (Remarks)
1	2299215	N	FAN ASM	1	ACGD CABINET FAN ASSEMBLY (SEE PAGE 15-8)
2A	46-265300G2	N	TABLE ASM	1	LCC PATIENT TRANSPORT – NEW COLORS (SEE SECTION 3)
2B	46-265300G3	N	TABLE ASM	1	PATIENT TRANSPORT – INFINITY COLORS (SEE SECTION 3)
4	2285279	N	MEDIA	1	SR77 MOD OPTION KEY
14	2134337	N	KIT OF PARTS	1	PHANTOM KIT (SEE PAGE 1-100)
16	2321156	N	COLLECTOR	1	OW TABLE/DESKTOP KIT COLLECTOR (SEE PAGE 13-19)
17	2321157-2	N	COLLECTOR	1	MFG PADS/ACC'Y KIT (1.0T) COLLECTOR (SEE PAGE 1-98)
18A	2366962	N	COLLECTOR	1	1.0T SPLIT HEAD COIL/PHANTOM COLLECT
18B	2321161-3	N	COLLECTOR	1	MFG HEAD COIL KIT (1.0T) COLLECTOR (SEE PAGE 1-112)
19	2138300-23	N	PERF SYS CAB	1	1.0T SYSTEM CABINET W/PA (SEE SECTION 8)
20	2207030-22	N	COLLECTOR	1	INFINITY 9.1 COMPUTER COLLECTOR (SEE SECTION 13)
21	2355992	N	COLLECTOR	1	ACGD ALTERNATES (SEE PAGE 1-90)
22	2355994	N	COLLECTOR	1	1.0T RF CAB ALTERNATES (SEE PAGE 1-90)

CATALOG M3842PA FRU N 1.0T ACGD FIXED w/o MULTICOIL

Item	Part Number	FRU	Name	Quantity	Description (Remarks)
2	46-301383G18	N	PEN PANEL	1	PEN PANEL, NO MULTICOIL GEMSPRO G12 (SEE SECTION 4)
4	2133388-6	N	PHANTOM KIT	1	CONQUEST SPT PHANTOM CART KIT (SEE PAGE 1-102)
6	2120963-4	N	GRAD CBL KIT	1	100 FT CABLES, RUNS 762, 763, 764 (SEE PAGE 1-235)
7	46-258771G35	N	ASSEMBLY	1	LX FIXED SITE WITH OR W/O MULTICOIL (SEE PAGE 1-201)
8	46-258790G33	N	PDU CABLES	1	LX ACGD PDU CABLES - FIXED (SEE PAGE 1-222)
9	46-317249G25	N	CABLES F.O.	1	LX SGD FIXED SITE FIBEROPTIC SYS CBL (SEE PAGE 1-239)
10	46-317126G3	N	COVER KIT	1	UFI PENETRATION PANEL COVER KIT (SEE SECTION 4)
50	2282801-7	N	BRIDGE ASM	1	1.0T REAR SPLIT BRIDGE W/O PA (SEE PAGE 2-305)
51	2121199-12	N	BLOWER (MG6)	1	BLOWER CAB W/FXD MNTG BRACKETS (SEE PAGE 2-100)
52	2128542	N	HOSE KIT	1	2 RUBBER HOSE WITH 8 CLAMPS IN A BOX (SEE PAGE 1-217)
53	2129412-6	N	HOSE KIT	1	BLOWER HOSE KIT (SEE PAGE 2-103)
54	2209235	N	CABLE COLL	1	RF CABLES AND ADAPTERS (SEE PAGE 1-228)
55	2222541-10	N	COLLECTOR CO	1	WideOpen TOP FRONT & REAR COVERS (SEE PAGE 2-254)
56	2222541-9	N	COLLECTOR CO	1	WideOpen ENCL PEDESTAL COVERS (SEE PAGE 2-252)
57	2297542	N	TRIM COVERS	1	INFINITY TRIM COVERS W/CLIPS (SEE PAGE 2-253)
58	2321159	N	COLLECTOR	1	PAC AND SRI KIT (SEE PAGE 2-313)
59	2321160-7	N	COLLECTOR	1	REAR PEDESTAL W/O PA 1.0T FIXED COLL (SEE PAGE 2-251)
100	2335480-34	N	COLLECTOR	1	MFG COLLECTOR-9.1 FIXED

CATALOG M3843PA FRU N 1.0T ACGD FIXED with MULTICOIL

Item	Part Number	FRU	Name	Quantity	Description (Remarks)
2	46-301383G19	N	PEN PANEL	1	PEN PANEL W/MULTICOIL GEMSPRO G13 (SEE SECTION 4)
4	2133388-6	N	PHANTOM KIT	1	CONQUEST SPT PHANTOM CART KIT (SEE PAGE 1-102)
5	2120963-4	N	GRAD CBL KIT	1	100 FT CABLES, RUNS 762, 763, 764 (SEE PAGE 1-235)
6	46-258771G35	N	ASSEMBLY	1	LX FIXED SITE WITH OR W/O MULTICOIL (SEE PAGE 1-201)
7	46-258790G33	N	PDU CABLES	1	LX ACGD PDU CABLES - FIXED (SEE PAGE 1-201)
8	46-317249G25	N	CABLES F.O.	1	LX SGD FIXED SITE FIBEROPTIC SYS CBL (SEE PAGE 1-239)
9	46-317126G3	N	COVER KIT	1	UFI PENETRATION PANEL COVER KIT (SEE SECTION 4)
10	2355996	N	COLLECTOR	1	1.5T PEN WALL ALTERNATES - MFG COLL (SEE SECTION 4)
50	2282801-3	N	BRIDGE ASM	1	REAR SPLIT BRIDGE ASM 1.0T W/PA (SEE PAGE 2-305)
51	2121199-12	N	BLOWER (MG6)	1	BLOWER CAB W/FXD MNTG BRACKETS (SEE PAGE 2-100)
52	2128542	N	HOSE KIT	1	2 RUBBER HOSE WITH 8 CLAMPS IN A BOX (SEE PAGE 1-217)
53	2129412-6	N	HOSE KIT	1	BLOWER HOSE KIT (SEE PAGE 2-103)
54	2209235	N	CABLE COLL	1	RF CABLES AND ADAPTERS (SEE PAGE 1-228)
55	2222541-10	N	COLLECTOR CO	1	WideOpen TOP FRONT & REAR COVERS (SEE PAGE 2-254)
56	2222541-9	N	COLLECTOR CO	1	WideOpen ENCL PEDESTAL COVERS (SEE PAGE 2-252)
57	2297542	N	TRIM COVERS	1	INFINITY TRIM COVERS W/CLIPS (SEE PAGE 2-253)
58	2321159	N	COLLECTOR	1	PAC AND SRI KIT (SEE PAGE 2-313)
59	2321160-8	N	COLLECTOR	1	REAR PEDESTAL W/PA 1.0T FIXED COLL (SEE PAGE 2-251)
100	2335480-34	N	COLLECTOR	1	MFG COLLECTOR-9.1 FIXED

CATALOG M3852PA FRU N 1.0T ACGD MOBILE w/o MULTICOIL

Item	Part Number	FRU	Name	Quantity	Description (Remarks)
1	2209235	N	CABLE COLL	1	RF CABLES AND ADAPTERS (SEE PAGE 1-228)
2	46-301383G18	N	PEN PANEL	1	PEN PANEL, NO MULTICOIL G12 (SEE SECTION 4)
3	46-258790G34	N	PDU CABLES	1	LX ACGD PDU CABLES-MOBILE (SEE PAGE 1-222)
4	2133388-7	N	PHANTOM KIT	1	CX SPT PHANTOM CART KIT MINUS CART (SEE PAGE 1-103)
5	46-258771G39	N	ASSEMBLY	1	LX MOBILE WITH OR W/O MULTICOIL (SEE PAGE 1-204)
6	46-317249G27	N	CABLES F.O.	1	LX SGD TRUE MOB FIBER OPTIC SYS CBL (SEE PAGE 1-240)
7	2322678	N	COLLECTOR	1	MFG MOBILE MISC ITEMS COLLECTOR (SEE PAGE 1-91)
8	2120963-5	N	GRAD CBL KIT	1	GRADIENT CABLE KIT FOR MOBILES (SEE PAGE 1-235)
9	2128542	N	HOSE KIT	1	2 RUBBER HOSE WITH 8 CLAMPS IN A BOX (SEE PAGE 1-217)
10	46-317126G4	N	COVER KIT	1	MOBILE-SITE PENETRATION PANEL COVER (SEE SECTION 4)
11	2224384	N	ASSEMBLY	1	LCC CEILING TRACK (MOBILE)
50	2282801-7	N	BRIDGE ASM	1	1.0T REAR SPLIT BRIDGE W/O PA (SEE SECTION 2)
51	2297542-2	N	HOSE KIT	1	TWIN COVERS ARREM MKE W/CLIPS (SEE PAGE 2-253)
52	2222541-9	N	COLLECTOR	1	WIDE OPN ENCL PEDESTAL COVERS MKE (SEE SECTION 2)
53	2217457	N	TOP FRONT CO	1	WIDE OPEN TOP FRONT COVER (SEE SECTION 2)
54	2129412-6	N	HOSE KIT	1	BLOWER HOSE KIT (SEE PAGE 2-103)
55	2121199-12	N	BLOWER (MG6)	1	BLOWER CABINET W/FIXED MTG BRCKETS (SEE PAGE 2-100)
56	2321160-9	N	COLLECTOR	1	MFG REAR PED W/O PA 1.0T MOBILE COLL (SEE SECTION 2)
57	2321159	N	COLLECTOR	1	MFG PAC AND SRI KIT (SEE PAGE 2-313)
100	2335480-35	N	COLLECTOR	1	MFG COLLECTOR-9.1 MOBILE

CATALOG M3853PA FRU N 1.0T ACGD MOBILE with MULTICOIL

Item	Part Number	FRU	Name	Quantity	Description (Remarks)
2	46-301383G19	N	PEN PANEL	1	PEN PANEL W/MULTICOIL GEMSPRO G13 (SEE SECTION 4)
4	2133388-7	N	PHANTOM KIT	1	CX SPT PHANTOM CART KIT MINUS CART (SEE PAGE 1-103)
5	2120963-5	N	GRAD CBL KIT	1	GRADIENT CABLE KIT FOR MOBILES (SEE PAGE 1-235)
6	46-258771G39	N	ASSEMBLY	1	LX MOBILE WITH OR W/O MULTICOIL (SEE PAGE 1-204)
7	46-258790G34	N	PDU CABLES	1	LX ACGD PDU CABLES-MOBILE (SEE PAGE 1-222)
8	46-317249G27	N	CABLES F.O.	1	LX SGD TRUE MOB FIBER OPTIC SYS CBL (SEE PAGE 1-240)
9	46-317126G4	N	COVER KIT	1	MOBILE-SITE PENETRATION PANEL COVER (SEE SECTION 4)
10	2322678	N	COLLECTOR	1	MFG MOBILE MISC ITEMS COLLECTOR (SEE PAGE 1-91)
50	2282801-3	N	BRIDGE ASM	1	REAR SPLIT BRIDGE ASM 1.0T W/PA (SEE PAGE 2-305)
51	2121199-12	N	BLOWER (MG6)	1	BLOWER CAB W/FXD MNTG BRACKETS (SEE PAGE 2-100)
52	2128542	N	HOSE KIT	1	2 RUBBER HOSE WITH 8 CLAMPS IN A BOX (SEE PAGE 1-217)
53	2129412-6	N	HOSE KIT	1	BLOWER HOSE KIT (SEE PAGE 2-103)
54	2209235	N	CABLE COLL	1	RF CABLES AND ADAPTERS (SEE PAGE 1-228)
55	2217457	N	TOP FRONT CO	1	WideOpen TOP FRONT COVER
56	2222541-9	N	COLLECTER CO	1	WideOpen ENCL PEDESTAL COVERS (SEE PAGE 2-252)
57	2224384	N	ASSEMBLY	1	LCC CEILING TRACK (MOBILE)
58	2297542-2	N	TRIM COVERS	1	INFINITY TRIM COVERS W/CLIPS (SEE PAGE 2-253)
59	2321159	N	COLLECTOR	1	PAC AND SRI KIT (SEE PAGE 2-313)
60	2321160-10	N	COLLECTOR	1	REAR PEDESTAL W/PA 1.0T MOBILE COLL (SEE PAGE 2-251)
100	2335480-35	N	COLLECTOR	1	MFG COLLECTOR-9.1 MOBILE

CATALOG		M3862PA FRU N		1.0T ACGD T/R w/o MULTICOIL	
Item	Part Number	FRU	Name	Quantity	Description (Remarks)
2	46-301383G18	N	PEN PANEL	1	PEN PANEL, NO MULTICOIL GEMSPRO G12 (SEE SECTION 4)
4	2133388-6	N	PHANTOM KIT	1	CONQUEST SPT PHANTOM CART KIT (SEE PAGE 1-102)
7	2322678-2	N	COLLECTOR	1	MFG T/R MISC ITEMS COLLECTOR (SEE PAGE 1-91)
8	2120963-4	N	GRAD CBL KIT	1	100 FT CABLES, RUNS 762, 763, 764 (SEE PAGE 1-235)
9	46-258771G36	N	ASSEMBLY	1	LX 1.5T T/R WITH OR W/O MULTICOIL (SEE PAGE 1-202)
10	46-258790G35	N	PDU CABLES	1	LX ACGD PDU CABLES-T/R (SEE PAGE 1-222)
11	46-317249G26	N	CABLES F.O.	1	LX SGD T/R FIBER OPTIC SYSTEM CABLES (SEE PAGE 1-239)
12	46-317126G4	N	COVER KIT	1	MOBILE-SITE PENETRATION PANEL COVER (SEE SECTION 4)
50	2282801-7	N	BRIDGE ASM	1	1.0T REAR SPLIT BRIDGE W/O PA (SEE PAGE 2-305)
51	2121199-12	N	BLOWER (MG6)	1	BLOWER CAB W/FXD MNTG BRACKETS (SEE PAGE 2-100)
52	2128542	N	HOSE KIT	1	2 RUBBER HOSE WITH 8 CLAMPS IN A BOX (SEE PAGE 1-217)
53	2129412-6	N	HOSE KIT	1	BLOWER HOSE KIT (SEE PAGE 2-103)
54	2209235	N	CABLE COLL	1	RF CABLES AND ADAPTERS (SEE PAGE 1-228)
55	2222541-10	N	COLLECTER CO	1	WideOpen TOP FRONT & REAR COVERS (SEE PAGE 2-254)
56	2222541-9	N	COLLECTER CO	1	WideOpen ENCL PEDESTAL COVERS (SEE PAGE 2-252)
57	2297542	N	TRIM COVERS	1	INFINITY TRIM COVERS W/CLIPS (SEE PAGE 2-253)
58	2321159	N	COLLECTOR	1	PAC AND SRI KIT (SEE PAGE 2-313)
59	2321160-7	N	COLLECTOR	1	REAR PEDESTAL W/O PA 1.0T FIXED COLL (SEE PAGE 2-251)
100	2335480-35	N	COLLECTOR	1	MFG COLLECTOR-9.1 MOBILE

CATALOG		M3863PA FRU N		1.0T ACGD T/R with MULTICOIL	
Item	Part Number	FRU	Name	Quantity	Description (Remarks)
2	46-301383G19	N	PEN PANEL	1	PEN PANEL W/MULTICOIL GEMSPRO G13 (SEE SECTION 4)
4	2133388-6	N	PHANTOM KIT	1	CONQUEST SPT PHANTOM CART KIT (SEE PAGE 1-102)
7	2322678-2	N	COLLECTOR	1	MFG T/R MISC ITEMS COLLECTOR (SEE PAGE 1-91)
8	2120963-4	N	GRAD CBL KIT	1	100 FT CABLES, RUNS 762, 763, 764 (SEE PAGE 1-235)
9	2209235	N	CABLE COLL	1	RF CABLES AND ADAPTERS (SEE PAGE 1-228)
10	46-258771G36	N	ASSEMBLY	1	LX 1.5T T/R WITH OR W/O MULTICOIL (SEE PAGE 1-202)
11	46-258790G35	N	PDU CABLES	1	LX ACGD PDU CABLES-T/R (SEE PAGE 1-222)
12	46-317126G4	N	COVER KIT	1	MOBILE-SITE PENETRATION PANEL COVER (SEE SECTION 4)
13	46-317249G26	N	CABLES F.O.	1	LX SGD T/R FIBER OPTIC SYSTEM CABLES (SEE PAGE 1-239)
50	2282801-3	N	BRIDGE ASM	1	REAR SPLIT BRIDGE ASM 1.0T W/PA (SEE PAGE 2-305)
51	2121199-12	N	BLOWER (MG6)	1	BLOWER CAB W/FXD MNTG BRACKETS (SEE PAGE 2-100)
52	2128542	N	HOSE KIT	1	2 RUBBER HOSE WITH 8 CLAMPS IN A BOX (SEE PAGE 1-217)
53	2129412-6	N	HOSE KIT	1	BLOWER HOSE KIT (SEE PAGE 2-103)
54	2222541-9	N	COLLECTER CO	1	WideOpen ENCL PEDESTAL COVERS (SEE PAGE 2-252)
55	2222541-10	N	COLLECTER CO	1	WideOpen TOP FRONT & REAR COVERS (SEE PAGE 2-254)
56	2297542	N	TRIM COVERS	1	INFINITY TRIM COVERS W/CLIPS (SEE PAGE 2-253)
57	2321159	N	COLLECTOR	1	PAC AND SRI KIT (SEE PAGE 2-313)
58	2321160-8	N	COLLECTOR	1	REAR PEDESTAL W/PA 1.0T FIXED COLL (SEE PAGE 2-251)
100	2335480-35	N	COLLECTOR	1	MFG COLLECTOR-9.1 MOBILE

1-9 EXCITE 11.x SYSTEM CATALOGS

CATALOG M3000DB FRU N 1.5T EXCITE 11.x SmartSpeed with MULTICOIL

Item	Part Number	FRU	Name	Quantity	Description (Remarks)
2	46-265300G3	N	TABLE ASM	1	PATIENT TRANSPORT-INFINITY COLOR (SEE SECTION 3)
14	2134337	N	KIT OF PARTS	1	PHANTOM KIT (SEE PAGE 1-100)
16	2321156-9	N	COLLECTOR	1	DESKTOP COLLECTOR-EXCITE II (SEE PAGE 13-41)
17	2321157	N	COLLECTOR	1	MFG PADS/ACC'Y KIT (1.5T) COLLECTOR (SEE PAGE 1-98)
18	2366960	N	COLLECTOR	1	1.5T SPLIT HEAD COIL/PHANTOM KIT (SEE PAGE 1-113)
21	2355992	N	COLLECTOR	1	ACGD ALTERNATES - MFG COLLECTOR (SEE PAGE 1-90)
22	2396084	N	COLLECTOR	1	EXCITE II SYSTEM CABINET ALTERNATES (SEE PAGE 8-89)
23	M20082BK	N	CATALOG ITEM	1	GOC ASSY (SEE PAGE 13-42)
50	2299215	N	FAN ASM	1	ACGD CABINET FAN ASSEMBLY (SEE PAGE 15-8)

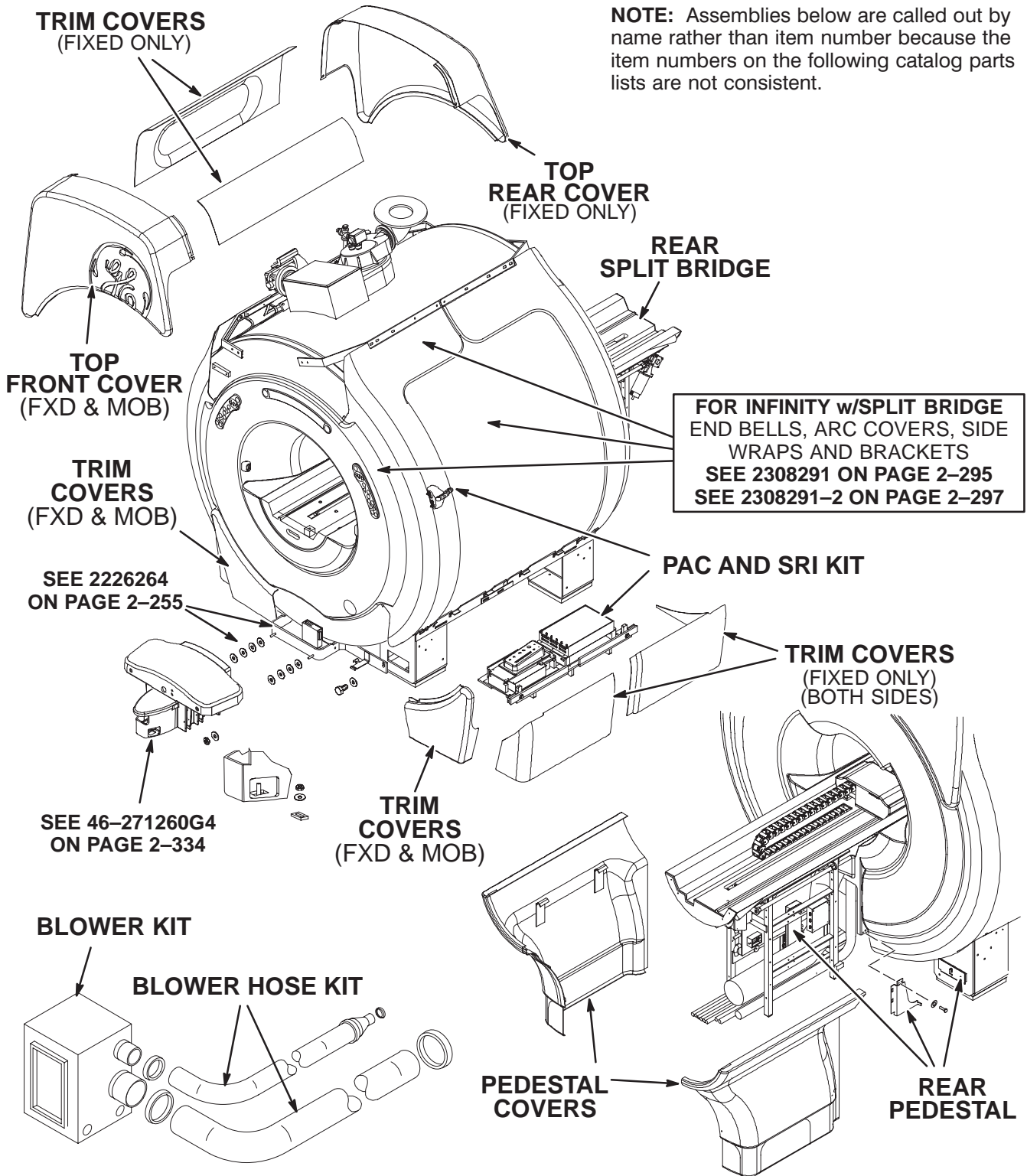
CATALOG M3000DC FRU N 1.5T EXCITE 11.x HiSpeed with MULTICOIL

Item	Part Number	FRU	Name	Quantity	Description (Remarks)
2	46-265300G3	N	TABLE ASM	1	PATIENT TRANSPORT-INFINITY COLOR (SEE SECTION 3)
4	5116103	N	SOFTWARE	1	HISPEED PLUS-SR120 ELECTRONIC OPTION - EXCITE
14	2134337	N	KIT OF PARTS	1	PHANTOM KIT (SEE PAGE 1-100)
16	2321156-9	N	COLLECTOR	1	DESKTOP COLLECTOR-EXCITE II (SEE PAGE 13-41)
17	2321157	N	COLLECTOR	1	MFG PADS/ACC'Y KIT (1.5T) COLLECTOR (SEE PAGE 1-98)
18	2366960	N	COLLECTOR	1	1.5T SPLIT HEAD COIL/PHANTOM KIT (SEE PAGE 1-113)
21	2355992	N	COLLECTOR	1	ACGD ALTERNATES - MFG COLLECTOR (SEE PAGE 1-90)
22	2396084	N	COLLECTOR	1	EXCITE II SYSTEM CABINET ALTERNATES (SEE PAGE 8-89)
23	M20082BK	N	CATALOG ITEM	1	GOC ASSY (SEE PAGE 13-42)
50	2381388	N	COLLECTOR	1	ACGD CAB FAN ASSEMBLY ALTERNATES (SEE PAGE 1-90)

CATALOG M3000DD FRU N 1.5T EXCITE 11.x EchoSpeed with MULTICOIL

Item	Part Number	FRU	Name	Quantity	Description (Remarks)
2	46-265300G3	N	TABLE ASM	1	PATIENT TRANSPORT-INFINITY COLOR (SEE SECTION 3)
14	2134337	N	KIT OF PARTS	1	PHANTOM KIT (SEE PAGE 1-100)
16	2321156-9	N	COLLECTOR	1	DESKTOP COLLECTOR-EXCITE II (SEE PAGE 13-41)
17	2321157	N	COLLECTOR	1	MFG PADS/ACC'Y KIT (1.5T) COLLECTOR (SEE PAGE 1-98)
18	2366960	N	COLLECTOR	1	1.5T SPLIT HEAD COIL/PHANTOM KIT (SEE PAGE 1-113)
23	M20082BK	N	CATALOG ITEM	1	GOC ASSY (SEE PAGE 13-42)
50	2381388	N	COLLECTOR	1	ACGD CAB FAN ASSEMBLY ALTERNATES (SEE PAGE 1-90)
70	5116104	N	SOFTWARE	1	ECHOSPEED PLUS-SR120 ELECTRONIC OPTION - EXCITE
73	2355992	N	COLLECTOR	1	ACGD ALTERNATES - MFG COLLECTOR (SEE PAGE 1-90)
74	2396084	N	COLLECTOR	1	EXCITE II SYSTEM CABINET ALTERNATES (SEE PAGE 8-89)

INFINITY WideOpen 1.5T MAGNET ENCLOSURE for EXCITE 11.x – FIXED, T/R, & MOBILE



CATALOG M3043PD FRU N 1.5T EXCITE 11.x FIXED with MULTICOIL

Item	Part Number	FRU	Name	Quantity	Description (Remarks)
2	2377529	N	ASSEMBLY	1	EXCITE II PEN PANEL NON TWIN (SEE PAGE 4-11)
4	2133388-6	N	PHANTOM KIT	1	CONQUEST SPT PHANTOM CART KIT (SEE PAGE 1-102)
5	2321160-16	N	COLLECTOR	1	MFG REAR PED 1.5T EXCITE II FIX COL (SEE PAGE 2-252)
14	46-317126G3	N	COVER KIT	1	UFI PENETRATION PANEL COVER KIT (SEE PAGE 4-26)
50	2382400	N	COLLECTOR	1	EXCITE II LPCA AND REAR SPLIT BRIDGE (SEE PAGE 2-307)
51	2121199-12	N	BLOWER (MG6)	1	BLOWER CABINET W/FIXED MTG BRCKETS (SEE PAGE 2-100)
53	2129412-6	N	HOSE KIT	1	BLOWER HOSE KIT-MRI RETRO UPGRADE (SEE PAGE 2-103)
54	2222541-10	N	COLLECTER CO	1	WideOpen TOP FRONT & REAR COVERS (SEE PAGE 2-254)
55	2222541-9	N	COLLECTOR	1	WideOpen ENCL PEDESTAL COVERS (SEE PAGE 2-252)
56	2297542	N	HOSE KIT	1	INFINITY TRIM COVERS W/CLIPS (SEE PAGE 2-253)
57	2321159-4	N	COLLECTOR	1	MFG PAC/SRI II UPG KIT COLLECTOR (SEE PAGE 2-314)

CATALOG M3053PD FRU N 1.5T EXCITE 11.x MOBILE with MULTICOIL

Item	Part Number	FRU	Name	Quantity	Description (Remarks)
2	2377529	N	ASSEMBLY	1	EXCITE II PEN PANEL NON TWIN (SEE PAGE 4-11)
4	2133388-7	N	PHANTOM KIT	1	CX SPT PHANTOM CART KIT MINUS CART (SEE PAGE 1-103)
5	2322678-5	N	COLLECTOR	1	MFG EXCITE II MOB MISC ITEM COL (SEE PAGE 1-91)
11	46-317126G4	N	COVER KIT	1	MOBILE-SITE PENETRATION PANEL COVER (SEE PAGE 4-26)
50	2382400	N	COLLECTOR	1	EXCITE II LPCA AND REAR SPLIT BRIDGE (SEE PAGE 2-307)
51	2121199-12	N	BLOWER (MG6)	1	BLOWER CABINET W/FIXED MTG BRCKETS (SEE PAGE 2-100)
52	2128542	N	HOSE KIT	1	2 RUBBER HOSE WITH 8 CLAMPS IN A BOX (SEE PAGE 2-100)
53	2129412-6	N	HOSE KIT	1	BLOWER HOSE KIT-MRI RETRO UPGRADE (SEE PAGE 2-103)
54	2217457	N	TOP FRONT CO	1	WideOpen TOP FRONT COVER
55	2222541-9	N	COLLECTOR	1	WideOpen ENCL PEDESTAL COVERS (SEE PAGE 2-252)
56	2224384	N	ASSEMBLY	1	LCC CEILING TRACK (MOBILE)
57	2297542-2	N	HOSE KIT	1	INFINITY TRIM COVERS W/CLIPS (SEE PAGE 2-253)
58	2321159-4	N	COLLECTOR	1	MFG PAC/SRI II UPG KIT COLLECTOR (SEE PAGE 2-314)
59	2321160-17	N	COLLECTOR	1	MFG REAR PED 1.5T EXCITE II MOB CO (SEE PAGE 2-252)

CATALOG M3063PD FRU N 1.5T EXCITE 11.x T/R with MULTICOIL

Item	Part Number	FRU	Name	Quantity	Description (Remarks)
2	2377529	N	ASSEMBLY	1	EXCITE II PEN PANEL NON TWIN (SEE PAGE 4-11)
4	2133388-6	N	PHANTOM KIT	1	CONQUEST SPT PHANTOM CART KIT (SEE PAGE 1-102)
5	2322678-6	N	COLLECTOR	1	MFG EXCITE II T/R MISC ITEMS COL (SEE PAGE 1-91)
6	2321160-16	N	COLLECTOR	1	MFG REAR PED 1.5T EXCITE II FIX COL (SEE PAGE 2-252)
11	46-317126G4	N	COVER KIT	1	MOBILE-SITE PENETRATION PANEL COVER (SEE PAGE 4-26)
50	2382400	N	COLLECTOR	1	EXCITE II LPCA AND REAR SPLIT BRIDGE (SEE PAGE 2-307)
51	2121199-12	N	BLOWER (MG6)	1	BLOWER CABINET W/FIXED MTG BRCKETS (SEE PAGE 2-100)
52	2128542	N	HOSE KIT	1	2 RUBBER HOSE WITH 8 CLAMPS IN A BOX (SEE PAGE 2-100)
53	2129412-6	N	HOSE KIT	1	BLOWER HOSE KIT-MRI RETRO UPGRADE (SEE PAGE 2-103)
54	2222541-10	N	COLLECTER CO	1	WideOpen TOP FRONT & REAR COVERS (SEE PAGE 2-254)
55	2222541-9	N	COLLECTOR	1	WideOpen ENCL PEDESTAL COVERS (SEE PAGE 2-252)
56	2297542	N	HOSE KIT	1	INFINITY TRIM COVERS W/CLIPS (SEE PAGE 2-253)
57	2321159-4	N	COLLECTOR	1	MFG PAC/SRI II UPG KIT COLLECTOR (SEE PAGE 2-314)

CATALOG M3143PD FRU N EXCITE 11.x FIXED CABLE COLLECTOR – CONFIG “A”

Item	Part Number	FRU	Name	Quantity	Description (Remarks)
1	2375450	N	SYSTEM CABLE	1	EXCITE II FXD SITE CABLES—CONFIG A (SEE PAGE 1–64)
2	2375451	N	PDU CABLES	1	ACGD PDU CABLES – CONFIG A (SEE PAGE 1–69)
3	2375452	N	PART	1	GRADIENT CABLE KIT – CONFIG A (SEE PAGE 1–70)
4	2375453	N	COLLECTOR	1	EXCITE II FXD FIBER OPTIC—CONFIG A (SEE PAGE 1–71)
5	2300798–2	N	KIT OF PARTS	1	1.5T HEAD/BODY COIL CABLE KIT—60 FT (SEE PAGE 1–227)
6	2128542	N	HOSE KIT	1	2 RUBBER HOSE WITH 8 CLAMPS IN A BOX (SEE PAGE 1–217)

CATALOG M3144PD FRU N EXCITE 11.x FIXED CABLE COLLECTOR – CONFIG “B”

Item	Part Number	FRU	Name	Quantity	Description (Remarks)
1	2375450–2	N	SYSTEM CABLE	1	EXCITE II FXD SITE CABLES—CONFIG B (SEE PAGE 1–64)
2	2375451–2	N	PDU CABLES	1	ACGD PDU CABLES – CONFIG B (SEE PAGE 1–69)
3	2375452–2	N	PART	1	GRADIENT CABLE KIT – CONFIG B (SEE PAGE 1–70)
4	2375453–2	N	COLLECTOR	1	EXCITE II FXD FIBER OPTIC—CONFIG B (SEE PAGE 1–71)
5	46–317598G23	N	XMIT COLL	1	1.5T FIXED SITE HELIAX & CONNECTORS (SEE PAGE 1–230)
6	2128542	N	HOSE KIT	1	2 RUBBER HOSE WITH 8 CLAMPS IN A BOX (SEE PAGE 1–217)
7	2105371	N	RF CABLE SET	1	RF CABINET FLEXIBLE EXTENSION CBLES (SEE PAGE 1–229)

CATALOG M3145PD FRU N EXCITE 11.x FIXED CABLE COLLECTOR – CONFIG “C”

Item	Part Number	FRU	Name	Quantity	Description (Remarks)
1	2375450–3	N	SYSTEM CABLE	1	EXCITE II FXD SITE CABLES—CONFIG C (SEE PAGE 1–64)
2	2375451–3	N	PDU CABLES	1	ACGD PDU CABLES – CONFIG C (SEE PAGE 1–69)
3	2375452–3	N	CABLE KIT	1	GRADIENT CABLE KIT – CONFIG C (SEE PAGE 1–70)
4	2375453–3	N	COLLECTOR	1	EXCITE II FXD FIBER OPTIC—CONFIG C (SEE PAGE 1–71)
5	2300798	N	KIT OF PARTS	1	1.5 T HEAD/BODY COIL CABLE KIT—80 FT (SEE PAGE 1–227)
6	2128542	N	HOSE KIT	1	2 RUBBER HOSE WITH 8 CLAMPS IN A BOX (SEE PAGE 1–217)

CATALOG M3153PD FRU N EXCITE 11.x MOBILE CABLE COLLECTOR

Item	Part Number	FRU	Name	Quantity	Description (Remarks)
2	2300798	N	KIT OF PARTS	1	1.5 T HEAD/BODY COIL CABLE KIT—80 FT (SEE PAGE 1–227)
3	2120963–5	N	GRAD CBL KIT	1	GRADIENT CABLE KIT FOR MOBILES (SEE PAGE 1–235)
4	46–258771G72	N	SYSTEM CABLE	1	MOBILE EXCITE II SYSTEM CABLES (SEE PAGE 1–211)
5	46–258790G81	N	PDU CABLES	1	PDU CABLES MOBILE EXCITE II NONTWIN (SEE PAGE 1–224)
6	46–317249G81	N	CABLES F.O.	1	F.O. CABLES EXCITE II MOB (SEE PAGE 1–241)

CATALOG M3163PD FRU N EXCITE 11.x T/R CABLE COLLECTOR

Item	Part Number	FRU	Name	Quantity	Description (Remarks)
2	2300798	N	KIT OF PARTS	1	1.5 T HEAD/BODY COIL CABLE KIT—80 FT (SEE PAGE 1–227)
3	2120963–4	N	GRAD CBL KIT	1	100 FT CABLES, RUNS 762, 763, 764 (SEE PAGE 1–235)
4	46–258771G73	N	SYSTEM CABLE	1	T/R EXCITE II SYSTEM CABLES (SEE PAGE 1–212)
5	46–258790G82	N	PDU CABLES	1	PDU CABLES T/R EXCITE II NON TWIN (SEE PAGE 1–225)
6	46–317249G82	N	COLLECTOR	1	F. O. CABLES T/R (SEE PAGE 1–241)

EXCITE 11.x FXD SITE CABLES – “A” 2375450 FRU N (PART 1 OF M3143PD PAGE 1–63)

Item	Part Number	FRU	Name	Quantity	Description (Remarks)
1	2379497	N	KIT OF PARTS	1.0	MAGNET ROOM CABLES – CONFIG A (SEE PAGE 1–64)
2	2379498	N	KIT OF PARTS	1.0	EQUIPMENT ROOM CABLES – CONFIG A (SEE PAGE 1–66)
3	2379499	N	KIT OF PARTS	1.0	CONTROL ROOM CABLES – CONFIG A (SEE PAGE 1–68)

EXCITE 11.x FXD SITE CABLES – “B” 2375450–2 FRU N (PART 1 OF M3144PD PAGE 1–63)

Item	Part Number	FRU	Name	Quantity	Description (Remarks)
1	2379497–2	N	KIT OF PARTS	1.0	MAGNET ROOM CABLES – CONFIG B (SEE PAGE 1–65)
2	2379498–2	N	KIT OF PARTS	1.0	EQUIPMENT ROOM CABLES – CONFIG B (SEE PAGE 1–67)
3	2379499	N	KIT OF PARTS	1.0	CONTROL ROOM CABLES – CONFIG A (SEE PAGE 1–68)

EXCITE 11.x FXD SITE CABLES – “C” 2375450–3 REV 3 (PART 1 OF M3145PD PAGE 1–63)

Item	Part Number	FRU	Name	Quantity	Description (Remarks)
1	2379497–3	N	KIT OF PARTS	1.0	MAGNET ROOM CABLES – CONFIG C (SEE PAGE 1–65)
2	2379498–3	N	KIT OF PARTS	1.0	EQUIPMENT ROOM CABLES – CONFIG C (SEE PAGE 1–68)
3	2379499	N	KIT OF PARTS	1.0	CONTROL ROOM CABLES – CONFIG A (SEE PAGE 1–68)

EXCITE 11.x MAGNET ROOM CABLES “A” 2379497 FRU N (PART 1 OF 2375450 PAGE 1–64)

Item	Part Number	FRU	Name	Quantity	Description (Remarks)
8	2328100–37	N	CABLE	1	(262) PP1–J8 TO MG3–A3–A5–OUT
9	2363001	N	ASSEMBLY	1	(282) MG3–A2–J6 TO PP1–J12
11	46–271693G1	N	CABLE ASM	1	(297) EMERGENCY OFF SW TO PP1–J18
12	2354601	N	ASSEMBLY	1	(318) MG3–A7 TO PP1–J11
15	2363002–3	N	ASSEMBLY	1	(387) MG2–A29–J1 TO PP1–J47
19	2354600–7	N	ASSEMBLY	1	(778) MG2–A12–A2–J3 TO PP1–A11–J72
20	2354600–9	N	ASSEMBLY	1	(779) MG2–A12–A2–J4 TO PP1–A11–J73
21	2354600–11	N	ASSEMBLY	1	(780) MG3–A3–J6 TO PP1–A11–J74
22	2354600–13	N	ASSEMBLY	1	(781) MG2–A12–A2–J5 TO PP1–A11–J75
23	2354600–15	N	ASSEMBLY	1	(782) MG2–A12–A2–J6 TO PP1–A11–J76
25	2357101–5	N	COLLECTOR	1	(715) MG2–A33–J1 TO PP1–J14
27	2371749–5	N	PART	1	(716) MG2–A11–J2 TO PP1–J89
29	2374702	N	CABLE	1	(784) MG6–J1 TO PP1–F5/F6
31	2374703	N	CABLE	1	(786) MG6–J2 TO P1–F7/F8
38	2328100–7	N	ASSEMBLY	1	(491) PP1–J80 TO MG3–A36–J7
39	2328100–9	N	ASSEMBLY	1	(492) PP1–J81 TO MG3–A36–J8
40	2328100–11	N	ASSEMBLY	1	(493) PP1–J82 TO MG3–A36–J9
50	2328100–23	N	ASSEMBLY	1	(1036) PP1–J84 TO MG3–A36–J6
51	2328100–25	N	ASSEMBLY	1	(1037) PP1–J6 TO MG3–A36–J1
52	2328100–27	N	ASSEMBLY	1	(1038) PP1–J7 TO MG3–A36–J2
53	2328100–29	N	ASSEMBLY	1	(1039) PP1–J58 TO MG3–A36–J3
54	2328100–31	N	ASSEMBLY	1	(1040) PP1–J59 TO MG3–A36–J4
55	2329505–4	N	CABLE	1	(1041) MG3A36–J10 TO PP1–J78
56	2371749–9	N	PART	1	(1042) MG3–A36–J5 TO PP1–J77
59	2377705	N	CABLE	1	(1054) SRI II TO CROSS POINT
60	2377248–3	N	CABLE	1	(1057) MG3–A8–J1 TO PP1–J85 UTNS

EXCITE 11.x MAGNET RM CABLES "B" 2379497-2 FRU N

(PART 1 OF 2375450-2 PAGE 1-64)

Item	Part Number	FRU	Name	Quantity	Description (Remarks)
8	2328100-37	N	CABLE	1	(262) PP1-J8 TO MG3-A3-A5-OUT
9	2363001	N	ASSEMBLY	1	(282) MG3-A2-J6 TO PP1-J12
11	46-271693G1	N	CABLE ASM	1	(297) EMERGENCY OFF SW TO PP1-J18
12	2354601	N	ASSEMBLY	1	(318) MG3-A7 TO PP1-J11
15	2363002-3	N	ASSEMBLY	1	(387) MG2-A29-J1 TO PP1-J47
19	2354600-7	N	ASSEMBLY	1	(778) MG2-A12-A2-J3 TO PP1-A11-J72
20	2354600-9	N	ASSEMBLY	1	(779) MG2-A12-A2-J4 TO PP1-A11-J73
21	2354600-11	N	ASSEMBLY	1	(780) MG3-A3-J6 TO PP1-A11-J74
22	2354600-13	N	ASSEMBLY	1	(781) MG2-A12-A2-J5 TO PP1-A11-J75
23	2354600-15	N	ASSEMBLY	1	(782) MG2-A12-A2-J6 TO PP1-A11-J76
25	2357101-5	N	COLLECTOR	1	(715) MG2-A33-J1 TO PP1-J14
27	2371749-5	N	PART	1	(716) MG2-A11-J2 TO PP1-J89
29	2374702	N	CABLE	1	(784) MG6-J1 TO PP1-F5/F6
31	2374703	N	CABLE	1	(786) MG6-J2 TO P1-F7/F8
38	2328100-7	N	ASSEMBLY	1	(491) PP1-J80 TO MG3-A36-J7
39	2328100-9	N	ASSEMBLY	1	(492) PP1-J81 TO MG3-A36-J8
40	2328100-11	N	ASSEMBLY	1	(493) PP1-J82 TO MG3-A36-J9
50	2328100-23	N	ASSEMBLY	1	(1036) PP1-J84 TO MG3-A36-J6
51	2328100-25	N	ASSEMBLY	1	(1037) PP1-J6 TO MG3-A36-J1
52	2328100-27	N	ASSEMBLY	1	(1038) PP1-J7 TO MG3-A36-J2
53	2328100-29	N	ASSEMBLY	1	(1039) PP1-J58 TO MG3-A36-J3
54	2328100-31	N	ASSEMBLY	1	(1040) PP1-J59 TO MG3-A36-J4
55	2329505-4	N	CABLE	1	(1041) MG3A36-J10 TO PP1-J78
56	2371749-9	N	PART	1	(1042) MG3-A36-J5 TO PP1-J77
59	2377705	N	CABLE	1	(1054) SRI II TO CROSS POINT
60	2377248-3	N	CABLE	1	(1057) MG3-A8-J1 TO PP1-J85 UTNS

EXCITE 11.x MAGNET RM CABLES "C" 2379497-3 FRU N

(PART 1 OF 2375450-3 PAGE 1-64)

Item	Part Number	FRU	Name	Quantity	Description (Remarks)
8	2328100-38	N	CABLE	1	(262) PP1-J8 TO MG3-A3-A5-OUT
9	2363001-2	N	ASSEMBLY	1	(282) MG3-A2-J6 TO PPA-J12
11	46-271693G1	N	CABLE ASM	1	(297) EMERGENCY OFF SW TO PP1-J18
12	2354601-2	N	ASSEMBLY	1	(318) MG3-A7 TO PP1-J11
15	2363002-4	N	ASSEMBLY	1	(387) MG2-A29-J1 TO PP1-J47
19	2354600-8	N	ASSEMBLY	1	(778) MG2-A12-A2-J3 TO PP1-A11-J72
20	2354600-10	N	ASSEMBLY	1	(779) MG2-A12-A2-J4 TO PP1-A11-J73
21	2354600-12	N	ASSEMBLY	1	(780) MG3-A3-J6 TO PP1-A11-J74
22	2354600-14	N	ASSEMBLY	1	(781) MG2-A12-A2-J5 TO PP1-A11-J75
23	2354600-16	N	ASSEMBLY	1	(782) MG2-A12-A2-J6 TO PP1-A11-J76
25	2357101-6	N	COLLECTOR	1	(715) MG2-A33-J1 TO PP1-J14
27	2371749-6	N	PART	1	(716) MG2-A11-J2 TO PP1-J89
29	2374702-2	N	CABLE	1	(784) MG6-J1 TO PP1-F5/F6
31	2374703-2	N	CABLE	1	(786) MG6-J2 TO P1-F7/F8
38	2328100-8	N	ASSEMBLY	1	(491) PP1-J80 TO MG3-A36-J7
39	2328100-10	N	ASSEMBLY	1	(492) PP1-J81 TO MG3-A36-J8
40	2328100-12	N	ASSEMBLY	1	(493) PP1-J82 TO MG3-A36-J9
50	2328100-24	N	ASSEMBLY	1	(1036) PP1-J84 TO MG3-A36-J6
51	2328100-26	N	ASSEMBLY	1	(1037) PP1-J6 TO MG3-A36-J1
52	2328100-28	N	ASSEMBLY	1	(1038) PP1-J7 TO MG3-A36-J2
53	2328100-30	N	ASSEMBLY	1	(1039) PP1-J58 TO MG3-A36-J3
54	2328100-32	N	ASSEMBLY	1	(1040) PP1-J59 TO MG3-A36-J4
55	2329505-3	N	CABLE	1	(1041T)MG3A36-J10 TO PP1-J78
56	2371749-10	N	PART	1	(1042) MG3-A36-J5 TO PP1-J77
59	2377705	N	CABLE	1	(1054) SRI II TO CROSS POINT
60	2377248-4	N	CABLE	1	(1057) MG3-A8-J1 TO PP1-J85 UTNS

EXCITE 11.x EQPMNT ROOM CABLES "A" 2379498 FRU N

(PART 2 OF 2375450 PAGE 1-64)

Item	Part Number	FRU	Name	Quantity	Description (Remarks)
3	2371938	N	CABLE	1	(702) MR2-A11-J18 TO MR1-J5
4	2371939	N	CABLE	1	(703/971) MR2-A11-J23 TO PD1-A1-A2-
5	2328100-34	N	ASSEMBLY	1	(229) MR2-A11-J1 TO MR1-A7-J3 OR
6	2328100-35	N	ASSEMBLY	1	(231) MR2-A11-J2 TO PP1-J8
7	2328100-13	N	ASSEMBLY	1	(233/499) MR2-A11-J5 TO PP1-7 OR
10	46-271692G601	N	CABLE ASM	1	(296T) PP1-J18 TO FACILITIY DISCONN
13	2357101	N	COLLECTOR	1	(768) PP1-J20 TO MR1-A7-J31
14	2363002	N	ASSEMBLY	1	(771) PP1-J47 TO MR1-A7-J36
16	2354601-3	N	ASSEMBLY	1	(770) PP1-J11 TO MR1-A7-J41
17	2363001-3	N	ASSEMBLY	1	(769) PP1-J15 TO MR1-A7-J34
18	2374701-3	N	CABLE	1	(774) MR2-A11-J25 TO MR1-A7-J32
24	2357101-3	N	COLLECTOR	1	(772) PP1-J14 TO MR1-A7-J40
26	2371749	N	PART	1	(773) PP1-A17-J1 TO MR1-A7-J35
28	2123533	N	POWER CABLE	1	(783) MR1-A7-J37 TO PP1-F5/F6, 30'
30	2123535	N	POWER CABLE	1	(785) MR1-A7-J18 TO PP1-F7/F8, 30'
32	2354600	N	ASSEMBLY	1	(777) MR1-A7-J43 TO PP1-A11-J94
33	2354600-3	N	ASSEMBLY	1	(776) MR1-A7-J44 TO PP1-A11-J93
34	2354600-5	N	ASSEMBLY	1	(775) MR1-A7-J42 TO PP1-A11-J92
35	2328100	N	CABLE	1	(488) MR2-A11-J8 TO PP1-J80
36	2328100-3	N	ASSEMBLY	1	(489) MR2-A11-J9 TO PP1-J81
37	2328100-5	N	ASSEMBLY	1	(490) MR2-A11-J10 TO PP1-J82
44	2328100-15	N	ASSEMBLY	1	(1025) MR2-A11-J40 TO PP1-J6
45	2328100-17	N	ASSEMBLY	1	(1026) MR2-A11-J41 TO PP1-J7
46	2328100-19	N	ASSEMBLY	1	(1027) MR2-A11-J42 TO PP1-J58
47	2328100-21	N	ASSEMBLY	1	(1028) MR2-A11-J43 TO PP1-J59
48	2371749-7	N	PART	1	(1029) PP1-J77 TO M2-A11-J62
49	2357101-7	N	COLLECTOR	1	(1030) PP1-J78 TO MR2-A11-J61
58	2377248	N	CABLE	1	(1053) PP1-J85 TO MG3-A8-J1

EXCITE 11.x EQPMNT RM CABLES "B" 2379498-2 FRU N

(PART 2 OF 2375450-2 PAGE 1-64)

Item	Part Number	FRU	Name	Quantity	Description (Remarks)
3	2371938	N	CABLE	1	(702) MR2-A11-J18 TO MR1-J5
4	2371939	N	CABLE	1	(703/971) MR2-A11-J23 TO PD1-A1-A2-
5	2328100-34	N	ASSEMBLY	1	(229) MR2-A11-J1 TO MR1-A7-J3 OR
6	2328100-36	N	ASSEMBLY	1	(231) MR2-A11-J2 TO PP1-J8
7	2328100-14	N	ASSEMBLY	1	(233/499) MR2-A11-J5 TO PP1-7 OR
10	46-271692G1	N	CABLE ASM	1	(296) FACILITY DISCONNECT TO PP1-J18
13	2357101-2	N	COLLECTOR	1	(768) PP1-J20 TO MR1-A7-J31
14	2363002-2	N	ASSEMBLY	1	(771) PP1-J47 TO MR1-A7-J36
16	2354601-4	N	ASSEMBLY	1	(770) PP1-J11 TO MR1-A7-J41
17	2363001-4	N	ASSEMBLY	1	(769) PP1-J15 TO MR1-A7-J34
18	2374701-3	N	CABLE	1	(774) MR2-A11-J25 TO MR1-A7-J32
24	2357101-4	N	COLLECTOR	1	(772) PP1-J14 TO MR1-A7-J40
26	2371749-2	N	PART	1	(773) PP1-A17-J1 TO MR1-A7-J35
28	2123533-4	N	CABLE	1	(783TR) MR1-A7-J37 TO PP1-F5/F6, 65'
30	2123535-4	N	POWER CABLE	1	(785TR) MR1-A7-J18 TO PP1-F7/F8, 65'
32	2354600-2	N	ASSEMBLY	1	(777) MR1-A7-J43 TO PP1-A11-J94
33	2354600-4	N	ASSEMBLY	1	(776) MR1-A7-J44 TO PP1-A11-J93
34	2354600-6	N	ASSEMBLY	1	(775) MR1-A7-J42 TO PP1-A11-J92
35	2328100-2	N	ASSEMBLY	1	(488) MR2-A11-J8 TO PP1-J80
36	2328100-4	N	ASSEMBLY	1	(489) MR2-A11-J9 TO PP1-J81
37	2328100-6	N	ASSEMBLY	1	(490) MR2-A11-J10 TO PP1-J82
44	2328100-16	N	ASSEMBLY	1	(1025) MR2-A11-J40 TO PP1-J6
45	2328100-18	N	ASSEMBLY	1	(1026) MR2-A11-J41 TO PP1-J7
46	2328100-20	N	ASSEMBLY	1	(1027) MR2-A11-J42 TO PP1-J58
47	2328100-22	N	ASSEMBLY	1	(1028) MR2-A11-J43 TO PP1-J59
48	2371749-8	N	PART	1	(1029) PP1-J77 TO M2-A11-J62
49	2357101-8	N	COLLECTOR	1	(1030) PP1-J78 TO MR2-A11-J61
58	2377248-2	N	CABLE	1	(1053) MR2A11J54 TO PP1J85 UTNS

EXCITE 11.x EQPMNT RM CABLES "C" 2379498-3 FRU N

(PART 2 OF 2375450-3 PAGE 1-64)

Item	Part Number	FRU	Name	Quantity	Description (Remarks)
3	2371938	N	CABLE	1	(702) MR2-A11-J18 TO MR1-J5
4	2371939	N	CABLE	1	(703/971) MR2-A11-J23 TO PD1-A1-A2-
5	2328100-34	N	ASSEMBLY	1	(229) MR2-A11-J1 TO MR1-A7-J3 OR
6	2328100-35	N	ASSEMBLY	1	(231) MR2-A11-J2 TO PP1-J8
7	2328100-13	N	ASSEMBLY	1	(233/499) MR2-A11-J5 TO PP1-7 OR
10	46-271692G601	N	CABLE ASM	1	(296T) PP1-J18 TO FACILITIY DISCONN
13	2357101	N	COLLECTOR	1	(768) PP1-J20 TO MR1-A7-J31
14	2363002	N	ASSEMBLY	1	(771) PP1-J47 TO MR1-A7-J36
16	2354601-3	N	ASSEMBLY	1	(770) PP1-J11 TO MR1-A7-J41
17	2363001-3	N	ASSEMBLY	1	(769) PP1-J15 TO MR1-A7-J34
18	2374701-3	N	CABLE	1	(774) MR2-A11-J25 TO MR1-A7-J32
24	2357101-3	N	COLLECTOR	1	(772) PP1-J14 TO MR1-A7-J40
26	2371749	N	PART	1	(773) PP1-A17-J1 TO MR1-A7-J35
28	2123533	N	POWER CABLE	1	(783) MR1-A7-J37 TO PP1-F5/F6, 30'
30	2123535	N	POWER CABLE	1	(785) MR1-A7-J18 TO PP1-F7/F8, 30'
32	2354600	N	ASSEMBLY	1	(777) MR1-A7-J43 TO PP1-A11-J94
33	2354600-3	N	ASSEMBLY	1	(776) MR1-A7-J44 TO PP1-A11-J93
34	2354600-5	N	ASSEMBLY	1	(775) MR1-A7-J42 TO PP1-A11-J92
35	2328100	N	CABLE	1	(488) MR2-A11-J8 TO PP1-J80
36	2328100-3	N	ASSEMBLY	1	(489) MR2-A11-J9 TO PP1-J81
37	2328100-5	N	ASSEMBLY	1	(490) MR2-A11-J10 TO PP1-J82
44	2328100-15	N	ASSEMBLY	1	(1025) MR2-A11-J40 TO PP1-J6
45	2328100-17	N	ASSEMBLY	1	(1026) MR2-A11-J41 TO PP1-J7
46	2328100-19	N	ASSEMBLY	1	(1027) MR2-A11-J42 TO PP1-J58
47	2328100-21	N	ASSEMBLY	1	(1028) MR2-A11-J43 TO PP1-J59
48	2371749-7	N	PART	1	(1029) PP1-J77 TO M2-A11-J62
49	2357101-7	N	COLLECTOR	1	(1030) PP1-J78 TO MR2-A11-J61
58	2377248	N	CABLE	1	(1053) PP1-J85 TO MG3-A8-J1

EXCITE 11.x CNTROL ROOM CABLES "A" 2379499 FRU N

(PART 3 OF 2375450 PAGE 1-64)
 (PART 3 OF 2375450-2 PAGE 1-64)
 (PART 3 OF 2375450-3 PAGE 1-64)
 (PART 3 OF 2375450-4 PAGE 1-80)
 (PART 3 OF 2375450-5 PAGE 1-80)
 (PART 3 OF 2375450-6 PAGE 1-80)

Item	Part Number	FRU	Name	Quantity	Description (Remarks)
2	46-243775G807	N	CABLE	1	(701) MR2-A11-J15 TO RF DOOR SW
41	2363001-5	N	ASSEMBLY	1	(1085) PP1-J12 TO OW1-A21-J7
42	2354601-6	N	ASSEMBLY	1	(1084) MR1-A11-J26 TO OW1-A21
57	2374705-2	N	CABLE	1	(1082) OW-A15-ETH TO MR2-A11-J63

EXCITE 11.x ACGD PDU CABLES--"A" 2375451 FRU N

(PART 2 OF M3143PD PAGE 1-63)

Item	Part Number	FRU	Name	Quantity	Description (Remarks)
1	2345401	N	CABLE	1.0	(037) MR2-A12-GND TO PD1-GND
2	46-320460G1	N	CABLE POWER	2.0	PDU OUTLET TO MAG/SHIM POWER SUPPLY
3	2371513	N	CABLE	1.0	(040) RF COM GRND STUD TO MS1
4	2345401-2	N	ASSEMBLY	1.0	(044) MR1-A7-GND TO PD1-GND
5	2345401-4	N	ASSEMBLY	1.0	(045) PP1-GND TO FAN MOD-GND
7	2371514	N	CABLE ASM	1.0	(966) MR1-A7-J1 TO MR3-PD1
8	2371514-2	N	CABLE ASM	1.0	(968) MR2-A12-J1 TO MR3-PD1
9	2370617	N	PART	1.0	(967) MR1-CB1 OR MR1-TS1 TO MR3-PD1
10	2371515-2	N	CABLE ASM	1.0	(1081) OW1-A19-J1 TO MR3-PD1
11	2371516	N	CABLE ASM	1.0	(970) WC1 TO MR3-PD1
12	2345401-8	N	ASSEMBLY	1.0	(038) MR1-A7-GND TO PD1-A2-A2

EXCITE 11.x ACGD PDU CABLES--"B" 2375451-2 FRU N

(PART 2 OF M3144PD PAGE 1-63)

Item	Part Number	FRU	Name	Quantity	Description (Remarks)
1	2345401	N	CABLE	1.0	(037) MR2-A12-GND TO PD1-GND
2	46-320460G1	N	CABLE POWER	2.0	PDU OUTLET TO MAG/SHIM POWER SUPPLY
3	2371513	N	CABLE	1.0	(040) RF COM GRND STUD TO MS1
4	2345401-3	N	ASSEMBLY	1.0	(044) MR1-A7-GND TO PD1-GND
5	2345401-4	N	ASSEMBLY	1.0	(045) PP1-GND TO FAN MOD-GND
7	2371514	N	CABLE ASM	1.0	(966) MR1-A7-J1 TO MR3-PD1
8	2371514-2	N	CABLE ASM	1.0	(968) MR2-A12-J1 TO MR3-PD1
9	2370617	N	PART	1.0	(967) MR1-CB1 OR MR1-TS1 TO MR3-PD1
10	2371515-2	N	CABLE ASM	1.0	(1081) OW1-A19-J1 TO MR3-PD1
11	2371516	N	CABLE ASM	1.0	(970) WC1 TO MR3-PD1
12	2345401-8	N	ASSEMBLY	1.0	(038) MR1-A7-GND TO PD1-A2-A2

EXCITE 11.x ACGD PDU CABLES--"C" 2375451-3 FRU N

(PART 2 OF M3145PD PAGE 1-63)

Item	Part Number	FRU	Name	Quantity	Description (Remarks)
1	2345401	N	CABLE	1.0	(037) MR2-A12-GND TO PD1-GND
2	46-320460G1	N	CABLE POWER	2.0	PDU OUTLET TO MAG/SHIM POWER SUPPLY
3	2371513-2	N	CABLE	1.0	(040) RF COM GRND STUD TO MS1
4	2345401-2	N	ASSEMBLY	1.0	(044) MR1-A7-GND TO PD1-GND
5	2345401-5	N	ASSEMBLY	1.0	(045) PP1-GND TO FAN MOD-GND
7	2371514	N	CABLE ASM	1.0	(966) MR1-A7-J1 TO MR3-PD1
8	2371514-2	N	CABLE ASM	1.0	(968) MR2-A12-J1 TO MR3-PD1
9	2370617	N	PART	1.0	(967) MR1-CB1 OR MR1-TS1 TO MR3-PD1
10	2371515-2	N	CABLE ASM	1.0	(1081) OW1-A19-J1 TO MR3-PD1
11	2371516	N	CABLE ASM	1.0	(970) WC1 TO MR3-PD1
12	2345401-8	N	ASSEMBLY	1.0	(038) MR1-A7-GND TO PD1-A2-A2

EXCITE 11.x GRADIENT CABLES--“A” 2375452 FRU N (PART 3 OF M3143PD PAGE 1-63)

Item	Part Number	FRU	Name	Quantity	Description (Remarks)
1	2345400	N	CABLE	1	(762) PP1-A7-1/2 TO PP1-A7-1/2
2	2345400-2	N	CABLE	1	(763) PP1-A7-3/4 TO PP1-A7-3/4
3	2345400-3	N	CABLE	1	(764) PP1-A7-5/6 TO PP1-A7-5/6

EXCITE 11.x GRADIENT CABLES--“B” 2375452-2 FRU N (PART 3 OF M3144PD PAGE 1-63)

Item	Part Number	FRU	Name	Quantity	Description (Remarks)
1	2345400-4	N	CABLE	1	(762) PP1-A7-1/2 TO PP1-A7-1/2
2	2345400-5	N	CABLE	1	(763) PP1-A7-3/4 TO PP1-A7-3/4
3	2345400-6	N	CABLE	1	(764) PP1-A7-5/6 TO PP1-A7-5/6

EXCITE 11.x GRADIENT CABLES--“C” 2375452-3 FRU N (PART 3 OF M3145PD PAGE 1-63)

Item	Part Number	FRU	Name	Quantity	Description (Remarks)
1	2345400-7	N	CABLE	1	(762) PP1-A7-1/2 TO PP1-A7-1/2
2	2345400-8	N	CABLE	1	(763) PP1-A7-3/4 TO PP1-A7-3/4
3	2345400-9	N	CABLE	1	(764) PP1-A7-5/6 TO PP1-A7-5/6

EXCITE 11.x FIBER OPTIC CABLES--"A" 2375453 FRU N

(PART 4 OF M3143PD PAGE 1-63)

(PART 4 OF M3143TD PAGE 1-79)

Item	Part Number	FRU	Name	Quantity	Description (Remarks)
1	2374923	N	CABLE	1	(709) MR1-A7-RX TO MR3-CAB I/F-J2
2	2330480-4	N	CABLE	1	(1033) MR2-A11-J16 TO MR1-A7-TX
3	2331897-4	N	PART	1	(1034) MR2-A11-J17 TO MR3-PD1-J2
4	2126180	N	CONNECTOR KT	1	FIBER-OPTIC CONDUIT PANEL-MOUNT CONN
5	46-220191P1	N	CLAMP	1	CLAMP FOR FLAT CABLE
6	46-230653P2	N	TUBING	1	1/4" DIA. SPIRALLY CUT POLYETHYLENE
7	46-208758P2	N	TY-RAP	1	5.5" X .140" SELF-LOCKING CABLE TIE.
8	2331846-4	N	PART	1	(1045) MR2-A11-J13 TO PP1-A17
9	46-328079G7	N	CABLE ASM	1	(711T/712T) PP1-J91 TO MG2-A33
10	2318811-8	N	PART	1	(1083) OW1-A15-BIT3 TO MR2-A11-J22
11	2378450	N	PART	1	(1078) MG2A33J15 TO MG3A36J20

EXCITE 11.x FIBER OPTIC CABLES--"B"2375453-2 FRU N

(PART 4 OF M3144PD PAGE 1-63)

(PART 4 OF M3144TD PAGE 1-79)

Item	Part Number	FRU	Name	Quantity	Description (Remarks)
1	2374923	N	CABLE	1.0	(709) MR1-A7-RX TO MR3-CAB I/F-J2
2	2330480-4	N	CABLE	1.0	(1033) MR2-A11-J16 TO MR1-A7-TX
3	2331897-4	N	PART	1.0	(1034) MR2-A11-J17 TO MR3-PD1-J2
4	2126180	N	CONNECTOR KT	1.0	FIBER-OPTIC CONDUIT PANEL-MOUNT CONN
5	46-220191P1	N	CLAMP	1.0	CLAMP FOR FLAT CABLE
6	46-230653P2	N	TUBING	1.0	1/4" DIA. SPIRALLY CUT POLYETHYLENE
7	46-208758P2	N	TY-RAP	1.0	5.5" X .140" SELF-LOCKING CABLE TIE.
8	2331846-5	N	PART	1.0	(1045) MR2-A11-J13 TO PP1-A17
9	46-328079G7	N	CABLE ASM	1.0	(711T/712T) PP1-J91 TO MG2-A33
10	2318811-8	N	PART	1.0	(1083) OW1-A15-BIT3 TO MR2-A11-J22
11	2378450	N	PART	1.0	(1078) MG2A33J15 TO MG3A36J20

EXCITE 11.x FIBER OPTIC CABLES--"C" 2375453-3 FRU N

(PART 4 OF M3145PD PAGE 1-63)

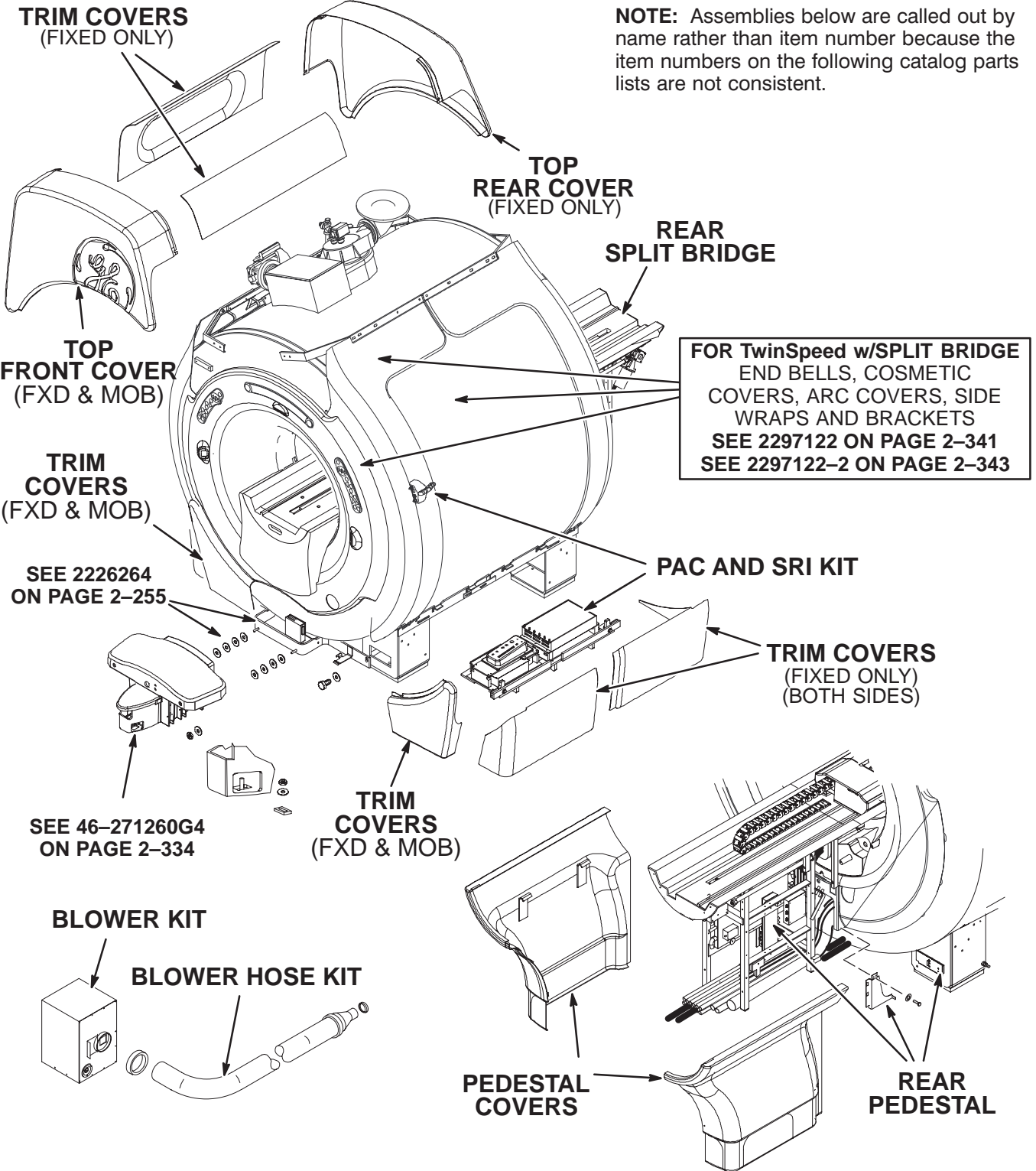
(PART 4 OF M3145TD PAGE 1-79)

Item	Part Number	FRU	Name	Quantity	Description (Remarks)
1	2374923	N	CABLE	1	(709) MR1-A7-RX TO MR3-CAB I/F-J2
2	2330480-4	N	CABLE	1	(1033) MR2-A11-J16 TO MR1-A7-TX
3	2331897-4	N	PART	1	(1034) MR2-A11-J17 TO MR3-PD1-J2
4	2126180	N	CONNECTOR KT	1	FIBER-OPTIC CONDUIT PANEL-MOUNT CONN
5	46-220191P1	N	CLAMP	1	CLAMP FOR FLAT CABLE
6	46-230653P2	N	TUBING	1	1/4" DIA. SPIRALLY CUT POLYETHYLENE
7	46-208758P2	N	TY-RAP	1	5.5" X .140" SELF-LOCKING CABLE TIE.
8	2331846-4	N	PART	1	(1045) MR2-A11-J13 TO PP1-A17
9	46-328079G9	N	FO CABLE ASM	1	(711M/712M) PP1-J91 TO MG2-A11-J9,10
10	2318811-8	N	PART	1	(1083) OW1-A15-BIT3 TO MR2-A11-J22
11	2378450	N	PART	1	(1078) MG2A33J15 TO MG3A36J20

1-10 TwinSpeed ACGD SYSTEM CATALOGS

CATALOG	M3000TA FRU N		1.5T TWINSPEED EchoSpeed w/MC		
Item	Part Number	FRU	Name	Quantity	Description (Remarks)
1	2299215	N	FAN ASM	1	ACGD CABINET FAN ASSEMBLY (SEE PAGE 15-8)
2	46-265300G3	N	TABLE ASM	1	LCC PATIENT TRANSPRT-INFINITY COLOR (SEE SECTION 3)
14	2134337	N	KIT OF PARTS	1	PHANTOM KIT (SEE PAGE 1-100)
16	2321156	N	COLLECTOR	1	OW TABLE/DESKTOP KIT COLLECTOR (SEE PAGE 13-19)
17	2321157	N	COLLECTOR	1	MFG PADS/ACC'Y KIT (1.5T) COLLECTOR (SEE PAGE 1-98)
18A	2366960	N	COLLECTOR	1	1.5T SPLIT HEAD COIL/PHANTOM COLLECT
18B	2321161	N	COLLECTOR	1	MFG HEAD COIL KIT (1.5T) COLLECTOR (SEE PAGE 1-112)
70	2210001	N	ASSEMBLY	1	ECHOSPEED OPTION KEY COLLECTOR
71	2138300-19	N	PERF SYS CAB	1	1.5T SYSTEM CABINET (SEE SECTION 8)
72	2207030-22	N	COLLECTOR	1	INFINITY 9.1 1.5T WITH PHASED ARRAY (SEE SECTION 13)
73	2239500	N	ASSEMBLY	1	TWIN ACCESSORY CABINET ASSEMBLY (SEE SECTION 17)
74	2355993	N	COLLECTOR	1	1.5T RF CAB ALTERNATES - MFG COLLECTR (SEE PAGE 1-90)
75	2355992	N	COLLECTOR	1	ACGD ALTERNATES - MFG COLLECTOR (SEE PAGE 1-90)

1.5T TwinSpeed MAGNET ENCLOSURE – FIXED & MOBILE



CATALOG M3043TA FRU N 1.5T TWINSPEED FIXED with MULTICOIL

Item	Part Number	FRU	Name	Quantity	Description (Remarks)
2	46-301383G17	N	PEN PANEL	1	GEMSPRO TRM PEN PANEL W/TRM FILTERS (SEE SECTION 4)
4	2133388-6	N	PHANTOM KIT	1	CONQUEST SPT PHANTOM CART KIT (SEE PAGE 1-102)
7A	2300798	N	KIT OF PARTS	1	1.5 T HEAD/BODY COIL CABLE KIT-80 FT (SEE PAGE 1-227)
7B	46-317598G23	N	XMIT COLL	ALT	1.5T FIXED SITE HELIAX & CONNECTORS (SEE PAGE 1-230)
9	46-258771G50	N	SYSTEM CABLE	1	TWIN LX FIXED SITE CABLES (SEE PAGE 1-208)
10	46-258790G36	N	PDU CABLES	1	LX TWINSPEED PDU CABLES (SEE PAGE 1-223)
11	46-317249G25	N	CABLES F.O.	1	LX SGD FIXED SITE FIBEROPTIC SYS CBL (SEE PAGE 1-239)
12	46-317126G3	N	COVER KIT	1	UFI PENETRATION PANEL COVER KIT (SEE SECTION 4)
50	2282801	N	BRIDGE ASM	1	REAR SPLIT BRIDGE ASM W/PA 1.5T (SEE PAGE 2-304)
51	2120963-8	N	GRAD CBL KIT	1	TWIN GRADIENT CABLE KIT FIXED SITE (SEE PAGE 1-236)
52	2129412-5	N	HOSE KIT	1	BLOWER HOSE KIT-MRI RETRO UPGRADE (SEE PAGE 2-103)
53	2222541-9	N	COLLECTER CO	1	WIDE OPEN ENCL PEDESTAL COVERS MKE (SEE PAGE 2-252)
54	2222541-10	N	COLLECTER CO	1	WIDE OPEN ENCLOSURE COVERS MKE (SEE PAGE 2-254)
55	2241999	N	CABINET	1	TWIN PATIENT BLOWER CABINET (SEE PAGE 2-102)
56	2295225	N	HOSE ASM	1	TWIN GRADIENT HOSE ASSEMBLY (SEE PAGE 2-349)
57	2295226	N	HOSE ASM	1	TWIN VACUUM HOSE ASSEMBLY (SEE PAGE 2-350)
58	2297542	N	HOSE KIT	1	TWIN COVERS W/CLIPS (SEE PAGE 2-253)
59	2321159	N	COLLECTOR	1	PAC AND SRI KIT (SEE PAGE 2-313)
60	2321160	N	COLLECTOR	1	REAR PED 1.5T FIXED COLLECTOR (SEE PAGE 2-250)
100	2335480-36	N	COLLECTOR	1	MFG COLLECTOR-9.1 TWIN 1.5T FIXED

CATALOG M3053TA FRU N 1.5T TWINSPEED MOBILE with MULTICOIL

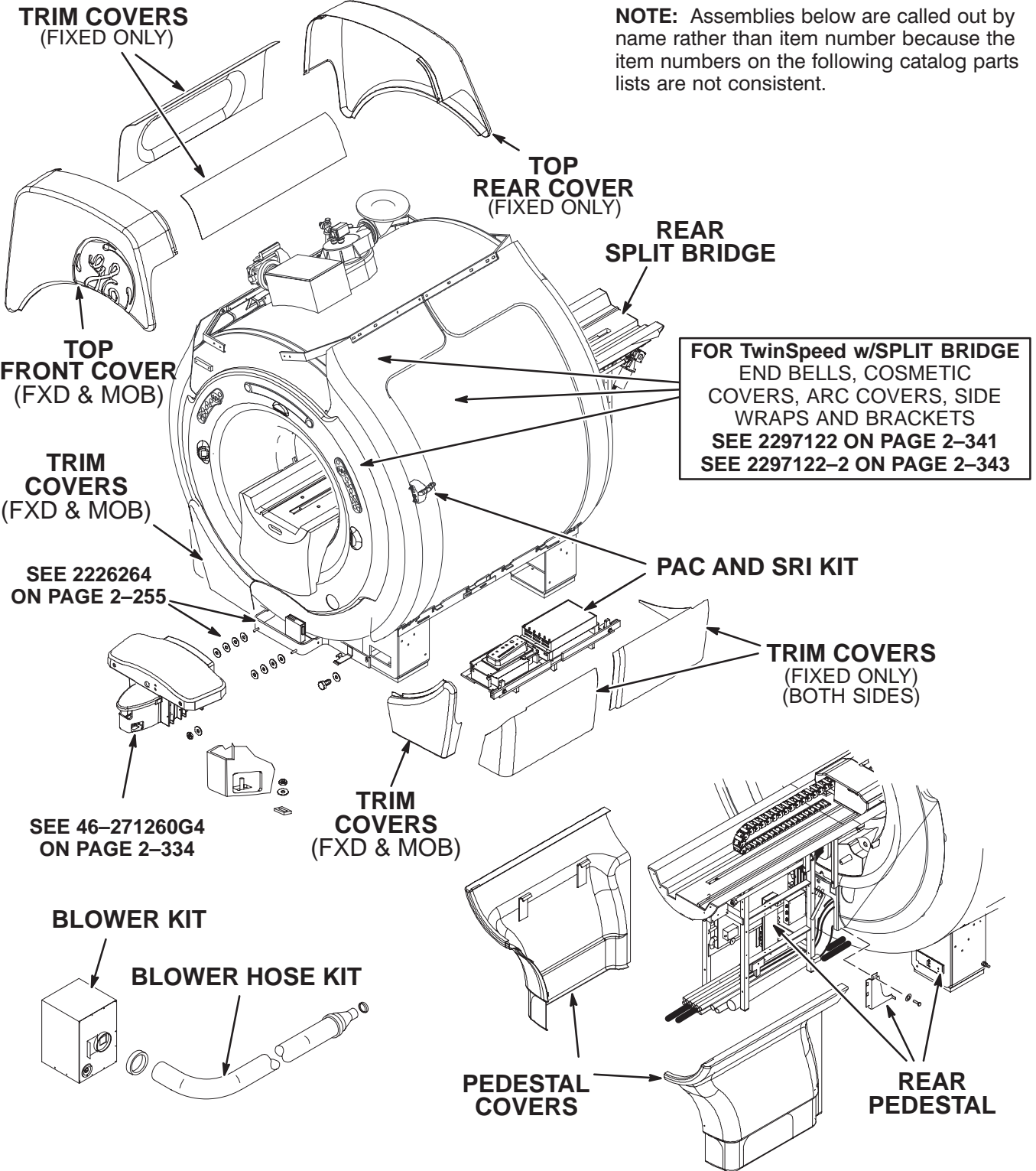
Item	Part Number	FRU	Name	Quantity	Description (Remarks)
2	46-301383G17	N	PEN PANEL	1	GEMSPRO TRM PEN PANEL W/TRM FILTERS (SEE SECTION 4)
4	2133388-7	N	PHANTOM KIT	1	CX SPT PHANTOM CART KIT MINUS CART (SEE PAGE 1-103)
5	2322678	N	COLLECTOR	1	MFG MOBILE MISC ITEMS COLLECTOR (SEE PAGE 1-91)
6A	2300798	N	KIT OF PARTS	1	1.5 T HEAD/BODY COIL CABLE KIT-80 FT (SEE PAGE 1-227)
6B	46-317598G24	N	XMIT COLL	ALT	TRUE MOBILE RF CABLES & ADAPTERS (SEE PAGE 1-230)
7	2120963-9	N	GRAD CBL KIT	1	TWIN GRADIENT CABLE KIT MOBILE SITE (SEE PAGE 1-236)
8	46-258771G52	N	SYSTEM CABLE	1	TWIN LX MOBILE SITE (SEE PAGE 1-209)
9	46-258790G38	N	PDU CABLES	1	LX TWINSPEED PDU CABLES, MOBILE (SEE PAGE 1-223)
10	46-317249G27	N	CABLES F.O.	1	LX SGD TRUE MOB FIBER OPTIC SYS CBL (SEE PAGE 1-240)
11	46-317126G4	N	COVER KIT	1	MOBILE-SITE PENETRATION PANEL COVER (SEE SECTION 4)
50	2282801	N	BRIDGE ASM	1	REAR SPLIT BRIDGE ASM W/PA 1.5T (SEE PAGE 2-304)
51	2129412-5	N	HOSE KIT	1	BLOWER HOSE KIT-MRI RETRO UPGRADE (SEE PAGE 2-103)
52	2217457	N	TOP FRONT CO	1	WIDE OPEN TOP FRONT COVER
53	2222541-9	N	COLLECTER CO	1	WIDE OPEN ENCL PEDESTAL COVERS MKE (SEE PAGE 2-252)
54	2224384	N	ASSEMBLY	1	LCC CEILING TRACK (MOBILE)
55	2241999	N	CABINET	1	TWIN PATIENT BLOWER CABINET (SEE PAGE 2-102)
56	2295225	N	HOSE ASM	1	TWIN GRADIENT HOSE ASSEMBLY (SEE PAGE 2-349)
57	2295226	N	HOSE ASM	1	TWIN VACUUM HOSE ASSEMBLY (SEE PAGE 2-350)
58	2297542-2	N	COVERS	1	TWIN COVERS W/CLIPS (SEE PAGE 2-253)
59	2321159	N	COLLECTOR	1	PAC AND SRI KIT (SEE PAGE 2-313)
60	2321160-2	N	COLLECTOR	1	REAR PED 1.5T MOBILE COLLECTOR (SEE PAGE 2-250)

CATALOG		M3063TA FRU N		1.5T TWINSPEED T/R with MULTICOIL	
Item	Part Number	FRU	Name	Quantity	Description (Remarks)
2	46-301383G17	N	PEN PANEL	1	GEMSPRO TRM PEN PANEL W/TRM FILTERS (SEE SECTION 4)
4	2133388-6	N	PHANTOM KIT	1	CONQUEST SPT PHANTOM CART KIT (SEE PAGE 1-102)
6	2120963-9	N	GRAD CBL KIT	1	TWIN GRADIENT CABLE KIT MOBILE SITE (SEE PAGE 1-236)
7	2322678-2	N	COLLECTOR	1	MFG T/R MISC ITEMS COLLECTOR (SEE PAGE 1-91)
8A	2300798	N	KIT OF PARTS	1	1.5 T HEAD/BODY COIL CABLE KIT-80 FT (SEE PAGE 1-227)
8B	46-317598G20	N	XMIT COLL	ALT	1.5T FIXED SITE HELIAX & CONNECTORS (SEE PAGE 1-230)
9	46-258771G53	N	SYSTEM CABLE	1	TWIN LX T/R SITE (SEE PAGE 1-210)
10	46-258790G39	N	PDU CABLES	1	LX TWINSPEED PDU CABLES, T/R (SEE PAGE 1-223)
11	46-317249G26	N	CABLES F.O.	1	LX SGD T/R FIBER OPTIC SYSTEM CABLES (SEE PAGE 1-239)
12	46-317126G4	N	COVER KIT	1	MOBILE-SITE PENETRATION PANEL COVER (SEE SECTION 4)
50	2282801	N	BRIDGE ASM	1	REAR SPLIT BRIDGE ASM W/PA 1.5T (SEE PAGE 2-304)
51	2129412-5	N	HOSE KIT	1	BLOWER HOSE KIT-MRI RETRO UPGRADE (SEE PAGE 2-103)
52	2222541-10	N	COLLECTER CO	1	WIDE OPEN ENCLOSURE COVERS MKE (SEE PAGE 2-254)
53	2222541-9	N	COLLECTER CO	1	WIDE OPEN ENCL PEDESTAL COVERS MKE (SEE PAGE 2-252)
54	2241999	N	CABINET	1	TWIN PATIENT BLOWER CABINET (SEE PAGE 2-102)
55	2295225	N	HOSE ASM	1	TWIN GRADIENT HOSE ASSEMBLY (SEE PAGE 2-349)
56	2295226	N	HOSE ASM	1	TWIN VACUUM HOSE ASSEMBLY (SEE PAGE 2-350)
57	2297542	N	COVERS	1	TWIN COVERS W/CLIPS (SEE PAGE 2-253)
58	2321159	N	COLLECTOR	1	PAC AND SRI KIT (SEE PAGE 2-313)
59	2321160	N	COLLECTOR	1	REAR PED 1.5T FIXED COLLECTOR (SEE PAGE 2-250)

1-11 EXCITE II 11.x TwinSpeed SYSTEM CATALOGS

CATALOG	M3000TD	FRU	N	1.5T EXCITE 11.x TwinSpeed EchoSpeed W/PA	
Item	Part Number	FRU	Name	Quantity	Description (Remarks)
2	46-265300G3	N	TABLE ASM	1	PATIENT TRANSPORT-INFINITY COLOR (SEE SECTION 3)
14	2134337	N	KIT OF PARTS	1	PHANTOM KIT(SEE PAGE (SEE PAGE 1-100)
16	2321156-9	N	COLLECTOR	1	DESKTOP COLLECTOR-EXCITE II (SEE PAGE 13-41)
17	2321157	N	COLLECTOR	1	MFG PADS/ACC'Y KIT (1.5T) COLLECTOR (SEE PAGE 1-98)
18	2366960	N	COLLECTOR	1	1.5T SPLIT HEAD COIL/PHANTOM COLLECT (SEE PAGE 1-113)
23	M20082BK	N	CATALOG ITEM	1	GOC ASSY (SEE PAGE 13-42)
50	2381388	N	COLLECTOR	1	ACGD CAB FAN ASSEMBLY ALTERNATES (SEE PAGE 1-90)
70	5116104	N	PDM SOFTWARE	1	ECHOSPEED PLUS-SR120 ELECTRONIC OPTION
72	5116064	N	PDM ASSEMBLY	1	TWIN ACESORY CABINET (SEE PAGE 17-7)
74	2355992	N	COLLECTOR	1	ACGD ALTERNATES - MFG COLLECTOR (SEE PAGE 1-90)
75	2396084	N	COLLECTOR	1	EXCITE II SYSTEM CABINET ALTERNATES (SEE PAGE 8-89)

1.5T TwinSpeed MAGNET ENCLOSURE – FIXED & MOBILE



CATALOG M3043TD FRU N 1.5T EXCITE 11.x TwinSpeed FIXED with MULTICOIL

Item	Part Number	FRU	Name	Quantity	Description (Remarks)
2	2377529-2	N	ASSEMBLY	1	EXCITE II PEN PANEL TWIN (SEE PAGE 4-13)
4	2133388-6	N	PHANTOM KIT	1	CONQUEST SPT PHANTOM CART KIT (SEE PAGE 1-102)
5	2321160-16	N	COLLECTOR	1	MFG REAR PED 1.5T EXCITE II FIX COL (SEE PAGE 2-252)
11	46-317126G3	N	COVER KIT	1	UFI PENETRATION PANEL COVER KIT (SEE PAGE 4-26)
50	2382400	N	COLLECTOR	1	EXCITE II LPCA AND REAR SPLIT BRIDGE (SEE PAGE 2-307)
51	2129412-5	N	HOSE KIT	1	BLOWER HOSE KIT (SEE PAGE 2-103)
52	2222541-10	N	COLLECTER CO	1	WIDE OPEN ENCLOSURE COVERS MKE (SEE PAGE 2-254)
53	2222541-9	N	COLLECTOR	1	WIDE OPN ENCL PEDESTAL COVERS MKE (SEE PAGE 2-252)
54	2241999	N	CABINET	1	TWIN PATIENT BLOWER CABINET (SEE PAGE 2-102)
57	2297542	N	HOSE KIT	1	TWIN COVERS ARREM MKE W/CLIPS (SEE PAGE 2-253)
58	2321159-4	N	COLLECTOR	1	MFG PAC/SRI II UPG KIT COLLECTOR (SEE PAGE 2-314)

CATALOG M3053TD FRU N 1.5T EXCITE 11.x TwinSpeed MOBILE with MULTICOIL

Item	Part Number	FRU	Name	Quantity	Description (Remarks)
2	2377529-2	N	ASSEMBLY	1	EXCITE II PEN PANEL TWIN (SEE PAGE 4-13)
4	2133388-7	N	PHANTOM KIT	1	CX SPT PHANTOM CART KIT MINUS CART (SEE PAGE 1-103)
5	2322678-5	N	COLLECTOR	1	MFG EXCITE II MOB MISC ITEM COLLECTOR (SEE PAGE 1-91)
11	46-317126G4	N	COVER KIT	1	MOBILE-SITE PENETRATION PANEL COVER (SEE PAGE 4-26)
50	2382400	N	COLLECTOR	1	EXCITE II LPCA AND REAR SPLIT BRIDGE (SEE PAGE 2-307)
51	2129412-5	N	HOSE KIT	1	BLOWER HOSE KIT (SEE PAGE 2-103)
52	2217457	N	TOP FRONT CO	1	WIDE OPEN TOP FRONT COVER
53	2222541-9	N	COLLECTOR	1	WIDE OPN ENCL PEDESTAL COVERS MKE (SEE PAGE 2-252)
54	2224384	N	ASSEMBLY	1	LCC CEILING TRACK (MOBILE)
55	2241999	N	CABINET	1	TWIN PATIENT BLOWER CABINET (SEE PAGE 2-102)
56	2295225	N	HOSE ASM	1	TWIN GRADIENT HOSE ASSEMBLY (SEE PAGE 2-349)
57	2295226	N	HOSE ASM	1	TWIN VACUUM HOSE ASSEMBLY (SEE PAGE 2-350)
58	2297542-2	N	HOSE KIT	1	TWIN COVERS ARREM MKE W/CLIPS (SEE PAGE 2-253)
59	2321159-4	N	COLLECTOR	1	MFG PAC/SRI II UPG KIT COLLECTOR (SEE PAGE 2-314)
60	2321160-17	N	COLLECTOR	1	MFG REAR PED 1.5T EXCITE II MOB COL (SEE PAGE 2-252)

CATALOG M3063TD FRU N 1.5T EXCITE 11.x TwinSpeed T/R with MULTICOIL

Item	Part Number	FRU	Name	Quantity	Description (Remarks)
2	2377529-2	N	ASSEMBLY	1	EXCITE II PEN PANEL TWIN (SEE PAGE 4-13)
4	2133388-6	N	PHANTOM KIT	1	CONQUEST SPT PHANTOM CART KIT (SEE PAGE 1-102)
5	2321160-16	N	COLLECTOR	1	MFG REAR PED 1.5T EXCITE II FIX COL (SEE PAGE 2-252)
7	2322678-6	N	COLLECTOR	1	MFG EXCITE II T/R MISC ITEMS COL (SEE PAGE 1-91)
13	46-317126G4	N	COVER KIT	1	MOBILE-SITE PENETRATION PANEL COVER (SEE PAGE 4-26)
50	2382400	N	COLLECTOR	1	EXCITE II LPCA AND REAR SPLIT BRIDGE (SEE PAGE 2-307)
51	2129412-5	N	HOSE KIT	1	BLOWER HOSE KIT (SEE PAGE 2-103)
52	2222541-10	N	COLLECTER CO	1	WIDE OPEN ENCLOSURE COVERS MKE (SEE PAGE 2-254)
53	2222541-9	N	COLLECTOR	1	WIDE OPN ENCL PEDESTAL COVERS MKE (SEE PAGE 2-252)
54	2241999	N	CABINET	1	TWIN PATIENT BLOWER CABINET (SEE PAGE 2-102)
55	2295225	N	HOSE ASM	1	TWIN GRADIENT HOSE ASSEMBLY (SEE PAGE 2-349)
56	2295226	N	HOSE ASM	1	TWIN VACUUM HOSE ASSEMBLY (SEE PAGE 2-350)
57	2297542	N	HOSE KIT	1	TWIN COVERS ARREM MKE W/CLIPS (SEE PAGE 2-253)
58	2321159-4	N	COLLECTOR	1	MFG PAC/SRI II UPG KIT COLLECTOR (SEE PAGE 2-314)

CATALOG M3143TD FRU N EXCITE 11.x TwinSpeed FIXED CABLE KIT – CONFIG “A”

Item	Part Number	FRU	Name	Quantity	Description (Remarks)
1	2375450-4	N	SYSTEM CABLE	1	EXCITE II TWIN FXD CABLES—CONFIG A (SEE PAGE 1-80)
2	2375451-4	N	PDU CABLES	1	TWIN PDU CABLES – CONFIG A (SEE PAGE 1-85)
3	2375452-4	N	CABLE KIT	1	TWIN GRADIENT CABLE KIT – CONFIG A (SEE PAGE 1-86)
4	2375453	N	COLLECTOR	1	EXCITE II FXD FIBER OPTIC—CONFIG A (SEE PAGE 1-71)
5	2300798-2	N	KIT OF PARTS	1	1.5T HEAD/BODY COIL CABLE KIT—60 FT (SEE PAGE 1-227)
6	2295225	N	HOSE ASM	1	TWIN GRADIENT HOSE ASSEMBLY (SEE PAGE 2-349)
7	2295226	N	HOSE ASM	1	TWIN VACUUM HOSE ASSEMBLY (SEE PAGE 2-350)

CATALOG M3144TD FRU N EXCITE 11.x TwinSpeed FIXED CABLE KIT – CONFIG “B”

Item	Part Number	FRU	Name	Quantity	Description (Remarks)
1	2375450-5	N	SYSTEM CABLE	1	EXCITE II TWIN FXD CABLES—CONFIG B (SEE PAGE 1-80)
2	2375451-5	N	PDU CABLES	1	TWIN PDU CABLES – CONFIG B (SEE PAGE 1-85)
3	2375452-5	N	CABLE KIT	1	TWIN GRADIENT CABLE KIT – CONFIG B (SEE PAGE 1-86)
4	2375453-2	N	COLLECTOR	1	EXCITE II FXD FIBER OPTIC—CONFIG B (SEE PAGE 1-71)
5	46-317598G23	N	XMIT COLL	1	1.5T FIXED SITE HELIAX & CONNECTORS (SEE PAGE 1-230)
6	2295225	N	HOSE ASM	1	TWIN GRADIENT HOSE ASSEMBLY (SEE PAGE 2-349)
7	2295226	N	HOSE ASM	1	TWIN VACUUM HOSE ASSEMBLY (SEE PAGE 2-350)
8	2105371	N	RF CABLE SET	1	RF CAB FLEXIBLE EXTENSION CABLES (SEE PAGE 1-229)

CATALOG M3145TD FRU N EXCITE 11.x TwinSpeed FIXED CABLE KIT – CONFIG “C”

Item	Part Number	FRU	Name	Quantity	Description (Remarks)
1	2375450-6	N	SYSTEM CABLE	1	EXCITE II TWIN FXD CABLES—CONFIG C (SEE PAGE 1-80)
2	2375451-6	N	PDU CABLES	1	TWIN PDU CABLES – CONFIG C (SEE PAGE 1-85)
3	2375452-6	N	CABLE KIT	1	TWIN GRADIENT CABLE KIT – CONFIG C (SEE PAGE 1-86)
4	2375453-3	N	COLLECTOR	1	EXCITE II FXD FIBER OPTIC—CONFIG C (SEE PAGE 1-71)
5	2300798	N	KIT OF PARTS	1	1.5 T HEAD/BODY COIL CABLE KIT—80 FT (SEE PAGE 1-227)
6	2295225	N	HOSE ASM	1	TWIN GRADIENT HOSE ASSEMBLY (SEE PAGE 2-349)
7	2295226	N	HOSE ASM	1	TWIN VACUUM HOSE ASSEMBLY (SEE PAGE 2-350)

CATALOG M3153TD FRU N EXCITE 11.x TwinSpeed MOBILE CABLE KIT

Item	Part Number	FRU	Name	Quantity	Description (Remarks)
2	2300798	N	KIT OF PARTS	1	1.5 T HEAD/BODY COIL CABLE KIT—80 FT (SEE PAGE 1-227)
3	2120963-9	N	GRAD CBL KIT	1	TWIN GRADIENT CABLE KIT MOBILE SITE (SEE PAGE 1-236)
4	46-258771G74	N	SYSTEM CABLE	1	MOB TWIN EXCITE II SYSTEM CABLES (SEE PAGE 1-213)
5	46-258790G83	N	PDU CABLES	1	PDU CABLES MOB EXCITE II TWIN (SEE PAGE 1-225)
6	46-317249G81	N	CABLES F.O.	1	F.O. CABLES EXCITE II MOB (SEE PAGE 1-241)

CATALOG M3163TD FRU N EXCITE 11.x TwinSpeed T/R CABLE KIT

Item	Part Number	FRU	Name	Quantity	Description (Remarks)
2	2300798	N	KIT OF PARTS	1	1.5 T HEAD/BODY COIL CABLE KIT—80 FT (SEE PAGE 1-227)
3	2120963-9	N	GRAD CBL KIT	1	TWIN GRADIENT CABLE KIT MOBILE SITE (SEE PAGE 1-236)
4	46-258771G75	N	SYSTEM CABLE	1	TWIN T/R EXCITE II SYSTEM CABLE (SEE PAGE 1-214)
5	46-258790G84	N	PDU CABLES	1	PDU CABLES T/R EXCITE II TWIN (SEE PAGE 1-225)
6	46-317249G82	N	COLLECTOR	1	F. O. CABLES T/R (SEE PAGE 1-241)

Twin EXCITE 11.x FXD CABLES – “A” 2375450-4 FRU N (PART 1 OF M3143TD PAGE 1-79)

Item	Part Number	FRU	Name	Quantity	Description (Remarks)
1	2379497-4	N	KIT OF PARTS	1.0	TWIN MAGNET ROOM CABLES – CONFIG A (SEE PAGE 1-80)
2	2379498-4	N	KIT OF PARTS	1.0	TWIN EQUIPMENT RM CABLES—CONFIG A (SEE PAGE 1-82)
3	2379499	N	KIT OF PARTS	1.0	CONTROL ROOM CABLES – CONFIG A (SEE PAGE 1-68)

Twin EXCITE 11.x FXD CABLES – “B” 2375450-5 FRU N (PART 1 OF M3144TD PAGE 1-79)

Item	Part Number	FRU	Name	Quantity	Description (Remarks)
1	2379497-5	N	KIT OF PARTS	1.0	TWIN MAGNET ROOM CABLES – CONFIG B (SEE PAGE 1-81)
2	2379498-5	N	KIT OF PARTS	1.0	TWIN EQUIPMENT RM CABLES—CONFIG B (SEE PAGE 1-83)
3	2379499	N	KIT OF PARTS	1.0	CONTROL ROOM CABLES – CONFIG A (SEE PAGE 1-68)

Twin EXCITE 11.x FXD CABLES – “C” 2375450-6 FRU N (PART 1 OF M3145TD PAGE 1-79)

Item	Part Number	FRU	Name	Quantity	Description (Remarks)
1	2379497-6	N	KIT OF PARTS	1.0	TWIN MAGNET ROOM CABLES – CONFIG C (SEE PAGE 1-81)
2	2379498-6	N	KIT OF PARTS	1.0	TWIN EQUIPMENT RM CABLES—CONFIG C (SEE PAGE 1-84)
3	2379499	N	KIT OF PARTS	1.0	CONTROL ROOM CABLES – CONFIG A (SEE PAGE 1-68)

Twin EXCITE 11.x MGNT RM CBLS “A” 2379497-4 FRU N (PART 1 OF 2375450-4 PAGE 1-80)

Item	Part Number	FRU	Name	Quantity	Description (Remarks)
8	2328100-37	N	CABLE	1	(262) PP1-J8 TO MG3-A3-A5-OUT
9	2363001	N	ASSEMBLY	1	(282) MG3-A2-J6 TO PP1-J12
11	46-271693G1	N	CABLE ASM	1	(297) EMERGENCY OFF SW TO PP1-J18
12	2354601	N	ASSEMBLY	1	(318) MG3-A7 TO PP1-J11
15	2363002-3	N	ASSEMBLY	1	(387) MG2-A29-J1 TO PP1-J47
19	2354600-7	N	ASSEMBLY	1	(778) MG2-A12-A2-J3 TO PP1-A11-J72
20	2354600-9	N	ASSEMBLY	1	(779) MG2-A12-A2-J4 TO PP1-A11-J73
21	2354600-11	N	ASSEMBLY	1	(780) MG3-A3-J6 TO PP1-A11-J74
22	2354600-13	N	ASSEMBLY	1	(781) MG2-A12-A2-J5 TO PP1-A11-J75
23	2354600-15	N	ASSEMBLY	1	(782) MG2-A12-A2-J6 TO PP1-A11-J76
25	2357101-5	N	COLLECTOR	1	(715) MG2-A33-J1 TO PP1-J14
27	2371749-5	N	PART	1	(716) MG2-A11-J2 TO PP1-J89
29	2374702	N	CABLE	1	(784) MG6-J1 TO PP1-F5/F6
36	2328100-7	N	ASSEMBLY	1	(491) PP1-J80 TO MG3-A36-J7
37	2328100-9	N	ASSEMBLY	1	(492) PP1-J81 TO MG3-A36-J8
38	2328100-11	N	ASSEMBLY	1	(493) PP1-J82 TO MG3-A36-J9
52	2328100-23	N	ASSEMBLY	1	(1036) PP1-J84 TO MG3-A36-J6
53	2328100-25	N	ASSEMBLY	1	(1037) PP1-J6 TO MG3-A36-J1
54	2328100-27	N	ASSEMBLY	1	(1038) PP1-J7 TO MG3-A36-J2
55	2328100-29	N	ASSEMBLY	1	(1039) PP1-J58 TO MG3-A36-J3
56	2328100-31	N	ASSEMBLY	1	(1040) PP1-J59 TO MG3-A36-J4
57	2329505-4	N	CABLE	1	(1041) MG3A36-J10 TO PP1-J78
58	2371749-9	N	PART	1	(1042) MG3-A36-J5 TO PP1-J77
60	2377248-3	N	CABLE	1	(1057) MG3-A8-J1 TO PP1-J85 UTNS
61	2377705	N	CABLE	1	(1054) SRI II TO CROSS POINT

Twin EXCITE 11.x MGNT RM CBLs "B" 2379497-5 FRU N

(PART 1 OF 2375450-5 PAGE 1-80)

Item	Part Number	FRU	Name	Quantity	Description (Remarks)
8	2328100-37	N	CABLE	1	(262) PP1-J8 TO MG3-A3-A5-OUT
9	2363001	N	ASSEMBLY	1	(282) MG3-A2-J6 TO PP1-J12
11	46-271693G1	N	CABLE ASM	1	(297) EMERGENCY OFF SW TO PP1-J18
12	2354601	N	ASSEMBLY	1	(318) MG3-A7 TO PP1-J11
15	2363002-3	N	ASSEMBLY	1	(387) MG2-A29-J1 TO PP1-J47
19	2354600-7	N	ASSEMBLY	1	(778) MG2-A12-A2-J3 TO PP1-A11-J72
20	2354600-9	N	ASSEMBLY	1	(779) MG2-A12-A2-J4 TO PP1-A11-J73
21	2354600-11	N	ASSEMBLY	1	(780) MG3-A3-J6 TO PP1-A11-J74
22	2354600-13	N	ASSEMBLY	1	(781) MG2-A12-A2-J5 TO PP1-A11-J75
23	2354600-15	N	ASSEMBLY	1	(782) MG2-A12-A2-J6 TO PP1-A11-J76
25	2357101-5	N	COLLECTOR	1	(715) MG2-A33-J1 TO PP1-J14
27	2371749-5	N	PART	1	(716) MG2-A11-J2 TO PP1-J89
29	2374702	N	CABLE	1	(784) MG6-J1 TO PP1-F5/F6
36	2328100-7	N	ASSEMBLY	1	(491) PP1-J80 TO MG3-A36-J7
37	2328100-9	N	ASSEMBLY	1	(492) PP1-J81 TO MG3-A36-J8
38	2328100-11	N	ASSEMBLY	1	(493) PP1-J82 TO MG3-A36-J9
52	2328100-23	N	ASSEMBLY	1	(1036) PP1-J84 TO MG3-A36-J6
53	2328100-25	N	ASSEMBLY	1	(1037) PP1-J6 TO MG3-A36-J1
54	2328100-27	N	ASSEMBLY	1	(1038) PP1-J7 TO MG3-A36-J2
55	2328100-29	N	ASSEMBLY	1	(1039) PP1-J58 TO MG3-A36-J3
56	2328100-31	N	ASSEMBLY	1	(1040) PP1-J59 TO MG3-A36-J4
57	2329505-4	N	CABLE	1	(1041) MG3A36-J10 TO PP1-J78
58	2371749-9	N	PART	1	(1042) MG3-A36-J5 TO PP1-J77
60	2377248-3	N	CABLE	1	(1057) MG3-A8-J1 TO PP1-J85 UTNS
61	2377705	N	CABLE	1	(1054) SRI II TO CROSS POINT

Twin EXCITE 11.x MGNT RM CBLs "C" 2379497-6 FRU N

(PART 1 OF 2375450-6 PAGE 1-80)

Item	Part Number	FRU	Name	Quantity	Description (Remarks)
8	2328100-38	N	CABLE	1	(262) PP1-J8 TO MG3-A3-A5-OUT
9	2363001-2	N	ASSEMBLY	1	(282) MG3-A2-J6 TO PPA-J12
11	46-271693G1	N	CABLE ASM	1	(297) EMERGENCY OFF SW TO PP1-J18
12	2354601-2	N	ASSEMBLY	1	(318) MG3-A7 TO PP1-J11
15	2363002-4	N	ASSEMBLY	1	(387) MG2-A29-J1 TO PP1-J47
19	2354600-8	N	ASSEMBLY	1	(778) MG2-A12-A2-J3 TO PP1-A11-J72
20	2354600-10	N	ASSEMBLY	1	(779) MG2-A12-A2-J4 TO PP1-A11-J73
21	2354600-12	N	ASSEMBLY	1	(780) MG3-A3-J6 TO PP1-A11-J74
22	2354600-14	N	ASSEMBLY	1	(781) MG2-A12-A2-J5 TO PP1-A11-J75
23	2354600-16	N	ASSEMBLY	1	(782) MG2-A12-A2-J6 TO PP1-A11-J76
25	2357101-6	N	COLLECTOR	1	(715) MG2-A33-J1 TO PP1-J14
27	2371749-6	N	PART	1	(716) MG2-A11-J2 TO PP1-J89
29	2374702-2	N	CABLE	1	(784) MG6-J1 TO PP1-F5/F6
36	2328100-8	N	ASSEMBLY	1	(491) PP1-J80 TO MG3-A36-J7
37	2328100-10	N	ASSEMBLY	1	(492) PP1-J81 TO MG3-A36-J8
38	2328100-12	N	ASSEMBLY	1	(493) PP1-J82 TO MG3-A36-J9
52	2328100-24	N	ASSEMBLY	1	(1036) PP1-J84 TO MG3-A36-J6
53	2328100-26	N	ASSEMBLY	1	(1037) PP1-J6 TO MG3-A36-J1
54	2328100-28	N	ASSEMBLY	1	(1038) PP1-J7 TO MG3-A36-J2
55	2328100-30	N	ASSEMBLY	1	(1039) PP1-J58 TO MG3-A36-J3
56	2328100-32	N	ASSEMBLY	1	(1040) PP1-J59 TO MG3-A36-J4
57	2329505-3	N	CABLE	1	(1041T)MG3A36-J10 TO PP1-J78
58	2371749-10	N	PART	1	(1042) MG3-A36-J5 TO PP1-J77
60	2377248-4	N	CABLE	1	(1057) MG3-A8-J1 TO PP1-J85 UTNS
61	2377705	N	CABLE	1	(1054) SRI II TO CROSS POINT

Twin EXCITE 11.x EQP RM CBLs "A" 2379498-4 FRU N

(PART 2 OF 2375450-4 PAGE 1-80)

Item	Part Number	FRU	Name	Quantity	Description (Remarks)
3	2371938	N	CABLE	1	(702) MR2-A11-J18 TO MR1-J5
4	2371939	N	CABLE	1	(703/971) MR2-A11-J23 TO PD1-A1-A2-
5	2328100-34	N	ASSEMBLY	1	(229) MR2-A11-J1 TO MR1-A7-J3 OR
6	2328100-35	N	ASSEMBLY	1	(231) MR2-A11-J2 TO PP1-J8
7	2328100-13	N	ASSEMBLY	1	(233/499) MR2-A11-J5 TO PP1-7 OR
10	46-271692G601	N	CABLE ASM	1	(296T) PP1-J18 TO FACILITIY DISCONN
13	2357101	N	COLLECTOR	1	(768) PP1-J20 TO MR1-A7-J31
14	2363002	N	ASSEMBLY	1	(771) PP1-J47 TO MR1-A7-J36
16	2354601-3	N	ASSEMBLY	1	(770) PP1-J11 TO MR1-A7-J41
17	2363001-3	N	ASSEMBLY	1	(769) PP1-J15 TO MR1-A7-J34
18	2374701-3	N	CABLE	1	(774) MR2-A11-J25 TO MR1-A7-J32
24	2357101-3	N	COLLECTOR	1	(772) PP1-J14 TO MR1-A7-J40
26	2371749	N	PART	1	(773) PP1-A17-J1 TO MR1-A7-J35
28	2123533	N	POWER CABLE	1	(783) MR1-A7-J37 TO PP1-F5/F6, 30'
30	2354600	N	ASSEMBLY	1	(777) MR1-A7-J43 TO PP1-A11-J94
31	2354600-3	N	ASSEMBLY	1	(776) MR1-A7-J44 TO PP1-A11-J93
32	2354600-5	N	ASSEMBLY	1	(775) MR1-A7-J42 TO PP1-A11-J92
33	2328100	N	CABLE	1	(488) MR2-A11-J8 TO PP1-J80
34	2328100-3	N	ASSEMBLY	1	(489) MR2-A11-J9 TO PP1-J81
35	2328100-5	N	ASSEMBLY	1	(490) MR2-A11-J10 TO PP1-J82
42	2354601-11	N	ASSEMBLY	1	(974) MR3CABI/F-J5 TO TAC-J12
43	2374698	N	CABLE	3	(988) TAC-GND TO PP1-A7-GND
44	2288898-2	N	CABLE	1	(992M) TAC J2 TO TSCC J3
45	2315915	N	CABLE PT	1	MR3GP-J16 TO MR3PDU-J4 ACGD/PDU
46	2328100-15	N	ASSEMBLY	1	(1025) MR2-A11-J40 TO PP1-J6
47	2328100-17	N	ASSEMBLY	1	(1026) MR2-A11-J41 TO PP1-J7
48	2328100-19	N	ASSEMBLY	1	(1027) MR2-A11-J42 TO PP1-J58
49	2328100-21	N	ASSEMBLY	1	(1028) MR2-A11-J43 TO PP1-J59
50	2371749-7	N	PART	1	(1029) PP1-J77 TO M2-A11-J62
51	2357101-7	N	COLLECTOR	1	(1030) PP1-J78 TO MR2-A11-J61
60	2377248	N	CABLE	1	(1053) PP1-J85 TO MG3-A8-J1

Twin EXCITE 11.x EQP RM CBLs "B" 2379498-5 FRU N

(PART 2 OF 2375450-5 PAGE 1-80)

Item	Part Number	FRU	Name	Quantity	Description (Remarks)
3	2371938	N	CABLE	1	(702) MR2-A11-J18 TO MR1-J5
4	2371939	N	CABLE	1	(703/971) MR2-A11-J23 TO PD1-A1-A2-
5	2328100-34	N	ASSEMBLY	1	(229) MR2-A11-J1 TO MR1-A7-J3 OR
6	2328100-36	N	ASSEMBLY	1	(231) MR2-A11-J2 TO PP1-J8
7	2328100-14	N	ASSEMBLY	1	(233/499) MR2-A11-J5 TO PP1-7 OR
10	46-271692G1	N	CABLE ASM	1	(296) FACILITY DISCONNECT TO PP1-J18
13	2357101-2	N	COLLECTOR	1	(768) PP1-J20 TO MR1-A7-J31
14	2363002-2	N	ASSEMBLY	1	(771) PP1-J47 TO MR1-A7-J36
16	2354601-4	N	ASSEMBLY	1	(770) PP1-J11 TO MR1-A7-J41
17	2363001-4	N	ASSEMBLY	1	(769) PP1-J15 TO MR1-A7-J34
18	2374701-3	N	CABLE	1	(774) MR2-A11-J25 TO MR1-A7-J32
24	2357101-4	N	COLLECTOR	1	(772) PP1-J14 TO MR1-A7-J40
26	2371749-2	N	PART	1	(773) PP1-A17-J1 TO MR1-A7-J35
28	2123533-4	N	CABLE	1	(783TR) MR1-A7-J37 TO PP1-F5/F6, 65'
30	2354600-2	N	ASSEMBLY	1	(777) MR1-A7-J43 TO PP1-A11-J94
31	2354600-4	N	ASSEMBLY	1	(776) MR1-A7-J44 TO PP1-A11-J93
32	2354600-6	N	ASSEMBLY	1	(775) MR1-A7-J42 TO PP1-A11-J92
33	2328100-2	N	ASSEMBLY	1	(488) MR2-A11-J8 TO PP1-J80
34	2328100-4	N	ASSEMBLY	1	(489) MR2-A11-J9 TO PP1-J81
35	2328100-6	N	ASSEMBLY	1	(490) MR2-A11-J10 TO PP1-J82
42	2354601-11	N	ASSEMBLY	1	(974) MR3CABI/F-J5 TO TAC-J12
43	2374698	N	CABLE	3	(988) TAC-GND TO PP1-A7-GND
44	2288898-2	N	CABLE	1	(992M) TAC J2 TO TSCC J3
45	2315915	N	CABLE PT	1	MR3GP-J16 TO MR3PDU-J4 ACGD/PDU
46	2328100-16	N	ASSEMBLY	1	(1025) MR2-A11-J40 TO PP1-J6
47	2328100-18	N	ASSEMBLY	1	(1026) MR2-A11-J41 TO PP1-J7
48	2328100-20	N	ASSEMBLY	1	(1027) MR2-A11-J42 TO PP1-J58
49	2328100-22	N	ASSEMBLY	1	(1028) MR2-A11-J43 TO PP1-J59
50	2371749-8	N	PART	1	(1029) PP1-J77 TO M2-A11-J62
51	2357101-8	N	COLLECTOR	1	(1030) PP1-J78 TO MR2-A11-J61
60	2377248-2	N	CABLE	1	(1053) MR2A11J54 TO PP1J85 UTNS

Twin EXCITE 11.x EQP RM CBLs "C" 2379498-6 FRU N

(PART 2 OF 2375450-6 PAGE 1-80)

Item	Part Number	FRU	Name	Quantity	Description (Remarks)
3	2371938	N	CABLE	1	(702) MR2-A11-J18 TO MR1-J5
4	2371939	N	CABLE	1	(703/971) MR2-A11-J23 TO PD1-A1-A2-
5	2328100-34	N	ASSEMBLY	1	(229) MR2-A11-J1 TO MR1-A7-J3 OR
6	2328100-35	N	ASSEMBLY	1	(231) MR2-A11-J2 TO PP1-J8
7	2328100-13	N	ASSEMBLY	1	(233/499) MR2-A11-J5 TO PP1-7 OR
10	46-271692G601	N	CABLE ASM	1	(296T) PP1-J18 TO FACILITIY DISCONN
13	2357101	N	COLLECTOR	1	(768) PP1-J20 TO MR1-A7-J31
14	2363002	N	ASSEMBLY	1	(771) PP1-J47 TO MR1-A7-J36
16	2354601-3	N	ASSEMBLY	1	(770) PP1-J11 TO MR1-A7-J41
17	2363001-3	N	ASSEMBLY	1	(769) PP1-J15 TO MR1-A7-J34
18	2374701-3	N	CABLE	1	(774) MR2-A11-J25 TO MR1-A7-J32
24	2357101-3	N	COLLECTOR	1	(772) PP1-J14 TO MR1-A7-J40
26	2371749	N	PART	1	(773) PP1-A17-J1 TO MR1-A7-J35
28	2123533	N	POWER CABLE	1	(783) MR1-A7-J37 TO PP1-F5/F6, 30'
30	2354600	N	ASSEMBLY	1	(777) MR1-A7-J43 TO PP1-A11-J94
31	2354600-3	N	ASSEMBLY	1	(776) MR1-A7-J44 TO PP1-A11-J93
32	2354600-5	N	ASSEMBLY	1	(775) MR1-A7-J42 TO PP1-A11-J92
33	2328100	N	CABLE	1	(488) MR2-A11-J8 TO PP1-J80
34	2328100-3	N	ASSEMBLY	1	(489) MR2-A11-J9 TO PP1-J81
35	2328100-5	N	ASSEMBLY	1	(490) MR2-A11-J10 TO PP1-J82
42	2354601-11	N	ASSEMBLY	1	(974) MR3CABI/F-J5 TO TAC-J12
43	2374698	N	CABLE	3	(988) TAC-GND TO PP1-A7-GND
44	2288898-2	N	CABLE	1	(992M) TAC J2 TO TSCC J3
45	2315915	N	CABLE PT	1	MR3GP-J16 TO MR3PDU-J4 ACGD/PDU
46	2328100-15	N	ASSEMBLY	1	(1025) MR2-A11-J40 TO PP1-J6
47	2328100-17	N	ASSEMBLY	1	(1026) MR2-A11-J41 TO PP1-J7
48	2328100-19	N	ASSEMBLY	1	(1027) MR2-A11-J42 TO PP1-J58
49	2328100-21	N	ASSEMBLY	1	(1028) MR2-A11-J43 TO PP1-J59
50	2371749-7	N	PART	1	(1029) PP1-J77 TO M2-A11-J62
51	2357101-7	N	COLLECTOR	1	(1030) PP1-J78 TO MR2-A11-J61
60	2377248	N	CABLE	1	(1053) PP1-J85 TO MG3-A8-J1

Twin EXCITE 11.x PDU CABLES – “A” 2375451-4 FRU N

(PART 2 OF M3143TD PAGE 1-79)

Item	Part Number	FRU	Name	Quantity	Description (Remarks)
1	2345401	N	CABLE	1.0	(037) MR2-A12-GND TO PD1-GND
2	46-320460G1	N	CABLE POWER	2.0	PDU OUTLET TO MAG/SHIM POWER SUPPLY
3	2371513	N	CABLE	1.0	(040) RF COM GRND STUD TO MS1
4	2345401-2	N	ASSEMBLY	1.0	(044) MR1-A7-GND TO PD1-GND
5	2345401-4	N	ASSEMBLY	1.0	(045) PP1-GND TO FAN MOD-GND
7	2371514	N	CABLE ASM	1.0	(966) MR1-A7-J1 TO MR3-PD1
8	2371514-2	N	CABLE ASM	1.0	(968) MR2-A12-J1 TO MR3-PD1
9	2370617	N	PART	1.0	(967) MR1-CB1 OR MR1-TS1 TO MR3-PD1
10	2371515-2	N	CABLE ASM	1.0	(1081) OW1-A19-J1 TO MR3-PD1
11	2345401-8	N	ASSEMBLY	1.0	(038) MR1-A7-GND TO PD1-A2-A2
12	2374699	N	CABLE	1.0	(989) TAC-J8 TO MR3-PD1

Twin EXCITE 11.x PDU CABLES – “B” 2375451-5 FRU N

(PART 2 OF M3144TD PAGE 1-79)

Item	Part Number	FRU	Name	Quantity	Description (Remarks)
1	2345401	N	CABLE	1.0	(037) MR2-A12-GND TO PD1-GND
2	46-320460G1	N	CABLE POWER	2.0	PDU OUTLET TO MAG/SHIM POWER SUPPLY
3	2371513	N	CABLE	1.0	(040) RF COM GRND STUD TO MS1
4	2345401-3	N	ASSEMBLY	1.0	(044) MR1-A7-GND TO PD1-GND
5	2345401-4	N	ASSEMBLY	1.0	(045) PP1-GND TO FAN MOD-GND
7	2371514	N	CABLE ASM	1.0	(966) MR1-A7-J1 TO MR3-PD1
8	2371514-2	N	CABLE ASM	1.0	(968) MR2-A12-J1 TO MR3-PD1
9	2370617	N	PART	1.0	(967) MR1-CB1 OR MR1-TS1 TO MR3-PD1
10	2371515-2	N	CABLE ASM	1.0	(1081) OW1-A19-J1 TO MR3-PD1
11	2345401-8	N	ASSEMBLY	1.0	(038) MR1-A7-GND TO PD1-A2-A2
12	2374699	N	CABLE	1.0	(989) TAC-J8 TO MR3-PD1

Twin EXCITE 11.x PDU CABLES – “C” 2375451-6 FRU N

(PART 2 OF M3145TD PAGE 1-79)

Item	Part Number	FRU	Name	Quantity	Description (Remarks)
1	2345401	N	CABLE	1.0	(037) MR2-A12-GND TO PD1-GND
2	46-320460G1	N	CABLE POWER	2.0	PDU OUTLET TO MAG/SHIM POWER SUPPLY
3	2371513-2	N	CABLE	1.0	(040) RF COM GRND STUD TO MS1
4	2345401-2	N	ASSEMBLY	1.0	(044) MR1-A7-GND TO PD1-GND
5	2345401-5	N	ASSEMBLY	1.0	(045) PP1-GND TO FAN MOD-GND
7	2371514	N	CABLE ASM	1.0	(966) MR1-A7-J1 TO MR3-PD1
8	2371514-2	N	CABLE ASM	1.0	(968) MR2-A12-J1 TO MR3-PD1
9	2370617	N	PART	1.0	(967) MR1-CB1 OR MR1-TS1 TO MR3-PD1
10	2371515-2	N	CABLE ASM	1.0	(1081) OW1-A19-J1 TO MR3-PD1
11	2345401-8	N	ASSEMBLY	1.0	(038) MR1-A7-GND TO PD1-A2-A2
12	2374699	N	CABLE	1.0	(989) TAC-J8 TO MR3-PD1

Twin EXCITE 11.x GRADIENT CBLS--"A"2375452-4 FRU N

(PART 3 OF M3143TD PAGE 1-79)

Item	Part Number	FRU	Name	Quantity	Description (Remarks)
1	2345400-10	N	CABLE	1	(979) PP1-A7-X TO (976) TACCAB-X
2	2345400-11	N	CABLE	1	(980) PP1-A7-Y TO (977) TACCAB-Y
3	2345400-12	N	CABLE	1	(981) PP1-A7-Z TO (978) TACCAB-Z
4	2345400-16	N	CABLE	1	(984) PP1-A7-X ZM
5	2345400-17	N	CABLE	1	(983) PP1-A7-Y ZM
6	2345400-18	N	CABLE	1	(982) PP1-A7-Z ZM
7	2345400-22	N	CABLE	1	(987) PP1-A7-X WB
8	2345400-23	N	CABLE	1	(986) PP1-A7-Y WB
9	2345400-24	N	CABLE	1	(985) PP1-A7-Z WB

Twin EXCITE 11.x GRADIENT CBLS--"B"2375452-5 FRU N

(PART 3 OF M3144TD PAGE 1-79)

Item	Part Number	FRU	Name	Quantity	Description (Remarks)
1	2345400-13	N	CABLE	1	(979) PP1-A7-X TO (976) TACCAB-X
2	2345400-14	N	CABLE	1	(980) PP1-A7-Y TO (977) TACCAB-Y
3	2345400-15	N	CABLE	1	(981) PP1-A7-Z TO (978) TACCAB-Z
4	2345400-16	N	CABLE	1	(984) PP1-A7-X ZM
5	2345400-17	N	CABLE	1	(983) PP1-A7-Y ZM
6	2345400-18	N	CABLE	1	(982) PP1-A7-Z ZM
7	2345400-22	N	CABLE	1	(987) PP1-A7-X WB
8	2345400-23	N	CABLE	1	(986) PP1-A7-Y WB
9	2345400-24	N	CABLE	1	(985) PP1-A7-Z WB

Twin EXCITE 11.x GRADIENT CBLS--"C"2375452-6 FRU N

(PART 3 OF M3145TD PAGE 1-79)

Item	Part Number	FRU	Name	Quantity	Description (Remarks)
1	2345400-10	N	CABLE	1.0	(979) PP1-A7-X TO (976) TACCAB-X
2	2345400-11	N	CABLE	1.0	(980) PP1-A7-Y TO (977) TACCAB-Y
3	2345400-12	N	CABLE	1.0	(981) PP1-A7-Z TO (978) TACCAB-Z
4	2345400-19	N	CABLE	1.0	(984) PP1-A7-X ZM
5	2345400-20	N	CABLE	1.0	(983) PP1-A7-Y ZM
6	2345400-21	N	CABLE	1.0	(982) PP1-A7-Z ZM
7	2345400-25	N	CABLE	1.0	(987) PP1-A7-X WB
8	2345400-26	N	CABLE	1.0	(986) PP1-A7-Y WB
9	2345400-27	N	CABLE	1.0	(985) PP1-A7-Z WB

1-12 MAIN DISCONNECT PANEL

TWIN MAIN DISCONNECT PANEL

M3088TH



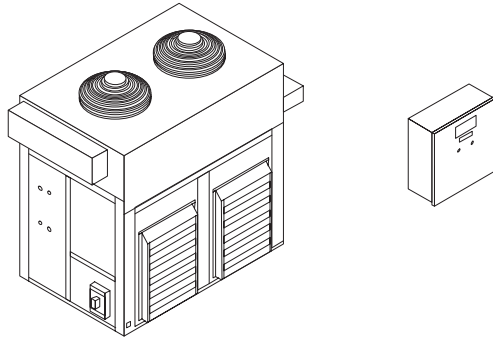
CATALOG M3088TH FRU N TWIN MAIN DISCONNECT PANEL

Item	Part Number	FRU	Name	Quantity	Description (Remarks)
2	2283959	N	PANEL	1	TWIN/TRM MAIN DISCONNECT PANEL (SEE VENDOR MANUAL)
	2276547-2	1	FUSE		MAIN DISCONNECT PANEL 380, 480 FUSE F1
	2276547-3	1	FUSE		MAIN DISCONNECT PANEL 120 FUSE F2
	2276547-4	1	FUSE		MAIN DISCONNECT PANEL 480 FUSE F7
	2276547-5	1	FUSE		MAIN DISCONNECT PANEL 120 FUSE F3
	2276547-6	1	FUSE		MAIN DISCONNECT PANEL 480 FUSE F4
	2276547-7	1	FUSE		MAIN DISCONNECT PANEL 200 FUSE F4
	2276547-8	1	FUSE		MAIN DISCONNECT PANEL 12VDC FUSE F5
	2276547-9	1	FUSE		MAIN DISCONNECT PANEL 480 FUSE F6
	2276547-10	1	FUSE		MAIN DISCONNECT PANEL 480 FUSE F8
	2276547-11	1	FUSE		MAIN DISCONNECT PANEL 120 FUSE F10/F11
	2276547-12	1	FUSE		MAIN DISCONNECT PANEL 480 FUSE F9
	2276547-13	1	FUSE		MAIN DISCONNECT PANEL 120 FUSE F12
	2276547-14	1	FUSE		MAIN DISCONNECT PANEL 12DC BATTERY
	2276547-15	1	FUSE		MAIN DISCONNECT PANEL 90A 600VAC FUSE
	2276547-16	1	FUSE		MAIN DISCONNECT PANEL UL544/CE 12VDC BATTERY

1-13 TwinSpeed COOLING CABINETS

OUTDOOR AIR COOLED TSCC

M3088TA

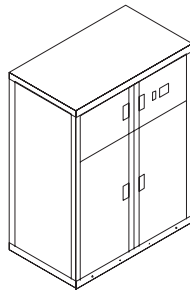


CATALOG M3088TA FRU N OUTDOOR AIR COOLED TSCC

Item	Part Number	FRU	Name	Quantity	Description (Remarks)
3	2281346-2	N	CABINET NMR	1	TWIN SYSTEMS COOLING CABINET (TSCC) (SEE VENDOR MANUAL)

INDOOR WATER COOLED TSCC

M3088TB

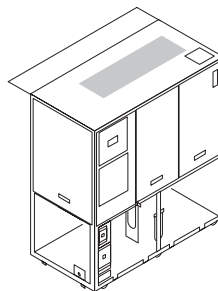


CATALOG M3088TB FRU N INDOOR WATER COOLED TSCC

Item	Part Number	FRU	Name	Quantity	Description (Remarks)
3	2281346	N	CABINET NMR	1	TWIN SYSTEMS COOLING CABINET (TSCC) (SEE VENDOR MANUAL)

INDOOR AIR COOLED TSCC

M3088TC

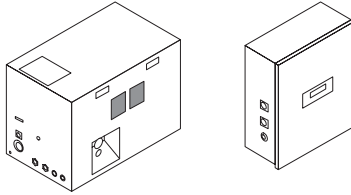


CATALOG M3088TC FRU N INDOOR AIR COOLED TSCC

Item	Part Number	FRU	Name	Quantity	Description (Remarks)
3	2281346-3	N	CABINET NMR	1	TWIN SYSTEMS COOLING CABINET (TSCC) (SEE VENDOR MANUAL)

INDOOR WATER COOLED TGWC

M3088TE



CATALOG

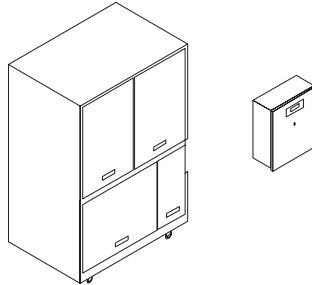
M3088TE FRU N

INDOOR WATER COOLED TGWC

Item	Part Number	FRU	Name	Quantity	Description (Remarks)
2	2298100	N	CHILLER	1	TWIN GRADIENT WATER CHILLER – WATER (SEE VENDOR MANUAL)
3	2333825	1	SENSOR ASM	1	WATER FLOW (TURBINE)/TEMP SENSOR ASM

OUTDOOR AIR COOLED TGWC

M3088TF



CATALOG

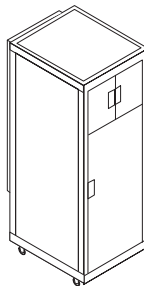
M3088TF FRU N

OUTDOOR AIR COOLED TGWC

Item	Part Number	FRU	Name	Quantity	Description (Remarks)
2	2298100-2	N	CHILLER	1	TWIN GRAD WATER CHILLER – OUTDOOR (SEE VENDOR MANUAL)
3	2333825	1	SENSOR ASM	1	WATER FLOW (TURBINE)/TEMP SENSOR ASM

INDOOR AIR COOLED TGWC

M3088TG



CATALOG

M3088TG FRU N

INDOOR AIR COOLED TGWC

Item	Part Number	FRU	Name	Quantity	Description (Remarks)
2	2298100-3	N	CHILLER	1	TWIN GRAD WATER CHILLER-INDOOR (SEE VENDOR MANUAL)
3	2333825	1	SENSOR ASM	1	WATER FLOW (TURBINE)/TEMP SENSOR ASM

1-14 ACGD/PDU and RF CABINETS

ACGD/PDU CABINETS

2355992 FRU N

(PART 17 OF M3000AB PAGE 1-49)
(PART 17 OF M3000AC PAGE 1-49)
(PART 17 OF M3000AD PAGE 1-49)
(PART 17 OF M3000AE PAGE 1-49)
(PART 18 OF M3000DB PAGE 1-60)
(PART 18 OF M3000DC PAGE 1-60)
(PART 18 OF M3000DD PAGE 1-60)
(PART 21 OF M3800AA PAGE 1-56)
(PART 21 OF M3800AB PAGE 1-56)
(PART 21 OF M3800AD PAGE 1-56)
(PART 75 OF M3000TA PAGE 1-72)
(PART 74 OF M3000TD PAGE 1-76)

Item	Part Number	FRU	Name	Quantity	Description (Remarks)
1A	2284300	N	ASSEMBLY	1	ACGD CABINET ASSEMBLY (TESTED) (SEE PAGE 15-2)
1B	2238915	N	PART	ALT	ACGD CABINET ASM W/SGA/SGAPS/GP (SEE PAGE 15-4)

ACGD CABINET FAN ASSEMBLY

2381388 FRU N

(PART 50 OF M3000DC PAGE 1-60)
(PART 50 OF M3000DD PAGE 1-60)
(PART 50 OF M3000TD PAGE 1-76)

Item	Part Number	FRU	Name	Quantity	Description (Remarks)
1	2299215	1	FAN ASM	1	ACGD CABINET FAN ASSEMBLY (SEE PAGE 15-8)
2	2173642-2	N	FAN ASSEMBLY	ALT	FAN ASSEMBLY FOR ACGD CABINET

1.5T RF CABINETS

2355993 FRU N

(PART 16 OF M3000AB PAGE 1-49)
(PART 16 OF M3000AC PAGE 1-49)
(PART 16 OF M3000AD PAGE 1-49)
(PART 16 OF M3000AE PAGE 1-49)
(PART 74 OF M3000TA PAGE 1-72)

Item	Part Number	FRU	Name	Quantity	Description (Remarks)
1A	2275000	N	CABINET	1	1.5T RF SRFD2 TESTED CABINET (SEE PAGE 16-9)
1B	2296300	N	CABINET	ALT	1.5T RF SOLID STATE CABINET (TESTED) (SEE PAGE 16-2)
1C	2174500	N	ASSEMBLY	ALT	1.5T RF SOLID STATE CABINET W/O PDU (SEE PAGE 16-4)

1.0T RF CABINETS

2355994 FRU N

(PART 22 OF M3800AA PAGE 1-56)
(PART 22 OF M3800AB PAGE 1-56)
(PART 22 OF M3800AD PAGE 1-56)

Item	Part Number	FRU	Name	Quantity	Description (Remarks)
1A	2296300-2	N	CABINET	1	1.0T RF SOLID STATE CABINET (TESTED) (SEE PAGE 16-2)
1B	2174500-2	N	ASSEMBLY	ALT	1.0T RF SOLID STATE CABINET W/O PDU (SEE PAGE 16-7)

1-15 MOBILE AND T/R COLLECTORS

MOBILE MISC ITEMS COLLECTOR 2322678 FRU N (PART OF M3053PA PAGE 1-53)
 (PART OF M3852PA PAGE 1-58)
 (PART OF M3053TA PAGE 1-74)

Item	Part Number	FRU	Name	Quantity	Description (Remarks)
19	46-265504G1	2	RF CABLE KIT	1	RF CABINET SERVICE LOOP CABLE KIT (SEE PAGE 1-229)
73	2327699	N	KIT OF PARTS	1	MR MOBILE KIT (SEE PAGE 1-92)

T/R MISC ITEMS COLLECTOR 2322678-2 FRU N (PART OF M3063PA PAGE 1-53)
 (PART OF M3093PA PAGE 1-55)
 (PART OF M3063TA PAGE 1-75)

Item	Part Number	FRU	Name	Quantity	Description (Remarks)
10	2233092	N	CABLE KIT	1	MAGNET MONITOR CABLE SET (SEE PAGE 1-176)
19	46-265504G1	2	RF CABLE KIT	1	RF CABINET SERVICE LOOP CABLE KIT (SEE PAGE 1-229)
73	2327699	N	KIT OF PARTS	1	MR MOBILE KIT (SEE PAGE 1-92)

CRM MOBILE MISC ITEMS 2322678-3 FRU N (PART 5 OF M3083PA

Item	Part Number	FRU	Name	Quantity	Description (Remarks)
19	46-265504G1	2	RF CABLE KIT	1	RF CABINET SERVICE LOOP CABLE KIT (SEE PAGE 1-229)
73	2327699	N	KIT OF PARTS	1	MR MOBILE KIT (SEE PAGE 1-92)
74	2204498	N	BRACKET	1	MAGNET MOUNTING BRACKET

EXCITE 11.X MOBILE MISC ITEMS 2322678-5 FRU N (PART 5 OF M3053PD PAGE 1-62)
 (PART 5 OF M3053TD PAGE 1-78)

Item	Part Number	FRU	Name	Quantity	Description (Remarks)
19	46-265504G1	N	RF CABLE KIT	1	RF CABINET SERVICE LOOP CABLE KIT (SEE PAGE 1-229)
73	2327699-3	N	KIT OF PARTS	1	MOBILE KIT FOR EXCITE II (SEE PAGE 1-92)

EXCITE 11.X T/R MISC ITEMS 2322678-6 FRU N (PART 5 OF M3063PD PAGE 1-62)
 (PART 5 OF M3063TD PAGE 1-78)

Item	Part Number	FRU	Name	Quantity	Description (Remarks)
10	2233092	N	CABLE KIT	1	MAGNET MONITOR CABLE SET (SEE PAGE 1-176)
19	46-265504G1	N	RF CABLE KIT	1	RF CABINET SERVICE LOOP CABLE KIT (SEE PAGE 1-229)
73	2327699-3	N	KIT OF PARTS	1	MOBILE KIT FOR EXCITE II (SEE PAGE 1-92)

MR MOBILE KIT

2327699 FRU N

(PART 73 OF 2322678 PAGE 1-91)

(PART 73 OF 2322678-2 PAGE 1-91)

Item	Part Number	FRU	Name	Quantity	Description (Remarks)
2	2316656	N	PLATE	1	PLATE, MONITOR ADAPTER
3	2318499	N	PART	1	PIVOTHEAD BASE/HEAD 0/90 TILT
4	2318497	N	STAND	1	EXPRESS SERIES MNT FLAT BASE PLT_9"
5	2276109	N	DRAWER	2	LOCKING MULTI-MEDIA DRAWER
6	46-328422P23	N	SCREW	3	SCREW COUNTERSUNK HEA M6 X 10 MM
7	2109880-3	N	WASHER	3	WASHER LOCK - SPRING 6.1 MM 11.8 MM
8	46-328426P2	N	NUT	3	NUT HEXAGON_THIN 6 MM
9	2204492	N	BRACKET	1	OCTANE MOBILE MOUNTING BRACKET
10	2296617-2	N	MONITOR	1	12.1" MONITOR MOBILE BASE
11	2363733	2	BRACKET	1	MONITOR BASE FOR MOBILE W/HARDWARE (SEE PG 1-92)
13	2135839-3	2	OUT OF CATAL	6.0	T&B G2-12 TERMINAL, 1/2" RING, 2 AWG

EXCITE 11.X MR MOBILE KIT

2327699-3 FRU N

(PART 73 OF 2322678-5 PAGE 1-91)

(PART 73 OF 2322678-6 PAGE 1-91)

Item	Part Number	FRU	Name	Quantity	Description (Remarks)
2	5129339	N	PDM PART	2.0	PLATE, ADAPTER 15 INCH LCD MONITOR M
3	2318499	N	OUT OF CATAL	2.0	PIVOTHEAD BASE/HEAD 0/90 TILT
4	2318497	N	OUT OF CATAL	2.0	EXPRESS SERIES MNT FLAT BASE PLT_9"
5	2276109	N	OUT OF CATAL	2.0	LOCKING MULTI-MEDIA DRAWER
6	2109874-20	N	PDM PART	6.0	SCREW COUNTERSUNK HEA 6 MM 16 MM
7	2109880-3	N	PDM PART	6.0	WASHER LOCK - SPRING 6.1 MM 11.8 MM
8	46-328426P2	N	PDM PART	6.0	NUT HEXAGON_THIN 6 MM
12	2315260	N	BRACKET	1.0	BRACKET
13	2135839-3	2	OUT OF CATAL	6.0	T&B G2-12 TERMINAL, 1/2" RING, 2 AWG

MOBILE MONITOR BASE w/HARDWARE 2363733 FRU 1

(PART OF 2327699 PAGE 1-92)

(PART OF 2214269 PAGE 1-173)

Item	Part Number	FRU	Name	Quantity	Description (Remarks)
1	2362638	N	PART	1	MONITOR ADAPTOR PLATE FOR MOBILE
2	46-220203P25	N	SCREW	3	SCREW
3	46-252635P6	N	STN STL WASH	3	#10 STN STL, PLAIN FLAT WASHER
4	46-208938P5	N	NUT	3	10-32, 3/8" HEX X .130 THK, 18-8 SST

1-16 SYSTEM ACCESSORIES AND PHANTOMS

5.x 1.5T SYSTEM ACCESSORIES 46-244813G25 FRU N

(PART OF M1000MA PAGE 1-3)
 (PART OF M1000MB PAGE 1-3)
 (PART OF M1000MC PAGE 1-3)
 (PART OF M1000MD PAGE 1-3)
 (PART OF M1000ME PAGE 1-3)
 (PART OF M1000MF PAGE 1-4)

Item	Part Number	FRU	Name	Quantity	Description (Remarks)
2	46-317999G2	N	PPG ACESSORY	1	PPG ACCESSORIES KIT (SEE PAGE 1-114)
3	46-306635P4	N	CHAIR	1	USE E8803BD AS REPLACEMENT OC CHAIR
10	46-306574P7	2	PAD	2	GRAY RECTANGULAR PAD, 0.5"X9"X 14.5"
11	46-306574P8	2	PAD	2	GRAY RECTANGULAR PAD, 1"X 9" X 14.5"
12	46-306574P9	2	PAD	2	GRAY RECTANGULAR PAD, 0.5"X 9" X 36"
13	46-306574P10	2	PAD	2	GRAY RECTANGULAR PAD, 1.0"X 9" X 36"
14	46-328263P1	2	CUSHION	2	BODY COIL SPACER, NYLON COVERED FOAM
313	46-306572G1	N	POSITION KT	1	PATIENT POSITIONING KIT (E8802P)
314	46-306594P1	N	WIDE STRAP	1	ORDER E8802MC FOR REPLACEMENT STRAP
315	46-306593P1	N	NARROW STRAP	1	ORDER E8802MD FOR REPLACEMENT STRAP
327	46-258172G1	N	LOGBOOK	2	ORDER E8807AA FOR PATIENT LOG BOOKS
330	46-265679G1	N	BELLOWS ASM	1	ORDER E8811ED WHEN REPLACING
339	46-306578P1	N	HEAD CUSHION	1	ORDER E88101ME FOR REPLACEMENT PAD
340	46-306570G1	N	HD RESTRAINT	1	HEAD COIL RESTRAINT/PAD SET (E8801M)
344	46-265845G1	N	FASTENER KIT	1	ORDER E8811EB FOR REPLACEMENT KIT (SEE PAGE 1-114)
352A	2219452	N	ECG LEADWIRE	1	HIGH IMPEDANCE ECG LEAD KIT
352B	46-320609G1	N	CABLE KIT	ALT	CARDIAC GATING PAC CABLE & LEAD SET
354	2148308-2	1	PART	1	QUICK DISCONNECT W/RESONANT SHIELD
355	46-282468G1	1	COIL ADAPTER	1	COIL ADAPTER, MG2 A16 A6 (EXTREMITY)
356	46-282468G2	1	COIL ADAPTER	1	COIL ADAPTER, MG2 A16 A6 (SURFACE) (SEE PAGE 1-114)
357	46-317752G28	N	DAT S/W SET	1	M4 S/W FOR 5.8Z W Y2K UPD
359	46-287416G1	2	TUNER BD ASM	1	HEAD COIL TUNING RING
370	46-301927G1	N	TPS RF I/F	1	TPS RF SERVICE INTERFACE KIT W/CASE (SEE PAGE 1-114)
371	46-306582P2	N	CUSHION	1	ORDER E8802MG FOR NEW CRADLE PAD
401	46-282079G1	N	HC HOLDR ASM	1	QUAD HEAD COIL HOLDER ASM (SEE PAGE 1-111)
402	46-282118G2	1	HEAD COIL	1	1.5T QUAD HEAD COIL, MG2 A16 A2 (SEE PAGE 1-106)
450	46-317758P1	N	ALERT SYSTEM	1	PNEUMATIC PATIENT ALERT SYSTEM (SEE PAGE 1-115)
451	46-320932G1	1	MR VX	1	MR VX OPTION KEY
453	2134337	N	KIT OF PARTS	1	PHANTOM KIT (SEE PAGE 1-100)
454	2133388	N	PHANTOM KIT	1	SPT PHANTOM CART KIT (SEE PAGE 1-102)

LX 1.5T SYSTEM ACCESSORIES 46-244813G27 FRU N (PART OF M1000 SERIES PAGES PAGE 1-10 THRU 1-42)

Item	Part Number	FRU	Name	Quantity	Description (Remarks)
2	46-317999G2	N	PPG ACESSORY	1	PPG ACCESSORIES KIT (SEE PAGE 1-114)
10	46-306574P7	2	PAD	2	GRAY RECTANGULAR PAD, 0.5"X9"X 14.5"
11	46-306574P8	2	PAD	2	GRAY RECTANGULAR PAD, 1"X 9" X 14.5"
12	46-306574P9	2	PAD	2	GRAY RECTANGULAR PAD, 0.5"X 9" X 36"
13	46-306574P10	2	PAD	2	GRAY RECTANGULAR PAD, 1.0"X 9" X 36"
14	46-328263P1	2	CUSHION	2	BODY COIL SPACER, NYLON COVERED FOAM
313	46-306572G1	N	POSITION KT	1	PATIENT POSITIONING KIT (E8802P)
314	46-306594P1	N	WIDE STRAP	1	ORDER E8802MC FOR REPLACEMENT STRAP
315	46-306593P1	N	NARROW STRAP	1	ORDER E8802MD FOR REPLACEMENT STRAP
327	46-258172G1	N	LOGBOOK	2	ORDER E8807AA FOR PATIENT LOG BOOKS
330	46-265161P2	N	PNEUMO CH AS	1	PNEUMO CHEST ASM W/LONGER TUBE;ORDER
339	46-306578P1	N	HEAD CUSHION	1	ORDER E88101ME FOR REPLACEMENT PAD
340	46-306570G1	N	HD RESTRAINT	1	HEAD COIL RESTRAINT/PAD SET (E8801M)
344	46-265845G1	N	FASTENER KIT	1	ORDER E8811EB FOR REPLACEMENT KIT
352A	2219452	N	ECG LEADWIRE	1	HIGH IMPEDANCE ECG LEAD KIT
352B	46-320609G1	N	CABLE KIT	ALT	CARDIAC GATING PAC CABLE & LEAD SET
354	2148308-2	1	PART	1	QUICK DISCONNECT W/RESONANT SHIELD
355	46-282468G1	1	COIL ADAPTER	1	COIL ADAPTER, MG2 A16 A6 (EXTREMITY)
356	46-282468G2	1	COIL ADAPTER	1	COIL ADAPTER, MG2 A16 A6 (SURFACE)
359	46-287416G1	2	TUNER BD ASM	1	HEAD COIL TUNING RING
370	46-301927G1	2	TPS RF I/F	1	TPS RF SERVICE INTERFACE KIT W/CASE
371	46-306582P2	N	CUSHION	1	ORDER E8802MG FOR NEW CRADLE PAD
401	46-282079G1	N	HC HOLDR ASM	1	QUADRATURE HEAD COIL HOLDER ASM (SEE PAGE 1-111)
402A	2366960	N	COLLECTOR	1.0	1.5T SPLIT HEAD COIL/PHANTOM COLLECTOR (SEE PAGE
402B	46-282118G2	1	HEAD COIL	1	1.5T QUAD HEAD COIL, MG2 A16 A2 (SEE PAGE 1-106)
450	46-317758P1	N	ALERT SYSTEM	1	PNEUMATIC PATIENT ALERT SYSTEM (SEE PAGE 1-115)
453	2134337	N	KIT OF PARTS	1	PHANTOM KIT (SEE PAGE 1-100)

LX CV 1.5T SYSTEM ACCESSORIES 46-244813G30 FRU N

(PART 1 OF M1000WH PAGE 1-32)
 (PART 1 OF M1000WY PAGE 1-39)
 (PART 1 OF M1000ZK PAGE 1-42)
 (PART 1 OF M1000ZS PAGE 1-42)

Item	Part Number	FRU	Name	Quantity	Description (Remarks)
2	46-317999G2	N	PPG ACESSORY	1	PPG ACCESSORIES KIT (SEE PAGE 1-114)
10	46-306574P7	2	PAD	2	GRAY RECTANGULAR PAD, 0.5"X9"X 14.5"
11	46-306574P8	2	PAD	2	GRAY RECTANGULAR PAD, 1"X 9" X 14.5"
12	46-306574P9	2	PAD	2	GRAY RECTANGULAR PAD, 0.5"X 9" X 36"
13	46-306574P10	2	PAD	2	GRAY RECTANGULAR PAD, 1.0"X 9" X 36"
14	46-328263P1	2	CUSHION	2	BODY COIL SPACER, NYLON COVERED FOAM
313	46-306572G1	N	POSITION KT	1	PATIENT POSITIONING KIT (E8802P)
314	46-306594P1	N	WIDE STRAP	1	ORDER E8802MC FOR REPLACEMENT STRAP
315	46-306593P1	N	NARROW STRAP	1	ORDER E8802MD FOR REPLACEMENT STRAP
327	46-258172G1	N	LOGBOOK	2	ORDER E8807AA FOR PATIENT LOG BOOKS
330	46-265161P2	N	PNEUMO CH AS	1	PNEUMO CHEST ASM W/LONGER TUBE;ORDER
339	46-306578P1	N	HEAD CUSHION	1	ORDER E88101ME FOR REPLACEMENT PAD
340	46-306570G1	N	HD RESTRAINT	1	HEAD COIL RESTRAINT/PAD SET (E8801M)
344	46-265845G1	N	FASTENER KIT	1	ORDER E8811EB FOR REPLACEMENT KIT
352	2219452	N	ECG LEADWIRE	1	HIGH IMPEDANCE ECG LEAD KIT (SEE PAGE 1-114)
354	2148308-2	1	PART	1	QUICK DISCONNECT W/RESONANT SHIELD
355	46-282468G1	1	COIL ADAPTER	1	COIL ADAPTER, MG2 A16 A6 (EXTREMITY)
356	46-282468G2	1	COIL ADAPTER	1	COIL ADAPTER, MG2 A16 A6 (SURFACE)
359	46-287416G1	2	TUNER BD ASM	1	HEAD COIL TUNING RING
370	46-301927G1	N	TPS RF I/F	1	TPS RF SERVICE INTERFACE KIT W/CASE (SEE PAGE 1-114)
371	46-306582P2	N	CUSHION	1	ORDER E8802MG FOR NEW CRADLE PAD
401	46-282079G1	N	HC HOLDR ASM	1	QUADRATURE HEAD COIL HOLDER ASM (SEE PAGE 1-111)
402	46-282118G202	1	QUAD HC ASM	1	CRM QUAD HEAD COIL (SEE PAGE 1-106)
450	46-317758P1	N	ALERT SYSTEM	1	PNEUMATIC PATIENT ALERT SYSTEM (SEE PAGE 1-115)
453	2134337	N	KIT OF PARTS	1	PHANTOM KIT (SEE PAGE 1-100)

5.x 1.0T SYSTEM ACCESSORIES 46-244813G65 FRU N

(PART OF M1800MA PAGE 1-6)
 (PART OF M1800MB PAGE 1-6)
 (PART OF M1800MC PAGE 1-6)
 (PART OF M1800MD PAGE 1-6)

Item	Part Number	FRU	Name	Quantity	Description (Remarks)
2	46-317999G2	N	PPG ACESSORY	1	PPG ACCESSORIES KIT (SEE PAGE 1-114)
3	46-306635P4	N	CHAIR	1	USE E8803BD AS REPLACEMENT OC CHAIR
313	46-306572G1	N	POSITION KT	1	PATIENT POSITIONING KIT (E8802P)
314	46-306594P1	N	WIDE STRAP	1	ORDER E8802MC FOR REPLACEMENT STRAP
315	46-306593P1	N	NARROW STRAP	1	ORDER E8802MD FOR REPLACEMENT STRAP
327	46-258172G1	N	LOGBOOK	2	ORDER E8807AA FOR PATIENT LOG BOOKS
330	46-265679G1	N	BELLOWS ASM	1	ORDER E8811ED WHEN REPLACING
339	46-306578P1	N	HEAD CUSHION	1	ORDER E88101ME FOR REPLACEMENT PAD
340	46-306570G1	N	HD RESTRAINT	1	HEAD COIL RESTRAINT/PAD SET (E8801M)
344	46-265845G1	N	FASTENER KIT	1	ORDER E8811EB FOR REPLACEMENT KIT
352A	2219452	N	ECG LEADWIRE	1	HIGH IMPEDANCE ECG LEAD KIT (SEE PAGE 1-114)
352B	46-320609G1	N	CABLE KIT	ALT	CARDIAC GATING PAC CABLE & LEAD SET (SEE PAGE 1-114)
354	2148308	1	PART	1	QUICK DISCONNECT W/RESONANT SHIELD
355	46-317221G36	1	COIL ADAPTER	1	1.0T QUAD EXTREMITY COIL, NORMAL
356	46-317222G6	1	COIL ADAPTER	1	1.0T SURFACE COIL, NORMAL FIELD
357	46-317752G28	N	DAT S/W SET	1	M4 S/W FOR 5.8Z W Y2K UPDATE (SEE PAGE 1-114)
370	46-301927G1	2	TPS RF I/F	1	TPS RF SERVICE INTERFACE KIT W/CASE (SEE PAGE 1-114)
371	46-306582P2	N	CUSHION	1	ORDER E8802MG FOR NEW CRADLE PAD
401	46-282079G1	2	HC HOLDR ASM	1	QUADRATURE HEAD COIL HOLDER ASM (SEE PAGE 1-111)
402	46-282118G6	1	QUAD HC ASM	1	1.0T HEAD COIL, MG2 A16 A2 (SEE PAGE 1-108)
450	46-317758P1	2	ALERT SYSTEM	1	PNEUMATIC PATIENT ALERT SYSTEM (SEE PAGE 1-115)
451	46-320932G1	1	MR VX	1	MR VX OPTION KEY
453	2134337	N	KIT OF PARTS	1	PHANTOM KIT (SEE PAGE 1-100)
454	2133388	N	PHANTOM KIT	1	SPT PHANTOM CART KIT (SEE PAGE 1-102)

LX 1.0T SYSTEM ACCESSORIES 46-244813G67 FRU N (PART OF M1800 SERIES PAGES 1-13 THRU 1-46)

Item	Part Number	FRU	Name	Quantity	Description (Remarks)
2	46-317999G2	N	PPG ACESSORY	1	PPG ACCESSORIES KIT (SEE PAGE 1-114)
313	46-306572G1	N	POSITION KT	1	PATIENT POSITIONING KIT (E8802P)
314	46-306594P1	N	WIDE STRAP	1	ORDER E8802MC FOR REPLACEMENT STRAP
315	46-306593P1	N	NARROW STRAP	1	ORDER E8802MD FOR REPLACEMENT STRAP
327	46-258172G1	N	LOGBOOK	2	ORDER E8807AA FOR PATIENT LOG BOOKS
330	46-265161P2	N	PNEUMO CH AS	1.0	PNEUMO CHEST ASM W/LONGER TUBE;ORDER
339	46-306578P1	N	HEAD CUSHION	1	ORDER E88101ME FOR REPLACEMENT PAD
340	46-306570G1	N	HD RESTRAINT	1	HEAD COIL RESTRAINT/PAD SET (E8801M)
344	46-265845G1	N	FASTENER KIT	1	ORDER E8811EB FOR REPLACEMENT KIT
352A	2219452	N	ECG LEADWIRE	1	HIGH IMPEDANCE ECG LEAD KIT (SEE PAGE 1-114)
352B	46-320609G1	N	CABLE KIT	ALT	CARDIAC GATING PAC CABLE & LEAD SET (SEE PAGE 1-114)
354	2148308	1	PART	1	QUICK DISCONNECT W/RESONANT SHIELD
355	46-317221G36	1	COIL ADAPTER	1	1.0T QUAD EXTREMITY COIL, NORMAL
356	46-317222G6	1	COIL ADAPTER	1	1.0T SURFACE COIL, NORMAL FIELD
370	46-301927G1	2	TPS RF I/F	1	TPS RF SERVICE INTERFACE KIT W/CASE (SEE PAGE 1-114)
371	46-306582P2	N	CUSHION	1	ORDER E8802MG FOR NEW CRADLE PAD
401	46-282079G1	2	HC HOLDR ASM	1	QUADRATURE HEAD COIL HOLDER ASM (SEE PAGE 1-111)
402	46-282118G6	1	QUAD HC ASM	1	1.0T HEAD COIL, MG2 A16 A2 (SEE PAGE 1-108)
450	46-317758P1	2	ALERT SYSTEM	1	PNEUMATIC PATIENT ALERT SYSTEM (SEE PAGE 1-115)
453	2134337	N	KIT OF PARTS	1	PHANTOM KIT (SEE PAGE 1-100)

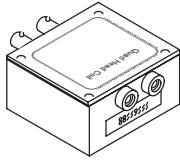
1.5T PADS/ACCESSORY KIT	2321157 FRU N	<p>(PART 17 OF M3000AB PAGE 1-49) (PART 17 OF M3000AC PAGE 1-49) (PART 17 OF M3000AD PAGE 1-49) (PART 17 OF M3000AE PAGE 1-49) (PART 17 OF M3000DB PAGE 1-60) (PART 17 OF M3000DC PAGE 1-60) (PART 17 OF M3000DD PAGE 1-60) (PART 17 OF M3000TD PAGE 1-76)</p>
--------------------------------	----------------------	---

Item	Part Number	FRU	Name	Quantity	Description (Remarks)
2	46-317999G2	N	PPG ACESSORY	1	PPG ACCESSORIES KIT (SEE PAGE 1-114)
10	46-306574P7	N	PAD	2	GRAY RECTANGULAR PAD, 0.5"X9"X 14.5"
11	46-306574P8	N	PAD	2	GRAY RECTANGULAR PAD, 1"X 9" X 14.5"
12	46-306574P9	N	PAD	2	GRAY RECTANGULAR PAD, 0.5"X 9" X 36"
13	46-306574P10	N	PAD	2	GRAY RECTANGULAR PAD, 1.0"X 9" X 36"
14	46-328263P1	N	CUSHION	2	BODY COIL SPACER, NYLON COVERED FOAM
313	46-306572G1	N	POSITION KT	1	PATIENT POSITIONING KIT (E8802P)
314	46-306594P1	N	WIDE STRAP	1	ORDER E8802MC FOR REPLACEMENT STRAP
315	46-306593P1	N	NARROW STRAP	1	ORDER E8802MD FOR REPLACEMENT STRAP
327	46-258172G1	N	LOGBOOK	2	ORDER E8807AA FOR PATIENT LOG BOOKS
330	46-265161P2	N	PNEUMO CH AS	1	PNEUMO CHEST ASM W/LONGER TUBE;ORDER E8811ED
339	46-306578P1	N	HEAD CUSHION	1	ORDER E88101ME FOR REPLACEMENT PAD
340	46-306570G1	N	HD RESTRAINT	1	HEAD COIL RESTRAINT/PAD SET (E8801M)
344	46-265845G1	N	FASTENER KIT	1	ORDER E8811EB FOR REPLACEMENT KIT
352A	2219452	N	ECG LEADWIRE	1	HIGH IMPEDANCE ECG LEAD KIT (SEE PAGE 1-114)
352B	46-320609G1	N	CABLE KIT	ALT	CARDIAC GATING PAC CABLE & LEAD SET (SEE PAGE 1-114)
370	46-301927G1	2	TPS RF I/F	1	TPS RF SERVICE INTERFACE KIT W/CASE (SEE PAGE 1-114)
371	46-306582P2	N	CUSHION	1	ORDER E8802MG FOR NEW CRADLE PAD
455	46-301708G14	N	8.0LX INSITE	1	LX INSITE KIT—MAGNETIC CAB LABELS (SEE PAGE 1-179)
456	2353850	N	PART	1	LABEL,WARNING HEARING PROTECTION REQ

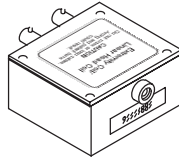
1.0T PADS/ACCESSORY KIT	2321157-2 FRU N	<p>(PART 17 OF M3800AA PAGE 1-56) (PART 17 OF M3800AB PAGE 1-56) (PART 17 OF M3800AD PAGE 1-56)</p>
--------------------------------	------------------------	---

Item	Part Number	FRU	Name	Quantity	Description (Remarks)
2	46-317999G2	N	PPG ACESSORY	1	PPG ACCESSORIES KIT (SEE PAGE 1-114)
313	46-306572G1	N	POSITION KT	1	PATIENT POSITIONING KIT (E8802P)
314	46-306594P1	N	WIDE STRAP	1	ORDER E8802MC FOR REPLACEMENT STRAP
315	46-306593P1	N	NARROW STRAP	1	ORDER E8802MD FOR REPLACEMENT STRAP
327	46-258172G1	N	LOGBOOK	2	ORDER E8807AA FOR PATIENT LOG BOOKS
330	46-265161P2	N	PNEUMO CH AS	1	PNEUMO CHEST ASM W/LONGER TUBE;ORDER
339	46-306578P1	N	HEAD CUSHION	1	ORDER E88101ME FOR REPLACEMENT PAD
340	46-306570G1	N	HD RESTRAINT	1	HEAD COIL RESTRAINT/PAD SET (E8801M)
344	46-265845G1	N	FASTENER KIT	1	ORDER E8811EB FOR REPLACEMENT KIT
352A	2219452	N	ECG LEADWIRE	1	HIGH IMPEDANCE ECG LEAD KIT (SEE PAGE 1-114)
352B	46-320609G1	N	CABLE KIT	ALT	CARDIAC GATING PAC CABLE & LEAD SET (SEE PAGE 1-114)
370	46-301927G1	2	TPS RF I/F	1	TPS RF SERVICE INTERFACE KIT W/CASE (SEE PAGE 1-114)
371	46-306582P2	N	CUSHION	1	ORDER E8802MG FOR NEW CRADLE PAD
455	46-301708G14	N	8.0LX INSITE	1	LX INSITE KIT—MAGNETIC CAB LABELS (SEE PAGE 1-179)

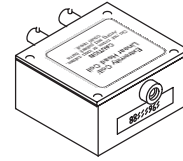
COIL ADAPTERS



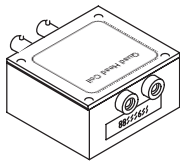
HEAD COIL
QUICK DISCONNECT
(NORMAL POLARITY)
2148308 (1.0T)



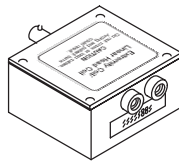
HEAD COIL
QUICK DISCONNECT
(NORMAL POLARITY)
2148308-2 (1.5T)



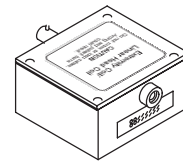
HEAD COIL
QUICK DISCONNECT
(REVERSE POLARITY)
2148308-3 (1.5T)



EXTREMITY COIL ADAPTER
(NORMAL POLARITY)
46-317221G36 (1.0T)



SURFACE COIL ADAPTER
(NORMAL POLARITY)
46-317222G6 (1.0T)



1.5T EXTREMITY COIL ADAPTER
46-282468G1
1.5T SURFACE COIL ADAPTER
46-282468G2

PHANTOM KIT

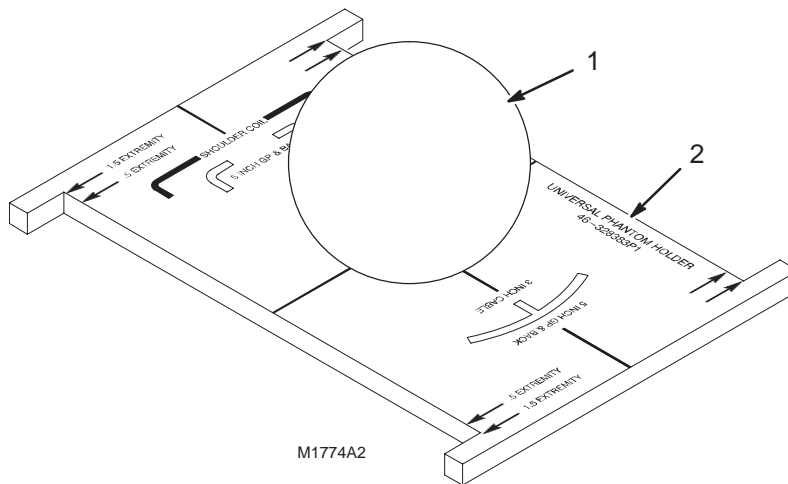
2134337 FRU N

- (PART OF 46-244813G25 PAGE 1-93)
- (PART OF 46-244813G27 PAGE 1-94)
- (PART OF 46-244813G30 PAGE 1-95)
- (PART OF 46-244813G65 PAGE 1-96)
- (PART OF 46-244813G67 PAGE 1-97)
- (PART 14 OF M3000AB PAGE 1-49)
- (PART 14 OF M3000AC PAGE 1-49)
- (PART 14 OF M3000AD PAGE 1-49)
- (PART 14 OF M3000AE PAGE 1-49)
- (PART 14 OF M3000DB PAGE 1-60)
- (PART 14 OF M3000DC PAGE 1-60)
- (PART 14 OF M3000DD PAGE 1-60)
- (PART 14 OF M3000TD PAGE 1-76)

Item	Part Number	FRU	Name	Quantity	Description (Remarks)
2	46-287900G3	N	HEAD PHANTOM	1	LOADER WITH HEAD TLT SPHERE (SEE PAGE 1-101)
3	46-287903G3	N	BODY PHANTOM	1	BODY TLT SPHERE AND LOADER (SEE PAGE 1-101)
4	46-271410G1	2	BASE PLATE	1	GRAFIDY2 PHANTOM HOLDER BASE PLATE
5	46-328480G1	N	PHAN. KIT	1	4.38" PHANTOM W/POSITIONER PAD (SEE PAGE 1-100)

PHANTOM WITH POSITIONER PAD

46-328480G1



PHANTOM KIT

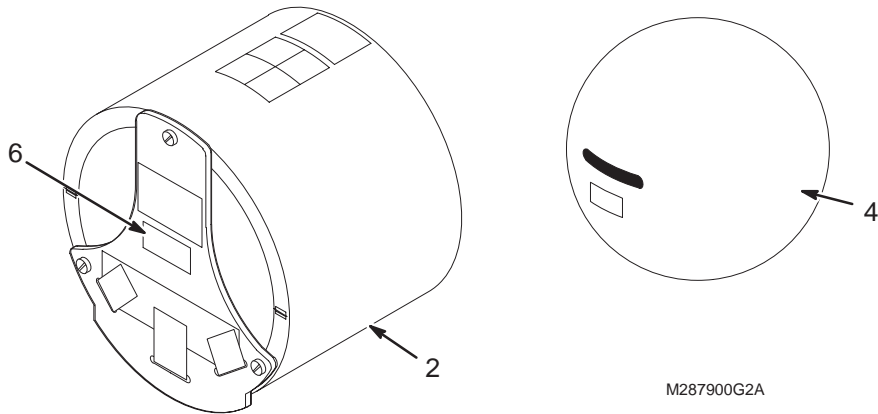
46-328480G1 FRU N

(PART OF 2134337 PAGE 1-100)

Item	Part Number	FRU	Name	Quantity	Description (Remarks)
1	46-317586G1	1	SPHERE W/SOL	1	4.38", SURFACE COIL, NICKEL CHLORIDE
2	46-328383P1	2	PAD	1	UNIVERSAL PHANTOM HOLDER

HEAD PHANTOM

46-287900G3



HEAD PHANTOM

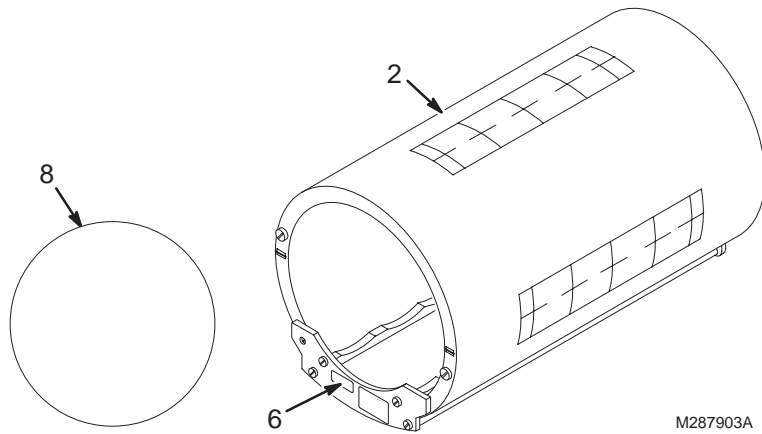
46-287900G3 FRU N

(PART OF 2134337 PAGE 1-100)

Item	Part Number	FRU	Name	Quantity	Description (Remarks)
2	46-287899G1	2	CYL W/SOL	1	HEAD LOADER CYLINDER W/SOLUTION
4	46-265826G6	2	SPHERE W/SOL	1	TLT HEAD SPHERE WITH NICKLE CHLORIDE
6	46-287683P1	2	LABEL	1	PROPERTY OF GENERAL ELECTRIC COMPANY
7	46-170628P1	2	COATING	AR	CRYSTAL CLEAR ACRYLIC AEROSOL

BODY PHANTOM

46-287903G3



BODY PHANTOM

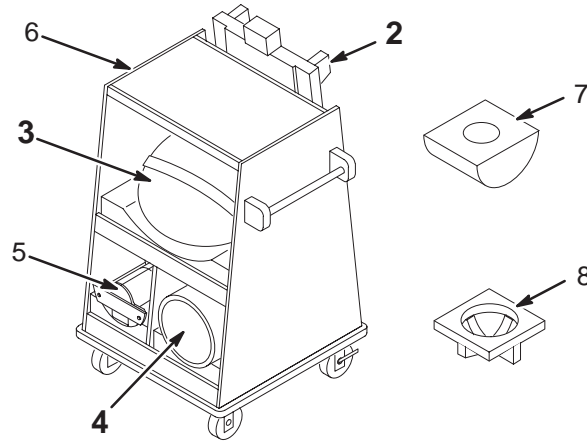
46-287903G3 FRU N

(PART OF 2134337 PAGE 1-100)

Item	Part Number	FRU	Name	Quantity	Description (Remarks)
2	46-287902G1	2	CYL W/SOL	1	BODY LOADER W/SOLUTION
6	46-287683P1	2	LABEL	1	PROPERTY OF GENERAL ELECTRIC COMPANY
7	46-170628P1	2	COATING	AR	CRYSTAL CLEAR ACRYLIC AEROSOL
8	46-265635G6	2	SPHERE W/SOL	1	TLT BODY SPHERE WITH SOLUTION - NICL

SPT PHANTOM CART KIT

2133388 SERIES



SPT PHANTOM CART KIT 2133388 FRU N (PART OF LX 1.5T/1.0T FIXED & T/R SITE CATALOGS)

Item	Part Number	FRU	Name	Quantity	Description (Remarks)
2	2125247	N	NEST'G PLATE	1	860-950118 SPT NESTING PLATE (SEE PAGE 1-104)
3	2298119	N	SPT PHANTOM	1	SPT PHANTOM W/HANDLES (SEE PAGE 1-103)
4	2125244	N	SPT SHRT LDR	1	860-950118 SPT SHORT LOADER (SEE PAGE 1-103)
5	2131027-2	N	PHANTOM	1	USE 2131027-9 FOR FIELD REPLACEMENT
6	2134213	1	SPT CART	1	SPT PHANTOM CART
7	2170481	2	EPI POSITINR	2	LX/HORIZON EPI FOAM POSITIONER
8	2141454	2	QUICK SHIM	1	QUICK SHIM POSITIONER

SPT PHANTOM KIT w/o CART 2133388-2 FRU N (PART OF LX 1.0T MOBILE SITE CATALOGS)

Item	Part Number	FRU	Name	Quantity	Description (Remarks)
2	2125247	N	NEST'G PLATE	1	860-950118 SPT NESTING PLATE (SEE PAGE 1-104)
3	2298119	N	SPT PHANTOM	1	SPT PHANTOM W/HANDLES (SEE PAGE 1-103)
4	2125244	N	SPT SHRT LDR	1	860-950118 SPT SHORT LOADER (SEE PAGE 1-103)
5	2131027-2	2	PHANTOM	1	USE 2131027-9 FOR FIELD REPLACEMENT
7	2170481	2	EPI POSITINR	2	LX/HORIZON EPI FOAM POSITIONER
8	2141454	2	QUICK SHIM	1	QUICK SHIM POSITIONER

Cx SPT PHANTOM CART KIT 2133388-6 FRU N (PART OF Cx/LCC LX 1.5T/1.0T FIXED & T/R SITE CATS)
(PART OF EXCITE 1.5T FIXED AND T/R SITES)

Item	Part Number	FRU	Name	Quantity	Description (Remarks)
2A	2125247-13	N	NEST'G PLATE	1	MOLDED SPT NESTING PLATE (SEE PAGE 1-104)
2B	2125247-10	2	NEST'G PLATE	1	Cx SPT NESTING PLATE (SEE PAGE 1-104)
3	2298119	N	SPT PHANTOM	1	SPT PHANTOM W/HANDLES (SEE PAGE 1-103)
4	2125244	N	SPT SHRT LDR	1	860-950118 SPT SHORT LOADER (SEE PAGE 1-103)
5	2131027-2	N	PHANTOM	1	USE 2131027-9 FOR FIELD REPLACEMENT
6	2134213	1	SPT CART	1	SPT PHANTOM CART
7	2170481	2	EPI POSITINR	2	LX/HORIZON EPI FOAM POSITIONER
8	2141454	2	QUICK SHIM	1	QUICK SHIM POSITIONER

**Cx SPT PHANTOM KIT w/o CART 2133388-7 FRU N (PART OF Cx/LCC LX 1.5T/1.0T MOBILE CATALOGS)
(PART OF EXCITE 1.5T MOBILE SITES)**

Item	Part Number	FRU	Name	Quantity	Description (Remarks)
2A	2125247-13	N	NEST'G PLATE	1	MOLDED SPT NESTING PLATE (SEE PAGE 1-104)
2B	2125247-10	2	NEST'G PLATE	ALT	Cx SPT NESTING PLATE (SEE PAGE 1-104)
3	2298119	N	SPT PHANTOM	1	SPT PHANTOM W/HANDLES (SEE PAGE 1-103)
4	2125244	N	SPT SHRT LDR	1	860-950118 SPT SHORT LOADER (SEE PAGE 1-103)
5	2131027-2	N	PHANTOM	1	USE 2131027-9 FOR FIELD REPLACEMENT
7	2170481	2	EPI POSITINR	2	LX/HORIZON EPI FOAM POSITIONER
8	2141454	2	QUICK SHIM	1	QUICK SHIM POSITIONER

SPT PHANTOM KIT w/SPLIT HD COIL 2133388-11 FRU N (PART OF EXCITE HD 1.5T CATALOGS)

Item	Part Number	FRU	Name	Quantity	Description (Remarks)
2A	2125247-13	2	NEST'G PLATE	1.0	MOLDED SPT NESTING PLATE (SEE PAGE 1-104)
2B	2125247-10	2	NEST'G PLATE	ALT	Cx SPT NESTING PLATE (SEE PAGE 1-104)
3	2298119	N	SPT PHANTOM	1.0	SPT PHANTOM W/HANDLES (SEE PAGE 1-103)
4	2125244	N	SPT SHRT LDR	1.0	860-950118 SPT SHORT LOADER (SEE PAGE 1-103)
5	2321556	2	DQA PHANTOM	1.0	DQA-HEAD SNR PHANTOM
6	2134213	N	SPT CART	1.0	SPT PHANTOM CART
7	2170481	N	EPI POSITINR	2.0	LX/HORIZON EPI FOAM POSITIONER
8	5110241	2	PDM PART	1.0	POSITIONER,HEAD LOADER

**SPT PHANTOM WITH HANDLES 2298119 FRU N (PART OF 2133388 PAGE 1-102)
(PART OF 2133388-2 PAGE 1-102)
(PART OF 2133388-6 PAGE 1-102)
(PART OF 2133388-7 PAGE 1-103)
(PART OF 2133388-11 PAGE 1-103)**

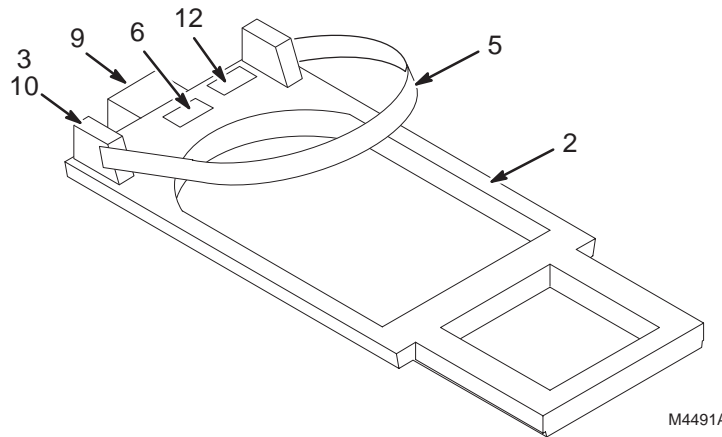
Item	Part Number	FRU	Name	Quantity	Description (Remarks)
2	2306642	1	LV PHAN-SMAL	1	LV PHANTOM SMALL HALF ASSEMBLY
3	2306645	1	LV PHANT-BIG	1	LV PHANTOM BIG HALF ASSEMBLY
4	2274476	1	TOOL ASM	1	HFO LV SHIM PHANTOM INNER SPHERE

**SPT SHORT LOADER 2125244 FRU N (PART OF 2133388 PAGE 1-102)
(PART OF 2133388-2 PAGE 1-102)
(PART OF 2133388-6 PAGE 1-102)
(PART OF 2133388-7 PAGE 1-103)
(PART OF 2133388-11 PAGE 1-103)**

Item	Part Number	FRU	Name	Quantity	Description (Remarks)
2	2135650	2	KIT OF PARTS	1	SPHERE-USE 2135650-2 FOR FIELD REPLACEMENT
3	2135652	N	KIT OF PARTS	1	CYLINDER-USE 2135652-2 FOR FIELD REPLACEMENT

SPT NESTING PLATE

2125247, 2125247-10, & 2125247-13



SPT NESTING PLATE

2125247 FRU N

(PART OF 2133388 PAGE 1-102)
(PART OF 2133388-2 PAGE 1-102)

Item	Part Number	FRU	Name	Quantity	Description (Remarks)
2	2125247-2	2	PLATE,NEST'G	1	NESTING PLATE
3	2125247-3	2	STRAP ANCHOR	1	SPT PHANTOM STRAP ANCHOR
4	2125247-4	N	END SPACER	1	LV SHIM PHANTOM SPHERE
5	2125247-5	2	PHANTOM STRP	1	SPT PHANTOM STRAP
6	2125247-6	2	LABEL,NESTNG	1	LABEL, NESTING PLATE
9	2136933	2	SOCKET	2	.5-13 X 3.0" SOCKET HEAD CAP SCREW
10	2136934	2	SOCKET	4	.5-13 X 2.5" SOCKET HEAD CAP SCREW
12	2125247-11	2	NEST'G PLATE	1	LABEL, LONG NESTING PLATE

Cx SPT NESTING PLATE

2125247-10 FRU N

(PART OF 2133388-6 PAGE 1-102)
(PART OF 2133388-7 PAGE 1-103)
(PART OF 2133388-11 PAGE 1-103)

Item	Part Number	FRU	Name	Quantity	Description (Remarks)
2	2125247-9	2	NEST'G PLATE	1	SPT NESTING PLATE FOR Cx
3	2125247-3	2	STRAP ANCHOR	1	SPT PHANTOM STRAP ANCHOR
4	2125247-4	N	END SPACER	1	LV SHIM PHANTOM SPHERE
5	2125247-5	2	PHANTOM STRP	1	SPT PHANTOM STRAP
6	2125247-6	2	LABEL,NESTNG	1	LABEL, NESTING PLATE
7	46-136246P12	2	TAPE	AR	0.625 WIDE X 25 YD,BLK,ADH BACK,LOOP
9	2136933	2	SOCKET	2	.5-13 X 3.0" SOCKET HEAD CAP SCREW
10	2136934	2	SOCKET	4	.5-13 X 2.5" SOCKET HEAD CAP SCREW
12	2125247-12	2	NEST'G PLATE	1	LABEL, SHORT NESTING PLATE

MOLDED SPT NESTING PLATE

2125247-13 FRU N

(PART OF 2133388-6 PAGE 1-102)
(PART OF 2133388-7 PAGE 1-103)
(PART OF 2133388-11 PAGE 1-103)

Item	Part Number	FRU	Name	Quantity	Description (Remarks)
2	2221107	2	NEST'G PLATE	1	SPT NESTING PLATE
5	2125247-5	2	PHANTOM STRP	1	SPT PHANTOM STRAP
6	2125247-6	2	LABEL,NESTNG	1	LABEL, NESTING PLATE
7	46-136246P12	2	TAPE	AR	0.625 WIDE X 25 YD,BLK,ADH BACK,LOOP
12	2125247-14	2	NEST'G PLATE	1	MOLDED SPT NESTING PLATE (-13) LABEL

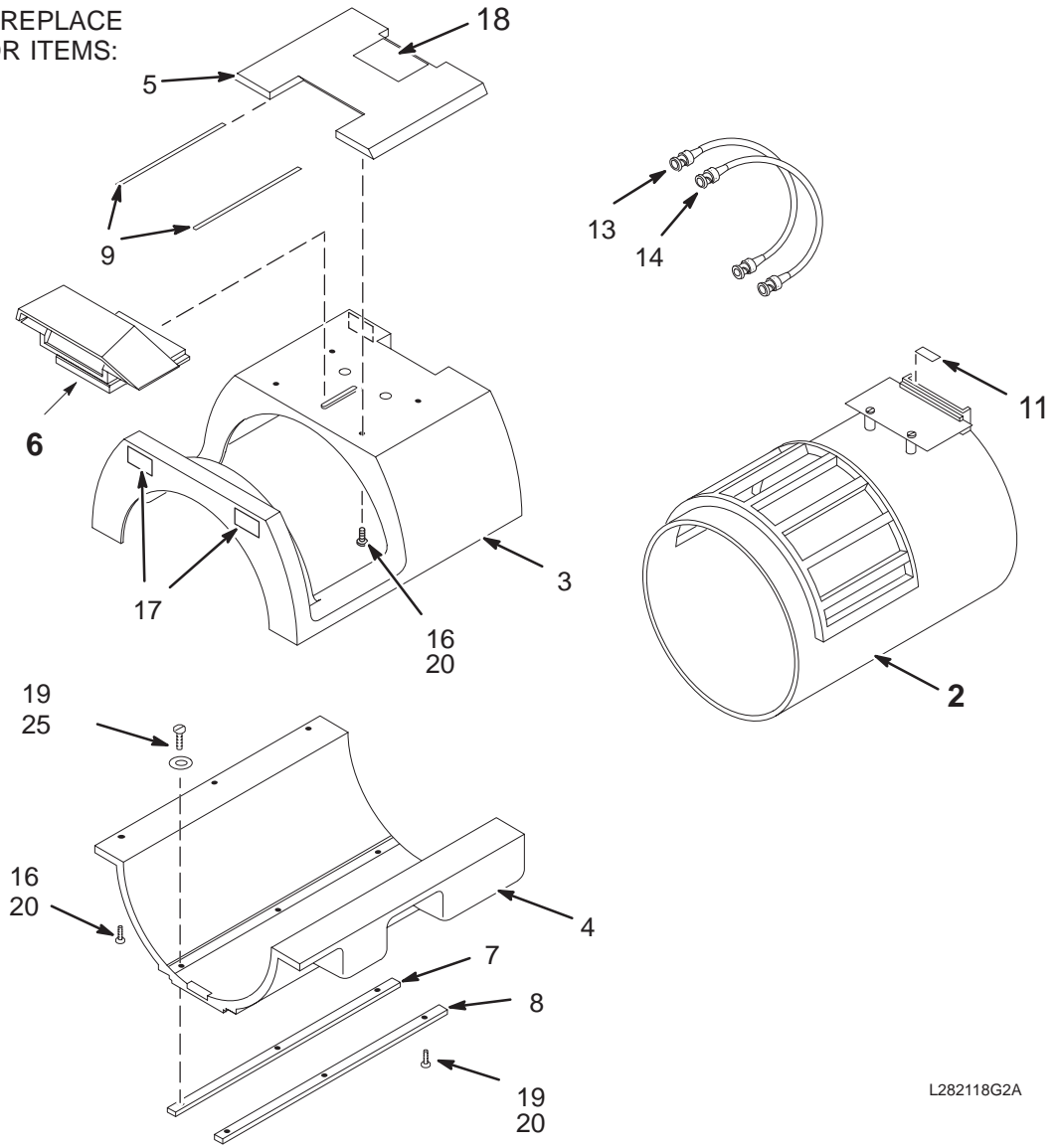
1.5T QUAD HEAD COIL

46-282118G2 & 46-282118G202

MG2 A16 A1

ITEMS 5, 6, & 9 CAN REPLACE
NEW-STYLE MIRROR ITEMS:

- 31
- 32
- 33
- 34
- 35



L282118G2A

1.5T QUAD HEAD COIL

46-282118G2 FRU 1

(PART 402 OF 46-244813G25 PAGE 1-93)

(PART 402 OF 46-244813G27 PAGE 1-94)

Item	Part Number	FRU	Name	Quantity	Description (Remarks)
2	46-282120G2	N	HC FORM ASM	1	1.5T HEAD COIL & FORM SUB-ASSEMBLY (SEE PAGE 1-107)
3	46-271718P1	2	H.C.-TOP	1	MOLDED TOP HOUSING
4	46-271719P1	2	H.C.-BOT	1	MOLDED BOTTOM HOUSING
5	46-271722P1	2	MIRROR HSG	ALT	MIRROR ASSEMBLY BASE RETAINING COVER
6	46-282119G1	N	MIRROR ASM	ALT	PATIENT'S VIEWING MIRROR ASSEMBLY (SEE PAGE 1-109)
7	46-282039P1	2	HC RAIL LH	1	LEFT GUIDE RAIL, 16.38"LONG, DELRIN
8	46-282038P1	2	HC RAIL RH	1	RIGHT RAIL, 16.36"LONG, DELRIN
9	46-282392P1	2	TAPE	ALT	WHITE VELCRO LOOP, 7.88" X .25"
11	46-282475P1	2	MECHANICAL/M	1	BLUE COLORED POLYESTER, 1.12" X .5"
13	46-282441P1	1	CABLE	1	MG2-A16-A1 TO MG2-A16-A6, BLUE ENDS
14	46-282441P2	1	CABLE	1	MG2-A16-A1 TO MG2-A16-A6, WHITE ENDS
15	46-307152P1	2	VELCRO PAD	2	1"X 1" WHITE VELCRO LOOP SELF-ADHERE
16	46-208921P33	2	SCREW	10	10-32 X 1/2", BIND HEAD SLOT, BRASS
17	46-287499P1	2	MECHANICAL/M	2	REMOVE QUAD HEAD COIL WARNING LABEL
18	46-307859P4	2	LABEL	1	"FOR USE ON SIGNA 1.5T SYSTEM ONLY"
19	46-208921P36	2	SCREW	6	8-32 X 3/8 BINDING HEAD, SLOT, BRASS
20	46-170684P2	2	ADHESIVE	1	LOCTITE 271, 10CC BOTTLE
25	46-221449P4	N	WASHER	3	#8 SCREW SIZE (0.164) PHOS BRONZE
31	2304047	N	PLATE	1	1.5T HEAD COIL MIRROR PLATE
32	2304050	N	BAR	1	MIRROR SLIDE BAR
33	2305644	N	MIRROR	1	MIRROR, HEAD COIL
34	2109874-11	N	SCREW	1	SCREW COUNTERSUNK HEA 4 MM 12 MM
35	2109874-9	N	SCREW	1	SCREW COUNTERSUNK HEA 4 MM 8 MM

1.5T CRM QUAD HEAD COIL

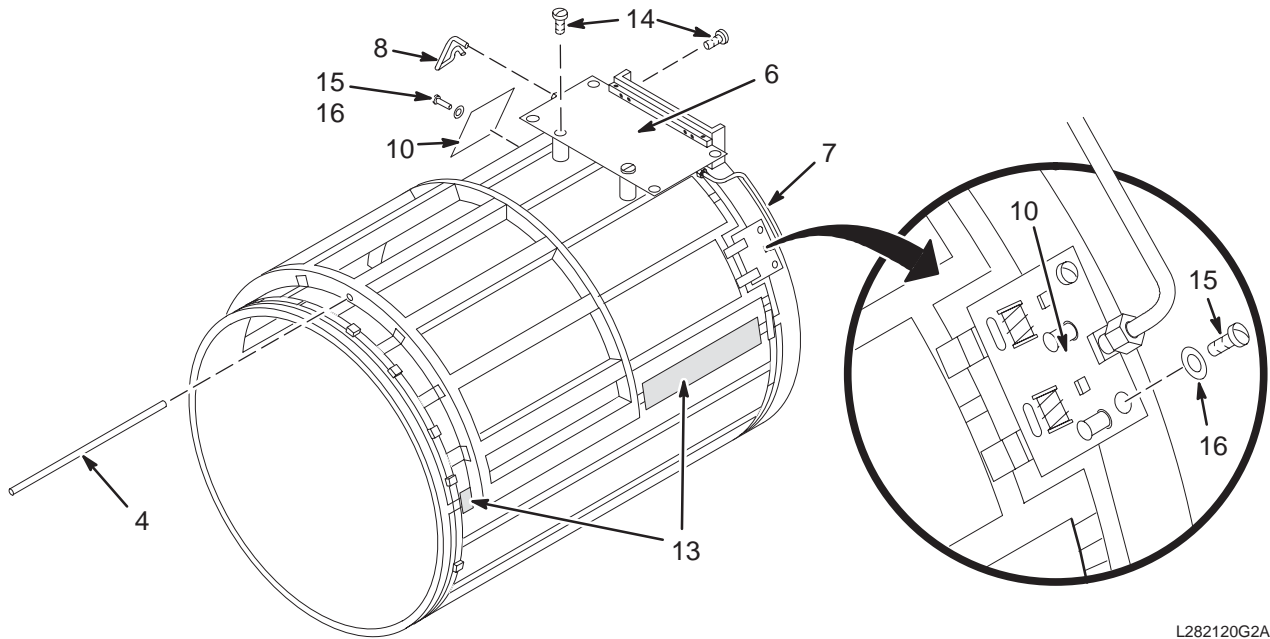
46-282118G202 FRU 1

(PART 402 OF 46-244813G30 PAGE 1-95)

Item	Part Number	FRU	Name	Quantity	Description (Remarks)
2	46-282120G202	N	HC FORM ASM	1	CRM 1.5T HEAD COIL AND FORM SUBASM (SEE PAGE 1-107)
3	46-271718P1	2	H.C.-TOP	1	MOLDED TOP HOUSING
4	46-271719P1	2	H.C.-BOT	1	MOLDED BOTTOM HOUSING
5	46-271722P1	2	MIRROR HSG	1	MIRROR ASSEMBLY BASE RETAINING COVER
6	46-282119G1	N	MIRROR ASM	1	PATIENT'S VIEWING MIRROR ASSEMBLY (SEE PAGE 1-109)
7	46-282039P1	2	HC RAIL LH	1	LEFT GUIDE RAIL, 16.38"LONG, DELRIN
8	46-282038P1	2	HC RAIL RH	1	RIGHT RAIL, 16.36"LONG, DELRIN
9	46-282392P1	2	TAPE	2	WHITE VELCRO LOOP, 7.88" X .25"
11	46-282475P1	2	LABEL	1	BLUE COLORED POLYESTER, 1.12" X .5"
13	46-282441P3	1	CABLE	1	MG2-A16-A1 TO MG2-A16-A6, BLUE ENDS
14	46-282441P4	1	CABLE	1	MG2-A16-A1 TO MG2-A16-A6, WHITE ENDS
15	46-307152P1	2	VELCRO PAD	2	1"X 1" WHITE VELCRO LOOP SELF-ADHERE
16	46-208921P33	2	SCREW	10	SCREW
17	46-287499P1	2	LABEL	2	REMOVE QUAD HEAD COIL WARNING LABEL
18	2214469	2	LABEL	1	CRM HEAD/NECK COIL ATTN MULTILINGUAL
19	46-208921P36	2	SCREW	6	BRS SLOTTED BND HD SCR 8-32 X 3/8"
20	46-170684P2	2	ADHESIVE	1	LOCTITE 271, 10CC BOTTLE
25	46-221449P4	2	WASHER	3	#8 SCREW SIZE (0.164) PHOS BRONZE
31	2304047	N	PLATE	1	1.5T HEAD COIL MIRROR PLATE
32	2304050	N	BAR	1	MIRROR SLIDE BAR
33	2305644	N	MIRROR	1	MIRROR, HEAD COIL
34	2109874-11	N	SCREW	1	SCREW COUNTERSUNK HEA 4 MM 12 MM
35	2109874-9	N	SCREW	1	SCREW COUNTERSUNK HEA 4 MM 8 MM

1.5T HEAD COIL FORM ASM

46-282120G2 & 46-282120G202



L282120G2A

1.5T HEAD COIL FORM ASM

46-282120G2 FRU N

(PART 2 OF 46-282118G2 PAGE 1-106)

Item	Part Number	FRU	Name	Quantity	Description (Remarks)
4	46-271942P1	2	TUBE	7	TIN PLATED COPPER TUBE, .188 OD X 7"
6	46-288414G1	2	CIRCUIT BD	1	1.5T HEAD COIL HYBRID, MG2 A16 A1 A2
7	46-301047P1	2	CABLE, COAX	1	.085" DIA SEMI-RIGID COPPER W/PLUGS
8	46-301048P1	2	CABLE, COAX	1	.085 DIA SEMI-RIGID COPPER W/PLUGS
10	46-264844G1	1	CIRCUIT BD	2	1.5T ISOLATOR BOARD, MG2 A16 A1 A1
13	46-170120P1	2	TAPE	AR	1/2" WIDTH, .0025 THICK, CLEAR COLOR
14	46-265486P6	2	SCREW	5	8-32 X 3/8, PAN HEAD, DELRIN
15	46-220184P5	2	SCREW	4	4-40 X 1/4" ROUND HEAD SLOTTED, BRASS
16	46-221449P2	2	WASHER	4	#4 SCREW SIZE (0.112) PHOS BRONZE

1.5T CRM HEAD COIL FORM ASM 46-282120G202 FRU N

(PART 2 OF 46-282118G202 PAGE 1-106)

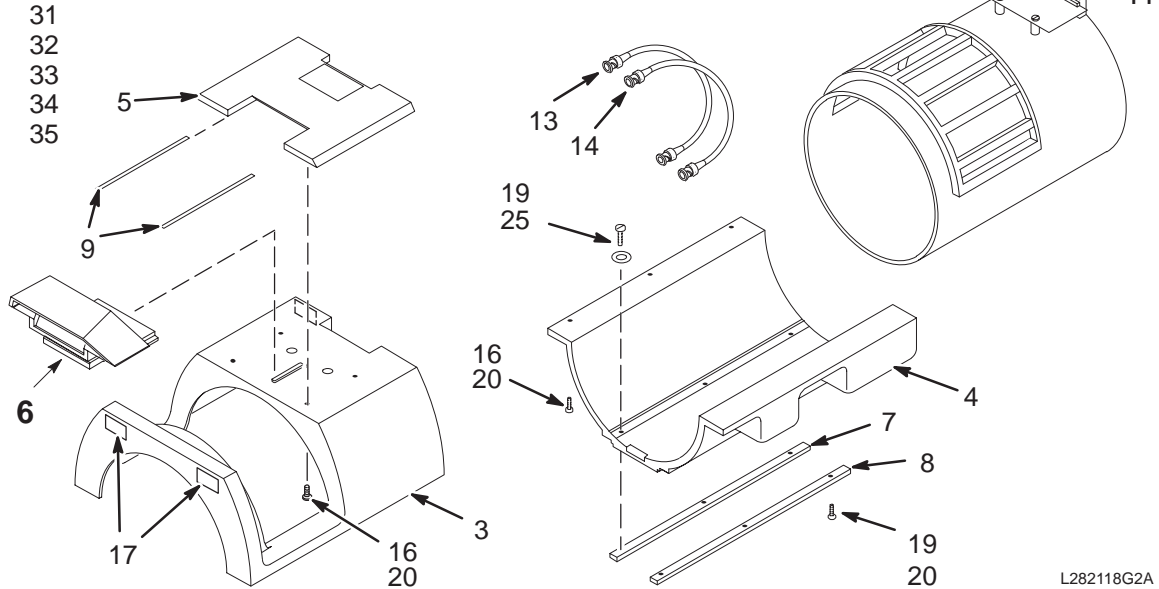
Item	Part Number	FRU	Name	Quantity	Description (Remarks)
4	46-271942P1	2	TUBE	7	TIN PLATED COPPER TUBE, .188 OD X 7"
6	46-288414G1	2	CIRCUIT BD	1	1.5T HEAD COIL HYBRID, MG2 A16 A1 A2
7	46-301047P1	2	CABLE, COAX	1	.085" DIA SEMI-RIGID COPPER W/PLUGS
8	46-301048P1	2	CABLE, COAX	1	.085 DIA SEMI-RIGID COPPER W/PLUGS
10	46-264844G1	1	CIRCUIT BD	2	1.5T ISOLATOR BOARD, MG2 A16 A1 A1
13	46-170120P1	2	TAPE	AR	1/2" WIDTH, .0025 THICK, CLEAR COLOR
14	46-265486P6	2	SCREW	5	SCREW
15	46-220184P5	2	SCREW	4	SCREW
16	46-221449P2	2	WASHER	4	#4 SCREW SIZE (0.112) PHOS BRONZE

1.0T HEAD COIL

46-282118G6

MG2 A16 A1

ITEMS 5, 6, & 9 CAN REPLACE
NEW-STYLE MIRROR ITEMS:



1.0T HEAD COIL

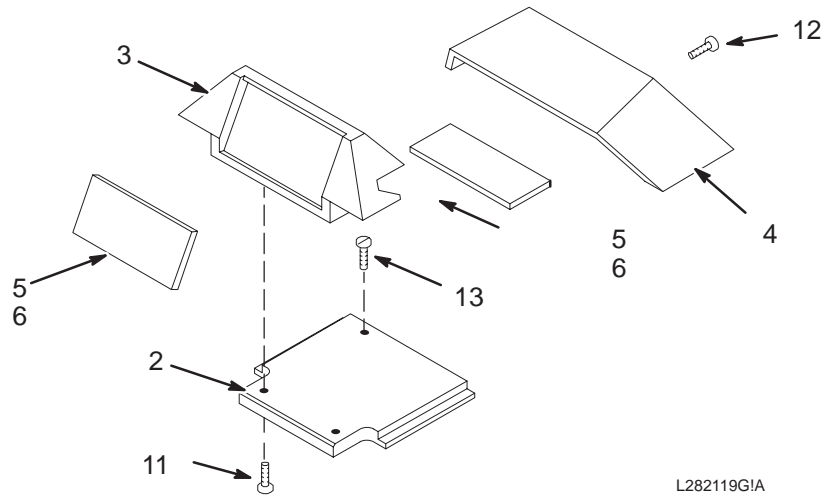
46-282118G6 FRU 1

(PART OF 46-244813G65 PAGE 1-96)
(PART OF 46-244813G67 PAGE 1-97)

Item	Part Number	FRU	Name	Quantity	Description (Remarks)
3	46-271718P1	2	H.C.-TOP	1	MOLDED TOP HOUSING
4	46-271719P1	2	H.C.-BOT	1	MOLDED BOTTOM HOUSING
5	46-271722P1	2	MIRROR HSG	ALT	MIRROR ASSEMBLY BASE RETAINING COVER
6	46-282119G1	N	MIRROR ASM	ALT	PATIENT'S VIEWING MIRROR ASSEMBLY (SEE PAGE 1-109)
7	46-282039P1	2	HC RAIL LH	1	LEFT GUIDE RAIL, 16.38"LONG, DELRIN
8	46-282038P1	2	HC RAIL RH	1	RIGHT RAIL, 16.36"LONG, DELRIN
9	46-282392P1	2	TAPE	ALT	WHITE VELCRO LOOP, 7.88" X .25"
10	46-251182P441	N	RATING PLATE	1.0	MODEL 46-282118G6 1.0T HEAD COIL
11	46-282475P1	N	PDM PART	1.0	BLUE COLORED POLYESTER, 1.12" X .5"
13	46-282441P3	2	CABLE	1.0	MG2-A16-A1 TO MG2-A16-A6, BLUE ENDS
14	46-282441P4	2	CABLE	1.0	MG2-A16-A1 TO MG2-A16-A6, WHITE ENDS
15	46-307152P1	2	VELCRO PAD	2	1"X 1" WHITE VELCRO LOOP SELF-ADHERE
16	46-208921P33	2	SCREW	10	10-32 X 1/2", BIND HEAD SLOT, BRASS
17	46-287499P1	2	MECHANICAL/M	2	REMOVE QUAD HEAD COIL WARNING LABEL
18	46-307859P6	N	PDM PART	1.0	LABEL
19	46-208921P36	2	SCREW	6	8-32 X 3/8 BINDING HEAD, SLOT, BRASS
20	46-170684P2	2	ADHESIVE	1	LOCTITE 271, 10CC BOTTLE
25	46-221449P4	2	WASHER	3	#8 SCREW SIZE (0.164) PHOS BRONZE
31	2304047	N	PLATE	1	1.5T HEAD COIL MIRROR PLATE
32	2304050	N	BAR	1	MIRROR SLIDE BAR
33	2305644	N	MIRROR	1	MIRROR, HEAD COIL
34	2109874-12	N	PDM PART	1.0	SCREW COUNTERSUNK HEA 4 MM 16 MM
35	2109874-9	N	SCREW	1	SCREW COUNTERSUNK HEA 4 MM 8 MM

MIRROR ASM

46-282119G1



MIRROR ASM

46-282119G1 FRU N

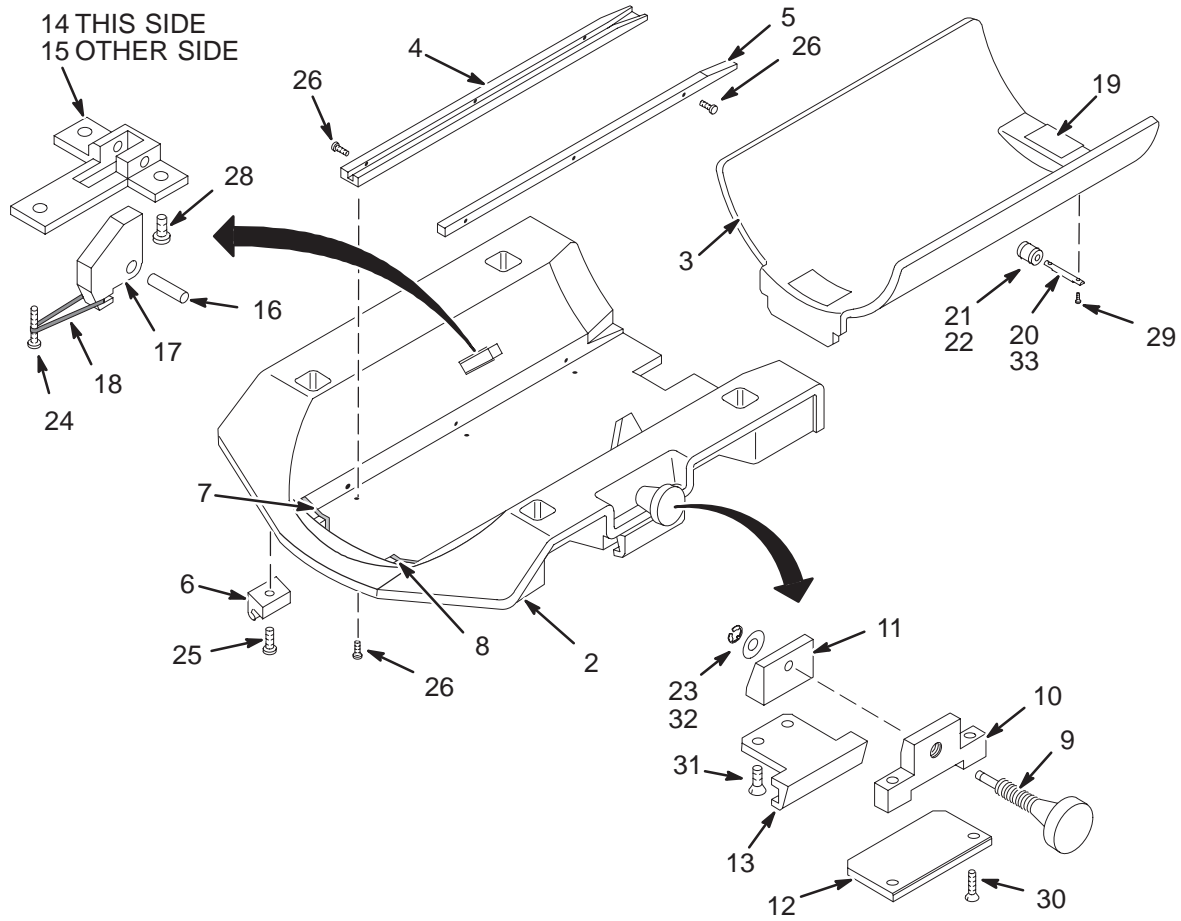
(PART OF 46-282118G2 PAGE 1-106)

(PART OF 46-282118G6 PAGE 1-108)

Item	Part Number	FRU	Name	Quantity	Description (Remarks)
2	46-271721P1	2	SLIDE	1	SLIDING MIRROR MOUNT PLATE, DELRIN
3	46-271723P1	2	MIRROR BOT	1	LOWER MIRROR MOUNTING BASE
4	46-271724P1	2	MIRROR TOP	1	UPPER MIRROR MOUNTING BASE
5	46-282066P1	2	MECHANICAL/M	2	2.19" X 4.19" FLOAT GLASS MIRROR
6	46-282264P1	2	ADHESIVE	AR	2 OZ DUAL-PAK CARTRIDGE EPOXY, CLEAR
10	46-170686P1	2	ADHESIVE	1	LOCTITE 242, 0.5CC TUBE
11	46-208921P33	2	SCREW	2	10-32 X 1/2", BIND HEAD SLOT, BRASS
12	46-208913P28	2	SCREW	2	10-32 X 5/8" LG SLOT FH, BRASS SCREW
13	46-220184P38	2	SCREW	1	10-32 X 1/4" LG RD HD SLOT, BRASS

HEAD COIL HOLDER ASM

46-282079G1



L282079G1A

HC HOLDER ASM 46-282079G1 FRU N (PART OF 46-244813G25 PAGE 1-93)
(PART OF 46-244813G27 PAGE 1-94)
(PART OF 46-244813G30 PAGE 1-95)
(PART OF 46-244813G65 PAGE 1-96)
(PART OF 46-244813G67 PAGE 1-97)

Item	Part Number	FRU	Name	Quantity	Description (Remarks)
2	46-271236P1	2	HC HOLDER	1	MOLDED PLASTIC, NO PARTS INSTALLED
3	46-271243P1	2	HEAD HOLDER	1	PATIENT HEAD CRADLE, MOLDED PLASTIC
4	46-282043P1	2	HCH RAIL LH	1	LEFT GROOVED GUIDE RAIL, 17" DELRIN
5	46-282042P1	2	HCH RAIL RH	1	COIL RIGHT SUPPORT RAIL, 17" DELRIN
6	46-307524P1	2	RAIL CATCH	2	TABLE CRADLE RAIL STATIONARY CLAMP
7	46-282391P1	2	TAPE	1	0.71" X .84" PAD, WHITE VELCRO LOOPS
8	46-282391P2	2	TAPE	1	0.71" X .84" PAD, WHITE VELCRO LOOPS
9	46-271294P1	2	KNOB	1	HEAD COIL HOLDER CLAMP KNOB, DELRIN
10	46-271292P1	2	MTG. BLOCK	1	CLAMPING KNOB INSERT, 1/2-13 THREAD
11	46-271293P1	2	MTG. BLOCK	1	ADJUSTABLE RAIL CLAMP MOUNTING BLOCK
12	46-271295P1	2	BAR	1	CLAMP GUIDE PLATE, 3 X 2" LAM. COMP.
13	46-271296P1	2	RAIL CATCH	1	TABLE CRADLE RAIL ADJUSTABLE CLAMP
14	46-271298P2	2	MTG. BLOCK	1	LEFT FLIPPER PIVOT MOUNTING BLOCK
15	46-271298P1	2	MTG. BLOCK	1	RIGHT FLIPPER PIVOT MOUNTING BLOCK
16	46-271300P1	2	BAR	2	0.249" DIAMETER X 0.92" LONG, DELRIN
17	46-271299P1	2	FLIPPER	2	HEAD HOLDER PIVOTING SUPPORT, ACETAL
18	46-282610P1	2	RUBBER BAND	AR	#33 SIZE, PURE RUBBER, 3-1/2 X 1/8"
19	46-136246P14	2	TAPE	0.584	2" WIDE, WHT, ADH BACK, VELCRO LOOP
20	46-271301P1	2	BAR	1	0.248" DIAMETER X 1.94", DELRIN #570
21	46-271303P1	2	BAR	1	1/2" DIAMETER X .81", WHITE ACETAL
22	46-136374P12	2	RING	2	0.362 ID, BUNA N, PARKER 2-110
23	46-220277P26	2	RETAINING RI	1	EXT RADIAL MOUNT 0.188 SHAFT DIA
24	46-243737P2	2	SCREW	2	10-32 X 3/4", WHITE ACETAL
25	46-243737P1	2	SCREW	2	1/4-20 X .65", WHITE ACETAL
26	46-265486P6	2	SCREW	9	8-32 X 3/8, PAN HEAD, DELRIN
28	46-265486P7	2	SCREW	4	1/4-20 X .50 PAN HEAD DELRIN
29	46-265486P8	2	SCREW	2	6-32 X .31 PAN HEAD, DELRIN
30	46-230024P6	2	SCREW	2	1/4-20 X 1.5" FLAT HD SLOTTED CELCON
31	46-230024P8	2	SCREW	2	1/4-20 X 3/4" FLAT HD SLOTTED CELCON
32	12-1213	2	WASHER	1	ID 0.266, OD 0.563, THK .051, BRASS
33	46-287945P1	2	CHEMICAL	AR	KRYTOX 205 GENERAL PURPOSE LUBRICANT
35	46-307011P1	2	ROUND SPACER	2	0.312 OD. 0.193 ID. .25" LONG, NYLON
36	46-251784P1	2	KNOB PIN	2	1/8" DIAMETER X .88" LONG, ACETAL

1.5T HEAD COIL KIT

2321161 FRU N

(PART 18 OF M3000AB PAGE 1-49)
(PART 18 OF M3000AC PAGE 1-49)
(PART 18 OF M3000AD PAGE 1-49)

Item	Part Number	FRU	Name	Quantity	Description (Remarks)
354	2148308-2	1	PART	1	QUICK DISCONNECT W/RESONANT SHIELD
355	46-282468G1	1	COIL ADAPTER	1	COIL ADAPTER, MG2 A16 A6 (EXTREMITY)
356	46-282468G2	1	COIL ADAPTER	1	COIL ADAPTER, MG2 A16 A6 (SURFACE)
359	46-287416G1	N	TUNER BD ASM	1	HEAD COIL TUNING RING
401	46-282079G1	2	HC HOLDR ASM	1	QUADRATURE HEAD COIL HOLDER ASSEMBLY
402	46-282118G2	1	HEAD COIL	1	1.5T QUAD HEAD COIL, MG2 A16 A2 (SEE PAGE 1-106)

1.5T CV/i HEAD COIL KIT

2321161-2 FRU N

(PART 18 OF M3000AE PAGE 1-50)

Item	Part Number	FRU	Name	Quantity	Description (Remarks)
354	2148308-2	1	PART	1	QUICK DISCONNECT W/RESONANT SHIELD
355	46-282468G1	1	COIL ADAPTER	1	COIL ADAPTER, MG2 A16 A6 (EXTREMITY)
356	46-282468G2	1	COIL ADAPTER	1	COIL ADAPTER, MG2 A16 A6 (SURFACE)
359	46-287416G1	N	TUNER BD ASM	1	HEAD COIL TUNING RING
401	46-282079G1	2	HC HOLDR ASM	1	QUADRATURE HEAD COIL HOLDER ASSEMBLY
402	46-282118G202	1	HEAD COIL	1	CRM QUAD HEAD COIL, MG2 A16 A2 (SEE PAGE 1-106)

1.0T HEAD COIL KIT

2321161-3 FRU N

(PART 18 OF M3800AA PAGE 1-56)
(PART 18 OF M3800AB PAGE 1-56)
(PART 18 OF M3800AD PAGE 1-56)

Item	Part Number	FRU	Name	Quantity	Description (Remarks)
354	2148308	1	PART	1	QUICK DISCONNECT W/RESONANT SHIELD
355	46-317221G36	1	COIL ADAPTER	1	1.0T QUAD EXTREMITY COIL, NORMAL
356	46-317222G6	1	COIL ADAPTER	1	1.0T SURFACE COIL, NORMAL FIELD
401	46-282079G1	2	HC HOLDR ASM	1	QUADRATURE HEAD COIL HOLDER ASSEMBLY
402	46-282118G6	1	QUAD HC ASM	1	1.0T HEADCOIL

1.5T SPLIT HEAD COIL/PHANTOM KIT 2366960 FRU N (PART 18A OF M3000AB PAGE 1-49)
 (PART 18A OF M3000AC PAGE 1-49)
 (PART 18A OF M3000AD PAGE 1-49)
 (PART 18 OF M3000DB PAGE 1-60)
 (PART 18 OF M3000DC PAGE 1-60)
 (PART 18 OF M3000DD PAGE 1-60)
 (PART 18 OF M3000TD PAGE PAGE 1-76)

Item	Part Number	FRU	Name	Quantity	Description (Remarks)
1	2337543	N	KIT OF PARTS	1.0	SPLIT HEAD COIL COLLECTOR – 1.5T (SEE PAGE 1-113)
2	2321556	2	DQA PHANTOM	1.0	DQA-HEAD SNR PHANTOM
3	5110241	2	PDM PART	1.0	POSITIONER,HEAD LOADER

1.5T SPLIT HEAD COIL COLLECTOR 2337543 FRU N (PART 1 OF 2366960 PAGE 1-113)

Item	Part Number	FRU	Name	Quantity	Description (Remarks)
1	2341973	2	ASSEMBLY	1.0	1.5T SPLIT HEAD COIL ASSEMBLY
2	2336560	2	BOX ASSEMBLY	1.0	QUICK DISCONNECT BOX 1.5T W/RESONANT
3	2349207	2	COIL ADAPTER	1.0	Q.D. PLUG COIL ADAPTER, EXTREMITY
4	2349208	2	COIL ADAPTER	1.0	Q.D. PLUG COIL ADAPTER, SURFACE
5	2330338	N	HEAD CUSHION	1.0	SPLIT HEAD COIL CUSHION FORMED
6	2343157	N	PAD	1.0	SPLIT HEAD COIL CUSHION FLAT
7	2352202	N	KIT	1.0	KIT HEAD RESTRAINT STRAPS
8	2353925-247	N	DIRECTION	1.0	1.0T/1.5T SIGNA INFINITY SPLIT HEAD
9	2341495	N	DIRECTION	1.0	1.5T SPLIT HEAD COIL SERVICE MANUAL

TPS RF SERVICE I/F KIT **46-301927G1 FRU N** **(PART OF 46-244813G25 PAGE 1-93)**
(PART OF 46-244813G65 PAGE 1-96)

Item	Part Number	FRU	Name	Quantity	Description (Remarks)
2	46-301549P5	2	COAX CABLE	3	5' RG188/U COAX, BNC MALE/SMB FEMALE
3	46-301549P6	2	COAX CABLE	2	5' RG188/U COAX, BNC MALE/CANNON MK1
4	46-251993G1	2	CABLE ASM	1	8" RG174/U 50-OHM COAX W/SMB PLUGS
5	46-301549P14	2	COAX CABLE	5	6" RG188/U, CANNON MARK 1 RECEPTACLE
6	46-301549P15	2	TPS KIT PART	1	DC BLOCK - 50 OHM BNC MALE/FEMALE
7	46-296817P1	2	CONNECTOR	1	50 OHM BNC TERMINATOR W/CHAIN, 1/2 W
10	46-220427P3	2	CONNECTOR	2	50 OHM BNC STRAIT JACK-JACK ADAPTOR
11	2168505	2	CABLE	1	CERD SPIKE NOISE TEST CABLE

5.8Z S/W WITH Y2K UPDATE **46-317752G28 FRU N** **(PART OF 46-244813G25 PAGE 1-93)**
(PART OF 46-244813G65 PAGE 1-96)

Item	Part Number	FRU	Name	Quantity	Description (Remarks)
5	46-317751P1	2	DAT	1	BLANK DIGITAL-AUDIO TAPE
7	46-320006P1	2	DAT CLEAN	1	CLEANING KIT FOR DAT DRIVES
10	2206417	1	IMAGE S/W	1	FSE-XL SOFTWARE OPTION

PPG ACCESSORIES KIT **46-317999G2 FRU N** **(PART OF 46-244813G25 PAGE 1-93)**
(PART OF 46-244813G27 PAGE 1-94)
(PART OF 46-244813G65 PAGE 1-96)
(PART OF 46-244813G67 PAGE 1-97)

Item	Part Number	FRU	Name	Quantity	Description (Remarks)
10	46-320104G1	2	PROBE ASM.	1	PLETHYSMOGRPH FINGER PROBE (E8811PB)
15	46-320114G1	2	GP HEAD ASM	1	GENERAL PURPOSE HEAD ASM (E8811PC)
21	46-317500P4	2	VELCRO HOOKS	2	WHITE 2" X 1" STRIP, ADHESIVE BACK
30	46-320455P1	2	VELCRO STRAP	2	WHITE 8" X 6", VELCRO ASM (E8811PC)

GATING/PAC CABLE KIT **46-320609G1 FRU N** **(PART OF 46-244813G25 PAGE 1-93)**
(PART OF 46-244813G27 PAGE 1-94)
(PART OF 46-244813G65 PAGE 1-96)
(PART OF 46-244813G67 PAGE 1-97)

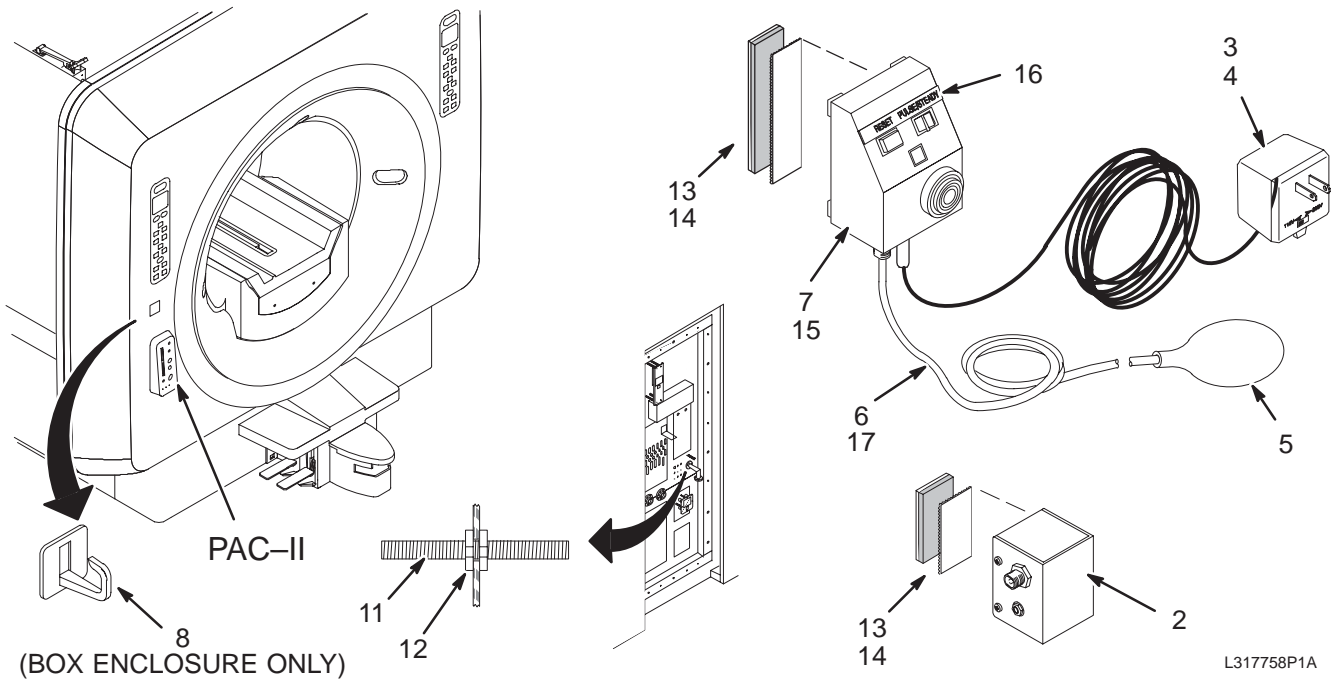
Item	Part Number	FRU	Name	Quantity	Description (Remarks)
2	46-320457P1	N	GATING LEADS	6	USE E8811JA FOR FIELD REPLACEMENTS
3	46-320573G1	N	PAC CABLE	1	USE E8811JB FOR FIELD REPLACEMENTS

HIGH IMPEDANCE ECG LEAD KIT **2219452 FRU 1** **(PART OF 46-244813G30 PAGE 1-95)**
(PART OF 46-244813G65 PAGE 1-96)

Item	Part Number	FRU	Name	Quantity	Description (Remarks)
	2219452-2	1	GATAING LEADS	1	HIGH IMPEDANCE MRI ECG LEAD WIRES (E8819RC)
	2219452-3	1	CABLE	1	HIGH IMPEDANCE ECG PATIENT CABLE (E8819RD)

PNEUMATIC PATIENT ALERT SYSTEM

46-317758P1



L317758P1A

ALERT SYSTEM

46-317758P1 FRU 1

(PART OF 46-244813G25 PAGE 1-93)
 (PART OF 46-244813G27 PAGE 1-94)
 (PART OF 46-244813G30 PAGE 1-95)
 (PART OF 46-244813G65 PAGE 1-96)
 (PART OF 46-244813G67 PAGE 1-97)
 (PART OF 2321156 PAGE 13-19)

Item	Part Number	FRU	Name	Quantity	Description (Remarks)
2	46-317758P2	2	EXTRA OPTION	AR	EXTENDER BOX/WIRE FOR OPR ALERT SYS.
3	46-317758P3	2	VENDOR FRU	1	MAGNAACOUSTICS 12V 60HZ POWER SUPPLY
4	46-317758P4	2	VENDOR FRU	ALT	MAGNAACOUSTICS 12V 50HZ POWER SUPPLY
5	46-317758P5	2	VENDOR FRU	1	SQUEEZE BULB, RUBBER
6	46-317758P6	2	VENDOR FRU	1	PNEUMATIC TUBING, 115FT LENGTH
7	46-317758P7	1	VENDOR FRU	1	ALARM UNIT CONTROL BOX
8	46-317758P8	2	VENDOR FRU	1	SQUEEZE BULB HANGER, STICK-ON TYPE (BOX ENCL ONLY)
9	46-317758P9	2	VENDOR FRU	1	PLASTIC FEED-THRU CONNECTORW/CLIP
10	46-317758P10	N	VENDOR FRU	1	USE 46-317758P9 AS FIELD REPLACEMENT
11	46-317758P11	2	VENDOR FRU	2	THREADED BRASS WAVEGUIDE TUBE W/NUTS
12	46-317758P12	N	VENDOR FRU	1	USE 46-317758P11 AS FIELD REPLACEMENT
13	46-317758P13	N	VENDOR FRU	1	ORDER 6-IN. 46-136246P15 VELCRO LOOP
14	46-317758P14	N	VENDOR FRU	1	ORDER 6-IN. 46-136246P17 VELCRO LOOP
15	46-317758P15	N	VENDOR FRU	1	ORDER 46-208901P24 #8 X 3/4" SCREW
16	46-317758P16	2	VENDOR FRU	1	NAMEPLATE, METALIZED STICK-ON TYPE
17	46-317758P17	2	VENDORFRU	1	TUBING REPLACEMENT KIT (INCLUDES P6 AND P9)

1-17 WideOpen ENCLOSURES

CATALOG M1060LA FRU N 1.5T FIXED WideOpen ENCLOSURE

Item	Part Number	FRU	Name	Quantity	Description (Remarks)
1A	2226300	N	1.5T LCC MAG	1	LCC 1.5T-WideOpen MAGNET CAT (SEE MAGNET MANUAL)
1B	2226300-2	N	1.5T LCC MAG	ALT	LCC 1.5T-WideOpen MAG, "YR SERIES" (SEE MAG MANUAL)
2	2222520	N	COLLECTOR	1	COLLECTOR,MAGNET MONITOR (SEE PAGE 1-175)
3A	2222521	N	COLLECTOR	1	COLLECTOR,LCC BRMF FIXED,WideOpen (SEE PAGE 1-116)
3B	2307972	N	BOX	1	COLLECTOR,LCC,FIXED BRIDGE,WideOpen (SEE PG 1-116)
4	2226311	N	SHIPPING COL	1	SHIP COLLECTOR FOR LCC/WO FIXED (SEE PAGE 1-116)

WideOpen FIXED ENCLOSURE 2222521 FRU N (PART 3A OF M1060LA PAGE 1-116)
(PART 3A OF M1860LA PAGE 1-119)

Item	Part Number	FRU	Name	Quantity	Description (Remarks)
1	2214166-4	N	INSTALLATION	1	BRM-F BODY COIL ISO MOUNTS W/PADS (SEE PAGE 1-124)
2	2222558	N	ENCLOSURE, F	1	ENCLOSURE,FIXED WideOpen,LCC (SEE SECTION 2)

WideOpen FIXED ENCL w/SPLIT BRIDGE 2307972 FRU N (PART 3B OF M1060LA PAGE 1-116)
(PART 3B OF M1860LA PAGE 1-119)

Item	Part Number	FRU	Name	Quantity	Description (Remarks)
1	2214166-4	1	INSTALLATION	1	BRM-F BODY COIL ISO MOUNTS W/PADS (SEE PAGE 1-124)
2	2308291	1	BOX	1	ENCLOSURE,FIXED, SPLIT BRIDGE, W-O (SEE SECTION 2)

WideOpen FIXED ENCL COLLECTOR 2226311 FRU N (PART 4 OF M1060LA PAGE 1-116)
(PART 4 OF M1860LA PAGE 1-119)
(PART 4 OF M3060TA PAGE 1-120)

Item	Part Number	FRU	Name	Quantity	Description (Remarks)
3	46-318057G6	1	VENT ASSEMBL	1	VENT KIT ASSEMBLY, LCC (SEE MAGNET MANUAL)
4	46-258770G4	N	SIGN KIT	1	WARNING SIGN AND LABEL SET (SEE PAGE 1-116)
5	2128700	N	MRU KIT	1	MRU KIT ASSEMBLY (SEE MAGNET MANUAL)
8	46-294744G5	N	FLDSPARE KIT	1	FIELDSPARE KIT - LCC (SEE MAGNET MANUAL)
9	46-318565G1	N	VAC TOOL KIT	1	SIV VACUUM TOOL KIT. (SEE MAGNET MANUAL)
10	2226264	N	BRACKET ASM	1	WIDEOPEN DOCK MOUNT & CNTRL BOX (SEE SECTION 2)
11A	46-271260G4	N	DOCK ASM.	1	INFINITY WIDEOPEN DOCK ASSEMBLY (SEE SECTION 2)
11B	46-271260G3	N	DOCK ASM.	ALT	WIDEOPEN DOCK ASSEMBLY (SEE SECTION 2)
12	2251611	2	RACEWAY	2	RACEWAY,FLEXIBLE CORRUGATED,ORANGE
13	2319156	N	PLATFORM	1	SERVICE PLATFORM, HFO
14	2349529	N	DISK	1	RUPTURE DISK

WARNING SIGN & LABEL SET 46-258770G4 FRU N (PART 3 OF 2226311 PAGE 1-116)
(PART 3 OF 2226326 PAGE 1-118)

Item	Part Number	FRU	Name	Quantity	Description (Remarks)
1	46-255326P1	2	MECHANICAL/M	10	5-GAUSS EXCLUSION ZONE WARNING SIGN
2	46-255325P1	2	LABEL	2	SECURITY ZONE WARNING SIGN
3	46-255813P1	2	LABEL	50	MAGNETIC ITEM WARNING LABEL, 5" X 3"
5	2289812	1	SIGN	2	WARNING SIGN: AUTHORIZED PERSONNEL
11	46-255814P1	2	LABEL	50	MAGNETIC WARNING LABEL, 2.5" X 1.5"
19	46-282214P1	2	LABEL	2	COOLANT CAUTION LABEL
21	46-301671P1	2	LABEL	1	WARNING PLACARD

CATALOG M1060LB FRU N 1.5T FIXED CARDIAC WideOpen ENCLOSURE

Item	Part Number	FRU	Name	Quantity	Description (Remarks)
1	2226300	N	1.5T LCC MAG	1	LCC 1.5T WideOpen MAGNET CAT (SEE MAGNET MANUAL)
1B	2226300-2	N	1.5T LCC MAG	ALT	LCC 1.5T-WideOpen MAG, "YR SERIES" (SEE MAG MANUAL)
2	2222520	N	COLLECTOR	1	COLLECTOR,MAGNET MONITOR (SEE PAGE 1-175)
3	2230589	N	ENCLOSURE,CA	1	ENCLOSURE,FIXED CARDIAC WideOpen (SEE PAGE 1-117)

CARDIAC WideOpen FXD ENCL 2230589 FRU N (PART OF M1060LB PAGE 1-117)

Item	Part Number	FRU	Name	Quantity	Description (Remarks)
1	2200563-5	2	MOUNTING KIT	1	LCC CRM BODY COIL MOUNTS W/PADS (SEE PAGE 1-129)
1B	2200563-3	2	MOUNTING KIT	ALT	BODY COIL MOUNTING KIT LCC CRM (SEE PAGE 1-127)
2	2235160	2	CARDIAC ENCL	1	ENCLOSURE,CARDIAC FIXED WideOpen (SEE SECTION 2)

CATALOG M1061LA FRU N 1.5T MOBILE WideOpen ENCLOSURE

Item	Part Number	FRU	Name	Quantity	Description (Remarks)
1A	2226322	N	1.5T LCC MOB	1	1.5T LCC/WO MOBILE MAGNET (SEE MAGNET MANUAL)
1B	2226322-2	N	1.5T LCC MOB	ALT	1.5T LCC/WO MOB MAG, "YR SERIES" (SEE MAGNET MANUAL)
2	2222520-2	N	COLLECTOR	1	COLLECTOR, MAGNET MNITR, MOB (SEE PAGE 1-176)
3A	2222560	N	COLLECTOR	1	COLLECTOR,LCC MOB BRMF WideOpen (SEE PAGE 1-118)
3B	2308298	N	BOX	1	COLLECTOR,LCC, MOB BRMF, WideOpen (SEE PAGE 1-118)
4	2226326	N	SHIPPING COL	1	SHIP COLLECTOR FOR LCC/WO MOBILE (SEE PAGE 1-118)

**LCC WideOpen MOBILE ENCLOSURE 2222560 FRU N (PART 3A OF M1061LA PAGE 1-118)
(PART 3A OF M1861LA PAGE 1-119)**

Item	Part Number	FRU	Name	Quantity	Description (Remarks)
1	2214166-5	N	INSTALLATION	1	LCC BRM-F BODY COIL MOUNTS W/PADS (SEE PAGE 1-126)
2	2222558-2	N	ENCLOSURE, F	1	ENCLOSURE,MOBILE WideOpen,LCC (SEE SECTION 2)

WideOpen MOB ENCL w/SPLIT BRIDGE 2308298 FRU N (PART 3B OF M1061LA PAGE 1-118)

Item	Part Number	FRU	Name	Quantity	Description (Remarks)
1	2214166-5	1	INSTALLATION	1	BRM-F LCC GRAD ISO MOBILE INSTALL (SEE PAGE 1-126)
2	2308291-2	1	BOX	1	ENCL,MOBILE,SPLIT BRIDGE, WideOpen (SEE SECTION 2)

**WideOpen MOBILE ENCL COLLECTOR 2226326 FRU N (PART 4 OF M1061LA PAGE 1-118)
(PART 4 OF M1861LA PAGE 1-119)
(PART 4 OF M3061LA PAGE 1-120)**

Item	Part Number	FRU	Name	Quantity	Description (Remarks)
3	46-318057G2	2	VENT ASSEMBL	1	VENTGLAS KIT FOR Cx MOBILE (SEE MAGNET MANUAL)
4	46-258770G4	N	SIGN KIT	1	WARNING SIGN AND LABEL SET (SEE PAGE 1-116)
5	2128700	N	MRU KIT	1	MRU KIT ASSEMBLY (SEE MAGNET MANUAL)
8	46-294744G5	N	FLDSPARE KIT	1	FIELDSPARE KIT - LCC (SEE MAGNET MANUAL)
9	46-318565G1	N	VAC TOOL KIT	1	SIV VACUUM TOOL KIT. (SEE MAGNET MANUAL)
11	2230707-2	N	LADDER/PLATF	1	LADDER/PLATFORM,WIDE OPEN,MOBILE
12	2251611	2	RACEWAY	2	RACEWAY,FLEXIBLE CORRUGATED,ORANGE
13	2226264	N	BRACKET ASM	1	WIDE OPEN DOCK MOUNT & CNTRL BOX (SEE SECTION 2)
14A	46-271260G4	N	DOCK ASM.	1	INFINITY WIDEOPEN DOCK ASSEMBLY (SEE SECTION 2)
14B	46-271260G3	N	DOCK ASM.	ALT	WIDE OPEN DOCK ASSEMBLY (SEE SECTION 2)
15	2217622	2	BRACKET KIT	1	BRCKT KIT,SHIM LEAD MOUNTING,LCC (SEE MGNT MANUAL)
16	2349529	N	DISK	1	RUPTURE DISK

CATALOG M1061LB FRU N 1.5T MOBILE CARDIAC WideOpen ENCLOSURE

Item	Part Number	FRU	Name	Quantity	Description (Remarks)
1A	2226322	N	1.5T LCC MOB	1	1.5T LCC/WO MOBILE MAGNET (SEE MAGNET MANUAL)
1B	2226322-2	N	1.5T LCC MOB	1	1.5T LCC/WO MOB MAG "YR SERIES" (SEE MAGNET MANUAL)
2	2222520-2	N	COLLECTOR	1	COLLECTOR,MAGNET MONITR, MOB (SEE PAGE 1-176)
3	2230589-2	N	ENCLOSURE,CA	1	ENCLOSURE,MOBILE CARDIAC WideOpen (SEE PAGE 1-118)

LCC MOB CARDIAC WideOpen ENCL 2230589-2 FRU N (PART OF M1061LB PAGE 1-118)

Item	Part Number	FRU	Name	Quantity	Description (Remarks)
1A	2200563-6	N	MOUNTING KIT	1	LCC CRM BODY COIL MOUNTS W/PADS (SEE PAGE 1-131)
1B	2200563-3	2	MOUNTING KIT	ALT	BODY COIL MOUNTING KIT LCC CRM (SEE PAGE 1-127)
2	2235160-2	2	CARDIAC ENCL	1	ENCLOSURE,CARDIAC MOBILE WideOpen (SEE SECTION 2)

CATALOG M1860LA FRU N 1.0T FIXED WideOpen ENCLOSURE

Item	Part Number	FRU	Name	Quantity	Description (Remarks)
1A	2226333	N	1.0T LCC/WO	1	1.0T LCC-WideOpen FIXED MAGNET (SEE MAGNET MANUAL)
1B	2226333-2	N	1.0T LCC/WO	ALT	1.0T WideOpen FIX MAG,"YQ SERIES" (SEE MAGNET MANUAL)
1C	2243334	N	CATALOG COLL	ALT	COLLECTOR,1.0T,Q-R LCC,FIXED (SEE MAGNET MANUAL)
1D	2243334-2	N	CATALOG COLL	ALT	COLL,1.0T,Q-R,FIXED,"YQ SERIES" (SEE MAGNET MANUAL)
2	2222520	N	COLLECTOR	1	COLLECTOR,MAGNET MONITOR (SEE PAGE 1-175)
3A	2222521	N	COLLECTOR	1	LCC BRM-F FIXED,WideOpen (SEE PAGE 1-116)
3B	2307972	N	BOX	1	LCC, FIXED BRIDGE, WideOpen (SEE PAGE 1-116)
4	2226311	N	SHIPPING COL	1	SHIP COLLECTOR FOR LCC/WO FIXED (SEE PAGE 1-116)

CATALOG M1861LA FRU N 1.0T MOBILE WideOpen ENCLOSURE

Item	Part Number	FRU	Name	Quantity	Description (Remarks)
1A	2226334	N	1.0T LCC/WO	1	1.0T LCC-WideOpen MOBILE MAG (SEE MAGNET MANUAL)
1B	2226334-2	N	1.0T LCC/WO	1	1.0T WideOpen MOB MAG,"YQ SERIES" (SEE MAG MANUAL)
2	2222520-2	N	COLLECTOR	1	MAGNET MONITOR, MOBILE (SEE PAGE 1-176)
3	2222560	N	COLLECTOR	1	LCC MOBILE BRM-F WideOpen (SEE PAGE 1-118)
4	2226326	N	SHIPPING COL	1	SHIP COLLECTOR FOR LCC/WO MOBILE (SEE PAGE 1-118)

CATALOG M3060TA FRU N 1.5T TwinSpeed FIXED WideOpen ENCLOSURE

Item	Part Number	FRU	Name	Quantity	Description (Remarks)
1A	2226300	N	1.5T LCC MAG	1	LCC 1.5T-WideOpen MAGNET CAT (SEE MAGNET MANUAL)
1B	2226300-2	N	1.5T LCC MAG	ALT	LCC 1.5T-WideOpen MAG , "YR SERIES" (SEE MAG MANUAL)
2	2304069	N	KIT OF PARTS	1	TWIN MAGNET MONITOR, FIXED (SEE PAGE 1-177)
3	2297123	N	ASSEMBLY	1	COLLECTOR LCC FIXED TWIN (SEE PAGE 1-120)
4	2226311	N	SHIPPING COL	1	SHIP COLLECTOR FOR LCC/WO FIXED (SEE PAGE 1-116)

TwinSpeed FIXED ENCLOSURE 2297123 FRU N (PART 3 OF M3060TA PAGE 1-120)

Item	Part Number	FRU	Name	Quantity	Description (Remarks)
2	2297122	N	ASSEMBLY	1	FIX SITE TWIN ENCLOSURE LCC (SEE PAGE 2-341)
5	2297692	N	KIT OF PARTS	1	GRADIENT INSTALLATION, TRM, LCC (SEE PAGE 1-132)

CATALOG M3061TA FRU N 1.5T TwinSpeed MOBILE WideOpen ENCLOSURE

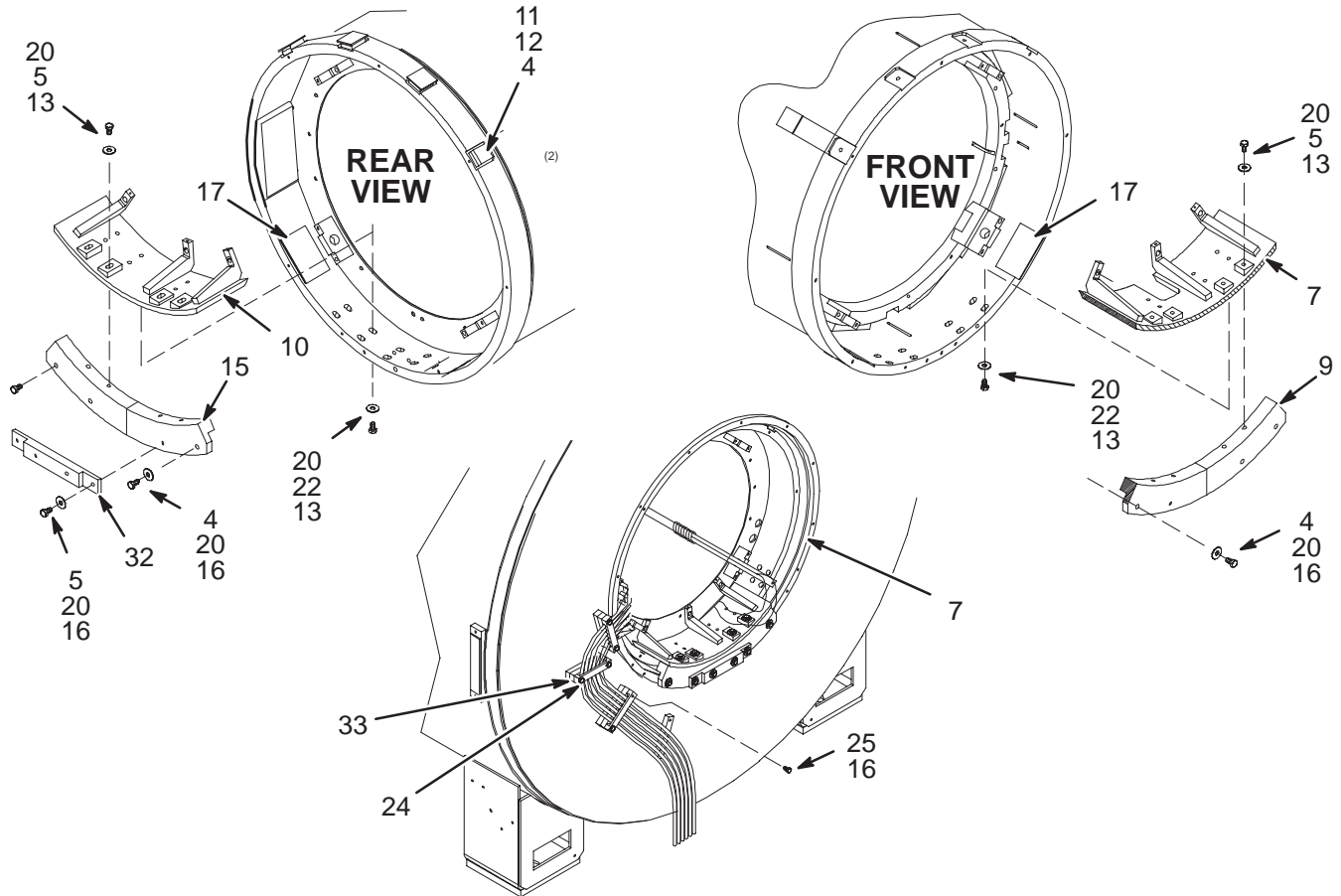
Item	Part Number	FRU	Name	Quantity	Description (Remarks)
1A	2226322	N	1.5T LCC MOB	1	1.5T WideOpen MOBILE MAGNET (SEE MAGNET MANUAL)
1B	2226322-2	N	1.5T LCC MOB	ALT	1.5T WideOpen, MOB MAG, "YR SERIES" (SEE MAG MANUAL)
2	2304069-2	N	KIT OF PARTS	1	TWIN MAG MONITOR COLLECTOR, MOBILE (SEE PAGE 1-177)
3	2297124	N	ASSEMBLY	1	COLLECTOR, LCC MOBILE TWIN (SEE PAGE 1-120)
4	2226326	N	SHIPPING COL	1	SHIP COLLECTOR FOR LCC/WO MOBILE (SEE PAGE 1-118)

TwinSpeed MOBILE ENCLOSURE 2297124 REV 0 (PART 3 OF M3061TA PAGE 1-120)

Item	Part Number	FRU	Name	Quantity	Description (Remarks)
2	2297122-2	N	ASSEMBLY	1	MOB SITE TWIN ENCLOSURE LCC (SEE PAGE 2-343)
5	2297692	N	KIT OF PARTS	1	GRADIENT INSTALLATION, TRM, LCC (SEE PAGE 1-132)

LCC BRM-F WideOpen BODY COIL MOUNTING KIT – FIXED SITE

2214166-2



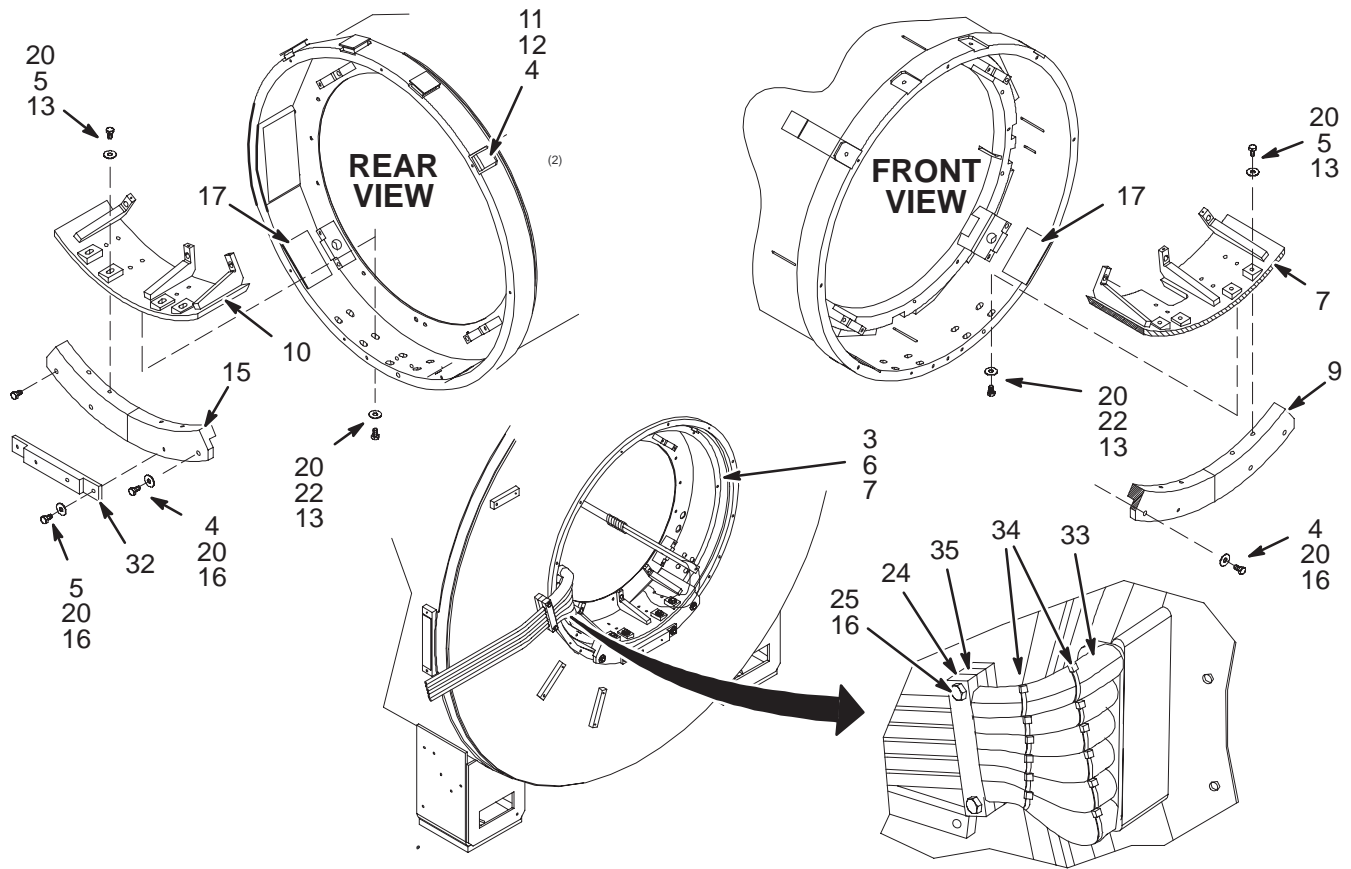
LCC BRM-F W-O BODY COIL MNT-FXD 2214166-2 FRU N

(PART OF 2222521 PAGE 1-116)
(PART OF 2222560 PAGE 1-118)

Item	Part Number	FRU	Name	Quantity	Description (Remarks)
4	2109866-21	2	SCREW	6	SCREW HEXAGON HEAD 10 MM 30 MM
5	2109866-23	2	SCREW	10	SCREW HEXAGON HEAD 10 MM 40 MM
7	2179397-3	N	BRM ISOLATIO	2	OPEN FOAM CAULKING STRIP – .500" THK
8	2147826	2	PART	1	FRONT SUPPORT MTG.
9	2213168	2	SUPPORT	1	DRM FRONT LOWER SUPPORT
10	2213167	2	SUPPORT	1	DRM REAR LOWER SUPPORT
11	2212715	2	BEARING SHIM	8	LCC BRM MOUNTING
12	2108933-2	2	PART	8	CAP SCREW, SPECIAL, HEX HEAD METRIC
13	46-170686P3	2	ADHESIVE	AR	LOCTITE 242, 50CC
14	46-170684P2	2	ADHESIVE	AR	LOCTITE 271, 10CC BOTTLE
15	2174668	2	PART	1	REAR SUPPORT MTG
16	46-294151P8	2	ADHES SPEC	AR	BOSTIK "NEVER-SEEZE" LUBRICATING
17	2181231	2	PART	4	FILLER PAD Cx
19	2157414	2	TAPE	AR	3M TARTAN FILAMENT TAPE 48MM X 55M
20	2184009	2	WASHER	32	WASHER PLAIN – NORMAL 10.5 MM 18 MM
22	2109872-16	2	SCREW	16	SCREW BUTTON HEAD
24	2214162	2	CLAMP	3	GRADIENT CABLE CLAMP
25	2109866-22	2	SCREW	6	SCREW HEXAGON HEAD 10 MM 35 MM
32	2235604	2	SPACER	1	ENDBELL PLATE MOUNTING SPACER
33	2239148-2	2	BLOCK	3	SPACER BLOCK AND NUT STRIP BLOCK

LCC BRM-F WideOpen BODY COIL MOUNTING KIT – MOBILE

2214166-3

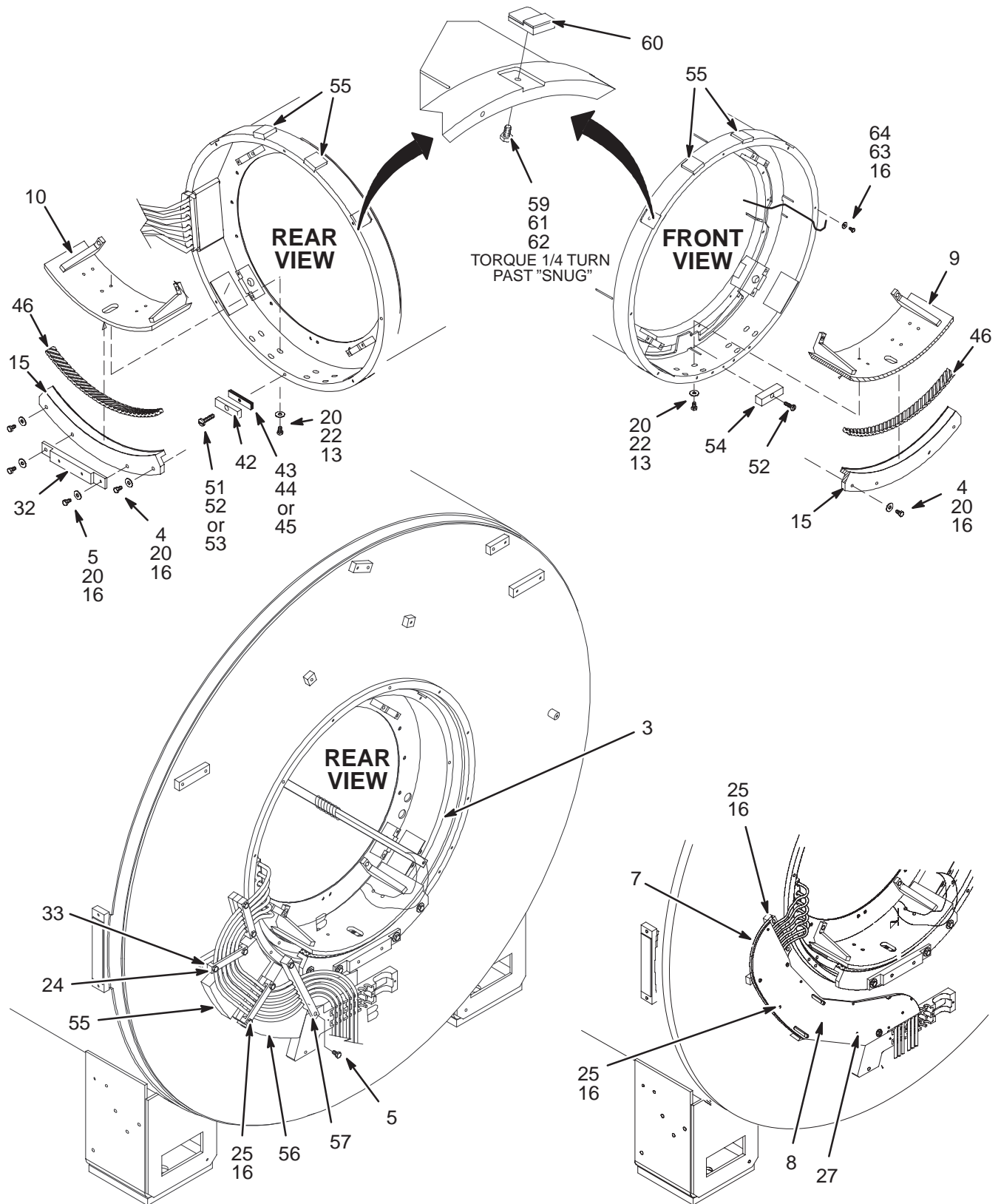


LCC BRM-F W-O BODY COIL MNT-MOB2214166-3 FRU N

Item	Part Number	FRU	Name	Quantity	Description (Remarks)
4	2109866-21	2	SCREW	6	SCREW HEXAGON HEAD 10 MM 30 MM
5	2109866-23	2	SCREW	10	SCREW HEXAGON HEAD 10 MM 40 MM
7	2179397-3	N	BRM ISOLATIO	2	OPEN FOAM CAULKING STRIP - .500" THK
8	2147826	2	PART	1	FRONT SUPPORT MTG.
9	2213168	2	SUPPORT	1	DRM FRONT LOWER SUPPORT
10	2213167	2	SUPPORT	1	DRM REAR LOWER SUPPORT
11	2212715	2	BEARING SHIM	8	LCC BRM MOUNTING
12	2108933-2	2	PART	8	CAP SCREW, SPECIAL, HEX HEAD METRIC
13	46-170686P3	2	ADHESIVE	AR	LOCTITE 242, 50CC
14	46-170684P2	2	ADHESIVE	AR	LOCTITE 271, 10CC BOTTLE
15	2174668	2	PART	1	REAR SUPPORT MTG
16	46-294151P8	2	ADHES SPEC	AR	BOSTIK "NEVER-SEEZE" LUBRICATING
17	2181231	2	PART	4	FILLER PAD CONQUEST
19	2157414	2	TAPE	AR	3M TARTAN FILAMENT TAPE 48MM X 55M
20	2184009	2	WASHER	32	WASHER PLAIN - NORMAL 10.5 MM 18 MM
22	2109872-16	2	SCREW	16	SCREW BUTTON HEAD
24	2214162	2	CLAMP	1	GRADIENT CABLE CLAMP
25	2109866-24	2	SCREW	2	SCREW HEXAGON HEAD 10 MM 50 MM
32	2235604	2	SPACER	1	ENDBELL PLATE MOUNTING SPACER
33	2239904-2	2	PIPE INSULAT	6	PIPE INSULATION
34	46-208758P3	2	TY-RAP OLD	12	7.31" X .184" SELF-LOCKING CABLE TIE
35	2239148-2	2	BLOCK	1	SPACER BLOCK AND NUT STRIP BLOCK

BRM-F WideOpen GRADIENT ISOLATION BODY COIL MOUNTING KIT – FIXED SITE

2214166-4



BRM-F BODY COIL MOUNTING-FXD 2214166-4 FRU N

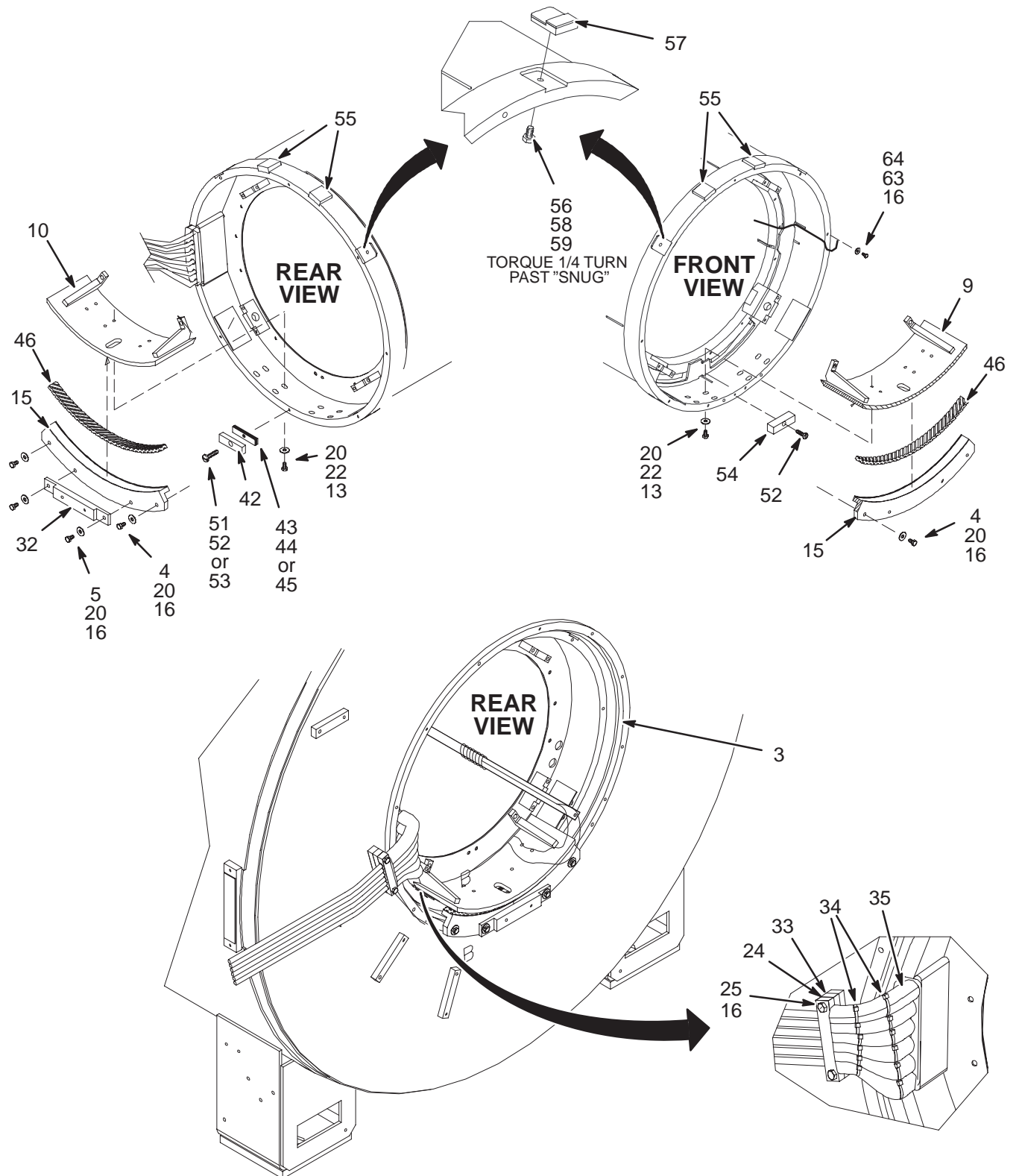
(PART 1 OF 2222521 PAGE 1-116)

(PART 1 OF 2307972 PAGE 1-116)

Item	Part Number	FRU	Name	Quantity	Description (Remarks)
3	2379255	2	FOAM	1.0	FOAM, GRAY TEXTURED SURFACE, 116"LG.
4	2109866-21	2	PDM PART	6.0	SCREW HEXAGON HEAD 10 MM 30 MM
5	2109866-23	2	PDM PART	2.0	CAP SCREW HEXAGON HEAD
7	2370629	N	LEAD BOARD	1.0	LEAD BOARD, BRM CABLES, LCC
8	2370909	N	COVER	1.0	COVER, BRM LEAD BOARD, LCC
9	2213168-2	2	SUPPORT	1.0	FRONT LOWER SUPPORT
10	2213167-2	2	SUPPORT	1.0	REAR LOWER SUPPORT
13	46-170686P3	2	ADHESIVE OLD	0.1	LOCTITE 242, 50CC
15	2240708	2	SUPPORT MOUN	2.0	SUPPORT MOUNTING
16	46-294151P8	2	ADHES SPEC	0.5	BOSTIK "NEVER-SEEZE" LUBRICATING
17	2181231	2	PART	4.0	FILLER PAD CONQUEST
20	2184009	2	WASHER	22.0	WASHER PLAIN - NORMAL 10.5 MM 18 MM
22	2109872-16	2	PDM PART	16.0	SCREW BUTTON HEAD
24	2214162	2	PART	3	GRADIENT CABLE CLAMP
25	2109866-22	N	PDM PART	4.0	CAP SCREW HEXAGON HEAD
26	2109866-20	N	PDM PART	3.0	SCREW HEXAGON HEAD 10 MM 25 MM
27	2109873-26	N	PDM PART	8.0	SCREW PAN HEAD 6 MM 20 MM
32	2235604	2	SPACER	1.0	ENDBELL PLATE MOUNTING SPACER
33	2239148-2	2	BLOCK	3	SPACER BLOCK AND NUT STRIP BLOCK
42	2238907	2	SPACER	1.0	SPACER
43	2238908	2	SPACER	2.0	SPACER SHIM 1.5MM THK
44	2238908-2	2	SPACER	6.0	SPACER SHIM 2.4MM THK
45	2238908-3	2	SPACER	1.0	SPACER SHIM 16MM THK
46	2241176	2	RUBBER PAD	2.0	RUBBER ISOLATION PAD
51	2209823-3	2	SCREW	1.0	SCREW CHEESE HEAD 10MM 20MM NYLON
52	2209823-4	2	SCREW	2.0	SCREW CHEESE HEAD 10MM 25MM NYLON
53	2209823-5	2	SCREW	1.0	SCREW CHEESE HEAD 10MM 35MM NYLON
54	2238907-2	2	SPACER	1.0	SPACER
55	2274743	2	SPACER	1	UPPER FOAM SPACER
56	2274744	2	SPACER	1	LOWER FOAM SPACER
58	2181231-2	N	PART	4.0	FILLER PAD CONQUEST -- DIECUT INSERTS
59	2293535	N	SET SCREW	4.0	SET SCREW - MTG.PAD
60	2212715-2	2	BEARING SHIM	4.0	LCC BRM MOUNTING
61	46-170684P2	N	PDM PART	0.01	LOCTITE 271, 10CC BOTTLE
62	2325862	N	HEX NUT	4.0	METRIC HEX NUT, NYLON
63	2109866-50	N	PDM PART	1.0	SCREW HEXAGON HEAD
64	46-294167P73	N	MTL CROSSREF	1.0	FLAT WASHER, METRIC, NYLON, M10
65	5139350	N	PDM PART	1.0	EDGE PROTECTOR PAD

BRM-F WideOpen GRADIENT ISOLATION BODY COIL MOUNTING KIT – MOBILE

2214166-5



BRM-F BODY COIL MOUNTING-MOB 2214166-5 FRU N

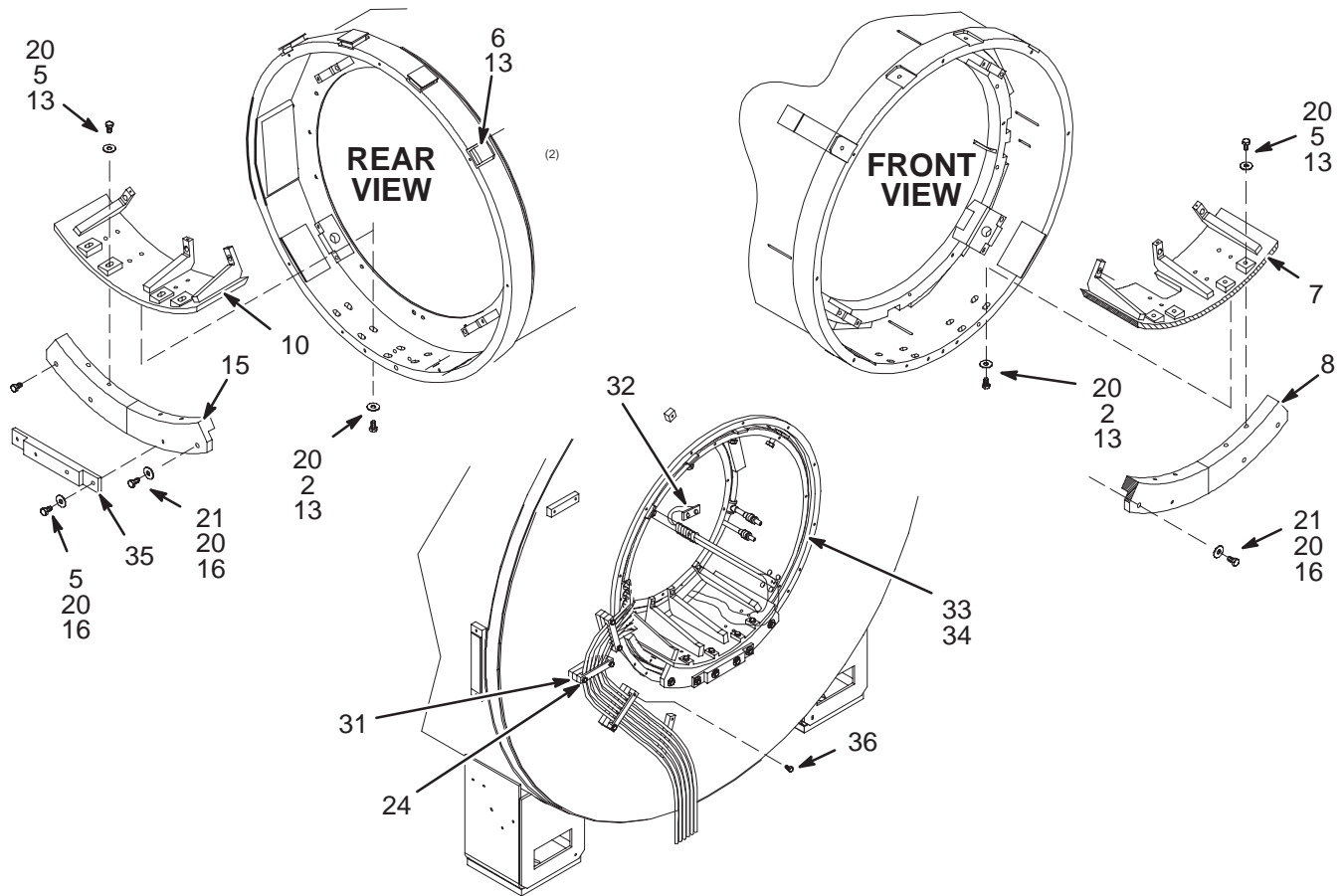
(PART 1 OF 2222560 PAGE 1-118)

(PART 1 OF 2308298 PAGE 1-118)

Item	Part Number	FRU	Name	Quantity	Description (Remarks)
3	2379255	2	FOAM	1.0	FOAM, GRAY TEXTURED SURFACE, 116"LG.
4	2109866-21	2	PDM PART	6.0	SCREW HEXAGON HEAD 10 MM 30 MM
5	2109866-23	2	PDM PART	2.0	CAP SCREW HEXAGON HEAD
9	2213168-2	2	SUPPORT	1.0	FRONT LOWER SUPPORT
10	2213167-2	2	SUPPORT	1.0	REAR LOWER SUPPORT
13	46-170686P3	2	ADHESIVE OLD	0.1	LOCTITE 242, 50CC
15	2240708	2	SUPPORT MOUN	2.0	SUPPORT MOUNTING
16	46-294151P8	2	ADHES SPEC	0.5	BOSTIK "NEVER-SEEZE" LUBRICATING
17	2181231	2	PART	4.0	FILLER PAD CONQUEST
19	2157414	2	OUT OF CATAL	0.2	3M TARTAN FILAMENT TAPE 48MM X 55M
20	2184009	2	WASHER	24.0	WASHER PLAIN - NORMAL 10.5 MM 18 MM
22	2109872-16	2	PDM PART	16.0	SCREW BUTTON HEAD
24	2214162	2	CLAMP	1.0	GRADIENT CABLE CLAMP
25	2109866-24	2	PDM PART	2.0	SCREW HEXAGON HEAD 10 MM 50 MM
32	2235604	2	SPACER	1.0	ENDBELL PLATE MOUNTING SPACER
33	2239148-2	2	BLOCK	1.0	SPACER BLOCK AND NUT STRIP BLOCK
34	46-208758P3	2	TY-RAP OLD	12.0	7.31" X .184" SELF-LOCKING CABLE TIE
35	2239904-2	2	PIPE INSULAT	6.0	PIPE INSULATION
42	2238907	2	SPACER	1.0	SPACER
43	2238908	2	SPACER	2.0	SPACER SHIM 1.5MM THK
44	2238908-2	2	SPACER	6.0	SPACER SHIM 2.4MM THK
45	2238908-3	2	SPACER	1.0	SPACER SHIM 16MM THK
46	2241176	2	RUBBER PAD	2.0	RUBBER ISOLATION PAD
51	2209823-3	2	SCREW	1.0	SCREW CHEESE HEAD 10MM 20MM NYLON
52	2209823-4	2	SCREW	3.0	SCREW CHEESE HEAD 10MM 25MM NYLON
53	2209823-5	2	SCREW	1.0	SCREW CHEESE HEAD 10MM 35MM NYLON
54	2238907-2	2	SPACER	1.0	SPACER
55	2181231-2	N	PART	4.0	FILLER PAD CONQUEST -- DIECUT INSERTS
56	2293535	N	SET SCREW	4.0	SET SCREW - MTG.PAD
57	2212715-2	2	BEARING SHIM	4.0	LCC BRM MOUNTING
58	46-170684P2	N	PDM PART	0.01	LOCTITE 271, 10CC BOTTLE
59	2325862	N	HEX NUT	4.0	METRIC HEX NUT, NYLON
63	2109867-21	N	SCREW	1.0	SCREW HEX SOCKET CAP M10X16 A2-70
64	46-294167P73	N	MTL CROSSREF	1.0	FLAT WASHER, METRIC, NYLON, M10

LCC CRM BODY COIL MOUNTING KIT

2200563-3



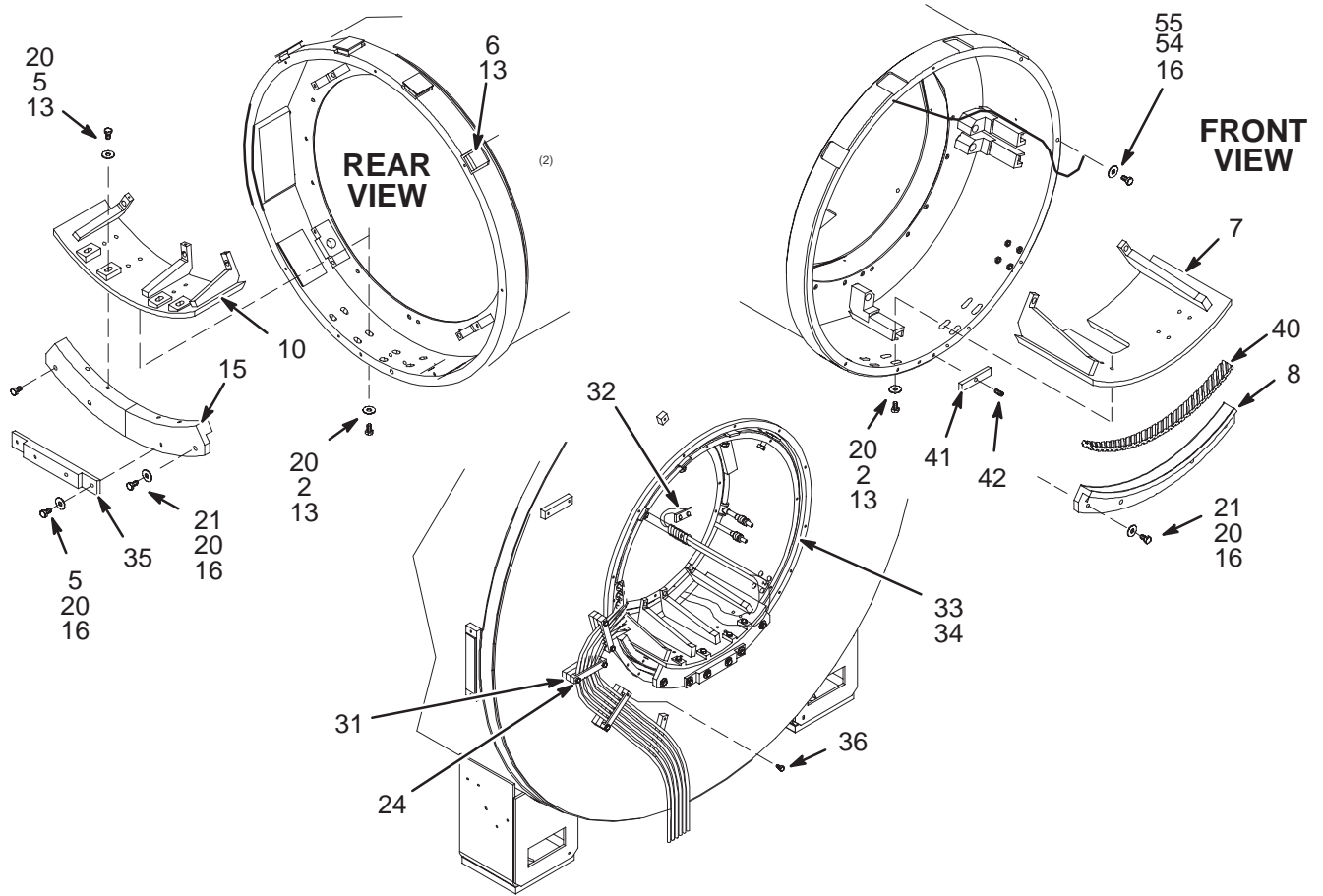
LCC CRM BODY COIL MOUNTING KIT 2200563-3 FRU N

(PART OF 2230589 PAGE 1-117)
(PART OF 2230589-2 PAGE 1-118)

Item	Part Number	FRU	Name	Quantity	Description (Remarks)
2	2109872-16	2	SCREW	16	SCREW BUTTON HEAD
5	2109866-23	2	SCREW	10	SCREW HEXAGON HEAD 10 MM 40 MM
6	2131956-2	2	CAP SCREW	8	SCREW M16 HEX HD SST 18-8 40MM LG
7	2189813	2	SUPPORT	1	CRM FRONT SUPPORT
8	2189817	2	SUPPORT MTG	1	CRM FRONT SUPPORT MOUNTING
9	2131953-3	2	MTG PAD	8	MTG PAD
10	2189814	2	SUPPORT	1	CRM REAR SUPPORT
13	46-170686P2	2	ADHESIVE	AR	LOCTITE 242, 10CC
15	2189818	2	SUPPORT MTG	1	CRM REAR SUPPORT MOUNTING
16	46-294151P8	2	ADHES SPEC	AR	BOSTIK "NEVER-SEEZE" LUBRICATING
19	2157414	2	TAPE	AR	3M TARTAN FILAMENT TAPE 48MM X 55M
20	2109878-4	2	WASHER	32	WASHER PLAIN - NORMAL 10.5 MM 20 MM
21	2109866-21	2	SCREW	6	SCREW HEXAGON HEAD 10 MM 30 MM
24	2214162	2	CLAMP	3	GRADIENT CABLE CLAMP
32	2139560	2	PART	1	BULKHEAD ASM
33	2179397-3	N	BRM ISOLATIO	2	OPEN FOAM CAULKING STRIP - .500" THK
34	2185175-2	2	FOAM	2	FOAM, CLOSED CELL, CRM
35	2235604	2	SPACER	1	ENDBELL PLATE MOUNTING SPACER
36	2109866-24	2	SCREW	6	SCREW HEXAGON HEAD 10 MM 5 MM
37	2239148-2	2	SPACER	3	SPACER BLOCK AND NUT STRIP

CRM WideOpen GRADIENT ISOLATION BODY COIL MOUNTING KIT – FIXED SITE

2200563-5



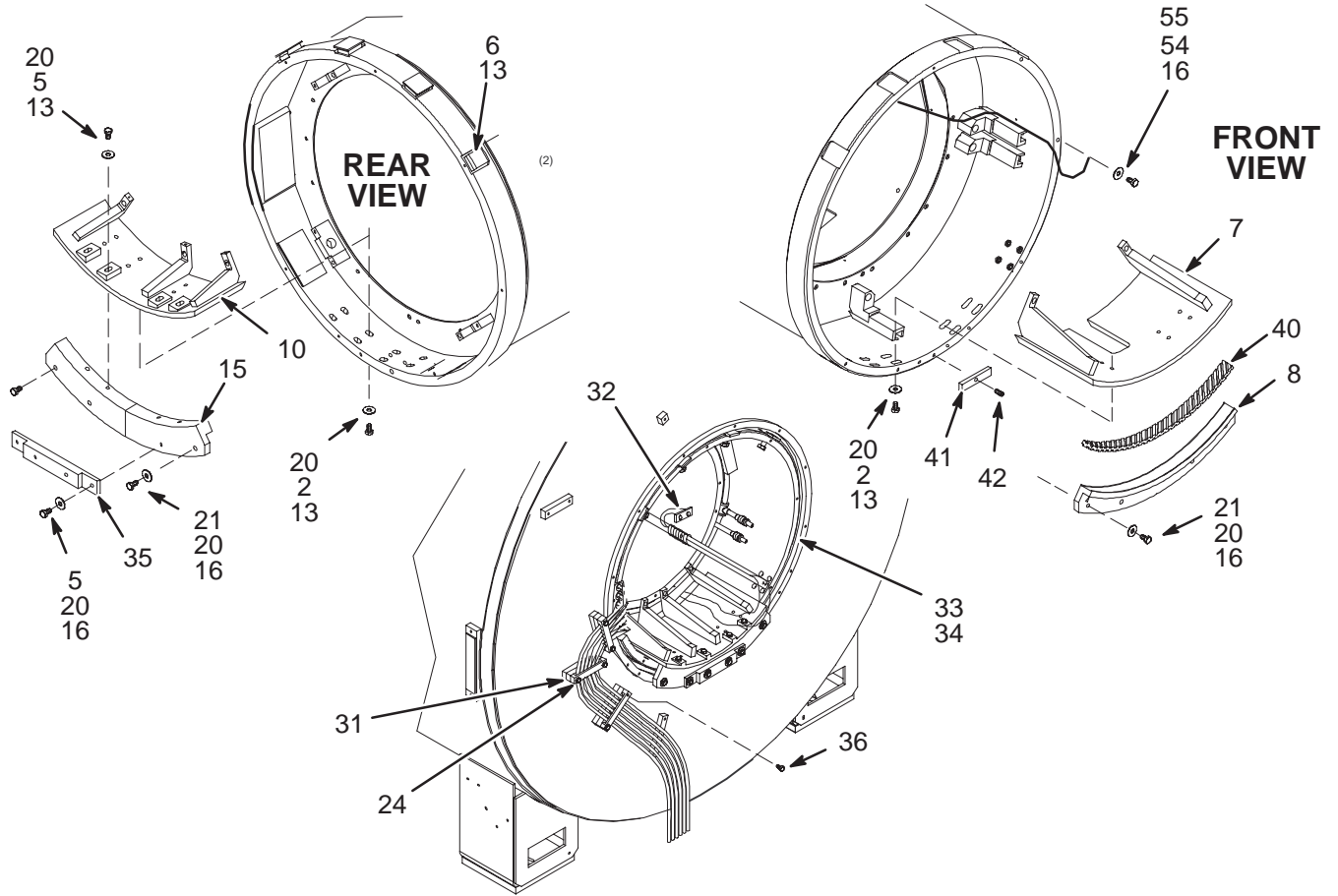
CRM BODY COIL MOUNTING KIT-FXD 2200563-5 FRU N

(PART OF 2230589 PAGE 1-117)

Item	Part Number	FRU	Name	Quantity	Description (Remarks)
2	2109872-16	2	SCREW	16	SCREW BUTTON HEAD
5	2109866-23	2	SCREW	4	CAP SCREW HEXAGON HEAD
7	2189813-2	2	SUPPORT	1	CRM FRONT SUPPORT
8	2240708	2	SUPPORT MOUN	1	SUPPORT MOUNTING
10	2189814-2	2	SUPPORT	1	CRM REAR SUPPORT
13	46-170686P2	2	ADHESIVE	AR	LOCTITE 242, 10CC
15	2246675	2	SUPPORT MOUN	1	CRM REAR SUPPORT MOUNTING
16	46-294151P8	2	ADHES SPEC	AR	BOSTIK "NEVER-SEEZE" LUBRICATING
19	2157414	2	TAPE	AR	3M TARTAN FILAMENT TAPE 48MM X 55M
20	2109878-4	2	WASHER	24	WASHER PLAIN - NORMAL 10.5 MM 20 MM
21	2109866-21	2	SCREW	6	SCREW HEXAGON HEAD 10 MM 30 MM
24	2214162	2	CLAMP	3	GRADIENT CABLE CLAMP
32	2139560	2	BULKHEAD ASM	1	BULKHEAD ASSEMBLY
33	2174929-9	N	CONFOR FOAM	2	OPEN CELL POLYURETHANE FOAM, 112" LG
35	2235604	2	SPACER	1	ENDBELL PLATE MOUNTING SPACER
36	2109866-24	2	SCREW	6	SCREW HEXAGON HEAD 10 MM 50 MM
37	2239148-2	2	BLOCK	3	SPACER BLOCK AND NUT STRIP BLOCK
40	2241176	2	RUBBER PAD	2	RUBBER ISOLATION PAD
41	2238908-4	2	SPACER	1	SPACER SHIM 10MM THK
42	2251294	2	SCREW	2	SCREW SET SCREW 10 MM 20 MM-GRUB
43	2238908	2	SPACER	2	SPACER SHIM 1.5MM THK
44	2238908-2	2	SPACER	6	SPACER SHIM 2.4MM THK
46	2251295	2	SCREW	1	SCREW SET SCREW 10 MM 25 MM-GRUB
47	2274743	2	SPACER	1	UPPER FOAM SPACER
48	2274744	2	SPACER	1	LOWER FOAM SPACER
49	2274745	2	BRACKET	1	GRADIENT CABLE BRACKET
50	2181231-2	2	PART	4	FILLER PAD CONQUEST-DIECUT INSERTS
51	2131956-2	2	CAP SCREW	4	SCREW M16 HEX HD SST 18-8 40MM LG
52	2131953-4	N	MTG PAD	4	MTG PAD, 1/4" THICK NEOPRENE
53	46-170684P2	2	ADHESIVE	AR	LOCTITE 271, 10CC BOTTLE
54	2109867-21	N	SCREW	1	SCREW HEX SOCKET CAP M10X16 A2-70
55	46-294167P73	N	MTL CROSSREF	1	FLAT WASHER, METRIC, NYLON, M10

CRM WideOpen GRADIENT ISOLATION BODY COIL MOUNTING KIT – MOBILE

2200563-6



CRM BODY COIL MOUNTING—MOB 2200563—6 FRU N (PART OF 2230589—2 PAGE 1—118)

Item	Part Number	FRU	Name	Quantity	Description (Remarks)
2	2109872-16	2	SCREW	16	SCREW BUTTON HEAD
5	2109866-23	2	SCREW	2	CAP SCREW HEXAGON HEAD
7	2189813-2	2	SUPPORT	1	CRM FRONT SUPPORT
8	2240708	2	SUPPORT MOUN	1	SUPPORT MOUNTING
10	2189814-2	2	SUPPORT	1	CRM REAR SUPPORT
13	46-170686P2	2	ADHESIVE	AR	LOCTITE 242, 10CC
15	2246675	2	SUPPORT MOUN	1	CRM REAR SUPPORT MOUNTING
16	46-294151P8	2	ADHES SPEC	AR	BOSTIK "NEVER-SEEZE" LUBRICATING
19	2157414	2	TAPE	AR	3M TARTAN FILAMENT TAPE 48MM X 55M
20	2109878-4	2	WASHER	24	WASHER PLAIN - NORMAL 10.5 MM 20 MM
21	2109866-21	2	SCREW	6	SCREW HEXAGON HEAD 10 MM 30 MM
24	2214162	2	CLAMP	1	GRADIENT CABLE CLAMP
32	2139560	2	BULKHEAD ASM	1	BULKHEAD ASSEMBLY
33	2379255	1	FOAM	2	FOAM, GRAY TEXTURED SURFACE, 116"LG.
35	2235604	2	SPACER	1	ENDBELL PLATE MOUNTING SPACER
36	2109866-24	2	SCREW	2	SCREW HEXAGON HEAD 10 MM 50 MM
37	2239148-2	2	BLOCK	1	SPACER BLOCK AND NUT STRIP BLOCK
38	2239904-2	2	PIPE INSULAT	6	PIPE INSULATION
39	46-208758P3	2	TY-RAP	12	7.31" X .184" SELF-LOCKING CABLE TIE
40	2241176	2	RUBBER PAD	2	RUBBER ISOLATION PAD
41	2238908-4	2	SPACER	1	SPACER SHIM 10MM THK
42	2251294	2	SCREW	2	SCREW SET SCREW 10 MM 20 MM—GRUB
43	2238908	2	SPACER	2	SPACER SHIM 1.5MM THK
44	2238908-2	2	SPACER	6	SPACER SHIM 2.4MM THK
46	2251295	2	SCREW	1	SCREW SET SCREW 10 MM 25 MM—GRUB
50	2181231-2	2	PART	4	FILLER PAD CONQUEST—DIECUT INSERTS
51	2131956-2	2	CAP SCREW	4	SCREW M16 HEX HD SST 18-8 40MM LG
52	2131953-4	N	MTG PAD	4	MTG PAD, 1/4" THICK NEOPRENE
53	46-170684P2	2	ADHESIVE	AR	LOCTITE 271, 10CC BOTTLE
54	2109867-21	N	SCREW	1	SCREW HEX SOCKET CAP M10X16 A2-70
55	46-294167P73	N	MTL CROSSREF	1	FLAT WASHER, METRIC, NYLON, M10

TRM BODY COIL MOUNTING KIT

2297692 FRU N

(PART 5 OF 2297123 PAGE 1-120)

(PART 5 OF 2297124 PAGE 1-120)

Item	Part Number	FRU	Name	Quantity	Description (Remarks)
2	2272016	N	PART	2	SUPPORT MOUNTING, TRM
3	2238908	N	SPACER	3	SPACER SHIM 1.5MM THK
4	2238908-2	N	SPACER	3	SPACER SHIM 2.4MM THK
5	2238908-3	N	SPACER	2	SPACER SHIM 16MM THK
6	2241176	1	RUBBER PAD	2	RUBBER ISOLATION PAD
7	2209823-4	N	SCREW	2	SCREW CHEESE HEAD 10MM 25MM NYLON
8	2209823-5	N	SCREW	1	SCREW CHEESE HEAD 10MM 35MM NYLON
9	2354503	1	MOUNT	4	MOUNTING PAD, UPPER RADIAL, TRM
10	2355333	1	SET SCREW	4	SET SCREW,SPHERICAL POINT,M12,SS304
11	2293771	1	SHIM SPACER	4	RADIAL SHIM SPACER 1.5MM THK.
12	2293771-2	1	SHIM SPACER	8	RADIAL SHIM SPACER 0.8MM THK.
15	2306226	N	MAGNET RING	2	MAGNET RING
16	2306184	N	PART	2	WEDGE RING
17	2310035	1	PART	2	MAGNET WEDGE SEAL MRTRM
18	2246966	1	PART	2	MAGNET RING GASKET
19	2109872-13	N	SCREW	32	SCREW BUTTON HEAD 10 MM 25 MM
20	2284172	N	PART	1	MAGNET RING BRACKET
21	2109873-25	N	SCREW	2	SCREW PAN HEAD Z M6X16 A2-70
22	2109866-22	N	SCREW	8	CAP SCREW HEXAGON HEAD
23	2229794	N	WASHER PLAST	4	M6 NYLON WASHER
24	2297760	1	MISCELLANEOU	0.050	VACUUM GREASE MSDS# 8366442
25	2184009	N	WASHER	8	WASHER PLAIN - NORMAL 10.5 MM 18 MM
26	2251294	N	SCREW	4	SCREW SET SCREW 10 MM 20 MM—GRUB
27	2310034	N	PART	12	RADIAL FOOT PAD MRTRM
28	2238908-4	N	SPACER	1	SPACER SHIM 10MM THK
29	2355368	1	HEX NUT	4	HEX NUT, M12, NYLON 6/6

1-18 BODY COILS

CATALOG M1085BD FRU N 1.5T 60cm EPOXY FILLED BODY COIL

Item	Part Number	FRU	Name	Quantity	Description (Remarks)
1	2124500-3	N	RF GRAD COIL	1	1.5T UFI RF GRADIENT BODY COIL (SEE PAGE 1-135)
2	2137234	N	RF CABLE KIT	1	1.5T RF/GRAD COIL RF INPUT CABLE KIT (SEE PAGE 1-133)

CATALOG M1085BF FRU N 1.5T 60cm BRM-D BODY COIL

Item	Part Number	FRU	Name	Quantity	Description (Remarks)
1A	2329824	N	COLLECTOR	1	1.5T LONG RF/GRADIENT ASM (SEE PAGE 1-133)
1B	2124500-5	N	1.5T RF/GRAD	1	1.5T UFI RF GRADIENT BRM-D BODY COIL (SEE PAGE 1-135)
2	2137234	N	RF CABLE KIT	1	1.5T RF/GRAD COIL RF INPUT CABLE KIT (SEE PAGE 1-133)
9	2138791	N	ANTIFREEZE	6	BODY COIL COOLANT,1 GALLON CONTAINER
10	46-208758P5	N	PDM PART	100	SELF LOCKING CABLE TIE
	2262660-4	2	HOSE BARB		0.5" TUBE TO BARB, ACETAL GRAY

1.5T LONG RF/GRADIENT COIL 2329824 FRU N (PART OF M1085BF PAGE 1-133)

Item	Part Number	FRU	Name	Quantity	Description (Remarks)
1	2124500-7	N	1.5T RF/GRAD	1	GEMSPRO 1.5T RF/GRAD COIL - LONG ASM (SEE PAGE 1-136)

CATALOG M1085BG FRU N 1.5T 60cm BRM-F BODY COIL

Item	Part Number	FRU	Name	Quantity	Description (Remarks)
1A	2329822	N	COLLECTOR	1	1.5T SHORT RF/GRADIENT ASM (SEE PAGE 1-133)
1B	2220092	N	PART	1	1.5T RF GRADIENT COIL ASM 600 BRM-F (SEE PAGE 1-139)
2	2137234	2	RF CABLE KIT	1	1.5T RF/GRAD COIL RF INPUT CABLE KIT (SEE PAGE 1-133)
3	46-170448P1	2	TAPE	1	GREY, 3/4" POLYVINYL ELECTRICAL TAPE
4	2138791	2	ANTIFREEZE	11	BODY COIL COOLANT,1 GALLON CONTAINER
	2262660-4	2	HOSE BARB		0.5" TUBE TO BARB, ACETAL GRAY

1.5T 60cm SHORT RF/GRADIENT COIL 2329822 FRU N (PART OF M1085BG PAGE 1-133)

Item	Part Number	FRU	Name	Quantity	Description (Remarks)
1	2220092-3	N	PART	1	BRM-F 1.5T SHORT RF/GRADIENT ASM (SEE PAGE 1-139)

1.5T RF/GRAD COIL CABLES 2137234 FRU N (PART 2 OF M1085BD PAGE 1-133)
(PART 2 OF M1085BF PAGE 1-133)
(PART 2 OF M1085BG PAGE 1-133)
(PART 2 OF M1085KD PAGE 1-143)
(PART 2 OF M3085TA PAGE 1-153)

Item	Part Number	FRU	Name	Quantity	Description (Remarks)
1	2105691-4	2	1.5T CABLE	1	(743) MG2-A12-A1-J2 TO MG3-A3-J3
2	2105691-5	2	1.5T CABLE	1	(744) MG2-A12-A1-J1 TO MG3-A3-J4

1.5T 60cm RF/GRADIENT BODY COIL

2124500-3 & 2124500-5

NOTE 1: FOR REPLACEMENT OF S-SERIES GRADIENT COIL ONLY ORDER T3014HB

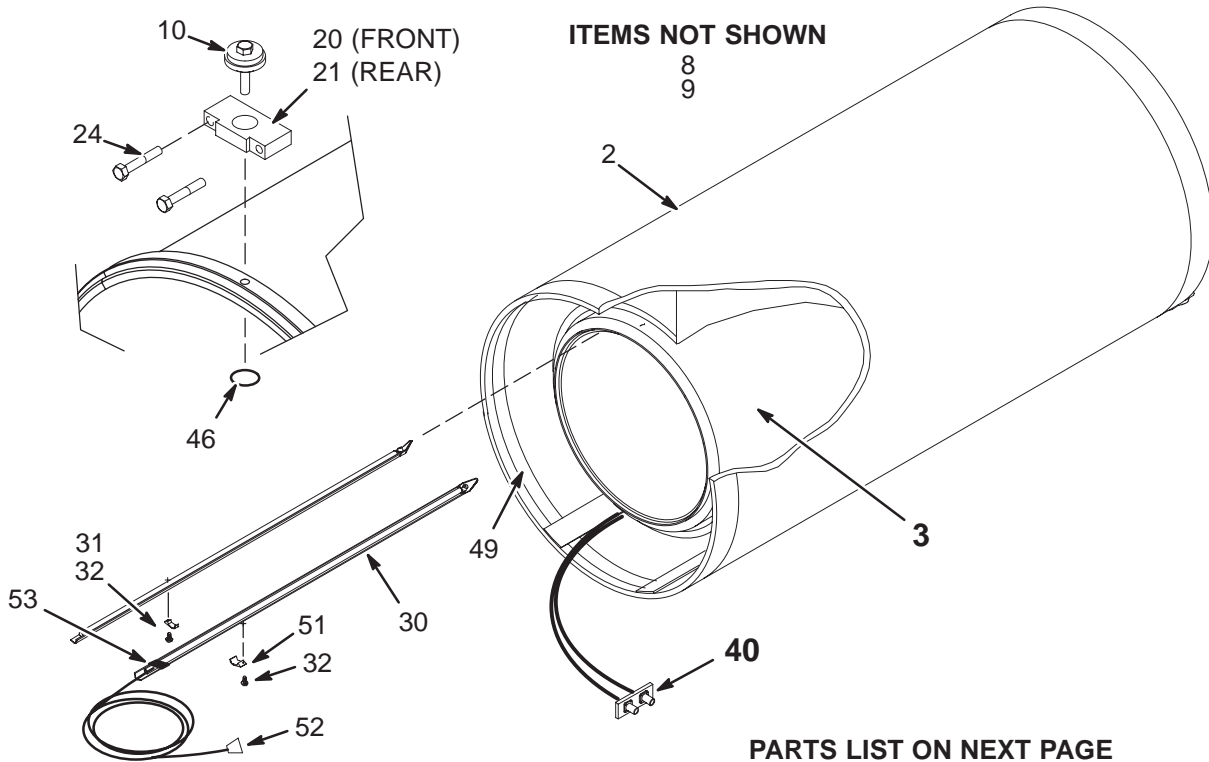
This assembly includes the cart and One-piece Shield with short (about 2 ft long) gradient cables (2124499-3). It does not include the RF Coil Asm (46-328500G1).

NOTE 2: FOR REPLACEMENT OF Cx GRADIENT COIL ONLY ORDER 2144093-3

This assembly includes the Coil Cart, Aluminum Cradle, and Cx One-piece Shield with short (about 2 ft long) gradient cables (2124499-4). It does not include the RF Coil Asm (46-328500G1).

NOTE 3: FOR REPLACEMENT OF LCC GRADIENT COIL ONLY ORDER 2144093-5

This assembly includes the Coil Cart, Aluminum Cradle, and LCC One-piece Shield with long (about 10 ft long) gradient cables (2124499-7). It does not include the RF Coil Asm (46-328500G1). Make sure the Gradient Coil Splice Kit (2241521) is part of replacement order.



1.5T 60cm BRM-D BODY COIL

2124500-7 FRU N

(PART OF 2329824 PAGE 1-133)

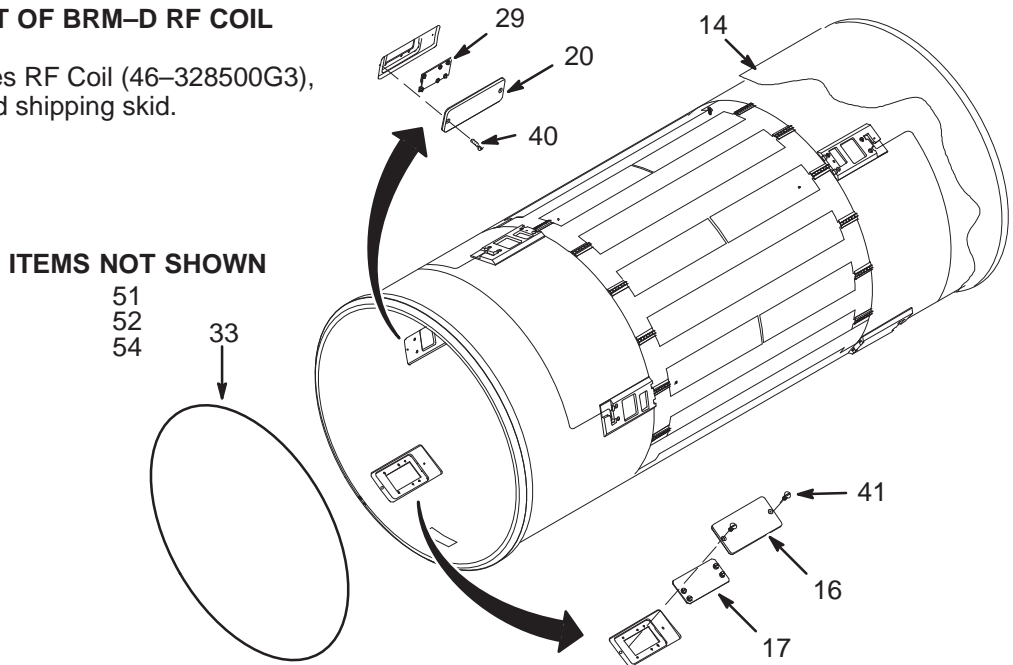
Item	Part Number	FRU	Name	Quantity	Description (Remarks)
2	2124499-6	N	GRAD COIL	1	GEMSPRO GRADIENT COIL W/SHIELD
	2241521	1	SPLICE KIT	1	GRADIENT COIL SPLICE KIT (SEE PAGE 1-143)
3	46-328500G3	N	1.5T RF COIL	1	GEMSPRO 1.5T RF COIL - LONG (SEE PAGE 1-137)
	2208999-6	1	REPLACEMENT ASM	1	RF COIL & CASE - ORDER FOR RF COIL REPLACEMENT
8	46-170448P1	N	TAPE	1	GREY, 3/4" POLYVINYL ELECTRICAL TAPE
9	2138791	N	ANTIFREEZE	6	BODY COIL COOLANT, 1 GALLON CONTAINER
10	2214148	N	RF SHOCK MTG	8	BRM-D RF TUBE MOUNT ASSEMBLY
20	2204496	N	BRACKET	4	REAR DRM ISOLATION BRACKET
21	2204495	N	BRACKET	4	FRONT DRM ISOLATION BRACKET
24	2109866-25	N	SCREW	8	SCREW HEXAGON HEAD 10 MM 60 MM
30	46-282830G1	N	BORE LT ASM	2	BORE LIGHT TUBE ASSEMBLY
31	46-282702P1	N	CLIP CENTER	1	BORE LIGHT TUBE CLAMP, MOLDED LEXAN
32	46-214704P5	N	SCREW CH NYL	4	CHEESE HEAD SCREW, NYLON, M4 X 8MM
40	2139560	N	BULKHEAD ASM	1	BULKHEAD ASSEMBLY
46	2136115	N	STICKER,ADHS	8	HOLE COVER STICKERS UFI
49	46-136246P21	N	TAPE	20	2" WIDE X 25 YD WHITE VELCRO HOOKS
51	2180582	N	CLAMP	1	CLIP, LIGHT AND CABLE
55	2109866-26	N	SCREW	8	SCREW HEXAGON HEAD 10 MM 80 MM
	2262660-4	2	HOSE BARB		0.5" TUBE TO BARB, ACETAL GRAY

1.5T 60cm RF COIL ASM – LONG

46-328500G1 & 46-328500G3

**FOR REPLACEMENT OF BRM-D RF COIL
ORDER 2208999-6**

This assembly includes RF Coil (46-328500G3),
RF Coil FRU case and shipping skid.



1.5T 60cm RF COIL ASM – LONG

46-328500G1 FRU 1

(PART 3 OF 2124500-3 PAGE 1-135)
(PART 3B OF 2124500-5 PAGE 1-135)

Item	Part Number	FRU	Name	Quantity	Description (Remarks)
14	2121204	2	INSULATION	1	RF BODY COIL INSULATION JACKET
16	2112601	2	COVER	2	BIAS RESISTOR BOARD COVER
17	2113284	1	CIRCUIT BD	2	1.0/1.5T BIAS RESISTOR CIRCUIT BOARD
20A	2112594-2	N	COVER	8	DYNAMIC DISABLE BOARD COVER, MOLDED
20B	2112594	N	COVER	ALT	DYNAMIC DISABLE BOARD COVER, MACHINED
29	2113280	1	CIRCUIT BOAR	8	1.5T DYNAMIC DISABLE
33	2121182	N	O RING	AR	AMBER LATEX TUBING
40	2137219-2	2	M6 NYLON SCR	2	M6 X 5 PAN HEAD SLOTTED NYLON METRIC
41	2137220	2	M6 NYLON SCR	20	M6 X 16 FLAT HEAD SLOTTED NYLON
51	46-220312P1	2	ADHESIVE	AR	LOCTITE SUPERBONDER 416,
52	46-208781P2	2	MARKER	2	WRITE-ON LABEL FOR MARKING CABLES
54	2143771-2	2	TEFLON TAPE	12	2" TEFLON TAPE

1.5T 60cm RF COIL ASM – LONG

46-328500G3 FRU 1

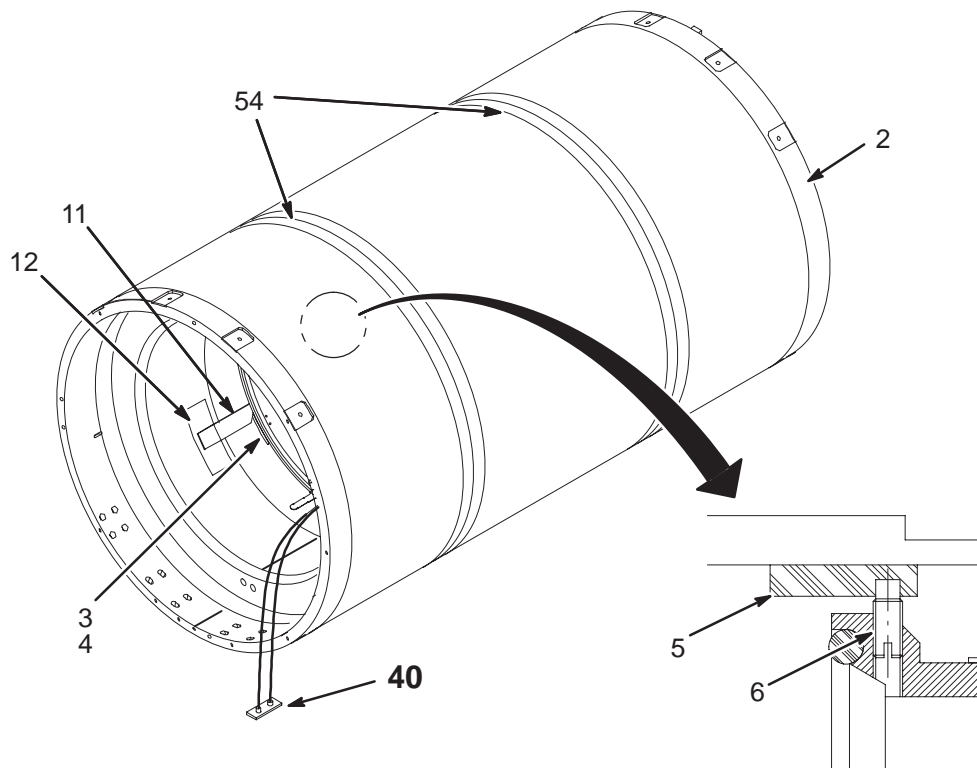
(PART 3A OF 2124500-5 PAGE 1-135)

Item	Part Number	FRU	Name	Quantity	Description (Remarks)
14	2121204	N	INSULATION	1	RF BODY COIL INSULATION JACKET
17	2113284	1	CIRCUIT BD	2	1.0/1.5T BIAS RESISTOR CIRCUIT BOARD
20A	2112594-2	N	COVER	8	DYNAMIC DISABLE BOARD COVER, MOLDED
29	2113280	1	CIRCUIT BOAR	8	1.5T DYNAMIC DISABLE
33	2121182	N	O RING	AR	1/4 OD, 5/32 ID AMBER LATEX SURGICAL
40	2137219-2	N	M6 NYLON SCR	2	M6 X 1.0 X 5 MM LG SLOTTED PAN HD
41	2137220	N	M6 NYLON SCR	20	M6 X 1.0 X 16 MM LG SLOTTED FLAT HD
51	46-220312P1	N	ADHESIVE	AR	LOCTITE SUPERBONDER 416,
52	46-208781P2	N	LABEL	2	WRITE-ON LABEL FOR MARKING CABLES
54	2143771-2	N	TEFLON TAPE	12	2" TEFLON TAPE

1.5T 60cm BRM-F BODY COIL

2220092

FOR REPLACEMENT OF GRADIENT COIL ONLY ORDER 2144093-5.
This assembly includes the Coil Cart, Aluminum Cradle, and LCC One-piece Shield (2124499-7). It does not include the RF Coil Asm (2218111-3).
Make sure the Gradient Coil Splice Kit (2241521) is part of replacement order.

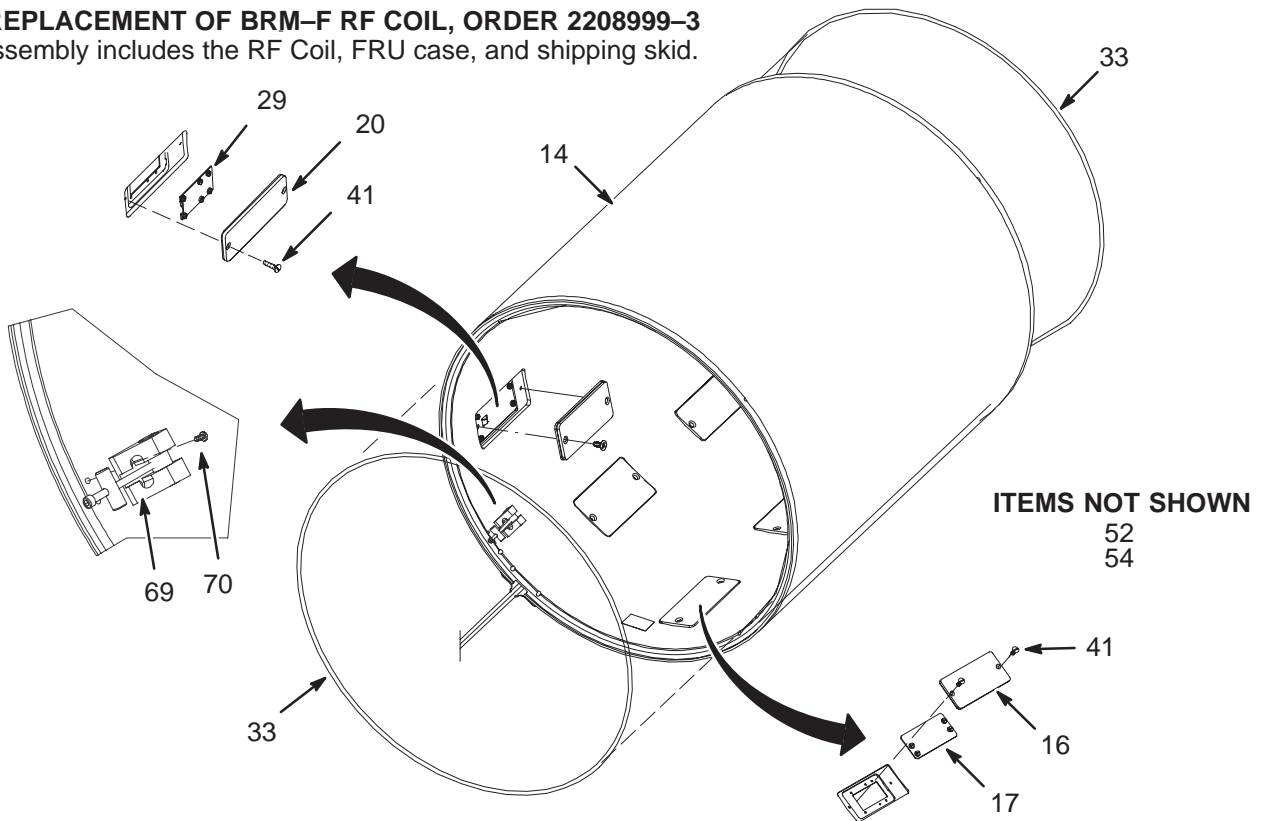


1.5T 60cm BRM-F RF COIL ASM

2218111 & 2218111-3

FOR REPLACEMENT OF BRM-F RF COIL, ORDER 2208999-3

This assembly includes the RF Coil, FRU case, and shipping skid.



1.5T 60cm BRM-F RF COIL ASM

2218111 FRU 1

(PART 3B OF 2220092 PAGE 1-139)

(PART 3B OF 2220092-3 PAGE 1-139)

Item	Part Number	FRU	Name	Quantity	Description (Remarks)
14	2220084-2	2	PART	1	JACKET,INSULATION,RF TUBE
16	2218101-2	2	PART	2	COVER,COLLECTOR,SHORT
17	2113284	1	CIRCUIT BD	2	1.0/1.5T BIAS RESISTOR CIRCUIT BOARD
20	2112594-2	2	COVER	8	DYNAMIC DISABLE BOARD COVER
29	2113280	1	CIRCUIT BD	8	1.5T DYNAMIC DISABLE
30	2137216	N	TAG, DANGER	2	WARNING LABEL
33	2121182	2	O RING	AR	1/4 OD, 5/32 ID AMBER LATEX TUBING
41	2137220	2	M6 NYLON SCR	20	M6 X 16 FLAT HEAD SLOTTED NYLON
52	46-208781P2	2	LABEL	2	WRITE-ON LABEL FOR MARKING CABLES
54	2143771-2	N	TEFLON TAPE	12	2" TEFLON TAPE
69	2255560	2	ASSEMBLY	4	DRAW LATCH ASSEMBLY
70	2227318-2	2	SCREW	8	SCREW CHEESE HEAD 5 MM 10 MM

1.5T 60cm BRM-F RF COIL ASM

2218111-3 FRU 1

(PART 3A OF 2220092 PAGE 1-139)

(PART 3A OF 2220092-3 PAGE 1-139)

Item	Part Number	FRU	Name	Quantity	Description (Remarks)
14	2220084-2	N	PART	1	JACKET,INSULATION,RF TUBE
16	2218101-2	N	PART	2	COVER,COLLECTOR,SHORT, MOLDED
17	2113284	1	CIRCUIT BD	2	1.0/1.5T BIAS RESISTOR CIRCUIT BOARD
20A	2112594-2	N	COVER	8	DYNAMIC DISABLE BOARD COVER, MOLDED
20B	2112594	N	COVER	ALT	DYNAMIC DISABLE BOARD COVER,MACHINED
29	2113280	1	CIRCUIT BOAR	8	1.5T DYNAMIC DISABLE
33	2121182	N	O RING	AR	1/4 OD, 5/32 ID AMBER LATEX SURGICAL
41	2137220	N	M6 NYLON SCR	20	M6 X 1.0 X 16 MM LG SLOTTED FLAT HD
52	46-208781P2	N	LABEL OLD	2	WRITE-ON LABEL FOR MARKING CABLES
54	2143771-2	N	TEFLON TAPE	12	2" TEFLON TAPE
69	2255560	N	ASSEMBLY	4	DRAW LATCH ASSEMBLY
70	2227318-2	N	SCREW	8	SCREW CHEESE HEAD 5 MM 10 MM

CATALOG M1085KB FRU N 50Hz WideOpen GRADIENT COIL CHILLER – FIXED

Item	Part Number	FRU	Name	Quantity	Description (Remarks)
1A	2222564-30	N	OUT OF CATAL	1	50 AND 60 HZ CHILLER BY LYTRON
1B	2222564-21	1	CHILLER	ALT	NESLAB 50 HZ GRADIENT CHILLER (SEE PAGE 1-142)
1C	2222564-3	N	CHILLER	ALT	NESLAB 50 HZ GRADIENT CHILLER

NESLAB 50Hz CHILLER 2222564-21 FRU 1 (PART OF M1085KB PAGE 1-142)

Item	Part Number	FRU	Name	Quantity	Description (Remarks)
1	2222564-4	2	CHILLER	1	NYLON COUPLING
2	2222564-5	2	CHILLER	1	WATER PUMP/NYLON COUPLING
3	2222564-6	2	CHILLER	1	50/60HZ PUMP MOTOR
4	2222564-7	2	CHILLER	1	REMOTE TEMP DEVICE
5	2222564-8	1	CHILLER	1	.25A/250V FUSE
6	2222564-9	2	CHILLER	1	CONTROLLER
7	2222564-10	2	CHILLER	1	PRESSURE GAUGE
8	2222564-11	2	CHILLER	1	STRAINER
9	2222564-12	2	CHILLER	1	RELIEF VALVE
10	2222564-13	2	CHILLER	1	SWITCH DPST
11	2222564-14	2	CHILLER	1	TRANSFORMER
12	2222564-15	2	CHILLER	1	SOLENOID COIL
13	2222564-16	2	CHILLER	1	CASTOR
14	2222564-17	2	CHILLER	1	CASTOR/BRAKE
16	2222564-19	2	CHILLER	1	50HZ FAN MOTOR
17	2222564-20	2	CHILLER	1	1/2" NIPPLE HOSE BARB WATER FITTING
20	2223355	2	PART	1	(065) WC1 TO PD1 POWER CABLE, 82 FT
21	2138791	2	ANTIFREEZE	1	BODY COIL COOLANT,1 GALLON CONTAINER

CATALOG M1085KC FRU N 60Hz WideOpen GRADIENT COIL CHILLER – FIXED

Item	Part Number	FRU	Name	Quantity	Description (Remarks)
1A	2222564-30	N	OUT OF CATAL	1	50 AND 60 HZ CHILLER BY LYTRON
1B	2222564-2	1	CHILLER	ALT	NESLAB 60 HZ GRADIENT CHILLER (SEE PAGE 1-142)

NESLAB 60Hz CHILLER 2222564-2 FRU 1 (PART OF M1085KC PAGE 1-142)

Item	Part Number	FRU	Name	Quantity	Description (Remarks)
1	2222564-4	2	CHILLER	1	NYLON COUPLING
2	2222564-5	2	CHILLER	1	WATER PUMP/NYLON COUPLING
3	2222564-6	2	CHILLER	1	50/60HZ PUMP MOTOR
4	2222564-7	2	CHILLER	1	REMOTE TEMP DEVICE
5	2222564-8	1	CHILLER	1	.25A/250V FUSE
6	2222564-9	2	CHILLER	1	CONTROLLER
7	2222564-10	2	CHILLER	1	PRESSURE GAUGE
8	2222564-11	2	CHILLER	1	STRAINER
9	2222564-12	2	CHILLER	1	RELIEF VALVE
10	2222564-13	2	CHILLER	1	SWITCH DPST
11	2222564-14	2	CHILLER	1	TRANSFORMER
12	2222564-15	2	CHILLER	1	SOLENOID COIL
13	2222564-16	2	CHILLER	1	CASTOR
14	2222564-17	2	CHILLER	1	CASTOR/BRAKE
15	2222564-18	2	CHILLER	1	60HZ FAN MOTOR
17	2222564-20	2	CHILLER	1	1/2" NIPPLE HOSE BARB WATER FITTING
20	2223355	2	PART	1	(065) WC1 TO PD1 POWER CABLE, 82 FT
21	2138791	2	ANTIFREEZE	1	BODY COIL COOLANT,1 GALLON CONTAINER

CATALOG M1085KD FRU N 1.5T 55cm CRM BODY COIL

Item	Part Number	FRU	Name	Quantity	Description (Remarks)
1	2195499	N	ASSEMBLY	1	CRM RF GRADIENT COIL (SEE PAGE 1-144)
	2144093-4	1	REPLACEMENT ASM	1	CRM GRADIENT COIL WITH CART & CRADLE
	2241521	1	SPLICE KIT	1	GRADIENT COIL SPLICE KIT (SEE PAGE 1-143)
2	2137234	N	RF CABLE KIT	1	1.5T RF/GRAD COIL RF INPUT CABLE KIT (SEE PAGE 1-133)
9	2138791	N	ANTIFREEZE	6	BODY COIL COOLANT,1 GALLON CONTAINER

GRADIENT COIL SPLICE KIT 2241521 FRU 1 (PART OF M1085KD, BF, BG, PAGE 1-143)

Item	Part Number	FRU	Name	Quantity	Description (Remarks)
1	2218148	2	INSULATOR	8	COLD SHRINK CONNECTOR INSULATOR
2	2218149	2	SPLICER	8	COPPER COMPRESSION TWO-WAY SPLICER

CATALOG M1085KF FRU N WideOpen GRADIENT COIL CHILLER – MOBILE

Item	Part Number	FRU	Name	Quantity	Description (Remarks)
1	2230235	1	CHILLER	1	MOBILE GRADIENT WATER CHILLER (SEE PAGE 1-143)

MOBILE GRADIENT COIL CHILLER 2230235 FRU 1 (PART OF M1085KF PAGE 1-143)

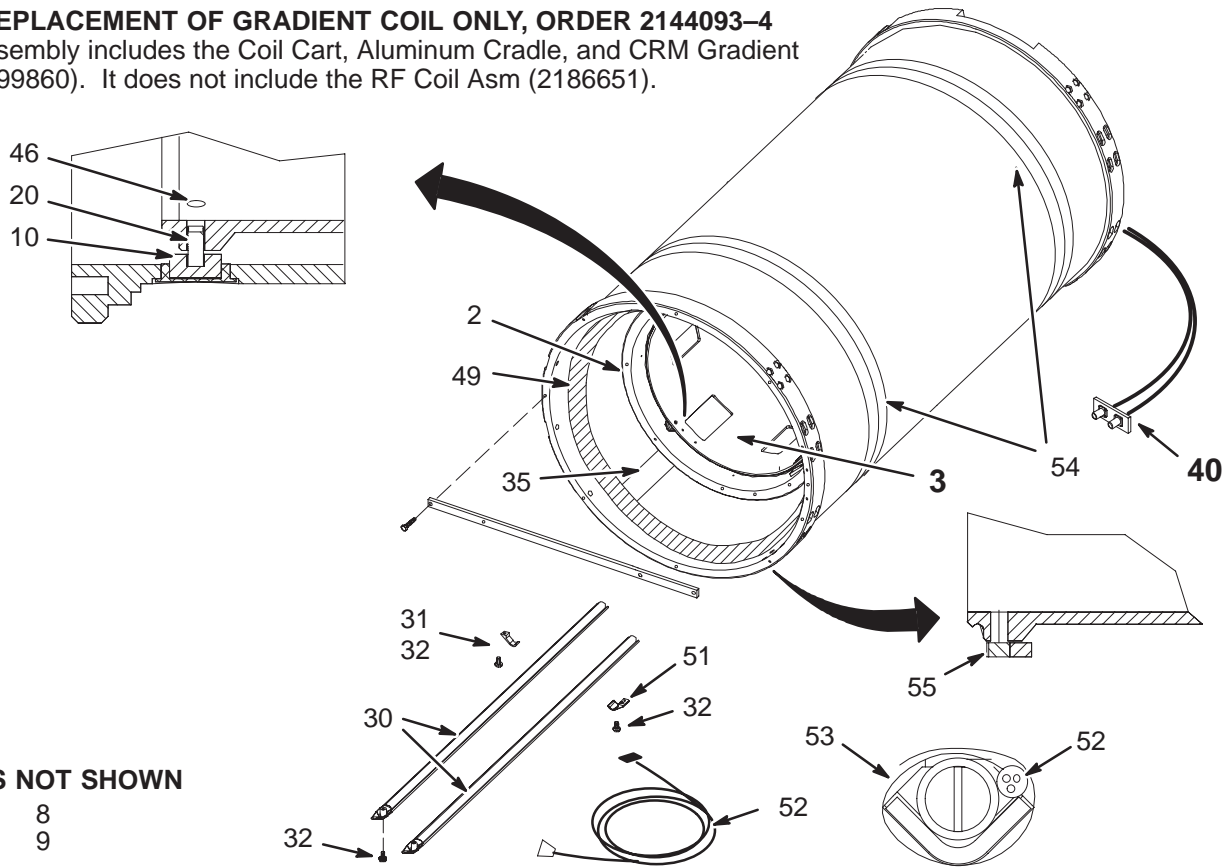
Item	Part Number	FRU	Name	Quantity	Description (Remarks)
1	2230235-2	2	CHILLER	1	RESERVOIR (R)
2	2230235-3	2	CHILLER	1	PUMP/MOTOR SET
3	2230235-4	2	CHILLER	1	ACCESS VALVE
4	2230235-5	2	CHILLER	1	STRAINER (S1)
5	2230235-6	2	CHILLER	1	HEAT EXCHANGER
6	2230235-7	2	CHILLER	1	BALL VALVE (BV)
7	2230235-8	2	CHILLER	1	TIME DELAY RELAY
8	2230235-9	2	CHILLER	1	INLET, ELECTRICAL, TWIST LOCK
9	2230235-10	2	CHILLER	1	TERMINAL BLOCK (TB1)
10	2230235-11	2	CHILLER	1	POWER-ON INDICATOR
11	2230235-12	2	CHILLER	1	LEVEL SWITCH (LS)
12	2230235-13	2	CHILLER	1	CONTACTOR (K1)
13	2230235-14	2	CHILLER	1	TRANSFORMER (T1)
14	2230235-15	2	CHILLER	1	CONTROLLER WITH SENSOR
15	2230235-16	2	CHILLER	1	TEMPERATURE DISPLAY (TD)
16	2230235-17	2	CHILLER	1	TEMPERATURE SENSOR (TS)
17	2230235-18	2	CHILLER	1	ACTUATOR (VA)
18	2230235-19	2	CHILLER	1	RESERVOIR CAP
19	2230235-20	2	CHILLER	1	AIR PURGE HOSE ASSEMBLY
20	2230235-21	2	CHILLER	1	ACCESS VALVE CAP
21	2230235-22	2	CHILLER	1	INTERLOCK SWITCH
22	2138791	2	ANTIFREEZE	1	BODY COIL COOLANT,1 GALLON CONTAINER
23	2230235-23	2	CHILLER	1	FLOW SWITCH
24	2230235-24	2	CHILLER	1	QUICK-DISCONNECT FACILITY
25	2230235-25	2	CHILLER	1	QUICK-DISCONNECT COIL
26	2230235-26	2	CHILLER	1	THERMOSTAT

1.5T 55cm CRM RF GRADIENT BODY COIL

2195499

FOR REPLACEMENT OF GRADIENT COIL ONLY, ORDER 2144093-4

This assembly includes the Coil Cart, Aluminum Cradle, and CRM Gradient coil (2199860). It does not include the RF Coil Asm (2186651).



ITEMS NOT SHOWN

- 8
- 9

1.5T 55cm CRM BODY COIL

2195499 FRU N

(PART OF 1 OF M1085KD PAGE 1-143)

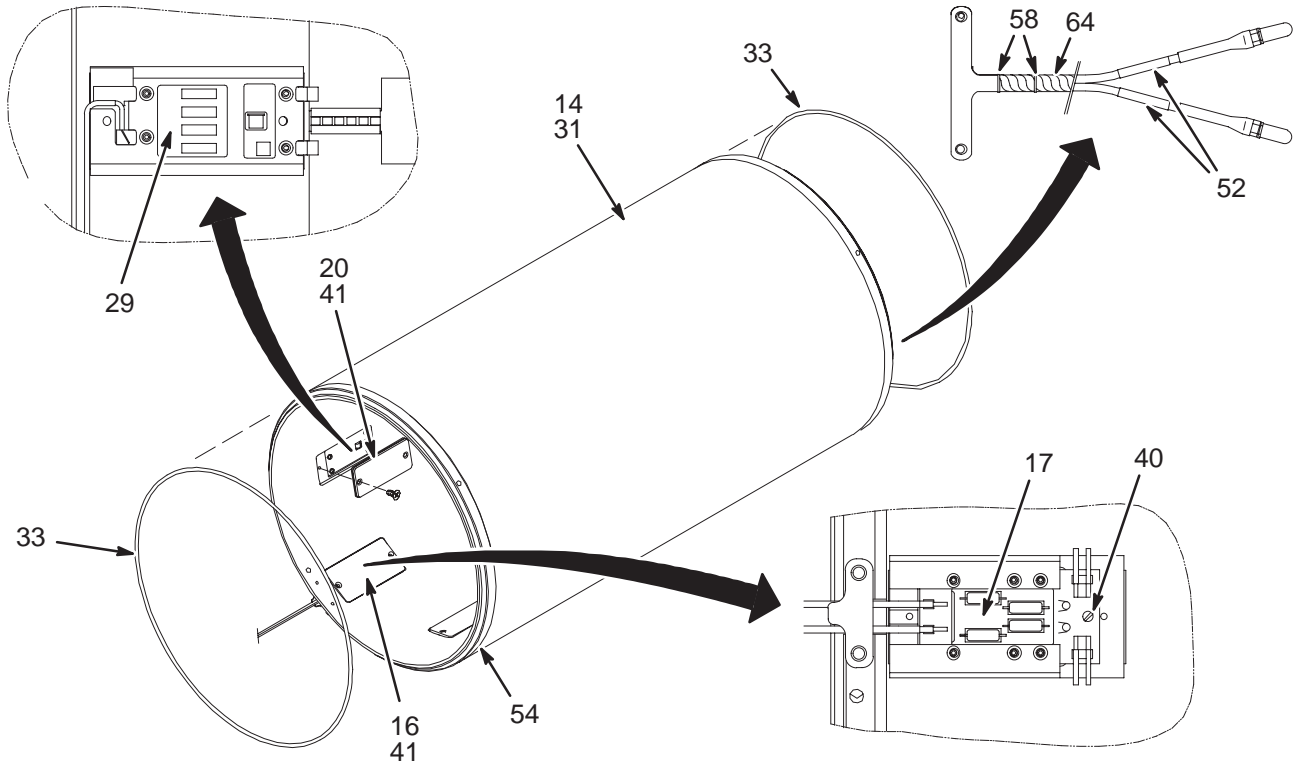
Item	Part Number	FRU	Name	Quantity	Description (Remarks)
2	2199860	2	PART	1	CRM GRAD COIL/RF SHIELD ASM
3	2186651	1	PART	1	RF COIL ASM 550X1100 (SEE PAGE 1-145)
	2208999	1	REPLACEMENT	1	CRM RF COIL & CASE – ORDER FOR RF COIL REPLACEMENT
8	46-170448P1	2	TAPE	1	GREY, 3/4" POLYVINYL ELECTRICAL TAPE
10	2195966	2	PART	4	DISK,ISOLATOR,RUBBER,RF
20	2189821	2	SCREW	4	SCREW SET SCREW 10 MM 22 MM
30	2191058	2	ASSEMBLY	2	BORE LIGHT ASSEMBLY FOR CRM
31	46-282702P1	2	CLIP CENTER	1	BORE LIGHT TUBE CLAMP, MOLDED LEXAN
32	46-214704P5	2	SCREW CH NYL	4	CHEESE HEAD SCREW, NYLON, M4 X 8MM
40	2139560	N	BULKHEAD ASM	1	BULKHEAD ASSEMBLY (SEE PAGE 1-155)
46	2136115	2	STICKER,ADHS	4	HOLE COVER STICKERS UFI
49	46-136246P21	2	TAPE	18	2" WIDE X 25 YD WHITE VELCRO HOOKS
51	2180582	2	CLAMP	1	CLIP, LIGHT AND CABLE
52	46-328354P1	2	CABLE ASM	1	(749) MG2-A33-J10 TO MG2-A36, 35'
53	46-170120P1	2	TAPE	AR	1/2" WIDTH, .0025 THICK, CLEAR COLOR
54	2184805	2	TAPE	0.333	VINYL LANE MARKING SAFETY STRIPE
55	2202899	2	MOUNT	8	RF TUBE RUBBER MOUNT

CRM 55cm RF COIL ASM

2186651

FOR REPLACEMENT OF RF COIL, ORDER 2208999.

This assembly includes the RF Coil, FRU case, and shipping skid.



CRM 55cm RF COIL ASM

2186651 FRU N

(PART 3 OF 2195499 PAGE 1-144)

Item	Part Number	FRU	Name	Quantity	Description (Remarks)
14	2186219	2	PART	1	JACKET,INSULATION,RF TUBE
16	2112601	2	COVER	2	BIAS RESISTOR BOARD COVER
17	2113284	1	CIRCUIT BD	2	1.0/1.5T BIAS RESISTOR CIRCUIT BOARD
20	2112594	2	COVER	8	DYNAMIC DISABLE BOARD COVER
29	2113280	1	CIRCUIT BOAR	8	1.5T DYNAMIC DISABLE
31	46-136246P15	2	TAPE	AR	3/4" WIDE, WHT ADH BACK, VELCRO LOOP
33	2121182	2	O RING	AR	1/4 OD, 5/32 ID AMBER LATEX TUBING
40	2137219-2	2	M6 NYLON SCR	2	M6 X 5 PAN HEAD SLOTTED NYLON METRIC
41	2137220	2	M6 NYLON SCR	20	M6 X 16 FLAT HEAD SLOTTED NYLON
51	46-220312P1	2	ADHESIVE	AR	LOCTITE SUPERBONDER 416,
52	46-208781P2	2	LABEL	2	WRITE-ON LABEL FOR MARKING CABLES
54	2143771-2	2	TEFLON TAPE	12	2" TEFLON TAPE
62	46-170684P2	2	ADHESIVE	AR	LOCTITE 271, 10CC BOTTLE
64	46-230653P5	2	TUBING	1.500	SPIRALLY CUT POLYETHYLENE, 3/4" DIA.
65	2137220-2	2	M6 NYLON SCR	6	M6 X 10 FLAT HEAD SLOTTED NYLON

CATALOG M1885BD FRU N 1.0T 60cm EPOXY FILLED BODY COIL

Item	Part Number	FRU	Name	Quantity	Description (Remarks)
1	2124500-4	N	RF/GRAD COIL	1	1.0T UFI RF GRADIENT BODY COIL (SEE PAGE 1-148)
2	2137235	N	RF CABLE KIT	1	1.0T RF/GRAD COIL RF INPUT CABLE KIT (SEE PAGE 1-146)

CATALOG M1885BF FRU N 1.0T 60cm BRM-D BODY COIL

Item	Part Number	FRU	Name	Quantity	Description (Remarks)
1A	2343171	N	COLLECTOR	1	1.0T LONG RF/GRAD BRM-D BODY COIL (SEE PAGE 1-146)
1B	2124500-6	N	1.5T RF/GRAD	1	1.0T UFI RF GRADIENT BRM-D BODY COIL (SEE PAGE 1-149)
2	2137235	N	RF CABLE KIT	1	1.0T RF/GRAD COIL RF INPUT CABLE KIT (SEE PAGE 1-146)
9	2138791	N	ANTIFREEZE	6	BODY COIL COOLANT,1 GALLON CONTAINER

1.0T BRM-D BODY COIL- LONG 2343171 FRU N (PART 1A OF M1885BF PAGE 1-146)

Item	Part Number	FRU	Name	Quantity	Description (Remarks)
1	2124500-8	N	1.5T RF/GRAD	1	GEMSPRO 1.0T RF/GRAD COIL - LONG ASM (SEE PAGE 1-149)

CATALOG M1885BG FRU N 1.0T 60cm BRM-F BODY COIL

Item	Part Number	FRU	Name	Quantity	Description (Remarks)
1A	2329823	N	COLLECTOR	1	1.0T SHORT RF/GRAD COIL RFM-F (SEE PAGE 1-146)
1B	2220092-2	N	PART	ALT	RF GRADIENT COIL ASM 600 BRM-F_1.0T (SEE PAGE 1-151)
2	2137235	N	RF CABLE KIT	1	1.0T RF/GRAD COIL RF INPUT CABLE KIT (SEE PAGE 1-146)
3	46-170448P1	2	TAPE	1	GREY, 3/4" POLYVINYL ELECTRICAL TAPE
4	2138791	2	ANTIFREEZE	11	BODY COIL COOLANT,1 GALLON CONTAINER

1.0T BRM-F BODY COIL- SHORT 2329823 FRU N (PART 1A OF M1885BG)

Item	Part Number	FRU	Name	Quantity	Description (Remarks)
1	2220092-4	N	PART	1	GEMSPRO 1.0T SHORT RF/GRADIENT ASM (SEE PAGE 1-151)

1.0T RF/GRADIENT COIL CABLES 2137235 FRU N (PART 2 OF M1885BD PAGE 1-146)
(PART 2 OF M1885BF PAGE 1-146)
(PART 2 OF M1885BG PAGE 1-146)

Item	Part Number	FRU	Name	Quantity	Description (Remarks)
1	2105691-2	2	1.0T CABLE	1	(743) MG2-A12-A1-J2 TO MG3-A3-J3
2	2105691-3	2	1.0T CABLE	1	(744) MG2-A12-A1-J1 TO MG3-A3-J4

1.0T 60cm RF/GRADIENT BODY COIL

2124500-4 & 2124500-6

NOTE 1: FOR REPLACEMENT OF S-SERIES GRADIENT COIL ONLY ORDER T3014HB

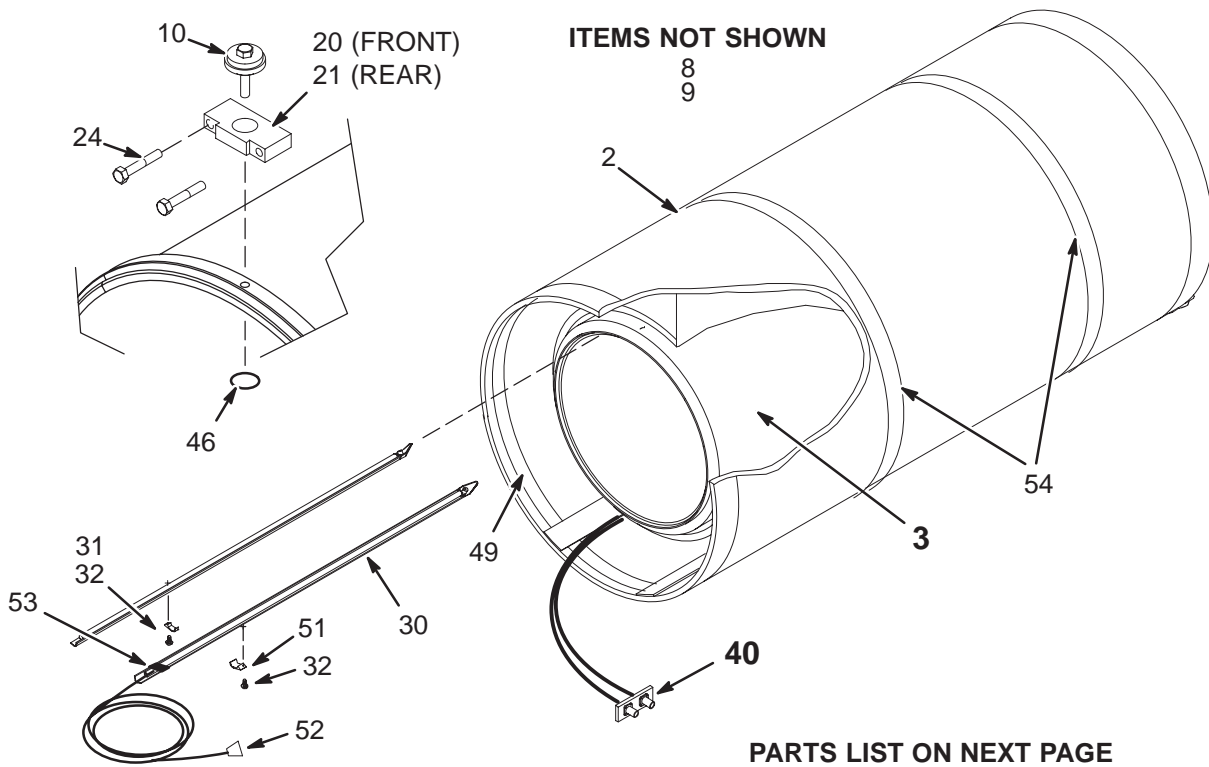
This assembly includes the cart and One-piece Shield with short (about 2 ft long) gradient cables (2124499-3). It does not include the RF Coil Asm (46-328500G1).

NOTE 2: FOR REPLACEMENT OF Cx GRADIENT COIL ONLY ORDER 2144093-3

This assembly includes the Coil Cart, Aluminum Cradle, and Cx One-piece Shield with short (about 2 ft long) gradient cables (2124499-4). It does not include the RF Coil Asm (46-328500G2).

NOTE 3: FOR REPLACEMENT OF LCC GRADIENT COIL ONLY ORDER 2144093-5

This assembly includes the Coil Cart, Aluminum Cradle, and LCC One-piece Shield with long (about 10 ft long) gradient cables (2124499-7). It does not include the RF Coil Asm (46-328500G4). Make sure the Gradient Coil Splice Kit (2241521) is part of replacement order.



PARTS LIST ON NEXT PAGE

1.0T 60cm BRM-D BODY COIL 2124500-4 FRU N (PART OF M1885BD PAGE 1-146)

Item	Part Number	FRU	Name	Quantity	Description (Remarks)
2	2124499-4	N	GRAD COIL	1	Cx ONE PIECE SHIELD (SEE NOTE 1 BELOW)
3	46-328500G2	1	1.0T RF COIL	1	1.0T 600MM RF BODY COIL ASSEMBLY. (SEE PAGE 1-150)
	2208999-5	1	REPLACEMENT ASM	1	RF COIL & CASE - ORDER FOR RF COIL REPLACEMENT
8	46-170448P1	2	TAPE	1	GREY, 3/4" POLYVINYL ELECTRICAL TAPE
9	2138791	2	ANTIFREEZE	6	BODY COIL COOLANT,1 GALLON CONTAINER
10	2121201	2	RF SHOCK MTG	8	RF SHOCK MOUNTING ASM
20	2112590	2	MOUNT BLOCK	4	BODY COIL ISOLATION MOUNTING BRACKET
21	2112590-2	2	MTG BRACKET	4	BODY COIL ISOLATION MOUNTING BRACKET
24	2109866-25	2	SCREW	16	SCREW HEXAGON HEAD 10 MM 60 MM
30	46-282830G1	2	BORE LT ASM	2	BORE LIGHT TUBE ASSEMBLY
31	46-282702P1	2	CLIP CENTER	1	BORE LIGHT TUBE CLAMP, MOLDED LEXAN
32	46-214704P5	2	SCREW CH NYL	4	CHEESE HEAD SCREW, NYLON, M4 X 8MM
40	2139560	N	BULKHEAD ASM	1	BULKHEAD ASSEMBLY (SEE PAGE 1-155)
46	2136115	2	STICKER,ADHS	8	HOLE COVER STICKERS UFI
49	46-136246P21	2	TAPE	20	2" WIDE X 25 YD WHITE VELCRO HOOKS
51	2180582	2	CLAMP	1	CLIP, LIGHT AND CABLE
52	46-328354P1	N	CABLE ASM	1	(749) MG2-A33-J10 TO MG2-A36, 35'
53	46-170120P1	2	TAPE	AR	1/2" WIDTH, .0025 THICK, CLEAR COLOR
54	2184805	2	TAPE	0.333	VINYL LANE MARKING SAFETY STRIPE

Note 1: For replacement of Gradient Coil order 2144093-3. This assembly includes the Coil Cart, Aluminum Cradle, and One-piece Shield (2124499-7). It does not include the RF Coil Asm (46-328500G2).

1.0T 60cm BRM-D BODY COIL 2124500-6 FRU N (PART OF M1885BF PAGE 1-146)

Item	Part Number	FRU	Name	Quantity	Description (Remarks)
2	2124499-5	N	GRAD COIL	1	LCC ONE PIECE SHIELD (SEE NOTE 2 BELOW)
3A	46-328500G4	1	RF COIL	1	GEMSPRO 1.0T RF COIL - LONG (SEE PAGE 1-150)
	2208999-5	1	REPLACEMENT ASM	1	RF COIL & CASE - ORDER FOR RF COIL REPLACEMENT
3B	46-328500G2	1	1.0T RF COIL	1	1.0T 600MM RF BODY COIL ASSEMBLY (SEE PAGE 1-150)
8	46-170448P1	2	TAPE	1	GREY, 3/4" POLYVINYL ELECTRICAL TAPE
10	2214148	2	RF SHOCK MTG	8	BRM-D RF TUBE MOUNT ASSEMBLY
20	2204496	2	BRACKET	4	REAR DRM ISOLATION BRACKET
21	2204495	2	BRACKET	4	FRONT DRM ISOLATION BRACKET
24	2109866-25	2	SCREW	8	SCREW HEXAGON HEAD 10 MM 60 MM
30	46-282830G1	2	BORE LT ASM	2	BORE LIGHT TUBE ASSEMBLY
31	46-282702P1	2	CLIP CENTER	1	BORE LIGHT TUBE CLAMP, MOLDED LEXAN
32	46-214704P5	2	SCREW CH NYL	4	CHEESE HEAD SCREW, NYLON, M4 X 8MM
40	2139560	N	BULKHEAD ASM	1	BULKHEAD ASSEMBLY (SEE PAGE 1-155)
46	2136115	2	STICKER,ADHS	8	HOLE COVER STICKERS UFI
49	46-136246P21	2	TAPE	20	2" WIDE X 25 YD WHITE VELCRO HOOKS
51	2180582	2	CLAMP	1	CLIP, LIGHT AND CABLE
52	46-328354P1	N	CABLE ASM	1	(749) MG2-A33-J10 TO MG2-A36, 35' (Pre-EXCITE ONLY)
53	46-170120P1	2	TAPE	AR	1/2" WIDTH, .0025 THICK, CLEAR COLOR
54	2184805	2	TAPE	0.333	VINYL LANE MARKING SAFETY STRIPE
55	2109866-26	2	SCREW	8	SCREW HEXAGON HEAD 10 MM 80 MM

1.0T 60cm BRM-D BODY COIL 2124500-8 FRU N (PART 1 OF 2343171 PAGE 1-146)

Item	Part Number	FRU	Name	Quantity	Description (Remarks)
2	2124499-6	N	GRAD COIL	1	GEMSPRO GRADIENT COIL W/SHIELD (SEE NOTE 2 BELOW)
3	46-328500G4	1	RF COIL	1	GEMSPRO 1.0T RF COIL - LONG (SEE PAGE 1 - 150)
	2208999-5	1	REPLACEMENT ASM	1	RF COIL & CASE - ORDER FOR RF COIL REPLACEMENT
8	46-170448P1	N	TAPE OLD	1	GREY, 3/4" POLYVINYL ELECTRICAL TAPE
10	2214148	N	RF SHOCK MTG	8	BRM-D RF TUBE MOUNT ASSEMBLY
20	2204496	N	BRACKET	4	REAR DRM ISOLATION BRACKET
21	2204495	N	BRACKET	4	FRONT DRM ISOLATION BRACKET
24	2109866-25	N	SCREW	8	SCREW HEXAGON HEAD 10 MM 60 MM
30	46-282830G1	N	BORE LT ASM	2	BORE LIGHT TUBE ASSEMBLY
31	46-282702P1	N	CLIP CENTER	1	BORE LIGHT TUBE CLAMP, MOLDED LEXAN
32	46-214704P5	N	SCREW CH NYL	4	CHEESE HEAD SCREW, NYLON, M4 X 8MM
40	2139560	N	BULKHEAD ASM	1	BULKHEAD ASSEMBLY (SEE PAGE 1-155)
46	2136115	N	STICKER,ADHS	8	HOLE COVER STICKERS UFI
49	46-136246P21	N	TAPE OLD	20	2" WIDE X 25 YD WHITE VELCRO HOOKS
51	2180582	N	CLAMP	1	CLIP, LIGHT AND CABLE
54	2184805	N	TAPE	0.333	VINYL LANE MARKING SAFETY STRIPE
55	2109866-26	N	SCREW	8	SCREW HEXAGON HEAD 10 MM 80 MM

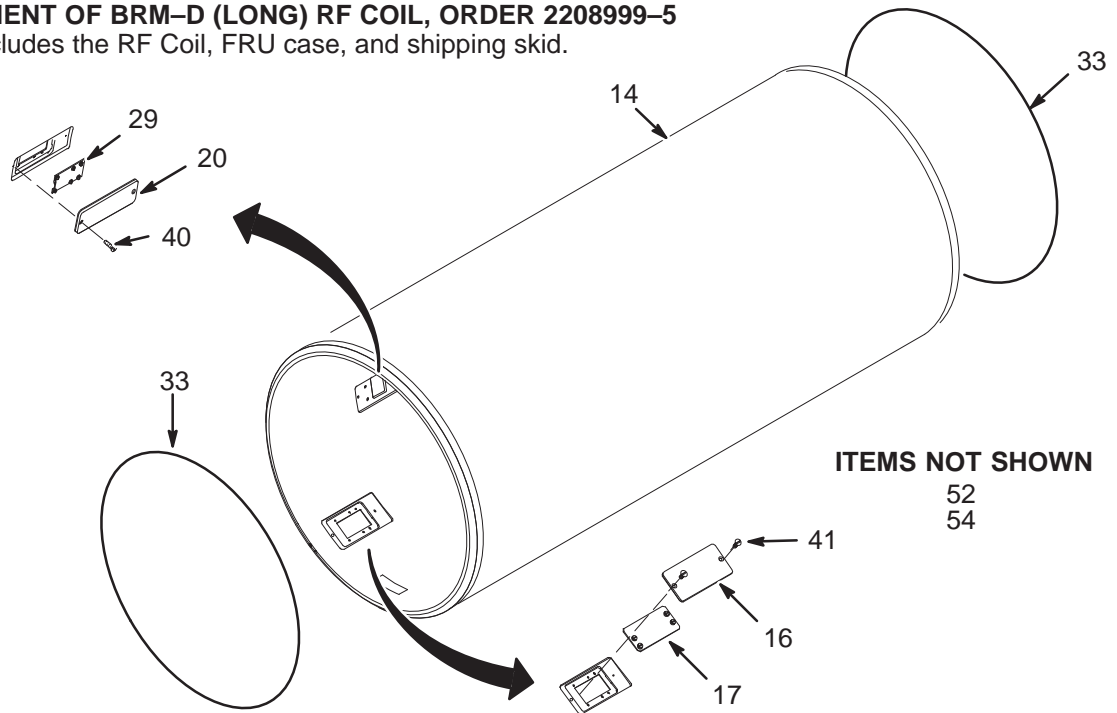
Note 2: For replacement of Gradient Coil order 2144093-5. This assembly includes the Coil Cart, Aluminum Cradle, and LCC One-piece Shield (2124499-7). It does not include the RF Coil Asm (46-328500G4).

1.0T 60cm RF COIL ASM

46-328500G2 & 46-328500G4

FOR REPLACEMENT OF BRM-D (LONG) RF COIL, ORDER 2208999-5

This assembly includes the RF Coil, FRU case, and shipping skid.



1.0T 60cm RF COIL ASM

46-328500G2 FRU 1

(PART 3 OF 2124500-4 PAGE 1-148)
(PART 3B OF 2124500-6 PAGE 1-149)

Item	Part Number	FRU	Name	Quantity	Description (Remarks)
14	2121204	2	INSULATION	1	RF BODY COIL INSULATION JACKET
16	2112601	2	COVER	2	BIAS RESISTOR BOARD COVER
17	2113284	1	CIRCUIT BD	2	1.0/1.5T BIAS RESISTOR CIRCUIT BOARD
20A	2112594-2	N	COVER	8	DYNAMIC DISABLE BOARD COVER, MOLDED
20B	2112594	N	COVER	ALT	DYNAMIC DISABLE BOARD COVER, MACHINED
29	2124166	1	CIRCUIT BD	8	1.0T DYNAMIC DISABLE BOARD
33	2121182	N	O RING	AR	AMBER LATEX TUBING
40	2137219-2	2	M6 NYLON SCR	2	M6 X 5 PAN HEAD SLOTTED NYLON METRIC
41	2137220	2	M6 NYLON SCR	20	M6 X 16 FLAT HEAD SLOTTED NYLON
52	46-208781P2	2	MARKER	2	WRITE-ON LABEL FOR MARKING CABLES

1.0T 60cm RF COIL ASM

46-328500G4 FRU 1

(PART 3A OF 2124500-6 PAGE 1-149)

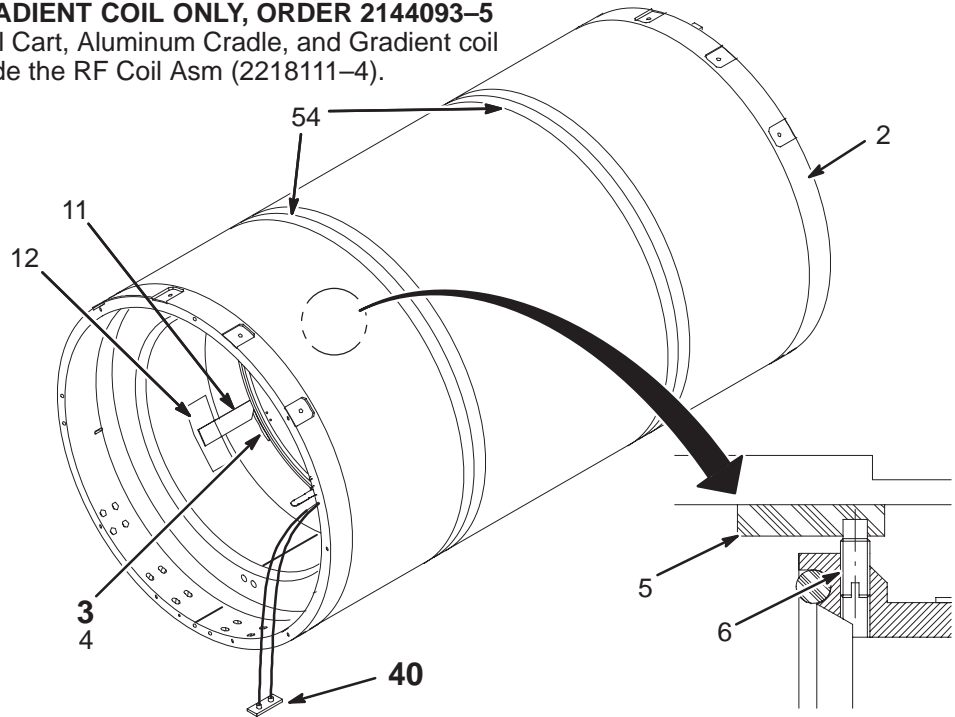
Item	Part Number	FRU	Name	Quantity	Description (Remarks)
14	2121204	N	INSULATION	1	RF BODY COIL INSULATION JACKET
16	2112601	N	COVER	2	BIAS RESISTOR BOARD COVER
17	2113284	1	CIRCUIT BD	2	1.0/1.5T BIAS RESISTOR CIRCUIT BOARD
20	2112594	N	COVER	8	DYNAMIC DISABLE BOARD COVER, MACHINED
29	2124166	1	CIRCUIT BD	8	1.0T DYNAMIC DISABLE BOARD
33	2121182	N	O RING	AR	1/4 OD, 5/32 ID AMBER LATEX SURGICAL
40	2137219-2	N	M6 NYLON SCR	2	M6 X 1.0 X 5 MM LG SLOTTED PAN HD
41	2137220	N	M6 NYLON SCR	20	M6 X 1.0 X 16 MM LG SLOTTED FLAT HD
52	46-208781P2	N	LABEL	2	WRITE-ON LABEL FOR MARKING CABLES
54	2143771-2	N	TEFLON TAPE	12	2" TEFLON TAPE

1.0T 60cm BRM-F BODY COIL

2220092-2 & 2220092-4

FOR REPLACEMENT OF GRADIENT COIL ONLY, ORDER 2144093-5

This assembly includes the Coil Cart, Aluminum Cradle, and Gradient coil (2124499-5). It does not include the RF Coil Asm (2218111-4).



1.0T 60cm BRM-F BODY COIL

2220092-2 FRU N

(PART 1B OF M1885BG PAGE 1-146)

Item	Part Number	FRU	Name	Quantity	Description (Remarks)
2	2124499-5	N	GRAD COIL	1	LCC ONE PIECE SHIELD (SEE NOTE BELOW)
3A	2218111-4	1	PART	1	1.0T SHORT RF COIL ASM (SEE PAGE 1-152)
	2208999-2	1	REPLACEMENT ASM	1	RF COIL & CASE - ORDER FOR RF COIL REPLACEMENT
3B	2218111-2	1	PART	1	1.0T SHORT RF COIL ASM (SEE PAGE 1-152)
4	2221294	2	PART	4	PAD
5	2221633	2	PART	4	PAD,MOUNTING,UPPER
6	2221634	2	PART	4	SET SCREW
7	46-220312P1	2	ADHESIVE	AR	LOCTITE SUPERBONDER 416,
11	2221632	2	PART	2	CONSTRAINT,AXIAL,RF TUBE
12	2143771-2	N	TEFLON TAPE	AR	2" TEFLON TAPE
40	2139560	N	BULKHEAD ASM	1	BULKHEAD ASSEMBLY (SEE PAGE 1-155)
49	46-136246P21	2	TAPE	20	2" WIDE X 25 YD WHITE VELCRO HOOKS
54	2184805	2	TAPE	0.333	VINYL LANE MARKING SAFETY STRIPE

1.0T 60cm BRM-F BODY COIL

2220092-4 FRU N

(PART OF 2329823 1-146)

Item	Part Number	FRU	Name	Quantity	Description (Remarks)
2	2124499-6	N	GRAD COIL	1	GEMSPRO GRADIENT COIL W/SHIELD (SEE NOTE BELOW)
3	2218111-4	1	PART	1	GEMSPRO 1.0T SHORT RF COIL ASSEMBLY (SEE PAGE 1-152)
	2208999-2	1	REPLACEMENT ASM	1	RF COIL & CASE - ORDER FOR RF COIL REPLACEMENT
4	2221294	N	PART	4	PAD
5	2221633	N	PART	4	PAD,MOUNTING,UPPER
6	2221634	N	PART	4	SET SCREW
7	46-220312P1	N	ADHESIVE OLD	AR	LOCTITE SUPERBONDER 416,
40	2139560	N	BULKHEAD ASM	1	BULKHEAD ASSEMBLY (SEE PAGE 1-155)
54	2184805	N	TAPE	0.333	VINYL LANE MARKING SAFETY STRIPE

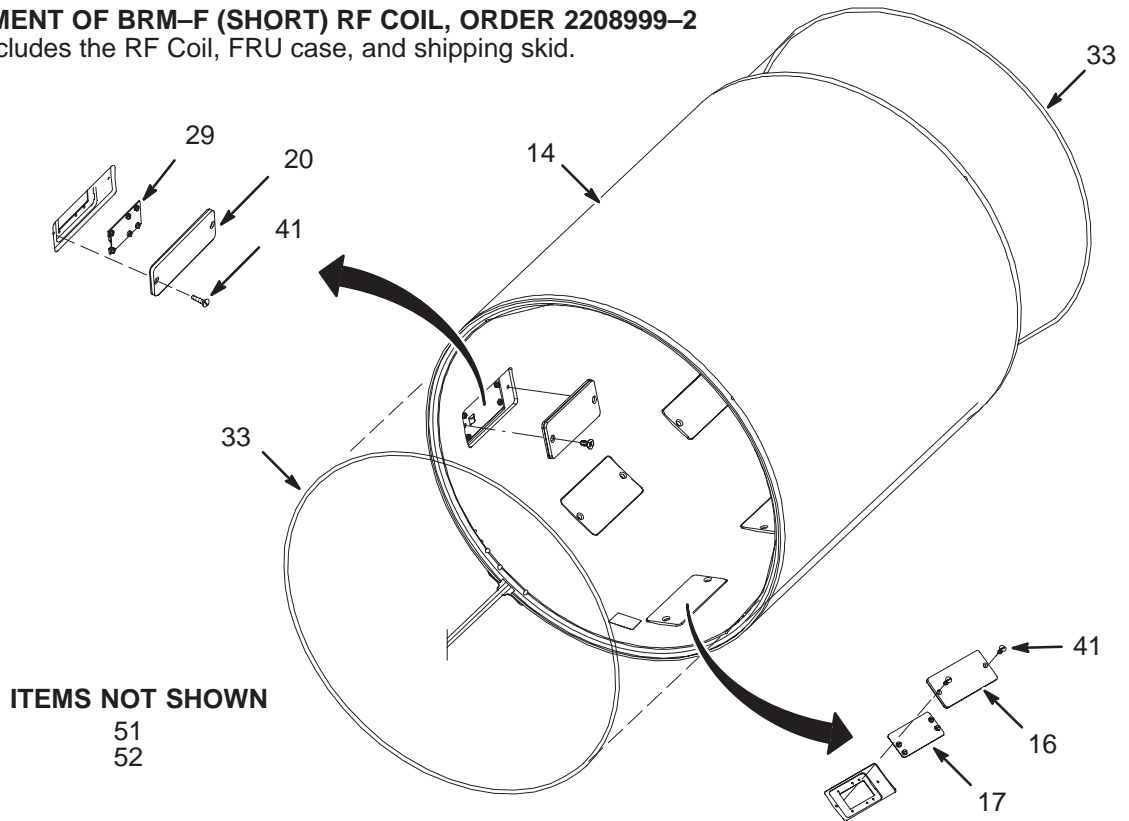
Note: For replacement of Gradient Coil order 2144093-5. This assembly includes the Coil Cart, Aluminum Cradle, and LCC One-piece Shield (2124499-5). It does not include the RF Coil Asm (2218111-4).

1.0T 60cm BRM-F RF COIL ASM

2218111-2

FOR REPLACEMENT OF BRM-F (SHORT) RF COIL, ORDER 2208999-2

This assembly includes the RF Coil, FRU case, and shipping skid.



1.5T 60cm BRM-F RF COIL ASM

2218111-2 FRU 1

(PART 3B OF 2220092-2 PAGE 1-151)

Item	Part Number	FRU	Name	Quantity	Description (Remarks)
14	2220084	2	PART	1	JACKET,INSULATION,RF TUBE
16	2218101	2	PART	2	COVER,COLLECTOR,SHORT
17	2113284	1	CIRCUIT BD	2	1.0/1.5T BIAS RESISTOR CIRCUIT BOARD
20	2112594	2	COVER	8	DYNAMIC DISABLE BOARD COVER
29	2113280	1	CIRCUIT BD	8	1.5T DYNAMIC DISABLE
33	2121182	2	O RING	AR	1/4 OD, 5/32 ID AMBER LATEX TUBING
41	2137220	2	M6 NYLON SCR	20	M6 X 16 FLAT HEAD SLOTTED NYLON
51	46-220312P1	2	ADHESIVE	AR	LOCTITE SUPERBONDER 416,
52	46-208781P2	2	LABEL	2	WRITE-ON LABEL FOR MARKING CABLES

1.5T 60cm BRM-F RF COIL ASM

2218111-4 FRU 1

(PART 3A OF 2220092-2 PAGE 1-151)

(PART 3 OF 2220092-4 PAGE 1-151)

Item	Part Number	FRU	Name	Quantity	Description (Remarks)
14	2220084-2	N	PART	1	JACKET,INSULATION,RF TUBE
16	2218101-2	N	PART	2	COVER,COLLECTOR,SHORT, MOLDED
17	2113284	1	CIRCUIT BD	2	1.0/1.5T BIAS RESISTOR CIRCUIT BOARD
20A	2112594-2	N	COVER	8	DYNAMIC DISABLE BOARD COVER, MOLDED
33	2121182	N	O RING	AR	1/4 OD, 5/32 ID AMBER LATEX SURGICAL
41	2137220	N	M6 NYLON SCR	20	M6 X 1.0 X 16 MM LG SLOTTED FLAT HD
51	46-220312P1	N	ADHESIVE	AR	LOCTITE SUPERBONDER 416,
52	46-208781P2	N	LABEL	2	WRITE-ON LABEL FOR MARKING CABLES

CATALOG

M3085TA FRU N

1.5T TRM BODY COIL

Item	Part Number	FRU	Name	Quantity	Description (Remarks)
1	2228300	N	ASSEMBLY	1	TRM GRADIENT COIL ASSEMBLY (SEE PAGE 1-153)
2	2137234	2	RF CABLE KIT	1	1.5T RF/GRAD COIL RF INPUT CABLE KIT (SEE PAGE 1-133)

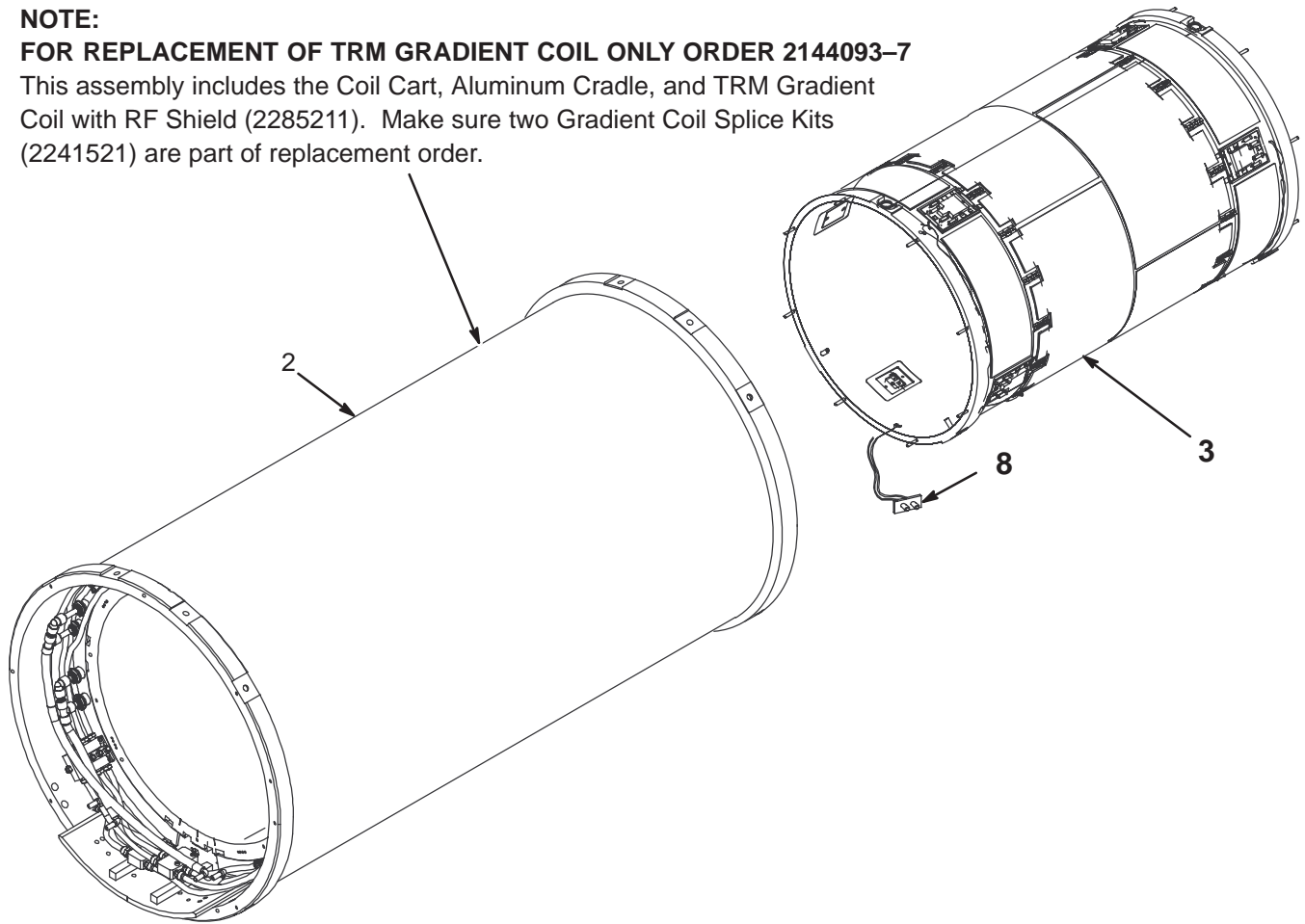
TRM BODY COIL ASSEMBLY

2228300

NOTE:

FOR REPLACEMENT OF TRM GRADIENT COIL ONLY ORDER 2144093-7

This assembly includes the Coil Cart, Aluminum Cradle, and TRM Gradient Coil with RF Shield (2285211). Make sure two Gradient Coil Splice Kits (2241521) are part of replacement order.



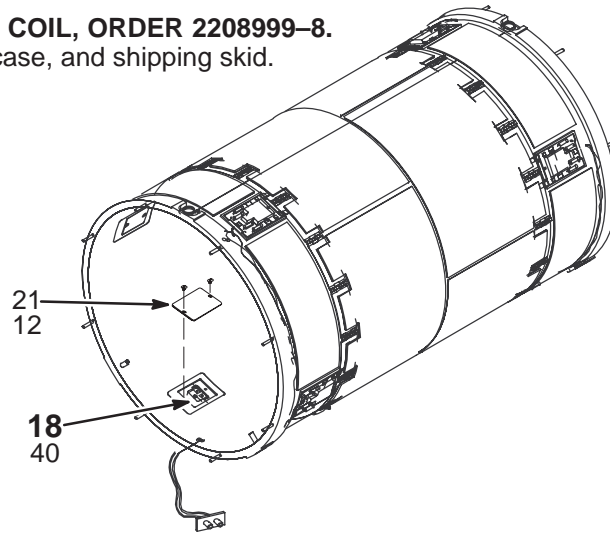
TRM BODY COIL ASSEMBLY

2228300 FRU N

(PART OF 1 OF M3085TA PAGE 1-153)

Item	Part Number	FRU	Name	Quantity	Description (Remarks)
2	2285211	N	GRAD COIL	1	TWIN GRADIENT COIL WITH RF SHIELD
	2144093-7	1	FRU ASM,	1	COIL AND CART ASSEMBLY- ORDER FOR TRM GRAD COIL REPLACEMENT
3	2280108-2	N	BODY COIL	1	TWIN RF BODY COIL ASSEMBLY (SEE PAGE 1-154)
	2208999-8	1	FRU ASM	1	RF COIL & CASE - ORDER FOR RF COIL REPLACEMENT
5	2297588	N	TOOL ALIGN	1	RF COIL ALIGNMENT TOOL
8	2139560	N	BULKHEAD ASM	1	BULKHEAD ASSEMBLY
10	2143771-2	N	TEFLON TAPE	AR	2" TEFLON TAPE
	2262660-4	2	HOSE BARB		0.5" TUBE TO BARB, ACETAL GRAY

FOR REPLACEMENT OF TwinSpeed RF COIL, ORDER 2208999-8.
 This assembly includes the RF Coil, FRU case, and shipping skid.



1.5T TwinSpeed RF BODY COIL ASM 2280108-2 FRU N (PART 3 OF 2228300 PAGE 1-153)

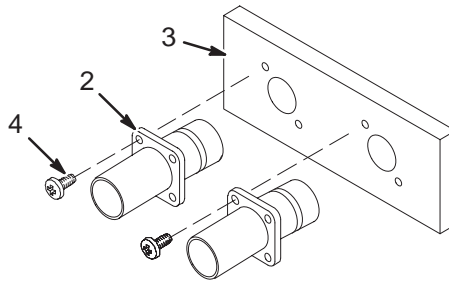
Item	Part Number	FRU	Name	Quantity	Description (Remarks)
12	2345361	N	PART	8.0	COVER ASSEMBLY
18	2303520	2	CIRCUIT BOAR	8.0	DIODE SLOT BOARD (SEE PAGE 1-154)
21	2137220-2	N	OUT OF CATAL	16.0	M6 X 10 FLAT HEAD SLOTTED NYLON
40	2275001-4	N	OUT OF CATAL	16.0	M4X6 BRASS PANHEAD, SLOTTED W/LOCTITE

DIODE SLOT BOARD FRU 2303520-2 FRU 1 (PART 18 OF 2280108-2 PAGE 1-154)

Item	Part Number	FRU	Name	Quantity	Description (Remarks)
1	2303520	2	CIRCUIT BOAR	1	DIODE SLOT BOARD1
1	2275001-4	N	SCREW	1	M4 X 6 BRASS PANHEAD, SLOTTED

BULKHEAD ASM

2139560



BULKHEAD ASM

2139560 FRU N

- (PART OF 2179396 PAGE 1-26)
- (PART OF 2191300 PAGE 1-26)
- (PART OF 2214166 PAGE 1-35)
- (PART OF 2124500-3 PAGE 1-135)
- (PART OF 2124500-5 PAGE 1-135)
- (PART OF 2220092 PAGE 1-139)
- (PART OF 2195499 PAGE 1-144)
- (PART OF 2124500-4 PAGE 1-148)
- (PART OF 2124500-6 PAGE 1-149)

Item	Part Number	FRU	Name	Quantity	Description (Remarks)
2	2112592	2	MHV ST ADAPT	2	JACK TO JACK STRAIGHT ADAPTER
3	2138711	2	FRT BULKHEAD	1	FRT BULKHEADRF COIL
4	2109873-6	2	PAN HD SCREW	4	METRIC SST CROSS RECESSED PAN HD SCR

1-19 SYSTEM COMPUTER AND CABINET COLLECTORS

**1.5T ACGD BASE with MULTICOIL 46-271000G14 FRU N (PART OF M3000AB PAGE 1-49)
(PART OF M3000AC PAGE 1-49)**

Item	Part Number	FRU	Name	Quantity	Description (Remarks)
3	2146243	N	UFI LABEL KT	1	MULTI-LINGUAL LABEL KIT (SEE PAGE 1-167)
4	2138300-20	N	PERF SYS CAB	1	1.5T SR20/77 CABINET W/PA (SEE SECTION 8)
5	2355993	N	COLLECTOR	1	1.5T RF CAB ALTERNATES (SEE SECTION 16)
6	2355992	N	COLLECTOR	1	ACGD ALTERNATES (SEE SECTION 15)
10	2207030-16	N	COLLECTOR	1	ACGD 1.5T WITH PHASED ARRAY (SEE SECTION 13)

1.5T ACGD EchoSpeed w/MULTICOIL46-271000G15 FRU N (PART OF M3000AD PAGE 1-49)

Item	Part Number	FRU	Name	Quantity	Description (Remarks)
3	2146243	N	UFI LABEL KT	1	MULTI-LINGUAL LABEL KIT (SEE PAGE 1-167)
4	2138300-19	N	PERF SYS CAB	1	1.5T SYSTEM CABINET (SEE SECTION 8)
5	2355993	N	COLLECTOR	1	1.5T RF CAB ALTERNATES (SEE SECTION 16)
6	2355992	N	COLLECTOR	1	ACGD ALTERNATES (SEE SECTION 15)
10	2207030-16	N	COLLECTOR	1	ACGD 1.5T WITH PHASED ARRAY (SEE SECTION 13)

1.0T ACGD HiSpeed w/o MULTICOIL46-271000G16 FRU N (PART OF M3800AA PAGE 1-56)

Item	Part Number	FRU	Name	Quantity	Description (Remarks)
4	2138300-22	N	PERF SYS CAB	1	1.0T SYTEM CABINET W/O PA (SEE SECTION 8)
5	2355994	N	COLLECTOR	1	1.0T RF CAB ALTERNATES (SEE SECTION 16)
6	2355992	N	COLLECTOR	1	ACGD ALTERNATES (SEE SECTION 15)
10	2207030-16	N	COLLECTOR	1	ACGD 1.5T WITH PHASED ARRAY (SEE SECTION 13)

**1.0T ACGD HiSpeed w/MULTICOIL 46-271000G17 FRU N (PART OF M3800AB PAGE 1-56)
(PART OF M3800AD PAGE 1-56)**

Item	Part Number	FRU	Name	Quantity	Description (Remarks)
4	2138300-23	N	PERF SYS CAB	1	1.0T SYSTEM CABINET W/PA (SEE SECTION 8)
5	2355994	N	COLLECTOR	1	1.0T RF CAB ALTERNATES (SEE SECTION 16)
6	2355992	N	COLLECTOR	1	ACGD ALTERNATES (SEE SECTION 15)
10	2207030-16	N	COLLECTOR	1	ACGD 1.5T WITH PHASED ARRAY (SEE SECTION 13)

CARDIAC 1.5T ACGD E-Speed w/MC46-271000G19 FRU N (PART OF M3000AE PAGE 1-50)

Item	Part Number	FRU	Name	Quantity	Description (Remarks)
3	2146243	2	UFI LABEL KT	1	MULTI-LINGUAL LABEL KIT (SEE PAGE 1-167)
4	2138300-19	N	PERF SYS CAB	1	1.5T SYSTEM CABINET (SEE SECTION 8)
5	2355993	N	COLLECTOR	1	1.5T RF CAB ALTERNATES (SEE SECTION 16)
6	2355992	N	COLLECTOR	1	ACGD ALTERNATES (SEE SECTION 15)
10	2207030-11	N	COLLECTOR	1	CV3/NV2 FIESTA OCTANE OW W/SOFTWARE (SEE SECTION 13)

5.x 1.5T BASE w/o MC 46-271000G25 FRU N (PART OF M1000MA PAGE 1-3)

Item	Part Number	FRU	Name	Quantity	Description (Remarks)
3	2146243	2	UFI LABEL KT	1	MULTI-LINGUAL LABEL KIT (SEE PAGE 1-167)
4	2117962	N	SYSTEM CABNT	1	HORIZON 1.5T SYSTEM CABINET, MR2 (SEE SECTION 8)
5A	2224560	N	RF CABINET	1	RF/PDU CABINET (SEE SECTION 14)
5B	2160200	N	RF/PEN CAB	ALT	1.5T RF/PEN STREAMLINE CAB W/AMP (SEE SECTION 10)
5C	2109930	N	RF/PEN CAB	ALT	1.5T RF/PEN CAB WITH MULTICOIL (SEE SECTION 10)
6	2108800-2	N	GRAD SUBSYS	1	GRADIENT SUBSYST - DOUBLE AMP/AXIS (SEE SECTION 9)

5.x 1.5T BASE w/MC 46-271000G26 FRU N (PART OF M1000MB PAGE 1-3)

Item	Part Number	FRU	Name	Quantity	Description (Remarks)
3	2146243	2	UFI LABEL KT	1	MULTI-LINGUAL LABEL KIT (SEE PAGE 1-167)
4	2117958	N	SYS CAB W/MC	1	1.5T SYSTEM CABINET W/MULTI-COIL (SEE SECTION 8)
5A	2224560	N	RF CABINET	1	RF/PDU CABINET (SEE SECTION 14)
5B	2160200	N	RF/PEN CAB	ALT	1.5T RF/PEN STREAMLINE CAB W/AMP (SEE SECTION 10)
5C	2109930	N	RF/PEN CAB	ALT	1.5T RF/PEN CAB WITH MULTICOIL (SEE SECTION 10)
6	2108800-2	N	GRAD SUBSYS	1	GRADIENT SUBSYST - DOUBLE AMP/AXIS (SEE SECTION 9)

5.x 1.5T HiSpeed w/o MC 46-271000G27 FRU N (PART OF M1000MC PAGE 1-3)

Item	Part Number	FRU	Name	Quantity	Description (Remarks)
3	2146243	2	UFI LABEL KT	1	MULTI-LINGUAL LABEL KIT (SEE PAGE 1-167)
4	2117962	N	SYSTEM CABNT	1	HORIZON 1.5T SYSTEM CABINET, MR2 (SEE SECTION 8)
5A	2224560	N	RF CABINET	1	RF/PDU CABINET (SEE SECTION 14)
5B	2160200	N	RF/PEN CAB	ALT	1.5T RF/PEN STREAMLINE CAB W/AMP (SEE SECTION 10)
5C	2109930	N	RF/PEN CAB	ALT	1.5T RF/PEN CAB WITH MULTICOIL (SEE SECTION 10)
6	2108800	N	GRAD SUBSYS	1	GRADIENT SUBSYSTEM - SINGLE AMP/AXIS (SEE SECTION 9)
7	2108050	N	GRAM CABINET	1	UFI GRAM CABINET ASSEMBLY, MR7 (SEE SECTION 12)

5.x 1.5T HiSpeed w/MC 46-271000G28 FRU N (PART OF M1000MD PAGE 1-3)

Item	Part Number	FRU	Name	Quantity	Description (Remarks)
3	2146243	2	UFI LABEL KT	1	MULTI-LINGUAL LABEL KIT (SEE PAGE 1-167)
4	2117958	N	SYS CAB W/MC	1	1.5T SYSTEM CABINET W/MULTI-COIL (SEE SECTION 8)
5A	2224560	N	RF CABINET	1	RF/PDU CABINET (SEE SECTION 14)
5B	2160200	N	RF/PEN CAB	ALT	1.5T RF/PEN STREAMLINE CAB W/AMP (SEE SECTION 10)
5C	2109930	N	RF/PEN CAB	ALT	1.5T RF/PEN CAB WITH MULTICOIL (SEE SECTION 10)
6	2108800	N	GRAD SUBSYS	1	GRADIENT SUBSYSTEM - SINGLE AMP/AXIS (SEE SECTION 9)
7	2108050	N	GRAM CABINET	1	UFI GRAM CABINET ASSEMBLY, MR7 (SEE SECTION 12)

5.x 1.5T EchoSpeed w/o MC 46-271000G29 FRU N (PART OF M1000ME PAGE 1-3)

Item	Part Number	FRU	Name	Quantity	Description (Remarks)
3	2146243	2	UFI LABEL KT	1	MULTI-LINGUAL LABEL KIT (SEE PAGE 1-167)
4	2117960	N	SYS CAB W/FR	1	860-941117 SYSTEMS CAB 1.5T W/FR (SEE SECTION 8)
5A	2224560	N	RF CABINET	1	RF/PDU CABINET (SEE SECTION 14)
5B	2160200	N	RF/PEN CAB	ALT	1.5T RF/PEN STREAMLINE CAB W/AMP (SEE SECTION 10)
5C	2109930	N	RF/PEN CAB	ALT	1.5T RF/PEN CAB WITH MULTICOIL (SEE SECTION 10)
6	2108800-2	N	GRAD SUBSYS	1	GRADIENT SUBSYST - DOUBLE AMP/AXIS (SEE SECTION 9)
7	2108050	N	GRAM CABINET	1	UFI GRAM CABINET ASSEMBLY, MR7 (SEE SECTION 12)

5.x 1.5T EchoSpeed w/MC 46-271000G30 FRU N (PART OF M1000MF PAGE 1-4)

Item	Part Number	FRU	Name	Quantity	Description (Remarks)
3	2146243	2	UFI LABEL KT	1	MULTI-LINGUAL LABEL KIT (SEE PAGE 1-167)
4	2117956	N	SYS W/MC&FR	1	1.5T SYSTEM CABINET W/MC & FST RCVR (SEE SECTION 8)
5A	2224560	N	RF CABINET	1	RF/PDU CABINET (SEE SECTION 14)
5B	2160200	N	RF/PEN CAB	ALT	1.5T RF/PEN STREAMLINE CAB W/AMP (SEE SECTION 10)
5C	2109930	N	RF/PEN CAB	ALT	1.5T RF/PEN CAB WITH MULTICOIL (SEE SECTION 10)
6	2108800-2	N	GRAD SUBSYS	1	GRADIENT SUBSYST - DOUBLE AMP/AXIS (SEE SECTION 9)
7	2108050	N	GRAM CABINET	1	UFI GRAM CABINET ASSEMBLY, MR7 (SEE SECTION 12)

8.x 1.5T BASE w/o MC 46-271000G33 FRU N (PART OF M1000NA PAGE 1-10)

Item	Part Number	FRU	Name	Quantity	Description (Remarks)
3	2146243	2	UFI LABEL KT	1	MULTI-LINGUAL LABEL KIT (SEE PAGE 1-167)
4	2138300-4	N	1.5T SYS CAB	1	1.5T SYSTEM CABINET (SEE SECTION 8)
5A	2224560	N	RF CABINET	1	RF/PDU CABINET (SEE SECTION 14)
5B	2160200	N	RF/PEN CAB	ALT	1.5T RF/PEN STREAMLINE CAB W/AMP (SEE SECTION 10)
5C	2109930	N	RF/PEN CAB	ALT	1.5T RF/PEN CAB WITH MULTICOIL (SEE SECTION 10)
6	2108800-2	N	GRAD SUBSYS	1	GRADIENT SUBSYST - DOUBLE AMP/AXIS (SEE SECTION 9)
10	2163093-3	N	COLLECTOR	1	LX INDIGO OW COMP.WLX2S/W (SEE SECTION 13)

8.x 1.5T BASE with MC 46-271000G35 FRU N (PART OF M1000ND PAGE 1-10)

Item	Part Number	FRU	Name	Quantity	Description (Remarks)
3	2146243	2	UFI LABEL KT	1	MULTI-LINGUAL LABEL KIT (SEE PAGE 1-167)
4	2138300-3	N	SYS CAB W/MC	1	1.5T SYSTEM CABINET WITH MULTICOIL (SEE SECTION 8)
5A	2224560	N	RF CABINET	1	RF/PDU CABINET (SEE SECTION 14)
5B	2160200	N	RF/PEN CAB	ALT	1.5T RF/PEN STREAMLINE CAB W/AMP (SEE SECTION 10)
5C	2109930	N	RF/PEN CAB	ALT	1.5T RF/PEN CAB WITH MULTICOIL (SEE SECTION 10)
6	2108800-2	N	GRAD SUBSYS	1	GRADIENT SUBSYST - DOUBLE AMP/AXIS (SEE SECTION 9)
10	2163093-3	N	COLLECTOR	1	LX INDIGO OW COMP.WLX2S/W (SEE SECTION 13)

8.x 1.5T HiSpeed with MC 46-271000G36 FRU N (PART OF M1000NF PAGE 1-10)

Item	Part Number	FRU	Name	Quantity	Description (Remarks)
3	2146243	2	UFI LABEL KT	1	MULTI-LINGUAL LABEL KIT (SEE PAGE 1-167)
4	2138300-3	N	SYS CAB W/MC	1	1.5T SYSTEM CABINET WITH MULTICOIL (SEE SECTION 8)
5A	2224560	N	RF CABINET	1	RF/PDU CABINET (SEE SECTION 14)
5B	2160200	N	RF/PEN CAB	ALT	1.5T RF/PEN STREAMLINE CAB W/AMP (SEE SECTION 10)
5C	2109930	N	RF/PEN CAB	ALT	1.5T RF/PEN CAB WITH MULTICOIL (SEE SECTION 10)
6	2108800	N	GRAD SUBSYS	1	GRADIENT SUBSYSTEM - SINGLE AMP/AXIS (SEE SECTION 9)
7	2108050	N	GRAM CABINET	1	UFI GRAM CABINET ASSEMBLY, MR7 (SEE SECTION 12)
10	2163093-3	N	COLLECTOR	1	LX INDIGO OW COMP.WLX2S/W (SEE SECTION 13)

8.x 1.5T EchoSpeed with MC 46-271000G37 FRU N (PART OF M1000NG PAGE 1-11)

Item	Part Number	FRU	Name	Quantity	Description (Remarks)
3	2146243	2	UFI LABEL KT	1	MULTI-LINGUAL LABEL KIT (SEE PAGE 1-167)
4	2138300-2	N	SYSCA W/FRMC	1	1.5T SYSTEM CABINET (SEE SECTION 8)
5A	2224560	N	RF CABINET	1	RF/PDU CABINET (SEE SECTION 14)
5B	2160200	N	RF/PEN CAB	ALT	1.5T RF/PEN STREAMLINE CAB W/AMP (SEE SECTION 10)
5C	2109930	N	RF/PEN CAB	ALT	1.5T RF/PEN CAB WITH MULTICOIL (SEE SECTION 10)
6	2108800-2	N	GRAD SUBSYS	1	GRADIENT SUBSYST - DOUBLE AMP/AXIS (SEE SECTION 9)
7	2108050	N	GRAM CABINET	1	UFI GRAM CABINET ASSEMBLY, MR7 (SEE SECTION 12)
10	2163093-3	N	COLLECTOR	1	LX INDIGO OW COMP.WLX2S/W (SEE SECTION 13)

8.x SGD 1.5T BASE w/o MC 46-271000G50 FRU N (PART OF M1000RA PAGE 1-17)

Item	Part Number	FRU	Name	Quantity	Description (Remarks)
3	2146243	2	UFI LABEL KT	1	MULTI-LINGUAL LABEL KIT (SEE PAGE 1-167)
4	2138300-4	N	1.5T SYS CAB	1	1.5T SYSTEM CABINET (SEE SECTION 8)
5A	2224560	N	RF CABINET	1	RF/PDU CABINET (SEE SECTION 14)
5B	2160200	N	RF/PEN CAB	ALT	1.5T RF/PEN STREAMLINE CAB W/AMP (SEE SECTION 10)
5C	2109930	N	RF/PEN CAB	ALT	1.5T RF/PEN CAB WITH MULTICOIL (SEE SECTION 10)
6	2172035	N	ASSEMBLY	1	SGD BASE CABINET - P9358GE (SEE SECTION 9)
10	2163093-3	N	COLLECTOR	1	LX INDIGO OW COMP.WLX2S/W (SEE SECTION 13)

8.x SGD 1.5T BASE with MC 46-271000G51 FRU N (PART OF M1000RD PAGE 1-17)

Item	Part Number	FRU	Name	Quantity	Description (Remarks)
3	2146243	2	UFI LABEL KT	1	MULTI-LINGUAL LABEL KIT (SEE PAGE 1-167)
4	2138300-3	N	SYS CAB W/MC	1	1.5T SYSTEM CABINET WITH MULTICOIL (SEE SECTION 8)
5A	2224560	N	RF CABINET	1	RF/PDU CABINET (SEE SECTION 14)
5B	2160200	N	RF/PEN CAB	ALT	1.5T RF/PEN STREAMLINE CAB W/AMP (SEE SECTION 10)
5C	2109930	N	RF/PEN CAB	ALT	1.5T RF/PEN CAB WITH MULTICOIL (SEE SECTION 10)
6	2172035	N	ASSEMBLY	1	SGD BASE CABINET - P9358GE (SEE SECTION 9)
10	2163093-3	N	COLLECTOR	1	LX INDIGO OW COMP.WLX2S/W (SEE SECTION 13)

8.x SGD 1.5T HiSpeed w/MC 46-271000G52 FRU N (PART OF M1000RF PAGE 1-17)

Item	Part Number	FRU	Name	Quantity	Description (Remarks)
3	2146243	2	UFI LABEL KT	1	MULTI-LINGUAL LABEL KIT (SEE PAGE 1-167)
4	2138300-3	N	SYS CAB W/MC	1	1.5T SYSTEM CABINET WITH MULTICOIL (SEE SECTION 8)
5A	2224560	N	RF CABINET	1	RF/PDU CABINET (SEE SECTION 14)
5B	2160200	N	RF/PEN CAB	ALT	1.5T RF/PEN STREAMLINE CAB W/AMP (SEE SECTION 10)
5C	2109930	N	RF/PEN CAB	ALT	1.5T RF/PEN CAB WITH MULTICOIL (SEE SECTION 10)
6	2169944	N	CABINET ASM	1	SGD HI-SLEW CABINET (SEE SECTION 9)
10	2163093-3	N	COLLECTOR	1	LX INDIGO OW COMP.WLX2S/W (SEE SECTION 13)

8.x SGD 1.5T EchoSpeed w/MC 46-271000G53 FRU N (PART OF M1000RG PAGE 1-18)

Item	Part Number	FRU	Name	Quantity	Description (Remarks)
3	2146243	2	UFI LABEL KT	1	MULTI-LINGUAL LABEL KIT (SEE PAGE 1-167)
4	2138300-2	N	SYSCA W/FRMC	1	1.5T SYSTEM CABINET (SEE SECTION 8)
5A	2224560	N	RF CABINET	1	RF/PDU CABINET (SEE SECTION 14)
5B	2160200	N	RF/PEN CAB	ALT	1.5T RF/PEN STREAMLINE CAB W/AMP (SEE SECTION 10)
5C	2109930	N	RF/PEN CAB	ALT	1.5T RF/PEN CAB WITH MULTICOIL (SEE SECTION 10)
6	2169944	N	CABINET ASM	1	SGD HI-SLEW CABINET (SEE SECTION 9)
10	2163093-3	N	COLLECTOR	1	LX INDIGO OW COMP.WLX2S/W (SEE SECTION 13)

5.x 1.0T BASE w/o MC 46-271000G65 FRU N (PART OF M1800MA PAGE 1-6)

Item	Part Number	FRU	Name	Quantity	Description (Remarks)
4	2117962-2	N	SYS CABINET	1	1.0T SIGNA HORIZON SYSTEM CABINET (SEE SECTION 8)
5	2160200-3	N	RF/PEN CAB	1	1.0T RF/PEN STREAMLINE CAB WITH AMP (SEE SECTION 10)
5A	2109930-2	N	RF/PEN CAB	ALT	1.0T RF/PEN CAB WITH MULTICOIL (SEE SECTION 10)
6	2108800-2	N	GRAD SUBSYS	1	GRADIENT SUBSYST - DOUBLE AMP/AXIS (SEE SECTION 9)

5.x 1.0T BASE w/MC 46-271000G66 FRU N (PART OF M1800MB PAGE 1-6)

Item	Part Number	FRU	Name	Quantity	Description (Remarks)
4	2117958-2	N	SYS CAB W/MC	1	1.0T SYSTEM CABINET WITH MULTICOIL (SEE SECTION 8)
5	2160200-3	N	RF/PEN CAB	1	1.0T RF/PEN STREAMLINE CAB WITH AMP (SEE SECTION 10)
5A	2109930-2	N	RF/PEN CAB	ALT	1.0T RF/PEN CAB WITH MULTICOIL (SEE SECTION 10)
6	2108800-2	N	GRAD SUBSYS	1	GRADIENT SUBSYST - DOUBLE AMP/AXIS (SEE SECTION 9)

5.x 1.0T HiSpeed w/o MC 46-271000G67 FRU N (PART OF M1800MC PAGE 1-6)

Item	Part Number	FRU	Name	Quantity	Description (Remarks)
4	2117962-2	N	SYS CABINET	1	1.0T SIGNA HORIZON SYSTEM CABINET (SEE SECTION 8)
5	2160200-3	N	RF/PEN CAB	1	1.0T RF/PEN STREAMLINE CAB WITH AMP (SEE SECTION 10)
5A	2109930-2	N	RF/PEN CAB	ALT	1.0T RF/PEN CAB WITH MULTICOIL (SEE SECTION 10)
6	2108800	N	GRAD SUBSYS	1	GRADIENT SUBSYSTEM - SINGLE AMP/AXIS (SEE SECTION 9)
7	2108050	N	GRAM CABINET	1	UFI GRAM CABINET ASSEMBLY, MR7 (SEE SECTION 12)

5.x 1.0T HiSpeed w/MC 46-271000G68 FRU N (PART OF M1800MD PAGE 1-6)

Item	Part Number	FRU	Name	Quantity	Description (Remarks)
4	2117958-2	N	SYS CAB W/MC	1	1.0T SYSTEM CABINET WITH MULTICOIL (SEE SECTION 8)
5	2160200-3	N	RF/PEN CAB	1	1.0T RF/PEN STREAMLINE CAB WITH AMP (SEE SECTION 10)
5A	2109930-2	N	RF/PEN CAB	ALT	1.0T RF/PEN CAB WITH MULTICOIL (SEE SECTION 10)
6	2108800	N	GRAD SUBSYS	1	GRADIENT SUBSYSTEM - SINGLE AMP/AXIS (SEE SECTION 9)
7	2108050	N	GRAM CABINET	1	UFI GRAM CABINET ASSEMBLY, MR7 (SEE SECTION 12)

8.x 1.0T BASE w/o MC 46-271000G73 FRU N (PART OF M1800NA PAGE 1-13)

Item	Part Number	FRU	Name	Quantity	Description (Remarks)
4	2138300-6	N	1.0T SYS CAB	1	1.0T SYSTEM CABINET (SEE SECTION 8)
5	2160200-3	N	RF/PEN CAB	1	1.5T RF/PEN STREAMLINE CAB W/AMP (SEE SECTION 10)
5A	2109930-2	N	RF/PEN CAB	ALT	1.5T RF/PEN CAB WITH MULTICOIL (SEE SECTION 10)
6	2108800-2	N	GRAD SUBSYS	1	GRADIENT SUBSYST - DOUBLE AMP/AXIS (SEE SECTION 9)
10	2163093-3	N	COLLECTOR	1	LX INDIGO OW COMP.WLX2S/W (SEE SECTION 13)

8.x 1.0T BASE with MC 46-271000G76 FRU N (PART OF M1800ND PAGE 1-13)

Item	Part Number	FRU	Name	Quantity	Description (Remarks)
4	2138300-9	N	1.0T PERF&MC	1	1.0T SYSTEM CABINET (SEE SECTION 8)
5	2160200-3	N	RF/PEN CAB	1	1.5T RF/PEN STREAMLINE CAB W/AMP (SEE SECTION 10)
5A	2109930-2	N	RF/PEN CAB	ALT	1.5T RF/PEN CAB WITH MULTICOIL (SEE SECTION 10)
6	2108800-2	N	GRAD SUBSYS	1	GRADIENT SUBSYST - DOUBLE AMP/AXIS (SEE SECTION 9)
10	2163093-3	N	COLLECTOR	1	LX INDIGO OW COMP.WLX2S/W (SEE SECTION 13)

8.x 1.0T HiSpeed w/o MC 46-271000G77 FRU N (PART OF M1800NE PAGE 1-13)

Item	Part Number	FRU	Name	Quantity	Description (Remarks)
4	2138300-6	N	1.0T SYS CAB	1	1.0T SYSTEM CABINET (SEE SECTION 8)
5	2160200-3	N	RF/PEN CAB	1	1.5T RF/PEN STREAMLINE CAB W/AMP (SEE SECTION 10)
5A	2109930-2	N	RF/PEN CAB	ALT	1.5T RF/PEN CAB WITH MULTICOIL (SEE SECTION 10)
7	2108050	N	GRAM CABINET	1	UFI GRAM CABINET ASSEMBLY, MR7 (SEE SECTION 12)
10	2163093-3	N	COLLECTOR	1	LX INDIGO OW COMP.WLX2S/W (SEE SECTION 13)

8.x 1.0T HiSpeed with MC 46-271000G78 FRU N (PART OF M1800NF PAGE 1-14)

Item	Part Number	FRU	Name	Quantity	Description (Remarks)
4	2138300-9	N	1.0T PERF&MC	1	1.0T SYSTEM CABINET (SEE SECTION 8)
5	2160200-3	N	RF/PEN CAB	1	1.5T RF/PEN STREAMLINE CAB W/AMP (SEE SECTION 10)
5A	2109930-2	N	RF/PEN CAB	ALT	1.5T RF/PEN CAB WITH MULTICOIL (SEE SECTION 10)
6	2108800	N	GRAD SUBSYS	1	GRADIENT SUBSYSTEM - SINGLE AMP/AXIS (SEE SECTION 9)
7	2108050	N	GRAM CABINET	1	UFI GRAM CABINET ASSEMBLY, MR7 (SEE SECTION 12)
10	2163093-3	N	COLLECTOR	1	LX INDIGO OW COMP.WLX2S/W (SEE SECTION 13)

8.x SGD 1.0T BASE w/o MC 46-271000G79 FRU N (PART OF M1800RA PAGE 1-19)

Item	Part Number	FRU	Name	Quantity	Description (Remarks)
4	2138300-6	N	1.0T SYS CAB	1	1.0T SYSTEM CABINET (SEE SECTION 8)
5	2160200-3	N	RF/PEN CAB	1	1.5T RF/PEN STREAMLINE CAB W/AMP (SEE SECTION 10)
5A	2109930-2	N	RF/PEN CAB	ALT	1.5T RF/PEN CAB WITH MULTICOIL (SEE SECTION 10)
6	2172035	N	ASSEMBLY	1	SGD BASE CABINET - P9358GE (SEE SECTION 9)
10	2163093-3	N	COLLECTOR	1	LX INDIGO OW COMP.WLX2S/W (SEE SECTION 13)

8.x SGD 1.0T BASE with MC 46-271000G80 FRU N (PART OF M1800RD PAGE 1-19)

Item	Part Number	FRU	Name	Quantity	Description (Remarks)
4	2138300-9	N	1.0T PERF&MC	1	1.0T SYSTEM CABINET (SEE SECTION 8)
5	2160200-3	N	RF/PEN CAB	1	1.5T RF/PEN STREAMLINE CAB W/AMP (SEE SECTION 10)
5A	2109930-2	N	RF/PEN CAB	ALT	1.5T RF/PEN CAB WITH MULTICOIL (SEE SECTION 10)
6	2172035	N	ASSEMBLY	1	SGD BASE CABINET - P9358GE (SEE SECTION 9)
10	2163093-3	N	COLLECTOR	1	LX INDIGO OW COMP.WLX2S/W (SEE SECTION 13)

8.x SGD 1.0T HiSpeed w/o MC 46-271000G81 FRU N (PART OF M1800RE PAGE 1-19)

Item	Part Number	FRU	Name	Quantity	Description (Remarks)
4	2138300-6	N	1.0T SYS CAB	1	1.0T SYSTEM CABINET (SEE SECTION 8)
5	2160200-3	N	RF/PEN CAB	1	1.5T RF/PEN STREAMLINE CAB W/AMP (SEE SECTION 10)
5A	2109930-2	N	RF/PEN CAB	ALT	1.5T RF/PEN CAB WITH MULTICOIL (SEE SECTION 10)
6	2169944	N	CABINET ASM	1	SGD HI-SLEW CABINET (SEE SECTION 9)
10	2163093-3	N	COLLECTOR	1	LX INDIGO OW COMP.WLX2S/W (SEE SECTION 13)

8.x SGD 1.0T HiSpeed with MC 46-271000G82 FRU N (PART OF M1800RF PAGE 1-20)

Item	Part Number	FRU	Name	Quantity	Description (Remarks)
4	2138300-9	N	1.0T PERF&MC	1	1.0T SYSTEM CABINET (SEE SECTION 8)
5	2160200-3	N	RF/PEN CAB	1	1.5T RF/PEN STREAMLINE CAB W/AMP (SEE SECTION 10)
5A	2109930-2	N	RF/PEN CAB	ALT	1.5T RF/PEN CAB WITH MULTICOIL (SEE SECTION 10)
6	2169944	N	CABINET ASM	1	SGD HI-SLEW CABINET (SEE SECTION 9)
10	2163093-3	N	COLLECTOR	1	LX INDIGO OW COMP.WLX2S/W (SEE SECTION 13)

**LX2 SGD/OCTN 1.5T BASE w/o MC 46-271000G105 FRU N (PART OF M1000WA PAGE 1-21)
(PART OF M1000YA PAGE 1-39)**

Item	Part Number	FRU	Name	Quantity	Description (Remarks)
3	2146243	2	UFI LABEL KT	1	MULTI-LINGUAL LABEL KIT (SEE PAGE 1-167)
4	2138300-4	N	1.5T SYS CAB	1	1.5T SYSTEM CABINET (SEE SECTION 8)
5A	2224560	N	RF CABINET	1	RF/PDU CABINET (SEE SECTION 14)
5B	2160200	N	RF/PEN CAB	ALT	1.5T RF/PEN STREAMLINE CAB W/AMP (SEE SECTION 10)
5C	2109930	N	RF/PEN CAB	ALT	1.5T RF/PEN CAB WITH MULTICOIL (SEE SECTION 10)
6	2172035	N	ASSEMBLY	1	SGD BASE CABINET - P9358GE (SEE SECTION 9)
10	2207030	N	COLLECTOR	1	LX2 OCTANE SY COMP/W-S/W (SEE SECTION 13)

**LX2 SGD/OCTN 1.5T BASE with MC 46-271000G106 FRU N (PART OF M1000WD PAGE 1-21)
(PART OF M1000YD PAGE 1-39)**

Item	Part Number	FRU	Name	Quantity	Description (Remarks)
3	2146243	2	UFI LABEL KT	1	MULTI-LINGUAL LABEL KIT (SEE PAGE 1-167)
4	2138300-3	N	SYS CAB W/MC	1	1.5T SYSTEM CABINET WITH MULTICOIL (SEE SECTION 8)
5A	2224560	N	RF CABINET	1	RF/PDU CABINET (SEE SECTION 14)
5B	2160200	N	RF/PEN CAB	ALT	1.5T RF/PEN STREAMLINE CAB W/AMP (SEE SECTION 10)
5C	2109930	N	RF/PEN CAB	ALT	1.5T RF/PEN CAB WITH MULTICOIL (SEE SECTION 10)
6	2172035	N	ASSEMBLY	1	SGD BASE CABINET - P9358GE (SEE SECTION 9)
10	2207030	N	COLLECTOR	1	LX2 OCTANE SY COMP/W-S/W (SEE SECTION 13)

LX2 SGD/OCTN 1.5T HiSpeed w/MC46-271000G107 FRU N

(PART OF M1000WF PAGE 1-21)

(PART OF M1000YF PAGE 1-40)

Item	Part Number	FRU	Name	Quantity	Description (Remarks)
3	2146243	2	UFI LABEL KT	1	MULTI-LINGUAL LABEL KIT (SEE PAGE 1-167)
4	2138300-3	N	SYS CAB W/MC	1	1.5T SYSTEM CABINET WITH MULTICOIL (SEE SECTION 8)
5A	2224560	N	RF CABINET	1	RF/PDU CABINET (SEE SECTION 14)
5B	2160200	N	RF/PEN CAB	ALT	1.5T RF/PEN STREAMLINE CAB W/AMP (SEE SECTION 10)
5C	2109930	N	RF/PEN CAB	ALT	1.5T RF/PEN CAB WITH MULTICOIL (SEE SECTION 10)
6	2169944	N	CABINET ASM	1	SGD HI-SLEW CABINET (SEE SECTION 9)
10	2207030	N	COLLECTOR	1	LX2 OCTANE SY COMP/W-S/W (SEE SECTION 13)

LX2 SGD/OCTN 1.5T EchoSpeed w/MC46-271000G108FRU N

(PART OF M1000WG PAGE 1-22)

(PART OF M1000YG PAGE 1-40)

Item	Part Number	FRU	Name	Quantity	Description (Remarks)
3	2146243	2	UFI LABEL KT	1	MULTI-LINGUAL LABEL KIT (SEE PAGE 1-167)
4	2138300-2	N	SYSCA W/FRMC	1	1.5T SYSTEM CABINET (SEE SECTION 8)
5A	2224560	N	RF CABINET	1	RF/PDU CABINET (SEE SECTION 14)
5B	2160200	N	RF/PEN CAB	ALT	1.5T RF/PEN STREAMLINE CAB W/AMP (SEE SECTION 10)
5C	2109930	N	RF/PEN CAB	ALT	1.5T RF/PEN CAB WITH MULTICOIL (SEE SECTION 10)
6	2169944	N	CABINET ASM	1	SGD HI-SLEW CABINET (SEE SECTION 9)
10	2207030	N	COLLECTOR	1	LX2 OCTANE SY COMP/W-S/W (SEE SECTION 13)

LX2 CRM 1.5T EchoSpeed w/MC 46-271000G109 FRU N

(PART OF M1000WH PAGE 1-32)

(PART OF M1000WY PAGE 1-39)

Item	Part Number	FRU	Name	Quantity	Description (Remarks)
3	2146243	2	UFI LABEL KT	1	MULTI-LINGUAL LABEL KIT (SEE PAGE 1-167)
4	2138300-16	N	PERF SYS CAB	1	1.5T LX CRM SYSCAB W/FAST (SEE SECTION 8)
5A	2224560	N	RF CABINET	1	RF/PDU CABINET (SEE SECTION 14)
5B	2160200	N	RF/PEN CAB	ALT	1.5T RF/PEN STREAMLINE CAB W/AMP (SEE SECTION 10)
5C	2109930	N	RF/PEN CAB	ALT	1.5T RF/PEN CAB WITH MULTICOIL (SEE SECTION 10)
6	2169944	N	CABINET ASM	1	SGD HI-SLEW CABINET (SEE SECTION 9)
10	2207030-2	N	COLLECTOR	1	LX2 OCTANE OW SYS COMP W/CRM S/W (SEE SECTION 13)

LX3 SGD/OCTN 1.5T w/o M-COIL 46-271000G111 FRU N (PART 3 OF M1000ZA PAGE 1-41)

Item	Part Number	FRU	Name	Quantity	Description (Remarks)
3	2146243	2	UFI LABEL KT	1	MULTI-LINGUAL LABEL KIT (SEE PAGE 1-167)
4	2138300-21	N	PERF SYS CAB	1	1.5T SR20 CABINET W/O PA (SEE SECTION 8)
5	2224560	N	RF CABINET	1	RF/PDU CABINET (SEE SECTION 14)
6	2172035	N	ASSEMBLY	1	SGD BASE CABINET - P9358GE (SEE SECTION 9)
10	2207030-3	N	COLLECTOR	1	LX3 OCTANE OW W/ SW (SEE SECTION 13)

LX3 SGD/OCTN 1.5T w/M-COIL 46-271000G112 FRU N (PART 3 OF M1000ZB PAGE 1-41)

Item	Part Number	FRU	Name	Quantity	Description (Remarks)
3	2146243	2	UFI LABEL KT	1	MULTI-LINGUAL LABEL KIT (SEE PAGE 1-167)
4	2138300-20	N	PERF SYS CAB	1	1.5T SR20/77 CABINET W/PA (SEE SECTION 8)
5	2224560	N	RF CABINET	1	RF/PDU CABINET (SEE SECTION 14)
6	2172035	N	ASSEMBLY	1	SGD BASE CABINET - P9358GE (SEE SECTION 9)
10	2207030-3	N	COLLECTOR	1	LX3 OCTANE OW W/ SW (SEE SECTION 13)

LX3 SGD 1.5T HiSpeed w/MC 46-271000G113 FRU N (PART 3 OF M1000ZH PAGE 1-41)

Item	Part Number	FRU	Name	Quantity	Description (Remarks)
3	2146243	2	UFI LABEL KT	1	MULTI-LINGUAL LABEL KIT (SEE PAGE 1-167)
4	2138300-20	N	PERF SYS CAB	1	1.5T SR20/77 CABINET W/PA (SEE SECTION 8)
5	2224560	N	RF CABINET	1	RF/PDU CABINET (SEE SECTION 14)
6	2169944	N	CABINET ASM	1	SGD HI-SLEW CABINET (SEE SECTION 9)
10	2207030-3	N	COLLECTOR	1	LX3 OCTANE OW W/ SW (SEE SECTION 13)

**LX3 SGD 1.5T EchoSpeed w/MC 46-271000G114 FRU N (PART 3 OF M1000ZJ PAGE 1-42)
(PART 3 OF M1000ZK PAGE 1-42)**

Item	Part Number	FRU	Name	Quantity	Description (Remarks)
3	2146243	2	UFI LABEL KT	1	MULTI-LINGUAL LABEL KIT (SEE PAGE 1-167)
4	2138300-19	N	PERF SYS CAB	1	1.5T SYSTEM CABINET (SEE SECTION 8)
5	2224560	N	RF CABINET	1	RF/PDU CABINET (SEE SECTION 14)
6	2169944	N	CABINET ASM	1	SGD HI-SLEW CABINET (SEE SECTION 9)
10	2207030-3	N	COLLECTOR	1	LX3 OCTANE OW W/ SW (SEE SECTION 13)

PLSR SGD 1.5T EchoSpeed w/MC 46-271000G115 FRU N (PART OF M1000ZS PAGE 1-42)

Item	Part Number	FRU	Name	Quantity	Description (Remarks)
3	2146243	2	UFI LABEL KT	1	MULTI-LINGUAL LABEL KIT (SEE PAGE 1-167)
4	2138300-19	N	PERF SYS CAB	1	1.5T SYSTEM CABINET (SEE SECTION 8)
5	2224560	N	RF CABINET	1	RF/PDU CABINET (SEE SECTION 14)
6	2169944	N	CABINET ASM	1	SGD HI-SLEW CABINET (SEE SECTION 9)
10	2207030-6	N	COLLECTOR	1	PULSAR OCTANE OW W/SW (SEE SECTION 13)

8.x OCTANE 1.0T BASE w/o MC 46-271000G205 FRU N (PART OF M1800WA PAGE 1-22)

Item	Part Number	FRU	Name	Quantity	Description (Remarks)
4	2138300-6	N	1.0T SYS CAB	1	1.0T SYSTEM CABINET (SEE SECTION 8)
5	2160200-3	N	RF/PEN CAB	1	1.0T RF/PEN STREAMLINE CAB WITH AMP (SEE SECTION 10)
5A	2109930-2	N	RF/PEN CAB	ALT	1.0T RF/PEN CAB WITH MULTICOIL (SEE SECTION 10)
6	2172035	N	ASSEMBLY	1	SGD BASE CABINET - P9358GE (SEE SECTION 9)
10	2207030	N	COLLECTOR	1	LX2 OCTANE SY COMP/W-S/W (SEE SECTION 13)

8.x OCTANE 1.0T BASE with MC 46-271000G206 FRU N (PART OF M1800WD PAGE 1-22)

Item	Part Number	FRU	Name	Quantity	Description (Remarks)
4	2138300-9	N	1.0T PERF&MC	1	1.0T SYSTEM CABINET (SEE SECTION 8)
5	2160200-3	N	RF/PEN CAB	1	1.0T RF/PEN STREAMLINE CAB WITH AMP (SEE SECTION 10)
5A	2109930-2	N	RF/PEN CAB	ALT	1.0T RF/PEN CAB WITH MULTICOIL (SEE SECTION 10)
6	2172035	N	ASSEMBLY	1	SGD BASE CABINET - P9358GE (SEE SECTION 9)
10	2207030	N	COLLECTOR	1	LX2 OCTANE SY COMP/W-S/W (SEE SECTION 13)

8.x OCTANE 1.0T HiSpeed w/o MC 46-271000G207 FRU N (PART OF M1800WE PAGE 1-23)

Item	Part Number	FRU	Name	Quantity	Description (Remarks)
4	2138300-6	N	1.0T SYS CAB	1	1.0T SYSTEM CABINET (SEE SECTION 8)
5	2160200-3	N	RF/PEN CAB	1	1.0T RF/PEN STREAMLINE CAB WITH AMP (SEE SECTION 10)
5A	2109930-2	N	RF/PEN CAB	ALT	1.0T RF/PEN CAB WITH MULTICOIL (SEE SECTION 10)
6	2169944	N	CABINET ASM	1	SGD HI-SLEW CABINET (SEE SECTION 9)
10	2207030	N	COLLECTOR	1	LX2 OCTANE SY COMP/W-S/W (SEE SECTION 13)

8.x OCTANE 1.0T HiSpeed w/MC 46-271000G208 FRU N (PART OF M1800WF PAGE 1-23)

Item	Part Number	FRU	Name	Quantity	Description (Remarks)
4	2138300-9	N	1.0T PERF&MC	1	1.0T SYSTEM CABINET (SEE SECTION 8)
5	2160200-3	N	RF/PEN CAB	1	1.0T RF/PEN STREAMLINE CAB WITH AMP (SEE SECTION 10)
5A	2109930-2	N	RF/PEN CAB	ALT	1.0T RF/PEN CAB WITH MULTICOIL (SEE SECTION 10)
6	2169944	N	CABINET ASM	1	SGD HI-SLEW CABINET (SEE SECTION 9)
10	2207030	N	COLLECTOR	1	LX2 OCTANE SY COMP/W-S/W (SEE SECTION 13)

**LX2 SGD 1.0T BASE w/o MC 46-271000G209 FRU N (PART OF M1800WH PAGE 1-36)
(PART OF M1800YA PAGE 1-45)**

Item	Part Number	FRU	Name	Quantity	Description (Remarks)
4	2138300-6	N	1.0T SYS CAB	1	1.0T SYSTEM CABINET (SEE SECTION 8)
5	2174501	N	ASSEMBLY	1	RF/PDU CABINET (SEE SECTION 14)
6	2172035	N	ASSEMBLY	1	SGD BASE CABINET - P9358GE (SEE SECTION 9)
10	2207030	N	COLLECTOR	1	LX2 OCTANE SY COMP/W-S/W (SEE SECTION 13)

**LX2 SGD 1.0T BASE w/MC 46-271000G210 FRU N (PART OF M1800WJ PAGE 1-36)
(PART OF M1800YD PAGE 1-45)**

Item	Part Number	FRU	Name	Quantity	Description (Remarks)
4	2138300-9	N	1.0T PERF&MC	1	1.0T SYSTEM CABINET (SEE SECTION 8)
5	2174501	N	ASSEMBLY	1	RF/PDU CABINET (SEE SECTION 14)
6	2172035	N	ASSEMBLY	1	SGD BASE CABINET - P9358GE (SEE SECTION 9)
10	2207030	N	COLLECTOR	1	LX2 OCTANE SY COMP/W-S/W (SEE SECTION 13)

LX2 SGD 1.0T HiSpeed w/o MC 46-271000G211 FRU N (PART OF M1800WK PAGE 1-36)
(PART OF M1800YE PAGE 1-45)

Item	Part Number	FRU	Name	Quantity	Description (Remarks)
4	2138300-6	N	1.0T SYS CAB	1	1.0T SYSTEM CABINET (SEE SECTION 8)
5	2174501	N	ASSEMBLY	1	RF/PDU CABINET (SEE SECTION 14)
6	2169944	N	CABINET ASM	1	SGD HI-SLEW CABINET (SEE SECTION 9)
10	2207030	N	COLLECTOR	1	LX2 OCTANE SY COMP/W-S/W (SEE SECTION 13)

LX2 SGD 1.0T HiSpeed w/MC 46-271000G212 FRU N (PART OF M1800WL PAGE 1-37)
(PART OF M1800YF PAGE 1-46)

Item	Part Number	FRU	Name	Quantity	Description (Remarks)
4	2138300-9	N	1.0T PERF&MC	1	1.0T SYSTEM CABINET (SEE SECTION 8)
5	2174501	N	ASSEMBLY	1	RF/PDU CABINET (SEE SECTION 14)
6	2169944	N	CABINET ASM	1	SGD HI-SLEW CABINET (SEE SECTION 9)
10	2207030	N	COLLECTOR	1	LX2 OCTANE SY COMP/W-S/W (SEE SECTION 13)

LX3 SGD 1.0T BASE w/o MC 46-271000G213 FRU N (PART OF M1800ZA PAGE 1-46)

Item	Part Number	FRU	Name	Quantity	Description (Remarks)
4	2138300-22	N	PERF SYS CAB	1	1.0T SYTEM CABINET W/O PA (SEE SECTION 8)
5	2174501	N	ASSEMBLY	1	RF/PDU SCALEABLE CABINET (SEE SECTION 14)
6	2172035	N	ASSEMBLY	1	SGD BASE CABINET - P9358GE (SEE SECTION 9)
10	2207030-3	N	COLLECTOR	1	LX3 OCTANE OW W/ SW (SEE SECTION 13)

LX3 SGD 1.0T BASE w/MC 46-271000G214 FRU N (PART 3 OF M1800ZB PAGE 1-46)

Item	Part Number	FRU	Name	Quantity	Description (Remarks)
4	2138300-23	N	PERF SYS CAB	1	1.0T SYSTEM CABINET W/PA (SEE SECTION 8)
5	2174501	N	ASSEMBLY	1	RF/PDU SCALEABLE CABINET (SEE SECTION 14)
6	2172035	N	ASSEMBLY	1	SGD BASE CABINET - P9358GE (SEE SECTION 9)
10	2207030-3	N	COLLECTOR	1	LX3 OCTANE OW W/ SW (SEE SECTION 13)

LX3 SGD 1.0T HiSpeed w/o MC 46-271000G215 FRU N PART OF M1800ZC PAGE 1-47)

Item	Part Number	FRU	Name	Quantity	Description (Remarks)
4	2138300-22	N	PERF SYS CAB	1	1.0T SYTEM CABINET W/O PA (SEE SECTION 8)
5	2174501	N	ASSEMBLY	1	RF/PDU SCALEABLE CABINET (SEE SECTION 14)
6	2169944	N	CABINET ASM	1	SGD HI-SLEW CABINET (SEE SECTION 9)
10	2207030-3	N	COLLECTOR	1	LX3 OCTANE OW W/ SW (SEE SECTION 13)

LX3 SGD 1.0T HiSpeed w/MC 46-271000G216 FRU N (PART 3 OF M1800ZD PAGE 1-47)

Item	Part Number	FRU	Name	Quantity	Description (Remarks)
4	2138300-23	N	PERF SYS CAB	1	1.0T SYSTEM CABINET W/PA (SEE SECTION 8)
5	2174501	N	ASSEMBLY	1	RF/PDU SCALEABLE CABINET (SEE SECTION 14)
6	2169944	N	CABINET ASM	1	SGD HI-SLEW CABINET (SEE SECTION 9)
10	2207030-3	N	COLLECTOR	1	LX3 OCTANE OW W/ SW (SEE SECTION 13)

MULTI-LINGUAL LABEL KIT

2146243 FRU 2

(PART OF 46-271000G SERIES

Item	Part Number	FRU	Name	Quantity	Description (Remarks)
2	2146833	2	VINYL STRIP	20	WHITE VINYL STRIP, 1"X5", ADHES BACK
3	2146832	2	WARNING TAG	20	UFI WARNING TAG, ADHESIVE BACK
4	2146831	2	WARN LABEL	2	UFI WARNING LABEL - ENGLISH
5	2146831-2	2	WARN LABEL	2	UFI WARNING LABEL - SPANISH
6	2146831-3	2	WARN LABEL	2	UFI WARNING LABEL - PORTUGUESE
7	2146831-4	2	WARN LABEL	2	UFI WARNING LABEL - ITALIAN
8	2146831-5	2	WARN LABEL	2	UFI WARNING LABEL - GERMAN
9	2146831-6	2	WARN LABEL	2	UFI WARNING LABEL - FRENCH
10	2146831-7	2	WARN LABEL	2	UFI WARNING LABEL - CHINESE
11	2146831-8	2	WARN LABEL	2	UFI WARNING LABEL - JAPANESE

1-20 SYSTEM CABINET OPTIONS

CATALOG M1000MG FRU N RECON PROCESSOR – HEX I860 MEDCAM

Item	Part Number	FRU	Name	Quantity	Description (Remarks)
1	2101767-22	1	MEDCAM	1	MERCURY 900-05026 MEDCAM W/3 16 MB DUAL CE NODE, 128MB AND COVER FOR FOREPLANE (SEE SECTION 8)

CATALOG M1000ML FRU N 8.x RECON PROCESSOR – SINGLE I860 MEDCAM

Item	Part Number	FRU	Name	Quantity	Description (Remarks)
1	2101767-18	1	MEDCAM	1	MERCURY 900-05019 MEDCAM WITH 8 MB NODE, 128MB AND COVER FOR FOREPLANE (SEE SECTION 8)
1A	2101767-13	2	MEDCAM	ALT	MERCURY MEDCAM LX BASE ASM

CATALOG M1000MM FRU N 8.x RECON PROCESSOR – QUAD I860 MEDCAM

Item	Part Number	FRU	Name	Quantity	Description (Remarks)
1	2101767-20	1	MEDCAM	1	MERCURY 900-05025 MEDCAM WITH TWO 16 MB DUAL CE NODE, 128MB AND COVER FOR FOREPLANE (SEE SECTION 8)
1A	2101767-15	2	MEDCAM	ALT	MERCURY MEDCAM LX 128 MB ALTERNATE

CATALOG M1000RL FRU N REFLEX 20 PPC RECON PROCESSOR

Item	Part Number	FRU	Name	Quantity	Description (Remarks)
1	2222532-4	N	MEDCAM	1	LSI MEDCAM SNGL PPC W/128 MB MOD (SEE SECTION 8)

CATALOG M1000RM FRU N REFLEX 50 PPC RECON PROCESSOR

Item	Part Number	FRU	Name	Quantity	Description (Remarks)
1	2222532-5	N	MEDCAM	1	LSI MEDCAM DUAL PPC W/128MB MOD (SEE SECTION 8)

CATALOG M1000RN FRU N REFLEX 150 PPC RECON PROCESSOR

Item	Part Number	FRU	Name	Quantity	Description (Remarks)
1	2222532-7	N	MEDCAM	1	LSI MEDCAM HEX PPC W/128MB MOD (SEE SECTION 8)

CATALOG M3000RA FRU N REFLEX 100/512MB BAM

Item	Part Number	FRU	Name	Quantity	Description (Remarks)
1A	2292662-14	N	MEDCAM	1	AMI MEDCAM HEX PPC W/512MB PMOD (SEE SECTION 8)
1B	2292662-10	N	MEDCAM	ALT	FLEX MEDCAM HEX PPC W/512MB PMOD (SEE SECTION 8)

CATALOG M3000RB FRU N REFLEX 50/512MB BAM

Item	Part Number	FRU	Name	Quantity	Description (Remarks)
1	2292662-13	N	MEDCAM	1	AMI MEDCAM DUAL PPC W/512MB PMOD (SEE SECTION 8)
1	2292662-9	N	MEDCAM	1	FLEX MEDCAM DUAL PPC W/512MB PMOD (SEE SECTION 8)

CATALOG M3000RC FRU N REFLEX 50/256MB BAM

Item	Part Number	FRU	Name	Quantity	Description (Remarks)
1	2292662-12	N	MEDCAM	1	AMI MEDCAM DUAL PPC W/256MB PMOD (SEE SECTION 8)
1	2292662-8	N	MEDCAM	1	FLEX MEDCAM DUAL PPC W/256MB PMOD (SEE SECTION 8)

CATALOG M3000RD FRU N EXCITE REFLEX 100

Item	Part Number	FRU	Name	Quantity	Description (Remarks)
1	2325947-6	1	PROCESSOR	1	EXCITE REFLEX 100 (SEE PAGE 8-102)

CATALOG M3000RE FRU N EXCITE REFLEX 200

Item	Part Number	FRU	Name	Quantity	Description (Remarks)
1	2325947-7	1	PROCESSOR	1	EXCITE REFLEX 200 (SEE PAGE 8-102)

CATALOG M3000RF FRU N EXCITE REFLEX 400

Item	Part Number	FRU	Name	Quantity	Description (Remarks)
1	2325947-8	N	PROCESSOR	1	EXCITE REFLEX 400 (SEE PAGE 8-102)

CATALOG M3000RH FRU N EXCITE II REFLEX 200B (SEE PAGE 8-103)

CATALOG M3000RJ FRU N EXCITE II REFLEX 400B (SEE PAGE 8-103)

1-21 OPERATOR WORKSPACE CATALOGS

CATALOG M1000MH FRU N PIONEER MOD CHASSIS WITH DRIVE

Item	Part Number	FRU	Name	Quantity	Description (Remarks)
1	2164738	N	COLLECTOR	1	PIONEER MOD CHASSIS W/DRIVE & CABLES (SEE SEC. 13)

CATALOG M1000MJ FRU N 8.x FILMING I/F – ANALOG DASM

Item	Part Number	FRU	Name	Quantity	Description (Remarks)
1A	2251040	N	DASM LCAM	1	DASM II VDB 115V (SEE PAGE 1-170)
1B	46-269566P3	1	DASM-VDB	ALT	FILMING I/F KIT – ANALOG DASM (SEE SECTION 13)

DASM II VDB 2251040 FRU 1 (PART 1A OF M1000MJ PAGE 1-170)

Item	Part Number	FRU	Name	Quantity	Description (Remarks)
1	2249894-3	1	DASM-2 VDB	1	ANALOG DASM II VDB WITH FIRMWARE (SEE SECTION 13)
2	2163386	N	CABLE	1	(807) OW1A5 DASM TO OW1A2A3 HOST

CATALOG M1000MK FRU N 8.x FILMING I/F – DIGITAL DASM

Item	Part Number	FRU	Name	Quantity	Description (Remarks)
1A	2251043	2	DASM LCAM	1	DASM II LCAM 115V (SEE PAGE 1-170)
1B	2143388-2	1	DASM LCAM	ALT	FILMING I/F KIT – DIGITAL DASM (SEE SECTION 13)

DASM II LCAM 2251043 FRU N (PART 1A OF M1000MK PAGE 1-170)

Item	Part Number	FRU	Name	Quantity	Description (Remarks)
1	2249895	1	DASM-II LCAM	1	DIGITAL DASM II CAM (SEE SECTION 13)
2	2163386	2	CABLE	1	(807) OW1A5 DASM TO OW1A2A3 HOST
3	2150320	2	PART	1	37 PIN RS485 TYPE ADAPTEUR MALE/MALE

CATALOG M1000MN FRU N ENGLISH COUNTRY KIT WITH KEYBOARD

Item	Part Number	FRU	Name	Quantity	Description (Remarks)
1A	2307175	N	COLLECTOR	1	SCIM COLLECTOR – ENGLISH (SEE SECTION 13)
1B	2276441-10	1	BOARD	ALT	MR LX 104 ENGLISH KEYBOARD

CATALOG M1000MP FRU N FRENCH COUNTRY KIT WITH KEYBOARD

Item	Part Number	FRU	Name	Quantity	Description (Remarks)
1	2307175-2	1	COLLECTOR	1	SCIM COLLECTOR – FRENCH (SEE SECTION 13)

CATALOG M1000MR FRU N GERMAN COUNTRY KIT WITH KEYBOARD

Item	Part Number	FRU	Name	Quantity	Description (Remarks)
1	2307175-3	1	COLLECTOR	1	SCIM COLLECTOR – GERMAN (SEE SECTION 13)

CATALOG M1000MS FRU N SCANDANAVIAN COUNTRY KIT W/KEYBOARD

Item	Part Number	FRU	Name	Quantity	Description (Remarks)
1	2307175-6	1	COLLECTOR	1	SCIM COLLECTOR – SCANDINAVIAN (SEE SECTION 13)

CATALOG M1000MW FRU N WIDE WORKSTATION TABLE

Item	Part Number	FRU	Name	Quantity	Description (Remarks)
1	2304495	N	TABLE	1	WORKSTATION TABLE (SEE SECTION 13)
2	2154928	N	PART	1	COLOR MONITOR TABLE TIE DOWN KIT (SEE SECTION 13)

CATALOG M1000MY FRU N 8.x MONOCHROME MONITOR COLLECTOR

Item	Part Number	FRU	Name	Quantity	Description (Remarks)
1	2154895	N	COLLECTOR	1	MONOCHROME MONITOR COLLECTOR (SEE SECTION 13)

CATALOG M1000MZ FRU N 8.x COLOR MONITOR COLLECTOR

Item	Part Number	FRU	Name	Quantity	Description (Remarks)
1	2154896	N	COLLECTOR	1	COLOR MONITOR COLLECTOR (SEE SECTION 13)

CATALOG M1000NH FRU N ITALIAN COUNTRY KIT W/KEYBOARD

Item	Part Number	FRU	Name	Quantity	Description (Remarks)
1	2307175-4	1	COLLECTOR	1	SCIM COLLECTOR – ITALIAN (SEE SECTION 13)

CATALOG M1000NJ FRU N PORTUGUESE COUNTRY KIT W/KEYBOARD

Item	Part Number	FRU	Name	Quantity	Description (Remarks)
1	2307175-5	1	COLLECTOR	1	SCIM COLLECTOR – PORTUGUESE (SEE SECTION 13)

CATALOG M1000NK FRU N SPANISH COUNTRY KIT W/KEYBOARD

Item	Part Number	FRU	Name	Quantity	Description (Remarks)
1	2307175-7	1	COLLECTOR	1	SCIM COLLECTOR – SPANISH (SEE SECTION 13)

CATALOG M1000NT FRU N 19 INCH COLOR LCD MONITOR

Item	Part Number	FRU	Name	Quantity	Description (Remarks)
1	2295019	1	CABLE	1	13W3-DB15 RGB LCD STRAIGHT CONN CBL
2A	5117545	1	LCD MONITOR	1	19 INCH COLOR LCD MONITOR
2B	2349792	1	MONITOR	ALT	18.1 IN LCD COLOR MONITOR BEIGE
4	2376768	1	CD-ROM	1	GAMMA PATCH CD-ROM FOR LCD MONITORS

CATALOG M1000NZ FRU N LCD COLOR MONITOR COLLECTOR

Item	Part Number	FRU	Name	Quantity	Description (Remarks)
1A	2257061	N	COLLECTOR	1	LCD 20" AMBIX COLOR MONITOR COLLECTOR (SEE PAGE 1-172)
1B	2216029	N	COLLECTOR	ALT	LCD COLOR MONITOR COLLECTOR (SEE PAGE 1-172)

LCD 20" COLOR MONITOR 2257061 FRU N (PART 1A OF M1000NZ PAGE 1-172)

Item	Part Number	FRU	Name	Quantity	Description (Remarks)
1	2213962-5	1	MONITOR	1	LX LCD COLOR MONITOR 20" AMBIX TECH
2	2256482	1	CABLE	1	CABLE, 13W3-DB15 RGB CRT

LCD COLOR MONITOR 2216029 FRU N (PART 1B OF M1000NZ PAGE 1-172)

Item	Part Number	FRU	Name	Quantity	Description (Remarks)
1	2213962-2	1	MONITOR	1	LX LCD COLOR MONITOR 2
1A	2213962	1	MONITOR	ALT	LX LCD COLOR MONITOR
2	2150533-2	1	CABLE ASM	1	(821/798) OW1A15/OW1A2A3 MON > OW1A6
2A	2177357	1	CABLE	ALT	COLOR VIDEO CABLE

CATALOG M1090ZN FRU N 100' LX OPERATOR WORKSPACE CABLES

Item	Part Number	FRU	Name	Quantity	Description (Remarks)
1	2241287	N	KIT OF PARTS	1	WORKSTATION CABLES COLLECTOR (SEE SECTION 13)
2	2150532-5	N	CABLE		(790) MR2A11J21 TO OW1A2A6 (NOT USED ON NEW SITES)
3	2241052-5	N	FIBER OPTIC	1	(836) OW1A15-BIT3 TO MR2A11A30-BIT3

CATALOG M1090ZP FRU N 100' EXCITE OPERATOR WORKSPACE CABLES

Item	Part Number	FRU	Name	Quantity	Description (Remarks)
1	2241287-2	N	KIT OF PARTS	1	WORKSTATION CABLES CLLECTR EXCITE (SEE SECTION 13)
2	2318811-5	N	PART	1	(1044TR)OW1 A15 BIT3 TO MR2 A11 J22

MOBILE MR OW MOUNTING KIT 2214269 FRU N (PART OF MOBILE INSTALLATION CATALOGS)

Item	Part Number	FRU	Name	Quantity	Description (Remarks)
1	2206260	2	MTG PAD	1	RUBBER MONITOR MOUNTING PAD
2	2204492	2	BRACKET	2	OCTANE MOBILE MOUNTING BRACKET
5	2212686	2	STRAP BRKT.	1	MOBILE MONITOR HOLD DOWN STRAP BRKT
6	2204498	2	BRACKET	1	MONITOR MOUNTING BRACKET
7	2296617-2	1	MONITOR	1	12.1" MONITOR MOBILE BASE
8	2363733	1	BRACKET	1	MONITOR BASE FOR MOBILE W/HARDWARE (SEE PAGE 1-92)

CATALOG M3000JB FRU N OPTIONAL 18GB DISK-OCTANE

Item	Part Number	FRU	Name	Quantity	Description (Remarks)
1	2169940-78	1	COMPUTER	1	OCT2 18GB 10K RPM DRIVE (REFER TO SECTION 13)

1-22 PDU CATALOGS

CATALOG M1009HA FRU N 5.x 60Hz 480V REGULATED & FILTERED PDU

Item	Part Number	FRU	Name	Quantity	Description (Remarks)
1	46-317099P10	N	UFI 60HZ PDU	1	REGULATED/FILTERED PDU WITH 480V (SEE SECTION 6)

CATALOG M1010HA FRU N 5.x 50/60Hz 380/415V REGULATED & FILTERED PDU

Item	Part Number	FRU	Name	Quantity	Description (Remarks)
1	46-317099P11	N	50/60HZ PDU	1	REGULATED/FILTERED PDU WITH 380/415V (SEE SECTION 6)

CATALOG M1011HA FRU N 8.x 60Hz 480V REGULATED & FILTERED PDU

Item	Part Number	FRU	Name	Quantity	Description (Remarks)
1	46-317099P20	N	60HZ PDU	1	REGULATED/FILTERED PDU WITH 480V (SEE SECTION 6)

CATALOG M1012HA FRU N 8.x 50/60Hz 380/415V REGULATED & FILTERED PDU

Item	Part Number	FRU	Name	Quantity	Description (Remarks)
1	46-317099P21	N	50/60HZ PDU	1	REGULATED/FILTERED PDU WITH 380/415V (SEE SECTION 6)

1-23 MAGNET MONITOR AND MODEM

MAGNET MONITORING – FIXED 2222520 FRU N (PART 2 OF M1060LA PAGE 1-116)
 (PART 2 OF M1060LB PAGE 1-117)
 (PART 3 OF M1860LA PAGE 1-119)

Item	Part Number	FRU	Name	Quantity	Description (Remarks)
1A	2394952	1	ASSEMBLY	1	MAGMON3
1B	2219400	1	ASSEMBLY	1	MAGNET MONITOR FOR NEW MR
1C	2209000	N	ASSEMBLY	ALT	MAGNET MONITOR (SEE PAGE 1-175)
2	2350809	N	CABLE KIT	1	CORE KIT (SEE PAGE 1-175)
3	2219341	1	PREAMPLIFIER	1	RUETHEUM OXIDE SENSOR AMPLIFIER
4	2245794	1	GLOBAL MODEM	1	GLOBAL MODEM KIT (SEE PAGE 1-176)

MAGNET MONITOR 2209000 FRU N (PART 1 OF 2222520 PAGE 1-175)
 (PART 1 OF 2222520-2 PAGE 1-176)

Item	Part Number	FRU	Name	Quantity	Description (Remarks)
1	2209000-3	2	ASSEMBLY	1	A/D BOARD (SLOT 4)
2	2209000-4	2	ASSEMBLY	1	NETWORK INTERFACE BOARD (SLOT 5)
3	2209000-5	2	ASSEMBLY	1	SENSOR INTERFACE BOARD (SLOT 6)
4	2209000-6	1	ASSEMBLY	1	FUSE, 315MA, FOR SENSOR I/F BOARD
5	2209000-7	2	ASSEMBLY	1	HIGH VOLTAGE DC POWER SUPPLY
6	2209000-8	2	ASSEMBLY	1	FRONT PANEL DISPLAY BOARD
7	2209000-12	N	ASSEMBLY	1	CASE FAN
8	2209000-13	2	ASSEMBLY	1	FILTER FOR CASE FAN
9	2209000-14	N	ASSEMBLY	1	KEY SWITCH (FITS ALL)
10	2209000-15	2	ASSEMBLY	1	KEY (FITS ALL)
11	2209000-16	N	ASSEMBLY	1	RIBBON CABLE FOR DISPLAY BOARD
12	2209000-17	1	ASSEMBLY	1	MODEM BOARD (SLOT 3)
13	2229090-100	N	DIRECTION	1	MAGNET MONITOR OPERATOR'S MANUAL
14	2230681	N	DIRECTION	1	MAGNET MONITOR HARDWARE INSTALLATION

MAGNET MONITOR CORE KIT 2350809 FRU N (PART 2 OF 2222520 PAGE 1-175)
 (PART 2 OF 2222520-2 PAGE 1-176)

Item	Part Number	FRU	Name	Quantity	Description (Remarks)
1	46-317359G975	2	CABLE	1	(824TR) PP1-J10 TO FJ1
2	46-328000G976	N	ASSEMBLY	1	(829) MS1-FJ2 TO PP1-J48
3	46-317359G977	2	CABLE	1	(825TR) PP1-J48 TO MSM1-A1-J8
4	46-328000G980	N	ASSEMBLY	1	(831) FJ1 TO MSM1-A1-J7
5	46-328000G978	N	ASSEMBLY	1	(826) FJ3 TO MSM1-A1-J9
6	46-328578P1	2	CABLE ASM	1	(827) FJ3 TO FJ4 & MS5A5
7	46-328000G979	2	ASSEMBLY	1	(823) MSM1-J10 TO MR2-A11-J24
8	2204485	2	CABLE	1	CABLE, SYSCAB INTERFACE
9	46-328000G981	2	ASSEMBLY	1	(833) FJ4 TO MS5-A1-A6-JR
10	2333825	2	SENSOR ASM	1	WATER FLOW (TURBINE)/TEMP SENSOR ASM
11	46-265067P1	2	CABLE MOUNT	10	I/F PANEL CABLE SCREWLOCK CONNECTOR
12	46-328000G974	2	ASSEMBLY	1	(828) MS1-A3-A1-J403 TO PP1-J10
13	2222797	2	CABLE	1	(830) CABLE, MAGNET ROOM INTERFACE
14	46-296816P1	2	CONNECTOR	1	ADAPTER, BNC TEE, 50 OHM
15	2276568	2	CABLE	1	(940) MSM3-RS-232 TO MSM1-J1

MAGNET MONITORING – MOBILE **2222520–2 FRU N** **(PART OF M1061LA PAGE 1–118)**
(PART OF M1061LB PAGE 1–118)
(PART OF M1861LA PAGE 1–119)

Item	Part Number	FRU	Name	Quantity	Description (Remarks)
1A	2219400	N	ASSEMBLY	1	MAGNET MONITOR FOR NEW MR
1B	2209000	N	ASSEMBLY	ALT	MAGNET MONITOR (SEE PAGE 1–175)
2	2350809	N	CABLE KIT	1	CORE KIT (SEE PAGE 1–175)
3	2219341	1	PREAMPLIFIER	1	RUETHEUM OXIDE SENSOR AMPLIFIER
6	2276094	N	POWER SUPPLY	1	UNINTERRUPTIBLE POWER SUPPLY
8	2385399	2	KIT OF PARTS	1.0	MOBILE SATELLITE MODEM KIT (SEE PAGE 1–176)

MAGNET MONITOR CABLE SET **2233092 FRU N** **(PART OF 46–282429G82 PAGE 1–189)**
(PART OF 46–282429G84 PAGE 1–190)
(PART 10 OF 2322678–2 PAGE 1–91)

Item	Part Number	FRU	Name	Quantity	Description (Remarks)
1	46–317359G975	2	CABLE	1	(824TR) PP1–J10 TO FJ1
2	46–317359G977	2	CABLE	1	(825TR) PP1–J48 TO MSM1–A1–J8

GLOBAL MODEM KIT **2245794 FRU 1** **(PART 4 OF 2222520 PAGE 1–175)**
(PART 4 OF 2304069 PAGE 1–177)

Item	Part Number	FRU	Name	Quantity	Description (Remarks)
1	2245773	N	GLOBAL MODEM	1	MULTI-TECH GLOBAL MODEM
3	2216697	2	CABLE,PHONE	1	RJ11 CABLE (25 FEET)
4	2255874	N	CABLE,PHONE	1	CABLE, RJ11 MODULAR,6–COND. 7FT.
5	2249450	2	TELCO ADAPTE	1	GLOBAL MODEM ADAPTER ASSY FOR EUROPE

MOBILE SATELLITE MODEM KIT **2385399 FRU 2** **(PART 8 OF 2222520–2 PAGE 1–176)**
(PART 3 OF 2304069–2 PAGE 1–177)

Item	Part Number	FRU	Name	Quantity	Description (Remarks)
1	2376563	N	PART	1	ANTENNA ASSEMBLY
2	2376870	N	PART	1	POWER SUPPLY ASSEMBLY (SEE PAGE 1–176)
3	2392246	N	SOFTWARE	1	SOFTWARE,SATELLITE MODEM COMMUNICAT

POWER SUPPLY ASM **2376870 FRU N** **(PART 2 OF 2385399 PAGE 1–176)**

Item	Part Number	FRU	Name	Quantity	Description (Remarks)
2	2376406	N	PART	1	BRACKET,MOUNTING,POWER SUPPLY
3	2376880	N	PART	1	SHIELD
4	2387630	N	OUT OF CATAL	1	SATELLITE MODEM
5	2384844	1	OUT OF CATAL	1	12V LEAD–ACID BATTERY
6	2384845	N	OUT OF CATAL	1	DC POWER SUPPLY
7	2109877–2	N	PDM PART	4	NUT HEXAGON 6 MM
8	2103585–2	N	PDM PART	3	SCREW PAN HEAD 4 MM 10 MM
9	2109878–2	N	PDM PART	3	WASHER PLAIN – NORMAL 4.3 MM 9 MM
10	2378085	N	OUT OF CATAL	2.720	1" X 25 YD HOOKS & LOOPS BELT, BLACK
11	2376985	N	PART	1	CABLE ASSEMBLY,VHF
12	2376987	N	PART	1	CABLE ASSEMBLY,POWER
13	2376988	N	PART	1	CABLE ASSEMBLY,SERIAL
15	2109877	N	PDM PART	2	NUT HEXAGON 4 MM
16	2385662	N	OUT OF CATAL	2	CABLE TIE,NYLON W/HOLE FOR SCREW MTG
18	2378087	N	OUT OF CATAL	5	#10 X 1.00 CROSS RECESSED PAN HEAD
19	46–136246P5	N	TAPE	0.850	2.000 WIDE X 25 YD,WHT HOOK
20	46–136246P7	N	TAPE	0.850	2.000 WIDE X 25 YD,WHT PILE

TwinSpeed MAGNET MONITOR – FIXED 2304069 FRU N

(PART OF M3060TA PAGE 1–120)

Item	Part Number	FRU	Name	Quantity	Description (Remarks)
2	2219400	1	ASSEMBLY	1	MAGNET MONITOR FOR NEW MR
3	2350809	N	KIT	1	CORE KIT (SEE PAGE 1–177)
4	2219341	1	PREAMPLIFIER	1	RUTHENIUM OXIDE SENSOR AMPLIFIER
5	2245794	1	GLOBAL MODEM	1	GLOBAL MODEM KIT (SEE PAGE 1–176)
6	2229090–100	N	DIRECTION	1	MAGNET MONITOR OPERATOR'S MANUAL
7	2230681	N	DIRECTION	1	MAGNET MONITOR HARDWARE INSTALLATION
10	2350813	N	KIT	1	KIT, TWIN (SEE PAGE 1–177)

TwinSpeed MAGNET MONITOR – MOB 2304069–2 FRU N

(PART OF M3061TA PAGE 1–120)

Item	Part Number	FRU	Name	Quantity	Description (Remarks)
2	2219400	N	ASSEMBLY	1	MAGNET MONITOR FOR NEW MR
3	2350809	N	KIT	1	CORE KIT (SEE PAGE 1–177)
4	2219341	N	PREAMPLIFIER	1	RUTHENIUM OXIDE SENSOR AMPLIFIER
6	2266628	N	BOX	1	MAGNET MONITOR REMOTE ALARM BOX
7	2276094	N	POWER SUPPLY	1	UNINTERRUPTIBLE POWER SUPPLY
8	2229090–100	N	DIRECTION	1	MAGNET MONITOR OPERATOR'S MANUAL
9	2230681	N	DIRECTION	1	MAGNET MONITOR HARDWARE INSTALLATION
10	2281730	N	BRACKET	2	UPS MOUNTING BRACKET
11	2350818	N	KIT	1	KIT, TWIN MOBILE (SEE PAGE 1–178)
14	2350813	N	KIT	1	KIT, TWIN (SEE PAGE 1–177)
15	2385399	2	KIT OF PARTS	1	MOBILE SATELLITE MODEM KIT (SEE PAGE 1–176)

TwinSpeed CABLES AND CORE KIT 2350809 FRU N

(PART 3 OF 2304069 PAGE 1–177)
(PART 3 OF 2304069–2 PAGE 1–177)

Item	Part Number	FRU	Name	Quantity	Description (Remarks)
1	46–317359G975	2	CABLE	1	(824TR) PP1–J10 TO FJ1
2	46–328000G976	N	ASSEMBLY	1	(829) MS1–FJ2 TO PP1–J48
3	46–317359G977	2	CABLE	1	(825TR) PP1–J48 TO MSM1–A1–J8
4	46–328000G980	N	ASSEMBLY	1	(831) FJ1 TO MSM1–A1–J7
5	46–328000G978	N	ASSEMBLY	1	(826) FJ3 TO MSM1–A1–J9
6	46–328578P1	2	CABLE ASM	1	(827) FJ3 TO FJ4 & MS5A5
7	46–328000G979	N	ASSEMBLY	1	(823) MSM1–J10 TO MR2–A11–J24
8	2204485	2	CABLE	1	CABLE, SYSCAB INTERFACE
9	46–328000G981	2	ASSEMBLY	1	(833) FJ4 TO MS5–A1–A6–JR
10	2333825	2	SENSOR ASM	1	WATER FLOW (TURBINE)/TEMP SENSOR ASM
11	46–265067P1	2	CABLE MOUNT	10	I/F PANEL CABLE SCREWLOCK CONNECTOR
12	46–328000G974	2	ASSEMBLY	1	(828) MS1–A3–A1–J403 TO PP1–J10
13	2222797	2	CABLE	1	(830) CABLE, MAGNET ROOM INTERFACE
14	46–296816P1	2	CONNECTOR	1	ADAPTER, BNC TEE, 50 OHM
15	2276568	2	CABLE	1	(940) MSM3–RS–232 TO MSM1–J1

TwinSpeed CABLE KIT 2350813 FRU N

(PART 10 OF 2304069 PAGE 1–177)
(PART 3 OF 2304069–2 PAGE 1–177)

Item	Part Number	FRU	Name	Quantity	Description (Remarks)
1	2263200–39	N	CABLE	1	(941) MSM1–J11 TO SCC–J1
2	2271497	N	CABLE	1	(942) ETHERNET CABLE

TwinSpeed MOBILE CABLES

2350818 FRU N

(PART 11 OF 2304069-2 PAGE 1-177)

Item	Part Number	FRU	Name	Quantity	Description (Remarks)
1	2263160	1	CABLE	1	(915) MSM1A2-J1 TO FJ6
2	2263159	N	CABLE	1	(916) MSM1-J7 TO FJ1, FJ5 AND FJ6
3	2276569	N	CABLE	1	(939) MDP-UPS OUT TO MSM4
4	2279530	N	STRAIN RELIE	1	UPS INPUT CABLE STRAIN RELIEF
5	2279530-2	N	STRAIN RELIE	1	UPS OUTPUT CABLE STRAIN RELIEF
6	2279530-3	N	STRAIN RELIE	1	MUX INPUT CABLE STRAIN RELIEF
7	2279530-4	N	STRAIN RELIE	2	MODEM/MAG MON INPUT CBL STRAINRELIEF

8.x INSITE KIT w/o MODEM 46-301708G14 FRU N (PART OF M1000 SERIES PAGES 1-10 THRU 1-42)
 (PART OF M1800 SERIES PAGES 1-13 THRU 1-47)

Item	Part Number	FRU	Name	Quantity	Description (Remarks)
13	46-320095P1	2	ID MAGNETS	1	CABINET MAGNET – COMPUTER (MAIN)
16	46-320095P4	2	ID MAGNETS	1	CABINET MAGNET – PDU
17	46-320095P5	2	ID MAGNETS	1	CABINET MAGNET – SYSTEMS
19	46-320095P7	2	ID MAGNETS	1	CABINET MAGNET – GRADIENT
21	46-320095P13	2	ID MAGNETS	1	CABINET MAGNET – RF/PENETRATION
22	46-320095P14	2	ID MAGNETS	1	CABINET MAGNET – GRAM

MONITOR SUPPORT KIT 46-317636G1 FRU N (PART OF 46-282429G27 PAGE 1-180)
 (PART OF 46-282429G29 PAGE 1-181)
 (PART OF 46-282429G31 PAGE 1-181)
 (PART OF 46-282429G64 PAGE 1-184)
 (PART OF 46-282429G65 PAGE 1-184)
 (PART OF 46-282429G67 PAGE 1-185)
 (PART OF 46-282429G68 PAGE 1-185)
 (PART OF 46-282429G70 PAGE 1-186)
 (PART OF 46-282429G71 PAGE 1-186)
 (PART OF 46-282429G73 PAGE 1-187)
 (PART OF 46-282429G74 PAGE 1-187)
 (PART OF 46-282429G81 PAGE 1-189)
 (PART OF 46-282429G82 PAGE 1-189)
 (PART OF 46-282429G84 PAGE 1-190)
 (PART OF 46-282429G85 PAGE 1-190)
 (PART OF 46-282429G100 PAGE 1-192)
 (PART OF 46-282429G101 PAGE 1-192)
 (PART OF 46-282429G102 PAGE 1-193)
 (PART OF 46-282429G103 PAGE 1-193)

Item	Part Number	FRU	Name	Quantity	Description (Remarks)
1	46-317514P1	2	BRKT.	1	BRACKET TO SUPPORT CRYOGEN MONITOR
3	46-208941P5	2	NUT,HEX,MS	2	6-32 .313 HEX X .108 THK
4	46-208601P3	2	WASHER,LOCK	2	SCREW SIZE #06 INTERNAL TOOTH
5	46-208560P28	2	SCREW,MACH	2	006-32 X 0.750 LG BIND HD STL F70B5A
6	46-208561P28	2	SCREW,CAP	1	001/4-20 X 0.375 LG HEX HD STL GRADE

1-24 SYSTEM CABLE COLLECTORS

5.x 1.5T FIXED w/o MC 46-282429G26 FRU N (PART OF M1000PM PAGE 1-5)
 (PART OF M1030PM PAGE 1-5)

Item	Part Number	FRU	Name	Quantity	Description (Remarks)
5	46-258771G32	N	SYSTEM CABLE	1	UFI FIXED SITE WITHOUT MULTICOIL (SEE PAGE 1-199)
6	46-258790G24	N	PDU CABLES	1	UFI PDU CABLES, FIXED (SEE PAGE 1-218)
8	46-320586P1	2	LADDER	1	ALL ALUMINUM LADDER
21	46-317598G23	N	XMIT COLL	1	1.5T FIXED SITE HELIAX & CONNECTORS (SEE PAGE 1-230)
41	46-317126G3	N	COVER KIT	1	UFI PENETRATION PANEL COVER KIT (SEE SECTION 4)
52	46-317249G15	N	FO CABLE KIT	1	UFI FIXED SITE FIBER OPTIC SYS CABLE (SEE PAGE 1-237)
53	2105371	N	RF CABLE SET	1	RF CABINET FLEXIBLE EXTENSION CABLES (SEE PAGE 1-229)
70	2120963	N	GRAD CBL KIT	1	100 FT CABLES, RUNS 762, 763, 764 (SEE PAGE 1-234)
71	2133830	N	HE-1 CABINET	1	HEAT EXCHANGER CABINET, HE-1 (SEE PAGE 1-217)
72	2128542	N	HOSE KIT	1	2 RUBBER HOSE WITH 8 CLAMPS IN A BOX (SEE PAGE 1-217)

5.x 1.5T T/R w/o MC 46-282429G27 FRU N (PART OF M1020PM PAGE 1-5)

Item	Part Number	FRU	Name	Quantity	Description (Remarks)
5	46-258771G27	N	SYSTEM CABLE	1	UFI T/R SITE W/O MULTICOIL (SEE PAGE 1-194)
6	46-258790G26	N	PDU CABLES	1	UFI PDU CABLES, 1.5T AND T/R (SEE PAGE 1-219)
8	46-320586P1	2	LADDER	1	ALL ALUMINUM LADDER
19	46-265504G1	2	RF CABLE KIT	1	RF CABINET SERVICE LOOP CABLE KIT (SEE PAGE 1-229)
21	46-317598G20	N	XMIT COLL	1	1.5T FIXED SITE HELIAX & CONNECTORS (SEE PAGE 1-230)
36	46-317636G1	N	SUPPORT KIT	1	CRYOGEN MONITOR SUPPORT BRACKET KIT (SEE PG 1-179)
52	46-317249G17	N	CABLES F.O.	1	UFI T/R FIBER OPTIC SYSTEM CABLES (SEE PAGE 1-237)
70	2120963	N	GRAD CBL KIT	1	100 FT CABLES, RUNS 762, 763, 764 (SEE PAGE 1-234)
71	2133830	N	HE-1 CABINET	1	HEAT EXCHANGER CABINET, HE-1 (SEE PAGE 1-217)
72	2128542	N	HOSE KIT	1	2 RUBBER HOSE WITH 8 CLAMPS IN A BOX (SEE PAGE 1-217)

5.x 1.5T FIXED w/MC 46-282429G28 FRU N (PART OF M1001PM PAGE 1-5)
 (PART OF M1031PM PAGE 1-5)

Item	Part Number	FRU	Name	Quantity	Description (Remarks)
5	46-258771G28	N	SYS CABLES	1	UFI FIXED WITH MULTICOIL (SEE PAGE 1-196)
6	46-258790G24	N	PDU CABLES	1	UFI PDU CABLES, FIXED (SEE PAGE 1-218)
8	46-320586P1	2	LADDER	1	ALL ALUMINUM LADDER
21	46-317598G23	N	XMIT COLL	1	1.5T FIXED SITE HELIAX & CONNECTORS (SEE PAGE 1-230)
41	46-317126G3	N	COVER KIT	1	UFI PENETRATION PANEL COVER KIT (SEE SECTION 4)
52	46-317249G15	N	FO CABLE KIT	1	UFI FIXED SITE FIBER OPTIC SYS CABLE (SEE PAGE 1-237)
53	2105371	N	RF CABLE SET	1	RF CABINET FLEXIBLE EXTENSION CABLES (SEE PAGE 1-229)
70	2120963	N	GRAD CBL KIT	1	100 FT CABLES, RUNS 762, 763, 764 (SEE PAGE 1-234)
71	2133830	N	HE-1 CABINET	1	HEAT EXCHANGER CABINET, HE-1 (SEE PAGE 1-217)
72	2128542	N	HOSE KIT	1	2 RUBBER HOSE WITH 8 CLAMPS IN A BOX (SEE PAGE 1-217)

5.x 1.5T T/R with MC 46-282429G29 FRU N (PART OF M1021PM PAGE 1-5)

Item	Part Number	FRU	Name	Quantity	Description (Remarks)
5	46-258771G29	N	SYS CABLES	1	UFI 1.5T T/R WITH MULTICOIL (SEE PAGE 1-195)
6	46-258790G26	N	PDU CABLES	1	UFI PDU CABLES, 1.5T AND T/R (SEE PAGE 1-219)
8	46-320586P1	2	LADDER	1	ALL ALUMINUM LADDER
19	46-265504G1	2	RF CABLE KIT	1	RF CABINET SERVICE LOOP CABLE KIT (SEE PAGE 1-229)
21	46-317598G20	N	XMIT COLL	1	1.5T FIXED SITE HELIAX & CONNECTORS (SEE PAGE 1-230)
36	46-317636G1	N	SUPPORT KIT	1	CRYOGEN MONITOR SUPPORT BRACKET KIT (SEE PG 1-179)
52	46-317249G17	N	CABLES F.O.	1	UFI T/R FIBER OPTIC SYSTEM CABLES (SEE PAGE 1-237)
60	46-320801G2	2	1.5T 5.5 M/C	1	5.5 KIT TO LOCATE SELECT RELAY (SEE PAGE 1-233)
70	2120963	N	GRAD CBL KIT	1	100 FT CABLES, RUNS 762, 763, 764 (SEE PAGE 1-234)
71	2133830	N	HE-1 CABINET	1	HEAT EXCHANGER CABINET, HE-1 (SEE PAGE 1-217)
72	2128542	N	HOSE KIT	1	2 RUBBER HOSE WITH 8 CLAMPS IN A BOX (SEE PAGE 1-217)

**8.x 1.5T FIXED w/ OR w/o MC 46-282429G30 FRU N (PART OF M1000PN PAGE 1-12)
(PART OF M1001PN PAGE 1-12)
(PART OF M1030PN PAGE 1-12)
(PART OF M1031PN PAGE 1-12)
(PART OF M1040PN PAGE 1-24)
(PART OF M1041PN PAGE 1-24)**

Item	Part Number	FRU	Name	Quantity	Description (Remarks)
5	46-258771G35	2	ASSEMBLY	1	LX FIXED SITE WITH OR W/O MULTICOIL (SEE PAGE 1-201)
6	46-258790G27	2	ASSEMBLY	1	LX PDU CABLES, FIXED (SEE PAGE 1-220)
8	46-320586P1	2	LADDER	1	ALL ALUMINUM LADDER
21	46-317598G23	N	XMIT COLL	1	1.5T FIXED SITE HELIAX & CONNECTORS (SEE PAGE 1-230)
423551	46-317126G3	N	COVER KIT	1	UFI PENETRATION PANEL COVER KIT (SEE SECTION 4)
52	46-317249G20	2	ASSEMBLY	1	LX FIXED SITE FIBER OPTIC SYS CABLE (SEE PAGE 1-238)
53	2105371	N	RF CABLE SET	1	RF CABINET FLEXIBLE EXTENSION CABLES (SEE PAGE 1-229)
70	2120963	N	GRAD CBL KIT	1	100 FT CABLES, RUNS 762, 763, 764 (SEE PAGE 1-234)
71	2133830	N	HE-1 CABINET	1	HEAT EXCHANGER CABINET, HE-1 (SEE PAGE 1-217)
72	2128542	N	HOSE KIT	1	2 RUBBER HOSE WITH 8 CLAMPS IN A BOX (SEE PAGE 1-217)

**8.x 1.5T T/R w/ OR w/o MC 46-282429G31 FRU N (PART OF M1020PN PAGE 1-12)
(PART OF M1021PN PAGE 1-12)
(PART OF M1060PN PAGE 1-25)
(PART OF M1061PN PAGE 1-25)**

Item	Part Number	FRU	Name	Quantity	Description (Remarks)
5	46-258771G36	N	ASSEMBLY	1	LX 1.5T T/R WITH OR W/O MULTICOIL (SEE PAGE 1-202)
6	46-258790G28	N	ASSEMBLY	1	LX PDU CABLES T/R (SEE PAGE 1-220)
8	46-320586P1	2	LADDER	1	ALL ALUMINUM LADDER
19	46-265504G1	N	RF CABLE KIT	1	RF CABINET SERVICE LOOP CABLE KIT (SEE PAGE 1-229)
21	46-317598G20	N	XMIT COLL	1	1.5T FIXED SITE HELIAX & CONNECTORS (SEE PAGE 1-230)
36	46-317636G1	N	SUPPORT KIT	1	CRYOGEN MONITOR SUPPORT BRACKET KIT (SEE PG 1-179)
52	46-317249G21	N	ASSEMBLY	1	LX T/R FIBER OPTIC SYSTEM CABLES (SEE PAGE 1-238)
60	46-320801G2	2	1.5T 5.5 M/C	1	5.5 KIT TO LOCATE SELECT RELAY (SEE PAGE 1-233)
70	2120963	N	GRAD CBL KIT	1	100 FT CABLES, RUNS 762, 763, 764 (SEE PAGE 1-234)
71	2133830	N	HE-1 CABINET	1	HEAT EXCHANGER CABINET, HE-1 (SEE PAGE 1-217)
72	2128542	N	HOSE KIT	1	2 RUBBER HOSE WITH 8 CLAMPS IN A BOX (SEE PAGE 1-217)

8.x 1.5T Cx MOB w/ OR w/o MC 46-282429G32 FRU N (PART OF M1050PN PAGE 1-24)
 (PART OF M1051PN PAGE 1-25)

Item	Part Number	FRU	Name	Quantity	Description (Remarks)
5	46-258771G38	N	ASSEMBLY	1	LX MOBILE WITH OR W/O MULTICOIL (SEE PAGE 1-203)
6	46-258790G29	N	ASSEMBLY	1	LX TRUE MOBILE POWER/GROUND CABLES (SEE PG 1-220)
8	46-320586P1	2	LADDER	1	ALL ALUMINUM LADDER
19	46-265504G1	N	RF CABLE KIT	1	RF CABINET SERVICE LOOP CABLE KIT (SEE PAGE 1-229)
21	46-317598G24	N	XMIT COLL	1	TRUE MOBILE RF CABLES & ADAPTERS (SEE PAGE 1-230)
36	46-317636G1	N	SUPPORT KIT	1	CRYO MONITOR SUPPORT BRACKET KIT (SEE PAGE 1-179)
52	46-317249G22	N	ASSEMBLY	1	LX TRUE MOBILE FIBER OPTIC SYS CABLE (SEE PAGE 1-238)
60	46-320801G2	2	1.5T 5.5 M/C	1	5.5 KIT TO LOCATE SELECT RELAY (SEE PAGE 1-233)
70	2120963-3	N	KIT OF PARTS	1	GRADIENT CABLE KIT FOR MOBILES (SEE PAGE 1-235)
71	2133830	N	HE-1 CABINET	1	HEAT EXCHANGER CABINET, HE-1 (SEE PAGE 1-217)
72	2128542	N	HOSE KIT	1	2 RUBBER HOSE WITH 8 CLAMPS IN A BOX (SEE PAGE 1-217)

8.x SGD 1.5T FXD w/ OR w/o MC 46-282429G36 FRU N (PART OF M1000PR PAGE 1-16)
 (PART OF M1001PR PAGE 1-16)
 (PART OF M1030PR PAGE 1-16)
 (PART OF M1031PR PAGE 1-16)
 (PART OF M1040PR PAGE 1-24)
 (PART OF M1041PR PAGE 1-24)
 (PART OF M1042PR PAGE 1-32)
 (PART OF M1043PR PAGE 1-32)
 (PART OF M1071PR PAGE 1-26)
 (PART OF M1073PR PAGE 1-33)

Item	Part Number	FRU	Name	Quantity	Description (Remarks)
5	46-258771G35	2	ASSEMBLY	1	LX FIXED SITE WITH OR W/O MULTICOIL (SEE PAGE 1-201)
6	46-258790G30	2	PDU CABLES	1	LX SGD PDU CABLES, FIXED (SEE PAGE 1-221)
7	46-271364G504	2	CABLE ASM	1	(009M) MR1-J1 TO PD1-A2 35 FT
8	46-320586P1	2	LADDER	1	ALL ALUMINUM LADDER
9	46-255947G608	2	GROUND WIRE	1	(038) MR1-A7-GND TO PD1-A2-A2 36 FT
21	46-317598G23	N	XMIT COLL	1	1.5T FIXED SITE HELIAX & CONNECTORS (SEE PAGE 1-230)
41	46-317126G3	N	COVER KIT	1	UFI PENETRATION PANEL COVER KIT (SEE SECTION 4)
52	46-317249G25	2	CABLES F.O.	1	LX SGD FIXED SITE FIBEROPTIC SYS CBL (SEE PAGE 1-239)
53	2105371	N	RF CABLE SET	1	RF CABINET FLEXIBLE EXTENSION CABLES (SEE PAGE 1-229)
70	2120963-4	N	GRAD CBL KIT	1	100 FT CABLES, RUNS 762, 763, 764 (SEE PAGE 1-235)
71	2133830	N	HE-1 CABINET	1	HEAT EXCHANGER CABINET, HE-1 (SEE PAGE 1-217)
72	2128542	N	HOSE KIT	1	2 RUBBER HOSE WITH 8 CLAMPS IN A BOX (SEE PAGE 1-217)

8.x SGD 1.5T T/R w/ OR w/o MC 46-282429G37 FRU N (PART OF M1020PR PAGE 1-16)
 (PART OF M1021PR PAGE 1-16)
 (PART OF M1060PR PAGE 1-25)
 (PART OF M1061PR PAGE 1-25)
 (PART OF M1062PR PAGE 1-33)
 (PART OF M1063PR PAGE 1-33)

Item	Part Number	FRU	Name	Quantity	Description (Remarks)
5	46-258771G36	N	ASSEMBLY	1	LX 1.5T T/R WITH OR W/O MULTICOIL (SEE PAGE 1-202)
6	46-258790G31	N	PDU CABLES	1	LX SGD PDU CABLES T/R (SEE PAGE 1-221)
7	46-271364G104	2	CABLE ASM	1	RUN 009, MR1J1 / PD1TS1-10,11,12 45'
8	46-320586P1	2	LADDER	1	ALL ALUMINUM LADDER
9	46-255947G508	2	GROUND WIRE	1	(038M) MR1-A7-GND TO PD1-A2-A2
19	46-265504G1	N	RF CABLE KIT	1	RF CABINET SERVICE LOOP CABLE KIT (SEE PAGE 1-229)
21	46-317598G20	N	XMIT COLL	1	1.5T FIXED SITE HELIAX & CONNECTORS (SEE PAGE 1-230)
36	46-317636G1	N	SUPPORT KIT	1	CRYO MONITOR SUPPORT BRACKET KIT (SEE PAGE 1-179)
52	46-317249G26	N	CABLES F.O.	1	LX SGD T/R FIBER OPTIC SYSTEM CABLES (SEE PAGE 1-239)
60	46-320801G2	2	1.5T 5.5 M/C	1	5.5 KIT TO LOCATE SELECT RELAY (SEE PAGE 1-233)
70	2120963-4	N	GRAD CBL KIT	1	100 FT CABLES, RUNS 762, 763, 764 (SEE PAGE 1-235)
71	2133830	N	HE-1 CABINET	1	HEAT EXCHANGER CABINET, HE-1 (SEE PAGE 1-217)
72	2128542	N	HOSE KIT	1	2 RUBBER HOSE WITH 8 CLAMPS IN A BOX (SEE PAGE 1-217)

8.x SGD 1.5T MOB w/ OR w/o MC 46-282429G38 FRU N (PART OF M1050PR PAGE 1-24)
 (PART OF M1051PR PAGE 1-25)
 (PART OF M1052PR PAGE 1-32)
 (PART OF M1053PR PAGE 1-33)

Item	Part Number	FRU	Name	Quantity	Description (Remarks)
5	46-258771G39	N	ASSEMBLY	1	LX MOBILE WITH OR W/O MULTICOIL (SEE PAGE 1-204)
6	46-258790G32	N	PDU CABLES	1	LX SGD PDU CABLES TRUE MOBILE (SEE PAGE 1-221)
7	46-271364G804	2	CABLE ASM	1	(009) MR1-J1 TO PD1-A2 (CB17)
8	46-320586P1	2	LADDER	1	ALL ALUMINUM LADDER
9	46-255947G608	2	GROUND WIRE	1	(038) MR1-A7-GND TO PD1-A2-A2 36 FT
19	46-265504G1	N	RF CABLE KIT	1	RF CABINET SERVICE LOOP CABLE KIT (SEE PAGE 1-229)
21	46-317598G24	N	XMIT COLL	1	TRUE MOBILE RF CABLES & ADAPTERS (SEE PAGE 1-230)
36	46-317636G1	N	SUPPORT KIT	1	CRYO MONITOR SUPPORT BRACKET KIT (SEE PAGE 1-179)
52	46-317249G27	N	CABLES F.O.	1	LX SGD TRUE MOB FIBER OPTIC SYS CBL (SEE PAGE 1-240)
60	46-320801G2	2	1.5T 5.5 M/C	1	5.5 KIT TO LOCATE SELECT RELAY (SEE PAGE 1-233)
70	2120963-5	N	GRAD CBL KIT	1	GRADIENT CABLE KIT FOR MOBILES (SEE PAGE 1-235)
71	2133830	N	HE-1 CABINET	1	HEAT EXCHANGER CABINET, HE-1 (SEE PAGE 1-217)
72	2128542	N	HOSE KIT	1	2 RUBBER HOSE WITH 8 CLAMPS IN A BOX (SEE PAGE 1-217)

1.5T SGD FIXED LONG CABLES 46-282429G50 FRU N (PART OF M1043PT PAGE 1-43)

Item	Part Number	FRU	Name	Quantity	Description (Remarks)
1	46-258771G351	N	SYSTEM CABLE	1	SOI FIXED SITE WITH OR W/O MULTICOIL (SEE PAGE 1-216)
5	46-258771G350	N	SYSTEM CABLE	1	SOI FIXED SITE WITH OR W/O MULTICOIL (SEE PAGE 1-215)
6	46-258790G500	N	PDU CABLES	1	SOI PDU CABLES (SEE PAGE 1-226)
7	46-271364G504	2	CABLE ASM	1	(009M) MR1-J1 TO PD1-A2 35 FT
9	46-255947G608	2	GROUND WIRE	1	(038) MR1-A7-GND TO PD1-A2-A2 36 FT
21	46-317598G23	N	XMIT COLL	1	1.5T FIXED SITE HELIAX & CONNECTORS (SEE PAGE 1-230)
41	46-317126G3	N	COVER KIT	1	UFI PENETRATION PANEL COVER KIT (SEE SECTION 4)
52	46-317249G250	N	CABLES F.O.	1	SOI FIBER OPTIC SYSTEM CABLES (SEE PAGE 1-241)
53	2105371	N	RF CABLE SET	1	RF CAB FLEXIBLE EXTENSION CABLES (SEE PAGE 1-229)
70	2120963-4	N	GRAD CBL KIT	1	100 FT CABLES, RUNS 762, 763, 764 (SEE PAGE 1-235)
72	2128542	N	HOSE KIT	1	2 RUBBER HOSE WITH 8 CLAMPS IN A BOX (SEE PAGE 1-217)

1.0T SGD FIXED LONG CABLES 46-282429G51 FRU N (PART OF M1843PT PAGE 1-47)

Item	Part Number	FRU	Name	Quantity	Description (Remarks)
1	46-258771G351	N	SYSTEM CABLE	1	SOI FIXED SITE WITH OR W/O MULTICOILL (SEE PAGE 1-216)
5	46-258771G350	N	SYSTEM CABLE	1	SOI FIXED SITE WITH OR W/O MULTICOIL (SEE PAGE 1-215)
6	46-258790G500	N	PDU CABLES	1	SOI PDU CABLES (SEE PAGE 1-226)
21	2209235	N	CABLE COLL	1	RF CABLES AND ADAPTERS (SEE PAGE 1-228)
41	46-317126G3	N	COVER KIT	1	UFI PENETRATION PANEL COVER KIT (SEE SECTION 4)
52	46-317249G250	N	CABLES F.O.	1	SOI FIBER OPTIC SYSTEM CABLES (SEE PAGE 1-241)
70	2120963-4	N	GRAD CBL KIT	1	100 FT CABLES, RUNS 762, 763, 764 (SEE PAGE 1-235)
72	2128542	N	HOSE KIT	1	2 RUBBER HOSE WITH 8 CLAMPS IN A BOX (SEE PAGE 1-217)

5.x 1.0T FIXED w/o MC 46-282429G63 FRU N (PART OF M1800PM PAGE 1-6)

Item	Part Number	FRU	Name	Quantity	Description (Remarks)
5	46-258771G32	N	SYSTEM CABLE	1	UFI FIXED SITE WITHOUT MULTICOIL (SEE PAGE 1-199)
6	46-258790G24	N	PDU CABLES	1	UFI PDU CABLES, FIXED (SEE PAGE 1-218)
21	46-317598G60	N	XMIT COLL	1	FIXED-SITE RF CABLES & ADAPTERS (SEE PAGE 1-232)
41	46-317126G3	N	COVER KIT	1	UFI PENETRATION PANEL COVER KIT (SEE SECTION 4)
52	46-317249G15	N	FO CABLE KIT	1	UFI FIXED SITE FIBER OPTIC SYS CABLE (SEE PAGE 1-237)
60	2105371	N	RF CABLE SET	1	RF CABINET FLEXIBLE EXTENSION CABLES (SEE PAGE 1-229)
70	2120963	N	GRAD CBL KIT	1	100 FT CABLES, RUNS 762, 763, 764 (SEE PAGE 1-234)
71	2133830	N	HE-1 CABINET	1	HEAT EXCHANGER CABINET, HE-1 (SEE PAGE 1-217)
72	2128542	N	HOSE KIT	1	2 RUBBER HOSE WITH 8 CLAMPS IN A BOX (SEE PAGE 1-217)

5.x 1.0T T/R w/o MC 46-282429G64 FRU N (PART OF M1820PM PAGE 1-9)

Item	Part Number	FRU	Name	Quantity	Description (Remarks)
5	46-258771G27	N	SYSTEM CABLE	1	UFI T/R SITE W/O MULTICOIL (SEE PAGE 1-194)
6	46-258790G25	N	PDU CABLES	1	UFI 1.0T PDU CABLES T/R (SEE PAGE 1-218)
19	46-265504G1	N	RF CABLE KIT	1	RF CABINET SERVICE LOOP CABLE KIT (SEE PAGE 1-229)
21	46-317598G61	N	XMIT COLL	1	TRANS/RELOC RF CABLES & ADAPTERS (SEE PAGE 1-232)
36	46-317636G1	N	SUPPORT KIT	1	CRYOGEN MONITOR SUPPORT BRACKET KIT (SEE PG 1-179)
52	46-317249G17	N	CABLES F.O.	1	UFI T/R FIBER OPTIC SYSTEM CABLES (SEE PAGE 1-237)
70	2120963	N	GRAD CBL KIT	1	100 FT CABLES, RUNS 762, 763, 764 (SEE PAGE 1-234)
71	2133830	N	HE-1 CABINET	1	HEAT EXCHANGER CABINET, HE-1 (SEE PAGE 1-217)
72	2128542	N	HOSE KIT	1	2 RUBBER HOSE WITH 8 CLAMPS IN A BOX (SEE PAGE 1-217)

5.x 1.0T MOBILE w/o MC 46-282429G65 FRU N (PART OF M1810PM PAGE 1-9)

Item	Part Number	FRU	Name	Quantity	Description (Remarks)
5	46-258771G30	N	SYS CABLES	1	UFI MOBILE WITHOUT MULTICOIL (SEE PAGE 1-197)
6	46-258790G65	N	PDU CABLES	1	UFI 1.0T TRUE MOBILE POWER/GROUND (SEE PAGE 1-224)
8	46-320586P1	2	LADDER	1	ALL ALUMINUM LADDER
19	46-265504G1	N	RF CABLE KIT	1	RF CABINET SERVICE LOOP CABLE KIT (SEE PAGE 1-229)
21	46-317598G63	N	XMIT COLL	1	TRUE MOBILE RF CABLES & ADAPTERS (SEE PAGE 1-232)
36	46-317636G1	N	SUPPORT KIT	1	CRYOGEN MONITOR SUPPORT BRACKET KIT (SEE PG 1-179)
52	46-317249G16	N	CABLES F.O.	1	TRUE MOBILE FIBER OPTIC SYSTEM CABLE (SEE PAGE 1-237)
71	2133830	N	HE-1 CABINET	1	HEAT EXCHANGER CABINET, HE-1 (SEE PAGE 1-217)
72	2128542	N	HOSE KIT	1	2 RUBBER HOSE WITH 8 CLAMPS IN A BOX (SEE PAGE 1-217)

8.x 1.0T T/R w/ OR w/o MC 46-282429G70 FRU N (PART OF M1820PN PAGE 1-15)
 (PART OF M1821PN PAGE 1-15)
 (PART OF M1860PN PAGE 1-31)
 (PART OF M1861PN PAGE 1-31)

Item	Part Number	FRU	Name	Quantity	Description (Remarks)
5	46-258771G36	N	ASSEMBLY	1	LX 1.5T T/R WITH OR W/O MULTICOIL (SEE PAGE 1-202)
6	46-258790G28	N	ASSEMBLY	1	LX PDU CABLES T/R (SEE PAGE 1-220)
19	46-265504G1	N	RF CABLE KIT	1	RF CABINET SERVICE LOOP CABLE KIT (SEE PAGE 1-229)
21	46-317598G61	N	XMIT COLL	1	TRANS/RELOC RF CABLES & ADAPTERS (SEE PAGE 1-232)
36	46-317636G1	N	SUPPORT KIT	1	CRYOGEN MONITOR SUPPORT BRACKET KIT (SEE PG 1-179)
60	46-320801G2	2	1.5T 5.5 M/C	1	5.5 KIT TO LOCATE SELECT RELAY (SEE PAGE 1-233)
70	2120963	N	GRAD CBL KIT	1	100 FT CABLES, RUNS 762, 763, 764 (SEE PAGE 1-234)
71	2133830	N	HE-1 CABINET	1	HEAT EXCHANGER CABINET, HE-1 (SEE PAGE 1-217)
72	2128542	N	HOSE KIT	1	2 RUBBER HOSE WITH 8 CLAMPS IN A BOX (SEE PAGE 1-217)

8.x 1.0T MOB w/ OR w/o MC 46-282429G71 FRU N (PART OF M1811PN PAGE 1-15)
 (PART OF M1850PN PAGE 1-30)
 (PART OF M1851PN PAGE 1-31)

Item	Part Number	FRU	Name	Quantity	Description (Remarks)
5	46-258771G38	N	ASSEMBLY	1	LX MOBILE WITH OR W/O MULTICOIL (SEE PAGE 1-203)
6	46-258790G29	N	ASSEMBLY	1	LX TRUE MOBILE POWER/GROUND CABLES (SEE PG 1-220)
8	46-320586P1	2	LADDER	1	ALL ALUMINUM LADDER
19	46-265504G1	N	RF CABLE KIT	1	RF CABINET SERVICE LOOP CABLE KIT (SEE PAGE 1-229)
21	46-317598G61	N	XMIT COLL	1	TRANS/RELOC RF CABLES & ADAPTERS (SEE PAGE 1-232)
36	46-317636G1	N	SUPPORT KIT	1	CRYOGEN MONITOR SUPPORT BRACKET KIT (SEE PG 1-179)
60	46-320801G2	2	1.5T 5.5 M/C	1	5.5 KIT TO LOCATE SELECT RELAY (SEE PAGE 1-233)
70	2120963-3	N	KIT OF PARTS	1	GRADIENT CABLE KIT FOR MOBILES (SEE PAGE 1-235)
71	2133830	N	HE-1 CABINET	1	HEAT EXCHANGER CABINET, HE-1 (SEE PAGE 1-217)
72	2128542	N	HOSE KIT	1	2 RUBBER HOSE WITH 8 CLAMPS IN A BOX (SEE PAGE 1-217)

8.x 1.0T SGD FXD w/ OR w/o MC 46-282429G72 FRU N (PART OF M1800PR PAGE 1-19)
 (PART OF M1801PR PAGE 1-20)
 (PART OF M1840PR PAGE 1-30)
 (PART OF M1841PR PAGE 1-30)

Item	Part Number	FRU	Name	Quantity	Description (Remarks)
5	46-258771G35	2	ASSEMBLY	1	LX FIXED SITE WITH OR W/O MULTICOIL (SEE PAGE 1-201)
6	46-258790G30	2	PDU CABLES	1	LX SGD PDU CABLES, FIXED (SEE PAGE 1-221)
21	46-317598G60	N	XMIT COLL	1	FIXED-SITE RF CABLES & ADAPTERS (SEE PAGE 1-232)
41	46-317126G3	N	COVER KIT	1	UFI PENETRATION PANEL COVER KIT (SEE SECTION 4)
52	46-317249G25	N	CABLES F.O.	1	LX SGD FIXED SITE FIBEROPTIC SYS CBL (SEE PAGE 1-239)
53	2105371	N	RF CABLE SET	1	RF CABINET FLEXIBLE EXTENSION CABLES (SEE PG 1-229)
70	2120963-4	N	GRAD CBL KIT	1	100 FT CABLES, RUNS 762, 763, 764 (SEE PAGE 1-235)
71	2133830	N	HE-1 CABINET	1	HEAT EXCHANGER CABINET, HE-1 (SEE PAGE 1-217)
72	2128542	N	HOSE KIT	1	2 RUBBER HOSE WITH 8 CLAMPS IN A BOX (SEE PAGE 1-217)

8.x 1.0T SGD/LCC MOB CABLES 46-282429G76 FRU N

(PART OF M1852PR PAGE 1-38)

(PART OF M1853PR PAGE 1-38)

Item	Part Number	FRU	Name	Quantity	Description (Remarks)
5	46-258771G39	N	ASSEMBLY	1	LX MOBILE WITH OR W/O MULTICOIL (SEE PAGE 1-204)
6	46-258790G32	N	PDU CABLES	1	LX SGD PDU CABLES TRUE MOBILE (SEE PAGE 1-221)
8	46-320586P1	N	LADDER	1	ALL ALUMINUM LADDER
19	46-265504G1	N	RF CABLE KIT	1	RF CABINET SERVICE LOOP CABLE KIT (SEE PAGE 1-229)
21	2209235	N	CABLE COLL	1	RF CABLES AND ADAPTERS (SEE PAGE 1-228)
36	46-317636G1	N	SUPPORT KIT	1	CRYOGEN MONITOR SUPPORT BRACKET KIT (SEE PG 1-179)
52	46-317249G27	N	CABLES F.O.	1	LX SGD TRUE MOB FIBER OPTIC SYS CBL (SEE PAGE 1-240)
60	46-320801G2	2	1.5T 5.5 M/C	1	5.5 KIT TO LOCATE SELECT RELAY IN (SEE PAGE 1-233)
70	2120963-5	N	GRAD CBL KIT	1	GRADIENT CABLE KIT FOR MOBILES (SEE PAGE 1-235)
71	2133830	N	HE-1 CABINET	1	HEAT EXCHANGER CABINET, HE-1 (SEE PAGE 1-217)
72	2128542	N	HOSE KIT	1	2 RUBBER HOSE WITH 8 CLAMPS IN A BOX (SEE PAGE 1-217)
80	2212408	2	KIT OF PARTS	1	CX MOBILE - COLDHEAD TRANSPORT KIT

8.x 1.0T SGD/LCC T/R CABLES 46-282429G77 FRU N

(PART OF M1862PR PAGE 1-38)

(PART OF M1863PR PAGE 1-38)

Item	Part Number	FRU	Name	Quantity	Description (Remarks)
5	46-258771G36	N	ASSEMBLY	1	LX 1.5T T/R WITH OR W/O MULTICOIL (SEE PAGE 1-202)
6	46-258790G31	N	PDU CABLES	1	LX SGD PDU CABLES T/R (SEE PAGE 1-221)
19	46-265504G1	N	RF CABLE KIT	1	RF CABINET SERVICE LOOP CABLE KIT (SEE PAGE 1-229)
21	2209235	N	CABLE COLL	1	RF CABLES AND ADAPTERS (SEE PAGE 1-228)
36	46-317636G1	N	SUPPORT KIT	1	CRYOGEN MONITOR SUPPORT BRACKET KIT (SEE PG 1-179)
52	46-317249G26	N	CABLES F.O.	1	LX SGD T/R FIBER OPTIC SYSTEM CABLES (SEE PAGE 1-239)
60	46-320801G2	2	1.5T 5.5 M/C	1	5.5 KIT TO LOCATE SELECT RELAY IN (SEE PAGE 1-233)
70	2120963-4	N	GRAD CBL KIT	1	100 FT CABLES, RUNS 762, 763, 764 (SEE PAGE 1-235)
71	2133830	N	HE-1 CABINET	1	HEAT EXCHANGER CABINET, HE-1 (SEE PAGE 1-217)
72	2128542	N	HOSE KIT	1	2 RUBBER HOSE WITH 8 CLAMPS IN A BOX (SEE PAGE 1-217)

1.0T WideOpen SGD FXD CABLES 46-282429G80 FRU N

(PART OF M1842PS PAGE 1-47)

(PART OF M1843PS PAGE 1-47)

Item	Part Number	FRU	Name	Quantity	Description (Remarks)
5	46-258771G35	2	ASSEMBLY	1	LX FIXED SITE WITH OR W/O MULTICOIL (SEE PAGE 1-201)
6	46-258790G50	2	PDU CABLES	1	LX SGD PDU CABLES, FIXED (SEE PAGE 1-224)
21	2209235	N	CABLE COLL	1	RF CABLES AND ADAPTERS (SEE PAGE 1-228)
41	46-317126G3	N	COVER KIT	1	UFI PENETRATION PANEL COVER KIT (SEE SECTION 4)
52	46-317249G25	N	CABLES F.O.	1	LX SGD FIXED SITE FIBEROPTIC SYS CBL (SEE PAGE 1-239)
70	2120963-4	N	GRAD CBL KIT	1	100 FT CABLES, RUNS 762, 763, 764 (SEE PAGE 1-235)
72	2128542	N	HOSE KIT	1	2 RUBBER HOSE WITH 8 CLAMPS IN A BOX (SEE PAGE 1-217)

1.0T WideOpen SGD MOB CABLES 46-282429G81 FRU N

(PART OF M1852PS PAGE 1-48)

(PART OF M1853PS PAGE 1-48)

Item	Part Number	FRU	Name	Quantity	Description (Remarks)
5	46-258771G39	N	ASSEMBLY	1	LX MOBILE WITH OR W/O MULTICOIL (SEE PAGE 1-204)
6	46-258790G32	2	PDU CABLES	1	LX SGD PDU CABLES, TRUE MOBILE (SEE PAGE 1-221)
19	46-265504G1	N	RF CABLE KIT	1	RF CABINET SERVICE LOOP CABLE KIT (SEE PAGE 1-229)
21	2209235	N	CABLE COLL	1	RF CABLES AND ADAPTERS (SEE PAGE 1-228)
36	46-317636G1	N	SUPPORT KIT	1	CRYOGEN MONITOR SUPPORT BRACKET KIT (SEE PG 1-179)
41	46-317126G4	N	COVER KIT	1	MOBILE-SITE PENETRATION PANEL COVER (SEE SECTION 4)
45	46-317266G4	2	AMP HOIST	1	SGD AMPLIFIER HOIST KIT (SEE PAGE 1-217)
52	46-317249G27	N	CABLES F.O.	1	LX SGD TRUE MOB FIBER OPTIC SYS CBL (SEE PAGE 1-240)
60	46-320801G2	2	1.5T 5.5 M/C	1	5.5 KIT TO LOCATE SELECT RELAY (SEE PAGE 1-233)
70	2120963-5	N	GRAD CBL KIT	1	GRADIENT CABLE KIT FOR MOBILES (SEE PAGE 1-235)
72	2128542	N	HOSE KIT	1	2 RUBBER HOSE WITH 8 CLAMPS IN A BOX (SEE PAGE 1-217)

1.0T WideOpen SGD T/R CABLES 46-282429G82 FRU N

(PART OF M1862PS PAGE 1-48)

(PART OF M1863PS PAGE 1-48)

Item	Part Number	FRU	Name	Quantity	Description (Remarks)
5	46-258771G36	N	ASSEMBLY	1	LX 1.5T T/R WITH OR W/O MULTICOIL (SEE PAGE 1-202)
6	46-258790G31	N	PDU CABLES	1	LX SGD PDU CABLES, T/R (SEE PAGE 1-221)
10	2233092	N	CABLE KIT	1	MAGNET MONITOR CABLE SET (SEE PAGE 1-176)
19	46-265504G1	N	RF CABLE KIT	1	RF CABINET SERVICE LOOP CABLE KIT (SEE PAGE 1-229)
21	2209235	N	CABLE COLL	1	RF CABLES AND ADAPTERS (SEE PAGE 1-228)
36	46-317636G1	N	SUPPORT KIT	1	CRYOGEN MONITOR SUPPORT BRACKET KIT (SEE PG 1-179)
41	46-317126G4	N	COVER KIT	1	MOBILE-SITE PENETRATION PANEL COVER (SEE SECTION 4)
45	46-317266G4	2	AMP HOIST	1	SGD AMPLIFIER HOIST KIT (SEE PAGE 1-217)
52	46-317249G26	N	CABLES F.O.	1	LX SGD T/R FIBER OPTIC SYSTEM CABLES (SEE PAGE 1-239)
60	46-320801G2	2	1.5T 5.5 M/C	1	5.5 KIT TO LOCATE SELECT RELAY IN (SEE PAGE 1-233)
70	2120963-4	N	GRAD CBL KIT	1	100 FT CABLES, RUNS 762, 763, 764 (SEE PAGE 1-235)
72	2128542	N	HOSE KIT	1	2 RUBBER HOSE WITH 8 CLAMPS IN A BOX (SEE PAGE 1-217)

1.5T WideOpen SGD FXD CABLES 46-282429G83 FRU N

(PART OF M1042PS PAGE 1-43)
 (PART OF M1043PS PAGE 1-43)
 (PART OF M1073PS PAGE 1-44)

Item	Part Number	FRU	Name	Quantity	Description (Remarks)
5	46-258771G35	2	ASSEMBLY	1	LX FIXED SITE WITH OR W/O MULTICOIL (SEE PAGE 1-201)
6	46-258790G50	N	PDU CABLES	1	LX SGD PDU CABLES, FIXED (SEE PAGE 1-224)
7	46-271364G504	2	CABLE ASM	1	(009M) MR1-J1 TO PD1-A2 35 FT
9	46-255947G608	2	GROUND WIRE	1	(038) MR1-A7-GND TO PD1-A2-A2 36 FT
21	46-317598G23	N	XMIT COLL	1	1.5T FIXED SITE HELIAX & CONNECTORS (SEE PAGE 1-230)
41	46-317126G3	N	COVER KIT	1	UFI PENETRATION PANEL COVER KIT (SEE SECTION 4)
52	46-317249G25	2	CABLES F.O.	1	LX SGD FIXED SITE FIBEROPTIC SYS CBL (SEE PAGE 1-239)
53	2105371	N	RF CABLE SET	1	RF CABINET FLEXIBLE EXTENSION CABLES (SEE PAGE 1-229)
70	2120963-4	N	GRAD CBL KIT	1	100 FT CABLES, RUNS 762, 763, 764 (SEE PAGE 1-235)
72	2128542	N	HOSE KIT	1	2 RUBBER HOSE WITH 8 CLAMPS IN A BOX (SEE PAGE 1-217)

1.5T WideOpen SGD T/R CABLES 46-282429G84 FRU N

(PART OF M1062PS PAGE 1-44)
 (PART OF M1063PS PAGE 1-44)
 (PART OF M1093PS PAGE 1-44)

Item	Part Number	FRU	Name	Quantity	Description (Remarks)
5	46-258771G36	N	ASSEMBLY	1	LX 1.5T T/R WITH OR W/O MULTICOIL (SEE PAGE 1-202)
6	46-258790G31	N	PDU CABLES	1	LX SGD PDU CABLES, T/R (SEE PAGE 1-221)
7	46-271364G104	2	CABLE ASM	1	RUN 009, MR1J1 / PD1TS1-10,11,12 45'
9	46-255947G508	2	GROUND WIRE	1	(038M) MR1-A7-GND TO PD1-A2-A2
10	2233092	N	CABLE KIT	1	MAGNET MONITOR CABLE SET (SEE PAGE 1-176)
19	46-265504G1	N	RF CABLE KIT	1	RF CABINET SERVICE LOOP CABLE KIT (SEE PAGE 1-229)
21	46-317598G20	N	XMIT COLL	1	1.5T FIXED SITE HELIAX & CONNECTORS (SEE PAGE 1-230)
36	46-317636G1	N	SUPPORT KIT	1	CRYOGEN MONITOR SUPPORT BRACKET KIT (SEE PG 1-179)
41	46-317126G4	N	COVER KIT	1	MOBILE-SITE PENETRATION PANEL COVER (SEE SECTION 4)
45	46-317266G4	2	AMP HOIST	1	SGD AMPLIFIER HOIST KIT (SEE PAGE 1-217)
52	46-317249G26	N	CABLES F.O.	1	LX SGD T/R FIBER OPTIC SYSTEM CABLES (SEE PAGE 1-239)
60	46-320801G2	2	1.5T 5.5 M/C	1	5.5 KIT TO LOCATE SELECT RELAY (SEE PAGE 1-233)
70	2120963-4	N	GRAD CBL KIT	1	100 FT CABLES, RUNS 762, 763, 764 (SEE PAGE 1-235)
72	2128542	N	HOSE KIT	1	2 RUBBER HOSE WITH 8 CLAMPS IN A BOX (SEE PAGE 1-217)

1.5T WideOpen SGD MOB CABLES 46-282429G85 FRU N

(PART OF M1052PS PAGE 1-43)
 (PART OF M1053PS PAGE 1-43)

Item	Part Number	FRU	Name	Quantity	Description (Remarks)
5	46-258771G39	N	ASSEMBLY	1	LX MOBILE WITH OR W/O MULTICOIL (SEE PAGE 1-204)
6	46-258790G32	N	PDU CABLES	1	LX SGD PDU CABLES, MOBILE (SEE PAGE 1-221)
7	46-271364G804	2	CABLE ASM	1	(009) MR1-J1 TO PD1-A2
9	46-255947G608	2	GROUND WIRE	1	(038) MR1-A7-GND TO PD1-A2-A2 36 FT
19	46-265504G1	N	RF CABLE KIT	1	RF CABINET SERVICE LOOP CABLE KIT (SEE PAGE 1-229)
21	46-317598G24	N	XMIT COLL	1	TRUE MOBILE RF CABLES & ADAPTERS (SEE PAGE 1-230)
36	46-317636G1	N	SUPPORT KIT	1	CRYOGEN MONITOR SUPPORT BRACKET KIT (SEE PG 1-179)
41	46-317126G4	N	COVER KIT	1	MOBILE-SITE PENETRATION PANEL COVER (SEE SECTION 4)
45	46-317266G4	2	AMP HOIST	1	SGD AMPLIFIER HOIST KIT (SEE PAGE 1-217)
52	46-317249G27	N	CABLES F.O.	1	LX SGD TRUE MOB FIBER OPTIC SYS CBL (SEE PAGE 1-240)
60	46-320801G2	2	1.5T 5.5 M/C	1	5.5 KIT TO LOCATE SELECT RELAY IN (SEE PAGE 1-233)
70	2120963-5	N	GRAD CBL KIT	1	GRADIENT CABLE KIT FOR MOBILES (SEE PAGE 1-235)
72	2128542	N	HOSE KIT	1	2 RUBBER HOSE WITH 8 CLAMPS IN A BOX (SEE PAGE 1-217)

1.5T ACGD LONG CABLES 46-282429G88 FRU N (PART OF M3044PA PAGE 1-52)

Item	Part Number	FRU	Name	Quantity	Description (Remarks)
1	46-258771G351	N	SYSTEM CABLE	1	SOI FIXED SITE WITH OR W/O MULTICOIL (SEE PAGE 1-216)
5	46-258771G350	N	SYSTEM CABLE	1	SOI FIXED SITE WITH OR W/O MULTICOIL (SEE PAGE 1-215)
41	46-317126G3	N	COVER KIT	1	UFI PENETRATION PANEL COVER KIT (SEE SECTION 4)
52	46-317249G250	N	CABLES F.O.	1	SOI FIBER OPTIC SYSTEM CABLES (SEE PAGE 1-241)
70	2120963-4	N	GRAD CBL KIT	1	100 FT CABLES, RUNS 762, 763, 764 (SEE PAGE 1-235)
72	2128542	N	HOSE KIT	1	2 RUBBER HOSE WITH 8 CLAMPS IN A BOX (SEE PAGE 1-217)
73	2321158	N	COLLECTOR	1	RF CABLE COLLECTOR (SEE PAGE 1-191)
74	2322679	N	COLLECTOR	1	LONG CABLE COLLECTOR (SEE PAGE 1-191)

RF CABLE COLLECTOR 2321158 FRU N (PART 73 OF 46-282429G88 PAGE 1-191)

Item	Part Number	FRU	Name	Quantity	Description (Remarks)
21	46-317598G23	N	XMIT COLL	1	1.5T FIXED SITE HELIAX & CONNECTORS (SEE PAGE 1-230)
53	2105371	N	RF CABLE SET	1	RF CAB FLEXIBLE EXTENSION CABLES (SEE PAGE 1-229)

LONG CABLE COLLECTOR 2322679 FRU N (PART 74 OF 46-282429G88 PAGE 1-191)

Item	Part Number	FRU	Name	Quantity	Description (Remarks)
6	46-258790G501	N	PDU CABLES	1	SOI PDU CABLES (SEE PAGE 1-226)
7	46-271364G504	N	CABLE ASM	1	(009M) MR1-J1 TO PD1-A2 35 FT
9	46-255947G608	N	GROUND WIRE	1	(038) MR1-A7-GND TO PD1-A2-A2 36 FT

**1.0T ACGD FIXED CABLES 46-282429G98 FRU N (PART OF M3842PA PAGE 1-57)
(PART OF M3843PA PAGE 1-57)**

Item	Part Number	FRU	Name	Quantity	Description (Remarks)
5A	46-258771G35	2	ASSEMBLY	1	LX FIXED SITE WITH OR W/O MULTICOIL (SEE PAGE 1-201)
5B	46-258771G47	N	CABLES	ALT	LX ACGD FIXED SITE WITH OR W/O MULTICOIL (SEE PG 1-205)
6	46-258790G33	N	PDU CABLES	1	LX ACGD PDU CABLES-FIXED (SEE PAGE 1-222)
21	2209235	N	CABLE COLL	1	RF CABLES AND ADAPTERS (SEE PAGE 1-228)
41	46-317126G3	N	COVER KIT	1	UFI PENETRATION PANEL COVER KIT (SEE SECTION 4)
52	46-317249G25	2	CABLES F.O.	1	LX SGD FIXED SITE FIBEROPTIC SYS CBL (SEE PAGE 1-239)
70	2120963-4	N	GRAD CBL KIT	1	100 FT CABLES, RUNS 762, 763, 764 (SEE PAGE 1-235)
72	2128542	N	HOSE KIT	1	2 RUBBER HOSE WITH 8 CLAMPS IN A BOX (SEE PAGE 1-217)

**1.5T ACGD FIXED CABLES 46-282429G99 FRU N (PART OF M3043PA PAGE 1-52)
(PART OF M3073PA PAGE 1-54)**

Item	Part Number	FRU	Name	Quantity	Description (Remarks)
5A	46-258771G35	2	ASSEMBLY	1	LX FIXED SITE WITH OR W/O MULTICOIL (SEE PAGE 1-201)
5B	46-258771G47	N	CABLES	ALT	LX ACGD FIXED SITE WITH OR W/O MULTICOIL (SEE PG 1-205)
6	46-258790G33	N	PDU CABLES	1	LX ACGD PDU CABLES-FIXED (SEE PAGE 1-222)
41	46-317126G3	N	COVER KIT	1	UFI PENETRATION PANEL COVER KIT (SEE SECTION 4)
52	46-317249G25	2	CABLES F.O.	1	LX SGD FIXED SITE FIBEROPTIC SYS CBL (SEE PAGE 1-239)
70	2120963-4	N	GRAD CBL KIT	1	100 FT CABLES, RUNS 762, 763, 764 (SEE PAGE 1-235)
72	2128542	N	HOSE KIT	1	2 RUBBER HOSE WITH 8 CLAMPS IN A BOX (SEE PAGE 1-217)
73	2321158	N	COLLECTOR	1	RF CABLE COLLECTOR (SEE PAGE 1-191)

**1.0T ACGD T/R CABLES 46-282429G100 FRU N (PART OF M3862PA PAGE 1-59)
(PART OF M3863PA PAGE 1-59)**

Item	Part Number	FRU	Name	Quantity	Description (Remarks)
5A	46-258771G36	N	ASSEMBLY	1	LX 1.5T T/R WITH OR W/O MULTICOIL (SEE PAGE 1-202)
5B	46-258771G48	N	CABLES	ALT	LX ACGD T/R WITH OR W/O MULTICOIL (SEE PAGE 1-206)
6	46-258790G35	N	PDU CABLES	1	LX ACGD PDU CABLES-T/R (SEE PAGE 1-222)
21	2209235	N	CABLE COLL	1	RF CABLES AND ADAPTERS (SEE PAGE 1-228)
41	46-317126G4	N	COVER KIT	1	MOBILE-SITE PENETRATION PANEL COVER (SEE SECTION 4)
52	46-317249G26	N	CABLES F.O.	1	LX SGD T/R FIBER OPTIC SYSTEM CABLES (SEE PAGE 1-239)
70	2120963-4	N	GRAD CBL KIT	1	100 FT CABLES, RUNS 762, 763, 764 (SEE PAGE 1-235)
72	2128542	N	HOSE KIT	1	2 RUBBER HOSE WITH 8 CLAMPS IN A BOX (SEE PAGE 1-217)

**1.5T ACGD T/R CABLES 46-282429G101 FRU N (PART OF M3063PA PAGE 1-53)
(PART OF M3093PA PAGE 1-55)**

Item	Part Number	FRU	Name	Quantity	Description (Remarks)
5A	46-258771G36	N	ASSEMBLY	1	LX 1.5T T/R WITH OR W/O MULTICOIL (SEE PAGE 1-202)
5B	46-258771G48	N	CABLES	ALT	LX ACGD T/R WITH OR W/O MULTICOIL (SEE PAGE 1-206)
6	46-258790G35	N	PDU CABLES	1	LX ACGD PDU CABLES-T/R (SEE PAGE 1-222)
21	46-317598G20	N	XMIT COLL	1	1.5T FIXED SITE HELIAX & CONNECTORS (SEE PAGE 1-230)
41	46-317126G4	N	COVER KIT	1	MOBILE-SITE PENETRATION PANEL COVER (SEE SECTION 4)
52	46-317249G26	N	CABLES F.O.	1	LX SGD T/R FIBER OPTIC SYSTEM CABLES (SEE PAGE 1-239)
70	2120963-4	2	GRAD CBL KIT	1	100 FT CABLES, RUNS 762, 763, 764 (SEE PAGE 1-235)
72	2128542	N	HOSE KIT	1	2 RUBBER HOSE WITH 8 CLAMPS IN A BOX (SEE PAGE 1-217)

**1.0T ACGD MOBILE CABLES 46-282429G102 FRU N (PART OF M3852PA PAGE 1-58)
(PART OF M3862PA PAGE 1-58)**

Item	Part Number	FRU	Name	Quantity	Description (Remarks)
5A	46-258771G39	N	ASSEMBLY	1	LX MOBILE WITH OR W/O MULTICOIL (SEE PAGE 1-204)
5B	46-258771G49	N	CABLES	ALT	LX ACGD MOBILE WITH OR W/O MULTICOIL (SEE PAGE 1-207)
6	46-258790G34	N	PDU CABLES	1	LX ACGD PDU CABLES-MOBILE (SEE PAGE 1-222)
21	2209235	N	CABLE COLL	1	RF CABLES AND ADAPTERS (SEE PAGE 1-228)
41	46-317126G4	N	COVER KIT	1	MOBILE-SITE PENETRATION PANEL COVER (SEE SECTION 4)
50	2224384	N	ASSEMBLY	1	LCC CEILING TRACK (MOBILE)
52	46-317249G27	N	CABLES F.O.	1	LX SGD TRUE MOB FIBER OPTIC SYS CBL (SEE PAGE 1-240)
70	2120963-5	N	GRAD CBL KIT	1	GRADIENT CABLE KIT FOR MOBILES (SEE PAGE 1-235)
72	2128542	N	HOSE KIT	1	2 RUBBER HOSE WITH 8 CLAMPS IN A BOX (SEE PAGE 1-217)

**1.5T ACGD MOBILE CABLES 46-282429G103 FRU N (PART OF M3053PA PAGE 1-53)
(PART OF M3083PA PAGE 1-54)**

Item	Part Number	FRU	Name	Quantity	Description (Remarks)
5A	46-258771G39	N	ASSEMBLY	1	LX MOBILE WITH OR W/O MULTICOILL (SEE PAGE 1-204)
5B	46-258771G49	N	CABLES	ALT	LX ACGD MOBILE WITH OR W/O MULTICOIL (SEE PAGE 1-207)
6	46-258790G34	N	PDU CABLES	1	LX ACGD PDU CABLES-MOBILE (SEE PAGE 1-222)
21	46-317598G24	N	XMIT COLL	1	TRUE MOBILE RF CABLES & ADAPTERS (SEE PAGE 1-230)
41	46-317126G4	N	COVER KIT	1	MOBILE-SITE PENETRATION PANEL COVER (SEE SECTION 4)
50	2224384	N	ASSEMBLY	1	LCC CEILING TRACK (MOBILE)
52	46-317249G27	N	CABLES F.O.	1	LX SGD TRUE MOB FIBER OPTIC SYS CBL (SEE PAGE 1-240)
70	2120963-5	N	GRAD CBL KIT	1	GRADIENT CABLE KIT FOR MOBILES (SEE PAGE 1-235)
72	2128542	N	HOSE KIT	1	2 RUBBER HOSE WITH 8 CLAMPS IN A BOX (SEE PAGE 1-217)

5.x T/R CABLES w/o MC

46-258771G27 FRU N

(PART OF 46-282429G27 PAGE 1-180)

(PART OF 46-282429G64 PAGE 1-184)

Item	Part Number	FRU	Name	Quantity	Description (Remarks)
8	46-243775G807	2	CABLE	1	RUN 701, MR2-A11-J15 TO RF DOOR SW
27	46-243775G810	2	CABLE	1	RUN 702, MR2-A11-J18 TO MR1-A7-J5
28	46-301125G809	2	CABLE	1	(703T) MR2-A11-J23 TO PD1-A1-A2-J2
30	46-243775G98	2	CABLE	1	RUN 229, MR2-A11-J1 TO MR1-A7-J3
32	46-317359G100	2	CABLE	1	(231TR) MR2-A11-J2 TO PP1-J8
34	46-317359G102	2	CABLE	1	(233TR/499TR) MR2-A11-J5 TO PP1-A14-
57	46-317068G812	2	CABLE	1	(704V) PP1-J12 TO OC1-A10-J9
61	46-317068G315	2	CABLE	1	(260V/700V)MG2/MG3-A17-J2 TO PP1-J7/
63	46-258431G124	2	CABLE	1	(262M) PP1-J8 TO MG3-A3-A5-OUT
83	46-258431G481	2	CABLE	1	(282M) MG3-A2-J6 TO PP1-J12
97	46-271692G1	2	CABLE ASM	1	RUN 296, FACILITY DISCON. TO PP1-J18
98	46-271693G1	2	CABLE ASM	1	RUN 297, EMERGENCY OFF SW TO PP1-J18
119	46-317068G95	2	CABLE	1	(318V) MG3-A7 TO PP1-J11
159	46-317359G902	2	CABLE	1	(768TR) PP1-J20 TO MR1-A7-J31
161	46-317359G905	2	CABLE	1	(771TR) PP1-J47 TO MR1-A7-J36
162	46-258431G531	2	CABLE	1	(387M) PP1-J47 TO MG2-A29-J1
163	46-317359G904	2	CABLE	1	(770TR) PP1-J11 TO MR1-A7-J41
164	46-317359G903	2	CABLE	1	(769TR) PP1-J15 TO MR1-A7-J34
178	46-328000G908	2	CABLE	1	(774) MR2-A11-J25 TO MR1-A7-J32
192	46-301125G808	2	CABLE	1	(706T) PD1-A1-A3-J2 TO MR2-A11-J14
203	46-258431G916	2	CABLE ASM	1	(778M) MG2-A12-A13-J3 TO PP1-A11-J72
204	46-258431G917	2	CABLE ASM	1	(779M) MG2-A12-A13-J4 TO PP1-A11-J73
205	46-258431G918	2	CABLE ASM	1	(780M) MG3-A3-A1-J6 TO PP1-A11-J74
206	46-258431G919	2	CABLE ASM	1	(781M) MG2-A12-A12-J5 TO PP1-A11-J75
207	46-258431G920	2	CABLE ASM	1	(782M) MG2-A12-A12-J6 TO PP1-A11-J76
208	46-317086G533	2	CABLE	1	(801TR) OC1-A10-J10 TO CC1-A2-J2
209	46-317086G534	2	CABLE	1	(800TR)OC1-A10-J1 TO CC1-A2-J1 (MUX)
210	46-317086G535	2	CABLE	1	(804TR) OC1-A10-J3 TO CC1-A1-A1
211	46-317087G510	2	PLASMA CABLE	1	802TR OC1-A10-J12 - CC1-A1-A9-PLASMA
212	46-317088G510	2	CABLE	1	(803TR)OC1-A10-J13 TO CC1-A1-A10
213	46-301125G813	2	CABLE	1	(707T) MR2-A11-J26 TO OC1-A10-J8
214	46-301125G814	2	CABLE	1	(718T) MR2-A11-J29 TO OC1-A10-J4
228	46-301125G906	2	CABLE	1	(772T) PP1-J14 TO MR1-A7-J40
229	46-317068G822	2	CABLE	1	(715V) MG2-A33-J1 TO PP1-J14
230	46-301125G907	2	CABLE	1	(773T) PP1-A17-J1 TO MR1-A7-J35
231	46-317068G931	2	CABLE ASM	1	(716V) MG2-A11-A1-J2 TO PP1-J89
232	2123533-3	2	POWER CABLE	1	(783T) MR1-A7-J37 TO PP1-F5/F6, 80'
233	2123534	2	POWER CABLE	1	(784) PP1-F5/F6 TO MG6-J1, 25'
234	2123535-3	2	POWER CABLE	1	(785T) MR1-A7-J18 TO PP1-F7/F8, 80'
235	2123536	2	POWER CABLE	1	(786) PP1-F7/F8 TO MG6-J2, 25'
238	46-301125G913	2	CABLE	1	(777T) MR1-A7-J43 TO PP1-A11-J94
239	46-301125G914	2	CABLE	1	(776T) MR1-A7-J44 TO PP1-A11-J93
240	46-301125G915	2	CABLE	1	(775T) MR1-A7-J42 TO PP1-A11-J92
266	46-317086G36	2	CABLE	1	(787) MR2-A11-J30 TO CC1A1A1SERIAL-C

5.x 1.5T T/R CABLES w/MC

46-258771G29 FRU N

(PART OF 46-282429G29 PAGE 1-181)

Item	Part Number	FRU	Name	Quantity	Description (Remarks)
8	46-243775G807	2	CABLE	1	RUN 701, MR2-A11-J15 TO RF DOOR SW
27	46-243775G810	2	CABLE	1	RUN 702, MR2-A11-J18 TO MR1-A7-J5
28	46-301125G809	2	CABLE	1	(703T) MR2-A11-J23 TO PD1-A1-A2-J2
30	46-243775G98	2	CABLE	1	RUN 229, MR2-A11-J1 TO MR1-A7-J3
32	46-317359G100	2	CABLE	1	(231TR) MR2-A11-J2 TO PP1-J8
57	46-317068G812	2	CABLE	1	(704V) PP1-J12 TO OC1-A10-J9
61	46-317068G315	2	CABLE	1	(260V/700V)MG2/MG3-A17-J2 TO PP1-J7/
63	46-258431G124	2	CABLE	1	(262M) PP1-J8 TO MG3-A3-A5-OUT
83	46-258431G481	2	CABLE	1	(282M) MG3-A2-J6 TO PP1-J12
97	46-271692G1	2	CABLE ASM	1	RUN 296, FACILITY DISCON. TO PP1-J18
98	46-271693G1	2	CABLE ASM	1	RUN 297, EMERGENCY OFF SW TO PP1-J18
119	46-317068G95	2	CABLE	1	(318V) MG3-A7 TO PP1-J11
159	46-317359G902	2	CABLE	1	(768TR) PP1-J20 TO MR1-A7-J31
161	46-317359G905	2	CABLE	1	(771TR) PP1-J47 TO MR1-A7-J36
162	46-258431G531	2	CABLE	1	(387M) PP1-J47 TO MG2-A29-J1
163	46-317359G904	2	CABLE	1	(770TR) PP1-J11 TO MR1-A7-J41
164	46-317359G903	2	CABLE	1	(769TR) PP1-J15 TO MR1-A7-J34
178	46-328000G908	2	CABLE	1	(774) MR2-A11-J25 TO MR1-A7-J32
192	46-301125G808	2	CABLE	1	(706T) PD1-A1-A3-J2 TO MR2-A11-J14
203	46-258431G916	2	CABLE ASM	1	(778M) MG2-A12-A13-J3 TO PP1-A11-J72
204	46-258431G917	2	CABLE ASM	1	(779M) MG2-A12-A13-J4 TO PP1-A11-J73
205	46-258431G918	2	CABLE ASM	1	(780M) MG3-A3-A1-J6 TO PP1-A11-J74
206	46-258431G919	2	CABLE ASM	1	(781M) MG2-A12-A12-J5 TO PP1-A11-J75
207	46-258431G920	2	CABLE ASM	1	(782M) MG2-A12-A12-J6 TO PP1-A11-J76
208	46-317086G533	2	CABLE	1	(801TR) OC1-A10-J10 TO CC1-A2-J2
209	46-317086G534	2	CABLE	1	(800TR)OC1-A10-J1 TO CC1-A2-J1 (MUX)
210	46-317086G535	2	CABLE	1	(804TR) OC1-A10-J3 TO CC1-A1-A1
211	46-317087G510	2	PLASMA CABLE	1	802TR OC1-A10-J12 - CC1-A1-A9-PLASMA
212	46-317088G510	2	CABLE	1	(803TR)OC1-A10-J13 TO CC1-A1-A10
213	46-301125G813	2	CABLE	1	(707T) MR2-A11-J26 TO OC1-A10-J8
214	46-301125G814	2	CABLE	1	(718T) MR2-A11-J29 TO OC1-A10-J4
228	46-301125G906	2	CABLE	1	(772T) PP1-J14 TO MR1-A7-J40
229	46-317068G822	2	CABLE	1	(715V) MG2-A33-J1 TO PP1-J14
230	46-301125G907	2	CABLE	1	(773T) PP1-A17-J1 TO MR1-A7-J35
231	46-317068G931	2	CABLE ASM	1	(716V) MG2-A11-A1-J2 TO PP1-J89
232	2123533-3	2	POWER CABLE	1	(783T) MR1-A7-J37 TO PP1-F5/F6, 80'
233	2123534	2	POWER CABLE	1	(784) PP1-F5/F6 TO MG6-J1, 25'
234	2123535-3	2	POWER CABLE	1	(785T) MR1-A7-J18 TO PP1-F7/F8, 80'
235	2123536	2	POWER CABLE	1	(786) PP1-F7/F8 TO MG6-J2, 25'
238	46-301125G913	2	CABLE	1	(777T) MR1-A7-J43 TO PP1-A11-J94
239	46-301125G914	2	CABLE	1	(776T) MR1-A7-J44 TO PP1-A11-J93
240	46-301125G915	2	CABLE	1	(775T) MR1-A7-J42 TO PP1-A11-J92
250	46-258431G763	2	CABLE	1	RUN 486M, MR2-A11-J85 TO MR1-A7-J22
251	46-258431G764	2	CABLE	1	(487M) MR1-A7-J20 TO PP1-A15-J78
252	46-258431G765	2	CABLE	1	(488M) MR2-A11-J8 TO PP1-J80
253	46-258431G766	2	CABLE	1	(489M) MR2-A11-J9 TO PP1-J81
254	46-258431G767	2	CABLE	1	(490M) MR2-A11-J10 TO PP1-J82
255	46-317068G768	2	CABLE	1	(491V) PP1-J80 TO MG3-A36-J7
256	46-317068G769	2	CABLE	1	(492V) PP1-J81 TO MG3-A36-J8
257	46-317068G770	2	CABLE	1	(493V) PP1-J82 TO MG3-A36-J9
258	46-317068G771	2	CABLE	1	(494V) PP1-A14-J87 TO MG3-A36-J6
259	46-317068G772	2	CABLE	1	(495V) PP1-A15-J78 TO MG3-A36-J10
260	46-258431G831	2	CABLE	1	(726M) MR1-A7-J18 TO PP1-A16-J77
261	46-301125G832	2	CABLE	1	(727T) PP1-A16-J77 TO MG3-A36-J5
263	46-317359G858	2	CABLE ASM	1	(742TR) MR2-A11-J86 TO PP1-A14-J86
264	46-258431G857	2	CABLE	1	(741M) MR2-A11-J87 TO PP1-A14-J87
265	46-243775G859	2	CABLE	1	MR2-A11-J84 TO MR2-A11-J5
266	46-317086G36	2	CABLE	1	(787) MR2-A11-J30 TO CC1A1A1SERIAL-C

5.x SYSTEM CABLES w/MC

46-258771G28 FRU N

(PART OF 46-282429G28 PAGE 1-180)

(PART OF 46-282429G66 PAGE 1-185)

Item	Part Number	FRU	Name	Quantity	Description (Remarks)
8	46-301125G807	2	CABLE	1	(701T) MR2-A11-J15 TO RF DOOR SWITCH
27	46-258431G810	2	CABLE ASM	1	(702M) MR2-A11-J18 TO MR1-A7-J5
28	46-258431G809	2	CABLE	1	(703M) MR2-A11-J23 TO PD1-A1-A2-J2/
30	46-301125G98	2	CABLE ASM	1	(229T) MR2-A11-J1 TO MR1-A7-J3
32	46-301125G100	2	CABLE ASM	1	(231T) MR2-A11-J2 TO PP1-J8
34	46-301125G102	2	CABLE	1	(233T/499T) MR2-A11-J5 TO PP1-J7 OR
57	46-243775G812	2	CABLE	1	(704) PP1-J12 TO OC1-A10-J9
61	46-328000G315	2	CABLE	1	(260/700) PP1-J7 OR PP1-A14-J86 TO
63	46-328000G124	2	CABLE	1	(262) PP1-J8 TO MG3-A3-A5-OUT
83	46-328000G481	2	CABLE	1	(282) MG3-A2-J6 TO PP1-J12
97	46-271692G601	2	CABLE ASM	1	(296T) PP1-J18 TO FACILITIIY DISCONN
98	46-271693G1	2	CABLE ASM	1	RUN 297, EMERGENCY OFF SW TO PP1-J18
119	46-328000G95	2	CABLE	1	(318) MG3-A7 TO PP1-J11
159	46-328000G902	2	CABLE	1	(768TR) PP1-J20 TO MR1-A7-J31
161	46-328000G905	2	CABLE	1	(771TR) PP1-J47 TO MR1-A7-J36
162	46-328000G531	2	CABLE	1	(387) MG2-A29-J1 TO PP1-J47
163	46-328000G904	2	CABLE	1	(770) PP1-J11 TO MR1-A7-J41
164	46-328000G903	2	CABLE	1	(769) PP1-J15 TO MR1-A7-J34
178	46-258431G908	2	CABLE ASM	1	(774M) MR2-A11-J25 TO MR1-A7-J32
192	46-258431G808	2	CABLE	1	(706M) MR2-A11-J14 TO PD1-A14-A1-J3
203	46-328000G916	2	CABLE	1	(778) MG2-A12-A13-J3 TO PP1-A11-J72
204	46-328000G917	2	CABLE	1	(779) MG2-A12-A13-J4 TO PP1-A11-J73
205	46-328000G918	2	CABLE	1	(780) MG3-A3-A1-J6 TO PP1-A11-J74
206	46-328000G919	2	CABLE	1	(781) MG2-A12-A12-J5 TO PP1-A11-J75
207	46-328000G920	2	CABLE	1	(782) MG2-A12-A12-J6 TO PP1-A11-J76
208	46-317086G633	2	CABLE	1	(801T) OC1-A10-J10 TO CC1-A2-J2
209	46-317086G634	2	CABLE	1	(800T) OC1-A10-J1 TO CC1-A2-J1
210	46-317086G635	2	CABLE	1	(804T) OC1A10J3 TO CC1A1A1
211	46-317087G610	2	PLASMA CABLE	1	802T CC1-A1-A9-PLASMA TO OC1-A10-J12
212	46-317088G610	2	CABLE	1	(803T)CC1-A1-A10(VIDEO) TO OC1-A10-
213	46-258431G813	2	CABLE	1	(707M) MR2-A11-J26 TO OC1-A10-J8
214	46-258431G814	2	CABLE	1	(718M) MR2-A11-J29 TO OC1-A10-J4
228	46-328000G906	2	CABLE	1	(772) PP1-J14 TO MR1-A7-J40
229	46-301125G822	2	CABLE	1	(715T) MG2-A33-J1 TO PP1-J14
230	46-328000G907	2	CABLE	1	(773) PP1-A17-J1 TO MR1-A7-J35
231	46-317359G931	2	CABLE	1	(716TR) MG2-A11-A1-J2 TO PP1-J89
232	2123533	2	POWER CABLE	1	(783) MR1-A7-J37 TO PP1-F5/F6, 30'
233	2123534-2	2	POWER CABLE	1	(784M) PP1-F5/F6 TO MG6-J1, 40'
234	2123535	2	POWER CABLE	1	(785) MR1-A7-J18 TO PP1-F7/F8, 30'
235	2123536-2	2	POWER CABLE	1	(786M) PP1-F7/F8 TO MG6-J2, 40'
238	46-328000G913	2	CABLE	1	(777) MR1-A7-J43 TO PP1-A11-J94
239	46-328000G914	2	CABLE	1	(776) MR1-A7-J44 TO PP1-A11-J93
240	46-328000G915	2	CABLE	1	(775) MR1-A7-J42 TO PP1-A11-J92
250	46-301125G763	2	CABLE	1	(486T) PP1-A14-J85/MR2-A11-J85 TO
251	46-301125G764	2	CABLE ASM	1	(487T) MR1-A7-J20 TP PP1-A15-J78
252	46-301125G765	2	CABLE ASM	1	(488T) MR2-A11-J8 TO PP1-J80
253	46-301125G766	2	CABLE ASM	1	(489T) MR2-A11-J9 TO PP1-J81
254	46-301125G767	2	CABLE ASM	1	(490T) MR2-A11-J10 TO PP1-J82
255	46-243775G768	2	CABLE	1	RUN 491, PP1-J80 TO MG3-A36-J7
256	46-243775G769	2	CABLE	1	RUN 492, PP1-J81 TO MG3-A36-J8
257	46-243775G770	2	CABLE	1	RUN 493, PP1-J82 TO MG3-A36-J9
258	46-243775G771	2	CABLE	1	RUN 494, PP1-A14-J87 TO MG3-A36-J6
259	46-243775G772	2	CABLE	1	RUN 495, PP1-A15-J78 TO MG3-A36-J10
260	46-301125G831	2	CABLE ASM	1	(726T)MR1-A7-J18 TO PP1-A16-J77
261	46-243775G832	2	CABLE	1	RUN 727, PP1-A16-J77 TO MG3-A36-J5
266	46-317086G36	2	CABLE	1	(787) MR2-A11-J30 TO CC1A1A1SERIAL-C

5.x 1.0T MOBILE w/o MC

46-258771G30 FRU N

(PART OF 46-282429G65 PAGE 1-184)

Item	Part Number	FRU	Name	Quantity	Description (Remarks)
8	46-243775G807	2	CABLE	1	RUN 701, MR2-A11-J15 TO RF DOOR SW
27	46-317068G810	2	CABLE	1	(702V) MR2-A11-J18 TO MR1-A7-J5
28	46-317068G809	2	CABLE	1	(703V) MR2-A11-J23 TO PD1-A1-A2-J2
30	46-258431G98	2	CABLE	1	(229M) MR2-A11-J1 TO MR1-A7-J3
32	46-328000G100	2	CABLE ASM	1	(231) MR2-A11-J2 TO PP1-J8
34	46-328000G102	2	CABLE ASM	1	(233/499) MR2-A11-J5 TO PP1-J7 OR
57	46-317068G812	2	CABLE	1	(704V) PP1-J12 TO OC1-A10-J9
61	46-317068G315	2	CABLE	1	(260V/700V)MG2/MG3-A17-J2 TO PP1-J7/
63	46-258431G124	2	CABLE	1	(262M) PP1-J8 TO MG3-A3-A5-OUT
83	46-258431G481	2	CABLE	1	(282M) MG3-A2-J6 TO PP1-J12
97	46-271692G1	2	CABLE ASM	1	RUN 296, FACILITY DISCON. TO PP1-J18
98	46-271693G1	2	CABLE ASM	1	RUN 297, EMERGENCY OFF SW TO PP1-J18
119	46-317068G95	2	CABLE	1	(318V) MG3-A7 TO PP1-J11
159	46-258431G902	2	CABLE	1	(768M) PP1-J20 TO MR1-A7-J31
161	46-258431G905	2	CABLE	1	(771M) PP1-J47 TO MR1-A7-J36
162	46-258431G531	2	CABLE	1	(387M) PP1-J47 TO MG2-A29-J1
163	46-258431G904	2	CABLE	1	(770M) PP1-J11 TO MR1-A7-J41
164	46-258431G903	2	CABLE	1	(769M) PP1-J15 TO MR1-A7-J34
178	46-317068G908	2	CABLE	1	(774V) MR2-A11-J25 TO MR1-A7-J32
192	46-317068G808	2	CABLE	1	(706V) PD1-A1-A3-J2 TO MR2-A11-J14
203	46-258431G916	2	CABLE ASM	1	(778M) MG2-A12-A13-J3 TO PP1-A11-J72
204	46-258431G917	2	CABLE ASM	1	(779M) MG2-A12-A13-J4 TO PP1-A11-J73
205	46-258431G918	2	CABLE ASM	1	(780M) MG3-A3-A1-J6 TO PP1-A11-J74
206	46-258431G919	2	CABLE ASM	1	(781M) MG2-A12-A12-J5 TO PP1-A11-J75
207	46-258431G920	2	CABLE ASM	1	(782M) MG2-A12-A12-J6 TO PP1-A11-J76
208	46-317086G33	2	CABLE	1	(801V)OC1-A10-J10 TO CC1-A2-J2
209	46-317086G34	2	CABLE	1	(800V) OC1-A10-J1 TO CC1-A2-J1 (MUX)
210	46-317086G35	2	CABLE	1	(804V) OC1-A10-J3 TO CC1-A1-A1
211	46-317087G10	2	PLASMA CABLE	1	802V OC1-A10-J12 TO CC1-A1-A9-PLASMA
212	46-317088G10	2	CABLE	1	(803V) OC1-A10-J13 TO CC1-A1-A10
213	46-317359G813	2	CABLE ASM	1	(707TR) MR2-A11-J26 TO OC1-A10-J8
214	46-317359G814	2	CABLE ASM	1	(718TR) MR2-A11-J29 TO OC1-A10-J4
228	46-258431G906	2	CABLE	1	(772M) PP1-J14 TO MR1-A7-J40
229	46-317068G822	2	CABLE	1	(715V) MG2-A33-J1 TO PP1-J14
230	46-258431G907	2	CABLE	1	(773M) PP1-A17-J1 TO MR1-A7-J35
231	46-317068G931	2	CABLE ASM	1	(716V) MG2-A11-A1-J2 TO PP1-J89
232	2123533-4	2	CABLE	1	(783TR) MR1-A7-J37 TO PP1-F5/F6, 65'
233	2123534	2	POWER CABLE	1	(784) PP1-F5/F6 TO MG6-J1, 25'
234	2123535-4	2	POWER CABLE	1	(785TR) MR1-A7-J18 TO PP1-F7/F8, 65'
235	2123536	2	POWER CABLE	1	(786) PP1-F7/F8 TO MG6-J2, 25'
238	46-317068G913	2	CABLE ASM	1	(777V)MR1-A7-J43 TO PP1-A11-J94
239	46-317068G914	2	CABLE ASM	1	(776V)MR1-A7-J44 TO PP1-A11-J93
240	46-317068G915	2	CABLE ASM	1	(775V)MR1-A7-J42 TO PP1-A11-J92
266	46-317086G36	2	CABLE	1	(787) MR2-A11-J30 TO CC1A1A1SERIAL-C

5.x 1.0T MOBILE w/ MC 46-258771G31 FRU N (PART OF 46-282429G68 PAGE 1-185)

Item	Part Number	FRU	Name	Quantity	Description (Remarks)
8	46-243775G807	2	CABLE	1	RUN 701, MR2-A11-J15 TO RF DOOR SW
27	46-317068G810	2	CABLE	1	(702V) MR2-A11-J18 TO MR1-A7-J5
28	46-317068G809	2	CABLE	1	(703V) MR2-A11-J23 TO PD1-A1-A2-J2
30	46-258431G98	2	CABLE	1	(229M) MR2-A11-J1 TO MR1-A7-J3
32	46-328000G100	2	CABLE ASM	1	(231) MR2-A11-J2 TO PP1-J8
34	46-328000G102	2	CABLE ASM	1	(233/499) MR2-A11-J5 TO PP1-J7 OR
57	46-317068G812	2	CABLE	1	(704V) PP1-J12 TO OC1-A10-J9
61	46-317068G315	2	CABLE	1	(260V/700V)MG2/MG3-A17-J2 TO PP1-J7/
63	46-258431G124	2	CABLE	1	(262M) PP1-J8 TO MG3-A3-A5-OUT
83	46-258431G481	2	CABLE	1	(282M) MG3-A2-J6 TO PP1-J12
97	46-271692G1	2	CABLE ASM	1	RUN 296, FACILITY DISCON. TO PP1-J18
98	46-271693G1	2	CABLE ASM	1	RUN 297, EMERGENCY OFF SW TO PP1-J18
119	46-317068G95	2	CABLE	1	(318V) MG3-A7 TO PP1-J11
159	46-258431G902	2	CABLE	1	(768M) PP1-J20 TO MR1-A7-J31
161	46-258431G905	2	CABLE	1	(771M) PP1-J47 TO MR1-A7-J36
162	46-258431G531	2	CABLE	1	(387M) PP1-J47 TO MG2-A29-J1
163	46-258431G904	2	CABLE	1	(770M) PP1-J11 TO MR1-A7-J41
164	46-258431G903	2	CABLE	1	(769M) PP1-J15 TO MR1-A7-J34
178	46-317068G908	2	CABLE	1	(774V) MR2-A11-J25 TO MR1-A7-J32
192	46-317068G808	2	CABLE	1	(706V) PD1-A1-A3-J2 TO MR2-A11-J14
203	46-258431G916	2	CABLE ASM	1	(778M) MG2-A12-A13-J3 TO PP1-A11-J72
204	46-258431G917	2	CABLE ASM	1	(779M) MG2-A12-A13-J4 TO PP1-A11-J73
205	46-258431G918	2	CABLE ASM	1	(780M) MG3-A3-A1-J6 TO PP1-A11-J74
206	46-258431G919	2	CABLE ASM	1	(781M) MG2-A12-A12-J5 TO PP1-A11-J75
207	46-258431G920	2	CABLE ASM	1	(782M) MG2-A12-A12-J6 TO PP1-A11-J76
208	46-317086G33	2	CABLE	1	(801V)OC1-A10-J10 TO CC1-A2-J2
209	46-317086G34	2	CABLE	1	(800V) OC1-A10-J1 TO CC1-A2-J1 (MUX)
210	46-317086G35	2	CABLE	1	(804V) OC1-A10-J3 TO CC1-A1-A1
211	46-317087G10	2	PLASMA CABLE	1	802V OC1-A10-J12 TO CC1-A1-A9-PLASMA
212	46-317088G10	2	CABLE	1	(803V) OC1-A10-J13 TO CC1-A1-A10
213	46-317359G813	2	CABLE ASM	1	(707TR) MR2-A11-J26 TO OC1-A10-J8
214	46-317359G814	2	CABLE ASM	1	(718TR) MR2-A11-J29 TO OC1-A10-J4
228	46-258431G906	2	CABLE	1	(772M) PP1-J14 TO MR1-A7-J40
229	46-317068G822	2	CABLE	1	(715V) MG2-A33-J1 TO PP1-J14
230	46-258431G907	2	CABLE	1	(773M) PP1-A17-J1 TO MR1-A7-J35
231	46-317068G931	2	CABLE ASM	1	(716V) MG2-A11-A1-J2 TO PP1-J89
232	2123533-4	2	CABLE	1	(783TR) MR1-A7-J37 TO PP1-F5/F6, 65'
233	2123534	2	POWER CABLE	1	(784) PP1-F5/F6 TO MG6-J1, 25'
234	2123535-4	2	POWER CABLE	1	(785TR) MR1-A7-J18 TO PP1-F7/F8, 65'
235	2123536	2	POWER CABLE	1	(786) PP1-F7/F8 TO MG6-J2, 25'
238	46-317068G913	2	CABLE ASM	1	(777V)MR1-A7-J43 TO PP1-A11-J94
239	46-317068G914	2	CABLE ASM	1	(776V)MR1-A7-J44 TO PP1-A11-J93
240	46-317068G915	2	CABLE ASM	1	(775V)MR1-A7-J42 TO PP1-A11-J92
250	46-328000G763	2	CABLE ASM	1	(486) PP1-A14-J85/MR2-A11-J85 TO
251	46-317068G764	2	CABLE ASM	1	(487V)MR1-A7-J20 TO PP1-A15-J78
252	46-317068G765	2	CABLE ASM	1	(488V)MR2-A11-J8 TO PP1-J80
253	46-317068G766	2	CABLE ASM	1	(489V)MR2-A11-J9 TO PP1-J81
254	46-317068G767	2	CABLE ASM	1	(490V)MR2-A11-J10 TO PP1-J82
255	46-317068G768	2	CABLE	1	(491V) PP1-J80 TO MG3-A36-J7
256	46-317068G769	2	CABLE	1	(492V) PP1-J81 TO MG3-A36-J8
257	46-317068G770	2	CABLE	1	(493V) PP1-J82 TO MG3-A36-J9
258	46-317068G771	2	CABLE	1	(494V) PP1-A14-J87 TO MG3-A36-J6
259	46-317068G772	2	CABLE	1	(495V) PP1-A15-J78 TO MG3-A36-J10
260	46-317068G831	2	CABLE ASM	1	726V, MR1-A7-J18 TO PP1-A16-J77 65FT
261	46-317068G832	2	CABLE	1	(727V) PP1-A16-J77 TO MG3-A36-J5
266	46-317086G536	2	CABLE ASM	1	(787M) MR2-A11-J30 TO CC1A1A1SERIALC

5.x FIXED CABLES w/o MC

46-258771G32 FRU N

(PART OF 46-282429G26 PAGE 1-180)

(PART OF 46-282429G63 PAGE 1-184)

Item	Part Number	FRU	Name	Quantity	Description (Remarks)
8	46-301125G807	2	CABLE	1	(701T) MR2-A11-J15 TO RF DOOR SWITCH
27	46-258431G810	2	CABLE ASM	1	(702M) MR2-A11-J18 TO MR1-A7-J5
28	46-258431G809	2	CABLE	1	(703M) MR2-A11-J23 TO PD1-A1-A2-J2/
30	46-301125G98	2	CABLE ASM	1	(229T) MR2-A11-J1 TO MR1-A7-J3
32	46-301125G100	2	CABLE ASM	1	(231T) MR2-A11-J2 TO PP1-J8
34	46-301125G102	2	CABLE	1	(233T/499T) MR2-A11-J5 TO PP1-J7 OR
57	46-243775G812	2	CABLE	1	(704) PP1-J12 TO OC1-A10-J9
61	46-328000G315	2	CABLE	1	(260/700) PP1-J7 OR PP1-A14-J86 TO
63	46-328000G124	2	CABLE	1	(262) PP1-J8 TO MG3-A3-A5-OUT
83	46-328000G481	2	CABLE	1	(282) MG3-A2-J6 TO PP1-J12
97	46-271692G601	2	CABLE ASM	1	(296T) PP1-J18 TO FACILITY DISCONN
98	46-271693G1	2	CABLE ASM	1	RUN 297, EMERGENCY OFF SW TO PP1-J18
119	46-328000G95	2	CABLE	1	(318) MG3-A7 TO PP1-J11
159	46-328000G902	2	CABLE	1	(768TR) PP1-J20 TO MR1-A7-J31
161	46-328000G905	2	CABLE	1	(771TR) PP1-J47 TO MR1-A7-J36
162	46-328000G531	2	CABLE	1	(387) MG2-A29-J1 TO PP1-J47
163	46-328000G904	2	CABLE	1	(770) PP1-J11 TO MR1-A7-J41
164	46-328000G903	2	CABLE	1	(769) PP1-J15 TO MR1-A7-J34
178	46-258431G908	2	CABLE ASM	1	(774M) MR2-A11-J25 TO MR1-A7-J32
192	46-258431G808	2	CABLE	1	(706M) MR2-A11-J14 TO PD1-A14-A1-J3
203	46-328000G916	2	CABLE	1	(778) MG2-A12-A13-J3 TO PP1-A11-J72
204	46-328000G917	2	CABLE	1	(779) MG2-A12-A13-J4 TO PP1-A11-J73
205	46-328000G918	2	CABLE	1	(780) MG3-A3-A1-J6 TO PP1-A11-J74
206	46-328000G919	2	CABLE	1	(781) MG2-A12-A12-J5 TO PP1-A11-J75
207	46-328000G920	2	CABLE	1	(782) MG2-A12-A12-J6 TO PP1-A11-J76
208	46-317086G633	2	CABLE	1	(801T) OC1-A10-J10 TO CC1-A2-J2
209	46-317086G634	2	CABLE	1	(800T) OC1-A10-J1 TO CC1-A2-J1
210	46-317086G635	2	CABLE	1	(804T) OC1A10J3 TO CC1A1A1
211	46-317087G610	2	PLASMA CABLE	1	802T CC1-A1-A9-PLASMA TO OC1-A10-J12
212	46-317088G610	2	CABLE	1	(803T)CC1-A1-A10(VIDEO) TO OC1-A10-
213	46-258431G813	2	CABLE	1	(707M) MR2-A11-J26 TO OC1-A10-J8
214	46-258431G814	2	CABLE	1	(718M) MR2-A11-J29 TO OC1-A10-J4
228	46-328000G906	2	CABLE	1	(772) PP1-J14 TO MR1-A7-J40
229	46-301125G822	2	CABLE	1	(715T) MG2-A33-J1 TO PP1-J14
230	46-328000G907	2	CABLE	1	(773) PP1-A17-J1 TO MR1-A7-J35
231	46-317359G931	2	CABLE	1	(716TR) MG2-A11-A1-J2 TO PP1-J89
232	2123533	2	POWER CABLE	1	(783) MR1-A7-J37 TO PP1-F5/F6, 30'
233	2123534-2	2	POWER CABLE	1	(784M) PP1-F5/F6 TO MG6-J1, 40'
234	2123535	2	POWER CABLE	1	(785) MR1-A7-J18 TO PP1-F7/F8, 30'
235	2123536-2	2	POWER CABLE	1	(786M) PP1-F7/F8 TO MG6-J2, 40'
238	46-328000G913	2	CABLE	1	(777) MR1-A7-J43 TO PP1-A11-J94
239	46-328000G914	2	CABLE	1	(776) MR1-A7-J44 TO PP1-A11-J93
240	46-328000G915	2	CABLE	1	(775) MR1-A7-J42 TO PP1-A11-J92
266	46-317086G36	2	CABLE	1	(787) MR2-A11-J30 TO CC1A1A1SERIAL-C

5.x 1.0T T/R with MC

46-258771G33 FRU N

(PART OF 46-282429G67 PAGE 1-185)

Item	Part Number	FRU	Name	Quantity	Description (Remarks)
8	46-243775G807	2	CABLE	1	RUN 701, MR2-A11-J15 TO RF DOOR SW
27	46-243775G810	2	CABLE	1	RUN 702, MR2-A11-J18 TO MR1-A7-J5
28	46-301125G809	2	CABLE	1	(703T) MR2-A11-J23 TO PD1-A1-A2-J2
30	46-243775G98	2	CABLE	1	RUN 229, MR2-A11-J1 TO MR1-A7-J3
32	46-317359G100	2	CABLE	1	(231TR) MR2-A11-J2 TO PP1-J8
34	46-317359G102	2	CABLE	1	(233TR/499TR) MR2-A11-J5 TO PP1-A14-
57	46-317068G812	2	CABLE	1	(704V) PP1-J12 TO OC1-A10-J9
61	46-317068G315	2	CABLE	1	(260V/700V)MG2/MG3-A17-J2 TO PP1-J7/
63	46-258431G124	2	CABLE	1	(262M) PP1-J8 TO MG3-A3-A5-OUT
83	46-258431G481	2	CABLE	1	(282M) MG3-A2-J6 TO PP1-J12
97	46-271692G1	2	CABLE ASM	1	RUN 296, FACILITY DISCON. TO PP1-J18
98	46-271693G1	2	CABLE ASM	1	RUN 297, EMERGENCY OFF SW TO PP1-J18
119	46-317068G95	2	CABLE	1	(318V) MG3-A7 TO PP1-J11
159	46-317359G902	2	CABLE	1	(768TR) PP1-J20 TO MR1-A7-J31
161	46-317359G905	2	CABLE	1	(771TR) PP1-J47 TO MR1-A7-J36
162	46-258431G531	2	CABLE	1	(387M) PP1-J47 TO MG2-A29-J1
163	46-317359G904	2	CABLE	1	(770TR) PP1-J11 TO MR1-A7-J41
164	46-317359G903	2	CABLE	1	(769TR) PP1-J15 TO MR1-A7-J34
178	46-328000G908	2	CABLE	1	(774) MR2-A11-J25 TO MR1-A7-J32
192	46-301125G808	2	CABLE	1	(706T) PD1-A1-A3-J2 TO MR2-A11-J14
203	46-258431G916	2	CABLE ASM	1	(778M) MG2-A12-A13-J3 TO PP1-A11-J72
204	46-258431G917	2	CABLE ASM	1	(779M) MG2-A12-A13-J4 TO PP1-A11-J73
205	46-258431G918	2	CABLE ASM	1	(780M) MG3-A3-A1-J6 TO PP1-A11-J74
206	46-258431G919	2	CABLE ASM	1	(781M) MG2-A12-A12-J5 TO PP1-A11-J75
207	46-258431G920	2	CABLE ASM	1	(782M) MG2-A12-A12-J6 TO PP1-A11-J76
208	46-317086G533	2	CABLE	1	(801TR) OC1-A10-J10 TO CC1-A2-J2
209	46-317086G534	2	CABLE	1	(800TR)OC1-A10-J1 TO CC1-A2-J1 (MUX)
210	46-317086G535	2	CABLE	1	(804TR) OC1-A10-J3 TO CC1-A1-A1
211	46-317087G510	2	PLASMA CABLE	1	802TR OC1-A10-J12 - CC1-A1-A9-PLASMA
212	46-317088G510	2	CABLE	1	(803TR)OC1-A10-J13 TO CC1-A1-A10
213	46-301125G813	2	CABLE	1	(707T) MR2-A11-J26 TO OC1-A10-J8
214	46-301125G814	2	CABLE	1	(718T) MR2-A11-J29 TO OC1-A10-J4
228	46-301125G906	2	CABLE	1	(772T) PP1-J14 TO MR1-A7-J40
229	46-317068G822	2	CABLE	1	(715V) MG2-A33-J1 TO PP1-J14
230	46-301125G907	2	CABLE	1	(773T) PP1-A17-J1 TO MR1-A7-J35
231	46-317068G931	2	CABLE ASM	1	(716V) MG2-A11-A1-J2 TO PP1-J89
232	2123533-3	2	POWER CABLE	1	(783T) MR1-A7-J37 TO PP1-F5/F6, 80'
233	2123534	2	POWER CABLE	1	(784) PP1-F5/F6 TO MG6-J1, 25'
234	2123535-3	2	POWER CABLE	1	(785T) MR1-A7-J18 TO PP1-F7/F8, 80'
235	2123536	2	POWER CABLE	1	(786) PP1-F7/F8 TO MG6-J2, 25'
238	46-301125G913	2	CABLE	1	(777T) MR1-A7-J43 TO PP1-A11-J94
239	46-301125G914	2	CABLE	1	(776T) MR1-A7-J44 TO PP1-A11-J93
240	46-301125G915	2	CABLE	1	(775T) MR1-A7-J42 TO PP1-A11-J92
250	46-243775G763	2	CABLE	1	RUN 486, PP1-A14-J85 TO MR1-A7-J22
251	46-258431G764	2	CABLE	1	(487M) MR1-A7-J20 TO PP1-A15-J78
252	46-258431G765	2	CABLE	1	(488M) MR2-A11-J8 TO PP1-J80
253	46-258431G766	2	CABLE	1	(489M) MR2-A11-J9 TO PP1-J81
254	46-258431G767	2	CABLE	1	(490M) MR2-A11-J10 TO PP1-J82
255	46-317068G768	2	CABLE	1	(491V) PP1-J80 TO MG3-A36-J7
256	46-317068G769	2	CABLE	1	(492V) PP1-J81 TO MG3-A36-J8
257	46-317068G770	2	CABLE	1	(493V) PP1-J82 TO MG3-A36-J9
258	46-317068G771	2	CABLE	1	(494V) PP1-A14-J87 TO MG3-A36-J6
259	46-317068G772	2	CABLE	1	(495V) PP1-A15-J78 TO MG3-A36-J10
260	46-258431G831	2	CABLE	1	(726M) MR1-A7-J18 TO PP1-A16-J77
261	46-301125G832	2	CABLE	1	(727T) PP1-A16-J77 TO MG3-A36-J5
266	46-317086G36	2	CABLE	1	(787) MR2-A11-J30 TO CC1A1A1SERIAL-C

8.x FIXED with OR w/o MC

46-258771G35 FRU N

(PART OF 46-282429G30 PAGE 1-181)
 (PART OF 46-282429G69 PAGE 1-185)
 (PART OF 46-282429G72 PAGE 1-186)
 (PART OF 46-282429G75 PAGE 1-187)
 (PART OF 46-282429G80 PAGE 1-189)
 (PART OF 46-282429G83 PAGE 1-190)

Item	Part Number	FRU	Name	Quantity	Description (Remarks)
5	2198993	2	CABLE	1	(818) MR2-A11-J31 TO OW1-A16-6,7,8
8	46-301125G807	2	CABLE	1	(701T) MR2-A11-J15 TO RF DOOR SWITCH
27	46-258431G810	2	CABLE ASM	1	(702M) MR2-A11-J18 TO MR1-A7-J5
28	46-258431G809	2	CABLE	1	(703M) MR2-A11-J23 TO PD1-A1-A2-J2/
30	46-301125G98	2	CABLE ASM	1	(229T) MR2-A11-J1 TO MR1-A7-J3
32	46-301125G100	2	CABLE ASM	1	(231T) MR2-A11-J2 TO PP1-J8
34	46-301125G102	2	CABLE	1	(233T/499T) MR2-A11-J5 TO PP1-J7 OR
61	46-328000G315	2	CABLE	1	(260/700) PP1-J7 OR PP1-A14-J86 TO
63	46-328000G124	2	CABLE	1	(262) PP1-J8 TO MG3-A3-A5-OUT
83	46-328000G481	2	CABLE	1	(282) MG3-A2-J6 TO PP1-J12
97	46-271692G601	2	CABLE ASM	1	(296T) PP1-J18 TO FACILITTY DISCONN
98	46-271693G1	2	CABLE ASM	1	RUN 297, EMERGENCY OFF SW TO PP1-J18
119	46-328000G95	2	CABLE	1	(318) MG3-A7 TO PP1-J11
159	46-328000G902	2	CABLE	1	(768TR) PP1-J20 TO MR1-A7-J31
161	46-328000G905	2	CABLE	1	(771TR) PP1-J47 TO MR1-A7-J36
162	46-328000G531	2	CABLE	1	(387) MG2-A29-J1 TO PP1-J47
163	46-328000G904	2	CABLE	1	(770) PP1-J11 TO MR1-A7-J41
164	46-328000G903	2	CABLE	1	(769) PP1-J15 TO MR1-A7-J34
178	46-258431G908	2	CABLE ASM	1	(774M) MR2-A11-J25 TO MR1-A7-J32
192	46-258431G808	2	CABLE	1	(706M) MR2-A11-J14 TO PD1-A14-A1-J3
203	46-328000G916	2	CABLE	1	(778) MG2-A12-A13-J3 TO PP1-A11-J72
204	46-328000G917	2	CABLE	1	(779) MG2-A12-A13-J4 TO PP1-A11-J73
205	46-328000G918	2	CABLE	1	(780) MG3-A3-A1-J6 TO PP1-A11-J74
206	46-328000G919	2	CABLE	1	(781) MG2-A12-A12-J5 TO PP1-A11-J75
207	46-328000G920	2	CABLE	1	(782) MG2-A12-A12-J6 TO PP1-A11-J76
228	46-328000G906	2	CABLE	1	(772) PP1-J14 TO MR1-A7-J40
229	46-301125G822	2	CABLE	1	(715T) MG2-A33-J1 TO PP1-J14
230	46-328000G907	2	CABLE	1	(773) PP1-A17-J1 TO MR1-A7-J35
231	46-317359G931	2	CABLE	1	(716TR) MG2-A11-A1-J2 TO PP1-J89
232	2123533	2	POWER CABLE	1	(783) MR1-A7-J37 TO PP1-F5/F6, 30'
233	2123534-2	2	POWER CABLE	1	(784M) PP1-F5/F6 TO MG6-J1, 40'
234	2123535	2	POWER CABLE	1	(785) MR1-A7-J18 TO PP1-F7/F8, 30'
235	2123536-2	2	POWER CABLE	1	(786M) PP1-F7/F8 TO MG6-J2, 40'
238	46-328000G913	2	CABLE	1	(777) MR1-A7-J43 TO PP1-A11-J94
239	46-328000G914	2	CABLE	1	(776) MR1-A7-J44 TO PP1-A11-J93
240	46-328000G915	2	CABLE	1	(775) MR1-A7-J42 TO PP1-A11-J92
250	46-301125G763	2	CABLE	1	(486T) PP1-A14-J85/MR2-A11-J85 TO
251	46-301125G764	2	CABLE ASM	1	(487T) MR1-A7-J20 TP PP1-A15-J78
252	46-301125G765	2	CABLE ASM	1	(488T) MR2-A11-J8 TO PP1-J80
253	46-301125G766	2	CABLE ASM	1	(489T) MR2-A11-J9 TO PP1-J81
254	46-301125G767	2	CABLE ASM	1	(490T) MR2-A11-J10 TO PP1-J82
255	46-243775G768	2	CABLE	1	RUN 491, PP1-J80 TO MG3-A36-J7
256	46-243775G769	2	CABLE	1	RUN 492, PP1-J81 TO MG3-A36-J8
257	46-243775G770	2	CABLE	1	RUN 493, PP1-J82 TO MG3-A36-J9
258	46-243775G771	2	CABLE	1	RUN 494, PP1-A14-J87 TO MG3-A36-J6
259	46-243775G772	2	CABLE	1	RUN 495, PP1-A15-J78 TO MG3-A36-J10
260	46-301125G831	2	CABLE ASM	1	(726T)MR1-A7-J18 TO PP1-A16-J77
261	46-243775G832	2	CABLE	1	RUN 727, PP1-A16-J77 TO MG3-A36-J5
267	46-328000G937	2	ASSEMBLY	1	(788)PP1-J12 TO OW1-A1-A2-J7
268	46-328000G938	2	ASSEMBLY	1	(789)MR2-A11-J26 TO OW1-A1-A2-J18
269	46-328000G939	2	ASSEMBLY	1	(791) MR2-A11-J30 TO OW1-A2-A4-EXP1

8.x 1.5T T/R with OR w/o MC

46-258771G36 FRU N

(PART 8 OF M3093PA PAGE 1-55)

(PART OF T/R COLLECTORS

46-282429G31 TO 46-282429G101 PAGES 1-181 TO 1-192)

Item	Part Number	FRU	Name	Quantity	Description (Remarks)
5	2198993	2	CABLE	1	(818) MR2-A11-J31 TO OW1-A16-6,7,8
8	46-243775G807	2	CABLE	1	RUN 701, MR2-A11-J15 TO RF DOOR SW
27	46-243775G810	2	CABLE	1	RUN 702, MR2-A11-J18 TO MR1-A7-J5
28	46-301125G809	2	CABLE	1	(703T) MR2-A11-J23 TO MR1-PD1-J2
30	46-243775G98	2	CABLE	1	RUN 229, MR2-A11-J1 TO MR1-A7-J3
32	46-317359G100	2	CABLE	1	(231TR) MR2-A11-J2 TO PP1-J8
34	46-317359G102	2	CABLE	1	(233TR/499TR) MR2-A11-J5 TO PP1-A14-
61	46-317068G315	2	CABLE	1	(260V/700V)MG2/MG3-A17-J2 TO PP1-J7/
63	46-258431G124	2	CABLE	1	(262M) PP1-J8 TO MG3-A3-A5-OUT
83	46-258431G481	2	CABLE	1	(282M) MG3-A2-J6 TO PP1-J12
97	46-271692G1	2	CABLE ASM	1	RUN 296, FACILITY DISCON. TO PP1-J18
98	46-271693G1	2	CABLE ASM	1	RUN 297, EMERGENCY OFF SW TO PP1-J18
119	46-317068G95	2	CABLE	1	(318V) MG3-A7 TO PP1-J11
159	46-317359G902	2	CABLE	1	(768TR) PP1-J20 TO MR1-A7-J31
161	46-317359G905	2	CABLE	1	(771TR) PP1-J47 TO MR1-A7-J36
162	46-258431G531	2	CABLE	1	(387M) PP1-J47 TO MG2-A29-J1
163	46-317359G904	2	CABLE	1	(770TR) PP1-J11 TO MR1-A7-J41
164	46-317359G903	2	CABLE	1	(769TR) PP1-J15 TO MR1-A7-J34
178	46-328000G908	2	CABLE	1	(774) MR2-A11-J25 TO MR1-A7-J32
192	46-301125G808	2	CABLE	1	(706T) MR1-PD1-J3 TO MR2-A11-J14
203	46-258431G916	2	CABLE ASM	1	(778M) MG2-A12-A13-J3 TO PP1-A11-J72
204	46-258431G917	2	CABLE ASM	1	(779M) MG2-A12-A13-J4 TO PP1-A11-J73
205	46-258431G918	2	CABLE ASM	1	(780M) MG3-A3-A1-J6 TO PP1-A11-J74
206	46-258431G919	2	CABLE ASM	1	(781M) MG2-A12-A12-J5 TO PP1-A11-J75
207	46-258431G920	2	CABLE ASM	1	(782M) MG2-A12-A12-J6 TO PP1-A11-J76
228	46-301125G906	2	CABLE	1	(772T) PP1-J14 TO MR1-A7-J40
229	46-317068G822	2	CABLE	1	(715V) MG2-A33-J1 TO PP1-J14
230	46-301125G907	2	CABLE	1	(773T) PP1-A17-J1 TO MR1-A7-J35
231	46-317068G931	2	CABLE ASM	1	(716V) MG2-A11-A1-J2 TO PP1-J89
232	2123533-3	2	POWER CABLE	1	(783T) MR1-A7-J37 TO PP1-F5/F6, 80'
233	2123534	2	POWER CABLE	1	(784) PP1-F5/F6 TO MG6-J1, 25'
234	2123535-3	2	POWER CABLE	1	(785T) MR1-A7-J18 TO PP1-F7/F8, 80'
235	2123536	2	POWER CABLE	1	(786) PP1-F7/F8 TO MG6-J2, 25'
238	46-301125G913	2	CABLE	1	(777T) MR1-A7-J43 TO PP1-A11-J94
239	46-301125G914	2	CABLE	1	(776T) MR1-A7-J44 TO PP1-A11-J93
240	46-301125G915	2	CABLE	1	(775T) MR1-A7-J42 TO PP1-A11-J92
250	46-328000G763	2	CABLE ASM	1	(486) PP1-A14-J85/MR2-A11-J85 TO
251	46-258431G764	2	CABLE	1	(487M) MR1-A7-J20 TO PP1-A15-J78
252	46-258431G765	2	CABLE	1	(488M) MR2-A11-J8 TO PP1-J80
253	46-258431G766	2	CABLE	1	(489M) MR2-A11-J9 TO PP1-J81
254	46-258431G767	2	CABLE	1	(490M) MR2-A11-J10 TO PP1-J82
255	46-317068G768	2	CABLE	1	(491V) PP1-J80 TO MG3-A36-J7
256	46-317068G769	2	CABLE	1	(492V) PP1-J81 TO MG3-A36-J8
257	46-317068G770	2	CABLE	1	(493V) PP1-J82 TO MG3-A36-J9
258	46-317068G771	2	CABLE	1	(494V) PP1-A14-J87 TO MG3-A36-J6
259	46-317068G772	2	CABLE	1	(495V) PP1-A15-J78 TO MG3-A36-J10
260	46-258431G831	2	CABLE	1	(726M) MR1-A7-J18 TO PP1-A16-J77
261	46-301125G832	2	CABLE	1	(727T) PP1-A16-J77 TO MG3-A36-J5
263	46-317359G858	2	CABLE ASM	1	(742TR) MR2-A11-J86 TO PP1-A14-J86
264	46-258431G857	2	CABLE	1	(741M) MR2-A11-J87 TO PP1-A14-J87
265	46-243775G859	2	CABLE	1	MR2-A11-J84 TO MR2-A11-J5
267	46-258431G937	2	CABLE	1	(788M) PP1-J12 TO OW1-A1-A2-J7
268	46-301125G938	2	CABLE	1	(789T) MR2-A11-J26 TO OW1-A1-A2-J18
269	46-301125G939	2	CABLE	1	(791T) MR2-A11-J30 TO OW1-A2-A4-EXP1

8.x MOBILE with OR w/o MC

46-258771G38 FRU N

(PART OF MOBILE COLLECTORS
46-282429G32 TO 46-282429G85 PAGES 1-182 TO 1-190)

Item	Part Number	FRU	Name	Quantity	Description (Remarks)
5	2198993	2	CABLE	1	(818) MR2-A11-J31 TO OW1-A16-6,7,8
8	46-243775G807	2	CABLE	1	RUN 701, MR2-A11-J15 TO RF DOOR SW
27	46-317068G810	2	CABLE	1	(702V) MR2-A11-J18 TO MR1-A7-J5
28	46-317068G809	2	CABLE	1	(703V) MR2-A11-J23 TO MR1-PD1-J2
30	46-258431G98	2	CABLE	1	(229M) MR2-A11-J1 TO MR1-A7-J3_OR TO
32	46-328000G100	2	CABLE ASM	1	(231) MR2-A11-J2 TO PP1-J8
34	46-328000G102	2	CABLE ASM	1	(233/499) MR2-A11-J5 TO PP1-J7 OR
61	46-317068G315	2	CABLE	1	(260V/700V)MG2/MG3-A17-J2 TO PP1-J7/
63	46-258431G124	2	CABLE	1	(262M) PP1-J8 TO MG3-A3-A5-OUT
83	46-258431G481	2	CABLE	1	(282M) MG3-A2-J6 TO PP1-J12
97	46-271692G1	2	CABLE ASM	1	RUN 296, FACILITY DISCON. TO PP1-J18
98	46-271693G1	2	CABLE ASM	1	RUN 297, EMERGENCY OFF SW TO PP1-J18
119	46-317068G95	2	CABLE	1	(318V) MG3-A7 TO PP1-J11
159	46-258431G902	2	CABLE	1	(768M) PP1-J20 TO MR1-A7-J31
161	46-258431G905	2	CABLE	1	(771M) PP1-J47 TO MR1-A7-J36
162	46-258431G531	2	CABLE	1	(387M) PP1-J47 TO MG2-A29-J1
163	46-258431G904	2	CABLE	1	(770M) PP1-J11 TO MR1-A7-J41
164	46-258431G903	2	CABLE	1	(769M) PP1-J15 TO MR1-A7-J34
178	46-317068G908	2	CABLE	1	(774V) MR2-A11-J25 TO MR1-A7-J32
192	46-317068G808	2	CABLE	1	(706V) MR1-PD1-J3 TO MR2-A11-J14
203	46-258431G916	2	CABLE ASM	1	(778M) MG2-A12-A13-J3 TO PP1-A11-J72
204	46-258431G917	2	CABLE ASM	1	(779M) MG2-A12-A13-J4 TO PP1-A11-J73
205	46-258431G918	2	CABLE ASM	1	(780M) MG3-A3-A1-J6 TO PP1-A11-J74
206	46-258431G919	2	CABLE ASM	1	(781M) MG2-A12-A12-J5 TO PP1-A11-J75
207	46-258431G920	2	CABLE ASM	1	(782M) MG2-A12-A12-J6 TO PP1-A11-J76
228	46-258431G906	2	CABLE	1	(772M) PP1-J14 TO MR1-A7-J40
229	46-317068G822	2	CABLE	1	(715V) MG2-A33-J1 TO PP1-J14
230	46-258431G907	2	CABLE	1	(773M) PP1-A17-J1 TO MR1-A7-J35
231	46-317068G931	2	CABLE ASM	1	(716V) MG2-A11-A1-J2 TO PP1-J89
232	2123533-4	2	CABLE	1	(783TR) MR1-A7-J37 TO PP1-F5/F6, 65'
233	2123534	2	POWER CABLE	1	(784) PP1-F5/F6 TO MG6-J1, 25'
234	2123535-4	2	POWER CABLE	1	(785TR) MR1-A7-J18 TO PP1-F7/F8, 65'
235	2123536	2	POWER CABLE	1	(786) PP1-F7/F8 TO MG6-J2, 25'
238	46-317068G913	2	CABLE ASM	1	(777V)MR1-A7-J43 TO PP1-A11-J94
239	46-317068G914	2	CABLE ASM	1	(776V)MR1-A7-J44 TO PP1-A11-J93
240	46-317068G915	2	CABLE ASM	1	(775V)MR1-A7-J42 TO PP1-A11-J92
250	46-328000G763	2	CABLE ASM	1	(486) PP1-A14-J85/MR2-A11-J85 TO
251	46-317068G764	2	CABLE ASM	1	(487V)MR1-A7-J20 TO PP1-A15-J78
252	46-317068G765	2	CABLE ASM	1	(488V)MR2-A11-J8 TO PP1-J80
253	46-317068G766	2	CABLE ASM	1	(489V)MR2-A11-J9 TO PP1-J81
254	46-317068G767	2	CABLE ASM	1	(490V)MR2-A11-J10 TO PP1-J82
255	46-317068G768	2	CABLE	1	(491V) PP1-J80 TO MG3-A36-J7
256	46-317068G769	2	CABLE	1	(492V) PP1-J81 TO MG3-A36-J8
257	46-317068G770	2	CABLE	1	(493V) PP1-J82 TO MG3-A36-J9
258	46-317068G771	2	CABLE	1	(494V) PP1-A14-J87 TO MG3-A36-J6
259	46-317068G772	2	CABLE	1	(495V) PP1-A15-J78 TO MG3-A36-J10
260	46-317068G831	2	CABLE ASM	1	726V, MR1-A7-J18 TO PP1-A16-J77 65FT
261	46-317068G832	2	CABLE	1	(727V) PP1-A16-J77 TO MG3-A36-J5
263	46-317068G858	2	CABLE	1	(742V) MR2-A11-J86 TO PP1-A14-J86
264	46-317068G857	2	CABLE	1	(741V) MR2-A11-J87 TO PP1-A14-J87
265	46-243775G859	2	CABLE	1	MR2-A11-J84 TO MR2-A11-J5
267	46-258431G937	2	CABLE	1	(788M) PP1-J12 TO OW1-A1-A2-J7
268	46-258431G938	2	CABLE	1	(789M) MR2-A11-J26 TO OW1-A1-A2-J18
269	46-258431G939	2	CABLE	1	(791M)MR2-A11-J30 TO OW1-A2-A4-EXP1

8.x MOBILE SITE CABLES

46-258771G39 FRU N

(PART OF 46-282429G38 PAGE 1-183)
 (PART OF 46-282429G76 PAGE 1-188)
 (PART OF 46-282429G81 PAGE 1-189)
 (PART OF 46-282429G85 PAGE 1-190)
 (PART OF 46-282429G102 PAGE 1-193)
 (PART OF 46-282429G103 PAGE 1-193)

Item	Part Number	FRU	Name	Quantity	Description (Remarks)
5	2198993	2	CABLE	1	(818) MR2-A11-J31 TO OW1-A16-6,7,8
8	46-243775G807	2	CABLE	1	RUN 701, MR2-A11-J15 TO RF DOOR SW
27	46-258431G810	2	CABLE ASM	1	(702M) MR2-A11-J18 TO MR1-A7-J5
28	46-317068G809	2	CABLE	1	(703V) MR2-A11-J23 TO MR1-PD1-J2
30	46-301125G98	2	CABLE ASM	1	(229T) MR2-A11-J1 TO MR1-A7-J3
32	46-328000G100	2	CABLE ASM	1	(231) MR2-A11-J2 TO PP1-J8
34	46-328000G102	2	CABLE ASM	1	(233/499) MR2-A11-J5 TO PP1-J7 OR
61	46-317068G315	2	CABLE	1	(260V/700V)MG2/MG3-A17-J2 TO PP1-J7/
63	46-258431G124	2	CABLE	1	(262M) PP1-J8 TO MG3-A3-A5-OUT
83	46-258431G481	2	CABLE	1	(282M) MG3-A2-J6 TO PP1-J12
97	46-271692G1	2	CABLE ASM	1	RUN 296, FACILITY DISCON. TO PP1-J18
98	46-271693G1	2	CABLE ASM	1	RUN 297, EMERGENCY OFF SW TO PP1-J18
119	46-317068G95	2	CABLE	1	(318V) MG3-A7 TO PP1-J11
159	46-258431G902	2	CABLE	1	(768M) PP1-J20 TO MR1-A7-J31
161	46-258431G905	2	CABLE	1	(771M) PP1-J47 TO MR1-A7-J36
162	46-258431G531	2	CABLE	1	(387M) PP1-J47 TO MG2-A29-J1
163	46-258431G904	2	CABLE	1	(770M) PP1-J11 TO MR1-A7-J41
164	46-258431G903	2	CABLE	1	(769M) PP1-J15 TO MR1-A7-J34
178	46-258431G908	2	CABLE ASM	1	(774M) MR2-A11-J25 TO MR1-A7-J32
192	46-317068G808	2	CABLE	1	(706V) MR1-PD1-J3 TO MR2-A11-J14
203	46-258431G916	2	CABLE ASM	1	(778M) MG2-A12-A13-J3 TO PP1-A11-J72
204	46-258431G917	2	CABLE ASM	1	(779M) MG2-A12-A13-J4 TO PP1-A11-J73
205	46-258431G918	2	CABLE ASM	1	(780M) MG3-A3-A1-J6 TO PP1-A11-J74
206	46-258431G919	2	CABLE ASM	1	(781M) MG2-A12-A12-J5 TO PP1-A11-J75
207	46-258431G920	2	CABLE ASM	1	(782M) MG2-A12-A12-J6 TO PP1-A11-J76
228	46-258431G906	2	CABLE	1	(772M) PP1-J14 TO MR1-A7-J40
229	46-317068G822	2	CABLE	1	(715V) MG2-A33-J1 TO PP1-J14
230	46-258431G907	2	CABLE	1	(773M) PP1-A17-J1 TO MR1-A7-J35
231	46-317068G931	2	CABLE ASM	1	(716V) MG2-A11-A1-J2 TO PP1-J89
232	2123533-4	2	CABLE	1	(783TR) MR1-A7-J37 TO PP1-F5/F6, 65'
233	2123534	2	POWER CABLE	1	(784) PP1-F5/F6 TO MG6-J1, 25'
234	2123535-4	2	POWER CABLE	1	(785TR) MR1-A7-J18 TO PP1-F7/F8, 65'
235	2123536	2	POWER CABLE	1	(786) PP1-F7/F8 TO MG6-J2, 25'
238	46-317068G913	2	CABLE ASM	1	(777V)MR1-A7-J43 TO PP1-A11-J94
239	46-317068G914	2	CABLE ASM	1	(776V)MR1-A7-J44 TO PP1-A11-J93
240	46-317068G915	2	CABLE ASM	1	(775V)MR1-A7-J42 TO PP1-A11-J92
250	46-328000G763	2	CABLE ASM	1	(486) PP1-A14-J85/MR2-A11-J85 TO
251	46-317068G764	2	CABLE ASM	1	(487V)MR1-A7-J20 TO PP1-A15-J78
252	46-317068G765	2	CABLE ASM	1	(488V)MR2-A11-J8 TO PP1-J80
253	46-317068G766	2	CABLE ASM	1	(489V)MR2-A11-J9 TO PP1-J81
254	46-317068G767	2	CABLE ASM	1	(490V)MR2-A11-J10 TO PP1-J82
255	46-317068G768	2	CABLE	1	(491V) PP1-J80 TO MG3-A36-J7
256	46-317068G769	2	CABLE	1	(492V) PP1-J81 TO MG3-A36-J8
257	46-317068G770	2	CABLE	1	(493V) PP1-J82 TO MG3-A36-J9
258	46-317068G771	2	CABLE	1	(494V) PP1-A14-J87 TO MG3-A36-J6
259	46-317068G772	2	CABLE	1	(495V) PP1-A15-J78 TO MG3-A36-J10
260	46-317068G831	2	CABLE ASM	1	(726V) MR1-A7-J18 TO PP1-A16-J77
261	46-317068G832	2	CABLE	1	(727V) PP1-A16-J77 TO MG3-A36-J5
263	46-317068G858	2	CABLE	1	(742V) MR2-A11-J86 TO PP1-A14-J86
264	46-317068G857	2	CABLE	1	(741V) MR2-A11-J87 TO PP1-A14-J87
265	46-243775G859	2	CABLE	1	MR2-A11-J84 TO MR2-A11-J5
267	46-258431G937	2	CABLE	1	(788M) PP1-J12 TO OW1-A1-A2-J7
268	46-258431G938	2	CABLE	1	(789M) MR2-A11-J26 TO OW1-A1-A2-J18
269	46-258431G939	2	CABLE	1	(791M)MR2-A11-J30 TO OW1-A2-A4-EXP1

ACGD FIXED SITE CABLES

46-258771G47 FRU N

(PART OF 46-282429G98 PAGE 1-192)

(PART OF 46-282429G99 PAGE 1-192)

Item	Part Number	FRU	Name	Quantity	Description (Remarks)
5	2198993	2	CABLE	1	(818) MR2-A11-J31 TO OW1-A16-6,7,8
8	46-301125G807	2	CABLE	1	(701T) MR2-A11-J15 TO RF DOOR SWITCH
27	46-258431G810	2	CABLE ASM	1	(702M) MR2-A11-J18 TO MR1-A7-J5
28	46-258431G941	N	CABLE	1	(971M)MR3-PD1-J2 TO MR2-A11-J23
30	46-301125G98	2	CABLE ASM	1	(229T) MR2-A11-J1 TO MR1-A7-J3
32	46-301125G100	2	CABLE ASM	1	(231T) MR2-A11-J2 TO PP1-J8
34	46-301125G102	2	CABLE	1	(233T/499T) MR2-A11-J5 TO PP1-J7 OR
61	46-328000G315	2	CABLE	1	(260/700) PP1-J7 OR PP1-A14-J86 TO
63	46-328000G124	2	CABLE	1	(262) PP1-J8 TO MG3-A3-A5-OUT
83	46-328000G481	2	CABLE	1	(282) MG3-A2-J6 TO PP1-J12
97	46-271692G601	2	CABLE ASM	1	(296T) PP1-J18 TO FACILITY DISCONN
98	46-271693G1	2	CABLE ASM	1	RUN 297, EMERGENCY OFF SW TO PP1-J18
119	46-328000G95	2	CABLE	1	(318) MG3-A7 TO PP1-J11
159	46-328000G902	2	CABLE	1	(768TR) PP1-J20 TO MR1-A7-J31
161	46-328000G905	2	CABLE	1	(771TR) PP1-J47 TO MR1-A7-J36
162	46-328000G531	2	CABLE	1	(387) MG2-A29-J1 TO PP1-J47
163	46-328000G904	2	CABLE	1	(770) PP1-J11 TO MR1-A7-J41
164	46-328000G903	2	CABLE	1	(769) PP1-J15 TO MR1-A7-J34
178	46-258431G908	2	CABLE ASM	1	(774M) MR2-A11-J25 TO MR1-A7-J32
192	46-258431G940	N	CABLE	1	(972M)MR3-PD1-J3 TO MR2-A11-J14
203	46-328000G916	2	CABLE	1	(778) MG2-A12-A13-J3 TO PP1-A11-J72
204	46-328000G917	2	CABLE	1	(779) MG2-A12-A13-J4 TO PP1-A11-J73
205	46-328000G918	2	CABLE	1	(780) MG3-A3-A1-J6 TO PP1-A11-J74
206	46-328000G919	2	CABLE	1	(781) MG2-A12-A12-J5 TO PP1-A11-J75
207	46-328000G920	2	CABLE	1	(782) MG2-A12-A12-J6 TO PP1-A11-J76
228	46-328000G906	2	CABLE	1	(772) PP1-J14 TO MR1-A7-J40
229	46-301125G822	2	CABLE	1	(715T) MG2-A33-J1 TO PP1-J14
230	46-328000G907	2	CABLE	1	(773) PP1-A17-J1 TO MR1-A7-J35
231	46-317359G931	2	CABLE	1	(716TR) MG2-A11-A1-J2 TO PP1-J89
232	2123533	2	POWER CABLE	1	(783) MR1-A7-J37 TO PP1-F5/F6, 30'
233	2123534-2	2	POWER CABLE	1	(784M) PP1-F5/F6 TO MG6-J1, 40'
234	2123535	2	POWER CABLE	1	(785) MR1-A7-J18 TO PP1-F7/F8, 30'
235	2123536-2	2	POWER CABLE	1	(786M) PP1-F7/F8 TO MG6-J2, 40'
238	46-328000G913	2	CABLE	1	(777) MR1-A7-J43 TO PP1-A11-J94
239	46-328000G914	2	CABLE	1	(776) MR1-A7-J44 TO PP1-A11-J93
240	46-328000G915	2	CABLE	1	(775) MR1-A7-J42 TO PP1-A11-J92
250	46-301125G763	2	CABLE	1	(486T) PP1-A14-J85/MR2-A11-J85 TO
251	46-301125G764	2	CABLE ASM	1	(487T) MR1-A7-J20 TP PP1-A15-J78
252	46-301125G765	2	CABLE ASM	1	(488T) MR2-A11-J8 TO PP1-J80
253	46-301125G766	2	CABLE ASM	1	(489T) MR2-A11-J9 TO PP1-J81
254	46-301125G767	2	CABLE ASM	1	(490T) MR2-A11-J10 TO PP1-J82
255	46-243775G768	2	CABLE	1	RUN 491, PP1-J80 TO MG3-A36-J7
256	46-243775G769	2	CABLE	1	RUN 492, PP1-J81 TO MG3-A36-J8
257	46-243775G770	2	CABLE	1	RUN 493, PP1-J82 TO MG3-A36-J9
258	46-243775G771	2	CABLE	1	RUN 494, PP1-A14-J87 TO MG3-A36-J6
259	46-243775G772	2	CABLE	1	RUN 495, PP1-A15-J78 TO MG3-A36-J10
260	46-301125G831	2	CABLE ASM	1	(726T)MR1-A7-J18 TO PP1-A16-J77
261	46-243775G832	2	CABLE	1	RUN 727, PP1-A16-J77 TO MG3-A36-J5
267	46-328000G937	2	ASSEMBLY	1	(788)PP1-J12 TO OW1-A1-A2-J7
268	46-328000G938	2	ASSEMBLY	1	(789)MR2-A11-J26 TO OW1-A1-A2-J18
269	46-328000G939	2	ASSEMBLY	1	(791) MR2-A11-J30 TO OW1-A2-A4-EXP1

ACGD T/R SITE CABLES

46-258771G48 FRU N

(PART OF 46-282429G100 PAGE 1-192)
(PART OF 46-282429G101 PAGE 1-192)

Item	Part Number	FRU	Name	Quantity	Description (Remarks)
5	2198993	2	CABLE	1	(818) MR2-A11-J31 TO OW1-A16-6,7,8
8	46-243775G807	2	CABLE	1	RUN 701, MR2-A11-J15 TO RF DOOR SW
27	46-243775G810	2	CABLE	1	RUN 702, MR2-A11-J18 TO MR1-A7-J5
28	46-301125G941	N	CABLE	1	(703T) MR2-A11-J23 TO MR3-PD1-J2
30	46-243775G98	2	CABLE	1	RUN 229, MR2-A11-J1 TO MR1-A7-J3
32	46-317359G100	2	CABLE	1	(231TR) MR2-A11-J2 TO PP1-J8
34	46-317359G102	2	CABLE	1	(233TR/499TR) MR2-A11-J5 TO PP1-A14-
61	46-317068G315	2	CABLE	1	(260V/700V)MG2/MG3-A17-J2 TO PP1-J7/
63	46-258431G124	2	CABLE	1	(262M) PP1-J8 TO MG3-A3-A5-OUT
83	46-258431G481	2	CABLE	1	(282M) MG3-A2-J6 TO PP1-J12
97	46-271692G1	2	CABLE ASM	1	RUN 296, FACILITY DISCON. TO PP1-J18
98	46-271693G1	2	CABLE ASM	1	RUN 297, EMERGENCY OFF SW TO PP1-J18
119	46-317068G95	2	CABLE	1	(318V) MG3-A7 TO PP1-J11
159	46-317359G902	2	CABLE	1	(768TR) PP1-J20 TO MR1-A7-J31
161	46-317359G905	2	CABLE	1	(771TR) PP1-J47 TO MR1-A7-J36
162	46-258431G531	2	CABLE	1	(387M) PP1-J47 TO MG2-A29-J1
163	46-317359G904	2	CABLE	1	(770TR) PP1-J11 TO MR1-A7-J41
164	46-317359G903	2	CABLE	1	(769TR) PP1-J15 TO MR1-A7-J34
178	46-328000G908	2	CABLE	1	(774) MR2-A11-J25 TO MR1-A7-J32
192	46-301125G940	N	CABLE	1	(706T) MR3-PD1-J3 TO MR2-A11-J14
203	46-258431G916	2	CABLE ASM	1	(778M) MG2-A12-A13-J3 TO PP1-A11-J72
204	46-258431G917	2	CABLE ASM	1	(779M) MG2-A12-A13-J4 TO PP1-A11-J73
205	46-258431G918	2	CABLE ASM	1	(780M) MG3-A3-A1-J6 TO PP1-A11-J74
206	46-258431G919	2	CABLE ASM	1	(781M) MG2-A12-A12-J5 TO PP1-A11-J75
207	46-258431G920	2	CABLE ASM	1	(782M) MG2-A12-A12-J6 TO PP1-A11-J76
228	46-301125G906	2	CABLE	1	(772T) PP1-J14 TO MR1-A7-J40
229	46-317068G822	2	CABLE	1	(715V) MG2-A33-J1 TO PP1-J14
230	46-301125G907	2	CABLE	1	(773T) PP1-A17-J1 TO MR1-A7-J35
231	46-317068G931	2	CABLE ASM	1	(716V) MG2-A11-A1-J2 TO PP1-J89
232	2123533-3	2	POWER CABLE	1	(783T) MR1-A7-J37 TO PP1-F5/F6, 80'
233	2123534	2	POWER CABLE	1	(784) PP1-F5/F6 TO MG6-J1, 25'
234	2123535-3	2	POWER CABLE	1	(785T) MR1-A7-J18 TO PP1-F7/F8, 80'
235	2123536	2	POWER CABLE	1	(786) PP1-F7/F8 TO MG6-J2, 25'
238	46-301125G913	2	CABLE	1	(777T) MR1-A7-J43 TO PP1-A11-J94
239	46-301125G914	2	CABLE	1	(776T) MR1-A7-J44 TO PP1-A11-J93
240	46-301125G915	2	CABLE	1	(775T) MR1-A7-J42 TO PP1-A11-J92
250	46-328000G763	2	CABLE ASM	1	(486) PP1-A14-J85/MR2-A11-J85 TO
251	46-258431G764	2	CABLE	1	(487M) MR1-A7-J20 TO PP1-A15-J78
252	46-258431G765	2	CABLE	1	(488M) MR2-A11-J8 TO PP1-J80
253	46-258431G766	2	CABLE	1	(489M) MR2-A11-J9 TO PP1-J81
254	46-258431G767	2	CABLE	1	(490M) MR2-A11-J10 TO PP1-J82
255	46-317068G768	2	CABLE	1	(491V) PP1-J80 TO MG3-A36-J7
256	46-317068G769	2	CABLE	1	(492V) PP1-J81 TO MG3-A36-J8
257	46-317068G770	2	CABLE	1	(493V) PP1-J82 TO MG3-A36-J9
258	46-317068G771	2	CABLE	1	(494V) PP1-A14-J87 TO MG3-A36-J6
259	46-317068G772	2	CABLE	1	(495V) PP1-A15-J78 TO MG3-A36-J10
260	46-258431G831	2	CABLE	1	(726M) MR1-A7-J18 TO PP1-A16-J77
261	46-301125G832	2	CABLE	1	(727T) PP1-A16-J77 TO MG3-A36-J5
263	46-317359G858	2	CABLE ASM	1	(742TR) MR2-A11-J86 TO PP1-A14-J86
264	46-258431G857	2	CABLE	1	(741M) MR2-A11-J87 TO PP1-A14-J87
265	46-243775G859	2	CABLE	1	MR2-A11-J84 TO MR2-A11-J5
267	46-258431G937	2	CABLE	1	(788M) PP1-J12 TO OW1-A1-A2-J7
268	46-301125G938	2	CABLE	1	(789T) MR2-A11-J26 TO OW1-A1-A2-J18
269	46-301125G939	2	CABLE	1	(791T) MR2-A11-J30 TO OW1-A2-A4-EXP1

ACGD MOBILE SYSTEM CABLES 46-258771G49 FRU N

(PART OF 46-282429G102 PAGE 1-193)

(PART OF 46-282429G103 PAGE 1-193)

Item	Part Number	FRU	Name	Quantity	Description (Remarks)
5	2198993	2	CABLE	1	(818) MR2-A11-J31 TO OW1-A16-6,7,8
8	46-243775G807	2	CABLE	1	RUN 701, MR2-A11-J15 TO RF DOOR SW
27	46-258431G810	2	CABLE ASM	1	(702M) MR2-A11-J18 TO MR1-A7-J5
28	46-317068G941	N	CABLE	1	(703V) MR2-A11-J23 TO MR3-PD1-J2
30	46-301125G98	2	CABLE ASM	1	(229T) MR2-A11-J1 TO MR1-A7-J3
32	46-328000G100	2	CABLE ASM	1	(231) MR2-A11-J2 TO PP1-J8
34	46-328000G102	2	CABLE ASM	1	(233/499) MR2-A11-J5 TO PP1-J7 OR
61	46-317068G315	2	CABLE	1	(260V/700V)MG2/MG3-A17-J2 TO PP1-J7/
63	46-258431G124	2	CABLE	1	(262M) PP1-J8 TO MG3-A3-A5-OUT
83	46-258431G481	2	CABLE	1	(282M) MG3-A2-J6 TO PP1-J12
97	46-271692G1	2	CABLE ASM	1	RUN 296, FACILITY DISCON. TO PP1-J18
98	46-271693G1	2	CABLE ASM	1	RUN 297, EMERGENCY OFF SW TO PP1-J18
119	46-317068G95	2	CABLE	1	(318V) MG3-A7 TO PP1-J11
159	46-258431G902	2	CABLE	1	(768M) PP1-J20 TO MR1-A7-J31
161	46-258431G905	2	CABLE	1	(771M) PP1-J47 TO MR1-A7-J36
162	46-258431G531	2	CABLE	1	(387M) PP1-J47 TO MG2-A29-J1
163	46-258431G904	2	CABLE	1	(770M) PP1-J11 TO MR1-A7-J41
164	46-258431G903	2	CABLE	1	(769M) PP1-J15 TO MR1-A7-J34
178	46-258431G908	2	CABLE ASM	1	(774M) MR2-A11-J25 TO MR1-A7-J32
192	46-317068G940	N	CABLE	1	(706V) MR3-PD1-J3 TO MR2-A11-J14
203	46-258431G916	2	CABLE ASM	1	(778M) MG2-A12-A13-J3 TO PP1-A11-J72
204	46-258431G917	2	CABLE ASM	1	(779M) MG2-A12-A13-J4 TO PP1-A11-J73
205	46-258431G918	2	CABLE ASM	1	(780M) MG3-A3-A1-J6 TO PP1-A11-J74
206	46-258431G919	2	CABLE ASM	1	(781M) MG2-A12-A12-J5 TO PP1-A11-J75
207	46-258431G920	2	CABLE ASM	1	(782M) MG2-A12-A12-J6 TO PP1-A11-J76
228	46-258431G906	2	CABLE	1	(772M) PP1-J14 TO MR1-A7-J40
229	46-317068G822	2	CABLE	1	(715V) MG2-A33-J1 TO PP1-J14
230	46-258431G907	2	CABLE	1	(773M) PP1-A17-J1 TO MR1-A7-J35
231	46-317068G931	2	CABLE ASM	1	(716V) MG2-A11-A1-J2 TO PP1-J89
232	2123533-4	2	CABLE	1	(783TR) MR1-A7-J37 TO PP1-F5/F6, 65'
233	2123534	2	POWER CABLE	1	(784) PP1-F5/F6 TO MG6-J1, 25'
234	2123535-4	2	POWER CABLE	1	(785TR) MR1-A7-J18 TO PP1-F7/F8, 65'
235	2123536	2	POWER CABLE	1	(786) PP1-F7/F8 TO MG6-J2, 25'
238	46-317068G913	2	CABLE ASM	1	(777V)MR1-A7-J43 TO PP1-A11-J94
239	46-317068G914	2	CABLE ASM	1	(776V)MR1-A7-J44 TO PP1-A11-J93
240	46-317068G915	2	CABLE ASM	1	(775V)MR1-A7-J42 TO PP1-A11-J92
250	46-328000G763	2	CABLE ASM	1	(486) PP1-A14-J85/MR2-A11-J85 TO
251	46-317068G764	2	CABLE ASM	1	(487V)MR1-A7-J20 TO PP1-A15-J78
252	46-317068G765	2	CABLE ASM	1	(488V)MR2-A11-J8 TO PP1-J80
253	46-317068G766	2	CABLE ASM	1	(489V)MR2-A11-J9 TO PP1-J81
254	46-317068G767	2	CABLE ASM	1	(490V)MR2-A11-J10 TO PP1-J82
255	46-317068G768	2	CABLE	1	(491V) PP1-J80 TO MG3-A36-J7
256	46-317068G769	2	CABLE	1	(492V) PP1-J81 TO MG3-A36-J8
257	46-317068G770	2	CABLE	1	(493V) PP1-J82 TO MG3-A36-J9
258	46-317068G771	2	CABLE	1	(494V) PP1-A14-J87 TO MG3-A36-J6
259	46-317068G772	2	CABLE	1	(495V) PP1-A15-J78 TO MG3-A36-J10
260	46-317068G831	2	CABLE ASM	1	(726V) MR1-A7-J18 TO PP1-A16-J77
261	46-317068G832	2	CABLE	1	(727V) PP1-A16-J77 TO MG3-A36-J5
263	46-317068G858	2	CABLE	1	(742V) MR2-A11-J86 TO PP1-A14-J86
264	46-317068G857	2	CABLE	1	(741V) MR2-A11-J87 TO PP1-A14-J87
265	46-243775G859	2	CABLE	1	MR2-A11-J84 TO MR2-A11-J5
267	46-258431G937	2	CABLE	1	(788M) PP1-J12 TO OW1-A1-A2-J7
268	46-258431G938	2	CABLE	1	(789M) MR2-A11-J26 TO OW1-A1-A2-J18
269	46-258431G939	2	CABLE	1	(791M)MR2-A11-J30 TO OW1-A2-A4-EXP1

TwinSPEED FIXED SITE CABLES 46-258771G50 FRU N

(PART OF M3043TA PAGE 1-74)

Item	Part Number	FRU	Name	Quantity	Description (Remarks)
5	2198993	N	CABLE	1	(818) MR2-A11-J31 TO OW1-A16-6,7,8
8	46-301125G807	N	CABLE	1	(701T) MR2-A11-J15 TO RF DOOR SWITCH
27	46-258431G810	N	CABLE ASM	1	(702M) MR2-A11-J18 TO MR1-A7-J5
28	46-258431G809	N	CABLE	1	(703/971) MR2-A11-J23 TO MR1-PD1-J2/
30	46-301125G98	N	CABLE ASM	1	(229T) MR2-A11-J1 TO MR1-A7-J3 OR
32	46-301125G100	N	CABLE ASM	1	(231T) MR2-A11-J2 TO PP1-J8
34	46-301125G102	N	CABLE	1	(233T/499T) MR2-A11-J5 TO PP1-J7 OR
61	46-328000G315	N	CABLE	1	(260/700) PP1-J7 OR PP1-A14-J86 TO
63	46-328000G124	N	CABLE	1	(262) PP1-J8 TO MG3-A3-A5-OUT
83	46-328000G481	N	CABLE	1	(282) MG3-A2-J6 TO PP1-J12
97	46-271692G601	N	CABLE ASM	1	(296T) PP1-J18 TO FACILITY DISCONN
98	46-271693G1	N	CABLE ASM	1	(297) EMERGENCY OFF SW TO PP1-J18
119	46-328000G95	N	CABLE	1	(318) MG3-A7 TO PP1-J11
159	46-328000G902	N	CABLE	1	(768TR) PP1-J20 TO MR1-A7-J31
161	46-328000G905	N	CABLE	1	(771TR) PP1-J47 TO MR1-A7-J36
162	46-328000G531	N	CABLE	1	(387) MG2-A29-J1 TO PP1-J47
163	46-328000G904	N	CABLE	1	(770) PP1-J11 TO MR1-A7-J41
164	46-328000G903	N	CABLE	1	(769) PP1-J15 TO MR1-A7-J34
178	46-258431G908	N	CABLE ASM	1	(774M) MR2-A11-J25 TO MR1-A7-J32
192	46-258431G808	N	CABLE	1	(706/972) MR2-A11-J14 TO PD1-A14-A1-
203	46-328000G916	N	CABLE	1	(778) MG2-A12-A13-J3 TO PP1-A11-J72
204	46-328000G917	N	CABLE	1	(779) MG2-A12-A13-J4 TO PP1-A11-J73
205	46-328000G918	N	CABLE	1	(780) MG3-A3-A1-J6 TO PP1-A11-J74
206	46-328000G919	N	CABLE	1	(781) MG2-A12-A12-J5 TO PP1-A11-J75
207	46-328000G920	N	CABLE	1	(782) MG2-A12-A12-J6 TO PP1-A11-J76
228	46-328000G906	N	CABLE	1	(772) PP1-J14 TO MR1-A7-J40
229	46-301125G822	N	CABLE	1	(715T) MG2-A33-J1 TO PP1-J14
230	46-328000G907	N	CABLE	1	(773) PP1-A17-J1 TO MR1-A7-J35
231	46-317359G931	N	CABLE	1	(716TR) MG2-A11-A1-J2 TO PP1-J89
232	2123533	N	POWER CABLE	1	(783) MR1-A7-J37 TO PP1-F5/F6, 30'
233	2123534-2	N	POWER CABLE	1	(784M) PP1-F5/F6 TO MG6-J1, 40'
238	46-328000G913	N	CABLE	1	(777) MR1-A7-J43 TO PP1-A11-J94
239	46-328000G914	N	CABLE	1	(776) MR1-A7-J44 TO PP1-A11-J93
240	46-328000G915	N	CABLE	1	(775) MR1-A7-J42 TO PP1-A11-J92
250	46-301125G763	N	CABLE	1	(486T) PP1-A14-J85/MR2-A11-J85 TO
251	46-301125G764	N	CABLE ASM	1	(487T) MR1-A7-J20 TP PP1-A15-J78
252	46-301125G765	N	CABLE ASM	1	(488T) MR2-A11-J8 TO PP1-J80
253	46-301125G766	N	CABLE ASM	1	(489T) MR2-A11-J9 TO PP1-J81
254	46-301125G767	N	CABLE ASM	1	(490T) MR2-A11-J10 TO PP1-J82
255	46-243775G768	N	CABLE	1	(491) PP1-J80 TO MG3-A36-J7
256	46-243775G769	N	CABLE	1	(492) PP1-J81 TO MG3-A36-J8
257	46-243775G770	N	CABLE	1	(493) PP1-J82 TO MG3-A36-J9
258	46-243775G771	N	CABLE	1	(494) PP1-A14-J87 TO MG3-A36-J6
259	46-243775G772	N	CABLE	1	(495) PP1-A15-J78 TO MG3-A36-J10
260	46-301125G831	N	CABLE ASM	1	(726T)MR1-A7-J18 TO PP1-A16-J77
261	46-243775G832	N	CABLE	1	(727) PP1-A16-J77 TO MG3-A36-J5
267	46-328000G937	N	ASSEMBLY	1	(788)PP1-J12 TO OW1-A1-A2-J7
268	46-328000G938	N	ASSEMBLY	1	(789)MR2-A11-J26 TO OW1-A1-A2-J18
269	46-328000G939	N	ASSEMBLY	1	(791) MR2-A11-J30 TO OW1-A2-A4-EXP1
270	2263200-91	N	CABLE COLL	1	(974) MR3CABI/F GIP TO TAC-J12
271	2283297	N	CABLE	3	(988) W4-AMPL TO FILTER GND CABLE
274	2288898	N	CABLE	1	(992) TAC J2 TO TSCC J3
276	2315915	N	CABLE PT	1	MR3GP-J16 TO MR3PDU-J4 ACGD/PDU

TwinSPEED MOBILE SITE CABLES 46-258771G52 FRU N

(PART OF M3053TA PAGE 1-74)

Item	Part Number	FRU	Name	Quantity	Description (Remarks)
5	2198993	N	CABLE	1	(818) MR2-A11-J31 TO OW1-A16-6,7,8
8	46-243775G807	N	CABLE	1	RUN 701, MR2-A11-J15 TO RF DOOR SW
27	46-258431G810	N	CABLE ASM	1	(702M) MR2-A11-J18 TO MR1-A7-J5
28	46-317068G941	N	CABLE	1	(703V) MR2-A11-J23 TO MR3-PD1-J2
30	46-301125G98	N	CABLE ASM	1	(229T) MR2-A11-J1 TO MR1-A7-J3 OR
32	46-328000G100	N	CABLE ASM	1	(231) MR2-A11-J2 TO PP1-J8
34	46-328000G102	N	CABLE ASM	1	(233/499) MR2-A11-J5 TO PP1-J7 OR
61	46-317068G315	N	CABLE	1	(260V/700V)MG2/MG3-A17-J2 TO PP1-J7/
63	46-258431G124	N	CABLE	1	(262M) PP1-J8 TO MG3-A3-A5-OUT
83	46-258431G481	N	CABLE	1	(282M) MG3-A2-J6 TO PP1-J12
97	46-271692G1	N	CABLE ASM	1	RUN 296, FACILITY DISCON. TO PP1-J18
98	46-271693G1	N	CABLE ASM	1	(297) EMERGENCY OFF SW TO PP1-J18
119	46-317068G95	N	CABLE	1	(318V) MG3-A7 TO PP1-J11
159	46-258431G902	N	CABLE	1	(768M) PP1-J20 TO MR1-A7-J31
161	46-258431G905	N	CABLE	1	(771M) PP1-J47 TO MR1-A7-J36
162	46-258431G531	N	CABLE	1	(387M) PP1-J47 TO MG2-A29-J1
163	46-258431G904	N	CABLE	1	(770M) PP1-J11 TO MR1-A7-J41
164	46-258431G903	N	CABLE	1	(769M) PP1-J15 TO MR1-A7-J34
178	46-258431G908	N	CABLE ASM	1	(774M) MR2-A11-J25 TO MR1-A7-J32
192	46-317068G940	N	CABLE	1	(706V) MR3-PD1-J3 TO MR2-A11-J14
203	46-258431G916	N	CABLE ASM	1	(778M) MG2-A12-A13-J3 TO PP1-A11-J72
204	46-258431G917	N	CABLE ASM	1	(779M) MG2-A12-A13-J4 TO PP1-A11-J73
205	46-258431G918	N	CABLE ASM	1	(780M) MG3-A3-A1-J6 TO PP1-A11-J74
206	46-258431G919	N	CABLE ASM	1	(781M) MG2-A12-A12-J5 TO PP1-A11-J75
207	46-258431G920	N	CABLE ASM	1	(782M) MG2-A12-A12-J6 TO PP1-A11-J76
228	46-258431G906	N	CABLE	1	(772M) PP1-J14 TO MR1-A7-J40
229	46-317068G822	N	CABLE	1	(715V) MG2-A33-J1 TO PP1-J14
230	46-258431G907	N	CABLE	1	(773M) PP1-A17-J1 TO MR1-A7-J35
231	46-317068G931	N	CABLE ASM	1	(716V) MG2-A11-A1-J2 TO PP1-J89
232	2123533-4	N	CABLE	1	(783TR) MR1-A7-J37 TO PP1-F5/F6, 65'
233	2123534	N	POWER CABLE	1	(784) PP1-F5/F6 TO MG6-J1, 25'
238	46-317068G913	N	CABLE ASM	1	(777V)MR1-A7-J43 TO PP1-A11-J94
239	46-317068G914	N	CABLE ASM	1	(776V)MR1-A7-J44 TO PP1-A11-J93
240	46-317068G915	N	CABLE ASM	1	(775V)MR1-A7-J42 TO PP1-A11-J92
250	46-328000G763	N	CABLE ASM	1	(486) PP1-A14-J85/MR2-A11-J85 TO
251	46-317068G764	N	CABLE ASM	1	(487V)MR1-A7-J20 TO PP1-A15-J78
252	46-317068G765	N	CABLE ASM	1	(488V)MR2-A11-J8 TO PP1-J80
253	46-317068G766	N	CABLE ASM	1	(489V)MR2-A11-J9 TO PP1-J81
254	46-317068G767	N	CABLE ASM	1	(490V)MR2-A11-J10 TO PP1-J82
255	46-317068G768	N	CABLE	1	(491V) PP1-J80 TO MG3-A36-J7
256	46-317068G769	N	CABLE	1	(492V) PP1-J81 TO MG3-A36-J8
257	46-317068G770	N	CABLE	1	(493V) PP1-J82 TO MG3-A36-J9
258	46-317068G771	N	CABLE	1	(494V) PP1-A14-J87 TO MG3-A36-J6
259	46-317068G772	N	CABLE	1	(495V) PP1-A15-J78 TO MG3-A36-J10
260	46-317068G831	N	CABLE ASM	1	(726V) MR1-A7-J18 TO PP1-A16-J77
261	46-317068G832	N	CABLE	1	(727V) PP1-A16-J77 TO MG3-A36-J5
267	46-258431G937	N	CABLE	1	(788M) PP1-J12 TO OW1-A1-A2-J7
268	46-258431G938	N	CABLE	1	(789M) MR2-A11-J26 TO OW1-A1-A2-J18
269	46-258431G939	N	CABLE	1	(791M)MR2-A11-J30 TO OW1-A2-A4-EXP1
270	2263200-91	N	CABLE COLL	1	(974) MR3CABI/F GIP TO TAC-J12
271	2283297-2	N	CABLE	3	(988M) W4-AMPL TO FILTER GND CABLE
274	2288898-2	N	CABLE	1	(992M) TAC J2 TO TSCC J3
276	2315915	N	CABLE PT	1	MR3GP-J16 TO MR3PDU-J4 ACGD/PDU

TwinSPEED T/R SITE CABLES 46-258771G53 FRU N (PART OF M3063TA PAGE 1-75)

Item	Part Number	FRU	Name	Quantity	Description (Remarks)
5	2198993	N	CABLE	1	(818) MR2-A11-J31 TO OW1-A16-6,7,8
8	46-243775G807	N	CABLE	1	RUN 701, MR2-A11-J15 TO RF DOOR SW
27	46-243775G810	N	CABLE	1	(702) MR2-A11-J18 TO MR1-A7-J5
28	46-301125G941	N	CABLE	1	(703T) MR2-A11-J23 TO MR3-PD1-J2
30	46-243775G98	N	CABLE	1	RUN 229, MR2-A11-J1 TO MR1-A7-J3
32	46-317359G100	N	CABLE	1	(231TR) MR2-A11-J2 TO PP1-J8
34	46-317359G102	N	CABLE	1	(233TR/499TR) MR2-A11-J5 TO PP1-A14-
61	46-317068G315	N	CABLE	1	(260V/700V)MG2/MG3-A17-J2 TO PP1-J7/
63	46-258431G124	N	CABLE	1	(262M) PP1-J8 TO MG3-A3-A5-OUT
83	46-258431G481	N	CABLE	1	(282M) MG3-A2-J6 TO PP1-J12
97	46-271692G1	N	CABLE ASM	1	RUN 296, FACILITY DISCON. TO PP1-J18
98	46-271693G1	N	CABLE ASM	1	(297) EMERGENCY OFF SW TO PP1-J18
119	46-317068G95	N	CABLE	1	(318V) MG3-A7 TO PP1-J11
159	46-317359G902	N	CABLE	1	(768TR) PP1-J20 TO MR1-A7-J31
161	46-317359G905	N	CABLE	1	(771TR) PP1-J47 TO MR1-A7-J36
162	46-258431G531	N	CABLE	1	(387M) PP1-J47 TO MG2-A29-J1
163	46-317359G904	N	CABLE	1	(770TR) PP1-J11 TO MR1-A7-J41
164	46-317359G903	N	CABLE	1	(769TR) PP1-J15 TO MR1-A7-J34
178	46-328000G908	N	CABLE	1	(774) MR2-A11-J25 TO MR1-A7-J32
192	46-301125G940	N	CABLE	1	(706T) MR3-PD1-J3 TO MR2-A11-J14
203	46-258431G916	N	CABLE ASM	1	(778M) MG2-A12-A13-J3 TO PP1-A11-J72
204	46-258431G917	N	CABLE ASM	1	(779M) MG2-A12-A13-J4 TO PP1-A11-J73
205	46-258431G918	N	CABLE ASM	1	(780M) MG3-A3-A1-J6 TO PP1-A11-J74
206	46-258431G919	N	CABLE ASM	1	(781M) MG2-A12-A12-J5 TO PP1-A11-J75
207	46-258431G920	N	CABLE ASM	1	(782M) MG2-A12-A12-J6 TO PP1-A11-J76
228	46-301125G906	N	CABLE	1	(772T) PP1-J14 TO MR1-A7-J40
229	46-317068G822	N	CABLE	1	(715V) MG2-A33-J1 TO PP1-J14
230	46-301125G907	N	CABLE	1	(773T) PP1-A17-J1 TO MR1-A7-J35
231	46-317068G931	N	CABLE ASM	1	(716V) MG2-A11-A1-J2 TO PP1-J89
232	2123533-3	N	POWER CABLE	1	(783T) MR1-A7-J37 TO PP1-F5/F6, 80'
233	2123534	N	POWER CABLE	1	(784) PP1-F5/F6 TO MG6-J1, 25'
238	46-301125G913	N	CABLE	1	(777T) MR1-A7-J43 TO PP1-A11-J94
239	46-301125G914	N	CABLE	1	(776T) MR1-A7-J44 TO PP1-A11-J93
240	46-301125G915	N	CABLE	1	(775T) MR1-A7-J42 TO PP1-A11-J92
250	46-328000G763	N	CABLE ASM	1	(486) PP1-A14-J85/MR2-A11-J85 TO
251	46-258431G764	N	CABLE	1	(487M) MR1-A7-J20 TO PP1-A15-J78
252	46-258431G765	N	CABLE	1	(488M) MR2-A11-J8 TO PP1-J80
253	46-258431G766	N	CABLE	1	(489M) MR2-A11-J9 TO PP1-J81
254	46-258431G767	N	CABLE	1	(490M) MR2-A11-J10 TO PP1-J82
255	46-317068G768	N	CABLE	1	(491V) PP1-J80 TO MG3-A36-J7
256	46-317068G769	N	CABLE	1	(492V) PP1-J81 TO MG3-A36-J8
257	46-317068G770	N	CABLE	1	(493V) PP1-J82 TO MG3-A36-J9
258	46-317068G771	N	CABLE	1	(494V) PP1-A14-J87 TO MG3-A36-J6
259	46-317068G772	N	CABLE	1	(495V) PP1-A15-J78 TO MG3-A36-J10
260	46-258431G831	N	CABLE	1	(726M) MR1-A7-J18 TO PP1-A16-J77
261	46-301125G832	N	CABLE	1	(727T) PP1-A16-J77 TO MG3-A36-J5
267	46-258431G937	N	CABLE	1	(788M) PP1-J12 TO OW1-A1-A2-J7
268	46-301125G938	N	CABLE	1	(789T) MR2-A11-J26 TO OW1-A1-A2-J18
269	46-301125G939	N	CABLE	1	(791T) MR2-A11-J30 TO OW1-A2-A4-EXP1
270	2263200-91	N	CABLE COLL	1	(974) MR3CABI/F GIP TO TAC-J12
271	2283297-3	N	CABLE	3	(988T) W4-AMPL TO FILTER GND CABLE
274	2288898-2	N	CABLE	1	(992M) TAC J2 TO TSCC J3
276	2315915	N	CABLE PT	1	MR3GP-J16 TO MR3PDU-J4 ACGD/PDU

EXCITE 11.x MOB SYS CABLES 46-258771G72 FRU N (PART OF M3153PD PAGE 1-63)

Item	Part Number	FRU	Name	Quantity	Description (Remarks)
8	46-243775G807	N	CABLE	1.0	(701) MR2-A11-J15 TO RF DOOR SW
27	46-258431G810	N	CABLE ASM	1.0	(702M) MR2-A11-J18 TO MR1-A7-J5
28	46-317068G941	N	CABLE	1.0	(703V) MR2-A11-J23 TO MR3-PD1-J2
30	46-301125G98	N	CABLE ASM	1.0	(229T) MR2-A11-J1 TO MR1-A7-J3 OR
32	46-328000G100	N	CABLE ASM	1.0	(231) MR2-A11-J2 TO PP1-J8
34	46-328000G102	N	CABLE ASM	1.0	(233/499) MR2-A11-J5 TO PP1-J7 OR
63	46-258431G124	N	CABLE	1.0	(262M) PP1-J8 TO MG3-A3-A5-OUT
83	46-258431G481	N	CABLE	1.0	(282M) MG3-A2-J6 TO PP1-J12
97	46-271692G1	N	CABLE ASM	1.0	(296) FACILITY DISCONNECT TO PP1-J18
98	46-271693G1	N	CABLE ASM	1.0	(297) EMERGENCY OFF SW TO PP1-J18
119	46-317068G95	N	CABLE	1.0	(318V) MG3-A7 TO PP1-J11
159	46-258431G902	N	CABLE	1.0	(768M) PP1-J20 TO MR1-A7-J31
161	46-258431G905	N	CABLE	1.0	(771M) PP1-J47 TO MR1-A7-J36
162	46-258431G531	N	CABLE	1.0	(387M) PP1-J47 TO MG2-A29-J1
163	46-258431G904	N	CABLE	1.0	(770M) PP1-J11 TO MR1-A7-J41
164	46-258431G903	N	CABLE	1.0	(769M) PP1-J15 TO MR1-A7-J34
178	46-258431G908	N	CABLE ASM	1.0	(774M) MR2-A11-J25 TO MR1-A7-J32
203	46-258431G916	N	CABLE ASM	1.0	(778M) MG2-A12-A2-J3 TO PP1-A11-J72
204	46-258431G917	N	CABLE ASM	1.0	(779M) MG2-A12-A2-J4 TO PP1-A11-J73
205	46-258431G918	N	CABLE ASM	1.0	(780M) MG3-A3-J6 TO PP1-A11-J74
206	46-258431G919	N	CABLE ASM	1.0	(781M) MG2-A12-A2-J5 TO PP1-A11-J75
207	46-258431G920	N	CABLE ASM	1.0	(782M) MG2-A12-A2-J6 TO PP1-A11-J76
228	46-258431G906	N	CABLE	1.0	(772M) PP1-J14 TO MR1-A7-J40
229	46-317068G822	N	CABLE	1.0	(715V) MG2-A33-J1 TO PP1-J14
230	46-258431G907	N	CABLE	1.0	(773M) PP1-A17-J1 TO MR1-A7-J35
231	46-317068G931	N	CABLE ASM	1.0	(716V) MG2-A11-J2 TO PP1-J89
232	2123533-4	N	CABLE	1.0	(783TR) MR1-A7-J37 TO PP1-F5/F6, 65'
233	2123534	N	POWER CABLE	1.0	(784) PP1-F5/F6 TO MG6-J1, 25'
234	2123535-4	N	POWER CABLE	1.0	(785TR) MR1-A7-J18 TO PP1-F7/F8, 65'
235	2123536	N	POWER CABLE	1.0	(786) PP1-F7/F8 TO MG6-J2, 25'
238	46-317068G913	N	CABLE ASM	1.0	(777V)MR1-A7-J43 TO PP1-A11-J94
239	46-317068G914	N	CABLE ASM	1.0	(776V)MR1-A7-J44 TO PP1-A11-J93
240	46-317068G915	N	CABLE ASM	1.0	(775V)MR1-A7-J42 TO PP1-A11-J92
252	46-317068G765	N	CABLE ASM	1.0	(488V)MR2-A11-J8 TO PP1-J80
253	46-317068G766	N	CABLE ASM	1.0	(489V)MR2-A11-J9 TO PP1-J81
254	46-317068G767	N	CABLE ASM	1.0	(490V)MR2-A11-J10 TO PP1-J82
255	46-317068G768	N	CABLE	1.0	(491V) PP1-J80 TO MG3-A36-J7
256	46-317068G769	N	CABLE	1.0	(492V) PP1-J81 TO MG3-A36-J8
257	46-317068G770	N	CABLE	1.0	(493V) PP1-J82 TO MG3-A36-J9
263	46-317068G858	N	CABLE	1.0	(742V) MR2-A11-J86 TO PP1-A14-J86
264	46-317068G857	N	CABLE	1.0	(741V) MR2-A11-J87 TO PP1-A14-J87
265	46-243775G859	N	CABLE	1.0	MR2-A11-J84 TO MR2-A11-J5
267	2363001-8	N	ASSEMBLY	1.0	(1085) OW1-A21-J7 TO PP1-J12
268	2354601-14	N	ASSEMBLY	1.0	(1084) MR1-A11-J26 TO OW1-A21
280	2321257-2	N	PART	1.0	(1025M)MR2A11-J40 TO PP1-J6
281	2321257-5	N	PART	1.0	(1026M)MR2A11-J41 TO PP1-J7
282	2321257-8	N	PART	1.0	(1027M)MR2A11-J42 TO PP1-J58
283	2321257-11	N	PART	1.0	(1028M)MR2A11-J43 TO PP1-J59
284	2329504-2	N	CABLE	1.0	(1029M) MR2A11-J62 TO PP1-J77
285	2329624-2	N	CABLE	1.0	(1030M) PP1-J78 TO MR2-A11-J61
286	2321257-26	N	PART	1.0	(1036M)PP1 -J84TO MG3A36-J6
287	2321257-14	N	PART	1.0	(1037M)PP1 -J6 TO MG3A36-J1
288	2321257-17	N	PART	1.0	(1038M)PP1 -J7 TO MG3A36-J2
289	2321257-20	N	PART	1.0	(1039M)PP1 -J58TO MG3A36-J3
290	2321257-23	N	PART	1.0	(1040M)PP1 -J59TO MG3A36-J4
291	2329505-2	N	CABLE	1.0	(1041M)MG3A36-J10 TO PP1-J78
292	2329504-5	N	CABLE	1.0	(1042M) PP1-J77 TO MG3A36-J5
293	2374705-3	N	CABLE	1.0	(1082) OW-A1-15-ETH SLOT TO MR2-
294	2377248-2	N	CABLE	1.0	(1053) MR2A11J54 TO PP1J85 UTNS
295	2377705-2	N	CABLE	1.0	(1054) MG3A36J20 TO MG2A33J15
300	2377248-5	N	CABLE	1.0	RUN 1057 MG3-A8-J1 TO PP1-J85 UTNS

EXCITE 11.x T/R SYS CABLES 46-258771G73 FRU N (PART OF M3163PD PAGE 1-63)

Item	Part Number	FRU	Name	Quantity	Description (Remarks)
8	46-243775G807	N	CABLE	1.0	(701) MR2-A11-J15 TO RF DOOR SW
27	46-243775G810	N	CABLE	1.0	(702) MR2-A11-J18 TO MR1-J5
28	46-301125G941	N	CABLE	1.0	(703T) MR2-A11-J23 TO MR3-PD1-J2
30	46-243775G98	N	CABLE	1.0	RUN 229, MR2-A11-J1 TO MR1-A7-J3
32	46-317359G100	N	CABLE	1.0	(231TR) MR2-A11-J2 TO PP1-J8
34	46-317359G102	N	CABLE	1.0	(233TR/499TR) MR2-A11-J5 TO PP1-A14-
63	46-258431G124	N	CABLE	1.0	(262M) PP1-J8 TO MG3-A3-A5-OUT
83	46-258431G481	N	CABLE	1.0	(282M) MG3-A2-J6 TO PP1-J12
97	46-271692G1	N	CABLE ASM	1.0	(296) FACILITY DISCONNECT TO PP1-J18
98	46-271693G1	N	CABLE ASM	1.0	(297) EMERGENCY OFF SW TO PP1-J18
119	46-317068G95	N	CABLE	1.0	(318V) MG3-A7 TO PP1-J11
159	46-317359G902	N	CABLE	1.0	(768TR) PP1-J20 TO MR1-A7-J31
161	46-317359G905	N	CABLE	1.0	(771TR) PP1-J47 TO MR1-A7-J36
162	46-258431G531	N	CABLE	1.0	(387M) PP1-J47 TO MG2-A29-J1
163	46-317359G904	N	CABLE	1.0	(770TR) PP1-J11 TO MR1-A7-J41
164	46-317359G903	N	CABLE	1.0	(769TR) PP1-J15 TO MR1-A7-J34
178	46-328000G908	N	CABLE	1.0	(774) MR2-A11-J25 TO MR1-A7-J32
203	46-258431G916	N	CABLE ASM	1.0	(778M) MG2-A12-A2-J3 TO PP1-A11-J72
204	46-258431G917	N	CABLE ASM	1.0	(779M) MG2-A12-A2-J4 TO PP1-A11-J73
205	46-258431G918	N	CABLE ASM	1.0	(780M) MG3-A3-J6 TO PP1-A11-J74
206	46-258431G919	N	CABLE ASM	1.0	(781M) MG2-A12-A2-J5 TO PP1-A11-J75
207	46-258431G920	N	CABLE ASM	1.0	(782M) MG2-A12-A2-J6 TO PP1-A11-J76
228	46-301125G906	N	CABLE	1.0	(772T) PP1-J14 TO MR1-A7-J40
229	46-317068G822	N	CABLE	1.0	(715V) MG2-A33-J1 TO PP1-J14
230	46-301125G907	N	CABLE	1.0	(773T) PP1-A17-J1 TO MR1-A7-J35
231	46-317068G931	N	CABLE ASM	1.0	(716V) MG2-A11-J2 TO PP1-J89
232	2123533-3	N	POWER CABLE	1.0	(783T) MR1-A7-J37 TO PP1-F5/F6, 80'
233	2123534	N	POWER CABLE	1.0	(784) PP1-F5/F6 TO MG6-J1, 25'
234	2123535-3	N	POWER CABLE	1.0	(785T) MR1-A7-J18 TO PP1-F7/F8, 80'
235	2123536	N	POWER CABLE	1.0	(786) PP1-F7/F8 TO MG6-J2, 25'
238	46-301125G913	N	CABLE	1.0	(777T) MR1-A7-J43 TO PP1-A11-J94
239	46-301125G914	N	CABLE	1.0	(776T) MR1-A7-J44 TO PP1-A11-J93
240	46-301125G915	N	CABLE	1.0	(775T) MR1-A7-J42 TO PP1-A11-J92
252	46-258431G765	N	CABLE	1.0	(488M) MR2-A11-J8 TO PP1-J80
253	46-258431G766	N	CABLE	1.0	(489M) MR2-A11-J9 TO PP1-J81
254	46-258431G767	N	CABLE	1.0	(490M) MR2-A11-J10 TO PP1-J82
255	46-317068G768	N	CABLE	1.0	(491V) PP1-J80 TO MG3-A36-J7
256	46-317068G769	N	CABLE	1.0	(492V) PP1-J81 TO MG3-A36-J8
257	46-317068G770	N	CABLE	1.0	(493V) PP1-J82 TO MG3-A36-J9
263	46-317359G858	N	CABLE ASM	1.0	(742TR) MR2-A11-J86 TO PP1-A14-J86
264	46-258431G857	N	CABLE	1.0	(741M) MR2-A11-J87 TO PP1-A14-J87
265	46-243775G859	N	CABLE	1.0	MR2-A11-J84 TO MR2-A11-J5
267	2363001-8	N	ASSEMBLY	1.0	(1085) OW1-A21-J7 TO PP1-J12
268	2354601-14	N	ASSEMBLY	1.0	(1084) MR1-A11-J26 TO OW1-A21
280	2321257-3	N	PART	1.0	(1025T)MR2A11-J40 TO PP1-J6
281	2321257-6	N	PART	1.0	(1026T)MR2A11-J41 TO PP1-J7
282	2321257-9	N	PART	1.0	(1027T)MR2A11-J42 TO PP1-J58
283	2321257-12	N	PART	1.0	(1028T)MR2A11-J43 TO PP1-J59
284	2329504-3	N	CABLE	1.0	(1029T) MR2A11-J62 TO PP1-J77
285	2329624-3	N	CABLE	1.0	(1030T) PP1-J78 TO MR2-A11-J61
286	2321257-26	N	PART	1.0	(1036M)PP1 -J84TO MG3A36-J6
287	2321257-14	N	PART	1.0	(1037M)PP1 -J6 TO MG3A36-J1
288	2321257-17	N	PART	1.0	(1038M)PP1 -J7 TO MG3A36-J2
289	2321257-20	N	PART	1.0	(1039M)PP1 -J58TO MG3A36-J3
290	2321257-23	N	PART	1.0	(1040M)PP1 -J59TO MG3A36-J4
291	2329505-2	N	CABLE	1.0	(1041M)MG3A36-J10 TO PP1-J78
292	2329504-5	N	CABLE	1.0	(1042M) PP1-J77 TO MG3A36-J5
293	2374705-3	N	CABLE	1.0	(1082) OW-A1-15-ETH SLOT TO MR2-
294	2377248-2	N	CABLE	1.0	(1053) MR2A11J54 TO PP1J85 UTNS
295	2377705	N	CABLE	1.0	(1054) SRI II TO CROSS POINT
300	2377248-5	N	CABLE	1.0	RUN 1057 MG3-A8-J1 TO PP1-J85 UTNS

Twin EXCITE 11.x MOB SYS CBLs 46-258771G74 FRU N (PART OF M3153TD PAGE 1-79)

Item	Part Number	FRU	Name	Quantity	Description (Remarks)
8	46-243775G807	N	CABLE	1.0	(701) MR2-A11-J15 TO RF DOOR SW
27	46-258431G810	N	CABLE ASM	1.0	(702M) MR2-A11-J18 TO MR1-A7-J5
28	46-317068G941	N	CABLE	1.0	(703V) MR2-A11-J23 TO MR3-PD1-J2
30	46-301125G98	N	CABLE ASM	1.0	(229T) MR2-A11-J1 TO MR1-A7-J3 OR
32	46-328000G100	N	CABLE ASM	1.0	(231) MR2-A11-J2 TO PP1-J8
34	46-328000G102	N	CABLE ASM	1.0	(233/499) MR2-A11-J5 TO PP1-J7 OR
63	46-258431G124	N	CABLE	1.0	(262M) PP1-J8 TO MG3-A3-A5-OUT
83	46-258431G481	N	CABLE	1.0	(282M) MG3-A2-J6 TO PP1-J12
97	46-271692G1	N	CABLE ASM	1.0	(296) FACILITY DISCONNECT TO PP1-J18
98	46-271693G1	N	CABLE ASM	1.0	(297) EMERGENCY OFF SW TO PP1-J18
119	46-317068G95	N	CABLE	1.0	(318V) MG3-A7 TO PP1-J11
159	46-258431G902	N	CABLE	1.0	(768M) PP1-J20 TO MR1-A7-J31
161	46-258431G905	N	CABLE	1.0	(771M) PP1-J47 TO MR1-A7-J36
162	46-258431G531	N	CABLE	1.0	(387M) PP1-J47 TO MG2-A29-J1
163	46-258431G904	N	CABLE	1.0	(770M) PP1-J11 TO MR1-A7-J41
164	46-258431G903	N	CABLE	1.0	(769M) PP1-J15 TO MR1-A7-J34
178	46-258431G908	N	CABLE ASM	1.0	(774M) MR2-A11-J25 TO MR1-A7-J32
192	46-317068G940	N	CABLE	1.0	(706V) MR3-PD1-J3 TO MR2-A11-J14
203	46-258431G916	N	CABLE ASM	1.0	(778M) MG2-A12-A2-J3 TO PP1-A11-J72
204	46-258431G917	N	CABLE ASM	1.0	(779M) MG2-A12-A2-J4 TO PP1-A11-J73
205	46-258431G918	N	CABLE ASM	1.0	(780M) MG3-A3-J6 TO PP1-A11-J74
206	46-258431G919	N	CABLE ASM	1.0	(781M) MG2-A12-A2-J5 TO PP1-A11-J75
207	46-258431G920	N	CABLE ASM	1.0	(782M) MG2-A12-A2-J6 TO PP1-A11-J76
228	46-258431G906	N	CABLE	1.0	(772M) PP1-J14 TO MR1-A7-J40
229	46-317068G822	N	CABLE	1.0	(715V) MG2-A33-J1 TO PP1-J14
230	46-258431G907	N	CABLE	1.0	(773M) PP1-A17-J1 TO MR1-A7-J35
231	46-317068G931	N	CABLE ASM	1.0	(716V) MG2-A11-J2 TO PP1-J89
232	2123533-4	N	CABLE	1.0	(783TR) MR1-A7-J37 TO PP1-F5/F6, 65'
233	2123534	N	POWER CABLE	1.0	(784) PP1-F5/F6 TO MG6-J1, 25'
238	46-317068G913	N	CABLE ASM	1.0	(777V)MR1-A7-J43 TO PP1-A11-J94
239	46-317068G914	N	CABLE ASM	1.0	(776V)MR1-A7-J44 TO PP1-A11-J93
240	46-317068G915	N	CABLE ASM	1.0	(775V)MR1-A7-J42 TO PP1-A11-J92
252	46-317068G765	N	CABLE ASM	1.0	(488V)MR2-A11-J8 TO PP1-J80
253	46-317068G766	N	CABLE ASM	1.0	(489V)MR2-A11-J9 TO PP1-J81
254	46-317068G767	N	CABLE ASM	1.0	(490V)MR2-A11-J10 TO PP1-J82
255	46-317068G768	N	CABLE	1.0	(491V) PP1-J80 TO MG3-A36-J7
256	46-317068G769	N	CABLE	1.0	(492V) PP1-J81 TO MG3-A36-J8
257	46-317068G770	N	CABLE	1.0	(493V) PP1-J82 TO MG3-A36-J9
267	2363001-8	N	ASSEMBLY	1.0	(1085) OW1-A21-J7 TO PP1-J12
268	2354601-14	N	ASSEMBLY	1.0	(1084) MR1-A11-J26 TO OW1-A21
270	2263200-91	N	CABLE COLL	1.0	(974) MR3CABI/F GIP TO TAC-J12
271	2283297-2	N	CABLE	3.0	(988M) W4-AMPL TO FILTER GND CABLE
274	2288898-2	N	CABLE	1.0	(992M) TAC J2 TO TSCC J3
276	2315915	N	CABLE PT	1.0	MR3GP-J16 TO MR3PDU-J4 ACGD/PDU
280	2321257-2	N	PART	1.0	(1025M)MR2A11-J40 TO PP1-J6
281	2321257-5	N	PART	1.0	(1026M)MR2A11-J41 TO PP1-J7
282	2321257-8	N	PART	1.0	(1027M)MR2A11-J42 TO PP1-J58
283	2321257-11	N	PART	1.0	(1028M)MR2A11-J43 TO PP1-J59
284	2329504-2	N	CABLE	1.0	(1029M) MR2A11-J62 TO PP1-J77
285	2329624-2	N	CABLE	1.0	(1030M) PP1-J78 TO MR2-A11-J61
286	2321257-26	N	PART	1.0	(1036M)PP1 -J84TO MG3A36-J6
287	2321257-14	N	PART	1.0	(1037M)PP1 -J6 TO MG3A36-J1
288	2321257-17	N	PART	1.0	(1038M)PP1 -J7 TO MG3A36-J2
289	2321257-20	N	PART	1.0	(1039M)PP1 -J58TO MG3A36-J3
290	2321257-23	N	PART	1.0	(1040M)PP1 -J59TO MG3A36-J4
291	2329505-2	N	CABLE	1.0	(1041M)MG3A36-J10 TO PP1-J78
292	2329504-5	N	CABLE	1.0	(1042M) PP1-J77 TO MG3A36-J5
294	2377248-2	N	CABLE	1.0	(1053) MR2A11J54 TO PP1J85 UTNS
295	2377705-2	N	CABLE	1.0	(1054) MG3A36J20 TO MG2A33J15
296	2374705-3	N	CABLE	1.0	(1082) OW-A1-15-ETH SLOT TO MR2-
300	2377248-5	N	CABLE	1.0	RUN 1057 MG3-A8-J1 TO PP1-J85 UTNS

Twin EXCITE 11.x T/R SYS CABLES 46-258771G75 FRU N

(PART OF M3163TD PAGE 1-79)

Item	Part Number	FRU	Name	Quantity	Description (Remarks)
8	46-243775G807	N	CABLE	1.0	(701) MR2-A11-J15 TO RF DOOR SW
27	46-243775G810	N	CABLE	1.0	(702) MR2-A11-J18 TO MR1-J5
28	46-301125G941	N	CABLE	1.0	(703T) MR2-A11-J23 TO MR3-PD1-J2
30	46-243775G98	N	CABLE	1.0	RUN 229, MR2-A11-J1 TO MR1-A7-J3
32	46-317359G100	N	CABLE	1.0	(231TR) MR2-A11-J2 TO PP1-J8
34	46-317359G102	N	CABLE	1.0	(233TR/499TR) MR2-A11-J5 TO PP1-A14-
63	46-258431G124	N	CABLE	1.0	(262M) PP1-J8 TO MG3-A3-A5-OUT
83	46-258431G481	N	CABLE	1.0	(282M) MG3-A2-J6 TO PP1-J12
97	46-271692G1	N	CABLE ASM	1.0	(296) FACILITY DISCONNECT TO PP1-J18
98	46-271693G1	N	CABLE ASM	1.0	(297) EMERGENCY OFF SW TO PP1-J18
119	46-317068G95	N	CABLE	1.0	(318V) MG3-A7 TO PP1-J11
159	46-317359G902	N	CABLE	1.0	(768TR) PP1-J20 TO MR1-A7-J31
161	46-317359G905	N	CABLE	1.0	(771TR) PP1-J47 TO MR1-A7-J36
162	46-258431G531	N	CABLE	1.0	(387M) PP1-J47 TO MG2-A29-J1
163	46-317359G904	N	CABLE	1.0	(770TR) PP1-J11 TO MR1-A7-J41
164	46-317359G903	N	CABLE	1.0	(769TR) PP1-J15 TO MR1-A7-J34
178	46-328000G908	N	CABLE	1.0	(774) MR2-A11-J25 TO MR1-A7-J32
203	46-258431G916	N	CABLE ASM	1.0	(778M) MG2-A12-A2-J3 TO PP1-A11-J72
204	46-258431G917	N	CABLE ASM	1.0	(779M) MG2-A12-A2-J4 TO PP1-A11-J73
205	46-258431G918	N	CABLE ASM	1.0	(780M) MG3-A3-J6 TO PP1-A11-J74
206	46-258431G919	N	CABLE ASM	1.0	(781M) MG2-A12-A2-J5 TO PP1-A11-J75
207	46-258431G920	N	CABLE ASM	1.0	(782M) MG2-A12-A2-J6 TO PP1-A11-J76
228	46-301125G906	N	CABLE	1.0	(772T) PP1-J14 TO MR1-A7-J40
229	46-317068G822	N	CABLE	1.0	(715V) MG2-A33-J1 TO PP1-J14
230	46-301125G907	N	CABLE	1.0	(773T) PP1-A17-J1 TO MR1-A7-J35
231	46-317068G931	N	CABLE ASM	1.0	(716V) MG2-A11-J2 TO PP1-J89
232	2123533-3	N	POWER CABLE	1.0	(783T) MR1-A7-J37 TO PP1-F5/F6, 80'
233	2123534	N	POWER CABLE	1.0	(784) PP1-F5/F6 TO MG6-J1, 25'
238	46-301125G913	N	CABLE	1.0	(777T) MR1-A7-J43 TO PP1-A11-J94
239	46-301125G914	N	CABLE	1.0	(776T) MR1-A7-J44 TO PP1-A11-J93
240	46-301125G915	N	CABLE	1.0	(775T) MR1-A7-J42 TO PP1-A11-J92
252	46-258431G765	N	CABLE	1.0	(488M) MR2-A11-J8 TO PP1-J80
253	46-258431G766	N	CABLE	1.0	(489M) MR2-A11-J9 TO PP1-J81
254	46-258431G767	N	CABLE	1.0	(490M) MR2-A11-J10 TO PP1-J82
255	46-317068G768	N	CABLE	1.0	(491V) PP1-J80 TO MG3-A36-J7
256	46-317068G769	N	CABLE	1.0	(492V) PP1-J81 TO MG3-A36-J8
257	46-317068G770	N	CABLE	1.0	(493V) PP1-J82 TO MG3-A36-J9
267	2354601-14	N	ASSEMBLY	1.0	(1084) MR1-A11-J26 TO OW1-A21
268	2363001-8	N	ASSEMBLY	1.0	(1085) OW1-A21-J7 TO PP1-J12
270	2263200-91	N	CABLE COLL	1.0	(974) MR3CABI/F GIP TO TAC-J12
271	2283297-4	N	PDM PART	3.0	RUN #988 W4-AMPL TO FILTER GND CABLE
274	2288898-2	N	CABLE	1.0	(992M) TAC J2 TO TSCC J3
276	2315915	N	CABLE PT	1.0	MR3GP-J16 TO MR3PDU-J4 ACGD/PDU
280	2321257-3	N	PART	1.0	(1025T)MR2A11-J40 TO PP1-J6
281	2321257-6	N	PART	1.0	(1026T)MR2A11-J41 TO PP1-J7
282	2321257-9	N	PART	1.0	(1027T)MR2A11-J42 TO PP1-J58
283	2321257-12	N	PART	1.0	(1028T)MR2A11-J43 TO PP1-J59
284	2329504-3	N	CABLE	1.0	(1029T) MR2A11-J62 TO PP1-J77
285	2329624-3	N	CABLE	1.0	(1030T) PP1-J78 TO MR2-A11-J61
286	2321257-26	N	PART	1.0	(1036M)PP1 -J84TO MG3A36-J6
287	2321257-14	N	PART	1.0	(1037M)PP1 -J6 TO MG3A36-J1
288	2321257-17	N	PART	1.0	(1038M)PP1 -J7 TO MG3A36-J2
289	2321257-20	N	PART	1.0	(1039M)PP1 -J58TO MG3A36-J3
290	2321257-23	N	PART	1.0	(1040M)PP1 -J59TO MG3A36-J4
291	2329505-2	N	CABLE	1.0	(1041M)MG3A36-J10 TO PP1-J78
292	2329504-5	N	CABLE	1.0	(1042M) PP1-J77 TO MG3A36-J5
294	2377248-2	N	CABLE	1.0	(1053) MR2A11J54 TO PP1J85 UTNS
295	2377705	N	CABLE	1.0	(1054) SRI II TO CROSS POINT
296	2374705-3	N	CABLE	1.0	(1082) OW-A1-15-ETH SLOT TO MR2-
300	2377248-5	N	CABLE	1.0	RUN 1057 MG3-A8-J1 TO PP1-J85 UTNS

SOI FIXED SITE CABLES

46-258771G350 FRU N

(PART OF 46-282429G50 PAGE 1-183)
 (PART OF 46-282429G51 PAGE 1-184)
 (PART OF 46-282429G88 PAGE 1-191)

Item	Part Number	FRU	Name	Quantity	Description (Remarks)
27	46-258431G810	2	CABLE ASM	1	(702M) MR2-A11-J18 TO MR1-A7-J5
28	46-258431G809	2	CABLE	1	(703M) MR2-A11-J23 TO MR1-PD1-J2/
30	46-301125G98	2	CABLE ASM	1	(229T) MR2-A11-J1 TO MR1-A7-J3
98	46-271693G1	2	CABLE ASM	1	RUN 297, EMERGENCY OFF SW TO PP1-J18
178	46-258431G908	2	CABLE ASM	1	(774M) MR2-A11-J25 TO MR1-A7-J32
192	46-258431G808	2	CABLE	1	(706M) MR2-A11-J14 TO PD1-A14-A1-J3
255	46-243775G768	2	CABLE	1	RUN 491, PP1-J80 TO MG3-A36-J7
256	46-243775G769	2	CABLE	1	RUN 492, PP1-J81 TO MG3-A36-J8
257	46-243775G770	2	CABLE	1	RUN 493, PP1-J82 TO MG3-A36-J9
258	46-243775G771	2	CABLE	1	RUN 494, PP1-A14-J87 TO MG3-A36-J6
259	46-243775G772	2	CABLE	1	RUN 495, PP1-A15-J78 TO MG3-A36-J10

SOI FIXED SITE CABLES

46-258771G351 FRU N

(PART OF 46-282429G50 PAGE 1-183)
 (PART OF 46-282429G51 PAGE 1-184)
 (PART OF 46-282429G88 PAGE 1-191)

Item	Part Number	FRU	Name	Quantity	Description (Remarks)
5	2198993-2	2	CABLE	1	(818) MR2-A11-J31 TO OW1-A16-6,7,8
8	46-243775G807	2	CABLE	1	RUN 701, MR2-A11-J15 TO RF DOOR SW
32	46-328000G100	2	CABLE ASM	1	(231) MR2-A11-J2 TO PP1-J8
34	46-328000G102	2	CABLE ASM	1	(233/499) MR2-A11-J5 TO PP1-J7 OR
61	46-243775G315	2	CABLE	1	RUN 260, PP1-J7 TO MG2/MG3-A17-J2
63	46-243775G124	2	CABLE	1	RUN 262, PP1-J8 TO MG3-A3-A5-OUT
83	46-243775G481	2	CABLE	1	RUN 282, MG3-A2-J6 TO PP1-J12
97	46-271692G701	2	CABLE ASM	1	(296S) PP1-J18 TO FACILITY DISCONN
119	46-301125G95	2	CABLE	1	(318T) MG3-A7 TO PP1-J11
159	46-301125G902	2	CABLE	1	(768S) PP1-J20 TO MR1-A7-J31
161	46-301125G905	2	CABLE	1	(771S) PP1-J47 TO MR1-A7-J36
162	46-328000G531	2	CABLE	1	(387) MG2-A29-J1 TO PP1-J47
163	46-301125G904	2	CABLE	1	(770V) PP1-J11 TO MR1-A7-J41
164	46-301125G903	2	CABLE	1	(769S) PP1-J15 TO MR1-A7-J34
203	46-301125G916	2	CABLE	1	(778T) MG2-A12-A13-J3 TO PP1-A11-J72
204	46-301125G917	2	CABLE	1	(779T) MG2-A12-A13-J4 TO PP1-A11-J73
205	46-301125G918	2	CABLE	1	(780T) MG3-A3-A1-J6 TO PP1-A11-J74
206	46-328000G919	2	CABLE	1	(781) MG2-A12-A12-J5 TO PP1-A11-J75
207	46-328000G920	2	CABLE	1	(782) MG2-A12-A12-J6 TO PP1-A11-J76
228	46-317359G906	2	ASSEMBLY	1	(772S) PP1-J14 TO MR1-A7-J40
229	46-328000G822	2	ASSEMBLY	1	(715S) MG2-A33-J1 TO PP1-J14
230	46-317359G907	2	ASSEMBLY	1	(773S) PP1-A17-J1 TO MR1-A7-J35
231	46-301125G931	2	CABLE	1	(716S) MG2-A11-A1-J2 TO PP1-J89
232	2123533-3	2	POWER CABLE	1	(783T) MR1-A7-J37 TO PP1-F5/F6, 80'
233	2123534-3	2	POWER CABLE	1	(784S) MG6-J1 TO PP1-F5/F6
234	2123535-3	2	POWER CABLE	1	(785T) MR1-A7-J18 TO PP1-F7/F8, 80'
235	2123536-3	2	POWER CABLE	1	(786S) MG6-J2 TO PP1-F7/F8
238	46-317359G913	2	CABLE	1	(777S) MR1-A7-J43 TO PP1-A11-J94
239	46-317359G914	2	CABLE	1	(776S) MR1-A7-J44 TO PP1-A11-J93
240	46-317359G915	2	CABLE	1	(775S) MR1-A7-J42 TO PP1-A11-J92
250	46-243775G763	2	CABLE	1	RUN 486, PP1-A14-J85 TO MR1-A7-J22
251	46-258431G764	2	CABLE	1	(487M) MR1-A7-J20 TO PP1-A15-J78
252	46-317068G765	2	CABLE ASM	1	(488V)MR2-A11-J8 TO PP1-J80
253	46-317068G766	2	CABLE ASM	1	(489V)MR2-A11-J9 TO PP1-J81
254	46-317068G767	2	CABLE ASM	1	(490V)MR2-A11-J10 TO PP1-J82
260	46-317359G831	2	CABLE	1	(726S) MR1-A7-J18 TO PP1-A16-J77
261	46-317359G832	2	CABLE	1	(727S) PP1-A16-J77 TO MG3-A36-J5
267	46-317359G937	2	CABLE	1	(788TR) PP1-J12 TO OW1-A1-A2-J7
268	46-317359G938	2	CABLE	1	(789TR) MR2-A11-J26 TO OW1-A1-A2-J18
269	46-317359G939	2	CABLE	1	(791TR)MR2-A11-J30 TO OW1-A2-A2-TTY1

SGD AMPLIFIER HOIST KIT **46-317266G4 FRU 2** **(PART OF 46-282429G81 PAGE 1-189)**
(PART OF 46-282429G82 PAGE 1-189)
(PART OF 46-282429G84 PAGE 1-190)
(PART OF 46-282429G85 PAGE 1-190)

Item	Part Number	FRU	Name	Quantity	Description (Remarks)
5	46-195700G6	2	HOIST ASM	1	SGD HOIST ASM
6	46-317263P1	2	SUPPORT JACK	1	
7	46-317289G1	2	JACK ASM	1	AMPLIFIER HOIST KIT
15	46-208561P139	2	SCREW	2	001/2-13 X 4.750 LG HEX HD STL GRADE
16	46-317738P2	2	EXTENSION	1	RF/PEN CABINET EXTENSION
17	46-328439P1	2	SERVICE TOOL	4	8645 SPACER FOR HOIST TOOL
13991	46-208932P2	2	SCREW	4	001/4-20 X 1.000 18-8 SST
14165	46-208948P3	2	NUT	2	1/2-13, 3/4" HEX, 7/16" THK 18-8 SST

HEAT EXCHANGER CABINET **2133830 FRU N** **(PART OF 46-282429G SERIES, PRE-WideOpen)**

Item	Part Number	FRU	Name	Quantity	Description (Remarks)
1	2133830-2	1	PUMP/MOTOR		LYTRON 506840 PUMP/MOTOR ASM KIT
2	2133830-3	2	HEAT XCHNGR		LYTRON 506841 HEAT EXCHANGER KIT
3	2133830-4	2	FAN ASM KIT		LYTRON 506842 FAN ASSEMBLY KIT
4	2133830-5	2	LEVEL SWITCH		LYTRON 506843 LEVEL SWITCH KIT
5	2133830-6	2	SWITCH RELAY		LYTRON 506844 LEVEL SWITCH RELAY KIT
6	2133830-7	2	PWR CONNECTR		LYTRON 506845 POWER CONNECTOR KIT
7	2133830-8	2	HOSE FITTING		LYTRON 506846 BULKHEAD FITTING KIT
8	2133830-9	2	FILTR SCREEN		LYTRON 506863 FILTER SCREEN KIT
9	2133830-10	2	FILTERSCREEN		LYTRON 506863, FILTER SCREEN ELEMENT
10	2133830-11	2	RESERVOIR		LYTRON 506864,RESERVOIR ASSEMBLY KIT

RUBBER HOSE & CLAMPS **2128542 FRU 2** **(PART OF FIXED & T/R CATALOGS**
M3043PA TO M3093PA PAGES 1-52 TO 1-55
M3043PD TO M3163PD PAGES 1-62 TO 1-63
(PART OF 46-282429G SERIES)

Item	Part Number	FRU	Name	Quantity	Description (Remarks)
	2128542-2	2	CLAMP	8	WORM DRIVE HOSE CLAMP, 9/16 TO 1-1/16 DIA. SST
	2128542-3	2	HOSE	100'	PUSH-LOK HOSE
	2128542-4	2	HOSE	10"	PUSH-LOK HOSE

1-25 PDU CABLES

5.x FIXED PDU CABLES 46-258790G24 FRU N (PART OF 46-282429G26 PAGE 1-180)
 (PART OF 46-282429G28 PAGE 1-180)
 (PART OF 46-282429G63 PAGE 1-184)
 (PART OF 46-282429G66 PAGE 1-185)

Item	Part Number	FRU	Name	Quantity	Description (Remarks)
3	46-271363G3	2	CABLE ASM	1	(041) MR3-A11-J9 TO PD1-A2, 36 FT
9	46-271364G504	2	CABLE ASM	1	(009M) MR1-J1 TO PD1-A2 35 FT
19	46-271365G9	2	CABLE ASM	1	RUN 019, MF1 TO PD1-A2-TS1-19 120FT
23	46-255947G3	2	GROUND WIRE	1	RUN 023, 0C1-GND TO PD1-A2-GND, 67'
24	46-255947G4	2	GROUND WIRE	1	RUN 024, MF1-GND TO PD1-A2-GND, 122'
25	46-271364G507	2	CABLE ASM	1	(030M)MR2-A12 TO PD1TS1-16,17,18 35'
31	46-317074G1	2	CABLE, POWER	1	RUN 050 OC1A12-TS1 / PD1TS1-13,14,15
32	46-307617G1	2	CAB FEM POW	1	RUN 064, MR2-J2-TS2-1,2 TO CC1-P1
33	46-255947G607	2	GROUND WIRE	1	(037) MR2-A12-GND TO PD1-A2-A2 36 FT
34	46-255947G608	2	GROUND WIRE	1	(038) MR1-A7-GND TO PD1-A2-A2 36 FT
35	46-320460G1	2	CABLE POWER	1	PDU OUTLET TO MAG/SHIM POWER SUPPLY
40	2103427	2	GROUND CABLE	2	RUN 040, MS1 TO RF COM GROUND STUD
41	46-255947G9	2	GROUND WIRE	1	(044) MR1-A7-GND TO PP1-GND 31 FT
42	46-255947G510	2	GROUND WIRE	1	(045M) PP1-GND TO FAN CABINET GD 41'
43	46-271365G11	2	CABLE ASM	1	(046) HE1 TO PD1-A2 80 FT

5.x 1.0T T/R PDU CABLES 46-258790G25 FRU N (PART OF 46-282429G64 PAGE 1-184)
 (PART OF 46-282429G67 PAGE 1-185)

Item	Part Number	FRU	Name	Quantity	Description (Remarks)
3	46-271363G603	2	CABLE ASM	1	(041T) MR3-A11-J9 TO PD1-A2
9	46-271364G104	2	CABLE ASM	1	RUN 009, MR1J1 / PD1TS1-10,11,12 45'
19	46-271365G9	2	CABLE ASM	1	RUN 019, MF1 TO PD1-A2-TS1-19 120FT
23	46-255947G3	2	GROUND WIRE	1	RUN 023, 0C1-GND TO PD1-A2-GND, 67'
24	46-255947G4	2	GROUND WIRE	1	RUN 024, MF1-GND TO PD1-A2-GND, 122'
25	46-271364G7	2	CABLE ASM	1	RUN 030, MR2-A12 TO PD1-TS1-16,17,18
31	46-317074G1	2	CABLE, POWER	1	RUN 050 OC1A12-TS1 / PD1TS1-13,14,15
32	46-307617G1	2	CAB FEM POW	1	RUN 064, MR2-J2-TS2-1,2 TO CC1-P1
33	46-255947G507	2	GROUND WIRE	1	(037M) MR2-A12-GND TO PD1-A2-A2
34	46-255947G508	2	GROUND WIRE	1	(038M) MR1-A7-GND TO PD1-A2-A2
35	46-320460G1	2	CABLE POWER	1	PDU OUTLET TO MAG/SHIM POWER SUPPLY
40	2103427	2	GROUND CABLE	2	RUN 040, MS1 TO RF COM GROUND STUD
41	46-255947G609	2	GROUND WIRE	1	(044T) MR1-A7-GND TO PP1-GND
42	46-255947G10	2	GROUND WIRE	1	(045) PP1-GND TO FAN MODULE GND
43	46-271365G11	2	CABLE ASM	1	(046) HE1 TO PD1-A2 80 FT

5.x 1.5T T/R PDU CABLES

46-258790G26 FRU N

(PART OF 46-282429G27 PAGE 1-180)

(PART OF 46-282429G29 PAGE 1-181)

Item	Part Number	FRU	Name	Quantity	Description (Remarks)
3	46-271363G605	2	CABLE ASM	1	(041T)MR3-GPM-PS TO PD1-A2 OR MR1-PD
9	46-271364G104	2	CABLE ASM	1	RUN 009, MR1J1 / PD1TS1-10,11,12 45'
19	46-271365G9	2	CABLE ASM	1	(19) MF1 TO PDU-A2-TS1-19 OR MR1-PD1
23	46-255947G3	2	GROUND WIRE	1	RUN 023, 0C1-GND TO PD1-A2-GND, 67'
24	46-255947G4	2	GROUND WIRE	1	RUN 024, MF1-GND TO PD1-A2-GND, 122'
25	46-271364G7	2	CABLE ASM	1	RUN 030, MR2-A12 TO PD1-TS1-16,17,18
31	46-317074G1	2	CABLE, POWER	1	RUN 050 OC1A12-TS1 / PD1TS1-13,14,15
32	46-307617G1	2	CAB FEM POW	1	RUN 064, MR2-J2-TS2-1,2 TO CC1-P1
33	46-255947G507	2	GROUND WIRE	1	(037M) MR2-A12-GND TO PD1-A2-A2
34	46-255947G508	2	GROUND WIRE	1	(038M) MR1-A7-GND TO PD1-A2-A2
35	46-320460G1	2	CABLE POWER	1	PDU OUTLET TO MAG/SHIM POWER SUPPLY
40	2103427	2	GROUND CABLE	2	RUN 040, MS1 TO RF COM GROUND STUD
41	46-255947G609	2	GROUND WIRE	1	(044T) MR1-A7-GND TO PP1-GND
42	46-255947G10	2	GROUND WIRE	1	(045) PP1-GND TO FAN MODULE GND
43	46-271365G11	2	CABLE ASM	1	(046) HE1 TO PD1-A2 OR MR1-PD1 80FT

8.x FIXED PDU CABLES **46-258790G27 FRU N** **(PART OF 46-282429G30 PAGE 1-181)**
(PART OF 46-282429G69 PAGE 1-185)

Item	Part Number	FRU	Name	Quantity	Description (Remarks)
3	46-271363G3	2	CABLE ASM	1	(041) MR3-A11-J9 TO PD1-A2, 36 FT
9	46-271364G504	2	CABLE ASM	1	(009M) MR1-J1 TO PD1-A2 35 FT
19	46-271365G9	2	CABLE ASM	1	(19) MF1 TO PDU-A2-TS1-19 OR MR1-PD1
24	46-255947G4	2	GROUND WIRE	1	(24) MF1-GND TO PD1-GND, 120FT
25	46-271364G507	2	CABLE ASM	1	(030M)MR2-A12 TO PD1TS1-16,17,18 35'
33	46-255947G607	2	GROUND WIRE	1	(037) MR2-A12-GND TO PD1-A2-A2 36 FT
34	46-255947G608	2	GROUND WIRE	1	(038) MR1-A7-GND TO PD1-A2-A2 36 FT
35	46-320460G1	2	CABLE POWER	1	PDU OUTLET TO MAG/SHIM POWER SUPPLY
40	2103427	2	GROUND CABLE	1	RUN 040, MS1 TO RF COM GROUND STUD
41	46-255947G9	2	GROUND WIRE	1	(044) MR1-A7-GND TO PP1-GND 31 FT
42	46-255947G510	2	GROUND WIRE	1	(045M) PP1-GND TO FAN CABINET GD 41'
43	46-271365G11	2	CABLE ASM	1	(046) HE1 TO PD1-A2 OR MR1-PD1 80FT
44	46-307832P1	2	CABLE ASM	1	(047) OW1A2A5JI TO PD1
45	46-255947G11	2	GROUND WIRE	1	(048) OW1-GND TO PD1-GRN

8.x T/R PDU CABLES **46-258790G28 FRU N** **(PART OF 46-282429G31 PAGE 1-181)**
(PART OF 46-282429G70 PAGE 1-186)

Item	Part Number	FRU	Name	Quantity	Description (Remarks)
3	46-271363G603	2	CABLE ASM	1	(041T) MR3-A11-J9 TO PD1-A2
9	46-271364G104	2	CABLE ASM	1	RUN 009, MR1J1 / PD1TS1-10,11,12 45'
19	46-271365G9	2	CABLE ASM	1	(19) MF1 TO PDU-A2-TS1-19 OR MR1-PD1
24	46-255947G4	2	GROUND WIRE	1	(24) MF1-GND TO PD1-GND, 120FT
25	46-271364G7	2	CABLE ASM	1	RUN 030, MR2-A12 TO PD1-TS1-16,17,18
33	46-255947G507	2	GROUND WIRE	1	(037M) MR2-A12-GND TO PD1-GRN
34	46-255947G508	2	GROUND WIRE	1	(038M) MR1-A7-GND TO PD1-A2-A2
35	46-320460G1	2	CABLE POWER	1	PDU OUTLET TO MAG/SHIM POWER SUPPLY
40	2103427	2	GROUND CABLE	2	RUN 040, MS1 TO RF COM GROUND STUD
41	46-255947G609	2	GROUND WIRE	1	(044T) MR1-A7-GND TO PP1-GND
42	46-255947G10	2	GROUND WIRE	1	(045) PP1-GND TO FAN MODULE GND
43	46-271365G11	2	CABLE ASM	1	(046) HE1 TO PD1-A2 OR MR1-PD1 80FT
44	46-307832P1	2	CABLE ASM	1	(047) OW1A2A5JI TO PD1
45	46-255947G11	2	GROUND WIRE	1	(048) OW1-GND TO PD1-GRN

8.x MOBILE PDU CABLES **46-258790G29 FRU N** **(PART OF 46-282429G32 PAGE 1-182)**
(PART OF 46-282429G71 PAGE 1-186)

Item	Part Number	FRU	Name	Quantity	Description (Remarks)
3	46-271363G503	2	CABLE ASM	1	(041M) MR3-A11-J9 TO PD1-A2
9	46-271364G704	2	CABLE ASM	1	(009V) MR1-J1 TO PD1-A2 (CB17)
19	46-271365G709	2	CABLE ASM	1	(019V) MFI TO PD1-A2 (CB2)
24	46-255947G504	2	GROUND WIRE	1	(024M) MF1-GND TO PD1-A2-A2
25	46-271364G707	2	CABLE ASM	1	(030V) MR2-A12 TO PD1-A2
33	46-255947G607	2	GROUND WIRE	1	(037) MR2-A12-GND TO PD1-A2-A2 36 FT
34	46-255947G608	2	GROUND WIRE	1	(038) MR1-A7-GND TO PD1-A2-A2 36 FT
35	46-320460G1	2	CABLE POWER	2	PDU OUTLET TO MAG/SHIM POWER SUPPLY
41	46-255947G509	2	GROUND WIRE	1	(044M) MR1-A7-GND TO PP1-GND
42	46-255947G10	2	GROUND WIRE	1	(045) PP1-GND TO FAN MODULE GND
43	46-271365G11	2	CABLE ASM	1	(046) HE1 TO PD1-A2 80 FT
44	46-307832P2	2	CABLE ASM	1	(047) OW1A2A5JI TO PDI
45	46-255947G11	2	GROUND WIRE	1	(048) OW1-GND TO PD1-A2-A2

8.x SGD FIXED PDU CABLES 46-258790G30 FRU N (PART OF 46-282429G36 PAGE 1-182)
(PART OF 46-282429G72 PAGE 1-186)
(PART OF 46-282429G75 PAGE 1-187)

Item	Part Number	FRU	Name	Quantity	Description (Remarks)
3	46-271363G5	2	CABLE ASM	1	(041)MR3-GPM-PS TO PD1-A2 OR MR1-PD1
19	46-271365G9	2	CABLE ASM	1	(19) MF1 TO PDU-A2-TS1-19 OR MR1-PD1
24	46-255947G4	2	GROUND WIRE	1	(24) MF1-GND TO PD1-GND, 120FT
25	46-271364G507	2	CABLE ASM	1	(030M)MR2-A12 TO PD1TS1-16,17,18 OR
33	46-255947G607	2	GROUND WIRE	1	(037) MR2-A12-GND TO PD1-GRN 36 FT
35	46-320460G1	2	CABLE POWER	1	PDU OUTLET TO MAG/SHIM POWER SUPPLY
40	2103427	2	GROUND CABLE	2	RUN 040, MS1 TO RF COM GROUND STUD
41	46-255947G9	2	GROUND WIRE	1	(044) MR1-A7-GND TO PP1-GND 31 FT
42	46-255947G510	2	GROUND WIRE	1	(045M) PP1-GND TO FAN CABINET GD 41'
43	46-271365G11	2	CABLE ASM	1	(046) HE1 TO PD1-A2 OR MR1-PD1 80FT
44	46-307832P1	2	CABLE ASM	1	(047) OW1A2A5JI TO PD1
45	46-255947G11	2	GROUND WIRE	1	(048) OW1-GND TO PD1-GRN

8.x SGD T/R PDU CABLES 46-258790G31 FRU N (PART OF 46-282429G37 PAGE 1-183)
(PART OF 46-282429G73 PAGE 1-187)
(PART OF 46-282429G77 PAGE 1-188)
(PART OF 46-282429G82 PAGE 1-189)
(PART OF 46-282429G84 PAGE 1-190)

Item	Part Number	FRU	Name	Quantity	Description (Remarks)
3	46-271363G615	2	CABLE ASM	1	(041T)MR3-GPM-PS TO PD1-A2 OR MR1-PD
25	46-271364G17	2	CABLE ASM	1	(030) MR2-A12 TO PD1-TS1-16,17,18;
33	46-255947G507	2	GROUND WIRE	1	(037M) MR2-A12-GND TO PD1-GRN
35	46-320460G1	2	CABLE POWER	1	PDU OUTLET TO MAG/SHIM POWER SUPPLY
40	2103427	2	GROUND CABLE	2	(040) MS1 TO RF COM GROUND STUD
41	46-255947G609	2	GROUND WIRE	1	(044T) MR1-A7-GND TO PP1-GND
42	46-255947G10	2	GROUND WIRE	1	(045) PP1-GND TO FAN MODULE GND
43	46-271365G11	2	CABLE ASM	1	(046) HE1 TO PD1-A2 OR MR1-PD1 80FT
44	46-307832P4	2	CABLE ASM	1	(047) OW1A2A5J1 TO PD1-A2 OR MR1-PD1
45	46-255947G11	2	GROUND WIRE	1	(048) OW1-GND TO PD1-GND

8.x SGD MOBILE PDU CABLES 46-258790G32 FRU N (PART OF 46-282429G38 PAGE 1-183)
(PART OF 46-282429G74 PAGE 1-187)
(PART OF 46-282429G76 PAGE 1-188)
(PART OF 46-282429G81 PAGE 1-189)
(PART OF 46-282429G85 PAGE 1-190)

Item	Part Number	FRU	Name	Quantity	Description (Remarks)
3	46-271363G715	2	CABLE ASM	1	(041V)MR3-GPM-PS TO PD1-S2 OR MR1-PDU
25	46-271364G817	2	CABLE ASM	1	(030) MR2-A12 TO PD1-A2 OR MR1-PD1
33	46-255947G607	2	GROUND WIRE	1	(037) MR2-A12-GND TO PD1-GRN 36 FT
35	46-320460G1	2	CABLE POWER	2	PDU OUTLET TO MAG/SHIM POWER SUPPLY
41	46-255947G709	2	GROUND WIRE	1	(044V) MR1-A7-GND TO PP1-GND
42	46-255947G10	2	GROUND WIRE	1	(045) PP1-GND TO FAN MODULE GND
43	46-271365G11	2	CABLE ASM	1	(046) HE1 TO PD1-A2 OR MR1-PD1 80FT
44	46-307832P5	2	CABLE ASM	1	(047) OW1A2A5J1 TO PD1-A2 OR MR1-PD1
45	46-255947G11	2	GROUND WIRE	1	(048) OW1-GND TO PD1-GND

LX ACGD FIXED PDU CABLES 46-258790G33 FRU N (PART OF M3043PA PAGE 1-52)
(PART OF 46-282429G98 PAGE 1-192)
(PART OF 46-282429G99 PAGE 1-192)

Item	Part Number	FRU	Name	Quantity	Description (Remarks)
33	46-255947G607	N	GROUND WIRE	1	(037) MR2-A12-GND TO PD1-GRN 36 FT
35	46-320460G1	N	CABLE POWER	1	PDU OUTLET TO MAG/SHIM POWER SUPPLY
40	2103427	N	GROUND CABLE	2	(040) MS1 TO RF COM GROUND STUD
41	46-255947G9	N	GROUND WIRE	1	(044) MR1-A7-GND TO PP1-GND 31 FT
42	46-255947G510	N	GROUND WIRE	1	(045M) PP1-GND TO FAN CABINET GD 41'
45	46-255947G11	N	GROUND WIRE	1	(048) OW1-GND TO PD1-GND
50	2280286	N	PART	1	(966)POWER CAB MR1-A7-J1 TO MR3-PD1
51	2280286-2	N	PART	1	(968)PWR CABLE MR2-A12-J1 TO MR3-PD1
52	2280287	N	PART	1	(967)POWER CABLE MR1-CB1 TO MR3-PD1
53	2280288	N	PART	1	(969) OW1-A2-A5-J1 TO MR3-PD1
54	2371516	2	CABLE ASM	1.0	(970) WC1 TO MR3-PD1
55	46-255947G8	N	GROUND WIRE	1	(038) MR1-A7-GND TO PD1-A2-A2

LX ACGD MOBILE PDU CABLES 46-258790G34 FRU N (PART OF M3053PA PAGE 1-53)
(PART OF M3083PA PAGE 1-54)
(PART OF 46-282429G102 PAGE 1-193)
(PART OF 46-282429G103 PAGE 1-193)

Item	Part Number	FRU	Name	Quantity	Description (Remarks)
33	46-255947G607	N	GROUND WIRE	1	(037) MR2-A12-GND TO PD1-GRN 36 FT
35	46-320460G1	N	CABLE POWER	2	PDU OUTLET TO MAG/SHIM POWER SUPPLY
41	46-255947G709	N	GROUND WIRE	1	(044V) MR1-A7-GND TO PP1-GND
42	46-255947G10	N	GROUND WIRE	1	(045) PP1-GND TO FAN MODULE GND
43	2281320	N	PART	1	(973) HE1 TO MR3-PD1 (25000 MM)
45	46-255947G11	N	GROUND WIRE	1	(048) OW1-GND TO PD1-GND
50	2280286-5	N	PART	1	(966M) CABLE MR1-A7-J1 TO MR3-PD1
51	2280286-6	N	PART	1	(968M) CABLE MR2-A12-J1 TO MR3-PD1
52	2280287-2	N	PART	1	(967M)PWR CABLE MR1-CB1 OR MR1-TS1
53	2280288	N	PART	1	(969) OW1-A2-A5-J1 TO MR3-PD1
55	46-255947G608	N	GROUND WIRE	1	(038) MR1-A7-GND TO PD1-A2-A2 36 FT

LX ACGD T/R PDU CABLES 46-258790G35 FRU N (PART OF M3063PA PAGE 1-53)
(PART OF M3073PA PAGE 1-54)
(PART OF M3093PA PAGE 1-55)
(PART OF 46-282429G100 PAGE 1-192)
(PART OF 46-282429G101 PAGE 1-192)

Item	Part Number	FRU	Name	Quantity	Description (Remarks)
33	46-255947G507	N	GROUND WIRE	1	(037M) MR2-A12-GND TO PD1-GRN
35	46-320460G1	N	CABLE POWER	2	PDU OUTLET TO MAG/SHIM POWER SUPPLY
40	2103427	N	GROUND CABLE	2	(040) MS1 TO RF COM GROUND STUD
41	46-255947G609	N	GROUND WIRE	1	(044T) MR1-A7-GND TO PP1-GND
42	46-255947G10	N	GROUND WIRE	1	(045) PP1-GND TO FAN MODULE GND
43	2281320	N	PART	1	(973) HE1 TO MR3-PD1 (25000 MM)
45	46-255947G11	N	GROUND WIRE	1	(048) OW1-GND TO PD1-GND
50	2280286-3	N	PART	1	(966T) CABLE MR1-A7-J1 TO MR3-PD1
51	2280286-4	N	PART	1	(968T) CABLE MR2-A12-J1 TO MR3-PD1
52	2280287-3	N	PART	1	(967T)PWR CABLE MR1-CB1 OR MR1-TS1
53	2280288	N	PART	1	(969) OW1-A2-A5-J1 TO MR3-PD1
55	46-255947G608	N	GROUND WIRE	1	(038) MR1-A7-GND TO PD1-A2-A2 36 FT

TwinSpeed FIXED PDU CABLES 46-258790G36 FRU N (PART OF M3043TA PAGE 1-74)

Item	Part Number	FRU	Name	Quantity	Description (Remarks)
33	46-255947G607	N	GROUND WIRE	1	(037) MR2-A12-GND TO PD1-GRN 36 FT
35	46-320460G1	N	CABLE POWER	1	PDU OUTLET TO MAG/SHIM POWER SUPPLY
40	2103427	N	GROUND CABLE	2	(040) MS1 TO RF COM GROUND STUD
41	46-255947G9	N	GROUND WIRE	1	(044) MR1-A7-GND TO PP1-GND 31 FT
42	46-255947G510	N	GROUND WIRE	1	(045M) PP1-GND TO FAN CABINET GD 41'
45	46-255947G11	N	GROUND WIRE	1	(048) OW1-GND TO PD1-GND
50	2280286	N	PART	1	(966)POWER CAB MR1-A7-J1 TO MR3-PD1
51	2280286-2	N	PART	1	(968)PWR CABLE MR2-A12-J1 TO MR3-PD1
52	2280287	N	PART	1	(967)POWER CABLE MR1-CB1 OR MR1-TS1
53	2280288	N	PART	1	(969) OW1-A2-A5-J1 TO MR3-PD1
55	46-255947G8	N	GROUND WIRE	1	(038) MR1-A7-GND TO PD1-A2-A2
56	2292999	N	CABLE	1	(989) TAC J58 TO MR3-PD1

TwinSpeed MOBILE PDU CABLES 46-258790G38 FRU N (PART OF M3053TA PAGE 1-74)

Item	Part Number	FRU	Name	Quantity	Description (Remarks)
33	46-255947G607	N	GROUND WIRE	1	(037) MR2-A12-GND TO PD1-GRN 36 FT
35	46-320460G1	N	CABLE POWER	2	PDU OUTLET TO MAG/SHIM POWER SUPPLY
41	46-255947G709	N	GROUND WIRE	1	(044V) MR1-A7-GND TO PP1-GND
42	46-255947G10	N	GROUND WIRE	1	(045) PP1-GND TO FAN MODULE GND
45	46-255947G11	N	GROUND WIRE	1	(048) OW1-GND TO PD1-GND
50	2280286-5	N	PART	1	(966M) CABLE MR1-A7-J1 TO MR3-PD1
51	2280286-6	N	PART	1	(968M) CABLE MR2-A12-J1 TO MR3-PD1
52	2280287-2	N	PART	1	(967M)PWR CABLE MR1-CB1 OR MR1-TS1
53	2280288	N	PART	1	(969) OW1-A2-A5-J1 TO MR3-PD1
55	46-255947G608	N	GROUND WIRE	1	(038) MR1-A7-GND TO PD1-A2-A2 36 FT
56	2292999	N	CABLE	1	(989) TAC J58 TO MR3-PD1

TwinSpeed T/R PDU CABLES 46-258790G39 FRU N (PART OF M3063TA PAGE 1-75)

Item	Part Number	FRU	Name	Quantity	Description (Remarks)
33	46-255947G507	N	GROUND WIRE	1	(037M) MR2-A12-GND TO PD1-GRN
35	46-320460G1	N	CABLE POWER	2	PDU OUTLET TO MAG/SHIM POWER SUPPLY
40	2103427	N	GROUND CABLE	2	(040) MS1 TO RF COM GROUND STUD
41	46-255947G609	N	GROUND WIRE	1	(044T) MR1-A7-GND TO PP1-GND
42	46-255947G10	N	GROUND WIRE	1	(045) PP1-GND TO FAN MODULE GND
45	46-255947G11	N	GROUND WIRE	1	(048) OW1-GND TO PD1-GND
50	2280286-3	N	PART	1	(966T) CABLE MR1-A7-J1 TO MR3-PD1
51	2280286-4	N	PART	1	(968T) CABLE MR2-A12-J1 TO MR3-PD1
52	2280287-3	N	PART	1	(967T)PWR CABLE MR1-CB1 OR MR1-TS1
53	2280288	N	PART	1	(969) OW1-A2-A5-J1 TO MR3-PD1
55	46-255947G608	N	GROUND WIRE	1	(038) MR1-A7-GND TO PD1-A2-A2 36 FT
56	2292999	N	CABLE	1	(989) TAC J58 TO MR3-PD1

8.x SGD W-O FIXED PDU CABLES 46-258790G50 FRU N

(PART OF 46-282429G80 PAGE 1-189)

(PART OF 46-282429G83 PAGE 1-190)

Item	Part Number	FRU	Name	Quantity	Description (Remarks)
3	46-271363G15	2	CABLE ASM	1	(041)MR3-GPM-PS TO PD1-A2 OR MR1-PD1
25	46-271364G517	2	CABLE ASM	1	(030M) MR2-A12 TO PD1-A2 OR MR1-PD1
33	46-255947G607	2	GROUND WIRE	1	(037) MR2-A12-GND TO PD1-GRN 36 FT
35	46-320460G1	2	CABLE POWER	1	PDU OUTLET TO MAG/SHIM POWER SUPPLY
40	2103427	2	GROUND CABLE	2	(040) MS1 TO RF COM GROUND STUD
41	46-255947G9	2	GROUND WIRE	1	(044) MR1-A7-GND TO PP1-GND 31 FT
42	46-255947G510	2	GROUND WIRE	1	(045M) PP1-GND TO FAN CABINET GD 41'
43	2223355	2	PART	1	(065) WC1 TO PD1 POWER CABLE, 82 FT
44	46-307832P4	2	CABLE ASM	1	(047) OW1A2A5J1 TO PD1-A2 OR MR1-PD1
45	46-255947G11	2	GROUND WIRE	1	(048) OW1-GND TO PD1-GND

5.x 1.0T MOBILE PDU CABLES 46-258790G65 FRU N

(PART OF 46-282429G65 PAGE 1-184)

(PART OF 46-282429G68 PAGE 1-185)

Item	Part Number	FRU	Name	Quantity	Description (Remarks)
3	46-271363G505	2	CABLE ASM	1	(041M)MR3-GPM-PS TO PD1-A2_OR MR1-PD
9	46-271364G704	2	CABLE ASM	1	(009V) MR1-J1 TO PD1-A2 (CB17)
19	46-271365G709	2	CABLE ASM	1	(019V)MFI TO PD1-A2(CB2)_OR MR1-PD1
23	46-255947G3	2	GROUND WIRE	1	RUN 023, 0C1-GND TO PD1-A2-GND, 67'
24	46-255947G504	2	GROUND WIRE	1	(024M) MF1-GND TO PD1-GRN
25	46-271364G707	2	CABLE ASM	1	(030V) MR2-A12 TO PD1-A2_OR MR1-PD1
31	46-317074G701	2	CABLE, POWER	1	(050V) OC1-A12-TS1 TO PD1-A2
32	46-307617G501	2	CAB FEM POW	1	(064M) MR2-J2-TS2 TO CC1-P1
33	46-255947G607	2	GROUND WIRE	1	(037) MR2-A12-GND TO PD1-GRN 36 FT
34	46-255947G608	2	GROUND WIRE	1	(038) MR1-A7-GND TO PD1-A2-A2 36 FT
35	46-320460G1	2	CABLE POWER	2	PDU OUTLET TO MAG/SHIM POWER SUPPLY
41	46-255947G509	2	GROUND WIRE	1	(044M) MR1-A7-GND TO PP1-GND
42	46-255947G10	2	GROUND WIRE	1	(045) PP1-GND TO FAN MODULE GND
43	46-271365G11	2	CABLE ASM	1	(046) HE1 TO PD1-A2 OR MR1-PD1 80FT

EXCITE 11.x MOBILE PDU CABLES 46-258790G81 FRU N

(PART OF M3153PD PAGE 1-63)

Item	Part Number	FRU	Name	Quantity	Description (Remarks)
33	46-255947G607	N	GROUND WIRE	1.0	(037) MR2-A12-GND TO PD1-GRN 36 FT
35	46-320460G1	N	CABLE POWER	2.0	PDU OUTLET TO MAG/SHIM POWER SUPPLY
41	46-255947G709	N	GROUND WIRE	1.0	(044V) MR1-A7-GND TO PP1-GND
42	46-255947G10	N	GROUND WIRE	1.0	(045) PP1-GND TO FAN MODULE GND
43	2281320	N	PART	1.0	(973) HE1 TO MR3-PD1 (25000 MM)
50	2280286-5	N	PART	1.0	(966M) CABLE MR1-A7-J1 TO MR3-PD1
51	2280286-6	N	PART	1.0	(968M) CABLE MR2-A12-J1 TO MR3-PD1
52	2280287-2	N	PART	1.0	(967M)PWR CABLE MR1-CB1 OR MR1-TS1
53	2371515-3	N	CABLE ASM	1.0	(1081) OW1-A19-J1 TO MR3-PD1
55	46-255947G608	N	GROUND WIRE	1.0	(038) MR1-A7-GND TO PD1-A2-A2 36 FT

EXCITE 11.x T/R PDU CABLES 46-258790G82 FRU N (PART OF M3163PD PAGE 1-63)

Item	Part Number	FRU	Name	Quantity	Description (Remarks)
33	46-255947G507	N	GROUND WIRE	1.0	(037M) MR2-A12-GND TO PD1-GRN
35	46-320460G1	N	CABLE POWER	2.0	PDU OUTLET TO MAG/SHIM POWER SUPPLY
40	2103427	N	GROUND CABLE	2.0	(040) MS1 TO RF COM GROUND STUD
41	46-255947G609	N	GROUND WIRE	1.0	(044T) MR1-A7-GND TO PP1-GND
42	46-255947G10	N	GROUND WIRE	1.0	(045) PP1-GND TO FAN MODULE GND
43	2281320	N	PART	1.0	(973) HE1 TO MR3-PD1 (25000 MM)
50	2280286-3	N	PART	1.0	(966T) CABLE MR1-A7-J1 TO MR3-PD1
51	2280286-4	N	PART	1.0	(968T) CABLE MR2-A12-J1 TO MR3-PD1
52	2280287-3	N	PART	1.0	(967T)PWR CABLE MR1-CB1 OR MR1-TS1
53	2371515-3	N	CABLE ASM	1.0	(1081) OW1-A19-J1 TO MR3-PD1
55	46-255947G608	N	GROUND WIRE	1.0	(038) MR1-A7-GND TO PD1-A2-A2 36 FT

Twin EXCITE 11.x MOB PDU CBLS 46-258790G83 FRU N (PART OF M3153TD PAGE 1-79)

Item	Part Number	FRU	Name	Quantity	Description (Remarks)
33	46-255947G607	N	GROUND WIRE	1.0	(037) MR2-A12-GND TO PD1-GRN 36 FT
35	46-320460G1	N	CABLE POWER	2.0	PDU OUTLET TO MAG/SHIM POWER SUPPLY
41	46-255947G709	N	GROUND WIRE	1.0	(044V) MR1-A7-GND TO PP1-GND
42	46-255947G10	N	GROUND WIRE	1.0	(045) PP1-GND TO FAN MODULE GND
50	2280286-5	N	PART	1.0	(966M) CABLE MR1-A7-J1 TO MR3-PD1
51	2280286-6	N	PART	1.0	(968M) CABLE MR2-A12-J1 TO MR3-PD1
52	2280287-2	N	PART	1.0	(967M)PWR CABLE MR1-CB1 OR MR1-TS1
53	2371515-3	N	CABLE ASM	1.0	(1081) OW1-A19-J1 TO MR3-PD1
55	46-255947G608	N	GROUND WIRE	1.0	(038) MR1-A7-GND TO PD1-A2-A2 36 FT
56	2292999	N	CABLE	1.0	(989) TAC J58 TO MR3-PD1

Twin EXCITE 11.x T/R PDU CBLS 46-258790G84 FRU N (PART OF M3163TD M3163TD PAGE 1-79)

Item	Part Number	FRU	Name	Quantity	Description (Remarks)
33	46-255947G507	N	GROUND WIRE	1.0	(037M) MR2-A12-GND TO PD1-GRN
35	46-320460G1	N	CABLE POWER	2.0	PDU OUTLET TO MAG/SHIM POWER SUPPLY
40	2103427	N	GROUND CABLE	2.0	(040) MS1 TO RF COM GROUND STUD
41	46-255947G609	N	GROUND WIRE	1.0	(044T) MR1-A7-GND TO PP1-GND
42	46-255947G10	N	GROUND WIRE	1.0	(045) PP1-GND TO FAN MODULE GND
50	2280286-3	N	PART	1.0	(966T) CABLE MR1-A7-J1 TO MR3-PD1
51	2280286-4	N	PART	1.0	(968T) CABLE MR2-A12-J1 TO MR3-PD1
52	2280287-3	N	PART	1.0	(967T)PWR CABLE MR1-CB1 OR MR1-TS1
53	2371515-3	N	CABLE ASM	1.0	(1081) OW1-A19-J1 TO MR3-PD1
55	46-255947G608	N	GROUND WIRE	1.0	(038) MR1-A7-GND TO PD1-A2-A2 36 FT
56	2292999	N	CABLE	1.0	(989) TAC J58 TO MR3-PD1

SOI PDU CABLES

46-258790G500 FRU N

(PART OF 46-282429G50 PAGE 1-183)
 (PART OF 46-282429G51 PAGE 1-184)
 (PART OF 46-282429G88 PAGE 1-191)

Item	Part Number	FRU	Name	Quantity	Description (Remarks)
3	46-271363G15	2	CABLE ASM	1	(041)MR3-GPM-PS TO PD1-A2 OR MR1-PD1
25	46-271364G517	2	CABLE ASM	1	(030M) MR2-A12 TO PD1-A2 OR MR1-PD1
33	46-255947G607	2	GROUND WIRE	1	(037) MR2-A12-GND TO PD1-GRN 36 FT
35	46-320460G1	2	CABLE POWER	1	PDU OUTLET TO MAG/SHIM POWER SUPPLY
40	2103427-3	2	GROUND CABLE	2	RUN 040, RF COM GRND STUD TO MS1
41	46-255947G609	2	GROUND WIRE	1	(044T) MR1-A7-GND TO PP1-GND
42	46-255947G610	2	GROUND WIRE	1	(045S) PP1-GND TO FAN MODULE GND
43	2223355	2	PART	1	(065) WC1 TO PD1 POWER CABLE, 82 FT
44	46-307832P3	2	CABLE ASM	1	(047) OW1A2A5J1 TO PD1-A2 OR MR1-PD1
45	46-255947G611	2	GROUND WIRE	1	(048T) OW1-GND TO PD1-GND

SOI PDU CABLES - ACGD

46-258790G501 FRU N

(PART OF M3044PA PAGE 1-52)
 (PART 1 OF 46-2322679 PAGE 1-191)

Item	Part Number	FRU	Name	Quantity	Description (Remarks)
25	46-271364G517	N	CABLE ASM	1	(030M) MR2-A12 TO PD1-A2 OR MR1-PD1
33	46-255947G607	N	GROUND WIRE	1	(037) MR2-A12-GND TO PD1-GRN 36 FT
35	46-320460G1	N	CABLE POWER	1	PDU OUTLET TO MAG/SHIM POWER SUPPLY
40	2103427-3	N	GROUND CABLE	2	(040) RF COM GRND STUD TO MS1
41	46-255947G609	N	GROUND WIRE	1	(044T) MR1-A7-GND TO PP1-GND
42	46-255947G610	N	GROUND WIRE	1	(045S) PP1-GND TO FAN MODULE GND
45	46-255947G611	N	GROUND WIRE	1	(048T) OW1-GND TO PD1-GND
50	2280286-3	N	PART	1	(966T) CABLE MR1-A7-J1 TO MR3-PD1
51	2280286-4	N	PART	1	(968T) CABLE MR2-A12-J1 TO MR3-PD1
52	2280287-3	N	PART	1	(967T)PWR CABLE MR1-CB1 OR MR1-TS1
53	2280288-3	N	PART	1.0	(969) OW1-A2-A5-J1 TO MR3-PD1 100FT
54	2371516	2	CABLE ASM	1.0	(970) WC1 TO MR3-PD1

1-26 RF AND HELIAX CABLES

1.5T HEAD/BODY COIL RF CABLES-80 FT2300798 FRU N
 (PART OF M3043PA PAGE 1-52)
 (PART OF M3053PA PAGE 1-53)
 (PART OF M3063PA PAGE 1-53)
 (PART OF M3145PD PAGE 1-63)
 (PART OF M3153PD PAGE 1-63)
 (PART OF M3043TA PAGE 1-74)
 (PART OF M3053TA PAGE 1-74)
 (PART OF M3063TA PAGE 1-75)
 (PART OF M3145TD PAGE 1-79)
 (PART OF M3153TD PAGE 1-79)
 (PART OF M3163TD PAGE 1-79)

Item	Part Number	FRU	Name	Quantity	Description (Remarks)
2	2316584	N	CABLE	1	(235/257) FJ5 TO MG3A3-J1 (80FT)
3	2316589	N	CABLE	1	FLEXIBLE EXTENSION CABLE (BODY)
4	2319986	N	PLUG	2	PLUG, 7/8 EIA RIGHT ANGLE
5	2357230	N	PART	1	RUN 235 PP1-J44
6	2357230-2	N	PART	1	RUN 257 PP1-J44
7	46-220400P1	2	MECHANICAL/M	1	7" WIDE, 8" DEEP, 0.004" THICKNESS
8	2335189	N	PART	1	FLEXIBLE EXTENSION CABLE (HEAD)
9	2335190	N	PART	1	LMR 900 STRIPPING TOOL
10	46-208935P8	N	NUT	3	1/4-20, 7/16" HEX X 3/16 THK, BRASS
11	46-221449P6	N	WASHER	3	SCREW SIZE 1/4 (0.250) PHOS BRONZE
12	46-208939P20	N	SCREW	3	1/4-20 X 1.25 HEX HEAD BOLT (BRASS)
13	2316588	N	CABLE	1	(236/258) FJ5 TO MG3A17-J1 (80FT)
14	2357230-3	N	PART	1	RUN 236 FJ6
15	2357230-4	N	PART	1	RUN 258 MG3A17-J1
16	2352193	N	PART	1	LMR 600 STRIPPING TOOL
18	2352195	N	PART	2	STRAIGHT MALE N FOR LMR 600
19	5111565	N	OUT OF CATAL	1.0	RF CABLE CUTTING TOOL

HEAD/BODY COIL RF CABLES-60 FT 2300798-2 FRU N
 (PART 5 OF M3143PD PAGE 1-63)
 (PART 6 OF M3143TD PAGE 1-79)

Item	Part Number	FRU	Name	Quantity	Description (Remarks)
2	2316584-2	N	CABLE	1.0	(235/257) FJ5 TO MG3A3A5-J1, 60 FT
3	2316589	N	CABLE	1.0	FLEXIBLE EXTENSION CABLE (BODY)
4	2319986	N	OUT OF CATAL	2.0	PLUG, 7/8 EIA RIGHT ANGLE
5	2357230	N	PART	1.0	RUN 235 PP1-J44
6	2357230-2	N	PART	1.0	RUN 257 PP1-J44
7	46-220400P1	N	MECHANICAL/M	1.0	7" WIDE, 8" DEEP, 0.004" THICKNESS
8	2335189	N	PART	1.0	FLEXIBLE EXTENSION CABLE (HEAD)
9	2335190	N	OUT OF CATAL	1.0	LMR 900 STRIPPING TOOL
10	46-208935P8	N	PDM PART	3.0	1/4-20, 7/16" HEX X 3/16 THK, BRASS
11	46-221449P6	N	PDM PART	3.0	SCREW SIZE 1/4 (0.250) PHOS BRONZE
12	2388318	N	OUT OF CATAL	3.0	1/4-20 HEX HD BRASS CAP SCREW 1-1/4
13	2316588-2	N	CABLE	1.0	(236/258) MG3A17-J1 TO PP1-J4, 60 FT
14	2357230-3	N	PART	1.0	RUN 236 FJ6
15	2357230-4	N	PART	1.0	RUN 258 MG3A17-J1
16	2352193	N	OUT OF CATAL	1.0	LMR 600 STRIPPING TOOL
18	2352195	N	OUT OF CATAL	2.0	STRAIGHT MALE N FOR LMR 600
19	5111565	N	OUT OF CATAL	1.0	RF CABLE CUTTING TOOL

RF/PDU RF CABLES AND ADAPTERS 2209235 FRU N

(PART OF 46-282429G75 PAGE 1-187)
 (PART OF 46-282429G76 PAGE 1-188)
 (PART OF 46-282429G77 PAGE 1-188)
 (PART OF 46-282429G80 PAGE 1-189)
 (PART OF 46-282429G81 PAGE 1-189)
 (PART OF 46-282429G82 PAGE 1-189)
 (PART OF 46-282429G83 PAGE 1-190)
 (PART OF 46-282429G98 PAGE 1-192)
 (PART OF 46-282429G99 PAGE 1-192)
 (PART OF 46-282429G100 PAGE 1-192)
 (PART OF 46-282429G102 PAGE 1-193)

Item	Part Number	FRU	Name	Quantity	Description (Remarks)
1	2207145	2	PART	1	CABLE KIT SCAL. RF CAB
3	46-221865P1	2	CONNECTOR	1	UG-30, N BULKHEAD, 50-OHM, JACK-JACK
4	46-221865P3	2	CONNECTOR	3	UG-27B RT-ANGLE N, 50-OHM JACK-PLUG
5	46-208935P8	2	NUT	3	1/4-20, 7/16" HEX X 3/16 THK, BRASS
6	46-221449P6	2	WASHER	3	SCREW SIZE 1/4 (0.250) PHOS BRONZE
7	46-208939P18	2	SCREW	3	SCREW
8	46-287688G5	2	CABLE ASM	1	(745) OTHER END IS MR1-A23-J4
9	46-287688G6	2	CABLE ASM	1	(748) ONE END IS MR1-A23-J3

RF EXTENSION CABLES-T/R & MOB 46-265504G1 FRU N

(PART 19 OF 2322678 PAGE 1-91)
 (PART 19 OF 46-282429G T/R & MOBILE SERIES
 PAGES 1-180 THRU 1-190)

Item	Part Number	FRU	Name	Quantity	Description (Remarks)
2	46-265505P1	2	BRACKET	1	RF EXTENSION CABLE LOOP I/F PANEL
3	46-255595G3	2	CABLE ASM	1	10 FT, RG 214 WITH N CONNECTORS
4	46-255594G4	2	CABLE ASM	1	10 FT, RG 214 WITH HN CONNECTORS
6	46-221865P1	2	CONNECTOR	1	UG-30, N BULKHEAD, 50-OHM, JACK-JACK
7	46-221942P1	2	CONNECTOR	1	UG-1019 HN BULKHEAD 50-OHM JACK-JACK
10	46-221942P3	2	CONNECTOR	1	UG-212 RT-ANGLE HN, 50-OHM JACK-PLUG
11	46-221865P3	2	CONNECTOR	1	UG-27B RT-ANGLE N, 50-OHM JACK-PLUG

RF EXTENSION CABLES-FIXED 2105371 FRU N

(PART OF M3043PA PAGE 1-52)
 (PART OF M3044PA PAGE 1-52)
 (PART OF M3144PD PAGE 1-63)
 (PART OF M3073PA PAGE 1-54)
 (PART OF M3043TA PAGE 1-74)
 (PART OF M3144TD PAGE 1-79)
 (PART 53 OF 46-282429G FIXED SERIES
 PAGES 1-180 THRU 1-191)

Item	Part Number	FRU	Name	Quantity	Description (Remarks)
1	46-320664P1	2	BRACKET	1	FLEXIBLE EXTENSION CABLE INTERFACE
2	2105358	2	CABLE ASM	1	RG214/U COAX W/STRAIGHT N PLUGS, 7FT
3	2105362	2	CABLE ASM	1	RG214/U COAX W/STRAIGHT HN PLUGS, 7'
4	46-221865P1	2	CONNECTOR	1	UG-30, N BULKHEAD, 50-OHM, JACK-JACK
5	46-221942P1	2	CONNECTOR	1	UG-1019 HN BULKHEAD 50-OHM JACK-JACK

1.5T T/R HELIAX CABLES 46-317598G20 FRU N

(PART OF M3063PA PAGE 1-53)
(PART 5 OF M3093PA PAGE 1-55)
(PART OF M3063TA PAGE 1-75)
(PART OF 46-282429G27 PAGE 1-180)
(PART OF 46-282429G29 PAGE 1-181)
(PART OF 46-282429G31 PAGE 1-181)
(PART OF 46-282429G37 PAGE 1-183)
(PART OF 46-282429G84 PAGE 1-190)
(PART OF 46-282429G101 PAGE 1-192)

Item	Part Number	FRU	Name	Quantity	Description (Remarks)
2	46-255661G2	N	HN CABLE KIT	1	FIXED-SITE BODY COIL CABLE KIT (SEE PAGE 1-231)
4	46-271996G1	N	N HELIAX KIT	1	FIXED-SITE HEAD COIL CABLE/LABEL KIT (SEE PAGE 1-231)
6	46-317474G1	N	CONNECTOR	1	PEN PANEL 7/8" HELIAX CONNECTOR KIT (SEE PAGE 1-231)

1.5T FIXED HELIAX CABLES 46-317598G23 FRU N

(PART OF M3043PA PAGE 1-52)
(PART OF M3044PA PAGE 1-52)
(PART OF M3144PD PAGE 1-63)
(PART OF M3043TA PAGE 1-74)
(PART OF M3144TD PAGE 1-79)
(PART OF 46-282429G26 PAGE 1-180)
(PART OF 46-282429G28 PAGE 1-180)
(PART OF 46-282429G30 PAGE 1-181)
(PART OF 46-282429G50 PAGE 1-183)
(PART OF 46-282429G83 PAGE 1-190)
(PART 2 OF 2321158 PAGE 1-191)

Item	Part Number	FRU	Name	Quantity	Description (Remarks)
2	46-255661G2	N	HN CABLE KIT	1	FIXED-SITE BODY COIL CABLE KIT (SEE PAGE 1-231)
4	46-271996G8	N	N HELIAX KIT	1	FIXED SITE HEAD COIL CABLE/LABEL KIT (SEE PAGE 1-231)
6	46-317474G1	N	HN CONNECTOR	1	PEN PANEL 7/8" HELIAX CONNECTOR KIT (SEE PAGE 1-231)

1.5T MOBILE HELIAX CABLES 46-317598G24 FRU N

(PART OF M3053PA PAGE 1-53)
(PART OF M3083PA PAGE 1-54)
(PART OF M3053TA PAGE 1-74)
(PART OF 46-282429G32 PAGE 1-182)
(PART OF 46-282429G38 PAGE 1-183)
(PART OF 46-282429G85 PAGE 1-190)
(PART OF 46-282429G103 PAGE 1-193)

Item	Part Number	FRU	Name	Quantity	Description (Remarks)
2	46-255661G2	N	HN CABLE KIT	1	FIXED-SITE BODY COIL CABLE KIT (SEE PAGE 1-231)
4	46-271996G9	N	N HELIAX KIT	1	FIXED SITE HEAD COIL CABLE/LABEL KIT (SEE PAGE 1-231)
6	46-317474G1	N	HN CONNECTOR	1	PEN PANEL 7/8" HELIAX CONNECTOR KIT (SEE PAGE 1-231)

REV 14

DIRECTION 2138247

HN HELIAX CABLE KIT **46-255661G2 FRU N** **(PART OF 46-317598G20 PAGE 1-230)**
(PART OF 46-317598G23 PAGE 1-230)
(PART OF 46-317598G24 PAGE 1-230)

Item	Part Number	FRU	Name	Quantity	Description (Remarks)
2	46-255662G2	2	CABLE ASM	1	100' 7/8" HELIAX W/HN FLANGE & PLUG
3	46-230012P1	2	CONNECTOR	1	50-OHM HN STRAIGHT PLUG, 7/8" HELIAX
4	46-230103P1	2	CONNECTOR	1	50-OHM EIA FLANGE TYPE, 7/8" HELIAX
6	46-251905P7	N	CABLE LABEL	1	RUN #235 MR1-A7-J13
7	46-251905P8	N	CABLE LABEL	1	RUN #235 PP1-J44
8	46-251905P9	N	CABLE LABEL	1	RUN #257 PP1-J44
9	46-251905P10	N	CABLE LABEL	1	RUN #257 MG3
11	46-251905P324	N	CABLE LABEL	1	(235) MR1-A23-J4

N HELIAX CABLE/LABEL KIT **46-271996G1 FRU N** **(PART OF 46-317598G20 PAGE 1-230)**

Item	Part Number	FRU	Name	Quantity	Description (Remarks)
1	46-251711G1	2	CABLE ASM	1	80 FT 1/2" HELIAX COAX W/N PLUGS
2	46-251711G2	2	CABLE ASM	1	50 FT 1/2" HELIAX COAX W/N PLUGS
3	46-251905P42	2	CABLE LABEL	1	RUN #258 PP1-J4
4	46-251905P43	2	CABLE LABEL	1	RUN #258 MG2/MG3-A17-J1
5	46-251905P44	N	CABLE LABEL	1	RUN #236 MR1-A7-J12
6	46-251905P45	N	CABLE LABEL	1	RUN #236 PP1-J4
7	46-251905P325	N	CABLE LABEL	1	(236) MR1-A23-J3

N HELIAX CABLE/LABEL KIT **46-271996G8 FRU N** **(PART OF 46-317598G23 PAGE 1-230)**

Item	Part Number	FRU	Name	Quantity	Description (Remarks)
1	46-251711G8	2	CABLE ASM	1	55 FT 1/2" HELIAX COAX W/N PLUGS
2	46-251711G2	2	CABLE ASM	1	50 FT 1/2" HELIAX COAX W/N PLUGS
3	46-251905P235	N	CABLE LABEL	1	RUN #258 PPI-J4 46-251711G8
4	46-251905P236	N	CABLE LABEL	1	RUN #258 MG2/MG3-A17-J1 46-251711G8
5	46-251905P44	N	CABLE LABEL	1	RUN #236 MR1-A7-J12
6	46-251905P45	N	CABLE LABEL	1	RUN #236 PP1-J4
7	46-251905P325	N	CABLE LABEL	1	(236) MR1-A23-J3

N HELIAX CABLE/LABEL KIT **46-271996G9 REV 0** **(PART OF 46-317598G24 PAGE 1-230)**

Item	Part Number	FRU	Name	Quantity	Description (Remarks)
1	46-251711G5	2	CABLE ASM	1	15 FOOT 1/2" HELIAX COAX W/N PLUGS
2	46-251711G9	2	CABLE ASM	1	65 FT 1/2" HELIAX COAX W/N PLUGS
3	46-251905P260	2	CABLE LABEL	1	RUN #258 PP1-J4
4	46-251905P261	2	CABLE LABEL	1	RUN #258 MG2/MG3-A17-J1
5	46-251905P262	2	CABLE LABEL	1	RUN #236 MR1-A7-J12
6	46-251905P263	2	CABLE LABEL	1	RUN #236 PP1-J4
7	46-251905P325	N	CABLE LABEL	1	(236) MR1-A23-J3

HELIAX ELBOW KIT **46-317474G1 FRU N** **(PART OF 46-317598G20 PAGE 1-230)**
(PART OF 46-317598G23 PAGE 1-230)
(PART OF 46-317598G24 PAGE 1-230)

Item	Part Number	FRU	Name	Quantity	Description (Remarks)
1	46-230013P1	2	CONNECTOR	2	50 OHM 90 DEG FLANGED ELBOW, 7/8" CBL
2	46-208935P8	2	NUT, HEX, MS	3	1/4-20, 7/16" HEX X 3/16 THK, BRASS
3	46-221449P6	2	WASHER	3	SCREW SIZE 1/4 (0.250) PHOS BRONZE
4	46-208939P20	2	SCREW, CAP	3	1/4-20 X 1.25 BRASS

5.x 1.0T RF CABLES 46-317598G60 FRU N (PART OF 46-282429G63 PAGE 1-184)
 (PART OF 46-282429G66 PAGE 1-185)
 (PART OF 46-282429G69 PAGE 1-185)

Item	Part Number	FRU	Name	Quantity	Description (Remarks)
2	46-328145G1	2	CABLE ASM	1	RUN 745 MR1-A7-J13 TO PP1-J44, 50'
3	46-328145G2	2	CABLE ASM	1	RUN 746 PP1-J44 TO MG3-A3-J1, 55'
4	46-328146G4	2	CABLE ASM	1	RUN 747 PP1-J4 TO MG3-A17-J1, 50'
5	46-328146G3	2	CABLE ASM	1	RUN 748 MR1-A7-J12 TO PP1-J4, 50'
6	46-317459G1	N	FEEDTHRU	1	BODY XMIT PEN PANEL FEEDTHRU ASM (SEE PAGE 1-233)

5.x 1.0T T/R RF CABLES 46-317598G61 FRU N (PART OF 46-282429G64 PAGE 1-184)
 (PART OF 46-282429G67 PAGE 1-185)
 (PART OF 46-282429G70 PAGE 1-186)
 (PART OF 46-282429G71 PAGE 1-186)
 (PART OF 46-282429G73 PAGE 1-187)
 (PART OF 46-282429G74 PAGE 1-187)

Item	Part Number	FRU	Name	Quantity	Description (Remarks)
2	46-328145G5	2	CABLE ASM	1	(745T) MR1-A7-J13 TO PP1-J44
3	46-328145G4	2	CABLE ASM	1	(746X)PP1-J44 TO MG3-A3-J1
4	46-328146G6	2	CABLE ASM	1	(747X)PP1-J4 TO MG3-A17-J1
5	46-328146G7	2	CABLE ASM	1	(748T) MR1-A7-J12 TO PP1-J4
6	46-317459G1	N	FEEDTHRU	1	BODY XMIT PEN PANEL FEEDTHRU ASM (SEE PAGE 1-233)

5.x 1.0T MOBILE RF CABLES 46-317598G63 FRU N (PART OF 46-282429G65 PAGE 1-184)
 (PART OF 46-282429G68 PAGE 1-185)

Item	Part Number	FRU	Name	Quantity	Description (Remarks)
2	46-328145G6	2	CABLE ASM	1	(745TR) MR1-A7-J13 TO PP1-J44
3	46-328145G4	2	CABLE ASM	1	(746X)PP1-J44 TO MG3-A3-J1
4	46-328146G6	2	CABLE ASM	1	(747X)PP1-J4 TO MG3-A17-J1
5	46-328146G8	2	CABLE ASM	1	(748TR) MR1-A7-J12 TO PP1-J4
6	46-317459G1	N	FEEDTHRU	1	BODY XMIT PEN PANEL FEEDTHRU ASM (SEE PAGE 1-233)

PEN PANEL FEEDTHRU **46-317459G1 FRU N** **(PART OF 46-317598G60 PAGE 1-232)**
(PART OF 46-317598G61 PAGE 1-232)
(PART OF 46-317598G63 PAGE 1-232)

Item	Part Number	FRU	Name	Quantity	Description (Remarks)
2	46-307815P1	2	PLATE	1	HN CONNECTOR ADAPTOR PLATE
3	46-221942P1	2	CONNECTOR	1	UG-1019 HN BULKHEAD 50-OHM JACK-JACK
4	46-221942P3	2	CONNECTOR	2	UG-212 RT-ANGLE HN, 50-OHM JACK-PLUG
16755	46-208935P8	2	NUT,HEX,MS	3	1/4-20, 7/16" HEX X 3/16 THK, BRASS
38742	46-221449P6	2	WASHER	3	SCREW SIZE 1/4 (0.250) PHOS BRONZE
78589	46-208939P18	2	SCREW,CAP	3	001/4-20 X 0.500 BRASS

TPS RF SERVICE I/F KIT **46-301927G1 FRU N** **(PART OF 46-244813G27 PAGE 1-94)**
(PART OF 46-244813G30 PAGE 1-95)
(PART OF 46-244813G67 PAGE 1-97)

Item	Part Number	FRU	Name	Quantity	Description (Remarks)
2	46-301549P5	2	COAX CABLE	3	5' RG188/U COAX, BNC MALE/SMB FEMALE
3	46-301549P6	2	COAX CABLE	2	5' RG188/U COAX, BNC MALE/CANNON MK1
4	46-251993G1	2	CABLE ASM	1	8" RG174/U 50-OHM COAX W/SMB PLUGS
5	46-301549P14	2	COAX CABLE	5	6" RG188/U, CANNON MARK 1 RECEPTACLE
6	46-301549P15	2	TPS KIT PART	1	DC BLOCK - 50 OHM BNC MALE/FEMALE
7	46-296817P1	1	CONNECTOR	1	50 OHM BNC TERMINATOR W/CHAIN, 1/2 W
10	46-220427P3	1	CONNECTOR	2	50 OHM BNC STRAIT JACK-JACK ADAPTOR
11	2168505	2	CABLE	1	CERD SPIKE NOISE TEST CABLE

KIT TO LOCATE SELECT RELAY **46-320801G2 FRU 2** **(PART OF 46-282429G29 PAGE 1-181)**
(PART OF 46-282429G31 PAGE 1-181)
(PART OF 46-282429G70 PAGE 1-186)
(PART OF 46-282429G71 PAGE 1-186)
(PART OF 46-282429G73 PAGE 1-187)
(PART OF 46-282429G74 PAGE 1-187)
(PART OF 46-282429G76 PAGE 1-188)
(PART OF 46-282429G77 PAGE 1-188)
(PART OF 46-282429G81 PAGE 1-189)
(PART OF 46-282429G82 PAGE 1-189)
(PART OF 46-282429G84 PAGE 1-190)
(PART OF 46-282429G85 PAGE 1-190)
(PART OF 46-282429G100 PAGE 1-192)
(PART OF 46-282429G101 PAGE 1-192)
(PART OF 46-282429G102 PAGE 1-193)
(PART OF 46-282429G103 PAGE 1-193)

Item	Part Number	FRU	Name	Quantity	Description (Remarks)
5	46-208990P1	2	CONNECTOR	2	50 OHM BNC BULKHEAD ADAP'R JACK-JACK
8	516A770P604	2	SCREW	8	6-32 X 1/4 LG BIND HEAD SST 18-8

1-27 GRADIENT CABLES

GRAM-GRADIENT DATA CABLES 2121430 FRU N (PART OF M1000MC PAGE 1-3)
 (PART OF M1000MD PAGE 1-3)
 (PART OF M1000ME PAGE 1-3)
 (PART OF M1000MF PAGE 1-4)
 (PART OF M1000NF PAGE 1-10)
 (PART OF M1000NG PAGE 1-11)
 (PART OF M1800MC PAGE 1-6)
 (PART OF M1800MD PAGE 1-6)
 (PART OF M1800NE PAGE 1-13)
 (PART OF M1800NF PAGE 1-14)

Item	Part Number	FRU	Name	Quantity	Description (Remarks)
1	46-328000G895	2	CABLE ASM	1	(753) MR7-A4-J1 TO MR3-A11-J5
2	46-328000G896	2	CABLE ASM	1	(754) MR7-A4-J2 TO MR3-A11-J4
3	46-328000G897	2	CABLE ASM	1	(755) MR7-A4-J3 TO MR3-A11-J3
4	46-328000G898	2	CABLE ASM	1	(756) MR7-A4-J4 TO MR3-A11-J8
5	46-328000G899	2	CABLE ASM	1	(757) MR7-A4-J5 TO MR3-A11-J7
6	46-328000G900	2	CABLE ASM	1	(758) MR7-A4-J6 TO MR3-A11-J6
7	46-271364G610	2	CABLE ASM	1	(043T) MR7-A4-J7 TO PD1-TS-7,8,9 47'

GRADIENT OUTPUT CABLES 2120963 FRU N (PART OF 46-282429G26 PAGE 1-180)
 (PART OF 46-282429G27 PAGE 1-180)
 (PART OF 46-282429G28 PAGE 1-180)
 (PART OF 46-282429G29 PAGE 1-181)
 (PART OF 46-282429G31 PAGE 1-181)
 (PART OF 46-282429G63 PAGE 1-184)
 (PART OF 46-282429G64 PAGE 1-184)
 (PART OF 46-282429G66 PAGE 1-185)
 (PART OF 46-282429G67 PAGE 1-185)
 (PART OF 46-282429G70 PAGE 1-186)

Item	Part Number	FRU	Name	Quantity	Description (Remarks)
1	2100948	2	CABLE	1	(762) MR3-A11-J12 OR MR7-A4-J11-TS5
2	2100948-2	2	CABLE	1	(763) MR3-A11-J11 OR MR7-A4-J12-TS6
3	2100948-3	2	CABLE	1	(764) MR3-A11-J10 OR MR7-A4-J13-TS7

GRADIENT-GRAM CABLES 2120963-2 FRU N (PART OF M1000MC PAGE 1-3)
 (PART OF M1000MD PAGE 1-3)
 (PART OF M1000ME PAGE 1-3)
 (PART OF M1000MF PAGE 1-4)
 (PART OF M1000NF PAGE 1-10)
 (PART OF M1000NG PAGE 1-11)
 (PART OF M1800MC PAGE 1-6)
 (PART OF M1800MD PAGE 1-6)
 (PART OF M1800NE PAGE 1-13)
 (PART OF M1800NF PAGE 1-14)

Item	Part Number	FRU	Name	Quantity	Description (Remarks)
1	2100948-4	2	CABLE	1	(759) MR3-A11-J12 TO MR7-A4-J8-TS2
2	2100948-5	2	CABLE	1	(760) MR3-A11-J11 TO MR7-A4-J9-TS3
3	2100948-6	2	CABLE	1	(761) MR3-A11-J10 TO MR7-A4-J10-TS4

MOBILE GRADIENT CABLES 2120963-3 FRU N (PART OF M1800NE PAGE 1-13)
 (PART OF 46-282429G32 PAGE 1-182)
 (PART OF 46-282429G71 PAGE 1-186)

Item	Part Number	FRU	Name	Quantity	Description (Remarks)
1	2100948-7	2	CABLE	1	(762TR)MR3-A11-J12 OR MR7-A4-J11-TS5
2	2100948-8	2	CABLE	1	(763TR)MR3-A11-J11 OR MR7-A4-J12-TS6
3	2100948-9	2	CABLE	1	(764TR)MR3-A11-J10 OR MR7-A4-J13-TS7

100FT GRADIENT CABLES 2120963-4 FRU N (PART OF FIXED & T/R CATALOGS
 M3043PA TO M3093PA PAGES 1-52 TO 1-55)
 (PART OF 46-282429G36 PAGE 1-182)
 (PART OF 46-282429G37 PAGE 1-183)
 (PART OF 46-282429G50 PAGE 1-183)
 (PART OF 46-282429G51 PAGE 1-184)
 (PART OF 46-282429G72 PAGE 1-186)
 (PART OF 46-282429G73 PAGE 1-187)
 (PART OF 46-282429G75 PAGE 1-187)
 (PART OF 46-282429G77 PAGE 1-188)
 (PART OF 46-282429G80 PAGE 1-189)
 (PART OF 46-282429G82 PAGE 1-189)
 (PART OF 46-282429G83 PAGE 1-190)
 (PART OF 46-282429G84 PAGE 1-190)
 (PART OF 46-282429G88 PAGE 1-191)
 (PART OF 46-282429G98 PAGE 1-192)
 (PART OF 46-282429G99 PAGE 1-192)
 (PART OF 46-282429G100 PAGE 1-192)
 (PART OF 46-282429G101 PAGE 1-192)

Item	Part Number	FRU	Name	Quantity	Description (Remarks)
1	2100948-10	2	PART	1	(762) MR3CABI/FJ3 TO MG3-A32-TS1/2
2	2100948-11	2	PART	1	(763) MR3CABI/FJ4 TO MG3-A32-TS3/4
3	2100948-12	2	PART	1	(764) MR3CABI/FJ5 TO MG3-A32-TS5/6

MOBILE GRADIENT CABLES 2120963-5 FRU N (PART OF M3053PA PAGE 1-53)
 (PART OF M3083PA PAGE 1-54)
 (PART OF M3153PD PAGE 1-63)
 (PART OF SGD MOBILE & T/R 46-282429G SERIES)
 (PART OF 46-282429G81 PAGE 1-189)
 (PART OF 46-282429G85 PAGE 1-190)
 (PART OF 46-282429G102 PAGE 1-193)
 (PART OF 46-282429G103 PAGE 1-193)

Item	Part Number	FRU	Name	Quantity	Description (Remarks)
1	2100948-13	2	CABLE	1	(762M) MR3CABI/FJ3 TO MG3-A32-TS-1/2
2	2100948-14	2	CABLE	1	(763M) MR3CABI/FJ4 TO MG3-A32-TS-3/4
3	2100948-15	2	CABLE	1	(764M) MR3CABI/FJ5 TO MG3-A32-TS-5/6

TWIN GRADIENT CABLES – FIXED 2120963–8 FRU N

(PART OF M3043TA PAGE 1–74)

Item	Part Number	FRU	Name	Quantity	Description (Remarks)
2	2100948–37	N	CABLE	1	(976) PP1–A7–X TO TACCAB–X
3	2100948–38	N	CABLE	1	(977) PP1–A7–Y TO TACCAB–Y
4	2100948–39	N	CABLE	1	(978) PP1–A7–Z TO TACCAB–Z
5	2100948–40	N	CABLE	1	(984) PP1–A7–XZM TO MG3–A32–TS1–XZM
6	2100948–41	N	CABLE	1	(983) PP1–A7–YZM TO MG3–A32–TS1–YZM
7	2100948–42	N	CABLE	1	(982) PP1–A7–ZZM TO MG3–A32–TS1–ZZM
8	2100948–43	N	CABLE	1	(987) PP1–A7–XWB TO MG3–A32–TS1–XWB
9	2100948–44	N	CABLE	1	(986) PP1–A7–YWB TO MG3–A32–TS1–YWB
10	2100948–45	N	CABLE	1	(985) PP1–A7–ZWB TO MG3–A32–TS1–ZWB

TWIN GRADIENT CABLES – MOB & T/R 2120963–9 FRU N

(PART OF M3053TA PAGE 1–74)

(PART OF M3063TA PAGE 1–75)

(PART OF M3153TD PAGE 1–79)

(PART OF M3163TD PAGE 1–79)

Item	Part Number	FRU	Name	Quantity	Description (Remarks)
2	2100948–19	N	CABLE	1	(979/976) MR3CABI/FJ3 TO PP1–A7–X
3	2100948–20	N	CABLE	1	(980/977) MR3CABI/FJ4 TO PP1–A7–Y
4	2100948–21	N	CABLE	1	(981/978) MR3CABI/FJ5 TO PP1–A7–Z
5	2100948–28	N	CABLE	1	(984M)PP1–A7–ZWB TO MG3–A32–TS1–ZWB
6	2100948–29	N	CABLE	1	(983M)PP1–A7–YAM TO MG3–A32–TS1–YZM
7	2100948–30	N	CABLE	1	(982M)PP1–A7–ZZM TO MG3–A32–TS1–ZZM
8	2100948–31	N	CABLE	1	(987M)PP1–A7–XWB TO MG3–A32–TS1–XWB
9	2100948–32	N	CABLE	1	(986M)PP1–A7–YWB TO MG3–A32–TS1–YWB
10	2100948–33	N	CABLE	1	(985M)PP1–A7–ZWB TO MG3–A32–TS1–ZWB

1-28 FIBER OPTIC CABLES

5.x FIBER OPTIC CABLES 46-317249G15 FRU N (PART OF 46-282429G26 PAGE 1-180)
 (PART OF 46-282429G28 PAGE 1-180)
 (PART OF 46-282429G63 PAGE 1-184)
 (PART OF 46-282429G66 PAGE 1-185)

Item	Part Number	FRU	Name	Quantity	Description (Remarks)
1	46-317076G602	2	FO CABLE ASM	1	(708T) MR2-A11-J16 TO MR1-A7-TX
2	46-317077G802	2	FO CABLE ASM	1	(709TR-1) MR1-A7-RX TO MR3-A11-J1
4	46-317085G602	2	FO CABLE ASM	1	(710T)MR2-A11-J17 TO MR3-A11-J2
5	2126180	2	CONNECTOR KT	1	FIBER-OPTIC CONDUIT PANEL-MOUNT CONN
7	46-220191P1	2	CLAMP	2	CLAMP FOR FLAT CABLE
8	46-230653P2	2	TUBING	3	1/4" DIA. SPIRALLY CUT POLYETHYLENE
9	46-208758P2	2	STRAP	9	5.5" X .140" SELF-LOCKING CABLE TIE.
12	46-328078G5	2	FO CABLE ASM	1	(711V/712V) MR2-A11-J13 TO PP1-A17-
15	46-328079G9	2	FO CABLE ASM	1	(711M/712M) PP1-J91 TO MG2-A33

5.x 1.0T MOBILE F/O CABLES 46-317249G16 FRU N (PART OF 46-282429G665 PAGE 1-184)
 (PART OF 46-282429G68 PAGE 1-185)

Item	Part Number	FRU	Name	Quantity	Description (Remarks)
1	46-317076G702	2	CABLE ASM	1	(708V) MR2-A11-J16 TO MR1-A7-TX
2	46-317077G702	2	CABLE ASM	1	(709V-1) MR1-A7-RX TO MR3-A11-J1
4	46-317085G2	2	CABLE ASM	1	(710) MR2-A11-J17 TO MR3-A11-J2
5	2126180	2	CONNECTOR KT	1	FIBER-OPTIC CONDUIT PANEL-MOUNT CONN
7	46-220191P1	2	CLAMP	2	CLAMP FOR FLAT CABLE
8	46-230653P2	2	TUBING	3	1/4" DIA. SPIRALLY CUT POLYETHYLENE
9	46-208758P2	2	TY-RAP	9	5.5" X .140" SELF-LOCKING CABLE TIE.
12	46-328078G6	2	CABLE ASM	1	(711TR/712TR)MR2-A11-J13 TO PP1-A17-
15	46-328079G7	2	CABLE ASM	1	(711T/712T) PP1-J91 TO MG2-A33

5.x T/R FIBER OPTIC CABLES 46-317249G17 FRU N (PART OF 46-282429G27 PAGE 1-180)
 (PART OF 46-282429G29 PAGE 1-181)
 (PART OF 46-282429G64 PAGE 1-184)
 (PART OF 46-282429G67 PAGE 1-185)

Item	Part Number	FRU	Name	Quantity	Description (Remarks)
1	46-317076G2	2	CABLE ASM	1	(708) MR2-A11-J16 TO MR1-A7-TX
2	46-317077G702	2	CABLE ASM	1	(709V-1) MR1-A7-RX TO MR3-A11-J1
4	46-317085G2	2	CABLE ASM	1	(710) MR2-A11-J17 TO MR3-A11-J2
5	2126180	2	CONNECTOR KT	1	FIBER-OPTIC CONDUIT PANEL-MOUNT CONN
7	46-220191P1	2	CLAMP	2	CLAMP FOR FLAT CABLE
8	46-230653P2	2	TUBING	3	1/4" DIA. SPIRALLY CUT POLYETHYLENE
9	46-208758P2	2	TY-RAP	9	5.5" X .140" SELF-LOCKING CABLE TIE.
12	46-328078G2	2	CABLE	1	(711T/712T) MR2-A11-J13 TO PP1-A17
15	46-328079G7	2	CABLE ASM	1	(711T/712T) PP1-J91 TO MG2-A33

8.x FIBER OPTIC CABLES 46-317249G20 FRU N (PART OF 46-282429G30 PAGE 1-181)

Item	Part Number	FRU	Name	Quantity	Description (Remarks)
1	46-317076G602	2	FO CABLE ASM	1	(708T) MR2-A11-J16 TO MR1-A7-TX
2	46-317077G802	2	FO CABLE ASM	1	(709TR-1) MR1-A7-RX TO MR3-A11-J1
4	46-317085G602	2	FO CABLE ASM	1	(710T)MR2-A11-J17 TO MR3-A11-J2
5	2126180	2	CONNECTOR KT	1	FIBER-OPTIC CONDUIT PANEL-MOUNT CONN
7	46-220191P1	2	CLAMP	2	CLAMP FOR FLAT CABLE
8	46-230653P2	2	TUBING	3	1/4" DIA. SPIRALLY CUT POLYETHYLENE
9	46-208758P2	2	TY-RAP	9	5.5" X .140" SELF-LOCKING CABLE TIE.
12	46-328078G5	2	FO CABLE ASM	1	(711V/712V) MR2-A11-J13 TO PP1-A17-
15	46-328079G9	2	FO CABLE ASM	1	(711M/712M) PP1-J91 TO MG2-A33

8.x T/R FIBER OPTIC CABLES 46-317249G21 FRU N (PART OF 46-282429G31 PAGE 1-181)

Item	Part Number	FRU	Name	Quantity	Description (Remarks)
1	46-317076G2	2	CABLE ASM	1	(708) MR2-A11-J16 TO MR1-A7-TX
2	46-317077G702	2	CABLE ASM	1	(709V-1) MR1-A7-RX TO MR3-A11-J1
4	46-317085G2	2	CABLE ASM	1	(710) MR2-A11-J17 TO MR3-A11-J2
5	2126180	2	CONNECTOR KT	1	FIBER-OPTIC CONDUIT PANEL-MOUNT CONN
7	46-220191P1	2	CLAMP	2	CLAMP FOR FLAT CABLE
8	46-230653P2	2	TUBING	3	1/4" DIA. SPIRALLY CUT POLYETHYLENE
9	46-208758P2	2	TY-RAP	9	5.5" X .140" SELF-LOCKING CABLE TIE.
12	46-328078G2	2	CABLE	1	(711T/712T) MR2-A11-J13 TO PP1-A17
15	46-328079G7	2	CABLE ASM	1	(711T/712T) PP1-J91 TO MG2-A33

8.x MOBILE F/O CABLES 46-317249G22 FRU N (PART OF 46-282429G32 PAGE 1-182)

Item	Part Number	FRU	Name	Quantity	Description (Remarks)
1	46-317076G702	2	CABLE ASM	1	(708V) MR2-A11-J16 TO MR1-A7-TX
2	46-317077G702	2	CABLE ASM	1	(709V-1) MR1-A7-RX TO MR3-A11-J1
4	46-317085G2	2	CABLE ASM	1	(710) MR2-A11-J17 TO MR3-A11-J2
5	2126180	2	CONNECTOR KT	1	FIBER-OPTIC CONDUIT PANEL-MOUNT CONN
7	46-220191P1	2	CLAMP	2	CLAMP FOR FLAT CABLE
8	46-230653P2	2	TUBING	3	1/4" DIA. SPIRALLY CUT POLYETHYLENE
9	46-208758P2	2	TY-RAP	9	5.5" X .140" SELF-LOCKING CABLE TIE.
12	46-328078G6	2	CABLE ASM	1	(711TR/712TR)MR2-A11-J13 TO PP1-A17-
15	46-328079G7	2	CABLE ASM	1	(711T/712T) PP1-J91 TO MG2-A33

8.x SGD MOBILE F/O CABLES 46-317249G27 FRU N
 (PART OF M3053PA PAGE 1-53)
 (PART OF M3083PA PAGE 1-54)
 (PART OF M3053TA PAGE 1-74)
 (PART OF 46-282429G38 PAGE 1-183)
 (PART OF 46-282429G74 PAGE 1-187)
 (PART OF 46-282429G76 PAGE 1-188)
 (PART OF 46-282429G81 PAGE 1-189)
 (PART OF 46-282429G85 PAGE 1-190)
 (PART OF 46-282429G102 PAGE 1-193)
 (PART OF 46-282429G103 PAGE 1-193)

Item	Part Number	FRU	Name	Quantity	Description (Remarks)
1	46-317076G702	2	CABLE ASM	1	(708V) MR2-A11-J16 TO MR1-A7-TX
2	46-317077G703	2	CABLE ASM	1	(709V-1)MR1-A7-RX TO MR3-CAB-I/F-J2
4	46-317085G3	2	CABLE ASM	1	(710)MR2-A11-J17 TO MR3-CAB-I/F-J1
5	2126180	2	CONNECTOR KT	1	FIBER-OPTIC CONDUIT PANEL-MOUNT CONN
7	46-220191P1	2	CLAMP	2	CLAMP FOR FLAT CABLE
8	46-230653P2	2	TUBING	3	1/4" DIA. SPIRALLY CUT POLYETHYLENE
9	46-208758P2	2	TY-RAP	9	5.5" X .140" SELF-LOCKING CABLE TIE.
12	46-328078G6	2	CABLE ASM	1	(711TR/712TR)MR2-A11-J13 TO PP1-A17-
15	46-328079G7	2	CABLE ASM	1	(711T/712T) PP1-J91 TO MG2-A33
17	2241052-4	2	FIBER OPTIC	1	(836) OW1A15-BIT3 TO MR2A11A30-BIT3

**EXCITE 11.x MOB F/O CABLES 46-317249G81 FRU N (PART OF M3153PD PAGE 1-63)
(PART OF M3153TD PAGE 1-79)**

Item	Part Number	FRU	Name	Quantity	Description (Remarks)
1	46-317077G703	N	CABLE ASM	1	(709V-1)MR1-A7-RX TO MR3-CAB-I/F-J2
2	2330480-2	N	CABLE	1	(1033M)MR2-A11-J16 TO MR1-A7-TX
4	2331897-2	N	PART	1	(1034M)MR2-A11-J17 TOMR3-PD1-J2
5	2126180	N	CONNECTOR KT	1	FIBER-OPTIC CONDUIT PANEL-MOUNT CONN
7	46-220191P1	N	CLAMP	2	CLAMP FOR FLAT CABLE
8	46-230653P2	N	TUBING	3	1/4" DIA. SPIRALLY CUT POLYETHYLENE
9	46-208758P2	N	TY-RAP	9	5.5" X .140" SELF-LOCKING CABLE TIE.
12	2331846-2	N	PART	1	(1045M)MR2 A11-J13 TO PP1-A17
15	46-328079G7	N	CABLE ASM	1	(711T/712T) PP1-J91 TO MG2-A33
17	2318811-9	N	PART	1	(1083) OW1-A15-BIT3 TO MR2-A11-J22
18	2378450	N	PART	1	(1078) MG2A33J15 TO MG3A36J20

**EXCITE 11.x T/R F/O CABLES 46-317249G82 FRU N (PART OF M3163PD PAGE 1-63)
(PART OF M3163TD PAGE 1-79)**

Item	Part Number	FRU	Name	Quantity	Description (Remarks)
1	46-317077G703	N	CABLE ASM	1.0	(709V-1)MR1-A7-RX TO MR3-CAB-I/F-J2
2	2330480-2	N	CABLE	1.0	(1033M)MR2-A11-J16 TO MR1-A7-TX
4	2331897-2	N	PART	1.0	(1034M)MR2-A11-J17 TOMR3-PD1-J2
5	2126180	N	CONNECTOR KT	1.0	FIBER-OPTIC CONDUIT PANEL-MOUNT CONN
7	46-220191P1	N	CLAMP	2.0	CLAMP FOR FLAT CABLE
8	46-230653P2	N	TUBING	3.0	1/4" DIA. SPIRALLY CUT POLYETHYLENE
9	46-208758P2	N	TY-RAP	9.0	5.5" X .140" SELF-LOCKING CABLE TIE.
12	2331846-3	N	PART	1.0	(1045T)MR2 A11-J13 TO PP1-A17
15	46-328079G7	N	CABLE ASM	1.0	(711T/712T) PP1-J91 TO MG2-A33
17	2318811-10	N	PDM PART	1.0	(1083) OW1-A15-BIT3 TO MR2-A11-J22
18	2378450	N	PART	1.0	(1078) MG2A33J15 TO MG3A36J20

**SOI FIBER OPTIC CABLES 46-317249G250 FRU N (PART OF M3044PA PAGE 1-52)
(PART OF 46-282429G50 PAGE 1-183)
(PART OF 46-282429G51 PAGE 1-184)
(PART OF 46-282429G88 PAGE 1-191)**

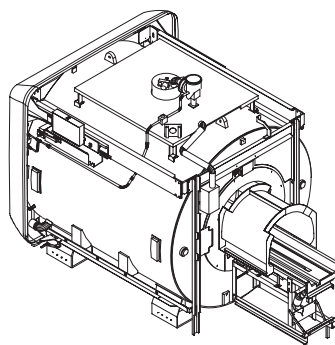
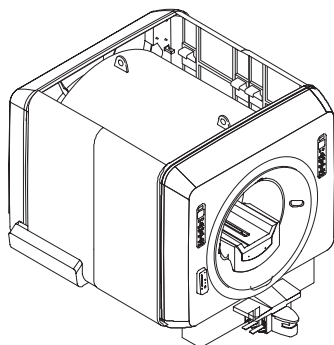
Item	Part Number	FRU	Name	Quantity	Description (Remarks)
1	46-317076G602	2	FO CABLE ASM	1	(708T) MR2-A11-J16 TO MR1-A7-TX
2	46-317077G3	2	CABLE ASM	1	(709-1)MR1-A7-RX TO MR3-CAB-I/F-J2
4	46-317085G603	2	CABLE ASM	1	(710T)MR2-A11-J17 TO MR3-CAB-I/F-J1
5	2126180	2	CONNECTOR KT	1	FIBER-OPTIC CONDUIT PANEL-MOUNT CONN
7	46-220191P1	2	CLAMP	2	CLAMP FOR FLAT CABLE
8	46-230653P2	2	TUBING	3	1/4" DIA. SPIRALLY CUT POLYETHYLENE
9	46-208758P2	2	TY-RAP	9	5.5" X .140" SELF-LOCKING CABLE TIE.
12	46-328078G2	2	CABLE	1	(711T/712T) MR2-A11-J13 TO PP1-A17
15	46-328079G6	2	CABLE ASM	1	(711/712) PP1-J91 TO MG2-A33
17	2241052-5	2	FIBER OPTIC	1	(836) OW1A15-BIT3 TO MR2A11A30-BIT3

SECTION 2 – MAGNET ENCLOSURE

TABLE OF CONTENTS

SECTION

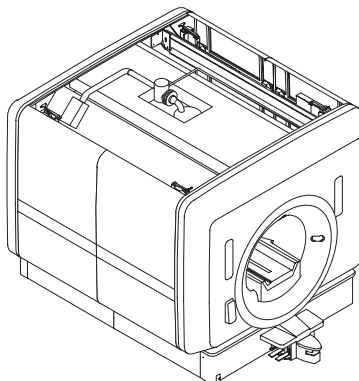
PAGE



2-1 S-SERIES MAGNET ENCLOSURES 2-5
 Contains information on Fixed, T/R, and Mobile enclosures for non-Magnishield magnet enclosures

1.5T FIXED SITE MAGNET ENCLOSURE w/o MULTICOIL 2118422-3 2-7
 1.5T FIXED SITE MAGNET ENCLOSURE with MULTICOIL 2118422-5 2-9
 1.0T FIXED SITE MAGNET ENCLOSURE w/o MULTICOIL 2118422-7 2-11
 1.0T FIXED SITE MAGNET ENCLOSURE with MULTICOIL 2118422-9 2-13

1.5T MOBILE & T/R MAGNET ENCLOSURE w/o MULTICOIL 2118422-2 2-28
 1.5T MOBILE & T/R MAGNET ENCLOSURE with MULTICOIL 2118422-4 2-30
 1.0T MOBILE & T/R MAGNET ENCLOSURE w/o MULTICOIL 2118422-6 2-32
 1.0T MOBILE & T/R MAGNET ENCLOSURE with MULTICOIL 2118422-8 2-34

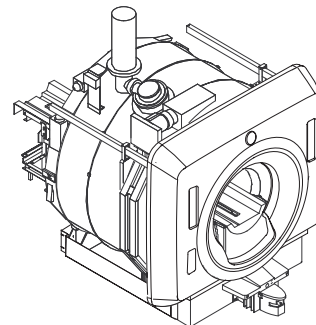
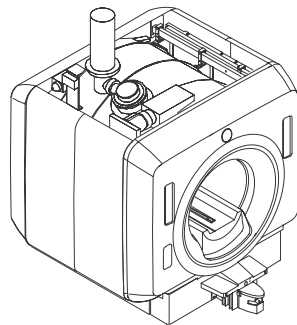


2-2 MAGNISHIELD MAGNET ENCLOSURES 2-65
 Contains information on Magnishield magnet enclosures

1.5T MAGNISHIELD ENCLOSURE w/o MULTICOIL 2118423 2-67
 1.5T MAGNISHIELD ENCLOSURE with MULTICOIL 2118423-2 2-69

TABLE OF CONTENTS (continued)

<u>SECTION</u>	<u>PAGE</u>
2-3 SRI AND PAC ASSEMBLIES	2-96
2-4 BLOWER CABINETS	2-100
2-5 S-SERIES AND MAGNISHIELD REAR PEDESTALS	2-105
2-6 BODY HYBRID SPLITTER ASSEMBLIES	2-128
2-7 STANDARD AND MAGNISHIELD BRIDGES WITH CARRIAGE ASSEMBLIES	2-130
2-8 BRM INSTALLATION KIT FOR S-SERIES MAGNETS	2-153

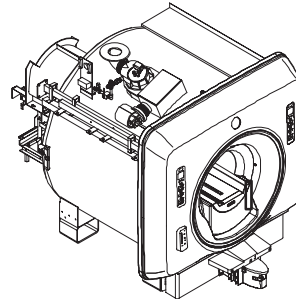
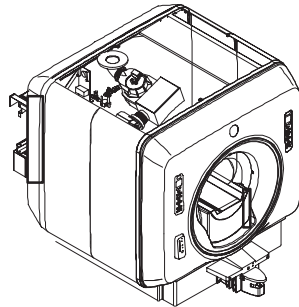


2-9 Cx HORIZON MAGNET ENCLOSURES	2-154
Contains information on Cx Fixed and Mobile magnet enclosures	
1.0T Cx FIXED SITE MAGNET ENCLOSURE w/o MULTICOIL	2142000 2-155
1.0T Cx FIXED SITE MAGNET ENCLOSURE with MULTICOIL	2142000-2 2-155
1.0T Cx MOBILE MAGNET ENCLOSURE w/o MULTICOIL	2142000-3 2-156
1.0T Cx MOBILE MAGNET ENCLOSURE with MULTICOIL	2142000-4 2-156
1.5T Cx FIXED SITE MAGNET ENCLOSURE w/o MULTICOIL	2142000-5 2-157
1.5T Cx FIXED SITE MAGNET ENCLOSURE with MULTICOIL	2142000-6 2-157
1.5T Cx MOBILE MAGNET ENCLOSURE w/o MULTICOIL	2142000-7 2-158
1.5T Cx MOBILE MAGNET ENCLOSURE with MULTICOIL	2142000-8 2-158
1.5T Cx CRM FIXED SITE MAGNET ENCLOSURE with MULTICOIL	2142000-9 2-158

TABLE OF CONTENTS (continued)

SECTION

PAGE



2-10 LCC HORIZON MAGNET ENCLOSURES 2-173
 Contains information on LCC Horizon Fixed and Mobile magnet enclosures

1.0T LCC FIXED SITE MAGNET ENCLOSURE w/o MULTICOIL 2142000-11 2-174
 1.0T LCC FIXED SITE MAGNET ENCLOSURE with MULTICOIL 2142000-12 2-174
 1.5T LCC FIXED SITE MAGNET ENCLOSURE w/o MULTICOIL 2142000-13 2-175
 1.5T LCC FIXED SITE MAGNET ENCLOSURE with MULTICOIL 2142000-14 2-175
 1.0T LCC MOBILE MAGNET ENCLOSURE w/o MULTICOIL 2142000-15 2-176
 1.0T LCC MOBILE MAGNET ENCLOSURE with MULTICOIL 2142000-16 2-176
 1.5T LCC MOBILE MAGNET ENCLOSURE w/o MULTICOIL 2142000-17 2-177
 1.5T LCC MOBILE MAGNET ENCLOSURE with MULTICOIL 2142000-18 2-177
 1.5T LCC CVMR FIXED SITE MAGNET ENCLOSURE with MULTICOIL 2142000-19 2-178

LCC MOBILE MAGNET FRAME KIT 2204359 2-191
 LCC FIXED SITE MAGNET FRAME KIT 2204359-2 2-192

2-11 Cx AND LCC HORIZON BRIDGE AND CARRIAGE ASSEMBLIES 2-193

2-12 Cx AND LCC HORIZON BRIDGE AND LOW PROFILE CARRIAGE COVER (LPCC) ASSEMBLIES 2-205

2-13 Cx AND LCC HORIZON REAR PEDESTALS 2-220

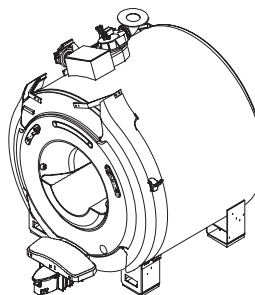
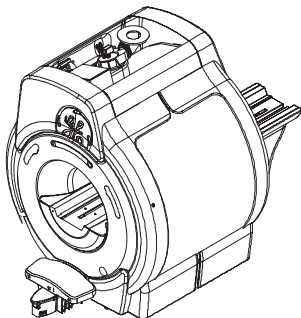
2-14 Cx AND LCC HORIZON ENCLOSURE COVERS, END BELLS, AND BORE LAMP 2-229

2-15 Cx AND LCC HORIZON DOCK ASSEMBLY 2-243

TABLE OF CONTENTS (continued)

SECTION

PAGE



2-16 WideOpen MAGNET ENCLOSURES 2-246
 Contains information on WideOpen Fixed and Mobile magnet enclosures

1.0T WideOpen FIXED SITE MAGNET ENCLOSURE w/o MULTICOIL 2202900 2-247
 1.0T WideOpen FIXED SITE MAGNET ENCLOSURE with MULTICOIL 2202900-2 2-247
 1.0T WideOpen MOBILE MAGNET ENCLOSURE w/o MULTICOIL 2202900-3 2-247
 1.5T WideOpen MOBILE MAGNET ENCLOSURE with MULTICOIL 2202900-4 2-248
 1.0T WideOpen FIXED SITE MAGNET ENCLOSURE w/o MULTICOIL 2202900-5 2-248
 1.0T WideOpen FIXED SITE MAGNET ENCLOSURE with MULTICOIL 2202900-6 2-248
 1.5T WideOpen MOBILE MAGNET ENCLOSURE w/o MULTICOIL 2202900-7 2-249
 1.5T WideOpen MOBILE MAGNET ENCLOSURE with MULTICOIL 2202900-8 2-249
 1.5T WideOpen CARDIAC FIXED SITE MAGNET ENCLOSURE w/MULTICOIL 2202900-9 2-249

2-17 WideOpen ENCLOSURE COVERS AND END BELLS FOR LONG BRIDGE 2-258

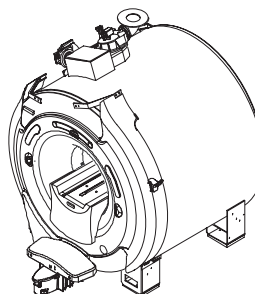
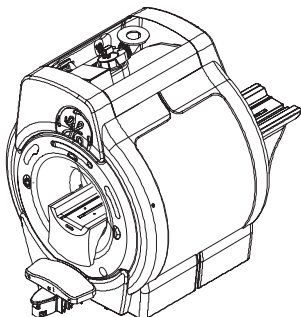
2-18 WideOpen CARDIAC ENCLOSURE COVERS AND END BELLS FOR LONG BRIDGE 2-270

2-19 WideOpen LONG BRIDGE AND CARRIAGE ASSEMBLIES 2-278

2-20 WideOpen ENCLOSURE COVERS AND END BELLS WITH SPLIT BRIDGE 2-285

2-22 WideOpen REAR PEDESTALS 2-317

2-23 WideOpen DOCK ASSEMBLIES 2-331



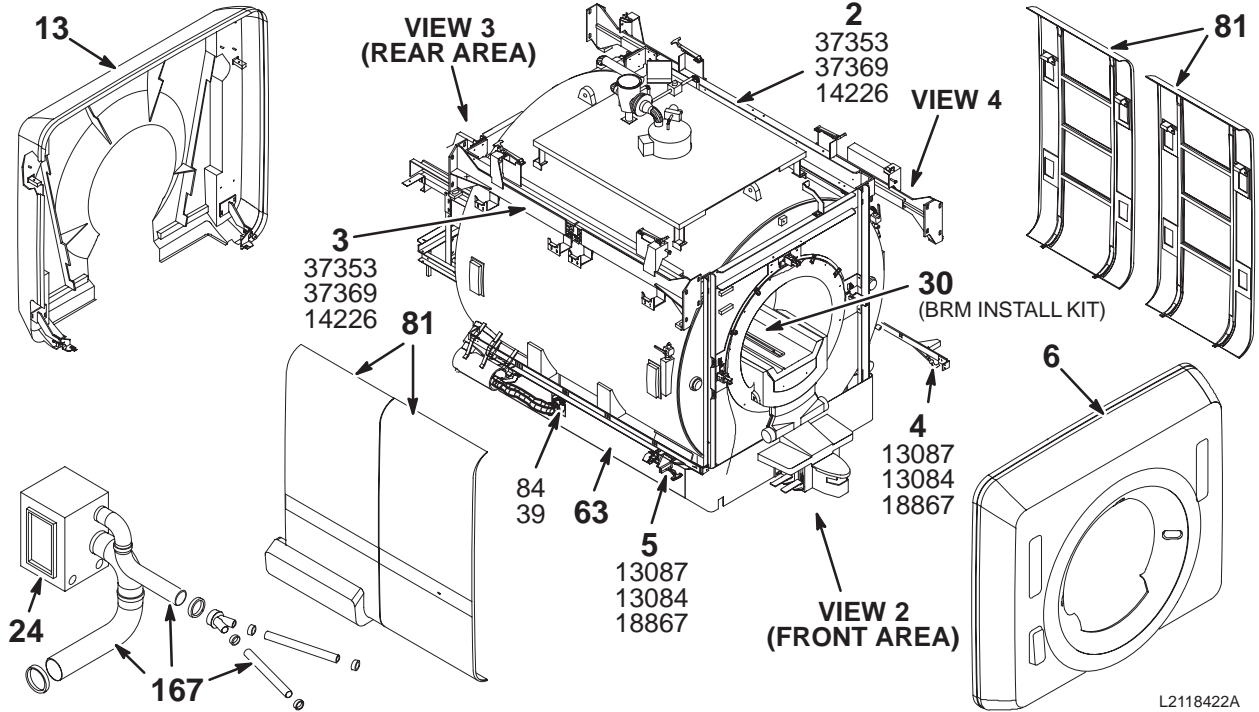
2-24 TwinSpeed ENCLOSURE COVERS AND END BELLS WITH SPLIT BRIDGE 2-336
 Contains information on INFINITY TwinSpeed Fixed, T/R, and Mobile magnet enclosures

INFINITY TwinSpeed FIXED AND T/R MAGNET ENCLOSURE 2297122 2-341
 INFINITY TwinSpeed MOBILE MAGNET ENCLOSURE 2297122-2 2-343

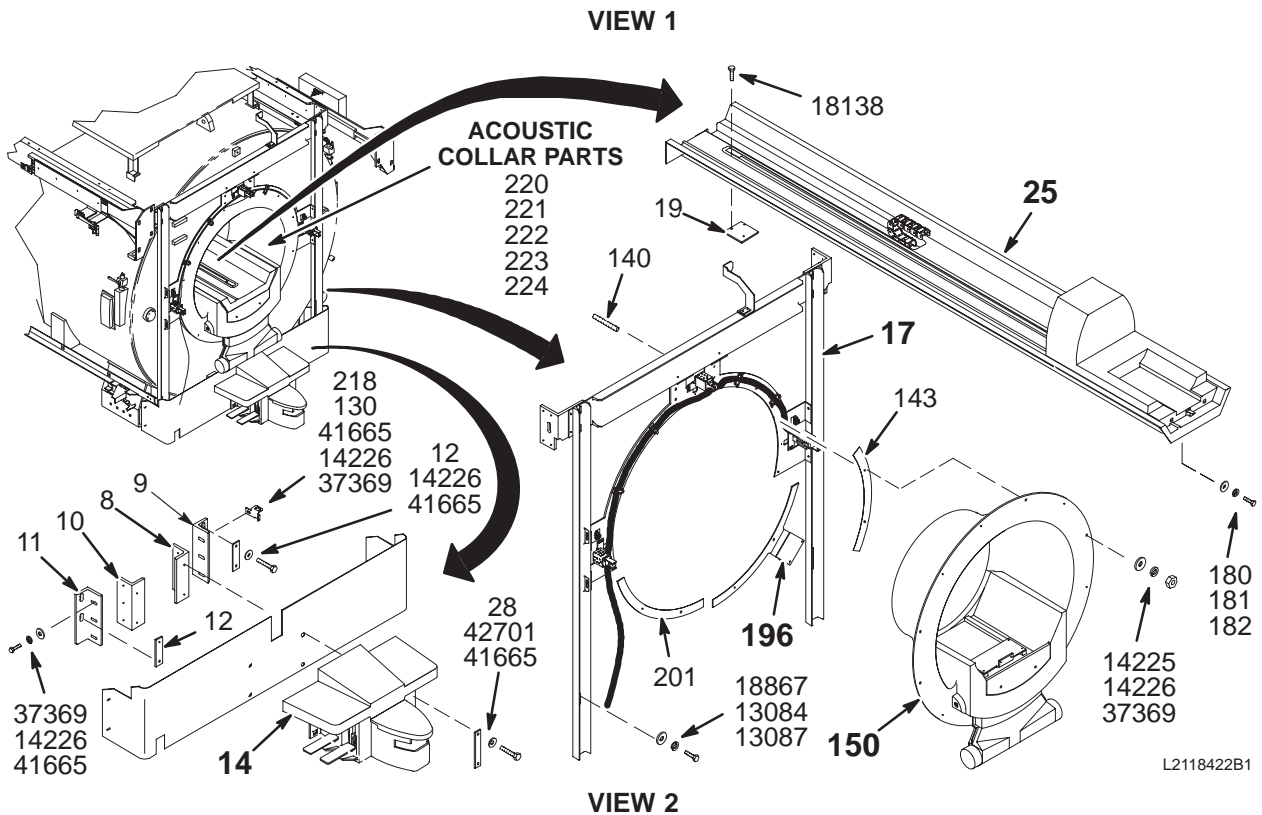
2-1 S-SERIES MAGNET ENCLOSURES

1.5T & 1.0T HORIZON MAGNET ENCLOSURE - FIXED SITE

2118422 SERIES



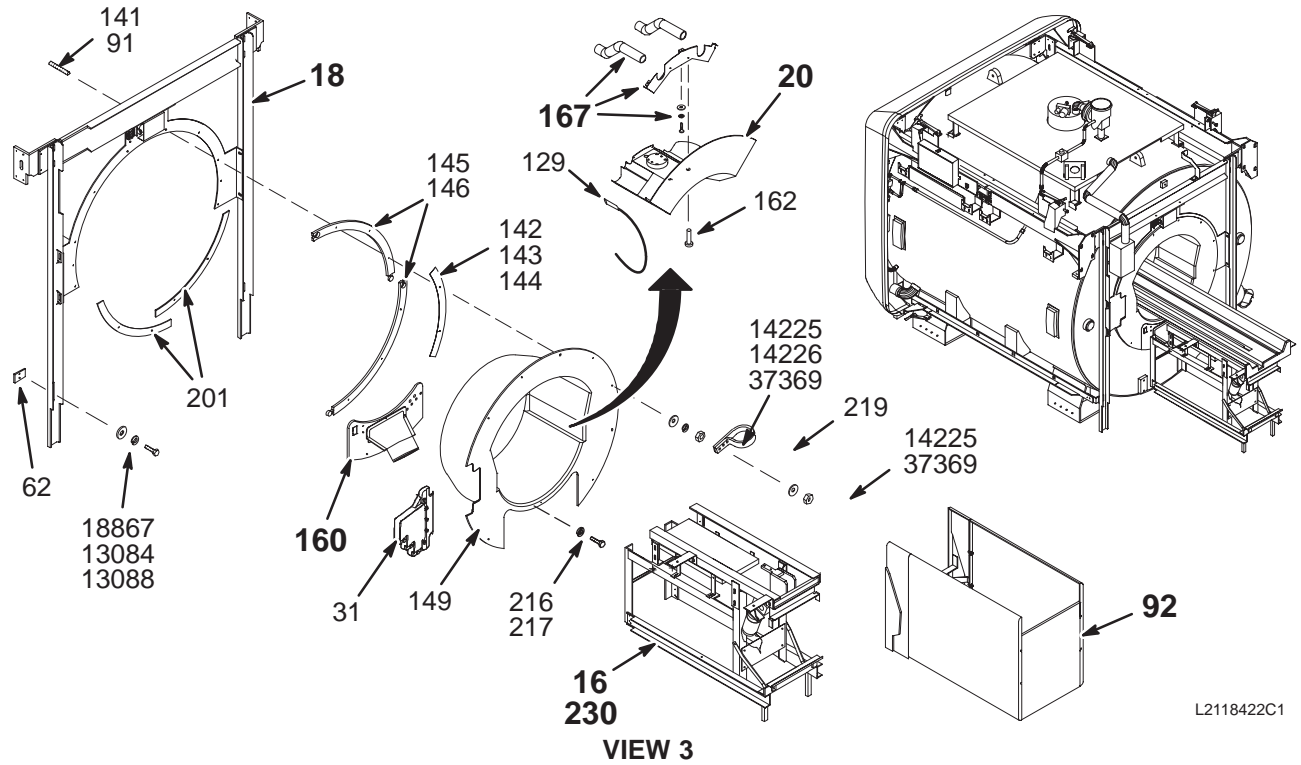
L2118422A



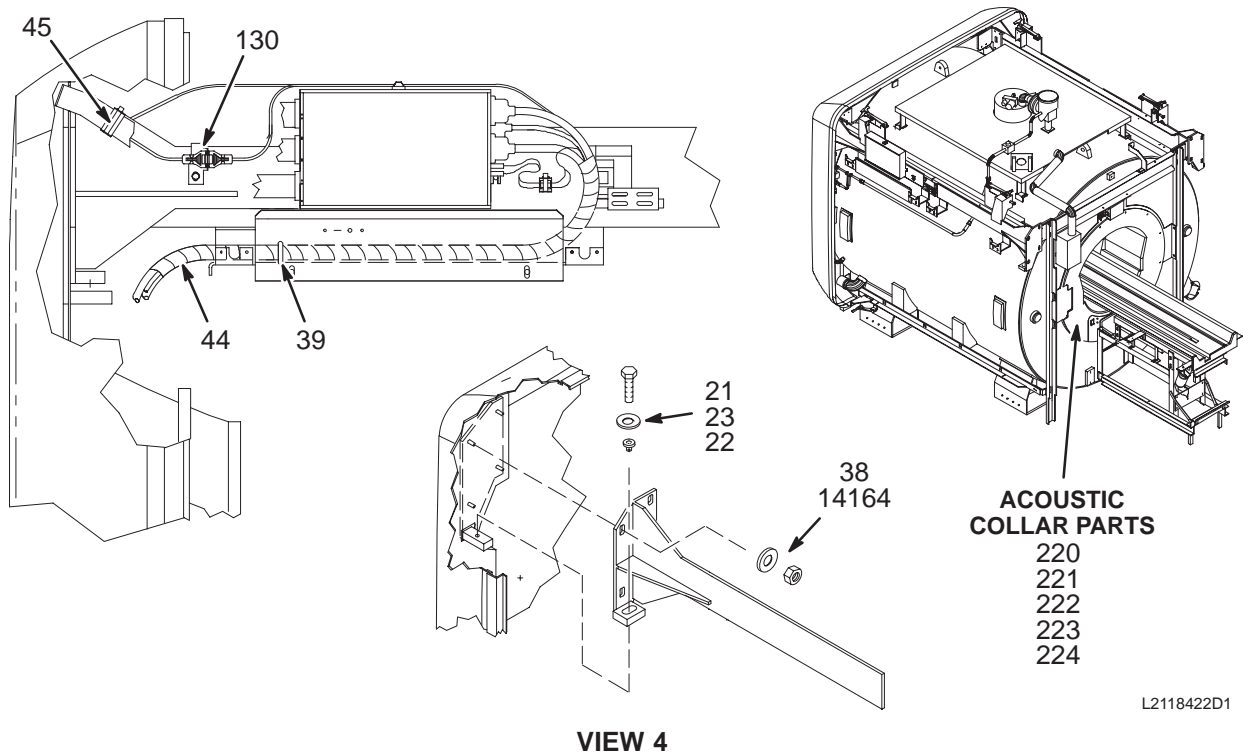
L2118422B1

1.5T & 1.0T HORIZON MAGNET ENCLOSURE – FIXED SITE

2118422 SERIES



L2118422C1



L2118422D1

1.5T FIXED MAG ENCL w/o M-C

2118422-3 FRU N

(PART OF M1000PM)
(PART OF M1000PN)

Item	Part Number	FRU	Name	Quantity	Description (Remarks)
2	46-307712G8	N		XXX	RIGHT SLIDE ASM W/SRI, FIXED SITE (SEE ITEM 300)
3	46-307713G3	N		XXX	LEFT SLIDE ASSEMBLY, FIXED SITE (SEE ITEM 300)
4	46-307707G2	N		XXX	LOWER RIGHT RAIL ASM, FIXED SITE (SEE ITEM 300)
5	46-307708G2	N		XXX	LOWER LEFT RAIL ASSEMBLY, FIXED SITE (SEE ITEM 300)
6	2120888	N	FRONT COVER	1	UFI ENCLOSURE FRONT COVER ASSEMBLY (SEE PAGE 2-47)
8	46-282017P1	2	ANGLE	1	RIGHT DOCK SUPPORT - DOCK MOUNT
9	46-282018P1	2	ANGLE	1	RIGHT DOCK SUPPORT - MAGNET MOUNT
10	46-282019P1	2	ANGLE	1	LEFT DOCK SUPPORT - DOCK MOUNT
11	46-282020P1	2	ANGLE	1	LEFT DOCK SUPPORT - MAGNET MOUNT
12	46-282339P1	2	BAR	2	SHORT CLAMP BAR FOR DOCK SUPPORT
13	46-320275G3	N	REAR COVER	1	UFI REAR COVER STD GE ENCLOSURE (SEE PAGE 2-51)
14	46-271260G1	N	DOCK ASM.	1	NON-HYDRAULIC DOCK ASM, MG2 A29 (SEE PAGE 2-63)
16	46-328137G4	N	PEDESTAL	1	5.5 1.5T FIXED STD ENCLOSURE REAR (SEE PAGE 2-106)
17	46-307710G2	N		XXX	5.5 STD FIXED SITE ENCL/FRONT FRAME (SEE ITEM 300)
18	46-307711G2	N		XXX	5.5 FIXED SITE REAR FRAME (SEE ITEM 300)
19	2132034	N	BRIDGE MOUNT	1	REAR BRIDGE MOUNT ASM (SEE PAGE 2-127)
20	2128650	N	PAT COMF MOD	1	COMFORT MOD ASM (NOT MAGNISHIELD) (SEE PAGE 2-52)
21	46-208932P38	2	SCREW	4	1/2-13 X 3.75 LG HEX HD, 18-8 SST
22	46-307447P1	2	BUSHING	4	FRONT/REAR COVER ADJUST, BRASS
23	46-251379P2	2	WASHER	4	1.5 DIA 17/32 HOLE 5/64 THK 18-8 SST
24A	2121199-7	N	BLOWER (MG6)	1	REINFORCED BLOWER CABINET, MG6 (SEE PAGE 2-100)
24B	2121199	N	BLOWER (MG6)	ALT	BLOWER CABINET, MG6 (SEE PAGE 2-100)
25	2119595	N	PREAMB BRDGE	1	5.5 1.5T STD PREASSEMBLED BRIDGE (SEE PAGE 2-131)
28	46-258509P2	2	PLATE	2	DOCK CLAMP PLATE, 7.25"X1.25 .25 SST
30	2167251	2	KIT OF PARTS	1	BRM INSTALLATION KIT - GE MAGNET (SEE PAGE 2-153)
31	2120143	2	CABLE BLOCK	1	GRADIENT COIL CABLE TERMINAL BLOCK
38	46-251379P3	2	WASHER	16	1.75" DIA 3/8 HOLE 3/16 THK 18-8 SST
39	46-208758P5	2	TY-RAP	18	13.38"X .301" SELF-LOCKING CABLE TIE
44	46-230653P5	2	TUBING	7	SPIRALLY CUT POLYETHYLENE, 3/4" DIA.
45	46-220191P3	2	CLAMP	1	PANDUIT FCM2-A-C14 GRAY, FLAT CABLE
62	46-307802P1	2	SPACER PLATE	2	1/4" THICK ALUM. 2"X3" W/2 3/8 HOLES
63	2131491	N	TRIM KIT	1	ENCLOSURE TRIM PANELS KIT (SEE PAGE 2-53)
81	2131493	N	COVER KIT	1	ENCLOSURE SIDE COVERS (SEE PAGE 2-54)
84	46-287178P1	2	PAD	1	9.5" SQUARE, 1/2" THICK BLUE FOAM
91	2119594	2	LUBRICANT	1	ANTI-SEIZE LUBRICANT, 1 OZ TUBE
92	2131492	N	COVER KIT	1	ENCLOSURE PEDESTAL COVERS (SEE PAGE 2-55)
129	46-328326G1	2	KIT	1	RUN 749 TEMPERATURE SENSOR CABLE KIT
130	46-265067P1	2	CABLE MOUNT	4	I/F PANEL CABLE SCREWLOCK CONNECTOR
140	2116325	2	STUD,MAGNET	12	STUD, 3/8-16 X 55MM, STAINLESS STEEL

Parts List Continued on Next Page

1.5T FIXED MAG ENCL w/o M-C

2118422-3

(CONT'D FROM PREVIOUS PAGE)

Item	Part Number	FRU	Name	Quantity	Description (Remarks)
141	2116325-4	2	STUD, MAGNET	12	STUD, 3/8-16 X 105MM STAINLESS STEEL
142	2115369	2	SEAL, 0.03"	6	3/4MM THICK RUBBER SEAL W/ADHESIVE
143	2115369-2	2	SEAL, 0.06"	12	1.5MM THICK RUBBER SEAL W/ADHESIVE
144	2115369-3	2	SEAL, 0.09"	18	2.25MM THICK RUBBER SEAL W/ADHESIVE
145	2115370	2	SEAL, 0.50"	8	12.7MM THK INTERLOCKING RUBBER SEAL
146	2115370-2	2	SEAL, 0.31"	4	7.9MM THK INTERLOCKING RUBBER SEAL
149	2113076	2	END BELL	1	END BELL REAR 600MM
150	46-317004G1	N	END BELL STD	1	STANDARD FRONT END BELL ASM (SEE PAGE 2-58)
160	2129410	N	BULKHEAD ASM	1	REAR BULKHEAD UFI ENCL (SEE PAGE 2-59)
162	2109873-27	2	SCREW	2	M6X25 SST CROSS RECESSED PAN HD SCR
167	2129412	N	HOSE KIT	1	BLOWER HOSE KIT UFI (SEE PAGE 2-101)
180	2109866-20	2	SCREW	2	M10 X 25 HEX HEAD SCREW SST
181	2109880-4	2	WASHER	2	M10 SST SPRING LOCK WASHER
182	2109878-4	2	WASHER	2	M10 FLAT WASHER, 20MM OD, 2MM, SST
196	46-282757G4	N	DOCK CONTROL	1	UFI DOCK CONTROL ASSEMBLY (SEE PAGE 2-60)
201	2129823	2	SPACER	3	MAGNET END-RING SECTION SPACER
216	2109866-13	2	SCREW	3	M6X25 SST HEX-HEAD SCREW
217	2109878-3	2	WASHER	3	M6 FLAT WASHER, 12MM OD, 1.6MM, SST
218	2109027	2	BRACKET	1	FRONT COVER MICROPHONE CABLE MOUNT
219	2139049	2	STRAP, NYLON	7.300	.875"W, 0.39 HOLE @ 0.625 SPACING
220	46-282896P1	2	MECHANICAL/M	1	NOMEX ACOUSTIC FELT W/VELCRO, FRONT
221	46-136246P21	2	TAPE	20	2" WIDE X 25 YD WHITE VELCRO HOOKS
222	46-282896P2	2	MECHANICAL/M	1	NOMEX ACOUSTIC FELT W/VELCRO, REAR
223	46-287118P1	2	TAPE	2	3/16" DIA X 90 FT ROPE CAULK, BROWN
224	46-320868P1	2	PIPE INSUL	4	POLYETHYLENE CLOSED CELL MATERIAL
230	2143475	N	SHIELD KIT	1	REAR PEDESTAL DRIP SHIELD PLATE KIT (SEE PAGE 2-61)
300	2158536-2	N	COLLECTOR	1	SUPPORTS & SLIDES FOR FIXED ENCL CVR (SEE PAGE 2-15)
13084	46-220196P5	2	WASHER	8	5/16" SCREW SIZE (0.313), SST
13087	46-208932P3	2	SCREW	4	5/16-18 X 3/4", 18-8 SST
13088	46-208932P11	2	SCREW	4	5/16-18 X 1", HEX HD, 18-8 SST
14164	46-208946P1	2	NUT	16	5/16-18 1/2" HEX X .188 THK 18-8 SST
14225	46-208948P2	2	NUT	35	3/8-16 .563 HEX X .328 THK, 18-8 SST
14226	46-220196P6	2	WASHER	54	3/8" SCREW SIZE (0.375), 18-8 SST
14325	46-208758P3	2	TY-RAP	30	7.31" X .184" SELF-LOCKING CABLE TIE
18138	46-220184P47	2	SCREW	2	10-32 X 1.5", ROUND HEAD SLOT, BRASS
18867	12-280	2	WASHER	8	ID 0.336, OD 0.75, THK .064, BRASS
37353	46-208932P4	2	SCREW	16	3/8-16 X 1", HEX HEAD, 18-8 SST
37369	1000904P447	2	WASHER	47	25/64 ID, 1" OD, 1/16" THICK, B7A34C
41665	46-208932P8	2	SCREW	10	3/8-16 X 1.25" HEX HEAD, 18-8 SST
42701	46-208932P15	2	SCREW	4	3/8-16 X 2", HEX HEAD, 18-8 SST

1.5T FIXED MAG ENCL with M-C

2118422-5 FRU N

(PART OF M1001PM)

(PART OF M1001PN)

Item	Part Number	FRU	Name	Quantity	Description (Remarks)
2	46-307712G8	N		XXX	RIGHT SLIDE ASM W/SRI, FIXED SITE (SEE ITEM 300)
3	46-307713G3	N		XXX	LEFT SLIDE ASSEMBLY, FIXED SITE (SEE ITEM 300)
4	46-307707G2	N		XXX	LOWER RIGHT RAIL ASM, FIXED SITE (SEE ITEM 300)
5	46-307708G2	N		XXX	LOWER LEFT RAIL ASSEMBLY, FIXED SITE (SEE ITEM 300)
6	2120888	N	FRONT COVER	1	UFI ENCLOSURE FRONT COVER ASSEMBLY (SEE PAGE 2-47)
8	46-282017P1	2	ANGLE	1	RIGHT DOCK SUPPORT – DOCK MOUNT
9	46-282018P1	2	ANGLE	1	RIGHT DOCK SUPPORT – MAGNET MOUNT
10	46-282019P1	2	ANGLE	1	LEFT DOCK SUPPORT – DOCK MOUNT
11	46-282020P1	2	ANGLE	1	LEFT DOCK SUPPORT – MAGNET MOUNT
12	46-282339P1	2	BAR	2	SHORT CLAMP BAR FOR DOCK SUPPORT
13	46-320275G3	N	REAR COVER	1	UFI REAR COVER STD GE ENCLOSURE (SEE PAGE 2-51)
14	46-271260G1	N	DOCK ASM.	1	NON-HYDRAULIC DOCK ASM, MG2 A29 (SEE PAGE 2-63)
16	46-328137G9	N	PEDESTAL	1	5.5 1.5T FXD STD ENCL REAR PEDESTAL (SEE PAGE 2-115)
17	46-307710G2	N		XXX	5.5 STD FIXED SITE ENCL/FRONT FRAME (SEE ITEM 300)
18	46-307711G2	N		XXX	5.5 FIXED SITE REAR FRAME (SEE ITEM 300)
19	2132034	N	BRIDGE MOUNT	1	REAR BRIDGE MOUNT ASM (SEE PAGE 2-127)
20	2128650	N	PAT COMF MOD	1	COMFORT MODULE (NOT MAGNASHIELD) (SEE PAGE 2-52)
21	46-208932P38	2	SCREW	4	1/2-13 X 3.75 LG HEX HD, 18-8 SST
22	46-307447P1	2	BUSHING	4	FRONT/REAR COVER ADJUST, BRASS
23	46-251379P2	2	WASHER	4	1.5 DIA 17/32 HOLE 5/64 THK 18-8 SST
24A	2121199-7	N	BLOWER (MG6)	1	REINFORCED BLOWER CABINET, MG6 (SEE PAGE 2-100)
24B	2121199	N	BLOWER (MG6)	ALT	BLOWER CABINET, MG6 (SEE PAGE 2-100)
25	2119595-4	N	PREASM BRDGE	1	5.5 1.5T STD PREASSEMBLED BRIDGE (SEE PAGE 2-141)
28	46-258509P2	2	PLATE	2	DOCK CLAMP PLATE, 7.25"X1.25 .25 SST
30	2167251	2	KIT OF PARTS	1	BRM INSTALLATION KIT – GE MAGNET (SEE PAGE 2-153)
31	2120143	2	CABLE BLOCK	1	GRADIENT COIL CABLE TERMINAL BLOCK
38	46-251379P3	2	WASHER	16	1.75" DIA 3/8 HOLE 3/16 THK 18-8 SST
39	46-208758P5	2	TY-RAP	18	13.38"X .301" SELF-LOCKING CABLE TIE
44	46-230653P5	2	TUBING	7	SPIRALLY CUT POLYETHYLENE, 3/4" DIA.
45	46-220191P3	2	CLAMP	1	PANDUIT FCM2-A-C14 GRAY, FLAT CABLE
62	46-307802P1	2	SPACER PLATE	2	1/4" THICK ALUM. 2"X3" W/2 3/8 HOLES
63	2131491	N	TRIM KIT	1	ENCLOSURE TRIM PANELS KIT (SEE PAGE 2-53)
81	2131493	N	COVER KIT	1	ENCLOSURE SIDE COVERS (SEE PAGE 2-54)
84	46-287178P1	2	PAD	1	9.5" SQUARE, 1/2" THICK BLUE FOAM
91	2119594	2	LUBRICANT	1	ANTI-SEIZE LUBRICANT, 1 OZ TUBE
92	2131492	N	COVER KIT	1	ENCLOSURE PEDESTAL COVERS (SEE PAGE 2-55)
129	46-328326G1	2	KIT	1	RUN 749 TEMPERATURE SENSOR CABLE KIT
130	46-265067P1	2	CABLE MOUNT	4	I/F PANEL CABLE SCREWLOCK CONNECTOR
140	2116325	2	STUD,MAGNET	12	STUD, 3/8-16 X 55MM, STAINLESS STEEL
141	2116325-4	2	STUD, MAGNET	12	STUD, 3/8-16 X 105MM STAINLESS STEEL

Parts List Continued on Next Page

1.5T FIXED MAG ENCL with M-C

2118422-5

(CONT'D FROM PREVIOUS PAGE)

Item	Part Number	FRU	Name	Quantity	Description (Remarks)
142	2115369	2	SEAL, 0.03"	6	3/4MM THICK RUBBER SEAL W/ADHESIVE
143	2115369-2	2	SEAL, 0.06"	12	1.5MM THICK RUBBER SEAL W/ADHESIVE
144	2115369-3	2	SEAL, 0.09"	18	2.25MM THICK RUBBER SEAL W/ADHESIVE
145	2115370	2	SEAL, 0.50"	8	12.7MM THK INTERLOCKING RUBBER SEAL
146	2115370-2	2	SEAL, 0.31"	4	7.9MM THK INTERLOCKING RUBBER SEAL
149	2113076	2	END BELL	1	END BELL REAR 600MM
150	46-317004G1	N	END BELL STD	1	STANDARD FRONT END BELL ASM (SEE PAGE 2-58)
160	2129410	N	BULKHEAD ASM	1	REAR BULKHEAD UFI ENCL (SEE PAGE 2-59)
162	2109873-27	2	SCREW	2	M6X25 SST CROSS RECESSED PAN HD SCR
167	2129412	N	HOSE KIT	1	BLOWER HOSE KIT UFI (SEE PAGE 2-101)
180	2109866-20	2	SCREW	2	M10 X 25 HEX HEAD SCREW SST
181	2109880-4	2	WASHER	2	M10 SST SPRING LOCK WASHER
182	2109878-4	2	WASHER	2	M10 FLAT WASHER, 20MM OD, 2MM, SST
196	46-282757G4	N	DOCK CONTROL	1	UFI DOCK CONTROL ASSEMBLY (SEE PAGE 2-60)
201	2129823	2	SPACER	3	MAGNET END-RING SECTION SPACER
216	2109866-13	2	SCREW	3	M6X25 SST HEX-HEAD SCREW
217	2109878-3	2	WASHER	3	M6 FLAT WASHER, 12MM OD, 1.6MM, SST
218	2109027	2	BRACKET	1	FRONT COVER MICROPHONE CABLE MOUNT
219	2139049	2	STRAP, NYLON	7.300	.875"W, 0.39 HOLE @ 0.625 SPACING
220	46-282896P1	2	MECHANICAL/M	1	NOMEX ACOUSTIC FELT W/VELCRO, FRONT
221	46-136246P21	2	TAPE	20	2" WIDE X 25 YD WHITE VELCRO HOOKS
222	46-282896P2	2	MECHANICAL/M	1	NOMEX ACOUSTIC FELT W/VELCRO, REAR
223	46-287118P1	2	TAPE	2	3/16" DIA X 90 FT ROPE CAULK, BROWN
224	46-320868P1	2	PIPE INSUL	4	POLYETHYLENE CLOSED CELL MATERIAL
230	2143475	N	SHIELD KIT	1	REAR PEDESTAL DRIP SHIELD PLATE KIT (SEE PAGE 2-61)
300	2158536-2	N	COLLECTOR	1	SUPPORTS & SLIDES FOR FIXED ENCL CVR (SEE PAGE 2-15)
13084	46-220196P5	2	WASHER	8	5/16" SCREW SIZE (0.313), SST
13087	46-208932P3	2	SCREW	4	5/16-18 X 3/4", 18-8 SST
13088	46-208932P11	2	SCREW	4	5/16-18 X 1", HEX HD, 18-8 SST
14164	46-208946P1	2	NUT	16	5/16-18 1/2" HEX X .188 THK 18-8 SST
14225	46-208948P2	2	NUT	35	3/8-16 .563 HEX X .328 THK, 18-8 SST
14226	46-220196P6	2	WASHER	54	3/8" SCREW SIZE (0.375), 18-8 SST
14325	46-208758P3	2	TY-RAP	30	7.31" X .184" SELF-LOCKING CABLE TIE
18138	46-220184P47	2	SCREW	2	10-32 X 1.5", ROUND HEAD SLOT, BRASS
18867	12-280	2	WASHER	8	ID 0.336, OD 0.75, THK .064, BRASS
37353	46-208932P4	2	SCREW	16	3/8-16 X 1", HEX HEAD, 18-8 SST
37369	1000904P447	2	WASHER	47	25/64 ID, 1" OD, 1/16" THICK, B7A34C
41665	46-208932P8	2	SCREW	10	3/8-16 X 1.25" HEX HEAD, 18-8 SST
42701	46-208932P15	2	SCREW	4	3/8-16 X 2", HEX HEAD, 18-8 SST

1.0T FIXED MAG ENCL w/o M-C

2118422-7 FRU N

(PART OF M1800PM)

(PART OF M1800PN)

Item	Part Number	FRU	Name	Quantity	Description (Remarks)
2	46-307712G8	N		XXX	RIGHT SLIDE ASM W/SRI, FIXED SITE (SEE ITEM 300)
3	46-307713G3	N		XXX	LEFT SLIDE ASSEMBLY, FIXED SITE (SEE ITEM 300)
4	46-307707G2	N		XXX	LOWER RIGHT RAIL ASM, FIXED SITE (SEE ITEM 300)
5	46-307708G2	N		XXX	LOWER LEFT RAIL ASSEMBLY, FIXED SITE (SEE ITEM 300)
6	2120888	N	FRONT COVER	1	UFI ENCLOSURE FRONT COVER ASSEMBLY (SEE PAGE 2-47)
8	46-282017P1	2	ANGLE	1	RIGHT DOCK SUPPORT - DOCK MOUNT
9	46-282018P1	2	ANGLE	1	RIGHT DOCK SUPPORT - MAGNET MOUNT
10	46-282019P1	2	ANGLE	1	LEFT DOCK SUPPORT - DOCK MOUNT
11	46-282020P1	2	ANGLE	1	LEFT DOCK SUPPORT - MAGNET MOUNT
12	46-282339P1	2	BAR	2	SHORT CLAMP BAR FOR DOCK SUPPORT
13	46-320275G3	N	REAR COVER	1	UFI REAR COVER STD GE ENCLOSURE (SEE PAGE 2-51)
14	46-271260G1	N	DOCK ASM.	1	NON-HYDRAULIC DOCK ASM, MG2 A29 (SEE PAGE 2-63)
16	46-328137G6	N	PEDESTAL	1	5.5 1.0T FIXED STD ENCLOSURE REAR (SEE PAGE 2-110)
17	46-307710G2	N		XXX	5.5 STD FIXED SITE ENCL/FRONT FRAME (SEE ITEM 300)
18	46-307711G2	N		XXX	5.5 FIXED SITE REAR FRAME (SEE ITEM 300)
19	2132034	N	BRIDGE MOUNT	1	REAR BRIDGE MOUNT ASM (SEE PAGE 2-127)
20	2128650	N	PAT COMF MOD	1	COMFORT MODULE (NOT MAGNISHIELD) (SEE PAGE 2-52)
21	46-208932P38	2	SCREW	4	1/2-13 X 3.75 LG HEX HD, 18-8 SST
22	46-307447P1	2	BUSHING	4	FRONT/REAR COVER ADJUST, BRASS
23	46-251379P2	2	WASHER	4	1.5 DIA 17/32 HOLE 5/64 THK 18-8 SST
24A	2121199-7	N	BLOWER (MG6)	1	REINFORCED BLOWER CABINET, MG6 (SEE PAGE 2-100)
24B	2121199	N	BLOWER (MG6)	ALT	BLOWER CABINET, MG6 (SEE PAGE 2-100)
25	2119595-3	N	PREASM BRDGE	1	5.5 1.0T STD PREASSEMBLED BRIDGE (SEE PAGE 2-137)
28	46-258509P2	2	PLATE	2	DOCK CLAMP PLATE, 7.25"X1.25 .25 SST
30	2167251	2	KIT OF PARTS	1	BRM INSTALLATION KIT - GE MAGNET (SEE PAGE 2-153)
31	2120143	2	CABLE BLOCK	1	GRADIENT COIL CABLE TERMINAL BLOCK
38	46-251379P3	2	WASHER	16	1.75" DIA 3/8 HOLE 3/16 THK 18-8 SST
39	46-208758P5	2	TY-RAP	18	13.38"X .301" SELF-LOCKING CABLE TIE
44	46-230653P5	2	TUBING	7	SPIRALLY CUT POLYETHYLENE, 3/4" DIA.
45	46-220191P3	2	CLAMP	1	PANDUIT FCM2-A-C14 GRAY, FLAT CABLE
62	46-307802P1	2	SPACER PLATE	2	1/4" THICK ALUM. 2"X3" W/2 3/8 HOLES
63	2131491	N	TRIM KIT	1	ENCLOSURE TRIM PANELS KIT (SEE PAGE 2-53)
81	2131493	N	COVER KIT	1	ENCLOSURE SIDE COVERS (SEE PAGE 2-54)
84	46-287178P1	2	PAD	1	9.5" SQUARE, 1/2" THICK BLUE FOAM
91	2119594	2	LUBRICANT	1	ANTI-SEIZE LUBRICANT, 1 OZ TUBE
92	2131492	N	COVER KIT	1	ENCLOSURE PEDESTAL COVERS (SEE PAGE 2-55)
129	46-328326G1	2	KIT	1	RUN 749 TEMPERATURE SENSOR CABLE KIT
130	46-265067P1	2	CABLE MOUNT	4	
140	2116325	2	STUD,MAGNET	12	STUD, 3/8-16 X 55MM, STAINLESS STEEL
141	2116325-4	2	STUD, MAGNET	12	STUD, 3/8-16 X 105MM STAINLESS STEEL

Parts List Continued on Next Page

1.0T FIXED MAG ENCL w/o M-C

2118422-7

(CONT'D FROM PREVIOUS PAGE)

Item	Part Number	FRU	Name	Quantity	Description (Remarks)
142	2115369	2	SEAL, 0.03"	6	3/4MM THICK RUBBER SEAL W/ADHESIVE
143	2115369-2	2	SEAL, 0.06"	12	1.5MM THICK RUBBER SEAL W/ADHESIVE
144	2115369-3	2	SEAL, 0.09"	18	2.25MM THICK RUBBER SEAL W/ADHESIVE
145	2115370	2	SEAL, 0.50"	8	12.7MM THK INTERLOCKING RUBBER SEAL
146	2115370-2	2	SEAL, 0.31"	4	7.9MM THK INTERLOCKING RUBBER SEAL
149	2113076	2	END BELL	1	END BELL REAR 600MM
150	46-317004G1	N	END BELL STD	1	STANDARD FRONT END BELL ASM (SEE PAGE 2-58)
160	2129410	N	BULKHEAD ASM	1	REAR BULKHEAD UFI ENCL (SEE PAGE 2-59)
162	2109873-27	2	SCREW	2	M6X25 SST CROSS RECESSED PAN HD SCR
167	2129412	N	HOSE KIT	1	BLOWER HOSE KIT UFI (SEE PAGE 2-101)
180	2109866-20	2	SCREW	2	M10 X 25 HEX HEAD SCREW SST
181	2109880-4	2	WASHER	2	M10 SST SPRING LOCK WASHER
182	2109878-4	2	WASHER	2	M10 FLAT WASHER, 20MM OD, 2MM, SST
196	46-282757G4	N	DOCK CONTROL	1	UFI DOCK CONTROL ASSEMBLY (SEE PAGE 2-60)
201	2129823	2	SPACER	3	MAGNET END-RING SECTION SPACER
216	2109866-13	2	SCREW	3	M6X25 SST HEX-HEAD SCREW
217	2109878-3	2	WASHER	3	M6 FLAT WASHER, 12MM OD, 1.6MM, SST
218	2109027	2	BRACKET	1	FRONT COVER MICROPHONE CABLE MOUNT
219	2139049	2	STRAP, NYLON	7.300	.875"W, 0.39 HOLE @ 0.625 SPACING
220	46-282896P1	2	MECHANICAL/M	1	NOMEX ACOUSTIC FELT W/VELCRO, FRONT
221	46-136246P21	2	TAPE	20	2" WIDE X 25 YD WHITE VELCRO HOOKS
222	46-282896P2	2	MECHANICAL/M	1	NOMEX ACOUSTIC FELT W/VELCRO, REAR
223	46-287118P1	2	TAPE	2	3/16" DIA X 90 FT ROPE CAULK, BROWN
224	46-320868P1	2	PIPE INSUL	4	POLYETHYLENE CLOSED CELL MATERIAL
230	2143475	N	SHIELD KIT	1	REAR PEDESTAL DRIP SHIELD PLATE KIT (SEE PAGE 2-61)
300	2158536-2	N	COLLECTOR	1	SUPPORTS & SLIDES FOR FIXED ENCL CVR (SEE PAGE 2-15)
13084	46-220196P5	2	WASHER	8	5/16" SCREW SIZE (0.313), SST
13087	46-208932P3	2	SCREW	4	5/16-18 X 3/4", 18-8 SST
13088	46-208932P11	2	SCREW	4	5/16-18 X 1", HEX HD, 18-8 SST
14164	46-208946P1	2	NUT	16	5/16-18 1/2" HEX X .188 THK 18-8 SST
14225	46-208948P2	2	NUT	35	3/8-16 .563 HEX X .328 THK, 18-8 SST
14226	46-220196P6	2	WASHER	54	3/8" SCREW SIZE (0.375), 18-8 SST
14325	46-208758P3	2	TY-RAP	30	7.31" X .184" SELF-LOCKING CABLE TIE
18138	46-220184P47	2	SCREW	2	10-32 X 1.5", ROUND HEAD SLOT, BRASS
18867	12-280	2	WASHER	8	ID 0.336, OD 0.75, THK .064, BRASS
37353	46-208932P4	2	SCREW	16	3/8-16 X 1", HEX HEAD, 18-8 SST
37369	1000904P447	2	WASHER	47	25/64 ID, 1" OD, 1/16" THICK, B7A34C
41665	46-208932P8	2	SCREW	10	3/8-16 X 1.25" HEX HEAD, 18-8 SST
42701	46-208932P15	2	SCREW	4	3/8-16 X 2", HEX HEAD, 18-8 SST

1.0T FIXED MAG ENCL with M-C

2118422-9 FRU N

(PART OF M1801PM)

(PART OF M1801PN)

Item	Part Number	FRU	Name	Quantity	Description (Remarks)
2	46-307712G8	N		XXX	RIGHT SLIDE ASM W/SRI, FIXED SITE (SEE ITEM 300)
3	46-307713G3	N		XXX	LEFT SLIDE ASSEMBLY, FIXED SITE (SEE ITEM 300)
4	46-307707G2	N		XXX	LOWER RIGHT RAIL ASM, FIXED SITE (SEE ITEM 300)
5	46-307708G2	N		XXX	LOWER LEFT RAIL ASSEMBLY, FIXED SITE (SEE ITEM 300)
6	2120888	N	FRONT COVER	1	UFI ENCLOSURE FRONT COVER ASSEMBLY (SEE PAGE 2-47)
8	46-282017P1	2	ANGLE	1	RIGHT DOCK SUPPORT - DOCK MOUNT
9	46-282018P1	2	ANGLE	1	RIGHT DOCK SUPPORT - MAGNET MOUNT
10	46-282019P1	2	ANGLE	1	LEFT DOCK SUPPORT - DOCK MOUNT
11	46-282020P1	2	ANGLE	1	LEFT DOCK SUPPORT - MAGNET MOUNT
12	46-282339P1	2	BAR	2	SHORT CLAMP BAR FOR DOCK SUPPORT
13	46-320275G3	N	REAR COVER	1	UFI REAR COVER STD GE ENCLOSURE (SEE PAGE 2-51)
14	46-271260G1	N	DOCK ASM.	1	NON-HYDRAULIC DOCK ASM, MG2 A29 (SEE PAGE 2-63)
16	46-328137G11	N	PEDESTAL	1	5.5 1.0T FIXED STD REAR ENCLOSURE (SEE PAGE 2-119)
17	46-307710G2	N		XXX	5.5 STD FIXED SITE ENCL/FRONT FRAME (SEE ITEM 300)
18	46-307711G2	N		XXX	5.5 FIXED SITE REAR FRAME (SEE ITEM 300)
19	2132034	N	BRIDGE MOUNT	1	REAR BRIDGE MOUNT ASM (SEE PAGE 2-127)
20	2128650	N	PAT COMF MOD	1	COMFORT MODULE (NOT MAGNISHIELD) (SEE PAGE 2-52)
21	46-208932P38	2	SCREW	4	1/2-13 X 3.75 LG HEX HD, 18-8 SST
22	46-307447P1	2	BUSHING	4	FRONT/REAR COVER ADJUST, BRASS
23	46-251379P2	2	WASHER	4	1.5 DIA 17/32 HOLE 5/64 THK 18-8 SST
24A	2121199-7	N	BLOWER (MG6)	1	REINFORCED BLOWER CABINET, MG6 (SEE PAGE 2-100)
24B	2121199	N	BLOWER (MG6)	ALT	BLOWER CABINET, MG6 (SEE PAGE 2-100)
25	2119595-6	N	PREASM BRDGE	1	5.5 1.0T STD PREASSEMBLED BRIDGE (SEE PAGE 2-150)
28	46-258509P2	2	PLATE	2	DOCK CLAMP PLATE, 7.25"X1.25 .25 SST
30	2167251	2	KIT OF PARTS	1	BRM INSTALLATION KIT - GE MAGNET (SEE PAGE 2-153)
31	2120143	2	CABLE BLOCK	1	GRADIENT COIL CABLE TERMINAL BLOCK
38	46-251379P3	2	WASHER	16	1.75" DIA 3/8 HOLE 3/16 THK 18-8 SST
39	46-208758P5	2	TY-RAP	18	13.38"X .301" SELF-LOCKING CABLE TIE
44	46-230653P5	2	TUBING	7	SPIRALLY CUT POLYETHYLENE, 3/4" DIA.
45	46-220191P3	2	CLAMP	1	PANDUIT FCM2-A-C14 GRAY, FLAT CABLE
62	46-307802P1	2	SPACER PLATE	2	1/4" THICK ALUM. 2"X3" W/2 3/8 HOLES
63	2131491	N	TRIM KIT	1	ENCLOSURE TRIM PANELS KIT (SEE PAGE 2-53)
81	2131493	N	COVER KIT	1	ENCLOSURE SIDE COVERS (SEE PAGE 2-54)
84	46-287178P1	2	PAD	1	9.5" SQUARE, 1/2" THICK BLUE FOAM
91	2119594	2	LUBRICANT	1	ANTI-SEIZE LUBRICANT, 1 OZ TUBE
92	2131492	N	COVER KIT	1	ENCLOSURE PEDESTAL COVERS (SEE PAGE 2-55)
129	46-328326G1	2	KIT	1	RUN 749 TEMPERATURE SENSOR CABLE KIT
130	46-265067P1	2	CABLE MOUNT	4	I/F PANEL CABLE SCREWLOCK CONNECTOR
140	2116325	2	STUD,MAGNET	12	STUD, 3/8-16 X 55MM, STAINLESS STEEL
141	2116325-4	2	STUD, MAGNET	12	STUD, 3/8-16 X 105MM STAINLESS STEEL

Parts List Continued on Next Page

1.0T FIXED MAG ENCL with M-C

2118422-9

(CONT'D FROM PREVIOUS PAGE)

Item	Part Number	FRU	Name	Quantity	Description (Remarks)
142	2115369	2	SEAL, 0.03"	6	3/4MM THICK RUBBER SEAL W/ADHESIVE
143	2115369-2	2	SEAL, 0.06"	12	1.5MM THICK RUBBER SEAL W/ADHESIVE
144	2115369-3	2	SEAL, 0.09"	18	2.25MM THICK RUBBER SEAL W/ADHESIVE
145	2115370	2	SEAL, 0.50"	8	12.7MM THK INTERLOCKING RUBBER SEAL
146	2115370-2	2	SEAL, 0.31"	4	7.9MM THK INTERLOCKING RUBBER SEAL
149	2113076	2	END BELL	1	END BELL REAR 600MM
150	46-317004G1	N	END BELL STD	1	STANDARD FRONT END BELL ASM (SEE PAGE 2-58)
160	2129410	N	BULKHEAD ASM	1	REAR BULKHEAD UFI ENCL (SEE PAGE 2-59)
162	2109873-27	2	SCREW	2	M6X25 SST CROSS RECESSED PAN HD SCR
167	2129412	N	HOSE KIT	1	BLOWER HOSE KIT UFI (SEE PAGE 2-101)
180	2109866-20	2	SCREW	2	M10 X 25 HEX HEAD SCREW SST
181	2109880-4	2	WASHER	2	M10 SST SPRING LOCK WASHER
182	2109878-4	2	WASHER	2	M10 FLAT WASHER, 20MM OD, 2MM, SST
196	46-282757G4	N	DOCK CONTROL	1	UFI DOCK CONTROL ASSEMBLY (SEE PAGE 2-60)
201	2129823	2	SPACER	3	MAGNET END-RING SECTION SPACER
216	2109866-13	2	SCREW	3	M6X25 SST HEX-HEAD SCREW
217	2109878-3	2	WASHER	3	M6 FLAT WASHER, 12MM OD, 1.6MM, SST
218	2109027	2	BRACKET	1	FRONT COVER MICROPHONE CABLE MOUNT
219	2139049	2	STRAP, NYLON	7.300	.875"W, 0.39 HOLE @ 0.625 SPACING
220	46-282896P1	2	MECHANICAL/M	1	NOMEX ACOUSTIC FELT W/VELCRO, FRONT
221	46-136246P21	2	TAPE	20	2" WIDE X 25 YD WHITE VELCRO HOOKS
222	46-282896P2	2	MECHANICAL/M	1	NOMEX ACOUSTIC FELT W/VELCRO, REAR
223	46-287118P1	2	TAPE	2	3/16" DIA X 90 FT ROPE CAULK, BROWN
224	46-320868P1	2	PIPE INSUL	4	POLYETHYLENE CLOSED CELL MATERIAL
230	2143475	N	SHIELD KIT	1	REAR PEDESTAL DRIP SHIELD PLATE KIT (SEE PAGE 2-61)
300	2158536-2	N	COLLECTOR	1	SUPPORTS & SLIDES FOR FIXED ENCL CVR (SEE PAGE 2-15)
13084	46-220196P5	2	WASHER	8	5/16" SCREW SIZE (0.313), SST
13087	46-208932P3	2	SCREW	4	5/16-18 X 3/4", 18-8 SST
13088	46-208932P11	2	SCREW	4	5/16-18 X 1", HEX HD, 18-8 SST
14164	46-208946P1	2	NUT	16	5/16-18 1/2" HEX X .188 THK 18-8 SST
14225	46-208948P2	2	NUT	35	3/8-16 .563 HEX X .328 THK, 18-8 SST
14226	46-220196P6	2	WASHER	54	3/8" SCREW SIZE (0.375), 18-8 SST
14325	46-208758P3	2	TY-RAP	30	7.31" X .184" SELF-LOCKING CABLE TIE
18138	46-220184P47	2	SCREW	2	10-32 X 1.5", ROUND HEAD SLOT, BRASS
18867	12-280	2	WASHER	8	ID 0.336, OD 0.75, THK .064, BRASS
37353	46-208932P4	2	SCREW	16	3/8-16 X 1", HEX HEAD, 18-8 SST
37369	1000904P447	2	WASHER	47	25/64 ID, 1" OD, 1/16" THICK, B7A34C
41665	46-208932P8	2	SCREW	10	3/8-16 X 1.25" HEX HEAD, 18-8 SST
42701	46-208932P15	2	SCREW	4	3/8-16 X 2", HEX HEAD, 18-8 SST

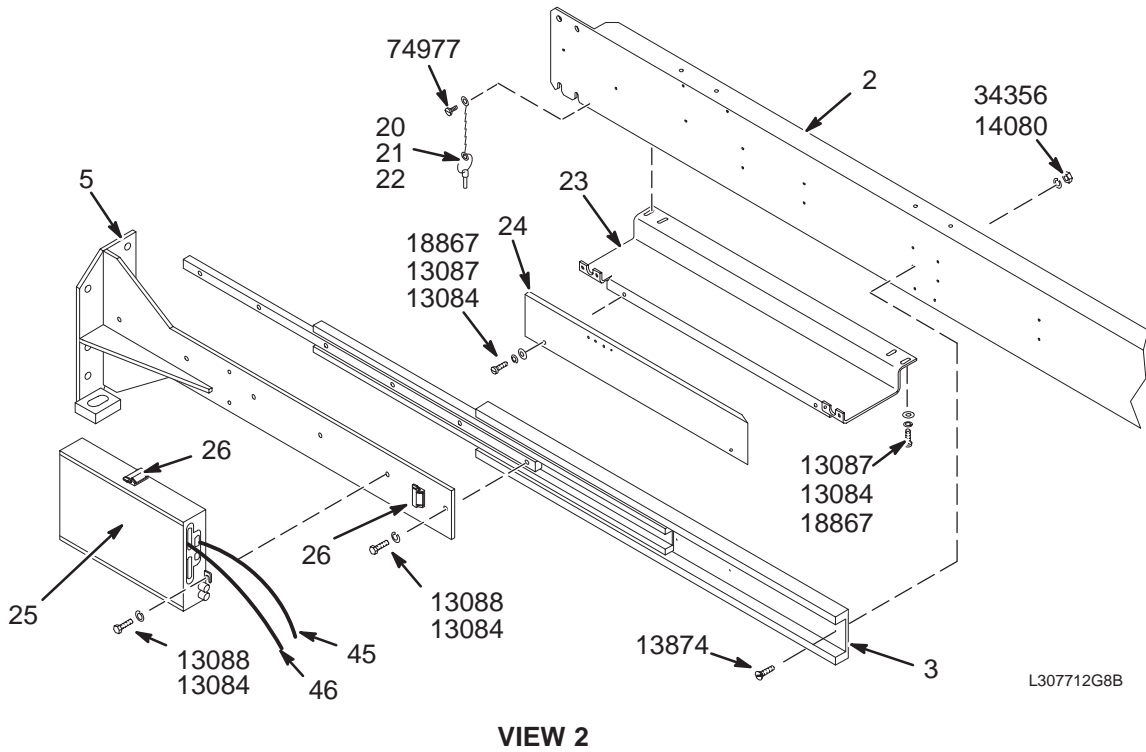
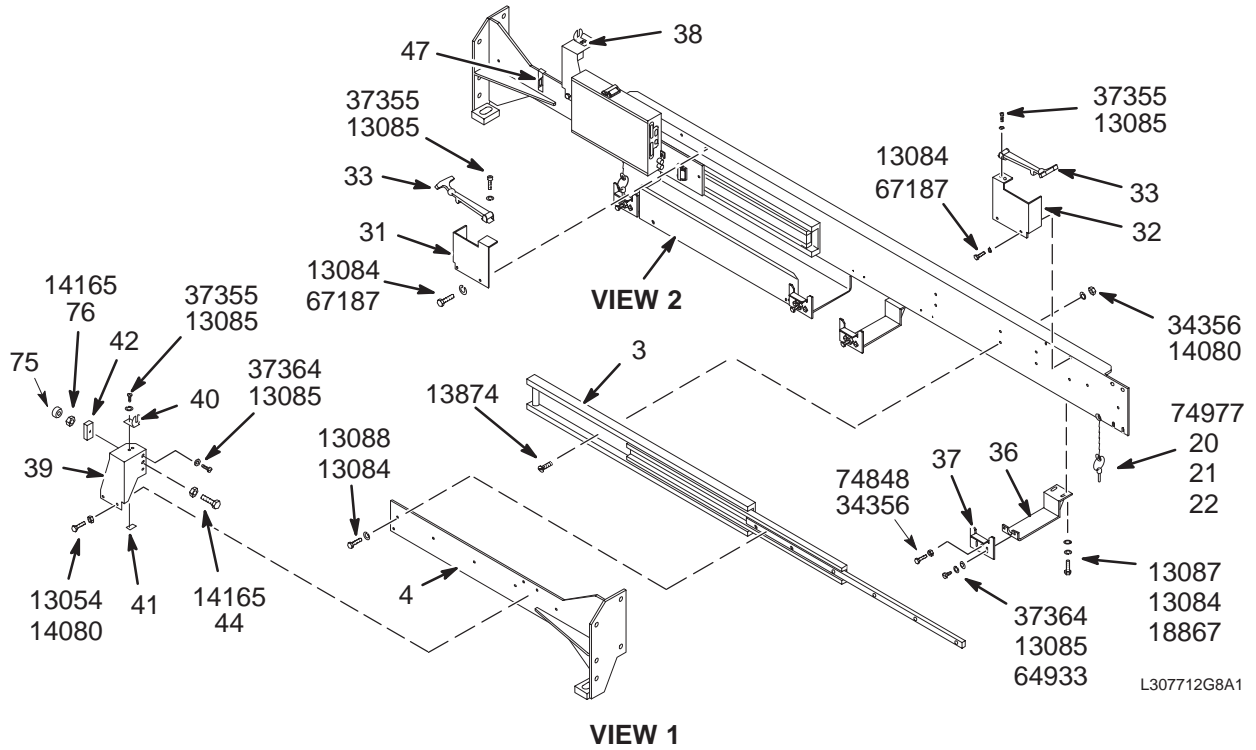
FIXED ENCL SUPPORTS/SLIDES 2158536-2 FRU N

(PART OF 2118422-3 PAGE 2-7)
 (PART OF 2118422-5 PAGE 2-9)
 (PART OF 2118422-7 PAGE 2-11)
 (PART OF 2118422-9 PAGE 2-13)

Item	Part Number	FRU	Name	Quantity	Description (Remarks)
2	46-307712G8	N	SLIDE ASM	1	RIGHT SLIDE ASM W/SRI, FIXED SITE (SEE PAGE 2-17)
3	46-307713G3	N	SLIDE ASM LF	1	LEFT SLIDE ASSEMBLY, FIXED SITE (SEE PAGE 2-19)
4	46-307707G2	N	LOW RL RIGHT	1	LOWER RIGHT RAIL ASM, FIXED SITE (SEE PAGE 2-20)
5	46-307708G2	N	LOW RL LEFT	1	LOWER LEFT RAIL ASSEMBLY, FIXED SITE (SEE PAGE 2-21)
17	46-307710G2	N	FRONT FRAME	1	5.5 STD FIXED SITE ENCL/FRONT FRAME (SEE PAGE 2-23)
18	46-307711G2	N	REAR FRAME	1	5.5 FIXED SITE REAR FRAME (SEE PAGE 2-25)

RIGHT SLIDE ASM WITH SRI

46-307712G8

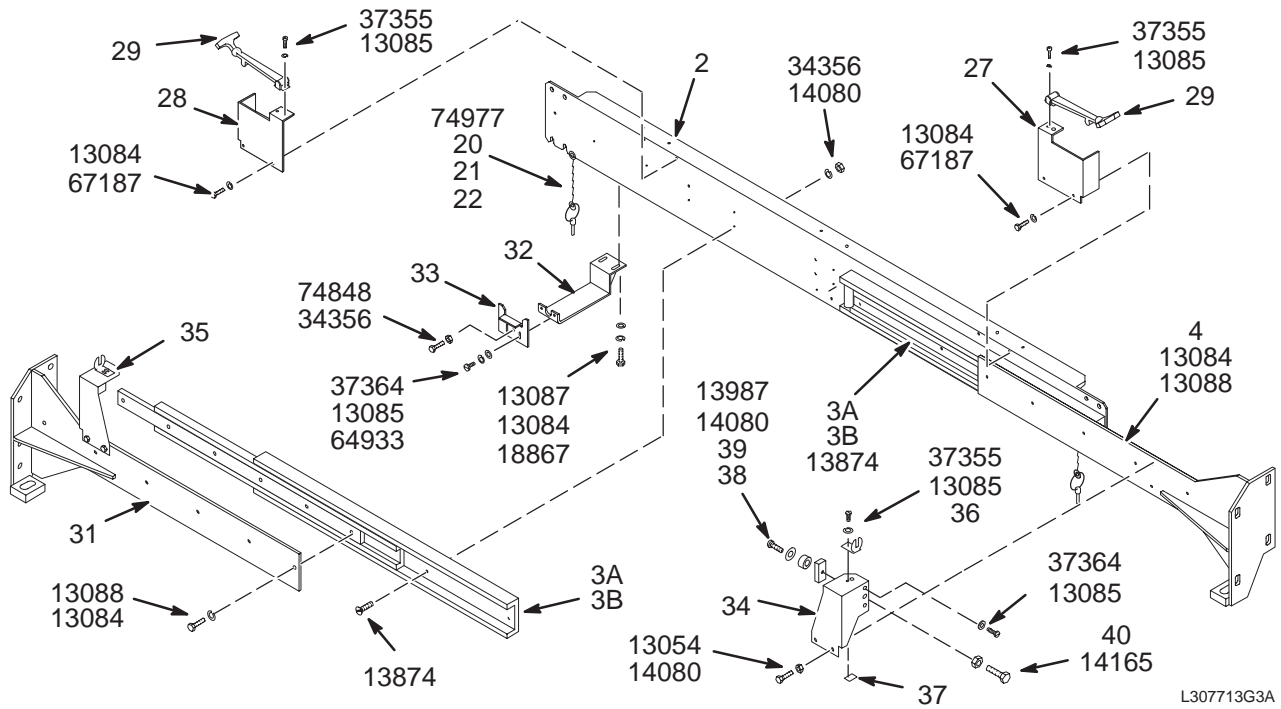


RIGHT SLIDE ASM w/SRI 46-307712G8 FRU N (PART OF 2158536-2 PAGE 2-15)

Item	Part Number	FRU	Name	Quantity	Description (Remarks)
2	46-282113P1	2	CHANNEL,SIDE	1	UPPER SLIDE SUPPORT
3A	46-320138P1	2	COVER SLIDE	2	ENCLOSURE FRONT/REAR COVER EXTENDING
3B	46-244780P1	2	MECHANICAL/M	ALT	ENCLOSURE FRONT/REAR COVER EXTENDING
5	46-244762G1	2	MOUNT-WELD	1	MOUNT FOR FRONT COVER (RIGHT) OR FOR
20	46-221889P1	2	PIN	2	NOM DIA 0.18, GRIP .70 QUICK-RELEASE
21	46-316457P1	2	CHAIN	2	#10 BEAD, 0.178 DIA, SST
22	46-230530P10	2	CHAIN	4	#10 TYPE A OFFSET BEAD CHAIN 10A-156
23	46-282048G1	2	BRACKET	1	FRONT SLIDE CABLE TAKE-UP TROUGH
24	46-287408P1	2	GUARD,CABLE	1	DSIM/SRI CABLE TAKE-UP GUARD PLATE
25	46-287370G8	1	DSIM/SRI BD	1	SCAN ROOM INTERFACE (SRI) (SEE PAGE 2-97)
26	46-220191P1	2	CLAMP	2	CLAMP FOR FLAT CABLE
31	46-271849P2	2	BRACKET	1	UPPER LATCH RIGHT-FRONT OR LEFT-REAR
32	46-271849P1	2	BRACKET	1	UPPER LATCH LEFT-FRONT OR RIGHT-REAR
33	46-251360P1	2	MECHANICAL/M	2	T-HANDLE FLEX LATCH
35	46-244762G2	2	MOUNT-WELD	1	MOUNT FOR FRONT COVER (LEFT) OR FOR
36	46-282326G1	2	BRACKET WELD	2	SIDE COVER HANGER EXTENSION
37	46-271943P1	2	BRACKET	4	SIDE COVER HANGER BRACKET
38	46-258429P2	2	BRACKET	1	KEEPER/STOP FRONT-RIGHT OR REAR-LEFT
39	46-258429P1	2	BRACKET	1	KEEPER/STOP FRONT-LEFT OR REAR-RIGHT
40	46-251360P2	2	MECHANICAL/M	2	FLEX LATCH KEEPER
41	46-251307P1	2	NUT PLATE	2	10-32 THREAD, TWO HOLES, .5" SPACING
42	46-258416P1	2	STOP BLOCK	2	BUMPER ADJUST SCREW SUPPORT
44	46-208932P43	2	SCREW	2	1/2-13 X 4.00 THREAD TO HEAD 18-8
45	46-287908G1	2	CABLE	1	RUN 421, MG2-A33-J3 TO MG2-A31-J1
46	46-243775G668	2	CABLE	1	RUN 422, MG3-A1-J4 TO MG2-A33-J2
47	2133208	2	BRACKET	1	PAC CABLE INTERFACE MOUNT/GROUND
75	46-328574P2	2	SPRING	2	SPRING COMPRESSION 22.225 MM 22.225
76	46-170686P3	2	ADHESIVE	AR	LOCTITE 242, 50CC
13054	46-208932P10	2	SCREW	4	1/4-20 X 1/2" LG, HEX HD, 18-8 SST
13084	46-220196P5	2	WASHER	25	5/16" SCREW SIZE (0.313), SST
13085	46-220196P3	2	WASHER	20	#10 SCREW SIZE (0.190), SST
13087	46-208932P3	2	SCREW	10	5/16-18 X 3/4", 18-8 SST
13088	46-208932P11	2	SCREW	11	5/16-18 X 1", HEX HD, 18-8 SST
13874	46-208910P19	2	SCREW	18	1/4-20 X 1", FLAT HD SLOTTED, SST
14080	46-220196P4	2	WASHER	22	1/4" SCREW SIZE (0.250), SST
14165	46-208948P3	2	NUT	4	1/2-13, 3/4" HEX, 7/16" THK 18-8 SST
18867	12-280	2	WASHER	10	ID 0.336, OD 0.75, THK .064, BRASS
34356	46-208948P5	2	NUT	22	1/4-20 .438 HEX X .226 THK, 18-8 SST
37355	46-208737P12	2	SCREW	8	10-32 X 1/2", HEX SOC HEAD, 18-8 SST
37364	46-208560P102	2	SCREW	12	10-32 X 5/8", BIND HEAD, 18-8 SST
64933	1000904P425	2	WASHER	8	0.2 ID, 0.5 OD, .04 THK, B11H89C
67187	46-208560P83	2	SCREW	4	5/16-18 X 1/2", SST 302
74848	46-208932P24	2	SCREW	4	1/4-20 X 1.5", HEX HEAD, SST 18-8
74977	46-208560P110	2	SCREW	2	6-32 X 3/8 BINDING HEAD, 18-8 SST

LEFT SLIDE ASM

46-307713G3

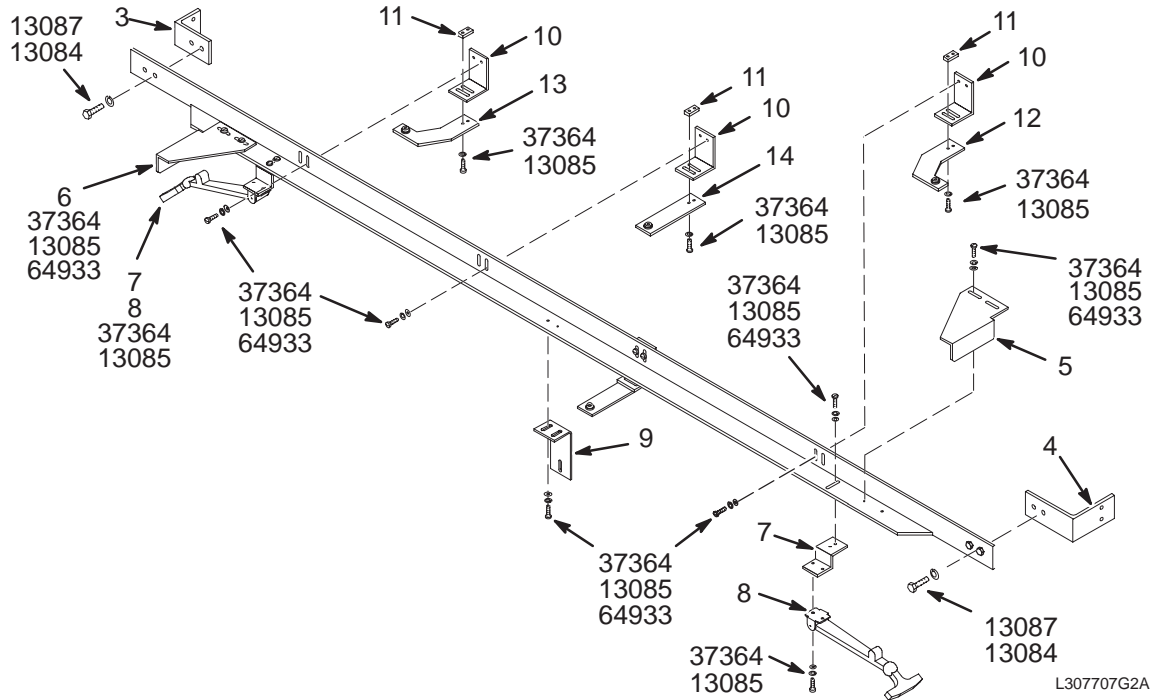


LEFT SLIDE ASM 46-307713G3 FRU N (PART OF 2158536-2 PAGE 2-15)

Item	Part Number	FRU	Name	Quantity	Description (Remarks)
2	46-282113P1	2	CHANNEL,SIDE	1	UPPER SLIDE SUPPORT
3A	46-320138P1	2	COVER SLIDE	2	ENCLOSURE FRONT/REAR COVER EXTENDING
3B	46-244780P1	2	SLIDE	ALT	ENCLOSURE FRONT/REAR COVER EXTENDING
4	46-244762G2	2	MOUNT-WELD	1	FRONT COVER RIGHT OR REAR COVER LEFT
20	46-221889P1	2	PIN,LOCK	2	NOM DIA 0.18, GRIP .70 QUICK-RELEASE
21	46-316457P1	2	CHAIN, BEAD	2	#10 BEAD, 0.178 DIA, SST
22	46-230530P10	2	COUPLING	4	#10 TYPE A OFFSET BEAD CHAIN 10A-156
27	46-271849P1	2	BRACKET	1	UPPER LATCH LEFT-FRONT OR RIGHT-REAR
28	46-271849P2	2	BRACKET	1	UPPER LATCH RIGHT-FRONT OR LEFT-REAR
29	46-251360P1	2	FLEX LATCH	2	T-HANDLE FLEX LATCH
31	46-244762G1	2	MOUNT-WELD	1	FRONT COVER LEFT OR REAR COVER RIGHT
32	46-282326G1	2	BRACKET WELD	4	SIDE COVER HANGER EXTENSION
33	46-271943P1	2	SUPPORT	4	SIDE COVER HANGER BRACKET
34	46-258429P1	2	BRACKET	1	KEEPER/STOP FRONT-LEFT OR REAR-RIGHT
35	46-258429P2	2	BRACKET	1	KEEPER/STOP FRONT-RIGHT OR REAR-LEFT
36	46-251360P2	2	FLEX LATCH	2	FLEX LATCH KEEPER
37	46-251307P1	2	NUT PLATE	2	10-32 THREAD, TWO HOLES, .5" SPACING
38	46-258416P1	2	STOP BLOCK	2	BUMPER ADJUST SCREW SUPPORT
39	46-251156G1	2	PAD	2	1.2" DIA, .62" THK. URETHANE, BLACK
40	46-255887P1	2	SCREW	2	BUMPER ADJUST, 1/2-13 X 3.75", BRASS
13054	46-208932P10	2	SCREW,CAP	4	1/4-20 X 1/2" LG, HEX HD, 18-8 SST
13084	46-220196P5	2	WASHER,LOCK	24	5/16" SCREW SIZ (0.313), SST
13085	46-220196P3	2	WASHER,LOCK	20	#10 SCREW SIZE (0.190), SST
13087	46-208932P3	2	SCREW,CAP	8	5/16-18 X 3/4", 18-8 SST
13088	46-208932P11	2	SCREW,CAP	12	5/16-18 X 1", HEX HD, 18-8 SST
13874	46-208910P19	2	SCREW,MACH	18	1/4-20 X 1", FLAT HD SLOTTED, SST
13987	46-208737P27	2	SCREW,CAP	2	1/4-20 X 3/4", HEX SOC HEAD, SST
14080	46-220196P4	2	WASHER,LOCK	24	1/4" SCREW SIZE (0.250), SST
14165	46-208948P3	2	NUT,HEX	2	1/2-13, 3/4" HEX, 7/16" THK 18-8 SST
18867	12-280	2	WASHER	8	ID 0.336, OD 0.75, THK .064, BRASS
34356	46-208948P5	2	NUT,HEX	22	1/4-20 .438 HEX X .226 THK, 18-8 SST
37355	46-208737P12	2	SCREW,CAP	8	10-32 X 1/2", HEX SOC HEAD, 18-8 SST
37364	46-208560P102	2	SCREW,MACH	12	10-32 X 5/8", BIND HEAD, 18-8 SST
64933	1000904P425	2	WASHER,FLAT	8	ID 0.2, OD 0.5, THK .04, B11H89C
67187	46-208560P83	2	SCREW,MACH	4	5/16-18 X 1/2", SST 302
74848	46-208932P24	2	SCREW,CAP	4	1/4-20 X 1.5", HEX HEAD, SST 18-8
74977	46-208560P110	2	SCREW,MACH	2	6-32 X 3/8 BINDING HEAD, 18-8 SST

RIGHT LOWER RAIL

46-307707G2



RIGHT LOWER RAIL

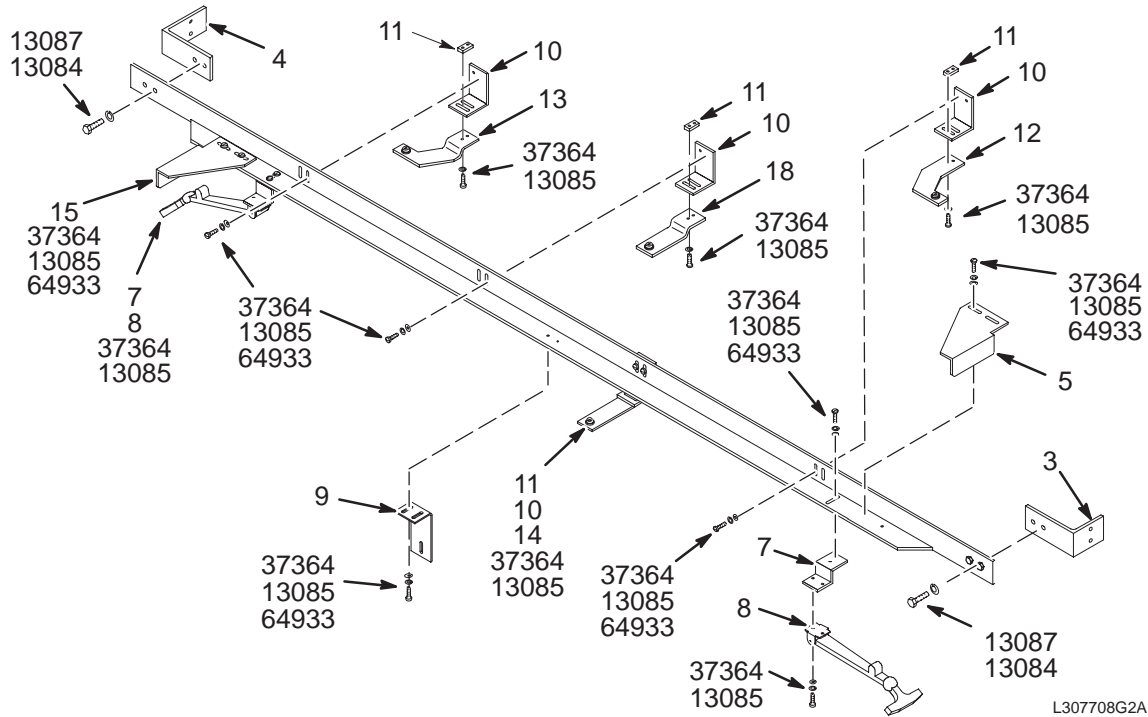
46-307707G2 FRU N

(PART OF 2158536-2 PAGE 2-15)

Item	Part Number	FRU	Name	Quantity	Description (Remarks)
2	46-282002P1	2	SIDE ANGLE	1	LOWER SIDE SUPPORT RAIL
3	46-282161P1	2	BRACKET FRT	1	FRONT LOWER SIDE-SUPPORT ANGLE-BRKT
4	46-282162P1	2	BRACKET REAR	1	REAR LOWER SIDE-SUPPORT ANGLE-BRACKET
5	46-271856P1	2	BRACKET	1	COVER LOWER BUMPER STOP PLATE
6	46-271856P2	2	BRACKET	1	COVER LOWER BUMPER STOP PLATE
7	46-271851P1	2	BRACKET	2	LOWER T-HANDLE FLEX LATCH MOUNT
8	46-251360P1	2	FLEX LATCH	2	T-HANDLE FLEX LATCH
9	46-282121P1	2	BRACKET	1	SIDE SKIRT CENTER MOUNTING ANGLE
10	46-271850P1	2	BRACKET	4	SIDE COVER SECURING ANGLE BRACKET
11	46-251307P1	2	NUT PLATE	4	10-32 THREAD, TWO HOLES, .5" SPACING
12	46-271853G1	2	BRACKET	1	SIDE COVER SECURING OFFSET EXTENSION
13	46-271853G2	2	BRACKET	1	SIDE COVER SECURING OFFSET EXTENSION
14	46-271852G1	2	BRACKET	2	SIDE COVER BASE SECURING EXTENSION
13084	46-220196P5	2	WASHER,LOCK	4	SCREW SIZE 5/16 (0.313) SST
13085	46-220196P3	2	WASHER,LOCK	30	SCREW SIZE 10 (0.190) SST
13087	46-208932P3	2	SCREW,CAP	4	5/16-18 X 0.750 18-8 SST
37355	46-208737P12	2	SCREW,CAP	4	00010-32 X 0.500 LG HEX SOC HD SST
37364	46-208560P102	2	SCREW,MACH	26	10-32 X 0.625 LG BIND HD 18-8 SST
64933	1000904P425	2	WASHER,FLAT	18	ID 0.2000 OD 0.5000 THK .0400

LEFT LOWER RAIL

46-307708G2



LEFT LOWER RAIL

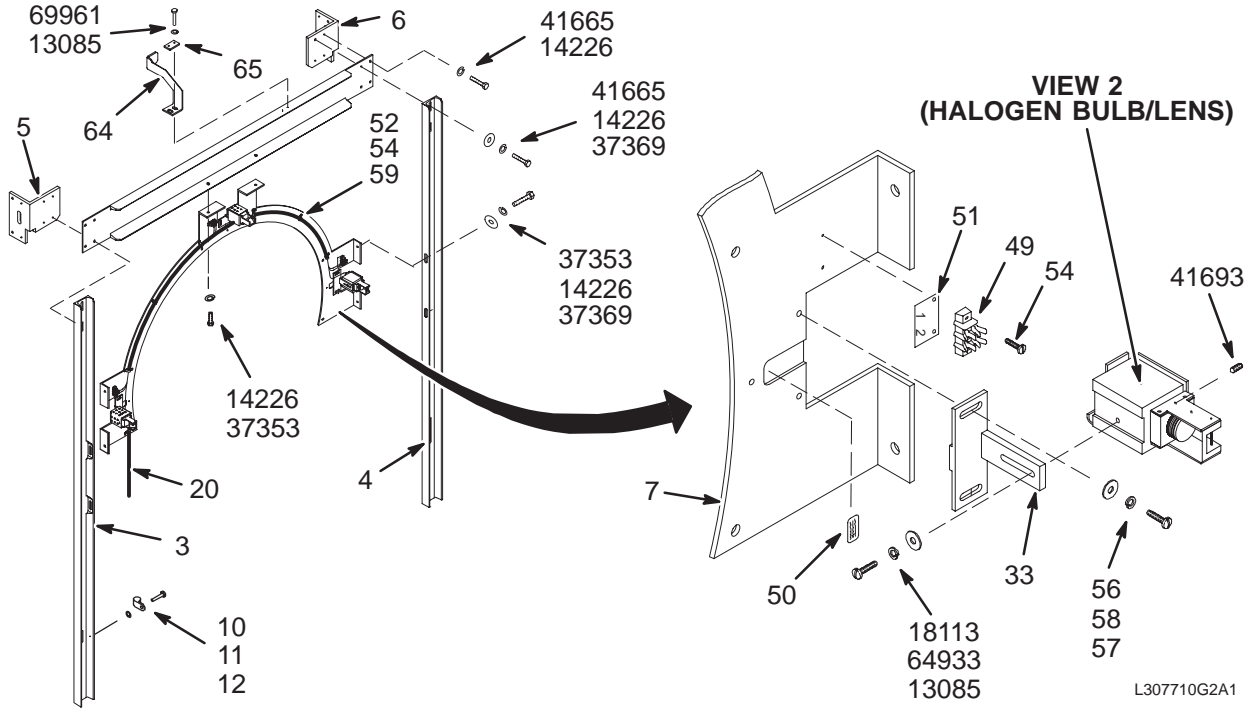
46-307708G2 FRU N

(PART OF 2158536-2 PAGE 2-15)

Item	Part Number	FRU	Name	Quantity	Description (Remarks)
2	46-282002P1	2	SIDE ANGLE	1	LOWER SIDE SUPPORT RAIL
3	46-282161P1	2	BRACKET FRT	1	FRONT LOWER SIDE-SUPPORT ANGLE-BRKT
4	46-282162P1	2	BRACKET REAR	1	REAR LOWER SIDE-SUPPORT ANGLE-BRACKET
5	46-271856P1	2	BRACKET	1	COVER LOWER BUMPER STOP PLATE
6	46-271851P1	2	BRACKET	2	LOWER T-HANDLE FLEX LATCH MOUNT
7	46-251360P1	2	FLEX LATCH	2	T-HANDLE FLEX LATCH
9	46-282121P1	2	BRACKET	1	SIDE SKIRT CENTER MOUNTING ANGLE
10	46-271850P1	2	BRACKET	4	SIDE COVER SECURING ANGLE BRACKET
11	46-251307P1	2	NUT PLATE	4	10-32 THREAD, TWO HOLES, .5" SPACING
12	46-271853G1	2	BRACKET	1	SIDE COVER SECURING OFFSET EXTENSION
13	46-282310G1	2	BRACKET	1	SIDE COVER SECURING OFFSET EXTENSION
14	46-271852G1	2	BRACKET	1	SIDE COVER BASE SECURING EXTENSION
15	46-320132P1	2	BRACKET	1	COVER LOWER BUMPER STOP PLATE
18	46-282309G1	2	BRACKET	1	SIDE COVER BASE SECURING EXTENSION
13084	46-220196P5	2	WASHER,LOCK	4	SCREW SIZE 5/16 (0.313) SST
13085	46-220196P3	2	WASHER,LOCK	30	SCREW SIZE 10 (0.190) SST
13087	46-208932P3	2	SCREW,CAP	4	5/16-18 X 0.750 18-8 SST
37355	46-208737P12	2	SCREW,CAP	4	00010-32 X 0.500 LG HEX SOC HD SST
37364	46-208560P102	2	SCREW,MACH	26	10-32 X 0.625 LG BIND HD 18-8 SST
64933	1000904P425	2	WASHER,FLAT	18	ID 0.2000 OD 0.5000 THK .0400

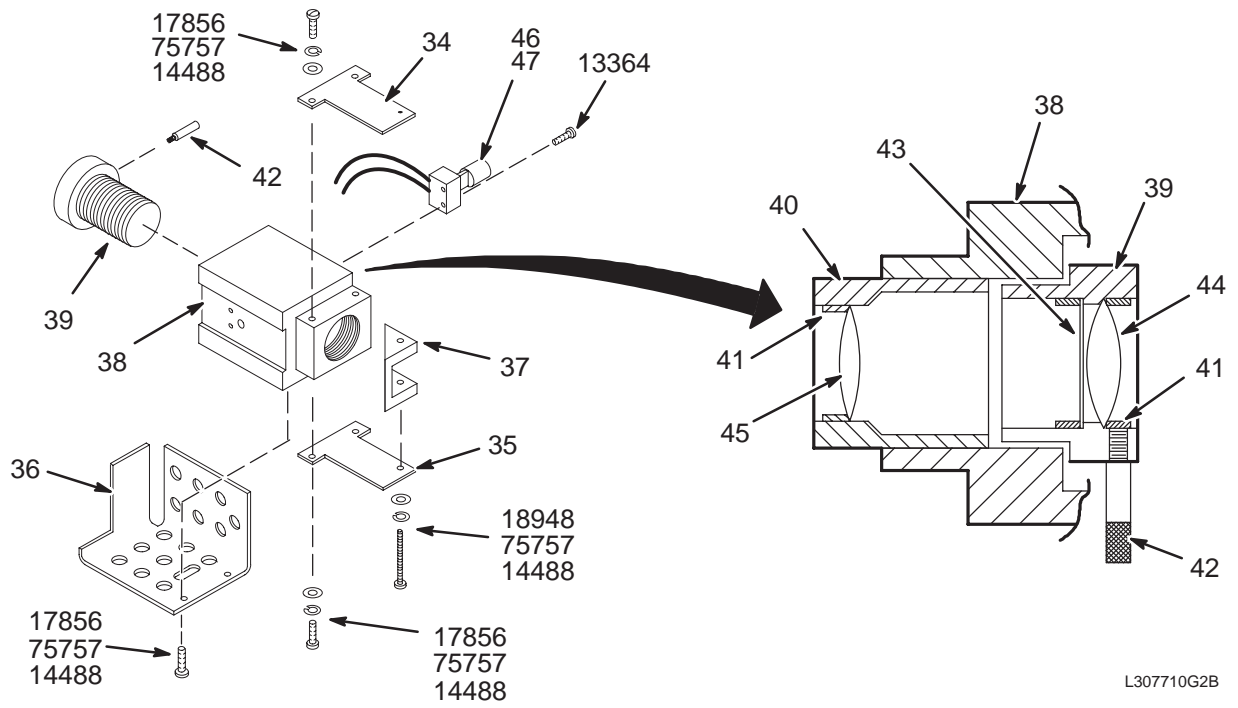
ENCLOSURE FRONT FRAME

46-307710G2



L307710G2A1

VIEW 1



L307710G2B

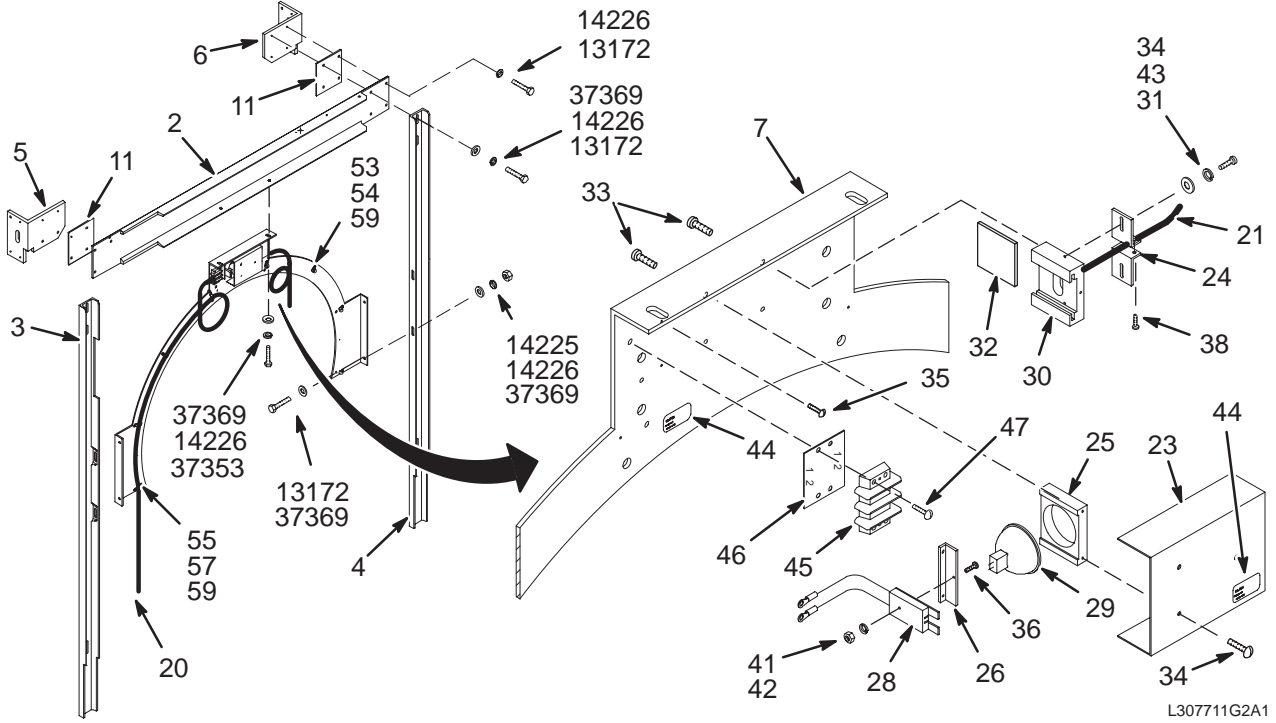
VIEW 2

FRONT FRAME 46-307710G2 FRU N (PART OF 2158536-2 PAGE 2-15)

Item	Part Number	FRU	Name	Quantity	Description (Remarks)
2	46-282087P1	2	CHANNEL	1	TOP CHANNEL – FRONT FRAME
3	46-271998P1	2	UPRIGHT	1	LEFT FRONT UPRIGHT
4	46-271998P2	2	UPRIGHT	1	RIGHT FRONT UPRIGHT
5	46-282100P1	2	ANGLE,FRONT	1	TOP CORNER ANGLE BRACKET, FRONT-LEFT
6	46-282100P2	2	ANGLE,FRONT	1	TOP CORNER ANGLE BRACKET FRONT-RIGHT
7	2115371	2	PLATE	1	PLATE FRONT
10	46-208560P102	2	SCREW,MACH	1	10-32 X 5/8", BIND HEAD, 18-8 SST
11	46-208599P18	2	WASHER,LOCK	1	#10, EXTERNAL TOOTH
12	46-328556P1	2	CLAMP, LOOP	1	ALUMINUM, .250 DIA. CABLE, .204 HOLE
20	46-307329G501	2	CABLE	1	(385M) PP1-J20 TO MG2-A30-TS1 TO TS3
33	2116144	2	BRACKET	3	ADJUSTABLE LIGHT MOUNTING BRACKET
34	46-271781P1	2	MIRROR BRKT	3	1/16" THICK WITH 0.14" HOLE
35	46-271781P2	2	MIRROR BRKT	3	3/16" THICK WITH 6-32 THREADED HOLE
36	46-271338P1	2	COVER	3	VENTILATED HALOGEN LAMP SAFETY COVER
37	46-271339G1	2	MIRROR ASM	3	FIRST SURFACE MIRROR ATTACHED
38	46-271780P1	2	LENS BLOCK	3	HALOGEN LAMP AND LENS MOUNTING BLOCK
39	46-271329P1	2	LENS HOLDER	3	#1 LENS AND APERATURE MOUNT
40	46-271330P1	2	LENS HOLDER	3	#2 LENS MOUNT
41	46-271331P1	2	LENS RET	9	SPLIT RING LENS RETAINER
42	46-271332P1	2	PIN	3	2-46 THREAD, 3/4" LONG W/KNURL, SST
43	46-271327P1	2	APERATURE	3	CROSS-SLIT APERATURE, .003 COPPER
44	46-271326P1	2	LENS	3	BI-CONVEX LENS 17.5MM X 18MM FOCAL
45	46-271326P2	2	LENS	3	BI-CONVEX LENS, 17.3MM X 30MM FOCAL
46	46-271324P1	2	SOCKET, LAMP	3	LAMPHOLDER USED FOR G-4 SIZE HALOGEN
47	46-271323P1	1	HALOGEN LAMP	3	HALOGEN LAMP BASE G4 14 VOLTS, 65 W.
49	403B335P21	2	TERM STRIP	3	2 POSITION TERMINAL STRIP, 20 AMP,
50	46-287268P1	2	LABEL	3	CAUTION, EXTREMELY HOT HALOGEN LAMPS
51	403B320P94	2	MARKER STR	3	2 POSITION MARKER STRIP, 1 & 2
52	46-208718P5	2	CLAMP	7	1/2" ID LOOP TYPE, TA MFG CO TA713D8
54	2109873-15	2	PAN HD SCREW	13	M4X12 SST CROSS RECESSED PAN HD SCR
56	2109873-24	2	PAN HD SCREW	6	M6X12 SST CROSS RECESSED PAN HD SCR
57	2109878-3	2	WASHER	6	M6 FLAT WASHER, 12MM OD, 1.6MM SST
58	2109880-3	2	WASHER, LK	6	M6 SST SPRING LOCK WASHER
59	2109878-2	2	WASHER	7	METRIC SST PLAIN WASHER
64	46-282154P1	2	LOCK PLATE	1	FRONT COVER LOCK LATCH
65	46-282311P1	2	CLAMP PLATE	1	REINFORCING PLATE W/TWO .238 HOLES
13085	46-220196P3	2	WASHER,LOCK	5	#10 SCREW SIZE (0.190), SST
13364	516A770P208	2	SCREW,MACH	6	2-56 X 1/2 LG BIND HEAD, SST 18-8
14226	46-220196P6	2	WASHER,LOCK	14	3/8" SCREW SIZE (0.375), 18-8 SST
14488	46-220196P2	2	WASHER,LOCK	21	#6 SCREW SIZE (0.138), SST
17856	46-220184P13	2	SCREW MACH	18	6-32 X 3/8" ROUND HEAD SLOT, BRASS
18113	46-220184P41	2	SCREW MACH	3	10-32 X 1/2" SLOT ROUND HEAD, BRASS
18948	46-220184P21	2	SCREW MACH	3	6-32 X 1.75" ROUND HEAD SLOT, BRASS
37353	46-208932P4	2	SCREW,CAP	6	3/8-16 X 1", HEX HEAD, 18-8 SST
37369	1000904P447	2	WASHER,FLAT	8	25/64 ID, 1" OD, 1/16" THICK, B7A34C
41665	46-208932P8	2	SCREW,CAP	8	3/8-16 X 1.25" HEX HEAD, 18-8 SST
41693	46-208563P84	2	SCREW,SET	6	4-40 X 1/4" HEX SOC CUP PT, #316 SST
64933	1000904P425	2	WASHER,FLAT	3	0.2 ID, 0.5 OD, .04 THK, B11H89C
69961	46-208560P70	2	SCREW,MACH	2	10-32 X 1", 18-8 SST, F65D6B1 BLK OX
75757	1000904P2	2	WASHER,FLAT	21	ID 0.144, OD 0.297, THK .032, BRASS

ENCLOSURE REAR FRAME

46-307711G2



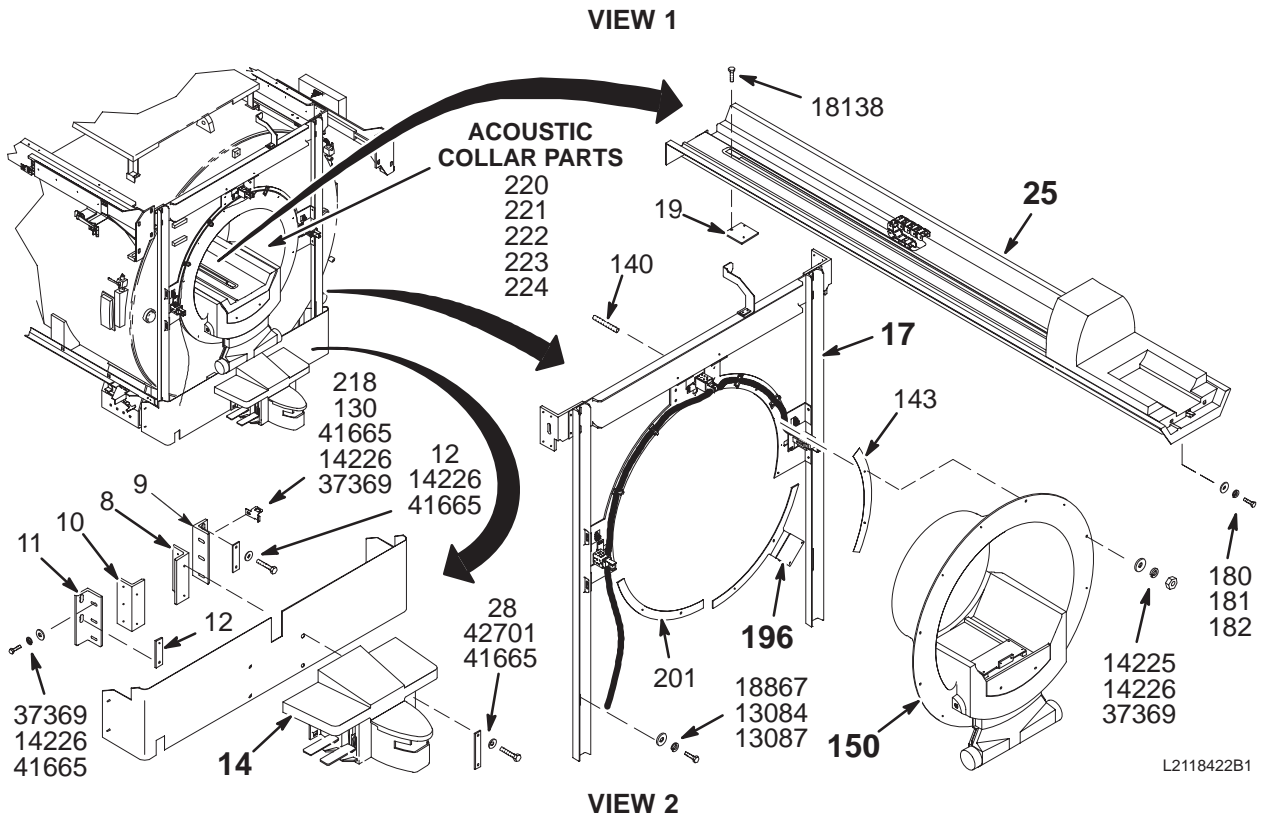
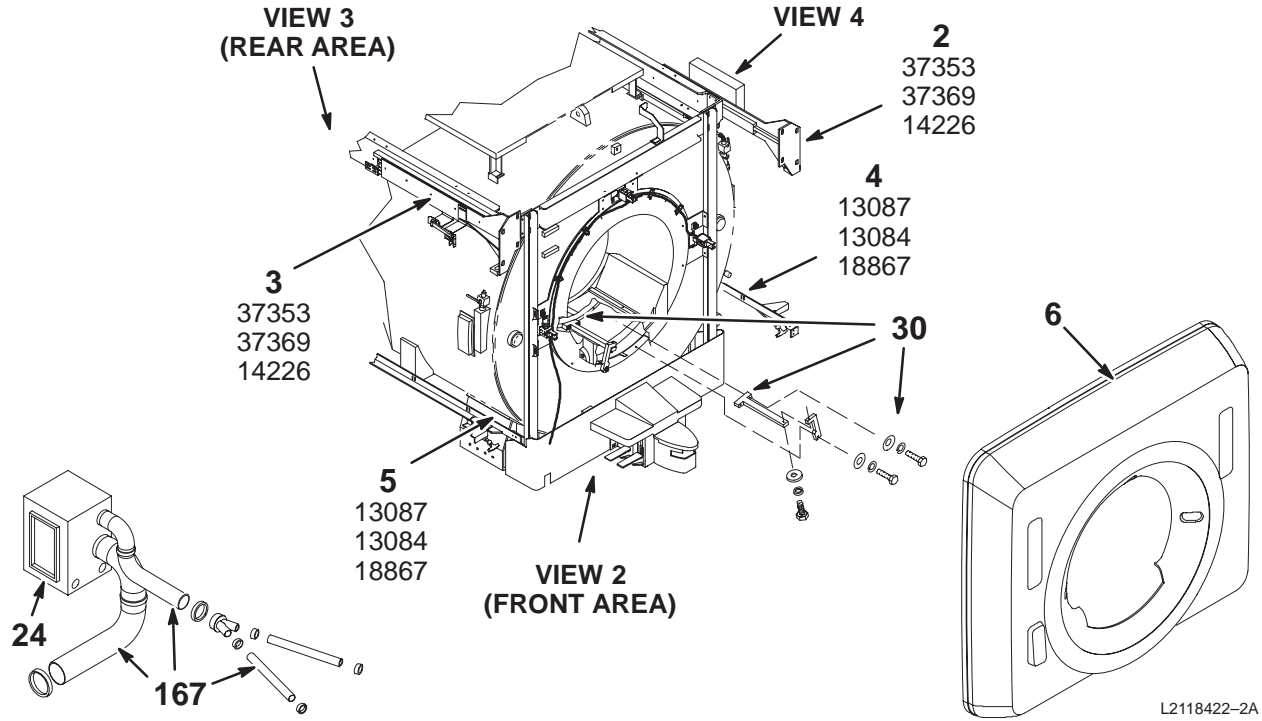
L307711G2A1

REAR FRAME 46-307711G2 FRU N (PART OF 2158536-2 PAGE 2-15)

Item	Part Number	FRU	Name	Quantity	Description (Remarks)
2	46-282086P1	2	CHANNEL	1	TOP CHANNEL – REAR FRAME
3	46-282082P1	2	UPRIGHT,REAR	1	RIGHT REAR UPRIGHT
4	46-271999P1	2	UPRIGHT	1	LEFT REAR UPRIGHT
5	46-282101P1	2	ANGLE,REAR	1	TOP CORNER ANGLE BRACKET, REAR-RIGHT
6	46-282101P2	2	ANGLE,REAR	1	TOP CORNER ANGLE BRACKET, REAR-LEFT
7	2117124	2	PLATE, REAR	1	BORE LAMP MOUNTING PLATE
11	46-307356P3	2	SPACER	2	6”X5-3/8”, 1/4” THICK ALUMINUM PLATE
20	46-251566G601	2	CABLE ASM	1	RUN 300T, PP1-J15 TO MG2-A15, 60 FT.
21	46-251636G3	2	FIBER BUNDLE	2	BORE LIGHT FIBEROPTIC LINE, 79.5” LONG
23	46-251639P1	2	COVER	1	BORE LIGHT COVER (NO WARNING LABEL)
24	46-251640P1	2	FIBER CLAMP	2	FIBER OPTIC LINES CLAMP BRACKET
25	46-251641P1	2	BULB RET	1	BORE LIGHT BULB RETAINER
26	2121519	2	SOC MTG PLT	1	BORE LIGHT SOCKET BRACKET
28	46-255153G1	2	SOCKET ASM	1	BORE LIGHT SOCKET WITH TERMINALS
29	46-230111P1	1	LAMP	1	HALOGEN REFLECTOR LAMP 12V, 75W
30	46-251644P1	2	FIBER MOUNT	1	HEAT MIRROR AND FIBEROPTIC END MOUNT
31	1000904P2	2	WASHER,FLAT	2	ID 0.144, OD 0.297, THK .032, BRASS
32	46-251679P1	2	MIRROR	1	HEAT-REFLECT, LIGHT-TRANSMIT GLASS
33	46-220184P14	2	SCREW MACH	4	6-32 X 1/2” ROUND HEAD SLOT, BRASS
34	46-220184P13	2	SCREW MACH	5	6-32 X 3/8” ROUND HEAD SLOT, BRASS
35	2109873-13	2	PAN HD SCREW	2	M4X8 SST CROSS RECESSED PAN HD SCR
36	46-220184P8	2	SCREW MACH	1	4-40 X 7/8”, ROUND HEAD SLOT, BRASS
38	46-220184P20	2	SCREW MACH	2	6-32 X 1.25” ROUN HEAD SLOT, BRASS
41	46-208601P19	2	WASHER,LOCK	1	#4 SCREW, INTERNAL TOOTH, PHOZ BRZ
42	46-208935P4	2	NUT,HEX,MS	1	4-40, 1/4” HEX X .093 THK, BRASS
43	46-208601P20	2	WASHER,LOCK	2	#6 SCREW, INTERNAL TOOTH, PHOZ BRZ
44	46-287268P1	2	LABEL	2	CAUTION, EXTREMELY HOT HALOGEN LAMPS
45	46-313195P1	2	TERM. STRIP	1	2 POSITION TERMINAL STRIP, DUAL ROW,
46	46-317552P1	2	MARKER STR	1	2 POSITION MARKER STRIP, 1 & 2
47	2109873-18	2	PAN HD SCREW	2	M4X25 SST CROSS RECESSED PAN HD SCR
53	46-208759P1	2	STRAP	4	7.81” X .184” SELF-LOCKING CABLE TIE
54	2109873-15	2	PAN HD SCREW	4	M4X12 SST CROSS RECESSED PAN HD SCR
55	2109873-12	2	PAN HD SCREW	4	M4X6 SST CROSS RECESSED PAN HD SCR
57	46-208718P5	2	CLAMP	4	1/2” ID LOOP TYPE, TA MFG CO TA713D8
59	2109878-2	2	WASHER	8	METRIC SST PLAIN WASHER
13172	46-208932P13	2	SCREW,CAP	12	3/8-16 X 1.5” HEX HEAD, 18-8 SST
14225	46-208948P2	2	NUT,HEX	4	3/8-16 .563 HEX X .328 THK, 18-8 SST
14226	46-220196P6	2	WASHER,LOCK	14	3/8” SCREW SIZE (0.375), 18-8 SST
37353	46-208932P4	2	SCREW,CAP	2	3/8-16 X 1”, HEX HEAD, 18-8 SST
37369	1000904P447	2	WASHER,FLAT	14	25/64 ID, 1” OD, 1/16” THICK, B7A34C

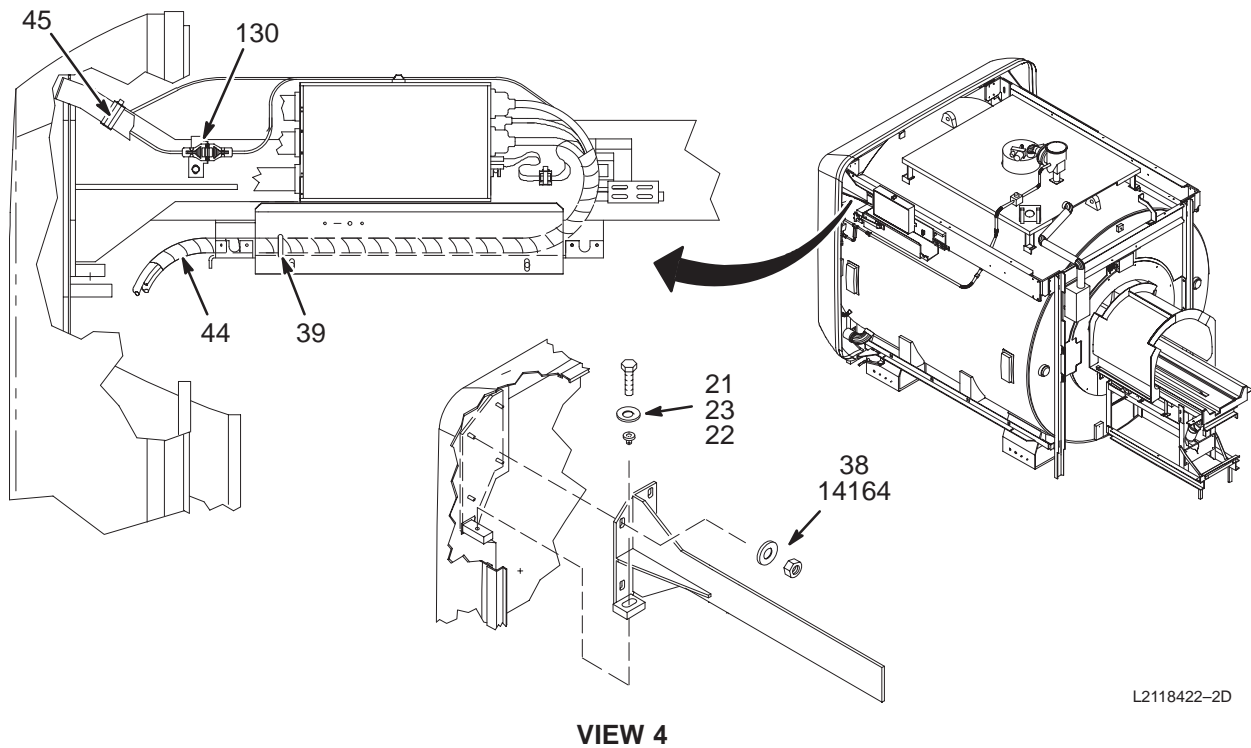
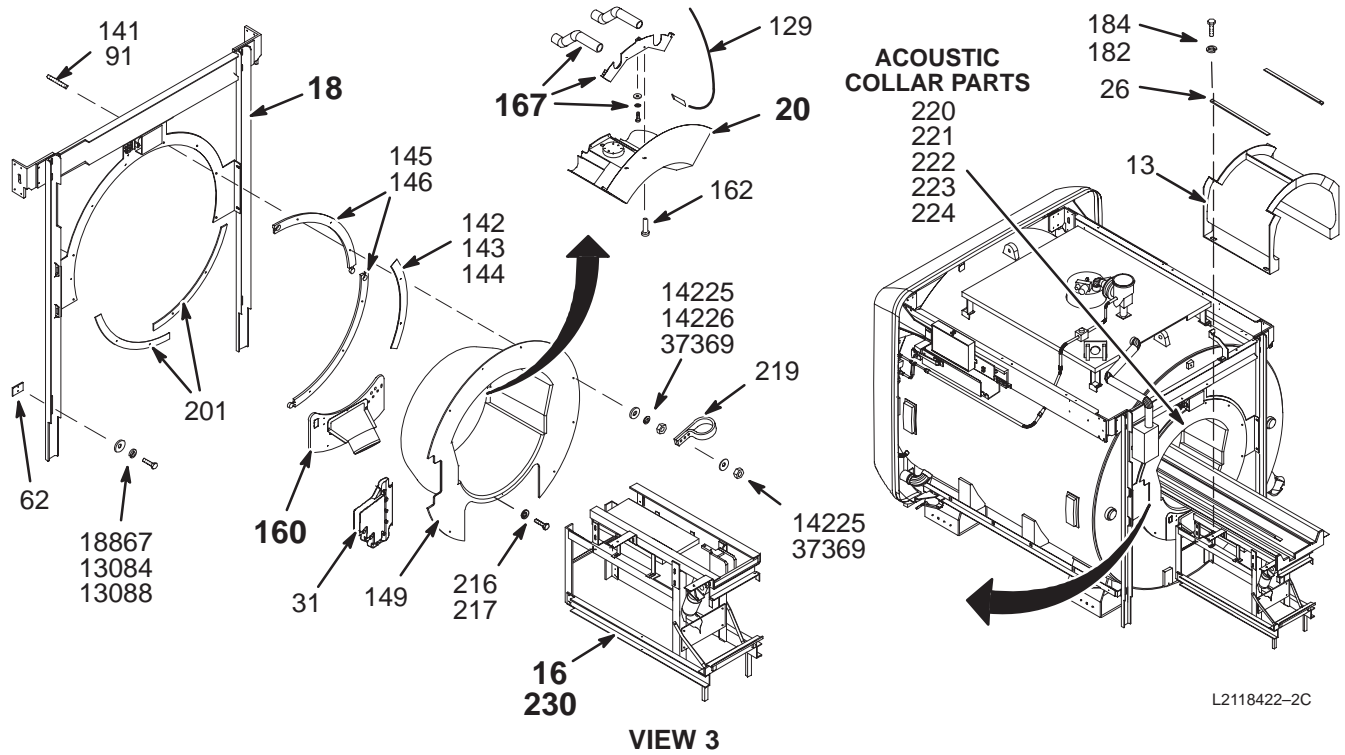
1.5T & 1.0T HORIZON MAGNET ENCLOSURE – MOBILE AND T/R

2118422 SERIES



1.5T & 1.0T HORIZON MAGNET ENCLOSURE – MOBILE AND T/R

2118422 SERIES



1.5T T/R MAGNET ENCL w/o M-C

2118422-2 FRU N

(PART OF M1020PM)

(PART OF M1020PN)

Item	Part Number	FRU	Name	Quantity	Description (Remarks)
2	46-307712G7	N		XXX	RIGHT SLIDE ASM W/SRI, MOBILE SITES (SEE ITEM 300)
3	46-307713G2	N		XXX	LEFT SLIDE ASSEMBLY, MOBILE SITE (SEE ITEM 300)
4	46-307707G1	N		XXX	COMMON LOWER RIGHT RAIL SUB-ASM (SEE ITEM 300)
5	46-307708G1	N		XXX	COMMON LOWER LEFT RAIL SUB-ASSEMBLY (SEE ITEM 300)
6	2120888	N	FRONT COVER	1	UFI ENCLOSURE FRONT COVER ASSEMBLY (SEE PAGE 2-47)
8	46-282017P1	2	ANGLE	1	RIGHT DOCK SUPPORT - DOCK MOUNT
9	46-282018P1	2	ANGLE	1	RIGHT DOCK SUPPORT - MAGNET MOUNT
10	46-282019P1	2	ANGLE	1	LEFT DOCK SUPPORT - DOCK MOUNT
11	46-282020P1	2	ANGLE	1	LEFT DOCK SUPPORT - MAGNET MOUNT
12	46-282339P1	2	BAR	2	SHORT CLAMP BAR FOR DOCK SUPPORT
13	2117063	2	BACK COVER	1	COVER REAR (RF TUBE EXT)
14	46-271260G1	N	DOCK ASM.	1	NON-HYDRAULIC DOCK ASM, MG2 A29 (SEE PAGE 2-63)
16	46-328137G7	N	PEDESTAL	1	5.5 1.5T STD MOB & T/R REAR PEDESTAL (SEE PAGE 2-112)
17	46-307710G3	N		XXX	FRONT FRAME (SEE ITEM 300)
18	46-307711G3	N		XXX	5.5 MOBILE T/R SITE REAR FRAME (SEE ITEM 300)
19	2132034	N	BRIDGE MOUNT	1	REAR BRIDGE MOUNT ASM (SEE PAGE 2-127)
20	2128650	N	PAT COMF MOD	1	COMFORT MOD ASM (NOT MAGNISHIELD) (SEE PAGE 2-52)
21	46-208932P38	2	SCREW	2	1/2-13 X 3.75 LG HEX HD, 18-8 SST
22	46-307447P1	2	BUSHING	2	FRONT/REAR COVER ADJUST, BRASS
23	46-251379P2	2	WASHER	2	1.5 DIA 17/32 HOLE 5/64 THK 18-8 SST
24A	2121199-7	N	BLOWER (MG6)	1	REINFORCED BLOWER CABINET, MG6 (SEE PAGE 2-100)
24B	2121199	N	BLOWER (MG6)	ALT	BLOWER CABINET, MG6 (SEE PAGE 2-100)
25	2119595	N	PREAMB BRDGE	1	5.5 1.5T STD PREASSEMBLED BRIDGE (SEE PAGE 2-131)
26	2142012	2	NUT BAR	2	TUNNEL EXTENSION NUT BAR
28	46-258509P2	2	PLATE	2	DOCK CLAMP PLATE, 7.25"X1.25 .25 SST
30	2167251	2	KIT OF PARTS	1	BRM INSTALLATION KIT - GE MAGNET (SEE PAGE 2-153)
31	2120143	2	CABLE BLOCK	1	GRADIENT COIL CABLE TERMINAL BLOCK
38	46-251379P3	2	WASHER	8	1.75" DIA 3/8 HOLE 3/16 THK 18-8 SST
39	46-208758P5	2	TY-RAP	16	13.38"X .301" SELF-LOCKING CABLE TIE
44	46-230653P5	2	TUBING	7	SPIRALLY CUT POLYETHYLENE, 3/4" DIA.
45	46-220191P3	2	CLAMP	1	PANDUIT FCM2-A-C14 GRAY, FLAT CABLE
62	46-307802P1	2	SPACER PLATE	2	1/4" THICK ALUM. 2"X3" W/2 3/8 HOLES
91	2119594	2	LUBRICANT	1	ANTI-SEIZE LUBRICANT, 1 OZ TUBE
129	46-328326G1	2	KIT	1	RUN 749 TEMPERATURE SENSOR CABLE KIT
130	46-265067P1	2	CABLE MOUNT	4	I/F PANEL CABLE SCREWLOCK CONNECTOR
140	2116325	2	STUD,MAGNET	12	STUD, 3/8-16 X 55MM, STAINLESS STEEL
141	2116325-4	2	STUD, MAGNET	12	STUD, 3/8-16 X 105MM STAINLESS STEEL
142	2115369	2	SEAL, 0.03"	6	3/4MM THICK RUBBER SEAL W/ADHESIVE
143	2115369-2	2	SEAL, 0.06"	12	1.5MM THICK RUBBER SEAL W/ADHESIVE
144	2115369-3	2	SEAL, 0.09"	18	2.25MM THICK RUBBER SEAL W/ADHESIVE
145	2115370	2	SEAL, 0.50"	8	12.7MM THK INTERLOCKING RUBBER SEAL

Parts List Continued on Next Page

1.5T T/R MAGNET ENCL w/o M-C

2118422-2

(CONT'D FROM PREVIOUS PAGE)

Item	Part Number	FRU	Name	Quantity	Description (Remarks)
146	2115370-2	2	SEAL, 0.31"	4	7.9MM THK INTERLOCKING RUBBER SEAL
149	2113076	2	END BELL	1	END BELL REAR 600MM
150	46-317004G1	N	END BELL STD	1	STANDARD FRONT END BELL ASM (SEE PAGE 2-58)
160	2129410	N	BULKHEAD ASM	1	REAR BULKHEAD UFI ENCL (SEE PAGE 2-59)
162	2109873-27	2	SCREW	2	M6X25 SST CROSS RECESSED PAN HD SCR
167	2129412	N	HOSE KIT	1	BLOWER HOSE KIT UFI (SEE PAGE 2-101)
180	2109866-20	2	SCREW	2	M10 X 25 HEX HEAD SCREW SST
181	2109880-4	2	WASHER	2	M10 SST SPRING LOCK WASHER
182	2109878-4	2	WASHER	6	M10 FLAT WASHER, 20MM OD, 2MM, SST
184	2109866-22	2	SCREW	4	M10 X 35 HEX HEAD SCREW, SST
196	46-282757G4	N	DOCK CONTROL	1	UFI DOCK CONTROL ASSEMBLY (SEE PAGE 2-60)
201	2129823	2	SPACER	3	MAGNET END-RING SECTION SPACER
216	2109866-13	2	SCREW	3	M6X25 SST HEX-HEAD SCREW
217	2109878-3	2	WASHER	3	M6 FLAT WASHER, 12MM OD, 1.6MM, SST
218	2109027	2	BRACKET	1	FRONT COVER MICROPHONE CABLE MOUNT
219	2139049	2	STRAP, NYLON	7.300	.875"W, 0.39 HOLE @ 0.625 SPACING
220	46-282896P1	2	MECHANICAL/M	1	NOMEX ACOUSTIC FELT W/VELCRO, FRONT
221	46-136246P21	2	TAPE	20	2" WIDE X 25 YD WHITE VELCRO HOOKS
222	46-282896P2	2	MECHANICAL/M	1	NOMEX ACOUSTIC FELT W/VELCRO, REAR
223	46-287118P1	2	TAPE	2	3/16" DIA X 90 FT ROPE CAULK, BROWN
224	46-320868P1	2	PIPE INSUL	4	POLYETHYLENE CLOSED CELL MATERIAL
230	2143475	N	SHIELD KIT	1	REAR PEDESTAL DRIP SHIELD PLATE KIT (SEE PAGE 2-61)
300	2158536	N	COLLECTOR	1	SUPTS/SLIDES FOR MOB & T/R ENCL CVRS (SEE PAGE 2-36)
13084	46-220196P5	2	WASHER	8	5/16" SCREW SIZE (0.313), SST
13087	46-208932P3	2	SCREW	4	5/16-18 X 3/4", 18-8 SST
13088	46-208932P11	2	SCREW	4	5/16-18 X 1", HEX HD, 18-8 SST
14164	46-208946P1	2	NUT	8	5/16-18 1/2" HEX X .188 THK 18-8 SST
14225	46-208948P2	2	NUT	35	3/8-16 .563 HEX X .328 THK, 18-8 SST
14226	46-220196P6	2	WASHER	54	3/8" SCREW SIZE (0.375), 18-8 SST
14325	46-208758P3	2	TY-RAP	30	7.31" X .184" SELF-LOCKING CABLE TIE
18138	46-220184P47	2	SCREW	2	10-32 X 1.5", ROUND HEAD SLOT, BRASS
18867	12-280	2	WASHER	8	ID 0.336, OD 0.75, THK .064, BRASS
37353	46-208932P4	2	SCREW	16	3/8-16 X 1", HEX HEAD, 18-8 SST
37369	1000904P447	2	WASHER	47	25/64 ID, 1" OD, 1/16" THICK, B7A34C
41665	46-208932P8	2	SCREW	10	3/8-16 X 1.25" HEX HEAD, 18-8 SST
42701	46-208932P15	2	SCREW	4	3/8-16 X 2", HEX HEAD, 18-8 SST

1.5T T/R MAGNET ENCL with M-C

2118422-4 FRU N

(PART OF M1021PM)

(PART OF M1021PN)

Item	Part Number	FRU	Name	Quantity	Description (Remarks)
2	46-307712G7	N		XXX	RIGHT SLIDE ASM W/SRI, MOBILE SITES (SEE ITEM 300)
3	46-307713G2	N		XXX	LEFT SLIDE ASSEMBLY, MOBILE SITE (SEE ITEM 300)
4	46-307707G1	N		XXX	COMMON LOWER RIGHT RAIL SUB-ASM (SEE ITEM 300)
5	46-307708G1	N		XXX	COMMON LOWER LEFT RAIL SUB-ASSEMBLY (SEE ITEM 300)
6	2120888	N	FRONT COVER	1	UFI ENCLOSURE FRONT COVER ASSEMBLY (SEE PAGE 2-47)
8	46-282017P1	2	ANGLE	1	RIGHT DOCK SUPPORT - DOCK MOUNT
9	46-282018P1	2	ANGLE	1	RIGHT DOCK SUPPORT - MAGNET MOUNT
10	46-282019P1	2	ANGLE	1	LEFT DOCK SUPPORT - DOCK MOUNT
11	46-282020P1	2	ANGLE	1	LEFT DOCK SUPPORT - MAGNET MOUNT
12	46-282339P1	2	BAR	2	SHORT CLAMP BAR FOR DOCK SUPPORT
13	2117063	2	BACK COVER	1	COVER REAR (RF TUBE EXT)
14	46-271260G1	N	DOCK ASM.	1	NON-HYDRAULIC DOCK ASM, MG2 A29 (SEE PAGE 2-63)
16	46-328137G12	N	PEDESTAL	1	5.5 1.5T STD MOB&T/R REAR PEDESTAL (SEE PAGE 2-121)
17	46-307710G3	N		XXX	FRONT FRAME (SEE ITEM 300)
18	46-307711G3	N		XXX	5.5 MOBILE T/R SITE REAR FRAME (SEE ITEM 300)
19	2132034	N	BRIDGE MOUNT	1	REAR BRIDGE MOUNT ASM (SEE PAGE 2-127)
20	2128650	N	PAT COMF MOD	1	COMFORT MOD ASM (NOT MAGNISHIELD) (SEE PAGE 2-52)
21	46-208932P38	2	SCREW	2	1/2-13 X 3.75 LG HEX HD, 18-8 SST
22	46-307447P1	2	BUSHING	2	FRONT/REAR COVER ADJUST, BRASS
23	46-251379P2	2	WASHER	2	1.5 DIA 17/32 HOLE 5/64 THK 18-8 SST
24A	2121199-7	N	BLOWER (MG6)	1	REINFORCED BLOWER CABINET, MG6 (SEE PAGE 2-100)
24	2121199	N	BLOWER (MG6)	ALT	BLOWER CABINET, MG6 (SEE PAGE 2-100)
25	2119595-4	N	PREAMB BRDGE	1	5.5 1.5T STD PREASSEMBLED BRIDGE (SEE PAGE 2-141)
26	2142012	2	NUT BAR	2	TUNNEL EXTENSION NUT BAR
28	46-258509P2	2	PLATE	2	DOCK CLAMP PLATE, 7.25"X1.25 .25 SST
30	2167251	2	KIT OF PARTS	1	BRM INSTALLATION KIT - GE MAGNET (SEE PAGE 2-153)
31	2120143	2	CABLE BLOCK	1	GRADIENT COIL CABLE TERMINAL BLOCK
38	46-251379P3	2	WASHER	8	1.75" DIA 3/8 HOLE 3/16 THK 18-8 SST
39	46-208758P5	2	TY-RAP	16	13.38"X .301" SELF-LOCKING CABLE TIE
44	46-230653P5	2	TUBING	7	SPIRALLY CUT POLYETHYLENE, 3/4" DIA.
45	46-220191P3	2	CLAMP	1	PANDUIT FCM2-A-C14 GRAY, FLAT CABLE
62	46-307802P1	2	SPACER PLATE	2	1/4" THICK ALUM. 2"X3" W/2 3/8 HOLES
91	2119594	2	LUBRICANT	1	ANTI-SEIZE LUBRICANT, 1 OZ TUBE
129	46-328326G1	2	KIT	1	RUN 749 TEMPERATURE SENSOR CABLE KIT
130	46-265067P1	2	CABLE MOUNT	4	I/F PANEL CABLE SCREWLOCK CONNECTOR
140	2116325	2	STUD,MAGNET	12	STUD, 3/8-16 X 55MM, STAINLESS STEEL
141	2116325-4	2	STUD, MAGNET	12	STUD, 3/8-16 X 105MM STAINLESS STEEL
142	2115369	2	SEAL, 0.03"	6	3/4MM THICK RUBBER SEAL W/ADHESIVE
143	2115369-2	2	SEAL, 0.06"	12	1.5MM THICK RUBBER SEAL W/ADHESIVE
144	2115369-3	2	SEAL, 0.09"	18	2.25MM THICK RUBBER SEAL W/ADHESIVE
145	2115370	2	SEAL, 0.50"	8	12.7MM THK INTERLOCKING RUBBER SEAL

Parts List Continued on Next Page

1.5T T/R MAGNET ENCL with M-C 2118422-4

(CONT'D FROM PREVIOUS PAGE)

Item	Part Number	FRU	Name	Quantity	Description (Remarks)
146	2115370-2	2	SEAL, 0.31"	4	7.9MM THK INTERLOCKING RUBBER SEAL
149	2113076	2	END BELL	1	END BELL REAR 600MM
150	46-317004G1	N	END BELL STD	1	STANDARD FRONT END BELL ASM (SEE PAGE 2-58)
160	2129410	N	BULKHEAD ASM	1	REAR BULKHEAD UFI ENCL (SEE PAGE 2-59)
162	2109873-27	2	SCREW	2	M6X25 SST CROSS RECESSED PAN HD SCR
167	2129412	N	HOSE KIT	1	BLOWER HOSE KIT UFI (SEE PAGE 2-101)
180	2109866-20	2	SCREW	2	M10 X 25 HEX HEAD SCREW SST
181	2109880-4	2	WASHER	2	M10 SST SPRING LOCK WASHER
182	2109878-4	2	WASHER	6	M10 FLAT WASHER, 20MM OD, 2MM, SST
184	2109866-22	2	SCREW	4	M10 X 35 HEX HEAD SCREW, SST
196	46-282757G4	N	DOCK CONTROL	1	UFI DOCK CONTROL ASSEMBLY (SEE PAGE 2-60)
201	2129823	2	SPACER	3	MAGNET END-RING SECTION SPACER
216	2109866-13	2	SCREW	3	M6X25 SST HEX-HEAD SCREW
217	2109878-3	2	WASHER	3	M6 FLAT WASHER, 12MM OD, 1.6MM, SST
218	2109027	2	BRACKET	1	FRONT COVER MICROPHONE CABLE MOUNT
219	2139049	2	STRAP, NYLON	7.300	.875"W, 0.39 HOLE @ 0.625 SPACING
220	46-282896P1	2	MECHANICAL/M	1	NOMEX ACOUSTIC FELT W/VELCRO, FRONT
221	46-136246P21	2	TAPE	20	2" WIDE X 25 YD WHITE VELCRO HOOKS
222	46-282896P2	2	MECHANICAL/M	1	NOMEX ACOUSTIC FELT W/VELCRO, REAR
223	46-287118P1	2	TAPE	2	3/16" DIA X 90 FT ROPE CAULK, BROWN
224	46-320868P1	2	PIPE INSUL	4	POLYETHYLENE CLOSED CELL MATERIAL
230	2143475	N	SHIELD KIT	1	REAR PEDESTAL DRIP SHIELD PLATE KIT (SEE PAGE 2-61)
300	2158536	N	COLLECTOR	1	SUPTS/SLIDES FOR MOB & T/R ENCL CVRS (SEE PAGE 2-36)
13084	46-220196P5	2	WASHER	8	5/16" SCREW SIZE (0.313), SST
13087	46-208932P3	2	SCREW	4	5/16-18 X 3/4", 18-8 SST
13088	46-208932P11	2	SCREW	4	5/16-18 X 1", HEX HD, 18-8 SST
14164	46-208946P1	2	NUT	8	5/16-18 1/2" HEX X .188 THK 18-8 SST
14225	46-208948P2	2	NUT	35	3/8-16 .563 HEX X .328 THK, 18-8 SST
14226	46-220196P6	2	WASHER	54	3/8" SCREW SIZE (0.375), 18-8 SST
14325	46-208758P3	2	TY-RAP	30	7.31" X .184" SELF-LOCKING CABLE TIE
18138	46-220184P47	2	SCREW	2	10-32 X 1.5", ROUND HEAD SLOT, BRASS
18867	12-280	2	WASHER	8	ID 0.336, OD 0.75, THK .064, BRASS
37353	46-208932P4	2	SCREW	16	3/8-16 X 1", HEX HEAD, 18-8 SST
37369	1000904P447	2	WASHER	47	25/64 ID, 1" OD, 1/16" THICK, B7A34C
41665	46-208932P8	2	SCREW	10	3/8-16 X 1.25" HEX HEAD, 18-8 SST
42701	46-208932P15	2	SCREW	4	3/8-16 X 2", HEX HEAD, 18-8 SST

1.0T MOBILE MAG ENCL w/o M-C

2118422-6 FRU N

(PART OF M1810PM)

(PART OF M1810PN)

Item	Part Number	FRU	Name	Quantity	Description (Remarks)
2	46-307712G7	N		XXX	RIGHT SLIDE ASM W/SRI, MOBILE SITES (SEE ITEM 300)
3	46-307713G2	N		XXX	LEFT SLIDE ASSEMBLY, MOBILE SITE (SEE ITEM 300)
4	46-307707G1	N		XXX	COMMON LOWER RIGHT RAIL SUB-ASM (SEE ITEM 300)
5	46-307708G1	N		XXX	COMMON LOWER LEFT RAIL SUB-ASSEMBLY (SEE ITEM 300)
6	2120888	N	FRONT COVER	1	UFI ENCLOSURE FRONT COVER ASSEMBLY (SEE PAGE 2-47)
8	46-282017P1	2	ANGLE	1	RIGHT DOCK SUPPORT - DOCK MOUNT
9	46-282018P1	2	ANGLE	1	RIGHT DOCK SUPPORT - MAGNET MOUNT
10	46-282019P1	2	ANGLE	1	LEFT DOCK SUPPORT - DOCK MOUNT
11	46-282020P1	2	ANGLE	1	LEFT DOCK SUPPORT - MAGNET MOUNT
12	46-282339P1	2	BAR	2	SHORT CLAMP BAR FOR DOCK SUPPORT
13	2117063	2	BACK COVER	1	COVER REAR (RF TUBE EXT)
14	46-271260G1	N	DOCK ASM.	1	NON-HYDRAULIC DOCK ASM, MG2 A29 (SEE PAGE 2-63)
16	46-328137G8	N	PEDESTAL	1	5.5 1.0T STD MOB & T/R REAR PEDESTAL (SEE PAGE 2-113)
17	46-307710G3	N		XXX	FRONT FRAME (SEE ITEM 300)
18	46-307711G3	N		XXX	5.5 MOBILE T/R SITE REAR FRAME (SEE ITEM 300)
19	2132034	N	BRIDGE MOUNT	1	REAR BRIDGE MOUNT ASM (SEE PAGE 2-127)
20	2128650	N	PAT COMF MOD	1	COMFORT MODULE (NOT MAGNISHIELD) (SEE PAGE 2-52)
21	46-208932P38	2	SCREW	2	1/2-13 X 3.75 LG HEX HD, 18-8 SST
22	46-307447P1	2	BUSHING	2	FRONT/REAR COVER ADJUST, BRASS
23	46-251379P2	2	WASHER	2	1.5 DIA 17/32 HOLE 5/64 THK 18-8 SST
24A	2121199-7	N	BLOWER (MG6)	1	REINFORCED BLOWER CABINET, MG6 (SEE PAGE 2-100)
24B	2121199	N	BLOWER (MG6)	ALT	BLOWER CABINET, MG6 (SEE PAGE 2-100)
25	2119595-3	N	PREASM BRDGE	1	5.5 1.0T STD PREASSEMBLED BRIDGE (SEE PAGE 2-137)
26	2142012	2	NUT BAR	2	TUNNEL EXTENSION NUT BAR
28	46-258509P2	2	PLATE	2	DOCK CLAMP PLATE, 7.25"X1.25 .25 SST
30	2167251	2	KIT OF PARTS	1	BRM INSTALLATION KIT - GE MAGNET (SEE PAGE 2-153)
31	2120143	2	CABLE BLOCK	1	GRADIENT COIL CABLE TERMINAL BLOCK
38	46-251379P3	2	WASHER	8	1.75" DIA 3/8 HOLE 3/16 THK 18-8 SST
39	46-208758P5	2	TY-RAP	16	13.38"X .301" SELF-LOCKING CABLE TIE
44	46-230653P5	2	TUBING	7	SPIRALLY CUT POLYETHYLENE, 3/4" DIA.
45	46-220191P3	2	CLAMP	1	PANDUIT FCM2-A-C14 GRAY, FLAT CABLE
62	46-307802P1	2	SPACER PLATE	2	1/4" THICK ALUM. 2"X3" W/2 3/8 HOLES
91	2119594	2	LUBRICANT	1	ANTI-SEIZE LUBRICANT, 1 OZ TUBE
129	46-328326G1	2	KIT	1	RUN 749 TEMPERATURE SENSOR CABLE KIT
130	46-265067P1	2	CABLE MOUNT	4	I/F PANEL CABLE SCREWLOCK CONNECTOR
140	2116325	2	STUD,MAGNET	12	STUD, 3/8-16 X 55MM, STAINLESS STEEL
141	2116325-4	2	STUD, MAGNET	12	STUD, 3/8-16 X 105MM STAINLESS STEEL
142	2115369	2	SEAL, 0.03"	6	3/4MM THICK RUBBER SEAL W/ADHESIVE
143	2115369-2	2	SEAL, 0.06"	12	1.5MM THICK RUBBER SEAL W/ADHESIVE
144	2115369-3	2	SEAL, 0.09"	18	2.25MM THICK RUBBER SEAL W/ADHESIVE
145	2115370	2	SEAL, 0.50"	8	12.7MM THK INTERLOCKING RUBBER SEAL

Parts List Continued on Next Page

1.0T MOBILE MAG ENCL w/o M-C

2118422-6

(CONT'D FROM PREVIOUS PAGE)

Item	Part Number	FRU	Name	Quantity	Description (Remarks)
146	2115370-2	2	SEAL, 0.31"	4	7.9MM THK INTERLOCKING RUBBER SEAL
149	2113076	2	END BELL	1	END BELL REAR 600MM
150	46-317004G1	N	END BELL STD	1	STANDARD FRONT END BELL ASM (SEE PAGE 2-58)
160	2129410	N	BULKHEAD ASM	1	REAR BULKHEAD UFI ENCL (SEE PAGE 2-59)
162	2109873-27	2	SCREW	2	M6X25 SST CROSS RECESSED PAN HD SCR
167	2129412	N	HOSE KIT	1	BLOWER HOSE KIT UFI (SEE PAGE 2-101)
180	2109866-20	2	SCREW	2	M10 X 25 HEX HEAD SCREW SST
181	2109880-4	2	WASHER	2	M10 SST SPRING LOCK WASHER
182	2109878-4	2	WASHER	6	M10 FLAT WASHER, 20MM OD, 2MM, SST
184	2109866-22	2	SCREW	4	M10 X 35 HEX HEAD SCREW, SST
196	46-282757G4	N	DOCK CONTROL	1	UFI DOCK CONTROL ASSEMBLY (SEE PAGE 2-60)
201	2129823	2	SPACER	3	MAGNET END-RING SECTION SPACER
216	2109866-13	2	SCREW	3	M6X25 SST HEX-HEAD SCREW
217	2109878-3	2	WASHER	3	M6 FLAT WASHER, 12MM OD, 1.6MM, SST
218	2109027	2	BRACKET	1	FRONT COVER MICROPHONE CABLE MOUNT
219	2139049	2	STRAP, NYLON	7.300	.875"W, 0.39 HOLE @ 0.625 SPACING
220	46-282896P1	2	MECHANICAL/M	1	NOMEX ACOUSTIC FELT W/VELCRO, FRONT
221	46-136246P21	2	TAPE	20	2" WIDE X 25 YD WHITE VELCRO HOOKS
222	46-282896P2	2	MECHANICAL/M	1	NOMEX ACOUSTIC FELT W/VELCRO, REAR
223	46-287118P1	2	TAPE	2	3/16" DIA X 90 FT ROPE CAULK, BROWN
224	46-320868P1	2	PIPE INSUL	4	POLYETHYLENE CLOSED CELL MATERIAL
230	2143475	N	SHIELD KIT	1	REAR PEDESTAL DRIP SHIELD PLATE KIT (SEE PAGE 2-61)
300	2158536	N	COLLECTOR	1	SUPTS/SLIDES FOR MOB & T/R ENCL CVRS (SEE PAGE 2-36)
13084	46-220196P5	2	WASHER	8	5/16" SCREW SIZE (0.313), SST
13087	46-208932P3	2	SCREW	4	5/16-18 X 3/4", 18-8 SST
13088	46-208932P11	2	SCREW	4	5/16-18 X 1", HEX HD, 18-8 SST
14164	46-208946P1	2	NUT	8	5/16-18 1/2" HEX X .188 THK 18-8 SST
14225	46-208948P2	2	NUT	35	3/8-16 .563 HEX X .328 THK, 18-8 SST
14226	46-220196P6	2	WASHER	54	3/8" SCREW SIZE (0.375), 18-8 SST
14325	46-208758P3	2	TY-RAP	30	7.31" X .184" SELF-LOCKING CABLE TIE
18138	46-220184P47	2	SCREW	2	10-32 X 1.5", ROUND HEAD SLOT, BRASS
18867	12-280	2	WASHER	8	ID 0.336, OD 0.75, THK .064, BRASS
37353	46-208932P4	2	SCREW	16	3/8-16 X 1", HEX HEAD, 18-8 SST
37369	1000904P447	2	WASHER	47	25/64 ID, 1" OD, 1/16" THICK, B7A34C
41665	46-208932P8	2	SCREW	10	3/8-16 X 1.25" HEX HEAD, 18-8 SST
42701	46-208932P15	2	SCREW	4	3/8-16 X 2", HEX HEAD, 18-8 SST

1.0T MOBILE MAG ENCL with M-C 2118422-8 FRU N (PART OF M1811PM)
 (PART OF M1811PN)
 1.0T T/R MAG ENCL with M-C 2118422-8 FRU N (PART OF M1821PM)
 (PART OF M1821PN)

Item	Part Number	FRU	Name	Quantity	Description (Remarks)
2	46-307712G7	N		XXX	RIGHT SLIDE ASM W/SRI, MOBILE SITES (SEE ITEM 300)
3	46-307713G2	N		XXX	LEFT SLIDE ASSEMBLY, MOBILE SITE (SEE ITEM 300)
4	46-307707G1	N		XXX	COMMON LOWER RIGHT RAIL SUB-ASM (SEE ITEM 300)
5	46-307708G1	N		XXX	COMMON LOWER LEFT RAIL SUB-ASSEMBLY (SEE ITEM 300)
6	2120888	N	FRONT COVER	1	UFI ENCLOSURE FRONT COVER ASSEMBLY (SEE PAGE 2-47)
8	46-282017P1	2	ANGLE	1	RIGHT DOCK SUPPORT - DOCK MOUNT
9	46-282018P1	2	ANGLE	1	RIGHT DOCK SUPPORT - MAGNET MOUNT
10	46-282019P1	2	ANGLE	1	LEFT DOCK SUPPORT - DOCK MOUNT
11	46-282020P1	2	ANGLE	1	LEFT DOCK SUPPORT - MAGNET MOUNT
12	46-282339P1	2	BAR	2	SHORT CLAMP BAR FOR DOCK SUPPORT
13	2117063	2	BACK COVER	1	COVER REAR (RF TUBE EXT)
14	46-271260G1	N	DOCK ASM.	1	NON-HYDRAULIC DOCK ASM, MG2 A29 (SEE PAGE 2-63)
16	46-328137G13	N	PEDESTAL	1	5.5 1.0T STD MOB & T/R REAR PEDESTAL (SEE PAGE 2-122)
17	46-307710G3	N		XXX	FRONT FRAME (SEE ITEM 300)
18	46-307711G3	N		XXX	5.5 MOBILE T/R SITE REAR FRAME (SEE ITEM 300)
19	2132034	N	BRIDGE MOUNT	1	REAR BRIDGE MOUNT ASM (SEE PAGE 2-127)
20	2128650	N	PAT COMF MOD	1	COMFORT MODULE (NOT MAGNISHIELD) (SEE PAGE 2-52)
21	46-208932P38	2	SCREW	2	1/2-13 X 3.75 LG HEX HD, 18-8 SST
22	46-307447P1	2	BUSHING	2	FRONT/REAR COVER ADJUST, BRASS
23	46-251379P2	2	WASHER	2	1.5 DIA 17/32 HOLE 5/64 THK 18-8 SST
24A	2121199-7	N	BLOWER (MG6)	1	REINFORCED BLOWER CABINET, MG6 (SEE PAGE 2-100)
24	2121199	N	BLOWER (MG6)	ALT	BLOWER CABINET, MG6 (SEE PAGE 2-100)
25	2119595-6	N	PREASM BRDGE	1	5.5 1.0T STD PREASSEMBLED BRIDGE (SEE PAGE 2-150)
26	2142012	2	NUT BAR	2	TUNNEL EXTENSION NUT BAR
28	46-258509P2	2	PLATE	2	DOCK CLAMP PLATE, 7.25"X1.25 .25 SST
30	2167251	2	KIT OF PARTS	1	BRM INSTALLATION KIT - GE MAGNET (SEE PAGE 2-153)
31	2120143	2	CABLE BLOCK	1	GRADIENT COIL CABLE TERMINAL BLOCK
38	46-251379P3	2	WASHER	8	1.75" DIA 3/8 HOLE 3/16 THK 18-8 SST
39	46-208758P5	2	TY-RAP	16	13.38"X .301" SELF-LOCKING CABLE TIE
44	46-230653P5	2	TUBING	7	SPIRALLY CUT POLYETHYLENE, 3/4" DIA.
45	46-220191P3	2	CLAMP	1	PANDUIT FCM2-A-C14 GRAY, FLAT CABLE
62	46-307802P1	2	SPACER PLATE	2	1/4" THICK ALUM. 2"X3" W/2 3/8 HOLES
91	2119594	2	LUBRICANT	1	ANTI-SEIZE LUBRICANT, 1 OZ TUBE
129	46-328326G1	2	KIT	1	RUN 749 TEMPERATURE SENSOR CABLE KIT
130	46-265067P1	2	CABLE MOUNT	4	I/F PANEL CABLE SCREWLOCK CONNECTOR
140	2116325	2	STUD,MAGNET	12	STUD, 3/8-16 X 55MM, STAINLESS STEEL
141	2116325-4	2	STUD, MAGNET	12	STUD, 3/8-16 X 105MM STAINLESS STEEL
142	2115369	2	SEAL, 0.03"	6	3/4MM THICK RUBBER SEAL W/ADHESIVE
143	2115369-2	2	SEAL, 0.06"	12	1.5MM THICK RUBBER SEAL W/ADHESIVE
144	2115369-3	2	SEAL, 0.09"	18	2.25MM THICK RUBBER SEAL W/ADHESIVE
145	2115370	2	SEAL, 0.50"	8	12.7MM THK INTERLOCKING RUBBER SEAL

Parts List Continued on Next Page

1.0T MOBILE & T/R MAG ENCL with M-C

2118422-8

(CONT'D FROM PREVIOUS PAGE)

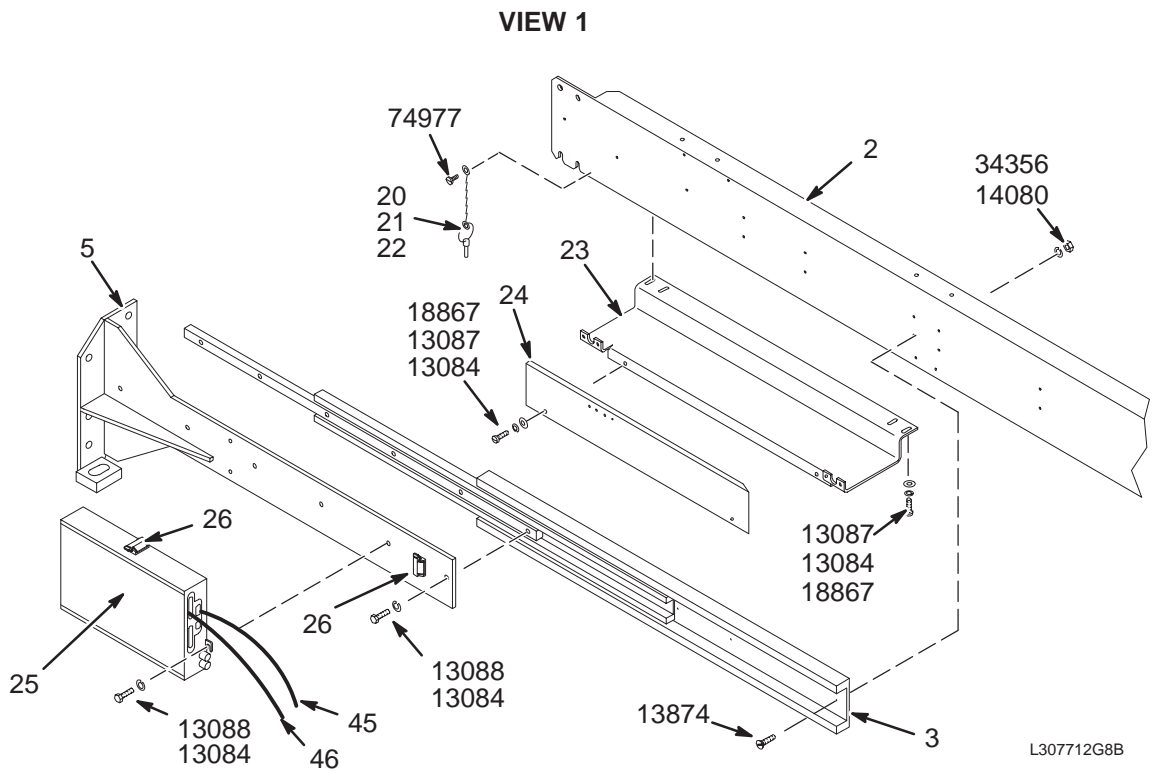
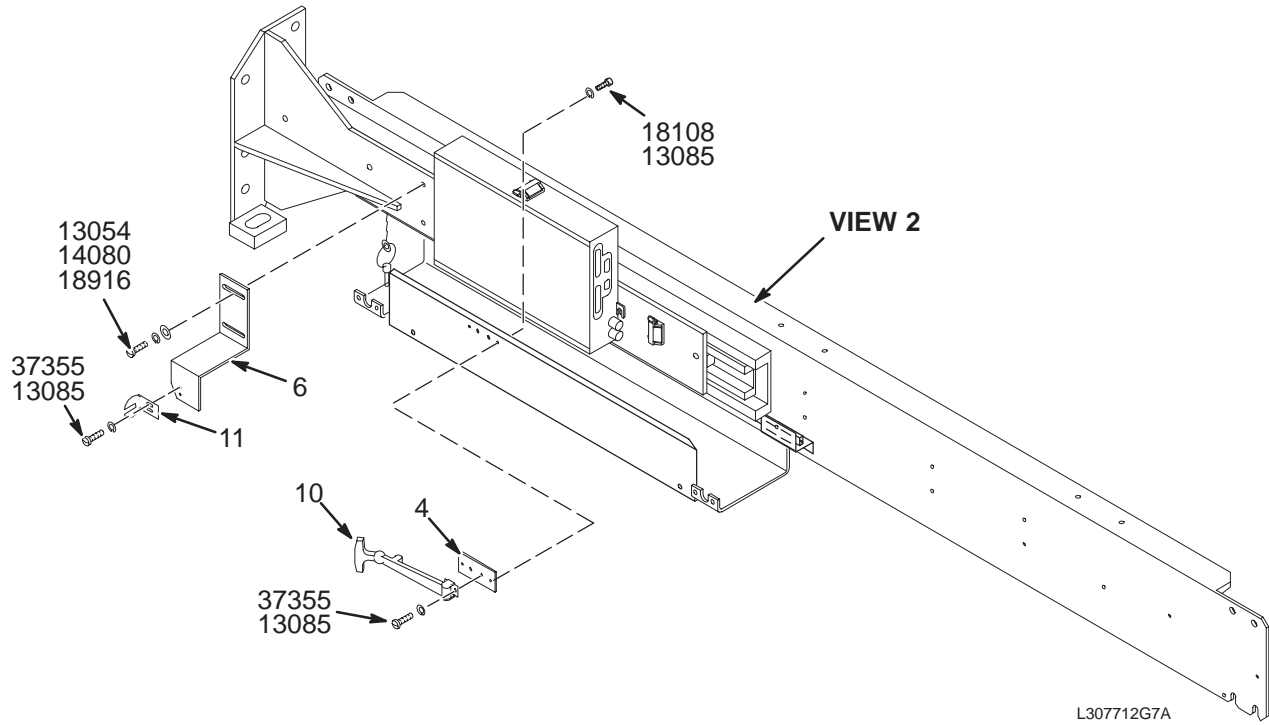
Item	Part Number	FRU	Name	Quantity	Description (Remarks)
146	2115370-2	2	SEAL, 0.31"	4	7.9MM THK INTERLOCKING RUBBER SEAL
149	2113076	2	END BELL	1	END BELL REAR 600MM
150	46-317004G1	N	END BELL STD	1	STANDARD FRONT END BELL ASM (SEE PAGE 2-58)
160	2129410	N	BULKHEAD ASM	1	REAR BULKHEAD UFI ENCL (SEE PAGE 2-59)
162	2109873-27	2	SCREW	2	M6X25 SST CROSS RECESSED PAN HD SCR
167	2129412	N	HOSE KIT	1	BLOWER HOSE KIT UFI (SEE PAGE 2-101)
180	2109866-20	2	SCREW	2	M10 X 25 HEX HEAD SCREW SST
181	2109880-4	2	WASHER	2	M10 SST SPRING LOCK WASHER
182	2109878-4	2	WASHER	6	M10 FLAT WASHER, 20MM OD, 2MM, SST
184	2109866-22	2	SCREW	4	M10 X 35 HEX HEAD SCREW, SST
196	46-282757G4	N	DOCK CONTROL	1	UFI DOCK CONTROL ASSEMBLY (SEE PAGE 2-60)
201	2129823	2	SPACER	3	MAGNET END-RING SECTION SPACER
216	2109866-13	2	SCREW	3	M6X25 SST HEX-HEAD SCREW
217	2109878-3	2	WASHER	3	M6 FLAT WASHER, 12MM OD, 1.6MM, SST
218	2109027	2	BRACKET	1	FRONT COVER MICROPHONE CABLE MOUNT
219	2139049	2	STRAP, NYLON	7.300	.875"W, 0.39 HOLE @ 0.625 SPACING
220	46-282896P1	2	MECHANICAL/M	1	NOMEX ACOUSTIC FELT W/VELCRO, FRONT
221	46-136246P21	2	TAPE	20	2" WIDE X 25 YD WHITE VELCRO HOOKS
222	46-282896P2	2	MECHANICAL/M	1	NOMEX ACOUSTIC FELT W/VELCRO, REAR
223	46-287118P1	2	TAPE	2	3/16" DIA X 90 FT ROPE CAULK, BROWN
224	46-320868P1	2	PIPE INSUL	4	POLYETHYLENE CLOSED CELL MATERIAL
230	2143475	N	SHIELD KIT	1	REAR PEDESTAL DRIP SHIELD PLATE KIT (SEE PAGE 2-61)
300	2158536	N	COLLECTOR	1	SUPTS/SLIDES FOR MOB & T/R ENCL CVRS (SEE PAGE 2-36)
13084	46-220196P5	2	WASHER	8	5/16" SCREW SIZE (0.313), SST
13087	46-208932P3	2	SCREW	4	5/16-18 X 3/4", 18-8 SST
13088	46-208932P11	2	SCREW	4	5/16-18 X 1", HEX HD, 18-8 SST
14164	46-208946P1	2	NUT	8	5/16-18 1/2" HEX X .188 THK 18-8 SST
14225	46-208948P2	2	NUT	35	3/8-16 .563 HEX X .328 THK, 18-8 SST
14226	46-220196P6	2	WASHER	54	3/8" SCREW SIZE (0.375), 18-8 SST
14325	46-208758P3	2	TY-RAP	30	7.31" X .184" SELF-LOCKING CABLE TIE
18138	46-220184P47	2	SCREW	2	10-32 X 1.5", ROUND HEAD SLOT, BRASS
18867	12-280	2	WASHER	8	ID 0.336, OD 0.75, THK .064, BRASS
37353	46-208932P4	2	SCREW	16	3/8-16 X 1", HEX HEAD, 18-8 SST
37369	1000904P447	2	WASHER	47	25/64 ID, 1" OD, 1/16" THICK, B7A34C
41665	46-208932P8	2	SCREW	10	3/8-16 X 1.25" HEX HEAD, 18-8 SST
42701	46-208932P15	2	SCREW	4	3/8-16 X 2", HEX HEAD, 18-8 SST

MOBILE & T/R SUPPORTS/SLIDES 2158536 FRU N (PART OF 2118422-2 PAGE 2-28)
(PART OF 2118422-4 PAGE 2-30)
(PART OF 2118422-6 PAGE 2-32)
(PART OF 2118422-8 PAGE 2-34)

Item	Part Number	FRU	Name	Quantity	Description (Remarks)
2	46-307712G7	N	SLIDE ASM	1	RIGHT SLIDE ASM W/SRI, MOBILE SITES (SEE PAGE 2-38)
3	46-307713G2	N	SLIDE ASM LF	1	LEFT SLIDE ASSEMBLY, MOBILE SITE (SEE PAGE 2-40)
4	46-307707G1	N	LOW RL RIGHT	1	COMMON LOWER RIGHT RAIL SUB-ASM (SEE PAGE 2-41)
5	46-307708G1	N	LOW RL LEFT	1	COMMON LOWER LEFT RAIL SUB-ASM (SEE PAGE 2-42)
17	46-307710G3	N	FRONT FRAME	1	FRONT FRAME (SEE PAGE 2-44)
18	46-307711G3	N	REAR FRAME	1	5.5 MOBILE T/R SITE REAR FRAME (SEE PAGE 2-46)

MOBILE RIGHT SLIDE ASM WITH SRI

46-307712G7



VIEW 2

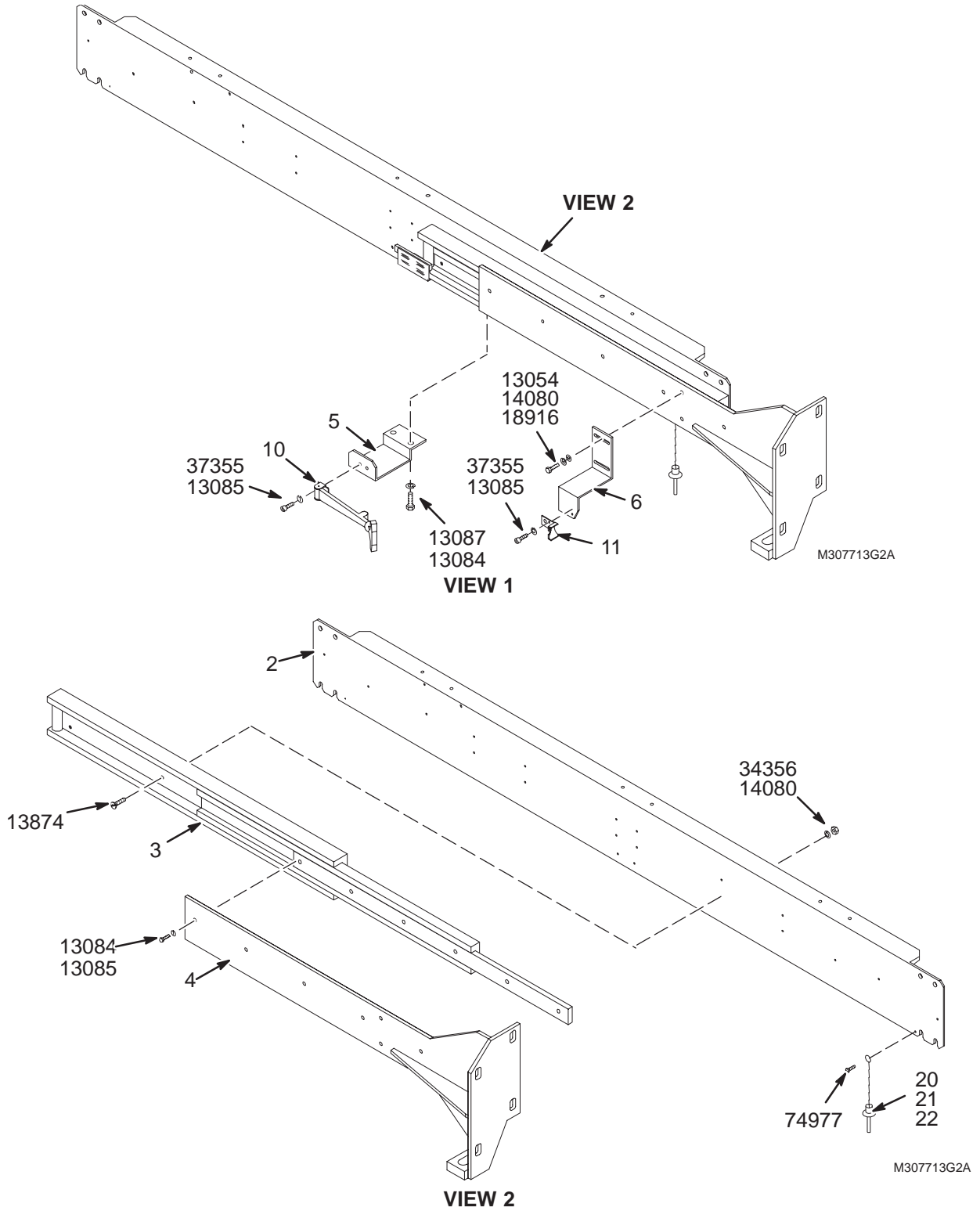
MOBILE RIGHT SLIDE ASM W/SRI 46-307712G7 FRU N

(PART OF 2158536 PAGE 2-36)

Item	Part Number	FRU	Name	Quantity	Description (Remarks)
2	46-282113P1	2	CHANNEL,SIDE	1	UPPER SLIDE SUPPORT
3A	46-320138P1	2	COVER SLIDE	1	ENCLOSURE FRONT/REAR COVER EXTENDING
3B	46-244780P1	2	MECHANICAL/M	ALT	ENCLOSURE FRONT/REAR COVER EXTENDING
4	46-307187P1	2	NUT BAR	1	1.5"X3.76" (4) 10-32 HOLES @1", ALUM
5	46-244762G1	2	MOUNT-WELD	1	MOUNT FOR FRONT COVER (RIGHT) OR FOR
6	46-307143P1	2	BRACKET	1	RIGHT SIDE
10	46-251360P1	2	MECHANICAL/M	1	T-HANDLE FLEX LATCH
11	46-251360P2	2	MECHANICAL/M	1	FLEX LATCH KEEPER
20	46-221889P1	2	PIN	1	NOM DIA 0.18, GRIP .70 QUICK-RELEASE
21	46-316457P1	2	CHAIN	1	#10 BEAD, 0.178 DIA, SST
22	46-230530P10	2	CHAIN	2	#10 TYPE A OFFSET BEAD CHAIN 10A-156
23	46-282048G1	2	BRACKET	1	FRONT SLIDE CABLE TAKE-UP TROUGH
24	46-287408P1	2	GUARD,CABLE	1	DSIM/SRI CABLE TAKE-UP GUARD PLATE
25	46-287370G8	1	DSIM/SRI BD	1	SCAN ROOM INTERFACE (SRI) (SEE PAGE 2-97)
26	46-220191P1	2	CLAMP	2	CLAMP FOR FLAT CABLE
45	46-287908G1	2	CABLE	1	RUN 421, MG2-A33-J3 TO MG2-A31-J1
46	46-243775G668	2	CABLE	1	RUN 422, MG3-A1-J4 TO MG2-A33-J2
47	2133208	2	BRACKET	1	PAC CABLE INTERFACE MOUNT/GROUND
13054	46-208932P10	2	SCREW	2	1/4-20 X 1/2" LG, HEX HD, 18-8 SST
13084	46-220196P5	2	WASHER	11	5/16" SCREW SIZE (0.313), SST
13085	46-220196P3	2	WASHER	6	#10 SCREW SIZE (0.190), SST
13087	46-208932P3	2	SCREW	6	5/16-18 X 3/4", 18-8 SST
13088	46-208932P11	2	SCREW	5	5/16-18 X 1", HEX HD, 18-8 SST
13874	46-208910P19	2	SCREW	9	1/4-20 X 1", FLAT HD SLOTTED, SST
14080	46-220196P4	2	WASHER	11	1/4" SCREW SIZE (0.250), SST
18108	46-220184P40	2	SCREW	2	10-32 X 3/8", ROUND HEAD SLOT, BRASS
18867	12-280	2	WASHER	6	ID 0.336, OD 0.75, THK .064, BRASS
18916	12-1213	2	WASHER	2	ID 0.266, OD 0.563, THK .051, BRASS
34356	46-208948P5	2	NUT	9	1/4-20 .438 HEX X .226 THK, 18-8 SST
37355	46-208737P12	2	SCREW	4	10-32 X 1/2", HEX SOC HEAD, 18-8 SST
74977	46-208560P110	2	SCREW	1	6-32 X 3/8 BINDING HEAD, 18-8 SST

MOBILE LEFT SLIDE ASM

46-307713G2

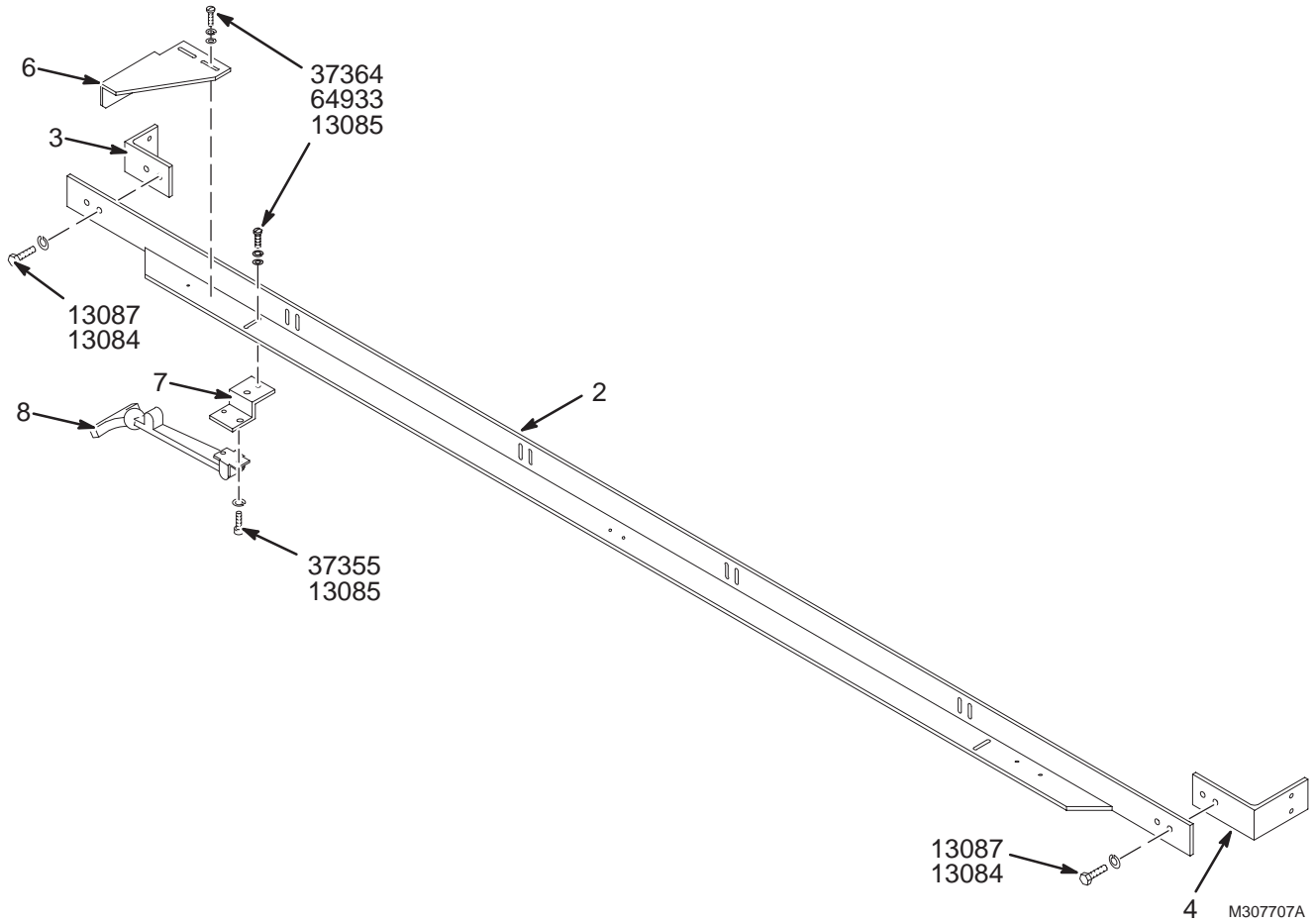


MOBILE LEFT SLIDE ASM 46-307713G2 FRU N (PART OF 2158536 PAGE 2-36)

Item	Part Number	FRU	Name	Quantity	Description (Remarks)
2	46-282113P1	2	CHANNEL,SIDE	1	UPPER SLIDE SUPPORT
3A	46-320138P1	2	COVER SLIDE	1	ENCLOSURE FRONT/REAR COVER EXTENDING
3B	46-244780P1	2	MECHANICAL/M	ALT	ENCLOSURE FRONT/REAR COVER EXTENDING
4	46-244762G2	2	MOUNT-WELD	1	MOUNT FOR FRONT COVER (LEFT) OR FOR
5	46-307359P1	2	BRACKET	1	T-HANDLE FLEX LATCH MOUNT, ALUM
6	46-307143P2	2	BRACKET	1	FLEX LATCH KEEPER MOUNT, .190 ALUM.
10	46-251360P1	2	MECHANICAL/M	1	T-HANDLE FLEX LATCH
11	46-251360P2	2	MECHANICAL/M	1	FLEX LATCH KEEPER
20	46-221889P1	2	PIN	1	NOM DIA 0.18, GRIP .70 QUICK-RELEASE
21	46-316457P1	2	CHAIN	1	#10 BEAD, 0.178 DIA, SST
22	46-230530P10	2	CHAIN	2	#10 TYPE A OFFSET BEAD CHAIN 10A-156
13054	46-208932P10	2	SCREW	2	1/4-20 X 1/2" LG, HEX HD, 18-8 SST
13084	46-220196P5	2	WASHER	8	5/16" SCREW SIZE (0.313), SST
13085	46-220196P3	2	WASHER	4	#10 SCREW SIZE (0.190), SST
13087	46-208932P3	2	SCREW	2	5/16-18 X 3/4", 18-8 SST
13088	46-208932P11	2	SCREW	6	5/16-18 X 1", HEX HD, 18-8 SST
13874	46-208910P19	2	SCREW	9	1/4-20 X 1", FLAT HD SLOTTED, SST
14080	46-220196P4	2	WASHER	11	1/4" SCREW SIZE (0.250), SST
18916	12-1213	2	WASHER	2	ID 0.266, OD 0.563, THK .051, BRASS
34356	46-208948P5	2	NUT	9	1/4-20 .438 HEX X .226 THK, 18-8 SST
37355	46-208737P12	2	SCREW	4	10-32 X 1/2", HEX SOC HEAD, 18-8 SST
74977	46-208560P110	2	SCREW	1	6-32 X 3/8 BINDING HEAD, 18-8 SST

MOBILE LOWER RIGHT RAIL

46-307707G1

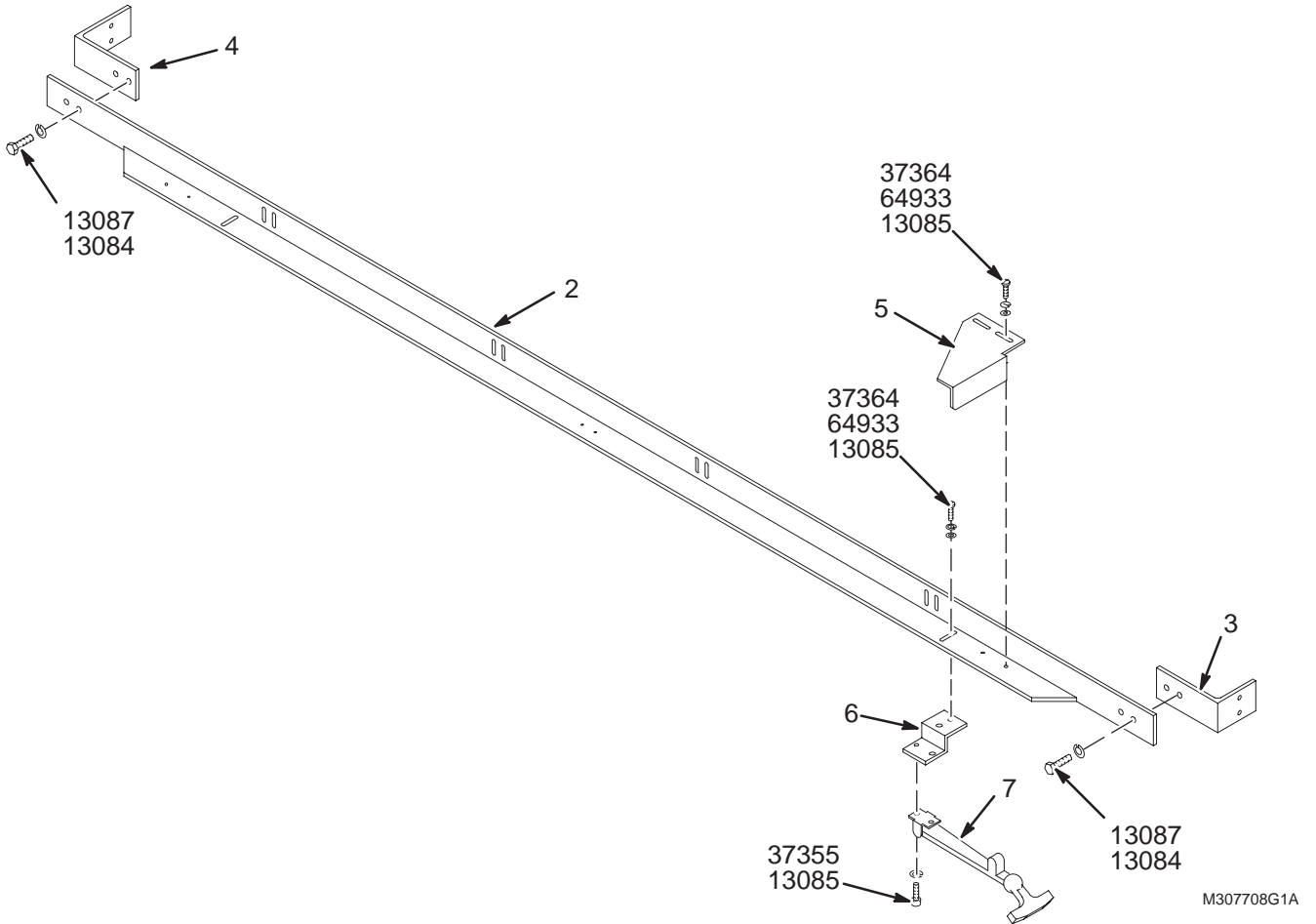


MOBILE LOWER RIGHT RAIL 46-307707G1 FRU N (PART OF 2158536 PAGE 2-36)

Item	Part Number	FRU	Name	Quantity	Description (Remarks)
2	46-282002P1	2	SIDE ANGLE	1	LOWER SIDE SUPPORT RAIL
3	46-282161P1	2	BRACKET FRT	1	FRONT LOWER SIDE-SUPPORT ANGLE-BRKT
4	46-282162P1	2	BRACKET REAR	1	REAR LOWER SIDE-SUPPORT ANGLE-BRAKET
6	46-271856P2	2	BRACKET	1	COVER LOWER BUMPER STOP PLATE
7	46-271851P1	2	BRACKET	1	LOWER T-HANDLE FLEX LATCH MOUNT
8	46-251360P1	2	MECHANICAL/M	1	T-HANDLE FLEX LATCH
13084	46-220196P5	2	WASHER	4	5/16" SCREW SIZE (0.313), SST
13085	46-220196P3	2	WASHER	6	#10 SCREW SIZE (0.190), SST
13087	46-208932P3	2	SCREW	4	5/16-18 X 3/4", 18-8 SST
37355	46-208737P12	2	SCREW	2	10-32 X 1/2", HEX SOC HEAD, 18-8 SST
37364	46-208560P102	2	SCREW	4	10-32 X 5/8", BIND HEAD, 18-8 SST
64933	1000904P425	2	WASHER	4	0.2 ID, 0.5 OD, 04 THK, B11H89C

MOBILE LOWER LEFT RAIL

46-307708G1



MOBILE LOWER LEFT RAIL

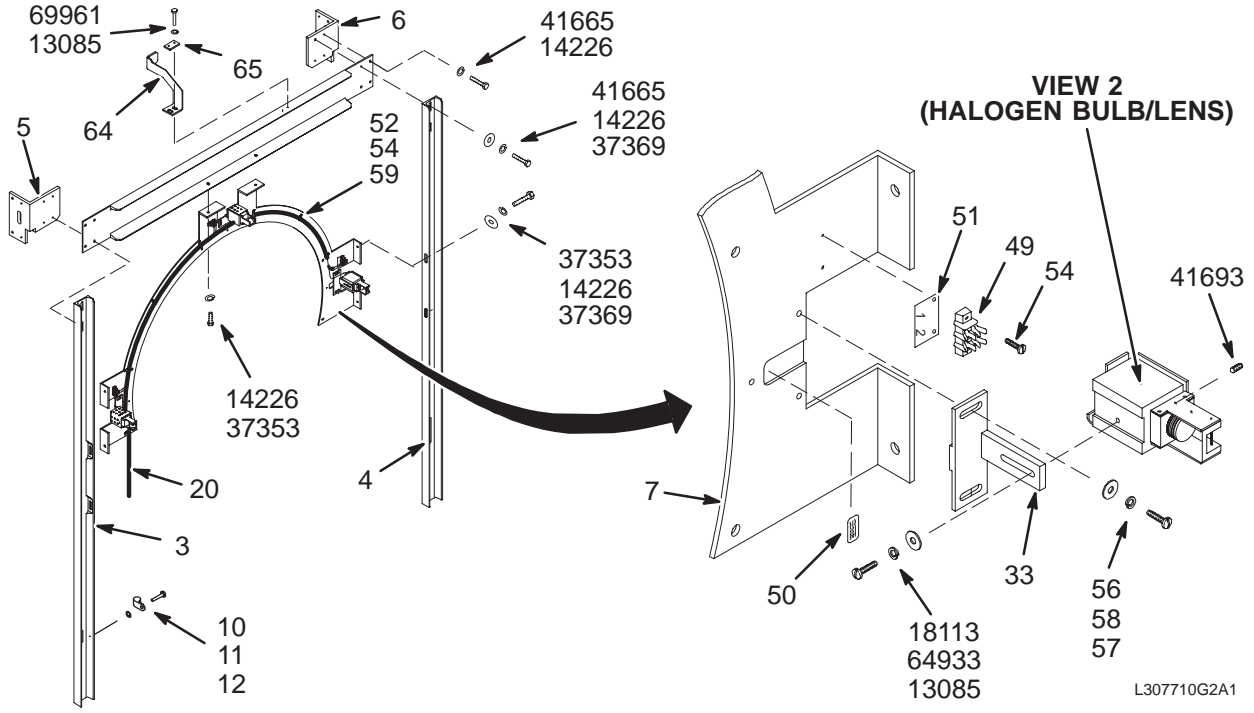
46-307708G1 FRU N

(PART OF 2158536 PAGE 2-36)

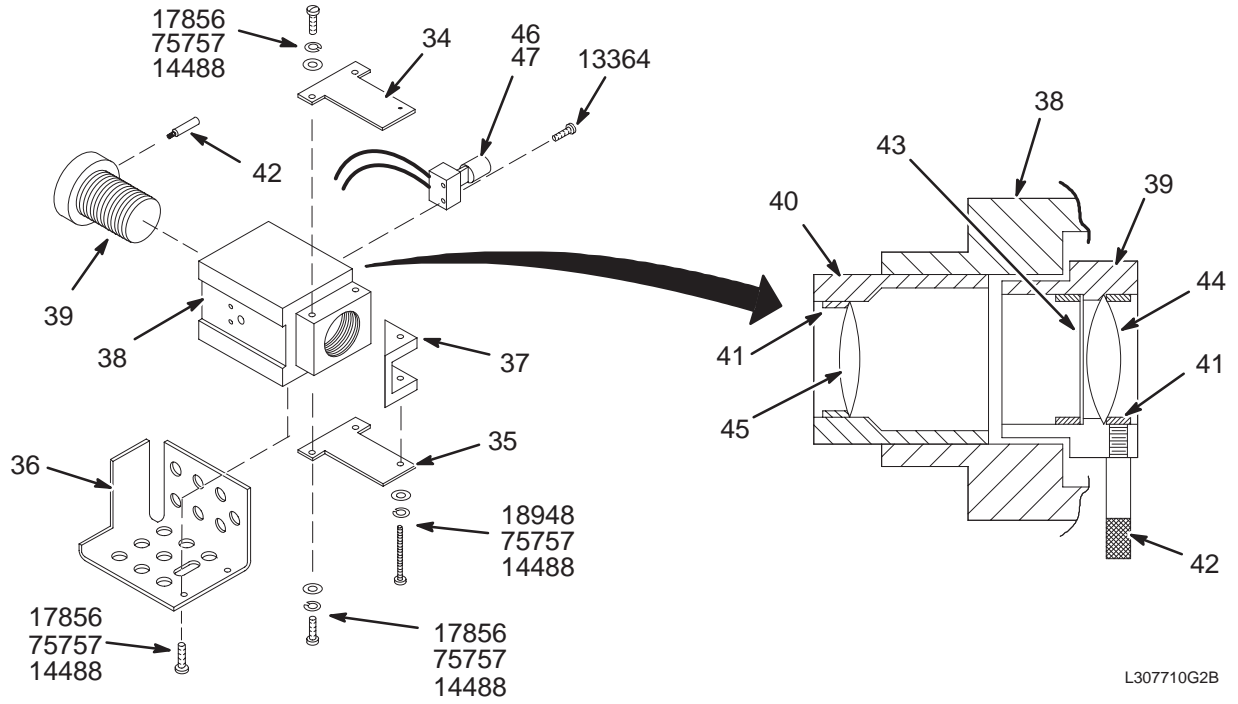
Item	Part Number	FRU	Name	Quantity	Description (Remarks)
2	46-282002P1	2	SIDE ANGLE	1	LOWER SIDE SUPPORT RAIL
3	46-282161P1	2	BRACKET FRT	1	FRONT LOWER SIDE-SUPPORT ANGLE-BRKT
4	46-282162P1	2	BRACKET REAR	1	REAR LOWER SIDE-SUPPORT ANGLE-BRAKET
5	46-271856P1	2	BRACKET	1	COVER LOWER BUMPER STOP PLATE
6	46-271851P1	2	BRACKET	1	LOWER T-HANDLE FLEX LATCH MOUNT
7	46-251360P1	2	MECHANICAL/M	1	T-HANDLE FLEX LATCH
13084	46-220196P5	2	WASHER	4	5/16" SCREW SIZE (0.313), SST
13085	46-220196P3	2	WASHER	6	#10 SCREW SIZE (0.190), SST
13087	46-208932P3	2	SCREW	4	5/16-18 X 3/4", 18-8 SST
37355	46-208737P12	2	SCREW	2	10-32 X 1/2", HEX SOC HEAD, 18-8 SST
37364	46-208560P102	2	SCREW	4	10-32 X 5/8", BIND HEAD, 18-8 SST
64933	1000904P425	2	WASHER	4	0.2 ID, 0.5 OD, 04 THK, B11H89C

MOBILE ENCLOSURE FRONT FRAME

46-307710G3



VIEW 1



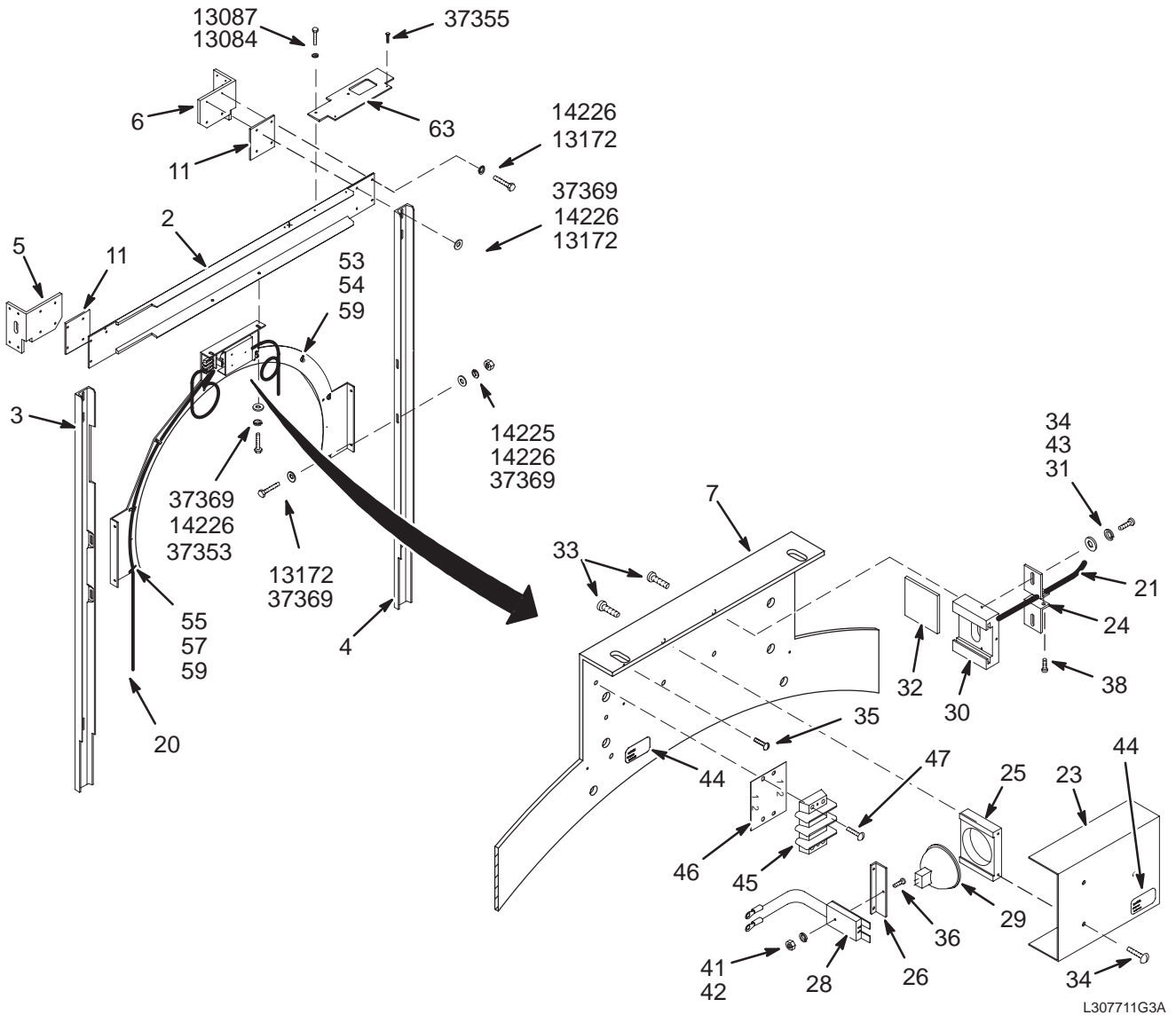
VIEW 2

MOBILE FRONT FRAME 46-307710G3 FRU N (PART OF 2158536 PAGE 2-36)

Item	Part Number	FRU	Name	Quantity	Description (Remarks)
2	46-282087P1	2	CHANNEL	1	TOP CHANNEL – FRONT FRAME
3	46-271998P1	2	UPRIGHT	1	LEFT FRONT UPRIGHT
4	46-271998P2	2	UPRIGHT	1	RIGHT FRONT UPRIGHT
5	46-282100P1	2	ANGLE,FRONT	1	TOP CORNER ANGLE BRACKET, FRONT-LEFT
6	46-282100P2	2	ANGLE,FRONT	1	TOP CORNER ANGLE BRACKET FRONT-RIGHT
7	2115371	2	PLATE	1	PLATE FRONT
10	46-208560P102	2	SCREW	1	10-32 X 5/8", BIND HEAD, 18-8 SST
11	46-208599P18	2	WASHER	1	#10, EXTERNAL TOOTH
12	46-328556P1	2	CLAMP, LOOP	1	ALUMINUM, .250 DIA. CABLE, .204 HOLE
20	46-307329G701	2	CABLE	1	(385V) PP1-J20 TO MG2-A20-TS1
33	2116144	2	BRACKET	3	ADJUSTABLE LIGHT MOUNTING BRACKET
34	46-271781P1	2	MIRROR BRKT	3	1/16" THICK WITH 0.14" HOLE
35	46-271781P2	2	MIRROR BRKT	3	3/16" THICK WITH 6-32 THREADED HOLE
36	46-271338P1	2	COVER	3	VENTILATED HALOGEN LAMP SAFETY COVER
37	46-271339G1	2	MIRROR ASM	3	FIRST SURFACE MIRROR ATTACHED
38	46-271780P1	2	LENS BLOCK	3	HALOGEN LAMP AND LENS MOUNTING BLOCK
39	46-271329P1	2	LENS HOLDER	3	#1 LENS AND APERATURE MOUNT
40	46-271330P1	2	LENS HOLDER	3	#2 LENS MOUNT
41	46-271331P1	2	LENS RET	9	SPLIT RING LENS RETAINER
42	46-271332P1	2	PIN	3	2-46 THREAD, 3/4" LONG W/KNURL, SST
43	46-271327P1	2	APERATURE	3	CROSS-SLIT APERATURE, .003 COPPER
44	46-271326P1	2	LENS	3	BI-CONVEX LENS 17.5MM X 18MM FOCAL
45	46-271326P2	2	LENS	3	BI-CONVEX LENS, 17.3MM X 30MM FOCAL
46	46-271324P1	2	SOCKET	3	LAMPHOLDER USED FOR G-4 SIZE HALOGEN
47	46-271323P1	1	LAMP	3	HALOGEN LAMP BASE G4 14 VOLTS, 65 W.
49	403B335P21	2	TERMINAL	3	2 POSITION TERMINAL STRIP, 20 AMP,
50	46-287268P1	2	MECHANICAL/M	3	CAUTION, EXTREMELY HOT HALOGEN LAMPS
51	403B320P94	2	TERMINAL	3	2 POSITION MARKER STRIP, 1 & 2
52	46-208718P5	2	CLAMP	7	1/2" ID LOOP TYPE, TA MFG CO TA713D8
54	2109873-15	2	SCREW	13	M4X12 SST CROSS RECESSED PAN HD SCR
56	2109873-24	2	SCREW	6	M6X12 SST CROSS RECESSED PAN HD SCR
57	2109878-3	2	WASHER	6	M6 FLAT WASHER, 12MM OD, 1.6MM, SST
58	2109880-3	2	WASHER	6	M6 SST SPRING LOCK WASHER
59	2109878-2	2	WASHER	7	M4 FLAT WASHER, 9MM OD, 0.8MM, SST
64	46-282154P1	2	LOCK PLATE	1	FRONT COVER LOCK LATCH
65	46-282311P1	2	CLAMP PLATE	1	REINFORCING PLATE W/TWO .238 HOLES
13085	46-220196P3	2	WASHER	5	#10 SCREW SIZE (0.190), SST
13364	516A770P208	2	SCREW	6	2-56 X 1/2 LG BIND HEAD, SST 18-8
14226	46-220196P6	2	WASHER	14	3/8" SCREW SIZE (0.375), 18-8 SST
14488	46-220196P2	2	WASHER	21	#6 SCREW SIZE (0.138), SST
17856	46-220184P13	2	SCREW	18	6-32 X 3/8" ROUND HEAD SLOT, BRASS
18113	46-220184P41	2	SCREW	3	10-32 X 1/2" SLOT ROUND HEAD, BRASS
18948	46-220184P21	2	SCREW	3	6-32 X 1.75" ROUND HEAD SLOT, BRASS
37353	46-208932P4	2	SCREW	6	3/8-16 X 1", HEX HEAD, 18-8 SST
37369	1000904P447	2	WASHER	8	25/64 ID, 1" OD, 1/16" THICK, B7A34C
41665	46-208932P8	2	SCREW	8	3/8-16 X 1.25" HEX HEAD, 18-8 SST
41693	46-208563P84	2	SCREW	6	4-40 X 1/4" HEX SOC CUP PT, #316 SST
64933	1000904P425	2	WASHER	3	0.2 ID, 0.5 OD, .04 THK, B11H89C
69961	46-208560P70	2	SCREW	2	10-32 X 1", 18-8 SST, F65D6B1 BLK OX
75757	1000904P2	2	WASHER	21	ID 0.144, OD 0.297, THK .032, BRASS

MOBILE ENCLOSURE REAR FRAME

46-30771G3

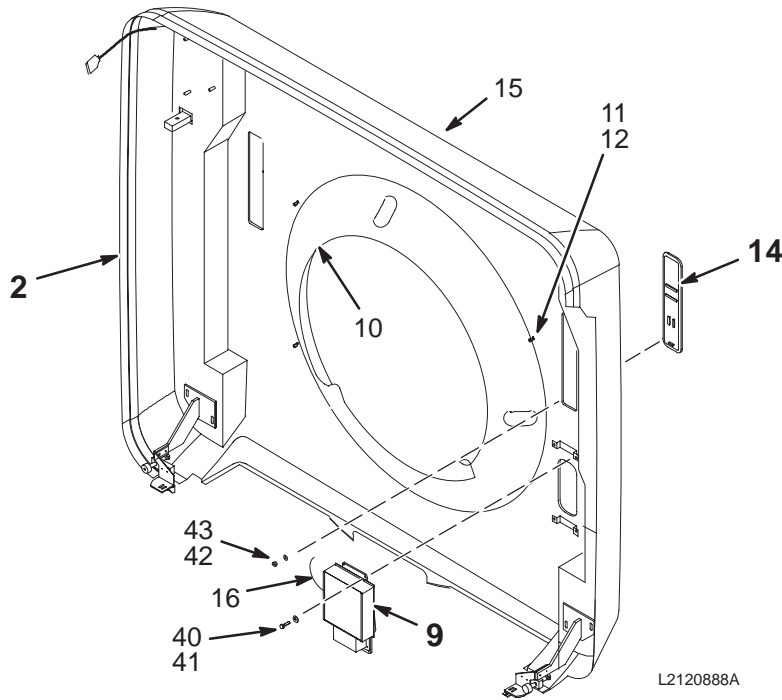


MOBILE REAR FRAME 46-307711G3 FRU N (PART OF 2158536 PAGE 2-36)

Item	Part Number	FRU	Name	Quantity	Description (Remarks)
2	46-282086P1	2	CHANNEL	1	TOP CHANNEL – REAR FRAME
3	46-282082P1	2	UPRIGHT,REAR	1	RIGHT REAR UPRIGHT
4	46-271999P1	2	UPRIGHT	1	LEFT REAR UPRIGHT
5	46-282101P1	2	ANGLE,REAR	1	TOP CORNER ANGLE BRACKET, REAR-RIGHT
6	46-282101P2	2	ANGLE,REAR	1	TOP CORNER ANGLE BRACKET, REAR-LEFT
7	2117124	2	PLATE, REAR	1	BORE LAMP MOUNTING PLATE
11	46-307356P3	2	SPACER	2	6”X5-3/8”, 1/4” THICK ALUMINUM PLATE
20	46-251566G701	2	CABLE ASM	1	(300V) MG2-A15 TO PP1-J15
21	46-251636G3	2	FIBER BUNDLE	2	BORE LIGHT FIBEROPTIC, 79.5” LONG
23	46-251639P1	2	COVER	1	BORE LIGHT COVER (NO WARNING LABEL)
24	46-251640P1	2	FIBER CLAMP	2	FIBER OPTIC LINES CLAMP BRACKET
25	46-251641P1	2	BULB RET	1	BORE LIGHT BULB RETAINER
26	2121519	2	SOC MTG PLT	1	BORE LIGHT SOCKET BRACKET
28	46-255153G1	2	SOCKET ASM	1	BORE LIGHT SOCKET WITH TERMINALS
29	46-230111P1	1	LAMP	1	HALOGEN REFLECTOR LAMP 12V, 75W
30	46-251644P1	2	FIBER MOUNT	1	HEAT MIRROR AND FIBEROPTIC END MOUNT
31	1000904P2	2	WASHER	2	ID 0.144, OD 0.297, THK .032, BRASS
32	46-251679P1	2	MECHANICAL/M	1	HEAT-REFLECT, LIGHT-TRANSMIT GLASS
33	46-220184P14	2	SCREW	4	6-32 X 1/2” ROUND HEAD SLOT, BRASS
34	46-220184P13	2	SCREW	5	6-32 X 3/8” ROUND HEAD SLOT, BRASS
35	2109873-13	2	SCREW	2	M4X8 SST CROSS RECESSED PAN HD SCR
36	46-220184P8	2	SCREW	1	4-40 X 7/8”, ROUND HEAD SLOT, BRASS
38	46-220184P20	2	SCREW	2	6-32 X 1.25” ROUN HEAD SLOT, BRASS
41	46-208601P19	2	WASHER	1	#4 SCREW, INTERNAL TOOTH, PHOZ BRZ
42	46-208935P4	2	NUT	1	4-40, 1/4” HEX X .093 THK, BRASS
43	46-208601P20	2	WASHER	2	#6 SCREW, INTERNAL TOOTH, PHOZ BRZ
44	46-287268P1	2	MECHANICAL/M	2	CAUTION, EXTREMELY HOT HALOGEN LAMPS
45	46-313195P1	2	TERMINAL	1	2 POSITION TERMINAL STRIP, DUAL ROW,
46	46-317552P1	2	TERMINAL	1	2 POSITION MARKER STRIP, 1 & 2
47	2109873-18	2	SCREW	2	M4X25 SST CROSS RECESSED PAN HD SCR
53	46-208759P1	2	TY-RAP	4	7.81” X .184” SELF-LOCKING CABLE TIE
54	2109873-15	2	SCREW	4	M4X12 SST CROSS RECESSED PAN HD SCR
55	2109873-12	2	SCREW	4	M4X6 SST CROSS RECESSED PAN HD SCR
57	46-208718P5	2	CLAMP	4	1/2” ID LOOP TYPE, TA MFG CO TA713D8
59	2109878-2	2	WASHER	8	M4 FLAT WASHER, 9MM OD, 0.8MM, SST
63	46-317469P1	2	BRACKET	1	MAGNET SERVICE LADDER MOUNT, ALUM
13084	46-220196P5	2	WASHER	2	5/16” SCREW SIZE (0.313), SST
13087	46-208932P3	2	SCREW	2	5/16-18 X 3/4”, 18-8 SST
13172	46-208932P13	2	SCREW	12	3/8-16 X 1.5” HEX HEAD, 18-8 SST
14225	46-208948P2	2	NUT	4	3/8-16 .563 HEX X .328 THK, 18-8 SST
14226	46-220196P6	2	WASHER	14	3/8” SCREW SIZE (0.375), 18-8 SST
37353	46-208932P4	2	SCREW	2	3/8-16 X 1”, HEX HEAD, 18-8 SST
37355	46-208737P12	2	SCREW	2	10-32 X 1/2”, HEX SOC HEAD, 18-8 SST
37369	1000904P447	2	WASHER	14	25/64 ID, 1” OD, 1/16” THICK, B7A34C

FRONT COVER ASM

2120888



L2120888A

FRONT COVER ASM

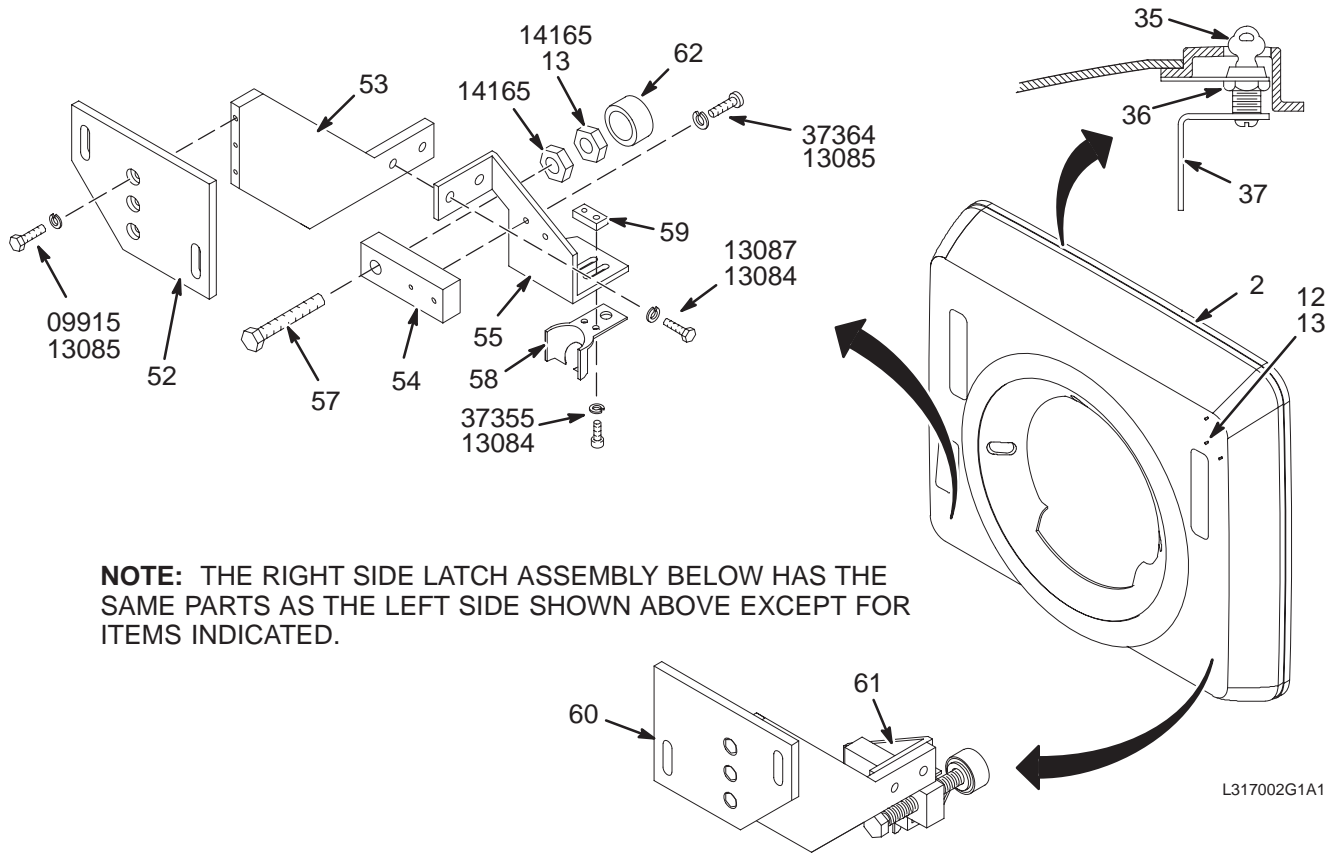
2120888 FRU N

(PART OF 2118422-3 PAGE 2-7)
 (PART OF 2118422-5 PAGE 2-9)
 (PART OF 2118422-7 PAGE 2-11)
 (PART OF 2118422-9 PAGE 2-13)
 (PART OF 2118422-2 PAGE 2-28)
 (PART OF 2118422-4 PAGE 2-30)
 (PART OF 2118422-6 PAGE 2-32)
 (PART OF 2118422-8 PAGE 2-34)

Item	Part Number	FRU	Name	Quantity	Description (Remarks)
2	46-317002G1	N	FRONT COVER	1	UFI STANDARD FRONT FIBERGLASS COVER (SEE PAGE 2-49)
9	2122268-3	1	PAC-II ASSY	1	PHYSIOLOGICAL ACQUISITION CONTROLLER (SEE PG 2-99)
10	2120887	2	CONE	1	FRONT COVER FIBERGLAS RING W/3 LENS
11	2124156	2	KNURLED KNOB	4	UFI FRONT COVER CONE SECURING KNOB
12	2109879-2	2	WASHER	4	M6 FLAT WASHER, 18MM DIA, 1,6MM SST
14	2120458	N	OPR BP/D KIT	1	OPERATOR BUTTON PANEL/DISPLAY&CABLES (SEE PG 2-50)
15	2142724	2	MEATBALL	1	FRONT COVER GE LOGO INJECTION MOLDED
15A	2135885	2	LABEL PT	ALT	COVER G.E. LOGO PLATE
16	46-328000G932	2	CABLE ASM	1	MG2-A11-A1-J2 TO RUN 716
40	2109866-12	2	SCREW	4	M6X20 SST HEX HEAD SCREW
41	2109878-3	2	WASHER	4	M6 FLAT WASHER, 12MM OD, 1.6MM, SST
42	46-208935P4	2	NUT	16	4-40, 1/4" HEX X .093 THK, BRASS
43	1000904P142	2	WASHER	16	ID 0.1495, OD 0.438, THK .016, BRASS

FRONT COVER

46-317002G1



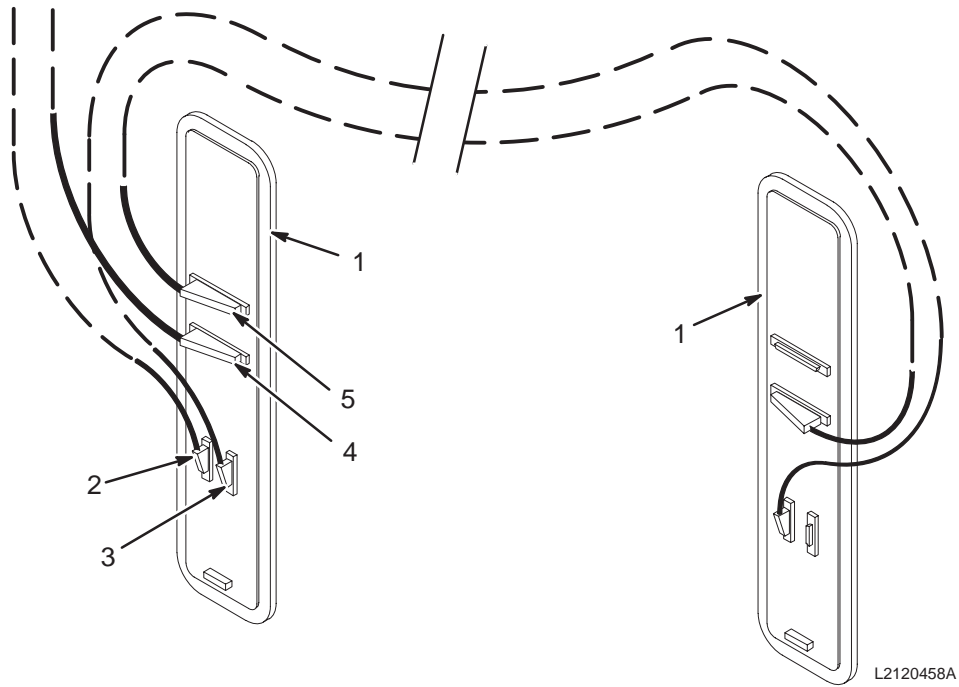
NOTE: THE RIGHT SIDE LATCH ASSEMBLY BELOW HAS THE SAME PARTS AS THE LEFT SIDE SHOWN ABOVE EXCEPT FOR ITEMS INDICATED.

L317002G1A1

FRONT COVER 46-317002G1 FRU N (PART OF 2120888 PAGE 2-47)

Item	Part Number	FRU	Name	Quantity	Description (Remarks)
2	2118415	N	FRONT COVER	1	USE 46-317002G2 AS FIELD REPLACEMENT
12	46-251997P1	2	STUD-COVER	8	5/16-18 X 1-3/4, SST
13	46-170686P3	2	ADHESIVE	AR	LOCTITE 242, 50CC
35	46-251584P2	2	MECHANICAL/M	1	BRASS AND ZINC LOCK W/2 BRASS KEYS
36	46-251585P1	2	NUT	1	NUT
37	46-258424P1	2	PAWL LOCK	1	COVER LOCK SWINGING BRACKET
52	46-271855P2	2	PLATE	1	LOWER CORNER MOUNTING PLATE
53	46-271858P1	2	PLATE	2	BUMPER AND KEEPER BRACKET MOUNT ARM
54	46-271854P1	2	BLOCK	2	BUMPER ADJUST SCREW SUPPORT
55	46-271857P1	2	BRACKET	1	FLEX-LATCH KEEPER AND BUMPER MOUNT
57	46-208932P43	2	SCREW	2	1/2-13 X 4.00 THREAD TO HEAD 18-8
58	46-251360P2	2	MECHANICAL/M	2	FLEX LATCH KEEPER
59	46-251307P1	2	NUT PLATE	2	10-32 THREAD, TWO HOLES, .5" SPACING
60	46-271855P1	2	PLATE	1	LOWER CORNER MOUNTING PLATE
61	46-271857P2	2	BRACKET	1	FLEX-LATCH KEEPER AND BUMPER MOUNT
62	46-328574P2	2	SPRING	2	SPRING COMPRESSION 22.225 MM 22.225
9915	46-221922P6	2	SCREW	6	10-32 X 1/2" HEX HD, SST 18-8
13084	46-220196P5	2	WASHER	8	5/16" SCREW SIZE (0.313), SST
13085	46-220196P3	2	WASHER	14	#10 SCREW SIZE (0.190), SST
13087	46-208932P3	2	SCREW	4	5/16-18 X 3/4", 18-8 SST
13088	46-208932P11	2	SCREW	4	5/16-18 X 1", HEX HD, 18-8 SST
14165	46-208948P3	2	NUT	4	1/2-13, 3/4" HEX, 7/16" THK 18-8 SST
18867	12-280	2	WASHER	4	ID 0.336, OD 0.75, THK .064, BRASS
36427	46-208560P93	2	SCREW	1	5/16-18 X 3/8". BIND HEAD, 18-8 SST
37355	46-208737P12	2	SCREW	4	10-32 X 1/2", HEX SOC HEAD, 18-8 SST
37364	46-208560P102	2	SCREW	4	10-32 X 5/8", BIND HEAD, 18-8 SST
58925	1000904P419	2	WASHER	1	ID 0.328, OD 0.5, THK .016, B11H89C

OPERATOR BUTTON PANEL & DISPLAY/CABLE ASM2120458



BUTTON PANEL & DISPLAY ASM

2120458 FRU N

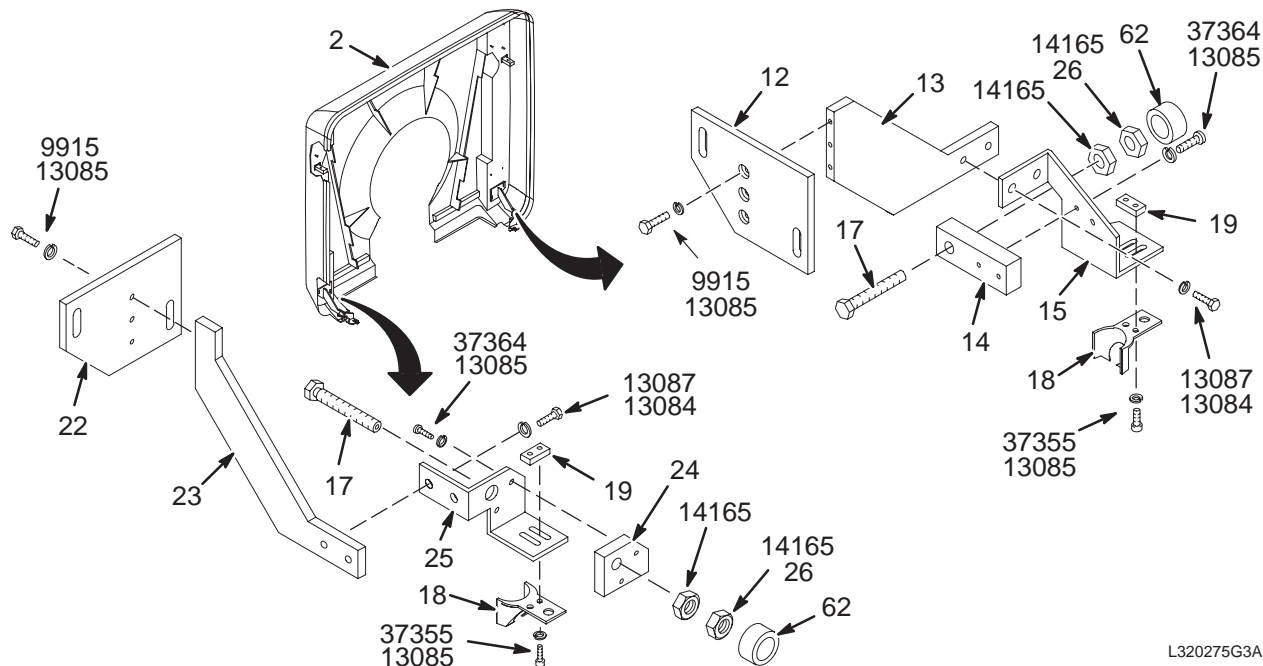
(PART OF 2120888 PAGE 2-47)

(PART OF 2120889 PAGE 2-87)

Item	Part Number	FRU	Name	Quantity	Description (Remarks)
1	2120458-2	1	BP/D MODULE	2	OPERATOR CONTROL/DISPLAY MODULE
2	2120458-3	2	CABLE FRU	1	CABLE, MG2-A33-J4 TO MG2-A4-J3
3	2120458-4	2	CABLE FRU	1	CABLE, MG2-A4-J2 TO MG2-A5-J3
4	2120458-5	2	CABLE FRU	1	CABLE, MG2-A33-J5,6,7,8,9 TO MG2A4-J4
5	2120458-6	2	CABLE FRU	1	CABLE, MG2-14-J5 TO MG2-A5-J4

REAR COVER ASM

46-320275G3



L320275G3A

REAR COVER ASM

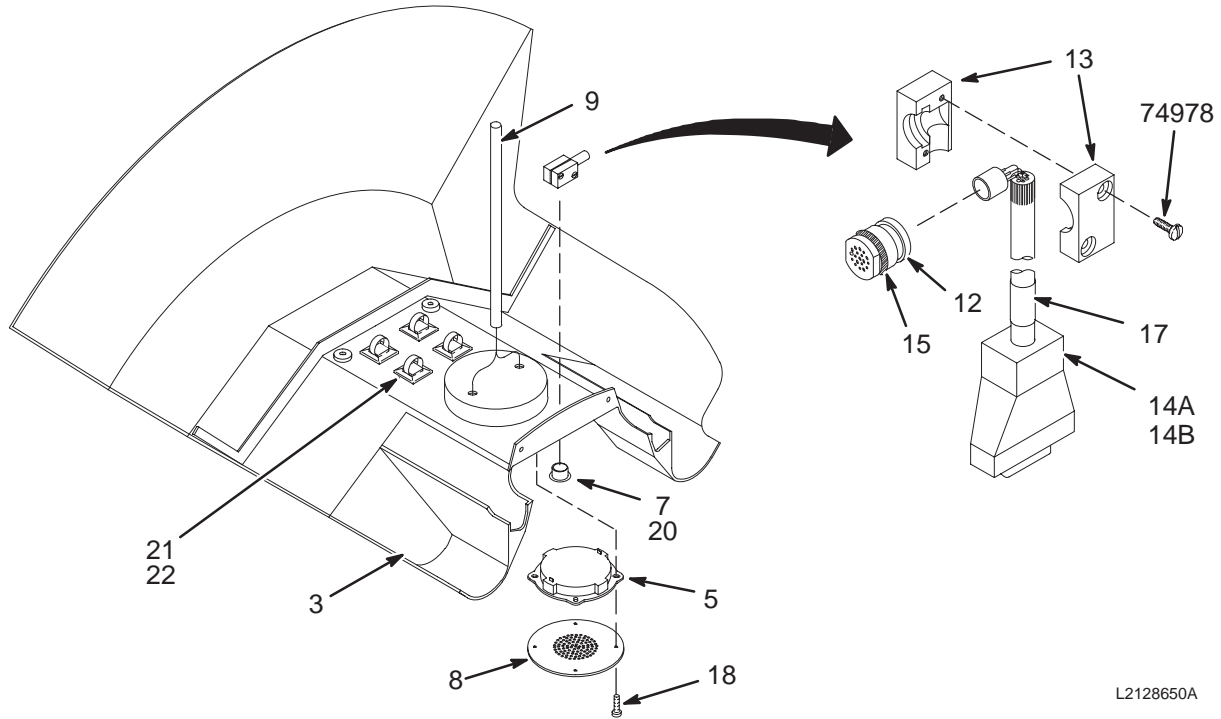
46-320275G3 FRU N

(PART OF 2118422-3 PAGE 2-7)
 (PART OF 2118422-5 PAGE 2-9)
 (PART OF 2118422-7 PAGE 2-11)
 (PART OF 2118422-9 PAGE 2-13)

Item	Part Number	FRU	Name	Quantity	Description (Remarks)
2	46-320517P1	2	REAR COVER	1	FIBERGLAS COVER W/IMBEDDED PLATES
12	46-271855P2	2	PLATE	1	LOWER CORNER MOUNTING PLATE
13	46-271858P1	2	PLATE	1	BUMPER AND KEEPER BRACKET MOUNT ARM
14	46-271854P1	2	BLOCK	1	BUMPER ADJUST SCREW SUPPORT
15	46-271857P1	2	BRACKET	1	FLEX-LATCH KEEPER AND BUMPER MOUNT
16	46-251156G1	2	PAD	2	1.2" DIA, .62" THK. URETHANE, BLACK
17	46-208932P43	2	SCREW	2	1/2-13 X 4.00 THREAD TO HEAD 18-8
18	46-251360P2	2	FLEX LATCH	2	FLEX LATCH KEEPER
19	46-251307P1	2	NUT PLATE	2	10-32 THREAD, TWO HOLES, .5" SPACING
22	46-320118P1	2	MTG. PLATE	1	LOWER CORNER MOUNTING PLATE
23	46-320079P1	2	MTG BRACKET	1	BUMPER AND KEEPER BRACKET MOUNT ARM
24	46-320052P1	2	MTG BLOCK	1	BUMPER ADJUST SCREW SUPPORT
25	46-320078P1	2	BRACKET	1	FLEX-LATCH KEEPER AND BUMPER MOUNT
26	46-170686P3	2	ADHESIVE	AR	LOCTITE 242, 50CC
62	46-328574P2	2	SPRING	2	SPRING COMPRESSION 22.225 MM 22.225
9915	46-221922P6	2	SCREW,MACH	6	10-32 X 1/2" HEX HD, SST 18-8
13084	46-220196P5	2	WASHER,LOCK	8	5/16" SCREW SIZE (0.313), SST
13085	46-220196P3	2	WASHER,LOCK	14	#10 SCREW SIZE (0.190), SST
13087	46-208932P3	2	SCREW,CAP	4	5/16-18 X 3/4", 18-8 SST
13088	46-208932P11	2	SCREW,CAP	4	5/16-18 X 1", HEX HD, 18-8 SST
14165	46-208948P3	2	NUT,HEX	2	1/2-13, 3/4" HEX, 7/16" THK 18-8 SST
18867	12-280	2	WASHER	4	ID 0.336, OD 0.75, THK .064, BRASS
37355	46-208737P12	2	SCREW,CAP	4	10-32 X 1/2", HEX SOC HEAD, 18-8 SST
37364	46-208560P102	2	SCREW,MACH	4	10-32 X 5/8", BIND HEAD, 18-8 SST

PATIENT COMFORT MODULE

2128650



L2128650A

PATIENT COMFORT MODULE

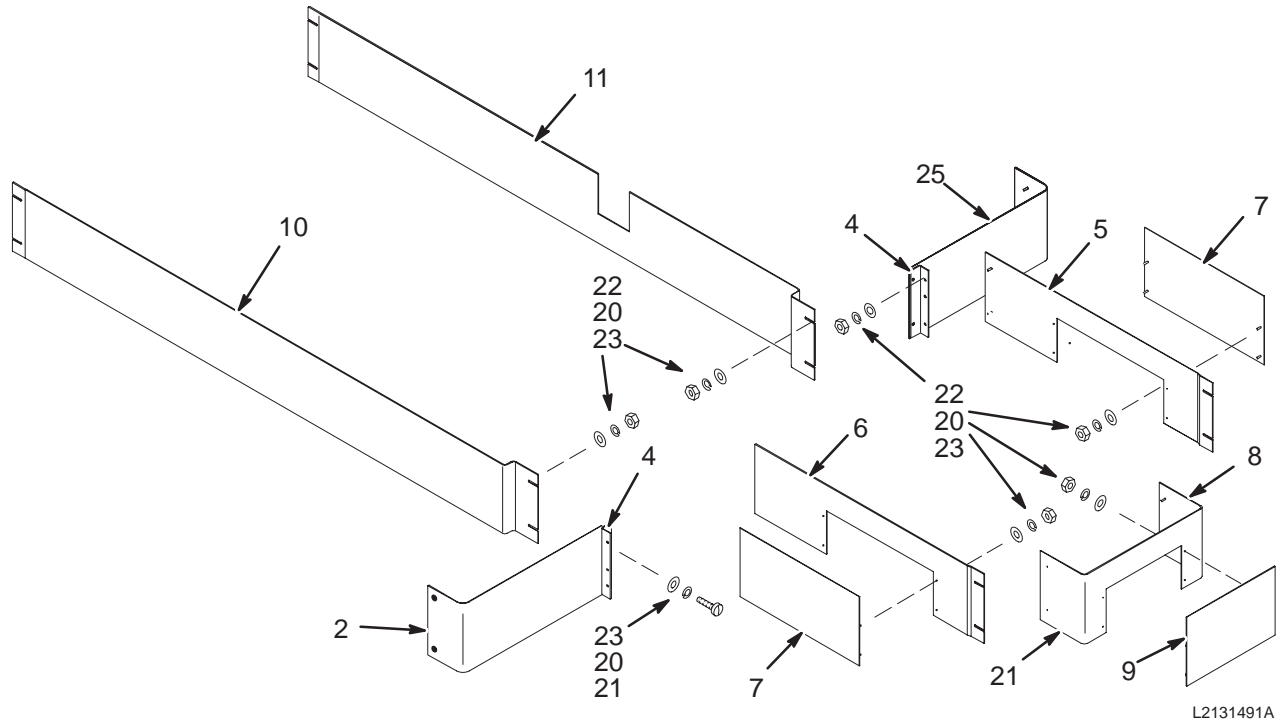
2128650 FRU N

(PART OF 2118422-3 PAGE 2-7)
 (PART OF 2118422-5 PAGE 2-9)
 (PART OF 2118422-7 PAGE 2-11)
 (PART OF 2118422-9 PAGE 2-13)
 (PART OF 2118422-2 PAGE 2-28)
 (PART OF 2118422-4 PAGE 2-30)
 (PART OF 2118422-6 PAGE 2-32)
 (PART OF 2118422-8 PAGE 2-34)

Item	Part Number	FRU	Name	Quantity	Description (Remarks)
3	2126806	2	COMFORT MOD	1	COMFORT MOD UFI
5	46-221773P2	2	SPEAKER	1	SPEAKER, PIEZOELECTRIC, 3.2" SQUARE
7	46-221523P26	2	BUTTON,PLUG	1	VENT PLUG, WHITE, 7/8 DIA.
8	46-287121P1	2	GRILL	1	SPEAKER GRILL, ALUMINUM MIST GRAY
9	46-317252G1	2	CABLE ASM	1	COMFORT MODULE SPEAKER CABLE
12	46-317134P1	N	MIKE HOUSING	1	USE 46-317109G1 AS FIELD REPLACEMENT
13	46-317135P1	N	CABLE CLAMP	1	USE 46-317109G1 AS FIELD REPLACEMENT
14A	46-317157G2	N	CABLE ASM.	1	USE 46-317109G1 AS FIELD REPLACEMENT
14B	46-317157G1	N	CABLE ASM.	ALT	USE 46-317109G1 AS FIELD REPLACEMENT
15	46-136374P65	2	O-RING	1	WIDTH .07, ID 0.551, DUROMETER A 70
17	46-251905P208	2	CABLE LABEL	1	MG3-A2-J7 REAR MIKE 46-317109G1
18	2136944	2	SCREW,NYLON	4	M4 X 7 FLAT HEAD SLOTTED NYLON
20	46-170617P2	2	ADHESIVE	AR	RTV SILICON RUBBER ADHESIVE SEALANT.
21	46-208747P1	2	VIBRATION IS	4	CABLE TIE,ADH.BACKED
22	46-208758P2	2	TY-RAP	4	5.5" X .140" SELF-LOCKING CABLE TIE.
74978	46-208560P11	2	SCREW,MACH	2	6-32 X 5/8" BIND HEAD, SST 18-8

ENCLOSURE TRIM PANELS KIT

2131491



L2131491A

ENCLOSURE TRIM PANELS

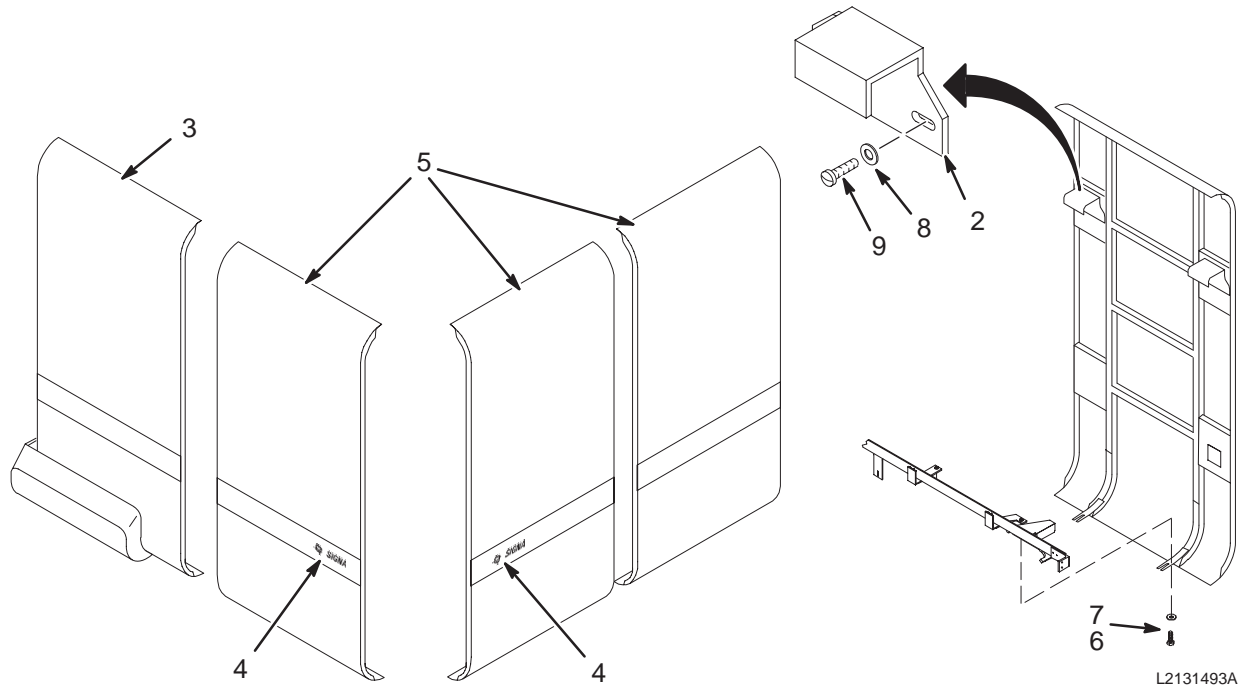
2131491 FRU N

(PART OF 2118422-3 PAGE 2-7)
 (PART OF 2118422-5 PAGE 2-9)
 (PART OF 2118422-7 PAGE 2-11)
 (PART OF 2118422-9 PAGE 2-13)

Item	Part Number	FRU	Name	Quantity	Description (Remarks)
2	2344253	2	TRIM REAR	2	ENCLOSURE REAR LEFT/RIGHT TRIM SKIRT
4	46-243681P1	2	ANGLE	2	RIGHT ANGLE CORNER BRACKET, 9 X 1.5"
5	46-243689G1	2	BASE TRIM SD	1	REAR PEDESTAL, LEFT SIDE SKIRT
6	46-243689G3	2	BASE TRIM SD	1	REAR PEDESTAL, RIGHT SIDE SKIRT
7	46-251686G1	2	TRIM COVER	2	PEDESTAL SIDE CABLE ACCESS PANEL
8	46-243692G1	2	BASE TRIM RR	1	REAR PEDESTAL, REAR TRIM SKIRT
9	46-251684G1	2	TRIM COVER	1	REAR SKIRT CABLE ACCESS PANEL
10	46-282115G1	2	BASE TRIM SD	1	ENCLOSURE LEFT SIDE SKIRT, 83" LONG
11	46-282115G2	2	BASE TRIM SD	1	ENCLOSURE RIGHT SIDE SKIRT, 83" LONG
20	46-220196P3	2	WASHER, LOCK	34	#10 SCREW SIZE (0.190), SST
21	46-208560P102	2	SCREW, MACH	4	10-32 X 5/8", BIND HEAD, 18-8 SST
22	46-208938P5	2	NUT, HEX, MS	34	10-32, 3/8" HEX X .130 THK, 18-8 SST
23	1000904P425	2	WASHER, FLAT	34	0.2 ID, 0.5 OD, .04 THK, B11H89C
25	2344253-2	2	TRIM REAR	2	ENCLOSURE REAR LEFT/RIGHT TRIM SKIRT

ENCLOSURE SIDE COVERS

2131493



L2131493A

ENCLOSURE SIDE COVERS

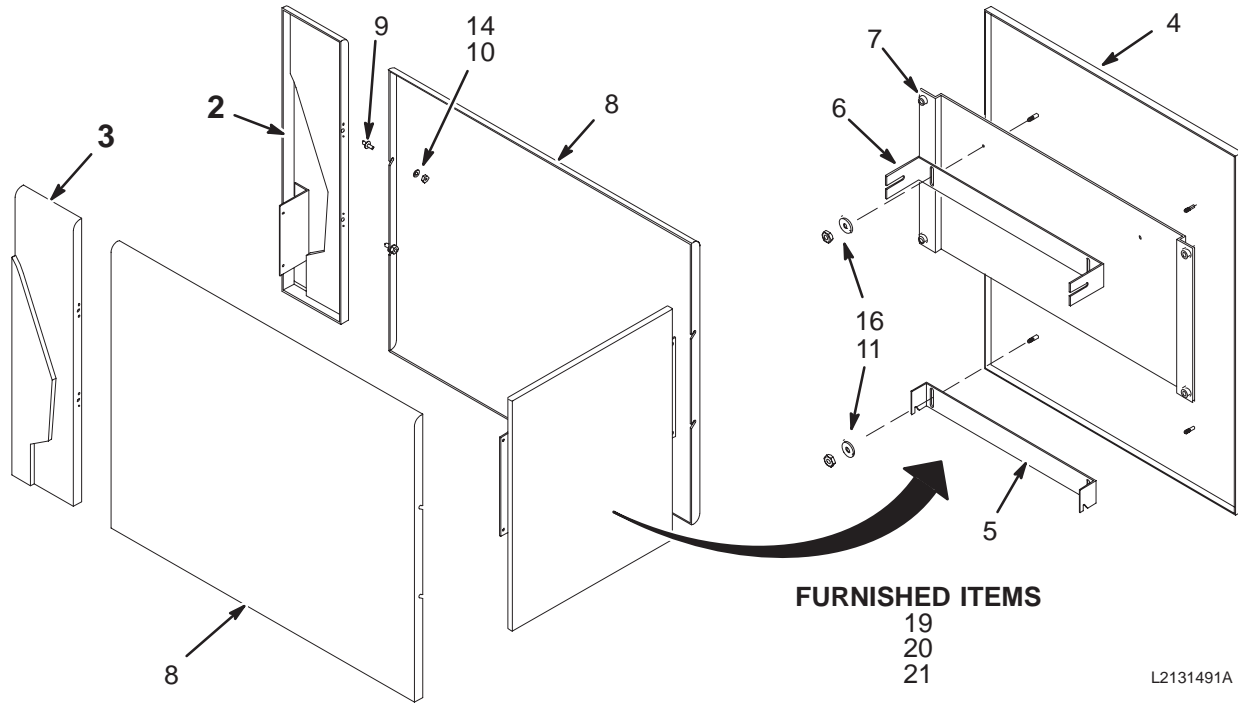
2131493 FRU N

(PART OF 2118422-3 PAGE 2-7)
 (PART OF 2118422-5 PAGE 2-9)
 (PART OF 2118422-7 PAGE 2-11)
 (PART OF 2118422-9 PAGE 2-13)

Item	Part Number	FRU	Name	Quantity	Description (Remarks)
2	46-255133P1	2	BRACKET	8	MAGNET ENCLOSURE SIDE COVER HANGER
3	46-317950P1	2	SIDE COVER	1	ENCLOSURE LEFT REAR SIDE COVER
4	46-287648P1	2	SIGNA DECAL	2	GE MONOGRAM AND SIGNA, GREY
5	46-320249P1	2	SIDE COVER	3	MAGNET ENCLOSURE SIDE COVER
6	46-208932P1	2	SCREW,CAP	8	1/4-20 X 3/4, 18-8 SST
7	12-241	2	WASHER	8	ID 0.266, OD 0.75, THK .051, BRASS
8	1000904P446	2	WASHER,FLAT	16	ID 0.266, OD 0.68, THK .05, B7A34C
9	46-208932P5	2	SCREW,CAP	16	1/4-20 X 5/8" HEX HEAD. 18-8 SST

ENCLOSURE REAR PEDESTAL COVERS

2131492



L2131491A

REAR PEDESTAL COVERS

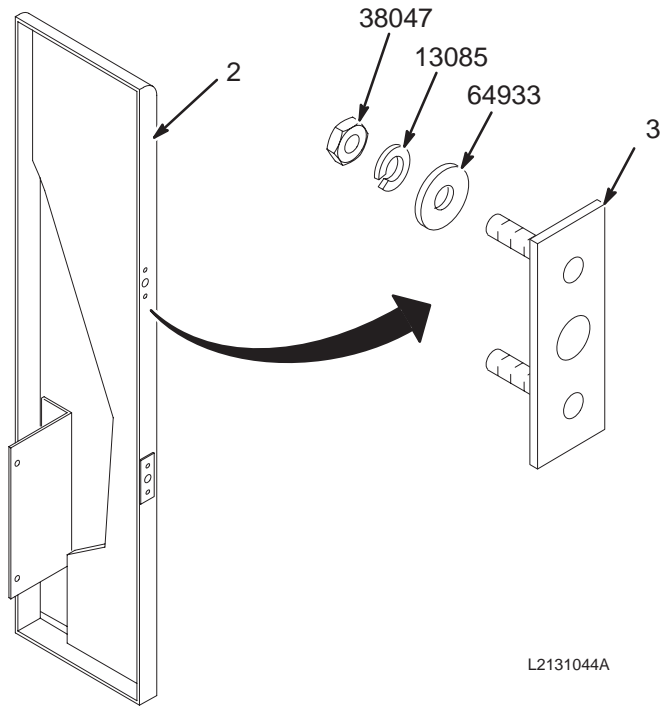
2131492 FRU N

(PART OF 2118422-3 PAGE 2-7)
 (PART OF 2118422-5 PAGE 2-9)
 (PART OF 2118422-7 PAGE 2-11)
 (PART OF 2118422-9 PAGE 2-13)

Item	Part Number	FRU	Name	Quantity	Description (Remarks)
2	2131044	N	COVER ASM	1	RIGHT REAR SIDE COVER ASM, UFI STD (SEE PAGE 2-56)
3	2131045	N	COVER ASM	1	LEFT REAR SIDE COVER ASM, UFI STD (SEE PAGE 2-57)
4	46-320523P1	2	REAR COVER	1	PEDESTAL REAR COVER
5	46-287228P1	2	BRCKT R C B	1	BRACKET, REAR COVER BOTTOM
6	46-287227P1	2	BRCKT R C T	1	BACK COVER ATTACHING
7	2124053	2	BKT, SCD	1	BRACKET, REAR COVER (DOGHOUSE)
8	46-282124P1	2	COVER SIDE	2	REAR PEDESTAL SIDE COVER, FIBERGLAS
9	46-287233P1	2	PIN, GUIDE	4	REAR PEDESTAL SIDE COVER MOUNTING
10	46-208935P9	2	NUT,HEX,MS	8	5/16-18, .563 HEX X .219 THK, BRASS
11	46-208935P7	2	NUT,HEX,MS	4	10-32, 3/8 HEX, 1/8" THICK, BRASS
12	46-265486P15	2	SCREW,MACH	4	5/16-18 X 1 PAN HEAD, DELRIN NATURAL
13	46-220196P3	2	WASHER,LOCK	2	#10 SCREW SIZE (0.190), SST
14	12-280	2	WASHER	8	ID 0.336, OD 0.75, THK .064, BRASS
15	46-208560P102	2	SCREW,MACH	2	10-32 X 5/8", BIND HEAD, 18-8 SST
16	1000904P425	2	WASHER,FLAT	6	0.2 ID, 0.5 OD, 04 THK, B11H89C
19	46-208932P3	2	SCREW,CAP	4	5/16-18 X 3/4", 18-8 SST
20	46-220196P5	2	WASHER,LOCK	4	5/16" SCREW SIZE (0.313), SST
21	2109878-3	2	WASHER	4	M6 FLAT WASHER, 12MM OD, 1.6MM, SST

RIGHT SIDE PEDESTAL COVER

2131044



L2131044A

RT SIDE PEDESTAL COVER

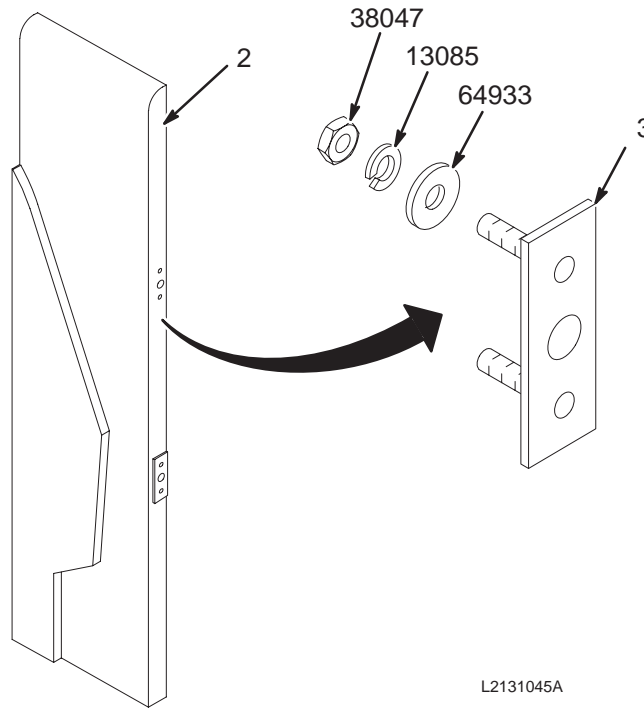
2131044 FRU N

(PART OF 2131492 PAGE 2-55)

Item	Part Number	FRU	Name	Quantity	Description (Remarks)
2	2114462	2	COVER	1	RIGHT SIDE REAR PEDESTAL COVER
3	46-287234G1	2	PIN SUPPORT	2	REAR PEDESTAL COVER GUIDE PIN INSERT
13085	46-220196P3	2	WASHER,LOCK	4	#10 SCREW SIZE (0.190), SST
38047	46-208938P5	2	NUT,HEX,MS	4	10-32, 3/8" HEX X .130 THK, 18-8 SST
64933	1000904P425	2	WASHER,FLAT	4	0.2 ID, 0.5 OD, .04 THK, B11H89C

LEFT SIDE REAR PEDESTAL COVER

2131045



L2131045A

LT SIDE PEDESTAL COVER

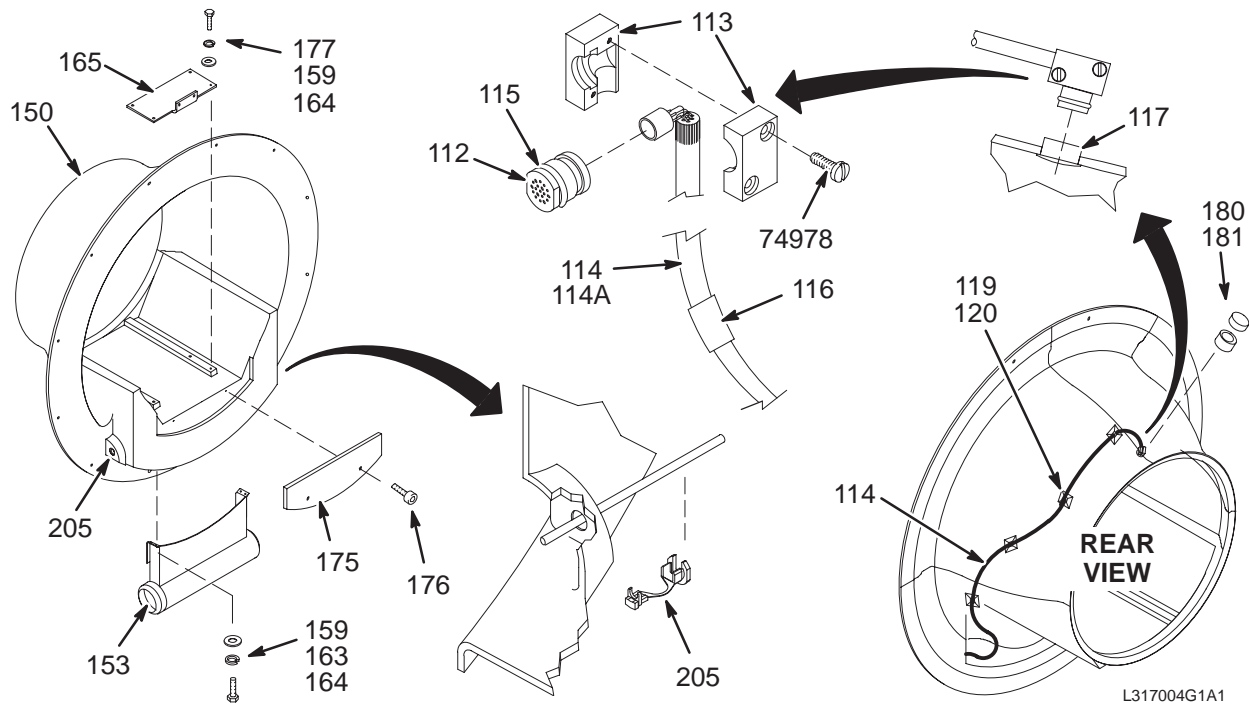
2131045 FRU N

(PART OF 2131492 PAGE 2-55)

Item	Part Number	FRU	Name	Quantity	Description (Remarks)
2	2114463	2	COVER	1	LEFT SIDE REAR PEDESTAL COVER
3	46-287234G1	2	PIN SUPPORT	2	REAR PEDESTAL COVER GUIDE PIN INSERT
13085	46-220196P3	2	WASHER,LOCK	4	#10 SCREW SIZE (0.190), SST
38047	46-208938P5	2	NUT,HEX,MS	4	10-32, 3/8" HEX X .130 THK, 18-8 SST
64933	1000904P425	2	WASHER,FLAT	4	0.2 ID, 0.5 OD, .04 THK, B11H89C

STANDARD FRONT END BELL ASM

46-317004G1



L317004G1A1

FRONT END BELL ASM

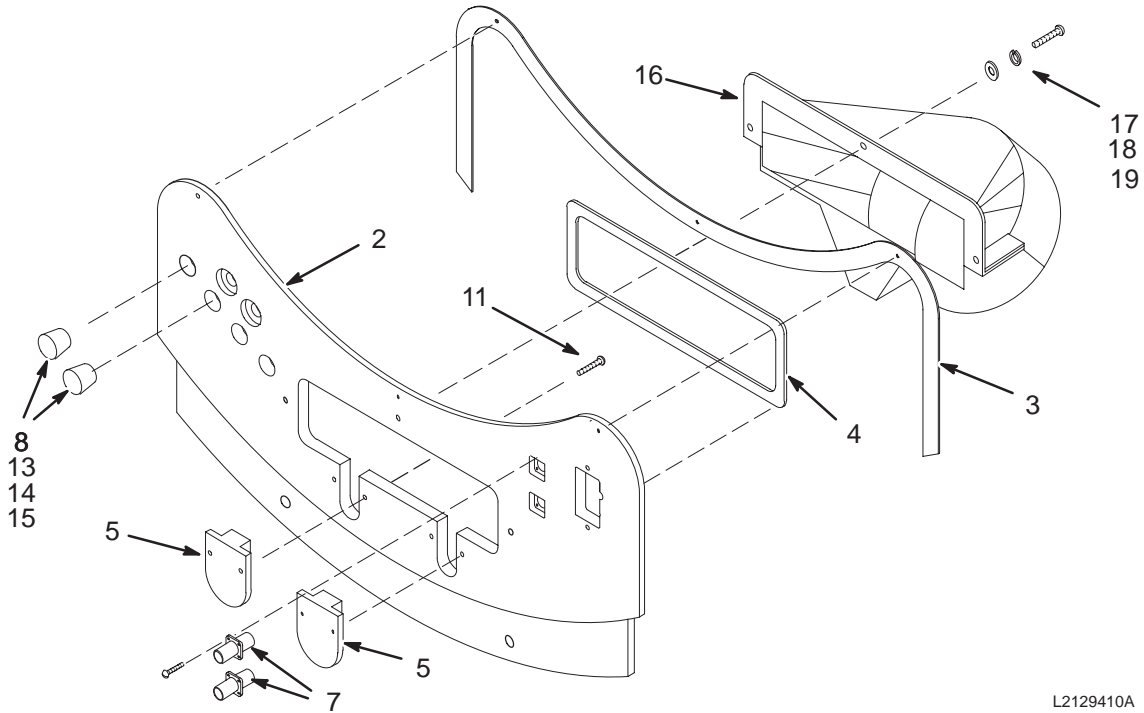
46-317004G1 FRU N

(PART OF 2118422-ODD PAGE 2-7 THRU 2-13)
(PART OF 2118422-EVEN PAGE 2-28 THRU 2-34)

Item	Part Number	FRU	Name	Quantity	Description (Remarks)
112	46-317134P1	N	MIKE HOUSING	1	USE 46-317109G1 AS FIELD REPLACEMENT
113	46-317135P1	N	CABLE CLAMP	1	USE 46-317109G1 AS FIELD REPLACEMENT
114	46-317157G2	N	CABLE ASM.	1	USE 46-317109G1 AS FIELD REPLACEMENT
114A	46-317157G1	N	CABLE ASM.	ALT	USE 46-317109G1 AS FIELD REPLACEMENT
115	46-136374P65	2	O-RING	1	WIDTH .07, ID 0.551, DUROMETER A 70
116	46-251905P207	2	CABLE LABEL	1	MG2-A35, FRONT MIKE, 46-317109G1
117	46-221523P26	2	BUTTON,PLUG	1	VENT PLUG, WHITE, 7/8 DIA.
118	46-170617P2	2	COMPOUND	AR	RTV SILICON RUBBER ADHESIVE SEALANT.
119	46-208747P1	2	MOUNT	4	CABLE TIE,ADH.BACKED
120	46-208758P2	2	STRAP	4	5.5" X .140" SELF-LOCKING CABLE TIE.
150	2120885	2	END BELL	1	FRONT END BELL STD N.L.
153	2195497	2	PLENUM,FRONT	1	FRT AIR PLENUM W.B.
159	2109880-3	2	WASHER, LK	8	M6 SST SPRING LOCK WASHER
163	2109873-25	2	PAN HD SCREW	4	M6X16 SST CROSS RECESSED PAN HD SCR
164	2109878-3	2	WASHER	8	M6 FLAT WASHER, 12MM OD, 1.6MM SST
165	2121451	2	BRACKET	1	FRT BRIDGE BRKT LOWER
175	2121932	2	PANEL	1	N. L. END BELL PANEL
176	2109873-27	2	PAN HD SCREW	2	M6X25 SST CROSS RECESSED PAN HD SCR
177	2109866-12	2	SCREW,HEX HD	4	M6X20 SST HEX HEAD SCREW/BOLT
180	2145725	2	TOP BARRIER	1	MICROPHONE TOP SOUND BARRIER
181	2145724	2	SIDE BARRIER	1	MICROPHONE SIDE SOUND BARRIER
205	2138233	2	BUSHING	2	STRAIN RELIEF BUSHING
74978	46-208560P111	2	SCREW,MACH	2	6-32 X 5/8" BIND HEAD, SST 18-8

REAR BULKHEAD UFI ASM

2129410



L2129410A

REAR BULKHEAD UFI ASM

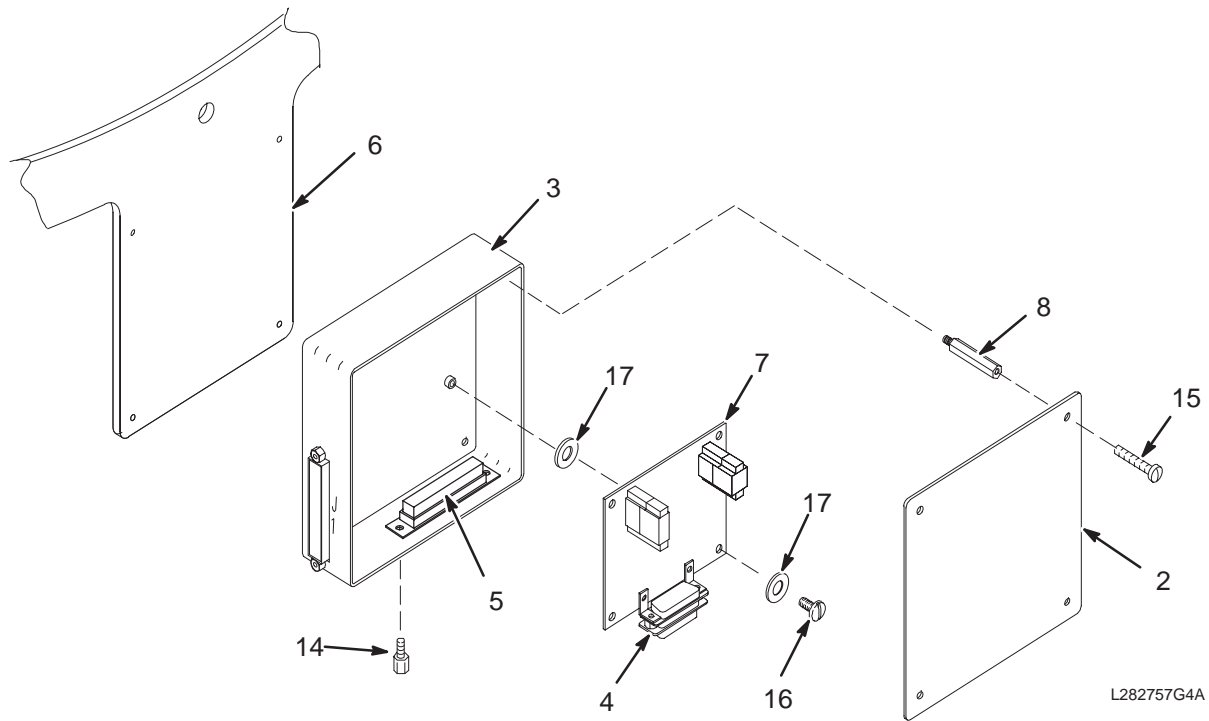
2129410 FRU N

(PART OF 2118422—ODD PAGE 2-7 THRU 2-13)
 (PART OF 2118422—EVEN PAGE 2-28 THRU 2-34)
 (PART OF 2118423 PAGE 2-67)
 (PART OF 2118423-2 PAGE 2-69)

Item	Part Number	FRU	Name	Quantity	Description (Remarks)
2	2128865	2	BULKHEAD	1	BULKHEAD PLATE
3	2129537	2	GASKET	1	GASKET, BULKHEAD
4	2125015	2	GASKET	1	GASKET, DUCT, AIR, REAR
5	2128867	2	PLUG	2	PLUG, CLOSED, 1 INCH
7	2112592	2	MHV ST ADAPT	2	JACK TO JACK STRAIGHT ADAPTER
8	2128871	2	PLUG	2	PLUG, .75 DIA
11	2109874-12	2	FLT HD SCREW	4	M4X16 SST CROSS REC'D C'SK FLT HD
13	2128866	2	PLUG	2	PLUG, OPEN, 1 INCH
14	2128868	2	PLUG	1	PLUG, OPEN, .5 INCH
15	2128869	2	PLUG	1	PLUG, OPEN, SMALL
16	2113675	2	PLENUM	1	PLENUM 600 MM REAR
17	2109880-3	2	WASHER, LK	3	M6 SST SPRING LOCK WASHER
18	2109873-25	2	PAN HD SCREW	3	M6X16 SST CROSS RECESSED PAN HD SCR
19	2109878-3	2	WASHER	3	M6 FLAT WASHER, 12MM OD, 1.6MM SST

DOCK CONTROL ASM

46-282757G4



DOCK CONTROL ASM

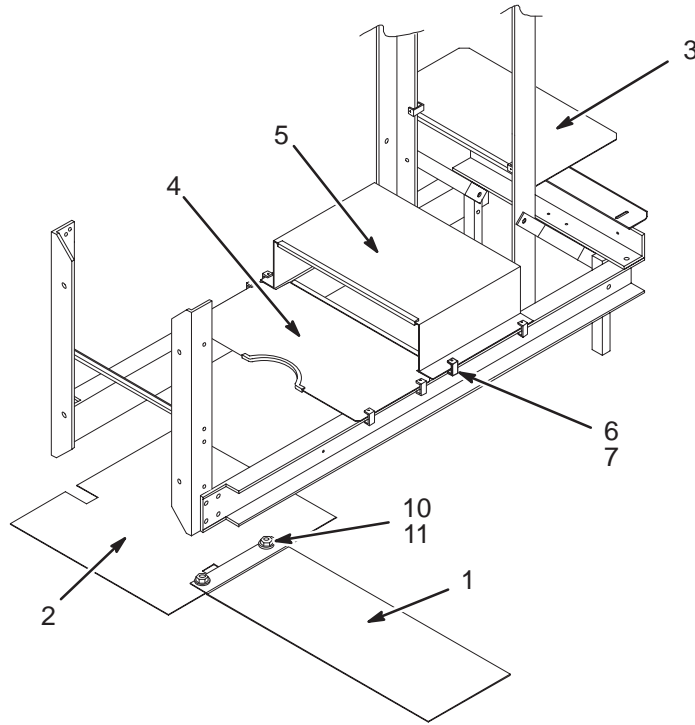
46-282757G4 FRU N

(PART OF 2118422-ODD PAGE 2-7 THRU 2-13)
 (PART OF 2118422-EVEN PAGE 2-28 THRU 2-34)
 (PART OF 2118423 PAGE 2-67)
 (PART OF 2118423-2 PAGE 2-69)

Item	Part Number	FRU	Name	Quantity	Description (Remarks)
2	46-282320P1	2	COVER	1	5" X 5" BOX COVER, ALUMINUM
3	46-282405G1	2	BOX	1	DOCK LIMIT MODULE BOX - EMPTY
4	46-282426G1	2	HARNESS	1	DOCK LIMIT SWITCH BOARD J1
5	46-282427G1	2	HARNESS	1	DOCK LIMIT SWITCH BOARD J2 AND J3
6	2129109	2	RING SEGMENT	1	LOWER RIGHT W/DOCK LIMIT MOUNT
7	46-264028G1	1	CIRCUIT BD	1	DOCK LIMIT SWITCH BOARD, MG2 A31 A1
8	46-208984P2	2	SPACER	4	HEX 1/4", EXT/INT THD 6-32, 1.5" LG
14	46-221417P2	2	SCREWLOCK	4	FEMALE SCREWLOCK FOR HD CONNECTORS
15	46-208921P5	2	SCREW,MACH	4	6-32 X 3/8", BRASS
16	46-208922P2	2	SCREW,MACH	4	6-32 X 3/16", NYLON
17	1000904P298	2	WASHER,FLAT	8	ID 0.1875, OD 0.375, THK .01, A1D2B

PEDESTAL DRIP PAN KIT

2143475



PEDESTAL DRIP PAN KIT

2143475 FRU N

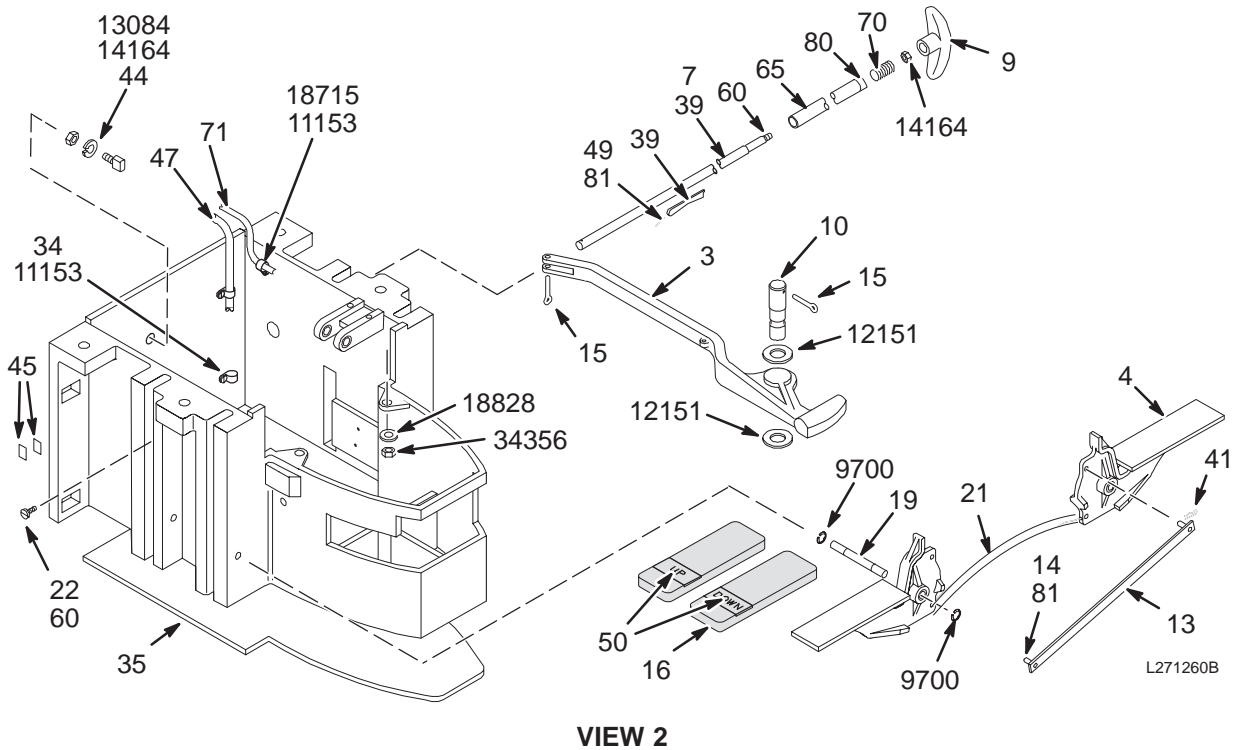
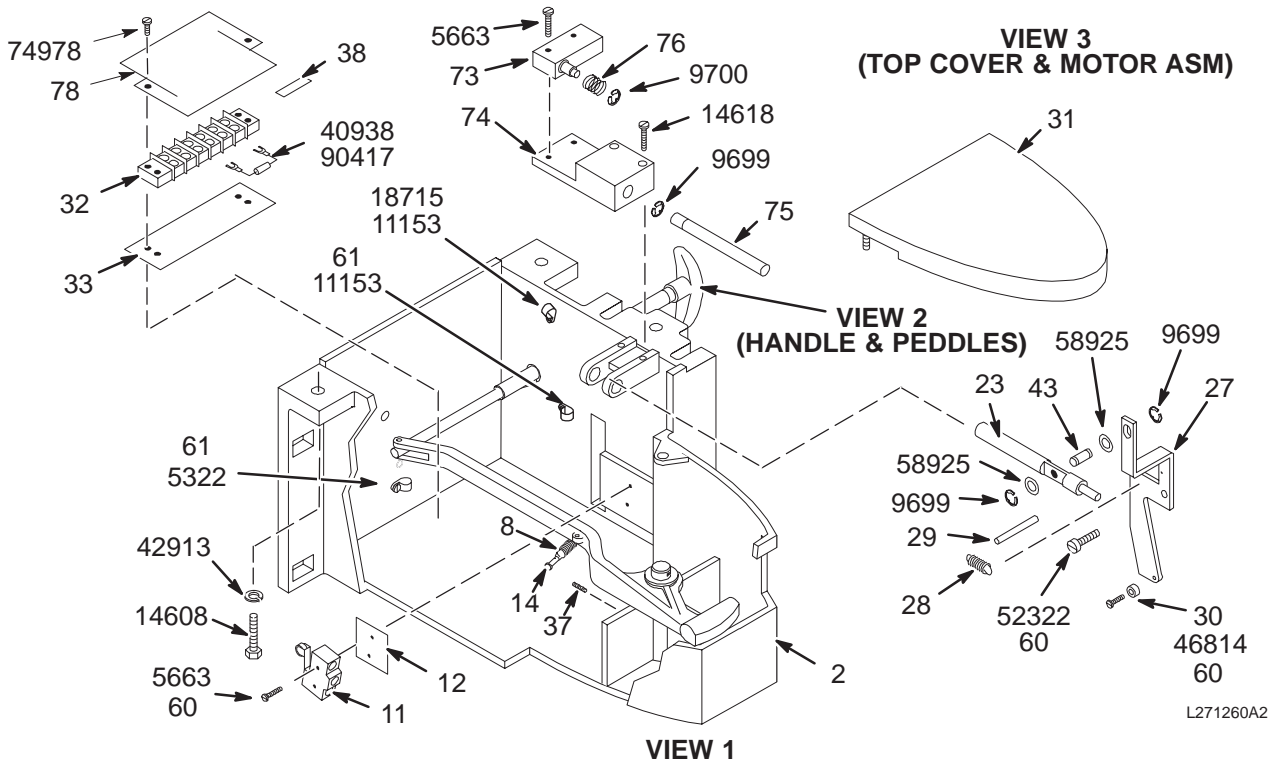
(PART OF 2118422-3 PAGE 2-7)
 (PART OF 2118422-5 PAGE 2-9)
 (PART OF 2118422-7 PAGE 2-11)
 (PART OF 2118422-9 PAGE 2-13)
 (PART OF 2118422-2 PAGE 2-28)
 (PART OF 2118422-4 PAGE 2-30)
 (PART OF 2118422-6 PAGE 2-32)
 (PART OF 2118422-8 PAGE 2-34)
 (PART OF 2118423 PAGE 2-67)
 (PART OF 2118423-2 PAGE 2-69)

Item	Part Number	FRU	Name	Quantity	Description (Remarks)
1	2139558	2	FLOOR PLATE	1	GRADIENT CABLE EXTENSION FLOOR PLATE
2	2139559	2	FLOOR PLATE	1	PEDESTAL FRONT FLOOR PLATE
3	2143041	2	SHIELD, REAR	1	REAR PEDESTAL BACK-UPPER SHIELD ASM
4	2143040	2	SHIELD,REAR	1	REAR PEDESTAL MID-SECTION SHIELD
5	2143073	2	SHIELD ASM	1	REAR PEDESTAL MID-FRONT SHIELD PLATE
6	2143074	2	C-CLAMP	10	C-CLAMP, REAR PEDESTAL SHIELD MOUNTS
7	2109873-15	2	SCREW	10	M4X12 SST CROSS RECESSED PAN HD SCR
10	2109877	2	NUT	2	M4 SST PREVAILING TORQUE HEX NUT
11	2109878-2	2	WASHER	2	M4 FLAT WASHER, 9MM OD, 0.8MM, SST

DOCK ASM

46-271260G1

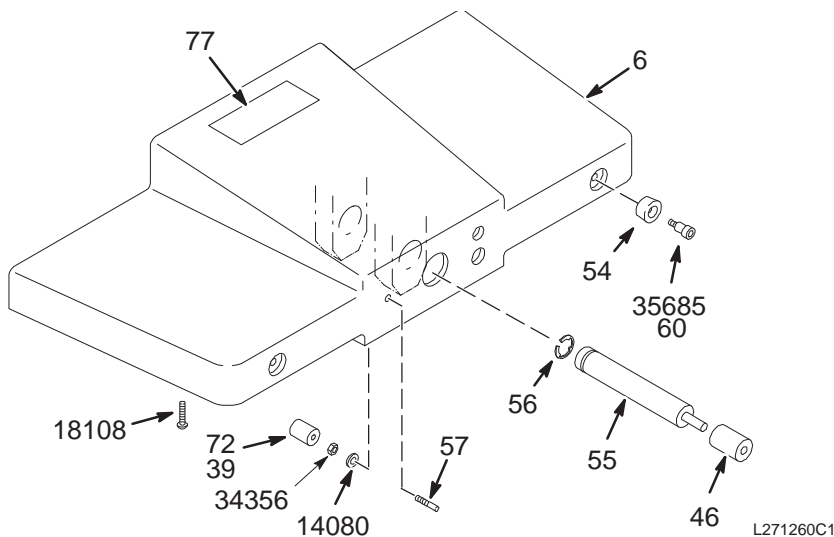
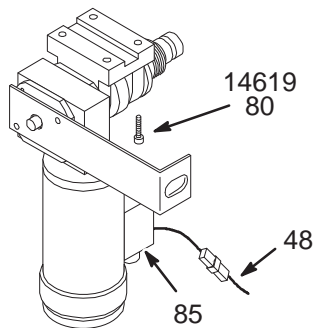
MG2 A29



DOCK ASM

46-271260G1

MG2 A29



VIEW 3

DOCK ASM

46-271260G1 FRU N

(PART OF 2118422-ODDS PAGE 2-7 THRU 2-13)
 (PART OF 2118422-EVENS PAGE 2-28 THRU 2-34)
 (PART OF 2118423 PAGE 2-67)
 (PART OF 2118423-2 PAGE 2-69)

Item	Part Number	FRU	Name	Quantity	Description (Remarks)
2	46-271405G1	N	DOCK ASM.	1	DOCK CASTING WITH BEARINGS
3	46-271123P1	2	LEVER ARM	1	DOCK HOOK EMERGENCY RELEASE ARM
4	46-271407G1	2	PEDAL ASM.	4	PEDAL CASTING WITH 3 BRONZE BEARINGS
6	46-271406G1	2	COVER ASM.	1	CASTING W/BEARINGS, NO WARNING LABEL
7	46-271248P1	2	ROD	1	EMERGENCY RELEASE LINKAGE ROD
8	46-221954P5	2	SPRING	1	OD .500 WIRE DIA .045 MAX LB
9	46-271266P1	2	TEE HANDLE	1	DOCK HOOK EMERGENCY RELEASE HANDLE
10	46-271249P1	2	PIN	1	DOCK HOOK RELEASE ARM PIVOT
11	46-136334P49	2	SWITCH	1	SPDT SNAP-ACTION SWITCH W/SCREW TER.
12	46-271251P1	2	INSULATOR	1	MOTOR ON SWITCH INSULATOR, FISHPAPER
13	46-271270G1	2	BAR ASM	2	PEDAL LINKAGE BAR AND PIN ASSEMBLY
14	46-221304P7	2	PIN	1	0.188 DIA X 0.65 TOTAL LENGTH
15	46-221828P7	2	PIN,COTTER	2	0.125 DIA X 1.500 LG SST
16	46-265905P1	2	FOOT PAD	4	FOOT PEDAL PAD
19	46-265887P5	2	SHAFT	2	PEDAL ASM PIVOT SHAFT
21	46-271152P1	2	SPRING	2	10.42" AUSTENITIC STN. STEEL WIRE
22	46-220437P1	2	BUMPER	2	ATLANTIC INDIA 827-S-120 W/1/2 STUD
23	46-271255P1	2	ROD	1	TABLE DOWN VALVE PUSH ROD
27	46-271256P1	2	BRACKET	1	TABLE DOWN PEDAL LINKAGE LEVER
28	46-221954P3	2	SPRING	1	OD .360 WIRE DIA .045 MAX LB
29	46-208735P86	2	PIN,SPRING	1	SPIROL .187 DIA X 1.75 LG
30	46-271257P1	2	ROLLER	1	DOWN PEDAL CAM ROLLER, NYLON
31	46-243341G1	2	BUMPER	1	FRONT COVER, CHARCOAL GREY URETHANE
32	46-315119P1	2	TERM. STRIP	1	06 POSITION TERMINAL STRIP
33	514A350P36	2	MARKER STR	1	6 POSITION MARKER STRIP
34	46-208718P5	2	CLAMP	2	1/2" ID LOOP TYPE,

Parts List Continued on Next Page

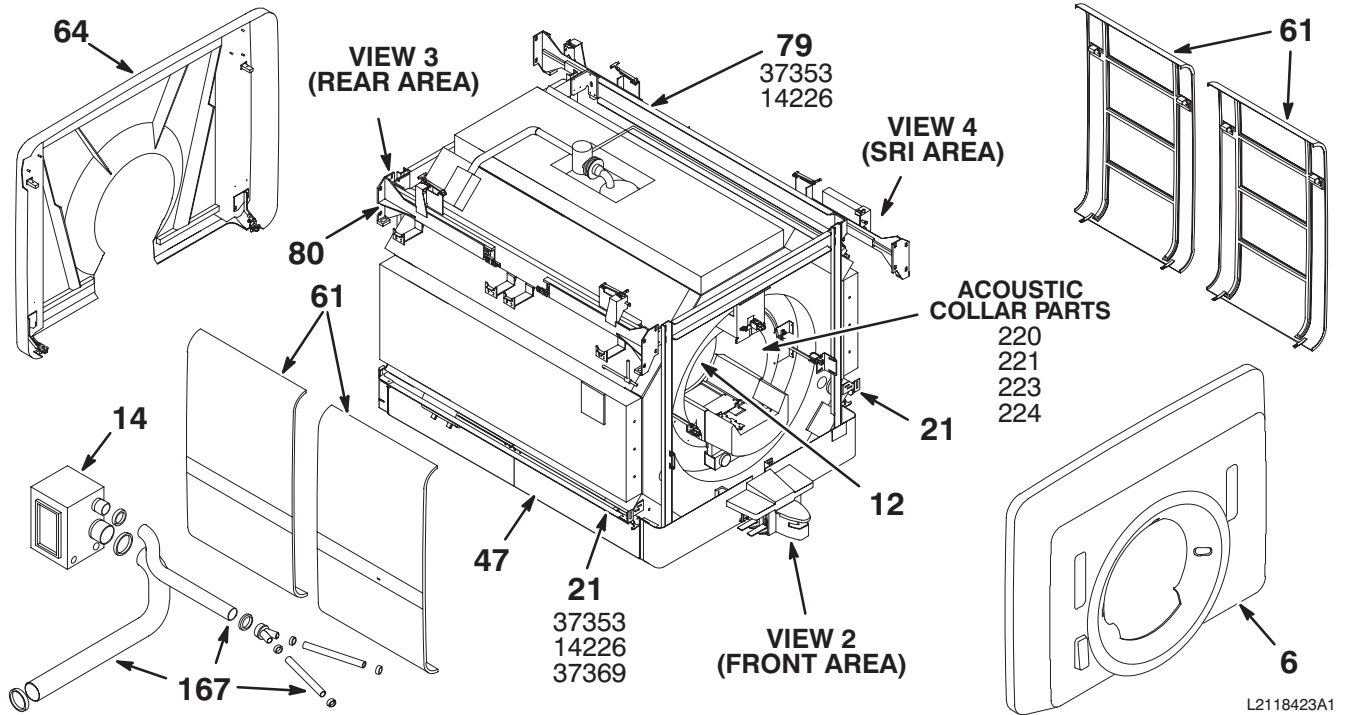
DOCK ASM 46-271260G1 FRU N (PARTS LIST CONTINUED)

Item	Part Number	FRU	Name	Quantity	Description (Remarks)
35	46-271258P1	2	PAD	1	DOCK BASE PAD
37	46-208732P9	2	SCREW,SET	1	00010-32 X 0.375 LG HEX SOC HD FLAT
38	46-220492P3	2	JUMPER	2	JUMPER WITH 0.56" CENTERS,
39	46-197385P1	2	GREASE	1	WHITE LITHIUM, MULTI-PURPOSE GREASE.
41	46-230434P2	2	COTTER PIN	4	0.047 WIRE DIA X 0.594 LG 302 SST
43	46-271195P9	2	.312 PIN,SST	1	TABLE DOWN LINKAGE PIVOT
44	46-271794P1	2	HOOK STOP	1	DOCK HOOK RELEASE LEVER STOP
45	46-170228P1	2	TAPE,FOAM	AR	SGL COAT URETHANE MIL-R-5001 GRADE A
46	46-271735P1	2	TUBE SPRING	1	HYDRAULIC PUMP ROD END, POLYURETHANE
47	46-271460G1	2	CABLE	1	DOCK POWER CABLE, MG2-A29-P1 TO TS1
48	46-271459G1	2	HARNESS	1	DOCK TS1, MOTOR, & SW1 INTERCONNECT
50	46-271125P1	2	LABEL	2	FOOT PAD "UP" AND "DOWN" LABEL SET
54	46-271263P1	2	BUMPER	2	BLACK NEOPRENE
55	46-271264P1	2	ROD	1	HYDRAULIC PUMP ACTUATING PUSH ROD
56	46-220277P25	2	RING RETAIN	1	EXT RADIAL MOUNT 1.000 SHAFT DIA
57	46-271265P1	2	ROD	1	CRADLE LATCH ACTUATOR
60	46-170686P1	2	SEALANT	AR	LOCTITE 242 0.5CC
61	46-208718P1	2	CLAMP	2	ID 0.25 LOOP TYPE
65	46-271542P1	2	TUBE	1	EMERGENCY RELEASE LINKAGE BRASS TUBE
66	46-271543P1	2	STOP	1	DOCK HOOK RELEASE ROD/TUBE RETAINER
67	46-271544P1	2	SPRING	1	RETAINER PIN, 302 SST SPRING TEMPER
70	46-136353P108	2	SPRING COMP	1	OD 0.562 WIRE DIA .072 STN STL
71	46-282547G1	2	CABLE	1	DOCK "MG2-A31-J2", 37 PIN SUB-D PLUG
72	46-271935P1	2	TUBE SPRING	1	CAST POLYURETHANE
73	46-136334P56	2	SWITCH	1	SPDT, BASIC SWITCH W/ OT PLUNGER.
74	46-271928G1	2	BEARING BLOK	1	UP LIMIT SWITCH ACTUATOR GUIDELOCK
75	46-271926P1	2	SHAFT	1	UP LIMIT SWITCH PUSH ROD
76	46-136353P111	2	SPRING COMP	1	OD 0.600 WIRE DIA .045 MATL SST
77	46-271901P1	2	LABEL	1	WARNING, FERROUS COMPONENTS INSIDE..
78	2179561	1	BARRIER	1	SHIELD
80	46-170684P1	2	SEALANT	AR	LOCTITE 271, 0.5CC VIAL
81	46-230957P1	2	SEALANT	AR	LOCTITE 680, 50ML BOTTLE
85	46-282221G1	1	MOTOR ASM	1	GEAR-MOTOR AND CLUTCH ASM
5322	46-170015P10	2	SCR,SEMS	1	00006-32 X 0.250 LG BIND HD STL EXT
5663	46-220184P18	2	SCREW MACH	4	0006-32 X 1.000 LG RD HD SLOT BRASS
9699	46-220277P22	2	RING RETAIN	3	EXT RADIAL MOUNT 0.312 SHAFT DIA
9700	46-220277P23	2	RING RETAIN	5	EXT RADIAL MOUNT 0.375 SHAFT DIA
11153	46-208560P82	2	SCREW,MACH	4	10-32 X 3/8, BINDING HEAD, SST 18-8
12151	1000904P496	2	WASHER,FLAT	2	ID 0.812 OD 1.500 THK .078
13084	46-220196P5	2	WASHER,LOCK	1	SCREW SIZE 5/16 (0.313) SST
14080	46-220196P4	2	WASHER,LOCK	1	SCREW SIZE 1/4 (0.250) SST
14164	46-208946P1	2	NUT,HEX,JAM	2	05/16-18 .500 HEX X .188 THK
14608	46-208932P30	2	SCREW,CAP	4	001/2-13 X 1.25 LG HEX HD 18-8 SST
14618	46-208737P18	2	SCREW,CAP	2	00010-32 X 1.500 LG HEX SOC HD S ST
14619	46-208737P19	2	SCREW,CAP	4	05/16-18 X 1.250 LG HEX SOC HD S ST
18108	46-220184P40	2	SCREW MACH	1	10-32 X 3/8", ROUND HEAD SLOT, BRASS
18715	46-208718P2	2	CLAMP	1	ID 0.3125 LOOP TYPE
18828	12-241	2	WASHER	2	ID 0.2660 OD 0.7500 THK .0510
34356	46-208948P5	2	NUT,HEX	3	001/4-20 .438 HEX X .226 THK
35685	46-170024P20	2	SCREW,SHLD	2	SHLD DIA 0.3120 X SHLD LG 0.2505 THD
40938	511A590P206	2	TERMINAL	2	#6 SPRING TYPE SPADE TERMINAL, RED,
42913	46-220196P7	2	WASHER,LOCK	4	SCREW SIZE 1/2 (0.500) 18-8 SST
46814	46-170024P4	2	SCREW,SHLD	1	SHLD DIA 0.124 X SHLD LG 0.375 THD
52322	46-170024P8	2	SCREW,SHLD	1	SHLD DIA 0.249 X SHLD LG 0.125 THD
58925	1000904P419	2	WASHER,FLAT	2	ID 0.328 OD 0.500 THK .016
74978	46-208560P111	2	SCREW,MACH	2	006-32 X 0.625 LG BIND HD SST 18-8
90417	46-253940P122	2	RES	1	182.0 OHM 1% .25W 100PPM/C

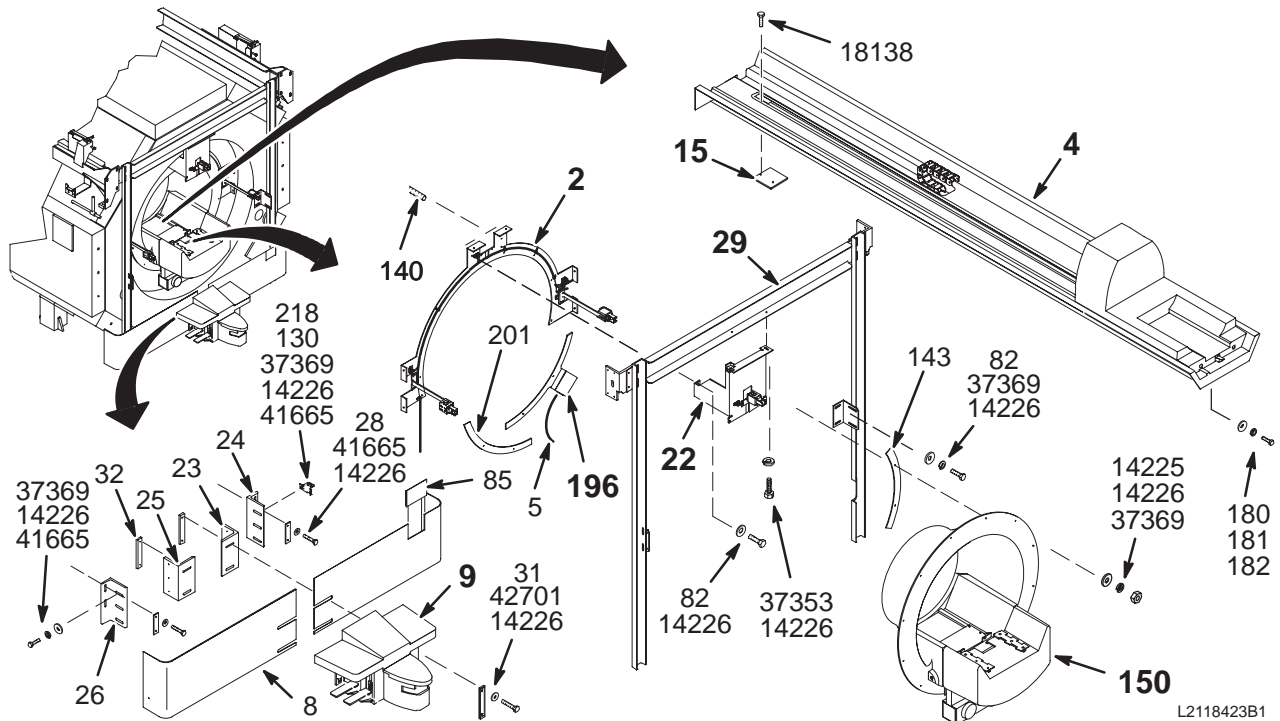
2-2 MAGNISHIELD MAGNET ENCLOSURES

1.5T HORIZON MAGNISHIELD ENCLOSURE

2118423 SERIES



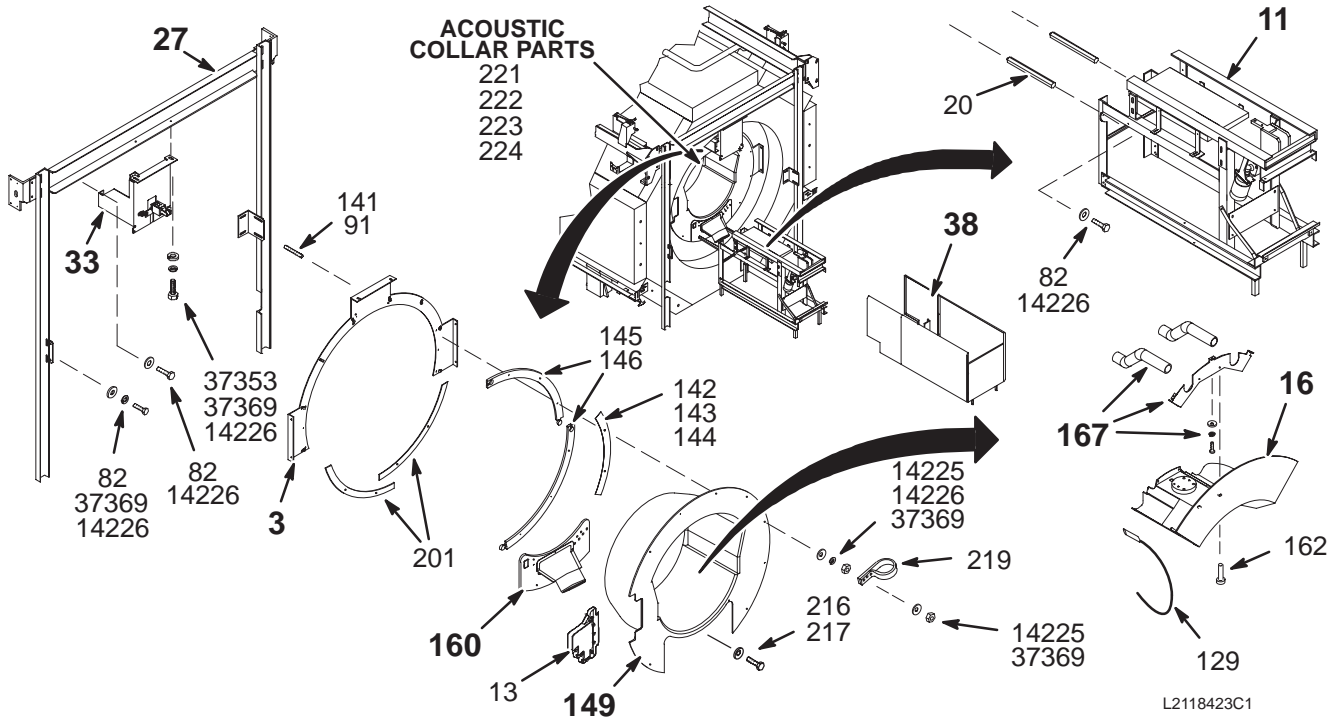
VIEW 1



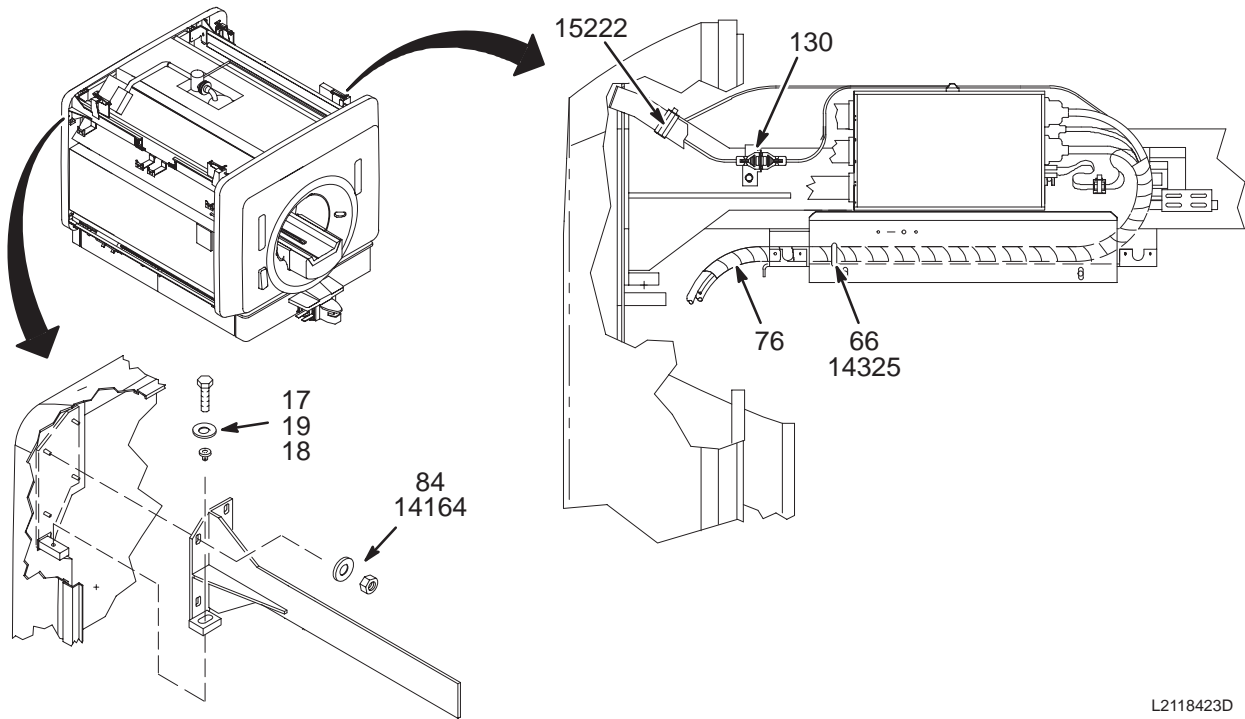
VIEW 2

1.5T HORIZON MAGNISHIELD ENCLOSURE

2118423 SERIES



VIEW 3



VIEW 4

1.5T MAGNISHIELD ENCL w/o M-C

2118423 FRU N

(PART OF M1030PM)

Item	Part Number	FRU	Name	Quantity	Description (Remarks)
2	46-307710G4	N		XXX	WIDE BODY FRONT RING ASSEMBLY (SEE ITEM 300)
3	46-307711G4	N		XXX	5.5 WIDE BODY REAR RING ASM (SEE ITEM 300)
4	2119595-2	N	PREASM BRDGE	1	5.5 1.5T WIDE BODY PREASSEMBLED (SEE PAGE 2-134)
5	2143072	2	CABLE EXTEN	1	CABLE EXTENSION FOR DOCK CONTROL BOX
6	2120889	N	WB FRT COVER	1	FRT COVER ASM W.B. (SEE PAGE 2-87)
8	2139251	2	UFI BASE TRM	1	MAGNISHIELD FRONT SKIRT, LEFT HALF
9	46-271260G1	N	DOCK ASM.	1	NON-HYDRAULIC DOCK ASM, MG2 A29 (SEE PAGE 2-63)
11	46-328137G5	N	PEDESTAL	1	5.5 1.5T MAGNISHIELD ENCLOSURE REAR (SEE PAGE 2-108)
12	2167251	2	KIT OF PARTS	1	BRM INSTALLATION KIT - GE MAGNET (SEE PAGE 2-153)
13	2120143	2	CABLE BLOCK	1	GRADIENT COIL CABLE TERMINAL BLOCK
14A	2121199-7	N	BLOWER (MG6)	1	REINFORCED BLOWER CABINET, MG6 (SEE PAGE 2-100)
14B	2121199	N	BLOWER (MG6)	ALT	BLOWER CABINET, MG6 (SEE PAGE 2-100)
15	2132034	N	BRIDGE MOUNT	1	REAR BRIDGE MOUNT ASM (SEE PAGE 2-127)
16	2128650-2	N	WB PAT COMF	1	COMFORT MODUL ASM FOR MAGNISHIELD (SEE PAGE 2-95)
17	46-208932P38	2	SCREW	4	1/2-13 X 3.75 LG HEX HD, 18-8 SST
18	46-307447P1	2	BUSHING	4	FRONT/REAR COVER ADJUST, BRASS
19	46-251379P2	2	WASHER	4	1.5 DIA 17/32 HOLE 5/64 THK 18-8 SST
20	2124040	2	SPACER	2	HEX SPACER
21	46-306553G1	N		XXX	LOWER RAIL ASSEMBLY, LEFT OR RIGHT (SEE ITEM 300)
22	2129348	N		XXX	UFI UPPER ALIGNMENT LIGHT (SEE ITEM 300)
23	46-301091P1	2	ANGLE	1	DOCK MOUNTING, RIGHT
24	46-301090P1	2	ANGLE	1	SHIELD MOUNTING, RIGHT
25	46-301091P2	2	ANGLE	1	DOCK MOUNTING, LEFT
26	46-301090P2	2	ANGLE	1	SHIELD MOUNTING, LEFT
27	46-306520G1	N		XXX	FRAME ASSEMBLY, FRONT OR REAR (SEE ITEM 300)
28	46-282339P1	2	BAR	2	SHORT CLAMP BAR FOR DOCK SUPPORT
29	46-306520G2	N		XXX	FRONT FRAME FOR WIDE BODY UFI (SEE ITEM 300)
31	46-258509P2	2	PLATE	2	DOCK CLAMP PLATE, 7.25"X1.25 .25 SST
32	46-301092P1	2	NUT BAR	2	3/8-16 THREAD
33	2129349	N		XXX	5.5 WIDE BODY REAR BRACKET ASM (SEE ITEM 300)
38	2131492-2	N	COVER KIT	1	WIDE BODY ENCLOSURE PEDSTL COVERS (SEE PAGE 2-89)
47	2131491-2	N	TRIM KIT	1	WIDE BODY ENCLOSURE TRIM PANELS KIT (SEE PAGE 2-92)
61	2131493-2	N	COVER KIT	1	WIDE BODY ENCLOSURE SIDE COVERS (SEE PAGE 2-93)
64	46-301515G2	N	REAR COVER	1	5.5 REAR COVER WIDE BODY ENCLOSURE (SEE PAGE 2-94)
66	46-208758P5	2	TY-RAP	16	13.38"X .301" SELF-LOCKING CABLE TIE
76	46-230653P5	2	TUBING	7	SPIRALLY CUT POLYETHYLENE, 3/4" DIA.
79	46-306540G3	N		XXX	MAGNISHIELD, UPPER SLIDE ASM, RIGHT (SEE ITEM 300)
80	46-306521G1	N		XXX	MAGNISHIELD, UPPER SLIDE ASM, LEFT (SEE ITEM 300)
82	46-208932P36	2	SCREW	14	3/8-16 X 3/4" HEX HEAD 18-8 SST
84	46-251379P3	2	WASHER	16	1.75" DIA 3/8 HOLE 3/16 THK 18-8 SST
85	2139555-2	2	COVER PLATE	1	MAGNISHIELD VACUUM BREAK PORT ACCESS
91	2119594	2	LUBRICANT	1	ANTI-SEIZE LUBRICANT, 1 OZ TUBE
129	46-328326G1	2	KIT	1	RUN 749 TEMPERATURE SENSOR CABLE KIT
130	46-265067P1	2	CABLE MOUNT	4	I/F PANEL CABLE SCREWLOCK CONNECTOR
140	2116325	2	STUD,MAGNET	12	STUD, 3/8-16 X 55MM, STAINLESS STEEL
141	2116325-4	2	STUD, MAGNET	12	STUD, 3/8-16 X 105MM STAINLESS STEEL

Parts List Continued on Next Page

1.5T MAGNISHIELD ENCL w/o M-C

2118423

(CONT'D FROM PREVIOUS PAGE)

Item	Part Number	FRU	Name	Quantity	Description (Remarks)
142	2115369	2	SEAL, 0.03"	6	3/4MM THICK RUBBER SEAL W/ADHESIVE
143	2115369-2	2	SEAL, 0.06"	12	1.5MM THICK RUBBER SEAL W/ADHESIVE
144	2115369-3	2	SEAL, 0.09"	18	2.25MM THICK RUBBER SEAL W/ADHESIVE
145	2115370	2	SEAL, 0.50"	8	12.7MM THK INTERLOCKING RUBBER SEAL
146	2115370-2	2	SEAL, 0.31"	4	7.9MM THK INTERLOCKING RUBBER SEAL
149	2113076	2	END BELL	1	END BELL REAR 600MM
150A	46-317004G5	N	END BELL WB	1	WIDE BODY FRNT END BELL W/DUAL SNSR (SEE PAGE 2-86)
150B	46-317004G2	N	END BELL WB	1	WIDE BODY FRONT END BELL ASM (SEE PAGE 2-85)
160	2129410	N	BULKHEAD ASM	1	REAR BULKHEAD UFI ENCL (SEE PAGE 2-59)
162	2109873-27	2	SCREW	2	M6X25 SST CROSS RECESSED PAN HD SCR
167	2129412	N	HOSE KIT	1	BLOWER HOSE KIT UFI (SEE PAGE 2-101)
180	2109866-20	2	SCREW	2	M10 X 25 HEX HEAD SCREW SST
181	2109880-4	2	WASHER	2	M10 SST SPRING LOCK WASHER
182	2109878-4	2	WASHER	2	M10 FLAT WASHER, 20MM OD, 2MM, SST
196	46-282757G4	N	DOCK CONTROL	1	UFI DOCK CONTROL ASSEMBLY (SEE PAGE 2-60)
201	2129823	2	SPACER	3	MAGNET END-RING SECTION SPACER
216	2109866-13	2	SCREW	3	M6X25 SST HEX-HEAD SCREW
217	2109878-3	2	WASHER	3	M6 FLAT WASHER, 12MM OD, 1.6MM, SST
218	2109027	2	BRACKET	1	FRONT COVER MICROPHONE CABLE MOUNT
219	2139049	2	STRAP, NYLON	7.300	.875"W, 0.39 HOLE @ 0.625 SPACING
220	46-282896P1	2	MECHANICAL/M	1	NOMEX ACOUSTIC FELT W/VELCRO, FRONT
221	46-136246P21	2	TAPE	20	2" WIDE X 25 YD WHITE VELCRO HOOKS
222	46-282896P2	2	MECHANICAL/M	1	NOMEX ACOUSTIC FELT W/VELCRO, REAR
223	46-287118P1	2	TAPE	2	3/16" DIA X 90 FT ROPE CAULK, BROWN
224	46-320868P1	2	PIPE INSUL	4	POLYETHYLENE CLOSED CELL MATERIAL
230	2143475	N	SHIELD KIT	1	REAR PEDESTAL DRIP SHIELD PLATE KIT (SEE PAGE 2-61)
300	2158536-3	N	COLLECTOR	1	SUPPORTS & SLIDES FOR WB ENCL COVERS (SEE PG 2-71)
14164	46-208946P1	2	NUT,HEX,JAM	16	5/16-18 1/2" HEX X .188 THK 18-8 SST
14225	46-208948P2	2	NUT,HEX	33	3/8-16 .563 HEX X .328 THK, 18-8 SST
14226	46-220196P6	2	WASHER,LOCK	78	3/8" SCREW SIZE (0.375), 18-8 SST
14325	46-208758P3	2	STRAP	30	7.31" X .184" SELF-LOCKING CABLE TIE
15522	46-220191P3	2	CLAMP	1	PANDUIT FCM2-A-C14 GRAY, FLAT CABLE
18138	46-220184P47	2	SCREW MACH	2	10-32 X 1.5", ROUND HEAD SLOT, BRASS
37353	46-208932P4	2	SCREW,CAP	28	3/8-16 X 1", HEX HEAD, 18-8 SST
37369	1000904P447	2	WASHER,FLAT	63	25/64 ID, 1" OD, 1/16" THICK, B7A34C
41665	46-208932P8	2	SCREW,CAP	10	3/8-16 X 1.25" HEX HEAD, 18-8 SST
42701	46-208932P15	2	SCREW,CAP	4	3/8-16 X 2", HEX HEAD, 18-8 SST

1.5T MAGNISHIELD ENCL w/M-C

2118423-2 FRU N

(PART OF M1031PM)

Item	Part Number	FRU	Name	Quantity	Description (Remarks)
2	46-307710G4	N		XXX	WIDE BODY FRONT RING ASSEMBLY (SEE ITEM 300)
3	46-307711G4	N		XXX	5.5 WIDE BODY REAR RING ASM (SEE ITEM 300)
4	2119595-5	N	PREASM BRDGE	1	5.5 1.5T WIDE BODY PREASSEMBLED (SEE PAGE 2-145)
5	2143072	2	CABLE EXTEN	1	CABLE EXTENSION FOR DOCK CONTROL BOX
6	2120889	N	WB FRT COVER	1	FRT COVER ASM W.B. (SEE PAGE 2-87)
8	2139251	2	UFI BASE TRM	1	MAGNISHIELD FRONT SKIRT, LEFT HALF
9	46-271260G1	N	DOCK ASM.	1	NON-HYDRAULIC DOCK ASM, MG2 A29 (SEE PAGE 2-63)
11	46-328137G10	N	PEDESTAL	1	5.5 1.5T MAGNISHIELD ENCLOSURE REAR (SEE PAGE 2-117)
12	2167251	2	KIT OF PARTS	1	BRM INSTALLATION KIT - GE MAGNET (SEE PAGE 2-153)
13	2120143	2	CABLE BLOCK	1	GRADIENT COIL CABLE TERMINAL BLOCK
14A	2121199-7	N	BLOWER (MG6)	1	REINFORCED BLOWER CABINET, MG6 (SEE PAGE 2-100)
14B	2121199	N	BLOWER (MG6)	ALT	BLOWER CABINET, MG6 (SEE PAGE 2-100)
15	2132034	N	BRIDGE MOUNT	1	REAR BRIDGE MOUNT ASM (SEE PAGE 2-127)
16	2128650-2	N	WB PAT COMF	1	COMFORT MODULE ASM FOR MAGNISHIELD (SEE PG 2-95)
17	46-208932P38	2	SCREW	4	1/2-13 X 3.75 LG HEX HD, 18-8 SST
18	46-307447P1	2	BUSHING	4	FRONT/REAR COVER ADJUST, BRASS
19	46-251379P2	2	WASHER	4	1.5 DIA 17/32 HOLE 5/64 THK 18-8 SST
20	2124040	2	SPACER	2	HEX SPACER
21	46-306553G1	N		XXX	LOWER RAIL ASSEMBLY, LEFT OR RIGHT (SEE ITEM 300)
22	2129348	N		XXX	UFI UPPER ALIGNMENT LIGHT (SEE ITEM 300)
23	46-301091P1	2	ANGLE	1	DOCK MOUNTING, RIGHT
24	46-301090P1	2	ANGLE	1	SHIELD MOUNTING, RIGHT
25	46-301091P2	2	ANGLE	1	DOCK MOUNTING, LEFT
26	46-301090P2	2	ANGLE	1	SHIELD MOUNTING, LEFT
27	46-306520G1	N		XXX	FRAME ASSEMBLY, FRONT OR REAR (SEE ITEM 300)
28	46-282339P1	2	BAR	2	SHORT CLAMP BAR FOR DOCK SUPPORT
29	46-306520G2	N		XXX	FRONT FRAME FOR WIDE BODY UFI (SEE ITEM 300)
31	46-258509P2	2	PLATE	2	DOCK CLAMP PLATE, 7.25"X1.25 .25 SST
32	46-301092P1	2	NUT BAR	2	3/8-16 THREAD
33	2129349	N		XXX	5.5 WIDE BODY REAR BRACKET ASM (SEE ITEM 300)
38	2131492-2	N	COVER KIT	1	WIDE BODY ENCLOSURE PEDSTL COVERS (SEE PAGE 2-89)
47	2131491-2	N	TRIM KIT	1	WIDE BODY ENCLOSURE TRIM PANELS KIT (SEE PAGE 2-92)
61	2131493-2	N	COVER KIT	1	WIDE BODY ENCLOSURE SIDE COVERS (SEE PAGE 2-93)
64	46-301515G2	N	REAR COVER	1	5.5 REAR COVER WIDE BODY ENCLOSURE (SEE PAGE 2-94)
66	46-208758P5	2	TY-RAP	16	13.38"X .301" SELF-LOCKING CABLE TIE
76	46-230653P5	2	TUBING	7	SPIRALLY CUT POLYETHYLENE, 3/4" DIA.
79	46-306540G3	N		XXX	MAGNISHIELD, UPPER SLIDE ASM, RIGHT (SEE ITEM 300)
80	46-306521G1	N		XXX	MAGNISHIELD, UPPER SLIDE ASM, LEFT (SEE ITEM 300)
82	46-208932P36	2	SCREW	14	3/8-16 X 3/4" HEX HEAD 18-8 SST
84	46-251379P3	2	WASHER	16	1.75" DIA 3/8 HOLE 3/16 THK 18-8 SST
85	2139555-2	2	COVER PLATE	1	MAGNISHIELD VACUUM BREAK PORT ACCESS
91	2119594	2	LUBRICANT	1	ANTI-SEIZE LUBRICANT, 1 OZ TUBE
129	46-328326G1	2	KIT	1	RUN 749 TEMPERATURE SENSOR CABLE KIT
130	46-265067P1	2	CABLE MOUNT	4	I/F PANEL CABLE SCREWLOCK CONNECTOR
140	2116325	2	STUD,MAGNET	12	STUD, 3/8-16 X 55MM, STAINLESS STEEL
141	2116325-4	2	STUD, MAGNET	12	STUD, 3/8-16 X 105MM STAINLESS STEEL

Parts List Continued on Next Page

1.5T MAGNISHIELD ENCL w/M-C 2118423-2 (CONT'D FROM PREVIOUS PAGE)

Item	Part Number	FRU	Name	Quantity	Description (Remarks)
142	2115369	2	SEAL, 0.03"	6	3/4MM THICK RUBBER SEAL W/ADHESIVE
143	2115369-2	2	SEAL, 0.06"	12	1.5MM THICK RUBBER SEAL W/ADHESIVE
144	2115369-3	2	SEAL, 0.09"	18	2.25MM THICK RUBBER SEAL W/ADHESIVE
145	2115370	2	SEAL, 0.50"	8	12.7MM THK INTERLOCKING RUBBER SEAL
146	2115370-2	2	SEAL, 0.31"	4	7.9MM THK INTERLOCKING RUBBER SEAL
149	2113076	2	END BELL	1	END BELL REAR 600MM
150A	46-317004G5	N	END BELL WB	1	WIDE BODY FRNT END BELL W/DUAL SNSR (SEE PAGE 2-86)
150B	46-317004G2	N	END BELL WB	1	WIDE BODY FRONT END BELL ASM (SEE PAGE 2-85)
160	2129410	N	BULKHEAD ASM	1	REAR BULKHEAD UFI ENCL (SEE PAGE 2-59)
162	2109873-27	2	SCREW	2	M6X25 SST CROSS RECESSED PAN HD SCR
167	2129412	N	HOSE KIT	1	BLOWER HOSE KIT UFI (SEE PAGE 2-101)
180	2109866-20	2	SCREW	2	M10 X 25 HEX HEAD SCREW SST
181	2109880-4	2	WASHER	2	M10 SST SPRING LOCK WASHER
182	2109878-4	2	WASHER	2	M10 FLAT WASHER, 20MM OD, 2MM, SST
196	46-282757G4	N	DOCK CONTROL	1	UFI DOCK CONTROL ASSEMBLY (SEE PAGE 2-60)
201	2129823	2	SPACER	3	MAGNET END-RING SECTION SPACER
216	2109866-13	2	SCREW	3	M6X25 SST HEX-HEAD SCREW
217	2109878-3	2	WASHER	3	M6 FLAT WASHER, 12MM OD, 1.6MM, SST
218	2109027	2	BRACKET	1	FRONT COVER MICROPHONE CABLE MOUNT
219	2139049	2	STRAP, NYLON	7.300	NYLON STRAP
220	46-282896P1	2	MECHANICAL/M	1	NOMEX ACOUSTIC FELT W/VELCRO, FRONT
221	46-136246P21	2	TAPE	20	2" WIDE X 25 YD WHITE VELCRO HOOKS
222	46-282896P2	2	MECHANICAL/M	1	NOMEX ACOUSTIC FELT W/VELCRO, REAR
223	46-287118P1	2	TAPE	2	3/16" DIA X 90 FT ROPE CAULK, BROWN
224	46-320868P1	2	PIPE INSUL	4	POLYETHYLENE CLOSED CELL MATERIAL
230	2143475	N	SHIELD KIT	1	REAR PEDESTAL DRIP SHIELD PLATE KIT (SEE PAGE 2-61)
300	2158536-3	N	COLLECTOR	1	SUPPORTS & SLIDES FOR WB ENCL COVERS (SEE PG 2-71)
14164	46-208946P1	2	NUT,HEX,JAM	16	5/16-18 1/2" HEX X .188 THK 18-8 SST
14225	46-208948P2	2	NUT,HEX	33	3/8-16 .563 HEX X .328 THK, 18-8 SST
14226	46-220196P6	2	WASHER,LOCK	78	3/8" SCREW SIZE (0.375), 18-8 SST
14325	46-208758P3	2	STRAP	30	7.31" X .184" SELF-LOCKING CABLE TIE
15522	46-220191P3	2	CLAMP	1	PANDUIT FCM2-A-C14 GRAY, FLAT CABLE
18138	46-220184P47	2	SCREW MACH	2	10-32 X 1.5", ROUND HEAD SLOT, BRASS
37353	46-208932P4	2	SCREW,CAP	28	3/8-16 X 1", HEX HEAD, 18-8 SST
37369	1000904P447	2	WASHER,FLAT	63	25/64 ID, 1" OD, 1/16" THICK, B7A34C
41665	46-208932P8	2	SCREW,CAP	10	3/8-16 X 1.25" HEX HEAD, 18-8 SST
42701	46-208932P15	2	SCREW,CAP	4	3/8-16 X 2", HEX HEAD, 18-8 SST

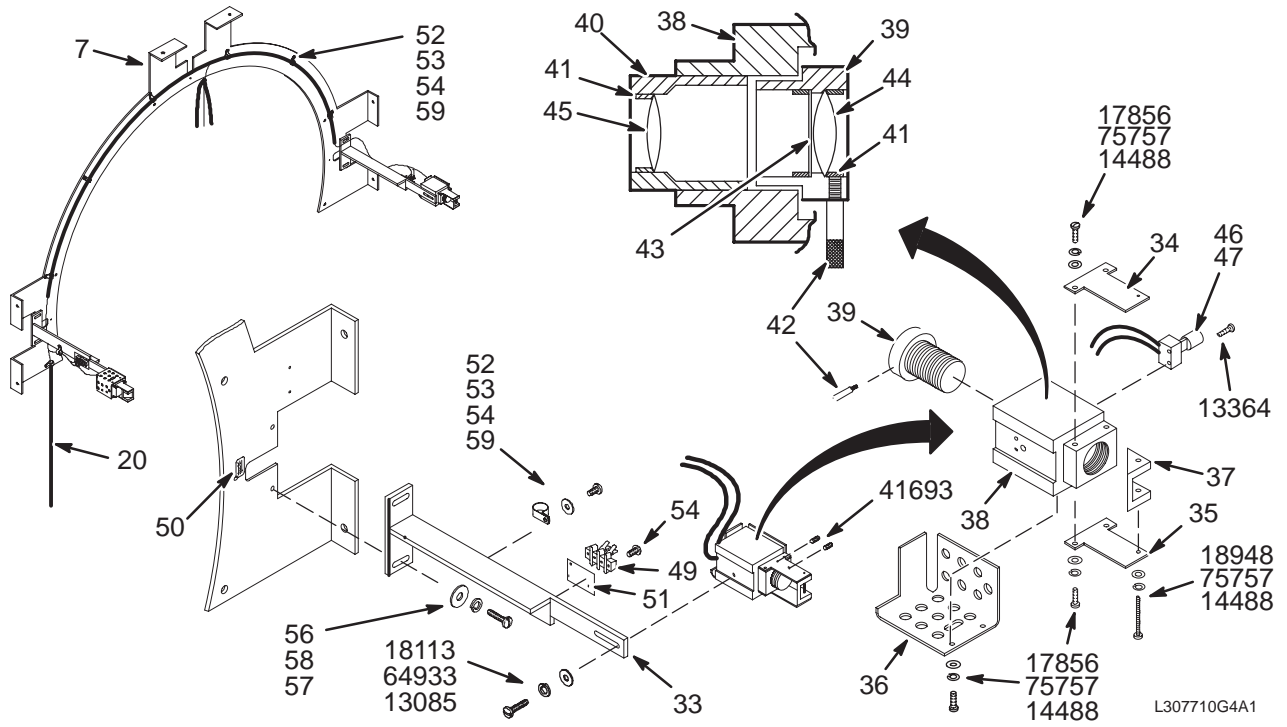
MAG ENCL SUPPORTS & SLIDES 2158536-3 FRU N

(PART OF 2118423 PAGE 2-67)
(PART OF 2118423-2 PAGE 2-69)

Item	Part Number	FRU	Name	Quantity	Description (Remarks)
2	46-307710G4	N	WB FRT RING	1	WIDE BODY FRONT RING ASSEMBLY (SEE PAGE 2-73)
3	46-307711G4	N	WB REAR RING	1	5.5 WIDE BODY REAR RING ASM (SEE PAGE 2-74)
21	46-306553G1	N	LOW RAIL ASM	2	LOWER RAIL ASSEMBLY, LEFT OR RIGHT (SEE PAGE 2-76)
22	2129348	N	ALIGNMENT LT	1	UFI UPPER ALIGNMENT LIGHT (SEE PAGE 2-78)
27	46-306520G1	N	FRAME F&R	2	FRAME ASSEMBLY, FRONT OR REAR (SEE PAGE 2-79)
29	46-306520G2	N	FRAME FRONT	1	FRONT FRAME FOR WIDE BODY UFI (SEE PAGE 2-80)
33	2129349	N	WB REAR BKT	1	5.5 WIDE BODY REAR BRACKET ASM (SEE PAGE 2-75)
79	46-306540G3	N	SLIDE ASM	1	MAGNISHIELD, UPPER SLIDE ASM, RIGHT (SEE PAGE 2-82)
80	46-306521G1	N	SLIDE ASM L	1	MAGNISHIELD, UPPER SLIDE ASM, LEFT (SEE PAGE 2-84)

MAGNISHIELD FRONT RING ASM

46-307710G4



M/S FRONT RING ASM

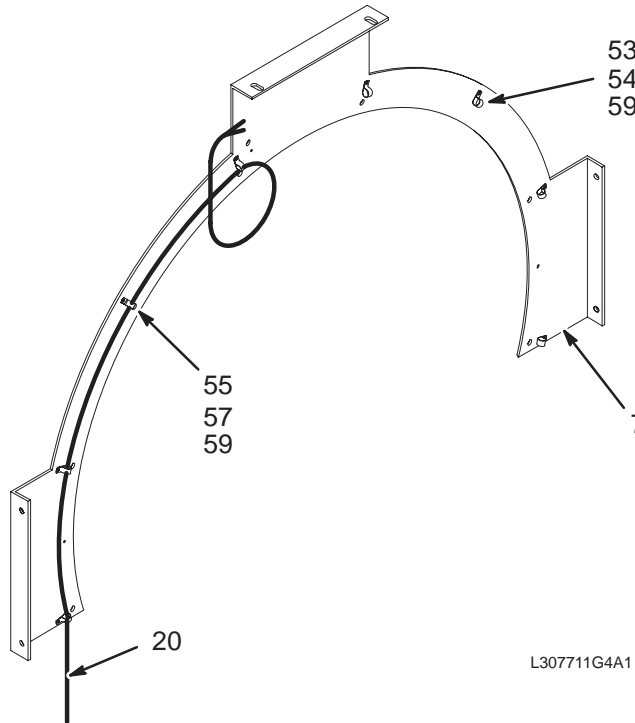
46-307710G4 FRU N

(PART OF 2158536-3 PAGE 2-71)

Item	Part Number	FRU	Name	Quantity	Description (Remarks)
7	2115371	2	PLATE	1	PLATE FRONT
20	46-307329G501	2	CABLE	1	(385M) PP1-J20 TO MG2-A30-TS1 TO TS3
33	2123355	2	BRACKET	2	BRACKET (WIDE BODY), LIGHTS
34	46-271781P1	2	MIRROR BRKT	2	1/16" THICK WITH 0.14" HOLE
35	46-271781P2	2	MIRROR BRKT	2	3/16" THICK WITH 6-32 THREADED HOLE
36	46-271338P1	2	COVER	2	VENTILATED HALOGEN LAMP SAFETY COVER
37	46-271339G1	2	MIRROR ASM	2	FIRST SURFACE MIRROR ATTACHED
38	46-271780P1	2	LENS BLOCK	2	HALOGEN LAMP AND LENS MOUNTING BLOCK
39	46-271329P1	2	LENS HOLDER	2	#1 LENS AND APERATURE MOUNT
40	46-271330P1	2	LENS HOLDER	2	#2 LENS MOUNT
41	46-271331P1	2	LENS RET	6	SPLIT RING LENS RETAINER
42	46-271332P1	2	PIN	2	2-46 THREAD, 3/4" LONG W/KNURL, SST
43	46-271327P1	2	APERATURE	2	CROSS-SLIT APERATURE, .003 COPPER
44	46-271326P1	2	LENS	2	BI-CONVEX LENS 17.5MM X 18MM FOCAL
45	46-271326P2	2	LENS	2	BI-CONVEX LENS, 17.3MM X 30MM FOCAL
46	46-271324P1	2	SOCKET	2	LAMPHOLDER USED FOR G-4 SIZE HALOGEN
47	46-271323P1	1	LAMP	2	HALOGEN LAMP BASE G4 14 VOLTS, 65 W.
49	403B335P21	2	TERMINAL	2	2 POSITION TERMINAL STRIP, 20 AMP,
50	46-287268P1	2	MECHANICAL/M	2	CAUTION, EXTREMELY HOT HALOGEN LAMPS
51	403B320P94	2	TERMINAL	2	2 POSITION MARKER STRIP, 1 & 2
52	46-208718P5	2	CLAMP	9	1/2" ID LOOP TYPE, TA MFG CO TA713D8
54	2109873-15	2	SCREW	13	M4X12 SST CROSS RECESSED PAN HD SCR
56	2109873-24	2	SCREW	4	M6X12 SST CROSS RECESSED PAN HD SCR
57	2109878-3	2	WASHER	4	M6 FLAT WASHER, 12MM OD, 1.6MM, SST
58	2109880-3	2	WASHER	4	M6 SST SPRING LOCK WASHER
59	2109878-2	2	WASHER	9	M4 FLAT WASHER, 9MM OD, 0.8MM, SST
13085	46-220196P3	2	WASHER	2	#10 SCREW SIZE (0.190), SST
13364	516A770P208	2	SCREW	4	2-56 X 1/2 LG BIND HEAD, SST 18-8
14488	46-220196P2	2	WASHER	14	#6 SCREW SIZE (0.138), SST
17856	46-220184P13	2	SCREW	12	6-32 X 3/8" ROUND HEAD SLOT, BRASS
18113	46-220184P41	2	SCREW	2	10-32 X 1/2" SLOT ROUND HEAD, BRASS
18948	46-220184P21	2	SCREW	2	6-32 X 1.75" ROUND HEAD SLOT, BRASS
41693	46-208563P84	2	SCREW	4	4-40 X 1/4" HEX SOC CUP PT, #316 SST
64933	1000904P425	2	WASHER	2	0.2 ID, 0.5 OD, 04 THK, B11H89C
75757	1000904P2	2	WASHER	14	ID 0.144, OD 0.297, THK .032, BRASS

MAGNISHIELD REAR RING ASM

46-307711G4



REAR RING ASM

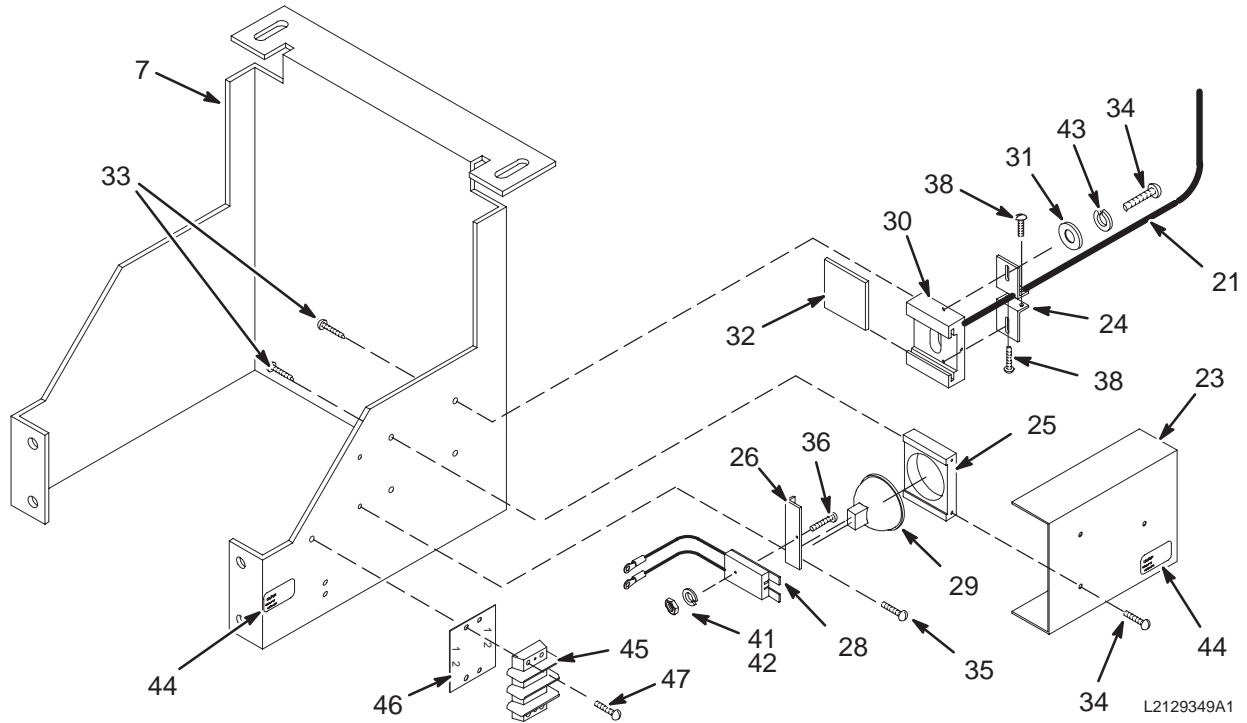
46-307711G4 FRU N

(PART OF 2158536-3 PAGE 2-71)

Item	Part Number	FRU	Name	Quantity	Description (Remarks)
7	2117124	2	PLATE, REAR	1	BORE LAMP MOUNTING PLATE
20	46-251566G601	2	CABLE ASM	1	RUN 300T, PP1-J15 TO MG2-A15, 60 FT.
53	46-208759P1	2	STRAP	4	7.81" X .184" SELF-LOCKING CABLE TIE
54	2109873-15	2	PAN HD SCREW	4	M4X12 SST CROSS RECESSED PAN HD SCR
55	2109873-12	2	PAN HD SCREW	4	M4X6 SST CROSS RECESSED PAN HD SCR
57	46-208718P5	2	CLAMP	4	1/2" ID LOOP TYPE, TA MFG CO TA713D8
59	2109878-2	2	WASHER	8	METRIC SST PLAIN WASHER

MAGNISHIELD BORE LIGHT ASM

2129349



M/S BORE LIGHT ASM

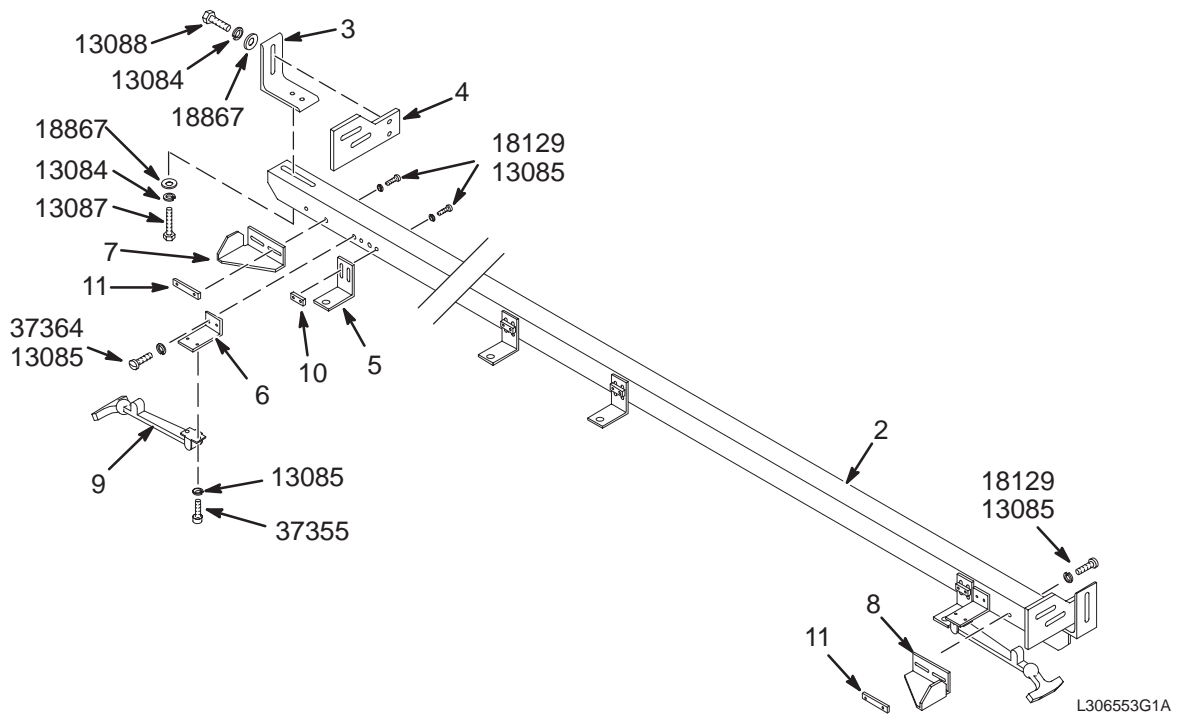
2129349 FRU N

(PART OF 2158536-3 PAGE 2-71)

Item	Part Number	FRU	Name	Quantity	Description (Remarks)
7	2120129-2	2	BRACKET	1	WIDE BODY TOP BRACKET
21	46-251636G1	2	FIBER BUNDLE	2	BORE LIGHT FIBEROPTIC LINE, 89" LONG
23	46-251639P1	2	COVER	1	BORE LIGHT COVER (NO WARNING LABEL)
24	46-251640P1	2	FIBER CLAMP	2	FIBER OPTIC LINES CLAMP BRACKET
25	46-251641P1	2	BULB RET	1	BORE LIGHT BULB RETAINER
26	2121519	2	SOC MTG PLT	1	BORE LIGHT SOCKET BRACKET
28	46-255153G1	2	SOCKET ASM	1	BORE LIGHT SOCKET WITH TERMINALS
29	46-230111P1	1	LAMP	1	HALOGEN REFLECTOR LAMP 12V, 75W
30	46-251644P1	2	FIBER MOUNT	1	HEAT MIRROR AND FIBEROPTIC END MOUNT
31	1000904P2	2	WASHER,FLAT	2	ID 0.144, OD 0.297, THK .032, BRASS
32	46-251679P1	2	MIRROR	1	HEAT-REFLECT, LIGHT-TRANSMIT GLASS
33	46-220184P14	2	SCREW MACH	4	6-32 X 1/2" ROUND HEAD SLOT, BRASS
34	46-220184P13	2	SCREW MACH	5	6-32 X 3/8" ROUND HEAD SLOT, BRASS
35	2109873-13	2	PAN HD SCREW	2	M4X8 SST CROSS RECESSED PAN HD SCR
36	46-220184P8	2	SCREW MACH	1	4-40 X 7/8", ROUND HEAD SLOT, BRASS
38	46-220184P20	2	SCREW MACH	2	6-32 X 1.25" ROUN HEAD SLOT, BRASS
41	46-208601P19	2	WASHER,LOCK	1	#4 SCREW, INTERNAL TOOTH, PHOZ BRZ
42	46-208935P4	2	NUT,HEX,MS	1	4-40, 1/4" HEX X .093 THK, BRASS
43	46-208601P20	2	WASHER,LOCK	2	#6 SCREW, INTERNAL TOOTH, PHOZ BRZ
44	46-287268P1	2	LABEL	2	CAUTION, EXTREMELY HOT HALOGEN LAMPS
45	46-313195P1	2	TERM. STRIP	1	2 POSITION TERMINAL STRIP, DUAL ROW,
46	46-317552P1	2	MARKER STR	1	2 POSITION MARKER STRIP, 1 & 2
47	2109873-18	2	PAN HD SCREW	2	M4X25 SST CROSS RECESSED PAN HD SCR

MAGNISHIELD LOWER RAIL ASM

46-306553G1



M/S LOWER RAIL ASM

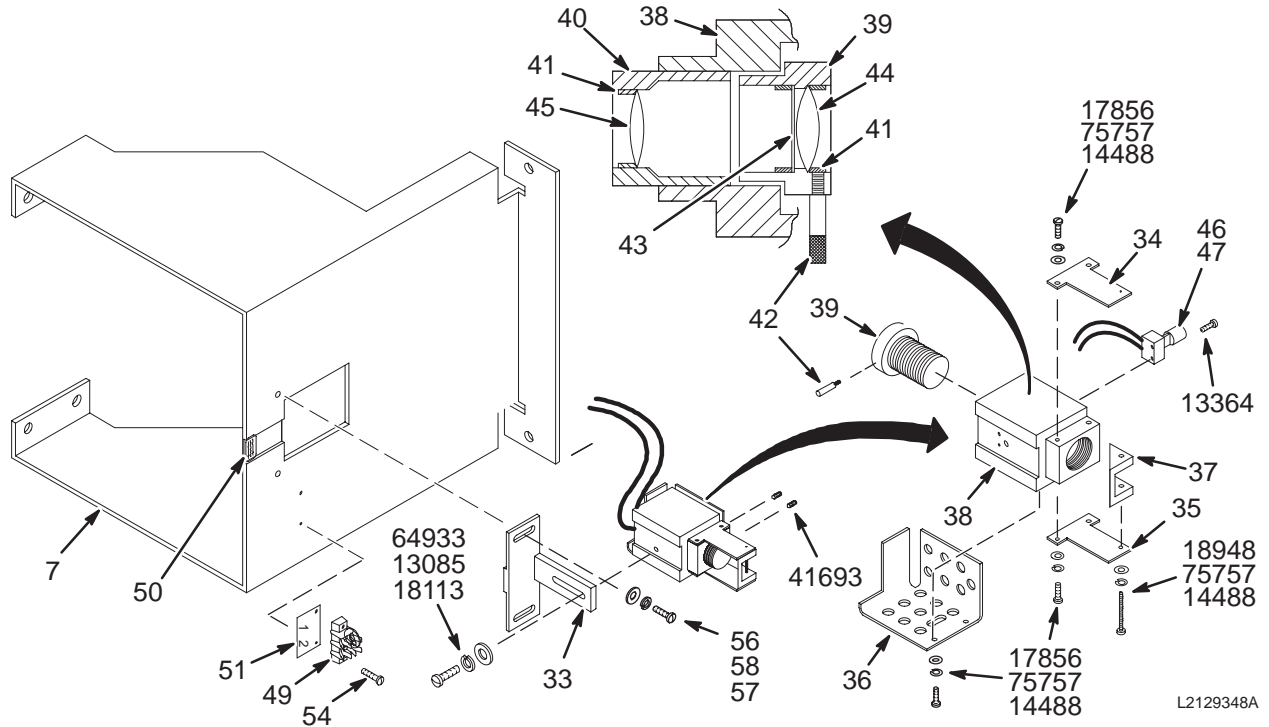
46-306553G1 FRU N

(PART OF 2158536-3 PAGE 2-71)

Item	Part Number	FRU	Name	Quantity	Description (Remarks)
2	46-301131P1	2	SIDE ANGLE	1	MAGNISHIELD LOWER RAIL
3	46-301116P1	2	ANGLE	2	END BRACKET
4	46-301113P1	2	PLATE	2	END PLATE
5	46-301137P1	2	BRACKET	4	SIDE COVER SECURING
6	46-301138P1	2	BRACKET	2	FLEX LATCH MOUNTING
7	46-301139P1	2	BRACKET	1	LOWER COVER BUMPER STOP
8	46-301139P2	2	BRACKET	1	LOWER COVER BUMPER STOP
9	46-251360P1	2	FLEX LATCH	2	T-HANDLE FLEX LATCH
10	46-301845P1	2	NUT PLATE	4	TWO 10-32 THREADED HOLES
11	46-301846P1	2	NUT PLATE	2	TWO 10-32 THREADED HOLES
13084	46-220196P5	2	WASHER,LOCK	8	SCREW SIZE 5/16 (0.313) SST
13085	46-220196P3	2	WASHER,LOCK	20	SCREW SIZE 10 (0.190) SST
13087	46-208932P3	2	SCREW,CAP	4	5/16-18 X 0.750 18-8 SST
13088	46-208932P11	2	SCREW,CAP	4	05/16-18 X 1.000 LG HEX HD S ST 18-8
18129	46-220184P45	2	SCREW MACH	12	10-32 X 1", ROUND HEAD SLOT, BRASS
18867	12-280	2	WASHER	8	ID 0.3360 OD 0.7500 THK .0640
37355	46-208737P12	2	SCREW,CAP	4	00010-32 X 0.500 LG HEX SOC HD SST
37364	46-208560P102	2	SCREW,MACH	4	10-32 X 0.625 LG BIND HD 18-8 SST

MAGNISHIELD UPPER ALIGNMENT LIGHT

2129348



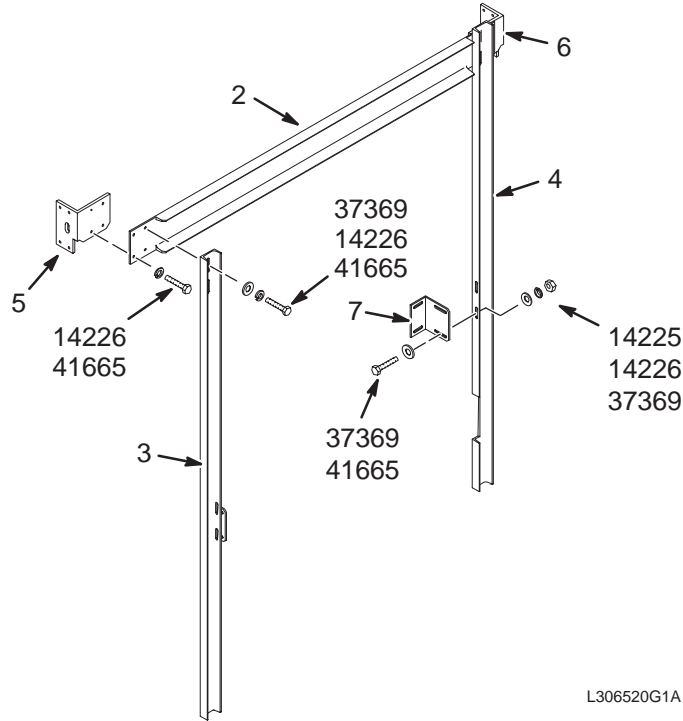
L2129348A

M/S UPPER ALIGNMENT LIGHT 2129348 FRU N (PART OF 2158536-3 PAGE 2-71)

Item	Part Number	FRU	Name	Quantity	Description (Remarks)
7	2120129	2	BRACKET	1	WIDE BODY TOP BRACKET
33	2116144	2	BRACKET	1	ADJUSTABLE LIGHT MOUNTING BRACKET
34	46-271781P1	2	MIRROR BRKT	1	1/16" THICK WITH 0.14" HOLE
35	46-271781P2	2	MIRROR BRKT	1	3/16" THICK WITH 6-32 THREADED HOLE
36	46-271338P1	2	COVER	1	VENTILATED HALOGEN LAMP SAFETY COVER
37	46-271339G1	2	MIRROR ASM	1	FIRST SURFACE MIRROR ATTACHED
38	46-271780P1	2	LENS BLOCK	1	HALOGEN LAMP AND LENS MOUNTING BLOCK
39	46-271329P1	2	LENS HOLDER	1	#1 LENS AND APERATURE MOUNT
40	46-271330P1	2	LENS HOLDER	1	#2 LENS MOUNT
41	46-271331P1	2	LENS RET	3	SPLIT RING LENS RETAINER
42	46-271332P1	2	PIN	1	2-46 THREAD, 3/4" LONG W/KNURL, SST
43	46-271327P1	2	APERATURE	1	CROSS-SLIT APERATURE, .003 COPPER
44	46-271326P1	2	LENS	1	BI-CONVEX LENS 17.5MM X 18MM FOCAL
45	46-271326P2	2	LENS	1	BI-CONVEX LENS, 17.3MM X 30MM FOCAL
46	46-271324P1	2	SOCKET, LAMP	1	LAMPHOLDER USED FOR G-4 SIZE HALOGEN
47	46-271323P1	1	HALOGEN LAMP	1	HALOGEN LAMP BASE G4 14 VOLTS, 65 W.
49	403B335P21	2	TERM STRIP	1	2 POSITION TERMINAL STRIP, 20 AMP,
50	46-287268P1	2	LABEL	1	CAUTION, EXTREMELY HOT HALOGEN LAMPS
51	403B320P94	2	MARKER STR	1	2 POSITION MARKER STRIP, 1 & 2
54	2109873-15	2	PAN HD SCREW	2	M4X12 SST CROSS RECESSED PAN HD SCR
56	2109873-24	2	PAN HD SCREW	2	M6X12 SST CROSS RECESSED PAN HD SCR
57	2109878-3	2	WASHER	2	M6 FLAT WASHER, 12MM OD, 1.6MM SST
58	2109880-3	2	WASHER, LK	2	M6 SST SPRING LOCK WASHER
13085	46-220196P3	2	WASHER,LOCK	1	#10 SCREW SIZE (0.190), SST
13364	516A770P208	2	SCREW,MACH	2	2-56 X 1/2 LG BIND HEAD, SST 18-8
14488	46-220196P2	2	WASHER,LOCK	7	#6 SCREW SIZE (0.138), SST
17856	46-220184P13	2	SCREW MACH	6	6-32 X 3/8" ROUND HEAD SLOT, BRASS
18113	46-220184P41	2	SCREW MACH	1	10-32 X 1/2" SLOT ROUND HEAD, BRASS
18948	46-220184P21	2	SCREW MACH	1	6-32 X 1.75" ROUND HEAD SLOT, BRASS
41693	46-208563P84	2	SCREW,SET	2	4-40 X 1/4" HEX SOC CUP PT, #316 SST
64933	1000904P425	2	WASHER,FLAT	1	0.2 ID, 0.5 OD, .04 THK, B11H89C
75757	1000904P2	2	WASHER,FLAT	7	ID 0.144, OD 0.297, THK .032, BRASS

MAGNISHIELD REAR FRAME

46-306520G1



L306520G1A

M/S REAR FRAME

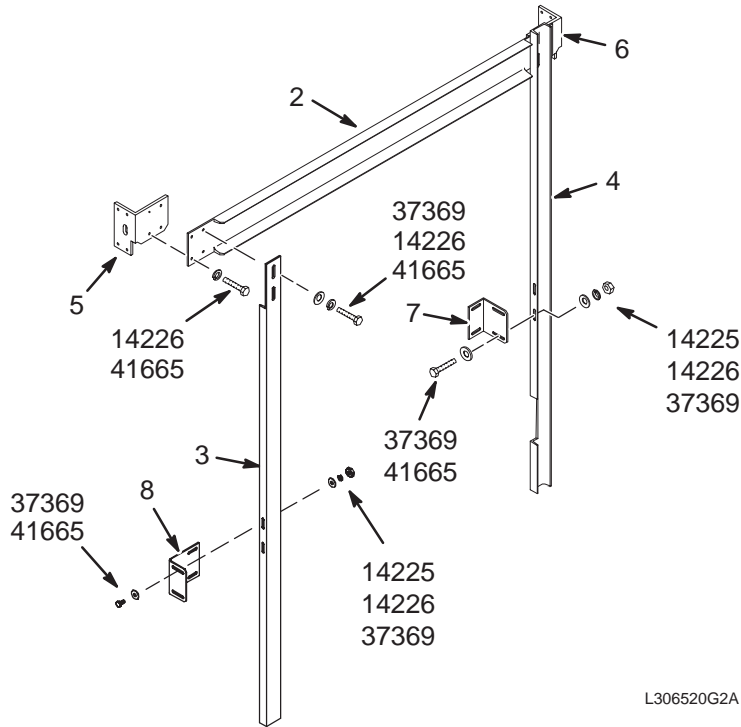
46-306520G1 FRU N

(PART OF 2158536-3 PAGE 2-71)

Item	Part Number	FRU	Name	Quantity	Description (Remarks)
2	46-301065P1	2	CHANNEL	1	TOP CHANNEL
3	46-301067P1	2	UPRIGHT	1	FRONT LEFT OR REAR RIGHT UPRIGHT
4	46-301067P2	2	UPRIGHT	1	FRONT RIGHT OR REAR LEFT UPRIGHT
5	46-301060P1	2	ANGLE, TOP	1	UPPER CORNER BRACKET, LEFT OR RIGHT
6	46-301060P2	2	ANGLE, TOP	1	UPPER CORNER BRACKET, RIGHT OR LEFT
7	46-301079P1	2	BRACKET	2	MAGNISHIELD FRAME ATTACHMENT
14225	46-208948P2	2	NUT,HEX	4	003/8-16 .563 HEX X .328 THK
14226	46-220196P6	2	WASHER,LOCK	12	SCREW SIZE 3/8 (0.375) 18-8 S ST
37369	1000904P447	2	WASHER,FLAT	12	ID 0.391 OD 1.000 THK .062
41665	46-208932P8	2	SCREW,CAP	12	003/8-16 X 1.250 18-8 S ST HEX HD

MAGNISHIELD FRONT FRAME

46-306520G2



M/S FRAME FRONT FRAME

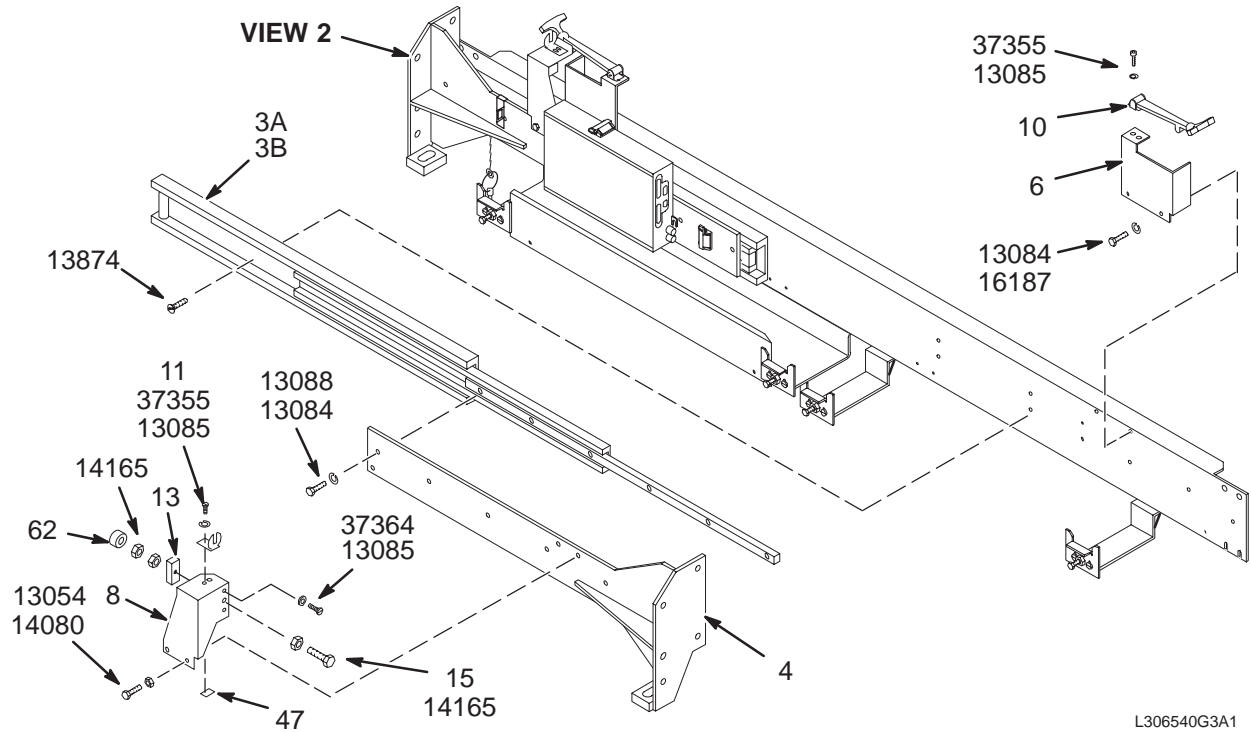
46-306520G2 FRU N

(PART OF 2158536-3 PAGE 2-71)

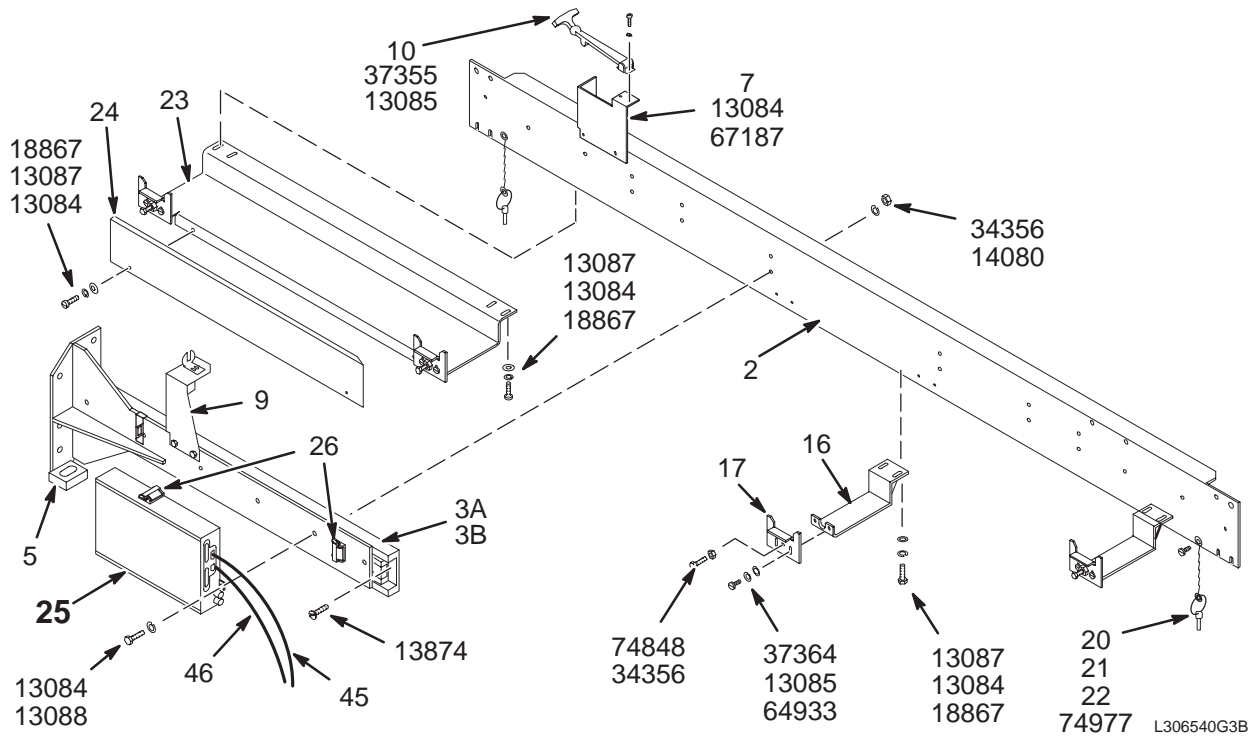
Item	Part Number	FRU	Name	Quantity	Description (Remarks)
2	46-301065P1	2	CHANNEL	1	TOP CHANNEL
3	2120127	2	UPRIGHT W.B.	1	UPRIGHT FRONT LEFT BRACKET
4	46-301067P2	2	UPRIGHT	1	FRONT RIGHT OR REAR LEFT UPRIGHT
5	46-301060P1	2	ANGLE, TOP	1	UPPER CORNER BRACKET, LEFT OR RIGHT
6	46-301060P2	2	ANGLE, TOP	1	UPPER CORNER BRACKET, RIGHT OR LEFT
7	46-301079P1	2	BRACKET	1	MAGNISHIELD FRAME ATTACHMENT
8	2142631	2	UPRIGHT	1	FRONT FRAME LEFT BRACKET MAGNISHIELD
14225	46-208948P2	2	NUT	4	3/8-16 .563 HEX X .328 THK, 18-8 SST
14226	46-220196P6	2	WASHER	12	3/8" SCREW SIZE (0.375), 18-8 SST
37369	1000904P447	2	WASHER	12	25/64 ID, 1" OD, 1/16" THICK, B7A34C
41665	46-208932P8	2	SCREW	12	3/8-16 X 1.25" HEX HEAD, 18-8 SST

MAGNISHIELD RIGHT SLIDE ASSEMBLY

46-306540G3



VIEW 1



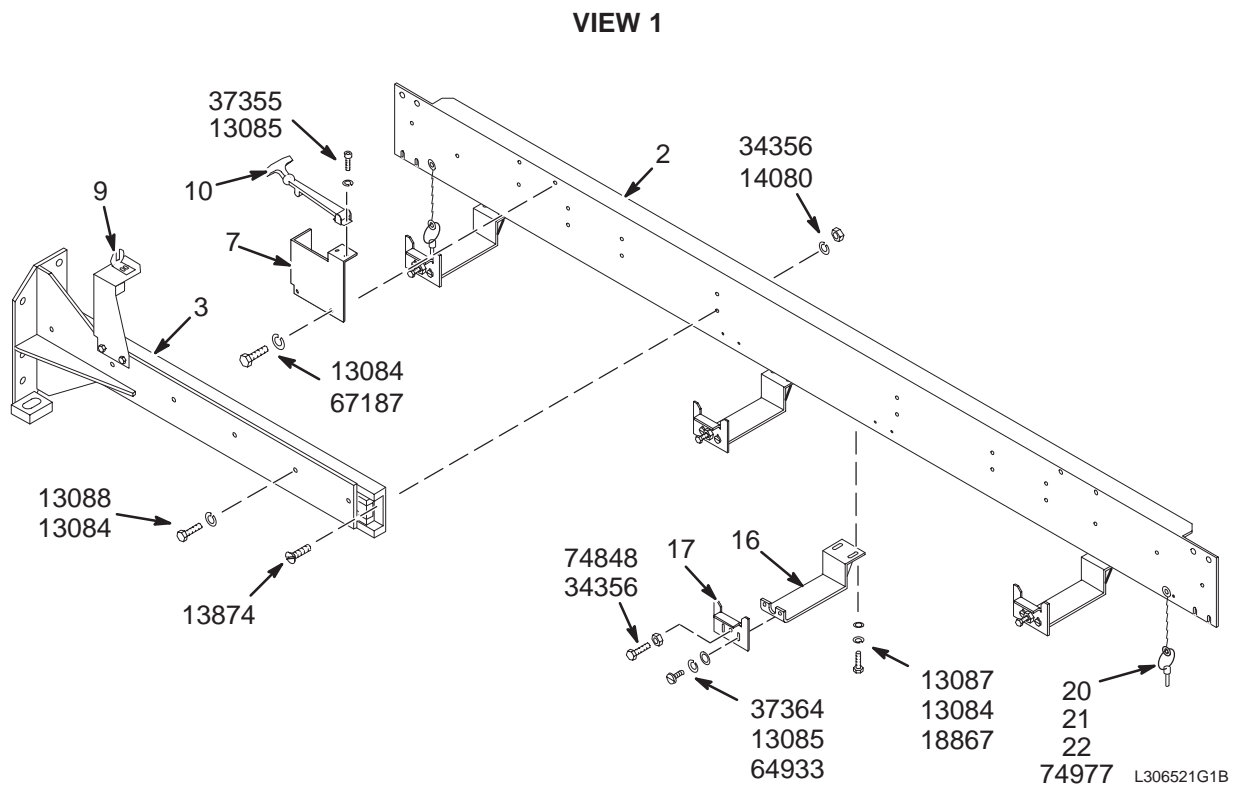
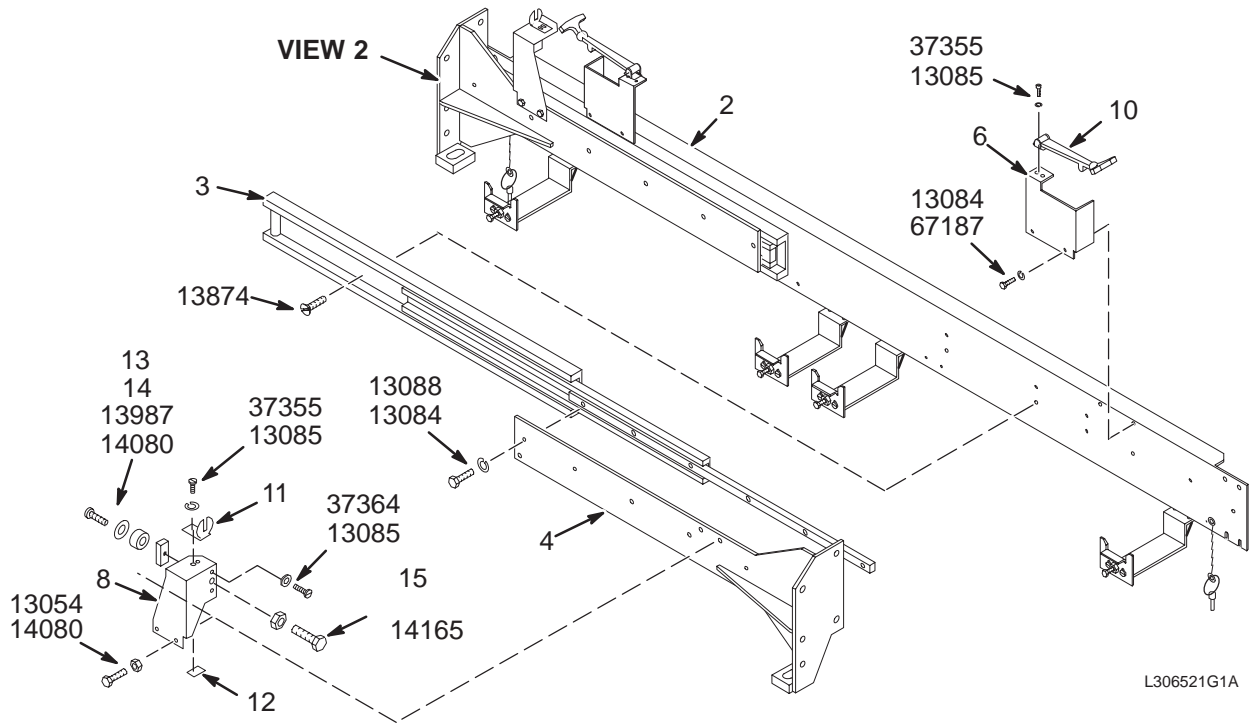
VIEW 2

M/S RIGHT SLIDE ASM 46-306540G3 FRU N (PART OF 2158536-3 PAGE 2-71)

Item	Part Number	FRU	Name	Quantity	Description (Remarks)
2	46-301055P1	2	CHANNEL,SIDE	1	MAGNISHIELD UPPER SLIDE SUPPORT
3A	46-320138P1	2	COVER SLIDE	2	ENCLOSURE FRONT/REAR COVER EXTENDING
3B	46-244780P1	2	SLIDE	ALT	ENCLOSURE FRONT/REAR COVER EXTENDING
4	46-244762G2	2	MOUNT-WELD	1	FRONT COVER LEFT OR REAR COVER RIGHT
5	46-244762G1	2	MOUNT-WELD	1	FRONT COVER RIGHT OR REAR COVER LEFT
6	46-271849P1	2	BRACKET	1	UPPER LATCH LEFT-FRONT OR RIGHT-REAR
7	46-271849P2	2	BRACKET	1	UPPER LATCH RIGHT-FRONT OR LEFT-REAR
8	46-258429P1	2	BRACKET	1	KEEPER/STOP FRONT-LEFT OR REAR-RIGHT
9	46-258429P2	2	BRACKET	1	KEEPER/STOP FRONT-RIGHT OR REAR-LEFT
10	46-251360P1	2	FLEX LATCH	2	T-HANDLE FLEX LATCH
11	46-251360P2	2	FLEX LATCH	2	FLEX LATCH KEEPER
12	46-251307P1	2	NUT PLATE	2	10-32 THREAD, TWO HOLES, .5" SPACING
13	46-258416P1	2	STOP BLOCK	2	BUMPER ADJUST SCREW SUPPORT
15	46-208932P43	2	SCREW	2	1/2-13 X 4.00 THREAD TO HEAD 18-8
16	46-301089P1	2	BRACKET	4	SIDE COVER HANGER EXTENSION
17	46-271943P1	2	SUPPORT	4	SIDE COVER HANGER BRACKET
20	46-221889P1	2	PIN,LOCK	2	NOM DIA 0.18 GRIP .70 QUICK-RELEASE
21	46-316457P1	2	CHAIN, BEAD	2	NO. 10 BEAD DIA .178
22	46-230530P10	2	COUPLING	4	NO. 10 TYPE A OFFSET
23	46-301077P1	2	BRACKET	1	MAGNISHIELD DSIM CABLE TROUGH
24	46-301082P1	2	GUARD CABLE	1	MAGNISHIELD DSIM CABLE GUARD
25	46-287370G8	1	DSIM/SRI BD	1	SCAN ROOM INTERFACE (SRI) (SEE PAGE 2-97)
26	46-220191P1	2	CLAMP	2	CLAMP FOR FLAT CABLE
45	46-287908G1	2	CABLE	1	(421) MG2-A33-J3 TO MG2-A31-J1
46	46-243775G668	2	CABLE	1	(422) MG3-A1-J4 TO MG2-A33-J2
47	2133208	2	BRACKET	1	PAC CABLE INTERFACE MOUNT/GROUND
62	46-328574P2	2	SPRING	2	SPRING COMPRESSION 22.225 MM 22.225
96	46-170686P3	2	ADHESIVE	AR	LOCTITE 242, 50CC
13054	46-208932P10	2	SCREW,CAP	4	001/4-20 X 0.500 LG HEX HD S ST 18-8
13084	46-220196P5	2	WASHER,LOCK	25	SCREW SIZE 5/16 (0.313) SST
13085	46-220196P3	2	WASHER,LOCK	20	SCREW SIZE 10 (0.190) SST
13087	46-208932P3	2	SCREW,CAP	10	5/16-18 X 0.750 18-8 SST
13088	46-208932P11	2	SCREW,CAP	11	05/16-18 X 1.000 LG HEX HD S ST 18-8
13874	46-208910P19	2	SCREW,MACH	18	001/4-20 X 1.000 LG FLAT HD SLOTTED
14080	46-220196P4	2	WASHER,LOCK	22	SCREW SIZE 1/4 (0.250) SST
14165	46-208948P3	2	NUT,HEX	4	001/2-13 .750 HEX X .438 THK
18867	12-280	2	WASHER	10	ID 0.3360 OD 0.7500 THK .0640
34356	46-208948P5	2	NUT,HEX	22	001/4-20 .438 HEX X .226 THK
37355	46-208737P12	2	SCREW,CAP	8	00010-32 X 0.500 LG HEX SOC HD SST
37364	46-208560P102	2	SCREW,MACH	12	10-32 X 0.625 LG BIND HD 18-8 SST
64933	1000904P425	2	WASHER,FLAT	8	ID 0.2000 OD 0.5000 THK .0400
67187	46-208560P83	2	SCREW,MACH	4	5/16-18 X 0.500 SST 302
74848	46-208932P24	2	SCREW,CAP	4	001/4-20 X 1.500 LG HEX HD SST 18-8
74977	46-208560P110	2	SCREW	2	6-32 X 3/8 BINDING HEAD, 18-8 SST

MAGNISHIELD LEFT SLIDE ASM

46-306521G1



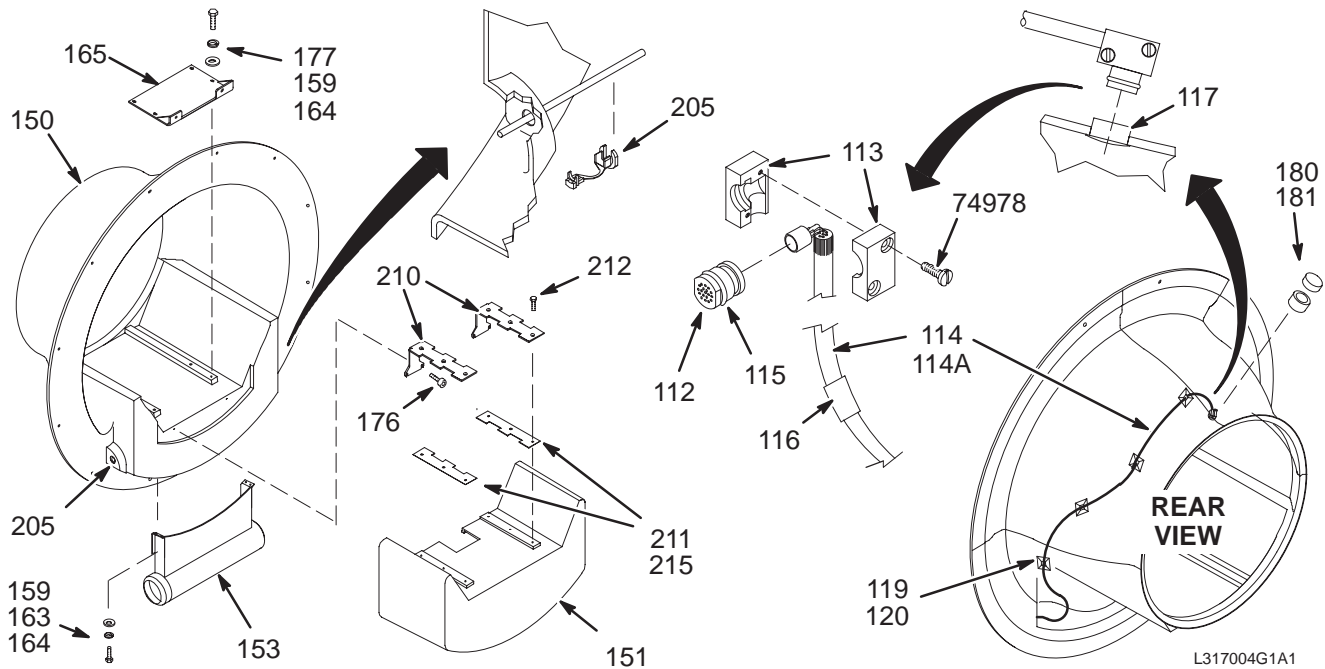
VIEW 2

M/S LEFT SLIDE ASM 46-306521G1 FRU N (PART OF 2158536-3 PAGE 2-71)

Item	Part Number	FRU	Name	Quantity	Description (Remarks)
2	46-301055P1	2	CHANNEL,SIDE	1	MAGNISHIELD UPPER SLIDE SUPPORT
3A	46-320138P1	2	COVER SLIDE	2	ENCLOSURE FRONT/REAR COVER EXTENDING
3B	46-244780P1	2	SLIDE	ALT	ENCLOSURE FRONT/REAR COVER EXTENDING
4	46-244762G2	2	MOUNT-WELD	1	FRONT COVER LEFT OR REAR COVER RIGHT
5	46-244762G1	2	MOUNT-WELD	1	FRONT COVER RIGHT OR REAR COVER LEFT
6	46-271849P1	2	BRACKET	1	UPPER LATCH LEFT-FRONT OR RIGHT-REAR
7	46-271849P2	2	BRACKET	1	UPPER LATCH RIGHT-FRONT OR LEFT-REAR
8	46-258429P1	2	BRACKET	1	KEEPER/STOP FRONT-LEFT OR REAR-RIGHT
9	46-258429P2	2	BRACKET	1	KEEPER/STOP FRONT-RIGHT OR REAR-LEFT
10	46-251360P1	2	FLEX LATCH	2	T-HANDLE FLEX LATCH
11	46-251360P2	2	FLEX LATCH	2	FLEX LATCH KEEPER
12	46-251307P1	2	NUT PLATE	2	10-32 THREAD, TWO HOLES, .5" SPACING
13	46-258416P1	2	STOP BLOCK	2	BUMPER ADJUST SCREW SUPPORT
14	46-251156G1	2	PAD	2	1.2" DIA, .62" THK. URETHANE, BLACK
15	46-255887P1	2	SCREW	2	BUMPER ADJUST, 1/2-13 X 3.75", BRASS
16	46-301089P1	2	BRACKET	4	SIDE COVER HANGER EXTENSION
17	46-271943P1	2	SUPPORT	4	SIDE COVER HANGER BRACKET
20	46-221889P1	2	PIN,LOCK	2	NOM DIA 0.18 GRIP .70 QUICK-RELEASE
21	46-316457P1	2	CHAIN, BEAD	2	NO. 10 BEAD DIA .178
22	46-230530P10	2	COUPLING	4	NO. 10 TYPE A OFFSET
13054	46-208932P10	2	SCREW,CAP	4	001/4-20 X 0.500 LG HEX HD S ST 18-8
13084	46-220196P5	2	WASHER,LOCK	24	SCREW SIZE 5/16 (0.313) SST
13085	46-220196P3	2	WASHER,LOCK	20	SCREW SIZE 10 (0.190) SST
13087	46-208932P3	2	SCREW,CAP	8	5/16-18 X 0.750 18-8 SST
13088	46-208932P11	2	SCREW,CAP	12	05/16-18 X 1.000 LG HEX HD S ST 18-8
13874	46-208910P19	2	SCREW,MACH	18	001/4-20 X 1.000 LG FLAT HD SLOTTED
13987	46-208737P27	2	SCREW,CAP	2	001/4-20 X 0.750 LG HEX SOC HD SST
14080	46-220196P4	2	WASHER,LOCK	24	SCREW SIZE 1/4 (0.250) SST
14165	46-208948P3	2	NUT,HEX	2	001/2-13 .750 HEX X .438 THK
18867	12-280	2	WASHER	8	ID 0.3360 OD 0.7500 THK .0640
34356	46-208948P5	2	NUT,HEX	22	001/4-20 .438 HEX X .226 THK
37355	46-208737P12	2	SCREW,CAP	8	00010-32 X 0.500 LG HEX SOC HD SST
37364	46-208560P102	2	SCREW,MACH	12	10-32 X 0.625 LG BIND HD 18-8 SST
64933	1000904P425	2	WASHER,FLAT	8	ID 0.2000 OD 0.5000 THK .0400
67187	46-208560P83	2	SCREW,MACH	4	5/16-18 X 0.500 SST 302
74848	46-208932P24	2	SCREW,CAP	4	001/4-20 X 1.500 LG HEX HD SST 18-8
74977	46-208560P110	2	SCREW,MACH	2	6-32 X 3/8 BINDING HEAD, 18-8 SST

MAGNISHIELD FRONT END BELL ASM

46-317004G2



M/S FRONT END BELL ASM

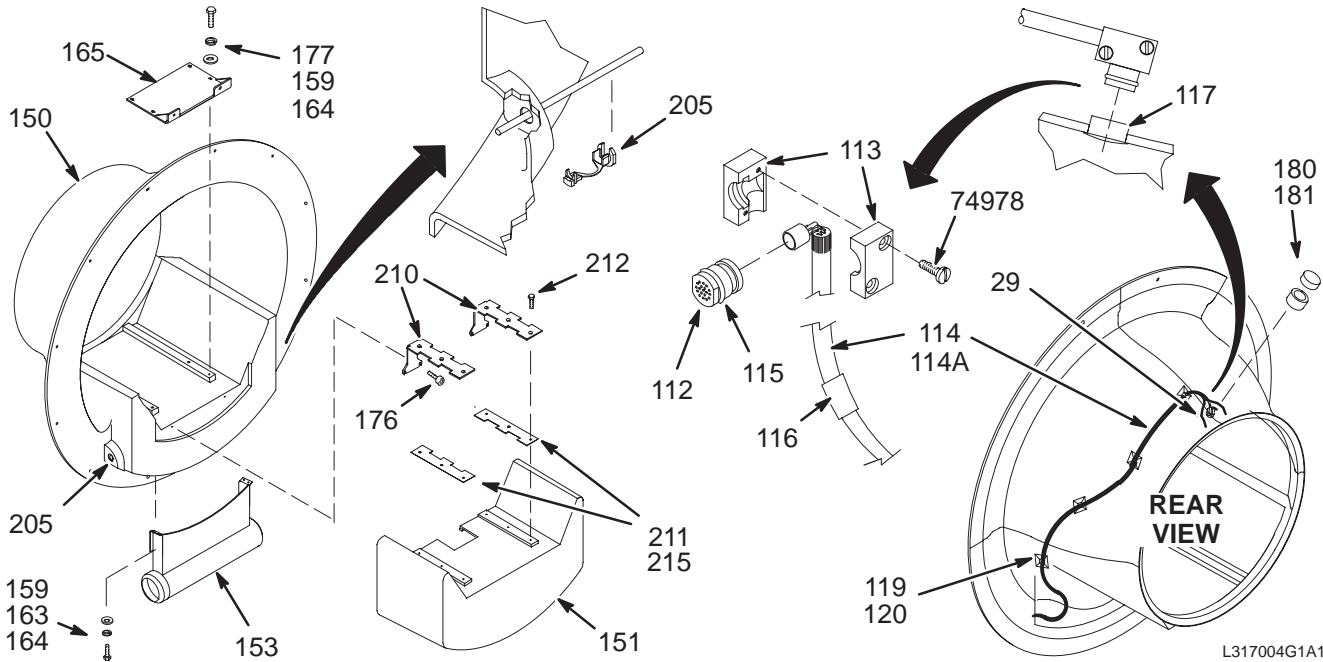
46-317004G2 FRU N

(PART OF 2118423 PAGE 2-67)
(PART OF 2118423-2 PAGE 2-69)

Item	Part Number	FRU	Name	Quantity	Description (Remarks)
112	46-317134P1	N	MIKE HOUSING	1	USE 46-317109G1 AS FIELD REPLACEMENT
113	46-317135P1	N	CABLE CLAMP	1	USE 46-317109G1 AS FIELD REPLACEMENT
114	46-317157G2	N	CABLE ASM.	1	USE 46-317109G1 AS FIELD REPLACEMENT
114A	46-317157G1	N	CABLE ASM.	ALT	USE 46-317109G1 AS FIELD REPLACEMENT
115	46-136374P65	2	O-RING	1	WIDTH .07, ID 0.551, DUROMETER A 70
116	46-251905P207	2	CABLE LABEL	1	MG2-A35, FRONT MIKE, 46-317109G1
117	46-221523P26	2	BUTTON,PLUG	1	VENT PLUG, WHITE, 7/8 DIA.
118	46-170617P2	2	COMPOUND	AR	RTV SILICON RUBBER ADHESIVE SEALANT.
119	46-208747P1	2	MOUNT	4	CABLE TIE,ADH.BACKED
120	46-208758P2	2	STRAP	4	5.5" X .140" SELF-LOCKING CABLE TIE.
150	2120885	2	END BELL	1	FRONT END BELL STD N.L
151	2134042	2	WB END BELL	1	FRT EXTEN. W.B. END BELL
153	2195497	2	PLENUM,FRONT	1	FRONT AIR DUCT
159	2109880-3	2	WASHER, LK	8	M6 SST SPRING LOCK WASHER
163	2109873-25	2	PAN HD SCREW	4	M6X16 SST CROSS RECESSED PAN HD SCR
164	2109878-3	2	WASHER	8	M6 FLAT WASHER, 12MM OD, 1.6MM SST
165	2138084	2	BRIDGE SUPPT	1	SPPT, BRIDGE, FRT, LOWER
175	2121932	2	PANEL	1	N. L. END BELL PANEL
176	2109873-27	2	METRIC SCREW	2	M6 X 25 CROSS-RECESSED PAN HEAD, SST
177	2109866-12	2	SCREW,HEX HD	4	M6X20 SST HEX HEAD SCREW/BOLT
180	2145725	2	TOP BARRIER	1	MICROPHONE TOP SOUND BARRIER
181	2145724	2	SIDE BARRIER	1	MICROPHONE SIDE SOUND BARRIER
205	2138233	2	BUSHING	2	STRAIN RELIEF BUSHING
210	2138086	2	SLIDE,METAL	2	SLIDE, EXT, METAL
211	2138085	2	SLIDE,PLASTC	2	SLIDE, EXT, PLASTIC
212	2109874-22	2	PART	6	METRIC SST CROSS REC'D C'SK FLT HD
215	46-208585P2	2	TAPE	AR	3M #950, 3" WIDE X 60 YD ROLL
74978	46-208560P111	2	SCREW,MACH	2	6-32 X 5/8" BIND HEAD, SST 18-8

MAGNISHIELD FRONT END BELL ASM w/ DUAL SENSOR

46-317004G5



L317004G1A1

M/S FRONT END BELL ASM

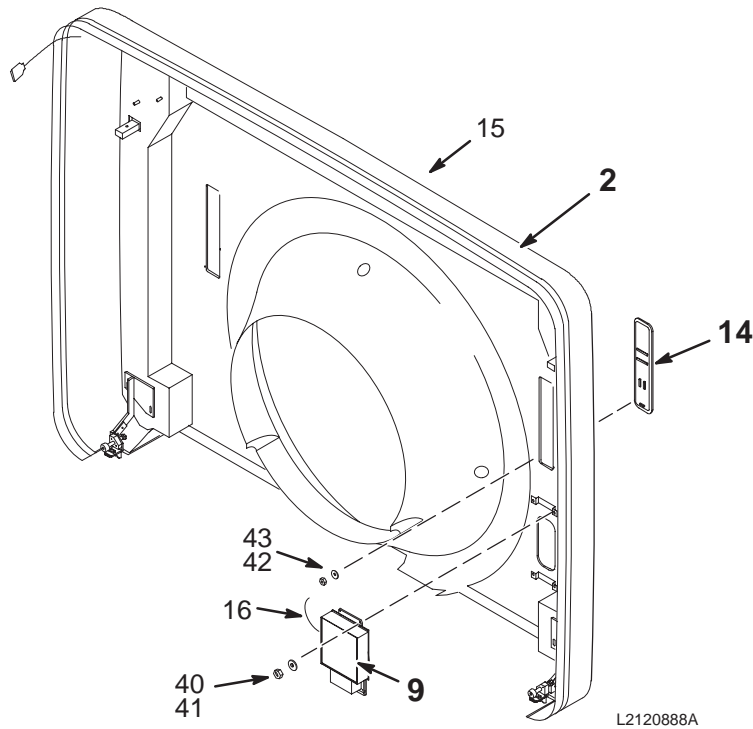
46-317004G5 FRU N

(PART OF 2118423 PAGE 2-67)
(PART OF 2118423-2 PAGE 2-69)

Item	Part Number	FRU	Name	Quantity	Description (Remarks)
29	2285729	2	CABLE	1	(749) MG2-J33-J10 TO MG2-A36 (DUAL)
112	46-317134P1	N	MIKE HOUSING	1	USE 46-317109G1 AS FIELD REPLACEMENT
113	46-317135P1	N	CABLE CLAMP	1	USE 46-317109G1 AS FIELD REPLACEMENT
114	46-317157G2	N	CABLE ASM.	1	USE 46-317109G1 AS FIELD REPLACEMENT
114A	46-317157G1	N	CABLE ASM.	ALT	USE 46-317109G1 AS FIELD REPLACEMENT
115	46-136374P65	2	O-RING	1	WIDTH .07, ID 0.551, DUROMETER A 70
116	46-251905P207	2	CABLE LABEL	1	MG2-A35, FRONT MIKE, 46-317109G1
117	46-221523P26	2	BUTTON,PLUG	1	VENT PLUG, WHITE, 7/8 DIA.
118	46-170617P2	2	COMPOUND	AR	RTV SILICON RUBBER ADHESIVE SEALANT.
119	46-208747P1	2	MOUNT	4	CABLE TIE,ADH.BACKED
120	46-208758P2	2	STRAP	4	5.5" X .140" SELF-LOCKING CABLE TIE.
150	2120885-2	2	END BELL	1	FRONT END BELL STD N.L. W/2ND SENSOR
151	2134042	2	WB END BELL	1	FRT EXTEN. W.B. END BELL
153	2195497	2	PLENUM,FRONT	1	FRONT AIR DUCT
159	2109880-3	2	WASHER, LK	8	M6 SST SPRING LOCK WASHER
163	2109873-25	2	PAN HD SCREW	4	M6X16 SST CROSS RECESSED PAN HD SCR
164	2109878-3	2	WASHER	8	M6 FLAT WASHER, 12MM OD, 1.6MM SST
165	2138084	2	BRIDGE SUPPT	1	SPPT, BRIDGE, FRT, LOWER
175	2121932	2	PANEL	1	N. L. END BELL PANEL
176	2109873-27	2	METRIC SCREW	2	M6 X 25 CROSS-RECESSED PAN HEAD, SST
177	2109866-12	2	SCREW,HEX HD	4	M6X20 SST HEX HEAD SCREW/BOLT
180	2145725	2	TOP BARRIER	1	MICROPHONE TOP SOUND BARRIER
181	2145724	2	SIDE BARRIER	1	MICROPHONE SIDE SOUND BARRIER
205	2138233	2	BUSHING	2	STRAIN RELIEF BUSHING
210	2138086	2	SLIDE,METAL	2	SLIDE, EXT, METAL
211	2138085	2	SLIDE,PLASTC	2	SLIDE, EXT, PLASTIC
212	2109874-22	2	PART	6	METRIC SST CROSS REC'D C'SK FLT HD
215	46-208585P2	2	TAPE	AR	3M #950, 3" WIDE X 60 YD ROLL
74978	46-208560P111	2	SCREW,MACH	2	6-32 X 5/8" BIND HEAD, SST 18-8

MAGNISHIELD FRONT COVER ASM

2120889



MAGNISHIELD FRONT COVER

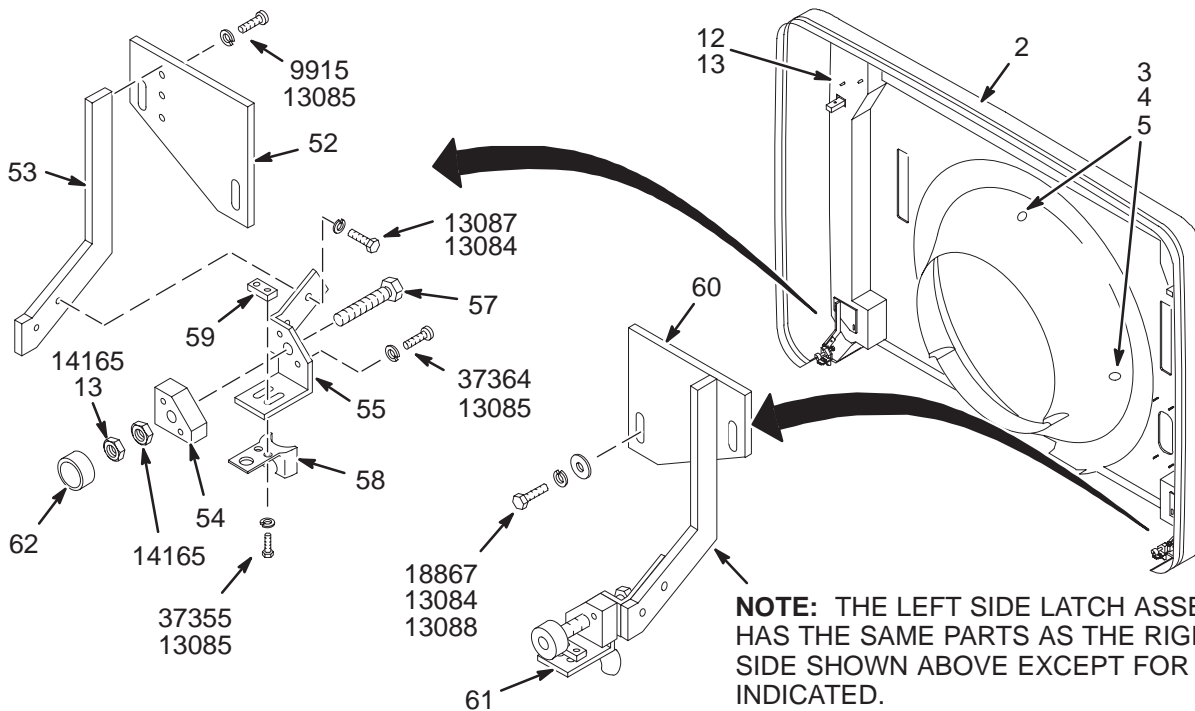
2120889 FRU N

(PART OF 2118423 PAGE 2-67)
(PART OF 2118423-2 PAGE 2-69)

Item	Part Number	FRU	Name	Quantity	Description (Remarks)
2	46-317003G1	N	W.B. FRT CVR	1	UFI WIDE BODY FRONT COVER ASM (SEE PAGE 2-88)
9	2122268-3	1	PAC-II ASSY	1	PHYSIOLOGICAL ACQUISITION CONTROLLER (SEE PG 2-99)
14	2120458	N	OPR BP/D KIT	1	OPERATOR BUTTON PANEL/DISPLAY&CABLES (SEE PG 2-50)
15	2142724	2	MEATBALL	1	FRONT COVER GE LOGO INJECTION MOLDED
15A	2135885	2	LABEL PT	ALT	COVER G.E. LOGO PLATE
16	46-328000G932	2	CABLE ASM	1	MG2-A11-A1-J2 TO RUN 716
40	2109866-12	2	SCREW	4	M6X20 SST HEX HEAD SCREW
41	2109878-3	2	WASHER	4	M6 FLAT WASHER, 12MM OD, 1.6MM, SST
42	46-208935P4	2	NUT	16	4-40, 1/4" HEX X .093 THK, BRASS
43	1000904P142	2	WASHER	16	ID 0.1495, OD 0.438, THK .016, BRASS

MAGNISHIELD FRONT COVER

46-317003G1



NOTE: THE LEFT SIDE LATCH ASSEMBLY HAS THE SAME PARTS AS THE RIGHT SIDE SHOWN ABOVE EXCEPT FOR ITEMS INDICATED.

L317003G1A

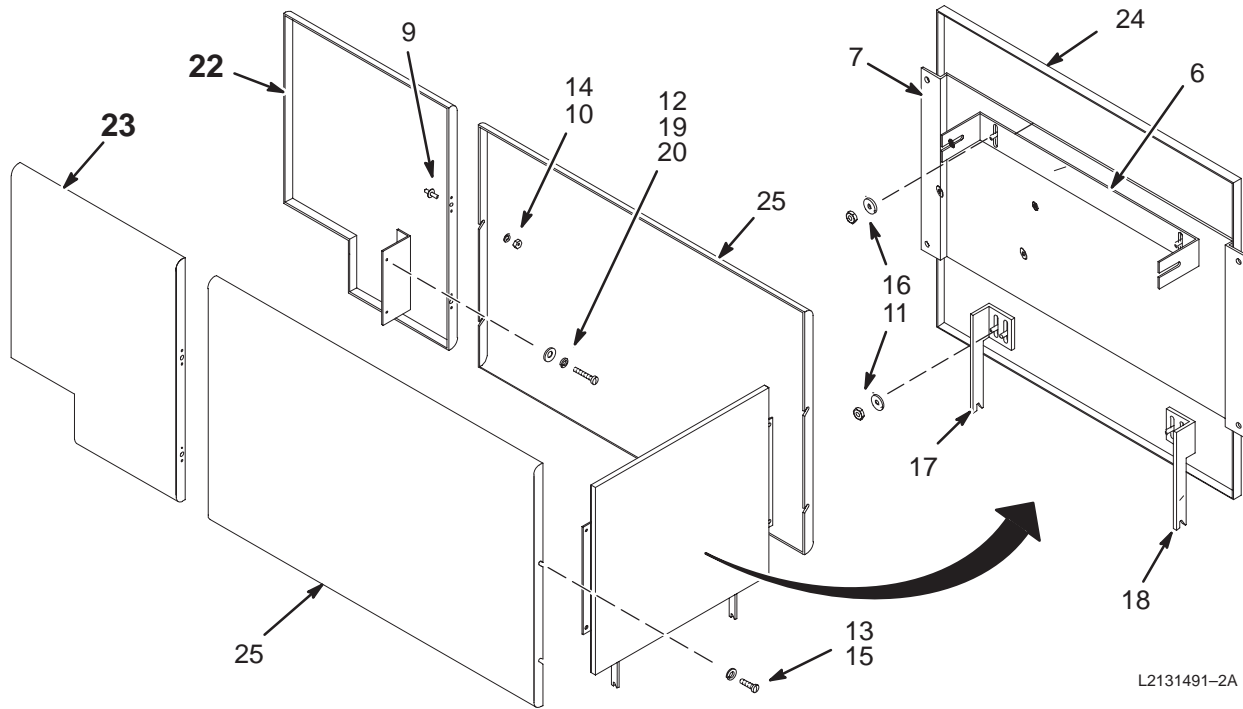
M/S FRONT COVER

46-317003G1 FRU N

(PART OF 2120889 PAGE 2-87)

Item	Part Number	FRU	Name	Quantity	Description (Remarks)
2	2118416	N	W.B. FRT CVR	1	USE 46-317003G2 AS FIELD REPLACEMENT
3	2142279	2	CLAMP	3	MAGNISHIELD COVER WINDOW CLAMP
4	2109873-15	2	SCREW	6	M4X12 SST CROSS RECESSED PAN HD SCR
5	2133610	2	BEZEL	3	W.B. FRONT COVER WINDOW, ACRYLIC
12	46-251997P1	2	STUD-COVER	8	5/16-18 X 1-3/4, SST
13	46-170686P3	2	ADHESIVE	AR	LOCTITE 242, 50CC
52	46-301115P2	2	PLATE	1	FRONT LOWER RIGHT OR REAR LOWER LEFT
53	46-301114P1	2	PLATE	2	LATCH AND BUMPER EXTENSION ARM
54	46-301141P1	2	BLOCK	2	BUMPER ADJUST SCREW SUPPORT
55	46-301140P2	2	BRACKET	1	FRONT LOWER RIGHT OR REAR LOWER LEFT
57	46-208932P43	2	SCREW	2	1/2-13 X 4.00 THREAD TO HEAD 18-8
58	46-251360P2	2	MECHANICAL/M	2	FLEX LATCH KEEPER
59	46-251307P1	2	NUT PLATE	2	10-32 THREAD, TWO HOLES, .5" SPACING
60	46-301115P1	2	PLATE	1	FRONT LOWER LEFT OR REAR LOWER RIGHT
61	46-301140P1	2	BRACKET	1	FRONT LOWER LEFT OR REAR LOWER RIGHT
62	46-328574P2	2	SPRING	2	SPRING COMPRESSION 22.225 MM 22.225
9915	46-221922P6	2	SCREW	6	10-32 X 1/2" HEX HD, SST 18-8
13084	46-220196P5	2	WASHER	8	5/16" SCREW SIZE (0.313), SST
13085	46-220196P3	2	WASHER	14	#10 SCREW SIZE (0.190), SST
13087	46-208932P3	2	SCREW	4	5/16-18 X 3/4", 18-8 SST
13088	46-208932P11	2	SCREW	4	5/16-18 X 1", HEX HD, 18-8 SST
14165	46-208948P3	2	NUT	4	1/2-13, 3/4" HEX, 7/16" THK 18-8 SST
18867	12-280	2	WASHER	4	ID 0.336, OD 0.75, THK .064, BRASS
37355	46-208737P12	2	SCREW	4	10-32 X 1/2", HEX SOC HEAD, 18-8 SST
37364	46-208560P102	2	SCREW	4	10-32 X 5/8", BIND HEAD, 18-8 SST

MAGNISHIELD ENCLOSURE REAR PEDESTAL COVERS 2131492-2



L2131491-2A

M/S REAR PEDESTAL COVER

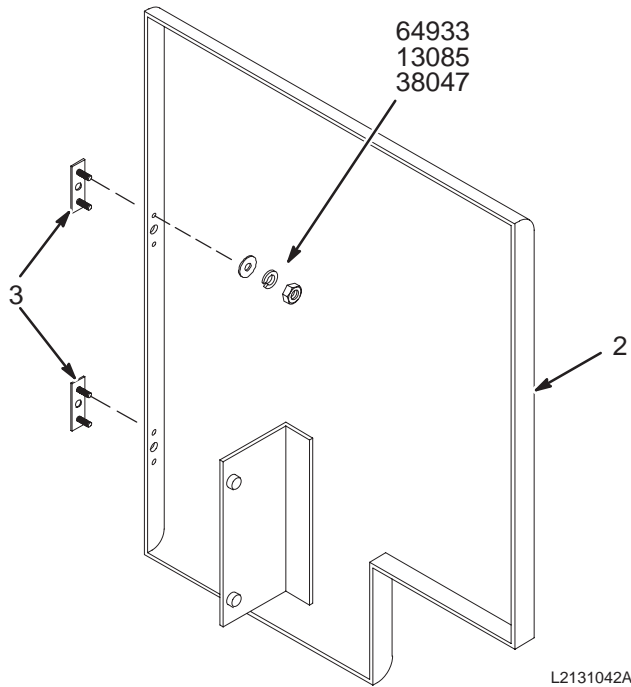
2131492-2 FRU N

(PART OF 2118423 PAGE 2-67)
(PART OF 2118423-2 PAGE 2-69)

Item	Part Number	FRU	Name	Quantity	Description (Remarks)
6	46-287227P1	2	BRCKT R C T	1	BACK COVER ATTACHING
7	2124053	2	BKT, SCD	1	BRACKET, REAR COVER (DOGHOUSE)
9	46-287233P1	2	SPACER	4	REAR PEDESTAL SIDE COVER MOUNTING
10	46-208935P9	2	NUT	4	5/16-18, .563 HEX X .219 THK, BRASS
11	46-208935P7	2	NUT	6	10-32, 3/8 HEX, 1/8" THICK, BRASS
12	46-265486P15	2	SCREW	4	5/16-18 X 1 PAN HEAD, DELRIN NATURAL
13	46-220196P3	2	WASHER	2	#10 SCREW SIZE (0.190), SST
14	12-280	2	WASHER	4	ID 0.336, OD 0.75, THK .064, BRASS
15	46-208560P102	2	SCREW	2	10-32 X 5/8", BIND HEAD, 18-8 SST
16	1000904P425	2	WASHER	8	0.2 ID, 0.5 OD, 04 THK, B11H89C
17	46-301105P1	2	BRACKET	1	BACK COVER SUPPORT LEG, LEFT
18	46-301105P2	2	BRACKET	1	BACK COVER SUPPORT LEG, RIGHT
19	2109866-13	2	SCREW	4	M6X25 SST HEX-HEAD SCREW
20	2109880-3	2	WASHER	4	M6 SST SPRING LOCK WASHER
21	2109878-3	2	WASHER	4	M6 FLAT WASHER, 12MM OD, 1.6MM, SST
22	2131043	N	REAR COVER	1	REAR COVER ASM W.B. RIGHT (SEE PAGE 2-91)
23	2131042	N	SIDE COVER	1	SIDE COVER ASM W.B. LEFT (SEE PAGE 2-90)
24	2124054	2	COVER	1	REAR COVER (DOGHOUSE)
25	46-320524P1	2	SIDE COVER	2	

LEFT SIDE REAR PEDESTAL COVER

2131042



LEFT REAR PED SIDE COVER

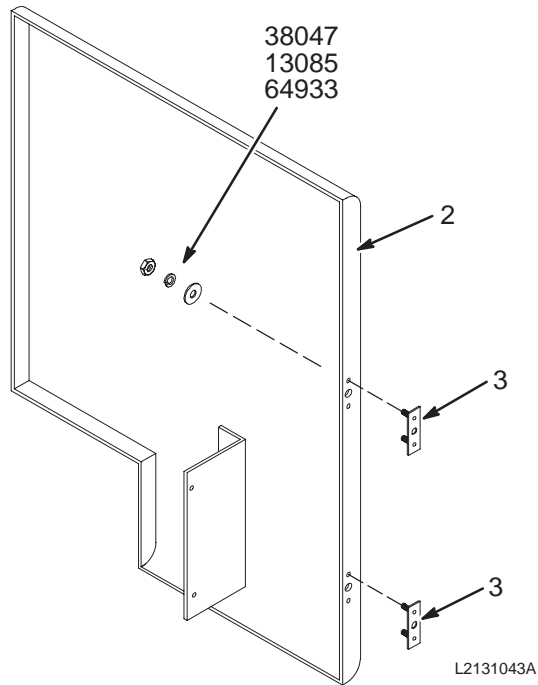
2131042 FRU N

(PART OF 2131492-2 PAGE 2-89)

Item	Part Number	FRU	Name	Quantity	Description (Remarks)
2	46-320518P1	2	SIDE COVER	1	SIDE REAR COVER LEFT W.B.
3	46-287234G1	2	PIN SUPPORT	2	REAR PEDESTAL COVER GUIDE PIN INSERT
13085	46-220196P3	2	WASHER,LOCK	4	#10 SCREW SIZE (0.190), SST
38047	46-208938P5	2	NUT,HEX,MS	4	10-32, 3/8" HEX X .130 THK, 18-8 SST
64933	1000904P425	2	WASHER,FLAT	4	0.2 ID, 0.5 OD, .04 THK, B11H89C

RIGHT SIDE REAR PEDESTAL COVER

2131043



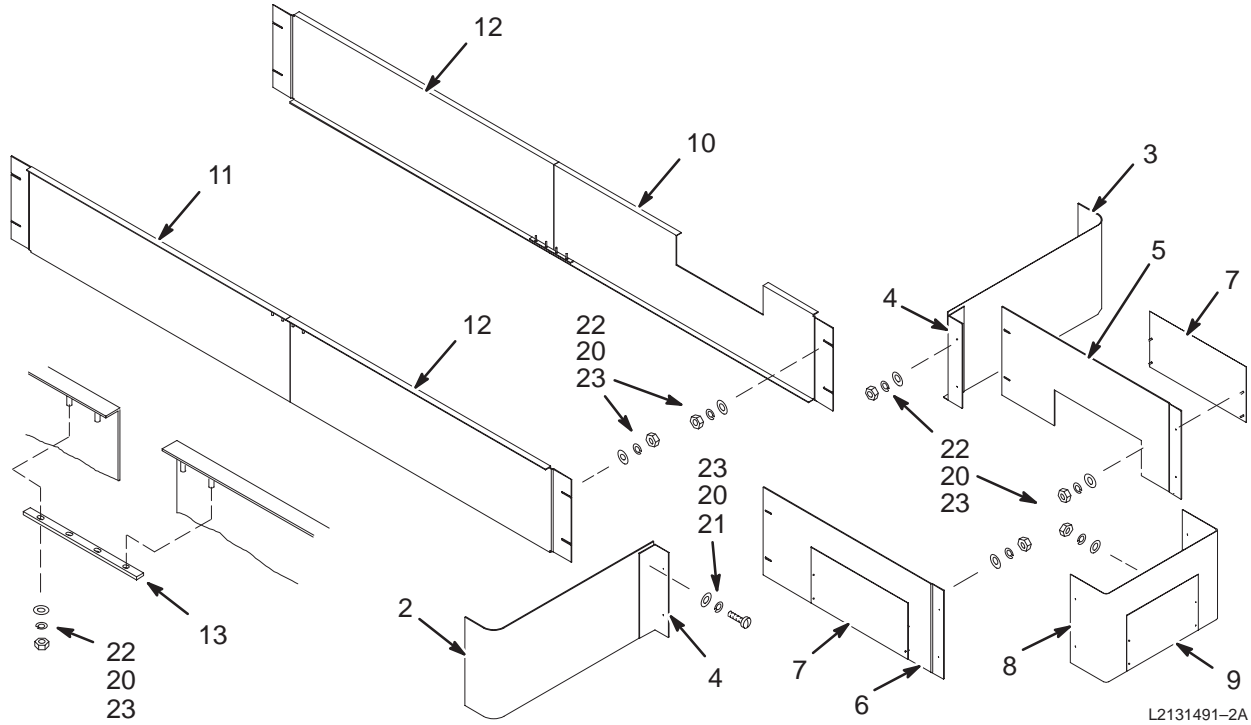
RIGHT SIDE REAR PED COVER

2131043 FRU N

(PART OF 2131492-2 PAGE 2-89)

Item	Part Number	FRU	Name	Quantity	Description (Remarks)
2	46-320519P1	2	SIDE COVER	1	SIDE REAR COVER RIGHT W.B.
3	46-287234G1	2	PIN SUPPORT	2	REAR PEDESTAL COVER GUIDE PIN INSERT
13085	46-220196P3	2	WASHER,LOCK	4	#10 SCREW SIZE (0.190), SST
38047	46-208938P5	2	NUT,HEX,MS	4	10-32, 3/8" HEX X .130 THK, 18-8 SST
64933	1000904P425	2	WASHER,FLAT	4	0.2 ID, 0.5 OD, 04 THK, B11H89C

MAGNISHIELD ENCLOSURE TRIM COVERS 2131491-2



L2131491-2A

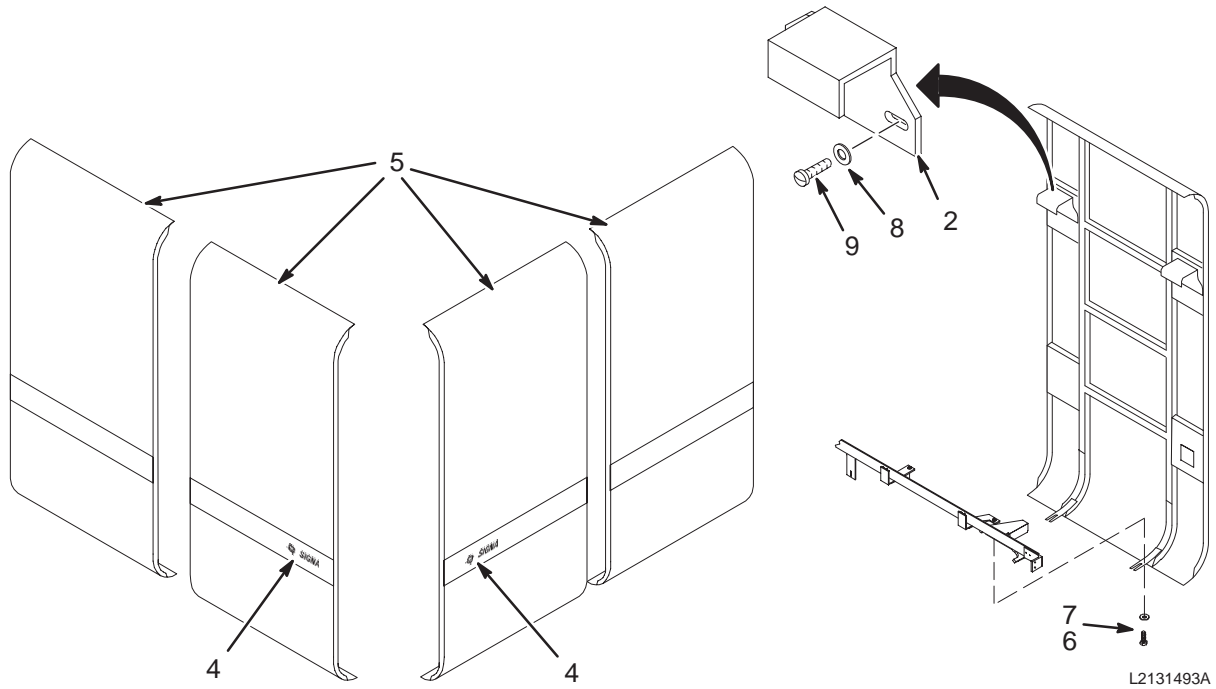
M/S ENCL TRIM PANELS

2131491-2 FRU N

(PART OF 2118423 PAGE 2-67)
(PART OF 2118423-2 PAGE 2-69)

Item	Part Number	FRU	Name	Quantity	Description (Remarks)
2	46-301157P2	2	BASE TRIM RR	1	MAGNISHIELD RIGHT REAR TRIM SKIRT
3	46-301157P1	2	BASE TRIM RR	1	MAGNISHIELD LEFT REAR TRIM SKIRT
4	46-301160P1	2	TRIM ANGLE	2	TRIM SKIRT MOUNTING BRACKET
5	46-301158P1	2	TRIM SIDE	1	REAR PEDESTAL, LEFT SIDE SKIRT
6	46-301158P2	2	TRIM SIDE	1	REAR PEDESTAL, RIGHT SIDE SKIRT
7	46-251686G1	2	TRIM COVER	2	PEDESTAL SIDE CABLE ACCESS PANEL
8	46-301159P1	2	TRIM REAR	1	REAR PEDESTAL, REAR TRIM SKIRT
9	46-251684G1	2	TRIM COVER	1	REAR SKIRT CABLE ACCESS PANEL
10	46-301155P3	2	BASE TRIM SD	1	SIDE SKIRT, LEFT REAR
11	46-301155P2	2	BASE TRIM SD	1	SIDE SKIRT, RIGHT FRONT
12	46-301155P1	2	BASE TRIM SD	2	SIDE SKIRT, RIGHT REAR OR LEFT FRONT
13	46-301161P1	2	SKIRT SPLICE	4	MAGNISHIELD SIDE SKIRT SPLICE BAR
20	46-220196P3	2	WASHER,LOCK	48	#10 SCREW SIZE (0.190), SST
21	46-208560P102	2	SCREW,MACH	12	10-32 X 5/8", BIND HEAD, 18-8 SST
22	46-208938P5	2	NUT,HEX,MS	36	10-32, 3/8" HEX X .130 THK, 18-8 SST
23	1000904P425	2	WASHER,FLAT	48	0.2 ID, 0.5 OD, .04 THK, B11H89C

MAGNISHIELD ENCLOSURE SIDE COVERS 2131493-2



M/S ENCL SIDE COVERS

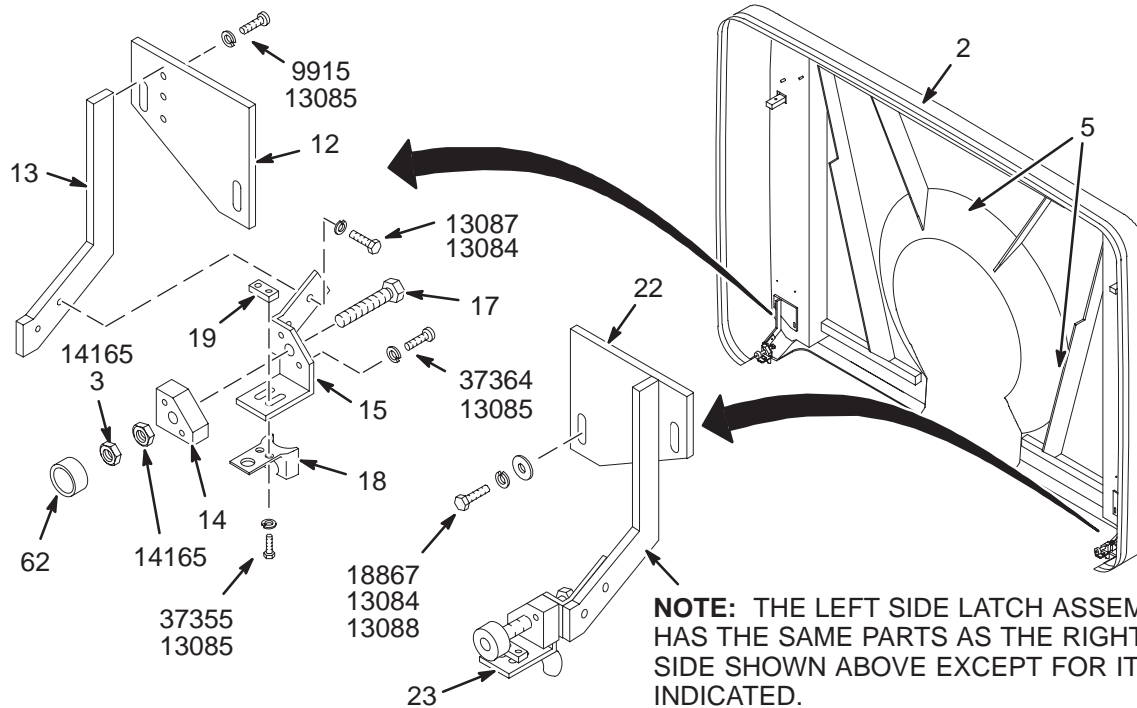
2131493-2 FRU N

(PART OF 2118423 PAGE 2-67)
(PART OF 2118423-2 PAGE 2-69)

Item	Part Number	FRU	Name	Quantity	Description (Remarks)
2	46-255133P1	2	BRACKET	8	MAGNET ENCLOSURE SIDE COVER HANGER
4	46-287648P1	2	SIGNA DECAL	2	GE MONOGRAM AND SIGNA, GREY
5	46-287949P1	2	SIDE COVER	4	MAGNISHIELD ENCLOSURE SIDE COVER
6	46-208932P1	2	SCREW,CAP	8	1/4-20 X 3/4, 18-8 SST
7	12-241	2	WASHER	8	ID 0.266, OD 0.75, THK .051, BRASS
8	1000904P446	2	WASHER,FLAT	16	ID 0.266, OD 0.68, THK .05, B7A34C
9	46-208932P5	2	SCREW,CAP	16	1/4-20 X 5/8" HEX HEAD. 18-8 SST

MAGNISHIELD BACK COVER ASM

46-301515G2



MAGNISHIELD BACK COVER

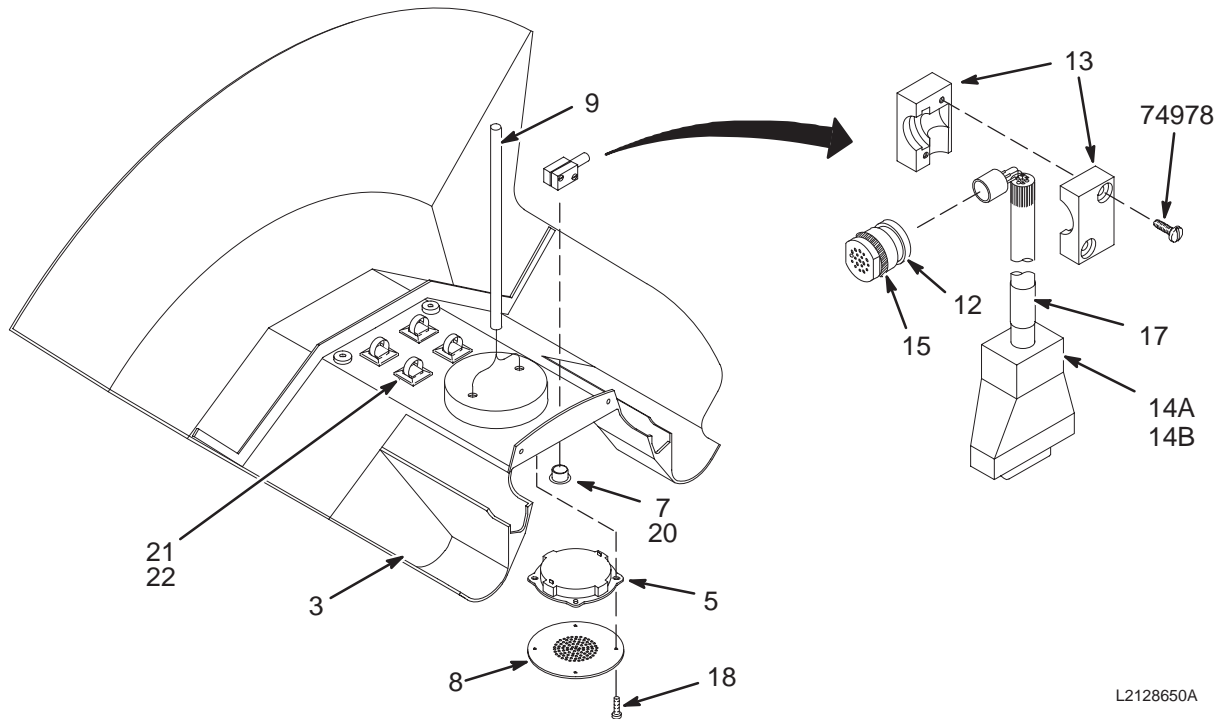
46-301515G2 FRU N

(PART OF 2118423 PAGE 2-67)
(PART OF 2118423-2 PAGE 2-69)

Item	Part Number	FRU	Name	Quantity	Description (Remarks)
2	2118419	N	WB REAR CVR	1	USE 46-301515G3 AS FIELD REPLACEMENT
3	46-170686P3	2	ADHESIVE	AR	LOCTITE 242, 50CC
4	46-251997P1	2	STUD-COVER	8	5/16-18 X 1-3/4, SST
12	46-301115P2	2	PLATE	1	FRONT LOWER RIGHT OR REAR LOWER LEFT
13	46-301114P1	2	PLATE	2	LATCH AND BUMPER EXTENSION ARM
14	46-301141P1	2	BLOCK	2	BUMPER ADJUST SCREW SUPPORT
15	46-301140P2	2	BRACKET	1	FRONT LOWER RIGHT OR REAR LOWER LEFT
17	46-208932P43	2	SCREW	2	1/2-13 X 4.00 THREAD TO HEAD 18-8
18	46-251360P2	2	MECHANICAL/M	2	FLEX LATCH KEEPER
19	46-251307P1	2	NUT PLATE	2	10-32 THREAD, TWO HOLES, .5" SPACING
22	46-301115P1	2	PLATE	1	FRONT LOWER LEFT OR REAR LOWER RIGHT
23	46-301140P1	2	BRACKET	1	FRONT LOWER LEFT OR REAR LOWER RIGHT
62	46-328574P2	2	SPRING	2	SPRING COMPRESSION 22.225 MM 22.225
9915	46-221922P6	2	SCREW	6	10-32 X 1/2" HEX HD, SST 18-8
13084	46-220196P5	2	WASHER	8	5/16" SCREW SIZE (0.313), SST
13085	46-220196P3	2	WASHER	14	#10 SCREW SIZE (0.190), SST
13087	46-208932P3	2	SCREW	4	5/16-18 X 3/4", 18-8 SST
13088	46-208932P11	2	SCREW	4	5/16-18 X 1", HEX HD, 18-8 SST
14165	46-208948P3	2	NUT	2	1/2-13, 3/4" HEX, 7/16" THK 18-8 SST
18867	12-280	2	WASHER	4	ID 0.336, OD 0.75, THK .064, BRASS
37355	46-208737P12	2	SCREW	4	10-32 X 1/2", HEX SOC HEAD, 18-8 SST
37364	46-208560P102	2	SCREW	4	10-32 X 5/8", BIND HEAD, 18-8 SST

MAGNISHIELD PATIENT COMFORT MODULE

2128650-2



L2128650A

PATIENT COMFORT MODULE

2128650-2 FRU N

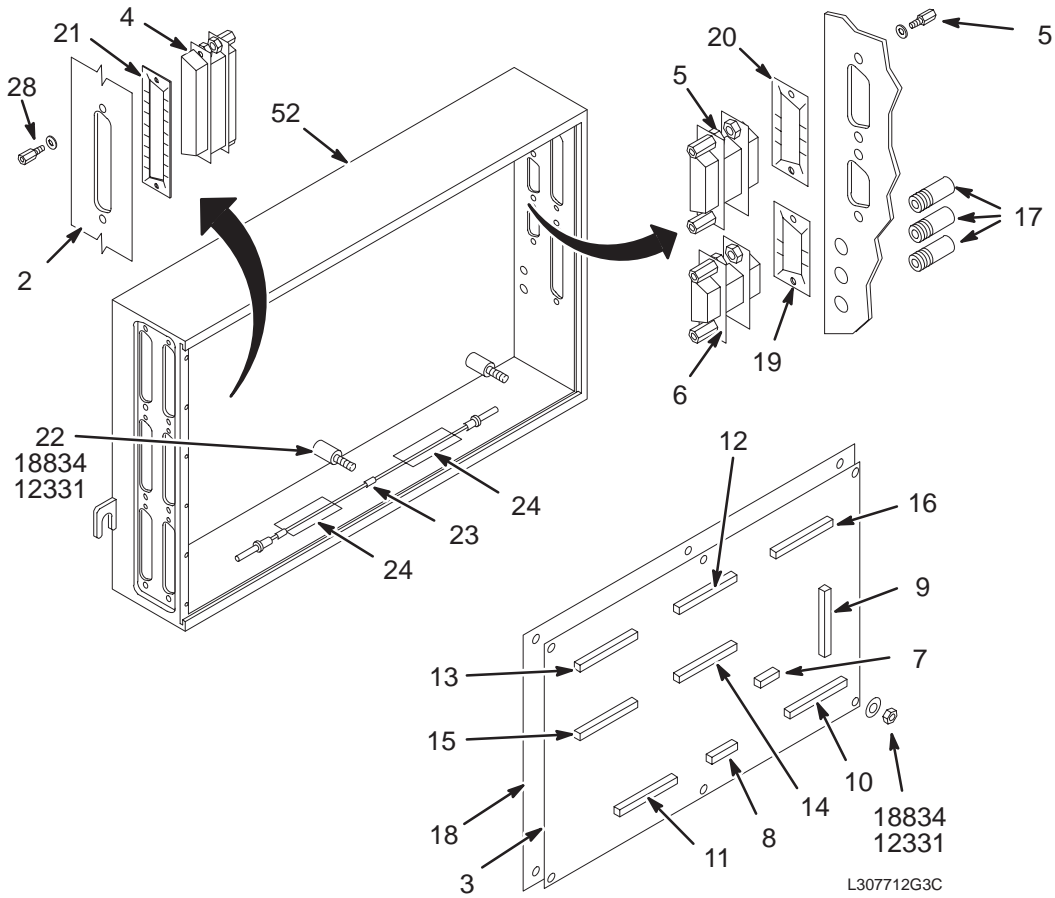
(PART OF 2118423 PAGE 2-67)
(PART OF 2118423-2 PAGE 2-69)

Item	Part Number	FRU	Name	Quantity	Description (Remarks)
3	2126806-2	2	HOUSING	1	COMFORT MOD UFI
5	46-221773P2	2	SPEAKER	1	SPEAKER, PIEZOELECTRIC, 3.2" SQUARE
7	46-221523P26	2	BUTTON,PLUG	1	VENT PLUG, WHITE, 7/8 DIA.
8	46-287121P1	2	GRILL	1	SPEAKER GRILL, ALUMINUM MIST GRAY
9A	46-317252G3	2	CABLE ASM	1	WIDE OPEN SPEAKER CABLE
9B	46-317252G1	2	CABLE ASM	1	COMFORT MODULE SPEAKER CABLE
12	46-317134P1	N	MIKE HOUSING	1	USE 46-317109G1 AS FIELD REPLACEMENT
13	46-317135P1	N	CABLE CLAMP	1	USE 46-317109G1 AS FIELD REPLACEMENT
14A	46-317157G6	N	CABLE ASM.	1	MICROPHONE CABLE WIDE OPEN
14B	46-317157G2	N	CABLE ASM.	ALT	USE 46-317109G1 AS FIELD REPLACEMENT
15	46-136374P65	2	O-RING	1	WIDTH .07, ID 0.551, DUROMETER A 70
17	46-251905P208	2	CABLE LABEL	1	MG3-A2-J7 REAR MIKE 46-317109G1
18	2136944	2	SCREW,NYLON	4	M4 X 7 FLAT HEAD SLOTTED NYLON
20	46-170617P2	2	COMPOUND	AR	RTV SILICON RUBBER ADHESIVE SEALANT.
21	46-208747P1	2	MOUNT	4	CABLE TIE,ADH.BACKED
22	46-208758P2	2	STRAP	4	5.5" X .140" SELF-LOCKING CABLE TIE.
74978	46-208560P111	2	SCREW,MACH	2	6-32 X 5/8" BIND HEAD, SST 18-8

2-3 SRI AND PAC ASSEMBLIES

SCAN ROOM INTERFACE (SRI) MODULE

46-287370G8



SRI MODULE

46-287370G8 FRU 1

(PART OF 46-307712G7 PAGE 2-38)

(PART OF 46-307712G8 PAGE 2-17)

(PART OF 46-306540G3 PAGE 2-82)

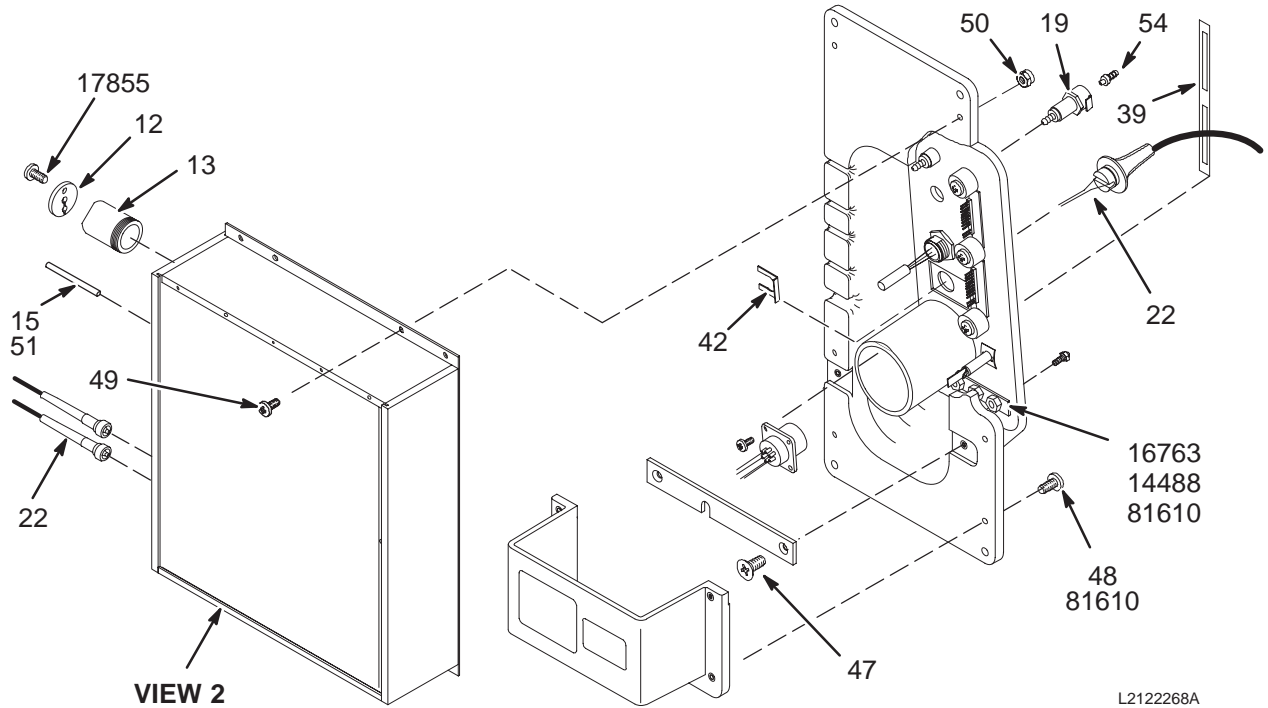
(PART OF 2168696 PAGE 2-159)

(PART OF 2168696-2 PAGE 2-179)

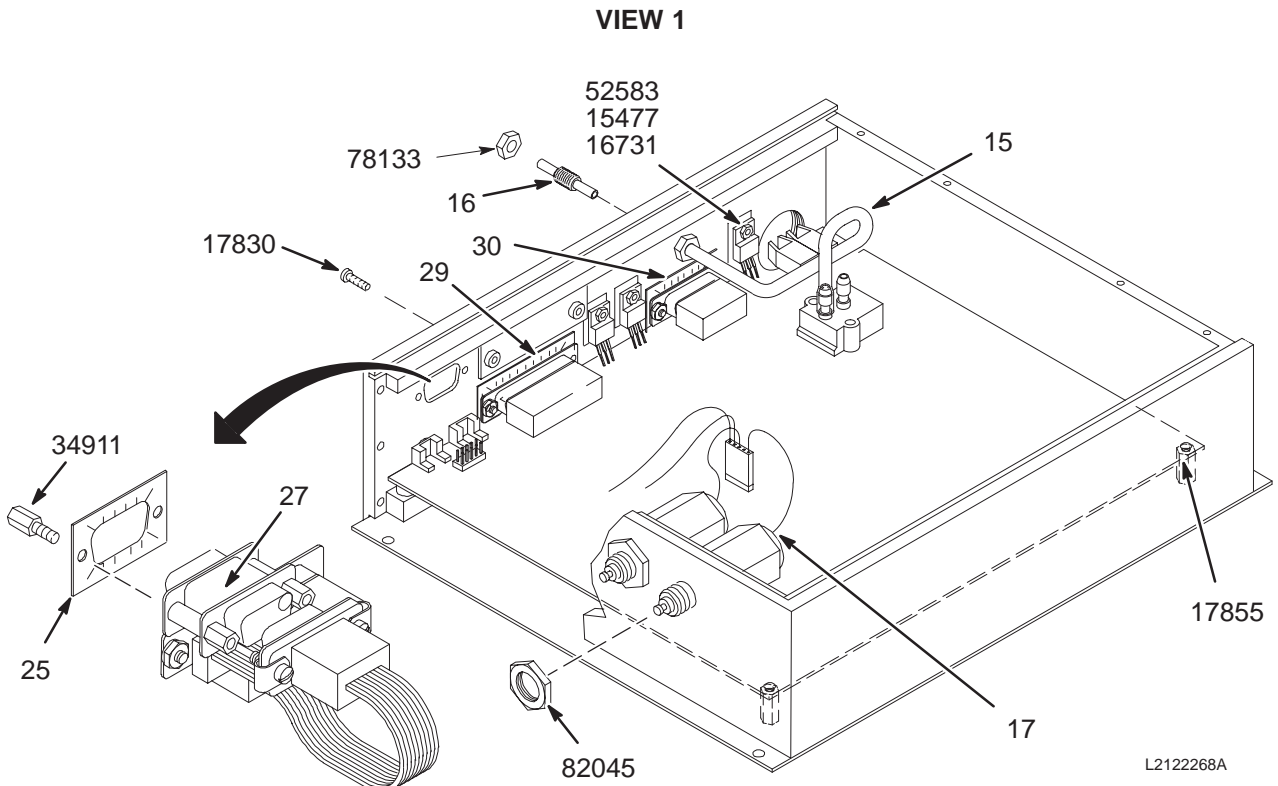
Item	Part Number	FRU	Name	Quantity	Description (Remarks)
2A	2255400	2	SRI BOX	1	SRI ENCLOSURE W/EMI GASKETS
2B	46-307138P1	2	SRI/DISM BOX	ALT	SRI ENCLOSURE BOX W/COVER - EMPTY
3	46-288016G9	1	SRI BOARD	1	SRI BOARD WITH DUAL SENSOR DAUGHTER BD
4	46-271920P4	2	CONNECTOR	8	CONNECTOR 37 CONTACTS 100 VOLTS 5 AM
5	46-271920P2	2	CONNECTOR	1	CONNECTOR 15 CONTACTS 100 VOLTS 5 AM
6	46-271920P1	2	CONNECTOR	1	CONNECTOR 9 CONTACTS 100 VOLTS 5 AMP
7	46-244890P110	2	RIBB.CBL.ASM	1	9 CONDUCTOR, 20 INCH LENGTH
8	46-244890P103	2	RIBB.CBL.ASM	1	15 CONDUCTOR, 16 INCH LENGTH
9	46-244890P111	2	RIBB.CBL.ASM	1	37 CONDUCTOR, 5.5 INCH LENGTH
10	46-244890P102	2	RIBB.CBL.ASM	1	37 CONDUCTOR, 14 INCH LENGTH
11	46-244890P104	2	RIBB.CBL.ASM	1	37 CONDUCTOR, 11.5 INCH LENGTH
12	46-244890P105	2	RIBB.CBL.ASM	1	37 CONDUCTOR, 10 INCH LENGTH
13	46-244890P106	2	RIBB.CBL.ASM	1	37 CONDUCTOR, 14 INCH LENGTH
14	46-244890P107	2	RIBB.CBL.ASM	1	37 CONDUCTOR, 10.5INCH LENGTH
15	46-244890P108	2	RIBB.CBL.ASM	1	37 CONDUCTOR, 6.5 INCH LENGTH
16	46-244890P109	2	RIBB.CBL.ASM	1	37 CONDUCTOR, 19 INCH LENGTH
17	46-287464P1	2	TUBE, WAVE	3	FIBEROPTIC CABLE FEED THROUGH
18	46-287406P1	2	INSULATOR OL	1	SRI/DSIM CIRCUIT BOARD INSULATOR
19	46-221754P1	2	CONNECTOR	1	RFI GASKET USED WITH 9 PIN SUB-D
20	46-221754P2	2	CONNECTOR	1	RFI GASKET USED WITH 15 PIN
21	46-221754P4	2	CONNECTOR	8	RFI GASKET USED WITH 37 PIN SUB-D
22	46-206518P1	2	SPACER	6	TUBULAR, LAMINATED COMPOUND
23	46-287282G1	2	CABLE ASM FO	1	SERVICING DEVICE LOOP BACK FO CABLE
24	46-136246P11	2	TAPE	0.334	5/8" WIDE, BLK ADH BACK, VELCRO HOOK
28	46-221449P2	2	SCREW	20	#4 SCREW SIZE (0.112) PHOS BRONZE
12331	46-208937P1	2	NUT	6	6-32 .313 HEX X .109 THK 316 SST
18834	12-244	2	WASHER	6	ID 0.1495, OD 0.438, THK .051, BRASS

PAC-II ASM

2122268-2



L2122268A



L2122268A

VIEW 2

PAC-II ASM

2122268-3 FRU 1

(PART OF 2120888 PAGE 2-47)

(PART OF 2120889 PAGE 2-87)

(PART OF 2142000 SERIES PAGES 2-155 THRU 2-158)

(PART OF 2142000 SERIES PAGES 2-174 THRU 2-178)

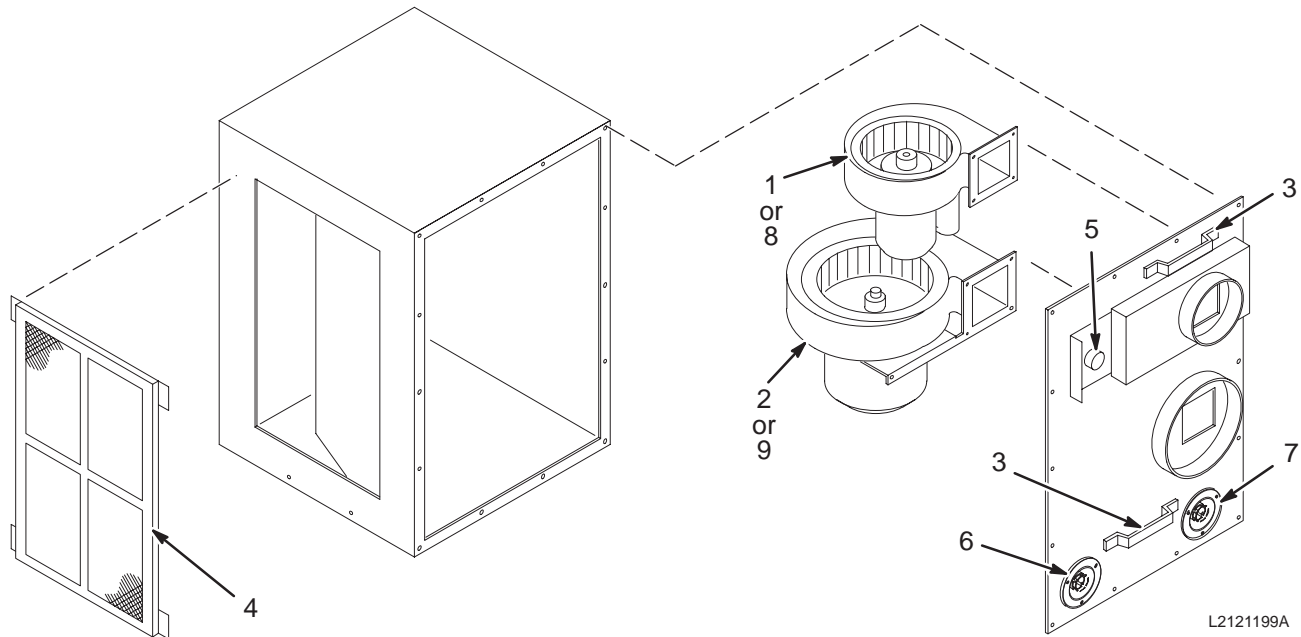
Item	Part Number	FRU	Name	Quantity	Description (Remarks)
7	46-307614G4	2	CABLE	1	PAC-II FRONT DISPLAY CABLE, 17"
12	46-307515P1	2	SHIELD,COVER	1	FIBEROPTIC CABLE INTERFACE COVER
13	46-307514P1	2	SHIELD	1	FIBEROPTIC CABLE INTERFACE SHIELD
15	46-170176P2	2	RUBBER TUB	1.624	MEDICAL-GRADE SILICON TUBING.
16	46-258715P1	2	TUBE	1	TUBING INTERCONNECT, BRASS
17	46-136323P2	2	TUB,SHRINK	.250	BLACK EXPANDED ID .125
18	46-228374P1	2	FLUX SOLDER	AR	TIN60/LEAD40, ROSIN CORE, 0.062" DIA
19	46-265651P1	2	CPLG,PNL MTG	2	COUPLING, PANEL MTG
22	46-317903G3	N	PPG ASSEMBLY	1	FIBER OPTIC PPG PROBE AND CABLE ASM
25	46-221754P1	2	RFI GASKET	1	RFI GASKET USED WITH 9 PIN SUB-D
27	46-271920P1	2	FILTER	1	9 PIN SUB-D CAPACITIVE FILTER, 100V
29	46-221754P3	2	RFI GASKET	1	RFI GASKET USED WITH 25 PIN SUB-D
30	46-221754P2	2	RFI GASKET	1	RFI GASKET USED WITH 15 PIN
39	2132089	2	LABEL,WINDOW	1	LABEL, WINDOW
47	2109874-11	2	FLAT HD SCRW	2	M4X12LG SST CROSS REC'D C'SK FLT HD
48	2109873-17	2	PAN HD SCREW	4	M4X20LG SST CROSS-RECES'D PAN HD SCR
49	2109873-16	2	PAN HD SCREW	2	M4X16 SST CROSS RECESSED PAN HD SCR
50	2109877	2	HEX NUT	2	M4 SST PREVAILING TORQUE HEX NUT
51	2136909	2	COUPLING	1	COUPLING, 1/8 TUBE
52	46-282264P1	2	OXY-BOND ADH	1	2 OZ DUAL-PAK CARTRIDGE EPOXY, CLEAR
54	46-265652P1	2	CPLG INSERT	2	COUPLING INSERT
14488	46-220196P2	2	WASHER,LOCK	4	#6 SCREW SIZE (0.138), SST
16731	46-208935P4	2	NUT,HEX,MS	3	4-40, 1/4" HEX X .093 THK, BRASS
16763	46-208936P1	2	NUT,HEX,MS	4	6-32, 1/4" HEX X .094 THICK, BRASS
17830	46-220184P5	2	SCREW MACH	2	4-40 X 1/4" ROUND HEAD SLOTTED, BRASS
17855	46-220184P12	2	SCREW MACH	4	6-32 X5/16 ROUND HEAD SLOTTED, BRASS
34911	46-221417P1	2	SCREWLOCK	3	FEMALE SCREWLOCKS, TWO PER KIT
52583	516A770P408	2	SCREW,MACH	3	4-40 X 1/2" LONG BIND HEAD, SST 18-8
78133	46-208936P6	2	NUT,HEX,MS	2	1/4-20, 3/8" HEX X .094 THICK, BRASS
81610	46-170686P2	2	SEALANT	AR	LOCTITE 242, 10CC
82045	46-208643P8	2	NUT,LOCK	4	1/2-28, 5/8" HEX, 1/16 THICK BRASS

2-4 BLOWER CABINETS

BLOWER CABINET

2121199, 2121199-7, & 2121199-12

MG6



BLOWER CABINET

2121199-7 FRU N

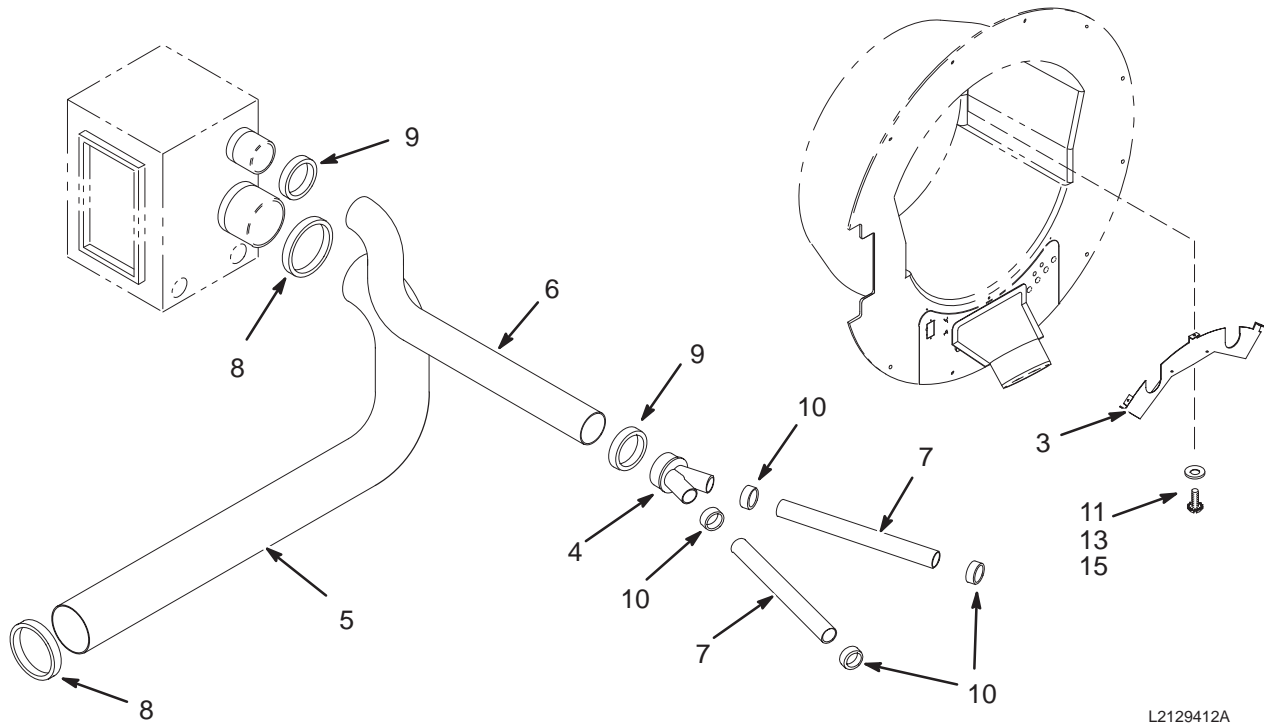
(PART OF 2118422-3 PAGE 2-7)
 (PART OF 2118422-5 PAGE 2-9)
 (PART OF 2118422-7 PAGE 2-11)
 (PART OF 2118422-9 PAGE 2-13)
 (PART OF 2118422-2 PAGE 2-28)
 (PART OF 2118422-4 PAGE 2-30)
 (PART OF 2118422-6 PAGE 2-32)
 (PART OF 2118422-8 PAGE 2-34)
 (PART OF 2118423 PAGE 2-67)
 (PART OF 2118423-2 PAGE 2-69)
 (PART OF 2142000 SERIES PAGES 2-155 THRU 2-158)
 (PART OF 2142000 SERIES PAGES 2-174 THRU 2-177)
 (PART OF ACGD CATALOGS)

BLOWER CAB w/FIXED MNTG BRCKT 2121199-12 FRU N

Item	Part Number	FRU	Name	Quantity	Description (Remarks)
1	2121199-2	1	BLOWER ASM	1	CENTRIFUGAL BLOWER, COMFORT MODULE
2	2121199-3	1	BLOWER ASM	1	CENTRIFUGAL BLOWER - BODY COIL
3	2121199-4	2	HANDLE	2	HANDLE, FORMED STEEL
4	2121199-5	2	AIR FILTER	1	AIR FILTER
5	2121199-6	2	CLAMP KNOB	1	PLASTIC CLAMP KNOB
6	46-170036P6	2	RECEPTACLE	1	AMPS 20 VOLTS 208 POLES 4 WIRES 3
7	46-317671P1	2	RECEPT,MALE	1	FLANGED INLET, 30A, 120/208 3-PHASE
8	2121199-8	1	BLOWER ASM	1	SMALL BLOWER W/MTG BRACKET AND CAPACITOR ASM
9	2121199-9	1	BLOWER ASM	1	LARGE BLOWER W/MTG BRACKET AND CAPACITOR ASM

BLOWER HOSE KIT

2129412



BLOWER HOSE KIT

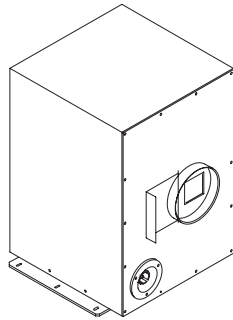
2129412 FRU N

(PART OF 2118422-ODD PAGE 2-7 THRU 2-13)
 (PART OF 2118422-EVEN PAGE 2-28 THRU 2-34)
 (PART OF 2118423 PAGE 2-67)
 (PART OF 2118423-2 PAGE 2-69)

Item	Part Number	FRU	Name	Quantity	Description (Remarks)
3	2126805	2	C.M. BRACKET	1	BRACKET UFI COMFORT MOD
4	2120631	2	2 WAY SPLIT	1	HEADER 2 WAY
5	46-282666P10	2	DUCT,AIR PVC	50	GOODYEAR GRAY PVC AIR DUCT
6	46-282666P9	2	DUCT,AIR PVC	50	GOODYEAR GRAY PVC AIR DUCT
7	46-282668P18	2	HOSE, NYLON	2	2 INCH DIAMETER, 132 INCH LENGTH
8	46-208765P29	2	CLAMP,HOSE	2	DIA RANGE 5-5/8 - 6-1/2 302/305 SST
9	46-208765P34	2	CLAMP,HOSE	2	DIA RANGE 3-9/16 - 4-1/2
10	46-208765P28	2	CLAMP,HOSE	4	DIA RANGE 1-13/16 - 2-3/4, 302/305
11	2109873-27	2	SCREW	3	M6X25 SST CROSS RECESSED PAN HD SCR
13	2109878-3	2	WASHER	3	M6 FLAT WASHER, 12MM OD, 1.6MM SST
14	46-208758P5	2	TY-RAP	4	13.38"X .301" SELF-LOCKING CABLE TIE
15	46-170686P1	2	ADHESIVE	AR	LOCTITE 242, 0,5CC TUBE

TwinSpeed BLOWER CABINET

2241999



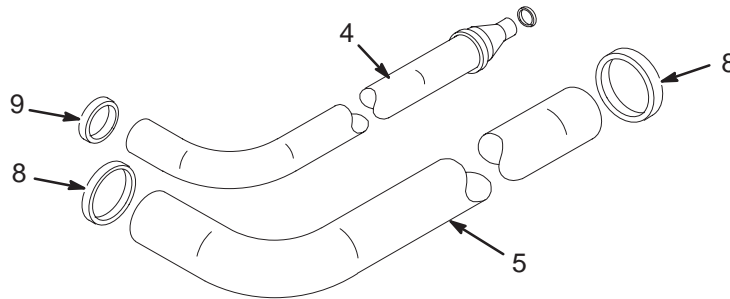
TwinSpeed BLOWER CABINET

2241999 FRU N (PART 54 OF M3043TA – M3063TA PAGES 1–74 TO 1–75)
 (PART 54 OF M3043TD PAGE 1–78)
 (PART 54 OF M3053TD PAGE 1–78)
 (PART 54 OF M3063TD PAGE 1–78)

Item	Part Number	FRU	Name	Quantity	Description (Remarks)
2	2295781	N	HOUSING ASM	1	TWIN BLOWER HOUSING
3	2295768	N	PLATE	1	TWIN SLIDE PLATE
4	2295769	N	BRACKET	1	TWIN SMALL FAN MOUNTING BRACKET
5	2295770	N	PLATE	1	TWIN SPACER PLATE
6	2295771	N	CLAMP	1	TWIN STRAP CLAMP
7	2295774	N	SPACER	1	TWIN TEFLON SPACER
8	2295866	N	DUCT	1	TWIN SMALL RING AIR DUCT
9	2295772	N	BAR	1	TWIN BUS BAR
10	2295773	N	COVER	1	TWIN FILTER COVER
11	2299474	N	BLOWER	1	TRM 200 CFM SMALL BLOWER
12	46-317671P1	N	CONNECTOR	1	FLANGED INLET, 30A, 120/208 3-PHASE
14	46-170391P1	N	CLAMP	1	WRAPAROUND MOUNTING BRACKET
15	2299468	N	MOUNT	4	TRM M6 CYLINDRICAL RUBBER MOUNT
16	2295775	N	FILTER	1	TWIN AIR FILTER
17	2295776	N	PAD	2	TWIN FOAM PAD SPECIALTY
18	2295778	N	STRIP	4	TWIN FOAM STRIP, SHORT
19	2295778-2	N	STRIP	4	TWIN FOAM STRIP, LONG
20	2295782	N	PAD	2	TWIN FOAM PAD, BOTTOM/TOP
21	2295782-2	N	PAD	1	TWIN FOAM PAD, SIDE
22	2295782-3	N	PAD	1	TWIN FOAM PAD, BACK
23	2295779	N	FOAM	1	TWIN MOTOR MOUNT FOAM
24	2295777	N	SPACER	1	TWIN FOAM SPACER
25	2299469	N	STUD	4	STUD CLINCH 22.2 MM 5 MM
26	2299470	N	WASHER	4	TRM NYLON WASHER
27	2299471	N	CLIP, RETAIN	4	TRM SST RETAINER CLIP
28	2109873-28	N	SCREW	2	SCREW PAN HEAD Z M6X30 A2-70
29	2109881-3	N	WASHER	6	WASHER LOCK – INTERNAL 6.4 MM 11 MM
30	2109876-3	N	NUT	7	NUT HEXAGON_THIN 6 MM
31	46-214689P33	N	TERMINAL	2	RING TERMINAL M6/1/4UN, 12-10 AWG
32	2299472	N	CLIP,CABLE	1	TRM PLASTIC CABLE CLIP
33	2299475	N	KNOB	1	TRM PLASTIC KNOB
34	2109873-14	N	SCREW	32	SCREW PAN HEAD Z M4X10 A2-70
35	2299476	N	NUT-INCH	4	NUT-INCH HEXAGON
36	2299477	N	NUT	4	NUT HEXAGON 5 MM
37	2109877	N	NUT	2	NUT HEXAGON 4 MM
38	2299479	N	SHOULDER	2	TRM NYLON SHOULDER
40	2295766	N	PLATE	1	TWIN COVER PLATE
43	2304249	N	COVER	1	TWIN DUCT TRIM COVER
44	2304250	N	PAD	2	TWIN BASE RUBBER PAD

WideOpen BLOWER HOSE KIT

2129412-3 & 2129412-6



WideOpen BLOWER HOSE KIT 2129412-3 FRU N (PART 11A OF 2202900 SERIES PAGES 2-247 TO 2-249)

Item	Part Number	FRU	Name	Quantity	Description (Remarks)
4	2162999-2	N	HOSE KIT	1	HOSE ASM W/REDUCER 4" TO 2" FOR W O (SEE PAGE 2-104)
5	46-282666P12	2	DUCT,AIR PVC	1	6" DIA GOODYEAR GRAY PVC AIR DUCT, 13 FT (3962mm) LONG
8	46-208765P29	2	CLAMP	2	DIA RANGE 5-5/8 - 6-1/2 302/305 SST
9	46-208765P34	2	CLAMP	1	DIA RANGE 3-9/16 - 4-1/2

TwinSpeed BLOWER HOSE KIT 2129412-4 FRU N

Item	Part Number	FRU	Name	Quantity	Description (Remarks)
4	2162999-3	2	HOSE KIT	1	HOSE ASM W/REDUCER 4" TO 2" FOR MRI (SEE PAGE 2-104)
5	46-282666P10	2	DUCT,AIR PVC	1	GOODYEAR GRAY PVC AIR DUCT
8	46-208765P29	2	CLAMP	2	DIA RANGE 5-5/8 - 6-1/2 302/305 SST

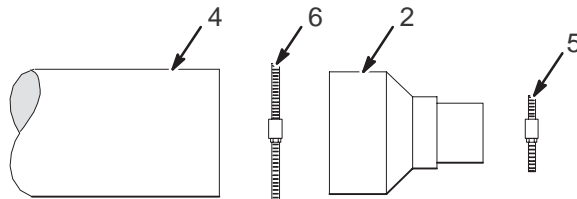
TwinSpeed BLOWER HOSE KIT 2129412-5 FRU N
 (PART 52 OF M3043TA PAGE 1-74)
 (PART 51 OF M3053TA PAGE 1-74)
 (PART 51 OF M3063TA PAGE 1-75)
 (PART 51 OF M3043TD PAGE 1-78)
 (PART 51 OF M3053TD PAGE 1-78)
 (PART 51 OF M3063TD PAGE 1-78)

Item	Part Number	FRU	Name	Quantity	Description (Remarks)
4	2162999-2	N	HOSE KIT	1	HOSE ASM W/REDUCER 4" TO 2" FOR W O (SEE PAGE 2-104)
9	46-208765P34	2	CLAMP	1	DIA RANGE 3-9/16 - 4-1/2

WideOpen BLOWER HOSE RETRO KIT 2129412-6 FRU N (PART 11B OF 2202900 SERIES PAGES 2-247 TO 2-249)

Item	Part Number	FRU	Name	Quantity	Description (Remarks)
4	2162999-4	N	HOSE KIT	1	HOSE ASM W/REDUCER 4" TO 2" FOR W O (SEE PAGE 2-104)
5	46-282666P14	N	DUCT,AIR PVC	1	6" DIA GOODYEAR GRAY PVC AIR DUCT, 20 FT (6096mm) LONG
8	46-208765P29	N	CLAMP	2	DIA RANGE 5-5/8 - 6-1/2 302/305 SST
9	46-208765P34	N	CLAMP	1	DIA RANGE 3-9/16 - 4-1/2

WideOpen HOSE ASM W/REDUCER 4" TO 2" 2162999-2 & 2162999-4



HOSE ASM W/REDUCER 2162999-2 FRU N (PART 4 OF 2129412-3 PAGE 2-103)
 (PART 4 OF 2129412-5 PAGE 2-103)

Item	Part Number	FRU	Name	Quantity	Description (Remarks)
2	2175143	2	REDUCING COU	1	1/12 TO 3 PVC REDUCER
4	46-282666P11	2	DUCT,AIR PVC	1	4" DIA GOODYEAR GRAY PVC AIR DUCT, 13 FT (3962mm) LONG
5	46-208765P28	2	CLAMP	1	DIA RANGE 1-13/16 - 2-3/4, 302/305
6	46-208765P34	2	CLAMP	1	DIA RANGE 3-9/16 - 4-1/2

HOSE ASM W/REDUCER 2162999-3 FRU N (PART OF 2129412-4 PAGE 2-103)

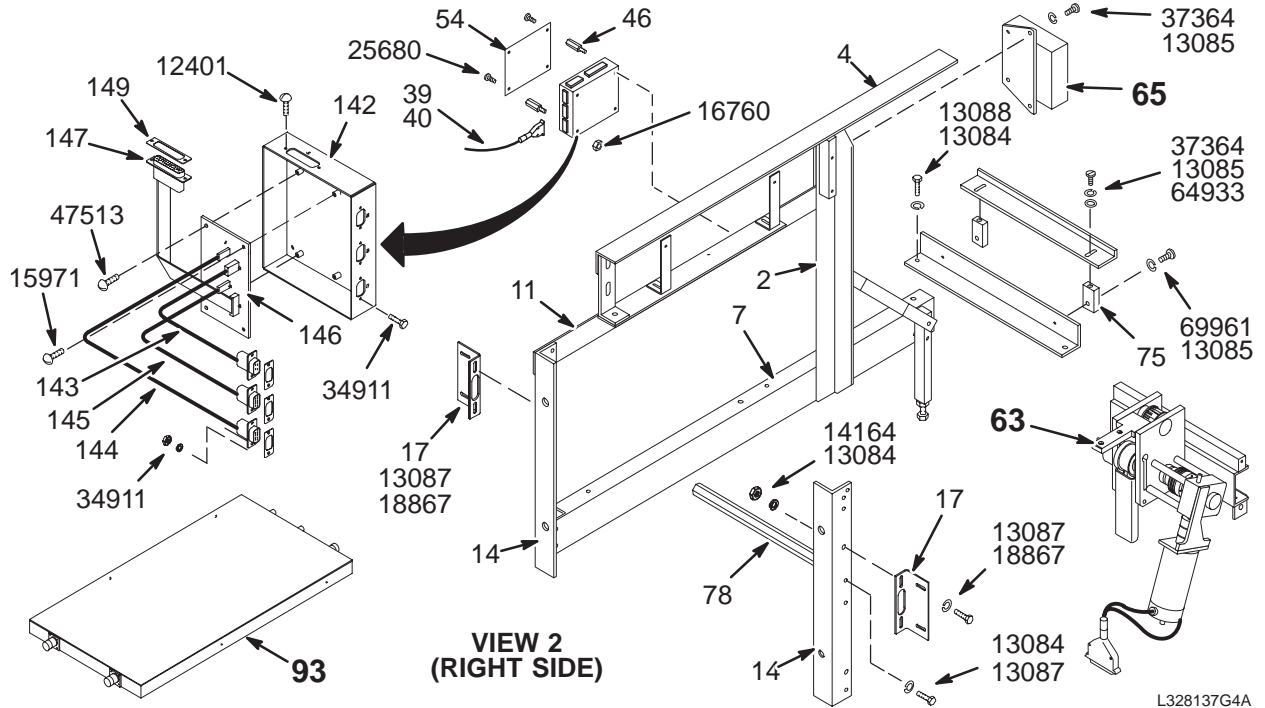
Item	Part Number	FRU	Name	Quantity	Description (Remarks)
2	2175143	2	REDUCING COU	1	1/12 TO 3 PVC REDUCER
4	46-282666P9	2	DUCT,AIR PVC	1	4" DIA GOODYEAR GRAY PVC AIR DUCT, 20 FT (15420mm) LONG
5	46-208765P28	2	CLAMP	1	DIA RANGE 1-13/16 - 2-3/4, 302/305
6	46-208765P34	2	CLAMP	1	DIA RANGE 3-9/16 - 4-1/2

HOSE ASM W/REDUCER 2162999-4 FRU N (PART 4 OF 2129412-6 PAGE 2-103)

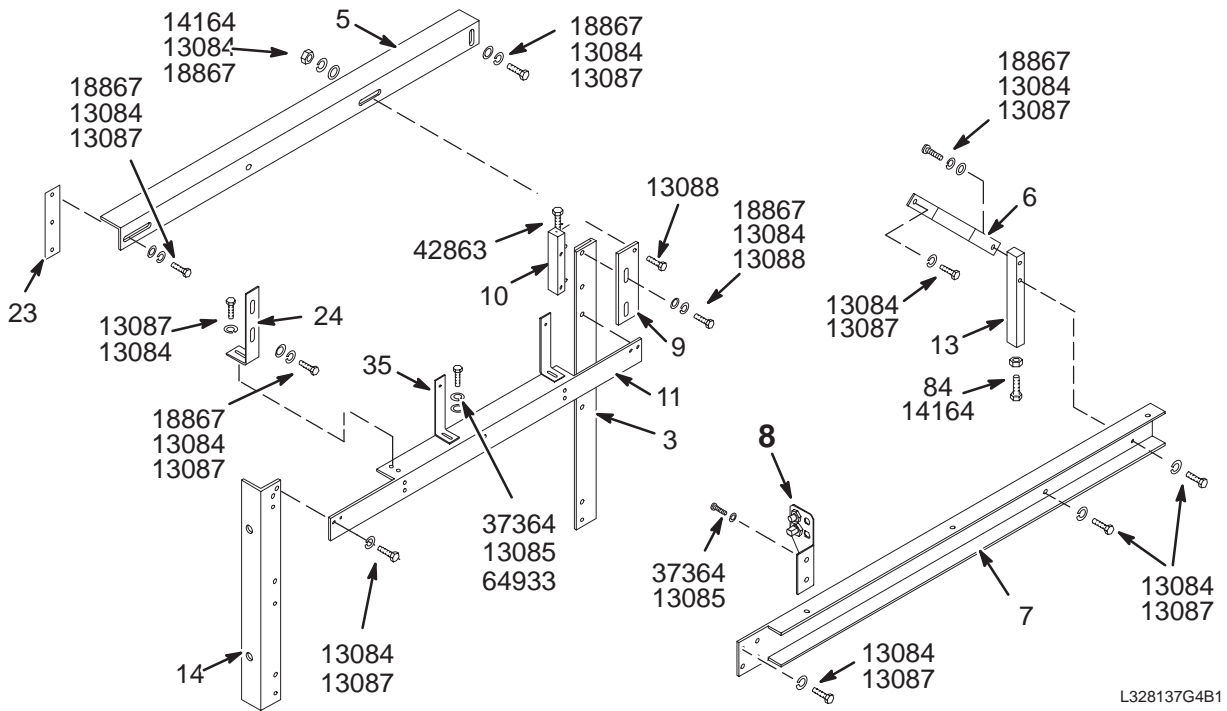
Item	Part Number	FRU	Name	Quantity	Description (Remarks)
2	2175143	2	REDUCING COU	1	1/12 TO 3 PVC REDUCER
4	46-282666P13	2	DUCT,AIR PVC	1	4" DIA GOODYEAR GRAY PVC AIR DUCT, 20 FT (6096mm) LONG
5	46-208765P28	2	CLAMP	1	DIA RANGE 1-13/16 - 2-3/4, 302/305
6	46-208765P34	2	CLAMP	1	DIA RANGE 3-9/16 - 4-1/2

2-5 S-SERIES AND MAGNISHIELD REAR PEDESTALS

1.5T REAR PEDESTAL FRAME ASM w/o M-C 46-328137G4



VIEW 1



VIEW 2

1.5T REAR PED w/o M-C

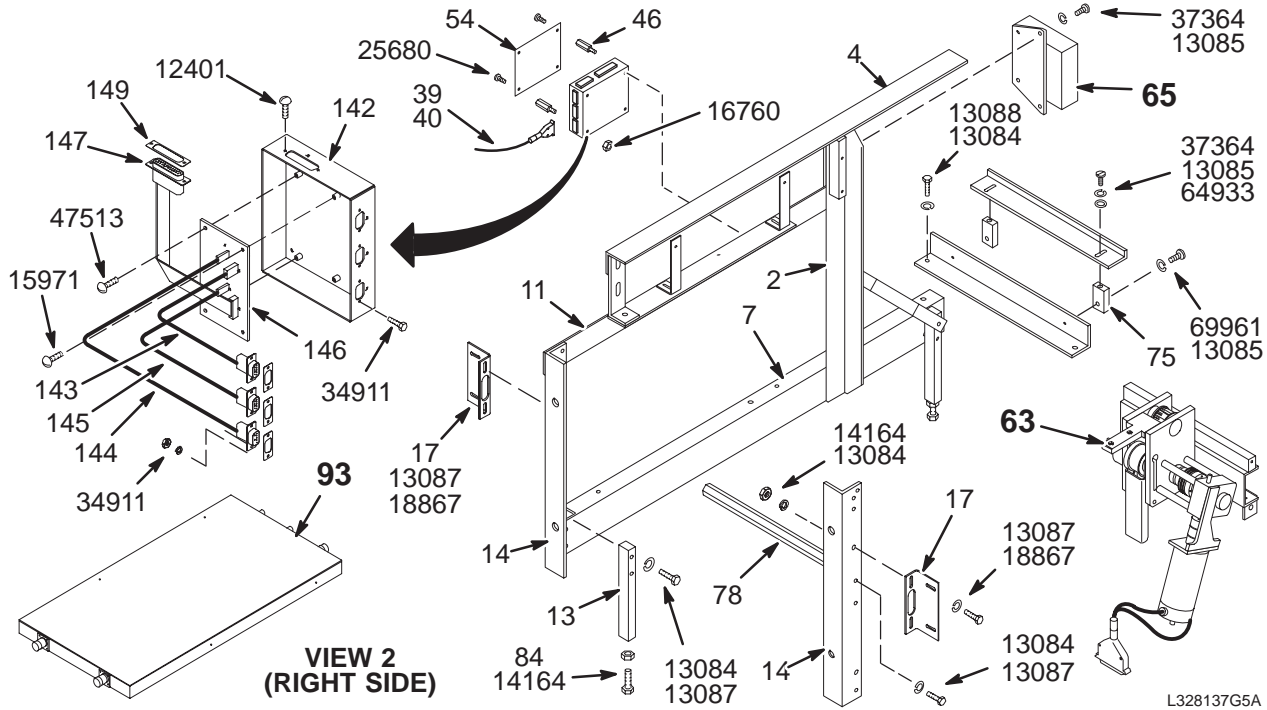
46-328137G4 FRU N

(PART OF 2118422-3 PAGE 2-7)

Item	Part Number	FRU	Name	Quantity	Description (Remarks)
2	46-271873P2	2	UPRIGHT-LONG	1	VERTICAL SUPPORT, LEFT
3	46-271866P2	2	UPRIGHT-REAR	1	VERTICAL SUPPORT, RIGHT
4	2128644-2	2	RAIL-ANGLE	1	RAIL ANGLE 600MM FOR LEFT BRIDGE MT
5	2128644	2	RAIL-ANGLE	1	RAIL ANGLE 600MM FOR RIGHT BRIDGE MT
6	46-282348P1	2	BRACKET	2	SUPPORT STRAP
7	2124939	2	CHANNEL-SUPT	2	CHAN REAR FRAME UFI
8	2128927	N	BRACKET ASM	1	CABLE BRACKET ASM FOR PEDESTAL (SEE PAGE 2-125)
9	46-271874P1	2	BRKT-SECR SM	2	BRIDGE MOUNT VERTICAL ADJUST CLAMP
10	2124940	2	SUPPORT	1	SUPPORT L.H. REAR FRAME UFI
11	2124941	2	SUPPORT	1	SUPPORT R.H. REAR FRAME UFI
13	46-271868P2	2	BRCKT-LEVELR	2	REAR PEDESTAL SUPPORTING LEG
14	2124938	2	UPRIGHT FRT	2	FRT UPRIGHT, REAR FRAME UFI
16	46-282422P2	2	REAR BRACE	1	LOWER FRAME REAR CHANNEL
17	2132597	2	BRKT,SIDE CV	2	BRACKET SIDE COVER UFI
23	46-287232P1	2	NUT BAR	2	5/16-18 THREAD
24	46-287235P1	2	BRCKT S F B	2	BRIDGE MOUNT SUPPORT, FRONT
35	46-282318P1	2	BRACKET	4	BODY QUADRATURE HYBRID ASM MOUNTING
39	46-317204G1	2	CABLE ASM	1	(414) MG2-A35 TO MG3-A2-J9 30' 9-CON
40	46-208758P5	2	STRAP	2	13.38"X .301" SELF-LOCKING CABLE TIE
46	46-208984P2	2	SPACER	4	HEX 1/4", EXT/INT THD 6-32, 1.5" LG
54	46-317200G1	2	COVER ASM.	1	INTERCOM BOX COVER W/RF SHIELDING
63	46-271439G3	N	LONGITDL DRV	1	LONGITUDINAL MOTOR DRIVE, MG3 A7 (SEE PAGE 2-124)
65	46-282694G1	N	MG3-A1 BOX	1	MAGNET INTERFACE #1, MG3 A1 (SEE PAGE 2-126)
75	46-287230P1	2	BRCKT SUPRT	2	MOUNTING BLOCK
76	46-287229P1	2	BRACKET	1	REAR PEDESTAL BACK COVER ATTACHING
78	46-306678P1	2	HEX SPACER	1	REAR FRAME FRONT BRACE
84	46-208932P40	2	SCREW,CAP	2	5/16-18 X 2", HEX HEAD, SST 18-8
93A	46-282260G12	N	SPLITTER ASM	1	LX 1.5T BODY HYBRID & PREAMP, MG3 A3 (SEE PAGE 2-129)
93B	46-282260G11	N	SPLITTER ASM	ALT	1.5T BODY QUADRATURE HYBRID, MG3 A3 (SEE PAGE 2-129)
142	46-317137P1	2	ENCLOSURE	1	PATIENT COMMUNICATION BOX - EMPTY
143	46-317177G1	2	HARNESS	1	MG3 A2 J8 TO MG2 A2 A1 J3, SPEAKER
144	46-317184G1	2	HARNESS	1	MG3 A2 J7 TO MG2 A2 A1 J1, C.M. MIKE
145	46-317184G2	2	HARNESS	1	MG3 A2 J9 TO MG2 A2 A1 J4, F.C. MIKE
146A	2204384	1	CIRCUIT BD	1	REMOTE INTERCOM BOARD, MG3 A2 A1
146B	46-264758G1	1	CIRCUIT BD	ALT	REMOTE INTERCOM BOARD, MG3 A2 A1
147	46-317201P1	2	CABLE ASM.	1	MG2 A2 J6 TO MG2 A2 A1 J6, RIBBON-14
148	46-221754P1	2	RFI GASKET	3	RFI GASKET USED WITH 9 PIN SUB-D
149	46-221754P3	2	RFI GASKET	1	RFI GASKET USED WITH 25 PIN SUB-D
12117	46-208601P21	2	WASHER,LOCK	4	#8 SCREW, INTERNAL TOOTH, PHOS BRZ
12401	46-221417P2	2	SCREWLOCK	1	FEMALE SCREWLOCK FOR HD CONNECTORS
13084	46-220196P5	2	WASHER,LOCK	44	5/16" SCREW SIZE (0.313), SST
13085	46-220196P3	2	WASHER,LOCK	12	#10 SCREW SIZE (0.190), SST
13087	46-208932P3	2	SCREW,CAP	36	5/16-18 X 3/4", 18-8 SST
13088	46-208932P11	2	SCREW,CAP	8	5/16-18 X 1", HEX HD, 18-8 SST
14164	46-208946P1	2	NUT,HEX,JAM	8	5/16-18 1/2" HEX X .188 THK 18-8 SST
15971	46-208921P28	2	SCREW,MACH	1	6-32 X 5/16" BINDING HEAD, BRASS
16760	46-208935P5	2	NUT,HEX,MS	2	6-32, .313 HEX X .109 THK, BRASS
18056	46-220184P26	2	SCREW MACH	4	8-32 X 1/2" ROUND HEAD SLOT, BRASS
18867	12-280	2	WASHER	22	ID 0.336, OD 0.75, THK .064, BRASS
25680	46-208921P6	2	SCREW,MACH	4	6-32 X 1/2", BRASS
34911	46-221417P1	2	SCREWLOCK	3	FEMALE SCREWLOCKS, TWO PER KIT
37364	46-208560P102	2	SCREW,MACH	10	10-32 X 5/8", BIND HEAD, 18-8 SST
47513	46-208922P4	2	SCREW,MACH	3	6-32 X 0.375 NYLON
64933	1000904P425	2	WASHER,FLAT	6	0.2 ID, 0.5 OD, .04 THK, B11H89C
69961	46-208560P70	2	SCREW,MACH	2	10-32 X 1", 18-8 SST, F65D6B1 BLK OX

1.5T MAGNISHIELD REAR PEDESTAL FRAME ASM w/o M-C

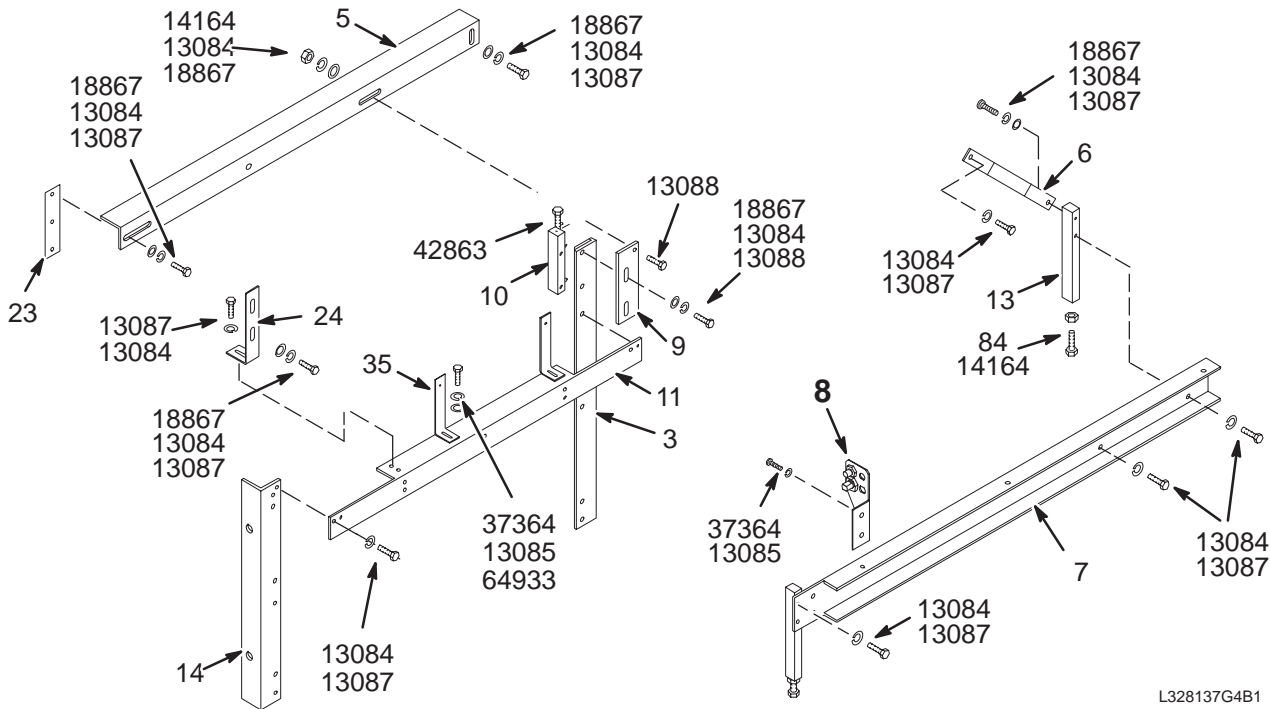
46-328137G5



VIEW 2 (RIGHT SIDE)

VIEW 1

L328137G5A



VIEW 2

L328137G4B1

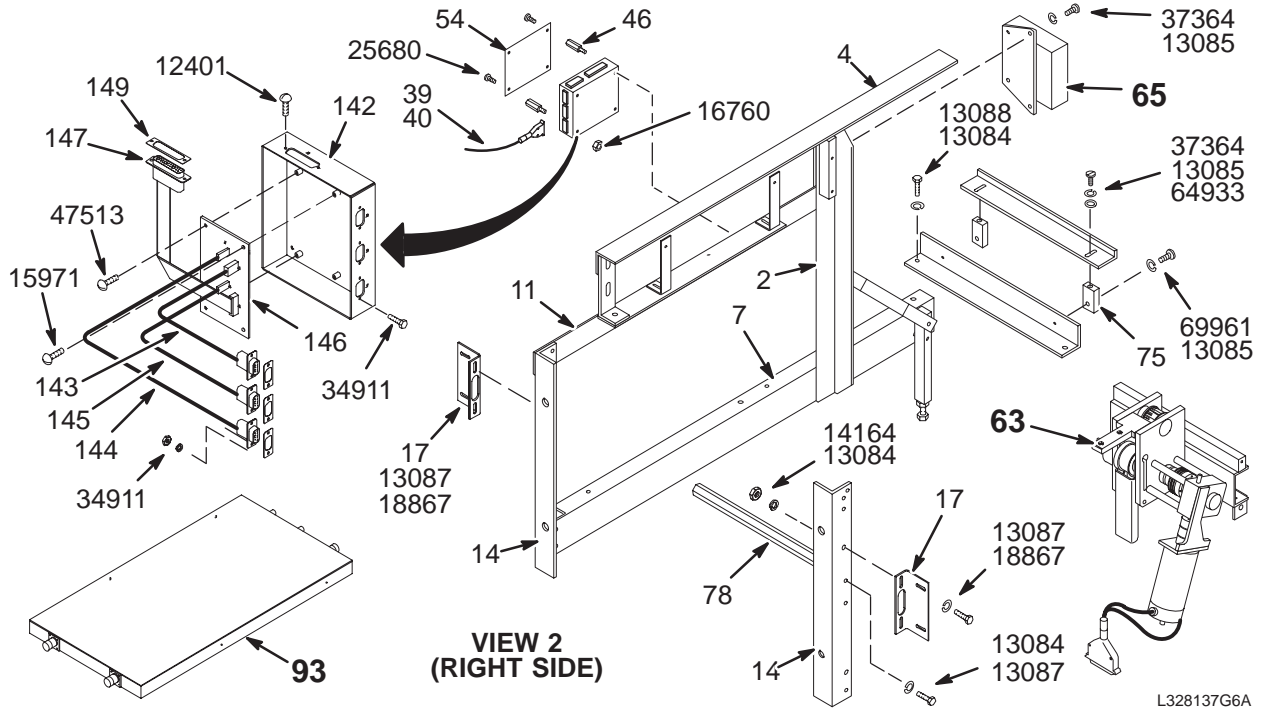
1.5T M/S REAR PED w/o M-C

46-328137G5 FRU N

(PART OF 2118423 PAGE 2-67)

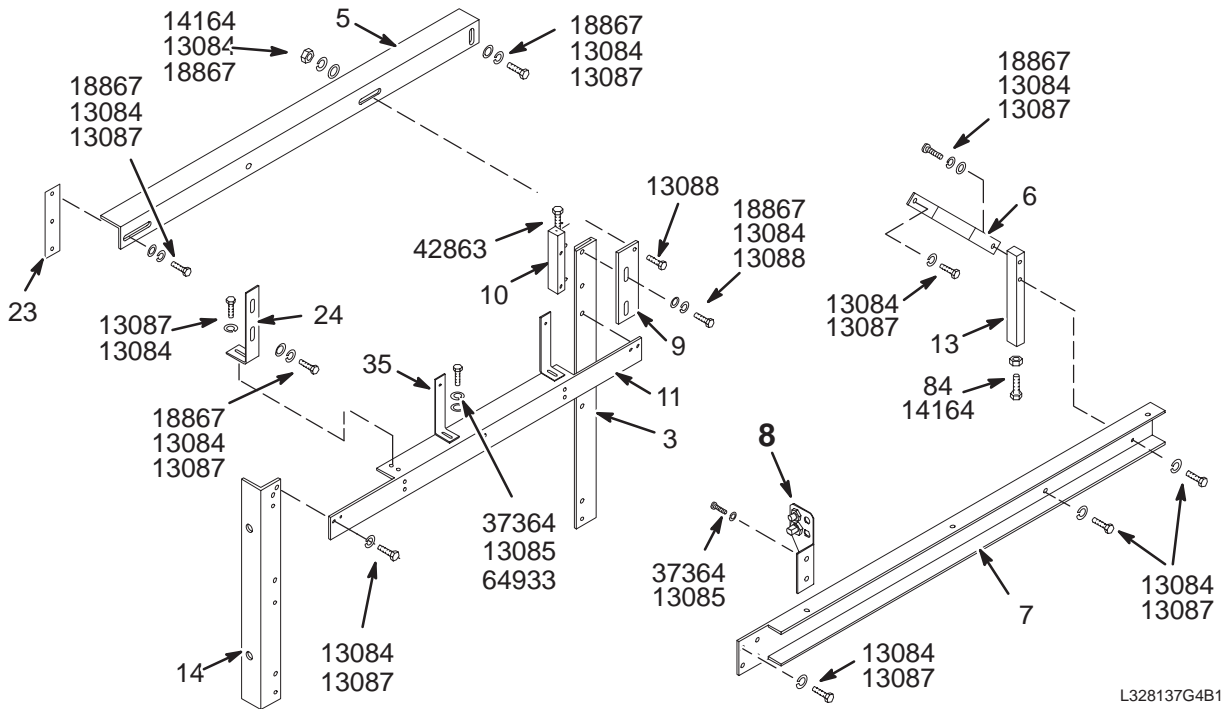
Item	Part Number	FRU	Name	Quantity	Description (Remarks)
2	46-271873P2	2	UPRIGHT-LONG	1	VERTICAL SUPPORT, LEFT
3	46-271866P2	2	UPRIGHT-REAR	1	VERTICAL SUPPORT, RIGHT
4	2128644-2	2	RAIL-ANGLE	1	RAIL ANGLE 600MM FOR LEFT BRIDGE MT
5	2128644	2	RAIL-ANGLE	1	RAIL ANGLE 600MM FOR RIGHT BRIDGE MT
6	46-282348P1	2	BRACKET	2	SUPPORT STRAP
7	2124939	2	CHANNEL-SUPT	2	CHAN REAR FRAME UFI
8	2128927	N	BRACKET ASM	1	CABLE BRACKET ASM FOR PEDESTAL (SEE PAGE 2-125)
9	46-271874P1	2	BRKT-SECR SM	2	BRIDGE MOUNT VERTICAL ADJUST CLAMP
10	2124940	2	SUPPORT	1	SUPPORT L.H. REAR FRAME UFI
11	2124941	2	SUPPORT	1	SUPPORT R.H. REAR FRAME UFI
13	46-271868P2	2	BRCKT-LEVELR	4	REAR PEDESTAL SUPPORTING LEG
14	2124938	2	UPRIGHT FRT	2	FRT UPRIGHT, REAR FRAME UFI
16	46-282422P2	2	REAR BRACE	1	LOWER FRAME REAR CHANNEL
17	2132597	2	BRKT,SIDE CV	2	BRACKET SIDE COVER UFI
23	46-287232P1	2	NUT BAR	2	5/16-18 THREAD
24	46-287235P1	2	BRCKT S F B	2	BRIDGE MOUNT SUPPORT, FRONT
35	46-282318P1	2	BRACKET	4	BODY QUADRATURE HYBRID ASM MOUNTING
39	46-317204G1	2	CABLE ASM	1	(414) MG2-A35 TO MG3-A2-J9 30' 9-CON
40	46-208758P5	2	STRAP	2	13.38"X .301" SELF-LOCKING CABLE TIE
46	46-208984P2	2	SPACER	4	HEX 1/4", EXT/INT THD 6-32, 1.5" LG
54	46-317200G1	2	COVER ASM.	1	INTERCOM BOX COVER W/RF SHIELDING
63	46-271439G3	N	LONGITDL DRV	1	LONGITUDINAL MOTOR DRIVE, MG3 A7 (SEE PAGE 2-124)
65	46-282694G1	N	MG3-A1 BOX	1	MAGNET INTERFACE #1, MG3 A1 (SEE PAGE 2-126)
75	46-287230P1	2	BRCKT SUPRT	2	MOUNTING BLOCK
76	46-287229P1	2	BRACKET	1	REAR PEDESTAL BACK COVER ATTACHING
78	46-306678P1	2	HEX SPACER	1	REAR FRAME FRONT BRACE
84	46-208932P40	2	SCREW,CAP	4	5/16-18 X 2", HEX HEAD, SST 18-8
93A	46-282260G12	N	SPLITTER ASM	1	LX 1.5T BODY HYBRID & PREAMP, MG3 A3 (SEE PAGE 2-129)
93B	46-282260G11	N	SPLITTER ASM	ALT	1.5T BODY QUADRATURE HYBRID, MG3 A3 (SEE PAGE 2-129)
142	46-317137P1	2	ENCLOSURE	1	PATIENT COMMUNICATION BOX - EMPTY
143	46-317177G1	2	HARNESS	1	MG3 A2 J8 TO MG2 A2 A1 J3, SPEAKER
144	46-317184G1	2	HARNESS	1	MG3 A2 J7 TO MG2 A2 A1 J1, C.M. MIKE
145	46-317184G2	2	HARNESS	1	MG3 A2 J9 TO MG2 A2 A1 J4, F.C. MIKE
146A	2204384	1	CIRCUIT BD	1	REMOTE INTERCOM BOARD, MG3 A2 A1
146B	46-264758G1	1	CIRCUIT BD	ALT	REMOTE INTERCOM BOARD, MG3 A2 A1
147	46-317201P1	2	CABLE ASM.	1	MG2 A2 J6 TO MG2 A2 A1 J6, RIBBON-14
148	46-221754P1	2	RFI GASKET	3	RFI GASKET USED WITH 9 PIN SUB-D
149	46-221754P3	2	RFI GASKET	1	RFI GASKET USED WITH 25 PIN SUB-D
12117	46-208601P21	2	WASHER,LOCK	4	#8 SCREW, INTERNAL TOOTH, PHOS BRZ
12401	46-221417P2	2	SCREWLOCK	1	FEMALE SCREWLOCK FOR HD CONNECTORS
13084	46-220196P5	2	WASHER,LOCK	48	5/16" SCREW SIZE (0.313), SST
13085	46-220196P3	2	WASHER,LOCK	12	#10 SCREW SIZE (0.190), SST
13087	46-208932P3	2	SCREW,CAP	40	5/16-18 X 3/4", 18-8 SST
13088	46-208932P11	2	SCREW,CAP	8	5/16-18 X 1", HEX HD, 18-8 SST
14164	46-208946P1	2	NUT,HEX,JAM	10	5/16-18 1/2" HEX X .188 THK 18-8 SST
15971	46-208921P28	2	SCREW,MACH	1	6-32 X 5/16" BINDING HEAD, BRASS
16760	46-208935P5	2	NUT,HEX,MS	2	6-32, .313 HEX X .109 THK, BRASS
18056	46-220184P26	2	SCREW MACH	4	8-32 X 1/2" ROUND HEAD SLOT, BRASS
18867	12-280	2	WASHER	22	ID 0.336, OD 0.75, THK .064, BRASS
25680	46-208921P6	2	SCREW,MACH	4	6-32 X 1/2", BRASS
34911	46-221417P1	2	SCREWLOCK	3	FEMALE SCREWLOCKS, TWO PER KIT
37364	46-208560P102	2	SCREW,MACH	10	10-32 X 5/8", BIND HEAD, 18-8 SST
47513	46-208922P4	2	SCREW,MACH	3	6-32 X 0.375 NYLON
64933	1000904P425	2	WASHER,FLAT	6	0.2 ID, 0.5 OD, .04 THK, B11H89C
69961	46-208560P70	2	SCREW,MACH	2	10-32 X 1", 18-8 SST, F65D6B1 BLK OX

1.0T REAR PEDESTAL FRAME ASM w/o M-C 46-328137G6



L328137G6A

VIEW 1



L328137G4B1

1.0T REAR PED w/o M-C

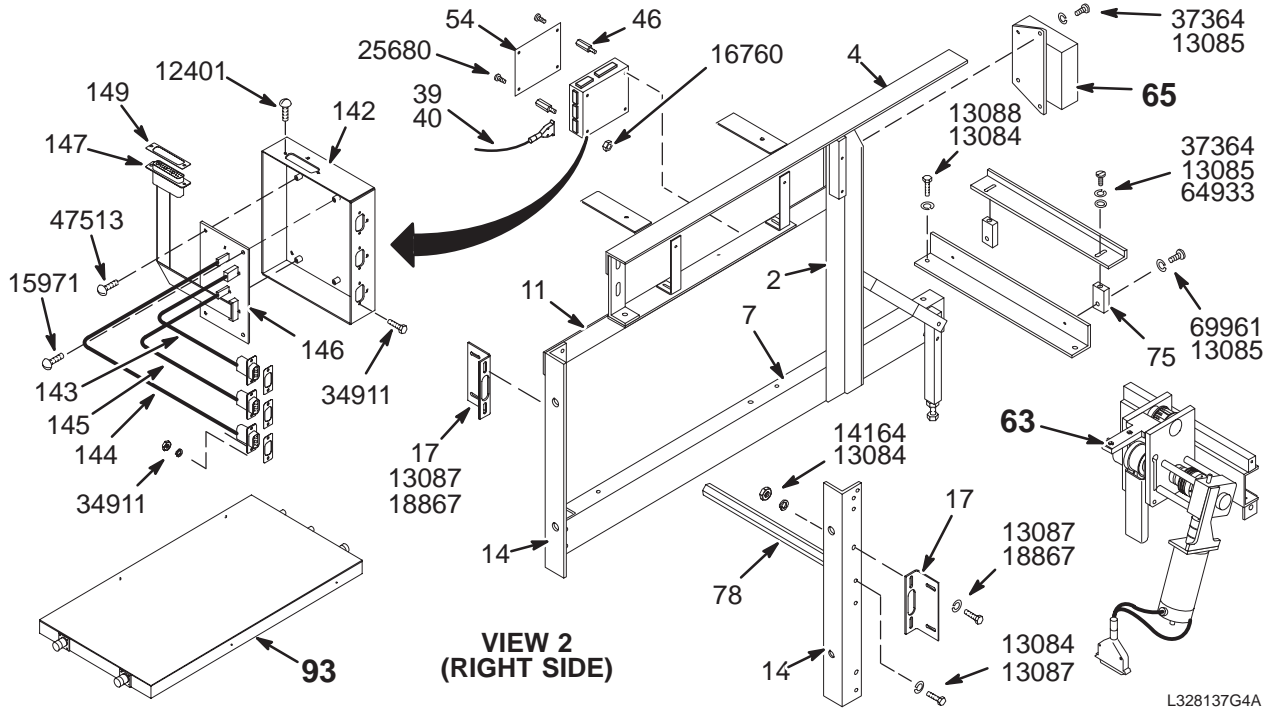
46-328137G6 FRU N

(PART OF 2118422-7 PAGE 2-11)

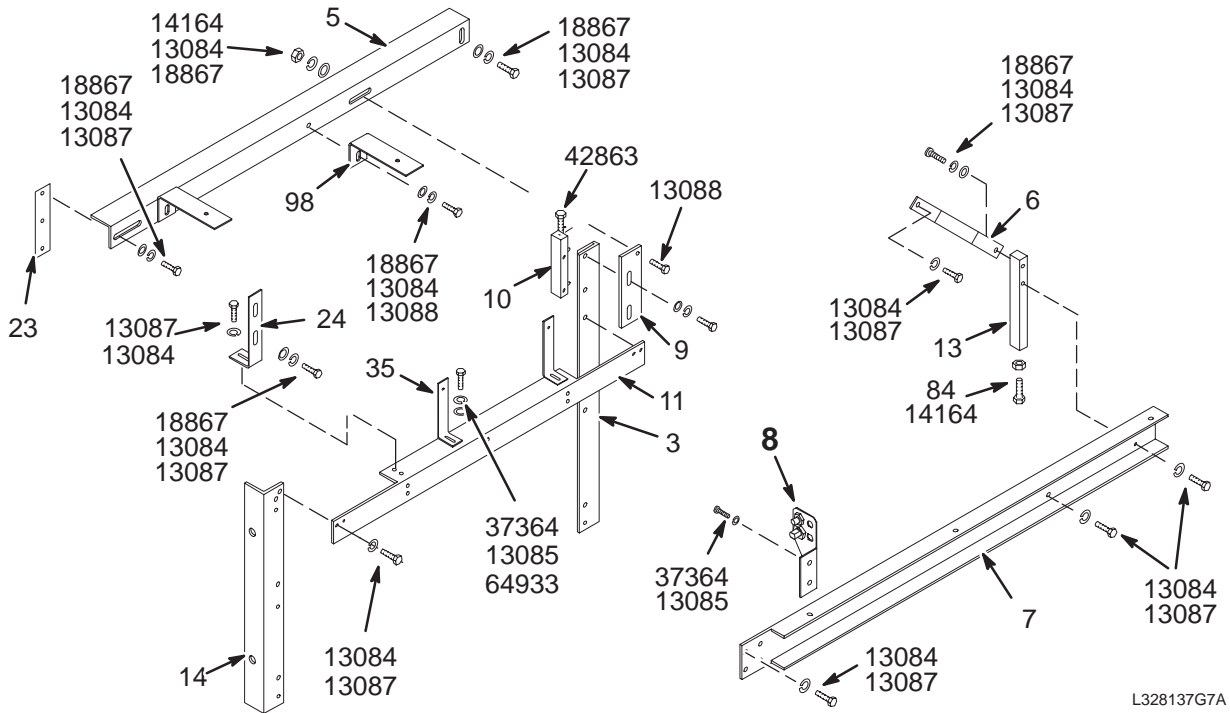
Item	Part Number	FRU	Name	Quantity	Description (Remarks)
2	46-271873P2	2	UPRIGHT-LONG	1	VERTICAL SUPPORT, LEFT
3	46-271866P2	2	UPRIGHT-REAR	1	VERTICAL SUPPORT, RIGHT
4	2128644-2	2	RAIL-ANGLE	1	RAIL ANGLE 600MM FOR LEFT BRIDGE MT
5	2128644	2	RAIL-ANGLE	1	RAIL ANGLE 600MM FOR RIGHT BRIDGE MT
6	46-282348P1	2	BRACKET	2	SUPPORT STRAP
7	2124939	2	CHANNEL-SUPT	2	CHAN REAR FRAME UFI
8	2128927	N	BRACKET ASM	1	CABLE BRACKET ASM FOR PEDESTAL (SEE PAGE 2-125)
9	46-271874P1	2	BRKT-SECR SM	2	BRIDGE MOUNT VERTICAL ADJUST CLAMP
10	2124940	2	SUPPORT	1	SUPPORT L.H. REAR FRAME UFI
11	2124941	2	SUPPORT	1	SUPPORT R.H. REAR FRAME UFI
13	46-271868P2	2	BRCKT-LEVELR	2	REAR PEDESTAL SUPPORTING LEG
14	2124938	2	UPRIGHT FRT	2	FRT UPRIGHT, REAR FRAME UFI
16	46-282422P2	2	REAR BRACE	1	LOWER FRAME REAR CHANNEL
17	2132597	2	BRKT,SIDE CV	2	BRACKET SIDE COVER UFI
23	46-287232P1	2	NUT BAR	2	5/16-18 THREAD
24	46-287235P1	2	BRCKT S F B	2	BRIDGE MOUNT SUPPORT, FRONT
35	46-282318P1	2	BRACKET	4	BODY QUADRATURE HYBRID ASM MOUNTING
39	46-317204G1	2	CABLE ASM	1	(414) MG2-A35 TO MG3-A2-J9 30' 9-CON
40	46-208758P5	2	STRAP	2	13.38"X .301" SELF-LOCKING CABLE TIE
46	46-208984P2	2	SPACER	4	HEX 1/4", EXT/INT THD 6-32, 1.5" LG
54	46-317200G1	2	COVER ASM.	1	INTERCOM BOX COVER W/RF SHIELDING
63	46-271439G3	N	LONGITDL DRV	1	LONGITUDINAL MOTOR DRIVE, MG3 A7 (SEE PAGE 2-124)
65	46-282694G1	N	MG3-A1 BOX	1	MAGNET INTERFACE #1, MG3 A1 (SEE PAGE 2-126)
75	46-287230P1	2	BRCKT SUPRT	2	MOUNTING BLOCK
76	46-287229P1	2	BRACKET	1	REAR PEDESTAL BACK COVER ATTACHING
78	46-306678P1	2	HEX SPACER	1	REAR FRAME FRONT BRACE
84	46-208932P40	2	SCREW,CAP	2	5/16-18 X 2", HEX HEAD, SST 18-8
93	46-282260G5	N	BRM SPLIT BX	1	BODY HYBRID, UFI 1.0T (SEE PAGE 2-128)
142	46-317137P1	2	ENCLOSURE	1	PATIENT COMMUNICATION BOX - EMPTY
143	46-317177G1	2	HARNESS	1	MG3 A2 J8 TO MG2 A2 A1 J3, SPEAKER
144	46-317184G1	2	HARNESS	1	MG3 A2 J7 TO MG2 A2 A1 J1, C.M. MIKE
145	46-317184G2	2	HARNESS	1	MG3 A2 J9 TO MG2 A2 A1 J4, F.C. MIKE
146A	2204384	1	CIRCUIT BD	1	REMOTE INTERCOM BOARD, MG3 A2 A1
146B	46-264758G1	1	CIRCUIT BD	ALT	REMOTE INTERCOM BOARD, MG3 A2 A1
147	46-317201P1	2	CABLE ASM.	1	MG2 A2 J6 TO MG2 A2 A1 J6, RIBBON-14
148	46-221754P1	2	RFI GASKET	3	RFI GASKET USED WITH 9 PIN SUB-D
149	46-221754P3	2	RFI GASKET	1	RFI GASKET USED WITH 25 PIN SUB-D
12117	46-208601P21	2	WASHER,LOCK	4	#8 SCREW, INTERNAL TOOTH, PHOS BRZ
12401	46-221417P2	2	SCREWLOCK	1	FEMALE SCREWLOCK FOR HD CONNECTORS
13084	46-220196P5	2	WASHER,LOCK	44	5/16" SCREW SIZE (0.313), SST
13085	46-220196P3	2	WASHER,LOCK	12	#10 SCREW SIZE (0.190), SST
13087	46-208932P3	2	SCREW,CAP	36	5/16-18 X 3/4", 18-8 SST
13088	46-208932P11	2	SCREW,CAP	8	5/16-18 X 1", HEX HD, 18-8 SST
14164	46-208946P1	2	NUT,HEX,JAM	8	5/16-18 1/2" HEX X .188 THK 18-8 SST
15971	46-208921P28	2	SCREW,MACH	1	6-32 X 5/16" BINDING HEAD, BRASS
16760	46-208935P5	2	NUT,HEX,MS	2	6-32, .313 HEX X .109 THK, BRASS
18056	46-220184P26	2	SCREW MACH	4	8-32 X 1/2" ROUND HEAD SLOT, BRASS
18867	12-280	2	WASHER	22	ID 0.336, OD 0.75, THK .064, BRASS
25680	46-208921P6	2	SCREW,MACH	4	6-32 X 1/2", BRASS
34911	46-221417P1	2	SCREWLOCK	3	FEMALE SCREWLOCKS, TWO PER KIT
37364	46-208560P102	2	SCREW,MACH	10	10-32 X 5/8", BIND HEAD, 18-8 SST
38047	46-208938P5	2	NUT,HEX,MS	2	10-32, 3/8" HEX X .130 THK, 18-8 SST
47513	46-208922P4	2	SCREW,MACH	3	6-32 X 0.375 NYLON
64933	1000904P425	2	WASHER,FLAT	6	0.2 ID, 0.5 OD, .04 THK, B11H89C
69961	46-208560P70	2	SCREW,MACH	2	10-32 X 1", 18-8 SST, F65D6B1 BLK OX

REAR PEDESTAL FRAME ASM w/o M-C

46-328137G7 & G8



VIEW 1



VIEW 2

1.5T MOB & T/R REAR PED w/o M-C 46-328137G7 FRU N

(PART OF 2118422-2 PAGE 2-28)

Item	Part Number	FRU	Name	Quantity	Description (Remarks)
2	46-271873P2	2	UPRIGHT-LONG	1	VERTICAL SUPPORT, LEFT
3	46-271866P2	2	UPRIGHT-REAR	1	VERTICAL SUPPORT, RIGHT
4	2128644-2	2	RAIL-ANGLE	1	RAIL ANGLE 600MM FOR LEFT BRIDGE MT
5	2128644	2	RAIL-ANGLE	1	RAIL ANGLE 600MM FOR RIGHT BRIDGE MT
6	46-282348P1	2	BRACKET	2	SUPPORT STRAP
7	2124939	2	CHANNEL-SUPT	2	CHAN REAR FRAME UFI
8	2128927	N	BRACKET ASM	1	CABLE BRACKET ASM FOR PEDESTAL (SEE PAGE 2-125)
9	46-271874P1	2	BRKT-SECR SM	2	BRIDGE MOUNT VERTICAL ADJUST CLAMP
10	2124940	2	BRACKET	1	SUPPORT L.H. REAR FRAME UFI
11	2124941	2	BRACKET	1	SUPPORT R.H. REAR FRAME UFI
13	46-271868P2	2	BRCKT-LEVELR	2	REAR PEDESTAL SUPPORTING LEG
14	2124938	2	UPRIGHT FRT	2	FRT UPRIGHT, REAR FRAME UFI
16	46-282422P2	2	REAR BRACE	1	LOWER FRAME REAR CHANNEL
17	2132597	2	BRKT,SIDE CV	2	BRACKET SIDE COVER UFI
23	46-287232P1	2	NUT BRKT	2	5/16-18 THREAD
24	46-287235P1	2	BRCKT S F B	2	BRIDGE MOUNT SUPPORT, FRONT
35	46-282318P1	2	BRACKET	4	BODY QUADRATURE HYBRID ASM MOUNTING
39	46-317204G1	2	CABLE ASM	1	(414) MG2-A35 TO MG3-A2-J9 30' 9-CON
40	46-208758P5	2	TY-RAP	2	13.38"X .301" SELF-LOCKING CABLE TIE
46	46-208984P2	2	SPACER	4	HEX 1/4", EXT/INT THD 6-32, 1.5" LG
54	46-317200G1	2	COVER ASM.	1	INTERCOM BOX COVER W/RF SHIELDING
63	46-271439G3	N	LONGITDL DRV	1	LONGITUDINAL MOTOR DRIVE, MG3 A7 (SEE PAGE 2-124)
65	46-282694G1	N	MG3-A1 BOX	1	MAGNET INTERFACE #1, MG3 A1 (SEE PAGE 2-126)
75	46-287230P1	2	BRCKT SUPRT	2	MOUNTING BLOCK
76	46-287229P1	2	BRACKET	1	REAR PEDESTAL BACK COVER ATTACHING
78	46-306678P1	2	HEX SPACER	1	REAR FRAME FRONT BRACE
84	46-208932P40	2	SCREW	2	5/16-18 X 2", HEX HEAD, SST 18-8
93A	46-282260G12	N	SPLITTER ASM	1	LX 1.5T BODY HYBRID & PREAMP, MG3 A3 (SEE PAGE 2-129)
93B	46-282260G11	N	SPLITTER ASM	ALT	1.5T BODY QUADRATURE HYBRID, MG3 A3 (SEE PAGE 2-129)
98	2128559	2	BRACKET	4	TUNNEL EXTENSION MOUNTING BRACKET
142	46-317137P1	2	BOX	1	PATIENT COMMUNICATION BOX - EMPTY
143	46-317177G1	2	HARNESS	1	MG3 A2 J8 TO MG2 A2 A1 J3, SPEAKER
144	46-317184G1	2	HARNESS	1	MG3 A2 J7 TO MG2 A2 A1 J1, C.M. MIKE
145	46-317184G2	2	HARNESS	1	MG3 A2 J9 TO MG2 A2 A1 J4, F.C. MIKE
146A	2204384	1	CIRCUIT BD	1	REMOTE INTERCOM BOARD, MG3 A2 A1
146B	46-264758G1	1	CIRCUIT BD	ALT	REMOTE INTERCOM BOARD, MG3 A2 A1
147	46-317201P1	2	CABLE ASM.	1	MG2 A2 J6 TO MG2 A2 A1 J6, RIBBON-14
148	46-221754P1	2	CONNECTOR	3	RFI GASKET USED WITH 9 PIN SUB-D
149	46-221754P3	2	CONNECTOR	1	RFI GASKET USED WITH 25 PIN SUB-D
12117	46-208601P21	2	WASHER	4	#8 SCREW, INTERNAL TOOTH, PHOS BRZ
12401	46-221417P2	2	CONNECTOR	1	FEMALE SCREWLOCK FOR HD CONNECTORS
13084	46-220196P5	2	WASHER	48	5/16" SCREW SIZE (0.313), SST
13085	46-220196P3	2	WASHER	12	#10 SCREW SIZE (0.190), SST
13087	46-208932P3	2	SCREW	40	5/16-18 X 3/4", 18-8 SST
13088	46-208932P11	2	SCREW	8	5/16-18 X 1", HEX HD, 18-8 SST
14164	46-208946P1	2	NUT	8	5/16-18 1/2" HEX X .188 THK 18-8 SST
15971	46-208921P28	2	SCREW	1	6-32 X 5/16" BINDING HEAD, BRASS
16760	46-208935P5	2	NUT	2	6-32, .313 HEX X .109 THK, BRASS
18056	46-220184P26	2	SCREW	4	8-32 X 1/2" ROUND HEAD SLOT, BRASS
18867	12-280	2	WASHER	26	ID 0.336, OD 0.75, THK .064, BRASS
25680	46-208921P6	2	SCREW	4	6-32 X 1/2", BRASS
34911	46-221417P1	2	CONNECTOR	3	FEMALE SCREWLOCKS, TWO PER KIT
37364	46-208560P102	2	SCREW	10	10-32 X 5/8", BIND HEAD, 18-8 SST
47513	46-208922P4	2	SCREW	3	6-32 X 0.375 NYLON
64933	1000904P425	2	WASHER	6	0.2 ID, 0.5 OD, 04 THK, B11H89C
69961	46-208560P70	2	SCREW	2	10-32 X 1", 18-8 SST, F65D6B1 BLK OX

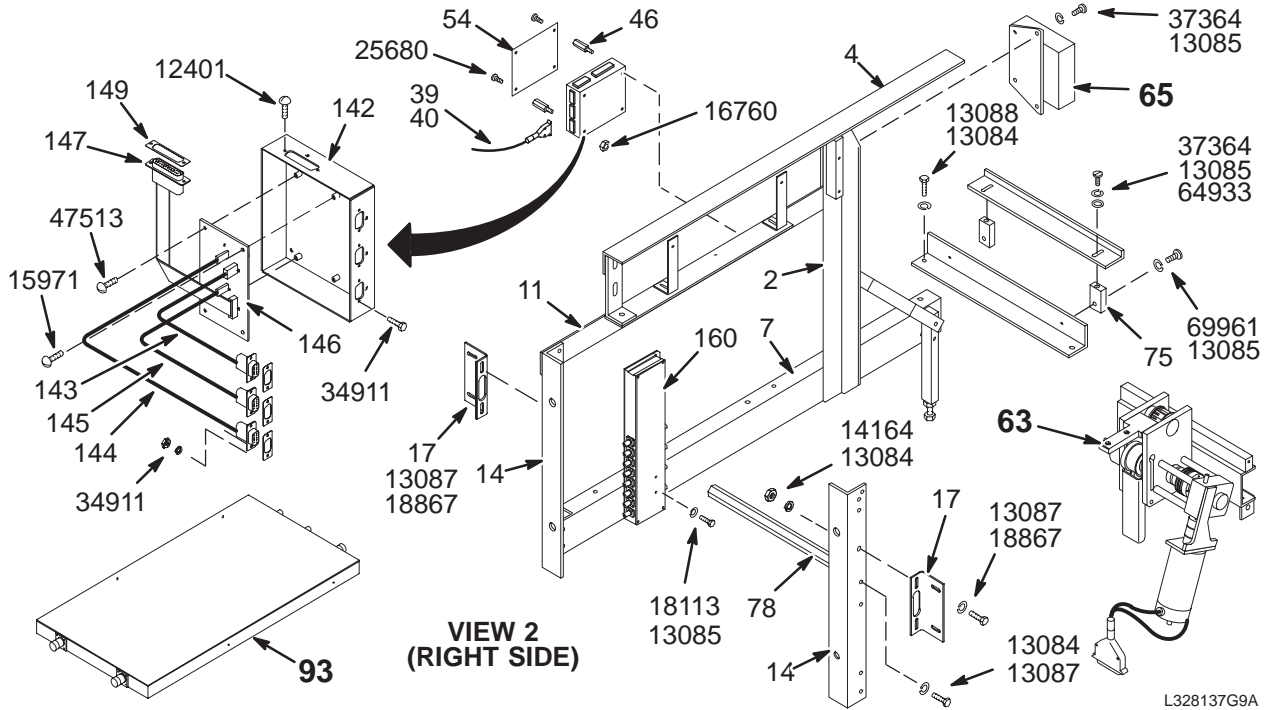
1.0T MOB & T/R REAR PED w/o M-C 46-328137G8 FRU N

(PART OF 2118422-6 PAGE 2-32)

Item	Part Number	FRU	Name	Quantity	Description (Remarks)
2	46-271873P2	2	UPRIGHT-LONG	1	VERTICAL SUPPORT, LEFT
3	46-271866P2	2	UPRIGHT-REAR	1	VERTICAL SUPPORT, RIGHT
4	2128644-2	2	RAIL-ANGLE	1	RAIL ANGLE 600MM FOR LEFT BRIDGE MT
5	2128644	2	RAIL-ANGLE	1	RAIL ANGLE 600MM FOR RIGHT BRIDGE MT
6	46-282348P1	2	BRACKET	2	SUPPORT STRAP
7	2124939	2	CHANNEL-SUPT	2	CHAN REAR FRAME UFI
8	2128927	N	BRACKET ASM	1	CABLE BRACKET ASM FOR PEDESTAL (SEE PAGE 2-125)
9	46-271874P1	2	BRKT-SECR SM	2	BRIDGE MOUNT VERTICAL ADJUST CLAMP
10	2124940	2	BRACKET	1	SUPPORT L.H. REAR FRAME UFI
11	2124941	2	BRACKET	1	SUPPORT R.H. REAR FRAME UFI
13	46-271868P2	2	BRCKT-LEVELR	2	REAR PEDESTAL SUPPORTING LEG
14	2124938	2	UPRIGHT FRT	2	FRT UPRIGHT, REAR FRAME UFI
16	46-282422P2	2	REAR BRACE	1	LOWER FRAME REAR CHANNEL
17	2132597	2	BRKT,SIDE CV	2	BRACKET SIDE COVER UFI
23	46-287232P1	2	NUT BAR	2	5/16-18 THREAD
24	46-287235P1	2	BRCKT S F B	2	BRIDGE MOUNT SUPPORT, FRONT
35	46-282318P1	2	BRACKET	4	BODY QUADRATURE HYBRID ASM MOUNTING
39	46-317204G1	2	CABLE ASM	1	(414) MG2-A35 TO MG3-A2-J9 30' 9-CON
40	46-208758P5	2	TY-RAP	2	13.38"X .301" SELF-LOCKING CABLE TIE
46	46-208984P2	2	SPACER	4	HEX 1/4", EXT/INT THD 6-32, 1.5" LG
54	46-317200G1	2	COVER ASM.	1	INTERCOM BOX COVER W/RF SHIELDING
63	46-271439G3	N	LONGITDL DRV	1	LONGITUDINAL MOTOR DRIVE, MG3 A7 (SEE PAGE 2-124)
65	46-282694G1	N	MG3-A1 BOX	1	MAGNET INTERFACE #1, MG3 A1 (SEE PAGE 2-126)
75	46-287230P1	2	BRCKT SUPRT	2	MOUNTING BLOCK
76	46-287229P1	2	BRACKET	1	REAR PEDESTAL BACK COVER ATTACHING
78	46-306678P1	2	HEX SPACER	1	REAR FRAME FRONT BRACE
84	46-208932P40	2	SCREW	2	5/16-18 X 2", HEX HEAD, SST 18-8
93	46-282260G5	N	BRM SPLIT BX	1	BODY HYBRID, UFI 1.0T (SEE PAGE 2-128)
98	2128559	2	BRACKET	4	TUNNEL EXTENSION MOUNTING BRACKET
142	46-317137P1	2	BOX	1	PATIENT COMMUNICATION BOX - EMPTY
143	46-317177G1	2	HARNESS	1	MG3 A2 J8 TO MG2 A2 A1 J3, SPEAKER
144	46-317184G1	2	HARNESS	1	MG3 A2 J7 TO MG2 A2 A1 J1, C.M. MIKE
145	46-317184G2	2	HARNESS	1	MG3 A2 J9 TO MG2 A2 A1 J4, F.C. MIKE
146A	2204384	1	CIRCUIT BD	1	REMOTE INTERCOM BOARD, MG3 A2 A1
146B	46-264758G1	1	CIRCUIT BD	ALT	REMOTE INTERCOM BOARD, MG3 A2 A1
147	46-317201P1	2	CABLE ASM.	1	MG2 A2 J6 TO MG2 A2 A1 J6, RIBBON-14
148	46-221754P1	2	CONNECTOR	3	RFI GASKET USED WITH 9 PIN SUB-D
149	46-221754P3	2	CONNECTOR	1	RFI GASKET USED WITH 25 PIN SUB-D
12117	46-208601P21	2	WASHER	4	#8 SCREW, INTERNAL TOOTH, PHOS BRZ
12401	46-221417P2	2	CONNECTOR	1	FEMALE SCREWLOCK FOR HD CONNECTORS
13084	46-220196P5	2	WASHER	48	5/16" SCREW SIZE (0.313), SST
13085	46-220196P3	2	WASHER	12	#10 SCREW SIZE (0.190), SST
13087	46-208932P3	2	SCREW	40	5/16-18 X 3/4", 18-8 SST
13088	46-208932P11	2	SCREW	8	5/16-18 X 1", HEX HD, 18-8 SST
14164	46-208946P1	2	NUT	8	5/16-18 1/2" HEX X .188 THK 18-8 SST
15971	46-208921P28	2	SCREW	1	6-32 X 5/16" BINDING HEAD, BRASS
16760	46-208935P5	2	NUT	2	6-32, .313 HEX X .109 THK, BRASS
18056	46-220184P26	2	SCREW	4	8-32 X 1/2" ROUND HEAD SLOT, BRASS
18867	12-280	2	WASHER	26	ID 0.336, OD 0.75, THK .064, BRASS
25680	46-208921P6	2	SCREW	4	6-32 X 1/2", BRASS
34911	46-221417P1	2	CONNECTOR	3	FEMALE SCREWLOCKS, TWO PER KIT
37364	46-208560P102	2	SCREW	10	10-32 X 5/8", BIND HEAD, 18-8 SST
47513	46-208922P4	2	SCREW	3	6-32 X 0.375 NYLON
64933	1000904P425	2	WASHER	6	0.2 ID, 0.5 OD, .04 THK, B11H89C
69961	46-208560P70	2	SCREW	2	10-32 X 1", 18-8 SST, F65D6B1 BLK OX

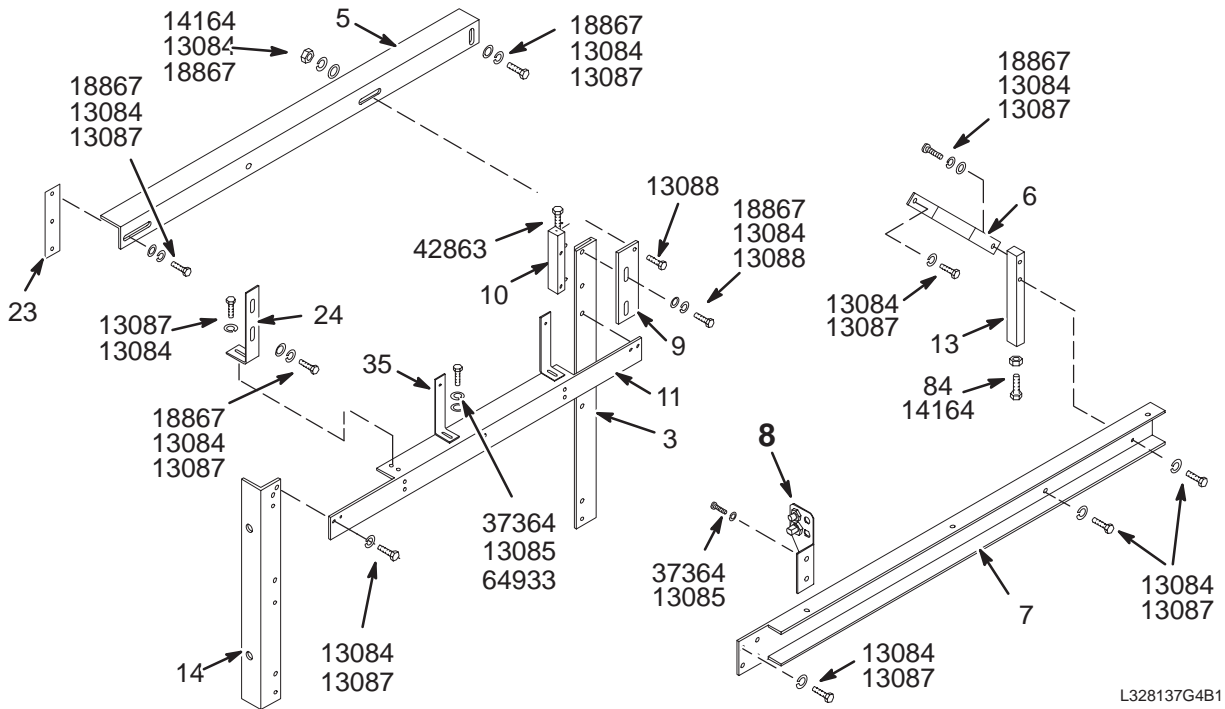
1.5T REAR PEDESTAL FRAME ASM w/M-C

46-328137G9



VIEW 2 (RIGHT SIDE)

VIEW 1



VIEW 2

L328137G4B1

5.5 1.5T REAR PED w/M-C

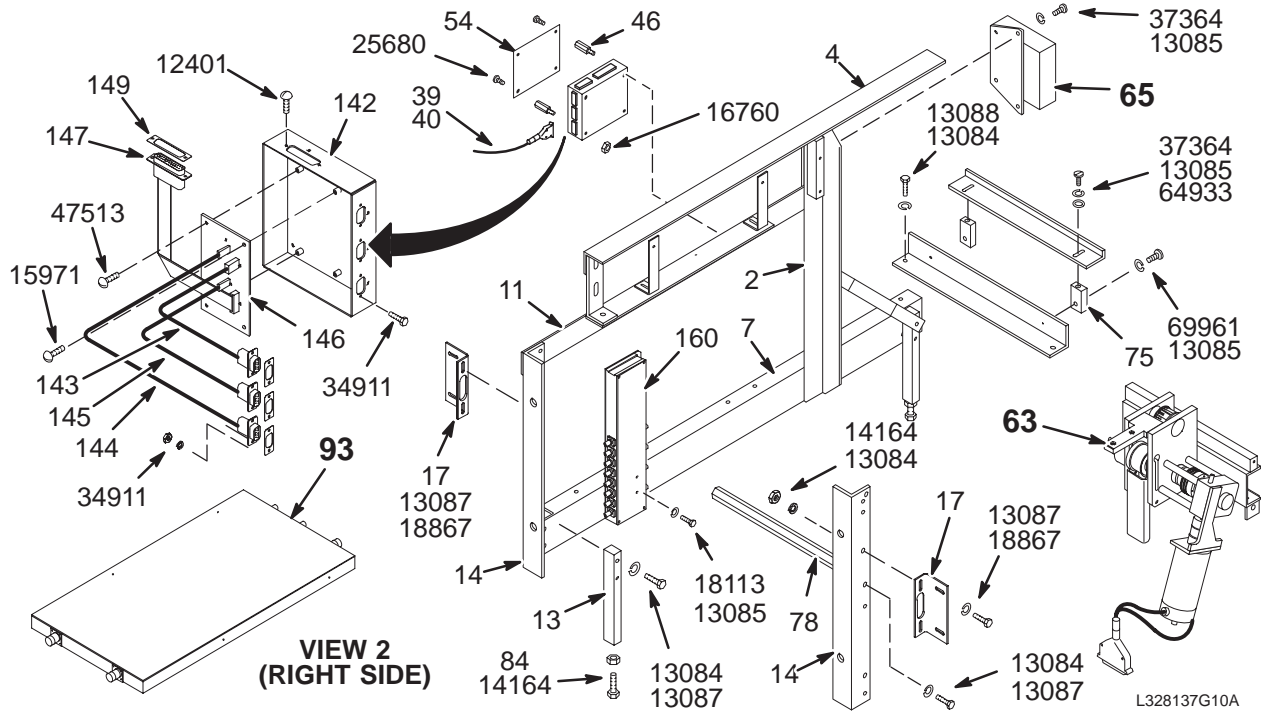
46-328137G9 FRU N

(PART OF 2118422-5 PAGE 2-9)

Item	Part Number	FRU	Name	Quantity	Description (Remarks)
2	46-271873P2	2	UPRIGHT-LONG	1	VERTICAL SUPPORT, LEFT
3	46-271866P2	2	UPRIGHT-REAR	1	VERTICAL SUPPORT, RIGHT
4	2128644-2	2	RAIL-ANGLE	1	RAIL ANGLE 600MM FOR LEFT BRIDGE MT
5	2128644	2	RAIL-ANGLE	1	RAIL ANGLE 600MM FOR RIGHT BRIDGE MT
6	46-282348P1	2	BRACKET	2	SUPPORT STRAP
7	2124939	2	CHANNEL-SUPT	2	CHAN REAR FRAME UFI
8	2128927	N	BRACKET ASM	1	CABLE BRACKET ASM FOR PEDESTAL (SEE PAGE 2-125)
9	46-271874P1	2	BRKT-SECR SM	2	BRIDGE MOUNT VERTICAL ADJUST CLAMP
10	2124940	2	SUPPORT	1	SUPPORT L.H. REAR FRAME UFI
11	2124941	2	SUPPORT	1	SUPPORT R.H. REAR FRAME UFI
13	46-271868P2	2	BRCKT-LEVELR	2	REAR PEDESTAL SUPPORTING LEG
14	2124938	2	UPRIGHT FRT	2	FRT UPRIGHT, REAR FRAME UFI
16	46-282422P2	2	REAR BRACE	1	LOWER FRAME REAR CHANNEL
17	2132597	2	BRKT,SIDE CV	2	BRACKET SIDE COVER UFI
23	46-287232P1	2	NUT BAR	2	5/16-18 THREAD
24	46-287235P1	2	BRCKT S F B	2	BRIDGE MOUNT SUPPORT, FRONT
35	46-282318P1	2	BRACKET	4	BODY QUADRATURE HYBRID ASM MOUNTING
39	46-317204G1	2	CABLE ASM	1	(414) MG2-A35 TO MG3-A2-J9 30' 9-CON
40	46-208758P5	2	STRAP	2	13.38"X .301" SELF-LOCKING CABLE TIE
46	46-208984P2	2	SPACER	4	HEX 1/4", EXT/INT THD 6-32, 1.5" LG
54	46-317200G1	2	COVER ASM.	1	INTERCOM BOX COVER W/RF SHIELDING
63	46-271439G3	N	LONGITDL DRV	1	LONGITUDINAL MOTOR DRIVE, MG3 A7 (SEE PAGE 2-124)
65	46-282694G1	N	MG3-A1 BOX	1	MAGNET INTERFACE #1, MG3 A1 (SEE PAGE 2-126)
75	46-287230P1	2	BRCKT SUPRT	2	MOUNTING BLOCK
76	46-287229P1	2	BRACKET	1	REAR PEDESTAL BACK COVER ATTACHING
78	46-306678P1	2	HEX SPACER	1	REAR FRAME FRONT BRACE
84	46-208932P40	2	SCREW,CAP	2	5/16-18 X 2", HEX HEAD, SST 18-8
93A	46-282260G12	N	SPLITTER ASM	1	LX 1.5T BODY HYBRID & PREAMP, MG3 A3 (SEE PAGE 2-129)
93B	46-282260G11	N	SPLITTER ASM	ALT	1.5T BODY QUADRATURE HYBRID, MG3 A3 (SEE PAGE 2-129)
142	46-317137P1	2	ENCLOSURE	1	PATIENT COMMUNICATION BOX - EMPTY
143	46-317177G1	2	HARNESS	1	MG3 A2 J8 TO MG2 A2 A1 J3, SPEAKER
144	46-317184G1	2	HARNESS	1	MG3 A2 J7 TO MG2 A2 A1 J1, C.M. MIKE
145	46-317184G2	2	HARNESS	1	MG3 A2 J9 TO MG2 A2 A1 J4, F.C. MIKE
146A	2204384	1	CIRCUIT BD	1	REMOTE INTERCOM BOARD, MG3 A2 A1
146B	46-264758G1	1	CIRCUIT BD	ALT	REMOTE INTERCOM BOARD, MG3 A2 A1
147	46-317201P1	2	CABLE ASM.	1	MG2 A2 J6 TO MG2 A2 A1 J6, RIBBON-14
148	46-221754P1	2	RFI GASKET	3	RFI GASKET USED WITH 9 PIN SUB-D
149	46-221754P3	2	RFI GASKET	1	RFI GASKET USED WITH 25 PIN SUB-D
160	46-288546G2	1	CIRCUIT BD	1	MULTI-COIL SELECT SWITCH MG3-A36
12117	46-208601P21	2	WASHER,LOCK	4	#8 SCREW, INTERNAL TOOTH, PHOS BRZ
12401	46-221417P2	2	SCREWLOCK	1	FEMALE SCREWLOCK FOR HD CONNECTORS
13084	46-220196P5	2	WASHER,LOCK	44	5/16" SCREW SIZE (0.313), SST
13085	46-220196P3	2	WASHER,LOCK	14	#10 SCREW SIZE (0.190), SST
13087	46-208932P3	2	SCREW,CAP	36	5/16-18 X 3/4", 18-8 SST
13088	46-208932P11	2	SCREW,CAP	8	5/16-18 X 1", HEX HD, 18-8 SST
14164	46-208946P1	2	NUT,HEX,JAM	8	5/16-18 1/2" HEX X .188 THK 18-8 SST
15971	46-208921P28	2	SCREW,MACH	1	6-32 X 5/16" BINDING HEAD, BRASS
16760	46-208935P5	2	NUT,HEX,MS	2	6-32, .313 HEX X .109 THK, BRASS
18056	46-220184P26	2	SCREW MACH	4	8-32 X 1/2" ROUND HEAD SLOT, BRASS
18113	46-220184P41	2	SCREW MACH	2	10-32 X 1/2" SLOT ROUND HEAD, BRASS
18867	12-280	2	WASHER	22	ID 0.336, OD 0.75, THK .064, BRASS
25680	46-208921P6	2	SCREW,MACH	4	6-32 X 1/2", BRASS
34911	46-221417P1	2	SCREWLOCK	3	FEMALE SCREWLOCKS, TWO PER KIT
37364	46-208560P102	2	SCREW,MACH	10	10-32 X 5/8", BIND HEAD, 18-8 SST
47513	46-208922P4	2	SCREW,MACH	3	6-32 X 0.375 NYLON
64933	1000904P425	2	WASHER,FLAT	6	0.2 ID, 0.5 OD, 04 THK, B11H89C
69961	46-208560P70	2	SCREW,MACH	2	10-32 X 1", 18-8 SST, F65D6B1 BLK OX

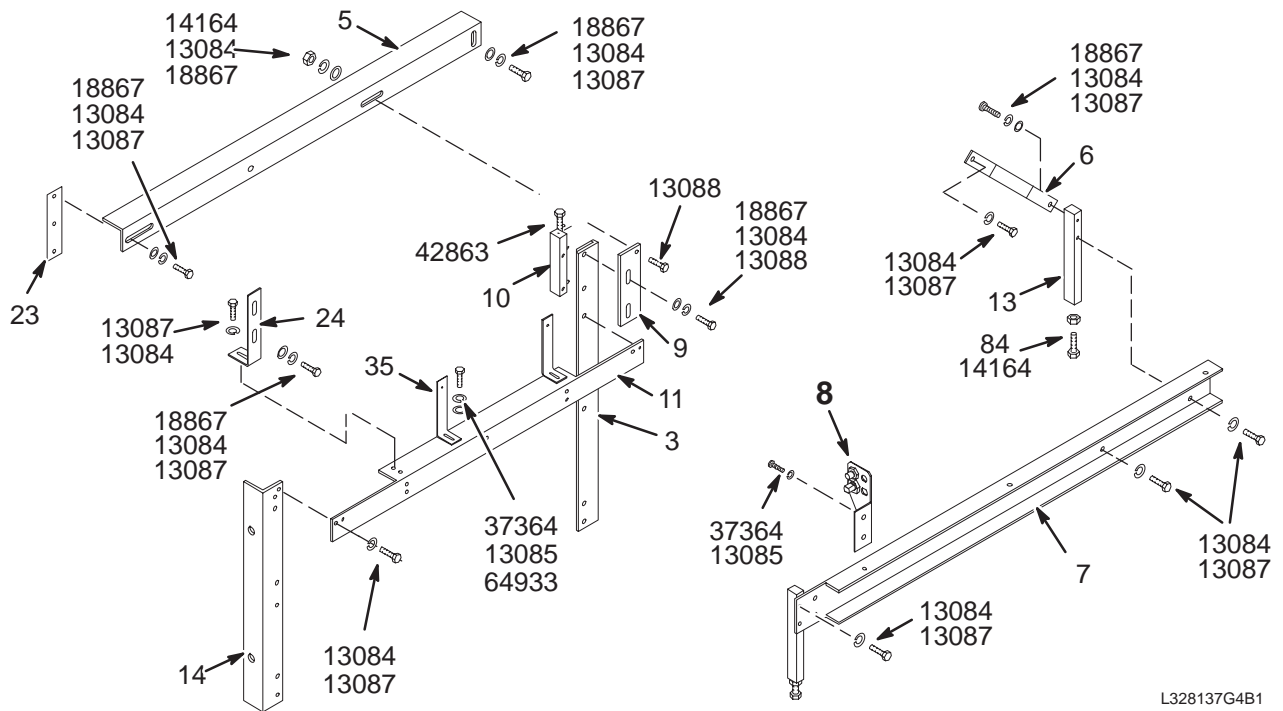
1.5T MAGNISHIELD REAR PEDESTAL FRAME ASM w/M-C

46-328137G10



L328137G10A

VIEW 1



L328137G4B1

VIEW 2

1.5T M/S REAR PED w/M-C

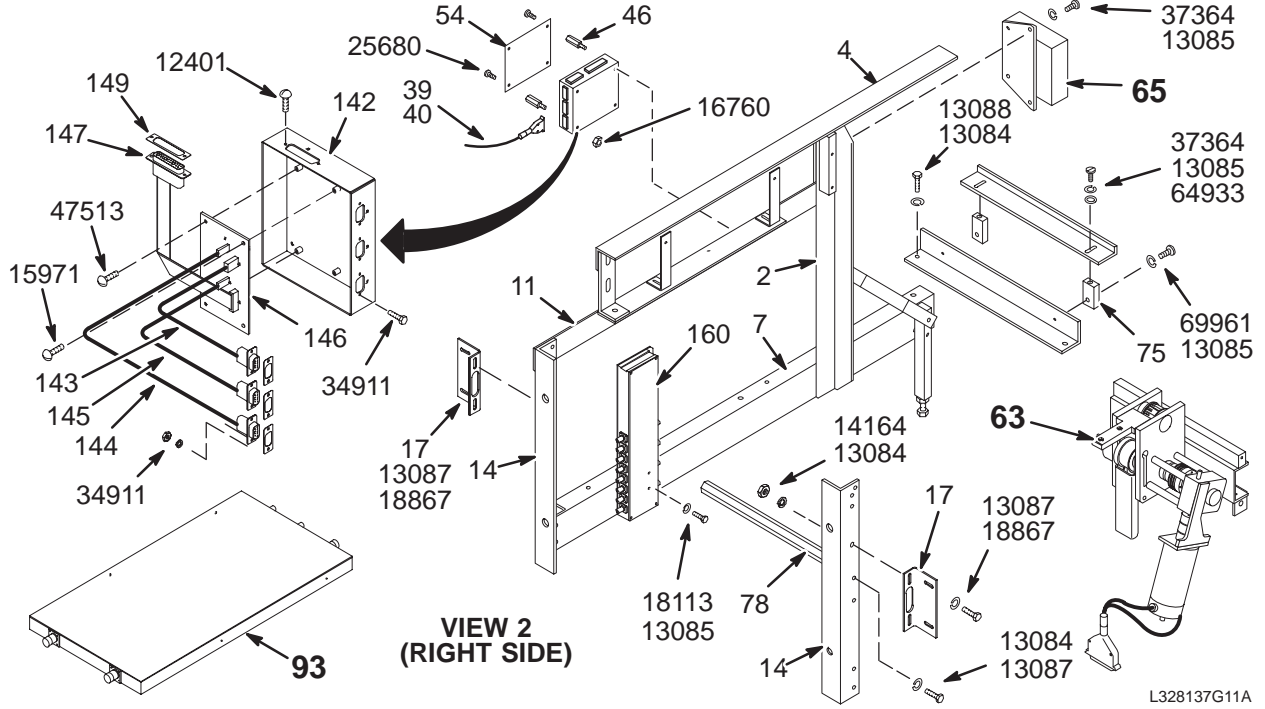
46-328137G10 FRU N

(PART OF 2118423-2 PAGE 2-69)

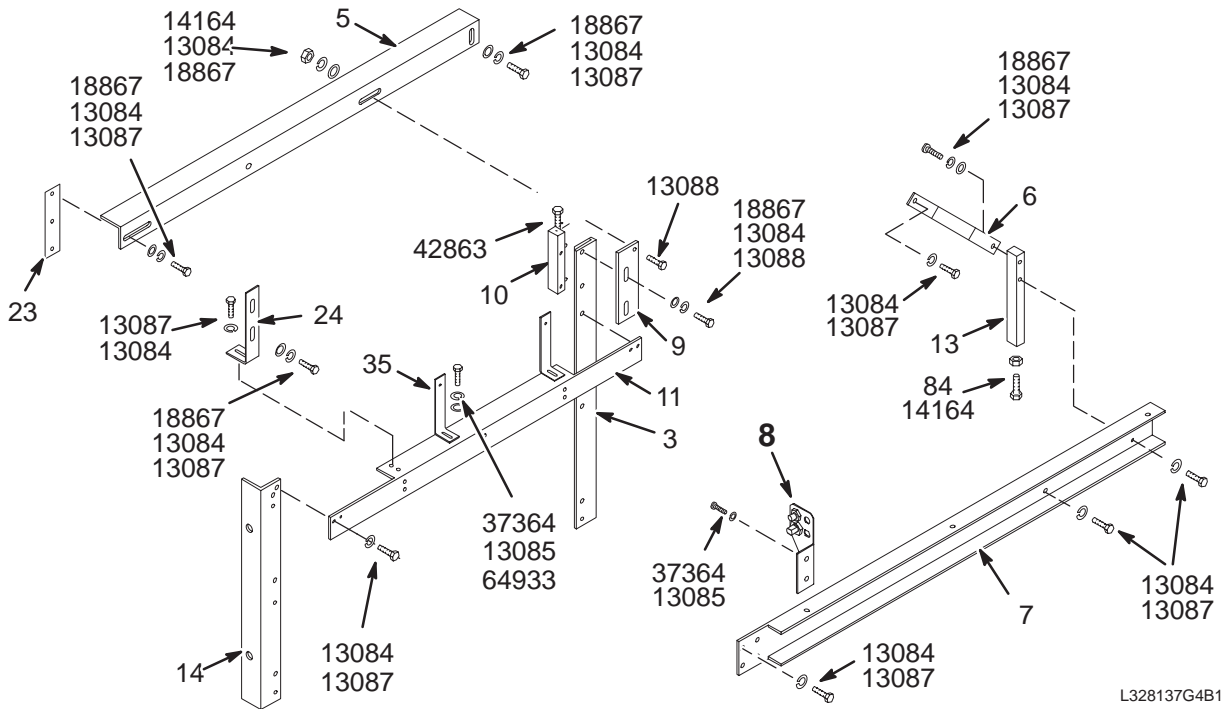
Item	Part Number	FRU	Name	Quantity	Description (Remarks)
2	46-271873P2	2	UPRIGHT-LONG	1	VERTICAL SUPPORT, LEFT
3	46-271866P2	2	UPRIGHT-REAR	1	VERTICAL SUPPORT, RIGHT
4	2128644-2	2	RAIL-ANGLE	1	RAIL ANGLE 600MM FOR LEFT BRIDGE MT
5	2128644	2	RAIL-ANGLE	1	RAIL ANGLE 600MM FOR RIGHT BRIDGE MT
6	46-282348P1	2	BRACKET	2	SUPPORT STRAP
7	2124939	2	CHANNEL-SUPT	2	CHAN REAR FRAME UFI
8	2128927	N	BRACKET ASM	1	CABLE BRACKET ASM FOR PEDESTAL (SEE PAGE 2-125)
9	46-271874P1	2	BRKT-SECR SM	2	BRIDGE MOUNT VERTICAL ADJUST CLAMP
10	2124940	2	SUPPORT	1	SUPPORT L.H. REAR FRAME UFI
11	2124941	2	SUPPORT	1	SUPPORT R.H. REAR FRAME UFI
13	46-271868P2	2	BRCKT-LEVELR	4	REAR PEDESTAL SUPPORTING LEG
14	2124938	2	UPRIGHT FRT	2	FRT UPRIGHT, REAR FRAME UFI
16	46-282422P2	2	REAR BRACE	1	LOWER FRAME REAR CHANNEL
17	2132597	2	BRKT,SIDE CV	2	BRACKET SIDE COVER UFI
23	46-287232P1	2	NUT BAR	2	5/16-18 THREAD
24	46-287235P1	2	BRCKT S F B	2	BRIDGE MOUNT SUPPORT, FRONT
35	46-282318P1	2	BRACKET	4	BODY QUADRATURE HYBRID ASM MOUNTING
39	46-317204G1	2	CABLE ASM	1	(414) MG2-A35 TO MG3-A2-J9 30' 9-CON
40	46-208758P5	2	STRAP	2	13.38"X .301" SELF-LOCKING CABLE TIE
46	46-208984P2	2	SPACER	4	HEX 1/4", EXT/INT THD 6-32, 1.5" LG
54	46-317200G1	2	COVER ASM.	1	INTERCOM BOX COVER W/RF SHIELDING
63	46-271439G3	N	LONGITDL DRV	1	LONGITUDINAL MOTOR DRIVE, MG3 A7 (SEE PAGE 2-124)
65	46-282694G1	N	MG3-A1 BOX	1	MAGNET INTERFACE #1, MG3 A1 (SEE PAGE 2-126)
75	46-287230P1	2	BRCKT SUPRT	2	MOUNTING BLOCK
76	46-287229P1	2	BRACKET	1	REAR PEDESTAL BACK COVER ATTACHING
78	46-306678P1	2	HEX SPACER	1	REAR FRAME FRONT BRACE
84	46-208932P40	2	SCREW,CAP	4	5/16-18 X 2", HEX HEAD, SST 18-8
93A	46-282260G12	N	SPLITTER ASM	1	LX 1.5T BODY HYBRID & PREAMP, MG3 A3 (SEE PAGE 2-129)
93B	46-282260G11	N	SPLITTER ASM	ALT	1.5T BODY QUADRATURE HYBRID, MG3 A3 (SEE PAGE 2-129)
142	46-317137P1	2	ENCLOSURE	1	PATIENT COMMUNICATION BOX - EMPTY
143	46-317177G1	2	HARNESS	1	MG3 A2 J8 TO MG2 A2 A1 J3, SPEAKER
144	46-317184G1	2	HARNESS	1	MG3 A2 J7 TO MG2 A2 A1 J1, C.M. MIKE
145	46-317184G2	2	HARNESS	1	MG3 A2 J9 TO MG2 A2 A1 J4, F.C. MIKE
146A	2204384	1	CIRCUIT BD	1	REMOTE INTERCOM BOARD, MG3 A2 A1
146B	46-264758G1	1	CIRCUIT BD	ALT	REMOTE INTERCOM BOARD, MG3 A2 A1
147	46-317201P1	2	CABLE ASM.	1	MG2 A2 J6 TO MG2 A2 A1 J6, RIBBON-14
148	46-221754P1	2	RFI GASKET	3	RFI GASKET USED WITH 9 PIN SUB-D
149	46-221754P3	2	RFI GASKET	1	RFI GASKET USED WITH 25 PIN SUB-D
160	46-288546G2	1	CIRCUIT BD	1	MULTI-COIL SELECT SWITCH MG3-A36
12117	46-208601P21	2	WASHER,LOCK	4	#8 SCREW, INTERNAL TOOTH, PHOS BRZ
12401	46-221417P2	2	SCREWLOCK	1	FEMALE SCREWLOCK FOR HD CONNECTORS
13084	46-220196P5	2	WASHER,LOCK	48	5/16" SCREW SIZE (0.313), SST
13085	46-220196P3	2	WASHER,LOCK	14	#10 SCREW SIZE (0.190), SST
13087	46-208932P3	2	SCREW,CAP	40	5/16-18 X 3/4", 18-8 SST
13088	46-208932P11	2	SCREW,CAP	8	5/16-18 X 1", HEX HD, 18-8 SST
14164	46-208946P1	2	NUT,HEX,JAM	10	5/16-18 1/2" HEX X .188 THK 18-8 SST
15971	46-208921P28	2	SCREW,MACH	1	6-32 X 5/16" BINDING HEAD, BRASS
16760	46-208935P5	2	NUT,HEX,MS	2	6-32, .313 HEX X .109 THK, BRASS
18056	46-220184P26	2	SCREW MACH	4	8-32 X 1/2" ROUND HEAD SLOT, BRASS
18113	46-220184P41	2	SCREW MACH	2	10-32 X 1/2" SLOT ROUND HEAD, BRASS
18867	12-280	2	WASHER	22	ID 0.336, OD 0.75, THK .064, BRASS
25680	46-208921P6	2	SCREW,MACH	4	6-32 X 1/2", BRASS
34911	46-221417P1	2	SCREWLOCK	3	FEMALE SCREWLOCKS, TWO PER KIT
37364	46-208560P102	2	SCREW,MACH	10	10-32 X 5/8", BIND HEAD, 18-8 SST
47513	46-208922P4	2	SCREW,MACH	3	6-32 X 0.375 NYLON
64933	1000904P425	2	WASHER,FLAT	6	0.2 ID, 0.5 OD, 04 THK, B11H89C
69961	46-208560P70	2	SCREW,MACH	2	10-32 X 1", 18-8 SST, F65D6B1 BLK OX

1.0T REAR PEDESTAL FRAME ASM w/M-C

46-328137G11



VIEW 1



VIEW 2

1.0T REAR PEDESTL w/M-C

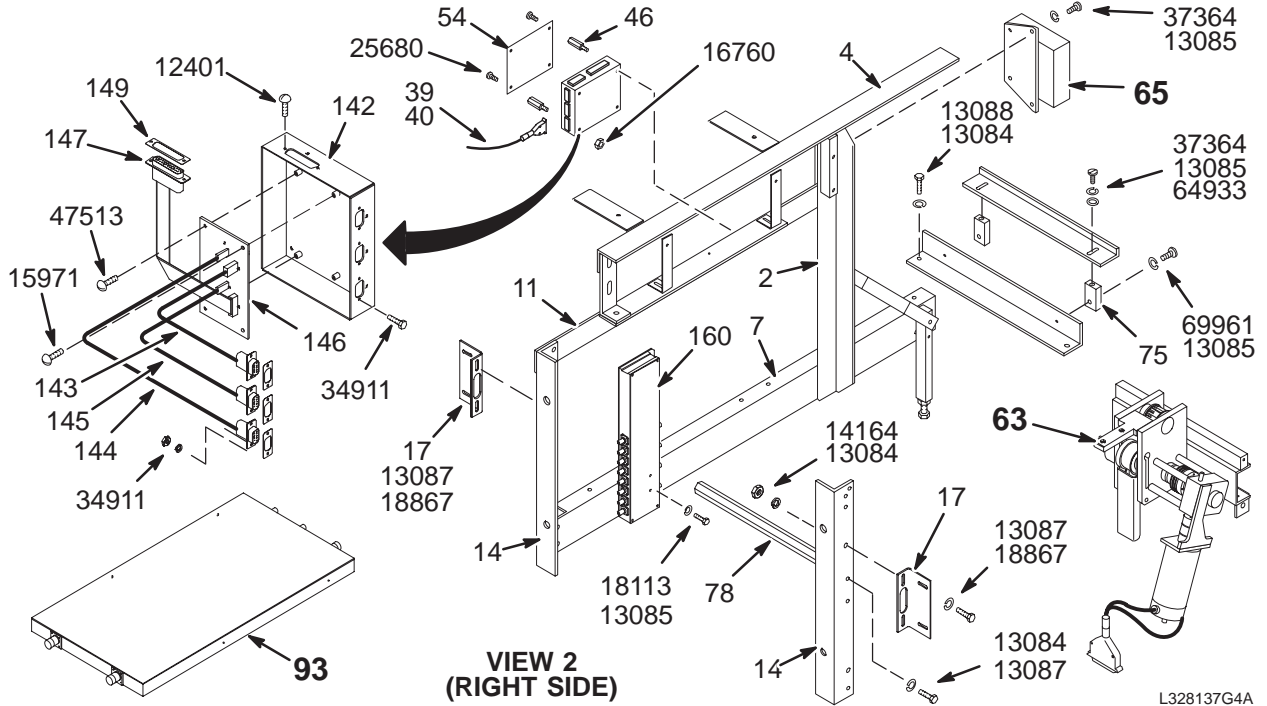
46-328137G11 FRU N

(PART OF 2118422-9 PAGE 2-13)

Item	Part Number	FRU	Name	Quantity	Description (Remarks)
2	46-271873P2	2	UPRIGHT-LONG	1	VERTICAL SUPPORT, LEFT
3	46-271866P2	2	UPRIGHT-REAR	1	VERTICAL SUPPORT, RIGHT
4	2128644-2	2	RAIL-ANGLE	1	RAIL ANGLE 600MM FOR LEFT BRIDGE MT
5	2128644	2	RAIL-ANGLE	1	RAIL ANGLE 600MM FOR RIGHT BRIDGE MT
6	46-282348P1	2	BRACKET	2	SUPPORT STRAP
7	2124939	2	CHANNEL-SUPT	2	CHAN REAR FRAME UFI
8	2128927	N	BRACKET ASM	1	CABLE BRACKET ASM FOR PEDESTAL (SEE PAGE 2-125)
9	46-271874P1	2	BRKT-SECR SM	2	BRIDGE MOUNT VERTICAL ADJUST CLAMP
10	2124940	2	SUPPORT	1	SUPPORT L.H. REAR FRAME UFI
11	2124941	2	SUPPORT	1	SUPPORT R.H. REAR FRAME UFI
13	46-271868P2	2	BRCKT-LEVELR	2	REAR PEDESTAL SUPPORTING LEG
14	2124938	2	UPRIGHT FRT	2	FRT UPRIGHT, REAR FRAME UFI
16	46-282422P2	2	REAR BRACE	1	LOWER FRAME REAR CHANNEL
17	2132597	2	BRKT,SIDE CV	2	BRACKET SIDE COVER UFI
23	46-287232P1	2	NUT BR	2	5/16-18 THREAD
24	46-287235P1	2	BRCKT S F B	2	BRIDGE MOUNT SUPPORT, FRONT
35	46-282318P1	2	BRACKET	4	BODY QUADRATURE HYBRID ASM MOUNTING
39	46-317204G1	2	CABLE ASM	1	(414) MG2-A35 TO MG3-A2-J9 30' 9-CON
40	46-208758P5	2	STRAP	2	13.38"X .301" SELF-LOCKING CABLE TIE
46	46-208984P2	2	SPACER	4	HEX 1/4", EXT/INT THD 6-32, 1.5" LG
54	46-317200G1	2	COVER ASM.	1	INTERCOM BOX COVER W/RF SHIELDING
63	46-271439G3	N	LONGITDL DRV	1	LONGITUDINAL MOTOR DRIVE, MG3 A7 (SEE PAGE 2-124)
65	46-282694G1	N	MG3-A1 BOX	1	MAGNET INTERFACE #1, MG3 A1 (SEE PAGE 2-126)
75	46-287230P1	2	BRCKT SUPRT	2	MOUNTING BLOCK
76	46-287229P1	2	BRACKET	1	REAR PEDESTAL BACK COVER ATTACHING
78	46-306678P1	2	HEX SPACER	1	REAR FRAME FRONT BRACE
84	46-208932P40	2	SCREW,CAP	2	5/16-18 X 2", HEX HEAD, SST 18-8
93	46-282260G5	N	BRM SPLIT BX	1	BODY HYBRID, UFI 1.0T (SEE PAGE 2-128)
142	46-317137P1	2	ENCLOSURE	1	PATIENT COMMUNICATION BOX - EMPTY
143	46-317177G1	2	HARNESS	1	MG3 A2 J8 TO MG2 A2 A1 J3, SPEAKER
144	46-317184G1	2	HARNESS	1	MG3 A2 J7 TO MG2 A2 A1 J1, C.M. MIKE
145	46-317184G2	2	HARNESS	1	MG3 A2 J9 TO MG2 A2 A1 J4, F.C. MIKE
146A	2204384	1	CIRCUIT BD	1	REMOTE INTERCOM BOARD, MG3 A2 A1
146B	46-264758G1	1	CIRCUIT BD	ALT	REMOTE INTERCOM BOARD, MG3 A2 A1
147	46-317201P1	2	CABLE ASM.	1	MG2 A2 J6 TO MG2 A2 A1 J6, RIBBON-14
148	46-221754P1	2	RFI GASKET	3	RFI GASKET USED WITH 9 PIN SUB-D
149	46-221754P3	2	RFI GASKET	1	RFI GASKET USED WITH 25 PIN SUB-D
160	46-288546G2	1	CIRCUIT BD	1	MULTI-COIL SELECT SWITCH MG3-A36
12117	46-208601P21	2	WASHER,LOCK	4	#8 SCREW, INTERNAL TOOTH, PHOS BRZ
12401	46-221417P2	2	SCREWLOCK	1	FEMALE SCREWLOCK FOR HD CONNECTORS
13084	46-220196P5	2	WASHER,LOCK	44	5/16" SCREW SIZE (0.313), SST
13085	46-220196P3	2	WASHER,LOCK	14	#10 SCREW SIZE (0.190), SST
13087	46-208932P3	2	SCREW,CAP	36	5/16-18 X 3/4", 18-8 SST
13088	46-208932P11	2	SCREW,CAP	8	5/16-18 X 1", HEX HD, 18-8 SST
14164	46-208946P1	2	NUT,HEX,JAM	8	5/16-18 1/2" HEX X .188 THK 18-8 SST
15971	46-208921P28	2	SCREW,MACH	1	6-32 X 5/16" BINDING HEAD, BRASS
16760	46-208935P5	2	NUT,HEX,MS	2	6-32, .313 HEX X .109 THK, BRASS
18056	46-220184P26	2	SCREW MACH	4	8-32 X 1/2" ROUND HEAD SLOT, BRASS
18113	46-220184P41	2	SCREW MACH	2	10-32 X 1/2" SLOT ROUND HEAD, BRASS
18867	12-280	2	WASHER	22	ID 0.336, OD 0.75, THK .064, BRASS
25680	46-208921P6	2	SCREW,MACH	4	6-32 X 1/2", BRASS
34911	46-221417P1	2	SCREWLOCK	3	FEMALE SCREWLOCKS, TWO PER KIT
37364	46-208560P102	2	SCREW,MACH	10	10-32 X 5/8", BIND HEAD, 18-8 SST
47513	46-208922P4	2	SCREW,MACH	3	6-32 X 0.375 NYLON
64933	1000904P425	2	WASHER,FLAT	6	0.2 ID, 0.5 OD, .04 THK, B11H89C
69961	46-208560P70	2	SCREW,MACH	2	10-32 X 1", 18-8 SST, F65D6B1 BLK OX

REAR PEDESTAL FRAME ASM with M-C

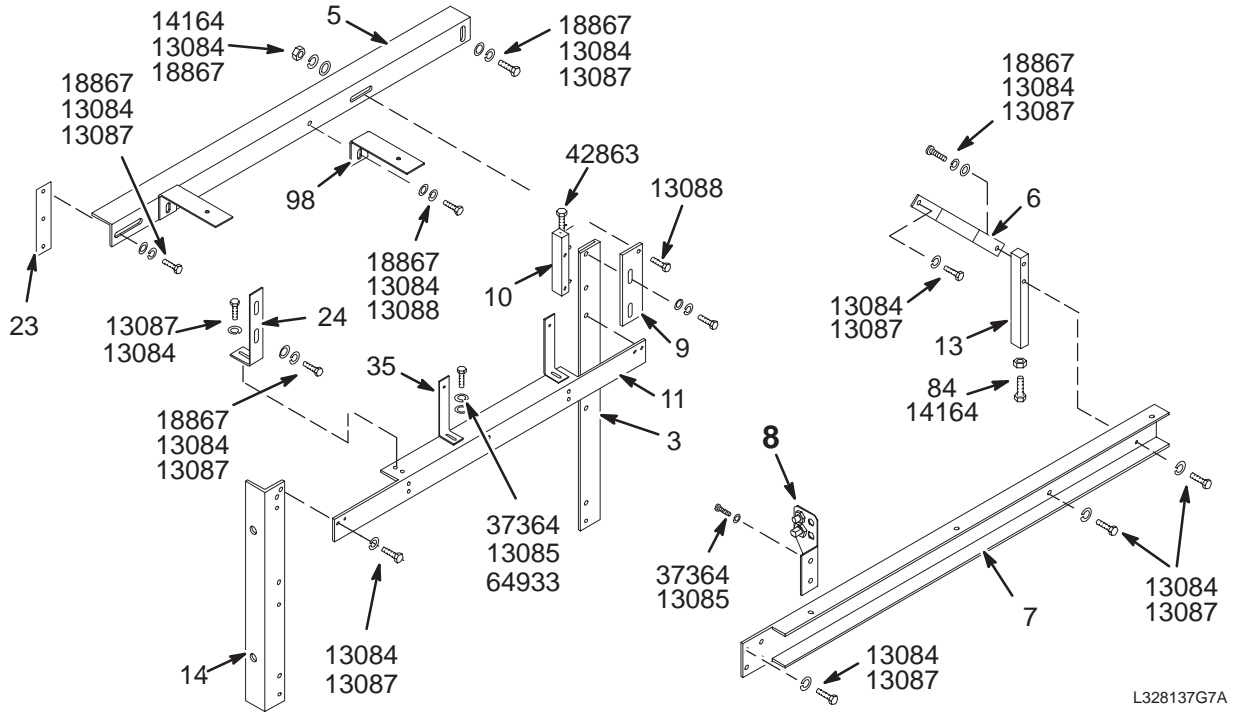
46-328137G12 & G13



VIEW 2 (RIGHT SIDE)

L328137G4A

VIEW 1



VIEW 2

L328137G7A

1.5T MOB & T/R REAR PED w/M-C 46-328137G12 FRU N

(PART OF 2118422-4 PAGE 2-30)

Item	Part Number	FRU	Name	Quantity	Description (Remarks)
2	46-271873P2	2	UPRIGHT-LONG	1	VERTICAL SUPPORT, LEFT
3	46-271866P2	2	UPRIGHT-REAR	1	VERTICAL SUPPORT, RIGHT
4	2128644-2	2	RAIL-ANGLE	1	RAIL ANGLE 600MM FOR LEFT BRIDGE MT
5	2128644	2	RAIL-ANGLE	1	RAIL ANGLE 600MM FOR RIGHT BRIDGE MT
6	46-282348P1	2	BRACKET	2	SUPPORT STRAP
7	2124939	2	CHANNEL-SUPT	2	CHAN REAR FRAME UFI
8	2128927	N	BRACKET ASM	1	CABLE BRACKET ASM FOR PEDESTAL (SEE PAGE 2-125)
9	46-271874P1	2	BRKT-SECR SM	2	BRIDGE MOUNT VERTICAL ADJUST CLAMP
10	2124940	2	BRACKET	1	SUPPORT L.H. REAR FRAME UFI
11	2124941	2	BRACKET	1	SUPPORT R.H. REAR FRAME UFI
13	46-271868P2	2	BRCKT-LEVELR	2	REAR PEDESTAL SUPPORTING LEG
14	2124938	2	UPRIGHT FRT	2	FRT UPRIGHT, REAR FRAME UFI
16	46-282422P2	2	REAR BRACE	1	LOWER FRAME REAR CHANNEL
17	2132597	2	BRKT,SIDE CV	2	BRACKET SIDE COVER UFI
23	46-287232P1	2	NUT BAR	2	5/16-18 THREAD
24	46-287235P1	2	BRCKT S F B	2	BRIDGE MOUNT SUPPORT, FRONT
35	46-282318P1	2	BRACKET	4	BODY QUADRATURE HYBRID ASM MOUNTING
39	46-317204G1	2	CABLE ASM	1	(414) MG2-A35 TO MG3-A2-J9 30' 9-CON
40	46-208758P5	2	TY-RAP	2	13.38"X .301" SELF-LOCKING CABLE TIE
46	46-208984P2	2	SPACER	4	HEX 1/4", EXT/INT THD 6-32, 1.5" LG
54	46-317200G1	2	COVER ASM.	1	INTERCOM BOX COVER W/RF SHIELDING
63	46-271439G3	N	LONGITDL DRV	1	LONGITUDINAL MOTOR DRIVE, MG3 A7 (SEE PAGE 2-124)
65	46-282694G1	N	MG3-A1 BOX	1	MAGNET INTERFACE #1, MG3 A1 (SEE PAGE 2-126)
75	46-287230P1	2	BRCKT SUPRT	2	MOUNTING BLOCK
76	46-287229P1	2	BRACKET	1	REAR PEDESTAL BACK COVER ATTACHING
78	46-306678P1	2	HEX SPACER	1	REAR FRAME FRONT BRACE
84	46-208932P40	2	SCREW	2	5/16-18 X 2", HEX HEAD, SST 18-8
93A	46-282260G12	N	SPLITTER ASM	1	LX 1.5T BODY HYBRID & PREAMP, MG3 A3 (SEE PAGE 2-129)
93B	46-282260G11	N	SPLITTER ASM	ALT	1.5T BODY QUADRATURE HYBRID, MG3 A3 (SEE PAGE 2-129)
98	2128559	2	BRACKET	4	TUNNEL EXTENSION MOUNTING BRACKET
142	46-317137P1	2	BOX	1	PATIENT COMMUNICATION BOX - EMPTY
143	46-317177G1	2	HARNESS	1	MG3 A2 J8 TO MG2 A2 A1 J3, SPEAKER
144	46-317184G1	2	HARNESS	1	MG3 A2 J7 TO MG2 A2 A1 J1, C.M. MIKE
145	46-317184G2	2	HARNESS	1	MG3 A2 J9 TO MG2 A2 A1 J4, F.C. MIKE
146A	2204384	1	CIRCUIT BD	1	REMOTE INTERCOM BOARD, MG3 A2 A1
146B	46-264758G1	1	CIRCUIT BD	ALT	REMOTE INTERCOM BOARD, MG3 A2 A1
147	46-317201P1	2	CABLE ASM.	1	MG2 A2 J6 TO MG2 A2 A1 J6, RIBBON-14
148	46-221754P1	2	CONNECTOR	3	RFI GASKET USED WITH 9 PIN SUB-D
149	46-221754P3	2	CONNECTOR	1	RFI GASKET USED WITH 25 PIN SUB-D
160	46-288546G2	1	CIRCUIT BD	1	MULTI-COIL SELECT SWITCH MG3-A36
12117	46-208601P21	2	WASHER	4	#8 SCREW, INTERNAL TOOTH, PHOS BRZ
12401	46-221417P2	2	CONNECTOR	1	FEMALE SCREWLOCK FOR HD CONNECTORS
13084	46-220196P5	2	WASHER	48	5/16" SCREW SIZE (0.313), SST
13085	46-220196P3	2	WASHER	14	#10 SCREW SIZE (0.190), SST
13087	46-208932P3	2	SCREW	40	5/16-18 X 3/4", 18-8 SST
13088	46-208932P11	2	SCREW	8	5/16-18 X 1", HEX HD, 18-8 SST
14164	46-208946P1	2	NUT	8	5/16-18 1/2" HEX X .188 THK 18-8 SST
15971	46-208921P28	2	SCREW	1	6-32 X 5/16" BINDING HEAD, BRASS
16760	46-208935P5	2	NUT	2	6-32, .313 HEX X .109 THK, BRASS
18056	46-220184P26	2	SCREW	4	8-32 X 1/2" ROUND HEAD SLOT, BRASS
18113	46-220184P41	2	SCREW	2	10-32 X 1/2" SLOT ROUND HEAD, BRASS
18867	12-280	2	WASHER	26	ID 0.336, OD 0.75, THK .064, BRASS
25680	46-208921P6	2	SCREW	4	6-32 X 1/2", BRASS
34911	46-221417P1	2	CONNECTOR	3	FEMALE SCREWLOCKS, TWO PER KIT
37364	46-208560P102	2	SCREW	10	10-32 X 5/8", BIND HEAD, 18-8 SST
47513	46-208922P4	2	SCREW	3	6-32 X 0.375 NYLON
64933	1000904P425	2	WASHER	6	0.2 ID, 0.5 OD, 04 THK, B11H89C
69961	46-208560P70	2	SCREW	2	10-32 X 1", 18-8 SST, F65D6B1 BLK OX

1.0T MOB & T/R REAR PED w/M-C 46-328137G13 FRU N

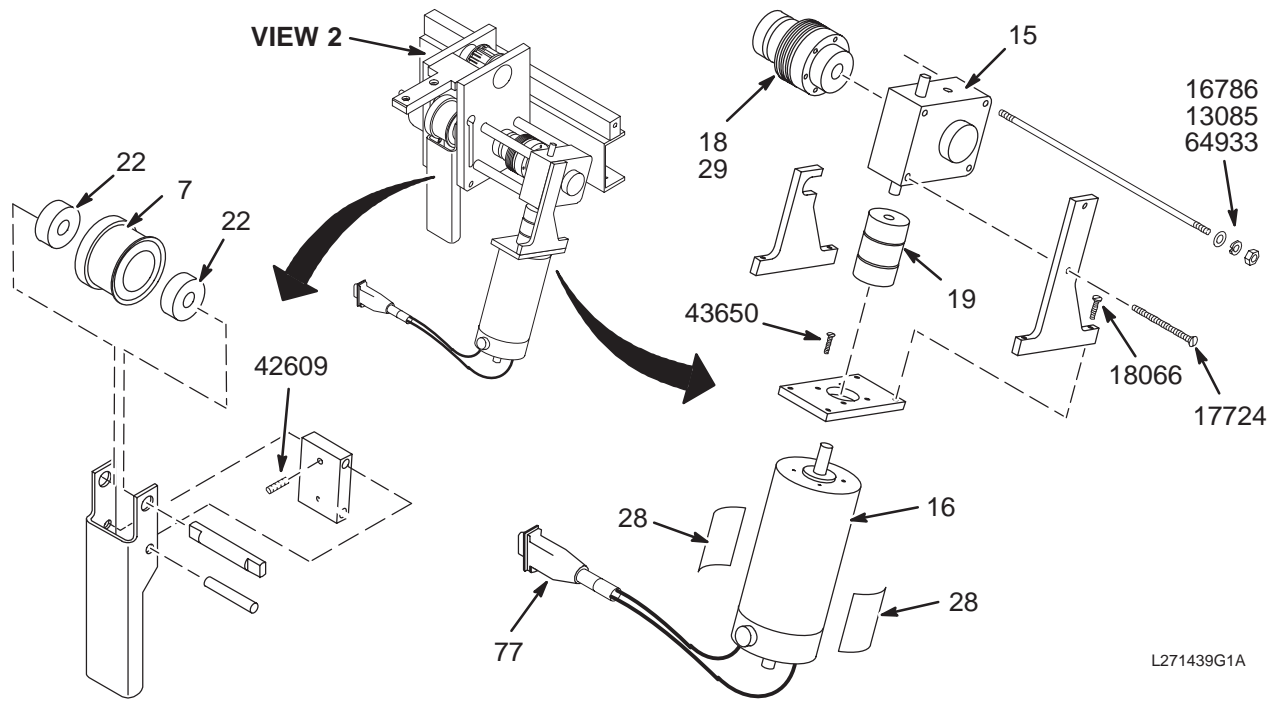
(PART OF 2118422-8 PAGE 2-34)

Item	Part Number	FRU	Name	Quantity	Description (Remarks)
2	46-271873P2	2	UPRIGHT-LONG	1	VERTICAL SUPPORT, LEFT
3	46-271866P2	2	UPRIGHT-REAR	1	VERTICAL SUPPORT, RIGHT
4	2128644-2	2	RAIL-ANGLE	1	RAIL ANGLE 600MM FOR LEFT BRIDGE MT
5	2128644	2	RAIL-ANGLE	1	RAIL ANGLE 600MM FOR RIGHT BRIDGE MT
6	46-282348P1	2	BRACKET	2	SUPPORT STRAP
7	2124939	2	CHANNEL-SUPT	2	CHAN REAR FRAME UFI
8	2128927	N	BRACKET ASM	1	CABLE BRACKET ASM FOR PEDESTAL (SEE PAGE 2-125)
9	46-271874P1	2	BRKT-SECR SM	2	BRIDGE MOUNT VERTICAL ADJUST CLAMP
10	2124940	2	BRACKET	1	SUPPORT L.H. REAR FRAME UFI
11	2124941	2	BRACKET	1	SUPPORT R.H. REAR FRAME UFI
13	46-271868P2	2	BRCKT-LEVELR	2	REAR PEDESTAL SUPPORTING LEG
14	2124938	2	UPRIGHT FRT	2	FRT UPRIGHT, REAR FRAME UFI
16	46-282422P2	2	REAR BRACE	1	LOWER FRAME REAR CHANNEL
17	2132597	2	BRKT,SIDE CV	2	BRACKET SIDE COVER UFI
23	46-287232P1	2	NUT BAR	2	5/16-18 THREAD
24	46-287235P1	2	BRCKT S F B	2	BRIDGE MOUNT SUPPORT, FRONT
35	46-282318P1	2	BRACKET	4	BODY QUADRATURE HYBRID ASM MOUNTING
39	46-317204G1	2	CABLE ASM	1	(414) MG2-A35 TO MG3-A2-J9 30' 9-CON
40	46-208758P5	2	TY-RAP	2	13.38"X .301" SELF-LOCKING CABLE TIE
46	46-208984P2	2	SPACER	4	HEX 1/4", EXT/INT THD 6-32, 1.5" LG
54	46-317200G1	2	COVER ASM.	1	INTERCOM BOX COVER W/RF SHIELDING
63	46-271439G3	N	LONGITDL DRV	1	LONGITUDINAL MOTOR DRIVE, MG3 A7 (SEE PAGE 2-124)
65	46-282694G1	N	MG3-A1 BOX	1	MAGNET INTERFACE #1, MG3 A1 (SEE PAGE 2-126)
75	46-287230P1	2	BRCKT SUPRT	2	MOUNTING BLOCK
76	46-287229P1	2	BRACKET	2	REAR PEDESTAL BACK COVER ATTACHING
78	46-306678P1	2	HEX SPACER	1	REAR FRAME FRONT BRACE
84	46-208932P40	2	SCREW	2	5/16-18 X 2", HEX HEAD, SST 18-8
93	46-282260G5	N	BRM SPLIT BX	1	BODY HYBRID, UFI 1.0T (SEE PAGE 2-128)
98	2128559	2	BRACKET	4	TUNNEL EXTENSION MOUNTING BRACKET
142	46-317137P1	2	BOX	1	PATIENT COMMUNICATION BOX - EMPTY
143	46-317177G1	2	HARNESS	1	MG3 A2 J8 TO MG2 A2 A1 J3, SPEAKER
144	46-317184G1	2	HARNESS	1	MG3 A2 J7 TO MG2 A2 A1 J1, C.M. MIKE
145	46-317184G2	2	HARNESS	1	MG3 A2 J9 TO MG2 A2 A1 J4, F.C. MIKE
146A	2204384	1	CIRCUIT BD	1	REMOTE INTERCOM BOARD, MG3 A2 A1
146B	46-264758G1	1	CIRCUIT BD	ALT	REMOTE INTERCOM BOARD, MG3 A2 A1
147	46-317201P1	2	CABLE ASM.	1	MG2 A2 J6 TO MG2 A2 A1 J6, RIBBON-14
148	46-221754P1	2	CONNECTOR	3	RFI GASKET USED WITH 9 PIN SUB-D
149	46-221754P3	2	CONNECTOR	1	RFI GASKET USED WITH 25 PIN SUB-D
160	46-288546G2	1	CIRCUIT BD	1	MULTI-COIL SELECT SWITCH MG3-A36
12117	46-208601P21	2	WASHER	4	#8 SCREW, INTERNAL TOOTH, PHOS BRZ
12401	46-221417P2	2	CONNECTOR	1	FEMALE SCREWLOCK FOR HD CONNECTORS
13084	46-220196P5	2	WASHER	48	5/16" SCREW SIZE (0.313), SST
13085	46-220196P3	2	WASHER	14	#10 SCREW SIZE (0.190), SST
13087	46-208932P3	2	SCREW	40	5/16-18 X 3/4", 18-8 SST
13088	46-208932P11	2	SCREW	8	5/16-18 X 1", HEX HD, 18-8 SST
14164	46-208946P1	2	NUT	8	5/16-18 1/2" HEX X .188 THK 18-8 SST
15971	46-208921P28	2	SCREW	1	6-32 X 5/16" BINDING HEAD, BRASS
16760	46-208935P5	2	NUT	2	6-32, .313 HEX X .109 THK, BRASS
18056	46-220184P26	2	SCREW	4	8-32 X 1/2" ROUND HEAD SLOT, BRASS
18113	46-220184P41	2	SCREW	2	10-32 X 1/2" SLOT ROUND HEAD, BRASS
18867	12-280	2	WASHER	26	ID 0.336, OD 0.75, THK .064, BRASS
25680	46-208921P6	2	SCREW	4	6-32 X 1/2", BRASS
34911	46-221417P1	2	CONNECTOR	3	FEMALE SCREWLOCKS, TWO PER KIT
37364	46-208560P102	2	SCREW	10	10-32 X 5/8", BIND HEAD, 18-8 SST
47513	46-208922P4	2	SCREW	3	6-32 X 0.375 NYLON
64933	1000904P425	2	WASHER	6	0.2 ID, 0.5 OD, 04 THK, B11H89C
69961	46-208560P70	2	SCREW	2	10-32 X 1", 18-8 SST, F65D6B1 BLK OX

LONGITUDINAL MOTOR DRIVE

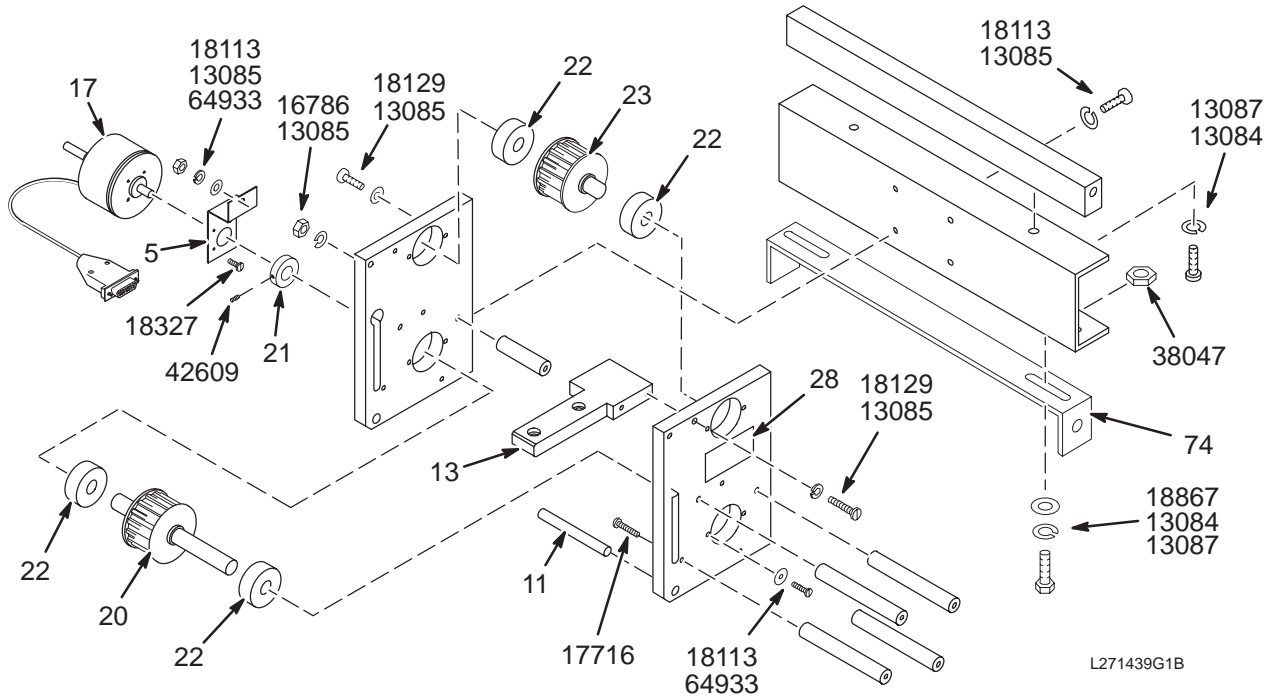
46-271439G3

MG3 A7



L271439G1A

VIEW 1



L271439G1B

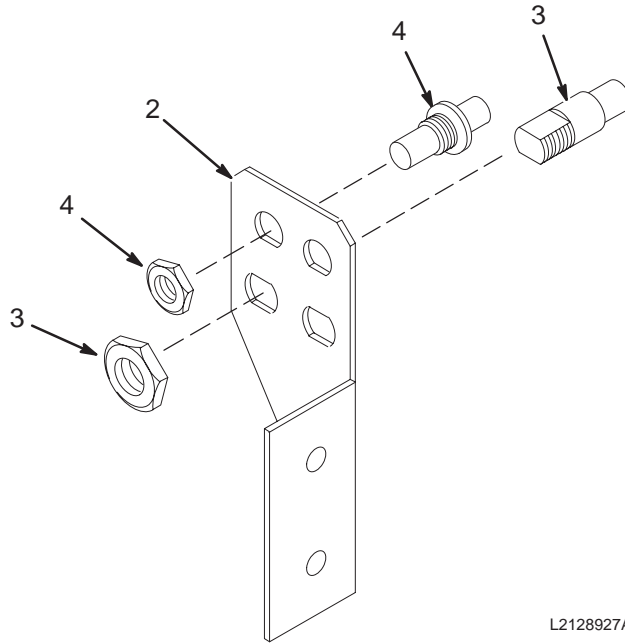
VIEW 2

LONGTDNL MOTOR DRIVE 46-271439G3 FRU N (PART OF 46-328137G4-13 PAGES 2-106 THRU 2-122)
 (PART OF 46-328137G16-23 PAGES 2-221 THRU 2-228)

Item	Part Number	FRU	Name	Quantity	Description (Remarks)
2	46-271419P1	N	PLATE, SUP,T	1	MOUNTING CHANNEL
3	46-271420P1	N	ARM, T-U PIV	1	BELT TENSION ARM
4	46-271421P1	N	PLATE, R B M	2	SIDE PLATE
5	46-271422P1	N	BRACKET, END	1	ENCODER MOUNTING BRACKET
6	46-271423P1	N	BRACKET, MTR	1	MOTOR MOUNTING BRACKET
7	46-271425P1	N	ROLLER	1	BELT TENSION PULLEY
8	46-271426P1	N	SUPPORT,PIVT	1	BELT TENSION LATCHING BLOCK
9	46-271427P1	N	SHAFT	1	TENSION ARM PIVOT PIN
10	46-271428P1	N	PLATE,MTR MT	1	LONGITUDINAL DRIVE MOTOR MOUNT PLATE
11	46-271427P2	N	SHAFT	1	LATCHING BLOCK PIVOT PIN
12	46-271430P1	N	SHAFT, T-U	1	TENSION PULLEY SHAFT
13	46-271432P1	N	MOUNT BRIDGE	1	BRIDGE ATTACHMENT TONGUE
14	46-271865P1	N	MOUNTING BAR	1	REAR PEDESTAL MOUNT
15	46-282359P2	2	SPEED REDUCE	1	40 TO 1 NON-MAGNETIC GEAR REDUCER
16	46-282360P1	1	MOTOR	1	LONG DRIVE MOTOR, MG3-A7 (NO LABELS)
17	46-282361P1	1	ENCODER	1	LONGITUDINAL ENCODER, MG3 A6
18	46-282362P1	N	CLUTCH	1	ADJUSTABLE RANGE = 1.8 TO 50LB/INCH,
19	46-282363P1	N	COUPLING	1	NON-MAGNETIC FLEXIBLE COUPLING
20	46-282727G1	N	PULLEY ASM	1	DRIVE BELT DRIVEN PULLEY
21	46-282402P1	N	COLLAR	1	ENCODER SHAFT COUPLING
22	46-282471P12	N	BEARING	6	SKF BEARING #1621 DC **MAGNETIC**
23	46-282646G1	N	PULLEY ASM	1	DRIVE BELT IDLER PULLEY
24	46-282688P1	N	STANDOFF	2	1/2" DIA X 3-5/8, 10-32 THREAD, ALUM
25	46-282689P1	N	STANDOFF	2	1/2" DIA X 3-5/8, .2 THRU HOLE, ALUM
26	46-282689P2	N	STANDOFF	2	1/2" DIA X 1.950, .2 THRU HOLE, ALUM
27	46-282690P1	N	STUD	2	8-3/4 LONG, 10-32 THREAD, BRASS
28	46-282756P1	N	LABEL	4	WARNING, CONTAINS FERROUS MATERIAL
29	46-170686P1	N	SEALANT	AR	LOCTITE 242, 0.5CC TUBE
31	46-320678P1	N	BRACKET	1	MOTOR/GEARBOX SUPPORT BRACKET
74	46-287226G1	N	BRACKET	1	REAR PEDESTAL BACK COVER MOUNTING
77	46-258066G1	N	CABLE ASM	1	LONGITUDINAL DRIVE MOTOR CABLE
13084	46-220196P5	N	WASHER,LOCK	2	5/16" SCREW SIZE (0.313), SST
13085	46-220196P3	N	WASHER,LOCK	15	#10 SCREW SIZE (0.190), SST
13087	46-208932P3	N	SCREW,CAP	2	5/16-18 X 3/4", 18-8 SST
16786	46-208935P7	N	NUT,HEX,MS	4	10-32, 3/8 HEX, 1/8" THICK, BRASS
17716	46-208913P29	N	SCREW,MACH	2	10-32 X 1" SLOTTED FLAT HEAD, BRASS
17724	46-208913P30	N	SCREW,MACH	2	10-32 X 2" SLOT FLAT HEAD, BRASS
18066	46-220184P29	N	SCREW MACH	4	8-32 X 3/4" ROUND HEAD SLOT, BRASS
18113	46-220184P41	N	SCREW MACH	13	10-32 X 1/2" SLOT ROUND HEAD, BRASS
18129	46-220184P45	N	SCREW MACH	4	10-32 X 1", ROUND HEAD SLOT, BRASS
18327	46-208921P2	N	SCREW,MACH	4	4-40 X 3/16", BRASS
37364	46-208560P102	N	SCREW,MACH	2	10-32 X 5/8", BIND HEAD, 18-8 SST
38047	46-208938P5	N	NUT,HEX,MS	2	10-32, 3/8" HEX X .130 THK, 18-8 SST
42609	46-208732P9	N	SCREW,SET	3	10-32 X 3/8" HEX SOC HD FLAT PT, SST
43650	46-208913P14	N	SCREW,MACH	4	6-32 X 1/2" SLOTTED FLAT HEAD, BRASS
64933	1000904P425	N	WASHER,FLAT	13	0.2 ID, 0.5 OD, .04 THK, B11H89C

REAR PEDESTAL CABLE BRACKET ASM

2128927



L2128927A

CABLE BRACKET ASM

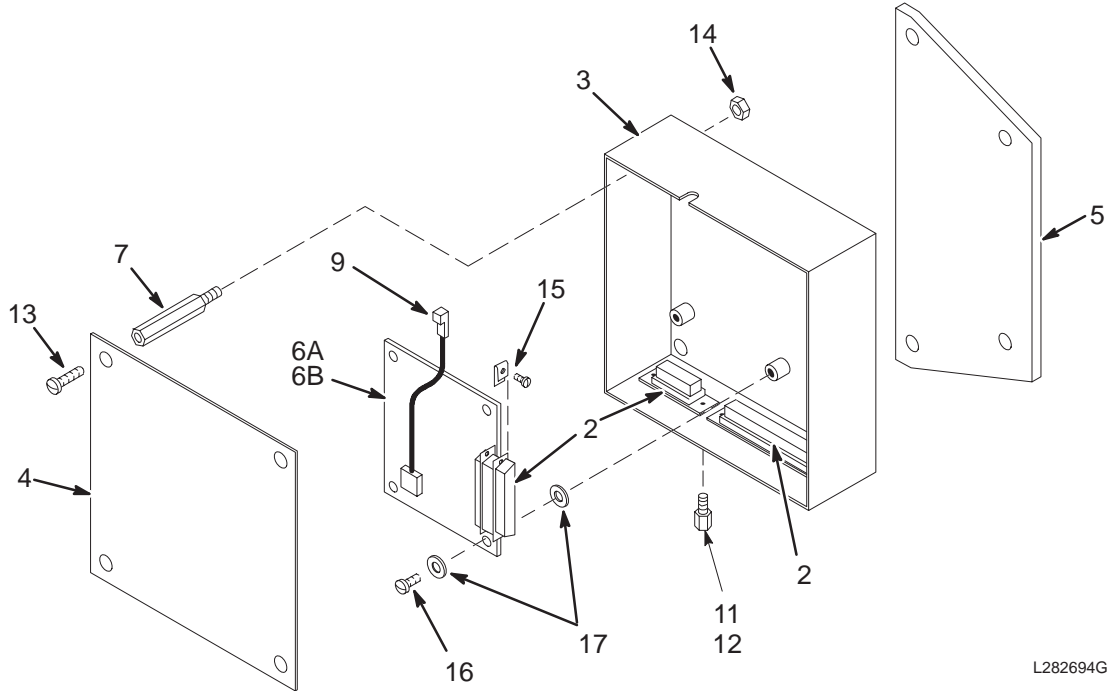
2128927 FRU N

- (PART OF 46-328137G4 PAGE 2-106)
- (PART OF 46-328137G5 PAGE 2-108)
- (PART OF 46-328137G6 PAGE 2-110)
- (PART OF 46-328137G7 PAGE 2-112)
- (PART OF 46-328137G8 PAGE 2-113)
- (PART OF 46-328137G9 PAGE 2-115)
- (PART OF 46-328137G10 PAGE 2-117)
- (PART OF 46-328137G11 PAGE 2-119)
- (PART OF 46-328137G12 PAGE 2-121)
- (PART OF 46-328137G13 PAGE 2-122)
- (PART OF 46-328137G16-23 PAGES 2-221 THRU 2-228)

Item	Part Number	FRU	Name	Quantity	Description (Remarks)
2	46-301998P1	2	BRACKET	1	COIL CABLE TAKEUP INTERFACE, MG3 A17
3	46-221865P1	2	CONNECTOR	1	UG-30, N BULKHEAD, 50-OHM, JACK-JACK
4	46-208990P1	2	ADAPTER	1	50 OHM BNC BULKHEAD ADAP'R JACK-JACK

ENCODER BOX

46-282694G1



L282694G1A1

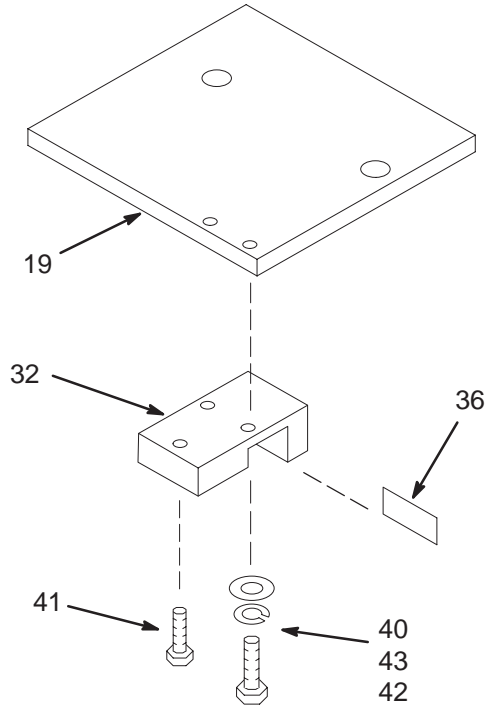
ENCODER BOX

46-282694G1 FRU N(PART 65 OF 46-328137G4 TO G13 PAGES 2-106 TO 2-122)
 (PART 65 OF 46-328137G16 TO 23 PAGES 2-221 TO 2-228)
 (PART 65 OF 2199000 TO 2199000-10 PAGES 2-318 TO 2-325)
 (PART 65 OF 2382930 PAGE 2-327)

Item	Part Number	FRU	Name	Quantity	Description (Remarks)
2	46-282315G1	2	HARNESS	1	MAGNET INTERFACE #1 INTERNAL CONNECT
3	46-282317G1	2	BOX	1	MAGNET INTERFACE #1 BOX - EMPTY
4	46-282320P1	2	COVER	1	5" X 5" BOX COVER, ALUMINUM
5	46-282445P1	2	BRACKET	1	MAGNET INTERFACE #1 MOUNTING PLATE
6A	46-226552G2	1	CIRCUIT BD	1	LIMIT SWITCH BOARD, MG3 A1 A1 (ONLY)
6B	46-226552G1	1	CIRCUIT BD	ALT	LIMIT SWITCH BOARD, MG3 A1 A1, ETC.
7	46-208984P2	2	SPACER	4	HEX 0.250 THD EXT 6-32 INT 6-32
9	46-244822G1	2	REF. SENSOR	1	LIMIT SWITCH SENSOR AND HARNESS
11	46-170686P3	2	SEALANT	AR	LOCTITE 242, 50CC
12	46-221417P2	2	CONNECTOR	4	FEMALE SCREWLOCK FOR HD CONNECTORS
13	46-208921P5	2	SCREW,MACH	4	006-32 X 0.375 BRS
14	46-208935P5	2	NUT,HEX,MS	2	00006-32 .313 HEX X .109 THK BR
15	46-221415P1	2	RETAINER	1	4-40 X .22" SCREW W/ RETAINING CLIP.
16	46-208922P2	2	SCREW,MACH	4	00006-32 X 0.188 NYLON
17	1000904P298	2	WASHER,FLAT	8	ID 0.1875 OD 0.375 THK .010

REAR BRIDGE MOUNT ASM

2132034



REAR BRIDGE MOUNT ASM

2132034 FRU N

- (PART OF 2118422-3 PAGE 2-7)
- (PART OF 2118422-5 PAGE 2-9)
- (PART OF 2118422-7 PAGE 2-11)
- (PART OF 2118422-9 PAGE 2-13)
- (PART OF 2118422-2 PAGE 2-28)
- (PART OF 2118422-4 PAGE 2-30)
- (PART OF 2118422-6 PAGE 2-32)
- (PART OF 2118422-8 PAGE 2-34)
- (PART OF 2118423 PAGE 2-67)
- (PART OF 2118423-2 PAGE 2-69)
- (PART OF 46-328137G16-23 PAGES 2-221 THRU 2-228)
- (PART 27 OF 2382930 PAGE 2-327)

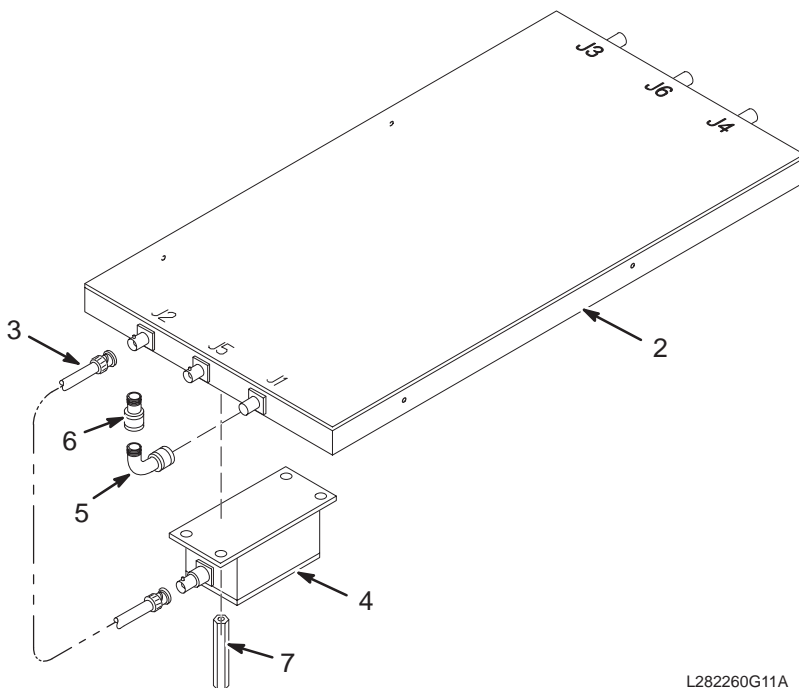
Item	Part Number	FRU	Name	Quantity	Description (Remarks)
19	46-271431P1	2	BRIDGE PLATE	1	BRIDGE ATTACHMENT CLAMP PLATE
32	46-282437P1	2	SENSOR BRKT	1	MOUNTS REFERENCE SENSOR & REFLECTOR
36	46-282981P1	2	REFLECTOR	1	REFLECTOR FOR REFERENCE SENSOR
40	46-220196P2	2	WASHER,LOCK	2	#6 SCREW SIZE (0.138), SST
41	46-220184P6	2	SCREW MACH	1	4-40 X 3/8" ROUND HEAD SLOT, BRASS
42	46-208560P110	2	SCREW,MACH	2	6-32 X 3/8 BINDING HEAD, 18-8 SST
43	1000904P2	2	WASHER,FLAT	2	ID 0.144, OD 0.297, THK .032, BRASS

2-6 BODY HYBRID SPLITTER ASSEMBLIES

1.0T SPLITTER BOX

46-282260G5

MG3 A3



1.0T SPLITTER BOX

46-282260G5 FRU N

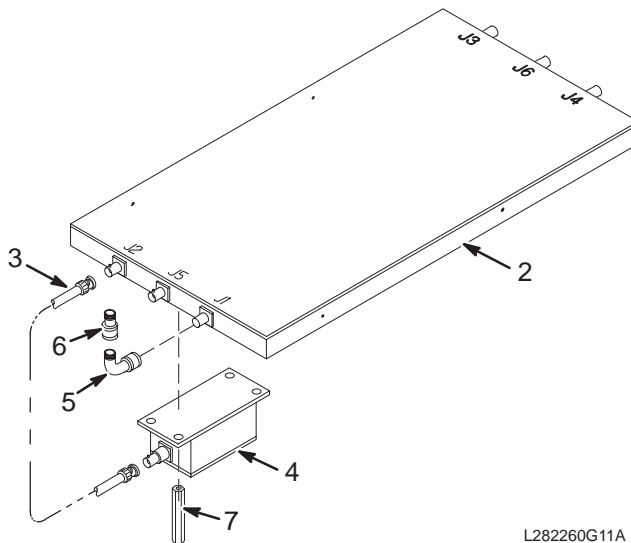
- (PART OF 46-328137G6 PAGE 2-110)
- (PART OF 46-328137G8 PAGE 2-113)
- (PART OF 46-328137G11 PAGE 2-119)
- (PART OF 46-328137G13 PAGE 2-122)
- (PART OF 46-328137G16-19 PAGES 2-221 THRU 2-224)
- (PART 29 OF 2321160-7 PAGE 2-251)
- (PART 29 OF 2321160-8 PAGE 2-251)
- (PART 29 OF 2321160-9 PAGE 2-251)
- (PART 29 OF 2321160-10 PAGE 2-251)

Item	Part Number	FRU	Name	Quantity	Description (Remarks)
2	46-321312G5	1	BRM BODY HYB	1	1.0T BRM BODY HYBRID
3A	2364795	2	CABLE COAX.	1	(893) MG3-A-A5-IN TO MG3-A3-J2 SEMI-RIGID COAXIAL
3B	46-282352G1	2	CABLE COAX.	ALT 1	(893) MG3-A-A5-IN; 6.6"
4	46-321338G3	1	PREAMP BOX	1	PREAMP W/MICROWAVE ABSORBER & DIODES
5	46-221865P3	2	CONNECTOR	1	UG-27B RT-ANGLE N, 50-OHM JACK-PLUG
6	46-221865P11	2	CONNECTOR	1	HN JACK TO N PLUG STRAIGHT ADAPTER.
7	46-307125P1	2	NUT	3	SLOTTED 6-32 EXTENSION NUT, 1/4" HEX

1.5T SPLITTER BOX

46-282260G11 & G12

MG3 A3



1.5T SPLITTER BOX

46-282260G11 FRU N

(PART OF 46-328137G4 PAGE 2-106)
 (PART OF 46-328137G5 PAGE 2-108)
 (PART OF 46-328137G7 PAGE 2-112)
 (PART OF 46-328137G9 PAGE 2-115)
 (PART OF 46-328137G10 PAGE 2-117)
 (PART OF 46-328137G12 PAGE 2-121)

Item	Part Number	FRU	Name	Quantity	Description (Remarks)
2	46-321312G3	1	BODY HYBRID	1	1.5T BODY T/R SW. & HYBRID MG3-A3-A1
3A	2364795	2	CABLE COAX.	1	(893) MG3-A-A5-IN TO MG3-A3-J2 SEMI-RIGID COAXIAL
3B	46-282352G1	2	CABLE COAX.	ALT	(893) MG3-A-A5-IN; 6.6"
4	46-264442G3	1	PREAMP BOX	1	1.5T PREAMPLIFIER WITH DIODE FIX
5	46-221865P3	2	CONNECTOR	1	UG-27B RT-ANGLE N, 50-OHM JACK-PLUG
6	46-221865P11	2	CONNECTOR	1	HN JACK TO N PLUG STRAIGHT ADAPTER.
7	46-307125P1	2	NUT	3	SLOTTED 6-32 EXTENSION NUT, 1/4" HEX

1.5T SPLITTER BOX

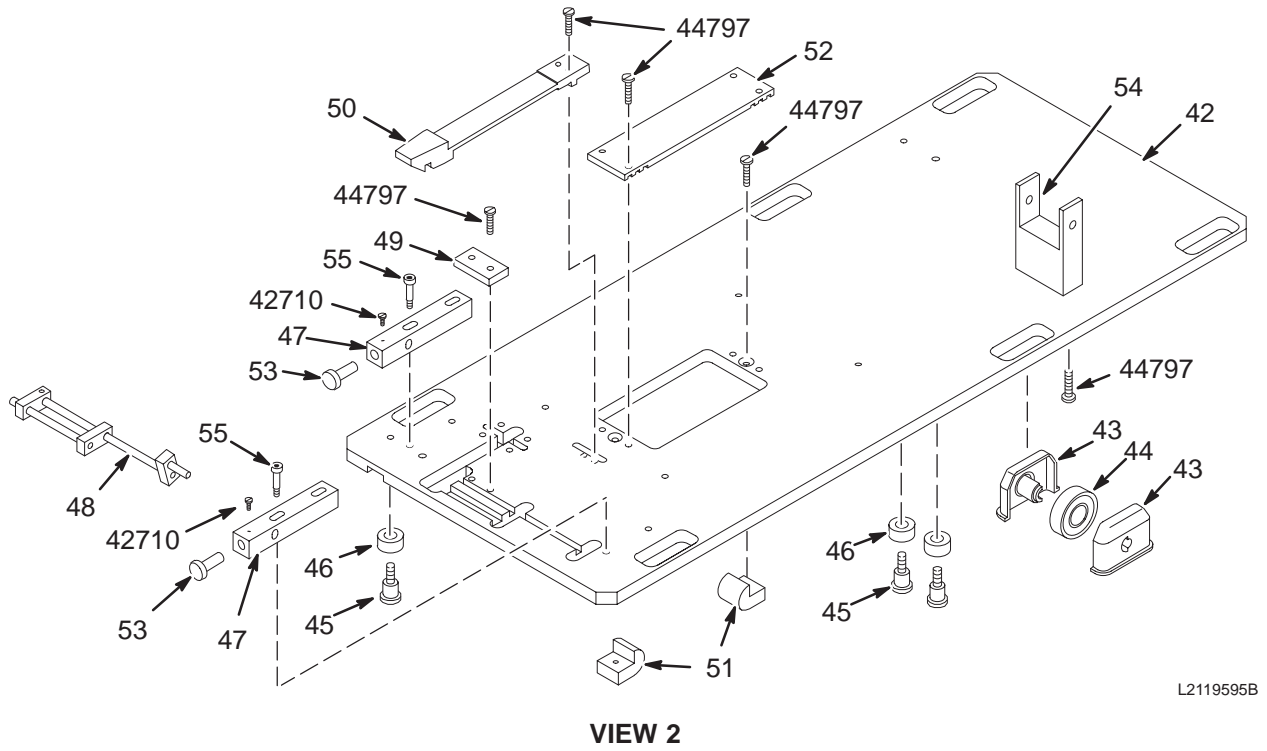
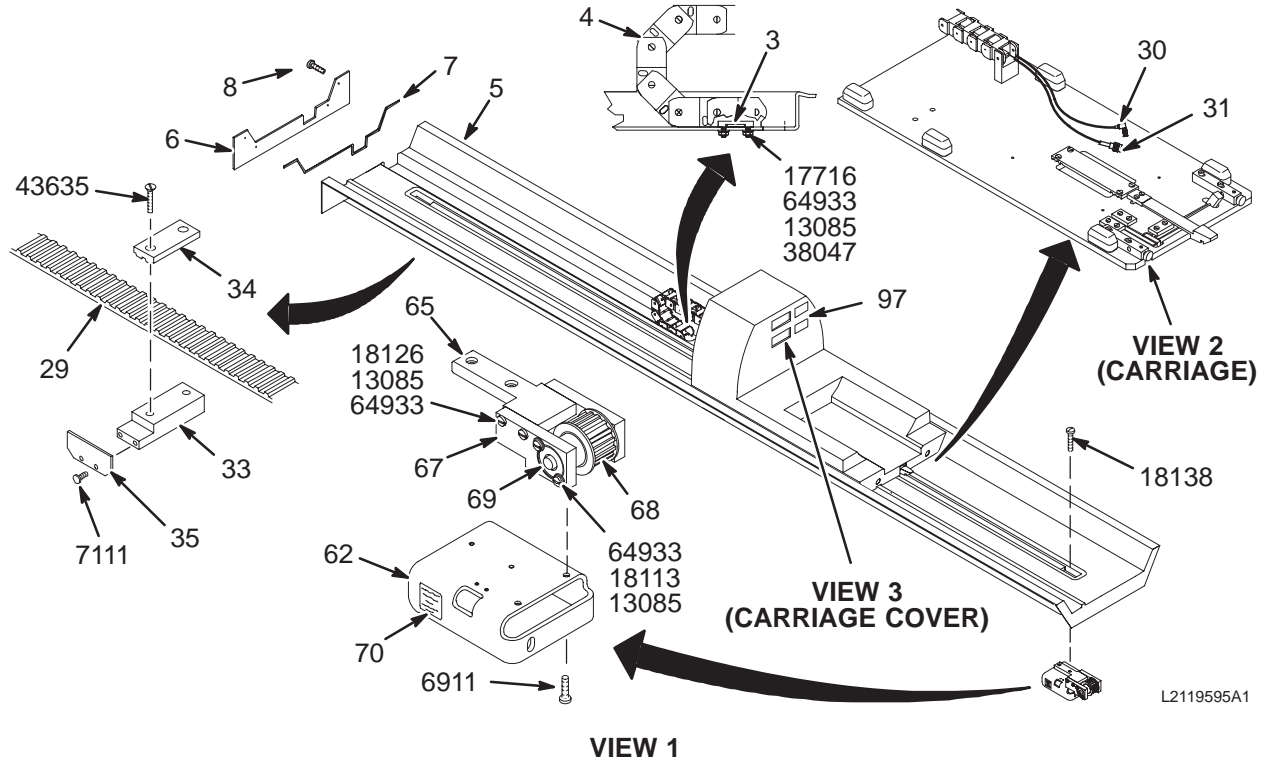
46-282260G12 FRU N

(PART OF 46-328137G4 PAGE 2-106)
 (PART OF 46-328137G5 PAGE 2-108)
 (PART OF 46-328137G7 PAGE 2-112)
 (PART OF 46-328137G9 PAGE 2-115)
 (PART OF 46-328137G10 PAGE 2-117)
 (PART OF 46-328137G12 PAGE 2-121)
 (PART 93 OF 2321160 PAGE 2-250)
 (PART 93 OF 2321160-2 PAGE 2-250)
 (PART 93 OF 2321160-3 PAGE 2-251)
 (PART 93 OF 2332734 PAGE 2-327)

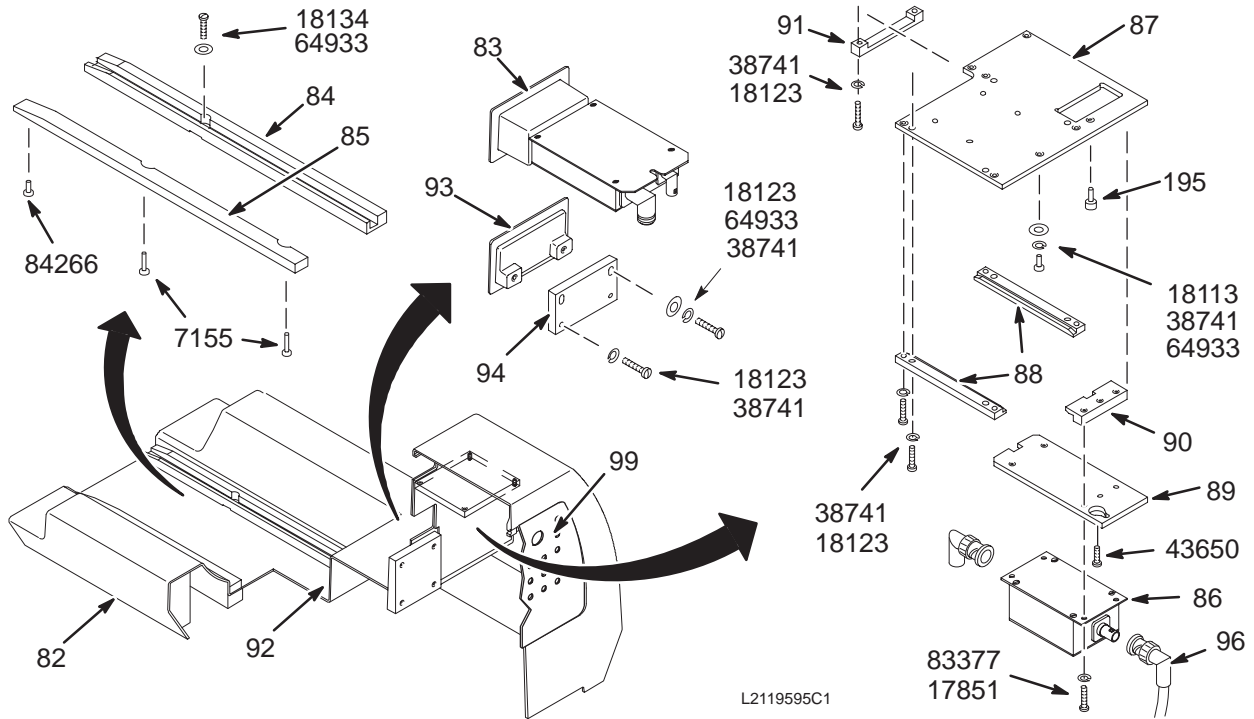
Item	Part Number	FRU	Name	Quantity	Description (Remarks)
2	2274266	1	BODY HYBRID	1	1.5T BODY HYBRID/T/R ASM MG3-A3-A1
3A	2364795	2	CABLE COAX.	1	(893) MG3-A-A5-IN TO MG3-A3-J2 SEMI-RIGID COAXIAL
3B	46-282352G1	2	CABLE COAX.	ALT	(893) MG3-A-A5-IN; 6.6"
4	46-264442G3	1	PREAMP BOX	1	1.5T PREAMPLIFIER WITH DIODE FIX
5	46-221865P3	2	CONNECTOR	1	UG-27B RT-ANGLE N, 50-OHM JACK-PLUG
6	46-221865P11	2	CONNECTOR	1	HN JACK TO N PLUG STRAIGHT ADAPTER.
7	46-307125P1	2	NUT	3	SLOTTED 6-32 EXTENSION NUT, 1/4" HEX

2-7 STANDARD AND MAGNISHIELD BRIDGES WITH CARRIAGE ASSEMBLIES

1.5T STANDARD BRIDGE ASM w/o MULTI-COIL2119595



1.5T STANDARD BRIDGE ASM w/o MULTI-COIL2119595



VIEW 3

1.5T BRIDGE ASM w/o M-C

2119595 FRU N

(PART OF 2118422-3 PAGE 2-7)
(PART OF 2118422-2 PAGE 2-28)

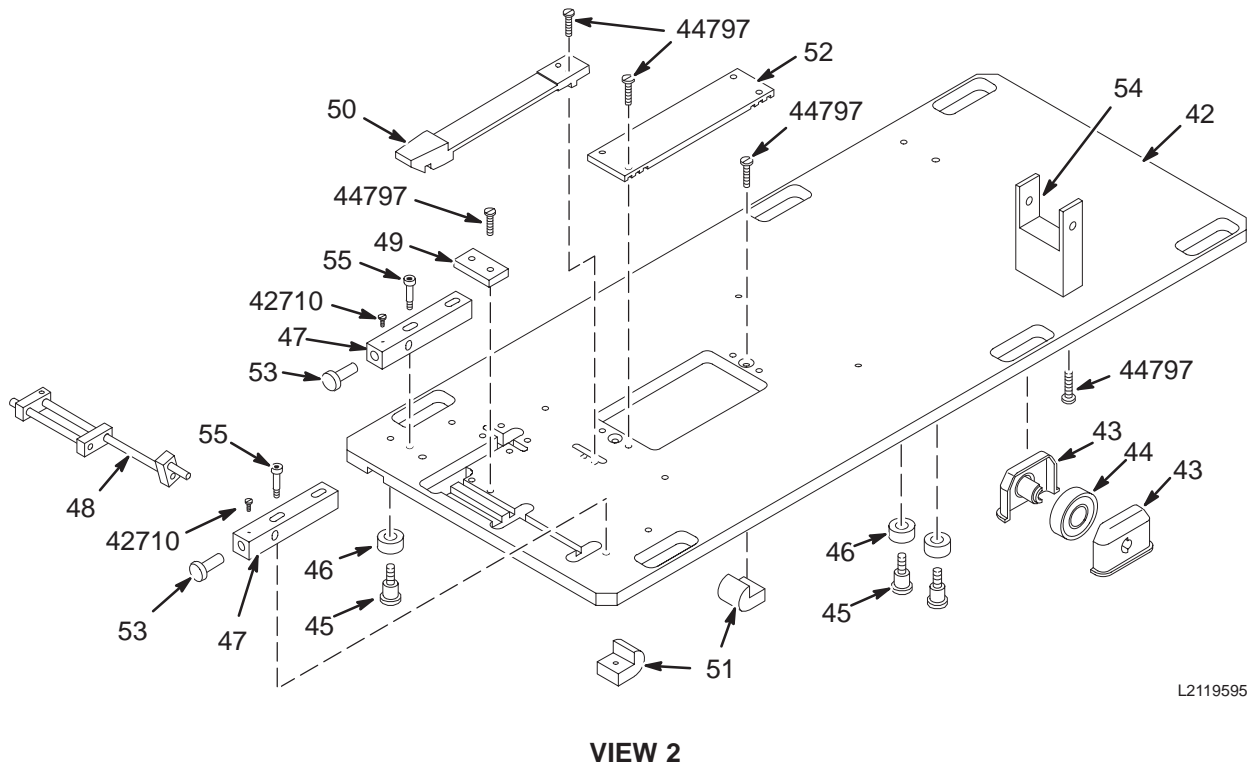
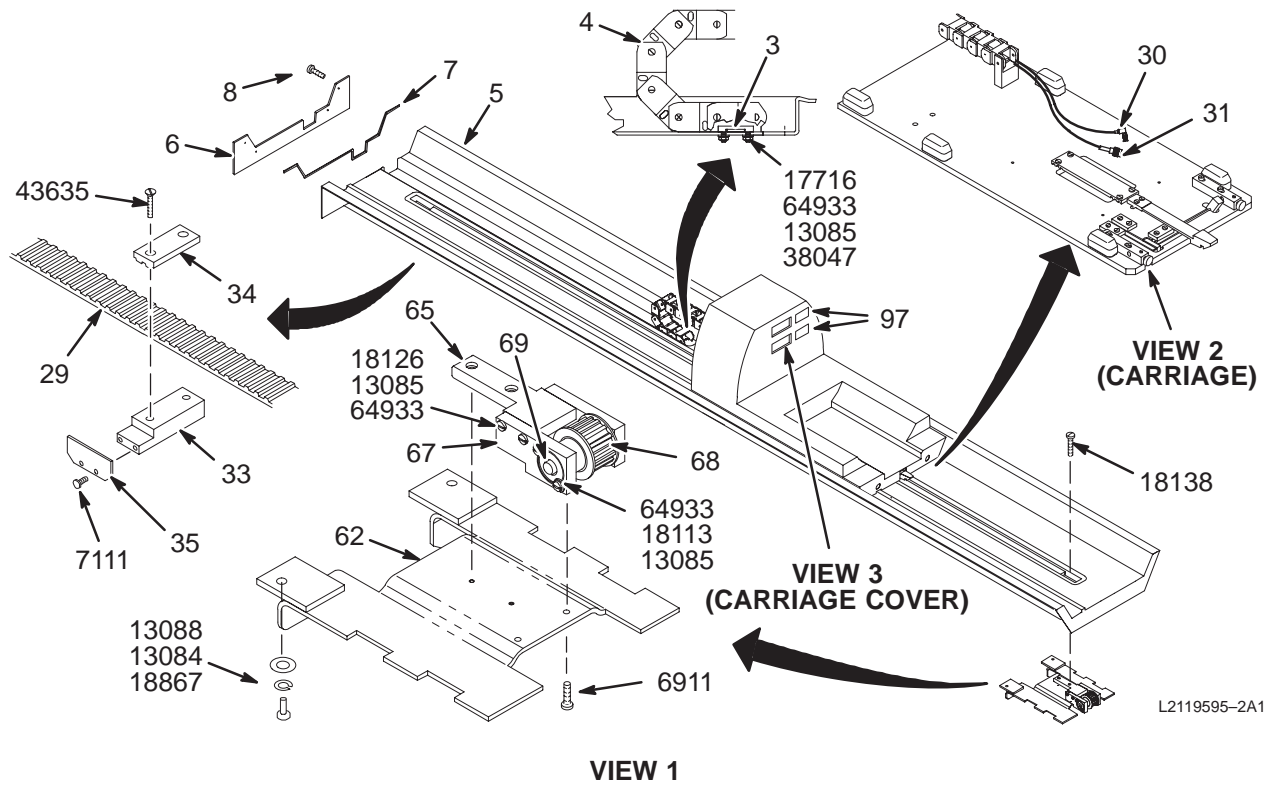
Item	Part Number	FRU	Name	Quantity	Description (Remarks)
3	46-282169P1	2	CLAMP	1	CABLETRACK MOUNT
4	46-282389P1	2	CABLETRAK	1	40 LINK MULTIPLE CABLE TAKE-UP
5	2114811	2	BRIDGE	1	5.5 MAG ENCL BRIDGE
6	2129351	2	COVER, REAR	1	REAR BRIDGE COVER
7	2131304	2	COVER,GASKET	1	GASKET, COVER, BRIDGE
8	2109873-26	2	PAN HD SCREW	4	METRIC SST CROSS RECESSED PAN HD SCR
29	46-282388P1	2	BELT,DRIVE	1	3/8" PITCH GEARBELT, 1" W. 22.75" L.
30	46-243775G757	2	CABLE	1	RUN 485 MG3-A17-J2 TO MG2-A16-A3-J4
31	46-320888G1	2	CABLE ASM	1	RUN 404 MG2-A16-A5-J6 TO MG3-A17-J1
33	46-271465P1	2	CLAMP, BLOCK	1	SENSOR FLAG MOUNTING CLAMP BLOCK
34	46-271436P1	2	CLAMP, BELT	1	SENSOR FLAG TOP CLAMP
35	46-282436P1	2	FLAG	1	CARRIAGE TRAVEL SENSOR FLAG
42	46-282163P1	2	BASE PLATE	1	QUAD HEAD COIL CARRIAGE BASEPLATE
43	46-243167P1	2	HOUSING	12	WHEEL HOUSING, MOLDED NORYL
44	46-243494P1	2	WHEEL	6	3/4" ID, 1-3/4 OD, 1/2" WIDE PLASTIC
45	46-243141P1	2	SHLD SCR	4	PLASTIC BEARING MOUNT SHOULDER SCREW
46	46-243178P2	2	BALL BEARING	4	ID 0.375", OD 0.875", WIDTH 0.281"
47	46-282164P1	2	PLUNGER	2	CARRIAGE RELEASE PLUNGER, DELRIN
48	46-282824G1	2	CRANK ASM.	1	LATCH HOOK RELEASE LINKAGE
49	46-282168P1	2	HOLD DOWN	1	LINKAGE RETAINER BLOCK, DELRIN

Parts List Continued on Next Page

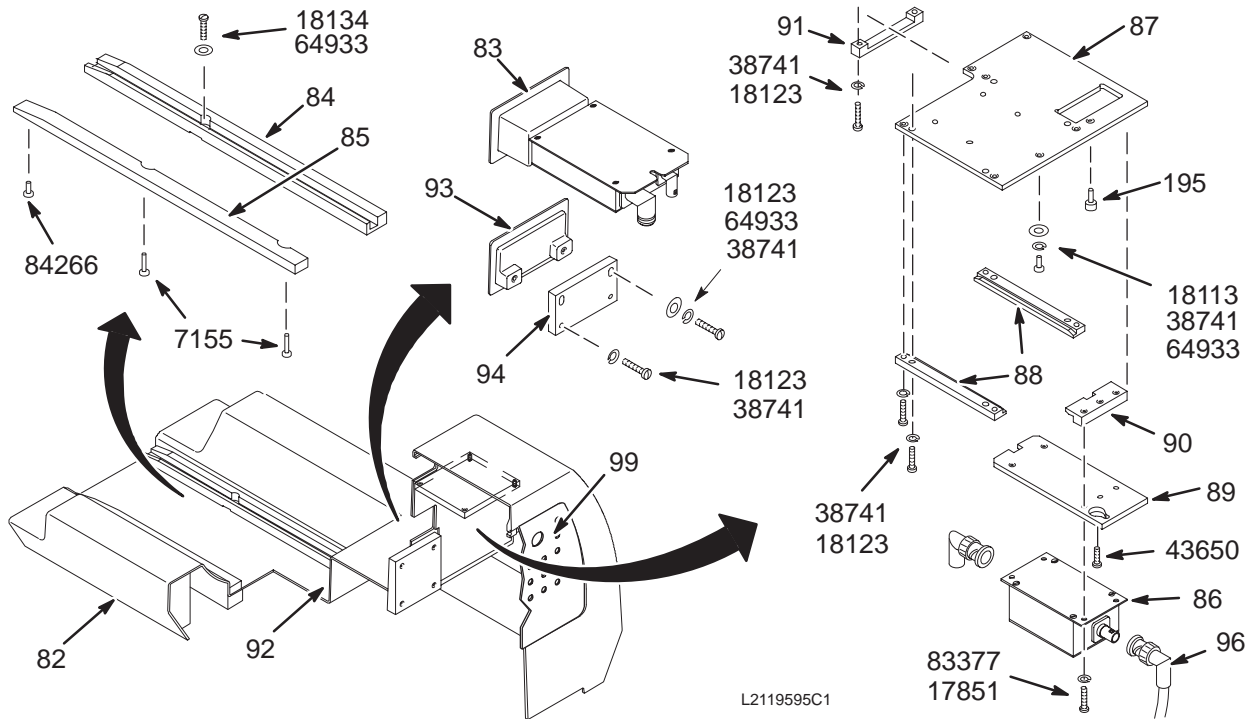
1.5T STANDARD BRIDGE ASM w/o MULTI-COIL2119595(CONT'D FROM PREVIOUS PAGE)

Item	Part Number	FRU	Name	Quantity	Description (Remarks)
50	46-317169P1	2	HOOK	1	CRADLE LATCH HOOK
51	46-271435P1	2	SUPPORT, B R	2	BELT GUIDE, DELRIN
52	46-282171P1	2	CLAMP BELT	1	BELT CLAMP PLATE, DELRIN
53	46-265089P1	2	SCREW	2	CARRIAGE RELEASE THREADED ACTUATOR
54	46-282170P1	2	CLIP	1	CABLETRACK MOUNTING BRACKET, DELRIN
55	46-282826P1	2	SCREW,SHLDR.	4	SHOULDER BOLT, 10-32 THREAD, DELRIN
62	2115366	2	TOP MTG PLTE	1	FRT BRIDGE BRKT
65	46-271432P1	2	MOUNT BRIDGE	1	BRIDGE ATTACHMENT TONGUE
67	46-328446P1	2	SUPPORT BLK.	2	SUPPORT BLOCK
68	46-282646G1	2	PULLEY ASM	1	DRIVE BELT IDLER PULLEY
69	46-282471P12	2	BEARING	2	SKF BEARING #1621 DC **MAGNETIC**
70	46-282756P1	2	LABEL	2	WARNING, CONTAINS FERROUS MATERIAL
82	46-306655P1	2	CARRIAGE CVR	1	MOLDED FIBERGLAS, NO PARTS INSTALLED
83	46-264988G1	1	CIRCUIT BD	1	1.5T HEAD TR ASSEMBLY, MG2 A16 A5
84	46-306657P1	2	CARR RAIL LH	1	LEFT GROOVED GUIDE RAIL 16.5" DELRIN
85	46-306656P1	2	CARR RAIL RH	1	COIL RIGHT SUPPORT RAIL 16.5" DELRIN
86	46-264442G3	1	PREAMP BOX	1	1.5T PREAMPLIFIER, HEAD, BODY, ETC.
87	46-306679P1	2	SUPPORT PL	1	PREAMP & TR SWITCH MOUNTING PLATE
88	46-306680P1	2	GUIDE RAIL	2	HEAD COIL TR SWITCH GUIDE RAIL
89	46-306681P1	2	MOUNTING PL	1	HEAD PREAMPLIFIER MOUNTING PLATE
90	46-306682P1	2	HANGER	1	PREAMPLIFIER MOUNT PLATE REAR LATCH
91	46-306683P1	2	RETAINER	1	PREAMPLIFIER MOUNT PLATE FRONT LATCH
92	46-136246P15	2	TAPE FAST	AR	3/4" WIDE, WHT ADH BACK, VELCRO LOOP
93	46-306732P1	2	COVER	1	FOR MULTICOIL QD OPENING, FIBERGLASS
94	46-306733P1	2	COV. SUPPORT	1	3/8" THICK, PHENOLIC
95	46-237420P1	2	THUMB SCR	1	KNURLED HD TYPE 10-32 X .625
96	46-306697G1	2	CABLE ASM	1	MG2-A16-A5-J5 TO MG2A15-A3-J3, 5.25"
97	2146831	2	WARN LABEL	2	UFI WARNING LABEL - ENGLISH
99	46-317722P1	2	COVER	1	CARRIAGE COVER ACCESS PANEL, VENTED
6911	46-208913P12	2	SCREW	2	10-32 X 1/2", SLOT FLAT-HEAD, BRASS
7111	46-265486P8	2	SCREW,MACH	2	6-32 X .31 PAN HEAD, DELRIN
7115	46-265486P10	2	SCREW,MACH	4	8-32 X 3/4 PAN HEAD, DELRIN
13085	46-220196P3	2	WASHER,LOCK	8	#10 SCREW SIZE (0.190), SST
17716	46-208913P29	2	SCREW,MACH	2	10-32 X 1" SLOTTED FLAT HEAD, BRASS
17851	46-220184P11	2	SCREW MACH	2	6-32 X 1/4 LG SLOTTED RD HEAD, BRASS
17869	46-220184P15	2	SCREW MACH	2	6-32 X 5/8 ROUND HEAD SLOTTED, BRASS
18113	46-220184P41	2	SCREW MACH	7	10-32 X 1/2" SLOT ROUND HEAD, BRASS
18123	46-220184P43	2	SCREW MACH	14	10-32 X 3/4 SLOT ROUND HEAD, BRASS
18126	46-220184P44	2	SCREW MACH	4	10-32 X 7/8 SLOT ROUND HEAD, BRASS
18134	46-220184P46	2	SCREW MACH	4	10-32 X 1.25" ROUND HEAD SLOT, BRASS
18138	46-220184P47	2	SCREW MACH	2	10-32 X 1.5", ROUND HEAD SLOT, BRASS
38047	46-208938P5	2	NUT,HEX,MS	2	10-32, 3/8" HEX X .130 THK, 18-8 SST
38741	46-221449P5	2	WASHER	15	#10 SCREW SIZE (0.190), PHOS BRONZE
42710	46-208933P15	2	SCREW,MACH	2	10-32 X 1/2" HEX HEAD, NYLON
43635	46-230008P1	2	SCREW,MACH	2	10-32 X 1/2", DELRIN
43650	46-208913P14	2	SCREW,MACH	1	6-32 X 1/2" SLOTTED FLAT HEAD, BRASS
44797	46-243737P2	2	SCREW	12	10-32 X 3/4", WHITE ACETAL
64933	1000904P425	2	WASHER,FLAT	17	0.2 ID, 0.5 OD, .04 THK, B11H89C
83377	46-221449P3	2	WASHER	4	#6 SCREW SIZE (0.138) SILICONE BRONZ
84266	46-265486P6	2	SCREW,MACH	2	8-32 X 3/8, PAN HEAD, DELRIN

1.5T MAGNISHIELD BRIDGE ASM w/o MULTI-COIL2119595-2



1.5T MAGNISHIELD BRIDGE ASM w/o MULTI-COIL2119595-2



VIEW 3

1.5T M/S BRIDGE ASM w/o M-C

2119595-2 FRU N

(PART OF 2118423 PAGE 2-67)

Item	Part Number	FRU	Name	Quantity	Description (Remarks)
3	46-282169P1	2	CLAMP	1	CABLETRACK MOUNT
4	46-282389P2	2	CABLETRAK	1	MAGNISHIELD LENGTH CABLE TAKE-UP
5	2114811-2	2	BRIDGE	1	5.5 ENCLOSURE BRIDGE
6	2129351	2	COVER, REAR	1	REAR BRIDGE COVER
7	2131304	2	COVER,GASKET	1	GASKET, COVER, BRIDGE
8	2109873-26	2	PAN HD SCREW	4	METRIC SST CROSS RECESSED PAN HD SCR
29	46-282388P2	2	BELT,DRIVE	1	MAGNISHIELD LENGTH
30	46-243775G757	2	CABLE	1	RUN 485 MG3-A17-J2 TO MG2-A16-A3-J4
31	46-320888G1	2	CABLE ASM	1	RUN 404 MG2-A16-A5-J6 TO MG3-A17-J1
33	46-271465P1	2	CLAMP, BLOCK	1	SENSOR FLAG MOUNTING CLAMP BLOCK
34	46-271436P1	2	CLAMP, BELT	1	SENSOR FLAG TOP CLAMP
35	46-282436P1	2	FLAG	1	CARRIAGE TRAVEL SENSOR FLAG
42	46-282163P1	2	BASE PLATE	1	QUAD HEAD COIL CARRIAGE BASEPLATE
43	46-243167P1	2	HOUSING	12	WHEEL HOUSING, MOLDED NORYL
44	46-243494P1	2	WHEEL	6	3/4" ID, 1-3/4 OD, 1/2" WIDE PLASTIC
45	46-243141P1	2	SHLD SCR	4	PLASTIC BEARING MOUNT SHOULDER SCREW
46	46-243178P2	2	BALL BEARING	4	ID 0.375", OD 0.875", WIDTH 0.281"
47	46-282164P1	2	PLUNGER	2	CARRIAGE RELEASE PLUNGER, DELRIN
48	46-282824G1	2	CRANK ASM.	1	LATCH HOOK RELEASE LINKAGE
49	46-282168P1	2	HOLD DOWN	1	LINKAGE RETAINER BLOCK, DELRIN

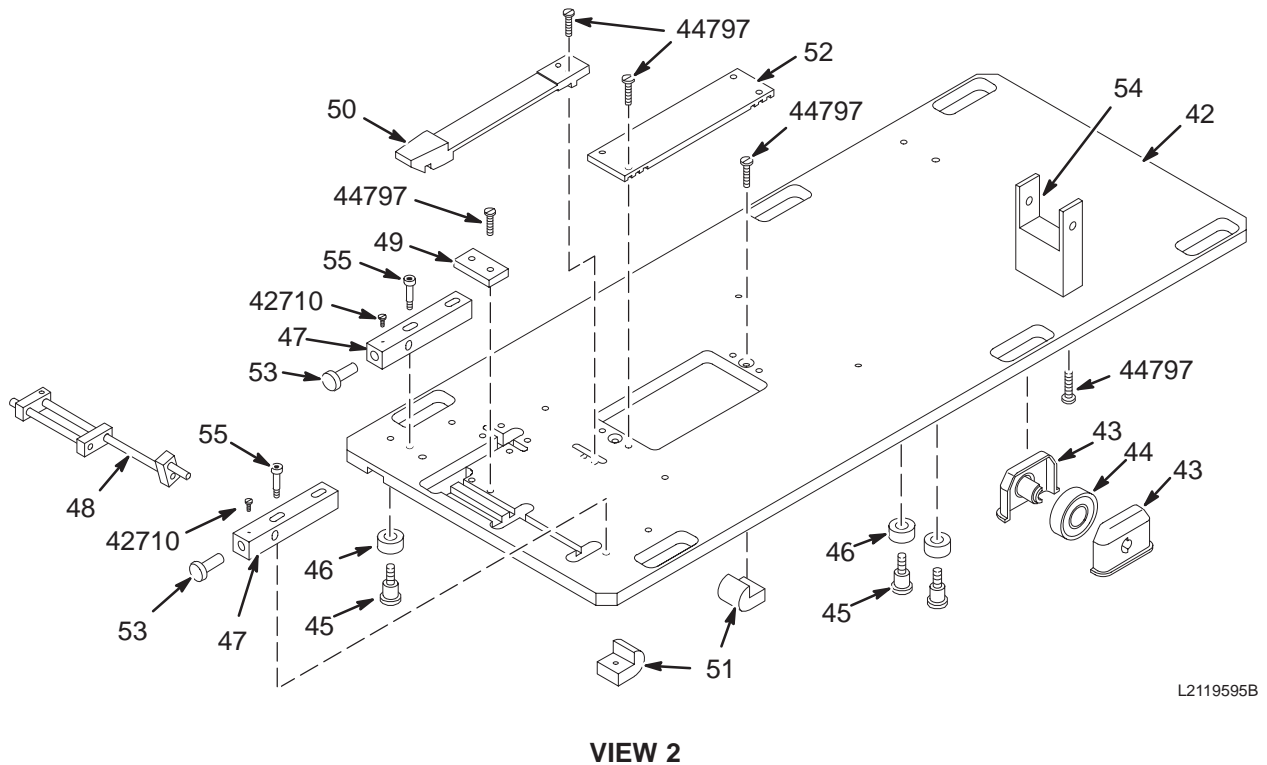
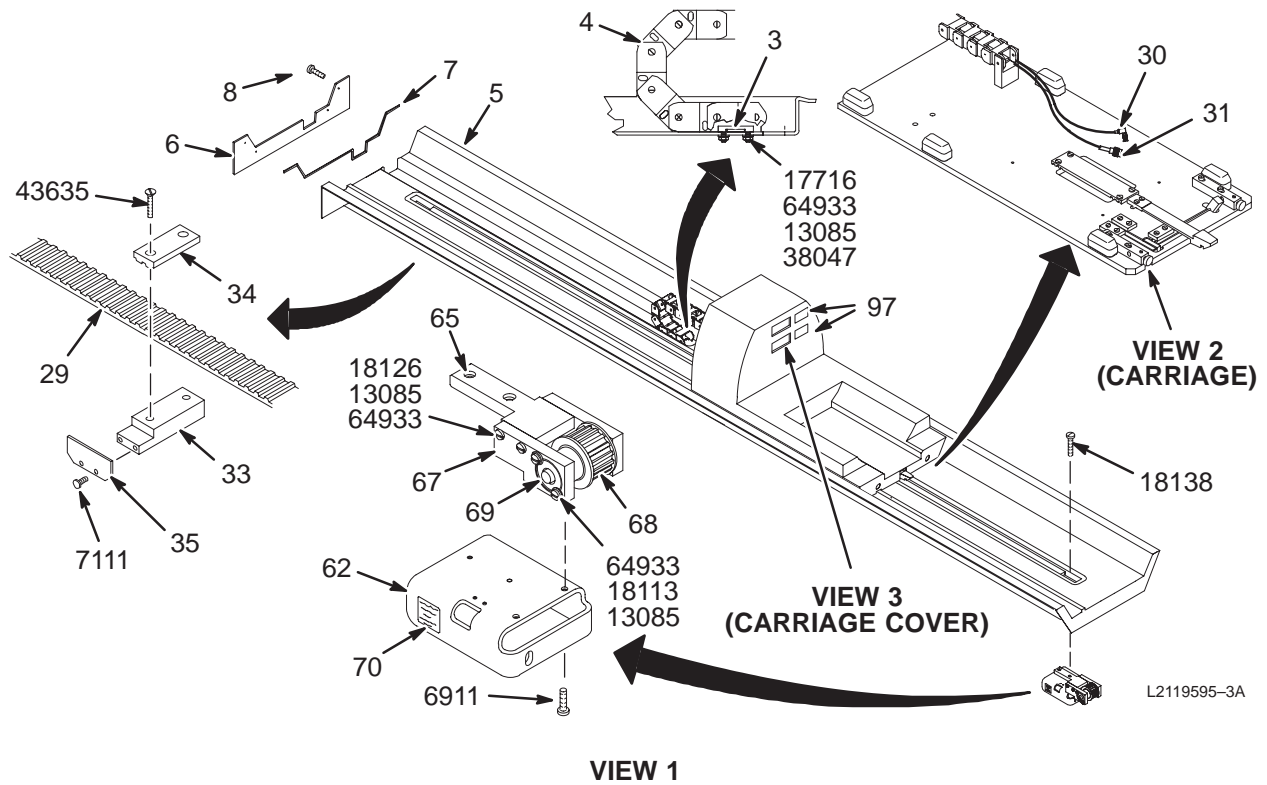
Parts List Continued on Next Page

1.5T MAGNISHIELD BRIDGE ASM w/o MULTI-COIL2119595-2

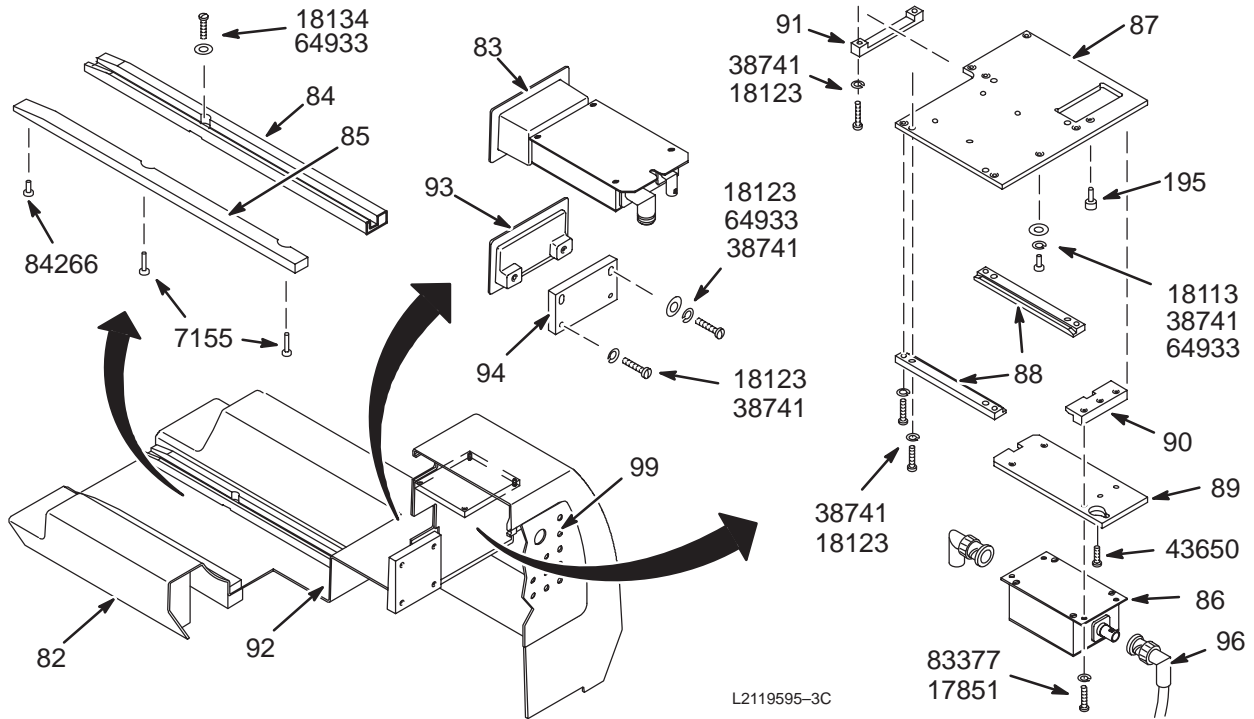
(CONT'D FROM PREVIOUS PAGE)

Item	Part Number	FRU	Name	Quantity	Description (Remarks)
50	46-317169P1	2	HOOK	1	CRADLE LATCH HOOK
51	46-271435P1	2	SUPPORT, B R	2	BELT GUIDE, DELRIN
52	46-282171P1	2	CLAMP BELT	1	BELT CLAMP PLATE, DELRIN
53	46-265089P1	2	SCREW	2	CARRIAGE RELEASE THREADED ACTUATOR
54	46-282170P1	2	CLIP	1	CABLETRACK MOUNTING BRACKET, DELRIN
55	46-282826P1	2	SCREW,SHLDR.	4	SHOULDER BOLT, 10-32 THREAD, DELRIN
62	2138083	2	BRIDGE SUPPT	1	SPPT, BRIDGE, FRT, UPPER
65	46-271432P1	2	MOUNT BRIDGE	1	BRIDGE ATTACHMENT TONGUE
67	46-328446P1	2	SUPPORT BLK.	2	SUPPORT BLOCK
68	46-282646G1	2	PULLEY ASM	1	DRIVE BELT IDLER PULLEY
69	46-282471P12	2	BEARING	2	SKF BEARING #1621 DC **MAGNETIC**
70	46-282756P1	2	LABEL	2	WARNING, CONTAINS FERROUS MATERIAL
82	46-306655P1	2	CARRIAGE CVR	1	MOLDED FIBERGLAS, NO PARTS INSTALLED
83	46-264988G1	1	CIRCUIT BD	1	1.5T HEAD TR ASSEMBLY, MG2 A16 A5
84	46-306657P1	2	CARR RAIL LH	1	LEFT GROOVED GUIDE RAIL 16.5" DELRIN
85	46-306656P1	2	CARR RAIL RH	1	COIL RIGHT SUPPORT RAIL 16.5" DELRIN
86	46-264442G3	1	PREAMP BOX	1	1.5T PREAMPLIFIER, HEAD, BODY ETC.
87	46-306679P1	2	SUPPORT PL	1	PREAMP & TR SWITCH MOUNTING PLATE
88	46-306680P1	2	GUIDE RAIL	2	HEAD COIL TR SWITCH GUIDE RAIL
89	46-306681P1	2	MOUNTING PL	1	HEAD PREAMPLIFIER MOUNTING PLATE
90	46-306682P1	2	HANGER	1	PREAMPLIFIER MOUNT PLATE REAR LATCH
91	46-306683P1	2	RETAINER	1	PREAMPLIFIER MOUNT PLATE FRONT LATCH
92	46-136246P15	2	TAPE FAST	AR	3/4" WIDE, WHT ADH BACK, VELCRO LOOP
93	46-306732P1	2	COVER	1	FOR MULTICOIL QD OPENING, FIBERGLASS
94	46-306733P1	2	COV. SUPPORT	1	3/8" THICK, PHENOLIC
95	46-237420P1	2	THUMB SCR	1	KNURLED HD TYPE 10-32 X .625
96	46-306697G1	2	CABLE ASM	1	MG2-A16-A5-J5 TO MG2A15-A3-J3, 5.25"
97	2146831	2	WARN LABEL	2	UFI WARNING LABEL - ENGLISH
99	46-317722P1	2	COVER	1	CARRIAGE COVER ACCESS PANEL, VENTED
6911	46-208913P12	2	SCREW	2	10-32 X 1/2", SLOT FLAT-HEAD, BRASS
7111	46-265486P8	2	SCREW,MACH	2	6-32 X .31 PAN HEAD, DELRIN
7115	46-265486P10	2	SCREW,MACH	4	8-32 X 3/4 PAN HEAD, DELRIN
13084	46-220196P5	2	WASHER	2	5/16" SCREW SIZE (0.313), SST
13085	46-220196P3	2	WASHER,LOCK	8	#10 SCREW SIZE (0.190), SST
13088	46-208932P1	2	SCREW	2	5/16-18 X 1", HEX HD, 18-8 SST
17716	46-208913P29	2	SCREW,MACH	2	10-32 X 1" SLOTTED FLAT HEAD, BRASS
17851	46-220184P11	2	SCREW MACH	2	6-32 X 1/4 LG SLOTTED RD HEAD, BRASS
17869	46-220184P15	2	SCREW MACH	2	6-32 X 5/8 ROUND HEAD SLOTTED, BRASS
18113	46-220184P41	2	SCREW MACH	7	10-32 X 1/2" SLOT ROUND HEAD, BRASS
18123	46-220184P43	2	SCREW MACH	14	10-32 X 3/4 SLOT ROUND HEAD, BRASS
18126	46-220184P44	2	SCREW MACH	4	10-32 X 7/8 SLOT ROUND HEAD, BRASS
18134	46-220184P46	2	SCREW MACH	4	10-32 X 1.25" ROUND HEAD SLOT, BRASS
18138	46-220184P47	2	SCREW MACH	2	10-32 X 1.5", ROUND HEAD SLOT, BRASS
18867	12-280	2	WASHER	2	ID 0.336, OD 0.75, THK .064, BRASS
38047	46-208938P5	2	NUT,HEX,MS	2	10-32, 3/8" HEX X .130 THK, 18-8 SST
38741	46-221449P5	2	WASHER	15	#10 SCREW SIZE (0.190), PHOS BRONZE
42710	46-208933P15	2	SCREW,MACH	2	10-32 X 1/2" HEX HEAD, NYLON
43635	46-230008P1	2	SCREW,MACH	2	10-32 X 1/2", DELRIN
43650	46-208913P14	2	SCREW,MACH	1	6-32 X 1/2" SLOTTED FLAT HEAD, BRASS
44797	46-243737P2	2	SCREW	12	10-32 X 3/4", WHITE ACETAL
64933	1000904P425	2	WASHER,FLAT	17	0.2 ID, 0.5 OD, .04 THK, B11H89C
83377	46-221449P3	2	WASHER	4	#6 SCREW SIZE (0.138) SILICONE BRONZ
84266	46-265486P6	2	SCREW,MACH	2	8-32 X 3/8, PAN HEAD, DELRIN

1.0T STANDARD BRIDGE ASM w/o MULTI-COIL2119595-3



1.0T STANDARD BRIDGE ASM w/o MULTI-COIL2119595-3



VIEW 3

1.0T BRIDGE ASM w/o M-C

2119595-3 FRU N

(PART OF 2118422-7 PAGE 2-11)
(PART OF 2118422-6 PAGE 2-32)

Item	Part Number	FRU	Name	Quantity	Description (Remarks)
3	46-282169P1	2	CLAMP	1	CABLETRAK MOUNT
4	46-282389P1	2	CABLETRAK	1	40 LINK MULTIPLE CABLE TAKE-UP
5	2114811	2	BRIDGE	1	5.5 MAG ENCL BRIDGE
6	2129351	2	COVER, REAR	1	REAR BRIDGE COVER
7	2131304	2	COVER,GASKET	1	GASKET, COVER, BRIDGE
8	2109873-26	2	PAN HD SCREW	4	METRIC SST CROSS RECESSED PAN HD SCR
29	46-282388P1	2	BELT,DRIVE	1	3/8" PITCH GEARBELT, 1" W. 22.75" L.
30	46-243775G757	2	CABLE	1	RUN 485 MG3-A17-J2 TO MG2-A16-A3-J4
31	46-320888G1	2	CABLE ASM	1	RUN 404 MG2-A16-A5-J6 TO MG3-A17-J1
33	46-271465P1	2	CLAMP, BLOCK	1	SENSOR FLAG MOUNTING CLAMP BLOCK
34	46-271436P1	2	CLAMP, BELT	1	SENSOR FLAG TOP CLAMP
35	46-282436P1	2	FLAG	1	CARRIAGE TRAVEL SENSOR FLAG
42	46-282163P1	2	BASE PLATE	1	QUAD HEAD COIL CARRIAGE BASEPLATE
43	46-243167P1	2	HOUSING	12	WHEEL HOUSING, MOLDED NORYL
44	46-243494P1	2	WHEEL	6	3/4" ID, 1-3/4 OD, 1/2" WIDE PLASTIC
45	46-243141P1	2	SHLD SCR	4	PLASTIC BEARING MOUNT SHOULDER SCREW
46	46-243178P2	2	BALL BEARING	4	ID 0.375", OD 0.875", WIDTH 0.281"
47	46-282164P1	2	PLUNGER	2	CARRIAGE RELEASE PLUNGER, DELRIN
48	46-282824G1	2	CRANK ASM.	1	LATCH HOOK RELEASE LINKAGE
49	46-282168P1	2	HOLD DOWN	1	LINKAGE RETAINER BLOCK, DELRIN

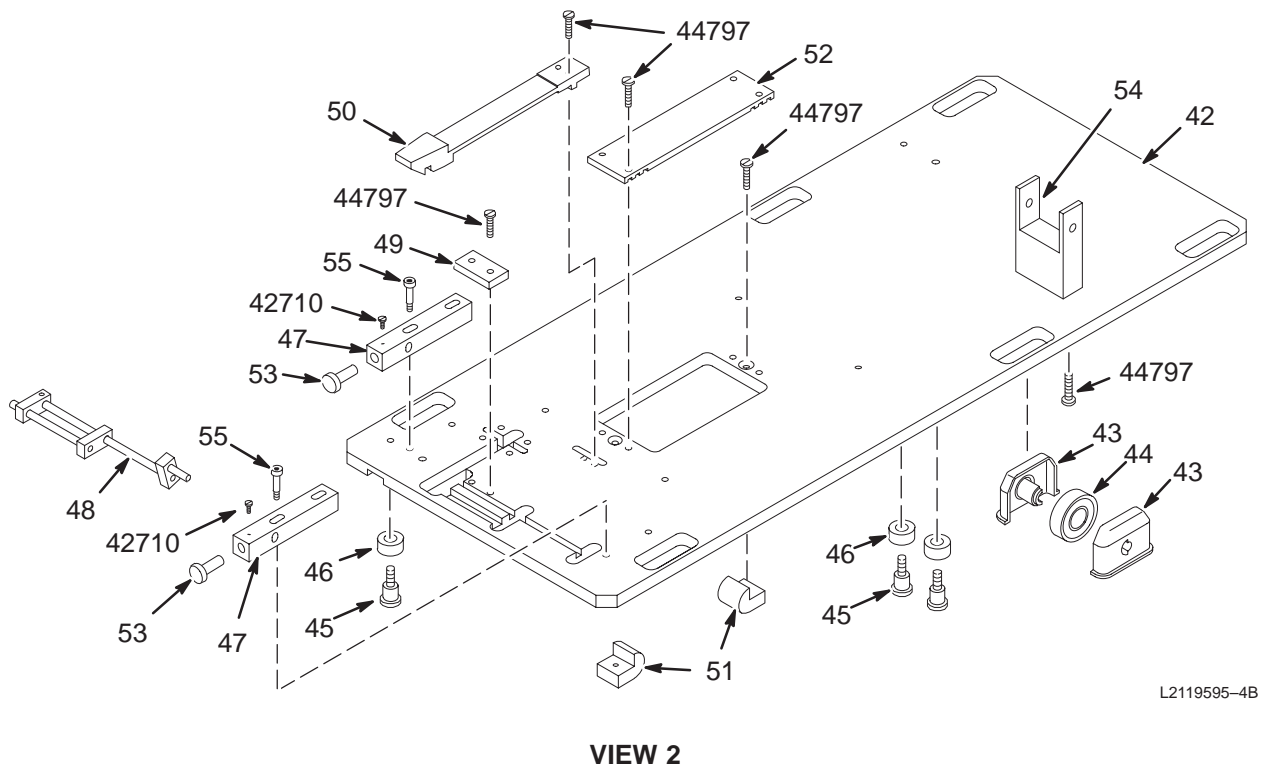
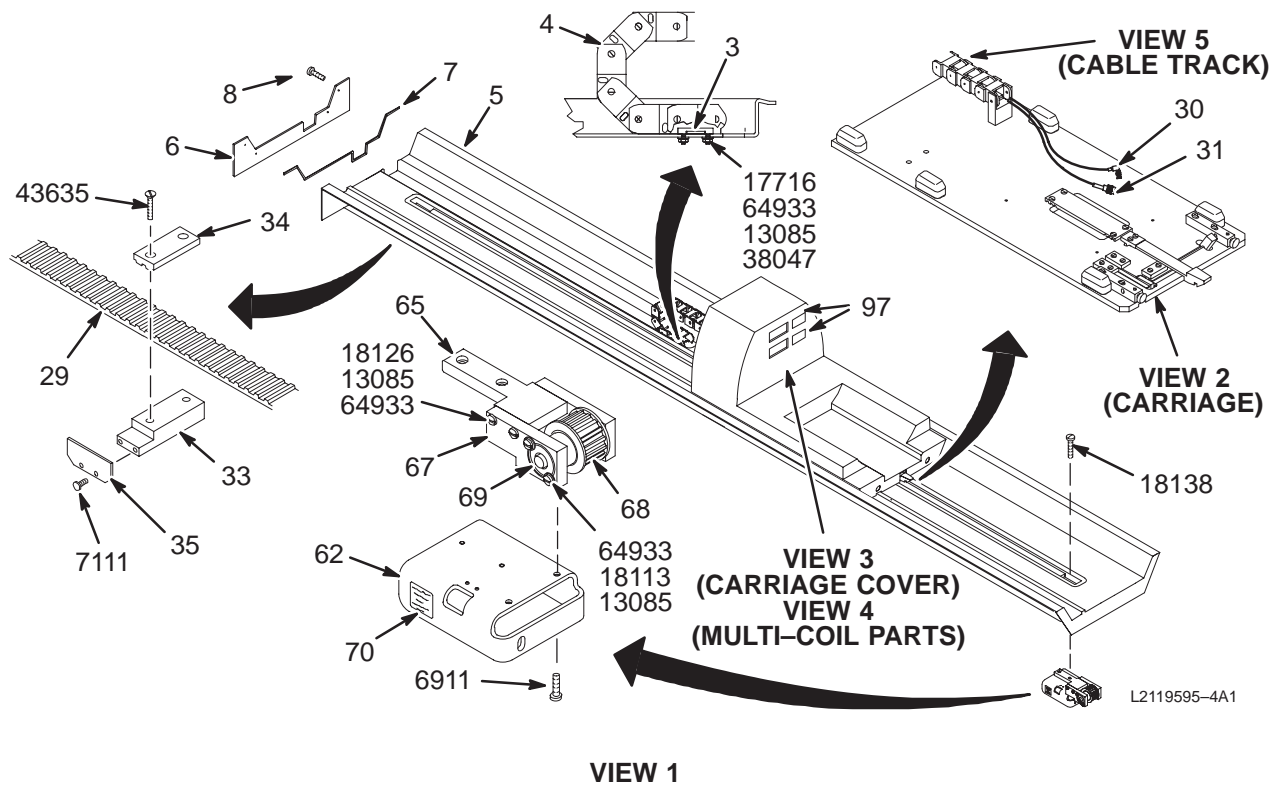
Parts List Continued on Next Page

1.5T STANDARD BRIDGE ASM w/o MULTI-COIL2119595-3

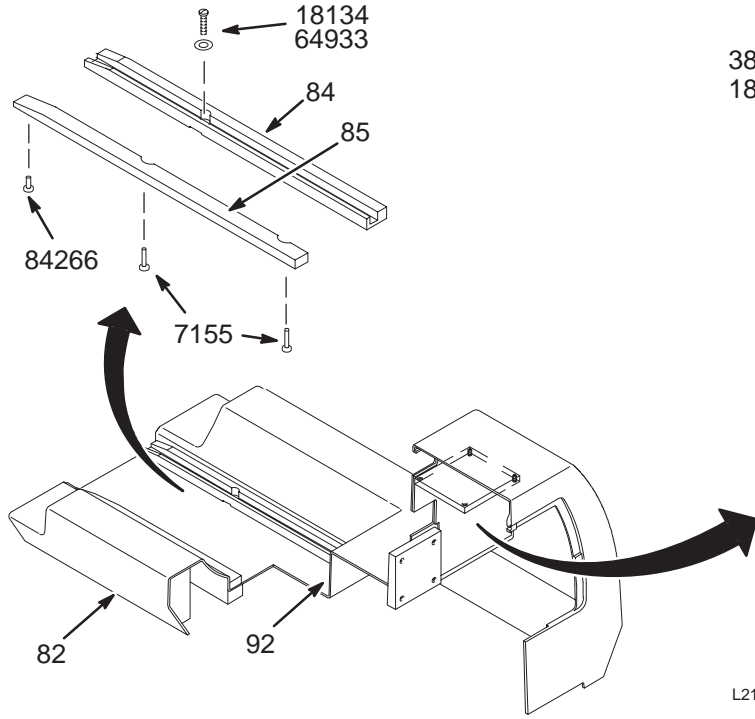
(CONT'D FROM PREVIOUS PAGE)

Item	Part Number	FRU	Name	Quantity	Description (Remarks)
50	46-317169P1	2	HOOK	1	CRADLE LATCH HOOK
51	46-271435P1	2	SUPPORT, B R	2	BELT GUIDE, DELRIN
52	46-282171P1	2	CLAMP BELT	1	BELT CLAMP PLATE, DELRIN
53	46-265089P1	2	SCREW	2	CARRIAGE RELEASE THREADED ACTUATOR
54	46-282170P1	2	CLIP	1	CABLETRACK MOUNTING BRACKET, DELRIN
55	46-282826P1	2	SCREW,SHLDR.	4	SHOULDER BOLT, 10-32 THREAD, DELRIN
62	2115366	2	TOP MTG PLTE	1	FRT BRIDGE BRKT
65	46-271432P1	2	MOUNT BRIDGE	1	BRIDGE ATTACHMENT TONGUE
67	46-328446P1	2	SUPPORT BLK.	2	SUPPORT BLOCK
68	46-282646G1	2	PULLEY ASM	1	DRIVE BELT IDLER PULLEY
69	46-282471P12	2	BEARING	2	SKF BEARING #1621 DC **MAGNETIC**
70	46-282756P1	2	LABEL	2	WARNING, CONTAINS FERROUS MATERIAL
82	46-306655P1	2	CARRIAGE CVR	1	MOLDED FIBERGLAS, NO PARTS INSTALLED
83	46-321336G1	1	CIRCUIT BD	1	1.0T HEAD T/R SWITCH ASSEMBLY
84	46-306657P1	2	CARR RAIL LH	1	LEFT GROOVED GUIDE RAIL 16.5" DELRIN
85	46-306656P1	2	CARR RAIL RH	1	COIL RIGHT SUPPORT RAIL 16.5" DELRIN
86	46-321338G3	1	PREAMP BOX	1	1.0T PRE AMPLIFIER ASSEMBLY
87	46-306679P1	2	SUPPORT PL	1	PREAMP & TR SWITCH MOUNTING PLATE
88	46-306680P1	2	GUIDE RAIL	2	HEAD COIL TR SWITCH GUIDE RAIL
89	46-306681P1	2	MOUNTING PL	1	HEAD PREAMPLIFIER MOUNTING PLATE
90	46-306682P1	2	HANGER	1	PREAMPLIFIER MOUNT PLATE REAR LATCH
91	46-306683P1	2	RETAINER	1	PREAMPLIFIER MOUNT PLATE FRONT LATCH
92	46-136246P15	2	TAPE FAST	AR	3/4" WIDE, WHT ADH BACK, VELCRO LOOP
93	46-306732P1	2	COVER	1	FOR MULTICOIL QD OPENING, FIBERGLASS
94	46-306733P1	2	COV. SUPPORT	1	3/8" THICK, PHENOLIC
95	46-237420P1	2	THUMB SCR	1	KNURLED HD TYPE 10-32 X .625
96	46-306697G1	2	CABLE ASM	1	MG2-A16-A5-J5 TO MG2A15-A3-J3, 5.25"
99	46-317722P1	2	COVER	1	CARRIAGE COVER ACCESS PANEL, VENTED
6911	46-208913P12	2	SCREW	2	10-32 X 1/2", SLOT FLAT-HEAD, BRASS
7111	46-265486P8	2	SCREW,MACH	2	6-32 X .31 PAN HEAD, DELRIN
7115	46-265486P10	2	SCREW,MACH	4	8-32 X 3/4 PAN HEAD, DELRIN
13085	46-220196P3	2	WASHER,LOCK	8	#10 SCREW SIZE (0.190), SST
17716	46-208913P29	2	SCREW,MACH	2	10-32 X 1" SLOTTED FLAT HEAD, BRASS
17851	46-220184P11	2	SCREW MACH	2	6-32 X 1/4 LG SLOTTED RD HEAD, BRASS
17869	46-220184P15	2	SCREW MACH	2	6-32 X 5/8 ROUND HEAD SLOTTED, BRASS
18113	46-220184P41	2	SCREW MACH	7	10-32 X 1/2" SLOT ROUND HEAD, BRASS
18123	46-220184P43	2	SCREW MACH	14	10-32 X 3/4 SLOT ROUND HEAD, BRASS
18126	46-220184P44	2	SCREW MACH	4	10-32 X 7/8 SLOT ROUND HEAD, BRASS
18134	46-220184P46	2	SCREW MACH	4	10-32 X 1.25" ROUND HEAD SLOT, BRASS
18138	46-220184P47	2	SCREW MACH	2	10-32 X 1.5", ROUND HEAD SLOT, BRASS
38047	46-208938P5	2	NUT,HEX,MS	2	10-32, 3/8" HEX X .130 THK, 18-8 SST
38741	46-221449P5	2	WASHER	15	#10 SCREW SIZE (0.190), PHOS BRONZE
42710	46-208933P15	2	SCREW,MACH	2	10-32 X 1/2" HEX HEAD, NYLON
43635	46-230008P1	2	SCREW,MACH	2	10-32 X 1/2", DELRIN
43650	46-208913P14	2	SCREW,MACH	1	6-32 X 1/2" SLOTTED FLAT HEAD, BRASS
44797	46-243737P2	2	SCREW	12	10-32 X 3/4", WHITE ACETAL
64933	1000904P425	2	WASHER,FLAT	17	0.2 ID, 0.5 OD, .04 THK, B11H89C
83377	46-221449P3	2	WASHER	4	#6 SCREW SIZE (0.138) SILICONE BRONZ
84266	46-265486P6	2	SCREW,MACH	2	8-32 X 3/8, PAN HEAD, DELRIN

1.5T STANDARD BRIDGE ASM w/MULTI-COIL L2119595-4

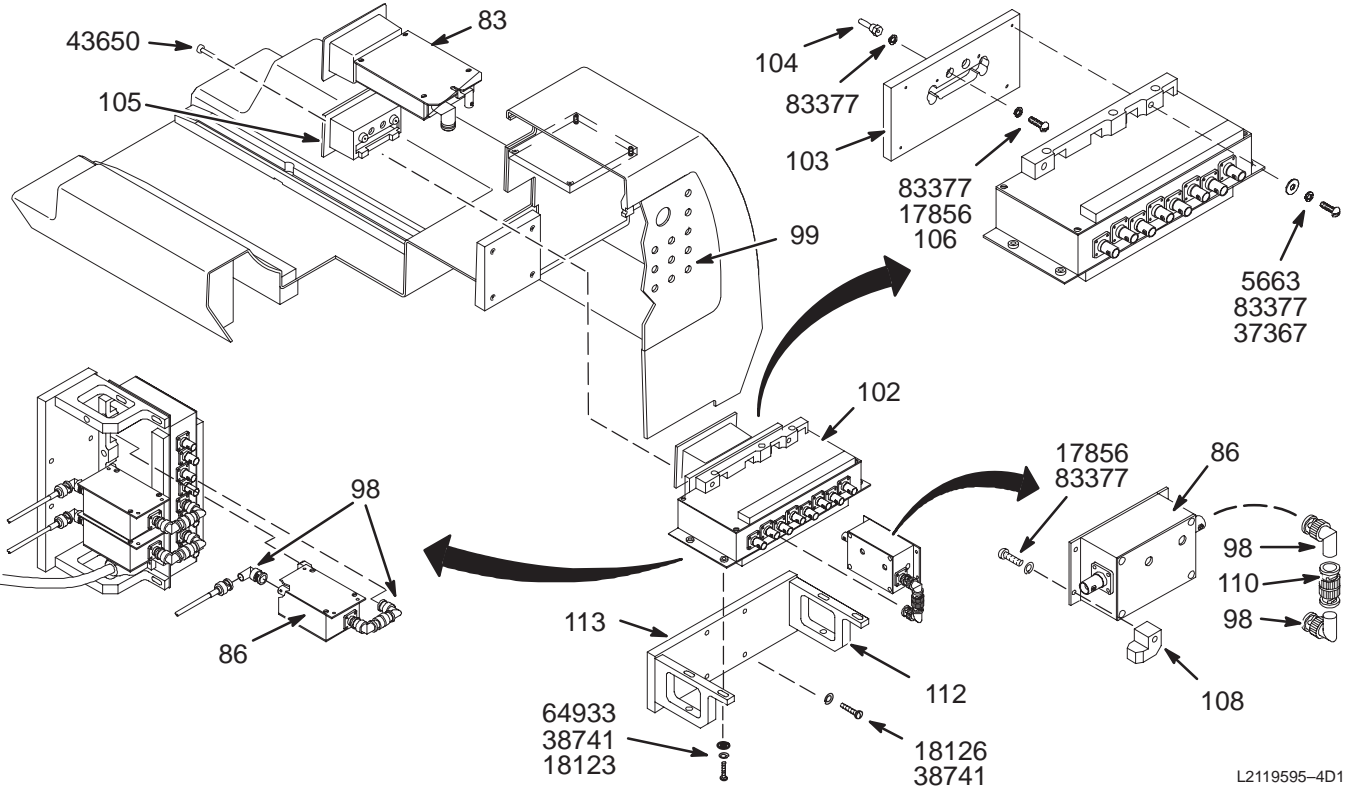


1.5T STANDARD BRIDGE ASM w/MULTI-COIL2119595-4



L2119595-4C

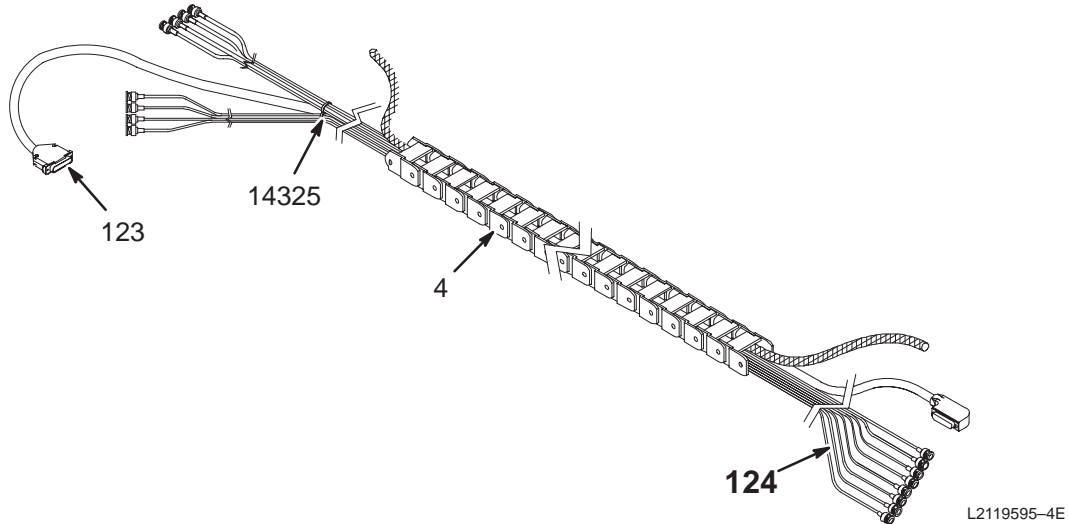
VIEW 3



L2119595-4D1

VIEW 4

1.5T STANDARD BRIDGE ASM w/MULTI-COIL2119595-4



VIEW 5

1.5T BRIDGE ASM w/M-C

2119595-4 FRU N

(PART OF 2118422-5 PAGE 2-9)
(PART OF 2118422-4 PAGE 2-30)

Item	Part Number	FRU	Name	Quantity	Description (Remarks)
3	46-282169P1	2	CLAMP	1	CABLETRACK MOUNT
4	2151445	2	PART	1	40 LINK CABLE TRACK W/HINGED OPEN'GS
5	2114811	2	BRIDGE	1	5.5 MAG ENCL BRIDGE
6	2129351	2	COVER, REAR	1	REAR BRIDGE COVER
7	2131304	2	COVER,GASKET	1	GASKET, COVER, BRIDGE
8	2109873-26	2	PAN HD SCREW	4	METRIC SST CROSS RECESSED PAN HD SCR
29	46-282388P1	2	BELT,DRIVE	1	3/8" PITCH GEARBELT, 1" W. 22.75' L.
30	46-243775G757	2	CABLE	1	RUN 485 MG3-A17-J2 TO MG2-A16-A3-J4
31	46-320888G1	2	CABLE ASM	1	RUN 404 MG2-A16-A5-J6 TO MG3-A17-J1
33	46-271465P1	2	CLAMP, BLOCK	1	SENSOR FLAG MOUNTING CLAMP BLOCK
34	46-271436P1	2	CLAMP, BELT	1	SENSOR FLAG TOP CLAMP
35	46-282436P1	2	FLAG	1	CARRIAGE TRAVEL SENSOR FLAG
42	46-282163P1	2	BASE PLATE	1	QUAD HEAD COIL CARRIAGE BASEPLATE
43	46-243167P1	2	HOUSING	12	WHEEL HOUSING, MOLDED NORYL
44	46-243494P1	2	WHEEL	6	3/4" ID, 1-3/4 OD, 1/2" WIDE PLASTIC
45	46-243141P1	2	SHLD SCR	4	PLASTIC BEARING MOUNT SHOULDER SCREW
46	46-243178P2	2	BALL BEARING	4	ID 0.375", OD 0.875", WIDTH 0.281"
47	46-282164P1	2	PLUNGER	2	CARRIAGE RELEASE PLUNGER, DELRIN
48	46-282824G1	2	CRANK ASM.	1	LATCH HOOK RELEASE LINKAGE
49	46-282168P1	2	HOLD DOWN	1	LINKAGE RETAINER BLOCK, DELRIN
50	46-317169P1	2	HOOK	1	CRADLE LATCH HOOK
51	46-271435P1	2	SUPPORT, B R	2	BELT GUIDE, DELRIN
52	46-282171P1	2	CLAMP BELT	1	BELT CLAMP PLATE, DELRIN
53	46-265089P1	2	SCREW	2	CARRIAGE RELEASE THREADED ACTUATOR
54	46-282170P1	2	CLIP	1	CABLETRACK MOUNTING BRACKET, DELRIN
55	46-282826P1	2	SCREW,SHLDR.	4	SHOULDER BOLT, 10-32 THREAD, DELRIN
62	2115366	2	TOP MTG PLTE	1	FRT BRIDGE BRKT
65	46-271432P1	2	MOUNT BRIDGE	1	BRIDGE ATTACHMENT TONGUE
67	46-328446P1	2	SUPPORT BLK.	2	SUPPORT BLOCK
68	46-282646G1	2	PULLEY ASM	1	DRIVE BELT IDLER PULLEY

Parts List Continued on Next Page

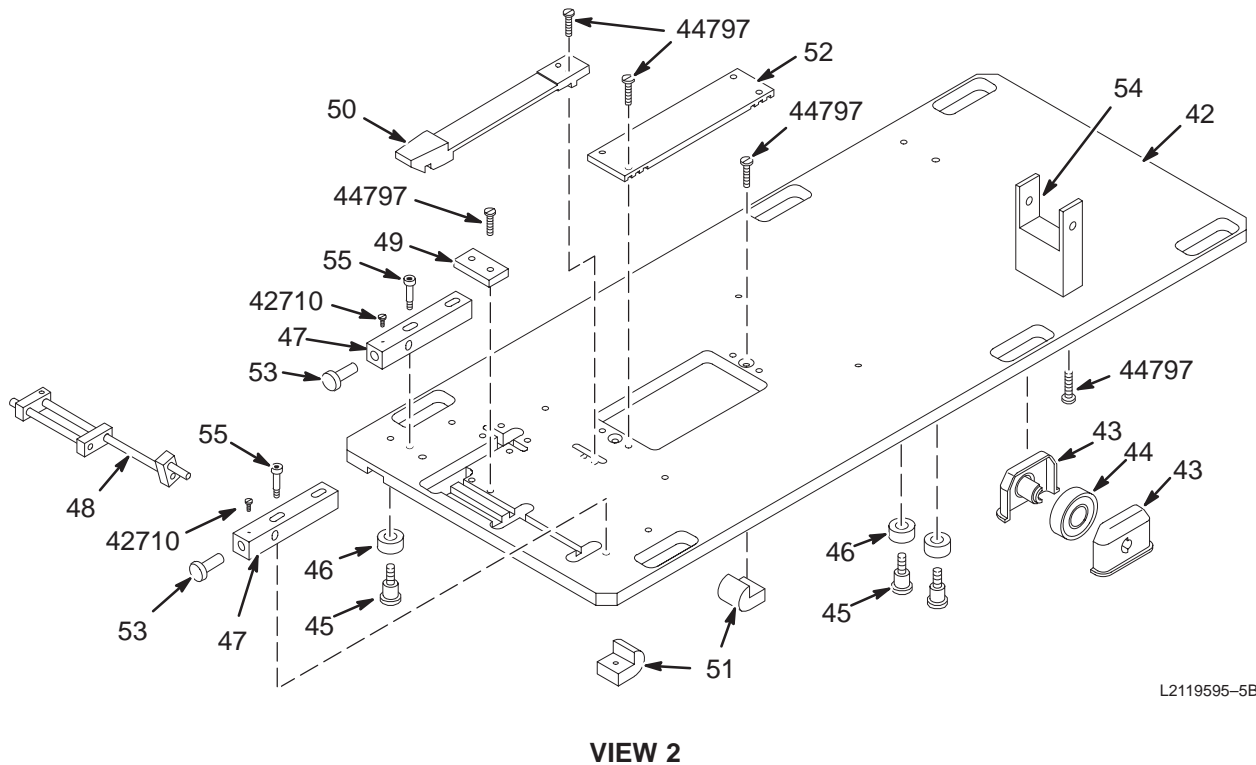
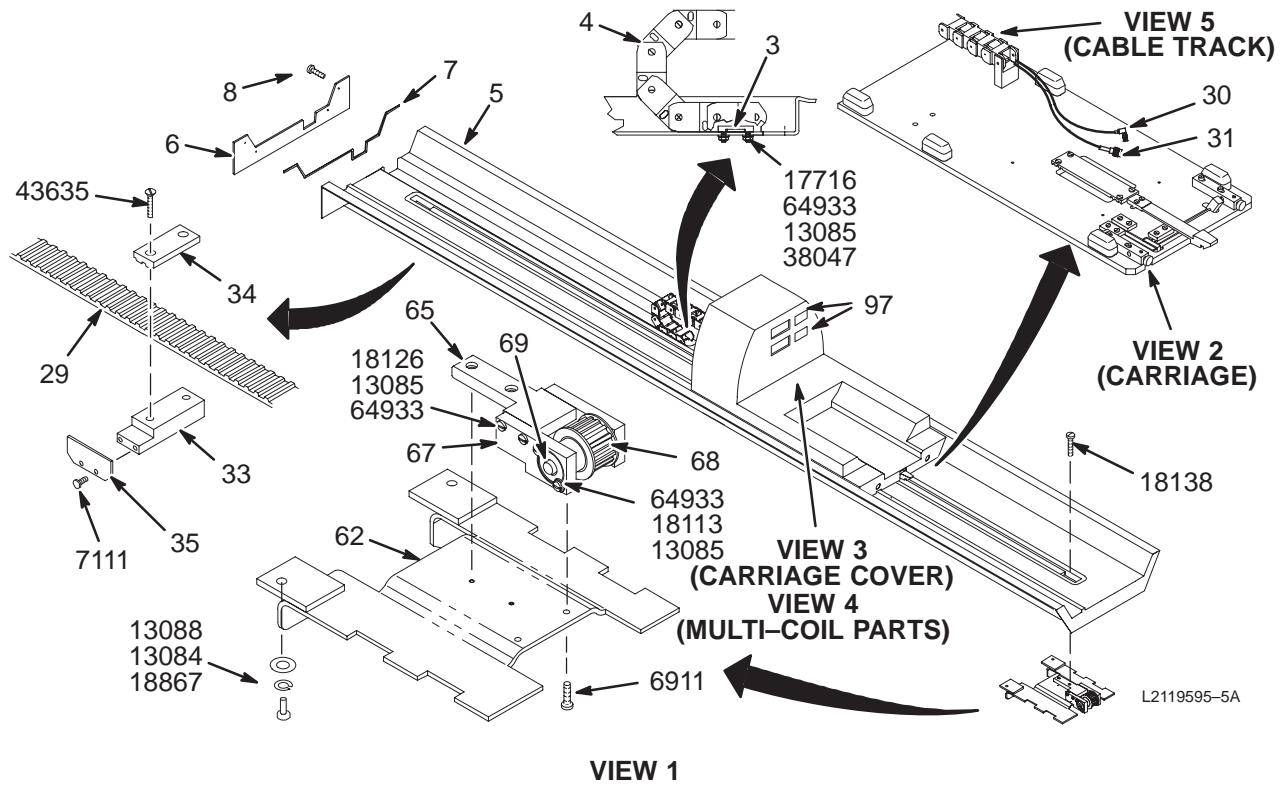
1.5T BRIDGE ASM w/M-C

2119595-4

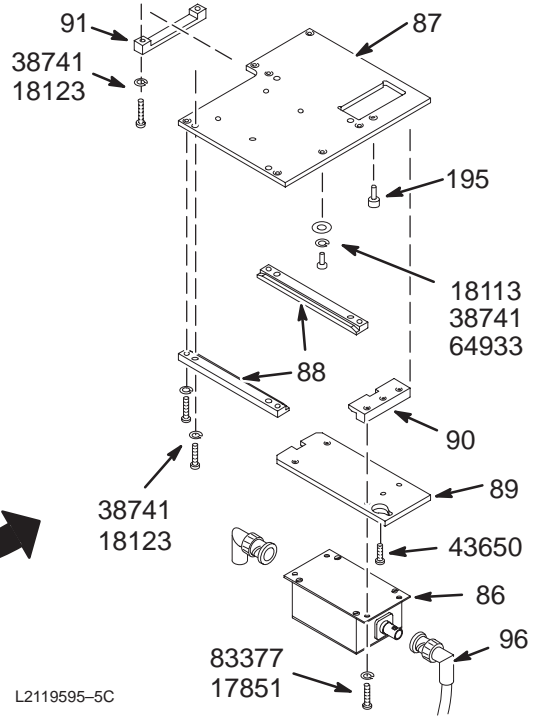
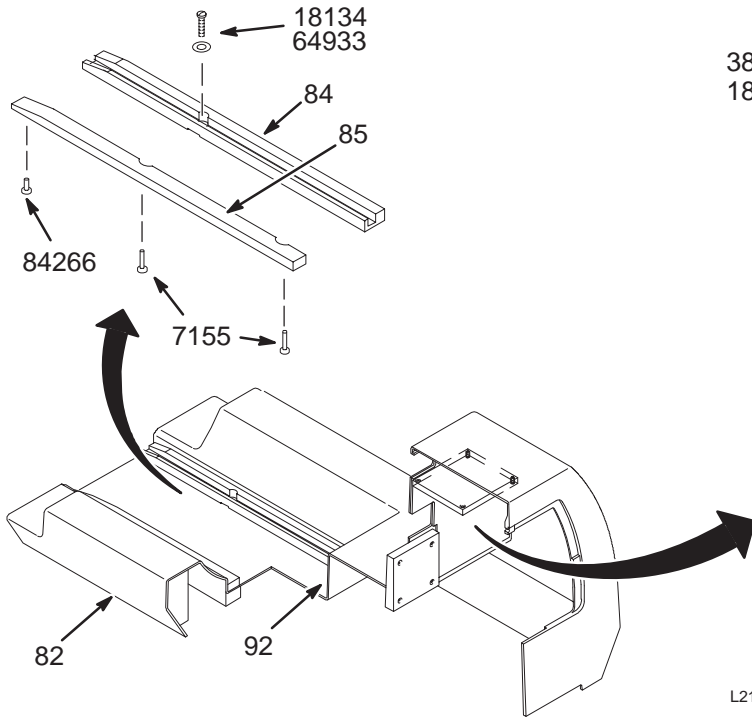
(CONT'D FROM PREVIOUS PAGE)

Item	Part Number	FRU	Name	Quantity	Description (Remarks)
69	46-282471P12	2	BEARING	2	SKF BEARING #1621 DC **MAGNETIC**
70	46-282756P1	2	LABEL	2	WARNING, CONTAINS FERROUS MATERIAL
82	46-306655P1	2	CARRIAGE CVR	1	MOLDED FIBERGLAS, NO PARTS INSTALLED
83	46-264988G1	1	CIRCUIT BD	1	1.5T HEAD TR ASSEMBLY, MG2 A16 A5
84	46-306657P1	2	CARR RAIL LH	1	LEFT GROOVED GUIDE RAIL 16.5" DELRIN
85	46-306656P1	2	CARR RAIL RH	1	COIL RIGHT SUPPORT RAIL 16.5" DELRIN
86	46-264442G3	1	PREAMP BOX	7	1.5T PREAMPLIFIER, HEAD, BODY ETC
87	46-306679P1	2	SUPPORT PL	1	PREAMP & TR SWITCH MOUNTING PLATE
88	46-306680P1	2	GUIDE RAIL	2	HEAD COIL TR SWITCH GUIDE RAIL
89	46-306681P1	2	MOUNTING PL	1	HEAD PREAMPLIFIER MOUNTING PLATE
90	46-306682P1	2	HANGER	1	PREAMPLIFIER MOUNT PLATE REAR LATCH
91	46-306683P1	2	RETAINER	1	PREAMPLIFIER MOUNT PLATE FRONT LATCH
92	46-136246P15	2	TAPE FAST	AR	3/4" WIDE, WHT ADH BACK, VELCRO LOOP
95	46-237420P1	2	THUMB SCR	1	KNURLED HD TYPE 10-32 X .625
96	46-306697G1	2	CABLE ASM	1	MG2-A16-A5-J5 TO MG2A15-A3-J3, 5.25"
97	2146831	2	WARN LABEL	2	UFI WARNING LABEL - ENGLISH
98	46-233422P1	2	BNC ANG AD	17	BNC JACK-PLUG, RIGHT ANGLE ADAPTER.
99	46-317722P1	2	COVER	1	CARRIAGE COVER ACCESS PANEL, VENTED
102	46-288510G1	N	CIRCUIT BD	1	USE 46-328036G2 AS FIELD REPLACEMENT
103	46-320938P1	2	BEZEL PLATE	1	1.5T KEYED BEZEL INTERFACE PLATE
104	46-282460P1	2	BANANA PLUG	2	STANDARD, UNINSULATED BANANA PLUG.
105	46-320939P1	2	BEZEL	1	1.5T KEYED BEZEL
106	46-170686P1	2	SEALANT	1	LOCTITE 242, 0.5CC TUBE
108	46-317022P1	2	BLOCK LOCATO	6	MOUNTING FINGER, MOLDED WHITE ACETAL
110	46-220427P2	2	ADAPTER	6	BNC STRAIGHT PLUG-PLUG ADAPTOR.
112	46-317016P1	2	SIDE SUPPORT	2	1/2" THK LAMINATED COMPOUND
113	46-317015P1	2	MTG PLATE	1	9-3/8" X 3-1/4", 1/2" THK LAMINATE
120	46-287119P1	2	MOUNT,CABLE	2	SELF-ADHERE TIE-STRAP ANCHOR, NYLON
123	46-328371P1	2	CABLE ASM	1	RUN 736 MG3-A36-J19 TO MG2-A16-A8-J9
124	46-317220G20	N	RF CABLE	1	MULTI-COIL CABLE TAKE-UP RF CABLES (SEE PAGE 2-152)
5663	46-220184P18	2	SCREW MACH	4	6-32 X 1", ROUND HEAD SLOT, BRASS
6911	46-208913P12	2	SCREW	2	10-32 X 1/2", SLOT FLAT-HEAD, BRASS
7111	46-265486P8	2	SCREW,MACH	2	6-32 X .31 PAN HEAD, DELRIN
7115	46-265486P10	2	SCREW,MACH	4	8-32 X 3/4 PAN HEAD, DELRIN
13085	46-220196P3	2	WASHER,LOCK	8	#10 SCREW SIZE (0.190), SST
14325	46-208758P3	2	STRAP	4	7.31" X .184" SELF-LOCKING CABLE TIE
17716	46-208913P29	2	SCREW,MACH	2	10-32 X 1" SLOTTED FLAT HEAD, BRASS
17851	46-220184P11	2	SCREW MACH	2	6-32 X 1/4 LG SLOTTED RD HEAD, BRASS
17856	46-220184P13	2	SCREW MACH	8	6-32 X 3/8" ROUND HEAD SLOT, BRASS
17869	46-220184P15	2	SCREW MACH	2	6-32 X 5/8 ROUND HEAD SLOTTED, BRASS
18113	46-220184P41	2	SCREW MACH	7	10-32 X 1/2" SLOT ROUND HEAD, BRASS
18123	46-220184P43	2	SCREW MACH	14	10-32 X 3/4 SLOT ROUND HEAD, BRASS
18126	46-220184P44	2	SCREW MACH	8	10-32 X 7/8 SLOT ROUND HEAD, BRASS
18129	46-220184P45	2	SCREW MACH	4	10-32 X 1", ROUND HEAD SLOT, BRASS
18134	46-220184P46	2	SCREW MACH	4	10-32 X 1.25" ROUND HEAD SLOT, BRASS
18138	46-220184P47	2	SCREW MACH	2	10-32 X 1.5", ROUND HEAD SLOT, BRASS
37367	1000904P445	2	WASHER,FLAT	4	ID 0.172 OD 0.438 THK .036
38047	46-208938P5	2	NUT,HEX,MS	2	10-32, 3/8" HEX X .130 THK, 18-8 SST
38741	46-221449P5	2	WASHER	23	#10 SCREW SIZE (0.190), PHOS BRONZE
42710	46-208933P15	2	SCREW,MACH	2	10-32 X 1/2" HEX HEAD, NYLON
43635	46-230008P1	2	SCREW,MACH	2	10-32 X 1/2", DELRIN
43650	46-208913P14	2	SCREW,MACH	3	6-32 X 1/2" SLOTTED FLAT HEAD, BRASS
44797	46-243737P2	2	SCREW	12	10-32 X 3/4", WHITE ACETAL
64933	1000904P425	2	WASHER,FLAT	19	0.2 ID, 0.5 OD, .04 THK, B11H89C
83377	46-221449P3	2	WASHER	18	#6 SCREW SIZE (0.138) SILICONE BRONZ
84266	46-265486P6	2	SCREW,MACH	2	8-32 X 3/8, PAN HEAD, DELRIN

1.5T MAGNISHIELD BRIDGE ASM w/MULTI-COIL L2119595-5

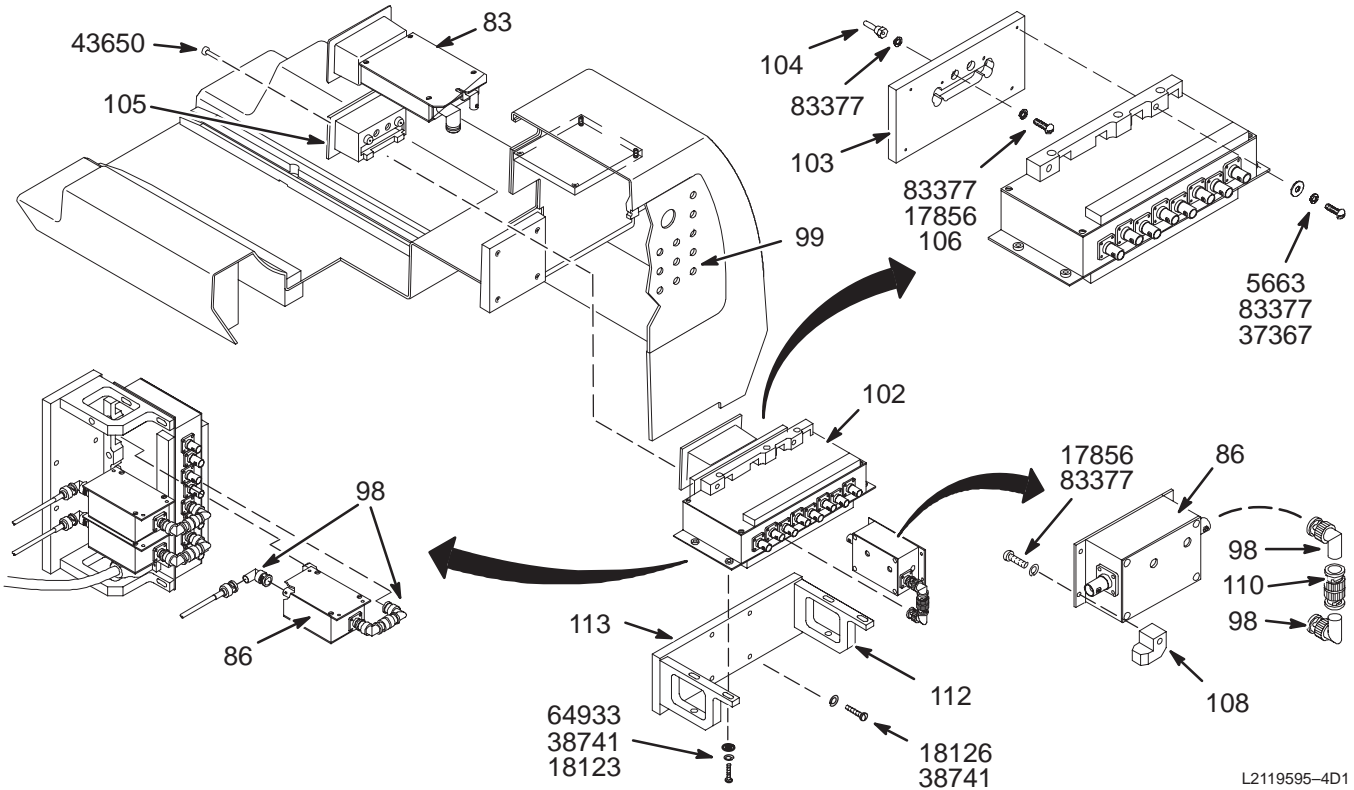


1.5T MAGNISHIELD BRIDGE ASM w/MULTI-COIL L2119595-5



L2119595-5C

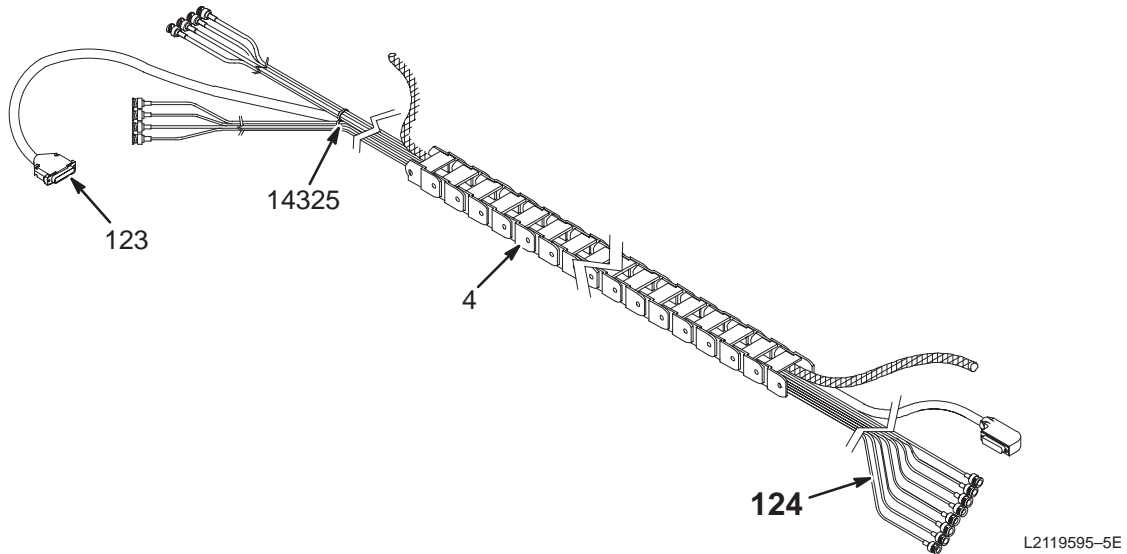
VIEW 3



L2119595-4D1

VIEW 4

1.5T MAGNISHIELD BRIDGE ASM w/MULTI-COIL2119595-5



VIEW 5

1.5T M/S BRIDGE ASM w/M-C 2119595-5 FRU N (PART OF 2118423-2 PAGE 2-69)

Item	Part Number	FRU	Name	Quantity	Description (Remarks)
3	46-282169P1	2	CLAMP	1	CABLETRACK MOUNT
4	2151445-2	2	PART	1	50 LINK CABLE TRACK W/HINGED OPEN'GS
5	2114811-2	2	BRIDGE	1	5.5 ENCLOSURE BRIDGE
6	2129351	2	COVER, REAR	1	REAR BRIDGE COVER
7	2131304	2	COVER,GASKET	1	GASKET, COVER, BRIDGE
8	2109873-26	2	PAN HD SCREW	4	METRIC SST CROSS RECESSED PAN HD SCR
29	46-282388P2	2	BELT,DRIVE	1	MAGNISHIELD LENGTH
30	46-243775G757	2	CABLE	1	RUN 485 MG3-A17-J2 TO MG2-A16-A3-J4
31	46-320888G1	2	CABLE ASM	1	RUN 404 MG2-A16-A5-J6 TO MG3-A17-J1
33	46-271465P1	2	CLAMP, BLOCK	1	SENSOR FLAG MOUNTING CLAMP BLOCK
34	46-271436P1	2	CLAMP, BELT	1	SENSOR FLAG TOP CLAMP
35	46-282436P1	2	FLAG	1	CARRIAGE TRAVEL SENSOR FLAG
42	46-282163P1	2	BASE PLATE	1	QUAD HEAD COIL CARRIAGE BASEPLATE
43	46-243167P1	2	HOUSING	12	WHEEL HOUSING, MOLDED NORYL
44	46-243494P1	2	WHEEL	6	3/4" ID, 1-3/4 OD, 1/2" WIDE PLASTIC
45	46-243141P1	2	SHLD SCR	4	PLASTIC BEARING MOUNT SHOULDER SCREW
46	46-243178P2	2	BALL BEARING	4	ID 0.375", OD 0.875", WIDTH 0.281"
47	46-282164P1	2	PLUNGER	2	CARRIAGE RELEASE PLUNGER, DELRIN
48	46-282824G1	2	CRANK ASM.	1	LATCH HOOK RELEASE LINKAGE
49	46-282168P1	2	HOLD DOWN	1	LINKAGE RETAINER BLOCK, DELRIN
50	46-317169P1	2	HOOK	1	CRADLE LATCH HOOK
51	46-271435P1	2	SUPPORT, B R	2	BELT GUIDE, DELRIN
52	46-282171P1	2	CLAMP BELT	1	BELT CLAMP PLATE, DELRIN
53	46-265089P1	2	SCREW	2	CARRIAGE RELEASE THREADED ACTUATOR
54	46-282170P1	2	CLIP	1	CABLETRACK MOUNTING BRACKET, DELRIN

Parts List Continued on Next Page

1.5T M/S BRIDGE ASM w/M-C

2119595-5

(CONT'D FROM PREVIOUS PAGE)

Item	Part Number	FRU	Name	Quantity	Description (Remarks)
55	46-282826P1	2	SCREW,SHLDR.	4	SHOULDER BOLT, 10-32 THREAD, DELRIN
62	2138083	2	BRIDGE SUPPT	1	SPPT, BRIDGE, FRT, UPPER
65	46-271432P1	2	MOUNT BRIDGE	1	BRIDGE ATTACHMENT TONGUE
67	46-328446P1	2	SUPPORT BLK.	2	SUPPORT BLOCK
68	46-282646G1	2	PULLEY ASM	1	DRIVE BELT IDLER PULLEY
69	46-282471P12	2	BEARING	2	SKF BEARING #1621 DC **MAGNETIC**
70	46-282756P1	2	LABEL	2	WARNING, CONTAINS FERROUS MATERIAL
82	46-306655P1	2	CARRIAGE CVR	1	MOLDED FIBERGLAS, NO PARTS INSTALLED
83	46-264988G1	1	CIRCUIT BD	1	1.5T HEAD TR ASSEMBLY, MG2 A16 A5
84	46-306657P1	2	CARR RAIL LH	1	LEFT GROOVED GUIDE RAIL 16.5" DELRIN
85	46-306656P1	2	CARR RAIL RH	1	COIL RIGHT SUPPORT RAIL 16.5" DELRIN
86	46-264442G3	1	PREAMP BOX	7	1.5T PREAMPLIFIER, HEAD, BODY ETC.
87	46-306679P1	2	SUPPORT PL	1	PREAMP & TR SWITCH MOUNTING PLATE
88	46-306680P1	2	GUIDE RAIL	2	HEAD COIL TR SWITCH GUIDE RAIL
89	46-306681P1	2	MOUNTING PL	1	HEAD PREAMPLIFIER MOUNTING PLATE
90	46-306682P1	2	HANGER	1	PREAMPLIFIER MOUNT PLATE REAR LATCH
91	46-306683P1	2	RETAINER	1	PREAMPLIFIER MOUNT PLATE FRONT LATCH
92	46-136246P15	2	TAPE FAST	AR	3/4" WIDE, WHT ADH BACK, VELCRO LOOP
95	46-237420P1	2	THUMB SCR	1	KNURLED HD TYPE 10-32 X .625
96	46-306697G1	2	CABLE ASM	1	MG2-A16-A5-J5 TO MG2A15-A3-J3, 5.25"
97	2146831	2	WARN LABEL	2	UFI WARNING LABEL - ENGLISH
98	46-233422P1	2	BNC ANG AD	17	BNC JACK-PLUG, RIGHT ANGLE ADAPTER.
99	46-317722P1	2	COVER	1	CARRIAGE COVER ACCESS PANEL, VENTED
102	46-288510G1	N	CIRCUIT BD	1	USE 46-328036G2 AS FIELD REPLACEMENT
103	46-320938P1	2	BEZEL PLATE	1	1.5T KEYED BEZEL INTERFACE PLATE
104	46-282460P1	2	BANANA PLUG	2	STANDARD, UNINSULATED BANANA PLUG.
105	46-320939P1	2	BEZEL	1	1.5T KEYED BEZEL
106	46-170686P1	2	SEALANT	1	LOCTITE 242, 0.5CC TUBE
108	46-317022P1	2	BLOCK LOCATO	6	MOUNTING FINGER, MOLDED WHITE ACETAL
110	46-220427P2	2	ADAPTER	6	BNC STRAIGHT PLUG-PLUG ADAPTOR.
112	46-317016P1	2	SIDE SUPPORT	2	1/2" THK LAMINATED COMPOUND
113	46-317015P1	2	MTG PLATE	1	9-3/8" X 3-1/4", 1/2" THK LAMINATE
120	46-287119P1	2	MOUNT,CABLE	2	SELF-ADHERE TIE-STRAP ANCHOR, NYLON
123	46-328371P1	2	CABLE ASM	1	RUN 736 MG3-A36-J19 TO MG2-A16-A8-J9
124	46-317220G20	N	RF CABLE	1	MULTI-COIL CABLE TAKE-UP RF CABLES (SEE PAGE 2-152)
5663	46-220184P18	2	SCREW MACH	4	6-32 X 1", ROUND HEAD SLOT, BRASS
6911	46-208913P12	2	SCREW	2	10-32 X 1/2", SLOT FLAT-HEAD, BRASS
7111	46-265486P8	2	SCREW,MACH	2	6-32 X .31 PAN HEAD, DELRIN
7115	46-265486P10	2	SCREW,MACH	4	8-32 X 3/4 PAN HEAD, DELRIN
13084	46-220196P5	2	WASHER	2	5/16" SCREW SIZE (0.313), SST
13085	46-220196P3	2	WASHER,LOCK	8	#10 SCREW SIZE (0.190), SST
13088	46-208932P11	2	SCREW	2	5/16-18 X 1", HEX HD, 18-8 SST
14325	46-208758P3	2	STRAP	4	7.31" X .184" SELF-LOCKING CABLE TIE
17716	46-208913P29	2	SCREW,MACH	2	10-32 X 1" SLOTTED FLAT HEAD, BRASS
17851	46-220184P11	2	SCREW MACH	2	6-32 X 1/4 LG SLOTTED RD HEAD, BRASS
17856	46-220184P13	2	SCREW MACH	8	6-32 X 3/8" ROUND HEAD SLOT, BRASS
17869	46-220184P15	2	SCREW MACH	2	6-32 X 5/8 ROUND HEAD SLOTTED, BRASS
18113	46-220184P41	2	SCREW MACH	7	10-32 X 1/2" SLOT ROUND HEAD, BRASS
18123	46-220184P43	2	SCREW MACH	14	10-32 X 3/4 SLOT ROUND HEAD, BRASS

Parts List Continued on Next Page

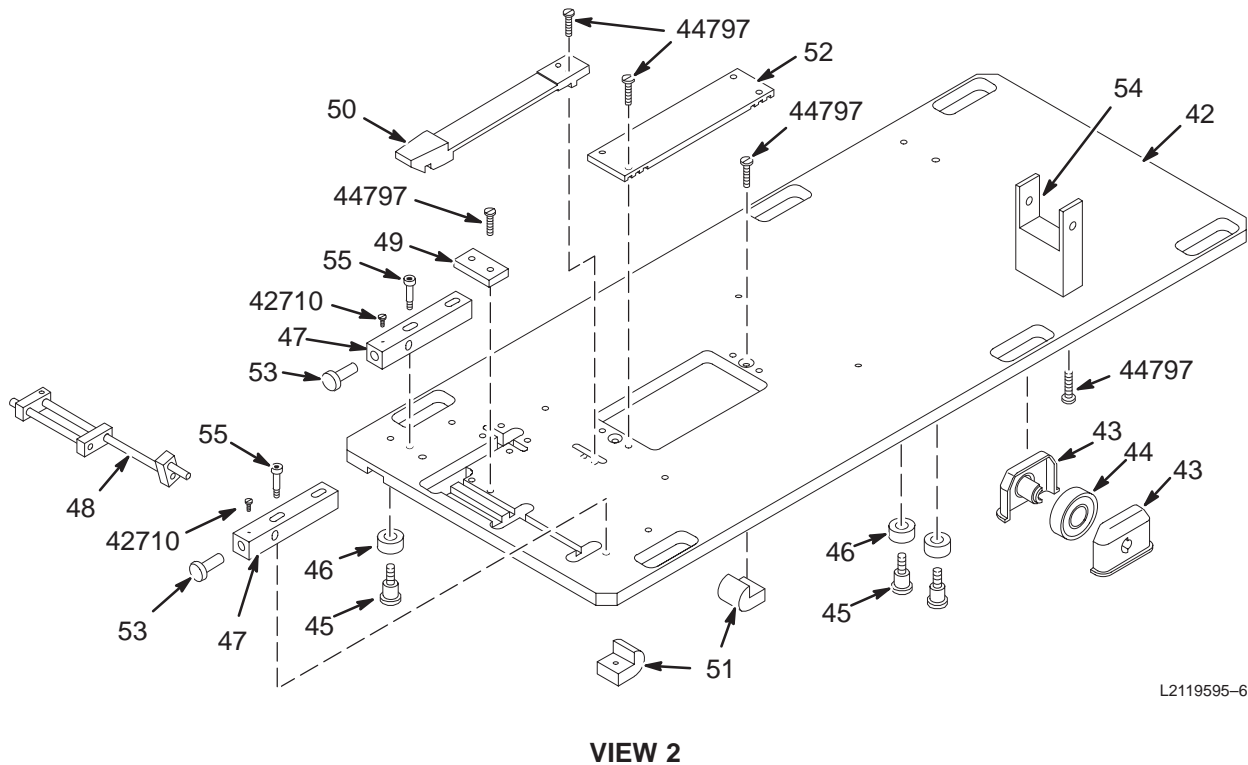
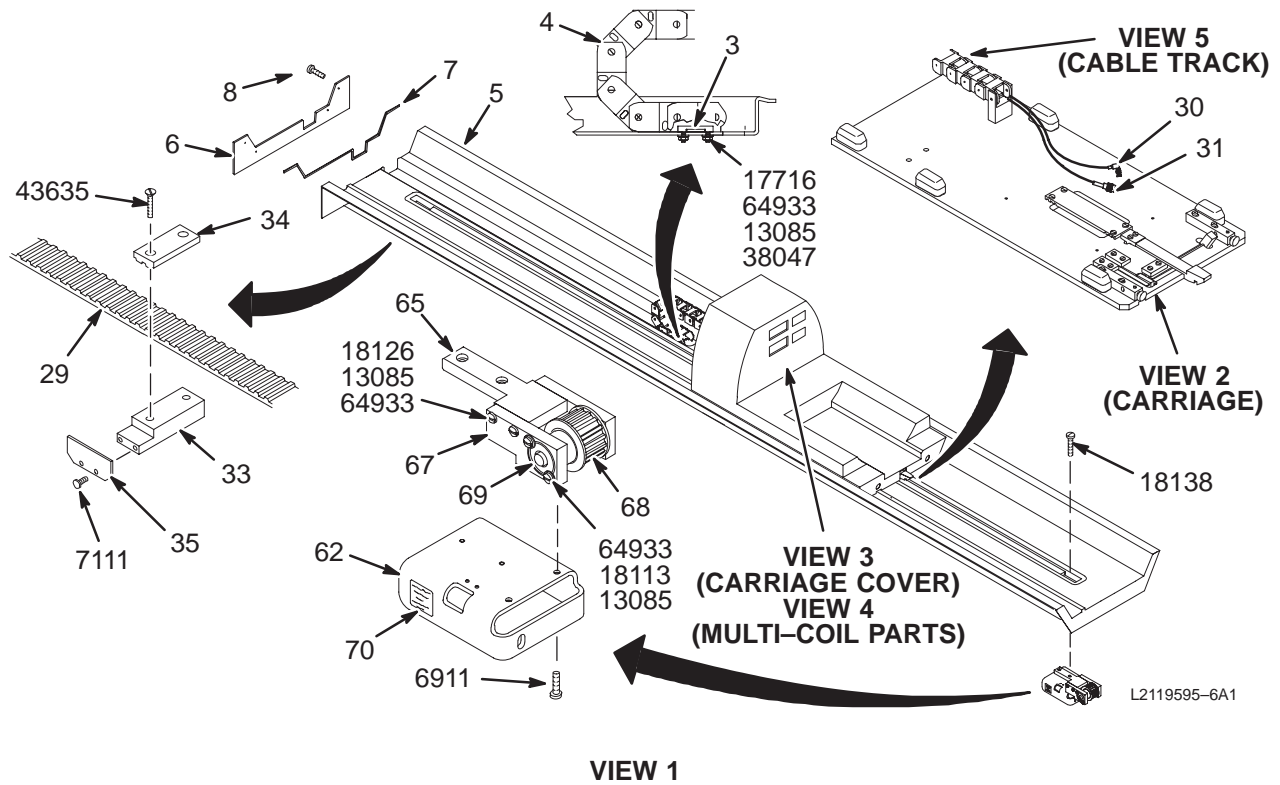
1.5T M/S BRIDGE ASM w/M-C

2119595-5

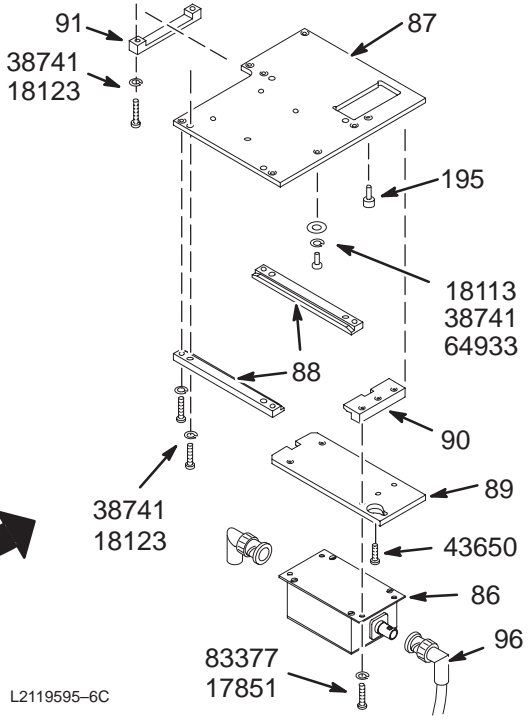
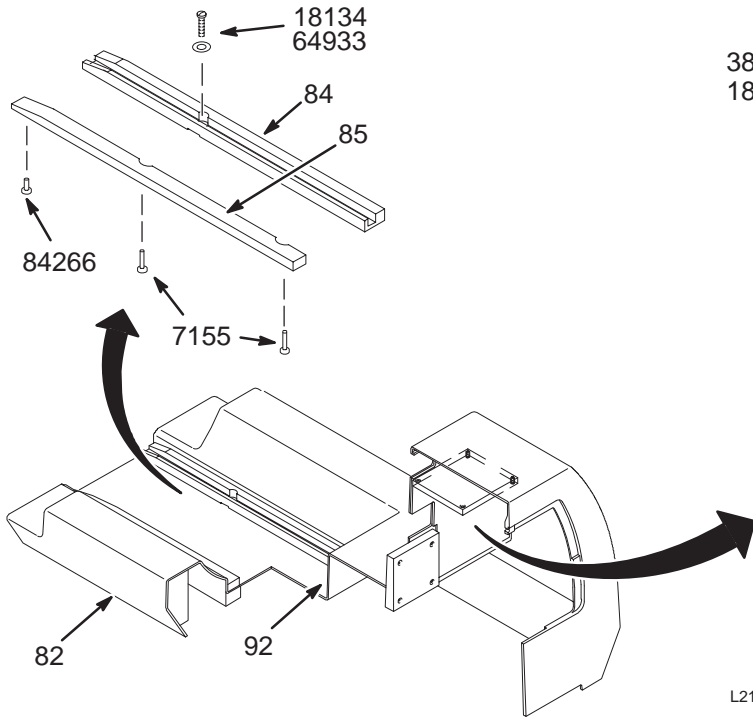
(CONT'D FROM PREVIOUS PAGE)

Item	Part Number	FRU	Name	Quantity	Description (Remarks)
18126	46-220184P44	2	SCREW MACH	8	10-32 X 7/8 SLOT ROUND HEAD, BRASS
18129	46-220184P45	2	SCREW MACH	4	10-32 X 1", ROUND HEAD SLOT, BRASS
18134	46-220184P46	2	SCREW MACH	4	10-32 X 1.25" ROUND HEAD SLOT, BRASS
18138	46-220184P47	2	SCREW MACH	2	10-32 X 1.5", ROUND HEAD SLOT, BRASS
18867	12-280	2	WASHER	2	ID 0.336, OD 0.75, THK .064, BRASS
37367	1000904P445	2	WASHER,FLAT	4	ID 0.172 OD 0.438 THK .036
38047	46-208938P5	2	NUT,HEX,MS	2	10-32, 3/8" HEX X .130 THK, 18-8 SST
38741	46-221449P5	2	WASHER	23	#10 SCREW SIZE (0.190), PHOS BRONZE
42710	46-208933P15	2	SCREW,MACH	2	10-32 X 1/2" HEX HEAD, NYLON
43635	46-230008P1	2	SCREW,MACH	2	10-32 X 1/2", DELRIN
43650	46-208913P14	2	SCREW,MACH	3	6-32 X 1/2" SLOTTED FLAT HEAD, BRASS
44797	46-243737P2	2	SCREW	12	10-32 X 3/4", WHITE ACETAL
64933	1000904P425	2	WASHER,FLAT	19	0.2 ID, 0.5 OD, 04 THK, B11H89C
83377	46-221449P3	2	WASHER	18	#6 SCREW SIZE (0.138) SILICONE BRONZ
84266	46-265486P6	2	SCREW,MACH	2	8-32 X 3/8, PAN HEAD, DELRIN

1.0T STANDARD BRIDGE ASM w/MULTI-COIL L2119595-6

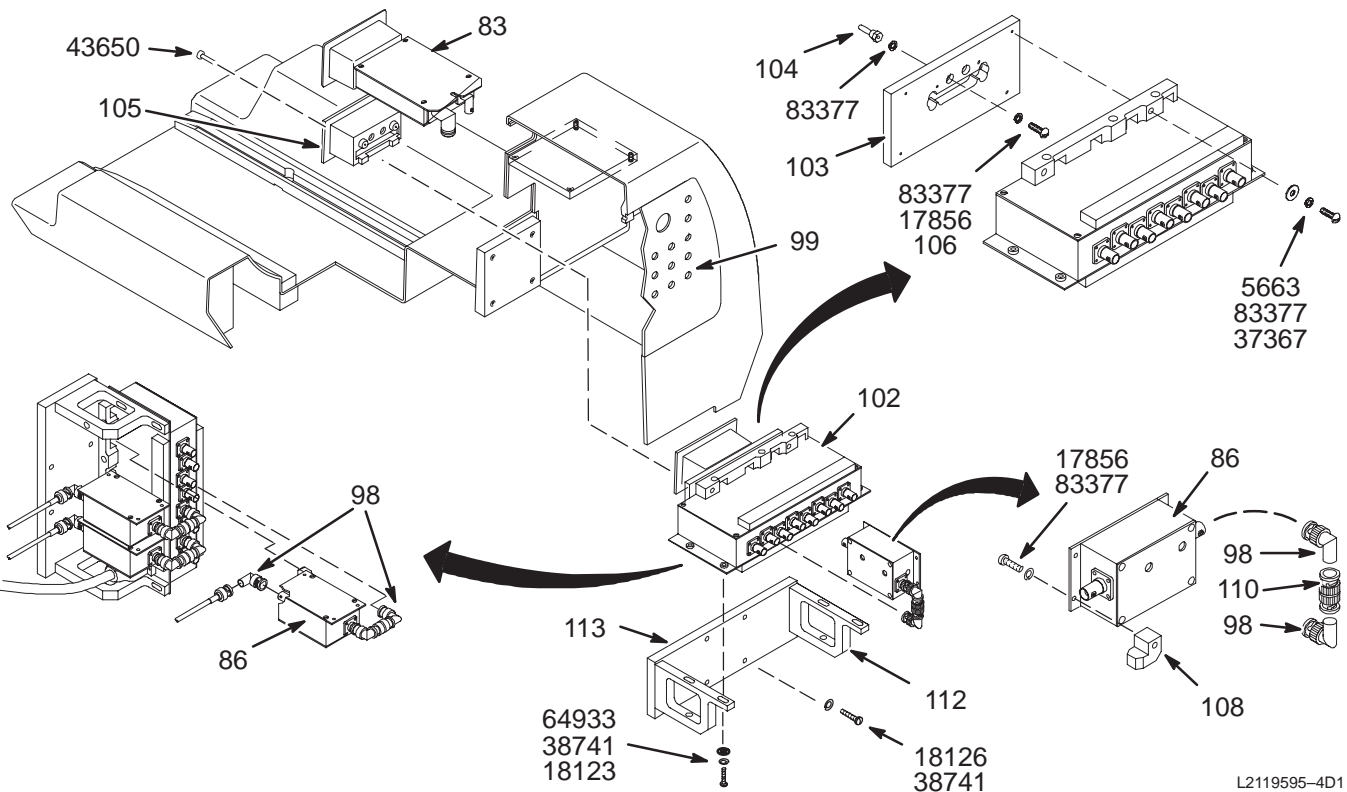


1.0T STANDARD BRIDGE ASM w/MULTI-COIL L2119595-6



L2119595-6C

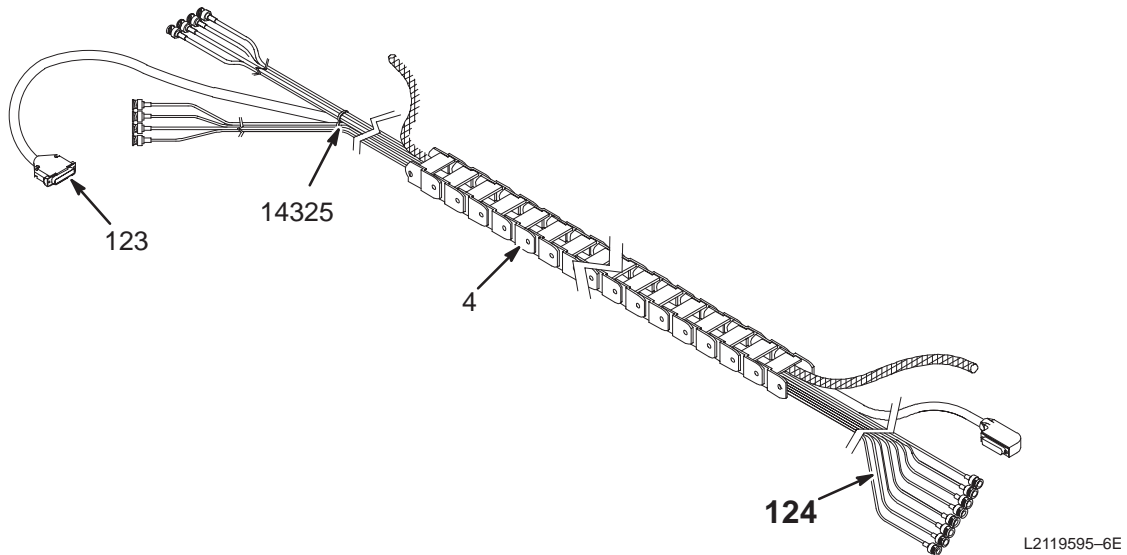
VIEW 3



L2119595-4D1

VIEW 4

1.0T STANDARD BRIDGE ASM w/MULTI-COIL2119595-6



VIEW 5

1.0T BRIDGE ASM w/M-C

2119595-6 FRU N

(PART OF 2118422-9 PAGE 2-13)
(PART OF 2118422-8 PAGE 2-34)

Item	Part Number	FRU	Name	Quantity	Description (Remarks)
3	46-282169P1	2	CLAMP	1	CABLETRACK MOUNT
4	2151445	2	PART	1	40 LINK CABLE TRACK W/HINGED OPEN'GS
5	2114811	2	BRIDGE	1	5.5 MAG ENCL BRIDGE
6	2129351	2	COVER, REAR	1	REAR BRIDGE COVER
7	2131304	2	COVER,GASKET	1	GASKET, COVER, BRIDGE
8	2109873-26	2	PAN HD SCREW	4	METRIC SST CROSS RECESSED PAN HD SCR
29	46-282388P1	2	BELT,DRIVE	1	3/8" PITCH GEARBELT, 1" W. 22.75" L.
30	46-243775G757	2	CABLE	1	RUN 485 MG3-A17-J2 TO MG2-A16-A3-J4
31	46-320888G1	2	CABLE ASM	1	RUN 404 MG2-A16-A5-J6 TO MG3-A17-J1
33	46-271465P1	2	CLAMP, BLOCK	1	SENSOR FLAG MOUNTING CLAMP BLOCK
34	46-271436P1	2	CLAMP, BELT	1	SENSOR FLAG TOP CLAMP
35	46-282436P1	2	FLAG	1	CARRIAGE TRAVEL SENSOR FLAG
42	46-282163P1	2	BASE PLATE	1	QUAD HEAD COIL CARRIAGE BASEPLATE
43	46-243167P1	2	HOUSING	12	WHEEL HOUSING, MOLDED NORYL
44	46-243494P1	2	WHEEL	6	3/4" ID, 1-3/4 OD, 1/2" WIDE PLASTIC
45	46-243141P1	2	SHLD SCR	4	PLASTIC BEARING MOUNT SHOULDER SCREW
46	46-243178P2	2	BALL BEARING	4	ID 0.375", OD 0.875", WIDTH 0.281"
47	46-282164P1	2	PLUNGER	2	CARRIAGE RELEASE PLUNGER, DELRIN
48	46-282824G1	2	CRANK ASM.	1	LATCH HOOK RELEASE LINKAGE
49	46-282168P1	2	HOLD DOWN	1	LINKAGE RETAINER BLOCK, DELRIN
50	46-317169P1	2	HOOK	1	CRADLE LATCH HOOK
51	46-271435P1	2	SUPPORT, B R	2	BELT GUIDE, DELRIN
52	46-282171P1	2	CLAMP BELT	1	BELT CLAMP PLATE, DELRIN
53	46-265089P1	2	SCREW	2	CARRIAGE RELEASE THREADED ACTUATOR
54	46-282170P1	2	CLIP	1	CABLETRACK MOUNTING BRACKET, DELRIN
55	46-282826P1	2	SCREW,SHLDR.	4	SHOULDER BOLT, 10-32 THREAD, DELRIN
62	2115366	2	TOP MTG PLTE	1	FRT BRIDGE BRKT
65	46-271432P1	2	MOUNT BRIDGE	1	BRIDGE ATTACHMENT TONGUE
67	46-328446P1	2	SUPPORT BLK.	2	SUPPORT BLOCK

Parts List Continued on Next Page

1.0T BRIDGE ASM w/M-C

2119595-6

(CONT'D FROM PREVIOUS PAGE)

Item	Part Number	FRU	Name	Quantity	Description (Remarks)
68	46-282646G1	2	PULLEY ASM	1	DRIVE BELT IDLER PULLEY
69	46-282471P12	2	BEARING	2	SKF BEARING #1621 DC **MAGNETIC**
70	46-282756P1	2	LABEL	2	WARNING, CONTAINS FERROUS MATERIAL
82	46-306655P1	2	CARRIAGE CVR	1	MOLDED FIBERGLAS, NO PARTS INSTALLED
83	46-321336G1	1	CIRCUIT BD	1	1.0T HEAD T/R SWITCH ASSEMBLY
84	46-306657P1	2	CARR RAIL LH	1	LEFT GROOVED GUIDE RAIL 16.5" DELRIN
85	46-306656P1	2	CARR RAIL RH	1	COIL RIGHT SUPPORT RAIL 16.5" DELRIN
86	46-321338G3	1	PREAMP BOX	7	1.0T PREAMPLIFIER WITH DIODE FIX
87	46-306679P1	2	SUPPORT PL	1	PREAMP & TR SWITCH MOUNTING PLATE
88	46-306680P1	2	GUIDE RAIL	2	HEAD COIL TR SWITCH GUIDE RAIL
89	46-306681P1	2	MOUNTING PL	1	HEAD PREAMPLIFIER MOUNTING PLATE
90	46-306682P1	2	HANGER	1	PREAMPLIFIER MOUNT PLATE REAR LATCH
91	46-306683P1	2	RETAINER	1	PREAMPLIFIER MOUNT PLATE FRONT LATCH
92	46-136246P15	2	TAPE FAST	AR	3/4" WIDE, WHT ADH BACK, VELCRO LOOP
95	46-237420P1	2	THUMB SCR	1	KNURLED HD TYPE 10-32 X .625
96	46-306697G1	2	CABLE ASM	1	MG2-A16-A5-J5 TO MG2A15-A3-J3, 5.25"
98	46-233422P1	2	BNC ANG AD	17	BNC JACK-PLUG, RIGHT ANGLE ADAPTER.
99	46-317722P1	2	COVER	1	CARRIAGE COVER ACCESS PANEL, VENTED
102	46-321218G2	N	PWB	1	USE 46-328036G6 AS FIELD REPLACEMENT
103	46-320927P1	2	BEZEL PLATE	1	KEYED MULTI-COIL BEZEL I/F PLATE
104	46-282460P1	2	BANANA PLUG	2	STANDARD, UNINSULATED BANANA PLUG.
105	46-320928P1	2	BEZEL	1	0.5T/1.0T MULTI-COIL KEYED BEZEL
106	46-170686P1	2	SEALANT	1	LOCTITE 242, 0.5CC TUBE
108	46-317022P1	2	BLOCK LOCATO	6	MOUNTING FINGER, MOLDED WHITE ACETAL
110	46-220427P2	2	ADAPTER	6	BNC STRAIGHT PLUG-PLUG ADAPTOR.
112	46-317016P1	2	SIDE SUPPORT	2	1/2" THK LAMINATED COMPOUND
113	46-317015P1	2	MTG PLATE	1	9-3/8" X 3-1/4", 1/2" THK LAMINATE
120	46-287119P1	2	MOUNT,CABLE	2	SELF-ADHERE TIE-STRAP ANCHOR, NYLON
123	46-328371P1	2	CABLE ASM	1	RUN 736 MG3-A36-J19 TO MG2-A16-A8-J9
124	46-317220G20	N	RF CABLE	1	MULTI-COIL CABLE TAKE-UP RF CABLES (SEE PAGE 2-152)
5663	46-220184P18	2	SCREW MACH	4	6-32 X 1", ROUND HEAD SLOT, BRASS
6911	46-208913P12	2	SCREW	2	10-32 X 1/2", SLOT FLAT-HEAD, BRASS
7111	46-265486P8	2	SCREW,MACH	2	6-32 X .31 PAN HEAD, DELRIN
7115	46-265486P10	2	SCREW,MACH	4	8-32 X 3/4 PAN HEAD, DELRIN
13085	46-220196P3	2	WASHER,LOCK	8	#10 SCREW SIZE (0.190), SST
14325	46-208758P3	2	STRAP	4	7.31" X .184" SELF-LOCKING CABLE TIE
17716	46-208913P29	2	SCREW,MACH	2	10-32 X 1" SLOTTED FLAT HEAD, BRASS
17851	46-220184P11	2	SCREW MACH	2	6-32 X 1/4 LG SLOTTED RD HEAD, BRASS
17856	46-220184P13	2	SCREW MACH	8	6-32 X 3/8" ROUND HEAD SLOT, BRASS
17869	46-220184P15	2	SCREW MACH	2	6-32 X 5/8 ROUND HEAD SLOTTED, BRASS
18113	46-220184P41	2	SCREW MACH	7	10-32 X 1/2" SLOT ROUND HEAD, BRASS
18123	46-220184P43	2	SCREW MACH	14	10-32 X 3/4 SLOT ROUND HEAD, BRASS
18126	46-220184P44	2	SCREW MACH	8	10-32 X 7/8 SLOT ROUND HEAD, BRASS
18129	46-220184P45	2	SCREW MACH	4	10-32 X 1", ROUND HEAD SLOT, BRASS
18134	46-220184P46	2	SCREW MACH	4	10-32 X 1.25" ROUND HEAD SLOT, BRASS
18138	46-220184P47	2	SCREW MACH	2	10-32 X 1.5", ROUND HEAD SLOT, BRASS
37367	1000904P445	2	WASHER,FLAT	4	ID 0.172 OD 0.438 THK .036
38047	46-208938P5	2	NUT,HEX,MS	2	10-32, 3/8" HEX X .130 THK, 18-8 SST
38741	46-221449P5	2	WASHER	23	#10 SCREW SIZE (0.190), PHOS BRONZE
42710	46-208933P15	2	SCREW,MACH	2	10-32 X 1/2" HEX HEAD, NYLON
43635	46-230008P1	2	SCREW,MACH	2	10-32 X 1/2", DELRIN
43650	46-208913P14	2	SCREW,MACH	3	6-32 X 1/2" SLOTTED FLAT HEAD, BRASS
44797	46-243737P2	2	SCREW	12	10-32 X 3/4", WHITE ACETAL
64933	1000904P425	2	WASHER,FLAT	19	0.2 ID, 0.5 OD, .04 THK, B11H89C
83377	46-221449P3	2	WASHER	18	#6 SCREW SIZE (0.138) SILICONE BRONZ
84266	46-265486P6	2	SCREW,MACH	2	8-32 X 3/8, PAN HEAD, DELRIN

MULTI-COIL RF CABLES

46-317220G20 FRU N

(PART OF 2119595-4 PAGE 2-141)

(PART OF 2119595-5 PAGE 2-145)

(PART OF 2119595-6 PAGE 2-150)

Item	Part Number	FRU	Name	Quantity	Description (Remarks)
1	46-317220P1	2	RF CABLE	1	RUN 728 MG3-A36-J11 / MG2-A16-OUT-J1
2	46-317220P2	2	RF CABLE	1	RUN 729 MG3-A36-J12 / MG2-A16-OUT-J2
3	46-317220P3	2	RF CABLE	1	RUN 730 MG3-A36-J13 / MG2-A16-OUT-J3
4	46-317220P4	2	RF CABLE	1	RUN 731 MG3-A36-J14 / MG2-A16-OUT-J4
5	46-317220P5	2	RF CABLE	1	RUN 732 MG3-A36-J15 / MG2-A16-OUT-J5
6	46-317220P6	2	RF CABLE	1	RUN 733 MG3-A36-J16 / MG2-A16-OUT-J6
7	46-317220P7	2	RF CABLE	1	RUN 734 MG3-A36-J17 / MG2-A16-OUT-J7
8	46-317220P8	2	RF CABLE	1	RUN 735 MG3-A36-J18 / MG2-A16-OUT-J8

2-8 BRM INSTALLATION KIT FOR S-SERIES MAGNETS

BRM INSTALL KIT – GE MAGNET 2167251 FRU N

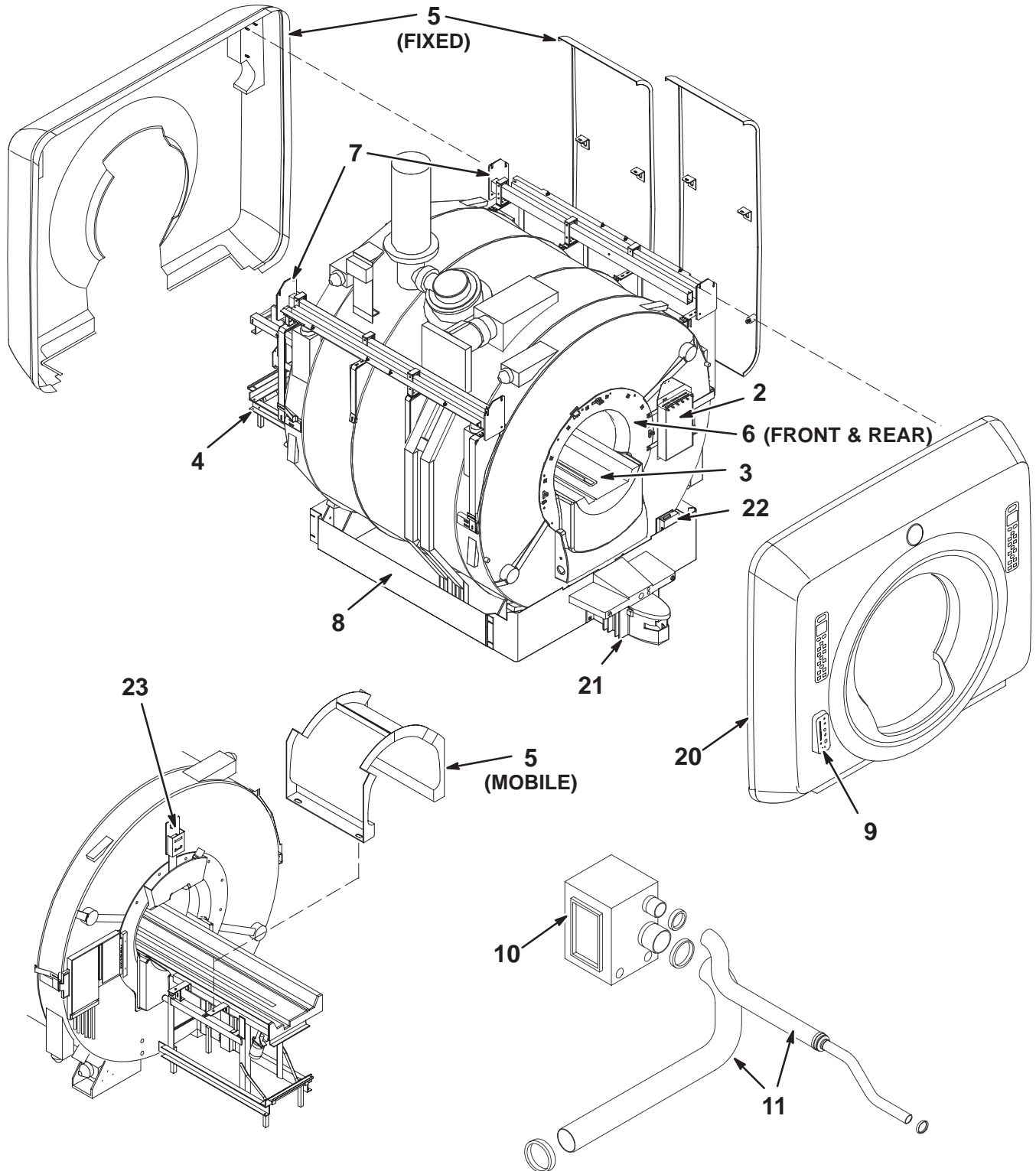
(PART OF 2118422-3 PAGE 2-7)
 (PART OF 2118422-5 PAGE 2-9)
 (PART OF 2118422-7 PAGE 2-11)
 (PART OF 2118422-9 PAGE 2-13)
 (PART OF 2118422-2 PAGE 2-28)
 (PART OF 2118422-4 PAGE 2-30)
 (PART OF 2118422-6 PAGE 2-32)
 (PART OF 2118422-8 PAGE 2-34)
 (PART OF 2118423 PAGE 2-67)
 (PART OF 2118423-2 PAGE 2-69)

Item	Part Number	FRU	Name	Quantity	Description (Remarks)
1	2127523	2	TVL BKT	2	MOBILE GRAD BRKT 600MM
2	2127522	2	TVL LATCH	2	MOBILE BRKT 600MM
3	2109880-4	2	WASHER	8	M10 SST SPRING LOCK WASHER
4	2109878-4	2	WASHER	8	M10 FLAT WASHER, 20MM OD, 2MM, SST
5	2109866-25	2	SCREW	8	M10 X 60 HEX HEAD BOLT, SST
6	2131956	2	CAP SCREW	8	SCREW M16
7	2131955	2	MTG PAD	8	MTG PAD
8	2135234	2	PAD RUBBER	6	600MM X 300MM X 9.5MM THK NEOPRENE
9	2126201	2	RUBBER PAD	2	750MM X 500MM X 6.5MM THK NEOPRENE
10	2135234-2	2	PAD RUBBER	2	600MM X 300MM X 3,2MM THK NEOPRENE
11	2131953	2	MTG PAD	8	MTG PAD
12	46-170684P2	2	ADHESIVE	1	LOCTITE 271, 10CC BOTTLE
13	2170490	2	SPACER	2	40 X 40 X 12 1/2MM SHIPPING SPACER

2-9 Cx MAGNET ENCLOSURES

Cx 1.5T & 1.0T HORIZON MAGNET ENCLOSURE - FIXED & MOBILE

2142000 SERIES



Cx 1.0T FXD MAG ENCL w/o M-C 2142000 FRU N (PART OF M1840PN)

Item	Part Number	FRU	Name	Quantity	Description (Remarks)
2	2168697	N	SRI ASM	1	SRI ASSEMBLY FOR Cx (SEE PAGE 2-159)
3	2119595-8	N	PREASM BRDGE	1	CX 1.0T STD PREASSEM BRIDGE W/O PA (SEE PAGE 2-194)
4	46-328137G16	N	PEDESTAL	1	1.0T FIXED SITE W/O PA REAR PEDESTAL (SEE PAGE 2-221)
5	2158571	N	ASSEMBLY	1	FIBERGLASS COVER KIT (SEE PAGE 2-229)
6	2158572	N	ASSEMBLY	1	END BELL KIT - FIXED SITE (SEE PAGE 2-160)
7	2158576	N	ASSEMBLY	1	MAIN FRAMEWORK & CVR SLIDES-FIXED (SEE PAGE 2-163)
8	2131491-3	N	TRIM KIT	1	ENCLOSURE TRIM PANELS KIT (SEE PAGE 2-238)
9	2122268-3	1	PAC-II ASSY	1	PHYSIOLOGICAL ACQUISITION CNTRLLR (SEE PAGE 2-99)
10A	2121199-7	N	BLOWER (MG6)	1	REINFORCED BLOWER CABINET, MG6 (SEE PAGE 2-100)
10B	2121199	N	BLOWER (MG6)	ALT	BLOWER CABINET, MG6 (SEE PAGE 2-100)
11	2129412-2	N	HOSE KIT	1	BLOWER HOSE KIT - Cx (SEE PAGE 2-169)
20	2157262	N	ASSEMBLY	1	FRONT COVER ASM Cx (SEE PAGE 2-170)
21	46-271260G2	N	ASSEMBLY	1	DOCK ASSEMBLY (SEE PAGE 2-244)
22	46-282757G5	2	DOCK CONTROL	1	DOCK CONTROL BOX FOR Cx MAGNET (SEE PAGE 2-172)
23	2164869	N	ASSEMBLY	1	BORE LAMP ASSEMBLY Cx-FIXED (SEE PAGE 2-240)

Cx 1.0T FXD MAG ENCL w/M-C 2142000-2 FRU N (PART OF M1841PN)

Item	Part Number	FRU	Name	Quantity	Description (Remarks)
2	2168697	N	SRI ASM	1	SRI ASSEMBLY FOR Cx (SEE PAGE 2-159)
3	2119595-9	N	PREASM BRDGE	1	CX 1.0T STD PREASSEM BRIDGE W/PA (SEE PAGE 2-200)
4	46-328137G17	N	PEDESTAL	1	1.0T FIXED SITE W/PA REAR PEDESTAL (SEE PAGE 2-222)
5	2158571	N	ASSEMBLY	1	FIBERGLASS COVER KIT (SEE PAGE 2-229)
6	2158572	N	ASSEMBLY	1	END BELL KIT - FIXED SITE (SEE PAGE 2-160)
7	2158576	N	ASSEMBLY	1	MAIN FRAMEWORK & CVR SLIDES-FIXED (SEE PAGE 2-163)
8	2131491-3	N	TRIM KIT	1	ENCLOSURE TRIM PANELS KIT (SEE PAGE 2-238)
9	2122268-3	1	PAC-II ASSY	1	PHYSIOLOGICAL ACQUISITION CNTRLLR (SEE PAGE 2-99)
10A	2121199-7	N	BLOWER (MG6)	1	REINFORCED BLOWER CABINET, MG6 (SEE PAGE 2-100)
10B	2121199	N	BLOWER (MG6)	ALT	BLOWER CABINET, MG6 (SEE PAGE 2-100)
11	2129412-2	N	HOSE KIT	1	BLOWER HOSE KIT - Cx (SEE PAGE 2-169)
20	2157262	N	ASSEMBLY	1	FRONT COVER ASM Cx (SEE PAGE 2-170)
21	46-271260G2	N	ASSEMBLY	1	DOCK ASSEMBLY (SEE PAGE 2-244)
22	46-282757G5	2	DOCK CONTROL	1	DOCK CONTROL BOX FOR Cx MAGNET (SEE PAGE 2-172)
23	2164869	N	ASSEMBLY	1	BORE LAMP ASSEMBLY Cx-FIXED (SEE PAGE 2-240)

Cx 1.0T MOB MAG ENCL w/o M-C 2142000-3 FRU N (PART OF M1850PN)
 (PART OF M1860PN)

Item	Part Number	FRU	Name	Quantity	Description (Remarks)
2	2168697	N	SRI ASM	1	SRI ASSEMBLY FOR Cx (SEE PAGE 2-159)
3	2119595-8	N	PREASM BRDGE	1	CX 1.0T STD PREASSEM BRIDGE W/O PA (SEE PAGE 2-194)
4	46-328137G18	N	PEDESTAL	1	1.0T MOBILE W/O PA REAR PEDESTAL (SEE PAGE 2-223)
5	2117063-2	N	BACK COVER	1	COVER REAR (RF TUBE EXT)
6	2158572-2	N	ASSEMBLY	1	MOBILE END BELL KIT (SEE PAGE 2-160)
7	2158576-2	N	ASSEMBLY	1	MAIN FRAMEWORK & CVR SLIDES-MOBILE (SEE PAGE 2-164)
9	2122268-3	1	PAC-II ASSY	1	PHYSIOLOGICAL ACQUISITION CNTROLLR (SEE PAGE 2-99)
10A	2121199-7	N	BLOWER (MG6)	1	REINFORCED BLOWER CABINET, MG6 (SEE PAGE 2-100)
10B	2121199	N	BLOWER (MG6)	ALT	BLOWER CABINET, MG6 (SEE PAGE 2-100)
11	2129412-2	N	HOSE KIT	1	BLOWER HOSE KIT - Cx (SEE PAGE 2-169)
20	2157262	N	ASSEMBLY	1	FRONT COVER ASM Cx (SEE PAGE 2-170)
21	46-271260G2	N	ASSEMBLY	1	DOCK ASSEMBLY (SEE PAGE 2-244)
22	46-282757G5	2	DOCK CONTROL	1	DOCK CONTROL BOX FOR Cx MAGNET (SEE PAGE 2-172)
23	2164869-2	N	ASSEMBLY	1	BORE LAMP ASSEMBLY Cx-MOBILE (SEE PAGE 2-241)

Cx 1.0T MOB MAG ENCL w/M-C 2142000-4 FRU N (PART OF M1851PN)
 (PART OF M1861PN)

Item	Part Number	FRU	Name	Quantity	Description (Remarks)
2	2168697	N	SRI ASM	1	SRI ASSEMBLY FOR Cx (SEE PAGE 2-159)
3	2119595-9	N	PREASM BRDGE	1	CX 1.0T STD PREASSEM BRIDGE W/PA (SEE PAGE 2-200)
4	46-328137G19	N	PEDESTAL	1	1.0T MOBILE W/PA REAR PEDESTAL (SEE PAGE 2-224)
5	2117063-2	N	BACK COVER	1	COVER REAR (RF TUBE EXT)
6	2158572-2	N	ASSEMBLY	1	MOBILE END BELL KIT (SEE PAGE 2-160)
7	2158576-2	N	ASSEMBLY	1	MAIN FRAMEWORK & CVR SLIDES-MOBILE (SEE PAGE 2-164)
9	2122268-3	1	PAC-II ASSY	1	PHYSIOLOGICAL ACQUISITION CNTROLLR (SEE PAGE 2-99)
10A	2121199-7	N	BLOWER (MG6)	1	REINFORCED BLOWER CABINET, MG6 (SEE PAGE 2-100)
10B	2121199	N	BLOWER (MG6)	ALT	BLOWER CABINET, MG6 (SEE PAGE 2-100)
11	2129412-2	N	HOSE KIT	1	BLOWER HOSE KIT - Cx (SEE PAGE 2-169)
20	2157262	N	ASSEMBLY	1	FRONT COVER ASM Cx (SEE PAGE 2-170)
21	46-271260G2	N	ASSEMBLY	1	DOCK ASSEMBLY (SEE PAGE 2-244)
22	46-282757G5	2	DOCK CONTROL	1	DOCK CONTROL BOX FOR Cx MAGNET (SEE PAGE 2-172)
23	2164869-2	N	ASSEMBLY	1	BORE LAMP ASSEMBLY Cx-MOBILE (SEE PAGE 2-241)

Cx 1.5T FXD MAG ENCL w/o M-C 2142000-5 FRU N (PART OF M1040PN)

Item	Part Number	FRU	Name	Quantity	Description (Remarks)
2	2168697	N	SRI ASM	1	SRI ASSEMBLY FOR Cx (SEE PAGE 2-159)
3	2119595-10	N	PREASM BRDGE	1	CX 1.5T STD PREASSEM BRIDGE W/O PA (SEE PAGE 2-196)
4	46-328137G20	N	PEDESTAL	1	1.5T FIXED SITE W/O PA REAR PEDESTAL (SEE PAGE 2-225)
5	2158571	N	ASSEMBLY	1	FIBERGLASS COVER KIT (SEE PAGE 2-229)
6	2158572	N	ASSEMBLY	1	END BELL KIT - FIXED SITE (SEE PAGE 2-160)
7	2158576	N	ASSEMBLY	1	MAIN FRAMEWORK & CVR SLIDES-FIXED (SEE PAGE 2-163)
8	2131491-3	N	TRIM KIT	1	ENCLOSURE TRIM PANELS KIT (SEE PAGE 2-238)
9	2122268-3	1	PAC-II ASSY	1	PHYSIOLOGICAL ACQUISITION CNTROLLR (SEE PAGE 2-99)
10A	2121199-7	N	BLOWER (MG6)	1	REINFORCED BLOWER CABINET, MG6 (SEE PAGE 2-100)
10B	2121199	N	BLOWER (MG6)	ALT	BLOWER CABINET, MG6 (SEE PAGE 2-100)
11	2129412-2	N	HOSE KIT	1	BLOWER HOSE KIT - Cx (SEE PAGE 2-169)
20	2157262	N	ASSEMBLY	1	FRONT COVER ASM Cx (SEE PAGE 2-170)
21	46-271260G2	N	ASSEMBLY	1	DOCK ASSEMBLY (SEE PAGE 2-244)
22	46-282757G5	2	DOCK CONTROL	1	DOCK CONTROL BOX FOR Cx MAGNET (SEE PAGE 2-172)
23	2164869	N	ASSEMBLY	1	BORE LAMP ASSEMBLY Cx-FIXED (SEE PAGE 2-240)

Cx 1.5T FXD MAG ENCL w/M-C 2142000-6 FRU N (PART OF M1041PN)

Item	Part Number	FRU	Name	Quantity	Description (Remarks)
2	2168697	N	SRI ASM	1	SRI ASSEMBLY FOR Cx (SEE PAGE 2-159)
3	2119595-11	N	PREASM BRDGE	1	CX 1.5T STD PREASSEM BRIDGE WITH PA (SEE PAGE 2-202)
4	46-328137G21	N	PEDESTAL	1	1.5T FIXED SITE W/PA REAR PEDESTAL (SEE PAGE 2-226)
5	2158571	N	ASSEMBLY	1	FIBERGLASS COVER KIT (SEE PAGE 2-229)
6	2158572	N	ASSEMBLY	1	END BELL KIT - FIXED SITE (SEE PAGE 2-160)
7	2158576	N	ASSEMBLY	1	MAIN FRAMEWORK & CVR SLIDES-FIXED (SEE PAGE 2-163)
8	2131491-3	N	TRIM KIT	1	ENCLOSURE TRIM PANELS KIT (SEE PAGE 2-238)
9	2122268-3	1	PAC-II ASSY	1	PHYSIOLOGICAL ACQUISITION CNTROLLR (SEE PAGE 2-99)
10A	2121199-7	N	BLOWER (MG6)	1	REINFORCED BLOWER CABINET, MG6 (SEE PAGE 2-100)
10B	2121199	N	BLOWER (MG6)	ALT	BLOWER CABINET, MG6 (SEE PAGE 2-100)
11	2129412-2	N	HOSE KIT	1	BLOWER HOSE KIT - Cx (SEE PAGE 2-169)
20	2157262	N	ASSEMBLY	1	FRONT COVER ASM Cx (SEE PAGE 2-170)
21	46-271260G2	N	ASSEMBLY	1	DOCK ASSEMBLY (SEE PAGE 2-244)
22	46-282757G5	2	DOCK CONTROL	1	DOCK CONTROL BOX FOR Cx MAGNET (SEE PAGE 2-172)
23	2164869	N	ASSEMBLY	1	BORE LAMP ASSEMBLY Cx-FIXED (SEE PAGE 2-240)

Cx 1.5T MOB MAG ENCL w/o M-C 2142000-7 FRU N (PART OF M1050PN)
 (PART OF M1060PN)

Item	Part Number	FRU	Name	Quantity	Description (Remarks)
2	2168697	N	SRI ASM	1	SRI ASSEMBLY FOR Cx (SEE PAGE 2-159)
3	2119595-10	N	PREASM BRDGE	1	CX 1.5T STD PREASSEM BRIDGE W/O PA (SEE PAGE 2-196)
4	46-328137G22	N	PEDESTAL	1	1.5T MOBILE W/O PA REAR PEDESTAL (SEE PAGE 2-227)
5	2117063-2	N	BACK COVER	1	COVER REAR (RF TUBE EXT)
6	2158572-2	N	ASSEMBLY	1	MOBILE END BELL KIT (SEE PAGE 2-160)
7	2158576-2	N	ASSEMBLY	1	MAIN FRAMEWORK & CVR SLIDES-MOBILE (SEE PAGE 2-164)
9	2122268-3	1	PAC-II ASSY	1	PHYSIOLOGICAL ACQUISITION CNTRLR (SEE PAGE 2-99)
10A	2121199-7	N	BLOWER (MG6)	1	REINFORCED BLOWER CABINET, MG6 (SEE PAGE 2-100)
10B	2121199	N	BLOWER (MG6)	ALT	BLOWER CABINET, MG6 (SEE PAGE 2-100)
11	2129412-2	N	HOSE KIT	1	BLOWER HOSE KIT - Cx (SEE PAGE 2-169)
20	2157262	N	ASSEMBLY	1	FRONT COVER ASM Cx (SEE PAGE 2-170)
21	46-271260G2	N	ASSEMBLY	1	DOCK ASSEMBLY (SEE PAGE 2-244)
22	46-282757G5	2	DOCK CONTROL	1	DOCK CONTROL BOX FOR Cx MAGNET (SEE PAGE 2-172)
23	2164869-2	N	LAMP	1	BORE LAMP ASSEMBLY Cx-MOBILE (SEE PAGE 2-241)

Cx 1.5T MOB MAG ENCL w/M-C 2142000-8 FRU N (PART OF M1051PN)
 (PART OF M1061PN)

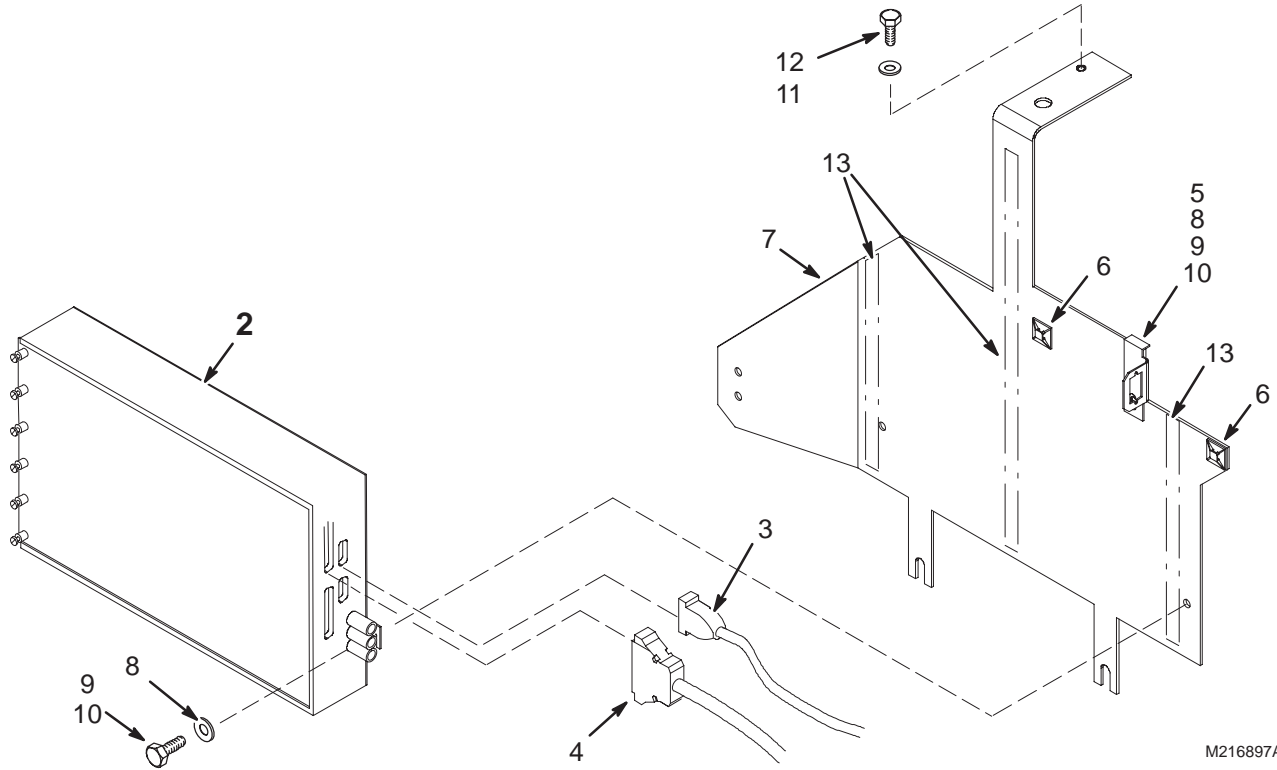
Item	Part Number	FRU	Name	Quantity	Description (Remarks)
2	2168697	N	SRI ASM	1	SRI ASSEMBLY FOR Cx (SEE PAGE 2-159)
3	2119595-11	N	PREASM BRDGE	1	CX 1.5T STD PREASSEM BRIDGE WITH PA (SEE PAGE 2-202)
4	46-328137G23	N	PEDESTAL	1	1.5T MOBILE W/PA REAR PEDESTAL (SEE PAGE 2-228)
5	2117063-2	N	BACK COVER	1	COVER REAR (RF TUBE EXT)
6	2158572-2	N	ASSEMBLY	1	MOBILE END BELL KIT (SEE PAGE 2-160)
7	2158576-2	N	ASSEMBLY	1	MAIN FRAMEWORK & CVR SLIDES-MOBILE (SEE PAGE 2-164)
9	2122268-3	1	PAC-II ASSY	1	PHYSIOLOGICAL ACQUISITION CNTRLR (SEE PAGE 2-99)
10A	2121199-7	N	BLOWER (MG6)	1	REINFORCED BLOWER CABINET, MG6 (SEE PAGE 2-100)
10B	2121199	N	BLOWER (MG6)	ALT	BLOWER CABINET, MG6 (SEE PAGE 2-100)
11	2129412-2	N	HOSE KIT	1	BLOWER HOSE KIT - Cx (SEE PAGE 2-169)
20	2157262	N	ASSEMBLY	1	FRONT COVER ASM Cx (SEE PAGE 2-170)
21	46-271260G2	N	ASSEMBLY	1	DOCK ASSEMBLY (SEE PAGE 2-244)
22	46-282757G5	2	DOCK CONTROL	1	DOCK CONTROL BOX FOR Cx MAGNET (SEE PAGE 2-172)
23	2164869-2	N	LAMP	1	BORE LAMP ASSEMBLY Cx-MOBILE (SEE PAGE 2-241)

Cx CRM 1.5T FXD MAG ENCL w/M-C 2142000-9 FRU N (PART OF M1071PR)

Item	Part Number	FRU	Name	Quantity	Description (Remarks)
2	2168697	N	SRI ASM	1	SRI ASSEMBLY FOR CONQUEST (SEE PAGE 2-159)
3	2205099	N	ASSEMBLY	1	CRM FWD PROD BRIDGE FOR Cx/LCC (SEE PAGE 2-206)
4	46-328137G21	N	PEDESTAL	1	1.5T FIXED SITE W/PA REAR PEDESTAL (SEE PAGE 2-226)
5	2158571	N	ASSEMBLY	1	FIBERGLASS COVER KIT (SEE PAGE 2-229)
6	2198317	N	ASSEMBLY	1	END BELL KIT, CX/CRM FXD (SEE PAGE 2-161)
7	2158576	N	ASSEMBLY	1	MAIN FRAMEWORK & CVR SLIDES-FIXED (SEE PAGE 2-163)
8	2131491-3	N	TRIM KIT	1	ENCLOSURE TRIM PANELS KIT (SEE PAGE 2-238)
9	2122268-3	1	PAC-II ASSY	1	PHYSIOLOGICAL ACQUISITION CONTRLLR (SEE PAGE 2-99)
10A	2121199-7	N	BLOWER (MG6)	1	REINFORCED BLOWER CABINET, MG6 (SEE PAGE 2-100)
10B	2121199	N	BLOWER (MG6)	ALT	BLOWER CABINET, MG6 (SEE PAGE 2-100)
11	2129412-2	N	HOSE KIT	1	BLOWER HOSE KIT (SEE PAGE 2-169)
20	2157262	N	ASSEMBLY	1	FRONT COVER ASM CONQUEST (SEE PAGE 2-170)
21	46-271260G2	N	ASSEMBLY	1	DOCK ASSEMBLY (SEE PAGE 2-244)
22	46-282757G5	2	DOCK CONTROL	1	DOCK CONTROL BOX FOR Cx MAGNET (SEE PAGE 2-172)
23	2164869-3	2	PART	1	BORE LAMP ASSEMBLY Cx-CRM (SEE PAGE 2-242)

Cx SRI ASSEMBLY

2168697



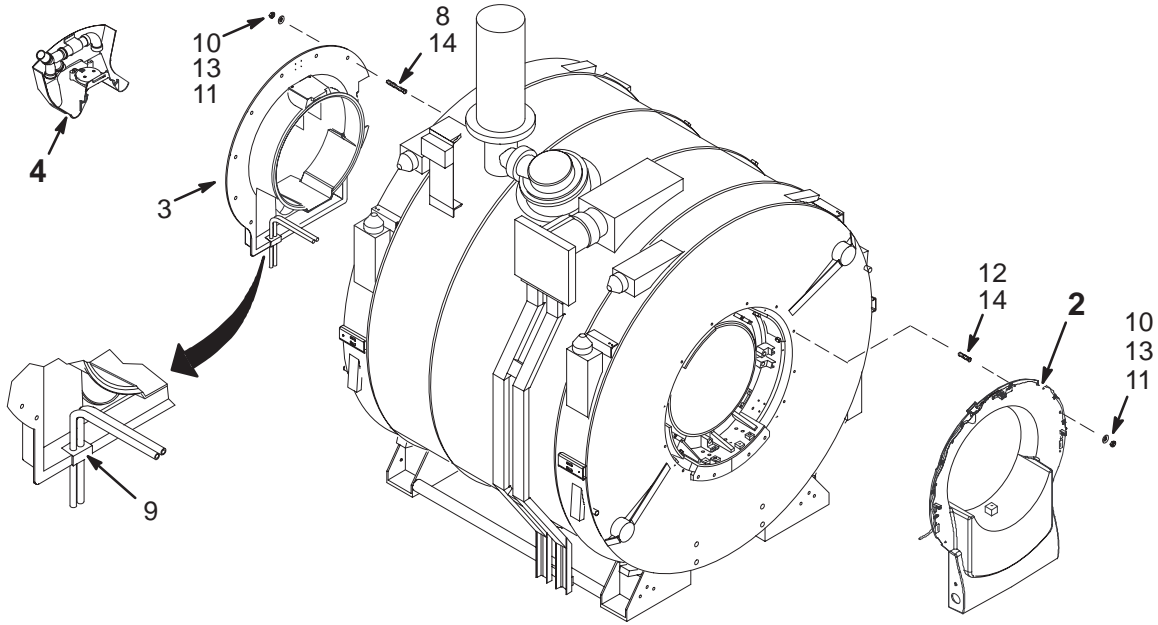
M216897A

Cx SRI ASSEMBLY 2168697 FRU N (PART OF 2142000 SERIES PAGES 2-155 THRU 2-158)

Item	Part Number	FRU	Name	Quantity	Description (Remarks)
2	46-287370G7	1	DSIM/SRI BD	1	SCAN ROOM INTERFACE (SRI) (SEE PAGE 2-97)
2	46-287370G6	N	DSIM/SRI BD	ALT	SCAN ROOM INTERFACE (SRI)
2	46-287370G8	N	DSIM/SRI BD	ALT	SCAN ROOM INTERFACE (SRI)
3	46-287908G2	2	CABLE	1	15 COND. 30" CABLE
4	46-243775G668	2	CABLE	1	RUN 422, MG3-A1-J4 TO MG2-A33-J2
5	2133208	2	BRACKET	1	PAC CABLE INTERFACE MOUNT/GROUND
6	46-208747P1	2	VIBRATION IS	2	CABLE TIE,ADH.BACKED
7	2168507	2	SRI MTG PLAT	1	SRI MOUNTING PLATE
8	2109878-3	2	WASHER	3	WASHER PLAIN - NORMAL 6.4 MM 12 MM
9	2109866-10	2	SCREW	3	SCREW HEXAGON HEAD
10	46-170686P3	N	ADHESIVE	AR	LOCTITE 242, 50CC
11	2109866-19	2	SCREW	1	SCREW HEXAGON HEAD
12	2109878-4	2	WASHER	1	WASHER PLAIN - NORMAL 10.5 MM 20 MM
13	2174929	2	CONFOR FOAM	AR	OPEN CELL POLYURETHANE FOAM

Cx END BELL KIT – FIXED AND MOBILE

2158572 & 2158572-2



Cx END BELL KIT – FIXED

2158572 FRU N

(PART OF 2142000 PAGE 2-155)
 (PART OF 2142000-2 PAGE 2-155)
 (PART OF 2142000-5 PAGE 2-157)
 (PART OF 2142000-6 PAGE 2-157)

Item	Part Number	FRU	Name	Quantity	Description (Remarks)
2	2158573	2	ASSEMBLY	1	FRT END BELL ASM (SEE PAGE 2-232)
3	2157328	2	PART	1	REAR ENDBELL-Cx
4	2158378	N	ASSEMBLY	1	COMFORT MODULE Cx (SEE PAGE 2-237)
7	2167321	2	WASHER	58	WASHER, NEOPRENE RUBBER
8	2116325-2	2	STUD, MAGNET	8	STUD SST M10 X 65
9	2169967	2	FOAM INSERT	1	FOAM BLOCK
10	2109878-4	2	WASHER	18	WASHER PLAIN – NORMAL 10.5 MM 20 MM
11	46-170686P3	N	ADHESIVE	1	LOCTITE 242, 50CC
12	2116325-7	2	STUD, MAGNET	10	STUD SST M10 X 35MM
13	2109875-4	2	NUT	18	NUT HEXAGON M10 A2-70
14	2119594	N	LUBRICANT	1	ANTI-SEIZE LUBRICANT, 1 OZ TUBE

Cx END BELL KIT – MOBILE

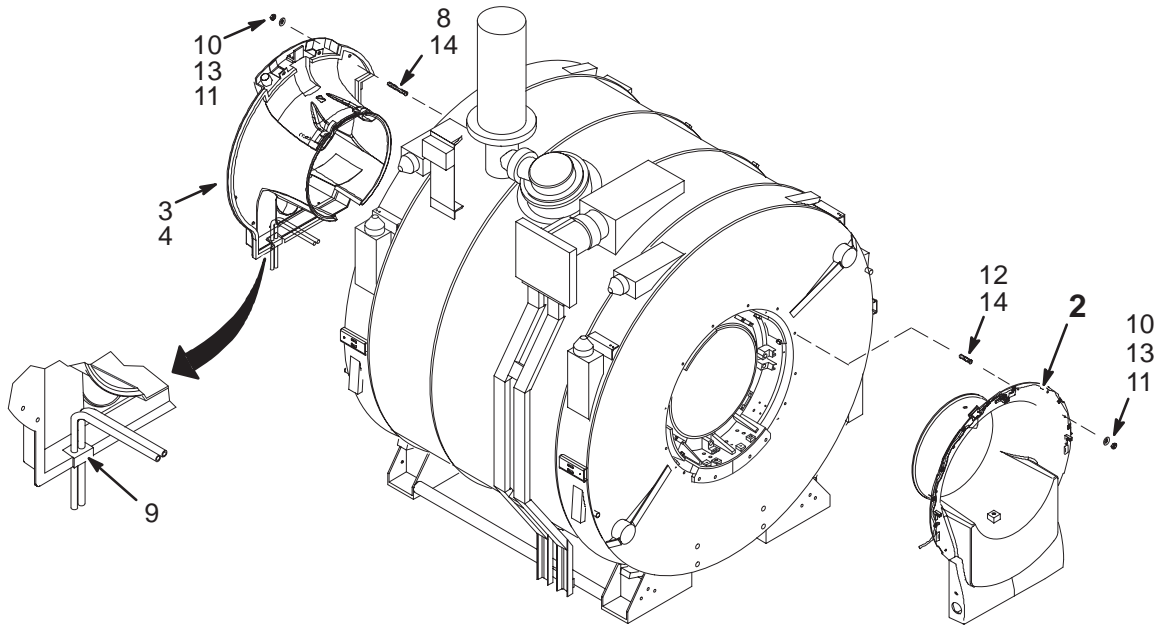
2158572-2 FRU N

(PART OF 2142000-3 PAGE 2-156)
 (PART OF 2142000-4 PAGE 2-156)
 (PART OF 2142000-7 PAGE 2-158)
 (PART OF 2142000-8 PAGE 2-158)

Item	Part Number	FRU	Name	Quantity	Description (Remarks)
2	2158573-2	N	ASSEMBLY	1	MOBILE FRT END BELL ASM (SEE PAGE 2-233)
3	2157328	2	PART	1	REAR ENDBELL-Cx
4	2158378	N	ASSEMBLY	1	COMFORT MODULE Cx (SEE PAGE 2-237)
7	2167321	2	WASHER	58	WASHER
8	2116325-2	2	STUD, MAGNET	8	STUD SST M10 X 65
9	2169967	2	FOAM INSERT	1	FOAM BLOCK
10	2109878-4	2	WASHER	18	WASHER PLAIN – NORMAL 10.5 MM 20 MM
12	2116325-7	2	STUD, MAGNET	10	STUD SST M10 X 35MM
13	2109875-4	2	NUT	18	NUT HEXAGON 10 MM

Cx CRM END BELL KIT – FIXED

2198317



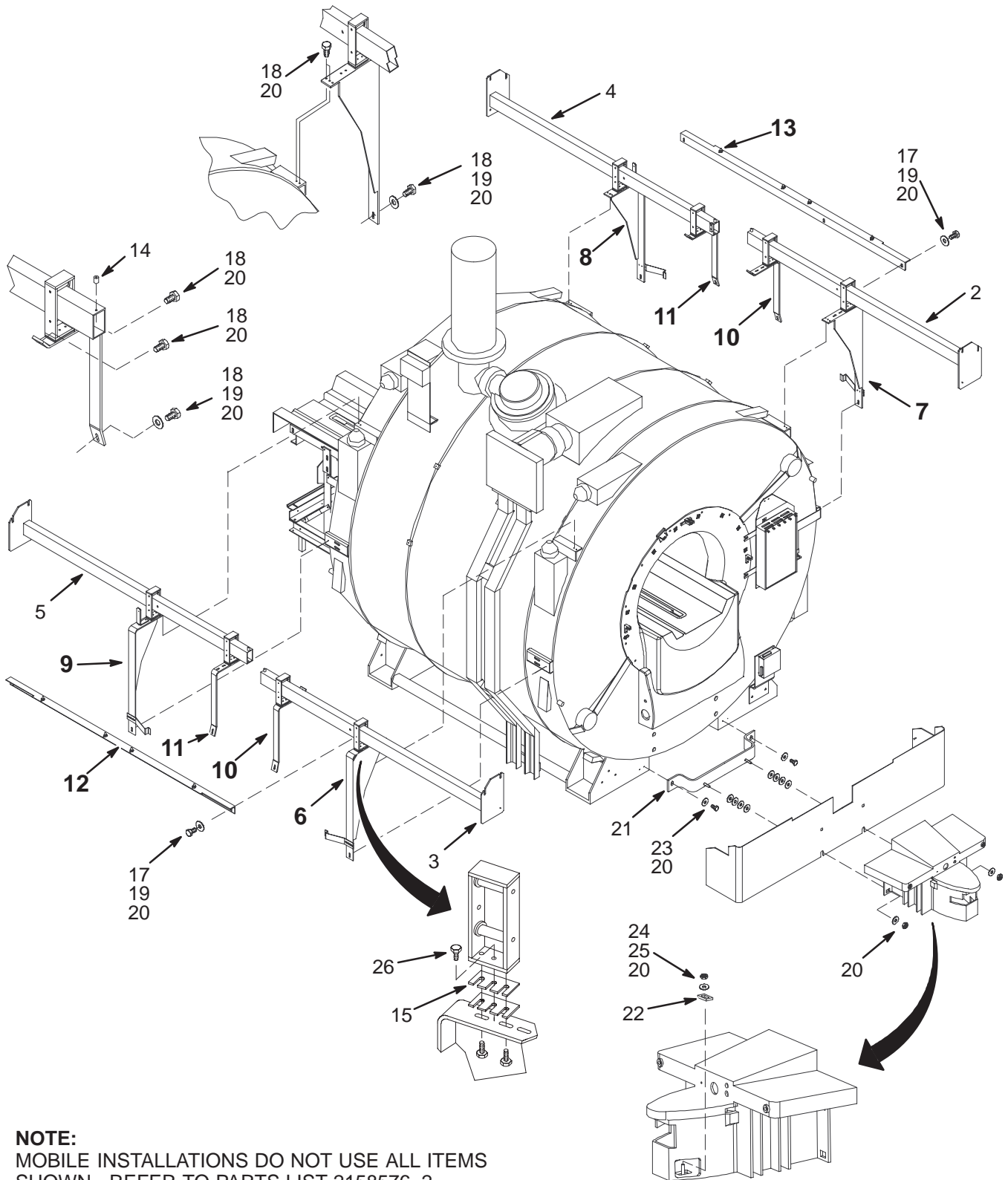
Cx CRM END BELL KIT – FIXED

2198317 FRU N

(PART 6 OF 2142000–9 PAGE 2–158)

Item	Part Number	FRU	Name	Quantity	Description (Remarks)
2	2158573-3	N	ASSEMBLY	1	CX/LCC FXD CRM FRONT END BELL ASM (SEE PAGE 2-235)
3	2195877	N	PART	1	ENDBELL ASSEMBLY CX (SEE PAGE 2-236)
4	2208875	2	PART	1	FOAM BLOCK, CRM REAR ENDBELL GASKET
7	2167321	2	WASHER	108	WASHER
8	2116325-2	2	STUD, MAGNET	8	STUD SST M10 X 65
9	2169967	2	FOAM INSERT	1	FOAM BLOCK
10	2109878-4	2	WASHER	18	WASHER PLAIN – NORMAL 10.5 MM 20 MM
11	46-170686P2	2	ADHESIVE OLD	1	LOCTITE 242, 10CC
12	2116325-8	2	STUD, MAGNET	10	STUD, M10 X 45 MM, STAINLESS STEEL
13	2109875-4	2	NUT	18	NUT HEXAGON 10 MM
14	2119594	N	LUBRICANT	1	ANTI-SEIZE LUBRICANT, 1 OZ TUBE

Cx FRAMEWORK & COVER SLIDES – FIXED & MOBILE 2158576 & 2158576-2



NOTE:
MOBILE INSTALLATIONS DO NOT USE ALL ITEMS SHOWN. REFER TO PARTS LIST 2158576-2.

FRAMEWORK & CVR SLIDES-FXD 2158576 FRU N

(PART OF 2142000 PAGE 2-155)
(PART OF 2142000-2 PAGE 2-155)
(PART OF 2142000-5 PAGE 2-157)
(PART OF 2142000-6 PAGE 2-157)
(PART 6 OF 2142000-9 PAGE 2-158)

Item	Part Number	FRU	Name	Quantity	Description (Remarks)
2	2181840	N	COVER SLIDE	1	COVER SLIDE MTG. RIGHT FRONT
3	2181840-2	N	COVER SLIDE	1	COVER SLIDE MTG. LEFT FRONT
4	2181840-3	N	COVER SLIDE	1	COVER SLIDE MTG. RIGHT REAR
5	2181840-4	N	COVER SLIDE	1	COVER SLIDE MTG. LEFT REAR
6	2172744	2	ASSEMBLY	1	SLIDE BLOCK MTG ASM (SEE PAGE 2-165)
7	2172744-2	N	ASSEMBLY	1	SLIDE BLOCK MTG ASM (SEE PAGE 2-165)
8	2172744-3	N	ASSEMBLY	1	SLIDE BLOCK MTG ASM (SEE PAGE 2-166)
9	2172744-4	2	ASSEMBLY	1	SLIDE BLOCK MTG ASM (SEE PAGE 2-166)
10	2166492	N	ASSEMBLY	2	SLIDE BLOCK MTG ASM (SEE PAGE 2-167)
11	2166492-2	N	ASSEMBLY	2	SLIDE BLOCK MTG ASM (SEE PAGE 2-167)
12	2166652	N	COVER SLIDE	1	BRACKET, SLIDE COVER (SEE PAGE 2-168)
13	2166652-2	N	COVER SLIDE	1	BRACKET, SLIDE COVER (SEE PAGE 2-168)
14	2182293	N	SLIDE STOP	4	PVC 13MM DIA X 16MM LG STANDOFF M6
15	2182141	N	SPACER PLATE	4	3MM THICK ALUMINUM SPACER PLATE
17	2109866-10	2	SCREW	6	SCREW HEXAGON HEAD
18	2109866-11	2	SCREW	24	SCREW HEXAGON HEAD 6 MM 16 MM
19	2109879-2	2	WASHER	14	WASHER PLAIN - NORMAL 6.4 MM 12 MM
20	46-170686P3	2	ADHESIVE	1	LOCTITE 242, 50CC
21	2175704	N	DOCK MOUNTIN	1	DOCK MOUNTING SUPPORT
22	2178874	N	DOCK CLAMP P	1	DOCK CLAMP PLATE
23	2109866-21	2	SCREW	2	SCREW HEXAGON HEAD 10 MM 30 MM
24	2109878-4	2	WASHER	1	WASHER PLAIN - NORMAL 10.5 MM 20 MM
25	2109875-4	2	NUT	1	NUT HEXAGON 10 MM
26	46-208932P44	2	SCREW	2	SCREW
27	46-208758P2	2	TY-RAP	4	5.5" X .140" SELF-LOCKING CABLE TIE.
28	46-208758P5	2	TY-RAP	14	13.38" X .301" SELF-LOCKING CABLE TIE

FRAMEWORK & CVR SLIDES-MOB 2158576-2 FRU N

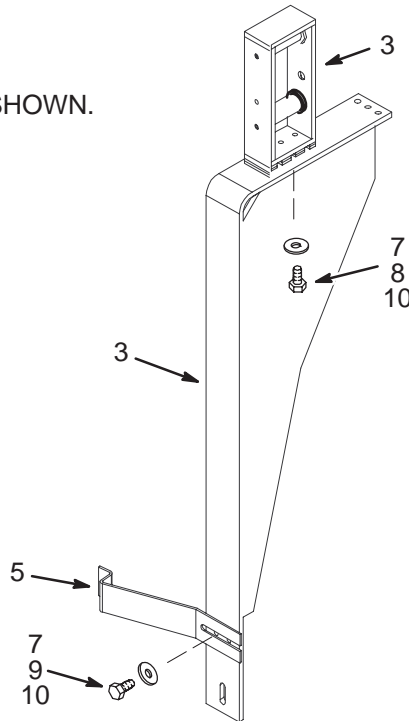
(PART OF 2142000-3 PAGE 2-156)
 (PART OF 2142000-4 PAGE 2-156)
 (PART OF 2142000-7 PAGE 2-158)
 (PART OF 2142000-8 PAGE 2-158)

Item	Part Number	FRU	Name	Quantity	Description (Remarks)
2	2181840	N	COVER SLIDE	1	COVER SLIDE MTG. RIGHT FRONT
3	2181840-2	N	COVER SLIDE	1	COVER SLIDE MTG.LEFT FRONT
6	2172744	N	ASSEMBLY	1	SLIDE BLOCK MTG ASM (SEE PAGE 2-165)
7	2172744-2	N	ASSEMBLY	1	SLIDE BLOCK MTG ASM (SEE PAGE 2-165)
10	2166492	N	ASSEMBLY	2	SLIDE BLOCK MTG ASM (SEE PAGE 2-167)
14	2182293	N	SLIDE STOP	2	PVC 13MM DIA X 16MM LG STANDOFF M6
15	2182141	N	SPACER PLATE	4	3MM THICK ALUMINUM SPACER PLATE
18	2109866-11	2	SCREW	12	SCREW HEXAGON HEAD 6 MM 16 MM
19	2109879-2	2	WASHER	14	WASHER PLAIN - NORMAL 6.4 MM 12 MM
20	46-170686P3	2	ADHESIVE	1	LOCTITE 242, 50CC
21	2175704	N	DOCK MOUNTIN	1	DOCK MOUNTING SUPPORT
22	2178874	N	DOCK CLAMP P	1	DOCK CLAMP PLATE
23	2109866-21	2	SCREW	2	SCREW HEXAGON HEAD 10 MM 30 MM
24	2109878-4	2	WASHER	1	WASHER PLAIN - NORMAL 10.5 MM 20 MM
25	2109875-4	2	NUT	1	NUT HEXAGON 10 MM
26	46-208932P44	2	SCREW	2	SCREW
27	46-208758P2	2	TY-RAP	4	5.5" X .140" SELF-LOCKING CABLE TIE.
28	46-208758P5	2	TY-RAP	14	13.38"X .301" SELF-LOCKING CABLE TIE

Cx SLIDE BLOCK MOUNTING ASM – LEFT AND RIGHT FRONT

2172744 & 2172744-2

NOTE:
LEFT SIDE BRACKET ASM SHOWN.



SLIDE BLOCK MOUNTING ASM

2172744 FRU N

(PART OF 2158576 PAGE 2-163)
(PART OF 2158576-2 PAGE 2-164)

Item	Part Number	FRU	Name	Quantity	Description (Remarks)
2	2182140	N	SLIDE BLOCK	1	SLIDE BLOCK ASM
3	2172745	N	PART	1	BRACKET
4	2182141	N	SPACER PLATE	2	3MM THICK ALUMINUM SPACER PLATE
5	2175497	2	LATCHING SPR	1	Cx FRONT COVER LOCKING LATCH
7	2109879-2	2	WASHER	4	WASHER PLAIN – LARGE 6.4 MM 12 MM
8	2109866-13	2	SCREW	3	SCREW HEXAGON HEAD 6 MM 25 MM
9	2109866-11	2	SCREW	2	SCREW HEXAGON HEAD 6 MM 16 MM
10	46-170686P3	2	ADHESIVE	AR	LOCTITE 242, 50CC

SLIDE BLOCK MOUNTING ASM

2172744-2 FRU N

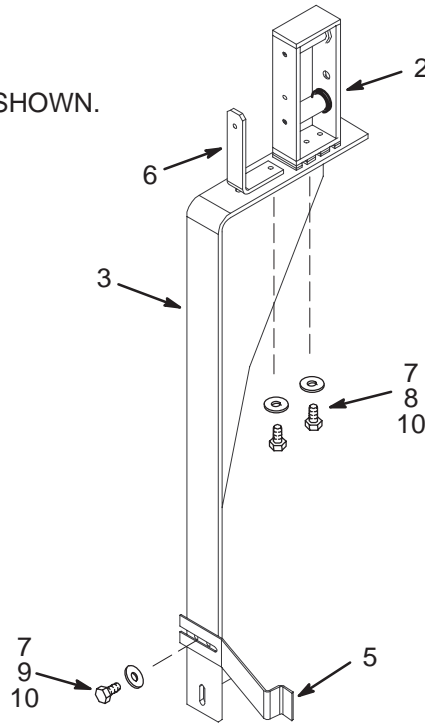
(PART OF 2158576 PAGE 2-163)
(PART OF 2158576-2 PAGE 2-164)

Item	Part Number	FRU	Name	Quantity	Description (Remarks)
2	2182140	N	SLIDE BLOCK	1	SLIDE BLOCK ASM
3	2172745-2	N	PART	1	BRACKET
4	2182141	N	SPACER PLATE	2	3MM THICK ALUMINUM SPACER PLATE
5	2175497	N	LATCHING SPR	1	Cx FRONT COVER LOCKING LATCH
7	2109879-2	2	WASHER	4	WASHER PLAIN – LARGE 6.4 MM 12 MM
8	2109866-13	2	SCREW	3	SCREW HEXAGON HEAD 6 MM 25 MM
9	2109866-11	2	SCREW	2	SCREW HEXAGON HEAD 6 MM 16 MM
10	46-170686P3	2	ADHESIVE	AR	LOCTITE 242, 50CC

Cx SLIDE BLOCK MOUNTING ASM – LEFT AND RIGHT REAR

2172744-3 & 2172744-4

NOTE:
LEFT SIDE BRACKET ASM SHOWN.



SLIDE BLOCK MOUNTING ASM 2172744-3 FRU N (PART OF 2158576 PAGE 2-163)

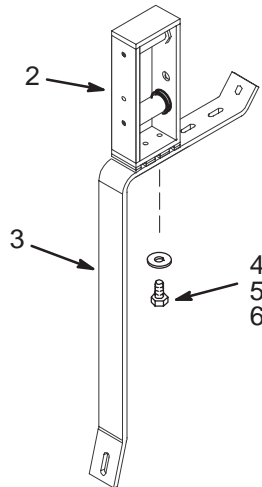
Item	Part Number	FRU	Name	Quantity	Description (Remarks)
2	2182140	N	SLIDE BLOCK	1	SLIDE BLOCK ASM
3	2172745	N	PART	1	BRACKET
4	2182141	N	SPACER PLATE	2	3MM THICK ALUMINUM SPACER PLATE
5	2175497	N	LATCHING SPR	1	Cx FRONT COVER LOCKING LATCH
7	2109879-2	2	WASHER	5	WASHER PLAIN – LARGE 6.4 MM 12 MM
8	2109866-13	2	SCREW	3	SCREW HEXAGON HEAD 6 MM 25 MM
9	2109866-11	2	SCREW	3	SCREW HEXAGON HEAD 6 MM 16 MM
10	46-170686P3	2	ADHESIVE	AR	LOCTITE 242, 50CC

SLIDE BLOCK MOUNTING ASM 2172744-4 FRU N (PART OF 2158576 PAGE 2-163)

Item	Part Number	FRU	Name	Quantity	Description (Remarks)
2	2182140	N	SLIDE BLOCK	1	SLIDE BLOCK ASM
3	2172745-2	N	PART	1	BRACKET
4	2182141	N	SPACER PLATE	2	3MM THICK ALUMINUM SPACER PLATE
5	2175497	N	LATCHING SPR	1	Cx FRONT COVER LOCKING LATCH
6	2182139	N	L BRACKET	1	L-BRACKET
7	2109879-2	2	WASHER	5	WASHER PLAIN – LARGE 6.4 MM 12 MM
8	2109866-13	2	SCREW	3	SCREW HEXAGON HEAD 6 MM 25 MM
9	2109866-11	2	SCREW	3	SCREW HEXAGON HEAD 6 MM 16 MM
10	46-170686P3	2	ADHESIVE	AR	LOCTITE 242, 50CC

Cx SLIDE BLOCK MOUNTING ASM

2166492 & 2166492-2



SLIDE BLOCK MOUNTING ASM

2166492 FRU N

(PART OF 2158576 PAGE 2-163)
(PART OF 2158576-2 PAGE 2-164)

Item	Part Number	FRU	Name	Quantity	Description (Remarks)
2	2182140	N	SLIDE BLOCK	1	SLIDE BLOCK ASM
3	2166102	N	BRACKET	1	ANGLE BRACKET SLIDE ASM Cx
4	2109866-13	2	SCREW	3	SCREW HEXAGON HEAD 6 MM 25 MM
5	2109879-2	2	WASHER	2	WASHER PLAIN - LARGE 6.4 MM 12 MM
6	46-170686P3	2	ADHESIVE	AR	LOCTITE 242, 50CC
7	2182141	N	SPACER PLATE	2	3MM THICK ALUMINUM SPACER PLATE

SLIDE BLOCK MOUNTING ASM

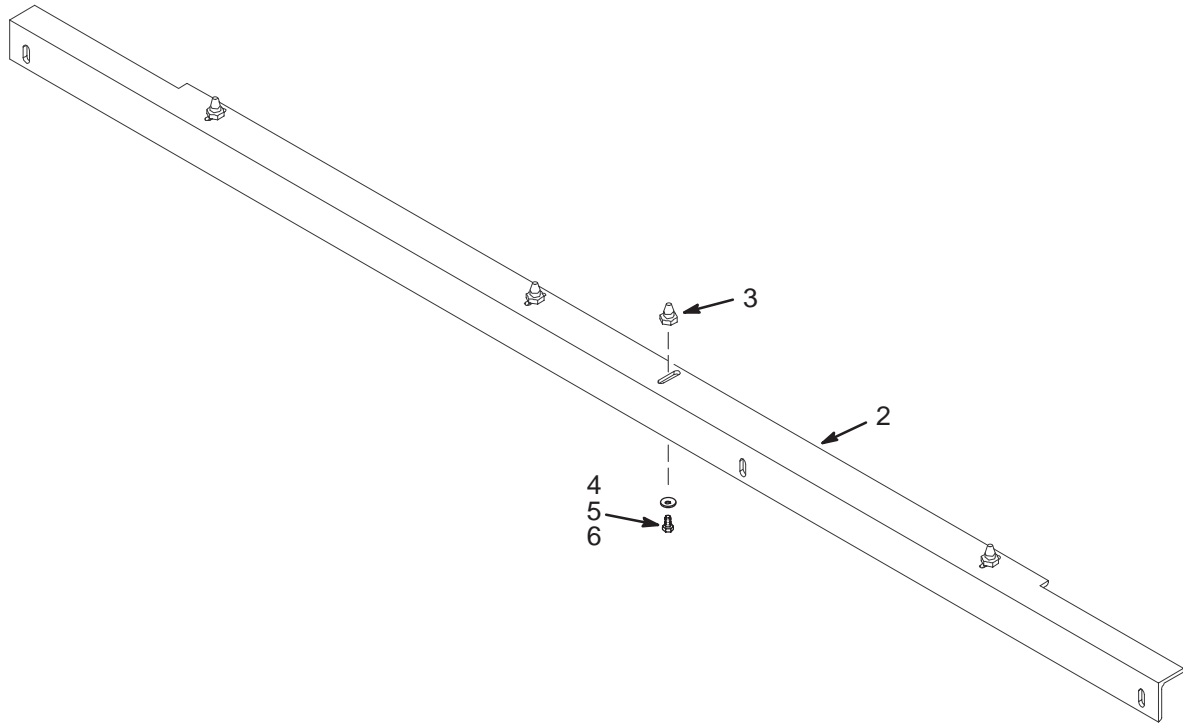
2166492-2 FRU N

(PART OF 2158576 PAGE 2-163)

Item	Part Number	FRU	Name	Quantity	Description (Remarks)
2	2182140	N	SLIDE BLOCK	1	SLIDE BLOCK ASM
3	2166102	N	BRACKET	1	ANGLE BRACKET SLIDE ASM Cx
4	2109866-13	2	SCREW	3	SCREW HEXAGON HEAD 6 MM 25 MM
5	2109879-2	2	WASHER	2	WASHER PLAIN - LARGE 6.4 MM 12 MM
6	46-170686P3	2	ADHESIVE	AR	LOCTITE 242, 50CC
7	2182141	N	SPACER PLATE	2	3MM THICK ALUMINUM SPACER PLATE

BRACKET SLIDE COVER – LEFT AND RIGHT

2166652 & 2166652-2



Cx LEFT BRACKET SLIDE COVER 2166652 FRU N (PART OF 2158576 PAGE 2-163)

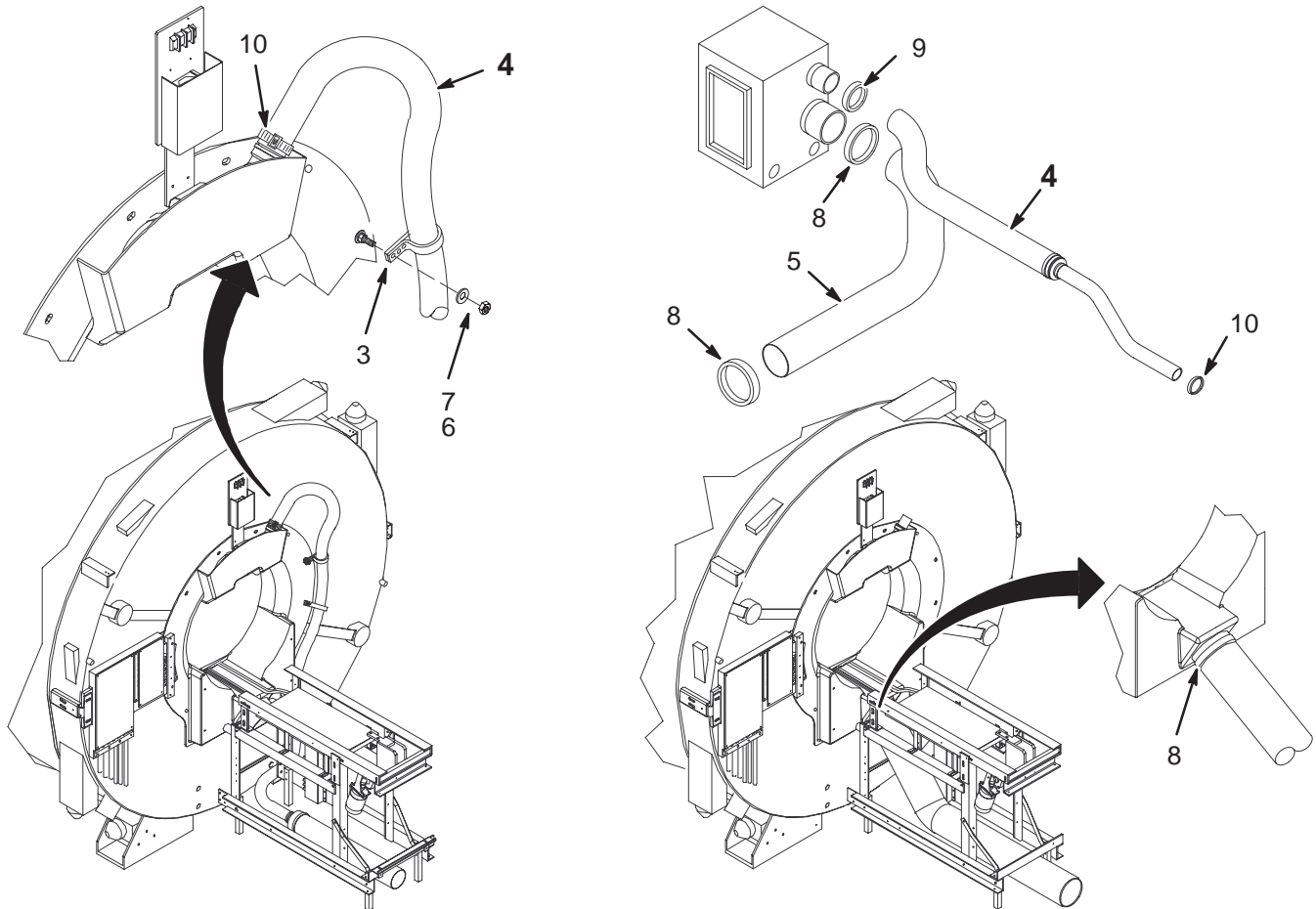
Item	Part Number	FRU	Name	Quantity	Description (Remarks)
2	2164902	N	ANGLE	1	ANGLE
3	2182138	N	LOCATOR PIN	4	LOCATOR PIN
4	2109866-11	2	SCREW	4	SCREW HEXAGON HEAD 6 MM 16 MM
5	2109878-3	2	WASHER	4	WASHER PLAIN – NORMAL 6.4 MM 12 MM
6	46-170686P2	2	ADHESIVE	AR	LOCTITE 242, 10CC

Cx RIGHT BRACKET SLIDE COVER 2166652-2 FRU N (PART OF 2158576 PAGE 2-163)

Item	Part Number	FRU	Name	Quantity	Description (Remarks)
3	2182138	N	LOCATOR PIN	4	LOCATOR PIN
4	2109866-11	2	SCREW	4	SCREW HEXAGON HEAD 6 MM 16 MM
5	2109878-3	2	WASHER	4	WASHER PLAIN – NORMAL 6.4 MM 12 MM
6	46-170686P2	2	ADHESIVE	AR	LOCTITE 242, 10CC
7	2164902-2	N	ANGLE	1	ANGLE

Cx BLOWER HOSE KIT

2129412-2



Cx BLOWER HOSE KIT 2129412-2 FRU N (PART OF 2142000 SERIES PAGES 2-155 THRU 2-158)

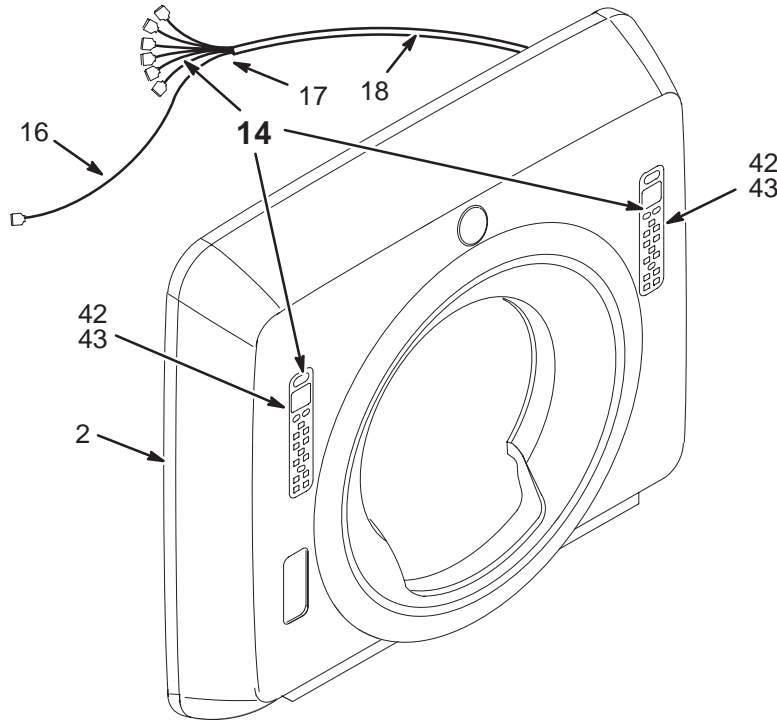
Item	Part Number	FRU	Name	Quantity	Description (Remarks)
3	2162277	2	NYLON_STRAPP	2	.88W .07THK .39HLOES .63CENTERS
4	2162999	N	HOSE KIT	1	HOSE ASM W/REDUCER 4" TO 2" (SEE PAGE 2-169)
5	46-282666P12	2	DUCT,AIR PVC	1	GOODYEAR GRAY PVC AIR DUCT
6	2109875-4	2	NUT	2	NUT HEXAGON 10 MM
7	2109878-4	2	WASHER	2	WASHER PLAIN - NORMAL 10.5 MM 20 MM
8	46-208765P29	2	CLAMP	2	DIA RANGE 5-5/8 - 6-1/2 302/305 SST
9	46-208765P34	2	CLAMP	1	DIA RANGE 3-9/16 - 4-1/2
10	46-208765P28	2	CLAMP	1	DIA RANGE 1-13/16 - 2-3/4, 302/305

HOSE ASM W/REDUCER 4" TO 2" 2162999 FRU N (PART OF 2129412-2 PAGE 2-169)

Item	Part Number	FRU	Name	Quantity	Description (Remarks)
2	2175143	2	REDUCING COU	1	1/12 TO 3 PVC
3	46-282668P19	2	HOSE,NYL RNF	1	2 INCH DIAMETER, 108 INCH LENGTH
4	46-282666P11	2	DUCT,AIR PVC	1	GOODYEAR GRAY PVC AIR DUCT
5	46-208765P28	2	CLAMP	1	DIA RANGE 1-13/16 - 2-3/4, 302/305
6	46-208765P34	2	CLAMP	1	DIA RANGE 3-9/16 - 4-1/2

Cx FRONT COVER ASM

2157262



Cx FRONT COVER ASM 2157262 FRU N (PART OF 2142000 SERIES PAGES 2-155 THRU 2-158)

Item	Part Number	FRU	Name	Quantity	Description (Remarks)
2	2175179	2	FRONT COVER	1	COVER/CONE/LOGO/LABELS (SEE PAGE 2-171)
14	2168023	N	OPR BP/D KIT	1	Cx MAGENC BUTTON PANEL/DISPLAY (SEE PAGE 2-171)
16	46-328000G940	2	ASSEMBLY	1	MG2-A11-A1-J2 TO MG2-A11-A1-J2
17	46-208758P3	1	TY-RAP	2	7.31" X .184" SELF-LOCKING CABLE TIE
18	46-230653P5	2	TUBING	7	SPIRALLY CUT POLYETHYLENE, 3/4" DIA.
42	46-208935P4	2	NUT	16	4-40, 1/4" HEX X .093 THK, BRASS
43	1000904P142	2	WASHER	16	ID 0.1495, OD 0.438, THK .016, BRASS

COVER/CONE/LOGO/LABELS **2175179 FRU N** **(PART OF 2157262 PAGE 2-170)**

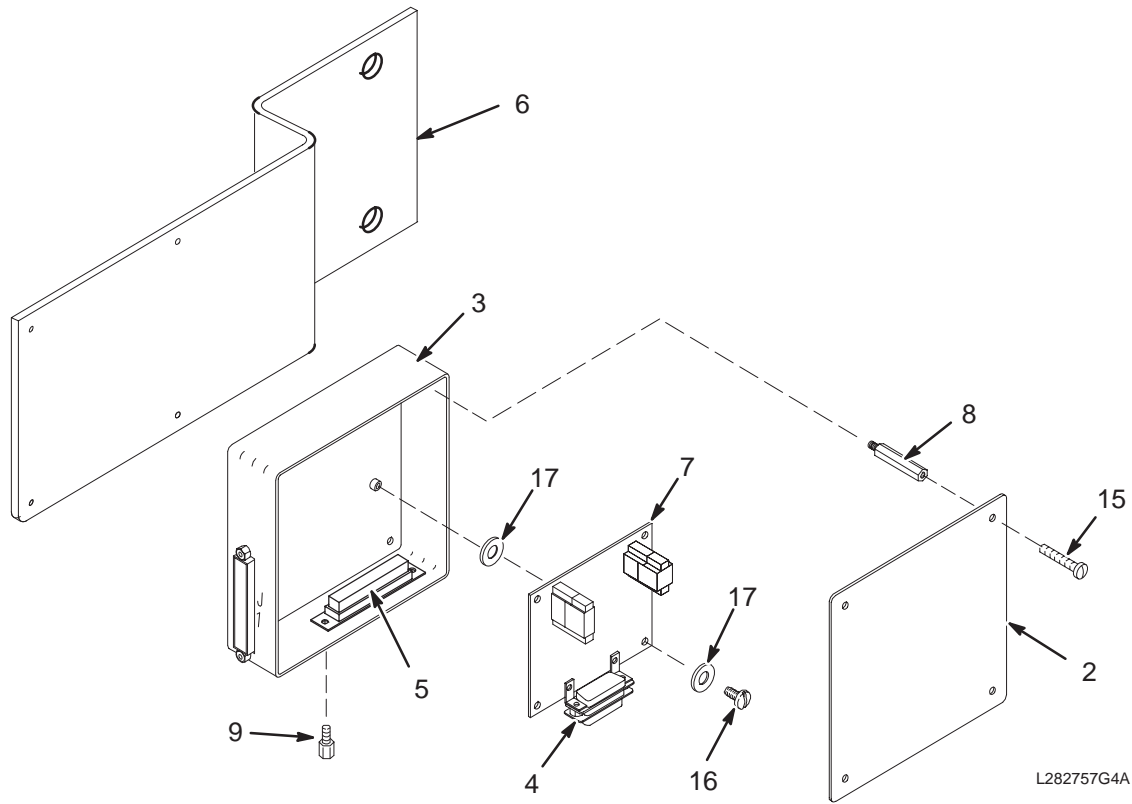
Item	Part Number	FRU	Name	Quantity	Description (Remarks)
10	2152617	2	PART	1	COVER,FRT CONE, CONQUEST_MAG
11	2109875-3	2	NUT	8	NUT HEXAGON 6 MM
12	2109879-2	2	WASHER	8	WASHER PLAIN - LARGE 6.4 MM 12 MM
15	2142724	2	MEATBALL	1	FRONT COVER GE LOGO INJECTION MOLDED
40	2109866-12	2	SCREW	4	SCREW HEXAGON HEAD 6 MM 20 MM
41	2109878-3	2	WASHER	4	WASHER PLAIN - NORMAL 6.4 MM 12 MM
44	46-229060P1	2	LABEL	3	LASER APERTURE, DONT STARE INTO BEAM
45	2180420	2	RUBBER SPACE	8	NEOPRENE 45-55 DUROMETER SHORE A

Cx BUTTON PANEL/DISPLAY **2168023 FRU N** **(PART OF 2157262 PAGE 2-170)**

Item	Part Number	FRU	Name	Quantity	Description (Remarks)
1	2168023-2	1	OPR BP/D KIT	2	BUTTON PANEL/DISPLAY MOD W/O CABLES
2	2168023-3	2	OPR BP/D KIT	1	CABLE, MG2-A33-J4 TO MG2-A4-J3
3	2168023-4	2	OPR BP/D KIT	1	CABLE, MG2-A4-J2 TO MG2-A5-J3
4	2168023-5	2	OPR BP/D KIT	1	CABLE, MG2-A33-J5,6,7,8,9 TO MG2A4-J4
5	2168023-6	2	OPR BP/D KIT	1	CABLE, MG2-A4-J5 TO MG2-A5-J4

Cx DOCK CONTROL ASM

46-282757G5



L282757G4A

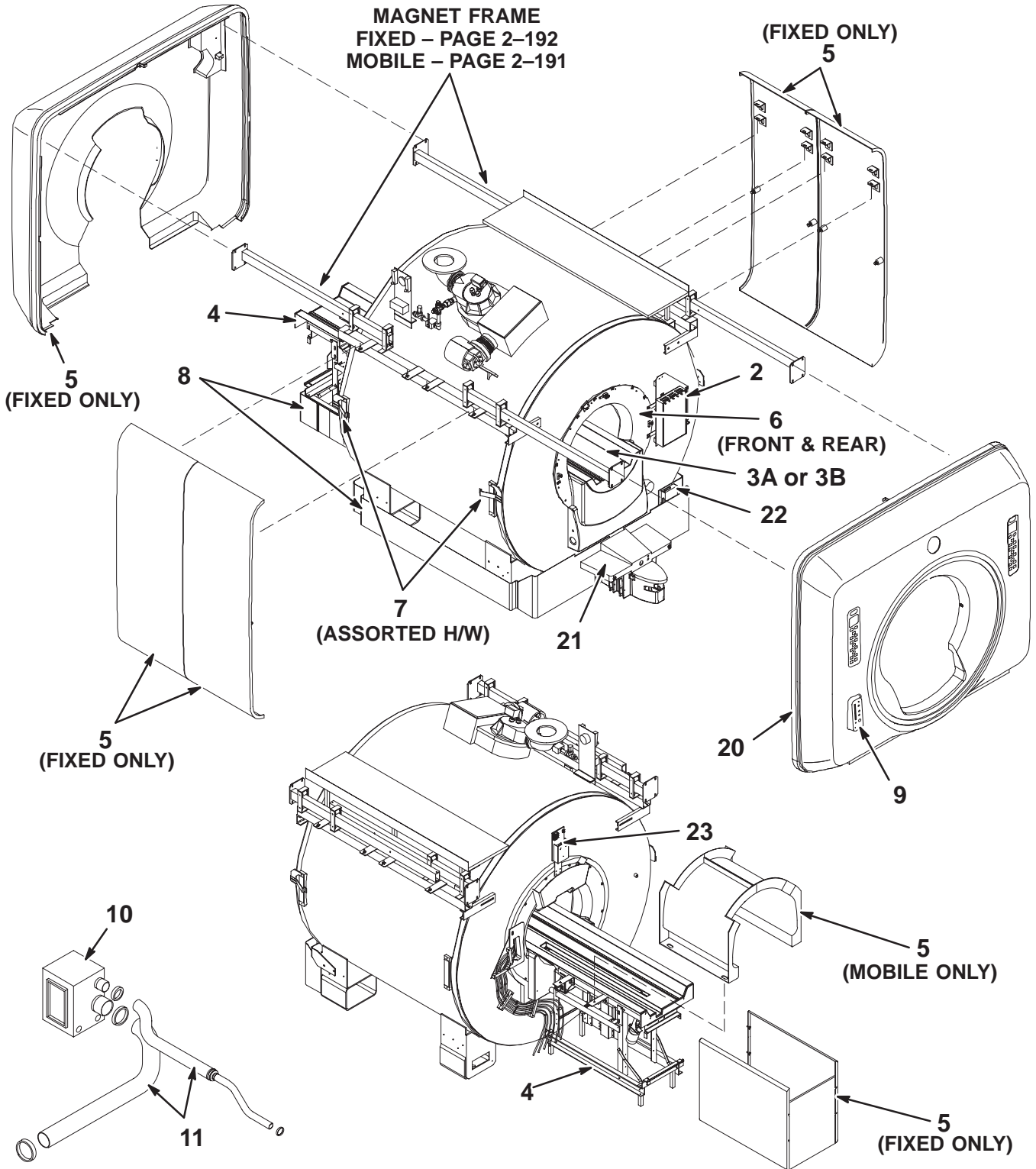
Cx DOCK CONTROL ASM 46-282757G5 FRU N (PART OF 2142000 SERIES PAGES 2-155 THRU 2-158)

Item	Part Number	FRU	Name	Quantity	Description (Remarks)
2	46-282320P1	2	COVER	1	5" X 5" BOX COVER, ALUMINUM
3	46-282405G1	2	BOX	1	DOCK LIMIT MODULE BOX - EMPTY
4	46-282426G1	2	HARNESS	1	DOCK LIMIT SWITCH BOARD J1
5	46-282427G1	2	HARNESS	1	DOCK LIMIT SWITCH BOARD J2 AND J3
6	2174470	N	BRACKET	1	BRACKET
7	46-264028G1	1	CIRCUIT BD	1	DOCK LIMIT SWITCH BOARD, MG2 A31 A1
8	46-208984P2	2	SPACER	4	HEX 1/4", EXT/INT THD 6-32, 1.5" LG
9	46-221417P2	2	CONNECTOR	4	FEMALE SCREWLOCK FOR HD CONNECTORS
15	46-208921P5	2	SCREW	4	SCREW
16	46-208922P2	2	SCREW	4	SCREW
17	1000904P298	2	WASHER	8	ID 0.1875, OD 0.375, THK .01, A1D2B

2-10 LCC HORIZON MAGNET ENCLOSURES

LCC 1.5T & 1.0T HORIZON MAGNET ENCLOSURE – FIXED & MOBILE

2142000-11 THRU 2142000-19



1.0T FIXED LCC ENCL w/o M-C 2142000-11 FRU N (PART 3 OF M1842PR)

Item	Part Number	FRU	Name	Quantity	Description (Remarks)
2	2168697-2	N	SRI ASM	1	SRI ASSEMBLY FOR LCC (SEE PAGE 2-179)
3A	2205100-3	N	ASSEMBLY	1	1.0T W/O PA BRIDGE W/LPCC FOR BRM (SEE PAGE 2-209)
3B	2119595-8	N	PREASM BRDGE	ALT	1.0T STD PREASSEM BRIDGE W/O PA (SEE PAGE 2-194)
4	46-328137G16	N	PEDESTAL	1	1.0T FIXED SITE W/O PA REAR PEDESTAL (SEE PAGE 2-221)
5	2158571-2	N	ASSEMBLY	1	FIBERGLASS COVER KIT - LCC SEE PAGE 2-229)
6	2158572-3	N	ASSEMBLY	1	END BELL KIT - FIXED SITE - LCC (SEE PAGE 2-181)
7	2158576-3	N	ASSEMBLY	1	LCC ENCLOSURE HARDWARE KIT - FIXED (SEE PAGE 2-184)
8	2131491-6	N	TRIM KIT	1	LCC ENCLOSURE TRIM PANELS KIT (SEE PAGE 2-238)
9	2122268-3	1	PAC-II ASSY	1	PHYSIOLOGICAL ACQUISITION CNTROLLR (SEE PAGE 2-99)
10A	2121199-7	N	BLOWER (MG6)	1	REINFORCED BLOWER CABINET, MG6 (SEE PAGE 2-100)
10B	2121199	N	BLOWER (MG6)	ALT	BLOWER CABINET, MG6 (SEE PAGE 2-100)
11	2129412-2	N	HOSE KIT	1	BLOWER HOSE KIT (SEE PAGE 2-186)
20	2157262-2	N	ASSEMBLY	1	FRONT COVER ASM - LCC (SEE PAGE 2-188)
21	46-271260G2	N	ASSEMBLY	1	DOCK ASSEMBLY (SEE PAGE 2-244)
22	46-282757G6	2	DOCK CONTROL	1	DOCK CONTROL BOX FOR LCC MAGNET (SEE PAGE 2-190)
23	2164869	N	PART	1	BORE LAMP ASSEMBLY—FIXED (SEE PAGE 2-240)

1.0T FIXED LCC ENCL w/M-C 2142000-12 FRU N (PART 3 OF M1843PR)

Item	Part Number	FRU	Name	Quantity	Description (Remarks)
2	2168697-2	N	SRI ASM	1	SRI ASSEMBLY FOR LCC (SEE PAGE 2-179)
3A	2205100-4	N	ASSEMBLY	1	1.0T W/PA BRIDGE W/LPCC FOR BRM (SEE PAGE 2-212)
3B	2119595-9	N	PREASM BRDGE	ALT	1.0T STD PREASSEM BRIDGE W/PA (SEE PAGE 2-200)
4	46-328137G17	N	PEDESTAL	1	1.0T FIXED SITE W/PA REAR PEDESTAL (SEE PAGE 2-222)
5	2158571-2	N	ASSEMBLY	1	FIBERGLASS COVER KIT - LCC SEE PAGE 2-229)
6	2158572-3	N	ASSEMBLY	1	END BELL KIT - FIXED SITE - LCC (SEE PAGE 2-181)
7	2158576-3	N	ASSEMBLY	1	LCC ENCLOSURE HARDWARE KIT - FIXED (SEE PAGE 2-184)
8	2131491-6	N	TRIM KIT	1	LCC ENCLOSURE TRIM PANELS KIT (SEE PAGE 2-238)
9	2122268-3	1	PAC-II ASSY	1	PHYSIOLOGICAL ACQUISITION CNTROLLR(SEE PAGE 2-99)
10A	2121199-7	N	BLOWER (MG6)	1	REINFORCED BLOWER CABINET, MG6 (SEE PAGE 2-100)
10B	2121199	N	BLOWER (MG6)	ALT	BLOWER CABINET, MG6 (SEE PAGE 2-100)
11	2129412-2	N	HOSE KIT	1	BLOWER HOSE KIT (SEE PAGE 2-186)
20	2157262-2	N	ASSEMBLY	1	FRONT COVER ASM - LCC (SEE PAGE 2-188)
21	46-271260G2	N	ASSEMBLY	1	DOCK ASSEMBLY (SEE PAGE 2-244)
22	46-282757G6	2	DOCK CONTROL	1	DOCK CONTROL BOX FOR LCC MAGNET (SEE PAGE 2-190)
23	2164869	N	PART	1	BORE LAMP ASSEMBLY—FIXED (SEE PAGE 2-240)

1.0T MOBILE LCC ENCL w/o M-C 2142000-13 FRU N

(PART 3 OF M1852PR)
(PART 3 OF M1862PR)

Item	Part Number	FRU	Name	Quantity	Description (Remarks)
2	2168697-2	N	SRI ASM	1	SRI ASSEMBLY FOR LCC (SEE PAGE 2-179)
3A	2205100-3	N	ASSEMBLY	1	1.0T W/O PA BRIDGE W/LPCC FOR BRM (SEE PAGE 2-209)
3B	2119595-8	N	PREASM BRDGE	ALT	1.0T STD PREASSEM BRIDGE W/O PA (SEE PAGE 2-194)
4	46-328137G18	N	PEDESTAL	1	1.0T MOBILE W/O PA REAR PEDESTAL (SEE PAGE 2-223)
5	2117063-2	N	BACK COVER	1	COVER REAR (RF TUBE EXT)
6	2158572-4	N	ASSEMBLY	1	MOBILE END BELL KIT - LCC (SEE PAGE 2-181)
7	2158576-4	N	ASSEMBLY	1	LCC ENCLOSURE HARDWARE KIT-MOBILE (SEE PAGE 2-184)
9	2122268-3	1	PAC-II ASSY	1	PHYSIOLOGICAL ACQUISITION CNTROLLR(SEE PAGE 2-99)
10A	2121199-7	N	BLOWER (MG6)	1	REINFORCED BLOWER CABINET, MG6 (SEE PAGE 2-100)
10B	2121199	N	BLOWER (MG6)	ALT	BLOWER CABINET, MG6 (SEE PAGE 2-100)
11	2129412-2	N	HOSE KIT	1	BLOWER HOSE KIT (SEE PAGE 2-186)
20	2157262-2	N	ASSEMBLY	1	FRONT COVER ASM - LCC (SEE PAGE 2-188)
21	46-271260G2	N	ASSEMBLY	1	DOCK ASSEMBLY (SEE PAGE 2-244)
22	46-282757G6	2	DOCK CONTROL	1	DOCK CONTROL BOX FOR LCC MAGNET (SEE PAGE 2-190)
23	2164869-2	N	PART	1	BORE LAMP ASSEMBLY—MOBILE (SEE PAGE 2-241)

1.0T MOBILE LCC ENCL w/M-C 2142000-14 FRU N

(PART 3 OF M1853PR)
(PART 3 OF M1863PR)

Item	Part Number	FRU	Name	Quantity	Description (Remarks)
2	2168697-2	N	SRI ASM	1	SRI ASSEMBLY FOR LCC (SEE PAGE 2-179)
3A	2205100-4	N	ASSEMBLY	1	1.0T W/PA BRIDGE W/LPCC FOR BRM (SEE PAGE 2-212)
3B	2119595-9	N	PREASM BRDGE	ALT	1.0T STD PREASSEM BRIDGE W/PA (SEE PAGE 2-200)
4	46-328137G19	N	PEDESTAL	1	1.0T MOBILE W/PA REAR PEDESTAL (SEE PAGE 2-224)
5	2117063-2	N	BACK COVER	1	COVER REAR (RF TUBE EXT)
6	2158572-4	N	ASSEMBLY	1	MOBILE END BELL KIT - LCC (SEE PAGE 2-181)
7	2158576-4	N	ASSEMBLY	1	LCC ENCLOSURE HARDWARE KIT-MOBILE (SEE PAGE 2-184)
9	2122268-3	1	PAC-II ASSY	1	PHYSIOLOGICAL ACQUISITION CNTROLLR(SEE PAGE 2-99)
10A	2121199-7	N	BLOWER (MG6)	1	REINFORCED BLOWER CABINET, MG6 (SEE PAGE 2-100)
10B	2121199	N	BLOWER (MG6)	ALT	BLOWER CABINET, MG6 (SEE PAGE 2-100)
11	2129412-2	N	HOSE KIT	1	BLOWER HOSE KIT (SEE PAGE 2-186)
20	2157262-2	N	ASSEMBLY	1	FRONT COVER ASM - LCC (SEE PAGE 2-188)
21	46-271260G2	N	ASSEMBLY	1	DOCK ASSEMBLY (SEE PAGE 2-244)
22	46-282757G6	2	DOCK CONTROL	1	DOCK CONTROL BOX FOR LCC MAGNET (SEE PAGE 2-190)
23	2164869-2	N	PART	1	BORE LAMP ASSEMBLY—MOBILE (SEE PAGE 2-241)

1.5T FIXED LCC ENCL w/o M-C 2142000-15 FRU N (PART 3 OF M1042PR)

Item	Part Number	FRU	Name	Quantity	Description (Remarks)
2	2168697-2	N	SRI ASM	1	SRI ASSEMBLY FOR LCC (SEE PAGE 2-179)
3A	2205100	N	ASSEMBLY	1	1.5T W/O PA BRIDGE W/LPCC FOR BRM (SEE PAGE 2-208)
3B	2119595-10	N	PREASM BRDGE	ALT	1.5T STD PREASSEM BRIDGE W/O PA (SEE PAGE 2-196)
4	46-328137G20	N	PEDESTAL	1	1.5T FIXED SITE W/O PA REAR PEDESTAL (SEE PAGE 2-225)
5	2158571-2	N	ASSEMBLY	1	FIBERGLASS COVER KIT - LCC SEE PAGE 2-229)
6	2158572-3	N	ASSEMBLY	1	END BELL KIT - FIXED SITE - LCC (SEE PAGE 2-181)
7	2158576-3	N	ASSEMBLY	1	LCC ENCLOSURE HARDWARE KIT - FIXED (SEE PAGE 2-184)
8	2131491-6	N	TRIM KIT	1	LCC ENCLOSURE TRIM PANELS KIT (SEE PAGE 2-238)
9	2122268-3	1	PAC-II ASSY	1	PHYSIOLOGICAL ACQUISITION CNTROLLR(SEE PAGE 2-99)
10A	2121199-7	N	BLOWER (MG6)	1	REINFORCED BLOWER CABINET, MG6 (SEE PAGE 2-100)
10B	2121199	N	BLOWER (MG6)	ALT	BLOWER CABINET, MG6 (SEE PAGE 2-100)
11	2129412-2	N	HOSE KIT	1	BLOWER HOSE KIT (SEE PAGE 2-186)
20	2157262-2	N	ASSEMBLY	1	FRONT COVER ASM - LCC (SEE PAGE 2-188)
21	46-271260G2	N	ASSEMBLY	1	DOCK ASSEMBLY (SEE PAGE 2-244)
22	46-282757G6	2	DOCK CONTROL	1	DOCK CONTROL BOX FOR LCC MAGNET (SEE PAGE 2-190)
23	2164869	N	PART	1	BORE LAMP ASSEMBLY—FIXED (SEE PAGE 2-240)

1.5T FIXED LCC ENCL w/M-C 2142000-16 FRU N (PART 3 OF M1043PR)

Item	Part Number	FRU	Name	Quantity	Description (Remarks)
2	2168697-2	N	SRI ASM	1	SRI ASSEMBLY FOR LCC (SEE PAGE 2-179)
3A	2205100-2	N	ASSEMBLY	1	1.5T W/PA BRIDGE W/LPCC FOR BRM (SEE PAGE 2-211)
3B	2119595-11	N	PREASM BRDGE	ALT	1.5T STD PREASSEM BRIDGE WITH PA (SEE PAGE 2-202)
4	46-328137G21	N	PEDESTAL	1	1.5T FIXED SITE W/PA REAR PEDESTAL (SEE PAGE 2-226)
5	2158571-2	N	ASSEMBLY	1	FIBERGLASS COVER KIT - LCC SEE PAGE 2-229)
6	2158572-3	N	ASSEMBLY	1	END BELL KIT - FIXED SITE - LCC (SEE PAGE 2-181)
7	2158576-3	N	ASSEMBLY	1	LCC ENCLOSURE HARDWARE KIT - FIXED (SEE PAGE 2-184)
8	2131491-6	N	TRIM KIT	1	LCC ENCLOSURE TRIM PANELS KIT (SEE PAGE 2-238)
9	2122268-3	1	PAC-II ASSY	1	PHYSIOLOGICAL ACQUISITION CNTROLLR(SEE PAGE 2-99)
10A	2121199-7	N	BLOWER (MG6)	1	REINFORCED BLOWER CABINET, MG6 (SEE PAGE 2-100)
10B	2121199	N	BLOWER (MG6)	ALT	BLOWER CABINET, MG6 (SEE PAGE 2-100)
11	2129412-2	N	HOSE KIT	1	BLOWER HOSE KIT (SEE PAGE 2-186)
20	2157262-2	N	ASSEMBLY	1	FRONT COVER ASM - LCC (SEE PAGE 2-188)
21	46-271260G2	N	ASSEMBLY	1	DOCK ASSEMBLY (SEE PAGE 2-244)
22	46-282757G6	2	DOCK CONTROL	1	DOCK CONTROL BOX FOR LCC MAGNET (SEE PAGE 2-190)
23	2164869	N	PART	1	BORE LAMP ASSEMBLY—FIXED (SEE PAGE 2-240)

1.5T MOBILE LCC ENCL w/o M-C 2142000-17 FRU N

(PART 3 OF M1052PR)
(PART 3 OF M1062PR)

Item	Part Number	FRU	Name	Quantity	Description (Remarks)
2	2168697-2	N	SRI ASM	1	SRI ASSEMBLY FOR LCC (SEE PAGE 2-179)
3A	2205100	N	ASSEMBLY	1	1.5T W/O PA BRIDGE W/LPCC FOR BRM (SEE PAGE 2-208)
3B	2119595-10	N	PREASM BRDGE	ALT	1.5T STD PREASSEM BRIDGE W/O PA (SEE PAGE 2-196)
4	46-328137G22	N	PEDESTAL	1	1.5T MOBILE W/O PA REAR PEDESTAL (SEE PAGE 2-227)
5	2117063-2	N	BACK COVER	1	COVER REAR (RF TUBE EXT)
6	2158572-4	N	ASSEMBLY	1	MOBILE END BELL KIT - LCC (SEE PAGE 2-181)
7	2158576-4	N	ASSEMBLY	1	LCC ENCLOSURE HARDWARE KIT-MOBILE (SEE PAGE 2-184)
9	2122268-3	1	PAC-II ASSY	1	PHYSIOLOGICAL ACQUISITION CNTROLLR (SEE PAGE 2-99)
10A	2121199-7	N	BLOWER (MG6)	1	REINFORCED BLOWER CABINET, MG6 (SEE PAGE 2-100)
10B	2121199	N	BLOWER (MG6)	ALT	BLOWER CABINET, MG6 (SEE PAGE 2-100)
11	2129412-2	N	HOSE KIT	1	BLOWER HOSE KIT (SEE PAGE 2-186)
20	2157262-2	N	ASSEMBLY	1	FRONT COVER ASM - LCC (SEE PAGE 2-188)
21	46-271260G2	N	ASSEMBLY	1	DOCK ASSEMBLY (SEE PAGE 2-244)
22	46-282757G6	2	DOCK CONTROL	1	DOCK CONTROL BOX FOR LCC MAGNET (SEE PAGE 2-190)
23	2164869-2	N	PART	1	BORE LAMP ASSEMBLY-MOBILE (SEE PAGE 2-241)

1.5T MOBILE LCC ENCL w/M-C 2142000-18 FRU N

(PART 3 OF M1053PR)
(PART 3 OF M1063PR)

Item	Part Number	FRU	Name	Quantity	Description (Remarks)
2	2168697-2	N	SRI ASM	1	SRI ASSEMBLY FOR LCC (SEE PAGE 2-179)
3A	2205100-2	N	ASSEMBLY	1	1.5T W/PA BRIDGE W/LPCC FOR BRM (SEE PAGE 2-211)
3B	2119595-11	N	PREASM BRDGE	ALT	1.5T STD PREASSEM BRIDGE WITH PA (SEE PAGE 2-202)
4	46-328137G23	N	PEDESTAL	1	1.5T MOBILE W/PA REAR PEDESTAL (SEE PAGE 2-228)
5	2117063-2	N	BACK COVER	1	COVER REAR (RF TUBE EXT)
6	2158572-4	N	ASSEMBLY	1	MOBILE END BELL KIT - LCC (SEE PAGE 2-181)
7	2158576-4	N	ASSEMBLY	1	LCC ENCLOSURE HARDWARE KIT-MOBILE (SEE PAGE 2-184)
9	2122268-3	1	PAC-II ASSY	1	PHYSIOLOGICAL ACQUISITION CNTROLLR(SEE PAGE 2-99)
10A	2121199-7	N	BLOWER (MG6)	1	REINFORCED BLOWER CABINET, MG6 (SEE PAGE 2-100)
10B	2121199	N	BLOWER (MG6)	ALT	BLOWER CABINET, MG6 (SEE PAGE 2-100)
11	2129412-2	N	HOSE KIT	1	BLOWER HOSE KIT (SEE PAGE 2-186)
20	2157262-2	N	ASSEMBLY	1	FRONT COVER ASM - LCC (SEE PAGE 2-188)
21	46-271260G2	N	ASSEMBLY	1	DOCK ASSEMBLY (SEE PAGE 2-244)
22	46-282757G6	2	DOCK CONTROL	1	DOCK CONTROL BOX FOR LCC MAGNET (SEE PAGE 2-190)
23	2164869-2	N	PART	1	BORE LAMP ASSEMBLY-MOBILE (SEE PAGE 2-241)

1.5T FXD LCC CRM ENCL w/M-C

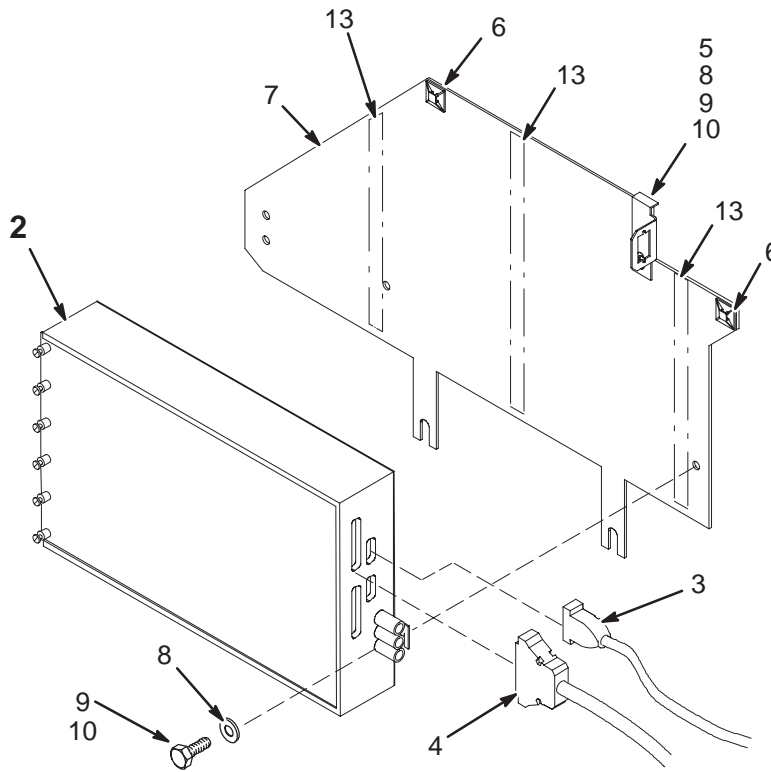
2142000-19 FRU N

(PART 3 OF M1073PR)

Item	Part Number	FRU	Name	Quantity	Description (Remarks)
2	2168697-2	N	SRI ASM	1	SRI ASSEMBLY FOR LCC (SEE PAGE 2-179)
3	2205099	N	ASSEMBLY	1	CRM FWD PROD BRIDGE FOR CX/LCC (SEE PAGE 2-206)
4	46-328137G21	N	PEDESTAL	1	1.5T FIXED SITE W/PA REAR PEDESTAL (SEE PAGE 2-226)
5	2158571-2	N	ASSEMBLY	1	FIBERGLASS COVER KIT - LCC (SEE PAGE 2-229)
6	2198317-3	N	ASSEMBLY	1	END BELL KIT, LCC/CRM FIXED (SEE PAGE 2-182)
7	2158576-3	N	ASSEMBLY	1	LCC ENCLOSURE HARDWARE KIT - FIXED (SEE PAGE 2-184)
8	2131491-6	N	TRIM KIT	1	LCC ENCLOSURE TRIM PANELS KIT (SEE PAGE 2-238)
9	2122268-3	1	PAC-II ASSY	1	PHYSIOLOGICAL ACQUISITION CONTROLLR (SEE PAGE 2-99)
10A	2121199-7	N	BLOWER (MG6)	1	REINFORCED BLOWER CABINET, MG6 (SEE PAGE 2-100)
10B	2121199	N	BLOWER (MG6)	ALT	BLOWER CABINET, MG6 (SEE PAGE 2-100)
11	2129412-2	N	HOSE KIT	1	BLOWER HOSE KIT (SEE PAGE 2-186)
20	2157262-2	N	ASSEMBLY	1	FRONT COVER ASM - LCC (SEE PAGE 2-188)
21	46-271260G2	N	ASSEMBLY	1	DOCK ASSEMBLY (SEE PAGE 2-244)
22	46-282757G6	2	DOCK CONTROL	1	DOCK CONTROL BOX FOR LCC MAGNET (SEE PAGE 2-190)
23	2164869-3	N	PART	1	BORE LAMP ASSEMBLY Cx-CRM SEE PAGE 2-242)

LCC SRI ASSEMBLY

2168697-2



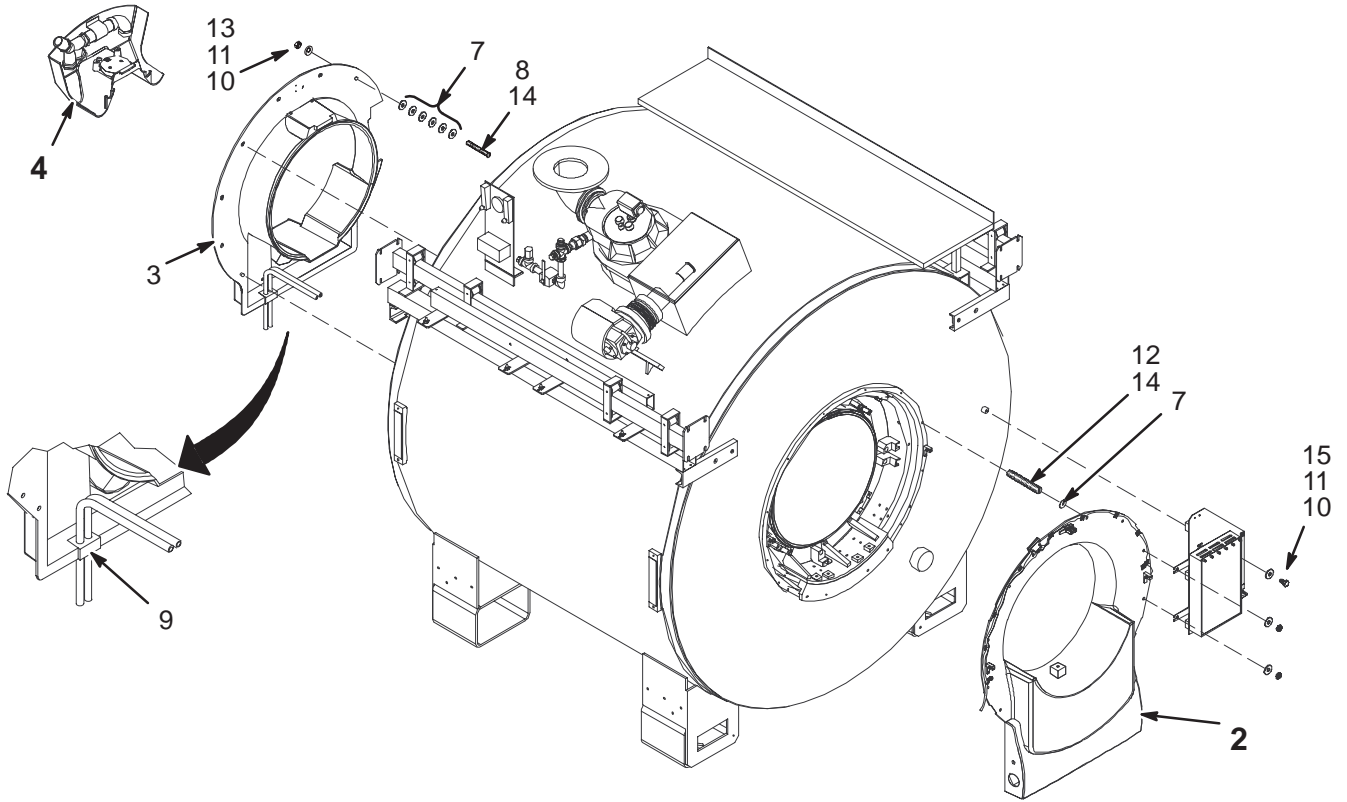
LCC SRI ASSEMBLY

2168697-2 FRU N (PART 2 OF 2142000 SERIES PAGES 2-174 THRU 2-178)

Item	Part Number	FRU	Name	Quantity	Description (Remarks)
2A	46-287370G7	1	DSIM/SRI BD	1	SCAN ROOM INTERFACE (SRI) (SEE PAGE 2-97)
2B	46-287370G6	N	DSIM/SRI BD	1	SCAN ROOM INTERFACE (SRI)
2C	46-287370G8	N	DSIM/SRI BD	1	SCAN ROOM INTERFACE (SRI)
3	46-287908G2	2	CABLE	1	15 COND. 30" CABLE
4	46-243775G668	2	CABLE	1	RUN 422, MG3-A1-J4 TO MG2-A33-J2
5	2133208	2	BRACKET	1	PAC CABLE INTERFACE MOUNT/GROUND
6	46-208747P1	2	VIBRATION IS	2	CABLE TIE,ADH.BACKED
7	2196384	2	SRI MTG PLAT	1	LCC SRI MOUNTING PLATE
8	2109878-3	2	WASHER	3	WASHER PLAIN - NORMAL 6.4 MM 12 MM
9	2109866-10	2	SCREW	3	SCREW HEXAGON HEAD 6 MM 12 MM
13	2174929-4	2	CONFOR FOAM	1	OPEN CELL POLYURETHANE FOAM, 30" LG

LCC END BELL KIT – FIXED AND MOBILE

2158572-3 & 2158572-4



LCC END BELL KIT – FIXED **2158572-3 FRU N** **(PART 6 OF 2142000-11 PAGE 2-174)**
(PART 6 OF 2142000-12 PAGE 2-174)
(PART 6 OF 2142000-15 PAGE 2-176)
(PART 6 OF 2142000-16 PAGE 2-176)

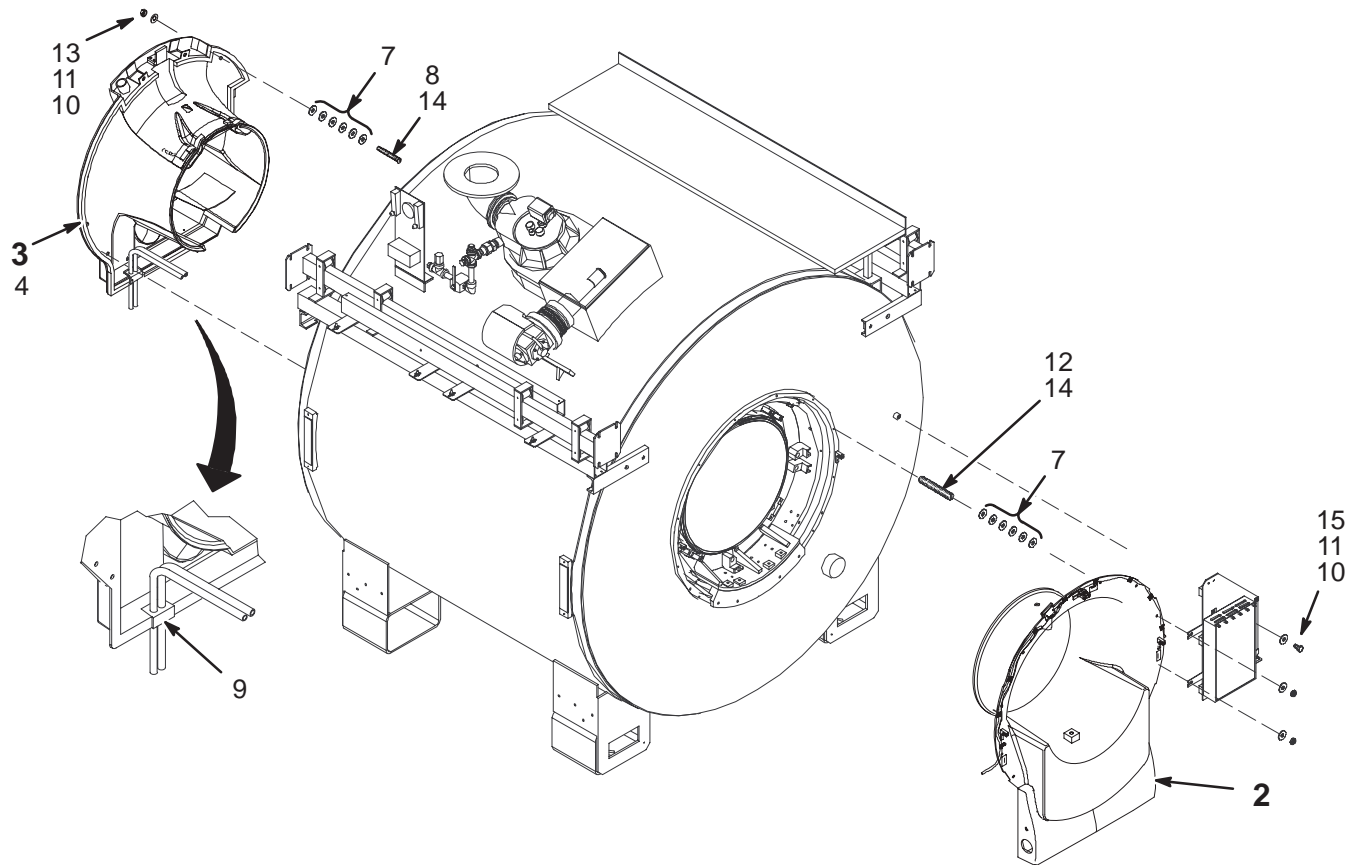
Item	Part Number	FRU	Name	Quantity	Description (Remarks)
2	2158573	N	ASSEMBLY	1	FRT END BELL ASM (SEE PAGE 2-232)
3	2157328-2	2	PART	1	REAR ENDBELL-LCC
4	2158378	N	ASSEMBLY	1	COMFORT MODULE LCC (SEE PAGE 2-237)
7	2167321	2	WASHER	58	WASHER
8	2116325-2	2	STUD, MAGNET	8	STUD SST M10 X 65
9	2169967	2	FOAM INSERT	1	FOAM BLOCK
10	2109878-4	2	WASHER	19	WASHER PLAIN – NORMAL 10.5 MM 20 MM
11	46-170686P3	N	ADHESIVE	1	LOCTITE 242, 50CC
12	2116325-7	2	STUD,MAGNET	10	STUD SST M10 X 35MM
13	2109875-4	2	NUT	18	NUT HEXAGON 10 MM
14	2119594	N	LUBRICANT	1	ANTI-SEIZE LUBRICANT, 1 OZ TUBE
15	2167384	2	PART	1	STN STL HEX HD BOLT M10 X 16

LCC END BELL KIT – MOBILE **2158572-4 FRU N** **(PART 6 OF 2142000-13 PAGE 2-175)**
(PART 6 OF 2142000-14 PAGE 2-175)
(PART 6 OF 2142000-17 PAGE 2-177)
(PART 6 OF 2142000-18 PAGE 2-177)

Item	Part Number	FRU	Name	Quantity	Description (Remarks)
2	2158573-2	N	ASSEMBLY	1	MOBILE FRT END BELL ASM (SEE PAGE 2-233)
3	2157328-2	2	PART	1	REAR ENDBELL-LCC
4	2158378	N	ASSEMBLY	1	COMFORT MODULE LCC (SEE PAGE 2-237)
7	2167321	2	WASHER	58	WASHER
8	2116325-2	2	STUD, MAGNET	8	STUD SST M10 X 65
9	2169967	2	FOAM INSERT	1	FOAM BLOCK
10	2109878-4	2	WASHER	19	WASHER PLAIN – NORMAL 10.5 MM 20 MM
11	46-170686P3	N	ADHESIVE	1	LOCTITE 242, 50CC
12	2116325-7	2	STUD,MAGNET	10	STUD SST M10 X 35MM
13	2109875-4	2	NUT	18	NUT HEXAGON 10 MM
14	2119594	N	LUBRICANT	1	ANTI-SEIZE LUBRICANT, 1 OZ TUBE
15	2167384	2	PART	1	STN STL HEX HD BOLT M10 X 16

LCC CRM END BELL KIT – FIXED

2198317-3



LCC CRM END BELL KIT – FIXED

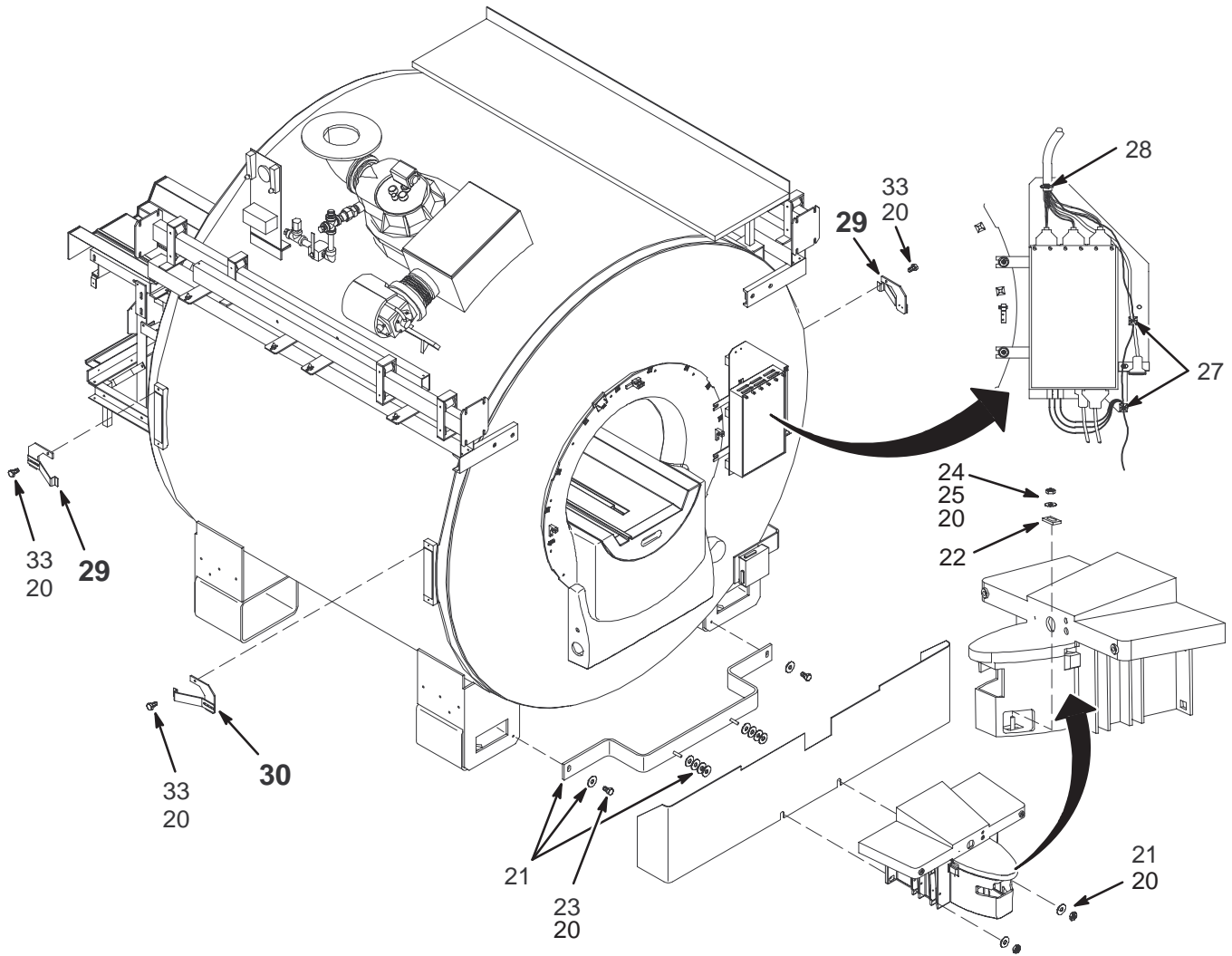
2198317-3 FRU N

(PART 6 OF 2142000-19 PAGE 2-178)

Item	Part Number	FRU	Name	Quantity	Description (Remarks)
2	2158573-3	N	ASSEMBLY	1	CX/LCC FXD CRM FRONT END BELL ASM (SEE PAGE 2-235)
3	2195877-2	N	PART	1	ENDBELL ASSEMBLY LCC (SEE PAGE 2-236)
4	2208875	2	PART	1	FOAM BLOCK, CRM REAR ENDBELL GASKET
7	2167321	2	WASHER	108	WASHER
8	2116325-2	2	STUD, MAGNET	8	STUD SST M10 X 65
9	2169967	2	FOAM INSERT	1	FOAM BLOCK
10	2109878-4	2	WASHER	19	WASHER PLAIN – NORMAL 10.5 MM 20 MM
11	46-170686P2	2	ADHESIVE	1	LOCTITE 242, 10CC
12	2116325-8	2	STUD, MAGNET	10	STUD, M10 X 45 MM, STAINLESS STEEL
13	2109875-4	2	NUT	18	NUT HEXAGON 10 MM
14	2119594	N	LUBRICANT	1	ANTI-SEIZE LUBRICANT, 1 OZ TUBE
15	2167384	2	PART	1	STN STL HEX HD BOLT M10 X 16

LCC ENCLOSURE HARDWARE KIT – FIXED AND MOBILE

2158576-3 & 2158576-4



2205065 s5 IDW

LCC ENCLOSURE HARDWARE KIT – FIXED 2158576–3FRU N

(PART 7 OF 2142000–11 PAGE 2–174)
 (PART 7 OF 2142000–12 PAGE 2–174)
 (PART 7 OF 2142000–15 PAGE 2–176)
 (PART 7 OF 2142000–16 PAGE 2–176)
 (PART 7 OF 2142000–19 PAGE 2–178)

Item	Part Number	FRU	Name	Quantity	Description (Remarks)
20	46–170686P3	2	ADHESIVE	1	LOCTITE 242, 50CC
21	2196373	N	DOC MTG SUPP	1	LCC DOCK MOUNTING SUPPORT
22	2178874	N	DOCK CLAMP P	1	DOCK CLAMP PLATE
23	2109866–21	2	SCREW	2	SCREW HEXAGON HEAD 10 MM 30 MM
24	2109878–4	2	WASHER	1	WASHER PLAIN – NORMAL 10.5 MM 20 MM
25	2109875–4	2	NUT	1	NUT HEXAGON 10 MM
26	46–208932P44	2	SCREW	2	SCREW
27	46–208758P2	2	TY–RAP	4	5.5" X .140" SELF–LOCKING CABLE TIE
28	46–208758P5	2	TY–RAP	14	13.38"X .301" SELF–LOCKING CABLE TIE
29	2205307	N	SPRING LATCH	2	LCC MAG ENCL SPRING LATCH ASM (SEE PAGE 2–185)
30	2205307–2	N	SPRING LATCH	2	LCC MAG ENCL SPRING LATCH ASM (SEE PAGE 2–185)
33	2167384	2	PART	3	STN STL HEX HD BOLT M10 X 16

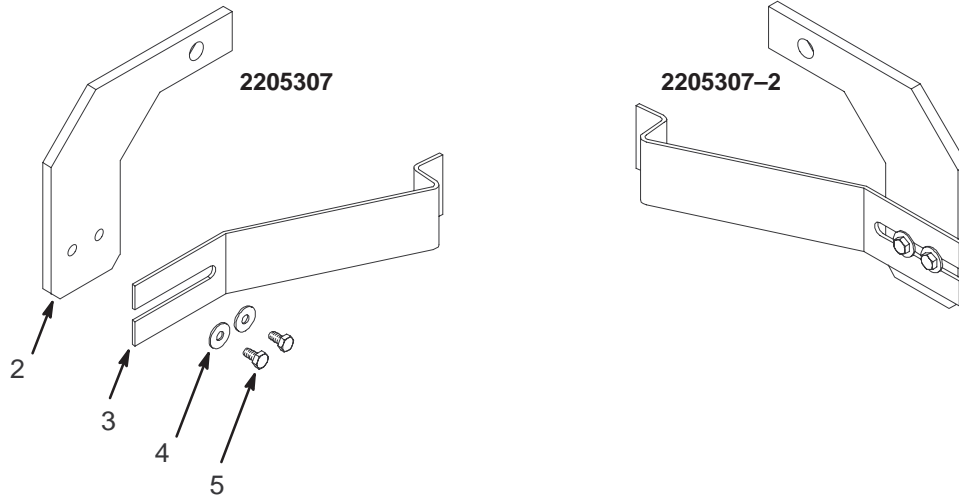
LCC ENCLOSURE HARDWARE KIT – MOBILE 2158576–4 FRU N

(PART 7 OF 2142000–13 PAGE 2–175)
 (PART 7 OF 2142000–14 PAGE 2–175)
 (PART 7 OF 2142000–17 PAGE 2–177)
 (PART 7 OF 2142000–18 PAGE 2–177)

Item	Part Number	FRU	Name	Quantity	Description (Remarks)
20	46–170686P3	2	ADHESIVE	1	LOCTITE 242, 50CC
21	2196373	N	DOC MTG SUPP	1	LCC DOCK MOUNTING SUPPORT
22	2178874	N	DOCK CLAMP P	1	DOCK CLAMP PLATE
23	2109866–21	2	SCREW	2	SCREW HEXAGON HEAD 10 MM 30 MM
24	2109878–4	2	WASHER	1	WASHER PLAIN – NORMAL 10.5 MM 20 MM
25	2109875–4	2	NUT	1	NUT HEXAGON 10 MM
26	46–208932P44	2	SCREW	2	SCREW
27	46–208758P2	2	TY–RAP	4	5.5" X .140" SELF–LOCKING CABLE TIE
28	46–208758P5	2	TY–RAP	14	13.38"X .301" SELF–LOCKING CABLE TIE
29	2205307	N	SPRING LATCH	2	LCC MAG ENCL SPRING LATCH ASM (SEE PAGE 2–185)
30	2205307–2	N	SPRING LATCH	2	LCC MAG ENCL SPRING LATCH ASM (SEE PAGE 2–185)
33	2167384	2	PART	2	STN STL HEX HD BOLT M10 X 16

LCC MAG ENCL SPRING LATCH ASM

2205307 & 2205307-2

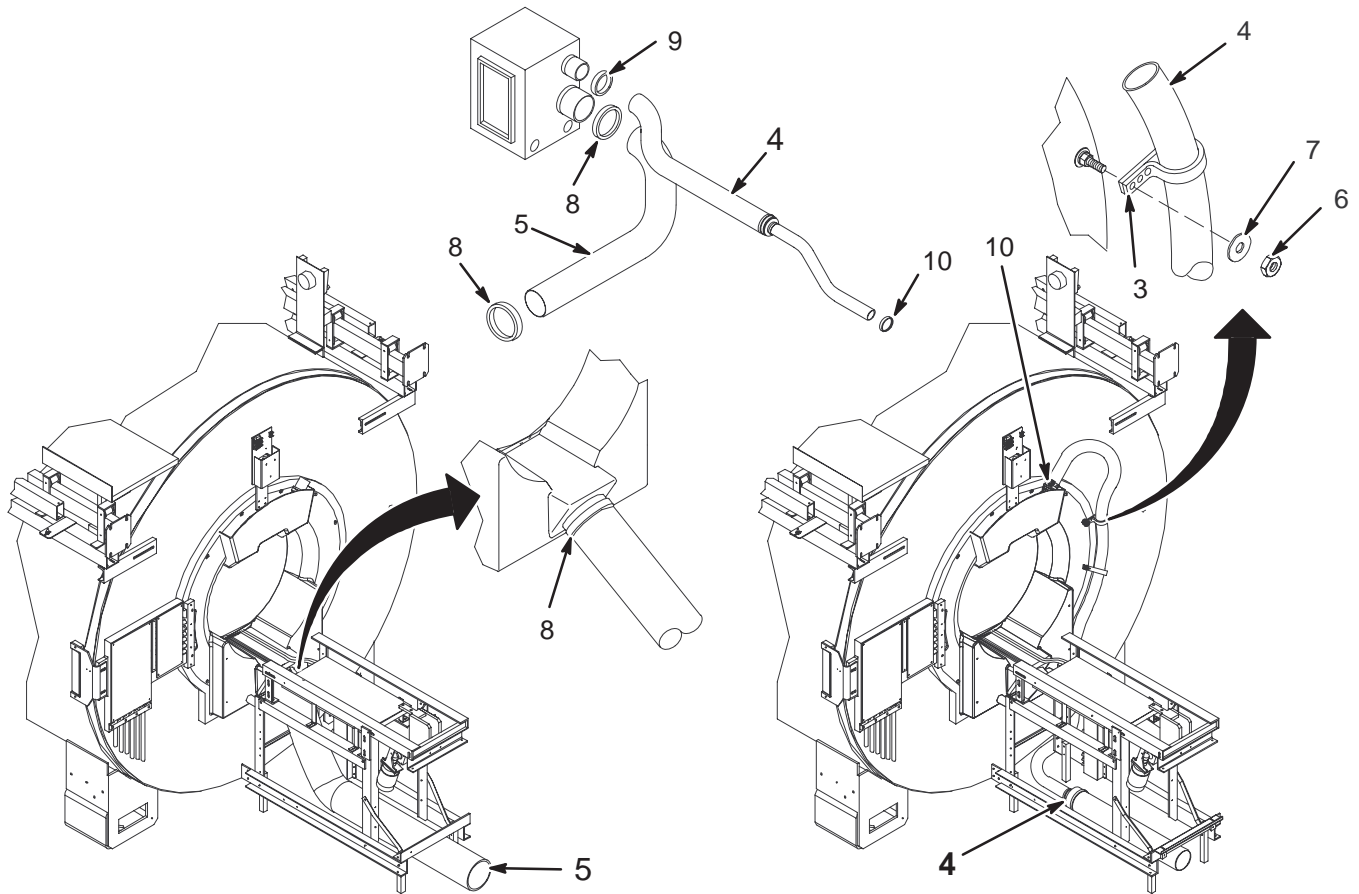


LCC MAG ENCL SPRING LATCH ASM 2205307 & 2205307-2 FRU N (PART OF 2158576-3 & 2158576-4 PAGE 2-184)

Item	Part Number	FRU	Name	Quantity	Description (Remarks)
2	2198610	N	SPRING LATCH	1	LCC MAGNET ENCL SPRING LATCH BRACKET
3	2175497	N	LATCHING SPR	1	FRONT COVER LOCKING LATCH
4	2109879-2	2	WASHER	2	WASHER PLAIN - LARGE 6.4 MM 12 MM
5	2109866-10	2	SCREW	2	SCREW HEXAGON HEAD 6 MM 12 MM

LCC BLOWER HOSE KIT

2129412-2



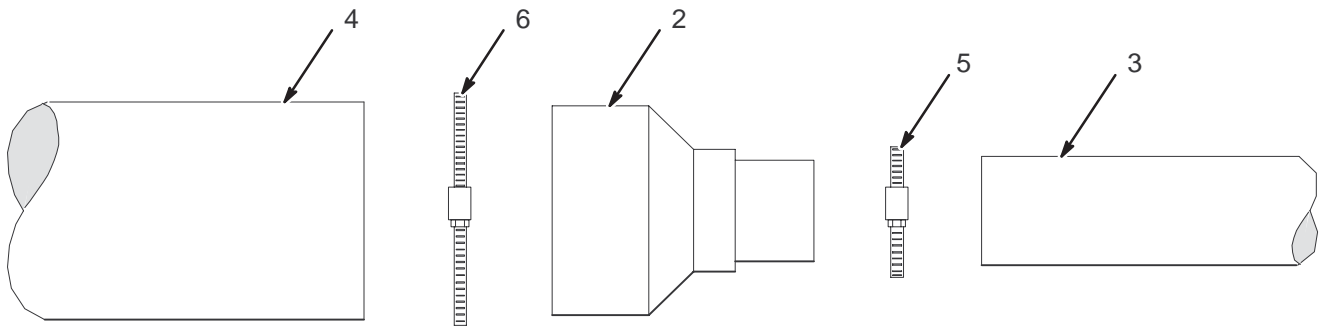
LCC BLOWER HOSE KIT

2129412-2 FRU N (PART 11 OF 2142000 SERIES PAGES 2-174 THRU 2-178)

Item	Part Number	FRU	Name	Quantity	Description (Remarks)
3	2162277	2	NYLON_STRAPP	2	.88W .07THK .39HLOES .63CENTERS
4	2162999	N	HOSE KIT	1	HOSE ASM W/REDUCER 4" TO 2" (SEE PAGE 2-187)
5	46-282666P12	2	DUCT,AIR PVC	1	GOODYEAR GRAY PVC AIR DUCT
6	2109875-4	2	NUT	2	NUT HEXAGON 10 MM
7	2109878-4	2	WASHER	2	WASHER PLAIN - NORMAL 10.5 MM 20 MM
8	46-208765P29	2	CLAMP	2	DIA RANGE 5-5/8 - 6-1/2 302/305 SST
9	46-208765P34	2	CLAMP	1	DIA RANGE 3-9/16 - 4-1/2
10	46-208765P28	2	CLAMP	1	DIA RANGE 1-13/16 - 2-3/4, 302/305

HOSE ASM W/REDUCER 4" TO 2"

2162999



HOSE ASM W/REDUCER 4" TO 2"

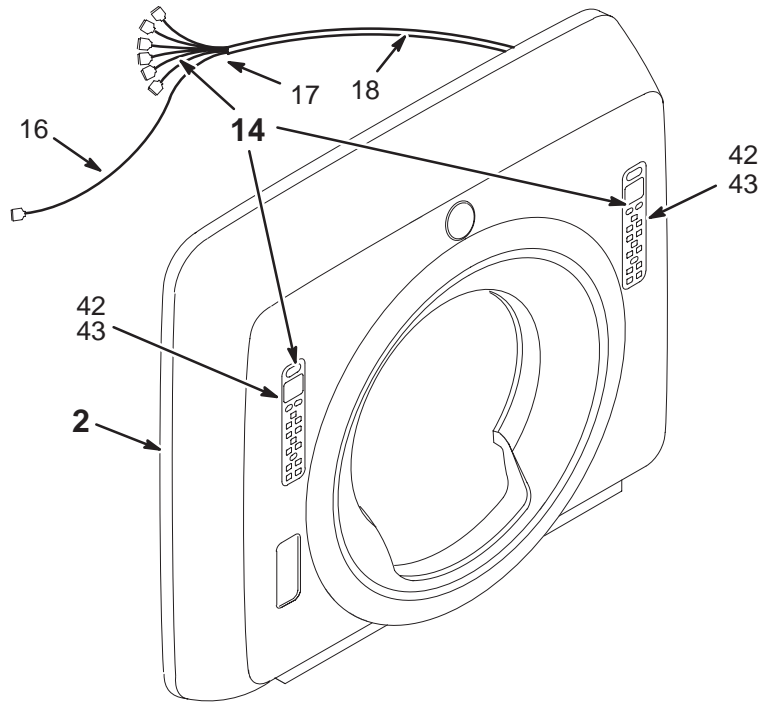
2162999 FRU N

(PART 4 OF 2129412-2 PAGE 2-186)

Item	Part Number	FRU	Name	Quantity	Description (Remarks)
2	2175143	2	REDUCING COU	1	1/12 TO 3 PVC
3	46-282668P19	2	HOSE,NYL RNF	1	2 INCH DIAMETER, 108 INCH LENGTH
4	46-282666P11	2	DUCT,AIR PVC	1	GOODYEAR GRAY PVC AIR DUCT
5	46-208765P28	2	CLAMP	1	DIA RANGE 1-13/16 - 2-3/4, 302/305
6	46-208765P34	2	CLAMP	1	DIA RANGE 3-9/16 - 4-1/2

LCC FRONT COVER ASM

2157262-2



LCC FRONT COVER ASM

2157262-2 FRU N (PART 20 OF 2142000 SERIES PAGES 2-174 THRU 2-178)

Item	Part Number	FRU	Name	Quantity	Description (Remarks)
2	2175179-2	N	FRONT COVER	1	COVER/CONE/LOGO/LABELS (SEE PAGE 2-189)
14	2168023	N	OPR BP/D KIT	1	Cx MAGENC BUTTON PANEL/DISPLAY (SEE PAGE 2-188)
16	46-328000G940	2	ASSEMBLY	1	MG2-A11-A1-J2 TO MG2-A11-A1-J2
17	46-208758P3	2	TY-RAP	2	7.31" X .184" SELF-LOCKING CABLE TIE
18	46-230653P5	2	TUBING	7	SPIRALLY CUT POLYETHYLENE, 3/4" DIA.
42	46-208935P4	2	NUT	16	4-40, 1/4" HEX X .093 THK, BRASS
43	1000904P142	2	WASHER	16	ID 0.1495, OD 0.438, THK .016, BRASS

LCC BUTTON PANEL/DISPLAY

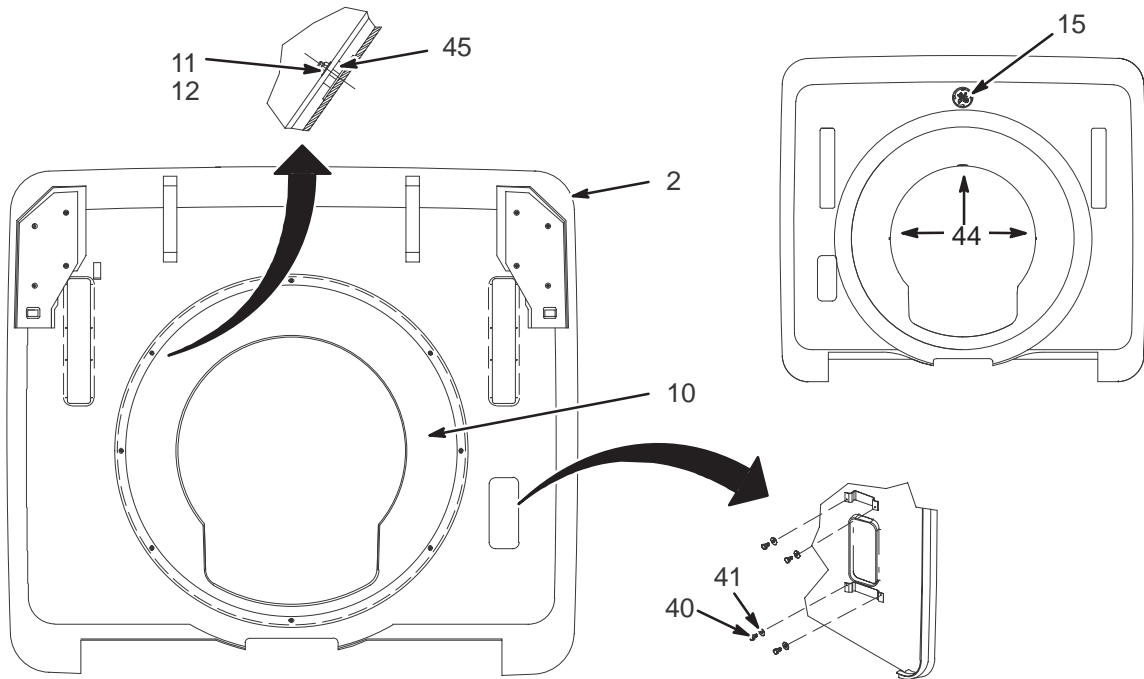
2168023 FRU N

(PART 14 OF 2157262-2 PAGE 2-188)

Item	Part Number	FRU	Name	Quantity	Description (Remarks)
1	2168023-2	1	OPR BP/D KIT	2	BUTTON PANEL/DISPLAY MOD W/O CABLES
2	2168023-3	2	OPR BP/D KIT	1	CABLE, MG2-A33-J4 TO MG2-A4-J3
3	2168023-4	2	OPR BP/D KIT	1	CABLE, MG2-A4-J2 TO MG2-A5-J3
4	2168023-5	2	OPR BP/D KIT	1	CABLE, MG2-A33-J5,6,7,8,9 TO MG2A4-J4
5	2168023-6	2	OPR BP/D KIT	1	CABLE, MG2-A4-J5 TO MG2-A5-J4

COVER/CONE/LOGO/LABELS

2175179-2



COVER/CONE/LOGO/LABELS

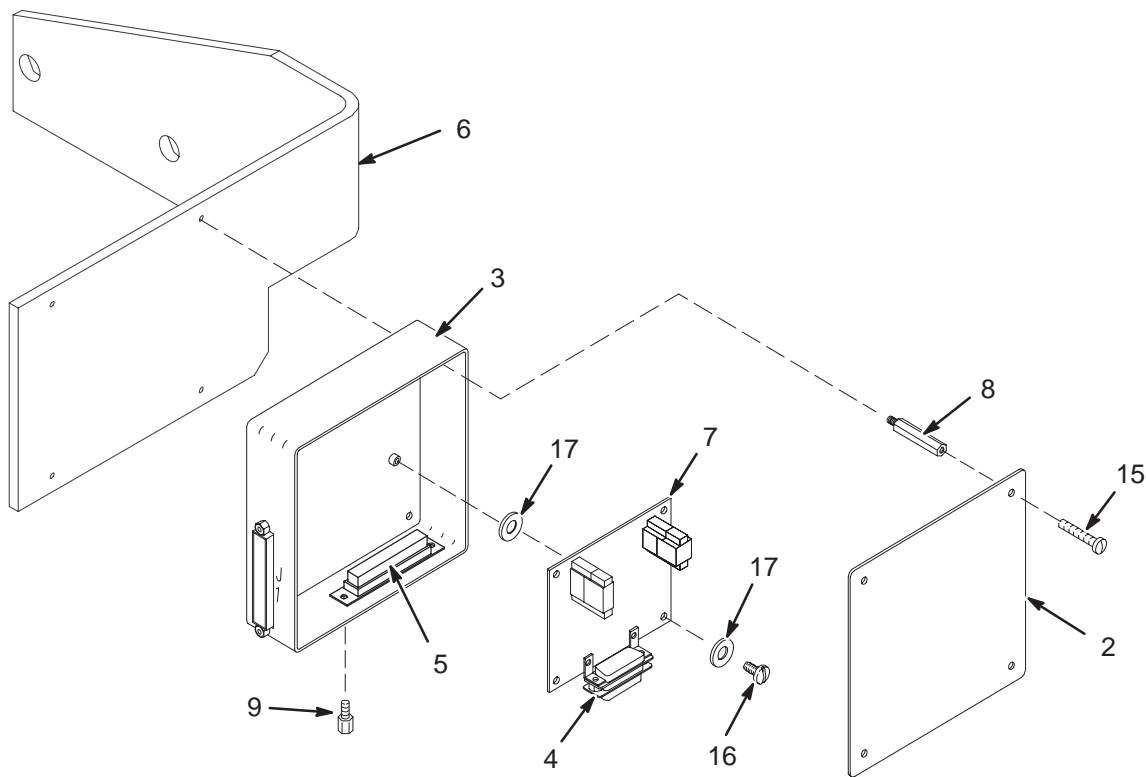
2175179-2 FRU N

(PART 2 OF 2157262-2 PAGE 2-188)

Item	Part Number	FRU	Name	Quantity	Description (Remarks)
2	2166522-2	N	FRONT COVER	1	FRONT ENCLOSURE COVER - LCC
10	2152617	2	PART	1	COVER,FRT CONE
11	2109875-3	2	NUT	8	NUT HEXAGON 6 MM
12	2109879-2	2	WASHER	8	WASHER PLAIN - LARGE 6.4 MM 12 MM
15	2142724	2	MEATBALL	1	FRONT COVER GE LOGO INJECTION MOLDED
40	2109866-12	2	SCREW	4	SCREW HEXAGON HEAD 6 MM 20 MM
41	2109878-3	2	WASHER	4	WASHER PLAIN - NORMAL 6.4 MM 12 MM
44	46-229060P1	2	LABEL	3	LASER APERTURE, DONT STARE INTO BEAM
45	2180420	2	RUBBER SPACE	8	NEOPRENE 45-55 DUROMETER SHORE A

LCC DOCK CONTROL ASM

46-282757

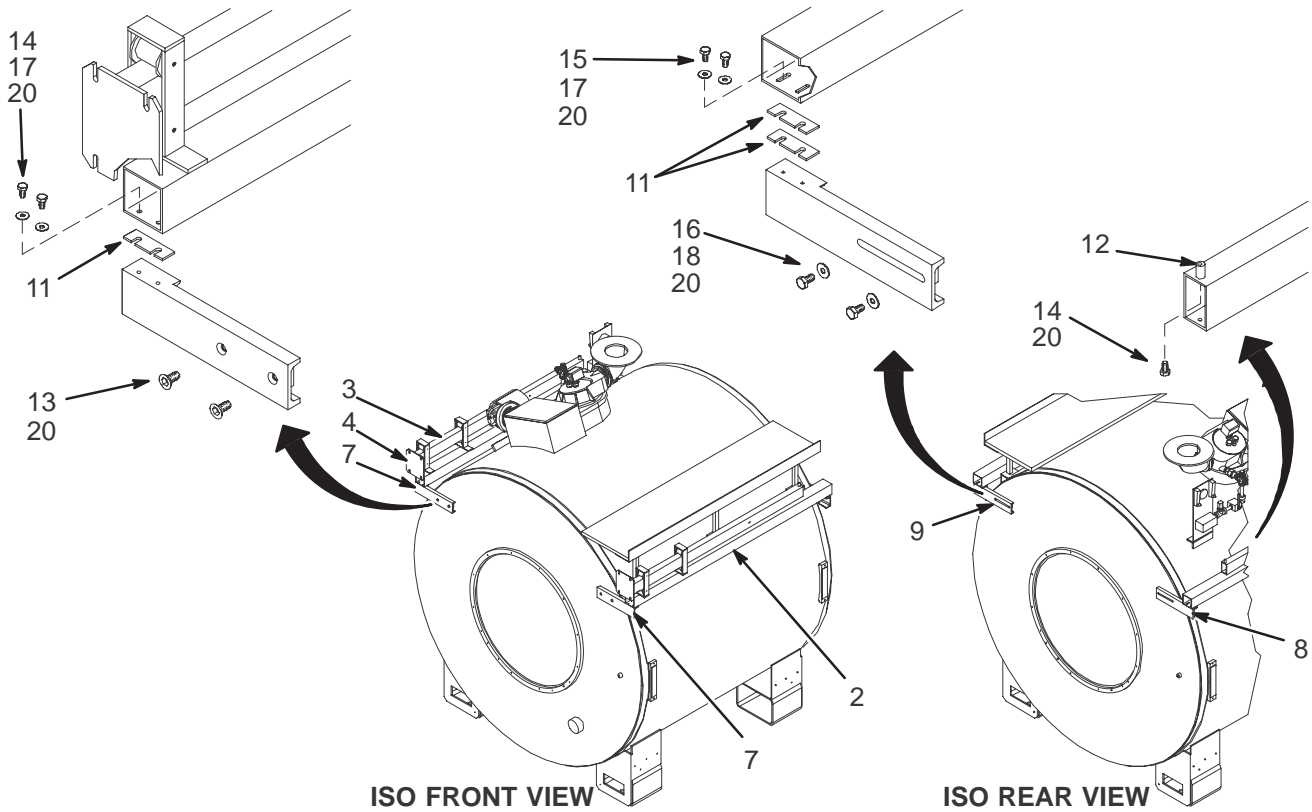


LCC DOCK CONTROL ASM 46-282757G6 FRU N (PART 22 OF 2142000 SERIES PAGES 2-174 THRU 2-178)

Item	Part Number	FRU	Name	Quantity	Description (Remarks)
2	46-282320P1	2	COVER	1	5" X 5" BOX COVER, ALUMINUM
3	46-282405G1	2	BOX	1	DOCK LIMIT MODULE BOX - EMPTY
4	46-282426G1	2	HARNESS	1	DOCK LIMIT SWITCH BOARD J1
5	46-282427G1	2	HARNESS	1	DOCK LIMIT SWITCH BOARD J2 AND J3
6	2198613	N	BRACKET	1	DOCK CONTROL BOX BRACKET - LCC
7	46-264028G1	1	CIRCUIT BD	1	DOCK LIMIT SWITCH BOARD, MG2 A31 A1
8	46-208984P2	2	SPACER	4	HEX 1/4", EXT/INT THD 6-32, 1.5" LG
9	46-221417P2	2	CONNECTOR	4	FEMALE SCREWLOCK FOR HD CONNECTORS
15	46-208921P5	2	SCREW	4	SCREW
16	46-208922P2	2	SCREW	4	SCREW
17	1000904P298	2	WASHER	8	ID 0.1875, OD 0.375, THK .01, A1D2B

LCC MOBILE MAGNET FRAME KIT

2204359



LCC MOBILE MAGNET FRAME KIT

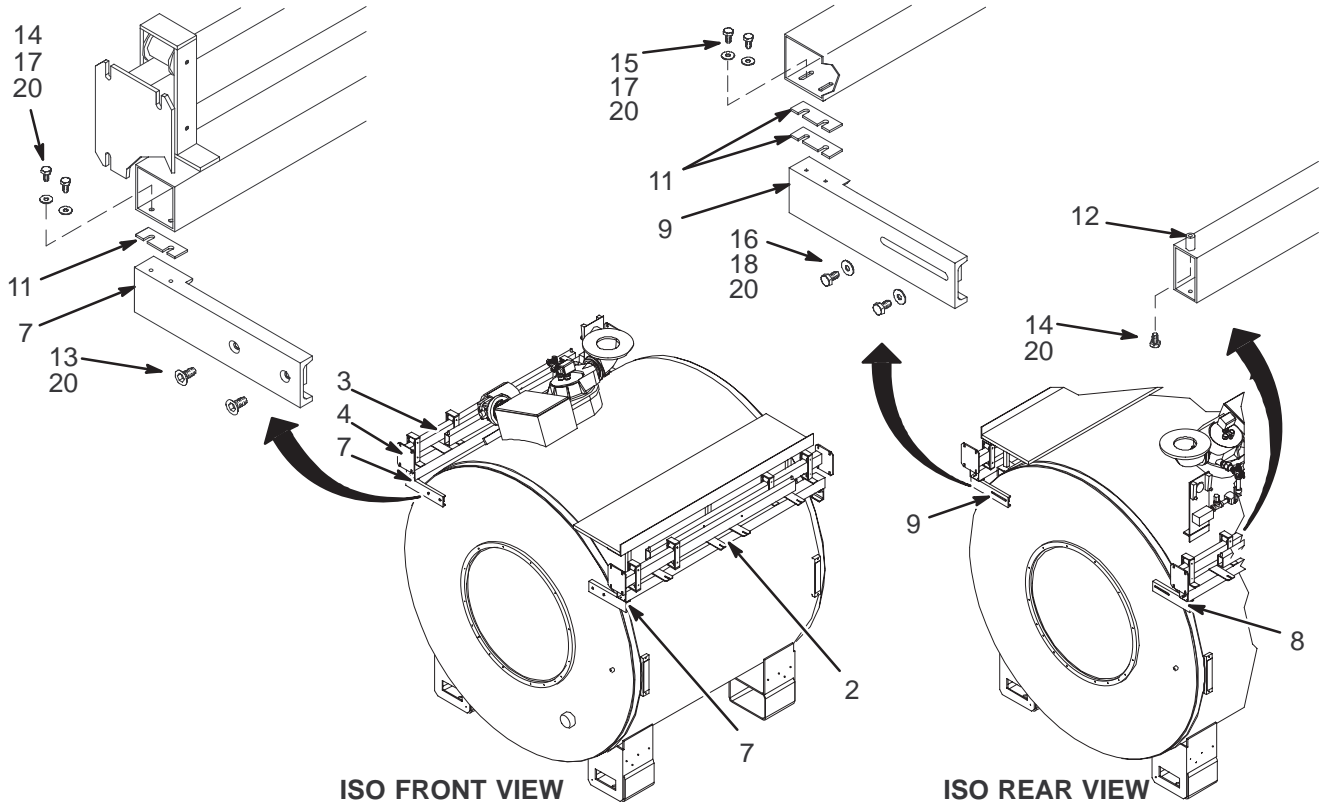
2204359FRU N

(PART 2 OF M1061JS – SECTION 1)

Item	Part Number	FRU	Name	Quantity	Description (Remarks)
2	2202330	N	SLIDE BLOCK	1	LCC MAG ENCL RT MOBILE SLIDE SUPPORT
3	2202330-2	N	SLIDE BLOCK	1	LCC MAG ENCL LEFT MOBILE SLIDE SPT
4	2202771	N	COVER SLIDE	2	LCC MAG ENCL BEAM AND MTG PLATE
7	2202533	N	MTG LEG CHAN	2	LCC ENCL FRAME MTG BKT FRONT
8	2202533-2	N	MTG LEG CHAN	1	LCC ENCL FRAME MTG BKT RIGHT REAR
9	2202533-3	N	MTG LEG CHAN	1	LCC ENCL FRAME MTG BKT LEFT REAR
11	2202646	2	SPACER PLATE	8	SPACER PLATE
12	2182293	2	SLIDE STOP	2	PVC 13MM DIA X 16MM LG STANDOFF M6
13	2109884-21	2	SCREW	4	SCREW COUNTERSUNK HEA 10 MM 16 MM
14	2109866-11	2	SCREW	6	SCREW HEXAGON HEAD 6 MM 16 MM
15	2109866-14	2	SCREW	4	SCREW HEXAGON HEAD 6 MM 30 MM
16	2109866-19	2	SCREW	4	SCREW HEXAGON HEAD 10 MM 20 MM
17	2109879-2	2	WASHER	8	WASHER PLAIN – LARGE 6.4 MM 12 MM
18	2109879-3	2	WASHER	4	WASHER PLAIN – LARGE 10.5 MM 30 MM
20	46-170686P3	N	ADHESIVE	AR	LOCTITE 242, 50CC

LCC FIXED SITE MAGNET FRAME KIT

2204359-2



LCC FIXED SITE MAGNET FRAME KIT 2204359-2FRU N

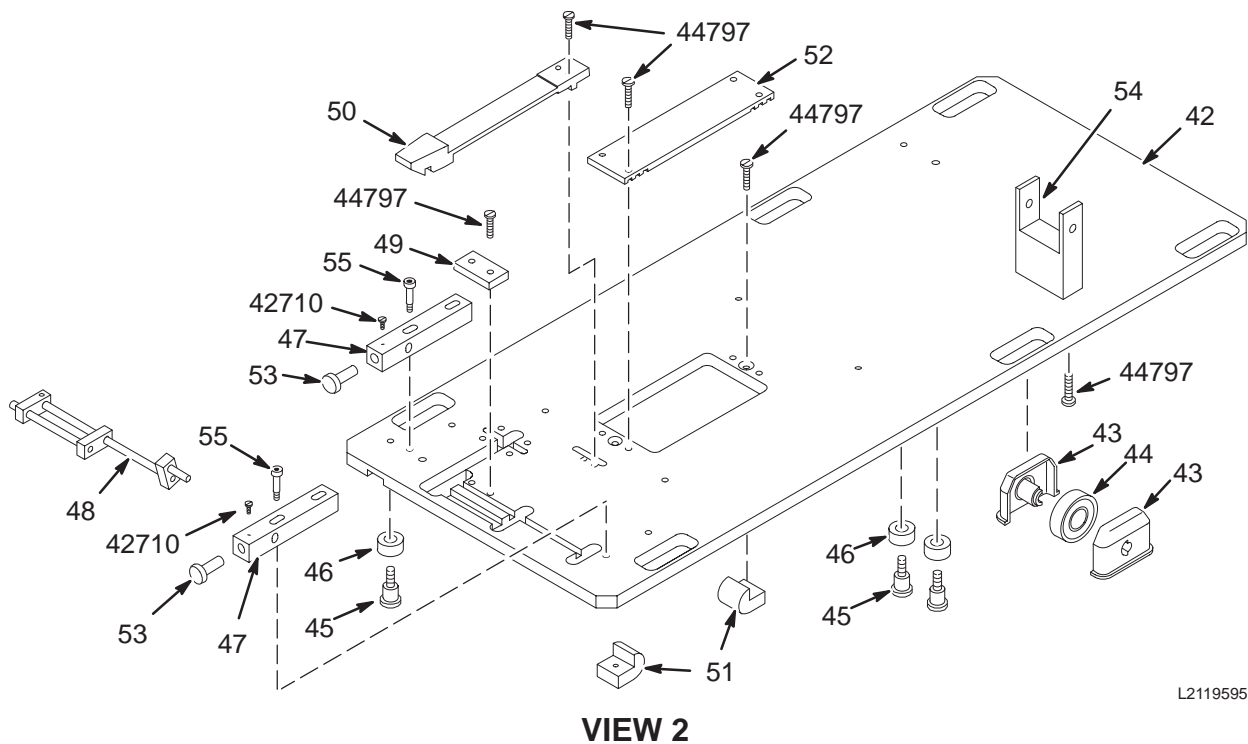
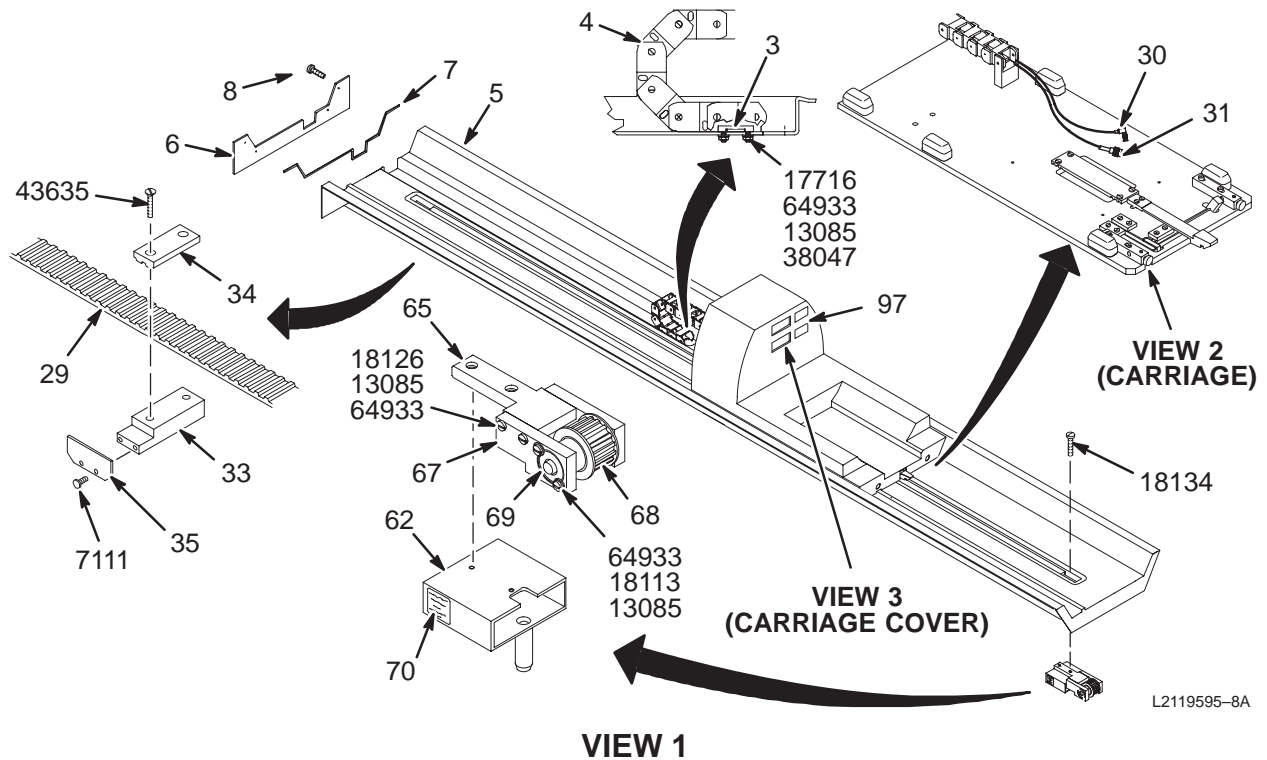
(PART 2 OF M1060JS – SECTION 1)

Item	Part Number	FRU	Name	Quantity	Description (Remarks)
2	2202330-3	N	SLIDE BLOCK	1	LCC MAG ENCL RT FIXED SLIDES SUPPORT
3	2202330-4	N	SLIDE BLOCK	1	LCC MAG ENCL LFT FXD SLIDES SUPPORT
4	2202771	N	COVER SLIDE	4	LCC MAG ENCL BEAM AND MTG PLATE
7	2202533	N	MTG LEG CHAN	2	LCC ENCL FRAME MTG BKT FRONT
8	2202533-2	N	MTG LEG CHAN	1	LCC ENCL FRAME MTG BKT RIGHT REAR
9	2202533-3	N	MTG LEG CHAN	1	LCC ENCL FRAME MTG BKT LEFT REAR
11	2202646	2	SPACER PLATE	8	SPACER PLATE
12	2182293	2	SLIDE STOP	4	PVC 13MM DIA X 16MM LG STANDOFF M6
13	2109884-21	2	SCREW	4	SCREW COUNTERSUNK HEA 10 MM 16 MM
14	2109866-11	2	SCREW	8	SCREW HEXAGON HEAD 6 MM 16 MM
15	2109866-14	2	SCREW	4	SCREW HEXAGON HEAD 6 MM 30 MM
16	2109866-19	2	SCREW	4	SCREW HEXAGON HEAD 10 MM 20 MM
17	2109879-2	2	WASHER	8	WASHER PLAIN – LARGE 6.4 MM 12 MM
18	2109879-3	2	WASHER	4	WASHER PLAIN – LARGE 10.5 MM 30 MM

2-11 Cx AND LCC HORIZON BRIDGE AND CARRIAGE ASSEMBLIES

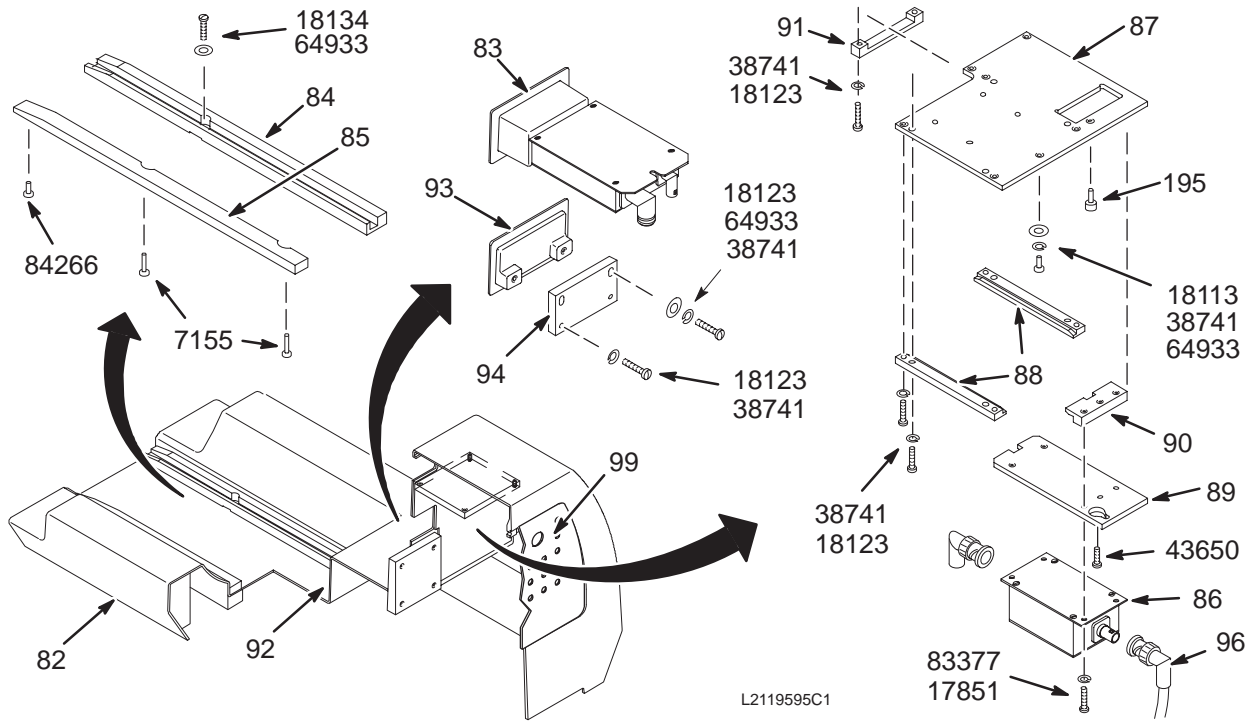
Cx & LCC 1.5T & 1.0T BRIDGE ASM w/o M-C or PA

2119595-8 & 2119595-10



Cx & LCC 1.5T & 1.0T BRIDGE ASM w/o M-C or PA

2119595-8 & 2119595-10



VIEW 3

Cx 1.0T BRIDGE ASM w/o M-C

2119595-8 FRU N

(PART OF 2142000 PAGE 2-155)

LCC 1.0T BRIDGE ASM w/o PA

2119595-8 FRU N

(PART OF 2142000-3 PAGE 2-156)

(PART OF 2142000-11 PAGE 2-174)

(PART OF 2142000-13 PAGE 2-175)

Item	Part Number	FRU	Name	Quantity	Description (Remarks)
3	46-282169P1	2	CLAMP	1	CABLETRACK MOUNT
4	46-282389P4	2	CABLETRAK	1	35 LINK CABLE TRACK
5	2114811-3	2	BRIDGE	1	Cx MAGNET ENCL BRIDGE
6	2129351	2	COVER, REAR	1	REAR BRIDGE COVER
7	2131304	2	COVER,GASKET	1	GASKET, COVER, BRIDGE
8	2109873-26	2	SCREW	4	SCREW PAN HEAD 6 MM 20 MM
29	46-282388P3	2	BELT	1	3/8" PITCH GEARBELT, 1" WIDE, 19.5"L
30	46-328000G757	2	ASSEMBLY	1	(485) MG3-A17-J2 TO MW2-A16-A3-J4
31	46-320888G2	2	CABLE ASM	1	11.17' RG58C/U
33	46-271465P1	2	CLAMP, BLOCK	1	SENSOR FLAG MOUNTING CLAMP BLOCK
34	46-271436P1	2	CLAMP, BELT	1	SENSOR FLAG TOP CLAMP
35	46-282436P1	2	FLAG	1	CARRIAGE TRAVEL SENSOR FLAG
42	46-282163P1	2	BASE PLATE	1	QUAD HEAD COIL CARRIAGE BASEPLATE
43	46-243167P1	2	BOX	12	WHEEL HOUSING, MOLDED NORYL
44	46-243494P1	2	CASTER	6	3/4" ID, 1-3/4 OD, 1/2" WIDE PLASTIC
45	46-243141P1	2	SHLD SCR	4	PLASTIC BEARING MOUNT SHOULDER SCREW
46	46-243178P2	2	BEARING	4	ID 0.375", OD 0.875", WIDTH 0.281"
47	46-282164P1	2	PLUNGER	2	CARRIAGE RELEASE PLUNGER, DELRIN
48	46-282824G1	2	CRANK ASM.	1	LATCH HOOK RELEASE LINKAGE

Parts List Continued on Next Page

Cx & LCC 1.0T BRIDGE ASM w/o M-C or PA

2119595-8

(CONT'D FROM PREVIOUS PAGE)

Item	Part Number	FRU	Name	Quantity	Description (Remarks)
49	46-282168P1	2	HOLD DOWN	1	LINKAGE RETAINER BLOCK, DELRIN
50	46-317169P1	2	HOOK	1	CRADLE LATCH HOOK
51	46-271435P1	2	SUPPORT, B R	2	BELT GUIDE, DELRIN
52	46-282171P1	2	CLAMP BELT	1	BELT CLAMP PLATE, DELRIN
53	46-265089P1	2	SCREW	2	CARRIAGE RELEASE THREADED ACTUATOR
54	46-282170P1	2	CLAMP	1	CABLETRACK MOUNTING BRACKET, DELRIN
55	46-282826P1	2	SCREW	4	SHOULDER BOLT, 10-32 THREAD, DELRIN
62	2160019	2	PART	1	SUPPORT UPPER FRT-BRIDGE Cx
65	46-271432P1	2	MOUNT BRIDGE	1	BRIDGE ATTACHMENT TONGUE
67	46-328446P1	2	SUPPORT BLK.	2	SUPPORT BLOCK
68	46-282646G1	2	PULLEY ASM	1	DRIVE BELT IDLER PULLEY
69	46-282471P12	2	BEARING	2	SKF BEARING #1621 DC **MAGNETIC**
70	46-282756P1	2	LABEL	2	WARNING, CONTAINS FERROUS MATERIAL
82	46-306655P1	2	CARRIAGE CVR	1	MOLDED FIBERGLAS, NO PARTS INSTALLED
83	46-321336G1	1	CIRCUIT BD	1	1.0T HEAD T/R SWITCH ASSEMBLY
84	46-306657P1	2	CARR RAIL LH	1	LEFT GROOVED GUIDE RAIL 16.5" DELRIN
85	46-306656P1	2	CARR RAIL RH	1	COIL RIGHT SUPPORT RAIL 16.5" DELRIN
86	46-321338G3	1	PREAMP BOX	1	PREAMP W/MICROWAVE ABSORBER & DIODES
87	46-306679P1	2	SUPPORT PL	1	PREAMP & TR SWITCH MOUNTING PLATE
88	46-306680P1	2	GUIDE RAIL	2	HEAD COIL TR SWITCH GUIDE RAIL
89	46-306681P1	2	MOUNTING PL	1	HEAD PREAMPLIFIER MOUNTING PLATE
90	46-306682P1	2	HANGER	1	PREAMPLIFIER MOUNT PLATE REAR LATCH
91	46-306683P1	2	CLAMP	1	PREAMPLIFIER MOUNT PLATE FRONT LATCH
92	46-136246P15	2	TAPE	AR	3/4" WIDE, WHT ADH BACK, VELCRO LOOP
93	46-306732P1	2	COVER	1	FOR MULTICOIL QD OPENING, FIBERGLASS
94	46-306733P1	2	COV. SUPPORT	1	3/8" THICK, PHENOLIC
95	46-237420P1	2	SCREW	1	KNURLED HD TYPE 10-32 X .625
96	46-306697G1	2	CABLE ASM	1	MG2-A16-A5-J5 TO MG2A15-A3-J3, 5.25"
99	46-317722P1	2	COVER	1	CARRIAGE COVER ACCESS PANEL, VENTED
7111	46-265486P8	2	SCREW	2	SCREW
7115	46-265486P10	2	SCREW	4	SCREW
13085	46-220196P3	2	WASHER	10	#10 SCREW SIZE (0.190), SST
17716	46-208913P29	2	SCREW	2	SCREW
17851	46-220184P11	2	SCREW	2	SCREW
17869	46-220184P15	2	SCREW	2	SCREW
18113	46-220184P41	2	SCREW	5	SCREW
18123	46-220184P43	2	SCREW	14	SCREW
18126	46-220184P44	2	SCREW	4	SCREW
18134	46-220184P46	2	SCREW	6	SCREW
38047	46-208938P5	2	NUT	2	10-32, 3/8" HEX X .130 THK, 18-8 SST
38741	46-221449P5	2	WASHER	15	#10 SCREW SIZE (0.190), PHOS BRONZE
42710	46-208933P15	2	SCREW	2	SCREW
43635	46-230008P1	2	SCREW	2	SCREW
43650	46-208913P14	2	SCREW	1	SCREW
44797	46-243737P2	2	SCREW	12	SCREW
64933	1000904P425	2	WASHER	17	0.2 ID, 0.5 OD, .04 THK, B11H89C
83377	46-221449P3	2	WASHER	4	#6 SCREW SIZE (0.138) SILICONE BRONZ
84266	46-265486P6	2	SCREW	2	SCREW

Cx 1.5T BRIDGE ASM w/o M-C 2119595-10 FRU N (PART OF 2142000-5 PAGE 2-157)
 (PART OF 2142000-7 PAGE 2-158)
 LCC 1.5T BRIDGE ASM w/o PA 2119595-10 FRU N (PART OF 2142000-15 PAGE 2-176)
 (PART OF 2142000-17 PAGE 2-177)

Item	Part Number	FRU	Name	Quantity	Description (Remarks)
3	46-282169P1	2	CLAMP	1	CABLETRACK MOUNT
4	46-282389P4	2	CABLETRAK	1	35 LINK CABLE TRACK
5	2114811-3	2	BRIDGE	1	Cx MAGNET ENCL BRIDGE
6	2129351	2	COVER, REAR	1	REAR BRIDGE COVER
7	2131304	2	COVER,GASKET	1	GASKET, COVER, BRIDGE
8	2109873-26	2	SCREW	4	SCREW PAN HEAD 6 MM 20 MM
29	46-282388P3	2	BELT	1	3/8" PITCH GEARBELT, 1" WIDE, 19.5'L
30	46-328000G757	2	ASSEMBLY	1	(485) MG3-A17-J2 TO MW2-A16-A3-J4
31	46-320888G2	2	CABLE ASM	1	11.17' RG58C/U
33	46-271465P1	2	CLAMP, BLOCK	1	SENSOR FLAG MOUNTING CLAMP BLOCK
34	46-271436P1	2	CLAMP, BELT	1	SENSOR FLAG TOP CLAMP
35	46-282436P1	2	FLAG	1	CARRIAGE TRAVEL SENSOR FLAG
42	46-282163P1	2	BASE PLATE	1	QUAD HEAD COIL CARRIAGE BASEPLATE
43	46-243167P1	2	BOX	12	WHEEL HOUSING, MOLDED NORYL
44	46-243494P1	2	CASTER	6	3/4" ID, 1-3/4 OD, 1/2" WIDE PLASTIC
45	46-243141P1	2	SHLD SCR	4	PLASTIC BEARING MOUNT SHOULDER SCREW
46	46-243178P2	2	BEARING	4	ID 0.375", OD 0.875", WIDTH 0.281"
47	46-282164P1	2	PLUNGER	2	CARRIAGE RELEASE PLUNGER, DELRIN
48	46-282824G1	2	CRANK ASM.	1	LATCH HOOK RELEASE LINKAGE
49	46-282168P1	2	HOLD DOWN	1	LINKAGE RETAINER BLOCK, DELRIN
50	46-317169P1	2	HOOK	1	CRADLE LATCH HOOK
51	46-271435P1	2	SUPPORT, B R	2	BELT GUIDE, DELRIN
52	46-282171P1	2	CLAMP BELT	1	BELT CLAMP PLATE, DELRIN
53	46-265089P1	2	SCREW	2	CARRIAGE RELEASE THREADED ACTUATOR
54	46-282170P1	2	CLAMP	1	CABLETRACK MOUNTING BRACKET, DELRIN
55	46-282826P1	2	SCREW	4	SHOULDER BOLT, 10-32 THREAD, DELRIN
62	2160019	2	PART	1	SUPPORT UPPER FRT-BRIDGE Cx
65	46-271432P1	2	MOUNT BRIDGE	1	BRIDGE ATTACHMENT TONGUE
67	46-328446P1	2	SUPPORT BLK.	2	SUPPORT BLOCK
68	46-282646G1	2	PULLEY ASM	1	DRIVE BELT IDLER PULLEY
69	46-282471P12	2	BEARING	2	SKF BEARING #1621 DC **MAGNETIC**
70	46-282756P1	2	LABEL	2	WARNING, CONTAINS FERROUS MATERIAL
82	46-306655P1	2	CARRIAGE CVR	1	MOLDED FIBERGLAS, NO PARTS INSTALLED
83	46-264988G1	1	CIRCUIT BD	1	1.5T HEAD TR ASSEMBLY, MG2 A16 A5
84	46-306657P1	2	CARR RAIL LH	1	LEFT GROOVED GUIDE RAIL 16.5" DELRIN
85	46-306656P1	2	CARR RAIL RH	1	COIL RIGHT SUPPORT RAIL 16.5" DELRIN
86	46-264442G3	1	PREAMP BOX	1	1.5T PREAMPLIFIER WITH DIODE FIX
87	46-306679P1	2	SUPPORT PL	1	PREAMP & TR SWITCH MOUNTING PLATE
88	46-306680P1	2	GUIDE RAIL	2	HEAD COIL TR SWITCH GUIDE RAIL
89	46-306681P1	2	MOUNTING PL	1	HEAD PREAMPLIFIER MOUNTING PLATE
90	46-306682P1	2	HANGER	1	PREAMPLIFIER MOUNT PLATE REAR LATCH
91	46-306683P1	2	CLAMP	1	PREAMPLIFIER MOUNT PLATE FRONT LATCH
92	46-136246P15	2	TAPE	AR	3/4" WIDE, WHT ADH BACK, VELCRO LOOP
93	46-306732P1	2	COVER	1	FOR MULTICOIL QD OPENING, FIBERGLASS
94	46-306733P1	2	COV. SUPPORT	1	3/8" THICK, PHENOLIC

Parts List Continued on Next Page

Cx & LCC 1.5T BRIDGE ASM w/o M-C or PA

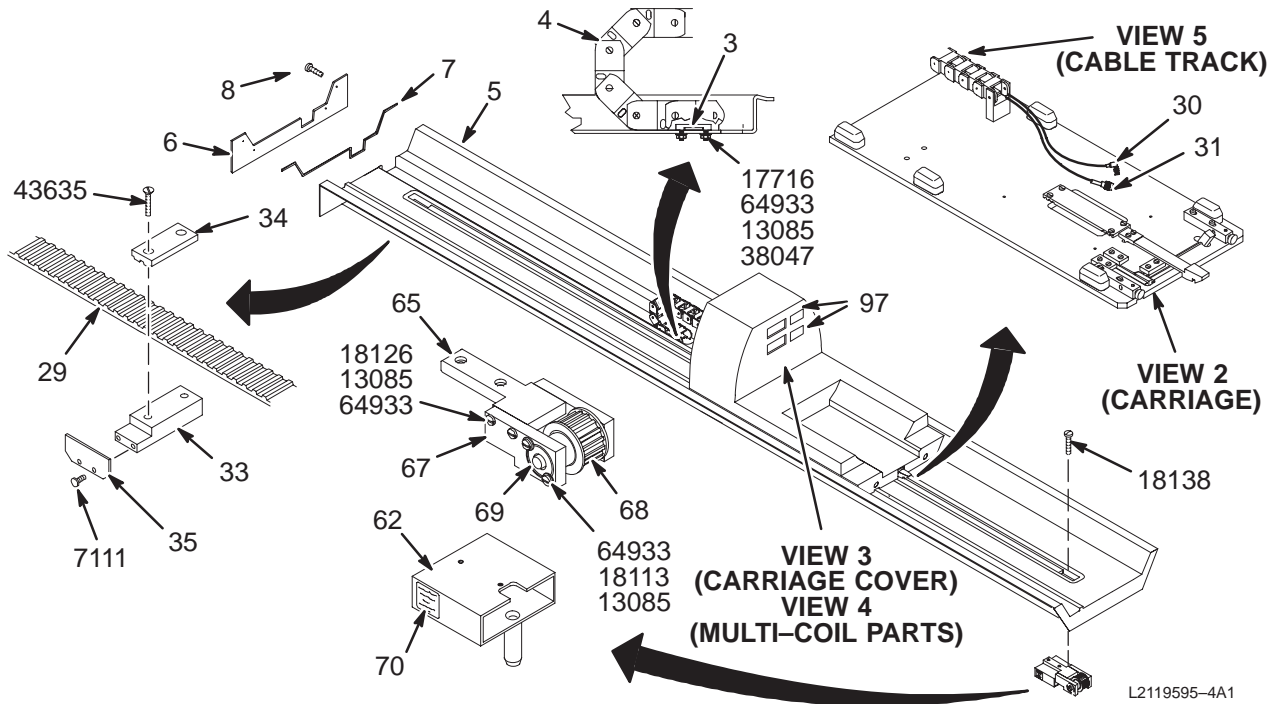
2119595-10

(CONT'D FROM PREVIOUS PAGE)

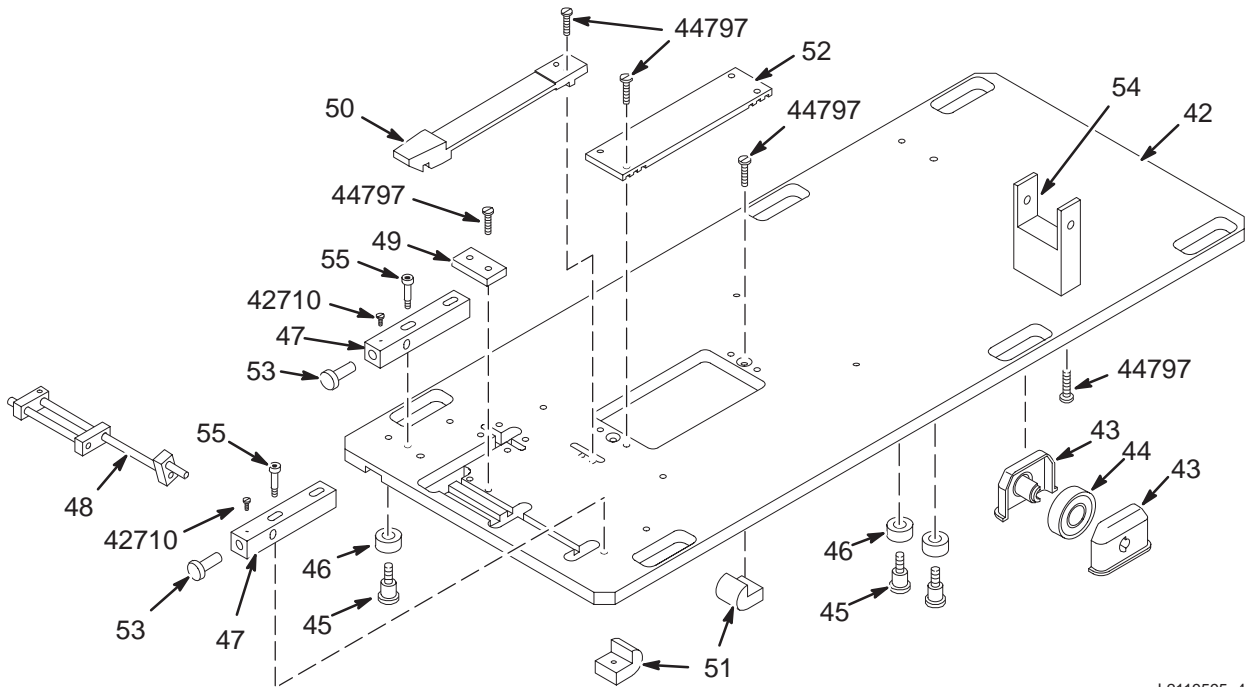
Item	Part Number	FRU	Name	Quantity	Description (Remarks)
95	46-237420P1	2	SCREW	1	KNURLED HD TYPE 10-32 X .625
96	46-306697G1	2	CABLE ASM	1	MG2-A16-A5-J5 TO MG2A15-A3-J3, 5.25"
97	2146831	2	WARN LABEL	2	UFI WARNING LABEL - ENGLISH
99	46-317722P1	2	COVER	1	CARRIAGE COVER ACCESS PANEL, VENTED
7111	46-265486P8	2	SCREW	2	SCREW
7115	46-265486P10	2	SCREW	4	SCREW
13085	46-220196P3	2	WASHER	10	#10 SCREW SIZE (0.190), SST
17716	46-208913P29	2	SCREW	2	SCREW
17851	46-220184P11	2	SCREW	2	SCREW
17869	46-220184P15	2	SCREW	2	SCREW
18113	46-220184P41	2	SCREW	5	SCREW
18123	46-220184P43	2	SCREW	14	SCREW
18126	46-220184P44	2	SCREW	4	SCREW
18134	46-220184P46	2	SCREW	6	SCREW
38047	46-208938P5	2	NUT	2	10-32, 3/8" HEX X .130 THK, 18-8 SST
38741	46-221449P5	2	WASHER	15	#10 SCREW SIZE (0.190), PHOS BRONZE
42710	46-208933P15	2	SCREW	2	SCREW
43635	46-230008P1	2	SCREW	2	SCREW
43650	46-208913P14	2	SCREW	1	SCREW
44797	46-243737P2	2	SCREW	12	SCREW
64933	1000904P425	2	WASHER	17	0.2 ID, 0.5 OD, .04 THK, B11H89C
83377	46-221449P3	2	WASHER	4	#6 SCREW SIZE (0.138) SILICONE BRONZ
84266	46-265486P6	2	SCREW	2	SCREW

Cx & LCC 1.5T & 1.0T BRIDGE ASM w/M-C or PA

2119595-9 & 2119595-11



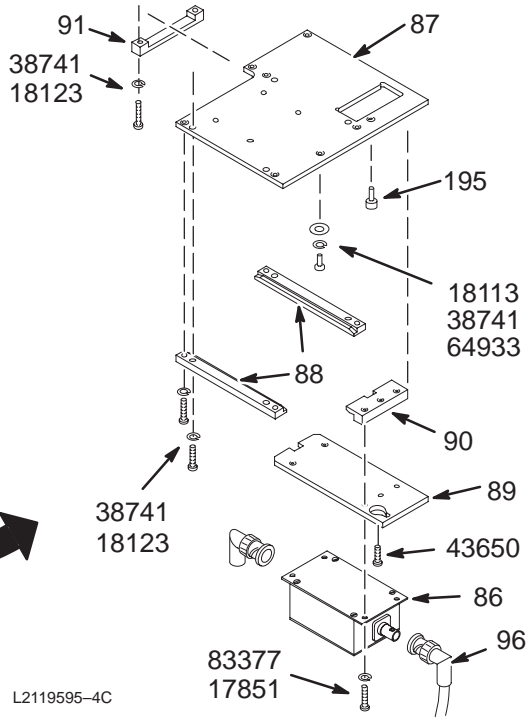
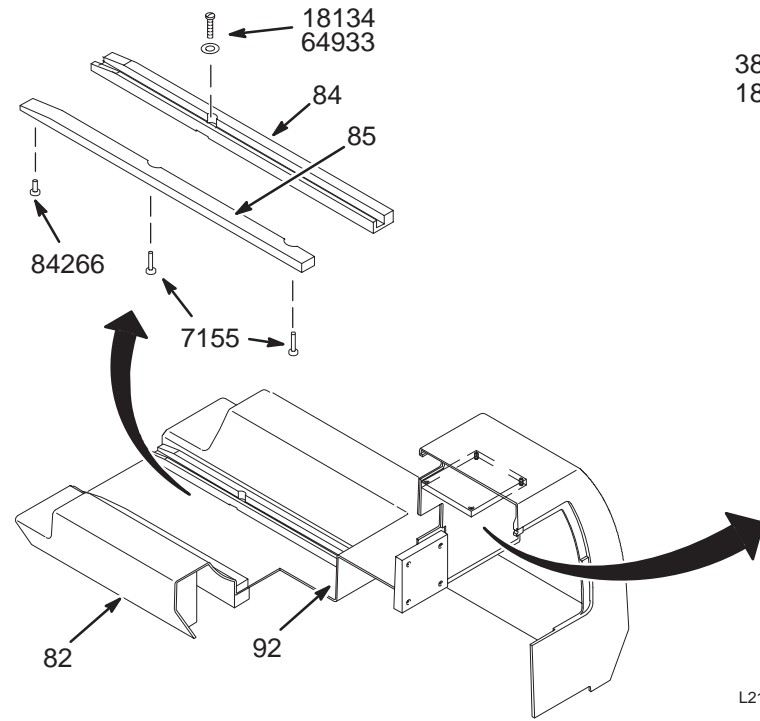
VIEW 1



VIEW 2

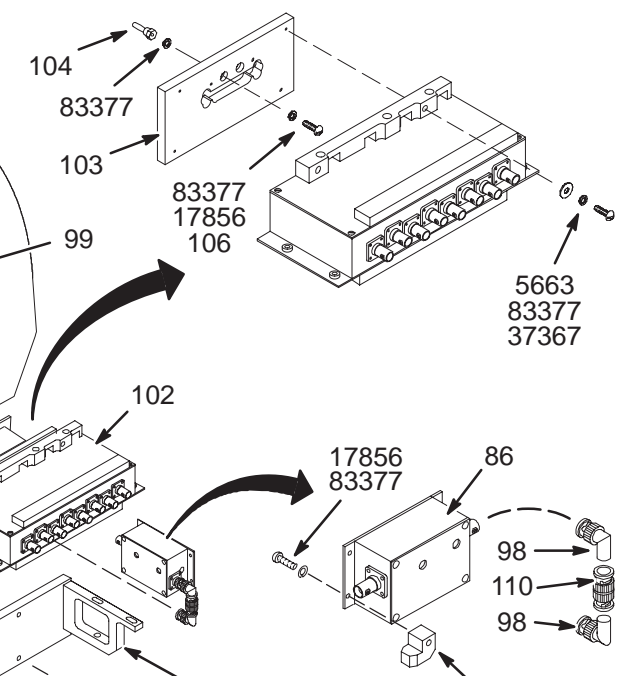
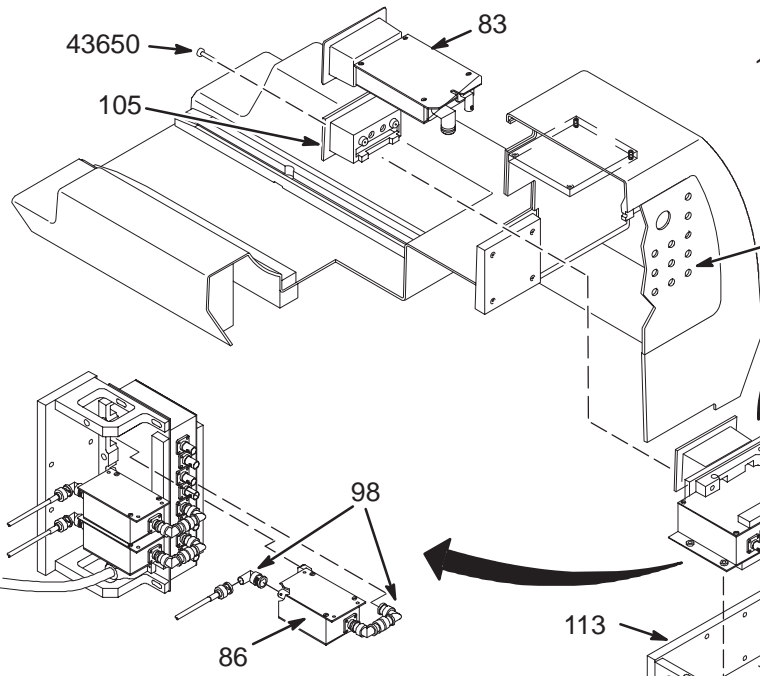
Cx & LCC 1.5T & 1.0T BRIDGE ASM w/M-C or PA

2119595-9 & 2119595-11



L2119595-4C

VIEW 3



5663
83377
37367

64933
38741
18123

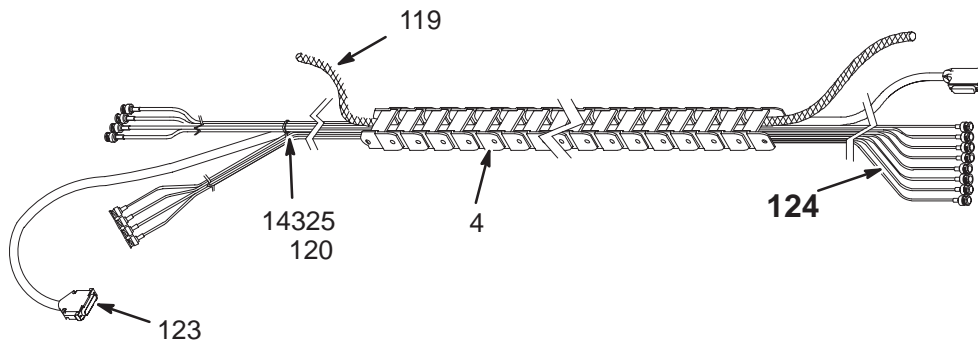
18126
38741

L2119595-4D1

VIEW 4

Cx & LCC 1.5T & 1.0T BRIDGE ASM w/M-C or PA

2119595-9 & 2119595-11



L2119595-4E

VIEW 5

Cx 1.0T BRIDGE ASM w/M-C

2119595-9 FRU N

(PART OF 2142000-2 PAGE 2-155)

(PART OF 2142000-4 PAGE 2-156)

LCC 1.0T BRIDGE ASM w/PA

2119595-9 FRU N

(PART OF 2142000-12 PAGE 2-174)

(PART OF 2142000-14 PAGE 2-175)

Item	Part Number	FRU	Name	Quantity	Description (Remarks)
3	46-282169P1	2	CLAMP	1	CABLETRACK MOUNT
4	2151445-4	2	PART	1	35 LINK CABLE TRACK W/HINGED OPEN'GS
5	2114811-3	2	BRIDGE	1	Cx MAGNET ENCL BRIDGE
6	2129351	2	COVER, REAR	1	REAR BRIDGE COVER
7	2131304	2	COVER,GASKET	1	GASKET, COVER, BRIDGE
8	2109873-26	2	SCREW	4	SCREW PAN HEAD 6 MM 20 MM
29	46-282388P3	2	BELT	1	3/8" PITCH GEARBELT, 1" WIDE, 19.5'L
30	46-328000G757	2	ASSEMBLY	1	(485) MG3-A17-J2 TO MW2-A16-A3-J4
31	46-320888G2	2	CABLE ASM	1	11.17' RG58C/U
33	46-271465P1	2	CLAMP, BLOCK	1	SENSOR FLAG MOUNTING CLAMP BLOCK
34	46-271436P1	2	CLAMP, BELT	1	SENSOR FLAG TOP CLAMP
35	46-282436P1	2	FLAG	1	CARRIAGE TRAVEL SENSOR FLAG
42	46-282163P1	2	BASE PLATE	1	QUAD HEAD COIL CARRIAGE BASEPLATE
43	46-243167P1	2	BOX	12	WHEEL HOUSING, MOLDED NORYL
44	46-243494P1	2	CASTER	6	3/4" ID, 1-3/4 OD, 1/2" WIDE PLASTIC
45	46-243141P1	2	SHLD SCR	4	PLASTIC BEARING MOUNT SHOULDER SCREW
46	46-243178P2	2	BEARING	4	ID 0.375", OD 0.875", WIDTH 0.281"
47	46-282164P1	2	PLUNGER	2	CARRIAGE RELEASE PLUNGER, DELRIN
48	46-282824G1	2	CRANK ASM.	1	LATCH HOOK RELEASE LINKAGE
49	46-282168P1	2	HOLD DOWN	1	LINKAGE RETAINER BLOCK, DELRIN
50	46-317169P1	2	HOOK	1	CRADLE LATCH HOOK
51	46-271435P1	2	SUPPORT, B R	2	BELT GUIDE, DELRIN
52	46-282171P1	2	CLAMP BELT	1	BELT CLAMP PLATE, DELRIN
53	46-265089P1	2	SCREW	2	CARRIAGE RELEASE THREADED ACTUATOR
54	46-282170P1	2	CLAMP	1	CABLETRACK MOUNTING BRACKET, DELRIN
55	46-282826P1	2	SCREW	4	SHOULDER BOLT, 10-32 THREAD, DELRIN
62	2160019	2	PART	1	SUPPORT UPPER FRT-BRIDGE Cx
65	46-271432P1	2	MOUNT BRIDGE	1	BRIDGE ATTACHMENT TONGUE
67	46-328446P1	2	SUPPORT BLK.	2	SUPPORT BLOCK
68	46-282646G1	2	PULLEY ASM	1	DRIVE BELT IDLER PULLEY

Parts List Continued on Next Page

Cx & LCC 1.0T BRIDGE ASM w/M-C or PA

2119595-9

(CONT'D FROM PREVIOUS PAGE)

Item	Part Number	FRU	Name	Quantity	Description (Remarks)
69	46-282471P12	2	BEARING	2	SKF BEARING #1621 DC **MAGNETIC**
70	46-282756P1	2	LABEL	2	WARNING, CONTAINS FERROUS MATERIAL
82	46-306655P1	2	CARRIAGE CVR	1	MOLDED FIBERGLAS, NO PARTS INSTALLED
83	46-321336G1	1	CIRCUIT BD	1	1.0T HEAD T/R SWITCH ASSEMBLY
84	46-306657P1	2	CARR RAIL LH	1	LEFT GROOVED GUIDE RAIL 16.5" DELRIN
85	46-306656P1	2	CARR RAIL RH	1	COIL RIGHT SUPPORT RAIL 16.5" DELRIN
86	46-321338G3	1	PREAMP BOX	7	PREAMP W/MICROWAVE ABSORBER & DIODES
87	46-306679P1	2	SUPPORT PL	1	PREAMP & TR SWITCH MOUNTING PLATE
88	46-306680P1	2	GUIDE RAIL	2	HEAD COIL TR SWITCH GUIDE RAIL
89	46-306681P1	2	MOUNTING PL	1	HEAD PREAMPLIFIER MOUNTING PLATE
90	46-306682P1	2	HANGER	1	PREAMPLIFIER MOUNT PLATE REAR LATCH
91	46-306683P1	2	CLAMP	1	PREAMPLIFIER MOUNT PLATE FRONT LATCH
92	46-136246P15	2	TAPE	AR	3/4" WIDE, WHT ADH BACK, VELCRO LOOP
95	46-237420P1	2	SCREW	1	KNURLED HD TYPE 10-32 X .625
96	46-306697G1	2	CABLE ASM	1	MG2-A16-A5-J5 TO MG2A15-A3-J3, 5.25"
98	46-233422P1	2	CONNECTOR	17	BNC JACK-PLUG, RIGHT ANGLE ADAPTER.
99	46-317722P1	2	COVER	1	CARRIAGE COVER ACCESS PANEL, VENTED
102	46-321218G2	N	PWB	1	USE 46-328036G6 AS FIELD REPLACEMENT
103	46-320927P1	2	BEZEL PLATE	1	KEYED MULTI-COIL BEZEL I/F PLATE
104	46-282460P1	2	CONNECTOR	2	STANDARD, UNINSULATED BANANA PLUG.
105	46-320928P1	2	BEZEL	1	0.5T/1.0T MULTI-COIL KEYED BEZEL
106	46-170686P1	2	ADHESIVE	1	LOCTITE 242, 0.5CC TUBE
108	46-317022P1	2	BLOCK LOCATO	6	MOUNTING FINGER, MOLDED WHITE ACETAL
110	46-220427P2	2	CONNECTOR	6	BNC STRAIGHT PLUG-PLUG ADAPTOR.
112	46-317016P1	2	SIDE SUPPORT	2	1/2" THK LAMINATED COMPOUND
113	46-317015P1	2	MTG PLATE	1	9-3/8" X 3-1/4", 1/2" THK LAMINATE
120	46-287119P1	2	VIBRATION IS	2	SELF-ADHERE TIE-STRAP ANCHOR, NYLON
123	46-328371P2	2	CABLE ASM	1	(736) MG3-A36-J19 TO MG2-A16-A8-J9
124	46-317220G21	N	RF CABLE	1	MULTICOIL CABLE TAKEUP RF CABLES (SEE PAGE 2-204)
5663	46-220184P18	2	SCREW	4	SCREW
7111	46-265486P8	2	SCREW	2	SCREW
7115	46-265486P10	2	SCREW	4	SCREW
13085	46-220196P3	2	WASHER	10	#10 SCREW SIZE (0.190), SST
14325	46-208758P3	2	TY-RAP	4	7.31" X .184" SELF-LOCKING CABLE TIE
17716	46-208913P29	2	SCREW	2	SCREW
17851	46-220184P11	2	SCREW	2	SCREW
17856	46-220184P13	2	SCREW	8	SCREW
17869	46-220184P15	2	SCREW	2	SCREW
18113	46-220184P41	2	SCREW	5	SCREW
18123	46-220184P43	2	SCREW	14	SCREW
18126	46-220184P44	2	SCREW	8	SCREW
18129	46-220184P45	2	SCREW	4	SCREW
18134	46-220184P46	2	SCREW	6	SCREW
37367	1000904P445	2	WASHER	4	ID 0.172 OD 0.438 THK .036
38047	46-208938P5	2	NUT	2	10-32, 3/8" HEX X .130 THK, 18-8 SST
38741	46-221449P5	2	WASHER	23	#10 SCREW SIZE (0.190), PHOS BRONZE
42710	46-208933P15	2	SCREW	2	SCREW
43635	46-230008P1	2	SCREW	2	SCREW
43650	46-208913P14	2	SCREW	3	SCREW
44797	46-243737P2	2	SCREW	12	SCREW
64933	1000904P425	2	WASHER	19	0.2 ID, 0.5 OD, .04 THK, B11H89C
83377	46-221449P3	2	WASHER	18	#6 SCREW SIZE (0.138) SILICONE BRONZ
84266	46-265486P6	2	SCREW	2	SCREW

Cx 1.5T BRIDGE ASM w/M-C 2119595-11 FRU N (PART OF 2142000-6 PAGE 2-157)
 (PART OF 2142000-8 PAGE 2-158)
 LCC 1.5T BRIDGE ASM w/PA 2119595-11 FRU N (PART OF 2142000-16 PAGE 2-176)
 (PART OF 2142000-18 PAGE 2-177)

Item	Part Number	FRU	Name	Quantity	Description (Remarks)
3	46-282169P1	2	CLAMP	1	CABLETRACK MOUNT
4	2151445-4	2	PART	1	35 LINK CABLE TRACK W/HINGED OPEN'GS
5	2114811-3	2	BRIDGE	1	Cx MAGNET ENCL BRIDGE
6	2129351	2	COVER, REAR	1	REAR BRIDGE COVER
7	2131304	2	COVER,GASKET	1	GASKET, COVER, BRIDGE
8	2109873-26	2	SCREW	4	SCREW PAN HEAD 6 MM 20 MM
29	46-282388P3	2	BELT	1	3/8" PITCH GEARBELT, 1" WIDE, 19.5'L
30	46-328000G757	2	ASSEMBLY	1	(485) MG3-A17-J2 TO MW2-A16-A3-J4
31	46-320888G2	2	CABLE ASM	1	11.17' RG58C/U
33	46-271465P1	2	CLAMP, BLOCK	1	SENSOR FLAG MOUNTING CLAMP BLOCK
34	46-271436P1	2	CLAMP, BELT	1	SENSOR FLAG TOP CLAMP
35	46-282436P1	2	FLAG	1	CARRIAGE TRAVEL SENSOR FLAG
42	46-282163P1	2	BASE PLATE	1	QUAD HEAD COIL CARRIAGE BASEPLATE
43	46-243167P1	2	BOX	12	WHEEL HOUSING, MOLDED NORYL
44	46-243494P1	2	CASTER	6	3/4" ID, 1-3/4 OD, 1/2" WIDE PLASTIC
45	46-243141P1	2	SHLD SCR	4	PLASTIC BEARING MOUNT SHOULDER SCREW
46	46-243178P2	2	BEARING	4	ID 0.375", OD 0.875", WIDTH 0.281"
47	46-282164P1	2	PLUNGER	2	CARRIAGE RELEASE PLUNGER, DELRIN
48	46-282824G1	2	CRANK ASM.	1	LATCH HOOK RELEASE LINKAGE
49	46-282168P1	2	HOLD DOWN	1	LINKAGE RETAINER BLOCK, DELRIN
50	46-317169P1	2	HOOK	1	CRADLE LATCH HOOK
51	46-271435P1	2	SUPPORT, B R	2	BELT GUIDE, DELRIN
52	46-282171P1	2	CLAMP BELT	1	BELT CLAMP PLATE, DELRIN
53	46-265089P1	2	SCREW	2	CARRIAGE RELEASE THREADED ACTUATOR
54	46-282170P1	2	CLAMP	1	CABLETRACK MOUNTING BRACKET, DELRIN
55	46-282826P1	2	SCREW	4	SHOULDER BOLT, 10-32 THREAD, DELRIN
62	2160019	2	PART	1	SUPPORT UPPER FRT-BRIDGE Cx
65	46-271432P1	2	MOUNT BRIDGE	1	BRIDGE ATTACHMENT TONGUE
67	46-328446P1	2	SUPPORT BLK.	2	SUPPORT BLOCK
68	46-282646G1	2	PULLEY ASM	1	DRIVE BELT IDLER PULLEY
69	46-282471P12	2	BEARING	2	SKF BEARING #1621 DC **MAGNETIC**
70	46-282756P1	2	LABEL	2	WARNING, CONTAINS FERROUS MATERIAL
82	46-306655P1	2	CARRIAGE CVR	1	MOLDED FIBERGLAS, NO PARTS INSTALLED
83	46-264988G1	1	CIRCUIT BD	1	1.5T HEAD TR ASSEMBLY, MG2 A16 A5
84	46-306657P1	2	CARR RAIL LH	1	LEFT GROOVED GUIDE RAIL 16.5" DELRIN
85	46-306656P1	2	CARR RAIL RH	1	COIL RIGHT SUPPORT RAIL 16.5" DELRIN
86	46-264442G3	1	PREAMP BOX	7	1.5T PREAMPLIFIER WITH DIODE FIX
87	46-306679P1	2	SUPPORT PL	1	PREAMP & TR SWITCH MOUNTING PLATE
88	46-306680P1	2	GUIDE RAIL	2	HEAD COIL TR SWITCH GUIDE RAIL
89	46-306681P1	2	MOUNTING PL	1	HEAD PREAMPLIFIER MOUNTING PLATE
90	46-306682P1	2	HANGER	1	PREAMPLIFIER MOUNT PLATE REAR LATCH
91	46-306683P1	2	CLAMP	1	PREAMPLIFIER MOUNT PLATE FRONT LATCH
92	46-136246P15	2	TAPE	AR	3/4" WIDE, WHT ADH BACK, VELCRO LOOP
95	46-237420P1	2	SCREW	1	KNURLED HD TYPE 10-32 X .625
96	46-306697G1	2	CABLE ASM	1	MG2-A16-A5-J5 TO MG2A15-A3-J3, 5.25"

Parts List Continued on Next Page

Cx & LCC 1.5T BRIDGE ASM w/M-C or PA

2119595-11

(CONT'D FROM PREVIOUS PAGE)

Item	Part Number	FRU	Name	Quantity	Description (Remarks)
97	2146831	2	WARN LABEL	2	UFI WARNING LABEL – ENGLISH
98	46-233422P1	2	CONNECTOR	17	BNC JACK-PLUG, RIGHT ANGLE ADAPTER.
99	46-317722P1	2	COVER	1	CARRIAGE COVER ACCESS PANEL, VENTED
102	46-288510G1	N	CIRCUIT BD	1	USE 46-328036G2 AS FIELD REPLACEMENT
103	46-320938P1	2	BEZEL PLATE	1	1.5T KEYED BEZEL INTERFACE PLATE
104	46-282460P1	2	CONNECTOR	2	STANDARD, UNINSULATED BANANA PLUG.
105	46-320939P1	2	BEZEL	1	1.5T KEYED BEZEL
106	46-170686P1	2	ADHESIVE	1	LOCTITE 242, 0.5CC TUBE
108	46-317022P1	2	BLOCK LOCATO	6	MOUNTING FINGER, MOLDED WHITE ACETAL
110	46-220427P2	2	CONNECTOR	6	BNC STRAIGHT PLUG-PLUG ADAPTOR.
112	46-317016P1	2	SIDE SUPPORT	2	1/2" THK LAMINATED COMPOUND
113	46-317015P1	2	MTG PLATE	1	9-3/8" X 3-1/4", 1/2" THK LAMINATE
120	46-287119P1	2	VIBRATION IS	2	SELF-ADHERE TIE-STRAP ANCHOR, NYLON
123	46-328371P2	2	CABLE ASM	1	(736) MG3-A36-J19 TO MG2-A16-A8-J9
124	46-317220G21	N	RF CABLE	1	MULTICOIL CABLE TAKEUP RF CABLES (SEE PAGE 2-204)
5663	46-220184P18	2	SCREW	4	SCREW
7111	46-265486P8	2	SCREW	2	SCREW
7115	46-265486P10	2	SCREW	4	SCREW
13085	46-220196P3	2	WASHER	10	#10 SCREW SIZE (0.190), SST
14325	46-208758P3	2	TY-RAP	4	7.31" X .184" SELF-LOCKING CABLE TIE
17716	46-208913P29	2	SCREW	2	SCREW
17851	46-220184P11	2	SCREW	2	SCREW
17856	46-220184P13	2	SCREW	8	SCREW
17869	46-220184P15	2	SCREW	2	SCREW
18113	46-220184P41	2	SCREW	5	SCREW
18123	46-220184P43	2	SCREW	14	SCREW
18126	46-220184P44	2	SCREW	8	SCREW
18129	46-220184P45	2	SCREW	4	SCREW
18134	46-220184P46	2	SCREW	6	SCREW
37367	1000904P445	2	WASHER	4	ID 0.172 OD 0.438 THK .036
38047	46-208938P5	2	NUT	2	10-32, 3/8" HEX X .130 THK, 18-8 SST
38741	46-221449P5	2	WASHER	23	#10 SCREW SIZE (0.190), PHOS BRONZE
42710	46-208933P15	2	SCREW	2	SCREW
43635	46-230008P1	2	SCREW	2	SCREW
43650	46-208913P14	2	SCREW	3	SCREW
44797	46-243737P2	2	SCREW	12	SCREW
64933	1000904P425	2	WASHER	19	0.2 ID, 0.5 OD, .04 THK, B11H89C
83377	46-221449P3	2	WASHER	18	#6 SCREW SIZE (0.138) SILICONE BRONZE
84266	46-265486P6	2	SCREW	2	SCREW

MULTICOIL RF CABLES

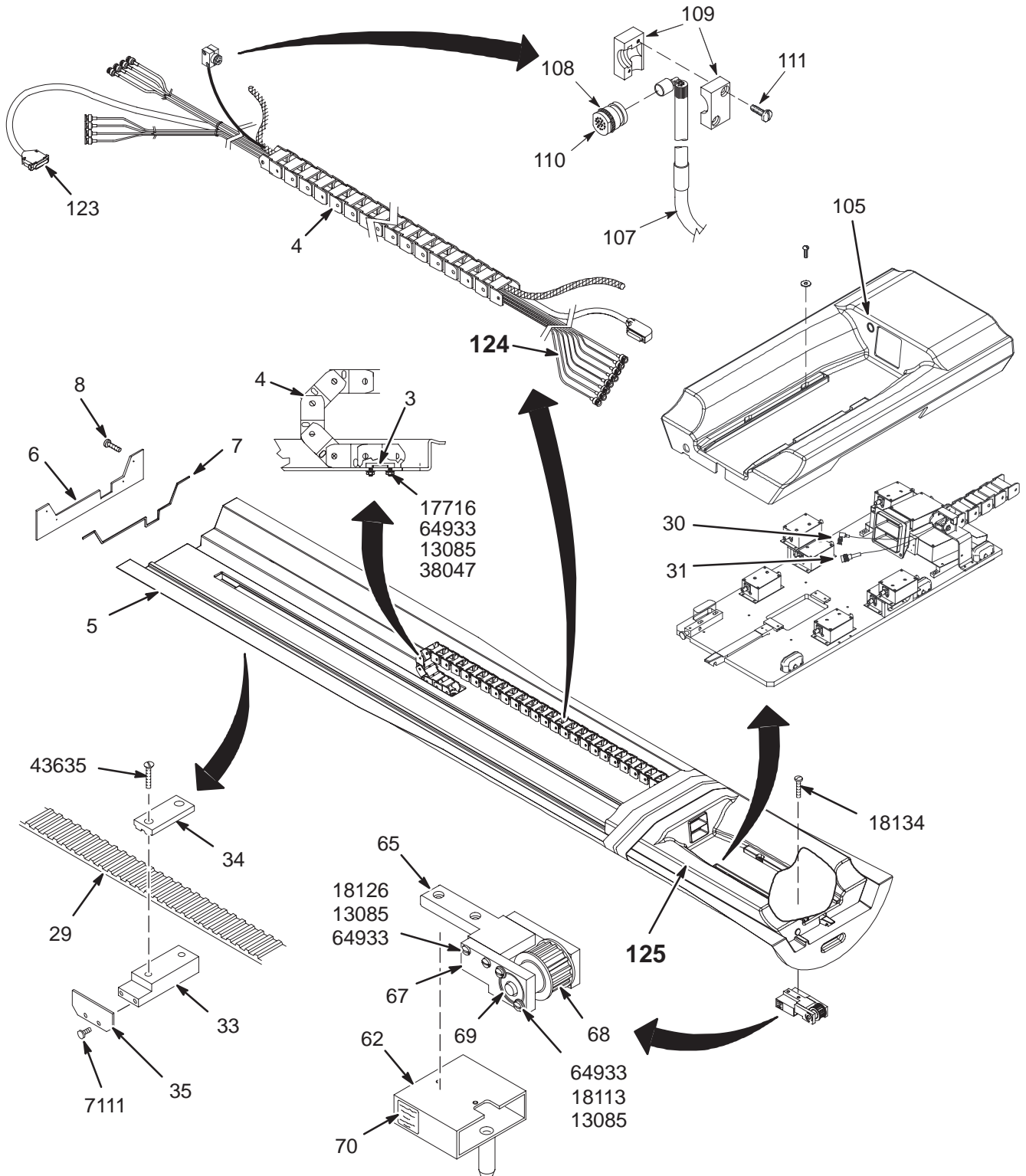
46-317220G21 FRU N

(PART 124 OF 2119595-9 PAGE 2-200)
 (PART 124 OF 2119595-11 PAGE 2-202)
 (PART 124 OF 2205099 PAGE 2-206)
 (PART 124 OF 2205100-2 PAGE 2-211)
 (PART 124 OF 2205100-4 PAGE 2-212)

Item	Part Number	FRU	Name	Quantity	Description (Remarks)
1	46-317220P11	2	RF CABLE	1	(728) MG3-A36-J11 / MG2-A16-OUT-J1
2	46-317220P12	2	RF CABLE	1	(729) MG3-A36-J12 / MG2-A16-OUT-J2
3	46-317220P13	2	RF CABLE	1	(730) MG3-A36-J13 / MG2-A16-OUT-J3
4	46-317220P14	2	RF CABLE	1	(731) MG3-A36-J14 / MG2-A16-OUT-J4
5	46-317220P15	2	RF CABLE	1	(732) MG3-A36-J15 / MG2-A16-OUT-J5
6	46-317220P16	2	RF CABLE	1	(733) MG3-A36-J16 / MG2-A16-OUT-J6
7	46-317220P17	2	RF CABLE	1	(734) MG3-A36-J17 / MG2-A16-OUT-J7
8	46-317220P18	2	RF CABLE	1	(735) MG3-A16-J18 / MG2-A16-OUT-J8

2-12 Cx AND LCC HORIZON BRIDGE AND LOW PROFILE CARRIAGE COVER (LPCC) ASSEMBLIES

1.5T BRIDGE w/LPCC with MULTI-COIL FOR CRM 2205099



1.5T CRM BRIDGE w/LPCC w/o MC

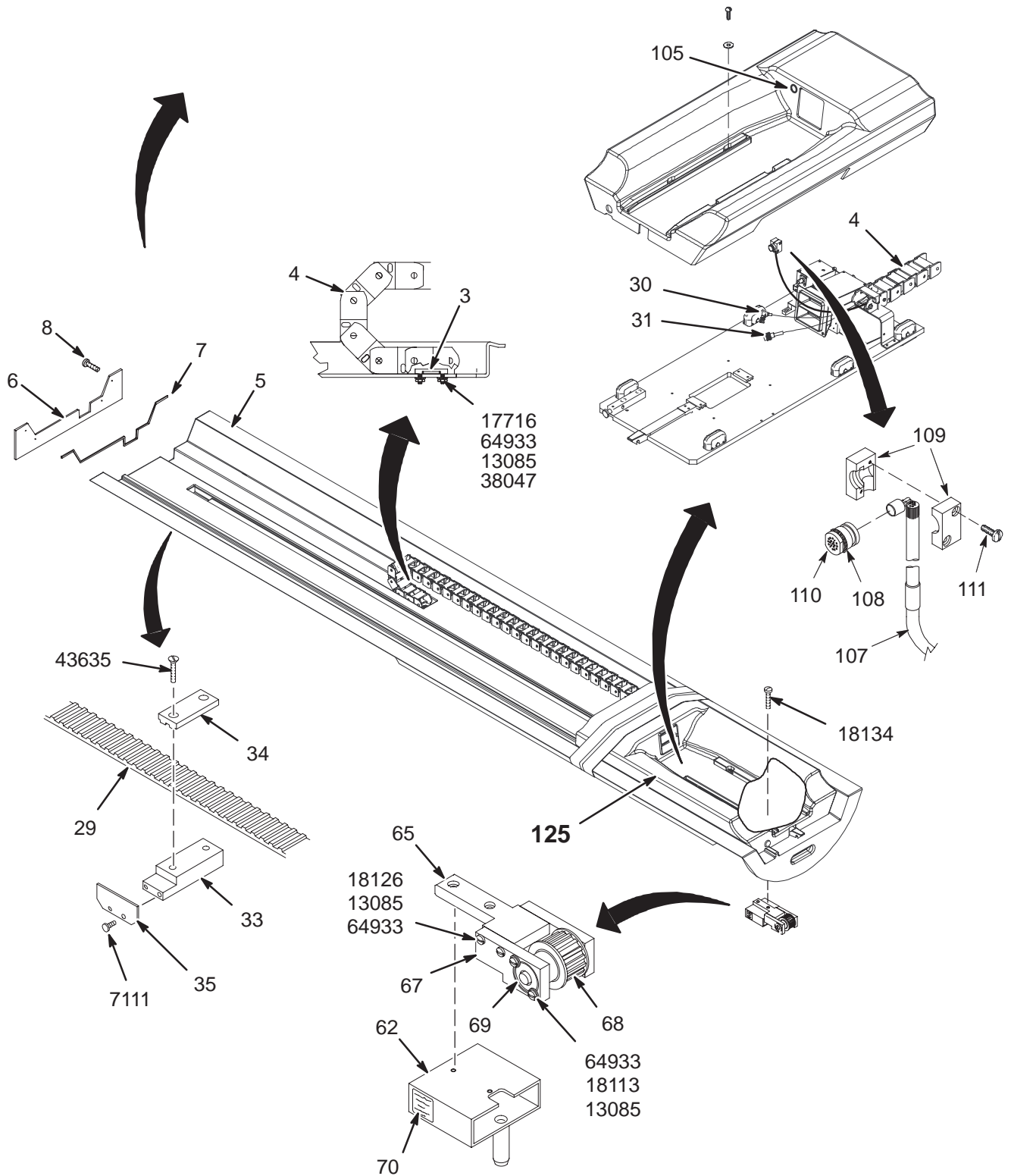
2205099 FRU N

(PART 3 OF 2142000-9 PAGE 2-158)

(PART 3 OF 2142000-19 PAGE 2-178)

Item	Part Number	FRU	Name	Quantity	Description (Remarks)
3	46-282169P1	2	CLAMP	1	CABLETRACK MOUNT
4	2151445-4	2	PART	1	35 LINK CABLE TRACK W/HINGED OPEN'GS
5	2186362	2	PART	1	BRIDGE, Cx/CRM
6	2129351	2	COVER, REAR	1	REAR BRIDGE COVER
7	2131304	2	COVER,GASKET	1	GASKET, COVER, BRIDGE
8	2109873-26	2	SCREW	4	SCREW PAN HEAD 6 MM 20 MM
29	46-282388P3	2	BELT	1	3/8" PITCH GEARBELT, 1" WIDE, 19.5'L
30	46-328000G757	2	ASSEMBLY	1	(485) MG3-A17-J2 TO MW2-A16-A3-J4
31	46-320888G2	2	CABLE ASM	1	11.17' RG58C/U
33	46-271465P1	2	CLAMP, BLOCK	1	SENSOR FLAG MOUNTING CLAMP BLOCK
34	46-271436P1	2	CLAMP, BELT	1	SENSOR FLAG TOP CLAMP
35	46-282436P1	2	FLAG	1	CARRIAGE TRAVEL SENSOR FLAG
62	2160019	2	PART	1	SUPPORT UPPER FRT-BRIDGE Cx
65	46-271432P1	2	MOUNT BRIDGE	1	BRIDGE ATTACHMENT TONGUE
67	46-328446P1	2	SUPPORT BLK.	2	SUPPORT BLOCK
68	46-282646G1	2	PULLEY ASM	1	DRIVE BELT IDLER PULLEY
69	46-282471P12	2	BEARING	2	BEARING
70	46-282756P1	2	LABEL	2	WARNING, CONTAINS FERROUS MATERIAL
105	46-221523P26	2	BUTTON	1	VENT PLUG, WHITE, 7/8 DIA.
107	46-317157G6	2	CABLE ASM.	1	MICROPHONE CABLE ASM WIDEOPEN
108	46-136374P65	2	RING	1	WIDTH .07, ID 0.551, DUROMETER A 70
109	46-317135P1	2	CABLE CLAMP	1	USE 46-317109G1 AS FIELD REPLACEMENT
110	46-317134P1	2	MIKE HOUSING	1	USE 46-317109G1 AS FIELD REPLACEMENT
111	46-208560P111	2	SCREW	2	SCREW 6-32 X 5/8 SS
123	46-328371P3	2	CABLE ASM	1	(736) MG3-A36-J19 TO MG2-A16-A8-J9
124	46-317220G21	N	RF CABLE	1	MULTICOIL CABLE TAKEUP RF CABLES (SEE PAGE 2-204)
125	2205098-2	N	ASSEMBLY	1	1.5T W/PA LOW PROFILE CARRIAGE CVR (SEE PAGE 2-217)
7111	46-265486P8	2	SCREW	2	SCREW
13085	46-220196P3	2	WASHER	10	#10 SCREW SIZE (0.190), SST
17716	46-208913P29	2	SCREW	2	BRS SLOTTED FLT HD SCR 10-32 X 1"
18113	46-220184P41	2	SCREW	4	BRS SLOTTED RND HD SCR 10-32 X 1/2
18126	46-220184P44	2	SCREW	4	SCREW
18134	46-220184P46	2	SCREW	2	BRS SLOTTED RND HD SCR 10-32 X 1/4"
38047	46-208938P5	2	NUT	2	10-32, 3/8" HEX X .130 THK, 18-8 SST
43635	46-230008P1	2	SCREW	2	SCREW
64933	1000904P425	2	WASHER	10	0.2 ID, 0.5 OD, .04 THK, B11H89C

1.5T & 1.0T BRIDGE w/LPCC w/o MULTI-COIL FOR BRM 2205100 & 2205100-3



1.5T BRIDGE w/LPCC w/o MC

2205100 FRU N

(PART 3A OF 2142000-15 PAGE 2-176)

(PART 3A OF 2142000-17 PAGE 2-177)

Item	Part Number	FRU	Name	Quantity	Description (Remarks)
3	46-282169P1	2	CLAMP	1	CABLETRACK MOUNT
4	46-282389P4	2	CABLETRAK	1	35 LINK CABLE TRACK
5	2114811-3	2	BRIDGE	1	Cx MAGNET ENCL BRIDGE
6	2129351	2	COVER, REAR	1	REAR BRIDGE COVER
7	2131304	2	COVER,GASKET	1	GASKET, COVER, BRIDGE
8	2109873-26	2	SCREW	4	SCREW PAN HEAD 6 MM 20 MM
29	46-282388P3	2	BELT	1	3/8" PITCH GEARBELT, 1" WIDE, 19.5'L
30	46-328000G757	2	ASSEMBLY	1	(485) MG3-A17-J2 TO MW2-A16-A3-J4
31	46-320888G2	2	CABLE ASM	1	11.17' RG58C/U
33	46-271465P1	2	CLAMP, BLOCK	1	SENSOR FLAG MOUNTING CLAMP BLOCK
34	46-271436P1	2	CLAMP, BELT	1	SENSOR FLAG TOP CLAMP
35	46-282436P1	2	FLAG	1	CARRIAGE TRAVEL SENSOR FLAG
62	2160019	2	PART	1	SUPPORT UPPER FRT-BRIDGE Cx
65	46-271432P1	2	MOUNT BRIDGE	1	BRIDGE ATTACHMENT TONGUE
67	46-328446P1	2	SUPPORT BLK.	2	SUPPORT BLOCK
68	46-282646G1	2	PULLEY ASM	1	DRIVE BELT IDLER PULLEY
69	46-282471P12	2	BEARING	2	BEARING
70	46-282756P1	2	LABEL	2	WARNING, CONTAINS FERROUS MATERIAL
105	46-221523P26	2	BUTTON	1	VENT PLUG, WHITE, 7/8 DIA.
106	46-282264P1	2	ADHESIVE	1	2 OZ DUAL PAK CARTRIDGE EPOXY, CLEAR
107	46-317157G6	2	CABLE ASM.	1	MICROPHONE CABLE ASM WIDEOPEN
108	46-136374P65	2	RING	1	WIDTH .07, ID 0.551, DUROMETER A 70
109	46-317135P1	2	CABLE CLAMP	1	USE 46-317109G1 AS FIELD REPLACEMENT
110	46-317134P1	2	MIKE HOUSING	1	USE 46-317109G1 AS FIELD REPLACEMENT
111	46-208560P111	2	SCREW	2	SCREW 6-32 X 5/8 SS
125	2205098	N	ASSEMBLY	1	1.5T W/O PA LOW PROFILE CARRIAGE CVR (SEE PAGE 2-214)
7111	46-265486P8	2	SCREW	2	SCREW
13085	46-220196P3	2	WASHER	10	#10 SCREW SIZE (0.190), SST
17716	46-208913P29	2	SCREW	2	BRS SLOTTED FLT HD SCR 10-32 X 1"
18113	46-220184P41	2	SCREW	4	BRS SLOTTED RND HD SCR 10-32 X 1/2
18126	46-220184P44	2	SCREW	4	SCREW
18134	46-220184P46	2	SCREW	2	BRS SLOTTED RND HD SCR 10-32 X 1/4"
38047	46-208938P5	2	NUT	2	10-32, 3/8" HEX X .130 THK, 18-8 SST
43635	46-230008P1	2	SCREW	2	SCREW
64933	1000904P425	2	WASHER	10	0.2 ID, 0.5 OD, .04 THK, B11H89C

1.0T BRIDGE w/LPCC w/o MC

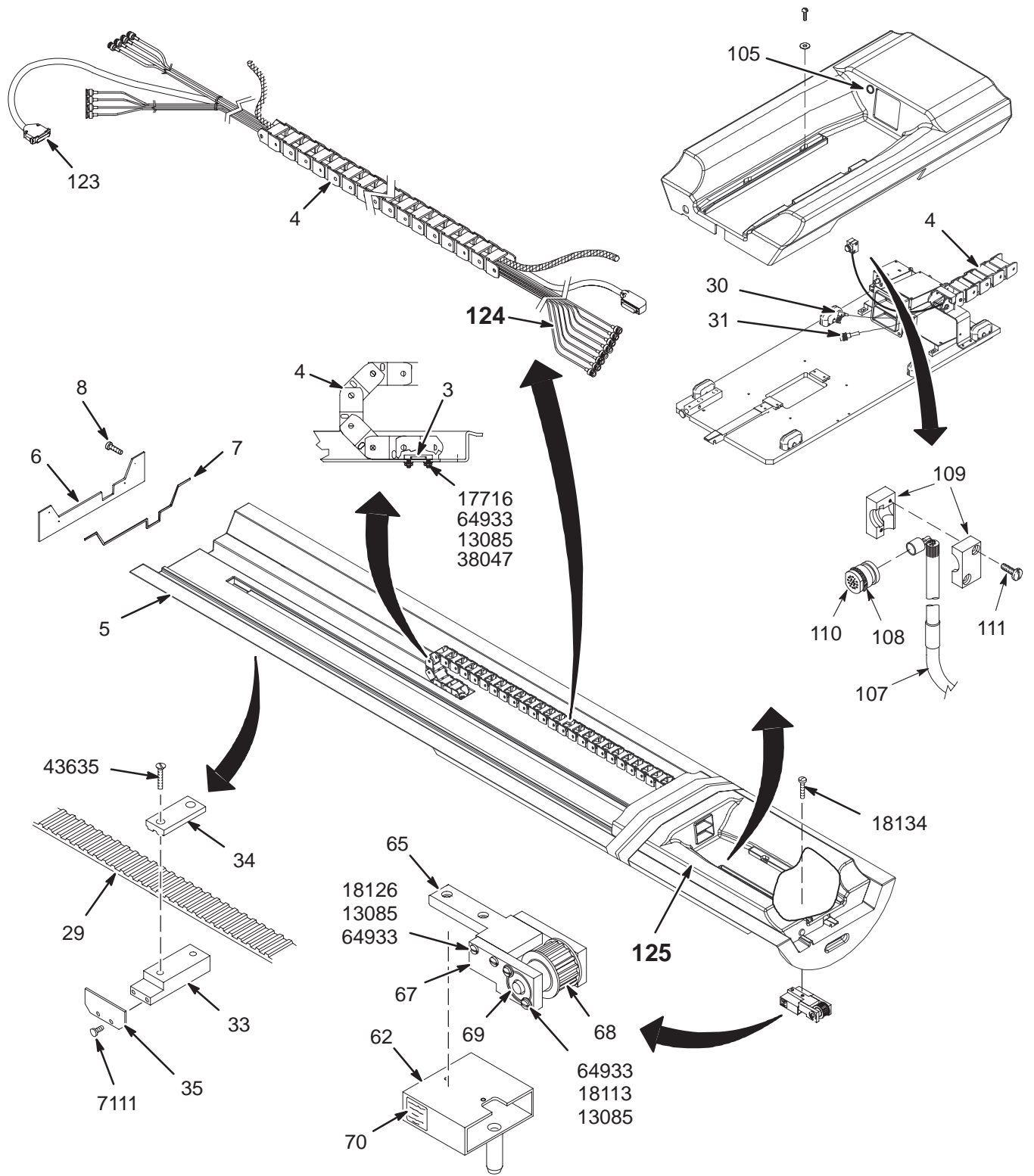
2205100-3 FRU N

(PART 3A OF 2142000-11 PAGE 2-174)

(PART 3A OF 2142000-13 PAGE 2-175)

Item	Part Number	FRU	Name	Quantity	Description (Remarks)
3	46-282169P1	2	CLAMP	1	CABLETRACK MOUNT
4	46-282389P4	2	CABLETRAK	1	35 LINK CABLE TRACK
5	2114811-3	2	BRIDGE	1	Cx MAGNET ENCL BRIDGE
6	2129351	2	COVER, REAR	1	REAR BRIDGE COVER
7	2131304	2	COVER,GASKET	1	GASKET, COVER, BRIDGE
8	2109873-26	2	SCREW	4	SCREW PAN HEAD 6 MM 20 MM
29	46-282388P3	2	BELT	1	3/8" PITCH GEARBELT, 1" WIDE, 19.5'L
30	46-328000G757	2	ASSEMBLY	1	(485) MG3-A17-J2 TO MW2-A16-A3-J4
31	46-320888G2	2	CABLE ASM	1	11.17' RG58C/U
33	46-271465P1	2	CLAMP, BLOCK	1	SENSOR FLAG MOUNTING CLAMP BLOCK
34	46-271436P1	2	CLAMP, BELT	1	SENSOR FLAG TOP CLAMP
35	46-282436P1	2	FLAG	1	CARRIAGE TRAVEL SENSOR FLAG
62	2160019	2	PART	1	SUPPORT UPPER FRT-BRIDGE Cx
65	46-271432P1	2	MOUNT BRIDGE	1	BRIDGE ATTACHMENT TONGUE
67	46-328446P1	2	SUPPORT BLK.	2	SUPPORT BLOCK
68	46-282646G1	2	PULLEY ASM	1	DRIVE BELT IDLER PULLEY
69	46-282471P12	2	BEARING	2	BEARING
70	46-282756P1	2	LABEL	2	WARNING, CONTAINS FERROUS MATERIAL
105	46-221523P26	2	BUTTON	1	VENT PLUG, WHITE, 7/8 DIA.
106	46-282264P1	2	ADHESIVE	1	2 OZ DUAL PAK CARTRIDGE EPOXY, CLEAR
107	46-317157G6	2	CABLE ASM.	1	MICROPHONE CABLE ASM WIDEOOPEN
108	46-136374P65	2	RING	1	WIDTH .07, ID 0.551, DUROMETER A 70
109	46-317135P1	2	CABLE CLAMP	1	USE 46-317109G1 AS FIELD REPLACEMENT
110	46-317134P1	2	MIKE HOUSING	1	USE 46-317109G1 AS FIELD REPLACEMENT
111	46-208560P111	2	SCREW	2	SCREW 6-32 X 5/8 SS
125	2205098-3	N	ASSEMBLY	1	1.0T W/O PA LOW PROFILE CARRIAGE CVR (SEE PAGE 2-215)
7111	46-265486P8	2	SCREW	2	SCREW
13085	46-220196P3	2	WASHER	10	#10 SCREW SIZE (0.190), SST
17716	46-208913P29	2	SCREW	2	BRS SLOTTED FLT HD SCR 10-32 X 1"
18113	46-220184P41	2	SCREW	4	BRS SLOTTED RND HD SCR 10-32 X 1/2
18126	46-220184P44	2	SCREW	4	SCREW
18134	46-220184P46	2	SCREW	2	BRS SLOTTED RND HD SCR 10-32 X 1/4"
38047	46-208938P5	2	NUT	2	10-32, 3/8" HEX X .130 THK, 18-8 SST
43635	46-230008P1	2	SCREW	2	SCREW
64933	1000904P425	2	WASHER	10	0.2 ID, 0.5 OD, .04 THK, B11H89C

1.5T & 1.0T BRIDGE w/LPCC with MULTI-COIL FOR BRM 2205100-2 & 2205100-4



1.5T BRIDGE w/LPCC with MC

2205100-2 FRU N

(PART 3A OF 2142000-16 PAGE 2-176)

(PART 3A OF 2142000-18 PAGE 2-177)

Item	Part Number	FRU	Name	Quantity	Description (Remarks)
3	46-282169P1	2	CLAMP	1	CABLETRACK MOUNT
4	2151445-4	2	PART	1	35 LINK CABLE TRACK W/HINGED OPEN'GS
5	2114811-3	2	BRIDGE	1	Cx MAGNET ENCL BRIDGE
6	2129351	2	COVER, REAR	1	REAR BRIDGE COVER
7	2131304	2	COVER,GASKET	1	GASKET, COVER, BRIDGE
8	2109873-26	2	SCREW	4	SCREW PAN HEAD 6 MM 20 MM
29	46-282388P3	2	BELT	1	3/8" PITCH GEARBELT, 1" WIDE, 19.5'L
30	46-328000G757	2	ASSEMBLY	1	(485) MG3-A17-J2 TO MW2-A16-A3-J4
31	46-320888G2	2	CABLE ASM	1	11.17' RG58C/U
33	46-271465P1	2	CLAMP, BLOCK	1	SENSOR FLAG MOUNTING CLAMP BLOCK
34	46-271436P1	2	CLAMP, BELT	1	SENSOR FLAG TOP CLAMP
35	46-282436P1	2	FLAG	1	CARRIAGE TRAVEL SENSOR FLAG
62	2160019	2	PART	1	SUPPORT UPPER FRT-BRIDGE Cx
65	46-271432P1	2	MOUNT BRIDGE	1	BRIDGE ATTACHMENT TONGUE
67	46-328446P1	2	SUPPORT BLK.	2	SUPPORT BLOCK
68	46-282646G1	2	PULLEY ASM	1	DRIVE BELT IDLER PULLEY
69	46-282471P12	2	BEARING	2	BEARING
70	46-282756P1	2	LABEL	2	WARNING, CONTAINS FERROUS MATERIAL
105	46-221523P26	2	BUTTON	1	VENT PLUG, WHITE, 7/8 DIA.
106	46-282264P1	2	ADHESIVE	1	2 OZ DUAL PAK CARTRIDGE EPOXY, CLEAR
107	46-317157G6	2	CABLE ASM.	1	MICROPHONE CABLE ASM WIDEOPEN
108	46-136374P65	2	RING	1	WIDTH .07, ID 0.551, DUROMETER A 70
109	46-317135P1	2	CABLE CLAMP	1	USE 46-317109G1 AS FIELD REPLACEMENT
110	46-317134P1	2	MIKE HOUSING	1	USE 46-317109G1 AS FIELD REPLACEMENT
111	46-208560P111	2	SCREW	2	SCREW 6-32 X 5/8 SS
123	46-328371P3	2	CABLE ASM	1	(736) MG3-A36-J19 TO MG2-A16-A8-J9
124	46-317220G21	N	RF CABLE	1	MULTICOIL CABLE TAKEUP RF CABLES (SEE PAGE 2-204)
125	2205098-2	N	ASSEMBLY	1	1.5T W/PA LOW PROFILE CARRIAGE CVR (SEE PAGE 2-217)
7111	46-265486P8	2	SCREW	2	SCREW
13085	46-220196P3	2	WASHER	10	#10 SCREW SIZE (0.190), SST
17716	46-208913P29	2	SCREW	2	BRS SLOTTED FLT HD SCR 10-32 X 1"
18113	46-220184P41	2	SCREW	4	BRS SLOTTED RND HD SCR 10-32 X 1/2
18126	46-220184P44	2	SCREW	4	SCREW
18134	46-220184P46	2	SCREW	2	BRS SLOTTED RND HD SCR 10-32 X 1/4"
38047	46-208938P5	2	NUT	2	10-32, 3/8" HEX X .130 THK, 18-8 SST
43635	46-230008P1	2	SCREW	2	SCREW
64933	1000904P425	2	WASHER	10	0.2 ID, 0.5 OD, .04 THK, B11H89C

1.0T BRIDGE w/LPCC with MC

2205100-4 FRU N

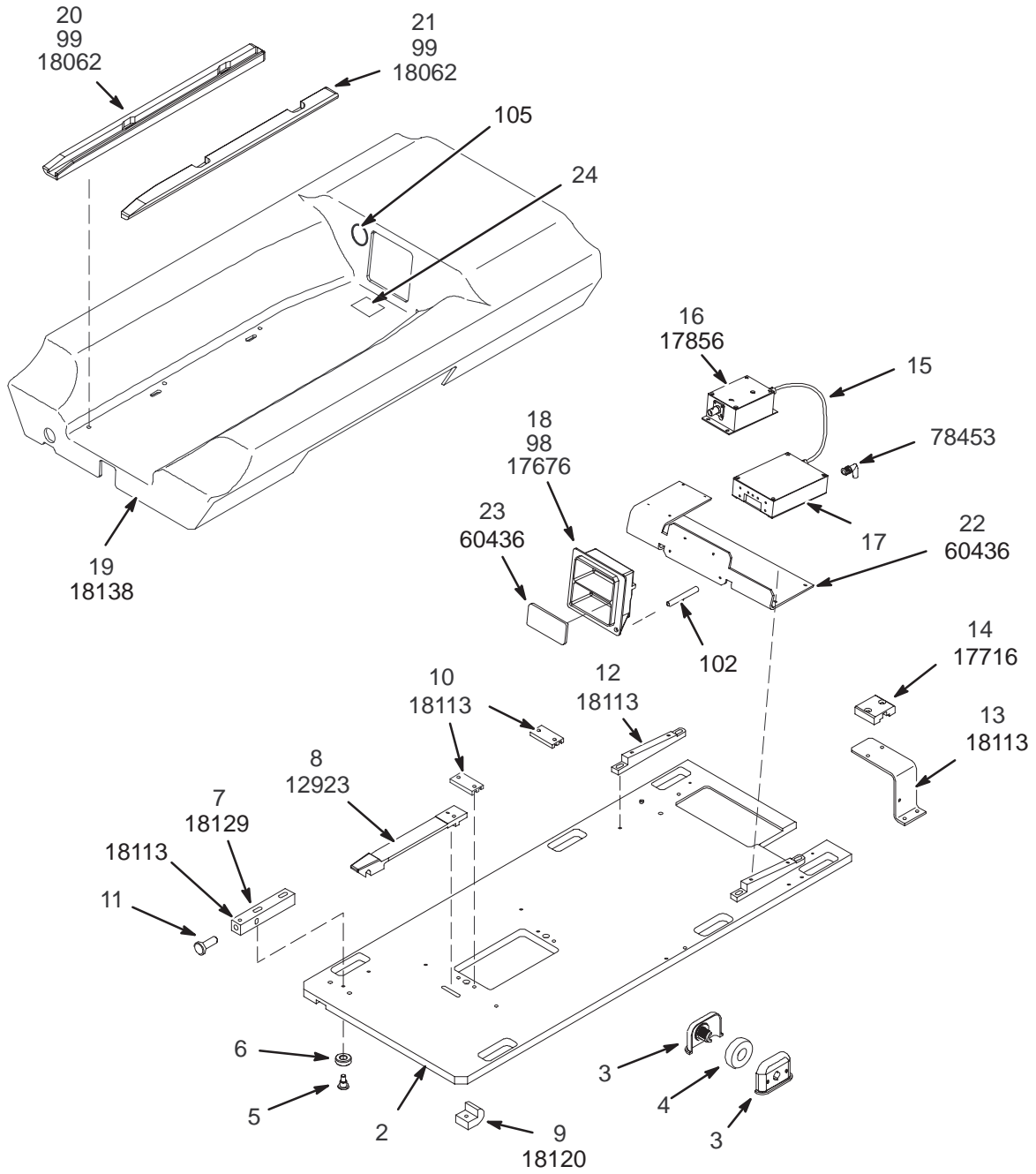
(PART 3A OF 2142000-12 PAGE 2-174)

(PART 3A OF 2142000-14 PAGE 2-175)

Item	Part Number	FRU	Name	Quantity	Description (Remarks)
3	46-282169P1	2	CLAMP	1	CABLETRACK MOUNT
4	2151445-4	2	PART	1	35 LINK CABLE TRACK W/HINGED OPEN'GS
5	2114811-3	2	BRIDGE	1	Cx MAGNET ENCL BRIDGE
6	2129351	2	COVER, REAR	1	REAR BRIDGE COVER
7	2131304	2	COVER,GASKET	1	GASKET, COVER, BRIDGE
8	2109873-26	2	SCREW	4	SCREW PAN HEAD 6 MM 20 MM
29	46-282388P3	2	BELT	1	3/8" PITCH GEARBELT, 1" WIDE, 19.5'L
30	46-328000G757	2	ASSEMBLY	1	(485) MG3-A17-J2 TO MW2-A16-A3-J4
31	46-320888G2	2	CABLE ASM	1	11.17' RG58C/U
33	46-271465P1	2	CLAMP, BLOCK	1	SENSOR FLAG MOUNTING CLAMP BLOCK
34	46-271436P1	2	CLAMP, BELT	1	SENSOR FLAG TOP CLAMP
35	46-282436P1	2	FLAG	1	CARRIAGE TRAVEL SENSOR FLAG
62	2160019	2	PART	1	SUPPORT UPPER FRT-BRIDGE Cx
65	46-271432P1	2	MOUNT BRIDGE	1	BRIDGE ATTACHMENT TONGUE
67	46-328446P1	2	SUPPORT BLK.	2	SUPPORT BLOCK
68	46-282646G1	2	PULLEY ASM	1	DRIVE BELT IDLER PULLEY
69	46-282471P12	2	BEARING	2	BEARING
70	46-282756P1	2	LABEL	2	WARNING, CONTAINS FERROUS MATERIAL
105	46-221523P26	2	BUTTON	1	VENT PLUG, WHITE, 7/8 DIA.
106	46-282264P1	2	ADHESIVE	1	2 OZ DUAL PAK CARTRIDGE EPOXY, CLEAR
107	46-317157G6	2	CABLE ASM.	1	MICROPHONE CABLE ASM WIDEOPEN
108	46-136374P65	2	RING	1	WIDTH .07, ID 0.551, DUROMETER A 70
109	46-317135P1	2	CABLE CLAMP	1	USE 46-317109G1 AS FIELD REPLACEMENT
110	46-317134P1	2	MIKE HOUSING	1	USE 46-317109G1 AS FIELD REPLACEMENT
111	46-208560P111	2	SCREW	2	SCREW 6-32 X 5/8 SS
123	46-328371P3	2	CABLE ASM	1	(736) MG3-A36-J19 TO MG2-A16-A8-J9
124	46-317220G21	N	RF CABLE	1	MULTICOIL CABLE TAKEUP RF CABLES (SEE PAGE 2-204)
125	2205098-4	N	ASSEMBLY	1	1.0T W/PA LOW PROFILE CARRIAGE CVR (SEE PAGE 2-218)
7111	46-265486P8	2	SCREW	2	SCREW
13085	46-220196P3	2	WASHER	10	#10 SCREW SIZE (0.190), SST
17716	46-208913P29	2	SCREW	2	BRS SLOTTED FLT HD SCR 10-32 X 1"
18113	46-220184P41	2	SCREW	4	BRS SLOTTED RND HD SCR 10-32 X 1/2
18126	46-220184P44	2	SCREW	4	SCREW
18134	46-220184P46	2	SCREW	2	BRS SLOTTED RND HD SCR 10-32 X 1/4"
38047	46-208938P5	2	NUT	2	10-32, 3/8" HEX X .130 THK, 18-8 SST
43635	46-230008P1	2	SCREW	2	SCREW
64933	1000904P425	2	WASHER	10	0.2 ID, 0.5 OD, .04 THK, B11H89C

1.5T & 1.0T LOW PROFILE CARRIAGE COVER without MULTI-COIL

2205098 & 2205098-3



1.5T LPCC w/o MC

2205098 FRU N

(PART 125 OF 2205100 PAGE 2-208)

Item	Part Number	FRU	Name	Quantity	Description (Remarks)
2	46-282163P2	2	BASE PLATE	1	LPCC CARRIAGE BASEPLATE
3	46-243167P1	2	BOX	12	WHEEL HOUSING, MOLDED NORYL
4	46-243494P1	2	CASTER	6	3/4" ID, 1-3/4 OD, 1/2" WIDE PLASTIC
5	46-243141P1	2	SHLD SCR	4	PLASTIC BEARING MOUNT SHOULDER SCREW
6	46-243178P2	2	BEARING	4	BEARING
7	46-282164P1	2	PLUNGER	1	CARRIAGE RELEASE PLUNGER, DELRIN
8	46-317169P1	2	HOOK	1	CRADLE LATCH HOOK
9	46-271435P1	2	SUPPORT, B R	2	BELT GUIDE, DELRIN
10	2212191	2	CLAMP BELT T	2	DRIVE BELT CLAMP PLATE LPCC
11	46-265089P1	2	SCREW	1	SCREW
12	2212188	2	MOUNTING SUP	2	BEZEL ASSEMBLY SUPPORT LPCC
13	2212187	2	CABLE TRACK	1	CABLE TRACK TO BASEPLATE BKT LPCC
14	2212186	2	CLAMP TAKE-U	1	CABLE TRACK CLAMP LPCC
15	2214666	2	CABLE	1	LCC HD T/R TO HD PREAMP SHIELDED CBL
16	46-264442G3	1	PREAMP BOX	1	1.5T PREAMPLIFIER WITH DIODE FIX
17	46-264988G2	1	CIRCUIT BD	1	LPCC 1.5T HEAD T/R ASSEMBLY
18	2213331-3	2	DOUBLE BEZEL	1	1.5T LPCC BEZEL WITH POKE-A-YOKE
19A	2323896-2	1	CARRIAGE COV	1	LPCC COVER THERMAL FORM
19B	2210816	2	CARRIAGE COV	ALT	LPCC COVER
20	2212193	2	CARRIAGE RAI	1	LEFT RAIL FOR THE COVER ASSEMBLY
21	2212192	2	CARRIAGE RAI	1	RIGHT RAIL FOR THE COVER ASSEMBLY
22	2216528	2	BEZEL BRACKE	1	BEZEL & ELECTRONICS BKT LPCC W/O PA
23	2215931	2	BLANK	1	BLANK FOR DOUBLE BEZEL LPCC_W/O PA
24	2146831	2	WARN LABEL	1	UFI WARNING LABEL - ENGLISH
98	46-208913P36	2	SCREW-INCH	2	SCREW-INCH COUNTERSUNK HEA 1.75 INCH
99	46-208921P36	2	SCREW	2	BRS SLOTTED BND HD SCR 8-32 X 3/8"
102	2223862	2	SPACER	2	BRASS 1/4" TUBULAR SPACER
105	46-221523P26	2	BUTTON	1	VENT PLUG, WHITE, 7/8 DIA.
106	46-282264P1	2	ADHESIVE	1	2 OZ DUAL PAK CARTRIDGE EPOXY, CLEAR
12923	46-208921P9	2	SCREW	11	BRS SLOTTED RND HD SCR 10-32 X 3/4"
17676	46-208913P7	2	SCREW	4	BRASS SLOTTED FLT HD SCR 8-32 X 1/2"
17716	46-208913P29	2	SCREW	2	BRS SLOTTED FLT HD SCR 10-32 X 1"
17856	46-220184P13	2	SCREW	4	BRS SLOTTED RND HD SCR 6-32 X 3/8"
18062	46-220184P28	2	SCREW	4	BRS SLOTTED RND HD SCR 8-32 X 5/8"
18113	46-220184P41	2	SCREW	11	BRS SLOTTED RND HD SCR 10-32 X 1/2"
18120	46-220184P42	2	SCREW	4	BRS SLOTTED RND HD SCR 10-32 X 5/8"
18129	46-220184P45	2	SCREW	2	BRS SLOTTED RND HD SCR 10-32 X 1"
18138	46-220184P47	2	SCREW	4	BRS SLOTTED RND HD SCR 10-32 X 1-1/2"
60436	46-208921P8	2	SCREW	4	BRS SLOTTED BND HD SCR 10-32 X 3/8"
78453	46-221865P3	2	CONNECTOR	1	UG-27B RT-ANGLE N, 50-OHM JACK-PLUG

1.0T LPCC w/o MC

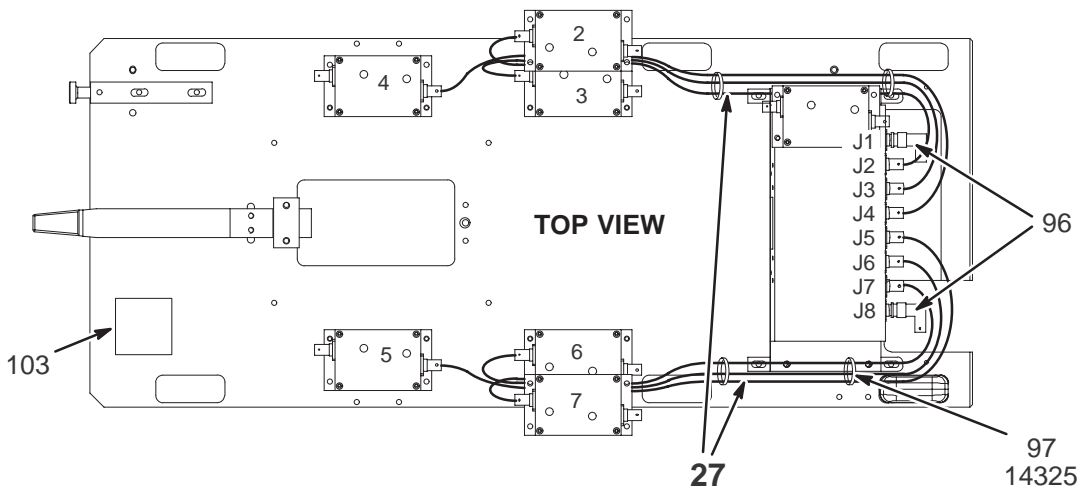
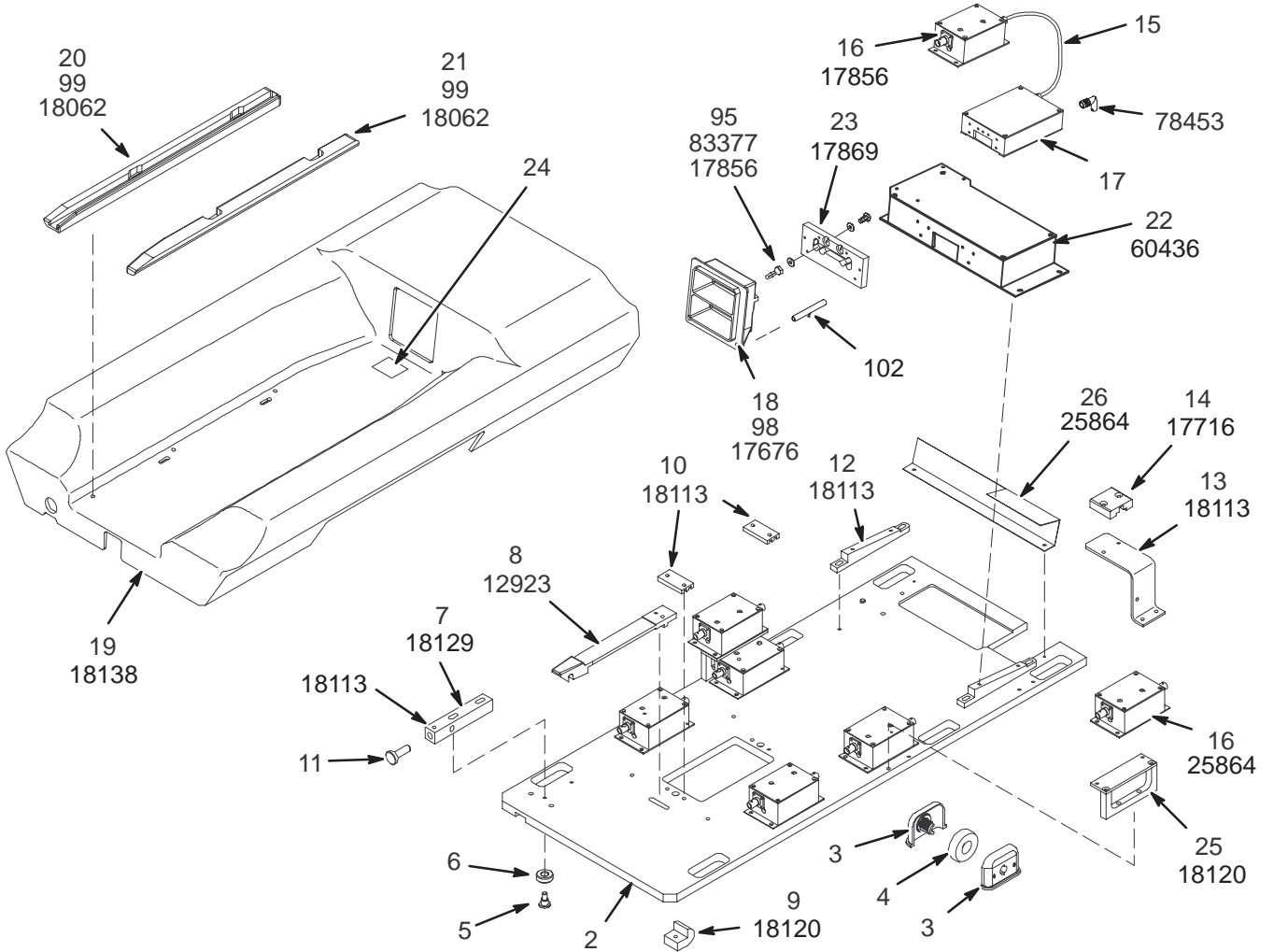
2205098-3 FRU N

(PART 125 OF 2205100-3 PAGE 2-209)

Item	Part Number	FRU	Name	Quantity	Description (Remarks)
2	46-282163P2	2	BASE PLATE	1	LPCC CARRIAGE BASEPLATE
3	46-243167P1	2	BOX	12	WHEEL HOUSING, MOLDED NORYL
4	46-243494P1	2	CASTER	6	3/4" ID, 1-3/4 OD, 1/2" WIDE PLASTIC
5	46-243141P1	2	SHLD SCR	4	PLASTIC BEARING MOUNT SHOULDER SCREW
6	46-243178P2	2	BEARING	4	BEARING
7	46-282164P1	2	PLUNGER	1	CARRIAGE RELEASE PLUNGER, DELRIN
8	46-317169P1	2	HOOK	1	CRADLE LATCH HOOK
9	46-271435P1	2	SUPPORT, B R	2	BELT GUIDE, DELRIN
10	2212191	2	CLAMP BELT T	2	DRIVE BELT CLAMP PLATE LPCC
11	46-265089P1	2	SCREW	1	SCREW
12	2212188	2	MOUNTING SUP	2	BEZEL ASSEMBLY SUPPORT LPCC
13	2212187	2	CABLE TRACK	1	CABLE TRACK TO BASEPLATE BKT LPCC
14	2212186	2	CLAMP TAKE-U	1	CABLE TRACK CLAMP LPCC
15	2214666	2	CABLE	1	LCC HD T/R TO HD PREAMP SHIELDED CBL
16	46-321338G3	1	PREAMP BOX	1	1.0T PREAMPLIFIER WITH DIODE FIX
17	46-321336G2	1	CIRCUIT BD	1	LPCC 1.0T HEAD T/R ASSEMBLY
18	2213331-2	2	DOUBLE BEZEL	1	1.0T LPCC DOUBLE BEZEL
19A	2323896-2	1	CARRIAGE COV	1	LPCC COVER THERMAL FORM
19B	2210816	2	CARRIAGE COV	ALT	LPCC COVER
20	2212193	2	CARRIAGE RAI	1	LEFT RAIL FOR THE COVER ASSEMBLY
21	2212192	2	CARRIAGE RAI	1	RIGHT RAIL FOR THE COVER ASSEMBLY
22	2216528	2	BEZEL BRACKE	1	BEZEL & ELECTRONICS BKT LPCC W/O PA
23	2215931	2	BLANK	1	BLANK FOR DOUBLE BEZEL LPCC_W/O PA
98	46-208913P36	2	SCREW-INCH	2	SCREW-INCH COUNTERSUNK HEA 1.75 INCH
99	46-208921P36	2	SCREW	2	BRS SLOTTED BND HD SCR 8-32 X 3/8"
102	2223862	2	SPACER	2	BRASS 1/4" TUBULAR SPACER
105	46-221523P26	2	BUTTON	1	VENT PLUG, WHITE, 7/8 DIA.
106	46-282264P1	2	ADHESIVE	1	2 OZ DUAL PAK CARTRIDGE EPOXY, CLEAR
12923	46-208921P9	2	SCREW	11	BRS SLOTTED RND HD SCR 10-32 X 3/4"
17676	46-208913P7	2	SCREW	4	BRASS SLOTTED FLT HD SCR 8-32 X 1/2"
17716	46-208913P29	2	SCREW	2	BRS SLOTTED FLT HD SCR 10-32 X 1"
17856	46-220184P13	2	SCREW	4	BRS SLOTTED RND HD SCR 6-32 X 3/8"
18062	46-220184P28	2	SCREW	4	BRS SLOTTED RND HD SCR 8-32 X 5/8"
18113	46-220184P41	2	SCREW	11	BRS SLOTTED RND HD SCR 10-32 X 1/2"
18120	46-220184P42	2	SCREW	4	BRS SLOTTED RND HD SCR 10-32 X 5/8"
18129	46-220184P45	2	SCREW	2	BRS SLOTTED RND HD SCR 10-32 X 1"
18138	46-220184P47	2	SCREW	4	BRS SLOTTED RND HD SCR 10-32 X 1-1/2"
60436	46-208921P8	2	SCREW	4	BRS SLOTTED BND HD SCR 10-32 X 3/8"
78453	46-221865P3	2	CONNECTOR	1	UG-27B RT-ANGLE N, 50-OHM JACK-PLUG

1.5T & 1.0T LOW PROFILE CARRIAGE COVER with MULTI-COIL

2205098-2 & 2205098-4



1.5T LPCC w/MC

2205098-2 FRU N

(PART 125 OF 2205099 PAGE 2-206)

(PART 125 OF 2205100-2 PAGE 2-211)

Item	Part Number	FRU	Name	Quantity	Description (Remarks)
2	46-282163P2	2	BASE PLATE	1	LPCC CARRIAGE BASEPLATE
3	46-243167P1	2	BOX	12	WHEEL HOUSING, MOLDED NORYL
4	46-243494P1	2	CASTER	6	3/4" ID, 1-3/4 OD, 1/2" WIDE PLASTIC
5	46-243141P1	2	SHLD SCR	4	PLASTIC BEARING MOUNT SHOULDER SCREW
6	46-243178P2	2	BEARING	4	BEARING
7	46-282164P1	2	PLUNGER	1	CARRIAGE RELEASE PLUNGER, DELRIN
8	46-317169P1	2	HOOK	1	CRADLE LATCH HOOK
9	46-271435P1	2	SUPPORT, B R	2	BELT GUIDE, DELRIN
10	2212191	2	CLAMP BELT T	2	DRIVE BELT CLAMP PLATE LPCC
11	46-265089P1	2	SCREW	1	SCREW
12	2212188	2	MOUNTING SUP	2	BEZEL ASSEMBLY SUPPORT LPCC
13	2212187	2	CABLE TRACK	1	CABLE TRACK TO BASEPLATE BKT LPCC
14	2212186	2	CLAMP TAKE-U	1	CABLE TRACK CLAMP LPCC
15	2214666	2	CABLE	1	LCC HD T/R TO HD PREAMP SHIELDED CBL
16	46-264442G3	1	PREAMP BOX	7	1.5T PREAMPLIFIER WITH DIODE FIX
17	46-264988G2	1	CIRCUIT BD	1	LPCC 1.5T HEAD T/R ASSEMBLY
18	2213331-3	2	DOUBLE BEZEL	1	1.5T LPCC BEZEL WITH POKE-A-YOKE
19A	2323896-2	1	CARRIAGE COV	1	LPCC COVER THERMAL FORM
19B	2210816	2	CARRIAGE COV	ALT	LPCC COVER
20	2212193	2	CARRIAGE RAI	1	LEFT RAIL FOR THE COVER ASSEMBLY
21	2212192	2	CARRIAGE RAI	1	RIGHT RAIL FOR THE COVER ASSEMBLY
22	46-288510G4	1	CIRCUIT BD	1	LPCC 1.5T PREAMP PROTECTION ASM APA
23	46-320938P2	2	BEZEL PLATE	1	LPCC 1.5T BEZEL PLATE
24	2146831	2	WARN LABEL	1	UFI WARNING LABEL - ENGLISH
25	2212189	2	PRE AMP MOUN	2	PREAMP SUPPORT ASSEMBLY LPCC W/PA
26	2210732	2	BASE PLATE	1	FISHPAPER INSULATOR LPCC W/PA
27	2214665-9	2	CABLE	1	LPCC PREAMP INPUT CABLE COLLECTOR (SEE PAGE 2-219)
95	46-282460P1	2	CONNECTOR	2	STD, HEX BRASS UNINSULATED BANANA
96	46-233422P1	2	CONNECTOR	2	BNC JACK-PLUG, RIGHT ANGLE ADAPTER.
97	46-287119P1	2	VIBRATION IS	10	SELF-ADHERE TIE-STRAP ANCHOR, NYLON
98	46-208913P36	2	SCREW-INCH	2	SCREW-INCH COUNTERSUNK HEA 1.75 INCH
99	46-208921P36	2	SCREW	2	BRS SLOTTED BND HD SCR 8-32 X 3/8"
102	2223862	2	SPACER	2	BRASS 1/4" TUBULAR SPACER
103	2255802	2	LABEL	1	ATTENTION, DO NOT KINK CABLE, LPCC
105	46-221523P26	2	BUTTON	1	VENT PLUG, WHITE, 7/8 DIA.
106	46-282264P1	2	ADHESIVE	1	2 OZ DUAL PAK CARTRIDGE EPOXY, CLEAR
12923	46-208921P9	2	SCREW	11	BRS SLOTTED RND HD SCR 10-32 X 3/4"
14325	46-208758P3	2	TY-RAP	12	7.31" X .184" SELF-LOCKING CABLE TIE
17676	46-208913P7	2	SCREW	4	BRASS SLOTTED FLT HD SCR 8-32 X 1/2"
17716	46-208913P29	2	SCREW	2	BRS SLOTTED FLT HD SCR 10-32 X 1"
17856	46-220184P13	2	SCREW	6	BRS SLOTTED RND HD SCR 6-32 X 3/8"
17869	46-220184P15	2	SCREW	2	BRS SLOTTED RND HD SCR 6-32 X 5/8"
18062	46-220184P28	2	SCREW	4	BRS SLOTTED RND HD SCR 8-32 X 5/8"
18113	46-220184P41	2	SCREW	11	BRS SLOTTED RND HD SCR 10-32 X 1/2
18120	46-220184P42	2	SCREW	8	BRS SLOTTED RND HD SCR 10-32 X 5/8"
18129	46-220184P45	2	SCREW	2	BRS SLOTTED RND HD SCR 10-32 X 1"
18138	46-220184P47	2	SCREW	4	BRS SLOTTED RND HD SCR 10-32 X 1-1/2"
25864	46-208921P7	2	SCREW	14	SCREW
60436	46-208921P8	2	SCREW	4	BRS SLOTTED BND HD SCR 10-32 X 3/8"
78453	46-221865P3	2	CONNECTOR	1	UG-27B RT-ANGLE N, 50-OHM JACK-PLUG
83377	46-221449P3	2	WASHER	4	#6 SCREW SIZE (0.138) SILICONE BRONZ

1.0T LPCC w/MC

2205098-4 FRU N

(PART 125 OF 2205100-4 PAGE 2-212)

Item	Part Number	FRU	Name	Quantity	Description (Remarks)
2	46-282163P2	2	BASE PLATE	1	LPCC CARRIAGE BASEPLATE
3	46-243167P1	2	BOX	12	WHEEL HOUSING, MOLDED NORYL
4	46-243494P1	2	CASTER	6	3/4" ID, 1-3/4 OD, 1/2" WIDE PLASTIC
5	46-243141P1	2	SHLD SCR	4	PLASTIC BEARING MOUNT SHOULDER SCREW
6	46-243178P2	2	BEARING	4	BEARING
7	46-282164P1	2	PLUNGER	1	CARRIAGE RELEASE PLUNGER, DELRIN
8	46-317169P1	2	HOOK	1	CRADLE LATCH HOOK
9	46-271435P1	2	SUPPORT, B R	2	BELT GUIDE, DELRIN
10	2212191	2	CLAMP BELT T	2	DRIVE BELT CLAMP PLATE LPCC
11	46-265089P1	2	SCREW	1	SCREW
12	2212188	2	MOUNTING SUP	2	BEZEL ASSEMBLY SUPPORT LPCC
13	2212187	2	CABLE TRACK	1	CABLE TRACK TO BASEPLATE BKT LPCC
14	2212186	2	CLAMP TAKE-U	1	CABLE TRACK CLAMP LPCC
15	2214666	2	CABLE	1	LCC HD T/R TO HD PREAMP SHIELDED CBL
16	46-321338G3	1	PREAMP BOX	7	1.0T PREAMPLIFIER WITH DIODE FIX
17	46-321336G2	1	CIRCUIT BD	1	LPCC 1.0T HEAD T/R ASSEMBLY
18	2213331-2	2	DOUBLE BEZEL	1	1.0T LPCC DOUBLE BEZEL
19A	2323896-2	1	CARRIAGE COV	1	LPCC COVER THERMAL FORM
19B	2210816	2	CARRIAGE COV	ALT	LPCC COVER
20	2212193	2	CARRIAGE RAI	1	LEFT RAIL FOR THE COVER ASSEMBLY
21	2212192	2	CARRIAGE RAI	1	RIGHT RAIL FOR THE COVER ASSEMBLY
22	46-321218G3	1	CIRCUIT BD	1	LPCC 1.0T PREAMP PROTECTION
23	46-320938P3	2	BEZEL PLATE	1	LPCC 1.0T BEZEL PLATE
25	2212189	2	PRE AMP MOUN	2	PREAMP SUPPORT ASSEMBLY LPCC W/PA
26	2210732	2	BASE PLATE	1	FISHPAPER INSULATOR LPCC W/PA
27	2214665-9	2	CABLE	1	LPCC PREAMP INPUT CABLE COLLECTOR (SEE PAGE 2-219)
95	46-282460P1	2	CONNECTOR	2	STD, HEX BRASS UNINSULATED BANANA
96	46-233422P1	2	CONNECTOR	2	BNC JACK-PLUG, RIGHT ANGLE ADAPTER.
97	46-287119P1	2	VIBRATION IS	10	SELF-ADHERE TIE-STRAP ANCHOR, NYLON
98	46-208913P36	2	SCREW-INCH	2	SCREW-INCH COUNTERSUNK HEA 1.75 INCH
99	46-208921P36	2	SCREW	2	BRS SLOTTED BND HD SCR 8-32 X 3/8"
102	2223862	2	SPACER	2	BRASS 1/4" TUBULAR SPACER
103	2255802	2	LABEL	1	ATTENTION, DO NOT KINK CABLE, LPCC
105	46-221523P26	2	BUTTON	1	VENT PLUG, WHITE, 7/8 DIA.
106	46-282264P1	2	ADHESIVE	1	2 OZ DUAL PAK CARTRIDGE EPOXY, CLEAR
12923	46-208921P9	2	SCREW	11	BRS SLOTTED RND HD SCR 10-32 X 3/4"
14325	46-208758P3	2	TY-RAP	12	7.31" X .184" SELF-LOCKING CABLE TIE
17676	46-208913P7	2	SCREW	4	BRASS SLOTTED FLT HD SCR 8-32 X 1/2"
17716	46-208913P29	2	SCREW	2	BRS SLOTTED FLT HD SCR 10-32 X 1"
17856	46-220184P13	2	SCREW	6	BRS SLOTTED RND HD SCR 6-32 X 3/8"
17869	46-220184P15	2	SCREW	2	BRS SLOTTED RND HD SCR 6-32 X 5/8"
18062	46-220184P28	2	SCREW	4	BRS SLOTTED RND HD SCR 8-32 X 5/8"
18113	46-220184P41	2	SCREW	11	BRS SLOTTED RND HD SCR 10-32 X 1/2
18120	46-220184P42	2	SCREW	8	BRS SLOTTED RND HD SCR 10-32 X 5/8"
18129	46-220184P45	2	SCREW	2	BRS SLOTTED RND HD SCR 10-32 X 1"
18138	46-220184P47	2	SCREW	4	BRS SLOTTED RND HD SCR 10-32 X 1-1/2"
25864	46-208921P7	2	SCREW	14	SCREW
60436	46-208921P8	2	SCREW	4	BRS SLOTTED BND HD SCR 10-32 X 3/8"
78453	46-221865P3	2	CONNECTOR	1	UG-27B RT-ANGLE N, 50-OHM JACK-PLUG
83377	46-221449P3	2	WASHER	4	#6 SCREW SIZE (0.138) SILICONE BRONZ

LPCC PREAMP INPUT CABLES

2214665-9 FRU 2

(PART 27 OF 2205098-2 PAGE 2-217)

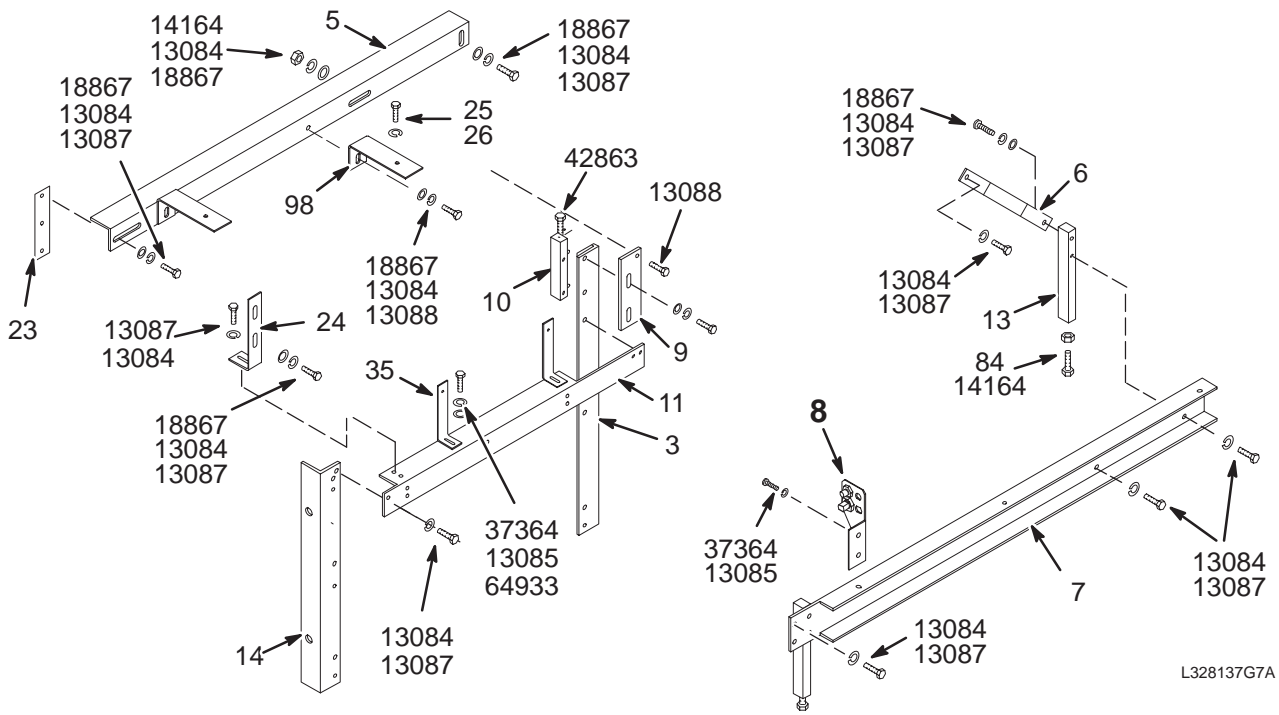
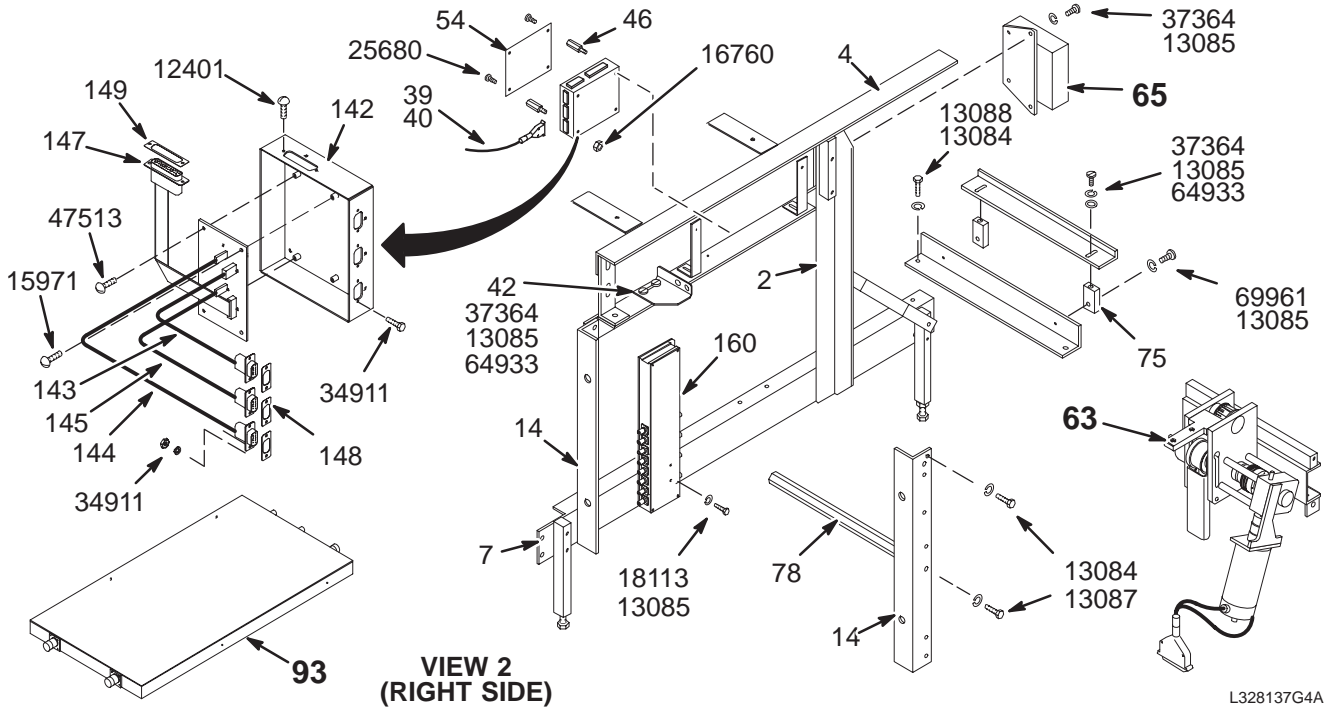
(PART 27 OF 2205098-4 PAGE 2-218)

Item	Part Number	FRU	Name	Quantity	Description (Remarks)
1	2214665-2	2	CABLE	1	LPCC PREAMP #2 INPUT SHIELDED CABLE
2	2214665-3	2	CABLE	1	LPCC PREAMP #3 INPUT SHIELDED CABLE
3	2214665-4	2	CABLE	1	LPCC PREAMP #4 INPUT SHIELDED CABLE
4	2214665-5	2	CABLE	1	LPCC PREAMP #5 INPUT SHIELDED CABLE
5	2214665-6	2	CABLE	1	LPCC PREAMP #6 INPUT SHIELDED CABLE
6	2214665-7	2	CABLE	1	LPCC PREAMP #7 INPUT SHIELDED CABLE

2-13 Cx AND LCC HORIZON REAR PEDESTALS

Cx & LCC REAR PEDESTAL FRAME ASM

46-328137G16, 17, G18, G19, G20, G21, G22, G23



1.0T FIXED REAR PED w/o M-C 46-328137G16 FRU N

(PART OF 2142000 PAGE 2-155)
(PART OF 2142000-11 PAGE 2-174)

Item	Part Number	FRU	Name	Quantity	Description (Remarks)
6	46-282348P1	2	BRACKET	2	SUPPORT STRAP
7	2124939	2	CHANNEL-SUPT	2	CHAN REAR FRAME UFI
8	2128927	N	BRACKET ASM	1	CABLE BRACKET ASM FOR PEDESTAL (SEE PAGE 2-125)
9	46-271874P1	2	BRKT-SECR SM	2	BRIDGE MOUNT VERTICAL ADJUST CLAMP
10	2162465	2	SUPPORT, REA	1	SUPPORT, REAR FRAME
11	2162465-2	2	SUPPORT, REA	1	SUPPORT, REAR FRAME
13	46-271868P2	2	BRCKT-LEVELR	4	REAR PEDESTAL SUPPORTING LEG
14	2124938	2	UPRIGHT FRT	2	FRT UPRIGHT, REAR FRAME UFI
16	46-282422P2	2	REAR BRACE	1	LOWER FRAME REAR CHANNEL
23	46-287232P1	2	NUT BAR	2	5/16-18 THREAD
24	46-287235P1	2	BRCKT S F B	2	BRIDGE MOUNT SUPPORT, FRONT
27	2132034	N	BRIDGE MOUNT	1	REAR BRIDGE MOUNT ASM (SEE PAGE 2-127)
35	46-282318P1	2	BRACKET	4	BODY QUADRATURE HYBRID ASM MOUNTING
42	2169617	2	BRACKET	1	BRACKET
46	46-208984P2	2	SPACER	4	HEX 1/4", EXT/INT THD 6-32, 1.5" LG
54	46-317200G1	2	COVER ASM.	1	INTERCOM BOX COVER W/RF SHIELDING
63	46-271439G3	N	LONGITDL DRV	1	LONGITUDINAL MOTOR DRIVE, MG3 A7 (SEE PAGE 2-124)
65	46-282694G1	N	MG3-A1 BOX	1	MAGNET INTERFACE #1, MG3 A1 (SEE PAGE 2-126)
75	46-287230P1	2	BRCKT SUPRT	2	MOUNTING BLOCK
76	46-287229P1	2	BRACKET	1	REAR PEDESTAL BACK COVER ATTACHING
78	46-306678P1	2	HEX SPACER	1	REAR FRAME FRONT BRACE
84	46-208932P40	2	SCREW	4	SCREW
93	46-282260G5	N	BRM SPLIT BX	1	BODY HYBRID, UFI 1.0T (SEE PAGE 2-128)
142	46-317137P1	2	BOX	1	PATIENT COMMUNICATION BOX - EMPTY
143	46-317177G1	2	HARNESS	1	MG3 A2 J8 TO MG2 A2 A1 J3, SPEAKER
144	46-317184G1	2	HARNESS	1	MG3 A2 J7 TO MG2 A2 A1 J1, C.M. MIKE
145	46-317184G2	2	HARNESS	1	MG3 A2 J9 TO MG2 A2 A1 J4, F.C. MIKE
146A	2204384	1	CIRCUIT BD	1	REMOTE INTERCOM BOARD, MG3 A2 A1
146B	46-264758G1	1	CIRCUIT BD	ALT	REMOTE INTERCOM BOARD, MG3 A2 A1
147	46-317201P1	2	CABLE ASM.	1	MG2 A2 J6 TO MG2 A2 A1 J6, RIBBON-14
148	46-221754P1	2	CONNECTOR	3	RFI GASKET USED WITH 9 PIN SUB-D
149	46-221754P3	2	CONNECTOR	1	RFI GASKET USED WITH 25 PIN SUB-D
12117	46-208601P21	2	WASHER	4	#8 SCREW, INTERNAL TOOTH, PHOS BRZ
12401	46-221417P2	2	CONNECTOR	1	FEMALE SCREWLOCK FOR HD CONNECTORS
13084	46-220196P5	2	WASHER	44	5/16" SCREW SIZE (0.313), SST
13085	46-220196P3	2	WASHER	16	#10 SCREW SIZE (0.190), SST
13087	46-208932P3	2	SCREW	28	SCREW
13088	46-208932P11	2	SCREW	16	SCREW
14164	46-208946P1	2	NUT	6	5/16-18 1/2" HEX X .188 THK 18-8 SST
15971	46-208921P28	2	SCREW	1	SCREW
16760	46-208935P5	2	NUT	2	6-32, .313 HEX X .109 THK, BRASS
18056	46-220184P26	2	SCREW	4	SCREW
18138	46-220184P47	2	SCREW	2	SCREW
18867	12-280	2	WASHER	18	ID 0.336, OD 0.75, THK .064, BRASS
25680	46-208921P6	2	SCREW	4	SCREW
34911	46-221417P1	2	CONNECTOR	3	FEMALE SCREWLOCKS, TWO PER KIT
37364	46-208560P102	2	SCREW	14	SCREW
47513	46-208922P4	2	SCREW	3	SCREW
64933	1000904P425	2	WASHER	10	0.2 ID, 0.5 OD, .04 THK, B11H89C
69961	46-208560P70	2	SCREW	2	SCREW

1.0T FIXED REAR PED w/M-C

46-328137G17 FRU N

(PART OF 2142000-2 PAGE 2-155)

(PART OF 2142000-12 PAGE 2-174)

Item	Part Number	FRU	Name	Quantity	Description (Remarks)
6	46-282348P1	2	BRACKET	2	SUPPORT STRAP
7	2124939	2	CHANNEL-SUPT	2	CHAN REAR FRAME UFI
8	2128927	N	BRACKET ASM	1	CABLE BRACKET ASM FOR PEDESTAL (SEE PAGE 2-125)
9	46-271874P1	2	BRKT-SECR SM	2	BRIDGE MOUNT VERTICAL ADJUST CLAMP
10	2162465	2	SUPPORT, REA	1	SUPPORT, REAR FRAME
11	2162465-2	2	SUPPORT, REA	1	SUPPORT, REAR FRAME
13	46-271868P2	2	BRCKT-LEVELR	4	REAR PEDESTAL SUPPORTING LEG
14	2124938	2	UPRIGHT FRT	2	FRT UPRIGHT, REAR FRAME UFI
16	46-282422P2	2	REAR BRACE	1	LOWER FRAME REAR CHANNEL
23	46-287232P1	2	NUT BAR	2	5/16-18 THREAD
24	46-287235P1	2	BRCKT S F B	2	BRIDGE MOUNT SUPPORT, FRONT
27	2132034	N	BRIDGE MOUNT	1	REAR BRIDGE MOUNT ASM (SEE PAGE 2-127)
35	46-282318P1	2	BRACKET	4	BODY QUADRATURE HYBRID ASM MOUNTING
42	2169617	2	BRACKET	1	BRACKET
46	46-208984P2	2	SPACER	4	HEX 1/4", EXT/INT THD 6-32, 1.5" LG
54	46-317200G1	2	COVER ASM.	1	INTERCOM BOX COVER W/RF SHIELDING
63	46-271439G3	N	LONGITDL DRV	1	LONGITUDINAL MOTOR DRIVE, MG3 A7 (SEE PAGE 2-124)
65	46-282694G1	N	MG3-A1 BOX	1	MAGNET INTERFACE #1, MG3 A1 (SEE PAGE 2-126)
75	46-287230P1	2	BRCKT SUPRT	2	MOUNTING BLOCK
76	46-287229P1	2	BRACKET	1	REAR PEDESTAL BACK COVER ATTACHING
78	46-306678P1	2	HEX SPACER	1	REAR FRAME FRONT BRACE
84	46-208932P40	2	SCREW	4	SCREW
93	46-282260G5	N	BRM SPLIT BX	1	BODY HYBRID, UFI 1.0T (SEE PAGE 2-128)
142	46-317137P1	2	BOX	1	PATIENT COMMUNICATION BOX - EMPTY
143	46-317177G1	2	HARNESS	1	MG3 A2 J8 TO MG2 A2 A1 J3, SPEAKER
144	46-317184G1	2	HARNESS	1	MG3 A2 J7 TO MG2 A2 A1 J1, C.M. MIKE
145	46-317184G2	2	HARNESS	1	MG3 A2 J9 TO MG2 A2 A1 J4, F.C. MIKE
146A	2204384	1	CIRCUIT BD	1	REMOTE INTERCOM BOARD, MG3 A2 A1
146B	46-264758G1	1	CIRCUIT BD	ALT	REMOTE INTERCOM BOARD, MG3 A2 A1
147	46-317201P1	2	CABLE ASM.	1	MG2 A2 J6 TO MG2 A2 A1 J6, RIBBON-14
148	46-221754P1	2	CONNECTOR	3	RFI GASKET USED WITH 9 PIN SUB-D
149	46-221754P3	2	CONNECTOR	1	RFI GASKET USED WITH 25 PIN SUB-D
160	46-288546G2	1	CIRCUIT BD	1	MULTI-COIL SELECT SWITCH MG3-A36
12117	46-208601P21	2	WASHER	4	#8 SCREW, INTERNAL TOOTH, PHOS BRZ
12401	46-221417P2	2	CONNECTOR	1	FEMALE SCREWLOCK FOR HD CONNECTORS
13084	46-220196P5	2	WASHER	44	5/16" SCREW SIZE (0.313), SST
13085	46-220196P3	2	WASHER	18	#10 SCREW SIZE (0.190), SST
13087	46-208932P3	2	SCREW	28	SCREW
13088	46-208932P11	2	SCREW	16	SCREW
14164	46-208946P1	2	NUT	6	5/16-18 1/2" HEX X .188 THK 18-8 SST
15971	46-208921P28	2	SCREW	1	SCREW
16760	46-208935P5	2	NUT	2	6-32, .313 HEX X .109 THK, BRASS
18056	46-220184P26	2	SCREW	4	SCREW
18113	46-220184P41	2	SCREW	2	SCREW
18138	46-220184P47	2	SCREW	2	SCREW
18867	12-280	2	WASHER	18	ID 0.336, OD 0.75, THK .064, BRASS
25680	46-208921P6	2	SCREW	4	SCREW
34911	46-221417P1	2	CONNECTOR	3	FEMALE SCREWLOCKS, TWO PER KIT
37364	46-208560P102	2	SCREW	14	SCREW
47513	46-208922P4	2	SCREW	3	SCREW
64933	1000904P425	2	WASHER	10	0.2 ID, 0.5 OD, .04 THK, B11H89C
69961	46-208560P70	2	SCREW	2	SCREW

1.0T MOB REAR PED w/o M-C 46-328137G18 FRU N (PART OF 2142000-3 PAGE 2-156)
 (PART OF 2142000-13 PAGE 2-175)

Item	Part Number	FRU	Name	Quantity	Description (Remarks)
6	46-282348P1	2	BRACKET	2	SUPPORT STRAP
7	2124939	2	CHANNEL-SUPT	2	CHAN REAR FRAME UFI
8	2128927	N	BRACKET ASM	1	CABLE BRACKET ASM FOR PEDESTAL (SEE PAGE 2-125)
9	46-271874P1	2	BRKT-SECR SM	2	BRIDGE MOUNT VERTICAL ADJUST CLAMP
10	2162465	2	SUPPORT, REA	1	SUPPORT, REAR FRAME
11	2162465-2	2	SUPPORT, REA	1	SUPPORT, REAR FRAME
13	46-271868P2	2	BRCKT-LEVELR	4	REAR PEDESTAL SUPPORTING LEG
14	2124938	2	UPRIGHT FRT	2	FRT UPRIGHT, REAR FRAME UFI
16	46-282422P2	2	REAR BRACE	1	LOWER FRAME REAR CHANNEL
23	46-287232P1	2	NUT BAR	2	5/16-18 THREAD
24	46-287235P1	2	BRCKT S F B	2	BRIDGE MOUNT SUPPORT, FRONT
25	2109866-22	2	SCREW	4	SCREW HEXAGON HEAD
26	2109878-4	2	WASHER	4	WASHER PLAIN - NORMAL 10.5 MM 20 MM
27	2132034	N	BRIDGE MOUNT	1	REAR BRIDGE MOUNT ASM (SEE PAGE 2-127)
35	46-282318P1	2	BRACKET	4	BODY QUADRATURE HYBRID ASM MOUNTING
42	2169617	2	BRACKET	1	BRACKET
46	46-208984P2	2	SPACER	4	HEX 1/4", EXT/INT THD 6-32, 1.5" LG
54	46-317200G1	2	COVER ASM.	1	INTERCOM BOX COVER W/RF SHIELDING
63	46-271439G3	N	LONGITDL DRV	1	LONGITUDINAL MOTOR DRIVE, MG3 A7 (SEE PAGE 2-124)
65	46-282694G1	N	MG3-A1 BOX	1	MAGNET INTERFACE #1, MG3 A1 (SEE PAGE 2-126)
75	46-287230P1	2	BRCKT SUPRT	2	MOUNTING BLOCK
76	46-287229P1	2	BRACKET	1	REAR PEDESTAL BACK COVER ATTACHING
78	46-306678P1	2	HEX SPACER	1	REAR FRAME FRONT BRACE
84	46-208932P40	2	SCREW	4	SCREW
93	46-282260G5	N	BRM SPLIT BX	1	BODY HYBRID, UFI 1.0T (SEE PAGE 2-128)
98	2128559	2	BRACKET	4	TUNNEL EXTENSION MOUNTING BRACKET
142	46-317137P1	2	BOX	1	PATIENT COMMUNICATION BOX - EMPTY
143	46-317177G1	2	HARNESS	1	MG3 A2 J8 TO MG2 A2 A1 J3, SPEAKER
144	46-317184G1	2	HARNESS	1	MG3 A2 J7 TO MG2 A2 A1 J1, C.M. MIKE
145	46-317184G2	2	HARNESS	1	MG3 A2 J9 TO MG2 A2 A1 J4, F.C. MIKE
146A	2204384	1	CIRCUIT BD	1	REMOTE INTERCOM BOARD, MG3 A2 A1
146B	46-264758G1	1	CIRCUIT BD	ALT	REMOTE INTERCOM BOARD, MG3 A2 A1
147	46-317201P1	2	CABLE ASM.	1	MG2 A2 J6 TO MG2 A2 A1 J6, RIBBON-14
148	46-221754P1	2	CONNECTOR	3	RFI GASKET USED WITH 9 PIN SUB-D
149	46-221754P3	2	CONNECTOR	1	RFI GASKET USED WITH 25 PIN SUB-D
12117	46-208601P21	2	WASHER	4	#8 SCREW, INTERNAL TOOTH, PHOS BRZ
12401	46-221417P2	2	CONNECTOR	1	FEMALE SCREWLOCK FOR HD CONNECTORS
13084	46-220196P5	2	WASHER	48	5/16" SCREW SIZE (0.313), SST
13085	46-220196P3	2	WASHER	14	#10 SCREW SIZE (0.190), SST
13087	46-208932P3	2	SCREW	32	SCREW
13088	46-208932P11	2	SCREW	16	SCREW
14164	46-208946P1	2	NUT	6	5/16-18 1/2" HEX X .188 THK 18-8 SST
15971	46-208921P28	2	SCREW	1	SCREW
16760	46-208935P5	2	NUT	2	6-32, .313 HEX X .109 THK, BRASS
18056	46-220184P26	2	SCREW	4	SCREW
18138	46-220184P47	2	SCREW	2	SCREW
18867	12-280	2	WASHER	22	ID 0.336, OD 0.75, THK .064, BRASS
25680	46-208921P6	2	SCREW	4	SCREW
34911	46-221417P1	2	CONNECTOR	3	FEMALE SCREWLOCKS, TWO PER KIT
37364	46-208560P102	2	SCREW	12	SCREW
47513	46-208922P4	2	SCREW	3	SCREW
64933	1000904P425	2	WASHER	8	0.2 ID, 0.5 OD, .04 THK, B11H89C
69961	46-208560P70	2	SCREW	2	SCREW

1.0T MOB REAR PED w/M-C

46-328137G19 FRU N

(PART OF 2142000-4 PAGE 2-156)

(PART OF 2142000-14 PAGE 2-175)

Item	Part Number	FRU	Name	Quantity	Description (Remarks)
6	46-282348P1	2	BRACKET	2	SUPPORT STRAP
7	2124939	2	CHANNEL-SUPT	2	CHAN REAR FRAME UFI
8	2128927	N	BRACKET ASM	1	CABLE BRACKET ASM FOR PEDESTAL (SEE PAGE 2-125)
9	46-271874P1	2	BRKT-SECR SM	2	BRIDGE MOUNT VERTICAL ADJUST CLAMP
10	2162465	2	SUPPORT, REA	1	SUPPORT, REAR FRAME
11	2162465-2	2	SUPPORT, REA	1	SUPPORT, REAR FRAME
13	46-271868P2	2	BRCKT-LEVELR	4	REAR PEDESTAL SUPPORTING LEG
14	2124938	2	UPRIGHT FRT	2	FRT UPRIGHT, REAR FRAME UFI
16	46-282422P2	2	REAR BRACE	1	LOWER FRAME REAR CHANNEL
23	46-287232P1	2	NUT BAR	2	5/16-18 THREAD
24	46-287235P1	2	BRCKT S F B	2	BRIDGE MOUNT SUPPORT, FRONT
25	2109866-22	2	SCREW	4	SCREW HEXAGON HEAD
26	2109878-4	2	WASHER	4	WASHER PLAIN - NORMAL 10.5 MM 20 MM
27	2132034	N	BRIDGE MOUNT	1	REAR BRIDGE MOUNT ASM (SEE PAGE 2-127)
35	46-282318P1	2	BRACKET	4	BODY QUADRATURE HYBRID ASM MOUNTING
42	2169617	2	BRACKET	1	BRACKET
46	46-208984P2	2	SPACER	4	HEX 1/4", EXT/INT THD 6-32, 1.5" LG
54	46-317200G1	2	COVER ASM.	1	INTERCOM BOX COVER W/RF SHIELDING
63	46-271439G3	N	LONGITDL DRV	1	LONGITUDINAL MOTOR DRIVE, MG3 A7 (SEE PAGE 2-124)
65	46-282694G1	N	MG3-A1 BOX	1	MAGNET INTERFACE #1, MG3 A1 (SEE PAGE 2-126)
75	46-287230P1	2	BRCKT SUPRT	2	MOUNTING BLOCK
76	46-287229P1	2	BRACKET	1	REAR PEDESTAL BACK COVER ATTACHING
78	46-306678P1	2	HEX SPACER	1	REAR FRAME FRONT BRACE
84	46-208932P40	2	SCREW	4	SCREW
93	46-282260G5	N	BRM SPLIT BX	1	BODY HYBRID, UFI 1.0T (SEE PAGE 2-128)
98	2128559	2	BRACKET	4	TUNNEL EXTENSION MOUNTING BRACKET
142	46-317137P1	2	BOX	1	PATIENT COMMUNICATION BOX - EMPTY
143	46-317177G1	2	HARNESS	1	MG3 A2 J8 TO MG2 A2 A1 J3, SPEAKER
144	46-317184G1	2	HARNESS	1	MG3 A2 J7 TO MG2 A2 A1 J1, C.M. MIKE
145	46-317184G2	2	HARNESS	1	MG3 A2 J9 TO MG2 A2 A1 J4, F.C. MIKE
146A	2204384	1	CIRCUIT BD	1	REMOTE INTERCOM BOARD, MG3 A2 A1
146B	46-264758G1	1	CIRCUIT BD	ALT	REMOTE INTERCOM BOARD, MG3 A2 A1
147	46-317201P1	2	CABLE ASM.	1	MG2 A2 J6 TO MG2 A2 A1 J6, RIBBON-14
148	46-221754P1	2	CONNECTOR	3	RFI GASKET USED WITH 9 PIN SUB-D
149	46-221754P3	2	CONNECTOR	1	RFI GASKET USED WITH 25 PIN SUB-D
160	46-288546G2	1	CIRCUIT BD	1	MULTI-COIL SELECT SWITCH MG3-A36
12117	46-208601P21	2	WASHER	4	#8 SCREW, INTERNAL TOOTH, PHOS BRZ
12401	46-221417P2	2	CONNECTOR	1	FEMALE SCREWLOCK FOR HD CONNECTORS
13084	46-220196P5	2	WASHER	48	5/16" SCREW SIZE (0.313), SST
13085	46-220196P3	2	WASHER	16	#10 SCREW SIZE (0.190), SST
13087	46-208932P3	2	SCREW	32	SCREW
13088	46-208932P11	2	SCREW	16	SCREW
14164	46-208946P1	2	NUT	6	5/16-18 1/2" HEX X .188 THK 18-8 SST
15971	46-208921P28	2	SCREW	1	SCREW
16760	46-208935P5	2	NUT	2	6-32, .313 HEX X .109 THK, BRASS
18056	46-220184P26	2	SCREW	4	SCREW
18113	46-220184P41	2	SCREW	2	SCREW
18138	46-220184P47	2	SCREW	2	SCREW
18867	12-280	2	WASHER	22	ID 0.336, OD 0.75, THK .064, BRASS
25680	46-208921P6	2	SCREW	4	SCREW
34911	46-221417P1	2	CONNECTOR	3	FEMALE SCREWLOCKS, TWO PER KIT
37364	46-208560P102	2	SCREW	12	SCREW
64933	1000904P425	2	WASHER	8	0.2 ID, 0.5 OD, .04 THK, B11H89C

1.5T FIXED REAR PED w/o M-C 46-328137G20 FRU N

(PART OF 2142000-5 PAGE 2-157)

(PART OF 2142000-15 PAGE 2-176)

Item	Part Number	FRU	Name	Quantity	Description (Remarks)
6	46-282348P1	2	BRACKET	2	SUPPORT STRAP
7	2124939	2	CHANNEL-SUPT	2	CHAN REAR FRAME UFI
8	2128927	N	BRACKET ASM	1	CABLE BRACKET ASM FOR PEDESTAL (SEE PAGE 2-125)
9	46-271874P1	2	BRKT-SECR SM	2	BRIDGE MOUNT VERTICAL ADJUST CLAMP
10	2162465	2	SUPPORT, REA	1	SUPPORT, REAR FRAME
11	2162465-2	2	SUPPORT, REA	1	SUPPORT, REAR FRAME
13	46-271868P2	2	BRCKT-LEVELR	4	REAR PEDESTAL SUPPORTING LEG
14	2124938	2	UPRIGHT FRT	2	FRT UPRIGHT, REAR FRAME UFI
16	46-282422P2	2	REAR BRACE	1	LOWER FRAME REAR CHANNEL
23	46-287232P1	2	NUT BAR	2	5/16-18 THREAD
24	46-287235P1	2	BRCKT S F B	2	BRIDGE MOUNT SUPPORT, FRONT
27	2132034	N	BRIDGE MOUNT	1	REAR BRIDGE MOUNT ASM (SEE PAGE 2-127)
35	46-282318P1	2	BRACKET	4	BODY QUADRATURE HYBRID ASM MOUNTING
42	2169617	2	BRACKET	1	BRACKET
46	46-208984P2	2	SPACER	4	HEX 1/4", EXT/INT THD 6-32, 1.5" LG
54	46-317200G1	2	COVER ASM.	1	INTERCOM BOX COVER W/RF SHIELDING
63	46-271439G3	N	LONGITDL DRV	1	LONGITUDINAL MOTOR DRIVE, MG3 A7 (SEE PAGE 2-124)
65	46-282694G1	N	MG3-A1 BOX	1	MAGNET INTERFACE #1, MG3 A1 (SEE PAGE 2-126)
75	46-287230P1	2	BRCKT SUPRT	2	MOUNTING BLOCK
76	46-287229P1	2	BRACKET	1	REAR PEDESTAL BACK COVER ATTACHING
78	46-306678P1	2	HEX SPACER	1	REAR FRAME FRONT BRACE
84	46-208932P40	2	SCREW	4	SCREW
93A	46-282260G12	N	SPLITTER ASM	1	LX 1.5T BODY HYBRID & PREAMP, MG3 A3 (SEE PAGE 2-129)
93B	46-282260G11	N	SPLITTER ASM	ALT	1.5T BODY QUADRATURE HYBRID, MG3 A3
142	46-317137P1	2	BOX	1	PATIENT COMMUNICATION BOX - EMPTY
143	46-317177G1	2	HARNESS	1	MG3 A2 J8 TO MG2 A2 A1 J3, SPEAKER
144	46-317184G1	2	HARNESS	1	MG3 A2 J7 TO MG2 A2 A1 J1, C.M. MIKE
145	46-317184G2	2	HARNESS	1	MG3 A2 J9 TO MG2 A2 A1 J4, F.C. MIKE
146A	2204384	1	CIRCUIT BD	1	REMOTE INTERCOM BOARD, MG3 A2 A1
146B	46-264758G1	1	CIRCUIT BD	ALT	REMOTE INTERCOM BOARD, MG3 A2 A1
147	46-317201P1	2	CABLE ASM.	1	MG2 A2 J6 TO MG2 A2 A1 J6, RIBBON-14
148	46-221754P1	2	CONNECTOR	3	RFI GASKET USED WITH 9 PIN SUB-D
149	46-221754P3	2	CONNECTOR	1	RFI GASKET USED WITH 25 PIN SUB-D
12117	46-208601P21	2	WASHER	4	#8 SCREW, INTERNAL TOOTH, PHOS BRZ
12401	46-221417P2	2	CONNECTOR	1	FEMALE SCREWLOCK FOR HD CONNECTORS
13084	46-220196P5	2	WASHER	44	5/16" SCREW SIZE (0.313), SST
13085	46-220196P3	2	WASHER	16	#10 SCREW SIZE (0.190), SST
13087	46-208932P3	2	SCREW	28	SCREW
13088	46-208932P11	2	SCREW	16	SCREW
14164	46-208946P1	2	NUT	6	5/16-18 1/2" HEX X .188 THK 18-8 SST
15971	46-208921P28	2	SCREW	1	SCREW
16760	46-208935P5	2	NUT	2	6-32, .313 HEX X .109 THK, BRASS
18056	46-220184P26	2	SCREW	4	SCREW
18138	46-220184P47	2	SCREW	2	SCREW
18867	12-280	2	WASHER	18	ID 0.336, OD 0.75, THK .064, BRASS
25680	46-208921P6	2	SCREW	4	SCREW
34911	46-221417P1	2	CONNECTOR	3	FEMALE SCREWLOCKS, TWO PER KIT
37364	46-208560P102	2	SCREW	14	SCREW
47513	46-208922P4	2	SCREW	3	SCREW
64933	1000904P425	2	WASHER	10	0.2 ID, 0.5 OD, .04 THK, B11H89C
69961	46-208560P70	2	SCREW	2	SCREW

1.5T FIXED REAR PED w/M-C 46-328137G21 FRU N (PART 4 OF 2142000-6 PAGE 2-157)
 (PART 4 OF 2142000-9 PAGE 2-158)
 (PART 4 OF 2142000-16 PAGE 2-176)
 (PART 4 OF 2142000-19 PAGE 2-178)

Item	Part Number	FRU	Name	Quantity	Description (Remarks)
6	46-282348P1	2	BRACKET	2	SUPPORT STRAP
7	2124939	2	CHANNEL-SUPT	2	CHAN REAR FRAME UFI
8	2128927	N	BRACKET ASM	1	CABLE BRACKET ASM FOR PEDESTAL (SEE PAGE 2-125)
9	46-271874P1	2	BRKT-SECR SM	2	BRIDGE MOUNT VERTICAL ADJUST CLAMP
10	2162465	2	SUPPORT, REA	1	SUPPORT, REAR FRAME
11	2162465-2	2	SUPPORT, REA	1	SUPPORT, REAR FRAME
13	46-271868P2	2	BRCKT-LEVELR	4	REAR PEDESTAL SUPPORTING LEG
14	2124938	2	UPRIGHT FRT	2	FRT UPRIGHT, REAR FRAME UFI
16	46-282422P2	2	REAR BRACE	1	LOWER FRAME REAR CHANNEL
23	46-287232P1	2	NUT BAR	2	5/16-18 THREAD
24	46-287235P1	2	BRCKT S F B	2	BRIDGE MOUNT SUPPORT, FRONT
27	2132034	N	BRIDGE MOUNT	1	REAR BRIDGE MOUNT ASM (SEE PAGE 2-127)
35	46-282318P1	2	BRACKET	4	BODY QUADRATURE HYBRID ASM MOUNTING
42	2169617	2	BRACKET	1	BRACKET
46	46-208984P2	2	SPACER	4	HEX 1/4", EXT/INT THD 6-32, 1.5" LG
54	46-317200G1	2	COVER ASM.	1	INTERCOM BOX COVER W/RF SHIELDING
63	46-271439G3	N	LONGITDL DRV	1	LONGITUDINAL MOTOR DRIVE, MG3 A7 (SEE PAGE 2-124)
65	46-282694G1	N	MG3-A1 BOX	1	MAGNET INTERFACE #1, MG3 A1 (SEE PAGE 2-126)
75	46-287230P1	2	BRCKT SUPRT	2	MOUNTING BLOCK
76	46-287229P1	2	BRACKET	1	REAR PEDESTAL BACK COVER ATTACHING
78	46-306678P1	2	HEX SPACER	1	REAR FRAME FRONT BRACE
84	46-208932P40	2	SCREW	4	SCREW
93A	46-282260G12	N	SPLITTER ASM	1	LX 1.5T BODY HYBRID & PREAMP, MG3 A3 (SEE PAGE 2-129)
93B	46-282260G11	N	SPLITTER ASM	ALT	1.5T BODY QUADRATURE HYBRID, MG3 A3
142	46-317137P1	2	BOX	1	PATIENT COMMUNICATION BOX - EMPTY
143	46-317177G1	2	HARNESS	1	MG3 A2 J8 TO MG2 A2 A1 J3, SPEAKER
144	46-317184G1	2	HARNESS	1	MG3 A2 J7 TO MG2 A2 A1 J1, C.M. MIKE
145	46-317184G2	2	HARNESS	1	MG3 A2 J9 TO MG2 A2 A1 J4, F.C. MIKE
146A	2204384	1	CIRCUIT BD	1	REMOTE INTERCOM BOARD, MG3 A2 A1
146B	46-264758G1	1	CIRCUIT BD	ALT	REMOTE INTERCOM BOARD, MG3 A2 A1
147	46-317201P1	2	CABLE ASM.	1	MG2 A2 J6 TO MG2 A2 A1 J6, RIBBON-14
148	46-221754P1	2	CONNECTOR	3	RFI GASKET USED WITH 9 PIN SUB-D
149	46-221754P3	2	CONNECTOR	1	RFI GASKET USED WITH 25 PIN SUB-D
160	46-288546G2	1	CIRCUIT BD	1	MULTI-COIL SELECT SWITCH MG3-A36
12117	46-208601P21	2	WASHER	4	#8 SCREW, INTERNAL TOOTH, PHOS BRZ
12401	46-221417P2	2	CONNECTOR	1	FEMALE SCREWLOCK FOR HD CONNECTORS
13084	46-220196P5	2	WASHER	44	5/16" SCREW SIZE (0.313), SST
13085	46-220196P3	2	WASHER	18	#10 SCREW SIZE (0.190), SST
13087	46-208932P3	2	SCREW	28	SCREW
13088	46-208932P11	2	SCREW	16	SCREW
14164	46-208946P1	2	NUT	6	5/16-18 1/2" HEX X .188 THK 18-8 SST
15971	46-208921P28	2	SCREW	1	SCREW
16760	46-208935P5	2	NUT	2	6-32, .313 HEX X .109 THK, BRASS
18056	46-220184P26	2	SCREW	4	SCREW
18113	46-220184P41	2	SCREW	2	SCREW
18138	46-220184P47	2	SCREW	2	SCREW
18867	12-280	2	WASHER	18	ID 0.336, OD 0.75, THK .064, BRASS
25680	46-208921P6	2	SCREW	4	SCREW
34911	46-221417P1	2	CONNECTOR	3	FEMALE SCREWLOCKS, TWO PER KIT
37364	46-208560P102	2	SCREW	14	SCREW
47513	46-208922P4	2	SCREW	3	SCREW
64933	1000904P425	2	WASHER	10	0.2 ID, 0.5 OD, .04 THK, B11H89C

1.5T MOB REAR PED w/o M-C

46-328137G22 FRU N

(PART OF 2142000-7 PAGE 2-158)

(PART OF 2142000-17 PAGE 2-177)

Item	Part Number	FRU	Name	Quantity	Description (Remarks)
6	46-282348P1	2	BRACKET	2	SUPPORT STRAP
7	2124939	2	CHANNEL-SUPT	2	CHAN REAR FRAME UFI
8	2128927	N	BRACKET ASM	1	CABLE BRACKET ASM FOR PEDESTAL (SEE PAGE 2-125)
9	46-271874P1	2	BRKT-SECR SM	2	BRIDGE MOUNT VERTICAL ADJUST CLAMP
10	2162465	2	SUPPORT, REA	1	SUPPORT, REAR FRAME
11	2162465-2	2	SUPPORT, REA	1	SUPPORT, REAR FRAME
13	46-271868P2	2	BRCKT-LEVELR	4	REAR PEDESTAL SUPPORTING LEG
14	2124938	2	UPRIGHT FRT	2	FRT UPRIGHT, REAR FRAME UFI
16	46-282422P2	2	REAR BRACE	1	LOWER FRAME REAR CHANNEL
23	46-287232P1	2	NUT BAR	2	5/16-18 THREAD
24	46-287235P1	2	BRCKT S F B	2	BRIDGE MOUNT SUPPORT, FRONT
25	2109866-22	2	SCREW	4	SCREW HEXAGON HEAD
26	2109878-4	2	WASHER	4	WASHER PLAIN - NORMAL 10.5 MM 20 MM
27	2132034	N	BRIDGE MOUNT	1	REAR BRIDGE MOUNT ASM (SEE PAGE 2-127)
35	46-282318P1	2	BRACKET	4	BODY QUADRATURE HYBRID ASM MOUNTING
42	2169617	2	BRACKET	1	BRACKET
46	46-208984P2	2	SPACER	4	HEX 1/4", EXT/INT THD 6-32, 1.5" LG
54	46-317200G1	2	COVER ASM.	1	INTERCOM BOX COVER W/RF SHIELDING
63	46-271439G3	N	LONGITDL DRV	1	LONGITUDINAL MOTOR DRIVE, MG3 A7 (SEE PAGE 2-124)
65	46-282694G1	N	MG3-A1 BOX	1	MAGNET INTERFACE #1, MG3 A1 (SEE PAGE 2-126)
75	46-287230P1	2	BRCKT SUPRT	2	MOUNTING BLOCK
76	46-287229P1	2	BRACKET	1	REAR PEDESTAL BACK COVER ATTACHING
78	46-306678P1	2	HEX SPACER	1	REAR FRAME FRONT BRACE
84	46-208932P40	2	SCREW	4	SCREW
93A	46-282260G12	N	SPLITTER ASM	1	LX 1.5T BODY HYBRID & PREAMP, MG3 A3 (SEE PAGE 2-129)
93B	46-282260G11	N	SPLITTER ASM	ALT	1.5T BODY QUADRATURE HYBRID, MG3 A3
98	2128559	2	BRACKET	4	TUNNEL EXTENSION MOUNTING BRACKET
142	46-317137P1	2	BOX	1	PATIENT COMMUNICATION BOX - EMPTY
143	46-317177G1	2	HARNESS	1	MG3 A2 J8 TO MG2 A2 A1 J3, SPEAKER
144	46-317184G1	2	HARNESS	1	MG3 A2 J7 TO MG2 A2 A1 J1, C.M. MIKE
145	46-317184G2	2	HARNESS	1	MG3 A2 J9 TO MG2 A2 A1 J4, F.C. MIKE
146A	2204384	1	CIRCUIT BD	1	REMOTE INTERCOM BOARD, MG3 A2 A1
146B	46-264758G1	1	CIRCUIT BD	ALT	REMOTE INTERCOM BOARD, MG3 A2 A1
147	46-317201P1	2	CABLE ASM.	1	MG2 A2 J6 TO MG2 A2 A1 J6, RIBBON-14
148	46-221754P1	2	CONNECTOR	3	RFI GASKET USED WITH 9 PIN SUB-D
149	46-221754P3	2	CONNECTOR	1	RFI GASKET USED WITH 25 PIN SUB-D
12117	46-208601P21	2	WASHER	4	#8 SCREW, INTERNAL TOOTH, PHOS BRZ
12401	46-221417P2	2	CONNECTOR	1	FEMALE SCREWLOCK FOR HD CONNECTORS
13084	46-220196P5	2	WASHER	48	5/16" SCREW SIZE (0.313), SST
13085	46-220196P3	2	WASHER	14	#10 SCREW SIZE (0.190), SST
13087	46-208932P3	2	SCREW	32	SCREW
13088	46-208932P11	2	SCREW	16	SCREW
14164	46-208946P1	2	NUT	6	5/16-18 1/2" HEX X .188 THK 18-8 SST
15971	46-208921P28	2	SCREW	1	SCREW
16760	46-208935P5	2	NUT	2	6-32, .313 HEX X .109 THK, BRASS
18056	46-220184P26	2	SCREW	4	SCREW
18138	46-220184P47	2	SCREW	2	SCREW
18867	12-280	2	WASHER	22	ID 0.336, OD 0.75, THK .064, BRASS
25680	46-208921P6	2	SCREW	4	SCREW
34911	46-221417P1	2	CONNECTOR	3	FEMALE SCREWLOCKS, TWO PER KIT
37364	46-208560P102	2	SCREW	12	SCREW
47513	46-208922P4	2	SCREW	3	SCREW
64933	1000904P425	2	WASHER	8	0.2 ID, 0.5 OD, .04 THK, B11H89C
69961	46-208560P70	2	SCREW	2	SCREW

1.5T MOB REAR PED w/M-C

46-328137G23 FRU N

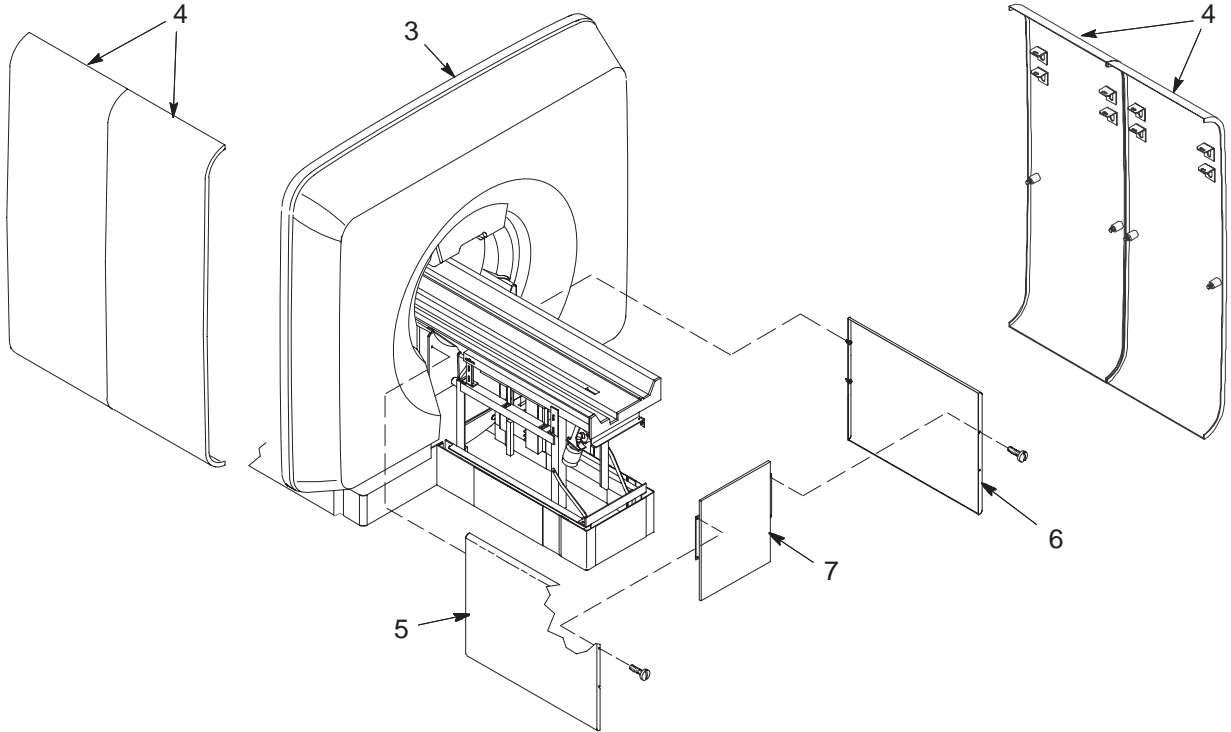
(PART OF 2142000-8 PAGE 2-158)
(PART OF 2142000-18 PAGE 2-177)

Item	Part Number	FRU	Name	Quantity	Description (Remarks)
6	46-282348P1	2	BRACKET	2	SUPPORT STRAP
7	2124939	2	CHANNEL-SUPT	2	CHAN REAR FRAME UFI
8	2128927	N	BRACKET ASM	1	CABLE BRACKET ASM FOR PEDESTAL (SEE PAGE 2-125)
9	46-271874P1	2	BRKT-SECR SM	2	BRIDGE MOUNT VERTICAL ADJUST CLAMP
10	2162465	2	SUPPORT, REA	1	SUPPORT, REAR FRAME
11	2162465-2	2	SUPPORT, REA	1	SUPPORT, REAR FRAME
13	46-271868P2	2	BRCKT-LEVELR	4	REAR PEDESTAL SUPPORTING LEG
14	2124938	2	UPRIGHT FRT	2	FRT UPRIGHT, REAR FRAME UFI
16	46-282422P2	2	REAR BRACE	1	LOWER FRAME REAR CHANNEL
23	46-287232P1	2	NUT BAR	2	5/16-18 THREAD
24	46-287235P1	2	BRCKT S F B	2	BRIDGE MOUNT SUPPORT, FRONT
25	2109866-22	2	SCREW	4	SCREW HEXAGON HEAD
26	2109878-4	2	WASHER	4	WASHER PLAIN - NORMAL 10.5 MM 20 MM
27	2132034	N	BRIDGE MOUNT	1	REAR BRIDGE MOUNT ASM (SEE PAGE 2-127)
35	46-282318P1	2	BRACKET	4	BODY QUADRATURE HYBRID ASM MOUNTING
42	2169617	2	BRACKET	1	BRACKET
46	46-208984P2	2	SPACER	4	HEX 1/4", EXT/INT THD 6-32, 1.5" LG
54	46-317200G1	2	COVER ASM.	1	INTERCOM BOX COVER W/RF SHIELDING
63	46-271439G3	N	LONGITDL DRV	1	LONGITUDINAL MOTOR DRIVE, MG3 A7 (SEE PAGE 2-124)
65	46-282694G1	N	MG3-A1 BOX	1	MAGNET INTERFACE #1, MG3 A1 (SEE PAGE 2-126)
75	46-287230P1	2	BRCKT SUPRT	2	MOUNTING BLOCK
76	46-287229P1	2	BRACKET	1	REAR PEDESTAL BACK COVER ATTACHING
78	46-306678P1	2	HEX SPACER	1	REAR FRAME FRONT BRACE
84	46-208932P40	2	SCREW	4	SCREW
93A	46-282260G12	N	SPLITTER ASM	1	LX 1.5T BODY HYBRID & PREAMP, MG3 A3 (SEE PAGE 2-129)
93B	46-282260G11	N	SPLITTER ASM	ALT	1.5T BODY QUADRATURE HYBRID, MG3 A3
98	2128559	2	BRACKET	4	TUNNEL EXTENSION MOUNTING BRACKET
142	46-317137P1	2	BOX	1	PATIENT COMMUNICATION BOX - EMPTY
143	46-317177G1	2	HARNESS	1	MG3 A2 J8 TO MG2 A2 A1 J3, SPEAKER
144	46-317184G1	2	HARNESS	1	MG3 A2 J7 TO MG2 A2 A1 J1, C.M. MIKE
145	46-317184G2	2	HARNESS	1	MG3 A2 J9 TO MG2 A2 A1 J4, F.C. MIKE
146A	2204384	1	CIRCUIT BD	1	REMOTE INTERCOM BOARD, MG3 A2 A1
146B	46-264758G1	1	CIRCUIT BD	ALT	REMOTE INTERCOM BOARD, MG3 A2 A1
147	46-317201P1	2	CABLE ASM.	1	MG2 A2 J6 TO MG2 A2 A1 J6, RIBBON-14
148	46-221754P1	2	CONNECTOR	3	RFI GASKET USED WITH 9 PIN SUB-D
149	46-221754P3	2	CONNECTOR	1	RFI GASKET USED WITH 25 PIN SUB-D
160	46-288546G2	1	CIRCUIT BD	1	MULTI-COIL SELECT SWITCH MG3-A36
12117	46-208601P21	2	WASHER	4	#8 SCREW, INTERNAL TOOTH, PHOS BRZ
12401	46-221417P2	2	CONNECTOR	1	FEMALE SCREWLOCK FOR HD CONNECTORS
13084	46-220196P5	2	WASHER	48	5/16" SCREW SIZE (0.313), SST
13085	46-220196P3	2	WASHER	16	#10 SCREW SIZE (0.190), SST
13087	46-208932P3	2	SCREW	32	SCREW
13088	46-208932P11	2	SCREW	16	SCREW
14164	46-208946P1	2	NUT	6	5/16-18 1/2" HEX X .188 THK 18-8 SST
15971	46-208921P28	2	SCREW	1	SCREW
16760	46-208935P5	2	NUT	2	6-32, .313 HEX X .109 THK, BRASS
18056	46-220184P26	2	SCREW	4	SCREW
18113	46-220184P41	2	SCREW	2	SCREW
18138	46-220184P47	2	SCREW	2	SCREW
18867	12-280	2	WASHER	22	ID 0.336, OD 0.75, THK .064, BRASS
25680	46-208921P6	2	SCREW	4	SCREW
34911	46-221417P1	2	CONNECTOR	3	FEMALE SCREWLOCKS, TWO PER KIT
37364	46-208560P102	2	SCREW	12	SCREW
64933	1000904P425	2	WASHER	8	0.2 ID, 0.5 OD, .04 THK, B11H89C

2-14 Cx AND LCC HORIZON ENCLOSURE COVERS, END BELLS, AND BORE LAMP

Cx & LCC FIBERGLASS COVER KIT

2158571 & 2158571-2



Cx FIBERGLASS COVER KIT

2158571 FRU N

(PART 5 OF 2142000 PAGE 2-155)
 (PART 5 OF 2142000-2 PAGE 2-155)
 (PART 5 OF 2142000-5 PAGE 2-157)
 (PART 5 OF 2142000-6 PAGE 2-157)
 (PART 5 OF 2142000-9 PAGE 2-158)

Item	Part Number	FRU	Name	Quantity	Description (Remarks)
3	2158755	N	PART	1	REAR COVER
4	2158377	N	PART	4	SIDE COVER (OUTER SHELL)
5	2158346	N	PART	1	SIDE COVER REAR FRAME ASM R SIDE
6	2158346-2	N	PART	1	SIDE COVER REAR FRAME ASM L SIDE
7	2168022	N	ASSEMBLY	1	PEDESTAL REAR COVER, BACK (SEE PAGE 2-230)

LCC FIBERGLASS COVER KIT

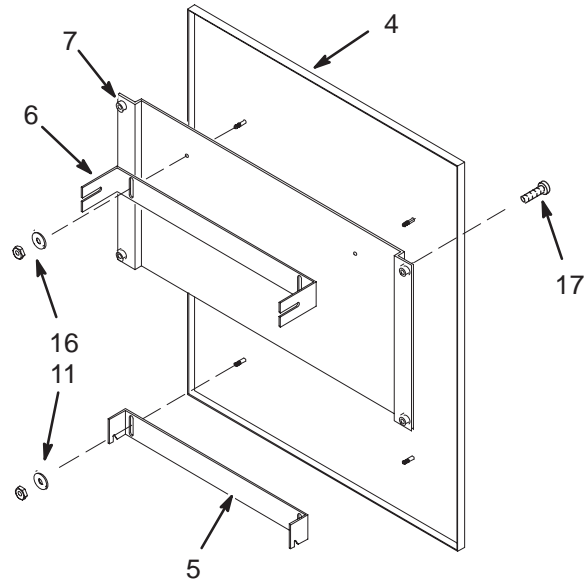
2158571-2 FRU N

(PART OF 2142000-11 PAGE 2-174)
 (PART OF 2142000-12 PAGE 2-174)
 (PART OF 2142000-15 PAGE 2-176)
 (PART OF 2142000-16 PAGE 2-176)

Item	Part Number	FRU	Name	Quantity	Description (Remarks)
3	2158755-2	N	PART	1	REAR COVER CONQUEST - LCC
4	2158377	N	PART	4	SIDE COVER (OUTER SHELL)
5	2158346	N	PART	1	SIDE COVER REAR FRAME ASM R SIDE
6	2158346-2	N	PART	1	SIDE COVER REAR FRAME ASM L SIDE
7	2168022	N	ASSEMBLY	1	PEDESTAL REAR COVER, BACK (SEE PAGE 2-230)

Cx & LCC PEDESTAL REAR COVER

2168022



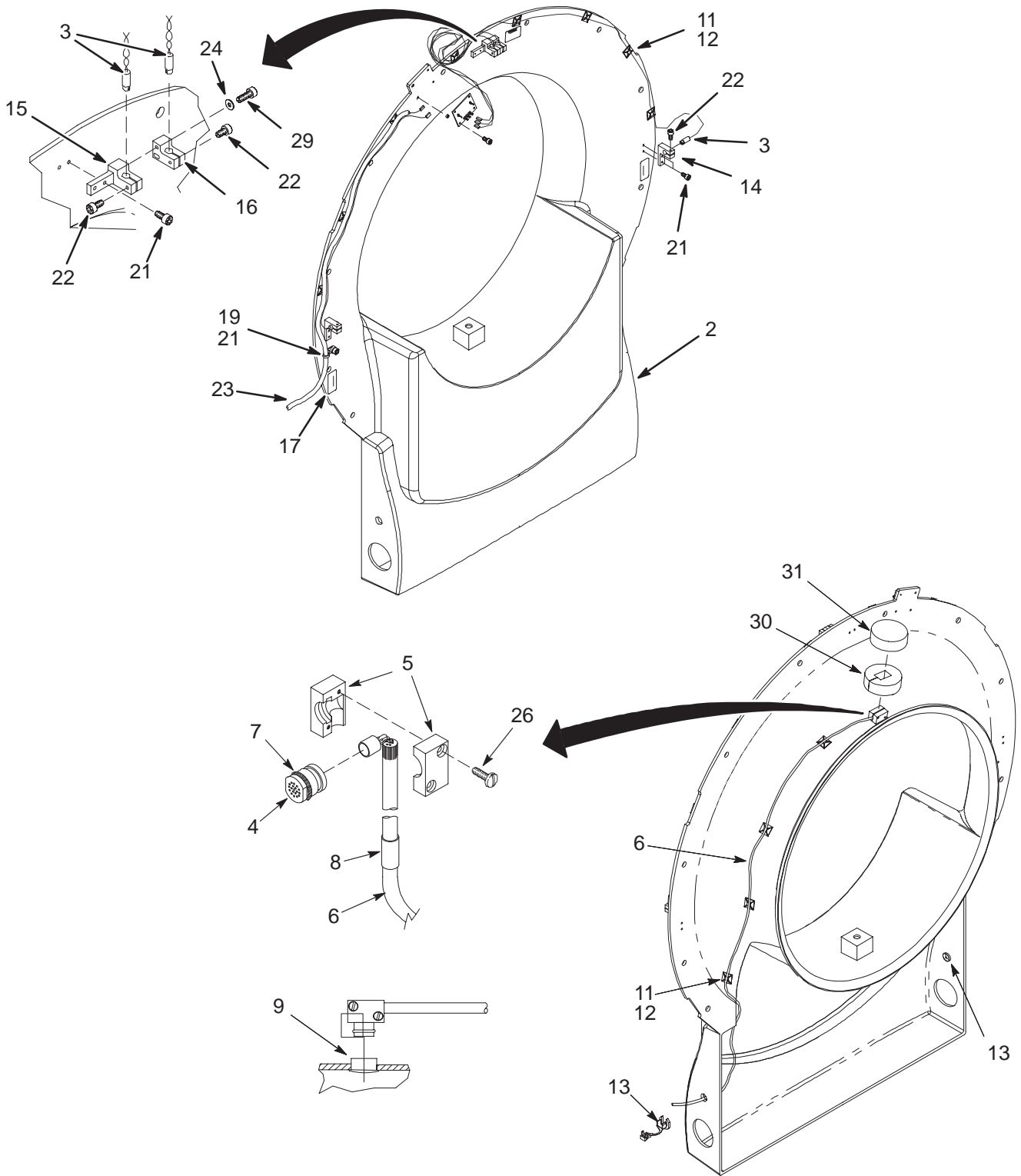
Cx & LCC PEDESTAL REAR COVER

2168022 FRU N

(PART OF 2158571 PAGE 2-229)

Item	Part Number	FRU	Name	Quantity	Description (Remarks)
4	46-320523P1	2	REAR COVER	1	PEDESTAL REAR COVER
5	46-287228P1	2	BRCKT R C B	1	BRACKET, REAR COVER BOTTOM
6	46-287227P1	2	BRCKT R C T	1	BACK COVER ATTACHING
7	2124053	2	BKT, SCD	1	BRACKET, REAR COVER (DOGHOUSE)
11	46-208935P7	2	NUT	4	10-32, 3/8 HEX, 1/8" THICK, BRASS
16	1000904P425	2	WASHER	4	0.2 ID, 0.5 OD, 04 THK, B11H89C
17	46-265486P15	2	SCREW	4	SCREW

Cx & LCC FRONT END BELL ASM – FIXED AND MOBILE 2158573 & 2158573-2



Cx FIXED FRONT END BELL ASM 2158573 FRU N (PART OF 2158572 PAGE 2-160)
LCC FIXED FRONT END BELL ASM 2158573 FRU N (PART OF 2158572-3 PAGE 2-181)

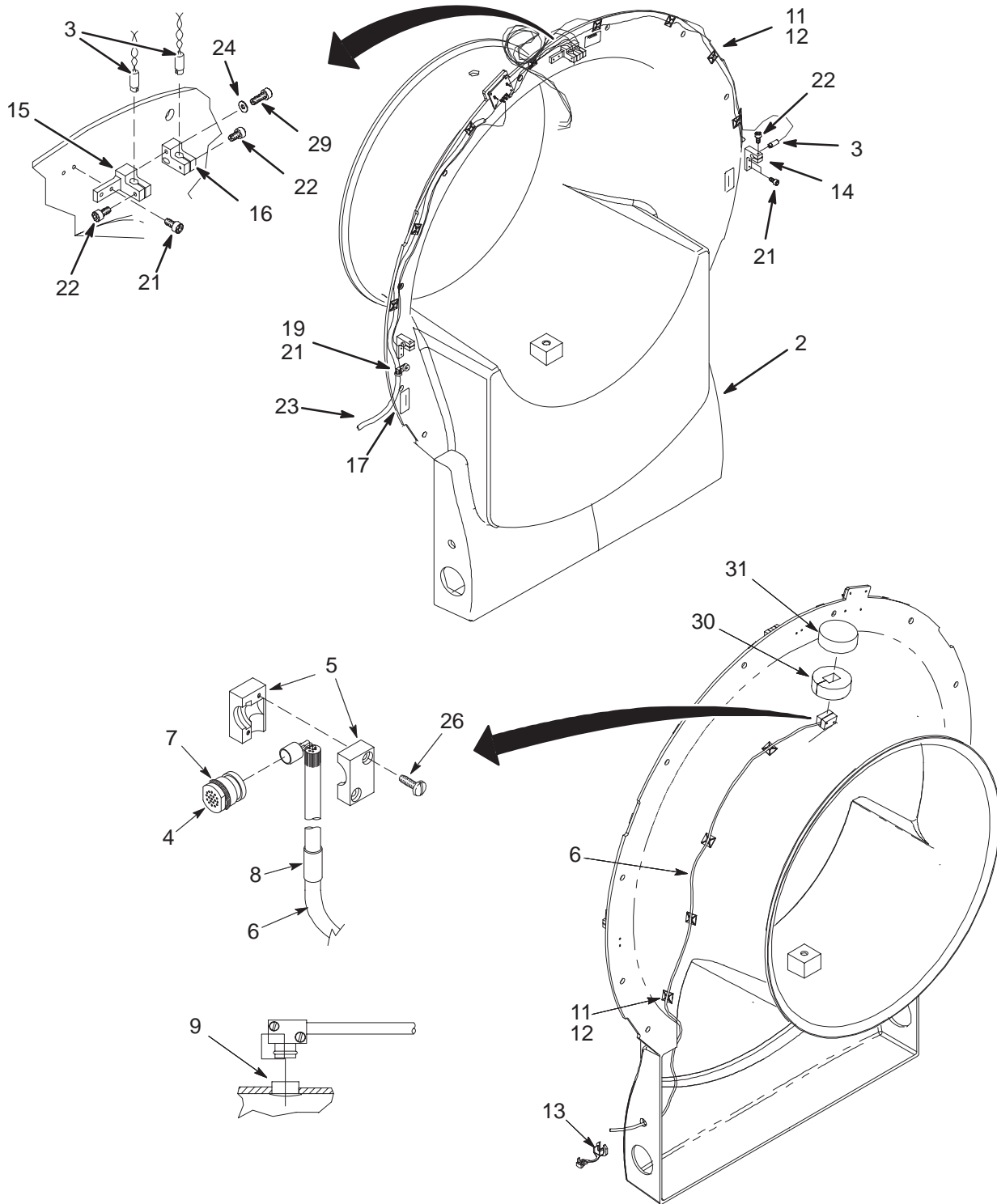
Item	Part Number	FRU	Name	Quantity	Description (Remarks)
2A	2151742	N	PART	1	FRONT ENDBELL Cx MAG
2B	2154752-2	N	PART	1	FRONT ENDBELL Cx MAG – ASP2
3A	2162554-2	2	LASER DIODE	4	LASER FOR Cx MAG FRT COVER ASM
3B	2162554	2	LASER DIODE	ALT	LASER FOR Cx MAG FRT COVER ASM
4	46-317134P1	2	MIKE HOUSING	1	USE 46-317109G1 AS FIELD REPLACEMENT
5	46-317135P1	2	CABLE CLAMP	1	USE 46-317109G1 AS FIELD REPLACEMENT
6	46-317157G3	2	CABLE ASM.	1	Cx FRONT END BELL CABLE ASM
7	46-136374P65	2	RING	1	WIDTH .07, ID 0.551, DUROMETER A 70
8	46-251905P207	2	CABLE LABEL	1	MG2-A35, FRONT MIKE, 46-317109G1
9	46-221523P26	2	BUTTON	1	VENT PLUG, WHITE, 7/8 DIA.
10	46-170617P2	2	ADHESIVE	AR	RTV SILICON RUBBER ADHESIVE SEALANT
11	46-208747P1	2	VIBRATION IS	12	CABLE TIE,ADH.BACKED
12	46-208758P2	2	TY-RAP	12	5.5" X .140" SELF-LOCKING CABLE TIE
13	2138233	2	BUSHING	2	STRAIN RELIEF BUSHING
14	2160195	N	PART	2	BLOCK, MTG LASER Cx
15	2172746	N	PART	1	LASER HOLDER
16	2172747	N	PART	1	LASER HOLDER
17	2163109	N	PART	3	WARNING LABEL – CONTAINS FERROUS
18	2180032	2	WASHER	4	WASHER BEARING 4.34 MM 10 MM
19	46-208759P1	2	TY-RAP	1	7.81" X .184" SELF-LOCKING CABLE TIE
20	46-170686P2	2	ADHESIVE	AR	LOCTITE 242, 10CC
21	2109867-4	2	SCREW	11	SCREW HEXAGON SOCKET 4 MM 12 MM
22	2109867-5	2	SCREW	4	SCREW HEXAGON SOCKET 4 MM 16 MM
23	2162563	2	CABLE	1	LASER LIGHT CONNECTION CABLE
24	2109878-2	2	WASHER	1	WASHER PLAIN – NORMAL 4.3 MM 9 MM
25	2163748	2	CIRCUIT BOAR	1	Cx VOLTAGE REGULATOR
26	46-208560P111	2	SCREW	2	SCREW
29	2109867-7	2	SCREW	2	SCREW HEXAGON SOCKET 4 MM 25 MM
30	2145724	2	SIDE BARRIER	1	MICROPHONE SIDE SOUND BARRIER
31	2145725	2	TOP BARRIER	1	MICROPHONE TOP SOUND BARRIER

Cx MOBILE FRONT END BELL ASM 2158573-2 FRU N (PART OF 2158572-2 PAGE 2-160)
 LCC MOBILE FRONT END BELL ASM 2158573-2 FRU N (PART OF 2158572-4 PAGE 2-181)

Item	Part Number	FRU	Name	Quantity	Description (Remarks)
2A	2151742	N	PART	1	FRONT ENDBELL Cx MAG
2B	2154752-2	N	PART	1	FRONT ENDBELL Cx MAG - ASP2
3A	2162554-2	2	LASER DIODE	4	LASER FOR Cx MAG FRT COVER ASM
3B	2162554	2	LASER DIODE	ALT	LASER FOR Cx MAG FRT COVER ASM
4	46-317134P1	2	MIKE HOUSING	1	USE 46-317109G1 AS FIELD REPLACEMENT
5	46-317135P1	2	CABLE CLAMP	1	USE 46-317109G1 AS FIELD REPLACEMENT
6	46-317157G3	2	CABLE ASM.	1	Cx FRONT END BELL CABLE ASM
7	46-136374P65	2	RING	1	WIDTH .07, ID 0.551, DUROMETER A 70
8	46-251905P207	2	CABLE LABEL	1	MG2-A35, FRONT MIKE, 46-317109G1
9	46-221523P26	2	BUTTON	1	VENT PLUG, WHITE, 7/8 DIA.
10	46-170617P2	2	ADHESIVE	AR	RTV SILICON RUBBER ADHESIVE SEALANT
11	46-208747P1	2	VIBRATION IS	12	CABLE TIE,ADH.BACKED
12	46-208758P2	2	TY-RAP	12	5.5" X .140" SELF-LOCKING CABLE TIE
13	2138233	2	BUSHING	2	STRAIN RELIEF BUSHING
14	2160195	N	PART	2	BLOCK, MTG LASER Cx
15	2172746	N	PART	1	LASER HOLDER
16	2172747	N	PART	1	LASER HOLDER
17	2163109	N	PART	3	WARNING LABEL - CONTAINS FERROUS
18	2180032	2	WASHER	4	WASHER BEARING 4.34 MM 10 MM
19	46-208759P1	2	TY-RAP	1	7.81" X .184" SELF-LOCKING CABLE TIE
20	46-170686P2	2	ADHESIVE	AR	LOCTITE 242, 10CC
21	2109867-4	2	SCREW	11	SCREW HEXAGON SOCKET 4 MM 12 MM
22	2109867-5	2	SCREW	4	SCREW HEXAGON SOCKET 4 MM 16 MM
23	2162563-2	2	CABLE	1	LASER LIGHT CONNECTION CABLE
24	2109878-2	2	WASHER	1	WASHER PLAIN - NORMAL 4.3 MM 9 MM
25	2163748	2	CIRCUIT BOAR	1	Cx VOLTAGE REGULATOR
26	46-208560P111	2	SCREW	2	SCREW
29	2109867-7	2	SCREW	2	SCREW HEXAGON SOCKET 4 MM 25 MM
30	2145724	2	SIDE BARRIER	1	MICROPHONE SIDE SOUND BARRIER
31	2145725	2	TOP BARRIER	1	MICROPHONE TOP SOUND BARRIER

Cx & LCC CRM FRONT END BELL ASM – FIXED

2158573-3



Cx & LCC CRM FRONT END BELL ASM 2158573-3 FRU N

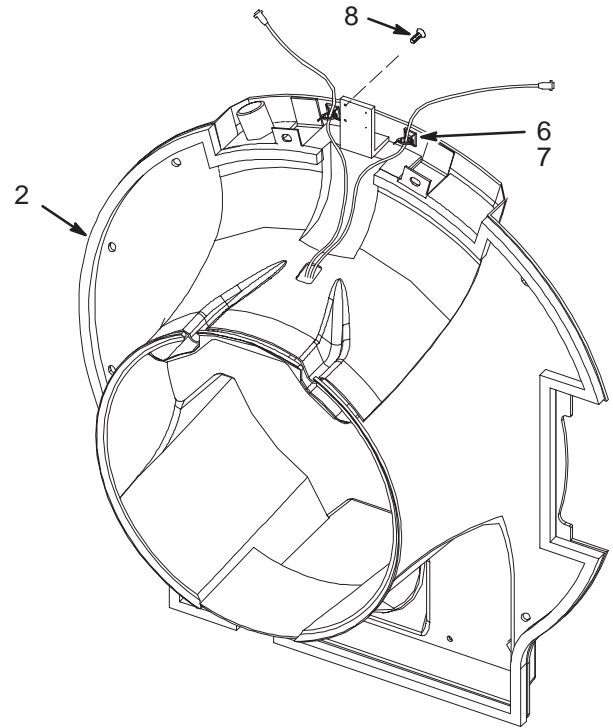
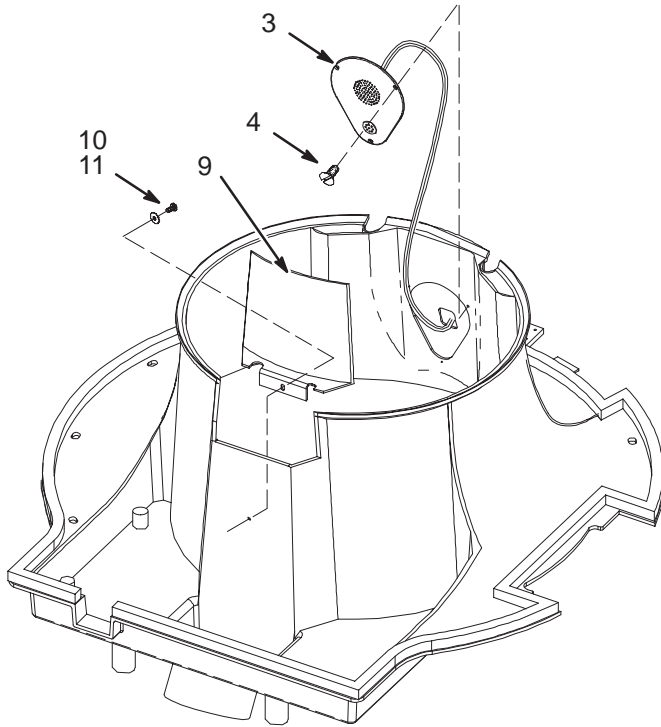
(PART 2 OF 2198317 PAGE 2-161)

(PART 2 OF 2198317-3 PAGE 2-182)

Item	Part Number	FRU	Name	Quantity	Description (Remarks)
2	2188728	2	PART	1	FRONT ENDBELL, Cx CRM
3A	2162554-2	2	LASER DIODE	4	LASER FOR Cx MAG FRT COVER ASM
3B	2162554	2	LASER DIODE	ALT	LASER FOR Cx MAG FRT COVER ASM
4	46-317134P1	2	MIKE HOUSING	1	USE 46-317109G1 AS FIELD REPLACEMENT
5	46-317135P1	2	CABLE CLAMP	1	USE 46-317109G1 AS FIELD REPLACEMENT
6	46-317157G3	2	CABLE ASM.	1	Cx FRONT END BELL CABLE ASM
7	46-136374P65	2	RING	1	WIDTH .07, ID 0.551, DUROMETER A 70
8	46-251905P207	2	CABLE LABEL	1	MG2-A35, FRONT MIKE, 46-317109G1
9	46-221523P26	2	BUTTON	1	VENT PLUG, WHITE, 7/8 DIA.
10	46-170617P2	2	ADHESIVE	AR	RTV SILICON RUBBER ADHESIVE SEALANT.
11	46-208747P1	2	VIBRATION IS	12	CABLE TIE,ADH.BACKED
12	46-208758P2	2	TY-RAP	12	5.5" X .140" SELF-LOCKING CABLE TIE.
13	2138233	2	BUSHING	2	STRAIN RELIEF BUSHING
14	2160195	N	PART	2	BLOCK, MTG LASER Cx
15	2172746	N	PART	1	LASER HOLDER
16	2172747	N	PART	1	LASER HOLDER
17	2163109	N	PART	3	WARNING LABEL - CONTAINS FERROUS
18	2180032	2	WASHER	4	WASHER PLAIN - LARGE 4.34 MM
19	46-208759P1	2	TY-RAP	1	7.81" X .184" SELF-LOCKING CABLE TIE
20	46-170686P2	2	ADHESIVE	AR	LOCTITE 242, 10CC
21	2109867-4	2	SCREW	11	SCREW HEXAGON SOCKET 4 MM 12 MM_SST
22	2109867-5	2	SCREW	4	SCREW HEXAGON SOCKET 4 MM 16 MM
23	2162563	2	CABLE	1	LASER LIGHT CONNECTION CABLE
24	2109878-2	2	WASHER	1	WASHER PLAIN - NORMAL 4.3 MM 9 MM
25	2163748	2	CIRCUIT BOAR	1	Cx VOLTAGE REGULATOR
26	46-208560P111	2	SCREW	2	SCREW
29	2109867-7	2	SCREW	2	SCREW HEXAGON SOCKET 4 MM 25 MM
30	2145724	2	SIDE BARRIER	1	MICROPHONE SIDE SOUND BARRIER
31	2145725	2	TOP BARRIER	1	MICROPHONE TOP SOUND BARRIER

Cx & LCC CRM REAR END BELL ASM

2195877 & 2195877-2



Cx CRM REAR END BELL ASM

2195877 FRU N

(PART 3 OF 2198317 PAGE 2-161)

Item	Part Number	FRU	Name	Quantity	Description (Remarks)
2	2188729	2	PART	1	REAR ENDBELL, Cx CRM
3	2194556	2	PART	1	SPEAKER ASSEMBLY
4	2206437	2	SCREW	3	SCREW COUNTERSUNK HEA 4 MM 12 MM
6	46-208747P1	2	VIBRATION IS	2	CABLE TIE,ADH.BACKED
7	46-208758P2	2	TY-RAP	2	5.5" X .140" SELF-LOCKING CABLE TIE.
8	2109874-12	2	SCREW	4	SCREW COUNTERSUNK HEA 4 MM 16 MM
9	2206155	2	PART	1	COVER, REAR ENBELL DRIVE CABLE, CRM
10	2109873-23	2	SCREW	1	SCREW PAN HEAD 6 MM 10 MM
11	2109879-2	2	WASHER	1	WASHER PLAIN - LARGE 6.4 MM 18 MM

LCC CRM REAR END BELL ASM

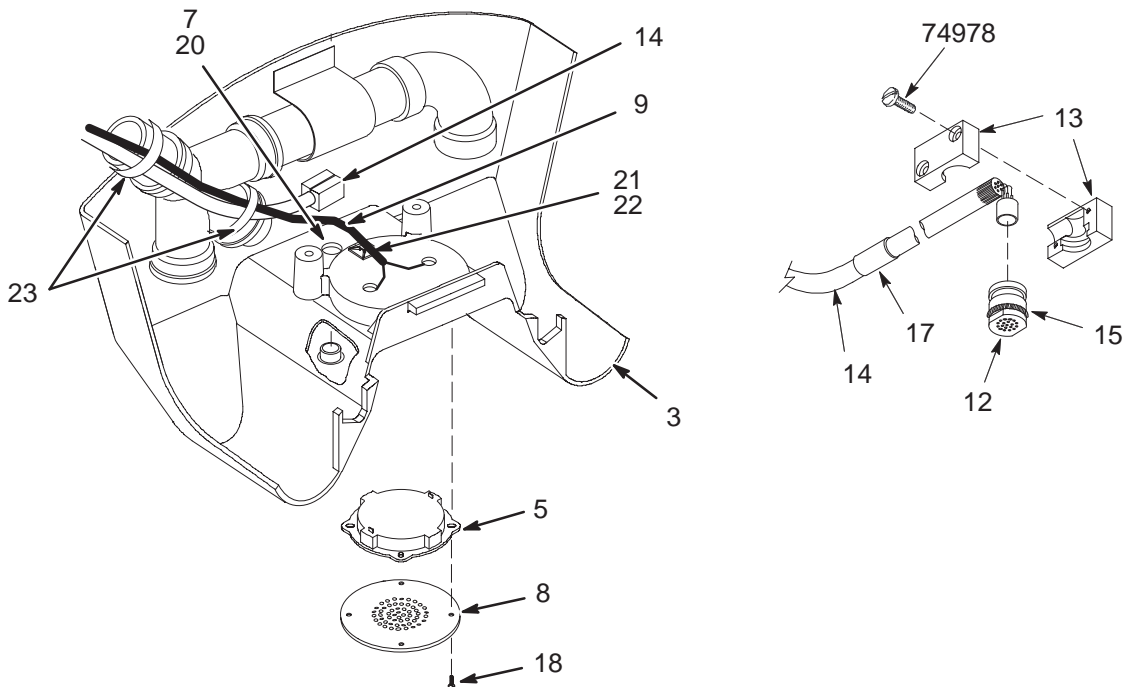
2195877-2 FRU N

(PART 3 OF 2198317-3 PAGE 2-182)

Item	Part Number	FRU	Name	Quantity	Description (Remarks)
2	2188729-2	2	PART	1	REAR ENDBELL, Cx CRM
3	2194556	2	PART	1	SPEAKER ASSEMBLY
4	2206437	2	SCREW	3	SCREW COUNTERSUNK HEA 4 MM 12 MM
6	46-208747P1	2	VIBRATION IS	2	CABLE TIE,ADH.BACKED
7	46-208758P2	2	TY-RAP	2	5.5" X .140" SELF-LOCKING CABLE TIE.
8	2109874-12	2	SCREW	4	SCREW COUNTERSUNK HEA 4 MM 16 MM
9	2206155	2	PART	1	COVER, REAR ENBELL DRIVE CABLE, CRM
10	2109873-23	2	SCREW	1	SCREW PAN HEAD 6 MM 10 MM
11	2109879-2	2	WASHER	1	WASHER PLAIN - LARGE 6.4 MM 18 MM

Cx & LCC COMFORT MODULE

2158378



Cx COMFORT MODULE

2158378 FRU N

(PART OF 2158572 PAGE 2-160)

LCC COMFORT MODULE

2158378 FRU N

(PART OF 2158572-2 PAGE 2-160)

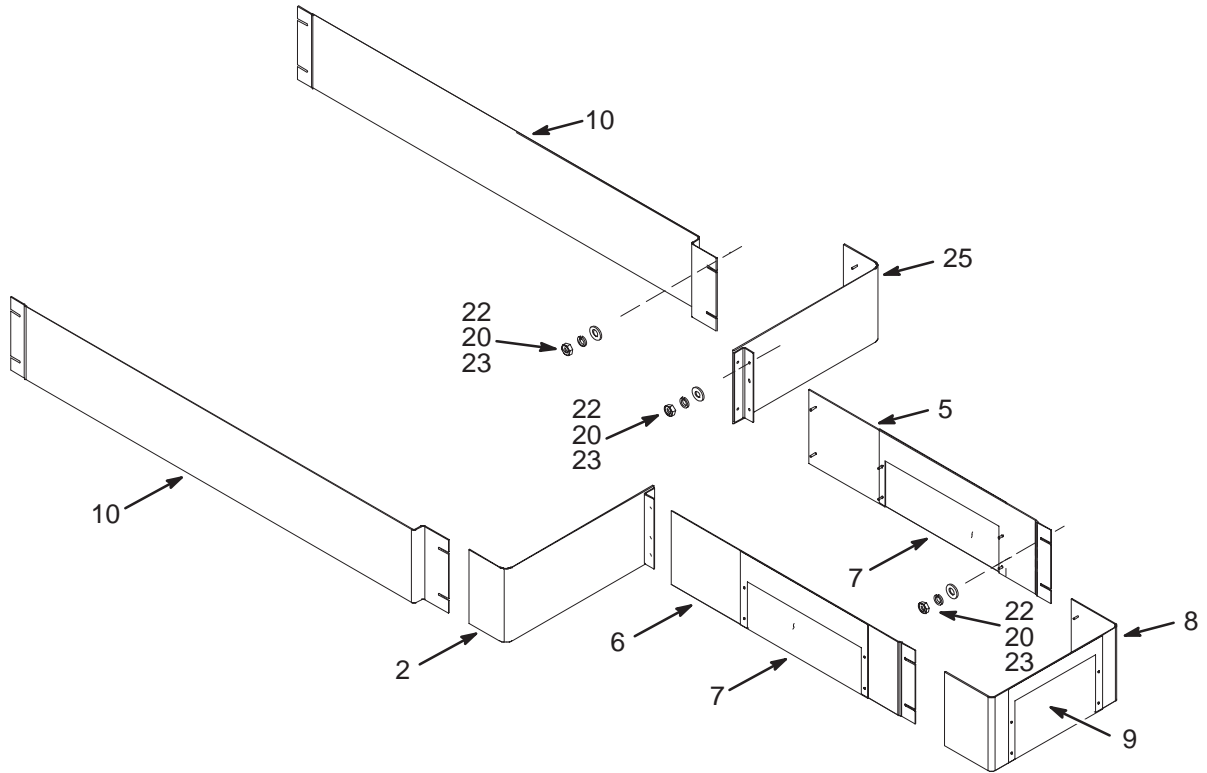
(PART OF 2158572-3 PAGE 2-181)

(PART OF 2158572-4 PAGE 2-181)

Item	Part Number	FRU	Name	Quantity	Description (Remarks)
3	2157094	2	PART	1	COMFORT MODULE Cx
5	46-221773P2	2	TRANSDUCER	1	SPEAKER, PIEZOELECTRIC, 3.2" SQUARE
7	46-221523P26	2	BUTTON	1	VENT PLUG, WHITE, 7/8 DIA.
8	46-287121P2	2	GRILL	1	SPEAKER GRILL, ALUMINUM MIST GRAY
9	46-317252G1	2	CABLE ASM	1	COMFORT MODULE SPEAKER CABLE
12	46-317134P1	N	MIKE HOUSING	1	USE 46-317109G1 AS FIELD REPLACEMENT
13	46-317135P1	N	CABLE CLAMP	1	USE 46-317109G1 AS FIELD REPLACEMENT
14A	46-317157G2	N	CABLE ASM.	1	USE 46-317109G1 AS FIELD REPLACEMENT
14B	46-317157G1	N	CABLE ASM.	ALT	USE 46-317109G1 AS FIELD REPLACEMENT
15	46-136374P65	2	RING	1	WIDTH .07, ID 0.551, DUROMETER A 70
17	46-251905P208	2	CABLE LABEL	1	MG3-A2-J7 REAR MIKE 46-317109G1
18	2136944	2	SCREW,NYLON	4	M4 X 7 FLAT HEAD SLOTTED NYLON
20	46-170617P2	2	ADHESIVE	AR	RTV SILICON RUBBER ADHESIVE SEALANT
21	46-208747P1	2	VIBRATION IS	1	CABLE TIE,ADH.BACKED
22	46-208758P2	2	TY-RAP	2	5.5" X .140" SELF-LOCKING CABLE TIE
23	46-208758P5	2	TY-RAP	2	13.38"X .301" SELF-LOCKING CABLE TIE
74978	46-208560P111	2	SCREW	2	SCREW

Cx & LCC FIXED ENCLOSURE TRIM PANELS

2131491-3 & 2131491-6



Cx ENCLOSURE TRIM PANELS

2131491-3 FRU N

(PART OF 2142000 PAGE 2-155)
 (PART OF 2142000-2 PAGE 2-155)
 (PART OF 2142000-5 PAGE 2-157)
 (PART OF 2142000-6 PAGE 2-157)
 (PART OF 2142000-9 PAGE 2-158)

LCC ENCLOSURE TRIM PANELS

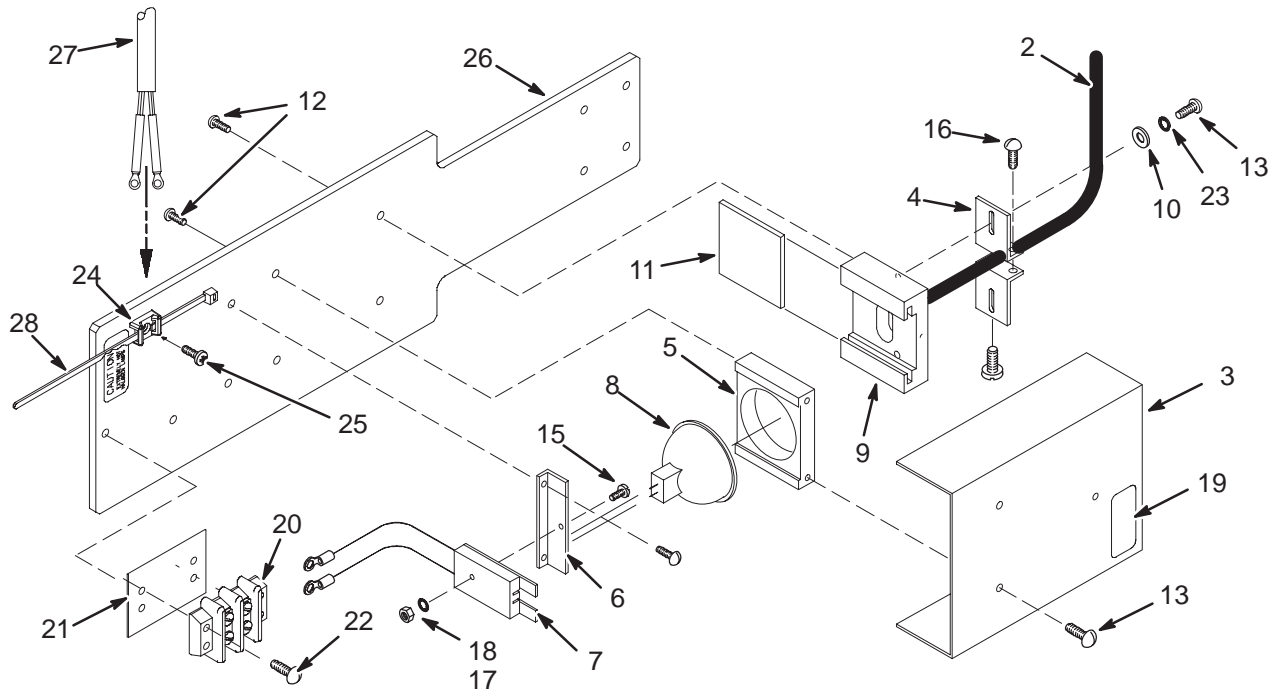
2131491-6 FRU N

(PART OF 2142000-11 PAGE 2-174)
 (PART OF 2142000-12 PAGE 2-174)
 (PART OF 2142000-15 PAGE 2-176)
 (PART OF 2142000-16 PAGE 2-176)
 (PART 7 OF 2142000-19 PAGE 2-178)

Item	Part Number	FRU	Name	Quantity	Description (Remarks)
2	2344253	N	TRIM REAR	1	MODIFIED REAR CORNER SKIRT
4	46-243681P1	2	ANGLE	2	RIGHT ANGLE CORNER BRACKET, 9 X 1.5"
5	46-243689G1	2	BASE TRIM SD	1	REAR PEDESTAL, LEFT SIDE SKIRT
6	46-243689G3	2	BASE TRIM SD	1	REAR PEDESTAL, RIGHT SIDE SKIRT
7	46-251686G1	2	TRIM COVER	2	PEDESTAL SIDE CABLE ACCESS PANEL
8	46-243692G1	2	BASE TRIM RR	1	REAR PEDESTAL, REAR TRIM SKIRT
9	46-251684G1	2	TRIM COVER	1	REAR SKIRT CABLE ACCESS PANEL
10	2159613	2	PART	2	ENCLOSURE LEFT SIDE SKIRT, 164CM LG
20	46-220196P3	2	WASHER	32	#10 SCREW SIZE (0.190), SST
21	46-208560P102	2	SCREW	4	SCREW
22	46-208938P5	2	NUT	32	10-32, 3/8" HEX X .130 THK, 18-8 SST
23	1000904P425	2	WASHER	32	0.2 ID, 0.5 OD, .04 THK, B11H89C
25	2344253-2	N	TRIM REAR	1	MODIFIED REAR CORNER SKIRT

Cx & LCC BORE LAMP ASM – FIXED & MOBILE
LCC CRM BORE LAMP ASM – FIXED

2164869 & 2164869-2
2164869-3



Cx FIXED BORE LAMP ASM **2164869 FRU N** (PART OF 2142000 PAGE 2-155)
 (PART OF 2142000-2 PAGE 2-155)
 (PART OF 2142000-5 PAGE 2-157)
 (PART OF 2142000-6 PAGE 2-157)

LCC FIXED BORE LAMP ASM **2164869 FRU N** (PART OF 2142000-11 PAGE 2-174)
 (PART OF 2142000-12 PAGE 2-174)
 (PART OF 2142000-15 PAGE 2-176)
 (PART OF 2142000-16 PAGE 2-176)

Item	Part Number	FRU	Name	Quantity	Description (Remarks)
2	46-251636G4	2	FIBER BUNDLE	2	BORE LIGHT FIBEROPTIC, 64.2" LONG
3	46-251639P1	2	COVER	1	BORE LIGHT COVER (NO WARNING LABEL)
4	46-251640P1	2	FIBER CLAMP	2	FIBER OPTIC LINES CLAMP BRACKET
5	46-251641P1	2	BULB RET	1	BORE LIGHT BULB RETAINER
6	2121519	2	SOC MTG PLT	1	BORE LIGHT SOCKET BRACKET
7	46-255153G1	2	SOCKET ASM	1	BORE LIGHT SOCKET WITH TERMINALS
8	46-230111P1	1	LAMP	1	HALOGEN REFLECTOR LAMP 12V, 75W
9	46-251644P1	2	FIBER MOUNT	1	HEAT MIRROR AND FIBEROPTIC END MOUNT
10	1000904P2	2	WASHER	2	ID 0.144, OD 0.297, THK .032, BRASS
11	46-251679P1	2	MECHANICAL/M	1	HEAT-REFLECT, LIGHT-TRANSMIT GLASS
12	46-220184P14	2	SCREW	4	SCREW
13	46-220184P13	2	SCREW	5	SCREW
14	2109873-13	2	SCREW	2	SCREW PAN HEAD 4 MM 8 MM
15	46-220184P8	2	SCREW	1	SCREW
16	46-220184P20	2	SCREW	2	SCREW
17	46-208935P4	2	NUT	1	4-40, 1/4" HEX X .093 THK, BRASS
18	46-208601P19	2	WASHER	1	#4 SCREW, INTERNAL TOOTH, PHOZ BRZ
19	46-287268P1	2	LABEL	2	CAUTION, EXTREMELY HOT HALOGEN LAMPS
20	46-313195P1	2	TERMINAL	1	2 POSITION TERMINAL STRIP, DUAL ROW,
21	46-317552P1	2	TERMINAL	1	2 POSITION MARKER STRIP, 1 & 2
22	2109873-16	2	SCREW	2	SCREW PAN HEAD 4 MM 16 MM
23	46-208601P20	2	WASHER	2	#6 SCREW, INTERNAL TOOTH, PHOZ BRZ
24	46-208746P8	2	VIBRATION IS	1	CABLE TIE MOUNTS,PANDUIT TM3S8
25	2109873-13	2	SCREW	1	SCREW PAN HEAD 4 MM 8 MM
26	2164094	2	PART	1	BRACKET, BORE LAMP Cx
27	2184145	2	CABLE	1	CABLE ASM FOR BORE LAMP—FIXED SITE
28	46-208758P3	2	TY-RAP	1	7.31" X .184" SELF-LOCKING CABLE TIE

Cx MOBILE BORE LAMP ASM 2164869-2 FRU N (PART OF 2142000-3 PAGE 2-156)
 (PART OF 2142000-4 PAGE 2-156)
 (PART OF 2142000-7 PAGE 2-158)
 (PART OF 2142000-8 PAGE 2-158)

LCC MOBILE BORE LAMP ASM 2164869-2 FRU N (PART OF 2142000-13 PAGE 2-175)
 (PART OF 2142000-14 PAGE 2-175)
 (PART OF 2142000-17 PAGE 2-177)
 (PART OF 2142000-18 PAGE 2-177)

Item	Part Number	FRU	Name	Quantity	Description (Remarks)
2	46-251636G4	2	FIBER BUNDLE	2	BORE LIGHT FIBEROPTIC, 64.2" LONG
3	46-251639P1	2	COVER	1	BORE LIGHT COVER (NO WARNING LABEL)
4	46-251640P1	2	FIBER CLAMP	2	FIBER OPTIC LINES CLAMP BRACKET
5	46-251641P1	2	BULB RET	1	BORE LIGHT BULB RETAINER
6	2121519	2	SOC MTG PLT	1	BORE LIGHT SOCKET BRACKET
7	46-255153G1	2	SOCKET ASM	1	BORE LIGHT SOCKET WITH TERMINALS
8	46-230111P1	1	LAMP	1	HALOGEN REFLECTOR LAMP 12V, 75W
9	46-251644P1	2	FIBER MOUNT	1	HEAT MIRROR AND FIBEROPTIC END MOUNT
10	1000904P2	2	WASHER	2	ID 0.144, OD 0.297, THK .032, BRASS
11	46-251679P1	2	MECHANICAL/M	1	HEAT-REFLECT, LIGHT-TRANSMIT GLASS
12	46-220184P14	2	SCREW	4	SCREW
13	46-220184P13	2	SCREW	5	SCREW
14	2109873-13	2	SCREW	2	SCREW PAN HEAD 4 MM 8 MM
15	46-220184P8	2	SCREW	1	SCREW
16	46-220184P20	2	SCREW	2	SCREW
17	46-208935P4	2	NUT	1	4-40, 1/4" HEX X .093 THK, BRASS
18	46-208601P19	2	WASHER	1	#4 SCREW, INTERNAL TOOTH, PHOZ BRZ
19	46-287268P1	2	LABEL	2	CAUTION, EXTREMELY HOT HALOGEN LAMPS
20	46-313195P1	2	TERMINAL	1	2 POSITION TERMINAL STRIP, DUAL ROW,
21	46-317552P1	2	TERMINAL	1	2 POSITION MARKER STRIP, 1 & 2
22	2109873-16	2	SCREW	2	SCREW PAN HEAD 4 MM 16 MM
23	46-208601P20	2	WASHER	2	#6 SCREW, INTERNAL TOOTH, PHOZ BRZ
24	46-208746P8	2	VIBRATION IS	1	CABLE TIE MOUNTS,PANDUIT TM3S8
25	2109873-13	2	SCREW	1	SCREW PAN HEAD 4 MM 8 MM
26	2164094	2	PART	1	BRACKET, BORE LAMP Cx
27	2184145-2	2	CABLE	1	CABLE ASM FOR BORE LAMP—MOBILE SITE
28	46-208758P3	2	TY-RAP	1	7.31" X .184" SELF-LOCKING CABLE TIE

Cx CRM BORE LAMP ASM

2164869-3 FRU 2

(PART OF 2142000-9 PAGE 2-158)

LCC CRM BORE LAMP ASM

2164869-3 FRU 2

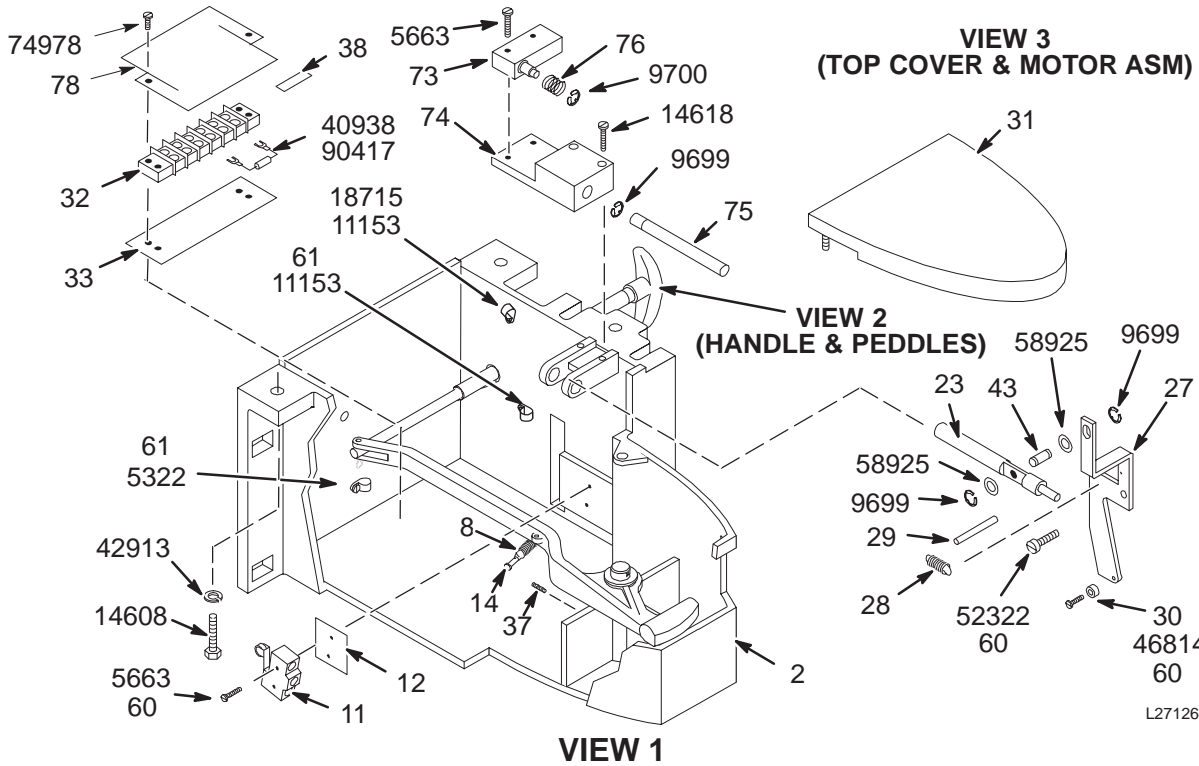
(PART 23 OF 2142000-19 PAGE 2-178)

Item	Part Number	FRU	Name	Quantity	Description (Remarks)
2	2195785	2	PART	2	FIBER BUNDLE
3	46-251639P1	2	COVER	1	BORE LIGHT COVER (NO WARNING LABEL)
4	46-251640P1	2	FIBER CLAMP	2	FIBER OPTIC LINES CLAMP BRACKET
5	46-251641P1	2	BULB RET	1	BORE LIGHT BULB RETAINER
6	2121519	2	SOC MTG PLT	1	BORE LIGHT SOCKET BRACKET
7	46-255153G1	2	SOCKET ASM	1	BORE LIGHT SOCKET WITH TERMINALS
8	46-230111P1	1	LAMP	1	HALOGEN REFLECTOR LAMP 12V, 75W
9	46-251644P1	2	FIBER MOUNT	1	HEAT MIRROR AND FIBEROPTIC END MOUNT
10	1000904P2	2	WASHER OLD	2	ID 0.144, OD 0.297, THK .032, BRASS
11	46-251679P1	2	MIRROR	1	MIRROR. MADE FROM HEAT-REFLECTING,
12	46-220184P14	2	SCREW	4	SCREW
13	46-220184P13	2	SCREW	5	BRS SLOTTED RND HD SCR 6-32 X 3/8"
14	2109873-13	2	SCREW	2	SCREW PAN HEAD 4 MM 8 MM
15	46-220184P8	2	SCREW	1	SCREW
16	46-220184P20	2	SCREW	2	SCREW
17	46-208935P4	2	NUT OLD	1	4-40, 1/4" HEX X .093 THK, BRASS
18	46-208601P19	2	WASHER OLD	1	#4 SCREW, INTERNAL TOOTH, PHOZ BRZ
19	46-287268P1	2	LABEL	2	CAUTION, EXTREMELY HOT HALOGEN LAMPS
20	46-313195P1	2	TERMINAL	1	2 POSITION TERMINAL STRIP, DUAL ROW,
21	46-317552P1	2	TERMINAL	1	2 POSITION MARKER STRIP, 1 & 2
22	2109873-16	2	SCREW	2	SCREW PAN HEAD 4 MM 16 MM
23	46-208601P20	2	WASHER OLD	2	#6 SCREW, INTERNAL TOOTH, PHOZ BRZ
24	46-208746P8	2	VIBRATION IS	1	CABLE TIE MOUNTS,PANDUIT TM3S8
25	2109873-13	2	SCREW	1	SCREW PAN HEAD 4 MM 8 MM
26	2164094	2	PART	1	BRACKET, BORE LAMP CONQUEST
27	2184145	2	CABLE	1	CABLE ASM FOR BORE LAMP—FIXED SITE
28	46-208758P3	2	TY-RAP OLD	1	7.31" X .184" SELF-LOCKING CABLE TIE

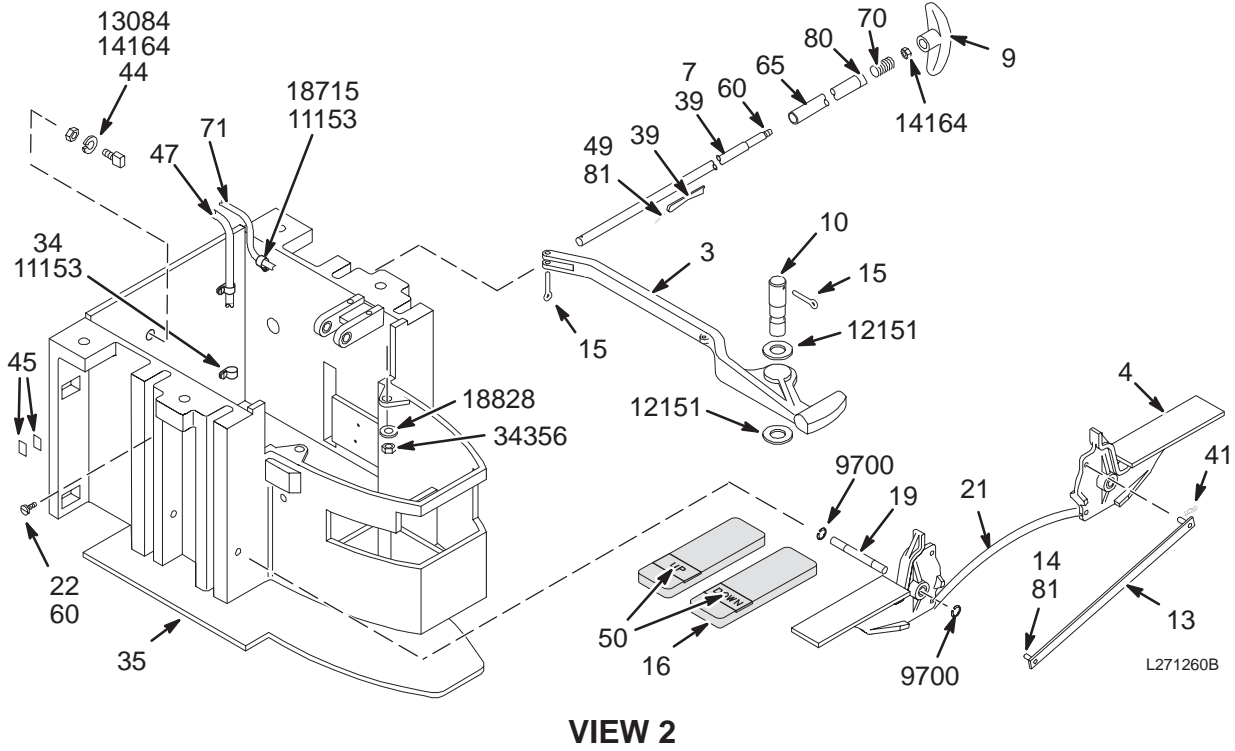
2-15 Cx AND LCC HORIZON DOCK ASSEMBLY

DOCK ASM

46-271260G2



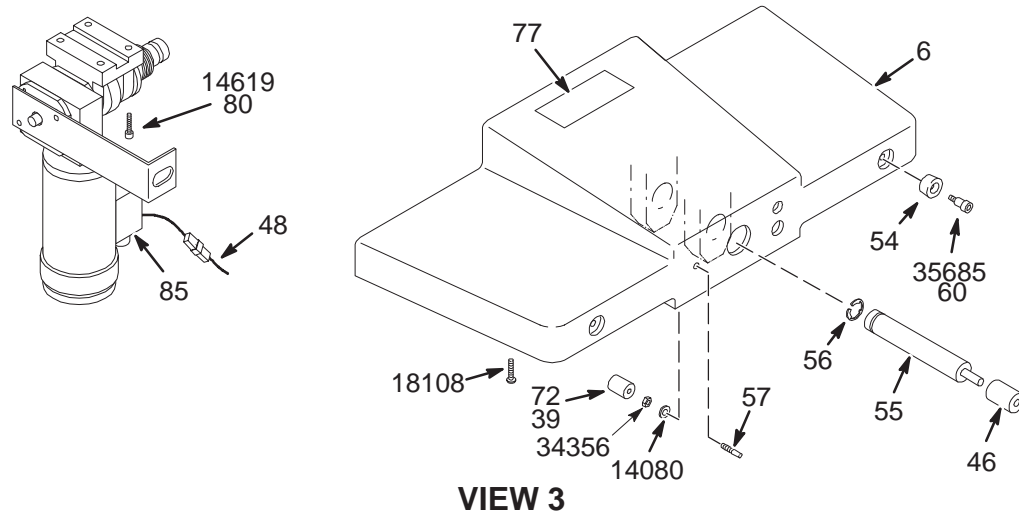
L271260A2



L271260B

DOCK ASM

46-271260G2



DOCK ASSEMBLY

46-271260G2 FRU N

(PART OF 2142000 SERIES PAGES 2-155 THRU 2-158)
(PART OF 2142000 SERIES PAGES 2-174 THRU 2-178)

Item	Part Number	FRU	Name	Quantity	Description (Remarks)
2	46-271405G2	2	DOCK ASM.	1	Cx DOCK CASTING
3	46-271123P1	2	LEVER ARM	1	DOCK HOOK EMERGENCY RELEASE ARM
4	46-271407G1	2	PEDAL ASM.	4	PEDAL CASTING WITH 3 BRONZE BEARINGS
6	46-271406G1	2	COVER ASM.	1	CASTING W/BEARINGS, NO WARNING LABEL
7	46-271248P1	2	BAR	1	EMERGENCY RELEASE LINKAGE ROD
8	46-221954P5	2	SPRING	1	1/2" OD, WIRE DIA .045, MAX LB
9	46-271266P1	2	HANDLE	1	DOCK HOOK EMERGENCY RELEASE HANDLE
10	46-271249P1	2	PIN	1	DOCK HOOK RELEASE ARM PIVOT
11	46-136334P49	2	SWITCH	1	SPDT SNAP-ACTION SWITCH W/SCREW TERM
12	46-271251P1	2	MECHANICAL/M	1	MOTOR ON SWITCH INSULATOR, FISHPAPER
13	46-271270G1	2	BAR ASM	2	PEDAL LINKAGE BAR AND PIN ASSEMBLY
14	46-221304P7	2	PIN	1	0.188 DIA X 0.65 LENGTH, 303 SST
15	46-221828P7	2	PIN	2	0.125 DIA X 1.5" LONG, SST
16	46-265905P1	2	FOOT PAD	4	FOOT PEDAL PAD, RUBBER
19	46-265887P5	2	BAR	2	PEDAL ASM PIVOT SHAFT
21	46-271152P1	2	SPRING	2	10.42" AUSTENITIC STN. STEEL WIRE
22	46-220437P1	2	BUMPER	2	ATLANTIC INDIA 827-S-120 W/1/2 STUD
23	46-271255P1	2	BAR	1	TABLE DOWN VALVE PUSH ROD
27	46-271256P1	2	BRACKET	1	TABLE DOWN PEDAL LINKAGE LEVER
28	46-221954P3	2	SPRING	1	OD .360, WIRE DIA .045, MAX LB
29	46-208735P86	2	PIN	1	SPIROL .187 DIA X 1.75 LG
30	46-271257P1	2	BAR	1	DOWN PEDAL CAM ROLLER, NYLON
31	46-243341G1	2	BUMPER	1	FRONT COVER, CHARCOAL GREY URETHANE
32	46-315119P1	2	TERMINAL	1	6-POSITION TERMINAL STRIP
33	514A350P36	2	TERMINAL	1	6 POS'N MARKER STRIP, 1-6 LEFT RIGHT
34	46-208718P5	2	CLAMP	2	1/2" ID LOOP TYPE TA MFG CO TA713D8
35	2230001	2	PAD	1	RUBBER PAD
37	46-208732P9	2	SCREW	1	SCREW
38	46-220492P3	2	TERMINAL	2	JUMPER, 0.56" CTR, #8 SCREW, .37" W
39	46-197385P1	2	MECHANICAL/M	1	WHITE LITHIUM, MULTI-PURPOSE GREASE.
41	46-230434P2	2	PIN	4	0.047 WIRE DIA X 0.594 LG 302 SST

Parts List Continued on Next Page

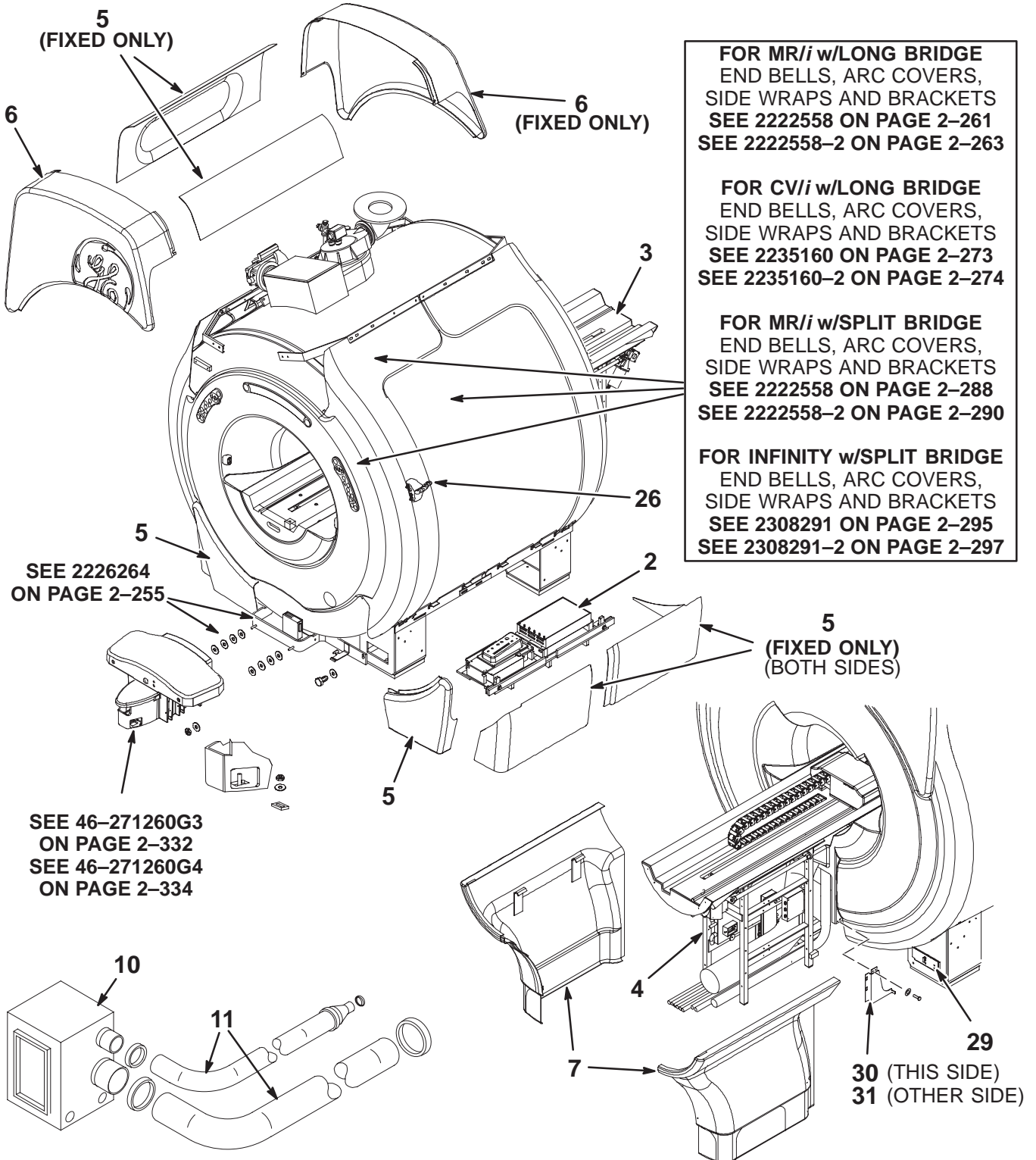
DOCK ASM 46-271260G2 FRU N (PARTS LIST CONTINUED)

Item	Part Number	FRU	Name	Quantity	Description (Remarks)
43	46-271195P9	2	.312 PIN,SST	1	TABLE DOWN LINKAGE PIVOT
44	46-271794P1	2	HOOK STOP	1	DOCK HOOK RELEASE LEVER STOP
45	46-170228P1	2	TAPE	AR	SGL COAT URETHANE MIL-R-5001 GRADE A
46	46-271735P1	2	TUBE SPRING	1	HYDRAULIC PUMP ROD END, POLYURETHANE
47	46-271460G1	2	CABLE	1	DOCK POWER CABLE, MG2-A29-P1 TO TS1
48	46-271459G1	2	HARNESS	1	DOCK TS1, MOTOR, & SW1 INTERCONNECT
50	46-271125P1	2	LABEL	2	FOOT PAD "UP" AND "DOWN" LABEL SET
54	46-271263P1	2	BUMPER	2	BLACK NEOPRENE MINOR RUBBER #ZB-1013
55	46-271264P1	2	BAR	1	HYDRAULIC PUMP ACTUATING PUSH ROD
56	46-220277P25	2	RETAINING RI	1	EXT RADIAL MOUNT, 1" SHAFT DIA
57	46-271265P1	2	BAR	1	CRADLE LATCH ACTUATOR
60	46-170686P1	2	ADHESIVE	AR	LOCTITE 242, 0.5CC TUBE
61	46-208718P1	2	CLAMP	2	ID 1/4" LOOP TYPE, TA MFG CO TA713D4
65	46-271542P1	2	TUBE	1	EMERGENCY RELEASE LINKAGE BRASS TUBE
66	46-271543P1	2	STOP	1	DOCK HOOK RELEASE ROD/TUBE RETAINER
67	46-271544P1	2	SPRING	1	RETAINER PIN, 302 SST SPRING TEMPER
70	46-136353P108	2	SPRING	1	OD 0.562, WIRE DIA .072, STN STEEL
71	46-282547G2	2	CABLE ASM	1	DOCK "MG2-A31-J2", 37 PIN SUB-D PLUG
72	46-271935P1	2	TUBE SPRING	1	CAST POLYURETHANE
73	46-136334P56	2	SWITCH	1	SPDT, BASIC SWITCH W/ OT PLUNGER.
74	46-271928G1	2	BEARING BLOK	1	UP LIMIT SWITCH ACTUATOR GUIDEBLOCK
75	46-271926P1	2	BAR	1	UP LIMIT SWITCH PUSH ROD
76	46-136353P111	2	SPRING	1	OD 0.6", WIRE DIA .045, MATL SST
77	46-271901P1	2	LABEL	1	WARNING, FERROUS COMPONENTS INSIDE..
78	2179561	1	BARRIER	1	SHIELD
80	46-170684P1	2	ADHESIVE	AR	LOCTITE 271, 0.5CC VIAL
81	46-230957P1	2	ADHESIVE	AR	LOCTITE 680, 50ML BOTTLE
85	46-282221G1	1	MOTOR ASM	1	GEAR-MOTOR AND CLUTCH ASM
5322	46-170015P10	2	SCREW	1	SCREW
5663	46-220184P18	2	SCREW	4	SCREW
9699	46-220277P22	2	RETAINING RI	3	EXT RADIAL MOUNT 0.312 SHAFT DIA
9700	46-220277P23	2	RETAINING RI	5	EXT RADIAL MOUNT 0.375 SHAFT DIA
11153	46-208560P82	2	SCREW	4	SCREW
12151	1000904P496	2	WASHER	2	ID 0.812, OD 1.5, THK .078, SST
13084	46-220196P5	2	WASHER	1	5/16" SCREW SIZE (0.313), SST
14080	46-220196P4	2	WASHER	1	1/4" SCREW SIZE (0.250), SST
14164	46-208946P1	2	NUT	2	5/16-18 1/2" HEX X .188 THK 18-8 SST
14608	46-208932P30	2	SCREW	4	SCREW
14618	46-208737P18	2	SCREW	2	SCREW
14619	46-208737P19	2	SCREW	4	SCREW
18108	46-220184P40	2	SCREW	1	SCREW
18715	46-208718P2	2	CLAMP	1	5/16 ID LOOP TYPE TA MFG CO. TA713D5
18828	12-241	2	WASHER	2	ID 0.266, OD 0.75, THK .051, BRASS
34356	46-208948P5	2	NUT	3	1/4-20 .438 HEX X .226 THK, 18-8 SST
35685	46-170024P20	2	SCREW	2	SCREW
40938	511A590P206	2	TERMINAL	2	#6 SPRING TYPE SPADE TERMINAL, RED,
42913	46-220196P7	2	WASHER	4	1/2" SCREW SIZE (0.5), 18-8 SST
46814	46-170024P4	2	SCREW	1	SCREW
52322	46-170024P8	2	SCREW	1	SCREW
58925	1000904P419	2	WASHER	2	ID 0.328, OD 0.5, THK .016, B11H89C
74978	46-208560P111	2	SCREW	2	SCREW
90417	46-253940P122	2	RESISTOR	1	RESISTOR 182 OHMS 1 %

2-16 WideOpen TOP LEVEL ENCLOSURE COLLECTORS

WideOpen LCC 1.5T & 1.0T MAGNET ENCLOSURE – FIXED, T/R, & MOBILE

2202900 THRU 2202900-9



**1.0T FXD WideOpen ENCL w/o M-C 2202900 FRU N (PART 3 OF M1842PS – SECTION 1)
(PART 3 OF M1862PS – SECTION 1)**

Item	Part Number	FRU	Name	Quantity	Description (Remarks)
3	2205100-6	N	ASSEMBLY	1	1.0T W/O PA BRIDGE W/LPCC FOR BRM-F (SEE PAGE 2-282)
4	2199000	N	ASSEMBLY	ALT	1.0T W/O PA REAR PEDESTAL (SEE PAGE 2-318)
5A	2222541-2	N	COLLECTOR	1	WideOpen ENCL TRIM COVERS (SEE PAGE 2-253)
5B	2222542	N	COLLECTOR	1	TWIN COVERS W/CLIPS (SEE PAGE 2-253)
6	2222541-10	N	COLLECTOR	1	WideOpen ENCLOSURE TOP COVERS (SEE PAGE 2-254)
7	2222541-9	N	COLLECTOR	1	WideOpen REAR PEDESTAL COVERS (SEE PAGE 2-252)
10A	2121199	N	BLOWER (MG6)	1	BLOWER CABINET, MG6 (SEE PAGE 2-100)
10B	2121199-12	N	BLOWER (MG6)	1	BLOWER CABINET, MG6 (SEE PAGE 2-100)
11A	2129412-3	N	HOSE KIT	1	BLOWER HOSE KIT (SEE PAGE 2-103)
11B	2129412-6	N	HOSE KIT	1	RETRO BLOWER HOSE KIT (SEE PAGE 2-103)
41	2321159	N	COLLECTOR	1	MFG PAC AND SRI KIT — US COLLECTOR (SEE PAGE 2-313)
42	2321160-7	N	COLLECTOR	1	MFG REAR PED W/O PA 1.0T FIXED COLL (SEE PAGE 2-251)

**1.0T FXD WideOpen ENCL with M-C 2202900-2 FRU N (PART 3 OF M1843PS – SECTION 1)
(PART 3 OF M1863PS – SECTION 1)**

Item	Part Number	FRU	Name	Quantity	Description (Remarks)
3	2205100-8	N	ASSEMBLY	1	1.0T W/PA BRIDGE W/LPCC FOR BRM-F (SEE PAGE 2-284)
4	2199000-2	N	ASSEMBLY	ALT	1.0T W/PA REAR PEDESTAL (SEE PAGE 2-319)
5A	2222541-2	N	COLLECTOR	1	WideOpen ENCL TRIM COVERS (SEE PAGE 2-253)
5B	2222542	N	COLLECTOR	1	TWIN COVERS W/CLIPS (SEE PAGE 2-253)
6	2222541-10	N	COLLECTOR	1	WideOpen ENCLOSURE TOP COVERS (SEE PAGE 2-254)
7	2222541-9	N	COLLECTOR	1	WideOpen REAR PEDESTAL COVERS (SEE PAGE 2-252)
10A	2121199	N	BLOWER (MG6)	1	BLOWER CABINET, MG6 (SEE PAGE 2-100)
10B	2121199-12	N	BLOWER (MG6)	1	BLOWER CABINET, MG6 (SEE PAGE 2-100)
11A	2129412-3	N	HOSE KIT	1	BLOWER HOSE KIT (SEE PAGE 2-103)
11B	2129412-6	N	HOSE KIT	1	RETRO BLOWER HOSE KIT (SEE PAGE 2-103)
41	2321159	N	COLLECTOR	1	MFG PAC AND SRI KIT — US COLLECTOR (SEE PAGE 2-313)
42	2321160-8	N	COLLECTOR	1	MFG REAR PED W/PA 1.0T FIXED COLL (SEE PAGE 2-251)

1.0T MOB WideOpen ENCL w/o M-C 2202900-3 FRU N (PART 3 OF M1852PS – SECTION 1)

Item	Part Number	FRU	Name	Quantity	Description (Remarks)
3	2205100-6	N	ASSEMBLY	1	1.0T W/O PA BRIDGE W/LPCC FOR BRM-F (SEE PAGE 2-282)
4	2199000	N	ASSEMBLY	ALT	1.0T W/O PA REAR PEDESTAL (SEE PAGE 2-318)
5A	2222541-5	N	COLLECTOR	1	WideOpen ENCL MOB TRIM COVERS (SEE PAGE 2-253)
5B	2297542-2	N	COLLECTOR	1	TWIN COVERS ARREM MKE W/CLIPS (SEE PAGE 2-253)
6	2217457	N	COLLECTOR	1	WideOpen TOP FRONT COVER
7	2222541-9	N	COLLECTOR	1	WideOpen REAR PEDESTAL COVERS (SEE PAGE 2-252)
10A	2121199	N	BLOWER (MG6)	1	BLOWER CABINET, MG6 (SEE PAGE 2-100)
10B	2121199-12	N	BLOWER (MG6)	1	BLOWER CABINET, MG6 (SEE PAGE 2-100)
11A	2129412-3	N	HOSE KIT	1	BLOWER HOSE KIT (SEE PAGE 2-103)
11B	2129412-6	N	HOSE KIT	1	RETRO BLOWER HOSE KIT (SEE PAGE 2-103)
41	2321159	N	COLLECTOR	1	MFG PAC AND SRI KIT — US COLLECTOR (SEE PAGE 2-313)
42	2321160-9	N	COLLECTOR	1	MFG REAR PED W/O PA 1.0T MOBILE COLL (SEE PAGE 2-251)

1.0T MOB WideOpen ENCL with M-C 2202900-4 FRU N (PART 3 OF M1853PS – SECTION 1)

Item	Part Number	FRU	Name	Quantity	Description (Remarks)
3	2205100-8	N	ASSEMBLY	1	1.0T W/PA BRIDGE W/LPCC FOR BRM-F (SEE PAGE 2-284)
4	2199000-2	N	ASSEMBLY	ALT	1.0T W/PA REAR PEDESTAL (SEE PAGE 2-319)
5A	2222541-5	N	COLLECTOR CO	1	WideOpen ENCL MOB TRIM COVERS (SEE PAGE 2-253)
5B	2297542-2	N	COLLECTER	1	TWIN COVERS ARREM MKE W/CLIPS (SEE PAGE 2-253)
6	2217457	N	TOP FRONT CO	1	WideOpen TOP FRONT COVER
7	2222541-9	N	COLLECTER CO	1	WideOpen REAR PEDESTAL COVERS (SEE PAGE 2-252)
10A	2121199	N	BLOWER (MG6)	1	BLOWER CABINET, MG6 (SEE PAGE 2-100)
10B	2121199-12	N	BLOWER (MG6)	1	BLOWER CABINET, MG6 (SEE PAGE 2-100)
11A	2129412-3	N	HOSE KIT	1	BLOWER HOSE KIT (SEE PAGE 2-103)
11B	2129412-6	N	HOSE KIT	1	RETRO BLOWER HOSE KIT (SEE PAGE 2-103)
41	2321159	N	COLLECTOR	1	MFG PAC AND SRI KIT — US COLLECTOR (SEE PAGE 2-313)
42	2321160-10	N	COLLECTOR	1	MFG REAR PED W/PA 1.0T MOBILE COLL (SEE PAGE 2-251)

**1.5T FXD WideOpen ENCL w/o M-C 2202900-5 FRU N (PART 3 OF M1042PS – SECTION 1)
(PART 3 OF M1062PS – SECTION 1)**

Item	Part Number	FRU	Name	Quantity	Description (Remarks)
2	2223440	2	COLLECTOR	1	WideOpen PAC/SRI/PLATFORM ASM (SEE PAGE 2-315)
3	2205100-7	N	ASSEMBLY	1	1.5T W/O PA BRIDGE W/LPCC FOR BRM-F (SEE PAGE 2-283)
4	2199000-3	N	ASSEMBLY	1	1.5T W/O PA REAR PEDESTAL (SEE PAGE 2-320)
5A	2222541-2	N	COLLECTER CO	1	WideOpen ENCL COVERS (SEE PAGE 2-253)
5B	2222542	N	COLLECTER	1	TWIN COVERS W/CLIPS (SEE PAGE 2-253)
6	2222541-10	N	COLLECTER CO	1	WideOpen ENCLOSURE TOP COVERS (SEE PAGE 2-254)
7	2222541-9	N	COLLECTER CO	1	WideOpen REAR PEDESTAL COVERS (SEE PAGE 2-252)
10A	2121199	N	BLOWER (MG6)	1	BLOWER CABINET, MG6 (SEE PAGE 2-100)
10B	2121199-12	N	BLOWER (MG6)	1	BLOWER CABINET, MG6 (SEE PAGE 2-100)
11A	2129412-3	N	HOSE KIT	1	BLOWER HOSE KIT (SEE PAGE 2-103)
11B	2129412-6	N	HOSE KIT	1	RETRO BLOWER HOSE KIT (SEE PAGE 2-103)
26	2227142	N	REMOTE PAC I	1	WideOpen REMOTE PAC I/F ASM (SEE PAGE 2-316)
29	2222547	2	LIGHT ASM	1	WideOpen BORE LIGHT ASSEMBLY-FXD (SEE PAGE 2-257)
30	2228970	N	PART	1	COVER PLATE, REAR ENDBELL (SEE PAGE 2-254)
31	2228970-2	N	PART	1	COVER PLATE, REAR ENDBELL (SEE PAGE 2-254)

**1.5T FXD WideOpen ENCL with M-C 2202900-6 FRU N (PART 3 OF M1043PS – SECTION 1)
(PART 3 OF M1063PS – SECTION 1)**

Item	Part Number	FRU	Name	Quantity	Description (Remarks)
3	2205100-5	N	ASSEMBLY	1	1.5T W/PA BRIDGE W/LPCC FOR BRM-F (SEE PAGE 2-281)
4	2199000-4	N	ASSEMBLY	ALT	1.5T W/PA REAR PEDESTAL (SEE PAGE 2-321)
5A	2222541-2	N	COLLECTER CO	1	WideOpen ENCL COVERS (SEE PAGE 2-253)
5B	2222542	N	COLLECTER	1	TWIN COVERS W/CLIPS (SEE PAGE 2-253)
6	2222541-10	N	COLLECTER CO	1	WideOpen ENCLOSURE TOP COVERS (SEE PAGE 2-254)
7	2222541-9	N	COLLECTER CO	1	WideOpen REAR PEDESTAL COVERS (SEE PAGE 2-252)
10A	2121199	N	BLOWER (MG6)	1	BLOWER CABINET, MG6 (SEE PAGE 2-100)
10B	2121199-12	N	BLOWER (MG6)	1	BLOWER CABINET, MG6 (SEE PAGE 2-100)
11A	2129412-3	N	HOSE KIT	1	BLOWER HOSE KIT (SEE PAGE 2-103)
11B	2129412-6	N	HOSE KIT	1	RETRO BLOWER HOSE KIT (SEE PAGE 2-103)
41	2321159	N	COLLECTOR	1	MFG PAC AND SRI KIT — US COLLECTOR (SEE PAGE 2-313)
42	2321160	N	COLLECTOR	1	MFG REAR PED 1.5T FIXED COLLECTOR (SEE PAGE 2-250)

1.5T MOB WideOpen ENCL w/o M-C 2202900-7 FRU N (PART 3 OF M1052PS – SECTION 1)

Item	Part Number	FRU	Name	Quantity	Description (Remarks)
2	2223440	2	COLLECTOR	1	WideOpen PAC/SRI/PLATFORM ASM (SEE PAGE 2-315)
3	2205100-7	N	ASSEMBLY	1	1.5T W/O PA BRIDGE W/LPCC FOR BRM-F (SEE PAGE 2-283)
4	2199000-3	N	ASSEMBLY	1	1.5T W/O PA REAR PEDESTAL (SEE PAGE 2-320)
5A	2222541-5	N	COLLECTER CO	1	WideOpen ENCL MOB TRIM COVERS (SEE PAGE 2-253)
5B	2297542-2	N	COLLECTER	1	TWIN COVERS ARREM MKE W/CLIPS (SEE PAGE 2-253)
6	2217457	N	TOP FRONT CO	1	WideOpen TOP FRONT COVER
7	2222541-9	N	COLLECTER CO	1	WideOpen REAR PEDESTAL COVERS (SEE PAGE 2-252)
10A	2121199	N	BLOWER (MG6)	1	BLOWER CABINET, MG6 (SEE PAGE 2-100)
10B	2121199-12	N	BLOWER (MG6)	1	BLOWER CABINET, MG6 (SEE PAGE 2-100)
11A	2129412-3	N	HOSE KIT	1	BLOWER HOSE KIT (SEE PAGE 2-103)
11B	2129412-6	N	HOSE KIT	1	RETRO BLOWER HOSE KIT (SEE PAGE 2-103)
26	2227142	N	REMOTE PAC I	1	WideOpen REMOTE PAC I/F ASM (SEE PAGE 2-316)
29	2222547-2	2	LIGHT ASM	1	WideOpen BORE LIGHT ASSEMBLY-MOB (SEE PAGE 2-257)
32	46-320868P1	N	PIPE INSUL	2	POLYETHYLENE CLOSED CELL MATERIAL

1.5T MOB WideOpen ENCL with M-C 2202900-8 FRU N (PART 3 OF M1053PS – SECTION 1)

Item	Part Number	FRU	Name	Quantity	Description (Remarks)
3	2205100-5	N	ASSEMBLY	1	1.5T W/PA BRIDGE W/LPCC FOR BRM-F (SEE PAGE 2-281)
4	2199000-4	N	ASSEMBLY	ALT	1.5T W/PA REAR PEDESTAL (SEE PAGE 2-321)
5A	2222541-5	N	COLLECTER CO	1	WideOpen ENCL MOB TRIM COVERS (SEE PAGE 2-253)
5B	2297542-2	N	COLLECTER	1	TWIN COVERS ARREM MKE W/CLIPS (SEE PAGE 2-253)
6	2217457	N	TOP FRONT CO	1	WideOpen TOP FRONT COVER
7	2222541-9	N	COLLECTER CO	1	WideOpen REAR PEDESTAL COVERS (SEE PAGE 2-252)
10A	2121199	N	BLOWER (MG6)	1	BLOWER CABINET, MG6 (SEE PAGE 2-100)
10B	2121199-12	N	BLOWER (MG6)	1	BLOWER CABINET, MG6 (SEE PAGE 2-100)
11A	2129412-3	N	HOSE KIT	1	BLOWER HOSE KIT (SEE PAGE 2-103)
11B	2129412-6	N	HOSE KIT	1	RETRO BLOWER HOSE KIT (SEE PAGE 2-103)
41	2321159	N	COLLECTOR	1	MFG PAC AND SRI KIT — US COLLECTOR (SEE PAGE 2-313)
42	2321160-2	N	COLLECTOR	1	MFG REAR PED 1.5T MOBILE COLLECTOR (SEE PAGE 2-250)

1.5T CARDIAC FXD WideOpen w/M-C 2202900-9 FRU N (PART 3 OF M1073PS – SECTION 1)

Item	Part Number	FRU	Name	Quantity	Description (Remarks)
3	2205099-8	N	ASSEMBLY	1	CRM BRIDGE WideOpen W/LPCC_1.5 T (SEE PAGE 2-279)
4	2199000-4	N	ASSEMBLY	ALT	1.5T W/PA REAR PEDESTAL (SEE PAGE 2-321)
5A	2222541-2	N	COLLECTER CO	1	WideOpen ENCL COVERS (SEE PAGE 2-253)
5B	2222542	N	COLLECTER	1	TWIN COVERS W/CLIPS (SEE PAGE 2-253)
6	2222541-10	N	COLLECTER CO	1	WideOpen ENCLOSURE TOP COVERS (SEE PAGE 2-254)
7	2222541-9	N	COLLECTER CO	1	WideOpen REAR PEDESTAL COVERS (SEE PAGE 2-252)
10A	2121199	N	BLOWER (MG6)	1	BLOWER CABINET, MG6 (SEE PAGE 2-100)
10B	2121199-12	N	BLOWER (MG6)	1	BLOWER CABINET, MG6 (SEE PAGE 2-100)
11A	2129412-3	N	HOSE KIT	1	BLOWER HOSE KIT (SEE PAGE 2-103)
11B	2129412-6	N	HOSE KIT	1	RETRO BLOWER HOSE KIT (SEE PAGE 2-103)
41	2321159	N	COLLECTOR	1	MFG PAC AND SRI KIT — US COLLECTOR (SEE PAGE 2-313)
42	2321160-3	N	COLLECTOR	1	MFG REAR PED CRM FIXED COLLECTOR (SEE PAGE 2-251)

1.5T FXD REAR PEDESTAL w/MC ASM 2321160 FRU N (PART 42 OF 2202900-6 PAGE 2-248)
 (PART 58 OF M3043PA PAGE 1-52)
 (PART 58 OF M3044PA PAGE 1-52)
 (PART 58 OF M3063PA PAGE 1-53)
 (PART 60 OF M3043TA PAGE 1-74)
 (PART 59 OF M3063TA PAGE 1-75)

Item	Part Number	FRU	Name	Quantity	Description (Remarks)
4	2199000-9	N	ASSEMBLY	1	REAR PEDESTAL WITH PHASED ARRAY (SEE PAGE 2-324)
29	2222547	N	LIGHT ASM	1	WideOpen BORE LIGHT ASSEMBLY-FIXED (SEE PAGE 2-257)
30	2228970	N	PART	1	COVER PLATE, REAR ENDBELL (SEE PAGE 2-254)
31	2228970-2	N	PART	1	COVER PLATE, REAR ENDBELL (SEE PAGE 2-254)
93	46-282260G12	N	SPLIT BOX	1	LX 1.5T BODY HYBRID & PREAMP (SEE PAGE 2-129)

1.5T MOB REAR PEDESTAL w/MC ASM 2321160-2 FRU N (PART 42 OF 2202900-8 PAGE 2-249)
 (PART 59 OF M3053PA PAGE 1-53)
 (PART 60 OF M3053TA PAGE 1-74)

Item	Part Number	FRU	Name	Quantity	Description (Remarks)
4	2199000-9	N	ASSEMBLY	1	REAR PEDESTAL WITH PHASED ARRAY (SEE PAGE 2-324)
29	2222547-2	N	LIGHT ASM	1	WideOpen BORE LIGHT ASSEMBLY-MOB (SEE PAGE 2-257)
32	46-320868P1	N	PIPE INSUL	2	POLYETHYLENE CLOSED CELL MATERIAL
93	46-282260G12	N	SPLIT BOX	1	LX 1.5T BODY HYBRID & PREAMP (SEE PAGE 2-129)

1.5T CRM REAR PEDESTAL w/MC ASM 2321160-3 FRU N (PART 42 OF 2202900-9 PAGE 2-249)
 (PART 58 OF M3073PA PAGE 1-54)
 (PART 58 OF M3093PA PAGE 1-55)

Item	Part Number	FRU	Name	Quantity	Description (Remarks)
4	2199000-10	N	ASSEMBLY	1	CARDIAC REAR PEDESTAL W/PHSD ARRAY (SEE PAGE 2-325)
29	2222547	N	LIGHT ASM	1	WideOpen BORE LIGHT ASSEMBLY-FIXED (SEE PAGE 2-257)
30	2228970	N	PART	1	COVER PLATE, REAR ENDBELL (SEE PAGE 2-254)
31	2228970-2	N	PART	1	COVER PLATE, REAR ENDBELL (SEE PAGE 2-254)
93	46-282260G12	N	SPLIT BOX	1	LX 1.5T BODY HYBRID & PREAMP (SEE PAGE 2-129)

1.5T MOB CRM REAR PED w/MC ASM 2321160-4 FRU N (PART 59 OF M3083PA PAGE 1-54)

Item	Part Number	FRU	Name	Quantity	Description (Remarks)
4	2199000-10	N	ASSEMBLY	1	CARDIAC REAR PEDESTAL W/PHSD ARRAY (SEE PAGE 2-325)
29	2222547-2	N	LIGHT ASM	1	WIDE OPEN BORE LIGHT ASSEMBLY-MOB (SEE PAGE 2-257)
93	46-282260G12	N	SPLIT BOX	1	LX 1.5T BODY HYBRID & PREAMP (SEE PAGE 2-129)

**1.0T FXD REAR PEDESTAL w/o MC 2321160-7 FRU N (PART 42 OF 2202900 PAGE 2-247)
(PART 59 OF M3842PA PAGE 1-57)
(PART 59 OF M3862PA PAGE 1-59)**

Item	Part Number	FRU	Name	Quantity	Description (Remarks)
4	2199000-8	N	ASSEMBLY	1	REAR PEDESTAL W/O PHASED ARRAY (SEE PAGE 2-323)
29	2222547	N	LIGHT ASM	1	WideOpen BORE LIGHT ASSEMBLY-FIXED (SEE PAGE 2-257)
30	2228970	N	PART	1	COVER PLATE, REAR ENDBELL (SEE PAGE 2-254)
31	2228970-2	N	PART	1	COVER PLATE, REAR ENDBELL (SEE PAGE 2-254)
93	46-282260G5	N	BRM SPLIT BX	1	BODY HYBRID, UFI 1.0T (SEE PAGE 2-128)

**1.0T FXD REAR PEDESTAL w/o MC 2321160-8 FRU N (PART 42 OF 2202900-2 PAGE 2-247)
(PART 59 OF M3843PA PAGE 1-57)
(PART 58 OF M3863PA PAGE 1-59)**

Item	Part Number	FRU	Name	Quantity	Description (Remarks)
4	2199000-9	N	ASSEMBLY	1	REAR PEDESTAL WITH PHASED ARRAY (SEE PAGE 2-324)
29	2222547	N	LIGHT ASM	1	WideOpen BORE LIGHT ASSEMBLY-FIXED (SEE PAGE 2-257)
30	2228970	N	PART	1	COVER PLATE, REAR ENDBELL (SEE PAGE 2-254)
31	2228970-2	N	PART	1	COVER PLATE, REAR ENDBELL (SEE PAGE 2-254)
93	46-282260G5	N	BRM SPLIT BX	1	BODY HYBRID, UFI 1.0T (SEE PAGE 2-128)

1.0T MOB REAR PEDESTAL w/o MC 2321160-9 FRU N (PART 42 OF 2202900-3 PAGE 2-247)

Item	Part Number	FRU	Name	Quantity	Description (Remarks)
4	2199000-8	N	ASSEMBLY	1	REAR PEDESTAL W/O PHASED ARRAY (SEE PAGE 2-323)
29	2222547-2	N	LIGHT ASM	1	WideOpen BORE LIGHT ASSEMBLY-MOB (SEE PAGE 2-257)
32	46-320868P1	N	PIPE INSUL	2	POLYETHYLENE CLOSED CELL MATERIAL
93	46-282260G5	N	BRM SPLIT BX	1	BODY HYBRID, UFI 1.0T (SEE PAGE 2-128)

**1.0T MOB REAR PEDESTAL w/o MC 2321160-10 FRU N (PART 42 OF 2202900-4 PAGE 2-248)
(PART 60 OF M3853PA PAGE 1-58)**

Item	Part Number	FRU	Name	Quantity	Description (Remarks)
4	2199000-9	N	ASSEMBLY	1	REAR PEDESTAL WITH PHASED ARRAY (SEE PAGE 2-324)
29	2222547-2	N	LIGHT ASM	1	WideOpen BORE LIGHT ASSEMBLY-MOB (SEE PAGE 2-257)
32	46-320868P1	N	PIPE INSUL	1	POLYETHYLENE CLOSED CELL MATERIAL
93	46-282260G5	N	BRM SPLIT BX	1	BODY HYBRID, UFI 1.0T (SEE PAGE 2-128)

1.5T EXCITE II FIXED REAR PED 2321160-16 FRU N (PART 5 OF M3043PD PAGE 1-62)
 (PART 5 OF M3063PD PAGE 1-62)
 (PART 5 OF M3043TD PAGE 1-78)
 (PART 5 OF M3063TD PAGE 1-78)

Item	Part Number	FRU	Name	Quantity	Description (Remarks)
12	2382930	N	ASSEMBLY	1	EXCITE II REAR PEDESTAL ASM (SEE PAGE 2-327)
29	2222547	N	LIGHT ASM	1	WideOpen BORE LIGHT ASSEMBLY-FIXED (SEE PAGE 2-257)
30	2228970	N	PART	1	COVER PLATE, REAR ENDBELL (SEE PAGE 2-254)
31	2228970-2	N	PART	1	COVER PLATE, REAR ENDBELL (SEE PAGE 2-254)

1.5T EXCITE II MOBILE REAR PED 2321160-17 FRU N (PART 59 OF M3053PD PAGE 1-62)
 (PART 59 OF M3053TD PAGE 1-78)

Item	Part Number	FRU	Name	Quantity	Description (Remarks)
12	2382930	N	ASSEMBLY	1	EXCITE II REAR PEDESTAL ASM (SEE PAGE 2-327)
29	2222547-2	N	LIGHT ASM	1	WideOpen BORE LIGHT ASSEMBLY-MOB (SEE PAGE 2-257)
32	46-320868P1	N	PIPE INSUL	2	POLYETHYLENE CLOSED CELL MATERIAL

WideOpen REAR PEDESTAL COVERS 2222541-9 FRU N (PART 7 OF 2202900 SERIES PAGES 2-247 TO 2-249)
 (PART 55 OF M3043PD PAGE 1-62)
 (PART 55 OF M3053PD PAGE 1-62)
 (PART 55 OF M3063PD PAGE 1-62)
 (PART 53 OF M3043TD PAGE 1-78)
 (PART 53 OF M3053TD PAGE 1-78)
 (PART 53 OF M3063TD PAGE 1-78)

Item	Part Number	FRU	Name	Quantity	Description (Remarks)
3	2217705	2	PEDESTAL COV	1	WideOpen LEFT PEDESTAL COVER
4	2217704	2	PEDESTAL COV	1	WideOpen RIGHT PEDESTAL COVER

WideOpen FXD TRIM COVERS **2222541-2 FRU N** **(PART 5A OF 2202900 PAGE 2-247)**
(PART 5A OF 2202900-2 PAGE 2-247)
(PART 5A OF 2202900-5 PAGE 2-248)
(PART 5A OF 2202900-6 PAGE 2-248)
(PART 5A OF 2202900-9 PAGE 2-249)

Item	Part Number	FRU	Name	Quantity	Description (Remarks)
1	2270873	2	COVER ASM	1	WideOpen TOP LEFT COVER ASSEMBLY (SEE PAGE 2-254)
2	2217313	2	TOP RIGHT CO	1	WideOpen TOP RIGHT COVER
3	2217308	2	RIGHT FOOT C	1	WideOpen FRONT RIGHT FOOT COVER
4	2217310	2	LEFT FOOT CO	1	WideOpen FRONT LEFT FOOT COVER
5	2217311	2	BASE TRIM FR	1	WideOpen RIGHT FRONT BASE TRIM CVR
6	2217312	2	BASE TRIM RE	1	WideOpen LEFT FRONT BASE TRIM CVR
7	2225982	2	ASSEMBLY DWG	1	WideOpen BASE TRIM REAR RIGHT_ASM
8	2225982-2	2	ASSEMBLY DWG	1	WideOpen BASE TRIM REAR LEFT_ASM

TWIN FXD TRIM COVERS W/CLIPS **2297542 FRU N** **(PART 5B OF 2202900 PAGE 2-247)**
(PART 5B OF 2202900-2 PAGE 2-247)
(PART 5B OF 2202900-5 PAGE 2-248)
(PART 5B OF 2202900-6 PAGE 2-248)
(PART 5B OF 2202900-9 PAGE 2-249)
(PART 5 OF M3043TD PAGE 1-78)
(PART 5 OF M3063TD PAGE 1-78)

Item	Part Number	FRU	Name	Quantity	Description (Remarks)
1	2270873	N	COVER ASM	1	WideOpen TOP LEFT COVER ASSEMBLY (SEE PAGE 2-254)
2	2270873-2	N	COVER ASM	1	WideOpen TOP RIGHT COVER ASSEMBLY
3	2217308-2	N	RIGHT FOOT C	1	WideOpen FRONT RIGHT FOOT COVER
4	2217310-2	N	LEFT FOOT CO	1	WideOpen FRONT LEFT FOOT COVER
5	2217311-2	N	BASE TRIM FR	1	WideOpen RIGHT BASE TRIM FRONT CVR
6	2217312-2	N	BASE TRIM RE	1	WideOpen LEFT FRONT BASE TRIM CVR
7	2225982-3	N	ASSEMBLY DWG	1	WideOpen BASE TRIM REAR RIGHT ASM
8	2225982-4	N	ASSEMBLY DWG	1	WideOpen BASE TRIM REAR LEFT_ASM

WideOpen MOB TRIM COVERS **2222541-5 FRU N** **(PART 5A OF 2202900-3 PAGE 2-247)**
(PART 5A OF 2202900-4 PAGE 2-248)
(PART 5A OF 2202900-7 PAGE 2-249)
(PART 5A OF 2202900-8 PAGE 2-249)

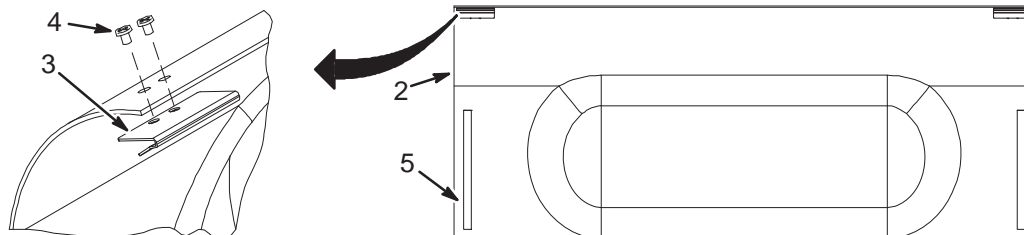
Item	Part Number	FRU	Name	Quantity	Description (Remarks)
3	2217308	2	RIGHT FOOT C	1	WideOpen RIGHT FOOT COVER
4	2217310	2	LEFT FOOT CO	1	WideOpen LEFT FOOT COVER

TWIN MOB TRIM COVERS W/CLIPS **2297542-2 FRU N** **(PART 5B OF 2202900-3 PAGE 2-247)**
(PART 5B OF 2202900-4 PAGE 2-248)
(PART 5B OF 2202900-7 PAGE 2-249)
(PART 5B OF 2202900-8 PAGE 2-249)
(PART 5 OF M3053TD PAGE 1-78)

Item	Part Number	FRU	Name	Quantity	Description (Remarks)
3	2217308-2	N	RIGHT FOOT C	1	WideOpen FRONT RIGHT FOOT COVER
4	2217310-2	N	LEFT FOOT CO	1	WideOpen FRONT LEFT FOOT COVER

WideOpen TOP LEFT COVER ASM

2270873



WideOpen TOP LEFT COVER ASM 2270873 FRU 2 (PART 1 OF 2222541-2 PAGE 2-253)
 (PART 1 OF 2297542 PAGE 2-253)

Item	Part Number	FRU	Name	Quantity	Description (Remarks)
2	2217314-2	N	TOP LEFT COV	1	W/O TOP LEFT COVER W/ADDED HOLES
3	2270693	N	PART	2	CLIP, ENCLOSURE
4	2274932-2	N	SCREW	4	SCREW PAN HEAD 6 MM 10 MM; 1MM PITCH
5	46-136246P11	N	TAPE	2	5/8" WIDE, BLK ADH BACK, VELCRO HOOK

WideOpen TOP END COVERS 2222541-10 FRU N (PART 6 OF 2202900 PAGE 2-247)
 (PART 6 OF 2202900-2 PAGE 2-247)
 (PART 6 OF 2202900-5 PAGE 2-248)
 (PART 6 OF 2202900-6 PAGE 2-248)
 (PART 6 OF 2202900-9 PAGE 2-249)
 (PART 52 OF M3043TD PAGE 1-78)
 (PART 52 OF M3063TD PAGE 1-78)

Item	Part Number	FRU	Name	Quantity	Description (Remarks)
1	2217457	2	TOP FRONT CO	1	WideOpen TOP FRONT COVER
2	2217458	2	TOP REAR COV	1	WideOpen TOP REAR COVER

LEFT REAR END BELL COVER PLATE 2228970 FRU N (PART 30 OF 2202900-5 PAGE 2-248)
 (PART 30 OF 2321160 PAGE 2-250)
 (PART 30 OF 2321160-3 PAGE 2-251)
 (PART 30 OF 2321160-7 PAGE 2-251)
 (PART 30 OF 2321160-8 PAGE 2-251)
 (PART 29 OF 2321160-16 PAGE 2-252)

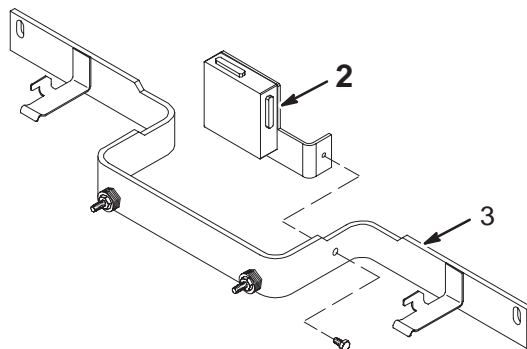
Item	Part Number	FRU	Name	Quantity	Description (Remarks)
	2109879	2	WASHER	2	M4 SS PLAIN WASHER, 4,3 ID X 12 OD
	2109873-13	2	SCREW	2	M4 8MM LONG SS PAN HEAD SCREW

RIGHT REAR END BELL COVER PLATE 2228970-2 FRU N (PART 31 OF 2202900-5 PAGE 2-248)
 (PART 31 OF 2321160 PAGE 2-250)
 (PART 31 OF 2321160-3 PAGE 2-251)
 (PART 31 OF 2321160-7 PAGE 2-251)
 (PART 31 OF 2321160-8 PAGE 2-251)
 (PART 29 OF 2321160-16 PAGE 2-252)

Item	Part Number	FRU	Name	Quantity	Description (Remarks)
	2109879	2	WASHER	2	M4 SS PLAIN WASHER, 4,3 ID X 12 OD
	2109873-13	2	SCREW	2	M4 8MM LONG SS PAN HEAD SCREW

WideOpen DOCK BRACKET ASSEMBLY

2226264



WideOpen DOCK BRACKET ASM

2226264

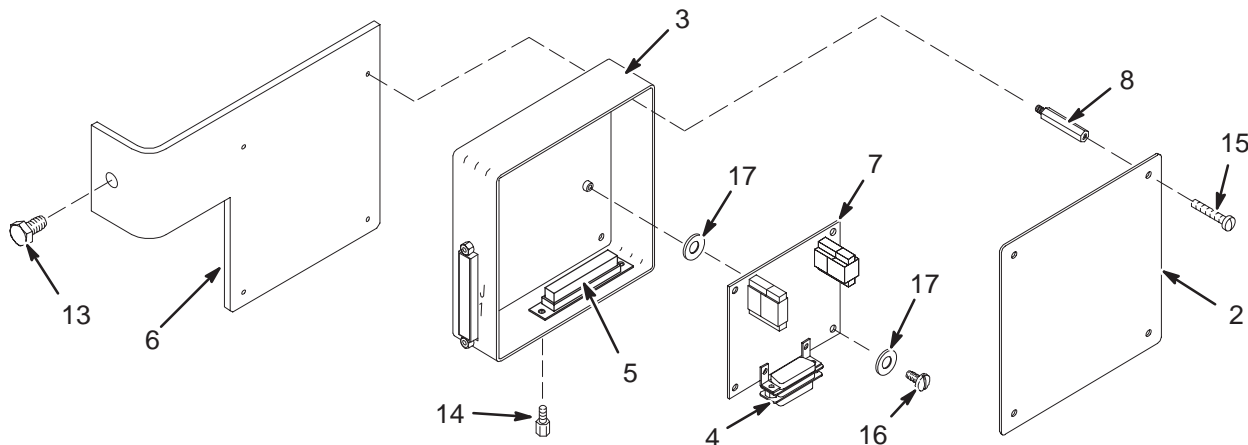
FRU 2

(PART 22 OF 2202900 SERIES PAGES 2-247 TO 2-249)

Item	Part Number	FRU	Name	Quantity	Description (Remarks)
2	46-282757G7	2	DOCK CONTROL	1	WideOpen DOCK CONTROL BOX/BRCKT (SEE PAGE 2-255)
3	2218120	2	DOCK MTG SUP	1	WideOpen DOCK MOUNTING SUPPORT
4	46-170686P2	2	ADHESIVE	AR	LOCTITE 242, 10CC

WideOpen DOCK CONTROL ASM

46-282757G7



LCC DOCK CONTROL ASM

46-282757G7

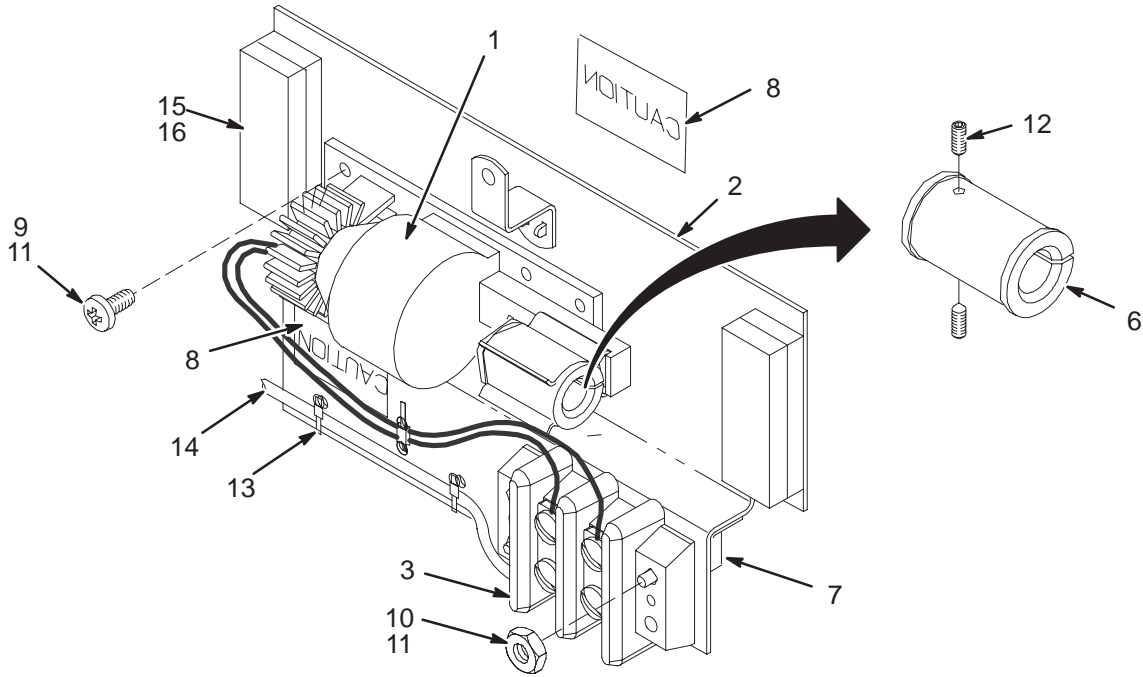
FRU N

(PART 2 OF 2226264 PAGE 2-255)

Item	Part Number	FRU	Name	Quantity	Description (Remarks)
2	46-282320P1	2	COVER	1	5" X 5" BOX COVER, ALUMINUM
3	46-282405G1	2	BOX	1	DOCK LIMIT MODULE BOX - EMPTY
4	46-282426G1	2	HARNESS	1	DOCK LIMIT SWITCH BOARD J1
5	46-282427G1	2	HARNESS	1	DOCK LIMIT SWITCH BOARD J2 AND J3
6	2218122	N	DOCK BOX BRA	1	WideOpen DOCK BOX BRACKET
7	46-264028G1	1	CIRCUIT BD	1	DOCK LIMIT SWITCH BOARD, MG2 A31 A1
8	46-208984P2	2	SPACER	4	HEX 1/4", EXT/INT THD 6-32, 1.5" LG
13	2109866-20	2	SCREW	1	SCREW HEXAGON HEAD 10 MM 25 MM
14	46-221417P2	2	CONNECTOR	4	FEMALE SCREWLOCK FOR HD CONNECTORS
15	46-208921P5	2	SCREW	4	SCREW
16	46-208922P2	2	SCREW	4	SCREW
17	1000904P298	2	WASHER	8	ID 0.1875, OD 0.375, THK .01, A1D2B

WideOpen BORE LIGHT ASSEMBLY – FIXED AND MOBILE

222547 & 222547-2



WideOpen BORE LIGHT ASM-FXD 2222547 FRU 2 (PART 29 OF 2202900-5 PAGE 2-248)
(PART 29 OF 2321160 PAGE 2-250)
(PART 29 OF 2321160-3 PAGE 2-251)
(PART 29 OF 2321160-7 PAGE 2-251)
(PART 29 OF 2321160-8 PAGE 2-251)
(PART 29 OF 2321160-16 PAGE 2-252)

Item	Part Number	FRU	Name	Quantity	Description (Remarks)
1	2222548	2	LIGHT ASM	1	WideOpen BORE LIGHT SOURCE ASM (SEE PAGE 2-257)
2	2222376	2	PART	1	PLATE,MOUNTING,BORE LIGHT
3	46-313195P1	2	TERMINAL	1	2 POSITION TERMINAL STRIP, DUAL ROW,
6	2222550	2	LIGHT HOLDER	1	WideOpen FIBER OPTIC CABLE HOLDER
7	46-170209P1	2	TAPE	AR	0.034 X 1.00 X 100 FT
8	46-287268P1	2	LABEL	2	CAUTION, EXTREMELY HOT HALOGEN LAMPS
9	2109873-5	2	SCREW	4	SCREW PAN HEAD 2.5 MM 8 MM
10	2109875-2	2	NUT	2	NUT HEXAGON M4 A2-70
11	46-170686P2	2	ADHESIVE	AR	LOCTITE 242, 10CC
12	46-328424P1	2	SCREW	2	SCREW SET SCREW 2.5 MM 4 MM
13	46-208758P2	2	TY-RAP	3	5.5" X .140" SELF-LOCKING CABLE TIE.
14	2184145	2	CABLE	1	(300) PP1-J15 TO MG2-A15 BORE LIGHT
15	46-136246P26	2	TAPE	2	VELCRO,LOOP,1IN.W,BLK W/PSA
16	46-136246P29	2	TAPE	2	VELCRO HOOK FASTENER

WideOpen BORE LIGHT ASM-MOB 2222547-2 FRU 2 (PART 29 OF 2202900-7 PAGE 2-249)
(PART 29 OF 2321160-2 PAGE 2-250)
(PART 29 OF 2321160-4 PAGE 2-251)
(PART 29 OF 2321160-9 PAGE 2-251)
(PART 29 OF 2321160-10 PAGE 2-251)
(PART 29 OF 2321160-17 PAGE 2-252)

Item	Part Number	FRU	Name	Quantity	Description (Remarks)
1	2222548	2	LIGHT ASM	1	WideOpen BORE LIGHT SOURCE ASM (SEE PAGE 2-257)
2	2222376	2	PART	1	PLATE,MOUNTING,BORE LIGHT
3	46-313195P1	2	TERMINAL	1	2 POSITION TERMINAL STRIP, DUAL ROW,
6	2222550	2	LIGHT HOLDER	1	WideOpen FIBER OPTIC CABLE HOLDER
7	46-170209P1	2	TAPE	AR	0.034 X 1.00 X 100 FT
8	46-287268P1	2	LABEL	2	CAUTION, EXTREMELY HOT HALOGEN LAMPS
9	2109873-5	2	SCREW	4	SCREW PAN HEAD 2.5 MM 8 MM
10	2109875-2	2	NUT	2	NUT HEXAGON M4 A2-70
11	46-170686P2	2	ADHESIVE	AR	LOCTITE 242, 10CC
12	46-328424P1	2	SCREW	2	SCREW SET SCREW 2.5 MM 4 MM
13	46-208758P2	2	TY-RAP	3	5.5" X .140" SELF-LOCKING CABLE TIE.
14	2184145-2	2	CABLE	1	(300M) PP1-J15 TO MG2-A15 BORE LIGHT
15	46-136246P26	2	TAPE	2	VELCRO,LOOP,1IN.W,BLK W/PSA
16	46-136246P29	2	TAPE	2	VELCRO HOOK FASTENER

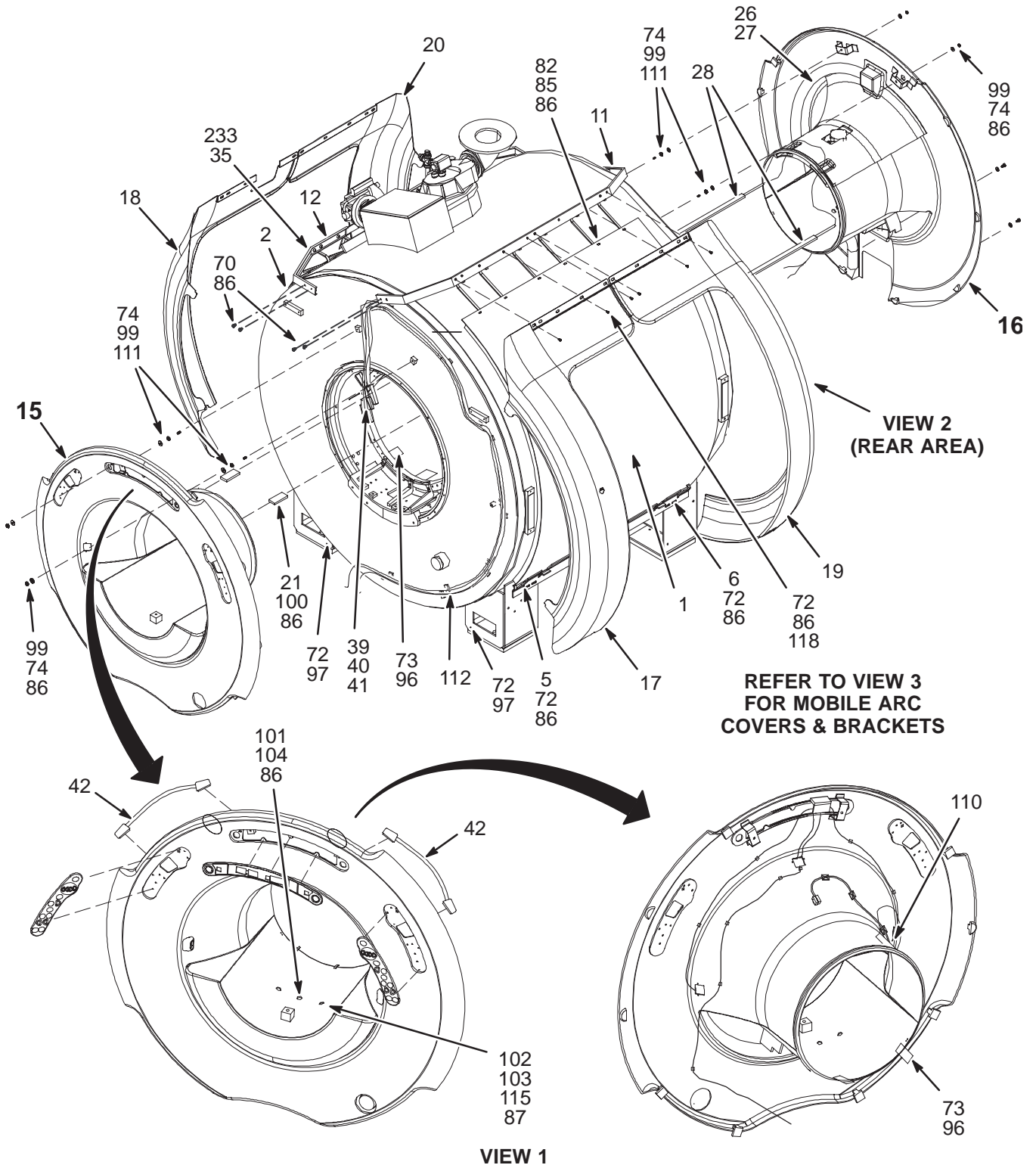
BORE LIGHT SOURCE ASM 2222548 FRU 2 (PART 1 OF 2222547 PAGE 2-257)
(PART 1 OF 2222547-2 PAGE 2-257)

Item	Part Number	FRU	Name	Quantity	Description (Remarks)
1	2222548-2	2	LAMP	1	BORE LIGHT REPLACEMENT LAMP
2	2222548-3	2	CABLE	1	BORE LIGHT REPLACEMENT LEAD

2-17 WideOpen ENCLOSURE COVERS AND END BELLS FOR LONG BRIDGE

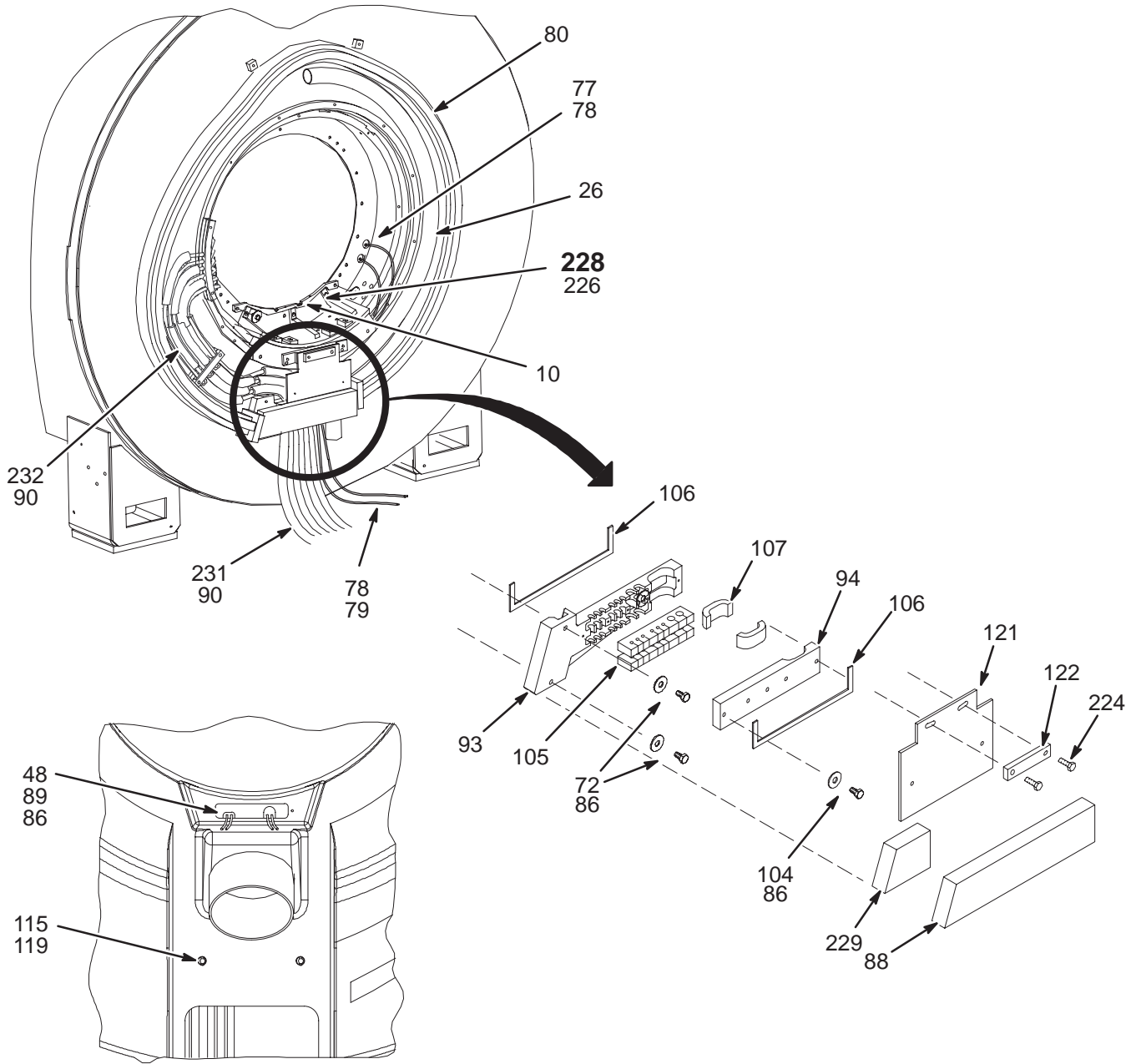
WideOpen MAGNET ENCLOSURE with LONG BRIDGE

2222558 & 2222558-2



WideOpen MAGNET ENCLOSURE with LONG BRIDGE

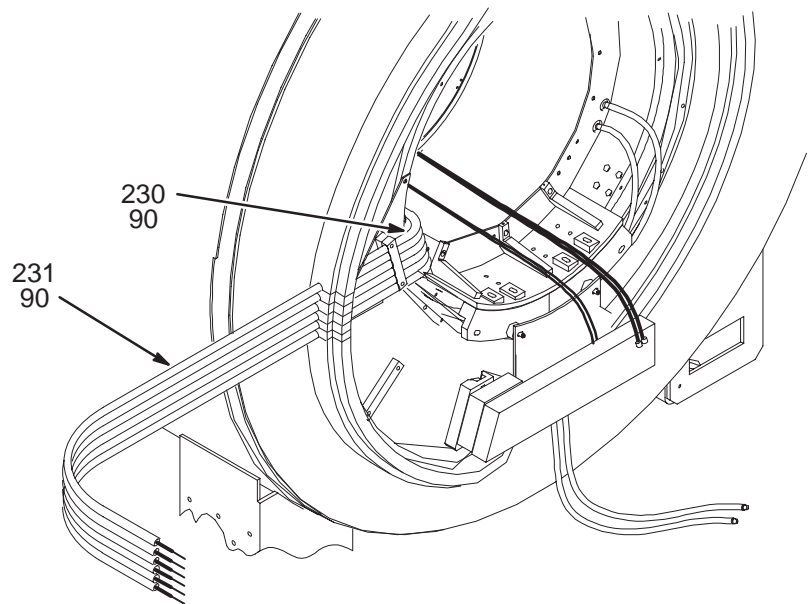
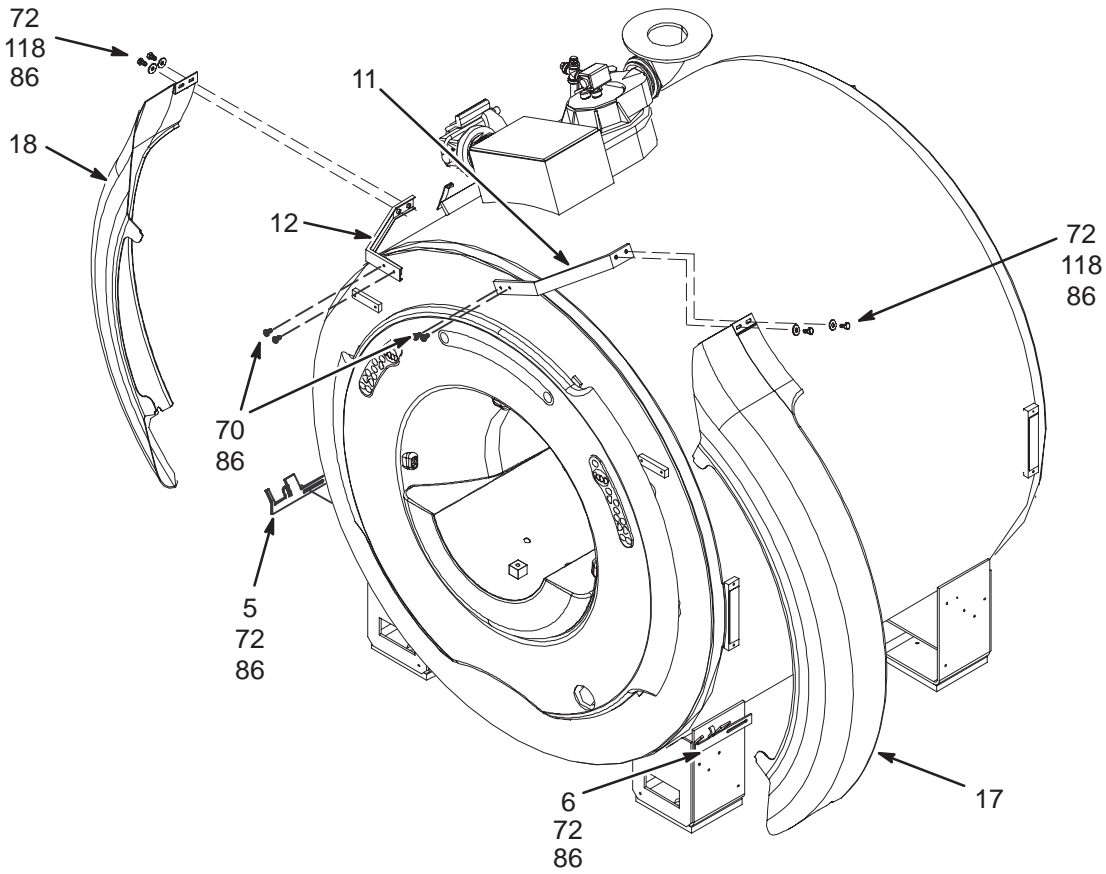
2222558 & 2222558-2



VIEW 2

WideOpen MAGNET ENCLOSURE with LONG BRIDGE

2222558 & 2222558-2



VIEW 3
MOBILE ARC COVERS AND BRACKETS

FXD & T/R WideOpen w/LONG BRIDGE 2222558 FRU N

(PART OF M1060LA – SECTION 1)

(PART OF M1860LA – SECTION 1)

Item	Part Number	FRU	Name	Quantity	Description (Remarks)
1	2217702	2	WRAP COVER R	1	WideOpen WRAP COVER RIGHT
2	2217703	2	WRAP COVER L	1	WideOpen WRAP COVER LEFT
5	2218146	2	LOWER CLAMP	2	WideOpen LOWER CLAMPING BRACKET
6	2218146-2	2	LOWER CLAMP	2	WideOpen LOWER CLAMPING BRACKET
10	2235935	2	BRIDGE SUPPO	2	WideOpen BRIDGE SUPPORT
11	2218898	2	TOP RIGHT FR	1	WideOpen TOP RIGHT FRAME
12	2218897	2	TOP LEFT FRA	1	WideOpen TOP LEFT FRAME
15	2238719	2	END BELL ASM	1	FRONT END BELL ASM (SEE PAGE 2-266)
16	2238731	2	END BELL ASM	1	REAR END BELL ASM (SEE PAGE 2-268)
17	2217461	2	ARC FRONT RI	1	WideOpen ARC COVER FRONT, RIGHT
18	2217462	2	ARC FRONT LE	1	WideOpen ARC FRONT LEFT COVER
19	2217463	2	ARC REAR RIG	1	WideOpen ARC REAR RIGHT COVER
20	2217464	2	ARC REAR LEF	1	WideOpen ARC COVER REAR, LEFT
21	2218899	2	BORE LIGHT E	2	WideOpen BORE LIGHT ENDCAP
26	46-282668P18	2	HOSE, NYLON	1	2 INCH DIAMETER, 132 INCH LENGTH
27	46-208765P28	2	CLAMP	1	DIA RANGE 1-13/16 - 2-3/4, 302/305
28	2222549	2	LIGHT PANEL	2	WideOpen LUMITEX LIGHT PANEL
35	46-294151P48	N	ADHES SPEC	0.200	GE FAST CURE RTV 5818, TRANSLUCENT
39	2221945	2	CABLE	1	MG2-A4-J5 TO MG2-A11-J4
40	2221948	2	CABLE	1	(897) MG2-A4-J3 TO MG2-A39-J9
41	2221947	2	CABLE	1	MG2A4J4 TO MG2A33J5/J6/J7/J8/J9
42	2221946	2	CABLE	2	MG2-A4-J1/J2 TO MG2-A5-J1/J2
48	2222329	2	PART	1	RF COIL FEED THRU COVER
64	2174929-6	2	CONFOR FOAM	2	OPEN CELL POLYURETHANE FOAM, 45" LG
68	2109877-3	2	NUT	4	NUT HEXAGON 10 MM
70	2109866-50	N	SCREW	8	SCREW HEXAGON HEAD
72	2109866-20	2	SCREW	30	SCREW HEXAGON HEAD 10 MM 25 MM
73	2224551	2	LATCH	4	WideOpen END BELL LATCH
74	2234780	1	WASHER	8	WASHER PLAIN - LARGE 10.5 MM 20 MM
77	2226103	2	TUBE	2	HOSE
78	2226095	2	HOSE CLAMP	4	HOSE CLAMP,WORM DRIVE
79	46-294167P28	2	MTL CROSSREF	2	TUBE MENDER,CAT #91355K85, BRASS
80	2222806-4	1	PART	1	FOAM BLOCK, WideOpen FIXED INSTALL
82	2109872-6	2	SCREW	12	SCREW BUTTON HEAD 6 MM 12 MM
85	2229794	2	WASHER PLAST	12	M6 NYLON WASHER
86	46-294151P2	2	ADHES SPEC	AR	LOCTITE #242 TYPE 11
87	2226752-2	1	PART	2	FOAM GASKET, BRIDGE SUPPORT SPACER
88	2239902-3	2	FOAM SEAL	1	CONFOR FOAM
89	2109867-4	2	SCREW	4	SCREW HEXAGON SOCKET 4 MM 12 MM_SST
90	46-208758P2	2	TY-RAP	24	5.5" X .140" SELF-LOCKING CABLE TIE.
93	2227395	2	PART	1	CABLE/HOSE CLAMP, TOP
94	2227396	2	PART	1	CABLE/HOSE CLAMP, BASE
96	2227318	2	SCREW	20	SCREW CHEESE HEAD 5 MM 8 MM
97	2109879-3	2	WASHER	2	WASHER PLAIN - LARGE 10.5 MM 30 MM
99	2109875-4	2	NUT	8	NUT HEXAGON 10 MM
101	2323549	N	SPACER	1	LOCATING PIN
102	2109867-62	2	SCREW	4	SCREW HEXAGON SOCKET 6 MM 90 MM
103	2222353	2	PART	4	BRIDGE SUPPORT SPACER
104	2109867-16	2	SCREW	6	SCREW HEXAGON SOCKET 6 MM 30 MM
105	2227841	2	PART	2	FOAM GASKET, HOSE/CABLE CLAMP

Parts List Continued on Next Page

FXD & T/R WideOpen w/LONG BRIDGE 2222558 FRU N

(CONTINUED FROM PREVIOUS PAGE)

Item	Part Number	FRU	Name	Quantity	Description (Remarks)
106	2228286	2	PART	2	FOAM SEAL, CABLE/HOSE CLAMP
107	2228287	2	PART	2	FOAM BLOCK, CABLE/HOSE CLAMP
110	46-170212P1	2	ADHESIVE	AR	ADHESIVE
111	2116325-10	2	STUD,MAGNET	4	STUD, M10 X 75MM, STAINLESS STEEL
112	46-220191P1	2	CLAMP	14	CLAMP FOR FLAT CABLE
115	2228717	2	PART	6	WASHER, BRIDGE SUPPORT
119	2109867-19	2	SCREW	2	SCREW HEXAGON SOCKET 6 MM 50 MM
121	2235605	2	PLATE	1	ENDBELL ANCHOR PLATE
122	2235606	2	BLOCK	1	WASHER BLOCK
224	2109866-21	2	SCREW	2	SCREW HEXAGON HEAD 10 MM 30 MM
225	2237017	2	SHOULDER BOL	2	SHOULDER BOLT FOR BRIDGE SUPPORT (SEE PAGE 2-269)
226	46-294151P8	1	ADHES SPEC	0.010	BOSTIK "NEVER-SEEZE" LUBRICATING
228	2237017-2	2	SHOULDER BOL	2	SHOULDER BOLT FOR BRIDGE SUPPORT
229	2239902-2	2	FOAM SEAL	1	CONFOR FOAM
231	2239904	2	PIPE INSULAT	6	PIPE INSULATION
232	2239904-4	2	PIPE INSULAT	6	PIPE INSULATION
233	2237254	2	TROUGH	1	TROUGH WITH SPONGE
251	2109867-17	N	SCREW	1	SCREW HEXAGON SOCKET 6 MM 35 MM
252	2116325-5	1	STUD, MAGNET	2	STUD SST M10 X 110MM
253	2318950	1	PART	2	CAP, SUPPORT
254	2318948	1	PART	2	CUP, CAP SUPPORT
255	46-136374P37	1	RING	2	WIDTH .139 ID 0.734 DUROMETER A 70
256	2109866-22	N	SCREW	2	CAP SCREW HEXAGON HEAD

MOBILE WideOpen w/LONG BRIDGE 2222558-2 FRU N

(PART OF M1061LA – SECTION 1)

(PART OF M1861LA – SECTION 1)

Item	Part Number	FRU	Name	Quantity	Description (Remarks)
5	2218146-5	2	LOWER CLAMP	1	WideOpen LOWER CLAMPING BRACKET—MOB
6	2218146-6	2	LOWER CLAMP	1	WideOpen LOWER CLAMPING BRACKET—MOB
10	2235935	2	BRIDGE SUPPO	2	WideOpen BRIDGE SUPPORT
11	2218898-2	2	TOP RIGHT FR	1	WideOpen TOP RIGHT FRAME – MOBILE
12	2218897-2	N	TOP LEFT FRA	1	WideOpen TOP LEFT FRAME – MOBILE
15	2238719	2	END BELL ASM	1	FRONT END BELL ASM (SEE PAGE 2-266)
16	2238731	2	END BELL ASM	1	REAR END BELL ASM (SEE PAGE 2-268)
17	2217461-2	2	ARC FRONT RI	1	WideOpen ARC COVER FRONT,RIGHT—MOBILE
18	2217462-2	2	ARC FRONT LE	1	WideOpen ARC FRONT LEFT COVER—MOBILE
21	2218899	2	BORE LIGHT E	2	WideOpen BORE LIGHT ENDCAP
26	46-282668P18	2	HOSE, NYLON	1	2 INCH DIAMETER, 132 INCH LENGTH
27	46-208765P28	2	CLAMP	1	DIA RANGE 1-13/16 – 2-3/4, 302/305
28	2222549	2	LIGHT PANEL	2	WideOpen LUMITEX LIGHT PANEL
35	46-170617P1	N	ADHESIVE	AR	RTV SILICON RUBBER ADHESIVE SEALANT.
39	2221945	2	CABLE	1	MG2-A4-J5 TO MG2-A11-J4
40	2221948	2	CABLE	1	(897) MG2-A4-J3 TO MG2-A39-J9
41	2221947	2	CABLE	1	MG2A4J4 TO MG2A33J5/J6/J7/J8/J9
42	2221946	2	CABLE	2	MG2-A4-J1/J2 TO MG2-A5-J1/J2
48	2222329	2	PART	1	RF COIL FEED THRU COVER
64	2174929-6	2	CONFOR FOAM	2	OPEN CELL POLYURETHANE FOAM, 45" LG
68	2109877-3	2	NUT	4	NUT HEXAGON 10 MM
70	2109866-50	2	SCREW	4	SCREW HEXAGON HEAD
72	2109866-20	2	SCREW	14	SCREW HEXAGON HEAD 10 MM 25 MM
73	2224551	2	LATCH	4	WideOpen END BELL LATCH
74	2167321	2	WASHER	8	WASHER
77	2226103	2	TUBE	2	HOSE
78	2226095	2	HOSE CLAMP	4	HOSE CLAMP,WORM DRIVE
79	46-294167P28	2	MTL CROSSREF	2	TUBE MENDER,CAT #91355K85, BRASS
80	2222806-3	2	PART	1	FOAM BLOCK, WideOpen MOBILE INSTALL
86	46-294151P2	2	ADHES SPEC	AR	LOCTITE #242 TYPE 11
87	2226752	2	PART	4	FOAM GASKET, BRIDGE SUPPORT SPACER
88	2239902-3	2	FOAM SEAL	1	CONFOR FOAM
89	2109867-4	2	SCREW	4	SCREW HEXAGON SOCKET 4 MM 12 MM_SST
90	46-208758P2	2	TY-RAP	48	5.5" X .140" SELF-LOCKING CABLE TIE.
93	2227395	2	PART	1	CABLE/HOSE CLAMP, TOP
94	2227396	2	PART	1	CABLE/HOSE CLAMP, BASE
96	2227318	2	SCREW	20	SCREW CHEESE HEAD 5 MM 8 MM
97	2109879-3	2	WASHER	2	WASHER PLAIN – LARGE 10.5 MM 30 MM
99	2109875-4	2	NUT	8	NUT HEXAGON 10 MM
100	2109873-14	2	SCREW	4	SCREW PAN HEAD 4 MM 10 MM
101	2227708	2	SPACER	1	WideOpen RF TUBE LOCATING SPACER
102	2109867-62	2	SCREW	4	SCREW HEXAGON SOCKET 6 MM 90 MM
103	2222353	2	PART	4	BRIDGE SUPPORT SPACER
104	2109867-16	2	SCREW	6	SCREW HEXAGON SOCKET 6 MM 30 MM
105	2227841	2	PART	2	FOAM GASKET, HOSE/CABLE CLAMP
106	2228286	2	PART	2	FOAM SEAL, CABLE/HOSE CLAMP
107	2228287	2	PART	2	FOAM BLOCK, CABLE/HOSE CLAMP
110	46-170212P1	2	ADHESIVE	AR	ADHESIVE
111	2116325-10	2	STUD,MAGNET	4	STUD, M10 X 75MM, STAINLESS STEEL
112	46-220191P1	2	CLAMP	14	CLAMP FOR FLAT CABLE

Parts List Continued on Next Page

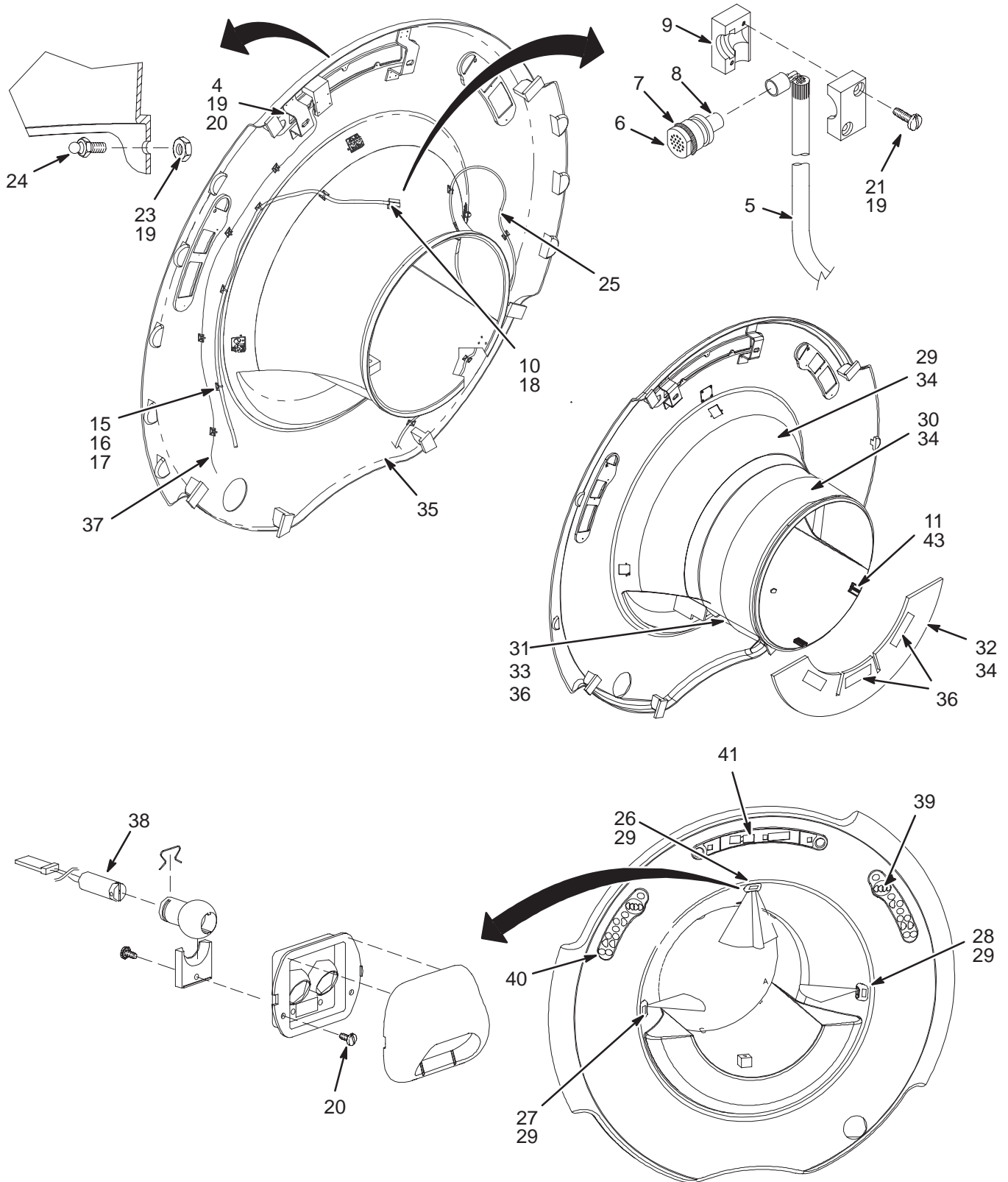
MOBILE WideOpen w/LONG BRIDGE 222558-2 FRU N

(CONTINUED FROM PREVIOUS PAGE)

Item	Part Number	FRU	Name	Quantity	Description (Remarks)
115	2228717	N	PART	6	WASHER, BRIDGE SUPPORT
118	2234780	2	WASHER	4	WASHER PLAIN - LARGE 10.5 MM 20 MM
119	2109867-19	2	SCREW	2	SCREW HEXAGON SOCKET 6 MM 50 MM
121	2235605	2	PLATE	1	ENDBELL ANCHOR PLATE
122	2235606	2	BLOCK	1	WASHER BLOCK
224	2109866-21	2	SCREW	2	SCREW HEXAGON HEAD 10 MM 30 MM
225	2237017	2	SHOULDER BOL	2	SHOULDER BOLT FOR BRIDGE SUPPORT (SEE PAGE 2-269)
226	46-170684P2	2	ADHESIVE	AR	LOCTITE 271, 10CC BOTTLE
227	2237017-2	2	SHOULDER BOL	2	SHOULDER BOLT FOR BRIDGE SUPPORT
229	2239902-2	2	FOAM SEAL	1	CONFOR FOAM
230	2239904-2	2	PIPE INSULAT	6	PIPE INSULATION
231	2239904	2	PIPE INSULAT	9	PIPE INSULATION
233	2237254	2	TROUGH	1	TROUGH WITH SPONGE

WideOpen FRONT END BELL ASSEMBLY

2238719



FRONT END BELL ASM for LONG BRIDGE2238719 FRU 2

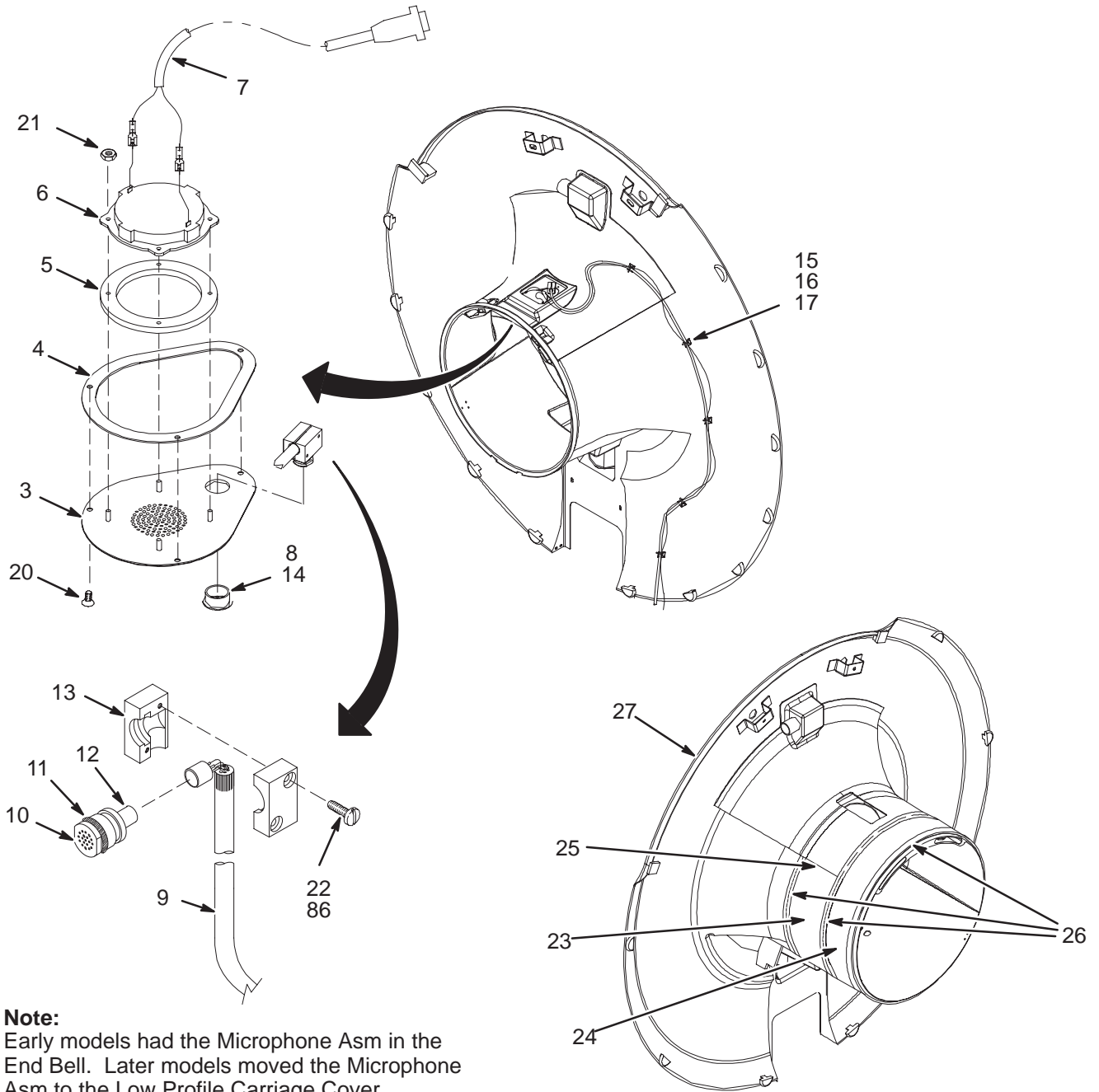
(PART 15 OF 2222558 PAGE 2-261)

(PART 15 OF 2222558-2 PAGE 2-263)

Item	Part Number	FRU	Name	Quantity	Description (Remarks)
4	2163748	2	CIRCUIT BOAR	1	Cx VOLTAGE REGULATOR
5	46-317157G3	2	CABLE ASM.	1	(414) FRNT MICROPHN CABLE TO MG3A2J9
6	46-317134P1	2	MIKE HOUSING	1	USE 46-317109G1 AS FIELD REPLACEMENT
7	46-136374P65	2	RING	1	WIDTH .07, ID 0.551, DUROMETER A 70
8	2229616	2	MIC FOAM BAF	1	WideOpen MICROPHONE FOAM BAFFLE
9	46-317135P1	2	CABLE CLAMP	1	USE 46-317109G1 AS FIELD REPLACEMENT
10	46-221523P26	2	BUTTON	1	VENT PLUG, WHITE, 7/8 DIA.
15	46-208747P1	1	VIBRATION IS	12	CABLE TIE,ADH.BACKED
16	46-208758P2	1	TY-RAP	12	5.5" X .140" SELF-LOCKING CABLE TIE.
17	46-282264P1	2	ADHESIVE	AR	2 OZ DUAL-PAK CARTRIDGE EPOXY, CLEAR
18	46-170617P2	2	ADHESIVE	AR	RTV SILICON RUBBER ADHESIVE SEALANT.
19	46-294151P2	2	ADHES SPEC	AR	LOCKTITE #242 TYPE 11
20	2109873-14	2	SCREW	6	SCREW PAN HEAD 4 MM 10 MM
21	46-208560P11	2	SCREW	2	SCREW
23	46-208935P5	2	NUT	10	6-32, .313 HEX X .109 THK, BRASS
24	46-136365P2	2	FASTENER	10	TINNERMAN P116-473-12-495
25A	46-328354P1	2	CABLE ASM	1	RUN 749, MG2-A33-J10 TO MG2-A36, 35'
25B	2285729	2	CABLE ASM	1	RUN 749, MG2-A33-J10 TO MG2-A36, 35' (DUAL)
26	2221465-2	2	MODULE	1	WideOpen ALIGNMENT LIGHT MODULE_TOP
27	2221465-3	2	MODULE	1	WideOpen ALIGNMENT LIGHT MODULE_LEFT
28	2221465-4	2	MODULE	1	WideOpen ALIGNMENT LIGHT MODULE_RIGHT
29	2224962	2	JACKET	1	END BELL UPPER INSULATION JACKET
30	2224962-2	2	JACKET	1	END BELL UPPER INSULATION JACKET
31	2224963	2	JACKET	1	END BELL LOWER INSULATION JACKET
32	2224963-2	2	JACKET	1	END BELL LOWER INSULATION JACKET
33	46-136246P21	2	TAPE	3	2" WIDE X 25 YD WHITE VELCRO HOOKS
34	2143771-2	2	TEFLON TAPE	AR	2" TEFLON TAPE
35	2217452	2	FRONT ENDBEL	1	WideOpen FRONT ENDBELL
36	2225495	2	TAPE	AR	2" WIDE DOUBLE SIDED POLYESTER FILM
37	2162563	2	CABLE	1	(385) PP1-J20 TO MG2-A30-JP1 PAL BD
38	2162554-2	2	LASER DIODE	4	LASER FOR Cx MAG FRT COVER ASM
39	2215716-2	2	OPR BP/D KIT	1	WideOpen MAGNET HOUSING RH DISPLAY
40	2215716-3	2	OPR BP/D KIT	1	WideOpen MAGNET HOUSING LH DISPLAY
41	2215716-4	1	OPR BP/D KIT	1	WideOpen MAGNET HOUSING CNTR DISPLAY

WideOpen REAR END BELL ASSEMBLY

2238731



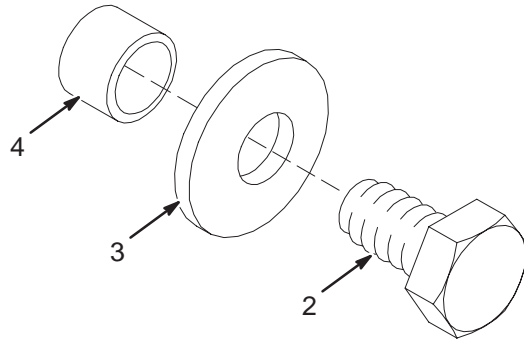
REAR END BELL ASM for LONG BRIDGE 2238731 FRU 2

(PART 16 OF 2222558 PAGE 2-261)

(PART 16 OF 2222558-2 PAGE 2-263)

Item	Part Number	FRU	Name	Quantity	Description (Remarks)
3	2220483	2	PART	1	SPEAKER GRILL, WideOpen REAR ENDBELL
4	2195321	2	PART	1	GASKET
5	2224271	2	PART	1	SPEAKER GRILL GASKET
6	46-221773P2	2	TRANSDUCER	1	SPEAKER, PIEZOELECTRIC, 3.2" SQUARE
7	46-317252G3	2	CABLE ASM	1	WideOpen SPEAKER CABLE
8	46-221523P26	2	BUTTON	1	VENT PLUG, WHITE, 7/8 DIA.
9	46-317157G6	2	CABLE ASM.	1	MICROPHONE CABLE WideOpen SERVICE
10	46-317134P1	2	MIKE HOUSING	1	USE 46-317109G1 AS FIELD REPLACEMENT
11	46-136374P65	2	RING	1	WIDTH .07, ID 0.551, DUROMETER A 70
12	2229616	2	MIC FOAM BAF	1	WideOpen MICROPHONE FOAM BAFFLE
13	46-317135P1	2	CABLE CLAMP	1	USE 46-317109G1 AS FIELD REPLACEMENT
14	46-170617P2	2	ADHESIVE	AR	RTV SILICON RUBBER ADHESIVE SEALANT.
15	46-208747P1	1	VIBRATION IS	5	CABLE TIE,ADH.BACKED
16	46-208758P2	1	TY-RAP	5	5.5" X .140" SELF-LOCKING CABLE TIE.
17	46-282264P1	2	ADHESIVE	AR	2 OZ DUAL-PAK CARTRIDGE EPOXY, CLEAR
20	2109874-12	2	SCREW	3	SCREW COUNTERSUNK HEA 4 MM 16 MM
21	2109877	2	NUT	4	NUT HEXAGON 4 MM
22	46-208560P11	2	SCREW	2	SCREW
23	2224961	2	JACKET	1	FRONT END BELL INSULATION JACKET
24	2224961-2	2	JACKET	1	FRONT END BELL INSULATION JACKET
25	46-136246P21	2	TAPE	2	2" WIDE X 25 YD WHITE VELCRO HOOKS
26	2143771-2	2	TEFLON TAPE	AR	2" TEFLON TAPE
27	2217454	2	REAR ENDBELL	1	WideOpen REAR ENDBELL
86	46-294151P2	2	ADHES SPEC	AR	LOCKTITE #242 TYPE 11

WideOpen SHOULDER BOLT FOR BRIDGE SUPPORT 2237017



BRIDGE SUPPORT SHOULDER BOLT 2237017 FRU 2

(PART 225 OF 2222558 PAGE 2-261)
(PART 225 OF 2222558-2 PAGE 2-263)

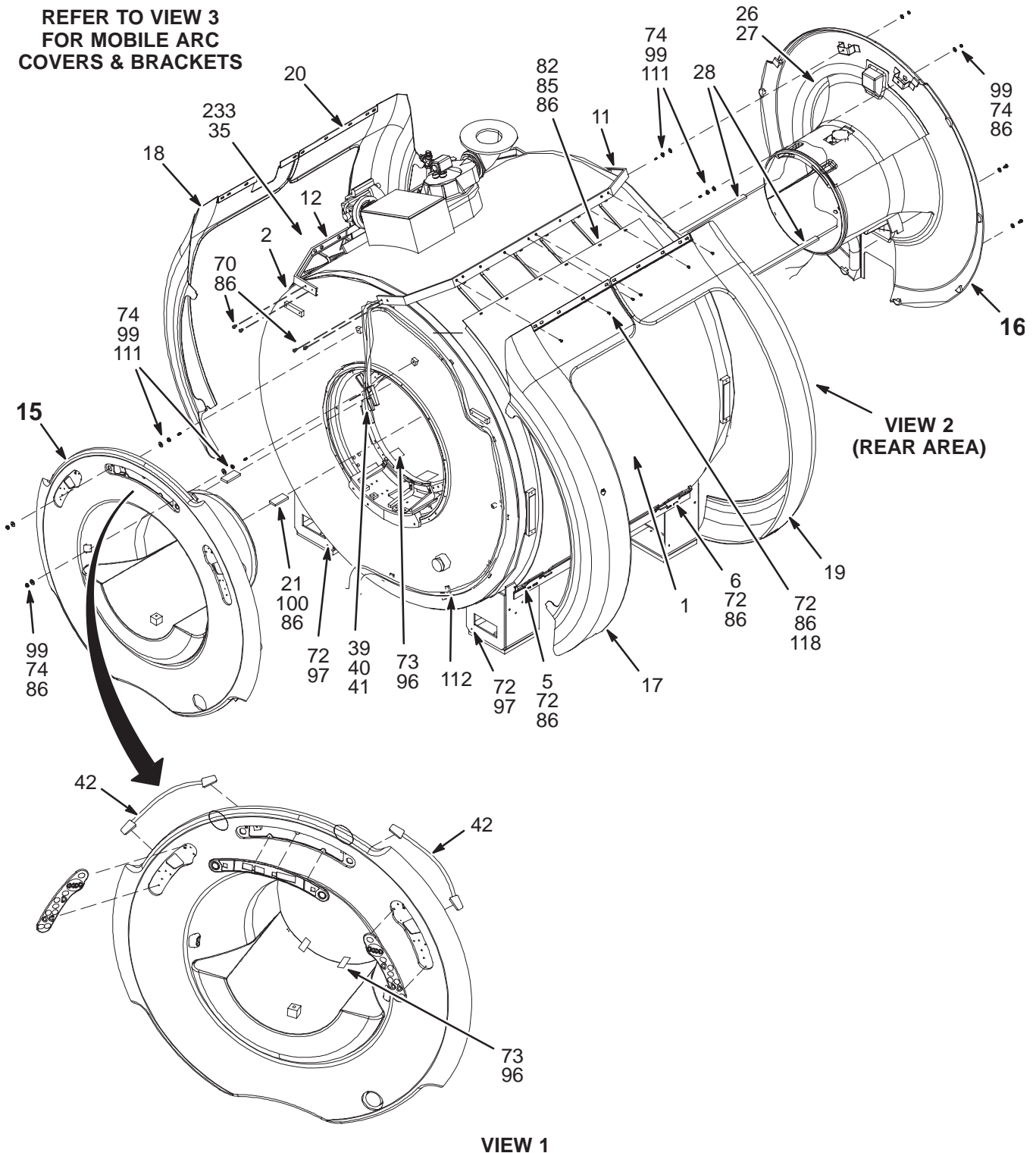
Item	Part Number	FRU	Name	Quantity	Description (Remarks)
2	2109866-20	2	SCREW	1	SCREW HEXAGON HEAD 10 MM 25 MM
3	2221418-2	2	WASHER	1	WASHER PLAIN - LARGE 10.5 MM 38.1 MM
4	2237026	2	TUBE -.50 OD	1	DIELECTRIC SPACER

2-18 WideOpen CARDIAC ENCLOSURE COVERS AND END BELLS

CARDIAC WideOpen MAGNET ENCLOSURE

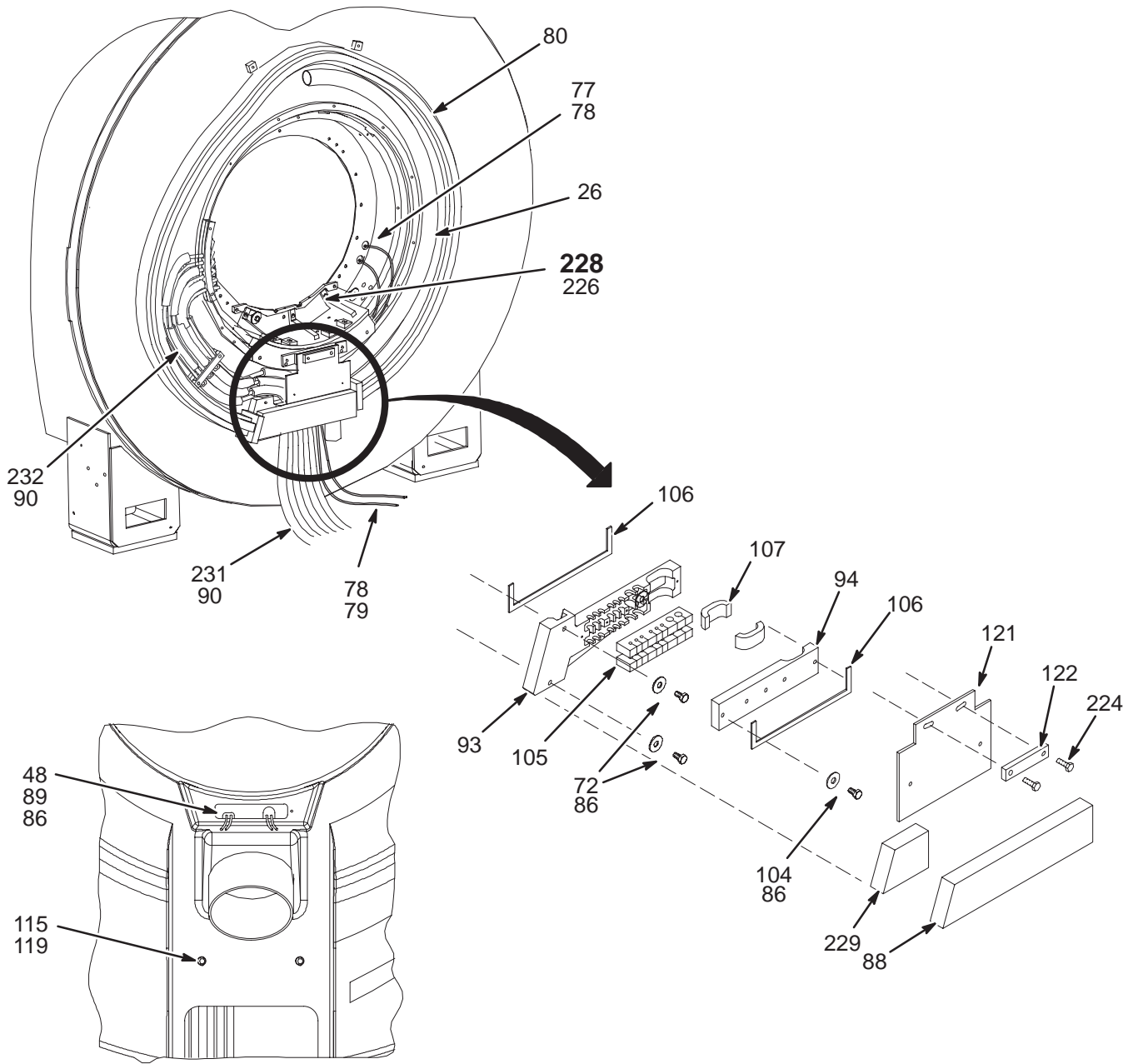
2235160 & 2235160-2

REFER TO VIEW 3
FOR MOBILE ARC
COVERS & BRACKETS



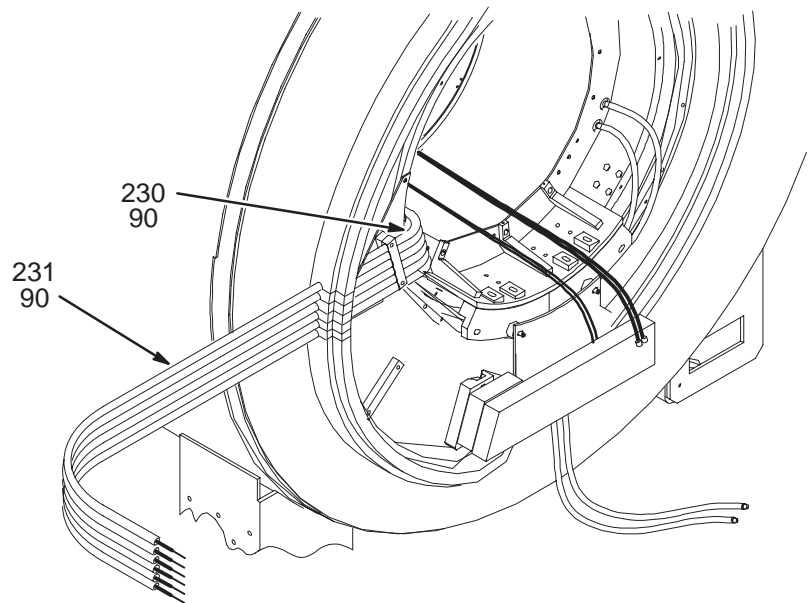
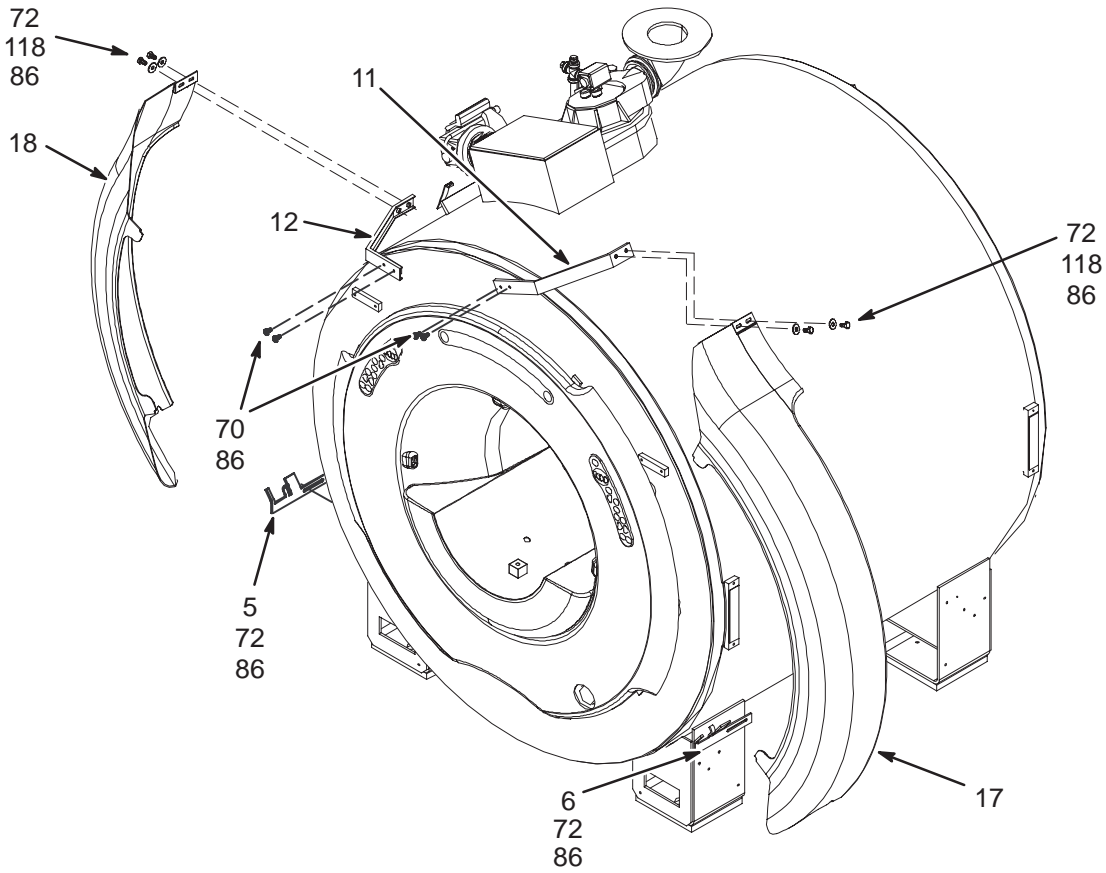
CARDIAC WideOpen MAGNET ENCLOSURE

2235160 & 2235160-2



VIEW 2

CARDIAC WideOpen MOBILE MAGNET ENCLOSURE 2235160-2



VIEW 3
MOBILE ARC COVERS AND BRACKETS

CARDIAC WideOpen ENCLOSURE

2235160 FRU N

(PART OF M1060LB – SECTION 1)

Item	Part Number	FRU	Name	Quantity	Description (Remarks)
1	2217702	2	WRAP COVER R	1	WideOpen WRAP COVER RIGHT
2	2217703	2	WRAP COVER L	1	WideOpen WRAP COVER LEFT
5	2218146	2	LOWER CLAMP	2	WideOpen LOWER CLAMPING BRACKET
6	2218146-2	2	LOWER CLAMP	2	WideOpen LOWER CLAMPING BRACKET
11	2218898	2	TOP RIGHT FR	1	WideOpen TOP RIGHT FRAME
12	2218897	2	TOP LEFT FRA	1	WideOpen TOP LEFT FRAME
15	2233034	2	FEB MIC & BA	1	CARDIAC_FRONT END BELL ASM (SEE PAGE 2-277)
16	2233036	2	REB SPEAKER	1	CARDIAC_REAR END BELL ASM (SEE PAGE 2-275)
17	2217461	2	ARC FRONT RI	1	WideOpen ARC COVER FRONT, RIGHT
18	2217462	2	ARC FRONT LE	1	WideOpen ARC FRONT LEFT COVER
19	2217463	2	ARC REAR RIG	1	WideOpen ARC REAR RIGHT COVER
20	2217464	2	ARC REAR LEF	1	WideOpen ARC COVER REAR, LEFT
21	2218899	2	BORE LIGHT E	2	WideOpen BORE LIGHT ENDCAP
26	46-282668P18	2	HOSE, NYLON	1	2 INCH DIAMETER, 132 INCH LENGTH
27	46-208765P28	2	CLAMP	1	DIA RANGE 1-13/16 - 2-3/4, 302/305
28	2222549-2	2	LIGHT PANEL	2	CARDIAC WideOpen LUMITEX LIGHT PNL
35	46-170617P1	2	ADHESIVE	AR	RTV SILICON RUBBER ADHESIVE SEALANT.
39	2221945	2	CABLE	1	MG2-A4-J5 TO MG2-A11-J4
40	2221948	2	CABLE	1	(897) MG2-A4-J3 TO MG2-A39-J9
41	2221947	2	CABLE	1	MG2A4J4 TO MG2A33J5/J6/J7/J8/J9
42	2221946	2	CABLE	2	MG2-A4-J1/J2 TO MG2-A5-J1/J2
48	2222329	2	PART	1	RF COIL FEED THRU COVER
70	2109866-50	2	SCREW	8	SCREW HEXAGON HEAD
72	2109866-20	2	SCREW	30	SCREW HEXAGON HEAD 10 MM 25 MM
73	2224551	2	LATCH	4	WideOpen END BELL LATCH
74	2167321	2	WASHER	8	WASHER
77	2226103	2	TUBE	2	HOSE
78	2226095	2	HOSE CLAMP	4	HOSE CLAMP,WORM DRIVE
79	46-294167P28	2	MTL CROSSREF	2	TUBE MENDER,CAT #91355K85, BRASS
80	2222806-2	2	PART	1	FOAM BLOCK, WideOpen REAR ENDBELL
82	2109872-6	2	SCREW	12	SCREW BUTTON HEAD 6 MM 12 MM
85	2229794	2	WASHER PLAST	12	M6 NYLON WASHER
86	46-294151P2	2	ADHES SPEC	AR	LOCKTITE #242 TYPE 11
88	2239902-3	2	FOAM SEAL	1	CONFOR FOAM
89	2109867-4	2	SCREW	4	SCREW HEXAGON SOCKET 4 MM 12 MM_SST
90	46-208758P2	2	TY-RAP	32	5.5" X .140" SELF-LOCKING CABLE TIE.
93	2227395	2	PART	1	CABLE/HOSE CLAMP, TOP
94	2227396	2	PART	1	CABLE/HOSE CLAMP, BASE
96	2227318	2	SCREW	20	SCREW CHEESE HEAD 5 MM 8 MM
97	2109879-3	2	WASHER	2	WASHER PLAIN - LARGE 10.5 MM 30 MM
99	2109875-4	2	NUT	8	NUT HEXAGON 10 MM
104	2109867-16	2	SCREW	5	SCREW HEXAGON SOCKET 6 MM 30 MM
105	2227841	2	PART	2	FOAM GASKET, HOSE/CABLE CLAMP
106	2228286	2	PART	2	FOAM SEAL, CABLE/HOSE CLAMP
107	2228287	2	PART	2	FOAM BLOCK, CABLE/HOSE CLAMP
110	46-170212P1	2	ADHESIVE	0.010	ADHESIVE
111	2116325-10	2	STUD,MAGNET	4	STUD, M10 X 75MM, STAINLESS STEEL
112	46-220191P1	2	CLAMP	14	CLAMP FOR FLAT CABLE
115	2228717	2	PART	2	WASHER, BRIDGE SUPPORT
118	2234780	2	WASHER	20	WASHER PLAIN - LARGE 10.5 MM 20 MM
119	2109867-19	2	SCREW	2	SCREW HEXAGON SOCKET 6 MM 50 MM
121	2235605	2	PLATE	1	ENDBELL ANCHOR PLATE
122	2235606	2	BLOCK	1	WASHER BLOCK
224	2109866-21	2	SCREW	2	SCREW HEXAGON HEAD 10 MM 30 MM
229	2239902-2	2	FOAM SEAL	1	CONFOR FOAM
231	2239904	2	PIPE INSULAT	9	PIPE INSULATION
233	2237254	2	TROUGH	1	TROUGH WITH SPONGE
250	2239904-3	2	PIPE INSULAT	3	PIPE INSULATION

CARDIAC MOB WideOpen ENCL

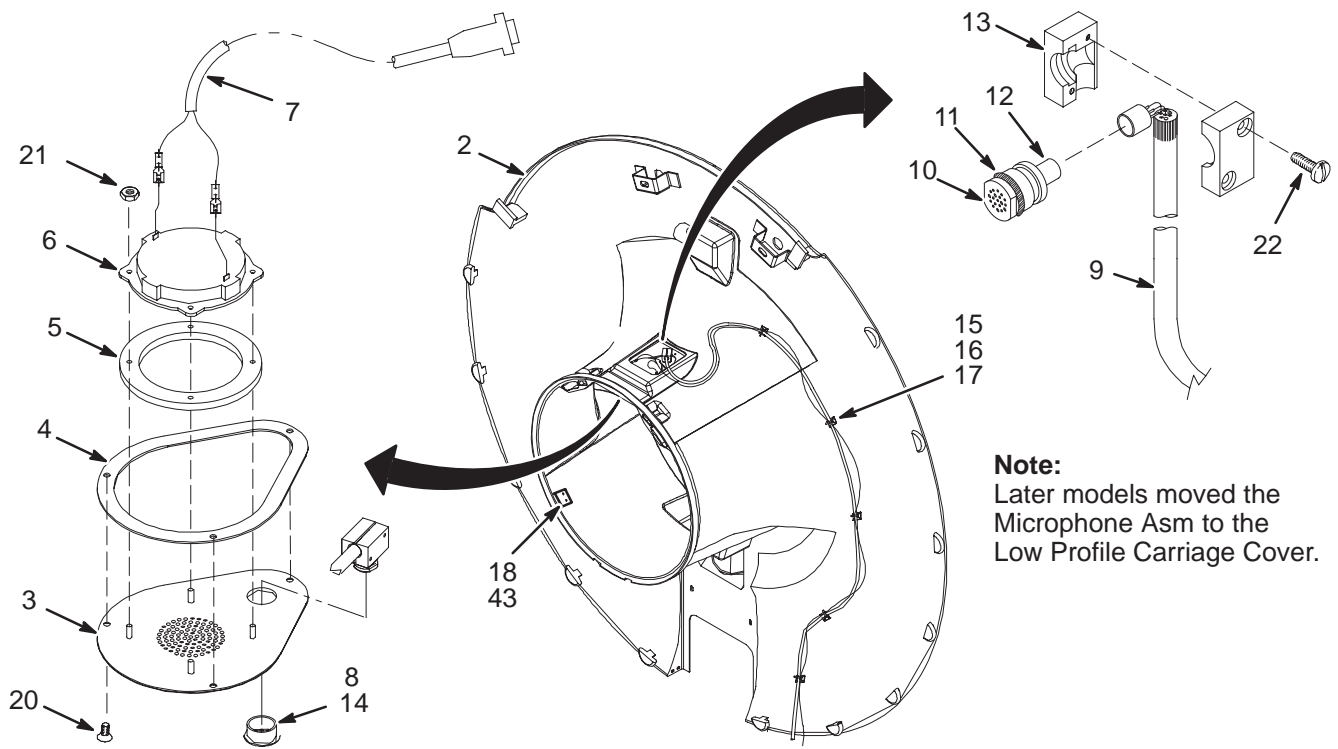
2235160-2 FRU N

(PART OF M1061LB - SECTION 1)

Item	Part Number	FRU	Name	Quantity	Description (Remarks)
5	2218146-5	2	LOWER CLAMP	1	WideOpen LOWER CLAMPING BRACKET—MOB
6	2218146-6	2	LOWER CLAMP	1	WideOpen LOWER CLAMPING BRACKET—MOB
11	2218898-2	2	TOP RIGHT FR	1	WideOpen TOP RIGHT FRAME - MOBILE
12	2218897-2	N	TOP LEFT FRA	1	WideOpen TOP LEFT FRAME - MOBILE
15	2233034	2	FEB MIC & BA	1	CARDIAC_FRONT END BELL ASM (SEE PAGE 2-277)
16	2233036	2	REB SPEAKER	1	CARDIAC_REAR END BELL ASM (SEE PAGE 2-275)
17	2217461-2	2	ARC FRONT RI	1	WideOpen ARC COVER FRONT,RIGHT—MOBILE
18	2217462-2	2	ARC FRONT LE	1	WideOpen ARC FRONT LEFT COVER—MOBILE
21	2218899	2	BORE LIGHT E	2	WideOpen BORE LIGHT ENDCAP
26	46-282668P18	2	HOSE, NYLON	1	2 INCH DIAMETER, 132 INCH LENGTH
27	46-208765P28	2	CLAMP	1	DIA RANGE 1-13/16 - 2-3/4, 302/305
28	2222549-2	2	LIGHT PANEL	2	CARDIAC WideOpen LUMITEX LIGHT PNL
35	46-170617P1	2	ADHESIVE	AR	RTV SILICON RUBBER ADHESIVE SEALANT.
39	2221945	2	CABLE	1	MG2-A4-J5 TO MG2-A11-J4
40	2221948	2	CABLE	1	(897) MG2-A4-J3 TO MG2-A39-J9
41	2221947	2	CABLE	1	MG2A4J4 TO MG2A33J5/J6/J7/J8/J9
42	2221946	2	CABLE	2	MG2-A4-J1/J2 TO MG2-A5-J1/J2
48	2222329	2	PART	1	RF COIL FEED THRU COVER
70	2109866-50	2	SCREW	4	SCREW HEXAGON HEAD
72	2109866-20	2	SCREW	16	SCREW HEXAGON HEAD 10 MM 25 MM
73	2224551	2	LATCH	4	WideOpen END BELL LATCH
74	2167321	2	WASHER	8	WASHER
77	2226103	2	TUBE	2	HOSE
78	2226095	2	HOSE CLAMP	4	HOSE CLAMP,WORM DRIVE
79	46-294167P28	2	MTL CROSSREF	2	TUBE MENDER,CAT #91355K85, BRASS
80	2222806-3	2	PART	1	FOAM BLOCK, WideOpen MOBILE INSTALL
86	46-294151P2	2	ADHES SPEC	AR	LOCKTITE #242 TYPE 11
88	2239902-3	2	FOAM SEAL	1	CONFOR FOAM
89	2109867-4	2	SCREW	4	SCREW HEXAGON SOCKET 4 MM 12 MM_SST
90	46-208758P2	2	TY-RAP	48	5.5" X .140" SELF-LOCKING CABLE TIE.
93	2227395	2	PART	1	CABLE/HOSE CLAMP, TOP
94	2227396	2	PART	1	CABLE/HOSE CLAMP, BASE
96	2227318	2	SCREW	20	SCREW CHEESE HEAD 5 MM 8 MM
97	2109879-3	2	WASHER	2	WASHER PLAIN - LARGE 10.5 MM 30 MM
99	2109875-4	2	NUT	8	NUT HEXAGON 10 MM
104	2109867-16	2	SCREW	5	SCREW HEXAGON SOCKET 6 MM 30 MM
105	2227841	2	PART	2	FOAM GASKET, HOSE/CABLE CLAMP
106	2228286	2	PART	2	FOAM SEAL, CABLE/HOSE CLAMP
107	2228287	2	PART	2	FOAM BLOCK, CABLE/HOSE CLAMP
110	46-170212P1	2	ADHESIVE	0.010	ADHESIVE
111	2116325-10	2	STUD,MAGNET	4	STUD, M10 X 75MM, STAINLESS STEEL
112	46-220191P1	2	CLAMP	14	CLAMP FOR FLAT CABLE
115	2228717	2	PART	2	WASHER, BRIDGE SUPPORT
118	2234780	2	WASHER	4	WASHER PLAIN - LARGE 10.5 MM 20 MM
119	2109867-19	2	SCREW	2	SCREW HEXAGON SOCKET 6 MM 50 MM
121	2235605	2	PLATE	1	ENDBELL ANCHOR PLATE
122	2235606	2	BLOCK	1	WASHER BLOCK
224	2109866-21	2	SCREW	2	SCREW HEXAGON HEAD 10 MM 30 MM
229	2239902-2	2	FOAM SEAL	1	CONFOR FOAM
230	2239904-2	2	PIPE INSULAT	6	PIPE INSULATION
231	2239904	2	PIPE INSULAT	9	PIPE INSULATION
233	2237254	2	TROUGH	1	TROUGH WITH SPONGE

CARDIAC REAR END BELL ASSEMBLY

2233036



Note:
Later models moved the
Microphone Asm to the
Low Profile Carriage Cover.

CARDIAC REAR END BELL ASM

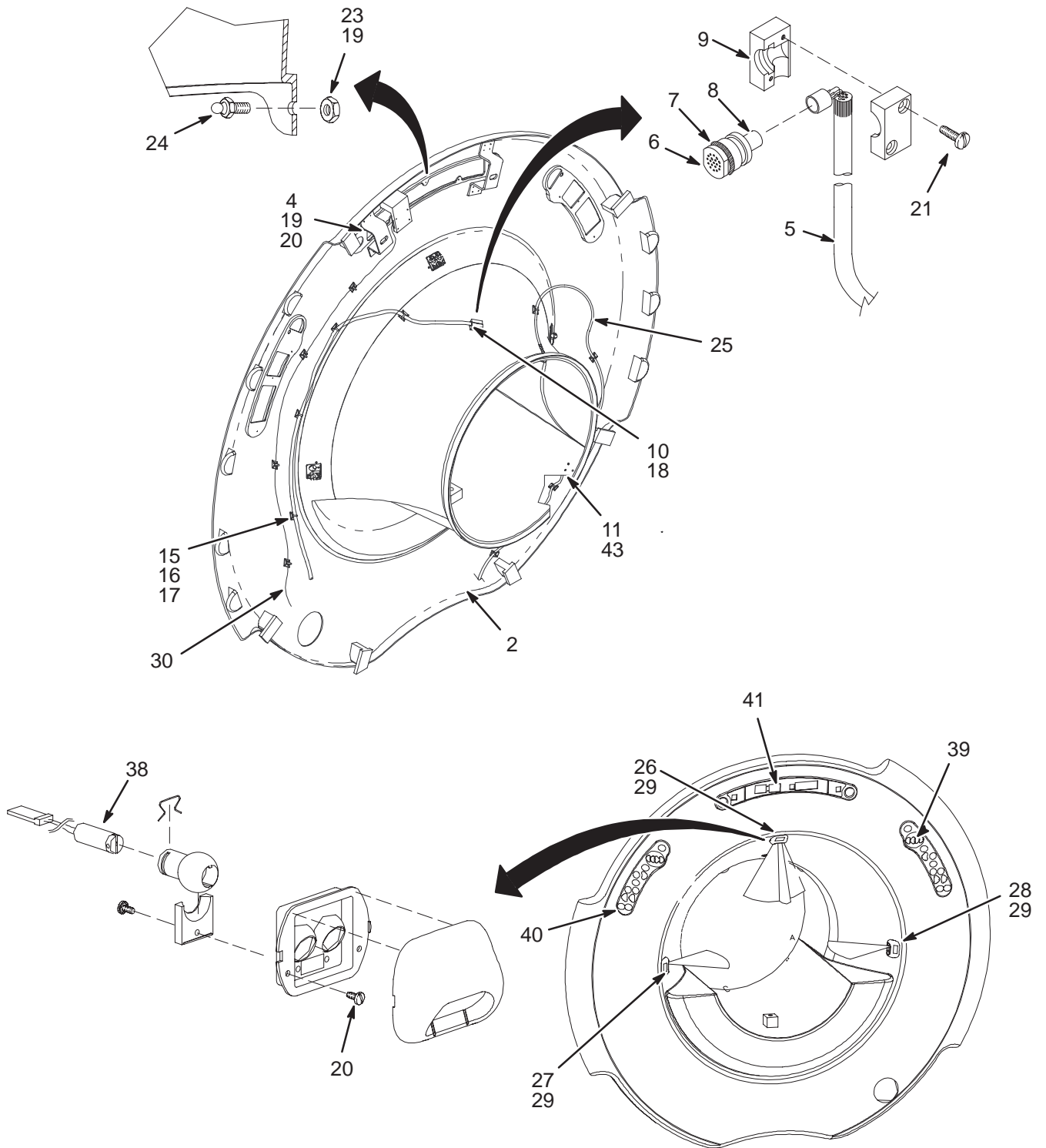
2233036 FRU 2

(PART 16 OF 2235160 PAGE 2-273)
(PART 16 OF 2235160-2 PAGE 2-274)

Item	Part Number	FRU	Name	Quantity	Description (Remarks)
2	2222877	2	ENCLOSURE --	1	CARDIAC REAR END BELL WideOpen
3A	2194557-2	2	PART	1	COVER
3B	2194557	2	PART	1	COVER
4	2195321	2	PART	1	GASKET
5	2224271	2	PART	1	SPEAKER GRILL GASKET
6	46-221773P2	2	TRANSDUCER	1	SPEAKER, PIEZOELECTRIC, 3.2" SQUARE
7	46-317252G3	2	CABLE ASM	1	WideOpen SPEAKER CABLE
8	46-221523P26	2	BUTTON	1	VENT PLUG, WHITE, 7/8 DIA.
9	46-317157G6	2	CABLE ASM.	1	MICROPHONE CABLE WideOpen SERVICE
10	46-317134P1	2	MIKE HOUSING	1	USE 46-317109G1 AS FIELD REPLACEMENT
11	46-136374P65	2	RING	1	WIDTH .07, ID 0.551, DUROMETER A 70
12	2229616	2	MIC FOAM BAF	1	WideOpen MICROPHONE FOAM BAFFLE
13	46-317135P1	2	CABLE CLAMP	1	USE 46-317109G1 AS FIELD REPLACEMENT
14	46-170617P2	2	ADHESIVE	AR	RTV SILICON RUBBER ADHESIVE SEALANT.
15	46-208747P1	1	VIBRATION IS	5	CABLE TIE,ADH.BACKED
16	46-208758P2	1	TY-RAP	5	5.5" X .140" SELF-LOCKING CABLE TIE.
18	2255884	2	PART	2	LATCH KEEPER
17	46-282264P1	2	ADHESIVE	AR	2 OZ DUAL-PAK CARTRIDGE EPOXY, CLEAR
20	2109874-12	2	SCREW	3	SCREW COUNTERSUNK HEA 4 MM 16 MM
21	2109877	2	NUT	4	NUT HEXAGON 4 MM
22	46-208560P111	2	SCREW	2	SCREW
43	2227318	2	SCREW	4	SCREW CHEESE HEAD 5 MM 8 MM

CARDIAC FRONT END BELL ASSEMBLY

2233034



CARDIAC FRONT END BELL ASM

2233034 FRU 2

(PART 15 OF 2235160 PAGE 2-273)

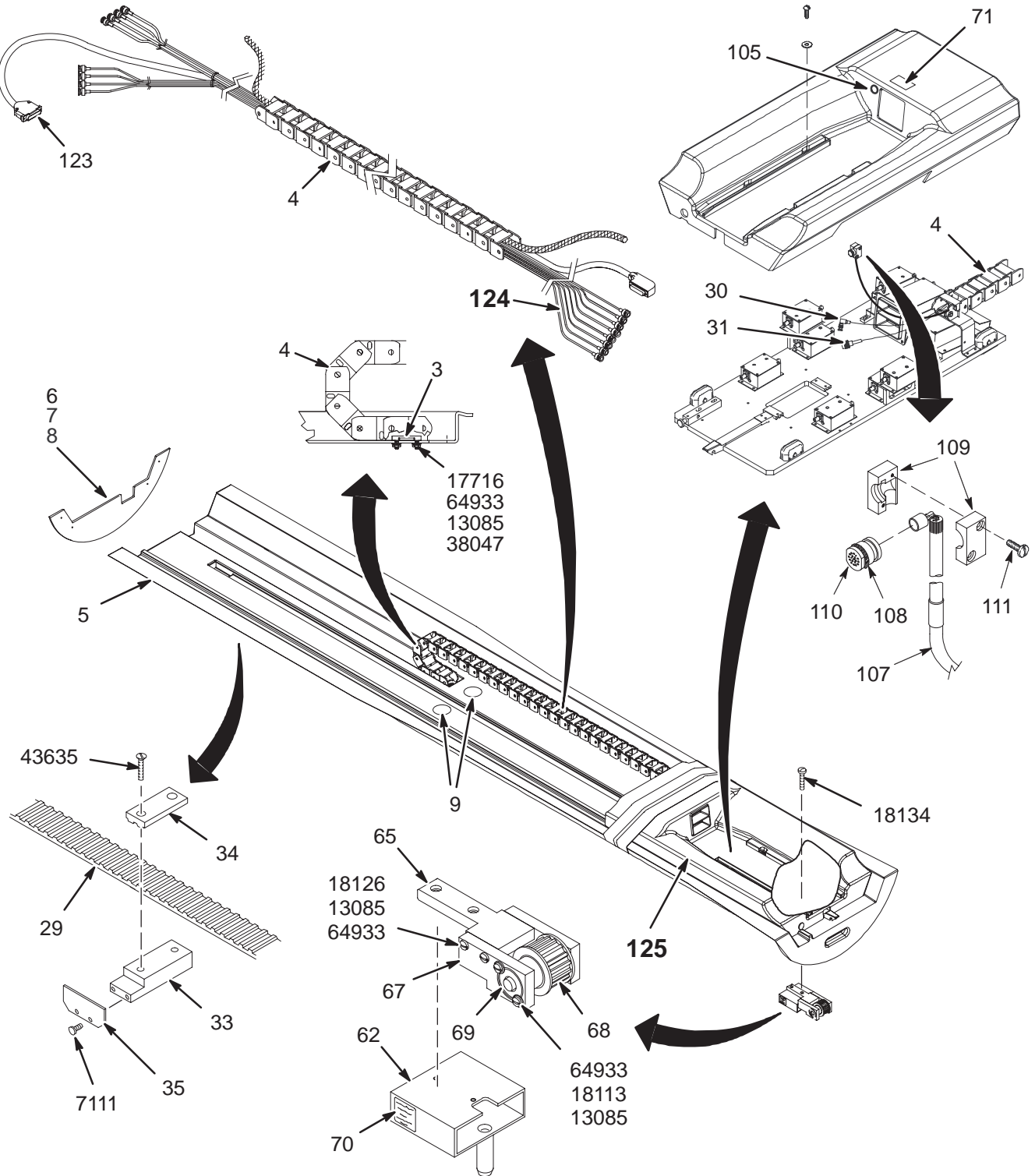
(PART 15 OF 2235160-2 PAGE 2-274)

Item	Part Number	FRU	Name	Quantity	Description (Remarks)
2	2222876	2	ENCLOSURE –	1	CARDIAC FRONT END BELL WideOpen
4	2163748	2	CIRCUIT BOAR	1	Cx VOLTAGE REGULATOR
5	46-317157G3	2	CABLE ASM.	1	(414) FRNT MICROPHN CABLE TO MG3A2J9
6	46-317134P1	2	MIKE HOUSING	1	USE 46-317109G1 AS FIELD REPLACEMENT
7	46-136374P65	2	RING	1	WIDTH .07, ID 0.551, DUROMETER A 70
8	2229616	2	MIC FOAM BAF	1	WideOpen MICROPHONE FOAM BAFFLE
9	46-317135P1	2	CABLE CLAMP	1	USE 46-317109G1 AS FIELD REPLACEMENT
10	46-221523P26	2	BUTTON	1	VENT PLUG, WHITE, 7/8 DIA.
11	2255884	N	PART	2	LATCH KEEPER
15	46-208747P1	1	VIBRATION IS	12	CABLE TIE,ADH.BACKED
16	46-208758P2	1	TY-RAP	12	5.5" X .140" SELF-LOCKING CABLE TIE.
17	46-282264P1	2	ADHESIVE	AR	2 OZ DUAL-PAK CARTRIDGE EPOXY, CLEAR
18	46-170617P2	2	ADHESIVE	AR	RTV SILICON RUBBER ADHESIVE SEALANT.
19	46-294151P2	2	ADHES SPEC	AR	LOCTITE #242 TYPE 11
20	2109873-14	2	SCREW	10	SCREW PAN HEAD 4 MM 10 MM
21	46-208560P11	2	SCREW	2	SCREW
23	46-208935P5	2	NUT	10	6-32, .313 HEX X .109 THK, BRASS
24	46-136365P2	2	FASTENER	10	TINNERMAN P116-473-12-495
25A	46-328354P1	2	CABLE ASM	1	(749), MG2-A33-J10 TO MG2-A36, 35'
25B	2285729	2	CABLE	1	(749) MG2-J33-J10 TO MG2-A36 (DUAL)
26	2221465-2	2	MODULE	1	ALIGNMENT LIGHT MODULE_TOP
27	2221465-3	2	MODULE	1	ALIGNMENT LIGHT MODULE_LEFT
28	2221465-4	2	MODULE	1	ALIGNMENT LIGHT MODULE_RIGHT
29	2109873-14	2	SCREW	6	SCREW PAN HEAD 4 MM 10 MM
30	2162563	2	CABLE	1	(385) PP1-J20 TO MG2-A30-JP1 PAL BD
38	2162554-2	2	LASER DIODE	4	LASER FOR Cx MAG FRT COVER ASM
39	2215716-2	2	OPR BP/D KIT	1	MAGNET HOUSING RH DISPLAY
40	2215716-3	2	OPR BP/D KIT	1	MAGNET HOUSING LH DISPLAY
41	2215716-4	1	OPR BP/D KIT	1	MAGNET HOUSING CNTR DISPLAY
42	2266751	N	TAPE	AR	TAPE, POLYETHYLENE, 1.50 WIDE, WHITE
43	2227318	2	SCREW	4	SCREW CHEESE HEAD 5 MM 8 MM

2-19 WideOpen LONG BRIDGE AND CARRIAGE ASSEMBLIES

1.5T WideOpen BRIDGE w/LPCC with MULTI-COIL FOR CRM

2205099-8



1.5T CRM WideOpen BRIDGE with M-C 2205099-8 FRU N

(PART 3 OF 2202900-9 PAGE 2-249)

(PART 50 OF M3073PA PAGE 1-54)

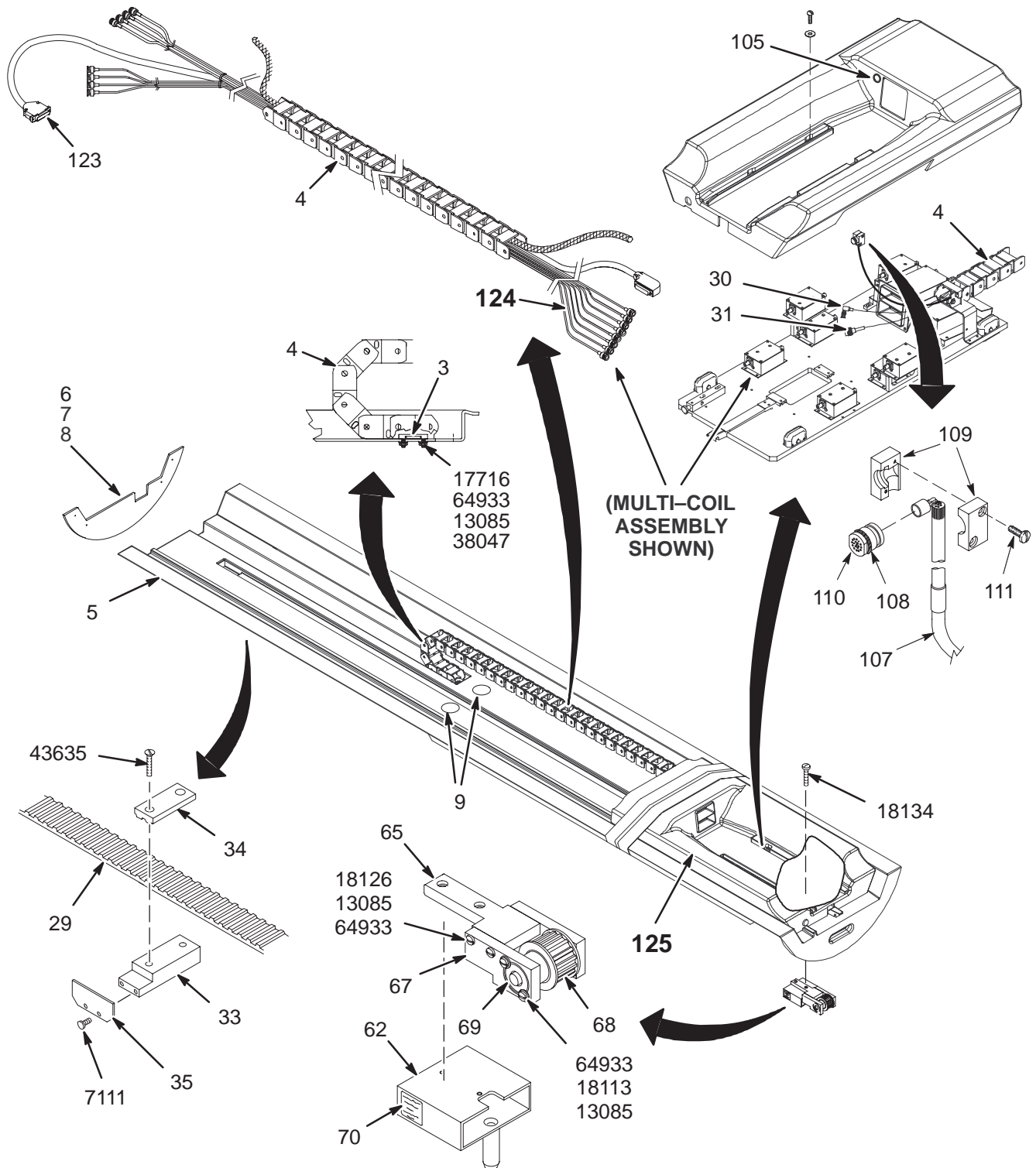
(PART 50 OF M3083PA PAGE 1-54)

(PART 50 OF M3093PA PAGE 1-55)

Item	Part Number	FRU	Name	Quantity	Description (Remarks)
3	46-282169P1	2	CLAMP	1	CABLETRACK MOUNT
4	2151445-4	2	PART	1	35 LINK CABLE TRACK W/HINGED OPEN'GS
5	2186362-4	2	PART	1	BRIDGE, S SERIES/CRM
6	2226929	2	COVER	1	WideOpen BRIDGE COVER W/LABELS
7	2131304	2	COVER,GASKET	1	GASKET, COVER, BRIDGE
8	2109873-26	2	SCREW	4	SCREW PAN HEAD 6 MM 20 MM
29	46-282388P3	2	BELT	1	3/8" PITCH GEARBELT, 1" WIDE, 19.5'L
30	46-328000G757	2	ASSEMBLY	1	(485) MG3-A17-J2 TO MW2-A16-A3-J4
31	46-320888G2	2	CABLE ASM	1	(404) MG2-A16-A5-J6 TO MG3-A17-J1
33	46-271465P1	2	CLAMP, BLOCK	1	SENSOR FLAG MOUNTING CLAMP BLOCK
34	46-271436P1	2	CLAMP, BELT	1	SENSOR FLAG TOP CLAMP
35	46-282436P1	2	FLAG	1	CARRIAGE TRAVEL SENSOR FLAG
62	2160019	2	PART	1	SUPPORT UPPER FRT-BRIDGE Cx
65	46-271432P1	2	MOUNT BRIDGE	1	BRIDGE ATTACHMENT TONGUE
67	46-328446P1	2	SUPPORT BLK.	2	SUPPORT BLOCK
68	46-282646G1	2	PULLEY ASM	1	DRIVE BELT IDLER PULLEY
69	46-282471P12	2	BEARING	2	BEARING
70	46-282756P1	2	LABEL	2	WARNING, CONTAINS FERROUS MATERIAL
71	2214469-2	2	LABEL	1	CRM HEAD/NECK COIL ATTN MULTILINGUAL
105	46-221523P26	2	BUTTON	1	VENT PLUG, WHITE, 7/8 DIA.
106	46-282264P1	2	ADHESIVE	AR	2 OZ DUAL-PAK CARTRIDGE EPOXY, CLEAR
107	46-317157G6	2	CABLE ASM.	1	MICROPHONE CABLE WideOpen SERVICE
108	46-136374P65	2	RING	1	WIDTH .07, ID 0.551, DUROMETER A 70
109	46-317135P1	2	CABLE CLAMP	1	CABLE CLAMP - USE 46-317109G1 AS
110	46-317134P1	2	MIKE HOUSING	1	MIKE HOUSING—USE 46-317109G1 AS
111	46-208560P111	2	SCREW	2	SCREW 6-32 X 5/8 SS
123	46-328371P3	2	CABLE ASM	1	(736) MG3-A36-J19 TO MG2-A16-A8-J9
124	46-317220G21	N	RF CABLE	1	MULTICOIL CABLE TAKEUP RF CABLES (SEE PAGE 2-204)
125	2205098-2	N	ASSEMBLY	1	1.5T W/PA LOW PROFILE CARRIAGE CVR (SEE PAGE 2-217)
7111	46-265486P8	2	SCREW	2	SCREW
13085	46-220196P3	2	WASHER	10	#10 SCREW SIZE (0.190), SST
17716	46-208913P29	2	SCREW	2	BRS SLOTTED FLT HD SCR 10-32 X 1"
18113	46-220184P41	2	SCREW	4	BRS SLOTTED RND HD SCR 10-32 X 1/2
18126	46-220184P44	2	SCREW	4	SCREW
18134	46-220184P46	2	SCREW	2	BRS SLOTTED RND HD SCR 10-32 X 1 1/4
38047	46-208938P5	2	NUT	2	10-32, 3/8" HEX X .130 THK, 18-8 SST
43635	46-230008P1	2	SCREW	2	SCREW
64933	1000904P425	2	WASHER	10	0.2 ID, 0.5 OD, .04 THK, B11H89C

1.5T & 1.0T WideOpen BRIDGE w/LPCC

2205100-5 THRU 2205100-8



1.5T WideOpen BRIDGE with M-C

2205100-5 FRU N

(PART 3 OF 2202900-6 PAGE 2-248)

(PART 3 OF 2202900-8 PAGE 2-249)

Item	Part Number	FRU	Name	Quantity	Description (Remarks)
3	46-282169P1	2	CLAMP	1	CABLETRACK MOUNT
4	2151445-4	2	PART	1	35 LINK CABLE TRACK W/HINGED OPEN'GS
5	2219401	2	BRIDGE	1	WideOpen, 60 CM BRIDGE
6	2226929	2	COVER	1	WideOpen BRIDGE COVER W/LABELS
7	2131304	2	COVER,GASKET	1	GASKET, COVER, BRIDGE
8	2109873-26	2	SCREW	4	SCREW PAN HEAD 6 MM 20 MM
9	46-214708P38	2	PLUG, HOLE	4	HEYCO PLUG 2754 WHITE 1-3/8
29	46-282388P3	2	BELT	1	3/8" PITCH GEARBELT, 1" WIDE, 19.5'L
30	46-328000G757	2	ASSEMBLY	1	(485) MG3-A17-J2 TO MW2-A16-A3-J4
31	46-320888G2	2	CABLE ASM	1	(404) MG2-A16-A5-J6 TO MG3-A17-J1
33	46-271465P1	2	CLAMP, BLOCK	1	SENSOR FLAG MOUNTING CLAMP BLOCK
34	46-271436P1	2	CLAMP, BELT	1	SENSOR FLAG TOP CLAMP
35	46-282436P1	2	FLAG	1	CARRIAGE TRAVEL SENSOR FLAG
62	2160019	2	PART	1	SUPPORT UPPER FRT-BRIDGE Cx
65	46-271432P1	2	MOUNT BRIDGE	1	BRIDGE ATTACHMENT TONGUE
67	46-328446P1	2	SUPPORT BLK.	2	SUPPORT BLOCK
68	46-282646G1	2	PULLEY ASM	1	DRIVE BELT IDLER PULLEY
69	46-282471P12	2	BEARING	2	BEARING
70	46-282756P1	2	LABEL	2	WARNING, CONTAINS FERROUS MATERIAL
105	46-221523P26	2	BUTTON	1	VENT PLUG, WHITE, 7/8 DIA.
106	46-282264P1	2	ADHESIVE	AR	2 OZ DUAL-PAK CARTRIDGE EPOXY, CLEAR
107	46-317157G6	2	CABLE ASM.	1	MICROPHONE CABLE WideOpen SERVICE
108	46-136374P65	2	RING	1	WIDTH .07, ID 0.551, DUROMETER A 70
109	46-317135P1	2	CABLE CLAMP	1	CABLE CLAMP - USE 46-317109G1 AS
110	46-317134P1	2	MIKE HOUSING	1	MIKE HOUSING—USE 46-317109G1 AS
111	46-208560P111	2	SCREW	2	SCREW 6-32 X 5/8 SS
123	46-328371P3	2	CABLE ASM	1	(736) MG3-A36-J19 TO MG2-A16-A8-J9
124	46-317220G21	N	RF CABLE	1	MULTICOIL CABLE TAKEUP RF CABLES (SEE PAGE 2-204)
125	2205098-2	N	ASSEMBLY	1	1.5T W/PA LOW PROFILE CARRIAGE CVR (SEE PAGE 2-217)
7111	46-265486P8	2	SCREW	2	SCREW
13085	46-220196P3	2	WASHER	10	#10 SCREW SIZE (0.190), SST
17716	46-208913P29	2	SCREW	2	BRS SLOTTED FLT HD SCR 10-32 X 1"
18113	46-220184P41	2	SCREW	4	BRS SLOTTED RND HD SCR 10-32 X 1/2
18126	46-220184P44	2	SCREW	4	SCREW
18134	46-220184P46	2	SCREW	2	BRS SLOTTED RND HD SCR 10-32 X 1 1/4
38047	46-208938P5	2	NUT	2	10-32, 3/8" HEX X .130 THK, 18-8 SST
43635	46-230008P1	2	SCREW	2	SCREW
64933	1000904P425	2	WASHER	10	0.2 ID, 0.5 OD, .04 THK, B11H89C

1.0T WideOpen BRIDGE w/o M-C

2205100-6 FRU N

(PART 3 OF 2202900 PAGE 2-247)

(PART 3 OF 2202900-3 PAGE 2-247)

Item	Part Number	FRU	Name	Quantity	Description (Remarks)
3	46-282169P1	2	CLAMP	1	CABLETRACK MOUNT
4	46-282389P4	2	CABLETRAK	1	35 LINK CABLE TRACK
5	2219401	2	BRIDGE	1	WideOpen II, 60 CM BRIDGE
6	2226929	2	COVER	1	WideOpen BRIDGE COVER W/LABELS
7	2131304	2	COVER,GASKET	1	GASKET, COVER, BRIDGE
8	2109873-26	2	SCREW	4	SCREW PAN HEAD 6 MM 20 MM
9	46-214708P38	2	PLUG, HOLE	4	HEYCO PLUG 2754 WHITE 1-3/8
29	46-282388P3	2	BELT	1	3/8" PITCH GEARBELT, 1" WIDE, 19.5'L
30	46-328000G757	2	ASSEMBLY	1	(485) MG3-A17-J2 TO MW2-A16-A3-J4
31	46-320888G2	2	CABLE ASM	1	(404) MG2-A16-A5-J6 TO MG3-A17-J1
33	46-271465P1	2	CLAMP, BLOCK	1	SENSOR FLAG MOUNTING CLAMP BLOCK
34	46-271436P1	2	CLAMP, BELT	1	SENSOR FLAG TOP CLAMP
35	46-282436P1	2	FLAG	1	CARRIAGE TRAVEL SENSOR FLAG
62	2160019	2	PART	1	SUPPORT UPPER FRT-BRIDGE Cx
65	46-271432P1	2	MOUNT BRIDGE	1	BRIDGE ATTACHMENT TONGUE
67	46-328446P1	2	SUPPORT BLK.	2	SUPPORT BLOCK
68	46-282646G1	2	PULLEY ASM	1	DRIVE BELT IDLER PULLEY
69	46-282471P12	2	BEARING	2	BEARING
70	46-282756P1	2	LABEL	2	WARNING, CONTAINS FERROUS MATERIAL
105	46-221523P26	2	BUTTON	1	VENT PLUG, WHITE, 7/8 DIA.
106	46-282264P1	2	ADHESIVE	AR	2 OZ DUAL-PAK CARTRIDGE EPOXY, CLEAR
107	46-317157G6	2	CABLE ASM.	1	MICROPHONE CABLE WideOpen SERVICE
108	46-136374P65	2	RING	1	WIDTH .07, ID 0.551, DUROMETER A 70
109	46-317135P1	2	CABLE CLAMP	1	CABLE CLAMP - USE 46-317109G1 AS
110	46-317134P1	2	MIKE HOUSING	1	MIKE HOUSING—USE 46-317109G1 AS
111	46-208560P111	2	SCREW	2	SCREW 6-32 X 5/8 SS
125	2205098-3	N	ASSEMBLY	1	1.0T W/O PA LOW PROFILE CARRIAGE CVR (SEE PAGE 2-215)
7111	46-265486P8	2	SCREW	2	SCREW
13085	46-220196P3	2	WASHER	10	#10 SCREW SIZE (0.190), SST
17716	46-208913P29	2	SCREW	2	BRS SLOTTED FLT HD SCR 10-32 X 1"
18113	46-220184P41	2	SCREW	4	BRS SLOTTED RND HD SCR 10-32 X 1/2
18126	46-220184P44	2	SCREW	4	SCREW
18134	46-220184P46	2	SCREW	2	BRS SLOTTED RND HD SCR 10-32 X 1/4"
38047	46-208938P5	2	NUT	2	10-32, 3/8" HEX X .130 THK, 18-8 SST
43635	46-230008P1	2	SCREW	2	SCREW
64933	1000904P425	2	WASHER	10	0.2 ID, 0.5 OD, .04 THK, B11H89C

1.5T WideOpen BRIDGE w/o M-C

2205100-7 FRU N

(PART 3 OF 2202900-5 PAGE 2-248)

(PART 3 OF 2202900-7 PAGE 2-249)

Item	Part Number	FRU	Name	Quantity	Description (Remarks)
3	46-282169P1	2	CLAMP	1	CABLETRACK MOUNT
4	46-282389P4	2	CABLETRAK	1	35 LINK CABLE TRACK
5	2219401	2	BRIDGE	1	WideOpen II, 60 CM BRIDGE
6	2226929	2	COVER	1	WideOpen BRIDGE COVER W/LABELS
7	2131304	2	COVER,GASKET	1	GASKET, COVER, BRIDGE
8	2109873-26	2	SCREW	4	SCREW PAN HEAD 6 MM 20 MM
9	46-214708P38	2	PLUG, HOLE	4	HEYCO PLUG 2754 WHITE 1-3/8
29	46-282388P3	2	BELT	1	3/8" PITCH GEARBELT, 1" WIDE, 19.5'L
30	46-328000G757	2	ASSEMBLY	1	(485) MG3-A17-J2 TO MW2-A16-A3-J4
31	46-320888G2	2	CABLE ASM	1	(404) MG2-A16-A5-J6 TO MG3-A17-J1
33	46-271465P1	2	CLAMP, BLOCK	1	SENSOR FLAG MOUNTING CLAMP BLOCK
34	46-271436P1	2	CLAMP, BELT	1	SENSOR FLAG TOP CLAMP
35	46-282436P1	2	FLAG	1	CARRIAGE TRAVEL SENSOR FLAG
62	2160019	2	PART	1	SUPPORT UPPER FRT-BRIDGE Cx
65	46-271432P1	2	MOUNT BRIDGE	1	BRIDGE ATTACHMENT TONGUE
67	46-328446P1	2	SUPPORT BLK.	2	SUPPORT BLOCK
68	46-282646G1	2	PULLEY ASM	1	DRIVE BELT IDLER PULLEY
69	46-282471P12	2	BEARING	2	BEARING
70	46-282756P1	2	LABEL	2	WARNING, CONTAINS FERROUS MATERIAL
105	46-221523P26	2	BUTTON	1	VENT PLUG, WHITE, 7/8 DIA.
106	46-282264P1	2	ADHESIVE	AR	2 OZ DUAL-PAK CARTRIDGE EPOXY, CLEAR
107	46-317157G6	2	CABLE ASM.	1	MICROPHONE CABLE WideOpen SERVICE
108	46-136374P65	2	RING	1	WIDTH .07, ID 0.551, DUROMETER A 70
109	46-317135P1	2	CABLE CLAMP	1	CABLE CLAMP - USE 46-317109G1 AS
110	46-317134P1	2	MIKE HOUSING	1	MIKE HOUSING—USE 46-317109G1 AS
111	46-208560P111	2	SCREW	2	SCREW 6-32 X 5/8 SS
125	2205098	N	ASSEMBLY	1	1.5T W/O PA LOW PROFILE CARRIAGE CVR (SEE PAGE 2-214)
7111	46-265486P8	2	SCREW	2	SCREW
13085	46-220196P3	2	WASHER	10	#10 SCREW SIZE (0.190), SST
17716	46-208913P29	2	SCREW	2	BRS SLOTTED FLT HD SCR 10-32 X 1"
18113	46-220184P41	2	SCREW	4	BRS SLOTTED RND HD SCR 10-32 X 1/2
18126	46-220184P44	2	SCREW	4	SCREW
18134	46-220184P46	2	SCREW	2	BRS SLOTTED RND HD SCR 10-32 X 1/4"
38047	46-208938P5	2	NUT	2	10-32, 3/8" HEX X .130 THK, 18-8 SST
43635	46-230008P1	2	SCREW	2	SCREW
64933	1000904P425	2	WASHER	10	0.2 ID, 0.5 OD, .04 THK, B11H89C

1.0T WideOpen BRIDGE with M-C

2205100-8 FRU N

(PART 3 OF 2202900-2 PAGE 2-247)

(PART 3 OF 2202900-4 PAGE 2-248)

(PART 3 OF 2202900-9 PAGE 2-249)

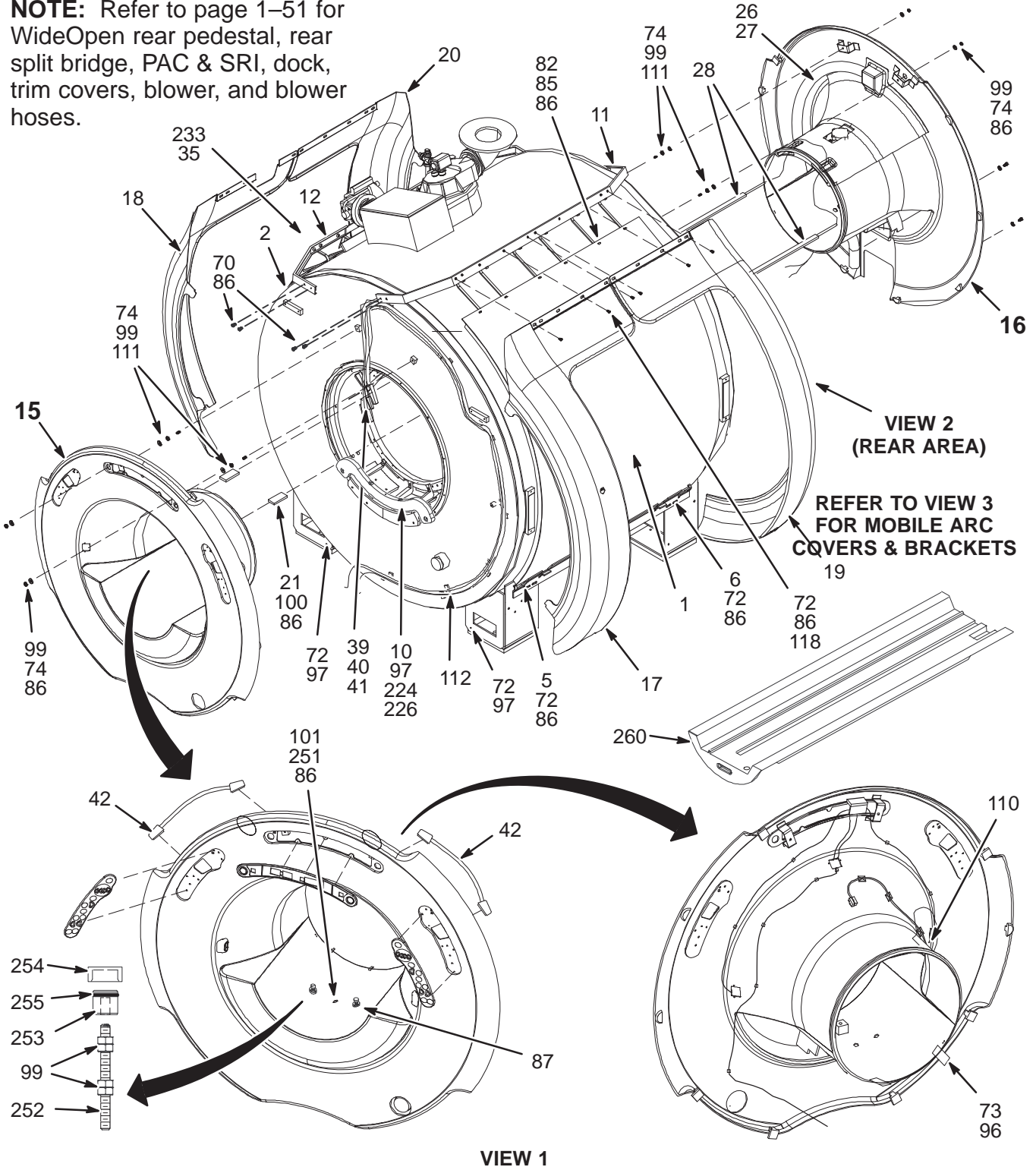
Item	Part Number	FRU	Name	Quantity	Description (Remarks)
3	46-282169P1	2	CLAMP	1	CABLETRACK MOUNT
4	2151445-4	2	PART	1	35 LINK CABLE TRACK W/HINGED OPEN'GS
5	2219401	2	BRIDGE	1	WideOpen II, 60 CM BRIDGE
6	2226929	2	COVER	1	WideOpen BRIDGE COVER W/LABELS
7	2131304	2	COVER,GASKET	1	GASKET, COVER, BRIDGE
8	2109873-26	2	SCREW	4	SCREW PAN HEAD 6 MM 20 MM
9	46-214708P38	2	PLUG, HOLE	4	HEYCO PLUG 2754 WHITE 1-3/8
29	46-282388P3	2	BELT	1	3/8" PITCH GEARBELT, 1" WIDE, 19.5'L
30	46-328000G757	2	ASSEMBLY	1	(485) MG3-A17-J2 TO MW2-A16-A3-J4
31	46-320888G2	2	CABLE ASM	1	(404) MG2-A16-A5-J6 TO MG3-A17-J1
33	46-271465P1	2	CLAMP, BLOCK	1	SENSOR FLAG MOUNTING CLAMP BLOCK
34	46-271436P1	2	CLAMP, BELT	1	SENSOR FLAG TOP CLAMP
35	46-282436P1	2	FLAG	1	CARRIAGE TRAVEL SENSOR FLAG
62	2160019	2	PART	1	SUPPORT UPPER FRT-BRIDGE Cx
65	46-271432P1	2	MOUNT BRIDGE	1	BRIDGE ATTACHMENT TONGUE
67	46-328446P1	2	SUPPORT BLK.	2	SUPPORT BLOCK
68	46-282646G1	2	PULLEY ASM	1	DRIVE BELT IDLER PULLEY
69	46-282471P12	2	BEARING	2	BEARING
70	46-282756P1	2	LABEL	2	WARNING, CONTAINS FERROUS MATERIAL
105	46-221523P26	2	BUTTON	1	VENT PLUG, WHITE, 7/8 DIA.
106	46-282264P1	2	ADHESIVE	AR	2 OZ DUAL-PAK CARTRIDGE EPOXY, CLEAR
107	46-317157G6	2	CABLE ASM.	1	MICROPHONE CABLE WideOpen SERVICE
108	46-136374P65	2	RING	1	WIDTH .07, ID 0.551, DUROMETER A 70
109	46-317135P1	2	CABLE CLAMP	1	CABLE CLAMP - USE 46-317109G1 AS
110	46-317134P1	2	MIKE HOUSING	1	MIKE HOUSING—USE 46-317109G1 AS
111	46-208560P111	2	SCREW	2	SCREW 6-32 X 5/8 SS
123	46-328371P3	2	CABLE ASM	1	(736) MG3-A36-J19 TO MG2-A16-A8-J9
124	46-317220G21	N	RF CABLE	1	MULTICOIL CABLE TAKEUP RF CABLES (SEE PAGE 2-204)
125	2205098-4	N	ASSEMBLY	1	1.0T W/PA LOW PROFILE CARRIAGE CVR (SEE PAGE 2-218)
7111	46-265486P8	2	SCREW	2	SCREW
13085	46-220196P3	2	WASHER	10	#10 SCREW SIZE (0.190), SST
17716	46-208913P29	2	SCREW	2	BRS SLOTTED FLT HD SCR 10-32 X 1"
18113	46-220184P41	2	SCREW	4	BRS SLOTTED RND HD SCR 10-32 X 1/2
18126	46-220184P44	2	SCREW	4	SCREW
18134	46-220184P46	2	SCREW	2	BRS SLOTTED RND HD SCR 10-32 X 1/4"
38047	46-208938P5	2	NUT	2	10-32, 3/8" HEX X .130 THK, 18-8 SST
43635	46-230008P1	2	SCREW	2	SCREW
64933	1000904P425	2	WASHER	10	0.2 ID, 0.5 OD, .04 THK, B11H89C

2-20 WideOpen ENCLOSURE COVERS AND END BELLS WITH SPLIT BRIDGE

WideOpen MAGNET ENCLOSURE with SPLIT BRIDGE

2222558 & 2222558-2

NOTE: Refer to page 1-51 for WideOpen rear pedestal, rear split bridge, PAC & SRI, dock, trim covers, blower, and blower hoses.



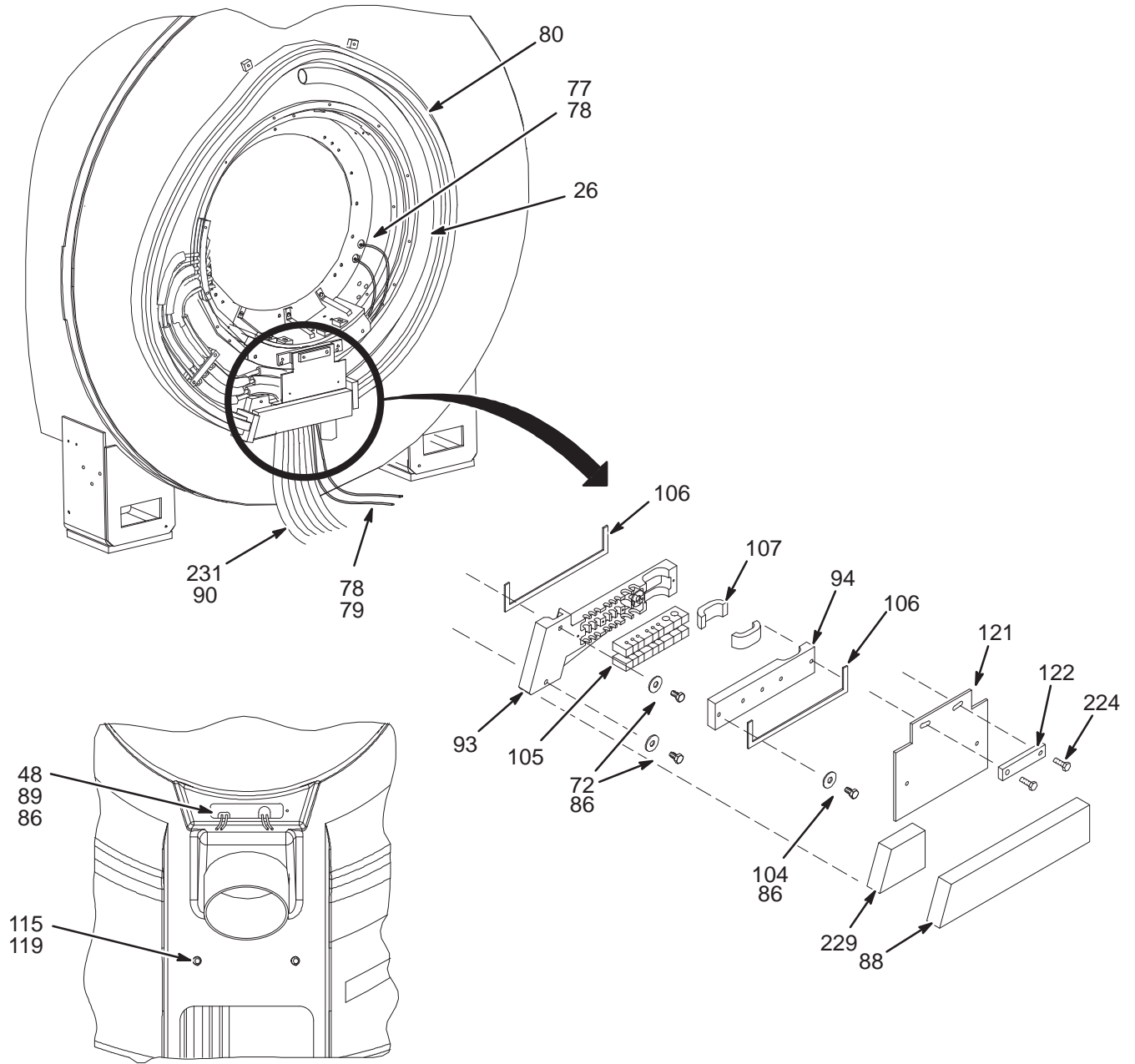
VIEW 1

VIEW 2 (REAR AREA)

REFER TO VIEW 3 FOR MOBILE ARC COVERS & BRACKETS

WideOpen MAGNET ENCLOSURE with SPLIT BRIDGE

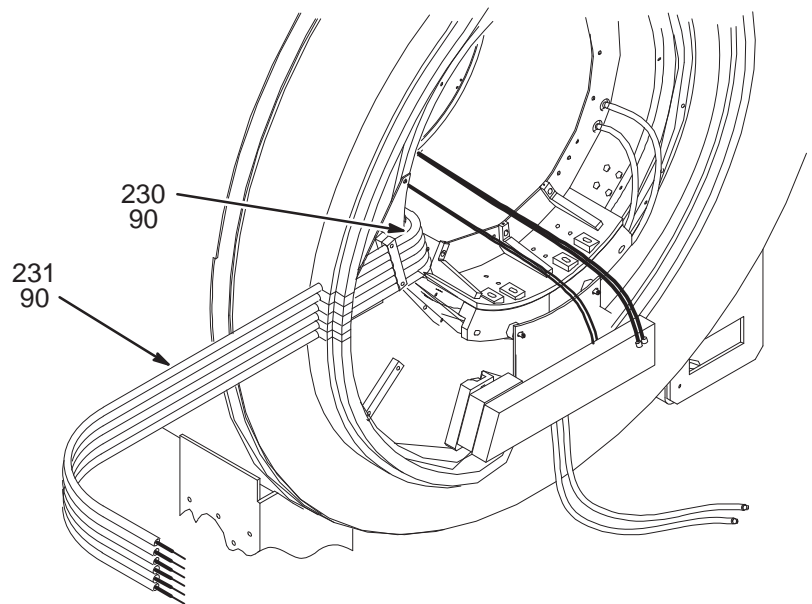
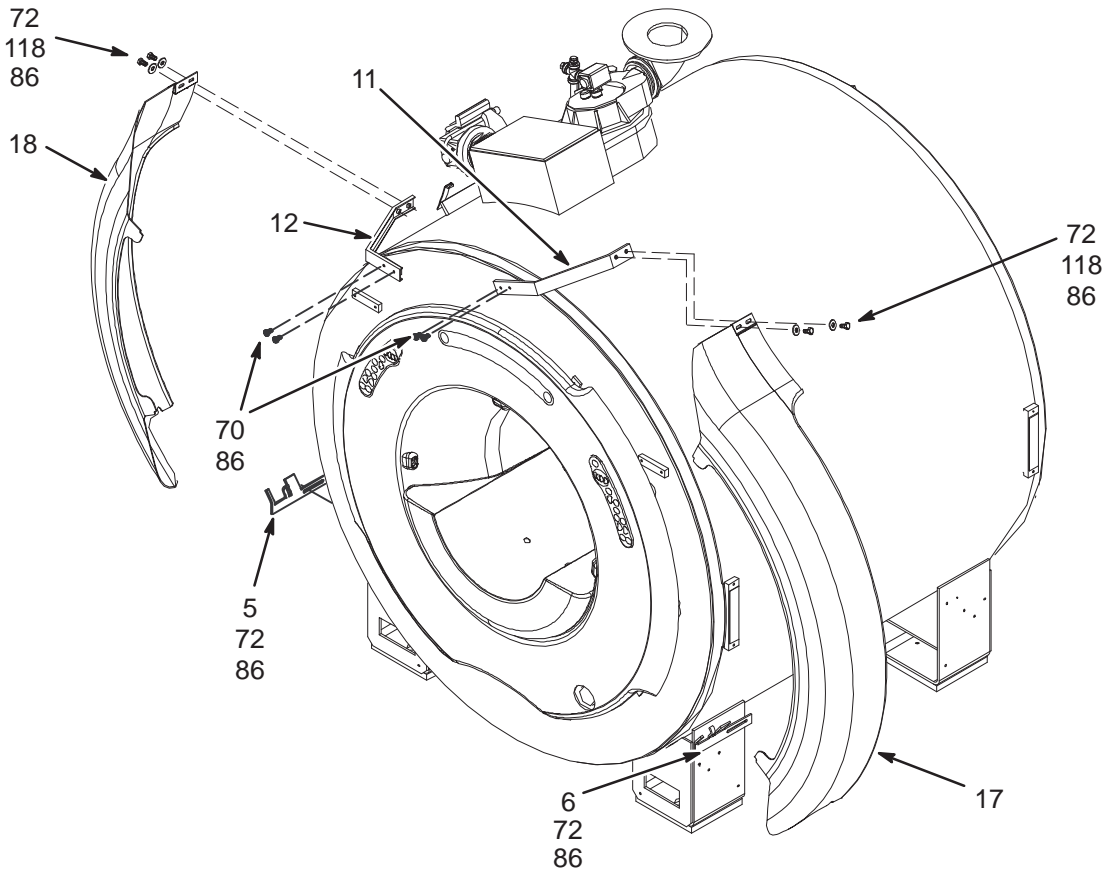
2222558 & 2222558-2



VIEW 2

WideOpen MAGNET ENCLOSURE with SPLIT BRIDGE

2222558 & 2222558-2



VIEW 3
MOBILE ARC COVERS AND BRACKETS

FXD & T/R WideOpen w/SPLIT BRIDGE 2222558 FRU N

(PART OF M1060LA – SECTION 1)

(PART OF M1860LA – SECTION 1)

Item	Part Number	FRU	Name	Quantity	Description (Remarks)
1	2217702	2	WRAP COVER R	1	WideOpen WRAP COVER RIGHT
2	2217703	2	WRAP COVER L	1	WideOpen WRAP COVER LEFT
5	2218146	2	LOWER CLAMP	2	WideOpen LOWER CLAMPING BRACKET
6	2218146-2	2	LOWER CLAMP	2	WideOpen LOWER CLAMPING BRACKET
10	2293379	1	PART	1	BRIDGE SUPPORT SPLIT BRDG
11	2218898	2	TOP RIGHT FR	1	WideOpen TOP RIGHT FRAME
12	2218897	2	TOP LEFT FRA	1	WideOpen TOP LEFT FRAME
15	2315088	1	FRONT PANEL	1	ENDBELL ASM, LCC, FRONT,SPLIT BRIDGE (SEE PAGE 2-300)
16	5120954	1	BASE	1	ENDBELL ASM, LCC, REAR, SPLIT BRIDGE (SEE PAGE NO TAG)
17	2217461	2	ARC FRONT RI	1	WideOpen ARC COVER FRONT, RIGHT
18	2217462	2	ARC FRONT LE	1	WideOpen ARC FRONT LEFT COVER
19	2217463	2	ARC REAR RIG	1	WideOpen ARC REAR RIGHT COVER
20	2217464	2	ARC REAR LEF	1	WideOpen ARC COVER REAR, LEFT
21	2218899	2	BORE LIGHT E	2	WideOpen BORE LIGHT ENDCAP
26	46-282668P18	2	HOSE, NYLON	1	2 INCH DIAMETER, 132 INCH LENGTH
27	46-208765P28	2	CLAMP	1	DIA RANGE 1-13/16 - 2-3/4, 302/305
28	2222549	2	LIGHT PANEL	2	WideOpen LUMITEX LIGHT PANEL
35	46-294151P48	N	ADHES SPEC	0.200	GE FAST CURE RTV 5818, TRANSLUCENT
39	2221945	2	CABLE	1	(848) MG2-A4-J5 TO MG2-A11-J4
40	2221948	2	CABLE	1	(897) MG2-A4-J3 TO MG2-A33-J4
41	2221947	2	CABLE	1	(861) MG2A4J4 - MG2A33J5/J6/J7/J8/J9
42	2221946	2	CABLE	2	(862/863) MG2-A4-J1/J2 TO MG2-A5-J1/
48	2222329	2	PART	1	RF COIL FEED THRU COVER
64	2174929-6	2	CONFOR FOAM	2	OPEN CELL POLYURETHANE FOAM, 45" LG
70	2109866-50	N	SCREW	8	SCREW HEXAGON HEAD
72	2109866-20	2	SCREW	30	SCREW HEXAGON HEAD 10 MM 25 MM
74	2234780	1	WASHER	8	WASHER PLAIN - LARGE 10.5 MM 20 MM
77	2226103	2	TUBE	2	HOSE
78	2226095	2	HOSE CLAMP	4	HOSE CLAMP,WORM DRIVE
79	46-294167P28	2	MTL CROSSREF	2	TUBE MENDER,CAT #91355K85, BRASS
80	2222806-4	1	PART	1	FOAM BLOCK, WideOpen FIXED INSTALL
82	2109872-6	2	SCREW	12	SCREW BUTTON HEAD 6 MM 12 MM
85	2229794	2	WASHER PLAST	12	M6 NYLON WASHER
86	46-294151P2	2	ADHES SPEC	0.100	LOCKTITE #242 TYPE 11
87	2226752-2	1	PART	2	FOAM GASKET, BRIDGE SUPPORT SPACER
88	2239902-3	2	FOAM SEAL	1	CONFOR FOAM
89	2109867-4	2	SCREW	4	SCREW HEXAGON SOCKET 4 MM 12 MM_SST
90	46-208758P2	2	TY-RAP	30	5.5" X .140" SELF-LOCKING CABLE TIE.
93	2377933	N	BASE	1.0	CLAMP BASE, HOSE & CABLE, BRM LD BRD
94	2227396	2	PART	1	CABLE/HOSE CLAMP, BASE
96	2227318	2	SCREW	20	SCREW CHEESE HEAD 5 MM 8 MM
97	2109879-3	2	WASHER	4	WASHER PLAIN - LARGE 10.5 MM 30 MM
99	2109875-4	2	NUT	12	NUT HEXAGON M10 A2-70
101	2323549	N	SPACER	1	LOCATING PIN
104	2109867-16	2	SCREW	6	SCREW HEX SOCKET CAP M6X30 A2-70

Parts List Continued on Next Page

FXD & T/R WideOpen w/SPLIT BRIDGE 2222558 FRU N (CONTINUED FROM PREVIOUS PAGE)

Item	Part Number	FRU	Name	Quantity	Description (Remarks)
105	2227841	2	PART	2	FOAM GASKET, HOSE/CABLE CLAMP
106	2228286	2	PART	2	FOAM SEAL, CABLE/HOSE CLAMP
107	2228287	2	PART	2	FOAM BLOCK, CABLE/HOSE CLAMP
110	46-170212P1	2	ADHESIVE	0.010	WAKEFIELD #120-2 JOINT CMPOUND
111	2116325-10	2	STUD,MAGNET	4	STUD, M10 X 75MM, STAINLESS STEEL
112	46-220191P1	2	CLAMP	14	CLAMP FOR FLAT CABLE
115	2228717	2	PART	2	WASHER, BRIDGE SUPPORT
119	2109867-19	2	SCREW	2	SCREW HEXAGON SOCKET 6 MM 50 MM
121	2235605	2	PLATE	1	ENDBELL ANCHOR PLATE
122	2235606	2	BLOCK	1	WASHER BLOCK
224	2109866-21	2	SCREW	4	SCREW HEXAGON HEAD 10 MM 30 MM
226	46-294151P8	1	ADHES SPEC	0.010	BOSTIK "NEVER-SEEZE" LUBRICATING
229	2239902-2	2	FOAM SEAL	1	CONFOR FOAM
231	2239904	2	PIPE INSULAT	6	PIPE INSULATION
233	2237254	2	TROUGH	1	TROUGH WITH SPONGE
251	2109867-17	N	SCREW	1	SCREW HEXAGON SOCKET 6 MM 35 MM
252	2116325-5	1	STUD, MAGNET	2	STUD SST M10 X 110MM
253	2318950	1	PART	2	CAP, SUPPORT
254	2318948	1	PART	2	CUP, CAP SUPPORT
255	46-136374P37	1	RING	2	WIDTH .139 ID 0.734 DUROMETER A 70
256	2109866-22	N	SCREW	2	CAP SCREW HEXAGON HEAD
260	2282800	1	BRIDGE ASM	1	FRONT SPLIT BRIDGE ASSEMBLY (SEE PAGE 2-303)

MOBILE WideOpen w/SPLIT BRIDGE 2222558-2 FRU N

(PART OF M1061LA – SECTION 1)

(PART OF M1861LA – SECTION 1)

Item	Part Number	FRU	Name	Quantity	Description (Remarks)
5	2218146-5	2	LOWER CLAMP	1	WideOpen LOWER CLAMPING BRACKET—MOB
6	2218146-6	2	LOWER CLAMP	1	WideOpen LOWER CLAMPING BRACKET—MOB
10	2293379	1	PART	1	BRIDGE SUPPORT SPLIT BRDG
11	2218898-2	2	TOP RIGHT FR	1	WideOpen TOP RIGHT FRAME – MOBILE
12	2218897-2	N	TOP LEFT FRA	1	WideOpen TOP LEFT FRAME – MOBILE
15	2315088	1	FRONT PANEL	1	ENDBELL ASM, LCC, FRONT,SPLIT BRIDGE (SEE PAGE 2-300)
16	5120954	1	BASE	1	ENDBELL ASM, LCC, REAR, SPLIT BRIDGE (SEE PAGE NO TAG)
17	2217461-2	2	ARC FRONT RI	1	WideOpen ARC COVER FRONT,RIGHT—MOBILE
18	2217462-2	2	ARC FRONT LE	1	WideOpen ARC FRONT LEFT COVER—MOBILE
21	2218899	2	BORE LIGHT E	2	WideOpen BORE LIGHT ENDCAP
26	46-282668P18	2	HOSE, NYLON	1	2 INCH DIAMETER, 132 INCH LENGTH
27	46-208765P28	2	CLAMP	1	DIA RANGE 1-13/16 – 2-3/4, 302/305
28	2222549	2	LIGHT PANEL	2	WideOpen LUMITEX LIGHT PANEL
35	46-294151P48	N	ADHES SPEC	0.200	GE FAST CURE RTV 5818, TRANSLUCENT
39	2221945	2	CABLE	1	(848) MG2-A4-J5 TO MG2-A11-J4
40	2221948	2	CABLE	1	(897) MG2-A4-J3 TO MG2-A33-J4
41	2221947	2	CABLE	1	(861) MG2A4J4 – MG2A33J5/J6/J7/J8/J9
42	2221946	2	CABLE	2	(862/863) MG2-A4-J1/J2 TO MG2-A5-J1/
48	2222329	2	PART	1	RF COIL FEED THRU COVER
64	2174929-6	2	CONFOR FOAM	2	OPEN CELL POLYURETHANE FOAM, 45" LG
70	2109866-50	2	SCREW	4	SCREW HEXAGON HEAD
72	2109866-20	2	SCREW	14	SCREW HEXAGON HEAD 10 MM 25 MM
73	2224551	2	LATCH	4	WideOpen END BELL LATCH
74	2234780	1	WASHER	8	WASHER PLAIN – LARGE 10.5 MM 20 MM
77	2226103	2	TUBE	2	HOSE
78	2226095	2	HOSE CLAMP	4	HOSE CLAMP,WORM DRIVE
79	46-294167P28	2	MTL CROSSREF	2	TUBE MENDER,CAT #91355K85, BRASS
80	2222806-5	1	PART	1	FOAM BLOCK, WideOpen MOBILE INSTALL
86	46-294151P2	2	ADHES SPEC	0.100	LOCKTITE #242 TYPE 11
87	2226752-2	1	PART	2	FOAM GASKET, BRIDGE SUPPORT SPACER
88	2239902-3	2	FOAM SEAL	1	CONFOR FOAM
89	2109867-4	2	SCREW	4	SCREW HEXAGON SOCKET 4 MM 12 MM_SST
90	46-208758P2	2	TY-RAP	48	5.5" X .140" SELF-LOCKING CABLE TIE.
93	2227395	2	PART	1	CABLE/HOSE CLAMP, TOP
94	2227396	2	PART	1	CABLE/HOSE CLAMP, BASE
96	2227318	2	SCREW	20	SCREW CHEESE HEAD 5 MM 8 MM
97	2109879-3	2	WASHER	4	WASHER PLAIN – LARGE 10.5 MM 30 MM
99	2109875-4	2	NUT	12	NUT HEXAGON M10 A2-70
100	2109873-14	2	SCREW	4	SCREW PAN HEAD Z M4X10 A2-70
101	2323549	N	SPACER	1	LOCATING PIN
104	2109867-16	2	SCREW	6	SCREW HEX SOCKET CAP M6X30 A2-70
105	2227841	2	PART	2	FOAM GASKET, HOSE/CABLE CLAMP
106	2228286	2	PART	2	FOAM SEAL, CABLE/HOSE CLAMP
107	2228287	2	PART	2	FOAM BLOCK, CABLE/HOSE CLAMP
110	46-170212P1	2	ADHESIVE	0.010	WAKEFIELD #120-2 JOINT CMPOUND

Parts List Continued on Next Page

MOBILE WideOpen w/SPLIT BRIDGE 2222558-2 FRU N

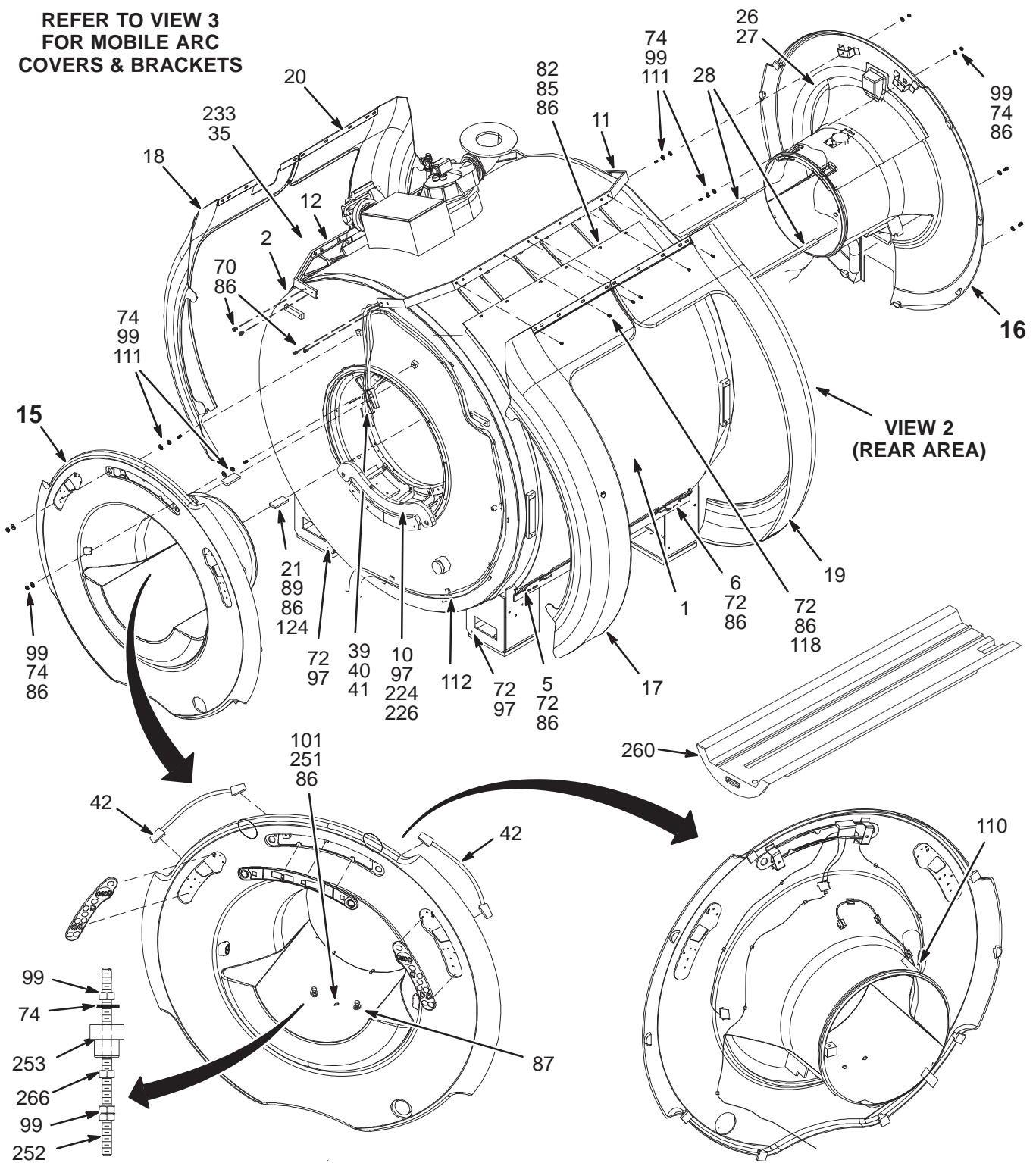
(CONTINUED FROM PREVIOUS PAGE)

Item	Part Number	FRU	Name	Quantity	Description (Remarks)
111	2116325-10	2	STUD,MAGNET	4	STUD, M10 X 75MM, STAINLESS STEEL
112	46-220191P1	2	CLAMP	14	CLAMP FOR FLAT CABLE
115	2228717	N	PART	2	WASHER, BRIDGE SUPPORT
118	2234780	2	WASHER	4	WASHER PLAIN - LARGE 10.5 MM 20 MM
119	2109867-19	2	SCREW	2	SCREW HEXAGON SOCKET 6 MM 50 MM
121	2235605	2	PLATE	1	ENDBELL ANCHOR PLATE
122	2235606	2	BLOCK	1	WASHER BLOCK
224	2109866-21	2	SCREW	4	SCREW HEXAGON HEAD 10 MM 30 MM
226	46-294151P8	1	ADHES SPEC	0.010	BOSTIK "NEVER-SEEZE" LUBRICATING
229	2239902-2	2	FOAM SEAL	1	CONFOR FOAM
230	2239904-2	2	PIPE INSULAT	12	PIPE INSULATION
231	2239904	2	PIPE INSULAT	9	PIPE INSULATION
233	2237254	2	TROUGH	1	TROUGH WITH SPONGE
251	2109867-17	N	SCREW	1	SCREW HEXAGON SOCKET 6 MM 35 MM
252	2116325-5	1	STUD, MAGNET	2	STUD SST M10 X 110MM
253	2318950	1	PART	2	CAP, SUPPORT
254	2318948	1	PART	2	CUP, CAP SUPPORT
255	46-136374P37	1	RING	2	WIDTH .139 ID 0.734 DUROMETER A 70
256	2109866-22	N	SCREW	2	CAP SCREW HEXAGON HEAD
260	2282800	1	BRIDGE ASM	1	FRONT SPLIT BRIDGE ASSEMBLY (SEE PAGE 2-303)

INFINITY WideOpen MAGNET ENCLOSURE with SPLIT BRIDGE

2308291 & 2308291-2

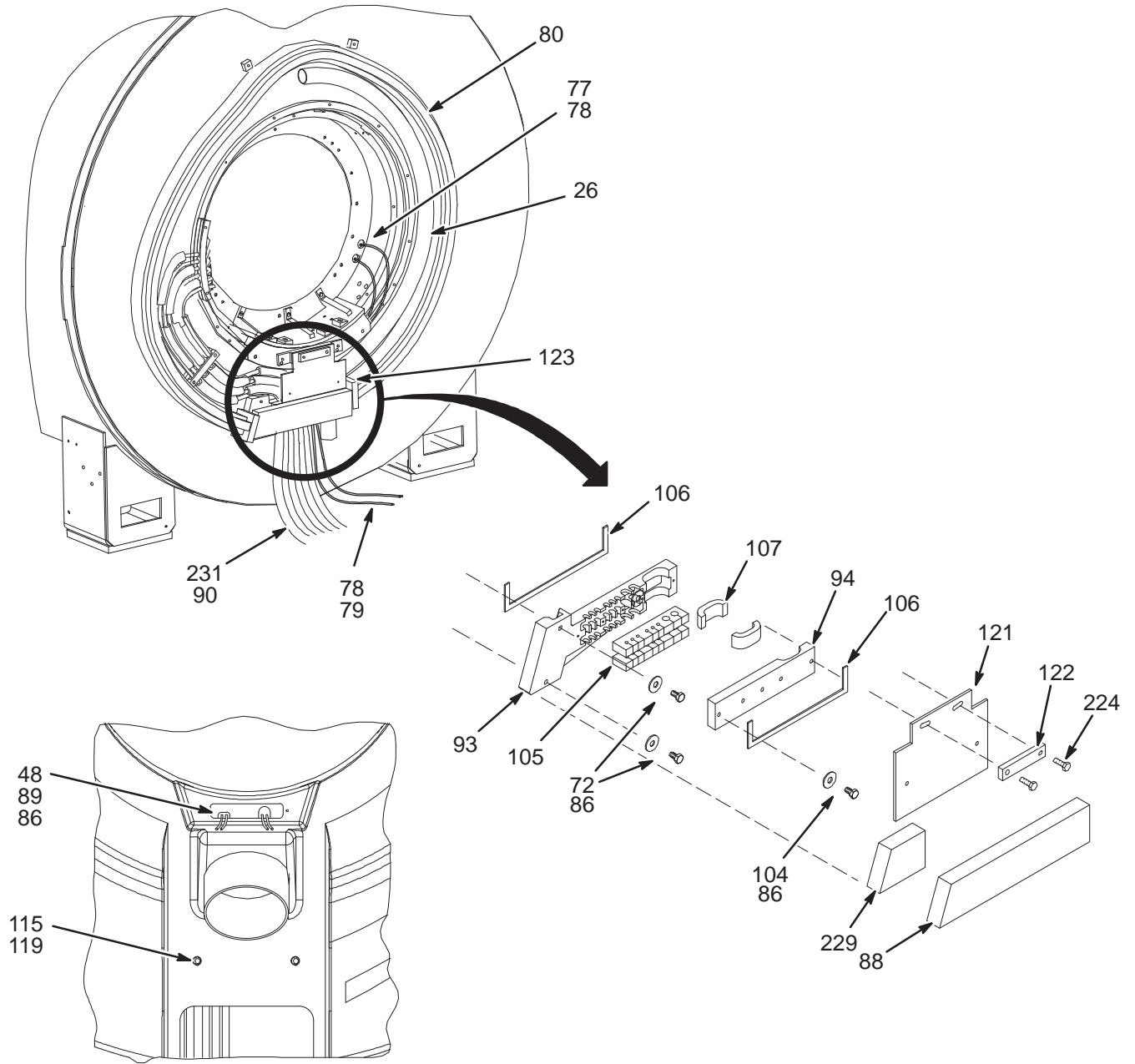
REFER TO VIEW 3
FOR MOBILE ARC
COVERS & BRACKETS



VIEW 1

INFINITY WideOpen MAGNET ENCLOSURE with SPLIT BRIDGE

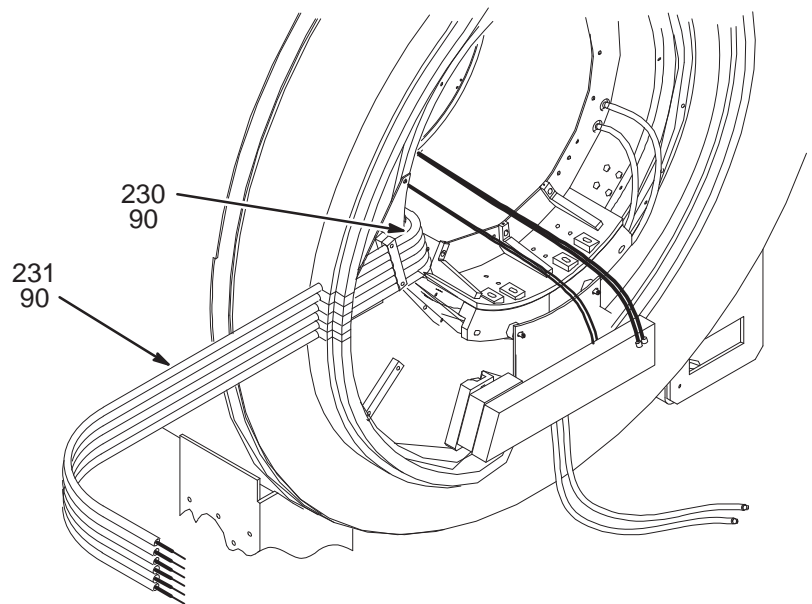
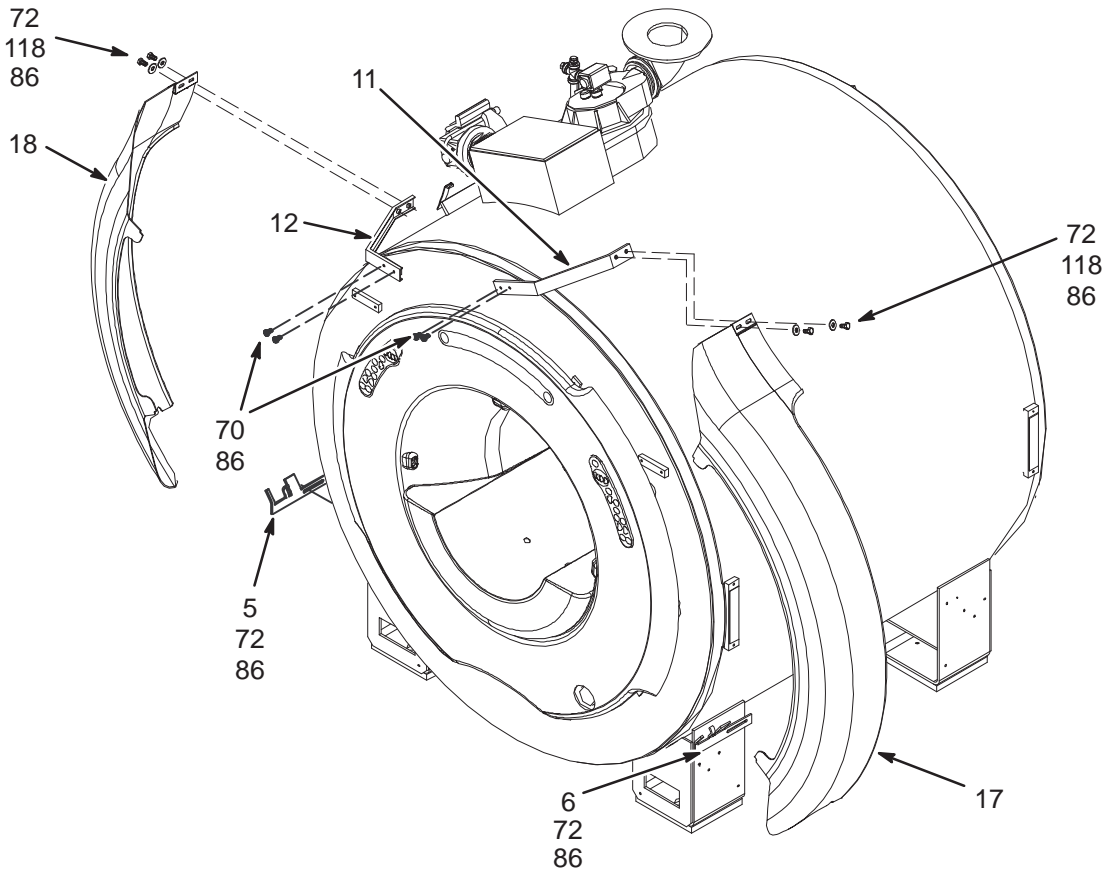
2308291 & 2308291-2



VIEW 2

INFINITY WideOpen MAGNET ENCLOSURE with SPLIT BRIDGE

2308291 & 2308291-2



VIEW 3
MOBILE ARC COVERS AND BRACKETS

INFINITY FXD & T/R WideOpen
w/SPLIT BRIDGE

2308291 FRU N

(PART 2 OF 2307972 PAGE 1-116)

Item	Part Number	FRU	Name	Quantity	Description (Remarks)
1	2217702-2	2	WRAP COVER R	1.0	TWIN WRAP COVER RIGHT
2	2217703-2	2	WRAP COVER L	1.0	TWIN WRAP COVER LEFT
5	2218146	2	LOWER CLAMP	2.0	MAESTRO LOWER CLAMPING BRACKET
6	2218146-2	2	LOWER CLAMP	2.0	MAESTRO LOWER CLAMPING BRACKET
10	2293379	2	PART	1.0	BRIDGE SUPPORT SPLIT BRDG
11	2218898	2	TOP RIGHT FR	1.0	MAESTRO TOP RIGHT FRAME
12	2218897	2	TOP LEFT FRA	1.0	MAESTRO TOP LEFT FRAME
15	2315088	2	FRONT PANEL	1.0	ENDBELL ASM, LCC, FRONT, SPLIT BRIDGE (SEE PAGE 2-300)
16	5120954	2	BASE	1.0	ENDBELL ASM, LCC, REAR, SPLIT BRIDGE (SEE PAGE NO TAG)
17	2217461-3	2	ARC FRONT RI	1.0	TWIN ARC COVER FRONT
18	2217462-3	2	ARC FRONT LE	1.0	TWIN ARC FRONT LEFT COVER
19	2217463-2	2	ARC REAR RIG	1.0	TWIN ARC REAR RIGHT COVER
20	2217464-2	2	ARC REAR LEF	1.0	TWIN ARC COVER REAR_LEFT
21	2218899	2	BORE LIGHT E	2.0	MAESTRO BORE LIGHT ENDCAP
26	46-282668P18	2	HOSE, NYLON	1.0	2 INCH DIAMETER, 132 INCH LENGTH
27	46-208765P28	2	PDM PART	1.0	DIA RANGE 1-13/16 - 2-3/4, 302/305
28	2222549	2	LIGHT PANEL	2.0	WIDE OPEN LUMITEX LIGHT PANEL
35	46-294151P48	2	ADHES SPEC	0.2	GE FAST CURE RTV 5818, TRANSLUCENT
39	2221945	2	CABLE	1.0	(848) MG2-A4-J5 TO MG2-A11-J4
40	2221948	2	CABLE	1.0	(897) MG2-A4-J3 TO MG2-A33-J4
41	2306310	2	CABLE PT	1.0	(1011)MG2-A4-J4 TO MG2-A33-J5 (SRI2)
42	2221946	2	CABLE	2.0	(862/863) MG2-A4-J1/J2 TO MG2-A5-J1/
48	2222329	2	PART	1.0	RF COIL FEED THRU COVER
64	2174929-6	2	CONFOR FOAM	2.0	OPEN CELL POLYURETHANE FOAM, 45" LG
70	2109866-50	2	PDM PART	8.0	SCREW HEXAGON HEAD
72	2109866-20	2	PDM PART	30.0	SCREW HEXAGON HEAD 10 MM 25 MM
74	46-294167P73	N	MTL CROSSREF	32.0	FLAT WASHER, METRIC, NYLON, M10
77	2226103	2	TUBE	2.0	HOSE
78	2226095	2	HOSE CLAMP	4.0	HOSE CLAMP, WORM DRIVE
79	46-294167P28	2	MTL CROSSREF	2.0	TUBE MENDER, CAT #91355K85, BRASS
80	2222806-4	2	PART	1.0	FOAM BLOCK, MAESTRO FIXED INSTALL
82	2109872-6	2	PDM PART	12.0	SCREW BUTTON HEAD 6 MM 12 MM
85	2229794	2	OUT OF CATAL	12.0	M6 NYLON WASHER
86	46-170686P3	N	ADHESIVE OLD	0.01	LOCTITE 242, 50CC
87	2226752-2	2	PART	2.0	FOAM GASKET, BRIDGE SUPPORT SPACER
88	2239902-3	2	FOAM SEAL	1.0	CONFOR FOAM
89	2109867-4	2	PDM PART	4.0	SCREW HEXAGON SOCKET 4 MM 12 MM_SST
90	46-208758P2	2	TY-RAP OLD	30.0	5.5" X .140" SELF-LOCKING CABLE TIE.
93	2377933	N	BASE	1.0	CLAMP BASE, HOSE & CABLE, BRM LD BRD
94	2227396	2	PART	1.0	CABLE/HOSE CLAMP, TOP
97	2109879-3	2	PDM PART	4.0	WASHER PLAIN - LARGE 10.5 MM 30 MM
99	2109875-4	2	NUT	14.0	NUT HEXAGON M10 A2-70
101	2323549	N	SPACER	1.0	LOCATING PIN
104	2109867-16	2	SCREW	5.0	SCREW HEX SOCKET CAP M6X30 A2-70
105	2227841	2	PART	2.0	FOAM GASKET, HOSE/CABLE CLAMP
106	2228286	2	PART	2.0	FOAM SEAL, CABLE/HOSE CLAMP
107	2228287	2	PART	2.0	FOAM BLOCK, CABLE/HOSE CLAMP
110	46-170212P1	2	ADHESIVE	0.01	WAKEFIELD #120-2 JOINT CMPOUND
111	2116325-10	2	STUD, MAGNET	4.0	STUD, M10 X 75MM, STAINLESS STEEL
112	46-220191P1	2	CLAMP OLD	14.0	CLAMP FOR FLAT CABLE

Parts List Continued on Next Page

INFINITY FXD & T/R w/SPLIT BRIDGE 2308291 FRU N (CONTINUED FROM PREVIOUS PAGE)

Item	Part Number	FRU	Name	Quantity	Description (Remarks)
115	2221418	N	PDM PART	2.0	WASHER PLAIN – LARGE 6.8 MM 38.1 MM
119	2109867–19	2	PDM PART	2.0	SCREW HEXAGON SOCKET 6 MM 50 MM
121	2235605	2	PLATE	1.0	ENDBELL ANCHOR PLATE
122	2235606	2	BLOCK	1.0	WASHER BLOCK
123	2185175	N	PART	8.0	FOAM, CLOSED CELL, BRM CONQUEST
124	2174929–8	N	CONFOR FOAM	0.2	OPEN CELL POLYURETHANE FOAM, 112” LG
125	2143771–2	N	OUT OF CATAL	3.0	2” TEFLON TAPE
126	2167321	N	PDM PART	2.0	WASHER, NEOPRENE RUBBER
224	2109866–21	2	PDM PART	4.0	SCREW HEXAGON HEAD 10 MM 30 MM
226	46–294151P8	2	ADHES SPEC	0.1	BOSTIK “NEVER–SEEZE” LUBRICATING
229	2239902–2	2	FOAM SEAL	1.0	CONFOR FOAM
233	2237254	2	TROUGH	1.0	TROUGH WITH SPONGE
251	2109867–17	N	PDM PART	1.0	SCREW HEXAGON SOCKET 6 MM 35 MM
252	2116325–12	2	STUD,MAGNET	2.0	STUD, M10 X 165MM, STAINLESS STEEL
253	2293381	2	PART	2.0	BRIDGE SUPPORT ADJ. NUT SPLIT BRDG
255	2116325–8	2	STUD,MAGNET	2.0	STUD, M10 X 45 MM, STAINLESS STEEL
256	2221625	2	WEDGE	2.0	TWIN SHIPPING SUPPORT BASE
257	2293383	2	PART	2.0	BRIDGE SUPPORT ADJ FLNG SPLIT BRDG
258	2109867–13	2	SCREW	2.0	SCREW HEX SOCKET CAP M6X16 A2–70
259	2109878–3	2	PDM PART	2.0	WASHER PLAIN – NORMAL 6.4 MM 12 MM
260	2282800	2	BRIDGE ASM	1.0	FRONT SPLIT BRIDGE ASSEMBLY (SEE PAGE 2–303)
261	2338759	N	PART	1.0	WARNING TAG
262	2214896	N	BEAM	2.0	ANGLE,LIFT BEAM
263	46–281707P15	N	SCREW, CAP	12.0	SCREW,HEX HD CAP,CARBON,GRADE8,.5–13
264	46–208758P5	N	PDM PART	30.0	SELF LOCKING CABLE TIE
265	2398124–2	N	PDM PART	1.0	MULTI–LINGUAL LASER WARNING LABEL SH
266	2293956	N	OUT OF CATAL	2.0	HEX NUT, NYLON, M10X1.5MM, 9.8 HIGH

INFINITY MOBILE WideOpen
w/SPLIT BRIDGE

2308291-2 FRU N

(PART 2 OF 2308298 PAGE 1-118)

Item	Part Number	FRU	Name	Quantity	Description (Remarks)
5	2218146-5	2	LOWER CLAMP	2.0	MAESTRO LOWER CLAMPING BRACKET—MOB
6	2218146-6	2	LOWER CLAMP	2.0	MAESTRO LOWER CLAMPING BRACKET—MOB
10	2293379	2	PART	1.0	BRIDGE SUPPORT SPLIT BRDG
11	2218898-2	2	TOP RIGHT FR	1.0	MAESTRO TOP RIGHT FRAME – MOBILE
12	2218897-2	N	TOP LEFT FRA	1.0	MAESTRO TOP LEFT FRAME – MOBILE
15	2315088	2	FRONT PANEL	1.0	ENDBELL ASM, LCC, FRONT,SPLIT BRIDGE (SEE PAGE 2-300)
16	5120954	2	BASE	1.0	ENDBELL ASM, LCC, REAR, SPLIT BRIDGE (SEE PAGE NO TAG)
17	2217461-4	2	ARC FRONT RI	1.0	TWIN ARC COVER FRONT
18	2217462-4	2	ARC FRONT LE	0.2	TWIN ARC FRONT LEFT COVER
21	2218899	2	BORE LIGHT E	2.0	MAESTRO BORE LIGHT ENDCAP
26	46-282668P18	2	HOSE, NYLON	1.0	2 INCH DIAMETER, 132 INCH LENGTH
27	46-208765P28	2	PDM PART	1.0	DIA RANGE 1-13/16 – 2-3/4, 302/305
28	2222549	2	LIGHT PANEL	2.0	WIDE OPEN LUMITEX LIGHT PANEL
35	46-294151P48	N	ADHES SPEC	0.2	GE FAST CURE RTV 5818, TRANSLUCENT
39	2221945	2	CABLE	1.0	(848) MG2-A4-J5 TO MG2-A11-J4
40	2221948	2	CABLE	1.0	(897) MG2-A4-J3 TO MG2-A33-J4
41	2306310	2	CABLE PT	1.0	(1011)MG2-A4-J4 TO MG2-A33-J5 (SRI2)
42	2221946	2	CABLE	2.0	(862/863) MG2-A4-J1/J2 TO MG2-A5-J1/
48	2222329	2	PART	1.0	RF COIL FEED THRU COVER
64	2174929-6	2	CONFOR FOAM	2.0	OPEN CELL POLYURETHANE FOAM, 45" LG
70	2109866-50	2	PDM PART	8.0	SCREW HEXAGON HEAD
72	2109866-20	2	PDM PART	30.0	SCREW HEXAGON HEAD 10 MM 25 MM
74	2234780	2	WASHER	8.0	WASHER PLAIN – LARGE 10.5 MM 20 MM
77	2226103	2	TUBE	2.0	HOSE
78	2226095	2	HOSE CLAMP	4.0	HOSE CLAMP,WORM DRIVE
79	46-294167P28	2	MTL CROSSREF	2.0	TUBE MENDER,CAT #91355K85, BRASS
80	2222806-5	2	PART	1.0	FOAM BLOCK, MAESTRO MOBILE INSTALL
86	46-294151P2	2	ADHES SPEC	0.1	LOCKTITE #242 TYPE 11
87	2226752-2	2	PART	2.0	FOAM GASKET, BRIDGE SUPPORT SPACER
88	2239902-3	2	FOAM SEAL	1.0	CONFOR FOAM
89	2109867-4	2	PDM PART	4.0	SCREW HEXAGON SOCKET 4 MM 12 MM_SST
90	46-208758P2	2	TY-RAP OLD	48.0	5.5" X .140" SELF-LOCKING CABLE TIE.
93	2227395	2	PART	1.0	CABLE/HOSE CLAMP, BASE
94	2227396	2	PART	1.0	CABLE/HOSE CLAMP, TOP
96	2227318	2	SCREW	20.0	SCREW CHEESE HEAD 5 MM 8 MM
97	2109879-3	2	PDM PART	4.0	WASHER PLAIN – LARGE 10.5 MM 30 MM
99	2109875-4	2	NUT	14.0	NUT HEXAGON M10 A2-70
100	2109873-14	2	SCREW	4.0	SCREW PAN HEAD Z M4X10 A2-70
101	2227708	2	OUT OF CATAL	1.0	WIDE OPEN RF TUBE LOCATING SPACER
104	2109867-16	2	SCREW	5.0	SCREW HEX SOCKET CAP M6X30 A2-70
105	2227841	2	PART	2.0	FOAM GASKET, HOSE/CABLE CLAMP
106	2228286	2	PART	2.0	FOAM SEAL, CABLE/HOSE CLAMP
107	2228287	2	PART	2.0	FOAM BLOCK, CABLE/HOSE CLAMP
110	46-170212P1	2	ADHESIVE	0.01	WAKEFIELD #120-2 JOINT CMPOUND
111	2116325-10	2	STUD,MAGNET	4.0	STUD, M10 X 75MM, STAINLESS STEEL
112	46-220191P1	2	CLAMP OLD	14.0	CLAMP FOR FLAT CABLE
115	2228717	2	PART	2.0	WASHER, BRIDGE SUPPORT
119	2109867-19	2	PDM PART	2.0	SCREW HEXAGON SOCKET 6 MM 50 MM
121	2235605	2	PLATE	1.0	ENDBELL ANCHOR PLATE
122	2235606	2	BLOCK	1.0	WASHER BLOCK

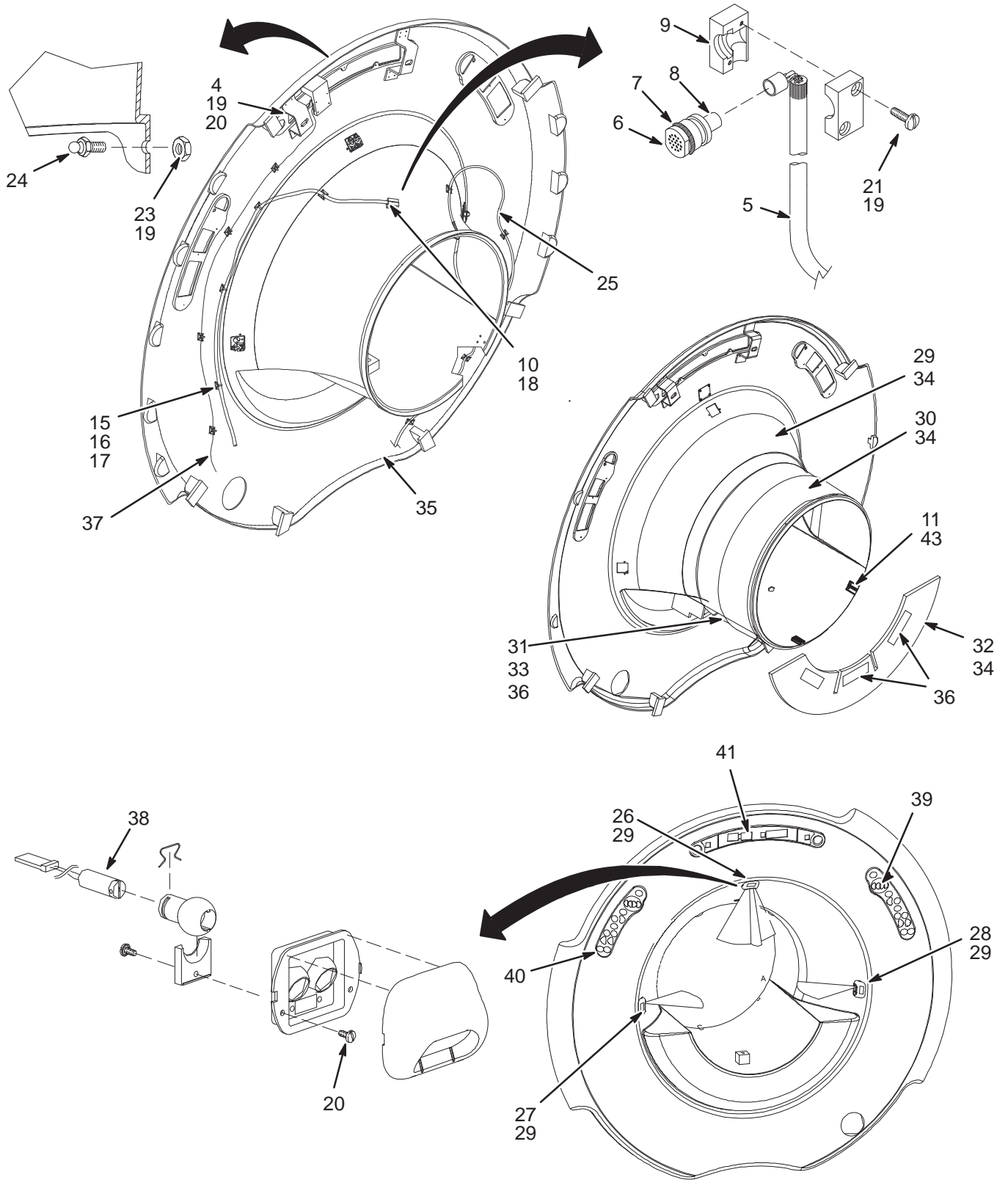
Parts List Continued on Next Page

INFINITY MOBILE w/SPLIT BRIDGE 2308291-2 FRU N (CONTINUED FROM PREVIOUS PAGE)

Item	Part Number	FRU	Name	Quantity	Description (Remarks)
224	2109866-21	2	PDM PART	4.0	SCREW HEXAGON HEAD 10 MM 30 MM
226	46-294151P8	2	ADHES SPEC	0.01	BOSTIK "NEVER-SEEZE" LUBRICATING
229	2239902-2	2	FOAM SEAL	1.0	CONFOR FOAM
230	2239904-2	2	PIPE INSULAT	12.0	PIPE INSULATION
233	2237254	2	TROUGH	1.0	TROUGH WITH SPONGE
251	2109867-20	2	SCREW	1.0	SCREW HEX SOCKET CAP M6X60/24 A2-70
252	2116325-12	2	STUD,MAGNET	2.0	STUD, M10 X 165MM, STAINLESS STEEL
253	2293381	2	PART	2.0	BRIDGE SUPPORT ADJ. NUT SPLIT BRDG
255	2116325-8	2	STUD,MAGNET	2.0	STUD, M10 X 45 MM, STAINLESS STEEL
256	2221625	2	WEDGE	2.0	TWIN SHIPPING SUPPORT BASE
257	2293383	2	PART	2.0	BRIDGE SUPPORT ADJ FLNG SPLIT BRDG
258	2109867-13	2	SCREW	2.0	SCREW HEX SOCKET CAP M6X16 A2-70
259	2109878-3	2	PDM PART	2.0	WASHER PLAIN - NORMAL 6.4 MM 12 MM
260	2282800	2	BRIDGE ASM	1.0	FRONT SPLIT BRIDGE ASSEMBLY (SEE PAGE 2-303)
261	2338759	N	PART	1.0	WARNING TAG
262	2214896	N	BEAM	2.0	ANGLE,LIFT BEAM
263	46-281707P15	N	SCREW, CAP	12.0	SCREW,HEX HD CAP,CARBON,GRADE8,.5-13
264	46-208758P5	N	PDM PART	30.0	SELF LOCKING CABLE TIE
265	2398124-2	N	PDM PART	1.0	MULTI-LINGUAL LASER WARNING LABEL SH
266	46-294167P73	N	MTL CROSSREF	2.0	FLAT WASHER, METRIC, NYLON, M10
267	2293956	N	OUT OF CATAL	2.0	HEX NUT, NYLON, M10X1.5MM, 9.8 HIGH

WideOpen FRONT END BELL ASSEMBLY for SPLIT BRIDGE

2315088



FRONT END BELL for SPLIT BRIDGE 2315088 FRU 1

(PART 15 OF 2222558 PAGE 2-288)

(PART 15 OF 2222558-2 PAGE 2-290)

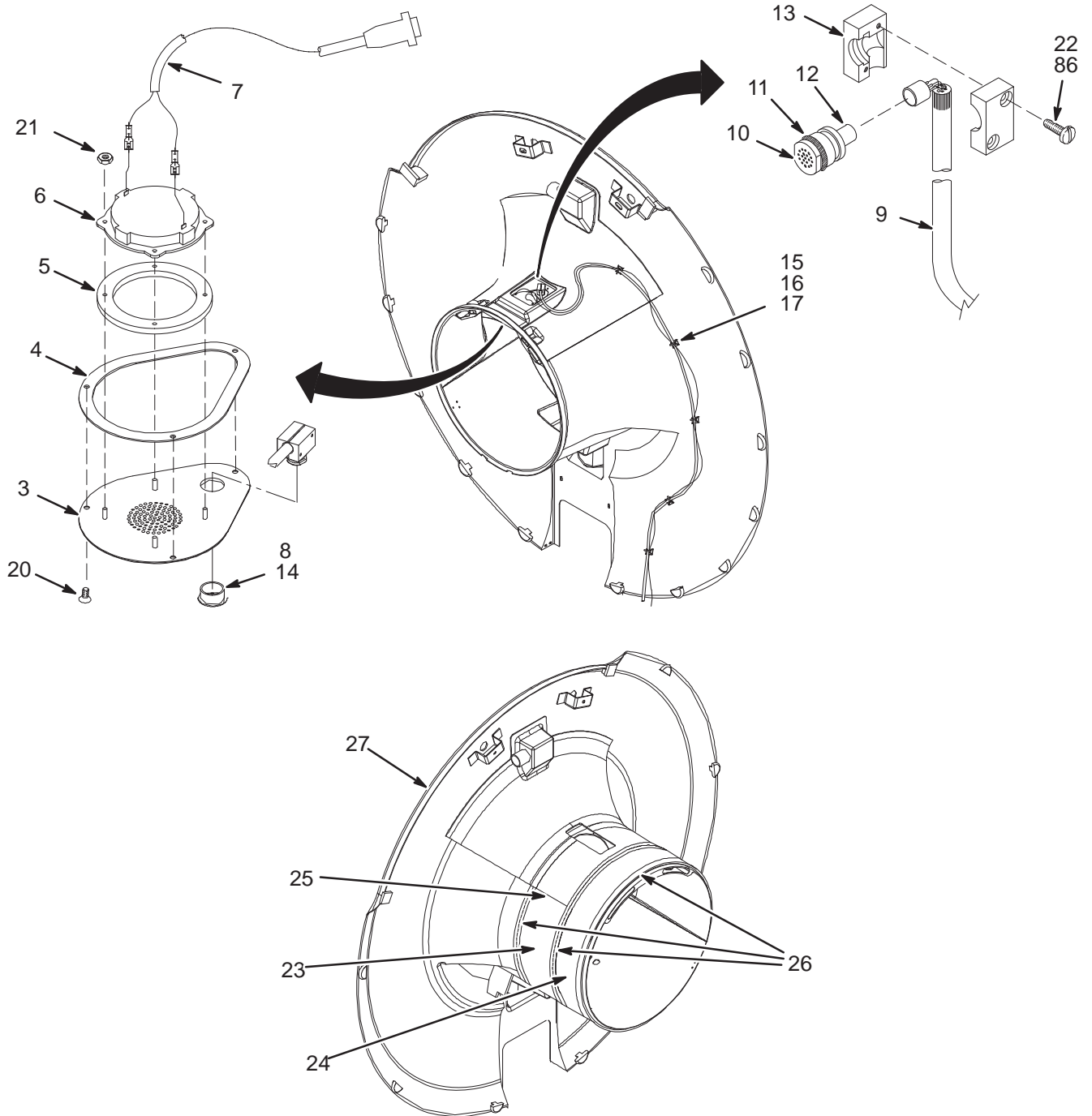
(PART 15 OF 2308291 PAGE 2-295)

(PART 15 OF 2308291-2 PAGE 2-297)

Item	Part Number	FRU	Name	Quantity	Description (Remarks)
4	2163748	N	CIRCUIT BOAR	1	Cx VOLTAGE REGULATOR
5	46-317157G3	N	CABLE ASM.	1	(414) FRNT MICROPHN CABLE TO MG3A2J9
6	46-317134P1	N	MIKE HOUSING	1	MIKE HOUSING—USE 46-317109G1 AS
7	46-136374P65	N	RING	1	WIDTH .07, ID 0.551, DUROMETER A 70
9	46-317135P1	N	CABLE CLAMP	1	CABLE CLAMP - USE 46-317109G1 AS
10	46-221523P26	N	BUTTON	1	VENT PLUG, WHITE, 7/8 DIA.
11	2255884	N	PART	2	LATCH KEEPER
15	46-208747P1	N	VIBRATION IS	12	CABLE TIE,ADH.BACKED
16	46-208758P2	N	TY-RAP	12	5.5" X .140" SELF-LOCKING CABLE TIE.
17	46-282264P1	N	ADHESIVE	AR	2 OZ DUAL-PAK CARTRIDGE EPOXY, CLEAR
18	46-170617P2	N	ADHESIVE	AR	RTV SILICON RUBBER ADHESIVE SEALANT.
19	46-294151P2	N	ADHES SPEC	AR	LOCKTITE #242 TYPE 11
20	2109873-14	N	SCREW	6	SCREW PAN HEAD Z M4X10 A2-70
21	46-208560P111	N	SCREW	2	SCREW 6-32 X 5/8 SS
23	46-208935P5	N	NUT	10	6-32, .313 HEX X .109 THK, BRASS
24	46-136365P2	N	FASTENER	10	TINNERMAN P116-473-12-495
25	2285729	N	CABLE	1	(749) MG2-J33-J10 TO MG2-A36 (DUAL)
26	2221465-2	N	MODULE	1	WideOpen ALIGNMENT LIGHT MODULE_TOP
27	2221465-3	N	MODULE	1	WideOpen ALIGNMENT LIGHT MODULE_LEFT
28	2221465-4	N	MODULE	1	WideOpen ALIGNMENT LIGHT MODULE_RIGHT
29	2224962	N	JACKET	1	END BELL UPPER INSULATION JACKET
30	2224962-2	N	JACKET	1	END BELL UPPER INSULATION JACKET
31	2224963	N	JACKET	1	END BELL LOWER INSULATION JACKET
32	2224963-2	N	JACKET	1	END BELL LOWER INSULATION JACKET
33	46-136246P21	N	TAPE	3	2" WIDE X 25 YD WHITE VELCRO HOOKS
34	2266751	N	TAPE	AR	TAPE, POLYETHYLENE, 1.50 WIDE, WHITE
35	2306247	N	FRONT ENDBEL	1	FRONT ENDBELL, WideOpen
36	2225495	N	TAPE	AR	2" WIDE DOUBLE SIDED POLYESTER FILM
37	2162563	N	CABLE	1	(385) PP1-J20 TO MG2-A30-JP1 PAL BD
38	2162554-2	N	LASER DIODE	4	LASER FOR Cx MAG FRT COVER ASM
39	2215716-2	N	OPR BP/D KIT	1	WideOpen MAGNET HOUSING RH DISPLAY
40	2215716-3	N	OPR BP/D KIT	1	WideOpen MAGNET HOUSING LH DISPLAY
41	2215716-4	N	OPR BP/D KIT	1	WideOpen MAGNET HOUSING CNTR DISPLAY
43	2227318	N	SCREW	4	SCREW CHEESE HEAD 5 MM 8 MM

WideOpen REAR END BELL ASSEMBLY for SPLIT BRIDGE

5120954



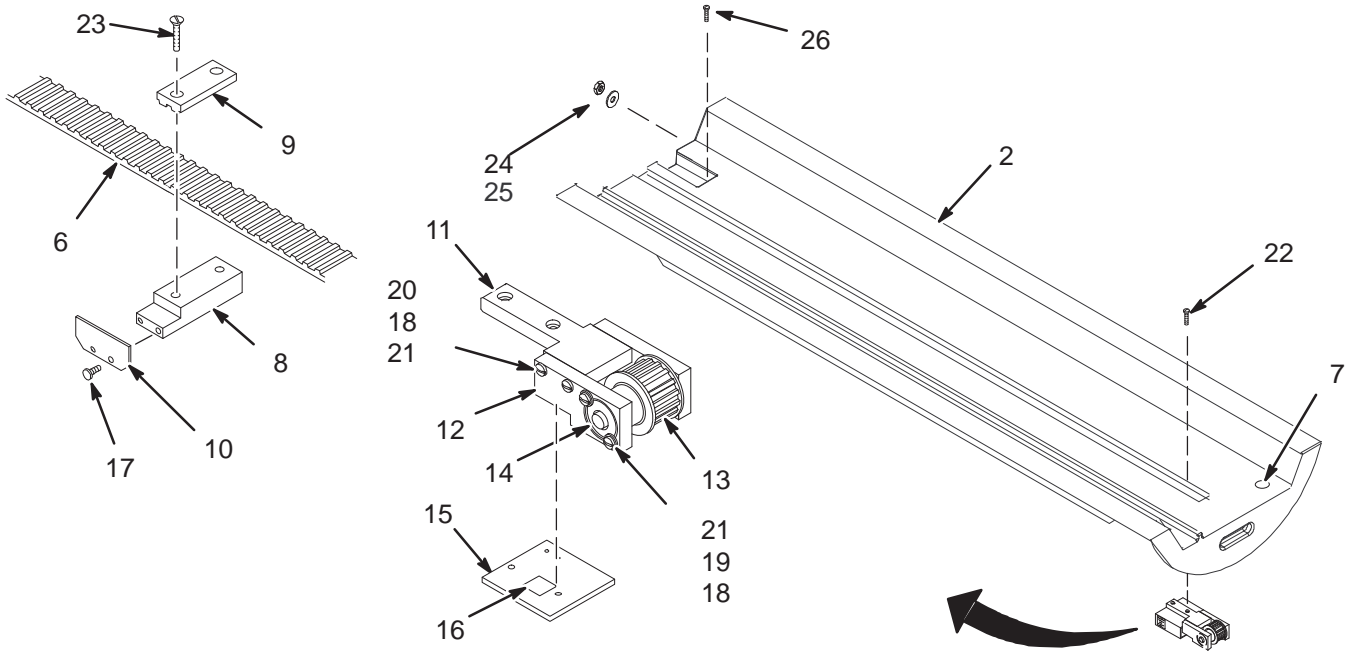
REAR END BELL for SPLIT BRIDGE 5120954 FRU 1

(PART 16 OF 2222558 PAGE 2-288)
 (PART 16 OF 2222558-2 PAGE 2-290)
 (PART 16 OF 2308291 PAGE 2-295)
 (PART 16 OF 2308291-2 PAGE 2-297)

Item	Part Number	FRU	Name	Quantity	Description (Remarks)
3	2220483	N	PART	1	SPEAKER GRILL, WideOpen REAR ENDBELL
4	2195321	N	PART	1	GASKET
5	2224271	N	PART	1	SPEAKER GRILL GASKET
6	46-221773P2	N	TRANSDUCER	1	SPEAKER, PIEZOELECTRIC, 3.2" SQUARE
7	46-317252G4	N	CABLE ASM	1	(869) MG2-A14-A2 TO MG3-A2-J8
15	46-208747P1	N	VIBRATION IS	5	CABLE TIE,ADH.BACKED
16	46-208758P2	N	TY-RAP	5	5.5" X .140" SELF-LOCKING CABLE TIE.
17	46-282264P1	N	ADHESIVE	AR	2 OZ DUAL-PAK CARTRIDGE EPOXY, CLEAR
18	2255884	N	PART	2	LATCH KEEPER
20	2206437	N	SCREW	3	SCREW COUNTERSUNK HEA 4 MM 12 MM
21	2109877	N	NUT	4	NUT HEXAGON 4 MM
23	2224961	N	JACKET	1	FRONT END BELL INSULATION JACKET
24	2224961-2	N	JACKET	1	FRONT END BELL INSULATION JACKET
25	46-136246P21	N	TAPE	2	2" WIDE X 25 YD WHITE VELCRO HOOKS
26	2266751	N	TAPE	AR	TAPE, POLYETHYLENE, 1.50 WIDE, WHITE
27	2306248	N	REAR ENDBELL	1	REAR ENDBELL, MAESRTO
43	2227318	N	SCREW	4	SCREW CHEESE HEAD 5 MM 8 MM

FRONT SPLIT BRIDGE ASM

2282800



FRONT SPLIT BRIDGE ASM

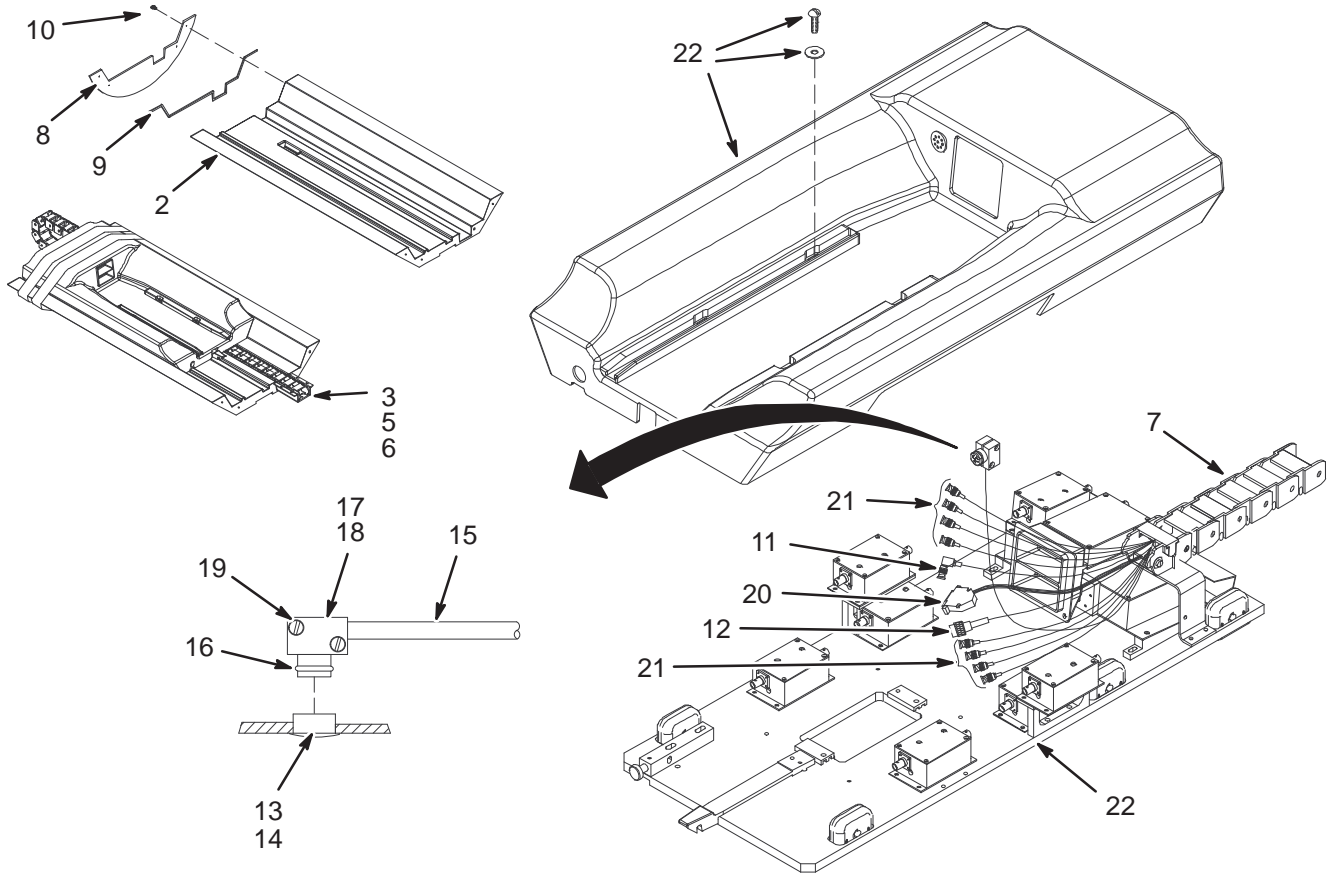
2282800 FRU N

(PART 260 OF 2222558 PAGE 2-288)
 (PART 260 OF 2222558-2 PAGE 2-290)
 (PART 260 OF 2308291 PAGE 2-295)
 (PART 260 OF 2308291-2 PAGE 2-297)
 (PART 59 OF 2297122 PAGE 2-341)
 (PART 59 OF 2297122-2 PAGE 2-343)

Item	Part Number	FRU	Name	Quantity	Description (Remarks)
2	2293203	N	PART	1	SPLIT BRIDGE FRONT
6	46-282388P3	N	BELT	1	3/8" PITCH GEARBELT, 1" WIDE, 19.5'L
7	46-221523P34	1	BUTTON	2	HOLE DIA 1.187 MAT'L THK .125 MAX
8	46-271465P1	N	CLAMP, BLOCK	1	SENSOR FLAG MOUNTING CLAMP BLOCK
9	46-271436P1	N	CLAMP, BELT	1	SENSOR FLAG TOP CLAMP
10	46-282436P1	N	FLAG	1	CARRIAGE TRAVEL SENSOR FLAG
11	46-271432P1	N	MOUNT BRIDGE	1	BRIDGE ATTACHMENT TONGUE
12	46-328446P1	N	SUPPORT BLK.	2	SUPPORT BLOCK
13	46-282646G1	N	PULLEY ASM	1	DRIVE BELT IDLER PULLEY
14	46-282471P12	N	BEARING	1	BEARING
15	46-271431P1	N	BRIDGE PLATE	1	BRIDGE ATTACHMENT CLAMP PLATE
16	46-282756P1	N	LABEL	1	WARNING, CONTAINS FERROUS MATERIAL
17	46-265486P8	N	SCREW	2	SCREW
18	46-220196P3	N	WASHER	8	WASHER, #10 SCREW SIZE (0.190), SST
19	46-220184P41	N	SCREW	4	BRS SLOTTED RND HD SCR 10-32 X 1/2
20	46-220184P44	N	SCREW	4	SCREW
21	1000904P425	N	WASHER	8	0.2 ID, 0.5 OD, .04 THK, B11H89C
22	46-220184P47	N	SCREW	2	SCREW SLOTTED ROUND HEAD BRASS
23	46-230008P1	N	SCREW	2	SCREW
24	2109877-3	N	NUT	4	NUT HEXAGON 10 MM
25	2228717-2	1	PART	2	WASHER, BRIDGE SUPPORT
26	2296958	1	SCREW	4	NYLON SCREW PAN HEAD 6MM X 12MM
27	46-208758P3	N	TY-RAP	1	7.31" X .184" SELF-LOCKING CABLE TIE

REAR SPLIT BRIDGE ASM

2282801, 2282801-3, 2282801-7



1.5T REAR SPLIT BRIDGE ASM w/MC

2282801 FRU N

(PART OF M3053PA PAGE 1-53)
(PART OF M3063PA PAGE 1-53)

Item	Part Number	FRU	Name	Quantity	Description (Remarks)
2	2293204	N	PART	1	SPLIT BRIDGE REAR
3	2294091	N	PART	1	CABLETRACK CUP, SPLIT BRIDGE
5	46-208913P12	N	SCREW	2	SCREW
6	46-282169P1	N	CLAMP	1	CABLETRACK MOUNT
7	2151445-4	N	PART	1	35 LINK CABLE TRACK W/HINGED OPEN'GS
8	2226929	N	COVER	1	WIDE OPEN BRIDGE COVER W/LABELS
9	2131304	N	COVER,GASKET	1	GASKET, COVER, BRIDGE
10	2109873-26	N	SCREW	4	SCREW PAN HEAD 6 MM 20 MM
11	46-328000G757	N	ASSEMBLY	1	(485) MG3-A17-J2 TO MG2-A16-A3-J4
12	46-320888G2	N	CABLE ASM	1	(404) MG2-A16-A5-J6 TO MG3-A17-J1
13	46-221523P26	N	BUTTON	1	VENT PLUG, WHITE, 7/8 DIA.
14	46-282264P1	N	ADHESIVE	AR	2 OZ DUAL-PAK CARTRIDGE EPOXY, CLEAR
15	46-317157G6	N	CABLE ASM.	1	MICROPHONE CABLE WIDE OPEN SERVICE
16	46-136374P65	N	RING	1	WIDTH .07, ID 0.551, DUROMETER A 70
17	46-317135P1	N	CABLE CLAMP	1	CABLE CLAMP - USE 46-317109G1 AS
18	46-317134P1	N	MIKE HOUSING	1	MIKE HOUSING—USE 46-317109G1 AS
19	46-208560P111	N	SCREW	2	SCREW 6-32 X 5/8 SS
20	46-328371P3	N	CABLE ASM	1	(736) MG3-A36-J19 TO MG2-A16-A8-J9
21	46-317220G21	2	RF CABLE	1	MULTICOIL CABLE TAKEUP RF CABLES (SEE PAGE 2-312)
22	2205098-2	N	ASSEMBLY	1	1.5T W/PA LOW PROFILE CARRIAGE CVR (SEE PAGE 2-217)

1.0T REAR SPLIT BRIDGE ASM w/MC 2282801-3 FRU N

(PART OF M3843PA PAGE 1-57)
 (PART OF M3853PA PAGE 1-58)
 (PART OF M3863PA PAGE 1-59)

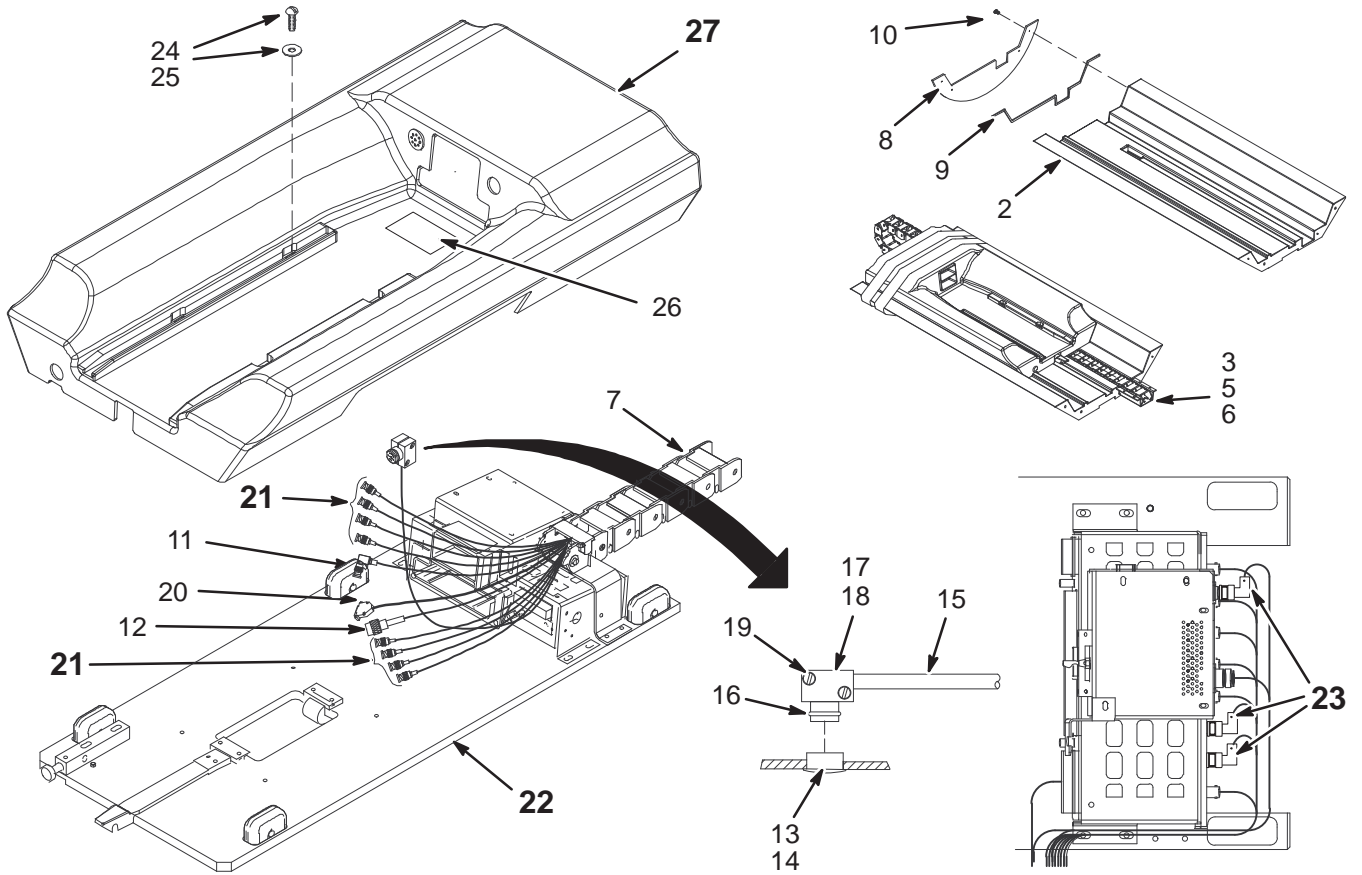
Item	Part Number	FRU	Name	Quantity	Description (Remarks)
2	2293204	N	PART	1	SPLIT BRIDGE REAR
3	2294091	N	PART	1	CABLETRACK CUP, SPLIT BRIDGE
5	46-208913P12	N	SCREW	2	SCREW
6	46-282169P1	N	CLAMP	1	CABLETRACK MOUNT
7	2151445-4	N	PART	1	35 LINK CABLE TRACK W/HINGED OPEN'GS
8	2226929	N	COVER	1	WIDE OPEN BRIDGE COVER W/LABELS
9	2131304	N	COVER,GASKET	1	GASKET, COVER, BRIDGE
10	2109873-26	N	SCREW	4	SCREW PAN HEAD 6 MM 20 MM
11	46-328000G757	N	ASSEMBLY	1	(485) MG3-A17-J2 TO MG2-A16-A3-J4
12	46-320888G2	N	CABLE ASM	1	(404) MG2-A16-A5-J6 TO MG3-A17-J1
13	46-221523P26	N	BUTTON	1	VENT PLUG, WHITE, 7/8 DIA.
14	46-282264P1	N	ADHESIVE	AR	2 OZ DUAL-PAK CARTRIDGE EPOXY, CLEAR
15	46-317157G6	N	CABLE ASM.	1	MICROPHONE CABLE WIDE OPEN SERVICE
16	46-136374P65	N	RING	1	WIDTH .07, ID 0.551, DUROMETER A 70
17	46-317135P1	N	CABLE CLAMP	1	CABLE CLAMP - USE 46-317109G1 AS
18	46-317134P1	N	MIKE HOUSING	1	MIKE HOUSING—USE 46-317109G1 AS
19	46-208560P111	N	SCREW	2	SCREW 6-32 X 5/8 SS
20	46-328371P3	N	CABLE ASM	1	(736) MG3-A36-J19 TO MG2-A16-A8-J9
21	46-317220G21	2	RF CABLE	1	MULTICOIL CABLE TAKEUP RF CABLES (SEE PAGE 2-312)
22	2205098-4	N	ASSEMBLY	1	1.0T W/PA LOW PROFILE CARRIAGE CVR (SEE PAGE 2-218)

1.0T REAR SPLIT BRIDGE ASM w/o MC 2282801-7 FRU N

(PART OF M3842PA PAGE 1-57)
 (PART OF M3862PA PAGE 1-59)

Item	Part Number	FRU	Name	Quantity	Description (Remarks)
2	2293204	N	PART	1	SPLIT BRIDGE REAR
3	2294091	N	PART	1	CABLETRACK CUP, SPLIT BRIDGE
5	46-208913P12	N	SCREW	2	SCREW
6	46-282169P1	N	CLAMP	1	CABLETRACK MOUNT
7	46-282389P4	N	CABLETRAK	1	35 LINK CABLE TRACK
8	2226929	N	COVER	1	WIDE OPEN BRIDGE COVER W/LABELS
9	2131304	N	COVER,GASKET	1	GASKET, COVER, BRIDGE
10	2109873-26	N	SCREW	4	SCREW PAN HEAD 6 MM 20 MM
11	46-328000G757	N	ASSEMBLY	1	(485) MG3-A17-J2 TO MG2-A16-A3-J4
12	46-320888G2	N	CABLE ASM	1	(404) MG2-A16-A5-J6 TO MG3-A17-J1
13	46-221523P26	N	BUTTON	1	VENT PLUG, WHITE, 7/8 DIA.
14	46-282264P1	N	ADHESIVE	AR	2 OZ DUAL-PAK CARTRIDGE EPOXY, CLEAR
15	46-317157G6	N	CABLE ASM.	1	MICROPHONE CABLE WIDE OPEN SERVICE
16	46-136374P65	N	RING	1	WIDTH .07, ID 0.551, DUROMETER A 70
17	46-317135P1	N	CABLE CLAMP	1	CABLE CLAMP - USE 46-317109G1 AS
18	46-317134P1	N	MIKE HOUSING	1	MIKE HOUSING—USE 46-317109G1 AS
19	46-208560P111	N	SCREW	2	SCREW 6-32 X 5/8 SS
22	2205098-3	N	ASSEMBLY	1	1.0T W/O PA LOW PROFILE CARRIAGE CVR (SEE PAGE 2-215)

EXCITE II 1.5T LPCA & REAR SPLIT BRIDGE 2382400



EXCITE II 1.5T LPCA & REAR BRIDGE 2382400 FRU N

(PART 50 OF M3043PD PAGE 1-62)
 (PART 50 OF M3053PD PAGE 1-62)
 (PART 50 OF M3063PD PAGE 1-62)
 (PART 50 OF M3043TD PAGE 1-78)
 (PART 50 OF M3053TD PAGE 1-78)
 (PART 50 OF M3063TD PAGE 1-78)

Item	Part Number	FRU	Name	Quantity	Description (Remarks)
2	2293204	2	PART	1.0	SPLIT BRIDGE REAR
3	2294091	N	PART	1.0	CABLETRACK CUP, SPLIT BRIDGE
5	46-208913P12	2	PDM PART	1.0	SCREW
6	46-282169P1	N	CLAMP	1.0	CABLETRACK MOUNT
7	2151445-4	2	PART	1.0	35 LINK CABLE TRACK W/HINGED OPEN'GS
8	2226929	2	COVER	1.0	WIDE OPEN BRIDGE COVER W/LABELS
9	2131304	N	COVER,GASKET	1.0	GASKET, COVER, BRIDGE
10	2109873-26	N	PDM PART	4.0	SCREW PAN HEAD 6 MM 20 MM
11	5114423-2	2	PDM PART	1.0	RUN 1035 MG3 A36 J21 TO MG2 A16A5 J4
12	46-320888G2	N	CABLE ASM	1.0	(404) MG2-A16-A5-J6 TO MG3-A17-J1
15	46-317157G6	N	CABLE ASM.	1.0	MICROPHONE CABLE WIDE OPEN SERVICE
16	46-136374P65	N	PDM PART	1.0	WIDTH .07, ID 0.551, DUROMETER A 70
17	46-317135P1	N	CABLE CLAMP	1.0	CABLE CLAMP - USE 46-317109G1 AS
18	46-317134P1	N	MIKE HOUSING	1.0	MIKE HOUSING—USE 46-317109G1 AS
19	46-208560P11	N	PDM PART	2.0	SCREW 6-32 X 5/8 SS
20	2327887	2	PART	1.0	(1049)MG3-A36-J19 TO MG2-A16-A8-J9
21	46-317220G21	N	RF CABLE	1.0	MULTICOIL CABLE TAKEUP RF CABLES (SEE PAGE 2-312)
22	2296091-3	N	CARRIAGE	1.0	1.5T LPCA W/O COVER (SEE PAGE 2-309)
23	46-233422P1	N	CONNECTOR	3.0	BNC JACK-PLUG, RIGHT ANGLE ADAPTER.
24	2109873-21	N	SCREW	4.0	SCREW PAN HEAD Z M4X40 A2-70
25	2109879-2	N	PDM PART	4.0	WASHER PLAIN - LARGE 6.4 MM, 18MM OD
26	2146831	N	WARN LABEL	1.0	UFI WARNING LABEL - ENGLISH
27	2382398	2	COLLECTOR	1.0	EXCITE II LPCC (SEE PAGE 2-310)

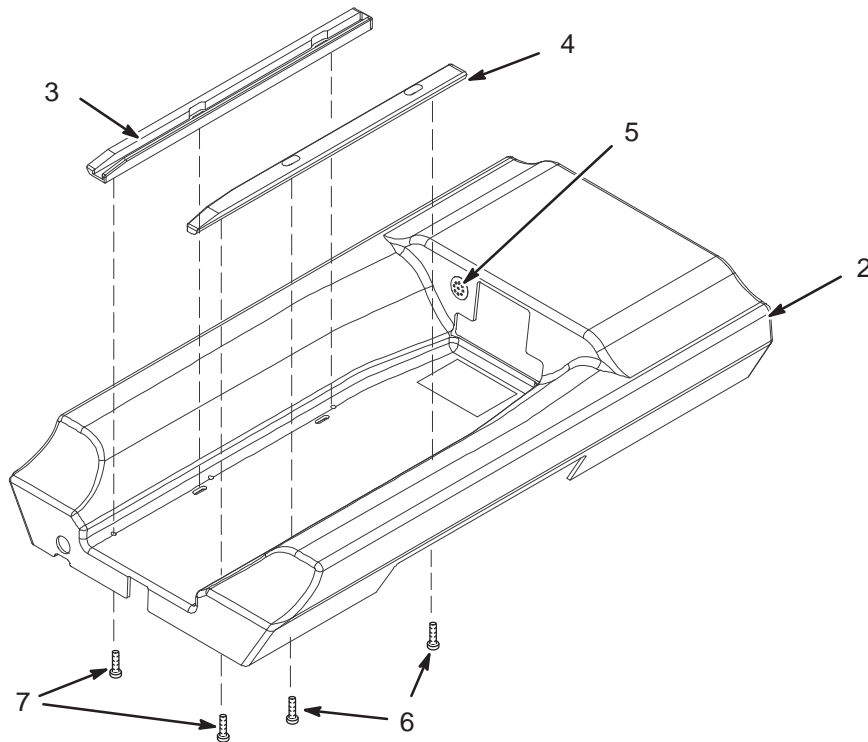
EXCITE LOW PROFILE CARRIAGE ASM 2296091-3 FRU N

(PART 22 OF 2382400 PAGE 2-307)

Item	Part Number	FRU	Name	Quantity	Description (Remarks)
2	2330280	N	BLOCK	1.0	BASE PLATE
3	46-243167P1	N	BOX	12.0	WHEEL HOUSING, MOLDED NORYL
4	46-243494P1	N	PDM PART	6.0	3/4" ID, 1-3/4 OD, 1/2" WIDE PLASTIC
5	2330275	2	CLAMP	4.0	SCREW SHOULDER
6	46-243178P2	N	PDM PART	4.0	BEARING
7	2330269	2	BAR	1.0	PLUNGER_SLIDE
8	2330270	2	BAR	1.0	HOOK
9	5112710-2	N	PDM PART	2.0	SUPPORT, BELT RADIUS
10	2330273	N	CLAMP	2.0	CLAMP BELT
11	2330272	2	BAR	1.0	SCREW
13	2330268	N	BRACKET	1.0	CABLE TRACK MOUNTING
14	2330271	N	CLAMP	1.0	TAKE UP CLAMP
16	2296093-2	N	COIL ASM	1.0	INTEGRATED MULTICOIL ASSEMBLY (SEE PAGE 2-311)
17	2296092-2	N	HEAD ASM	1.0	INTEGRATED HEAD ASSEMBLY
18	2333822	N	PART	1.0	CABLE ASSEMBLY
99	2109873-14	N	SCREW	7.0	SCREW PAN HEAD Z M4X10 A2-70
109	2354090	N	OUT OF CATAL	2.0	WASHERM4X10
110	2109873-17	N	PDM PART	6.0	SCREW PAN HEAD 4 MM 20 MM
113	2109874-12	N	PDM PART	2.0	SCREW COUNTERSUNK HEA 4 MM 16 MM
119	2109873-18	N	SCREW	2.0	SCREW PAN HEAD Z M4X25 A2-70
123	46-221865P3	N	CONNECTOR	1.0	UG-27B RT-ANGLE N, 50-OHM JACK-PLUG
125	46-170686P2	N	ADHESIVE OLD	0.01	LOCTITE 242, 10CC
126	2335299-2	N	PACKING MATE	1.0	PACKING FOR LPCA EXCITE2
127	2348506	N	PAD	2.0	FOAM-CABLE TRACK MOUNTING
129	2370733	N	PART	1.0	INDIA IDENTIFICATION LABEL
130	46-312342P34	N	PHLPS PN HD	2.0	M4 X 0.7 X 16MM PHILLIPS CROSS
156	5125257	N	PDM PART	2.0	DELTRIN WASHER

EXCITE II LPCA

2382398



EXCITE II LPCA

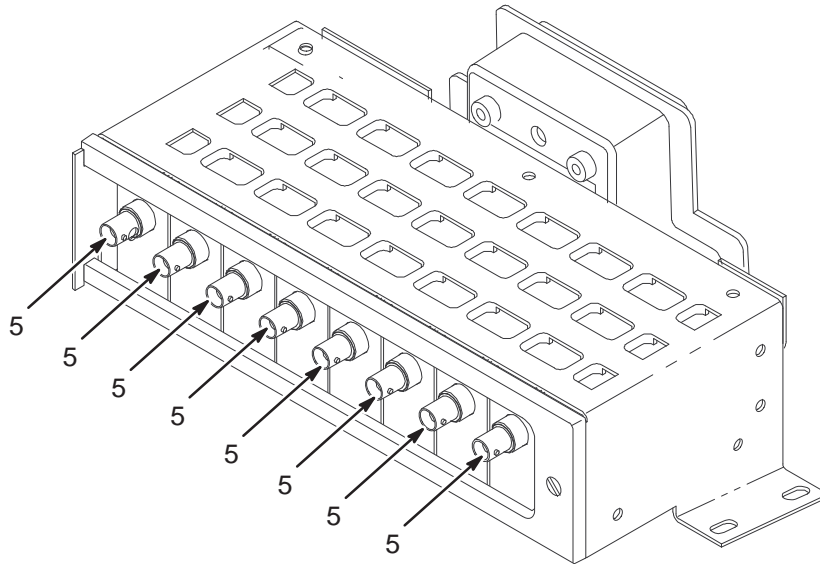
2382398 FRU N

(PART 27 OF 2382400 PAGE 2-307)

Item	Part Number	FRU	Name	Quantity	Description (Remarks)
2	2323896	N	COVER	1	CARRIAGE COVER THERMAL FORM COVER
3	2330266	N	BAR	1	CARRIAGE RAIL LH
4	2378413	N	BAR	1	CARRIAGE RAIL RH
5	46-221523P26	N	PDM PART	1	VENT PLUG, WHITE, 7/8 DIA.
6	2109873-17	N	PDM PART	4	SCREW PAN HEAD 4 MM 20 MM
7	2109873-14	N	SCREW	2	SCREW PAN HEAD Z M4X10 A2-70

EXCITE INTEGRATED MULTICOIL ASM

2296093-2



EXCITE INTEGRATED MULTICOIL ASM 2296093-2 FRU 1

(PART OF 2296091-3 PAGE 2-309)

Item	Part Number	FRU	Name	Quantity	Description (Remarks)
2	2330277	N	COVER	1	ENCLOSURE
3	2330279	N	COVER	1	COVER
4	2295860	N	CIRCUIT BOAR	1	MOTHER BOARD
5	2323890-2	N	HEAD TR ASM	8	PREAMP BOARD ASSEMBLY
6	2305452	N	BEZEL	1	DOUBLE BEZEL
7	2330278	N	BAR	1	BAR
8	2323893	N	BRACKET	1	9 PIN SUB-D CONNECTOR BRACKET
9	2327365	N	BRACKET	1	25 PIN SUB-D CONNECTOR BRACKET
10	2334666	N	BAR	1	PREAMP ENCLOSURE RETAINING BAR
11	2334708	N	SPACER/SHIM	2	TUBULAR SPACER
12	46-282460P1	N	CONNECTOR	2	STD, HEX BRASS UNINSULATED BANANA
13	46-221417P5	N	CONNECTOR	4	FEMALE SCREWLOCKS FOR HD CONNECTORS.
14	2109874-15	N	PDM PART	2	SCREW COUNTERSUNK HEA 4 MM 30 MM
15	2109874-8	N	PDM PART	2	SCREW COUNTERSUNK HEA 4 MM 6 MM
17	2109873-11	N	PDM PART	8	SCREW PAN HEAD 4 MM X 5 MM
18	46-312512P26	N	METRIC NUT	4	SST METRIC M3 X 0.50
19	2229599	N	WASHER	6	WASHER FLAT ISO7089 M3 A4
21	46-220184P13	N	PDM PART	2	BRS SLOTTED RND HD SCR 6-32 X 3/8"
22	46-170686P2	N	ADHESIVE	0.010	LOCTITE 242, 10CC
23	2109874-12	N	PDM PART	2	SCREW COUNTERSUNK HEA 4 MM 16 MM
24	2348561	N	PAD	1	FOAM-ENCLOSURE_BAR
26	2340673-2	N	SCREW	11	SCREW COUNTERSUNK HEA 3 MM 4 MM
28	2109874-10	N	PDM PART	2	SCREW COUNTERSUNK HEA 4 MM 10 MM
29	1000904P484	N	PDM PART	2	ID 0.1470 OD 0.375 THK .0310
30	46-220196P2	N	PDM PART	2	WASHER, #6 SCREW SIZE (0.138), SST

MULTI-COIL RF CABLES

46-317220G21 FRU N

(PART OF 2282801 PAGE 2-304)

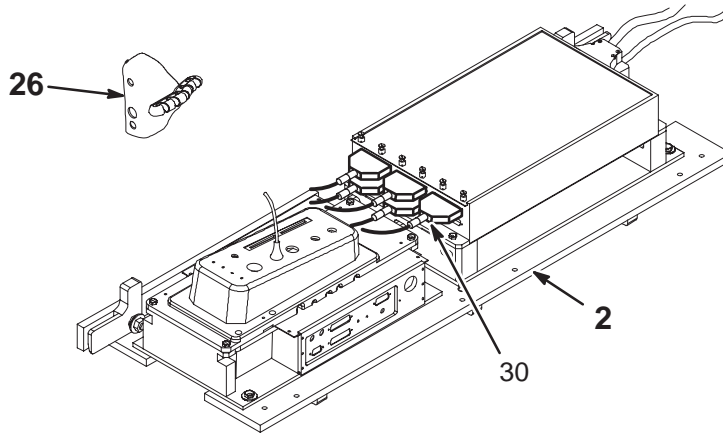
(PART OF 2282801-3 PAGE 2-305)

Item	Part Number	FRU	Name	Quantity	Description (Remarks)
1	46-317220P11	2	RF CABLE	1	(728) MG3-A36-J11 / MG2-A16-OUT-J1
2	46-317220P12	2	RF CABLE	1	(729) MG3-A36-J12 / MG2-A16-OUT-J2
3	46-317220P13	2	RF CABLE	1	(730) MG3-A36-J13 / MG2-A16-OUT-J3
4	46-317220P14	2	RF CABLE	1	(731) MG3-A36-J14 / MG2-A16-OUT-J4
5	46-317220P15	2	RF CABLE	1	(732) MG3-A36-J15 / MG2-A16-OUT-J5
6	46-317220P16	2	RF CABLE	1	(733) MG3-A36-J16 / MG2-A16-OUT-J6
7	46-317220P17	2	RF CABLE	1	(734) MG3-A36-J17 / MG2-A16-OUT-J7
8	46-317220P18	2	RF CABLE	1	(735) MG3-A36-J18 / MG2-A16-OUT-J8

2-21 WideOpen PAC/SRI PLATFORM ASSEMBLY

PAC & SRI ASM

2321159



PAC & SRI ASM

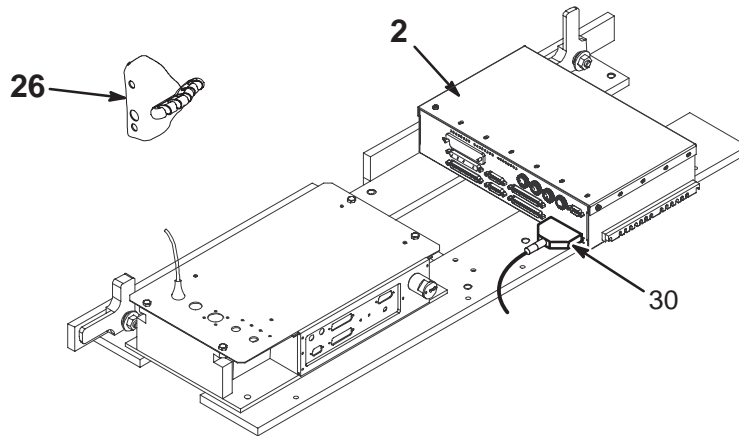
2321159 FRU N

(PART 41 OF 2202900 PAGE 2-247)
 (PART 41 OF 2202900-2 PAGE 2-247)
 (PART 41 OF 2202900-3 PAGE 2-247)
 (PART 41 OF 2202900-4 PAGE 2-248)
 (PART 41 OF 2202900-6 PAGE 2-248)
 (PART 41 OF 2202900-8 PAGE 2-249)
 (PART 41 OF 2202900-9 PAGE 2-249)

Item	Part Number	FRU	Name	Quantity	Description (Remarks)
2	2223440	2	COLLECTOR	1	WideOpen PAC/SRI/PLATFORM ASM (SEE PAGE 2-315)
26	2227142	N	REMOTE PAC I	1	WideOpen REMOTE PAC INTERFACE ASM (SEE PAGE 2-316)
30	2221947	N	CABLE	1	(861) MG2A4J4 – MG2A33J5/J6/J7/J8/J9

PAC & SRI-2 ASM

2321159-4



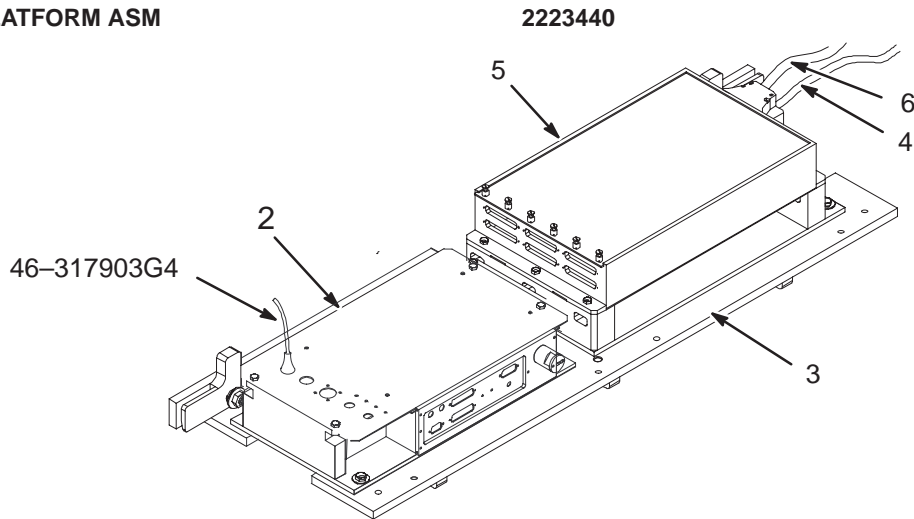
PAC & SRI-2 ASM

2321159-4 FRU N

(PART 57 OF M3043PD PAGE 1-62)
 (PART 57 OF M3053PD PAGE 1-62)
 (PART 57 OF M3063PD PAGE 1-62)
 (PART 57 OF M3043TD PAGE 1-78)
 (PART 57 OF M3053TD PAGE 1-78)
 (PART 57 OF M3063TD PAGE 1-78)

Item	Part Number	FRU	Name	Quantity	Description (Remarks)
2	2223440-4	N	COLLECTOR	1	WIDE OPEN PAC/SRI II PLATFORM ASM (SEE PAGE 2-315)
26	2227142	1	REMOTE PAC I	1	WIDE OPEN REMOTE PAC INTERFACE ASM (SEE PAGE 2-316)
30	2306310	N	CABLE PT	1	(1011)MG2-A4-J4 TO MG2-A33-J5 (SRI2)

PAC/SRI PLATFORM ASM



PAC/SRI PLATFORM ASM

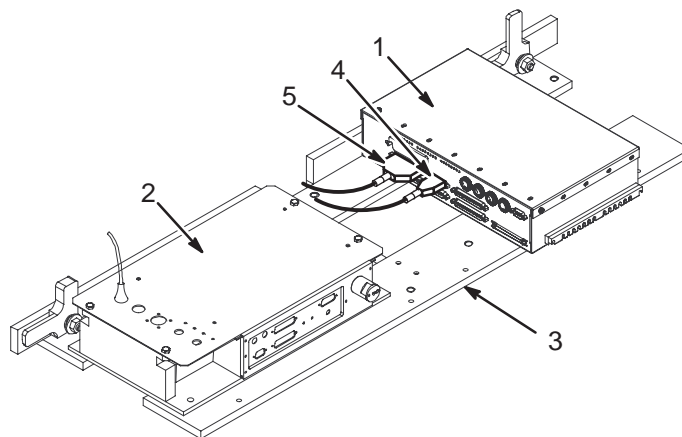
2223440 FRU 2

(PART 2 OF 2202900-5 PAGE 2-248)
 (PART 2 OF 2202900-7 PAGE 2-249)
 (PART 2 OF 2321159 PAGE 2-313)

Item	Part Number	FRU	Name	Quantity	Description (Remarks)
2	2305633	1	PAC	1	PAC ASSEMBLY
3	2219777	2	PAC-SIR ASM	1	PAC-SRI-WideOpen
4	5155274	N	PDM PART	1.0	(422) MG3-A1-J4 TO RUN #422 MG2-A
5	46-287370G8	1	DSIM/SRI BD	ALT	SCAN ROOM INTERFACE (SRI)
6	46-287908G1	2	CABLE	1	RUN 421, MG2-A33-J3 TO MG2-A31-J1

PAC/SRI-2 PLATFORM ASM

2223440-4



PAC/SRI-2 PLATFORM ASM

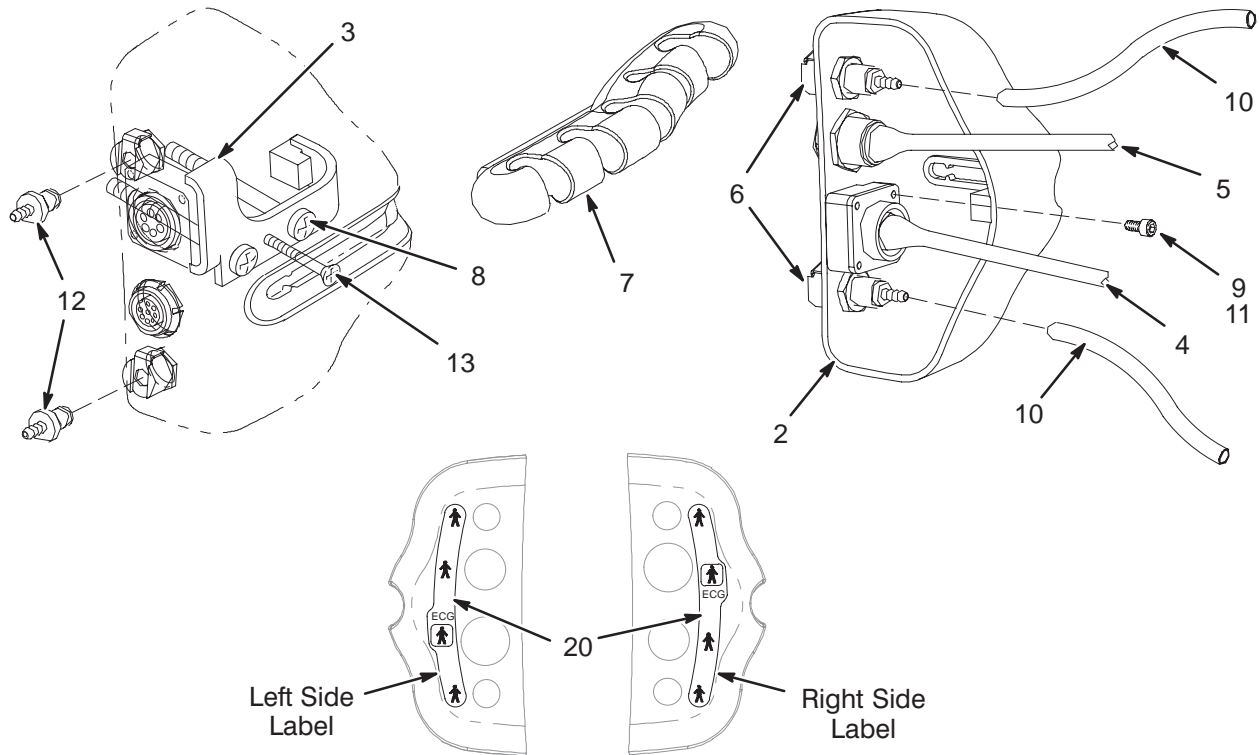
2223440-4 FRU N

(PART 2 OF 2321159-4 PAGE 2-314)

Item	Part Number	FRU	Name	Quantity	Description (Remarks)
1	5115910	N	PDM ASSEMBLY	1.0	SRI-2 TESTED ASSEMBLY
	2299497	1	MODULE	1.0	ORDER FOR SRI-2 REPLACEMENT FRU
2	2305633	1	PAC	1.0	PAC ASSEMBLY
3	2372356	N	PART	1.0	PAC-SRI II PLATFORM
4	46-287908G1	N	CABLE	1.0	(421) MG2-A33-J3 TO MG2-A31-J1
5	5155274	N	PDM PART	1.0	(422) MG3-A1-J4 TO RUN #422 MG2-A

WideOpen REMOTE PAC INTERFACE ASM

2227142



REMOTE PAC INTERFACE ASM

2227142 FRU N

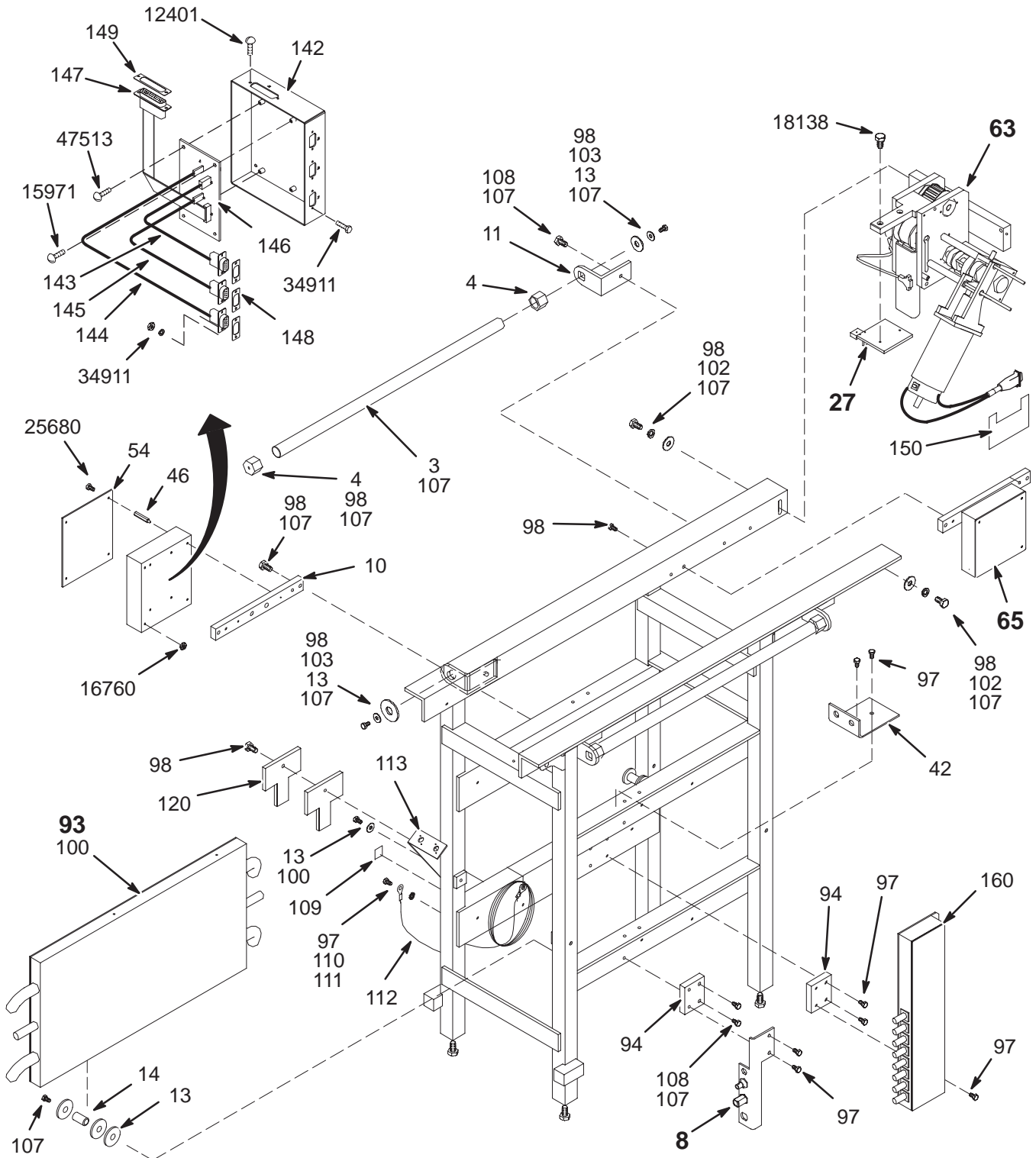
(PART 26 OF 2202900-5 PAGE 2-248)
 (PART 26 OF 2202900-7 PAGE 2-249)
 (PART 26 OF 2321159 PAGE 2-313)
 (PART 26 OF 2321159-4 PAGE 2-314)

Item	Part Number	FRU	Name	Quantity	Description (Remarks)
2	2221024	2	PAC_HANGER_C	1	WideOpen PAC HANGER CABLE INTERFACE
3	2222710	2	CLAMP BRCKT	1	WideOpen PAC INTERFACE CLAMP BRCKT
4	2219096	2	CABLE	1	ECG EXTENSION CABLE_MG2A11-ECG
5	2219097	2	CABLE	1	EXTEN. CABLE_MG2A11 PERIPHERAL PULSE
6	46-265651P1	2	FITTING	2	COUPLING, PANEL MTG
7	2221023	2	PAC_HANGER_B	1	WideOpen PAC HANGER BAR
8	2238216	N	SCREW	2	SCREW HEXAGON SOCKET 6 MM 70 MM
9	46-328420P502	N	SCREW	4	SCREW BUTTON HEAD 3 MM 8 MM
10	46-317758P18	N	ALERT SYSTEM	2	TUBING
11	46-294151P2	N	ADHES SPEC	AR	LOCKTITE #242 TYPE 11
12	46-265652P1	N	FITTING	2	COUPLING INSERT
13	2109874-17	2	SCREW	1	SCREW COUNTERSUNK HEA 4 MM 40 MM
20	2298299	N	LABEL PT	1	REMOTE INTERFACE ASM. LABELS

2-22 WideOpen REAR PEDESTALS

1.5T & 1.0T WideOpen REAR PEDESTAL

2199000 THRU 2199000-4



1.0T WideOpen REAR PEDESTAL w/o MC 2199000 FRU N

(PART 3 OF 2202900 PAGE 2-247)

(PART 3 OF 2202900-3 PAGE 2-247)

Item	Part Number	FRU	Name	Quantity	Description (Remarks)
2	2199001	N	ASSEMBLY	1	REAR PEDESTAL FRAME WELDMENT
3	2221408	2	BAR	2	REAR PEDESTAL COVER SUPPORT BAR
4	2221407	2	END CAP	4	REAR PEDESTAL END CAP FOR BAR
8	2128927-2	N	BRACKET ASM	1	CABLE BRACKET ASM FOR PEDESTAL (SEE PAGE 2-328)
10	2221414	2	INSULATOR	1	INSULATOR FIBERGLASS
11	2219098-2	2	BRACKET	2	REAR PEDESTAL BAR MOUNTING BRACKET
13	2221418	2	WASHER	14	WASHER PLAIN - LARGE 6.8 MM 38.1 MM
14	2221412	2	SPACER	3	REAR PEDESTAL INSULATED SPACER
27	2132034	N	BRIDGE MOUNT	1	REAR BRIDGE MOUNT ASM (SEE PAGE 2-127)
42	2223190	2	PART	1	BRACKET, IQ MOUNTING
46	46-208984P2	2	SPACER	4	HEX 1/4", EXT/INT THD 6-32, 1.5" LG
54	46-317200G1	2	COVER ASM.	1	INTERCOM BOX COVER W/RF SHIELDING
63	46-271439G4	2	LONGITDL DRV	1	LONGITUDINAL MOTOR DRIVE, MG3 A7 (SEE PAGE 2-330)
65	46-282694G2	N	MG3-A1 BOX	1	MAGNET INTERFACE #1, MG3 A1 (SEE PAGE 2-126)
93	46-282260G5	N	BRM SPLIT BX	1	BODY HYBRID, UFI 1.0T (SEE PAGE 2-128)
94	2223171	2	PART	2	INSULATOR, REAR PED
97	2109866-10	2	SCREW	7	SCREW HEXAGON HEAD 6 MM 12 MM
98	2109866-13	2	SCREW	11	SCREW HEXAGON HEAD 6 MM 25 MM
100	2109866-17	2	SCREW	4	SCREW HEXAGON HEAD 6 MM 50 MM
102	2109880-3	2	WASHER	2	WASHER LOCK - SPRING 6.1 MM 11.8 MM
103	2109879-2	2	WASHER	6	WASHER PLAIN - LARGE 6.4 MM 12 MM
107	46-170686P2	2	ADHESIVE	AR	LOCTITE 242, 10CC
108	2109866-12	2	SCREW	6	SCREW HEXAGON HEAD 6 MM 20 MM
109	46-271110P1	2	LABEL	1	PROTECTIVE EARTH (GROUND)
110	2222871	2	PART	1	GROUND WIRE
111	46-208599P19	2	WASHER	1	1/4 EXTERNAL TOOTH PHOS, BRONZE
112	46-208758P2	2	TY-RAP	1	5.5" X .140" SELF-LOCKING CABLE TIE.
113	2229552	2	BRACKET	1	RF COIL REAR BULKHEAD
120	2235607	2	LOCATOR	2	BRIDGE LOCATOR
142	46-317137P1	2	BOX	1	PATIENT COMMUNICATION BOX - EMPTY
143	46-317177G1	2	HARNESS	1	MG3 A2 J8 TO MG2 A2 A1 J3, SPEAKER
144	46-317184G1	2	HARNESS	1	MG3 A2 J7 TO MG2 A2 A1 J1, C.M. MIKE
145	46-317184G2	2	HARNESS	1	MG3 A2 J9 TO MG2 A2 A1 J4, F.C. MIKE
146A	2204384	1	CIRCUIT BD	1	REMOTE INTERCOM BOARD, MG3 A2 A1
146B	46-264758G1	1	CIRCUIT BD	ALT	REMOTE INTERCOM BOARD, MG3 A2 A1
147	46-317201P1	2	CABLE ASM.	1	MG2 A2 J6 TO MG2 A2 A1 J6, RIBBON-14
148	46-221754P1	2	CONNECTOR	3	RFI GASKET USED WITH 9 PIN SUB-D
149	46-221754P3	2	CONNECTOR	1	RFI GASKET USED WITH 25 PIN SUB-D
150	2236130-2	2	COVER	1	CONNECTOR WRAP
12401	46-221417P2	2	CONNECTOR	1	FEMALE SCREWLOCK FOR HD CONNECTORS
15971	46-208921P28	2	SCREW	1	SCREW
16760	46-208935P5	2	NUT	2	6-32, .313 HEX X .109 THK, BRASS
18138	46-220184P47	2	SCREW	2	SCREW
25680	46-208921P6	2	SCREW	4	SCREW
34911	46-221417P1	2	CONNECTOR	3	FEMALE SCREWLOCKS, TWO PER KIT
47513	46-208922P4	2	SCREW	3	SCREW

1.0T WideOpen REAR PEDESTAL w/MC 2199000-2 FRU N

(PART 3 OF 2202900-2 PAGE 2-247)

(PART 3 OF 2202900-4 PAGE 2-248)

Item	Part Number	FRU	Name	Quantity	Description (Remarks)
2	2199001	N	ASSEMBLY	1	REAR PEDESTAL FRAME WELDMENT
3	2221408	2	BAR	2	REAR PEDESTAL COVER SUPPORT BAR
4	2221407	2	END CAP	4	REAR PEDESTAL END CAP FOR BAR
8	2128927-2	2	BRACKET ASM	1	CABLE BRACKET ASM FOR PEDESTAL (SEE PAGE 2-328)
10	2221414	2	INSULATOR	1	INSULATOR FIBERGLASS
11	2219098-2	2	BRACKET	2	REAR PEDESTAL BAR MOUNTING BRACKET
13	2221418	2	WASHER	14	WASHER PLAIN - LARGE 6.8 MM 38.1 MM
14	2221412	2	SPACER	3	REAR PEDESTAL INSULATED SPACER
27	2132034	N	BRIDGE MOUNT	1	REAR BRIDGE MOUNT ASM (SEE PAGE 2-127)
42	2223190	2	PART	1	BRACKET, IQ MOUNTING
46	46-208984P2	2	SPACER	4	HEX 1/4", EXT/INT THD 6-32, 1.5" LG
54	46-317200G1	2	COVER ASM.	1	INTERCOM BOX COVER W/RF SHIELDING
63	46-271439G4	N	LONGITDL DRV	1	LONGITUDINAL MOTOR DRIVE, MG3 A7 (SEE PAGE 2-330)
65	46-282694G2	N	MG3-A1 BOX	1	MAGNET INTERFACE #1, MG3 A1 (SEE PAGE 2-126)
93	46-282260G5	N	BRM SPLIT BX	1	BODY HYBRID, UFI 1.0T (SEE PAGE 2-128)
94	2223171	2	PART	2	INSULATOR, REAR PED
97	2109866-10	2	SCREW	7	SCREW HEXAGON HEAD 6 MM 12 MM
98	2109866-13	2	SCREW	11	SCREW HEXAGON HEAD 6 MM 25 MM
100	2109866-17	2	SCREW	4	SCREW HEXAGON HEAD 6 MM 50 MM
102	2109880-3	2	WASHER	2	WASHER LOCK - SPRING 6.1 MM 11.8 MM
103	2109879-2	2	WASHER	6	WASHER PLAIN - LARGE 6.4 MM 12 MM
107	46-170686P2	2	ADHESIVE	AR	LOCTITE 242, 10CC
108	2109866-12	2	SCREW	6	SCREW HEXAGON HEAD 6 MM 20 MM
109	46-271110P1	2	LABEL	1	PROTECTIVE EARTH (GROUND)
110	2222871	2	PART	1	GROUND WIRE
111	46-208599P19	2	WASHER	1	1/4 EXTERNAL TOOTH PHOS, BRONZE
112	46-208758P2	2	TY-RAP	1	5.5" X .140" SELF-LOCKING CABLE TIE.
113	2229552	2	BRACKET	1	RF COIL REAR BULKHEAD
120	2235607	2	LOCATOR	2	BRIDGE LOCATOR
142	46-317137P1	2	BOX	1	PATIENT COMMUNICATION BOX - EMPTY
143	46-317177G1	2	HARNESS	1	MG3 A2 J8 TO MG2 A2 A1 J3, SPEAKER
144	46-317184G1	2	HARNESS	1	MG3 A2 J7 TO MG2 A2 A1 J1, C.M. MIKE
145	46-317184G2	2	HARNESS	1	MG3 A2 J9 TO MG2 A2 A1 J4, F.C. MIKE
146A	2204384	1	CIRCUIT BD	1	REMOTE INTERCOM BOARD, MG3 A2 A1
146B	46-264758G1	1	CIRCUIT BD	ALT	REMOTE INTERCOM BOARD, MG3 A2 A1
147	46-317201P1	2	CABLE ASM.	1	MG2 A2 J6 TO MG2 A2 A1 J6, RIBBON-14
148	46-221754P1	2	CONNECTOR	3	RFI GASKET USED WITH 9 PIN SUB-D
149	46-221754P3	2	CONNECTOR	1	RFI GASKET USED WITH 25 PIN SUB-D
150	2236130-2	2	COVER	1	CONNECTOR WRAP
160	46-288546G2	1	CIRCUIT BD	1	MULTI-COIL SELECT SWITCH MG3-A36
12401	46-221417P2	2	CONNECTOR	1	FEMALE SCREWLOCK FOR HD CONNECTORS
15971	46-208921P28	2	SCREW	1	SCREW
16760	46-208935P5	2	NUT	2	6-32, .313 HEX X .109 THK, BRASS
18138	46-220184P47	2	SCREW	2	SCREW
25680	46-208921P6	2	SCREW	4	SCREW
34911	46-221417P1	2	CONNECTOR	3	FEMALE SCREWLOCKS, TWO PER KIT
47513	46-208922P4	2	SCREW	3	SCREW

1.5T WideOpen REAR PEDESTAL w/o MC2199000-3 FRU N

(PART 3 OF 2202900-5 PAGE 2-248)

(PART 3 OF 2202900-7 PAGE 2-249)

Item	Part Number	FRU	Name	Quantity	Description (Remarks)
2	2199001	N	ASSEMBLY	1	REAR PEDESTAL FRAME WELDMENT
3	2221408	2	BAR	2	REAR PEDESTAL COVER SUPPORT BAR
4	2221407	2	END CAP	4	REAR PEDESTAL END CAP FOR BAR
8	2128927-2	2	BRACKET ASM	1	CABLE BRACKET ASM FOR PEDESTAL (SEE PAGE 2-328)
10	2221414	2	INSULATOR	1	INSULATOR FIBERGLASS
11	2219098-2	2	BRACKET	2	REAR PEDESTAL BAR MOUNTING BRACKET
13	2221418	2	WASHER	14	WASHER PLAIN - LARGE 6.8 MM 38.1 MM
14	2221412	2	SPACER	3	REAR PEDESTAL INSULATED SPACER
27	2132034	N	BRIDGE MOUNT	1	REAR BRIDGE MOUNT ASM (SEE PAGE 2-127)
42	2223190	N	PART	1	BRACKET, IQ MOUNTING
46	46-208984P2	2	SPACER	4	HEX 1/4", EXT/INT THD 6-32, 1.5" LG
54	46-317200G1	2	COVER ASM.	1	INTERCOM BOX COVER W/RF SHIELDING
63	46-271439G4	1	LONGITDL DRV	1	LONGITUDINAL MOTOR DRIVE, MG3 A7 (SEE PAGE 2-330)
65	46-282694G2	N	MG3-A1 BOX	1	MAGNET INTERFACE #1, MG3 A1 (SEE PAGE 2-126)
93A	46-282260G12	N	SPLITTER ASM	1	LX 1.5T BODY HYBRID & PREAMP, MG3 A3 (SEE PAGE 2-129)
93B	46-282260G11	N	SPLITTER ASM	ALT	1.5T BODY QUADRATURE HYBRID, MG3 A3
94	2223171	2	PART	2	INSULATOR, REAR PED
97	2109866-10	2	SCREW	7	SCREW HEXAGON HEAD 6 MM 12 MM
98	2109866-13	2	SCREW	11	SCREW HEXAGON HEAD 6 MM 25 MM
100	2109866-17	2	SCREW	4	SCREW HEXAGON HEAD 6 MM 50 MM
102	2109880-3	2	WASHER	2	WASHER LOCK - SPRING 6.1 MM 11.8 MM
103	2109879-2	2	WASHER	6	WASHER PLAIN - LARGE 6.4 MM 12 MM
107	46-170686P2	2	ADHESIVE	AR	LOCTITE 242, 10CC
108	2109866-12	2	SCREW	6	SCREW HEXAGON HEAD 6 MM 20 MM
109	46-271110P1	2	LABEL	1	PROTECTIVE EARTH (GROUND)
110	2222871	2	PART	1	GROUND WIRE
111	46-208599P19	2	WASHER	1	1/4 EXTERNAL TOOTH PHOS, BRONZE
112	46-208758P2	2	TY-RAP	1	5.5" X .140" SELF-LOCKING CABLE TIE.
113	2229552	2	BRACKET	1	RF COIL REAR BULKHEAD
120	2235607	2	LOCATOR	2	BRIDGE LOCATOR
142	46-317137P1	2	BOX	1	PATIENT COMMUNICATION BOX - EMPTY
143	46-317177G1	2	HARNESS	1	MG3 A2 J8 TO MG2 A2 A1 J3, SPEAKER
144	46-317184G1	2	HARNESS	1	MG3 A2 J7 TO MG2 A2 A1 J1, C.M. MIKE
145	46-317184G2	2	HARNESS	1	MG3 A2 J9 TO MG2 A2 A1 J4, F.C. MIKE
146A	2204384	1	CIRCUIT BD	1	REMOTE INTERCOM BOARD, MG3 A2 A1
146B	46-264758G1	1	CIRCUIT BD	ALT	REMOTE INTERCOM BOARD, MG3 A2 A1
147	46-317201P1	2	CABLE ASM.	1	MG2 A2 J6 TO MG2 A2 A1 J6, RIBBON-14
148	46-221754P1	2	CONNECTOR	3	RFI GASKET USED WITH 9 PIN SUB-D
149	46-221754P3	2	CONNECTOR	1	RFI GASKET USED WITH 25 PIN SUB-D
150	2236130-2	2	COVER	1	CONNECTOR WRAP
12401	46-221417P2	2	CONNECTOR	1	FEMALE SCREWLOCK FOR HD CONNECTORS
15971	46-208921P28	2	SCREW	1	SCREW
16760	46-208935P5	2	NUT	2	6-32, .313 HEX X .109 THK, BRASS
18138	46-220184P47	2	SCREW	2	SCREW
25680	46-208921P6	2	SCREW	4	SCREW
34911	46-221417P1	2	CONNECTOR	3	FEMALE SCREWLOCKS, TWO PER KIT
47513	46-208922P4	2	SCREW	3	SCREW

1.5T WideOpen REAR PEDESTAL w/MC 2199000-4 FRU N

(PART 3 OF 2202900-6 PAGE 2-248)

(PART 3 OF 2202900-8 PAGE 2-249)

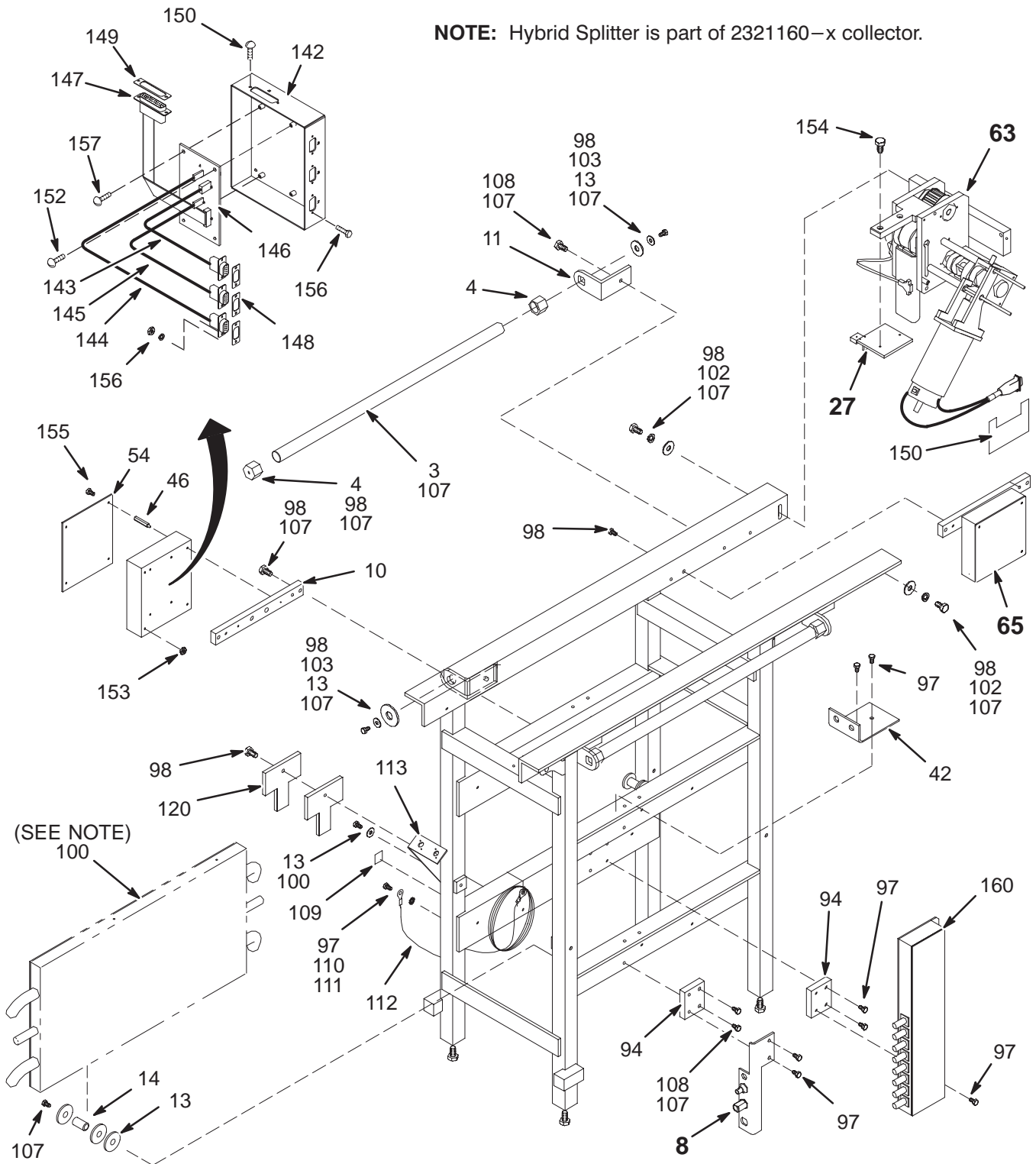
(PART 4 OF 2202900-9 PAGE 2-249)

Item	Part Number	FRU	Name	Quantity	Description (Remarks)
2	2199001	N	ASSEMBLY	1	REAR PEDESTAL FRAME WELDMENT
3	2221408	2	BAR	2	REAR PEDESTAL COVER SUPPORT BAR
4	2221407	2	END CAP	4	REAR PEDESTAL END CAP FOR BAR
8	2128927-2	N	BRACKET ASM	1	CABLE BRACKET ASM FOR PEDESTAL (SEE PAGE 2-328)
10	2221414	2	INSULATOR	1	INSULATOR FIBERGLASS
11	2219098-2	2	BRACKET	2	REAR PEDESTAL BAR MOUNTING BRACKET
13	2221418	2	WASHER	14	WASHER PLAIN - LARGE 6.8 MM 38.1 MM
14	2221412	2	SPACER	3	REAR PEDESTAL INSULATED SPACER
27	2132034	N	BRIDGE MOUNT	1	REAR BRIDGE MOUNT ASM (SEE PAGE 2-127)
42	2223190	N	PART	1	BRACKET, IQ MOUNTING
46	46-208984P2	2	SPACER	4	HEX 1/4", EXT/INT THD 6-32, 1.5" LG
54	46-317200G1	2	COVER ASM.	1	INTERCOM BOX COVER W/RF SHIELDING
63	46-271439G4	N	LONGITDL DRV	1	LONGITUDINAL MOTOR DRIVE, MG3 A7 (SEE PAGE 2-330)
65	46-282694G2	N	MG3-A1 BOX	1	MAGNET INTERFACE #1, MG3 A1 (SEE PAGE 2-126)
93A	46-282260G12	N	SPLITTER ASM	1	LX 1.5T BODY HYBRID & PREAMP, MG3 A3 (SEE PAGE 2-129)
93B	46-282260G11	N	SPLITTER ASM	ALT	1.5T BODY QUADRATURE HYBRID, MG3 A3
94	2223171	2	PART	2	INSULATOR, REAR PED
97	2109866-10	2	SCREW	7	SCREW HEXAGON HEAD 6 MM 12 MM
98	2109866-13	2	SCREW	11	SCREW HEXAGON HEAD 6 MM 25 MM
100	2109866-17	2	SCREW	4	SCREW HEXAGON HEAD 6 MM 50 MM
102	2109880-3	2	WASHER	2	WASHER LOCK - SPRING 6.1 MM 11.8 MM
103	2109879-2	2	WASHER	6	WASHER PLAIN - LARGE 6.4 MM 12 MM
107	46-170686P2	2	ADHESIVE	AR	LOCTITE 242, 10CC
108	2109866-12	2	SCREW	6	SCREW HEXAGON HEAD 6 MM 20 MM
109	46-271110P1	2	LABEL	1	PROTECTIVE EARTH (GROUND)
110	2222871	2	PART	1	GROUND WIRE
111	46-208599P19	2	WASHER	1	1/4 EXTERNAL TOOTH PHOS, BRONZE
112	46-208758P2	2	TY-RAP	1	5.5" X .140" SELF-LOCKING CABLE TIE.
113	2229552	2	BRACKET	1	RF COIL REAR BULKHEAD
120	2235607	2	LOCATOR	2	BRIDGE LOCATOR
142	46-317137P1	2	BOX	1	PATIENT COMMUNICATION BOX - EMPTY
143	46-317177G1	2	HARNESS	1	MG3 A2 J8 TO MG2 A2 A1 J3, SPEAKER
144	46-317184G1	2	HARNESS	1	MG3 A2 J7 TO MG2 A2 A1 J1, C.M. MIKE
145	46-317184G2	2	HARNESS	1	MG3 A2 J9 TO MG2 A2 A1 J4, F.C. MIKE
146A	2204384	1	CIRCUIT BD	1	REMOTE INTERCOM BOARD, MG3 A2 A1
146B	46-264758G1	1	CIRCUIT BD	ALT	REMOTE INTERCOM BOARD, MG3 A2 A1
147	46-317201P1	2	CABLE ASM.	1	MG2 A2 J6 TO MG2 A2 A1 J6, RIBBON-14
148	46-221754P1	2	CONNECTOR	3	RFI GASKET USED WITH 9 PIN SUB-D
149	46-221754P3	2	CONNECTOR	1	RFI GASKET USED WITH 25 PIN SUB-D
150	2236130-2	2	COVER	1	CONNECTOR WRAP
160	46-288546G2	2	CIRCUIT BD	1	MULTI-COIL SELECT SWITCH MG3-A36
12401	46-221417P2	2	CONNECTOR	1	FEMALE SCREWLOCK FOR HD CONNECTORS
15971	46-208921P28	2	SCREW	1	SCREW
16760	46-208935P5	2	NUT	2	6-32, .313 HEX X .109 THK, BRASS
18138	46-220184P47	2	SCREW	2	SCREW
25680	46-208921P6	2	SCREW	4	SCREW
34911	46-221417P1	2	CONNECTOR	3	FEMALE SCREWLOCKS, TWO PER KIT
47513	46-208922P4	2	SCREW	3	SCREW

1.5T & 1.0T WIDE-OPEN REAR PEDESTAL

2199000 THRU 2199000-4

NOTE: Hybrid Splitter is part of 2321160-x collector.



WideOpen REAR PEDESTAL w/o MC 2199000-8 FRU N

(PART 29 OF 2321160-7 PAGE 2-251)

(PART 29 OF 2321160-9 PAGE 2-251)

Item	Part Number	FRU	Name	Quantity	Description (Remarks)
2	2199001	N	ASSEMBLY	1	REAR PEDESTAL FRAME WELDMENT
3	2221408	N	BAR	2	REAR PEDESTAL COVER SUPPORT BAR
4	2221407	N	END CAP	4	REAR PEDESTAL END CAP FOR BAR
8	2128927-2	N	BRACKET ASM	1	CABLE BRACKET ASM FOR PEDESTAL (SEE PAGE 2-328)
10	2221414	N	INSULATOR	1	INSULATOR FIBERGLASS
11	2219098-2	N	BRACKET	2	REAR PEDESTAL BAR MOUNTING BRACKET
13	2221418	2	WASHER	14	WASHER PLAIN - LARGE 6.8 MM 38.1 MM
14	2221412	2	SPACER	3	REAR PEDESTAL INSULATED SPACER
27	2132034	N	BRIDGE MOUNT	1	REAR BRIDGE MOUNT ASM (SEE PAGE 2-127)
42	2223190	N	PART	1	BRACKET, IQ MOUNTING
46	46-208984P2	N	SPACER	4	HEX 1/4", EXT/INT THD 6-32, 1.5" LG
54	46-317200G1	N	COVER ASM.	1	INTERCOM BOX COVER W/RF SHIELDING
63	46-271439G4	N	LONGITDL DRV	1	LONGITUDINAL MOTOR DRIVE, MG3 A7 (SEE PAGE 2-330)
65	46-282694G2	N	MG3-A1 BOX	1	MAGNET INTERFACE #1, MG3 A1 (SEE PAGE 2-126)
94	2223171	N	PART	2	INSULATOR, REAR PED
97	2109866-10	N	SCREW	7	SCREW HEXAGON HEAD 6 MM 12 MM
98	2109866-13	N	SCREW	11	SCREW HEXAGON HEAD 6 MM 25 MM
100	2109866-17	N	SCREW	4	SCREW HEXAGON HEAD 6 MM 50 MM
102	2109880-3	N	WASHER	2	WASHER LOCK - SPRING 6.1 MM 11.8 MM
103	2109879-2	N	WASHER	6	WASHER PLAIN - LARGE 6.4 MM, 18MM OD
107	46-170686P2	N	ADHESIVE	AR	LOCTITE 242, 10CC
108	2109866-12	N	SCREW	6	SCREW HEXAGON HEAD 6 MM 20 MM
109	46-271110P1	N	LABEL	1	LABEL, PROTECTIVE EARTH (GROUND)
110	2222871	N	PART	1	GROUND WIRE
111	46-208599P19	N	WASHER	1	1/4 EXTERNAL TOOTH PHOS, BRONZE
112	46-208758P2	N	TY-RAP	1	5.5" X .140" SELF-LOCKING CABLE TIE.
113	2229552	2	BRACKET	1	RF COIL REAR BULKHEAD
120	2235607	2	LOCATOR	2	BRIDGE LOCATOR
142	46-317137P1	2	BOX	1	PATIENT COMMUNICATION BOX - EMPTY
143	46-317177G1	2	HARNESS	1	MG3 A2 J8 TO MG2 A2 A1 J3, SPEAKER
144	46-317184G1	2	HARNESS	1	MG3 A2 J7 TO MG2 A2 A1 J1, C.M. MIKE
145	46-317184G2	2	HARNESS	1	MG3 A2 J9 TO MG2 A2 A1 J4, F.C. MIKE
146	2204384	1	CIRCUIT BOAR	1	REMOTE INTERCOM BOARD
147	46-317201P1	2	CABLE ASM.	1	MG2 A2 J6 TO MG2 A2 A1 J6, RIBBON-14
148	46-221754P1	2	CONNECTOR	3	RFI GASKET USED WITH 9 PIN SUB-D
149	46-221754P3	2	CONNECTOR	1	RFI GASKET USED WITH 25 PIN SUB-D
150	2236130-2	2	CONNECTOR WR	1	177 X 200 CONNECTOR WRAP
151	46-221417P2	N	CONNECTOR	1	FEMALE SCREWLOCK FOR HD CONNECTORS
152	46-208921P28	N	SCREW	1	SCREW BRASS, BINDING HD 6-32 X .3125
153	46-208935P5	N	NUT	2	6-32, .313 HEX X .109 THK, BRASS
154	46-220184P47	N	SCREW	2	SCREW__SLOTTED ROUND HEAD BRASS
155	46-208921P6	N	SCREW	4	SCREW
156	46-221417P1	N	CONNECTOR	3	FEMALE SCREWLOCKS, TWO PER KIT
157	46-208922P4	N	SCREW	3	SCREW 0375" LONG

WideOpen REAR PEDESTAL w/MC 2199000-9 FRU N

(PART 29 OF 2321160 PAGE 2-250)
 (PART 29 OF 2321160-2 PAGE 2-250)
 (PART 29 OF 2321160-8 PAGE 2-251)
 (PART 29 OF 2321160-10 PAGE 2-251)

Item	Part Number	FRU	Name	Quantity	Description (Remarks)
2	2199001	N	ASSEMBLY	1	REAR PEDESTAL FRAME WELDMENT
3	2221408	N	BAR	2	REAR PEDESTAL COVER SUPPORT BAR
4	2221407	N	END CAP	4	REAR PEDESTAL END CAP FOR BAR
8	2128927-2	N	BRACKET ASM	1	CABLE BRACKET ASM FOR PEDESTAL (SEE PAGE 2-328)
10	2221414	N	INSULATOR	1	INSULATOR FIBERGLASS
11	2219098-2	N	BRACKET	2	REAR PEDESTAL BAR MOUNTING BRACKET
13	2221418	2	WASHER	14	WASHER PLAIN - LARGE 6.8 MM 38.1 MM
14	2221412	2	SPACER	3	REAR PEDESTAL INSULATED SPACER
27	2132034	N	BRIDGE MOUNT	1	REAR BRIDGE MOUNT ASM (SEE PAGE 2-127)
42	2223190	N	PART	1	BRACKET, IQ MOUNTING
46	46-208984P2	N	SPACER	4	HEX 1/4", EXT/INT THD 6-32, 1.5" LG
54	46-317200G1	N	COVER ASM.	1	INTERCOM BOX COVER W/RF SHIELDING
63	46-271439G4	N	LONGITDL DRV	1	LONGITUDINAL MOTOR DRIVE, MG3 A7 (SEE PAGE 2-330)
65	46-282694G2	N	MG3-A1 BOX	1	MAGNET INTERFACE #1, MG3 A1 (SEE PAGE 2-126)
94	2223171	N	PART	2	INSULATOR, REAR PED
97	2109866-10	N	SCREW	7	SCREW HEXAGON HEAD 6 MM 12 MM
98	2109866-13	N	SCREW	11	SCREW HEXAGON HEAD 6 MM 25 MM
100	2109866-17	N	SCREW	4	SCREW HEXAGON HEAD 6 MM 50 MM
102	2109880-3	N	WASHER	2	WASHER LOCK - SPRING 6.1 MM 11.8 MM
103	2109879-2	N	WASHER	6	WASHER PLAIN - LARGE 6.4 MM, 18MM OD
107	46-170686P2	N	ADHESIVE	AR	LOCTITE 242, 10CC
108	2109866-12	N	SCREW	6	SCREW HEXAGON HEAD 6 MM 20 MM
109	46-271110P1	N	LABEL	1	LABEL, PROTECTIVE EARTH (GROUND)
110	2222871	N	PART	1	GROUND WIRE
111	46-208599P19	N	WASHER	1	1/4 EXTERNAL TOOTH PHOS, BRONZE
112	46-208758P2	N	TY-RAP	1	5.5" X .140" SELF-LOCKING CABLE TIE.
113	2229552	2	BRACKET	1	RF COIL REAR BULKHEAD
120	2235607	2	LOCATOR	2	BRIDGE LOCATOR
142	46-317137P1	2	BOX	1	PATIENT COMMUNICATION BOX - EMPTY
143	46-317177G1	2	HARNESS	1	MG3 A2 J8 TO MG2 A2 A1 J3, SPEAKER
144	46-317184G1	2	HARNESS	1	MG3 A2 J7 TO MG2 A2 A1 J1, C.M. MIKE
145	46-317184G2	2	HARNESS	1	MG3 A2 J9 TO MG2 A2 A1 J4, F.C. MIKE
146	2204384	1	CIRCUIT BOAR	1	REMOTE INTERCOM BOARD
147	46-317201P1	2	CABLE ASM.	1	MG2 A2 J6 TO MG2 A2 A1 J6, RIBBON-14
148	46-221754P1	2	CONNECTOR	3	RFI GASKET USED WITH 9 PIN SUB-D
149	46-221754P3	2	CONNECTOR	1	RFI GASKET USED WITH 25 PIN SUB-D
150	2236130-2	2	CONNECTOR WR	1	177 X 200 CONNECTOR WRAP
151	46-221417P2	N	CONNECTOR	1	FEMALE SCREWLOCK FOR HD CONNECTORS
152	46-208921P28	N	SCREW	1	SCREW BRASS, BINDING HD 6-32 X .3125
153	46-208935P5	N	NUT	2	6-32, .313 HEX X .109 THK, BRASS
154	46-220184P47	N	SCREW	2	SCREW__SLOTTED ROUND HEAD BRASS
155	46-208921P6	N	SCREW	4	SCREW
156	46-221417P1	N	CONNECTOR	3	FEMALE SCREWLOCKS, TWO PER KIT
157	46-208922P4	N	SCREW	3	SCREW
160	46-288546G2	1	CIRCUIT BD	1	MULTI-COIL SELECT SWITCH MG3-A36

CRM WideOpen REAR PED w/MC 2199000-10 FRU N

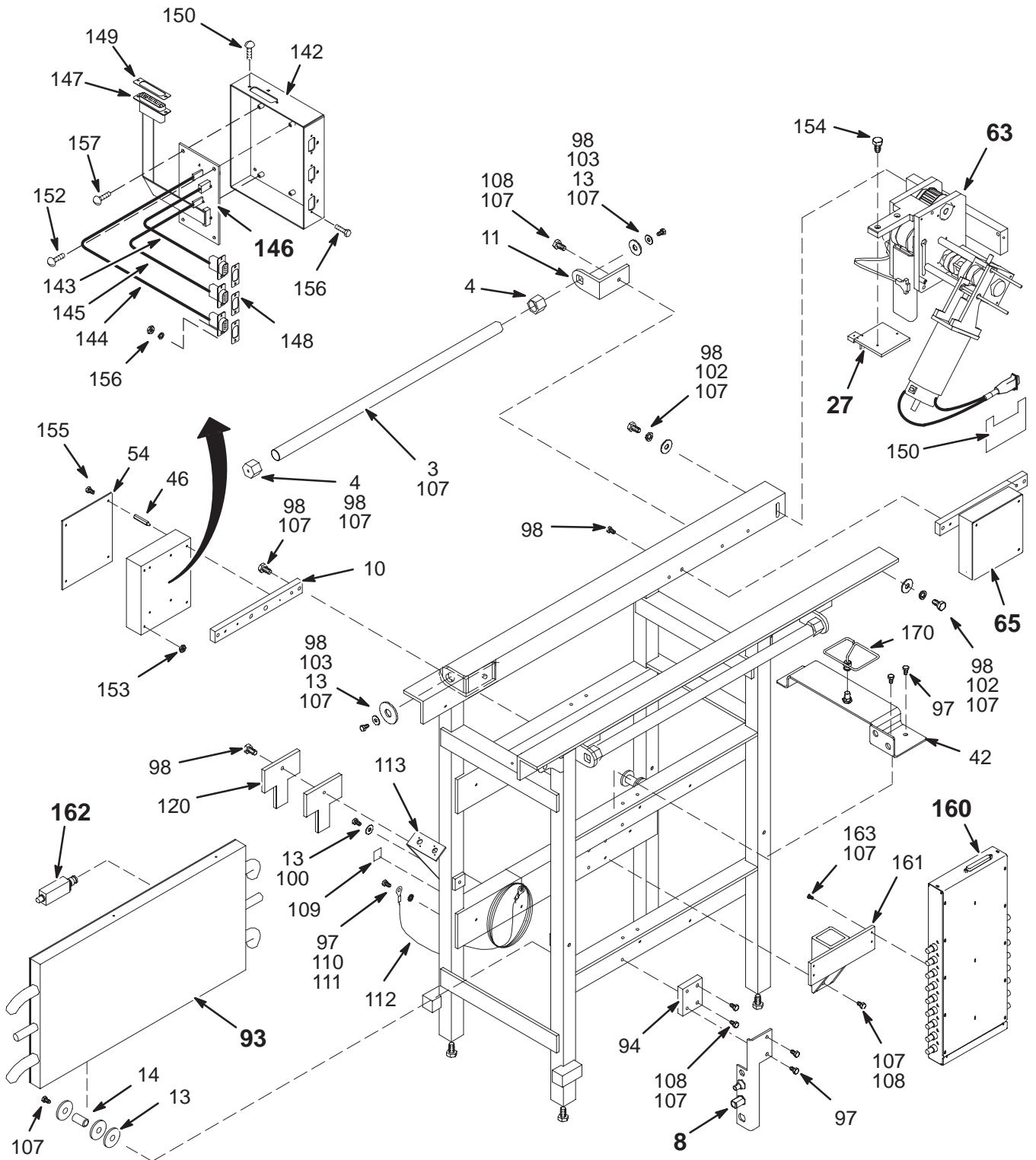
(PART 4 OF 2321160-3 PAGE 2-250)

(PART 4 OF 2321160-4 PAGE 2-251)

Item	Part Number	FRU	Name	Quantity	Description (Remarks)
2	2199001	N	ASSEMBLY	1	REAR PEDESTAL FRAME WELDMENT
3	2221408	N	BAR	2	REAR PEDESTAL COVER SUPPORT BAR
4	2221407	N	END CAP	4	REAR PEDESTAL END CAP FOR BAR
8	2128927-2	N	BRACKET ASM	1	CABLE BRACKET ASM FOR PEDESTAL (SEE PAGE 2-328)
10	2221414	N	INSULATOR	1	INSULATOR FIBERGLASS
11	2219098-2	N	BRACKET	2	REAR PEDESTAL BAR MOUNTING BRACKET
13	2221418	2	WASHER	14	WASHER PLAIN - LARGE 6.8 MM 38.1 MM
14	2221412	2	SPACER	3	REAR PEDESTAL INSULATED SPACER
27	2132034	N	BRIDGE MOUNT	1	REAR BRIDGE MOUNT ASM (SEE PAGE 2-127)
42	2223190	N	PART	1	BRACKET, IQ MOUNTING
46	46-208984P2	N	SPACER	4	HEX 1/4", EXT/INT THD 6-32, 1.5" LG
54	46-317200G1	N	COVER ASM.	1	INTERCOM BOX COVER W/RF SHIELDING
63	46-271439G4	N	LONGITDL DRV	1	LONGITUDINAL MOTOR DRIVE, MG3 A7 (SEE PAGE 2-330)
65	46-282694G2	N	MG3-A1 BOX	1	MAGNET INTERFACE #1, MG3 A1 (SEE PAGE 2-126)
94	2223171	N	PART	2	INSULATOR, REAR PED
97	2109866-10	N	SCREW	8	SCREW HEXAGON HEAD 6 MM 12 MM
98	2109866-13	N	SCREW	11	SCREW HEXAGON HEAD 6 MM 25 MM
100	2109866-17	N	SCREW	3	SCREW HEXAGON HEAD 6 MM 50 MM
102	2109880-3	N	WASHER	2	WASHER LOCK - SPRING 6.1 MM 11.8 MM
103	2109879-2	N	WASHER	6	WASHER PLAIN - LARGE 6.4 MM, 18MM OD
107	46-170686P2	N	ADHESIVE	AR	LOCTITE 242, 10CC
108	2109866-12	N	SCREW	6	SCREW HEXAGON HEAD 6 MM 20 MM
109	46-271110P1	N	LABEL	1	LABEL, PROTECTIVE EARTH (GROUND)
110	2222871	N	PART	1	GROUND WIRE
111	46-208599P19	N	WASHER	1	1/4 EXTERNAL TOOTH PHOS, BRONZE
112	46-208758P2	N	TY-RAP	1	5.5" X .140" SELF-LOCKING CABLE TIE.
113	2229552	2	BRACKET	1	RF COIL REAR BULKHEAD
120	2235607	2	LOCATOR	2	BRIDGE LOCATOR
142	46-317137P1	2	BOX	1	PATIENT COMMUNICATION BOX - EMPTY
143	46-317177G1	2	HARNESS	1	MG3 A2 J8 TO MG2 A2 A1 J3, SPEAKER
144	46-317184G1	2	HARNESS	1	MG3 A2 J7 TO MG2 A2 A1 J1, C.M. MIKE
145	46-317184G2	2	HARNESS	1	MG3 A2 J9 TO MG2 A2 A1 J4, F.C. MIKE
146	2204384	1	CIRCUIT BOAR	1	REMOTE INTERCOM BOARD
147	46-317201P1	2	CABLE ASM.	1	MG2 A2 J6 TO MG2 A2 A1 J6, RIBBON-14
148	46-221754P1	2	CONNECTOR	3	RFI GASKET USED WITH 9 PIN SUB-D
149	46-221754P3	2	CONNECTOR	1	RFI GASKET USED WITH 25 PIN SUB-D
150	2236130-2	2	CONNECTOR WR	1	177 X 200 CONNECTOR WRAP
151	46-221417P2	N	CONNECTOR	1	FEMALE SCREWLOCK FOR HD CONNECTORS
152	46-208921P28	N	SCREW	1	SCREW BRASS, BINDING HD 6-32 X .3125
153	46-208935P5	N	NUT	2	6-32, .313 HEX X .109 THK, BRASS
154	46-220184P47	N	SCREW	2	SCREW__SLOTTED ROUND HEAD BRASS
155	46-208921P6	N	SCREW	4	SCREW
156	46-221417P1	N	CONNECTOR	3	FEMALE SCREWLOCKS, TWO PER KIT
157	46-208922P4	N	SCREW	3	SCREW
160	46-288546G2	2	CIRCUIT BD	1	MULTI-COIL SELECT SWITCH MG3-A36

EXCITE II 1.5T WideOpen REAR PEDESTAL

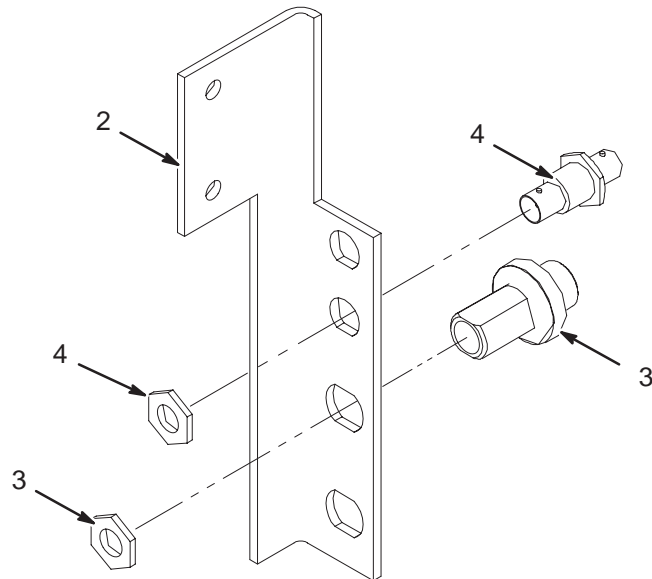
2382930



EXCITE II 1.5T WideOpen REAR PED 2382930 FRU N (PART 12 OF 2321160-16 PAGE 2-252)
 (PART 12 OF 2321160-17 PAGE 2-252)

Item	Part Number	FRU	Name	Quantity	Description (Remarks)
2	2199001	N	ASSEMBLY	1	REAR PEDESTAL FRAME WELDMENT
3	2221408	N	BAR	2	REAR PEDESTAL COVER SUPPORT BAR
4	2221407	N	END CAP	4	REAR PEDESTAL END CAP FOR BAR
8	2128927-2	N	BRACKET ASM	1	CABLE BRACKET ASM FOR PEDESTAL (SEE PAGE 2-328)
10	2221414	N	PDM PART	1	INSULATOR FIBERGLASS
11	2219098-2	N	BRACKET	2	REAR PEDESTAL BAR MOUNTING BRACKET
13	2221418	N	PDM PART	14	WASHER PLAIN - LARGE 6.8 MM 38.1 MM
14	2221412	N	PDM PART	3	REAR PEDESTAL INSULATED SPACER
27	2132034	N	BRIDGE MOUNT	1	REAR BRIDGE MOUNT ASM (SEE PAGE 2-127)
42	2384445	N	PART	1	UTNS ANTENNA BRACKET
46	46-208984P2	N	PDM PART	4	HEX 1/4", EXT/INT THD 6-32, 1.5" LG
54	46-317200G1	N	COVER ASM.	1	INTERCOM BOX COVER W/RF SHIELDING
63	46-271439G4	N	LONGITDL DRV	1	LONGITUDINAL MOTOR DRIVE, MG3 A7 (SEE PAGE 2-330)
65	46-282694G2	N	MG3-A1 BOX	1	MAGNET INTERFACE #1, MG3 A1 (SEE PAGE 2-126)
93A	46-282260G12	N	SPLIT BOX	1	LX 1.5T BODY HYBRID & PREAMP (SEE PAGE 2-129)
94	2223171	N	PART	1	INSULATOR, REAR PED
97	2109866-10	N	PDM PART	5	SCREW HEXAGON HEAD 6 MM 12 MM
98	2109866-13	N	PDM PART	11	SCREW HEXAGON HEAD 6 MM 25 MM
100	2109866-17	N	PDM PART	4	SCREW HEXAGON HEAD 6 MM 50 MM
102	2109880-3	N	PDM PART	2	WASHER LOCK - SPRING 6.1 MM 11.8 MM
103	2109879-2	N	PDM PART	6	WASHER PLAIN - LARGE 6.4 MM, 18MM OD
107	46-170686P2	N	ADHESIVE	AR	LOCTITE 242, 10CC
108	2109866-12	N	PDM PART	6	SCREW HEXAGON HEAD 6 MM 20 MM
109	46-271110P1	N	PDM PART	1	LABEL, PROTECTIVE EARTH (GROUND)
110	2222871	N	PART	1	GROUND WIRE
111	46-208599P19	N	PDM PART	1	1/4 EXTERNAL TOOTH PHOS, BRONZE
112	46-208758P2	N	TY-RAP	1	5.5" X .140" SELF-LOCKING CABLE TIE.
113	2229552	N	BRACKET	1	RF COIL REAR BULKHEAD
120	2235607	N	LOCATOR	2	BRIDGE LOCATOR
142	46-317137P1	N	BOX	1	PATIENT COMMUNICATION BOX - EMPTY
143	46-317177G1	N	HARNESS	1	MG3 A2 J8 TO MG2 A2 A1 J3, SPEAKER
144	46-317184G1	N	HARNESS	1	MG3 A2 J7 TO MG2 A2 A1 J1, C.M. MIKE
145	46-317184G2	N	HARNESS	1	MG3 A2 J9 TO MG2 A2 A1 J4, F.C. MIKE
146A	2204384	1	CIRCUIT BOAR	1	REMOTE INTERCOM BOARD
147	46-317201P1	N	CABLE ASM.	1	MG2 A2 J6 TO MG2 A2 A1 J6, RIBBON-14
148	46-221754P1	N	CONNECTOR	3	RFI GASKET USED WITH 9 PIN SUB-D
149	46-221754P3	N	CONNECTOR	1	RFI GASKET USED WITH 25 PIN SUB-D
150	2236130-2	N	CONNECTOR WR	1	177 X 200 CONNECTOR WRAP
151	46-221417P2	N	CONNECTOR	1	FEMALE SCREWLOCK FOR HD CONNECTORS
152	46-208921P28	N	PDM PART	1	SCREW BRASS, BINDING HD 6-32 X .3125
153	46-208935P5	N	PDM PART	2	6-32, .313 HEX X .109 THK, BRASS
154	46-220184P47	N	PDM PART	2	SCREW__SLOTTED ROUND HEAD BRASS
155	46-208921P6	N	PDM PART	4	SCREW
156	46-221417P1	N	CONNECTOR	3	FEMALE SCREWLOCKS, TWO PER KIT
157	46-208922P4	N	PDM PART	3	.0375" LONG
160	2362995	N	SWITCH ASM	1	8 CHANNEL SWITCH
161	2334116	N	PART	1	BRACKET
162	2305086-2	1	FILTER	1	NOTCH FILTER
163	2109873-15	N	PDM PART	4	SCREW PAN HEAD 4 MM 12 MM
170	2355200	N	PART	1	UTNS 2 LOOP ANTENNA

CABLE BRACKET ASSEMBLY FOR REAR PEDESTAL 2128927-2



CABLE BRACKET ASM

2128927-2 FRU N

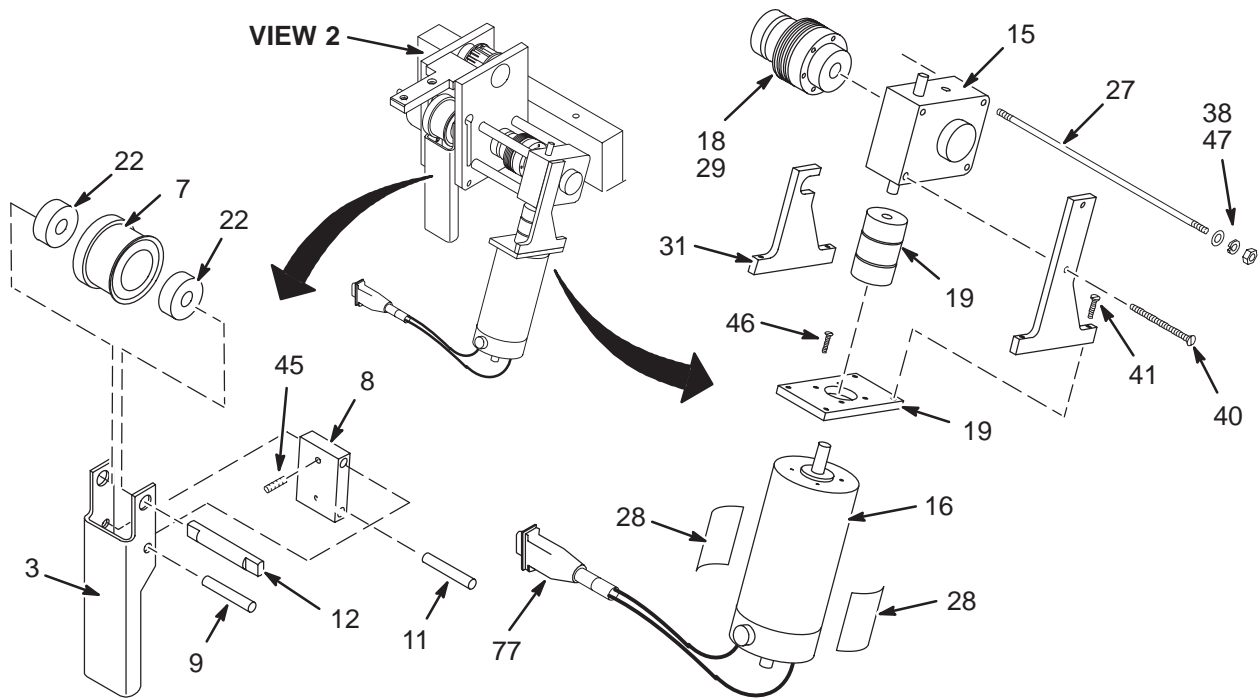
(PART 8 OF 2199000 PAGE 2-318)
 (PART 8 OF 2199000-2 PAGE 2-319)
 (PART 8 OF 2199000-3 PAGE 2-320)
 (PART 8 OF 2199000-4 PAGE 2-321)
 (PART 8 OF 2199000-8 PAGE 2-323)
 (PART 8 OF 2199000-9 PAGE 2-324)
 (PART 8 OF 2199000-10 PAGE 2-325)
 (PART 8 OF 2332734 PAGE 2-327)

Item	Part Number	FRU	Name	Quantity	Description (Remarks)
2	2219099	2	BRACKET	1	SMALL HELIAX CABLE CONNECTION BRKT
3	46-221865P1	2	CONNECTOR	1	UG-30, N BULKHEAD, 50-OHM, JACK-JACK
4	46-208990P1	2	CONNECTOR	1	50 OHM BNC BULKHEAD ADAP'R JACK-JACK

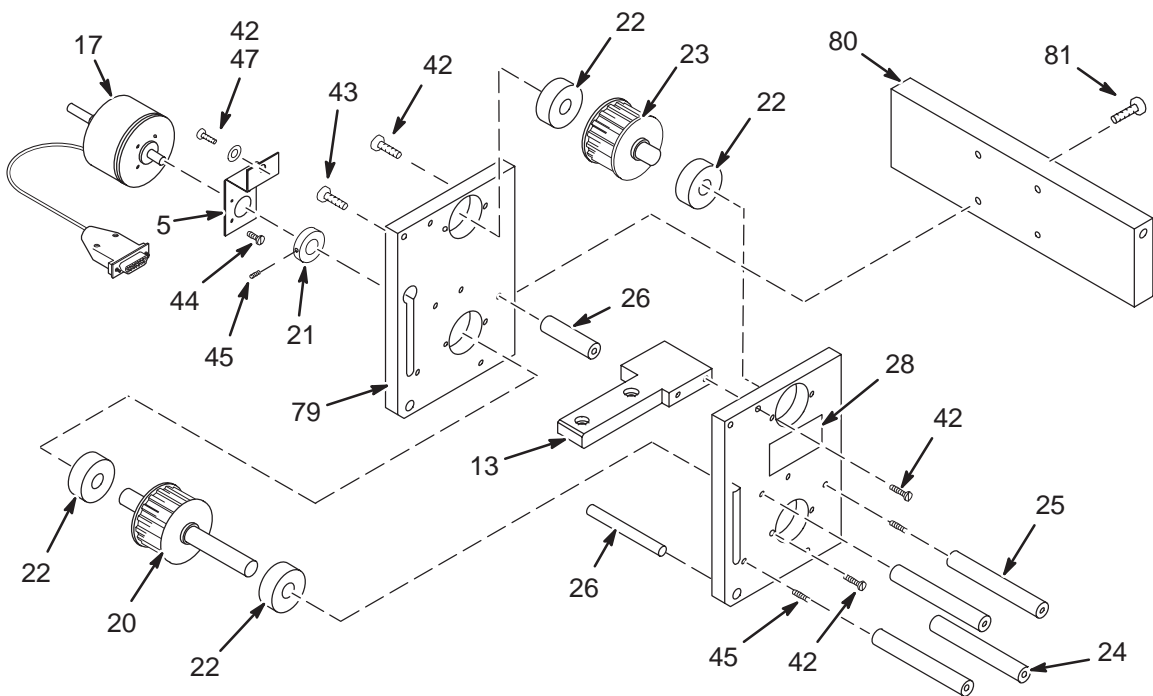
LONGITUDINAL MOTOR DRIVE

46-271439G4

MG3 A7



VIEW 1



VIEW 2

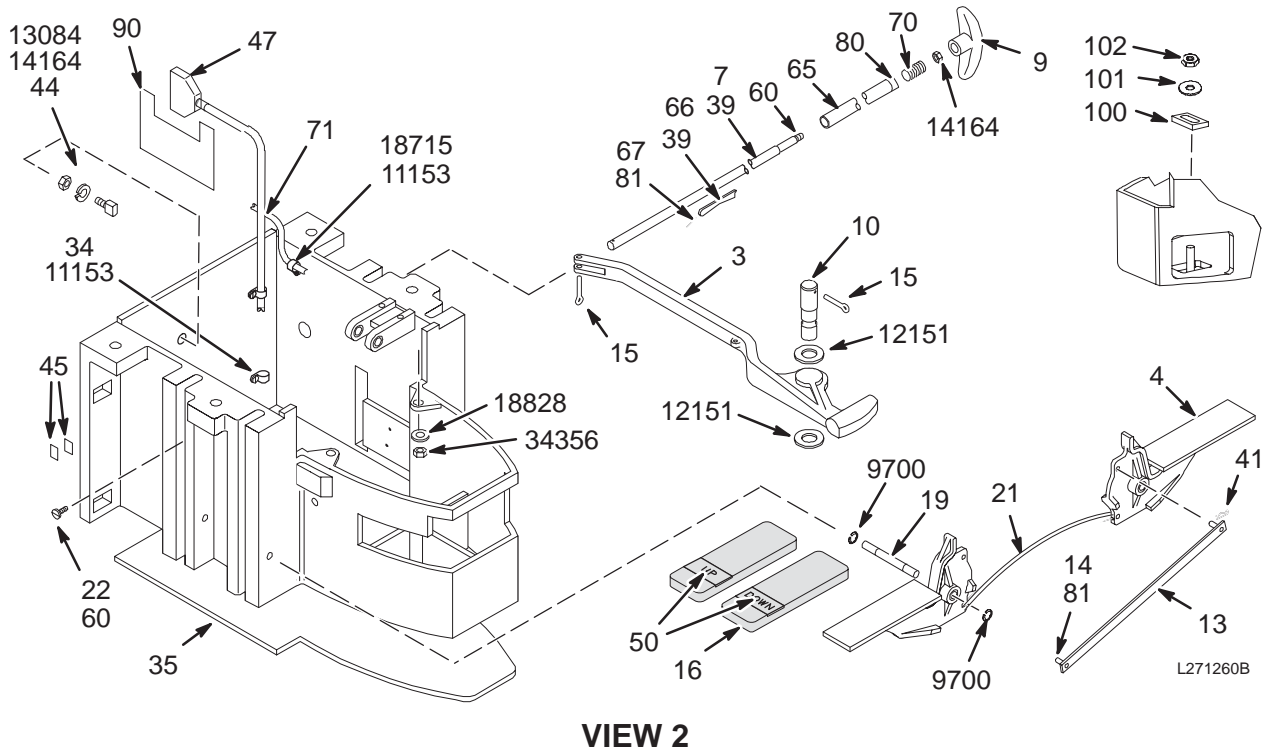
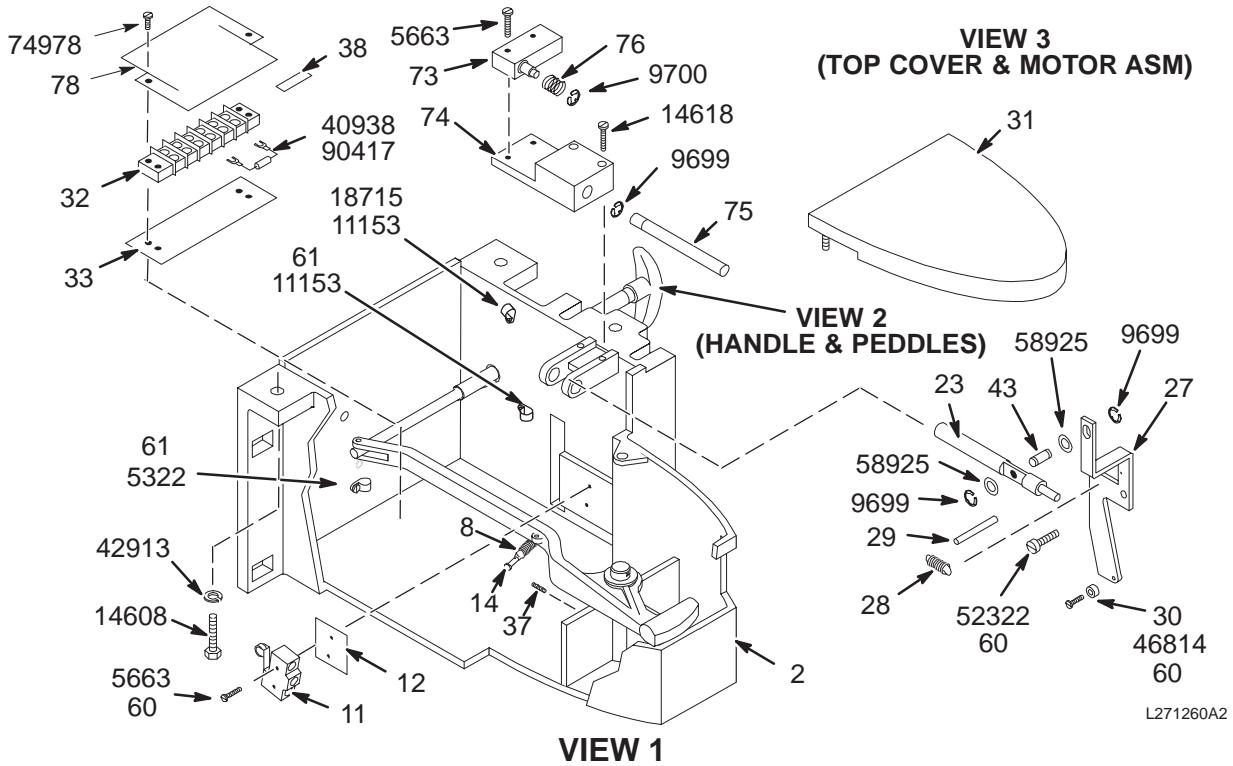
LONGITUDINAL MOTOR DRIVE 46-271439G4 FRU N (PART 63 OF 2199000 PAGE 2-318)
 (PART 63 OF 2199000-2 PAGE 2-319)
 (PART 63 OF 2199000-3 PAGE 2-320)
 (PART 63 OF 2199000-4 PAGE 2-321)
 (PART 63 OF 2199000-8 PAGE 2-323)
 (PART 63 OF 2199000-9 PAGE 2-324)
 (PART 63 OF 2199000-10 PAGE 2-325)
 (PART 63 OF 2382930 PAGE 2-327)

Item	Part Number	FRU	Name	Quantity	Description (Remarks)
3	46-271420P1	N	ARM, T-U PIV	1	BELT TENSION ARM
5	46-271422P1	N	BRACKET, END	1	ENCODER MOUNTING BRACKET
6	46-271423P1	N	BRACKET, MTR	1	MOTOR MOUNTING BRACKET
7	46-271425P1	N	BAR	1	BELT TENSION PULLEY
8	46-271426P1	N	SUPPORT,PIVT	1	BELT TENSION LATCHING BLOCK
9	46-271427P1	N	BAR	1	TENSION ARM PIVOT PIN
10	46-271428P1	N	PLATE,MTR MT	1	LONGITUDINAL DRIVE MOTOR MOUNT PLATE
11	46-271427P2	N	BAR	1	LATCHING BLOCK PIVOT PIN
12	46-271430P1	N	SHAFT, T-U	1	TENSION PULLEY SHAFT
13	46-271432P1	N	MOUNT BRIDGE	1	BRIDGE ATTACHMENT TONGUE
15	46-282359P2	1	GEAR	1	GEAR 16 MM
16	46-282360P1	1	MOTOR	1	LONG DRIVE MOTOR, MG3-A7
17	46-282361P1	1	ENCODER	1	LONGITUDINAL ENCODER, MG3 A6
18	46-282362P1	N	CLUTCH	1	CLUTCH
19	46-282363P1	N	COUPLING	1	NON-MAGNETIC FLEXIBLE COUPLING
20	46-282727G1	N	PULLEY ASM	1	DRIVE BELT DRIVEN PULLEY
21	46-282402P1	N	COLLAR	1	ENCODER SHAFT COUPLING
22	46-282471P12	N	BEARING	6	BEARING
23	46-282646G1	N	PULLEY ASM	1	DRIVE BELT IDLER PULLEY
24	46-282688P1	N	STANDOFF	2	1/2" DIA X 3-5/8, 10-32 THREAD, ALUM
25	46-282689P1	N	STANDOFF	2	1/2" DIA X 3-5/8, .2 THRU HOLE, ALUM
26	46-282689P2	N	STANDOFF	2	1/2" DIA X 1.950, .2 THRU HOLE, ALUM
27	46-282690P1	N	STUD	2	8-3/4 LONG, 10-32 THREAD, BRASS
28	46-282756P1	N	LABEL	2	WARNING, CONTAINS FERROUS MATERIAL
29	46-170686P2	N	ADHESIVE	AR	LOCTITE 242, 10CC
31	46-320678P1	N	BRACKET	1	MOTOR/GEARBOX SUPPORT BRACKET
38	46-208935P7	N	NUT	6	10-32, 3/8 HEX, 1/8" THICK, BRASS
40	46-208913P30	N	SCREW	2	SCREW
41	46-220184P29	N	SCREW	4	SCREW
42	46-220184P41	N	SCREW	9	BRS SLOTTED RND HD SCR 10-32 X 1/2
43	46-220184P45	N	SCREW	4	BRS SLOTTED RND HD SCR10-32 X 1"
44	46-208921P2	N	SCREW	4	SLOTTED BINDING HEAD BRASS
45	46-208732P9	N	SCREW	5	SCREW,SET,HEX SOCKET,FLAT NYLOK W/PE
46	46-208913P14	N	SCREW	4	SCREW
47	1000904P425	N	WASHER	5	0.2 ID, 0.5 OD, 04 THK, B11H89C
77	46-258066G1	N	CABLE ASM	1	LONGITUDINAL DRIVE MOTOR CABLE
79	2221416	N	SIDE PLATE	2	REAR PEDESTAL MOTOR ASM SIDE PLATE
80	2221415	N	MOUNTING BAR	1	REAR PEDESTAL MOTOR ASM MOUNTING BAR
81	2109866-14	N	SCREW	4	SCREW HEXAGON HEAD 6 MM 30 MM
82	46-208758P5	N	TY-RAP	1	SELF LOCKING CABLE TIE

2-23 WideOpen DOCK ASSEMBLIES

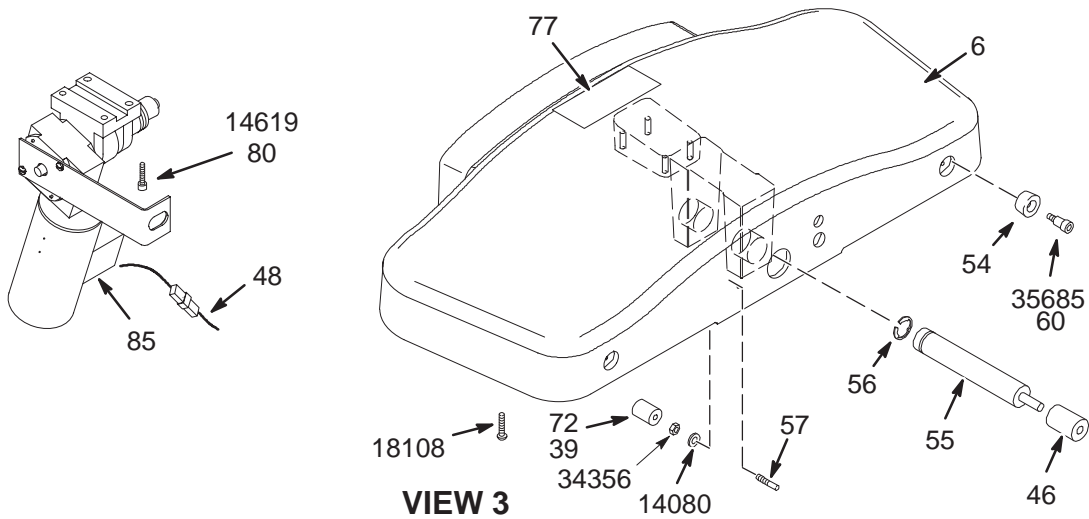
WideOpen DOCK ASSEMBLY

46-271260G3 & 46-271260G4



WideOpen DOCK ASSEMBLY

46-271260G3



WideOpen DOCK ASSEMBLY 46-271260G3 FRU N (PART OF WideOpen ENCLOSURE CATALOGS – SECT 1)

Item	Part Number	FRU	Name	Quantity	Description (Remarks)
2	46-271405G3	2	DOCK ASM.	1	LCC DOCK CASTING
3	46-271123P1	2	LEVER ARM	1	DOCK HOOK EMERGENCY RELEASE ARM
4	46-271407G2	2	PEDAL ASM.	4	PEDAL ASM – LCC
6	46-271406G2	2	COVER ASM.	1	LCC CASTING W/BEARINGS
7	46-271248P1	2	BAR	1	EMERGENCY RELEASE LINKAGE ROD
8	46-221954P5	2	SPRING-INCH	1	SPRING-INCH EXTENSION 1.75 INCHES .5
9	46-271266P1	2	HANDLE	1	DOCK HOOK EMERGENCY RELEASE HANDLE
10	46-271249P1	2	PIN	1	DOCK HOOK RELEASE ARM PIVOT
11	46-136334P49	2	SWITCH	1	SPDT SNAP-ACTION SWITCH W/SCREW TERM
12	46-271251P1	2	INSULATOR BA	1	MOTOR ON SWITCH INSULATOR, FISHPAPER
13	46-271270G1	2	BAR ASM	2	PEDAL LINKAGE BAR AND PIN ASSEMBLY
14	46-221304P7	2	PIN	1	0.188 DIA X 0.65 LENGTH, 303 SST
15	46-221828P7	2	PIN	2	0.125 DIA X 1.5" LONG, SST
16	46-265905P1	2	FOOT PAD	4	FOOT PEDAL PAD, RUBBER
19	46-265887P5	2	BAR	2	PEDAL ASM PIVOT SHAFT
21	46-271152P1	2	SPRING EXTEN	2	10.42" AUSTENITIC STN. STEEL WIRE
22	46-220437P1	2	BUMPER	2	ATLANTIC INDIA 827-S-120 W/1/2 STUD
23	46-271255P1	2	BAR	1	TABLE DOWN VALVE PUSH ROD
27	46-271256P1	2	BRACKET	1	TABLE DOWN PEDAL LINKAGE LEVER
28	46-221954P3	2	SPRING-INCH	1	SPRING-INCH EXTENSION 1.12 INCHES .3
29	46-208735P86	2	PIN	1	SPIROL .187 DIA X 1.75 LG
30	46-271257P1	2	BAR	1	DOWN PEDAL CAM ROLLER, NYLON
31	46-243341G3	2	BUMPER	1	LCC DOCK BUMPER
32	46-315119P1	2	TERMINAL	1	6-POSITION TERMINAL STRIP
33	514A350P36	2	TERMINAL	1	6 POS'N MARKER STRIP, 1-6 LEFT RIGHT
34	46-208718P5	2	CLAMP	2	1/2" ID LOOP TYPE, TA MFG CO TA713D8
35	2230001	2	SPACER PAD	1	RUBBER PAD
37	46-208732P9	2	SCREW	1	SCREW
38	46-220492P3	2	TERMINAL	2	JUMPER, 0.56" CTR, #8 SCREW, .37" W
39	46-197385P1	2	MECHANICAL/M	1	WHITE LITHIUM, MULTI-PURPOSE GREASE.
41	46-230434P2	2	PIN	4	0.047 WIRE DIA X 0.594 LG 302 SST
43	46-271195P9	2	.312 PIN,SST	1	TABLE DOWN LINKAGE PIVOT
44	46-271794P1	2	HOOK STOP	1	DOCK HOOK RELEASE LEVER STOP

Parts List Continued on Next Page

WideOpen DOCK ASM

46-271260G3 FRU N

(PARTS LIST CONTINUED)

Item	Part Number	FRU	Name	Quantity	Description (Remarks)
45	46-170228P1	2	TAPE	AR	SGL COAT URETHANE MIL-R-5001 GRADE A
46	46-271735P1	2	TUBE SPRING	1	HYDRAULIC PUMP ROD END, POLYURETHANE
47	46-271460G1	2	CABLE	1	DOCK POWER CABLE, MG2-A29-P1 TO TS1
48	46-271459G1	2	HARNESS	1	DOCK TS1, MOTOR, & SW1 INTERCONNECT
50	46-271125P1	2	LABEL	4	FOOT PAD "UP" AND "DOWN" LABEL SET
54	46-271263P1	2	BUMPER	2	BLACK NEOPRENE MINOR RUBBER #ZB-1013
55	46-271264P1	2	BAR	1	HYDRAULIC PUMP ACTUATING PUSH ROD
56	46-220277P25	2	RETAINING RI	1	EXT RADIAL MOUNT, 1" SHAFT DIA
57	46-271265P1	2	BAR	1	CRADLE LATCH ACTUATOR
60	46-170686P1	2	ADHESIVE	AR	LOCTITE 242, 0.5CC TUBE
61	46-208718P1	2	CLAMP	2	ID 1/4" LOOP TYPE, TA MFG CO TA713D4
65	46-271542P1	2	TUBE	1	EMERGENCY RELEASE LINKAGE BRASS TUBE
66	46-271543P1	2	STOP	1	DOCK HOOK RELEASE ROD/TUBE RETAINER
67	46-271544P1	2	SPRING EXTEN	1	RETAINER PIN, 302 SST SPRING TEMPER
70	46-136353P108	2	SPRING-INCH	1	SPRING-INCH COMPRESSION 1 INCHES .56
71	46-282547G2	2	CABLE ASM	1	DOCK "MG2-A31-J2", 37 PIN SUB-D PLUG
72	46-271935P1	2	TUBE SPRING	1	CAST POLYURETHANE
73	46-136334P56	2	SWITCH	1	SPDT, BASIC SWITCH W/ OT PLUNGER.
74	46-271928G1	2	BEARING BLOK	1	UP LIMIT SWITCH ACTUATOR GUIDEBLOCK
75	46-271926P1	2	BAR	1	UP LIMIT SWITCH PUSH ROD
76	46-136353P111	2	SPRING-INCH	1	SPRING-INCH
77	46-271901P1	2	LABEL	1	WARNING, FERROUS COMPONENTS INSIDE..
78	2179561	1	BARRIER	1	SHIELD
80	46-170684P1	2	ADHESIVE	AR	LOCTITE 271, 0.5CC VIAL
81	46-230957P1	2	ADHESIVE	AR	LOCTITE 680, 50ML BOTTLE
85	46-282221G2	1	MOTOR ASM	1	GEAR-MOTOR AND CLUTCH ASM (BALDOR)
90	2236130-4	2	COVER	1	CONNECTOR WRAP
100	2178874	2	DOCK CLAMP P	1	DOCK CLAMP PLATE
101	2109878-4	2	WASHER	1	WASHER PLAIN - NORMAL 10.5 MM 20 MM
102	2109875-4	2	NUT	1	NUT HEXAGON 10 MM
103	508A865P9	2	PACKING	1	PACKING
104	46-170151P1	2	TAPE	2	REINFORCED ELECTRICAL FILM TAPE
5322	46-170015P10	2	SCREW	1	SCREW
5663	46-220184P18	2	SCREW	4	SCREW
9699	46-220277P22	2	RETAINING RI	3	EXT RADIAL MOUNT 0.312 SHAFT DIA
9700	46-220277P23	2	RETAINING RI	5	EXT RADIAL MOUNT 0.375 SHAFT DIA
11153	46-208560P82	2	SCREW	4	SCREW
12151	1000904P496	2	WASHER	2	ID 0.812, OD 1.5, THK .078, SST
13084	46-220196P5	2	WASHER	1	5/16" SCREW SIZE (0.313), SST
14080	46-220196P4	2	WASHER	1	1/4" SCREW SIZE (0.250), SST
14164	46-208946P1	2	NUT	2	5/16-18 1/2" HEX X .188 THK 18-8 SST
14608	46-208932P30	2	SCREW	4	SCREW
14618	46-208737P18	2	SCREW	2	SCREW
14619	46-208737P19	2	SCREW	4	SCREW
18108	46-220184P40	2	SCREW	1	SCREW
18715	46-208718P2	2	CLAMP	1	5/16 ID LOOP TYPE TA MFG CO. TA713D5
18828	12-241	2	WASHER	2	ID 0.266, OD 0.75, THK .051, BRASS
34356	46-208948P5	2	NUT	3	1/4-20 .438 HEX X .226 THK, 18-8 SST
35685	46-170024P20	2	SCREW-INCH	2	SCREW-INCH
40938	511A590P206	2	TERMINAL	2	#6 SPRING TYPE SPADE TERMINAL, RED,
42913	46-220196P7	2	WASHER	4	1/2" SCREW SIZE (0.5), 18-8 SST
46814	46-170024P4	2	SCREW-INCH	1	SCREW-INCH
52322	46-170024P8	2	SCREW-INCH	1	SCREW-INCH
58925	1000904P419	2	WASHER	2	ID 0.328, OD 0.5, THK .016, B11H89C
74978	46-208560P111	2	SCREW	2	SCREW
90417	46-253940P122	2	RESISTOR	1	RESISTOR 182 OHMS 1 %

INFINITY WideOpen DOCK ASM 46-271260G4 FRU N (PART OF WideOpen ENCLOSURE CATALOGS – SECT 1)

Item	Part Number	FRU	Name	Quantity	Description (Remarks)
2	46-271405G4	N	DOCK ASM.	1	LCC INFINITY DOCK CASTING
3	46-271123P1	N	LEVER ARM	1	DOCK HOOK EMERGENCY RELEASE ARM
4	46-271407G3	N	PEDAL ASM.	4	LCC INFINITY PEDAL ASM
6	46-271406G3	N	COVER ASM.	1	LCC INFINITY CASTING W/BEARINGS
7	46-271248P1	N	BAR	1	EMERGENCY RELEASE LINKAGE ROD
8	46-221954P5	N	SPRING-INCH	1	SPRING-INCH EXTENSION 1.75 INCHES .5
9	46-271266P1	N	HANDLE	1	DOCK HOOK EMERGENCY RELEASE HANDLE
10	46-271249P1	N	PIN	1	DOCK HOOK RELEASE ARM PIVOT
11	46-136334P49	N	SWITCH	1	SPDT SNAP-ACTION SWITCH W/SCREW TERM
12	46-271251P1	N	INSULATOR BA	1	MOTOR ON SWITCH INSULATOR, FISHPAPER
13	46-271270G1	N	BAR ASM	2	PEDAL LINKAGE BAR AND PIN ASSEMBLY
14	46-221304P7	N	PIN	1	0.188 DIA X 0.65 LENGTH, 303 SST
15	46-221828P7	N	PIN	2	0.125 DIA X 1.5" LONG, SST
16	46-265905P1	N	FOOT PAD	4	FOOT PEDAL PAD, RUBBER
19	46-265887P5	N	BAR	2	PEDAL ASM PIVOT SHAFT
21	46-271152P1	N	SPRING EXTEN	2	10.42" AUSTENITIC STN. STEEL WIRE
22	46-220437P1	N	BUMPER	2	ATLANTIC INDIA 827-S-120 W/1/2 STUD
23	46-271255P1	N	BAR	1	TABLE DOWN VALVE PUSH ROD
27	46-271256P1	N	BRACKET	1	TABLE DOWN PEDAL LINKAGE LEVER
28	46-221954P3	N	SPRING-INCH	1	SPRING-INCH EXTENSION 1.12 INCHES .3
29	46-208735P86	N	PIN	1	SPIROL .187 DIA X 1.75 LG
30	46-271257P1	N	BAR	1	DOWN PEDAL CAM ROLLER, NYLON
31	2326740	N	BUMPER ASM	1	INFINITY DOCK BUMPER
32	46-315119P1	N	TERMINAL	1	6-POSITION TERMINAL STRIP
33	514A350P36	N	TERMINAL	1	6 POS'N MARKER STRIP, 1-6 LEFT RIGHT
34	46-208718P5	N	CLAMP	2	1/2" ID LOOP TYPE, TA MFG CO TA713D8
35	2230001	N	SPACER PAD	1	RUBBER PAD
37	46-208732P9	N	SCREW	1	SCREW,SET,HEX SOCKET,FLAT NYLOK W/PE
38	46-220492P3	N	TERMINAL	2	JUMPER, 0.56" CTR, #8 SCREW, .37" W
39	46-197385P1	N	MECHANICAL/M	1	WHITE LITHIUM, MULTI-PURPOSE GREASE.
41	46-230434P2	N	PIN	4	0.047 WIRE DIA X 0.594 LG 302 SST
43	46-271195P9	N	.312 PIN,SST	1	TABLE DOWN LINKAGE PIVOT
44	46-271794P1	N	HOOK STOP	1	DOCK HOOK RELEASE LEVER STOP
45	46-170228P1	N	TAPE	AR	SGL COAT URETHANE MIL-R-5001 GRADE A
46	46-271735P1	N	TUBE SPRING	1	HYDRAULIC PUMP ROD END, POLYURETHANE
47	46-271460G1	N	CABLE	1	DOCK POWER CABLE, MG2-A29-P1 TO TS1
48	46-271459G1	N	HARNESS	1	DOCK TS1, MOTOR, & SW1 INTERCONNECT
50	46-271125P1	N	LABEL	4	FOOT PAD "UP" AND "DOWN" LABEL SET
54	46-271263P1	N	BUMPER	2	BLACK NEOPRENE MINOR RUBBER #ZB-1013
55	46-271264P1	N	BAR	1	HYDRAULIC PUMP ACTUATING PUSH ROD
56	46-220277P25	N	RETAINING RI	1	EXT RADIAL MOUNT, 1" SHAFT DIA
57	46-271265P1	N	BAR	1	CRADLE LATCH ACTUATOR
60	46-170686P1	N	ADHESIVE	AR	LOCTITE 242, 0.5CC TUBE
61	46-208718P1	N	CLAMP	2	ID 1/4" LOOP TYPE, TA MFG CO TA713D4
65	46-271542P1	N	TUBE	1	EMERGENCY RELEASE LINKAGE BRASS TUBE
66	46-271543P1	N	STOP	1	DOCK HOOK RELEASE ROD/TUBE RETAINER
67	46-271544P1	N	SPRING EXTEN	1	RETAINER PIN, 302 SST SPRING TEMPER
70	46-136353P108	N	SPRING-INCH	1	SPRING-INCH COMPRESSION 1 INCHES .56
71	46-282547G2	N	CABLE ASM	1	DOCK "MG2-A31-J2", 37 PIN SUB-D PLUG

Parts List Continued on Next Page

INFINITY WideOpen DOCK ASM 46-271260G4 FRU N (PARTS LIST CONTINUED)

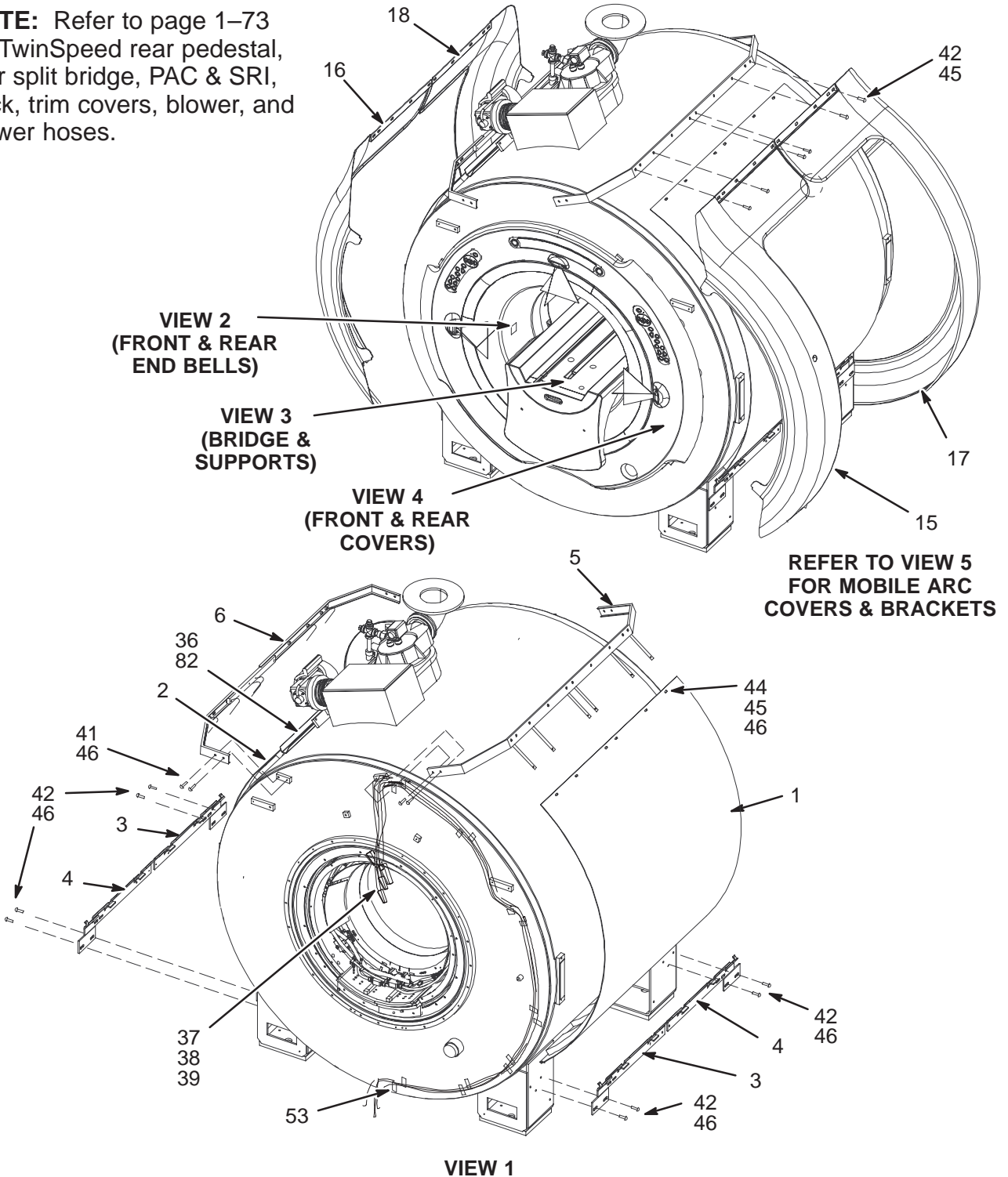
Item	Part Number	FRU	Name	Quantity	Description (Remarks)
72	46-271935P1	N	TUBE SPRING	1	CAST POLYURETHANE
73	46-136334P56	N	SWITCH	1	SPDT, BASIC SWITCH W/ OT PLUNGER.
74	46-271928G1	N	BEARING BLOK	1	UP LIMIT SWITCH ACTUATOR GUIDEBLOCK
75	46-271926P1	N	BAR	1	UP LIMIT SWITCH PUSH ROD
76	46-136353P111	N	SPRING-INCH	1	SPRING-INCH
77	46-271901P1	N	LABEL	1	WARNING, FERROUS COMPONENTS INSIDE..
78	2179561	1	BARRIER	1	SHIELD
80	46-170684P1	N	ADHESIVE	AR	LOCTITE 271, 0.5CC VIAL
81	46-230957P1	N	ADHESIVE	AR	LOCTITE 680, 50ML BOTTLE
85	46-282221G1	1	MOTOR ASM	1	GEAR-MOTOR AND CLUTCH ASSEMBLY
90	2236130-4	N	CONNECTOR WR	1	184 X 305 CONNECTOR WRAP
100	2178874	N	DOCK CLAMP P	1	DOCK CLAMP PLATE
101	2109878-4	N	WASHER	1	WASHER FLAT ISO7089 M10 A2
102	2109875-4	N	NUT	1	NUT HEXAGON M10 A2-70
103	508A865P9	N	PACKING	1	PACKING
104	46-170151P1	N	TAPE	2	REINFORCED ELECTRICAL FILM TAPE
105	46-170015P10	N	SCREW	1	SCREW
106	46-220184P18	N	SCREW	4	SCREW
107	46-220277P22	N	RETAINING RI	3	EXT RADIAL MOUNT 0.312 SHAFT DIA
108	46-220277P23	N	RETAINING RI	5	EXT RADIAL MOUNT 0.375 SHAFT DIA
109	46-208560P82	N	SCREW	4	SCREW, 10-32 X 3/8 BHMS, SS
110	1000904P496	N	WASHER	2	ID 0.812, OD 1.5, THK .078, SST
111	46-220196P5	N	WASHER	1	WASHER, 5/16" SCREW SIZE (0.313), SST
112	46-220196P4	N	WASHER	1	WASHER LOCK, .25 SCREW SIZE, SST SPG
113	46-208946P1	N	NUT	2	5/16-18 1/2" HEX X .188 THK 18-8 SST
114	46-208932P30	N	SCREW	4	SCREW
115	46-208737P18	N	SCREW	2	SCREW
116	46-208737P19	N	SCREW	4	SCREW
117	46-220184P40	N	SCREW	1	SCREW
118	46-208718P2	N	CLAMP	1	5/16 ID LOOP TYPE TA MFG CO. TA713D5
119	12-241	N	WASHER	2	ID 0.266, OD 0.75, THK .051, BRASS
120	46-208948P5	N	NUT	3	1/4-20 .438 HEX X .226 THK, 18-8 SST
121	46-170024P20	N	SCREW-INCH	2	SCREW-INCH
122	511A590P206	N	TERMINAL	2	#6 SPRING TYPE SPADE TERMINAL, RED,
123	46-220196P7	N	WASHER	4	WASHER, 1/2" SCREW SIZE(0.5), 18-8 SST
124	46-170024P4	N	SCREW-INCH	1	SCREW-INCH
125	46-170024P8	N	SCREW-INCH	1	SCREW-INCH
126	1000904P419	N	WASHER	2	ID 0.328, OD 0.5, THK .016, B11H89C
127	46-208560P111	N	SCREW	2	SCREW 6-32 X 5/8 SS
128	46-253940P122	N	RESISTOR	1	RESISTOR 182 OHMS 1 %

2-24 TwinSpeed MAGNET ENCLOSURE WITH SPLIT BRIDGE

INFINITY TwinSpeed MAGNET ENCLOSURE with SPLIT BRIDGE

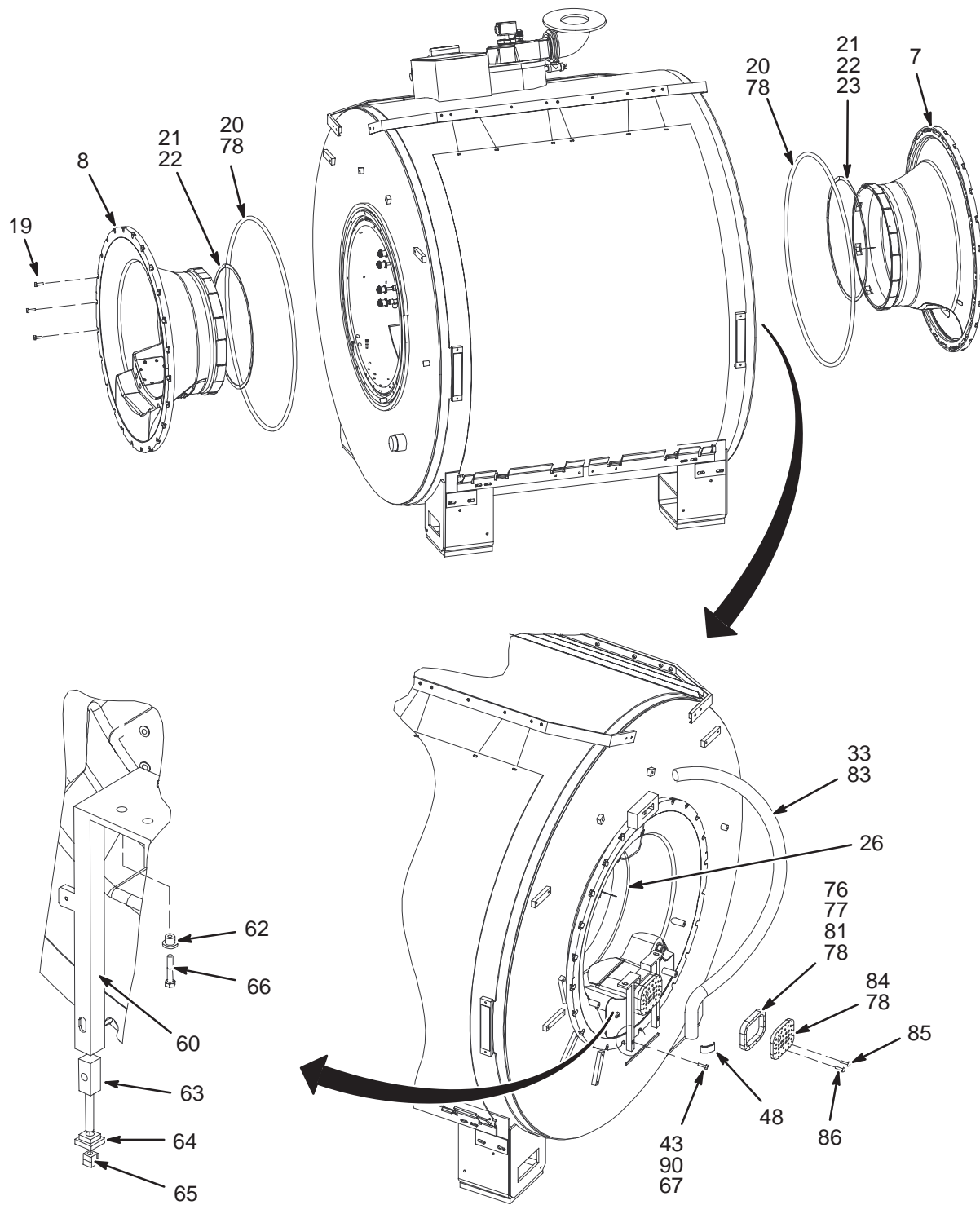
2297122 & 2297122-2

NOTE: Refer to page 1-73 for TwinSpeed rear pedestal, rear split bridge, PAC & SRI, dock, trim covers, blower, and blower hoses.



INFINITY TwinSpeed MAGNET ENCLOSURE with SPLIT BRIDGE

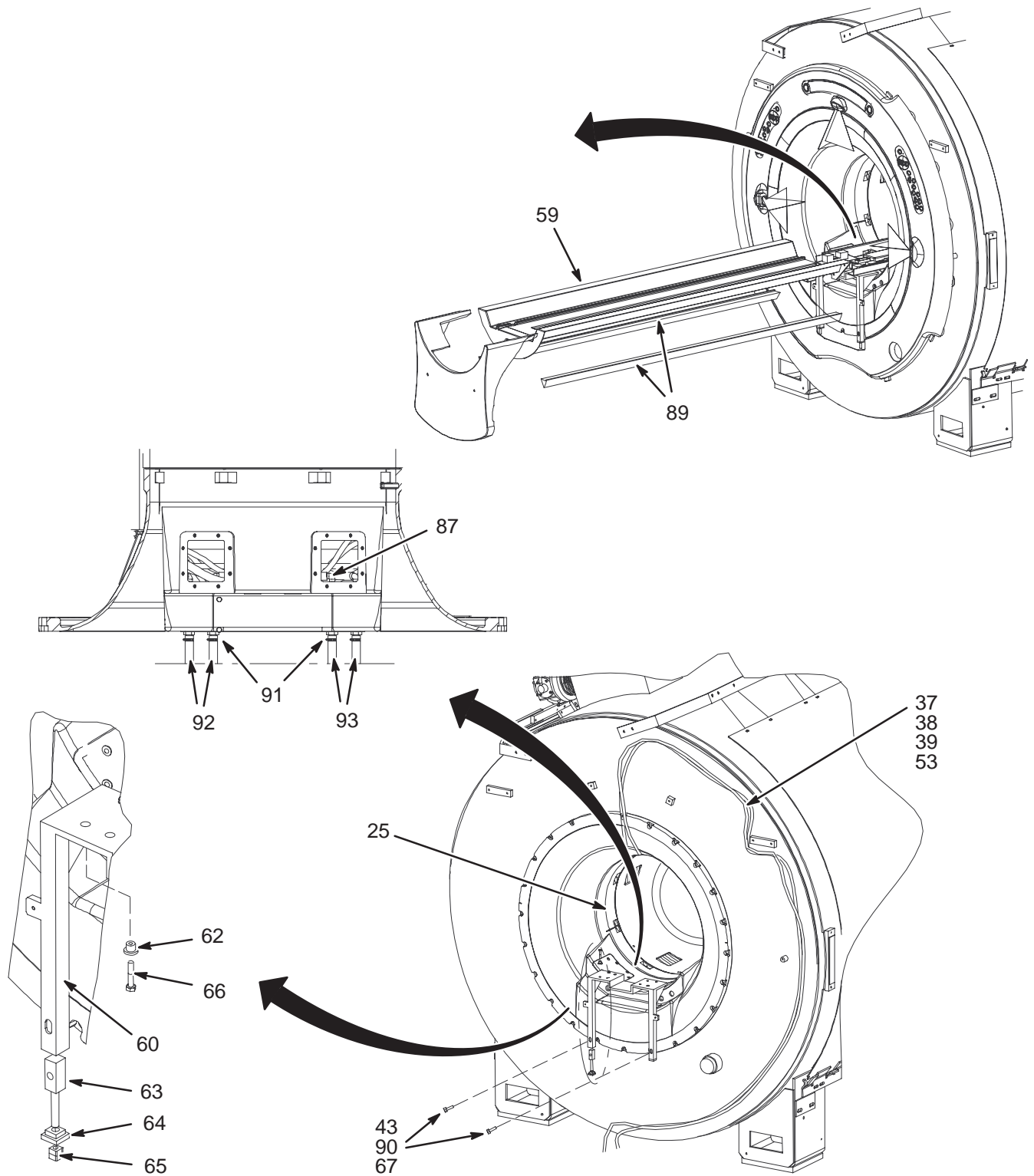
2297122 & 2297122-2



VIEW 2
FRONT & REAR END BELLS

INFINITY TwinSpeed MAGNET ENCLOSURE with SPLIT BRIDGE

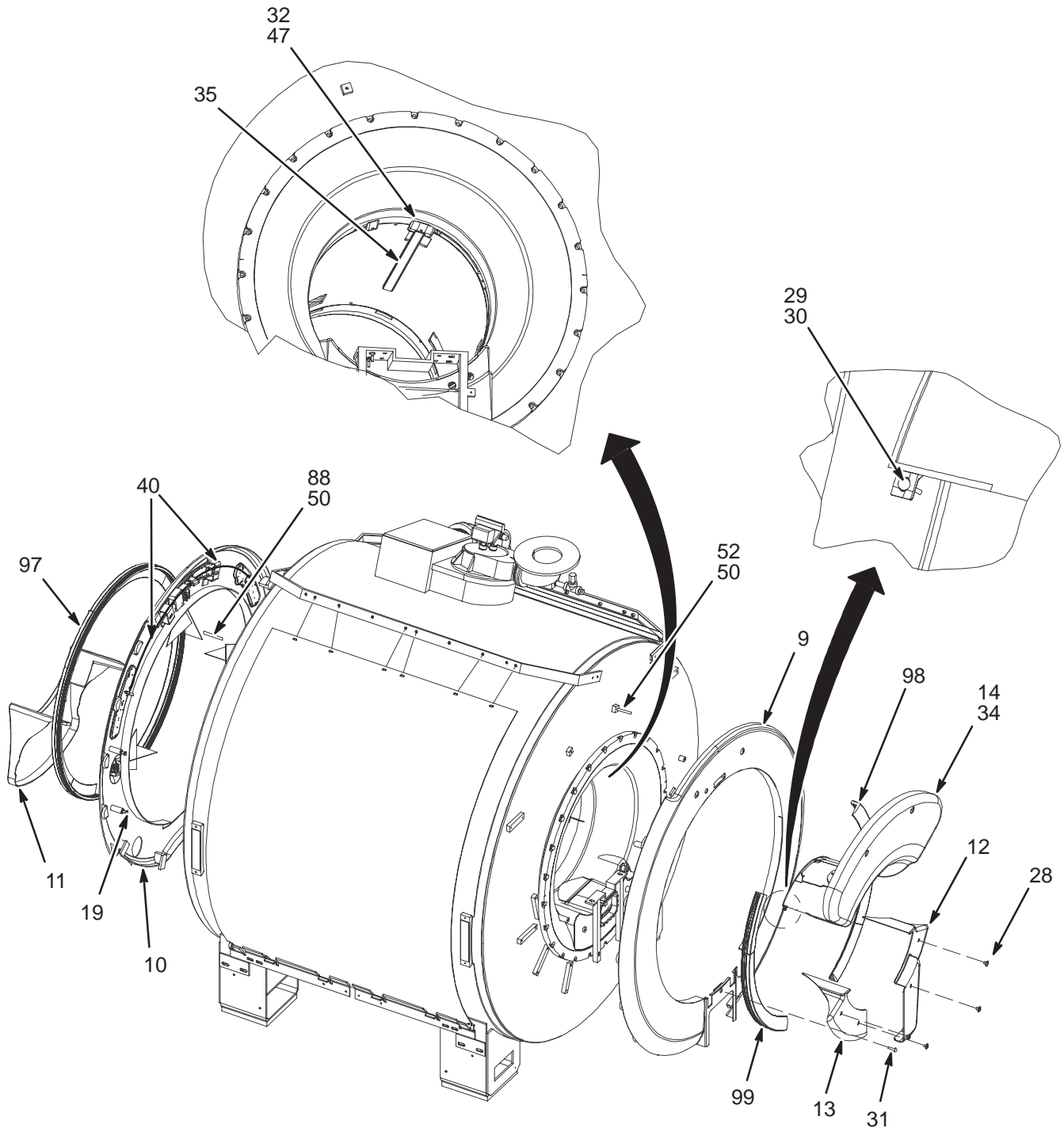
2297122 & 2297122-2



VIEW 3
BRIDGE, BRIDGE SUPPORT, AND HOSES

INFINITY TwinSpeed MAGNET ENCLOSURE with SPLIT BRIDGE

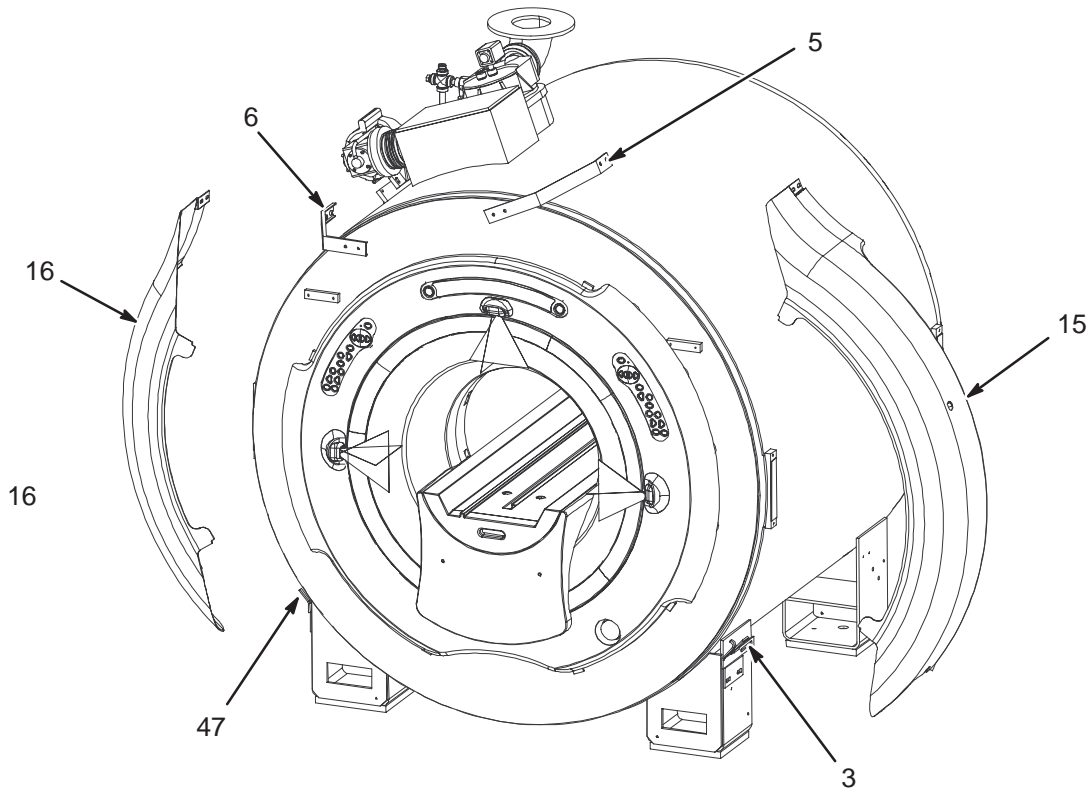
2297122 & 2297122-2



VIEW 4
FRONT & REAR COVERS

INFINITY TwinSpeed MOBILE MAGNET ENCLOSURE with SPLIT BRIDGE

2297122-2



VIEW 5
MOBILE ARC COVERS AND BRACKETS

INFINITY TwinSpeed FXD & T/R ENCL 2297122 FRU N

(PART 2 OF 2297123 PAGE 1-120)

Item	Part Number	FRU	Name	Quantity	Description (Remarks)
1	2217702-2	N	WRAP COVER R	1.0	TWIN WRAP COVER RIGHT
2	2217703-2	N	WRAP COVER L	1.0	TWIN WRAP COVER LEFT
3	2218146	N	LOWER CLAMP	2.0	MAESTRO LOWER CLAMPING BRACKET
4	2218146-2	N	LOWER CLAMP	2.0	MAESTRO LOWER CLAMPING BRACKET
5	2218898	N	TOP RIGHT FR	1.0	MAESTRO TOP RIGHT FRAME
6	2218897	N	TOP LEFT FRA	1.0	MAESTRO TOP LEFT FRAME
7	2284170	2	ASSEMBLY	1.0	TWIN REAR ENDBELL VACUUM ASM
8	2296177	2	END BELL ASM	1.0	FRONT VACUUM ENDBELL (SEE PAGE 2-345)
9	2296182	N	ASSEMBLY	1.0	REAR COSM COVER ASM
10	2287744	N	COVER ASM	1.0	FRONT COSMETIC COVER ASM (SEE PAGE 2-347)
11	2287607	N	BRIDGE COVER	1.0	FRONT BRIDGE COVER
12	2287512	N	PART	1.0	REAR BRIDGE COVER LEFT
13	2287511	N	PART	1.0	REAR BRIDGE COVER RIGHT
14	2284175	N	ASSEMBLY	1.0	COMFORT MODULE ASM (SEE PAGE 2-348)
15	2217461-3	N	ARC FRONT RI	1.0	TWIN ARC COVER FRONT
16	2217462-3	N	ARC FRONT LE	1.0	TWIN ARC FRONT LEFT COVER
17	2217463-2	N	ARC REAR RIG	1.0	TWIN ARC REAR RIGHT COVER
18	2217464-2	N	ARC REAR LEF	1.0	TWIN ARC COVER REAR_LEFT
19	2109867-27	N	PDM PART	48.0	SCREW HEXAGON SOCKET
20	2293323	N	ORING	2.0	O-RING MAGNET RING
21	2294358-2	N	GASKET	2.0	GASKET RF TUBE-ENDBELL-6MM THICK
22	2294358	N	GASKET	2.0	GASKET RF TUBE-ENDBELL-4MM THICK
23	2294358-3	N	GASKET	2.0	GASKET RF TUBE-ENDBELL-9.5MM THICK
25	2287881	N	SHIELD CABLE	1.0	COVER STRAP, FRONT
26	2287881-3	N	SHIELD CABLE	1.0	COVER STRAP, REAR, FOR LARGER CLIPS
27	2209823-7	N	SCREW	2.0	SCREW CHEESE HEAD 6MM 20MM NYLON
28	2284368	N	PART	4.0	BRIDGE COVER SCREW
29	2346041	N	PART	2.0	COMFORT MODULE CLAMP
30	2109873-25	N	SCREW	2.0	SCREW PAN HEAD Z M6X16 A2-70
31	2109873-26	N	PDM PART	1.0	SCREW PAN HEAD 6 MM 20 MM
32	2344509	N	PART	2.0	END CAP,BORE LIGHT
33	46-282668P18	N	HOSE, NYLON	1.0	2 INCH DIAMETER, 132 INCH LENGTH
34	46-208765P28	N	PDM PART	1.0	DIA RANGE 1-13/16 - 2-3/4, 302/305
35	2222549-4	N	LIGHT PANEL	2.0	TWIN LUMITEX LIGHT PANEL
36	46-294151P48	N	ADHES SPEC	0.3	GE FAST CURE RTV 5818, TRANSLUCENT
37	2221945	N	CABLE	1.0	(848) MG2-A4-J5 TO MG2-A11-J4
38	2221948	N	CABLE	1.0	(897) MG2-A4-J3 TO MG2-A33-J4
39	2306310	2	CABLE PT	1.0	(1011)MG2-A4-J4 TO MG2-A33-J5 (SRI2)
40	2221946	N	CABLE	2.0	(862/863) MG2-A4-J1/J2 TO MG2-A5-J1/
41	2109866-50	N	PDM PART	8.0	SCREW HEXAGON HEAD
42	2109866-20	N	PDM PART	30.0	SCREW HEXAGON HEAD 10 MM 25 MM
43	2234780	N	WASHER	8.0	WASHER PLAIN - LARGE 10.5 MM 20 MM
44	2109872-6	N	PDM PART	12.0	SCREW BUTTON HEAD 6 MM 12 MM
45	2229794	N	OUT OF CATAL	28.0	M6 NYLON WASHER
46	46-294151P2	N	ADHES SPEC	0.2	LOCTITE #242 TYPE 11
47	2109867-4	N	PDM PART	2.0	SCREW HEXAGON SOCKET 4 MM 12 MM_SST
48	46-208758P2	N	TY-RAP	30.0	5.5" X .140" SELF-LOCKING CABLE TIE.
49	2109879-3	N	PDM PART	6.0	WASHER PLAIN - LARGE 10.5 MM 30 MM
50	2109875-4	N	NUT	8.0	NUT HEXAGON M10 A2-70
52	2116325-11	N	STUD,MAGNET	2.0	STUD, M10 X 140MM, STAINLESS STEEL

Parts List Continued on Next Page

INFINITY TwinSpeed FXD & T/R ENCL 2297122 FRU N (CONTINUED FROM PREVIOUS PAGE)

Item	Part Number	FRU	Name	Quantity	Description (Remarks)
53	46-220191P1	N	CLAMP	14.0	CLAMP FOR FLAT CABLE
59	2282800	N	BRIDGE ASM	1.0	FRONT SPLIT BRIDGE ASSEMBLY (SEE PAGE 2-303)
60	2293202	N	PART	1.0	TWIN BRIDGE SUPPORT FRT
61	2293201	N	PART	1.0	TWIN BRIDGE SUPPORT REAR
62	2293539	N	BUSHING(MACH	6.0	TWIN BRIDGE SUPPORT BUSHING
63	2293540	N	LOCK SUPPORT	4.0	TWIN SUPPORT LOCK TOP
64	2293541	N	LOCK SUPPORT	4.0	TWIN BRIDGE SUPPORT SLIDER
65	2293956	N	OUT OF CATAL	8.0	HEX NUT, NYLON, M10X1.5MM, 9.8 HIGH
66	2109867-17	N	PDM PART	6.0	SCREW HEXAGON SOCKET 6 MM 35 MM
67	2109866-26	N	PDM PART	4.0	SCREW HEXAGON HEAD 10 MM 80 MM
76	2297540	2	PART	1.0	GRAD BLOCK GASKET, 4MM THICK
77	2297540-2	2	PART	1.0	GRAD BLOCK GASKET, 6MM THICK
78	2297760	N	OUT OF CATAL	0.1	VACUUM GREASE MSDS# 8366442
81	2297540-3	N	PART	1.0	GRAD BLOCK GASKET—12,7 MM THICK
82	2237254	N	TROUGH	1.0	TROUGH WITH SPONGE
84	2285381	N	PART	1.0	GRAD CABLE BLOCK COVER
85	2109873-18	N	SCREW	16.0	SCREW PAN HEAD Z M4X25 A2-70
86	2109873-28	N	SCREW	18.0	SCREW PAN HEAD Z M6X30 A2-70
87	2262660-9	2	OUT OF CATAL	4.0	SAFETY CLIP
88	2116325-2	N	STUD, MAGNET	2.0	STUD SST M10 X 65
89	2293538	2	FOAM	2.0	TWIN BRIDGE EDGE FOAM
90	2167321	2	PDM PART	4.0	WASHER, NEOPRENE RUBBER
91	2226095	N	HOSE CLAMP	4.0	HOSE CLAMP,WORM DRIVE
92	2293610-2	N	OUT OF CATAL	2.0	BLACK RUBBER HOSE 1/2" ID
93	2293610-3	N	OUT OF CATAL	2.0	BLUE RUBBER HOSE 1/2" ID
94	2209826	N	NUT	32.0	NUT HEXAGON 6 MM
95	2315734	N	PART	2.0	BUTTON PLUG NYLON PAINT,FRT BRDG CVR
96	2315734-2	N	PART	2.0	BUTTON PLUG NYLON PAINT, COMFORT_MOD
97	2331842	N	PART	1.0	COSMETIC RING FRONT
98	2331842-2	N	PART	1.0	COSMETIC RING REAR RIGHT
99	2331842-3	N	PART	1.0	COSMETIC RING REAR LEFT
100	2370892	N	WASHER,FIBRE	4.0	G10 FIBERGLASS FLAT WASHER
101	2338759	N	PART	1.0	WARNING TAG
102	2214896	N	BEAM	2.0	ANGLE,LIFT BEAM
103	46-281707P15	N	SCREW, CAP	12.0	SCREW,HEX HD CAP,CARBON,GRADE8,.5-13
104	46-208758P5	N	PDM PART	60.0	SELF LOCKING CABLE TIE
105	2398124-2	N	PDM PART	1.0	MULTI-LINGUAL LASER WARNING LABEL SH

INFINITY TwinSpeed MOBILE ENCL 2297122-2 FRU N

(PART 2 OF 2297124 PAGE 1-120)

Item	Part Number	FRU	Name	Quantity	Description (Remarks)
3	2218146-5	N	LOWER CLAMP	2.0	MAESTRO LOWER CLAMPING BRACKET—MOB
4	2218146-6	N	LOWER CLAMP	2.0	MAESTRO LOWER CLAMPING BRACKET—MOB
5	2218898-2	N	TOP RIGHT FR	1.0	MAESTRO TOP RIGHT FRAME – MOBILE
6	2218897-2	N	TOP LEFT FRA	1.0	MAESTRO TOP LEFT FRAME – MOBILE
7	2284170	2	ASSEMBLY	1.0	TWIN REAR ENDBELL VACUUM ASM
8	2296177	2	END BELL ASM	1.0	FRONT VACUUM ENDBELL (SEE PAGE 2-345)
9	2296182	N	ASSEMBLY	1.0	REAR COSM COVER ASM
10	2287744	N	COVER ASM	1.0	FRONT COSMETIC COVER ASM (SEE PAGE 2-347)
11	2287607	N	BRIDGE COVER	1.0	FRONT BRIDGE COVER
12	2287512	N	PART	1.0	REAR BRIDGE COVER LEFT
13	2287511	N	PART	1.0	REAR BRIDGE COVER RIGHT
14	2284175	N	ASSEMBLY	1.0	COMFORT MODULE ASM (SEE PAGE 2-348)
15	2217461-4	N	ARC FRONT RI	1.0	TWIN ARC COVER FRONT
16	2217462-4	N	ARC FRONT LE	1.0	TWIN ARC FRONT LEFT COVER
19	2109867-27	N	PDM PART	48.0	SCREW HEXAGON SOCKET
20	2293323	N	ORING	2.0	O-RING MAGNET RING
21	2294358-2	N	GASKET	2.0	GASKET RF TUBE-ENDBELL—6MM THICK
22	2294358	N	GASKET	1.0	GASKET RF TUBE-ENDBELL—4MM THICK
23	2294358-3	N	GASKET	1.0	GASKET RF TUBE-ENDBELL—9.5MM THICK
25	2287881	N	SHIELD CABLE	1.0	COVER STRAP, FRONT
26	2287881-3	N	SHIELD CABLE	1.0	COVER STRAP, REAR, FOR LARGER CLIPS
27	2209823-7	N	SCREW	2.0	SCREW CHEESE HEAD 6MM 20MM NYLON
28	2284368	N	PART	4.0	BRIDGE COVER SCREW
29	2346041	N	PART	2.0	COMFORT MODULE CLAMP
30	2109873-25	N	SCREW	2.0	SCREW PAN HEAD Z M6X16 A2-70
31	2109873-26	N	PDM PART	1.0	SCREW PAN HEAD 6 MM 20 MM
32	2344509	N	PART	2.0	END CAP,BORE LIGHT
33	46-282668P18	N	HOSE, NYLON	1.0	2 INCH DIAMETER, 132 INCH LENGTH
34	46-208765P28	N	PDM PART	1.0	DIA RANGE 1-13/16 – 2-3/4, 302/305
35	2222549-4	N	LIGHT PANEL	2.0	TWIN LUMITEX LIGHT PANEL
36	46-294151P48	N	ADHES SPEC	0.3	GE FAST CURE RTV 5818, TRANSLUCENT
37	2221945	N	CABLE	1.0	(848) MG2-A4-J5 TO MG2-A11-J4
38	2221948	N	CABLE	1.0	(897) MG2-A4-J3 TO MG2-A33-J4
39	2306310	2	CABLE PT	1.0	(1011)MG2-A4-J4 TO MG2-A33-J5 (SRI2)
40	2221946	N	CABLE	2.0	(862/863) MG2-A4-J1/J2 TO MG2-A5-J1/
41	2109866-50	N	PDM PART	8.0	SCREW HEXAGON HEAD
42	2109866-20	N	PDM PART	30.0	SCREW HEXAGON HEAD 10 MM 25 MM
43	2234780	N	WASHER	8.0	WASHER PLAIN – LARGE 10.5 MM 20 MM
46	46-294151P2	N	ADHES SPEC	0.2	LOCTITE #242 TYPE 11
47	2109867-4	N	PDM PART	2.0	SCREW HEXAGON SOCKET 4 MM 12 MM_SST
48	46-208758P2	N	TY-RAP	30.0	5.5" X .140" SELF-LOCKING CABLE TIE.
49	2109879-3	N	PDM PART	6.0	WASHER PLAIN – LARGE 10.5 MM 30 MM
50	2109875-4	N	NUT	8.0	NUT HEXAGON M10 A2-70
52	2116325-11	N	STUD,MAGNET	4.0	STUD, M10 X 140MM, STAINLESS STEEL
53	46-220191P1	N	CLAMP	14.0	CLAMP FOR FLAT CABLE
54	2109867-19	N	PDM PART	2.0	SCREW HEXAGON SOCKET 6 MM 50 MM
55	46-170684P2	N	PDM PART	0.2	LOCTITE 271, 10CC BOTTLE
58	2293538	2	FOAM	2.0	TWIN BRIDGE EDGE FOAM
59	2282800	N	BRIDGE ASM	1.0	FRONT SPLIT BRIDGE ASSEMBLY (SEE PAGE 2-303)
60	2293202	N	PART	1.0	TWIN BRIDGE SUPPORT FRT

Parts List Continued on Next Page

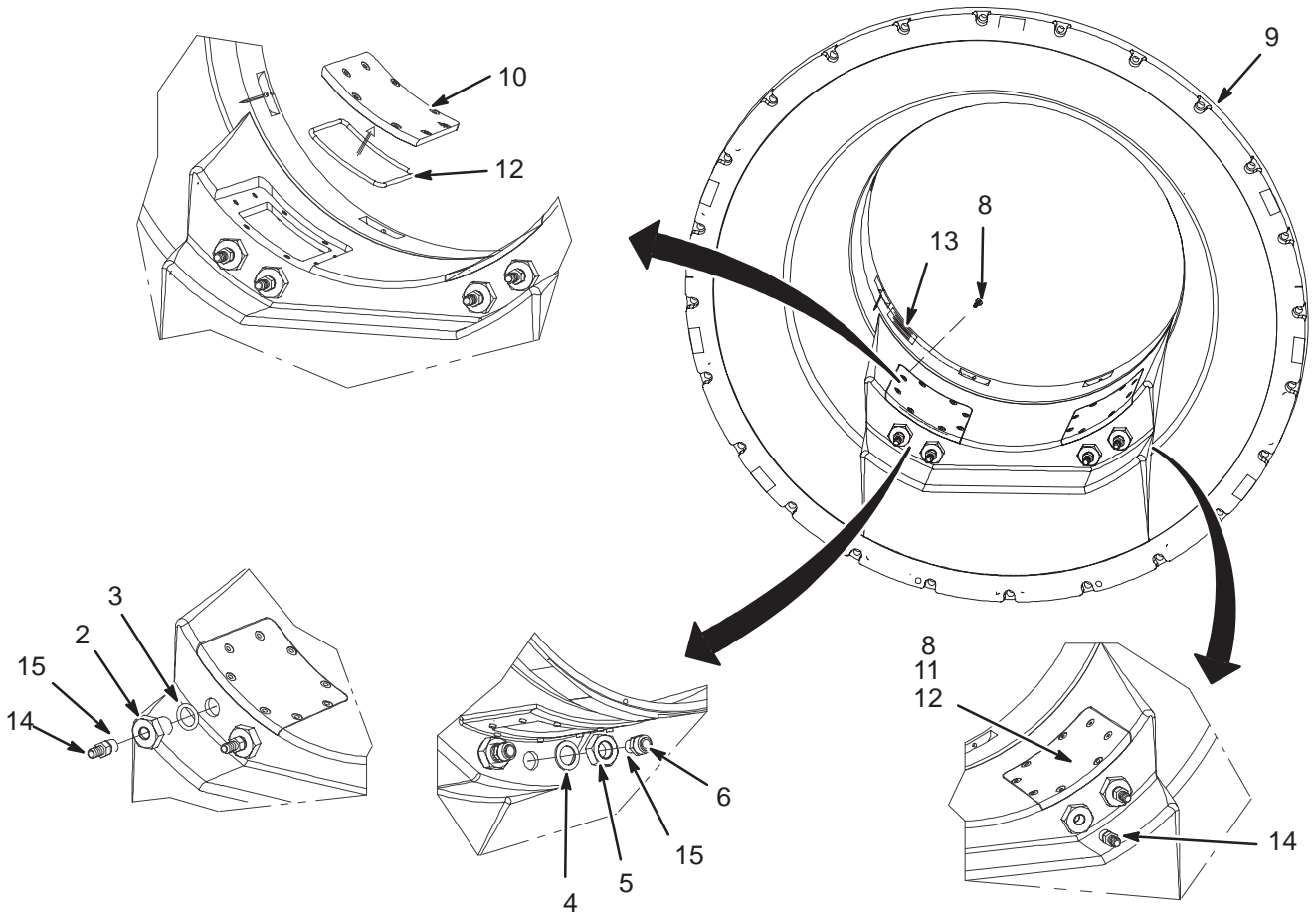
INFINITY TwinSpeed MOBILE ENCL 2297122-2 FRU N

(CONTINUED FROM PREVIOUS PAGE)

Item	Part Number	FRU	Name	Quantity	Description (Remarks)
61	2293201	N	PART	1.0	TWIN BRIDGE SUPPORT REAR
62	2293539	N	BUSHING(MACH	6.0	TWIN BRIDGE SUPPORT BUSHING
63	2293540	N	LOCK SUPPORT	4.0	TWIN SUPPORT LOCK TOP
64	2293541	N	LOCK SUPPORT	4.0	TWIN BRIDGE SUPPORT SLIDER
65	2293956	N	OUT OF CATAL	8.0	HEX NUT, NYLON, M10X1.5MM, 9.8 HIGH
66	2109867-17	N	PDM PART	6.0	SCREW HEXAGON SOCKET 6 MM 35 MM
67	2109866-27	N	PDM PART	4.0	SCREW HEXAGON HEAD 10 MM 100 MM
75	2297540	2	PART	1.0	GRAD BLOCK GASKET, 4MM THICK
76	2297540-2	2	PART	1.0	GRAD BLOCK GASKET, 6MM THICK
78	2297760	N	OUT OF CATAL	0.1	VACUUM GREASE MSDS# 8366442
81	2297540-3	N	PART	1.0	GRAD BLOCK GASKET—12,7 MM THICK
82	2237254	N	TROUGH	1.0	TROUGH WITH SPONGE
84	2285381	N	PART	1.0	GRAD CABLE BLOCK COVER
85	2109873-18	N	SCREW	16.0	SCREW PAN HEAD Z M4X25 A2-70
86	2109873-28	N	SCREW	18.0	SCREW PAN HEAD Z M6X30 A2-70
87	2306244	N	FITTING	4.0	1/2" FITTING SAFETY CLIP
97	2331842	N	PART	1.0	COSMETIC RING FRONT
98	2331842-2	N	PART	1.0	COSMETIC RING REAR RIGHT
99	2331842-3	N	PART	1.0	COSMETIC RING REAR LEFT
100	2370892	N	WASHER,FIBRE	4.0	G10 FIBERGLASS FLAT WASHER
101	2338759	N	PART	1.0	WARNING TAG
102	2214896	N	BEAM	2.0	ANGLE,LIFT BEAM
103	46-281707P15	N	SCREW, CAP	12.0	SCREW,HEX HD CAP,CARBON,GRADE8,.5-13
104	46-208758P5	N	PDM PART	60.0	SELF LOCKING CABLE TIE
105	2398124-2	N	PDM PART	1.0	MULTI-LINGUAL LASER WARNING LABEL SH

TwinSpeed FRONT END BELL

2296177



TwinSpeed FRONT END BELL

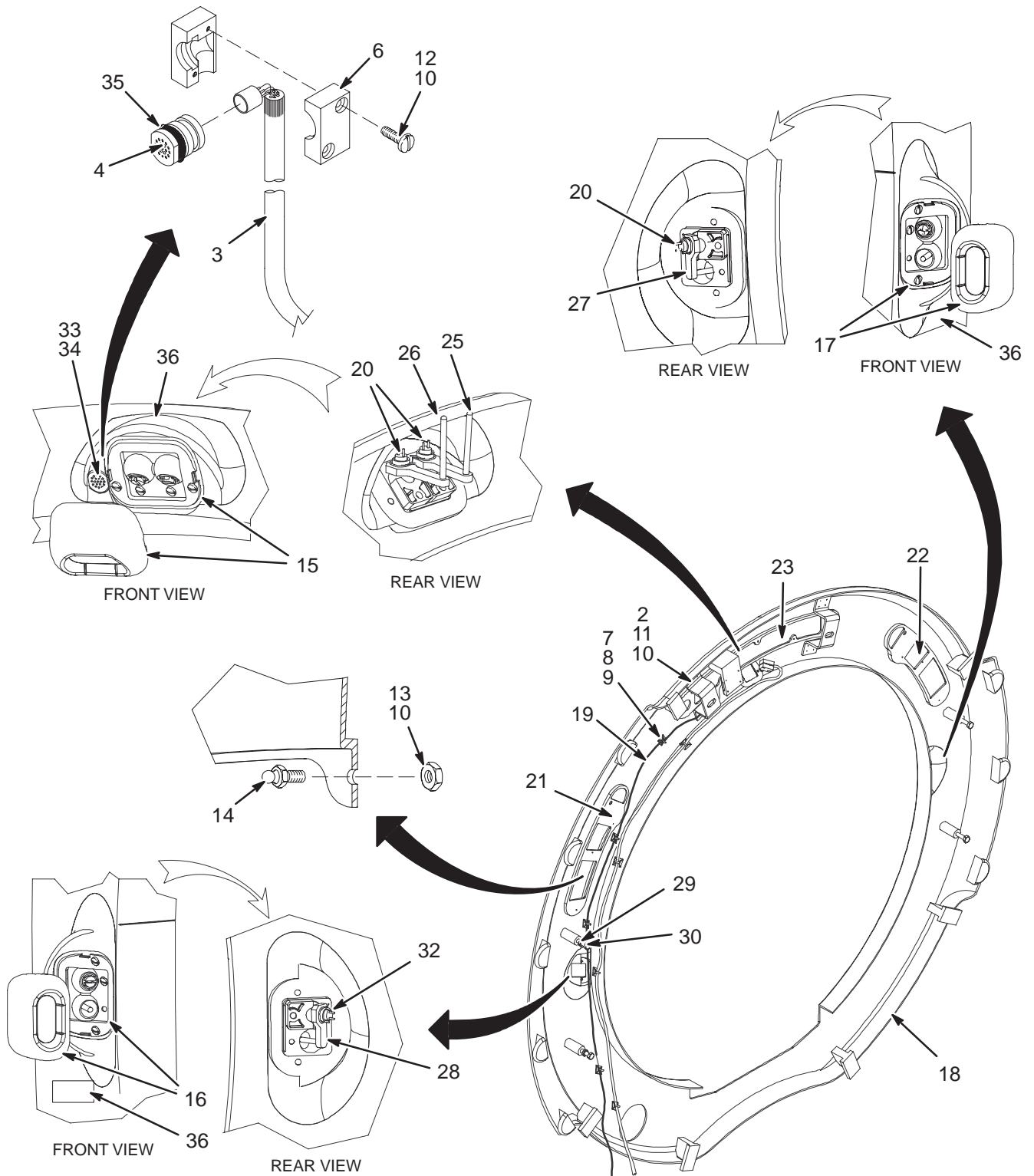
2296177 FRU N

(PART 8 OF 2297122 PAGE 2-341)
(PART 8 OF 2297122-2 PAGE 2-343)

Item	Part Number	FRU	Name	Quantity	Description (Remarks)
2	2293532	N	FITTING	4.0	WATERLINE FEEDTHROUGH
3	2297761	2	OUT OF CATAL	4.0	WATERLINE FEEDTHROUGH O-RING
4	2293534	N	FLAT WASHER	4.0	WASHER, WATERLINE FEEDTHROUGH
5	2293533	N	HEX NUT	4.0	TWIN ENCLOSURE HEX NUT
6	2262660-7	N	OUT OF CATAL	4.0	.5" TO .375" TUBE TO MNPT CONNECTOR
8	2109873-25	N	SCREW	16.0	SCREW PAN HEAD Z M6X16 A2-70
9	2287718	N	FRONT ENDBEL	1.0	FRONT VACUUM ENDBELL
10	2295414	N	COVER	1.0	ACCESS PANEL LEFT
11	2295414-2	N	COVER	1.0	ACCESS PANEL RIGHT
12	2360397	2	O-RING	2.0	O-RING ROUND 132.72 MM 5.33 MM
13	2297103	N	PART	2.0	LABEL,CAUTION
14	2293612-5	N	OUT OF CATAL	4.0	MALE CONN FOR 1/2" HOSE TO 3/8" MNPT
15	46-170617P1	N	ADHESIVE	0.0	RTV SILICON RUBBER ADHESIVE SEALANT.
16	2331453	N	OUT OF CATAL	350.0	DUAL LOCK RECLOSABLE FASTENER
17	46-220312P1	N	ADHESIVE	0.0	LOCTITE SUPERBONDER 416,

TwinSpeed FRONT COSMETIC COVER

2287744



TwinSpeed FRONT COSMETIC COVER 2287744 FRU N

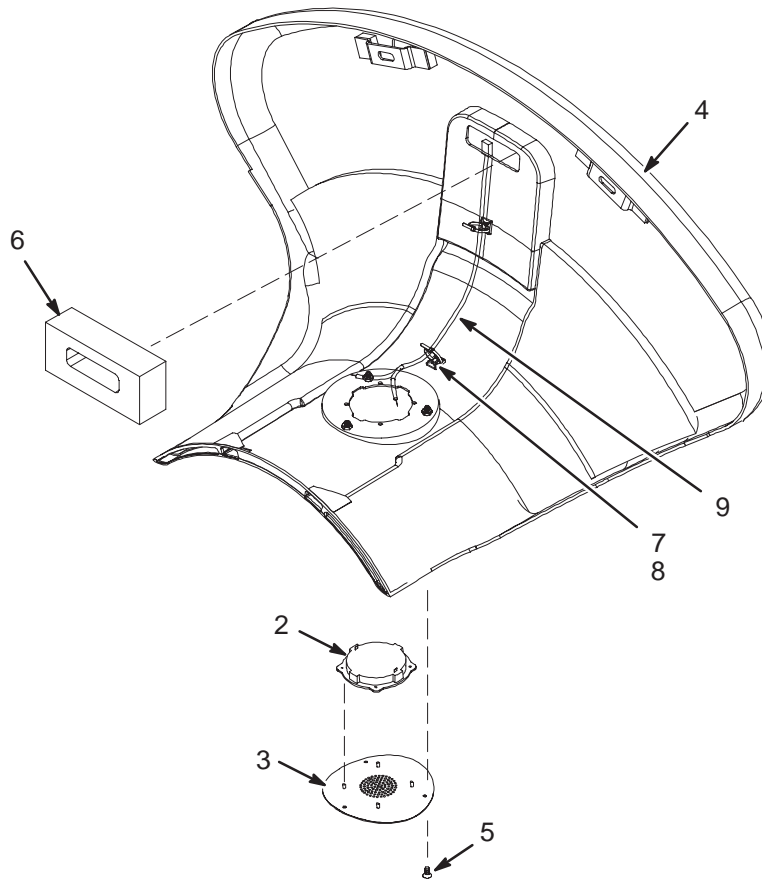
(PART 10 OF 2297122 PAGE 2-341)

(PART 10 OF 2297122-2 PAGE 2-343)

Item	Part Number	FRU	Name	Quantity	Description (Remarks)
2	2163748	N	CIRCUIT BOAR	1.0	CONQUEST VOLTAGE REGULATOR
3	46-317157G3	N	CABLE ASM.	1.0	(414) FRNT MICROPHN CABLE TO MG3A2J9
4	2287892	N	HOUSING	1.0	MICROPHONE HOUSING
6	46-317135P1	N	CABLE CLAMP	1.0	CABLE CLAMP - USE 46-317109G1 AS
7	46-208747P1	2	PDM PART	8.0	ADHESIVE MOUNT - CABLE TIE
8	46-208758P2	2	TY-RAP	8.0	5.5" X .140" SELF-LOCKING CABLE TIE.
9	46-282264P1	N	ADHESIVE	0.0	2 OZ DUAL-PAK CARTRIDGE EPOXY, CLEAR
10	46-294151P2	N	ADHES SPEC	0.0	LOCTITE #242 TYPE 11
11	2109873-14	N	SCREW	6.0	SCREW PAN HEAD Z M4X10 A2-70
12	46-208560P111	N	PDM PART	2.0	SCREW 6-32 X 5/8 SS
13	46-208935P5	N	PDM PART	10.0	6-32, .313 HEX X .109 THK, BRASS
14	46-136365P2	N	PDM PART	10.0	TINNERMAN P116-473-12-495
15	2221465-2	N	MODULE	1.0	MAESTRO ALIGNMENT LIGHT MODULE_TOP
16	2221465-3	N	MODULE	1.0	MAESTRO ALIGNMENT LIGHT MODULE_LEFT
17	2221465-4	N	MODULE	1.0	MAESTRO ALIGNMENT LIGHT MODULE_RIGHT
18	2287752	N	COVER	1.0	FRONT COSMETIC COVER
19	2162563	N	CABLE	1.0	(385) PP1-J20 TO MG2-A30-JP1 PAL BD
20	2162554-2	N	LASER DIODE	3.0	LASER FOR CONQUEST MAG FRT COVER ASM
21	2215716-2	N	OPR BP/D KIT	1.0	MAESTRO MAGNET HOUSING RH DISPLAY
22	2215716-3	N	OPR BP/D KIT	1.0	MAESTRO MAGNET HOUSING LH DISPLAY
23	2215716-4	N	OPR BP/D KIT	1.0	MAESTRO MAGNET HOUSING CNTR DISPLAY
25	2292564	N	ALIGN PLATE	1.0	LASER ALIGNMENT PLATE TOP
26	2292566	N	ALIGN PLATE	1.0	LASER ALIGNMENT PLATE TOP-SIDE
27	2292562	N	ALIGN PLATE	1.0	LASER ALIGNMENT PLATE TOP-RIGHT
28	2292562-2	N	ALIGN PLATE	1.0	LASER ALIGNMENT PLATE TOP-LEFT
29	2293956	N	OUT OF CATAL	4.0	HEX NUT, NYLON, M10X1.5MM, 9.8 HIGH
30	2296183-2	N	SCREW	4.0	SCREW HEXAGON HEAD 10 MM 50 MM,NYLON
32	2162554-4	N	LASER DIODE	1.0	LASER FOR CONQUEST MAG FRT COVER ASM
33	46-221523P46	N	PDM PART	1.0	WHITE NYLON PLUG, MAT'L THK .125"
34	46-170617P2	N	ADHESIVE	0.0	RTV SILICON RUBBER ADHESIVE SEALANT.
35	46-136374P36	N	PDM PART	1.0	PARKER 2-010, BUNA N, ID 0.239
36	2398124	N	LABEL	3.0	LASER ALIGNMENT LIGHT WARNING LABEL

TwinSpeed COMFORT MODULE

2284175



TwinSpeed COMFORT MODULE

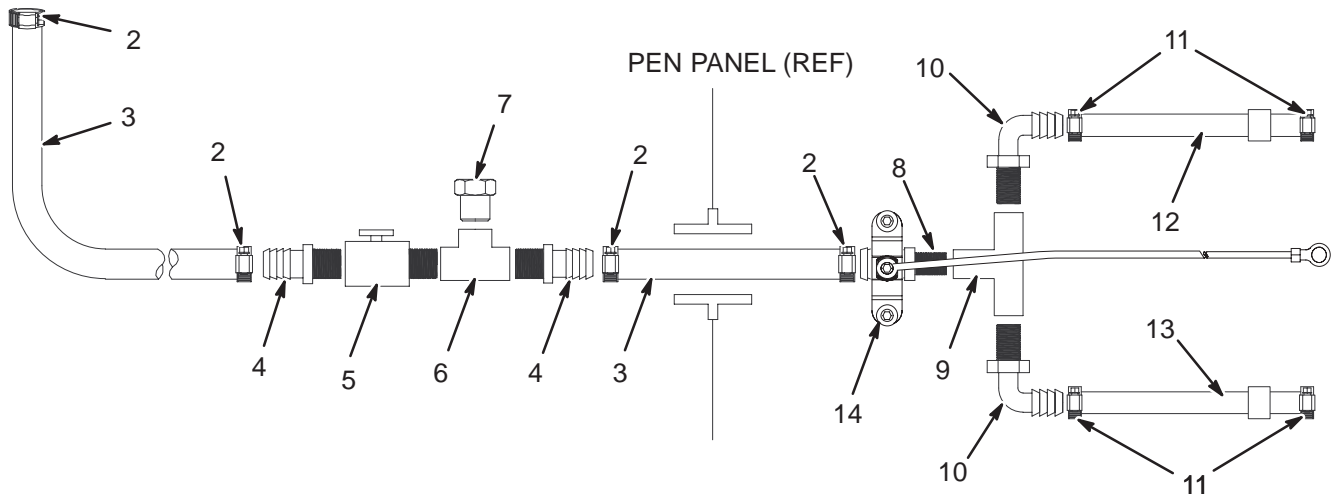
2284175 FRU N

(PART 14 OF 2297122 PAGE 2-341)

(PART 14 OF 2297122-2 PAGE 2-343)

Item	Part Number	FRU	Name	Quantity	Description (Remarks)
2	2284367	N	PART	1	SPEAKER COVER
3	46-221773P2	N	TRANSDUCER	1	SPEAKER, PIEZOELECTRIC, 3.2" SQUARE
4	2296181	N	COMFORT MOD	1	COMFORT MOD
5	2206437	N	SCREW	3	SCREW COUNTERSUNK HEA 4 MM 12 MM
6	2294433	N	PART	1	FOAM AIR SPACER
7	46-208747P2	N	VIBRATION IS	2	CABLE TIE MOUNT ADHESIVE BACKED
8	46-208758P2	N	TY-RAP	2	5.5" X .140" SELF-LOCKING CABLE TIE.
9	2296297	N	CABLE	1	COMFORT MODULE SPEAKER LINK CABLE

TwinSpeed GRADIENT COOLANT HOSE ASM 2295225



TwinSpeed GRADIENT HOSE ASM 2295225 FRU N

(PART 56 OF M3043TA PAGE 1-74)
 (PART 56 OF M3053TA PAGE 1-74)
 (PART 56 OF M3063TA PAGE 1-75)
 (PART 5 OF M3053TD PAGE 1-78)
 (PART 5 OF M3063TD PAGE 1-78)
 (PART 6 OF M3143TD PAGE 1-79)
 (PART 6 OF M3144TD PAGE 1-79)
 (PART 6 OF M3145TD PAGE 1-79)

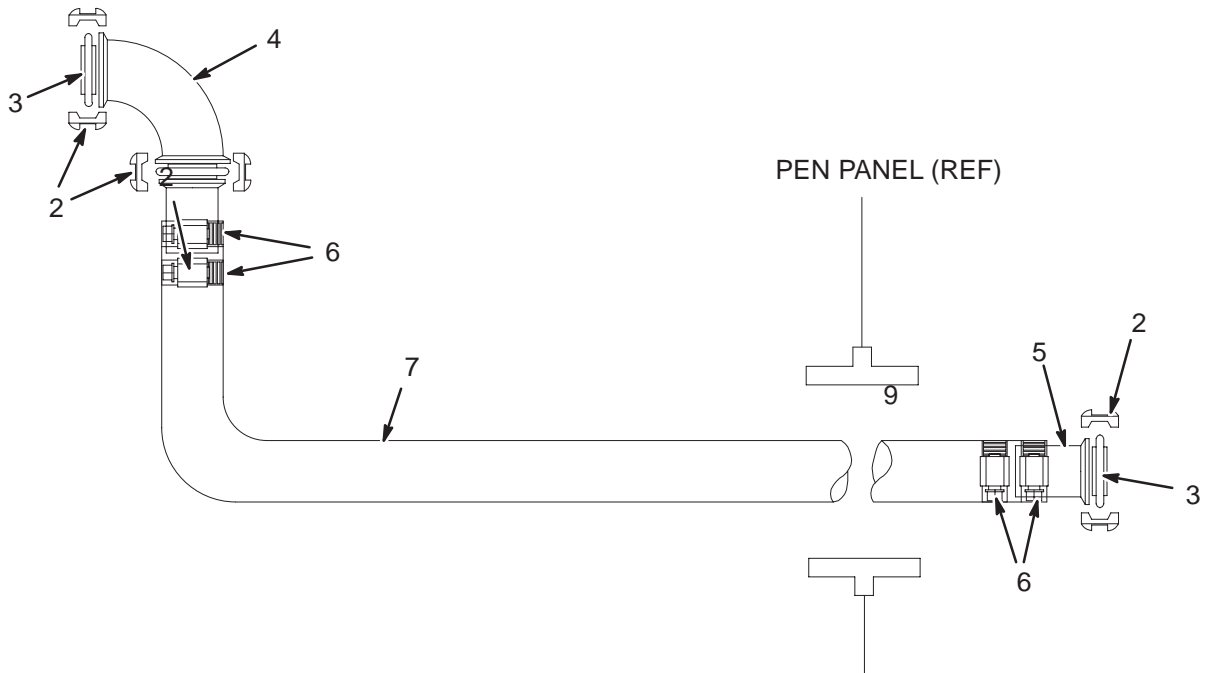
Item	Part Number	FRU	Name	Quantity	Description (Remarks)
2	2294010-2	N	HOSE CLAMP	8	WORM DRIVE, 1/2 TO 1-1/4 DIA, SST
3	2293610	N	HOSE PUSH-LO	2	PUSH-LOK HOSE 3/4" I.D., 100' LENGTH
4	2293612	N	CONNECTORS	4	MALE CONN FOR 3/4" HOSE TO 3/4" NPT
5	2293620	N	VALVE BALL	2	TEE HANDLE 3/4" MALE-FEM PIPE ENDS
6	2293613	N	TEE	2	UNION TEE 3/4" FNPT
7	2293614	N	PLUG	2	HEX-HEAD PLUG 3/4" MNPT
8	2293612-3	N	CONNECTORS	2	MALE CONN FOR 3/4" HOSE TO 1/2" MNPT
9	2293613-2	N	TEE	2	UNION TEE 1/2" FNPT
10	2293612-4	N	CONNECTORS	4	MALE ELBOW CN 1/2" HOSE TO 1/2" MNPT
11	2294010	N	HOSE CLAMP	8	WORM DRIVE, 1/2 TO 1-1/16 DIA, SST
12	2293610-2	N	HOSE PUSH-LO	72	BLACK RUBBER HOSE 1/2" ID
13	2293610-3	N	HOSE PUSH-LO	72	BLUE RUBBER HOSE 1/2" ID
14	5122582	N	PDM COLLECTO	1.0	WATER ASM POTENTIAL EQUALIZATION (SEE PAGE 2-351)

TRM COOLING CIRCUIT REPAIR KIT 2299498 FRU 1

Item	Part Number	FRU	Name	Quantity	Description (Remarks)
2	2297574	N	REPAIR	1	TRM EXTERIOR COOLANT CIRCUIT ASM
3	2138069	N	REPAIR	1	PRODUCT IDENTIFIER
4	2318411	N	REPAIR	1	POLYETHYLENE SIPHON PUMP

TwinSpeed VACUUM HOSE ASM

2295226



TwinSpeed VACUUM HOSE ASM

2295226 FRU N

- (PART 57 OF M3043TA PAGE 1-74)
- (PART 57 OF M3053TA PAGE 1-74)
- (PART 57 OF M3063TA PAGE 1-75)
- (PART 56 OF M3053TD PAGE 1-78)
- (PART 56 OF M3063TD PAGE 1-78)
- (PART 6 OF M3143TD PAGE 1-79)
- (PART 6 OF M3144TD PAGE 1-79)
- (PART 6 OF M3145TD PAGE 1-79)

Item	Part Number	FRU	Name	Quantity	Description (Remarks)
2	2293618-2	2	CLAMP	3	QF25 CHAIN CLAMP
3	2293608	2	RING, CENTER	3	QF25 CENTERING RING W/O-RING
4	2293609	2	ELBOW	1	QF25 ELBOW (MACROVAC)
5	2293616	2	CONNECTORS	2	QF25 TO 1" HOSE CONNECTOR (MACROVAC)
6	2294010-3	2	HOSE CLAMP	4	WORM DRIVE, 3/4 TO 1-1/2 DIA, SST
7	2293607	N	HOSE,FLEXIBL	100	FLEXIBLE VACUUM HOSE

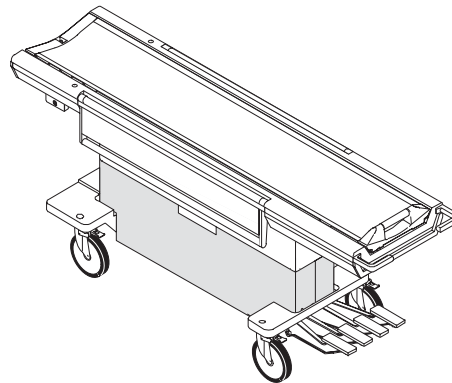
WATER ASM POTENTIAL EQUALIZATION 5122582 FRU N

(PART 14 OF 2295225 PAGE 2-349)

Item	Part Number	FRU	Name	Quantity	Description (Remarks)
1	5126242	N	PDM ASSEMBLY	2.0	CLAMP WITH SS SCREWS ADDED FOR POTEN
2	5126241	N	PDM ASSEMBLY	2.0	WIRE JUMPER FOR POTENTIAL EQUALIZATI
3	5126058	N	PDM PART	1.0	INSTRUCTIONS FOR POTENTIAL EQUALIZAT
4	46-294691P5	N	PDM PART	4.0	LOCKNUT, .250-20UNC HEX, 18-8 STAINL
7	5112522-3	N	PDM PART	8.0	TIE WRAP, NYLON 18 LB MINIMUM X .87
8	46-208747P1	N	PDM PART	8.0	ADHESIVE MOUNT - CABLE TIE
9	2236130-2	N	CONNECTOR WR	4.0	VELCRO WRAP TYPE 889 - 177 X 200

SECTION 3 – PATIENT TABLE

TABLE OF CONTENTS



<u>SECTION</u>	<u>PAGE</u>
3-1 HORIZON PATIENT TABLE	46-265300G1 ... 3-3
Contains information on Patient Table with original colors	
3-2 WideOpen PATIENT TABLE	46-265300G2 ... 3-3
Contains information on Patient Table with WideOpen colorS	
3-3 INFINITY PATIENT TABLE	46-265300G3 ... 3-3
Contains information on Patient Table with INFINITY colors	
HORIZON TABLE/BASE ASSEMBLY	2135993 3-5
WideOpen TABLE/BASE ASSEMBLY	2135993-2 3-6
INFINITY TABLE/BASE ASSEMBLY	2135993-3 3-7
Table Base Kit – Assembled View for 2127700, 2127700-2, and 2127700-3	3-8
Base Structure and Casters – Views 1 and 2	3-9
Down Pedal and Undock Pedal Linkages – Views 3 and 4	3-10
Dock, Pump and Up Pedal Linkages – Views 5 and 6	3-11
Scissors – View 7	3-12
Hydraulic Cylinder Area and Hook Area – Views 8 and 9	3-13
HORIZON TABLE BASE KIT	2127700 3-14
WideOpen TABLE BASE KIT	2127700-2 3-17
INFINITY TABLE BASE KIT	2127700-3 3-20
HYDRAULIC PUMP ASSEMBLY	46-265779G1 ... 3-23
HYDRAULIC CYLINDER ASM	46-265780G1 ... 3-24
HYDRAULIC CYLINDER ASM	2323995 3-24
DOCK HOOK MOUNTING ARM ASM	46-271676G1 ... 3-25

TABLE OF CONTENTS (continued)

<u>SECTION</u>	<u>PAGE</u>
PEDAL ASM, PUMP UP	46-271031G1 ... 3-26
PEDAL ASM, DOWN	46-271031G2 ... 3-26
PEDAL ASM, UNDOCK	46-271031G3 ... 3-27
PEDAL ASM, DOCK	46-271031G4 ... 3-27
UP INDICATOR ROD ASM	46-271916G1 ... 3-28
DOWN ROD ASM	46-271517G1 ... 3-28
TABLE TOP	2135992 3-30
TABLE TOP – INFINITY	2135992-2 3-31
TABLE TOP ASSEMBLY	46-265991G1 ... 3-33
TABLE LATCH ASSEMBLY	46-317191G1 ... 3-34
DETACHABLE, TELESCOPING IV SUPPORT	46-271551G1 ... 3-35
ARMBOARD ASSEMBLY	46-271012G1 ... 3-37
ARMBOARD ASSEMBLY – INFINITY	46-271012G2 ... 3-37
CRADLE ASSEMBLY ^w /TWIST TO RELEASE	46-301222G1 ... 3-39
FRONT SECTION ASSEMBLY	46-301543G1 ... 3-41
MID SECTION ASSEMBLY	46-301544G1 ... 3-41
HORIZON TABLE COVER KIT	2127699 3-42
WideOpen TABLE COVER KIT	2127699-2 3-42
INFINITY TABLE COVER KIT	2127699-3 3-42
OUTER COVER FOR MRTBL2	2145822 3-43
OUTER COVER FOR MRTBL2 – WideOpen	2145822-2 3-44
OUTER COVER FOR MRTBL2 – INFINITY	2145823 3-45

3-1 HORIZON PATIENT TABLE

PATIENT TABLE 46-265300G1 FRU N (PART OF BASIC SYSTEM SECTION 1)

Item	Part Number	FRU	Name	Quantity	Description (Remarks)
2	2135993	N	TABLE/BASE	1	TABLE/BASE ASSEMBLY (SEE PAGE 3-5)
3	46-301222G1	2	CRADLE ASM	1	CRADLE ASSEMBLY W/TWIST TO RELEASE (SEE PAGE 3-39)
4	2127699	N	TBL COVER KT	1	TABLE COVER KIT (SEE PAGE 3-42)

3-2 WideOpen PATIENT TABLE

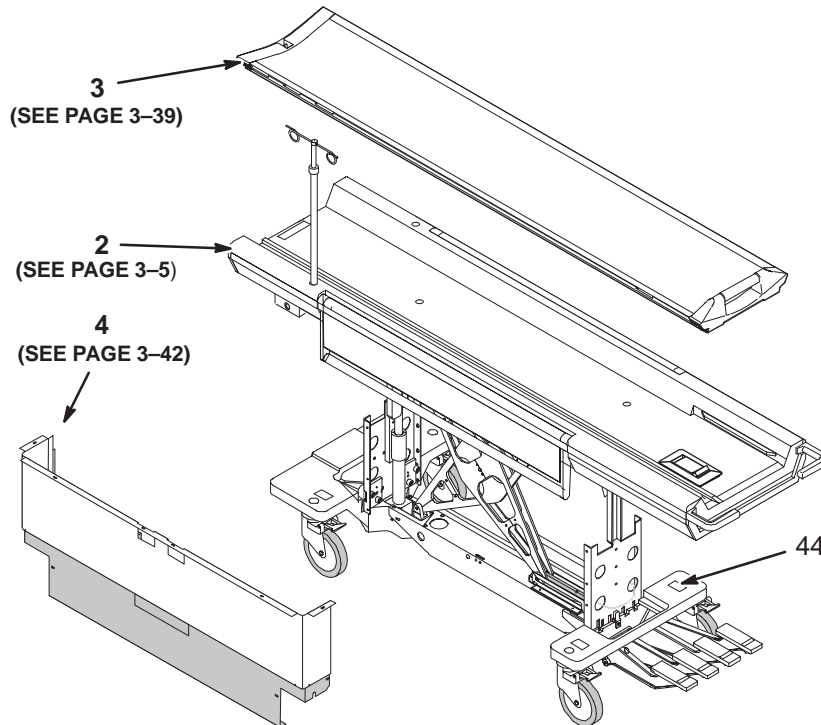
PATIENT TABLE – WideOpen COLOR 46-265300G2 FRU N (PART OF BASIC SYSTEM SECTION 1)

Item	Part Number	FRU	Name	Quantity	Description (Remarks)
2	2135993-2	N	TABLE/BASE	1	LCC TABLE/BASE ASSEMBLY (SEE PAGE 3-6)
3	46-301222G1	2	CRADLE ASM	1	CRADLE ASSEMBLY W/TWIST TO RELEASE (SEE PAGE 3-39)
4	2127699-2	N	TBL COVER KT	1	TABLE COVER KIT – WideOpen COLOR (SEE PAGE 3-42)

3-3 INFINITY PATIENT TABLE

PATINET TABLE – INFINITY COLOR 46-265300G3 FRU N (PART OF BASIC SYSTEM SECTION 1)

Item	Part Number	FRU	Name	Quantity	Description (Remarks)
2	2135993-3	N	TABLE/BASE	1	LCC TABLE/BASE ASSEMBLY INFINITY (SEE PAGE 3-7)
3	46-301222G4	2	CRADLE ASM	1	CRADLE ASSEMBLY W/TWIST – INFINITY (SEE PAGE 3-40)
4	2127699-3	N	TBL COVER KT	1	TABLE COVER KIT – LCC INFINITY COLOR (SEE PAGE 3-42)
44	5177278	N	PDM PART	4	CASTOR LABEL



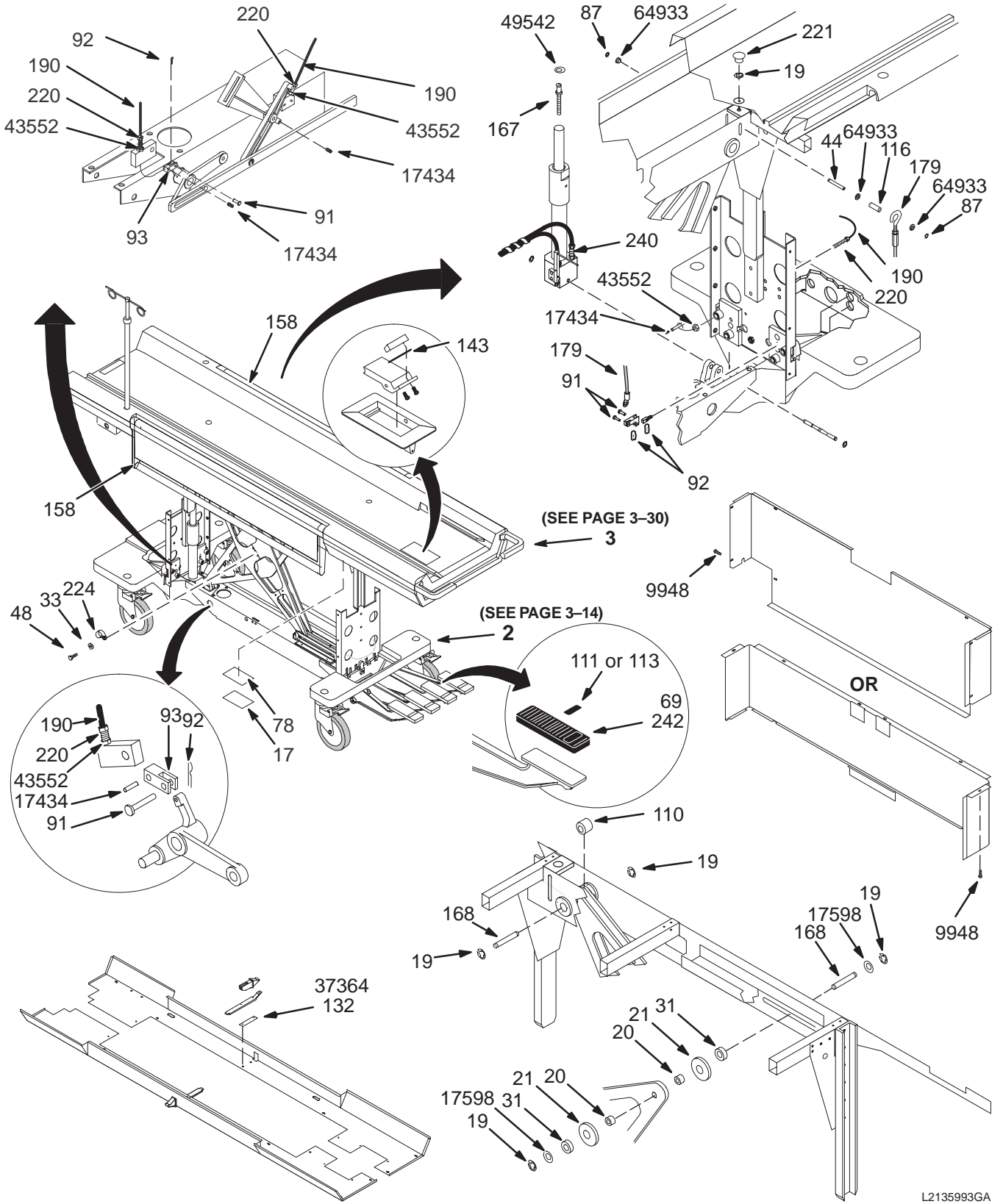
PATIENT TABLE

46-265300G1, G2, & G3

PT1

TABLE/BASE ASSEMBLY

2135993, 2135993-2, & 2133995-3



L2135993GA

HORIZON TABLE/BASE ASSEMBLY 2135993 FRU N (PART 2 OF 46-265300G1 PAGE 3-3)

Item	Part Number	FRU	Name	Quantity	Description (Remarks)
2	2127700	2	TBL BASE KIT	1	TABLE BASE KIT (SEE PAGE 3-14)
3	2135992	1	NEW TABLETOP	1	NEW OUTSOURCED TABLE TOP (SEE PAGE 3-30)
4	2136115	2	STICKER,ADHS	1	HOLE COVER STICKERS UFI
17	46-271554P1	2	WEAR STRIP	1	ROLLER TRACK, .015 THK STAINLESS STL
19	46-220277P23	2	RETAINING RI	5	EXT RADIAL MOUNT 0.375 SHAFT DIA
20	46-136342P23	2	BUSHING	2	BUSHING
21	46-265888P1	2	BAR	2	2" OD 3/8" ID X 7/16 LG BRASS
31	46-271562P1	2	SPACER	2	1" OD .390" HOLE, .4" THK, NYLON
44	46-265895P1	2	PIN	1	.187 DIA
69	46-265905P1	2	FOOT PAD	4	FOOT PEDAL PAD, RUBBER
78	46-170073P5	2	TAPE	AR	.002 THK X 2.0 WIDE X 60 YD ROLL
87	46-220277P27	2	RETAINING RI	2	EXT RADIAL MOUNT 0.188 SHAFT DIA
91	46-221304P7	2	PIN	1	0.188 DIA X 0.65 LENGTH, 303 SST
92	46-230434P2	2	PIN	1	0.047 WIRE DIA X 0.594 LG 302 SST
93	46-282216P1	2	CLEVIS,CABLE	1	1"X.44"X.38" .194 HOLE, BRASS
110	2297515	1	SPACER	1	ROUND SPACER
111	46-271125P1	2	LABEL	1	FOOT PAD "UP" AND "DOWN" LABEL SET
113	46-271126P1	2	LABEL	1	"DOCK" AND "UNDOCK"
116	46-230947P1	2	TUBING	AR	F-4040-A TYGON TUBING.
132	46-271774P1	2	GUIDE STRIP	2	GUIDE STRIP BACKING PLATE, .06 SST
143	46-255966P1	2	SHIM	2	1-7/8" X 0.6", .010 THICK BRASS
158	46-271012G1	2	ARMBOARD ASM	2	ARMBOARD ASSEMBLY (SEE PAGE 3-37)
167	46-271028P1	2	ADJUST SCREW	1	HYDRAULIC CYLINDER TO TABLE TOP
168	46-265887P2	2	BAR	2	CENTER 3/8" DIA SCISSORS UPPER ENDS
179	46-271921P1	2	CABLE	1	HYDR CYL CABLE, FITTINGS BOTH ENDS
190	46-256080P1	2	TUBING	AR	CABLE,PUSH PULL,NYLON,MOLYBDENUM
220	46-271512P1	2	ADJ SCREW	3	ADJUSTMENT SCREW
220A	2389561	1	ADJUSTMENT S	1	ADJUSTMENT SCREW
221	46-256049P16	2	CAP/PLUG	1	HOLE DIA 1.000 MAX THK .1719
223	46-208758P5	2	TY-RAP	4	SELF LOCKING CABLE TIE
224	46-208713P10	2	CLAMP OR CLI	3	CLAMP OR CLIP
236	46-256047P1	2	CHEMICAL	AR	MOBILTEMP SHC 32 14 OZ CARTRIDGE
240	46-307878G1	2	FILTER KIT	1	HYDRAULIC OIL FILTER AND GASKET
9948	46-208560P123	2	SCREW	27	SCREW
17434	46-221560P3	2	SCREW	3	SCREW
17598	1000904P502	2	WASHER	2	0.406 ID, 1" OD, .062 THK NYLON
37364	46-208560P102	2	SCREW	4	SCREW, 10-32 X 5/8 BHMS, SS
43552	46-208945P3	2	NUT	3	1/4-28, .438 HEX X .219 THK, BRASS
49542	46-208601P25	2	WASHER	1	3/8" SCREW, INTERNAL TOOTH PHOS BRZ
64933	1000904P425	2	WASHER	6	0.2 ID, 0.5 OD, .04 THK, B11H89C

WideOpen TABLE/BASE ASSEMBLY 2135993-2 FRU N

(PART 2 OF 46-265300G2 PAGE 3-3)

Item	Part Number	FRU	Name	Quantity	Description (Remarks)
2	2127700-2	2	TBL BASE KIT	1	TABLE BASE KIT – LCC (SEE PAGE 3-17)
3	2135992	1	NEW TABLETOP	1	NEW OUTSOURCED TABLE TOP (SEE PAGE 3-30)
4	2136115	2	STICKER,ADHS	1	HOLE COVER STICKERS UFI
17	46-271554P1	N	WEAR STRIP	1	ROLLER TRACK, .015 THK STAINLESS STL
19	46-220277P23	2	RETAINING RI	5	EXT RADIAL MOUNT 0.375 SHAFT DIA
20	46-136342P23	2	BUSHING	2	BUSHING
21	46-265888P1	2	BAR	2	2" OD 3/8" ID X 7/16 LG BRASS
31	46-271562P1	2	SPACER	2	1" OD .390" HOLE, .4" THK, NYLON
44	46-265895P1	2	PIN	1	.187 DIA
69	46-265905P1	2	FOOT PAD	4	FOOT PEDAL PAD, RUBBER
78	46-170073P5	N	TAPE	AR	.002 THK X 2.0 WIDE X 60 YD ROLL
87	46-220277P27	2	RETAINING RI	2	EXT RADIAL MOUNT 0.188 SHAFT DIA
91	46-221304P7	2	PIN	1	0.188 DIA X 0.65 LENGTH, 303 SST
92	46-230434P2	2	PIN	1	0.047 WIRE DIA X 0.594 LG 302 SST
93	46-282216P1	2	CLEVIS,CABLE	1	1"X.44"X.38" .194 HOLE, BRASS
110	2297515	1	SPACER	1	ROUND SPACER
111	46-271125P1	2	LABEL	1	FOOT PAD "UP" AND "DOWN" LABEL SET
113	46-271126P1	2	LABEL	1	"DOCK" AND "UNDOCK"
116	46-230947P1	2	TUBING	AR	F-4040-A TYGON TUBING.
132	46-271774P1	2	GUIDE STRIP	2	GUIDE STRIP BACKING PLATE, .06 SST
143	46-255966P1	2	SHIM	2	1-7/8" X 0.6", .010 THICK BRASS
158	46-271012G1	2	ARMBOARD ASM	2	ARMBOARD ASSEMBLY (SEE PAGE 3-37)
167	46-271028P1	2	ADJUST SCREW	1	HYDRAULIC CYLINDER TO TABLE TOP
168	46-265887P2	2	BAR	2	CENTER 3/8" DIA SCISSORS UPPER ENDS
179	46-271921P1	2	CABLE	1	HYDR CYL CABLE, FITTINGS BOTH ENDS
190	46-256080P1	2	TUBING	AR	CABLE,PUSH PULL,NYLON,MOLYBDENUM
220	46-271512P1	2	ADJ SCREW	3	ADJUSTMENT SCREW
220A	2389561	1	ADJUSTMENT S	1	ADJUSTMENT SCREW
221	46-256049P16	2	CAP/PLUG	1	HOLE DIA 1.000 MAX THK .1719
223	46-208758P5	2	TY-RAP	4	SELF LOCKING CABLE TIE
224	46-208713P10	2	CLAMP OR CLI	3	CLAMP OR CLIP
236	46-256047P1	2	CHEMICAL	AR	MOBILTEMP SHC 32 14 OZ CARTRIDGE
240	46-307878G1	2	FILTER KIT	1	HYDRAULIC OIL FILTER AND GASKET
9948	46-208560P123	2	SCREW	27	SCREW
17434	46-221560P3	2	SCREW	3	SCREW
17598	1000904P502	2	WASHER	2	0.406 ID, 1" OD, .062 THK NYLON
37364	46-208560P102	2	SCREW	4	SCREW, 10-32 X 5/8 BHMS, SS
43552	46-208945P3	2	NUT	3	1/4-28, .438 HEX X .219 THK, BRASS
49542	46-208601P25	2	WASHER	1	3/8" SCREW, INTERNAL TOOTH PHOS BRZ
64933	1000904P425	2	WASHER	6	0.2 ID, 0.5 OD, .04 THK, B11H89C

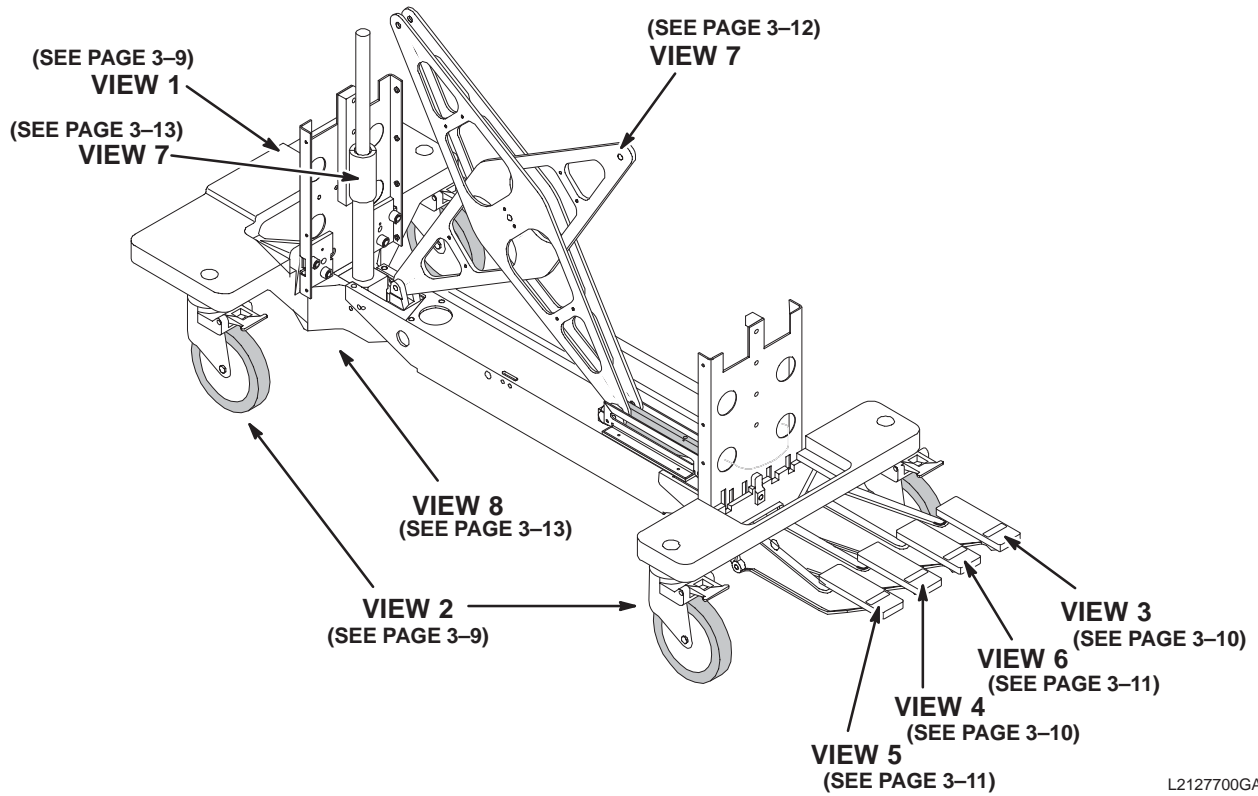
INFINITY TABLE/BASE ASM 2135993-3 FRU N (PART 2 OF 46-265300G3 PAGE 3-3)

Item	Part Number	FRU	Name	Quantity	Description (Remarks)
2	2127700-3	N	TBL BASE KIT	1	TABLE BASE KIT – LCC/INFINITY (SEE PAGE 3-20)
3	2135992-2	1	NEW TABLETOP	1	TABLE TOP_INFINITY (SEE PAGE 3-31)
4	2136115	2	STICKER,ADHS	1	HOLE COVER STICKERS UFI
17	46-271554P1	N	WEAR STRIP	1	ROLLER TRACK, .015 THK STAINLESS STL
19	46-220277P23	2	RETAINING RI	5	EXT RADIAL MOUNT 0.375 SHAFT DIA
20	46-136342P23	2	BUSHING	2	BUSHING
21	46-265888P1	2	BAR	2	2" OD 3/8" ID X 7/16 LG BRASS
31	46-271562P1	2	SPACER	2	1" OD .390" HOLE, .4" THK, NYLON
44	46-265895P1	2	PIN	1	.187 DIA
69	46-265905P1	2	FOOT PAD	4	FOOT PEDAL PAD, RUBBER
78	46-170073P5	N	TAPE	AR	.002 THK X 2.0 WIDE X 60 YD ROLL
87	46-220277P27	2	RETAINING RI	2	EXT RADIAL MOUNT 0.188 SHAFT DIA
91	46-221304P7	2	PIN	1	0.188 DIA X 0.65 LENGTH, 303 SST
92	46-230434P2	2	PIN	1	0.047 WIRE DIA X 0.594 LG 302 SST
93	46-282216P1	2	CLEVIS,CABLE	1	1"X.44"X.38" .194 HOLE, BRASS
110	2297515	N	SPACER	1	ROUND SPACER
111	46-271125P1	2	LABEL	1	FOOT PAD "UP" AND "DOWN" LABEL SET
113	46-271126P1	2	LABEL	1	"DOCK" AND "UNDOCK"
116	46-230947P1	2	TUBING	AR	F-4040-A TYGON TUBING.
132	46-271774P1	2	GUIDE STRIP	2	GUIDE STRIP BACKING PLATE, .06 SST
143	46-255966P1	2	SHIM	2	1-7/8" X 0.6", .010 THICK BRASS
158	46-271012G2	1	ARMBOARD ASM	2	ARMBOARD ASM INFINITY COLOR (SEE PAGE 3-37)
167	46-271028P1	2	ADJUST SCREW	1	HYDRAULIC CYLINDER TO TABLE TOP
168	46-265887P2	2	BAR	2	CENTER 3/8" DIA SCISSORS UPPER ENDS
190	46-256080P1	2	TUBING	AR	CABLE,PUSH PULL,NYLON,MOLYBDENUM
220	46-271512P1	2	ADJ SCREW	3	ADJUSTMENT SCREW
220A	2389561	1	ADJUSTMENT S	1	ADJUSTMENT SCREW
221	46-256049P16	2	CAP/PLUG	1	HOLE DIA 1.000 MAX THK .1719
223	46-208758P5	2	TY-RAP	4	SELF LOCKING CABLE TIE
224	46-208713P10	2	CLAMP OR CLI	3	CLAMP OR CLIP
236	46-256047P1	2	CHEMICAL	AR	MOBILTEMP SHC 32 14 OZ CARTRIDGE
240	46-307878G1	2	FILTER KIT	1	HYDRAULIC OIL FILTER AND GASKET
9948	46-208560P123	2	SCREW	24	SCREW
17434	46-221560P3	2	SCREW	3	SCREW
17598	1000904P502	2	WASHER	2	0.406 ID, 1" OD, .062 THK NYLON
37364	46-208560P102	2	SCREW	7	SCREW, 10-32 X 5/8 BHMS, SS
43552	46-208945P3	2	NUT	3	1/4-28, .438 HEX X .219 THK, BRASS
49542	46-208601P25	2	WASHER	1	3/8" SCREW, INTERNAL TOOTH PHOS BRZ
64933	1000904P425	2	WASHER	6	0.2 ID, 0.5 OD, .04 THK, B11H89C

TABLE BASE KIT
TABLE BASE KIT – WideOpen
TABLE BASE KIT – INFINITY

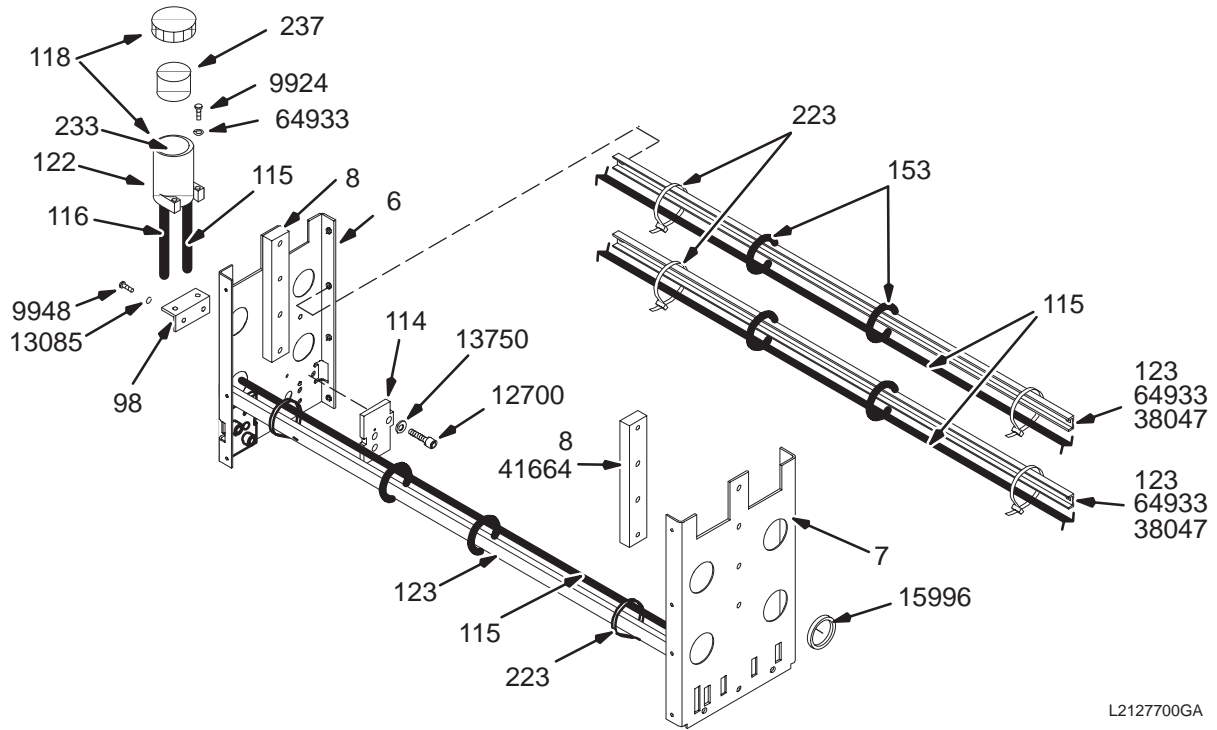
2127700
2127700-2
2127700-3

(SEE PARTS LIST BEGINNING PAGE 3-14)
(SEE PARTS LIST BEGINNING PAGE 3-17)
(SEE PARTS LIST BEGINNING PAGE 3-20)



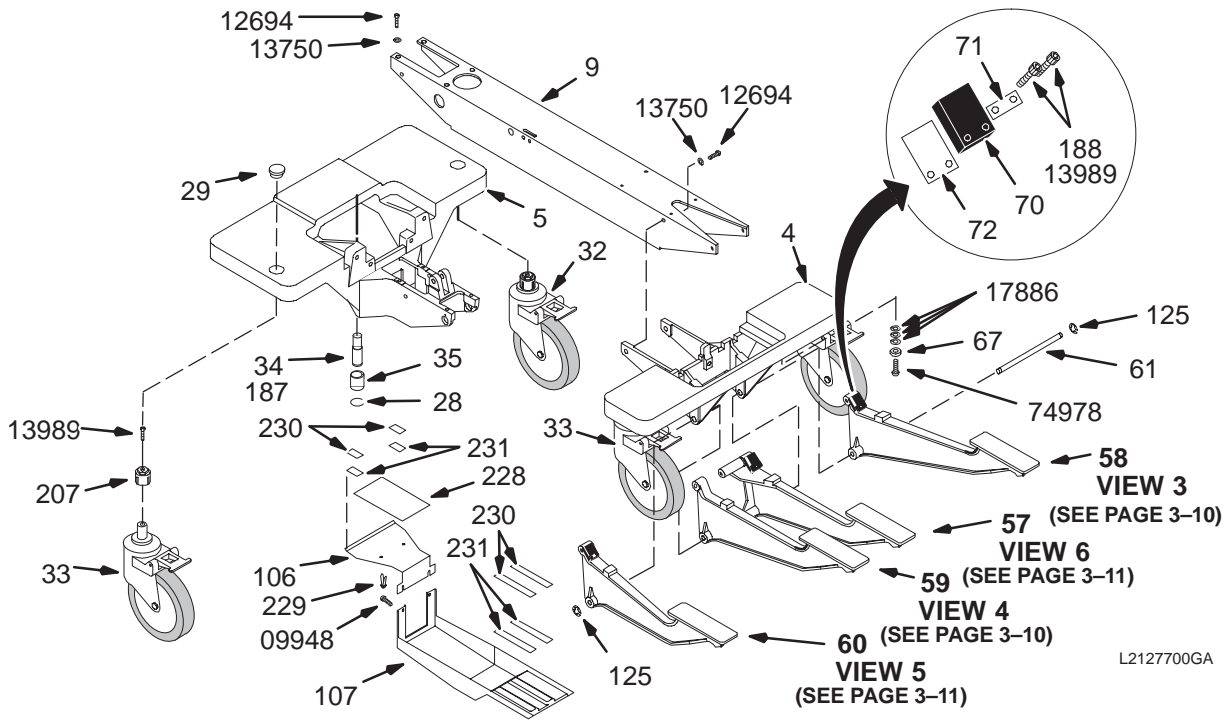
ASSEMBLED VIEW

PATIENT TRANSPORT – BASE STRUCTURE AND CASTERS



L2127700GA

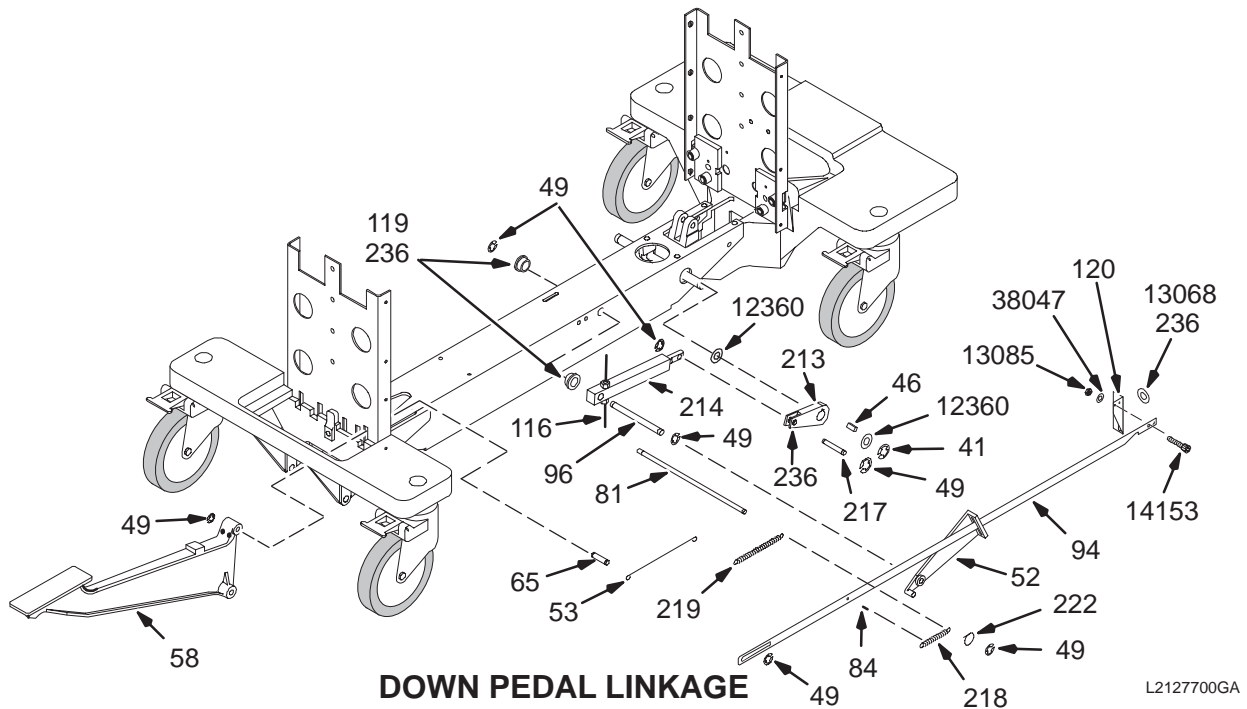
2127700 – VIEW 1



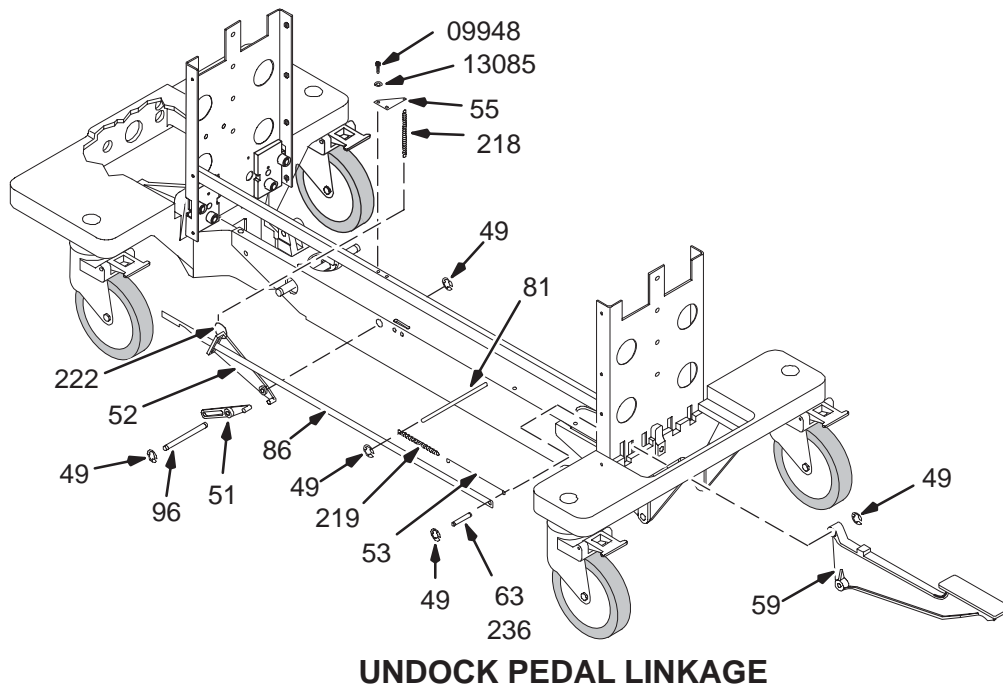
L2127700GA

2127700 – VIEW 2

PATIENT TRANSPORT – DOWN PEDAL AND UNDOCK PEDAL LINKAGES

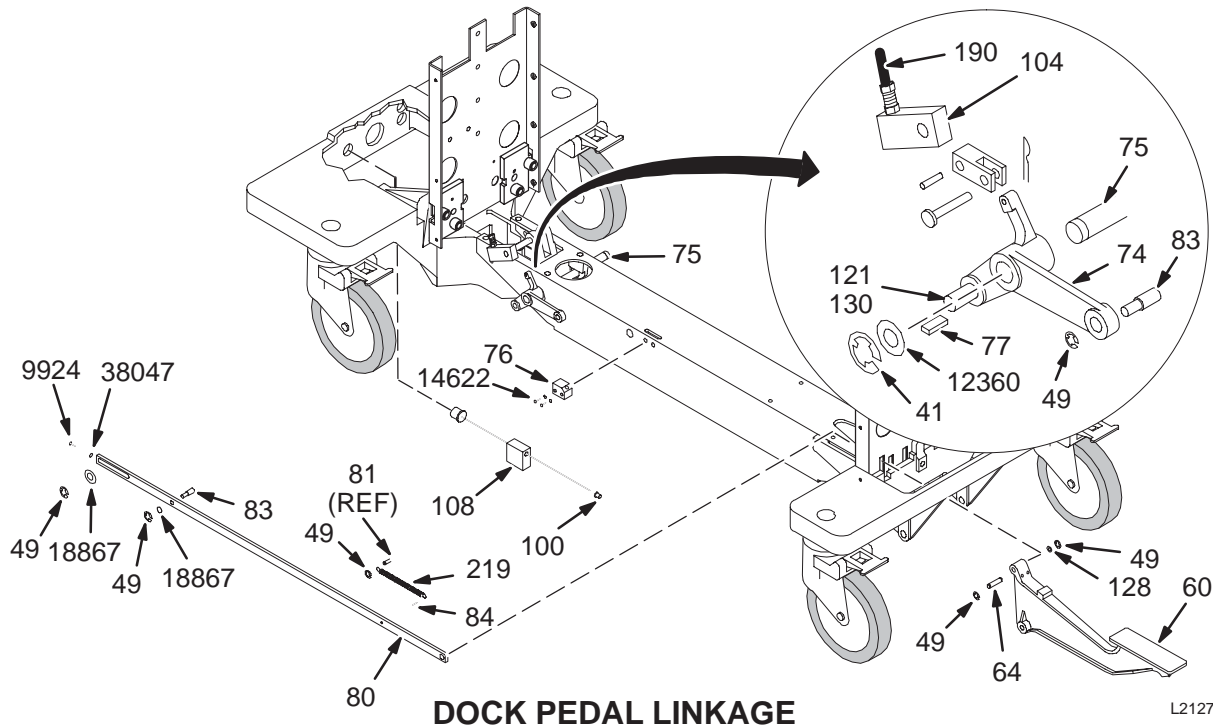


2127700 – VIEW 3



2127700 – VIEW 4

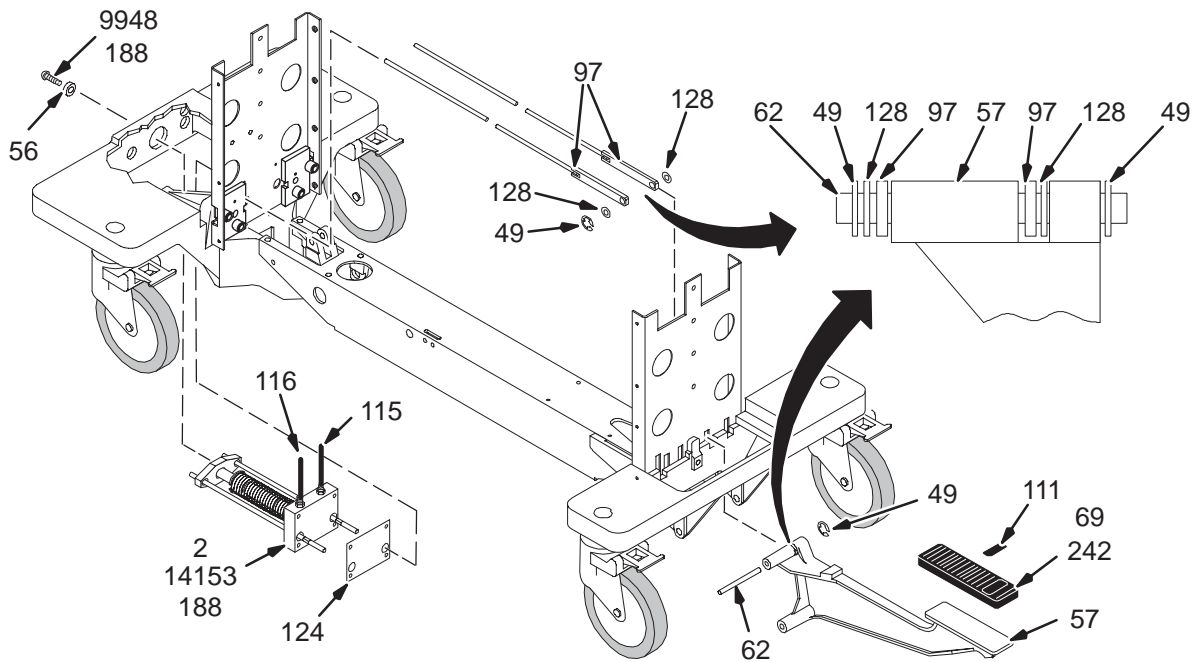
PATIENT TRANSPORT – DOCK, PUMP AND UP PEDAL LINKAGES



DOCK PEDAL LINKAGE

L2127700GA

2127700 – VIEW 5

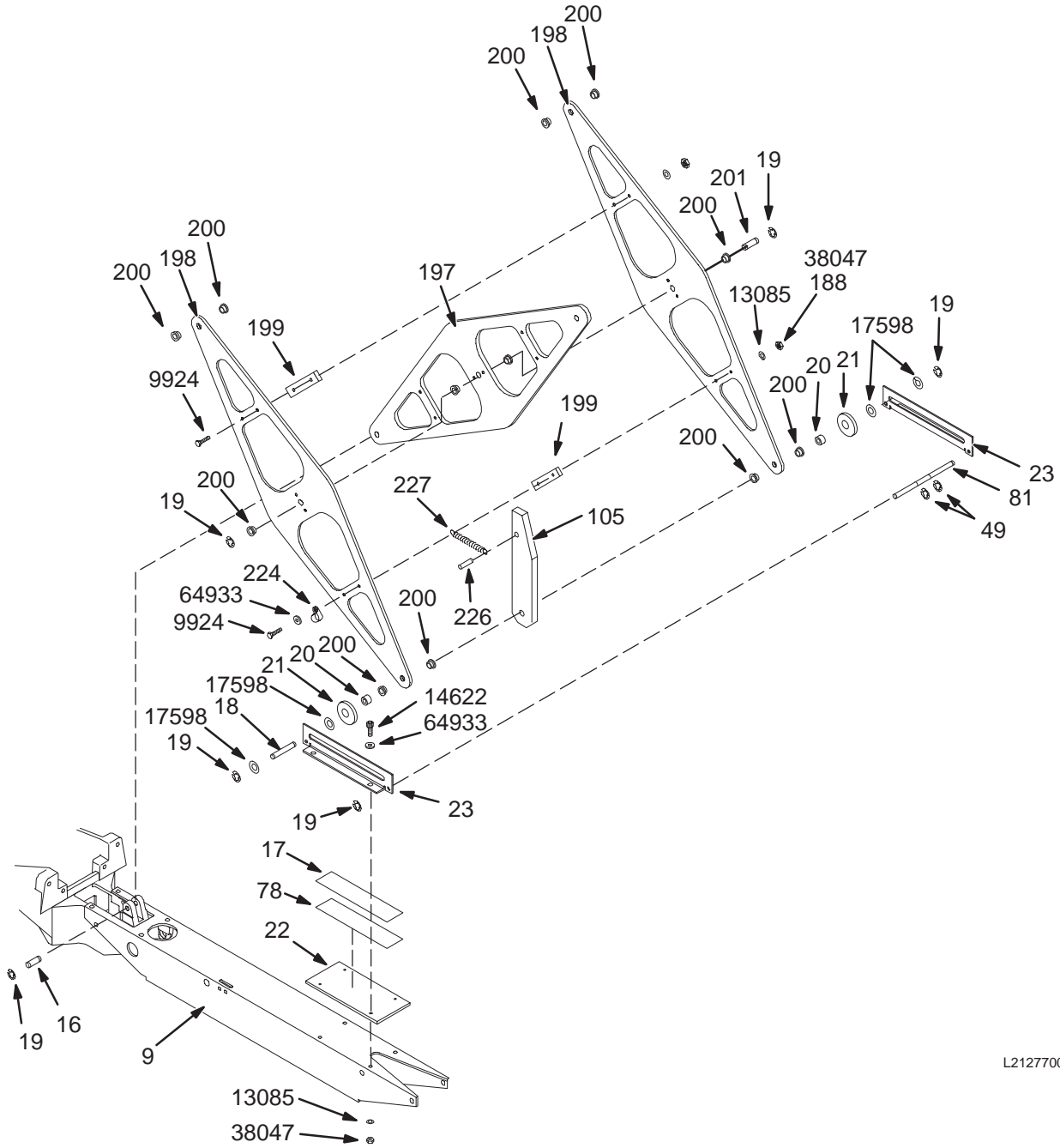


PUMP AND UP PEDAL LINKAGE

L2127700GA

2127700 – VIEW 6

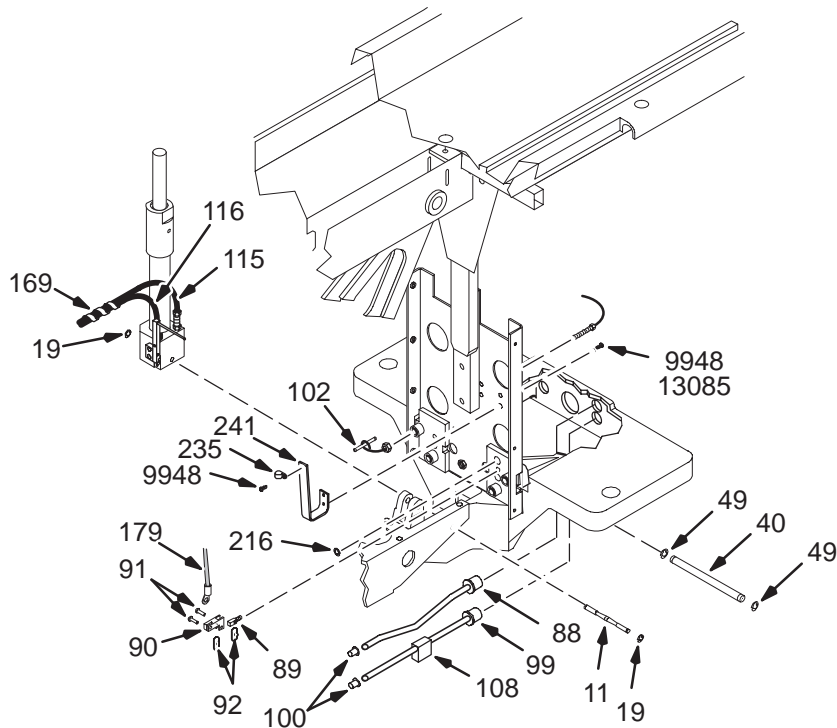
PATIENT TRANSPORT – SCISSORS



L2127700GA

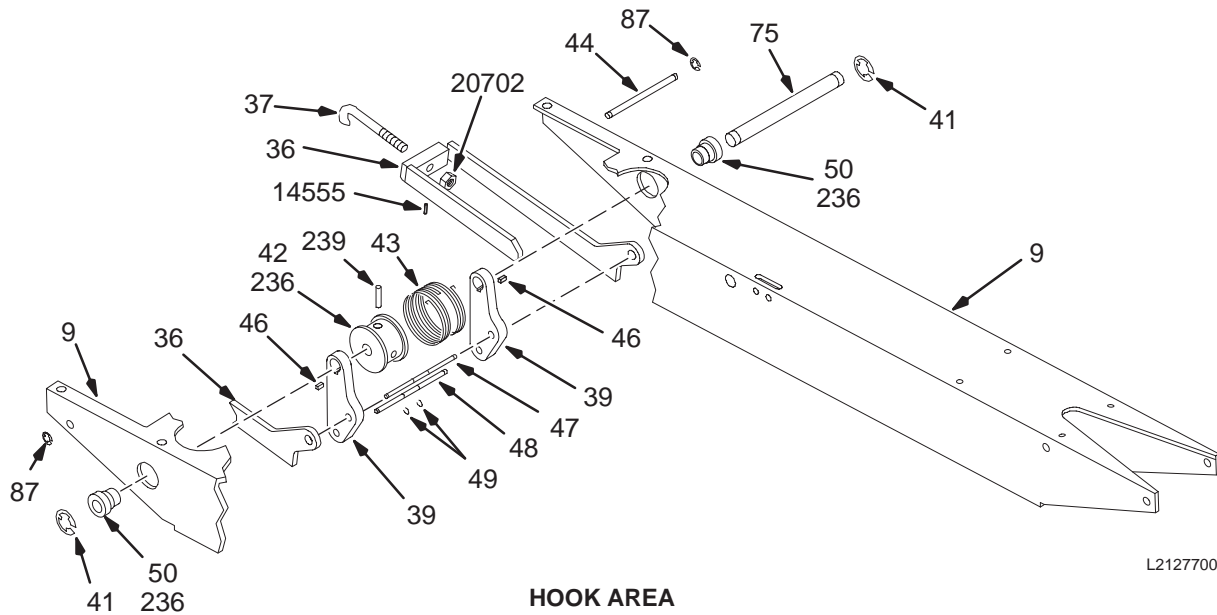
2127700 – VIEW 7

PATIENT TRANSPORT – HYDRAULIC CYLINDER AREA AND HOOK AREA



HYDRAULIC CYLINDER AREA

2127700 – VIEW 8



HOOK AREA

2127700 – VIEW 9

TABLE BASE KIT – HORIZON

2127700 FRU 2

(PART 2 OF 2135993 PAGE 3-5)

Item	Part Number	FRU	Name	Quantity	Description (Remarks)
2A	2323992	2	PUMP ASM	1	PUMP ASSEMBLY (SEE PAGE 3-23)
2B	46-265779G1	2	PUMP ASM	ALT	HYDRAULIC PUMP ASSEMBLY (SEE PAGE 3-23)
3A	2323995	2	CYLINDER ASM	1	CYLINDER ASSEMBLY (SEE PAGE 3-24)
3B	46-265780G1	2	CYLINDER ASM	ALT	HYDRAULIC CYLINDER, TABLE ELEVATING (SEE PAGE 3-24)
4	46-265881P1	2	BASE CASTING	1	CHASSIS, FOOT END SUBSTRUCTURE
5	46-265882P1	2	BASE CASTING	1	CHASSIS, HEAD END DOCK ABUTMENT
6	46-271230G1	2	FRT SUPPORT	1	1/8" ALUMINUM SHEET, HEAD END
7	46-271231G1	2	REAR SUPPORT	1	1/8 ALUMINUM SHEET, FOOT END
8	46-271232P1	2	SLIDE	2	WHITE DELRIN
9	2297495	1	CHANNEL	1	RAIL – SQUARE TUBE
11	46-271966P1	2	PIN,CYL MNT	1	CYLINDER MOUNTING PIN .437"OD X 4.34
16	46-271193P1	2	BAR	1	LOWER FIXED SCISSOR PIVOT
17	46-271554P1	2	WEAR STRIP	1	ROLLER TRACK, .015 THK STAINLESS STL
18	46-265887P6	2	BAR	1	LOWER SCISSOR ROLLER SHAFT
19	46-220277P23	2	RETAINING RI	10	EXT RADIAL MOUNT 0.375 SHAFT DIA
20	46-136342P23	2	BUSHING	2	BUSHING
21	46-265888P1	2	BAR	2	2" OD 3/8" ID X 7/16 LG BRASS
22	2297497	1	PLATE	1	ROLLER TRACK PLATE
23	46-265890P1	2	BRACKET	2	SCISSOR
28	46-220270P9	2	RETAINING RI	2	EXT AXIAL MOUNT 0.750 SHAFT DIA
29	46-271895P1	2	CAP, THREAD	4	THREADED CASTER-MOUNTING CAP
32A	46-282918P1	2	CASTER	1	CASTER W/FOOT OPERATED SWIVEL LOCK
33A	46-282919P1	2	CASTER	3	CASTER W/FOOT OPERABLE WHEEL BRAKE
34	46-265906P1	2	ROLLER SHAFT	2	DOCKING GUIDE ROLLER SHAFT, BRASS
35	46-244996P1	2	BUSHING	2	BUSHING
36	46-271676G1	2	ARM ASM	1	DOCK HOOK MOUNTING ARM WLDMNT ASM (SEE PAGE 3-25)
37	46-265892P1	2	HOOK	1	DOCK HOOK, 3/8-24 THD, SST, HARDENED
39	2297498	2	PART	2	LINK LEVER
40	46-271195P2	2	.312 PIN,SST	1	HOOK STOP, 7.75"LG, GROOVES @ 7.57"
41	46-220277P24	2	RETAINING RI	2	EXT RADIAL MOUNT 0.625 SHAFT DIA
42	2297499	2	PART	1	SPRING DRUM
43	46-271124P1	2	SPECIAL SPRI	1	SPRING
44	46-265895P1	2	PIN	1	.187 DIA
46	46-271235P2	2	SQ KEY	3	1/16" SQ, .44 LONG, BRASS
47	46-271195P11	2	.312 PIN,SST	1	DOCK HOOK PIVOT, 2.97"LONG
48	46-271195P1	2	.312 PIN,SST	1	DOCK PIVOT, 1.21"LG, GROOVES @ 2.94"
49	46-220277P22	2	RETAINING RI	24	EXT RADIAL MOUNT 0.312 SHAFT DIA
50	46-265896P1	2	BUSHING	2	SPECIAL
51	46-265897P1	N	LINK LEVER	1	PLASTIC
52	46-265898P1	2	LINK LEVER	1	PLASTIC
53	46-265899P1	2	SPRING EXTEN	2	6.7" LONG, .081 SST SPRING WIRE
55	46-271587P1	2	BRACKET	1	2.19" X 1.5" GUSSET, .081 ALUM
56	46-271141P1	2	BUMPER	1	1.5" DIA, ALUM, BLACK ANODIZE
57	46-271031G1	2	PEDAL ASM	1	PEDAL ASM, PUMP UP (SEE PAGE 3-26)
58	46-271031G2	2	PEDAL ASM	1	PEDAL ASM, DOWN (SEE PAGE 3-26)
59	46-271031G3	2	PEDAL ASM	1	PEDAL ASM, UNDOCK (SEE PAGE 3-27)
60	46-271031G4	2	PEDAL ASM	1	PEDAL ASM, DOCK (SEE PAGE 3-27)
61	46-271510P1	2	BAR	1	SHAFT FOR PEDALS
62	46-271195P5	2	.312 PIN,SST	1	UP PEDAL
63	46-271195P6	2	.312 PIN,SST	1	UNDOCK, 1.22"LG, GROOVES @ 1.039"

Parts List Continued On Next Page

TABLE BASE KIT – HORIZON

2127700 FRU 2

(CONT'D FROM PREVIOUS PAGE)

Item	Part Number	FRU	Name	Quantity	Description (Remarks)
64	46-271195P7	2	.312 PIN,SST	1	DOCK PEDAL
65	46-271195P8	2	.312 PIN,SST	1	DOWN, 1.46"LG, GROOVES @ 1.284"
67	46-256127P1	2	BUMPER	4	ATLANTIC INDIA #1392 80 DUROMETER
70	46-271771P1	2	PAD	3	PAD, _NEOPRENE RUBBER PEDAL BUMPER.
71	46-271772P1	2	BACK PLT	3	BUMPER BACKING PLATE 1"X.5" .060 SST
72	46-271772P2	2	BACK PLT	9	BUMPER BACKING PLATE 1"X1.5" .06 SST
74	46-265907P1	2	LINK LEVER	1	CASTING
75	46-265908P1	2	BAR	1	.625 DIA
76	46-271163P1	2	CABLE BRKT	1	1.25"X1"X.88" ALUMINUM BLOCK
77	46-271235P3	2	SQ KEY	1	1/16" SQ, .62 LONG, BRASS
78	46-170073P5	2	TAPE	AR	.002 THK X 2.0 WIDE X 60 YD ROLL
80	46-265910P1	2	LINK DOCK	1	38.3" LONG .25"X.75" ALUM BAR
81	46-271194P1	2	BAR	1	.312"DIA 6.88" LONG, SST
83	46-271161P1	2	PIN	2	.375"& .312" DIA, 1.17"LG, SST
84	46-136393P147	2	PIN	2	MECHANICAL/MATERIAL COMP
86	2297500	1	PART	1	LINK UNDOCK
87	46-220277P27	2	RETAINING RI	2	EXT RADIAL MOUNT 0.188 SHAFT DIA
88	46-271916G1	2	PUSH ROD ASM	1	UP INDICATOR ROD ASSEMBLY (SEE PAGE 3-28)
89	46-271914P1	2	PIVOT STUD	1	1/4-28 THREAD, .194 HOLE, BRASS
90	46-271913P1	2	BELLCRANK	1	BRASS
91	46-221304P7	2	PIN	2	0.188 DIA X 0.65 LENGTH, 303 SST
92	46-230434P2	2	PIN	2	0.047 WIRE DIA X 0.594 LG 302 SST
94	2297473	1	BAR	1	LINK DOWN
96	46-271192P1	2	BAR	1	.312"DIA, 6.45"LG, .125 KEYWAY, SST
97	46-271220G1	2	LINK ASM	2	UP PEDAL
98	46-265911G1	2	RESERVOIR BK	1	MOUNTING BRACKET
99	46-271517G1	2	DOWN ROD ASM	1	14.13" LONG ALUM ROD W/BUMPER (SEE PAGE 3-28)
100	46-208695P89	2	BUSHING	3	HEYCO PART NO.2017 SB-375-281
102	46-271516G1	2	PUSH ROD ASM	1	RIGHT ACTUATOR
104	46-271162P1	2	CABLE HUB	1	2.12"X1.19", .5" THK ALUM BAR
105	46-271765P1	2	LOCK BAR	1	TABLE LOCK SAFETY BAR
106	46-271766P1	2	DRIP PAN	1	UPPER DRIP PAN
107	46-271969P1	2	DRIP PAN	1	LOWER DRIP PAN
108	46-271762P1	2	BLOCK	2	FOR PUSH ROD ASSEMBLY
114	46-271133P1	2	PLATE,BACKUP	2	3/75"X 2.65" .375 THK ALUM
115	46-271208P1	2	HOSE	1	GREAT LAKES RUBBER
116	46-230947P1	2	TUBING	6	F-4040-A TYGON TUBING.
118	46-271127P1	2	RESERVOIR	1	MOLDED PLASTIC W/CAP & RUBBER GASKET
119	46-271134P1	2	BUSHING	2	1" & .562"OD, .316"ID X.5", BRASS
120	2309556	2	PLASTIC	1	DOWN BRACKET
121	46-271195P4	2	.312 PIN,SST	1	LINK PIVOT, 0.89"LG, GROOVES @ .709"
122	46-317179P1	2	CLAMP	2	SQUEEZE-SHUT RATCHET-LATCH, 1/2" DIA
123	46-271489P1	2	BRACKET	3	41.56" LONG, 1"X.5" U-CHANNEL ALUM
124	46-271509P1	2	GASKET	1	3.88"X2.24" .032"THK NITRILE RUBBER
125	46-220277P18	2	RETAINING RI	2	EXT RADIAL MOUNT 0.500 SHAFT DIA
128	46-136342P131	2	BUSHING	3	BUSHING
130	46-282440P1	2	BUSHING	1	.442"OD .314"ID, .25"THK, BRONZE
153A	46-170209P1	2	TAPE	AR	0.034 X 1.00 X 100 FT
153B	46-256136P1	2	ADHESIVE	ALT	ADHESIVE
169	46-230653P4	2	TUBING	AR	SPIRALLY CUT POLYETHYLENE 0.500 OD

Parts List Continued On Next Page

TABLE BASE KIT – HORIZON

2127700 FRU 2

(CONT'D FROM PREVIOUS PAGE)

Item	Part Number	FRU	Name	Quantity	Description (Remarks)
179	46-271921P1	2	CABLE	1	HYDR CYL CABLE, FITTINGS BOTH ENDS
187	46-230957P1	2	ADHESIVE	AR	LOCTITE 680, 50ML BOTTLE
188	46-170686P1	2	ADHESIVE	AR	LOCTITE 242, 0.5CC TUBE
197	2297775	N	PART	1	SCISSORS CENTRE
198	2297776	N	PART	2	SCISSORS OUTER
199	2297496	2	SPACER	2	SPACER
200	46-136342P128	2	BUSHING	12	BUSHING
201	46-265887P1	2	BAR	1	3/8" DIA. CENTER SCISSOR PIVOT
207	46-271761P1	2	CAST BUSHING	4	CASTER BUSHING, TAPERED ID, BRASS
213	46-271573P1	2	ACTUATOR	1	CLEVIS ARM W/KEYED HOLE, ALUM
214	46-271576G1	2	CYLINDER ASM	1	MECHANICAL LINKAGE
215	5111101	2	OUT OF CATAL	1.0	WASHER-ID 0.336, OD 0.75, THK .064,
216	46-220277P19	2	RETAINING RI	3	EXT RADIAL MOUNT 0.250 SHAFT DIA
217	46-271195P10	2	.312 PIN,SST	1	LINK PIVOT, 0.76"LG, GROOVES @ .579"
218	46-170490P59	2	SPRING-INCH	2	SPRING-INCH EXTENSION 2.75 INCHES .2
219	46-170490P60	2	SPRING-INCH	3	SPRING-INCH EXTENSION 4.5 INCHES .5
222	46-208758P1	2	TY-RAP	2	3.62" X .094" CABLE TIE
223	46-208758P5	2	TY-RAP	20	SELF LOCKING CABLE TIE
224	46-208713P10	2	CLAMP OR CLI	1	CLAMP OR CLIP
226	46-208735P7	2	PIN	1	SPIROL .094 NOM DIA X 0.500 LG
227	46-170490P38	2	SPRING-INCH	1	SPRING-INCH EXTENSION 2.5 INCHES .25
228	46-256102P1	2	FOAM	AR	POLYURETHANE WICKING FOAM.
229	46-271925P1	2	FASTENER	2	BRASS, 1/2" FASTENER TABS
230	46-136246P11	2	TAPE	AR	5/8" WIDE, BLK ADH BACK, VELCRO HOOK
231	46-136246P12	2	TAPE	AR	0.625 WIDE X 25 YD,BLK,ADH BACK,LOOP
233	46-230006P2	2	CHEMICAL	AR	HYDRAULIC LUBRICATING OIL.
235	46-208713P1	2	CLAMP OR CLI	1	CLAMP OR CLIP
236	46-256047P1	2	CHEMICAL	AR	MOBILTEMP SHC 32 14 OZ CARTRIDGE
237	46-271946P1	2	HARDWARE	1	HARDWARE
239	46-208735P58	2	PIN	1	SPLIT LENGTHWISE .187 DIA X 1.000 LG
241	46-271963P1	2	BRACKET	1	ALUMINUM FORMED J-BRACKET, IRIDITE
9924	46-221922P7	2	SCREW	7	SCREW
9948	46-208560P123	2	SCREW	9	SCREW
12360	1000904P498	2	WASHER	3	0.635 ID, 1" OD, .125 THICK ALUMINUM
12694	46-208737P47	2	SCREW	11	SCREW
12700	46-208737P48	2	SCREW	4	SCREW
13068	1000904P41	2	WASHER	1	0.266 ID, 0.75 OD, .064 THK BRASS
13085	46-220196P3	2	WASHER	15	WASHER, #10 SCREW SIZE (0.190), SST
13750	46-256081P6	2	WASHER	15	3/8" SCREW SIZE, HI-COLLAR
13989	46-208737P28	2	SCREW	10	SCREW CAP HEX SOCKET HD 10-32 X .75
14153	46-208737P13	2	SCREW	5	SCREW
14555	46-208563P90	2	SCREW	1	SCREW
14622	46-208737P20	2	SCREW	6	SCREW
15966	46-208695P85	2	BUSHING	6	HEYCO PART NO.2400 SB-2000-26 BLACK
17598	1000904P502	2	WASHER	4	0.406 ID, 1" OD, .062 THK NYLON
17886	1000904P504	2	WASHER	12	0.145 ID, 0.625 OD, .02 THK BRASS
18867	12-280	2	WASHER	2	ID 0.336, OD 0.75, THK .064, BRASS
20702	46-256193P9	2	NUT	1	3/8-24 HEX 0.564 HT .453 RING TYPE
38047	46-208938P5	2	NUT	17	10-32, 3/8" HEX X .130 THK, 18-8 SST
41664	46-208932P7	2	SCREW	8	SCREW
64933	1000904P425	2	WASHER	14	0.2 ID, 0.5 OD, .04 THK, B11H89C
74978	46-208560P111	2	SCREW	4	SCREW 6-32 X 5/8 SS

Parts List Continued On Next Page

TABLE BASE KIT – WideOpen

2127700–2 FRU 2

(PART 2 OF 2135993–2 PAGE 3–6)

Item	Part Number	FRU	Name	Quantity	Description (Remarks)
2	2323992	2	PUMP ASM	1	PUMP ASSEMBLY (SEE PAGE 3–23)
3	2323995	2	CYLINDER ASM	1	CYLINDER ASSEMBLY (SEE PAGE 3–24)
4	46–265881P2	2	BASE CASTING	1	CHASSIS, FOOT END SUBSTRUCTURE
5	46–265882P2	2	BASE CASTING	1	CHASSIS, HEAD END DOCK ABUTMENT,
6	46–271230G1	2	FRT SUPPORT	1	1/8" ALUMINUM SHEET, HEAD END
7	46–271231G1	2	REAR SUPPORT	1	1/8 ALUMINUM SHEET, FOOT END
8	46–271232P1	2	SLIDE	2	WHITE DELRIN
9	2297495	N	CHANNEL	1	RAIL – SQUARE TUBE
11	46–271966P1	2	PIN,CYL MNT	1	CYLINDER MOUNTING PIN .437"OD X 4.34
16	46–271193P1	2	BAR	1	LOWER FIXED SCISSOR PIVOT
17	46–271554P1	2	WEAR STRIP	1	ROLLER TRACK, .015 THK STAINLESS STL
18	46–265887P6	2	BAR	1	LOWER SCISSOR ROLLER SHAFT
19	46–220277P23	2	RETAINING RI	10	EXT RADIAL MOUNT 0.375 SHAFT DIA
20	46–136342P23	2	BUSHING	2	BUSHING
21	46–265888P1	2	BAR	2	2" OD 3/8" ID X 7/16 LG BRASS
22	2297497	N	PLATE	1	ROLLER TRACK PLATE
23	46–265890P1	2	BRACKET	2	SCISSOR
28	46–220270P9	2	RETAINING RI	2	EXT AXIAL MOUNT 0.750 SHAFT DIA
29	46–271895P1	2	CAP, THREAD	4	THREADED CASTER–MOUNTING CAP
32A	46–282918P1	2	CASTER	1	CASTER W/FOOT OPERATED SWIVEL LOCK
32B	46–271118P1	N	CASTER	ALT	REPLACE IN FIELD WITH 46–282918P1
33A	46–282919P1	2	CASTER	3	CASTER W/FOOT OPERABLE WHEEL BRAKE
33B	46–271119P1	N	CASTER	ALT	REPLACE IN FIELD WITH 46–282919P1
34	46–265906P1	2	ROLLER SHAFT	2	DOCKING GUIDE ROLLER SHAFT, BRASS
35	46–244996P1	2	BUSHING	2	BUSHING
36	46–271676G1	2	ARM ASM	1	DOCK HOOK MOUNTING ARM ASM (SEE PAGE 3–25)
37	46–265892P1	2	HOOK	1	DOCK HOOK, 3/8–24 THD, SST, HARDENED
39	2297498	N	PART	2	LINK LEVER
40	46–271195P2	2	.312 PIN,SST	1	HOOK STOP, 7.75"LG, GROOVES @ 7.57"
41	46–220277P24	2	RETAINING RI	2	EXT RADIAL MOUNT 0.625 SHAFT DIA
42	2297499	N	PART	1	SPRING DRUM
43	46–271124P1	2	SPECIAL SPRI	1	SPRING
44	46–265895P1	2	PIN	1	.187 DIA
46	46–271235P2	2	SQ KEY	3	1/16" SQ, .44 LONG, BRASS
47	46–271195P11	2	.312 PIN,SST	1	DOCK HOOK PIVOT, 2.97"LONG
48	46–271195P1	2	.312 PIN,SST	1	DOCK PIVOT, 1.21"LG, GROOVES @ 2.94"
49	46–220277P22	2	RETAINING RI	24	EXT RADIAL MOUNT 0.312 SHAFT DIA
50	46–265896P1	2	BUSHING	2	SPECIAL
51	2309554	2	PLASTIC	1	LINK LEVER
52	2309555	1	PLASTIC	2	LINK LEVER
53	46–265899P1	2	SPRING EXTEN	2	6.7" LONG, .081 SST SPRING WIRE
55	46–271587P1	2	BRACKET	1	2.19" X 1.5" GUSSET, .081 ALUM
56	46–271141P1	2	BUMPER	1	1.5" DIA, ALUM, BLACK ANODIZE
57	46–271031G5	2	PEDAL ASM	1	PUMP PEDAL ASM (SEE PAGE 3–26)
58	46–271031G6	2	PEDAL ASM	1	DOWN PEDAL ASM (SEE PAGE 3–26)
59	46–271031G7	2	PEDAL ASM	1	UNDOCK PEDAL ASM (SEE PAGE 3–27)
60	46–271031G8	2	PEDAL ASM	1	DOCK PEDAL ASM (SEE PAGE 3–27)
61	46–271510P1	2	BAR	1	SHAFT FOR PEDALS
62	46–271195P5	2	.312 PIN,SST	1	UP PEDAL
63	46–271195P6	2	.312 PIN,SST	1	UNDOCK, 1.22"LG, GROOVES @ 1.039"

Parts List Continued On Next Page

TABLE BASE KIT – WideOpen 2127700–2 FRU 2 (CONT'D FROM PREVIOUS PAGE)

Item	Part Number	FRU	Name	Quantity	Description (Remarks)
64	46–271195P7	2	.312 PIN,SST	1	DOCK PEDAL
65	46–271195P8	2	.312 PIN,SST	1	DOWN, 1.46"LG, GROOVES @ 1.284"
67	46–256127P1	2	BUMPER	4	ATLANTIC INDIA #1392 80 DUROMETER
70	46–271771P1	2	PAD	3	PAD, _NEOPRENE RUBBER PEDAL BUMPER.
71	46–271772P1	2	BACK PLT	3	BUMPER BACKING PLATE 1"X.5" .060 SST
72	46–271772P2	2	BACK PLT	9	BUMPER BACKING PLATE 1"X1.5" .06 SST
74	46–265907P1	2	LINK LEVER	1	CASTING
75	46–265908P1	2	BAR	1	.625 DIA
76	46–271163P1	2	CABLE BRKT	1	1.25"X1"X.88" ALUMINUM BLOCK
77	46–271235P3	2	SQ KEY	1	1/16" SQ, .62 LONG, BRASS
78	46–170073P5	2	TAPE	AR	.002 THK X 2.0 WIDE X 60 YD ROLL
80	46–265910P1	2	LINK DOCK	1	38.3" LONG .25"X.75" ALUM BAR
81	46–271194P1	2	BAR	1	.312"DIA 6.88" LONG, SST
83	46–271161P1	2	PIN	2	.375"& .312" DIA, 1.17"LG, SST
84	46–136393P147	2	PIN	2	MECHANICAL/MATERIAL COMP
86	2297500	1	PART	1	LINK UNDOCK
87	46–220277P27	2	RETAINING RI	2	EXT RADIAL MOUNT 0.188 SHAFT DIA
88	46–271916G1	2	PUSH ROD ASM	1	UP INDICATOR ROD ASSEMBLY (SEE PAGE 3–28)
89	46–271914P1	2	PIVOT STUD	1	1/4–28 THREAD, .194 HOLE, BRASS
90	46–271913P1	2	BELLCRANK	1	BRASS
91	46–221304P7	2	PIN	2	0.188 DIA X 0.65 LENGTH, 303 SST
92	46–230434P2	2	PIN	2	0.047 WIRE DIA X 0.594 LG 302 SST
94	2297473	1	BAR	1	LINK DOWN
96	46–271192P1	2	BAR	1	.312"DIA, 6.45"LG, .125 KEYWAY, SST
97	46–271220G1	2	LINK ASM	2	UP PEDAL
98	46–265911G1	2	RESERVOIR BK	1	MOUNTING BRACKET
99	46–271517G1	2	DOWN ROD ASM	1	14.13" LONG ALUM ROD W/BUMPER (SEE PAGE 3–28)
100	46–208695P89	2	BUSHING	3	HEYCO PART NO.2017 SB–375–281
102	46–271516G1	2	PUSH ROD ASM	1	RIGHT ACTUATOR
104	46–271162P1	2	CABLE HUB	1	2.12"X1.19", .5" THK ALUM BAR
105	46–271765P1	2	LOCK BAR	1	TABLE LOCK SAFETY BAR
106	46–271766P1	2	DRIP PAN	1	UPPER DRIP PAN
107	46–271969P1	2	DRIP PAN	1	LOWER DRIP PAN
108	46–271762P1	2	BLOCK	2	FOR PUSH ROD ASSEMBLY
114	46–271133P1	2	PLATE,BACKUP	2	3/75"X 2.65" .375 THK ALUM
115	46–271208P1	2	HOSE	1	GREAT LAKES RUBBER
116	46–230947P1	2	TUBING	6	F–4040–A TYGON TUBING.
118	46–271127P1	2	RESERVOIR	1	MOLDED PLASTIC W/CAP & RUBBER GASKET
119	46–271134P1	2	BUSHING	2	1" & .562"OD, .316"ID X.5", BRASS
120	2309556	2	PLASTIC	1	DOWN BRACKET
121	46–271195P4	2	.312 PIN,SST	1	LINK PIVOT, 0.89"LG, GROOVES @ .709"
122	46–317179P1	2	CLAMP	2	SQUEEZE–SHUT RATCHET–LATCH, 1/2" DIA
123	46–271489P1	2	BRACKET	3	41.56" LONG, 1"X.5" U–CHANNEL ALUM
124	46–271509P1	2	GASKET	1	3.88"X2.24" .032"THK NITRILE RUBBER
125	46–220277P18	2	RETAINING RI	2	EXT RADIAL MOUNT 0.500 SHAFT DIA
128	46–136342P131	2	BUSHING	3	BUSHING
130	46–282440P1	2	BUSHING	1	.442"OD .314"ID, .25"THK, BRONZE
153A	46–170209P1	2	TAPE	AR	0.034 X 1.00 X 100 FT
153B	46–256136P1	2	ADHESIVE	ALT	ADHESIVE
169	46–230653P4	2	TUBING	AR	SPIRALLY CUT POLYETHYLENE 0.500 OD

Parts List Continued On Next Page

TABLE BASE KIT – WideOpen

2127700–2 FRU 2

(CONT'D FROM PREVIOUS PAGE)

Item	Part Number	FRU	Name	Quantity	Description (Remarks)
179	46–271921P1	2	CABLE	1	HYDR CYL CABLE, FITTINGS BOTH ENDS
187	46–230957P1	2	ADHESIVE	AR	LOCTITE 680, 50ML BOTTLE
188	46–170686P1	2	ADHESIVE	AR	LOCTITE 242, 0.5CC TUBE
197	2297775	N	PART	1	SCISSORS CENTRE
198	2297776	N	PART	2	SCISSORS OUTER
199	2297496	N	SPACER	2	SPACER
200	46–136342P128	2	BUSHING	12	BUSHING
201	46–265887P1	2	BAR	1	3/8" DIA. CENTER SCISSOR PIVOT
207	46–271761P1	2	CAST BUSHING	4	CASTER BUSHING, TAPERED ID, BRASS
213	46–271573P1	2	ACTUATOR	1	CLEVIS ARM W/KEYED HOLE, ALUM
214	46–271576G1	2	CYLINDER ASM	1	MECHANICAL LINKAGE
216	46–220277P19	2	RETAINING RI	3	EXT RADIAL MOUNT 0.250 SHAFT DIA
217	46–271195P10	2	.312 PIN,SST	1	LINK PIVOT, 0.76"LG, GROOVES @ .579"
218	46–170490P59	2	SPRING–INCH	2	SPRING–INCH EXTENSION 2.75 INCHES .2
219	46–170490P60	2	SPRING–INCH	3	SPRING–INCH EXTENSION 4.5 INCHES .5
222	46–208758P1	2	TY–RAP	2	3.62" X .094" CABLE TIE
223	46–208758P5	2	TY–RAP	20	SELF LOCKING CABLE TIE
224	46–208713P10	2	CLAMP OR CLI	1	CLAMP OR CLIP
226	46–208735P7	2	PIN	1	SPIROL .094 NOM DIA X 0.500 LG
227	46–170490P38	2	SPRING–INCH	1	SPRING–INCH EXTENSION 2.5 INCHES .25
228	46–256102P1	2	FOAM	AR	POLYURETHANE WICKING FOAM.
229	46–271925P1	2	FASTENER	2	BRASS, 1/2" FASTENER TABS
230	46–136246P11	2	TAPE	AR	5/8" WIDE, BLK ADH BACK, VELCRO HOOK
231	46–136246P12	2	TAPE	AR	0.625 WIDE X 25 YD,BLK,ADH BACK,LOOP
233	46–230006P2	2	CHEMICAL	AR	HYDRAULIC LUBRICATING OIL.
235	46–208713P1	2	CLAMP OR CLI	1	CLAMP OR CLIP
236	46–256047P1	2	CHEMICAL	AR	MOBILTEMP SHC 32 14 OZ CARTRIDGE
237	46–271946P1	2	HARDWARE	1	HARDWARE
239	46–208735P58	2	PIN	1	SPLIT LENGTHWISE .187 DIA X 1.000 LG
241	46–271963P1	2	BRACKET	1	ALUMINUM FORMED J–BRACKET, IRIDITE
9924	46–221922P7	2	SCREW	7	SCREW
9948	46–208560P123	2	SCREW	9	SCREW
12360	1000904P498	2	WASHER	3	0.635 ID, 1" OD, .125 THICK ALUMINUM
12694	46–208737P47	2	SCREW	11	SCREW
12700	46–208737P48	2	SCREW	4	SCREW
13068	1000904P41	2	WASHER	1	0.266 ID, 0.75 OD, .064 THK BRASS
13085	46–220196P3	2	WASHER	15	WASHER, #10 SCREW SIZE (0.190), SST
13750	46–256081P6	2	WASHER	15	3/8" SCREW SIZE, HI–COLLAR
13989	46–208737P28	2	SCREW	10	SCREW CAP HEX SOCKET HD 10–32 X .75
14153	46–208737P13	2	SCREW	5	SCREW
14555	46–208563P90	2	SCREW	1	SCREW
14622	46–208737P20	2	SCREW	6	SCREW
15966	46–208695P85	2	BUSHING	6	HEYCO PART NO.2400 SB–2000–26 BLACK
17598	1000904P502	2	WASHER	4	0.406 ID, 1" OD, .062 THK NYLON
17886	1000904P504	2	WASHER	12	0.145 ID, 0.625 OD, .02 THK BRASS
18867	12–280	2	WASHER	2	ID 0.336, OD 0.75, THK .064, BRASS
20702	46–256193P9	2	NUT	1	3/8–24 HEX 0.564 HT .453 RING TYPE
38047	46–208938P5	2	NUT	17	10–32, 3/8" HEX X .130 THK, 18–8 SST
41664	46–208932P7	2	SCREW	8	SCREW
64933	1000904P425	2	WASHER	14	0.2 ID, 0.5 OD, .04 THK, B11H89C
74978	46–208560P111	2	SCREW	4	SCREW 6–32 X 5/8 SS

TABLE BASE KIT – INFINITY

2127700-3 FRU 2

(PART 2 OF 2135993-3 PAGE 3-7)

Item	Part Number	FRU	Name	Quantity	Description (Remarks)
2	2323992	2	PUMP ASM	1	PUMP ASSEMBLY (SEE PAGE 3-23)
3	2323995	2	CYLINDER ASM	1	CYLINDER ASSEMBLY (SEE PAGE 3-24)
4	46-265881P3	2	BASE CASTING	1	FOOT END TABLE CASTING-INFINITY
5	46-265882P3	2	BASE CASTING	1	HEAD END TABLE CASTING-INFINITY
6	46-271230G1	2	FRT SUPPORT	1	1/8" ALUMINUM SHEET, HEAD END
7	46-271231G1	2	REAR SUPPORT	1	1/8 ALUMINUM SHEET, FOOT END
8	46-271232P1	2	SLIDE	2	WHITE DELRIN
9	2297495	N	CHANNEL	1	RAIL – SQUARE TUBE
11	46-271966P1	2	PIN,CYL MNT	1	CYLINDER MOUNTING PIN .437"OD X 4.34
16	46-271193P1	2	BAR	1	LOWER FIXED SCISSOR PIVOT
17	46-271554P1	2	WEAR STRIP	1	ROLLER TRACK, .015 THK STAINLESS STL
18	46-265887P6	2	BAR	1	LOWER SCISSOR ROLLER SHAFT
19	46-220277P23	2	RETAINING RI	10	EXT RADIAL MOUNT 0.375 SHAFT DIA
20	46-136342P23	2	BUSHING	2	BUSHING
21	46-265888P1	2	BAR	2	2" OD 3/8" ID X 7/16 LG BRASS
22	2297497	N	PLATE	1	ROLLER TRACK PLATE
23	46-265890P1	2	BRACKET	2	SCISSOR
28	46-220270P9	2	RETAINING RI	2	EXT AXIAL MOUNT 0.750 SHAFT DIA
29	46-271895P1	2	CAP, THREAD	4	THREADED CASTER-MOUNTING CAP
32A	46-282918P1	2	CASTER	1	CASTER W/FOOT OPERATED SWIVEL LOCK
32B	46-271118P1	N	CASTER	ALT	REPLACE IN FIELD WITH 46-282918P1
33A	46-282919P1	2	CASTER	3	CASTER W/FOOT OPERABLE WHEEL BRAKE
33B	46-271119P1	N	CASTER	ALT	REPLACE IN FIELD WITH 46-282919P1
34	46-265906P1	2	ROLLER SHAFT	2	DOCKING GUIDE ROLLER SHAFT, BRASS
35	46-244996P1	2	BUSHING	2	BUSHING
36	46-271676G1	2	ARM ASM	1	DOCK HOOK MOUNTING ARM ASM (SEE PAGE 3-25)
37	46-265892P1	2	HOOK	1	DOCK HOOK, 3/8-24 THD, SST, HARDENED
39	2297498	N	PART	2	LINK LEVER
40	46-271195P2	2	.312 PIN,SST	1	HOOK STOP, 7.75"LG, GROOVES @ 7.57"
41	46-220277P24	2	RETAINING RI	2	EXT RADIAL MOUNT 0.625 SHAFT DIA
42	2297499	N	PART	1	SPRING DRUM
43	46-271124P1	2	SPECIAL SPRI	1	SPRING
44	46-265895P1	2	PIN	1	.187 DIA
46	46-271235P2	2	SQ KEY	3	1/16" SQ, .44 LONG, BRASS
47	46-271195P11	2	.312 PIN,SST	1	DOCK HOOK PIVOT, 2.97"LONG
48	46-271195P1	2	.312 PIN,SST	1	DOCK PIVOT, 1.21"LG, GROOVES @ 2.94"
49	46-220277P22	2	RETAINING RI	24	EXT RADIAL MOUNT 0.312 SHAFT DIA
50	46-265896P1	2	BUSHING	2	SPECIAL
51	46-265897P1	2	LINK LEVER	1.0	PLASTIC
52	46-265898P1	N	LINK LEVER	2.0	PLASTIC
53	46-265899P1	2	SPRING EXTEN	2	6.7" LONG, .081 SST SPRING WIRE
55	46-271587P1	2	BRACKET	1	2.19" X 1.5" GUSSET, .081 ALUM
56	46-271141P1	2	BUMPER	1	1.5" DIA, ALUM, BLACK ANODIZE
57	46-271031G9	N	PEDAL ASM	1	PUMP PEDAL ASM INFINITY COLOR (SEE PAGE 3-26)
58	46-271031G10	N	PEDAL ASM	1	DOWN PEDAL ASM INFINITY COLOR (SEE PAGE 3-26)
59	46-271031G11	N	PEDAL ASM	1	UNDOCK PEDAL ASM INFINITY COLOR (SEE PAGE 3-27)
60	46-271031G12	N	PEDAL ASM	1	DOCK PEDAL ASM INFINITY COLOR (SEE PAGE 3-27)
61	46-271510P1	2	BAR	1	SHAFT FOR PEDALS
62	46-271195P5	2	.312 PIN,SST	1	UP PEDAL
63	46-271195P6	2	.312 PIN,SST	1	UNDOCK, 1.22"LG, GROOVES @ 1.039"

Parts List Continued On Next Page

TABLE BASE KIT – INFINITY

2127700-3 FRU 2

(CONT'D FROM PREVIOUS PAGE)

Item	Part Number	FRU	Name	Quantity	Description (Remarks)
64	46-271195P7	2	.312 PIN,SST	1	DOCK PEDAL
65	46-271195P8	2	.312 PIN,SST	1	DOWN, 1.46"LG, GROOVES @ 1.284"
67	46-256127P1	2	BUMPER	4	ATLANTIC INDIA #1392 80 DUROMETER
70	46-271771P1	2	PAD	3	PAD, _NEOPRENE RUBBER PEDAL BUMPER.
71	46-271772P1	2	BACK PLT	3	BUMPER BACKING PLATE 1"X.5" .060 SST
72	46-271772P2	2	BACK PLT	9	BUMPER BACKING PLATE 1"X1.5" .06 SST
74	46-265907P1	2	LINK LEVER	1	CASTING
75	46-265908P1	2	BAR	1	.625 DIA
76	46-271163P1	2	CABLE BRKT	1	1.25"X1"X.88" ALUMINUM BLOCK
77	46-271235P3	2	SQ KEY	1	1/16" SQ, .62 LONG, BRASS
78	46-170073P5	2	TAPE	AR	.002 THK X 2.0 WIDE X 60 YD ROLL
80	46-265910P1	2	LINK DOCK	1	38.3" LONG .25"X.75" ALUM BAR
81	46-271194P1	2	BAR	1	.312"DIA 6.88" LONG, SST
83	46-271161P1	2	PIN	2	.375"& .312" DIA, 1.17"LG, SST
84	46-136393P147	2	PIN	2	MECHANICAL/MATERIAL COMP
86	2297500	2	PART	1	LINK UNDOCK
87	46-220277P27	2	RETAINING RI	2	EXT RADIAL MOUNT 0.188 SHAFT DIA
88	46-271916G1	2	PUSH ROD ASM	1	UP INDICATOR ROD ASSEMBLY (SEE PAGE 3-28)
89	46-271914P1	2	PIVOT STUD	1	1/4-28 THREAD, .194 HOLE, BRASS
90	46-271913P1	2	BELLCRANK	1	BRASS
91	46-221304P7	2	PIN	2	0.188 DIA X 0.65 LENGTH, 303 SST
92	46-230434P2	2	PIN	2	0.047 WIRE DIA X 0.594 LG 302 SST
94	2297473	2	BAR	1	LINK DOWN
96	46-271192P1	2	BAR	1	.312"DIA, 6.45"LG, .125 KEYWAY, SST
97	46-271220G1	2	LINK ASM	2	UP PEDAL
98	46-265911G1	2	RESERVOIR BK	1	MOUNTING BRACKET
99	46-271517G1	2	DOWN ROD ASM	1	14.13" LONG ALUM ROD W/BUMPER (SEE PAGE 3-28)
100	46-208695P89	2	BUSHING	3	HEYCO PART NO.2017 SB-375-281
102	46-271516G1	2	PUSH ROD ASM	1	RIGHT ACTUATOR
104	46-271162P1	2	CABLE HUB	1	2.12"X1.19", .5" THK ALUM BAR
105	46-271765P1	2	LOCK BAR	1	TABLE LOCK SAFETY BAR
106	46-271766P1	2	DRIP PAN	1	UPPER DRIP PAN
107	46-271969P1	2	DRIP PAN	1	LOWER DRIP PAN
108	46-271762P1	2	BLOCK	2	FOR PUSH ROD ASSEMBLY
114	46-271133P1	2	PLATE,BACKUP	2	3/75"X 2.65" .375 THK ALUM
115	46-271208P1	2	HOSE	1	GREAT LAKES RUBBER
116	46-230947P1	2	TUBING	AR	F-4040-A TYGON TUBING.
118	46-271127P1	2	RESERVOIR	1	MOLDED PLASTIC W/CAP & RUBBER GASKET
119	46-271134P1	2	BUSHING	2	1" & .562"OD, .316"ID X.5", BRASS
120	2309556	2	PLASTIC	1	DOWN BRACKET
121	46-271195P4	2	.312 PIN,SST	1	LINK PIVOT, 0.89"LG, GROOVES @ .709"
122	46-317179P1	2	CLAMP	2	SQUEEZE-SHUT RATCHET-LATCH, 1/2" DIA
123	46-271489P1	2	BRACKET	3	41.56" LONG, 1"X.5" U-CHANNEL ALUM
124	46-271509P1	2	GASKET	1	3.88"X2.24" .032"THK NITRILE RUBBER
125	46-220277P18	2	RETAINING RI	2	EXT RADIAL MOUNT 0.500 SHAFT DIA
128	46-136342P131	2	BUSHING	3	BUSHING
130	46-282440P1	2	BUSHING	1	.442"OD .314"ID, .25"THK, BRONZE
153A	46-170209P1	2	TAPE	AR	0.034 X 1.00 X 100 FT
153B	46-256136P1	2	ADHESIVE	ALT	ADHESIVE
169	46-230653P4	2	TUBING	AR	SPIRALLY CUT POLYETHYLENE 0.500 OD

Parts List Continued On Next Page

TABLE BASE KIT – INFINITY

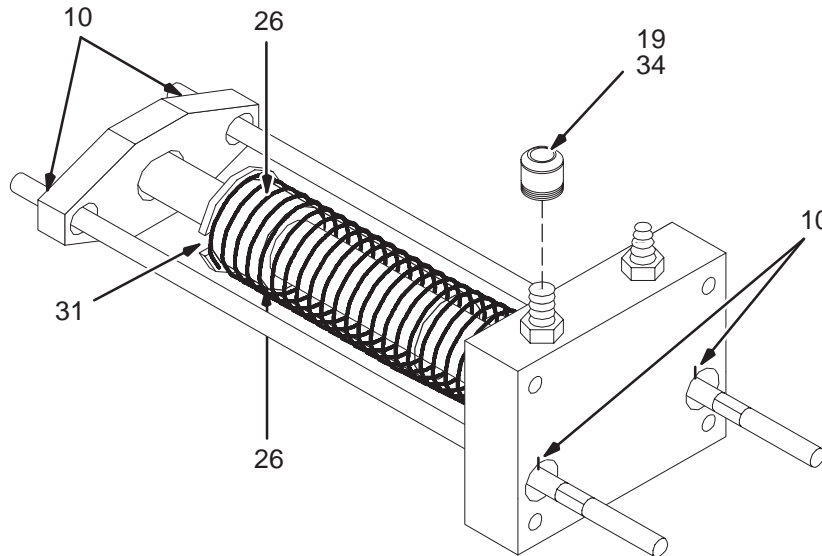
2127700-3 FRU 2

(CONT'D FROM PREVIOUS PAGE)

Item	Part Number	FRU	Name	Quantity	Description (Remarks)
179	46-271921P1	2	CABLE	1	HYDR CYL CABLE, FITTINGS BOTH ENDS
187	46-230957P1	2	ADHESIVE	AR	LOCTITE 680, 50ML BOTTLE
188	46-170686P1	2	ADHESIVE	AR	LOCTITE 242, 0.5CC TUBE
197	2297775	2	PART	1	SCISSORS CENTRE
198	2297776	2	PART	2	SCISSORS OUTER
199	2297496	N	SPACER	2	SPACER
200	46-136342P128	2	BUSHING	12	BUSHING
201	46-265887P1	2	BAR	1	3/8" DIA. CENTER SCISSOR PIVOT
207	46-271761P1	2	CAST BUSHING	4	CASTER BUSHING, TAPERED ID, BRASS
213	46-271573P1	2	ACTUATOR	1	CLEVIS ARM W/KEYED HOLE, ALUM
214	46-271576G1	2	CYLINDER ASM	1	MECHANICAL LINKAGE
216	46-220277P19	2	RETAINING RI	3	EXT RADIAL MOUNT 0.250 SHAFT DIA
217	46-271195P10	2	.312 PIN,SST	1	LINK PIVOT, 0.76"LG, GROOVES @ .579"
218	46-170490P59	2	SPRING-INCH	2	SPRING-INCH EXTENSION 2.75 INCHES .2
219	46-170490P60	2	SPRING-INCH	3	SPRING-INCH EXTENSION 4.5 INCHES .5
222	46-208758P1	2	TY-RAP	2	3.62" X .094" CABLE TIE
223	46-208758P5	2	TY-RAP	20	SELF LOCKING CABLE TIE
224	46-208713P10	2	CLAMP OR CLI	1	CLAMP OR CLIP
226	46-208735P7	2	PIN	1	SPIROL .094 NOM DIA X 0.500 LG
227	46-170490P38	2	SPRING-INCH	1	SPRING-INCH EXTENSION 2.5 INCHES .25
228	46-256102P1	2	FOAM	AR	POLYURETHANE WICKING FOAM.
229	46-271925P1	2	FASTENER	2	BRASS, 1/2" FASTENER TABS
230	46-136246P11	2	TAPE	AR	5/8" WIDE, BLK ADH BACK, VELCRO HOOK
231	46-136246P12	2	TAPE	AR	0.625 WIDE X 25 YD,BLK,ADH BACK,LOOP
233	46-230006P2	2	CHEMICAL	AR	HYDRAULIC LUBRICATING OIL.
235	46-208713P1	2	CLAMP OR CLI	1	CLAMP OR CLIP
236	46-256047P1	2	CHEMICAL	AR	MOBILTEMP SHC 32 14 OZ CARTRIDGE
237	46-271946P1	2	HARDWARE	1	HARDWARE
239	46-208735P58	2	PIN	1	SPLIT LENGTHWISE .187 DIA X 1.000 LG
241	46-271963P1	2	BRACKET	1	ALUMINUM FORMED J-BRACKET, IRIDITE
9924	46-221922P7	2	SCREW	7	SCREW
9948	46-208560P123	2	SCREW	9	SCREW
12360	1000904P498	2	WASHER	3	0.635 ID, 1" OD, .125 THICK ALUMINUM
12694	46-208737P47	2	SCREW	11	SCREW
12700	46-208737P48	2	SCREW	4	SCREW
13068	1000904P41	2	WASHER	1	0.266 ID, 0.75 OD, .064 THK BRASS
13085	46-220196P3	2	WASHER	15	WASHER, #10 SCREW SIZE (0.190), SST
13750	46-256081P6	2	WASHER	15	3/8" SCREW SIZE, HI-COLLAR
13989	46-208737P28	2	SCREW	10	SCREW CAP HEX SOCKET HD 10-32 X .75
14153	46-208737P13	2	SCREW	5	SCREW
14555	46-208563P90	2	SCREW	1	SCREW
14622	46-208737P20	2	SCREW	6	SCREW
15966	46-208695P85	2	BUSHING	6	HEYCO PART NO.2400 SB-2000-26 BLACK
17598	1000904P502	2	WASHER	4	0.406 ID, 1" OD, .062 THK NYLON
17886	1000904P504	2	WASHER	12	0.145 ID, 0.625 OD, .02 THK BRASS
18867	12-280	2	WASHER	2	ID 0.336, OD 0.75, THK .064, BRASS
20702	46-256193P9	2	NUT	1	3/8-24 HEX 0.564 HT .453 RING TYPE
38047	46-208938P5	2	NUT	17	10-32, 3/8" HEX X .130 THK, 18-8 SST
41664	46-208932P7	2	SCREW	8	SCREW
64933	1000904P425	2	WASHER	14	0.2 ID, 0.5 OD, .04 THK, B11H89C
74978	46-208560P111	2	SCREW	4	SCREW 6-32 X 5/8 SS

HYDRAULIC PUMP ASSEMBLY

46-265779G1 & 2323992



L265779G1A

HYDRAULIC PUMP ASSEMBLY 46-265779G1 FRU 1 (PART 2 OF 2127700 PAGE 3-14)

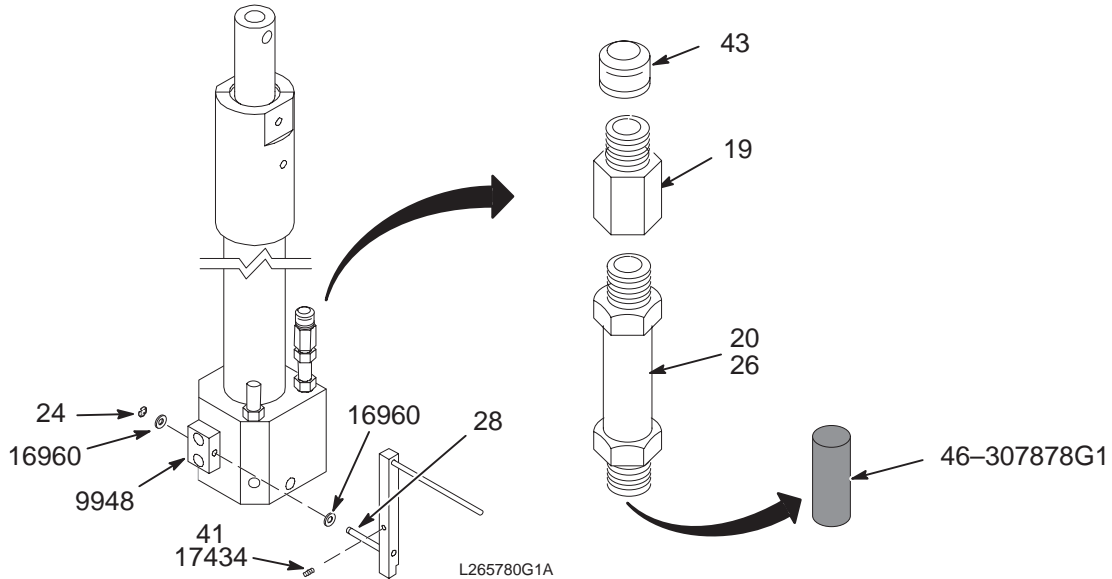
Item	Part Number	FRU	Name	Quantity	Description (Remarks)
10	46-208735P46	2	PIN	4	SPLIT LENGTHWISE .125 DIA X 0.625 LG
19	46-230614P1	2	ADHESIVE	AR	HYDRAULIC, LOCTITE 569, 50ML BOTTLE
20	46-256047P1	2	CHEMICAL	AR	MOBILTEMP SHC 32 14 OZ CARTRIDGE
26	46-208735P17	2	PINS	2	PINS
31	46-208735P83	2	PIN	1	SPIROL .187 DIA X 1.250 LG
34	46-230568P5	2	CAP/PLUG	1	CAPLUG ASC-06DN 3/8 OD TUBE

HYDRAULIC PUMP ASSEMBLY 2323992 FRU 1 (PART 2 OF 2127700 PAGE 3-14)
(PART 2 OF 2127700-2 PAGE 3-17)
(PART 2 OF 2127700-3 PAGE 3-20)

Item	Part Number	FRU	Name	Quantity	Description (Remarks)
10	46-208735P46	2	PIN	4	SPLIT LENGTHWISE .125 DIA X 0.625 LG
19	46-230614P1	2	ADHESIVE	AR	HYDRAULIC, LOCTITE 569, 50ML BOTTLE
20	46-256047P1	2	CHEMICAL	AR	MOBILTEMP SHC 32 14 OZ CARTRIDGE
26	46-208735P17	2	PINS	2	PINS
31	46-208735P83	2	PIN	1	SPIROL .187 DIA X 1.250 LG
34	46-230568P5	2	CAP/PLUG	1	CAPLUG ASC-06DN 3/8 OD TUBE

TABLE ELEVATING HYDRAULIC CYLINDER

46-265780G1 & 2323995



HYDRAULIC CYLINDER ASM

46-265780G1 FRU 2

(PART 3 OF 2127700 PAGE 3-14)

Item	Part Number	FRU	Name	Quantity	Description (Remarks)
19	46-230872P1	2	FITTING	1	HOSE-FITTED TO PIPE THD BRASS
20	46-230880P1	2	FILTER OIL	1	FILTER, OIL
24	46-220277P26	2	RETAINING RING	1	EXT RADIAL MOUNT 0.188 SHAFT DIA
26	46-230614P1	2	ADHESIVE	AR	HYDRAULIC, LOCTITE 569, 50ML BOTTLE
28	46-256047P1	2	CHEMICAL	AR	MOBILTEMP SHC 32 14 OZ CARTRIDGE
38	46-230957P1	2	ADHESIVE	AR	LOCTITE 680, 50ML BOTTLE
41	46-170686P1	2	ADHESIVE	AR	LOCTITE 242, 0.5CC TUBE
43	46-230568P5	2	CAP/PLUG	1	CAPLUG ASC-06DN 3/8 OD TUBE
9948	46-208560P123	2	SCREW	2	SCREW
16960	1000904P370	2	WASHER	2	ID 0.188 OD 0.375 THK .020 BRASS
17434	46-221560P3	2	SCREW	1	SCREW
	46-307878G1	2	FILTER	1	HYDRAULIC OIL FILTER & GASKET [46-230889P1 (IN-LINE FILTER) & 46-230889P2 (GASKET)]

HYDRAULIC CYLINDER ASM

2323995 FRU 2

(PART 3 OF 2127700 PAGE 3-14)

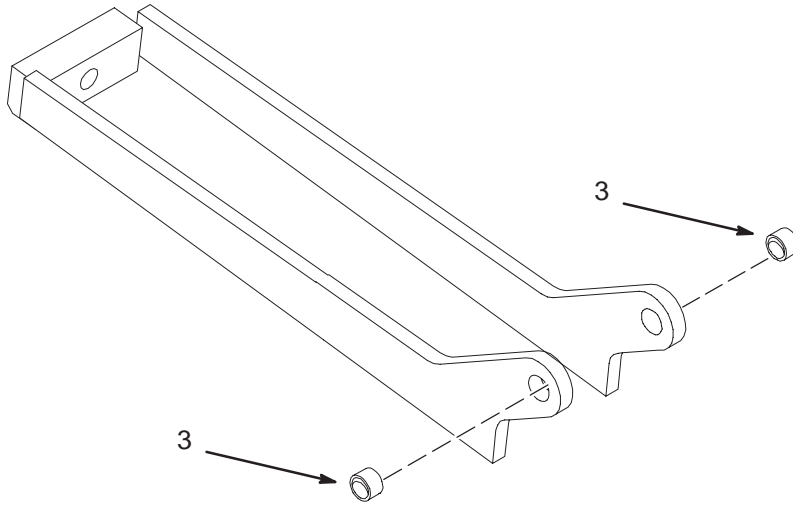
(PART 3 OF 2127700-2 PAGE 3-17)

(PART 3 OF 2127700-3 PAGE 3-20)

Item	Part Number	FRU	Name	Quantity	Description (Remarks)
19	46-230872P1	2	FITTING	1	HOSE-FITTED TO PIPE THD BRASS
20	46-230880P1	2	FILTER OIL	1	FILTER, OIL
24	46-220277P26	2	RETAINING RI	1	EXT RADIAL MOUNT 0.188 SHAFT DIA
26	46-230614P1	2	ADHESIVE	AR	HYDRAULIC, LOCTITE 569, 50ML BOTTLE
28	46-256047P1	2	CHEMICAL	AR	MOBILTEMP SHC 32 14 OZ CARTRIDGE
38	46-230957P1	2	ADHESIVE	AR	LOCTITE 680, 50ML BOTTLE
41	46-170686P1	2	ADHESIVE	AR	LOCTITE 242, 0.5CC TUBE
43	46-230568P5	2	CAP/PLUG	1	CAPLUG ASC-06DN 3/8 OD TUBE
9948	46-208560P123	2	SCREW	2	SCREW
16960	1000904P370	2	WASHER	2	ID 0.188 OD 0.375 THK .020 BRASS
17434	46-221560P3	2	SCREW	1	SCREW
	46-307878G1	2	FILTER	1	HYDRAULIC OIL FILTER & GASKET [46-230889P1 (IN-LINE FILTER) & 46-230889P2 (GASKET)]

DOCK HOOK MOUNTING ARM ASM

46-271676G1



L2127700GA

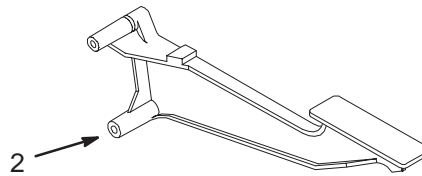
DOCK HOOK MOUNTING ARM ASM 46-271676G1 FRU 2

(PART 36 OF 2127700 PAGE 3-14)
 (PART 36 OF 2127700-2 PAGE 3-17)
 (PART 36 OF 2127700-3 PAGE 3-20)

Item	Part Number	FRU	Name	Quantity	Description (Remarks)
3	46-136342P131	2	BUSHING	2	BUSHING

PEDAL ASM, PUMP UP

46-271031G1 & G9



L271031G1A

PEDAL ASM, PUMP UP

46-271031G1 FRU 2

(PART 57 OF 2127700 PAGE 3-14)
(PART 57 OF 2127700-2 PAGE 3-17)

Item	Part Number	FRU	Name	Quantity	Description (Remarks)
5	46-265901P1	N	PEDAL PUMP	1	CASTING
6	46-136342P112	2	BUSHING	2	BUSHING

PEDAL ASM, PUMP UP-INFINITY

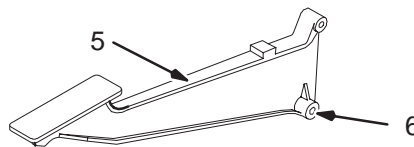
46-271031G9 FRU N

(PART 57 OF 2127700-3 PAGE 3-20)

Item	Part Number	FRU	Name	Quantity	Description (Remarks)
5	46-265901P3	N	PEDAL PUMP	1	PEDAL PUMP CASTING INFINITY COLOR
6	46-136342P112	2	BUSHING	2	BUSHING

PEDAL ASM, DOWN

46-271031G2 & G10



L271031G2A

PEDAL ASM, DOWN

46-271031G2 FRU 2

(PART 58 OF 2127700 PAGE 3-14)
(PART 58 OF 2127700-2 PAGE 3-17)

Item	Part Number	FRU	Name	Quantity	Description (Remarks)
5	46-265902P1	2	PEDAL DOWN	1	CASTING
6	46-136342P112	2	BUSHING	2	BUSHING

PEDAL ASM, DOWN-INFINITY

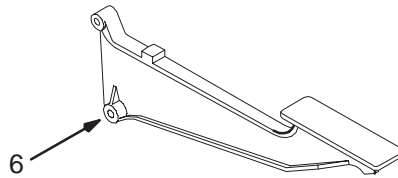
46-271031G10 FRU N

(PART 58 OF 2127700-3 PAGE 3-20)

Item	Part Number	FRU	Name	Quantity	Description (Remarks)
5	46-265902P3	N	PEDAL DOWN	1	PEDAL DOWN CASTING INFINITY COLOR
6	46-136342P112	2	BUSHING	2	BUSHING

PEDAL ASM, UNDOCK

46-271031G3 & G11



L271031G3A

PEDAL ASM, UNDOCK

46-271031G3 FRU 2

(PART 59 OF 2127700 PAGE 3-14)
(PART 59 OF 2127700-2 PAGE 3-17)

Item	Part Number	FRU	Name	Quantity	Description (Remarks)
5	46-265903P1	N	PEDAL UNDOC	1	CASTING
6	46-136342P112	2	BUSHING	2	BUSHING

PEDAL ASM, UNDOCK-INFINITY

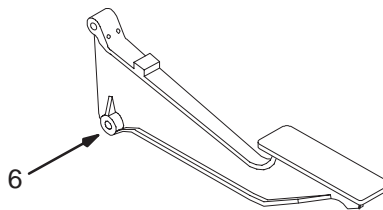
46-271031G11 FRU N

(PART 59 OF 2127700-3 PAGE 3-20)

Item	Part Number	FRU	Name	Quantity	Description (Remarks)
5	46-265903P3	N	PEDAL DOWN	1	UNDOCK PEDAL CASTING INFINITY COLOR
6	46-136342P112	2	BUSHING	2	BUSHING

PEDAL ASM, DOCK

46-271031G4 & G12



L271031G4A

PEDAL ASM, DOCK

46-271031G4 FRU 2

(PART 60 OF 2127700 PAGE 3-14)
(PART 60 OF 2127700-2 PAGE 3-17)

Item	Part Number	FRU	Name	Quantity	Description (Remarks)
5	46-265904P1	N	PEDAL DOCK	1	CASTING
6	46-136342P112	2	BUSHING	2	BUSHING

PEDAL ASM, DOCK-INFINITY

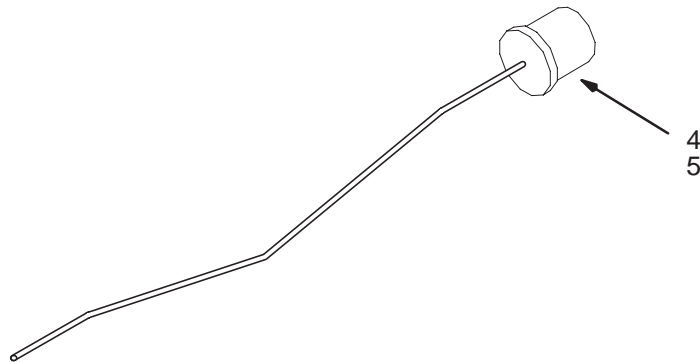
46-271031G12 FRU N

(PART 60 OF 2127700-3 PAGE 3-20)

Item	Part Number	FRU	Name	Quantity	Description (Remarks)
5	46-265904P3	N	PEDAL DOWN	1	DOCK PEDAL CASTING INFINITY COLOR
6	46-136342P112	2	BUSHING	2	BUSHING

UP INDICATOR ROD ASM

46-271916G1



L217916GA

UP INDICATOR ROD ASM

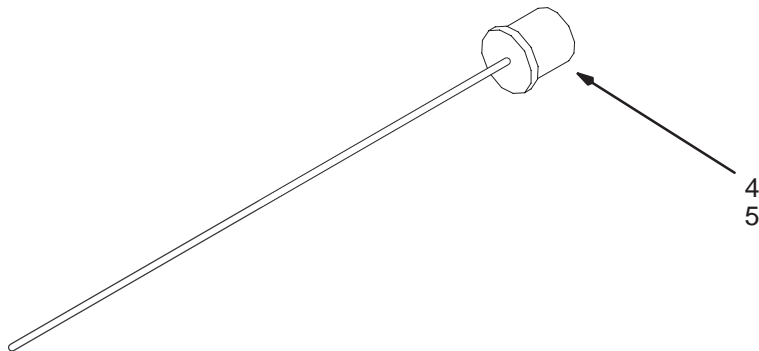
46-271916G1 FRU 2

(PART 88 OF 2127700 PAGE 3-14)
 (PART 88 OF 2127700-2 PAGE 3-17)
 (PART 88 OF 2127700-3 PAGE 3-20)

Item	Part Number	FRU	Name	Quantity	Description (Remarks)
2	2297484	N	BAR	1	PUSH ROD UP INDICATOR
3	46-271142P1	N	BUMPER	1	BUMPER
4	46-170686P1	2	ADHESIVE	AR	LOCTITE 242, 0.5CC TUBE
5	46-208935P8	2	NUT	1	1/4-20, 7/16" HEX X 3/16 THK, BRASS

DOWN ROD ASM

46-271517G1



L271517GA

DOWN ROD ASM

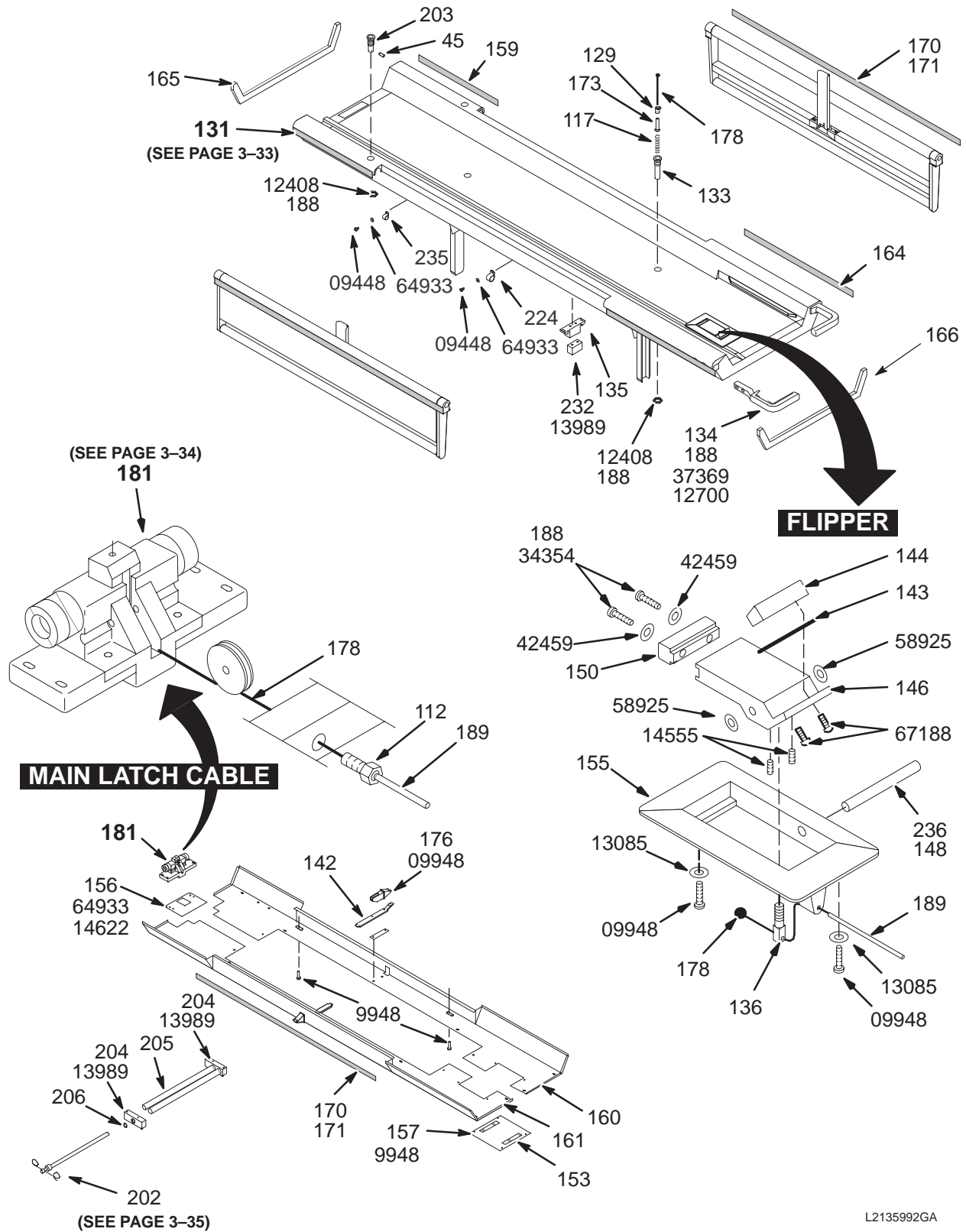
46-271517G1 FRU 2

(PART 99 OF 2127700 PAGE 3-14)
 (PART 99 OF 2127700-2 PAGE 3-17)
 (PART 99 OF 2127700-3 PAGE 3-20)

Item	Part Number	FRU	Name	Quantity	Description (Remarks)
2	46-265912P1	N	ROD DOWN	1	1/4 DIA
3	46-271142P1	N	BUMPER	1	BUMPER
4	46-170686P1	2	ADHESIVE	AR	LOCTITE 242, 0.5CC TUBE
5	46-208935P8	2	NUT	1	1/4-20, 7/16" HEX X 3/16 THK, BRASS

TABLE TOP

2135992 & 2135992-2



L2135992GA

TABLE TOP

2135992 FRU 1

(PART 3 OF 2135993 PAGE 3-5)
(PART 3 OF 2135993-2 PAGE 3-6)

Item	Part Number	FRU	Name	Quantity	Description (Remarks)
45	46-208735P76	2	PIN	2	PIN,SPRING,DOWEL
112	2297475	2	MISCELLANEOU	1	CABLE BUSHING
117	46-136353P105	2	SPRING-INCH	1	SPRING-INCH
129	46-136342P51	2	BUSHING	1	BUSHING
131	46-265991G1	2	TABLE TOP	1	TABLE TOP ASSEMBLY (SEE PAGE 3-33)
133	46-271179P1	2	PIN HSG	1	SECONDARY STOP PIN HOUSING, DELRIN
135	46-271007P1	2	GUIDE DETENT	1	ARMBOARD
136	5136159	N	PDM PART	1	NEW ADJUSTOR BLOCK
142	46-271273P1	2	GUIDE	2	MOLDED THERMOPLASTIC RUBBER
143	46-255966P1	2	SHIM	2	1-7/8" X 0.6", .010 THICK BRASS
144	46-244701P1	2	WEAR BLOCK	1	WEAR BLOCK, NMR TABLE
146	46-243364P1	2	FLIPPER	1	CRADLE STOP, 3.73"X 1.93" ALUM BLOCK
148	46-221890P1	2	PIN	1	NOMINAL DIA .312 X 3.00 LG 303 S ST
150	46-243365P1	2	BUMPER	1	CRADLE STOP, POLYURETHANE
153A	46-170209P1	2	TAPE	AR	0.034 X 1.00 X 100 FT
153B	46-256136P1	2	ADHESIVE	ALT	ADHESIVE
155	46-271131P1	2	HSG CRDL STP	1	FLIPPER HOUSING
156	46-271563P1	2	COVER	1	6.38"X4.5" .04 ALUM PLATE
157	46-271564P1	2	COVER	1	7.88"X 7.75" .04 ALUM PLATE
159A*	46-271025P4	2	BUMPER SIDE	2	16.25" SIDE BUMPER, ACCENT GREY
159B*	46-271025P2	2	BUMPER SIDE	ALT	SIDE BUMPER FOR TABLE ACCENT BLUE
159C*	5161172-4	N	PDM PART	2	SIDE BUMPER - MEDIUM STEEL BLUE
160A	46-271021G1	2	PANEL R.H.	1	MIST GREY
160B	5154908-3	N	PDM ASSEMBLY	1	PANEL ASSY R.H - GREY
161A	46-271022G1	2	PANEL L.H.	1	MIST GRAY
161B	5154908-4	N	PDM ASSEMBLY	1	PANEL ASSY L.H - GREY
164A*	46-271025P3	2	BUMPER SIDE	2	22" SIDE BUMPER, ACCENT GRAY
164B*	46-271025P1	2	BUMPER SIDE	ALT	SIDE BUMPER FOR TABLE ACCENT BLUE
164C*	5161172-3	N	PDM PART	2	SIDE BUMPER - MEDIUM STEEL BLUE
165	46-271026P2	2	BUMPER, HEAD	1	TABLE HEAD END BUMPER, ACCENT GREY
165*	46-271026P1	2	BUMPER FRONT	ALT	FRONT BUMPER FOR TABLE ACCENT BLUE*
166	46-271027P2	2	BUMPER, FOOT	1	TABLE FOOT END BUMPER, ACCENT GREY
166*	46-271027P1	2	BUMPER REAR	ALT	REAR BUMPER ACCENT BLUE*
171	46-282398P1	2	TAPE	AR	ADHESIVE TRANSFER TAPE, TYPE A-25.
173	46-271178P1	2	PIN STOP	1	SECONDARY STOP PIN, BRASS
176	46-271200P1	2	LATCH SUPPT	2	ALUMINUM INVESTMENT CASTING
178	46-271511P1	2	CABLE	2	71" (TRIM AR);SWAGED BALL ONE END
181	46-317191G1	2	LATCH ASM.	1	TABLE LATCH ASSEMBLY (SEE PAGE 3-34)
188	46-170686P1	2	ADHESIVE	AR	LOCTITE 242, 0.5CC TUBE
189	5146521	N	PDM PART	1	NEW CABLE SLEEVE WITH END CAP
190	46-256080P1	2	TUBING	AR	CABLE,PUSH PULL,NYLON,MOLYBDENUM
202	46-271551G1	2	I V POLE	1	DETACHABLE, TELESCOPING IV SUPPORT (SEE PAGE 3-35)
203	46-271408P1	2	I.V.BUSHING	2	1.38"OD, .635" HOLE, 2.5"LG, ALUM
204	46-271387P1	2	BASE	2	WHITE DELRIN
205	46-271388P1	2	HOSE	2	1"OD .125" WALL, 17.68"LG, ACYRLIC
206	46-271438P1	2	TAPE	2	1"OD, .66"ID, WHITE VELCRO HOOKS
224	46-208713P10	2	CLAMP OR CLI	1	CLAMP OR CLIP
232	2297478	1	BLOCK	1	DETENT MTG BLOCK
235	46-208713P1	2	CLAMP OR CLI	1	CLAMP OR CLIP
236	46-256047P1	2	CHEMICAL	AR	MOBILTEMP SHC 32 14 OZ CARTRIDGE

*Select the replacement bumper with the correct trim color for table at this site.

Parts List Continued On Next Page

TABLE TOP 2135992 FRU 1 (CONT'D FROM PREVIOUS PAGE)

Item	Part Number	FRU	Name	Quantity	Description (Remarks)
1345	2376037	N	LABEL PT	1	WARNING LABEL
1355	46-170209P1	2		XXX	0.034 X 1.00 X 100 FT
9948	46-208560P123	2	SCREW	20	SCREW
12408	46-208946P4	2	NUT	3	ANSI STANDARD HEXGON TYPE 18-8 STAIN
12700	46-208737P48	2	SCREW	4	SCREW
13085	46-220196P3	2	WASHER	2	WASHER, #10 SCREW SIZE (0.190), SST
13989	46-208737P28	2	SCREW	6	SCREW CAP HEX SOCKET HD 10-32 X .75
14555	46-208563P90	2	SCREW	2	SCREW
14622	46-208737P20	2	SCREW	4	SCREW
34354	46-208560P96	2	SCREW	2	SCREW
37369	1000904P447	2	WASHER	4	25/64 ID, 1" OD, 1/16" THICK, B7A34C
42459	1000904P460	2	WASHER	2	0.201 ID, 0.375 OD,.05 THICK, BRASS
58925	1000904P419	2	WASHER	2	ID 0.328, OD 0.5, THK .016, B11H89C
64933	1000904P425	2	WASHER	6	0.2 ID, 0.5 OD, 04 THK, B11H89C
67188	46-208737P3	2	SCREW	2	SCREW

TABLE TOP - INFINITY 2135992-2 FRU 1 (PART 3 OF 2135993-3 PAGE 3-7)

System	Part Number	FRU	Name	Quantity	Description (Remarks)
45	46-208735P76	N	PIN	2	PIN,SPRING,DOWEL
112	2297475	N	MISCELLANEOU	1	CABLE BUSHING
117	46-136353P105	N	SPRING-INCH	1	SPRING-INCH
129	46-136342P51	N	BUSHING	1	BUSHING
131	46-265991G1	N	TABLE TOP	1	TABLE TOP ASSEMBLY (SEE PAGE 3-33)
133	46-271179P1	N	PIN HSG	1	SECONDARY STOP PIN HOUSING, DELRIN
134	2332966-3	2	PART	2	TABLE HANDLE GEMS STEEL BLUE
135	46-271007P1	N	GUIDE DETENT	1	ARMBOARD
136	5136159	N	PDM PART	1.0	NEW ADJUSTOR BLOCK
142	46-271273P1	N	GUIDE	2	MOLDED THERMOPLASTIC RUBBER
143	46-255966P1	N	SHIM	2	1-7/8" X 0.6", .010 THICK BRASS
144	46-244701P1	N	WEAR BLOCK	1	WEAR BLOCK, NMR TABLE
146	46-243364P1	N	FLIPPER	1	CRADLE STOP, 3.73"X 1.93" ALUM BLOCK
148	46-221890P1	N	PIN	1	NOMINAL DIA .312 X 3.00 LG 303 S ST
150	46-243365P1	N	BUMPER	1	CRADLE STOP, POLYURETHANE
153A	46-170209P1	N	TAPE	AR	0.034 X 1.00 X 100 FT
153B	46-256136P1	N	ADHESIVE	ALT	ADHESIVE
155	46-271131P1	N	HSG CRDL STP	1	FLIPPER HOUSING
156	46-271563P1	N	COVER	1	6.38"X4.5" .04 ALUM PLATE
157	46-271564P1	N	COVER	1	7.88"X 7.75" .04 ALUM PLATE
159A*	46-271025P6	1	BUMPER SIDE	2	16.25 INCHES SIDE BUMPER, INFINITY
159B*	5161172-4	N	PDM PART	2	SIDE BUMPER - MEDIUM STEEL BLUE
160	46-271021G1	N	PANEL R.H.	1	MIST GREY
161A*	46-271022G1	N	PANEL L.H.	1	MIST GRAY
161B*	5154908-4	N	PDM ASSEMBLY	1	PANEL ASSY L.H - GREY
164A*	46-271025P5	1	BUMPER SIDE	2	22 INCH SIDE BUMPER, INFINITY COLOR
164B*	5161172-3	N	PDM PART	2	SIDE BUMPER - MEDIUM STEEL BLUE
165	46-271026P3	1	BUMPER, HEAD	1	TABLE HEAD END BUMPER, INFINITY
166	46-271027P3	1	BUMPER, FOOT	1	TABLE FOOT END BUMPER, INFINITY
170	2332967-2	1	PART	2	PINCH GUARD - GEMS STEEL BLUE

*Select the replacement bumper with the correct trim color for table at this site.

Parts List Continued On Next Page

TABLE TOP – INFINITY

2135992-2 FRU 1

(CONT'D FROM PREVIOUS PAGE)

Item	Part Number	FRU	Name	Quantity	Description (Remarks)
171	46-282398P1	N	TAPE	AR	ADHESIVE TRANSFER TAPE, TYPE A-25.
173	46-271178P1	N	PIN STOP	1	SECONDARY STOP PIN, BRASS
176	46-271200P1	N	LATCH SUPPT	2	ALUMINUM INVESTMENT CASTING
178	46-271511P1	N	CABLE	2	71" (TRIM AR);SWAGED BALL ONE END
181	46-317191G1	2	LATCH ASM.	1	TABLE LATCH ASSEMBLY (SEE PAGE 3-34)
188	46-170686P1	N	ADHESIVE	AR	LOCTITE 242, 0.5CC TUBE
189	5146521	N	PDM PART	1.0	NEW CABLE SLEEVE WITH END CAP
190	46-256080P1	N	TUBING	AR	CABLE,PUSH PULL,NYLON,MOLYBDENUM
202	46-271551G1	2	I V POLE	1	DETACHABLE, TELESCOPING IV SUPPORT (SEE PAGE 3-35)
203	46-271408P1	N	I.V.BUSHING	2	1.38"OD, .635" HOLE, 2.5"LG, ALUM
204	46-271387P1	N	BASE	2	WHITE DELRIN
205	46-271388P1	N	HOSE	2	1"OD .125" WALL, 17.68"LG, ACYRLIC
206	46-271438P1	N	TAPE	2	1"OD, .66"ID, WHITE VELCRO HOOKS
224	46-208713P10	N	CLAMP OR CLI	1	CLAMP OR CLIP
232	2297478	N	BLOCK	1	DETENT MTG BLOCK
235	46-208713P1	N	CLAMP OR CLI	1	CLAMP OR CLIP
236	46-256047P1	N	CHEMICAL	AR	MOBILTEMP SHC 32 14 OZ CARTRIDGE
1405	2376037	N	LABEL PT	1.0	WARNING LABEL
1425	46-170209P1	N	TAPE	0.0	0.034 X 1.00 X 100 FT
9948	46-208560P123	N	SCREW	20	SCREW
12408	46-208946P4	N	NUT	3	ANSI STANDARD HEXGON TYPE 18-8 STAIN
12700	46-208737P48	N	SCREW	4	SCREW
13085	46-220196P3	N	WASHER	2	WASHER, #10 SCREW SIZE (0.190), SST
13989	46-208737P28	N	SCREW	6	SCREW CAP HEX SOCKET HD 10-32 X .75
14555	46-208563P90	N	SCREW	2	SCREW
14622	46-208737P20	N	SCREW	4	SCREW
34354	46-208560P96	N	SCREW	2	SCREW
37369	1000904P447	N	WASHER	4	25/64 ID, 1" OD, 1/16" THICK, B7A34C
42459	1000904P460	N	WASHER	2	0.201 ID, 0.375 OD,.05 THICK, BRASS
58925	1000904P419	N	WASHER	2	ID 0.328, OD 0.5, THK .016, B11H89C
64933	1000904P425	N	WASHER	6	0.2 ID, 0.5 OD, 04 THK, B11H89C
67188	46-208737P3	N	SCREW	2	SCREW

TABLE TOP ASSEMBLY

46-265991G1

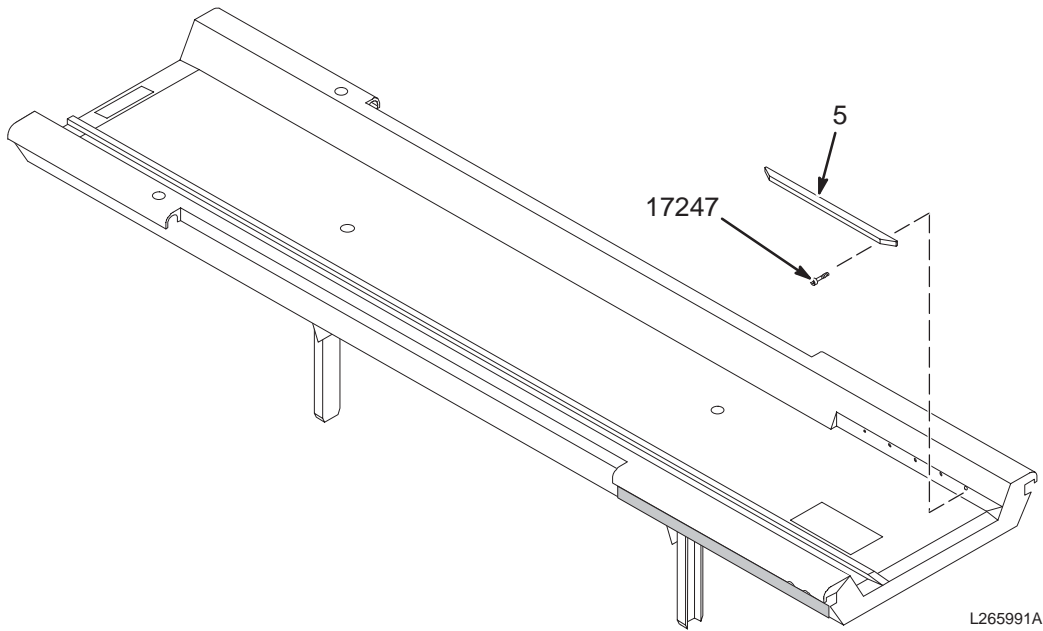


TABLE TOP ASSEMBLY

46-265991G1 FRU 2

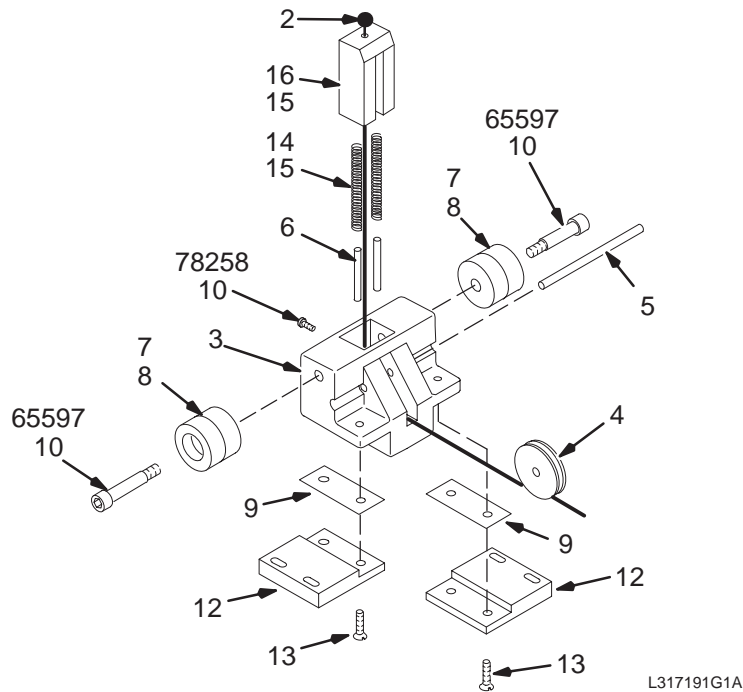
(PART 131 OF 2135992 PAGE 3-30)

(PART 131 OF 2135992-2 PAGE 3-31)

Item	Part Number	FRU	Name	Quantity	Description (Remarks)
5	46-271831P1	2	GUIDE STRIP	2	POLYETHYLENE
17247	46-208737P49	2	SCREW	10	SCREW

TABLE LATCH ASSEMBLY

46-317191G1



L317191G1A

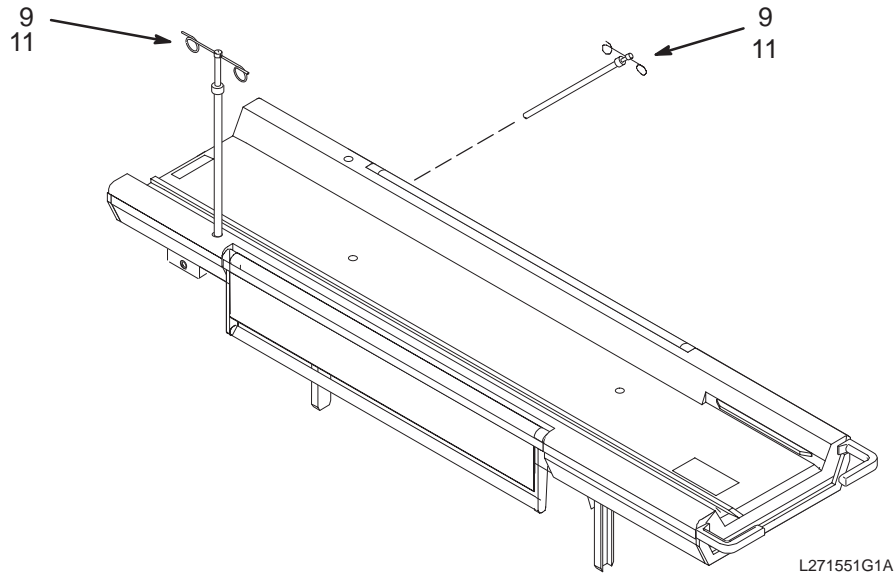
TABLE LATCH ASSEMBLY

46-317191G1 FRU 2

(PART 181 OF 2135992 PAGE 3-30)
(PART 181 OF 2135992-2 PAGE 3-31)

Item	Part Number	FRU	Name	Quantity	Description (Remarks)
2	46-271511P1	2	CABLE	1	71" (TRIM AR);SWAGED BALL ONE END
3	46-317188P1	2	CASTING MACH	1	CARRIAGE RELEASE HSG.
4	46-271169P5	2	PULLEY	1	SAVA INDUSTRIES INC. #BP-310
5	46-271385P1	2	SHAFT PULLEY	1	3/16" DIA X 4" LONG, SST
6	46-208735P87	2	PIN	2	SPLIT LENGTHWISE .156 DIA X 1.250 LG
7	46-271168P1	2	BAR	2	1" OD X 3/4" W, 3/8" SHAFT, DELRIN
8	46-136374P17	2	RING	2	WIDTH .139 ID 0.859 DUROMETER A 70
9	46-317181P1	2	SHIM	12	SHIM
10	46-170686P1	2	ADHESIVE	AR	LOCTITE 242, 0.5CC TUBE
12	2297494	N	BLOCK	2	BLOCK
13	46-208913P28	2	SCREW	4	SCREW
14	46-136353P110	2	SPRING-INCH	2	SPRING-INCH
15	46-256047P1	2	CHEMICAL	AR	MOBILTEMP SHC 32 14 OZ CARTRIDGE
16	46-271164P1	2	LATCH PIN	1	CRADDLE LATCH BLOCK, WHITE DELRIN
65597	46-170024P35	2	SCREW-INCH	2	SCREW-INCH
78258	46-208560P81	2	SCREW	1	SCREW

DETACHABLE, TELESCOPING IV SUPPORT 46-271551G1



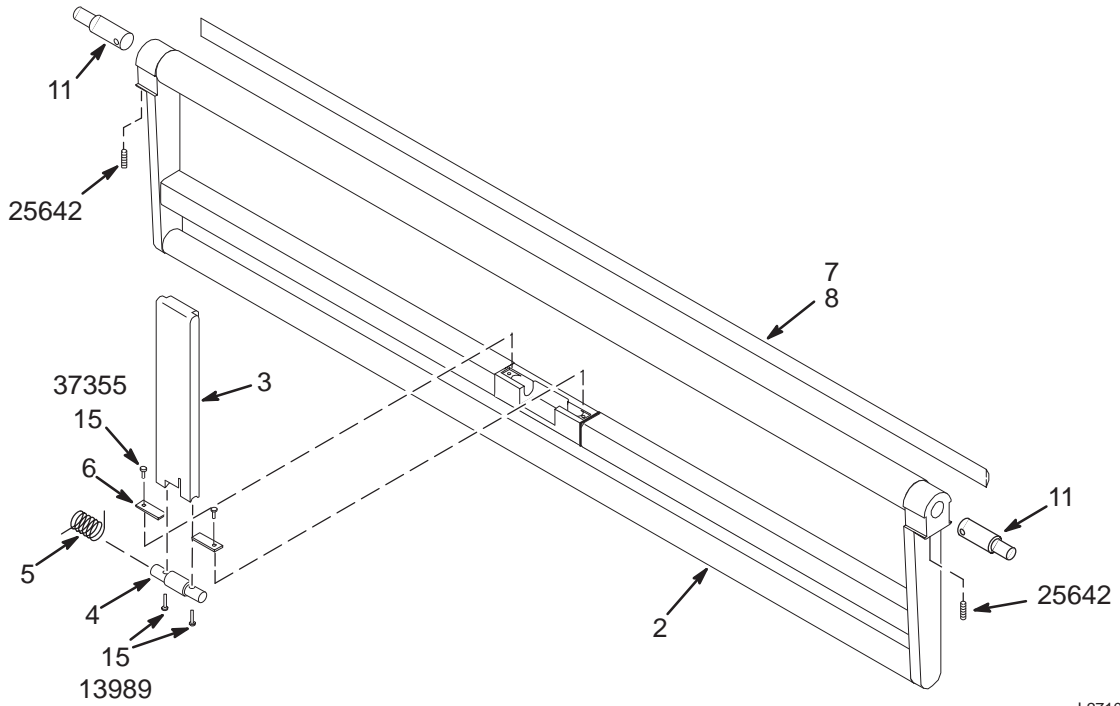
TELESCOPING IV SUPPORT 46-271551G1 FRU 2

(PART 202 OF 2135992 PAGE 3-30)
(PART 202 OF 2135992-2 PAGE 3-31)

Item	Part Number	FRU	Name	Quantity	Description (Remarks)
2	2297477	N	PART	1	TUBE
3	46-271393P1	N	POLE	1	6061 ALUMINUM ADJ CAP
4	46-271392P1	N	ADJ CAP	1	6061 ALUMINUM POLE
5	46-271390P1	N	SPRING EXTEN	1	SUPPORT
6	46-271389P1	N	END CAP	1	6061 ALUMINUM
9	46-136374P54	2	RING	1	WIDTH .070 ID 0.301 DUROMETER A 70
10	46-271437P1	N	TAPE	1	TAPE FASTENER
11	46-170686P1	2	ADHESIVE	AR	LOCTITE 242, 0.5CC TUBE
12	46-170855P1	N	CHEMICAL	AR	PETROLEUM JELLY,USP GRADE,2 OZ
12675	46-208737P46	N	SCREW	2	SCREW

ARMBOARD ASSEMBLY

46-271012G1 & G2



L271012G1A

ARMBOARD ASSEMBLY

46-271012G1 FRU N

(PART 158 OF 2135993 PAGE 3-5)

(PART 158 OF 2135993-2 PAGE 3-6)

Item	Part Number	FRU	Name	Quantity	Description (Remarks)
2	46-271008G1		ARMBD WELD	1	PATIENT TRANSPORT ARMBOARD WELDMENT
3	46-271013P1	2	LATCH BAR	1	PATIENT ARMBOARD TWO POSITION LATCH
4	46-271014P1	2	SHAFT	1	LATCH BAR PIVOT SHAFT
5	46-271015P1	2	SPRING,MOD	1	0.853" OD RH 270 DEG
6	2297514	1	CLAMP	2	ARMBOARD PIVOT RETAINER
7	46-271017P2	2	BUMPER	1	ARMBOARD BUMPER PANTONE GREY
7*	46-271017P1	2	BUMPER	ALT	ARMBOARD BUMPER BLUE*
11	46-271020P1	2	RETAIN PIN	2	ARMBOARD PIVOT SHAFT
12	46-208735P76	2	PIN,SPRING	2	SPIROL .187 DIA X 0.75 LG
14	46-256047P1	2	GREASE	AR	MOBILTEMP SHC 32 14 OZ CARTRIDGE
15	46-170686P1	2	SEALANT	AR	LOCTITE 242 0.5CC
13989	46-208737P28	2	SCREW,CAP	2	00010-32 X 0.750 LG HEX SOC HD SST
25642	46-208563P18	2	SCREW,SET	2	00010-32 X 0.500 LG HEX SOC CUP PT
37355	46-208737P12	2	SCREW,CAP	2	00010-32 X 0.500 LG HEX SOC HD SST

*These alternate Part Numbers should be used for replacements on Tables with Blue Trims

ARMBOARD ASM - INFINITY

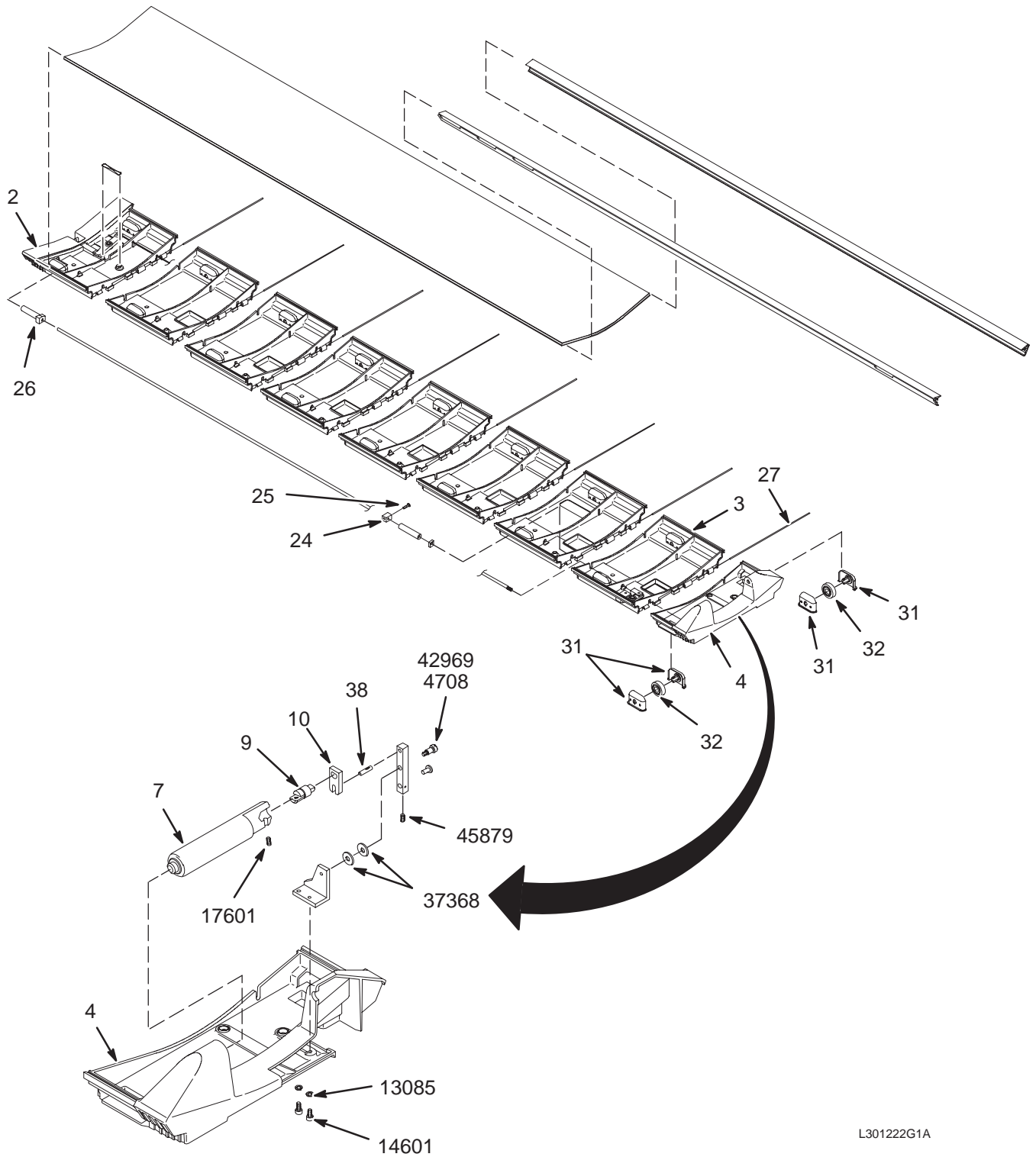
46-271012G2 FRU N

(PART 158 OF 2135993-3 PAGE 3-7)

Item	Part Number	FRU	Name	Quantity	Description (Remarks)
2	46-271008G1	2	ARMBD WELD	1	PATIENT TRANSPORT ARMBOARD WELDMENT
3	46-271013P1	2	LATCH BAR	1	PATIENT ARMBOARD TWO POSITION LATCH
4	46-271014P1	2	BAR	1	LATCH BAR PIVOT SHAFT
5	46-271015P1	2	SPRING TORSI	1	0.853" OD RH 270 DEG
6	2297514	N	CLAMP	2	ARMBOARD PIVOT RETAINER
7	46-271017P3	1	BUMPER	1	ARMBOARD BUMPER STEEL BLUE—INFINITY
11	46-271020P1	2	RETAIN PIN	2	ARMBOARD PIVOT SHAFT
12	46-208735P76	2	PIN	2	PIN,SPRING,DOWEL
14	46-256047P1	2	CHEMICAL	AR	MOBILTEMP SHC 32 14 OZ CARTRIDGE
15	46-170686P1	2	ADHESIVE	AR	LOCTITE 242, 0.5CC TUBE
13989	46-208737P28	2	SCREW	2	SCREW CAP HEX SOCKET HD 10-32 X .75
25642	46-208563P18	2	SCREW	2	SCREW CAP, HEX SOCKET CUP PT, 10-32 X 0.50
37355	46-208737P12	2	SCREW	2	SCREW CAP, HEX SOCKET HEAD, 10-32 X 0.50

CRADLE ASSEMBLY

46-301222G1 & 46-301222G4



L301222G1A

CRADLE ASM W/TWIST RELEASE 46-301222G1 FRU 2

(PART 3 OF 46-265300G1 PAGE 3-3)

(PART 3 OF 46-265300G2 PAGE 3-3)

Item	Part Number	FRU	Name	Quantity	Description (Remarks)
2	46-301543G1	N	FRONT ASSEM	1	CRADLE FRONT SECTION ASSEMBLY (SEE PAGE 3-41)
3	46-301544G1	N	MID ASSEM	1	CRADLE MID SECTION ASSEMBLY (SEE PAGE 3-41)
4	46-301545G1	N	REAR ASSEM	1	CRADLE REAR SECTION ASSEMBLY
5	2309560	N	PLASTIC	5	CRADLE MID SECTION
6	2309562	N	PLASTIC	1	CRADLE MIDSECTION B
7	2297479	2	HANDLE	1	CRADLE HANDLE 1-1/4" AL.,ACCENT GREY
9	46-271824P1	2	BAR	1	(SHAFT KNURLED BRASS)
10	46-271825P1	2	FORK	1	TEFLON IMPREGNATED ALUMINUM
11	2297485	N	BAR	1	LEVER
12	2297513	N	ANGLE	1	ANGLE
21	46-287972P1	2	BAR	1	5/16 OD X 73.1" 5/16-24 THD PHENOLIC
23	46-328574P1	N	SPRING COMPR	1	SPRING MADE FROM TYGON R-1000
24	46-258519P1	2	CLAMP	1	5/8" SQ X 7/8" DELRIN
25	46-243737P1	2	SCREW	1	SCREW
26	46-287973P1	2	ROD CAP	1	WHITE DELRIN
27	46-301614P1	2	CONNECT PIN	8	12.57 X 1/8"DIA. FIBERGLASS
28	2324110	N	PAD	1	CRADLE PAD - PORON ESPIRIT ABS
29	46-287974P1	N	SIDE RAIL RH	1	RIGHT SIDE CRADLE RAIL
30	46-287975P1	N	SIDE RAIL LH	1	LEFT SIDE CRADLE RAIL
31	46-243167P1	2	PLASTIC	36	WHEEL HOUSING, MOLDED NOREL
32	5177597	2	PDM PART	18.0	CRADLE WHEEL BEARING - 11 BALL
34	46-301629P1	N	KEVLAR CORD	8.500	KELVAR FIBER CORD WITH RESINS.
35	46-136374P99	N	RING	1	WIDTH .070, I.D 3.739
38	46-136393P155	2	PIN	1	MECHANICAL/MATERIAL COMP
39	46-307077P1	N	FL HD RIVET	1	3/16 DIA X 3/8 3/8 DIA HEAD 18-8 SST
40	46-282264P1	N	ADHESIVE	AR	2 OZ DUAL-PAK CARTRIDGE EPOXY, CLEAR
4708	46-170686P1	2	ADHESIVE	AR	LOCTITE 242, 0.5CC TUBE
8272	46-230957P1	2	ADHESIVE	AR	LOCTITE 680, 50ML BOTTLE
13085	46-220196P3	2	WASHER	2	WASHER, #10 SCREW SIZE (0.190), SST
14601	46-208737P5	2	SCREW	2	SCREW
17601	46-221560P4	2	SCREW	1	SCREW
37368	1000904P446	2	WASHER	2	ID 0.266, OD 0.68, THK .05, B7A34C
42969	46-170024P25	2	SCREW-INCH	1	SCREW-INCH
45879	46-208563P88	2	SCREW	1	SCREW

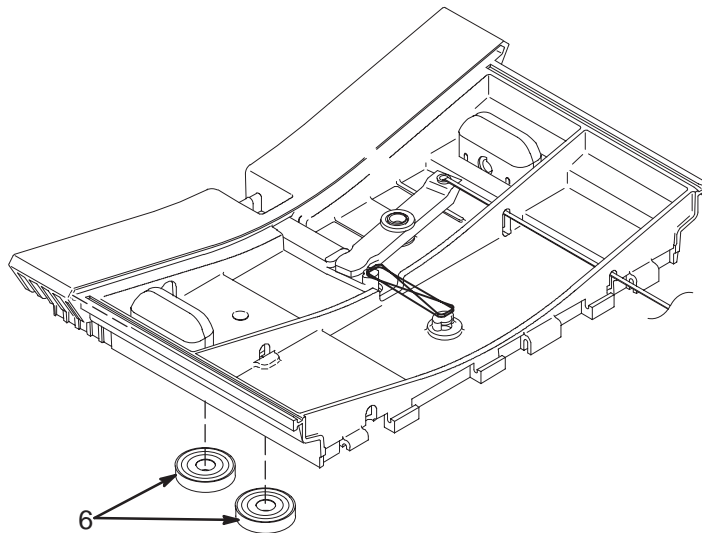
CRADLE ASM ^W/TWIST RELEASE 46-301222G4 FRU 2
 (INFINITY COLORS)

(PART 3 OF 46-265300G3 PAGE 3-3))

Item	Part Number	FRU	Name	Quantity	Description (Remarks)
2	46-301543G1	N	FRONT ASSEM	1.0	CRADLE FRONT SECTION ASSEMBLY
3	46-301544G1	N	MID ASSEM	1.0	CRADLE MID SECTION ASSEMBLY
4	46-301545G1	N	REAR ASSEM	1.0	CRADLE REAR SECTION ASSEMBLY
5	46-282322P1	N	MID SECTION	5.0	MOLDED GLASS-FILLED LEXAN, MIST GREY
6	46-287783P1	N	MID SECT "B"	1.0	MID SECTION WITH 1.5 X 4.38 CUT-OUT
7	2297479-2	N	HANDLE	1.0	CRADLE HANDLE 1-1/4" AL.,INFINITY
9	2372295	2	BAR	1.0	SHAFT
10	2372296	2	FORK	1.0	FORK
11	2297485	N	BAR	1.0	LEVER
12	2297513	N	ANGLE	1.0	ANGLE
21	46-287972P1	2	BAR	1.0	5/16 OD X 73.1" 5/16-24 THD PHENOLIC
23	46-328574P1	N	SPRING COMPR	1.0	SPRING MADE FROM TYGON R-1000
24	46-258519P1	2	CLAMP	1.0	5/8" SQ X 7/8" DELRIN
25	46-243737P1	2	PDM PART	1.0	SCREW
26	46-287973P1	2	ROD CAP	1.0	WHITE DELRIN
27	46-301614P1	2	CONNECT PIN	8.0	12.57 X 1/8"DIA. FIBERGLASS
28	46-287971P1	N	PAD	1.0	NAUGAHYDE/PORON/PVC 14.18 X 80.19"
29	46-287974P1	N	SIDE RAIL RH	1.0	RIGHT SIDE CRADLE RAIL
30	46-287975P1	N	SIDE RAIL LH	1.0	LEFT SIDE CRADLE RAIL
31	46-243167P1	2	BOX	36.0	WHEEL HOUSING, MOLDED NORYL
32	5177597	N	PDM PART	18.0	CRADLE WHEEL BEARING - 11 BALL
34	46-301629P1	N	KEVLAR CORD	8.5	KELVAR FIBER CORD WITH RESINS.
35	46-136374P99	N	PDM PART	1.0	WIDTH .070, I.D 3.739
38	46-136393P155	2	PDM PART	1.0	MECHANICAL/MATERIAL COMP
39	46-307077P1	N	FL HD RIVET	1.0	3/16 DIA X 3/8 3/8 DIA HEAD 18-8 SST
40	46-282264P1	N	ADHESIVE	0.0	2 OZ DUAL-PAK CARTRIDGE EPOXY, CLEAR
4708	46-170686P1	2	ADHESIVE	0.0	LOCTITE 242, 0.5CC TUBE
8272	46-230957P1	2	ADHESIVE	0.0	LOCTITE 680, 50ML BOTTLE
13085	46-220196P3	2	PDM PART	2.0	WASHER, #10 SCREW SIZE (0.190), SST
14601	46-208737P5	2	PDM PART	2.0	SCREW
17601	46-221560P4	2	PDM PART	1.0	SCREW
37368	1000904P446	2	PDM PART	2.0	ID 0.266, OD 0.68, THK .05, B7A34C
42969	46-170024P25	2	PDM PART	1.0	SCREW-INCH
45879	46-208563P88	2	PDM PART	1.0	SCREW

FRONT SECTION ASSEMBLY

46-301543G1



L301543G1A

FRONT SECTION ASSEMBLY

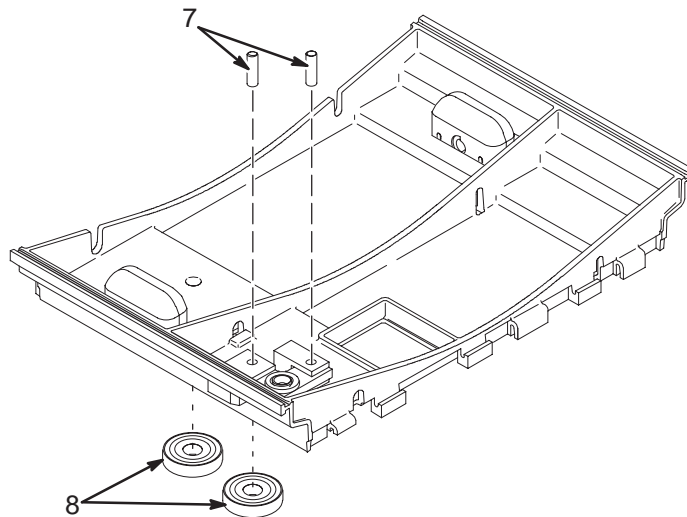
46-301543G1 FRU N

(PART 2 OF 46-301222G1 PAGE 3-39)

Item	Part Number	FRU	Name	Quantity	Description (Remarks)
6	46-243178P3	2	BEARING	2	BEARING

MID SECTION ASSEMBLY

46-301544G1



L301544G1A

MID SECTION ASSEMBLY

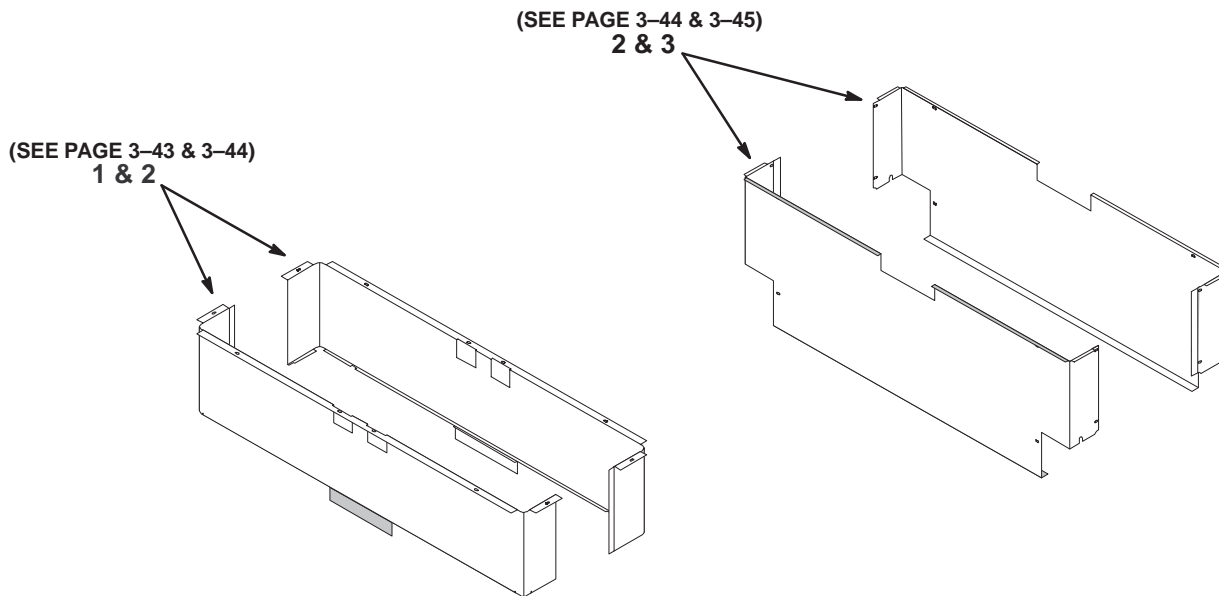
46-301544G1 FRU N

(PART 3 OF 46-301222G1 PAGE 3-39)

Item	Part Number	FRU	Name	Quantity	Description (Remarks)
7	46-258516P1	2	PIN,PIVOT	2	0.281"OD 5/8" DELRIN PRESS FIT
8	46-243178P3	2	BEARING	2	BEARING

TABLE COVER KIT

2127699, 2127699-2, & 2127699-3



L2127699GA

TABLE COVER KIT

2127699 FRU N

(PART 4 OF 46-265300G1 PAGE 3-3)

Item	Part Number	FRU	Name	Quantity	Description (Remarks)
1	2145822	2	ASSEMBLY	1	OUTER COVER FOR MRTBL2 (SEE PAGE 3-43)
2	2145822-2	2	ASSEMBLY	1	OUTER COVER FOR MRTBL2 (SEE PAGE 3-44)
3	2145823	2	ASSEMBLY	2	OUTER COVER FOR MRTBL2 (SEE PAGE 3-45)

TABLE COVER KIT – WideOpen

2127699-2 FRU N

(PART 4 OF 46-265300G2 PAGE 3-3)

Item	Part Number	FRU	Name	Quantity	Description (Remarks)
1	2145822-3	2	ASSEMBLY	1	OUTER COVER FOR TBL – WideOpen COLOR (SEE PAGE 3-43)
2	2145822-4	2	ASSEMBLY	1	OUTER COVER FOR TBL – WideOpen COLOR (SEE PAGE 3-44)
3	2145823-2	2	ASSEMBLY	2	OUTER COVER FOR TBL – WideOpen COLOR (SEE PAGE 3-45)

TABLE COVER KIT – INFINITY

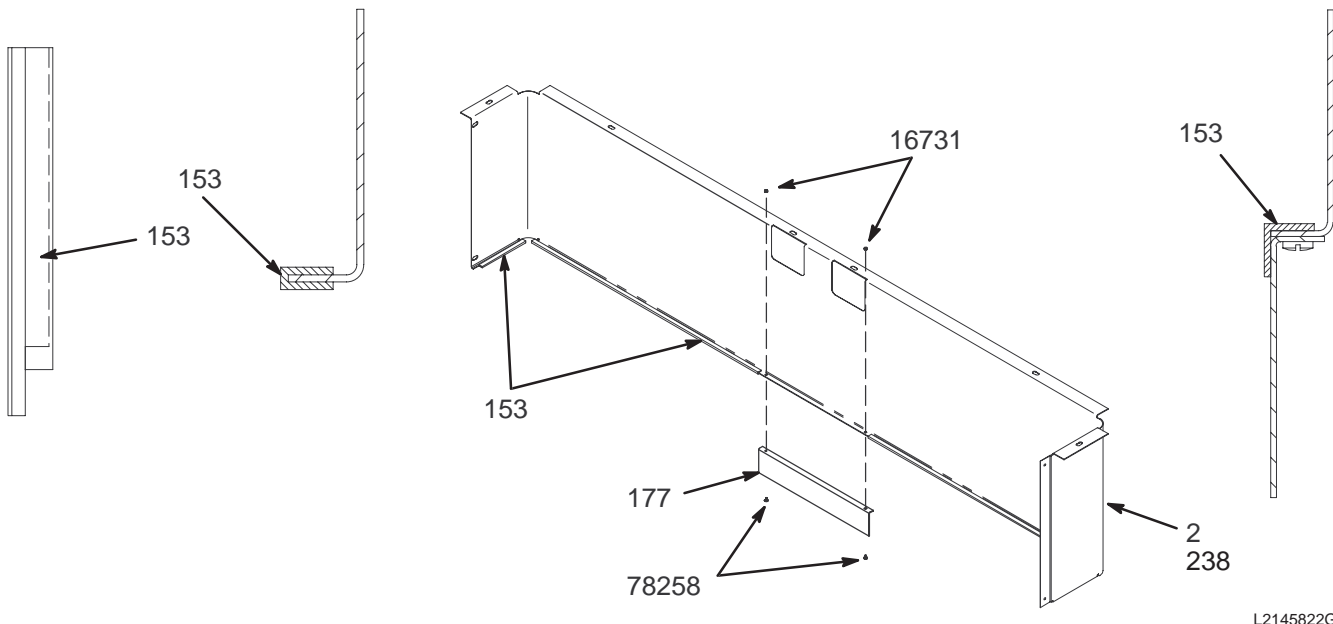
2127699-3 FRU N

(PART 4 OF 46-265300G3 PAGE 3-3)

Item	Part Number	FRU	Name	Quantity	Description (Remarks)
1	2145822-5	2	ASSEMBLY	1	OUTER COVER FOR TBL – INFINITY COLOR (SEE PAGE 3-43)
2	2145822-6	2	ASSEMBLY	1	OUTER COVER FOR TBL – INFINITY COLOR (SEE PAGE 3-44)
3	2145823-3	2	ASSEMBLY	2	OUTER COVER FOR TBL – INFINITY COLOR (SEE PAGE 3-45)

OUTER COVER FOR PATIENT TABLE

2145822, -2, & -3



OUTER COVER FOR TABLE

2145822 FRU 2

(PART 1 OF 2127699 PAGE 3-42)

Item	Part Number	FRU	Name	Quantity	Description (Remarks)
2	46-271023G1	2	COVER OUTER	1	LEFT OR RIGHT, MIST GREY ALUMINUM
153	46-170209P1	2	TAPE	AR	0.034 X 1.00 X 100 FT
177	46-271272P1	2	TRIM COVER	1	10"X1.85"X.38" L-PLATE, .04 ALUM
238	46-287647P1	2	LABEL	1	GE GREY
16731	46-208935P4	2	NUT	2	4-40, 1/4" HEX X .093 THK, BRASS
78258	46-208560P81	2	SCREW	2	SCREW

OUTER COVER FOR TABLE-WideOpen 2145822-3 FRU 2

(PART 1 OF 2127699-2 PAGE 3-42)

Item	Part Number	FRU	Name	Quantity	Description (Remarks)
2	46-271023G1	2	COVER OUTER	1	LEFT OR RIGHT, MIST GREY ALUMINUM
153	46-170209P1	2	TAPE	AR	0.034 X 1.00 X 100 FT
177	46-271272P2	2	TRIM COVER	1	SAME AS P1 BUT GEMS GRAY #4
238	46-287647P1	2	LABEL	1	GE GREY
16731	46-208935P4	2	NUT	2	4-40, 1/4" HEX X .093 THK, BRASS
78258	46-208560P81	2	SCREW	2	SCREW

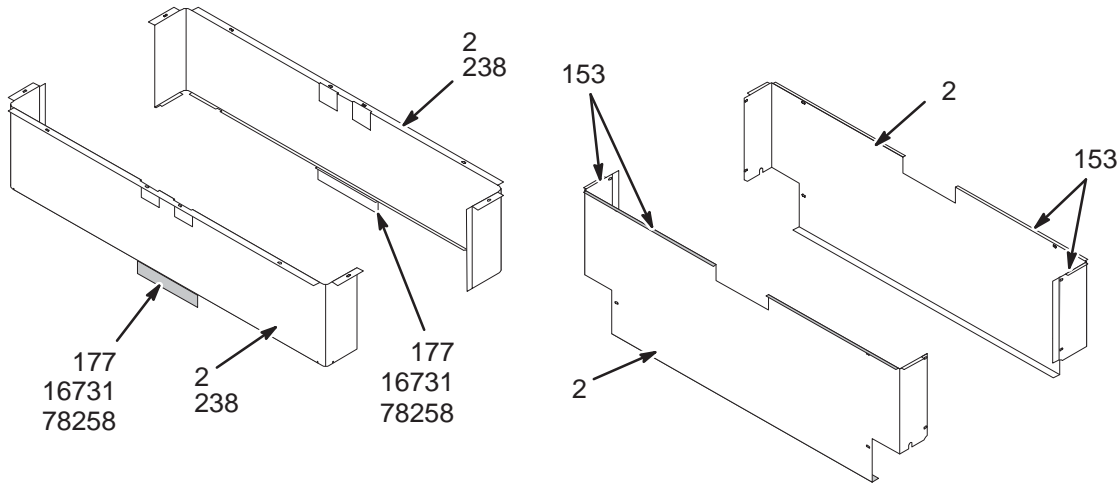
OUTER COVER FOR TABLE-INFINITY 2145822-5 FRU 2

(PART 1 OF 2127699-3 PAGE 3-42)

Item	Part Number	FRU	Name	Quantity	Description (Remarks)
2	46-271023G1	2	COVER OUTER	1	LEFT OR RIGHT, MIST GREY ALUMINUM
153	46-170209P1	2	TAPE	AR	0.034 X 1.00 X 100 FT
177	46-271272P3	2	TRIM COVER	1	TRIM COVER INFINITY COLOR
16731	46-208935P4	2	NUT	2	4-40, 1/4" HEX X .093 THK, BRASS
78258	46-208560P81	2	SCREW	2	SCREW

OUTER COVER FOR PATIENT TABLE

2145822-2, -4, & -6



L2145822-2GA

OUTER COVER FOR TABLE

2145822-2 FRU 2

(PART 2 OF 2127699 PAGE 3-42)

Item	Part Number	FRU	Name	Quantity	Description (Remarks)
2	46-271023G1	2	COVER OUTER	1	LEFT OR RIGHT, MIST GREY ALUMINUM
153	46-170209P1	2	TAPE	AR	0.034 X 1.00 X 100 FT
177	46-271272P1	2	TRIM COVER	1	10"X1.85"X.38" L-PLATE, .04 ALUM
238	46-287647P1	2	LABEL	1	GE GREY
16731	46-208935P4	2	NUT	2	4-40, 1/4" HEX X .093 THK, BRASS
78258	46-208560P81	2	SCREW	2	SCREW

OUTER COVER FOR TABLE-WideOpen 2145822-4 FRU 2

(PART 2 OF 2127699-2 PAGE 3-42)

Item	Part Number	FRU	Name	Quantity	Description (Remarks)
2	46-271023G1	2	COVER OUTER	1	LEFT OR RIGHT, MIST GREY ALUMINUM
153	46-170209P1	2	TAPE	AR	0.034 X 1.00 X 100 FT
177	46-271272P2	2	TRIM COVER	1	DAME AS P1 BUT GEMS GRAY #4
238	46-287647P1	2	LABEL	1	GE GREY
16731	46-208935P4	2	NUT	2	4-40, 1/4" HEX X .093 THK, BRASS
78258	46-208560P81	2	SCREW	2	SCREW

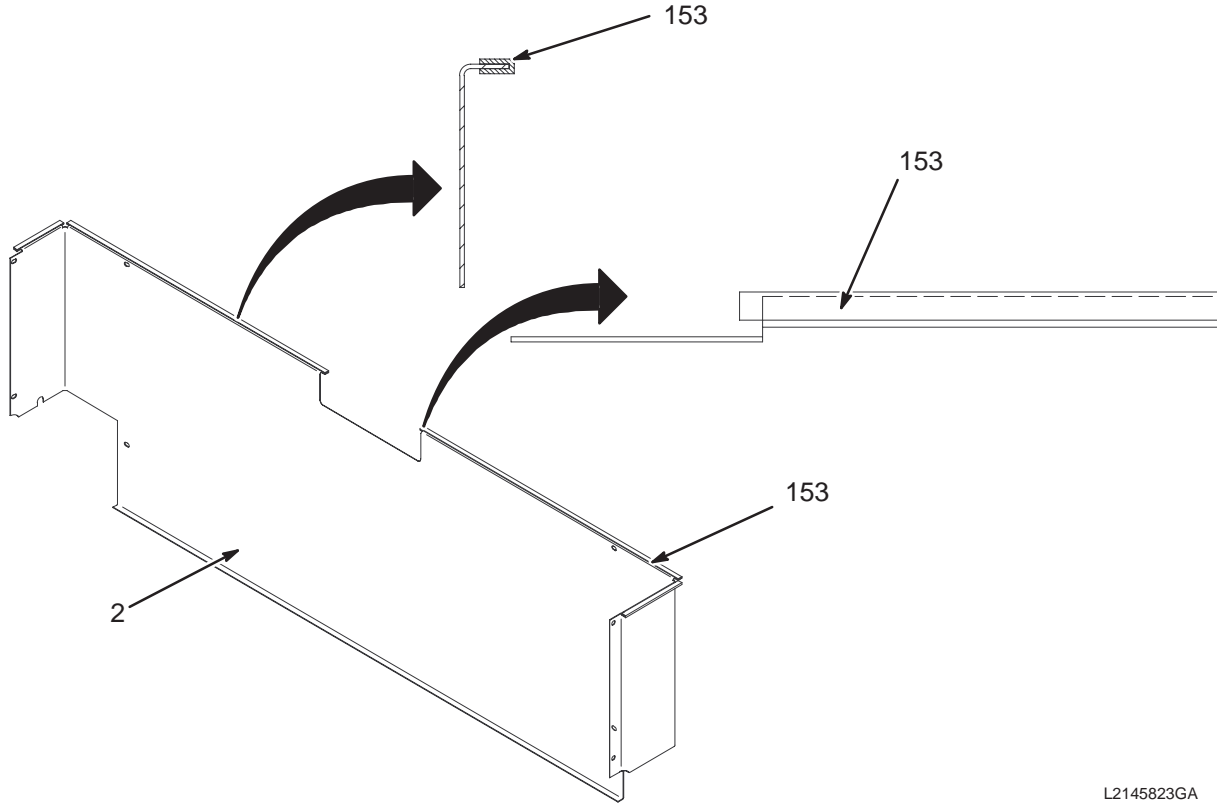
OUTER COVER FOR TABLE-INFINITY 2145822-6 FRU 2

(PART 2 OF 2127699-3 3-42)

Item	Part Number	FRU	Name	Quantity	Description (Remarks)
2	46-271023G1	2	COVER OUTER	1	LEFT OR RIGHT, MIST GREY ALUMINUM
153	46-170209P1	2	TAPE	AR	0.034 X 1.00 X 100 FT
177	46-271272P3	2	TRIM COVER	1	TRIM COVER INFINITY COLOR
16731	46-208935P4	2	NUT	2	4-40, 1/4" HEX X .093 THK, BRASS
78258	46-208560P81	2	SCREW	2	SCREW

OUTER COVER FOR PATIENT TABLE

2145823, -2, & -3



L2145823GA

OUTER COVER FOR TABLE

2145823 FRU 2

(PART 3 OF 2127699 PAGE 3-42)

Item	Part Number	FRU	Name	Quantity	Description (Remarks)
2	46-271024G1	2	COVER INNER	1	LEFT OR RIGHT CHARCOAL GRAY ALUMINUM
153	46-170209P1	2	TAPE	AR	0.034 X 1.00 X 100 FT

OUTER COVER FOR TABLE-WideOpen 2145823-2 FRU 2

(PART 3 OF 2127699-2 PAGE 3-42)

Item	Part Number	FRU	Name	Quantity	Description (Remarks)
2	46-271024G3	2	COVER INNER	1	LEFT OR RIGHT GEMS GRAY #4
153	46-170209P1	2	TAPE	AR	0.034 X 1.00 X 100 FT

OUTER COVER FOR TABLE-INFINITY 2145823-3 FRU 2

(PART 3 OF 2127699-3 PAGE 3-42)

Item	Part Number	FRU	Name	Quantity	Description (Remarks)
2	46-271024G4	1	COVER INNER	1	LEFT OR RIGHT INFINITY COLOR
153	46-170209P1	2	TAPE	AR	0.034 X 1.00 X 100 FT

SECTION 4 – PENETRATION PANEL

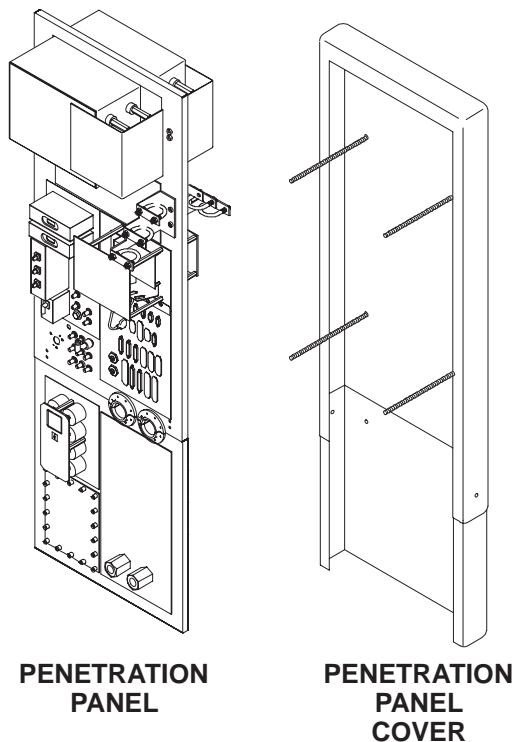
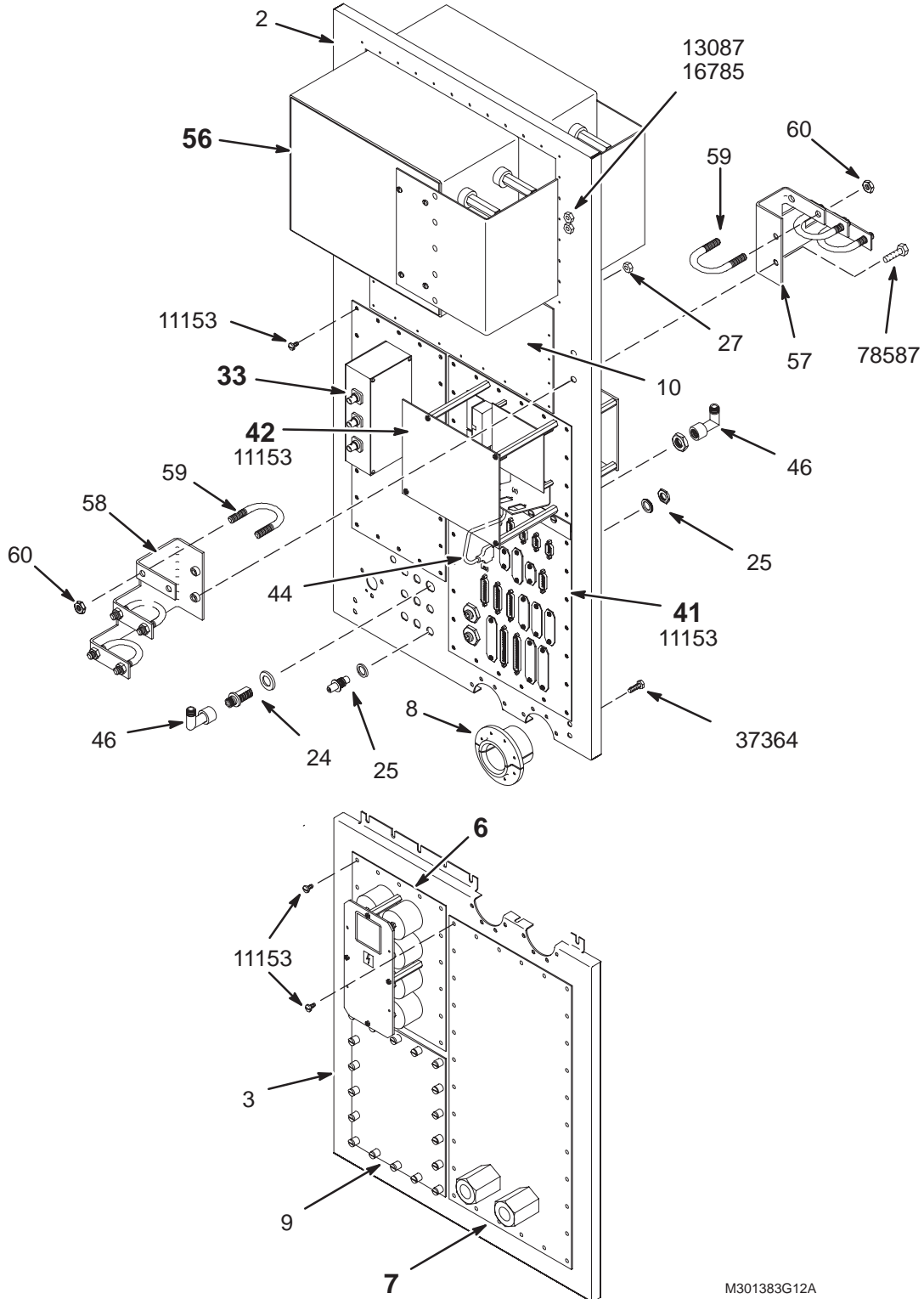


TABLE OF CONTENTS

<u>SECTION</u>	<u>PAGE</u>
4-1 PENETRATION PANELS	4-2
Contains information on non-EXCITE, EXCITE, and TwinSpeed Penetration Panels	
PENETRATION PANEL w/o MULTICOIL	46-301383G12 .. 4-3
PENETRATION PANEL w/o MULTICOIL	46-301383G18 .. 4-4
PENETRATION PANEL w/MULTICOIL	46-301383G13 .. 4-6
PENETRATION PANEL w/MULTICOIL	46-301383G19 .. 4-7
TwinSpeed PENETRATION PANEL w/MULTICOIL	46-301383G17 .. 4-9
EXCITE II PENETRATION PANEL w/MULTICOIL	2377529 4-11
EXCITE II TwinSpeed PENETRATION PANEL w/MULTICOIL	2377529-2 4-13
4-2 PENETRATION PANEL COVERS	4-26
Contains information on Fixed, T/R, and Mobile covers	
PENETRATION PANEL COVER – FIXED	46-317126G3 ... 4-26
PENETRATION PANEL COVER – MOBILE & T/R	46-317126G4 ... 4-26

4-1 PENETRATION PANELS

PENETRATION PANEL WITHOUT MULTICOIL 46-301383G12 & G18



M301383G12A

PEN PANEL w/o MULTICOIL 46-301383G12 FRU N (PART OF M1000PM, M1020PM, M1030PM)
 (PART OF M1000PN, M1020PN M1030PN)
 (PART OF M1800PM, M1810PM, M1820PM)
 (PART OF M1800PN, M1810PN M1820PN)

Item	Part Number	FRU	Name	Quantity	Description (Remarks)
2	2133755	N	PANEL	1	UPPER PENETRATION PANEL, ALUMINUM
3	2133756	2	I/F WALL	1	LOWER PENETRATION PANEL SECTION
6	46-301385G4	N	FILTER ASM	1	SHIELD COOLER/BLOWER FILTER PANEL (SEE PAGE 4-16)
7	2121610	N	PLATE ASM	1	INSERT PLATE W/WAVE GUIDES (SEE PAGE 4-17)
8	46-301177P1	2	ADAPTER	2	HELIUM LINE FEED THROUGH GUIDE
9	46-282629G1	2	COVER ASM.	1	MAGNET RAMP PORT, PP1 A6
10	46-282638G1	2	COVER ASM.	1	BLANK RESISTIVE SHIM COVER PLATE
20	46-208937P6	2	NUT	23	#10-32 NUT LOCK, NYLOCK SST
24	46-221865P1	2	CONNECTOR	1	UG-30, N BULKHEAD, 50-OHM, JACK-JACK
25	46-208990P1	2	CONNECTOR	8	50 OHM BNC BULKHEAD ADAP'R JACK-JACK
27	46-208937P5	2	NUT	24	#8-32 LOCK NUT, NYLOCK SST
33	46-301353G2	N	PANEL ASM	1	1000V DYNAMIC DISABLE FILTER PANEL (SEE PAGE 4-19)
41	46-307572G3	N	PANEL ASM	1	SUB-D CABLE FILTER PANEL, UFI SYSTEM (SEE PAGE 4-23)
42	46-328039G1	2	REPEATER ASM	1	REPEATER PANEL, PP1 A17 (SEE PAGE 4-15)
44	46-243775G860	2	CABLE	1	PP1-J89 TO PP1-A17-J2, 2-FT, 15-COND
46	46-221865P3	2	CONNECTOR	2	UG-27B RT-ANGLE N, 50-OHM JACK-PLUG
50	46-301216P1	2	PLATE	2	BLANK COVER PLATE FOR J60/61 HE LINE
56	46-320232G1	1	GRAD FILTER	1	GRADIENT FILTER ASM (SEE PAGE 4-24)
57	2236923	2	BRACKET	1	EXAM SIDE BRACKET
58	2236924	2	BRACKET	1	EQUIP SIDE BRACKET
59	2113244-2	2	U-BOLT	6	1.25" INSIDE DIA. 3/8-16 THD. 303SST
60	46-208935P10	2	NUT	16	3/8-16 .625 HEX X .250 THK BRASS
70	46-208560P82	2	SCREW	136	SCREW, 10-32 X 3/8 BHMS, SS
71	46-208932P3	2	SCREW	8	SCREW, CAP 5/16-18 X 3/4 HEX HD SS
72	46-208935P9	2	NUT	8	5/16-18, .563 HEX X .219 THK, BRASS
73	46-208560P102	2	SCREW	16	SCREW, 10-32 X 5/8 BHMS, SS
74	1000904P425	2	WASHER	7	0.2 ID, 0.5 OD, .04 THK, B11H89C
75	46-208560P110	2	SCREW	36	SCREW, 6-32 X 3/8 BHMS, SS
76	46-208939P16	2	SCREW	2	SCREW,CAP 5/16-18 X 5/8 HEX HD BRASS

PEN PANEL w/o MULTICOIL

46-301383G18 FRU N

(PART 2 OF M3842PA PAGE 1-57)

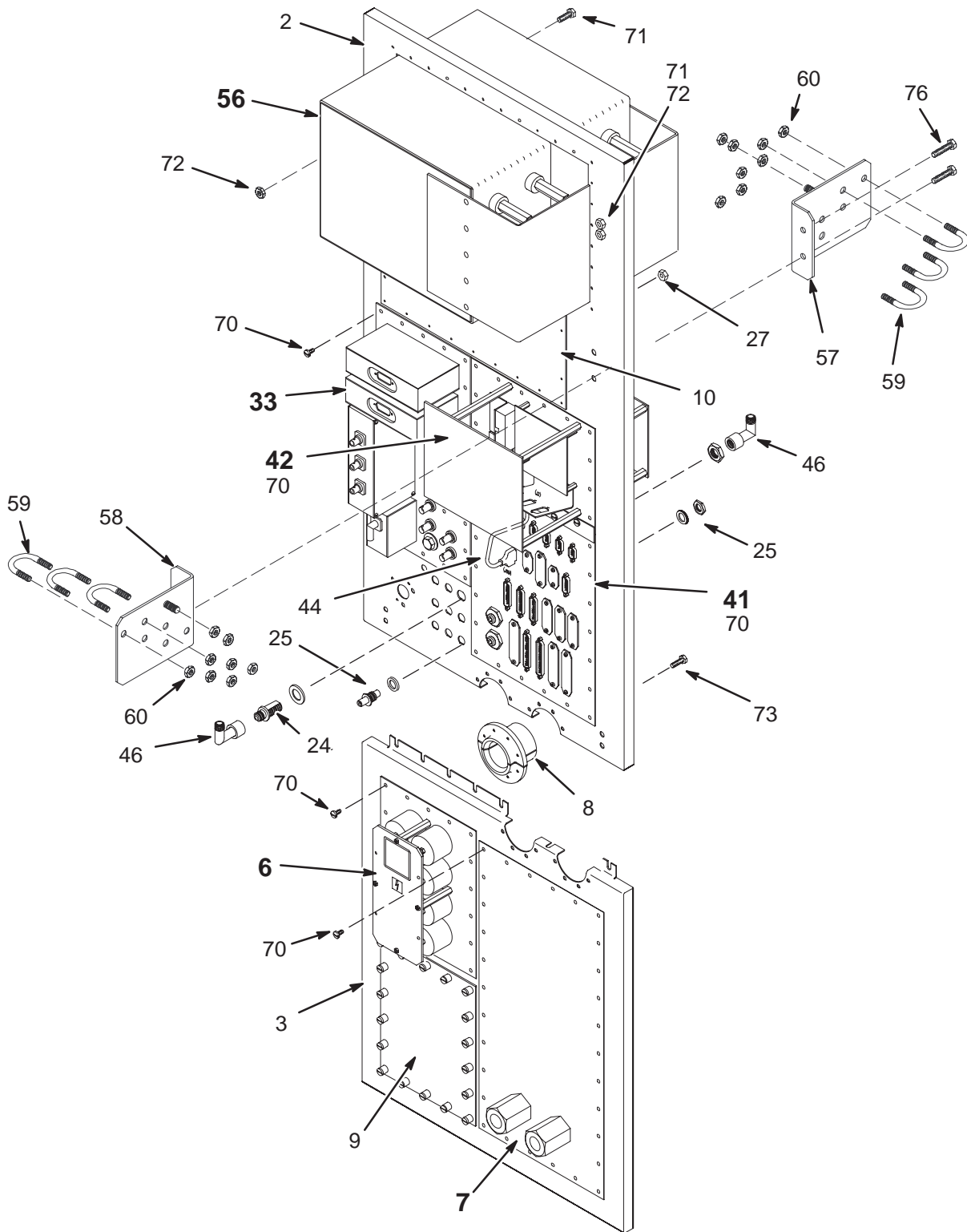
(PART 2 OF M3852PA PAGE 1-58)

(PART 2 OF M3862PA PAGE 1-59)

Item	Part Number	FRU	Name	Quantity	Description (Remarks)
2	2133755-2	N	PANEL	1	UPPER PENETRATION PANEL, ALUMINUM
3	2133756	2	I/F WALL	1	LOWER PENETRATION PANEL SECTION
6	46-301385G4	N	FILTER ASM	1	SHIELD COOLER/BLOWER FILTER PANEL (SEE PAGE 4-16)
7	2121610	N	PLATE ASM	1	INSERT PLATE W/WAVE GUIDES (SEE PAGE 4-17)
8	46-301177P1	2	ADAPTER	2	HELIUM LINE FEED THROUGH GUIDE
9	46-282629G1	2	COVER ASM.	1	MAGNET RAMP PORT, PP1 A6
10	46-282638G1	2	COVER ASM.	1	BLANK RESISTIVE SHIM COVER PLATE
20	46-208937P6	N	NUT	23	#10-32 NUT LOCK, NYLOCK SST
24	46-221865P1	N	CONNECTOR	1	UG-30, N BULKHEAD, 50-OHM, JACK-JACK
25	46-208990P1	N	CONNECTOR	8	50 OHM BNC BULKHEAD ADAP'R JACK-JACK
27	46-208937P5	N	NUT	24	#8-32 LOCK NUT, NYLOCK SST
33	46-301353G2	N	PANEL ASM	1	1000V DYNAMIC DISABLE FILTER PANEL (SEE PAGE 4-19)
41	46-307572G3	N	PANEL ASM	1	SUB-D CABLE FILTER PANEL, UFI SYSTEM (SEE PAGE 4-23)
42	46-328039G2	1	REPEATER ASM	1	PEN PANEL REPEATER BOARD ASSEMBLY (SEE PAGE 4-15)
44	46-243775G860	2	CABLE	1	PP1-J89 TO PP1-A17-J2, 2-FT, 15-COND
46	46-221865P3	N	CONNECTOR	2	UG-27B RT-ANGLE N, 50-OHM JACK-PLUG
50	46-301216P1	2	PLATE	2	BLANK COVER PLATE FOR J60/61 HE LINE
56	46-320232G1	1	GRAD FILTER	1	GRADIENT FILTER ASM (SEE PAGE 4-24)
57	2236923	N	BRACKET	1	EXAM SIDE BRACKET
58	2236924	N	BRACKET	1	EQUIP SIDE BRACKET
59	2113244-2	N	U-BOLT	6	1.25" INSIDE DIA. 3/8-16 THD. 303SST
60	46-208935P10	N	NUT	16	3/8-16 .625 HEX X .250 THK BRASS
70	46-208560P82	N	SCREW	136	SCREW, 10-32 X 3/8 BHMS, SS
71	46-208932P3	N	SCREW	8	SCREW, CAP 5/16-18 X 3/4 HEX HD SS
72	46-208935P9	N	NUT	10	5/16-18, .563 HEX X .219 THK, BRASS
73	46-208560P102	N	SCREW	16	SCREW, 10-32 X 5/8 BHMS, SS
74	1000904P425	N	WASHER	7	0.2 ID, 0.5 OD, .04 THK, B11H89C
75	46-208560P110	N	SCREW	36	SCREW, 6-32 X 3/8 BHMS, SS
76	46-208939P16	N	SCREW	4	SCREW,CAP 5/16-18 X 5/8 HEX HD BRASS

PENETRATION PANEL WITH MULTICOIL

46-301383G13 & G19



PEN PANEL with MULTICOIL 46-301383G13 FRU N **(PART OF M1001PM, M1021PM, M1031PM)**
(PART OF M1001PN, M1021PN M1031PN0
(PART OF M1801PM, M1811PM, M1821PM)
(PART OF M1801PN, M1811PN M1821PN)

Item	Part Number	FRU	Name	Quantity	Description (Remarks)
2	2133755-2	N	PANEL	1	UPPER PENETRATION PANEL, ALUMINUM
3	2133756	2	I/F WALL	1	LOWER PENETRATION PANEL SECTION
6	46-301385G4	N	FILTER ASM	1	SHIELD COOLER/BLOWER FILTER PANEL (SEE PAGE 4-16)
7	2121610	N	PLATE ASM	1	INSERT PLATE W/WAVE GUIDES (SEE PAGE 4-17)
8	46-301177P1	2	ADAPTER	2	HELIUM LINE FEED THROUGH GUIDE
9	46-282629G1	2	COVER ASM.	1	MAGNET RAMP PORT, PP1 A6
10	46-282638G1	2	COVER ASM.	1	BLANK RESISTIVE SHIM COVER PLATE
20	46-208937P6	2	NUT	23	#10-32 NUT LOCK, NYLOCK SST
24	46-221865P1	2	CONNECTOR	1	UG-30, N BULKHEAD, 50-OHM, JACK-JACK
25	46-208990P1	2	CONNECTOR	8	50 OHM BNC BULKHEAD ADAP'R JACK-JACK
27	46-208937P5	2	NUT	24	#8-32 LOCK NUT, NYLOCK SST
33	2133922	N	FILTER PANEL	1	ADAPTER PLATE ASM. FOR MULTICOIL (SEE PAGE 4-20)
41	46-307572G3	N	PANEL ASM	1	SUB-D CABLE FILTER PANEL, UFI SYSTEM (SEE PAGE 4-23)
42	46-328039G1	2	REPEATER ASM	1	REPEATER PANEL, PP1 A17 (SEE PAGE 4-15)
44	46-243775G860	2	CABLE	1	PP1-J89 TO PP1-A17-J2, 2-FT, 15-COND
46	46-221865P3	2	CONNECTOR	2	UG-27B RT-ANGLE N, 50-OHM JACK-PLUG
50	46-301216P1	2	PLATE	2	BLANK COVER PLATE FOR J60/61 HE LINE
56	46-320232G1	1	GRAD FILTER	1	GRADIENT FILTER ASM (SEE PAGE 4-24)
57	2236923	2	BRACKET	1	EXAM SIDE BRACKET
58	2236924	2	BRACKET	1	EQUIP SIDE BRACKET
59	2113244-2	2	U-BOLT	6	1.25" INSIDE DIA. 3/8-16 THD. 303SST
60	46-208935P10	2	NUT	16	3/8-16 .625 HEX X .250 THK BRASS
70	46-208560P82	2	SCREW	136	SCREW, 10-32 X 3/8 BHMS, SS
71	46-208932P3	2	SCREW	8	SCREW, CAP 5/16-18 X 3/4 HEX HD SS
72	46-208935P9	2	NUT	10	5/16-18, .563 HEX X .219 THK, BRASS
73	46-208560P102	2	SCREW	16	SCREW, 10-32 X 5/8 BHMS, SS
74	1000904P425	2	WASHER	7	0.2 ID, 0.5 OD, .04 THK, B11H89C
75	46-208560P110	2	SCREW	36	SCREW, 6-32 X 3/8 BHMS, SS
76	46-208939P16	2	SCREW	4	SCREW,CAP 5/16-18 X 5/8 HEX HD BRASS

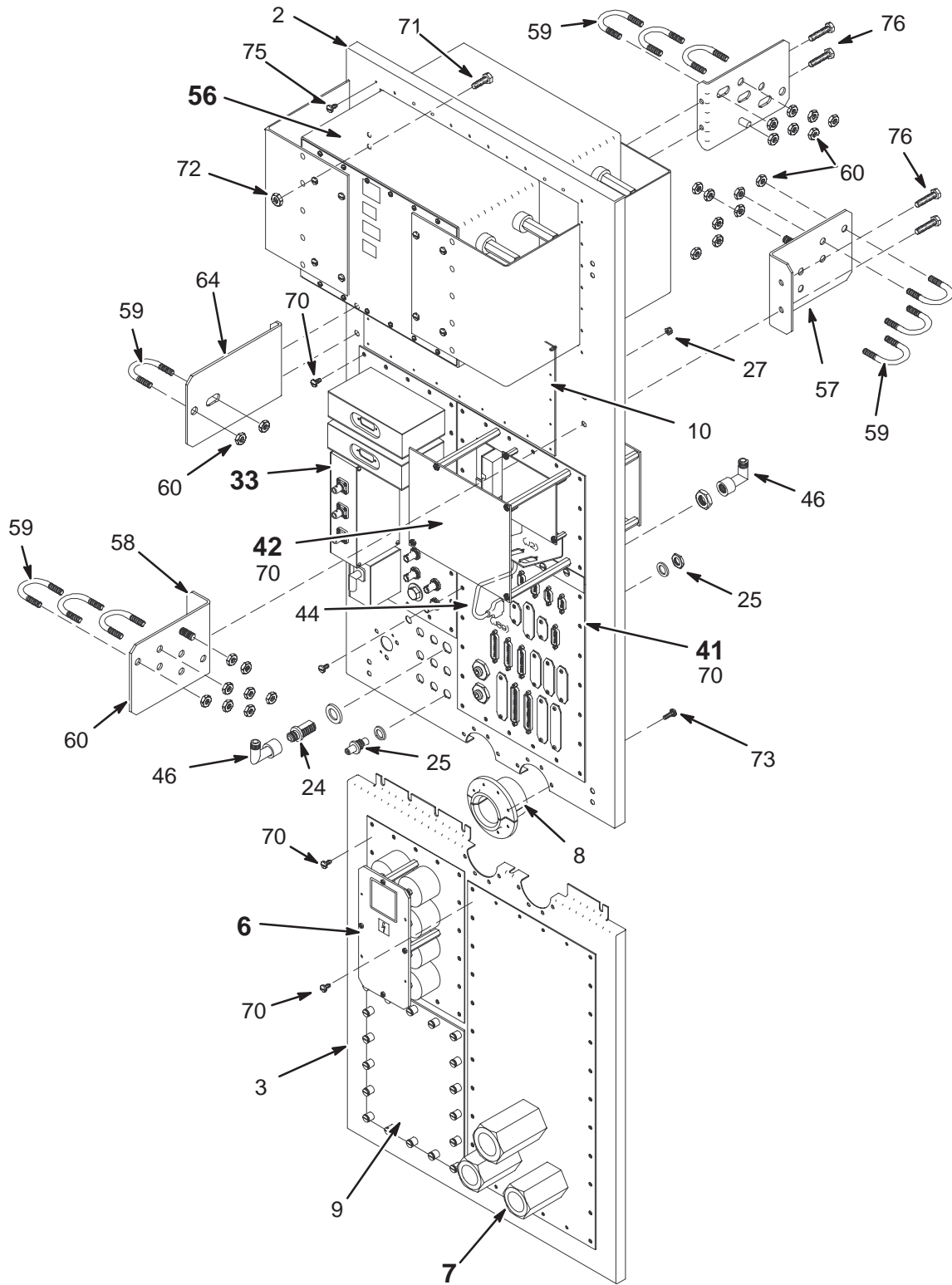
PEN PANEL with MULTICOIL 46-301383G19 FRU N

(PART 2 OF M3043PA PAGE 1-52)
(PART 2 OF M3044PA PAGE 1-52)
(PART 2 OF M3063PA PAGE 1-53)
(PART 2 OF M3053PA PAGE 1-53)
(PART 2 OF M3073PA PAGE 1-54)
(PART 2 OF M3083PA PAGE 1-54)
(PART 2 OF M3093PA PAGE 1-55)
(PART 2 OF M3843PA PAGE 1-57)
(PART 2 OF M3853PA PAGE 1-58)
(PART 2 OF M3863PA PAGE 1-59)
(PART 2 OF M3043TA PAGE 1-74)
(PART 2 OF M3053TA PAGE 1-74)
(PART 2 OF M3063TA PAGE 1-75)

Item	Part Number	FRU	Name	Quantity	Description (Remarks)
2	2133755-2	N	PANEL	1	UPPER PENETRATION PANEL, ALUMINUM
3	2133756	2	I/F WALL	1	LOWER PENETRATION PANEL SECTION
6	46-301385G4	N	FILTER ASM	1	SHIELD COOLER/BLOWER FILTER PANEL (SEE PAGE 4-16)
7	2121610	N	PLATE ASM	1	INSERT PLATE W/WAVE GUIDES (SEE PAGE 4-17)
8	46-301177P1	2	ADAPTER	2	HELIUM LINE FEED THROUGH GUIDE
9	46-282629G1	2	COVER ASM.	1	MAGNET RAMP PORT, PP1 A6
10	46-282638G1	2	COVER ASM.	1	BLANK RESISTIVE SHIM COVER PLATE
20	46-208937P6	N	NUT	23	#10-32 NUT LOCK, NYLOCK SST
24	46-221865P1	N	CONNECTOR	1	UG-30, N BULKHEAD, 50-OHM, JACK-JACK
25	46-208990P1	N	CONNECTOR	8	50 OHM BNC BULKHEAD ADAP'R JACK-JACK
27	46-208937P5	N	NUT	24	#8-32 LOCK NUT, NYLOCK SST
33	2133922	N	FILTER PANEL	1	ADAPTER PLATE ASM. FOR MULTICOIL (SEE PAGE 4-20)
41	46-307572G3	N	PANEL ASM	1	SUB-D CABLE FILTER PANEL, UFI SYSTEM (SEE PAGE 4-23)
42	46-328039G2	1	REPEATER ASM	1	PEN PANEL REPEATER BOARD ASSEMBLY (SEE PAGE 4-15)
44	46-243775G860	2	CABLE	1	PP1-J89 TO PP1-A17-J2, 2-FT, 15-COND
46	46-221865P3	N	CONNECTOR	2	UG-27B RT-ANGLE N, 50-OHM JACK-PLUG
50	46-301216P1	2	PLATE	2	BLANK COVER PLATE FOR J60/61 HE LINE
56	46-320232G1	1	GRAD FILTER	1	GRADIENT FILTER ASM (SEE PAGE 4-24)
57	2236923	N	BRACKET	1	EXAM SIDE BRACKET
58	2236924	N	BRACKET	1	EQUIP SIDE BRACKET
59	2113244-2	N	U-BOLT	6	1.25" INSIDE DIA. 3/8-16 THD. 303SST
60	46-208935P10	N	NUT	16	3/8-16 .625 HEX X .250 THK BRASS
70	46-208560P82	N	SCREW	136	SCREW, 10-32 X 3/8 BHMS, SS
71	46-208932P3	N	SCREW	8	SCREW, CAP 5/16-18 X 3/4 HEX HD SS
72	46-208935P9	N	NUT	10	5/16-18, .563 HEX X .219 THK, BRASS
73	46-208560P102	N	SCREW	16	SCREW, 10-32 X 5/8 BHMS, SS
74	1000904P425	N	WASHER	7	0.2 ID, 0.5 OD, .04 THK, B11H89C
75	46-208560P110	N	SCREW	36	SCREW, 6-32 X 3/8 BHMS, SS
76	46-208939P16	N	SCREW	4	SCREW,CAP 5/16-18 X 5/8 HEX HD BRASS

TwinSpeed PENETRATION PANEL WITH MULTICOIL

46-301383G17



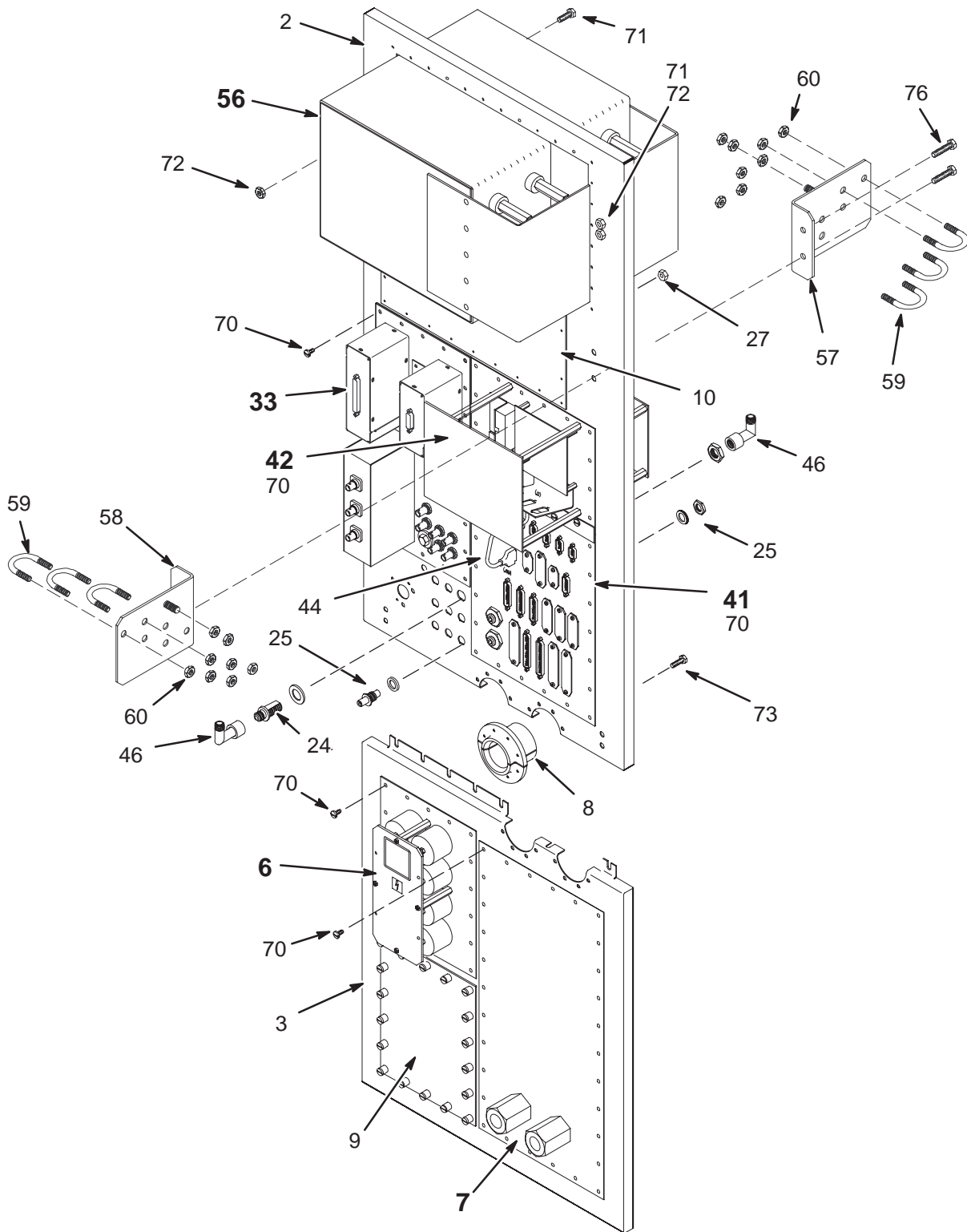
TwinSpeed PEN PANEL w/MC 46-301383G17 FRU N

(PART 2 OF M3043TA PAGE 1-74)
 (PART 2 OF M3053TA PAGE 1-74)
 (PART 2 OF M3063TA PAGE 1-75)

Item	Part Number	FRU	Name	Quantity	Description (Remarks)
2	2133755-2	N	PANEL	1	UPPER PENETRATION PANEL, ALUMINUM
3	2133756	N	I/F WALL	1	LOWER PENETRATION PANEL SECTION
6	46-301385G4	N	FILTER ASM	1	SHIELD COOLER/BLOWER FILTER PANEL (SEE PAGE 4-16)
7	2295629	N	PLATE ASM	1	TWIN PLATE ASSEMBLY (SEE PAGE 4-18)
8	46-301177P1	N	ADAPTER	2	HELIUM LINE FEED THROUGH GUIDE
9	46-282629G1	N	COVER ASM.	1	MAGNET RAMP PORT, PP1 A6
10	46-282638G1	N	COVER ASM.	1	BLANK RESISTIVE SHIM COVER PLATE
20	46-208937P6	N	NUT	23	#10-32 NUT LOCK, NYLOCK SST
24	46-221865P1	N	CONNECTOR	1	UG-30, N BULKHEAD, 50-OHM, JACK-JACK
25	46-208990P1	N	CONNECTOR	8	50 OHM BNC BULKHEAD ADAP'R JACK-JACK
27	46-208937P5	N	NUT	24	#8-32 LOCK NUT, NYLOCK SST
33	2133922	N	FILTER PANEL	1	ADAPTER PLATE ASM. FOR MULTICOIL (SEE PAGE 4-20)
41	46-307572G4	N	FILTER PANEL	1	TWINSPEED FILTER PANEL (SEE PAGE 4-23)
42	46-328039G2	2	REPEATER ASM	1	PEN PANEL REPEATER BOARD ASSEMBLY (SEE PAGE 4-15)
44	46-243775G860	N	CABLE	1	PP1-J89 TO PP1-A17-J2, 2-FT, 15-COND
46	46-221865P3	N	CONNECTOR	2	UG-27B RT-ANGLE N, 50-OHM JACK-PLUG
50	46-301216P1	N	PLATE	2	BLANK COVER PLATE FOR J60/61 HE LINE
56	2268040	1	FILTER	1	TWIN GRADIENT FILTER (SEE PAGE 4-25)
57	2236923	N	BRACKET	1	EXAM SIDE BRACKET
58	2236924	N	BRACKET	1	EQUIP SIDE BRACKET
59	2113244-2	N	U-BOLT	10	1.25" INSIDE DIA. 3/8-16 THD. 303SST
60	46-208935P10	N	NUT	26	3/8-16 .625 HEX X .250 THK BRASS
64	2295631	N	BRACKET	1	TWIN EQUIP SIDE BRACKET
65	2295630	N	BRACKET	1	TWIN MAG SIDE BRACKET
70	46-208560P82	N	SCREW	136	SCREW, 10-32 X 3/8 BHMS, SS
71	46-208932P3	N	SCREW	8	SCREW, CAP 5/16-18 X 3/4 HEX HD SS
72	46-208935P9	N	NUT	8	5/16-18, .563 HEX X .219 THK, BRASS
73	46-208560P102	N	SCREW	16	SCREW, 10-32 X 5/8 BHMS, SS
74	1000904P425	N	WASHER	7	0.2 ID, 0.5 OD, .04 THK, B11H89C
75	46-208560P110	N	SCREW	36	SCREW, 6-32 X 3/8 BHMS, SS
76	46-208939P16	N	SCREW	4	SCREW,CAP 5/16-18 X 5/8 HEX HD BRASS

EXCITE II PENETRATION PANEL WITH MULTICOIL

2377529



EXCITE II PENETRATION PANEL

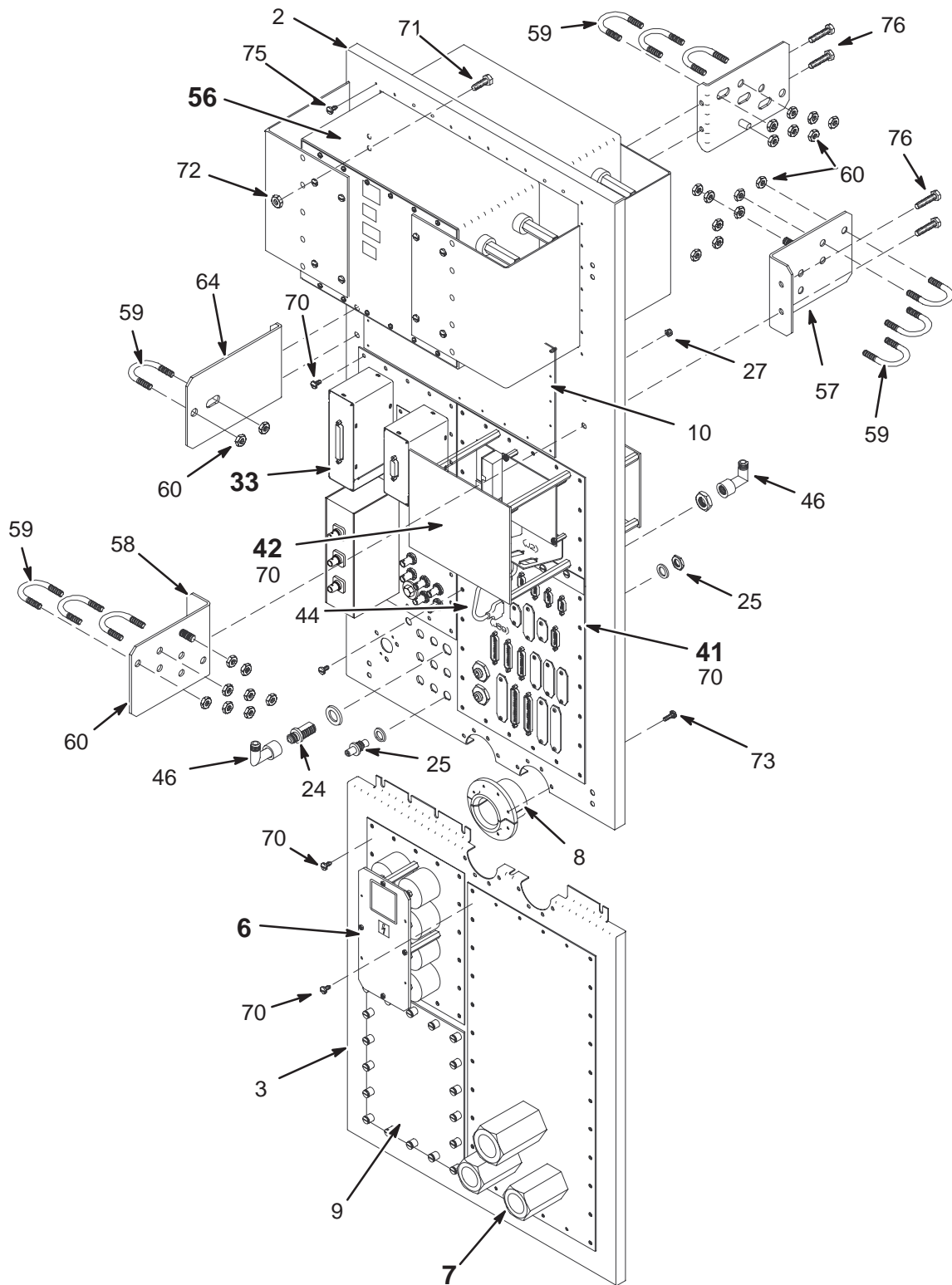
2377529 FRU N

(PART 2 OF M3043PD PAGE 1-62)
 (PART 2 OF M3053PD PAGE 1-62)
 (PART 2 OF M3063PD PAGE 1-62)

Item	Part Number	FRU	Name	Quantity	Description (Remarks)
2	2133755-2	N	PANEL	1	UPPER PENETRATION PANEL, ALUMINUM
3	2133756	N	I/F WALL	1	LOWER PENETRATION PANEL SECTION
6	46-301385G4	N	FILTER ASM	1	SHIELD COOLER/BLOWER FILTER PANEL (SEE PAGE 4-16)
7	2121610	N	PLATE ASM	1	INSERT PLATE W/WAVE GUIDES (SEE PAGE 4-17)
8	46-301177P1	N	ADAPTER	2	HELIUM LINE FEED THROUGH GUIDE
9	46-282629G1	N	COVER ASM.	1	MAGNET RAMP PORT, PP1 A6
10	46-282638G1	N	COVER ASM.	1	BLANK RESISTIVE SHIM COVER PLATE
20	46-208937P6	N	NUT	23	#10-32 NUT LOCK, NYLOCK SST
24	46-221865P1	N	CONNECTOR	1	UG-30, N BULKHEAD, 50-OHM, JACK-JACK
25	46-208990P1	N	CONNECTOR	8	50 OHM BNC BULKHEAD ADAP'R JACK-JACK
27	46-208937P5	N	NUT	24	#8-32 LOCK NUT, NYLOCK SST
33	2317066	N	PLATE ASM	1	EXCITE ADAPTER PLATE ASSEMBLY (USSS 4-21)
33	2377417	N	PLATE ASM	1	EXCITE II ADAPTER PLATE ASM) (SEE PAGE 4-21)
41	46-307572G4	N	FILTER PANEL	1	TWINSPEED FILTER PANEL (SEE PAGE 4-23)
42	46-328039G2	1	REPEATER ASM	1	PEN PANEL REPEATER BOARD ASSEMBLY (SEE PAGE 4-15)
44	46-243775G860	N	CABLE	1	PP1-J89 TO PP1-A17-J2, 2-FT, 15-COND
46	46-221865P3	N	CONNECTOR	2	UG-27B RT-ANGLE N, 50-OHM JACK-PLUG
50	46-301216P1	N	PLATE	2	BLANK COVER PLATE FOR J60/61 HE LINE
56	46-320232G1	1	GRAD FILTER	1	GRADIENT FILTER ASM (SEE PAGE 4-24)
57	2236923	N	BRACKET	1	EXAM SIDE BRACKET
58	2236924	N	BRACKET	1	EQUIP SIDE BRACKET
59	2113244-2	N	U-BOLT	6	1.25" INSIDE DIA. 3/8-16 THD. 303SST
60	46-208935P10	N	NUT	16	3/8-16 .625 HEX X .250 THK BRASS
70	46-208560P82	N	SCREW	136	SCREW, 10-32 X 3/8 BHMS, SS
71	46-208932P3	N	SCREW	8	SCREW, CAP 5/16-18 X 3/4 HEX HD SS
72	46-208935P9	N	NUT	8	5/16-18, .563 HEX X .219 THK, BRASS
73	46-208560P102	N	SCREW	16	SCREW, 10-32 X 5/8 BHMS, SS
74	1000904P425	N	WASHER	7	0.2 ID, 0.5 OD, 04 THK, B11H89C
75	46-208560P110	N	SCREW	36	SCREW, 6-32 X 3/8 BHMS, SS
76	46-208939P16	N	SCREW	2	SCREW,CAP 5/16-18 X 5/8 HEX HD BRASS

EXCITE II TwinSpeed PENETRATION PANEL WITH MULTICOIL

5322759-2



EXCITE II TwinSpeed PEN PANEL 2377529-2 FRU N

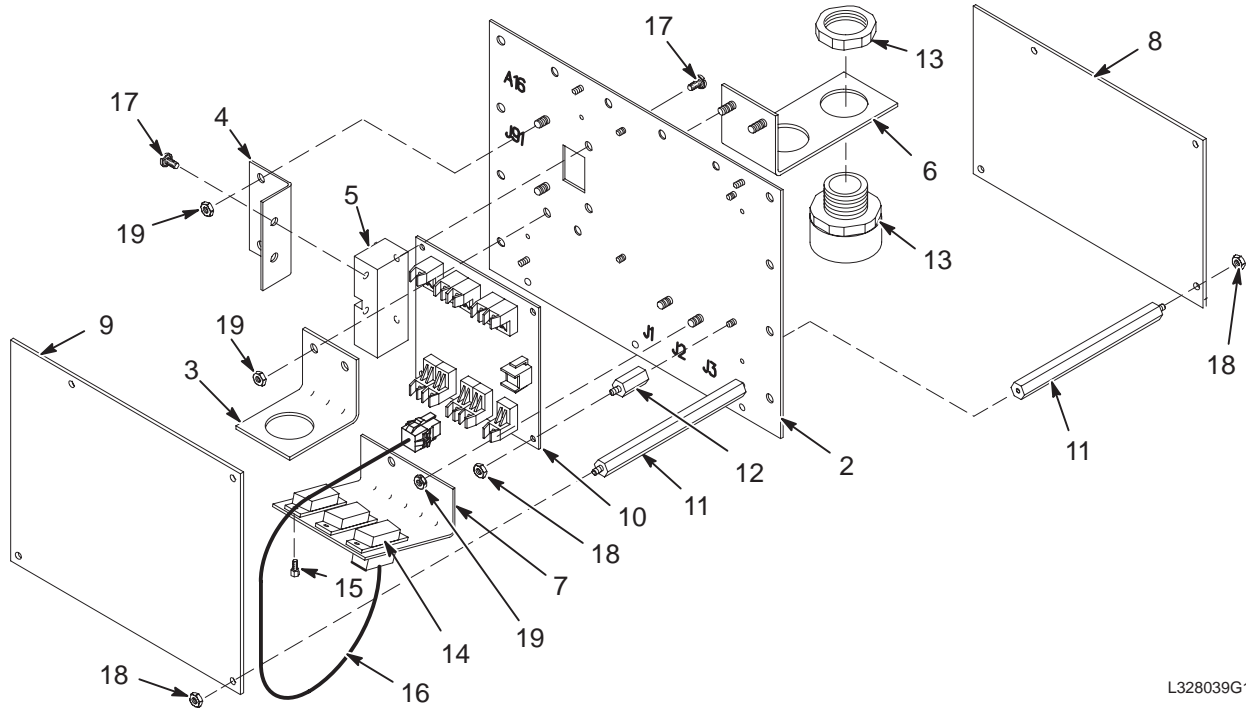
(PART 2 OF M3043TD PAGE 1-78)
 (PART 2 OF M3053TD PAGE 1-78)
 (PART 2 OF M3063TD PAGE 1-78)

Item	Part Number	FRU	Name	Quantity	Description (Remarks)
2	2133755-2	N	PANEL	1	UPPER PENETRATION PANEL, ALUMINUM
3	2133756	N	I/F WALL	1	LOWER PENETRATION PANEL SECTION
6	46-301385G4	N	FILTER ASM	1	SHIELD COOLER/BLOWER FILTER PANEL (SEE PAGE 4-16)
7	2295629	N	PLATE ASM	1	TWIN PLATE ASSEMBLY (SEE PAGE 4-18)
8	46-301177P1	N	ADAPTER	2	HELIUM LINE FEED THROUGH GUIDE
9	46-282629G1	N	COVER ASM.	1	MAGNET RAMP PORT, PP1 A6
10	46-282638G1	N	COVER ASM.	1	BLANK RESISTIVE SHIM COVER PLATE
20	46-208937P6	N	NUT	23	#10-32 NUT LOCK, NYLOCK SST
24	46-221865P1	N	CONNECTOR	1	UG-30, N BULKHEAD, 50-OHM, JACK-JACK
25	46-208990P1	N	CONNECTOR	8	50 OHM BNC BULKHEAD ADAP'R JACK-JACK
27	46-208937P5	N	NUT	24	#8-32 LOCK NUT, NYLOCK SST
33	2377417	N	PLATE ASM	1	EXCITE II ADAPTER PLATE ASM) (SEE PAGE 4-21)
41	46-307572G4	N	FILTER PANEL	1	TWINSPEED FILTER PANEL (SEE PAGE 4-23)
42	46-328039G2	2	REPEATER ASM	1	PEN PANEL REPEATER BOARD ASSEMBLY (SEE PAGE 4-15)
44	46-243775G860	N	CABLE	1	PP1-J89 TO PP1-A17-J2, 2-FT, 15-COND
46	46-221865P3	N	CONNECTOR	2	UG-27B RT-ANGLE N, 50-OHM JACK-PLUG
50	46-301216P1	N	PLATE	2	BLANK COVER PLATE FOR J60/61 HE LINE
56	2268040	1	FILTER	1	TWIN GRADIENT FILTER (SEE PAGE 4-25)
57	2236923	N	BRACKET	1	EXAM SIDE BRACKET
58	2236924	N	BRACKET	1	EQUIP SIDE BRACKET
59	2113244-2	N	U-BOLT	10	1.25" INSIDE DIA. 3/8-16 THD. 303SST
60	46-208935P10	N	NUT	26	3/8-16 .625 HEX X .250 THK BRASS
64	2295631	N	BRACKET	1	TWIN EQUIP SIDE BRACKET
65	2295630	N	BRACKET	1	TWIN MAG SIDE BRACKET
70	46-208560P82	N	SCREW	136	SCREW, 10-32 X 3/8 BHMS, SS
71	46-208932P3	N	SCREW	8	SCREW, CAP 5/16-18 X 3/4 HEX HD SS
72	46-208935P9	N	NUT	8	5/16-18, .563 HEX X .219 THK, BRASS
73	46-208560P102	N	SCREW	16	SCREW, 10-32 X 5/8 BHMS, SS
74	1000904P425	N	WASHER	7	0.2 ID, 0.5 OD, .04 THK, B11H89C
75	46-208560P110	N	SCREW	36	SCREW, 6-32 X 3/8 BHMS, SS

REPEATER PANEL

46-328039G1 & G2

PP1 A17



L328039G1A

REPEATER PANEL

46-328039G1 FRU 2

(PART 42 OF 46-301383G12 PAGE 4-3)

(PART 42 OF 46-301383G13 PAGE 4-6)

Item	Part Number	FRU	Name	Quantity	Description (Remarks)
2	46-320541P1	2	PLATE	1	9.5 X 5.75, .064 ALUMINUM, IRIDITE
3	46-307211P1	2	BRACKET	1	SINGLE CONDUIT FIBER-OPTIC INTERFACE
4	46-320543P1	2	BRACKET	1	FIBER OPTIC CABLE FEED-THRU ACCESS
5	46-307212P1	2	BAR	1	J91 FIBEROPTIC CABLE FEED-THRU BLOCK
6	46-320544P1	2	BRACKET	1	TWO-CONDUIT FIBER-OPTIC INTERFACE
7	46-320829P1	2	BRACKET	1	REPEATER CABLE INTERFACE, J1, J2, J3
8	46-320542P1	2	PLATE	1	LEXAN SHIELD, 4.75 X 7.5, 0.1 THICK
9	46-320542P2	2	PLATE	1	LEXAN SHIELD, 6.25 X 7.5, 0.1 THICK
10	46-321220G1	1	CIRCUIT BD	1	FO REPEATER BOARD, PP1 A17 A1
11	46-328129P1	2	SPACER	8	3/8 HEX X 4.5 LG. 6-32 THREAD, BRASS
12	46-328129P2	2	SPACER	4	3/8 HEX X .75 LG. 6-32 THREAD, BRASS
13	46-307244P4	2	CONNECTOR	3	PANEL MOUNT FOR 3/4" F.O. CONDUIT
14	46-328106P1	2	CABLE	1	3.5" RIBBON CABLE, (3) 15-PIN SUB-D
15	46-221417P1	2	SCREWLOCK	3	FEMALE SCREWLOCKS, TWO PER KIT
16	46-328105G1	2	HARNESS	1	8" 2-WIRE F/O REPEATER POWER CABLE
17	46-208560P123	2	SCREW,MACH	4	010-32 X 0.375 LG BIND HD SST 18-8
18	46-208936P1	2	NUT,HEX,MS	12	00006-32 .250 HEX X .094 THK BR
19	46-208935P7	2	NUT,HEX,MS	6	00010-32 .375 HEX X .125 THK BR

REPEATER PANEL

46-328039G2 FRU 1

(PART 42 OF 46-301383G17 PAGE 4-9)

(PART 42 OF 46-301383G18 PAGE 4-4)

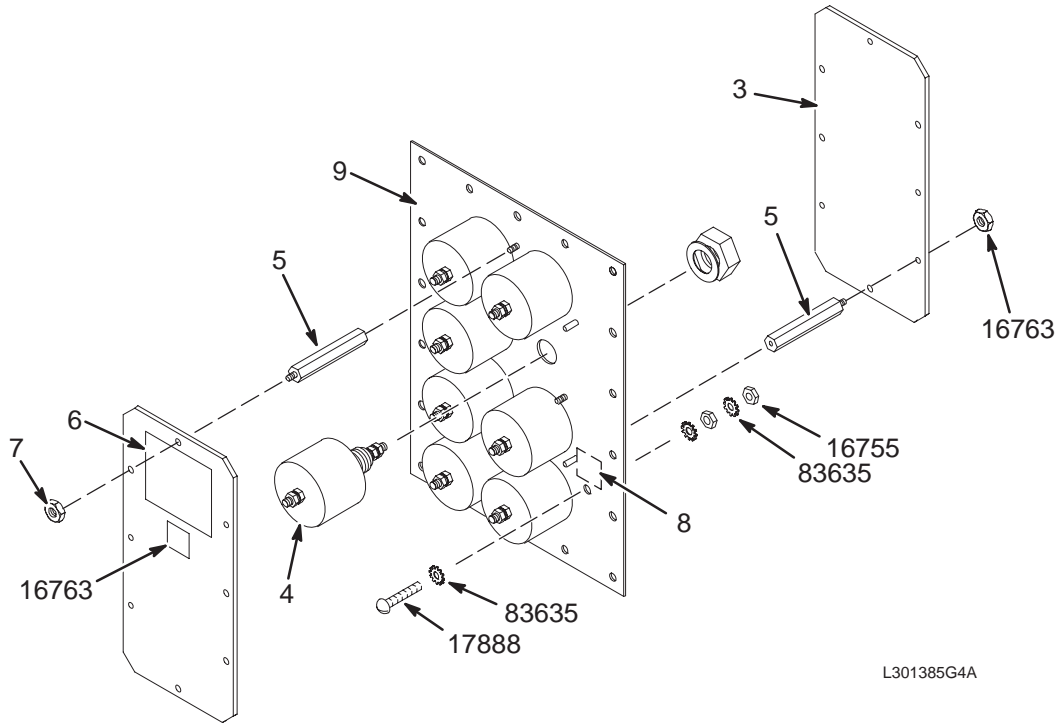
(PART 42 OF 46-301383G19 PAGE 4-7)

(PART 42 OF 23775292 PAGE 4-11)

(PART 42 OF 2377529-2 PAGE 4-13)

Item	Part Number	FRU	Name	Quantity	Description (Remarks)
2	46-320541P1	N	PLATE	1	9.5 X 5.75, .064 ALUMINUM, IRIDITE
3	46-307211P1	N	BRACKET	1	SINGLE CONDUIT FIBER-OPTIC INTERFACE
4	46-320543P1	N	BRACKET	1	FIBER OPTIC CABLE FEED-THRU ACCESS
5	46-307212P1	N	BAR	1	J91 FIBEROPTIC CABLE FEED-THRU BLOCK
6	46-320544P1	N	BRACKET	1	TWO-CONDUIT FIBER-OPTIC INTERFACE
7	46-320829P1	N	BRACKET	1	REPEATER CABLE INTERFACE, J1, J2, J3
8	46-320542P1	N	PLATE	1	LEXAN SHIELD, 4.75 X 7.5, 0.1 THICK
9	46-320542P2	N	PLATE	1	LEXAN SHIELD, 6.25 X 7.5, 0.1 THICK
10	46-321220G1	1	CIRCUIT BD	1	FO REPEATER BOARD, PP1 A17 A1
11	46-328129P1	N	SPACER	8	3/8 HEX X 4.5 LG. 6-32 THREAD, BRASS
12	46-328129P2	N	SPACER	4	3/8 HEX X .75 LG. 6-32 THREAD, BRASS
13	46-307244P4	N	CONNECTOR	3	PANEL MOUNT FOR 3/4" F.O. CONDUIT
14	46-328106P1	N	CABLE	1	3.5" RIBBON CABLE, (3) 15-PIN SUB-D
15	46-221417P1	N	CONNECTOR	3	FEMALE SCREWLOCKS, TWO PER KIT
16	46-328105G1	N	HARNESS	1	8" 2-WIRE F/O REPEATER POWER CABLE
17	46-208560P123	N	SCREW	4	10-32 X 0.375 LG BIND HD SST 18-8 SCREW
18	46-208936P1	N	NUT	12	6-32, 1/4" HEX X .094 THICK, BRASS
19	46-208935P7	N	NUT	6	10-32, 3/8 HEX, 1/8" THICK, BRASS
200	2266300-65	N	COLLECTOR	1	MAQUILA LABOR-46-328039G2 REPEATER

SHIELD COOLER/BLOWER FILTER PANEL



FILTER PANEL

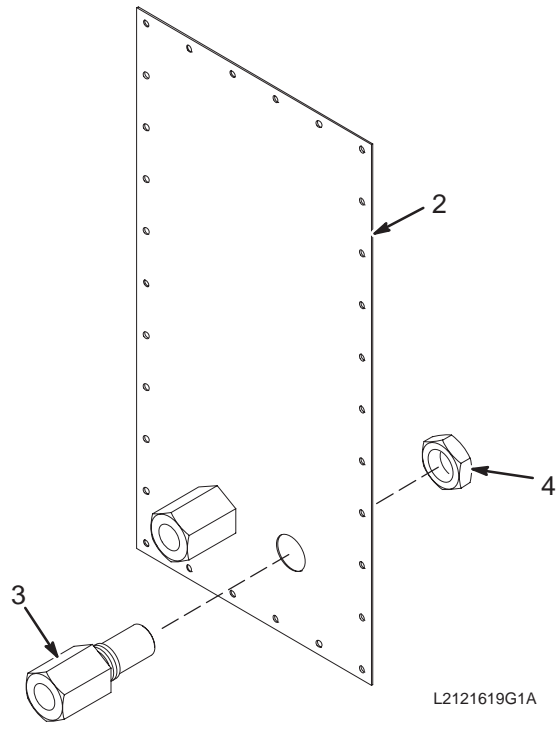
46-301385G4 FRU N

(PART 6 OF 46-301383G12 PAGE 4-3)
 (PART 6 OF 46-301383G13 PAGE 4-6)
 (PART 6 OF 46-301383G17 PAGE 4-9)
 (PART 6 OF 46-301383G18 PAGE 4-4)
 (PART 6 OF 46-301383G19 PAGE 4-7)
 (PART 6 OF 2377529 PAGE 4-11)
 (PART 6 OF 2377529-2 PAGE 4-13)

Item	Part Number	FRU	Name	Quantity	Description (Remarks)
2	2121531	2	PLATE	1	EMPTY 8-FILTER PLATE, F1 THROUGH F8
3	2121529	2	COVER PLATE	2	EIGHT EMI FILTER SAFETY COVER PLATE
4	46-282750P1	1	FILTER	8	250VAC/1000VDC EMI NOISE FILTER.
5	46-282751P1	2	STANDOFF	8	3/8" HEX X 2.25" SPACER, 6-32 THREAD
6	46-211345P1	2	LABEL	2	"WARNING HIGH VOLTAGE" .003 THK ALUM
7	46-271110P3	2	LABEL	2	DANGEROUS VOLTAGE GRAPHIC SYMBOL
8	46-271110P1	2	LABEL	2	PROTECTIVE EARTH (GROUND)
16755	46-208935P8	2	NUT,HEX,MS	4	1/4-20, 7/16" HEX X 3/16 THK, BRASS
16763	46-208936P1	2	NUT,HEX,MS	8	6-32, 1/4" HEX X .094 THICK, BRASS
17888	46-220184P54	2	SCREW MACH	2	1/4-20 X 1" LG, RND HD SLOT, BRASS
83635	46-208599P19	2	WASHER,LOCK	6	1/4 EXTERNAL TOOTH PHOS, BRONZE

INSERT PLATE WITH WAVE GUIDES

2121610



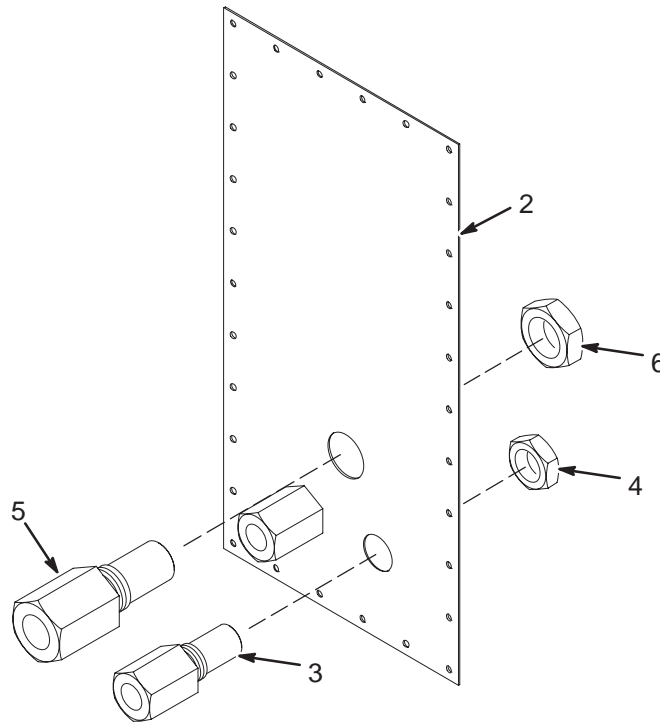
INSERT PLATE w/WAVE GUIDES

2121610 FRU N

(PART 7 OF 46-301383G12 PAGE 4-3)
 (PART 7 OF 46-301383G13 PAGE 4-6)
 (PART 7 OF 46-301383G18 PAGE 4-4)
 (PART 7 OF 46-301383G19 PAGE 4-7)
 (PART 7 OF 2377529 PAGE 4-11)

Item	Part Number	FRU	Name	Quantity	Description (Remarks)
2	2121530	2	PLATE	1	LOWER PANEL INSERT PLATE
3	2113242	2	WAVE GUIDE	2	1.5" HEX, 1-1/8-12 THD, 4" LONG ALUM
4	2113241	2	NUT	2	1-1/8-12 THD, 1.5" HEX NUT, ALUMINUM

TwinSpeed INSERT PLATE WITH WAVE GUIDES 2295629



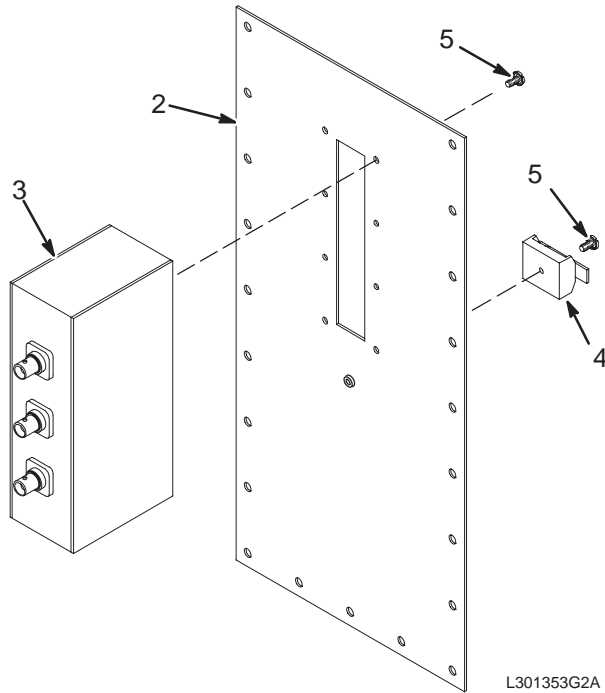
TwinSpeed PLATE w/WAVE GUIDES 2295629 FRU N

(PART 7 OF 46-301383G17 PAGE 4-9)
(PART 7 OF 2377529-2 PAGE 4-13)

Item	Part Number	FRU	Name	Quantity	Description (Remarks)
2	2289692	N	PLATE	1	WAVEGUIDE PLATE
3	2289691	N	GUIDE	2	COOLANT LINE WAVE GUIDE
4	2294094	N	NUT-INCH	2	NUT-INCH HEXAGON
5	2289689	N	GUIDE	1	VACUUM LINE WAVE GUIDE
6	2294095	N	NUT-INCH	1	NUT-INCH HEXAGON

1000V DYNAMIC DISABLE FILTER PANEL

46-301353G2



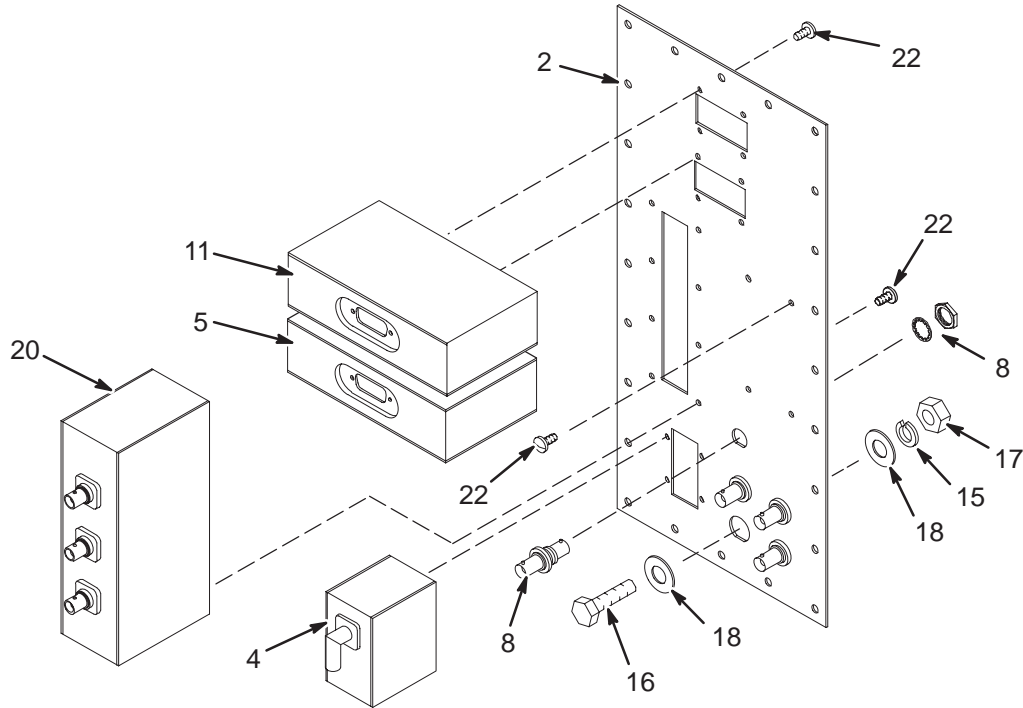
DYNAMIC DISABLE FILTER PANEL 46-301353G2 FRU N

(PART 33 OF 46-301383G12 PAGE 4-3)
(PART 33 OF 46-301383G18 PAGE 4-4)

Item	Part Number	FRU	Name	Quantity	Description (Remarks)
2	46-301172P1	2	PLATE	1	BODY COIL FILTER MOUNTING PLATE
3	2111443	1	CIRCUIT BD	1	1KV DYNAMIC DISABLE FILTER MODULE
4	46-220191P1	2	CLAMP	1	CLAMP FOR FLAT CABLE
5	516A770P604	2	SCREW,MACH	9	6-32 X 1/4 LG BIND HEAD SST 18-8

ADAPTER PLATE ASM FOR MULTICOIL

2133922



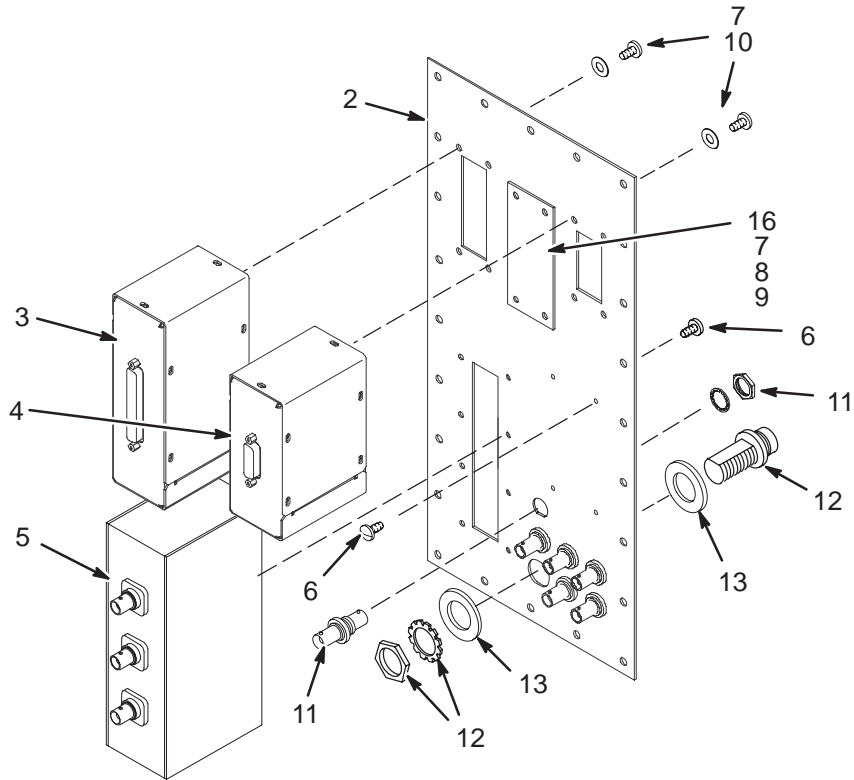
ADAPTER PLATE ASM FOR MULTICOIL 2133922 FRU N

(PART 33 OF 46-301383G13 PAGE 4-6)
 (PART 33 OF 46-301383G17 PAGE 4-9)
 (PART 33 OF 46-301383G19 PAGE 4-7)

Item	Part Number	FRU	Name	Quantity	Description (Remarks)
2	2133757	2	PLATE	1	EMPTY FILTER PLATE FOR MULTICOIL ETC
4	46-264992G1	1	CIRCUIT BD	1	MULTI-COIL RECEIVE SELECT SW. PP1A14
5	46-264994G1	1	CIRCUIT BD	1	MULTI-COIL SWITCHING FILTER, PP1-A15
8	46-208990P1	2	ADAPTER	4	50 OHM BNC BULKHEAD ADAP'R JACK-JACK
11	46-264994G2	1	CIRCUIT BD	1	MULTI-COIL BIAS FILTER, PP1-A16
15	46-220196P6	2	WASHER,LOCK	1	3/8" SCREW SIZE (0.375), 18-8 SST
16	46-208932P4	2	SCREW,CAP	1	3/8-16 X 1", HEX HEAD, 18-8 SST
17	46-208948P2	2	NUT,HEX	1	3/8-16 .563 HEX X .328 THK, 18-8 SST
18	1000904P447	2	WASHER,FLAT	2	25/64 ID, 1" OD, 1/16" THICK, B7A34C
20	2111443	1	CIRCUIT BD	1	1KV DYNAMIC DISABLE FILTER MODULE
22	46-208921P4	2	SCREW,MACH	2	6-32 X 1/4", BRASS

EXCITE II ADAPTER PLATE ASM

2377417



EXCITE II ADAPTER PLATE ASM

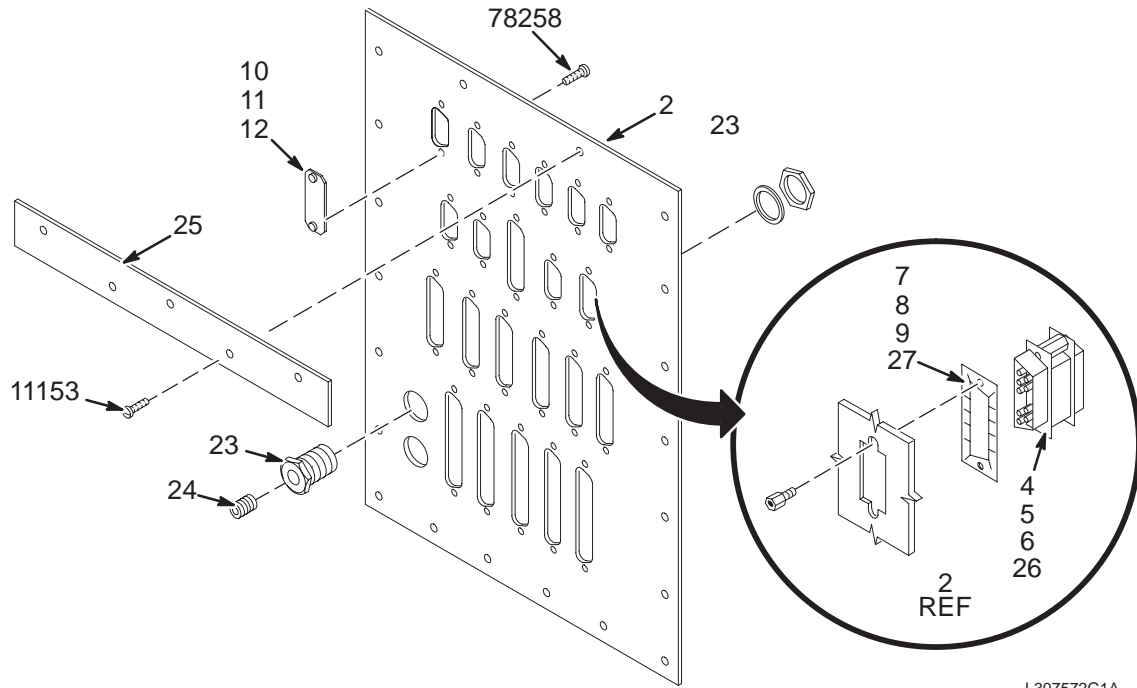
2377417 FRU N

(PART 33 OF 2377529 PAGE 4-11)
(PART 33 OF 2377529-2 PAGE 4-13)

Item	Part Number	FRU	Name	Quantity	Description (Remarks)
2	2316657	N	PART	1	PLATE,PEN PANEL
3	2296094	1	FILTER ASM	1	MULTICOIL FILTER ASSEMBLY
4	2296298	1	FILTER ASSEM	1	MC PREAMP BIAS FILTER ASSEMBLY
5	2111443	N	CIRCUIT BD	1	1KV DYNAMIC DISABLE FILTER MODULE
6	46-208921P4	N	SCREW	12	SCREW
7	2109873-13	N	SCREW	12	SCREW PAN HEAD 4 MM 8 MM
8	2109877	N	NUT	4	NUT HEXAGON 4 MM
9	2109878-2	N	WASHER	4	WASHER PLAIN - NORMAL 4.3 MM 9 MM
10	2109880-2	N	WASHER	8	WASHER LOCK - SPRING 4.1 MM 7.6 MM
11	46-208990P1	N	CONNECTOR	6	50 OHM BNC BULKHEAD ADAP'R JACK-JACK
12	46-208932P4	N	SCREW	1	SCREW
13	1000904P447	N	WASHER	2	25/64 ID, 1" OD, 1/16" THICK, B7A34C
14	46-220196P6	N	WASHER	1	WASHER 3/8" SCREW SIZE (0.375), 18-8 SST
15	46-208948P2	N	NUT	1	3/8-16 .563 HEX X .328 THK, 18-8 SST
16	2325861	N	PART	1	COVER,PEN PANEL

CABLE FILTER PANEL

46-307572G3 & G4



L307572G1A

5.5 CABLE FILTER PANEL

46-307572G3 FRU N

(PART 41 OF 46-301383G12 PAGE 4-3)
 (PART 41 OF 46-301383G13 PAGE 4-6)
 (PART 41 OF 46-301383G18 PAGE 4-4)
 (PART 41 OF 46-301383G19 PAGE 4-7)

Item	Part Number	FRU	Name	Quantity	Description (Remarks)
2	46-307207P1	2	PLATE	1	SUB-D CABLE CONNECTION FILTER PLATE
4	2366642	1	CONNECTOR	6	CONNECTOR 9 CONTACTS 200 VOLTS 5 AMP
5	2366642-3	1	CONNECTOR	4	CONNECTOR 25CONTACTS 200 VOLTS 5 AMP
6	2366642-4	1	CONNECTOR	2	CONNECTOR 37CONTACTS 200 VOLTS 5 AMP
7	46-221754P1	2	CONNECTOR	6	RFI GASKET USED WITH 9 PIN SUB-D
8	46-221754P3	2	CONNECTOR	4	RFI GASKET USED WITH 25 PIN SUB-D
9	46-221754P4	2	CONNECTOR	2	RFI GASKET USED WITH 37 PIN SUB-D
10	46-301197P1	2	PLATE	3	9-PIN SUB-D PANEL OPENING COVER
11	46-301197P3	2	PLATE	3	25-PIN SUB-D PANEL OPENING COVER
12	46-301197P4	2	PLATE	3	37-PIN SUB-D PANEL OPENING COVER
23	46-307169P1	2	FITTING	2	1/4 NPT, PARKER #207ACBH-4 (BRASS)
24	46-136371P3	2	FITTING	2	BRASS 1/4 NPT HEX SOCKET
25	46-307213P1	2	BAR	1	PLATE JOINT SEALING STRIP, 9.5 X 1
26	2366642-2	1	CONNECTOR	1	CONNECTOR 15CONTACTS 200 VOLTS 5 AMP
27	46-221754P2	2	CONNECTOR	1	RFI GASKET USED WITH 15 PIN
28	46-208560P82	2	SCREW	2	10-32 X 3/8, BINDING HEAD, SST 18-8
29	46-208560P81	2	SCREW	18	4-40 X 1/4, BINDING HEAD, SST 18-8

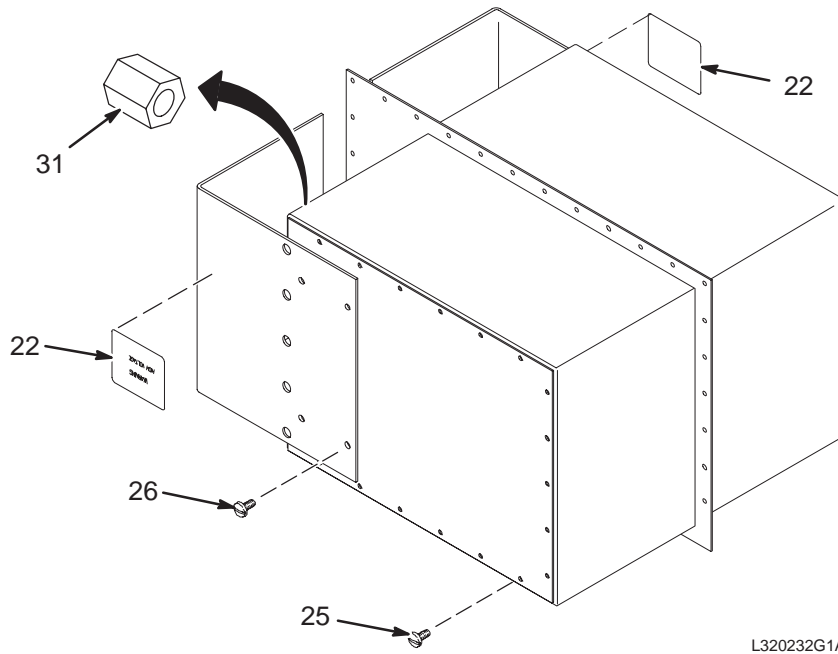
TwinSpeed CABLE FILTER PANEL

46-307572G4 FRU N

(PART 41 OF 46-301383G17 PAGE 4-9)
 (PART 41 OF 2377529 PAGE 4-11)
 (PART 41 OF 2377529-2 PAGE 4-13)

Item	Part Number	FRU	Name	Quantity	Description (Remarks)
2	46-307207P1	2	PLATE	1	SUB-D CABLE CONNECTION FILTER PLATE
4	2366642	1	CONNECTOR	6	CONNECTOR 9 CONTACTS 200 VOLTS 5 AMP
5	2366642-3	1	CONNECTOR	4	CONNECTOR 25CONTACTS 200 VOLTS 5 AMP
6	2366642-4	1	CONNECTOR	2	CONNECTOR 37CONTACTS 200 VOLTS 5 AMP
7	46-221754P1	2	CONNECTOR	7	RFI GASKET USED WITH 9 PIN SUB-D
8	46-221754P3	2	CONNECTOR	4	RFI GASKET USED WITH 25 PIN SUB-D
9	46-221754P4	2	CONNECTOR	2	RFI GASKET USED WITH 37 PIN SUB-D
10	46-301197P1	2	PLATE	2	9-PIN SUB-D PANEL OPENING COVER
11	46-301197P3	2	PLATE	3	25-PIN SUB-D PANEL OPENING COVER
12	46-301197P4	2	PLATE	3	37-PIN SUB-D PANEL OPENING COVER
23	46-307169P1	2	FITTING	2	1/4 NPT, PARKER #207ACBH-4 (BRASS)
24	46-136371P3	2	FITTING	2	BRASS 1/4 NPT HEX SOCKET
25	46-307213P1	2	BAR	1	PLATE JOINT SEALING STRIP, 9.5 X 1
26	2366642-2	1	CONNECTOR	1	CONNECTOR 15CONTACTS 200 VOLTS 5 AMP
27	46-221754P2	2	CONNECTOR	1	RFI GASKET USED WITH 15 PIN
28	46-208560P82	2	SCREW	2	SCREW, 10-32 X 3/8 BHMS, SS
29	46-208560P81	2	SCREW	16	SCREW

GRADIENT FILTER ASM



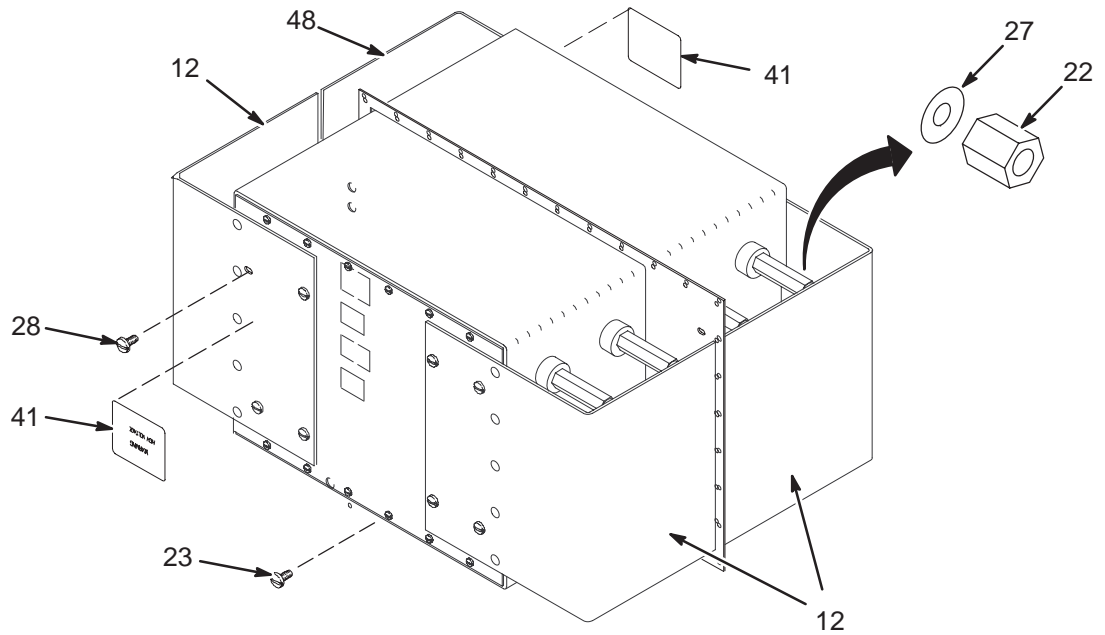
GRADIENT FILTER ASM

46-320232G1 FRU 1

(PART 56 OF 46-301383G12 PAGE 4-3)
 (PART 56 OF 46-301383G13 PAGE 4-6)
 (PART 56 OF 46-301383G18 PAGE 4-4)
 (PART 56 OF 46-301383G19 PAGE 4-7)
 (PART 56 OF 2377529 PAGE 4-11)

Item	Part Number	FRU	Name	Quantity	Description (Remarks)
22	46-211345P1	2	MECHANICAL/M	2	"WARNING HIGH VOLTAGE" .003 THK ALUM
25	46-170015P10	2	SCREW	44	6-32 X 1/4" LG BIND HD STL EXT TOOTH
26	46-208560P46	2	SCREW	8	10-32 X 1/4" BIND HEAD, STL F70B5A
31	46-320527P1	2	BRASS NUT	21	3/4" HEX 1/2-13 SPRIALOCK THREAD

TwinSpeed GRADIENT FILTER ASM



TwinSpeed GRADIENT FILTER ASM

2268040 FRU 1

(PART 56 OF 46-301383G17 PAGE 4-9)

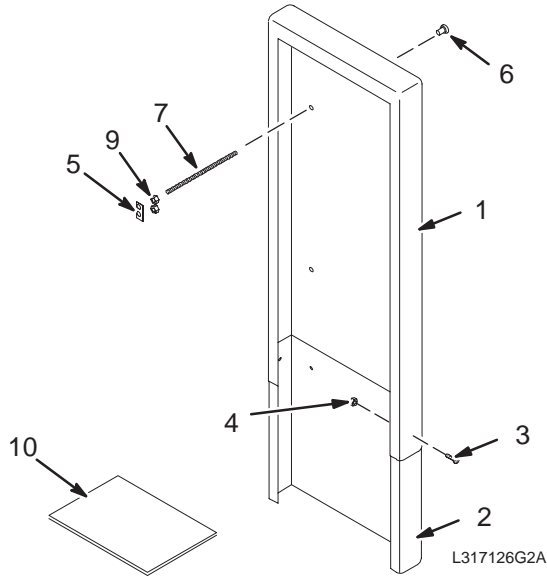
(PART 56 OF 2377529-2 PAGE 4-13)

Item	Part Number	FRU	Name	Quantity	Description (Remarks)
12	2269157	N	PLASTIC COVE	3	TWIN GR FILTER PLASTIC COVER
22	46-320527P1	2	BRASS NUT	21	3/4" HEX 1/2-13 SPRIALOCK THREAD
23	2324359	N	SCREW	128	SCREW PAN HEAD W/SPR WASHER 6-32 3/8
27	46-252322P10	2	WASHER	21	WASHER, BRASS, .50 PLAIN
28	2271156	N	SCREW	16	SCREW PAN HEAD #10-24X3/8"
41	2297081	N	DANGER LABEL	6	HIGH VOLTAGE LABEL
48	2269157-2	N	PLASTIC COVE	1	TWIN GR FILTER PLASTIC COVER

4-2 PENETRATION PANEL COVERS

COVER KIT

46-317126G3 & G4



COVER KIT – FIXED

46-317126G3 FRU N

(PART OF 46-282429 FIXED – SECTION 1)
(PART 11 OF M3043PD PAGE 1-62)
(PART 11 OF M3043TD PAGE 1-78)

Item	Part Number	FRU	Name	Quantity	Description (Remarks)
1	46-306963P2	2	COVER, TOP	2	PEN. PANEL COVER, 28"W X 66"H X 7.5D
2	46-306964P2	2	COVER, BOTTOM	2	COVER EXTENSION 19H X 27.75W X 7.25D
3	46-208560P82	2	SCREW, MACH	8	10-32 X 3/8, BINDING HEAD, SST 18-8
4	46-208938P5	2	NUT, HEX, MS	8	10-32, 3/8" HEX X .130 THK, 18-8 SST
5	46-301211P1	2	PLATE	8	1.4" X .75" REINFORCING PLATE, ALUM
6	46-301212P1	2	NUT, BARREL	8	.81 DIA HEAD X 1" LG, 5/16-18 INT THD
7	46-301213P2	2	THREADED ROD	8	5/16-18 X 18", BRASS
9	46-208935P9	2	NUT, HEX, MS	16	5/16-18, .563 HEX X .219 THK, BRASS
10	2128024	2	SHIELD	2	11 X 32" FLOOR COVER .063 ALUM PLATE

COVER KIT – MOBILE & T/R

46-317126G4 FRU N

(PART OF 46-282429 MOBILE & T/R – SECTION 1)
(PART 11 OF M3053PD PAGE 1-62)
(PART 11 OF M3063PD PAGE 1-62)
(PART 11 OF M3053TD PAGE 1-78)
(PART 11 OF M3063TD PAGE 1-78)

Item	Part Number	FRU	Name	Quantity	Description (Remarks)
1	46-306963P2	2	COVER, TOP	1	PEN. PANEL COVER, 28"W X 66"H X 7.5D
2	46-306964P2	2	COVER, BOTTOM	1	COVER EXTENSION 19H X 27.75W X 7.25D
3	46-208560P82	2	SCREW	4	SCREW
4	46-208938P5	2	NUT	4	10-32, 3/8" HEX X .130 THK, 18-8 SST
5	46-301211P1	2	PLATE	4	1.4" X .75" REINFORCING PLATE, ALUM
6	46-301212P1	2	NUT	4	.81 DIA HEAD X 1" LG, 5/16-18 INT THD
7	46-301213P2	2	SCREW	4	5/16-18 X 18", BRASS
9	46-208935P9	2	NUT	8	5/16-18, .563 HEX X .219 THK, BRASS

SECTION 5 – CONSOLE

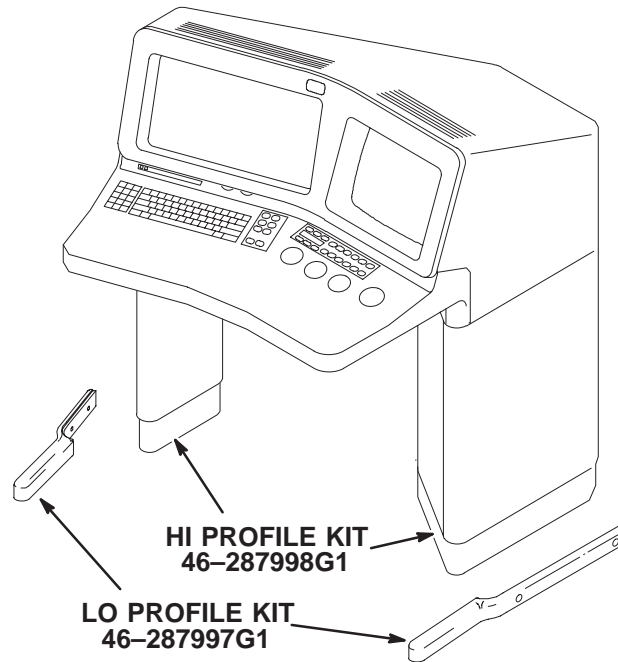


TABLE OF CONTENTS

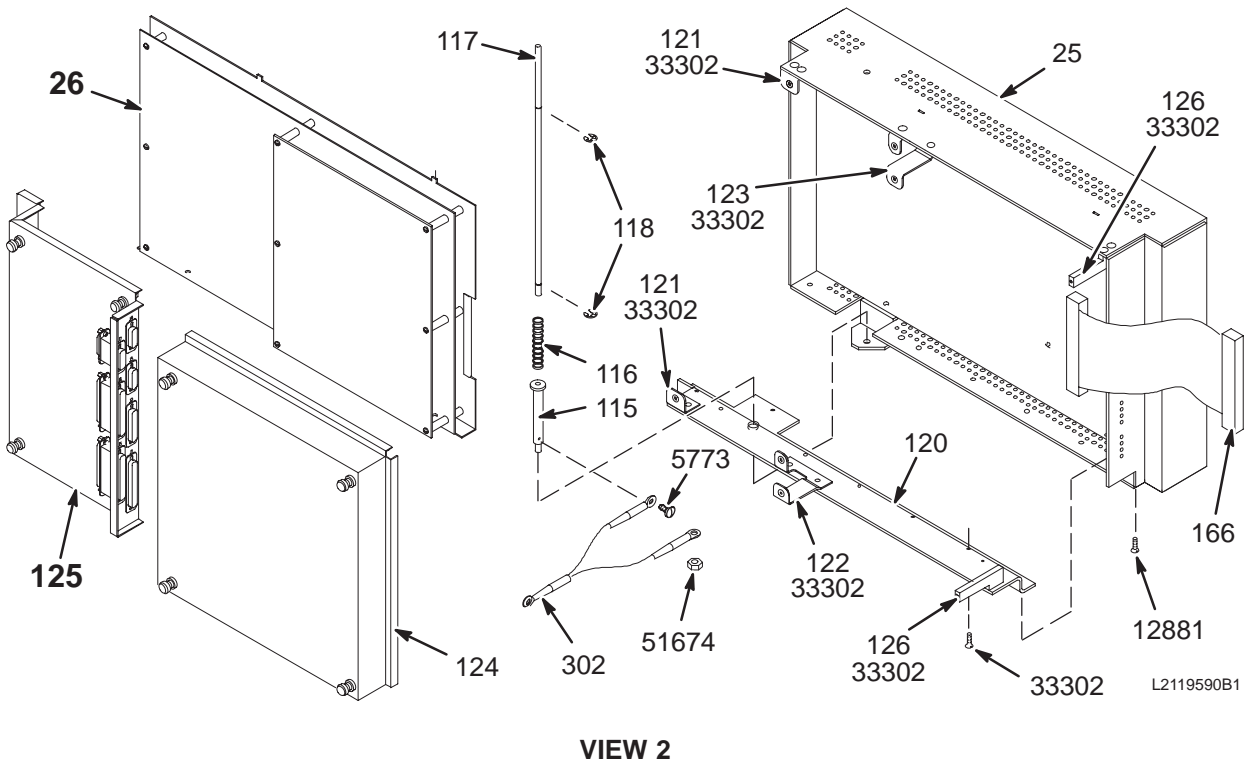
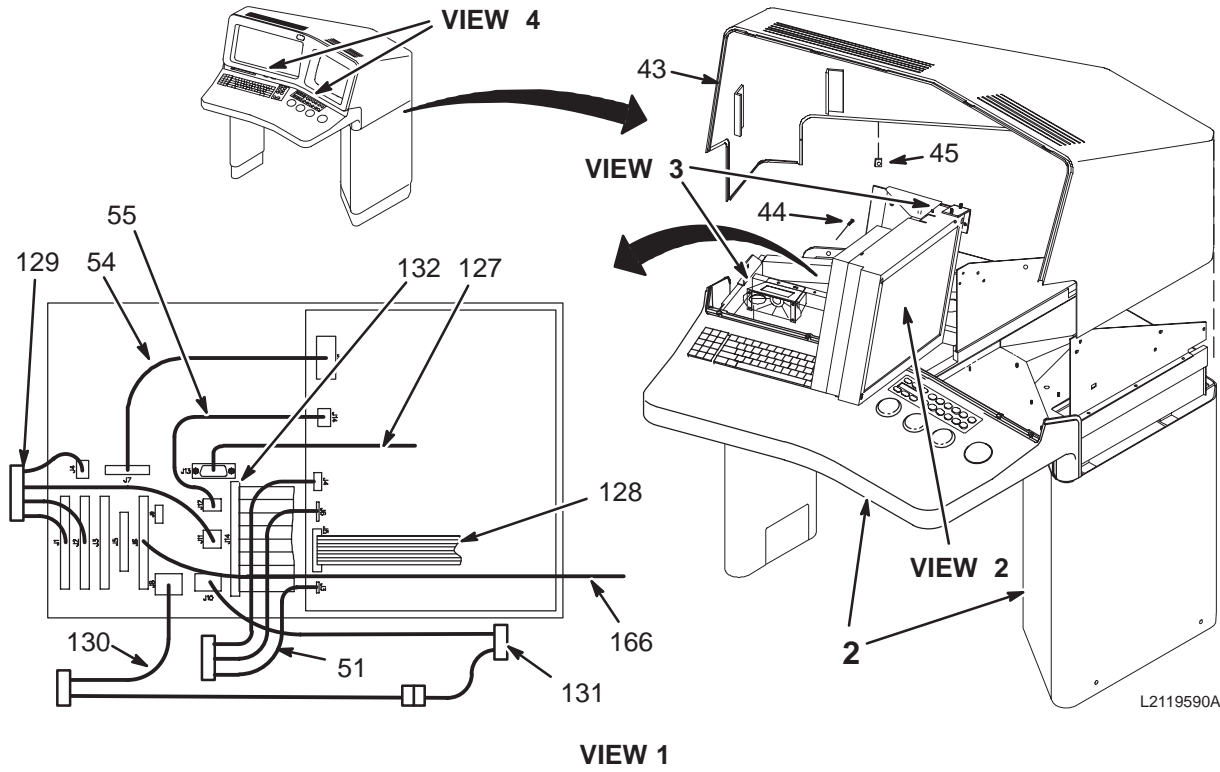
<u>SECTION</u>	<u>PAGE</u>
5-1 HORIZON OPERATOR CONSOLE	5-2
Contains information on Horizon 5.x Operator Console	
EMC OPERATOR CONSOLE	2119590 5-4
LOW PROFILE KIT	46-287997G1 ... 5-19
HI PROFILE KIT	46-287998G1 ... 5-20

5-1 HORIZON OPERATOR CONSOLE

EMC OPERATOR CONSOLE

2119590

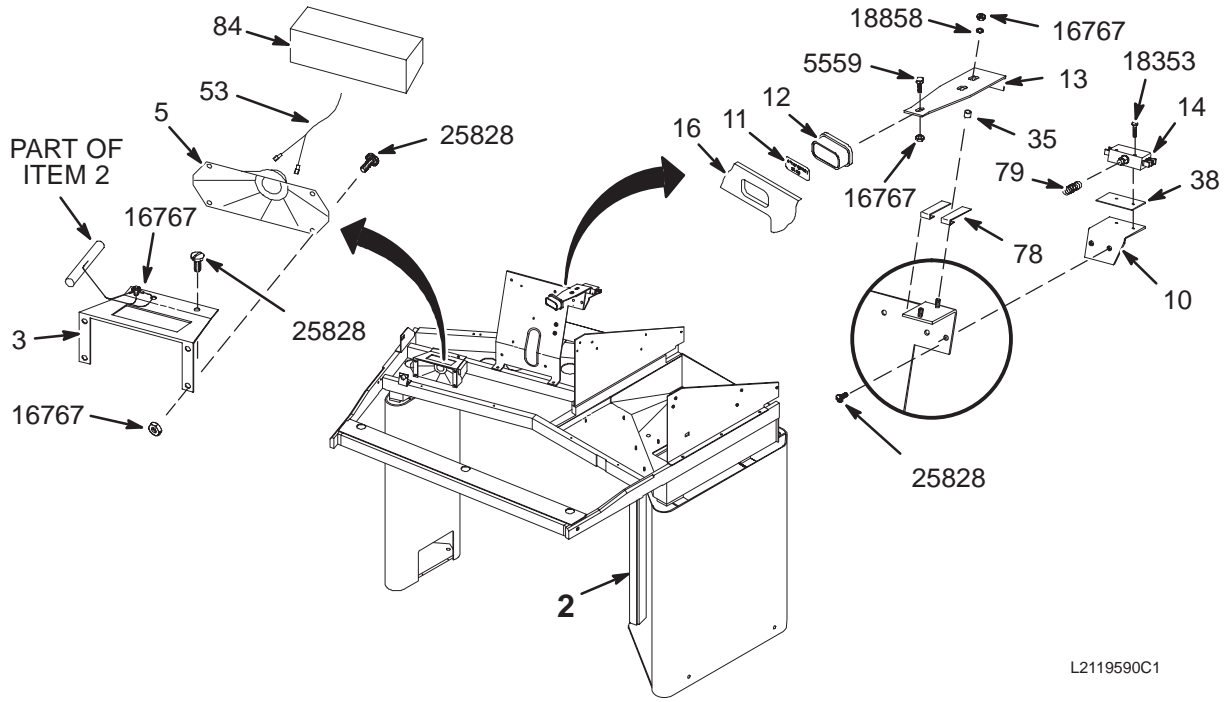
OC1



EMC OPERATOR CONSOLE

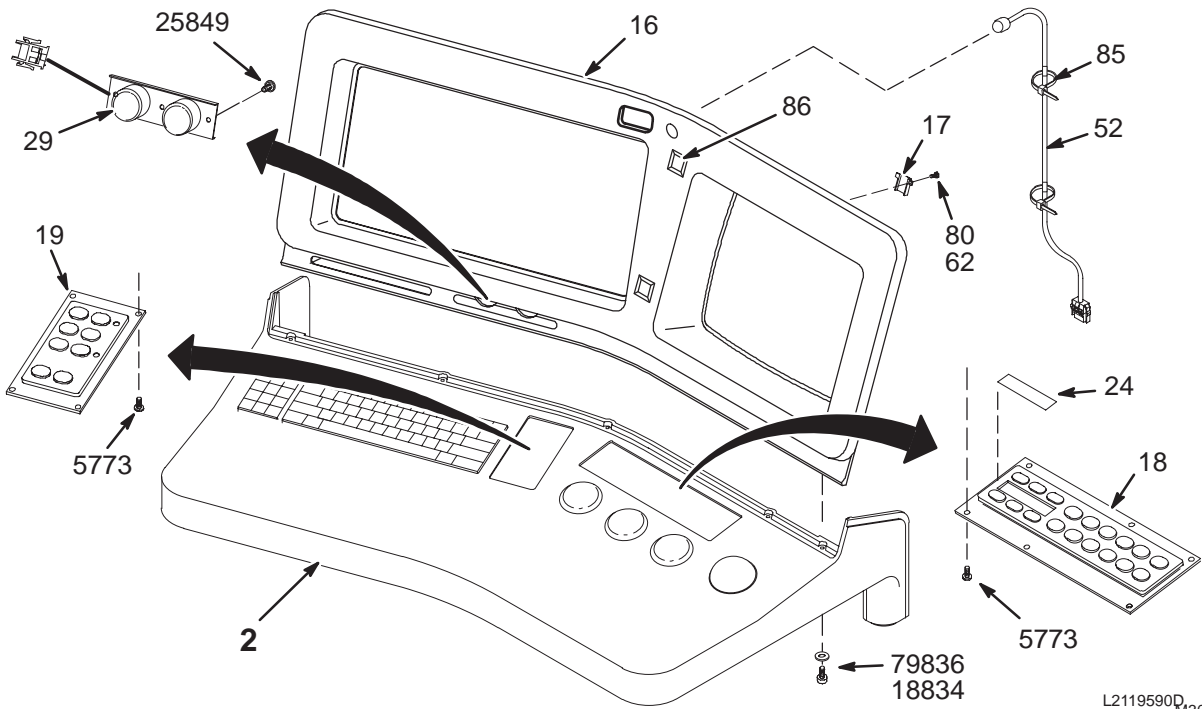
2119590

OC1



L2119590C1

VIEW 3



L2119590D
M301000A
SHT2 G9

VIEW 4

EMC OPERATOR CONSOLE 2119590 FRU N (PART OF 46-317998G10 SECTION 1)

Item	Part Number	FRU	Name	Quantity	Description (Remarks)
2	2119589	N	EMC IC/OC	1	COMMON OPERATOR/INDEPENDNT CONSOLE (SEE PG 5-12)
3	2116350	2	SPEAKER BRKT	1	OP CONSOLE SPEAKER MOUNTING BRACKET
5	46-287429P1	2	SPEAKER	1	8 OHM, 6 WATT RECTANGULAR SPEAKER.
10	46-301787P1	2	SWITCH BRKT	1	EMERGENCY STOP SWITCH MOUNT .09 ALUM
11	46-287759P1	2	LABEL INSERT	1	RED LABEL "EMERGENCY STOP" .03 LEXAN
12	46-307619P1	2	PUSH BUTTON	1	SWITCH BUTTON, MOLDED GREY LEXAN
13	2116347	2	SWITCH SLIDE	1	EMERGENCY STOP SWITCH ACTUATOR
14	46-287823P1	2	SWITCH	1	15 AMP 125/250VAC DPDT SWITCH
16	46-317877G2	2	BEZEL ASM.	1	OC1 CONSOLE BEZEL/GRILL/LABEL ASM
17	46-287802P1	2	CLIP	5	CONSOLE BEZEL RETAINING TAB CLIP
18	2111849-2	1	KEY PAD ASM	1	18-BUTTON KEYPAD FOR OC (NO VIEW OC)
19	2112357-3	1	KEYPAD ASM	1	8-BUTTON (SCAN/IMAGE) KEYPAD FOR OC
24	46-287053P1	2	INSERT	1	ANATOMY LABEL, FROSTED .030 MYLAR
25	2150587	1	TOUCH SCREEN	1	TOUCH SCREEN EMC ASM OC1/IC1 A1 A1
26	2126171	N	BOARD ASM	1	GCB AND AUTOVOICE BOARD ASSEMBLY (SEE PAGE 5-7)
29	46-317878G1	1	POT/KNOB ASM	1	OC1 INTERCOM POT/KNOB ASSEMBLY
35	46-301250P1	2	SPACER	2	3/8"DIA, .2" HOLE, 1/8" THICK, NYLON
38	46-116223P27	2	FISHPAPER	1	2.17"X 1.25"X .031 THK, (2).19 HOLES
40	508A865P9	2	BAG	1	9" X 12" ZIP CLOSURE, NO STRING
43	46-287104P1	2	TOP COVER	1	CONSOLE TOP ENCLOSURE COVER
44	46-306758P2	2	SCREW	5	6SM-20 X 3/4" PHILLIPS HEAD, WHITE
45	46-306814P1	2	U CLIP	5	TINNERMAN # C15520-6A-4
51	2117559	2	CABLE ASM	1	OC1-A3-J3 TO OC1-A1-A3-J3, J4, & J6
52	46-320682G1	2	CABLE ASM	1	MICROPHONE W/ INTERCONNECT CABLE ASM
53	2117560	2	CABLE ASM	1	OC1-A1-A3TO OC1-SP1 OC1-MK1 OC1-R1R2
54	46-301438P1	2	RIBBON CABLE	1	16 CONDUCTOR CABLE, 11.5", J7 TO J8
55	46-301431G1	2	CABLE	1	6 #18 WIRE HARNESS, 6", J12 TO J14
62	46-170686P1	2	SEALANT	AR	LOCTITE 242, 0.5CC TUBE
78	46-170632P2	2	TAPE	AR	UHMW POLYETHYLENE FILM TAPE, 5/8"W
79	46-136353P11	2	SPRING COMP	1	OD 0.6", WIRE DIA .045, MATL SST
80	516A770P403	2	SCREW,MACH	5	4-40 X 0.188 LG BIND HD SST 18-8
84	46-320721P1	2	ACUSTIC FOAM	1	2" WIDE, 6" LONG, 1.5" TO 2" HIGH
85	46-208758P2	2	STRAP	2	5.5" X .140" SELF-LOCKING CABLE TIE.
86	46-208747P2	2	MOUNT	2	CABLE TIE, ADHESIVE BACKED
115	2124208	2	SPRING TUBE	1	PIVOT SHAFT SPRING TUBE
116	46-221953P2	2	SPRING	1	OD 0.420 WIRE DIA 0.045 MAX LB
117	46-301248P1	2	SHAFT	1	TOUCH SCREEN PIVOT SHAFT, 1/4" X 12"
118	46-220277P19	2	RING RETAIN	2	EXT RADIAL MOUNT 0.250 SHAFT DIA
120	2119844	2	BRACKET	1	PLASMA MOUNTING BRACKET, HORIZONTAL
121	2116334	2	ANGLE BRKT	2	I/F PANEL CAPTIVE SCREW RECEPTOR
122	2116333	2	BRACKET, LH	1	UPPER I/F PANEL & ACCESS PANEL MOUNT
123	2116330	2	BRACKET, RH	1	LOWER I/F PANEL & ACCESS PANEL MOUNT
124	2116335	2	HOUSING	1	EMC PLASMA REMOVABLE ACCESS COVER
125	2126170	N	I/F ASSEMBLY	1	PLASMA EMC ENCLOSURE I/F PANEL ASM (SEE PAGE 5-6)
126	2116327	2	BAR, TAPPED	2	EMC PLASMA ASM ACCESS COVER MOUNT

Parts List Continued on Next Page

EMC OPERATOR CONSOLE

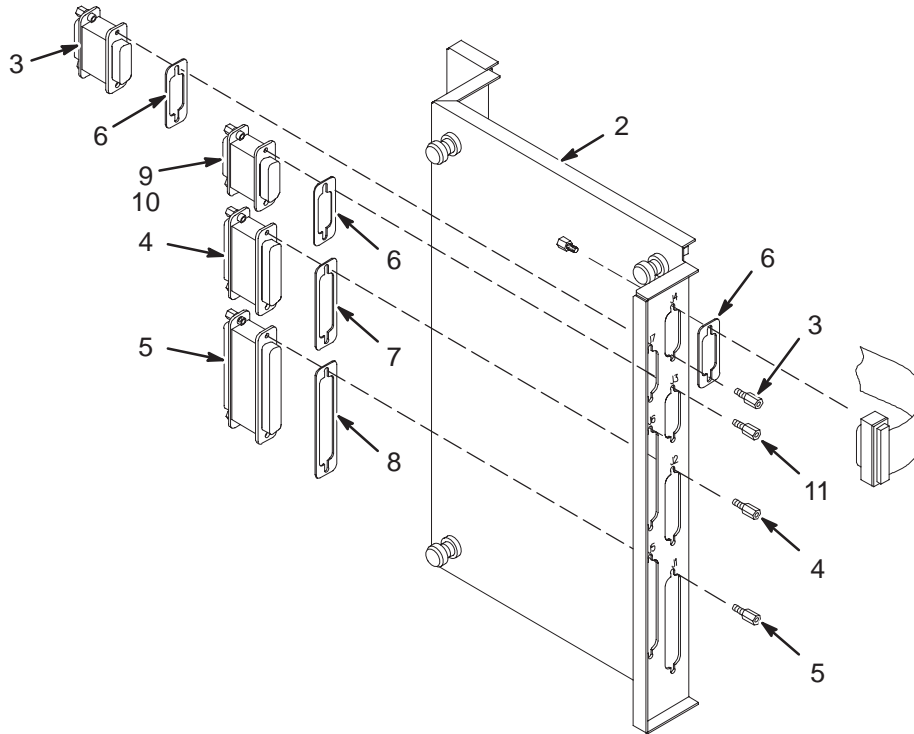
2119590

(CONT'D FROM PREVIOUS PAGE)

Item	Part Number	FRU	Name	Quantity	Description (Remarks)
127	2117555	2	CABLE	1	OC1-A1-J4 TO OC1-A2-J13 (GCP)
128	2117557	2	RIBBON CABLE	1	OC1-A1-J7 TO OC1-A1-A3-J7, 12"
129	2117561	2	CABLE ASM	1	OC1-A2-J2 TO GCP BOARD J1,J2,J4,J11
130	2117564	2	CABLE ASM	1	OC1-A1-J1 TO PLASMA +24V&OC1-A1-A2J8
131	2117567	2	CABLE ASM	1	OC1A1A1-J7 TO OC1A1A2-J12&PLASMA+24V
132	2117568	2	RIBBON CABLE	1	OC1-A1-J5/J6 TO OCI-A2-J14 (GCP)
166	2127428	2	RIBBON CABLE	1	23", 50 COND. GCP J6 TO PLASMA J2
302	2117570	2	CABLE ASM	1	PLASMA BOX GROUND BRAID
5559	46-170015P17	2	SCR,SEMS	1	10-32 X 1/4 LG BIND HD STL EXT TOOTH
5773	46-170015P18	2	SCR,SEMS	11	6-32 X 0.312 LG BIND HD STL EXT
12881	46-170498P31	2	SCREW,	7	10-32 X 0.375 LG HEX SOC HD STL
16767	46-208941P8	2	NUT,HEX,MS	3	10-32 .375 HEX X .124 THK STL F70B5A
17666	46-208908P31	2	SCREW,MACH	2	8-32 X 0.260 SLOT FLT HD F70B5A
18353	46-208560P3	2	SCREW,MACH	2	6-32 X 1.000 LG BIND HD STL F70B5A
18834	12-244	2	WASHER	5	ID 0.1495, OD 0.438, THK .051, BRASS
18858	12-276	2	WASHER	2	ID 0.2040 OD 0.5630 THK .0478
25828	46-208560P45	2	SCREW,MACH	8	10-32 X 0.375 LG BIND HD STL F70B5A
25849	46-208560P48	2	SCREW,MACH	3	6-32 X 0.380 LG BIND HD STL F70B5A
33302	46-208562P21	2	SCREW OLD	12	00008-32 X 0.375 LG HEX SOC FLAT HD
51674	46-170012P39	2	NUT,LOCK	1	10-32, 3/8" HEX KEPS NUT, 1/8" THICK
79836	46-208737P39	2	SCREW,CAP	5	6-32 X 1/2, HEX SOC HEAD, SST 18-8

LOWER HOUSING ASM

2126170

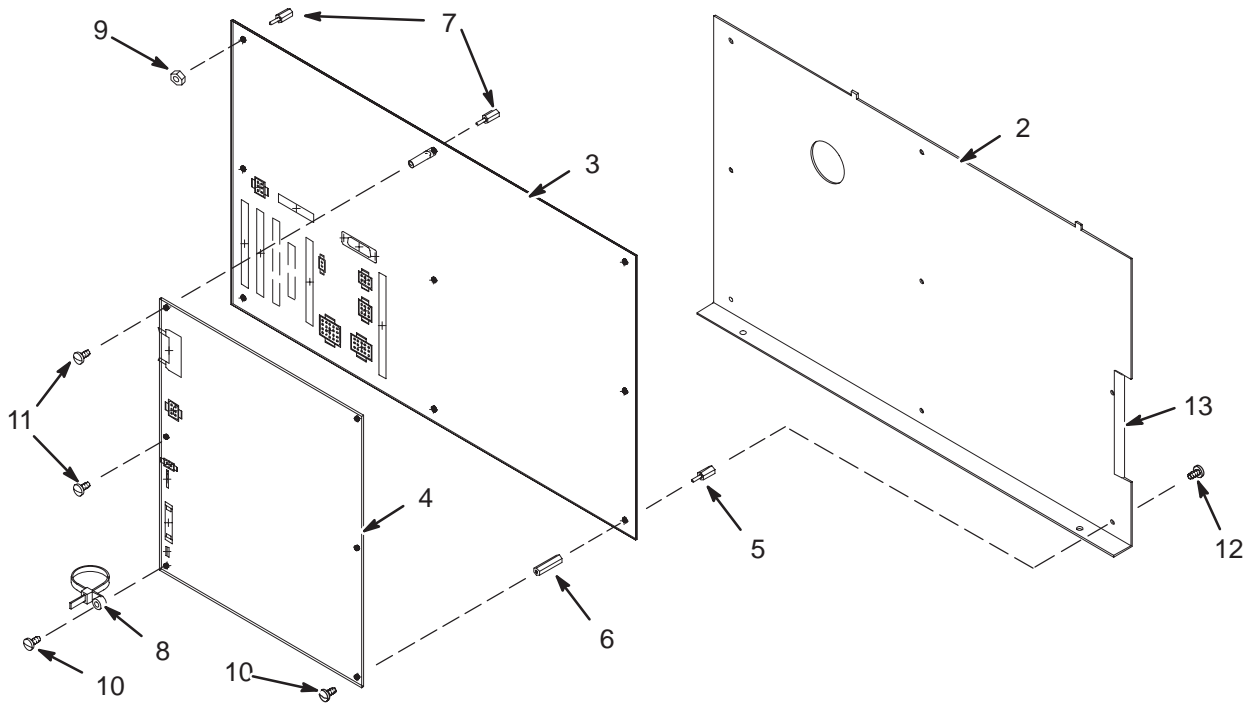


LOWER HOUSING ASM 2126170 FRU N (PART OF 2119590 PAGE 5-4)

Item	Part Number	FRU	Name	Quantity	Description (Remarks)
2	2116336	2	I/F COVER	1	PLASMA ASM EMC COVER & I/F PLATE
3	46-271920P2	2	CONNECTOR	2	CONNECTOR 15 CONTACTS 100 VOLTS 5 AM
4	46-271920P3	2	CONNECTOR	1	CONNECTOR 25 CONTACTS 100 VOLTS 5 AM
5	46-271920P4	2	CONNECTOR	3	CONNECTOR 37 CONTACTS 100 VOLTS 5 AM
6	2119591	2	GASKET	3	15 PIN SUB-D EMI FILTER GASKET
7	2119591-2	2	GASKET	1	25 PIN SUB-D EMI FILTER GASKET
8	2119591-3	2	GASKET	3	37 PIN SUB-D EMI FILTER GASKET
9	2138108	2	CONNECTOR	1	CONNECTOR 15 CONTACTS
10	46-221417P1	2	CONNECTOR	1	FEMALE SCREWLOCKS, TWO PER KIT
11	46-221417P5	2	CONNECTOR	1	FEMALE SCREWLOCKS FOR HD CONNECTORS.
12	2141180	2	SCREWLOCK	2	4-40 FEMALE SCREWLOCK, .938 LONG

GCB & AUTOVOICE BOARD ASM

2126171



GCB & AUTOVOICE BD ASM

2126171

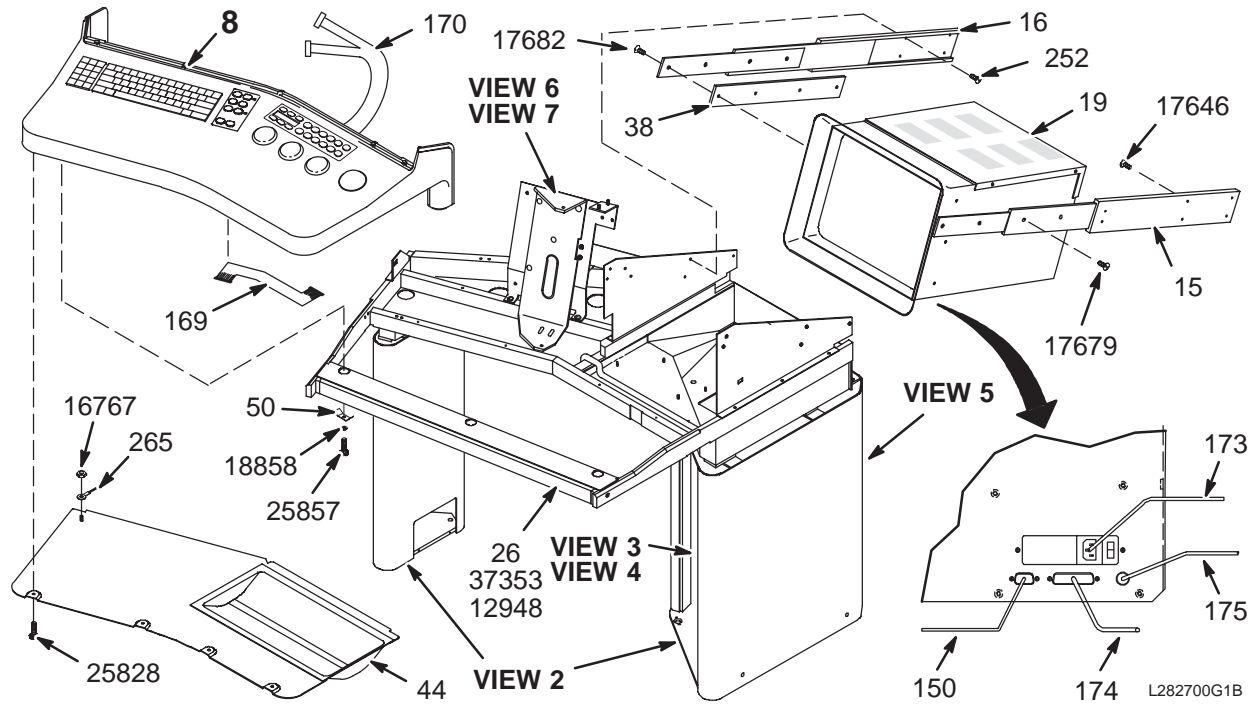
FRU N

(PART OF 2119590 PAGE 5-4)

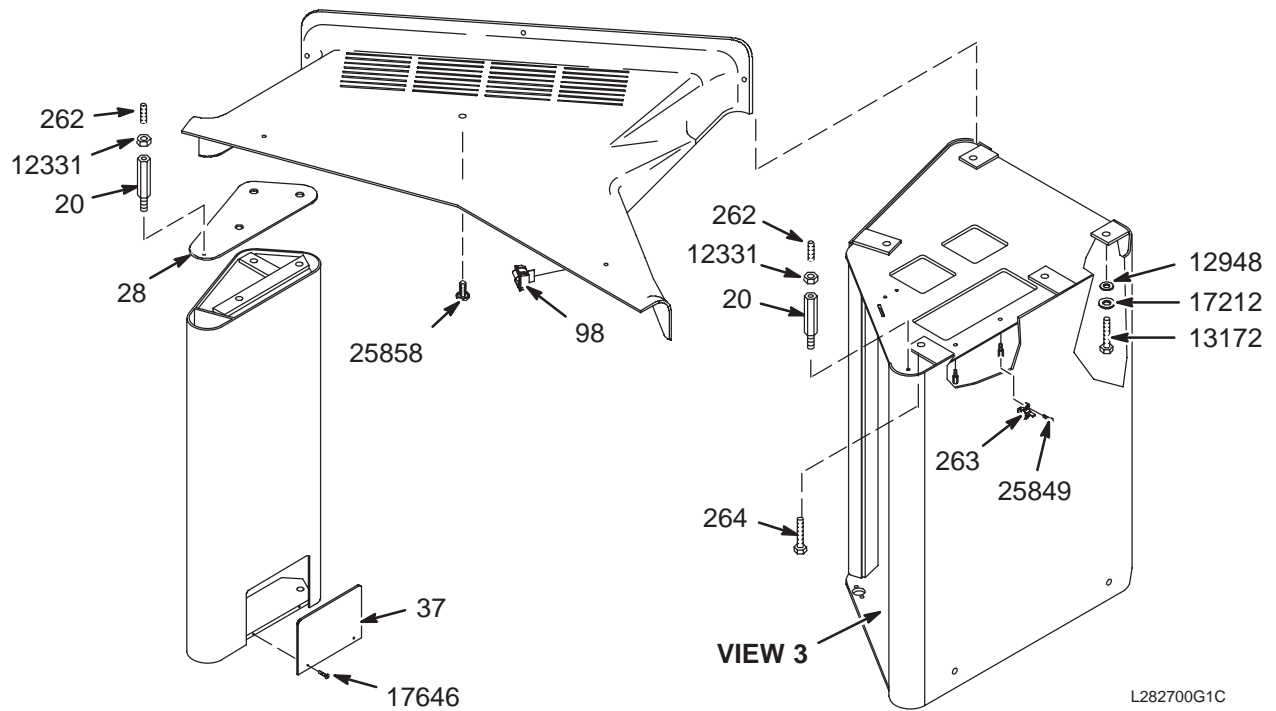
Item	Part Number	FRU	Name	Quantity	Description (Remarks)
2	2119847	2	GCP MOUNT	1	GCP/AUTOVOICE BOARD MOUNTING PLATE
3	46-264380G8	1	CIRCUIT BD	1	GCP BOARD OC1/1C1 A1 A2
4	46-264756G5	1	CIRCUIT BD	1	AUTOVOICE BOARD, OC1 A1 A3
5	46-208984P1	2	SPACER	9	HEX 0.250 THD EXT 6-32 INT 6-32
6	46-301017P1	2	SPACER	3	1/4" HEX X 1" LG, 6-32 THD, BRASS
7	46-256109P4	2	STANDOFF	3	SWIVEL,ROUND,FEMALE/FEMALE,
8	46-208759P6	2	STRAP	1	7.81" X .184" SELF-LOCKING CABLE TIE
9	46-208935P5	2	NUT,HEX,MS	3	6-32, .313 HEX X .109 THK, BRASS
10	46-170015P27	2	SCR,SEMS	4	6-32 X 1/2" LG BIND HD STL EXT TOOTH
11	46-208560P68	2	SCREW,MACH	2	6-32 X 1/4" LONG, BIND HEAD, STEEL
12	46-208560P48	2	SCREW,MACH	9	6-32 X 0.380 LG BIND HD STL F70B5A
13	46-170209P1	2	TAPE	AR	0.034 X 1.00 X 100 FT

COMMON CONSOLE

2119589



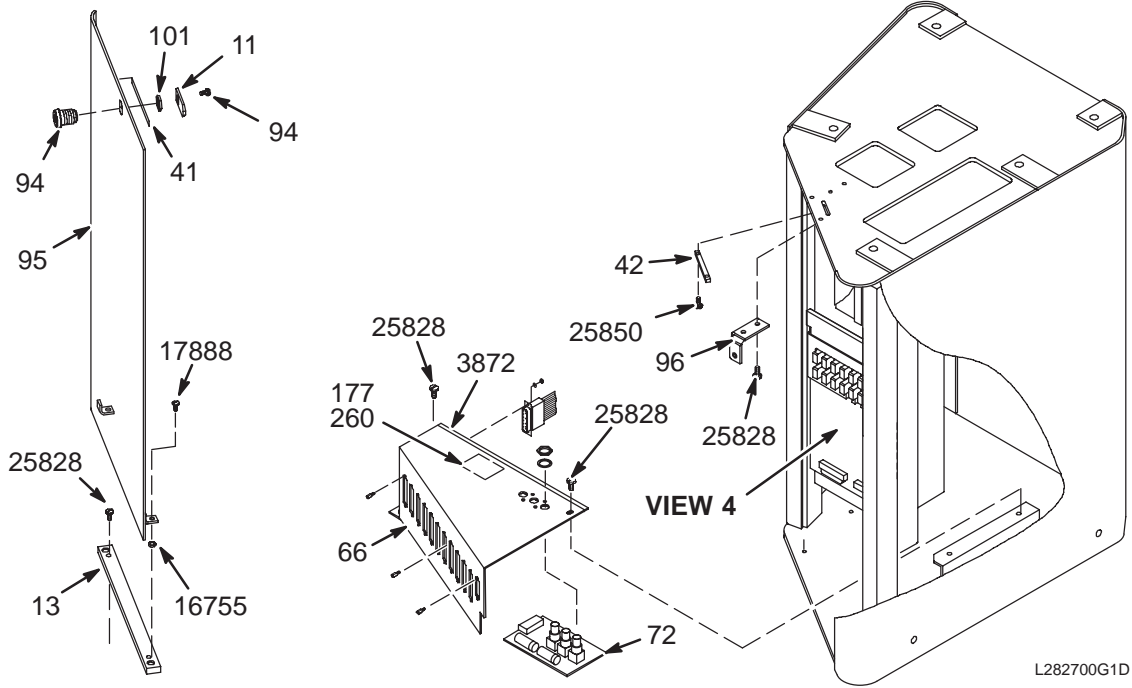
VIEW 1



VIEW 2

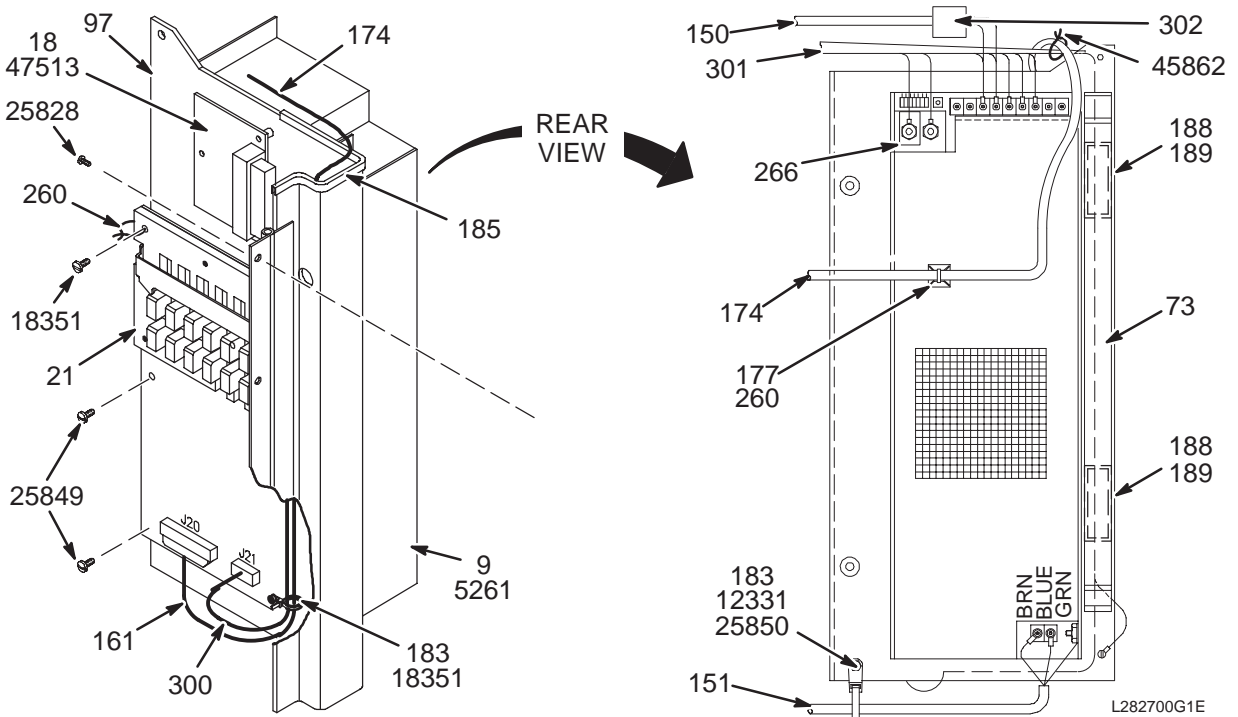
COMMON CONSOLE

2119589



L282700G1D

VIEW 3

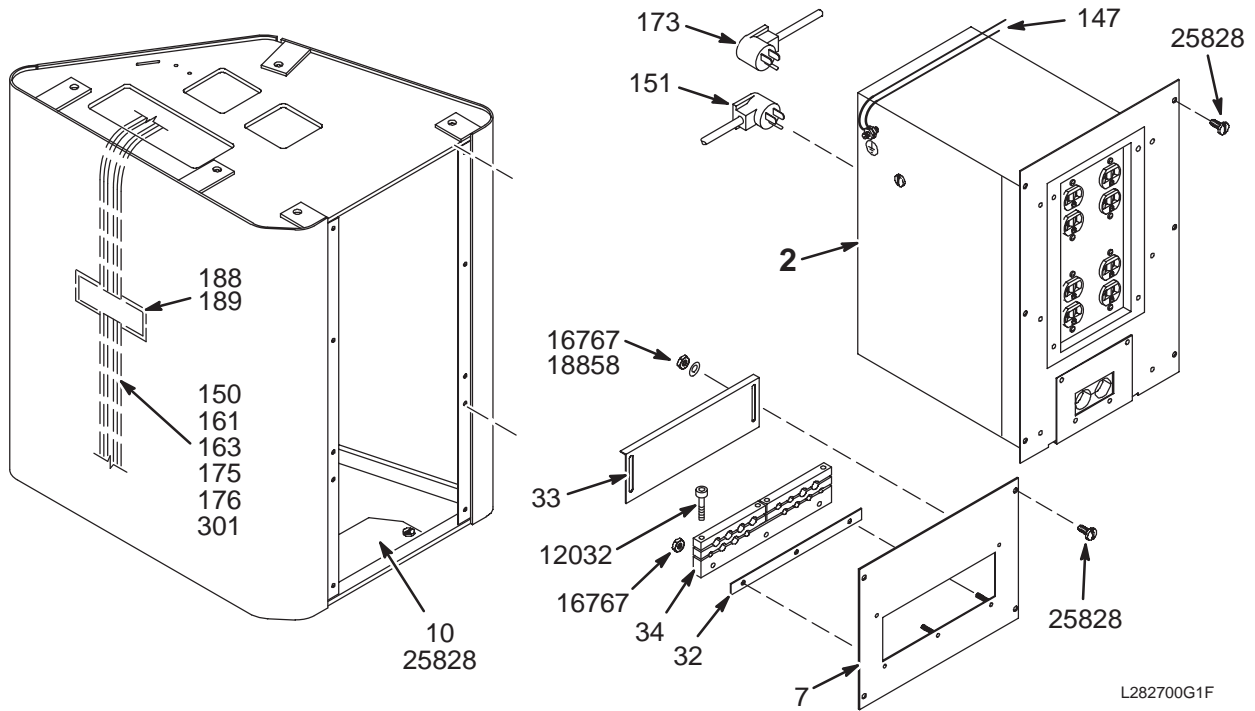


L282700G1E

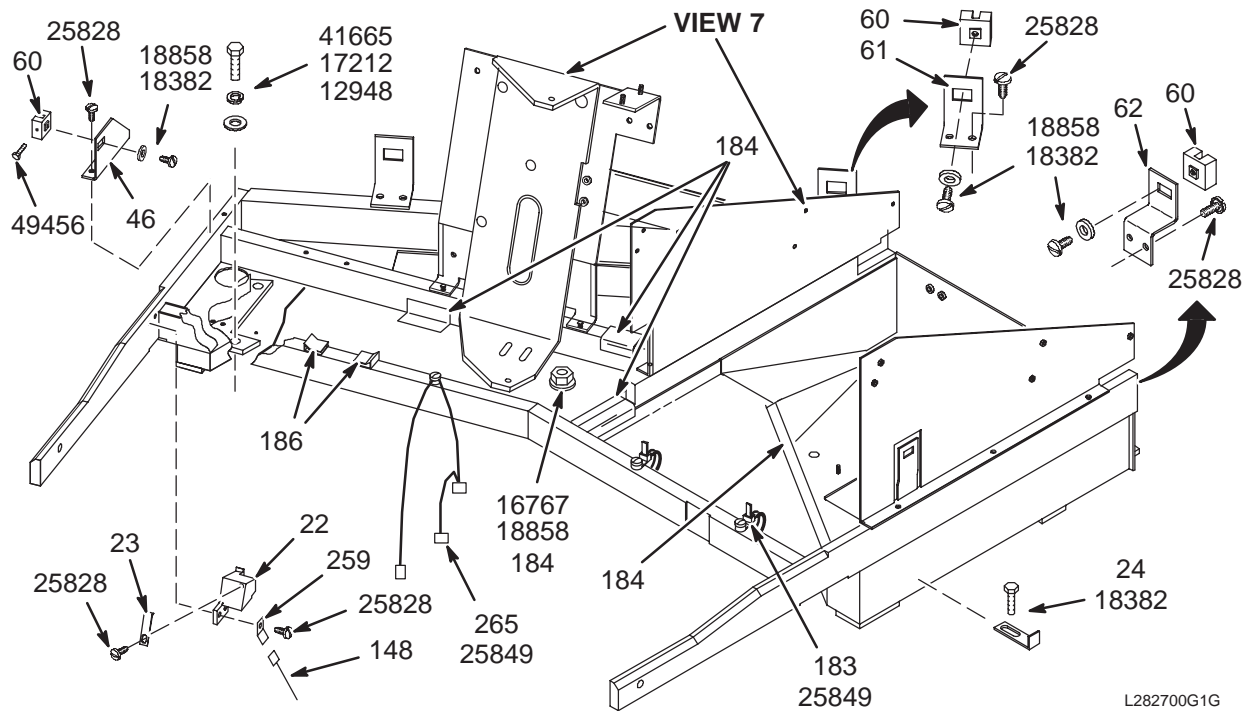
VIEW 4

COMMON CONSOLE

2119589



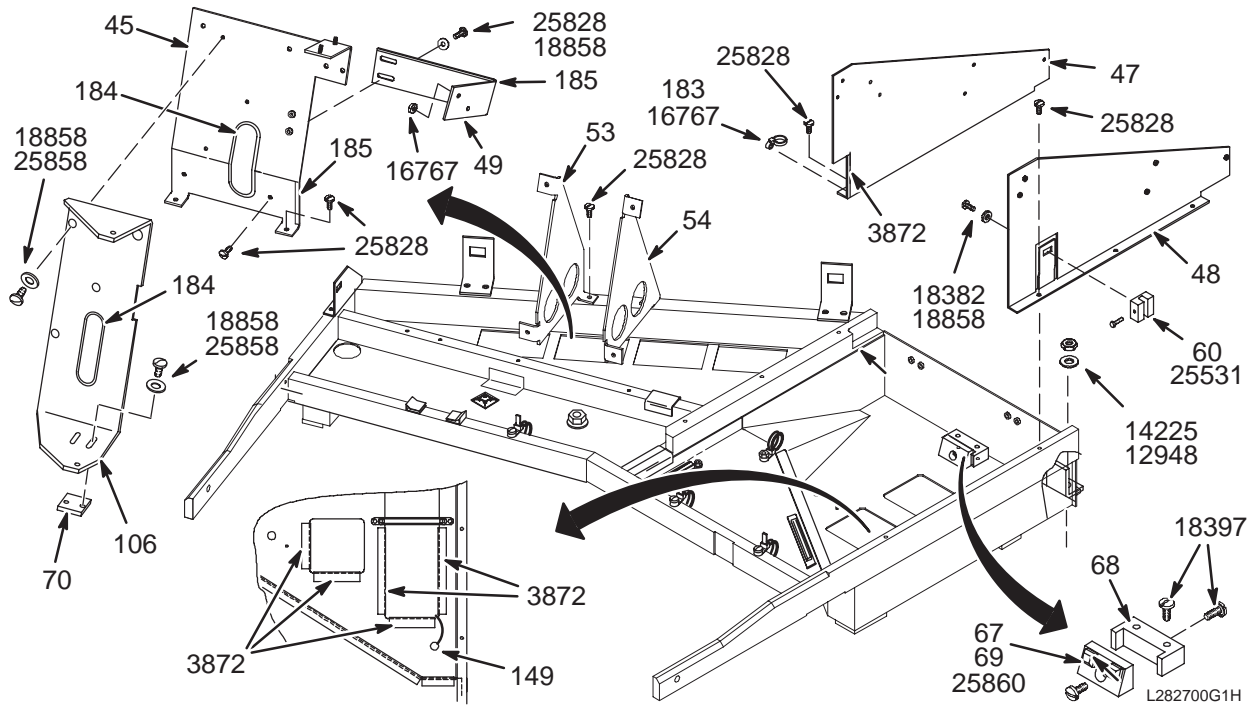
VIEW 5



VIEW 6

COMMON CONSOLE

2119589



VIEW 7

EMC COMMON CONSOLE 2119589 FRU N (PART OF 2119590 PAGE 5-4)

Item	Part Number	FRU	Name	Quantity	Description (Remarks)
2	46-287999G1	N	PWR DIST MOD	1	CONSOLE POWER MODULE, IC1/OC1 A12 (SEE PAGE 5-17)
7	46-287109P1	2	REAR COVER	1	SIGNAL CABLE STRAIN RELIEF PLATE
8	46-282880G1	N	KEYBOARD ASM	1	CONSOLE KEYBOARD ASSEMBLY (SEE PAGE 5-15)
9	46-301520P2	1	POWER SUPPLY	1	EMC CONSOLE POWER SUPPLY, OC1 A11 A3
10	46-287392P1	2	ACCESS COVER	1	FLOOR ENTRY COVER PLATE
11	46-287990P1	2	PLATE, LATCH	1	ACCESS DOOR LATCH BAR
13	46-317097P1	2	BRACKET	1	ACCESS DOOR LOWER BOLT GUIDE BAR
15	46-287517P1	2	SLIDE	1	RIGHT SIDE SLIDE TRACK, 21" EXTEND
16	46-287517P2	2	SLIDE	1	LEFT SIDE SLIDE TRACK, 21" EXTEND
18	46-282884P3	2	REMOTE BOARD	1	IMAGE MON. REM. ADJ. BD.OC1/IC1A11A1
19	46-282884P4	1	MONITOR	1	COST REDUCED GENESIS MONITOR
20	506A657P76	2	EXTENSION	2	HEX 0.500 THD EXT 10-32 INT 6-32
21	46-301195G2	1	BOARD ASM	1	SECURITY BOARD ASM, OC1/IC1 A11 A2
22	2116348	2	MTG BLOCK	1	EMC TOUCHSCREEN HOLD DOWN CLIP MOUNT
23	46-301463P1	2	STOP BRKT	1	TOUCH SCREEN HOLD DOWN CLIP
24	46-307889P1	2	SPRING CLIP	2	1.75L X .5W X .5H ALUM ANGLE BRACKET
26	46-301262P1	2	BAR	1	UPPER FRONT SUPPORT BAR
28	46-301604P1	2	PLATE	1	SUPPORT PEDESTAL TOP COVER
32	46-282944P1	2	SPACER	1	8.6"L X .62"W, 1/16" THICK ALUMINUM
33	46-282869P1	2	COVER	1	CABLE STRAIN RELIEF COVER PLATE
34	46-287391P1	2	CLAMP	1	SIGNAL CABLE STRAIN RELIEF, 5 PC SET
37	46-287393P1	2	ACCESS COVER	1	SUPPORT PEDESTAL ACCESS COVER PLATE
38	46-301640P1	2	SPACER PLT	1	IMAGE MONITOR SLIDE TRACK SPACER
41	46-301760P1	2	GASKET	.250	RFI/EMI SHIELDING GASKET.
42	46-301790P1	2	GRND BAR	1	4"L X 3/8"W, 1/4' THICK BRASS
44	46-287642P1	2	CVR KBD HSNB	1	KEYBOARD HOUSING BOTTOM PAN
45	2116340	2	PLASMA BRKT	1	EMC TOUCH SCREEN ASM MOUNTING PLATE
46	46-301782P1	2	SIDE BRKT	1	ENCLOSURE COVER CLAMP BLOCK MOUNT
47	46-301789P1	2	MIDDLE BRKT	1	MIDDLE VERTICAL SUPPORT PLATE
48	46-287223P1	2	UP FRAME RS	1	RIGHT SIDE VERTICAL SUPPORT PLATE
49	2116346	2	SUPPORT BRKT	1	EMC TOUCH SCREEN PLATE REINFORCE
50	46-301327P1	2	CLAMP	3	KEYBOARD ASM RETAINING SADDLE CLIP
51	46-230516P3	2	ANCHOR	6	RAWL 9340H/S DROP-IN HEAVY DUTY 3/8"
53	2116342	2	LEFT SUPPORT	1	EMC PLASMA ASM PLATE SUPPORT BRACKET
54	2116344	2	RGHT SUPPORT	1	EMC PLASMA ASM PLATE SUPPORT BRACKET
55	46-301813P1	2	BASE DECAL	2	CHARCOAL GRAY .005 LEXAN 45"X 2-3/4"
60	46-301466P1	2	CLAMP BLOCK	6	ENCLOSURE TOP COVER CLAMPING BLOCK
61	46-287834P1	2	BRACKET	2	ENCLOSURE COVER CLAMP BLOCK BRACKET
62	46-287835P1	2	BRACKET	2	ENCLOSURE COVER CLAMP BLOCK SUPPORT
66	46-287923P1	2	VIDEO PANEL	1	CONSOLE I/F PANEL, OC1/IC1 A10
67	46-220183P1	2	BUMPER	2	0.500 SQ X 0.225 THK BLK PLASTIC
68	46-287212P1	2	MTG BLOCK	1	IMAGE MONITOR BUMPER BLOCK MOUNT
69	46-287213P1	2	STOP BLOCK	1	ADJUSTABLE IMAGE MONITOR BUMPER STOP
70	2116006	2	SUPPORT SHIM	1	EMC PLASMA ASM PIVOT BRACKET SUPPORT
72	46-288872G1	1	CIRCUIT BD	1	DIFFERENTIAL VIDEO BOARD—

Parts List Continued on Next Page

EMC OPERATOR CONSOLE

2119589

(CONT'D FROM PREVIOUS PAGE)

Item	Part Number	FRU	Name	Quantity	Description (Remarks)
73	46-306962P1	2	HANDLE	1	IMAGE MONITOR PULL-OUT TOOL (HANDLE)
94	46-251584P1	2	LOCK	1	BRASS AND ZINC LOCK WITH TWO KEYS
95	46-287220P1	2	DOOR,CABINET	1	POWER PEDESTAL ACCESS DOOR
96	46-287055P1	2	BRACKET	1	SWING PANEL LATCH BRACKET
97	46-287956P1	2	SWING PANEL	1	CONSOLE SWING PANEL, OC1/IC1 A11
98	46-221866P5	2	SWITCH	1	CONSOLE ON/OFF SWITCH, OC1/IC1 S1
101	46-251585P1	2	NUT	1	3/4-27 THREAD, 7/8" HEX, BRASS
104	46-287225P1	2	BUTTON	4	MIST GRAY PLUG BUTTON, 5/16" HOLE
106	2108452	2	PIVOT BRKT	1	EMC PLASMA ASSEMBLY PIVOT BRACKET
124	46-306556P1	2	FISH PAPER	1	2 PIECE, 20 X 8-1/2 & 9-1/2 X 8-1/2"
125	46-287053P2	2	INSERT	1	BLANK KEYPAD INSERT LABEL, MYLAR
147	2127715	2	LEAD DATA	1	.25" BRAID, RING TERMS, 9.50" LG
148	2127716	2	LEAD DATA	1	PUSH-ON/RING TERMS, 7.25" LG
150	2117562	2	CABLE ASM	1	OC1-A2-J2 TO OC1-A10-J1/J4 ETC. ETC.
151	46-301417G1	2	POWER CORD	1	27" BLACK 3-#18 CORD, RT ANGLE PLUG
161	2117571	2	CABLE	1	OC1-A10-J10 TO OC1-A11-A2-J20, 72"
163	2117556	2	CABLE	1	OC1-A10-J12 TO OC1-A1-J4, 8-FOOT
169	46-301436P1	2	RIBBON CABLE	1	IP KEYPAD J4 TO SYSTEM KEYPAD J1
170	2117569	2	RIBBON CABLE	1	OC1-A4-J5 TO OC1-A1-J6 AND OC1-A1-J5
173	46-301440G1	2	AC PWRCORD	1	48" BLACK 3-#18 CORD, IMAGE MONITOR
174	2127427	2	EMC CABLE	1	MONITOR TO MONITOR REMOTE BD, EMC
175	46-301442G1	2	CABLE	1	IMAGE MONITOR TO VIDEO RELAY J14
176	2117558	2	CABLE	1	OC1-A10-J9 TO OC1-A1-J7, 7'4"
177	46-208747P2	2	MOUNT	2	CABLE TIE, ADHESIVE BACKED
178	506A657P74	2	EXTENSION	2	1/4" HEX X 13/16" 6-32 THREAD, SST
183	46-208759P1	2	STRAP	9	7.81" X .184" SELF-LOCKING CABLE TIE
184	46-170209P1	2	TAPE	AR	0.034 X 1.00 X 100 FT
185	46-279632P1	2	GROM STRIP	AR	POLYETHYLENE STRIP, ELECTROVERT GS-4
186	46-208712P1	2	CLIP,WIRE	2	DEK PART NO. 031-0100
188	46-136246P14	2	TAPE FAST	1.100	2" WIDE, WHT, ADH BACK, VELCRO LOOP
189	46-136246P21	2	TAPE FAST	1.100	2" WIDE X 25 YD WHITE HOOKS
259	46-211422P10	2	TAB	1	0.250" PUSH-ON TAB (FASTON).
260	46-208758P2	2	STRAP	3	5.5" X .140" SELF-LOCKING CABLE TIE.
261	508A865P9	2	BAG	1	9" X 12" ZIP CLOSURE, NO STRING
262	46-286424P1	2	CUSTOM SCREW	2	SET SCREW, 6-32 THD, .062 HEX SOCKET
263	46-208718P8	2	CLAMP	2	ID 0.6875 LOOP TYPE
264	46-328473P1	2	BT.HD. SCREW	1	3/8-16 X 1.500 BUTTONHEAD CAP SCREW
265	2121433	2	CABLE	1	GROUND WIRE "DAISY-CHAIN" ASSEMBLY
266	2133773	2	GROUND STRIP	1	GROUND STRIP
300	2117563	2	CABLE	1	OC1-A11-A2-J21 TO +V1, -V1, -V1, 25"
301	2117565	2	CABLE	1	OC1-A1-J1 TO OC1-A11-A3, 7-FT LONG
302	46-276217P2	2	LINE FILTER	1	COMBINATION NYLON CASE AND
3872	46-220178P10	2	GROMMET	3.200	12.75" LONG GROMMET STRIP, OFF WHITE
5261	46-170015P2	2	SCR,SEMS	4	8-32 X 1/2 LG BIND HD STL EXT TOOTH
12032	46-170498P33	2	SCREW,	4	10-32 X 1.750 LG HEX SOC HD STL

Parts List Continued on Next Page

EMC OPERATOR CONSOLE

2119589

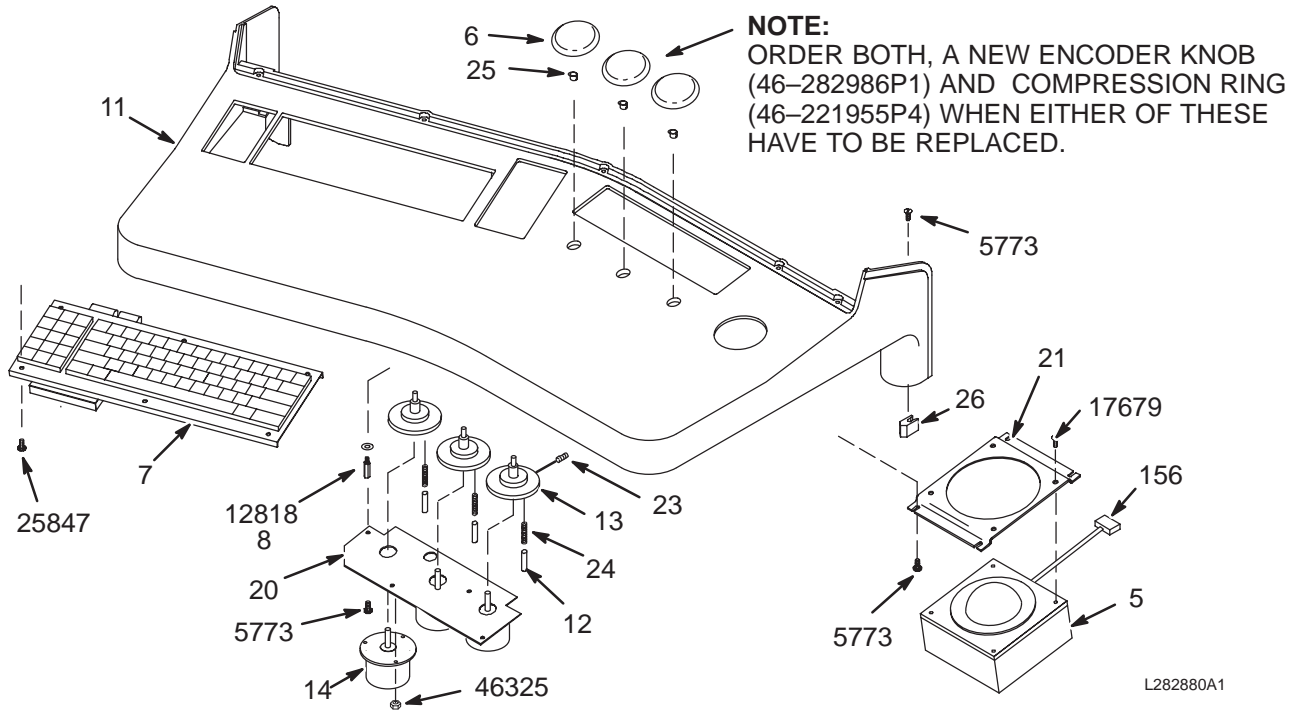
(CONT'D FROM PREVIOUS PAGE)

Item	Part Number	FRU	Name	Quantity	Description (Remarks)
12331	46-208937P1	2	NUT,HEX,MS	3	6-32 .313 HEX X .109 THK 316 SST
12948	1000904P153	2	WASHER,FLAT	24	ID 0.4060 OD 0.7500 THK .0598
13172	46-208932P13	2	SCREW,CAP	4	3/8-16 X 1.5" HEX HEAD, 18-8 SST
14225	46-208948P2	2	NUT,HEX	5	3/8-16 .563 HEX X .328 THK, 18-8 SST
16755	46-208935P8	2	NUT,HEX,MS	2	1/4-20, 7/16" HEX X 3/16 THK, BRASS
16760	46-208935P5	2	NUT,HEX,MS	3	6-32, .313 HEX X .109 THK, BRASS
16767	46-208941P8	2	NUT,HEX,MS	12	10-32 .375 HEX X .124 THK STL F70B5A
17212	46-220181P9	2	WASHER,LOCK	11	SCREW SIZE 3/8 (0.375) STL
17646	46-208908P20	2	SCREW,MACH	12	6-32 X 0.375 SLOT FLT HD F70B5A
17679	46-208908P36	2	SCREW,MACH	4	8-32 X 0.626 SLOT FLT HD F70B5A
17682	46-208908P37	2	SCREW,MACH	4	8-32 X 0.750 SLOT FLT HD F70B5A
17888	46-220184P54	2	SCREW MACH	2	1/4-20 X 1" LG, RND HD SLOT, BRASS
18351	46-208560P28	2	SCREW,MACH	4	6-32 X 0.750 LG BIND HD STL F70B5A
18382	46-208560P36	2	SCREW,MACH	7	10-32 X 0.312 LG BIND HD STL F70B5A
18397	46-208560P37	2	SCREW,MACH	4	10-32 X 1.000 LG BIND HD STL F70B5A
18599	46-208561P41	2	SCREW,CAP	4	3/8-16 X 1.000 LG HEX HD STL GRADE
18858	12-276	2	WASHER	21	ID 0.2040 OD 0.5630 THK .0478
25531	46-170498P32	2	SCREW,	6	10-32 X 0.625 LG HEX SOC HD STL
25828	46-208560P45	2	SCREW,MACH	56	10-32 X 0.375 LG BIND HD STL F70B5A
25849	46-208560P48	2	SCREW,MACH	7	6-32 X 0.380 LG BIND HD STL F70B5A
25850	46-208560P25	2	SCREW,MACH	3	6-32 X 0.625 LG BIND HD STL F70B5A
25857	46-208560P74	2	SCREW,MACH	3	10-32 X 0.438 LG BIND HD STL F70B5A
25858	46-208560P30	2	SCREW,MACH	9	10-32 X 1/2" LONG, BIND HEAD, STEEL
25860	46-208560P49	2	SCREW,MACH	1	10-32 X 0.750 LG BIND HD STL F70B5A
37353	46-208932P4	2	SCREW,CAP	2	3/8-16 X 1", HEX HEAD, 18-8 SST
41665	46-208932P8	2	SCREW,CAP	3	3/8-16 X 1.25" HEX HEAD, 18-8 SST
45862	46-208758P1	2	STRAP	5	3.62" X .094" CABLE TIE
47513	46-208922P4	2	SCREW,MACH	3	6-32 X 0.375 NYLON
49334	46-170498P50	2	SCREW,	6	3/8-16 X 2.000 LG HEX SOC HD STL

KEYBOARD ASSEMBLY

46-282880G1

IC1 A3



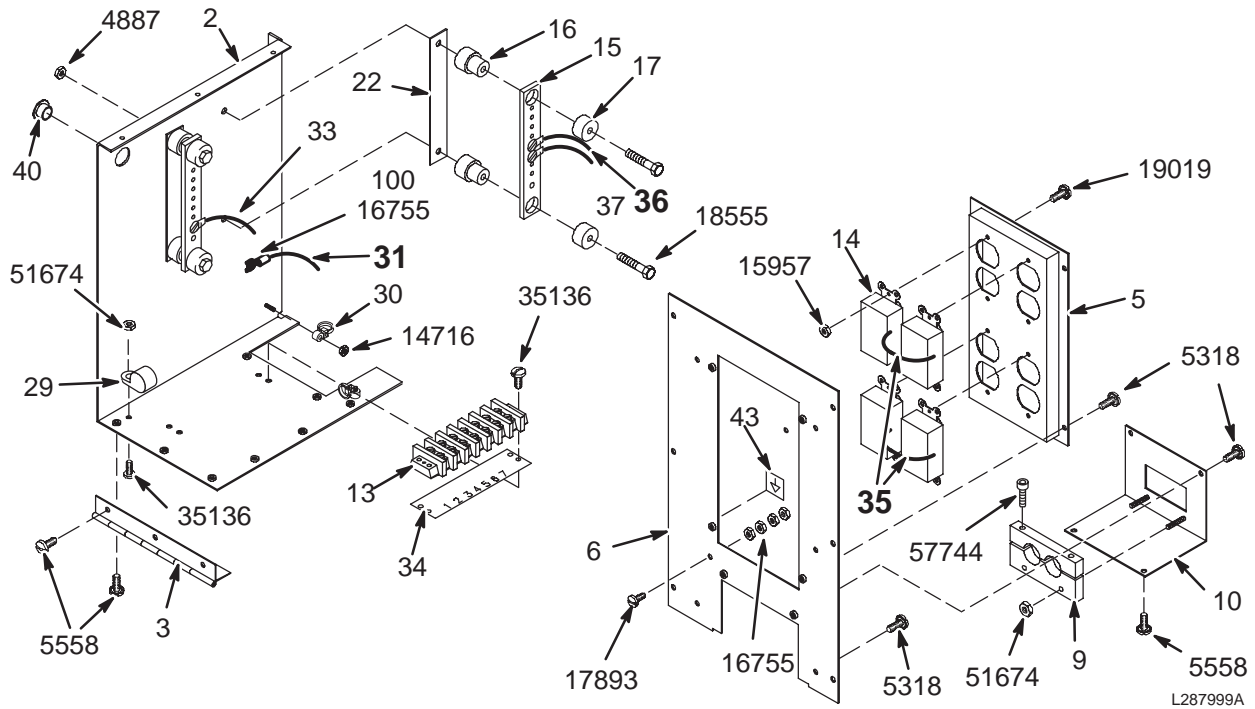
KEYBOARD ASM 46-282880G1 FRU N (PART OF 2119589 PAGE 5-12)

Item	Part Number	FRU	Name	Quantity	Description (Remarks)
5	46-282936P1	1	TRACKBALL	1	TRACKBALL, OC1/IC1 A9
6	46-282986P1	2	ENCODER KNOB	3	ENCODER KNOB, MIST GRAY LEXAN
7	46-282885P1	1	MR/CT KEYBD	1	A/N KEYBOARD, OC1/IC1 A3
8	506A657P74	2	EXTENSION	4	1/4" HEX X 13/16" 6-32 THREAD, SST
11	46-287054P1	2	HOUSING KEYB	1	MOLDED NORYL, MIST GRAY FINISH
12	46-243378P1	2	FRICTION PIN	3	NYLON, .094" DIA. X 1/4" LONG
13	46-287052P1	2	FLYWHEEL	3	2-1/2" DIA. 1/4" SHAFT INSERT, BRASS
14	46-301046P1	1	ENCODER ASM.	3	ENCODER #1, #2, #3, OC1/IC1 A6,A7,A8
20	46-287033P1	2	ENCOD SUPPRT	1	3-ENCODER MOUNTING PLATE
21	46-287034P1	2	TRAKB SUPPRT	1	TRACKBALL MOUNTING BRACKET
23	46-208563P30	2	SCREW,SET	6	00006-32 X 0.500 LG HEX SOC CUP PT
24	46-136353P77	2	SPRING COMP	3	OD 0.088 WIRE DIA .008
25	46-221955P4	2	COMPR RING	3	TINNERMAN #C2122-014-4 COMPRESSION
26	46-307274P1	2	GUIDE	2	ALUMINUM, GOLD IRIDITE FINISH
156	46-301419G1	2	CABLE	1	6" CABLE, TRACKBALL TO IP KEYPAD J6
5773	46-170015P18	2	SCR,SEMS	10	00006-32 X 0.312 LG BIND HD STL EXT
12818	1000904P22	2	WASHER,FLAT	4	ID 0.147 OD 0.250 THK .064
17679	46-208908P36	2	SCREW,MACH	4	00008-32 X 0.626 SLOT FLT HD F70B5A
25847	46-208560P24	2	SCREW,MACH	6	006-32 X 0.187 LG BIND HD STL F70B5A
46325	46-170012P34	2	NUT,LOCK	9	0004-40 HEX 1/4 NUT THK 3/32

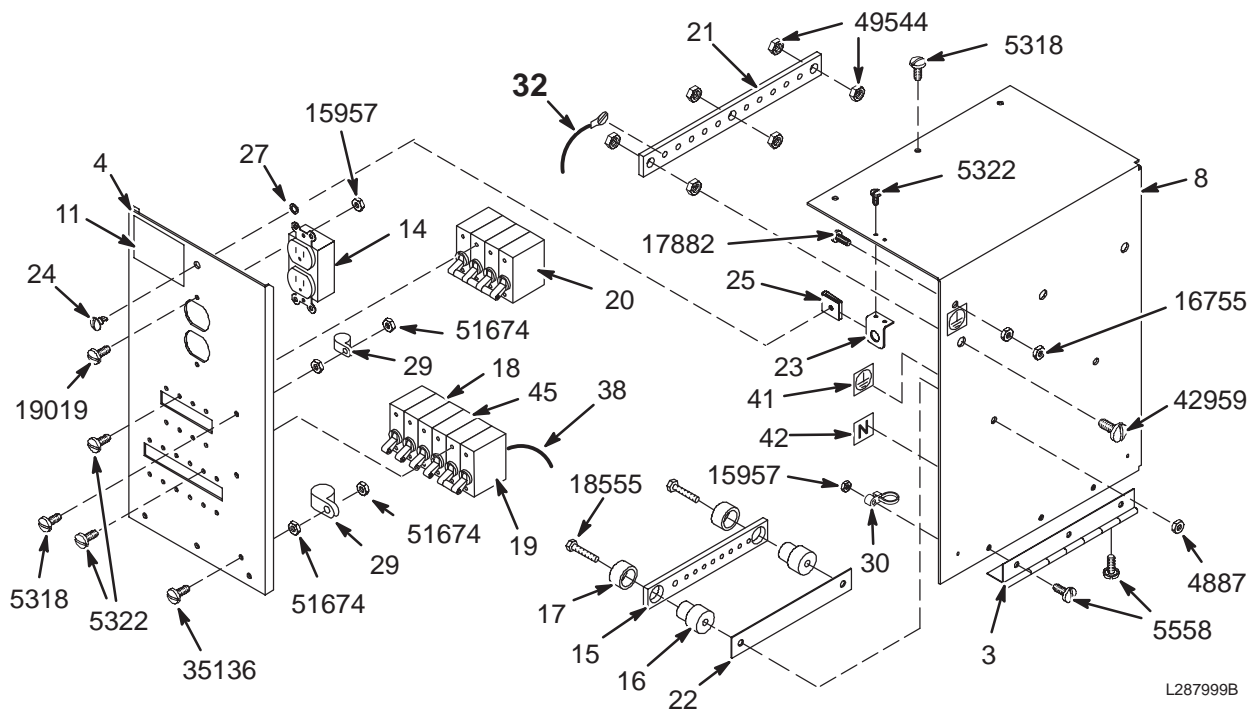
CONSOLE POWER DIST MODULE

46-287999G1

IC1 A12



VIEW 1



VIEW 2

POWER DIST MODULE 46-287999G1 FRU N (PART OF 2119589 PAGE 5-12)

Item	Part Number	FRU	Name	Quantity	Description (Remarks)
2	46-287364P1	2	L.S. COVER	1	STATIONARY LEFT SIDE & BOTTOM PLATE
3	46-287919P1	2	HINGE	2	7-3/8" LONG, 2" WIDE, 6 MOUNT HOLES
4	46-287922P1	2	PWR BOX DOOR	1	POWER MODULE SWING-DOWN FRONT PANEL
5	46-287909P1	2	OUTLET PANEL	1	DISTRIBUTION OUTLETS J3 TO J10 PANEL
6	46-287912P1	2	REAR PANEL	1	POWER MODULE ECCLOSURE BACK PANEL
8	46-287222P1	2	R.S. COVER	1	SWING-OUT RIGHT SIDE & TOP PANEL
9	46-287952P1	2	CLAMP	1	2-PIECE SET, 2 POWER CABLE CLAMP
10	46-287951P1	2	BRACKET	1	POWER CABLE STRAIN RELIEF
11	46-306713P1	2	WARNING LAB	1	WARNING...ELECTRICAL SHOCK... LABEL
13	46-221880P7	2	TERM. STRIP	1	7 TERMINALS, 50 AMP, 1700 VOLTS
14	46-230695P2	2	RECEPTACLE	5	AMPS 20 VOLTS 125 POLES 2 WIRES 3
15	46-243710P3	2	BUS BAR	3	POWER DISTRIBUTION, 8" LONG, COPPER
16	46-255895P1	2	STANDOFF	6	BUS BAR INSULATING STAND-OFF, LEXAN
17	46-255896P1	2	WASHER	6	BUS BAR INSULATING CAP, LEXAN
18	46-271382P15	2	CKT BREAKER	3	1 POLE, 20 AMP, STD TIME DELAY,
19	46-271382P3	2	CKT BREAKER	1	2 POLE, 20 AMP, STD TIME DELAY,
20	46-271382P26	2	CKT BREAKER	1	4 POLE, 30 AMP, STD TIME DELAY,
21	46-243711P1	2	GROUND BAR	1	GROUND BUS BAR, 10" LONG, COPPER
22	46-258021P5	2	INSULATOR	3	BUS BAR INSULATOR, LEXAN, 6.75" X 1"
23	46-243709G1	2	BRACKET	1	COVER LATCH RETAINER MOUNT BRACKET
24	46-220370P6	2	FASTENER	1	STUD, OVAL HD 1/4 TURN SOUTHCO
25	46-316410P1	2	FASTENER	1	RECEPTACLE CLIP-ON SOUTHCO
27	46-316411P1	2	RETAINER	1	RETAINER SPLIT RING TYPE
29	46-208718P12	2	CLAMP	4	ID 1.00 LOOP TYPE
30	46-208759P1	2	STRAP	4	7.81" X .184" SELF-LOCKING CABLE TIE
31	46-301318G1	N	HARNESS	1	OUTLET J4, J8 NEU/GND INTERCONNECT (SEE PAGE 5-18)
32	46-317419G1	N	HARNESS	1	CIRCUIT BREAKER INTERCONNECT WIRING (SEE PAGE 5-18)
34	46-315115P1	2	TERMINAL MKR	1	1-7 MARKER STRIP W/4 MOUNTING HOLES.
35	46-301445G1	N	LEAD DATA	1	SET OF 4 JUMPER WIRES W/TERMINALS (SEE PAGE 5-18)
36	46-301429G1	N	HARNESS	1	W1 & CB5 TO ON/OFF SWITCH WIRING (SEE PAGE 5-18)
38	46-315128P1	2	CONNECTOR	2	STATIONARY MALE/FEMALE TERMINAL
40	46-208695P51	2	BUSHING	1	HEYCO PART NO.2110 SB-875-6 BLACK
41	46-271110P1	2	LABEL	2	PROTECTIVE EARTH (GROUND)
42	46-271110P4	2	LABEL	1	NEUTRAL
43	46-271110P5	2	LABEL	1	EQUIPOTENTIALITY
45	46-271382P6	2	CKT BREAKER	1	1 POLE, 15 AMP, STD TIME DELAY,
100	46-220184P49	2	SCREW MACH	7	01/4-20 X 0.375 LG RD HD SLOT BRASS
4887	46-170012P40	2	NUT,LOCK	6	1/4-20 HEX 7/16 NUT THK 3/16
5318	46-170015P6	2	SCR,SEMS	18	00010-32 X 0.500 LG BIND HD STL EXT
5322	46-170015P10	2	SCR,SEMS	22	00006-32 X 0.250 LG BIND HD STL EXT
5558	46-170015P16	2	SCR,SEMS	14	00010-32 X 0.375 LG BIND HD STL EXT
15957	46-170012P36	2	NUT,LOCK	14	6-32 HEX 5/16 NUT THK 7/64
16755	46-208935P8	2	NUT,HEX,MS	7	001/4-20 .438 X .188 THK BR
17882	46-220184P52	2	SCREW MACH	1	01/4-20 X 0.750 LG RD HD SLOT BRASS
17893	46-220184P55	2	SCREW MACH	1	01/4-20 X 1.250 LG RD HD SLOT BRASS
18102	46-220184P38	2	SCREW MACH	9	0010-32 X 0.250 LG RD HD SLOT BRASS
18555	46-208561P16	2	SCREW,CAP	6	001/4-20 X 2.000 LG HEX HD STL GRADE
19019	46-170015P27	2	SCR,SEMS	10	00006-32 X 0.500 LG BIND HD STL EXT
35136	46-170015P62	2	SCR,SEMS	7	00010-32 X 0.750 LG BIND HD STL EXT
42959	46-220184P63	2	SCREW MACH	3	03/8-16 X 1.500 LG RD HD SLOT BRASS
49544	46-208935P10	2	NUT,HEX,MS	6	3/8-16 .625 HEX X .250 THK BRASS
51674	46-170012P39	2	NUT,LOCK	8	0010-32 HEX 3/8 NUT THK 1/8
57744	46-170498P34	2	SCREW,	2	00010-32 X 1.250 LG HEX SOC HD STL

OUTLET/NEU/GND HARNESS 46-301318G1 FRU N (PART OF 46-287999G1 PAGE 5-17)

Item	Part Number	FRU	Name	Quantity	Description (Remarks)
2	07578	2	WIRE	6	600V #12 GRN/YEL 1004705P73
3	07430	2	WIRE	5.850	600V #12 WHT 1004705P1
4	511A590P40	2	TERMINAL	4	12-10 AWG RING TONGUE TERMINAL.
5	511A590P19	2	TERMINAL	2	RING TONGUE TERMINAL FOR #12-10 AWG,
6	511A590P255	2	TERMINAL	4	#8 SPRING SPADE TERMINAL.
7	07390	2	WIRE	2.625	600V #10 GRN/YEL 1004705P73
15	46-208781P2	2	CABLE MARKER	1	WRITE-ON LABEL FOR MARKING CABLES,

CIRCUIT BRKR HARNESS 46-317419G1 FRU N (PART OF 46-287999G1 PAGE 5-17)

Item	Part Number	FRU	Name	Quantity	Description (Remarks)
2	511A590P255	2	TERMINAL	5	#8 SPRING SPADE TERMINAL.
3	511A590P19	2	TERMINAL	17	RING TONGUE TERMINAL FOR #12-10 AWG,
4	511A590P40	2	TERMINAL	1	12-10 AWG RING TONGUE TERMINAL.
5	46-208781P4	2	CABLE MARKER	1	WRITE-ON LABEL FOR MARKING CABLES,
6	511A590P46	2	TERMINAL	17	0.250" X 0.032" FEMALE PUSH-ON
7	07443	2	WIRE	25.500	600V #10 BLK 1004705P74
8	46-317522P2	2	WIRE	13	#12 AWG BLACK SINGLE CONDUCTOR WIRE
9	46-317522P1	2	WIRE	2.500	#10 AWG WHITE SINGLE CONDUCTOR WIRE
10	46-317522P3	2	WIRE	2.500	#12 AWG WHITE SINGLE CONDUCTOR WIRE
11	07578	2	WIRE	2.500	600V #12 GRN/YEL 1004705P73

ON/OFF SWITCH HARNESS 46-301429G1 FRU N (PART OF 46-287999G1 PAGE 5-17)

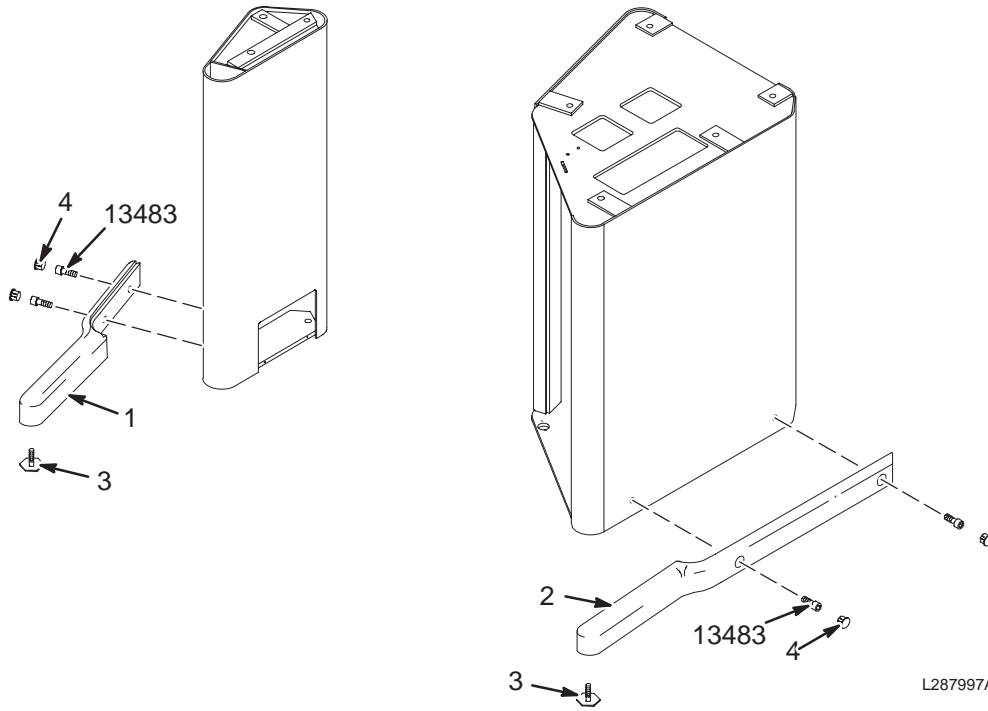
Item	Part Number	FRU	Name	Quantity	Description (Remarks)
3	511A590P19	2	TERMINAL	1	RING TONGUE TERMINAL FOR #12-10 AWG,
4	511A590P46	2	TERMINAL	3	0.250" X 0.032" FEMALE PUSH-ON

4-WIRE LEAD DATA 46-301445G1 FRU N (PART OF 46-287999G1 PAGE 5-17)

Item	Part Number	FRU	Name	Quantity	Description (Remarks)
2	07430	2	WIRE	.750	600V #12 WHT 1004705P1
3	511A590P255	2	TERMINAL	6	#8 SPRING SPADE TERMINAL.
4	44154	2	WIRE	1	600V #12 BLK 1004705P1
5	511A590P19	2	TERMINAL	2	RING TONGUE TERMINAL FOR #12-10 AWG,

LOW PROFILE KIT

46-287997G1

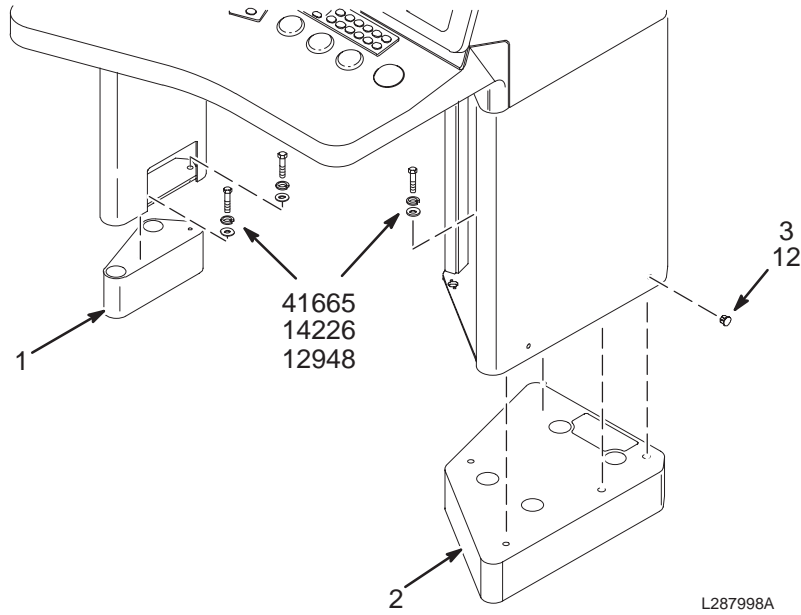


LOW PROFILE KIT 46-287997G1 FRU N (PART OF 46-317909G1 SECTION 11)

Item	Part Number	FRU	Name	Quantity	Description (Remarks)
1	46-287422P1	2	FOOT SUPPORT	1	SUPPORT PEDESTAL SUPPORT LEG
2	46-287103P1	2	FOOT SUPPORT	1	POWER PEDESTAL SUPPORT LEG
3	46-287782P1	2	LEVELR SCREW	2	LEVELING SCREW, 5/16-18 THREAD
4	46-287224P1	2	BUTTON	4	PLUG BUTTON, 0.82 DIA. HOLE, LEXAN
13483	46-170498P46	2	SCREW,	4	003/8-16 X 1.000 LG HEX SOC HD STL

HI PROFILE KIT

46-287998G1

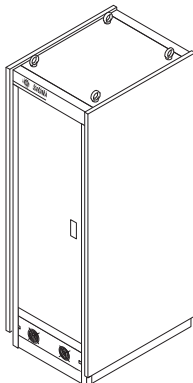


HI PROFILE KIT 46-287998G1 FRU N (PART OF 46-244813G20/G40 SECTION 1)

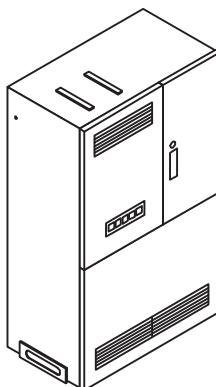
Item	Part Number	FRU	Name	Quantity	Description (Remarks)
1	46-287211P1	2	BASE CASTING	1	SUPPORT PEDESTAL 3-3/4" RISER
2	46-287216P1	2	CAST BASE RS	1	POWER PEDESTAL 3-3/4" RISER
3	46-287225P1	2	BUTTON	4	MIST GRAY PLUG BUTTON, 5/16" HOLE
12	46-287225P2	2	PART	4	CHARCOAL GRAY BUTTON FOR 3/8 HOLE
12948	1000904P153	2	WASHER,FLAT	7	ID 0.4060 OD 0.7500 THK .0598
14226	46-220196P6	2	WASHER,LOCK	7	SCREW SIZE 3/8 (0.375) 18-8 S ST
41665	46-208932P8	2	SCREW,CAP	7	003/8-16 X 1.250 18-8 S ST HEX HD

SECTION 6 – POWER DISTRIBUTION UNIT

TABLE OF CONTENTS



<u>SECTION</u>	<u>PAGE</u>
6-1 COMPACT PDU	6-2
Contains information on Horizon 5.x and LX Compact PDU	
5.x 60Hz 480V REGULATED & FILTERED	46-317099P10 .. 6-4
5.x 50/60Hz 380/400/415V REGULATED & FILTERED	46-317099P11 .. 6-8
LX COMPACT PDU – 60Hz 480V REGULATED & FILTERED	46-317099P20 .. 6-12
LX COMPACT PDU – 50/60Hz 380/400/415V REGULATED & FILTERED	46-317099P21 .. 6-16



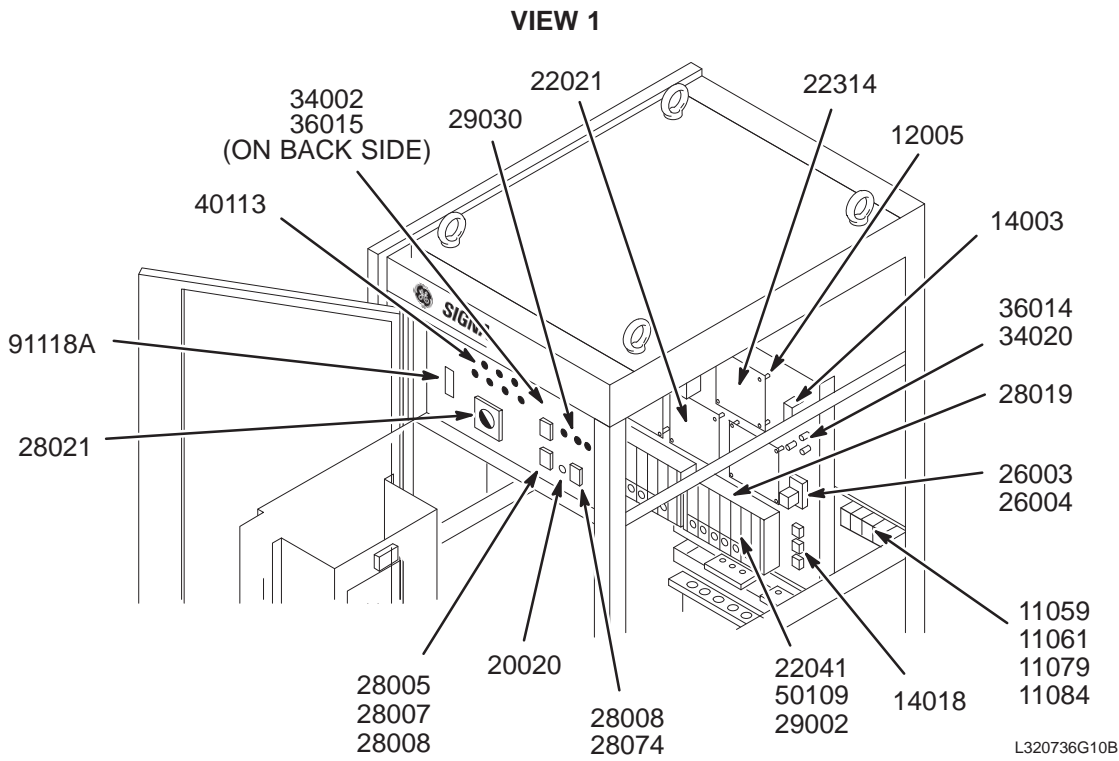
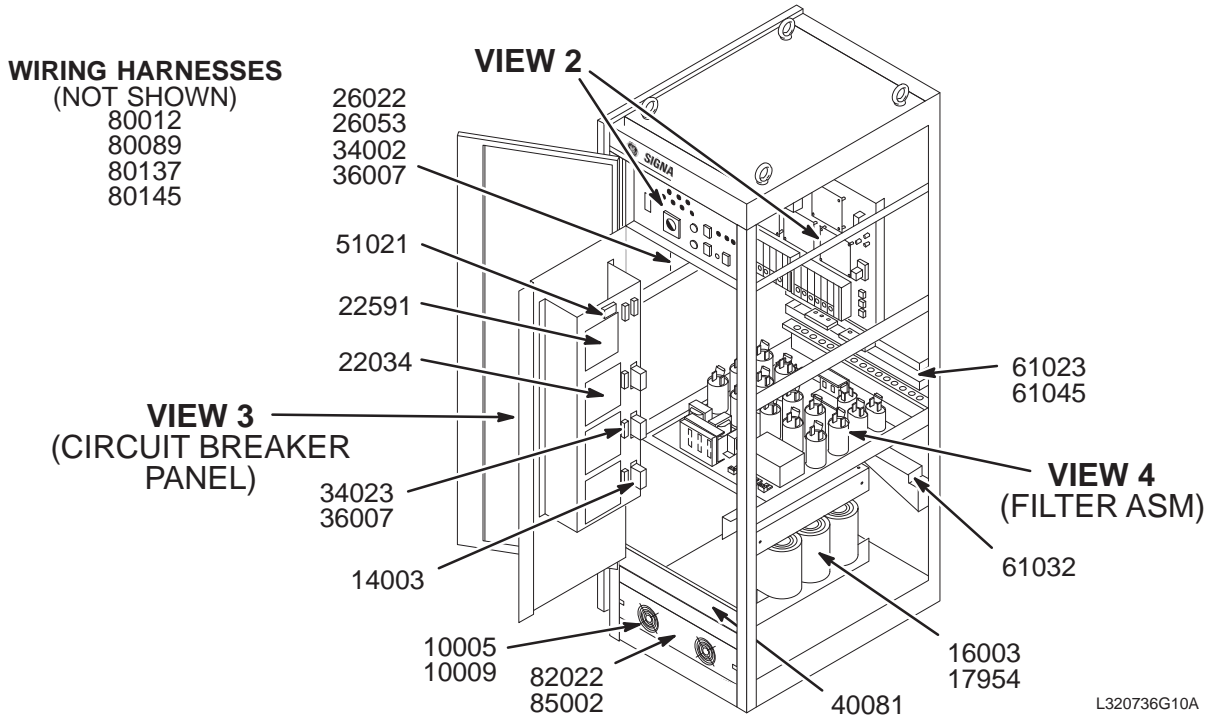
6-2 FULL-SIZE PDU	6-18
Contains information on Horizon 5.x and LX Full-size PDU	
FULL-SIZE PDU	46-282368G3 ... 6-20
FULL-SIZE PDU UPGRADE TO LX	46-306985G4 ... 6-33
FULL-SIZE PDU UPGRADE TO WideOpen	2246052 6-33

NOTE: The 46-282368G3 model of the Full-size PDU is shown in this section as a typical representation. For other models refer to Renewal Parts manuals that were delivered with original system and should still be on site. Parts that were added to the PDU when upgrading the magnet to a LCC WideOpen are indicated in the additional parts lists

6-1 COMPACT PDU

5.x COMPACT PDU – 60Hz 480V REGULATED & FILTERED

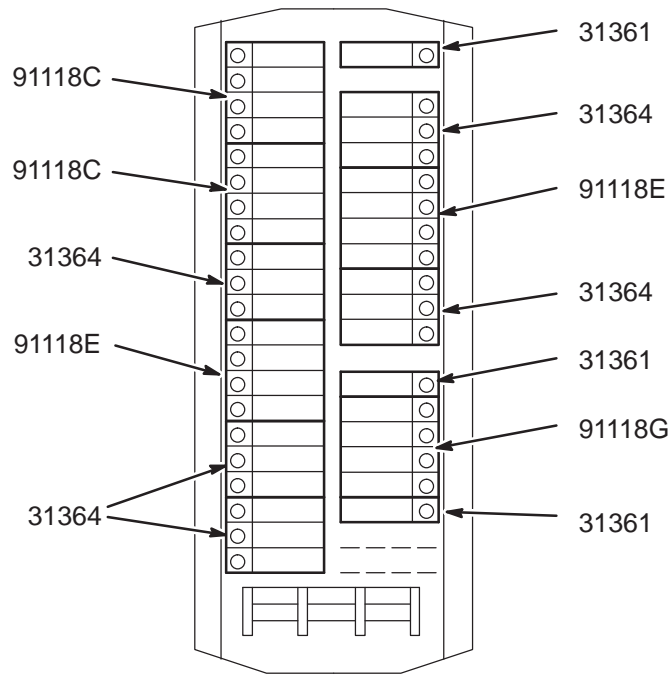
46-317099P10



VIEW 2

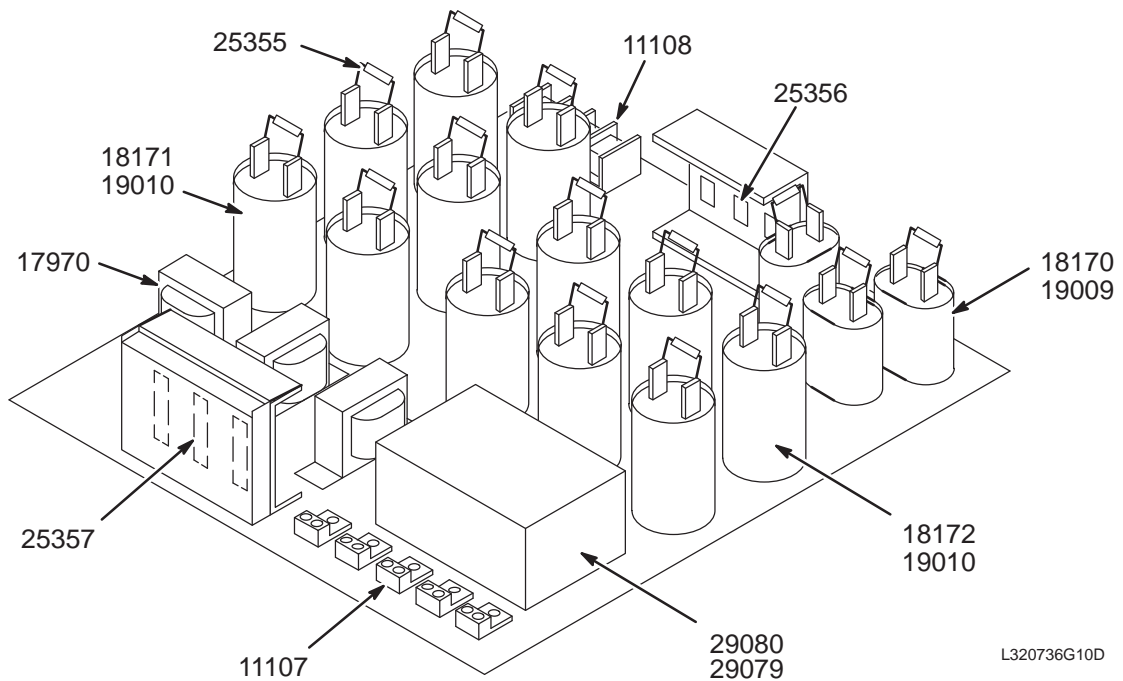
5.5 COMPACT PDU – 60Hz 480V REGULATED & FILTERED

46-317099P10



L320736G10C

VIEW 3



L320736G10D

VIEW 4

5.5 60Hz 480V REG/FLT'D PDU 46-317099P10 FRU N (PART OF M1009HA SECTION 1)

Item	Part Number	FRU	Name	Quantity	Description (Remarks)
1	46-320736G10	N	P10 PDU FRUS	1	46-317099P10 60HZ REGULATED PDU FRUS (SEE PAGE 6-4)

5.5 60Hz 480V FRU LIST 46-320736G10 FRU N (PART OF 46-317099P10 PAGE 6-4)

Item	Part Number	FRU	Name	Quantity	Description (Remarks)
10005	46-307819P37	2	ON-LINE FRU	2	ON-LINE 1000-005 FAN 115V 115CFM
10009	46-307819P76	2	ON-LINE FRU	2	ON-LINE 1000-009 FILTER, FAN, 4-1/2"
11059	46-307819P69	2	ON-LINE FRU	16	ON-LINE 1200-059 TERMINAL BLOCK 600V
11061	46-307819P70	2	ON-LINE FRU	13	ON-LINE 1200-061 TERMINAL BLOCK 600V
11079	46-307819P71	2	ON-LINE FRU	9	ON-LINE 1200-079 TERMINAL BLOCK #2GA
11084	46-307819P72	2	ON-LINE FRU	1	ON-LINE 1200-084 TERMINAL BLOCK #4GA
11107	46-307819P96	2	ON-LINE FRU	5	ON-LINE 1200-107 2-POSITION LUG
11108	46-307819P97	2	ON-LINE FRU	1	ON-LINE 1200-108 30A TERMINAL STRIP
12005	46-307819P77	2	ON-LINE FRU	24	ON-LINE 1360-005 NYLON STANDOFF, HEX
14003	46-307819P3	2	ON-LINE FRU	3	ON-LINE 1400-003 480V 60HZ REF XFMR
14018	46-307819P5	2	ON-LINE FRU	3	ON-LINE 1400-018 480/9.6V DIVDR XFMR
16003	46-307819P8	2	ON-LINE FRU	3	ON-LINE 1425-003 100:5 CURRENT XFMR
17954	46-307819P108	2	ON-LINE FRU	1	ON-LINE 1450-954 480V 60HZ REG. XFMR
17970	46-307819P103	2	ON-LINE FRU	3	ON-LINE 1450-970 15A 500UH INDUCTOR
18170	46-307819P98	2	ON-LINE FRU	3	ON-LINE 1525-170 10UF 660V CAPACITOR
18171	46-307819P100	2	ON-LINE FRU	6	ON-LINE 1525-171 80UF 240V CAPACITOR
18172	46-307819P102	2	ON-LINE FRU	6	ON-LINE 1525-172 45UF 370V CAPACITOR
19009	46-307819P99	2	ON-LINE FRU	3	ON-LINE 1530-009 CAP BRACKET, FOOTED
19010	46-307819P101	2	ON-LINE FRU	12	ON-LINE 1530-010 STAND-UP BRACKET
20020	46-307819P10	2	ON-LINE FRU	1	ON-LINE 1600-020 RED LED, 6V, 10MA
22021	46-307819P53	1	ON-LINE FRU	3	ON-LINE 1625-002-01 SCR DRIVER BOARD
22034	46-307819P52	1	ON-LINE FRU	3	ON-LINE 1625-003-04 CONTROL LOGIC BD
22041	46-307819P13	1	ON-LINE FRU	18	ON-LINE 1625-004-01 SNUBBER BOARD
22314	46-307819P15	1	ON-LINE FRU	1	ON-LINE 1625-031-04 FAIL DETECTOR BD
22591	46-307819P46	1	ON-LINE FRU	1	ON-LINE 1625-059-01 PDU CONTROL PWB
25355	46-307819P105	2	ON-LINE FRU	15	ON-LINE 1650-355 RESISTOR 220K 2W MO
25356	46-307819P106	2	ON-LINE FRU	3	ON-LINE 1650-356 RESISTOR 2 OHM 25W
25357	46-307819P107	2	ON-LINE FRU	3	ON-LINE 1650-357 RESISTOR 1 OHM 50W
26003	46-307819P17	2	ON-LINE FRU	1	ON-LINE 1660-003 SHUNT TRIP RELAY
26004	46-307819P79	2	ON-LINE FRU	1	ON-LINE 1660-004 RELAY SOCKET
26022	46-307819P94	2	ON-LINE FRU	1	ON-LINE 1660-022 SOCKET, 11 PIN
26053	46-307819P93	2	ON-LINE FRU	1	ON-LINE 1660-053 RELAY 3P 11-PN 120V
28005	46-307819P60	2	ON-LINE FRU	3	ON-LINE 1680-005 EPO SWITCH COVER
28007	46-307819P62	2	ON-LINE FRU	2	ON-LINE 1680-007 EPO SW LENS, YELLOW
28008	46-307819P36	2	ON-LINE FRU	3	ON-LINE 1680-008 EPO PUSHBUTTON SW.
28019	46-307819P111	2	ON-LINE FRU	1	ON-LINE 1680-019 THERMAL SWITCH
28021	46-307819P19	2	ON-LINE FRU	1	ON-LINE 1680-021 480V BYPASS SWITCH
28074	46-307819P61	2	ON-LINE FRU	1	ON-LINE 1680-074 EPO LENS, WHITE
29002	46-307819P21	2	ON-LINE FRU	18	ON-LINE 1690-002 SCR, 95A, 1200V
29030	46-307819P47	2	ON-LINE FRU	3	ON-LINE 1690-030 MOV 150VRMS 300JOUL

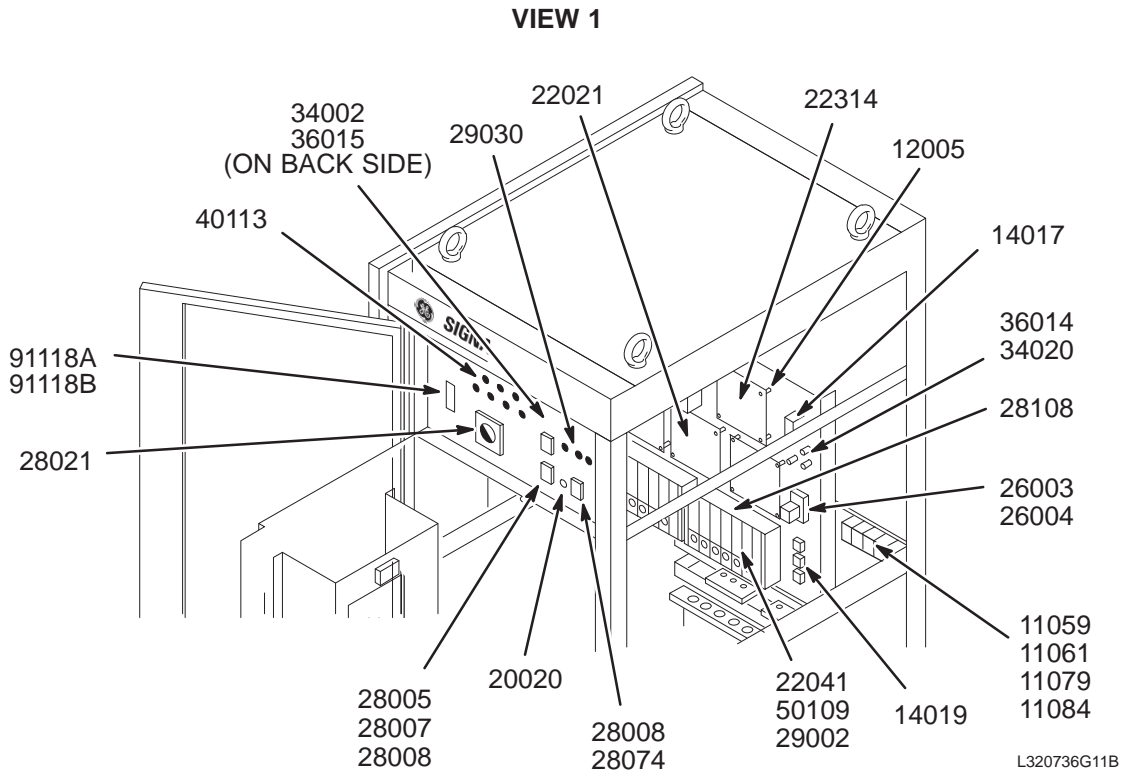
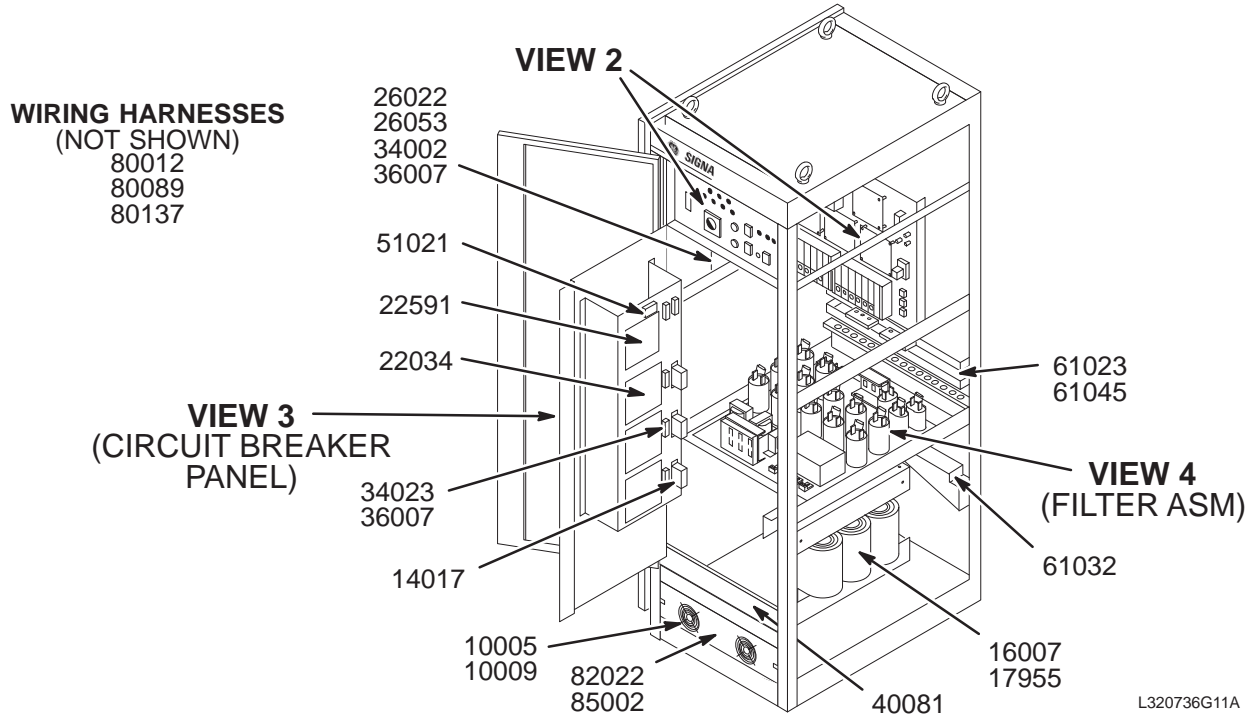
Parts List Continued On Next Page

5.5 50/60Hz FRU LIST 46-320736G11 FRU N (CONTINUED FROM PREVIOUS PAGE)

Item	Part Number	FRU	Name	Quantity	Description (Remarks)
29079	46-307819P104	2	ON-LINE FRU	3	ON-LINE 1690-079 MOV 320V 20MM 6.5KA
29080	46-307819P95	1	ON-LINE FRU	1	ON-LINE 1690-080 ACCUVAR SUPPRESSOR
30017	46-307819P125		ON-LINE FRU	1	SCREWDRIVER - ON-LINE PART #1950-017
31361	46-307819P42	2	ON-LINE FRU	3	ON-LINE 2025-361 CKT BKR 1P 15A 120V
31364	46-307819P40	2	ON-LINE FRU	5	ON-LINE 2025-364 CKT BKR 3P 30A 240V
34002	46-307819P44	2	ON-LINE FRU	3	ON-LINE 2075-002 FUSE 1 AMP 600V
34020	46-307819P28	2	ON-LINE FRU	3	ON-LINE 2075-020 FUSE 0.5A 200V SLOW
34023	46-307819P43	2	ON-LINE FRU	5	ON-LINE 2075-023 FUSE 1/4A 500V DUAL
36001	46-307819P51	2	ON-LINE FRU	2	ON-LINE 2085-001 KTK FUSE HOLDER
36007	46-307819P48	2	ON-LINE FRU	6	ON-LINE 2085-007 FUSE HOLDER, FLAT
36014	46-307819P54	2	ON-LINE FRU	3	ON-LINE 2085-014 FUSE HOLDER, PANEL
36015	46-307819P68	2	ON-LINE FRU	3	ON-LINE 2085-015 FUSE CLIP
40081	46-307819P65	2	ON-LINE FRU	2	ON-LINE 3050-081 RECEPTACLE L21-30R1
40113	46-307819P58	2	ON-LINE FRU	7	ON-LINE 3050-113 RED TEST JACK
50109	46-307819P31	2	ON-LINE FRU	15	ON-LINE 4000-108 18AWG FUSELINK WIRE
51021	46-307819P45	2	ON-LINE FRU	1	ON-LINE 4025-021 TERMINAL BLOCK
61023	46-307819P74	2	ON-LINE FRU	1	ON-LINE 5100-023 BUS BAR
61032	46-307819P75	2	ON-LINE FRU	2	ON-LINE 5100-032 TRANSFORMER STRAP
61045	46-307819P73	2	ON-LINE FRU	1	ON-LINE 5100-045 BUS BAR-2
80012	46-307819P34	2	ON-LINE FRU	18	ON-LINE 7060-012 HARNESS DRIVE/SNUBR
80089	46-307819P67	2	ON-LINE FRU	1	ON-LINE 7060-089 MAIN HARNESS
80137	46-307819P116	2	ON-LINE FRU	3	ON-LINE 7060-137 HARNESS LOGIC/LOGIC
80145	46-307819P112	2	ON-LINE FRU	3	ON-LINE 7060-145 HARNESS LOGIC/DRIVR
82022	46-307819P88	2	ON-LINE FRU	2	ON-LINE 730220022-01 FUSE 2A 600V SL
85002	46-307819P49	2	ON-LINE FRU	2	ON-LINE 731000002-01 FUSE HLDR, FLAT
91118A	46-307819P86	2	ON-LINE FRU	1	ON-LINE 9100-118-01 3P 80A CKT BKR
91118C	46-307819P82	2	ON-LINE FRU	2	ON-LINE 9100-118-03 3P 60A CKT BKR
91118E	46-320337P1	2	CKT BREAKER	ALT	ON-LINE 9100-118-06, 30A CKT BREAKER
91118F	46-307819P85	N	ON-LINE FRU	2	USE 46-320337P1 AS FIELD REPLACEMENT
91118G	46-320337P4	2	CKT BREAKER	ALT	ON-LINE 9100-118-07, 15A CKT BREAKER

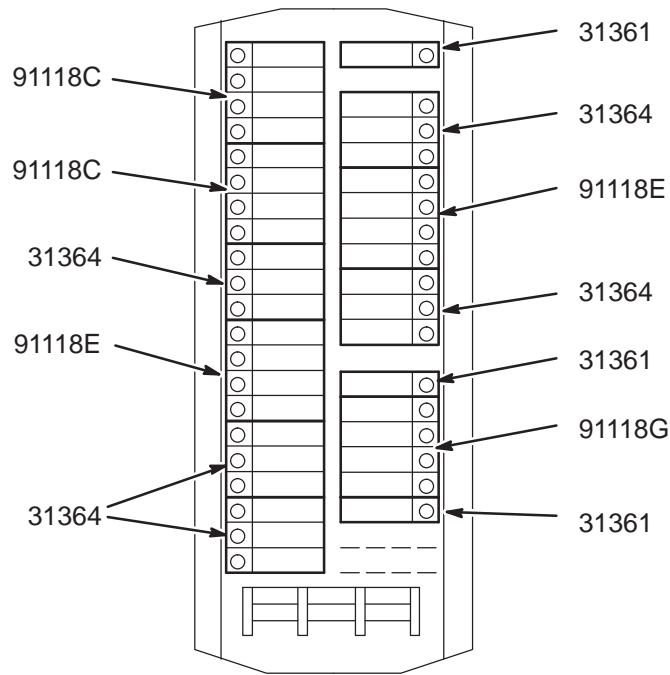
5.5 COMPACT PDU – 50/60Hz 380/400/415V REGULATED & FILTERED

46–317099P11



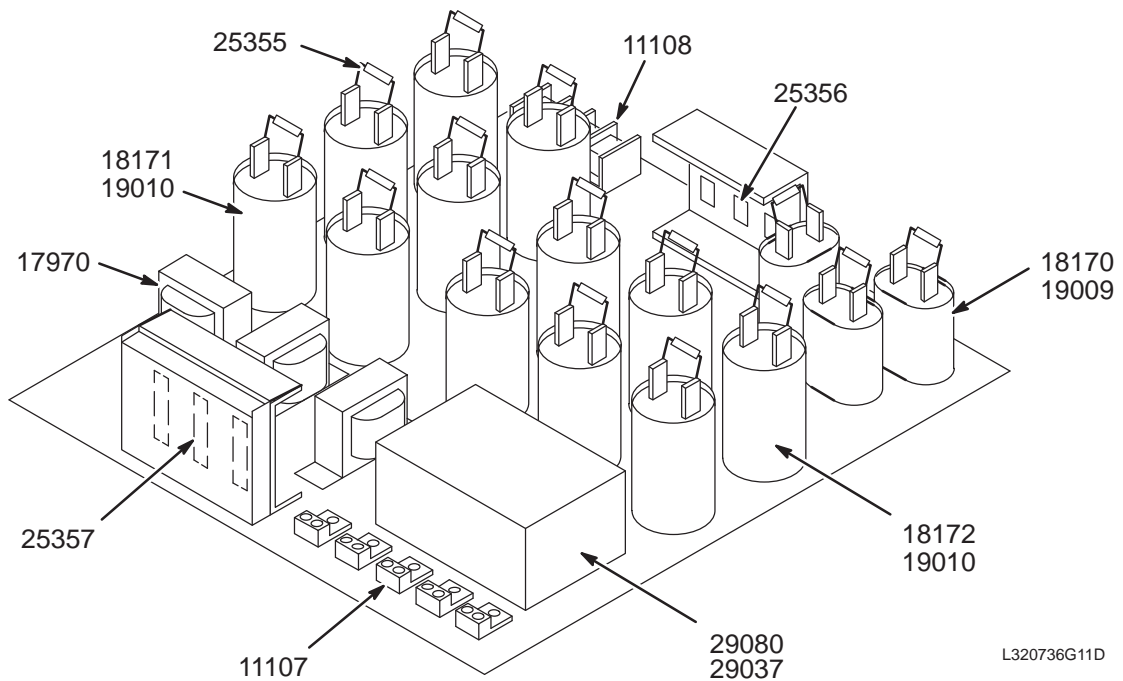
5.5 COMPACT PDU – 50/60Hz 380/400/415V REGULATED & FILTERED

46-317099P11



L320736G11C

VIEW 3



L320736G11D

VIEW 4

5.5 50/60Hz REG/FLT'D PDU 46-317099P11 FRU N (PART OF M1010HA SECTION 1)

Item	Part Number	FRU	Name	Quantity	Description (Remarks)
1	46-320736G11	N	P11 PDU FRUS	1	46-317099P11 50HZ REGULATED PDU FRUS (SEE PAGE 6-8)

5.5 50/60Hz FRU LIST 46-320736G11 FRU N (PART OF 46-317099P11 PAGE 6-8)

Item	Part Number	FRU	Name	Quantity	Description (Remarks)
10005	46-307819P37	2	ON-LINE FRU	2	ON-LINE 1000-005 FAN 115V 115CFM
10009	46-307819P76	2	ON-LINE FRU	2	ON-LINE 1000-009 FILTER, FAN, 4-1/2"
11059	46-307819P69	2	ON-LINE FRU	16	ON-LINE 1200-059 TERMINAL BLOCK 600V
11061	46-307819P70	2	ON-LINE FRU	13	ON-LINE 1200-061 TERMINAL BLOCK 600V
11079	46-307819P71	2	ON-LINE FRU	9	ON-LINE 1200-079 TERMINAL BLOCK #2GA
11084	46-307819P72	2	ON-LINE FRU	1	ON-LINE 1200-084 TERMINAL BLOCK #4GA
11107	46-307819P96	2	ON-LINE FRU	5	ON-LINE 1200-107 2-POSITION LUG
11108	46-307819P97	2	ON-LINE FRU	1	ON-LINE 1200-108 30A TERMINAL STRIP
12005	46-307819P77	2	ON-LINE FRU	24	ON-LINE 1360-005 NYLON STANDOFF, HEX
14017	46-307819P4	2	ON-LINE FRU	4	ON-LINE 1400-017 50HZ REFERENCE XFMR
14019	46-307819P6	2	ON-LINE FRU	3	ON-LINE 1400-019 415/8.3V DIVDR XFMR
16007	46-307819P9	2	ON-LINE FRU	3	ON-LINE 1425-007 200:5 CURRENT XFMR
17955	46-307819P109	2	ON-LINE FRU	1	ON-LINE 1450-955 380/415V 50HZ XFMR
17970	46-307819P103	2	ON-LINE FRU	3	ON-LINE 1450-970 15A 500UH INDUCTOR
18170	46-307819P98	2	ON-LINE FRU	3	ON-LINE 1525-170 10UF 660V CAPACITOR
18171	46-307819P100	2	ON-LINE FRU	6	ON-LINE 1525-171 80UF 240V CAPACITOR
18172	46-307819P102	2	ON-LINE FRU	6	ON-LINE 1525-172 45UF 370V CAPACITOR
19009	46-307819P99	2	ON-LINE FRU	3	ON-LINE 1530-009 CAP BRACKET, FOOTED
19010	46-307819P101	2	ON-LINE FRU	12	ON-LINE 1530-010 STAND-UP BRACKET
20020	46-307819P10	2	ON-LINE FRU	1	ON-LINE 1600-020 RED LED, 6V, 10MA
22021	46-307819P53	1	ON-LINE FRU	3	ON-LINE 1625-002-01 SCR DRIVER BOARD
22034	46-307819P52	1	ON-LINE FRU	3	ON-LINE 1625-003-04 CONTROL LOGIC BD
22041	46-307819P13	1	ON-LINE FRU	18	ON-LINE 1625-004-01 SNUBBER BOARD
22314	46-307819P15	1	ON-LINE FRU	1	ON-LINE 1625-031-04 FAIL DETECTOR BD
22591	46-307819P46	1	ON-LINE FRU	1	ON-LINE 1625-059-01 PDU CONTROL PWB
25355	46-307819P105	2	ON-LINE FRU	15	ON-LINE 1650-355 RESISTOR 220K 2W MO
25356	46-307819P106	2	ON-LINE FRU	3	ON-LINE 1650-356 RESISTOR 2 OHM 25W
25357	46-307819P107	2	ON-LINE FRU	3	ON-LINE 1650-357 RESISTOR 1 OHM 50W
26003	46-307819P17	2	ON-LINE FRU	1	ON-LINE 1660-003 SHUNT TRIP RELAY
26004	46-307819P79	2	ON-LINE FRU	1	ON-LINE 1660-004 RELAY SOCKET
26022	46-307819P94	2	ON-LINE FRU	1	ON-LINE 1660-022 SOCKET, 11 PIN
26053	46-307819P93	2	ON-LINE FRU	1	ON-LINE 1660-053 RELAY 3P 11-PN 120V
28005	46-307819P60	2	ON-LINE FRU	3	ON-LINE 1680-005 EPO SWITCH COVER
28007	46-307819P62	2	ON-LINE FRU	2	ON-LINE 1680-007 EPO SW LENS, YELLOW
28008	46-307819P36	2	ON-LINE FRU	3	ON-LINE 1680-008 EPO PUSHBUTTON SW.
28009	46-307819P18	2	ON-LINE FRU	2	ON-LINE 1680-009 28V BULB, EPO RESET
28021	46-307819P19	2	ON-LINE FRU	1	ON-LINE 1680-021 480V BYPASS SWITCH
28074	46-307819P61	2	ON-LINE FRU	1	ON-LINE 1680-074 EPO LENS, WHITE
28108	46-307819P114	2	ON-LINE FRU	1	ON-LINE 1680-108 THERMAL SWITCH
29002	46-307819P21	2	ON-LINE FRU	18	ON-LINE 1690-002 SCR, 95A, 1200V

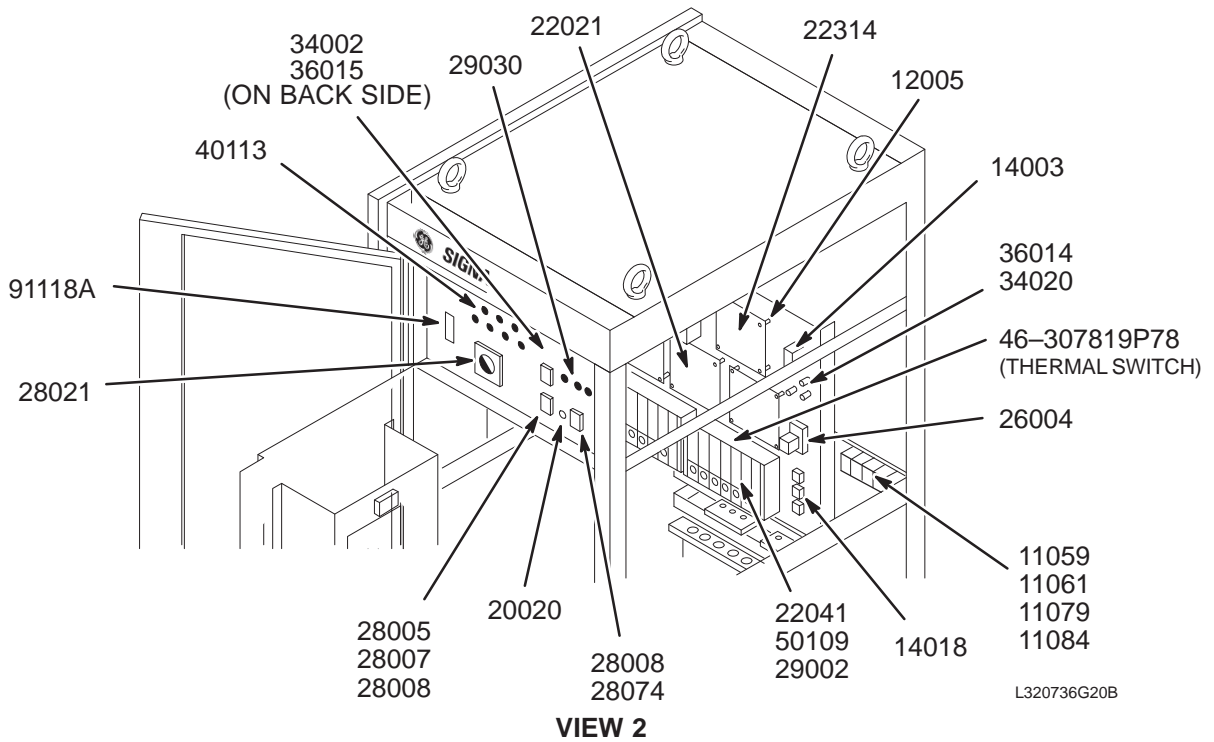
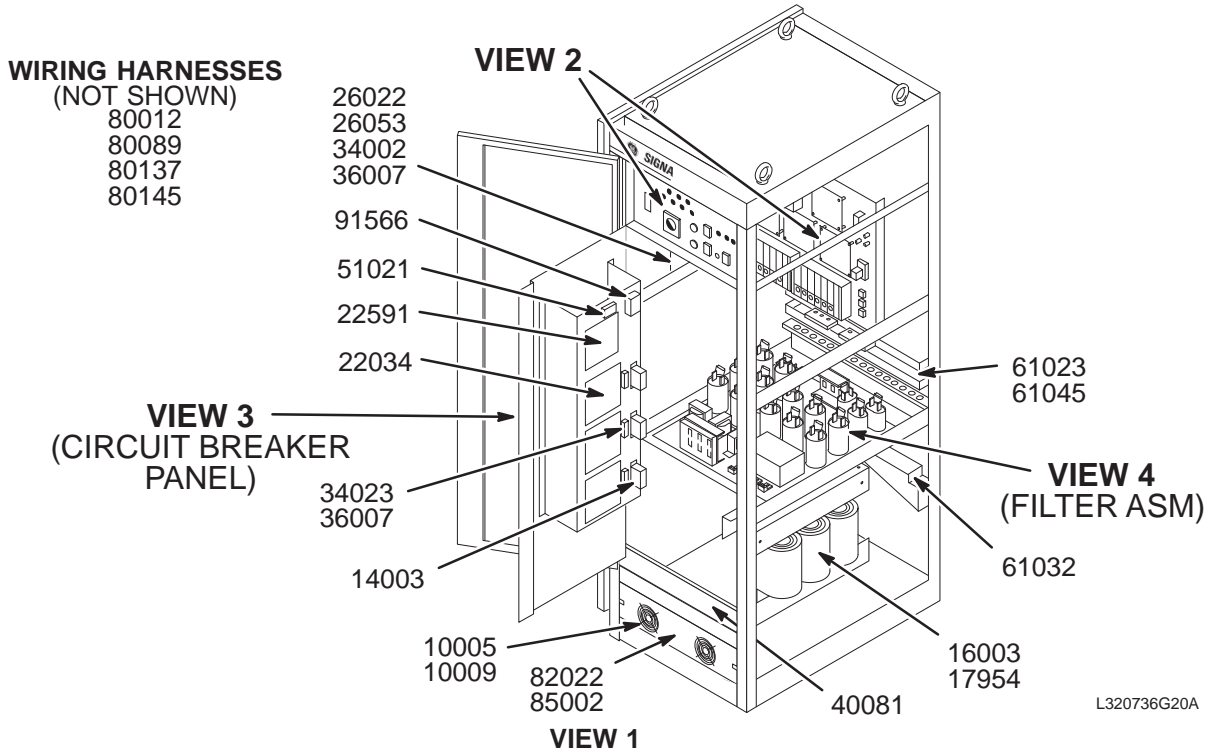
Parts List Continued On Next Page

5.5 50/60Hz FRU LIST 46-320736G11 FRU N (CONTINUED FROM PREVIOUS PAGE)

Item	Part Number	FRU	Name	Quantity	Description (Remarks)
29030	46-307819P47	2	ON-LINE FRU		ON-LINE 1690-030 MOV 150VRMS 300JOUL
29037	46-307819P57	2	ON-LINE FRU	18	ON-LINE 1690-037 SCR 95A 1200V, VDE
29079	46-307819P104	2	ON-LINE FRU	3	ON-LINE 1690-079 MOV 320V 20MM 6.5KA
29080	46-307819P95	1	ON-LINE FRU	1	ON-LINE 1690-080 ACCUVAR SUPPRESSOR
30017	46-307819P125		ON-LINE FRU	1	SCREWDRIVER - ON-LINE PART #1950-017
31361	46-307819P42	2	ON-LINE FRU	3	ON-LINE 2025-361 CKT BKR 1P 15A 120V
31364	46-307819P40	2	ON-LINE FRU	5	ON-LINE 2025-364 CKT BKR 3P 30A 240V
34002	46-307819P44	2	ON-LINE FRU	3	ON-LINE 2075-002 FUSE 1 AMP 600V
34020	46-307819P28	2	ON-LINE FRU	3	ON-LINE 2075-020 FUSE 0.5A 200V SLOW
34023	46-307819P43	2	ON-LINE FRU	5	ON-LINE 2075-023 FUSE 1/4A 500V DUAL
36007	46-307819P48	2	ON-LINE FRU	6	ON-LINE 2085-007 FUSE HOLDER, FLAT
36014	46-307819P54	2	ON-LINE FRU	3	ON-LINE 2085-014 FUSE HOLDER, PANEL
36015	46-307819P68	2	ON-LINE FRU	3	ON-LINE 2085-015 FUSE CLIP
40081	46-307819P65	2	ON-LINE FRU	2	ON-LINE 3050-081 RECEPTACLE L21-30R1
40113	46-307819P58	2	ON-LINE FRU	7	ON-LINE 3050-113 RED TEST JACK
50109	46-307819P31	2	ON-LINE FRU	15	ON-LINE 4000-108 18AWG FUSELINK WIRE
51021	46-307819P45	2	ON-LINE FRU	9	ON-LINE 4025-021 TERMINAL BLOCK
61023	46-307819P74	2	ON-LINE FRU	1	ON-LINE 5100-023 BUS BAR
61032	46-307819P75	2	ON-LINE FRU	2	ON-LINE 5100-032 TRANSFORMER STRAP
61045	46-307819P73	2	ON-LINE FRU	1	ON-LINE 5100-045 BUS BAR-2
80012	46-307819P34	2	ON-LINE FRU	18	ON-LINE 7060-012 HARNESS DRIVE/SNUBR
80089	46-307819P67	2	ON-LINE FRU	1	ON-LINE 7060-089 MAIN HARNESS
80137	46-307819P112	2	ON-LINE FRU	3	ON-LINE 7060-145 HARNESS LOGIC/DRIVR
82022	46-307819P88	2	ON-LINE FRU	2	ON-LINE 730220022-01 FUSE 2A 600V SL
85002	46-307819P49	2	ON-LINE FRU	2	ON-LINE 731000002-01 FUSE HLDR, FLAT
91118A	46-307819P86	2	ON-LINE FRU	1	ON-LINE 9100-118-01 3P 80A CKT BKR
91118B	46-307819P87	2	ON-LINE FRU	1	ON-LINE 9100-118-02 3P 80A CB 600V
91118C	46-307819P82	2	ON-LINE FRU	2	ON-LINE 9100-118-03 3P 60A CKT BKR
91118E	46-320337P1	2	CKT BREAKER	ALT	ON-LINE 9100-118-06, 30A CKT BREAKER
91118F	46-307819P85	N	ON-LINE FRU	2	USE 46-320337P1 AS FIELD REPLACEMENT
91118G	46-320337P4	2	CKT BREAKER	ALT	ON-LINE 9100-118-07, 15A CKT BREAKER

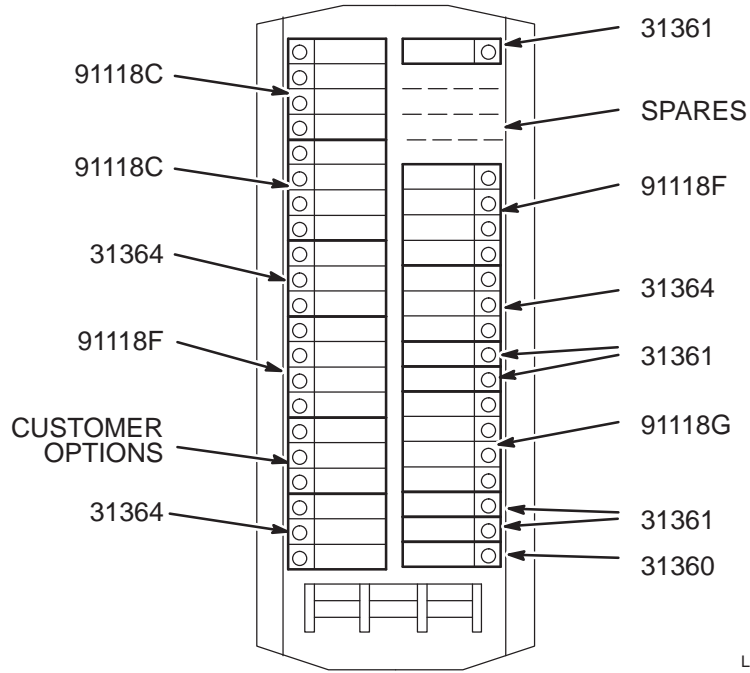
LX COMPACT PDU – 60Hz 480V REGULATED & FILTERED

46-317099P20



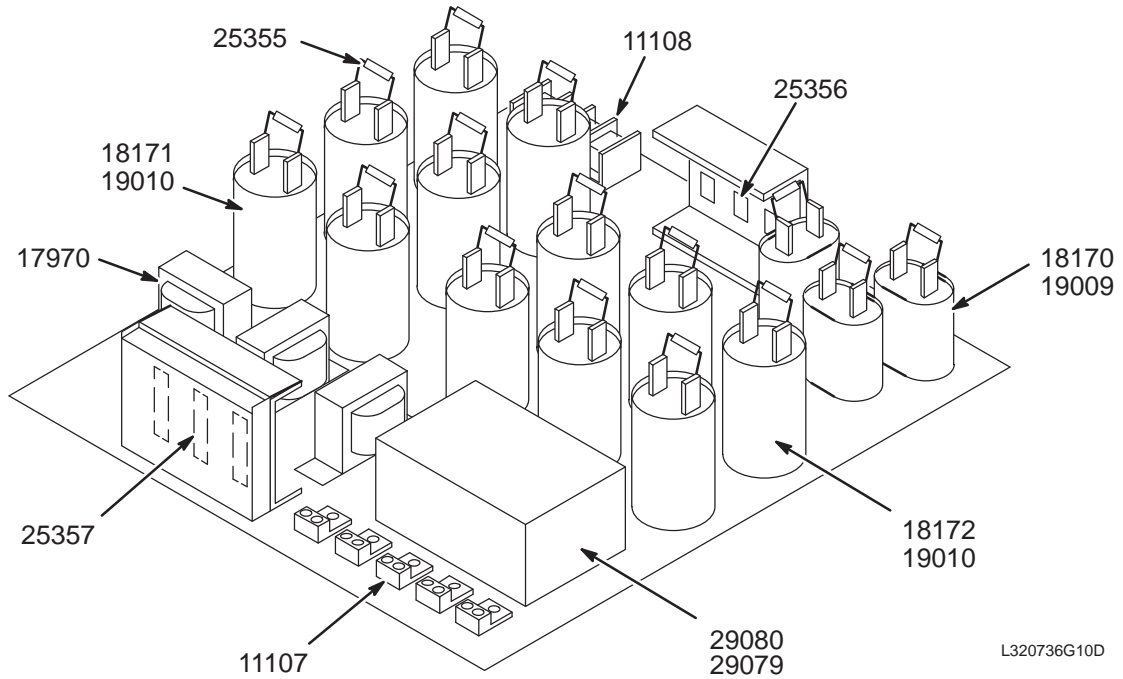
LX COMPACT PDU – 60Hz 480V REGULATED & FILTERED

46-317099P20



L320736G20C

VIEW 3



L320736G10D

VIEW 4

LX 60Hz 480V REG/FILT'D PDU 46-317099P20 FRU N (PART OF M1011HA SECTION 1)

Item	Part Number	FRU	Name	Quantity	Description (Remarks)
1	46-320736G20	N	P20 PDU FRUS	1	46-317099P2060HZ REGULATED PDU FRUS (SEE PAGE 6-12)

LX 60Hz 480V FRU LIST 46-320736G20 FRU N (PART OF 46-317099P20 PAGE 6-12)

Item	Part Number	FRU	Name	Quantity	Description (Remarks)
10005	46-307819P37	2	ON-LINE FRU	2	ON-LINE 1000-005 FAN 115V 115CFM
10009	46-307819P76	2	ON-LINE FRU	2	ON-LINE 1000-009 FILTER, FAN, 4-1/2"
11059	46-307819P69	2	ON-LINE FRU	16	ON-LINE 1200-059 TERMINAL BLOCK 600V
11061	46-307819P70	2	ON-LINE FRU	13	ON-LINE 1200-061 TERMINAL BLOCK 600V
11079	46-307819P71	2	ON-LINE FRU	9	ON-LINE 1200-079 TERMINAL BLOCK #2GA
11084	46-307819P72	2	ON-LINE FRU	1	ON-LINE 1200-084 TERMINAL BLOCK #4GA
11107	46-307819P96	2	ON-LINE FRU	5	ON-LINE 1200-107 2-POSITION LUG
11108	46-307819P97	2	ON-LINE FRU	1	ON-LINE 1200-108 30A TERMINAL STRIP
12005	46-307819P77	2	ON-LINE FRU	24	ON-LINE 1360-005 NYLON STANDOFF, HEX
14003	46-307819P3	2	ON-LINE FRU	3	ON-LINE 1400-003 480V 60HZ REF XFMR
14018	46-307819P5	2	ON-LINE FRU	3	ON-LINE 1400-018 480/9.6V DIVDR XFMR
16003	46-307819P8	2	ON-LINE FRU	3	ON-LINE 1425-003 100:5 CURRENT XFMR
17954	46-307819P108	2	ON-LINE FRU	1	ON-LINE 1450-954 480V 60HZ REG. XFMR
17970	46-307819P103	2	ON-LINE FRU	3	ON-LINE 1450-970 15A 500UH INDUCTOR
18170	46-307819P98	2	ON-LINE FRU	3	ON-LINE 1525-170 10UF 660V CAPACITOR
18171	46-307819P100	2	ON-LINE FRU	6	ON-LINE 1525-171 80UF 240V CAPACITOR
18172	46-307819P102	2	ON-LINE FRU	6	ON-LINE 1525-172 45UF 370V CAPACITOR
19009	46-307819P99	2	ON-LINE FRU	3	ON-LINE 1530-009 CAP BRACKET, FOOTED
19010	46-307819P101	2	ON-LINE FRU	12	ON-LINE 1530-010 STAND-UP BRACKET
20020	46-307819P10	2	ON-LINE FRU	1	ON-LINE 1600-020 RED LED, 6V, 10MA
22021	46-307819P53	1	ON-LINE FRU	3	ON-LINE 1625-002-01 SCR DRIVER BOARD
22034	46-307819P52	1	ON-LINE FRU	3	ON-LINE 1625-003-04 CONTROL LOGIC BD
22041	46-307819P13	1	ON-LINE FRU	18	ON-LINE 1625-004-01 SNUBBER BOARD
22314	46-307819P15	1	ON-LINE FRU	1	ON-LINE 1625-031-04 FAIL DETECTOR BD
22591	46-307819P46	1	ON-LINE FRU	1	ON-LINE 1625-059-01 PDU CONTROL PWB
25355	46-307819P105	2	ON-LINE FRU	15	ON-LINE 1650-355 RESISTOR 220K 2W MO
25356	46-307819P106	2	ON-LINE FRU	3	ON-LINE 1650-356 RESISTOR 2 OHM 25W
25357	46-307819P107	2	ON-LINE FRU	3	ON-LINE 1650-357 RESISTOR 1 OHM 50W
26004	46-307819P79	2	ON-LINE FRU	1	ON-LINE 1660-004 RELAY SOCKET
26022	46-307819P94	2	ON-LINE FRU	1	ON-LINE 1660-022 SOCKET, 11 PIN
26053	46-307819P93	2	ON-LINE FRU	1	ON-LINE 1660-053 RELAY 3P 11-PN 120V
28005	46-307819P60	2	ON-LINE FRU	3	ON-LINE 1680-005 EPO SWITCH COVER
28008	46-307819P36	2	ON-LINE FRU	3	ON-LINE 1680-008 EPO PUSHBUTTON SW.
28019	46-307819P111	2	ON-LINE FRU	1	ON-LINE 1680-019 THERMAL SWITCH
28021	46-307819P19	2	ON-LINE FRU	1	ON-LINE 1680-021 480V BYPASS SWITCH
28074	46-307819P61	2	ON-LINE FRU	1	ON-LINE 1680-074 EPO LENS, WHITE
29002	46-307819P21	2	ON-LINE FRU	18	ON-LINE 1690-002 SCR, 95A, 1200V
29030	46-307819P47	2	ON-LINE FRU	3	ON-LINE 1690-030 MOV 150VRMS 300JOUL
29079	46-307819P104	2	ON-LINE FRU	3	ON-LINE 1690-079 MOV 320V 20MM 6.5KA
29080	46-307819P95	1	ON-LINE FRU	1	ON-LINE 1690-080 ACCUVAR SUPPRESSOR

Parts List Continued On Next Page

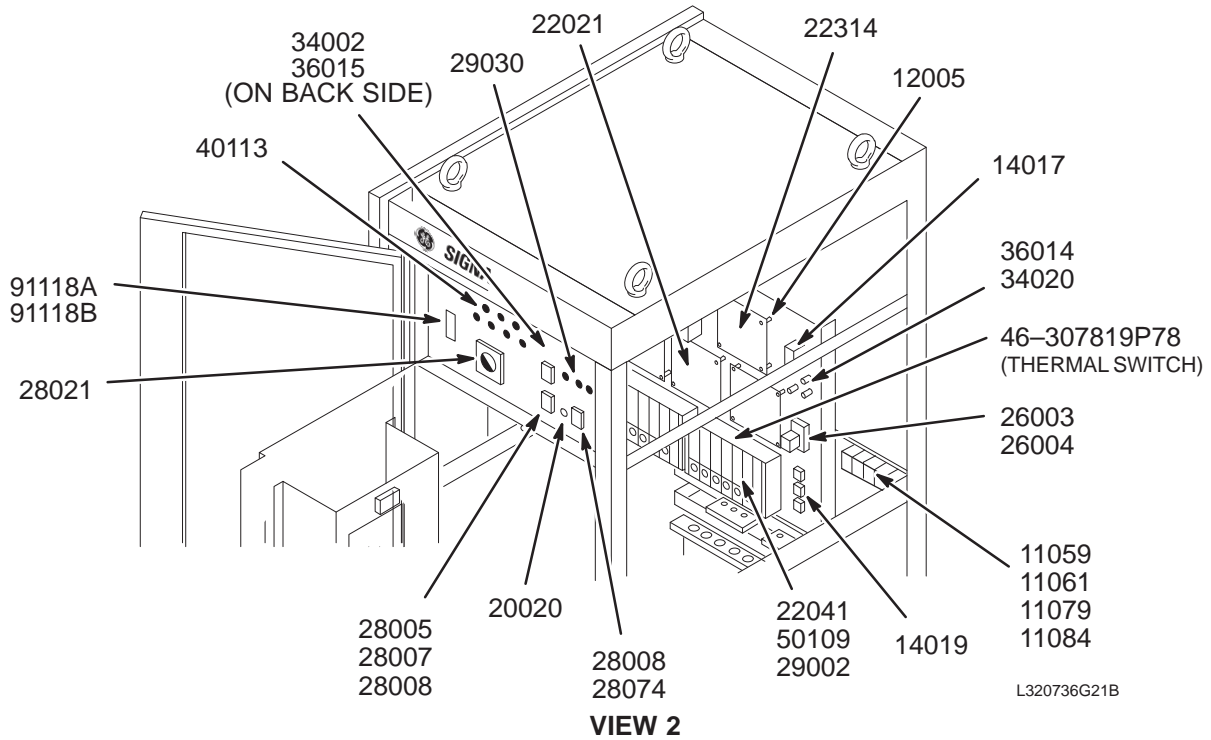
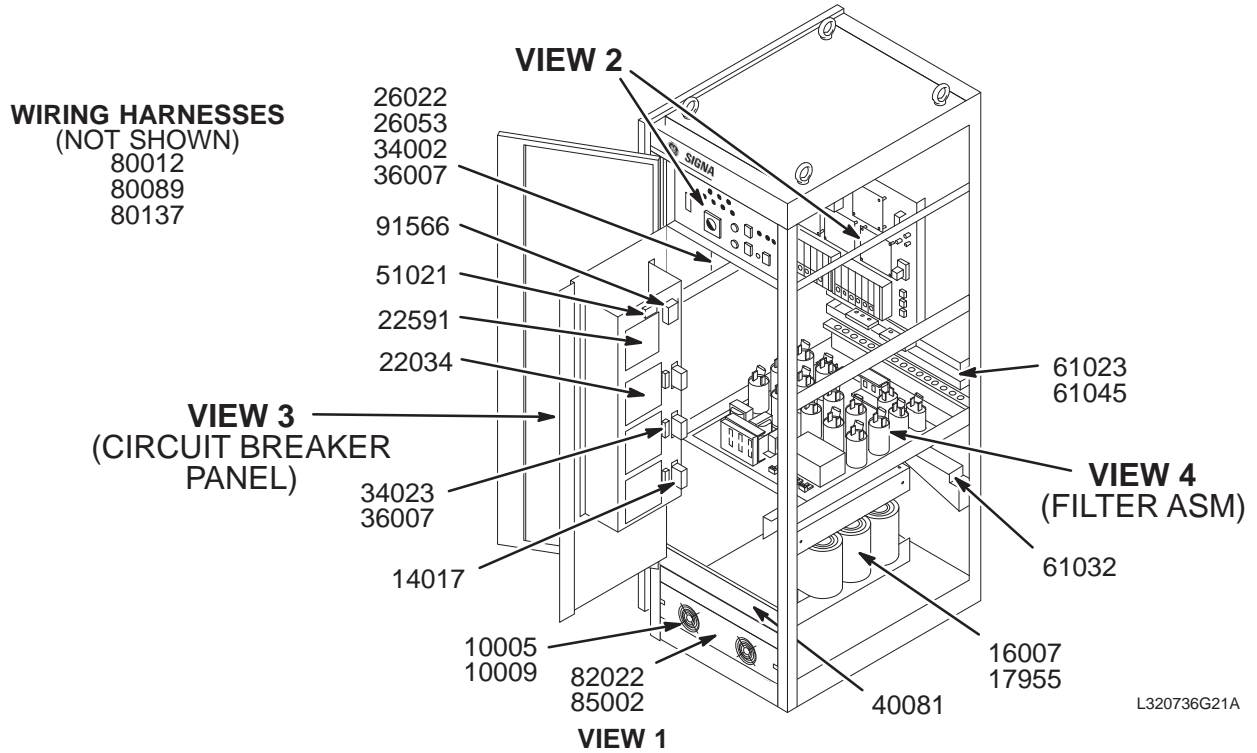
LX 60Hz 480V FRU LIST 46-320736G20 FRU N (CONTINUED FROM PREVIOUS PAGE)

Item	Part Number	FRU	Name	Quantity	Description (Remarks)
31360	46-307819P127	2	ON-LINE AAA	1	ON-LINE 2025-360 1 POLE 20 AMP
31361	46-307819P42	2	ON-LINE FRU	6	ON-LINE 2025-361 CKT BKR 1P 15A 120V
31364	46-307819P40	2	ON-LINE FRU	5	ON-LINE 2025-364 CKT BKR 3P 30A 240V
34002	46-307819P44	2	ON-LINE FRU	3	ON-LINE 2075-002 FUSE 1 AMP 600V
34020	46-307819P28	2	ON-LINE FRU	3	ON-LINE 2075-020 FUSE 0.5A 200V SLOW
34023	46-307819P43	2	ON-LINE FRU	5	ON-LINE 2075-023 FUSE 1/4A 500V DUAL
36001	46-307819P51	2	ON-LINE FRU	2	ON-LINE 2085-001 KTK FUSE HOLDER
36007	46-307819P48	2	ON-LINE FRU	6	ON-LINE 2085-007 FUSE HOLDER, FLAT
36014	46-307819P54	2	ON-LINE FRU	3	ON-LINE 2085-014 FUSE HOLDER, PANEL
36015	46-307819P68	2	ON-LINE FRU	3	ON-LINE 2085-015 FUSE CLIP
40081	46-307819P65	2	ON-LINE FRU	2	ON-LINE 3050-081 RECEPTACLE L21-30R1
40113	46-307819P58	2	ON-LINE FRU	7	ON-LINE 3050-113 RED TEST JACK
50109	46-307819P31	2	ON-LINE FRU	15	ON-LINE 4000-108 18AWG FUSELINK WIRE
51021	46-307819P45	2	ON-LINE FRU	1	ON-LINE 4025-021 TERMINAL BLOCK
61023	46-307819P74	2	ON-LINE FRU	1	ON-LINE 5100-023 BUS BAR
61032	46-307819P75	2	ON-LINE FRU	2	ON-LINE 5100-032 TRANSFORMER STRAP
61045	46-307819P73	2	ON-LINE FRU	1	ON-LINE 5100-045 BUS BAR-2
80012	46-307819P34	2	ON-LINE FRU	18	ON-LINE 7060-012 HARNESS DRIVE/SNUBR
80089	46-307819P67	2	ON-LINE FRU	1	ON-LINE 7060-089 MAIN HARNESS
80137	46-307819P116	2	ON-LINE FRU	3	ON-LINE 7060-137 HARNESS LOGIC/LOGIC
80145	46-307819P112	2	ON-LINE FRU	3	ON-LINE 7060-145 HARNESS LOGIC/DRIVR
82022	46-307819P88	2	ON-LINE FRU	2	ON-LINE 730220022-01 FUSE 2A 600V SL
85002	46-307819P49	2	ON-LINE FRU	2	ON-LINE 731000002-01 FUSE HLDR, FLAT
91118A	46-307819P86	2	ON-LINE FRU	1	ON-LINE 9100-118-01 3P 80A CKT BKR
91118C	46-307819P82	2	ON-LINE FRU	2	ON-LINE 9100-118-03 3P 60A CKT BKR
91118F	46-307819P85	2	ON-LINE FRU	2	USE 46-320337P1 AS FIELD REPLACEMENT
91118G*	46-320337P4	2	ON-LINE FRU	1	ON-LINE 9100-118-07 2P 15A CKT BKR
91566	46-307819P126	2	ON-LINE AAA	1	ON-LINE 9000-268-01 CIRCUIT BREAKER

Note: On the earlier versions of P20 and P21, this function was optional Resistive Shim P.S. which also used part no. 9100-118-07.

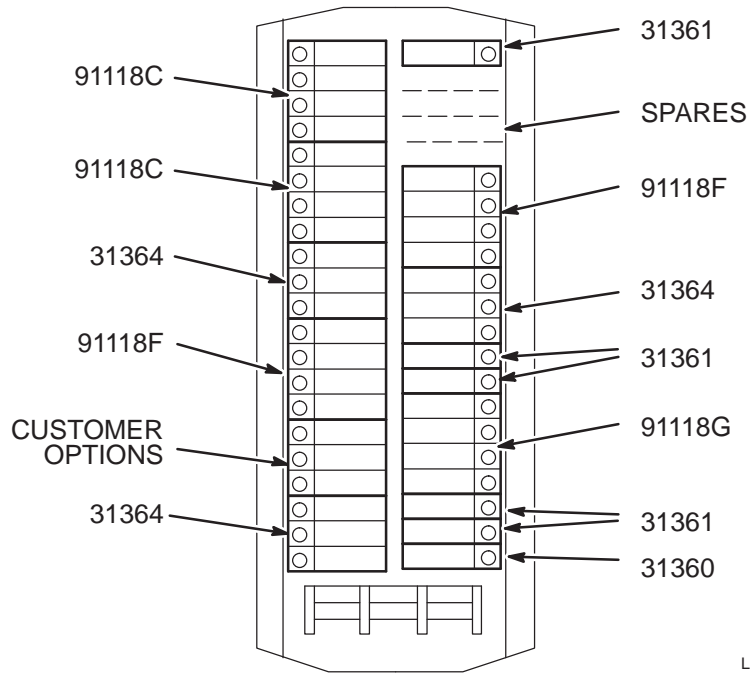
LX COMPACT PDU – 50/60Hz 380/400/415V REGULATED & FILTERED

46-317099P21



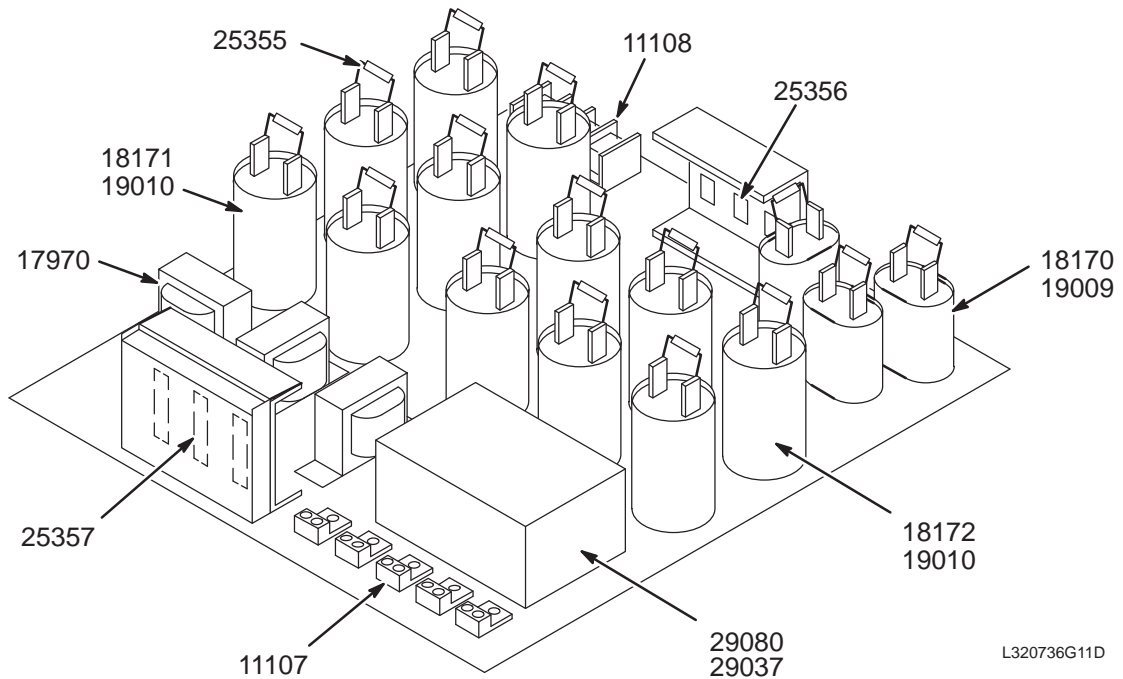
LX COMPACT PDU – 50/60Hz 380/400/415V REGULATED & FILTERED

46-317099P21



L320736G21C

VIEW 3



L320736G11D

VIEW 4

LX 50/60Hz REG/FILT'D PDU 46-317099P21 FRU N (PART OF M1012HA SECTION 1)

Item	Part Number	FRU	Name	Quantity	Description (Remarks)
1	46-320736G21	N	P21 PDU FRUS	1	46-317099P21 50HZ REGULATED PDU FRUS (SEE PAGE 6-16)

LX 50/60Hz FRU LIST 46-320736G21 FRU N (PART OF 46-317099P21 PAGE 6-16)

Item	Part Number	FRU	Name	Quantity	Description (Remarks)
10005	46-307819P37	2	ON-LINE FRU	2	ON-LINE 1000-005 FAN 115V 115CFM
10009	46-307819P76	2	ON-LINE FRU	2	ON-LINE 1000-009 FILTER, FAN, 4-1/2"
11059	46-307819P69	2	ON-LINE FRU	16	ON-LINE 1200-059 TERMINAL BLOCK 600V
11061	46-307819P70	2	ON-LINE FRU	13	ON-LINE 1200-061 TERMINAL BLOCK 600V
11079	46-307819P71	2	ON-LINE FRU	9	ON-LINE 1200-079 TERMINAL BLOCK #2GA
11084	46-307819P72	2	ON-LINE FRU	1	ON-LINE 1200-084 TERMINAL BLOCK #4GA
11107	46-307819P96	2	ON-LINE FRU	5	ON-LINE 1200-107 2-POSITION LUG
11108	46-307819P97	2	ON-LINE FRU	1	ON-LINE 1200-108 30A TERMINAL STRIP
12005	46-307819P77	2	ON-LINE FRU	24	ON-LINE 1360-005 NYLON STANDOFF, HEX
17970	46-307819P103	2	ON-LINE FRU	3	ON-LINE 1450-970 15A 500UH INDUCTOR
18170	46-307819P98	2	ON-LINE FRU	3	ON-LINE 1525-170 10UF 660V CAPACITOR
18171	46-307819P100	2	ON-LINE FRU	6	ON-LINE 1525-171 80UF 240V CAPACITOR
18172	46-307819P102	2	ON-LINE FRU	6	ON-LINE 1525-172 45UF 370V CAPACITOR
19009	46-307819P99	2	ON-LINE FRU	3	ON-LINE 1530-009 CAP BRACKET, FOOTED
19010	46-307819P101	2	ON-LINE FRU	12	ON-LINE 1530-010 STAND-UP BRACKET
20020	46-307819P10	2	ON-LINE FRU	1	ON-LINE 1600-020 RED LED, 6V, 10MA
22021	46-307819P53	1	ON-LINE FRU	3	ON-LINE 1625-002-01 SCR DRIVER BOARD
22034	46-307819P52	1	ON-LINE FRU	3	ON-LINE 1625-003-04 CONTROL LOGIC BD
22041	46-307819P13	1	ON-LINE FRU	18	ON-LINE 1625-004-01 SNUBBER BOARD
22314	46-307819P15	1	ON-LINE FRU	1	ON-LINE 1625-031-04 FAIL DETECTOR BD
22591	46-307819P46	1	ON-LINE FRU	1	ON-LINE 1625-059-01 PDU CONTROL PWB
25355	46-307819P105	2	ON-LINE FRU	15	ON-LINE 1650-355 RESISTOR 220K 2W MO
25356	46-307819P106	2	ON-LINE FRU	3	ON-LINE 1650-356 RESISTOR 2 OHM 25W
25357	46-307819P107	2	ON-LINE FRU	3	ON-LINE 1650-357 RESISTOR 1 OHM 50W
26004	46-307819P79	2	ON-LINE FRU	1	ON-LINE 1660-004 RELAY SOCKET
26022	46-307819P94	2	ON-LINE FRU	1	ON-LINE 1660-022 SOCKET, 11 PIN
26053	46-307819P93	2	ON-LINE FRU	1	ON-LINE 1660-053 RELAY 3P 11-PN 120V
28005	46-307819P60	2	ON-LINE FRU	3	ON-LINE 1680-005 EPO SWITCH COVER
28008	46-307819P36	2	ON-LINE FRU	3	ON-LINE 1680-008 EPO PUSHBUTTON SW.
28021	46-307819P19	2	ON-LINE FRU	1	ON-LINE 1680-021 480V BYPASS SWITCH
28074	46-307819P61	2	ON-LINE FRU	1	ON-LINE 1680-074 EPO LENS, WHITE
28108	46-307819P114	2	ON-LINE FRU	1	ON-LINE 1680-108 THERMAL SWITCH
29002	46-307819P21	2	ON-LINE FRU	18	ON-LINE 1690-002 SCR, 95A, 1200V
29030	46-307819P47	2	ON-LINE FRU	3	ON-LINE 1690-030 MOV 150VRMS 300JOUL
29037	46-307819P57	2	ON-LINE FRU	18	ON-LINE 1690-037 SCR 95A 1200V, VDE
29079	46-307819P104	2	ON-LINE FRU	3	ON-LINE 1690-079 MOV 320V 20MM 6.5KA
29080	46-307819P95	1	ON-LINE FRU	1	ON-LINE 1690-080 ACCUVAR SUPPRESSOR
31360	46-307819P127	2	ON-LINE AAA	1	ON-LINE 2025-360 1 POLE 20 AMP
31361	46-307819P42	2	ON-LINE FRU	6	ON-LINE 2025-361 CKT BKR 1P 15A 120V
31364	46-307819P40	2	ON-LINE FRU	5	ON-LINE 2025-364 CKT BKR 3P 30A 240V

Parts List Continued On Next Page

LX 50/60Hz FRU LIST 46-320736G21 FRU N (CONTINUED FROM PREVIOUS PAGE)

Item	Part Number	FRU	Name	Quantity	Description (Remarks)
34002	46-307819P44	2	ON-LINE FRU	3	ON-LINE 2075-002 FUSE 1 AMP 600V
34020	46-307819P28	2	ON-LINE FRU	3	ON-LINE 2075-020 FUSE 0.5A 200V SLOW
34023	46-307819P43	2	ON-LINE FRU	5	ON-LINE 2075-023 FUSE 1/4A 500V DUAL
36007	46-307819P48	2	ON-LINE FRU	6	ON-LINE 2085-007 FUSE HOLDER, FLAT
36014	46-307819P54	2	ON-LINE FRU	3	ON-LINE 2085-014 FUSE HOLDER, PANEL
36015	46-307819P68	2	ON-LINE FRU	3	ON-LINE 2085-015 FUSE CLIP
40081	46-307819P65	2	ON-LINE FRU	2	ON-LINE 3050-081 RECEPTACLE L21-30R1
40113	46-307819P58	2	ON-LINE FRU	7	ON-LINE 3050-113 RED TEST JACK
50109	46-307819P31	2	ON-LINE FRU	15	ON-LINE 4000-108 18AWG FUSELINK WIRE
51021	46-307819P45	2	ON-LINE FRU	1	ON-LINE 4025-021 TERMINAL BLOCK
61023	46-307819P74	2	ON-LINE FRU	1	ON-LINE 5100-023 BUS BAR
61032	46-307819P75	2	ON-LINE FRU	2	ON-LINE 5100-032 TRANSFORMER STRAP
61045	46-307819P73	2	ON-LINE FRU	1	ON-LINE 5100-045 BUS BAR-2
80012	46-307819P34	2	ON-LINE FRU	18	ON-LINE 7060-012 HARNESS DRIVE/SNUBR
80089	46-307819P67	2	ON-LINE FRU	1	ON-LINE 7060-089 MAIN HARNESS
80137	46-307819P116	2	ON-LINE FRU	3	ON-LINE 7060-137 HARNESS LOGIC/LOGIC
82022	46-307819P88	2	ON-LINE FRU	2	ON-LINE 730220022-01 FUSE 2A 600V SL
85002	46-307819P49	2	ON-LINE FRU	2	ON-LINE 731000002-01 FUSE HLDR, FLAT
91118A	46-307819P86	2	ON-LINE FRU	1	ON-LINE 9100-118-01 3P 80A CKT BKR
91118B	46-307819P87	2	ON-LINE FRU	1	ON-LINE 9100-118-02 3P 80A CB 600V
91118C	46-307819P82	2	ON-LINE FRU	2	ON-LINE 9100-118-03 3P 60A CKT BKR
91118F	46-307819P85	2	ON-LINE FRU	2	USE 46-320337P1 AS FIELD REPLACEMENT
91118G*	46-320337P4	2	ON-LINE FRU	1	ON-LINE 9100-118-07 2P 15A CKT BKR
91566	46-307819P126	2	ON-LINE AAA	1	ON-LINE 9000-268-01 CIRCUIT BREAKER

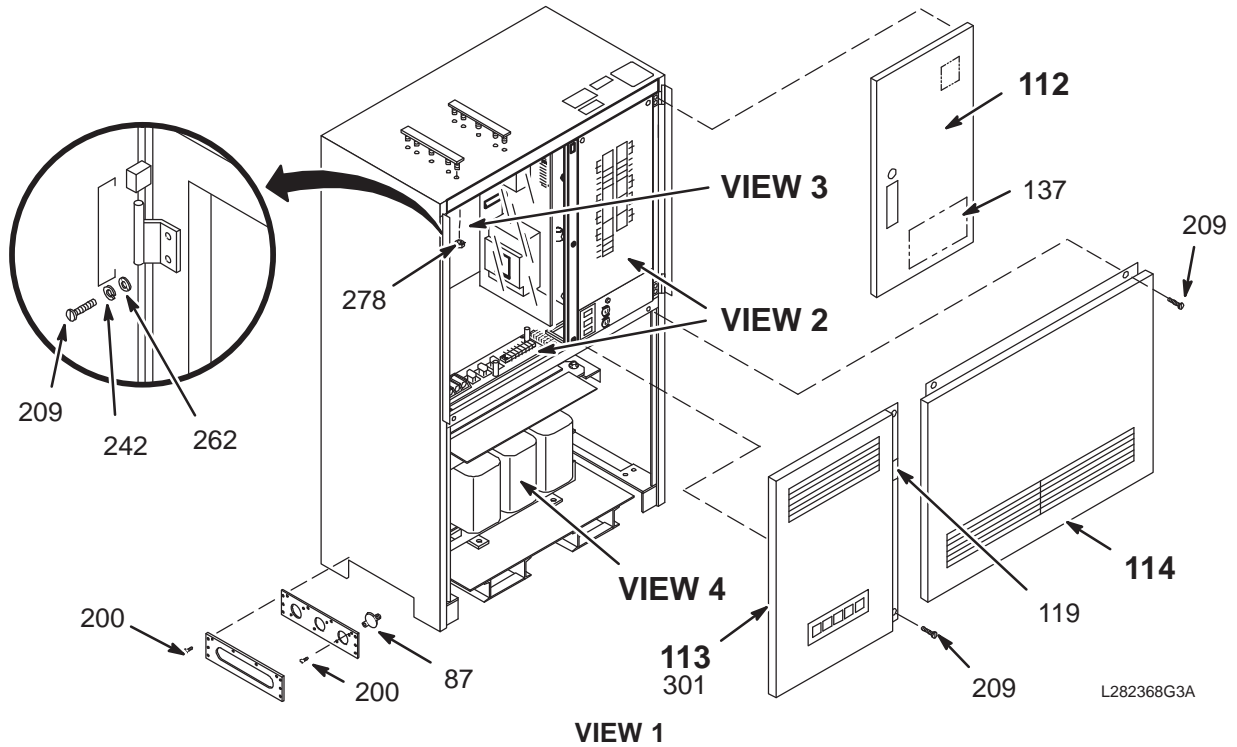
Note: On the earlier versions of P20 and P21, this function was optional Resistive Shim P.S. which also used part no. 9100-118-07.

6-2 FULL-SIZE PDU

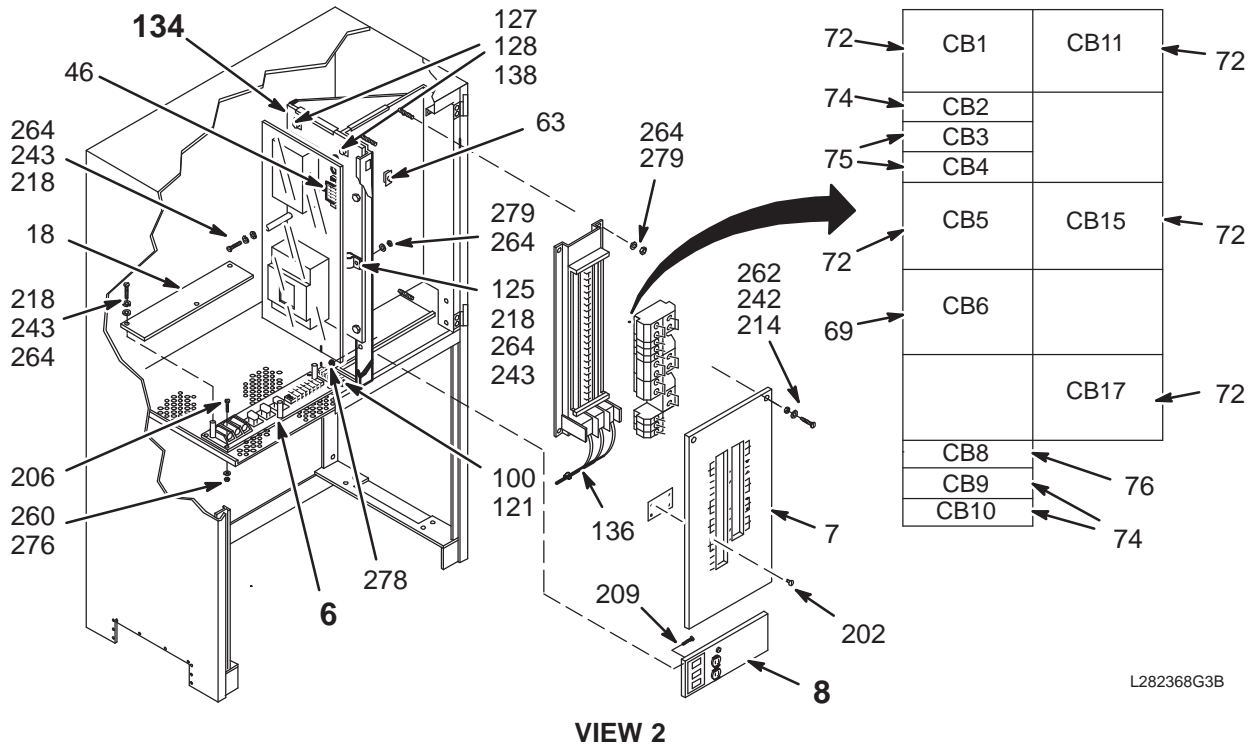
POWER DISTRIBUTION UNIT (PDU)

46-282368G3

PD1 CABINET OVERVIEW

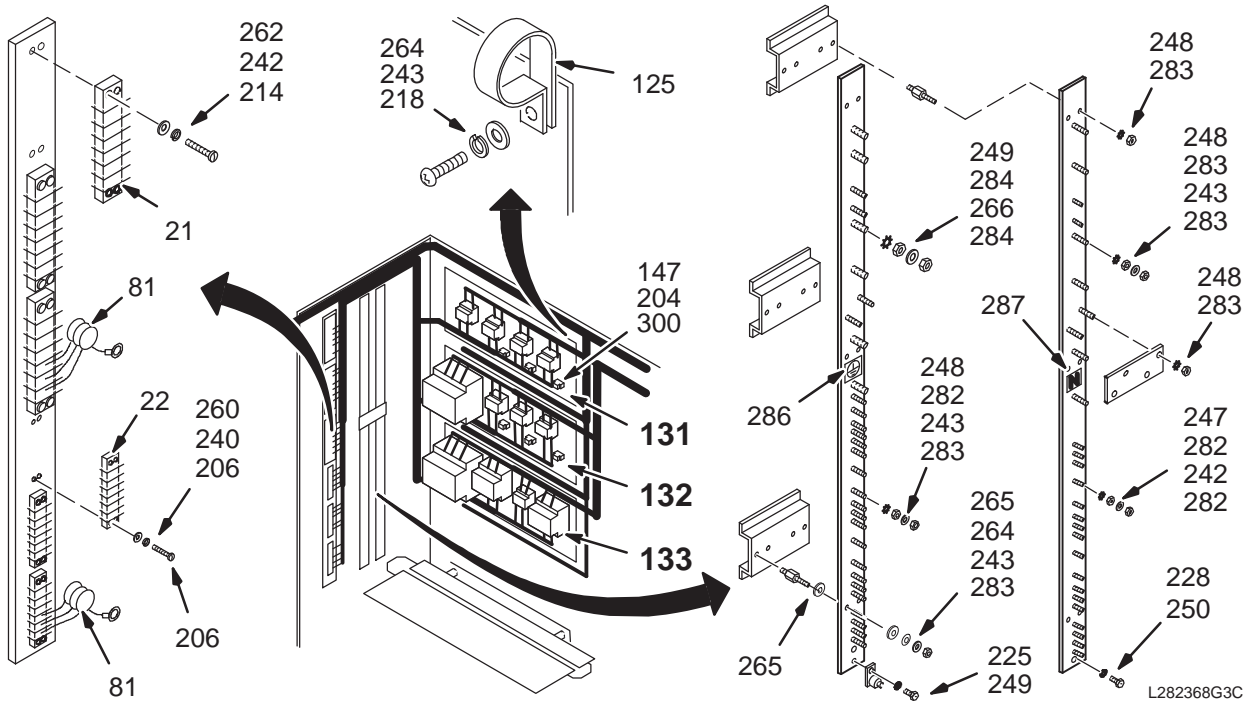


L282368G3A

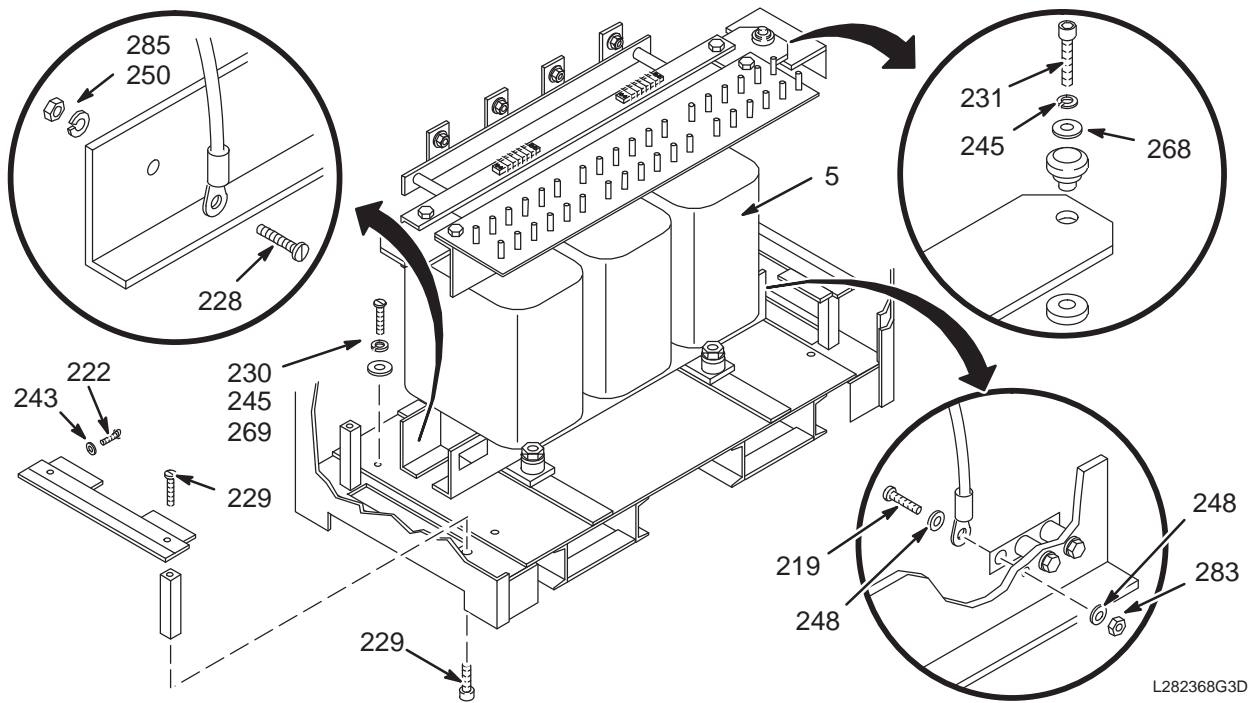


L282368G3B

POWER DISTRIBUTION UNIT (PDU) 46-282368G3 PD1 CONNECTIONS PANEL VIEW



VIEW 3



VIEW 4

PDU ASM 46-282368G3 FRU N (PART OF CATALOG M1001HA SECTION 1)

Item	Part Number	FRU	Name	Quantity	Description (Remarks)
5	46-258816G1	2	XFMR ASM	1	75KVA TRANSFORMER ASM, PD1 A6 A1
6	46-224896G1	N	MOV PLT ASM	1	MOV PANEL, PD1 A6 A4 (SEE PAGE 6-22)
7	46-307580P1	2	CKT BRKR COV	1	CIRCUIT BREAKER TITLE PANEL COVER
8	46-282328G1	N	INDICATE PNL	1	LOAD CENTER COMPARTMENT, PD1 A5 (SEE PAGE 6-23)
18	46-224942P1	2	SF SHLD MOV	1	SAFETY SHIELD, MOV PLATE
21	46-221880P12	2	TERM. STRIP	3	06 TERMINALS 90 AMP 2100 VOLTS
22	46-221880P6	2	TERM. STRIP	3	6 TERMINALS, 50 AMP, 1700 VOLTS
46	46-251927G1	2	MOV ASM	1	130V, 20 JOULE VARISTOR, PD1 A4 RV25
63	46-221899P1	2	SWITCH	1	SPDT, MOM. DOOR INTERLOCK SWITCH.
69	46-221905P38	2	CKT BREAKER	1	060.000 AMP 3 POLE FIG M UL/
72	46-221905P33	2	CKT BREAKER	5	030.000 AMP 3 POLE FIG M UL/
74	46-221905P2	1	CKT BREAKER	3	015.000 AMP 1 POLE FIG K UL/
75	46-221905P3	2	CKT BREAKER	2	020.000 AMP 1 POLE FIG K UL/
76	46-221905P7	2	CKT BREAKER	1	040.000 AMP 1 POLE FIG K UL/
81	46-224998G1	2	MOV ASM	12	130V, 20-JOULE VARISTORS W/TERMINALS
86	46-265849P1	2	PANEL B	1	POWER CABLE ENTRANCE W/ROUND HOLES
87	46-251440G1	2	KNOCKOUT ASM	3	CABLE CONDUIT ACCESS HOLE COVER
100	46-221880P7	2	TERM. STRIP	1	7 TERMINALS, 50 AMP, 1700 VOLTS
112	46-224846G1	N	SML DOOR ASM	1	SMALL DOOR ASSEMBLY (SEE PAGE 6-26)
113	46-282393G1	N	LG.DOOR ASM.	1	LARGE DOOR ASSEMBLY, PD1 A1 (SEE PAGE 6-24)
114	46-258081G1	N	LWR PNL ASM	1	LOWER PANEL, PD1 A7 (SEE PAGE 6-27)
119	46-182519P1	2	LABEL,WARN	1	WARNING-CERTAIN CIRCUITS IN THIS
121	46-315115P1	2	TERMINAL MKR	1	1-7 MARKER STRIP W/4 MOUNTING HOLES.
125	46-208718P18	2	CLAMP	2	ID 1.25 LOOP TYPE
127	46-208747P2	2	MOUNT	11	CABLE TIE,ADH.BACKED
128	46-208758P2	2	STRAP	11	5.5" X .140" SELF-LOCKING CABLE TIE.
129	46-221417P1	2	SCREWLOCK	2	FEMALE SCREWLOCKS, TWO PER KIT
131	46-282369G1	N	CONTACTOR PL	1	CONTACTOR PANEL, PD1 A3 A1 (SEE PAGE 6-29)
132	46-282370G1	N	CONTACTOR PL	1	CONTACTOR PANEL, PD1 A3 A2 (SEE PAGE 6-30)
133	46-282371G1	N	CONTACTOR PL	1	CONTACTOR PANEL, PD1 A3 A3 (SEE PAGE 6-31)
134	46-265153G1	N	BKR PLT ASM	1	DC POWER PANEL, PD1 A4 (SEE PAGE 6-28)
136	46-208758P5	2	STRAP	4	13.38"X .301" SELF-LOCKING CABLE TIE
137	46-282047P1	2	HOLDER	1	FOR INSERT OF 11"X14" DOOR DIAGRAM
138	46-265520G1	2	AC COIL FILT	8	AC COIL FILTER, "SNUBBER"
147	46-136370P24	2	RELAY	9	024VDC 4P2T 028VDC 03AMP
200	46-208560P23	2	SCREW,MACH	26	004-40 X 0.250 LG BIND HD STL F70B5A
201	516A770P408	2	SCREW,MACH	2	4-40 X 0.500 LG BIND HD SST 18-8
209	46-220203P25	2	SCREW MACH	18	0010-32 X 0.500 LG RD HD PHILLIPS
214	46-208560P124	2	SCREW,MACH	14	00010-32 X 1.25 LG BIND HD SST 18-8
222	46-170498P43	2	SCREW,	12	001/4-20 X 2.000 LG HEX SOC HD STL
240	46-220181P3	2	WASHER,LOCK	12	SCREW SIZE 06 (0.138) STL ZN PLT
242	46-220181P5	2	WASHER,LOCK	41	SCREW SIZE 10 (0.190) STL ZN PLT
243	46-220181P6	2	WASHER,LOCK	67	SCREW SIZE 1/4 (0.250) STL NI PLT
245	46-220181P10	2	WASHER,LOCK	6	SCREW SIZE 1/2 (0.500) STL
247	46-208599P4	2	WASHER,LOCK	19	SCREW SIZE #10 EXTERNAL TOOTH

Parts List Continued on Next Page

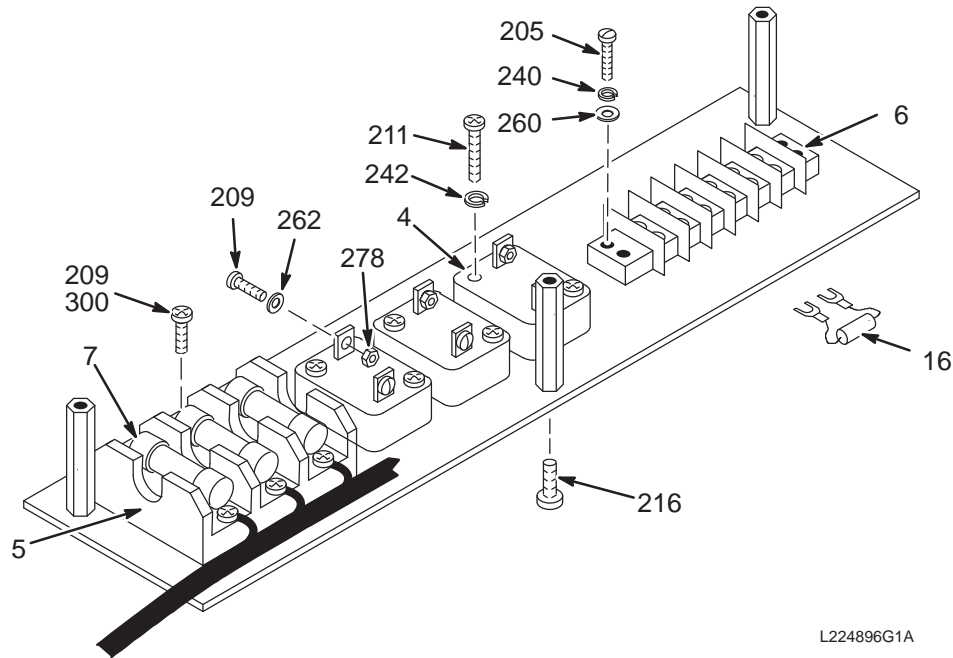
PDU ASM 46-282368G3 FRU N (PART OF CATALOG M1001HA SECTION 1)

Item	Part Number	FRU	Name	Quantity	Description (Remarks)
248	46-208599P5	2	WASHER,LOCK	40	SCREW SIZE 1/4 EXTERNAL TOOTH
249	46-208599P7	2	WASHER,LOCK	7	SCREW SIZE 3/8 EXTERNAL TOOTH
260	1000904P39	2	WASHER,FLAT	20	ID 0.173 OD 0.375 THK .0299
262	12-276	2	WASHER	22	ID 0.2040 OD 0.5630 THK .0478
264	1000904P171	2	WASHER,FLAT	34	ID 0.2660 OD 0.5000 THK .0320
265	512A720P12	2	WASHER	12	ID .268 OD .687 THK .187
266	12-260	2	WASHER	6	ID 0.375 OD 0.875 THK .051
269	46-220205P5	2	WASHER WROT	4	ID 0.5625 OD 1.375 THK 0.1094
276	46-170012P35	2	NUT,LOCK	8	0006-32 HEX 1/4 NUT THK 3/32
278	46-170012P39	2	NUT,LOCK	16	10-32 HEX 3/8 NUT THK 1/8
279	46-170012P40	2	NUT,LOCK	7	1/4-20 HEX 7/16 NUT THK 3/16
282	46-208935P7	2	NUT,HEX,MS	38	00010-32 .375 HEX X .125 THK BR
283	46-208935P8	2	NUT,HEX,MS	77	1/4-20 .438 X .188 THK BR
284	46-208945P1	2	NUT,HEX	12	003/8-16 .563 HEX X .328 THK BRASS
285	46-208947P4	2	NUT,HEX,JAM	1	001/2-20 .750 HEX X .313 THK
286	46-271110P1	2	LABEL	3	PROTECTIVE EARTH (GROUND)
287	46-271110P4	2	LABEL	1	NEUTRAL IEC STABDARD GRAPHIC SYMBOL
300	46-170686P1	2	SEALANT	AR	LOCTITE 242 0.5CC
301	46-255667G1	2	JUMPER PLUG	1	PD1 EMERGENCY STOP JUMPER

MOV PLATE ASSEMBLY

46-224896G1

PD1 A6 A4



L224896G1A

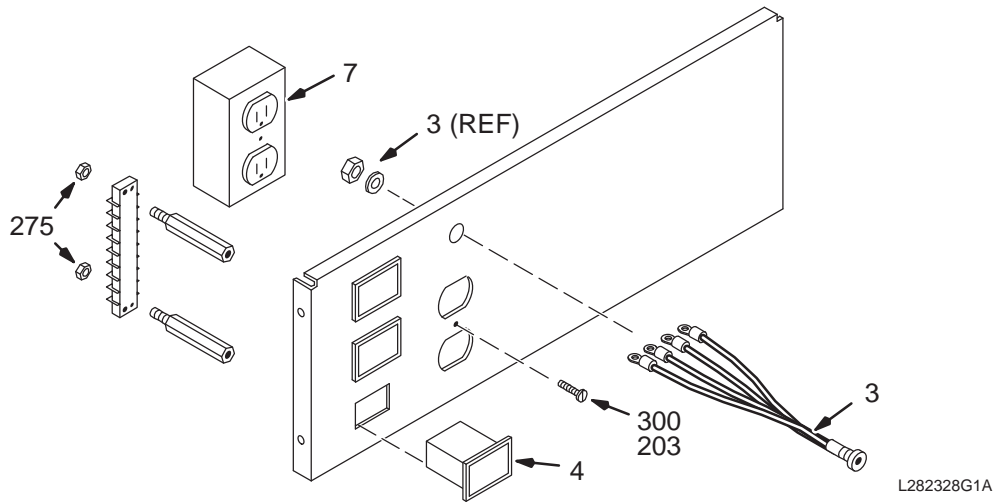
MOV PLATE ASSEMBLY 46-224896G1 FRU N (PART OF 46-282368G3 PAGE 6-20)

Item	Part Number	FRU	Name	Quantity	Description (Remarks)
4	46-170026P14	2	VARISTOR	3	575RMS V, 770 JOULES, 40,000 AMPS.
5	46-221896P1	2	FUSE BLOCK	1	3-POLE, HIGH SPEED FUSE BLOCK FOR
7	46-170021P79	2	FUSE	3	030.000A 0700V CARTRIDGE FAST UL
16	46-255727G1	2	MOV ASM	3	330K, 1W RESISTOR W/SPADE TERMINALS
209	46-220203P25	2	SCREW MACH	8	0010-32 X 0.500 LG RD HD PHILLIPS
240	46-220181P3	2	WASHER,LOCK	4	SCREW SIZE 06 (0.138) STL ZN PLT
242	46-220181P5	2	WASHER,LOCK	6	SCREW SIZE 10 (0.190) STL ZN PLT
260	1000904P39	2	WASHER,FLAT	4	ID 0.173 OD 0.375 THK .0299
262	12-276	2	WASHER	6	ID 0.2040 OD 0.5630 THK .0478
278	46-170012P39	2	NUT,LOCK	6	10-32 HEX 3/8 NUT THK 1/8
300	46-170686P1	2	SEALANT	AR	LOCTITE 242 0.5CC

INDICATOR PANEL

46-282328G1

PD1 A5



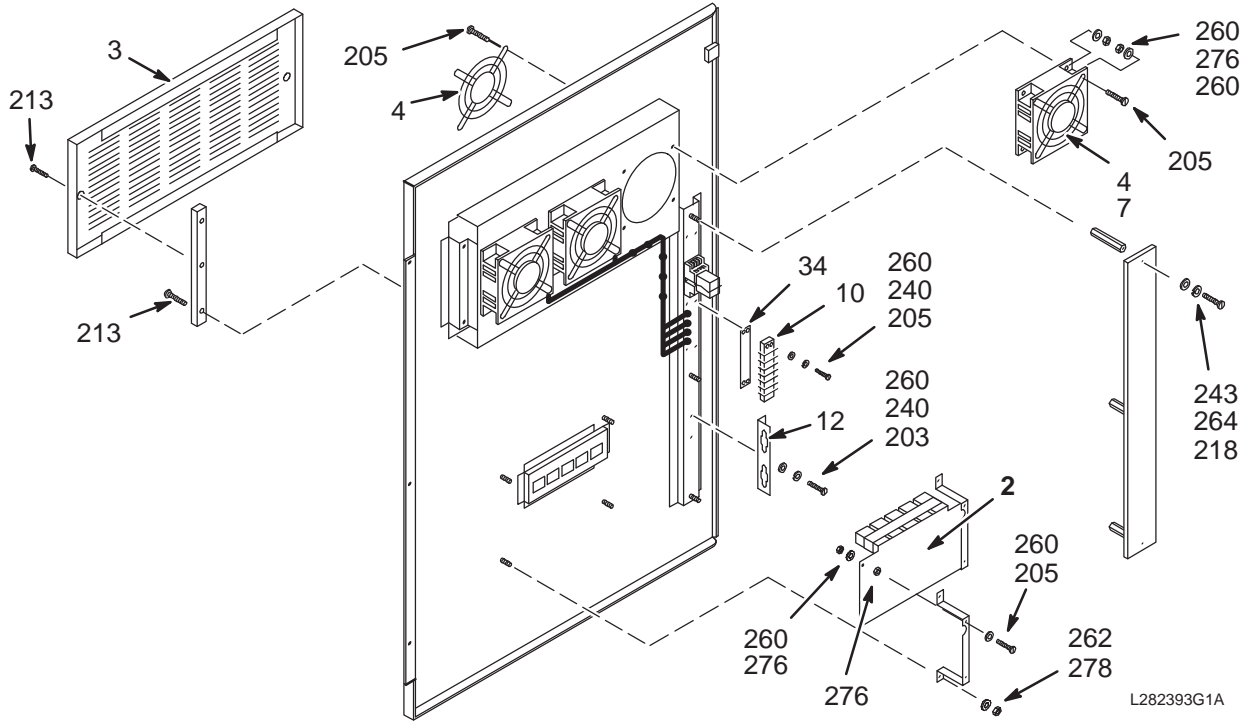
INDICATOR PANEL 46-282328G1 FRU N (PART OF 46-282368G3 PAGE 6-20)

Item	Part Number	FRU	Name	Quantity	Description (Remarks)
3	46-251774G1	2	INDICATE ASM	1	OVERTEMP INDICATOR, PD1 A5 A2
4	46-221733P3	2	INDICATOR	3	NEON DISPLAY INDICATOR W/ GRN BUTTON
7	46-287941P1	2	RECEPTACLE	1	20 AMP, 125V, DUPLEX RECEPTACLE,
275	46-170012P34	2	NUT,LOCK	2	4-40 HEX 1/4 NUT THK 3/32
300	46-170686P1	2	SEALANT	AR	LOCTITE 242 0.5CC
6687	46-136323P33	2	TUB,SHRINK	AR	BLACK EXPANDED ID .250
75757	1000904P2	2	WASHER,FLAT	2	ID 0.144 OD 0.297 THK .032 BRASS

LARGE DOOR ASSEMBLY

46-282393G1

PD1 A1



L282393G1A

LARGE DOOR ASSEMBLY 46-282393G1 FRU N (PART OF 46-282368G3 PAGE 6-20)

Item	Part Number	FRU	Name	Quantity	Description (Remarks)
2	46-226580G1	2	CIRCUIT BD	1	PDU CONTROL CIRCUIT BOARD, PD1 A1 A2 (SEE PAGE 6-25)
3	46-243464P20	2	2BAY CABINET	1	AMCO S15535-11-2 FLAT GRILL W/SCREWS
4	46-403307P1	2	FAN GUARD	6	FINGER GUARD FOR 4-1/2" FAN.
7	46-208986P1	1	FAN	3	4.71" X 4.71" X 1.5" AC FAN,
10	46-221880P4	2	TERM. STRIP	1	04 TERMINALS 50 AMP 1700 VOLTS
34	46-317705P1	2	MARKER-STRIP	1	04 POSITION, 1-4 ON THE BOTTOM,
213	46-208560P70	2	SCREW,MACH	6	010-32 X 1.000 SST 18-8 F65D6B1
240	46-220181P3	2	WASHER,LOCK	6	SCREW SIZE 06 (0.138) STL ZN PLT
243	46-220181P6	2	WASHER,LOCK	3	SCREW SIZE 1/4 (0.250) STL NI PLT
260	1000904P39	2	WASHER,FLAT	38	ID 0.173 OD 0.375 THK .0299
262	12-276	2	WASHER	4	ID 0.2040 OD 0.5630 THK .0478
264	1000904P171	2	WASHER,FLAT	3	ID 0.2660 OD 0.5000 THK .0320
276	46-170012P35	2	NUT,LOCK	32	0006-32 HEX 1/4 NUT THK 3/32
278	46-170012P39	2	NUT,LOCK	4	10-32 HEX 3/8 NUT THK 1/8
300	46-170686P1	2	SEALANT	AR	LOCTITE 242 0.5CC

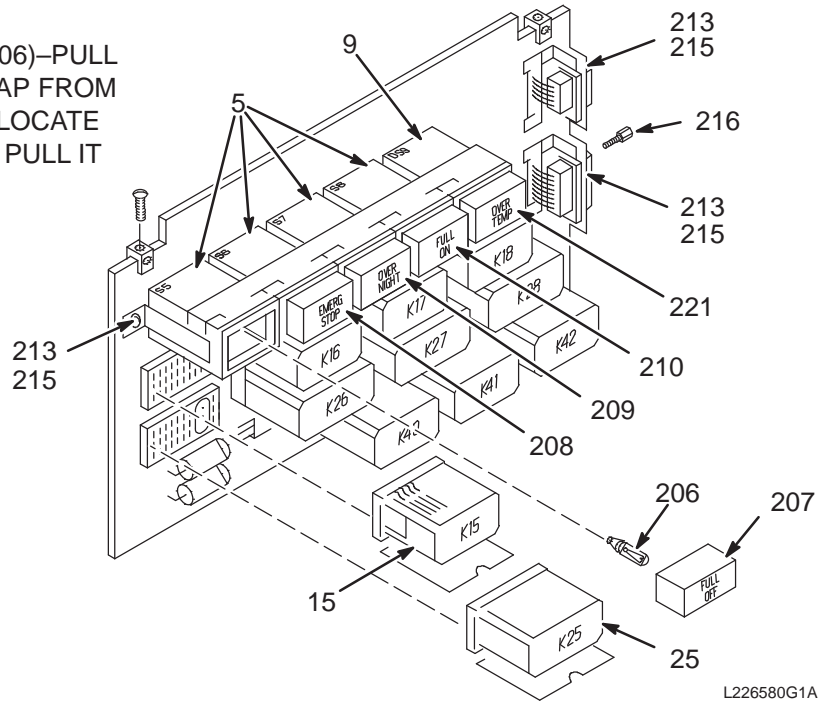
PDU CIRCUIT BOARD

46-226580G1

PD1 A1 A2

NOTE:

TO REMOVE LAMP (ITEM 206)–PULL OFF COLORED PLASTIC CAP FROM HOUSING (ITEMS 5 OR 9), LOCATE TAB INSIDE HOUSING AND PULL IT OUT TO EXTRACT LAMP.



PDU CIRCUIT BOARD

46-226580G1

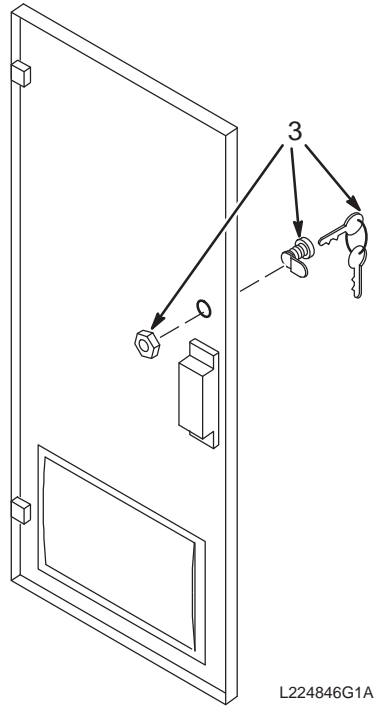
FRU 2

(PART OF 46-282393G1 PAGE 6-24)

Item	Part Number	FRU	Name	Quantity	Description (Remarks)
5	46-221732P1	1	SWITCH	4	2P2T MOM.ACTION 250VAC 02A
9	46-221733P1	2	INDICATOR	1	RECTANGULAR, ONE LAMP, PWB MT HSG ONLY
15	46-221730P1	2	RELAY	7	024VDC 6P2T 028VDC 02AMP UL/CSA
205	46-221830P2		SOCKET, RELAY	4	FOR R15 P&B 27E259 PWB MOUNT
206	46-170045P11	2	LAMP	5	28V.04A WEDGE BASE T 1 3/4 TYPE
207	46-251919P1	2	BUTTON	1	RECTANGULAR, AMBER BUTTON
208	46-251919P2	2	BUTTON	1	RECTANGULAR, RED BUTTON
209	46-251919P3	2	BUTTON	1	RECTANGULAR, GREEN BUTTON
210	46-251919P4	2	BUTTON	1	RECTANGULAR, GREEN BUTTON
211	46-221782P1		SWITCH MOUNT	1	05 RECT. CANS PWB BLACK
212	46-170212P1	2	COMPOUND	AR	THERMAL JOINT COMPOUND.
213	516A770P406	2	SCREW, MACH	7	004-40 X 0.375 LG BIND HD SST 18-8
215	46-170012P34	2	NUT, LOCK	7	4-40 HEX 1/4 NUT THK 3/32
216	46-221417P2	2	SCREWLOCK	4	FEMALE SCREWLOCK FOR HD CONNECTORS.
221	46-251919P5	2	BUTTON	1	RECTANGULAR, WHITE, "OVER TEMP"
222	46-170054P8		CLAMP	7	SOCKET P&B 20C251
223	46-170054P9		CLAMP	4	SOCKET P&B 20C266
224	46-221892P1		BLOCK KIT	1	AMP 531250-1

SMALL DOOR ASSEMBLY

46-224846G1



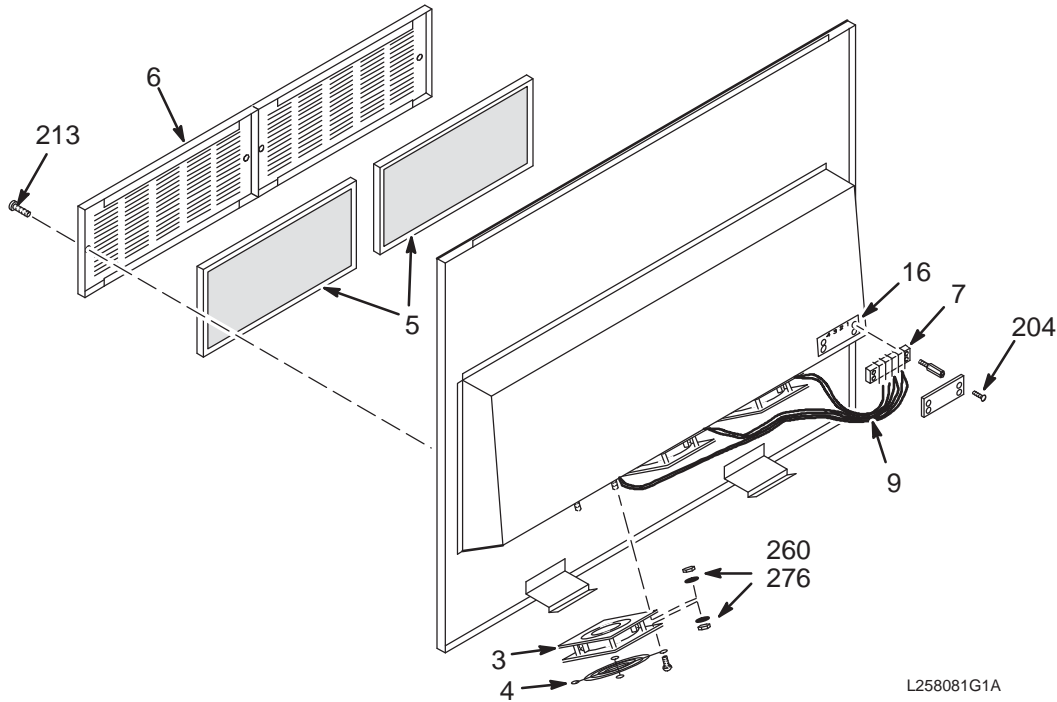
SMALL DOOR ASM 46-224846G1 FRU N (PART OF 46-282368G3 PAGE 6-20)

Item	Part Number	FRU	Name	Quantity	Description (Remarks)
3	46-114161P1	2	LOCK	1	DISC-TUMBLER CAM LOCK W/2 #17 KEYS

LOWER PANEL ASSEMBLY

46-258081G1

PD1 A7



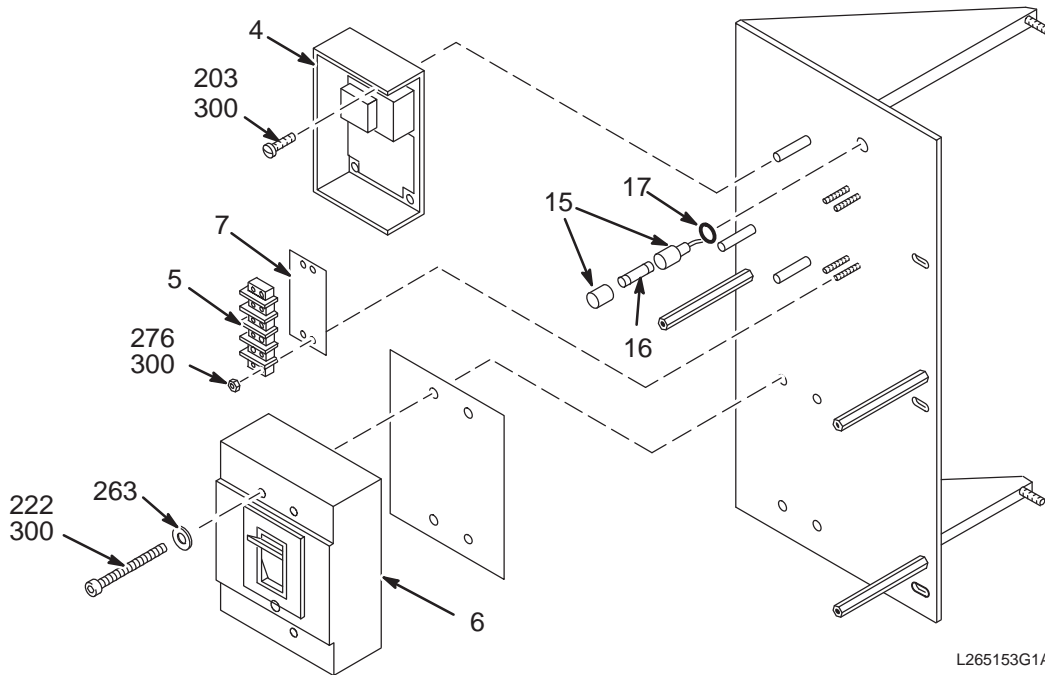
LOWER PANEL ASM 46-258081G1 FRU N (PART OF 46-282368G3 PAGE 6-20)

Item	Part Number	FRU	Name	Quantity	Description (Remarks)
3	46-208986P1	1	FAN	3	4.71" X 4.71" X 1.5" AC FAN,
4	46-403307P1	2	FAN GUARD	3	FINGER GUARD FOR 4-1/2" FAN.
5	46-221883P1	2	FILTER,AIR	2	ALUMINUM MESH,RECTANGULAR
6	46-243464P20	2	2BAY CABINET	2	AMCO S15535-11-2 FLAT GRILL W/SCREWS
7	46-221880P4	2	TERM. STRIP	1	04 TERMINALS 50 AMP 1700 VOLTS
16	46-317705P1	2	MARKER-STRIP	1	04 POSITION, 1-4 ON THE BOTTOM,
213	46-208560P70	2	SCREW,MACH	4	010-32 X 1.000 SST 18-8 F65D6B1
260	1000904P39	2	WASHER,FLAT	24	ID 0.173 OD 0.375 THK .0299
276	46-170012P35	2	NUT,LOCK	24	0006-32 HEX 1/4 NUT THK 3/32

BREAKER PLATE ASSEMBLY

46-265153G1/G2

PD1 A4



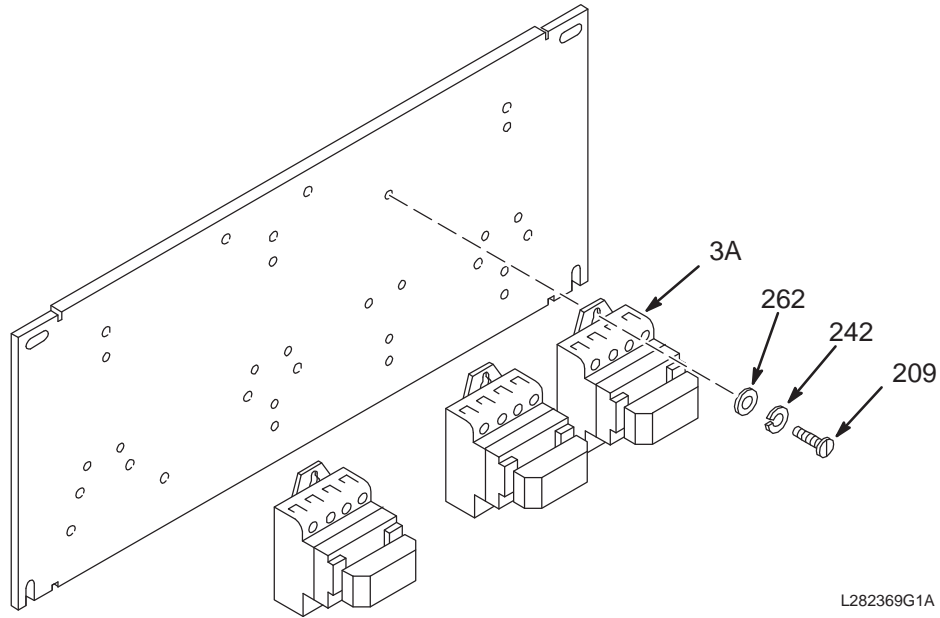
BREAKER PLATE ASM 46-265153G1 FRU N (PART OF 46-282368G3 PAGE 6-20)

Item	Part Number	FRU	Name	Quantity	Description (Remarks)
4	46-199288P9	1	PWR SUPPLY	1	24VDC 3.8A
5	46-221880P4	2	TERM. STRIP	1	04 TERMINALS 50 AMP 1700 VOLTS
6	46-221947P1	2	CKT BREAKER	1	400.000 AMP 3 POLE FIG N UL/
7	46-317705P1	2	MARKER-STRIP	1	04 POSITION, 1-4 ON THE BOTTOM,
15	46-251561G1	2	HARNESS	1	3AG FUSE HOLDER ASSEMBLY
16	46-170021P29	2	FUSE	1	5.0A, 250V SLO-BLO FUSE.
207	46-208560P27	2	SCREW,MACH	4	006-32 X 0.500 LG BIND HD STL F70B5A
222	46-170498P43	2	SCREW,	4	001/4-20 X 2.000 LG HEX SOC HD STL
260	1000904P39	2	WASHER,FLAT	4	ID 0.173 OD 0.375 THK .0299
276	46-170012P35	2	NUT,LOCK	4	0006-32 HEX 1/4 NUT THK 3/32
300	46-170686P1	2	SEALANT	AR	LOCTITE 242 0.5CC

CONTACTOR PANEL ASSEMBLY

46-282369G1

PD1 A3 A1



CONTACTOR PLATE ASM

46-282369G1

FRU N

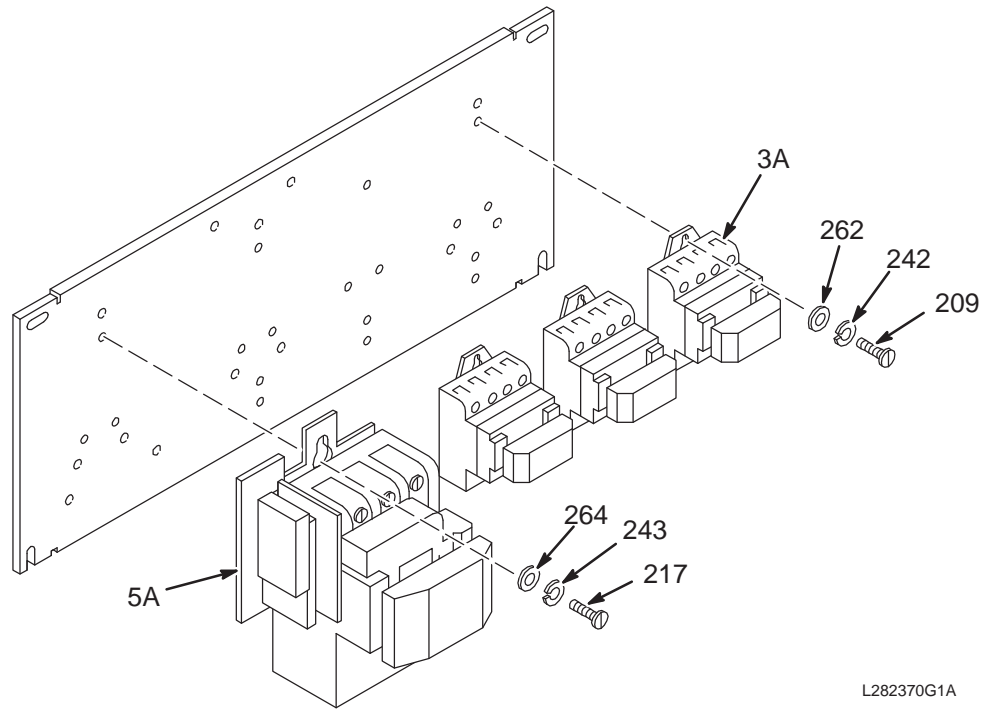
(PART OF 46-282368G3 PAGE 6-20)

Item	Part Number	FRU	Name	Quantity	Description (Remarks)
3A	46-221898P6	2	CONTACTOR	SEL	120VAC 60HZ 27A 600V NEMA SIZE 1
209	46-220203P25	2	SCREW MACH	9	0010-32 X 0.500 LG RD HD PHILLIPS
242	46-220181P5	2	WASHER,LOCK	9	SCREW SIZE 10 (0.190) STL ZN PLT
262	12-276	2	WASHER	9	ID 0.2040 OD 0.5630 THK .0478

CONTACTOR PANEL ASSEMBLY

46-282370G1

PD1 A3 A2



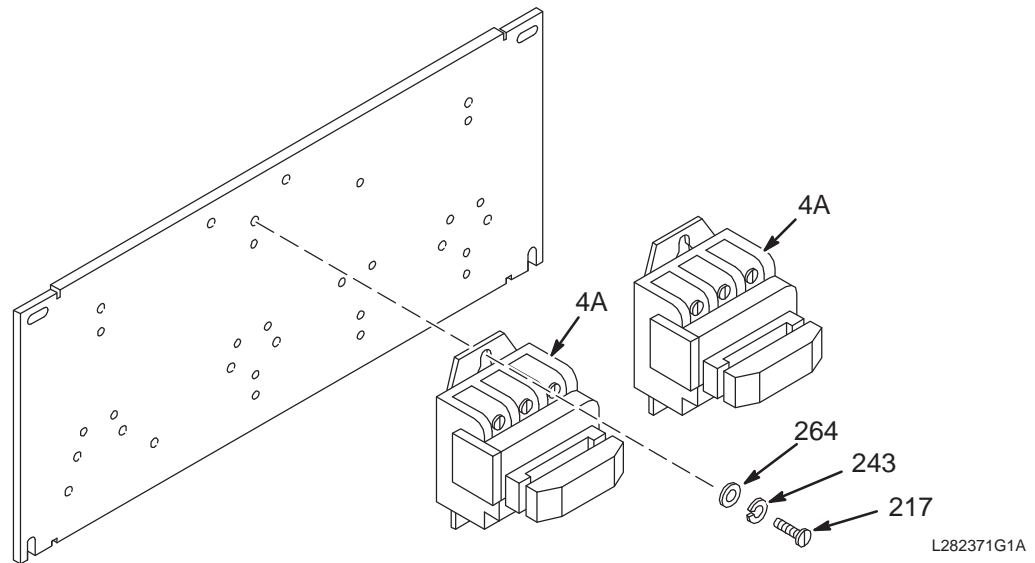
CONTACTOR PLATE ASM 46-282370G1 FRU N (PART OF 46-282368G3 PAGE 6-20)

Item	Part Number	FRU	Name	Quantity	Description (Remarks)
3A	46-221898P6	2	CONTACTOR	SEL	120VAC 60HZ 27A 600V NEMA SIZE 1
5A	46-221898P1	2	CONTACTOR	SEL	120VAC 60HZ 90A 600V NEMA SIZE 3
209	46-220203P25	2	SCREW MACH	6	0010-32 X 0.500 LG RD HD PHILLIPS
217	46-220203P30	2	SCREW MACH	3	001/4-20 X 0.500 LG RD HD PHILLIPS
242	46-220181P5	2	WASHER,LOCK	6	SCREW SIZE 10 (0.190) STL ZN PLT
243	46-220181P6	2	WASHER,LOCK	3	SCREW SIZE 1/4 (0.250) STL NI PLT
262	12-276	2	WASHER	6	ID 0.2040 OD 0.5630 THK .0478
264	1000904P171	2	WASHER,FLAT	3	ID 0.2660 OD 0.5000 THK .0320

CONTACTOR PANEL ASSEMBLY

46-282371G1

PD1 A3 A3

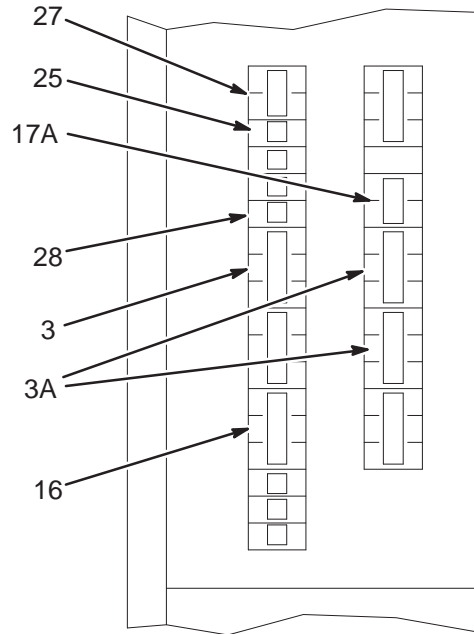
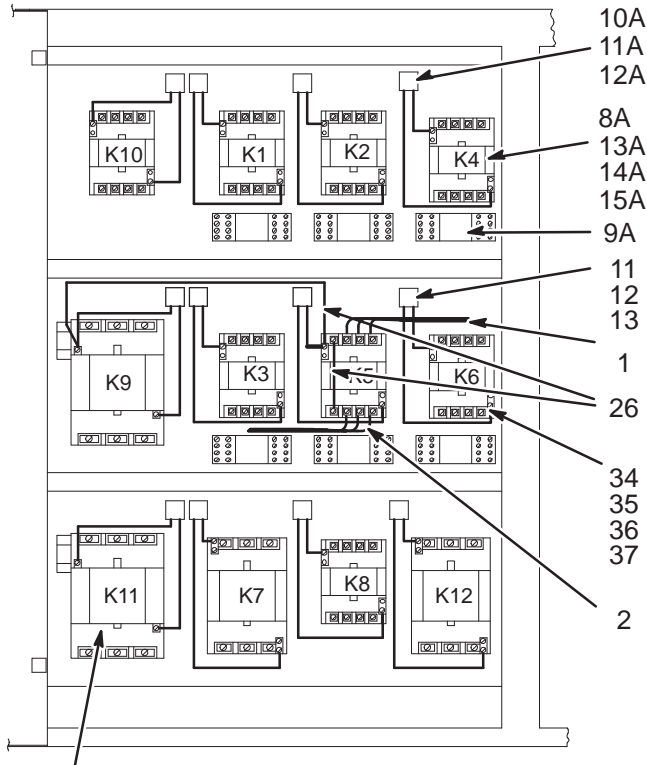


CONTACTOR PLATE ASM 46-282371G1 FRU N (PART OF 46-282368G3 PAGE 6-20)

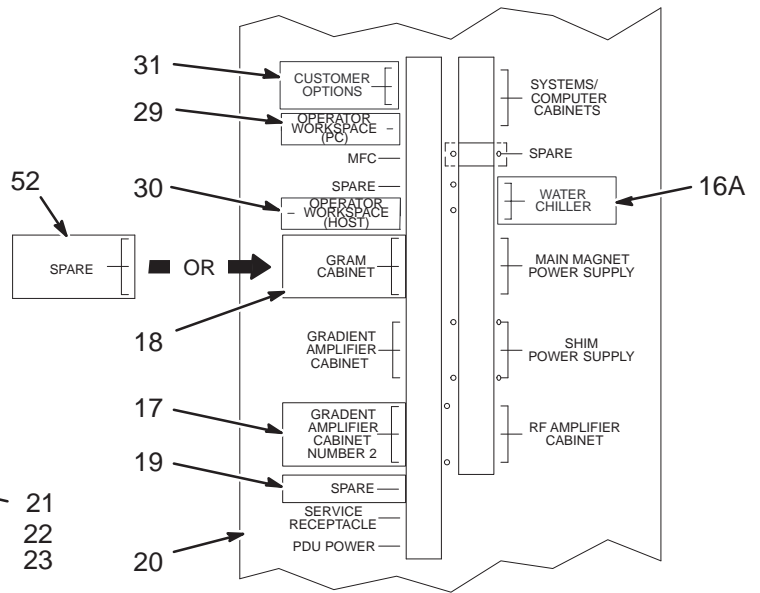
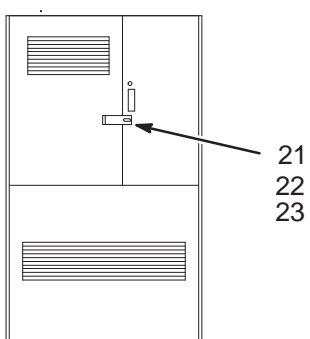
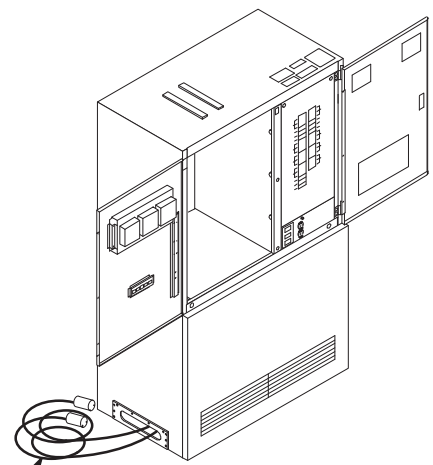
Item	Part Number	FRU	Name	Quantity	Description (Remarks)
4A	46-221898P2	2	CONTACTOR	SEL	120VAC 60HZ 45A 600V NEMA SIZE 2
4B	46-265124P2	2	CONTACTOR	SEL	120VAC 50/60HZ 45A 600V NEMA SIZE 2
209	46-220203P25	2	SCREW MACH	6	0010-32 X 0.500 LG RD HD PHILLIPS
217	46-220203P30	2	SCREW MACH	6	001/4-20 X 0.500 LG RD HD PHILLIPS
242	46-220181P5	2	WASHER,LOCK	6	SCREW SIZE 10 (0.190) STL ZN PLT
243	46-220181P6	2	WASHER,LOCK	6	SCREW SIZE 1/4 (0.250) STL NI PLT
262	12-276	2	WASHER	6	ID 0.2040 OD 0.5630 THK .0478
264	1000904P171	2	WASHER,FLAT	6	ID 0.2660 OD 0.5000 THK .0320

FULL-SIZE UPGRADE TO LX WideOpen

46-306985G4 & 2246052



5
8
9
10



FULL-SIZE UPGRADE TO LX 46-306985G4 FRU N (PART OF M1090NT OR M1090NY)

Item	Part Number	FRU	Name	Quantity	Description (Remarks)
1	46-306942G1	2	HARNESS	1	3 #8AWG WIRES PDU FEEDER-2 K5 TO CB5
2	46-306943G1	2	HARNESS	1	3 #8AWG WIRES, K5 TO TS1-22, 24, 24
3	46-221905P33	2	CIRCUIT BREA	1	30 AMP 3 POLE 120/240V GE #THQL32030
5	46-221898P1	2	CONTACTOR	1	120V, 60HZ, 90A, 600V, GE CR305E002
8	46-220203P30	2	SCREW	3	SCREW
9	46-220181P6	2	WASHER	3	1/4" SCREW SIZE (0.250), STL NI PLT
10	1000904P171	2	WASHER	3	ID 0.266, OD 0.5, THK .032, F70B5A
11	46-265520G1	2	AC COIL FILT	2	AC COIL FILTER, "SNUBBER"
12	46-208758P2	2	TY-RAP	2	5.5" X .140" SELF-LOCKING CABLE TIE.
13	46-208747P2	2	VIBRATION IS	2	CABLE TIE, ADHESIVE BACKED
14	511A590P218	2	TERMINAL	4	RING TONGUE TERMINAL FOR #8 AWG,
15	511A590P53	2	TERMINAL	1	3/8" RING, NON-INSULATED, #7-#9 AWG
16	46-221905P38	2	CIRCUIT BREA	1	60 AMP, 3 POLE, 120/240VAC
17	46-301192P13	2	PDU LABEL	1	GRADIENT AMPLIFIER CABINET NUMBER 2
18	46-301192P14	2	PDU LABEL	1	PDU LABEL FOR "GRAM CABINET"
19	46-301192P15	2	PDU LABEL	1	PDU LABEL "SPARE"
20	46-307580P1	2	PANEL COVER	1	CIRCUIT BREAKER TITLE PANEL COVER
21	2133080	2	HASP	1	HASP WITH STAPLE PLATE
22	46-208908P33	2	SCREW	7	SCREW
23	46-170012P37	2	NUT	7	8-32, HEX 11/32, NUT THK 1/8, KEPS
24	46-301192P16	2	PDU LABEL	1	PDU LABEL FOR "HEAT EXCHANGER"
25	46-221905P2	2	CIRCUIT BREA	2	15 AMP 1-POLE 120/240VAC GE THQL1115
26	46-317005G1	2	LEAD DATA	1	TWO WIRE K5-2 TO JK5-3; K5-1 TO K9-1
27	46-221905P21	2	CIRCUIT BREA	1	015.000 AMP 2 POLE
28	46-221905P3	2	CIRCUIT BREA	1	020.000 AMP 1 POLE FIG K UL/
29	46-301192P17	2	LABEL	1	LABEL "OPERATOR WORKSPACE"
30	46-301192P18	2	LABEL	1	LABEL "WORKSTATION"
31	46-301192P19	2	LABEL	1	LABEL "CUSTOMER OPTIONS"
34	46-221898P6	2	CONTACTOR	1	120VAC 60HZ 27A 600V NEMA SIZE 1
35	46-220203P25	2	SCREW	3	SCREW
36	12-276	2	WASHER	3	ID 0.2040 OD 0.5630 THK .0478
52	46-301192P4	2	LABEL	1	LABEL "SPARE"

FULL-SIZE UPGRADE TO WideOpen 2246052 FRU N (PART OF M1191SN)

Item	Part Number	FRU	Name	Quantity	Description (Remarks)
6A	46-271364G11	2	ASSEMBLY	1	(011) MG4/MS3 TO PD1-A2
7A	46-271364G12	2	CABLE ASM	1	(020) MS2/MS6/MS7/MG5 TO PD1/A2
8A	46-221898P6	2	CONTACTOR	1	120VAC 60HZ 27A 600V NEMA SIZE 1
9A	46-136370P24	2	RELAY	1	024VDC 4P2T 028VDC 03AMP
3A	46-320337P1	2	CKT BREAKER	2	ON-LINE 9100-118-06, 30A CKT BREAKER
10A	46-265520G1	2	AC COIL FILT	1	AC COIL FILTER, "SNUBBER"
11A	46-208747P2	2	VIBRATION IS	4	CABLE TIE, ADHESIVE BACKED
12A	46-208758P2	2	TY-RAP	4	5.5" X .140" SELF-LOCKING CABLE TIE.
13A	1000904P171	2	WASHER	3	ID 0.266, OD 0.5, THK .032, F70B5A
14A	46-220181P6	2	WASHER	3	1/4" SCREW SIZE (0.250), STL NI PLT
15A	46-220203P30	2	SCREW	3	SCREW
16A	46-301192P20	2	LABEL	1	LABEL OTHER - WATER CHILLER
17A	46-221905P21	1	CIRCUIT BREA	1	015.000 AMP 2 POLE

SECTION 7 – COMPUTER

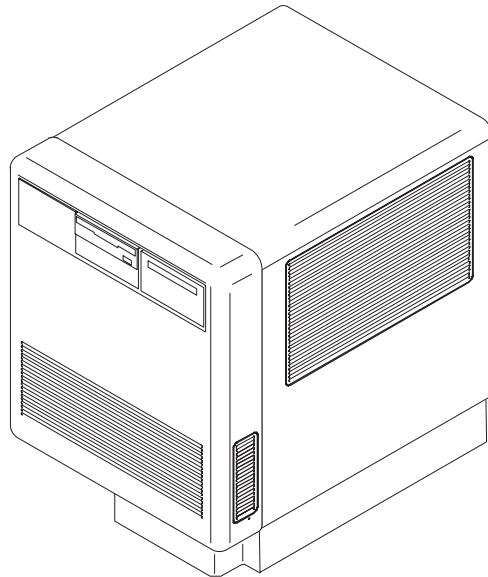


TABLE OF CONTENTS

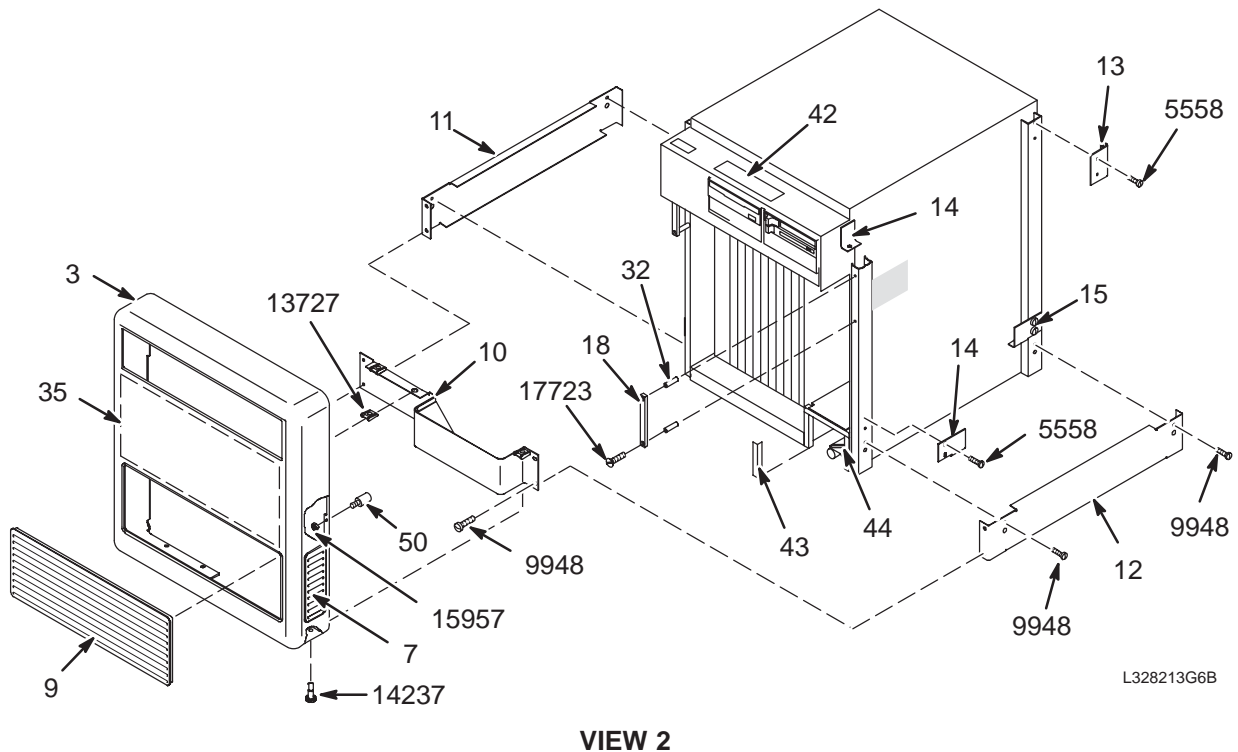
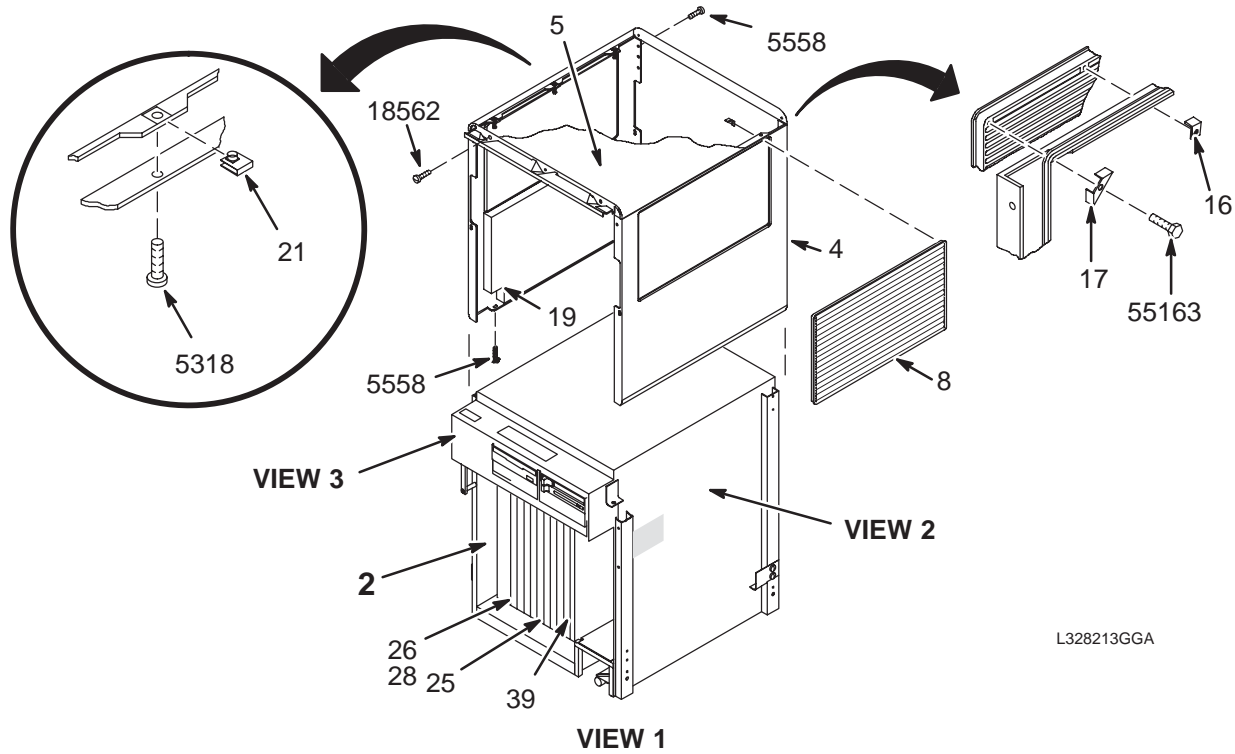
<u>SECTION</u>	<u>PAGE</u>
7-1 STEALTH COMPUTER	7-2
Contains information on Horizon 5.x Computer	
7-2 STEALTH COMPUTER INTERFACE KIT	7-8

7-1 STEALTH COMPUTER

STEALTH COMPUTER

46-328213G6

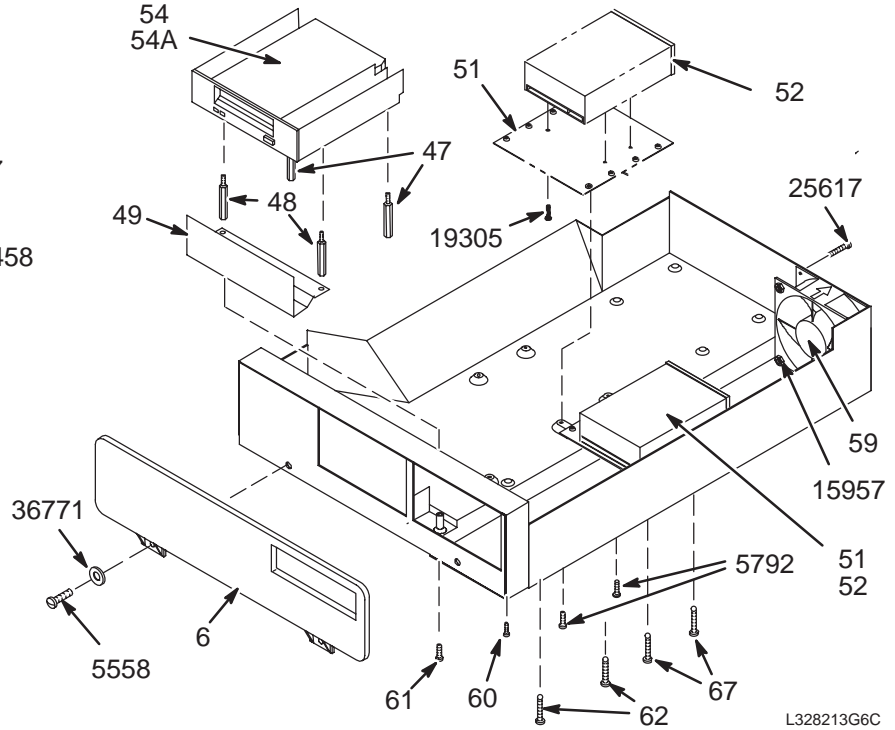
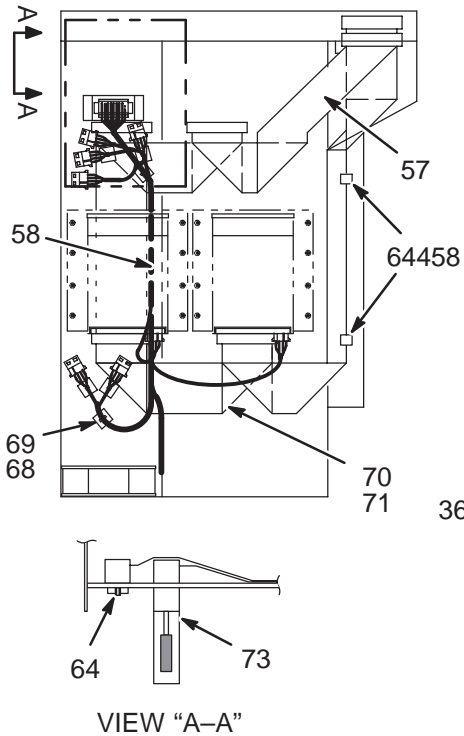
CC1



STEALTH COMPUTER

46-328213G6

CC1



STEALTH COMPUTER 46-328213G6 FRU N (PART OF 46-317998G10 SECTION 1)

Item	Part Number	FRU	Name	Quantity	Description (Remarks)
2	46-269579G1	N	SUN COMPUTER	1	SOURCED SUN COMPUTER STEALTH CONFIG. (SEE PG 7-5)
3	46-301306P1	2	FRT COVER	1	COMPUTER ENCLOSURE FRONT COVER
4	46-301308P1	2	SIDE COVER	2	COMPUTER ENCLOSURE SIDE COVER
5	46-301307P1	2	TOP COVER	1	COMPUTER ENCLOSURE TOP COVER
6	46-307620P1	2	BEZEL	1	CARTRIDGE TAPE DRIVE BEZEL
7	46-301309P1	2	GRILL	1	MIST GRAY PLASTIC, 6-3/8 X 2-3/16"
8	46-301310P1	2	GRILL LG	2	MIST GRAY PLASTIC, 10" X 17-1/4"
9	46-301310P2	2	GRILL LG	1	MIST GRAY PLASTIC, 6-3/8" X 17-1/4"
10	46-301314P1	2	FRONT TRIM	1	FRONT TRIM PANEL, CHARCOAL GRAY
11	46-301313P1	2	SIDE TRIM	1	LEFT SIDE TRIM PANEL, CHARCOAL GRAY
12	46-301313P2	2	SIDE TRIM	1	RIGHT SIDE TRIM PANEL, CHARCOAL GRAY
13	46-301311P1	2	BRACKET	2	COVER MOUNTING BRACKET, UPPER REAR
14	46-301312P1	2	BRACKET	2	COVER MOUNTING BRACKET, FRONT RIGHT
15	46-301312P2	2	BRACKET	2	COVER MOUNTING BRACKET, LOWER
16	46-301339P1	2	CLIP, RETAIN	12	GRILL MOUNTING CLIP, CENTER
17	46-301316P1	2	CLAMP	16	GRILL MOUNTING CLIP, CORNER
18	46-301395P1	2	HANDLE	2	1/2" X 5/16" X 4-3/8" ALUMINUM BAR
19	46-301476P1	2	ACOUSTC FOAM	2	SIDE COVER SOUNDFOAM, 1" THICK
21	46-278036P1	2	FASTENER	6	#10 - 32 TINNEMAN
25	46-307265G1	1	BIT3 VME I/F	1	BIT3 RPQ600356 CARD/CABLE ASM - SUN

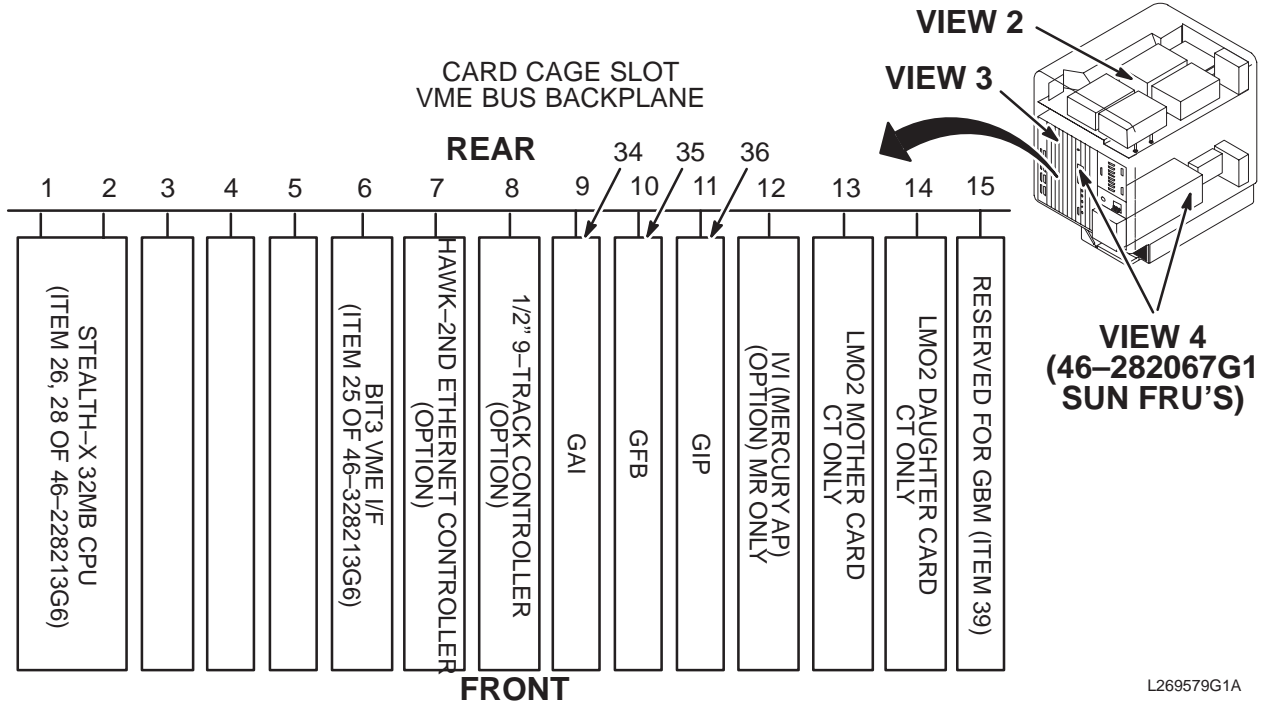
Parts List Continued On Next Page

COMPUTER 46-328213G6 FRU N (CONTINUED FROM PREVIOUS PAGE)

Item	Part Number	FRU	Name	Quantity	Description (Remarks)
26A	46-320144G2	1	STEALTH CPU	1	STEALTH-X CPU, 64 MB
26B	46-320144G1	1	STEALTH CPU	1	STEALTH-X CPU, 32 MB
28	2101900	1	MODULE	1	32 MB EXPANSION MODULE, STEALTH CPU
29	46-301819P1	2	BRACKET	2	COMPUTER MOUNTING BRACKET, FRONT
30	46-301818P1	2	BRACKET	1	COMPUTER MOUNTING BRACKET-RIGHT REAR
31	46-301818P2	2	BRACKET	1	COMPUTER MOUNTING BRACKET, LEFT REAR
32	46-301870P1	2	SPACER, HNDL	4	3/8" DIA. X 1-1/4" ALUMINUM TUBE
39	46-321280G1	1	CIRCUIT BD	1	32MB BULK MEMORY BOARD (GBM) FOR IP
41	46-302200P9	N	RATING PLATE	1	BLANK RATING PLATE FOR SERIAL NO ETC
42	46-306831P1	2	LABEL	1	WARNING - HEAVY DRAWER W/O END STOPS
43	46-170209P1	2	TAPE	AR	0.034 X 1.00 X 100 FT
44	46-279632P1	2	MECHANICAL/M	AR	POLYETHYLENE STRIP, ELECTROVERT GS-4
47	46-320865P1	2	(M)SPACER	2	1/4" HEX STANDOFF X 1.88", M3 THREAD
48	46-320865P2	2	(M)SPACER	2	1/4" HEX STANDOFF X 1.81", M3 THREAD
49	46-320866P1	2	COVER	1	ESD COVER PLATE
50	46-307430P1	2	STANDOFF	4	STANDOFF, 1/4" DIA X 3/8" LG, 6-32
51	46-328478P1	2	BRACKET	2	ST-1980 DISC DRIVE ADAPTING PLATE
52	46-269587P5	1	DISK DRIVE	2	3.5 INCH FORM FACTOR LOW PROFILE
52A	46-269587P3	1	DISK DRIVE	2	SEAGATE 3.5 INCH FORM FACTOR LOW PROFILE
54	46-306519P3	1	DAT DRIVE	1	3.5" HALF HEIGHT FORM FACTOR 2.0 GB
54A	46-306519P2	1	DAT DRIVE	ALT	3.5" DAT DRIVE W/BRACKETS AND BEZEL
57	2101566	2	RIBBON CABLE	1	50 CONDUCTOR, FOR ST1980N SCSI TRAY
58	46-307636G1	2	HARNESS	1	SCSI MULTI-INTERCONNECT DC CABLE
59	46-307681P1	1	FAN	1	4.69" X 4.69" X 1.54" DC BRUSHLESS.
60	46-307729P5	2	M3 SCREW	1	8MM LONG, METRIC SLOTTED CHEESE HEAD
61	46-307729P10	2	M3 SCREW	1	25MM LONG METRIC SLOTTED CHEESE HEAD
62	46-307729P13	2	M3 SCREW	2	40MM LONG METRIC SLOTTED CHEESE HEAD
64	46-221417P2	2	CONNECTOR	4	FEMALE SCREWLOCK FOR HD CONNECTORS
67	46-220185P123	2	SCREW	2	6-32 X 1-5/8" LG RD HEAD SLOT, STEEL
68	46-208747P1	2	VIBRATION IS	6	CABLE TIE,ADH.BACKED
69	46-208758P2	2	TY-RAP	6	5.5" X .140" SELF-LOCKING CABLE TIE.
73	46-269601P1	1	TERMINATOR	1	ACTIVE REGULATED SCSI TERMINATOR
5318	46-170015P6	2	SCREW	6	10-32 X 1/2 LG BIND HD STL EXT TOOTH
5558	46-170015P16	2	SCREW	25	10-32 X 3/8 LG BIND HD STL EXT TOOTH
5792	46-170015P19	2	SCREW	6	6-32 X 3/8 LG BIND HD STL EXT TOOTH
9948	46-208560P123	2	SCREW	8	10-32 X 3/8 BINDING HEAD, 18-8 SST
13727	46-316410P1	2	FASTENER	3	RECEPTACLE CLIP-ON, SOUTHCO
14237	46-220370P8	2	FASTENER	3	STUD, OVAL HD 1/4 TURN SOUTHCO
15957	46-170012P36	2	NUT	8	6-32 HEX 5/16 NUT THK 7/64, KEPS
16755	46-208935P8	2	NUT	4	1/4-20, 7/16" HEX X 3/16 THK, BRASS
16786	46-208935P7	2	NUT	4	10-32, 3/8 HEX, 1/8" THICK, BRASS
17215	46-208599P4	2	WASHER	4	#10 SCREW SIZE, EXTERNAL TOOTH
17723	46-208908P85	2	SCREW	4	10-32 X 1-3/4" LG, FLAT HEAD SLOTTED
18562	46-208561P69	2	SCREW	2	5/16-18 X 1/2" HEX HD, GRADE 5 STEEL
19305	46-170015P37	2	SCREW	8	6-32 X 5/8" LG BIND HD STL EXT TOOTH
24281	46-208601P6	2	WASHER	4	1/4" SCREW SIZE, INTERNAL TOOTH
25617	46-208908P86	2	SCREW	4	6-32 X 1-3/4" FLAT HEAD SLOT, STEEL
41665	46-208932P8	2	SCREW	4	3/8-16 X 1.25" HEX HEAD, 18-8 SST
53148	46-170024P37	2	SCREW	2	5/16-18 HEX SOCKET HEAD, ALLOY STEEL
55163	46-208734P19	2	SCREW	28	6-32 X 5/16" LONG, HEX WASHER
64458	46-208712P1	2	CLAMP	2	DEK PART NO. 031-0100
72869	46-230516P3	2	SCREW	4	RAWL 9340H/S DROP-IN HEAVY DUTY 3/8"

COMMON COMPUTER SYSTEM

MODEL 46-269579G1



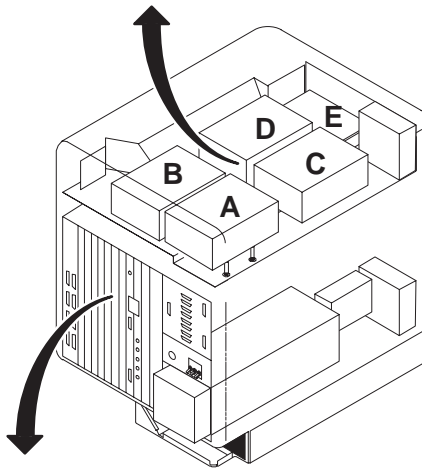
COMMON COMP SYS 46-269579G1 FRU N (PART OF 46-328213G6 PAGE 7-3)

Item	Part Number	FRU	Name	Quantity	Description (Remarks)
34	46-282067P34	1	SUN GAI SPEC	1	APPLICATIONS I/F (SEE 46-307090P14)
35	46-282067P35	1	SUN GFB SPEC	1	FRAME BUFFER (SEE 46-307090P16)
36	46-282067P36	1	SUN GIP SPEC	1	INTERPOLATOR (SEE 46-307090P15)
801	46-282067G1	N	SUN OC FRUS	X	SUN FRUS USED W/MR OC COMPUTER (SEE PAGE 7-7)

COMMON COMPUTER SYSTEM

MODEL 46-328213 SERIES

MODEL	LOCATION	DESCRIPTION		PART NUMBER
G6	A	DAT	3.5" HALF HEIGHT FORM FACTOR DIGITAL	46-306519P2
	B	OPT DISK	OPTICAL DISK DRIVE KIT, INCLUDES "E" BELOW (OPTIONAL)	46-317242G1
	B ALT.	MOD (1/2HGT)	5-1/4" MAGNETO OPTICAL DISK, "E" NOT USED (OPTIONAL)	46-307575P4
	C	DISK	SEAGATE ST1980N, 3.5" FORM FACTOR	46-269587P1
	D	2ND DISK	SEAGATE ST1980N, 3.5" FORM FACTOR (OPTIONAL)	46-269587P1
	E	OPT DISK	SEE "B" ABOVE	46-317242G1



L269579G1B

VIEW 2

SLOT	BOARDS	PART NUMBER	LISTED UNDER P/L:
1/2	STEALTH-X 32MB CPU	46-320144G1	46-328213G6
1/2	STEALTH-X 64MB CPU	46-320144G2	46-328213G6
3	EMPTY		
4	EMPTY		
5	EMPTY		
6	BIT 3 SCANNER INTERFACE (MR CC1 ONLY)	46-307265G1	46-328213G6
7	HAWK 2ND ETHERNET CONTROLLER*	46-269604P1	
8	1/2" MAG TAPE CONTROLLER*	46-282067P54	
9	GENESIS APPLICATIONS INTERFACE (GAI)	46-307090P14	46-282067G1
10	GENESIS FRAME BUFFER (GFB)	46-307090P16	46-282067G1
11	GENESIS INTERPOLATOR PROCESSOR (GIP)	46-307090P15	46-282067G1
12	i860 ARRAY PROCESSOR*(FOR IVI OPTION)	46-307869G2	M1095AF/AG
13	EMPTY		
14	EMPTY		
15	GENESIS BULK MEMORY*	46-307090P17	46-282067G1

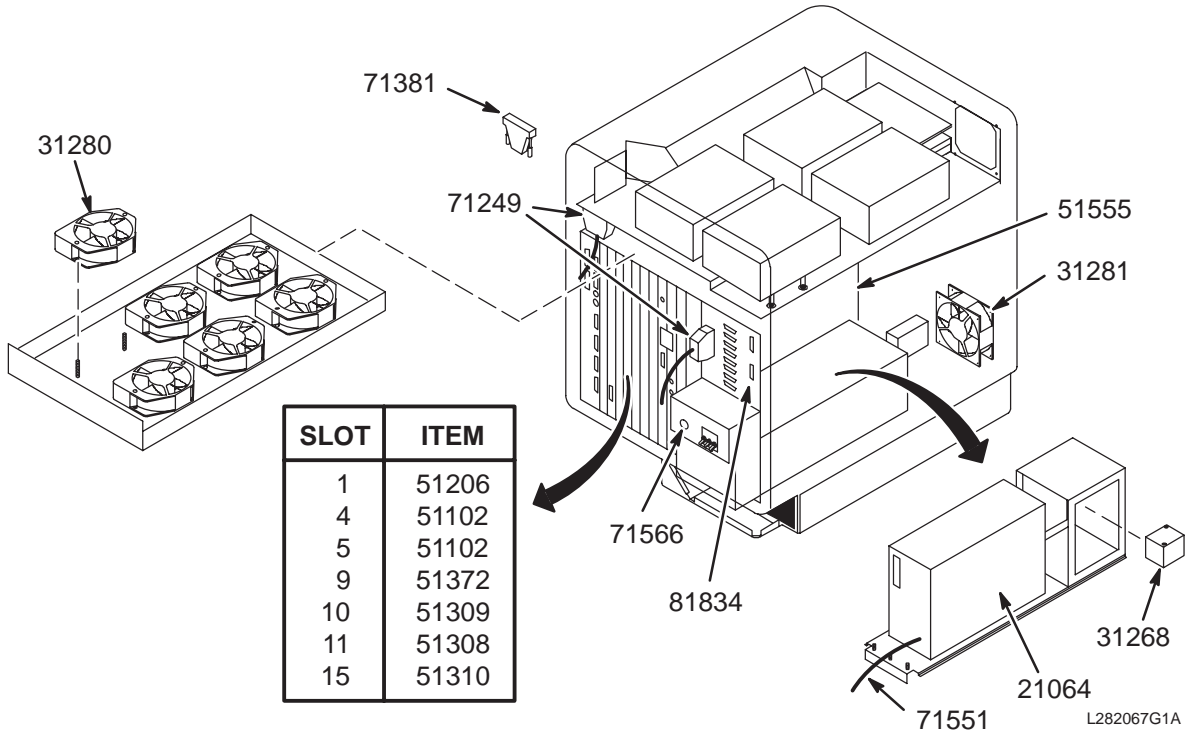
* DENOTES OPTIONAL BOARD

L269579G1C

VIEW 3

SUN FRU'S

46-282067G1



VIEW 4

SUN FRU'S

46-282067G1

FRU N

(PART OF 46-269579G1 PAGE 7-5)

Item	Part Number	FRU	Name	Quantity	Description (Remarks)
21064	46-307090P1	1	SUN FRU	1	SUN 300-1064 1600W POWER SUPPLY
31268	46-307090P3	2	SUN FRU	1	SUN 370-1268 EMI AC LINE FILTER
31280	46-307090P23	2	SUN FRU	6	SUN 370-1280 FAN, AC 175 CFM
31281	46-307090P8	2	SUN FRU	1	SUN 370-1281 FAN
51102	46-307090P20	1	SUN FRU	ALT	SUN 501-1102 8MB EXPANSION MEMORY BD
51206	46-307090P18	1	SUN FRU	ALT	SUN 501-1206 3/260 CPU BOARD
51308	46-307090P15	1	SUN FRU	1	SUN 501-1308 GIP CIRCUIT BOARD
51309	46-307090P16	1	SUN FRU	1	SUN 501-1309 GFB CIRCUIT BOARD
51310	46-307090P17	1	SUN FRU	ALT	SUN 501-1310 GBM CIRCUIT BOARD
51372	46-307090P14	1	SUN FRU	1	SUN 501-1372 GAI CIRCUIT BOARD
51555	46-307090P24	1	SUN FRU	1	SUN 501-1555 BACKPLANE
71249	46-307090P29	2	SUN FRU	2	SUN 530-1249 CABLE
71381	46-307090P32	1	SUN FRU	1	SUN 530-1381-02 SCSI TERMINATOR
71551	46-307090P21	2	SUN FRU	1	SUN 530-1551 5VDC TO BACKPLANE CABLE
71566	46-307090P31	2	SUN FRU	1	SUN 530-1566 POWER INDICATOR & CABLE
81834	46-307090P30	2	SUN FRU	1	SUN @X540-1834 SERIAL I/O PANEL

7-2 STEALTH COMPUTER INTERFACE KIT

INTERFACE KIT 46-317995G1 FRU N (PART OF 46-317998G6 SECTION 1)

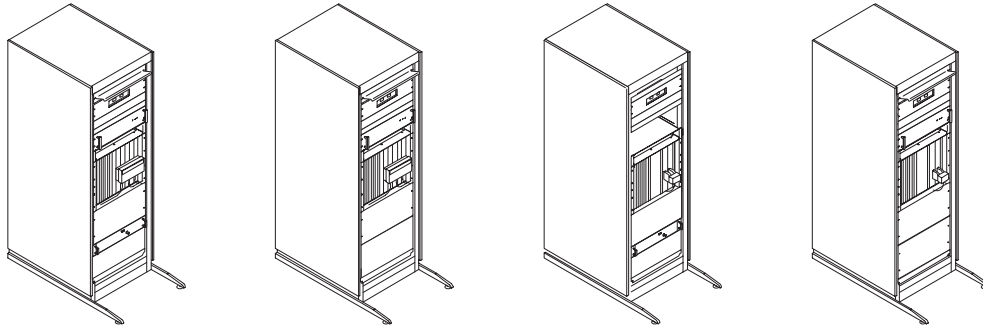
Item	Part Number	FRU	Name	Quantity	Description (Remarks)
1	46-287532P2	1	ETHER XCEIVR	1	THIN NET ETHERNET TRANSCEIVER
2	46-296980G1	2	CABLE ASM	1	LASER CAMERA
3	46-296861G6	2	CABLE ASM	1	COMPUTER ETHERNET TO XCVR
4	46-296817P1	2	CONNECTOR	1	50 OHM BNC TERMINATOR W/CHAIN, 1/2 W
5	46-313025G1	2	INTER. CABLE	1	PIXEL CABLE
6	46-313025G2	2	INTER. CABLE	1	VIDEO CABLE
7	46-307698P2	2	CABLE ASM	1	CI1-A1-A7-J3601 TO VCR, 80 FT RG59
8	46-136246P15	2	TAPE	0.500	3/4" WIDE, WHT ADH BACK, VELCRO LOOP
9	46-136246P17	2	TAPE	0.500	3/4" WIDE, WHT ADH BACK, HOOK VELCRO
10	46-220427P3	2	CONNECTOR	2	50 OHM BNC STRAIT JACK-JACK ADAPTOR
11	46-136323P29	2	TUBING	0.500	BLACK EXPANDED ID .750
12	46-320325G1	2	FILTER ASM	1	INTERCOM FILTER ASSEMBLY FOR RUN 704
16	46-313020P1	2	TERMINATOR	1	BNC 50 OHM TERMINATOR WITH

SECTION 8 – SYSTEM CABINET

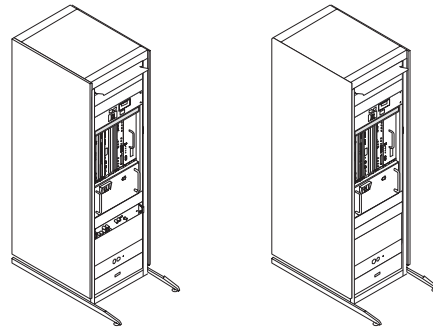
TABLE OF CONTENTS

SECTION

PAGE



8-1 HORIZON 5.x SYSTEM CABINETS	8-3
Contains information on Horizon 5.x various System Cabinet configurations	
5.x 1.5T ECHOSPEED with MULTI-COIL & FAST RECEIVER	2117956 8-4
5.x 1.5T HISPEED with MULTI-COIL & w/o FAST RECEIVER	2117958 8-7
5.x 1.0T HISPEED with MULTI-COIL & w/o FAST RECEIVER	2117958-2 8-9
5.x 1.5T ECHOSPEED with FAST RECEIVER & w/o MULTI-COIL	2117960 8-12
5.x 1.5T w/o MULTI-COIL or FAST RECEIVER	2117962 8-15
5.x 1.0T w/o MULTI-COIL or FAST RECEIVER	2117962-2 8-17

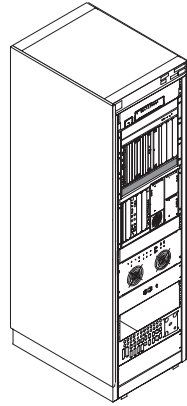


8-2 HORIZON LX SYSTEM CABINETS	8-50
Contains information on Horizon 5.x various System Cabinet configurations	
LX 1.5T with MULTI-COIL & FAST RECEIVER	2138300-2 8-51
LX 1.5T with MULTI-COIL & w/o FAST RECEIVER	2138300-3 8-53
LX 1.5T w/o MULTI-COIL or FAST RECEIVER	2138300-4 8-55
LX 1.0T w/o MULTI-COIL	2138300-6 8-57
LX 1.0T with MULTI-COIL	2138300-9 8-59
LX 1.5T CRM with MULTI-COIL & FAST RECEIVER	2138300-16 8-61
LX 1.5T EchoSpeed with MULTI-COIL & FAST RECEIVER	2138300-19 8-63
LX 1.5T BASE & HiSpeed with MULTI-COIL	2138300-20 8-65
LX 1.5T BASE w/o MULTI-COIL	2138300-21 8-67
LX 1.0T BASE & HiSpeed with MULTI-COIL	2138300-23 8-70

TABLE OF CONTENTS (continued)

SECTION

PAGE

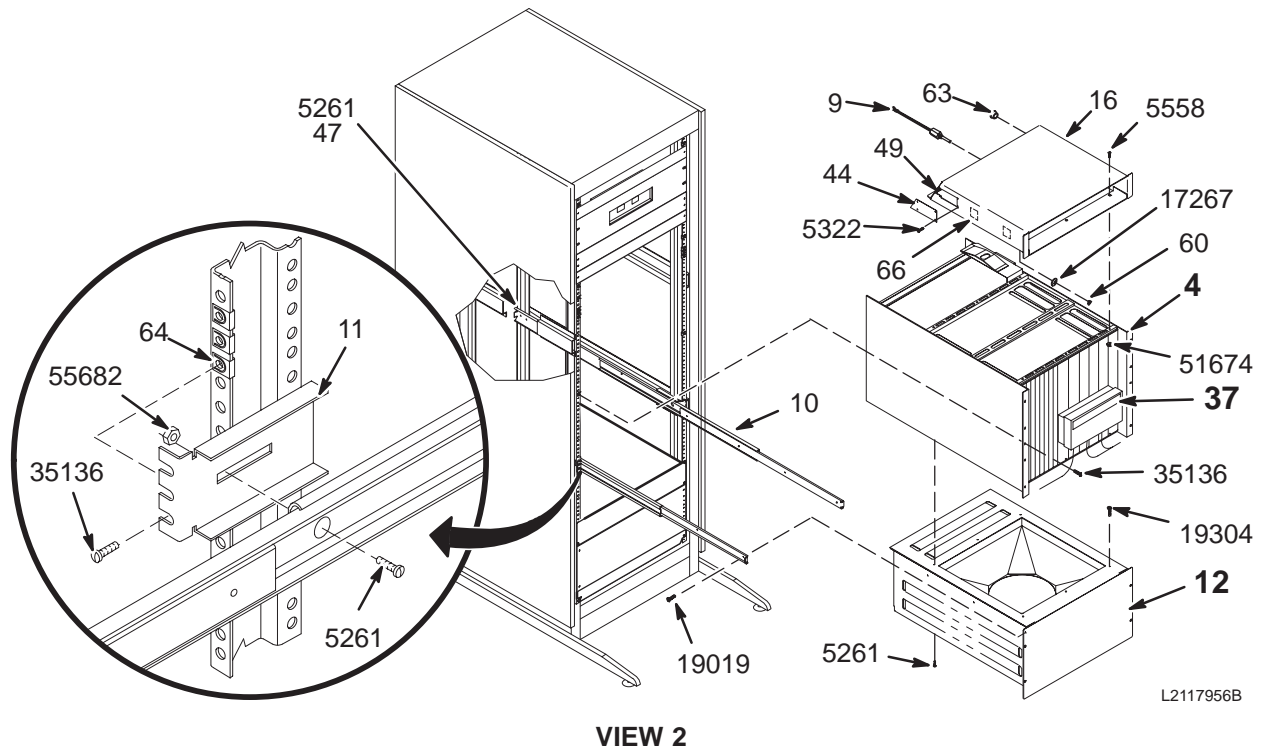
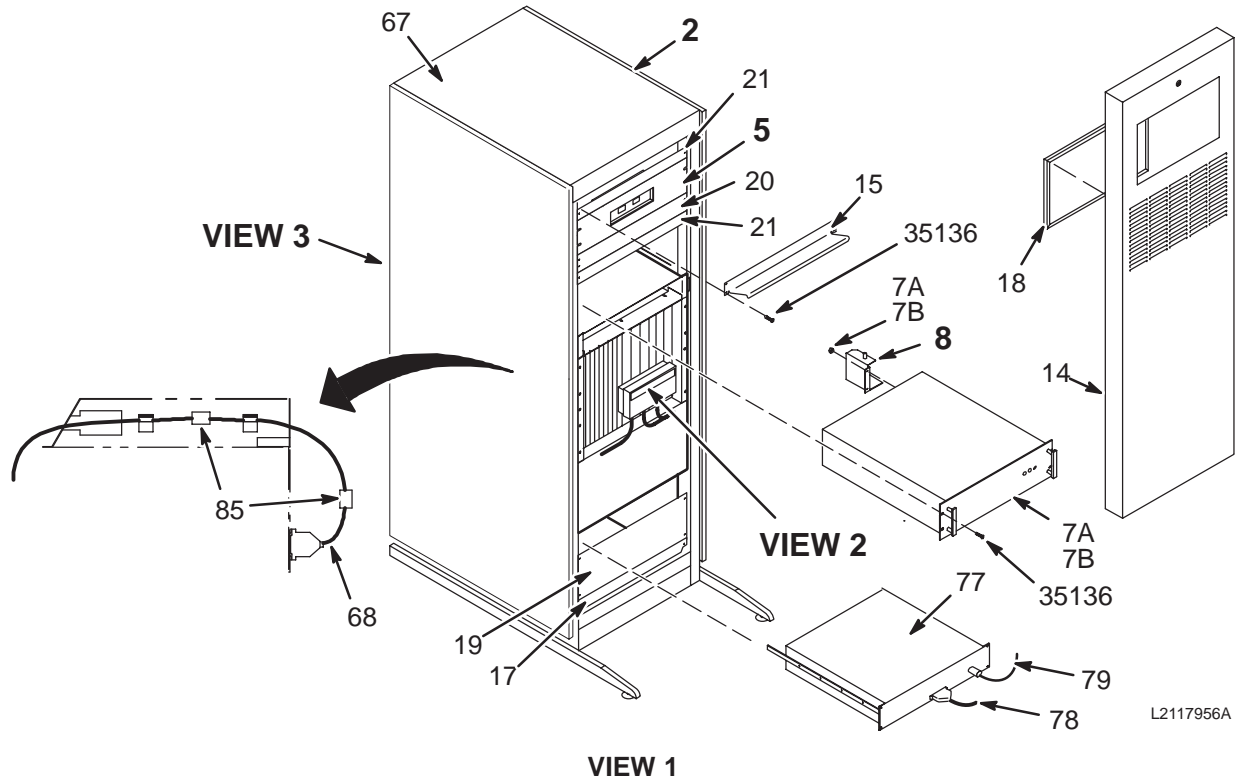


8-3	EXCITE SYSTEM CABINETS	8-89
	EXCITE I 1.5T SYSTEM CABINET UPGRADE FOR LINUX PC (EXCITE II)	2396085 8-89
	EXCITE II 1.5T SYSTEM CABINET	2357500-2 8-91

8-1 HORIZON 5.x SYSTEM CABINETS

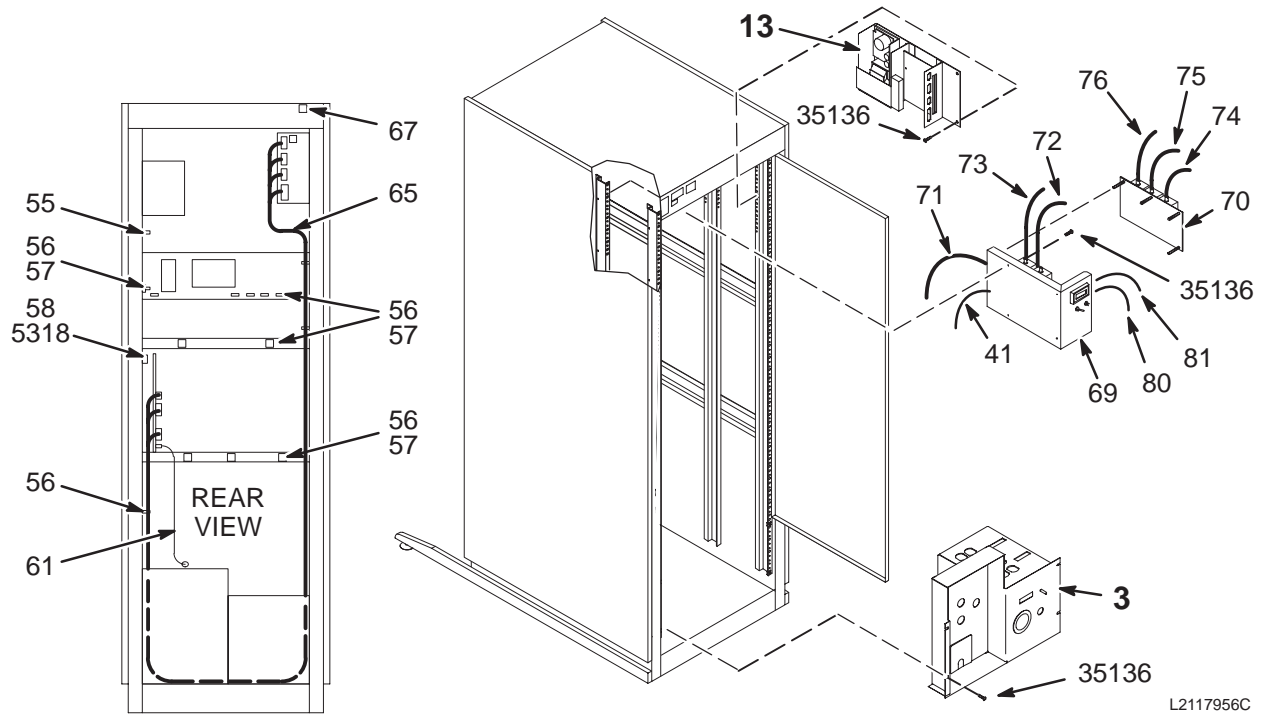
5.x 1.5T ECHOSPEED SYSTEM CABINET WITH MULTI-COIL & FAST RECEIVER (MR2)

2117956



5.x 1.5T ECHOSPEED SYSTEM CABINET WITH MULTI-COIL & FAST RECEIVER (MR2)

2117956



VIEW 3

5.x 1.5T SYS CAB w/MC & FST RCVR 2117956 FRU N

(PART OF 46-27100G30 SECTION 1)

Item	Part Number	FRU	Name	Quantity	Description (Remarks)
2	46-307364G1	N	AMCO CABINET	1	PURCHASED AMCO SINGLE-BAY CABINET (SEE PAGE 8-49)
3	46-307528G3	N	I/F PANEL	1	POWER AND I/F PANEL MR2 A11, MR2 A12 (SEE PAGE 8-41)
4	2117957	N	TPS W/MC&FR	1	1.5T TPS CHASSIS W/MC & FAST RECVR (SEE PAGE 8-21)
5	46-307974G1	N	REM CNTL ASM	1	PDU REMOTE CONTROL, MR2 A19 (SEE PAGE 8-47)
7A	46-306950P3	1	POWER SUPPLY	1	TPS POWER SUPPLY MR2-A14 (5V @ 150A)
7B	46-306950P1	1	POWER SUPPLY	ALT	TPS POWER SUPPLY MR2-A14 (5V @ 300A)
8	46-287438G1	N	INTERLOCK	1	LOCKING PIN ASSEMBLY (SEE PAGE 8-46)
9	46-251976G2	2	THERMOST ASM	1	TEMPERATURE SENSOR, MR2 A21
10	46-195551P1	2	SLIDE	2	SYMMETRICAL SLIDE FOR LEFT OR RIGHT
11	46-222465P1	2	BRACKET	2	SLIDE MOUNTING BRACKET
12	46-307189G1	N	FAN MODULE	1	TPS FAN MODULE, MR2 A16 (SEE PAGE 8-44)
13	46-307332G2	N	SCB ASSEMBLY	1	SIGNAL COLLECTING BOARD ASM, MR2 A23 (SEE PAGE 8-48)
14	46-307318G1	2	COVER ASM	1	MR2 CABINET "SLAM LATCH" FRONT COVER
15	46-301989P1	2	BRACKET	1	FRONT COVER "SLAM LATCH" RETAINER
16	46-307319P1	2	AIR INTAKE	1	TPS COOLING AIR INTAKE PLENUM, STEEL
17	46-307323P1	2	COVER STRIP	1	FILLER STRIP, CHARCOAL, 19" X 2.12"
18	46-306565P1	2	AIR FILTER	1	RESEARCH PRODUCTS 10"EZ-CLEAN FILTER
19	46-282213P1	2	COVER PLATE	1	BLANK CRYO METER PLATE, 7" X 19"
20	46-306509P4	2	COVER PLATE	1	FILLER PANEL, CHARCOAL, 19" X 3.44"
21	46-306509P5	2	COVER PLATE	2	FILLER PANEL, CHARCOAL, 19" X 1.68"

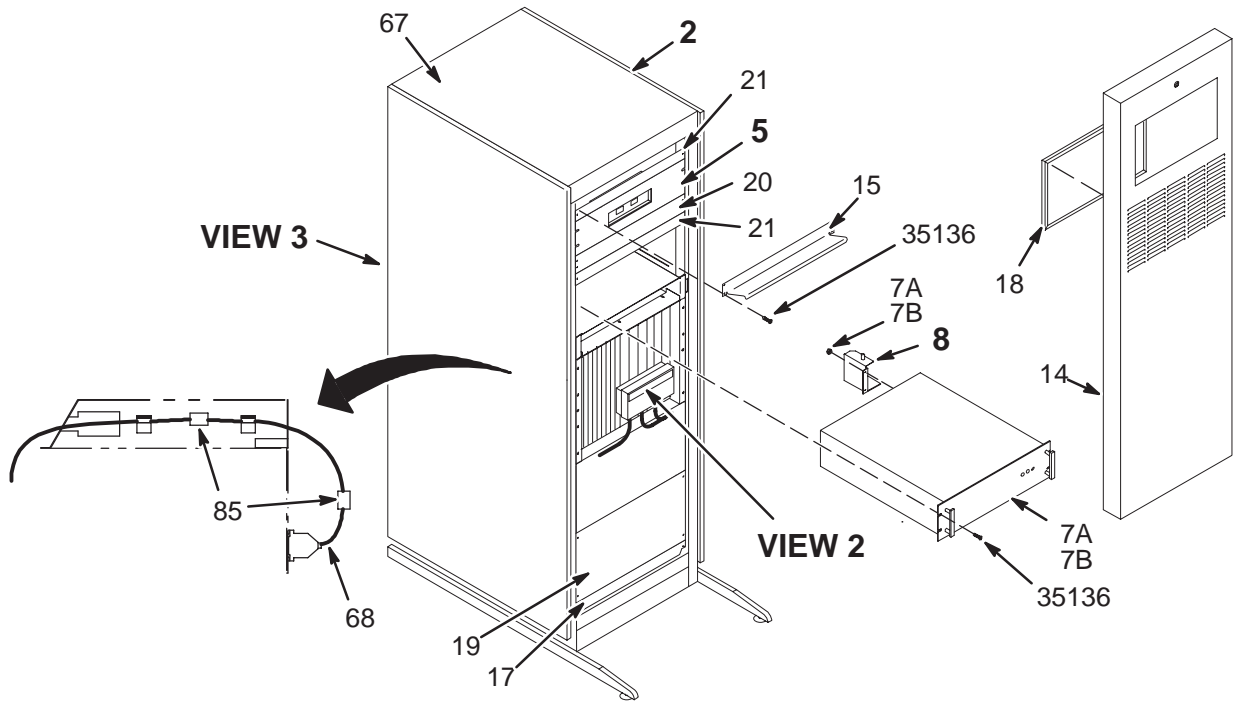
Parts List Continued On Next Page

5.x 1.5T SYS CAB w/MC & FST RCVR 2117956FRUN (CONTINUED FROM PREVIOUS PAGE)

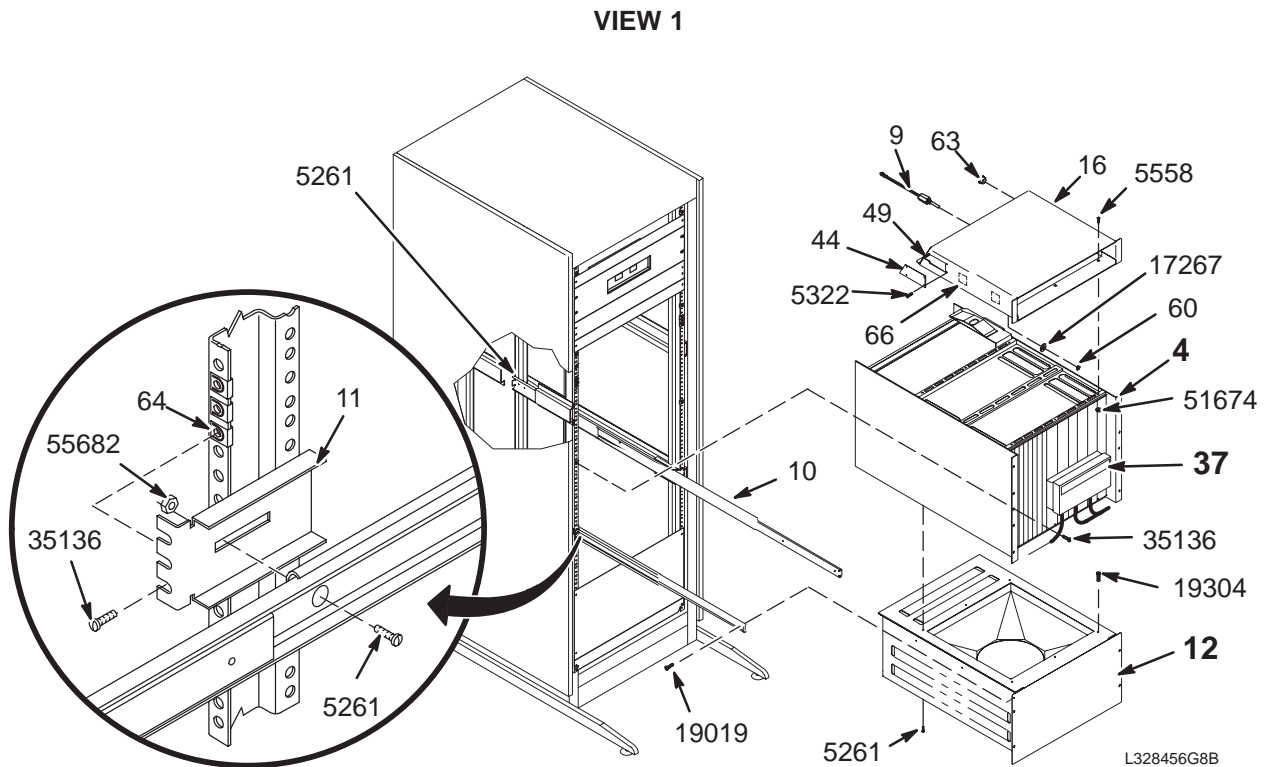
Item	Part Number	FRU	Name	Quantity	Description (Remarks)
37	46-328453G1	N	RF SPLITTER	1	RF SPLITTER MODULE, MR2-A15-A17 (SEE PAGE 8-45)
41	46-271121G1	2	WIRING	1	TEMP SENSE TS1-PDU REMOTE J2 HARNESS
44	46-307654P1	2	PLATE	1	BIT-3 CABLE ACCESS PLATE, 5" X 2.12"
47	46-220288P3	2	NUT, CLIP	2	SELF-LOCKING 8-32 UNC
49	46-220178P10	2	GROMMET	.333	12.75" LONG GROMMET STRIP, OFF WHITE
55	46-208758P2	2	STRAP	6	5.5" X .140" SELF-LOCKING CABLE TIE.
56	46-208758P3	2	STRAP	29	7.31" X .184" SELF-LOCKING CABLE TIE
57	46-208747P2	2	MOUNT	7	CABLE TIE, ADHESIVE BACKED
58	46-208759P1	2	STRAP	3	7.81" X .184" SELF-LOCKING CABLE TIE
60	46-208643P10	2	NUT,LOCK	1	1/8-27 NPS, HEX 1/2, THK 1/16, BRASS
61	46-258203G2	2	CABLE ASM	1	18" RG174/U COAX W/SMB & BNC CONNECT
63	46-208695P61	2	BUSHING	1	HEYCO PART NO.2126 SB-875-11 BLACK
64	46-220288P1	2	NUT, CLIP	58	SELF-LOCKING 10-32 UNF
65	46-317726P1	2	CABLE ASM FO	1	MR2-A15-A23-J5 TO MR2-A23-A2-J6, 15'
66	46-306626P2	2	CABLE CLIP	4	ADHESIVE MOUNTED, LOCKING CABLE CLIP
67	46-306626P1	2	CABLE CLIP	1	ADHESIVE-MOUNTED LOCKING CABLE CLIP
68	46-307265P6	2	BIT3 VME I/F	1	RUN 719 MR2-A15-A3-J1 - CC1-A1-A6-J1
69	2114342-17	1	1.5T TNS 2CH	1	1.5T 2 CHAN EXTENDED BANDWIDTH TNF
70	2114342-18	1	1.5T TNS 3CH	1	1.5T 3 CHAN EXTENDED BANDWIDTH TNF
71	2118110	2	PWR HARNESS	1	TNS POWER INTERCONNECT, 2-WIRE, 42"
72	2118109	2	BNC CABLE	1	MR2-A11-J2 TO MR2-A24-A1-A1-J2, 7 FT
73	2118109-2	2	BNC CABLE	1	MR2-A11-J5 TO MR2-A24-A1-A2-J5, 7 FT
74	2118109-3	2	BNC CABLE	1	MR2-A11-J8 TO MR2-A24-A2-A1-J8, 7 FT
75	2118109-4	2	BNC CABLE	1	MR2-A11-J9 TO MR2-A24-A2-A2-J9, 7 FT
76	2118109-5	2	BNC CABLE	1	MR2-A11-J10 TO MR2-A24-A2-A3-J10, 7'
77	2111359	1	FAST RCVR	1	FAST RECEIVER, PURCHASED ASSEMBLY
78	2137306	2	CABLE	1	MR2-A15-A16-J14 TO MR2-A25-DIG I/F
79	2113888	2	BNC CABLE	1	MR2-A15-A16-J11 TO MR2-A25-2.5MHZ IN
80	46-328000G934	2	CABLE ASM	1	MR2-A24-A1-J1 TO MR2-A15-A9-J6
81	46-328000G912	2	CABLE	1	MR2-A24-A1-J2 TO MR2-A15-A16-J5
84	2128071	2	LABEL	1	CABINET LABEL: "CAUTION"
85	46-276217P2	1	CORE,EMI	2	COMBINATION NYLON CASE AND
5261	46-170015P2	2	SCR,SEMS	4	8-32 X 1/2 LG BIND HD STL EXT TOOTH
5318	46-170015P6	2	SCR,SEMS	3	10-32 X 1/2 LG BIND HD STL EXT TOOTH
5322	46-170015P10	2	SCR,SEMS	4	6-32 X 1/4" LG BIND HD STL EXT TOOTH
5558	46-170015P16	2	SCR,SEMS	8	10-32 X 3/8 LG BIND HD STL EXT TOOTH
17267	46-220205P3	2	WASHER WROT	3	FOR 3/8" SCREW, 1" OD, 7/16 ID, 5/64
19019	46-170015P27	2	SCR,SEMS	6	6-32 X 1/2" LG BIND HD STL EXT TOOTH
19304	46-170015P36	2	SCR,SEMS	3	8-32 X 9/16 LG BIND HD STL EXT TOOTH
35136	46-170015P62	2	SCR,SEMS	60	10-32 X 3/4 LG BIND HD STL EXT TOOTH
51674	46-170012P39	2	NUT,LOCK	4	10-32, 3/8" HEX KEPS NUT, 1/8" THICK
55682	46-170012P38	2	NUT,LOCK	2	8-32 KEPS, HEX 5/16 NUT THK 7/64

5.x 1.5T and 1.0T HISPEED SYSTEM CABINET WITH MULTI-COIL (MR2)

2117958 SERIES



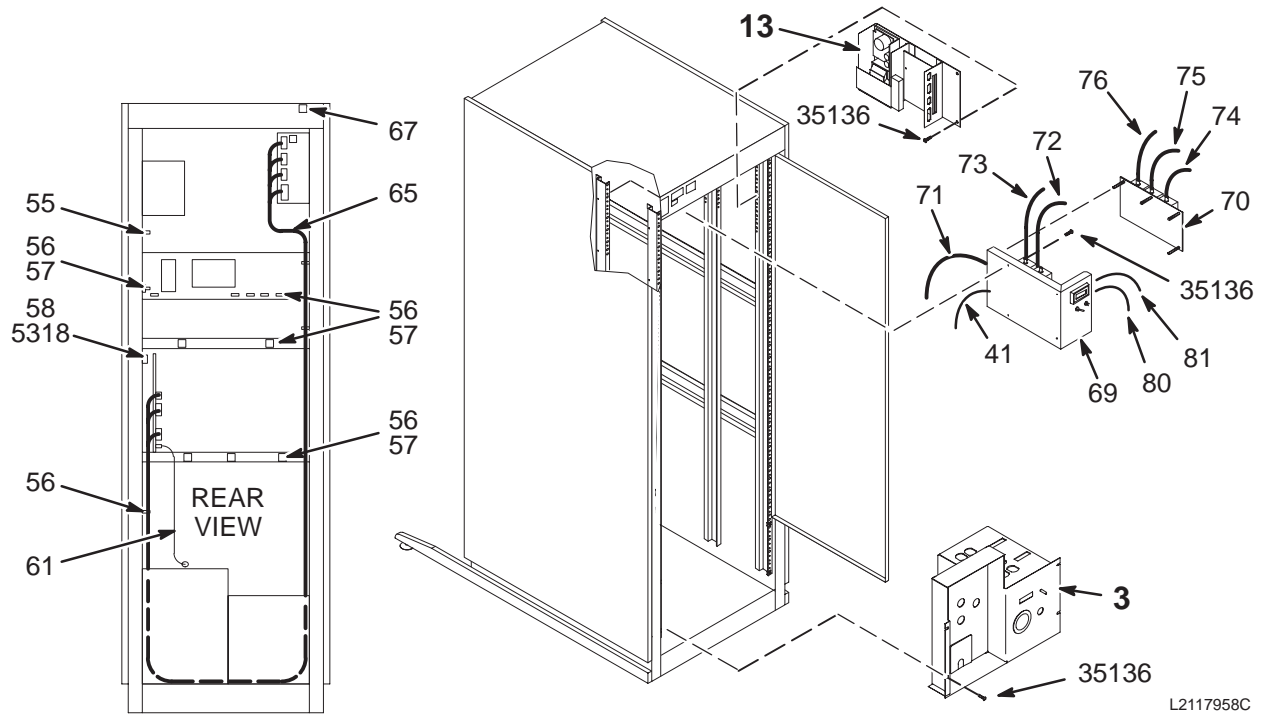
L2117958A



L328456G8B

5.x 1.5T and 1.0T HISPEED SYSTEM CABINET WITH MULTI-COIL (MR2)

2117958 SERIES



L2117958C

VIEW 3

5.x 1.5T SYS CAB w/MC

2117958 FRU N

(PART OF 46-271000G28 SECTION 1)

Item	Part Number	FRU	Name	Quantity	Description (Remarks)
2	46-307364G1	N	AMCO CABINET	1	PURCHASED AMCO SINGLE-BAY CABINET (SEE PAGE 8-49)
3	46-307528G3	N	I/F PANEL	1	POWER AND I/F PANEL MR2 A11, MR2 A12 (SEE PAGE 8-41)
4	2117959	N	TPS ASM W/MC	1	1.5T TPS CHASSIS W/MC & W/O FAST RCV (SEE PAGE 8-24)
5	46-307974G1	N	REM CNTL ASM	1	PDU REMOTE CONTROL, MR2 A19 (SEE PAGE 8-47)
7A	46-306950P3	1	POWER SUPPLY	1	TPS POWER SUPPLY MR2-A14 (5V @ 150A)
7B	46-306950P1	1	POWER SUPPLY	ALT	TPS POWER SUPPLY MR2-A14 (5V @ 300A)
8	46-287438G1	N	INTERLOCK	1	LOCKING PIN ASSEMBLY (SEE PAGE 8-46)
9	46-251976G2	2	THERMOST ASM	1	TEMPERATURE SENSOR, MR2 A21
10	46-195551P1	2	SLIDE	2	SYMMETRICAL SLIDE FOR LEFT OR RIGHT
11	46-222465P1	2	BRACKET	2	SLIDE MOUNTING BRACKET
12	46-307189G1	N	FAN MODULE	1	TPS FAN MODULE, MR2 A16 (SEE PAGE 8-44)
13	46-307332G2	N	SCB ASSEMBLY	1	SIGNAL COLLECTING BOARD ASM, MR2 A23 (SEE PAGE 8-48)
14	46-307318G1	2	COVER ASM	1	MR2 CABINET "SLAM LATCH" FRONT COVER
15	46-301989P1	2	BRACKET	1	FRONT COVER "SLAM LATCH" RETAINER
16	46-307319P1	2	AIR INTAKE	1	TPS COOLING AIR INTAKE PLENUM, STEEL
17	46-307323P1	2	COVER STRIP	1	FILLER STRIP, CHARCOAL, 19" X 2.12"
18	46-306565P1	2	AIR FILTER	1	RESEARCH PRODUCTS 10"EZ-CLEAN FILTER
19	46-306509P3	2	COVER	1	FILLER PANEL, CHARCOAL, 19" X 10.44"
20	46-306509P4	2	COVER PLATE	1	FILLER PANEL, CHARCOAL, 19" X 3.44"
21	46-306509P5	2	COVER PLATE	2	FILLER PANEL, CHARCOAL, 19" X 1.68"

Parts List Continued On Next Page

5.x 1.5T SYS CAB w/MC 2117958 FRU N (CONTINUED FROM PREVIOUS PAGE)

Item	Part Number	FRU	Name	Quantity	Description (Remarks)
37	46-328453G1	N	RF SPLITTER	1	RF SPLITTER MODULE, MR2-A15-A17 (SEE PAGE 8-45)
41	46-271121G1	2	WIRING	1	TEMP SENSE TS1-PDU REMOTE J2 HARNESS
44	46-307654P1	2	PLATE	1	BIT-3 CABLE ACCESS PLATE, 5" X 2.12"
47	46-220288P3	2	NUT, CLIP	2	SELF-LOCKING 8-32 UNC
49	46-220178P10	2	GROMMET	.333	12.75" LONG GROMMET STRIP, OFF WHITE
55	46-208758P2	2	STRAP	6	5.5" X .140" SELF-LOCKING CABLE TIE.
56	46-208758P3	2	STRAP	29	7.31" X .184" SELF-LOCKING CABLE TIE
57	46-208747P2	2	MOUNT	7	CABLE TIE, ADHESIVE BACKED
58	46-208759P1	2	STRAP	3	7.81" X .184" SELF-LOCKING CABLE TIE
60	46-208643P10	2	NUT,LOCK	1	1/8-27 NPS, HEX 1/2, THK 1/16, BRASS
61	46-258203G2	2	CABLE ASM	1	18" RG174/U COAX W/SMB & BNC CONNECT
63	46-208695P61	2	BUSHING	1	HEYCO PART NO.2126 SB-875-11 BLACK
64	46-220288P1	2	NUT, CLIP	54	SELF-LOCKING 10-32 UNF
65	46-317726P1	2	CABLE ASM FO	1	MR2-A15-A23-J5 TO MR2-A23-A2-J6, 15'
66	46-306626P2	2	CABLE CLIP	4	ADHESIVE MOUNTED, LOCKING CABLE CLIP
67	46-306626P1	2	CABLE CLIP	1	ADHESIVE-MOUNTED LOCKING CABLE CLIP
68	46-307265P6	2	BIT3 VME I/F	1	RUN 719 MR2-A15-A3-J1 - CC1-A1-A6-J1
69	2114342-17	1	1.5T TNS 2CH	1	1.5T 2 CHAN EXTENDED BANDWIDTH TNF
70	2114342-18	1	1.5T TNS 3CH	1	1.5T 3 CHAN EXTENDED BANDWIDTH TNF
71	2118110	2	PWR HARNESS	1	TNS POWER INTERCONNECT, 2-WIRE, 42"
72	2118109	2	BNC CABLE	1	MR2-A11-J2 TO MR2-A24-A1-A1-J2, 7 FT
73	2118109-2	2	BNC CABLE	1	MR2-A11-J5 TO MR2-A24-A1-A2-J5, 7 FT
74	2118109-3	2	BNC CABLE	1	MR2-A11-J8 TO MR2-A24-A2-A1-J8, 7 FT
75	2118109-4	2	BNC CABLE	1	MR2-A11-J9 TO MR2-A24-A2-A2-J9, 7 FT
76	2118109-5	2	BNC CABLE	1	MR2-A11-J10 TO MR2-A24-A2-A3-J10, 7'
80	46-328000G934	2	CABLE ASM	1	MR2-A24-A1-J1 TO MR2-A15-A9-J6
81	46-328000G912	2	CABLE	1	MR2-A24-A1-J2 TO MR2-A15-A16-J5
84	2128071	2	LABEL	1	CABINET LABEL: "CAUTION"
85	46-276217P2	1	CORE,EMI	2	COMBINATION NYLON CASE AND
5261	46-170015P2	2	SCR,SEMS	4	8-32 X 1/2 LG BIND HD STL EXT TOOTH
5318	46-170015P6	2	SCR,SEMS	3	10-32 X 1/2 LG BIND HD STL EXT TOOTH
5322	46-170015P10	2	SCR,SEMS	4	6-32 X 1/4" LG BIND HD STL EXT TOOTH
5558	46-170015P16	2	SCR,SEMS	8	10-32 X 3/8 LG BIND HD STL EXT TOOTH
17267	46-220205P3	2	WASHER WROT	3	FOR 3/8" SCREW, 1" OD, 7/16 ID, 5/64
19019	46-170015P27	2	SCR,SEMS	6	6-32 X 1/2" LG BIND HD STL EXT TOOTH
19304	46-170015P36	2	SCR,SEMS	3	8-32 X 9/16 LG BIND HD STL EXT TOOTH
35136	46-170015P62	2	SCR,SEMS	56	10-32 X 3/4 LG BIND HD STL EXT TOOTH
51674	46-170012P39	2	NUT,LOCK	4	10-32, 3/8" HEX KEPS NUT, 1/8" THICK
55682	46-170012P38	2	NUT,LOCK	2	8-32 KEPS, HEX 5/16 NUT THK 7/64

5.x 1.0T SYS CAB w/MC 2117958-2 FRU N (PART OF 46-271000G68 SECTION 1)

Item	Part Number	FRU	Name	Quantity	Description (Remarks)
2	46-307364G1	N	AMCO CABINET	1	PURCHASED AMCO SINGLE-BAY CABINET (SEE PAGE 8-49)
3	46-307528G3	N	I/F PANEL	1	POWER AND I/F PANEL MR2 A11, MR2 A12 (SEE PAGE 8-41)
4	2117959-2	N	TPS ASM W/MC	1	1.0T TPS CHASSIS W/MULTICOIL (SEE PAGE 8-27)
5	46-307974G1	N	REM CNTL ASM	1	PDU REMOTE CONTROL, MR2 A19 (SEE PAGE 8-47)
7A	46-306950P3	1	POWER SUPPLY	1	TPS POWER SUPPLY MR2-A14 (5V @ 150A)
7B	46-306950P1	1	POWER SUPPLY	ALT	TPS POWER SUPPLY MR2-A14 (5V @ 300A)
8	46-287438G1	N	INTERLOCK	1	LOCKING PIN ASSEMBLY (SEE PAGE 8-46)
9	46-251976G2	2	THERMOST ASM	1	TEMPERATURE SENSOR, MR2 A21
10	46-195551P1	2	SLIDE	2	SYMMETRICAL SLIDE FOR LEFT OR RIGHT
11	46-222465P1	2	BRACKET	2	SLIDE MOUNTING BRACKET
12	46-307189G1	N	FAN MODULE	1	TPS FAN MODULE, MR2 A16 (SEE PAGE 8-44)
13	46-307332G2	N	SCB ASSEMBLY	1	SIGNAL COLLECTING BOARD ASM, MR2 A23 (SEE PAGE 8-48)
14	46-307318G1	2	COVER ASM	1	MR2 CABINET "SLAM LATCH" FRONT COVER
15	46-301989P1	2	BRACKET	1	FRONT COVER "SLAM LATCH" RETAINER
16	46-307319P1	2	AIR INTAKE	1	TPS COOLING AIR INTAKE PLENUM, STEEL
17	46-307323P1	2	COVER STRIP	1	FILLER STRIP, CHARCOAL, 19" X 2.12"
18	46-306565P1	2	AIR FILTER	1	RESEARCH PRODUCTS 10"EZ-CLEAN FILTER
19	46-306509P3	2	COVER	1	FILLER PANEL, CHARCOAL, 19" X 10.44"
20	46-306509P4	2	COVER PLATE	1	FILLER PANEL, CHARCOAL, 19" X 3.44"
21	46-306509P5	2	COVER PLATE	2	FILLER PANEL, CHARCOAL, 19" X 1.68"
37	46-328453G1	N	RF SPLITTER	1	RF SPLITTER MODULE, MR2-A15-A17 (SEE PAGE 8-45)
41	46-271121G1	2	WIRING	1	TEMP SENSE TS1-PDU REMOTE J2 HARNESS
44	46-307654P1	2	PLATE	1	BIT-3 CABLE ACCESS PLATE, 5" X 2.12"
47	46-220288P3	2	NUT, CLIP	2	SELF-LOCKING 8-32 UNC
49	46-220178P10	2	GROMMET	.333	12.75" LONG GROMMET STRIP, OFF WHITE
55	46-208758P2	2	STRAP	6	5.5" X .140" SELF-LOCKING CABLE TIE.
56	46-208758P3	2	STRAP	29	7.31" X .184" SELF-LOCKING CABLE TIE
57	46-208747P2	2	MOUNT	7	CABLE TIE, ADHESIVE BACKED
58	46-208759P1	2	STRAP	3	7.81" X .184" SELF-LOCKING CABLE TIE
60	46-208643P10	2	NUT, LOCK	1	1/8-27 NPS, HEX 1/2, THK 1/16, BRASS
61	46-258203G2	2	CABLE ASM	1	18" RG174/U COAX W/SMB & BNC CONNECT
63	46-208695P61	2	BUSHING	1	HEYCO PART NO.2126 SB-875-11 BLACK
64	46-220288P1	2	NUT, CLIP	54	SELF-LOCKING 10-32 UNF
65	46-317726P1	2	CABLE ASM FO	1	MR2-A15-A23-J5 TO MR2-A23-A2-J6, 15'
66	46-306626P2	2	CABLE CLIP	4	ADHESIVE MOUNTED, LOCKING CABLE CLIP
67	46-306626P1	2	CABLE CLIP	1	ADHESIVE-MOUNTED LOCKING CABLE CLIP
68	46-307265P6	2	BIT3 VME I/F	1	RUN 719 MR2-A15-A3-J1 - CC1-A1-A6-J1
69	2114342-2	1	1.0T TNS 2CH	1	TRANSIENT NOISE FILTER ASM; 1.0T 2 CHAN
70	2114342-5	1	1.0T TNS 3CH	1	1.0T M/C TRANSIENT NOISE FILTER 3 CHAN
71	2118110	2	PWR HARNESS	1	TNS POWER INTERCONNECT, 2-WIRE, 42"

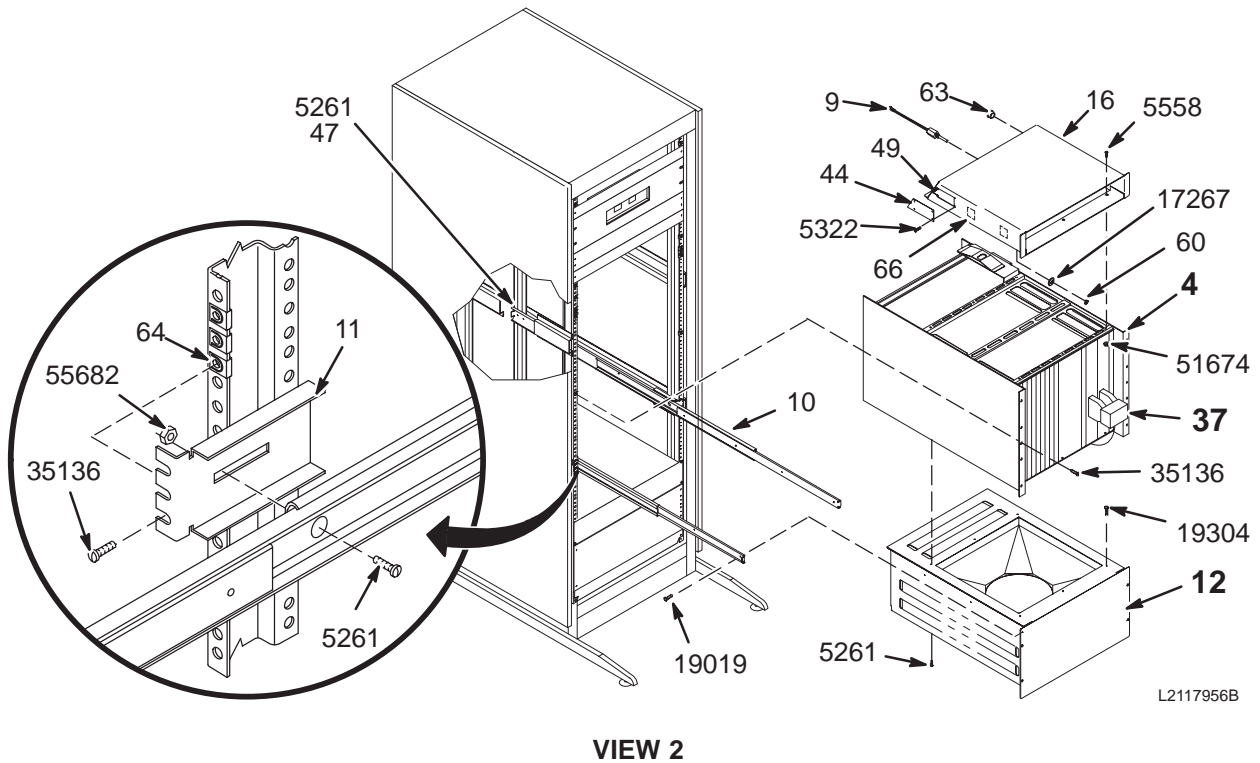
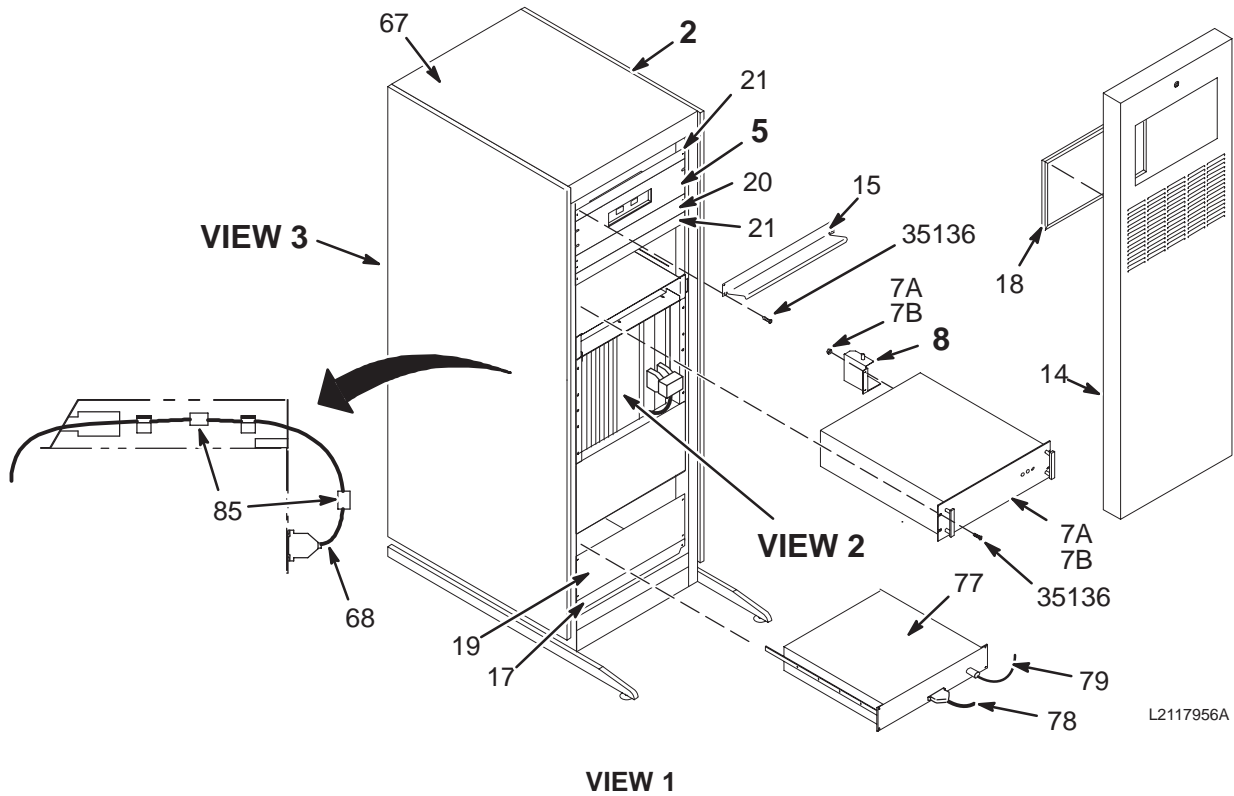
Parts List Continued On Next Page

5.x 1.0T SYS CAB w/MC 2117958-2 FRU N (CONTINUED FROM PREVIOUS PAGE)

Item	Part Number	FRU	Name	Quantity	Description (Remarks)
72	2118109	2	BNC CABLE	1	MR2-A11-J2 TO MR2-A24-A1-A1-J2, 7 FT
73	2118109-2	2	BNC CABLE	1	MR2-A11-J5 TO MR2-A24-A1-A2-J5, 7 FT
74	2118109-3	2	BNC CABLE	1	MR2-A11-J8 TO MR2-A24-A2-A1-J8, 7 FT
75	2118109-4	2	BNC CABLE	1	MR2-A11-J9 TO MR2-A24-A2-A2-J9, 7 FT
76	2118109-5	2	BNC CABLE	1	MR2-A11-J10 TO MR2-A24-A2-A3-J10, 7'
80	46-328000G934	2	CABLE ASM	1	MR2-A24-A1-J1 TO MR2-A15-A9-J6
81	46-328000G912	2	CABLE	1	MR2-A24-A1-J2 TO MR2-A15-A16-J5
84	2128071	2	LABEL	1	CABINET LABEL: "CAUTION"
85	46-276217P2	1	CORE,EMI	2	COMBINATION NYLON CASE AND
5261	46-170015P2	2	SCR,SEMS	4	8-32 X 1/2 LG BIND HD STL EXT TOOTH
5318	46-170015P6	2	SCR,SEMS	3	10-32 X 1/2 LG BIND HD STL EXT TOOTH
5322	46-170015P10	2	SCR,SEMS	4	6-32 X 1/4" LG BIND HD STL EXT TOOTH
5558	46-170015P16	2	SCR,SEMS	8	10-32 X 3/8 LG BIND HD STL EXT TOOTH
17267	46-220205P3	2	WASHER WROT	3	FOR 3/8" SCREW, 1" OD, 7/16 ID, 5/64
19019	46-170015P27	2	SCR,SEMS	6	6-32 X 1/2" LG BIND HD STL EXT TOOTH
19304	46-170015P36	2	SCR,SEMS	3	8-32 X 9/16 LG BIND HD STL EXT TOOTH
35136	46-170015P62	2	SCR,SEMS	56	10-32 X 3/4 LG BIND HD STL EXT TOOTH
51674	46-170012P39	2	NUT,LOCK	4	10-32, 3/8" HEX KEPS NUT, 1/8" THICK
55682	46-170012P38	2	NUT,LOCK	2	8-32 KEPS, HEX 5/16 NUT THK 7/64

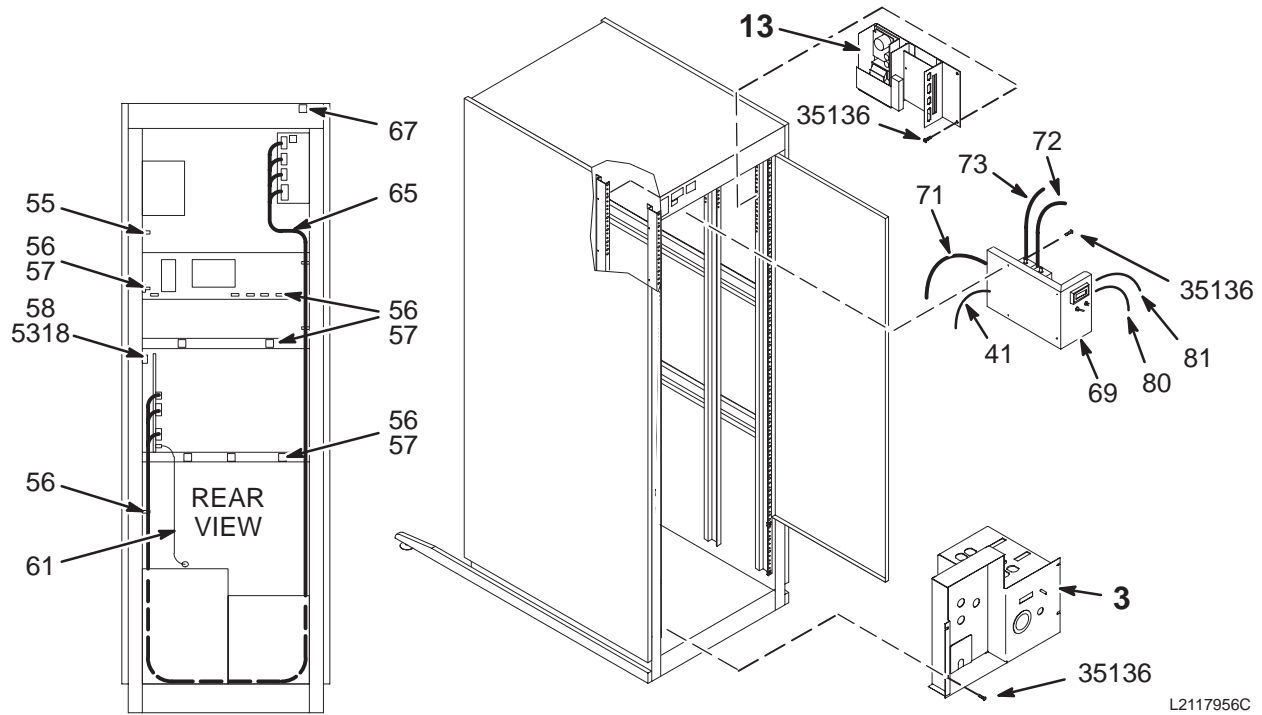
5.x 1.5T ECHOSPEED SYSTEM CABINET WITH FAST RECEIVER & w/o MULTI-COIL (MR2)

2117960



5.x 1.5T ECHOSPEED SYSTEM CABINET WITH FAST RECEIVER & w/o MULTI-COIL (MR2)

2117960



L2117956C

VIEW 3

5.x 1.5T SYS CAB w/FST RCVR 2117960 FRU N (PART OF 46-27100G29 SECTION 1)

Item	Part Number	FRU	Name	Quantity	Description (Remarks)
2	46-307364G1	N	AMCO CABINET	1	PURCHASED AMCO SINGLE-BAY CABINET (SEE PAGE 8-49)
3	46-307528G3	N	I/F PANEL	1	POWER AND I/F PANEL MR2 A11, MR2 A12 (SEE PAGE 8-41)
4	2117961	N	TPS ASM W/FR	1	1.5T TPS CHASSIS W/O MC & W/FAST RCV (SEE PAGE 8-30)
5	46-307974G1	N	REM CNTL ASM	1	PDU REMOTE CONTROL, MR2 A19 (SEE PAGE 8-47)
7A	46-306950P3	1	POWER SUPPLY	1	TPS POWER SUPPLY MR2-A14 (5V @ 150A)
7B	46-306950P1	1	POWER SUPPLY	ALT	TPS POWER SUPPLY MR2-A14 (5V @ 300A)
8	46-287438G1	N	INTERLOCK	1	LOCKING PIN ASSEMBLY (SEE PAGE 8-46)
9	46-251976G2	2	THERMOST ASM	1	TEMPERATURE SENSOR, MR2 A21
10	46-195551P1	2	SLIDE	2	SYMMETRICAL SLIDE FOR LEFT OR RIGHT
11	46-222465P1	2	BRACKET	2	SLIDE MOUNTING BRACKET
12	46-307189G1	N	FAN MODULE	1	TPS FAN MODULE, MR2 A16 (SEE PAGE 8-44)
13	46-307332G2	N	SCB ASSEMBLY	1	SIGNAL COLLECTING BOARD ASM, MR2 A23 (SEE PAGE 8-48)
14	46-307318G1	2	COVER ASM	1	MR2 CABINET "SLAM LATCH" FRONT COVER
15	46-301989P1	2	BRACKET	1	FRONT COVER "SLAM LATCH" RETAINER
16	46-307319P1	2	AIR INTAKE	1	TPS COOLING AIR INTAKE PLENUM, STEEL
17	46-307323P1	2	COVER STRIP	1	FILLER STRIP, CHARCOAL, 19" X 2.12"
18	46-306565P1	2	AIR FILTER	1	RESEARCH PRODUCTS 10"EZ-CLEAN FILTER
19	46-282213P1	2	COVER PLATE	1	BLANK CRYO METER PLATE, 7" X 19"
20	46-306509P4	2	COVER PLATE	1	FILLER PANEL, CHARCOAL, 19" X 3.44"
21	46-306509P5	2	COVER PLATE	2	FILLER PANEL, CHARCOAL, 19" X 1.68"

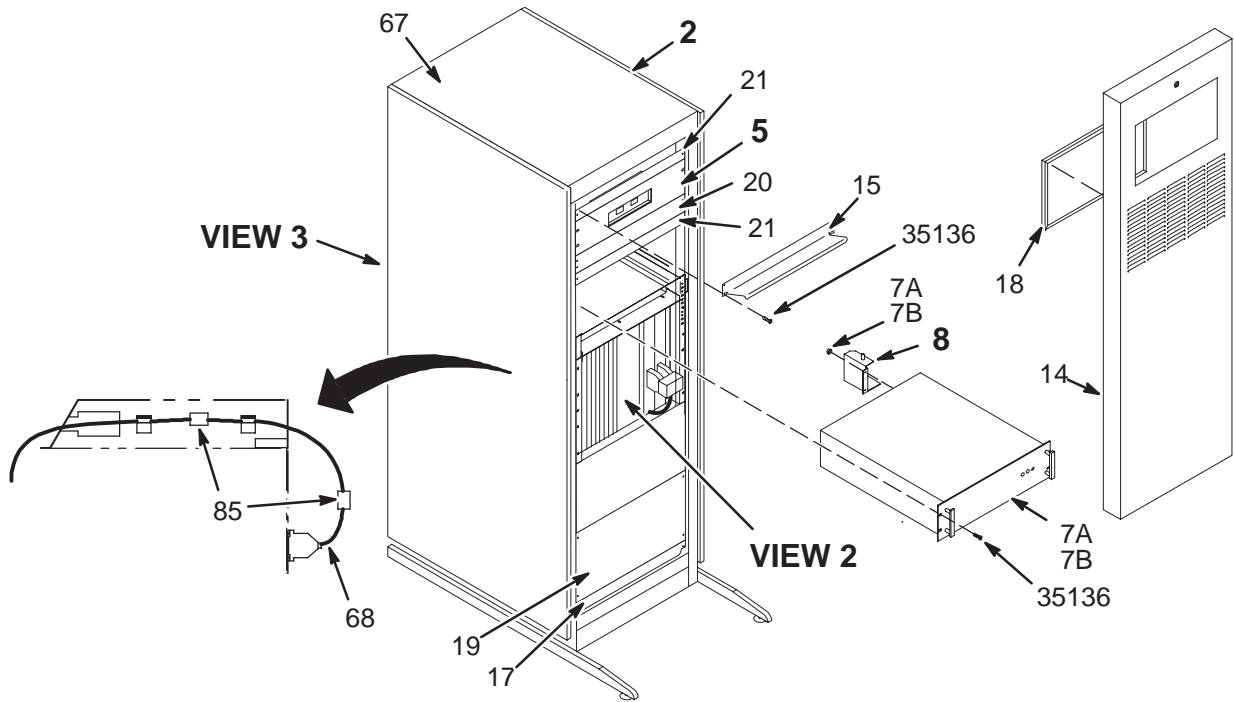
Parts List Continued On Next Page

5.x 1.5T SYS CAB w/FST RCVR 2117960 FRU N (CONTINUED FROM PREVIOUS PAGE)

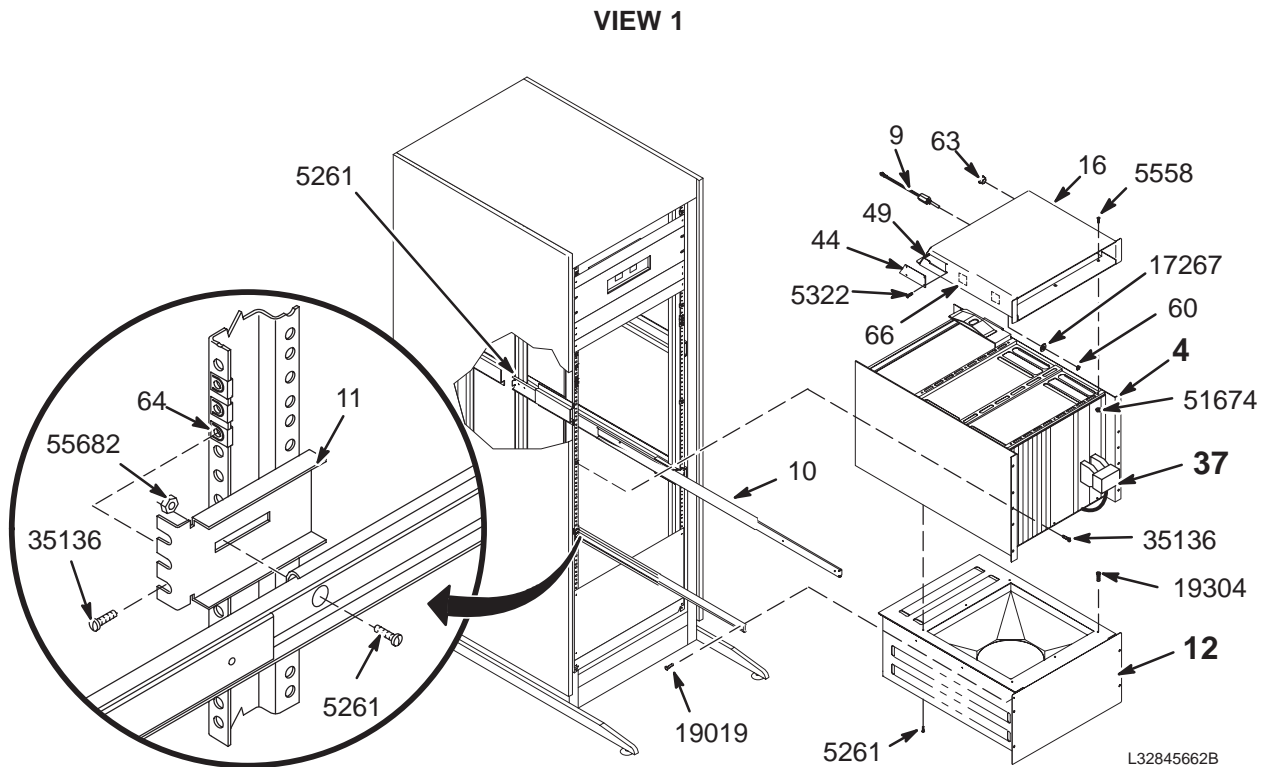
Item	Part Number	FRU	Name	Quantity	Description (Remarks)
37	46-301638P1	2	CABLE ASM	1	RF COAX CABLE ASM, I/F PANEL TO TPS
41	46-271121G1	2	WIRING	1	TEMP SENSE TS1-PDU REMOTE J2 HARNESS
44	46-307654P1	2	PLATE	1	BIT-3 CABLE ACCESS PLATE, 5" X 2.12"
47	46-220288P3	2	NUT, CLIP	2	SELF-LOCKING 8-32 UNC
49	46-220178P10	2	GROMMET	.333	12.75" LONG GROMMET STRIP, OFF WHITE
55	46-208758P2	2	STRAP	6	5.5" X .140" SELF-LOCKING CABLE TIE.
56	46-208758P3	2	STRAP	29	7.31" X .184" SELF-LOCKING CABLE TIE
57	46-208747P2	2	MOUNT	7	CABLE TIE, ADHESIVE BACKED
58	46-208759P1	2	STRAP	3	7.81" X .184" SELF-LOCKING CABLE TIE
60	46-208643P10	2	NUT,LOCK	1	1/8-27 NPS, HEX 1/2, THK 1/16, BRASS
61	46-258203G2	2	CABLE ASM	1	18" RG174/U COAX W/SMB & BNC CONNECT
63	46-208695P61	2	BUSHING	1	HEYCO PART NO.2126 SB-875-11 BLACK
64	46-220288P1	2	NUT, CLIP	58	SELF-LOCKING 10-32 UNF
65	46-317726P1	2	CABLE ASM FO	1	MR2-A15-A23-J5 TO MR2-A23-A2-J6, 15'
66	46-306626P2	2	CABLE CLIP	4	ADHESIVE MOUNTED, LOCKING CABLE CLIP
67	46-306626P1	2	CABLE CLIP	1	ADHESIVE-MOUNTED LOCKING CABLE CLIP
68	46-307265P6	2	BIT3 VME I/F	1	RUN 719 MR2-A15-A3-J1 - CC1-A1-A6-J1
69	2114342-17	1	1.5T TNS 2CH	1	1.5T 2 CHAN EXTENDED BANDWIDTH TNF
71	2118110	2	PWR HARNESS	1	TNS POWER INTERCONNECT, 2-WIRE, 42"
72	2118109	2	BNC CABLE	1	MR2-A11-J2 TO MR2-A24-A1-A1-J2, 7 FT
73	2118109-2	2	BNC CABLE	1	MR2-A11-J5 TO MR2-A24-A1-A2-J5, 7 FT
77	2111359	1	FAST RCVR	1	FAST RECEIVER, PURCHASED ASSEMBLY
78	2137306	2	CABLE	1	MR2-A15-A16-J14 TO MR2-A25-DIG I/F
79	2113888	2	BNC CABLE	1	MR2-A15-A16-J11 TO MR2-A25-2.5MHZ IN
80	46-328000G934	2	CABLE ASM	1	MR2-A24-A1-J1 TO MR2-A15-A9-J6
81	46-328000G912	2	CABLE	1	MR2-A24-A1-J2 TO MR2-A15-A16-J5
84	2128071	2	LABEL	1	CABINET LABEL: "CAUTION"
85	46-276217P2	1	CORE,EMI	2	COMBINATION NYLON CASE AND
5261	46-170015P2	2	SCR,SEMS	4	8-32 X 1/2 LG BIND HD STL EXT TOOTH
5318	46-170015P6	2	SCR,SEMS	3	10-32 X 1/2 LG BIND HD STL EXT TOOTH
5322	46-170015P10	2	SCR,SEMS	4	6-32 X 1/4" LG BIND HD STL EXT TOOTH
5558	46-170015P16	2	SCR,SEMS	8	10-32 X 3/8 LG BIND HD STL EXT TOOTH
17267	46-220205P3	2	WASHER WROT	3	FOR 3/8" SCREW, 1" OD, 7/16 ID, 5/64
19019	46-170015P27	2	SCR,SEMS	6	6-32 X 1/2" LG BIND HD STL EXT TOOTH
19304	46-170015P36	2	SCR,SEMS	3	8-32 X 9/16 LG BIND HD STL EXT TOOTH
35136	46-170015P62	2	SCR,SEMS	60	10-32 X 3/4 LG BIND HD STL EXT TOOTH
51674	46-170012P39	2	NUT,LOCK	5	10-32, 3/8" HEX KEPS NUT, 1/8" THICK
55682	46-170012P38	2	NUT,LOCK	2	8-32 KEPS, HEX 5/16 NUT THK 7/64

5.x 1.5T and 1.0T SYSTEM CABINET w/o MULTI-COIL or FAST RECEIVER (MR2)

2117962 SERIES



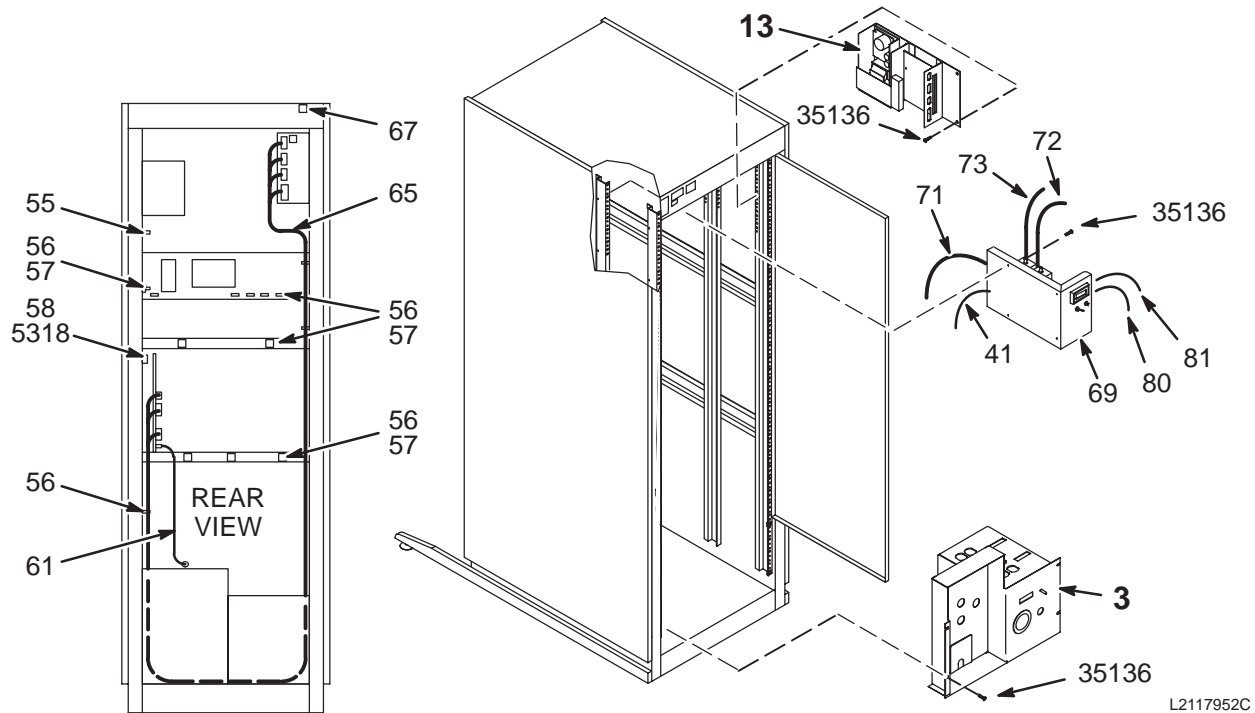
L2117962A



L32845662B

5.x 1.5T and 1.0T SYSTEM CABINET w/o MULTI-COIL or FAST RECEIVER (MR2)

2117962 SERIES



VIEW 3

5.x 1.5T SYS CAB w/o MC or FS 2117962 FRU N (PART OF 46-271000G25, G27 SECTION 1)

Item	Part Number	FRU	Name	Quantity	Description (Remarks)
2	46-307364G1	N	AMCO CABINET	1	PURCHASED AMCO SINGLE-BAY CABINET (SEE PAGE 8-49)
3	46-307528G3	N	I/F PANEL	1	POWER AND I/F PANEL MR2 A11, MR2 A12 (SEE PAGE 8-41)
4	2117963	N	TPS ASM	1	1.5T TPS CHASSIS W/O MC OR FAST RCVR (SEE PAGE 8-33)
5	46-307974G1	N	REM CNTL ASM	1	PDU REMOTE CONTROL, MR2 A19 (SEE PAGE 8-47)
7A	46-306950P3	1	POWER SUPPLY	1	TPS POWER SUPPLY MR2-A14 (5V @ 150A)
7B	46-306950P1	1	POWER SUPPLY	ALT	TPS POWER SUPPLY MR2-A14 (5V @ 300A)
8	46-287438G1	N	INTERLOCK	1	LOCKING PIN ASSEMBLY (SEE PAGE 8-46)
9	46-251976G2	2	THERMOST ASM	1	TEMPERATURE SENSOR, MR2 A21
10	46-195551P1	2	SLIDE	2	SYMMETRICAL SLIDE FOR LEFT OR RIGHT
11	46-222465P1	2	BRACKET	2	SLIDE MOUNTING BRACKET
12	46-307189G1	N	FAN MODULE	1	TPS FAN MODULE, MR2 A16 (SEE PAGE 8-44)
13	46-307332G2	N	SCB ASSEMBLY	1	SIGNAL COLLECTING BOARD ASM, MR2 A23 (SEE PAGE 8-48)
14	46-307318G1	2	COVER ASM	1	MR2 CABINET "SLAM LATCH" FRONT COVER
15	46-301989P1	2	BRACKET	1	FRONT COVER "SLAM LATCH" RETAINER
16	46-307319P1	2	AIR INTAKE	1	TPS COOLING AIR INTAKE PLENUM, STEEL
17	46-307323P1	2	COVER STRIP	1	FILLER STRIP, CHARCOAL, 19" X 2.12"
18	46-306565P1	2	AIR FILTER	1	RESEARCH PRODUCTS 10"EZ-CLEAN FILTER
19	46-306509P3	2	COVER	1	FILLER PANEL, CHARCOAL, 19" X 10.44"
20	46-306509P4	2	COVER PLATE	1	FILLER PANEL, CHARCOAL, 19" X 3.44"
21	46-306509P5	2	COVER PLATE	2	FILLER PANEL, CHARCOAL, 19" X 1.68"

Parts List Continued On Next Page

5.x 1.5T SYS CAB w/o MC or FR 2117962 FRU N (CONTINUED FROM PREVIOUS PAGE)

Item	Part Number	FRU	Name	Quantity	Description (Remarks)
37	46-301638P1	2	CABLE ASM	1	RF COAX CABLE ASM, I/F PANEL TO TPS
41	46-271121G1	2	WIRING	1	TEMP SENSE TS1-PDU REMOTE J2 HARNESS
44	46-307654P1	2	PLATE	1	BIT-3 CABLE ACCESS PLATE, 5" X 2.12"
47	46-220288P3	2	NUT, CLIP	2	SELF-LOCKING 8-32 UNC
49	46-220178P10	2	GROMMET	.333	12.75" LONG GROMMET STRIP, OFF WHITE
55	46-208758P2	2	STRAP	6	5.5" X .140" SELF-LOCKING CABLE TIE.
56	46-208758P3	2	STRAP	29	7.31" X .184" SELF-LOCKING CABLE TIE
57	46-208747P2	2	MOUNT	7	CABLE TIE, ADHESIVE BACKED
58	46-208759P1	2	STRAP	3	7.81" X .184" SELF-LOCKING CABLE TIE
60	46-208643P10	2	NUT,LOCK	1	1/8-27 NPS, HEX 1/2, THK 1/16, BRASS
61	46-258203G2	2	CABLE ASM	1	18" RG174/U COAX W/SMB & BNC CONNECT
63	46-208695P61	2	BUSHING	1	HEYCO PART NO.2126 SB-875-11 BLACK
64	46-220288P1	2	NUT, CLIP	54	SELF-LOCKING 10-32 UNF
65	46-317726P1	2	CABLE ASM FO	1	MR2-A15-A23-J5 TO MR2-A23-A2-J6, 15'
66	46-306626P2	2	CABLE CLIP	4	ADHESIVE MOUNTED, LOCKING CABLE CLIP
67	46-306626P1	2	CABLE CLIP	1	ADHESIVE-MOUNTED LOCKING CABLE CLIP
68	46-307265P6	2	BIT3 VME I/F	1	RUN 719 MR2-A15-A3-J1 - CC1-A1-A6-J1
69	2114342-17	1	1.5T TNS 2CH	1	1.5T 2 CHAN EXTENDED BANDWIDTH TNF
71	2118110	2	PWR HARNESS	1	TNS POWER INTERCONNECT, 2-WIRE, 42"
72	2118109	2	BNC CABLE	1	MR2-A11-J2 TO MR2-A24-A1-A1-J2, 7 FT
73	2118109-2	2	BNC CABLE	1	MR2-A11-J5 TO MR2-A24-A1-A2-J5, 7 FT
80	46-328000G934	2	CABLE ASM	1	MR2-A24-A1-J1 TO MR2-A15-A9-J6
81	46-328000G912	2	CABLE	1	MR2-A24-A1-J2 TO MR2-A15-A16-J5
84	2128071	2	LABEL	1	CABINET LABEL: "CAUTION"
85	46-276217P2	1	CORE,EMI	2	COMBINATION NYLON CASE AND
5261	46-170015P2	2	SCR,SEMS	4	8-32 X 1/2 LG BIND HD STL EXT TOOTH
5318	46-170015P6	2	SCR,SEMS	3	10-32 X 1/2 LG BIND HD STL EXT TOOTH
5322	46-170015P10	2	SCR,SEMS	4	6-32 X 1/4" LG BIND HD STL EXT TOOTH
5558	46-170015P16	2	SCR,SEMS	8	10-32 X 3/8 LG BIND HD STL EXT TOOTH
17267	46-220205P3	2	WASHER WROT	3	FOR 3/8" SCREW, 1" OD, 7/16 ID, 5/64
19019	46-170015P27	2	SCR,SEMS	6	6-32 X 1/2" LG BIND HD STL EXT TOOTH
19304	46-170015P36	2	SCR,SEMS	3	8-32 X 9/16 LG BIND HD STL EXT TOOTH
35136	46-170015P62	2	SCR,SEMS	56	10-32 X 3/4 LG BIND HD STL EXT TOOTH
51674	46-170012P39	2	NUT,LOCK	4	10-32, 3/8" HEX KEPS NUT, 1/8" THICK
55682	46-170012P38	2	NUT,LOCK	2	8-32 KEPS, HEX 5/16 NUT THK 7/64

5.x 1.0T SYS CAB w/o MC or FS 2117962-2 FRU N (PART OF 46-271000G65, G67 SECTION 1)

Item	Part Number	FRU	Name	Quantity	Description (Remarks)
2	46-307364G1	N	AMCO CABINET	1	PURCHASED AMCO SINGLE-BAY CABINET (SEE PAGE 8-49)
3	46-307528G3	N	I/F PANEL	1	POWER AND I/F PANEL MR2 A11, MR2 A12 (SEE PAGE 8-41)
4	2117963-2	N	TPS ASM	1	1.0T TPS CHASSIS W/O MC OR FAST RCVR (SEE PAGE 8-36)
5	46-307974G1	N	REM CNTL ASM	1	PDU REMOTE CONTROL, MR2 A19 (SEE PAGE 8-47)
7A	46-306950P3	1	POWER SUPPLY	1	TPS POWER SUPPLY MR2-A14 (5V @ 150A)
7B	46-306950P1	1	POWER SUPPLY	ALT	TPS POWER SUPPLY MR2-A14 (5V @ 300A)
8	46-287438G1	N	INTERLOCK	1	LOCKING PIN ASSEMBLY (SEE PAGE 8-46)
9	46-251976G2	2	THERMOST ASM	1	TEMPERATURE SENSOR, MR2 A21
10	46-195551P1	2	SLIDE	2	SYMMETRICAL SLIDE FOR LEFT OR RIGHT
11	46-222465P1	2	BRACKET	2	SLIDE MOUNTING BRACKET
12	46-307189G1	N	FAN MODULE	1	TPS FAN MODULE, MR2 A16 (SEE PAGE 8-44)
13	46-307332G2	N	SCB ASSEMBLY	1	SIGNAL COLLECTING BOARD ASM, MR2 A23 (SEE PAGE 8-48)
14	46-307318G1	2	COVER ASM	1	MR2 CABINET "SLAM LATCH" FRONT COVER
15	46-301989P1	2	BRACKET	1	FRONT COVER "SLAM LATCH" RETAINER
16	46-307319P1	2	AIR INTAKE	1	TPS COOLING AIR INTAKE PLENUM, STEEL
17	46-307323P1	2	COVER STRIP	1	FILLER STRIP, CHARCOAL, 19" X 2.12"
18	46-306565P1	2	AIR FILTER	1	RESEARCH PRODUCTS 10"EZ-CLEAN FILTER
19	46-306509P3	2	COVER	1	FILLER PANEL, CHARCOAL, 19" X 10.44"
20	46-306509P4	2	COVER PLATE	1	FILLER PANEL, CHARCOAL, 19" X 3.44"
21	46-306509P5	2	COVER PLATE	2	FILLER PANEL, CHARCOAL, 19" X 1.68"
37	46-301638P1	2	CABLE ASM	1	RF COAX CABLE ASM, I/F PANEL TO TPS
41	46-271121G1	2	WIRING	1	TEMP SENSE TS1-PDU REMOTE J2 HARNESS
44	46-307654P1	2	PLATE	1	BIT-3 CABLE ACCESS PLATE, 5" X 2.12"
47	46-220288P3	2	NUT, CLIP	2	SELF-LOCKING 8-32 UNC
49	46-220178P10	2	GROMMET	.333	12.75" LONG GROMMET STRIP, OFF WHITE
55	46-208758P2	2	STRAP	6	5.5" X .140" SELF-LOCKING CABLE TIE.
56	46-208758P3	2	STRAP	29	7.31" X .184" SELF-LOCKING CABLE TIE
57	46-208747P2	2	MOUNT	7	CABLE TIE, ADHESIVE BACKED
58	46-208759P1	2	STRAP	3	7.81" X .184" SELF-LOCKING CABLE TIE
60	46-208643P10	2	NUT, LOCK	1	1/8-27 NPS, HEX 1/2, THK 1/16, BRASS
61	46-258203G2	2	CABLE ASM	1	18" RG174/U COAX W/SMB & BNC CONNECT
63	46-208695P61	2	BUSHING	1	HEYCO PART NO.2126 SB-875-11 BLACK
64	46-220288P1	2	NUT, CLIP	54	SELF-LOCKING 10-32 UNF
65	46-317726P1	2	CABLE ASM FO	1	MR2-A15-A23-J5 TO MR2-A23-A2-J6, 15'
66	46-306626P2	2	CABLE CLIP	4	ADHESIVE MOUNTED, LOCKING CABLE CLIP

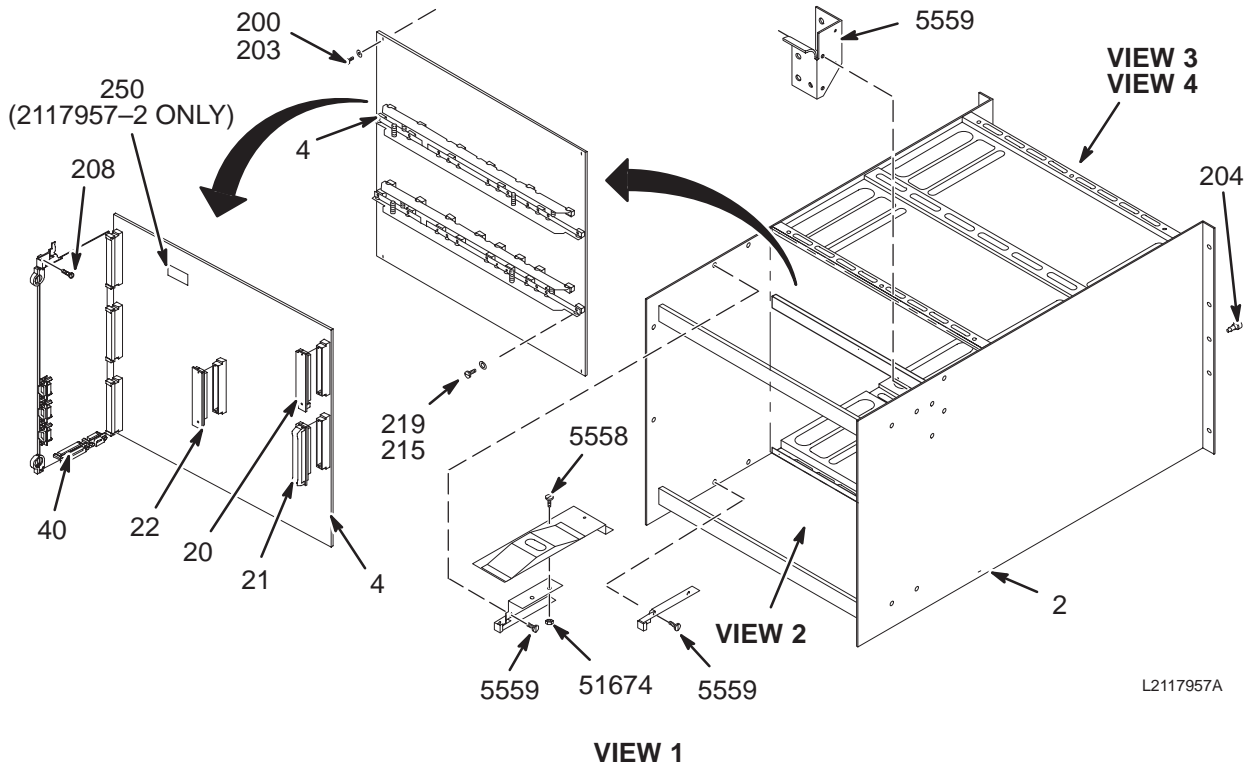
Parts List Continued On Next Page

5.x 1.0T SYS CAB w/o MC or FR 2117962-2 FRU N (CONTINUED FROM PREVIOUS PAGE)

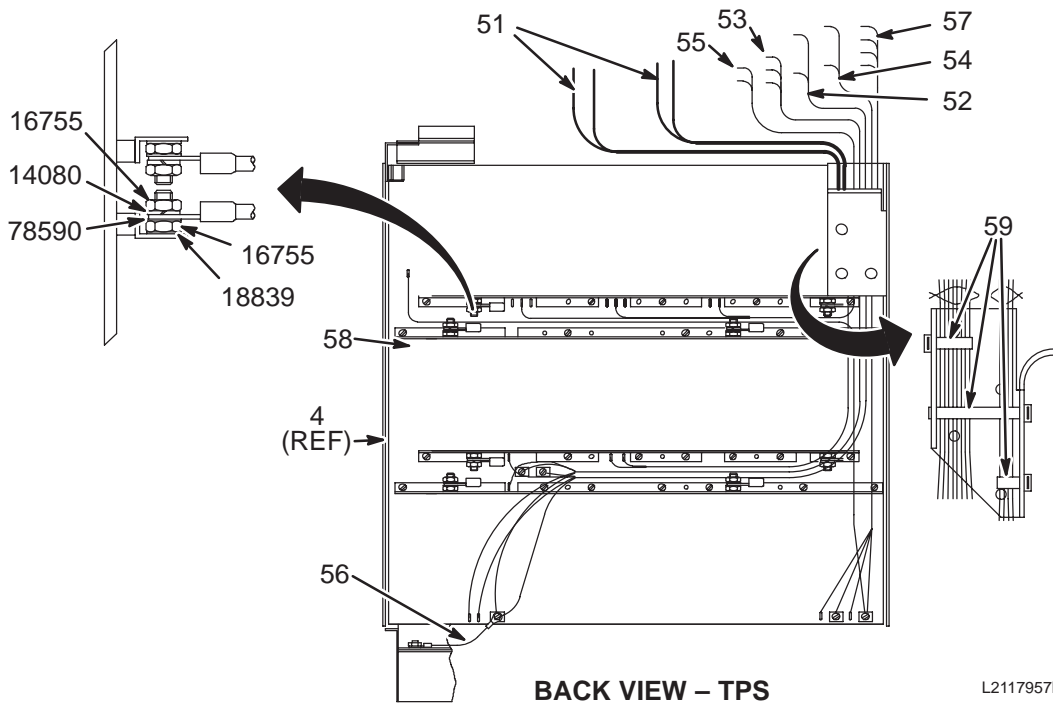
Item	Part Number	FRU	Name	Quantity	Description (Remarks)
67	46-306626P1	2	CABLE CLIP	1	ADHESIVE-MOUNTED LOCKING CABLE CLIP
68	46-307265P6	2	BIT3 VME I/F	1	RUN 719 MR2-A15-A3-J1 - CC1-A1-A6-J1
69	2114342-17	1	1.5T TNS 2CH	1	1.5T 2 CHAN EXTENDED BANDWIDTH TNF
71	2118110	2	PWR HARNESS	1	TNS POWER INTERCONNECT, 2-WIRE, 42"
72	2118109	2	BNC CABLE	1	MR2-A11-J2 TO MR2-A24-A1-A1-J2, 7 FT
73	2118109-2	2	BNC CABLE	1	MR2-A11-J5 TO MR2-A24-A1-A2-J5, 7 FT
80	46-328000G934	2	CABLE ASM	1	MR2-A24-A1-J1 TO MR2-A15-A9-J6
81	46-328000G912	2	CABLE	1	MR2-A24-A1-J2 TO MR2-A15-A16-J5
84	2128071	2	LABEL	1	CABINET LABEL: "CAUTION"
85	46-276217P2	1	CORE,EMI	2	COMBINATION NYLON CASE AND
5261	46-170015P2	2	SCR,SEMS	4	8-32 X 1/2 LG BIND HD STL EXT TOOTH
5318	46-170015P6	2	SCR,SEMS	3	10-32 X 1/2 LG BIND HD STL EXT TOOTH
5322	46-170015P10	2	SCR,SEMS	4	6-32 X 1/4" LG BIND HD STL EXT TOOTH
5558	46-170015P16	2	SCR,SEMS	8	10-32 X 3/8 LG BIND HD STL EXT TOOTH
17267	46-220205P3	2	WASHER WROT	3	FOR 3/8" SCREW, 1" OD, 7/16 ID, 5/64
19019	46-170015P27	2	SCR,SEMS	6	6-32 X 1/2" LG BIND HD STL EXT TOOTH
19304	46-170015P36	2	SCR,SEMS	3	8-32 X 9/16 LG BIND HD STL EXT TOOTH
35136	46-170015P62	2	SCR,SEMS	56	10-32 X 3/4 LG BIND HD STL EXT TOOTH
51674	46-170012P39	2	NUT,LOCK	4	10-32, 3/8" HEX KEPS NUT, 1/8" THICK
55682	46-170012P38	2	NUT,LOCK	2	8-32 KEPS, HEX 5/16 NUT THK 7/64
69	2114342-17	1	1.5T TNS 2CH	1	1.5T 2 CHAN EXTENDED BANDWIDTH TNF
70	2114342-18	1	1.5T TNS 3CH	1	1.5T 3 CHAN EXTENDED BANDWIDTH TNF

1.5T TPS ASM WITH MULTI-COIL & FAST RECEIVER (MR2 A15)

2117957



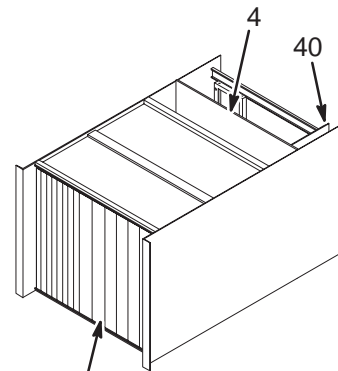
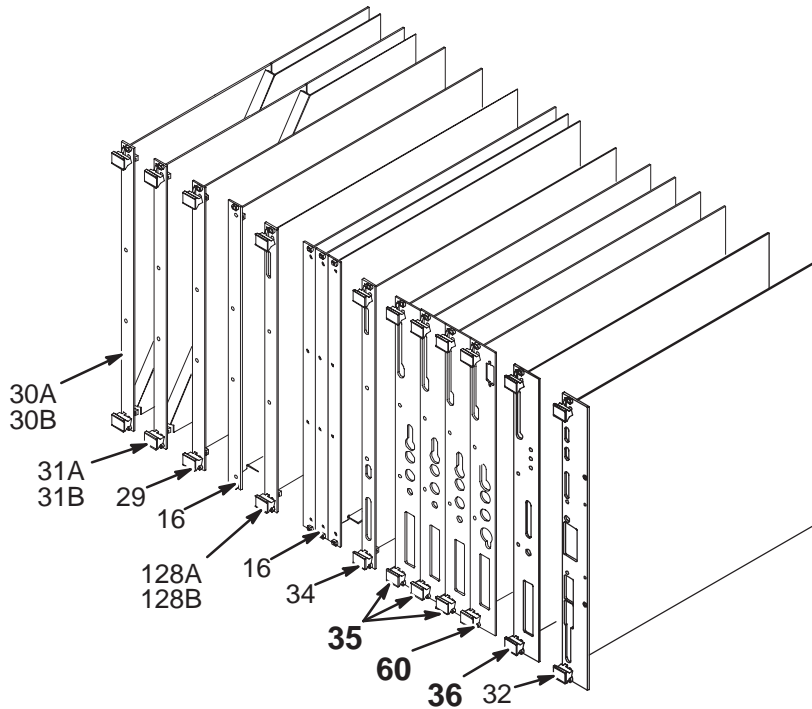
L2117957A



L2117957B

1.5T TPS ASM WITH MULTI-COIL & FAST RECEIVER (MR2 A15)

2117957



PROCEED TO **VIEW 4** FOR ADDITIONAL INFORMATION ON BOARD SLOT ASSIGNMENTS.

L2117957C

VIEW 3

TPS CIRCUIT BD SLOT ASSIGNMENTS

P/L	SLOT	PART #	DESCRIPTION
30A	1	46-282983G3	TPS CONTROLLER (CPU), MR2 A15 A1
30B	1	46-287013G2	TPS CONTROLLER (CPU), MR2 A15 A1
31A	2	46-307869G1	ARRAY PROCESSOR (AP), MR2 A15 A2
31B	2	46-307912G1	ARRAY PROCESSOR (AP), MR2 A15 A2
29	3	46-307265G2	TPS VME INTERFACE, MR2 A15 A3
128A	5	46-321324G5	128MB BULK MEMORY BD (BAM)
128B	5	46-317038G8	128MB BULK MEMORY BD (BAM)
	6-8	46-321324G5	128MB EXPANSION BAM BOARD (OPTIONAL)
	6-8	46-317038G8	128MB EXPANSION BAM BOARD (OPTIONAL)
34	9	46-287251G1	DAB, MR2 A15 A9
35	10,12,14	46-287252G3	1.5T TPS RECEIVER ASSEMBLY
60	16	2111251	1.5T FAST RECEIVER-0, MR2 A15 A16
36	18	2111395	SIGNA HORIZON EXCITER, MR2 A15 A18
32	20	2160818-6	SIGNA HORIZON IPG II, MR2A15 A20
40	—	46-288412G1	TYME BOARD, MR2 A15 A23
4	—	46-320456G1	TPS BACKPLANE/CHASSIS ASM

L2117957D

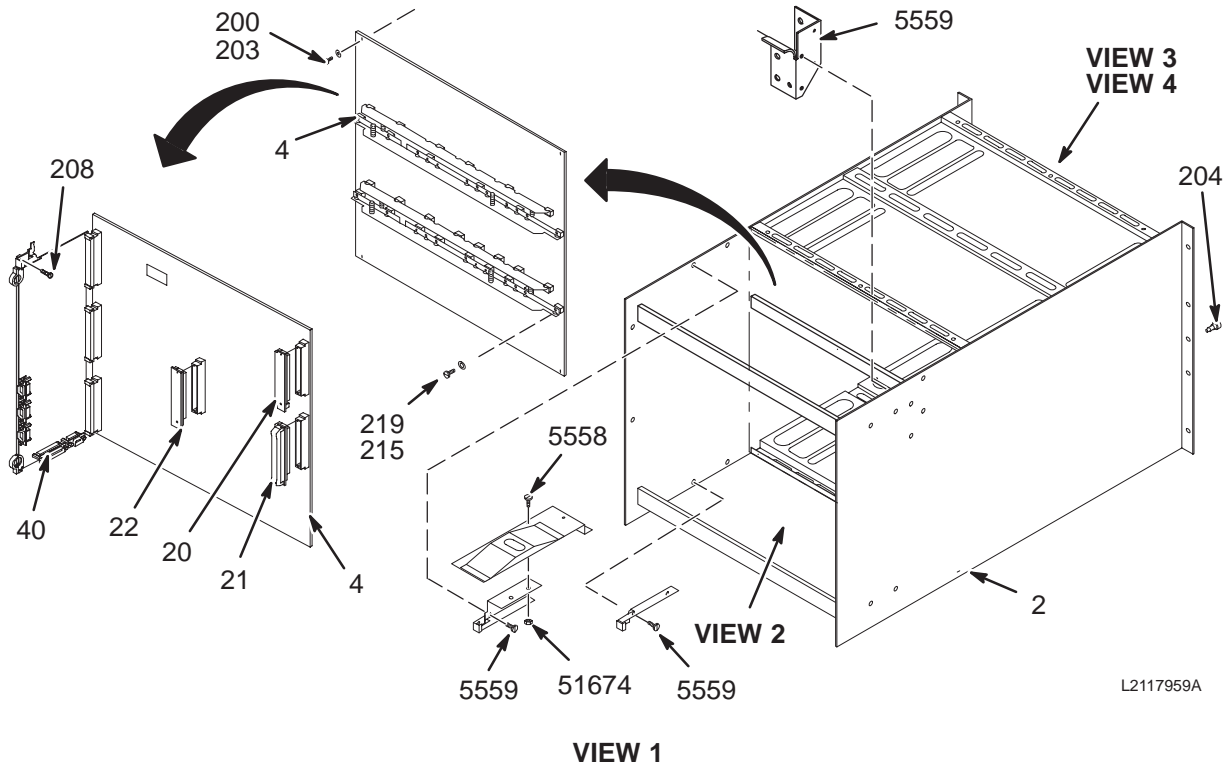
VIEW 4

1.5T TPS ASM W/MC & F/R 2117957 FRU N (PART OF 2117956 PAGE 8-4)

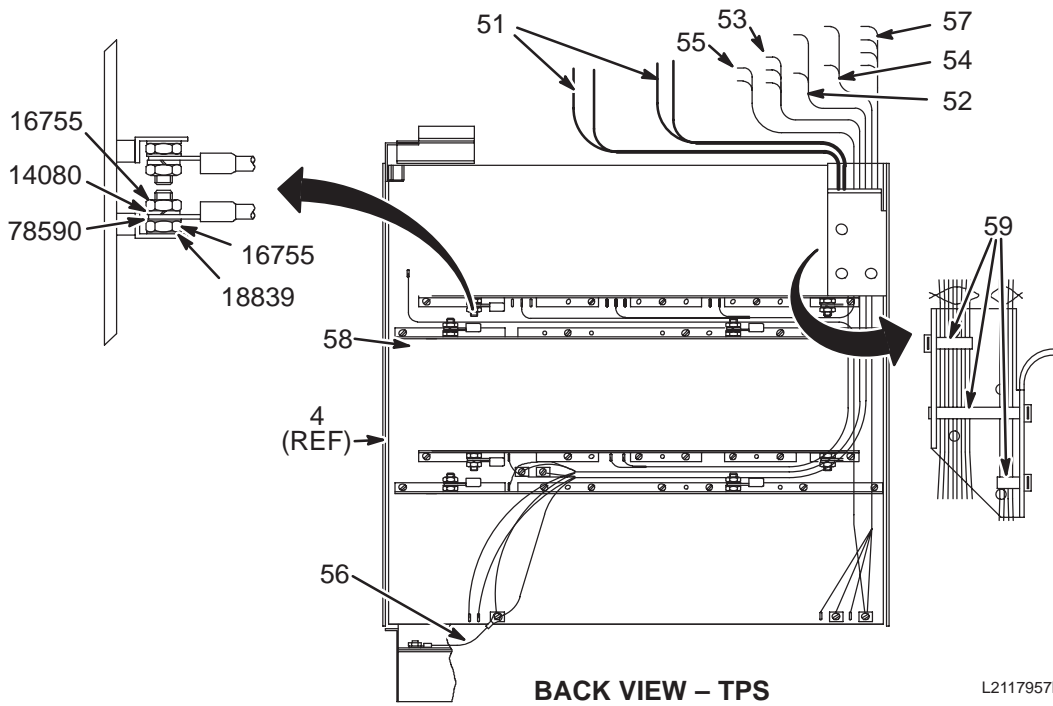
Item	Part Number	FRU	Name	Quantity	Description (Remarks)
2	46-282134P1	N	CHASSIS/BAM	1	TPS CHASSIS, USE APPLICABLE TPS FRU 5.X TPS FRU IS 46-320456G1 4.X TPS FRU IS 46-320608G1
4	46-301980P2	N	BACKPLANE	1	TPS BACKPLANE SUBSTITUTE 46-320456G1
16	46-287992G1	2	AIR PANEL	4	BLANK AIR FLOW CHANNEL PANEL
20	46-287264P1	2	TERMINATOR	1	J1 VME BACKPLANE BUS TERMINATOR.
21	46-287264P3	2	TERMINATOR	1	J2 VME BACKPLANE BUS TERMINATOR.
22	46-301011P1	2	TERMINATOR	1	VSB BACKPLANE BUS TERMINATOR MODULE
29	46-307265G2	1	BIT3 VME I/F	1	TPS VME INTERFACE, MR2 A15 A3
30A	46-282983G3	1	CPU BD (BUY)	1	TPS CONTROLLER (CPU), MR2 A15 A1
30B	46-287013G2	1	CPU (MAKE)	ALT	TPS CONTROLLER (CPU), MR2 A15 A1
31A	46-307869G1	1	AP BD (BUY)	1	ARRAY PROCESSOR (AP), MR2 A15 A2
31B	46-307912G1	1	AP BD (MAKE)	ALT	ARRAY PROCESSOR (AP), MR2 A15 A2
32	2160818-8	1	CIRCUIT BOAR	1	IPGII VME STYLE FRONT PANEL
32A	2112565-7	2	IPG ASM	ALT	IPG ASM WITH PHASE FIX
32B	2112565-8	2	IPG ASM	ALT	IPG ASM WITH PHASE FIX
34	46-287251G1	1	DAB BD ASM	1	DAB MR2A15A11(4.X) OR MR2A15A9 (5.X)
35	46-287252G3	1	1.5T RECEIVR	3	1.5T TPS STANDARD RECEIVER ASSEMBLY (SEE PAGE 8-37)
36	2111395	1	1.5T EXCITER	1	SIGNA HORIZON EXCITER, MR2-A15-A18 (SEE PAGE 8-39)
40	46-288412G1	1	CIRCUIT BD	1	TYME BOARD, MR2 A15 A23
51	46-282401G1	2	WIRES	1	SET OF 8 #4 BLACK POWER WIRES (5VDC)
52	46-307578G1	2	CABLE	1	MR2-A14 +18V TO MR2-A15, 40" #14AWG
53	46-307558G1	2	HARNESS	1	A-14+/-12V TO A-15-J1/J2 3-#18 CABLE
54	46-307577G1	2	CABLE	1	MR2-A14 -18V TO MR2-A15, 39" #14AWG
55	46-282513G1	2	CABLE	1	A-14 +5SEN TO A-15-J2/J3 2-#22 CABLE
56	46-301700G1	2	LEAD	1	BLACK JUMPER WIRE
57	46-307559G1	2	POWER CABLE	1	A14 5V TO A15 V-COM, V+/-S, VEE; 28"
58	46-307579P1	2	CABLE	1	VEE JUMPER
59	46-208758P5	2	STRAP	3	13.38"X .301" SELF-LOCKING CABLE TIE
60	2111251	1	FAST RECVR	1	1.5T FAST RECEIVER-O, MR2-A15-A18 (SEE PAGE 8-38)
128A	46-321324G5	1	TPS MEM ASM	1	128MB BULK MEMORY BOARD (BAM)
128B	46-317038G8	1	TPS MEM ASM	ALT	128MB BULK MEMORY BOARD (BAM)
200	46-287190P7	2	(M) MACH SCR	36	2.5M CHEESE-HEAD SCREW, 12MM LONG
203	46-301611P1	2	WASHER FLAT	36	0.12 ID, 0.218 OD, 0.037 THK, NYLON
208	46-170015P15	2	SCR,SEMS	2	6-32 X 3/16 LG BIND HD STL EXT TOOTH
215	46-220184P11	2	SCREW MACH	29	6-32 X 1/4 LG SLOTTED RD HEAD, BRASS
219	46-208601P20	2	WASHER,LOCK	29	#6 SCREW, INTERNAL TOOTH, PHOZ BRZ
5558	46-170015P16	2	SCR,SEMS	2	10-32 X 3/8 LG BIND HD STL EXT TOOTH
5559	46-170015P17	2	SCR,SEMS	8	10-32 X 1/4 LG BIND HD STL EXT TOOTH
14080	46-220196P4	2	WASHER,LOCK	8	1/4" SCREW SIZE (0.250), SST
16755	46-208935P8	2	NUT,HEX,MS	16	1/4-20, 7/16" HEX X 3/16 THK, BRASS
18839	12-251	2	WASHER	8	ID 0.250 OD 0.375 THK .020
51674	46-170012P39	2	NUT,LOCK	2	10-32, 3/8" HEX KEPS NUT, 1/8" THICK
78590	46-136356P9	2	WASHER	8	ID NOM .250 OD NOM .500 MAT THK .025

1.5T TPS ASM WITH MULTI-COIL & w/o FAST RECEIVER (MR2 A15)

2117959



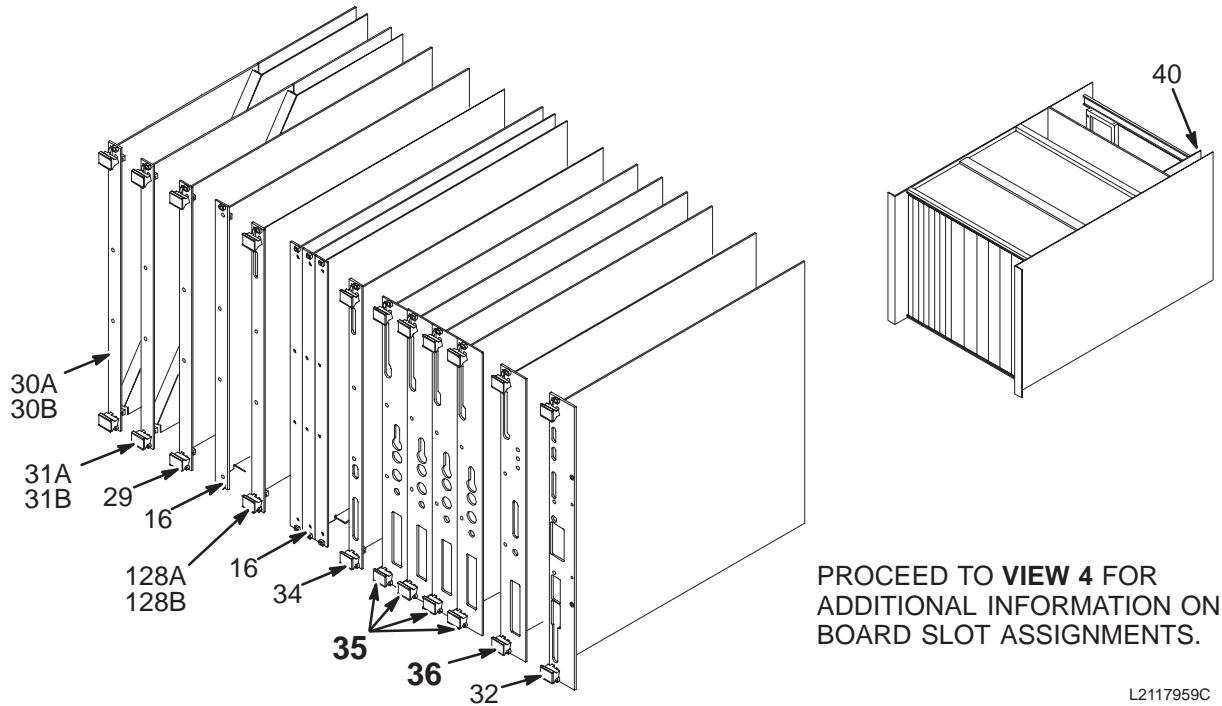
L2117959A



L2117957B

1.5T TPS ASM WITH MULTI-COIL & w/o FAST RECEIVER (MR2 A15)

2117959



PROCEED TO **VIEW 4** FOR ADDITIONAL INFORMATION ON BOARD SLOT ASSIGNMENTS.

L2117959C

VIEW 3

TPS CIRCUIT BD SLOT ASSIGNMENTS

P/L	SLOT	PART #	DESCRIPTION
30A	1	46-282983G3	TPS CONTROLLER (CPU), MR2 A15 A1
30B	1	46-287013G2	TPS CONTROLLER (CPU), MR2 A15 A1
31A	2	46-307869G1	ARRAY PROCESSOR (AP), MR2 A15 A2
31B	2	46-307912G1	ARRAY PROCESSOR (AP), MR2 A15 A2
29	3	46-307265G2	TPS VME INTERFACE, MR2 A15 A3
128A	5	46-321324G5	128MB BULK MEMORY BD (BAM)
128B	5	46-317038G8	128MB BULK MEMORY BD (BAM)
	6-8	46-321324G5	128MB EXPANSION BAM BOARD (OPTIONAL)
	6-8	46-317038G8	128MB EXPANSION BAM BOARD (OPTIONAL)
34	9	46-287251G1	DAB, MR2 A15 A9
35	10,12,14,16	46-287252G3	1.5T TPS RECEIVER ASSEMBLY
36	18	2111395	1.5T HORIZON EXCITER, MR2 A15 A18
32	20	2160818-6	SIGNA HORIZON IPG II, MR2A15 A20
40	—	46-288412G1	TYME BOARD, MR2 A15 A23
4		46-320456G1	TPS BACKPLANE/CHASSIS ASM

L2117957D

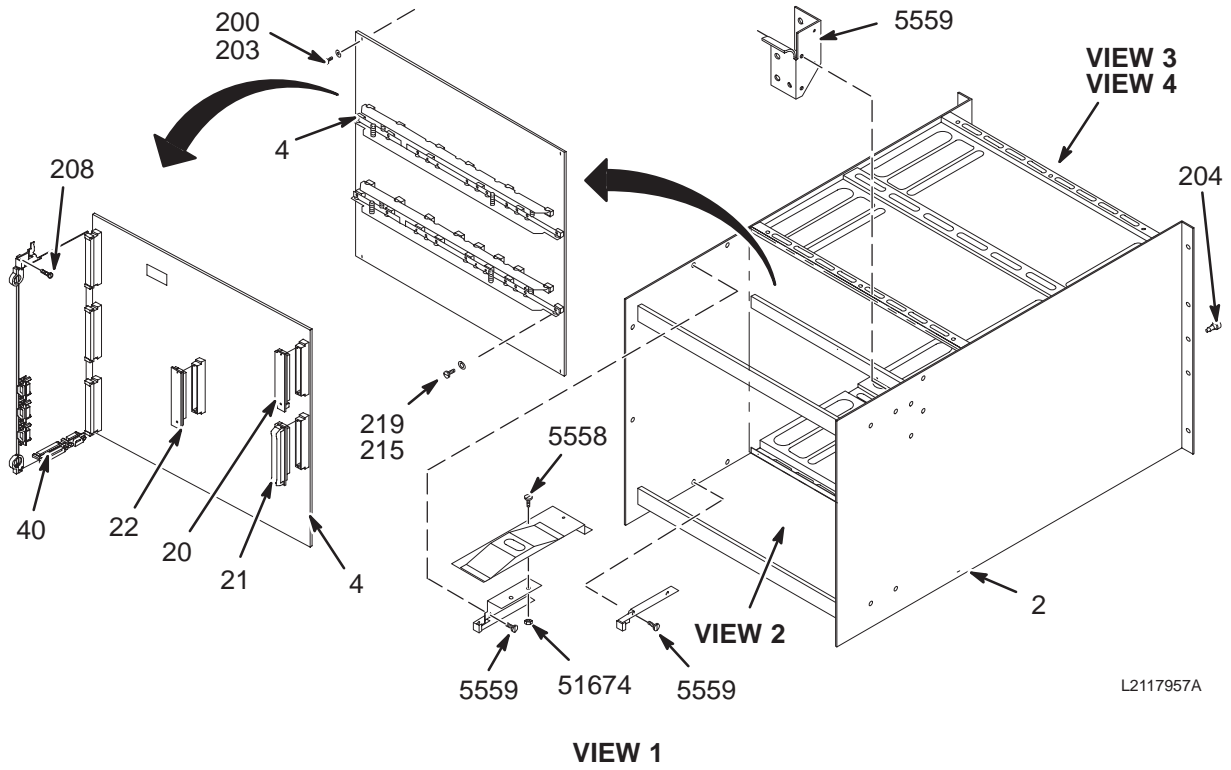
VIEW 4

1.5T TPS ASM w/MC & w/o FR 2117959 FRU N (PART OF 2117958 PAGE 8-7)

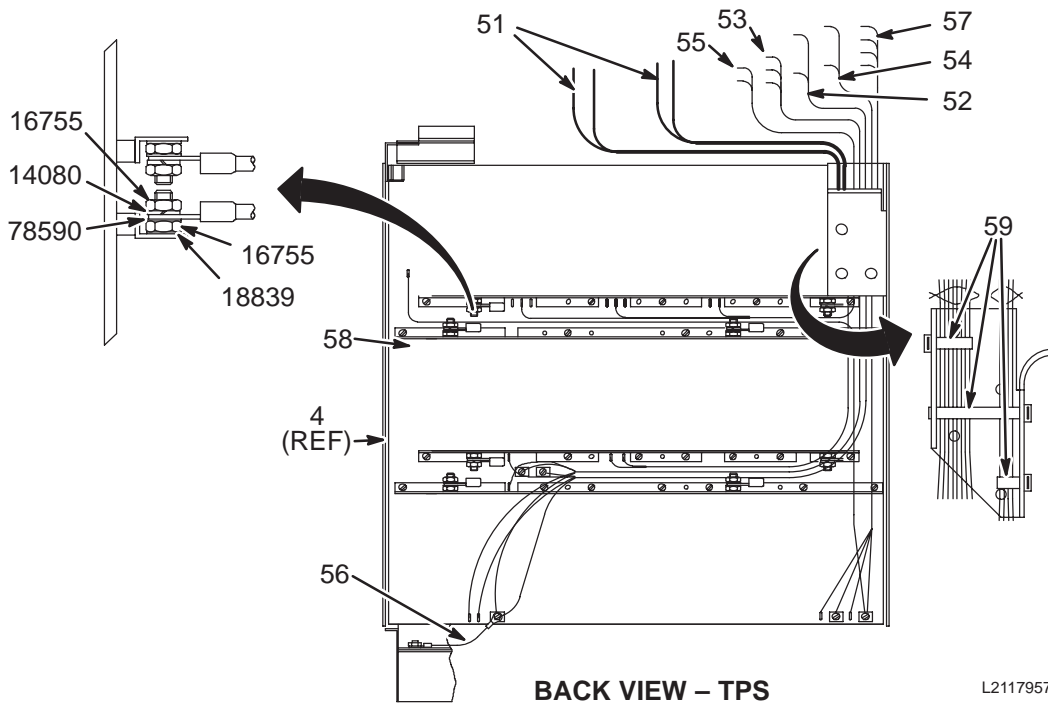
Item	Part Number	FRU	Name	Quantity	Description (Remarks)
2	46-282134P1	N	CHASSIS/BAM	1	TPS CHASSIS, USE APPLICABLE TPS FRU 5.X TPS FRU IS 46-320456G1 4.X TPS FRU IS 46-320608G1
4	46-301980P2	N	BACKPLANE	1	TPS BACKPLANE SUBSTITUTE 46-320456G1
16	46-287992G1	2	AIR PANEL	4	BLANK AIR FLOW CHANNEL PANEL
20	46-287264P1	2	TERMINATOR	1	J1 VME BACKPLANE BUS TERMINATOR.
21	46-287264P3	2	TERMINATOR	1	J2 VME BACKPLANE BUS TERMINATOR.
22	46-301011P1	2	TERMINATOR	1	VSB BACKPLANE BUS TERMINATOR MODULE
29	46-307265G2	1	BIT3 VME I/F	1	TPS VME INTERFACE, MR2 A15 A3
30A	46-282983G3	1	CPU BD (BUY)	1	TPS CONTROLLER (CPU), MR2 A15 A1
30B	46-287013G2	1	CPU (MAKE)	ALT	TPS CONTROLLER (CPU), MR2 A15 A1
31A	46-307869G1	1	AP BD (BUY)	1	ARRAY PROCESSOR (AP), MR2 A15 A2
31B	46-307912G1	1	AP BD (MAKE)	ALT	ARRAY PROCESSOR (AP), MR2 A15 A2
32	2160818-8	1	CIRCUIT BOAR	1	IPGII VME STYLE FRONT PANEL
32A	2112565-5	2	IPG ASM	ALT	IPG ASM WITH PHASE FIX
32B	2112565-6	2	IPG ASM	ALT	IPG ASM WITH PHASE FIX
34	46-287251G1	1	DAB BD ASM	1	DAB MR2A15A11(4.X) OR MR2A15A9 (5.X)
35	46-287252G3	1	1.5T RECEIVR	3	1.5T TPS STANDARD RECEIVER ASSEMBLY (SEE PAGE 8-37)
36	2111395	1	1.5T EXCITER	1	SIGNA HORIZON EXCITER, MR2-A15-A18 (SEE PAGE 8-39)
40	46-288412G1	1	CIRCUIT BD	1	TYME BOARD, MR2 A15 A23
51	46-282401G1	2	WIRES	1	SET OF 8 #4 BLACK POWER WIRES (5VDC)
52	46-307578G1	2	CABLE	1	MR2-A14 +18V TO MR2-A15, 40" #14AWG
53	46-307558G1	2	HARNESS	1	A-14+/-12V TO A-15-J1/J2 3-#18 CABLE
54	46-307577G1	2	CABLE	1	MR2-A14 -18V TO MR2-A15, 39" #14AWG
55	46-282513G1	2	CABLE	1	A-14 +5SEN TO A-15-J2/J3 2-#22 CABLE
56	46-301700G1	2	LEAD	1	BLACK JUMPER WIRE
57	46-307559G1	2	POWER CABLE	1	A14 5V TO A15 V-COM, V+/-S, VEE; 28"
58	46-307579P1	2	CABLE	1	VEE JUMPER
59	46-208758P5	2	STRAP	3	13.38"X .301" SELF-LOCKING CABLE TIE
128A	46-321324G5	1	TPS MEM ASM	1	128MB BULK MEMORY BOARD (BAM)
128B	46-317038G8	1	TPS MEM ASM	ALT	128MB BULK MEMORY BOARD (BAM)
200	46-287190P7	2	(M) MACH SCR	36	2.5M CHEESE-HEAD SCREW, 12MM LONG
203	46-301611P1	2	WASHER FLAT	36	0.12 ID, 0.218 OD, 0.037 THK, NYLON
208	46-170015P15	2	SCR,SEMS	2	6-32 X 3/16 LG BIND HD STL EXT TOOTH
215	46-220184P11	2	SCREW MACH	29	6-32 X 1/4 LG SLOTTED RD HEAD, BRASS
219	46-208601P20	2	WASHER,LOCK	29	#6 SCREW, INTERNAL TOOTH, PHOZ BRZ
5558	46-170015P16	2	SCR,SEMS	2	10-32 X 3/8 LG BIND HD STL EXT TOOTH
5559	46-170015P17	2	SCR,SEMS	8	10-32 X 1/4 LG BIND HD STL EXT TOOTH
14080	46-220196P4	2	WASHER,LOCK	8	1/4" SCREW SIZE (0.250), SST
16755	46-208935P8	2	NUT,HEX,MS	16	1/4-20, 7/16" HEX X 3/16 THK, BRASS
18839	12-251	2	WASHER	8	ID 0.250 OD 0.375 THK .020
51674	46-170012P39	2	NUT,LOCK	2	10-32, 3/8" HEX KEPS NUT, 1/8" THICK
78590	46-136356P9	2	WASHER	8	ID NOM .250 OD NOM .500 MAT THK .025

1.0T TPS ASM WITH MULTI-COIL & w/o FAST RECEIVER (MR2 A15)

2117959-2



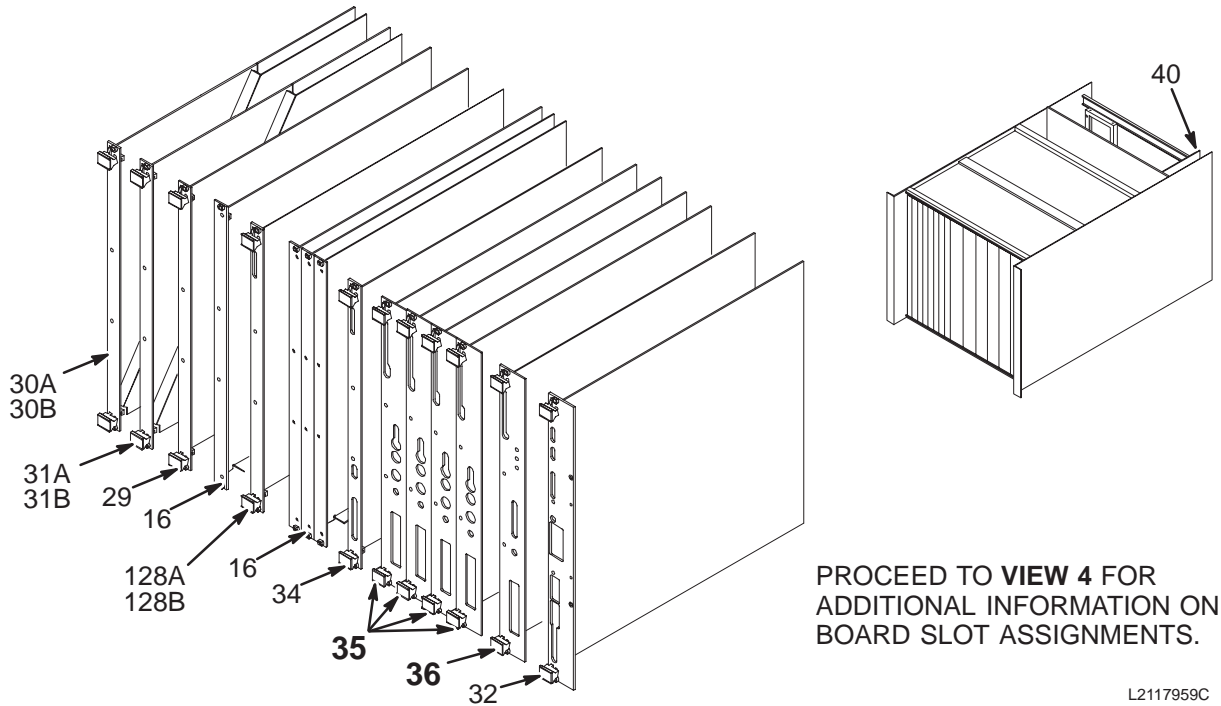
L2117957A



L2117957B

1.0T TPS ASM WITH MULTI-COIL & w/o FAST RECEIVER (MR2 A15)

2117959-2



VIEW 3

TPS CIRCUIT BD SLOT ASSIGNMENTS

P/L	SLOT	PART #	DESCRIPTION
30A	1	46-282983G3	TPS CONTROLLER (CPU), MR2 A15 A1
30B	1	46-287013G2	TPS CONTROLLER (CPU), MR2 A15 A1
31A	2	46-307869G1	ARRAY PROCESSOR (AP), MR2 A15 A2
31B	2	46-307912G1	ARRAY PROCESSOR (AP), MR2 A15 A2
29	3	46-307265G2	TPS VME INTERFACE, MR2 A15 A3
128A	5	46-321324G5	128MB BULK MEMORY BD (BAM)
128B	5	46-317038G8	128MB BULK MEMORY BD (BAM)
	6-8	46-321324G5	128MB EXPANSION BAM BOARD (OPTIONAL)
	6-8	46-317038G8	128MB EXPANSION BAM BOARD (OPTIONAL)
34	9	46-287251G1	DAB, MR2 A15 A9
35	10,12,14,16	46-287252G7	1.0T TPS RECEIVER ASSEMBLY
36	18	2111395-2	1.0T HORIZON EXCITER, MR2 A15 A18
32	20	2160818-6	SIGNA HORIZON IPG II, MR2A15 A20
40	—	46-288412G1	TYME BOARD, MR2 A15 A23
4		46-320456G1	TPS BACKPLANE/CHASSIS ASM

L2117959-2D

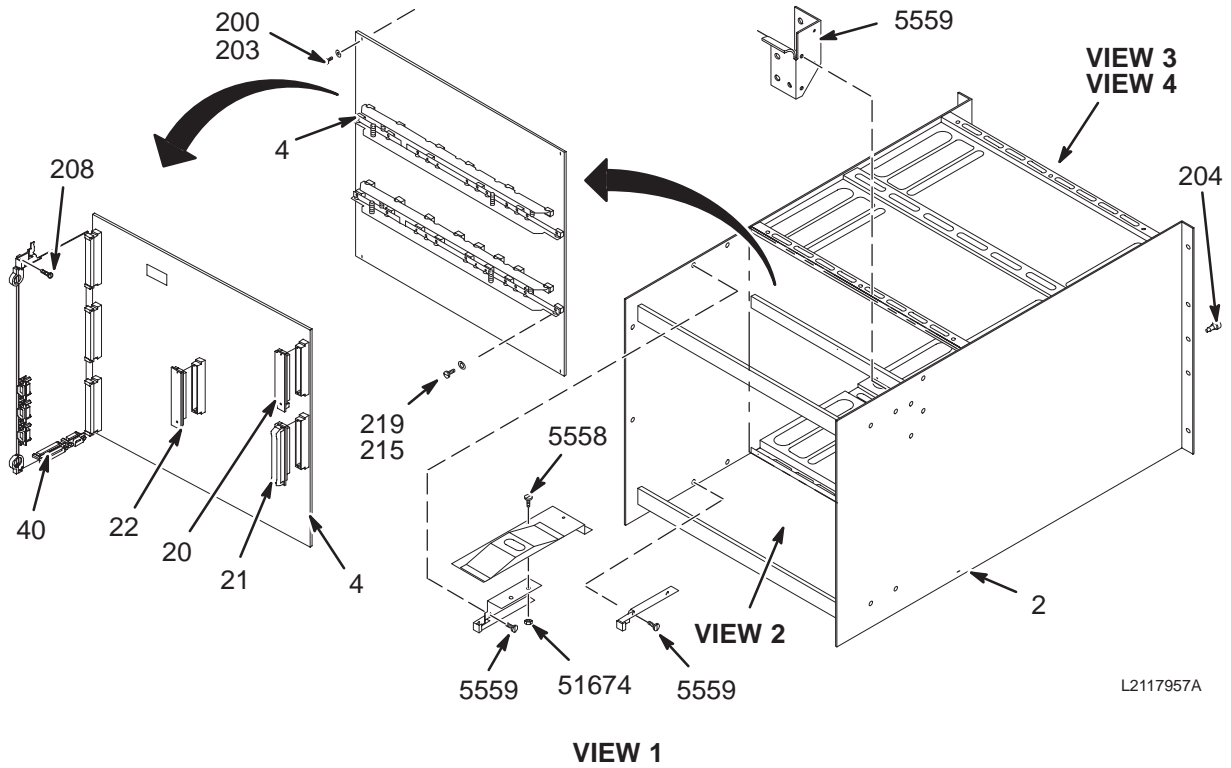
VIEW 4

1.0T TPS ASM w/MC 2117959-2 FRU N (PART OF 2117958-2 PAGE 8-9)

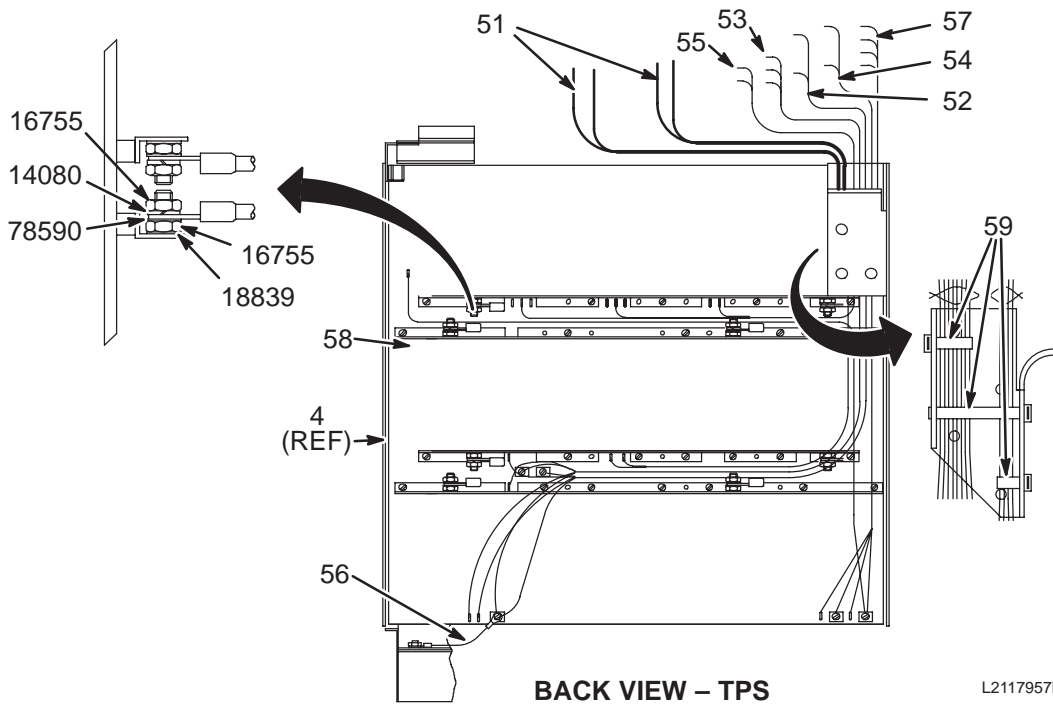
Item	Part Number	FRU	Name	Quantity	Description (Remarks)
2	46-282134P1	N	CHASSIS/BAM	1	TPS CHASSIS, USE APPLICABLE TPS FRU
4	46-301980P2	N	BACKPLANE	1	TPS BACKPLANE SUBSTITUTE 46-320456G1
16	46-287992G1	2	AIR PANEL	4	BLANK AIR FLOW CHANNEL PANEL
20	46-287264P1	2	TERMINATOR	1	J1 VME BACKPLANE BUS TERMINATOR.
21	46-287264P3	2	TERMINATOR	1	J2 VME BACKPLANE BUS TERMINATOR.
22	46-301011P1	2	TERMINATOR	1	VSU BACKPLANE BUS TERMINATOR MODULE
29	46-307265G2	1	BIT3 VME I/F	1	TPS VME INTERFACE, MR2 A15 A3
30A	46-282983G3	1	CPU BD (BUY)	1	TPS CONTROLLER (CPU), MR2 A15 A1
30B	46-287013G2	1	CPU (MAKE)	ALT	TPS CONTROLLER (CPU), MR2 A15 A1
31A	46-307869G1	1	AP BD (BUY)	1	ARRAY PROCESSOR (AP), MR2 A15 A2
31B	46-307912G1	1	AP BD (MAKE)	ALT	ARRAY PROCESSOR (AP), MR2 A15 A2
32	2160818-8	1	CIRCUIT BOAR	1	IPGII VME STYLE FRONT PANEL, MR2 A15 A20
32A	2112565-7	2	IPG ASM	ALT	IPG ASM WITH PHASE FIX
32B	2112565-8	2	IPG ASM	ALT	IPG ASM WITH PHASE FIX
34	46-287251G1	1	DAB BD ASM	1	DAB MR2A15A11(4.X) OR MR2A15A9 (5.X)
35	46-287252G7	1	1.0T RECEIVR	4	1.0T SIGNA HORIZON TPS RECEIVER (SEE PAGE 8-37)
36	2111395-2	1	FST XTR 1.0T	1	1T SIGNA HORIZON EXCITER, MR2A15A18 (SEE PAGE 8-39)
40	46-288412G1	1	CIRCUIT BD	1	TYME BOARD, MR2 A15 A23
51	46-282401G1	2	WIRES	1	SET OF 8 #4 BLACK POWER WIRES (5VDC)
52	46-307578G1	2	CABLE	1	MR2-A14 +18V TO MR2-A15, 40" #14AWG
53	46-307558G1	2	HARNESS	1	A-14+/-12V TO A-15-J1/J2 3-#18 CABLE
54	46-307577G1	2	CABLE	1	MR2-A14 -18V TO MR2-A15, 39" #14AWG
55	46-282513G1	2	CABLE	1	A-14 +5SEN TO A-15-J2/J3 2-#22 CABLE
56	46-301700G1	2	LEAD	1	BLACK JUMPER WIRE
57	46-307559G1	2	POWER CABLE	1	A14 5V TO A15 V-COM, V+/-S, VEE; 28"
58	46-307579P1	2	CABLE	1	VEE JUMPER
59	46-208758P5	2	STRAP	3	13.38"X .301" SELF-LOCKING CABLE TIE
128A	46-321324G5	1	TPS MEM ASM	1	128MB BULK MEMORY BOARD (BAM)
128B	46-317038G8	1	TPS MEM ASM	ALT	128MB BULK MEMORY BOARD (BAM)
200	46-287190P7	2	(M) MACH SCR	36	2.5M CHEESE-HEAD SCREW, 12MM LONG
203	46-301611P1	2	WASHER FLAT	36	0.12 ID, 0.218 OD, 0.037 THK, NYLON
208	46-170015P15	2	SCR,SEMS	2	6-32 X 3/16 LG BIND HD STL EXT TOOTH
215	46-220184P11	2	SCREW MACH	29	6-32 X 1/4 LG SLOTTED RD HEAD, BRASS
219	46-208601P20	2	WASHER,LOCK	29	#6 SCREW, INTERNAL TOOTH, PHOZ BRZ
5558	46-170015P16	2	SCR,SEMS	2	10-32 X 3/8 LG BIND HD STL EXT TOOTH
5559	46-170015P17	2	SCR,SEMS	8	10-32 X 1/4 LG BIND HD STL EXT TOOTH
14080	46-220196P4	2	WASHER,LOCK	8	1/4" SCREW SIZE (0.250), SST
16755	46-208935P8	2	NUT,HEX,MS	16	1/4-20, 7/16" HEX X 3/16 THK, BRASS
18839	12-251	2	WASHER	8	ID 0.250 OD 0.375 THK .020
51674	46-170012P39	2	NUT,LOCK	2	10-32, 3/8" HEX KEPS NUT, 1/8" THICK
78590	46-136356P9	2	WASHER	8	ID NOM .250 OD NOM .500 MAT THK .025

1.5T TPS ASM WITH FAST RECEIVER & w/o MULTI-COIL (MR2 A15)

2117961



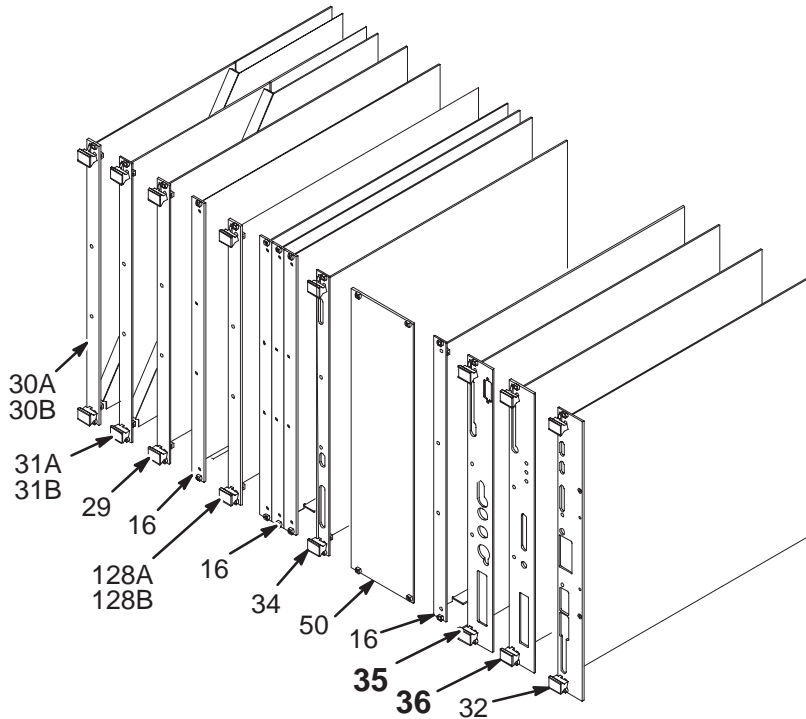
L2117957A



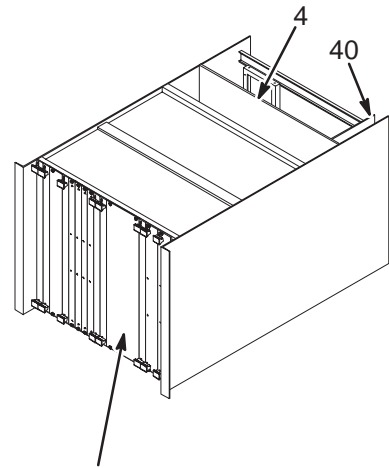
L2117957B

1.5T TPS ASM WITH FAST RECEIVER & w/o MULTI-COIL (MR2 A15)

2117961



VIEW 3



PROCEED TO **VIEW 4** FOR ADDITIONAL INFORMATION ON BOARD SLOT ASSIGNMENTS AND EXPANSION BAM BOARDS.

L2117961C

TPS CIRCUIT BD SLOT ASSIGNMENTS

P/L	SLOT	PART #	DESCRIPTION
30A	1	46-282983G3	TPS CONTROLLER (CPU), MR2 A15 A1
30B	1	46-287013G2	TPS CONTROLLER (CPU), MR2 A15 A1
31A	2	46-307869G1	ARRAY PROCESSOR (AP), MR2 A15 A2
31B	2	46-307912G1	ARRAY PROCESSOR (AP), MR2 A15 A2
29	3	46-307265G2	TPS VME INTERFACE, MR2 A15 A3
128A	5	46-321324G5	128MB BULK MEMORY BD (BAM)
128B	5	46-317038G8	128MB BULK MEMORY BD (BAM)
	6-8	46-321324G5	128MB EXPANSION BAM BOARD (OPTIONAL)
	6-8	46-317038G8	128MB EXPANSION BAM BOARD (OPTIONAL)
34	9	46-287251G1	DAB, MR2 A15 A9
35	16	2111251	1.5T FAST RECEIVER-0, MR2 A15 A16
36	18	2111395	1.5T HORIZON EXCITER, MR2 A15 A18
32	20	2160818-6	SIGNA HORIZON IPG II, MR2A15 A20
40	—	46-288412G1	TYME BOARD, MR2 A15 A23
4		46-320456G1	TPS BACKPLANE/CHASSIS ASM

L2117961D

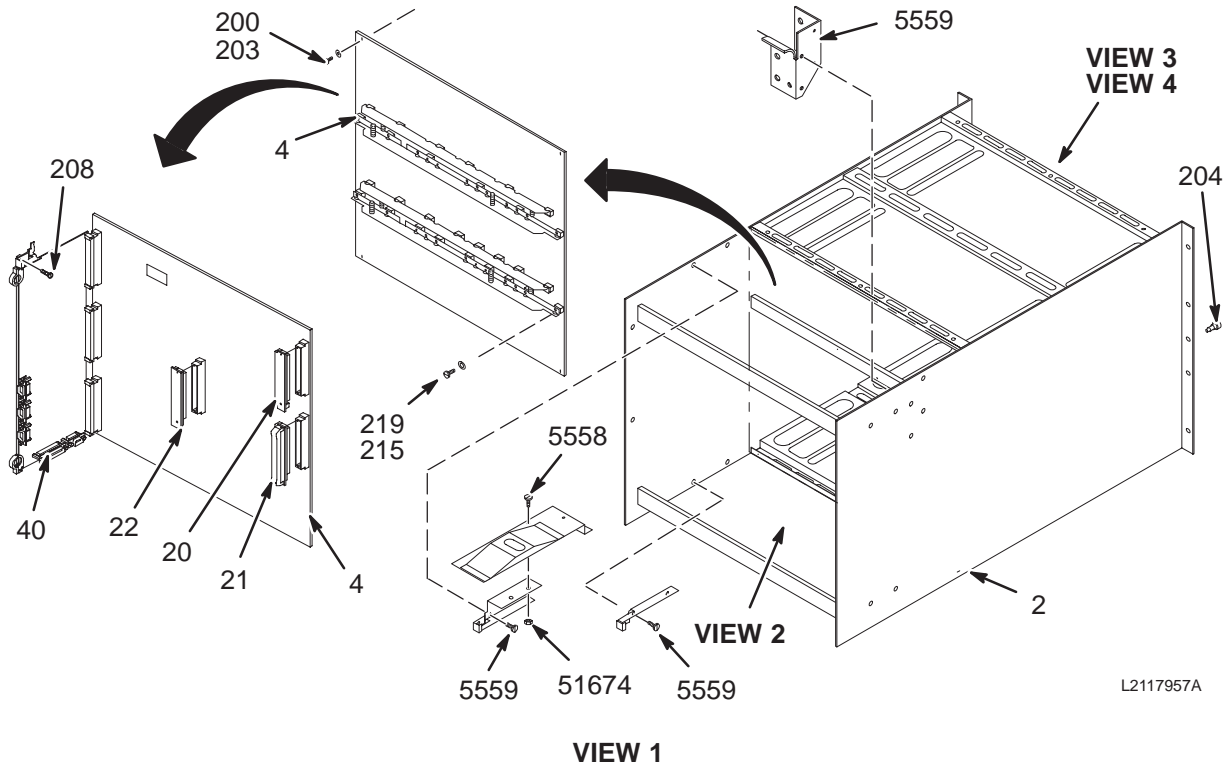
VIEW 4

1.5T TPS ASM w/o MC & w/FR 2117961 FRU N (PART OF 2117960 PAGE 8-12)

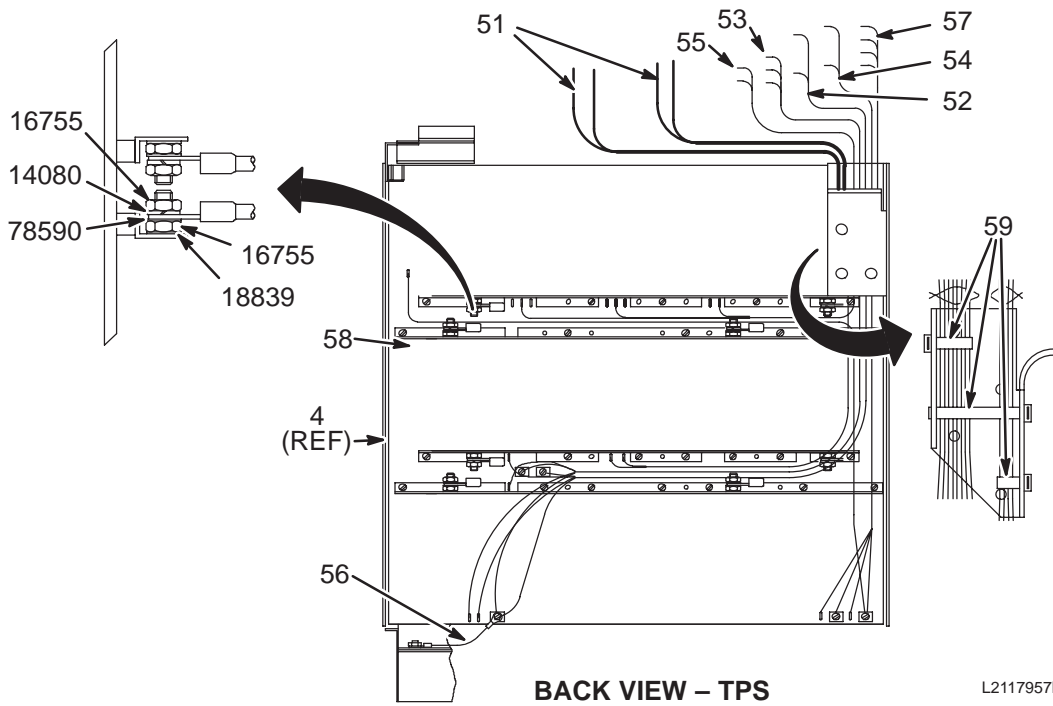
Item	Part Number	FRU	Name	Quantity	Description (Remarks)
2	46-282134P1	N	CHASSIS/BAM	1	TPS CHASSIS, USE APPLICABLE TPS FRU 5.X TPS FRU IS 46-320456G1 4.X TPS FRU IS 46-320608G1
4	46-301980P2	N	BACKPLANE	1	TPS BACKPLANE SUBSTITUTE 46-320456G1
16	46-287992G1	2	AIR PANEL	5	BLANK AIR FLOW CHANNEL PANEL
20	46-287264P1	2	TERMINATOR	1	J1 VME BACKPLANE BUS TERMINATOR.
21	46-287264P3	2	TERMINATOR	1	J2 VME BACKPLANE BUS TERMINATOR.
22	46-301011P1	2	TERMINATOR	1	VSB BACKPLANE BUS TERMINATOR MODULE
29	46-307265G2	1	BIT3 VME I/F	1	TPS VME INTERFACE, MR2 A15 A3
30A	46-282983G3	1	CPU BD (BUY)	1	TPS CONTROLLER (CPU), MR2 A15 A1
30B	46-287013G2	1	CPU (MAKE)	ALT	TPS CONTROLLER (CPU), MR2 A15 A1
31A	46-307869G1	1	AP BD (BUY)	1	ARRAY PROCESSOR (AP), MR2 A15 A2
31B	46-307912G1	1	AP BD (MAKE)	ALT	ARRAY PROCESSOR (AP), MR2 A15 A2
32	2160818-8	1	CIRCUIT BOAR	1	IPGII VME STYLE FRONT PANEL, MR2 A15 A20
32A	2112565-7	2	IPG ASM	ALT	IPG ASM WITH PHASE FIX
32B	2112565-8	2	IPG ASM	ALT	IPG ASM WITH PHASE FIX
34	46-287251G1	1	DAB BD ASM	1	DAB MR2A15A11(4.X) OR MR2A15A9 (5.X)
35	2111251	1	FAST RECVR	1	1.5T FAST RECEIVER-0, MR2-A15-A18 (SEE PAGE 8-38)
36	2111395	1	1.5T EXCITER	1	SIGNA HORIZON EXCITER, MR2-A15-A18 (SEE PAGE 8-39)
40	46-288412G1	1	CIRCUIT BD	1	TYME BOARD, MR2 A15 A23
46	46-287066G5	2	COVER AIR	1	CARD GUIDE COVER, W/4 1/4 TURN LATCH
50	46-287111P5	2	COVER FRONT	1	FRONT COVER, 3.985" X 15.555", ALUM
51	46-282401G1	2	WIRES	1	SET OF 8 #4 BLACK POWER WIRES (5VDC)
52	46-307578G1	2	CABLE	1	MR2-A14 +18V TO MR2-A15, 40" #14AWG
53	46-307558G1	2	HARNESS	1	A-14+/-12V TO A-15-J1/J2 3-#18 CABLE
54	46-307577G1	2	CABLE	1	MR2-A14 -18V TO MR2-A15, 39" #14AWG
55	46-282513G1	2	CABLE	1	A-14 +5SEN TO A-15-J2/J3 2-#22 CABLE
56	46-301700G1	2	LEAD	1	BLACK JUMPER WIRE
57	46-307559G1	2	POWER CABLE	1	A14 5V TO A15 V-COM, V+/-S, VEE; 28"
58	46-307579P1	2	CABLE	1	VEE JUMPER
59	46-208758P5	2	STRAP	3	13.38"X .301" SELF-LOCKING CABLE TIE
128A	46-321324G5	1	TPS MEM ASM	1	128MB BULK MEMORY BOARD (BAM)
128B	46-317038G8	1	TPS MEM ASM	ALT	128MB BULK MEMORY BOARD (BAM)
200	46-287190P7	2	(M) MACH SCR	36	2.5M CHEESE-HEAD SCREW, 12MM LONG
203	46-301611P1	2	WASHER FLAT	36	0.12 ID, 0.218 OD, 0.037 THK, NYLON
208	46-170015P15	2	SCR,SEMS	2	6-32 X 3/16 LG BIND HD STL EXT TOOTH
215	46-220184P11	2	SCREW MACH	29	6-32 X 1/4 LG SLOTTED RD HEAD, BRASS
218	46-287657P1	2	(M)SCR COLLR	4	M2.5 X.45 CAPTIVE PANEL SCREW, BRASS
219	46-208601P20	2	WASHER,LOCK	29	#6 SCREW, INTERNAL TOOTH, PHOZ BRZ
5558	46-170015P16	2	SCR,SEMS	2	10-32 X 3/8 LG BIND HD STL EXT TOOTH
5559	46-170015P17	2	SCR,SEMS	8	10-32 X 1/4 LG BIND HD STL EXT TOOTH
14080	46-220196P4	2	WASHER,LOCK	8	1/4" SCREW SIZE (0.250), SST
16755	46-208935P8	2	NUT,HEX,MS	16	1/4-20, 7/16" HEX X 3/16 THK, BRASS
18839	12-251	2	WASHER	8	ID 0.250 OD 0.375 THK .020
51674	46-170012P39	2	NUT,LOCK	2	10-32, 3/8" HEX KEPS NUT, 1/8" THICK
78590	46-136356P9	2	WASHER	8	ID NOM .250 OD NOM .500 MAT THK .025

1.5T TPS ASM w/o MULTI-COIL or FAST RECEIVER (MR2 A15)

2117963



L2117957A

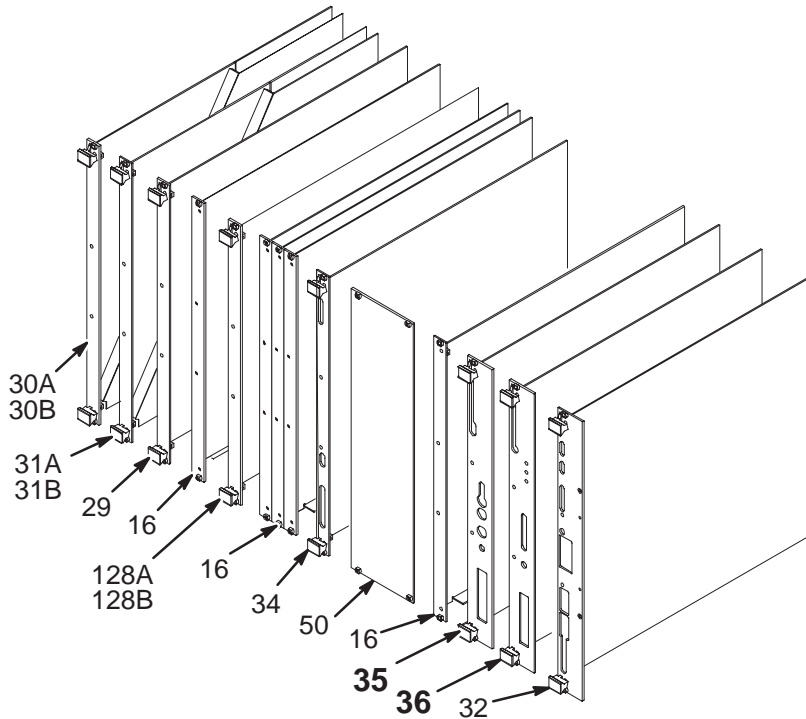


L2117957B

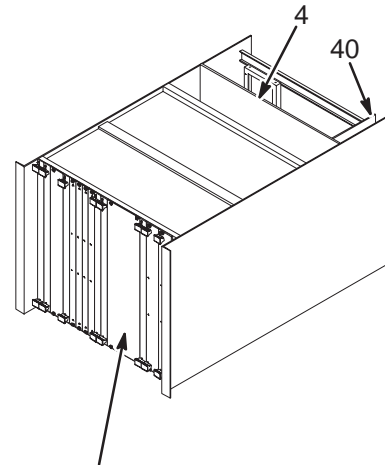
VIEW 2

1.5T TPS ASM w/o MULTI-COIL or FAST RECIEVER (MR2 A15)

2117963



VIEW 3



PROCEED TO **VIEW 4** FOR ADDITIONAL INFORMATION ON BOARD SLOT ASSIGNMENTS AND EXPANSION BAM BOARDS.

L2117963C

TPS CIRCUIT BD SLOT ASSIGNMENTS

P/L	SLOT	PART #	DESCRIPTION
30A	1	46-282983G3	TPS CONTROLLER (CPU), MR2 A15 A1
30B	1	46-287013G2	TPS CONTROLLER (CPU), MR2 A15 A1
31A	2	46-307869G1	ARRAY PROCESSOR (AP), MR2 A15 A2
31B	2	46-307912G1	ARRAY PROCESSOR (AP), MR2 A15 A2
29	3	46-307265G2	TPS VME INTERFACE, MR2 A15 A3
128A	5	46-321324G5	128MB BULK MEMORY BD (BAM)
128B	5	46-317038G8	128MB BULK MEMORY BD (BAM)
	6-8	46-321324G5	128MB EXPANSION BAM BOARD (OPTIONAL)
	6-8	46-317038G8	128MB EXPANSION BAM BOARD (OPTIONAL)
34	9	46-287251G1	DAB, MR2 A15 A9
35	16	46-287252G3	1.5T TPS RECEIVER ASSEMBLY
36	18	2111395	1.5T HORIZON EXCITER, MR2 A15 A18
32	20	2160818-6	SIGNA HORIZON IPG II, MR2A15 A20
40	—	46-288412G1	TYME BOARD, MR2 A15 A23
4		46-320456G1	TPS BACKPLANE/CHASSIS ASM

L2117963D

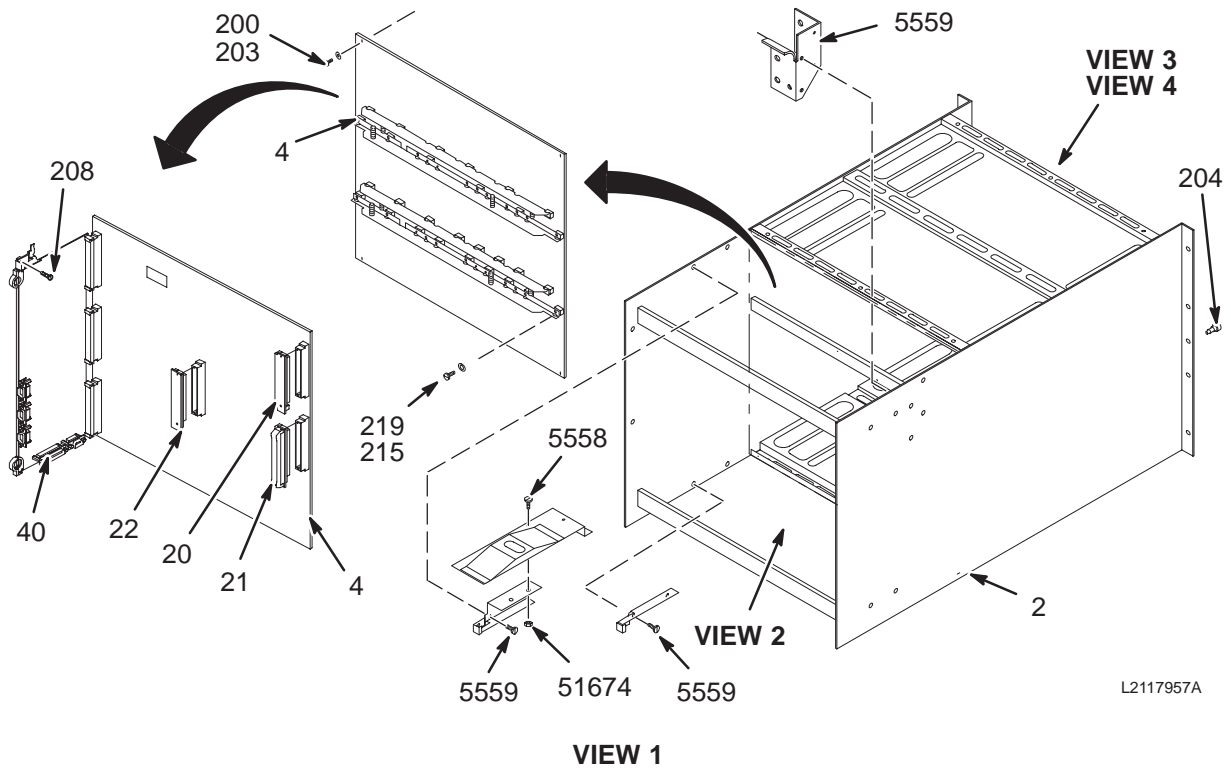
VIEW 4

1.5T TPS ASM w/o MC or FR 2117963 FRU N (PART OF 2117962 PAGE 8-15)

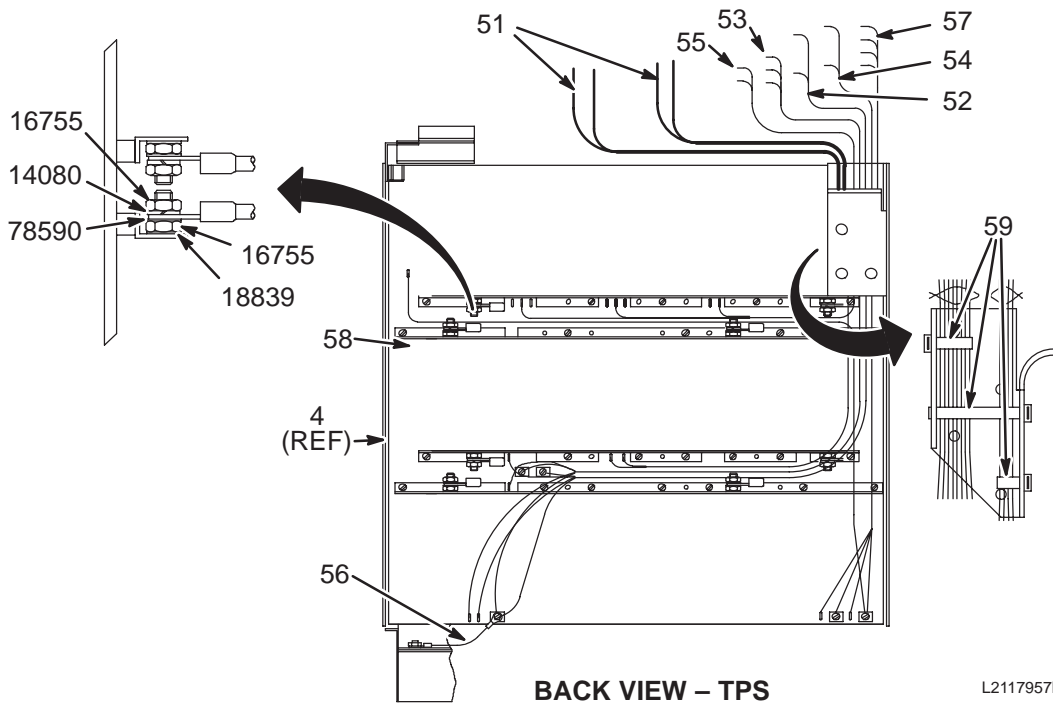
Item	Part Number	FRU	Name	Quantity	Description (Remarks)
2	46-282134P1	N	CHASSIS/BAM	1	TPS CHASSIS, USE APPLICABLE TPS FRU 5.X TPS FRU IS 46-320456G1 4.X TPS FRU IS 46-320608G1
4	46-301980P2	N	BACKPLANE	1	TPS BACKPLANE SUBSTITUTE 46-320456G1
16	46-287992G1	2	AIR PANEL	5	BLANK AIR FLOW CHANNEL PANEL
20	46-287264P1	2	TERMINATOR	1	J1 VME BACKPLANE BUS TERMINATOR.
21	46-287264P3	2	TERMINATOR	1	J2 VME BACKPLANE BUS TERMINATOR.
22	46-301011P1	2	TERMINATOR	1	VSB BACKPLANE BUS TERMINATOR MODULE
29	46-307265G2	1	BIT3 VME I/F	1	TPS VME INTERFACE, MR2 A15 A3
30A	46-282983G3	1	CPU BD (BUY)	1	TPS CONTROLLER (CPU), MR2 A15 A1
30B	46-287013G2	1	CPU (MAKE)	ALT	TPS CONTROLLER (CPU), MR2 A15 A1
31A	46-307869G1	1	AP BD (BUY)	1	ARRAY PROCESSOR (AP), MR2 A15 A2
31B	46-307912G1	1	AP BD (MAKE)	ALT	ARRAY PROCESSOR (AP), MR2 A15 A2
32	2160818-8	1	CIRCUIT BOAR	1	IPGII VME STYLE FRONT PANEL, MR2 A15 A20
32A	2112565-7	2	IPG ASM	ALT	IPG ASM WITH PHASE FIX
32B	2112565-8	2	IPG ASM	ALT	IPG ASM WITH PHASE FIX
34	46-287251G1	1	DAB BD ASM	1	DAB MR2A15A11(4.X) OR MR2A15A9 (5.X)
35	46-287252G3	1	1.5T RECEIVR	1	1.5T TPS STANDARD RECEIVER ASSEMBLY (SEE PAGE 8-37)
36	2111395	1	1.5T EXCITER	1	SIGNA HORIZON EXCITER, MR2-A15-A18 (SEE PAGE 8-39)
40	46-288412G1	1	CIRCUIT BD	1	TYME BOARD, MR2 A15 A23
46	46-287066G5	2	COVER AIR	1	CARD GUIDE COVER, W/4 1/4 TURN LATCH
50	46-287111P5	2	COVER FRONT	1	FRONT COVER, 3.985" X 15.555", ALUM
51	46-282401G1	2	WIRES	1	SET OF 8 #4 BLACK POWER WIRES (5VDC)
52	46-307578G1	2	CABLE	1	MR2-A14 +18V TO MR2-A15, 40" #14AWG
53	46-307558G1	2	HARNESS	1	A-14+/-12V TO A-15-J1/J2 3-#18 CABLE
54	46-307577G1	2	CABLE	1	MR2-A14 -18V TO MR2-A15, 39" #14AWG
55	46-282513G1	2	CABLE	1	A-14 +5SEN TO A-15-J2/J3 2-#22 CABLE
56	46-301700G1	2	LEAD	1	BLACK JUMPER WIRE
57	46-307559G1	2	POWER CABLE	1	A14 5V TO A15 V-COM, V+/-S, VEE; 28"
58	46-307579P1	2	CABLE	1	VEE JUMPER
59	46-208758P5	2	STRAP	3	13.38"X .301" SELF-LOCKING CABLE TIE
128A	46-321324G5	1	TPS MEM ASM	1	128MB BULK MEMORY BOARD (BAM)
128B	46-317038G8	1	TPS MEM ASM	ALT	128MB BULK MEMORY BOARD (BAM)
200	46-287190P7	2	(M) MACH SCR	36	2.5M CHEESE-HEAD SCREW, 12MM LONG
203	46-301611P1	2	WASHER FLAT	36	0.12 ID, 0.218 OD, 0.037 THK, NYLON
208	46-170015P15	2	SCR,SEMS	2	6-32 X 3/16 LG BIND HD STL EXT TOOTH
215	46-220184P11	2	SCREW MACH	29	6-32 X 1/4 LG SLOTTED RD HEAD, BRASS
218	46-287657P1	2	(M)SCR COLLR	4	M2.5 X.45 CAPTIVE PANEL SCREW, BRASS
219	46-208601P20	2	WASHER,LOCK	29	#6 SCREW, INTERNAL TOOTH, PHOZ BRZ
5558	46-170015P16	2	SCR,SEMS	2	10-32 X 3/8 LG BIND HD STL EXT TOOTH
5559	46-170015P17	2	SCR,SEMS	8	10-32 X 1/4 LG BIND HD STL EXT TOOTH
14080	46-220196P4	2	WASHER,LOCK	8	1/4" SCREW SIZE (0.250), SST
16755	46-208935P8	2	NUT,HEX,MS	16	1/4-20, 7/16" HEX X 3/16 THK, BRASS
18839	12-251	2	WASHER	8	ID 0.250 OD 0.375 THK .020
51674	46-170012P39	2	NUT,LOCK	2	10-32, 3/8" HEX KEPS NUT, 1/8" THICK
78590	46-136356P9	2	WASHER	8	ID NOM .250 OD NOM .500 MAT THK .025

1.0T TPS ASM w/o MULTI-COIL or FAST RECEIVER (MR2 A15)

2117963-2



L2117957A

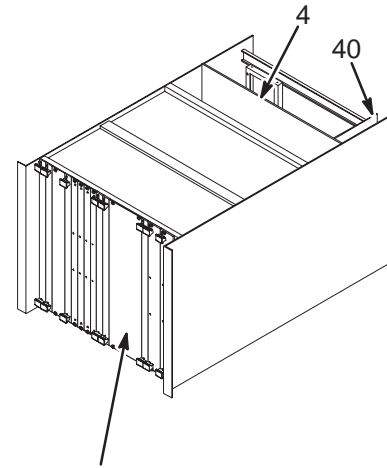
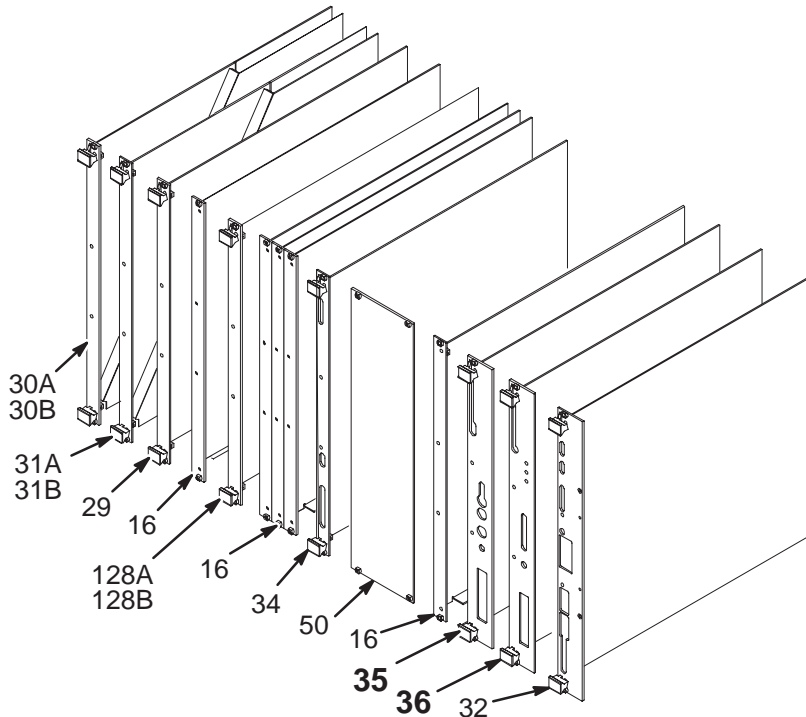


L2117957B

VIEW 2

1.0T TPS ASM w/o MULTI-COIL or FAST RECIEVER (MR2 A15)

2117963-2



PROCEED TO **VIEW 4** FOR ADDITIONAL INFORMATION ON BOARD SLOT ASSIGNMENTS AND EXPANSION BAM BOARDS.

L2117963C

VIEW 3

TPS CIRCUIT BD SLOT ASSIGNMENTS

P/L	SLOT	PART #	DESCRIPTION
30A	1	46-282983G3	TPS CONTROLLER (CPU), MR2 A15 A1
30B	1	46-287013G2	TPS CONTROLLER (CPU), MR2 A15 A1
31A	2	46-307869G1	ARRAY PROCESSOR (AP), MR2 A15 A2
31B	2	46-307912G1	ARRAY PROCESSOR (AP), MR2 A15 A2
29	3	46-307265G2	TPS VME INTERFACE, MR2 A15 A3
128A	5	46-321324G5	128MB BULK MEMORY BD (BAM)
128B	5	46-317038G8	128MB BULK MEMORY BD (BAM)
	6-8	46-321324G5	128MB EXPANSION BAM BOARD (OPTIONAL)
	6-8	46-317038G8	128MB EXPANSION BAM BOARD (OPTIONAL)
34	9	46-287251G1	DAB, MR2 A15 A9
35	16	46-287252G7	1.0T HORIZON TPS RECEIVER
36	18	2111395-2	1.0T HORIZON EXCITER, MR2 A15 A18
32	20	2160818-6	SIGNA HORIZON IPG II, MR2A15 A20
40	—	46-288412G1	TYME BOARD, MR2 A15 A23
4		46-320456G1	TPS BACKPLANE/CHASSIS ASM

L2117963D

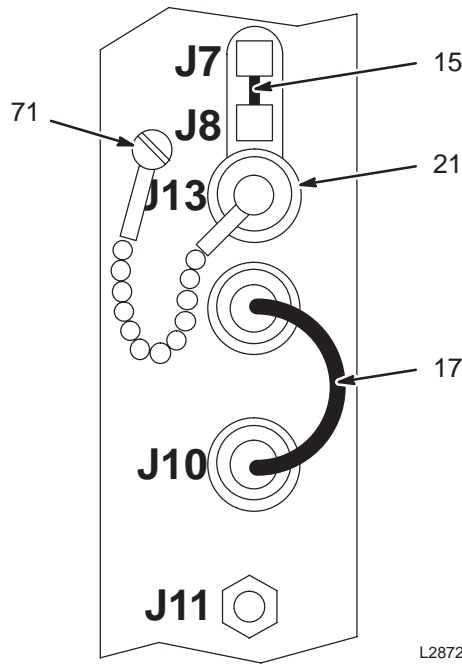
VIEW 4

1.0T TPS ASM w/o MC or FR 2117963-2 FRU N (PART OF 2117962-2 PAGE 8-17)

Item	Part Number	FRU	Name	Quantity	Description (Remarks)
2	46-282134P1	N	CHASSIS/BAM	1	TPS CHASSIS, USE APPLICABLE TPS FRU 5.X TPS FRU IS 46-320456G1 4.X TPS FRU IS 46-320608G1
4	46-301980P2	N	BACKPLANE	1	TPS BACKPLANE SUBSTITUTE 46-320456G1
16	46-287992G1	2	AIR PANEL	5	BLANK AIR FLOW CHANNEL PANEL
20	46-287264P1	2	TERMINATOR	1	J1 VME BACKPLANE BUS TERMINATOR.
21	46-287264P3	2	TERMINATOR	1	J2 VME BACKPLANE BUS TERMINATOR.
22	46-301011P1	2	TERMINATOR	1	VSB BACKPLANE BUS TERMINATOR MODULE
29	46-307265G2	1	BIT3 VME I/F	1	TPS VME INTERFACE, MR2 A15 A3
30A	46-282983G3	1	CPU BD (BUY)	1	TPS CONTROLLER (CPU), MR2 A15 A1
30B	46-287013G2	1	CPU (MAKE)	ALT	TPS CONTROLLER (CPU), MR2 A15 A1
31A	46-307869G1	1	AP BD (BUY)	1	ARRAY PROCESSOR (AP), MR2 A15 A2
31B	46-307912G1	1	AP BD (MAKE)	ALT	ARRAY PROCESSOR (AP), MR2 A15 A2
32	2160818-8	1	CIRCUIT BOAR	1	IPGII VME STYLE FRONT PANEL, MR2 A15 A20
32A	2112565-7	2	IPG ASM	ALT	IPG ASM WITH PHASE FIX
32B	2112565-8	2	IPG ASM	ALT	IPG ASM WITH PHASE FIX
34	46-287251G1	1	DAB BD ASM	1	DAB MR2A15A11(4.X) OR MR2A15A9 (5.X)
35	46-287252G7	1	1.0T RECEIVR	1	1.0T SIGNA HORIZON TPS RECEIVER (SEE PAGE 8-37)
36	2111395-2	1	FST XTR 1.0T	1	1T SIGNA HORIZON EXCITER, MR2A15A18 (SEE PAGE 8-39)
40	46-288412G1	1	CIRCUIT BD	1	TYME BOARD, MR2 A15 A23
46	46-287066G5	2	COVER AIR	1	CARD GUIDE COVER, W/4 1/4 TURN LATCH
50	46-287111P5	2	COVER FRONT	1	FRONT COVER, 3.985" X 15.555", ALUM
51	46-282401G1	2	WIRES	1	SET OF 8 #4 BLACK POWER WIRES (5VDC)
52	46-307578G1	2	CABLE	1	MR2-A14 +18V TO MR2-A15, 40" #14AWG
53	46-307558G1	2	HARNESS	1	A-14+/-12V TO A-15-J1/J2 3-#18 CABLE
54	46-307577G1	2	CABLE	1	MR2-A14 -18V TO MR2-A15, 39" #14AWG
55	46-282513G1	2	CABLE	1	A-14 +5SEN TO A-15-J2/J3 2-#22 CABLE
56	46-301700G1	2	LEAD	1	BLACK JUMPER WIRE
57	46-307559G1	2	POWER CABLE	1	A14 5V TO A15 V-COM, V+/-S, VEE; 28"
58	46-307579P1	2	CABLE	1	VEE JUMPER
59	46-208758P5	2	STRAP	3	13.38"X .301" SELF-LOCKING CABLE TIE
128A	46-321324G5	1	TPS MEM ASM	1	128MB BULK MEMORY BOARD (BAM)
128B	46-317038G8	1	TPS MEM ASM	ALT	128MB BULK MEMORY BOARD (BAM)
200	46-287190P7	2	(M) MACH SCR	36	2.5M CHEESE-HEAD SCREW, 12MM LONG
203	46-301611P1	2	WASHER FLAT	36	0.12 ID, 0.218 OD, 0.037 THK, NYLON
208	46-170015P15	2	SCR,SEMS	2	6-32 X 3/16 LG BIND HD STL EXT TOOTH
215	46-220184P11	2	SCREW MACH	29	6-32 X 1/4 LG SLOTTED RD HEAD, BRASS
218	46-287657P1	2	(M)SCR COLLR	4	M2.5 X.45 CAPTIVE PANEL SCREW, BRASS
219	46-208601P20	2	WASHER,LOCK	29	#6 SCREW, INTERNAL TOOTH, PHOZ BRZ
250	46-307859P5		LABEL	1	"FOR USE ON SIGNA 1.0T SYSTEM ONLY"
5558	46-170015P16	2	SCR,SEMS	2	10-32 X 3/8 LG BIND HD STL EXT TOOTH
5559	46-170015P17	2	SCR,SEMS	8	10-32 X 1/4 LG BIND HD STL EXT TOOTH
14080	46-220196P4	2	WASHER,LOCK	8	1/4" SCREW SIZE (0.250), SST
16755	46-208935P8	2	NUT,HEX,MS	16	1/4-20, 7/16" HEX X 3/16 THK, BRASS
18839	12-251	2	WASHER	8	ID 0.250 OD 0.375 THK .020
51674	46-170012P39	2	NUT,LOCK	2	10-32, 3/8" HEX KEPS NUT, 1/8" THICK
78590	46-136356P9	2	WASHER	8	ID NOM .250 OD NOM .500 MAT THK .025

1.5T & 1.0T RECEIVER CABLES

46-287252G3 & 46-287252G7



1.5T RECEIVER CABLES

46-287252G3 FRU 1

(PART OF 2117957 PAGE 8-21)
 (PART OF 2117959 PAGE 8-24)
 (PART OF 2117963 PAGE 8-33)

Item	Part Number	FRU	Name	Quantity	Description (Remarks)
15	46-287553P1	2	CABLE ASM.	1	J7 TO J8, RG316DS COAX W/SMB, 3.5"
17	46-301622P1	2	CABLE	1	J9 TO J10, RG-108A/U TWINAX, BNC, 7"
21	46-301643P1	2	CAP	1	DUST CAP WITH CHAIN FOR FEMALE BNC
71	46-208560P12	2	SCREW,MACH	1	4-40 X 5/16" LG BIND HD STL F70B5A

1.0T RECEIVER CABLES

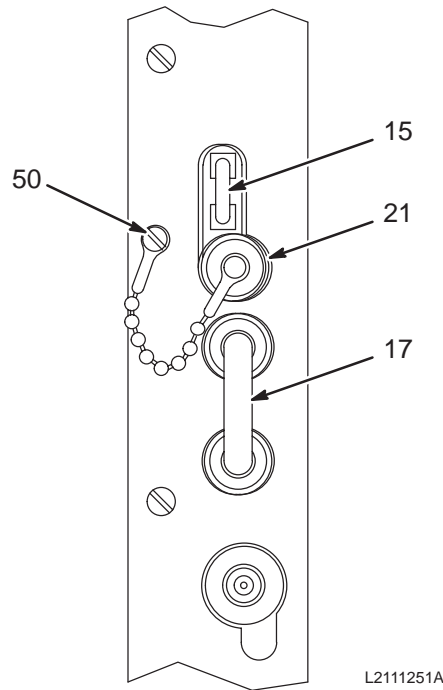
46-287252G7 FRU 1

(PART OF 2117959-2 PAGE 8-27)
 (PART OF 2117963-2 PAGE 8-36)

Item	Part Number	FRU	Name	Quantity	Description (Remarks)
15	46-287553P1	2	CABLE ASM.	1	J7 TO J8, RG316DS COAX W/SMB, 3.5"
17	46-301622P1	2	CABLE	1	J9 TO J10, RG-108A/U TWINAX, BNC, 7"
21	46-301643P1	2	CAP	1	DUST CAP WITH CHAIN FOR FEMALE BNC
71	46-208560P12	2	SCREW,MACH	1	4-40 X 5/16" LG BIND HD STL F70B5A

1.5T TPS RECEIVER CABLES

2111251



1.5T TPS RECEIVER CABLES

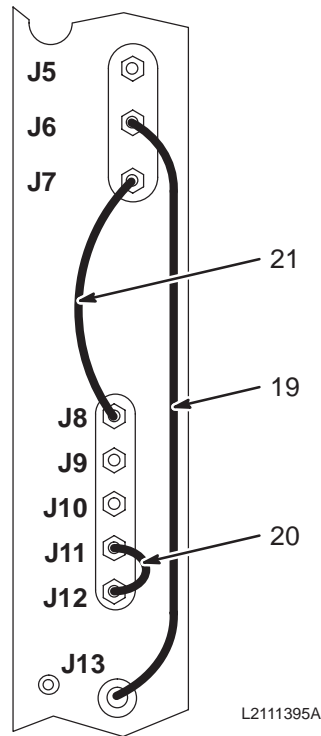
2111251 FRU 1

(PART OF 2117957 PAGE 8-21)
 (PART OF 2117959 PAGE 8-24)
 (PART OF 2117961 PAGE 8-30)

Item	Part Number	FRU	Name	Quantity	Description (Remarks)
15	46-287553P1	2	CABLE ASM.	1	J7 TO J8, RG316DS COAX W/SMB, 3.5"
17	46-301622P1	2	CABLE	1	J9 TO J10, RG-108A/U TWINAX, BNC, 7"
21	46-301643P1	2	CAP	1	DUST CAP WITH CHAIN FOR FEMALE BNC
50	46-208560P12	2	SCREW,MACH	4	4-40 X 5/16" LG BIND HD STL F70B5A

1.5T & 1.0T EXCITER CABLES

2111395 SERIES



1.5T EXCITER CABLES

2111395 FRU 1

(PART OF 2117957 PAGE 8-21)
 (PART OF 2117959 PAGE 8-24)
 (PART OF 2117961 PAGE 8-30)
 (PART OF 2117963 PAGE 8-33)

Item	Part Number	FRU	Name	Quantity	Description (Remarks)
19	46-287553P4	2	CABLE ASM.	1	J6 TO J13, RG316DS COAX W/SMB, 8.25"
20	46-287553P2	2	CABLE ASM.	1	J11 TO J12, RG316DS COAX W/SMB, 3.5"
21	46-287553P3	2	CABLE ASM.	1	J7 TO J8, RG316DS COAX W/SMB, 5.25"

1.0T EXCITER CABLES

2111395-2 FRU 1

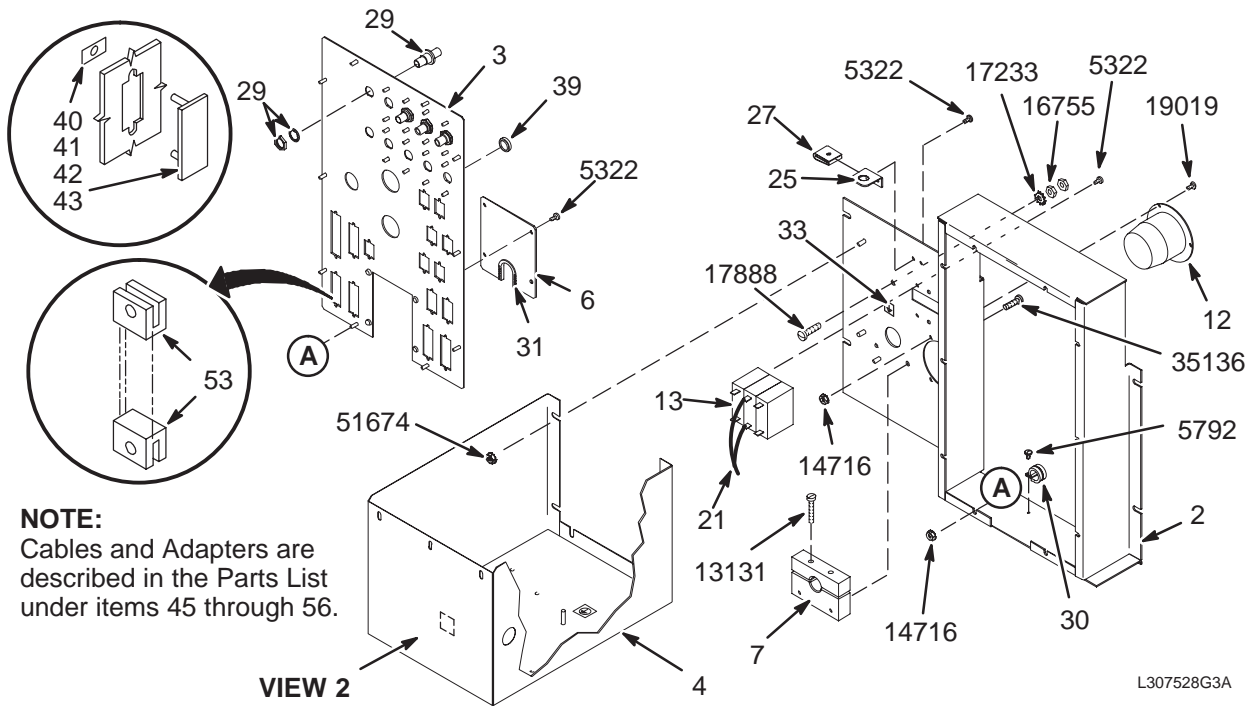
(PART OF 2117959-2 PAGE 8-27)
 (PART OF 2117963-2 PAGE 8-36)

Item	Part Number	FRU	Name	Quantity	Description (Remarks)
19	46-287553P4	2	CABLE ASM.	1	J6 TO J13, RG316DS COAX W/SMB, 8.25"
20	46-287553P2	2	CABLE ASM.	1	J11 TO J12, RG316DS COAX W/SMB, 3.5"
21	46-287553P3	2	CABLE ASM.	1	J7 TO J8, RG316DS COAX W/SMB, 5.25"

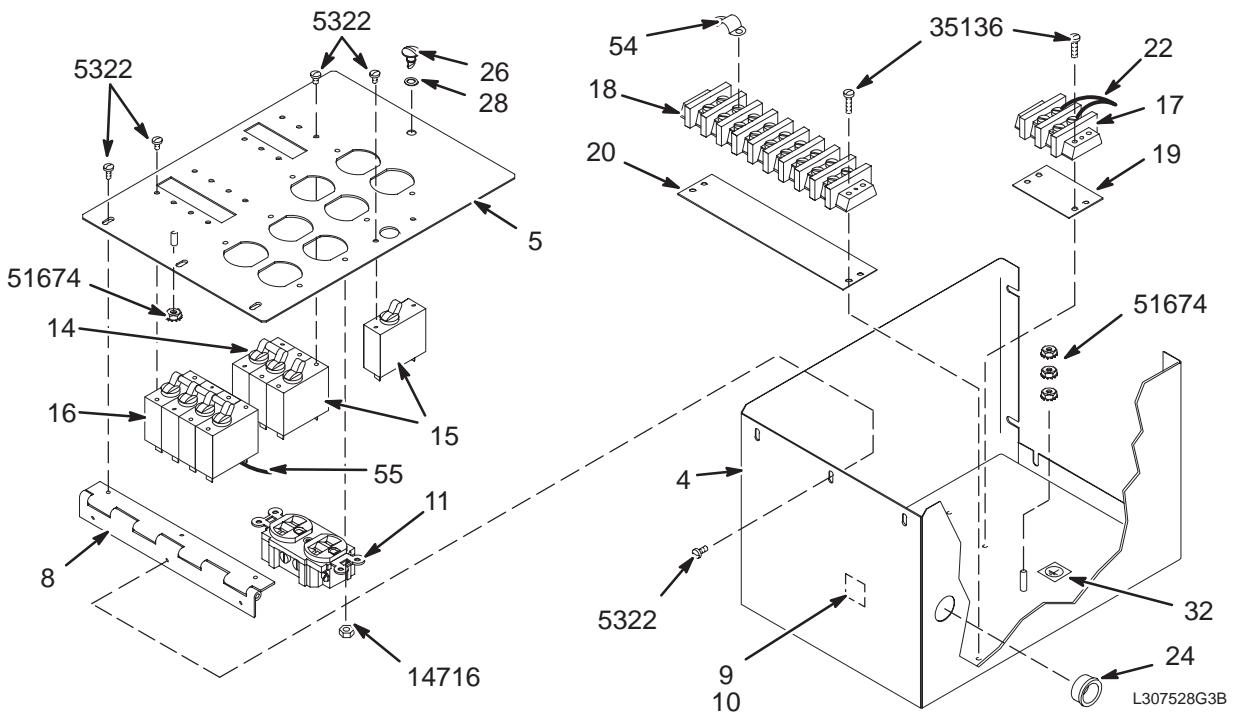
POWER & INTERFACE PANEL

46-307528G3

MR2 A11, MR2 A12



VIEW 1



VIEW 2

POWER & I/F PANEL 46-307528G3 FRU N (PART OF 2117956 PAGE 8-4)
 (PART OF 2117958 PAGE 8-7)
 (PART OF 2117958-2 PAGE 8-9)
 (PART OF 2117960 PAGE 8-12)
 (PART OF 2117962 PAGE 8-15)
 (PART OF 2117962-2 PAGE 8-17)

Item	Part Number	FRU	Name	Quantity	Description (Remarks)
2	46-307253P1	2	I/F ENCLOSUR	1	J1, J2, CB1 ON/OFF PANEL, MR2 A12
3	2122645	2	I/F PANEL	1	EMC PLATED INTERFACE PANEL, MR2 A11
4	46-307252P1	2	ENCLOSURE	1	POWER MODULE BOX, 11.5" X 8" X 7.5"H
5	46-307251P1	2	COVER	1	OUTLET/BREAKER POWER PANEL COVER
6	46-307256P1	2	ACCESS PLATE	1	BIT-3 RUN 719 J-27 I/F PANEL ADAPTER
7	46-307257P1	2	CABLE CLAMP	1	2-PIECE SET, SINGLE .68" HOLE CLAMP
8	46-307254P1	2	HINGE	1	POWER MODULE COVER HINGE, 7.5" LONG
9	46-208747P2	2	MOUNT	1	CABLE TIE, ADHESIVE BACKED
10	46-208758P3	2	STRAP	1	7.31" X .184" SELF-LOCKING CABLE TIE
11	46-287941P1	2	RECEPTACLE	4	20 AMP, 125V, DUPLEX RECEPTACLE,
12	46-317671P1	2	RECEPT,MALE	1	FLANGED INLET, 30A, 120/208 3-PHASE
13	46-271382P10	2	CKT BREAKER	1	3 POLE, 30 AMP, STD TIME DELAY,
14	46-271382P3	2	CKT BREAKER	1	2 POLE, 20 AMP, STD TIME DELAY,
15	46-271382P6	2	CKT BREAKER	2	1 POLE, 15 AMP, STD TIME DELAY,
16	46-271382P27	2	CKT BREAKER	1	4 POLE, 20 AMP, STD TIME DELAY,
17	46-313195P1	2	TERM. STRIP	1	2 POSITION TERMINAL STRIP, DUAL ROW,
18	46-221880P22	2	TERM. STRIP	1	9 TERMINALS 50 AMP, 1700 VOLT,
19	514A350P306	2	MARKER STR	1	2 POSITION, 1 THRU, 2 LEFT TO RIGHT
20	514A350P305	2	MARKER STR	1	9 POSITION, 1 THRU 9, LEFT TO RIGHT
21	46-307395G1	2	HARNESS	1	FRONT PLATE & TS1 CONNECT WIRING
22	46-307411G1	2	HARNESS	1	COVER PLATE & TS1/TS2 CONNECT WIRING
23	46-307414G1	2	LEAD DATA	1	SET OF 4 #12AWG JUMPER WIRES W/TERM
24	46-208695P61	2	BUSHING	1	HEYCO PART NO.2126 SB-875-11 BLACK
25	46-243709G1	2	BRACKET	1	COVER LATCH RETAINER MOUNT BRACKET
26	46-220370P6	2	FASTENER	1	STUD, OVAL HD 1/4 TURN SOUTHCO
27	46-316410P1	2	FASTENER	1	RECEPTACLE CLIP-ON, SOUTHCO
28	46-316411P1	2	RETAINER	1	RETAINER SPLIT RING TYPE
29	46-208990P1	2	ADAPTER	7	50 OHM BNC BULKHEAD ADAP'R JACK-JACK
30	46-208718P2	2	CLAMP	1	5/16 ID LOOP TYPE TA MFG CO. TA713D5
31	46-220178P6	2	GROMMET	.210	PLASTIGLIDE 122-NN-1500
32	46-271110P1	2	LABEL	1	PROTECTIVE EARTH (GROUND)
33	46-271110P5	2	LABEL	1	EQUIPOTENTIALITY
39	46-136385P12	2	BUTTON,PLUG	3	HOLE DIA 0.500 MAT'L THK .037-.062
40	46-270695P1	2	COVER SUB D	3	COVER FOR 9 PIN D-SUBMINI CONNECTOR
41	46-270695P2	2	COVER SUB D	1	COVER FOR 15 PIN D-SUBMINI CONNECTOR
42	46-270695P3	2	COVER SUB D	1	COVER FOR 25 PIN D SUBMINI CONNECTOR
43	46-270695P4	2	COVER SUB D	1	COVER FOR 37 PIN D-SUBMINI CONNECTOR
45	46-243775G798	2	CABLE	1	MR2-A15-A23-J22 TO MR2-A11-J18
46	46-243775G799	2	CABLE	1	MR2-A23-A1-J5 TO MR2-A11-J23
47	46-243775G800	2	CABLE	1	MR2-A23-A1-J2 TO MR2-A11-J15

Parts List Continued On Next Page

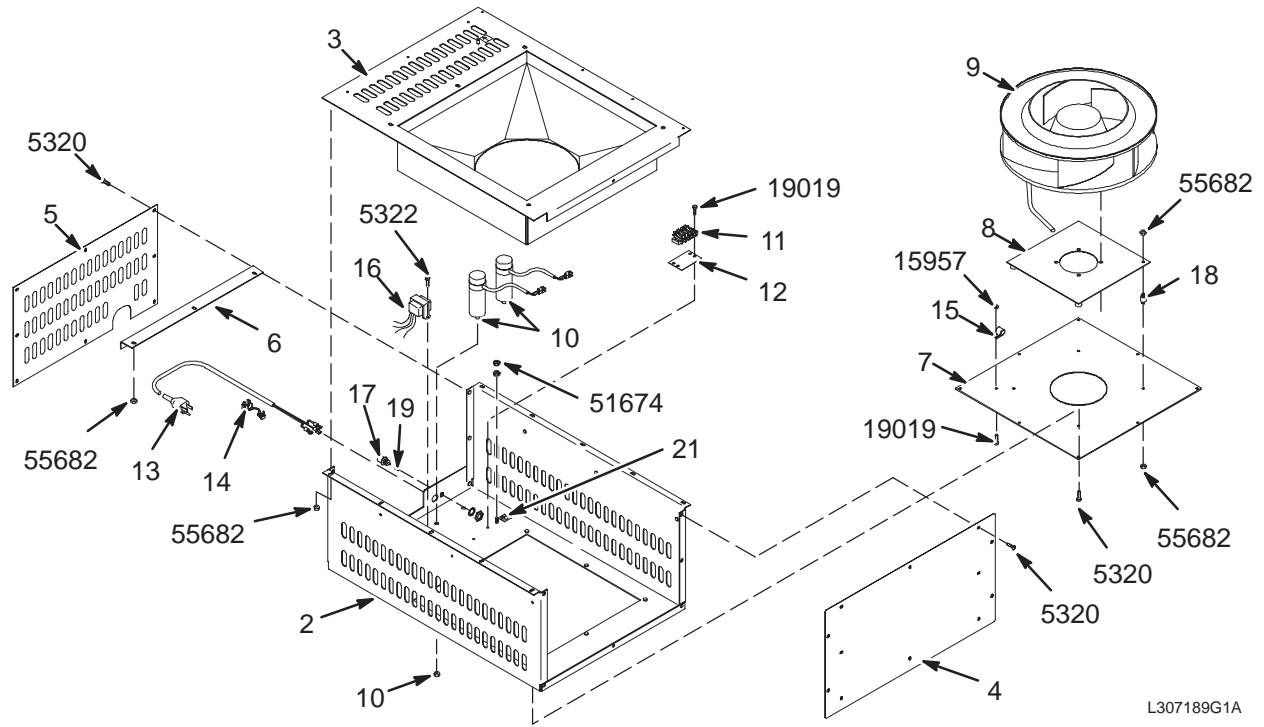
POWER & I/F PANEL 46-307528G3 FRU N (CONTINUED FROM PREVIOUS PAGE)

Item	Part Number	FRU	Name	Quantity	Description (Remarks)
48	46-243775G801	2	CABLE	1	MR2-A23-A1-J1 TO MR2-A11-J25
49	46-243775G802	2	CABLE	1	MR2-A23-A2-J4 TO MR2-A11-J26
50	46-243775G803	2	CABLE	1	MR2-A19-J1 TO MR2-A11-J14
51	46-243775G804	2	CABLE	1	MR2-A11-J11 TO MR2-A3-J403
52	46-307546G1	2	CABLE ASM	1	MR2-A15-A23-J20 TO MR2-A11-J29, 8 FT
53	46-265067P1	2	CABLE MOUNT	18	I/F PANEL CABLE SCREWLOCK CONNECTOR
54	46-220492P4	2	JUMPER	5	JUMPER WITH 0.69" CENTERS,
55	46-287474G1	2	CABLE TPS	1	MR2-A14 TO MR2-A12 5-#12 POWER CABLE
56A	2144535-3	2	CABLE	1	J30 UFI TNS PHONE MODULE TO IF PANEL
56B	2144535	2	CABLE	1	J30 UFI TNS PHONE MODULE TO IF PANEL
5322	46-170015P10	2	SCR,SEMS	34	6-32 X 1/4" LG BIND HD STL EXT TOOTH
5792	46-170015P19	2	SCR,SEMS	1	6-32 X 3/8 LG BIND HD STL EXT TOOTH
13131	46-208560P10	2	SCREW,MACH	2	10-32 X 1-1/4 LG BIND HD STL
14716	46-170012P35	2	NUT,LOCK	21	6-32, 1/4" HEX KEPS NUT, 3/32 THICK
15957	46-170012P36	2	NUT,LOCK	8	6-32 HEX 5/16 NUT THK 7/64, KEPS
16755	46-208935P8	2	NUT,HEX,MS	2	1/4-20, 7/16" HEX X 3/16 THK, BRASS
17233	46-208599P5	2	WASHER,LOCK	1	1/4" SCREW SIZE EXTERNAL TOOTH STEEL
17888	46-220184P54	2	SCREW MACH	1	1/4-20 X 1" LG, RND HD SLOT, BRASS
19019	46-170015P27	2	SCR,SEMS	3	6-32 X 1/2" LG BIND HD STL EXT TOOTH
35136	46-170015P62	2	SCR,SEMS	6	10-32 X 3/4 LG BIND HD STL EXT TOOTH
51674	46-170012P39	2	NUT,LOCK	11	10-32, 3/8" HEX KEPS NUT, 1/8" THICK

TPS FAN MODULE

46-307189G1

MR2 A16



L307189G1A

REV 13

DIRECTION 2138247

TPS FAN MODULE

46-307189G1 FRU N

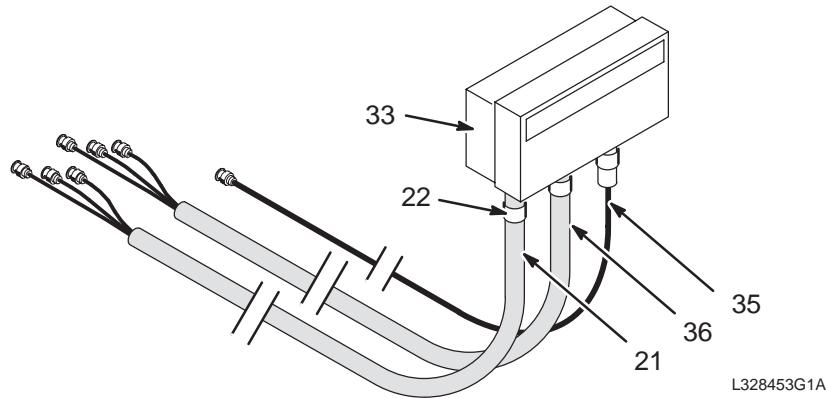
**(PART OF 2117956 PAGE 8-4)
 (PART OF 2117958 PAGE 8-7)
 (PART OF 2117958-2 PAGE 8-9)
 (PART OF 2117960 PAGE 8-12)
 (PART OF 2117962 PAGE 8-15)
 (PART OF 2117962-2 PAGE 8-17)**

<u>Item</u>	<u>Part Number</u>	<u>FRU</u>	<u>Name</u>	<u>Quantity</u>	<u>Description (Remarks)</u>
2	46-307190P1	2	ENCLOSURE	1	BLOWER ENCLOSURE, .060 STEEL
3	46-307191P1	2	DEFLECTOR	1	IMPELLELLER AIR FLOW HOUSING
4	46-307192P1	2	FRONT PLATE	1	19" X 10.46", 16 GAGE, CHARCOAL
5	46-307193P1	2	REAR PLATE	1	16.12" X 9.62", 16 GAGE, W/VENTS
6	46-307194P1	2	BRACKET	1	14.74" X 1.25"/.69 ANGLE MOUNT
7	46-307195P1	2	BOTTOM PLATE	1	13.75" SQUARE, 4.5" HOLE, .075 STEEL
8	46-307196P1	2	FAN PLATE	1	8" SQUARE, 3" HOLE, .060 STEEL
9	46-306703G2	1	IMPELLER ASM	1	MOTORIZED IMPELLELLER W/TERMINALS
10	46-306702G2	2	CAP ASM	2	7MFD, 400V CAPACITOR W/TERMINALS
11	46-221880P9	2	TERM. STRIP	1	4 TERMINALS 20 AMP, 3/8" CENTERS
12	514A350P254	2	MARKER STR	1	4 POSITION MARKER STRIP 1-4 LT TO RT
13	46-307233G4	2	POWER CORD	1	9FT 10IN. W/PUSH-ON & RING TERMINALS
14	46-208697P47	2	BUSHING	1	HEYCO PART NO.1200 SR-6N3-4 BLACK
15	46-208713P5	2	CLAMP	2	CABLE OD 3/8", RICHCO NO. E-6
16	46-317053G1	2	XFORMER ASM	1	115V TO 6.3V CT XFMR W/TERMINALS
17	46-205634P1	2	CONNECTOR	1	BNC BULKHEAD RECEPT. 50 OHM ISOLATED
18	46-251739P7	2	CUSHION	4	7/16" DIA. RUBBER MOUNT, 8-32 STUDS
19	46-136323P32	2	TUB,SHRINK	.167	BLACK EXPANDED ID .125
20	46-271110P2	2	LABEL	1	EARTH (GROUND)
21	46-271110P1	2	LABEL	1	PROTECTIVE EARTH (GROUND)
5320	46-170015P8	2	SCR,SEMS	24	8-32 X 1/4" LG BIND HD STL EXT TOOTH
5322	46-170015P10	2	SCR,SEMS	2	6-32 X 1/4" LG BIND HD STL EXT TOOTH
15957	46-170012P36	2	NUT,LOCK	2	6-32 HEX 5/16 NUT THK 7/64, KEPS
19019	46-170015P27	2	SCR,SEMS	4	6-32 X 1/2" LG BIND HD STL EXT TOOTH
51674	46-170012P39	2	NUT,LOCK	2	10-32, 3/8" HEX KEPS NUT, 1/8" THICK
55682	46-170012P38	2	NUT,LOCK	21	8-32 KEPS, HEX 5/16 NUT THK 7/64
65120	46-208924P5	2	SCREW,MACH	4	METRIC DIN84 M6X1.0 X 12 STL F70B5A

RF SPLITTER MODULE

46-328453G1

MR2 A17



RF SPLITTER MODULE

46-328453G1

FRU N

(PART OF 2117956 PAGE 8-4)

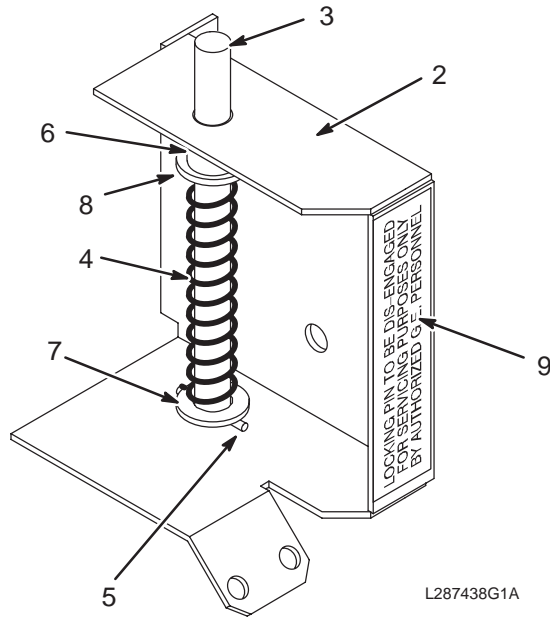
(PART OF 2117958 PAGE 8-7)

(PART OF 2117958-2 PAGE 8-9)

Item	Part Number	FRU	Name	Quantity	Description (Remarks)
21	46-306988P1	2	CABLE ASM	1	MC2, MC3, AND MC4 RECEIVE FROM TPS
22	46-208765P3	2	CLAMP,HOSE	3	DIA RANGE 9/16 - 1-1/16
33	46-328523G1	1	RF SPLTR MOD	1	1.5T/1.0T RF SPLITTER MODULE
35	46-328454P1	2	CABLE ASM	1	EXCITER RF FROM TPS TO I/F, 8' RG223
36	46-328455P1	2	CABLE ASM	1	MR2-A11-J2 & J3 & J5 TO M/C SPLITTER

INTERLOCK

46-287438G1



INTERLOCK

46-287438G1 FRU N

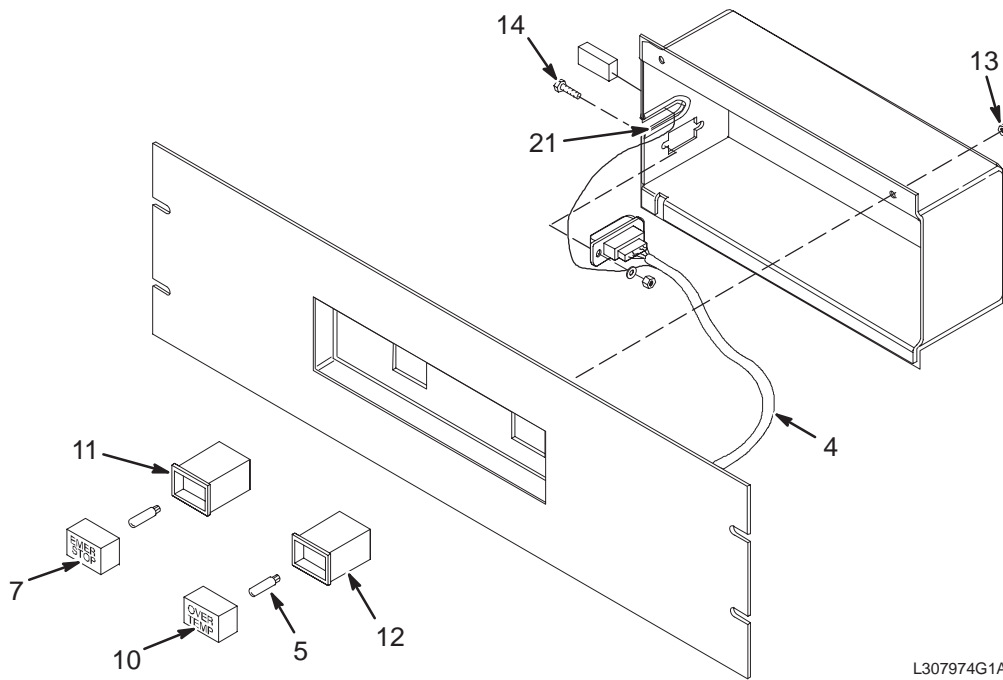
(PART OF 2117956 PAGE 8-4)
 (PART OF 2117958 PAGE 8-7)
 (PART OF 2117958-2 PAGE 8-9)
 (PART OF 2117960 PAGE 8-12)
 (PART OF 2117962 PAGE 8-15)
 (PART OF 2117962-2 PAGE 8-17)

Item	Part Number	FRU	Name	Quantity	Description (Remarks)
2	46-287419P1	2	BRACKET	1	POWER SUPPLY LOCKING PIN BRACKET
3	46-287428P1	2	ROD	1	KNURLED POWER SUPPLY LOCKING PIN
4	46-136353P78	2	SPRING COMP	1	OD 0.480 WIRE DIA .042
5	46-208735P41	2	PIN,SPRING	1	SPLIT LENGTHWISE .094 DIA X 0.937 LG
6	1000274P126	2	SPACER	1	0.406 ID X 0.531 OD X 0.500 LG
7	1000904P153	2	WASHER,FLAT	2	ID 0.4060 OD 0.7500 THK .0598
8	46-220277P8	2	RING RETAIN	1	EXT RADIAL MOUNT 0.375 SHAFT DIA
9	46-301840P1	2	LABEL	1	LOCKING PIN TO BE DISENGAGED FOR ...

PDU REMOTE CONTROL ASM

46-307974G1

MR2 A19



L307974G1A

REMOTE CONTROL ASM

46-307974G1 FRU N

(PART OF 2117956 PAGE 8-4)
 (PART OF 2117958 PAGE 8-7)
 (PART OF 2117958-2 PAGE 8-9)
 (PART OF 2117960 PAGE 8-12)
 (PART OF 2117962 PAGE 8-15)
 (PART OF 2117962-2 PAGE 8-17)

Item	Part Number	FRU	Name	Quantity	Description (Remarks)
4	46-307977G1	N	HARNESS ASM	1	PDU REMOTE CONTROL MODULE WIRING (SEE PAGE 8-47)
5	46-170045P11	2	LAMP	2	28V.04A WEDGE BASE T 1 3/4 TYPE
7	46-251919P2	2	BUTTON	1	RECTANGULAR RED "EMERG STOP" BUTTON
10	46-251919P5	2	BUTTON	1	RECTANGULAR WHITE "OVER TEMP"
11	46-221732P2	2	SWITCH	1	DPDT, INCANDESCENT PUSHBUTTON SWITCH
12	46-221733P2	2	INDICATOR	1	RECTANGULAR 1-LAMP INDICATOR HOUSING
13	46-170012P39	2	NUT,LOCK	4	10-32, 3/8" HEX KEPS NUT, 1/8" THICK
14	46-221417P1	2	SCREWLOCK	1	FEMALE SCREWLOCKS, TWO PER KIT
16	46-307973G1	2	LEAD DATA	1	LMP1 TO SW2-4 JUMPER, 6" #22, WHITE
21	46-220178P10	2	GROMMET	.250	12.75" LONG GROMMET STRIP, OFF WHITE

PDU RCM HARNESS

46-307977G1 REV 0

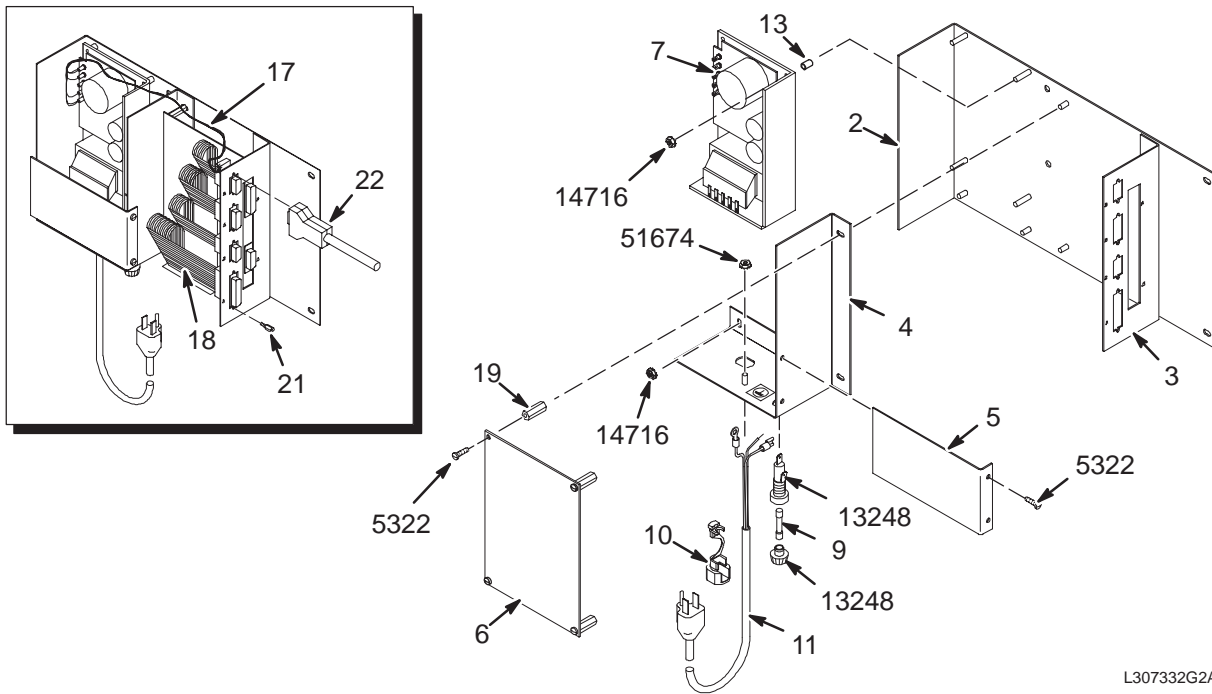
(PART OF 46-307974G1 PAGE 8-47)

Item	Part Number	FRU	Name	Quantity	Description (Remarks)
2	46-221846P11	2	CONNECTOR	1	9 CONTACT PLUG, HDP-20, AMP 205204-4
3	44107	2	WIRE	7.625	300V #22 WHT 1004705P2
4	511A590P182	2	TERMINAL	6	PIN FOR CPC SERIES 2 & HD-20
5	511A590P105	2	TERMINAL	2	SOCKET CONTACT 24-18 AWG WIRE SIZE
6	46-170451P27	2	CONNECTOR	1	002 CONT SOCK CRIMP-ON CABLE MT

SCB ASM

46-307332G2

MR2 A23



L307332G2A

SCB ASM

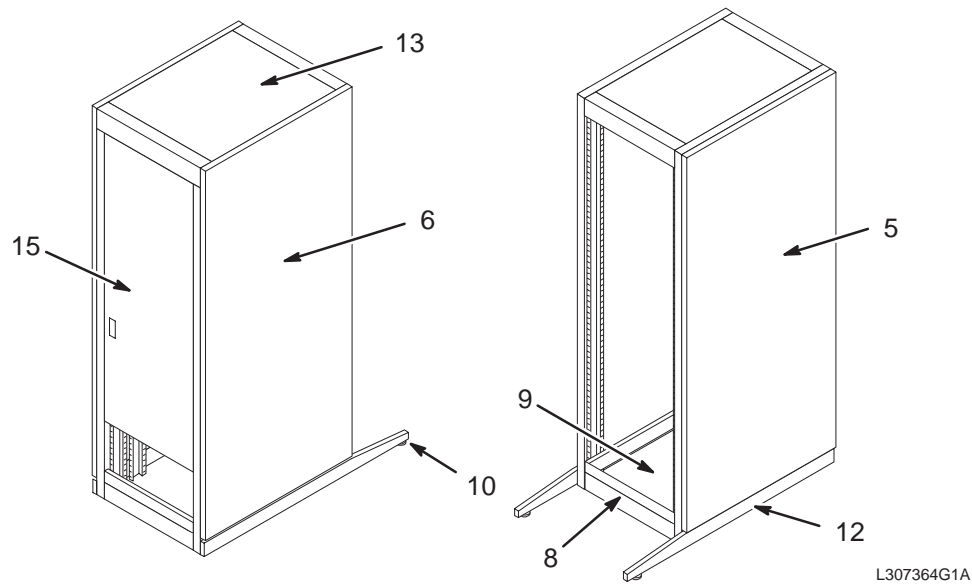
46-307332G2 FRU N

(PART OF 2117956 PAGE 8-4)
 (PART OF 2117958 PAGE 8-7)
 (PART OF 2117958-2 PAGE 8-9)
 (PART OF 2117960 PAGE 8-12)
 (PART OF 2117962 PAGE 8-15)
 (PART OF 2117962-2 PAGE 8-17)

Item	Part Number	FRU	Name	Quantity	Description (Remarks)
2	46-307333P1	2	MTG BRACKET	1	14" X 8" X 3" L-MOUNTING PLATE
3	46-307334P1	2	I/F PANEL	1	SCB J1 TO J6 I/F BRACKET, MR2 A23 A1
4	46-307335P1	2	ANGLE	1	POWER SUPPLY ENCLOSURE PLATE
5	46-307351P1	2	COVER	1	POWER INTERCONNECT COVER, LEXAN
6	46-288166G2	1	SCB BOARD	1	SIGNAL COLLECTING BOARD, MR2 A23 A2
7	46-320102G1	1	POWER SUPPLY	1	5VDC @ 2A; +15V @ 400MA; -15V @ 0.4A
9	46-170021P40	2	FUSE	1	3AG, 3/4A, 250V SLO-BLO FUSE.
10	46-208696P3	2	BUSHING	1	HEYCO PART NO. 1327 SR-11-2 BLACK
11	46-307233G20	2	POWER CORD	1	6FT-7IN. W/TERMINALS GND & HOTLEADS
13	46-170150P4	2	SPACER	4	ID 0.1380 OD 0.2500 LGTH 0.375
16	46-271110P1	2	LABEL	1	PROTECTIVE EARTH (GROUND)
17	46-307597G1	2	HARNESS	1	5V/12VDC POWER TO SCB BOARD J1
18	46-307588P1	2	RIB CAB ASM	1	60 CONDUCTOR SCB TO J1, J2, J5, J6
19	507A732P55	2	STUD	4	HEX 0.250, THD 6-32, LGTH 1.00
20	46-307810G1	2	LEAD DATA	1	FUSE TO POWER SUPPLY JUMPER, 4" BLK
21	46-221417P2	2	SCREWLOCK	8	FEMALE SCREWLOCK FOR HD CONNECTORS
22	46-287271G3	2	CABLE ASM	1	MR2-A23-A1-J6 TO MR2-A3-J1
5322	46-170015P10	2	SCR,SEMS	6	6-32 X 1/4" LG BIND HD STL EXT TOOTH
13248	46-315759P1	2	FUSE HOLDER	1	250V/15A 3AG QUICK-CONN TABS UL/CSA
14716	46-170012P35	2	NUT,LOCK	6	6-32, 1/4" HEX KEPS NUT, 3/32 THICK
51674	46-170012P39	2	NUT,LOCK	1	10-32, 3/8" HEX KEPS NUT, 1/8" THICK

CABINET ASM

46-307364G1



L307364G1A

CABINET ASM

46-307364G1 FRU N

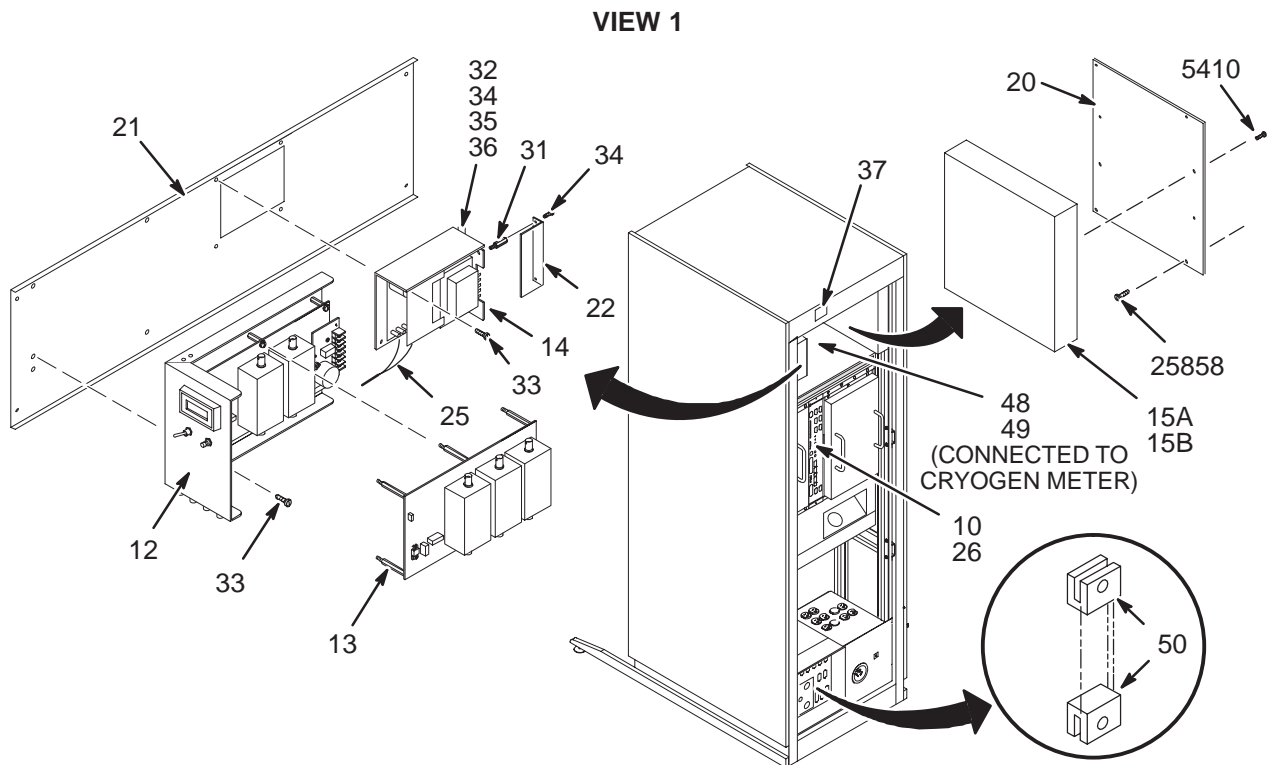
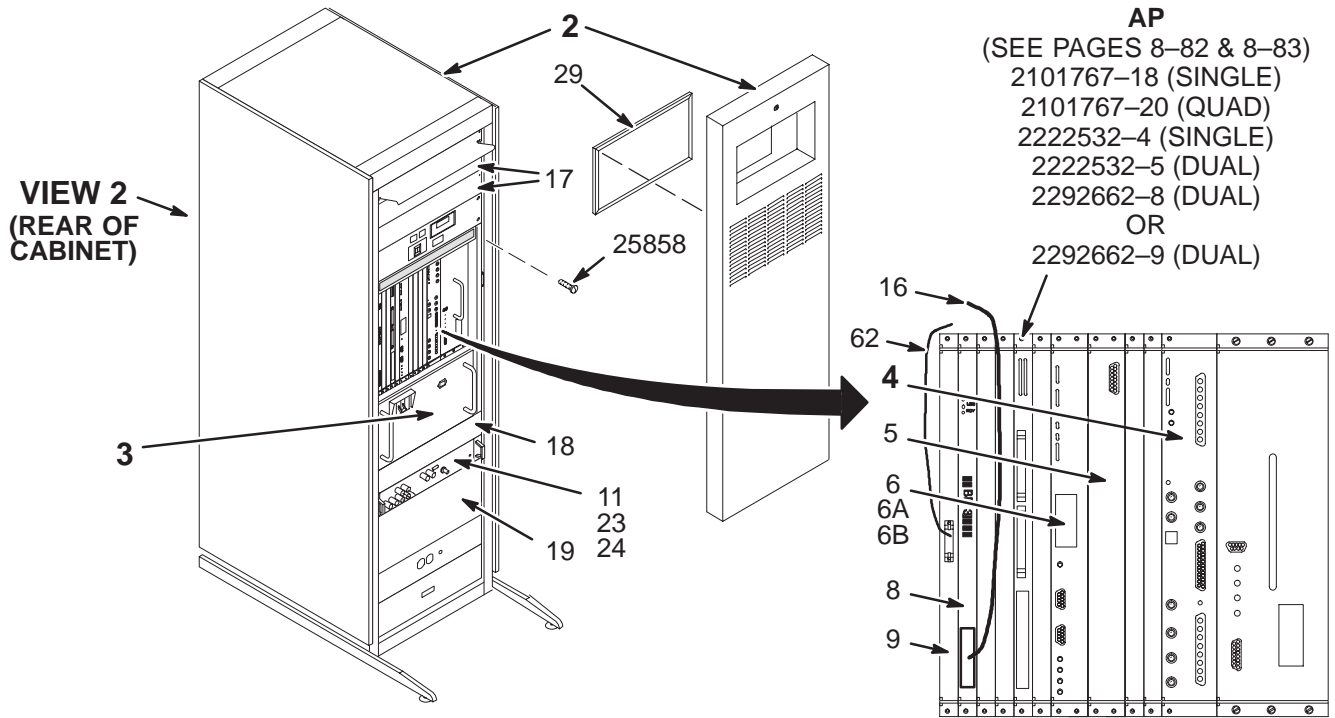
(PART OF 2117956 PAGE 8-4)
 (PART OF 2117958 PAGE 8-7)
 (PART OF 2117958-2 PAGE 8-9)
 (PART OF 2117960 PAGE 8-12)
 (PART OF 2117962 PAGE 8-15)
 (PART OF 2117962-2 PAGE 8-17)

Item	Part Number	FRU	Name	Quantity	Description (Remarks)
5	46-307364P5	2	CABINET SPEC	1	AMCO S-11272-11R RIGHT SIDE PANEL
6	46-307364P6	2	CABINET SPEC	1	AMCO S-11272-11L LEFT SIDE PANEL
8	46-307364P8	2	CABINET SPEC	2	AMCO CBX-19 BASE COWLING, CHARCOAL
9	46-307364P9	2	CABINET SPEC	1	AMCO 6235-19-30 BASE PLATE, CHARCOAL
10	46-307364P10	2	CABINET SPEC	4	AMCO S22129-12 HEAVY DUTY CASTER
12	46-307364P12	2	CABINET SPEC	2	AMCO ATLE-30-1 ANTI-TIP LEGS, PAIR
13	46-307364P13	2	CABINET SPEC	1	AMCO S-11272-15 TOP PANEL, CHARCOAL
15	46-307364P15	2	CABINET SPEC	1	AMCO S13533-10R REAR DOOR

8-2 HORIZON LX SYSTEM CABINETS

LX 1.5T SYSTEM CABINET with FAST RECEIVER & MULTICOIL

2138300-2

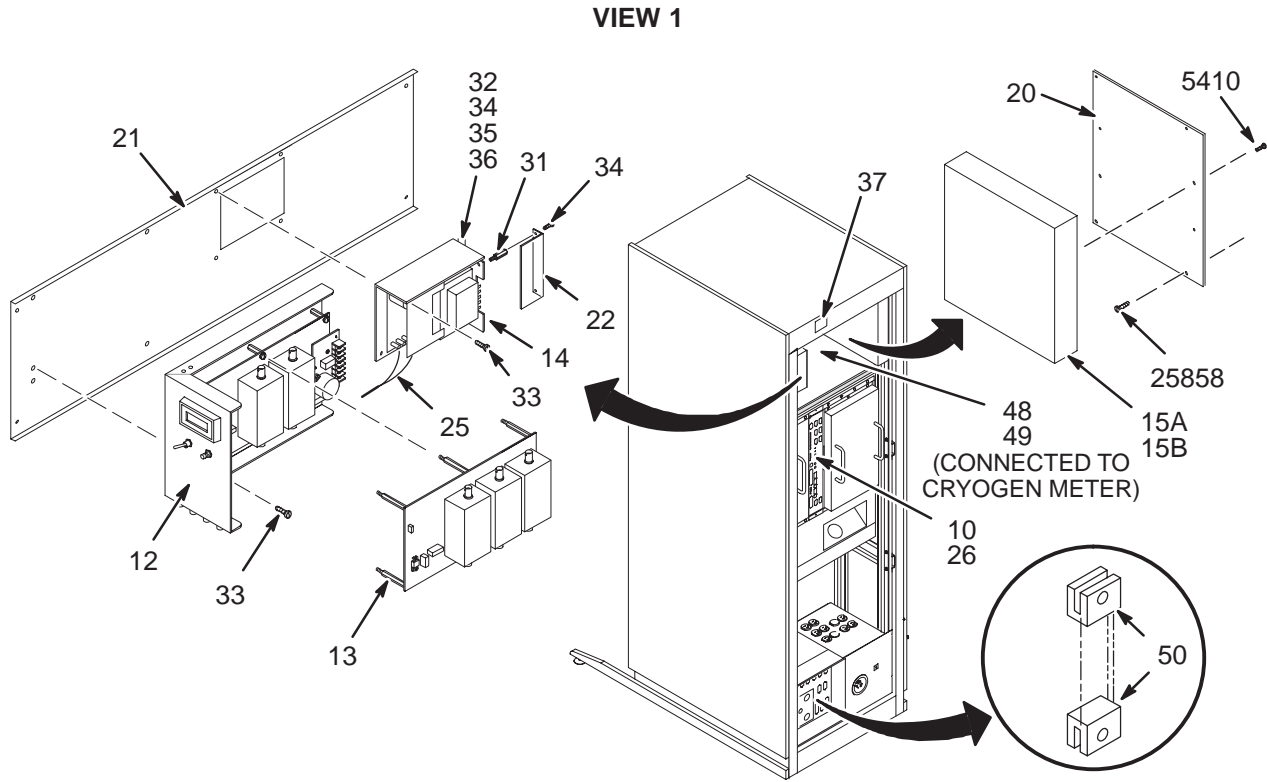
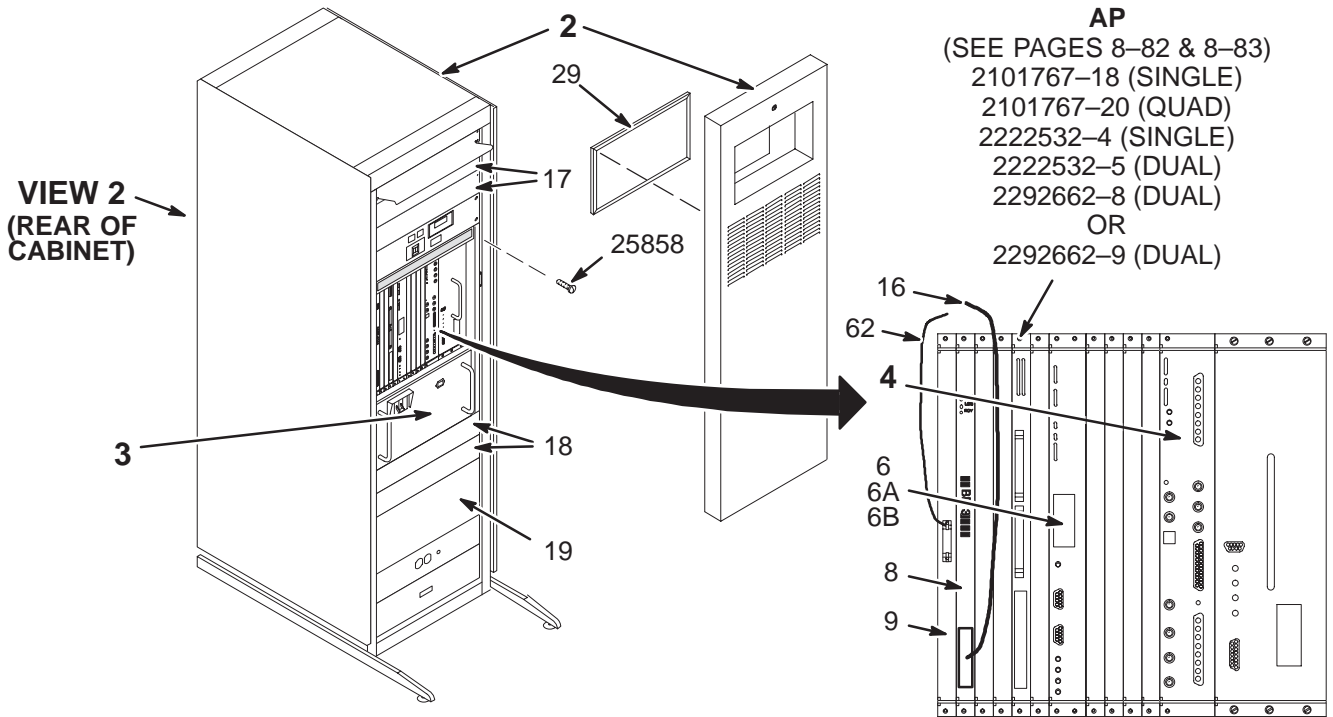


LX 1.5T SYS CAB with FR & M-C 2138300-2 FRU N (PART OF 46-271000G37 SECTION 1)

Item	Part Number	FRU	Name	Quantity	Description (Remarks)
2	2148375	N	SYSTEM CABIN	1	HLB BASIC LX SYS CAB (SEE PAGE 8-75)
3	2138600	N	ISE CHASSIS	1	19" RACK MOUNTBLE VMEBUS CARD CAGE (SEE PAGE 8-87)
4	2102500-6	N	4CH 1.5T	1	4 CHANNEL 1.5T CERD MODULE (SEE PAGE 8-85)
5	2148437	1	RECEIVER	1	RECEIVER FOR LIGHTNING PROGRAM
6	2160818-7	1	CIRCUIT BOAR	1	IPGII SUN STYLE FRONT PANEL
6A	2112566-7	2	IPG ASSEMBLY	ALT	VMX IPG ASSEMBLY WITH PHASE FIX
6B	2112566-8	2	IPG ASSEMBLY	ALT	VMX IPG ASSEMBLY WITH PHASE FIX
8	2124215	1	BIT3 CRD SET	1	VMEBUS CARD ASSEMBLY INCLUDING:
9	2100968-2	1	MVME 162 CPU	1	TPS MVME 162 SINGLE BD CONTROLLER
10	2115088-2	1	TYME II	1	TYME II ASSEMBLY
11	2111359	1	FAST RCVR	1	FAST RECEIVER, WITH TWO 5" BNC CABLES
12	2114342-17	1	1.5T TNS 2CH	1	1.5T 2 CHAN EXTENDED BANDWIDTH TNF
13	2114342-18	1	1.5T TNS 2CH	1	1.5T 3 CHAN EXTENDED BANDWIDTH TNF
14	2149851	1	POWER SUPPLY	1	POWER ONE 18VDC 1.5AMP PWR SUPPLY
15A	2149852	N	BIT 3 BOX	1	BIT 3 FIBER OPTIC INTERFACE 400-60
15B	2149852-3	1	BIT 3 BOX	1	BIT 3 FIBER OPTIC INTERFACE 400-60 REV M
16	2149853	2	CABLE	1	BIT 3 FIBER OPTIC TO VME BOARD CABLE
17	46-306509P4	2	COVER PLATE	3	FILLER PANEL, CHARCOAL, 19" X 3.44"
18	2142125	2	COVER	1	COVER
19	2142705	2	COVER	1	COVER
20	2143376	2	BRACKET	1	BRACKET
21	2155692	2	PART	1	BRACKET
22	2146716	2	COVER	1	COVER
23	2137306	2	CABLE	1	MR2-A15-A16-J14 TO MR2-A25-DIG I/F
24	2144527	2	CABLE ASM	1	CERD (I/F1) TO FAST REC MODULE
25	2148702	2	HARNESS	1	WIRE HARNESS
26	46-328000G941	2	ASSEMBLY	1	MR2-A12-J5 TO MR2-A30-A23-J24
28	46-307233G12	N	POWER CORD	1	9 FT 3-#18 CORD, 1-#10 RING TERMINAL
29	46-306565P1	2	AIR FILTER	1	RESEARCH PRODUCTS 10"EZ-CLEAN FILTER
31	46-208984P11	2	SPACER	2	HEX 0.250 THD EXT 6-32 INT 6-32
32	46-170012P35	2	NUT	4	6-32, 1/4" HEX KEPS NUT, 3/32 THICK
33	2103585-2	2	SCREW	8	SCREW PAN 4 MM 10 MM
34	46-170015P19	2	SCREW	4	6-32 X 3/8 LG BIND HD STL EXT TOOTH
35	46-208750P1	2	VIBRATION IS	1	TIE ANCHOR PANDUIT TA158-M
36	46-208758P3	2	TY-RAP	5	7.31" X .184" SELF-LOCKING CABLE TIE
37	2165323	2	LABEL	1	LABEL ELECTRICAL
48	46-287271G3	2	CABLE ASM	1	MR2-A23-A1-J6 TO MR2-A3-J1
49	46-243775G804	2	CABLE	1	MR2-A11-J11 TO MR2-A3-J403 (CRYOGEN METER ONLY)
50	46-265067P1	2	CABLE MOUNT	2	I/F PANEL CABLE SCREWLOCK CONNECTOR
60	46-271920P4	N	CONNECTOR	1	CONNECTOR 37 CONTACTS 100 VOLTS 5 AM
61	2196827	N	JACKSCREW	2	D-SUB ZINC PLATED STEEL 4-40 X .62
62	2198994	2	CABLE	1	LX2 DEBUG I/F
5410	46-170015P14	2	SCREW	4	8-32 X 3/8 LG BIND HD STL EXT TOOTH
25858	46-208560P30	2	SCREW	48	10-32 X 1/2" LONG, BIND HEAD, STEEL

LX 1.5T SYSTEM CABINET with MULTICOIL

2138300-3

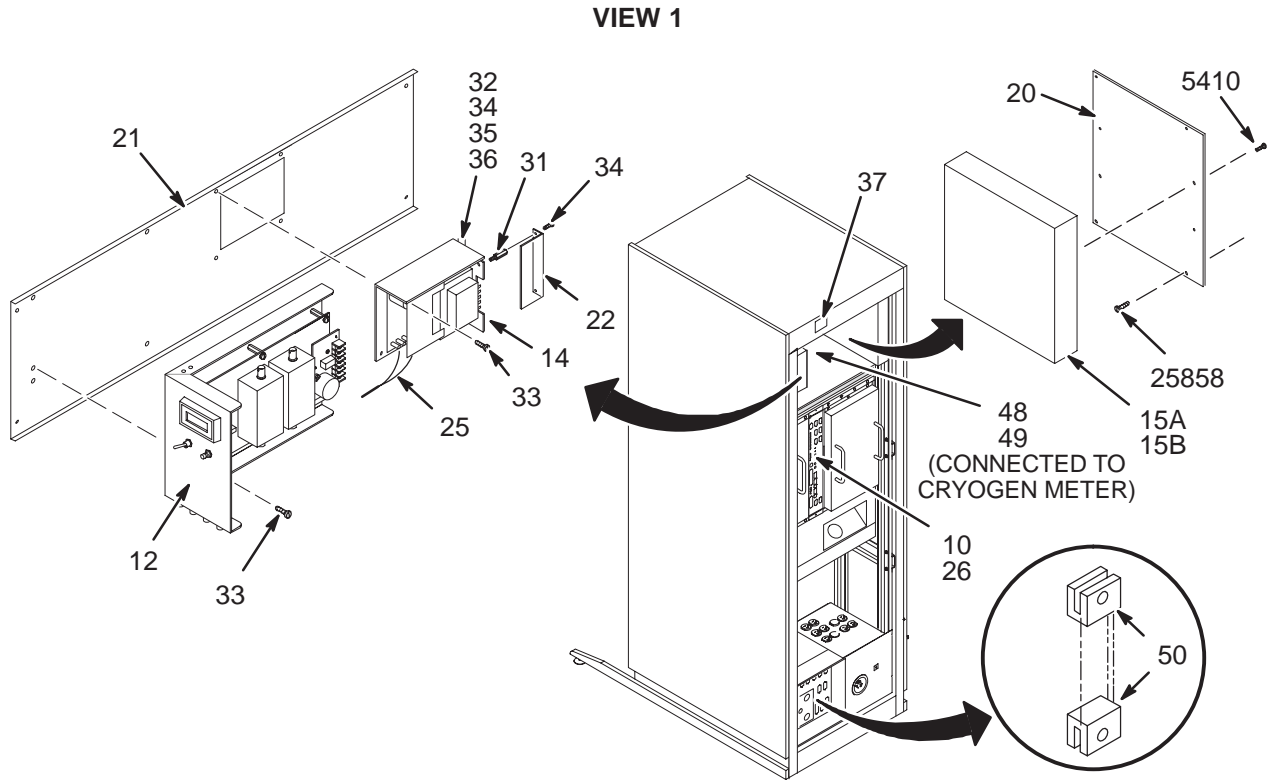
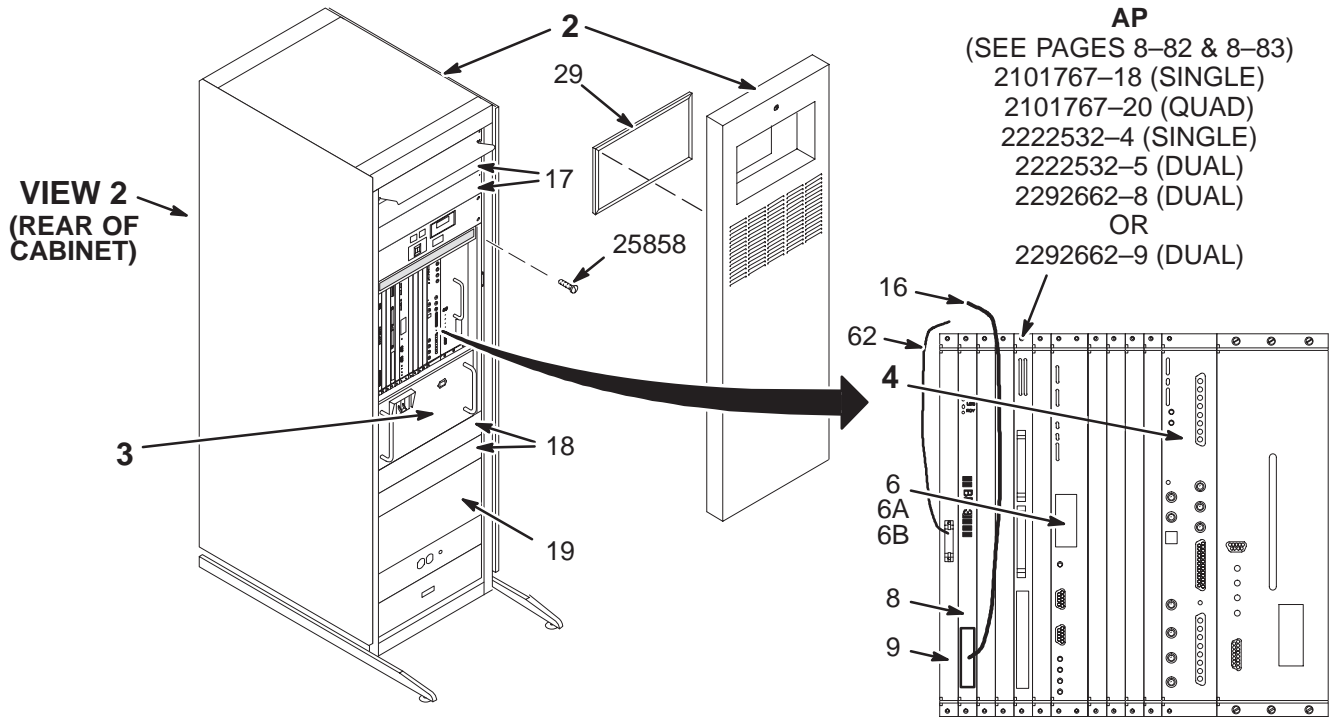


LX 1.5T SYS CAB with M-C 2138300-3 FRU N (PART OF 46-271000G35 SECTION 1)
 (PART OF 46-271000G36 SECTION 1)

Item	Part Number	FRU	Name	Quantity	Description (Remarks)
2	2148375	N	SYSTEM CABIN	1	HLB BASIC LX SYS CAB (SEE PAGE 8-75)
3	2138600	N	ISE CHASSIS	1	19" RACK MOUNTABL VMEBUS CARD CAGE (SEE PAGE 8-87)
4	2102500-6	N	4CH 1.5T	1	4 CHANNEL 1.5T CERD MODULE (SEE PAGE 8-85)
6	2160818-7	1	CIRCUIT BOAR	1	IPGII SUN STYLE FRONT PANEL
6A	2112566-7	2	IPG ASSEMBLY	ALT	VMX IPG ASSEMBLY WITH PHASE FIX
6B	2112566-8	2	IPG ASSEMBLY	ALT	VMX IPG ASSEMBLY WITH PHASE FIX
8	2124215	1	BIT3 CRD SET	1	VMEBUS CARD ASSEMBLY INCLUDING:
9	2100968-2	1	MVME 162 CPU	1	TPS MVME 162 SINGLE BD CONTROLLER
10	2115088-2	1	TYME II	1	TYME II ASSEMBLY
12	2114342	1	1.5T TNS 2CH	1	TRANSIENT NOISE FILTER ASM - 1.5T
13	2114342-4	1	1.5T TNS 3CH	1	1.5T M/C TRANSIENT NOISE FILTER
14	2149851	1	POWER SUPPLY	1	POWER ONE 18VDC 1.5AMP PWR SUPPLY
15A	2149852	N	BIT 3 BOX	1	BIT 3 FIBER OPTIC INTERFACE 400-60
15B	2149852-3	1	BIT 3 BOX	1	BIT 3 FIBER OPTIC INTERFACE 400-60 REV M
16	2149853	2	CABLE	1	BIT 3 FIBER OPTIC TO VME BOARD CABLE
17	46-306509P4	2	COVER PLATE	3	FILLER PANEL, CHARCOAL, 19" X 3.44"
18	2142125	2	COVER	2	COVER
19	2142705	2	COVER	1	COVER
20	2143376	2	BRACKET	1	BRACKET
21	2155692	2	PART	1	BRACKET
22	2146716	2	COVER	1	COVER
25	2148702	2	HARNESS	1	WIRE HARNESS
26	46-328000G941	2	ASSEMBLY	1	MR2-A12-J5 TO MR2-A30-A23-J24
29	46-306565P1	2	AIR FILTER	1	RESEARCH PRODUCTS 10"EZ-CLEAN FILTER
31	46-208984P11	2	SPACER	2	HEX 0.250 THD EXT 6-32 INT 6-32
32	46-170012P35	2	NUT	4	6-32, 1/4" HEX KEPS NUT, 3/32 THICK
33	2103585-2	2	SCREW	8	SCREW PAN 4 MM 10 MM
34	46-170015P19	2	SCREW	4	6-32 X 3/8 LG BIND HD STL EXT TOOTH
35	46-208750P1	2	VIBRATION IS	1	TIE ANCHOR PANDUIT TA158-M
36	46-208758P3	2	TY-RAP	5	7.31" X .184" SELF-LOCKING CABLE TIE
37	2165323	2	LABEL	1	LABEL ELECTRICAL
48	46-287271G3	2	CABLE ASM	1	MR2-A23-A1-J6 TO MR2-A3-J1
49	46-243775G804	2	CABLE	1	MR2-A11-J11 TO MR2-A3-J403 (CRYOGEN METER ONLY)
50	46-265067P1	2	CABLE MOUNT	2	I/F PANEL CABLE SCREWLOCK CONNECTOR
62	2198994	2	CABLE	1	LX2 DEBUG I/F
05410	46-170015P14	2	SCREW	4	8-32 X 3/8 LG BIND HD STL EXT TOOTH
25858	46-208560P30	2	SCREW	48	10-32 X 1/2" LONG, BIND HEAD, STEEL

LX 1.5T SYSTEM CABINET w/o MULTICOIL OR FAST RECEIVER

2138300-4

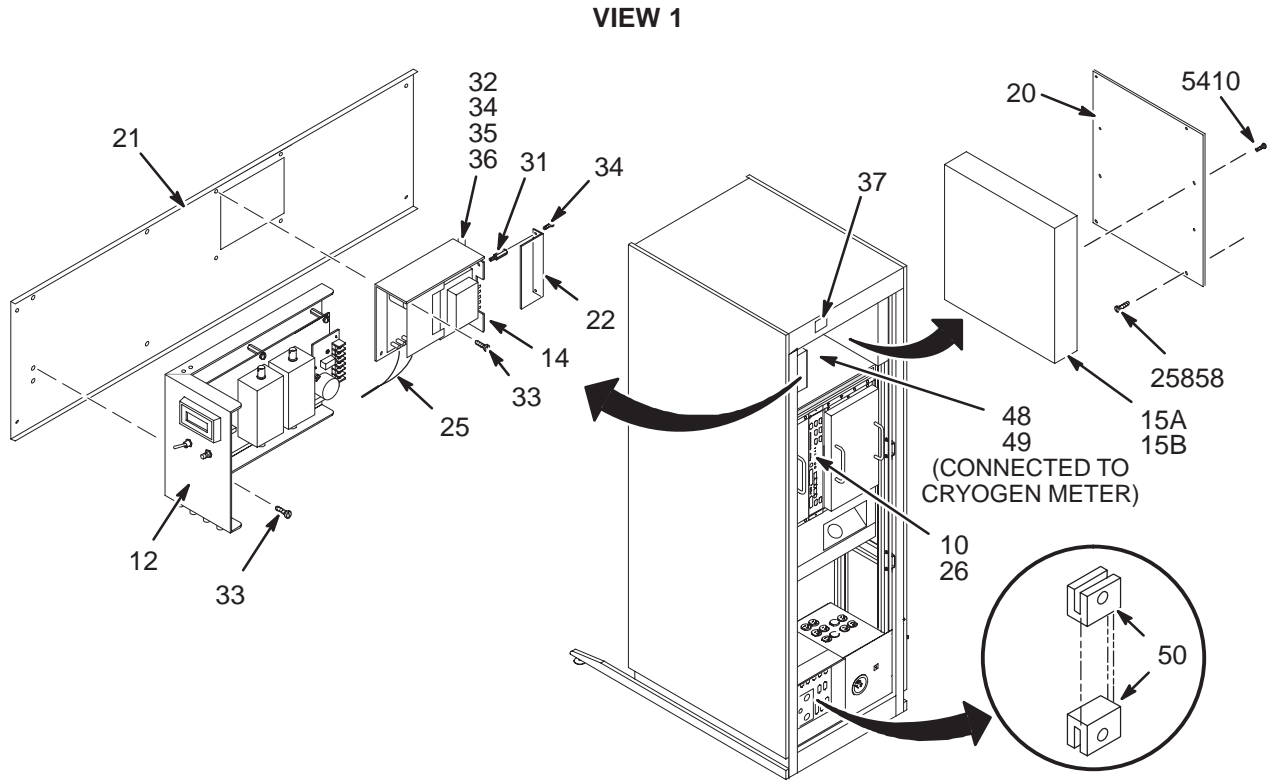
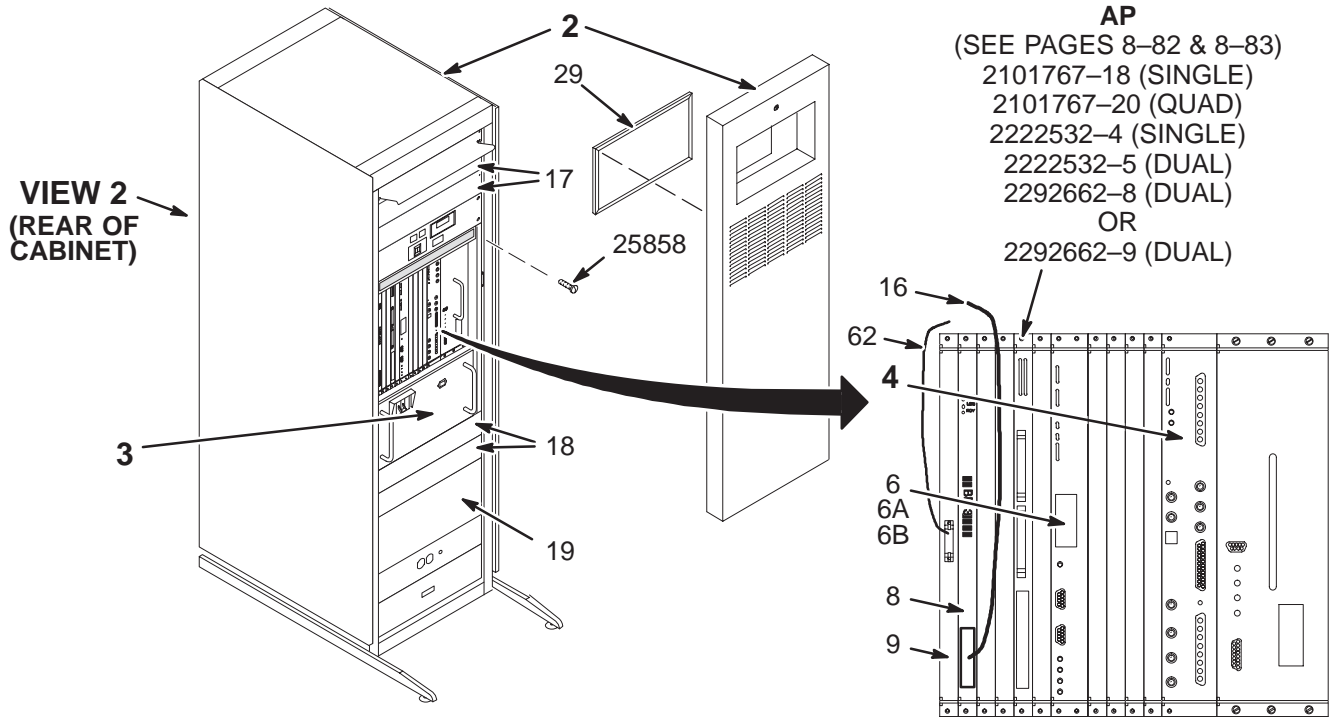


LX 1.5T SYS CAB w/o FR or M-C 2138300-4 FRU N (PART OF 46-271000G33 SECTION 1)

Item	Part Number	FRU	Name	Quantity	Description (Remarks)
2	2148375	N	SYSTEM CABIN	1	HLB BASIC LX SYS CAB (SEE PAGE 8-75)
3	2138600	N	ISE CHASSIS	1	19" RACK MOUNTABL VMEBUS CARD CAGE (SEE PAGE 8-87)
4	2102500-3	N	CERD MODULE	1	1 CHANNEL 1.5T CERD MODULE (SEE PAGE 8-84)
6	2160818-7	1	CIRCUIT BOAR	1	IPGII SUN STYLE FRONT PANEL
6A	2112566-7	2	IPG ASSEMBLY	ALT	VMX IPG ASSEMBLY WITH PHASE FIX
6B	2112566-8	2	IPG ASSEMBLY	ALT	VMX IPG ASSEMBLY WITH PHASE FIX
8	2124215	1	BIT3 CRD SET	1	VMEBUS CARD ASSEMBLY INCLUDING:
9	2100968-2	1	MVME 162 CPU	1	TPS MVME 162 SINGLE BD CONTROLLER
10	2115088-2	1	TYME II	1	TYME II ASSEMBLY
12	2114342	1	1.5T TNS 2CH	1	TRANSIENT NOISE FILTER ASM - 1.5T
14	2149851	1	POWER SUPPLY	1	POWER ONE 18VDC 1.5AMP PWR SUPPLY
15A	2149852	N	BIT 3 BOX	1	BIT 3 FIBER OPTIC INTERFACE 400-60
15B	2149852-3	1	BIT 3 BOX	1	BIT 3 FIBER OPTIC INTERFACE 400-60 REV M
16	2149853	2	CABLE	1	BIT 3 FIBER OPTIC TO VME BOARD CABLE
17	46-306509P4	2	COVER PLATE	3	FILLER PANEL, CHARCOAL, 19" X 3.44"
18	2142125	2	COVER	2	COVER
19	2142705	2	COVER	1	COVER
20	2143376	2	BRACKET	1	BRACKET
21	2155692	2	PART	1	BRACKET
22	2146716	2	COVER	1	COVER
25	2148702	2	HARNESS	1	WIRE HARNESS
26	46-328000G941	2	ASSEMBLY	1	MR2-A12-J5 TO MR2-A30-A23-J24
29	46-306565P1	2	AIR FILTER	1	RESEARCH PRODUCTS 10"EZ-CLEAN FILTER
31	46-208984P11	2	SPACER	2	HEX 0.250 THD EXT 6-32 INT 6-32
32	46-170012P35	2	NUT	4	6-32, 1/4" HEX KEPS NUT, 3/32 THICK
33	2103585-2	2	SCREW	8	SCREW PAN 4 MM 10 MM
34	46-170015P19	2	SCREW	4	6-32 X 3/8 LG BIND HD STL EXT TOOTH
35	46-208750P1	2	VIBRATION IS	1	TIE ANCHOR PANDUIT TA158-M
36	46-208758P3	2	TY-RAP	5	7.31" X .184" SELF-LOCKING CABLE TIE
37	2165323	2	LABEL	1	LABEL ELECTRICAL
48	46-287271G3	2	CABLE ASM	1	MR2-A23-A1-J6 TO MR2-A3-J1
49	46-243775G804	2	CABLE	1	MR2-A11-J11 TO MR2-A3-J403 (CRYOGEN METER ONLY)
50	46-265067P1	2	CABLE MOUNT	2	I/F PANEL CABLE SCREWLOCK CONNECTOR
62	2198994	2	CABLE	1	LX2 DEBUG I/F
05410	46-170015P14	2	SCREW	4	8-32 X 3/8 LG BIND HD STL EXT TOOTH
25858	46-208560P30	2	SCREW	48	10-32 X 1/2" LONG, BIND HEAD, STEEL

LX 1.0T SYSTEM CABINET w/o MULTICOIL

2138300-6

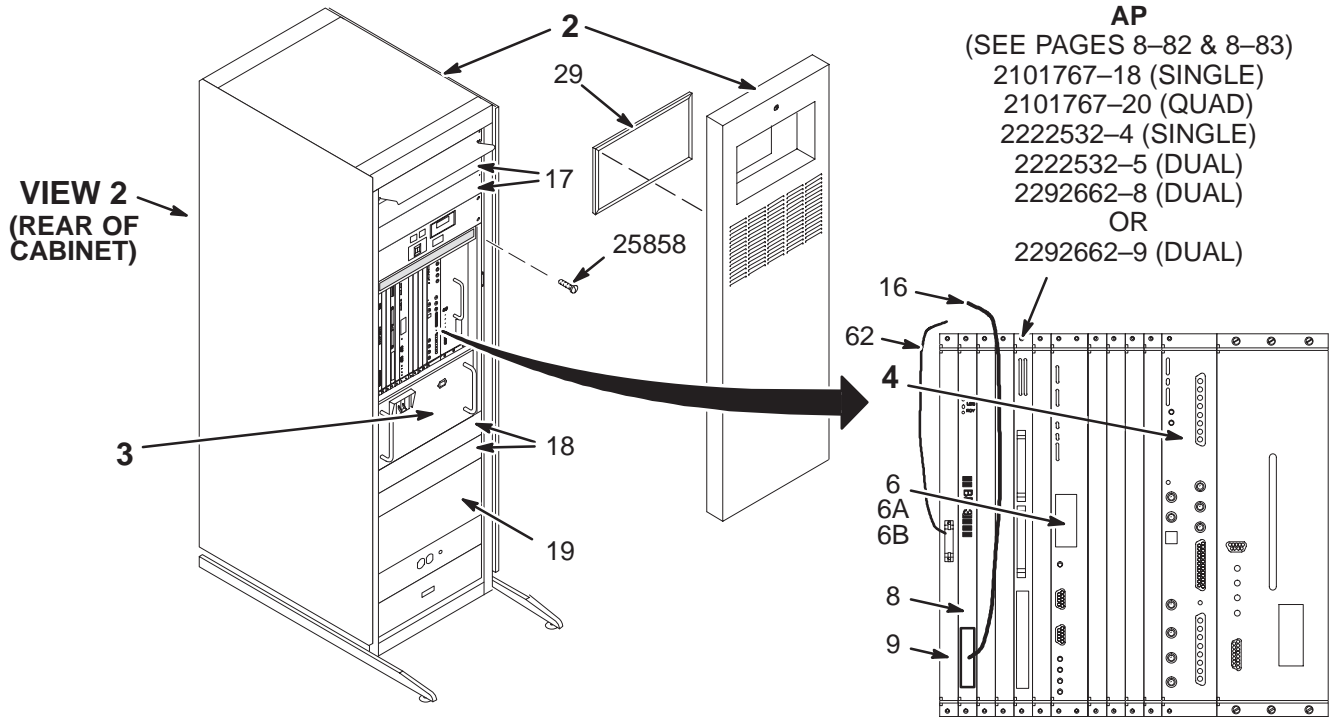


LX 1.0T SYS CAB w/o FR or M-C 2138300-6 FRU N (PART OF 46-271000G73 SECTION 1)
 (PART OF 46-271000G77 SECTION 1)

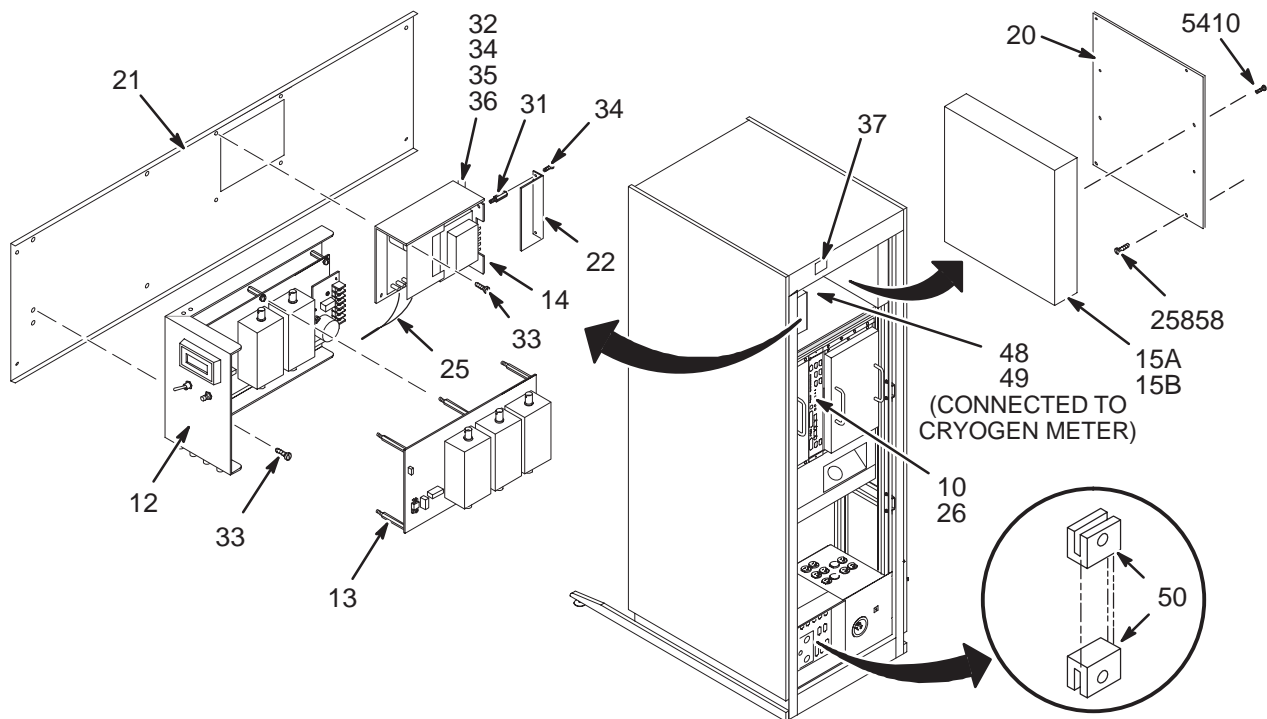
Item	Part Number	FRU	Name	Quantity	Description (Remarks)
2	2148375	N	SYSTEM CABIN	1	HLB BASIC LX SYS CAB (SEE PAGE 8-75)
3	2138600	N	ISE CHASSIS	1	19" RACK MOUNTABL VMEBUS CARD CAGE (SEE PAGE 8-87)
4	2102500-2	N	CERD MODULE	1	1 CHANNEL 1.0T CERD MODULE (SEE PAGE 8-84)
6	2160818-7	1	CIRCUIT BOAR	1	IPGII SUN STYLE FRONT PANEL
6A	2112566-7	2	IPG ASSEMBLY	ALT	VMX IPG ASSEMBLY WITH PHASE FIX
6B	2112566-8	2	IPG ASSEMBLY	ALT	VMX IPG ASSEMBLY WITH PHASE FIX
8	2124215	1	BIT3 CRD SET	1	VMEBUS CARD ASSEMBLY INCLUDING:
9	2100968-2	1	MVME 162 CPU	1	TPS MVME 162 SINGLE BD CONTROLLER
10	2115088-2	1	TYME II	1	TYME II ASSEMBLY
12	2114342-2	1	1.0T TNS 2CH	1	TRANSIENT NOISE FILTER ASM; 1.0T
14	2149851	1	POWER SUPPLY	1	POWER ONE 18VDC 1.5AMP PWR SUPPLY
15A	2149852	N	BIT 3 BOX	1	BIT 3 FIBER OPTIC INTERFACE 400-60
15B	2149852-3	1	BIT 3 BOX	1	BIT 3 FIBER OPTIC INTERFACE 400-60 REV M
16	2149853	2	CABLE	1	BIT 3 FIBER OPTIC TO VME BOARD CABLE
17	46-306509P4	2	COVER PLATE	3	FILLER PANEL, CHARCOAL, 19" X 3.44"
18	2142125	2	COVER	2	COVER
19	2142705	2	COVER	1	COVER
20	2143376	2	BRACKET	1	BRACKET
21	2155692	2	PART	1	BRACKET
22	2146716	2	COVER	1	COVER
25	2148702	2	HARNESS	1	WIRE HARNESS
26	46-328000G941	2	ASSEMBLY	1	MR2-A12-J5 TO MR2-A30-A23-J24
29	46-306565P1	2	AIR FILTER	1	RESEARCH PRODUCTS 10"EZ-CLEAN FILTER
31	46-208984P11	2	SPACER	2	HEX 0.250 THD EXT 6-32 INT 6-32
32	46-170012P35	2	NUT	4	6-32, 1/4" HEX KEPS NUT, 3/32 THICK
33	2103585-2	2	SCREW	8	SCREW PAN 4 MM 10 MM
34	46-170015P19	2	SCREW	4	6-32 X 3/8 LG BIND HD STL EXT TOOTH
35	46-208750P1	2	VIBRATION IS	1	TIE ANCHOR PANDUIT TA158-M
36	46-208758P3	2	TY-RAP	5	7.31" X .184" SELF-LOCKING CABLE TIE
37	2165323	2	LABEL	1	LABEL ELECTRICAL
48	46-287271G3	2	CABLE ASM	1	MR2-A23-A1-J6 TO MR2-A3-J1
49	46-243775G804	2	CABLE	1	MR2-A11-J11 TO MR2-A3-J403 (CRYOGEN METER ONLY)
50	46-265067P1	2	CABLE MOUNT	2	I/F PANEL CABLE SCREWLOCK CONNECTOR
62	2198994	2	CABLE	1	LX2 DEBUG I/F
05410	46-170015P14	2	SCREW	4	8-32 X 3/8 LG BIND HD STL EXT TOOTH
25858	46-208560P30	2	SCREW	48	10-32 X 1/2" LONG, BIND HEAD, STEEL

LX 1.0T SYSTEM CABINET with MULTICOIL

2138300-9



VIEW 1



VIEW 2

LX 1.0T SYS CAB with M-C

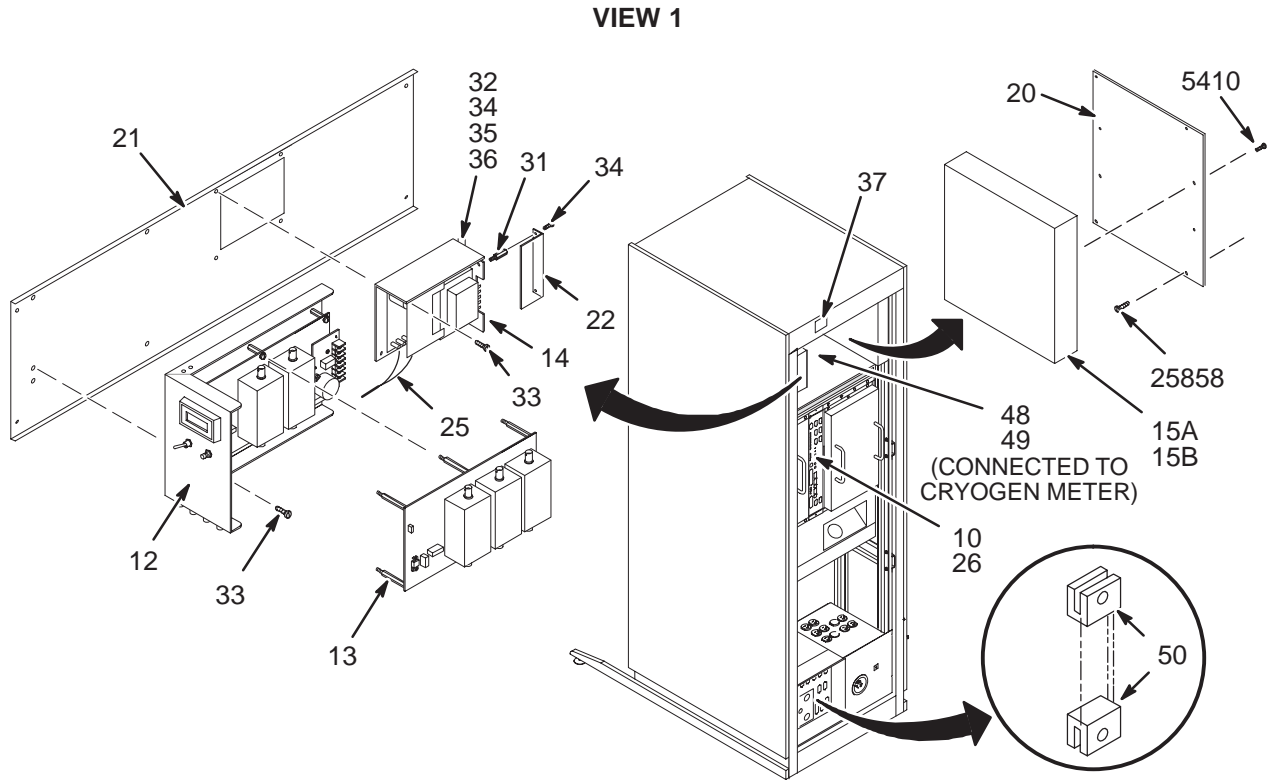
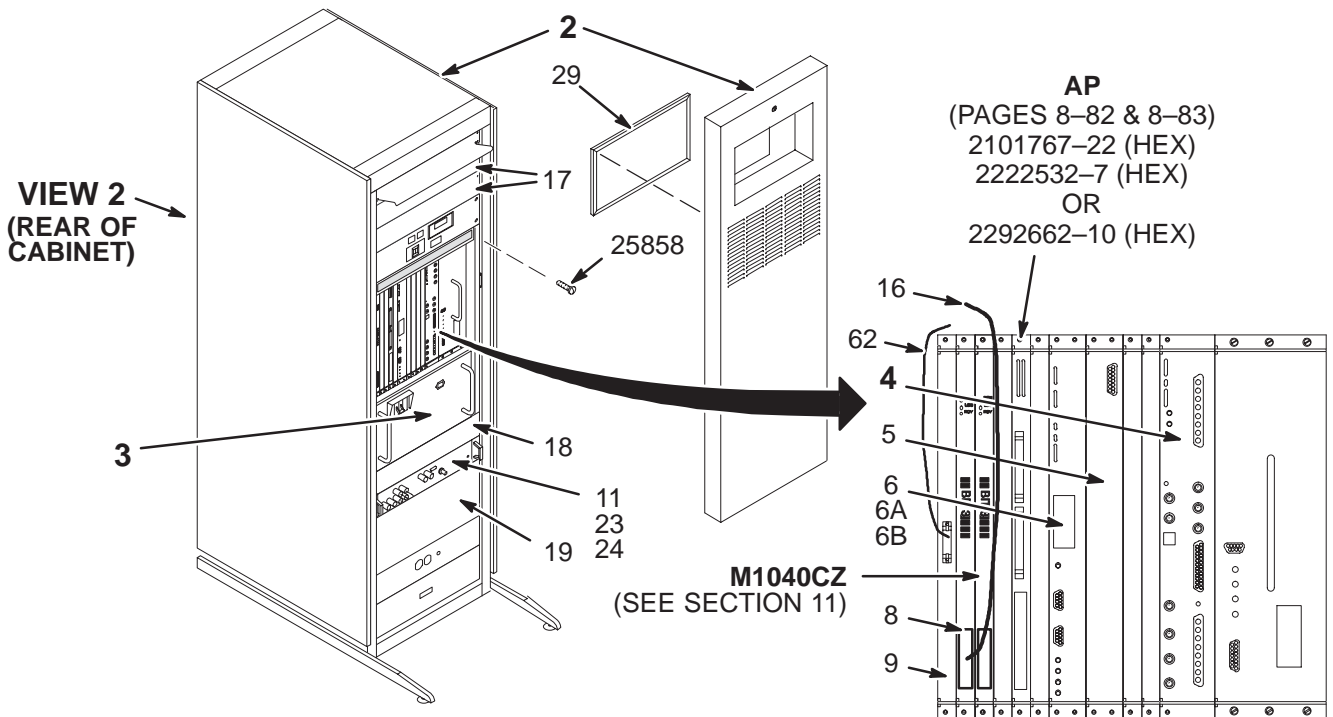
2138300-9 FRU N

(PART OF 46-271000G76 SECTION 1)
(PART OF 46-271000G78 SECTION 1)

Item	Part Number	FRU	Name	Quantity	Description (Remarks)
2	2148375	N	SYSTEM CABIN	1	HLB BASIC LX SYS CAB (SEE PAGE 8-75)
3	2138600	N	ISE CHASSIS	1	19" RACK MOUNTABL VMEBUS CARD CAGE (SEE PAGE 8-87)
4	2102500-5	N	4CH 1.0T	1	4 CHANNEL 1.0T CERD MODULE (SEE PAGE 8-85)
6	2160818-7	1	CIRCUIT BOAR	1	IPGII SUN STYLE FRONT PANEL
6A	2112566-7	2	IPG ASSEMBLY	ALT	VMX IPG ASSEMBLY WITH PHASE FIX
6B	2112566-8	2	IPG ASSEMBLY	ALT	VMX IPG ASSEMBLY WITH PHASE FIX
8	2124215	1	BIT3 CRD SET	1	VMEBUS CARD ASSEMBLY INCLUDING:
9	2100968-2	1	MVME 162 CPU	1	TPS MVME 162 SINGLE BD CONTROLLER
10	2115088-2	1	TYME II	1	TYME II ASSEMBLY
12	2114342-2	1	1.0T TNS 2CH	1	TRANSIENT NOISE FILTER ASM; 1.0T
13	2114342-5	1	1.0T TNS 3CH	1	1.0T M/C TRANSIENT NOISE FILTER
14	2149851	1	POWER SUPPLY	1	POWER ONE 18VDC 1.5AMP PWR SUPPLY
15A	2149852	N	BIT 3 BOX	1	BIT 3 FIBER OPTIC INTERFACE 400-60
15B	2149852-3	1	BIT 3 BOX	1	BIT 3 FIBER OPTIC INTERFACE 400-60 REV M
16	2149853	2	CABLE	1	BIT 3 FIBER OPTIC TO VME BOARD CABLE
17	46-306509P4	2	COVER PLATE	3	FILLER PANEL, CHARCOAL, 19" X 3.44"
18	2142125	2	COVER	2	COVER
19	2142705	2	COVER	1	COVER
20	2143376	2	BRACKET	1	BRACKET
21	2155692	2	PART	1	BRACKET
22	2146716	2	COVER	1	COVER
25	2148702	2	HARNESS	1	WIRE HARNESS
26	46-328000G941	2	ASSEMBLY	1	MR2-A12-J5 TO MR2-A30-A23-J24
29	46-306565P1	2	AIR FILTER	1	RESEARCH PRODUCTS 10"EZ-CLEAN FILTER
31	46-208984P11	2	SPACER	2	HEX 0.250 THD EXT 6-32 INT 6-32
32	46-170012P35	2	NUT	4	6-32, 1/4" HEX KEPS NUT, 3/32 THICK
33	2103585-2	2	SCREW	8	SCREW PAN 4 MM 10 MM
34	46-170015P19	2	SCREW	4	6-32 X 3/8 LG BIND HD STL EXT TOOTH
35	46-208750P1	2	VIBRATION IS	1	TIE ANCHOR PANDUIT TA158-M
36	46-208758P3	2	TY-RAP	5	7.31" X .184" SELF-LOCKING CABLE TIE
37	2165323	2	LABEL	1	LABEL ELECTRICAL
48	46-287271G3	2	CABLE ASM	1	MR2-A23-A1-J6 TO MR2-A3-J1
49	46-243775G804	2	CABLE	1	MR2-A11-J11 TO MR2-A3-J403 (CRYOGEN METER ONLY)
50	46-265067P1	2	CABLE MOUNT	2	I/F PANEL CABLE SCREWLOCK CONNECTOR
62	2198994	2	CABLE	1	LX2 DEBUG I/F
05410	46-170015P14	2	SCREW	4	8-32 X 3/8 LG BIND HD STL EXT TOOTH
25858	46-208560P30	2	SCREW	48	10-32 X 1/2" LONG, BIND HEAD, STEEL

LX 1.5T CRM SYSTEM CABINET with FAST RECEIVER & MULTICOIL

2138300-16



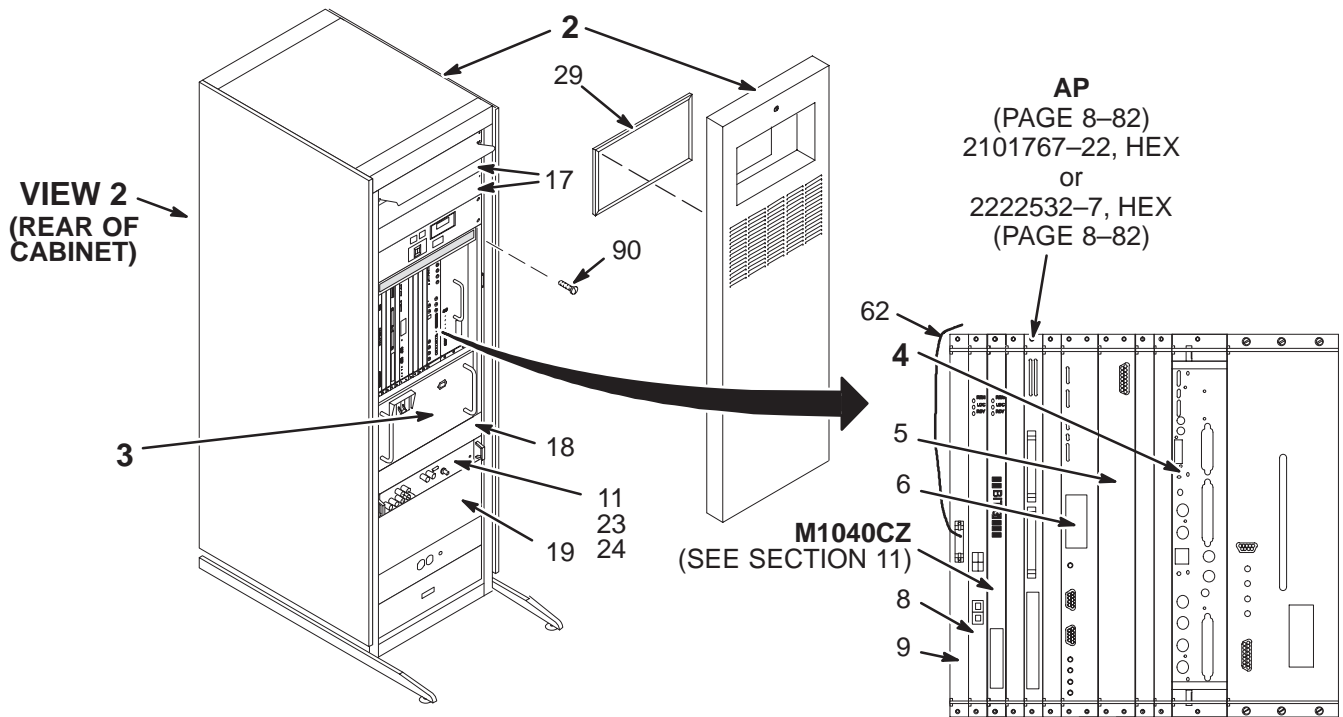
VIEW 2

LX 1.5T CRM SYS CAB w/FR & M-C 2138300-16 FRU N (PART OF 46-271000G109 SECTION 1)

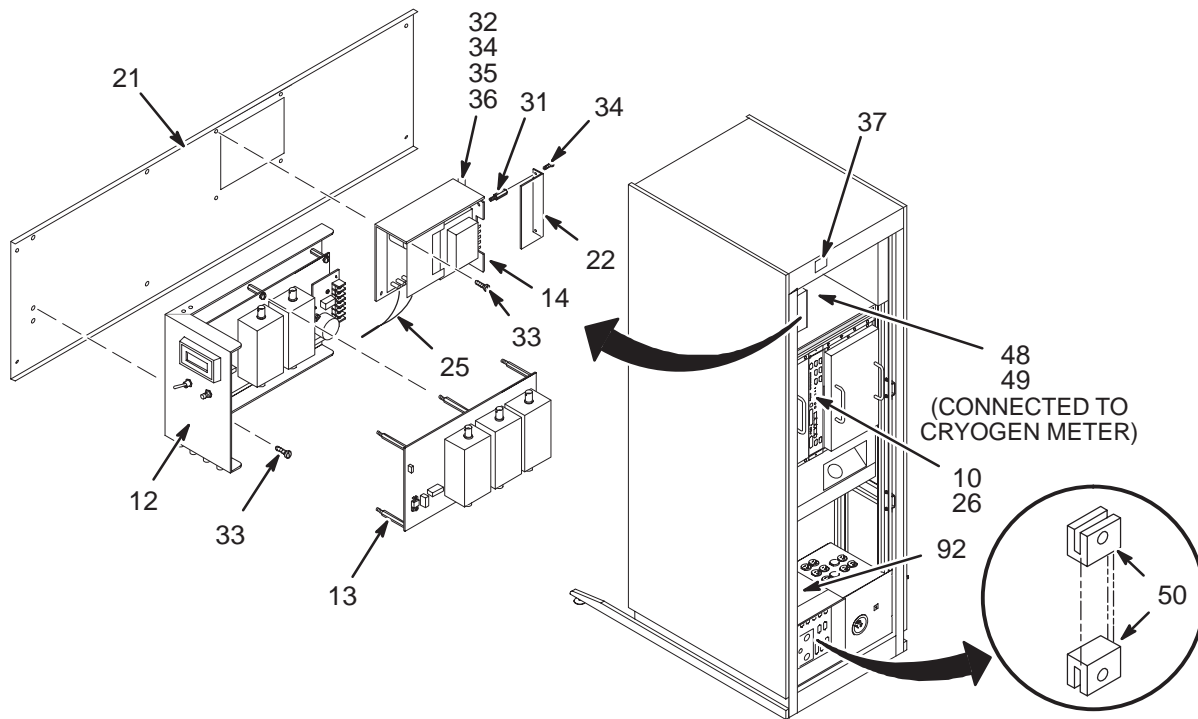
Item	Part Number	FRU	Name	Quantity	Description (Remarks)
2	2148375	N	SYSTEM CABIN	1	HLB BASIC LX SYS CAB (SEE PAGE 8-75)
3	2138600	N	ISE CHASSIS	1	19" RACK MOUNTBLE VMEBUS CARD CAGE (SEE PAGE 8-87)
4	2102500-12	N	4CH 1.5T	1	4 CHANNEL 1.5T CERD MOD FOR CRM (SEE PAGE 8-85)
5	2148437	1	RECEIVER	1	RECEIVER FOR LIGHTNING PROGRAM
6	2160818-7	1	CIRCUIT BOAR	1	IPGII SUN STYLE FRONT PANEL
6A	2112566-7	2	IPG ASSEMBLY	ALT	VMX IPG ASSEMBLY
6B	2112566-8	2	IPG ASSEMBLY	ALT	VMX IPG ASSEMBLY
8	2124215	1	BIT3 CRD SET	1	VMEBUS CARD ASSEMBLY INCLUDING:
9	2100968-2	1	MVME 162 CPU	1	TPS MVME 162 SINGLE BD CONTROLLER
10	2115088-2	1	TYME II	1	TYME II ASSEMBLY
11	2111359	1	FAST RCVR	1	FAST RECEIVER, WITH TWO 5" BNC CABLES
12	2114342-17	1	1.5T TNS 2CH	1	1.5T 2 CHAN EXTENDED BANDWIDTH TNF
13	2114342-18	1	1.5T TNS 2CH	1	1.5T 3 CHAN EXTENDED BANDWIDTH TNF
14	2149851	1	POWER SUPPLY	1	POWER ONE 18VDC 1.5AMP PWR SUPPLY
15A	2149852	N	BIT 3 BOX	1	BIT 3 FIBER OPTIC INTERFACE 400-60
15B	2149852-3	1	BIT 3 BOX	1	BIT 3 FIBER OPTIC INTERFACE 400-60 REV M
16	2149853	2	CABLE	1	BIT 3 FIBER OPTIC TO VME BOARD CABLE
17	46-306509P4	2	COVER PLATE	3	FILLER PANEL, CHARCOAL, 19" X 3.44"
18	2142125	2	COVER	1	COVER
19	2142705	2	COVER	1	COVER
20	2143376	2	BRACKET	1	BRACKET
21	2155692	2	PART	1	BRACKET
22	2146716	2	COVER	1	COVER
23	2137306	2	CABLE	1	MR2-A15-A16-J14 TO MR2-A25-DIG I/F
24	2144527	2	CABLE ASM	1	CERD (I/F1) TO FAST REC MODULE
25	2148702	2	HARNESS	1	WIRE HARNESS
26	46-328000G941	2	ASSEMBLY	1	MR2-A12-J5 TO MR2-A30-A23-J24
29	46-306565P1	2	AIR FILTER	1	RESEARCH PRODUCTS 10"EZ-CLEAN FILTER
31	46-208984P11	2	SPACER	2	HEX 0.250 THD EXT 6-32 INT 6-32
32	46-170012P35	2	NUT	4	6-32, 1/4" HEX KEPS NUT, 3/32 THICK
33	2103585-2	2	SCREW	8	SCREW PAN 4 MM 10 MM
34	46-170015P19	2	SCREW	4	6-32 X 3/8 LG BIND HD STL EXT TOOTH
35	46-208750P1	2	VIBRATION IS	1	TIE ANCHOR PANDUIT TA158-M
36	46-208758P3	2	TY-RAP	5	7.31" X .184" SELF-LOCKING CABLE TIE
37	2165323	2	LABEL	1	LABEL ELECTRICAL
48	46-287271G3	2	CABLE ASM	1	MR2-A23-A1-J6 TO MR2-A3-J1
49	46-243775G804	2	CABLE	1	MR2-A11-J11 TO MR2-A3-J403 (CRYOGEN METER ONLY)
50	46-265067P1	2	CABLE MOUNT	2	I/F PANEL CABLE SCREWLOCK CONNECTOR
62	2198994	2	CABLE	1	LX2 DEBUG I/F
5410	46-170015P14	2	SCREW	4	8-32 X 3/8 LG BIND HD STL EXT TOOTH
25858	46-208560P30	2	SCREW	48	10-32 X 1/2" LONG, BIND HEAD, STEEL

1.5T SYSTEM CABINET SR120 with MULTICOIL & FAST RECEIVER

2138300-19



VIEW 1



VIEW 2

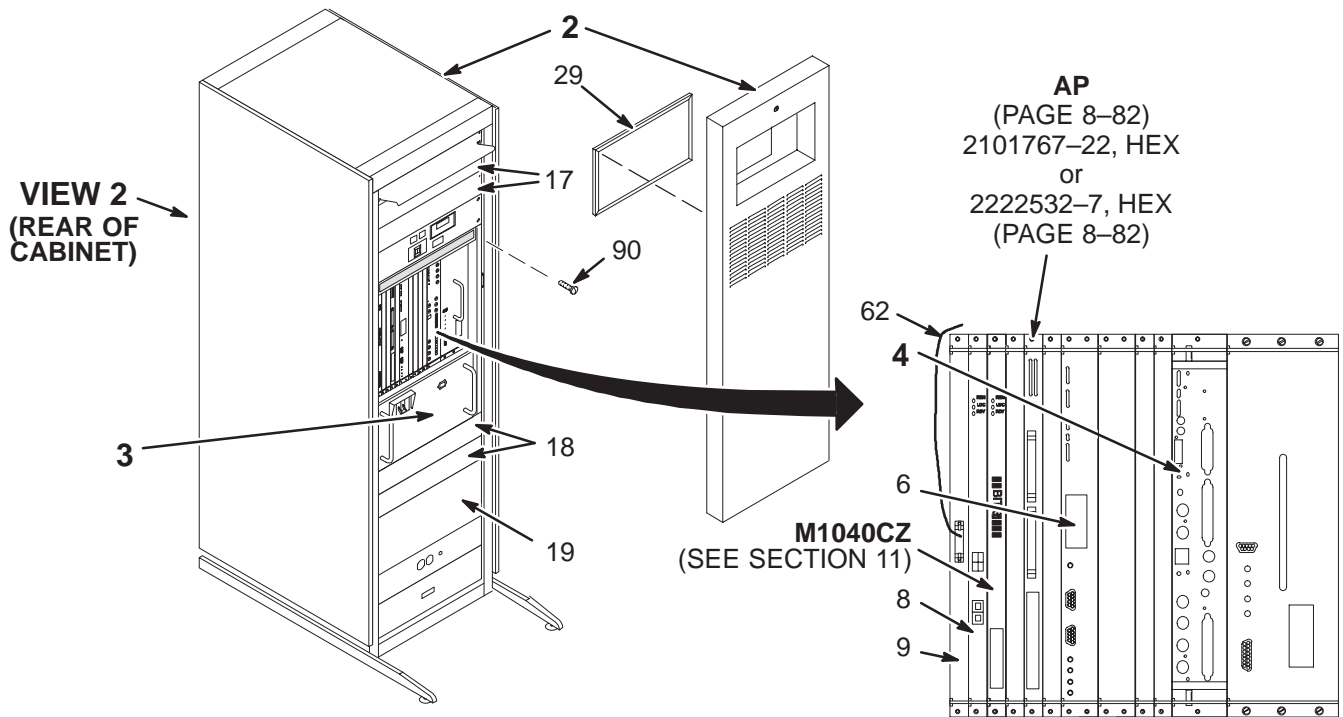
1.5T SYS CAB SR120 w/MC & FR 2138300-19 FRU N

(PART 4 OF 46-271000G114 PAGE 1-164)
 (PART OF M3000AD PAGE 1-49)
 (PART OF M3000AE PAGE 1-49)

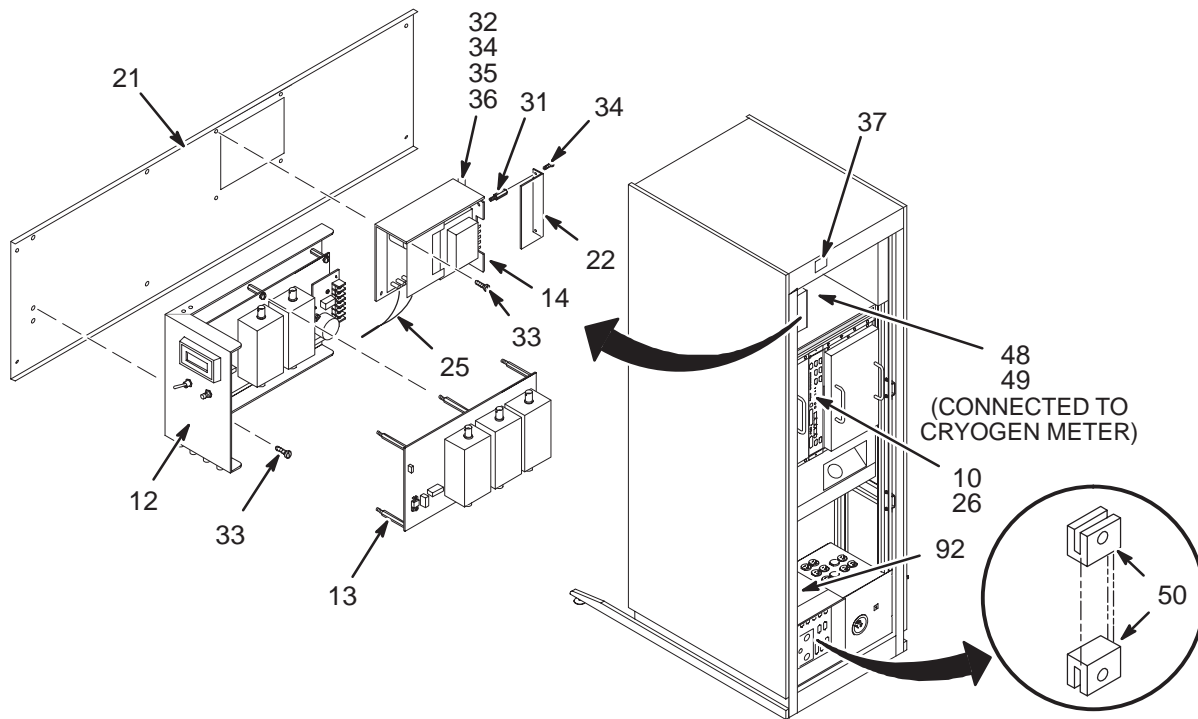
Part Number	FRU	Name	Quantity	Description (Remarks)
2A	2297066	N CABINET	1	MR SYSTEM CABINET W/CABLES+SLIDES (SEE PAGE 8-76)
2B	2148375	N SYSTEM CABIN	ALT	HLB BASIC LX SYS CAB (SEE PAGE 8-75)
3	2138600-31	N ISE CHASSIS	1	19" MOUNTABLE CARDRACK-UCERD (SEE PAGE 8-88)
4	2221400-4	N ASSEMBLY	1	UNIVERSAL CERD II WITH PHASED ARRAY (SEE PAGE 8-72)
5	2148437	1 RECEIVER	1	RECEIVER FOR LIGHTNING PROGRAM
6	2160818-7	1 CIRCUIT BOAR	1	IPGII SUN STYLE FRONT PANEL
8	2235744-2	1 BIT3 CRD SET	1	VMEBUS ADAPTER CARD
9	2100968-2	1 MVME 162 CPU	1	TPS MVME 162 SINGLE BD CONTROLLER
10	2115088-2	1 TYME II	1	TYME II ASSEMBLY
11	2111359	1 FAST RCVR	1	FAST RECEIVER, PURCHASED ASSEMBLY
12	2114342-25	1 1.5T TNS 2CH	1	1.5T 2 CHAN EXTENDED BANDWIDTH TNF
13	2114342-18	1 1.5T TNS 2CH	1	1.5T 3 CHAN EXTENDED BANDWIDTH TNF
14	2149851	1 POWER SUPPLY	1	POWER ONE 18VDC 1.5AMP PWR SUPPLY
17	46-306509P4	N COVER PLATE	3	FILLER PANEL, CHARCOAL, 19" X 3.44"
18	2142125	N COVER	1	COVER
19	2142705	N COVER	1	COVER
21	2155692	N PART	1	BRACKET
22	2146716	N COVER	1	COVER
23	2137306	N CABLE	1	MR2-A15-A16-J14 TO MR2-A25-DIG I/F
24	2144527	N CABLE ASM	1	CERD (I/F1) TO FAST REC MODULE
25	2148702	N HARNESS	1	WIRE HARNESS
26	46-328000G941	N ASSEMBLY	1	MR2-A12-J5 TO MR2-A30-A23-J24
29	46-306565P1	2 AIR FILTER	1	RESEARCH PRODUCTS 10"EZ-CLEAN FILTER
31	46-208984P11	N SPACER	2	HEX 0.250 THD EXT 6-32 INT 6-32
32	46-170012P35	N NUT	4	6-32, 1/4" HEX KEPS NUT, 3/32 THICK
33	2103585-2	N SCREW	8	SCREW PAN HEAD 4 MM 10 MM
34	46-170015P19	N SCREW	4	SCREW
35	46-208750P1	N VIBRATION IS	1	TIE ANCHOR PANDUIT TA158-M
36	46-208758P3	N TY-RAP	5	7.31" X .184" SELF-LOCKING CABLE TIE
37	2165323	N LABEL	1	LABEL
48	46-287271G3	2 CABLE ASM	1	MR2-A23-A1-J6 TO MR2-A3-J1
49	46-243775G804	2 CABLE	1	MR2-A11-J11 TO MR2-A3-J403 (CRYOGEN METER ONLY)
50	46-265067P1	N CABLE MOUNT	2	I/F PANEL CABLE SCREWLOCK CONNECTOR
62	2198994	2 CABLE	1	LX2 DEBUG I/F
90	46-208560P30	N SCREW	44	SCREW 10-32 X 1/2
92	46-276217P2	1 FERRITE BEAD	2	FERRITE BEADS/FILTERS

1.5T SYSTEM CABINET SR20/77 with MULTICOIL

2138300-20



VIEW 1



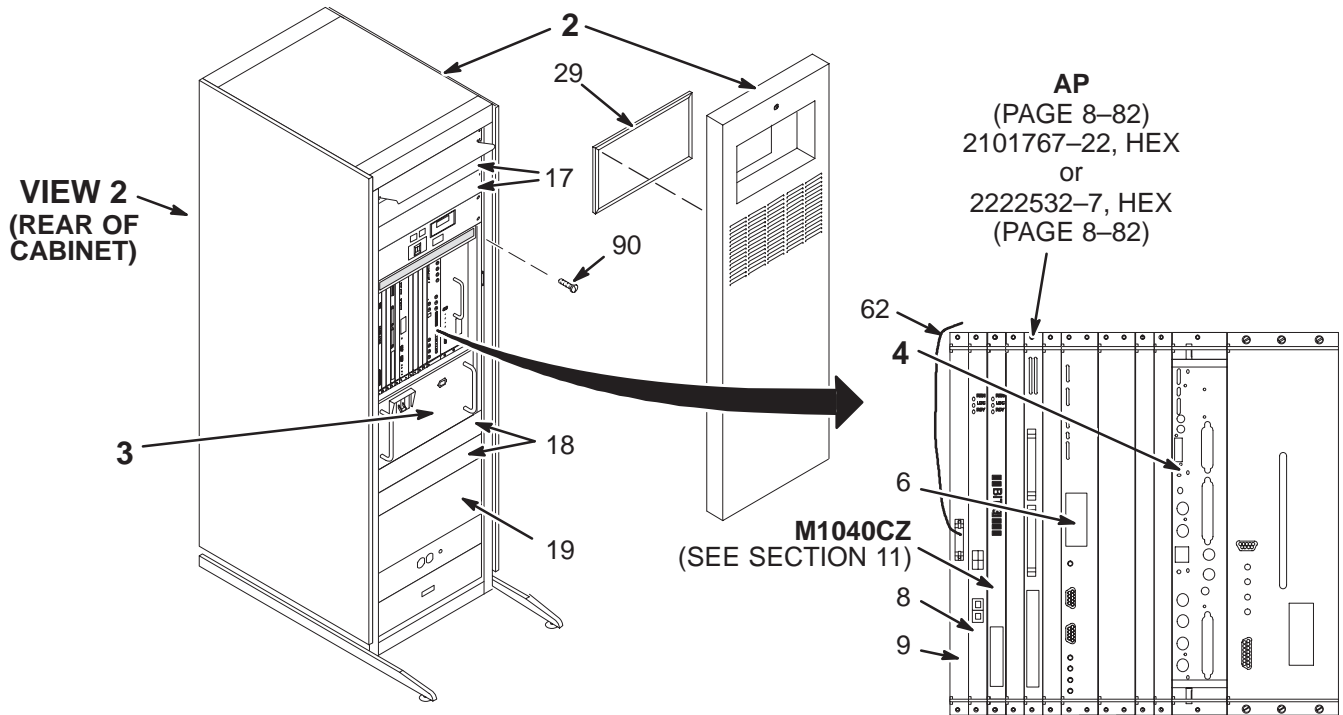
VIEW 2

1.5T SYS CAB SR20/77 w/MC 2138300-20 FRU N (PART 4 OF 46-271000G112 PAGE 1-164)
 (PART 4 OF 46-271000G113 PAGE 1-164)
 (PART 17 OF M3000AB PAGE 1-49)
 (PART 17 OF M3000AC PAGE 1-49)

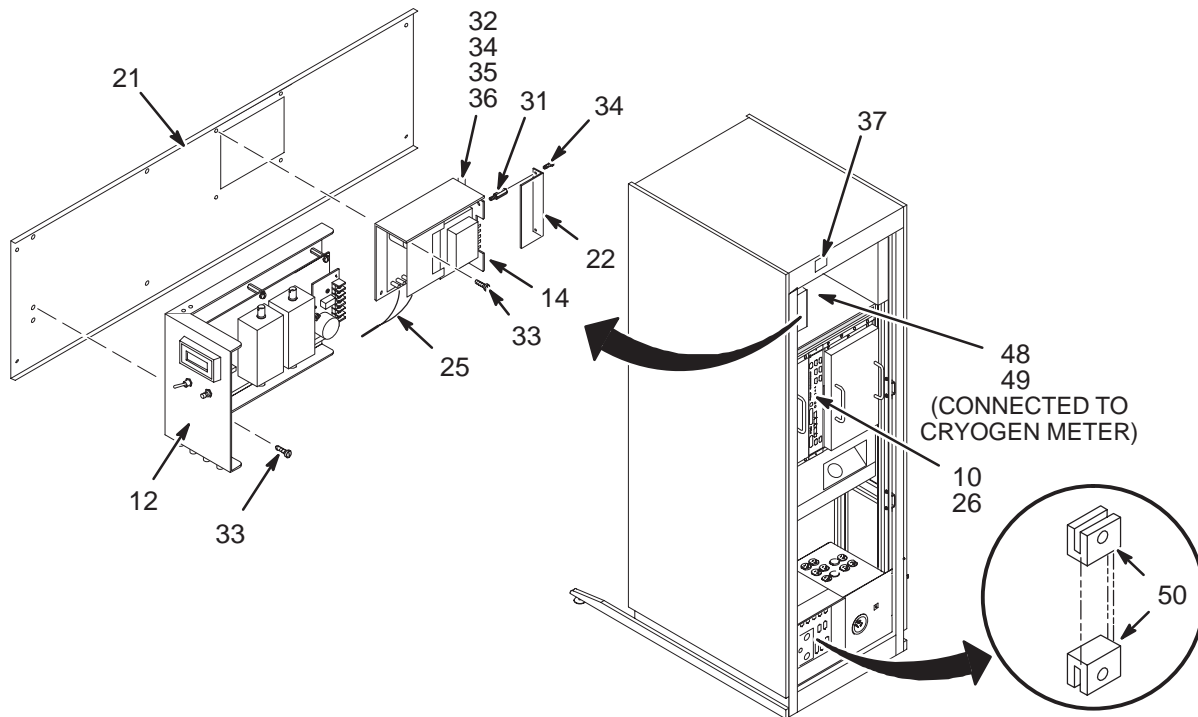
Part Number	FRU	Name	Quantity	Description (Remarks)	
2A	2297066	N	CABINET	1	MR SYSTEM CABINET W/CABLES+SLIDES (SEE PAGE 8-76)
2B	2148375	N	SYSTEM CABIN	ALT	HLB BASIC LX SYS CAB (SEE PAGE 8-75)
3	2138600-31	N	ISE CHASSIS	1	19" MOUNTABLE CARDRACK-UCERD (SEE PAGE 8-88)
4	2221400-4	N	ASSEMBLY	1	UNIVERSAL CERD II WITH PHASED ARRAY (SEE PAGE 8-72)
6	2160818-7	1	CIRCUIT BOAR	1	IPGII SUN STYLE FRONT PANEL
8	2235744-2	1	BIT3 CRD SET	1	VMEBUS ADAPTER CARD
9	2100968-2	1	MVME 162 CPU	1	TPS MVME 162 SINGLE BD CONTROLLER
10	2115088-2	1	TYME II	1	TYME II ASSEMBLY
12	2114342-25	1	1.5T TNS 2CH	1	1.5T 2 CHAN EXTENDED BANDWIDTH TNF
13	2114342-18	1	1.5T TNS 2CH	1	1.5T 3 CHAN EXTENDED BANDWIDTH TNF
14	2149851	1	POWER SUPPLY	1	POWER ONE 18VDC 1.5AMP PWR SUPPLY
17	46-306509P4	N	COVER PLATE	3	FILLER PANEL, CHARCOAL, 19" X 3.44"
18	2142125	N	COVER	2	COVER
19	2142705	N	COVER	1	COVER
21	2155692	N	PART	1	BRACKET
22	2146716	N	COVER	1	COVER
25	2148702	N	HARNESS	1	WIRE HARNESS
26	46-328000G941	N	ASSEMBLY	1	MR2-A12-J5 TO MR2-A30-A23-J24
29	46-306565P1	2	AIR FILTER	1	RESEARCH PRODUCTS 10"EZ-CLEAN FILTER
31	46-208984P11	N	SPACER	2	HEX 0.250 THD EXT 6-32 INT 6-32
32	46-170012P35	N	NUT	4	6-32, 1/4" HEX KEPS NUT, 3/32 THICK
33	2103585-2	N	SCREW	8	SCREW PAN HEAD 4 MM 10 MM
34	46-170015P19	N	SCREW	4	SCREW
35	46-208750P1	N	VIBRATION IS	1	TIE ANCHOR PANDUIT TA158-M
36	46-208758P3	N	TY-RAP	5	7.31" X .184" SELF-LOCKING CABLE TIE
37	2165323	N	LABEL	1	LABEL
48	46-287271G3	2	CABLE ASM	1	MR2-A23-A1-J6 TO MR2-A3-J1
49	46-243775G804	2	CABLE	1	MR2-A11-J11 TO MR2-A3-J403 (CRYOGEN METER ONLY)
50	46-265067P1	N	CABLE MOUNT	2	I/F PANEL CABLE SCREWLOCK CONNECTOR
62	2198994	2	CABLE	1	LX2 DEBUG I/F
90	46-208560P30	N	SCREW	44	SCREW 10-32 X 1/2
92	46-276217P2	1	FERRITE BEAD	2	FERRITE BEADS/FILTERS

1.5T SYSTEM CABINET SR20 w/o MULTICOIL
 1.0T SYSTEM CABINET SR20 w/o MULTICOIL

2138300-21
 2138300-22



VIEW 1



VIEW 2

1.5T SYS CAB SR20 w/o MC 2138300-21 FRU N (PART 4 OF 46-271000G111 PAGE 1-164)

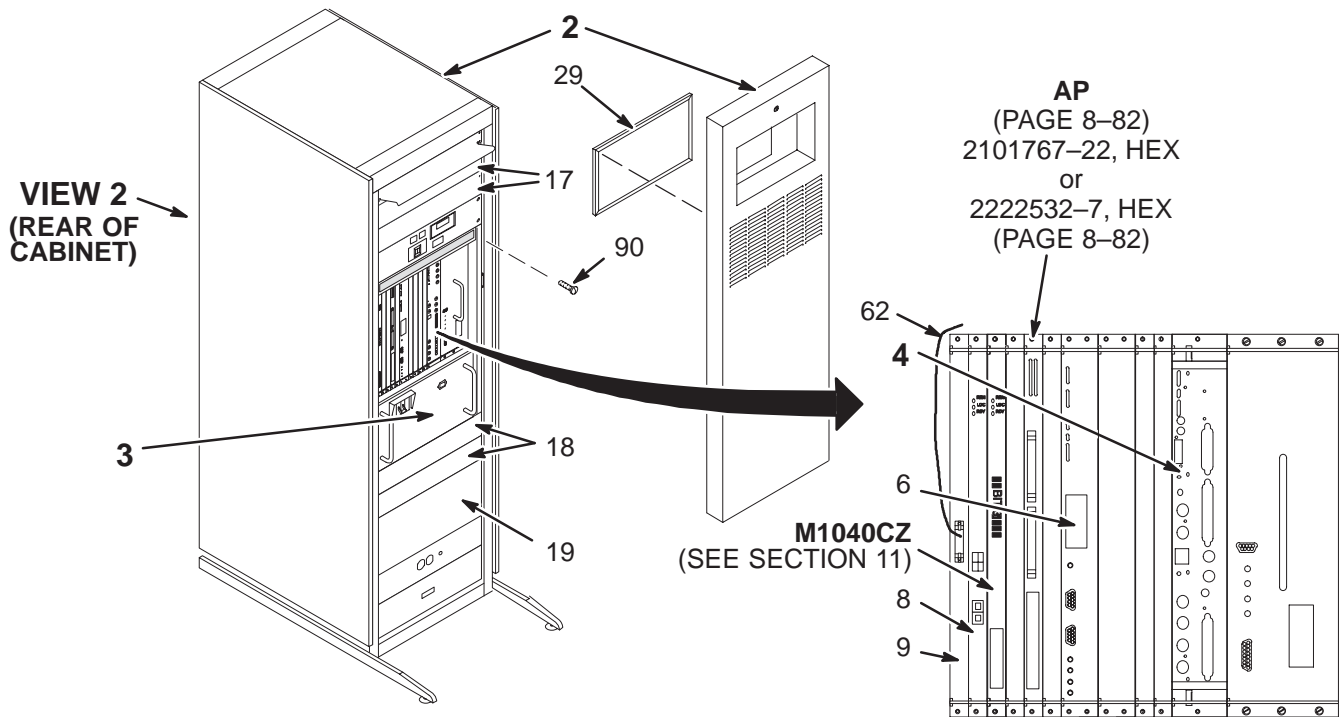
Part Number	FRU	Name	Quantity	Description (Remarks)
2	2148375	N	1	SYSTEM CABIN
3	2138600-31	N	1	HLB BASIC LX SYS CAB (SEE PAGE 8-75)
4	2221400-5	N	1	19" MOUNTABLE CARDRACK-UCERD (SEE PAGE 8-88)
6	2160818-7	1	1	UNIVERSAL CERD II W/O PHASED ARRAY (SEE PAGE 8-74)
8	2235744-2	1	1	CIRCUIT BOAR
				IPGII SUN STYLE FRONT PANEL
				BIT3 CRD SET
				VMEBUS ADAPTER CARD
9	2100968-2	1	1	MVME 162 CPU
				TPS MVME 162 SINGLE BD CONTROLLER
10	2115088-2	1	1	TYME II
				TYME II ASSEMBLY
12	2114342-25	1	1	1.5T TNS 2CH
				1.5T 2 CHAN EXTENDED BANDWIDTH TNF
14	2149851	1	1	POWER SUPPLY
				POWER ONE 18VDC 1.5AMP PWR SUPPLY
17	46-306509P4	N	3	COVER PLATE
				FILLER PANEL, CHARCOAL, 19" X 3.44"
18	2142125	N	2	COVER
19	2142705	N	1	COVER
21	2155692	N	1	PART
				BRACKET
22	2146716	N	1	COVER
25	2148702	N	1	HARNESS
				WIRE HARNESS
26	46-328000G941	N	1	ASSEMBLY
				MR2-A12-J5 TO MR2-A30-A23-J24
29	46-306565P1	2	1	AIR FILTER
				RESEARCH PRODUCTS 10"EZ-CLEAN FILTER
31	46-208984P11	N	2	SPACER
				HEX 0.250 THD EXT 6-32 INT 6-32
32	46-170012P35	N	4	NUT
				6-32, 1/4" HEX KEPS NUT, 3/32 THICK
33	2103585-2	N	8	SCREW
				SCREW PAN HEAD 4 MM 10 MM
34	46-170015P19	N	4	SCREW
				SCREW
35	46-208750P1	N	1	VIBRATION IS
				TIE ANCHOR PANDUIT TA158-M
36	46-208758P3	N	5	TY-RAP
				7.31" X .184" SELF-LOCKING CABLE TIE
37	2165323	N	1	LABEL
				LABEL
48	46-287271G3	2	1	CABLE ASM
				MR2-A23-A1-J6 TO MR2-A3-J1
49	46-243775G804	2	1	CABLE
				MR2-A11-J11 TO MR2-A3-J403 (CRYOGEN METER ONLY)
50	46-265067P1	N	2	CABLE MOUNT
				I/F PANEL CABLE SCREWLOCK CONNECTOR
62	2198994	2	1	CABLE
				LX2 DEBUG I/F
90	46-208560P30	N	44	SCREW
				SCREW 10-32 X 1/2
92	46-276217P2	1	2	FERRITE BEAD
				FERRITE BEADS/FILTERS

1.0T SYS CAB SR20 w/o MC 2138300-22 FRU N (PART 4 OF 46-271000G16 PAGE 1-156)
 (PART 4 OF 46-271000G213 PAGE 1-166)
 (PART 4 OF 46-271000G215 PAGE 1-166)
 (PART OF M3800AA PAGE 1-56)

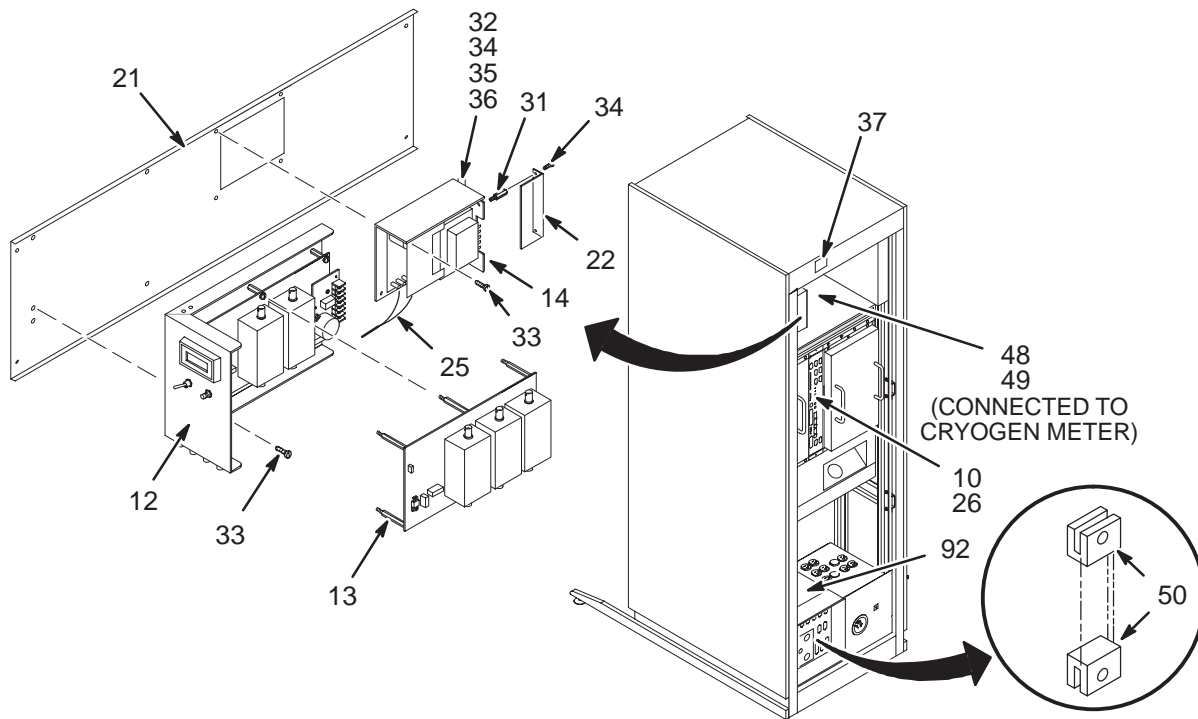
Part Number	FRU	Name	Quantity	Description (Remarks)
2A	2297066	N	1	MR SYSTEM CABINET W/CABLES+SLIDES (SEE PAGE 8-76)
2B	2148375	N	ALT	HLB BASIC LX SYS CAB (SEE PAGE 8-75)
3	2138600-31	N	1	19" RACK MOUNTABLE CARDRACK - UCERD (SEE PAGE 8-88)
4	2221400-2	N	1	UNIVERSAL CERD W/O PHASED ARRAY (SEE PAGE 8-74)
6	2160818-7	1	1	IPGII SUN STYLE FRONT PANEL
8	2235744-2	1	1	VMEBUS ADAPTER CARD
9	2100968-2	1	1	TPS MVME 162 SINGLE BD CONTROLLER
10	2115088-2	1	1	TYME II ASSEMBLY
12	2114342-26	1	1	1.0T TNSA (42.63MHZ INF) W/CABLES
14	2149851	1	1	POWER ONE 18VDC 1.5AMP PWR SUPPLY
17	46-306509P4	2	3	FILLER PANEL, CHARCOAL, 19" X 3.44"
18	2142125	2	2	COVER
19	2142705	2	1	COVER
21	2155692	2	1	BRACKET
22	2146716	2	1	COVER
25	2148702	2	1	WIRE HARNESS
26	46-328000G941	2	1	MR2-A12-J5 TO MR2-A30-A23-J24
29	46-306565P1	2	1	RESEARCH PRODUCTS 10"EZ-CLEAN FILTER
31	46-208984P11	2	2	HEX 0.250 THD EXT 6-32 INT 6-32
32	46-170012P35	2	4	6-32, 1/4" HEX KEPS NUT, 3/32 THICK
33	2103585-2	2	8	SCREW PAN HEAD 4 MM 10 MM
34	46-170015P19	2	4	SCREW
35	46-208750P1	2	1	CABLE TIE ANCHOR
36	46-208758P3	2	5	7.31" X .184" SELF-LOCKING CABLE TIE
38	46-306626P2	N	2	CLAMP OR CLIP
50	46-265067P1	2	2	I/F PANEL CABLE SCREWLOCK CONNECTOR
60	46-271920P4	N	1	CONNECTOR 37 CONTACTS 100 VOLTS 5 AM
61	2196827	N	2	JACKSCREW, D-SUB STEEL 4-40 X .62
90	46-208560P30	2	44	SCREW 10-32 X 1/2
92	46-276217P2	1	2	FERRITE BEADS/FILTERS

1.0T SR20/77 SYSTEM CABINET with MULTICOIL

2138300-23



VIEW 1



VIEW 2

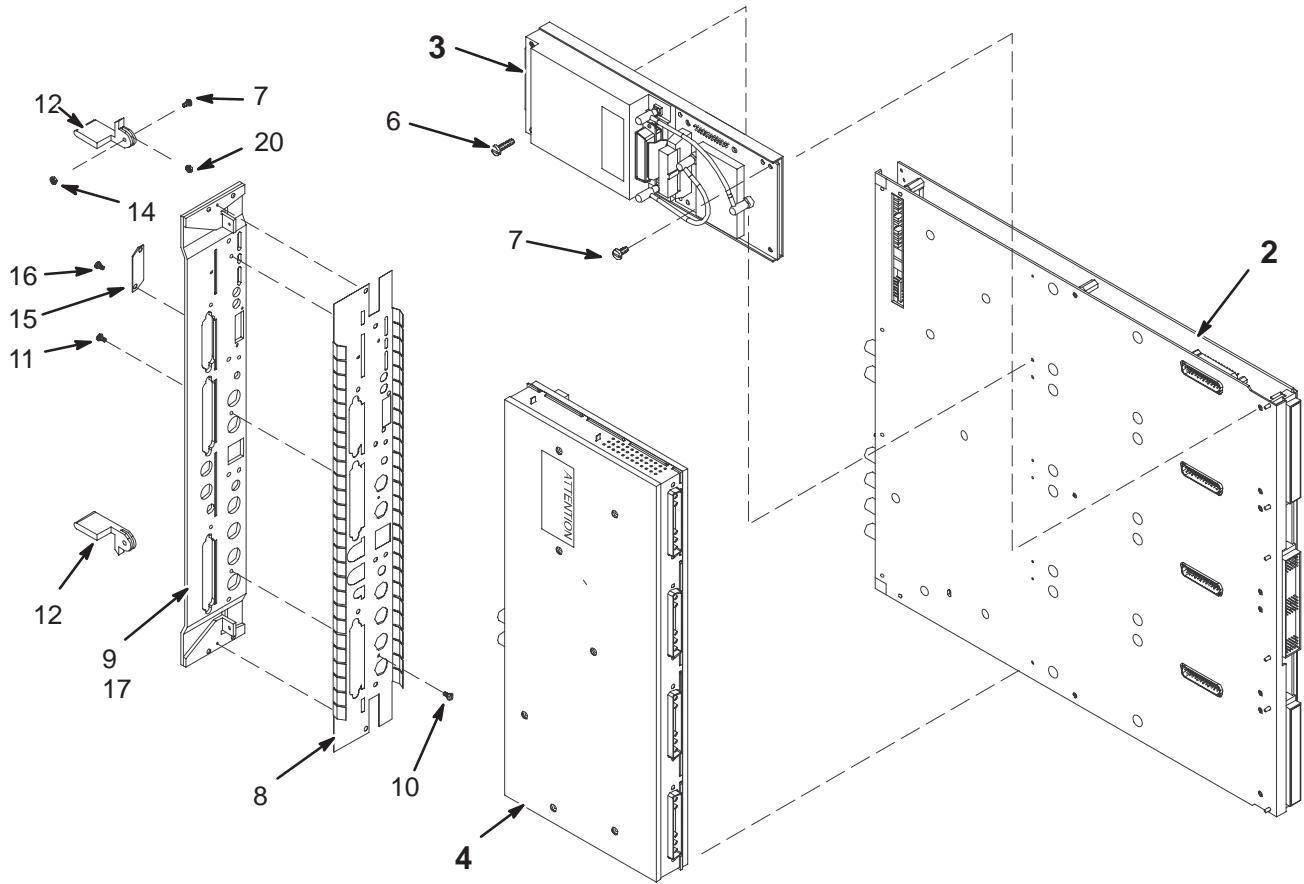
1.0T SR20/77 SYS CAB with MC 2138300-23 FRU N

(PART 4 OF 46-271000G17 PAGE 1-156)
 (PART 4 OF 46-271000G214 PAGE 1-166)
 (PART 4 OF 46-271000G216 PAGE 1-166)
 (PART 19 OF M3800AB PAGE 1-56)
 (PART 19 OF M3800AD PAGE 1-56)

Part Number	FRU	Name	Quantity	Description (Remarks)
2A	2297066	N CABINET	1	MR SYSTEM CABINET W/CABLES+SLIDES (SEE PAGE 8-76)
2B	2148375	N SYSTEM CABIN	ALT	HLB BASIC LX SYS CAB (SEE PAGE 8-75)
3	2138600-31	N ISE CHASSIS	1	19" MOUNTABLE CARDRACK-UCERD (SEE PAGE 8-88)
4	2221400-4	N ASSEMBLY	1	UNIVERSAL CERD II WITH PHASED ARRAY (SEE PAGE 8-72)
6	2160818-7	1 CIRCUIT BOAR	1	IPGII SUN STYLE FRONT PANEL
8	2235744-2	1 BIT3 CRD SET	1	VMEBUS ADAPTER CARD
9	2100968-2	1 MVME 162 CPU	1	TPS MVME 162 SINGLE BD CONTROLLER
10	2115088-2	1 TYME II	1	TYME II ASSEMBLY
12	2114342-26	1 1.0T TNS 2CH	1	1.0T TNSA (42.63MHZ INF) W/CABLES
13	2114342-5	1 1.0T TNS 3CH	1	1.0T M/C TRANSIENT NOISE FILTER
14	2149851	1 POWER SUPPLY	1	POWER ONE 18VDC 1.5AMP PWR SUPPLY
17	46-306509P4	2 COVER PLATE	3	FILLER PANEL, CHARCOAL, 19" X 3.44"
18	2142125	2 COVER	2	COVER
19	2142705	2 COVER	1	COVER
21	2155692	2 PART	1	BRACKET
22	2146716	2 COVER	1	COVER
25	2148702	2 HARNESS	1	WIRE HARNESS
26	46-328000G941	2 ASSEMBLY	1	MR2-A12-J5 TO MR2-A30-A23-J24
29	46-306565P1	2 AIR FILTER	1	RESEARCH PRODUCTS 10"EZ-CLEAN FILTER
31	46-208984P11	2 SPACER	2	HEX 0.250 THD EXT 6-32 INT 6-32
32	46-170012P35	2 NUT	4	6-32, 1/4" HEX KEPS NUT, 3/32 THICK
33	2103585-2	2 SCREW	8	SCREW PAN HEAD 4 MM 10 MM
34	46-170015P19	2 SCREW	4	SCREW
35	46-208750P1	2 VIBRATION IS	1	TIE ANCHOR PANDUIT TA158-M
36	46-208758P3	2 TY-RAP	5	7.31" X .184" SELF-LOCKING CABLE TIE
37	2165323	2 LABEL	1	LABEL
48	46-287271G3	2 CABLE ASM	1	MR2-A23-A1-J6 TO MR2-A3-J1
49	46-243775G804	2 CABLE	1	MR2-A11-J11 TO MR2-A3-J403 (CRYOGEN METER ONLY)
50	46-265067P1	2 CABLE MOUNT	2	I/F PANEL CABLE SCREWLOCK CONNECTOR
62	2198994	2 CABLE	1	LX2 DEBUG I/F
90	46-208560P30	N SCREW	44	SCREW 10-32 X 1/2
92	46-276217P2	1 FERRITE BEAD	2	FERRITE BEADS/FILTERS

UNIVERSAL CERD with MULTICOIL

2221400 & -4



UNIVERSAL CERD II w/MULTICOIL 2221400-4 FRU N

(PART 4 OF 2138300-19 PAGE 8-63)

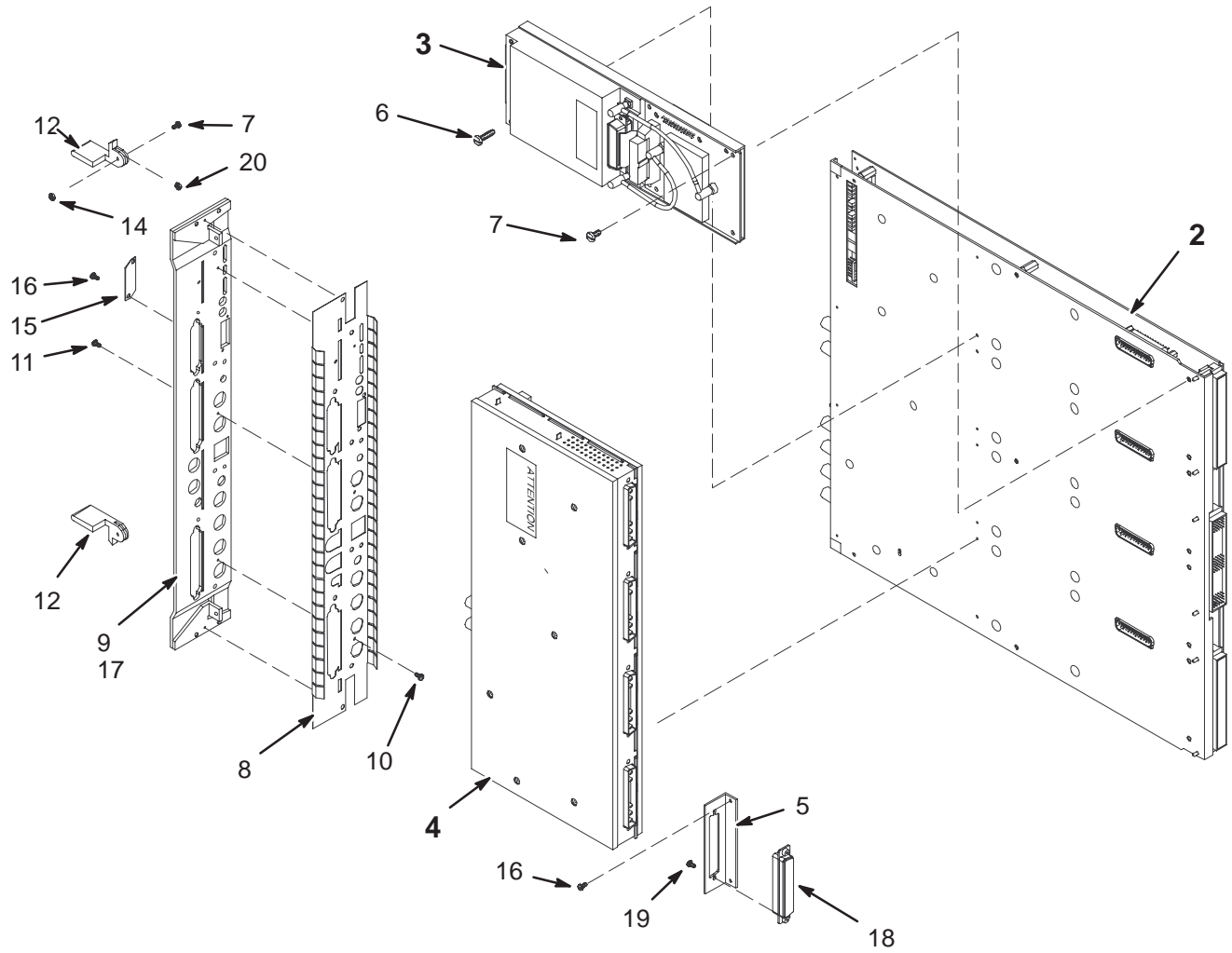
(PART 4 OF 2138300-20 PAGE 8-65)

(PART 4 OF 2138300-23 PAGE 8-70)

Part Number	FRU	Name	Quantity	Description (Remarks)
2	2206099	1 ASSEMBLY	1	UNIVERSAL CERD DIGITAL
3	2206100	1 ASSEMBLY	4	UNIVERSAL CERD RECEIVER
4	2221399-6	1 ASSEMBLY	1	UNIVERSAL CERD EXCITER II
6	46-312342P28	N PHLPS PN HD	2	M3 X 0.5 X 30MM PHILLIPS CROSS
7	46-312342P24	N PHLPS PN HD	10	M3 X 0.5 X 12MM PHILLIPS CROSS
8	2224576	N PART	1	EMC FINGER CERD
9	2223312	N PART	1	FRONT PANEL UCERD
10	46-328421P1	N SCREW	3	SCREW PAN HEAD 2.5 MM 3 MM
11	46-328421P5	N SCREW	8	SCREW PAN HEAD 2.5 MM 8 MM
12	46-327035P1	N EJECTOR	1	EJECTOR, RIGHT HAND & LEFT HAND USED
14	851352P205	N NUT	2	NUT HEXAGON_THIN 3 MM
15	2123389	N COVER	1	EMULATOR CONNECTOR ACCESS COVER
16	46-328421P505	N SCREW	2	SCREW PAN HEAD 3 MM 4 MM
17	46-287657P1	N (M)SCR COLLR	2	M2.5 X.45 CAPTIVE PANEL SCREW, BRASS
20	2238655	N SPACER	2	FIBERGLASS .062"THK .50"OD .142"ID
21	46-230729P1	N LABEL	1	BAR CODE LABEL
22	2370380	N PART	1	GROUNDING FINGER

UNIVERSAL CERD without MULTICOIL

2221400-2 & -5



UNIVERSAL CERD w/o MULTICOIL 2221400-2 FRU N (PART 4 OF 2138300-22 PAGE 8-68)

Part Number	FRU	Name	Quantity	Description (Remarks)
2	2206099	1 ASSEMBLY	1	UNIVERSAL CERD DIGITAL
3	2206100	1 ASSEMBLY	1	UNIVERSAL CERD RECEIVER
4A	2221399-3	1 ASSEMBLY	1	UNIVERSAL CERD EXCITER
4B	2221399-2	1 ASSEMBLY	ALT	UNIVERSAL CERD EXCITER
5	2228299	2 PART	1	RECEIVER BRKT FOR 1 CHAN
6	46-312342P28	2 PHLPS PN HD	1	M3 X 0.5 X 30MM PHILLIPS CROSS
7	46-312342P24	2 PHLPS PN HD	10	M3 X 0.5 X 12MM PHILLIPS CROSS
8	2224576	2 PART	1	EMC FINGER CERD
9	2223312	2 PART	1	FRONT PANEL UCERD
10	46-328421P1	2 SCREW	3	SCREW PAN HEAD 2.5 MM 3 MM
11	46-328421P5	2 SCREW	8	SCREW PAN HEAD 2.5 MM 8 MM
12	46-327035P1	2 EJECTOR	1	EJECTOR, RIGHT HAND & LEFT HAND USED
14	851352P205	2 NUT	2	NUT HEXAGON_THIN 3 MM
15	2123389	2 COVER	1	EMULATOR CONNECTOR ACCESS COVER
16	46-328421P505	2 SCREW	4	SCREW PAN HEAD 3 MM 4 MM
17	46-287657P1	2 (M)SCR COLLR	2	M2.5 X.45 CAPTIVE PANEL SCREW, BRASS
18	2234585	2 SHELL	1	CONN,D-SUB,17W5P;W/O CONT.,TIN
19	2234447	2 SCREW	2	SCREW PAN HEAD 4-40 X 1/4" ZINC
20	2238655	2 SPACER	2	FIBERGLASS .062"THK .50"OD .142"ID

UNIVERSAL CERD II w/o MULTICOIL 2221400-5 FRU N (PART 4 OF 2138300-21 PAGE 8-67)

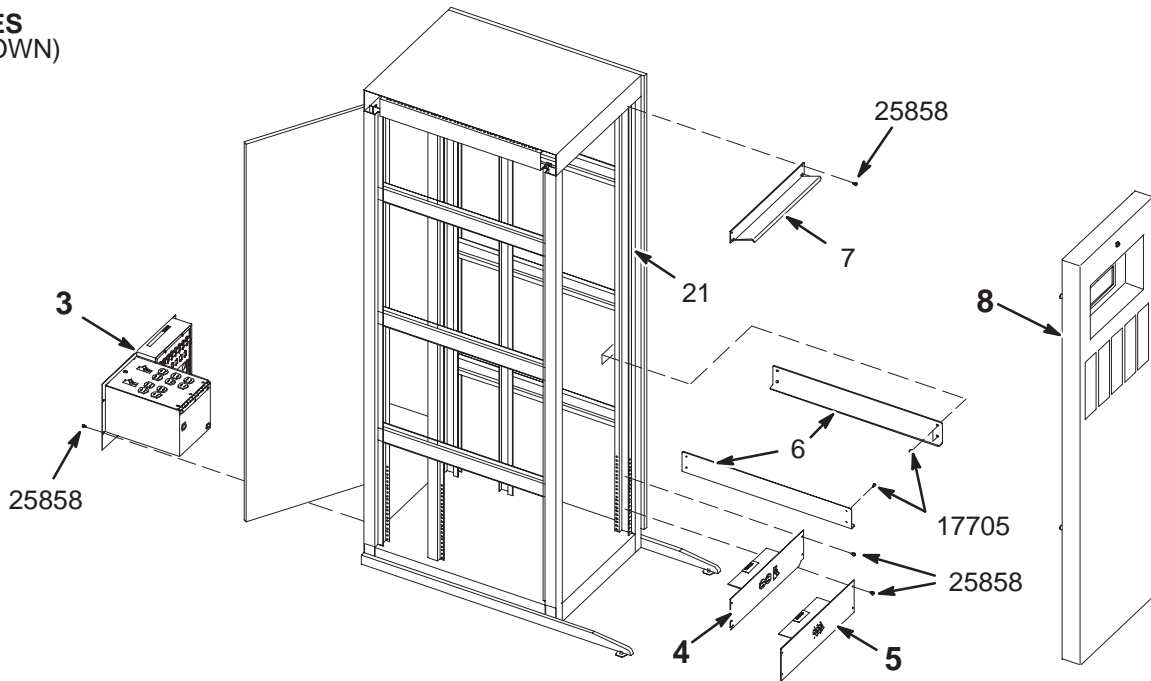
Part Number	FRU	Name	Quantity	Description (Remarks)
2	2206099	1 ASSEMBLY	1	UNIVERSAL CERD DIGITAL
3	2206100	1 ASSEMBLY	1	UNIVERSAL CERD RECEIVER
4	2221399-6	1 ASSEMBLY	1	UNIVERSAL CERD EXCITER II
5	2228299	N PART	1	RECEIVER BRKT FOR 1 CHAN
6	46-312342P28	N PHLPS PN HD	1	M3 X 0.5 X 30MM PHILLIPS CROSS
7	46-312342P24	N PHLPS PN HD	4	M3 X 0.5 X 12MM PHILLIPS CROSS
8	2224576	N PART	1	EMC FINGER CERD
9	2223312	N PART	1	FRONT PANEL UCERD
10	46-328421P1	N SCREW	3	SCREW PAN HEAD 2.5 MM 3 MM
11	46-328421P5	N SCREW	8	SCREW PAN HEAD 2.5 MM 8 MM
12	46-327035P1	N EJECTOR	1	EJECTOR, RIGHT HAND & LEFT HAND USED
14	851352P205	N NUT	2	NUT HEXAGON_THIN 3 MM
15	2123389	N COVER	1	EMULATOR CONNECTOR ACCESS COVER
16	46-328421P505	N SCREW	4	SCREW PAN HEAD 3 MM 4 MM
17	46-287657P1	N (M)SCR COLLR	2	M2.5 X.45 CAPTIVE PANEL SCREW, BRASS
18	2234585	N SHELL	1	CONN,D-SUB,17W5P;W/O CONT.,TIN
19	2234447	N SCREW	2	SCREW PAN HEAD 4-40 X 1/4" ZINC
20	2238655	N SPACER	2	FIBERGLASS .062"THK .50"OD .142"ID
21	46-230729P1	N LABEL	1	BAR CODE LABEL

LX BASIC SYSTEM CABINET

2148375 & 2297066

CABLES
(NOT SHOWN)

- 9
- 10
- 11
- 12
- 13
- 14
- 15
- 16
- 17
- 18
- 19
- 20



LX BASIC SYSTEM CABINET

2148375 FRU N

(PART 2 OF 2138300-2, -3, -4, -6, -9, -12, -21
PAGES 8-51 THRU 8-70)

Item	Part Number	FRU	Name	Quantity	Description (Remarks)
3	2138944	N	I/F PANEL	1	CABINET I/O PANEL & CABINET PDU BOX (SEE PAGE 8-79)
4	2148446	N	COVER ASM	1	COVER WITH DUPLEX RECEPTACLE & CB (SEE PAGE 8-80)
5	2148447	N	COVER ASM	1	COVER WITH 3P CIRCUIT BREAKER (SEE PAGE 8-81)
6	2143934	2	ANGLE SUPPRT	2	ANGLE
7	46-301989P1	2	BRACKET	1	FRONT COVER "SLAM LATCH" RETAINER
8	2155687	2	PART	1	COVER ASSEMBLY (SEE PAGE 8-77)
9	2118109	2	BNC CABLE	1	MR2-A11-J2 TO MR2-A24-A1-A1-J2, 7 FT
10	2118109-2	2	BNC CABLE	1	MR2-A11-J5 TO MR2-A24-A1-A2-J5, 7 FT
11	2118109-3	2	BNC CABLE	1	MR2-A11-J8 TO MR2-A24-A2-A1-J8, 7 FT
12	2118109-4	2	BNC CABLE	1	MR2-A11-J9 TO MR2-A24-A2-A2-J9, 7 FT
13	2118109-5	2	BNC CABLE	1	MR2-A11-J10 TO MR2-A24-A2-A3-J10, 7'
14	2144535-2	2	CABLE	1	J30 LX TNS PHONE MODULE TO I/F PANEL
15	2144523	2	CABLE ASM	1	TYME II TO I/F PANEL
16	2144525-2	2	CABLE ASM	1	UCERD TO TNS AND I/F PANEL
17	2144521	2	TWISTED PAIR	1	TNS MODULE TO I/F PANEL
18	2135997	2	CABLE ASM	1	9 COND. MALE-MALE SUB-D 8FT LONG
19	46-328000G942	2	ASSEMBLY	1	MR2-A24-A1-J1 TO MR2-A30-A13-J5
20	46-328000G935	2	CABLE ASM	1	MR2TYMEJ11 TO MR2CERDPSJ2
21	46-220288P1	2	FASTENER	86	SELF-LOCKING 10-32 UNF
22	46-265067P1	2	CABLE MOUNT	14	I/F PANEL CABLE SCREWLOCK CONNECTOR
23	46-208758P3	2	TY-RAP	10	7.31" X .184" SELF-LOCKING CABLE TIE
17705	46-208908P46	2	SCREW	8	10-32 X 1/2" SLOT FLAT-HD F70B5A
25858	46-208560P30	2	SCREW	16	10-32 X 1/2" LONG, BIND HEAD, STEEL

LX BASIC SYSTEM CABINET

2297066 FRU N

(PART 2 OF 2138300-19 PAGE 8-63)

(PART 2 OF 2138300-20 PAGE 8-65)

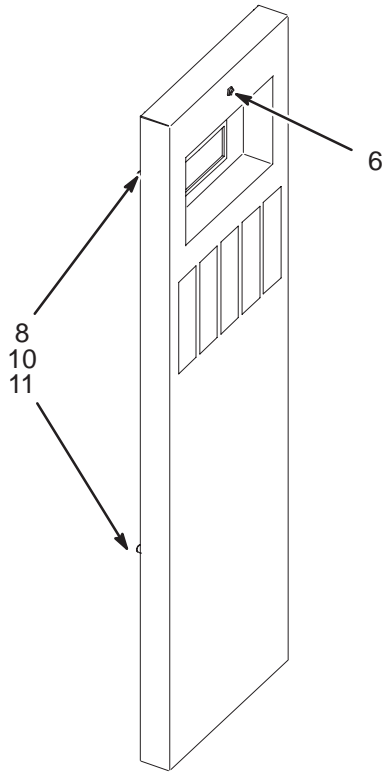
(PART 2 OF 2138300-22 PAGE 8-68)

(PART 2 OF 2138300-23 PAGE 8-70)

Item	Part Number	FRU	Name	Quantity	Description (Remarks)
2	2297065	N	PART	1	MR SYSTEM CABINET BASIC
3	2138944	N	I/F PANEL	1	CABINET I/O PANEL & CABINET PDU BOX (SEE PAGE 8-79)
4	2148446	N	COVER ASM	1	COVER WITH DUPLEX RECEPTACLE & CB (SEE PAGE 8-80)
5	2148447	N	COVER ASM	1	COVER WITH 3P CIRCUIT BREAKER (SEE PAGE 8-81)
6	2143934	N	ANGLE SUPPRT	2	ANGLE
7	46-301989P1	N	BRACKET	1	FRONT COVER "SLAM LATCH" RETAINER
8	2155687	N	PART	1	COVER ASSEMBLY (SEE PAGE 8-77)
9	2118109	N	BNC CABLE	1	MR2-A11-J2 TO MR2-A24-A1-A1-J2, 7 FT
10	2118109-2	N	BNC CABLE	1	MR2-A11-J5 TO MR2-A24-A1-A2-J5, 7 FT
11	2118109-3	N	BNC CABLE	1	MR2-A11-J8 TO MR2-A24-A2-A1-J8, 7 FT
12	2118109-4	N	BNC CABLE	1	MR2-A11-J9 TO MR2-A24-A2-A2-J9, 7 FT
13	2118109-5	N	BNC CABLE	1	MR2-A11-J10 TO MR2-A24-A2-A3-J10, 7'
14	2144535-3	N	CABLE	1	J30 UFI TNS PHONE MODULE TO IF PANEL
15	2271498	N	CABLE	1	TYME 2 J16 TO TNS, NAV AND I/F PANEL
16A	2304692	1	CABLE	1	MR2 CERD J109 TO INTERFACE PANEL
16B	2144525-2	N	CABLE ASM	ALT	UCERD TO TNS AND I/F PANEL
17	2273084	N	HARNESS	1	TNS J5 TO I/F PANEL J14
18	2135997	N	CABLE ASM	1	9 COND. MALE-MALE SUB-D 8FT LONG
19	2241538	N	CABLE	1	CABLE TNF DIW LX SYS.
20	46-328000G935	N	CABLE ASM	1	MR2TYMEJ11 TO MR2CERDPSJ2
21	46-220288P1	N	FASTENER	86	SELF-LOCKING 10-32 UNF
22	46-265067P1	N	CABLE MOUNT	16	I/F PANEL CABLE SCREWLOCK CONNECTOR
23	46-208758P3	N	TY-RAP	10	7.31" X .184" SELF-LOCKING CABLE TIE
25	2198994	N	CABLE	1	LX2 DEBUG I/F_(J31 TO CERD,IPG,CPU)
17705	46-208908P46	N	SCREW	8	10-32 X 1/2 FLAT HEAD SCREW
25858	46-208560P30	N	SCREW	16	SCREW 10-32 X 1/2

COVER ASSEMBLY

2155687



COVER ASSEMBLY

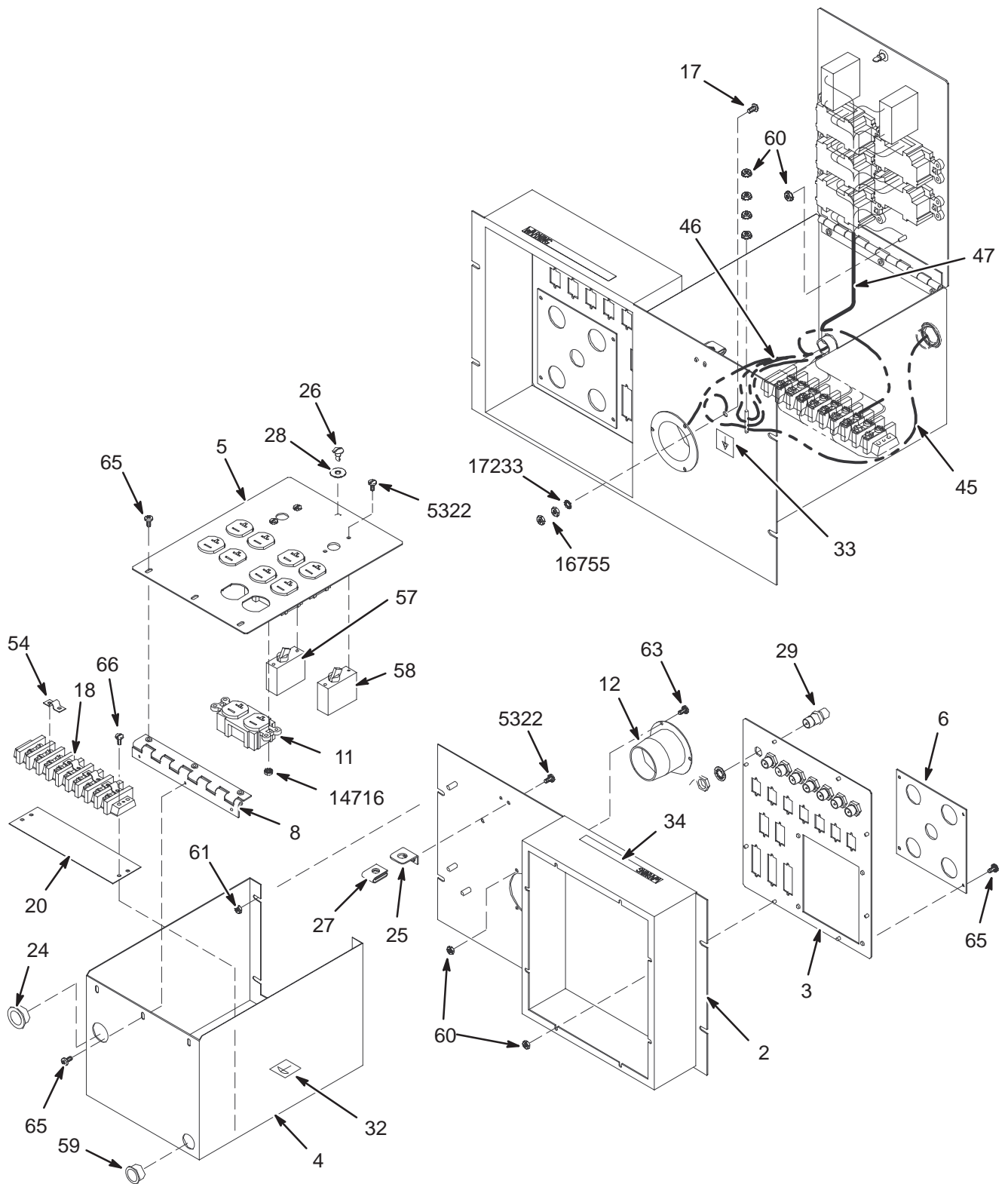
2155687 FRU 2

(PART 8 OF 2148375 PAGE 8-75)
(PART 8 OF 2297066 PAGE 8-76)

Item	Part Number	FRU	Name	Quantity	Description (Remarks)
6	46-301852P1	2	LATCH	1	LATCH ASM FOR SLAM-LATCH COVERS
8	46-328428P1	2	NUT	10	NUT HEXAGON 4 MM
10	2152298	2	BUMPER	4	BLACK RUBBER BUMPER
11	46-328421P16	2	SCREW	4	SCREW PAN 4 MM 16 MM

INTERFACE PANEL & PDU BOX

2138944



INTERFACE PANEL & PDU BOX 2138944 FRU N

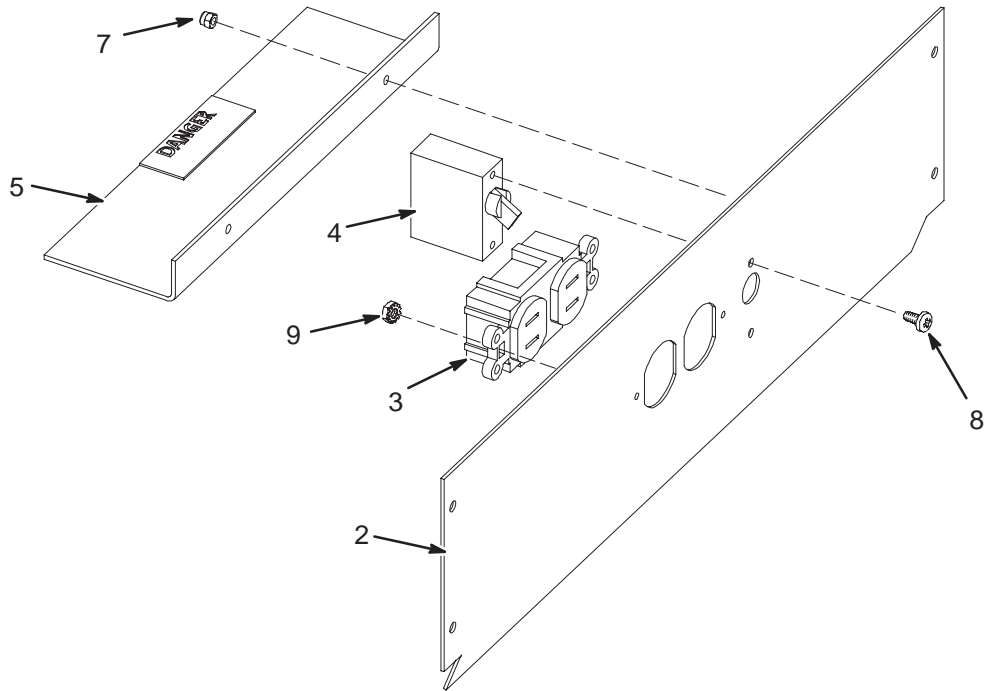
(PART 3 OF 2148375 PAGE 8-75)

(PART 3 OF 2297066 PAGE 8-76)

Item	Part Number	FRU	Name	Quantity	Description (Remarks)
2	2137247	2	BOX	1	CABINET I/F ENCLOSURE
3	2137601	2	I/F PANEL	1	I/F PANEL, SYS CAB
4	2138943	2	BOX	1	ENCLOSURE, POWER MODULE BOX
5	2138942	2	COVER	1	COVER, POWER MODULE
6	2138597	2	ACCESS PLATE	1	ACCESS PLATE
11	46-287941P1	2	CONNECTOR	5	20 AMP, 125V, DUPLEX RECEPTACLE,
12	46-317671P1	2	CONNECTOR	1	FLANGED INLET, 30A, 120/208 3-PHASE
18	46-221880P22	2	TERMINAL	1	9 TERMINALS 50 AMP, 1700 VOLT,
20	514A350P305	2	TERMINAL	1	9 POSITION, 1 THRU 9, LEFT TO RIGHT
24	46-208695P61	2	BUSHING	1	HEYCO PART NO.2126 SB-875-11 BLACK
25	46-243709G1	2	BRACKET	1	COVER LATCH RETAINER MOUNT BRACKET
26	46-220370P6	2	FASTENER	1	STUD, OVAL HD 1/4 TURN SOUTHCO
27	46-316410P1	2	FASTENER	1	RECEPTACLE CLIP-ON, SOUTHCO
28	46-316411P1	2	FASTENER	1	RETAINER SPLIT RING TYPE
29	46-208990P1	2	CONNECTOR	8	50 OHM BNC BULKHEAD ADAP'R JACK-JACK
32	46-271110P1	2	MECHANICAL/M	1	PROTECTIVE EARTH (GROUND)
33	46-271110P5	2	LABEL	1	MECHANICAL/MATERIAL COMP
34	46-182519P1	2	MECHANICAL/M	1	WARNING-CERTAIN CIRCUITS IN THIS
45	2147457	2	POWER CORD	1	LX SYSTEMS POWER CORD
46	2147005	2	HARNESS	1	LX SYSTEM J1 POWER HARNESS
47	2147004	2	HARNESS	1	LX SYSTEMS PDU POWER HARNESS
54	46-220492P4	2	TERMINAL	4	JUMPER WITH 0.69" CENTERS,
57	46-271382P6	2	CIRCUIT BREA	1	1 POLE, 15 AMP, STD TIME DELAY,
58	46-271382P15	2	CIRCUIT BREA	1	1 POLE, 20 AMP, STD TIME DELAY,
59	46-208695P65	2	BUSHING	1	HEYCO PART NO.2160 SB-1093-13 BLACK
60	46-328428P1	2	NUT	16	NUT HEXAGON 4 MM
61	46-328428P2	2	NUT	6	NUT HEXAGON 6 MM
63	46-328421P15	2	SCREW	3	SCREW PAN 4 MM 12 MM
65	2103585	2	SCREW	10	SCREW PAN 4 MM 8 MM
66	46-328421P17	2	SCREW	2	SCREW PAN 4 MM 20 MM
5322	46-170015P10	2	SCREW	6	6-32 X 1/4" LG BIND HD STL EXT TOOTH
14716	46-170012P35	2	NUT	10	6-32, 1/4" HEX KEPS NUT, 3/32 THICK
16755	46-208935P8	2	NUT	2	1/4-20, 7/16" HEX X 3/16 THK, BRASS
17233	46-208599P5	2	WASHER	1	1/4" SCREW SIZE EXTERNAL TOOTH STEEL
17888	46-220184P54	2	SCREW	1	1/4-20 X 1" LG, RND HD SLOT, BRASS

DUPLEX RECEPTACLE COVER

2148446



DUPLEX RECEPTACLE COVER

2148446

FRU N

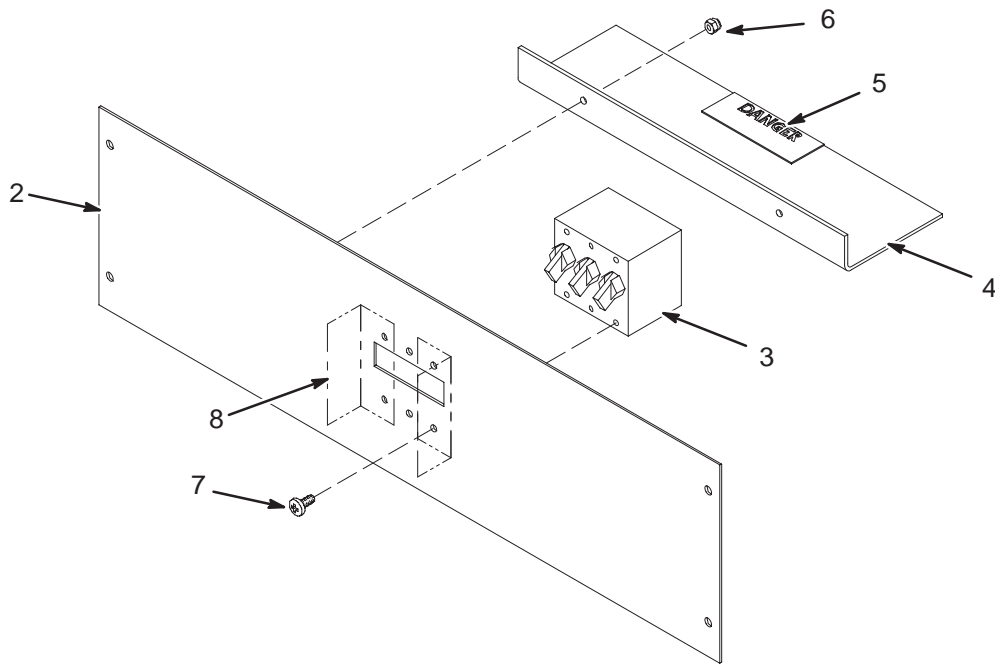
(PART 4 OF 2148375 PAGE 8-75)

(PART 4 OF 2297066 PAGE 8-76)

Item	Part Number	FRU	Name	Quantity	Description (Remarks)
2	2142464	2	COVER	1	COVER
3	46-278446P1	2	CONNECTOR	1	15A, 125VAC, 2 POLE, 3 WIRE
4	46-271382P6	2	CIRCUIT BREA	1	1 POLE, 15 AMP, STD TIME DELAY,
5	46-320656P1	2	COVER	1	TERMINAL BLOCK SHIELD 3" X 10" LEXAN
6	46-287757P1	N	LABEL	1	LABEL
7	46-328428P1	2	NUT	2	NUT HEXAGON 4 MM
8	46-170015P10	N	SCREW	2	SEMS,6-32 X .25
9	46-170012P35	N	NUT	2	6-32, 1/4" HEX KEPS NUT, 3/32 THICK

CIRCUIT BREAKER COVER

2148447



CIRCUIT BREAKER COVER

2148447 FRU N

(PART 5 OF 2148375 PAGE 8-75)

(PART 5 OF 2297066 PAGE 8-76)

Item	Part Number	FRU	Name	Quantity	Description (Remarks)
2	2142122	2	COVER	1	COVER, CIRCUIT BREAKER
3	46-271382P10	2	CIRCUIT BREA	1	3 POLE, 30 AMP, STD TIME DELAY,
4	46-320656P1	2	COVER	1	TERMINAL BLOCK SHIELD 3" X 10" LEXAN
6	46-328428P1	2	NUT	2	NUT HEXAGON 4 MM
7	46-170015P10	2	SCREW	6	6-32 X 1/4" LG BIND HD STL EXT TOOTHREV 8

AP RECON PROCESSOR-SINGLE 2101767-18 FRU N (PART OF M1000ML - SECTION 1)

Item	Part Number	FRU	Name	Quantity	Description (Remarks)
1	2101767-16	1	MEDCAM	1	MERCURY 900-05017 MEDCAM BASEBD W/NEW EMC SHIELD
2	2101767-2	1	MEDCAM FRU	1	MERCURY TBD DC1P8-8M CE NODE MODULE
4	2101767-4	1	MEDCAM FRU	1	MEDCAM VMX 128 MB MEMORY BOARD

AP RECON PROCESSOR-QUAD 2101767-20 FRU N (PART OF M1000MM - SECTION 1)

Item	Part Number	FRU	Name	Quantity	Description (Remarks)
1	2101767-16	1	MEDCAM	1	MERCURY 900-05017 MEDCAM BASEBD W/NEW EMC SHIELD
2	2101767-4	1	MEDCAM FRU	1	MEDCAM VMX 128 MB MEMORY BOARD
4	2101767-8	1	MEDCAM FRU	2	16MB DUAL CE NODE

AP RECON PROCESSOR-HEX 2101767-22 FRU N (PART OF M1000MG - SECTION 1)

Item	Part Number	FRU	Name	Quantity	Description (Remarks)
1	2101767-16	1	MEDCAM	1	MERCURY 900-05017 MEDCAM BASEBD W/NEW EMC SHIELD
2	2101767-4	1	MEDCAM FRU	1	MEDCAM VMX 128 MB MEMORY BOARD
4	2101767-8	1	MEDCAM FRU	3	16MB DUAL CE NODE

AP POWER PC W/128MB - SINGLE 2222532-4 FRU N (PART OF M1000RL - SECTION 1)

Item	Part Number	FRU	Name	Quantity	Description (Remarks)
1	2222532	1	MEDCAM	1	PPC COMPATIBLE MEDCAM BASEBOARD
2	2222532-2	1	MEDCAM	1	32MB SINGLE PPC MODULE
3	2101767-4	1	MEDCAM FRU	1	MEDCAM VMX 128 MB MEMORY BOARD

AP POWER PC W/128MB - DUAL 2222532-5 FRU N (PART OF M1000RM - SECTION 1)

Item	Part Number	FRU	Name	Quantity	Description (Remarks)
1	2222532	1	MEDCAM	1	PPC COMPATIBLE MEDCAM BASEBOARD
2	2222532-3	1	MEDCAM	1	DUAL PPC MODULE W/64MB(32MB/CE NODE)
3	2101767-4	1	MEDCAM FRU	1	MEDCAM VMX 128 MB MEMORY BOARD

AP POWER PC W/128MB - HEX 2222532-7 FRU N (PART OF M1000RN - SECTION 1)

Item	Part Number	FRU	Name	Quantity	Description (Remarks)
1	2222532	1	MEDCAM	1	PPC COMPATIBLE MEDCAM BASEBOARD
2	2222532-3	1	MEDCAM	3	DUAL PPC MODULE W/64MB(32MB/CE NODE)
3	2101767-4	1	MEDCAM FRU	1	MEDCAM VMX 128 MB MEMORY BOARD

34MHZ PPC W/256MB – DUAL 2292662-8 FRU N (PART OF M3000RC – SECTION 1)

Item	Part Number	FRU	Name	Quantity	Description (Remarks)
1	2292662	1	MEDCAM	1	34 MHZ DUTCHBOY MEDACM W/FLEX ASIC
2	2292662-3	1	MEDCAM	2	128MB PMOD MEMORY BOARD
3	2222532-3	1	MEDCAM	1	DUAL PPC MODULE W/64MB(32MB/CE NODE)
4	2292662-6	1	MEDCAM	6	MEDCAM DAUGHTERCARD SITE TERMINATOR

34MHZ PPC W/512MB – DUAL 2292662-9 FRU N (PART OF M3000RB – SECTION 1)

Item	Part Number	FRU	Name	Quantity	Description (Remarks)
1	2292662	1	MEDCAM	1	34 MHZ DUTCHBOY MEDACM W/FLEX ASIC
2	2222532-3	1	MEDCAM	1	DUAL PPC MODULE W/64MB(32MB/CE NODE)
3	2292662-3	1	MEDCAM	4	128MB PMOD MEMORY BOARD
4	2292662-6	1	MEDCAM	4	MEDCAM DAUGHTERCARD SITE TERMINATOR

34MHZ PPC W/512MB – HEX 2292662-10 FRU N (PART OF M3000RA – SECTION 1)

Item	Part Number	FRU	Name	Quantity	Description (Remarks)
1	2292662	1	MEDCAM	1	34 MHZ DUTCHBOY MEDACM W/FLEX ASIC
2	2222532-3	1	MEDCAM	3	DUAL PPC MODULE W/64MB(32MB/CE NODE)
3	2292662-3	1	MEDCAM	4	128MB PMOD MEMORY BOARD

AMI MEDCAM DUAL PPC w/256MB 2292662-12 FRU N (PART OF M3000RA – SECTION 1)

Item	Part Number	FRU	Name	Quantity	Description (Remarks)
1	2292662-11	1	MEDCAM	1	AMI MEDCAM PPC BASEBOARD W/FP COVER
2	2292662-3	1	MEDCAM	2	128MB PMOD MEMORY BOARD
3	2222532-3	1	MEDCAM	1	DUAL PPC MODULE W/64MB(32MB/CE NODE)

AMI MEDCAM DUAL PPC w/512MB 2292662-13 FRU N (PART OF M3000RB – SECTION 1)

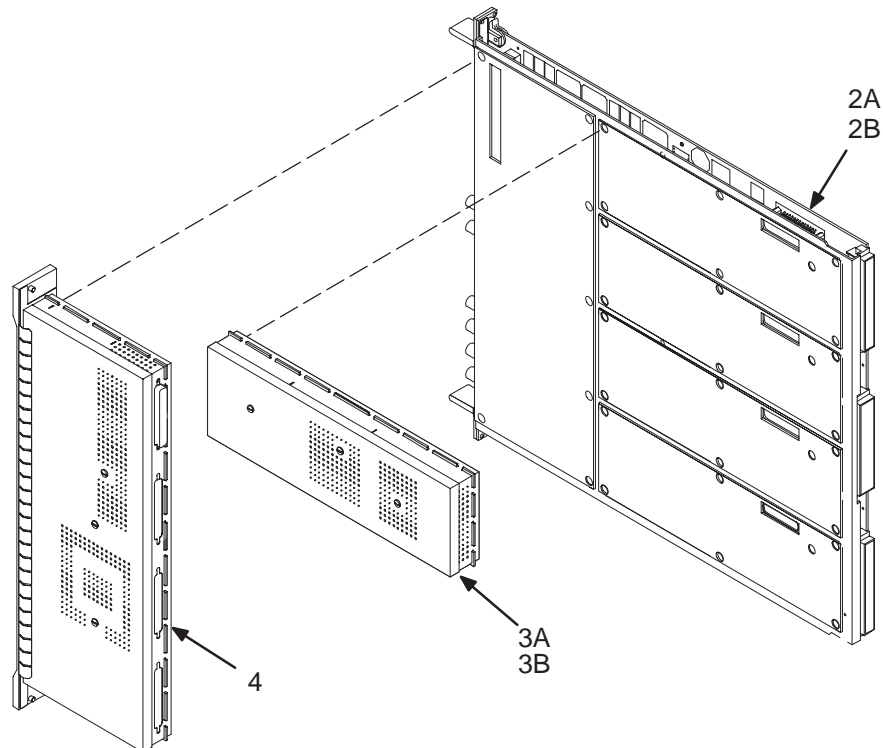
Item	Part Number	FRU	Name	Quantity	Description (Remarks)
1	2292662-11	1	MEDCAM	1	AMI MEDCAM PPC BASEBOARD W/FP COVER
2	2222532-3	1	MEDCAM	1	DUAL PPC MODULE W/64MB(32MB/CE NODE)
3	2292662-3	1	MEDCAM	4	128MB PMOD MEMORY BOARD

AMI MEDCAM HEX PPC w/512MB 2292662-14 FRU N (PART OF M3000RA – SECTION 1)

Item	Part Number	FRU	Name	Quantity	Description (Remarks)
1	2292662-11	1	MEDCAM	1	AMI MEDCAM PPC BASEBOARD W/FP COVER
2	2222532-3	1	MEDCAM	3	DUAL PPC MODULE W/64MB(32MB/CE NODE)
3	2292662-3	1	MEDCAM	4	128MB PMOD MEMORY BOARD

1.0T & 1.5T CERD MODULE

2102500-2 & -3



1.0T CERD MODULE 2102500-2 FRU N (PART OF 2138300-6 PAGE 8-57)

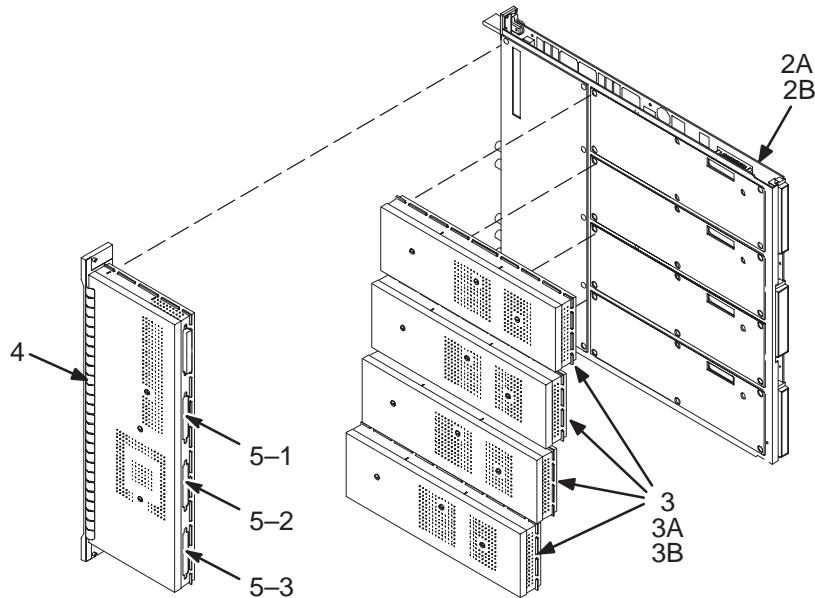
Item	Part Number	FRU	Name	Quantity	Description (Remarks)
2A	46-328055G7	1	DIG BRD ASM	1	CERD DIGITAL PHAE IV - 256K & 4005E
2B	46-328055G5	1	DIG BRD ASM	ALT	DIGITAL SHIELD ASSEMBLY
3A	2101901-11	1	RECEIVER	1	1.0T CERD RF RECEIVER ASM
3B	2101901-7	1	RECEIVER	ALT	1.0T RECEIVER SHIELD ASM
4A	2148300-7	1	ASSEMBLY	1	1.0T CERD EXCITER ASM 97 W/S
4B	2148300-5	1	ASSEMBLY	ALT	1.0T CERD EXCITER ASM 97

1.5T CERD MODULE 2102500-3 FRU N (PART OF 2138300-4 PAGE 8-55)

Item	Part Number	FRU	Name	Quantity	Description (Remarks)
2A	46-328055G7	1	DIG BRD ASM	1	CERD DIGITAL PHAE IV - 256K & 4005E
2B	46-328055G5	1	DIG BRD ASM	ALT	DIGITAL SHIELD ASSEMBLY
3A	2101901-12	1	RECEIVER	1	1.5T CERD RF RECEIVER ASM
3B	2101901-8	1	RECEIVER	ALT	1.5T RECEIVER SHIELD ASM
4A	2148300-8	1	ASSEMBLY	1	1.5T CERD EXCITER ASM 97 W/S
4B	2148300-6	1	ASSEMBLY	ALT	1.5T CERD EXCITER ASM 97

1.0T & 1.5T 4 CHANNEL CERD MODULE

2102500-5, -6, & -12



4 CHANNEL 1.0T CERD MODULE 2102500-5 FRU N (PART OF 2138300-9 PAGE 8-59)

Item	Part Number	FRU	Name	Quantity	Description (Remarks)
2A	46-328055G7	1	DIG BRD ASM	1	CERD DIGITAL PHASE IV - 256K & 4005E
2B	46-328055G5	1	DIG BRD ASM	ALT	DIGITAL SHIELD ASSEMBLY
3A	2101901-11	1	RECEIVER	4	1.0T CERD RF RECEIVER ASSEMBLY
3B	2101901-7	1	RECEIVER	ALT	1.0T RECEIVER SHIELD ASM
4A	2148300-7	1	ASSEMBLY	1	1.0T CERD EXCITER ASM 97 W/S
4B	2148300-5	1	ASSEMBLY	ALT	1.0T CERD EXCITER ASM 97
5	2210553	N	KIT OF PARTS	1	CERD CABLE KIT (SEE PAGE 8-86)

4 CHANNEL 1.5T CERD MODULE 2102500-6 FRU N (PART OF 2138300-2 PAGE 8-51)
(PART OF 2138300-3 PAGE 8-53)

Item	Part Number	FRU	Name	Quantity	Description (Remarks)
2A	46-328055G7	1	DIG BRD ASM	1	CERD DIGITAL PHASE IV - 256K & 4005E
2B	46-328055G5	1	DIG BRD ASM	ALT	DIGITAL SHIELD ASSEMBLY
3A	2101901-12	1	RECEIVER	4	1.5T CERD RF RECEIVER ASSEMBLY
3B	2101901-8	1	RECEIVER	ALT	1.5T RECEIVER SHIELD ASM
4A	2148300-8	1	ASSEMBLY	1	1.5T CERD EXCITER ASM 97 W/S
4B	2148300-6	1	ASSEMBLY	ALT	1.5T CERD EXCITER ASM 97
5	2210553	N	KIT OF PARTS	1	CERD CABLE KIT (SEE PAGE 8-86)

4 CHAN 1.5T CERD MOD - CVMR 2102500-12 FRU N (PART OF 2138300-12 PAGE 8-61)

Item	Part Number	FRU	Name	Quantity	Description (Remarks)
2A	46-328055G7	1	DIG BRD ASM	1	CERD DIGITAL PHASE IV - 256K & 4005E
2B	46-328055G5	1	DIG BRD ASM	ALT	DIGITAL SHIELD ASSEMBLY
3	2101901-12	1	RECEIVER	4	1.5T CERD RF RECEIVER ASSEMBLY
4A	2148300-8	1	ASSEMBLY	1	1.5T CERD EXCITER ASM 97 W/S
4B	2148300-6	1	ASSEMBLY	ALT	1.5T CERD EXCITER ASM 97
5A	2210553	N	CERD CBL KIT	1	CERD CABLE KIT (SEE PAGE 8-86)
5B	2148436	N	CERD CBL KIT	ALT	CERD CABLE KIT (SEE PAGE 8-86)

REV 14

DIRECTION 2138247

CERD CABLE KIT 2148436 FRU N (PART OF 2102500-12 PAGE 8-85)

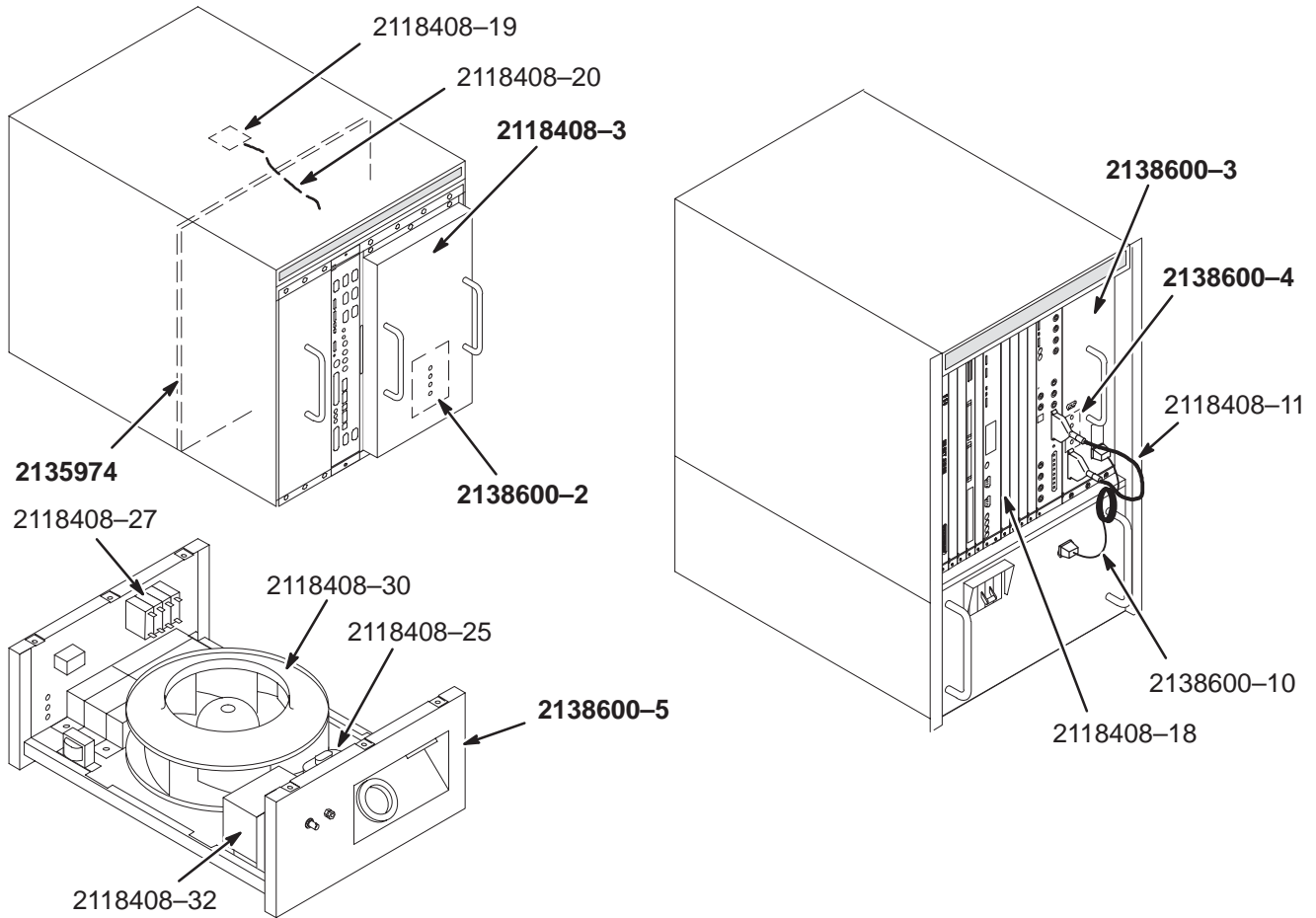
<u>Item</u>	<u>Part Number</u>	<u>FRU</u>	<u>Name</u>	<u>Quantity</u>	<u>Description (Remarks)</u>
1	2144087	2	HARNESS	1	CERD EXCITER HARNESS
2	2144087	2	HARNESS	1	CERD EXCITER HARNESS
3	2144087	2	HARNESS	1	CERD EXCITER HARNESS

CERD CABLE KIT 2210553 FRU N (PART OF 2102500-5 PAGE 8-85)
(PART OF 2102500-6 PAGE 8-85)
(PART OF 2102500-12 PAGE 8-85)

<u>Item</u>	<u>Part Number</u>	<u>FRU</u>	<u>Name</u>	<u>Quantity</u>	<u>Description (Remarks)</u>
1	2210323	2	HARNESS	1	CERD EXCITER HARNESS
2	2210324	2	HARNESS	1	CERD EXCITER HARNESS
3	2210325	2	HARNESS	1	CERD EXCITER HARNESS

LX ISE CHASSIS

2138600



LX ISE CHASSIS

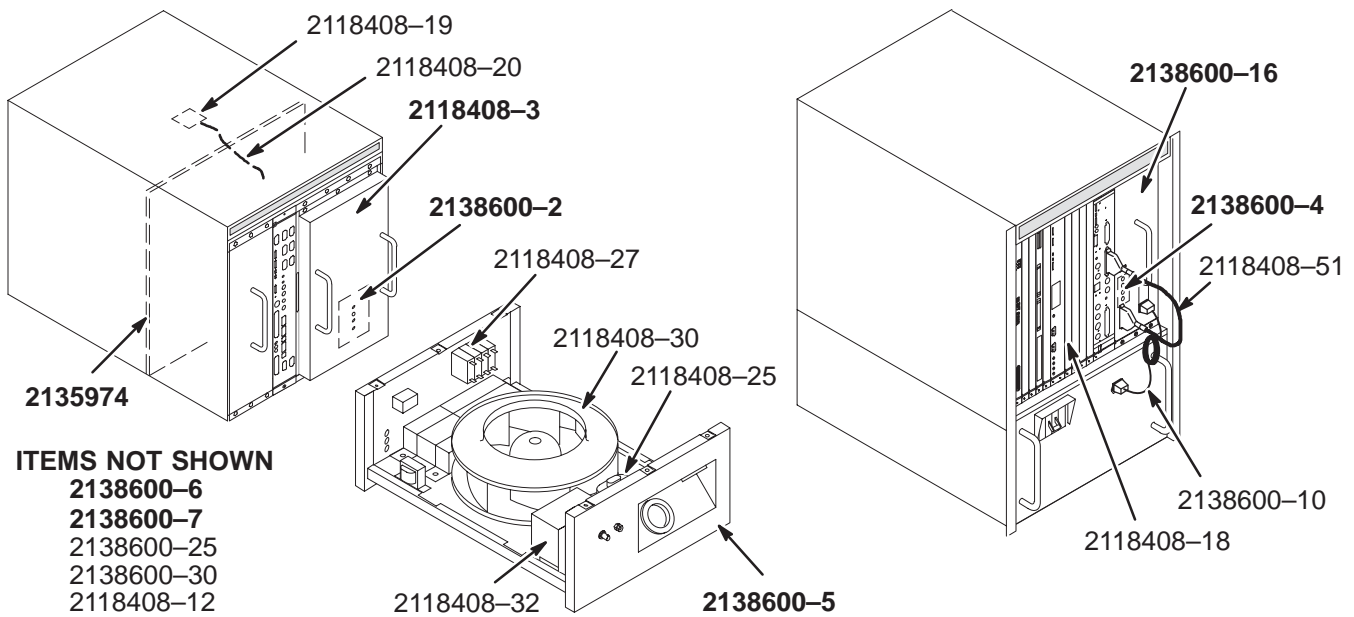
2138600

FRU N

(PART 3 OF 2138300-2 PAGE 8-51)
 (PART 3 OF 2138300-3 PAGE 8-53)
 (PART 3 OF 2138300-4 PAGE 8-55)
 (PART 3 OF 2138300-6 PAGE 8-57)
 (PART 3 OF 2138300-9 PAGE 8-59)
 (PART 3 OF 2138300-16 PAGE 8-61)

Item	Part Number	FRU	Name	Quantity	Description (Remarks)
	2138600-2	1		1	MAIN POWER SUPPLY REMOTE ADJ PCB ASM
	2138600-3	1		1	ISE LX CERD POWER SUPPLY ASM
	2138600-4	1		1	LX CERD REMOTE ADJ PCB ASM
	2138600-5	1		1	LX FAN TRAY ASM
	2138600-10	2		1	CERD LINEAR POWER SUPPLY AC POWER CABLE ASM (EXT)
	2118408-3	1		1	MAIN POWER SUPPLY - BACKPLANE
	2118408-11	2		1	CERD DC POWER CABLE (EXT)
	2118408-18	2			SINGLE WIDE TYPE SLOT BLOCKER
	2118408-19	2		1	TEMPERATURE SENSOR BOARD
	2118408-20	2		1	THREML SENSE CABLE (INT)
	2118408-25	2		1	FAN MOTOR CAPACITOR, 15UF
	2118408-27	2		1	MAIN CIRCUIT BREAKER 4PL SP/2T
	2118408-30	2		1	FAN WITH HARNESS
	2118408-32	2		1	6.3 VAC TRANSFORMER WITH HARNESS
	2135974	1		1	ISE CHASSIS BACKPLANE

LX ISE CHASSIS 2138600-31



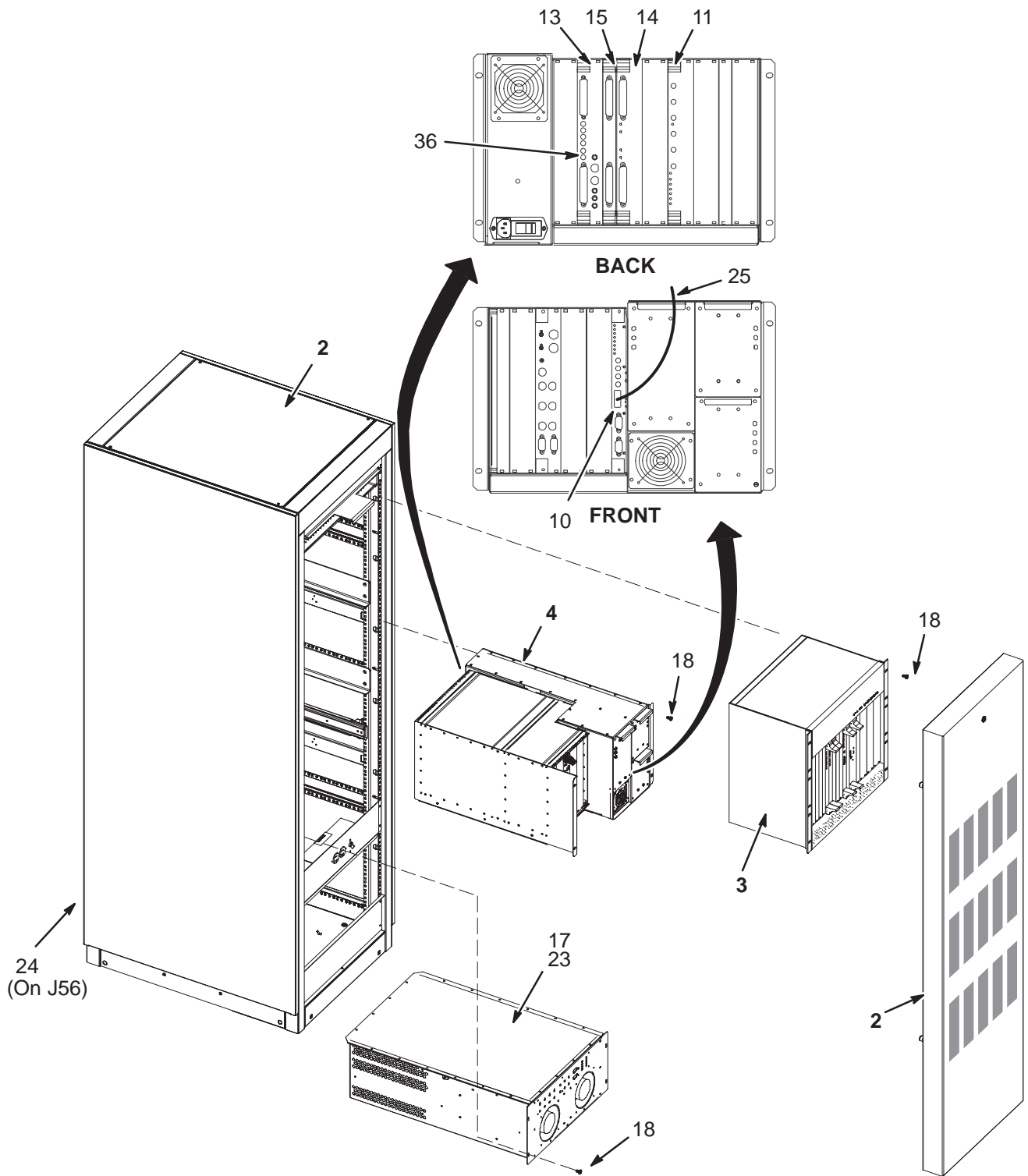
ITEMS NOT SHOWN
 2138600-6
 2138600-7
 2138600-25
 2138600-30
 2118408-12

LX ISE CHASSIS 2138600-31 FRU N (PART 3 OF 2138300-19 PAGE 8-63)
 (PART 3 OF 2138300-20 PAGE 8-65)
 (PART 3 OF 2138300-21 PAGE 8-67)
 (PART 3 OF 2138300-23 PAGE 8-70)

Item	Part Number	FRU	Name	Quantity	Description (Remarks)
	2138600-2	1		1	MAIN POWER SUPPLY REMOTE ADJ PCB ASM
	2138600-16	1		1	ISE LX CERC POWER SUPPLY ASM
	2138600-4	1		1	LX CERC REMOTE ADJ PCB ASM
	2138600-5	1		1	LX FAN TRAY ASM
	2138600-6	1		1	SPECTRO LINEAR PSU ASM W/REMOTE ADJ (NOT SHOWN)
	2138600-7	1		1	SPECTRO PANEL (NOT SHOWN)
	2138600-10	2		1	CERC LINEAR POWER SUPPLY AC POWER CABLE ASM (EXT)
	2118408-18	2		1	SINGLE WIDE TYPE SLOT BLOCKER
	2118408-19	2		1	TEMPERATURE SENSOR BOARD
	2118408-20	2		1	THERMAL SENSE CABLE (INT)
	2118408-25	2		1	FAN MOTOR CAPACITOR, 15UF
	2118408-27	2		1	MAIN CIRCUIT BREAKER 4PL SP/2T
	2118408-30	2		1	FAN WITH HARNESS
	2118408-32	2		1	6.3 VAC TRANSFORMER WITH HARNESS
	2135974	1		1	ISE CHASSIS BACKPLANE
	2118408-3	1		1	ISE II MAIN POWER SUPPLY
	2118408-12	2		1	LINE TRIGGER CABLE (NOT SHOWN)
	2118408-51	2		1	CERC DC POWER CABLE ASM (EXT.)
	2138600-30	2		1	UCERC PSU DC POWER CABLE ASM (EXT.) (NOT SHOWN)
	2138600-32	2		1	TOLERANCE COMPENSATOR SPRINGSTRIP (CERC PS LeftSide)
	2138600-25	2		1	FAN TRAY AC PANEL CONNECTOR KIT (NOT SHOWN)
	2138600-27	2		1	OUTLET (PART OF 2138600-25)
	2138600-23	2		1	PLUG, TWIST LOCK 208VAC, 20A (PART OF 2138600-25)
	2138600-24	2		1	RECEPT. , TWIST LOCK, 208VAC, 20A (PART OF 2138600-25)
	2138600-26	2		1	HARNESS, FAN TRAY AC POWER (INT.)

EXCITE II 1.5T SYSTEM CABINET

2357500-2



EXCITE II SYSTEM CABINET 2357500-2 FRU N (PART OF 1A OF 2396084 PAGE 8-89)

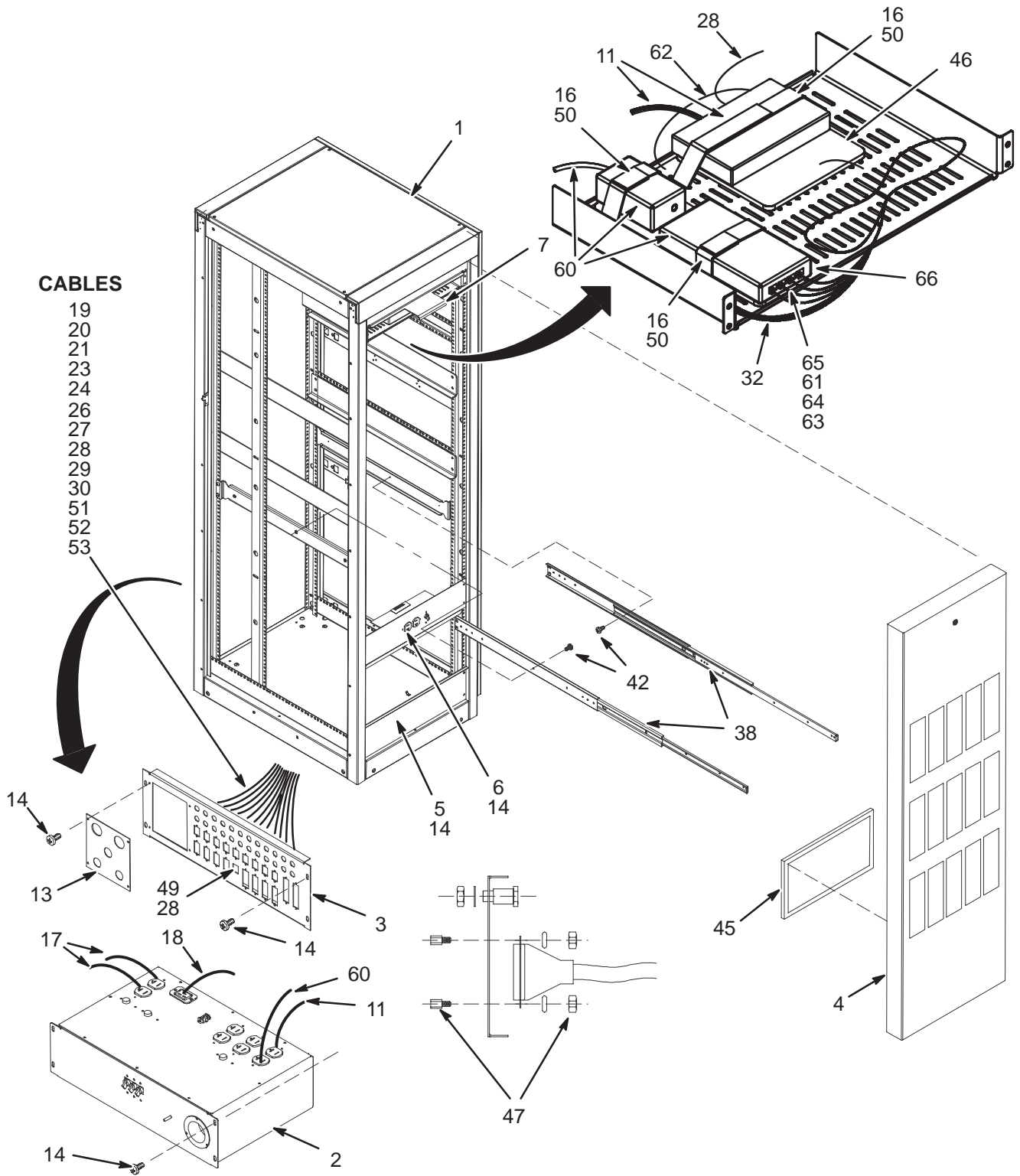
Item	Part Number	FRU	Name	Quantity	Description (Remarks)
2	2372910	N	CABINET	1.0	EXCITE II SYS CABINET SUB ASSEMBLY (SEE PAGE 8-93)
3	2320127-3	N	COLLECTOR	1.0	MGD2(PINOT) & GEMS BOARDS(4 CHAN) (SEE PAGE 8-100)
4	2308900	N	ASSEMBLY	1.0	RF MODULE W/POWER SUPPLIES (SEE PAGE 8-107)
10	5250028	2	PDM CIRCUITB	1.0	REMOTE RF BOARD
11	2361470-2	2	PDM CIRCUITB	1.0	NMR RRF MASTER EXCITER 2 BOARD EMC E
13	5250106	2	PDM ASSEMBLY	1.0	MUX 2 BOARD
14	2349808-2	2	PDM CIRCUITB	1.0	NMR RECEIVER II EMC ED2 COMPLIANT
15	2366218-2	2	PDM CIRCUITB	1.0	NMR UTNS3 EMC ED2 COMPLIANT
17	2296100	2	MODULE	1.0	DRIVER MODULE
18	2279742-2	N	SCREW	16.0	SCREW PAN HEAD 5 MM 16 MM
22	46-208758P2	N	TY-RAP	20.0	5.5" X .140" SELF-LOCKING CABLE TIE.
23	2109873-14	N	SCREW	6.0	SCREW PAN HEAD Z M4X10 A2-70
24	2303317	2	PART	1.0	CAN TERMINATION (MALE)
25	2354020	N	PART	1.0	FIBER CABLE RF/DF-J21 TO IRF I/O-J20
36	2329754	2	OUT OF CATAL	1.0	TERMINATOR,50 OHM SMB
38	2282929-2	N	OUT OF CATAL	1.0	ESD CAN DRIVER FOR VXWORKS(MR)
100	2385053-2	N	PDM COLLECTO	1.0	G3 3T SYSTEM CABINET CABLE KIT (SEE PAGE 8-91)

SYSTEM CABINET CABLE KIT 2385053-2 FRU N (PART 100 OF 2357500-2 PAGE 8-91)

Item	Part Number	FRU	Name	Quantity	Description (Remarks)
2	2323878	N	PART	1.0	9PIN SUBD CABLE RFDF J22 TO SCP PMC2
3	2323878-2	N	PART	1.0	9PIN SUBD CABLE(RF/IO J16 -USSS J19)
4	5123706	N	PDM PART	1.0	8W8,RRF SLOT 14R-J12 TO RRF SLOT12R-J6
5	2297729-3	N	CABLE	1.0	SMB TO SMB (RG316DS) 210 MM
6	5113193	N	PDM PART	1.0	RRF SLOT 12R-J7 TO RRF SLOT 11R-J6 &J7 TO SLOTJR-J7,J8
7	2323878-3	N	PART	1.0	9PIN SUBD CABLE(USSS J2 TO RFDF J23)

EXCITE II 1.5T SYSTEM CABINET SUBSYSTEM

2372910



CABLES

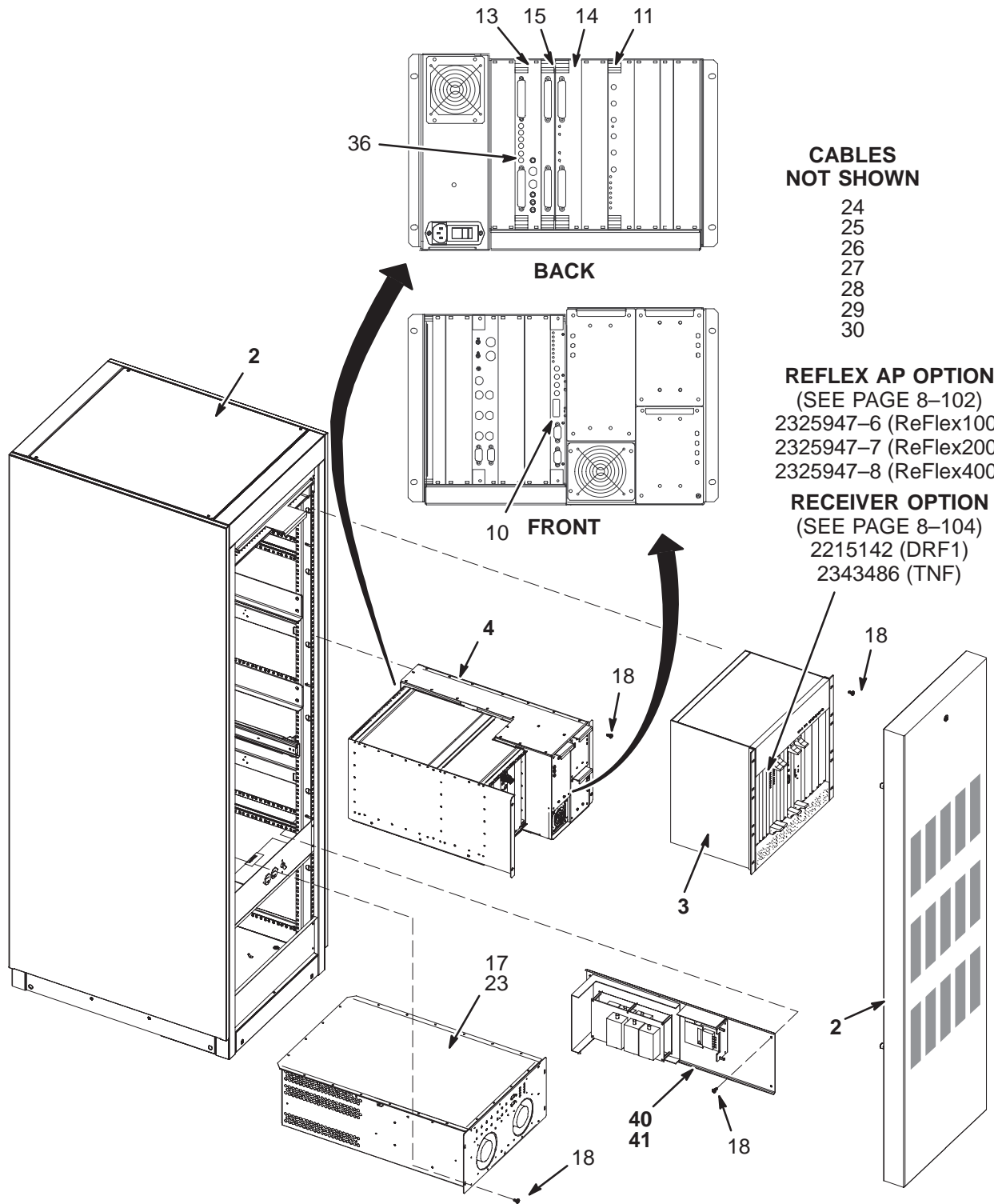
- 19
- 20
- 21
- 23
- 24
- 26
- 27
- 28
- 29
- 30
- 51
- 52
- 53

EXCITE II SYSTEM CAB SUB-ASM 2372910 FRU N (PART 2 OF 2357500-2 PAGE 8-91)

Item	Part Number	FRU	Name	Quantity	Description (Remarks)
1	2294301	N	PART	1.0	BASIC SYSTEM CABINET (MR)
2	2316741	2	MODULE	1.0	MGD SYSTEM CABINET AC DISTRIBUTION (SEE PAGE 8-98)
3	2315371	N	I/F PANEL	1.0	I/F PANEL MGD SYSTEM CAB
4	2316740	N	COVER	1.0	MGD SYSTEM CABINET FRONT COVER
5	2316661	N	COVER	1.0	COVER SUPPORT BLANK PANEL
6	2325142	N	PART	1.0	MGD SERVICE PANEL (SEE PAGE 8-99)
7	2271488	N	BRACKET	1.0	SLAM LATCH BRACKET
11	2340663	N	OUT OF CATAL	1.0	SWITCH, ETHERNET, 8 PORT
13	2336523	N	PART	1.0	MGD FIBER CABLE ADAPTER PLATE
14	2279742-2	N	SCREW	32.0	SCREW PAN HEAD 5 MM 16 MM
15	2180698-2	N	NUT	72.0	NUT CLIP ON 5 MM
16	2238826	N	OUT OF CATAL	0.0	VELCRO STRAP 1 INCH BLACK TYPE 889
17	2322427	N	OUT OF CATAL	2.0	POWER CORD NEMA MALE TO IEC320F 7FT
18	2322434	N	OUT OF CATAL	1.0	POWER CORD IEC-320-C19 TO C20 8FT
19	2308729	2	CABLE	1.0	BNC TO SMB CABLE(MUXJ8 TO I/OJ1)
20	2308728	2	CABLE	1.0	8W8 CABLE ASSEMBLY
21	2322578	2	PART	1.0	J15/23/25/26 DATA INPUT CABLE
23	2322580	2	PART	1.0	J18 UNBLANK CABLE
24	2322581	2	PART	1.0	J24 CABLE MAGNET MONITOR
26	2322583	2	PART	1.0	J62 USSS 1 CABLE (15 PIN SUBD)
27	2322586	2	PART	1.0	J61 USSS 2 CABLE (37PIND)
28	2315093-2	2	CABLE	1.0	ETHERNET CABLE 2500 MM
29	2308729-2	2	CABLE	1.0	BNC TO SMB CABLE(MUXJ13 TO I/OJ2)
30	2308729-3	2	CABLE	1.0	BNC TO SMB CABLE(MUXJ14 TO I/O J3)
32	2315093	2	CABLE	3.0	ETHERNET CABLE 1000MM
37	2324170	N	HARNESS	1.0	MGD SYSTEM CABINET LEAD DATA
38	2323328	N	OUT OF CATAL	1.0	BALL BEARING SLIDES (1 PAIR)QTY 2
45	46-306565P1	2	AIR FILTER	3.0	RESEARCH PRODUCTS 10"EZ-CLEAN FILTER
46	2100969	N	PAD	1.0	BATTERY SEPARATOR PAD
47	46-221417P1	N	CONNECTOR	15.0	FEMALE SCREWLOCKS, TWO PER KIT
49	2301294-2	N	OUT OF CATAL	1.0	SHIELDED RJ45 BULKHEAD FEEDTHRU
50	46-136246P15	N	TAPE	0.0	3/4" WIDE, WHT ADH BACK, VELCRO LOOP
51	2368552-3	N	PART	1.0	CABLE RF SLOT 12R-J31 TO I/O J54
52	2308729-4	N	CABLE	1.0	BNC TO SMB CABLE(MUXJ9 TO I/O J52)
53	2363363	N	PART	1.0	CAN CABLE DRVR J1 TO I/O PANEL J56
60	2379186	2	OUT OF CATAL	1.0	TERM.SERVER, PWR SUP/CORD, REALPORT
61	2378841	N	PART	1.0	MGD SLOT 12F CONSOLE TO TERM/SERV3
62	2378844	N	PART	1.0	TERM/SERV TO LAND HUB
63	2378848	N	PART	1.0	MGD SLOT1F COM 1 TO TERM/SERV 1
64	2378848-2	N	PART	1.0	MGD 10F COM1 TO TERM/SERV 2
65	2378848-3	N	PART	1.0	MGD SLOT13R -J4 TO TERM/SERVER 4
66	2379189	N	PAD	1.0	TERMINAL SERVER PAD EXCITE II

EXCITE 1.5T SYSTEM CABINET

2294302



CABLES NOT SHOWN

- 24
- 25
- 26
- 27
- 28
- 29
- 30

REFLEX AP OPTION
(SEE PAGE 8-102)

- 2325947-6 (ReFlex100)
- 2325947-7 (ReFlex200)
- 2325947-8 (ReFlex400)

RECEIVER OPTION
(SEE PAGE 8-104)

- 2215142 (DRF1)
- 2343486 (TNF)

EXCITE I SYSTEM CABINET ASM, 2294302 FRU N (PART 1 OF 2396085 PAGE 8-89)

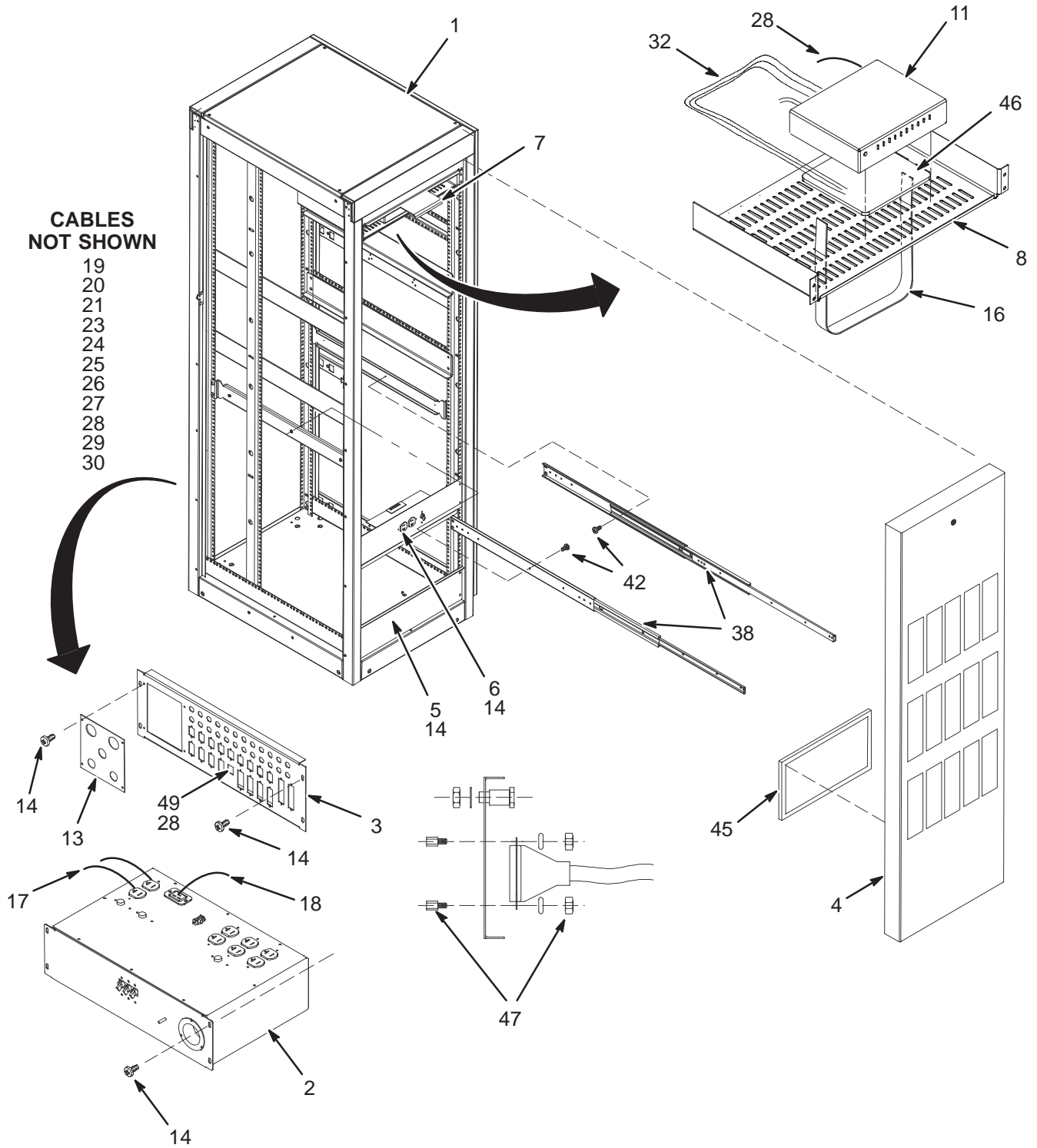
Item	Part Number	FRU	Name	Quantity	Description (Remarks)
2	2316712	N	CABINET	1	SYSTEM CABINET SUBSYSTEM (MGD) (SEE PAGE 8-97)
3	2320127	N	COLLECTOR	1	MGD (PINOT) AND GEMS BOARDS (4 CHAN) (SEE PAGE 8-100)
4	2308900	N	ASSEMBLY	1	RF MODULE W/POWER SUPPLIES (SEE PAGE 8-107)
10	5250028	2	CIRCUIT BOARD	1.0	REMOTE RF BOARD
11	2274186	2	CIRCUIT BOARD	1	REMOTE RF MASTER EXCITER
13	2274188	2	CIRCUIT BOARD	1	REMOTE RF MULTIPLEXOR
14	2274190	2	CIRCUIT BOARD	1	REMOTE RF QUAD ADC
15	2344270	2	CIRCUIT BOARD	1	UNIVERSAL TRANSIENT NOISE SUPPRESSOR
17	2296100	2	MODULE	1	DRIVER MODULE
18	2279742-2	N	SCREW	20	SCREW PAN HEAD 5 MM 16 MM
22	46-208758P2	N	TY-RAP	20	5.5" X .140" SELF-LOCKING CABLE TIE.
23	2109873-14	N	SCREW	6	SCREW PAN HEAD Z M4X10 A2-70
24	2303317	2	PART	1	CAN TERMINATION (MALE)
25	2354020	2	PART	1	FIBER CABLE RF/DF-J21 TO IRF I/O-J20
26	2323878	2	PART	1	9PIN SUBD CABLE RFDF J22 TO SCP PMC2
27	2323878-2	2	PART	1	9PIN SUBD CABLE(RF/IO J16 -USSS J19)
28	2297731	2	CABLE	1	CABLE 8W8 TO 8W8 (RG316DS)
29	2297729-3	2	CABLE	1	SMB TO SMB (RG316DS) 210 MM
30	2297730	2	CABLE	1	CABLE 8W8 TO 17W5(RG316DS)
36	2329754	2	PART	1	TERMINATOR,50 OHM SMB
38	2282929-2	N	MISCELLANEOU	1	ESD CAN DRIVER FOR VXWORKS(MR)
39	2323878-3	2	PART	1	9PIN SUBD CABLE(USSS J2 TO RFDF J23)
40	2343486	N	ASSEMBLY	1	1.5T TRANSIENT NOISE SUPPRESSOR (SEE PAGE 8-105)
41	2344312	N	CABLE KIT	1	EXCITE TNF CABLE KIT (SEE PAGE 8-106)

EXCITE I CABINET UPGRADE H/W 2388675-3 FRU N (PART 2 OF 2396085 PAGE 8-89)

Item	Part Number	FRU	Name	Quantity	Description (Remarks)
1	2378848-3	N	PART	1.0	MGD SLOT13R -J4 TO TERM/SERVER 4
2	2378848	N	PART	1.0	MGD SLOT1F COM 1 TO TERM/SERV 1
3	2378848-2	N	PART	1.0	MGD 10F COM1 TO TERM/SERV 2
4	2378841	N	PART	1.0	MGD SLOT 12F CONSOLE TO TERM/SERV3
5	2378844	N	PART	1.0	TERM/SERV TO LAND HUB
6	2379189	N	PAD	1.0	TERMINAL SERVER PAD EXCITE II
7	2386538	N	PART	2.0	VELCRO STRAP TYPE 889
12	2379186	N	OUT OF CATAL	1.0	TERM.SERVER, PWR SUP/CORD, REALPORT

EXCITE 1.5T SYSTEM CABINET SUBSYSTEM

2316712

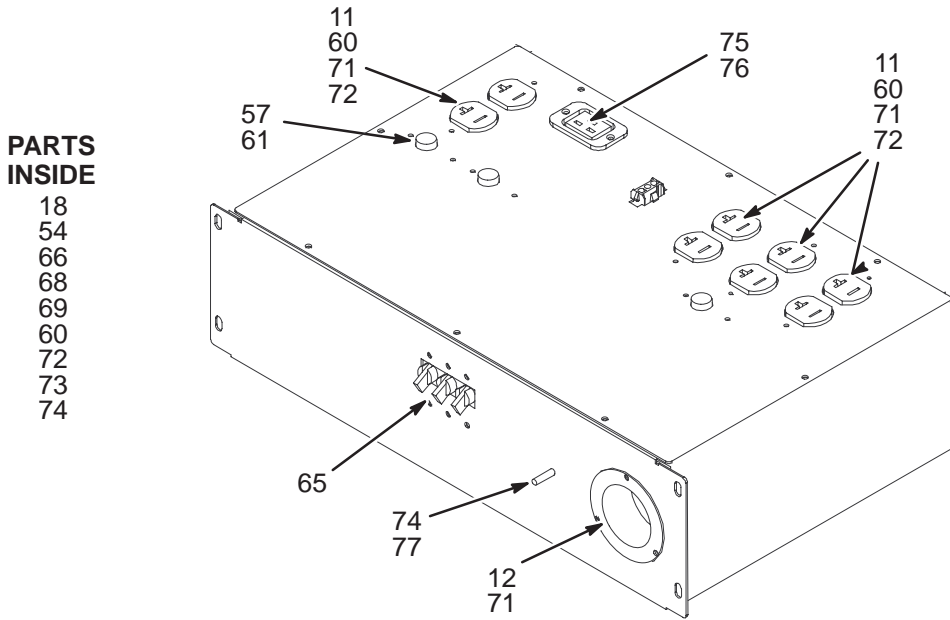


EXCITE SYSTEM CAB SUBSYSTEM, 2316712 FRU N

(PART OF 2294302 PAGE 8-95)

Item	Part Number	FRU	Name	Quantity	Description (Remarks)
1	2294301	N	PART	1	BASIC SYSTEM CABINET (MR)
2	2316741	2	MODULE	1	MGD SYSTEM CABINET AC DISTRIBUTION (SEE PAGE 8-98)
3	2315371	N	I/F PANEL	1	I/F PANEL MGD SYSTEM CAB
4	2316740	N	COVER	1	MGD SYSTEM CABINET FRONT COVER
5	2316661	N	COVER	1	COVER SUPPORT BLANK PANEL
6	2325142	N	PART	1	MGD SERVICE PANEL (SEE PAGE 8-99)
7	2271488	N	BRACKET	1	SLAM LATCH BRACKET
8	2308257	N	BRACKET	1	HUB BRACKET
9	2143934	N	ANGLE SUPPRT	4	ANGLE
11	2340663	N	PART	1	SWITCH, ETHERNET, 8 PORT
13	2336523	N	PART	1	MGD FIBER CABLE ADAPTER PLATE
14	2279742-2	N	SCREW	32	SCREW PAN HEAD 5 MM 16 MM
15	2180698-2	N	NUT	66	NUT CLIP ON 5 MM
16	2238826	N	VELCRO STRAP	AR	VELCRO STRAP 1 INCH BLACK TYPE 889
17	2322427	N	PART	2	POWER CORD NEMA MALE TO IEC320F 7FT
18	2322434	N	PART	1	POWER CORD IEC-320-C19 TO C20 8FT
19	2308729	2	CABLE	1	BNC TO SMB CABLE(MUXJ8 TO I/OJ1)
20	2308728	2	CABLE	1	8W8 CABLE ASSEMBLY
21	2322578	2	PART	1	J15/23/25/26 DATA INPUT CABLE
23	2322580	2	PART	1	J18 UNBLANK CABLE
24	2322581	2	PART	1	J24 CABLE MAGNET MONITOR
25	2322582	2	PART	1	J30/31 SERIAL EXP CABLE
26	2322583	2	PART	1	J62 USSS 1 CABLE (15 PIN SUBD)
27	2322586	2	PART	1	J61 USSS 2 CABLE (37PIND)
28	2315093-2	2	CABLE	1	ETHERNET CABLE 2500 MM
29	2308729-2	2	CABLE	1	BNC TO SMB CABLE(MUXJ13 TO I/OJ2)
30	2308729-3	2	CABLE	1	BNC TO SMB CABLE(MUXJ14 TO I/O J3)
32	2315093	2	CABLE	3	ETHERNET CABLE 1000MM
37	2324170	N	HARNESS	1	MGD SYSTEM CABINET LEAD DATA
38	2323328	N	RAIL	2	RAILS FOR A 30" CABINET
39	2318471	N	PART	2	BRACKET,SLIDE,3307-26 FOR 30" CAB
41	2109873-23	N	SCREW	6	SCREW PAN HEAD M4X10 MM
43	2326333	N	PART	16	SCREW FLAT HEAD 5 MM 20 MM
45	46-306565P1	2	AIR FILTER	3	RESEARCH PRODUCTS 10"EZ-CLEAN FILTER
46	2100969	N	PAD	1	BATTERY SEPARATOR PAD
47	46-221417P1	N	CONNECTOR	11	FEMALE SCREWLOCKS, TWO PER KIT
48	46-208758P3	N	TY-RAP	10	7.31" X .184" SELF-LOCKING CABLE TIE
49	2301294-2	N	PART	1	SHIELDED RJ45 BULKHEAD FEEDTHRU

EXCITE SYSTEM CABINET AC DISTRIBUTION, 2316741



PARTS
INSIDE

- 18
- 54
- 66
- 68
- 69
- 60
- 72
- 73
- 74

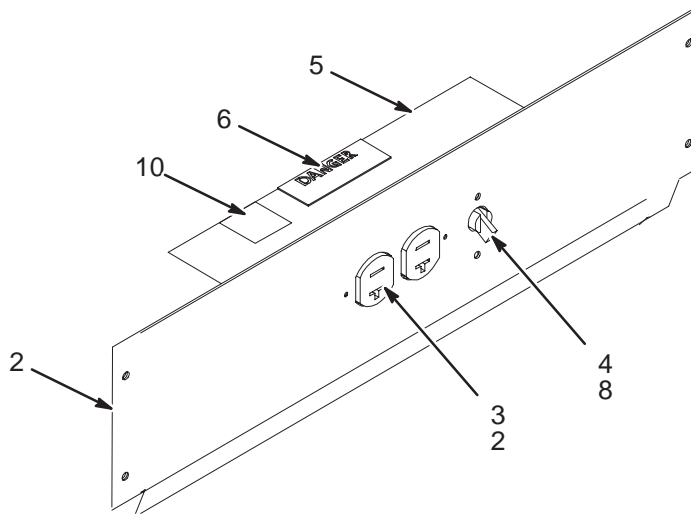
EXCITE SYS CAB AC DISTRIBUTION, 2316741 FRU 1

(PART 2 OF 2372910 PAGE 8-93)
(PART 2 OF 2316712 PAGE 8-97)

Item	Part Number	FRU	Name	Quantity	Description (Remarks)
2	2309829	N	COVER	1	COVER, A/C DISTRIBUTION PANEL
3	2309830	N	BOX	1	BOX, A/C DISTRIBUTION
11	46-278446P1	2	CONNECTOR	4	15A, 125VAC, 2 POLE, 3 WIRE
12	46-317671P1	2	CONNECTOR	1	FLANGED INLET, 30A, 120/208 3-PHASE
13	2325139	N	LEAD DATA	1	MGD AC DIST LEAD DATA
14	2325140	N	HARNESS	1	MGD AC DIST HARNESS
18	46-221880P22	N	TERMINAL	1	9 TERMINALS 50 AMP, 1700 VOLT,
24	46-208695P61	N	BUSHING	1	HEYCO PART NO.2126 SB-875-11 BLACK
54	46-220492P4	N	TERMINAL	4	JUMPER WITH 0.69" CENTERS,
57	46-271382P6	2	CIRCUIT BREA	3	1 POLE, 15 AMP, STD TIME DELAY,
60	46-328425P1	N	NUT	14	NUT HEXAGON 4 MM
61	46-170015P10	N	SCREW	8	SEMS,6-32 X .25
62	46-170015P18	N	SCREW	4	SEMS,6-32 X .3125
65	46-271382P10	2	CIRCUIT BREA	1	3 POLE, 30 AMP, STD TIME DELAY,
66	2327509	N	PART	1	MGD TRANSFORMER ASSEMBLY
68	46-170021P34	1	FUSE	1	001.500A 0250V 3AG FAST UL/C
69	46-236576P3	N	FUSE	1	1/4X1-1/4 (UL) RECOG. FUSE HOLDER
70	46-208759P1	N	TY-RAP	1	7.81" X .184" SELF-LOCKING CABLE TIE
71	2103584	N	SCREW	10	SCREW PAN HEAD 4 MM 8 MM
72	46-328433P2	N	WASHER	13	WASHER LOCK - EXTERNAL 4.3 MM 8 MM
73	46-328425P2	N	NUT	2	NUT HEXAGON 6 MM
74	46-328433P3	N	WASHER	3	WASHER LOCK - EXTERNAL 6.4 MM 11 MM
75	2301198	N	RECEPTACLE	1	20A, 125VAC REMALE RECEPTACLE
76	2327665	N	PART	2	SCREW FLAT HEAD 3 MM 10 MM
77	2327686	N	PART	1	WING NUT M6
78	2341592	N	PART	2	3 POLE CKT BREAKER PROTECTOR
79	46-328421P13	N	SCREW	1	SCREW PAN HEAD 4 MM 8 MM

EXCITE SYSTEM CABINET SERVICE PANEL

2325142



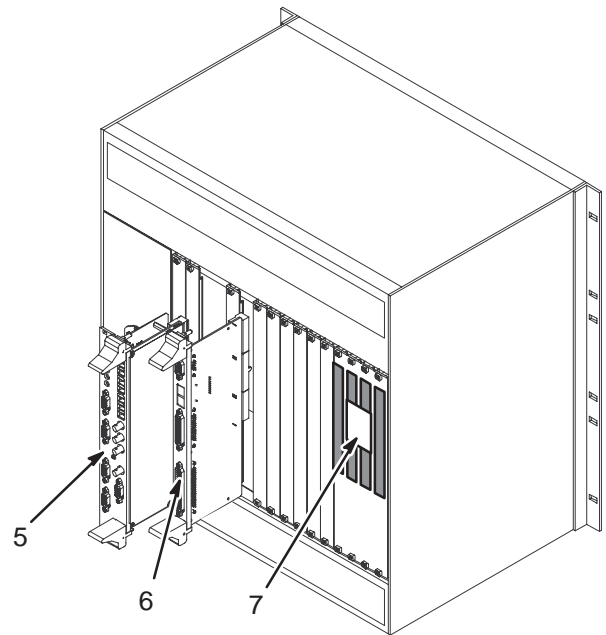
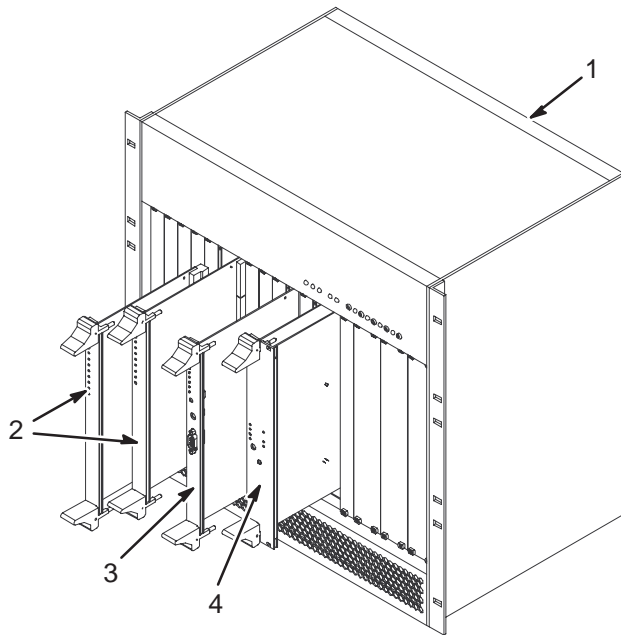
EXCITE SYSTEM CAB SERVICE PANEL 2325142 FRU N

(PART 2 OF 2372910 PAGE 8-93)
(PART OF 6 2316712 PAGE 8-97)

Item	Part Number	FRU	Name	Quantity	Description (Remarks)
2	2325145	N	PART	1	MGD SERVICE PANEL
3	46-278446P1	N	CONNECTOR	1	15A, 125VAC, 2 POLE, 3 WIRE
4	46-271382P6	N	CIRCUIT BREA	1	1 POLE, 15 AMP, STD TIME DELAY,
5	46-320656P1	N	COVER	1	TERMINAL BLOCK SHIELD 3" X 10" LEXAN
6	46-287757P1	N	LABEL	1	LABEL
7	46-328428P1	N	NUT	2	NUT HEXAGON 4 MM
8	46-170015P10	N	SCREW	2	SEMS,6-32 X .25
9	46-170012P35	N	NUT	2	6-32, 1/4" HEX KEPS NUT, 3/32 THICK
10	46-271110P3	N	LABEL	1	DANGEROUS VOLTAGE GRAPHIC SYMBOL

MGD CHASSIS with BOARDS

2320127 and 2320127-3



MGD CHASSIS & BOARDS

2320127 FRU N

(PART 3 OF 2294302 PAGE 8-95)

Item	Part Number	FRU	Name	Quantity	Description (Remarks)
1	2294300	N	PART	1	MGD CHASSIS (COMPACT PCI) (SEE PAGE 8-101)
2	2215142	1	CIRCUIT BOAR	2	DRF1 CIRCUIT BOARD
3	2274194	1	CIRCUIT BOAR	1	INTERFACE & REMOTE RF MAIN
4	2280951	1	ASSEMBLY	1	SRF/TRF CIRCUIT BOARD ASSEMBLY
5	2280952	1	ASSEMBLY	1	SRF/TRF I/O CIRCUIT BOARD ASSEMBLY
6	2274196	1	CIRCUIT BOAR	1	INTERFACE& REMOTE RF TRANSITION

MGD2 CHASSIS & BOARDS

2320127-3 FRU N

(PART 3 OF 2357500-2 PAGE 8-91)

Item	Part Number	FRU	Name	Quantity	Description (Remarks)
1	2294300-13	N	PART	1.0	MGD2 CHASSIS (COMPACT PCI) (SEE PAGE 8-101)
2	2215142	2	CIRCUIT BOAR	2.0	DRF1 CIRCUIT BOARD
3	2274194	2	CIRCUIT BOAR	1.0	INTERFACE & REMOTE RF MAIN
4	2280951	2	ASSEMBLY	1.0	SRF/TRF CIRCUIT BOARD ASSEMBLY
5	2280952-2	2	PDM ASSEMBLY	1.0	STIF ASSEMBLY
6	2274196	2	CIRCUIT BOAR	1.0	INTERFACE& REMOTE RF TRANSITION
7	2325947-14	2	PROCESSOR	1.0	MERCURY 910-07053 PIM

MGD CHASSIS **2294300** **FRU N** **(PART 1 OF 2320127 PAGE 8-100)**

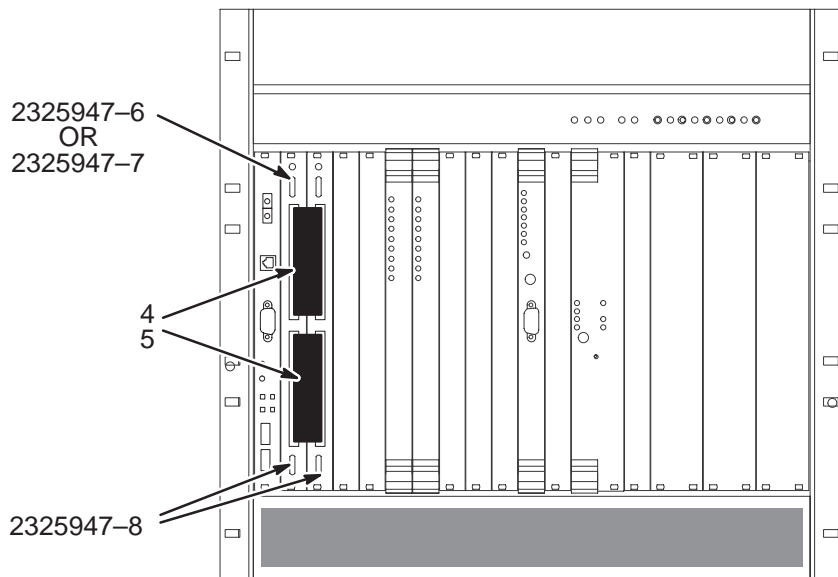
Item	Part Number	FRU	Name	Quantity	Description (Remarks)
	2294300-2	1	FRU	1	CHASSIS SCP W/CAN BOARD
	2294300-3	1	FRU	1	CHASSIS AGP BOARD
	2294300-4	1	FRU	1	CHASSIS APS WITH IT BOARD
	2294300-5	1	FRU	1	CHASSIS BRIDGE BOARD
	2294300-6	1	FRU	1	CHASSIS INCLUDING - BOX, CARD GUIDES, BACKPLANE, AC INLET, FAILURE INDICATOR ASM (2294300-9), TEMP SENSOR ASM (2294300-7) BLANK PANELS, AND SLOT BLOCKERS
	2294300-7	1	FRU	1	CHASSIS FAN
	2294300-8	1	FRU	2	CHASSIS POWER SUPPLY
	2294300-9	1	FRU	1	CHASSIS FAILURE INDICATOR ASM

MGD2 CHASSIS **2294300-13** **FRU N** **(PART 1 OF 2320127-3 PAGE 8-100)**

Item	Part Number	FRU	Name	Quantity	Description (Remarks)
	2294300-3	1	FRU	1	CHASSIS AGP BOARD
	2294300-4	1	FRU	1	CHASSIS APS WITH IT BOARD
	2294300-5	1	FRU	1	CHASSIS BRIDGE BOARD
	2294300-6	1	FRU	1	CHASSIS INCLUDING - BOX, CARD GUIDES, BACKPLANE, AC INLET, FAILURE INDICATOR ASM (2294300-9), TEMP SENSOR ASM (2294300-7) BLANK PANELS, AND SLOT BLOCKERS
	2294300-7	1	FRU	1	CHASSIS FAN
	2294300-8	1	FRU	2	CHASSIS POWER SUPPLY
	2294300-9	1	FRU	1	CHASSIS FAILURE INDICATOR ASM
	2294300-12	1	FRU	1	SCP-II (64MB) INCLUDING CAN PMC

EXCITE REFLEX OPTION

2325947-6, 2325947-7, & 2325947-8



EXCITE REFLEX 100 2325947-6 FRU 1 (PART OF M3000RD PAGE 1-169)

Item	Part Number	FRU	Name	Quantity	Description (Remarks)
1	2325947	N	PROCESSOR	1	6U COMPACT PCI ARRAY PROCESSOR
2	2325947-2	N	PROCESSOR	1	DAUGHTERBOARD (EXCITE REFLEX)
3	2325947-3	N	PROCESSOR	1	SHIELD 1 SLOT (EXCITE REFLEX)

EXCITE REFLEX 200 2325947-7 FRU 1 (PART OF M3000RE PAGE 1-169)

Item	Part Number	FRU	Name	Quantity	Description (Remarks)
1	2325947	N	PROCESSOR	1	6U COMPACT PCI ARRAY PROCESSOR
2	2325947-2	N	PROCESSOR	2	DAUGHTERBOARD (EXCITE REFLEX)
3	2325947-3	N	PROCESSOR	1	SHIELD 1 SLOT (EXCITE REFLEX)

EXCITE REFLEX 400 2325947-8 FRU 1 (PART OF M3000RF PAGE 1-169)

Item	Part Number	FRU	Name	Quantity	Description (Remarks)
1	2325947	N	PROCESSOR	2	6U COMPACT PCI ARRAY PROCESSOR
2	2325947-2	N	PROCESSOR	4	DAUGHTERBOARD (EXCITE REFLEX)
4	2325947-4	N	PROCESSOR	1	SHIELD 2 SLOT (EXCITE REFLEX)
5	2325947-5	1	PROCESSOR	1	RIBBON CABLE (EXCITE REFLEX)

REV 14

DIRECTION 2138247

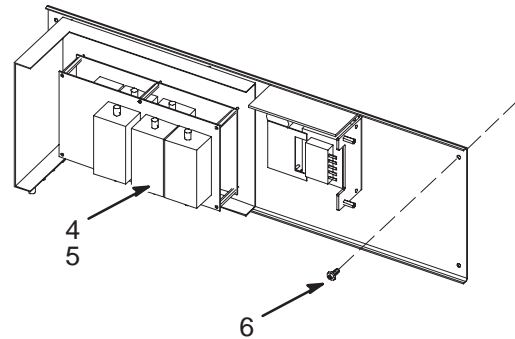
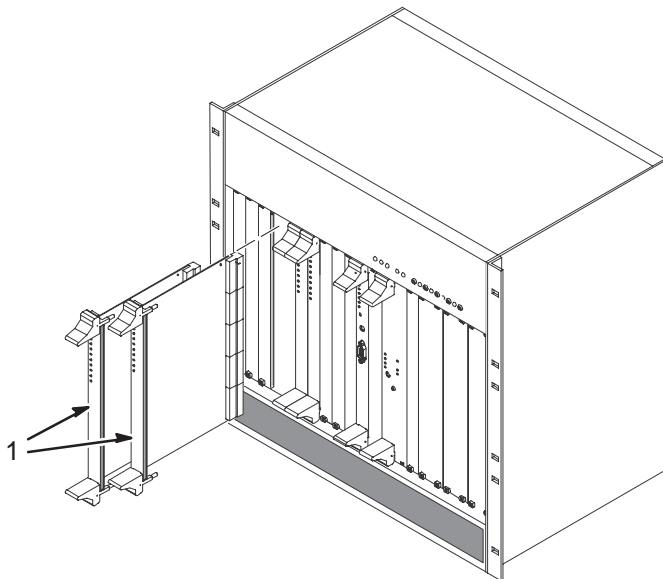
CATALOG M3000RH FRU N REFLEX 200B EXCITE II

Item	Part Number	FRU	Name	Quantity	Description (Remarks)
1	2325947-14	N	PROCESSOR	1	MERCURY 910-07053 PIM
2	2325947-11	1	PROCESSOR	2	MAVERICK II
3	46-302200P12	N	RATING PLATE	1	KIT ADDED RATING PLATE - NO S/N
4	2376837	N	DIRECTION	1	REFLEX AP OPTION INSTALL FOR EXCITE2

CATALOG M3000RJ FRU N REFLEX 400B EXCITE II

Item	Part Number	FRU	Name	Quantity	Description (Remarks)
1	2325947-14	N	PROCESSOR	1	MERCURY 910-07053 PIM
2	2325947-12	1	PROCESSOR	1	MINERVA II MASTER (MERCURY 900-07072
3	2325947-13	1	PROCESSOR	1	MINERVA II SLAVE (MERCURY 900-07072
4	46-302200P12	N	RATING PLATE	1	KIT ADDED RATING PLATE - NO S/N
5	2376837	N	DIRECTION	1	REFLEX AP OPTION INSTALL FOR EXCITE2

DIGITAL RECEIVER FILTER OPTION



CATALOG M3033CA FRU N DIGITAL RECEIVER FILTER

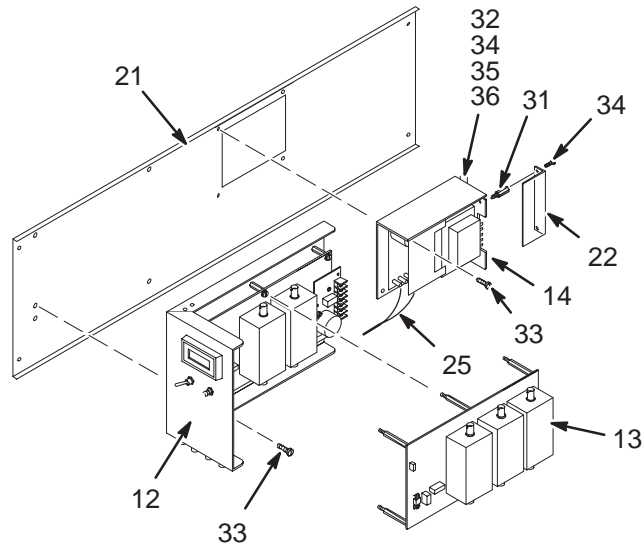
Item	Part Number	FRU	Name	Quantity	Description (Remarks)
1	2215142	N	CIRCUIT BOAR	2	DRF1 CIRCUIT BOARD
2	46-302200P12	N	RATING PLATE	1	KIT ADDED RATING PLATE – NO S/N
3	2333496	N	DIRECTION	1	SIGNA RECEIVER OPTION INSTALL – MGD
4	2343486	N	ASSEMBLY	1	1.5T TRANSIENT NOISE SUPPRESSOR (SEE PAGE 8-105)
5	2344312-2	N	CABLE KIT	1	EXCITE TNF CABLE KIT(FIELD INSTALL) (SEE PAGE 8-106)
6	2279742-2	N	SCREW	4	SCREW PAN HEAD 5 MM 16 MM

CATALOG M3033CB FRU N EXCITE II 8 CHANNEL OPTION

Item	Part Number	FRU	Name	Quantity	Description (Remarks)
1	2215142	N	CIRCUIT BOAR	2	DRF1 CIRCUIT BOARD
2	46-302200P12	N	RATING PLATE	1	KIT ADDED RATING PLATE – NO S/N
3	2366218	N	CIRCUIT BOAR	1	UTNS 3
4	2368552-3	N	PART	1	CABLE RF SLOT 12R-J31 TO I/O J54

1.5T TNF MODULE

2343486



1.5T TNF MODULE

2343486 FRU N

(PART 40 OF 2294302 PAGE 8-95)
(PART OF M3033CA PAGE 8-104)

Item	Part Number	FRU	Name	Quantity	Description (Remarks)
12	2114342-25	1	1.5T TNS 2CH	1	1.5T 2CH. EXTENDED BW TNF W/CABLES
13	2114342-18	1	1.5T TNS 2CH	1	1.5T 3 CHAN EXTENDED BANDWIDTH TNF
14	2149851	1	POWER SUPPLY	1	POWER ONE 18VDC 1.5AMP PWR SUPPLY
21	2155692	N	PART	1	BRACKET
22	2146716	N	COVER	1	COVER
25	2148702	N	HARNESS	1	WIRE HARNESS
28	46-307233G12	N	POWER CORD	1	9 FT 3-#18 CORD, 1-#10 RING TERMINAL
31	46-208984P11	N	SPACER	2	HEX 0.250 THD EXT 6-32 INT 6-32
32	46-170012P35	N	NUT	4	6-32, 1/4" HEX KEPS NUT, 3/32 THICK
33	2103585-2	N	SCREW	8	SCREW PAN HEAD 4 MM 10 MM
34	46-170015P19	N	SCREW	4	SCREW
35	46-208750P1	N	VIBRATION IS	1	CABLE TIE ANCHOR
36	46-208758P3	N	TY-RAP	5	7.31" X .184" SELF-LOCKING CABLE TIE

1.5T EXCITE TNF CABLES 2344312 FRU N (PART 41 OF 2294302 PAGE 8-95)

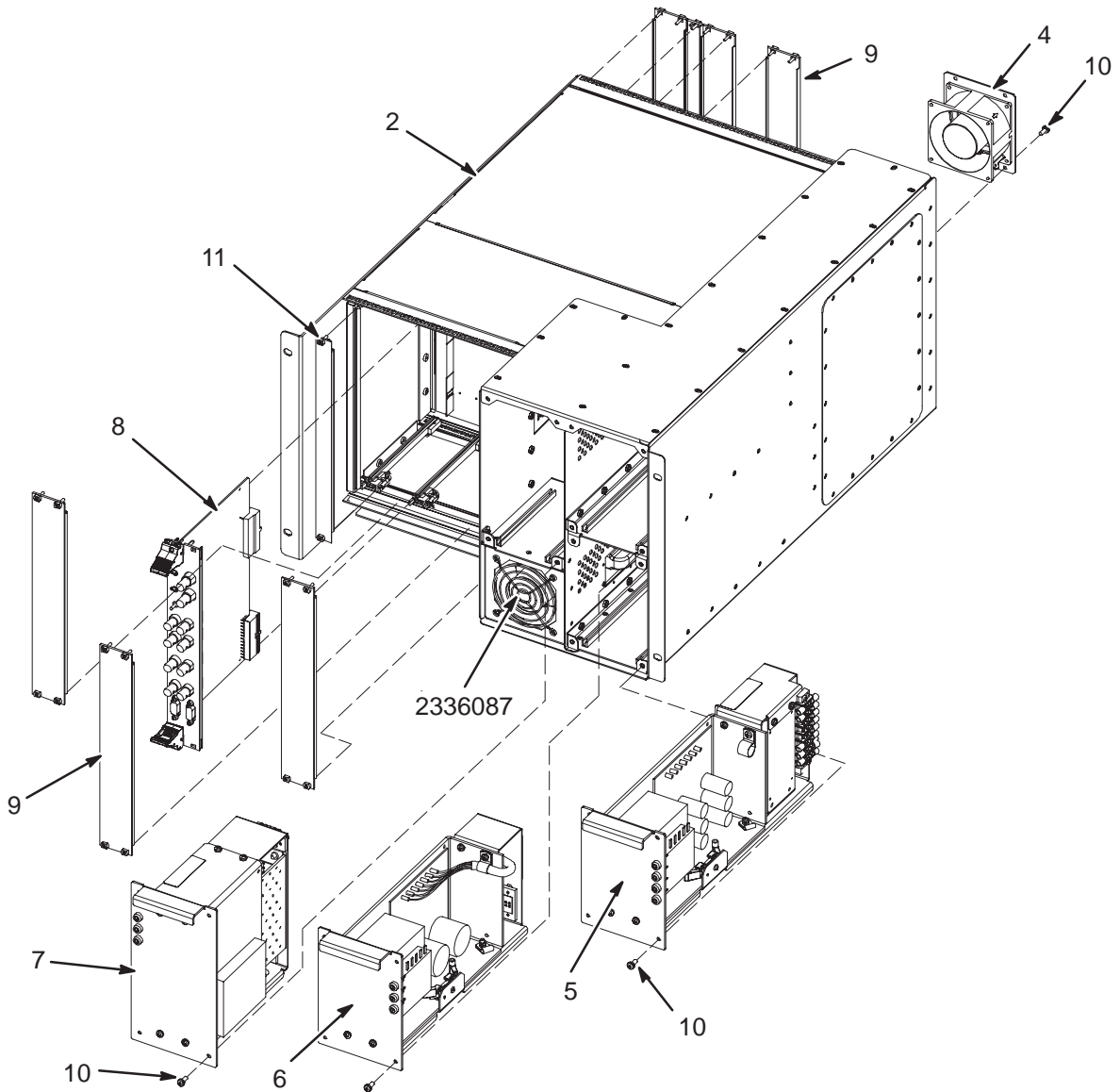
Item	Part Number	FRU	Name	Quantity	Description (Remarks)
1	2344311	N	PART	5	COAX (BNC MALE TO BNC BLKHD RG223)
2	46-296816P1	N	CONNECTOR	1	ADAPTER, BNC TEE, 50 OHM
3	46-220427P2	N	CONNECTOR	5	BNC STRAIGHT PLUG-PLUG ADAPTOR.
6	2344512	N	PART	1	BNC TO SMB CABLE (72 IN)
7	46-251905P326	N	CABLE LABEL	1	TNF1-J18
8	46-251905P327	N	CABLE LABEL	1	TNF1-J19
9	46-251905P328	N	CABLE LABEL	1	TNF1-J20
10	46-251905P329	N	CABLE LABEL	1	TNF1-J12
11	46-251905P330	N	CABLE LABEL	1	TNF1-J5
12	46-251905P331	N	CABLE LABEL	1	TNF1-J8
13	46-251905P332	N	CABLE LABEL	1	TNF1-J9
14	46-251905P333	N	CABLE LABEL	1	TNF1-J10
15	46-251905P334	N	CABLE LABEL	1	TNF1-J2
16	46-251905P335	N	CABLE LABEL	1	I/O PANEL J5
17	46-251905P336	N	CABLE LABEL	1	I/O PANEL J8
18	46-251905P337	N	CABLE LABEL	1	I/O PANEL J9
19	46-251905P338	N	CABLE LABEL	1	I/O PANEL J10
20	46-251905P339	N	CABLE LABEL	1	I/O PANEL J2
21	46-251905P340	N	CABLE LABEL	1	RRF/DIF J19
22	46-251905P341	N	CABLE LABEL	1	TNF1-J1
23	46-251905P354	N	CABLE LABEL	1	TNF1-J15

1.5T EXCITE TNF CABLES 2344312-2 FRU N (PART OF M3033CA PAGE 8-104)

Item	Part Number	FRU	Name	Quantity	Description (Remarks)
1	2344311	N	PART	4	COAX (BNC MALE TO BNC BLKHD RG223)
3	46-220427P2	N	CONNECTOR	4	BNC STRAIGHT PLUG-PLUG ADAPTOR.
4	2344510	N	PART	1	BNC RT ANGLE TO BNC RT ANGLE (36 IN)
5	46-251905P341	N	CABLE LABEL	1	TNF1-J1
6	46-251905P342	N	CABLE LABEL	1	TNF2-J15
7	46-251905P343	N	CABLE LABEL	1	TNF2-J18
8	46-251905P344	N	CABLE LABEL	1	TNF2-J19
9	46-251905P345	N	CABLE LABEL	1	TNF2-J20
10	46-251905P346	N	CABLE LABEL	1	TNF2-J5
11	46-251905P347	N	CABLE LABEL	1	TNF2-J8
12	46-251905P348	N	CABLE LABEL	1	TNF2-J9
13	46-251905P349	N	CABLE LABEL	1	TNF2-J10
14	46-251905P350	N	CABLE LABEL	1	I/O PANEL J40
15	46-251905P351	N	CABLE LABEL	1	I/O PANEL J41
16	46-251905P352	N	CABLE LABEL	1	I/O PANEL J42
17	46-251905P353	N	CABLE LABEL	1	I/O PANEL J43
18	46-251905P355	N	CABLE LABEL	1	TNF2-J1

RF MODULE w/POWER SUPPLIES

2308900



RF MODULE w/POWER SUPPLIES 2308900 FRU N

(PART 4 OF 2357500-2 PAGE 8-91)
(PART 4 OF 2294302 PAGE 8-95)

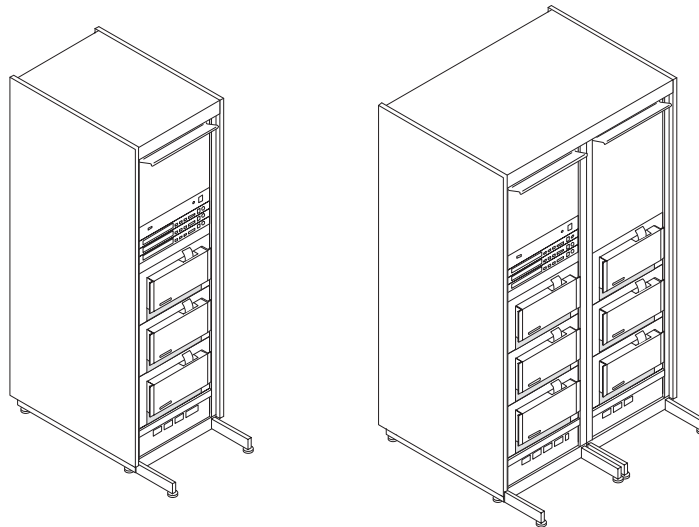
Item	Part Number	FRU	Name	Quantity	Description (Remarks)
2	2305884	1	CHASSIS	1	RF MODULE ASSEM(CHASSIS W MIDPLANE)
4	2334934	1	FAN ASSEMBLY	1	RF MODULE REAR MOUNT FAN ASSEMBLY
5	2292267	1	POWER SUPPLY	1	5V RF MODULE RF POWER SUPPLY
6	2292268	1	POWER SUPPLY	1	15V RF MODULE RF POWER SUPPLY
7	2292265	1	POWER SUPPLY	1	5V RF MODULE DIGITAL POWER SUPPLY
8	2281038	1	CIRCUIT BOAR	1	REMOTE RF FRONT PANEL IO
9	2294728	1	PANEL	6	COMPACT PCI FRONT PANEL BLANK (8HP)
10	2103585-2	N	SCREW	16	SCREW PAN HEAD 4 MM 10 MM
11	2319152	1	PART	2	COMPACT PCI FRONT PANEL BLANK (4HP)
12	2336677	N	PACKING MATE	1	PACKING FOR RRF CHASSISJ
	2336087	1	FAN	1	RF MODULE FRONT FAN ASM

SECTION 9 – GRADIENT CABINET

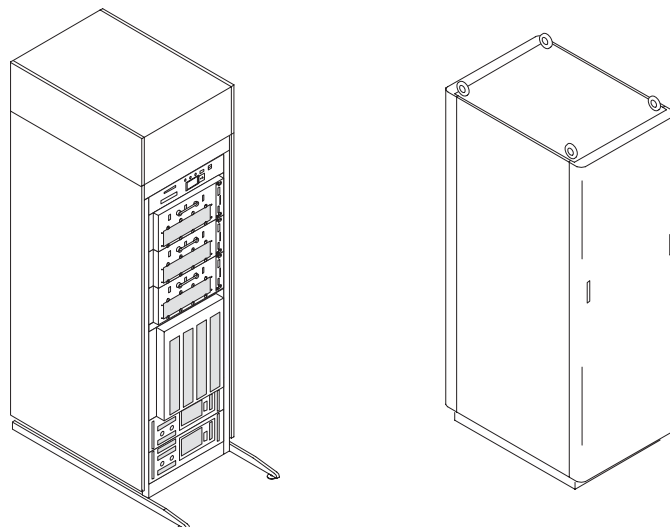
TABLE OF CONTENTS

SECTION

PAGE



9-1 HORIZON 8645 GRADIENT CABINETS 9-2
 Contains information on Horizon single and double bay 8645 Gradient Cabinet configurations
 SINGLE-BAY 8645 GRADIENT CABINET 2108800 9-2
 DOUBLE-BAY 8645 GRADIENT CABINET 2108800-2 9-7



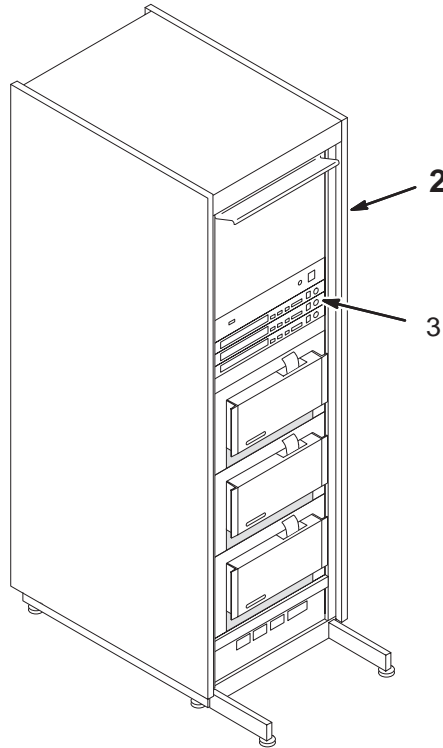
9-2 SGD GRADIENT CABINETS 9-12
 Contains information on Hi-Slew and Base SGD Gradient Cabinets
 SGD HI-SLEW GRADIENT CABINET 2169944 9-13
 SGD BASE GRADIENT CABINET 2172035 9-20

9-1 HORIZON SINGLE AND DOUBLE BAY 8645 GRADIENT CABINETS

SINGLE AMP/AXIS GRADIENT CABINET

2108800

MR3

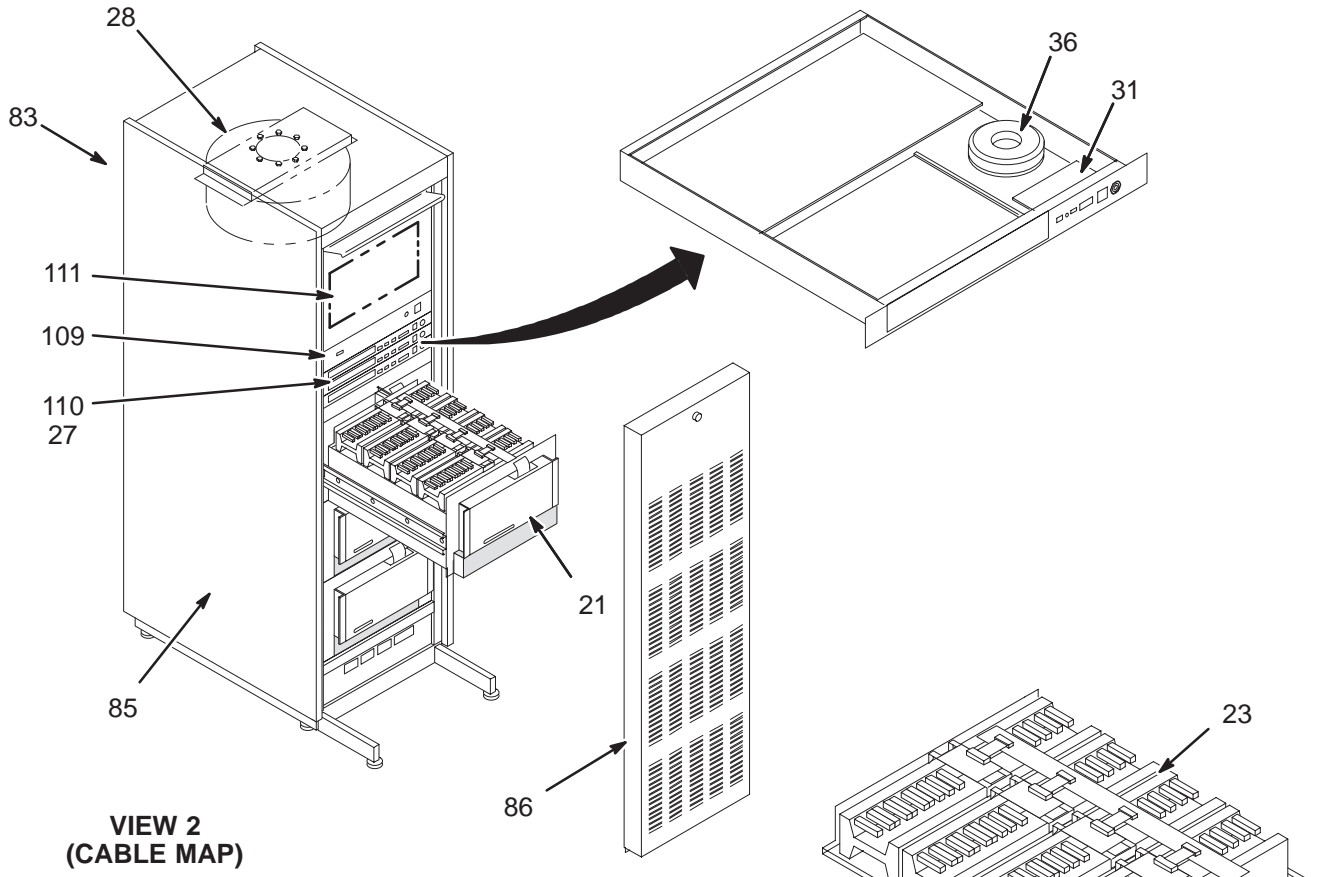


SINGLE AMP/AXIS GRAD CAB 2108800 FRU N (PART OF HiSpeed SYSTEM – SECTION 1)

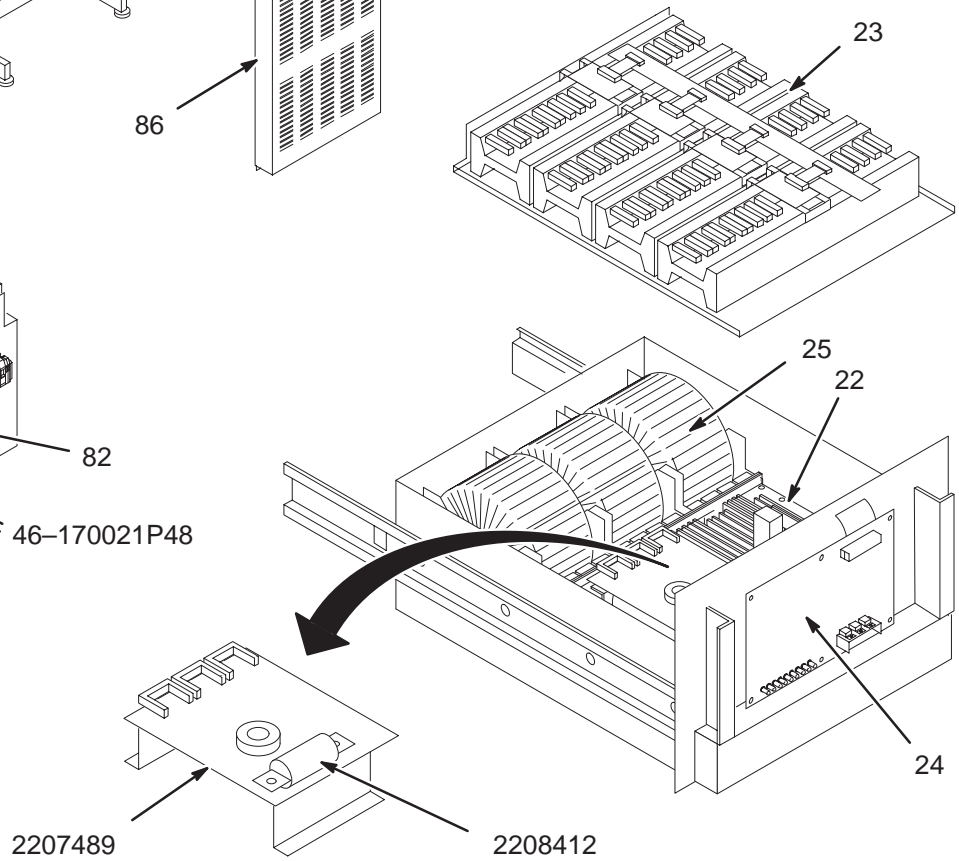
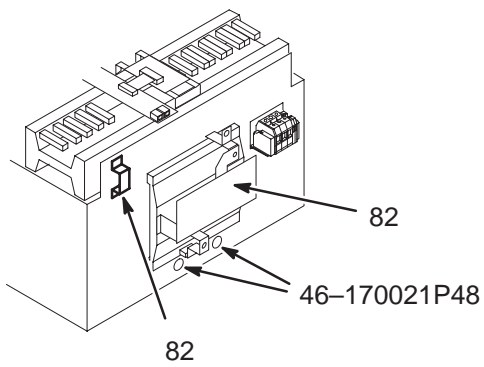
Item	Part Number	FRU	Name	Quantity	Description (Remarks)
2	46-328206P5	N	GRADIENT AMP	1	8645 GRAD CABINET – 1 AMP/AXIS (SEE PAGE 9-5)
3	2111447	1	ASM MIF	3	ANALOG SERVICE MODULE, 8645 GRADIENT

8645 GRADIENT CABINET – SINGLE AMP/AXIS46–328206P5

MR3

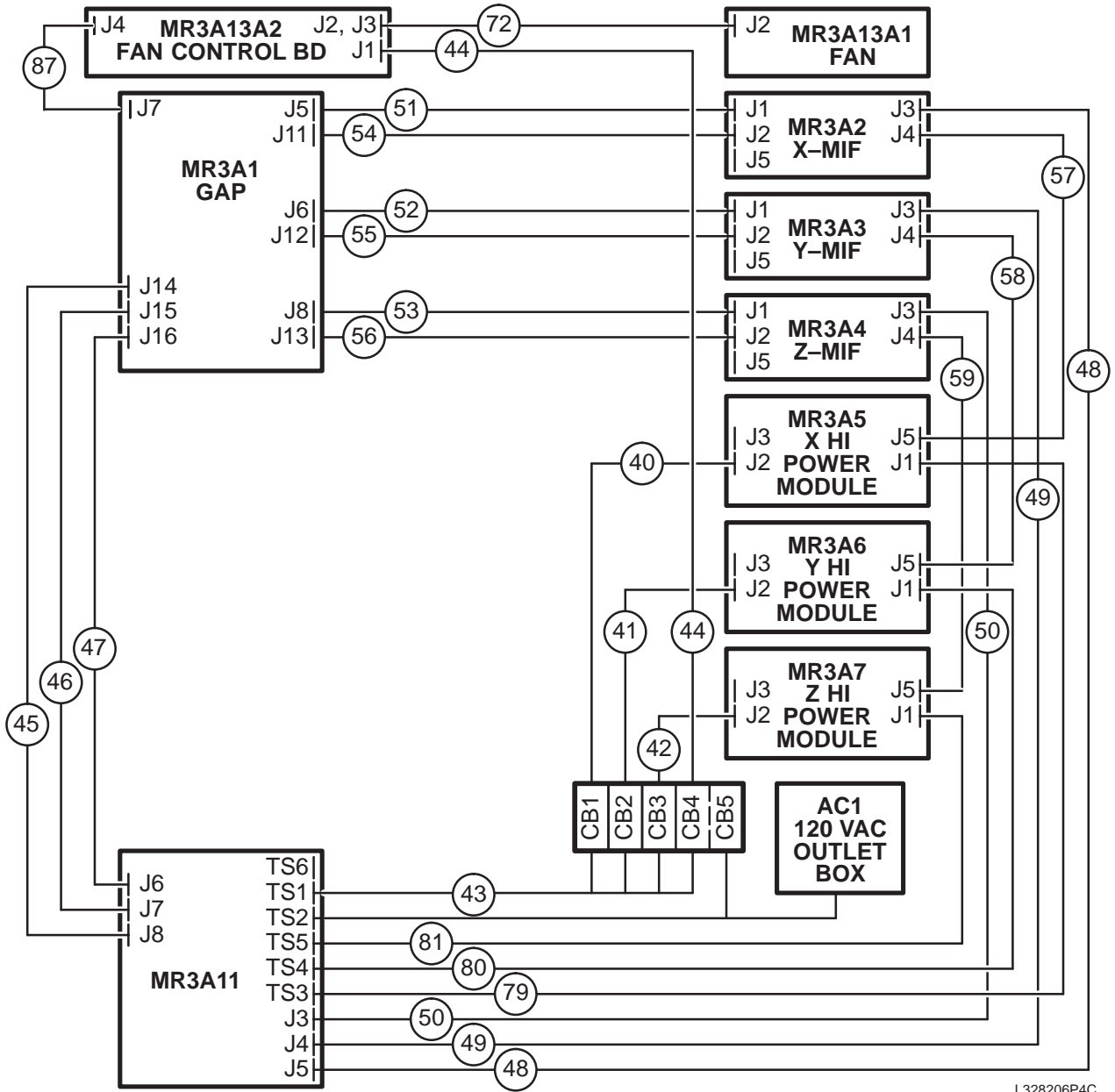


VIEW 2
(CABLE MAP)



VIEW 1

CABLE MAP



L328206P4C

VIEW 2

1-BAY 8645 GRADIENT CAB 46-328206P5 FRU N (PART OF 2108800 PAGE 9-2)

Item	Part Number	FRU	Name	Quantity	Description (Remarks)
21	46-328206P115	1	CROWN FRU	3	CROWN A10999-G2 POWER MODULE WITH CROWBAR
22	46-328206P114	1	CROWN FRU	3	CROWN 012388-3 PPBM WITH CROWBAR
23	46-328206P23	1	CROWN FRU	3	CROWN A10998-G1 8645 OUTPUT SHELF
24	46-328206P24	1	CROWN FRU	3	CROWN A10967-1 MAIN CONTROL BOARD
25	46-328206P25	1	CROWN FRU	3	CROWN A10974-G1 TOROID POWER SUPPLY
26	46-328206P26	1	CROWN FRU	3	CROWN A10666-G1 MIF MODULE (NO ASM)
27	46-328206P27	N	CROWN FRU	1	CROWN A10589-1 ASM BD (USE 2111447)
28	46-328206P28	1	CROWN FRU	1	CROWN A10794-G1 FAN ASSEMBLY
30	46-328206P30	1	CROWN FRU	1	CROWN A11030-1 FAN CONTROL BOARD
31	46-328206P31	2	CROWN FRU		CROWN A10671-1 MIF FRONT PANEL PWB
33	46-328206P33	1	CROWN FRU		CROWN A10576-G1 GAP MODULE W/BOARD
36	46-328206P36	2	CROWN FRU		CROWN A10675-G1 TOROID PS MIF
37	46-328206P37	2	CROWN FRU		CROWN A10958-1 CIRCUIT BREAKER 4-P
39	46-328206P39	2	CROWN FRU		CROWN C9790-4 CIRCUIT BREAKER 3-POLE
40	46-328206P40	2	CROWN FRU		CROWN A11075-G1 POWER CORD, 208/30 X
41	46-328206P41	2	CROWN FRU		CROWN A11075-G3 POWER CORD, 208/30 Y
42	46-328206P42	2	CROWN FRU		CROWN A11075-G5 POWER CORD 208/30 Z
43	46-328206P43	2	CROWN FRU		CROWN A11073-G2 WIRE HARNESS
44	46-328206P44	2	CROWN FRU		CROWN A11076-G1 WIRES FAN POWER CORD
45	46-328206P88	2	CROWN FRU		CROWN A11403-1 CABLE X GAP/GRAM I/O
	46-328206P45		CROWN FRU		CROWN A11086-1 CABLE X GAP/GRAM I/O
46	46-328206P89	2	CROWN FRU		CROWN A11403-2 CABLE Y GAP/GRAM I/O
	46-328206P46		CROWN FRU		CROWN A11086-2 CABLE Y GAP/GRAM I/O
47	46-328206P90	2	CROWN FRU		CROWN A11403-3 CABLE Z GAP/GRAM I/O
	46-328206P47		CROWN FRU		CROWN A11086-3 CABLE Z GAP/GRAM I/O
48	46-328206P91	2	CROWN FRU		CROWN A11406-1 CABLE X MIF/GRAM S/C
	46-328206P48		CROWN FRU		CROWN A11087-1 CABLE X MIF/GRAM S/C
49	46-328206P92	2	CROWN FRU		CROWN A11406-2 CABLE Y MIF/GRAM S/C
	46-328206P49		CROWN FRU		CROWN A11087-2 CABLE Y MIF/GRAM S/C
50	46-328206P93	2	CROWN FRU		CROWN A11406-3 CABLE Z MIF/GRAM S/C
	46-328206P50		CROWN FRU		CROWN A11087-3 CABLE Z MIF/GRAM S/C
51	46-328206P94	2	CROWN FRU		CROWN A11425-1 CABLE MIF/GAP HSSD X
	46-328206P51	2	CROWN FRU		CROWN A11088-1 CABLE MIF/GAP HSSD X
52	46-328206P95	2	CROWN FRU		CROWN A11425-2 CABLE MIF/GAP HSSD Y
	46-328206P52	2	CROWN FRU		CROWN A11088-2 CABLE MIF/GAP HSSD Y
53	46-328206P96	2	CROWN FRU		CROWN A11425-3 CABLE MIF/GAP HSSD Z
	46-328206P53	2	CROWN FRU		CROWN A11088-3 CABLE MIF/GAP HSSD Z
54	46-328206P97	2	CROWN FRU		CROWN A11401-1 CABLE MIF/GAP I/O X
	46-328206P54		CROWN FRU		CROWN A11089-1 CABLE MIF/GAP I/O X
55	46-328206P98	2	CROWN FRU		CROWN A11401-2 CABLE MIF/GAP I/O Y
	46-328206P55		CROWN FRU		CROWN A11089-2 CABLE MIF/GAP I/O Z
56	46-328206P99	2	CROWN FRU		CROWN A11401-3 CABLE MIF/GAP I/O Y
	46-328206P56		CROWN FRU		CROWN A11089-3 CABLE MIF/GAP I/O Z
57	46-328206P100	2	CROWN FRU		CROWN A11426-1 CABLE PM/MIF S/C X HI
	46-328206P57		CROWN FRU		CROWN A11091-1 CABLE PM/MIF S/C X HI
58	46-328206P102	2	CROWN FRU		CROWN A11426-3 CABLE PM/MIF S/C Y HI
	46-328206P58		CROWN FRU		CROWN A11091-3 CABLE PM/MIF S/C Y HI
59	46-328206P104	2	CROWN FRU		CROWN A11426-5 CABLE PM/MIF S/C Z HI
	46-328206P59		CROWN FRU		CROWN A11091-5 CABLE PM/MIF S/C Z HI

Parts List Continued On Next Page

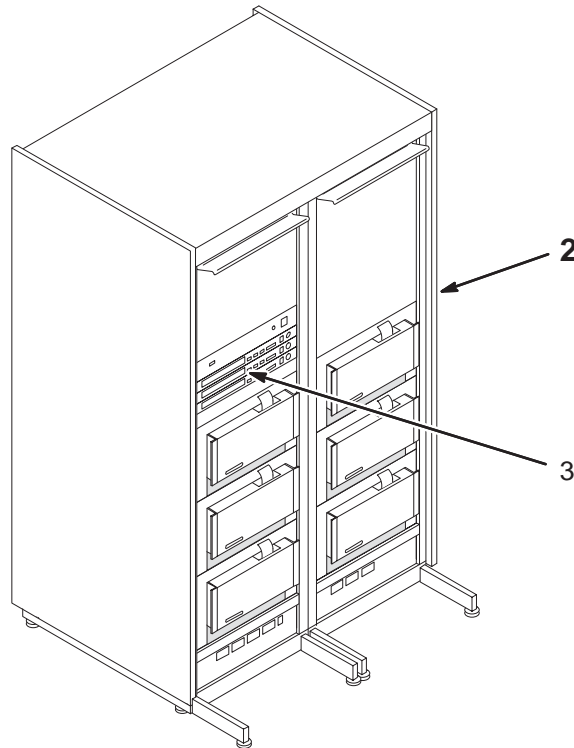
1-BAY 8645 GRADIENT CAB 46-328206P5 FRU N (CONTINUED FROM PREVIOUS PAGE)

Item	Part Number	FRU	Name	Quantity	Description (Remarks)
60	46-328206P60	2	CROWN FRU		CROWN A11077-1 CABLE OUTPUT X HI
61	46-328206P61	2	CROWN FRU		CROWN A11077-2 CABLE OUTPUT Y HI
62	46-328206P62	2	CROWN FRU		CROWN A11077-3 CABLE PUTPUT Z HI
66	46-328206P66	2	CROWN FRU		CROWN C9920-7 3/4 IN. STRAP, 2-HOLE
79	46-328206P79	2	CROWN FRU		CROWN A11077-2 CABLE OUTPUT X LO
80	46-328206P80	2	CROWN FRU		CROWN A11077-4 CABLE OUTPUT Y LO
81	46-328206P81	2	CROWN FRU		CROWN A11077-6 CABLE OUTOUT Z LO
82	46-328206P82	1	CROWN FRU	3	CROWN A11060-G1 140A EXTERNAL SHUNT
83	46-328206P83	2	CROWN FRU		CROWN A10151-4 CABINET SIDE COVER
85	46-328206P85	2	CROWN FRU		CROWN A10152-10 REAR DOOR R. H. HINGE
86	46-328206P86	2	CROWN FRU		CROWN A10688-G1 CABINET FRONT COVER
87	46-328206P87	2	CROWN FRU		CROWN A11438-1 CABLE FAN CONTROL
109	46-328206P109	2	CROWN FRU		CROWN A11457-G1 EMC 8645 GAP MODULE
110	46-328206P110	2	CROWN FRU		CROWN A11516-G1 EMC 8645 MIF MODULE
111	46-328206P111	2	CROWN FRU		CROWN G46328206P111 P5 FAN CONNCT BD
2207489	2207489	2	CROWN FRU	3	CROWBAR CIRCUIT BOARD/BRACKET ASM
2208412	2208412	1	CROWN FRU	3	500V, 100A, FAST-ACTING FUSE
	46-170021P48	2	FUSE	2	250V, 0.125A, SLO-BLO FUSE

DOUBLE AMP/AXIS GRADIENT CABINET

2108800-2

MR3

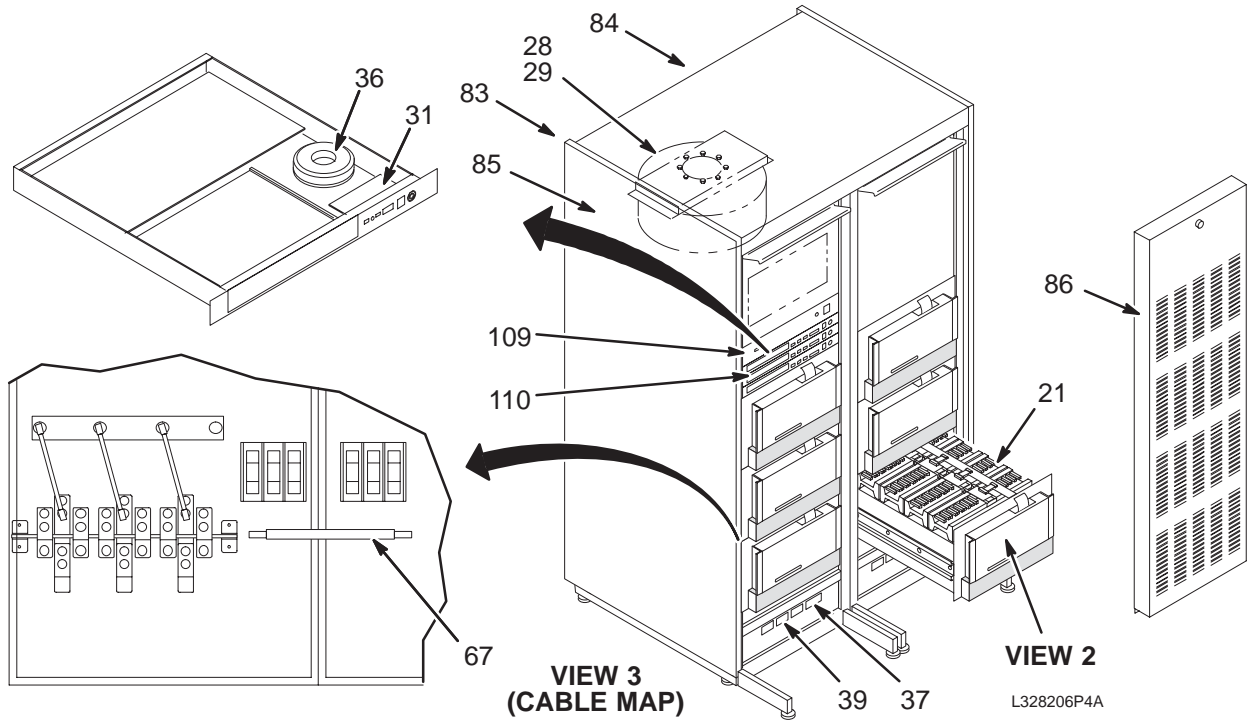


DOUBLE AMP/AXIS GRAD CAB 2108800-2 FRU N (PART OF Base & EchoSpeed – SECTION 1)

Item	Part Number	FRU	Name	Quantity	Description (Remarks)
2	46-328206P4	N	GRADIENT AMP	1	8645 GRADIENT CAB – 2 AMPS/AXIS (SEE PAGE 9-10)
3	2111447	1	ASM MIF	3	ANALOG SERVICE MODULE, 8645 GRADIENT

8645 GRADIENT CABINET – DOUBLE AMP/AXIS 46-328206P4

MR3

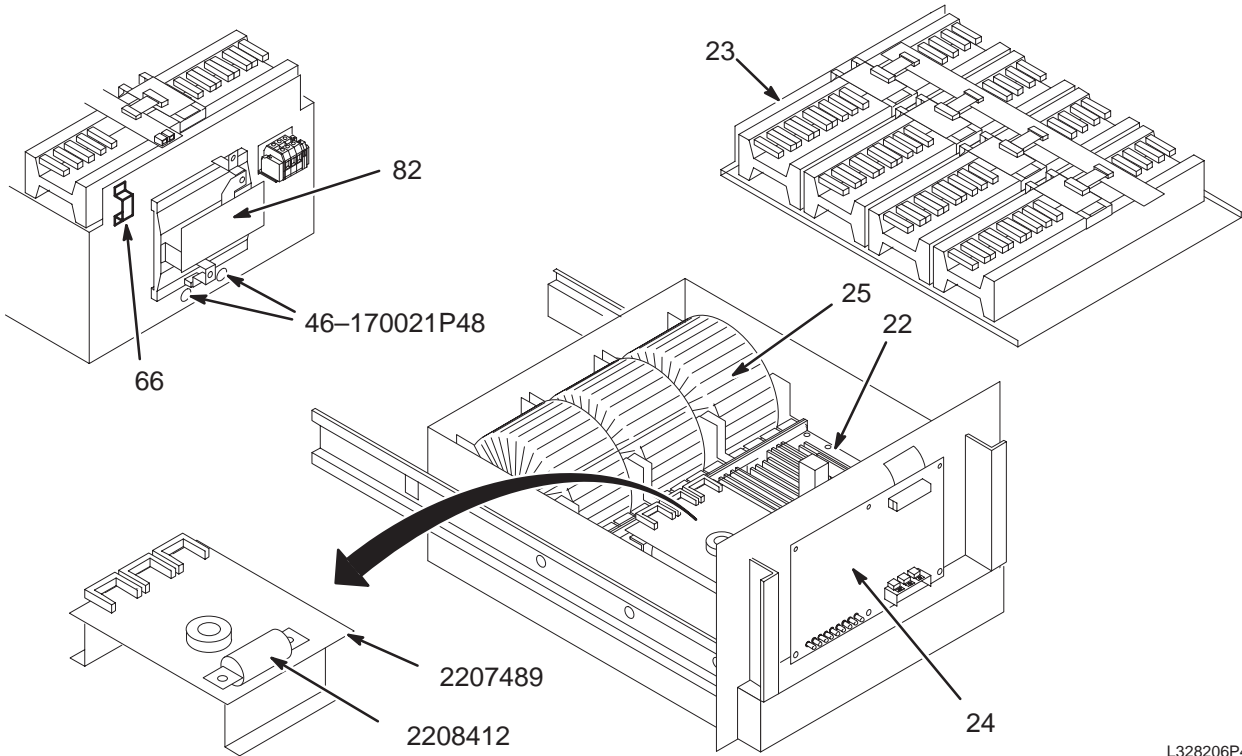


VIEW 1

VIEW 3 (CABLE MAP)

VIEW 2

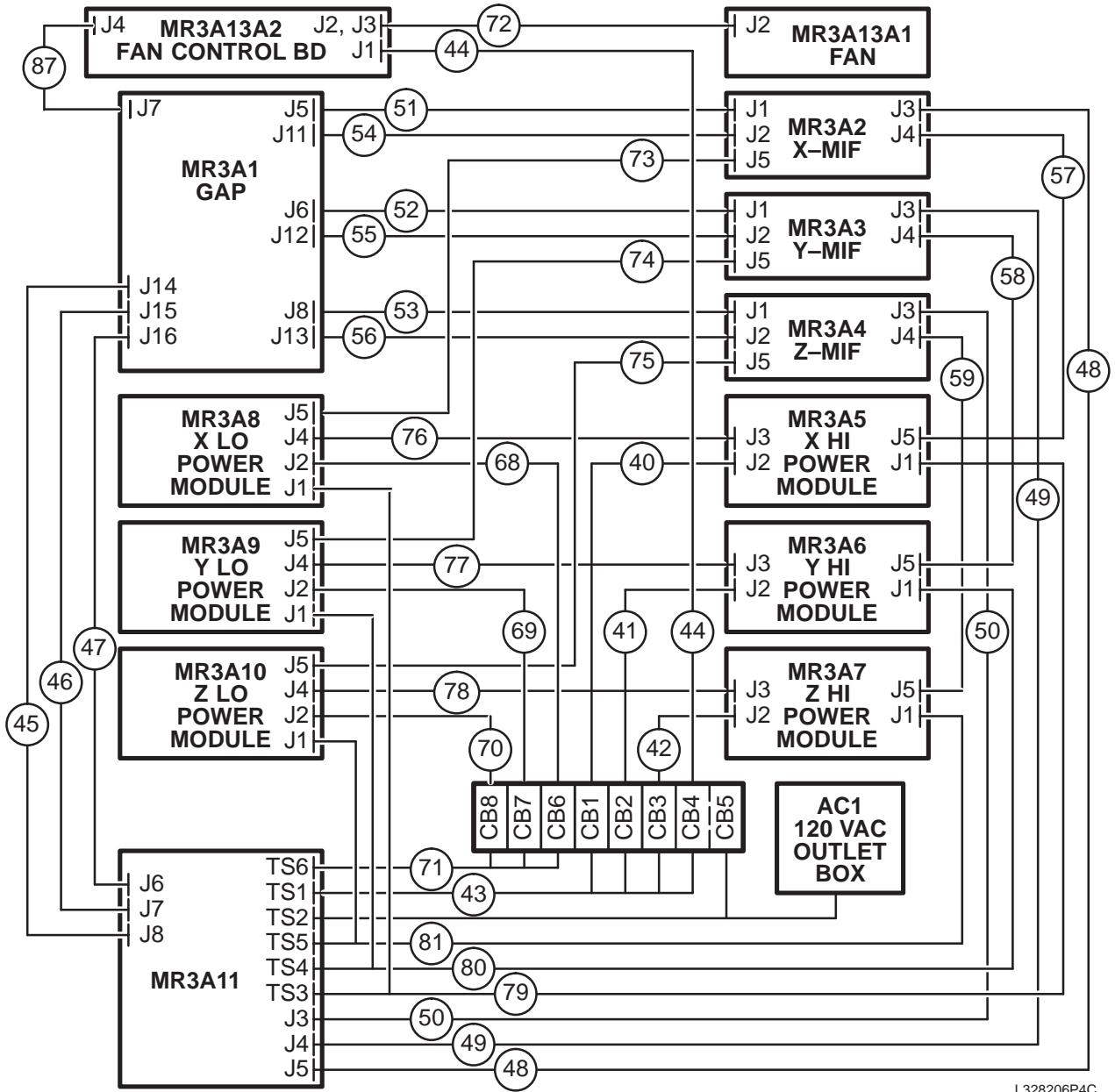
L328206P4A



L328206P4B

VIEW 2

CABLE MAP



L328206P4C

VIEW 3

2-BAY 8645 GRADIENT CAB 46-328206P4 FRU N (PART OF 2108800-2 PAGE 9-7)

Item	Part Number	FRU	Name	Quantity	Description (Remarks)
21	46-328206P115	1	CROWN FRU	3	CROWN A10999-G2 POWER MODULE WITH CROWBAR
22	46-328206P114	1	CROWN FRU	3	CROWN 012388-3 PPBM WITH CROWBAR
23	46-328206P23	1	CROWN FRU		CROWN A10998-G1 8645 OUTPUT SHELF
24	46-328206P24	1	CROWN FRU		CROWN A10967-1 MAIN CONTROL BOARD
25	46-328206P25	1	CROWN FRU		CROWN A10974-G1 TOROID POWER SUPPLY
26	46-328206P26	1	CROWN FRU		CROWN A10666-G1 MIF MODULE (NO ASM)
27	46-328206P27	N	CROWN FRU		CROWN A10589-1 ASM BD (USE 2111447)
28	46-328206P28	1	CROWN FRU		CROWN A10794-G1 FAN ASSEMBLY
30	46-328206P30	1	CROWN FRU		CROWN A11030-1 FAN CONTROL BOARD
31	46-328206P31	2	CROWN FRU		CROWN A10671-1 MIF FRONT PANEL PWB
33	46-328206P33	1	CROWN FRU		CROWN A10576-G1 GAP MODULE W/BOARD
36	46-328206P36	2	CROWN FRU		CROWN A10675-G1 TOROID PS MIF
37	46-328206P37	2	CROWN FRU		CROWN A10958-1 CIRCUIT BREAKER 4-P
39	46-328206P39	2	CROWN FRU		CROWN C9790-4 CIRCUIT BREAKER 3-POLE
40	46-328206P40	2	CROWN FRU		CROWN A11075-G1 POWER CORD, 208/30 X
41	46-328206P41	2	CROWN FRU		CROWN A11075-G3 POWER CORD, 208/30 Y
42	46-328206P42	2	CROWN FRU		CROWN A11075-G5 POWER CORD 208/30 Z
43	46-328206P43	2	CROWN FRU		CROWN A11073-G2 WIRE HARNESS
44	46-328206P44	2	CROWN FRU		CROWN A11076-G1 WIRES FAN POWER CORD
45	46-328206P88	2	CROWN FRU		CROWN A11403-1 CABLE X GAP/GRAM I/O
	46-328206P45		CROWN FRU		CROWN A11086-1 CABLE X GAP/GRAM I/O
46	46-328206P89	2	CROWN FRU		CROWN A11403-2 CABLE Y GAP/GRAM I/O
	46-328206P46		CROWN FRU		CROWN A11086-2 CABLE Y GAP/GRAM I/O
47	46-328206P90	2	CROWN FRU		CROWN A11403-3 CABLE Z GAP/GRAM I/O
	46-328206P47		CROWN FRU		CROWN A11086-3 CABLE Z GAP/GRAM I/O
48	46-328206P91	2	CROWN FRU		CROWN A11406-1 CABLE X MIF/GRAM S/C
	46-328206P48		CROWN FRU		CROWN A11087-1 CABLE X MIF/GRAM S/C
49	46-328206P92	2	CROWN FRU		CROWN A11406-2 CABLE Y MIF/GRAM S/C
	46-328206P49		CROWN FRU		CROWN A11087-2 CABLE Y MIF/GRAM S/C
50	46-328206P93	2	CROWN FRU		CROWN A11406-3 CABLE Z MIF/GRAM S/C
	46-328206P50		CROWN FRU		CROWN A11087-3 CABLE Z MIF/GRAM S/C
51	46-328206P94	2	CROWN FRU		CROWN A11425-1 CABLE MIF/GAP HSSD X
	46-328206P51	2	CROWN FRU		CROWN A11088-1 CABLE MIF/GAP HSSD X
52	46-328206P95	2	CROWN FRU		CROWN A11425-2 CABLE MIF/GAP HSSD Y
	46-328206P52	2	CROWN FRU		CROWN A11088-2 CABLE MIF/GAP HSSD Y
53	46-328206P96	2	CROWN FRU		CROWN A11425-3 CABLE MIF/GAP HSSD Z
	46-328206P53	2	CROWN FRU		CROWN A11088-3 CABLE MIF/GAP HSSD Z
54	46-328206P97	2	CROWN FRU		CROWN A11401-1 CABLE MIF/GAP I/O X
	46-328206P54		CROWN FRU		CROWN A11089-1 CABLE MIF/GAP I/O X
55	46-328206P98	2	CROWN FRU		CROWN A11401-2 CABLE MIF/GAP I/O Y
	46-328206P55		CROWN FRU		CROWN A11089-2 CABLE MIF/GAP I/O Z
56	46-328206P99	2	CROWN FRU		CROWN A11401-3 CABLE MIF/GAP I/O Y
	46-328206P56		CROWN FRU		CROWN A11089-3 CABLE MIF/GAP I/O Z
57	46-328206P100	2	CROWN FRU		CROWN A11426-1 CABLE PM/MIF S/C X HI
	46-328206P57		CROWN FRU		CROWN A11091-1 CABLE PM/MIF S/C X HI
58	46-328206P102	2	CROWN FRU		CROWN A11426-3 CABLE PM/MIF S/C Y HI
	46-328206P58		CROWN FRU		CROWN A11091-3 CABLE PM/MIF S/C Y HI
59	46-328206P104	2	CROWN FRU		CROWN A11426-5 CABLE PM/MIF S/C Z HI
	46-328206P59		CROWN FRU		CROWN A11091-5 CABLE PM/MIF S/C Z HI

Parts List Continued On Next Page

2-BAY 8645 GRADIENT CAB 46-328206P4 FRU N (CONTINUED FROM PREVIOUS PAGE)

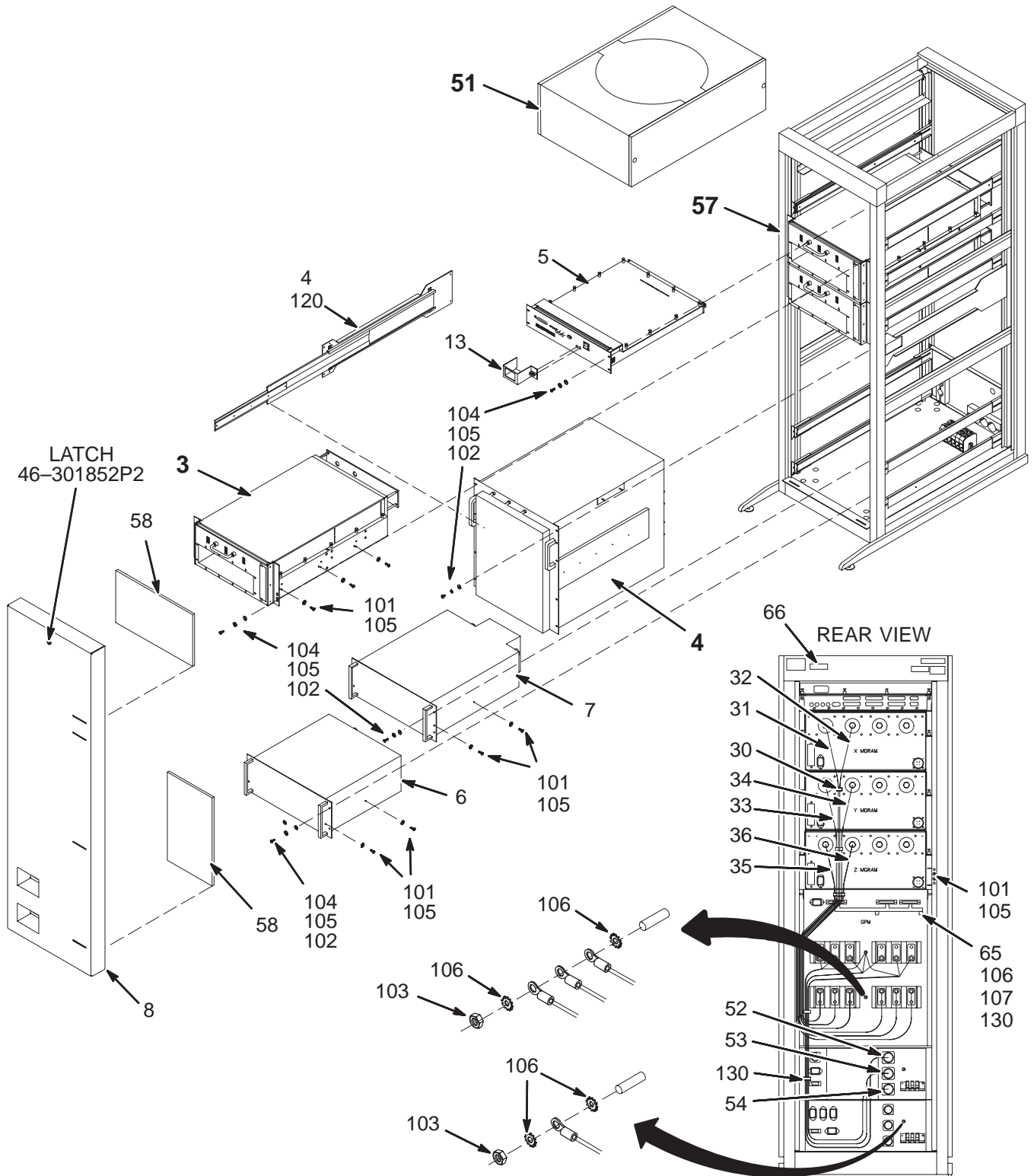
Item	Part Number	FRU	Name	Quantity	Description (Remarks)
60	46-328206P60	2	CROWN FRU		CROWN A11077-1 CABLE OUTPUT X HI
61	46-328206P61	2	CROWN FRU		CROWN A11077-2 CABLE OUTPUT Y HI
62	46-328206P62	2	CROWN FRU		CROWN A11077-3 CABLE PUTPUT Z HI
66	46-328206P66	2	CROWN FRU		CROWN C9920-7 3/4 IN. STRAP, 2-HOLE
67	46-328206P67	2	CROWN FRU		CROWN A10354-G2 STRAP CABINET GROUND
68	46-328206P68	2	CROWN FRU		CROWN A11075-G2 POWER CORD 208/30 X
69	46-328206P69	2	CROWN FRU		CROWN A11075-G4 POWER CORD 208/30 Y
70	46-328206P70	2	CROWN FRU		CROWN A11075-G6 POWER CORD 208/30 Z
71	46-328206P71	2	CROWN FRU		CROWN A11072-G1 WIRES PM LO BAR/BLOK
72	46-328206P72	2	CROWN FRU		CROWN A11085-1 CABLE FAN CONTROL
73	46-328206P101	2	CROWN FRU		CROWN A11426-2 CABLE PM/MIF S/C X LO
	46-328206P73	2	CROWN FRU		CROWN A11091-2 CABLE PM/MIF S/C X LO
74	46-328206P103	2	CROWN FRU		CROWN A11426-4 CABLE PM/MIF S/C Y LO
	46-328206P74	2	CROWN FRU		CROWN A11091-4 CABLE PM/MIF S/C Y LO
75	46-328206P105	2	CROWN FRU		CROWN A11426-6 CABLE PM/MIF S/C Z LO
	46-328206P75	2	CROWN FRU		CROWN A11091-6 CABLE PM/MIF S/C Z LO
76	46-328206P106	2	CROWN FRU		CROWN A11407-1 CABLE PM/PM INTERLOCK
	46-328206P76	2	CROWN FRU		CROWN A11090-1 CABLE PM/PM INTERLOCK
77	46-328206P107	2	CROWN FRU		CROWN A11407-3 CABLE PM/PM INTERLOCK
	46-328206P77	2	CROWN FRU		CROWN A11090-3 CABLE PM/PM INTERLOCK
78	46-328206P108	2	CROWN FRU		CROWN A11407-2 CABLE PM/PM INTERLOCK
	46-328206P78	2	CROWN FRU		CROWN A11090-2 CABLE PM/PM INTERLOCK
79	46-328206P79	2	CROWN FRU		CROWN A11077-2 CABLE OUTPUT X LO
80	46-328206P80	2	CROWN FRU		CROWN A11077-4 CABLE OUTPUT Y LO
81	46-328206P81	2	CROWN FRU		CROWN A11077-6 CABLE OUTOUT Z LO
82	46-328206P82	1	CROWN FRU	3	CROWN A11060-G1 140A EXTERNAL SHUNT
83	46-328206P83	2	CROWN FRU		CROWN A10151-4 CABINET SIDE COVER
84	46-328206P84	2	CROWN FRU		CROWN A10152-5 REAR DOOR L. H. HINGE
85	46-328206P85	2	CROWN FRU		CROWN A10152-10 REAR DOOR R. H. HINGE
86	46-328206P86	2	CROWN FRU		CROWN A10688-G1 CABINET FRONT COVER
87	46-328206P87	2	CROWN FRU		CROWN A11438-1 CABLE FAN CONTROL
109	46-328206P109	2	CROWN FRU		CROWN A11457-G1 EMC 8645 GAP MODULE
110	46-328206P110	2	CROWN FRU		CROWN A11516-G1 EMC 8645 MIF MODULE
2207489	2207489	2	CROWN FRU		CROWBAR CIRCUIT BOARD/BRACKET ASM
2208412	2208412	1	CROWN FRU		500V, 100A, FAST-ACTING FUSE
	46-170021P48	2	FUSE	2	250V, 0.125A, SLO-BLO FUSE

9-2 SGD GRADIENT CABINETS

SGD HI-SLEW GRADIENT CABINET ASM

2169944

MR3



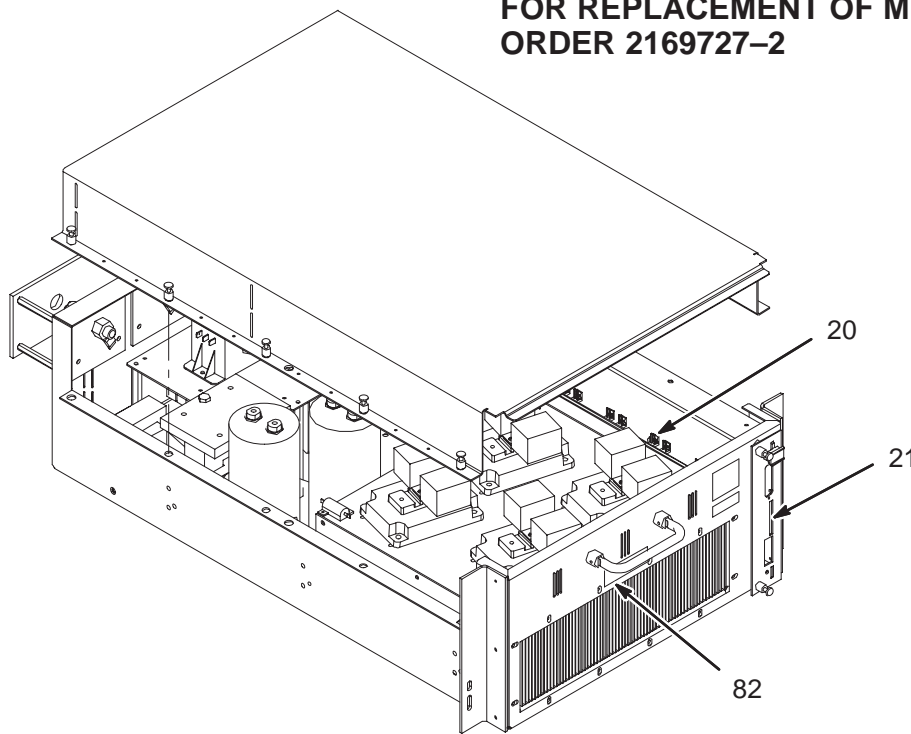
SGD HI-SLEW GRADIENT CABINET 2169944 FRU N (PART OF SGD HI-SLEW CATALOGS – SECTION 1)

Item	Part Number	FRU	Name	Quantity	Description (Remarks)
3	2169727-3	1	CHASSIS	3	MINI GRAM ASSEMBLY (SEE PAGE 9-14)
	2169727-4	1	FRU	AR	MINI GRAM WITH FRU PACKAGING
4	2151183	1	ASSEMBLY	1	GRADIENT POWER MODULE – SGD (SEE PAGE 9-18)
5	2169941	1	CHASSIS	1	GIP ASSEMBLY FOR SGD
6	2154416-2	1	SGD POWER SU	1	MINIGRAM POWER SUPPLY (GRAM-PS)
7	2154416-3	1	SGD POWER SU	1	GRADIENT POWER MODULE POWER SUPPLY
8	2166510	2	FRONT PANEL	1	FRONT COVER FOR SGD
13	2168615	N	COVER MOUNT	1	FRONT COVER MOUNTING BRACKET
31	2178856	2	CABLE	1	MR3XGRAMJ1+ TO MR3GPMXOUTPUT
32	2178856-2	2	CABLE	1	MR3XGRAMJ2- TO MR3GPMXCOMMON
33	2178856-3	2	CABLE	1	MR3YGRAMJ1+ TO MR3GPMYOUTPUT
34	2178856-4	2	CABLE	1	MR3YGRAMJ2- TO MR3GPMYCOMMON
35	2178856-5	2	CABLE	1	MR3ZGRAMJ1+ TO MR3GPMZOUTPUT
36	2178856-6	2	CABLE	1	MR3ZGRAMJ2- TO MR3GPMZCOMMON
51	2173642	2	FAN ASSEMBLY	1	FAN ASSEMBLY FOR SGD CABINET (SEE PAGE 9-19)
52	2180282	2	CABLE	1	MR3GPMPSJ7 TO MR3GPMX
53	2180282-2	2	CABLE	1	MR3GPMPSJ8 TO MR3GPMY
54	2180282-3	2	CABLE	1	MR3GPMPSJ9 TO MR3GPMZ
57	2182062	2	CAB ASM.	1	SGD CABINET ASSEMBLY (SEE PAGE 9-16)
58	46-306565P1	1	AIR FILTER	4	RESEARCH PRODUCTS 10"EZ-CLEAN FILTER
59	2187457	N	LABEL	1	LABEL CAUTION
65	2190102	N	SUPPORT	1	CABLE SUPPORT
66	2165323	2	LABEL	1	"POWER FOR THIS DEVICE....PDU ONLY"
101	46-328421P13	2	SCREW	38	SCREW PAN HEAD 4 MM 8 MM
102	46-328421P16	2	SCREW	32	SCREW PAN HEAD 4 MM 16 MM
103	46-328425P2	2	NUT	1	NUT HEXAGON 6 MM
104	46-328431P1	2	WASHER	28	WASHER PLAIN – LARGE 4.3 MM 12 MM
105	46-328433P2	2	WASHER	66	WASHER LOCK – EXTERNAL 4.3 MM 8 MM
106	46-328433P3	2	WASHER	4	WASHER LOCK – EXTERNAL 6.4 MM 11 MM
107	46-328421P22	2	SCREW	2	SCREW PAN HEAD 6 MM 8 MM
120	46-170015P21	2	SCREW	8	SCREW
130	46-208758P3	2	TY-RAP	8	7.31" X .184" SELF-LOCKING CABLE TIE

MINI GRAM ASSEMBLY

2169727

**FOR REPLACEMENT OF MINI GRAM ASSEMBLY
ORDER 2169727-2**



MINI GRAM ASSEMBLY 2169727-3 FRU 1 (PART 3 OF 2169944 PAGE 9-13)

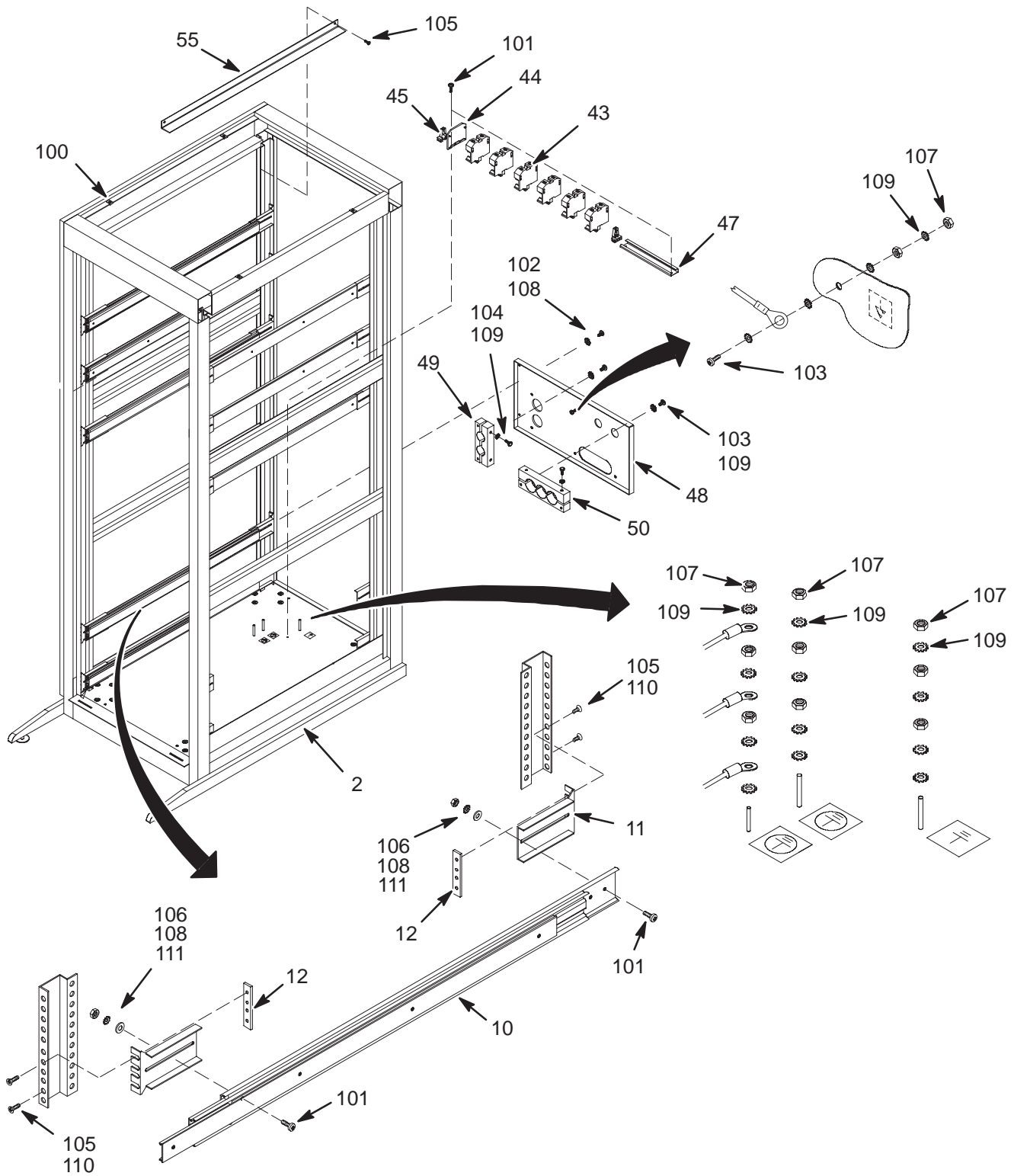
Item	Part Number	FRU	Name	Quantity	Description (Remarks)
20	46-288946G2	1	PWB	1	GRAM GATE DRIVER
21	2172312	1	CONTROL BD	1	MINI GRAM CONTROL BOARD ASSEMBLY (SEE PAGE 9-14)
82	2177260	2	LABEL	2	SGD DANGER LABEL

MINI GRAM CONTROL BOARD ASM 2172312 FRU 1 (PART 21 OF 2169727 PAGE 9-14)

Item	Part Number	FRU	Name	Quantity	Description (Remarks)
2	2154578	1	CIRCUIT BOAR	1	MINI GRAM CONTROL BOARD
4	46-221417P2	2	CONNECTOR	2	FEMALE SCREWLOCK FOR HD CONNECTORS
5	46-170686P3	2	ADHESIVE	AR	LOCTITE 242, 50CC
6	46-287183P1	2	KIT FRT PNL	1	FRONT PANEL PWB EXTRACTORS, 24 PARTS

SGD HI-SLEW GRADIENT CABINET CHASSIS

2182062

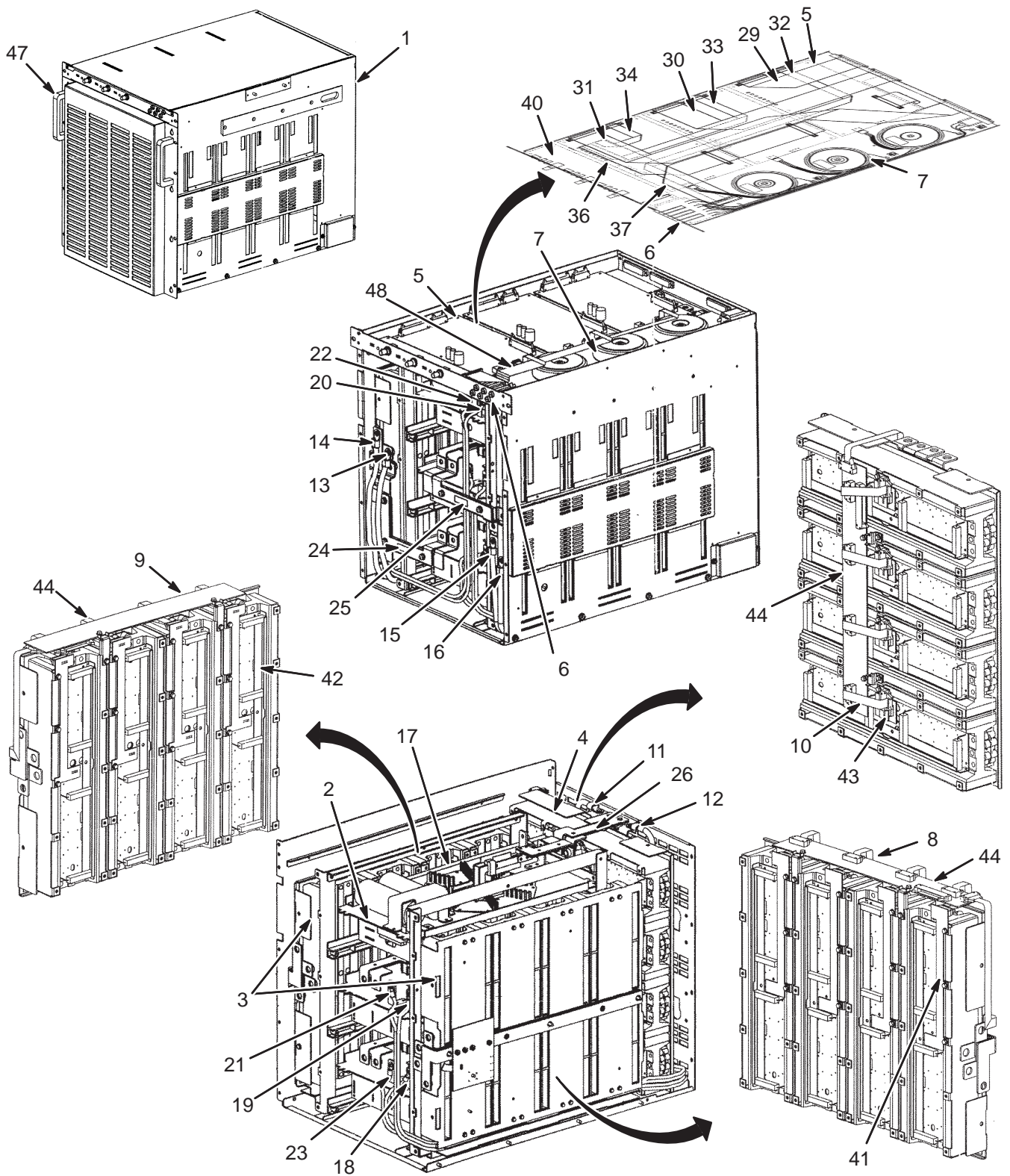


SGD HI-SLEW CABINET CHASSIS 2182062 FRU 2 (PART OF 2169944 PAGE 9-13)

Item	Part Number	FRU	Name	Quantity	Description (Remarks)
2	2169582	N	CHASSIS	1	ELECTRONICS CABINET
10	46-195551P1	N	MECHANICAL/M	10	SYMMETRICAL SLIDE FOR LEFT OR RIGHT
11	46-195552P2	N	BRACKET MTG	20	SINGLE BRACKET—JONATHAN #SP0466
12	2179064	N	PART	20	NUT BAR FOR SLIDE BRACKET W/M4 THDS
14	2178851	2	CABLE	1	MR3GRAMPSJ5 TO MR3GIP (208 VOLTS)
15	2178851-2	2	CABLE	1	MR3GRAMPSJ1 TO MR3XGRAMJ6 (208 VOLT)
16	2178851-3	2	CABLE	1	MR3GRAMPSJ2 TO MR3YGRAMJ6 (208 VOLT)
17	2178851-4	2	CABLE	1	MR3GRAMPSJ3 TO MR3ZGRAMJ6 (208 VOLT)
18	2178851-5	2	CABLE	1	MR3GPMPJSJ5 TO MR3GPM (208 VOLTS)
19	2180281	2	CABLE	1	MR3GRAMPSJ9 TO MR3ZGRAMJ7
20	2180281-2	2	CABLE	1	MR3GRAMPSJ8 TO MR3YGRAMJ7
21	2180281-3	2	CABLE	1	MR3GRAMPSJ7 TO MR3XGRAMJ7
23	46-328000G947	2	ASSEMBLY	1	MR3XGRAMJ5 TO MR3GIPJ8
24	46-328000G948	2	ASSEMBLY	1	MR3YGRAMJ5 TO MR3GIPJ10
25	46-328000G949	2	ASSEMBLY	1	MR3ZGRAMJ5 TO MR3GIPJ12
26	46-328000G943	2	ASSEMBLY	1	MR3GIPJ7 TO MR3GPMXSTAT
27	46-328000G944	2	ASSEMBLY	1	MR3GIPJ9 TO MR3GPMYSTAT
28	46-328000G945	2	ASSEMBLY	1	MR3GIPJ11 TO MR3GPMZSTAT
29	46-328000G950	2	ASSEMBLY	1	MR3GRAMPSJ6 TO MR3GIPJ14
30	46-328000G946	2	ASSEMBLY	1	MR3GIPJ13 TO MR3GPMPJSJ6
37	2178853	2	CABLE	1	MR3XGRAMJ3+ TO MR3TB1-1+
38	2178853-2	2	CABLE	1	MR3XGRAMJ4- TO MR3TB1-2-
39	2178853-3	2	CABLE	1	MR3YGRAMJ3+ TO MR3TB1-3+
40	2178853-4	2	CABLE	1	MR3YGRAMJ4- TO MR3TB1-4-
41	2178853-5	2	CABLE	1	MR3ZGRAMJ3+ TO MR3TB1-5+
42	2178853-6	2	CABLE	1	MR3ZGRAMJ4- TO MR3TB1-6-
43	2179070	1	MISCELLANEOU	6	FEED-THROUGH TERMINAL BLOCK
44	2179070-2	2	MISCELLANEOU	1	TERMINAL BLOCK END PLATE
45	2179070-3	2	MISCELLANEOU	2	TERMINAL BLOCK END BRACKET
46	2179070-4	2	MISCELLANEOU	1	TERMINAL BLOCK HEXAGON KEY TOOL
47	2179141	2	PART	1	TERMINAL BLOCK MOUNTING RAIL
48	2178950	N	PANEL	1	INTERFACE PANEL FOR SGD CABINET
49	2178951	N	CLAMP	1	CABLE CLAMP FOR SGD CABINET
50	2178952	N	CLAMP	1	CABLE CLAMP FOR SGD CABINET
55	2168691	N	BRACKET	2	MODULE SUPPORT BRACKET
56	2180280	2	CABLE	1	SGD FAN CABLE
80	2182676	2	LEAD DATA	1	SGD CABINET GROUND WIRES
81	46-271110P1	N	LABEL	2	PROTECTIVE EARTH (GROUND)
82	46-271110P2	N	LABEL	1	LABEL
83	46-271110P5	N	LABEL	1	LABEL
100	2180698	N	NUT	26	NUT CLIP ON 4 MM
101	46-328421P14	N	SCREW	22	SCREW PAN HEAD 4 MM 10 MM
102	46-328421P18	N	SCREW	4	SCREW PAN HEAD 4 MM 25 MM
103	46-328421P27	N	SCREW	5	SCREW PAN HEAD 6 MM 25 MM
104	46-328416P18	N	SCREW	4	SCREW HEXAGON HEAD 6 MM 60 MM
105	46-328422P14	N	SCREW	44	SCREW COUNTERSUNK HEA 4 MM 10 MM
106	46-328425P1	N	NUT	20	NUT HEXAGON 4 MM
107	46-328425P2	N	NUT	11	NUT HEXAGON 6 MM
108	46-328433P2	N	WASHER	24	WASHER LOCK - EXTERNAL 4.3 MM 8 MM
109	46-328433P3	N	WASHER	24	WASHER LOCK - EXTERNAL 6.4 MM 11 MM
110	46-170686P1	N	ADHESIVE	AR	LOCTITE 242, 0.5CC TUBE
111	46-328430P2	N	WASHER	20	WASHER PLAIN - NORMAL 4.3 MM 9 MM
112	46-208758P3	N	TY-RAP	28	7.31" X .184" SELF-LOCKING CABLE TIE

GRADIENT POWER MODULE

2101221

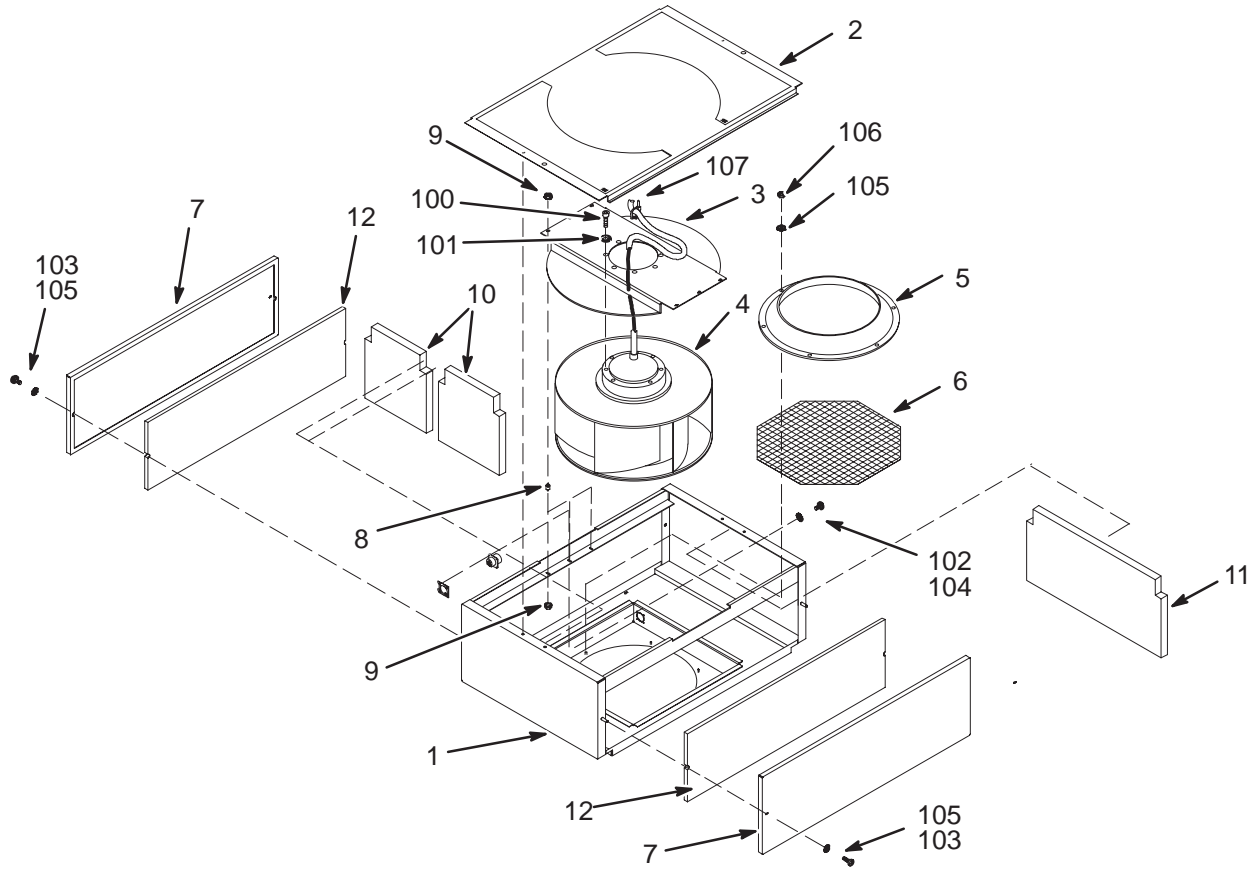


GRADIENT POWER MODULE 2151183 FRU 1 (PART OF 2169944 PAGE 9-13)

Item	Part Number	FRU	Name	Quantity	Description (Remarks)
1	2175599	1	ASSEMBLY	1	TECHRON GRADIENT PWR MOD #100976
2	2175599-2	1	ASSEMBLY	1	TECHRON #100978-1, PPBM
3	2175599-3	1	ASSEMBLY	1	TECHRON #101577-1, OUTPUT SHELF X,Y
4	2175599-4	1	ASSEMBLY	1	TECHRON #101577-2, OUTPUT SHELF Z
5	2175599-5	1	ASSEMBLY	1	TECHRON #101276-1, MAIN BOARD
6	2175599-6	1	ASSEMBLY	1	TECHRON #A10285-6, FUSE
7	2175599-7	1	ASSEMBLY	1	TECHRON #100735-1, XFMR, SEC. POWER
8	2175599-8	2	ASSEMBLY	1	TECHRON #100275-1, CABLE, EXTENDER X
9	2175599-9	2	ASSEMBLY	1	TECHRON #100276-1, CABLE, EXTENDER Y
10	2175599-10	2	ASSEMBLY	1	TECHRON #100277-1, CABLE, EXTENDER Z
11	2175599-11	2	ASSEMBLY	1	TECHRON #100947-1, Z AXIS OUTPUT CBL
12	2175599-12	2	ASSEMBLY	1	TECHRON #100947-2, Z AXIS COMMON CBL
13	2175599-13	2	ASSEMBLY	1	TECHRON #100947-3, Y AXIS OUTPUT CBL
14	2175599-14	2	ASSEMBLY	1	TECHRON #100947-4, Y AXIS COMMON CBL
15	2175599-15	2	ASSEMBLY	1	TECHRON #100947-5, X AXIS OUTPUT CBL
16	2175599-16	2	ASSEMBLY	1	TECHRON #100947-6, X AXIS COMMON CBL
17	2175599-17	2	ASSEMBLY	1	TECHRON #100948-1 CBL, PPBM-VSS JMPR
18	2175599-18	2	ASSEMBLY	1	TECHRON#100948-2 CBL,Y AXIS PPBM COM
19	2175599-19	2	ASSEMBLY	1	TECHRON#100948-3 CBL,X AXIS PPBM COM
20	2175599-20	2	ASSEMBLY	1	TECHRON#100948-4 CBL,Z AXIS PPBM COM
21	2175599-21	2	ASSEMBLY	1	TECHRON#100948-5 CBL,X AXIS PPBM PWR
22	2175599-22	2	ASSEMBLY	1	TECHRON#100948-6 CBL,Z AXIS PPBM PWR
23	2175599-23	2	ASSEMBLY	1	TECHRON#100948-7 CBL,Y AXIS PPBM PWR
24	2175599-24	2	ASSEMBLY	1	TECHRON#100982-1, Y PPBM TO Y SHELF
25	2175599-25	2	ASSEMBLY	1	TECHRON#100983-1, X PPBM TO X SHELF
26	2175599-26	2	ASSEMBLY	1	TECHRON#100984-1, Z PPBM TO Z SHELF
29	2175599-29	2	ASSEMBLY	1	TECHRON#101145-3,CBL,STATUS/CONTRL Z
30	2175599-30	2	ASSEMBLY	1	TECHRON#101145-2,CBL,STATUS/CONTRL Y
31	2175599-31	2	ASSEMBLY	1	TECHRON#101145-1,CBL,STATUS/CONTRL X
32	2175599-32	2	ASSEMBLY	1	TECHRON#101146-3, CABLE, TRAY PPBM Z
33	2175599-33	2	ASSEMBLY	1	TECHRON#101146-2, CABLE, TRAY PPBM Y
34	2175599-34	2	ASSEMBLY	1	TECHRON#101146-1, CABLE, TRAY PPBM X
35	2175599-35	2	ASSEMBLY	1	TECHRON#101147-3,CBL,MAIN TO SHELF Z
36	2175599-36	2	ASSEMBLY	1	TECHRON#101147-2,CBL,MAIN TO SHELF Y
37	2175599-37	2	ASSEMBLY	1	TECHRON#101147-1,CBL,MAIN TO SHELF X
38	2175599-38	2	ASSEMBLY	1	TECHRON#101460-1, PPBM CONTROL CABLE
39	2175599-39	2	ASSEMBLY	1	TECHRON#100817-1,INTRCONN 10 PIN CBL
40	2175599-40	2	ASSEMBLY	1	TECHRON#A11712-1, DISPLAY BOARD
41	2175599-41	2	ASSEMBLY	1	TECHRON #A11917-1, X EXTENSION BOARD
42	2175599-42	2	ASSEMBLY	1	TECHRON #A11918-1, Y EXTENSION BOARD
43	2175599-43	2	ASSEMBLY	1	TECHRON #A11919-1, Z EXTENSION BOARD
44	2175599-44	2	ASSEMBLY	1	TECHRON #A11921-1,INTERCONNECT BOARD
45	2175599-45	2	ASSEMBLY	1	TECHRON#101377-1, SLIDE RL MTG 28.5
46	2175599-46	2	ASSEMBLY	1	TECHRON#100942-1,SLIDEROLLR BEARINGS
47	2175599-47	2	ASSEMBLY	1	TECHRON#100836-1, HANDLE
48	2175599-48	2	ASSEMBLY	1	TECHRON #100744 DISPLAY CABLE
49	2175599-49	2	ASSEMBLY	1	TECHRON #100982-1 BUS BAR Y-PPBM TO
50	2175599-50	2	ASSEMBLY	1	TECHRON #100983-1 BUS BAR X-PPBM TO

SGD CABINET FAN ASM

2173642



SGD CABINET FAN ASM

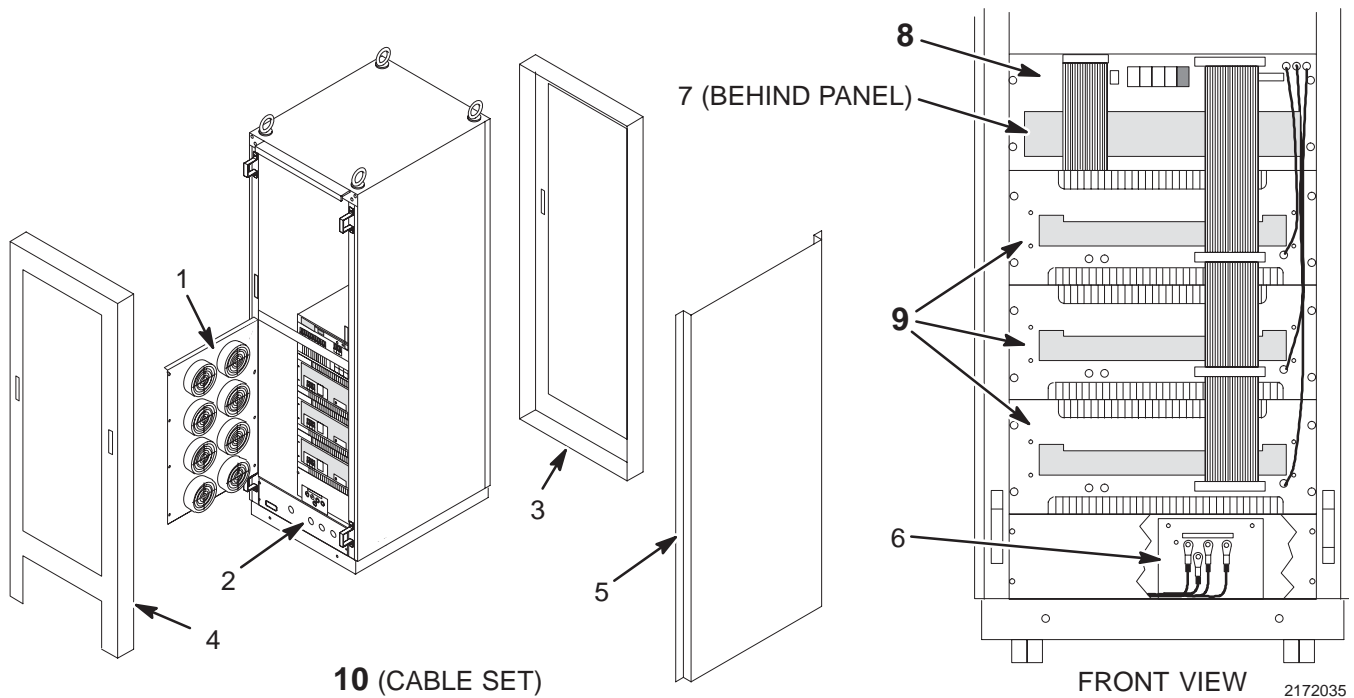
2173642 FRU 2

(PART OF 2169944 PAGE 9-13)

Item	Part Number	FRU	Name	Quantity	Description (Remarks)
1	2167400	N	CHASSIS	1	FAN CHASSIS ASSEMBLY
2	2167402	N	COVER ASM	1	FAN TOP COVER ASSEMBLY
3	2167443	N	FAN MOUNT	1	FAN MOUNTING CHANNEL
4	2181131	1	FAN, COOLING	1	FAN ASSEMBLY WITH CONNECTOR
5	2179239	N	PART	1	RING, INLET FOR SGD CABINET
6	2179241	N	PART	1	SCREEN, FAN FINGER GUARD
7	2181133	N	COVER	2	SIDE COVER FOR FAN MODULE
8	46-251739P7	2	SPACER	6	7/16" DIA. RUBBER MOUNT, 8-32 STUDS
9	46-170012P37	2	NUT	12	8-32, HEX 11/32, NUT THK 1/8, KEPS
10	2181594	N	BARRIER	2	ACOUSTICAL FOAM BARRIER (FRONT)
11	2181594-2	N	BARRIER	1	ACOUSTICAL FOAM BARRIER (BACK)
12	2181595	N	BARRIER	2	ACOUSTICAL FOAM BARRIER (SIDES)
100	46-328417P21	2	SCREW	8	SCREW HEXAGON SOCKET 10 MM 16 MM
101	46-328432P4	2	WASHER	8	WASHER LOCK - SPRING 10.2 MM 18.1 MM
102	46-328421P6	2	SCREW	4	SCREW PAN HEAD 2.5 MM 10 MM
103	46-328421P16	2	SCREW	4	SCREW PAN HEAD 4 MM 16 MM
104	46-328433P1	N	WASHER	4	WASHER LOCK - EXTERNAL 2.7 MM 5.5 MM
105	46-328433P2	2	WASHER	10	WASHER LOCK - EXTERNAL 4.3 MM 8 MM
106	46-328425P1	2	NUT	6	NUT HEXAGON 4 MM
107	46-208758P2	2	TY-RAP	2	5.5" X .140" SELF-LOCKING CABLE TIE.

SGD BASE GRADIENT CABINET

2173642

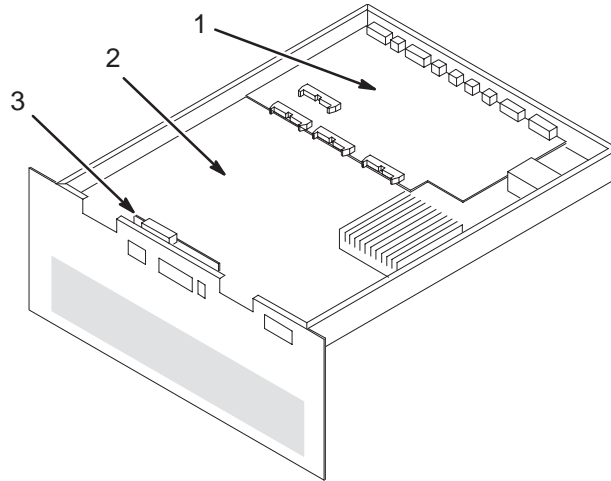


SGD BASE GRADIENT CABINET 2172035 FRU N (PART OF SGD BASE CATALOGS – SECTION 1)

Item	Part Number	FRU	Name	Quantity	Description (Remarks)
1	2176113	2	ASSEMBLY	1	P9358GL FAN PANEL ASSY
2	2176124	2	ASSEMBLY	1	P9358GW OUTPUT PANEL
3	2176125	2	PART	1	P9358GX FRONT DOOR
4	2176126	2	PART	1	P9358GY BACK DOOR
5	2176127	2	PART	1	P9358GZ SIDE PANELS
6	2176256	1	PART	1	P9358QB LINE FILTER
7	2176108	1	ASSEMBLY	1	P9358GF PSU
8	2176109	2	ASSEMBLY	1	P9358GG SCA (SEE PAGE 9-21)
9A	2165248-2	1	ASSEMBLY	3	P9358XC AMPLIFIER UNIT (SEE PAGE 9-21)
9B	2165248-3	1	ASSEMBLY	ALT	AMPLIFIER UNIT
10	2176115	2	CABLE AS	1	AN8280G-TK CABLE SET (SEE PAGE 9-22)

SYSTEM CONTROL ASSEMBLY MODULE

2176109



2176109

SCA MODULE

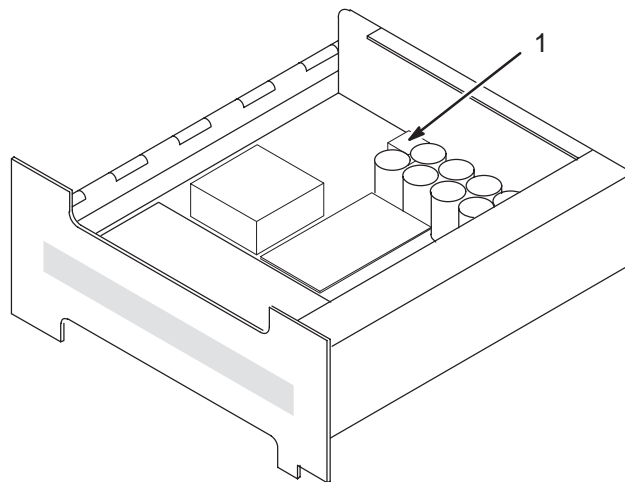
2176109 FRU 2

(PART OF 2172035 PAGE 9-20)

Item	Part Number	FRU	Name	Quantity	Description (Remarks)
1	2176110	1	ASSEMBLY	1	P9358GH FRONT PANEL ASSY
2	2176111	1	PWB	1	P9358GJ SCA PWA
3	2176112	1	PWB	1	P9358GK AUX POWER PWA

AMPLIFIER UNIT

2165248-2



2165248-2

AMPLIFIER UNIT

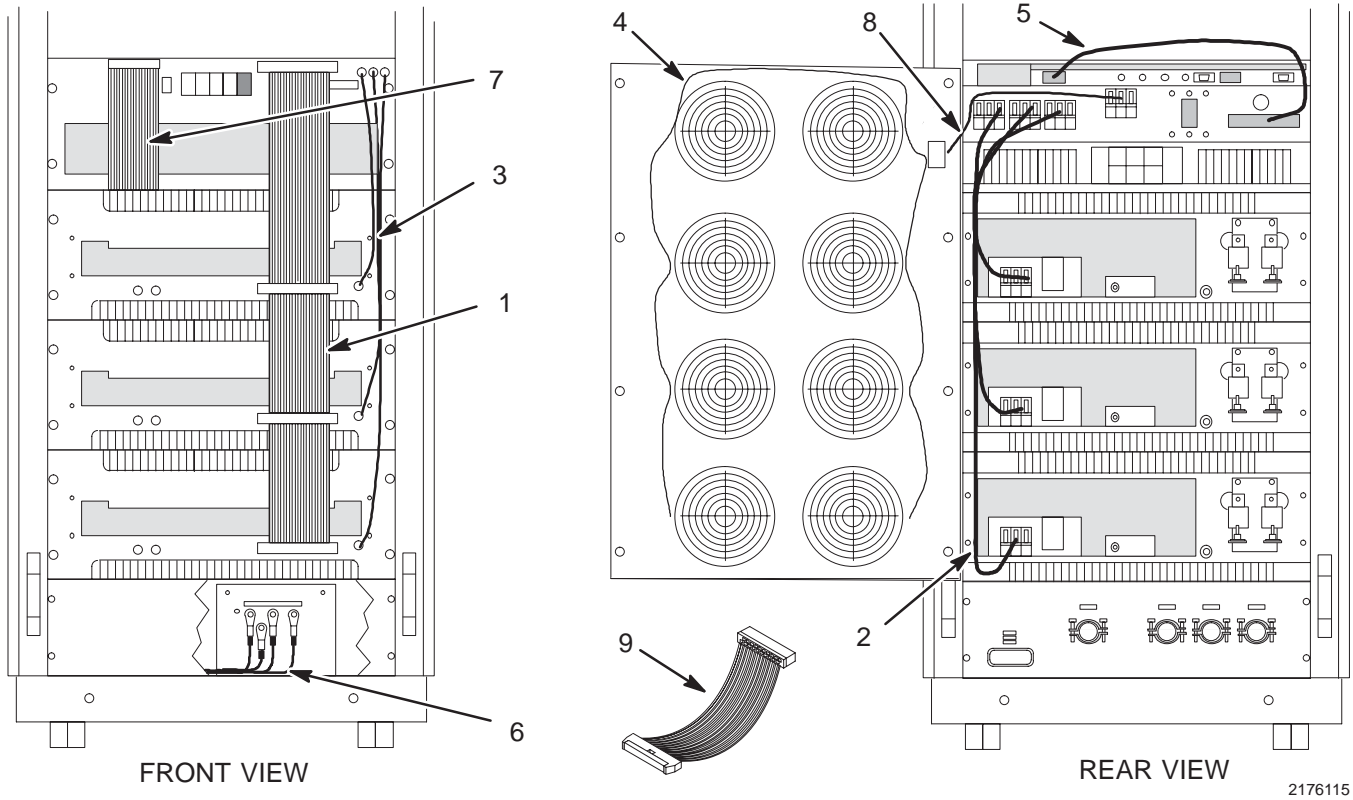
2165248-2 FRU 1

(PART OF 2172035 PAGE 9-20)

Item	Part Number	FRU	Name	Quantity	Description (Remarks)
1	2178387	2	PART	1	P9358MA DIODE BRIDGE

SGD BASE GRADIENT CABINET CABLE SET

2173642



2176115

SGD BASE CABLE SET

2176115 FRU 2

(PART OF 2172035 PAGE 9-20)

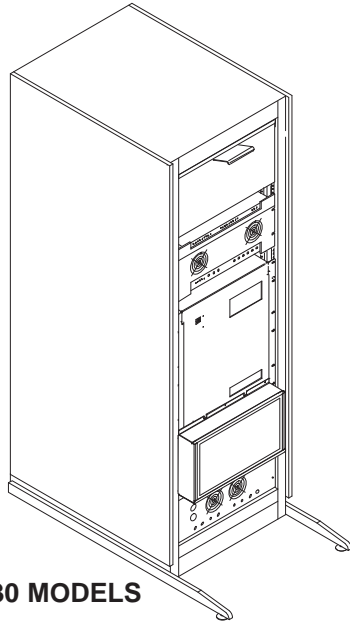
Item	Part Number	FRU	Name	Quantity	Description (Remarks)
1	2176116	1	CABLE AS	1	P9358GP CABLE AMP BUS ASSY
2	2165257	2	CABLE AS	1	P9358ZB CABLE AMP HV ASSY
3	2176117	2	CABLE AS	1	P9358GQ CABLE AUX POWER ASSY
4	2176118	2	CABLE AS	1	P9358GR FAN PANEL CABLE ASSY
5	2176120	1	CABLE AS	1	P9358GS 300V UNREG DC CABLE ASSY
6	2176129	2	CABLE AS	1	P9358GA LINE FILTER CABLE ASSY
7	2176121	1	CABLE AS	1	P9358GT PSU BUS INTERCON CABLE ASSY
8	2176122	2	CABLE AS	1	P9358GU 48V AUX POWER CABLE ASSY
9	2176123	2	CABLE AS	1	P9358GV AMP TEST EXTENSION CABLE

SECTION 10 – RF/PENETRATION CABINET

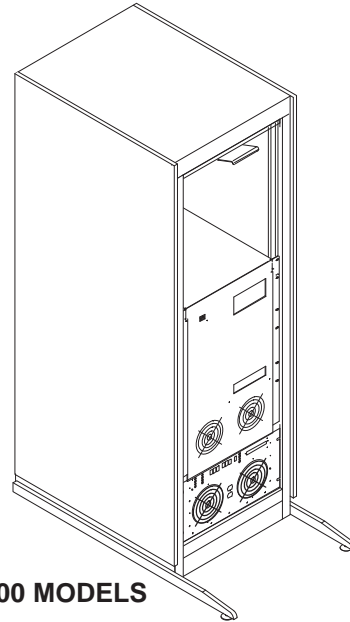
TABLE OF CONTENTS

SECTION

PAGE



2109930 MODELS



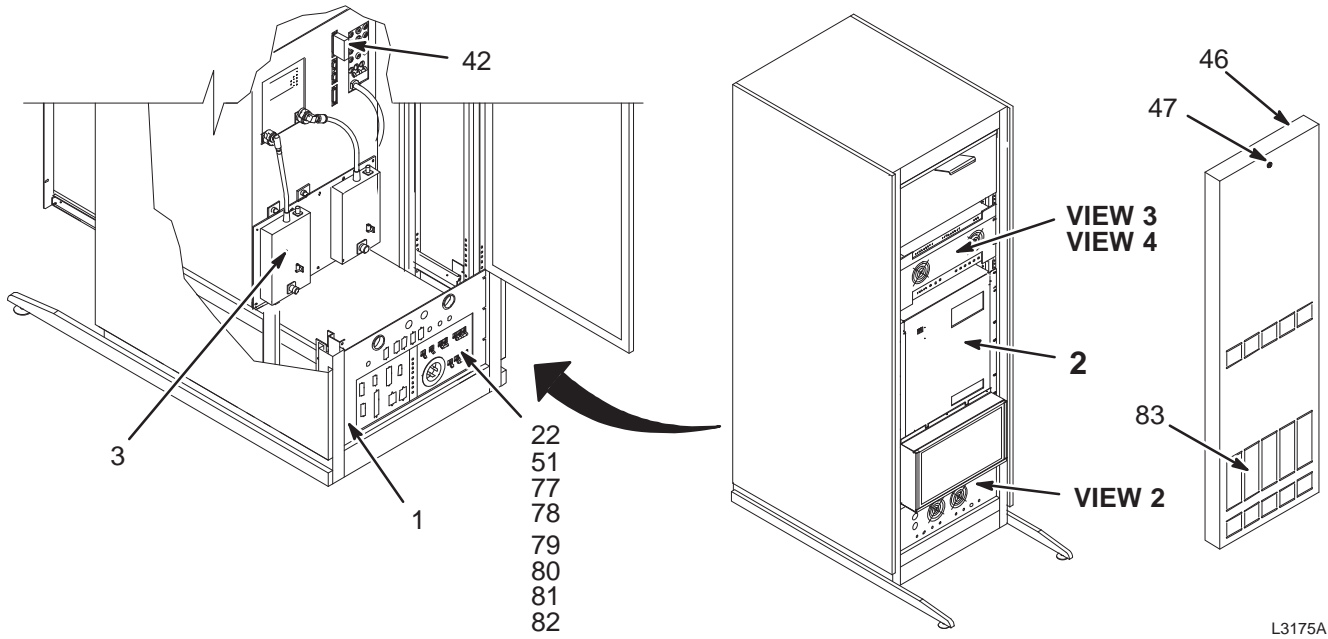
2160200 MODELS

10-1 RF/PENETRATION CABINET	10-2
1.5T RF/PENETRATION CABINET	2109930 10-4
1.0T RF/PENETRATION CABINET	2109930-2 10-8
10-2 RF/PENETRATION II CABINET	10-14
1.5T RF/PENETRATION II CABINET	2160200 10-17
1.0T RF/PENETRATION II CABINET	2160200-3 10-18

10-1 RF/PENETRATION CABINET

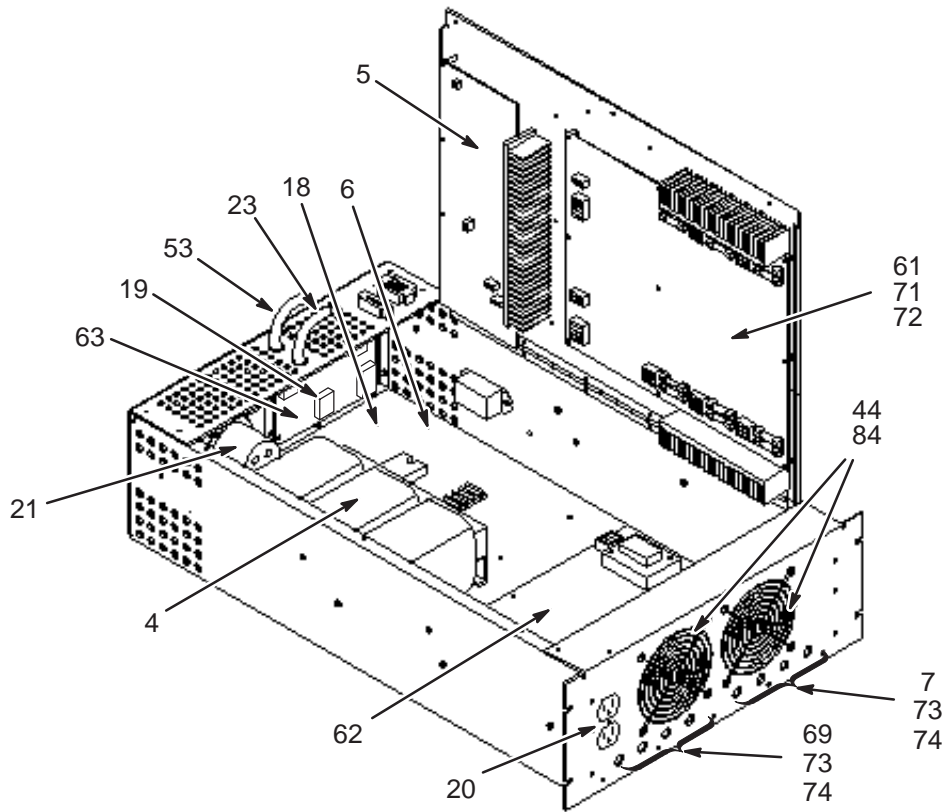
1.5T RF/PEN CABINET

2109930



VIEW 1

L3175A

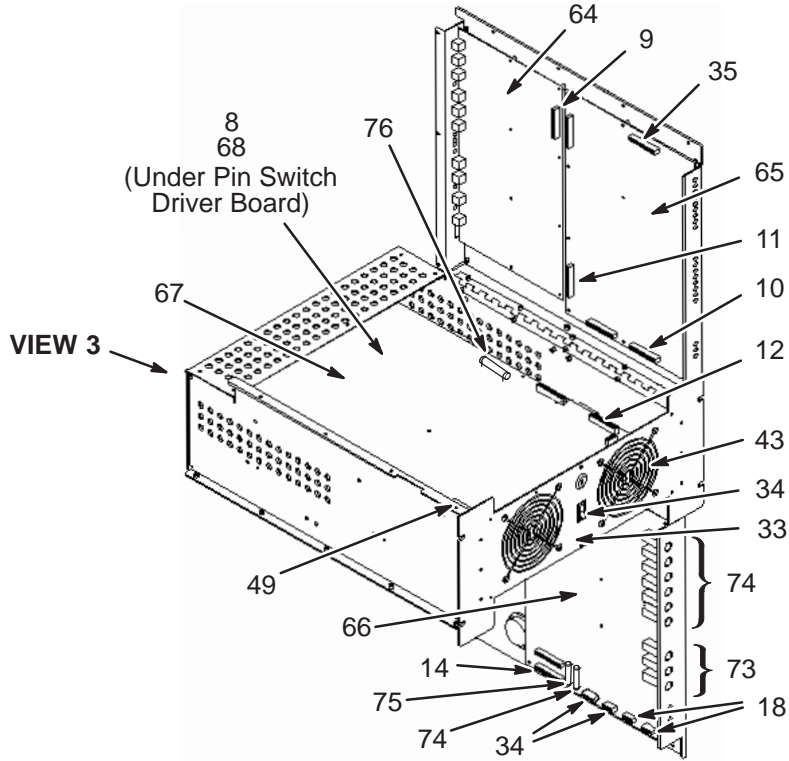


VIEW 2

L3176A

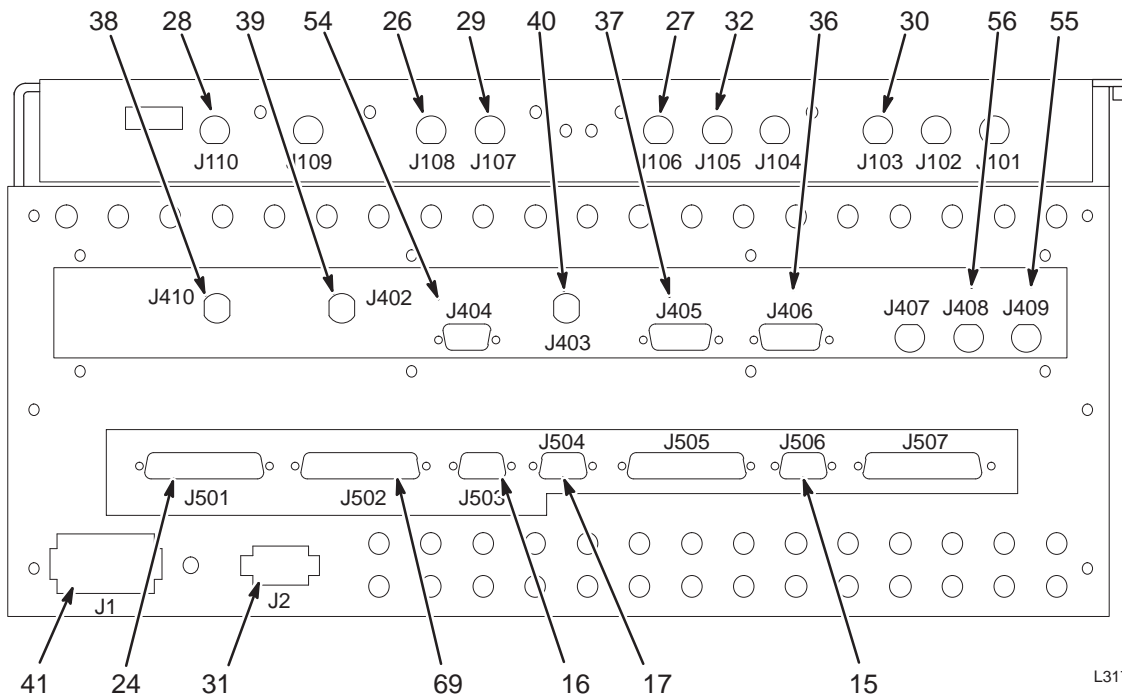
1.5T RF/PEN CABINET

2109930



L3177A

VIEW 3



L3177A

(CABLES CONNECTED TO RF SYSTEM CONTROLLER MODULE)

VIEW 4

1.5T RF/PEN CABINET 2109930 FRU N (PART OF 1.5T 271000G SERIES – SECTION 1)

Item	Part Number	FRU	Name	Quantity	Description (Remarks)
1	2124498-15	N	PART	1	RF/PEN CABINET INTERFACE PANEL
2	46-271962P1	2	RF POWER AMP	1	ERBTEC 20KW RF AMPLIFIER, MR1 A10 (SEE PAGE 10-11)
3	46-328320P1	1	DUAL COUPLER	1	1.5T HEAD & BODY DIRECTIONAL COUPLER
4	2124498-2	2	MAGNETICS	1	SCAN/MAGNET ROOM TRANSFORMER
5	2124498-16	1	PART	1	LONGITUDINAL DRIVE POWER AMP BOARD
6	2124498-6	2	HARNESS	1	SCAN/MAGNET ROOM PS WIRING HARNESS
7	2124497-25	2	PART	1	CABLE, ASM, MEPS FAN HARNESS
8	2124497	2	HARNESS	1	RFSC INTERNAL WIRING HARNESS
9	2124497-2	2	RIBBON CABLE	1	CABLE, ASM, RIBBON, 40 PIN
10	2124497-3	2	RIBBON CABLE	1	CABLE, ASM, RIBBON, 50 PIN
11	2124497-4	2	RIBBON CABLE	1	CABLE, ASM, RIBBON, 40 PIN
12	2124497-5	2	RIBBON CABLE	1	CABLE, ASM, RIBBON, 40 PIN
13	2124498	N	PS MODULE	1	SCAN/MAGNET ROOM POWER SUPPLY MODULE
14	2124497-6	2	RIBBON CABLE	1	CABLE, ASM, RIBBON, 40 PIN
15	2124497-7	2	D-SUB CONN	1	CABLE D-SUB, 9 PIN, M/F
16	2124497-8	2	D-SUB CONN	1	CABLE D-SUB, 9 PIN, M/F
17	2124497-9	2	D-SUB CONN	1	CABLE D-SUB, 9 PIN, M/F
18	2124497-26	2	PART	1	CABLE, HARNESS, RFSC, INTERNAL AC
19	2124497-27	2	PART	1	CABLE, HARNESS, MEPS RELAY
20	2124497-28	2	PART	1	CABLE, HARNESS, MEPS DUPLEX
21	2124497-29	2	PART	1	CABLE, HARNESS, MEPS AC PLUG
22	2124497-30	2	PART	1	CABLE, MEPS CIRCUIT BREAKERS, RED
23	2124497-31	2	PART	1	ERBTEC #450039 RF AMP POWER CORD FRU
24	2124497-32	2	PART	1	CABLE, D-SUB, 25PIN M/F
25	2124497-33	2	PART	1	CABLE, D-SUB, 25PIN M/F
26	2124497-11	2	COAXIAL	1	COAXIAL CABLE, RG223, BNC M
27	2124497-34	2	PART	1	CABLE, COAXIAL, RG223 BNC (M/M)
28	2124497-12	2	COAXIAL	1	COAXIAL CABLE, RG223, BNC M, BODY
29	2124497-35	2	PART	1	CABLE, COAXIAL, RG223 BNC (M/M)
30	2124497-13	2	COAXIAL	1	COAXIAL CABLE, RG223, BNC M, RF OUT
31	2124497-36	2	PART	1	CABLE, HARNESS
32	2124497-14	2	COAXIAL	1	COAXIAL CABLE, RG223, BNC M, RF IN
33	2124497-15	2	HARNESS, FAN	1	CABLE, FAN HARNESS
34	2124497-16	N	HARNESS	1	KEY SWITCH HARNESS
35	2124497-17	2	RIBBON CABLE	1	RIBBON CABLE, 40 PIN, SIGNAL CMPWR
36	2124497-18	2	CABLE	1	CABLE, D-SUB, 9 PIN, M/F, MULTI-COIL
37	2124497-19	2	CABLE	1	DSUB CBL, 9PIN, M/F, MULTI-COIL BIAS
38	2124497-20	2	CABLE,BULKHD	1	BULKHEAD CABLE, F/BNC,M, DYNDIS DRV1
39	2124497-21	2	CABLE,BULKHD	1	BULKHEAD CABLE, F/BNC,M, DYNDIS DRV2
40	2124497-22	2	CABLE,BULKHD	1	BULKHEAD CABLE, F/BNC,M, DYNDIS DRV3
41	2124497-24	2	HARNESS	1	WIRING HARNESS, RFSC PWR DISTRIB
42	2124498-14	2	SCM PLUG	1	SCM DEFEATER PLUG ASM
43	2124498-17	2	PART	1	RF SYSTEM CONTROLLER FAN
44	2124498-18	2	PART	1	MEPS FAN
45	2124498-19	2	PART	1	SLIDE, 26"

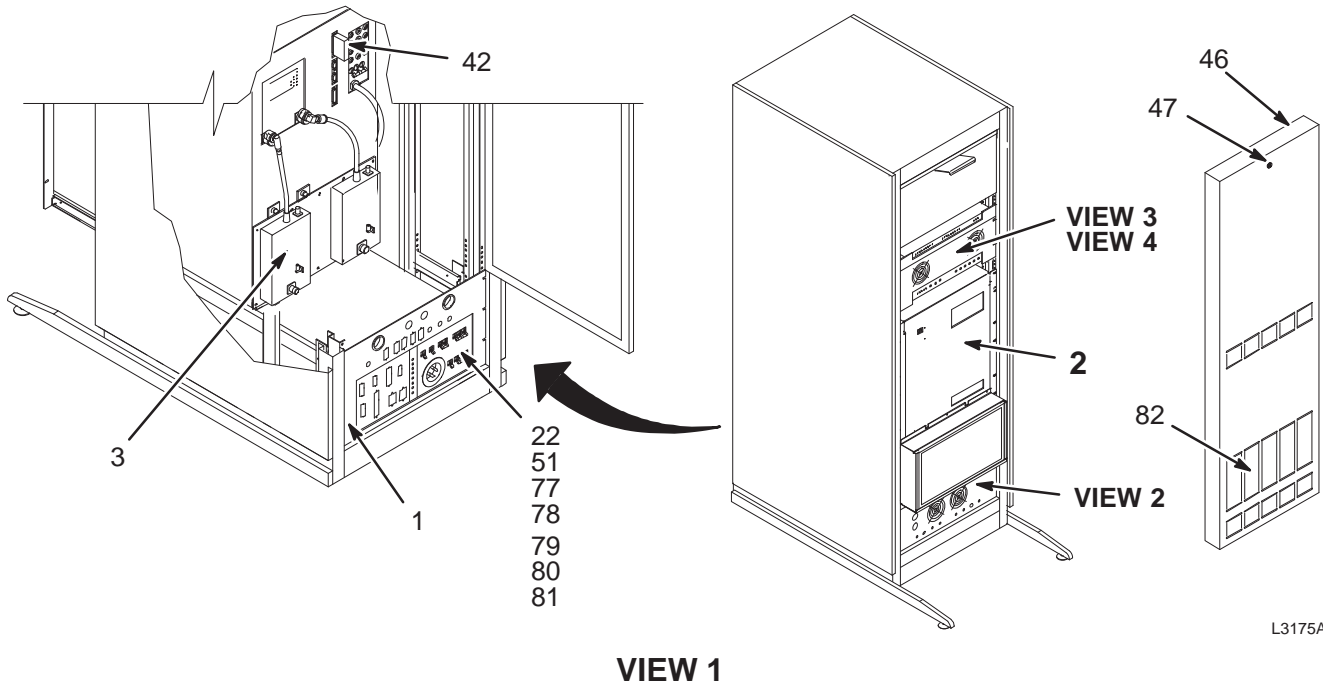
Parts List Continued On Next Page

1.5T RF/PEN CABINET 2109930 FRU N (CONTINUED FROM PREVIOUS PAGE)

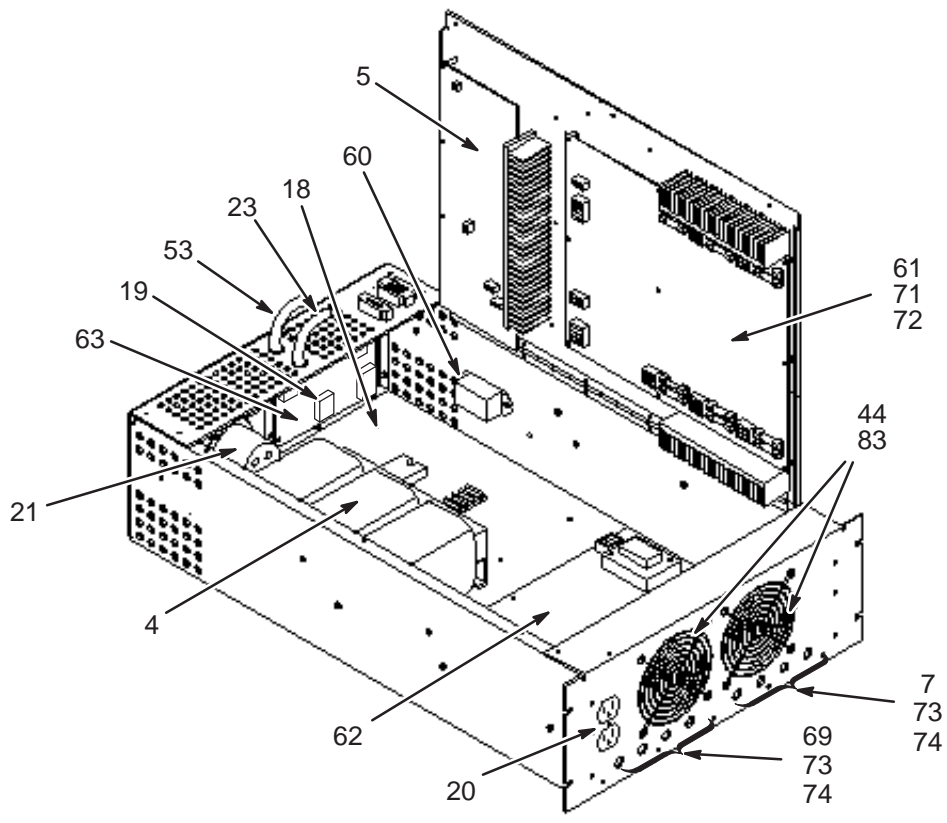
Item	Part Number	FRU	Name	Quantity	Description (Remarks)
46	2124498-20	2	PART	1	FRONT COVER
47	2124498-21	2	PART	1	LATCH, FRONT DOOR
48	2124498-22	2	PART	1	CABLE CLAMP
49	2124497-38	2	PART	1	CABLE, RFSC HIGH VOLTAGE INTERLOCK
51	2124497-40	2	PART	1	CABLE, MEPS CIRCUIT BREAKER, BLK
52	2124497-41	2	PART	1	CABLE, HARNESS, MEPS LOAD RESISTOR
53	2124497-42	2	PART	1	ERBTEC #450142 SPECTRO AMP PWR CORD
54	2124497-43	2	PART	1	CABLE, D-SUB, 15PIN, M/F
55	2124497-44	2	PART	1	CABLE, COAXIAL, RG223, BNC (M/M)
56	2124497-45	2	PART	1	CABLE, COAXIAL, RG223, BNC (M/M)
60	2124498-35	2	PS MODULE	1	ERBTEC #174-1591 40A SS RELAY
61	2124498-3	1	ERBTEC BOARD	1	ERBTEC P450006 HIGH CURRENT PS BOARD
62	2124498-4	1	ERBTEC BOARD	1	ERBTEC P450007 LOW CURRENT PS BOARD
63	2124498-5	2	ERBTEC BOARD	1	ERBTEC P450011 MAGNET ROOM I/F BOARD
64	2124498-8	1	ERBTEC BOARD	1	ERBTEC P450193 ANALOG PROCESSOR BD
65	2124498-10	1	ERBTEC BOARD	1	ERBTEC P450003 1.5T COMM. MANAGER BD
66	2124498-11	1	ERBTEC BOARD	1	ERBTEC P450005 POWER SUPPLY BOARD
67	2124498-12	1	ERBTEC BOARD	1	ERBTEC P450158 DD T/R DRIVER BOARD
68	2124498-13	2	ERBTEC BOARD	1	ERBTEC P450012 RF CONTROLLER I/F BD
69	2124497-46	2	PART	1	CABLE, D-SUB, MRI SERIAL PORT
70	2124498-25	2	PART	1	FAN 4.7", 113 CFM
71	46-170021P81	1	FUSE	1	LITTELFUSE 323020, 20A,250V, 3AB
72	46-170021P100	2	FUSE	1	FUSE 25 AMPS 125 VOLTS 2 SECONDS
73	46-170021P73	1	FUSE	1	1/4A, 250V SLO-BLO FUSE.
74	46-170021P31	2	FUSE	1	1/2A, 250V SLO-BLO FUSE.
75	46-170021P14	1	FUSE	1	1.0A, 250V SLO-BLO FUSE.
76	46-170021P30	1	FUSE	1	2.0A, 250V SLO-BLO FUSE.
77	2160200-15	2	RF/PEN CAB	1	ERBTEC #3280007 7.5 A CKT BRKR FRU
78	2160200-16	2	RF/PEN CAB	1	ERBTEC #3280008 2.5 A CKT BRKR FRU
79	2160200-17	2	RF/PEN CAB	1	ERBTEC #3280009 15 A CKT BRKR FRU
80	2160200-18	2	RF/PEN CAB	1	ERBTEC #32800010 10 A CKT BRKR FRU
81	2124498-43	2	PART	1	20AMP 3 POLE CIRCUIT BREAKER
82	2124498-33	2	PS MODULE	1	10 AMP CIRCUIT BREAKER
83	2160200-44	2	RF/PEN CAB	2	ERBTEC #510062 CAB COVER AIR FILTERS
84	2124498-34	2	PS MODULE	1	ERBTEC #510064 AIR FILTER

1.0T RF/PEN CABINET

2109930-2



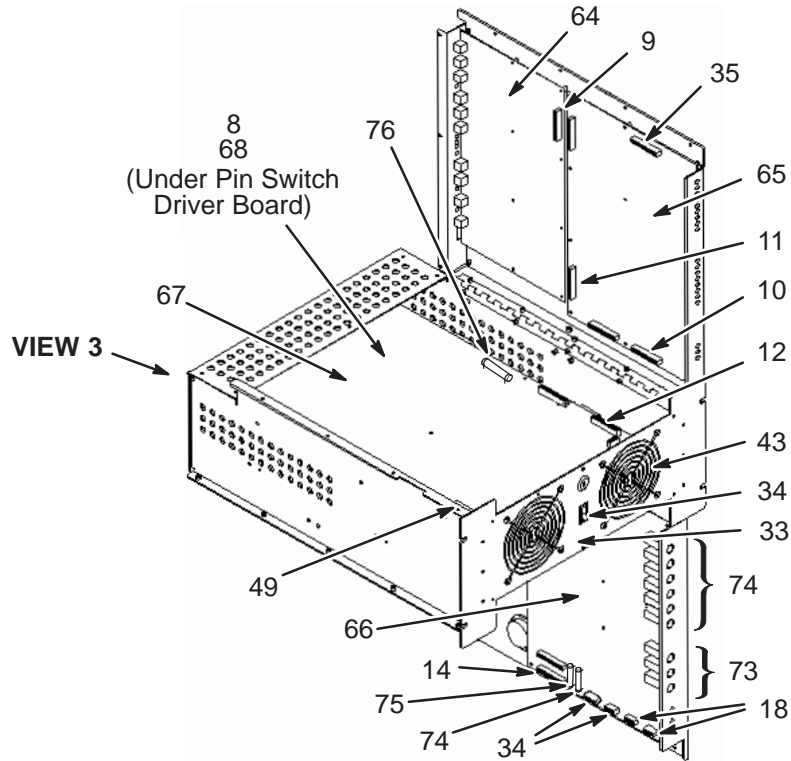
VIEW 1



VIEW 2

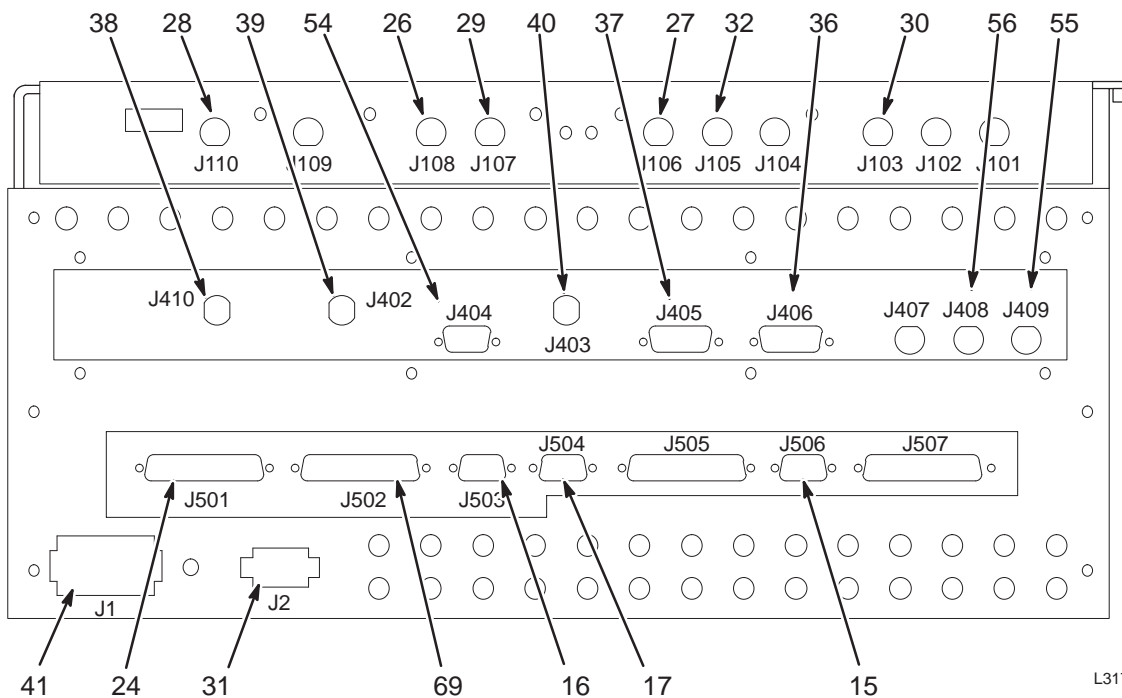
1.0T RF/PEN CABINET

2109930-2



L3177A

VIEW 3



L3177A

(CABLES CONNECTED TO RF SYSTEM CONTROLLER MODULE)

VIEW 4

1.0T RF AMP/PEN CAB ASM 2109930-2 FRU N (PART OF 1.0T 271000G SERIES – SECTION 1)

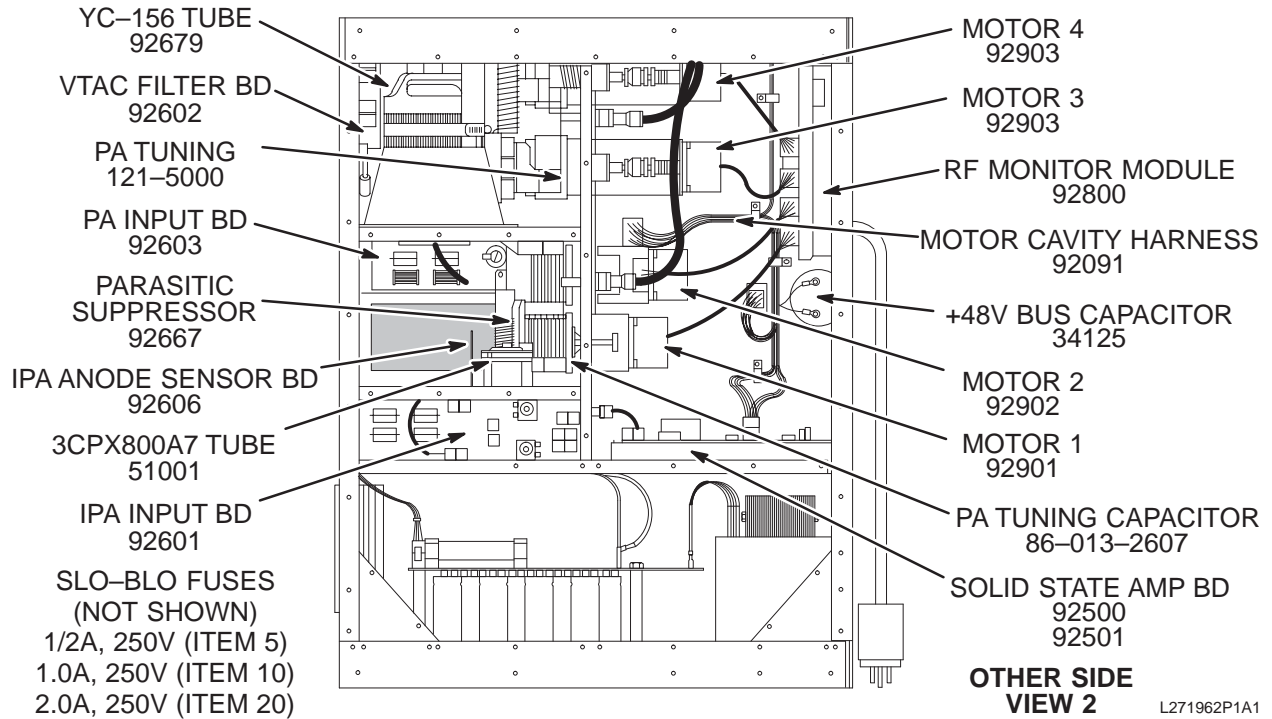
Item	Part Number	FRU	Name	Quantity	Description (Remarks)
1	2124498-15	2	PART	1	RF/PEN CABINET INTERFACE PANEL
2	46-328127P1	2	RF AMP SPEC	1	ERBTEC 1.0T RF AMPLIFIER (SEE PAGE 10-13)
3	46-328320P4	1	DUAL COUPLER	1	1.0T HEAD & BODY DIRECTIONAL COUPLER
4	2124498-2	2	MAGNETICS	1	SCAN/MAGNET ROOM TRANSFORMER
5	2124498-16	1	PART	1	LONGITUDINAL DRIVE POWER AMP BOARD
6	2124498-6	2	HARNESS	1	SCAN/MAGNET ROOM PS WIRING HARNESS
7	2124497-25	2	PART	1	CABLE, ASM, MEPS FAN HARNESS
8	2124497	2	HARNESS	1	RFSC INTERNAL WIRING HARNESS
9	2124497-2	2	RIBBON CABLE	1	CABLE, ASM, RIBBON, 40 PIN
10	2124497-3	2	RIBBON CABLE	1	CABLE, ASM, RIBBON, 50 PIN
11	2124497-4	2	RIBBON CABLE	1	CABLE, ASM, RIBBON, 40 PIN
12	2124497-5	2	RIBBON CABLE	1	CABLE, ASM, RIBBON, 40 PIN
13	2124498	N	PS MODULE	1	SCAN/MAGNET ROOM POWER SUPPLY MODULE
14	2124497-6	2	RIBBON CABLE	1	CABLE, ASM, RIBBON, 40 PIN
15	2124497-7	2	D-SUB CONN	1	CABLE D-SUB, 9 PIN, M/F
16	2124497-8	2	D-SUB CONN	1	CABLE D-SUB, 9 PIN, M/F
17	2124497-9	2	D-SUB CONN	1	CABLE D-SUB, 9 PIN, M/F
18	2124497-26	2	PART	1	CABLE, HARNESS, RFSC, INTERNAL AC
19	2124497-27	2	PART	1	CABLE, HARNESS, MEPS RELAY
20	2124497-28	2	PART	1	CABLE, HARNESS, MEPS DUPLEX
21	2124497-29	2	PART	1	CABLE, HARNESS, MEPS AC PLUG
22	2124497-30	2	PART	1	CABLE, MEPS CIRCUIT BREAKERS, RED
23	2124497-31	2	PART	1	ERBTEC #450039 RF AMP POWER CORD FRU
24	2124497-32	2	PART	1	CABLE, D-SUB, 25PIN M/F
25	2124497-33	2	PART	1	CABLE, D-SUB, 25PIN M/F
26	2124497-11	2	COAXIAL	1	COAXIAL CABLE, RG223, BNC M
27	2124497-34	2	PART	1	CABLE, COAXIAL, RG223 BNC (M/M)
28	2124497-12	2	COAXIAL	1	COAXIAL CABLE, RG223, BNC M, BODY
29	2124497-35	2	PART	1	CABLE, COAXIAL, RG223 BNC (M/M)
30	2124497-13	2	COAXIAL	1	COAXIAL CABLE, RG223, BNC M, RF OUT
31	2124497-36	2	PART	1	CABLE, HARNESS
32	2124497-14	2	COAXIAL	1	COAXIAL CABLE, RG223, BNC M, RF IN
33	2124497-15	2	HARNESS, FAN	1	CABLE, FAN HARNESS
34	2124497-16	N	HARNESS	1	KEY SWITCH HARNESS
35	2124497-17	2	RIBBON CABLE	1	RIBBON CABLE, 40 PIN, SIGNAL CMPWR
36	2124497-18	2	CABLE	1	CABLE, D-SUB, 9 PIN, M/F, MULTI-COIL
37	2124497-19	2	CABLE	1	DSUB CBL, 9PIN, M/F, MULTI-COIL BIAS
38	2124497-20	2	CABLE,BULKHD	1	BULKHEAD CABLE, F/BNC,M, DYNDIS DRV1
39	2124497-21	2	CABLE,BULKHD	1	BULKHEAD CABLE, F/BNC,M, DYNDIS DRV2
40	2124497-22	2	CABLE,BULKHD	1	BULKHEAD CABLE, F/BNC,M, DYNDIS DRV3
41	2124497-24	2	HARNESS	1	WIRING HARNESS, RFSC PWR DISTRIB
42	2124498-14	2	SCM PLUG	1	SCM DEFEATER PLUG ASM
43	2124498-17	2	PART	1	RF SYSTEM CONTROLLER FAN
44	2124498-18	2	PART	1	MEPS FAN
45	2124498-19	2	PART	1	SLIDE, 26"

Parts List Continued On Next Page

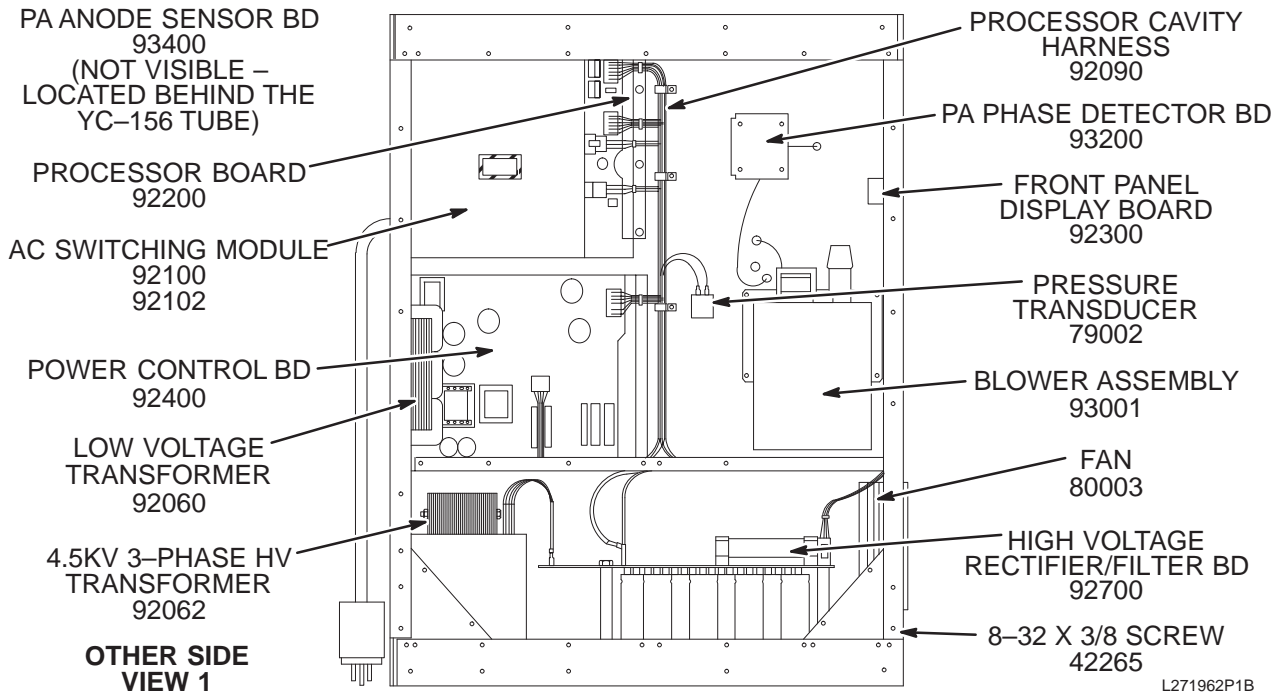
1.0T RF/PEN CABINET 2109930-2 FRU N (CONTINUED FROM PREVIOUS PAGE)

Item	Part Number	FRU	Name	Quantity	Description (Remarks)
46	2124498-20	2	PART	1	FRONT COVER
47	2124498-21	2	PART	1	LATCH, FRONT DOOR
48	2124498-22	2	PART	1	CABLE CLAMP
49	2124497-38	2	PART	1	CABLE, RFSC HIGH VOLTAGE INTERLOCK
51	2124497-40	2	PART	1	CABLE, MEPS CIRCUIT BREAKER, BLK
52	2124497-41	2	PART	1	CABLE, HARNESS, MEPS LOAD RESISTOR
53	2124497-42	2	PART	1	ERBTEC #450142 SPECTRO AMP PWR CORD
54	2124497-43	2	PART	1	CABLE, D-SUB, 15PIN, M/F
55	2124497-44	2	PART	1	CABLE, COAXIAL, RG223, BNC (M/M)
56	2124497-45	2	PART	1	CABLE, COAXIAL, RG223, BNC (M/M)
60	2124498-35	2	PS MODULE	1	ERBTEC #174-1591 40A SS RELAY
61	2124498-3	1	ERBTEC BOARD	1	ERBTEC P450006 HIGH CURRENT PS BOARD
62	2124498-4	1	ERBTEC BOARD	1	ERBTEC P450007 LOW CURRENT PS BOARD
63	2124498-5	2	ERBTEC BOARD	1	ERBTEC P450011 MAGNET ROOM I/F BOARD
64	2124498-8	1	ERBTEC BOARD	1	ERBTEC P450193 ANALOG PROCESSOR BD
65	2124498-9	1	ERBTEC BOARD	1	ERBTEC P450027 1.0T COMM. MANAGER BD
66	2124498-11	1	ERBTEC BOARD	1	ERBTEC P450005 POWER SUPPLY BOARD
67	2124498-12	1	ERBTEC BOARD	1	ERBTEC P450158 DD T/R DRIVER BOARD
68	2124498-13	2	ERBTEC BOARD	1	ERBTEC P450012 RF CONTROLLER I/F BD
69	2124497-46	2	PART	1	CABLE, D-SUB, MRI SERIAL PORT
70	2124498-25	2	PART	1	FAN 4.7", 113 CFM
71	46-170021P81	1	FUSE	1	LITTELFUSE 323020, 20A,250V, 3AB
72	46-170021P100	2	FUSE	1	FUSE 25 AMPS 125 VOLTS 2 SECONDS
73	46-170021P73	1	FUSE	1	1/4A, 250V SLO-BLO FUSE.
74	46-170021P31	2	FUSE	1	1/2A, 250V SLO-BLO FUSE.
75	46-170021P14	1	FUSE	1	1.0A, 250V SLO-BLO FUSE.
76	46-170021P30	1	FUSE	1	2.0A, 250V SLO-BLO FUSE.
77	2160200-15	2	RF/PEN CAB	1	ERBTEC #328-0007 7.5 A CKT BRKR FRU
78	2160200-16	2	RF/PEN CAB	1	ERBTEC #328-0008 2.5 A CKT BRKR FRU
79	2160200-17	2	RF/PEN CAB	1	ERBTEC #328-0009 15 A CKT BRKR FRU
80	2160200-18	2	RF/PEN CAB	1	ERBTEC #328-0010 10 A CKT BRKR FRU
81	2124498-43	2	PART	1	20AMP 3 POLE CIRCUIT BREAKER
82	2160200-44	2	RF/PEN CAB	2	ERBTEC #510062 CAB COVER AIR FILTERS
83	2124498-34	2	PS MODULE	1	ERBTEC #510064 AIR FILTER

1.5T ERBTEC FRU'S IN 46-271962P1



VIEW 1



VIEW 2

1.5T ERBTEC FRU'S

46-271962P1 FRU N

(PART OF 2109930 PAGE 10-4)
(PART OF 2160200 PAGE 10-17)

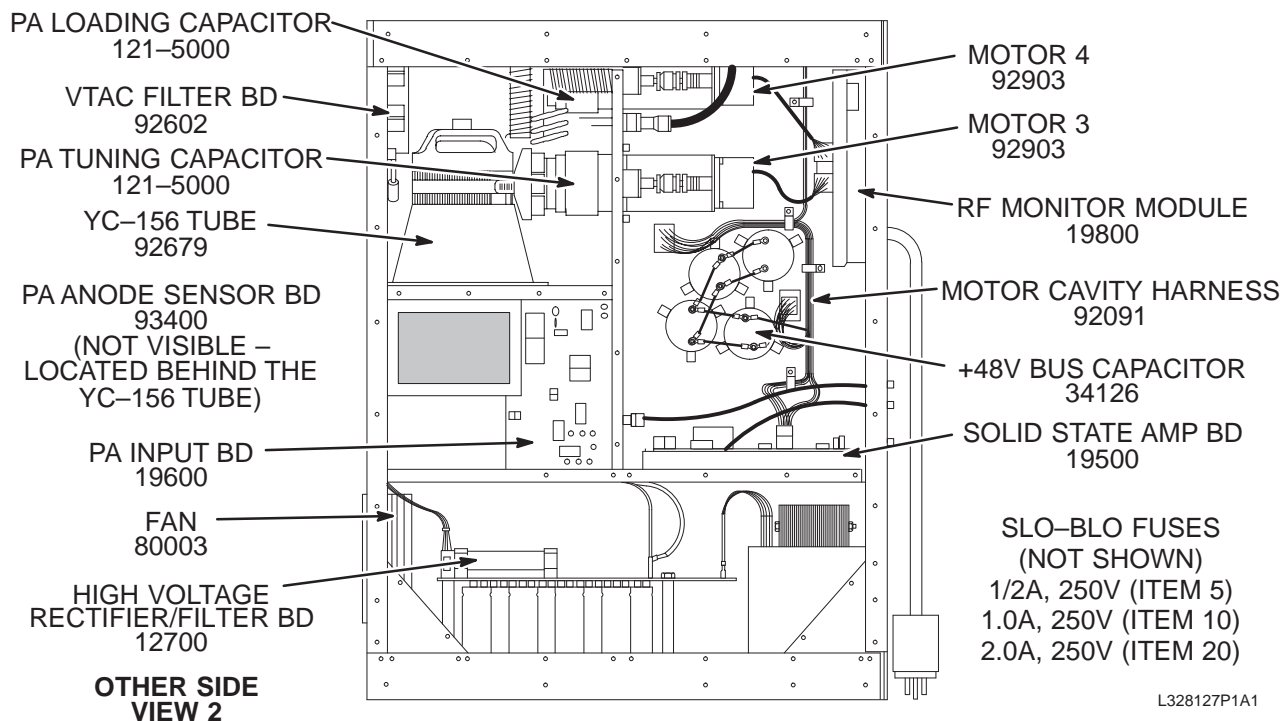
Item	Part Number	FRU	Name	Quantity	Description (Remarks)
5	46-170021P31	2	FUSE	AR	1/2A, 250V SLO-BLO FUSE.
10	46-170021P14	2	FUSE	AR	1.0A, 250V SLO-BLO FUSE.
20	46-170021P30	2	FUSE	AR	2.0A, 250V SLO-BLO FUSE.
22589	46-305000P33	N	ERBTEC FRU	2	ERBTEC 122-2589 USE 46-305000P32 CAP
22592	46-305000P32	N	ERBTEC PART	4	USE 46-305000P57 (TESTED CAPACITOR)
23070	46-305000P57	2	ERBTEC FRU	AR	ERBTEC 231070 CAPACITOR, TESTED
34125	46-305000P25	2	ERBTEC FRU	1	ERBTEC 125-4125 50,000 MFD CAPACITOR
42265	46-305000P58	2	ERBTEC SCREW	AR	ERBTEC 215-2265 8-32 X 3/8 SCREW
51001	46-305000P3	1	ERBTEC FRU	1	ERBTEC 176-1001 3CPX800A7 TUBE
79002	46-305000P27	2	ERBTEC FRU	1	ERBTEC 319-9002 PRESSURE TRANSDUCER
80003	46-305000P11	2	ERBTEC FRU	2	ERBTEC 326-0003 FAN
92060	46-305000P12	2	ERBTEC FRU	1	ERBTEC 86-013-2060 LOW VOLTAGE XMFR.
92062	46-305000P13	2	ERBTEC FRU	1	ERBTEC 86-013-2062 4.5KVA HV XFMR.
92090	46-305000P14	2	ERBTEC FRU	1	ERBTEC 86-013-2090 PROCESSOR HARNESS
92091	46-305000P15	2	ERBTEC FRU	1	ERBTEC 86-013-2091 MOTOR HARNESS
92100	46-305000P7	N	ERBTEC FRU	1	ERBTEC 86-013-2100 USE 46-305000P30
92102	46-305000P30	1	ERBTEC FRU	1	ERBTEC 86-013-2102 AC SWITCHING MOD.
92200	46-305000P4	1	ERBTEC FRU	1	ERBTEC 86-013-2200 PROCESSOR BOARD (SEE NOTE1)
92300	46-305000P16	2	ERBTEC FRU	1	ERBTEC 86-013-2300 FRONT DISPLAY BD
92400	46-305000P2	1	ERBTEC FRU	1	ERBTEC 86-013-2400 POWER CONTROL BD
92500	46-305000P5	N	ERBTEC FRU	1	ERBTEC 86-013-2500 USE 46-305000P31
92501	46-305000P31	1	ERBTEC FRU	1	ERBTEC 86-013-2501 SOLID STATE AMP.
92601	46-305000P8	1	ERBTEC FRU	1	ERBTEC 86-013-2601 IPA INPUT BOARD
92602	46-305000P17	1	ERBTEC FRU	2	ERBTEC 86-013-2602 VTAC FILTER BOARD
92603	46-305000P18	1	ERBTEC FRU	1	ERBTEC 86-013-2603 PA INPUT BOARD
92606	46-305000P20	2	ERBTEC FRU	1	ERBTEC 86-013-2606 IPA ANODE SENSOR
92667	46-305000P21	2	ERBTEC FRU	1	ERBTEC 86-013-2667 PARASITIC ASSEMB.
92679	46-305000P1	1	ERBTEC FRU	1	ERBTEC 86-013-2679 YC-156 TUBE
92700	46-305000P6	1	ERBTEC FRU	1	ERBTEC 86-013-2700 HV RECT/FILTER BD
92800	46-305000P9	1	ERBTEC FRU	1	ERBTEC 86-013-2800 RF MONITOR MODULE
92901	46-305000P22	2	ERBTEC FRU	1	ERBTEC 86-013-2901 MOTOR 1 ASSEMBLY
92902	46-305000P23	2	ERBTEC FRU	1	ERBTEC 86-013-2902 MOTOR 2 ASSEMBLY
92903	46-305000P10	2	ERBTEC FRU	2	ERBTEC 86-013-2903 MOTOR 3 & 4 ASM.
93001	46-305000P24	1	ERBTEC FRU	1	ERBTEC 86-013-3001 BLOWER ASSEMBLY
93200	46-305000P19	1	ERBTEC FRU	1	ERBTEC 86-013-3200 PA PHASE DETECT
93400	46-305000P29	1	ERBTEC FRU	1	ERBTEC 86-013-3400 PA ANODE SENSE BD



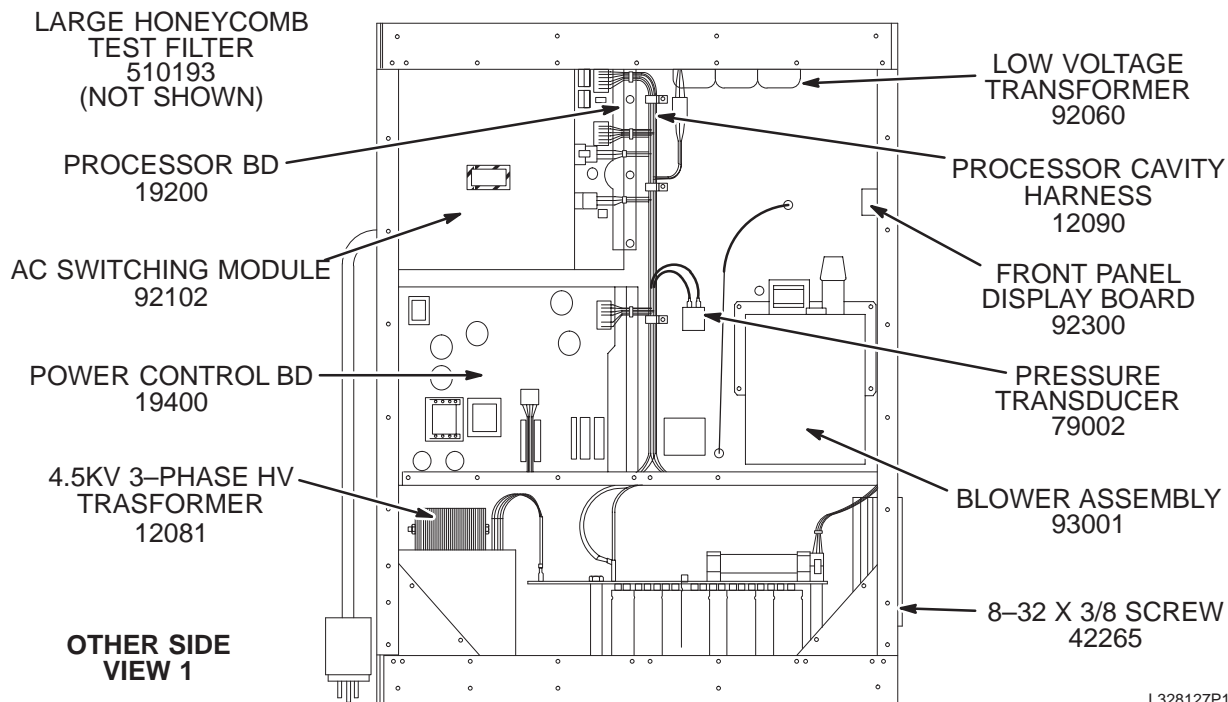
Static protection procedure must be followed for the next step. Do not bend the leads of the IC since it must be re-installed in the replacement unit.

- Carefully remove U16 chip (68HC11) and U17 chip (EPROM) from its sockets by gently prying up both ends simultaneously (use an IC removing tool if possible). Protect and set aside for replacement in new Processor Board.

1.0T ERBTEC FRU'S IN 46-328127P1



VIEW 1



VIEW 2

1.0T ERBTEC FRU'S

46-328127P1 FRU N

(PART OF 2109930-2 PAGE 10-8)

(PART OF 2160200-3 PAGE 10-18)

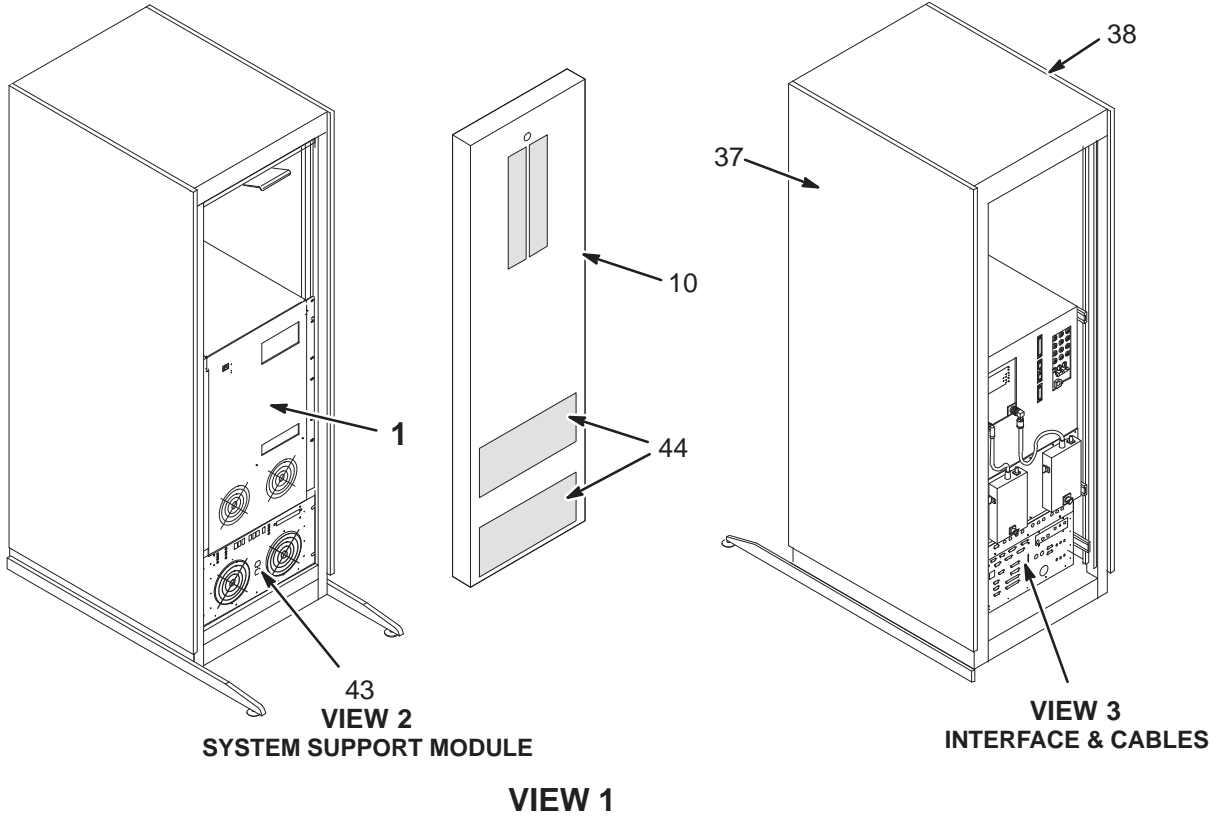
Item	Part Number	FRU	Name	Quantity	Description (Remarks)
5	46-170021P31	2	FUSE	AR	1/2A, 250V SLO-BLO FUSE.
10	46-170021P14	2	FUSE	AR	1.0A, 250V SLO-BLO FUSE.
20	46-170021P30	2	FUSE	AR	2.0A, 250V SLO-BLO FUSE.
12081	46-305000P39	2	ERBTEC FRU	1	ERBTEC 232081 4.5KVA HV TRANSFORMER
12090	46-305000P40	2	ERBTEC FRU	1	ERBTEC 232090 PROCESS CAVITY HARNESS
12700	46-305000P37	1	ERBTEC FRU	1	ERBTEC 232700 HV RECTIFIER/FILTER BD
19200	46-305000P46	1	ERBTEC FRU	1	ERBTEC 392200 PROCESSOR BOARD ASM
19400	46-305000P47	1	ERBTEC FRU	1	ERBTEC 392400 POWER CONTROL BD ASM
19500	46-305000P41	1	ERBTEC FRU	1	ERBTEC 392500 SOLID STATE AMP BD
19600	46-305000P42	1	ERBTEC FRU	1	ERBTEC 392600 PA INPUT BOARD
19800	46-305000P43	1	ERBTEC FRU	1	ERBTEC 392800 RF MONITOR MODULE
34126	46-305000P44	1	ERBTEC FRU	4	ERBTEC 125-4126 50,000 UF CAPACITOR
42265	46-305000P58	2	ERBTEC SCREW	AR	ERBTEC 215-2265 8-32 X 3/8 SCREW
79002	46-305000P27	2	ERBTEC FRU	1	ERBTEC 319-9002 PRESSURE TRANSDUCER
80003	46-305000P11	2	ERBTEC FRU	2	ERBTEC 326-0003 FAN
92060	46-305000P12	2	ERBTEC FRU	1	ERBTEC 86-013-2060 LOW VOLTAGE XMFR.
92091	46-305000P15	2	ERBTEC FRU	1	ERBTEC 86-013-2091 MOTOR HARNESS
92102	46-305000P30	1	ERBTEC FRU	1	ERBTEC 86-013-2102 AC SWITCHING MOD.
92300	46-305000P16	2	ERBTEC FRU	1	ERBTEC 86-013-2300 FRONT DISPLAY BD
92602	46-305000P17	1	ERBTEC FRU	2	ERBTEC 86-013-2602 VTAC FILTER BOARD
92679	46-305000P1	1	ERBTEC FRU	1	ERBTEC 86-013-2679 YC-156 TUBE
92903	46-305000P10	2	ERBTEC FRU	2	ERBTEC 86-013-2903 MOTOR 3 & 4 ASM.
93001	46-305000P24	1	ERBTEC FRU	1	ERBTEC 86-013-3001 BLOWER ASSEMBLY
93400	46-305000P29	1	ERBTEC FRU	1	ERBTEC 86-013-3400 PA ANODE SENSE BD
	46-305000P59	1	ERBTEC FRU	1	ERBTEC #121-5100 PA TUNING CAPACITOR
	46-305000P60	1	ERBTEC FRU	1	ERBTEC #121-5100 PA LOADING CAPACITOR
	46-305000P62	1	ERBTEC FRU	1	ERBTEC #510193 LARGE HONEYCOMB TEST FILTER

10-2 RF/PENETRATION II CABINET

1.5T & 1.0T RF/PEN II CABINET

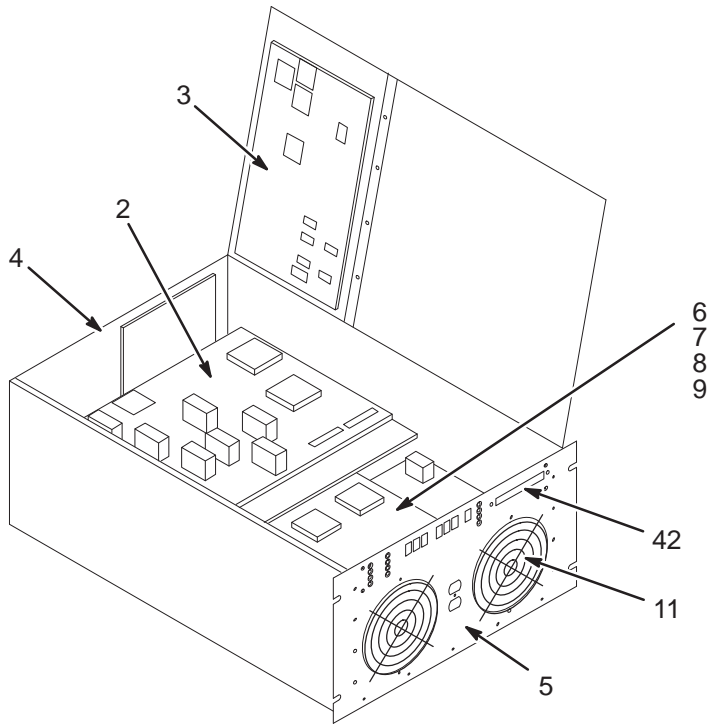
2160200 & 2160200-3

MR1



**CABLES LOCATED IN
SYSTEM SUPPORT MODULE**

- 16
- 17
- 18
- 19
- 20
- 21
- 22
- 23
- 24
- 25
- 39
- 40
- 41

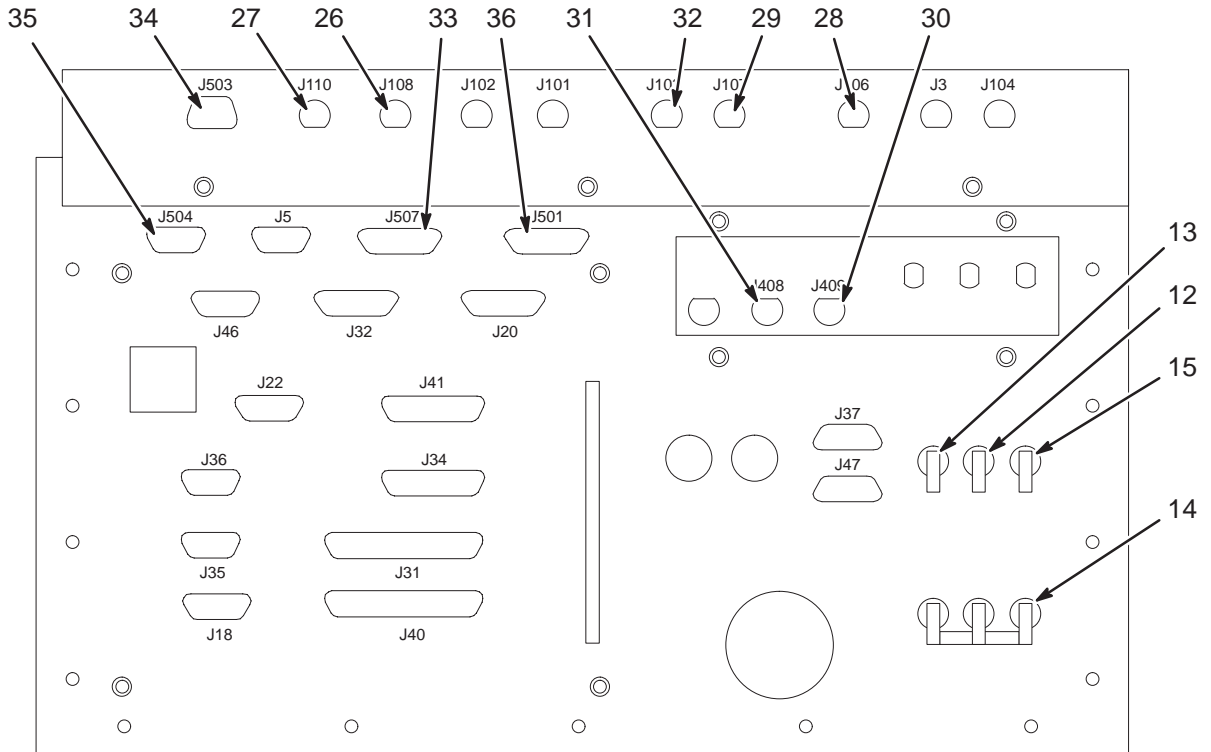


VIEW 2

1.5T & 1.0T RF/PEN II CABINET

2160200 & 2160200-3

MR1



VIEW 3

1.5T RF/PEN II CABINET 2160200 FRU N (PART OF 271000G SERIES – SECTION 1)

Item	Part Number	FRU	Name	Quantity	Description (Remarks)
1	46-271962P1	1	RF POWER AMP	1	ERBTEC 20KW RF AMPLIFIER, MR1 A10 (SEE PAGE 10-11)
2	2160200-5	1	RF/PEN CAB	1	ERBTEC #550015 CPD MODULE FRU
3	2160200-6	1	RF/PEN CAB	1	ERBTEC #550013 APM MODULE FRU
4	2160200-7	1	RF/PEN CAB	1	ERBTEC #550016 REAR PANEL ASM FRU
5	2160200-8	1	RF/PEN CAB	1	ERBTEC #550017 FRONT PANEL ASM FRU
6	2160200-9	1	RF/PEN CAB	1	ERBTEC #550014 PWR SUPPLY (3 BD) FRU
7	2160200-10	2	RF/PEN CAB	1	ERBTEC #550025 HV PWR SUPPLY BD FRU
8	2160200-11	2	RF/PEN CAB	1	ERBTEC #550027 DOCK/LIGHT PS BD FRU
9	2160200-12	2	RF/PEN CAB	1	ERBTEC #550028 BUCK BOOST PS BD FRU
10	2160200-13	2	RF/PEN CAB	1	ERBTEC #550024 FRT DOOR/SL LATCH FRU
11	2160200-14	2	RF/PEN CAB	1	ERBTEC #3260009 FAN FRU
12	2160200-15	2	RF/PEN CAB	1	ERBTEC #3280007 7.5 A CKT BRKR FRU
13	2160200-16	2	RF/PEN CAB	1	ERBTEC #3280008 2.5 A CKT BRKR FRU
14	2160200-17	2	RF/PEN CAB	1	ERBTEC #3280009 15 A CKT BRKR FRU
15	2160200-18	2	RF/PEN CAB	1	ERBTEC #3280010 10 A CKT BRKR FRU
16	2160200-19	2	RF/PEN CAB	1	ERBTEC #550009 SSM HARNESS FRU
17	2124497-31	2	PART	1	ERBTEC #450039 RF AMP POWER CORD FRU
18	2124497-42	2	PART	1	ERBTEC #450142 SPECTRO AMP PWR CORD
19	2160200-20	2	RF/PEN CAB	1	ERBTEC #550039 DOCK/REAR I/F CABLE
20	2160200-21	2	RF/PEN CAB	1	ERBTEC #550047 DOCK/REAR I/F RIBBON
21	2160200-22	2	RF/PEN CAB	1	ERBTEC #550018 RIBBON CABLE FRU
22	2160200-23	2	RF/PEN CAB	1	ERBTEC #550019 DISPLAY RIB'N CBL FRU
23	2160200-25	2	RF/PEN CAB	1	ERBTEC #550010 HV POWER CABLE FRU
24	2160200-26	2	RF/PEN CAB	1	ERBTEC #550011 HIGH CURRENT CBL FRU
25	2160200-27	2	RF/PEN CAB	1	ERBTEC #550012 LOW VOLT PWR CBL FRU
26	2160200-28	2	RF/PEN CAB	1	ERBTEC #550041 HEAD A CABLE FRU
27	2160200-29	2	RF/PEN CAB	1	ERBTEC #550040 BODY A CABLE FRU
28	2160200-30	2	RF/PEN CAB	1	ERBTEC #550042 HEAD B CABLE FRU
29	2160200-31	2	RF/PEN CAB	1	ERBTEC #550044 BODY B CABLE FRU
30	2160200-32	2	RF/PEN CAB	1	ERBTEC #550045 HEAD T/R BIAS FRU
31	2160200-33	2	RF/PEN CAB	1	ERBTEC #550046 BODY T/R BIAS FRU
32	2160200-34	2	RF/PEN CAB	1	ERBTEC #550043 RF OUT CABLE ASM FRU
33	2160200-35	2	RF/PEN CAB	1	ERBTEC #550054 25PIN SUBD NB CBL FRU
34	2160200-36	2	RF/PEN CAB	1	ERBTEC #550055 9PIN SUBD MONITOR FRU
35	2160200-37	2	RF/PEN CAB	1	ERBTEC #550056 9PIN SUBD PCM CBL FRU
36	46-320252P1	2	TEST CABLE	1	RF AMPLIFIER SERIAL PORT INTERFACE
37	2124498-31	2	PS MODULE	1	RT SIDE CABINET PANEL, ERBTEC #510231
38	2124498-32	2	PS MODULE	1	LEFT SIDE CAB PANEL, ERBTEC #510231
39	2160200-39	2	RF/PEN CAB	1	ERBTEC #550031 BUCK/HVPS CABLE
40	2160200-40	2	RF/PEN CAB	1	ERBTEC #550032 BUCK/DOCK CABLE
41	2160200-41	2	RF/PEN CAB	1	ERBTEC #550033 LOW CURRENT CABLE
42	2160200-42	2	RF/PEN CAB	1	ERBTEC #510199 SSM LED COVER
43	2160200-43	2	RF/PEN CAB	1	ERBTEC #550020 SYSTEM SUPPORT MODULE
44	2160200-44	2	RF/PEN CAB	1	ERBTEC #510062 CAB COVER AIR FILTERS

1.0T RF/PEN II CABINET 2160200-3 FRU N (PART OF 271000G SERIES – SECTION 1)

Item	Part Number	FRU	Name	Quantity	Description (Remarks)
1	46-328127P1	1	RF AMP SPEC	1	ERBTEC 1.0T RF AMPLIFIER (SEE PAGE 10-13)
2	2160200-5	1	RF/PEN CAB	1	ERBTEC #550015 CPD MODULE FRU
3	2160200-6	1	RF/PEN CAB	1	ERBTEC #550013 APM MODULE FRU
4	2160200-7	1	RF/PEN CAB	1	ERBTEC #550016 REAR PANEL ASM FRU
5	2160200-8	1	RF/PEN CAB	1	ERBTEC #550017 FRONT PANEL ASM FRU
6	2160200-9	1	RF/PEN CAB	1	ERBTEC #550014 PWR SUPPLY (3 BD) FRU
7	2160200-10	2	RF/PEN CAB	1	ERBTEC #550025 HV PWR SUPPLY BD FRU
8	2160200-11	2	RF/PEN CAB	1	ERBTEC #550027 DOCK/LIGHT PS BD FRU
9	2160200-12	2	RF/PEN CAB	1	ERBTEC #550028 BUCK BOOST PS BD FRU
10	2160200-13	2	RF/PEN CAB	1	ERBTEC #550024 FRT DOOR/SL LATCH FRU
11	2160200-14	2	RF/PEN CAB	1	ERBTEC #3260009 FAN FRU
12	2160200-15	2	RF/PEN CAB	1	ERBTEC #3280007 7.5 A CKT BRKR FRU
13	2160200-16	2	RF/PEN CAB	1	ERBTEC #3280008 2.5 A CKT BRKR FRU
14	2160200-17	2	RF/PEN CAB	1	ERBTEC #3280009 15 A CKT BRKR FRU
15	2160200-18	2	RF/PEN CAB	1	ERBTEC #3280010 10 A CKT BRKR FRU
16	2160200-19	2	RF/PEN CAB	1	ERBTEC #550009 SSM HARNESS FRU
17	2124497-31	2	PART	1	ERBTEC #450039 RF AMP POWER CORD FRU
18	2124497-42	2	PART	1	ERBTEC #450142 SPECTRO AMP PWR CORD
19	2160200-20	2	RF/PEN CAB	1	ERBTEC #550039 DOCK/REAR I/F CABLE
20	2160200-21	2	RF/PEN CAB	1	ERBTEC #550047 DOCK/REAR I/F RIBBON
21	2160200-22	2	RF/PEN CAB	1	ERBTEC #550018 RIBBON CABLE FRU
22	2160200-23	2	RF/PEN CAB	1	ERBTEC #550019 DISPLAY RIB'N CBL FRU
23	2160200-25	2	RF/PEN CAB	1	ERBTEC #550010 HV POWER CABLE FRU
24	2160200-26	2	RF/PEN CAB	1	ERBTEC #550011 HIGH CURRENT CBL FRU
25	2160200-27	2	RF/PEN CAB	1	ERBTEC #550012 LOW VOLT PWR CBL FRU
26	2160200-28	2	RF/PEN CAB	1	ERBTEC #550041 HEAD A CABLE FRU
27	2160200-29	2	RF/PEN CAB	1	ERBTEC #550040 BODY A CABLE FRU
28	2160200-30	2	RF/PEN CAB	1	ERBTEC #550042 HEAD B CABLE FRU
29	2160200-31	2	RF/PEN CAB	1	ERBTEC #550044 BODY B CABLE FRU
30	2160200-32	2	RF/PEN CAB	1	ERBTEC #550045 HEAD T/R BIAS FRU
31	2160200-33	2	RF/PEN CAB	1	ERBTEC #550046 BODY T/R BIAS FRU
32	2160200-34	2	RF/PEN CAB	1	ERBTEC #550043 RF OUT CABLE ASM FRU
33	2160200-35	2	RF/PEN CAB	1	ERBTEC #550054 25PIN SUBD NB CBL FRU
34	2160200-36	2	RF/PEN CAB	1	ERBTEC #550055 9PIN SUBD MONITOR FRU
35	2160200-37	2	RF/PEN CAB	1	ERBTEC #550056 9PIN SUBD PCM CBL FRU
36	46-320252P1	2	TEST CABLE	1	RF AMPLIFIER SERIAL PORT INTERFACE
37	2124498-31	2	PS MODULE	1	RT SIDE CABINET PANEL, ERBTEC #510231
38	2124498-32	2	PS MODULE	1	LEFT SIDE CAB PANEL, ERBTEC #510231
39	2160200-39	2	RF/PEN CAB	1	ERBTEC #550031 BUCK/HVPS CABLE
40	2160200-40	2	RF/PEN CAB	1	ERBTEC #550032 BUCK/DOCK CABLE
41	2160200-41	2	RF/PEN CAB	1	ERBTEC #550033 LOW CURRENT CABLE
42	2160200-42	2	RF/PEN CAB	1	ERBTEC #510199 SSM LED COVER
43	2160200-43	2	RF/PEN CAB	1	ERBTEC #550020 SYSTEM SUPPORT MODULE
44	2160200-44	2	RF/PEN CAB	1	ERBTEC #510062 CAB COVER AIR FILTERS

SECTION 11 – COILS, ACCESSORIES, AND OPTIONS

This Section contains a listing of Coils, Accessories and other Options available with MR Signa 5.x and 8.x, 9.x, and 11.x Systems. The listings are divided into three separate categories; Signa Option Catalogs, E–Catalog and R–Catalog Facility Accessories Options.

SEC	CATALOG	DESCRIPTION	PAGE
11–1	OXYGEN MONITOR OPTION		11–7
	M1060KM	Oxygen Monitor	11–7
11–2	SIGNA OPTIONS		11–8
	M1010AM	Slave Monitor	11–8
	M1010BW	1.2 Advantage Windows Workstation	11–8
	M1010GM	Domestic Isolation Transformer	11–9
	M1010GN	International Isolation Transformer	11–9
	M1010GS	Low Rise Legs Kit	11–9
	M1020BD	2ndLightweight Patient Transport With Quad Head Coil	11–9
	M1030YA	GE LaserCam HQ	11–9
	M1030YC	GE LaserCam HQ–S	11–9
	M1033BM	Brain Wave	11–10
	M1033K	Indigo to Octane Upgrade Kit	11–11
	M1033PA	Performed Procedure Step	11–11
	M1040AH	GE Magnet Resistive Shim Kit	11–12
	M1040BH	GE S–III Magnet Resistive Shim Kit	11–13
	M1040BJ	Spectroscopy Software Asm for Spectroscopy Analysis Workstation	11–14
	M1040BP	Multiple Suite Interface	11–14
	M1040BR	Multiple Suite Interface for 5.4 RP Systems	11–14
	M1040CS	Signa CVMR Advanced Development Workstation (ADW) Base Hardware	11–15
	M1040CT	Solaris O/S Software	11–15
	M1040CW	Cardio Vascular Workstation Software	11–15
	M1040CY	IDL License/Package	11–15
	M1040CZ	Advanced Development Workstation (ADW) BIT3 Interconnect Hardware	11–15
11–3	SIGNA PRE–EXCITE SOFTWARE OPTIONS		11–16
	M1033J	ScanTools 2000 Upgrade	11–16
	M1033JA	iDRIVE Pro 2000 (formerly RTIA)	11–16
	M1033JB	SmartPrep 2000 (Includes SmartStep)	11–16
	M1033JD	Probe 2000	11–16
	M1033JE	SR20 EchoPlus Option Key	11–16
	M1033JF	Scantools 2000	11–16
	M1033JH	SmartPrep 2000 Upgrade (SmartStep only)	11–16
	M1033JJ	Probe 2000 Upgrade	11–17
	M1033JK	Functool 2000	11–17
	M1033JL	LX Tools	11–17
	M1033JR	iDRIVE Pro Plus	11–17

SEC	CATALOG	DESCRIPTION	PAGE
11-3	SIGNA PRE-EXCITE SOFTWARE OPTIONS (Continued)		
	M1040HT	PROBE / SV	11-15
	M1040LA	VP NV Software	11-17
	M1090AD	ConnectPro	11-17
	M1090AT	3-D Option Floppy Key for Advantage Windows	11-17
	M1090AW	Laser Camera Interface for Advantage Windows	11-18
	M1090BF	Cine Plus	11-18
	M1090CP	Genesis to Stealth CPU Upgrade Kit	11-18
	M1090CR	Cardiac	11-18
	M1090DB	5-1/4" Optical Disk	11-19
	M1090DT	Diffusion Tensor Imaging	11-20
	M1090DW	5-1/4" Magneto Optical Disk	11-20
	M1090EA	Fast Enhancements II	11-21
	M1090EC	FSE-XL	11-21
	M1090FD	Expansion 32MB Bulk Memory Board (BAM)	11-22
	M1090FE	Expansion 128MB Bulk Memory Board (BAM)	11-22
	M1090FJ	8-MB Array Processor Add-On Memory	11-23
	M1090FK	BAM Interface Board	11-24
	M1090FL	16MB Additional Memory	11-24
	M1090FT	Navigator 2D Software for Advantage Windows 1.2	11-24
	M1090GR	2D/3D Fast SPGR	11-25
	M1090GS	2D Fast Spin Echo	11-25
	M1090GT	IP Memory for Advanced Display (5.4)	11-26
	M1090JZ	5.x Spectroscopy Compatibility Kit	11-53
	M1090KJ	Fiesta 2D	11-27
	M1090KK	Fiesta 3D	11-27
	M1090KL	5.x 2D/3D Fast Spin Echo	11-27
	M1090KM	5.x 3D Fast Spin Echo	11-27
	M1090KR	Delayed Enhanced	11-27
	M1090KS	LX All Options Key MOD	11-27
	M1090KZ	Functool for Advantage Windows	11-28
	M1090LA	Fast Gradient Echo	11-28
	M1090LB	Fast Spin Echo and FLAIR	11-28
	M1090LC	Echo Planar Imaging	11-28
	M1090LD	Proactive Service	11-28
	M1090LE	Fast Enhancement Package – 5.4 to SR17	11-29
	M1090LF	Phase Contrast Vascular	11-29
	M1090LG	CINE	11-29
	M1090LH	Time of Flight	11-29
	M1090LJ	Interactive Vascular Imaging	11-29
	M1090LK	Spectroscopy/Probe	11-29
	M1090LL	3D Surface / Voxtool	11-30
	M1090LM	Research	11-30
	M1090LN	Research PSD	11-30
	M1090LP	8.x Echoplus	11-30
	M1090LR	8.x SS-FSE	11-30

SEC	CATALOG	DESCRIPTION	PAGE
11-3	SIGNA PRE-EXCITE SOFTWARE OPTIONS (Continued)		
	M1090LS	EPI-1	11-30
	M1090LT	SmartPrep	11-30
	M1090LW	Echo Plus	11-30
	M1090LY	Fastpack	11-30
	M1090LZ	Fastrack	11-30
	M1090MS	5.8 Software with MS/MA – Non-Z Version	11-31
	M1090MT	5.8 Software without MS/MA – Z Version	11-31
	M1090MW	8.x Software with MS/MA – Non-Z Version	11-31
	M1090MZ	8.x Clariview	11-31
	M1090NN	Functool	11-31
	M1090PL	ConnectPro	11-31
	M1090PN	Clarview Image Filtering	11-32
	M1090PR	Flow Analysis – Advantage Windows Version 2.0/3.1	11-32
	M1092NP	Neuro Imaging Package	11-32
	M1095AA	Interactive Vascular Imaging Key	11-33
	M1095AH	Flow Analysis Key	11-33
	M1095BD	Phase Contrast Vascular Key	11-33
	M1095BE	Imaging Enhancement Key	11-34
	M1095BF	No-Phase Wrap Key (5.4)	11-34
	M1095CA	Cardiac Analysis Package Advantage	11-34
	M1095CC	Cardiac Analysis Package 3.1 Advantage	11-34
11-4	SIGNA PRE-EXCITE HARDWARE UPGRADES		11-35
	M1033JM	1.5T 100KHz CERD Upgrade	11-35
	M1033JN	1.0T 100KHz CERD Upgrade	11-35
	M1033JP	1.5T +/- 125KHz CERD Receiver Upgrade	11-35
	M1090MF	Second 800MB ST1890N 3 1/2" Disk Drive	11-36
	M1090MK	32MB Expansion Memory – Stealth CPU	11-37
	M1090ML	Legacy Media Kit	11-37
	M1090PB	1.5T 2 Channel Multicoil for 5.5	11-38
	M1090PC	1.5T 4 Channel Multicoil for 5.5	11-38
	M1090PF	1.5T 4 Channel Multicoil for LX	11-38
	M1090PH	1.5T 4 Channel Multicoil for Pre-LX	11-38
	M1090PJ	1.5T 2 Channel Pre-LX to 4 Channel Multicoil LX	11-38
	M1090PM	8.x with Bar Code Reader	11-49
	M1090RT	1.0T/1.5T Recon Processor Upgrade to Quad I860	11-49
	M1090RW	1.0T/1.5T Acquisiton Memory Kit – 128MB	11-49
	M1090RY	128MB of Host Memory	11-49
	M1090RZ	Pre-4.5 to LX Upgrade Adder'	11-49
	M1090SY	VideoConferencing	11-49
	M1090SZ	VCR Interface Kit – Indigo	11-49
	M1090TZ	VCR Interfade Kit – Octane	11-49
	M1095AC	Vascular Imaging	11-50
	M1095AG	Advanced Applications Hardware w/o CPU for IVI	11-51
	M1033JC	Multi-nuclear Spectroscopy	11-52

SEC	CATALOG	DESCRIPTION	PAGE
11-5	SIGNA PRE-EXCITE AND EXCITE SPECTROSCOPY OPTIONS		11-52
	M1040JB	Spectroscopy Acquisition Hardware	11-52
	M1090JZ	Spectroscopy Compatibility Kit	11-53
	M3090LA	EXCITE II MNS Kit	11-54
	M3090LB	EXCITE II Forward Production MNS Kit	11-54
	M3090LC	EXCITE II Legacy MNS Upgrade Kit	11-54
	M3090LJ	EXCITE II SRFD2 with MNS	11-54
11-6	SIGNA 1.5T PRE-EXCITE AND EXCITE COILS		11-58
	M1040PH	1.5T Phosphorous Flex Coil	11-58
	M1085AC	1.5T Extremity Surface Coil and Cushions	11-59
	M1085AK	1.5T Anterior Neck Coil	11-60
	M1085AM	1.5T Posterior Cervical Spine Coil	11-60
	M1085AN	1.5T Shoulder Coil	11-60
	M1085AP	1.5T Quad Thoracic/Lumbar Spine Coil with Positioner	11-61
	M1085AR	1.5T Quad Cervical Spine Coil	11-61
	M1085BE	1.5T Body Flex Coil	11-62
	M1085BR	1.5T Bilateral Breast Coil	11-63
	M1085E	1.5T Quad Extremity Knee/Foot Coil	11-64
	M1085EE	1.5T Auto Tuning Device (ATD) II	11-65
	M1085EG	1.5T Dual Head Coil Positioning Accessories – Quad	11-66
	M1085GA	1.5T 3 Inch Round Surface Coil	11-67
	M1085GF	1.5T General Purpose Flex Coil	11-67
	M1085GR	1.5T General Purpose Flex Coil	11-67
	M1085HA	1.5T 5 Inch Round Surface Coil	11-68
	M1085HN	1.5T Neurovascular Coil (Head/Neck)	11-68
	M1085NA	1.5T MAI Quad Extremity Coil w/Coil ID	11-69
	M1085NJ	1.5T General Purpose Coil Cable w/Coil ID	11-69
	M1085PA	1.5T Quad Extremity Cable w/Coil ID	11-69
	M1085PB	1.5T T/R Phased Array Knee/Foot Cable w/Coil ID	11-69
	M1085PC	1.5T Linear Extremity Cable w/Coil ID	11-69
	M1085PD	1.5T Quad Neurovascular Cable w/Coil ID	11-69
	M1085PJ	1.5T Classic Head Coil Cable w/Coil ID	11-69
	M1087AA	1.5T Phased Array Knee Coil	11-70
	M1087AT	1.5T Auto Tuning Device III	11-71
	M1087BT	1.5T Open Breast Coil	11-71
	M1087CA	1.5T Cardiac Phased Array Coil	11-72
	M1087CT	1.5T CTL (Cervical Thoracic Lumbar) Coil	11-73
	M1887CY	1.5T Signa Quad Imaging Preamp Kit	11-73
	M1087DA	1.5T Phased Array Dual Coil Adapter	11-76
	M1087E	1.5T Phased Array T/R Knee/Foot Imaging Coil	11-77
	M1087EE	Surface Coil Positioner/Head Holder	11-77
	M1087HW	1.5T High Resolution Wrist Array Coil	11-78
	M1087N	1.5T Neurovascular Array Coil – MRID	11-78
	M1087NB	1.5T Neurovascular Array Coil w/New Top	11-78
	M1087NC	1.5T 4 Channel Neurovascular Imaging Coil – Medrad	11-79
	M1087PA	1.5T Phased Array Pelvic Coil	11-80
	M1087PR	1.5T Cardiac Peripheral Vascular Coil	11-84
	M1087PW	1.5T Peripheral Vascular Phased Array Coil – USAI	11-84

SEC	CATALOG	DESCRIPTION	PAGE
11-6	SIGNA 1.5T PRE-EXCITE AND EXCITE COILS (Continued)		
	M1087SD	1.5T Shoulder Phased Array Coil – MRID	11-85
	M1087SE	1.5T USAI Shoulder Coil Imaging Option	11-85
	M1087SH	1.5T Shoulder Phased Array Coil	11-85
	M1087SP	1.5T CTL Spline Phased Array Coil	11-85
	M1087TA	1.5T Torso Phased Array Flex-coil	11-86
	M1087TB	1.5T Torso Phased Array Coil	11-87
	M1087TP	1.5T Torso Pelvis Coil	11-88
	M3087JA	1.5T 8 Channel High Resolution Brain Imaging	11-89
	M3087JB	1.5T 8 Channel Neurovascular Array Imaging	11-89
	M3087JC	1.5T 8 Channel CTL Spine Coil	11-90
	M3087JD	1.5T 8 Channel Cardiac Coil	11-90
	M3087JE	1.5T 8 Channel Torso Coil	11-90
11-7	SIGNA EXCITE 1.5T UPGRADES		11-91
	M3033KH	Adaptive Phased Array 2 (APA2)	11-91
	M3033KK	APA2 for Forward Production 1.5T	11-91
	M3033KJ	Infinity Image Quality Package	11-92
	M3033MG	Delta Work Station	11-93
11-8	SIGNA 1.0T COILS		11-94
	M1885AC	1.0T Extremity Surface Coil and Cushions	11-94
	M1885AG	1.0T 3" Round Surface Coil	11-95
	M1885AK	1.0T Anterior Neck Coil	11-96
	M1885AM	1.0T Posterior Cervical Spine Coil	11-96
	M1885AN	1.0T Shoulder Coil	11-97
	M1885AP	1.0T Quadrature T/L Spine Coil with Positioner	11-97
	M1885BE	1.0T Body Flex Coil	11-98
	M1885BR	1.0T Bilateral Breast Coil	11-99
	M1885DG	1.0T Dual Coil TMJ Coil Kit	11-100
	M1885E	1.0T Quad Extremity Knee/Foot Coil	11-102
	M1885EE	1.0T Auto Tuning Device (ATD) II Coil	11-102
	M1885GP	1.0T General Purpose Flex Coil	11-103
	M1887AC	1.0T Phased Array Pelvic Coil	11-104
	M1887AD	1.0T Phased Array Dual Coil Adapter	11-107
	M1887CT	1.0T Quad CTL Phased Array Coil	11-108
	M1887CY	1.0T Signa Quad Imaging Preamp Kit	11-108
	M1887DP	1.0T Dual Array Spine Pad	11-109
	M1887HW	1.0T High Resolution Wrist Array Coil	11-109
	M1887NB	1.0T Neurovascular Phased Array Coil w/New Top	11-110
	M1887PW	1.0T Peripheral Vascular Phased Array Coil	11-110
	M1887TB	1.0T Torso Phased Array Coil	11-111
11-9	SIGNA 1.0T UPGRADES		11-112
	M1890PB	1.0T 2 Channel Multicoil for 5.5	11-112
	M1890PC	1.0T 4 Channel Multicoil for 5.5	11-112
	M1890PF	1.0T 4 Channel Multicoil for LX	11-112
	M1890PH	1.0T 4 Channel Multicoil for Pre-LX	11-112
	M1890PJ	1.0T 2 Channel Pre-LX to 4 Channel Multicoil LX	11-112

SEC	CATALOG	DESCRIPTION	PAGE
-----	---------	-------------	------

11-10	ACCESSORY PACKAGES		11-116
-------	---------------------------------	--	--------

The following E-Catalog accessories are available for purchase with M-Catalogs for Signa Systems.

CATALOG	DESCRIPTION	
E6900CG	Mobile Mounting Kit for Flat Panel Monitor	11-116
E7014LA	Color Postscript Printer for Advantage Windows	11-116
E8001ND	MOD Option for Genesis	11-116
E8801CA	Eye/Ear Surface Coil Holder	11-116
E8801F	Extremity Surface Coil Accessories	11-116
E8801FD	Foam Triangle Sponge	11-117
E8801G	Spine Coil Restraint System	11-117
E8801H	Quad Head Coil Restraint System	11-118
E8801M	Head Coil Restraint/Pad Set	11-118
E8801MA	Forehead Straps	11-119
E8801MB	Chin Straps	11-119
E8801MD	Rectangular Sponge Set	11-119
E8801ME	Quad Head Cushion	11-119
E8801ND	Rectangular Coil Positioning Cushion	11-119
E8801PB	Gray Rectangular Pad	11-119
E8802MC	Wide Security Strap	11-119
E8802MD	Narrow Security Strap	11-119
E8802MG	Cradle Pad	11-119
E8802P	Patient Positioning Sponge Kit	11-120
E8803AF	1.05 GB External Hard Drive	11-120
E8803AG	64MB SIMMS Memory for Advantage Windows (Sparc 10 only)	11-120
E8803AM	MOD Drive Archive for Advantage Windows	11-120
E8803AY	Monitor with Internal Magnetic Shield for Advantage Windows	11-120
E8803AZ	Scan Converter/VCR Interface for Advantage Windows	11-121
E8803BD	Operator's Console Chair with Foot Ring	11-121
E8803BE	Console Chair With Arm Rests	11-121
E8807AA	MR Patient Log Book, Set of Six	11-121
E8811EB	Fastener Kit For Patient Leadwire Set	11-121
E8811EC	Patient ECG Leadwire Set	11-121
E8811ED	Cardiac/Respiratory Bellows Assembly	11-121
E8811PA	PPG Cables	11-121

11-1 OXYGEN MONITOR OPTION

CATALOG M1060KM FRU N OXYGEN MONITOR

Item	Part Number	FRU	Name	Quantity	Description (Remarks)
1	2107184	2	KIT OF PARTS	1	ENMET OXYGEN MONITOR KIT – P/L ONLY (SEE PAGE 11-7)

ENMET OXYGEN MONITOR KIT 2107184 FRU 2 (PART OF M1060KM PAGE 11-7)

Item	Part Number	FRU	Name	Quantity	Description (Remarks)
1	46-317271G1	N	O2 MONITOR	1	O2 MONITR KIT W/CABLES & REMOTE OM3 (SEE PAGE 11-7)

O2 MONITOR KIT 46-317271G1 FRU N (PART OF 2107184 PAGE 11-7)

Item	Part Number	FRU	Name	Quantity	Description (Remarks)
2	46-301672P2	2	O2 MON PARTS	1	REMOTE SENSOR MODULE
3	46-301672P3	2	O2 MON PARTS	1	SENSOR AND MOUNTING BOARD KIT
4	46-243775G707	2	CABLE	1	(458) PP1-J17 TO OM3
5	46-317992G1	2	CABLE ASM	1	(457) PP1-J17 TO OM1-TB4
10	46-306515G2	2	O2 MONITOR	1	OXYGEN MONITOR, OM1

11-2 SIGNA PRE-EXCITE OPTIONS

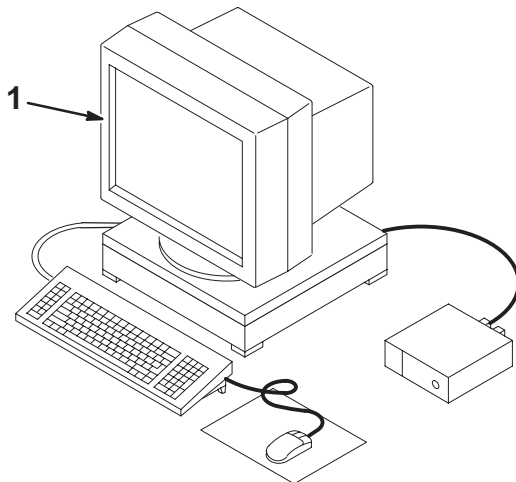
CATALOG M1010AM FRU N SLAVE MONITOR

Item	Part Number	FRU	Name	Quantity	Description (Remarks)
1	46-271468G2	N	9"MONITOR	1	REMOTE 9" VIDEO SLAVE MONITR OPTION (SEE PAGE 11-8)

9" MONITOR 46-271468G2 FRU N (PART OF M1010AM PAGE 11-8)

Item	Part Number	FRU	Name	Quantity	Description (Remarks)
2	46-306858P2	1	MONITOR	1	REMOTE VIDEO MONITOR, 9 INCH
3	46-202502P3	2	1X WALL MT	1	MONITOR WALL MOUNT AND ADAPTER KIT
5	46-237414P1	2	FILTER	1	VIDEO NOISE FILTER (HUM ELIMINATOR).
10	46-251375G15	2	CABLE ASM	1	8 FOOT RG59/U COAX CABLE, BNC
11	46-189168G4	2	VIDEO CABLE	1	15 FT RG 59/U COAXIAL CABLE,BNC
12	46-189168G7	2	VIDEO CABLE	1	75 FT RG 59/U COAXIAL CABLE,BNC
15	46-230194P1	2	CONNECTOR	2	50 OHM, BNC COAXIAL ADAPTOR.
16	46-208560P32	2	SCREW,MACH	4	008-32 X 0.312 LG BIND HD STL F70B5A
17	46-208560P14	2	SCREW,MACH	4	008-32 X 0.500 LG BIND HD STL F70B5A

1.2 ADVANTAGE WINDOWS WORKSTATION M1010BW



FOR MORE PARTS INFORMATION SEE THE FOLLOWING E-CATALOGS:

- E7014LA
- E8803AF
- E8803AG
- E8803AM
- E8803AY
- E8803AZ

CATALOG M1010BW FRU N 1.2 ADVANTAGE WINDOWS WORKSTATION

Item	Part Number	FRU	Name	Quantity	Description (Remarks)
1	46-313419G2	N	AW 1.2 ASM	1	ADV WINDOWS VERSION 1.2 KIT OF PARTS (SEE PAGE 11-8)
7	2117792	N	OPERATOR GUI	1	ADVANTAGE WINDOWS 1.2 S/W REL. NOTES
11	2154030	2	AW 1.2 INSTA	1	ADVANTAGE WINDOWS 1.2 INSTALLATION

A/W WORKSTATION 1.2 KIT 46-313419G2 FRU N (PART OF M1010AW PAGE 11-8)

Item	Part Number	FRU	Name	Quantity	Description (Remarks)
6	46-287532P2	1	ETHER XCEIVR	1	THIN NET ETHERNET TRANSCEIVER
8	46-296454G2	2	CABLE, BNC	1	CABLE, BNC, COAXIAL INTERCONNECT
9	46-296817P1	2	CONNECTOR	1	50 OHM BNC TERMINATOR W/CHAIN, 1/2 W
10	46-220427P3	2	CONNECTOR	1	50 OHM BNC STRAIT JACK-JACK ADAPTOR
12	46-269385P1	2	WIRE AND CAB	1	JUMPER POWER CORD, SJT TYPE, 3'3"LG
20	46-297003P1	2	MECHANICAL/M	1	4-OUTLET, 15A, 125V OUTLET STRIP.

CATALOG M1010GM FRU N DOMESTIC ISOLATION TRANSFORMER

Item	Part Number	FRU	Name	Quantity	Description (Remarks)
1	46-301716P1	2	MAGNETICS	1	60HZ TRANSFORMER

CATALOG M1010GN FRU N INTERNATIONAL ISOLATION TRANSFORMER

Item	Part Number	FRU	Name	Quantity	Description (Remarks)
1	46-301716P3	2	MAGNETICS	1	50HZ TRANSFORMER

CATALOG M1010GS FRU N LOW RISE LEGS KIT

Item	Part Number	FRU	Name	Quantity	Description (Remarks)
1	46-307123G1	N	MFG COLLECTR	1	MANUFACTURING COLLECTOR – M1010GS (SEE PG 11-9)

MFG COLLECTOR 46-307123G1 FRU N (PART OF CATALOG M1010GS PAGE 11-9)

Item	Part Number	FRU	Name	Quantity	Description (Remarks)
1	46-287997G1	N	IC LEG KIT	1	CONSOLE SUPPORT LEG KIT (SEE SECTION 5)
2	46-306635P3	2	CHAIR	1	CONSOLE CHAIR WITH ARM RESTS-E8803BE

CATALOG M1020BD FRU N 2ND PATIENT TRANSPORT W/QUAD HEAD COIL

Item	Part Number	FRU	Name	Quantity	Description (Remarks)
1	46-265300G1	N	TABLE ASM	1	LIGHTWEIGHT PATIENT TRANSPORT, PT1 (SEE SECTION 3)
3	46-282079G1	2	HC HOLDR ASM	1	QUADRATURE HEAD COIL HOLDER ASM (SEE SECTION 1)
4	46-306570G1	N	HD RESTRAINT	1	HEAD COIL RESTRAINT/PAD SET (E8801M) (SEE PAGE 11-118)
6	46-306572G1	N	POSITION KT	1	PATIENT POSITIONING KIT (E8802P)
7	46-306594P1	N	WIDE STRAP	1	ORDER E8802MC FOR REPLACEMENT STRAP
8	46-306593P1	N	NARROW STRAP	1	ORDER E8802MD FOR REPLACEMENT STRAP
9	46-306582P2	N	CUSHION	1	ORDER E8802MG FOR NEW CRADLE PAD
13	46-265845G1	N	FASTENER KIT	1	ORDER E8811EB FOR REPLACEMENT KIT
14	46-306578P1	N	HEAD CUSHION	1	ORDER E88101ME FOR REPLACEMENT PAD

CATALOG M1030YA FRU N GE LASERCAM HQ

Item	Part Number	FRU	Name	Quantity	Description (Remarks)
1	46-313514P1	1	LASER CAMERA	1	BASIC LASER CAMERA

CATALOG M1030YC FRU N GE LASERCAM HQ-S

Item	Part Number	FRU	Name	Quantity	Description (Remarks)
1	46-313514P8	2	HQS-LASERCAM	1	LASERCAM HQ-S FOR CT/MR

CATALOG M1033BM FRU N BRAINWAVE

Item	Part Number	FRU	Name	Quantity	Description (Remarks)
2	2303343	N	OPT.MODULE	1	MR BRAIN MAPPING STIMULUS PC (SEE PAGE 11-10)
	2301428-3	N	OPT.MODULE	1	MR BRAINWAVE VIDEO FRU LIST (SEE PAGE 11-10)
	2301428-4	N	OPT.MODULE	1	MR BRAINWAVE AUDIO FRU LIST (SEE PAGE 11-10)
	2301428-6	N	OPT.MODULE	1	MR BRAINWAVE BASE SYSTEM FRU LIST (SEE PAGE 11-10)

MR BRAIN MAPPING STIMULUS PC 2303343 FRU N (PART OF M1033BM PAGE 11-10)

Item	Part Number	FRU	Name	Quantity	Description (Remarks)
	2303343-2	1	OPT.MODULE	X	STIMULUS PC CHASSIS (PRE-LOADED)
	2303343-3	1	OPT.MODULE	X	KEYBOARD
	2303343-4	1	OPT.MODULE	X	MOUSE
	2303343-6	1	OPT.MODULE	X	STIMULUS PC CASE SOFTWARE CD
	2303343-7	1	OPT.MODULE	X	VIDEO CABLE
	2303343-8	1	OPT.MODULE	X	LCD MONITOR
	2303343-9	N	OPT.MODULE	X	SOFTWARE INSTALLATION MANUAL
	2303343-10	N	OPT.MODULE	X	SOFTWARE TROUBLESHOOTING MANUAL
	2308743	1	OPT.MODULE	X	AW BRAINMAPPING APPLICATION CD

MR BRAINWAVE VIDEO FRU LIST 2301428-3 FRU N (PART OF M1033BM PAGE 11-10)

Item	Part Number	FRU	Name	Quantity	Description (Remarks)
	2301428-11	1	OPT.MODULE	X	GOGGLES MOUNT
	2301428-12	1	OPT.MODULE	X	VIDEO INTERFACE BOX
	2301428-13	1	OPT.MODULE	X	VIDEO MAINTENANCE KIT W/LAMPS & FUSES ONLY
	2301428-26	1	OPT.MODULE	X	VIDEO BRAINMAP CABLE KIT
	2301428-28	1	OPT.MODULE	X	VISUAL PROJECTOR
	2301428-29	1	OPT.MODULE	X	PROJECTOR IMAGE GUIDES
	2301428-30	1	OPT.MODULE	X	PROJECTOR GLASSES
	2301428-31	1	OPT.MODULE	X	VISUAL DISPLAY ASM (PRJECTR, LIGHT GUIDES, GOGGLES)

MR BRAINWAVE AUDIO FRU LIST 2301428-4 FRU N (PART OF M1033BM PAGE 11-10)

Item	Part Number	FRU	Name	Quantity	Description (Remarks)
	2301428-14	1	OPT.MODULE	X	STETHOSCOPIC HEADSET
	2301428-15	1	OPT.MODULE	X	EARTIPS FOR STETHOSCOPIC HEADSET
	2301428-16	1	OPT.MODULE	X	FULL COVERAGE HEADSET
	2301428-17	1	OPT.MODULE	X	REPLACEABLE FULL HEADSET COVERS
	2301428-18	1	OPT.MODULE	X	AUDIO ACOUSTIC TUBING ASM
	2301428-19	1	OPT.MODULE	X	RESEARCH AUDIO ACOUSTIC TUBING ASM
	2301428-20	1	OPT.MODULE	X	AUDIO TRANSDUCER
	2301428-22	1	OPT.MODULE	X	AUDIO OPERATOR CONSOLE
	2301428-23	1	OPT.MODULE	X	STEREO INTERFACE CABLE
	2301428-24	1	OPT.MODULE	X	GRAPHIC EQUALIZER WITH CABLES
	2301428-27	1	OPT.MODULE	X	AUDIO BRAINMAP CABLE KIT

MR BRAINWAVE BASE SYS FRU LIST 2301428-4 FRU N (PART OF M1033BM PAGE 11-10)

Item	Part Number	FRU	Name	Quantity	Description (Remarks)
	2295525	1	OPT.MODULE	X	FILTER PANEL ASM FOR PENETRATION PANEL
	2301428-8	1	OPT.MODULE	X	RESPONSE BUTTON ASM
	2301428-9	1	OPT.MODULE	X	RESPONSE INTERFACE BOX
	2301428-10	1	OPT.MODULE	X	GEMS DESIGNED SIGNAL CONVERTER BOX
	2301428-25	1	OPT.MODULE	X	BASE BRAINMAP CABLE KIT
	2301428-36	1	OPT.MODULE	X	CEDRUS RESPONSE SYSTEMS BASE CABLE KIT

CATALOG M1033K FRU N INFINITY 9.1 INDIGO TO OCTANE UPGRADE KIT

Item	Part Number	FRU	Name	Quantity	Description (Remarks)
1	2207030-23	N	COLLECTOR	1	INFINITY 9.1 INDY TO OCTANE UPGRADE (SEE PAGE 11-11)
10	2321156-5	N	COLLECTOR	1	MFG DESKTOP KIT FOR INDY-OCTANE (SEE PAGE 11-11)

INDIGO TO OCTANE UPGRADE 2207030-23 FRU N (PART OF M1033K PAGE 11-11)

Item	Part Number	FRU	Name	Quantity	Description (Remarks)
1	2189500-3	N	ASSEMBLY	1	LX3 SYS COMP ASM W/ 1/100 BASE-T HUB (SEE SECTION 13)
2	2156158-36	1	COLLECTOR	1	S/W COLLECTOR—SIGNA INFINITY 9.1 M4 (SEE SECTION 13)
7	2198999-8	N	ASSEMBLY	1	LX3 OCTANE V10 R12KS 360MHZ_W/18GB (SEE SECTION 13)

DESKTOP KIT FOR INDY-OCTANE U/G 2321156-5 FRU N (PART OF M1033K PAGE 11-11)

Item	Part Number	FRU	Name	Quantity	Description (Remarks)
2	2204796	2	ASSEMBLY	1	CENTRAL DATA SERIAL EXPANSION & MTG
3A	2154392-2	N	COLLECTOR	1	OPERATOR WORKSTATION CABLES/MRLX2 (SEE SEC. 13)
3B	2154392-3	N	COLLECTOR	ALT	OPERATOR WORKSTATION CABLES/MRLX2
4	2335480-33	N	COLLECTOR	1	MFG COLLECTOR—TECH PUB (GOLDSEAL)
5	2235744-2	1	BIT3 CRD SET	1	VMEBUS ADAPTER CARD
6	2241052-2	N	FIBER OPTIC	1	(836) OW1A15-BIT3 TO MR2A11A30-BIT3
7	2198993	N	CABLE	1	(818) MR2-A11-J31 TO OW1-A16-6,7,8
8	2269111	N	SCREW-INCH	4	SCREW-#10 (.19) X 1 INCH ROUND HEAD

CATALOG M1033PA FRU N PERFORMED PROCEDURE STEP

Item	Part Number	FRU	Name	Quantity	Description (Remarks)
1	2283324	1	MEDIA	1	LX PERFORMED PROCEDURE STEP
2	2199603	N	DIRECTION	1	HORIZON LX HIS/RIS OPTION INSTALL'TN

CATALOG

M1040AH FRU N

GE MAGNET RESISTIVE SHIM KIT

Item	Part Number	FRU	Name	Quantity	Description (Remarks)
1	46-260554G2	N	RSHIMUPGRADE	1	(SEE PAGE 11-12)
2	46-271364G5	2	CABLE ASM	1	RUN 011, MG4/MS3 TO PD1-A2-TS1-7,8,9
3	46-271282G1	2	SHIM FILTER	1	SHIM INTERCONNECT BOX, PP1 A5 (SEE PAGE 11-12)

RESISTIVE SHIM UPGRADE KIT

46-260554G2 FRU N

(PART OF M1040AH PAGE 11-12)

Item	Part Number	FRU	Name	Quantity	Description (Remarks)
2	46-252234G6	2	SPC RES SHIM	1	RESISTIVE SHIM ASSEMBLY
6	46-252532P2	2	SCR AX IN CR	26	3/8-16UNC X 5/8 LG STAINLESS STL
7	46-252531P1	2	SCR AX CRY	26	
8	46-252614P10	2	WASHER,LOCK	26	.375 STN. STL.
10	46-252612P4	2	SCREW CAP	2	0008-32 .50 LG
11	46-252065P21	2	MATERIALS	26	5/16 FLAT WASHER,300 SERIES S.S.,
12	46-252065P20	2	MATERIALS	26	5/16-24 HEX JAM NUT,300 SERIES S.S.
13	46-252182G8	2	SHM CONT CAB	1	
14	46-252856G1	2	RES SHM CBLE	1	RESISTIVE SHIM WIRE HARNESS ASM.
15	46-260327G1	2	MAT RES W HR	1	MATING RESISTIVE SHIM WIRE HARNESS

SHIM INTERCONNECT BOX

46-271282G1 FRU 2

(PART OF M1040AH PAGE 11-12)

Item	Part Number	FRU	Name	Quantity	Description (Remarks)
2	46-271286G1	2	BOX	1	FILTER ENCLOSURE EQUIPMENT-ROOM SIDE
3	46-271285P1	2	BOX	1	FILTER ENCLOSURE, MAGNET-ROOM SIDE
4	46-271283P1	2	COVER	1	SHIM FILTER COVER PLATE, 14.2"X6.88"
5	46-221831P1	2	LINE FILTER	34	EMI/RFI FILTER,150V 10A 80DB AT 10MH
6	46-271308G1	2	HARNESS	1	MAGNET ROOM 104-PIN PLUG AND WIRING
7	46-271307G1	2	HARNESS	1	EQUIPMENT ROOM 104-PIN PLUG & WIRING
9	46-228374P1	2	MECHANICAL/M	AR	TIN60/LEAD40, ROSIN CORE, 0.062" DIA
10	46-208937P5	2	NUT	24	#8-32 LOCK NUT, NYLOCK SST
11	46-306514G1	2	CONNECTORKIT	1	SHIM CABLE RIGHT-ANGLE ADAPTER KIT
200	46-158905P1	2	CONNECTOR HA	2	0.815" LONG, FIXED MALE JACKSCREW.
201	46-158905P2	2	CONNECTOR HA	2	0.837" LG, FIXED FEMALE JACKSCREW.
227	46-158906P3	2	CONNECTOR	2	SLOTTED, CORNER MALE GUIDE PIN.
228	46-158906P4	2	CONNECTOR	2	SLOTTED, CORNER FEMALE GUIDE PIN.
12331	46-208937P1	2	NUT	30	6-32 .313 HEX X .109 THK 316 SST
16755	46-208935P8	2	NUT	4	1/4-20, 7/16" HEX X 3/16 THK, BRASS
18164	46-220184P50	2	SCREW	4	1/4-20 X 1/2" ROUND HEAD SLOT, BRASS
18916	12-1213	2	WASHER	8	ID 0.266, OD 0.563, THK .051, BRASS

CATALOG

M1040BH FRU N

GE S-III MAGNET RESISTIVE SHIM KIT

Item	Part Number	FRU	Name	Quantity	Description (Remarks)
1	46-260554G6	N	RSHIMUPGRADE	1	RESISTIVE SHIM UPGRADE KIT - SIII (SEE PAGE 11-13)
3	46-271282G2	2	SHIM FILTER	1	GE MAG SHIM INTERCONNECT BOX, PP1A5 (SEE PAGE 11-13)
4A	46-221898P6	2	CONTACTOR OL	SEL	120VAC 60HZ 27A 600V NEMA SIZE 1
7	46-265520G1	2	AC COIL FILT	1	AC COIL FILTER, "SNUBBER"
12	46-252635P6	2	STN STL WASH	3	#10 STN STL, PLAIN FLAT WASHER
13	46-320337P4	2	CKT BREAKER	1	ON-LINE 9100-118-07, 15A CKT BREAKER

RESISTIVE SHIM UPGRADE KIT

46-260554G6 FRU N

(PART OF M1040BH PAGE 11-13)

Item	Part Number	FRU	Name	Quantity	Description (Remarks)
2	46-252234G6	2	SPC RES SHIM	1	RESISTIVE SHIM ASSEMBLY
6	46-252532P2	2	SCR AX IN CR	26	3/8-16UNC X 5/8 LG STAINLESS STL
8	46-252614P10	2	WASHER,LOCK	26	.375 STN. STL.
10	46-252612P4	2	SCREW CAP	2	0008-32 .50 LG
13	46-281817G1	1	RES SHM PWR	1	POWER SUPPLY PHASE IIIIE (RESISTIVE)
14	46-252856G1	2	RES SHM CBLE	1	RESISTIVE SHIM WIRE HARNESS ASM.
15	46-260327G1	2	MAT RES W HR	1	MATING RESISTIVE SHIM WIRE HARNESS
18	46-294068P1	2	PWR CORD,IEC	1	

SHIM INTERCONNECT BOX

46-271282G2 FRU 2

(PART OF M1040BH PAGE 11-13)

Item	Part Number	FRU	Name	Quantity	Description (Remarks)
2	46-271286G1	2	BOX	1	FILTER ENCLOSURE EQUIPMENT-ROOM SIDE
3	46-271285P1	2	BOX	1	FILTER ENCLOSURE, MAGNET-ROOM SIDE
4	46-271283P1	2	COVER	1	SHIM FILTER COVER PLATE, 14.2"X6.88"
5	46-221831P1	2	LINE FILTER	18	EMI/RFI FILTER,150V 10A 80DB AT 10MH
9	46-228374P1	2	MECHANICAL/M	AR	TIN60/LEAD40, ROSIN CORE, 0.062" DIA
10	46-208937P5	2	NUT	24	#8-32 LOCK NUT, NYLOCK SST
11	46-306514G1	2	CONNECTORKIT	1	SHIM CABLE RIGHT-ANGLE ADAPTER KIT
200	46-158905P1	2	CONNECTOR HA	2	0.815" LONG, FIXED MALE JACKSCREW.
201	46-158905P2	2	CONNECTOR HA	2	0.837" LG, FIXED FEMALE JACKSCREW.
227	46-158906P3	2	CONNECTOR	2	SLOTTED, CORNER MALE GUIDE PIN.
228	46-158906P4	2	CONNECTOR	2	SLOTTED, CORNER FEMALE GUIDE PIN.
12331	46-208937P1	2	NUT	30	6-32 .313 HEX X .109 THK 316 SST
16755	46-208935P8	2	NUT	20	1/4-20, 7/16" HEX X 3/16 THK, BRASS
18164	46-220184P50	2	SCREW	20	1/4-20 X 1/2" ROUND HEAD SLOT, BRASS
18916	12-1213	2	WASHER	40	ID 0.266, OD 0.563, THK .051, BRASS

CATALOG M1040BJ FRU N SPECTROSCOPY SOFTWARE ASM FOR WORKSTATION

Item	Part Number	FRU	Name	Quantity	Description (Remarks)
1	2108873	2	FLOPPY DISK	1	SAGE SOFTWARE DISKETTE VERSION
2	46-307392G2	2	SAGE SPARC	1	SAGE SOFTWARE ON CARTRIDGE TAPE

CATALOG M1040BP FRU N MULTIPLE SUITE INTERFACE

Item	Part Number	FRU	Name	Quantity	Description (Remarks)
1	46-278862G1	N	INT-SUIT NET	1	INTER-SUITE NETWORK (SEE PAGE 11-14)

INTER-SUITE NETWORK 46-278862G1 FRU N (PART OF M1040BP PAGE 11-14)

Item	Part Number	FRU	Name	Quantity	Description (Remarks)
2	46-282067P53	1	COM COMP SYS	1	SECOND ETHERNET CONTROLLER BOARD
3	46-287532P2	1	ETHER XCEIVR	1	THIN NET ETHERNET TRANSCEIVER
4	46-296454G6	2	CABLE, BNC	1	CABLE, BNC, COAXIAL INTERCONNECT
5	46-296817P1	2	TERMINATOR	1	50 OHM BNC TERMINATOR W/CHAIN, 1/2 W
6	46-220427P3	2	ADAPTER	1	50 OHM BNC STRAIT JACK-JACK ADAPTOR
7	46-221417P1	2	SCREWLOCK	1	FEMALE SCREWLOCKS, TWO PER KIT
8	46-296861G1	2	CABLE ASM	1	COMPUTER ETHERNET TO XCVR

CATALOG M1040BR FRU N MULTIPLE SUITE INTERFACE FOR 5.4 RP SYSTEMS

Item	Part Number	FRU	Name	Quantity	Description (Remarks)
1	46-278862G2	N	ASSEMBLY	1	860-931118 INTER-SUITE NET FOR RP (SEE PAGE 11-14)

INTER-SUITE NETWORK 46-278862G2 FRU N (PART OF M1040BR PAGE 11-14)

Item	Part Number	FRU	Name	Quantity	Description (Remarks)
2	46-269604P1	1	PURCH. SPEC.	1	HAWK ETHERNET BOARD
3	46-287532P2	1	ETHER XCEIVR	1	THIN NET ETHERNET TRANSCEIVER
4	46-296454G6	2	CABLE, BNC	1	CABLE, BNC, COAXIAL INTERCONNECT
5	46-296817P1	2	TERMINATOR	1	50 OHM BNC TERMINATOR W/CHAIN, 1/2 W
6	46-220427P3	2	ADAPTER	1	50 OHM BNC STRAIT JACK-JACK ADAPTOR
8	46-296861G1	2	CABLE ASM	1	COMPUTER ETHERNET TO XCVR

CATALOG M1040CS FRU N CVMR ADVANCED DEVELOPMENT WORKSTATION H/W

Item	Part Number	FRU	Name	Quantity	Description (Remarks)
1	2210997	1	WORKSTATION	1	SUN ULTRASPARC 2 W/4GB HD
2	2154347	1	PART	1	100' 13W3 MONITOR CABLE
3	2154348	2	CABLE	1	100' KEYBRD EXTENSION CABLE
4	2210999	1	CABLE	1	100 FOOT 10 BASE-T CABLE
5	2211001	1	POWER STRIP	1	15 AMP POWER STRIP (15' CORD)
6	2213506	2	CABINET,EQUI	1	ADW EQUIPMENT CABINET
7	2213509	1	FLOPPY ASM	1	ADWS AUTO INSTALL ASSEMBLY
8	2212772	2	DIRECTION	1	SIGNA ADW INSTALLATION MANUAL

CATALOG M1040CT FRU N SOLARIS O/S SOFTWARE

Item	Part Number	FRU	Name	Quantity	Description (Remarks)
1	2210539	1		XXX	SOLARIS 2.5.1 NOV97

CATALOG M1040CW FRU N CARDIO VASCULAR WORK STATION SOFTWARE

Item	Part Number	FRU	Name	Quantity	Description (Remarks)
1	2249760	1	CD-ROM	1	VP APPLICATION CD-ROM
2	2249778	1	FLOPPY	1	VP CV FLOPPY
3	2249776	1	FLOPPY	1	VP SOLARIS JUMPSTART FLOPPY
4	2249761	1	CD-ROM	1	VP PLATFORM CD-ROM
7	2250182-100	N	OPERATOR MAN	1	OP MAN FOR CV/I VISUALIZATION PLTFRM

CATALOG M1040CY FRU N IDL LICENSE/PACKAGE

Item	Part Number	FRU	Name	Quantity	Description (Remarks)
1	2214143	1		XXX	IDL SUN SINGLEUSER NODE LOCKED LICNS
2	2214144	1		XXX	IDL 1 YR SOFTWARE MAINTENANCE

CATALOG M1040CZ FRU N ADW BIT3 INTERCONNECT HARDWARE

Item	Part Number	FRU	Name	Quantity	Description (Remarks)
1	2124215-5	1	PART	1	BIT 3 SBUS ADAPTER; PART #467-1-201
2	2124215	1	BIT3 CRD SET	1	VMEBUS CARD ASSEMBLY INCLUDING:
3	2154353	1	CABLE	1	25' BIT3 CABLE

CATALOG M1040HT FRU N 5.x PROBE / SV

Item	Part Number	FRU	Name	Quantity	Description (Remarks)
1	46-320370G1	N	COLLECTOR	1	MFG COLLECTOR FOR M1040HT 5.X (SEE PAGE 11-15)

PROBE / SV COLLECTOR 46-320370G1 FRU N (PART OF M1040HT PAGE 11-15)

Item	Part Number	FRU	Name	Quantity	Description (Remarks)
1	46-317350G1	1	SPECTRO MR	1	1.5T SPECTROSCOPY OPTION KEY
2	46-320103P1	2	FIRMWARE KIT	1	SPECTROSCOPY ERBTEC U-17 PROCESSOR
3	46-282467G4	1	Q D PLUG ASM	1	SPECT. COIL ADAPTER (MG2 A16 A7 A3)

11-3 SIGNA PRE-EXCITE SOFTWARE OPTIONS

CATALOG M1033J FRU N SCANTOOLS 2000 UPGRADE

Item	Part Number	FRU	Name	Quantity	Description (Remarks)
1	2254691	1	MEDIA	1	SCANTOOLS 2000 UPGRADE
3	2209382	N	DIRECTION	1	HORIZON LX S/W OPTIONS INSTALL (MOD)

CATALOG M1033JA FRU N IDRIVE PRO 2000 (FORMERLY RTIA)

Item	Part Number	FRU	Name	Quantity	Description (Remarks)
1	2253724	1	MEDIA	1	IDRIVE PRO 2000
3	2209382	N	DIRECTION	1	HORIZON LX S/W OPTIONS INSTALL (MOD)

CATALOG M1033JB FRU N SMARTPREP2000 (INCLUDES SMARTSTEP

Item	Part Number	FRU	Name	Quantity	Description (Remarks)
1	2254639	1	MEDIA	1	SMARTPREP 2000
3	2209382	N	DIRECTION	1	HORIZON LX S/W OPTIONS INSTALL (MOD)

CATALOG M1033JD FRU N PROBE2000

Item	Part Number	FRU	Name	Quantity	Description (Remarks)
1	2254641	1	MEDIA	1	PROBE2000
3	46-320103P1	2	FIRMWARE KIT	1	SPECTROSCOPY ERBTEC U-17 PROCESSOR
5	2192603-200	N	APPS GUIDES	1	SIGNA APPLICATIONS GUIDES CD VOL1-6
11	2152220	1	ASSEMBLY	1	MRS HEAD SPHERE WITH SOLUTION
12	2209382	N	DIRECTION	1	HORIZON LX S/W OPTIONS INSTALL (MOD)

CATALOG M1033JE FRU N SR20 ECHOPLUS

Item	Part Number	FRU	Name	Quantity	Description (Remarks)
1	2224221	1	MEDIA	1	SR20 ECHO PLUS OPTION MOD SOFTWARE
3	2209382	N	DIRECTION	1	HORIZON LX S/W OPTIONS INSTALL (MOD)

CATALOG M1033JF FRU N SCANTOOLS 2000

Item	Part Number	FRU	Name	Quantity	Description (Remarks)
1	2254688	1	MEDIA	1	SCANTOOLS 2000
4	2209382	N	DIRECTION	1	HORIZON LX S/W OPTIONS INSTALL (MOD)

CATALOG M1033JH FRU N SMARTPREP2000 UPDATE (SMARTSTEP ONLY)

Item	Part Number	FRU	Name	Quantity	Description (Remarks)
1	2254640	1	MEDIA	1	SMARTPREP 2000 UPDATE
3	2209382	N	DIRECTION	1	HORIZON LX S/W OPTIONS INSTALL (MOD)

REV 14

DIRECTION 2138247

CATALOG M1033JJ FRU N PROBE 2000 UPGRADE

Item	Part Number	FRU	Name	Quantity	Description (Remarks)
1	2254642	1	MEDIA	1	PROBE2000 UPGRADE
3	2209382	N	DIRECTION	1	HORIZON LX S/W OPTIONS INSTALL (MOD)

CATALOG M1033JK FRU N FUNCTOOL 2000

Item	Part Number	FRU	Name	Quantity	Description (Remarks)
1	2210338	1	MEDIA	1	LX FUNCTOOLS OPTION S/W
3	2209382	N	DIRECTION	1	HORIZON LX S/W OPTIONS INSTALL (MOD)

CATALOG M1033JL FRU N LX TOOLS

Item	Part Number	FRU	Name	Quantity	Description (Remarks)
1	2254693	1	MEDIA	1	LX TOOLS
2	2209595	1	MEDIA	1	INTERACTIVE VASCULAR S/W
3	2209382	N	DIRECTION	1	HORIZON LX S/W OPTIONS INSTALL (MOD)

CATALOG M1033JR FRU N IDRIVE PRO PLUS

Item	Part Number	FRU	Name	Quantity	Description (Remarks)
1	2272136	1	OPTION KEY	1	SIGNA IDRIVE PRO PLUS OPTION KEY
3	2209382	N	DIRECTION	1	HORIZON LX S/W OPTIONS INSTALL (MOD)

CATALOG M1040LA REV 0 VP NV SOFTWARE

Item	Part Number	FRU	Name	Quantity	Description (Remarks)
1	2249760	1	CD-ROM	1	VP APPLICATION CD-ROM
2	2249762	1	CD-ROM	1	VP EPI RT CD-ROM
3	2249776	1	FLOPPY	1	VP SOLARIS JUMPSTART FLOPPY
4	2249777	1	FLOPPY	1	VP NV KEY FLOPPY
5	2249761	1	CD-ROM	1	VP PLATFORM CD-ROM
6	2250664	1	MEDIA	1	SGD PERFORMANCE OPTION SOFTWARE MOD
9	2250181-100	N	OPERATOR MAN	1	NV/I VISUALIZATION PLATFORM I OP MAN

CATALOG M1090AD FRU N CONNECTPRO

Item	Part Number	FRU	Name	Quantity	Description (Remarks)
1	2230238	1	IMAGE S/W	1	CONNECTPRO SOFTWARE OPTION
2	2229946	N	DIRECTIONS	1	SIGNA HORIZON OPTION HIS/RIS
5	2221405-100	N	OPERATOR MAN	1	CONNECTPRO OP MAN (AKA UFI4)
6	2239103	1	IMAGE S/W	1	HISPATCH MEDIA SOFTWARE

CATALOG M1090AT FRU N 3-D OPTION FLOPPY KEY FOR A/W

Item	Part Number	FRU	Name	Quantity	Description (Remarks)
5	2102276-2	2	ADV WINDOWS		REPLACEMENT 3-D OPTION FLOPPY KEY

CATALOG M1090AW FRU N LASER CAMERA INTERFACE FOR A/W

Item	Part Number	FRU	Name	Quantity	Description (Remarks)
1	46-313456G1	N	FILM. OPTION	1	LASER CAMERA INTERFACE DEVICE (SEE PAGE 11-18)

CAMERA I/F DEVICE 46-313456G1 FRU N (PART OF M1090AW PAGE 11-18)

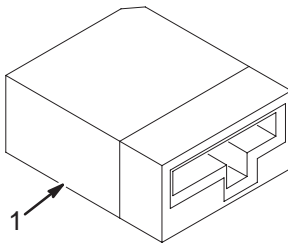
Item	Part Number	FRU	Name	Quantity	Description (Remarks)
1	46-269566P1	1	DASM-VDB	1	ANALOGIC/CDA DASM-VDB (SEE PAGE 11-18)

DASM-VDB UNIT 46-269566P1 FRU N (PART OF 46-313456G1 PAGE 11-18)

Item	Part Number	FRU	Name	Quantity	Description (Remarks)
1	46-269566P101	1	DASM-VDB	1	INTERFACE BOX REF.#76266-FRU
2	46-269566P102	1	DASM-VDB	1	SCSI TERMINATOR REF.#18662
3	46-269566P104	1	DASM-VDB	1	SCSI CABLE #23731
5	46-269566P106	1	DASM-VDB	1	CAMERA INTERFACE STUB CABLE

CINE PLUS

M1090BF



CATALOG M1090BF FRU N CINE PLUS

Item	Part Number	FRU	Name	Quantity	Description (Remarks)
1	46-317344G1	1	CINE MR	1	OPTION KEY FOR CINE PLUS OPTION

CATALOG M1090CP FRU N GENESIS TO STEALTH CPU UPGRADE KIT

Item	Part Number	FRU	Name	Quantity	Description (Remarks)
1	2105623	N	STEALTH KIT	1	GENESIS TO STEALTH CPU UPGRADE KIT (SEE PAGE 11-18)

CPU UPGRADE KIT 2105623 FRU N (PART OF M1090CP PAGE 11-18)

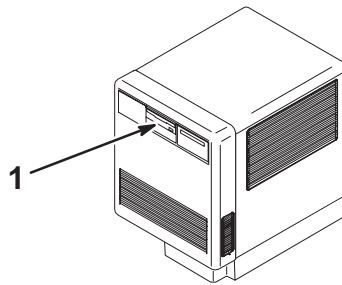
Item	Part Number	FRU	Name	Quantity	Description (Remarks)
2	46-320144G1	1	STEALTH CPU	1	STEALTH-X CPU, 32 MB
3	46-269601P1	1	TERMINATOR	1	ACTIVE REGULATED SCSI TERMINATOR
7	46-221852P2	2	MECHANICAL/M	8	LOW PROFILE SHUNT W/ .100" CENTERS.
9	46-221575P5	2	MECHANICAL/M	4	TRANSPARENT ANTI-STATIC BAG 18 X 18"
10	46-279112P1	2	MECHANICAL/M	4	18-1/8 X 1-7/8 X 18-1/4
11	46-279111P1	2	MECHANICAL/M	4	18 X 1-1/8 X 18

CATALOG M1090CR FRU N CARDIAC

Item	Part Number	FRU	Name	Quantity	Description (Remarks)
1	2220154	1	MEDIA	1	CARDIAC OPTION MOD SOFTWARE
3	2209382	N	DIRECTION	1	HORIZON LX S/W OPTIONS INSTALL (MOD)
5	2265525-100	N	OPERATOR MAN	1	SIGNA MR/I AND SIGNA LX ECHOSPEED SY

5-1/4" OPTICAL DISK

M1090DB



CATALOG

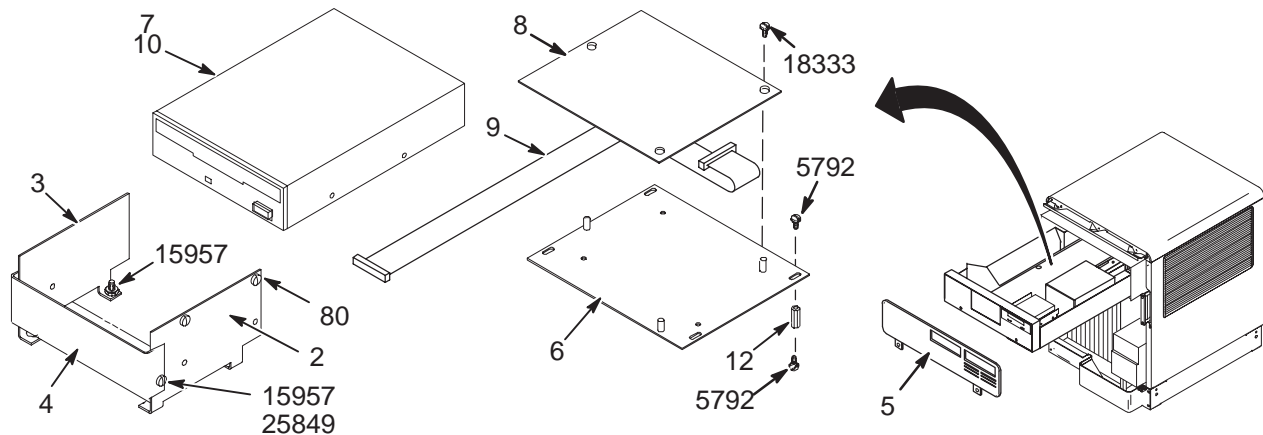
M1090DB FRU N

5-1/4" OPTICAL DISK

Item	Part Number	FRU	Name	Quantity	Description (Remarks)
1	46-307501G1	N	OPT DISK COL	1	OD INSTALLATION KIT (SEE PAGE 11-19)

OPTICAL DISK KIT

46-307501G1



OPTICAL DISK KIT

46-307501G1 FRU N

(PART OF M1090DB PAGE 11-19)

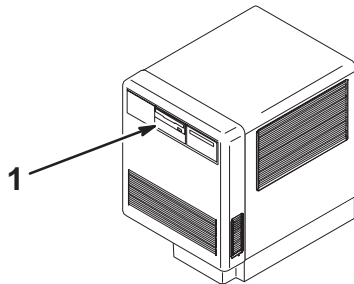
Item	Part Number	FRU	Name	Quantity	Description (Remarks)
2	46-306623P1	2	DISK BRACKET	1	OPTICAL DISK MOUNT BRACKET, RIGHT
3	46-306623P2	2	DISK BRACKET	1	OPTICAL DISK MOUNT BRACKET, LEFT
4	46-306624P1	2	BLANK PANEL	1	BLANK FILLER PANEL, OPTICAL DISK
5	46-307621P1	2	BEZEL	1	TAPE & OPTICAL DISK BEZEL, W/VENTS
6	46-307706P1	2	PLATE	1	OPTICAL DISK CONTROL BD MOUNT PLATE
7	46-287944P10	N	OPTICAL DISK	1	SUBSTITUTE 46-317242G1 UNIT/PWB KIT
8	46-287944P12	N	OPTICAL DISK	1	SUBSTITUTE 46-317242G1 UNIT/PWB KIT
9	46-287944P13	N	OPTICAL DISK	1	SUBSTITUTE 46-317242G1 UNIT/PWB KIT
10	46-301853P1	2	OPTIC MEDIA	1	5-1/4" OPTICAL DISK CARTRIDGE W/CASE
12	46-136375P3	2	SPACER	4	HEX 0.250 THD 6-32 LGTH 0.750
80	46-208924P22	2	SCREW,MACH	4	M4 X 0.7 X 6 DIN 84 STL
5792	46-170015P19	2	SCR,SEMS	8	00006-32 X 0.375 LG BIND HD STL EXT
15957	46-170012P36	2	NUT,LOCK	6	6-32 HEX 5/16 NUT THK 7/64
18333	46-208560P17	2	SCREW,MACH	3	004-40 X 0.375 LG BIND HD STL F70B5A
25849	46-208560P48	2	SCREW,MACH	2	6-32 X 0.380 LG BIND HD STL F70B5A

CATALOG M1090DT FRU N DIFFUSION TENSOR IMAGING

Item	Part Number	FRU	Name	Quantity	Description (Remarks)
1	2305179	1	OPTION KEY	1	SIGNA DIFFUSION TENSOR OPTION KEY
2	2209382	N	DIRECTION	1	HORIZON LX S/W OPTIONS INSTALL (MOD)
5	2305454-148	N	DIRECTION	1	CNV4 LEARNING REFERENCE GUIDE

5-1/4" MAGNETO OPTICAL DISK

M1090DW

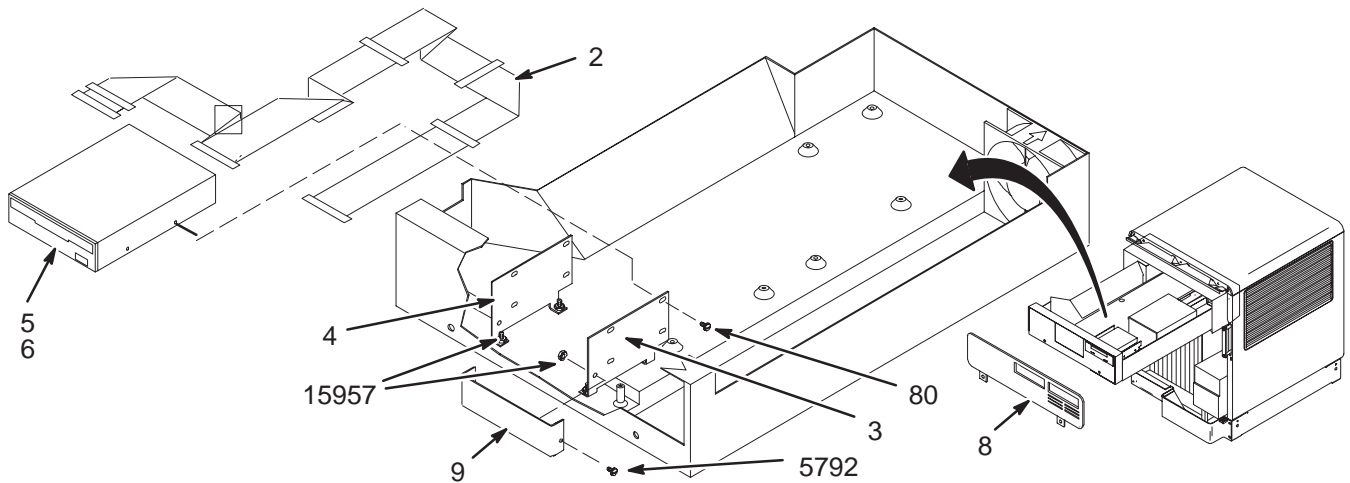


CATALOG M1090DW FRU N 5-1/4" MAGNETO OPTICAL DISK

Item	Part Number	FRU	Name	Quantity	Description (Remarks)
1	46-328138G1	N	COLLECTOR	1	UPGRADE KIT TO MOD FROM WORM OD (SEE PAGE 11-20)

MOD UPGRADE KIT

46-328138G1



MOD UPGRADE KIT 46-328138G1 FRU N (PART OF M1090DW PAGE 11-20)

Item	Part Number	FRU	Name	Quantity	Description (Remarks)
2	46-328012P1	2	RIBBON CABLE	1	50 CONDUCTOR, SCSI INTERCONNECT
3	46-306623P1	2	DISK BRACKET	1	OPTICAL DISK MOUNT BRACKET, RIGHT
4	46-306623P2	2	DISK BRACKET	1	OPTICAL DISK MOUNT BRACKET, LEFT
5	46-307575P4	1	OPTICAL DISK	1	5-1/4" MAGNETO OPTICAL DISC
6	46-269578P1	N	MAG.OPT.MEDI	1	USE E8001P AS FIELD REPLACEMENT
8	46-307621P1	2	BEZEL	1	TAPE & OPTICAL DISK BEZEL, W/VENTS
9	46-306624P1	2	BLANK PANEL	1	BLANK FILLER PANEL, OPTICAL DISK
80	46-208924P22	2	SCREW,MACH	4	M4 X 0.7 X 6 DIN 84 STL
5792	46-170015P19	2	SCR,SEMS	2	00006-32 X 0.375 LG BIND HD STL EXT
15957	46-170012P36	2	NUT,LOCK	6	6-32 HEX 5/16 NUT THK 7/64

CATALOG M1090EA FRU N FAST ENHANCEMENTS II

Item	Part Number	FRU	Name	Quantity	Description (Remarks)
1	2198992	N	KIT OF PARTS	1	FAST ENHANCEMENTS 2 SOFTWARE KIT (SEE PAGE 11-21)
2A	2219452	1	ECG LEADWIRE	1	HIGH IMPEDANCE ECG LEAD KIT (SEE PAGE 11-21)
2B	46-320609G1	N	CABLE KIT	ALT	CARDIAC GATING PAC CABLE & LEAD SET (SEE PAGE 11-21)
5	2195163	N	DIRECTION	1	HRZN 5.6 FAST ENHANCEMENTS II OPTION
6	2194775-100	N	OPERATOR MAN	1	FAST ENHANCEMENT II OP. MAN.
7	2198291-148	N	OPERATOR MAN	1	FAST ENHANCEMENT II REL.NOTES/ERRATA

FAST ENHANCEMENTS 2 S/W KIT 2198992 FRU N (PART 1 OF M1090EA PAGE 11-21)

Item	Part Number	FRU	Name	Quantity	Description (Remarks)
1	2198987	1	IMAGE S/W	1	FAST ENHANCEMENTS 2 - KEY
2	2198987-2	1	IMAGE S/W	1	FAST ENHANCEMENTS 2 - PSD TAPE
352	2219452	1	ECG LEADWIRE	1	HIGH IMPEDANCE ECG LEAD KIT

HIGH IMPEDANCE ECG LEAD KIT 2219452 FRU 1 (PART 2A OF M1090EA PAGE 11-21)

Item	Part Number	FRU	Name	Quantity	Description (Remarks)
	2219452-2	1	GATAING LEADS	1	HIGH IMPEDANCE MRI ECG LEAD WIRES (E8819RC)
	2219452-3	1	CABLE	1	HIGH IMPEDANCE ECG PATIENT CABLE (E8819RD)

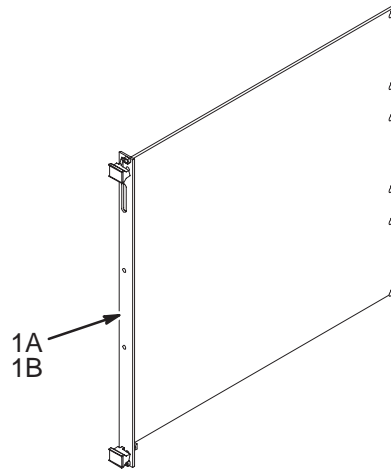
CARDIAC GATING CABLE/LEADS 46-320609G1 FRU N (PART 2B OF M1090EA PAGE 11-21)

Item	Part Number	FRU	Name	Quantity	Description (Remarks)
2	46-320457P1	N	GATING LEADS	6	USE E8811JA FOR FIELD REPLACEMENTS
3	46-320573G1	N	PAC CABLE	1	USE E8811JB FOR FIELD REPLACEMENTS

CATALOG M1090EC FRU N FSE-XL SOFTWARE PACKAGE

Item	Part Number	FRU	Name	Quantity	Description (Remarks)
1	2206417	1	IMAGE S/W	1	FSE-XL SOFTWARE OPTION

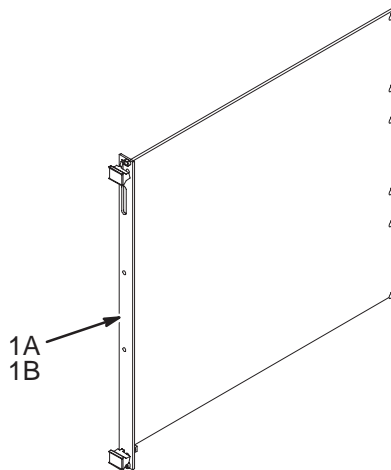
EXPANSION 32MB BULK MEMORY BOARD (BAM) M1090FD



CATALOG M1090FD FRU N EXPANSION 32MB BULK MEMORY BOARD (BAM)

Item	Part Number	FRU	Name	Quantity	Description (Remarks)
1A	46-321324G4	1	TPS MEMORY	1	32MB BULK MEMORY BOARD (BAM)
1B	46-317038G7	1	MEMORY, TPS	ALT	32MB BULK MEMORY BOARD (BAM)

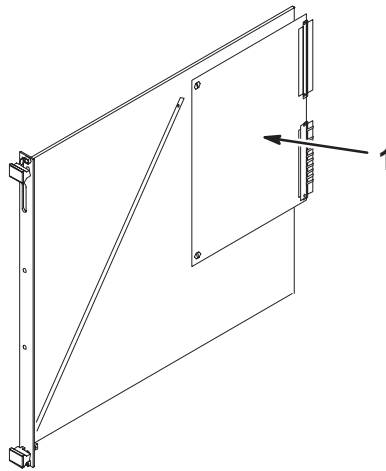
EXPANSION 128MB BULK MEMORY BOARD (BAM)M1090FE



CATALOG M1090FE FRU N EXPANSION 128MB BULK MEMORY BOARD (BAM)

Item	Part Number	FRU	Name	Quantity	Description (Remarks)
1A	46-321324G5	1	TPS MEMORY	1	128MB BULK MEMORY BOARD (BAM)
1B	46-317038G8	1	MEMORY, TPS	ALT	128MB BULK MEMORY BOARD (BAM)

8-MB ARRAY PROCESSOR ADD-ON MEMORY M1090FJ

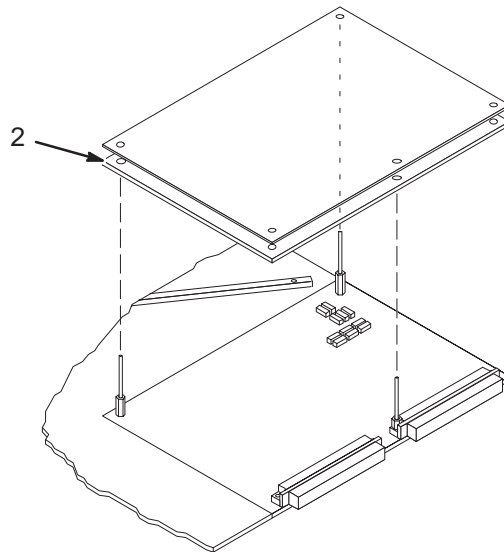


CATALOG M1090FJ FRU N 8-MB ARRAY PROCESSOR ADD-ON MEMORY

Item	Part Number	FRU	Name	Quantity	Description (Remarks)
1	46-307217G1	N	8 MB BD KIT	1	KIT TO INCREASE MEMORY TO 10MB (SEE PAGE 11-23)

8-MB MEMORY KIT

46-307217G1

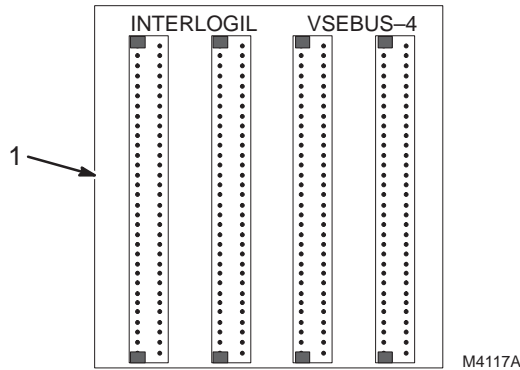


8-MB MEMORY KIT 46-307217G1 FRU N (PART OF 46-307217G1 PAGE 11-23)

Item	Part Number	FRU	Name	Quantity	Description (Remarks)
2	46-271974P2	N	ARRAY PROC.	1	USE 46-271974G2 AS FIELD REPLACEMENT
50	46-208908P3	2	SCREW,MACH	4	00002-56 X 0.250 SLOT FLT HD F70B5A
53	46-208941P1	2	NUT,HEX,MS	1	00002-56 .188 HEX X .062 THK
54	46-208560P53	2	SCREW,MACH	2	002-56 X 0.250 LG BIND HD STL F70B5A

BAM INTERFACE BOARD

M1090FK



CATALOG M1090FK FRU N BAM INTERFACE BOARD

Item	Part Number	FRU	Name	Quantity	Description (Remarks)
1	46-287122P4	2	VSB PIGGYBAK	1	VSB EXTENDER BOARD FOR 3RD BAM MEMORY

CATALOG M1090FL FRU N 16 MB ADDITIONAL MEMORY

Item	Part Number	FRU	Name	Quantity	Description (Remarks)
1	46-320602G1	N	COLLECTOR	1	COLLECTOR FOR 16MB COMPUTER BD (SEE PAGE 11-24)

16MB ADD MEMORY 46-320602G1 FRU N (PART OF M1090FL PAGE 11-24)

Item	Part Number	FRU	Name	Quantity	Description (Remarks)
1	46-282067P37	1	COM COMP SYS	1	16MB EXPANSION MEMORY, SUN 3/260 CP46U

CATALOG M1090FT FRU N NAVIGATOR 2D SOFTWARE FOR AW 1.2

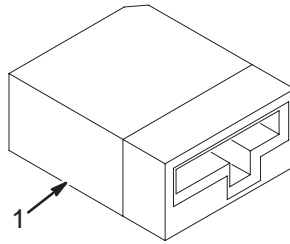
Item	Part Number	FRU	Name	Quantity	Description (Remarks)
3	2147729	N	SOFTWARE	1	AW NAVIGATOR S/W LICENSE
4	2153325-2	N	AW NAVIGATOR	1	A W NAVIGATOR S/W OPTION (SEE PAGE 11-24)

AW NAVIGATOR S/W OPTION 2153325-2 FRU N (PART OF M1090FT PAGE 11-24)

Item	Part Number	FRU	Name	Quantity	Description (Remarks)
2	2153326	2	SOFTWARE MOD	1	NAVIGATOR SECURITY KEY FLOPPY DISK
3	2166391	1	PART	1	NAVIGATOR SOFTWARE FLOPPY SET

FAST SPGR KEY

M1090GR



CATALOG

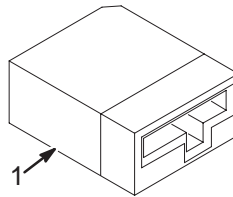
M1090GR FRU N

FAST SPGR

Item	Part Number	FRU	Name	Quantity	Description (Remarks)
1	46-320038G1	1	FSPGR KEY	1	FAST SPGR (SPOILED GRASS) OPTION KEY

FAST SPIN ECHO KEY

M1090GS



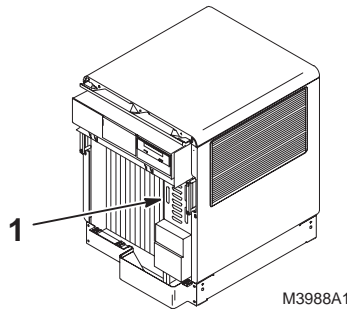
CATALOG

M1090GS FRU N

FAST SPIN ECHO

Item	Part Number	FRU	Name	Quantity	Description (Remarks)
1	46-317346G1	1	FSE KEY	1	FAST SPIN ECHO OPTION KEY

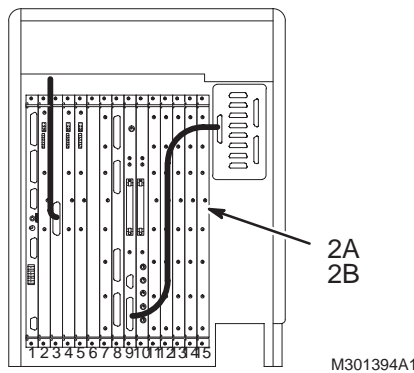
IP MEMORY FOR ADVANCED DISPLAY (5.4) M1090GT



CATALOG M1090GT FRU N IP MEMORY FOR ADVANCED DISPLAY (5.4)

Item	Part Number	FRU	Name	Quantity	Description (Remarks)
1	46-296928G1	N	ADV. DISPLAY	1	HARDWARE REFORMATION PACKAGE – INSTANT ARRANGE AND CINE/PAGING ON THE GENESIS OC OT IC. INCLUDES 32MB BULK MEMORY BOARD, OPTION KEY (SEE PAGE 11-26)

IP MEMORY ADVANCED DISPLAY 46-296928G1



IP MEM ADV DISPLAY 46-296928G1 FRU N (PART OF M1090GT PAGE 11-26)

Item	Part Number	FRU	Name	Quantity	Description (Remarks)
2A	46-321280G1	1	CIRCUIT BD	1	32MB BULK MEMORY BOARD (GBM) FOR IP
2B	46-282067P52	1	COM COMP SYS	ALT	32MB BULK MEMORY BOARD (GBM) FOR IP

CATALOG M1090KJ FRU N FIESTA 2D

Item	Part Number	FRU	Name	Quantity	Description (Remarks)
1	2272138	1	OPTION KEY	1	CV FIESTA 2D OPTION KEY
2	2306294	N	DIRECTION	1	REL. CNV4 S/W & OPTIONS INSTALLATION
4	2291039-148	N	DIRECTION	1	2D FIESTA SEQUENCES LRG
5	2323963	1	CD-ROM	1	CNV3/CNV4/LEO1 SOFTWARE PATCH
6	2327645	N	DIRECTION	1	FIESTA 2D PATCH
10	2298197	1	SOFTWARE	1	PATCH FOR 2271261-2 AW RTIP

CATALOG M1090KK FRU N FIESTA 3D

Item	Part Number	FRU	Name	Quantity	Description (Remarks)
1	2272141	1	OPTION KEY	1	CV FIESTA 3D OPTION KEY
2	2306294	N	DIRECTION	1	REL. CNV4 S/W & OPTIONS INSTALLATION
5	2291040-148	N	DIRECTION	1	3D FIESTA SEQUENCES LRG
10	2298197	1	SOFTWARE	1	PATCH FOR 2271261-2 AW RTIP

CATALOG M1090KL FRU N 2D/3D FAST SPIN ECHO

Item	Part Number	FRU	Name	Quantity	Description (Remarks)
1	2113166	1	FSE II KEY	1	FAST SPIN ECHO II OPTION KEY

CATALOG M1090KM FRU N 3D FAST SPIN ECHO

Item	Part Number	FRU	Name	Quantity	Description (Remarks)
1	2113166	1	FSE II KEY	1	FAST SPIN ECHO II OPTION KEY

CATALOG M1090KR REV 3 DELAYED ENHANCED

Item	Part Number	FRU	Name	Quantity	Description (Remarks)
1	2272142	1	OPTION KEY	1	CV DELAYED ENHANCEMENT OPTION KEY
2	2306294	N	DIRECTION	1	REL. CNV4 S/W & OPTIONS INSTALLATION
4	2291041-148	N	DIRECTION	1	MYOCARDIAL ASSESSMENT LRG
10	2298197	1	SOFTWARE	1	PATCH FOR 2271261-2 AW RTIP

CATALOG M1090KS FRU N LX ALL OPTIONS KEY MOD

Item	Part Number	FRU	Name	Quantity	Description (Remarks)
1	2227959	1	MEDIA	1	LX UPGRADES OPTION MOD
11	2209382	N	DIRECTION	1	HORIZON LX S/W OPTIONS INSTALL (MOD)

CATALOG M1090KZ FRU N FUNCTOOL FOR ADVANTAGE WINDOWS

Item	Part Number	FRU	Name	Quantity	Description (Remarks)
1	2186653	N	PART	1	FUNCTOOL (SEE PAGE 11-28)

FUNCTOOL COLLECTOR 2186653 FRU N (PART OF M1090KZ PAGE 11-28)

Item	Part Number	FRU	Name	Quantity	Description (Remarks)
1	2186645	N	PART	1	FUNCTOOL FULL S/W SET (SEE PAGE 11-28)

FUNCTOOL FULL S/W SET 2186645 FRU N (PART OF 2186653 PAGE 11-28)

Item	Part Number	FRU	Name	Quantity	Description (Remarks)
1	2186642	1	PART	1	FUNCTOOL S/W SET
2	2186643	1	PART	1	FUNCTOOL SECURITY FLOPPY KEY

CATALOG M1090LA FRU N FAST GRADIENT ECHO

Item	Part Number	FRU	Name	Quantity	Description (Remarks)
1	2209588	1	MEDIA	1	FAST GRAD OPTION S/W

CATALOG M1090LB FRU N FAST SPIN ECHO AND FLAIR

Item	Part Number	FRU	Name	Quantity	Description (Remarks)
1	2209589	1	MEDIA	1	FASTSPIN ECHO & FLAIR S/W

CATALOG M1090LC FRU N ECHO PLANAR IMAGING

Item	Part Number	FRU	Name	Quantity	Description (Remarks)
1	2209590	1	MEDIA	1	ECHO PLANAR IMAGING S/W

CATALOG M1090LD FRU N PROACTIVE SERVICE

Item	Part Number	FRU	Name	Quantity	Description (Remarks)
1	2162035	1	OPTION KEY	1	PROACTIVE SERVICE DISKETTE OPTION KEY

CATALOG M1090LE FRU N FAST ENHANCEMENT PACKAGE – 5.4 TO SR17

Item	Part Number	FRU	Name	Quantity	Description (Remarks)
3	2133388-3	2	ASSEMBLY	1	SPT PHANTOM POSITIONER KIT (SEE PAGE 11-29)
4	2134712	2	PROM KIT	1	SRI U140 PROM FOR FOR 5.5 UPGRADE
5	2131027-2	2	PHANTOM	1	SIGNA DQA III (SEE PAGE 11-29)
6	2149867-100	2	OPERATOR MAN	1	SIGNA ADVANTAGE OPERATOR REF MAN KIT
19	46-320932G1	1	MR VX	1	MR VX OPTION KEY

SPT PHANTOM FOAM SET 2133388-3 FRU 2 (PART OF M1090LE PAGE 11-29)

Item	Part Number	FRU	Name	Quantity	Description (Remarks)
7	2170481	2	EPI POSITINR	1	LX/HORIZON EPI FOAM POSITIONER
8	2141454	2	QUICK SHIM	1	QUICK SHIM POSITIONER

SIGNA DQA III 2131027-2 FRU 2 (PART OF M1090LE PAGE 11-29)

Item	Part Number	FRU	Name	Quantity	Description (Remarks)
4	2131027-6	2	STOP PLATE	1	DQA III STOP PLATE, FRONT
5	2131027-8	2	ANTIROTATION	1	DQA III ANTIROTATION PLATE
6	46-136374P12	2	RING	2	0.362 ID, BUNA N, PARKER 2-110
9	46-265486P1	2	SCREW	2	3/8-16 X 3/8" PAN HEAD SCREW, DELRIN
10	46-265486P14	2	SCREW	4	3/8-16 X 3/4" PAN HEAD SCREW, DELRIN
12	46-317781P1	2	LABEL	1	NICKEL (SUSPECT CARCINOGEN) WARNING!
17	2138253	N	LABEL, WARN	1	LABEL, CONTENTS

CATALOG M1090LF FRU N PHASE CONTRAST VASCULAR

Item	Part Number	FRU	Name	Quantity	Description (Remarks)
1	2209592	1	MEDIA	1	PHASE CONTRAST VASCLR S/W

CATALOG M1090LG FRU N CINE

Item	Part Number	FRU	Name	Quantity	Description (Remarks)
1	2209593	1	MEDIA	1	CINE OPTION S/W

CATALOG M1090LH FRU N TIME OF FLIGHT

Item	Part Number	FRU	Name	Quantity	Description (Remarks)
1	2209594	1	MEDIA	1	TIME OF FLIGHT

CATALOG M1090LJ FRU N INTERACTIVE VASCULAR IMAGING

Item	Part Number	FRU	Name	Quantity	Description (Remarks)
1	2209595	1	MEDIA	1	INTERACTIVE VASCULAR S/W

CATALOG M1090LK FRU N SPECTROSCOPY/PROBE

Item	Part Number	FRU	Name	Quantity	Description (Remarks)
1	2209596	1	MEDIA	1	SPECTROSCOPY/PROBE S/W
3	46-320103P1	2	FIRMWARE KIT	1	SPECTROSCOPY ERBTEC U-17 PROCESSOR
11	2152220	1	ASSEMBLY	1	MRS HEAD SPHERE WITH SOLUTION

CATALOG M1090LL FRU N 3D SURFACE / VOXTOOL

Item	Part Number	FRU	Name	Quantity	Description (Remarks)
1	2209597	1	MEDIA	1	3D SURFACE/VOXTOOL S/W

CATALOG M1090LM FRU N RESEARCH

Item	Part Number	FRU	Name	Quantity	Description (Remarks)
1	2209598	1	MEDIA	1	RESEARCH OPTION S/W

CATALOG M1090LN FRU N RESEARCH PSD

Item	Part Number	FRU	Name	Quantity	Description (Remarks)
1	2209599	1	MEDIA	1	RESEARCH PSD OPTION S/W

CATALOG M1090LP FRU N 8.x ECHOPLUS

Item	Part Number	FRU	Name	Quantity	Description (Remarks)
1	2209994	1	MEDIA	1	LX ECHOPLUS S/W OPTION

CATALOG M1090LR FRU N 8.x SS-FSE

Item	Part Number	FRU	Name	Quantity	Description (Remarks)
1	2209995	1	MEDIA	1	LX SS-FSE OPTION

CATALOG M1090LS FRU N EPI-1

Item	Part Number	FRU	Name	Quantity	Description (Remarks)
1	2113167	1	EPI KEY	1	ECHO PLANAR IMAGING OPTION KEY

CATALOG M1090LT FRU N SMARTPREP

Item	Part Number	FRU	Name	Quantity	Description (Remarks)
1	2209996	1	MEDIA	1	LX SMARTPREP OPTION S/W
5	2217265	1	S/W	1	SIGNA HORIZON LX SMART PATCH

CATALOG M1090LW FRU N ECHO PLUS

Item	Part Number	FRU	Name	Quantity	Description (Remarks)
1	2178309	1	IMAGE S/W	1	ECHO PLUS SOFTWARE OPTION TAPE

CATALOG M1090LY FRU N FASTPACK

Item	Part Number	FRU	Name	Quantity	Description (Remarks)
1	2178310	1	IMAGE S/W	1	FASTPACK SOFTWARE OPTION

CATALOG M1090LZ FRU N FASTRACK

Item	Part Number	FRU	Name	Quantity	Description (Remarks)
1	2178311	1	IMAGE S/W	1	FASTRACK SOFTWARE OPTION

CATALOG M1090MS FRU N 5.8 SOFTWARE WITH MS/MA – NON-Z VERSION

Item	Part Number	FRU	Name	Quantity	Description (Remarks)
1	46-317752G29	N	DAT S/W SET	1	M4 S/W 5.8 NONZ W Y2K UPD (SEE PAGE 11-31)
3	2256690	2	COLLECTOR	1	RF HEAD COIL UPGRADE

5.8 NON-Z W/Y2K UPDATE S/W 46-317752G29 FRU N (PART OF M1090MS PAGE 11-31)

Item	Part Number	FRU	Name	Quantity	Description (Remarks)
1	2103060-28	1	MR SYSTEM D	1	5.8 NON-Z SYSTEM D M4 SOFTWARE
5	46-317751P1	2	DAT	1	BLANK DIGITAL-AUDIO TAPE
7	46-320006P1	2	DAT CLEAN	1	CLEANING KIT FOR DAT DRIVES

CATALOG M1090MT FRU N 5.8 SOFTWARE WITHOUT MS/MA – Z VERSION

Item	Part Number	FRU	Name	Quantity	Description (Remarks)
1	46-317752G28	N	DAT S/W SET	1	M4 S/W FOR 5.8Z W Y2K UPD (SEE PAGE 11-31)
3	2256690	2	COLLECTOR	1	RF HEAD COIL UPGRADE

5.8 NON-Z W/Y2K UPDATE S/W 46-317752G28 FRU N (PART OF M1090MT PAGE 11-31)

Item	Part Number	FRU	Name	Quantity	Description (Remarks)
1	2103060-27	1	MR SYSTEM D	1	5.8Z SYSTEM D M4 SOFTWARE
5	46-317751P1	2	DAT	1	BLANK DIGITAL-AUDIO TAPE
7	46-320006P1	2	DAT CLEAN	1	CLEANING KIT FOR DAT DRIVES
9	2137752	N	DIRECTION	1	SERIES Z SOFTWARE LABEL INSTRUCTIONS
10	2206417	1	IMAGE S/W	1	FSE-XL SOFTWARE OPTION
11	2206429	N	DIRECTION	1	SIGNA HORIZON FSE-XL OPTION
12	2198243-148	N	OPERATOR MAN	1	SIGNA HORIZON FSE-XL OP. MAN.

CATALOG M1090MW FRU N 8.x SOFTWARE WITH MS/MA – NON-Z VERSION

Item	Part Number	FRU	Name	Quantity	Description (Remarks)
1	2209601	1	MEDIA	1	NON-Z W MULTI-SLICE S/W

CATALOG M1090MZ FRU N 8.x CLARIVIEW

Item	Part Number	FRU	Name	Quantity	Description (Remarks)
1	2209997	1	MEDIA	1	LX CLARIVIEW OPTION S/W

CATALOG M1090NN FRU N FUNCTOOL

Item	Part Number	FRU	Name	Quantity	Description (Remarks)
1	2210338	1	MEDIA	1	LX FUNCTOOLS OPTION S/W

CATALOG M1090PL FRU N CONNECTPRO

Item	Part Number	FRU	Name	Quantity	Description (Remarks)
1	2210339	1	MEDIA	1	LX CONNECPRO OPTION S/W

CATALOG M1090PN FRU N CLARIVIEW IMAGE FILTERING

Item	Part Number	FRU	Name	Quantity	Description (Remarks)
1	2203037	1	FLOPPY	1	AW1.2 CLARIVIEW FLOPPY ASSEMBLY
2	2203038	1	FLOPPY	1	AW2.0 CLARIVIEW FLOPPY ASSEMBLY
3	2203039	1	FLOPPY	1	SECURITY KEY FLOPPY ASSEMBLY
6	2197370	N	DIRECTION	1	ADVANTAG WINDOWS IMAGE FILTER OPTION
7	2196138-100	N	OPERATOR MAN	1	CLARIVIEW OPERATOR MANUAL
8	2204580-100	N	OPERATOR MAN	1	CLARIVIEW TELECON RECIPIENT GUIDE

CATALOG M1090PR FRU N FLOW ANALYSIS – ADVANTAGE WINDOWS VER 2.0/3.1

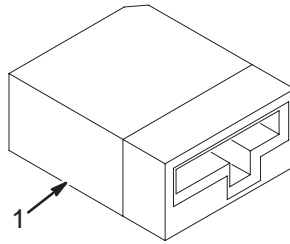
Item	Part Number	FRU	Name	Quantity	Description (Remarks)
1	2226321-3	2	FLOPPY	1	MR FLOW ANALYSIS MEDIA FOR AW 2.0
2	2226321-4	2	FLOPPY	1	MR FLOW ANALYSIS MEDIA FOR AW 3.1
4	2179549-100	N	OPERATOR MAN	1	FLOW ANALYSIS OPERATOR MANUAL
5	2218289	N	DIRECTION	1	SIGNA ADV FLOW ANALYSIS OPTION

CATALOG M1092NP FRU N 5.x NEURO IMAGING PACKAGE

Item	Part Number	FRU	Name	Quantity	Description (Remarks)
2	2146978-5	1	NEURO DAT	1	5.6 RELEASE REPLACEMENT DAT

INTERACTIVE VASCULAR IMAGING KEY

M1095AA



CATALOG

M1095AA FRU N

INTERACTIVE VASCULAR IMAGING

Item	Part Number	FRU	Name	Quantity	Description (Remarks)
1	46-317348G1	1	MR IVI KEY	1	MR VASCULAR IVI OPTION CONSOLE KEY

CATALOG

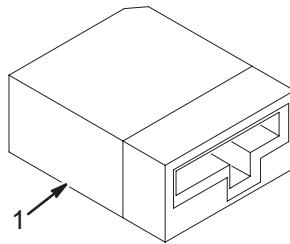
M1095AH FRU N

FLOW ANALYSIS

Item	Part Number	FRU	Name	Quantity	Description (Remarks)
1	2102862	N	COLLECTOR	1	FLOW ANALYSIS KEY (SEE PAGE 11-33)

FLOW ANALYSIS KEY

2101862



FLOW ANALYSIS KEY

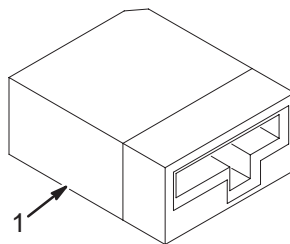
2101862 FRU N

(PART OF M1095AH PAGE 11-33)

Item	Part Number	FRU	Name	Quantity	Description (Remarks)
1	46-320620G1	1	FLOW ANALYSI	1	MR FLOW ANALYSIS KEY
2	2102637	2	CINE PATCH	1	PATCH TAPE FOR 4.8 FLOW ANALYSIS

PHASE CONTRAST VASCULAR KEY

M1095BD



CATALOG

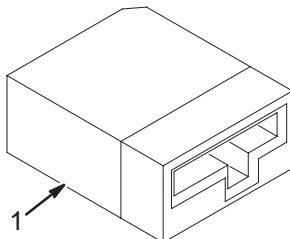
M1095BD FRU N

PHASE CONTRAST VASCULAR

Item	Part Number	FRU	Name	Quantity	Description (Remarks)
1	46-306828G1	1	MVP KEY ASM	1	MVP (VASCULAR/ANGIO) OPTION KEY

IMAGING ENHANCEMENT KEY

M1095BE



CATALOG

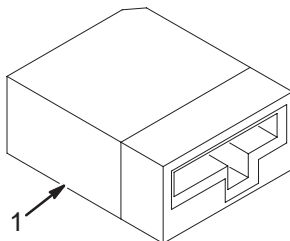
M1095BE FRU N

IMAGING ENHANCEMENT

Item	Part Number	FRU	Name	Quantity	Description (Remarks)
1	46-320932G1	1	MR VX	1	MR VX OPTION KEY

NO-PHASE WRAP KEY (5.4)

M1095BF



CATALOG

M1095BF FRU N

NO-PHASE WRAP KEY (5.4)

Item	Part Number	FRU	Name	Quantity	Description (Remarks)
1	46-328317G1	1	NO PHASE WRP	1	NO PHASE WRAP OPTION KEY FOR GENESIS

CATALOG

M1095CA FRU N

CARDIAC ANALYSIS PACKAGE ADV. WINDOWS 1.2

Item	Part Number	FRU	Name	Quantity	Description (Remarks)
1	2149321	N	KIT OF PARTS	1	CARDIAC ANALYSIS PACKAGE (SEE PAGE 11-34)

CARDIAC ANALYSIS PACKAGE

2149321 FRU N

(PART OF M1095CA PAGE 11-34)

Item	Part Number	FRU	Name	Quantity	Description (Remarks)
1	2148698	2	CAP DISKETTE	1	CAP SOFTWARE DISKETTE SET
2	2148657	N	CAP KEY ASM	1	USE 2148657-2 FOR FIELD REPLACEMENTS

CATALOG

M1095CC FRU N

CARDIAC ANALYSIS PKG, ADVANTAGE 3.1

Item	Part Number	FRU	Name	Quantity	Description (Remarks)
2	2149487	N	DIRECTION	1	CARDIAC ANALYSIS PACKAGE
3	2151398-100	N	DIRECTION	1	AW CAP TECHNICAL REFERENCE
4	2148698-3	2	CAP DISKETTE	1	3.1 CAP SOFTWARE DISKETTE SET
8	2220526-100	N	OPERATOR MAN	1	CARDIAC ANALYSIS PKG REL.NOTES/ERRAT

11-4 SIGNA PRE-EXCITE HARDWARE UPGRADES

CATALOG M1033JM FRU N 1.5T 100 KHZ CERD UPGRADE

Item	Part Number	FRU	Name	Quantity	Description (Remarks)
1	2101901-12	1	RECEIVER	1	1.5T CERD RF RECEIVER ASSEMBLY

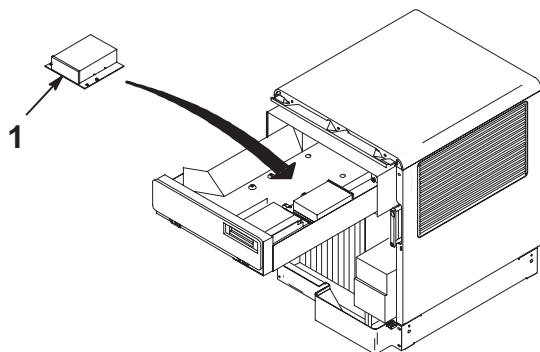
CATALOG M1033JN FRU N 1.0T 100 KHZ CERD UPGRADE

Item	Part Number	FRU	Name	Quantity	Description (Remarks)
1	2101901-11	1	RECEIVER	1	1.0T CERD RF RECEIVER ASSEMBLY

CATALOG M1033JP FRU N 1.5T +/- 125 KHZ CERD RECEIVER UPGRADE

Item	Part Number	FRU	Name	Quantity	Description (Remarks)
1	2101901-12	1	RECEIVER	4	1.5T CERD RF RECEIVER ASSEMBLY
2	2233684	N	DIRECTION	1	SIGNA 8.X +/-100KHZ RECEIVER OPTION

SECOND 800MB ST1890N 3 1/2" DISK DRIVE M1090MF

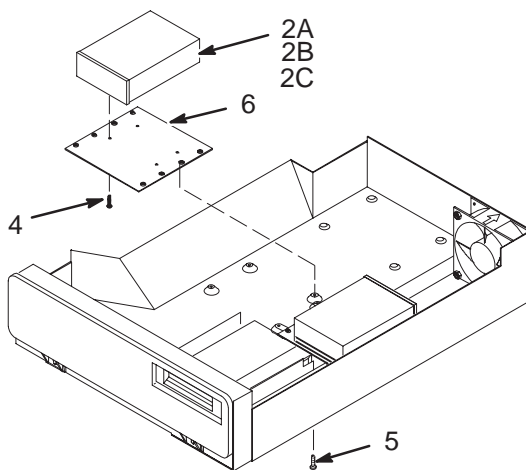


CATALOG M1090MF FRU N SECOND 800MB ST1890N 3 1/2" DISK DRIVE

Item	Part Number	FRU	Name	Quantity	Description (Remarks)
1	2103843	N	KIT OF PARTS	1	860-931115 2ND DISK FIELD KIT (SEE PAGE 11-36)

2nd ST1890N DISK

2103843



2nd ST1890N DISK

2103843 FRU N

(PART OF M1090MF PAGE 11-36)

Item	Part Number	FRU	Name	Quantity	Description (Remarks)
2A	46-269587P5	1	DISK DRIVE	1	3.5" (INCH) FORM FACTOR LOW PROFILE
2B	46-269587P3	1	DISK DRIVE	ALT	SEAGATE 3.5" FORM FACTOR LOW PROFILE
2C	46-269587P1	1	DISK DRIVE	ALT	SEAGATE ST1980N, 3.5" FORM FACTOR
4	46-170015P37	2	SCR,SEMS	4	6-32 X 5/8" LG BIND HD STL EXT TOOTH
5	46-170015P19	2	SCR,SEMS	4	6-32 X 3/8 LG BIND HD STL EXT TOOTH
6	46-328478P1	2	BRACKET	1	ST-1980 DISC DRIVE ADAPTING PLATE

CATALOG M1090MK FRU N 32MB EXPANSION MEMORY – STEALTH CPU

Item	Part Number	FRU	Name	Quantity	Description (Remarks)
1	2145937	N	COLLECTOR	1	040 STEALTH CPU BD 32MB EXPAN MEMORY

CATALOG M1090ML FRU N LEGACY MEDIA KIT

Item	Part Number	FRU	Name	Quantity	Description (Remarks)
1	2164737	2	COLLECTOR	1	KIT, PIONEER MOD EXTERNAL HOUSING (SEE PAGE 11-37)

PIONEER MOD EXTERNAL HOUSING 2164737 FRU 2 (PART OF M1090ML PAGE 11-37)

Item	Part Number	FRU	Name	Quantity	Description (Remarks)
1	2142293	1	MOD ENCLOSRE	1	MAGNETO OPTICAL DRIVE EXTERNAL ENCL
2	2110496-2	2	CABLE	1	SCSI CABLE – 1.5 FT

CATALOG M1090PB FRU N 1.5T 2 CHANNEL MULTICOIL FOR 5.5

Item	Part Number	FRU	Name	Quantity	Description (Remarks)
1	46-306974G2	N	SYS CAB KIT	1	1.5T SYS CAB PA2 KIT (SEE PAGE 11-41)
3	46-320990G3	N	MAG ENCL KIT	1	1.5T MAG ENC PA2 KIT (SEE PAGE 11-44)
4	2133922-2	N	FILTER PANEL	1	PLATE ASM. FOR MULTICOIL RETROFIT (SEE PAGE 11-48)
5	46-306978G2	N	CABLE KIT	1	CABLE KIT (SEE PAGE 11-39)

CATALOG M1090PC FRU N 1.5T 4 CHANNEL MULTICOIL FOR 5.5

Item	Part Number	FRU	Name	Quantity	Description (Remarks)
1	46-306974G3	N	SYS CAB KIT	1	1.5T SYS CAB PA4 KIT (SEE PAGE 11-41)
3	46-320990G2	N	MAGNET ENCL	1	MAGNET ENCL KIT 4-CHL MULTICOIL (SEE PAGE 11-44)
4	2133922-2	N	FILTER PANEL	1	PLATE ASM. FOR MULTICOIL RETROFIT (SEE PAGE 11-48)
5	46-306978G1	N	CABLE KIT	1	SYSTEM CABLES FOR MULTI-COIL OPTION (SEE PAGE 11-39)

CATALOG M1090PF FRU N 1.5T 4 CHANNEL MULTICOIL FOR LX

Item	Part Number	FRU	Name	Quantity	Description (Remarks)
1	2148760-4	N	ASSEMBLY	1	4 CHAN PHASED ARRAY 1.5T (SEE PAGE 11-40)
3	46-320990G2	N	MAGNET ENCL	1	MAGNET ENCL KIT 4-CHL MULTICOIL (SEE PAGE 11-44)
4	2133922-2	N	FILTER PANEL	1	PLATE ASM. FOR MULTICOIL RETROFIT (SEE PAGE 11-48)
5	46-306978G1	N	CABLE KIT	1	SYSTEM CABLES FOR MULTI-COIL OPTION (SEE PAGE 11-39)

CATALOG M1090PH FRU N 1.5T 4 CHANNEL MULTICOIL FOR PRE-LX

Item	Part Number	FRU	Name	Quantity	Description (Remarks)
3	46-320990G2	N	MAGNET ENCL	1	MAGNET ENCL KIT 4-CHL MULTICOIL (SEE PAGE 11-44)
4	2133922-2	N	FILTER PANEL	1	PLATE ASM. FOR MULTICOIL RETROFIT (SEE PAGE 11-48)
5	46-306978G1	N	CABLE KIT	1	SYSTEM CABLES FOR MULTI-COIL OPTION (SEE PAGE 11-39)

CATALOG M1090PJ FRU N 1.5T 2 CHANNEL PRE-LX TO 4 CHANNEL MULTICOIL LX

Item	Part Number	FRU	Name	Quantity	Description (Remarks)
3	46-320990G4	N	MAG ENCL KIT	1	1.5T MAG ENC PA2 TO PA4 (SEE PAGE 11-44)

4 CHANNEL CABLE KIT **46-306978G1 FRU N** (PART OF M1090PC PAGE 11-38)
 (PART OF M1090PF PAGE 11-38)
 (PART OF M1090PH PAGE 11-38)
 (PART OF M1890PB PAGE 11-112)
 (PART OF M1890PC PAGE 11-112)
 (PART OF M1890PF PAGE 11-112)
 (PART OF M1890PH PAGE 11-112)

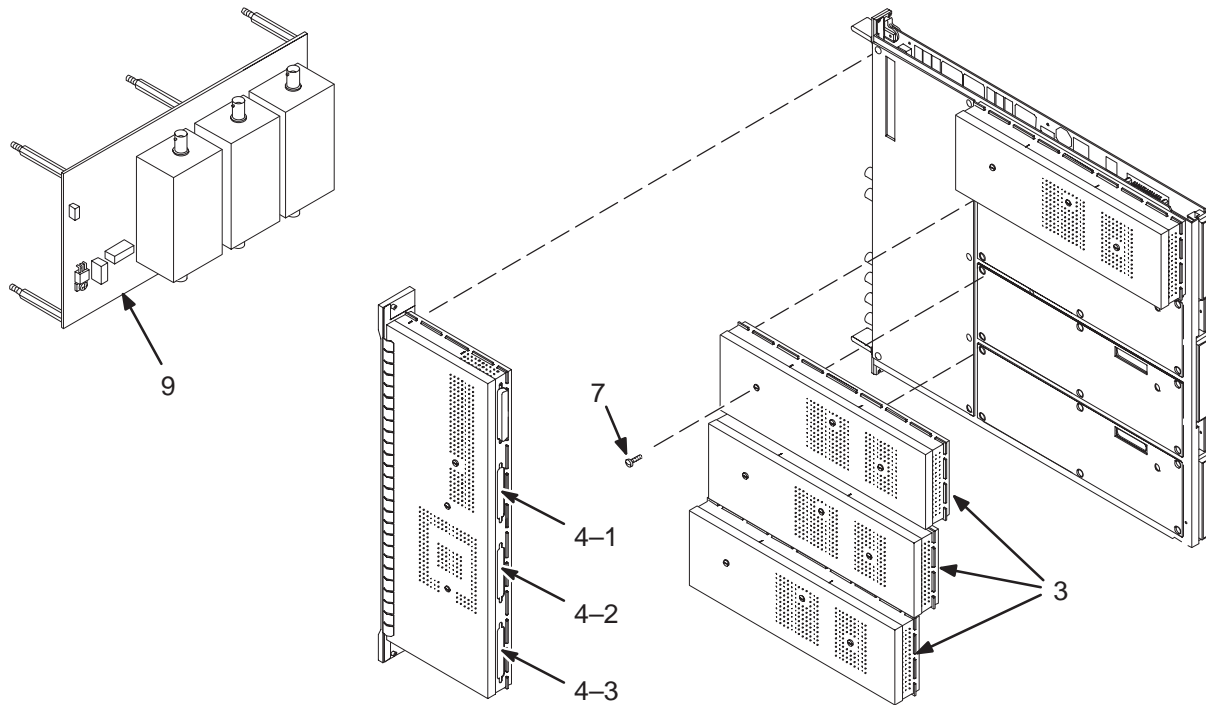
Item	Part Number	FRU	Name	Quantity	Description (Remarks)
1	46-243775G763	2	CABLE	1	RUN 486, PP1-A14-J85 TO MR1-A7-J22
2	46-243775G764	2	CABLE	1	RUN 487, MR1-A7-J20 TO PP1-A15-J78
3	46-243775G765	2	CABLE	1	RUN 488, MR2-A11-J8 TO PP1-J80
4	46-243775G766	2	CABLE	1	RUN 489, MR2-A11-J9 TO PP1-J81
5	46-243775G767	2	CABLE	1	RUN 490, MR2-A11-J10 TO PP1-J82
6	46-243775G768	2	CABLE	1	RUN 491, PP1-J80 TO MG3-A36-J7
7	46-243775G769	2	CABLE	1	RUN 492, PP1-J81 TO MG3-A36-J8
8	46-243775G770	2	CABLE	1	RUN 493, PP1-J82 TO MG3-A36-J9
9	46-243775G771	2	CABLE	1	RUN 494, PP1-A14-J87 TO MG3-A36-J6
10	46-243775G772	2	CABLE	1	RUN 495, PP1-A15-J78 TO MG3-A36-J10
17	46-243775G831	2	CABLE	1	RUN 726, MR1-A7-J18 TO PP1-A16-J77
18	46-243775G832	2	CABLE	1	RUN 727, PP1-A16-J77 TO MG3-A36-J5
41	46-221856P11	2	TAPE	1	WIDTH 0.75 THK .007 COLOR-YELLOW
42	46-221856P13	2	TAPE	1	WIDTH 0.75 THK .007 COLOR-BLUE
43	46-221856P14	2	TAPE	1	WIDTH 0.75 THK .007 COLOR-GREEN
44	46-221856P15	2	TAPE	1	WIDTH .075 THK .007 COLOR-ORANGE

2 CHANNEL CABLE KIT **46-306978G2 FRU N** (PART OF M1090PB PAGE 11-38)

Item	Part Number	FRU	Name	Quantity	Description (Remarks)
1	46-243775G763	2	CABLE	1	RUN 486, PP1-A14-J85 TO MR1-A7-J22
2	46-243775G764	2	CABLE	1	RUN 487, MR1-A7-J20 TO PP1-A15-J78
3	46-243775G765	2	CABLE	1	RUN 488, MR2-A11-J8 TO PP1-J80
4	46-243775G766	2	CABLE	1	RUN 489, MR2-A11-J9 TO PP1-J81
5	46-243775G767	2	CABLE	1	RUN 490, MR2-A11-J10 TO PP1-J82
6	46-243775G768	2	CABLE	1	RUN 491, PP1-J80 TO MG3-A36-J7
7	46-243775G769	2	CABLE	1	RUN 492, PP1-J81 TO MG3-A36-J8
8	46-243775G770	2	CABLE	1	RUN 493, PP1-J82 TO MG3-A36-J9
9	46-243775G771	2	CABLE	1	RUN 494, PP1-A14-J87 TO MG3-A36-J6
10	46-243775G772	2	CABLE	1	RUN 495, PP1-A15-J78 TO MG3-A36-J10
17	46-243775G831	2	CABLE	1	RUN 726, MR1-A7-J18 TO PP1-A16-J77
18	46-243775G832	2	CABLE	1	RUN 727, PP1-A16-J77 TO MG3-A36-J5
41	46-221856P11	2	TAPE	1	YELLOW, 3/4" WIDE, 0.007 THICK PVC
42	46-221856P13	2	TAPE	1	BLUE, 3/4" WIDTH, .007 THICK PVC
43	46-221856P14	2	TAPE	1	GREEN, 3/4" WIDE, .007 THICK PVC
44	46-221856P15	2	TAPE	1	ORANGE, 3/4" WIDE, .007 THICK PVC

LX 1.0T AND 1.5T 4 CHANNEL MULTICOIL

2148760-3 & -4



LX 1.0T 4 CHANNEL MULTICOIL

2148760-3 FRU N

(PART OF M1890PF PAGE 11-112)

Item	Part Number	FRU	Name	Quantity	Description (Remarks)
3	2101901-7	1	RECEIVER	3	1.0T RECEIVER SHIELD ASM
4	2148436	N	CERD CBL KIT	1	CERD CABLE KIT (SEE PAGE 8-86)
7	46-208560P13	2	SCREW	18	4-40 X 1/2 LG BIND HEAD, STEEL
9	2114342-5	1	1.5T TNS 3CH	1	1.0T M/C TRANSIENT NOISE FILTER

LX 1.5T 4 CHANNEL MULTICOIL

2148760-4 FRU N

(PART OF M1090PF PAGE 11-38)

Item	Part Number	FRU	Name	Quantity	Description (Remarks)
3	2101901-8	1	RECEIVER	3	1.5T RECEIVER SHIELD ASM
4	2148436	N	CERD CBL KIT	1	CERD CABLE KIT (SEE PAGE 8-86)
7	46-208560P13	2	SCREW	18	4-40 X 1/2 LG BIND HEAD, STEEL
9	2114342-4	1	1.5T TNS 3CH	1	1.5T M/C TRANSIENT NOISE FILTER

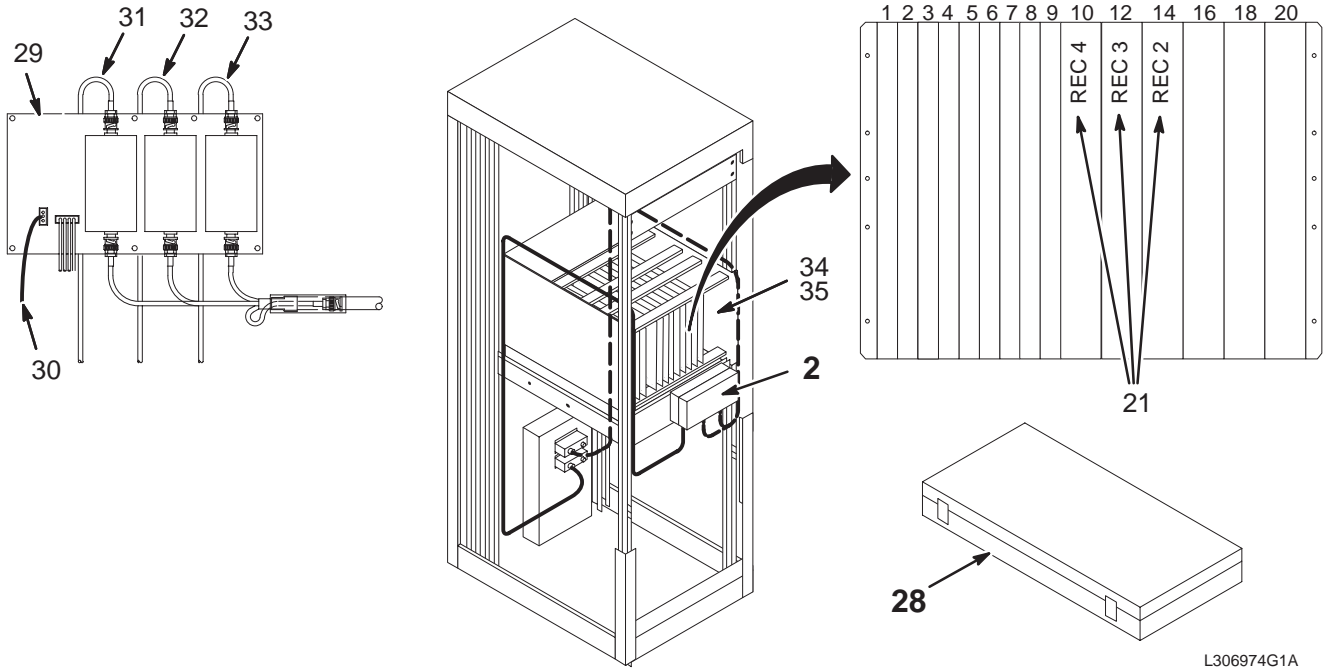
CERD CABLE KIT

2148436 FRU N

(PART OF 2148760-3 PAGE 11-40)
(PART OF 2148760-4 PAGE 11-40)

Item	Part Number	FRU	Name	Quantity	Description (Remarks)
1	2144087	2	HARNESS	1	HARNESS
2	2144088	2	HARNESS	1	HARNESS
3	2144089	2	HARNESS	1	HARNESS

1.5T SYSTEM CABINET KIT FOR MULTI-COIL46-306974G2 & G3



L306974G1A

1.5T SYS CAB 2 CHANNEL KIT 46-306974G2 FRU N (PART OF M1090PB PAGE 11-38)

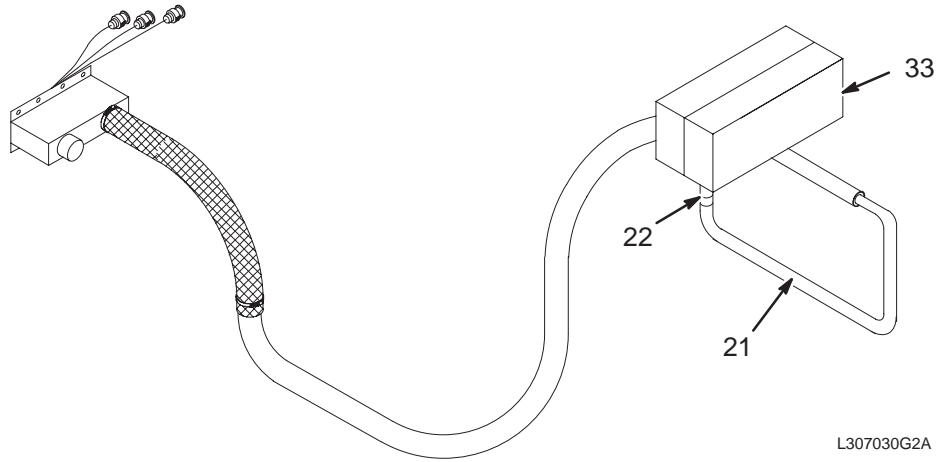
Item	Part Number	FRU	Name	Quantity	Description (Remarks)
2	46-307030G3	N	RF SPLITTER	1	1.5T RF SPLITTER MODULE, MR2-A17 (SEE PAGE 11-42)
21	46-287252G3	1	1.5T RECEIVR	1	1.5T TPS STANDARD RECEIVER ASSEMBLY
28	2113828	N	BOX OF PARTS	1	0.5T SYSTEM CABINET HARDWARE BOX (SEE PAGE 11-43)
29	2114342-18	1	1.5T TNS 3CH	1	1.5T 3 CHAN EXTENDED BANDWIDTH TNF
30	2118110	2	PWR HARNESS	1	TNS POWER INTERCONNECT, 2-WIRE, 42"
31	2118109-3	2	BNC CABLE	1	MR2-A11-J8 TO MR2-A24-A2-A1-J8, 7 FT
32	2118109-4	2	BNC CABLE	1	MR2-A11-J9 TO MR2-A24-A2-A2-J9, 7 FT
33	2118109-5	2	BNC CABLE	1	MR2-A11-J10 TO MR2-A24-A2-A3-J10, 7'
34	46-287066G4	2	COVER AIR	1	9U X 400MM EURO-RACK, 4 SLOTS
35	2142808	2	COVER FRONT	1	COVER FRONT, 9U EUROCARD RACK

1.5T SYS CAB 4 CHANNEL KIT 46-306974G3 FRU N (PART OF M1090PC PAGE 11-38)

Item	Part Number	FRU	Name	Quantity	Description (Remarks)
2	46-307030G3	N	RF SPLITTER	1	1.5T RF SPLITTER MODULE, MR2-A17 (SEE PAGE 11-42)
21	46-287252G3	1	1.5T RECEIVR	3	1.5T TPS STANDARD RECEIVER ASSEMBLY
28	2113828	N	BOX OF PARTS	1	0.5T SYSTEM CABINET HARDWARE BOX (SEE PAGE 11-43)
29	2114342-18	1	1.5T TNS 3CH	1	1.5T 3 CHAN EXTENDED BANDWIDTH TNF
30	2118110	2	PWR HARNESS	1	TNS POWER INTERCONNECT, 2-WIRE, 42"
31	2118109-3	2	BNC CABLE	1	MR2-A11-J8 TO MR2-A24-A2-A1-J8, 7 FT
32	2118109-4	2	BNC CABLE	1	MR2-A11-J9 TO MR2-A24-A2-A2-J9, 7 FT
33	2118109-5	2	BNC CABLE	1	MR2-A11-J10 TO MR2-A24-A2-A3-J10, 7'

1.5T RF SPLITTER ASM

46-307030G3



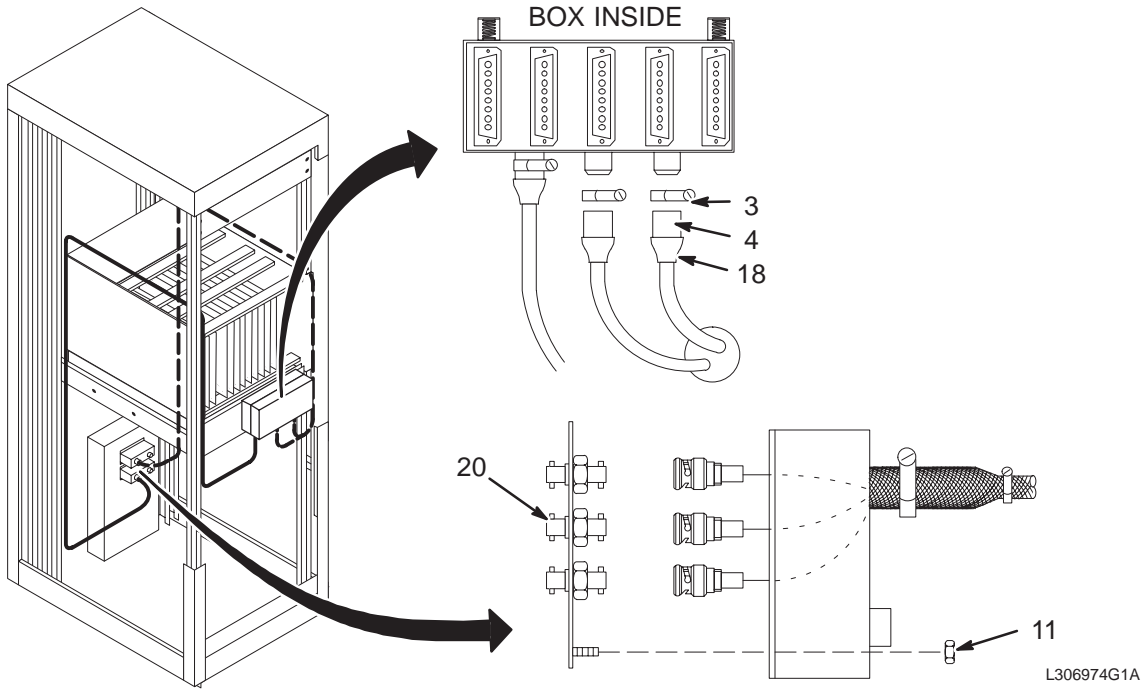
1.5T RF SPLITTER ASM

46-307030G3 FRU N

(PART OF 46-306974G2 PAGE 11-41)
 (PART OF 46-306974G3 PAGE 11-41)
 (PART OF 46-306974G6 PAGE 11-113)
 (PART OF 46-306974G7 PAGE 11-113)

Item	Part Number	FRU	Name	Quantity	Description (Remarks)
21	46-306988P1	2	CABLE ASM	1	MC2, MC3, AND MC4 RECEIVE FROM TPS
22	46-208765P3	2	CLAMP	1	DIA RANGE 9/16 - 1-1/16
33	46-328523G1	1	RF SPLTR MOD	1	1.5T/1.0T RF SPLITTER MODULE

1.5T SYSTEM CABINET MULTI-COIL HARDWARE BOX2113828



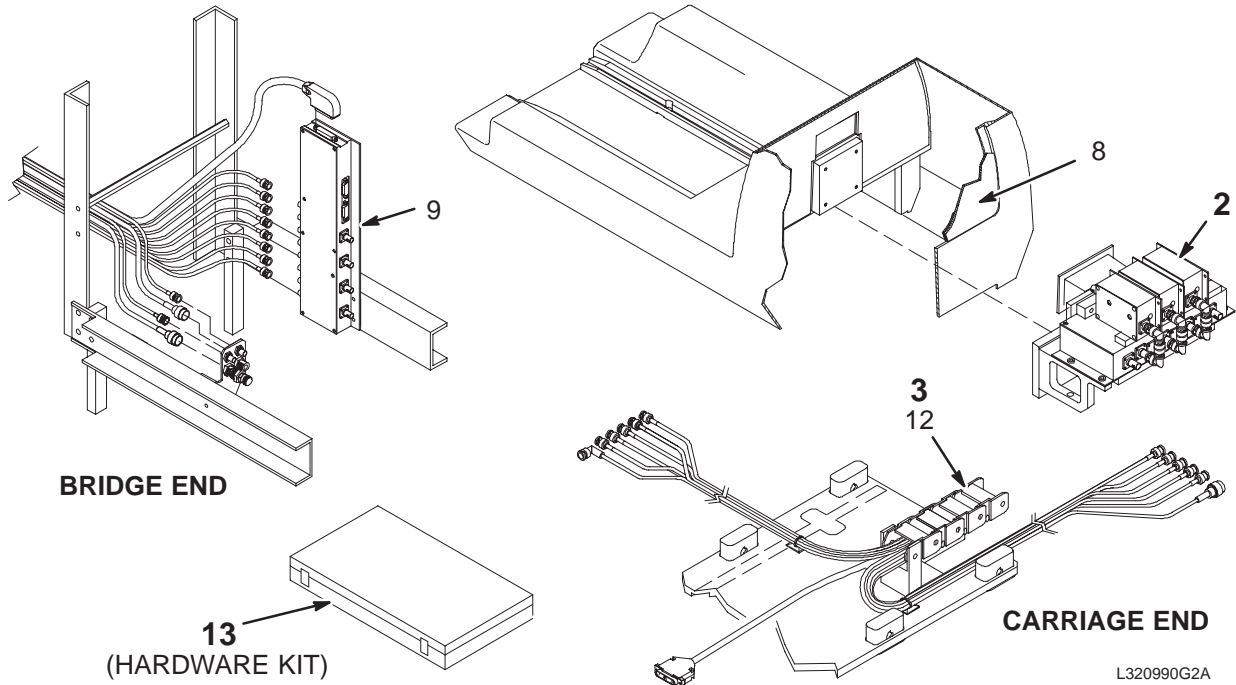
SYSTEM CABINET H/W BOX

2113828 FRU N

(PART OF 46-306974G2 PAGE 11-41)
 (PART OF 46-306974G3 PAGE 11-41)
 (PART OF 46-306974G6 PAGE 11-113)
 (PART OF 46-306974G7 PAGE 11-113)

Item	Part Number	FRU	Name	Quantity	Description (Remarks)
3	46-208765P3	2	CLAMP	2	DIA RANGE 9/16 - 1-1/16
4	46-307149P1	2	WIRE AND CAB	0.400	#10 AWG TINNED COPPER FLAT BRAID.
10	46-306967P1	2	TOOL,CON/EXT	1	SUB-D COAX CONNECTOR EXTRACTION TOOL
11	46-170012P36	2	NUT	8	6-32 HEX 5/16 NUT THK 7/64, KEPS
14	46-208758P2	2	TY-RAP	6	5.5" X .140" SELF-LOCKING CABLE TIE.
18	46-136323P36	2	TUBING	0.400	BLACK EXPANDED ID .500
20	46-208990P1	2	CONNECTOR	3	50 OHM BNC BULKHEAD ADAP'R JACK-JACK
6674	46-170106P5	2	TAPE	AR	DBL COATED FILM .007 THK 0.50W

1.5T MAGNET ENCLOSURE MULTI-COIL KIT 46-320990G2, G3, & G4



MAG ENCL 4 CHANNEL KIT 46-320990G2 FRU N (PART OF M1090PC PAGE 11-38)

Item	Part Number	FRU	Name	Quantity	Description (Remarks)
2	46-328167G2	N	PREAMP COLL	1	1.5T PREAMP ASM SHRINK-WRAP PACKAGE (SEE PG 11-45)
3	46-328071G1	N	CABLE TRACK	1	CABLE TRACK W/MC CABLES PREINSTALLED (SEE PG 11-46)
8	46-317722P1	2	COVER	1	CARRIAGE COVER ACCESS PANEL, VENTED
9	46-288546G2	1	CIRCUIT BD	1	MULTI-COIL SELECT SWITCH MG3-A36
12	46-282389P3	2	CABLETRAK	1	10 LINK MULTIPLE CABLE TAKE-UP
13	2113459	N	BOX OF PARTS	1	MAGNET ENCLOSURE MULTI-COIL PART KIT (SEE PG 11-47)

MAG ENCL 2 CHANNEL KIT 46-320990G3 FRU N (PART OF M1090PB PAGE 11-38)

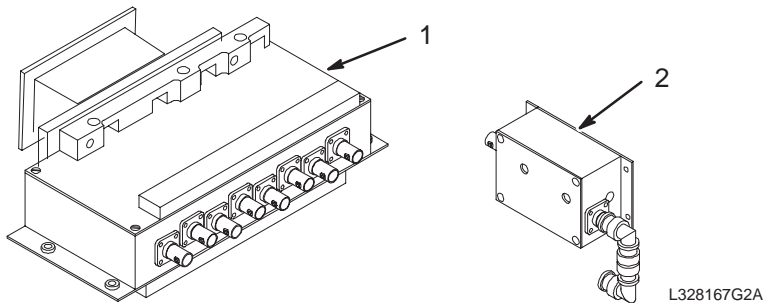
Item	Part Number	FRU	Name	Quantity	Description (Remarks)
2	46-328167G3	N	PREAMP COLL	1	PREAMP ASM SHRINK-WRAP PACKAGE (SEE PAGE 11-45)
3	46-328071G1	N	CABLE TRACK	1	CABLE TRACK W/MC CABLES PREINSTALLED (SEE PG 11-46)
8	46-317722P1	2	COVER	1	CARRIAGE COVER ACCESS PANEL, VENTED
9	46-288546G2	1	CIRCUIT BD	1	MULTI-COIL SELECT SWITCH MG3-A36
12	46-282389P3	2	CABLETRAK	1	10 LINK MULTIPLE CABLE TAKE-UP
13	2113459-2	N	BOX OF PARTS	1	MAGNET ENCLOSURE MULTI-COIL PART KIT (SEE PG 11-47)

MAG ENC 2 TO 4 CHANNEL KIT 46-320990G4 FRU N (PART OF M1090PJ PAGE 11-38)

Item	Part Number	FRU	Name	Quantity	Description (Remarks)
2	46-328040G2	N	PRE AMP ASM	3	1.5T PREAM ASM WITH RIGHT ANGLE (SEE PAGE 11-45)

1.5T PREAMP ASM

46-328167G2 & G3



1.5T 4 CHANNEL PREAMP ASM 46-328167G2 FRU N (PART OF 46-320990G2 PAGE 11-44)

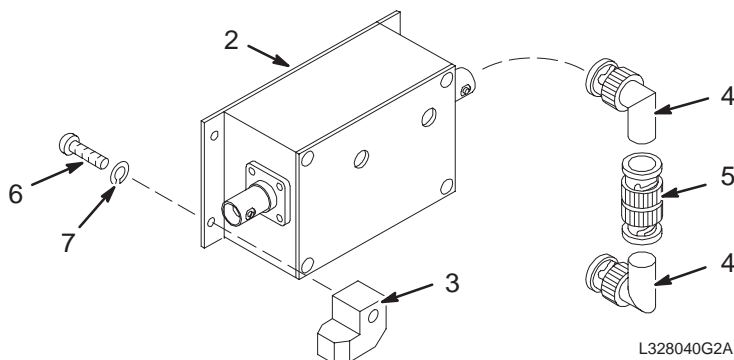
Item	Part Number	FRU	Name	Quantity	Description (Remarks)
1	46-328036G2	1	AMP PROTECT	1	1.5T PRE AMP PROTECTION
2	46-328040G2	N	PRE AMP ASM	6	1.5T PREAM ASM WITH RIGHT ANGLE (SEE PAGE 11-45)

1.5T 2 CHANNEL PREAMP ASM 46-328167G3 FRU N (PART OF 46-320990G3 PAGE 11-44)

Item	Part Number	FRU	Name	Quantity	Description (Remarks)
1	46-328036G2	1	AMP PROTECT	1	1.5T PRE AMP PROTECTION
2	46-328040G2	N	PRE AMP ASM	3	1.5T PREAM ASM WITH RIGHT ANGLE (SEE PAGE 11-45)

1.5T MULTICOIL PREAMP W/ANGLE

46-328040G2

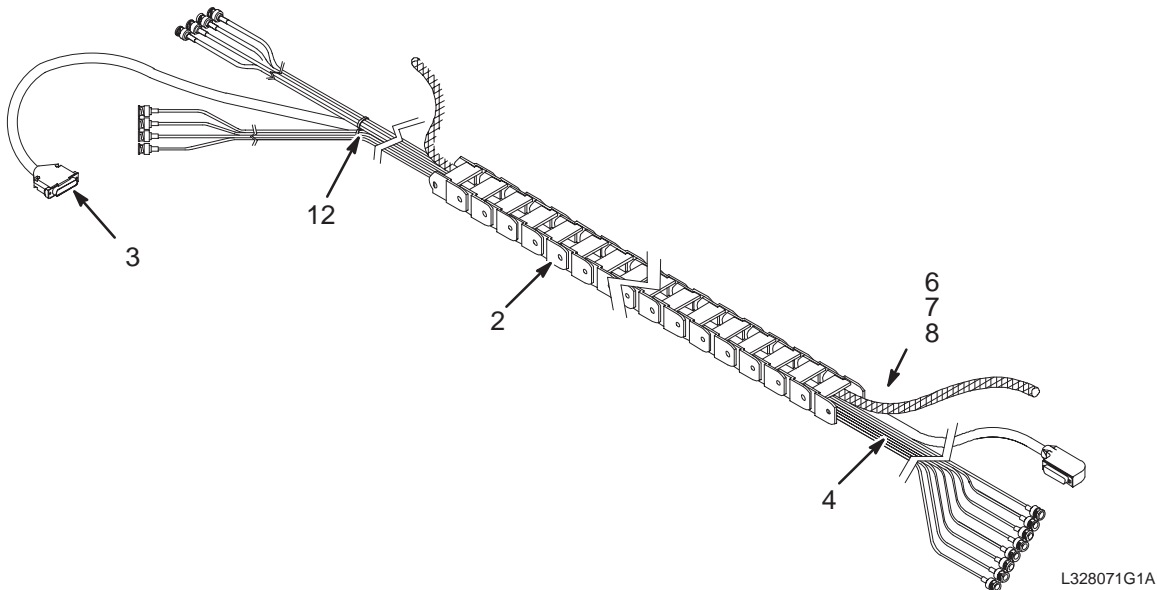


1.5T MULTICOIL PREAMP 46-328040G2 FRU N (PART OF 46-320990G4 PAGE 11-44)
 (PART OF 46-328167G2 PAGE 11-45)
 (PART OF 46-328167G3 PAGE 11-45)

Item	Part Number	FRU	Name	Quantity	Description (Remarks)
2	46-264442G3	1	PREAMP BOX	1	1.5T PREAMPLIFIER WITH DIODE FIX
3	46-317022P1	2	BLOCK LOCATO	1	MOUNTING FINGER, MOLDED WHITE ACETAL
4	46-233422P1	2	CONNECTOR	2	BNC JACK-PLUG, RIGHT ANGLE ADAPTER.
5	46-220427P2	2	CONNECTOR	1	BNC STRAIGHT PLUG-PLUG ADAPTOR.
6	46-220184P13	2	SCREW	1	BRS SLOTTED RND HD SCR 6-32 X 3/8"
7	46-221449P3	2	WASHER	1	#6 SCREW SIZE (0.138) SILICONE BRONZ

CABLETRACK

46-328071G1



CABLETRACK

46-328071G1 FRU N

(PART OF 46-320990G2 PAGE 11-44)
 (PART OF 46-320990G3 PAGE 11-44)
 (PART OF 46-320990G6 PAGE 11-114)
 (PART OF 46-320990G7 PAGE 11-114)

Item	Part Number	FRU	Name	Quantity	Description (Remarks)
2	2151445	2	PART	1	40 LINK CABLE TRACK W/HINGED OPEN'GS
3	46-328371P1	2	CABLE ASM	1	RUN 736 MG3-A36-J19 TO MG2-A16-A8-J9
4	46-317220G20	N	RF CABLE	1	MULTI-COIL CABLE TAKE-UP RF CABLES (SEE PAGE 11-46)
6	2151445-3	2	PART	1	10 LINK CABLE TRACK W/HINGED OPEN'GS
7	46-243775G757	2	CABLE	1	RUN 485 MG3-A17-J2 TO MG2-A16-A3-J4
8	46-320888G1	2	CABLE ASM	1	RUN 404 MG2-A16-A5-J6 TO MG3-A17-J1

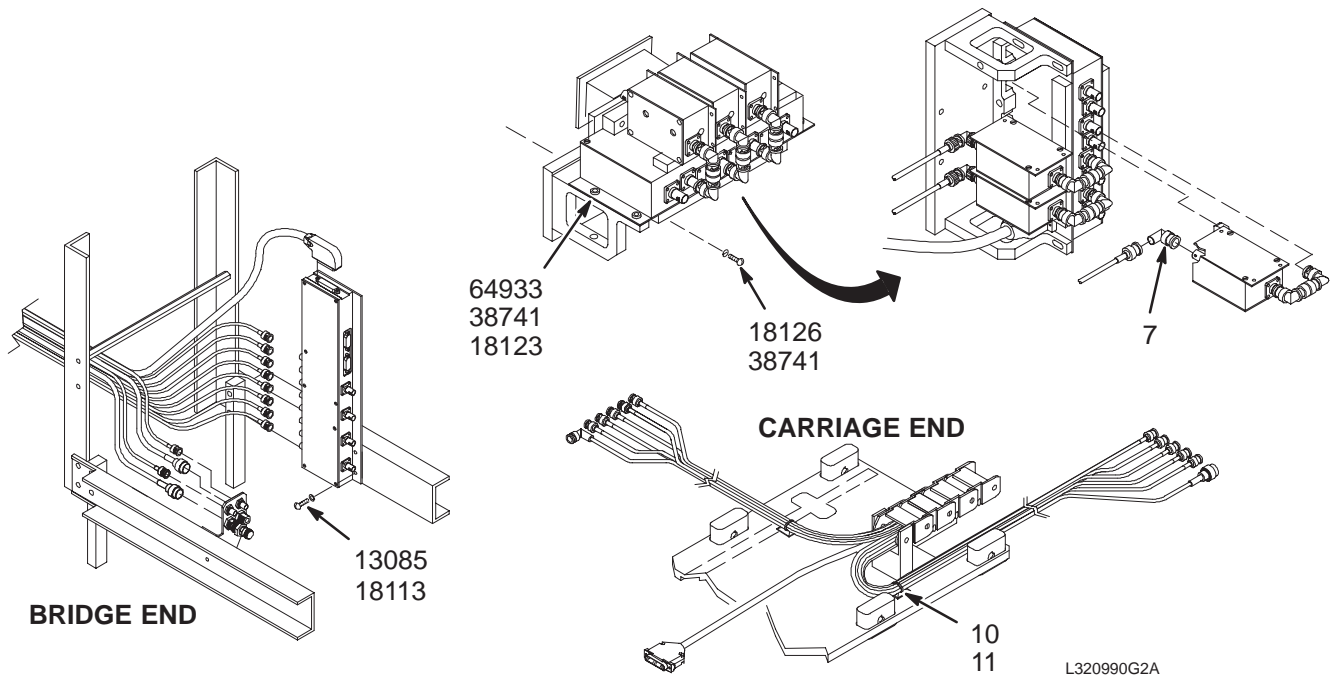
TAKE-UP RF CABLES

46-317220G20 FRU N

(PART OF 46-328071G1 PAGE 11-46)

Item	Part Number	FRU	Name	Quantity	Description (Remarks)
1	46-317220P1	2	RF CABLE	1	RUN 728 MG3-A36-J11 / MG2-A16-OUT-J1
2	46-317220P2	2	RF CABLE	1	RUN 729 MG3-A36-J12 / MG2-A16-OUT-J2
3	46-317220P3	2	RF CABLE	1	RUN 730 MG3-A36-J13 / MG2-A16-OUT-J3
4	46-317220P4	2	RF CABLE	1	RUN 731 MG3-A36-J14 / MG2-A16-OUT-J4
5	46-317220P5	2	RF CABLE	1	RUN 732 MG3-A36-J15 / MG2-A16-OUT-J5
6	46-317220P6	2	RF CABLE	1	RUN 733 MG3-A36-J16 / MG2-A16-OUT-J6
7	46-317220P7	2	RF CABLE	1	RUN 734 MG3-A36-J17 / MG2-A16-OUT-J7
8	46-317220P8	2	RF CABLE	1	RUN 735 MG3-A36-J18 / MG2-A16-OUT-J8

1.5T MAGNET ENCLOSURE KIT FOR MULTI-COIL2113459 & 2113459-2



4 CHANNEL MAG ENCL M-C H/W

2113459 FRU N

(PART OF 46-320990G2 PAGE 11-44)
(PART OF 46-320990G6 PAGE 11-114)

Item	Part Number	FRU	Name	Quantity	Description (Remarks)
7	46-233422P1	2	BNC ANG AD	5	BNC JACK-PLUG, RIGHT ANGLE ADAPTER.
10	46-287119P1	2	MOUNT,CABLE	2	SELF-ADHERE TIE-STRAP ANCHOR, NYLON
11	46-208758P3	2	STRAP	2	7.31" X .184" SELF-LOCKING CABLE TIE
6674	46-170106P5	2	TAPE	AR	DBL COATED FILM .007 THK 0.50W
13085	46-220196P3	2	WASHER,LOCK	2	#10 SCREW SIZE (0.190), SST
18113	46-220184P41	2	SCREW MACH	2	10-32 X 1/2" SLOT ROUND HEAD, BRASS
18123	46-220184P43	2	SCREW MACH	4	10-32 X 3/4 SLOT ROUND HEAD, BRASS
18126	46-220184P44	2	SCREW MACH	4	10-32 X 7/8 SLOT ROUND HEAD, BRASS
38741	46-221449P5	2	WASHER	8	#10 SCREW SIZE (0.190), PHOS BRONZE
64933	1000904P425	2	WASHER,FLAT	4	ID 0.2, OD 0.5, THK .04, B11H89C

2 CHANNEL MAG ENCL M-C H/W

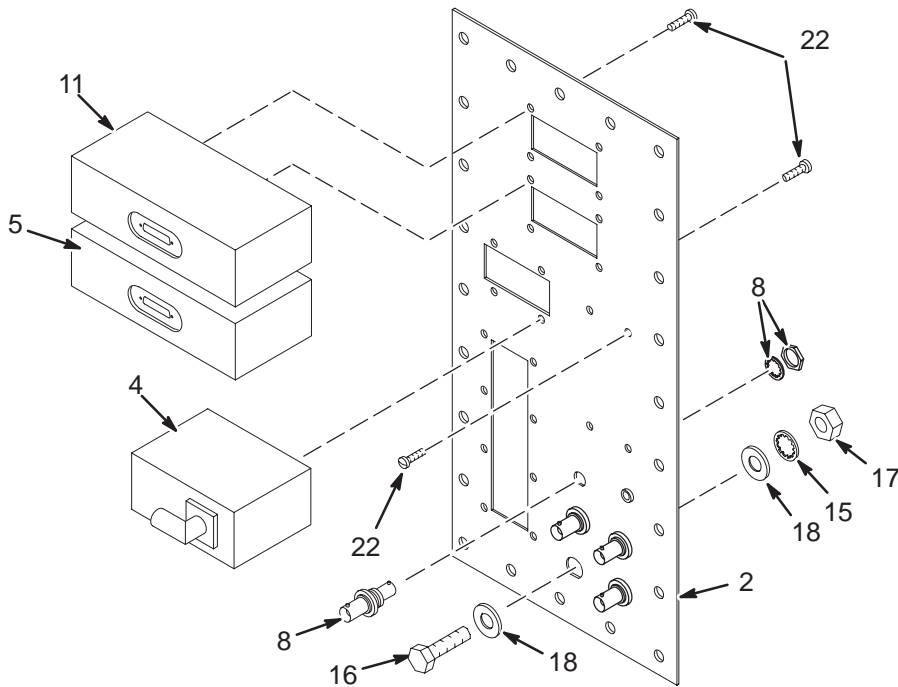
2113459-2 FRU N

(PART OF 46-320990G3 PAGE 11-44)
(PART OF 46-320990G7 PAGE 11-114)

Item	Part Number	FRU	Name	Quantity	Description (Remarks)
7	46-233422P1	2	CONNECTOR	7	BNC JACK-PLUG, RIGHT ANGLE ADAPTER.
10	46-287119P1	2	MOUNT,CABLE	2	SELF-ADHERE TIE-STRAP ANCHOR, NYLON
11	46-208758P3	2	TY-RAP	2	7.31" X .184" SELF-LOCKING CABLE TIE
6674	46-170106P5	2	TAPE	AR	DBL COATED FILM .007 THK 0.50W
13085	46-220196P3	2	WASHER	2	#10 SCREW SIZE (0.190), SST
18113	46-220184P41	2	SCREW	2	10-32 X 1/2" SLOT ROUND HEAD, BRASS
18123	46-220184P43	2	SCREW	4	10-32 X 3/4 SLOT ROUND HEAD, BRASS
18126	46-220184P44	2	SCREW	4	10-32 X 7/8 SLOT ROUND HEAD, BRASS
38741	46-221449P5	2	WASHER	8	#10 SCREW SIZE (0.190), PHOS BRONZE
64933	1000904P425	2	WASHER	4	0.2 ID, 0.5 OD, .04 THK, B11H89C

FILTER PANEL

2133922-2



L306977G1A

FILTER PANEL

2133922-2 FRU N

- (PART OF M1090PB PAGE 11-38)
- (PART OF M1090PC PAGE 11-38)
- (PART OF M1090PF PAGE 11-38)
- (PART OF M1090PH PAGE 11-38)
- (PART OF M1890PB PAGE 11-112)
- (PART OF M1890PC PAGE 11-112)
- (PART OF M1890PF PAGE 11-112)
- (PART OF M1890PH PAGE 11-112)

Item	Part Number	FRU	Name	Quantity	Description (Remarks)
2	2133757	2	PLATE	1	EMPTY FILTER PLATE FOR MULTICOIL ETC
4	46-264992G1	1	CIRCUIT BD	1	MULTI-COIL RECEIVE SELECT SW. PP1A14
5	46-264994G1	1	CIRCUIT BD	1	MULTI-COIL SWITCHING FILTER, PP1-A15
8	46-208990P1	2	CONNECTOR	4	50 OHM BNC BULKHEAD ADAP'R JACK-JACK
11	46-264994G2	1	CIRCUIT BD	1	MULTI-COIL BIAS FILTER, PP1-A16
15	46-220196P6	2	WASHER	1	3/8" SCREW SIZE (0.375), 18-8 SST
16	46-208932P4	2	SCREW	1	3/8-16 X 1", HEX HEAD, 18-8 SST
17	46-208948P2	2	NUT	1	3/8-16 .563 HEX X .328 THK, 18-8 SST
18	1000904P447	2	WASHER	2	25/64 ID, 1" OD, 1/16" THICK, B7A34C
22	46-208921P4	2	SCREW	16	6-32 X 1/4", BRASS

CATALOG M1090PM FRU N 8.x W/BAR CODE READER

Item	Part Number	FRU	Name	Quantity	Description (Remarks)
1	2180690	N	BAR CODE REA	1	BAR CODE READER KIT (SEE PAGE 11-49)

BAR CODE READER KIT 2180690 FRU N (PART OF M1090PM PAGE 11-49)

Item	Part Number	FRU	Name	Quantity	Description (Remarks)
1	2180690-2	1	BAR CODE REA	1	BAR CODE READER_ONLY
2	2180690-3	1	BAR CODE REA	1	BAR CODE READER Y CABLE_ONLY
3	2180690-4	2	BAR CODE REA	1	RUBBER MOUNT ONLY

CATALOG M1090RT FRU N 1.0T/1.5T RECON PROCESSOR UPGRADE TO QUAD I860

Item	Part Number	FRU	Name	Quantity	Description (Remarks)
1	2101767-8	1	MEDCAM FRU	2	16MB DUAL CE NODE

CATALOG M1090RW FRU N 1.0T/1.5T ACQUISITION MEMORY KIT-128MB

Item	Part Number	FRU	Name	Quantity	Description (Remarks)
1	2101767-4	1	MEDCAM FRU	1	MEDCAM VMX 128 MB MEMORY BOARD

CATALOG M1090RY FRU N 128MB OF HOST MEMORY

Item	Part Number	FRU	Name	Quantity	Description (Remarks)
1	2149503	1	MEMORY	4	MEMORY 60N SE; 72 SIM

CATALOG M1090RZ FRU N PRE 4.5 TO LX UPGRADE ADDER

Item	Part Number	FRU	Name	Quantity	Description (Remarks)
1	46-306979G2	2	MG2/MG3 KIT	1	HI PASS MULTICOIL KIT LPCC
1B	46-306979G1	2	MG2/MG3 KIT	ALT	MULTICOIL CARRIAGE COVER UPGRADE KIT

CATALOG M1090SY FRU N VIDEOCONFERENCING

Item	Part Number	FRU	Name	Quantity	Description (Remarks)
1	2209602	1	MEDIA	1	VIDEOCONFERENCING S/W
2	2181124	1	CABLE	1	INDY CAM EXTENSION CABLE

CATALOG M1090SZ FRU N VCR INTERFACE KIT - INDIGO

Item	Part Number	FRU	Name	Quantity	Description (Remarks)
1	2167335	N	ASSEMBLY	1	VCR I/F KIT (SEE PAGE 11-49)

VCR INTERFACE KIT 2167335 FRU N (PART OF M1090SZ PAGE 11-49)

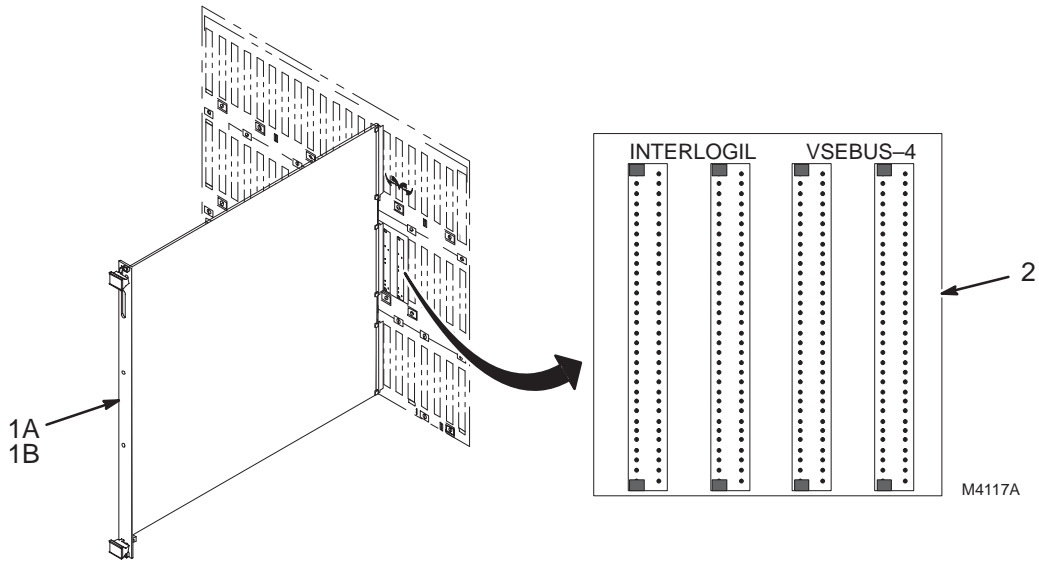
Item	Part Number	FRU	Name	Quantity	Description (Remarks)
1	2115457-11	1	PART	1	VCR VIDEO BOARD

CATALOG M1090TZ FRU N VCR INTERFACE KIT - OCTANE

Item	Part Number	FRU	Name	Quantity	Description (Remarks)
1	2169940-11	N	COMPUTER	1	OPTION PERSONAL VIDEO
3	2216373	N	DIRECTION	1	8.X VIDEO OPTION INSTALL-OCTANE

AUTOMATED VASCULAR IMAGING

M1095AC



CATALOG

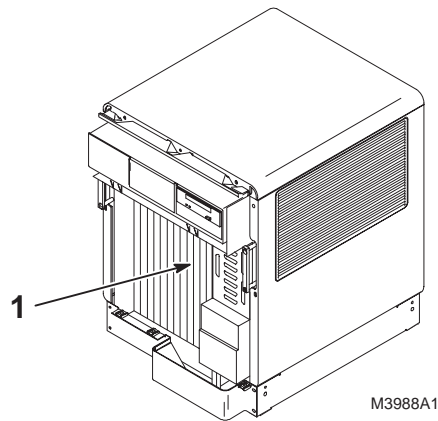
M1095AC FRU N

AUTOMATED VASCULAR IMAGING

Item	Part Number	FRU	Name	Quantity	Description (Remarks)
1A	46-321324G4	1	TPS MEMORY	1	32MB TPS BULK MEMORY BOARD (BAM) ASM
1B	46-317038G7	1	MEMORY, TPS	ALT	32MB TPS BULK MEMORY BOARD (BAM) ASM
2	46-287122P4	2	VSB PIGGYBAK	1	VSB EXTENDER BD FOR 3RD BAM MEMORY

ADVANCED APPLICATIONS W/O CPU FOR IVI

M1095AG



CATALOG

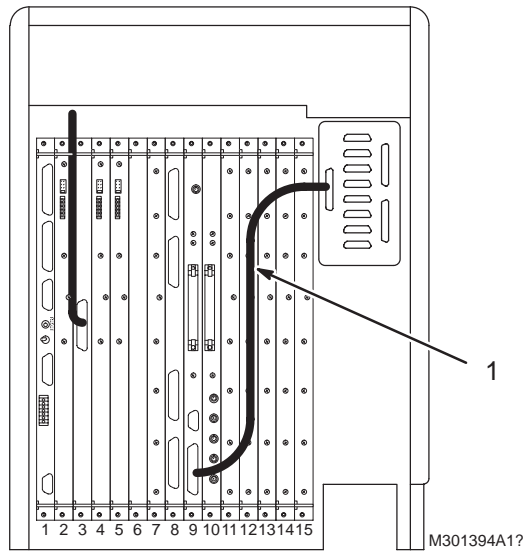
M1095AG FRU N

ADVANCED APPLICATIONS W/O CPU FOR IVI

Item	Part Number	FRU	Name	Quantity	Description (Remarks)
1	46-320374G1	N	COLLECTOR	1	MFG COLLECTOR FOR HARDWARE REQUIRED FOR ADV. APPLICATIONS ON A 5.X OP CONSOLE (SEE PAGE 11-51)

ARRAY PROCESSOR BD W/O CPU

46-320374G1



AP BD W/O CPU

46-320374G1 FRU N

(PART OF M1095AG PAGE 11-51)

Item	Part Number	FRU	Name	Quantity	Description (Remarks)
1	46-307869G2	1	ARRAY PROC.	1	MERCURY ARRAY PROCESSOR-SUN COMPUTER

11-5 SIGNA 1.5T PRE-EXCITE AND EXCITE SPECTROSCOPY OPTIONS

CATALOG M1033JC FRU N MULTI-NUCLEAR SPECTROSCOPY

Item	Part Number	FRU	Name	Quantity	Description (Remarks)
1	2254697	1	MEDIA	1	MULTINUCLEAR SPECTRO
2	46-320103P1	2	FIRMWARE KIT	1	SPECTROSCOPY ERBTEC U-17 PROCESSOR
4	2192603-200	N	APPS GUIDES	1	SIGNA APPLICATIONS GUIDES CD VOL1-6
5	2152220	1	ASSEMBLY	1	MRS HEAD SPHERE WITH SOLUTION

CATALOG M1040JB FRU N 5.x SPECTROSCOPY ACQUISITION HARDWARE

Item	Part Number	FRU	Name	Quantity	Description (Remarks)
1A	46-301464P2	1	BRD BAND AMP	1	ANOLOGIC BROAD BAND RF AMPLIFIER
1B	46-301464P1	1	BRD BAND AMP	ALT	ENI MRI-2000 RF AMPLIFIER, MR6 A1
2	46-301824G2	N	CABLE KIT	1	SYSTEM INTERCONNECT CABLE KIT (SEE PAGE 11-52)
4	46-301825G1	N	SYS CAB KIT	1	SYSTEM CABINET KIT (SEE PAGE 11-52)
5	2109930-11	N	RF/PEN CAB	1	1.5T RF/PEN II SPECTROSCOPY KIT (SEE PAGE 11-53)
6	2136365	N	ADAPTER PLT	1	ADAPTER PLATE ASM (SEE PAGE 11-53)
7	46-301548G1	N	MAG ENCL KIT	1	MAGNET ENCLOSURE KIT (PHOSPHORUS) (SEE PAGE 11-52)
8	46-317286G1	N	COIL/PHAN KT	1	SPECTROSCOPY P31 QA/SERVICE COIL (SEE PAGE 11-52)

SYSTEM CABLE KIT 46-301824G2 FRU N (PART OF M1040JB PAGE 11-52)

Item	Part Number	FRU	Name	Quantity	Description (Remarks)
7	46-328000G933	2	CABLE	1	(466) MR1-A7-J3 TO MR2-A11-J1
12	46-243775G734	2	CABLE	1	RUN 469 PP1-A13-OUT TO MR2-A11-J3
18	46-243775G740	2	CABLE	1	RUN 472 MG3-A17-J4 TO PP1-J79, 80'
19	46-301837P2	2	CABLE	1	(468) PP1-J83 TO MR1-A7-J45
20	46-301838P1	2	CABLE	1	RUN 473, MG3-A17-J3 TO PP1-J83

SYSTEM CABINET KIT 46-301825G1 FRU N (PART OF M1040JB PAGE 11-52)

Item	Part Number	FRU	Name	Quantity	Description (Remarks)
2	46-264232G1	1	CIRCUIT BD	1	BB RECEIVER (MR2 A15 A18 A3)
3	46-264230G2	1	CIRCUIT BD	1	BB EXCITER (MR2 A15 A20 A3)
6	46-208560P12	2	SCREW	10	4-40 X 5/16" LG BIND HD STL F70B5A
7	46-208785P2	2	TAPE	0.002	KAPTON PLASTIC FILM 0.88 W X 36 YD
8	46-320574P1	2	CABLE GUIDE	2	GUIDE FOR NON-RIGID EXCITER CABLE
9	2123273	2	TNS KIT C	1	SPECTRO ADDITIONAL INSTALL KIT "C"

MAGNET ENCLOSURE KIT 46-301548G1 FRU N (PART OF M1040JB PAGE 11-52)

Item	Part Number	FRU	Name	Quantity	Description (Remarks)
5	2100718	1	SPECT BOX	1	SPECTRO. T/R SW. MODULE (MG2 A16 A7)
6	46-282467G4	1	Q D PLUG ASM	1	SPECT. COIL ADAPTER (MG2 A16 A7 A3)
9	46-301690G1	2	CABLE ASM	1	(456) MG3 A17 J3 TO MG2 A16 J1
10	46-243775G708	2	CABLE	1	(455) MG3-A17-J4 TO MG2-A16-J2
23	2113568	N	BOX OF PARTS	1	MAGNET ENCLOSURE INSTALLATION PARTS

SPECTROSCOPY SERVICE COIL 46-317286G1 FRU N (PART OF M1040JB PAGE 11-52)

Item	Part Number	FRU	Name	Quantity	Description (Remarks)
1	46-265204G3	2	3"SPECT PHOS	1	P31 SERVICE COIL
2	46-317299G1	2	BOT W/LABEL	1	EMPTY PLASTIC BOTTLE LABELED FOR DILUTED
3	46-317299G2	2	BOT W/LABEL	1	EMPTY PLASTIC BOTTLE LABELED FOR CONCENTRATED

CATALOG M1090JZ FRU N SPECTROSCOPY COMPATIBILITY KIT

Item	Part Number	FRU	Name	Quantity	Description (Remarks)
1	2109930-11	N	RF/PEN CAB	1	1.5T RF/PEN II SPECTROSCOPY KIT (SEE PAGE 11-53)

BB SPECTRO KIT W/O AMP 2109930-10 FRU N (PART OF M1090JZ PAGE 11-53)

Item	Part Number	FRU	Name	Quantity	Description (Remarks)
1	2124498-27	1	PART	1	ERBTEC #P540001 SPECTRO MODULE ASM
2	2124497-47	2	PART	1	ERBTEC#P540004 SPECTRO OUT # TR BIAS
3	2124497-48	2	PART	1	ERBTEC #P540005 2KW RF IN CABLE ASM
4	2124497-49	2	PART	1	ERBTEC #P540015 I/F CABLE ASM
5	2124497-50	2	PART	1	ERBTEC #P540016 BB-I/F CABLE ASM
7	46-221806P2	2	SCREW	4	PHILLIPS PANHEAD SS 10-32 X 1/2
8	2124498-29	2	PART	4	STAINLESS STEEL #10 FLAT WASHER
9	2124497-51	2	PART	1	ERBTEC #P540009 SPECTRO RF IN
10	2124497-52	2	PART	1	ERBTEC #P540018 SPECTRO GROUND WIRE
11	2124497-53	2	HARNESS	1	ERBTEC #P540006 PWR MONITOR SENSE A
12	2124497-54	2	HARNESS	1	ERBTEC #P540007 PWR MONITOR SENSE B
13	2124497-55	2	HARNESS	1	ERBTEC #P540008 SPECTRO TR BIAS

RF/PEN II SPECT KIT 2109930-11 FRU N (PART OF M1040JB PAGE 11-52) (PART OF M1090JZ PAGE 11-53)

Item	Part Number	FRU	Name	Quantity	Description (Remarks)
1	2124498-36	2	PS MODULE	1	ERBTEC #401-2007 RF/PEN2 CBL LABELS
2	2124498-37	2	PS MODULE	1	ERBTEC #540034 RF/PEN2 SSM MICRO KIT
3	2124498-38	2	PS MODULE	1	ERBTEC #540035 RF/PEN 2 CHIMNEY KIT
4	2124498-39	2	PS MODULE	1	ERBTEC #540036 MR1A7 RF/PEN2 SPECTRO
5	2124498-40	2	PS MODULE	1	ERBTEC#540033 MR1A18 ATTENUATOR KIT
6	2124498-41	2	PS MODULE	1	ERBTEC #540037 SHELF ASSEMBLY KIT
7	2124498-42	N	PS MODULE	1	ERBTEC #540038 AMPLIFIER HARDWARE KT
8	2124498-27	1	PART	1	ERBTEC #P540001 SPECTRO MODULE ASM
9	2124497-52	2	PART	1	ERBTEC #P540018 SPECTRO GROUND WIRE
10	2124497-51	2	PART	1	ERBTEC#540009 SPECTRO RF IN TO ATTEN
11	2124497-56	2	HARNESS	1	ERBTEC #540031 CABLE, ATTN OUT TO
12	2124497-47	2	PART	1	ERBTEC#P540004 SPECTRO OUT # TR BIAS
13	2124497-49	2	PART	1	ERBTEC #P540015 I/F CABLE ASM
14	2124497-55	2	HARNESS	1	ERBTEC #P540008 SPECTRO TR BIAS
15	2124497-54	2	HARNESS	1	ERBTEC #P540007 PWR MONITOR SENSE B
16	2124497-53	2	HARNESS	1	ERBTEC #P540006 PWR MONITOR SENSE A
17	2124497-50	2	PART	1	ERBTEC #P540016 BB-I/F CABLE ASM
18	2124497-48	2	PART	1	ERBTEC #P540005 2KW RF IN CABLE ASM

ADAPTER PLATE ASM 2136365 FRU N (PART OF M1040JB PAGE 11-52)

Item	Part Number	FRU	Name	Quantity	Description (Remarks)
2	2133757	2	PLATE	1	EMPTY FILTER PLATE FOR MULTICOIL ETC
5	46-264814G1	1	CIRCUIT BD	1	20 DB GAIN BLOCK (PP1 A13)
6	46-301973P1	2	PLATE	2	PANEL OPENING COVER
7	46-301974P1	2	PLATE	1	PANEL OPENING COVER
8	46-208990P1	2	CONNECTOR	4	50 OHM BNC BULKHEAD ADAP'R JACK-JACK
9	46-306505P1	2	CONNECTOR	1	SC COAX ADAPTER JACK-JACK, PANEL MT.
11	46-243775G743	2	CABLE	1	PP1-J79 TO PP1-A13-IN, 8" BNC COAX
12	46-306507P1	2	CONNECTOR	2	90 DEG. SC JACK TO SC PLUG ADAPTOR.
13	46-233422P1	2	CONNECTOR	1	BNC JACK-PLUG, RIGHT ANGLE ADAPTER.
15	46-208921P4	2	SCREW	16	6-32 X 1/4", BRASS

CATALOG M3090LA FRU N EXCITE II MNS KIT

Item	Part Number	FRU	Name	Quantity	Description (Remarks)
2	2392228	N	KIT	1	MNS CABLE COLLECTOR (SEE PAGE 11-55)
3	2392229	N	KIT	1	MNS UPGRADE COLLECTOR (SEE PAGE 11-55)
4	5111649	1	PDM COLLECTO	1	MNS 2KW CPC AMPLIFIER - 10 MHZ TO 70 (SEE PAGE 11-55)
18	2390566	N	ASSEMBLY	1	EXCITE II MNS LPCC ASM (SEE PAGE 11-55)
19	2390569	N	KIT OF PARTS	1	EXCITE II MNS TRANSMIT CABLE KIT 100 (SEE PAGE 11-56)
24	2379200-2	N	COLLECTOR	1	MFG EXCITE II MNS KIT (SEE PAGE 11-56)
26	M3090MC	N	COMMERCIAL I	1	SAGE 7 FOR EXCITE (SEE PAGE 11-54)

CATALOG M3090LB FRU N EXCITE II FWD PRD MNS KIT

Item	Part Number	FRU	Name	Quantity	Description (Remarks)
18	2390566	N	ASSEMBLY	1	EXCITE II MNS LPCC ASM (SEE PAGE 11-55)
24	2379200-2	N	COLLECTOR	1	MFG EXCITE II MNS KIT (SEE PAGE 11-56)
26	M3090MC	N	COMMERCIAL I	1	SAGE 7 FOR EXCITE (SEE PAGE 11-54)
28	2393603	N	COLLECTOR	1	EXCITE-II FWD PROD MNS H/W COLL (SEE PAGE 11-57)

CATALOG M3090LC FRU N EXCITE II LEGACY MNS UPGRADE KIT

Item	Part Number	FRU	Name	Quantity	Description (Remarks)
8	2390566	N	ASSEMBLY	1	EXCITE II MNS LPCC ASM (SEE PAGE 11-55)
16	2393604	N	COLLECTOR	1	EXCITE II UPGRADE MNS H/W COLLECTOR (SEE PAGE 11-57)

CATALOG M3090LJ FRU N EXCITE II SRFD2 W/MNS

Item	Part Number	FRU	Name	Quantity	Description (Remarks)
2	2391014	N	CABINET ASM	1	SRFD2 TESTED CABINET WITH MNS

SAGE 7 FOR EXCITE M3090MC FRU N (PART 26 OF M3090LA PAGE 11-54)
(PART 26 OF M3090LB PAGE 11-54)

Item	Part Number	FRU	Name	Quantity	Description (Remarks)
1	5116082	N	PDM SOFTWARE	1	SAGE 7 ELECTRONIC OPTION FOR EXCITE
4	2228585-100	N	OPERATOR MAN	1	SAGE 7 LX USER'S GUIDE

MNS CABLE COLLECTOR 2392228 FRU N (PART 2 OF M1030LA PAGE 11-54)

Item	Part Number	FRU	Name	Quantity	Description (Remarks)
2	2390342	N	CABLE	1	POWER CABLE FOR EXCITE IIA MNS AMP
3	46-221865P1	N	CONNECTOR	2	UG-30, N BULKHEAD, 50-OHM, JACK-JACK
4	2390352	N	CABLE	1	I/O CONTROL & INTERFACE CABLE MNS
5	2390355	N	CABLE	1	CPC RF INPUT RUN # 1058
6	2390355-2	N	CABLE	1	CPC FWD PWR 1 MNS
7	2390355-3	N	CABLE	1	CPC FWD PWR 2 J12 CPC MNS AMP
8	2390355-4	N	CABLE	1	CPC TR BIAS J9 MNS AMP
9	2391621	N	CABLE	1	(1153) MG2-A16-J1 TO MG3-A17-J3
10	2394694	N	PART	1	CPC AMP GROUND CABLE EXCITE II

MNS UPGRADE COLLECTOR 2392229 FRU N (PART 3 OF M1030LA PAGE 11-54)

Item	Part Number	FRU	Name	Quantity	Description (Remarks)
3	5114423-3	2	PDM PART	1.0	RUN 1154 MG3 A36 J28 TO MG2 A16 J2
4	2382445	N	PART	1.0	CABLE ASSEMBLY
5	2375989	N	PART	4.0	G3 RF ACC CABINET BRACKET
6	2326333	N	OUT OF CATAL	8.0	SCREW FLAT HEAD 5 MM 20 MM
7	2180698-2	N	NUT	16.0	NUT CLIP ON 5 MM
8	2279742-2	N	SCREW	8.0	SCREW PAN HEAD 5 MM 16 MM
9	46-302200P3	N	RATING PLATE	1.0	MODIFIED BY KIT, SERIAL #, MODEL#
11	2392448	N	OUT OF CATAL	1.0	SMA TO BNC BULKHEAD
12	2380819	N	PART	1.0	LPCA COVER BRACKET
14	2386337	N	PART	1.0	SPACER
15	2109873-14	N	SCREW	2.0	SCREW PAN HEAD Z M4X10 A2-70
16	5117333	N	PDM SOFTWARE	1.0	MNS ELECTRONIC OPTION KEY

MNS 2KW CPC AMPLIFIER 5111649 FRU N (PART 4 OF M3090LA PAGE 11-54)

Item	Part Number	FRU	Name	Quantity	Description (Remarks)
1	2373317	N	RF AMP	1.0	1.5T 2KW RF MNS AMPLIFIER

**EXCITE II MNS LPCC ASM 2390566 FRU N (PART 18 OF M3090LA PAGE 11-54)
(PART 18 OF M3090LB PAGE 11-54)
(PART 18 OF M3090LC PAGE 11-54)**

Item	Part Number	FRU	Name	Quantity	Description (Remarks)
2	2374198	N	PART	2	RAIL LPCA
3	2390567	N	COVER	1	EXCITE II MNS LPCC
4	46-221523P26	N	PDM PART	1	VENT PLUG, WHITE, 7/8 DIA.
5	2109873-15	N	PDM PART	6	SCREW PAN HEAD 4 MM 12 MM
6	2109878-2	N	PDM PART	6	WASHER PLAIN - NORMAL 4.3 MM 9 MM
7	2109880-2	N	PDM PART	6	WASHER LOCK - SPRING 4.1 MM 7.6 MM
8	46-282264P1	N	ADHESIVE OLD	AR	2 OZ DUAL-PAK CARTRIDGE EPOXY, CLEAR
9	2146831	N	WARN LABEL	1	UFI WARNING LABEL - ENGLISH

EXCITE II MNS TRANSMIT CABLE KIT 2390569 FRU N (PART 19 OF M3090LA PAGE 11-54)

Item	Part Number	FRU	Name	Quantity	Description (Remarks)
1	2384847-3	N	PART	1.0	(1147)FROM 1158/1159 TO MG3A17-J3
2	2384852-5	N	PART	1.0	RUN 1137 CONNECT TO RUN 1158
4	2384852-7	N	PART	1.0	RUN 1147 MG3A17-J3
5	2384852-8	N	PART	1.0	RUN 1137 PP1-J83
7	46-220400P1	N	MECHANICAL/M	1.0	7" WIDE, 8" DEEP, 0.004" THICKNESS
8	2352193	N	OUT OF CATAL	1.0	LMR 600 STRIPPING TOOL
9	2352195	N	OUT OF CATAL	2.0	STRAIGHT MALE N FOR LMR 600
10	2384851-2	2	PART	1.0	(1158) MR1-CPC-J2 TO CONNECT TO 1137
19	5111565	N	OUT OF CATAL	1.0	RF CABLE CUTTING TOOL

**EXCITE II MNS KIT 2379200-2 FRU N (PART 24 OF M3090LA PAGE 11-54)
(PART 24 OF M3090LB PAGE 11-54)**

Item	Part Number	FRU	Name	Quantity	Description (Remarks)
2	2383979	N	PART	1.0	EXCITER (MNS UPGRADE) KIT (SEE PAGE 11-56)
4	2152220	N	ASSEMBLY	1.0	MRS HEAD SPHERE WITH SOLUTION
5	2109878-5	N	PDM PART	2.0	WASHER PLAIN - NORMAL 17 MM 30 MM
6	2192603-200	N	APPS GUIDES	1.0	SIGNA APPLICATIONS GUIDES CD VOL1-6
7	2100718	N	SPECT BOX	1.0	SPECTRO. T/R SW. MODULE (MG2 A16 A7)
8	2392707-2	N	FILTER	1.0	1.5T MNS REJECT FILTER, FLANGELESS
9	2391638	N	CABLE	1.0	MNS ADP CBLE RCV SIDE
10	2391426	N	CABLE PT	1.0	EXCITE II TRANSMIT CABLE ADAPTER
11	2391427	N	CABLE PT	1.0	EXT II MNS RECIEVE CBL ADP 31 P
12	2259502	N	COLLECTOR	1.0	1.5T MNS PHOSPHORUS FLEX COIL KIT (SEE PAGE 11-56)
20	2394696	N	LABELS	1.0	LEGACY MNS LABELS FOR EXCITE IIA
21	2361470-2	2	PDM CIRCUITB	1.0	NMR RRF MASTER EXCITER 2 BOARD EMC E
22	5115463	N	PDM COLLECTO	1.0	SSM D-SUB FILTER KIT TO REDUCE NOISE (SEE PG 11-56)

EXCITER (MNS UPGRADE) KIT 2383979 FRU N (PART 2 OF 2379200-2 PAGE 11-56)

Item	Part Number	FRU	Name	Quantity	Description (Remarks)
1	2373070-2	2	PDM CIRCUITB	1.0	NMR RRF SLAVE EXCITER 1A EMC ED2 COM
2	2297729-2	N	CABLE	1.0	SMB TO SMB (RG316DS) 150 MM
3	2297729-4	N	CABLE	1.0	SMB TO SMB (RG316DS) 80 MM

1.5T MNS PHOSPHORUS FLEX COIL KIT 2259502 FRU N (PART 12 OF 2379200-2 PAGE 11-56)

Item	Part Number	FRU	Name	Quantity	Description (Remarks)
1	2219090	1	FLEX COIL	1	MNS P31 COIL
2	2224905	2	CABLE ASSEMB	1	EXTENSION CABLE FOR MNS P31 FLEX
3	2241998	1	BOX	1	QUICK DISCONNECT BOX W/CABLE TRAP
4	2211425	N	STRAP,ADJ.	1	6"W X 60" LONG POLYNAP STRAP - FOR
5	2248047	N	STRAP,ADJ.	1	203,8MM W X 444,5MM L GREY POLYNAP
101	2263377-100	N	OPERATOR MAN	1	PHOSPHORUS 31P TRANSMIT/RCV FLEXCOIL

SSM D-SUB FILTER KIT 5115463 FRU N (PART 22 OF 2379200-2 PAGE 11-56)

Item	Part Number	FRU	Name	Quantity	Description (Remarks)
1	46-271920P1	N	CONNECTOR	5.0	CONNECTOR 9 CONTACTS 100 VOLTS 5 AMP
2	46-271920P2	N	CONNECTOR	3.0	CONNECTOR 15 CONTACTS 100 VOLTS 5 AM
3	46-271920P3	N	CONNECTOR	6.0	CONNECTOR 25 CONTACTS 100 VOLTS 5 AM
4	46-271920P4	N	CONNECTOR	2.0	CONNECTOR 37 CONTACTS 100 VOLTS 5 AM
5	5120686	N	PDM TECH PUB	1.0	INSTALLATION OF MNS FILTERS ON SSM I
6	5126396	N	PDM PART	1.0	NUT DRIVER FOR DSUB SCREWLOCKS

EXCITE-II FP MNS H/W COLLECTOR 2393603 FRU N (PART 28 OF M3090LB PAGE 11-54)

Item	Part Number	FRU	Name	Quantity	Description (Remarks)
5	46-221865P1	N	CONNECTOR	2.0	UG-30, N BULKHEAD, 50-OHM, JACK-JACK
7	2390355	N	CABLE	1.0	CPC RF INPUT RUN # 1058
15	5114423-3	N	PDM PART	1.0	RUN 1154 MG3 A36 J28 TO MG2 A16 J2
16	2382445	N	PART	1.0	CABLE ASSEMBLY
17	2380819	N	PART	1.0	LPCA COVER BRACKET
19	2390569	N	KIT OF PARTS	1.0	EXCITE II MNS TRANSMIT CABLE KIT 100
27	2392448	N	OUT OF CATAL	1.0	SMA TO BNC BULKHEAD
28	2391621	N	CABLE	1.0	(1153) MG2-A16-J1 TO MG3-A17-J3
30	2109873-14	N	SCREW	2.0	SCREW PAN HEAD Z M4X10 A2-70
31	2386337	N	PART	1.0	SPACER
32	5117333	N	PDM SOFTWARE	1.0	MNS ELECTRONIC OPTION KEY

EXCITE-II U/G MNS H/W COLLECTOR 2393604 FRU N (PART 16 OF M3090LC PAGE 11-54)

Item	Part Number	FRU	Name	Quantity	Description (Remarks)
3	2391427	N	CABLE PT	1.0	EXT II MNS RECIEVE CBL ADP 31 P
4	2391426	N	CABLE PT	1.0	EXCITE II TRANSMIT CABLE ADAPTER
6	2382445	N	PART	1.0	CABLE ASSEMBLY
7	2380819	N	PART	1.0	LPCA COVER BRACKET
9	5117333	N	PDM SOFTWARE	1.0	MNS ELECTRONIC OPTION KEY
10	46-302200P3	N	RATING PLATE	1.0	MODIFIED BY KIT, SERIAL #, MODEL#
11	2383979	N	PART	1.0	EXCITER (MNS UPGRADE) KIT
12	2391621	N	CABLE	1.0	(1153) MG2-A16-J1 TO MG3-A17-J3
14	2391638	N	CABLE	1.0	MNS ADP CBLE RCV SIDE
15	2392448	N	OUT OF CATAL	1.0	SMA TO BNC BULKHEAD
16	5114423-3	N	PDM PART	1.0	RUN 1154 MG3 A36 J28 TO MG2 A16 J2
17	2192603-200	N	APPS GUIDES	1.0	SIGNA APPLICATIONS GUIDES CD VOL1-6
18	2392707-2	N	FILTER	1.0	1.5T MNS REJECT FILTER, FLANGELESS
20	2394696	N	LABELS	1.0	LEGACY MNS LABELS FOR EXCITE IIA
21	46-208781P2	N	LABEL OLD	12.0	WRITE-ON LABEL FOR MARKING CABLES
30	2109873-14	N	SCREW	2.0	SCREW PAN HEAD Z M4X10 A2-70
31	2386337	N	PART	1.0	SPACER
32	46-221865P1	N	CONNECTOR	2.0	UG-30, N BULKHEAD, 50-OHM, JACK-JACK
33	2361470-2	2	PDM CIRCUITB	1.0	NMR RRF MASTER EXCITER 2 BOARD EMC E
34	5115463	N	PDM COLLECTO	1.0	NMR: SSM D-SUB FILTER KIT TO REDUCE
33S00	2361470	N	CIRCUIT BOAR	ALT	REMOTE RF MASTER EXCITER 2 BOARD
33S00	2361470	N	CIRCUIT BOAR	ALT	REMOTE RF MASTER EXCITER 2 BOARD

11-6 SIGNA 1.5T PRE-EXCITE AND EXCITE COILS

CATALOG M1040PH FRU N 1.5T PHOSPHORUS FLEX COIL

Item	Part Number	FRU	Name	Quantity	Description (Remarks)
1	2259502	N	COLLECTOR	1	1.5T MNS PHOSPHORUS FLEX COIL KIT (SEE PAGE 11-58)
100	2194610	N	DIRECTION	1	HRZN MULTI-NUCLR SPECTRSCPY SUBSYSTEM
101	2257047	N	DIRECTION	1	P31 FLEX COIL OPTION INSTRUCTION

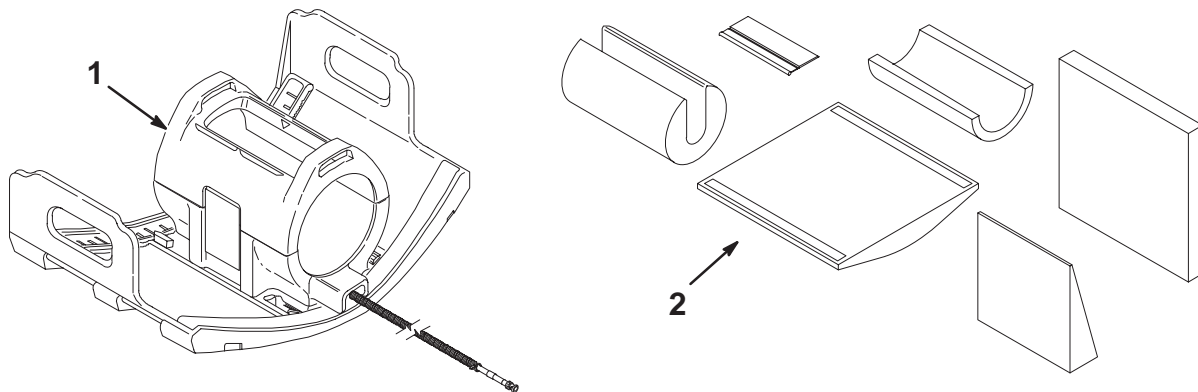
1.5T MNS PHOSPHOROUS FLEX COIL 2259502 FRU N (PART OF M1040PH PAGE 11-58)

Item	Part Number	FRU	Name	Quantity	Description (Remarks)
1	2219090	1	FLEX COIL	1	MNS P31 COIL
2	2224905	2	CABLE ASSEMB	1	EXTENSION CABLE FOR MNS P31 FLEX
3	2241998	1	BOX	1	QUICK DISCONNECT BOX W/CABLE TRAP
4	2211425	N	STRAP,ADJ.	1	6"W X 60" LONG POLYNAP STRAP - FOR
5	2248047	N	STRAP,ADJ.	1	203,8MM W X 444,5MM L GREY POLYNAP
101	2263377-100	N	OPERATOR MAN	1	PHOSPHORUS 31P TRANSMIT/RCV FLEXCOIL

1.5T MNS PHOS T/R FLEX COIL 2219090 FRU 1 (PART OF 2259503 PAGE 11-58)

Item	Part Number	FRU	Name	Quantity	Description (Remarks)
2	2224144	1	COIL ASM.	1	P31 FLEX COIL
3	46-317287G7	1	COAXIAL CBL	1	COAXIAL CABLE, 32"
4	2224142	2	COVER	1	BOTTOM COVER FOR P31 FLEX COIL
5	2224143	2	COVER	1	TOP COVER FOR P31 FLEX COIL
6	46-136375P23	N	SPACER	4	.250 HEX #6-32 THD .562 LG. NYLON
7	46-208922P16	N	SCREW	2	SCREW
8	46-230008P4	N	SCREW	10	SCREW
9	46-220184P5	N	SCREW	2	SCREW
13	2146832	N	WARNING TAG	1	UFI WARNING TAG, ADHESIVE BACK

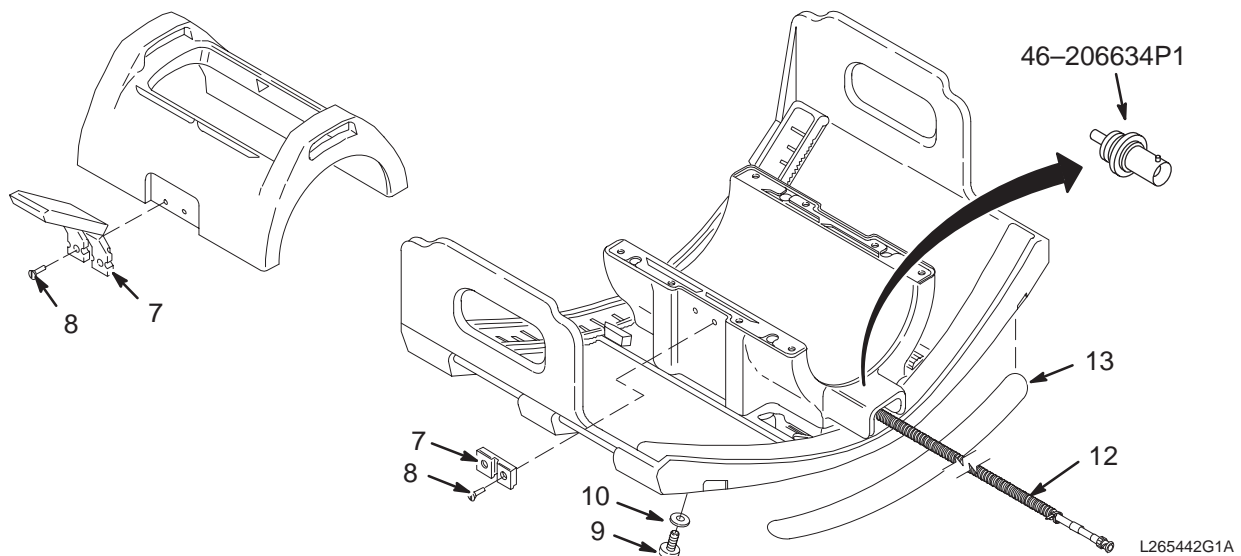
1.5T EXTREMITY SURFACE COIL & CUSHIONS M1085AC



CATALOG M1085AC FRU N 1.5T EXTREMITY SURFACE COIL & CUSHIONS

Item	Part Number	FRU	Name	Quantity	Description (Remarks)
1	46-265442G1	1	EXTREM. COIL	1	EXTREMITY SURFACE COIL, CYLINDRICAL (SEE PAGE 11-59)
2	46-306571G1	N	CUSHION SET	1	GRAY CUSHION SET FOR EXTREMITY COIL (SEE PAGE 11-117)

6.5 DIA EXTREMITY SURFACE COIL 46-265442G1

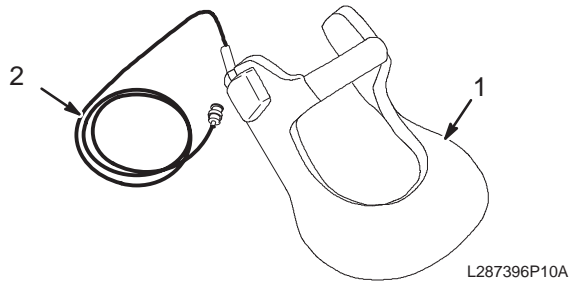


6.5 DIA EXTREMITY COIL 46-265442G1 FRU 1 (PART OF M1085AC PAGE 11-59)

Item	Part Number	FRU	Name	Quantity	Description (Remarks)
7	46-271203P1	2	MECHANICAL/M	2	LATCH AND KEEPER SET, POLYPROPYLENE
8	46-208913P14	2	SCREW	8	6-32 X 1/2" SLOTTED FLAT HEAD, BRASS
9	46-208921P33	2	SCREW	10	10-32 X 1/2", BIND HEAD SLOT, BRASS
10	1000904P485	2	WASHER	10	ID 0.219 OD 0.500 THK .032 WASHER
12	46-317278P1	1	CABLE ASM.	1	EXTREMITY COIL INTERCONNECT CABLE
	46-205634P1	2	CONNECTOR	1	BNC BULKHEAD RECPT. 50 OHM ISOLATED FRONT MOUNT

1.5T ANTERIOR NECK COIL

M1085AK



CATALOG

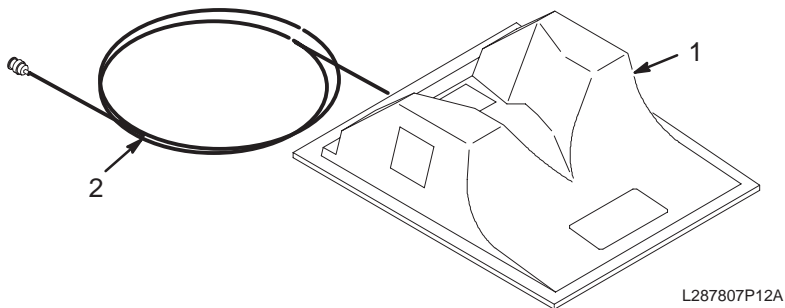
M1085AK FRU N

1.5T ANTERIOR NECK COIL

Item	Part Number	FRU	Name	Quantity	Description (Remarks)
1	46-287396P10	1	NECKCOIL MED	1	MEDIUM ANTERIOR NECK SURFACE COIL
2	2100937	2	MEDRAD FRU		MEDRAD 30523C07001 CABLE KIT

1.5T POSTERIOR CERVICAL NECK COIL

M1085AM



CATALOG

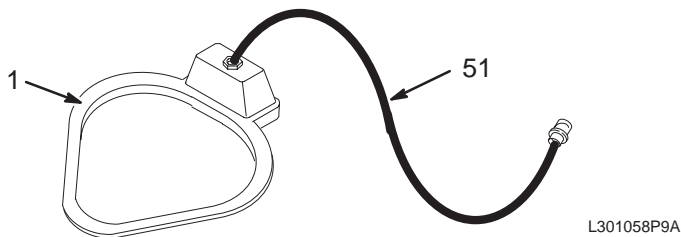
M1085AM FRU N

1.5T POSTERIOR CERVICAL SPINE COIL

Item	Part Number	FRU	Name	Quantity	Description (Remarks)
1	46-287807P12	1	POST NECK CL	1	MEDRAD POSTERIOR CERVICAL NECK COIL
2	2100937	2	MEDRAD FRU		MEDRAD 30523C07001 CABLE KIT

1.5T SHOULDER COIL

M1085AN



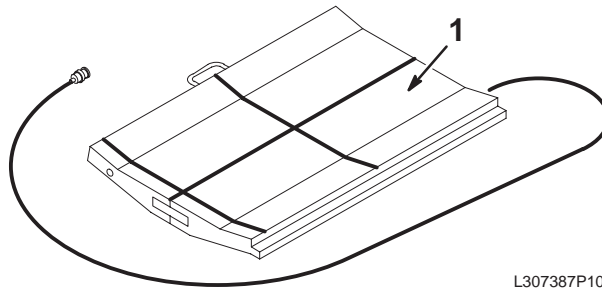
CATALOG

M1085AN FRU N

1.5T SHOULDER COIL

Item	Part Number	FRU	Name	Quantity	Description (Remarks)
1	46-301058P9	1	SHOULDR COIL	1	MEDRAD SHOULDER SURFACE COIL
51	2100937-29	2	MEDRAD FRU	1	MEDRAD 3000852 CABLE KIT

1.5T QUAD T/L SPINE COIL WITH POSITIONER M1085AP

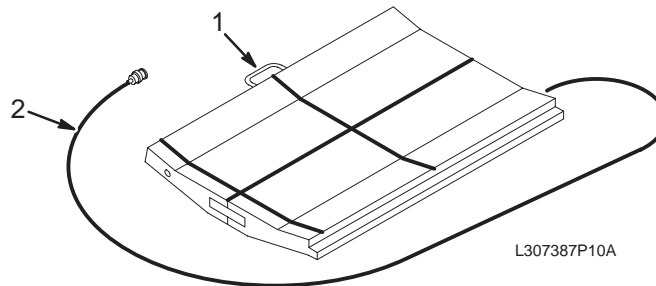


L307387P10A

CATALOG M1085AP FRU N 1.5T QUAD T/L SPINE COIL WITH POSITIONER

Item	Part Number	FRU	Name	Quantity	Description (Remarks)
1	46-307387P10	1	QUAD SPINE	1	MEDRAD QUADRATURE T/L SPINE COIL (SEE PAGE 11-61)

1.5T QUADRATURE T/L SPINE COIL 46-307387P10

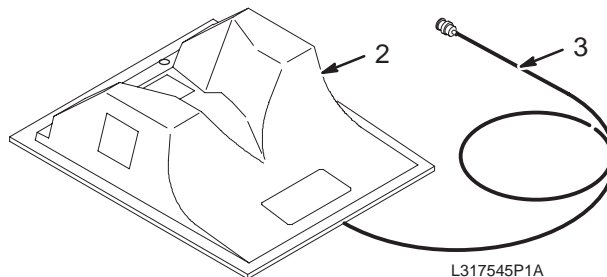


L307387P10A

1.5T QUAD T/L SPINE COIL 46-307387P10 FRU 1 (PART OF M1085AP PAGE 11-61)

Item	Part Number	FRU	Name	Quantity	Description (Remarks)
1	46-317047P1	2	POSITION FRU		MEDRAD 30523C17002 POSITIONER KIT
2	2100937-4	2	MEDRAD FRU		MEDRAD 30523C17004 CABLE KIT

1.5T QUAD CERVICAL SPINE COIL M1085AR



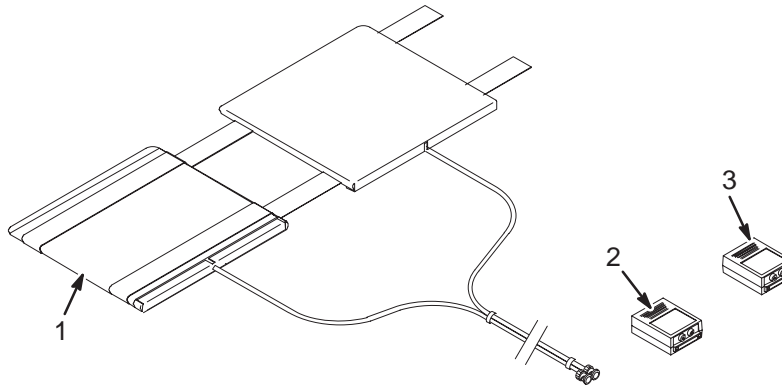
L317545P1A

CATALOG M1085AR FRU N 1.5T QUAD CERVICAL SPINE COIL

Item	Part Number	FRU	Name	Quantity	Description (Remarks)
2	46-320422P1	1	QUAD C-SPINE		1.5T SIGNA QUADRATURE C-SPINE COIL WITH CABLE
3	2100937-2	2	MEDRAD FRU		MEDRAD 30523C30001 CABLE KIT

1.5T BODY FLEX COIL

M1085BE



CATALOG

M1085BE FRU N

1.5T BODY FLEX COIL

Item	Part Number	FRU	Name	Quantity	Description (Remarks)
1	2148688	N	COLLECTOR	1	1.5T SIGNA BODY FLEX COIL SHIP COLL (SEE PAGE 11-62)
2	46-328215P1	1	CONNECTOR	1	1.5T DUAL-COIL CONNECTOR AND SLEEVE
3	46-282764G1	2	D COIL BOX	1	QUICK DISCONNECT DUAL COIL ADAPTER

FLEX COIL COLLECTOR

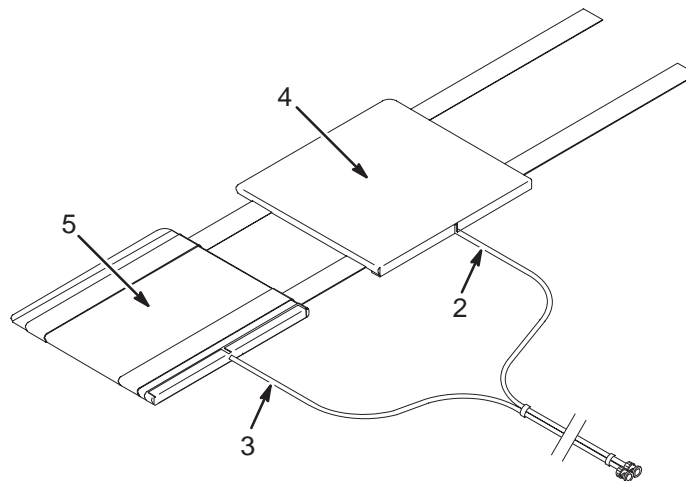
2148688 FRU N

(PART OF M1085BE PAGE 11-62)

Item	Part Number	FRU	Name	Quantity	Description (Remarks)
1	2148690	N	1.5T BODYFLX	1	1.5T SIGNA BODY FLEX COIL (SEE PAGE 11-62)

1.5T SIGNA BODY FLEX COIL

2148690



1.5T SIGNA BODY FLEX COIL

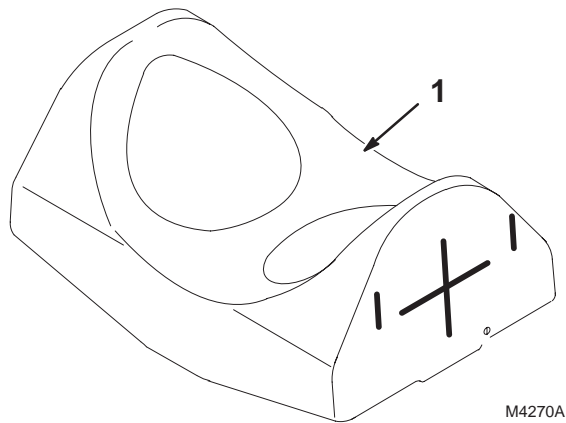
2148690 FRU N

(PART OF 2148688 PAGE 11-62)

Item	Part Number	FRU	Name	Quantity	Description (Remarks)
2	2151291	1	1.5T COIL	1	1.5T ANTERIOR COIL W/CABLE
3	2151291-2	1	1.5T COIL	1	1.5T POSTERIOR COIL W/CABLE
4	2148692	N	COVER,ANTERI	1	ANTERIOR REPLACEMENT COVER (ORDER E8801TA)
5	2148692-2	N	COVER,POSTER	1	POSTERIOR REPLACEMENT COVER (ORDER E8801TB)

1.5T BILATERAL BREAST COIL

M1085BR



CATALOG

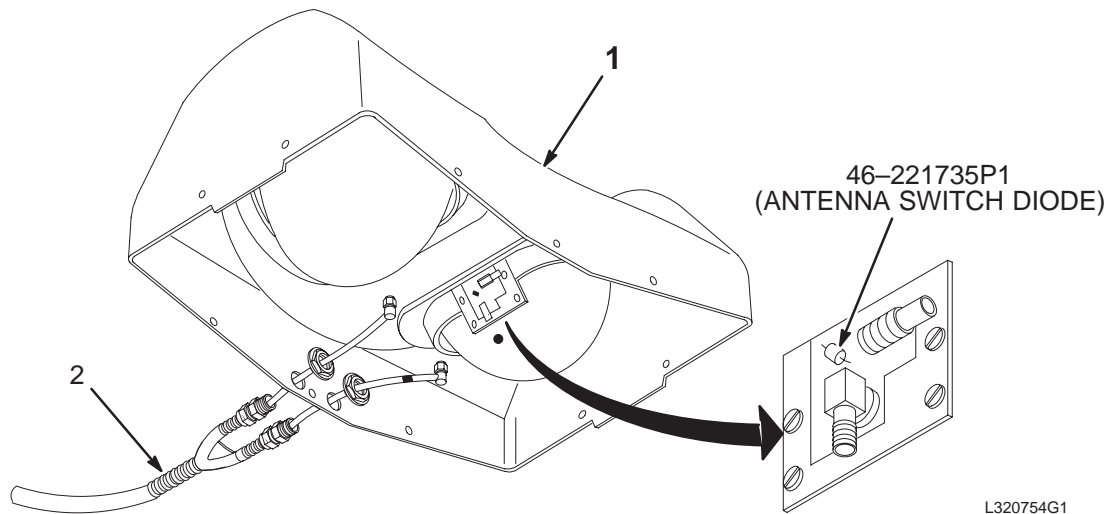
M1085BR FRU N

1.5T BILATERAL BREAST COIL

Item	Part Number	FRU	Name	Quantity	Description (Remarks)
1	46-320754G3	N	BRST CL COLL	1	MEDRAD BILATERAL BREAST COIL (SEE PAGE 11-63)

1.5T BREAST COIL

46-320754G2



1.5T BREAST COIL

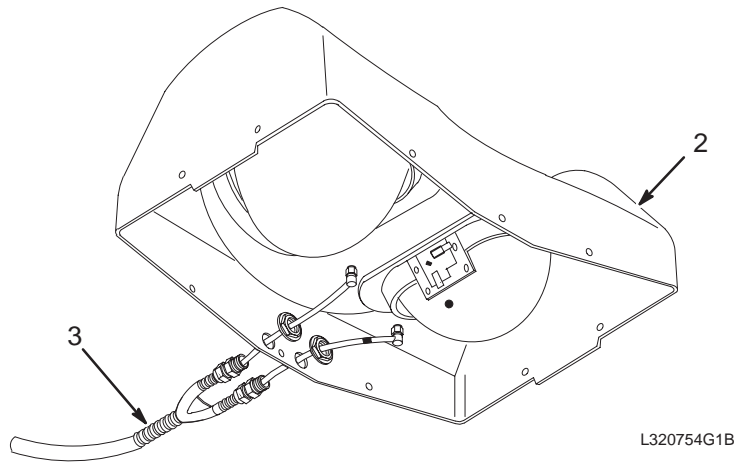
46-320754G3 FRU N

(PART OF M1085BR PAGE 11-63)

Item	Part Number	FRU	Name	Quantity	Description (Remarks)
1	46-320755G3	N	BREAST COIL	1	1.5T MEDRAD BREAST COIL FRU'S (SEE PAGE 11-64)
2	46-320756P2	1	BRST P/A CBL	1	PHASED ARRAY CABLE FOR 1.5T SIGNA
	46-221735P1	2	DIODE	2	50V, 10W PIN DIODE (ANTENNA SWITCH)
	46-320785P3	1	FRU	1	MEDRAD BREAST COIL WITHOUT CABLE
	46-320765P2	1	FRU	1	BREAST COIL CABLE W/UFI WARNING LABEL

BREAST COIL FRU'S

46-320755G2



BREAST COIL FRU'S

46-320755G3 FRU N

(PART OF 46-320754G2 PAGE 11-63)

Item	Part Number	FRU	Name	Quantity	Description (Remarks)
2	46-320785P3	1	BREASTCL FRU	1	1.5T BILATERAL BREAST COIL W/O CABLE
3	46-320765P2	1	CABLE	1	BREAST COIL CABLE W/UFI WARN LABEL, SINGLE RCVR

CATALOG

M1085E FRU N

1.5T QUAD EXTREMITY KNEE/FOOT COIL

Item	Part Number	FRU	Name	Quantity	Description (Remarks)
2	2225478	N	COIL ASM	1	COIL,MR 1.5T QUAD KNEE/FT (SEE PAGE 11-64)
	2383613-2	1	FRU	1	COIL ASM W/COIL ID
	2383613-3	1	FRU	1	CABLE ASM W/COIL ID

1.5T QUAD KNEE/FOOT COIL ASM

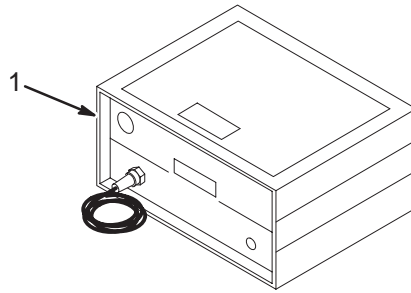
2225478 FRU N

(PART OF M1085E PAGE 11-64)

Item	Part Number	FRU	Name	Quantity	Description (Remarks)
	2225478-7	1	FRU	1	VELCRO/LATCH REPAIR KIT
	2225478-8	1	FRU	1	1.5T EXTREMITY ASM WITH CABLE
	2225478-9	1	FRU	1	1.5T CABLE ONLY
	2225478-10	1	FRU	1	PHANTOM
	2225478-14	1	FRU	1	FUSE, 125V, 500MA
	46-271203P1	1	FRU	1	LATCH AND KEEPER SET

1.5T AUTO TUNING DEVICE II

M1085EE



CATALOG

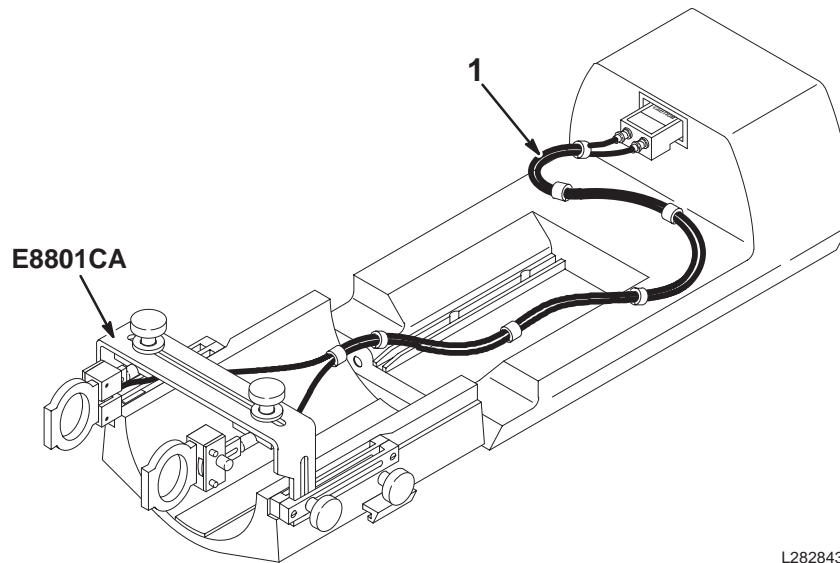
M1085EE FRU N

1.5T AUTO TUNING DEVICE II

<u>Item</u>	<u>Part Number</u>	<u>FRU</u>	<u>Name</u>	<u>Quantity</u>	<u>Description (Remarks)</u>
1	46-317599P1	1	ATD II	1	AUTOMATIC TUNING DEVICE FOR SIGNA 1.5T INTRA-CAVITY SURFACE COILS

1.5T DUAL HEAD COIL POSITIONING ACCESSORIES – QUAD

M1085EG

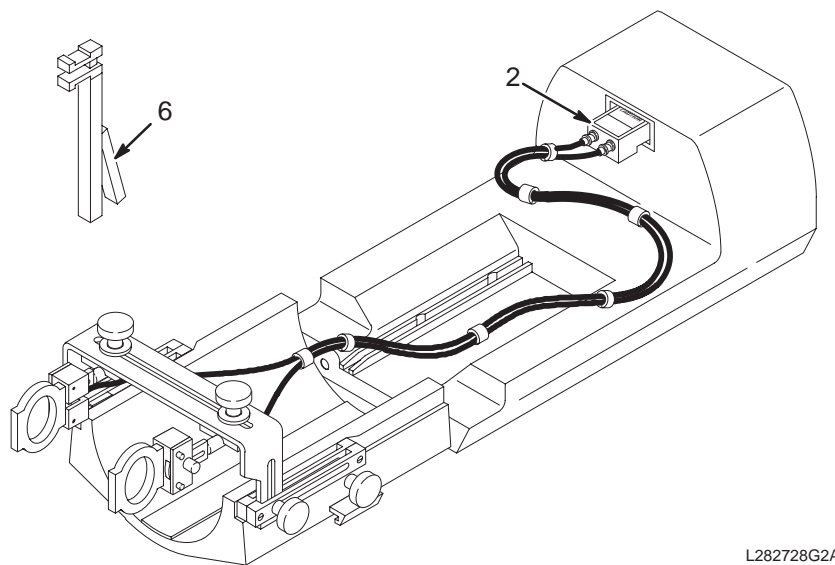


CATALOG M1085EG FRU N 1.5T COIL POSITIONING ACCESSORIES – QUAD

Item	Part Number	FRU	Name	Quantity	Description (Remarks)
1	46-282728G2	N	DUAL SRF KIT	1	DUAL SURFACE COIL KIT-QUAD HEAD COIL (SEE PAGE 11-66)

DUAL SURFACE COIL COMBINER AND TMJ POSITIONING FOR QUAD HEAD COIL SITES

46-282728G2

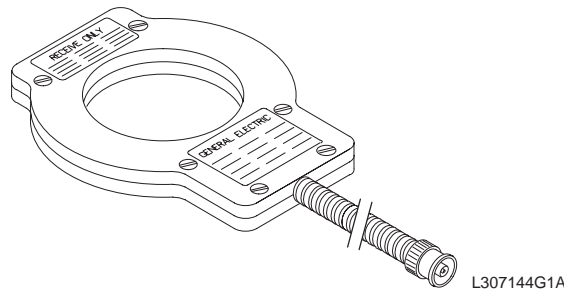


1.5T DUAL SURFACE KIT 46-282728G2 FRU N (PART OF CATALOG M1085EG PAGE 11-66)

Item	Part Number	FRU	Name	Quantity	Description (Remarks)
2	46-282764G1	2	D COIL BOX	1	QUICK DISCONNECT DUAL COIL ADAPTER
6	46-282765P1	2	TMJ POSITION	1	PATIENT JAW-OPENING POSITION DEVICE

1.5T 3 INCH ROUND SURFACE COIL

M1085GA



CATALOG M1085GA FRU N 1.5T 3 INCH ROUND SURFACE COIL

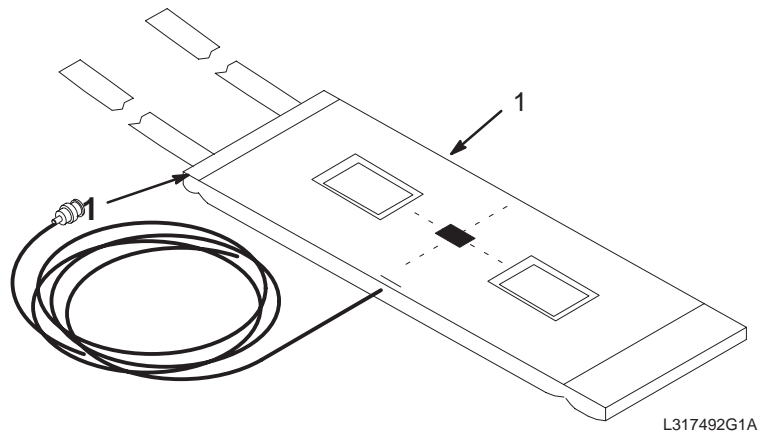
Item	Part Number	FRU	Name	Quantity	Description (Remarks)
1	2127315	2	3" RD CL	1	860-950222 3 IN ROUND COIL

CATALOG M1085GF FRU N 1.5T GENERAL PURPOSE FLEX COIL

Item	Part Number	FRU	Name	Quantity	Description (Remarks)
1	2320288	1	ASSEMBLY	1	GP FLEX COIL ASSEMBLY - 1.5T SIGNA
2	2324477	2	ASSEMBLY	1.0	COAXIAL CABLE ASSEMBLY

1.5T GENERAL PURPOSE FLEX COIL

M1085GR



CATALOG M1085GR FRU N 1.5T GENERAL PURPOSE FLEX COIL

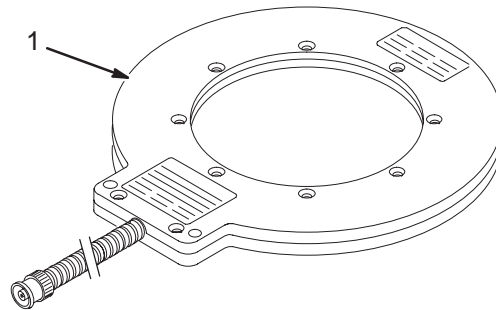
Item	Part Number	FRU	Name	Quantity	Description (Remarks)
1	2135236	N	COLLECTOR	1	GP FLEX COIL (SEE PAGE 11-67)

GP FLEX COIL 2135236 FRU N (PART OF M1085GR PAGE 11-67)

Item	Part Number	FRU	Name	Quantity	Description (Remarks)
1	2128554	2	GP FLEX COIL	1	GP FLEX COIL
3	2128557	2	GORE FRU	X	CABLE KIT
4	2128557-2	2	GORE FRU	X	COMPONENT COVER
5	2128557-3	2	GORE FRU	X	DIODE

1.5T 5 INCH ROUND SURFACE COIL

M1085HA



L307080G1A

CATALOG

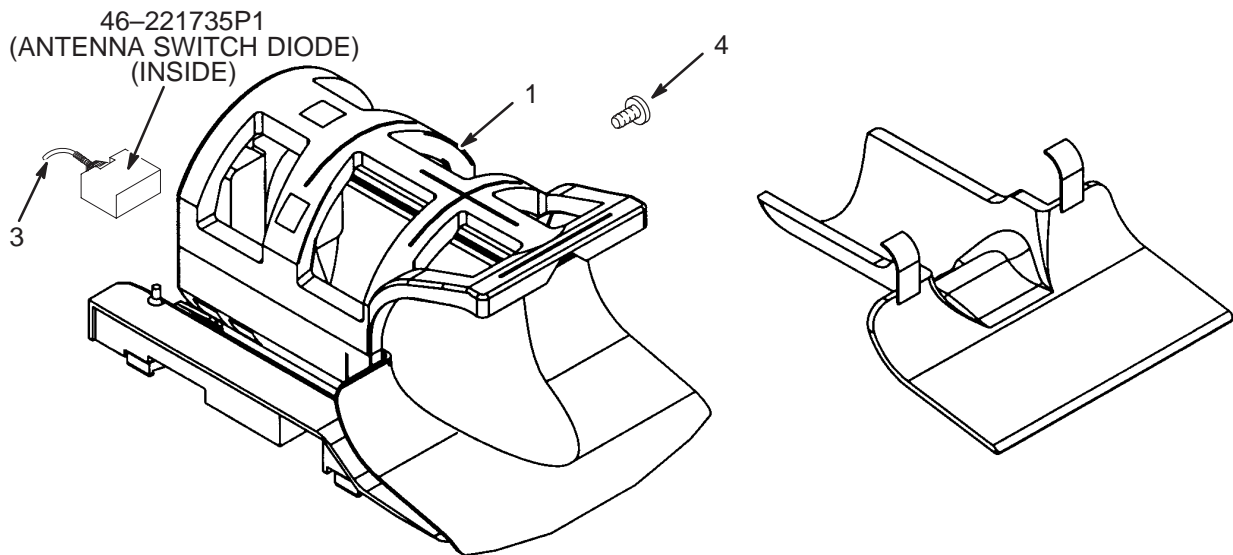
M1085HA FRU N

1.5T 5 INCH ROUND SURFACE COIL

Item	Part Number	FRU	Name	Quantity	Description (Remarks)
1	2127316	2	5" RD GP CL	1	5IN ROUND GENERAL PURPOSE COIL

1.5T NEUROVASCULAR COIL (HEAD/NECK)

M1085HN



CATALOG

M1085HN FRU N

1.5T NEUROVASCULAR COIL (HEAD/NECK)

Item	Part Number	FRU	Name	Quantity	Description (Remarks)
1	2118138-5	1	COIL ASM	1	1.5T NEUROVASCULAR COIL (HEAD/NECK)
3	2100937-22	2	MEDRADFRU	XXX	MEDRAD 305003531 CABLE KIT
4	2100937-23	2	MEDRADFRU	XXX	MEDRAD 305001412 BASE LOCKING SCREW
	2383614	1	FRU	XXX	QUAD NV CABLE

CATALOG M1085NA FRU N MAI QUAD EXTREMITY COIL W/COIL ID

Item	Part Number	FRU	Name	Quantity	Description (Remarks)
1	2383613	N	SURF COIL	1	1.5T QUAD EXTREMITY COIL W/COIL ID (SEE PAGE 11-69)

MAI QUAD EXTREMITY COIL W/COIL ID 2383613 FRU N (PART 1 OF M1085NA PAGE 11-69)

Item	Part Number	FRU	Name	Quantity	Description (Remarks)
1	2383613-2	1	SURF COIL	1	1.5T QUAD EXTREMITY COIL W/COIL ID
	2383613-3	1	FRU	1	1.5T MAI QUAD KNEE CABLE
2	2383613-4	N	SURF COIL	1	1.5T QUAD EXTREMITY OPERATOR/SERVICE
3	2225478-7	N	COIL ASM	1	COIL,QUAD KNEE/FT VELCRO STRAP/LATCH
4	2225478-10	N	COIL ASM	1	PHANTOM
5	2225478-12	N	COIL ASM	1	MSDS FOR PHANTOM
6	2225478-13	N	COIL ASM	1	TIPS SHEET
7	E8800TD	N	CATALOG ITEM	1	QUAD EXTREMITY KNEE PAD
8	E8800TE	N	CATALOG ITEM	1	QUAD EXTREMITY LEG/FOOT SUPPORT PAD
9	E8800TG	N	CATALOG ITEM	1	QUAD EXTREMITY TOE PAD
10	E8800TF	N	CATALOG ITEM	1	QUAD EXTREMITY FOOT SUPPORT PAD
11	46-271203P1	N	PDM PART	1	LATCH AND KEEPER SET, POLYPROPYLENE

CATALOG M1085NJ FRU N 1.5T GENERAL PURPOSE COIL CABLE W/COIL ID

Item	Part Number	FRU	Name	Quantity	Description (Remarks)
1	2383623	1	SURFACE COIL	1	1.5T SINGLE CHANNEL RECEIVE ONLY

CATALOG M1085PA FRU N 1.5T QUAD EXTREMITY CABLE W/COIL ID

Item	Part Number	FRU	Name	Quantity	Description (Remarks)
2	2383613-3	1	SURF COIL	1	1.5T QUAD EXTREMITY CBL W/COIL ID

CATALOG M1085PB FRU N 1.5T T/R PA KNEE/FOOT CABLE W/COIL ID

Item	Part Number	FRU	Name	Quantity	Description (Remarks)
1	2293674-13	1	COIL ASM	1	MRID 1.5T KNEE/FOOT CABLE W/COIL ID

CABLE M1085PC FRU N 1.5T LINEAR EXTREMITY CABLE W/COIL ID

Item	Part Number	FRU	Name	Quantity	Description (Remarks)
1	2383622	2	SURFACE COIL	1	1.5T LINEAR EXTREMITY CBL WITH COIL ID

CATALOG M1085PD FRU N 1.5T QUAD NV CABLE W/COIL ID

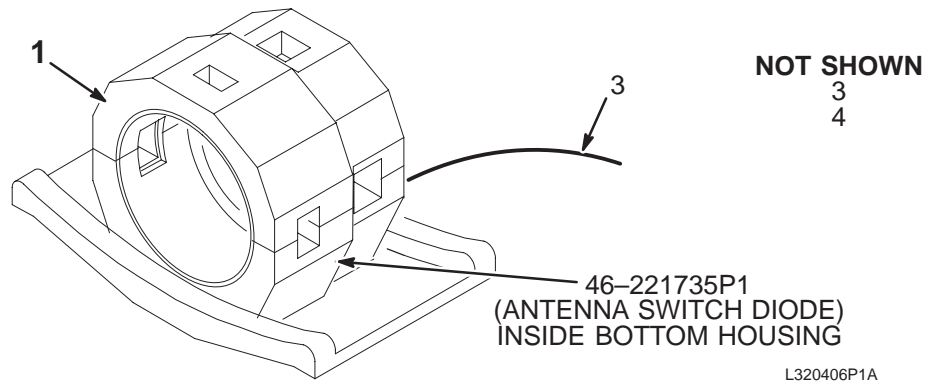
Item	Part Number	FRU	Name	Quantity	Description (Remarks)
1	2383614	1	SURF COIL	1	1.5T T/R QUAD NV CABLE WITH COIL ID

CATALOG M1085PJ FRU N 1.5T CLASSIC HEAD COIL CABLE W/COIL ID

Item	Part Number	FRU	Name	Quantity	Description (Remarks)
1	2384268	1	BOX	1	CLASSIC HEAD COIL CBL ASM W/COIL ID

1.5T PHASED ARRAY KNEE COIL

M1087AA



CATALOG

M1087AA FRU N

1.5T PHASED ARRAY KNEE COIL

Item	Part Number	FRU	Name	Quantity	Description (Remarks)
1	2108820	N	1.5T KNEE AR	1	1.5T KNEE PHASED-ARRAY COIL (SEE PAGE 11-70)
3	2100937-10	2	MEDRAD FRU		MEDRAD 305001497 PA KNEE COIL CABLE
4	2100937-30	2	MEDRAD FRU		MEDRAD 3001271 KNEE ARRAY SMALL PARTS
5	2100937-31	2	MEDRAD FRU		MEDRAD 3001722 KNEE ARRAY PANT SHIELD

1.5T KNEE COIL

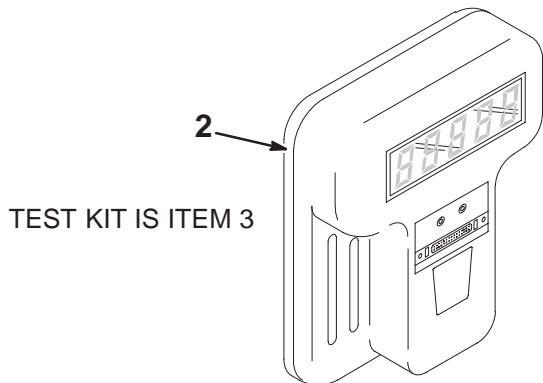
2108820 FRU N

(PART OF M1087AA PAGE 11-70)

Item	Part Number	FRU	Name	Quantity	Description (Remarks)
1	46-320406P1	1	KNEE ARRAY	1	1.5T SIGNA KNEE PHASED ARRAY COIL

1.5T AUTO TUNING DEVICE III

M1087AT



CATALOG

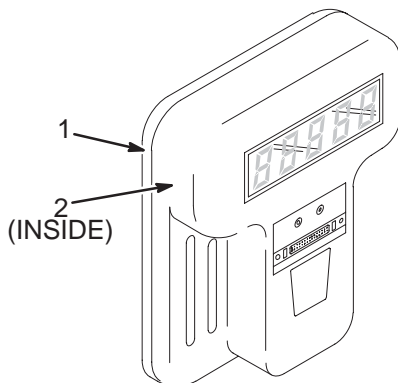
M1087AT FRU N

1.5T AUTO TUNING DEVICE III

Item	Part Number	FRU	Name	Quantity	Description (Remarks)
2	46-328534G2	1		XXX	REPLACEMENT 1.5T ATD III & I/F BD (SEE PAGE 11-71)
3	46-317824P1	2		XXX	MEDRAD 305000881 TEST COIL & PHANTOM

ATD III & I/F BOARD

46-328534G2



ATD III & I/F BOARD

46-328534G2 FRU 1

(PART OF M1087AT PAGE 11-71)

Item	Part Number	FRU	Name	Quantity	Description (Remarks)
1	46-317600P1	N	ATD III	1	USE 46-328534G2 AS FIELD REPLACEMENT
2	46-328131P2	1	I/F BOARD	1	MEDRAD 305003589 ATD III BOARD

CATALOG

M1087BT FRU N

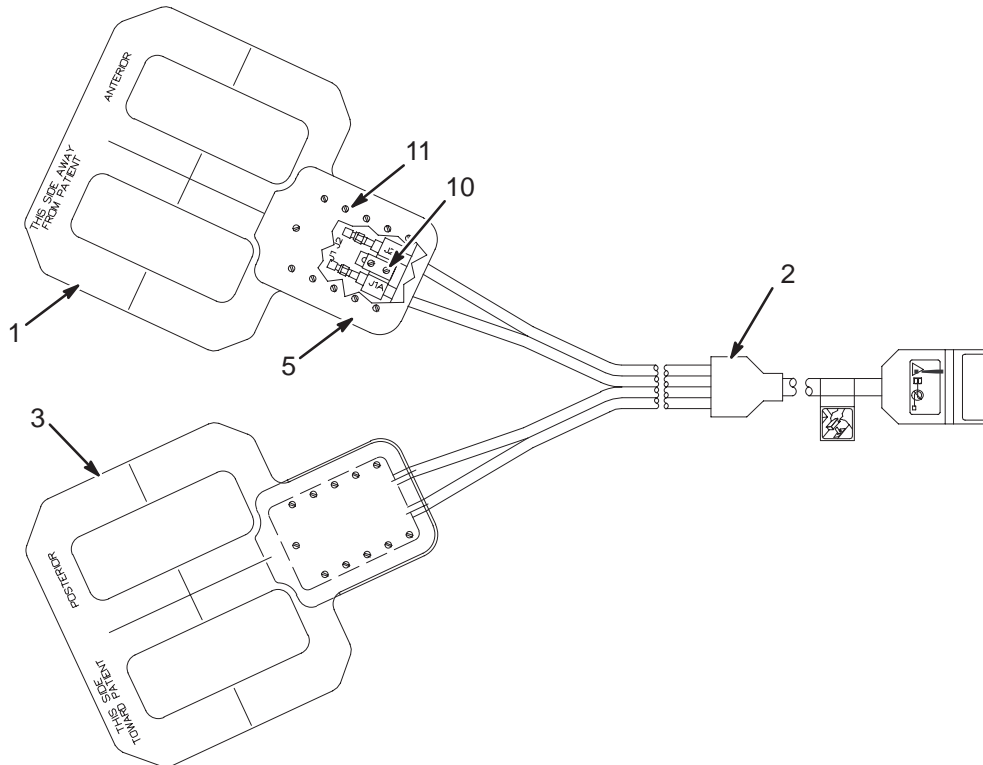
1.5T OPEN BREAST COIL

Item	Part Number	FRU	Name	Quantity	Description (Remarks)
2	2246360	1	COIL ASM	1	1.5T BREAST COIL
3	2246360-3	1		XXX	OPEN BREAST P/A COIL CABLE, 1.5T
4	2246360-5	N		XXX	OPEN BREAST P/A COIL RAMP PAD
5	2246360-6	N		XXX	OPEN BREAST P/A COIL STERNUM PAD
6	2246360-7	N		XXX	OPEN BREAST P/A COIL OPERATOR MANUAL
7	2246360-8	N		XXX	OPEN BREAST P/A COIL SERVICE MANUAL
8	2246360-9	2		XXX	OPEN BREAST PHANTOM POSITIONER
10	46-317586G1	2		XXX	4.38", SURFACE COIL, NICKEL CHLORIDE

CATALOG M1087CA FRU N 1.5T CARDIAC PHASED ARRAY IMAGING COIL

Item	Part Number	FRU	Name	Quantity	Description (Remarks)
1	2174499	1	ASSEMBLY	1	CARDIAC ARRAY – 1.5T (SEE PAGE 11–72)
2	2208990	N	PART	1	HEAD END CARDIAC PAD – ORDER E8802CA
3	2213746	2	PART	1	FOOT END CARDIAC/TORSO PAD – ORDER E8802CB
4	2211425	2	STRAP,ADJ.	2	6"W X 60" LONG POLYNAP STRAP – ORDER E8900AE (QTY 2)
100	2200460–100	N	OPERATOR MAN	1	1.5T SIGNA CARDIAC ARRAY OP MAN
101	2202522	N	DIRECTION	1	CARDIAC PHASED ARRAY COIL

1.5T CARDIAC PHASED ARRAY COIL 2174499



1.5T CARDIAC PHASED ARRAY COIL 2174499 FRU 1 (PART 1 OF M1087CA PAGE 11–72)

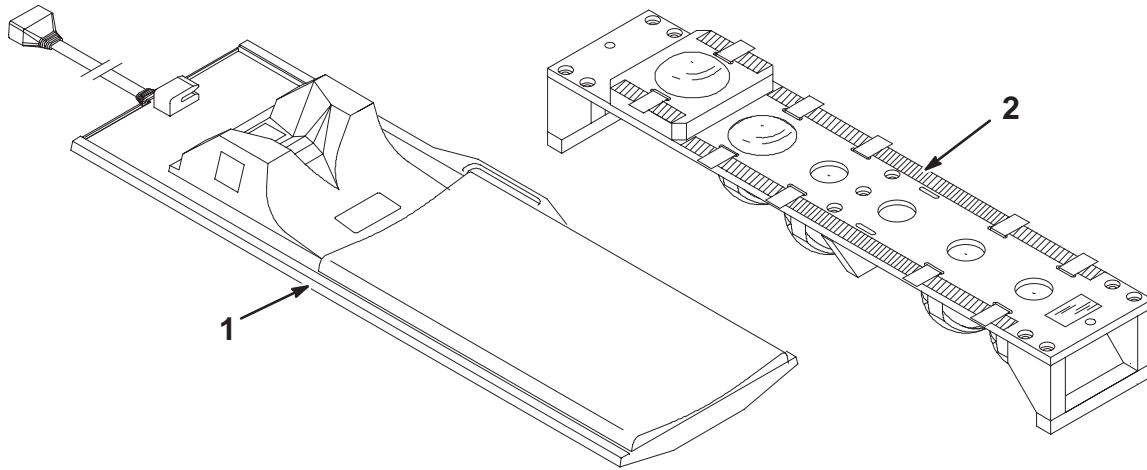
Item	Part Number	FRU	Name	Quantity	Description (Remarks)
4	5110652	N	PDM COLLECTO	1.0	NMR – 1.5T CARDIAC CABLE AND PADDLE (SEE PAGE 11–72)
5	2223669	2	COVER	2	COVER FOR CARDIAC ARRAY SURFACE COIL
10	46–208922P4	N	PDM PART	4	.0375" LONG
11	46–230008P14	2	SCREW	22	SCREW

1.5T CARDIAC CABLE AND PADDLE 5110652 FRU N (PART 4 OF 2174499 PAGE 11–72)

Item	Part Number	FRU	Name	Quantity	Description (Remarks)
1	2189499	1	ASSEMBLY	1	CARDIAC COIL ASM – ANTERIOR
2	2215748	1	CABEL,ASSY.	1	CABLE ASSEMBLY FOR 1.5T CARDIAC COIL
3	2189499–2	1	ASSEMBLY	1	CARDIAC COIL ASM – POSTERIOR

1.5T PHASED ARRAY CERVICAL THORACIC LUMBAR (CTL) COIL FOR HORIZON

M1087CT



CATALOG M1087CT FRU N 1.5T CTL COIL FOR HORIZON

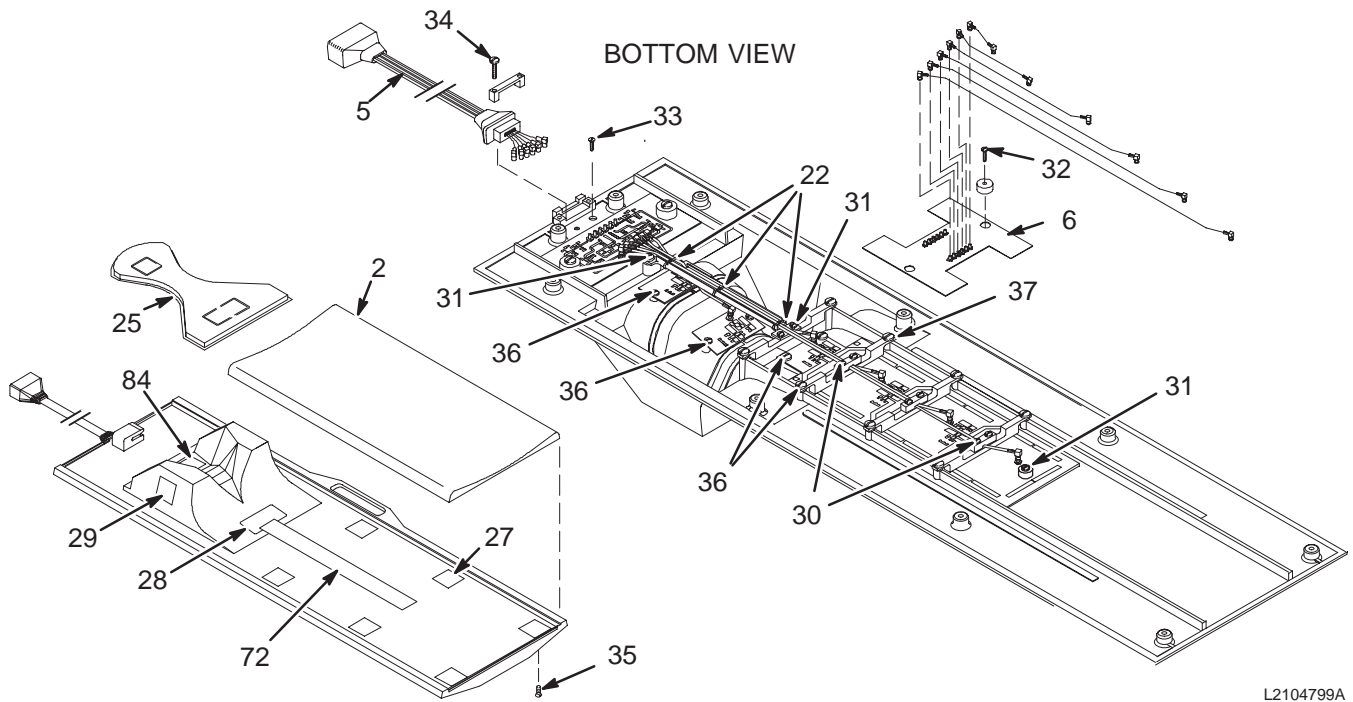
Item	Part Number	FRU	Name	Quantity	Description (Remarks)
1	2104799	1	CTL ARRAY	1	1.5T CTL MULTICOIL ASM W/NEW STYLE (SEE PAGE 11-74)
2	46-317605G1	2	CTL PHANTOM	1	CTL POSITIONER/PHANTOM ASSEMBLY (SEE PAGE 11-75)

CATALOG M1087CY FRU N 1.5T SIGNA QUAD IMAGING PREAMP KIT

Item	Part Number	FRU	Name	Quantity	Description (Remarks)
2	46-328040G2	N	PRE AMP ASM	2	1.5T PREAM ASM WITH RIGHT ANGLE (SEE PAGE 11-45)
25	2212189	2	PRE AMP MOUN	2	PREAMP SUPPORT ASSEMBLY LPCC W/PA
28	2214665	2	CABLE	1	LPCC PREAMP #1 INPUT SHIELDED CABLE
29	2214665-8	2	CABLE	1	LPCC PREAMP #8 INPUT SHIELDED CABLE
30	2238944	N	DIRECTION	1	SIGNA PRE-AMPLIFIER INSTALLATION
31	46-208758P3	2	TY-RAP	6	7.31" X .184" SELF-LOCKING CABLE TIE
32	46-220184P42	2	SCREW	4	BRS SLOTTED RND HD SCR 10-32 X 5/8"
33	46-208921P7	2	SCREW	4	SCREW

1.5T CTL SPINE COIL

2104799



L2104799A

1.5T CTL MULTICOIL ASM

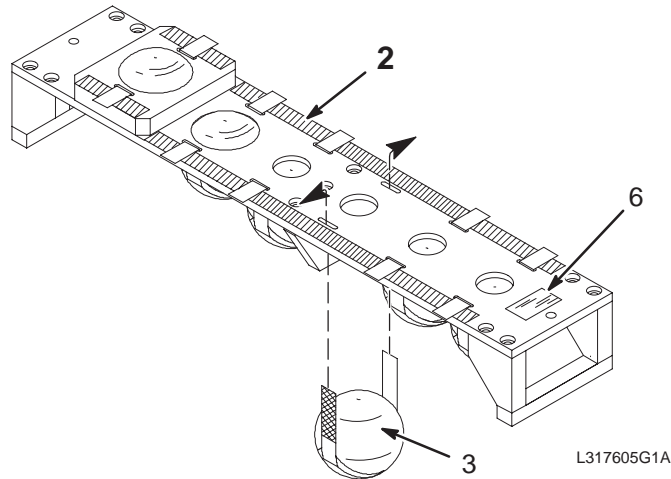
2104799 FRU 1

(PART OF M1087CT PAGE 11-73)

Item	Part Number	FRU	Name	Quantity	Description (Remarks)
2	2195703	2	PART	1	CTL COIL PAD
5	2133085	2	CABLE ASM	1	MULTICOIL CABLE, 1.5T
6	2121448	2	CIRCUIT BOAR	1	CTL PHASE ADJUST BOARD
22	46-208758P8	2	TY-RAP	4	5.50" X .140" SELF-LOCKING CABLE TIE
25	46-307593P1	2	PAD	1	NECK COIL PAD, NYLON W/VELCRO HOOKS
27	46-317475P1	2	VELCRO LOOPS	6	2"W X 2"L, WHITE, ADHESIVE BACKED
28	46-317475P2	2	VELCRO LOOPS	1	2"W X 4"L, WHITE, ADHESIVE BACKED
29	46-317476P2	2	VELCRO HOOKS	2	2"W X 4"L, WHITE, ADHESIVE BACKED
30	46-230007P9	2	SCREW	5	10-32 X 5/8" BIND HEAD SLOT, DELRIN
31	46-230007P8	2	SCREW	5	10-32 X 3/8" BIND HEAD SLOT, DELRIN
32	46-220184P40	2	SCREW	2	10-32 X 3/8", ROUND HEAD SLOT, BRASS
33	46-208913P12	2	SCREW	2	10-32 X 1/2", SLOT FLAT-HEAD, BRASS
34	46-220184P45	2	SCREW	2	10-32 X 1", ROUND HEAD SLOT, BRASS
35	46-220184P41	2	SCREW	10	10-32 X 1/2" SLOT ROUND HEAD, BRASS
36	46-230007P13	2	SCREW	4	10-32 X 1 SLOTTED BINDING HEAD
37	46-220184P42	2	SCREW	8	10-32 X 5/8", ROUND HEAD SLOT, BRASS
41	46-313398P1	2	MECHANICAL/M	AR	TIN63/LEAD37, ROSIN CORE, 0.062" DIA
47	46-317676P1	2	CHIN STRAP	5	24" LONG, WHITE VELCRO LOOP
48	46-317677P1	2	FOR'HD STRAP	5	24" LONG, 1" WIDE, WHITE VELCRO LOOP
72	46-317475P4	2	VELCRO LOOPS	1	2" W X 18" L, WHITE, ADHESIVE BACKED
77	46-307011P1	2	ROUND SPACER	1	0.312 OD. 0.193 ID. .25" LONG, NYLON
79	46-282398P1	2	TAPE	AR	ADHESIVE TRANSFER TAPE, TYPE A-25.
84	46-317475P5	2	VELCRO LOOP	1	2" W X 7" L, WHITE, ADHESIVE BACKED

CTL POSITIONER/PHANTOM ASM

46-317605G1



1.5T CTL PHANTOM ASM

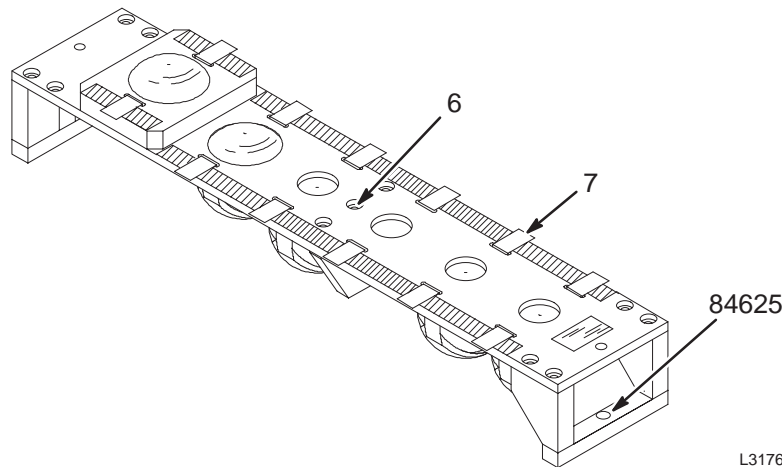
46-317605G1 FRU 2

(PART OF M1087CT PAGE 11-73)

Item	Part Number	FRU	Name	Quantity	Description (Remarks)
2	46-317641G1	N	HOLDER ASM	1	CTL PHANTOM ASM (SEE PAGE 11-75)
3	46-317586G1	2	SPHERE W/SOL	6	4.38", SURFACE COIL, NICKEL CHLORIDE
6	46-317781P1	2	LABEL	1	NICKEL (SUSPECT CARCINOGEN) WARNING!

CTL PHANTOM ASM

46-317641G1



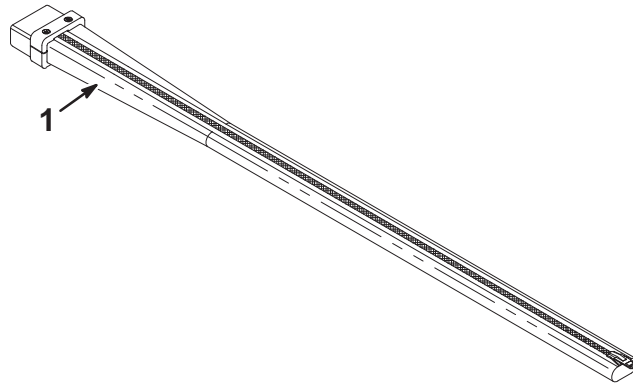
CTL PHANTOM ASM

46-317641G1 FRU N

(PART OF 46-317605G1 PAGE 11-75)

Item	Part Number	FRU	Name	Quantity	Description (Remarks)
6	46-265486P14	2	SCREW,MACH	15	3/8-16 X 3/4" PAN HEAD SCREW, DELRIN
7	46-317646P1	2	STRAP ASM	6	4.38" SPHERE MOUNTING, VELCRO LOOPS
84265	46-265486P5	2	SCREW,MACH	2	1/4-20 X 1.00 PAN HEAD DELRIN

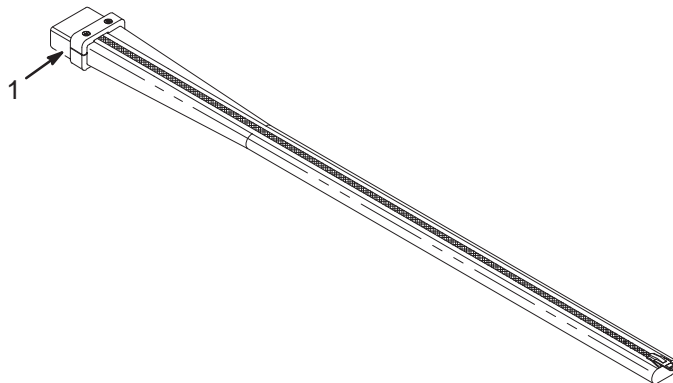
1.5T PHASED ARRAY DUAL-COIL ADAPTER M1087DA



CATALOG M1087DA FRU N 1.5T PHASED ARRAY DUAL-COIL ADAPTER

Item	Part Number	FRU	Name	Quantity	Description (Remarks)
1	2102291	N	COLLECTOR	1	1.5T SIGNA DUAL ARRAY OPTION (SEE PAGE 11-76)

1.5T DUAL-COIL CONNECTOR 2102291



1.5T DUAL-COIL CONNECTOR 2102291 FRU N (PART OF M1087DA PAGE 11-76)

Item	Part Number	FRU	Name	Quantity	Description (Remarks)
1	46-328215P1	1	CONNECTOR	1	1.5T DUAL-COIL CONNECTOR AND SLEEVE

CATALOG M1087E FRU N 1.5T PHASED ARRAY T/R KNEE/FOOT IMAGING COIL

Item	Part Number	FRU	Name	Quantity	Description (Remarks)
1	2293674	N	COIL ASM	1	1.5T PA TR KNEE/FOOT IMAGING OPTION (SSE PAGE 11-77)

1.5T PA T/R KNEE/FOOT IMAGING COIL 2293674 FRU N (PART OF M1087E PAGE 11-77)

Item	Part Number	FRU	Name	Quantity	Description (Remarks)
1	2293674-2	1	COIL ASM	1	1.5T PA TR KNEE/FOOT PA COIL W/CABLE
	2293674-8	1	FRU	1	1.5T PA TR KNEE/COIL CABLE
2	2293674-3	1	COIL ASM	1	PHANTOM 1.5T PA TR KNEE/FOOT
4	2293674-5	1	COIL ASM	1	1.5T PA TR KNEE/FOOT PHANTOM POS'NER
5	2293674-6	N	COIL ASM	1	1.5T PA TR KNEE/FOOT COIL OP MANUAL
6	2293674-7	N	COIL ASM	1	1.5T PA TR KNEE/FOOT CL SERVICE DIR
7	2293674-9	N	COIL ASM	1	1.5T PA TR KNEE SUPPORT PAD(E8801NG)
8	2293674-10	N	COIL ASM	1	1.5T TR FOREFOOT WEDGE PAD (E8801NH)
9	2293674-11	N	COIL ASM	1	1.5T T/R KNEE SUPPORT PAD (E8801NJ)
10	2293674-12	N	COIL ASM	1	T/R ALT KNEE SUPPORT PAD (E8801NK)
	2293674-13	1	FRU	1	1.5T PA TR KNEE/COIL CABLE W/COIL ID
	2293674-14	1	FRU	1	1.5T PA TR KNEE/COIL COIL W/COIL ID

CATALOG M1087EE FRU N SURFACE COIL POSITIONER/HEAD HOLDER

Item	Part Number	FRU	Name	Quantity	Description (Remarks)
1	46-258800G1	N	POSITIONER	1	SURFACE COIL POSITIONER/HEAD HOLDER (SEE PG 11-77)

SURFACE COIL PSTNR/HD HOLDER 46-258800G1 FRU N (PART 1 OF M1087EE PAGE 11-77)

Item	Part Number	FRU	Name	Quantity	Description (Remarks)
2	46-258791P1	2	SUPPORT TOP	1	SLOTTED-ADJUST COIL POSITION BRACKET
3	46-258792P1	2	SUPT HOLDER	2	COIL HOLDER SHAFT CLAMP BLOCK, DELRIN
4	46-258794P1	2	LOCK HOLDER	2	COIL HOLDER SHAFT SUPPORT, DELRIN
5	46-258795P1	2	SLIDE INNER	2	COIL POSITION BRACKET CLAMPING BAR
6	46-258796P1	2	SLIDE OUTER	2	SLOTTED EXTENSION ADJUST BRACKET
7	46-258797P1	2	NUT BLOCK	2	EXTENSION POSITION CLAMP NUT, 3/8-16
8	46-258799G1	2	CLAMP KNOB	2	COIL HOLDER LOCK KNOB, 3/8-16 X 5/8"
9	46-258799G2	2	CLAMP KNOB	2	EXTENSION LOCKING KNOB, 3/8-16 X 1/2
10	46-258799G3	2	CLAMP KNOB	1	CRADLE CLAMP LOCK KNOB, 3/8-16 X 1.5
11	46-258801P1	2	PUSH BLOCK	1	CRADLE CLAMP PUSHER BLOCK, DELRIN
12	46-258802P1	2	RAIL CLAMP	2	SLIDING CRADLE RAIL CLAMP
13	46-258832G1	2	HEAD HOLDER	1	HEAD HOLDER & COIL POSITIONER BASE
14	46-258833P1	2	PDM PART	2	1" DIA. .44" HOLE, 1/8" THK, DELRIN
15	46-258824P1	2	HOLDER SHAFT	2	SURFACE COIL HOLDER PIVOT SHAFT
16	46-258825P1	2	COIL HOLDER	2	SURFACE COIL HOLDER, POLYCARBONATE
17	46-258826P1	2	HOLDER CLAMP	2	COIL HOLDER CLAMP PLATE, DELRIN
18	46-258837P1	2	CLAMP KNOB	2	SURFACE COIL CLAMP KNOB, 1/4-20 THRD
19	46-208914P8	2	PDM PART	4	SCREW
20	46-208922P21	2	PDM PART	4	SCREW
21	46-208922P20	2	PDM PART	2	SCREW
22	46-208943P4	2	PDM PART	4	001/4-20 .438 HEX X .186 THK NYLON
23	46-221553P27	2	PDM PART	4	001/4-20 X 1.000 LG HEX SOC HD NYLON
30	46-136246P14	2	TAPE	1.333	2" WIDE, WHT, ADH BACK, VELCRO LOOP
32	46-282819G1	2	FASTENER KIT	1	SURFACE COIL CABLE VELCRO KIT, QUAD

CATALOG M1087HW FRU N 1.5T HIGH RES WRIST ARRAY COIL

Item	Part Number	FRU	Name	Quantity	Description (Remarks)
1	2293670	N	COIL ASM	1	1.5T HI RES WRIST ARRAY COIL (SEE PAGE 11-78)

1.5T HIGH RES WRIST ARRAY COIL 2293670 FRU N (PART OF M1087HW PAGE 11-78)

Item	Part Number	FRU	Name	Quantity	Description (Remarks)
1	2293670-2	1	COIL ASM	1	1.5T HI RES WRIST W/BASEPLATE ASM
2	2293670-3	1	COIL ASM	1	WRIST PHANTOM
3	2293670-4	1	COIL ASM	1	PHANTOM HOLDER
4	2293670-5	N	COIL ASM	1	OPERATOR MANUAL
5	2293670-6	N	COIL ASM	1	SERVICE MANUAL
6	2293670-7	N	COIL ASM	1	SMALL WRIST PAD A, PALM R, E8801W
7	2293670-8	N	COIL ASM	1	SMALL WRIST PAD B, BACK, E8801WA
8	2293670-9	N	COIL ASM	1	LARGE WRIST PAD A, PALM R, E8801WB
9	2293670-10	N	COIL ASM	1	LARGE WRIST PAD B, BACK, E8801WC
10	2293670-11	N	COIL ASM	1	BASEPLATE PAD, E8801WD

CATALOG M1087N FRU N 1.5T MRID NEUROVASCULAR ARRAY COIL

Item	Part Number	FRU	Name	Quantity	Description (Remarks)
2	2225476	N	COIL ASM	1	COIL,MR 1.5T NEUROVASCULA
3	2225476-2	1		XXX	COIL ASM.
4	2225476-3	1		XXX	CABLE ASM.
5	E8800LD	2		XXX	PAD, NEUROVASCULAR ARRAY
6	2225476-4	N		XXX	NEUROVASCULAR COIL OPERATOR MAN
7	2225476-5	N		XXX	NEUROVASCULAR COIL SERVICE MANL
8	2225476-6	1		XXX	NEUROVASCULAR COIL LATCHES
10	2293668-7	1	COIL ASM	1	NEUROVASCULAR PHANTOM POSITIONER

CATALOG M1087NB FRU N 1.5T NEUROVASCULAR ARRAY COIL W/NEW TOP

Item	Part Number	FRU	Name	Quantity	Description (Remarks)
1	2293668	N	COIL ASM	1	1.5T NEUROVASCULAR ARRAY W/NEW TOP

1.5T NV ARRAY W/NEW TOP 2293668 FRU N (PART OF M1087NB PAGE 11-78)

Item	Part Number	FRU	Name	Quantity	Description (Remarks)
2	2293668-2	1	COIL ASM	1	1.5T NEUROVASCULAR ARRAY W/CABLE
3	2293668-3	N	COIL ASM	1	1.5T NEUROVASCULAR ARRAY OP MANUAL
4	2293668-4	N	COIL ASM	1	1.5T NEUROVASCULAR ARRAY SERVICE DIR
5	2293668-5	N	COIL ASM	1	NEUROVASCULAR ARRAY WEDGE PAD
6	2293668-6	N	COIL ASM	1	NEUROVASCULAR ARRAY PAD
7	2293668-7	1	COIL ASM	1	NEUROVASCULAR PHANTOM POSITIONER
	2293668-8	1	FRU	1	NV ARRAY CABLE - HD COMPATABLE
	2225476-3	1	FRU	XXX	CABLE ASM.
	2225476-6	1	FRU	XXX	NEUROVASCULAR COIL LATCHES

CATALOG M1087NC FRU N MEDRAD 1.5T 4 CHANNEL NEUROVASCULAR IMAGING

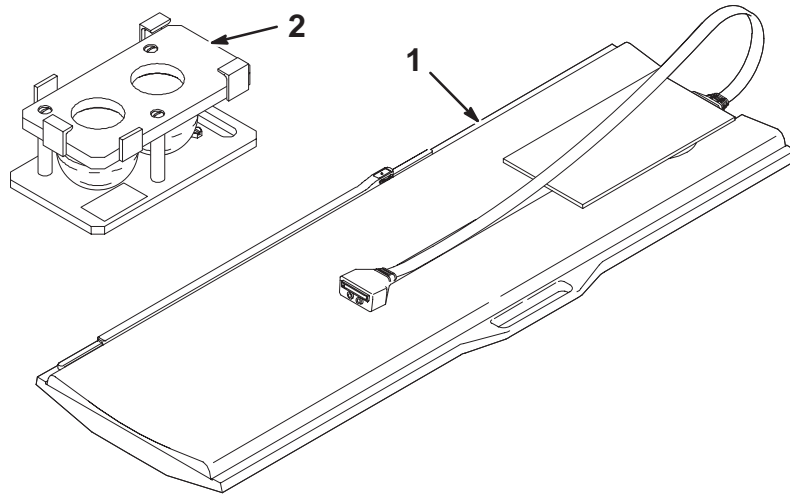
Item	Part Number	FRU	Name	Quantity	Description (Remarks)
1	2330440	N	SURF COIL	1	MEDRAD 1.5T 4CHANNEL NV COIL (SEE PAGE 11-79)

CATALOG 2330440 FRU N (PART OF M1087NC PAGE 11-79)

Item	Part Number	FRU	Name	Quantity	Description (Remarks)
2	2330440-2	1	SURF COIL	1	MEDRAD 1.5T 4CHANNEL NV COIL W/CABLE
3	46-265826G6	1	SPHERE W/SOL	1	TLT HEAD SPHERE WITH NICKLE CLORIDE
4	2330440-4	1	SURF COIL	1	MEDRAD 1.5T 4CH NV PHANTOM POSITIONR
5	2330440-5	N	SURF COIL	1	MEDRAD 1.5T 4CH NV OPERATOR MANUAL
6	2330440-6	N	SURF COIL	1	MEDRAD 1.5T 4CH NV SERVICE MANUAL
7	2330440-7	N	SURF COIL	1	MEDRAD 1.5T 4CH NV COMFORT PAD
8	2330440-8	N	SURF COIL	2	MEDRAD 1.5T 4CH NV POSITIONING PAD
9	2330440-9	N	SURF COIL	1	MEDRAD 1.5T 4CH NV DISPOSABLE LINERS

1.5T PHASED ARRAY PELVIC COIL

M1087PA



CATALOG

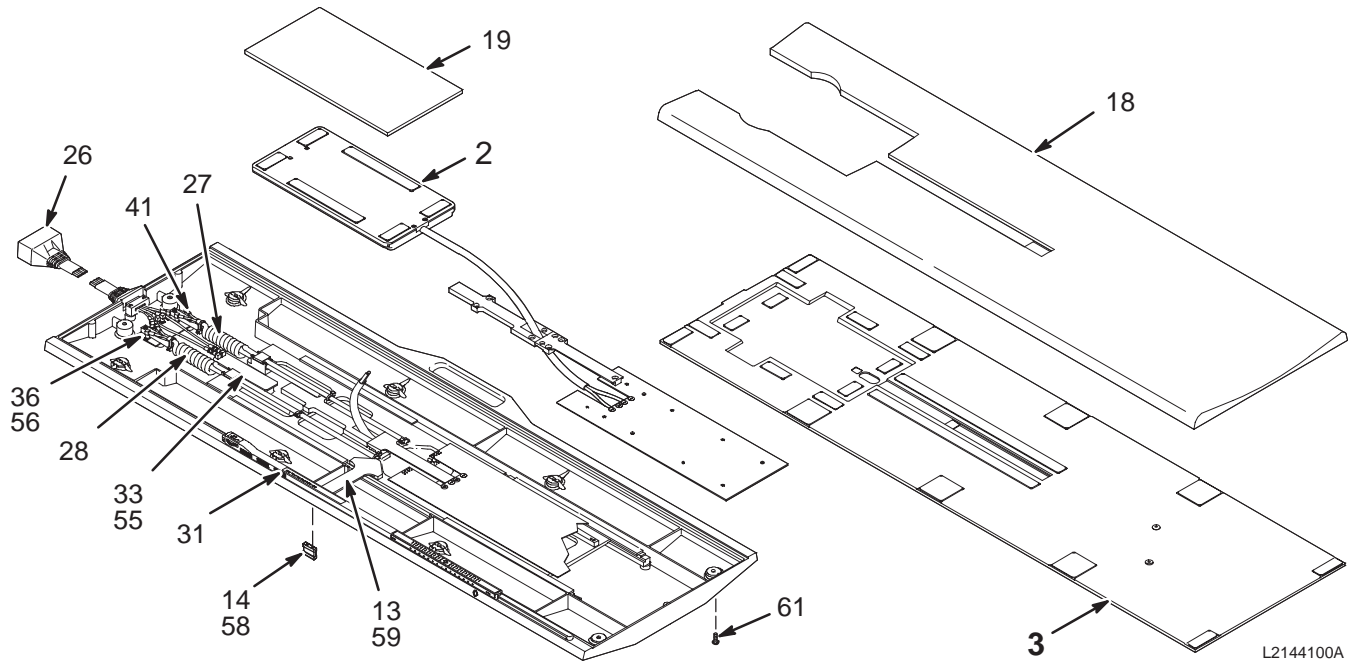
M1087PA FRU N

1.5T PHASED ARRAY PELVIC COIL

Item	Part Number	FRU	Name	Quantity	Description (Remarks)
1	2144100-2	1	PELVIC COIL	1	1.5T SIGNA PELVIC COIL (SEE PAGE 11-81)
2	46-306594P1	N	STRAP	1	ORDER E8802MC FOR 14 X 46 REPLACEMENT STRAP
3	46-317626G1	2	P/U PHANTOM	1	PROSTATE/UTERINE PHANTOM ASM (SEE PAGE 11-83)

1.5T PROSTATE/UTERINE COIL ASM

2144100



1.5T SIGNA PELVIC COIL

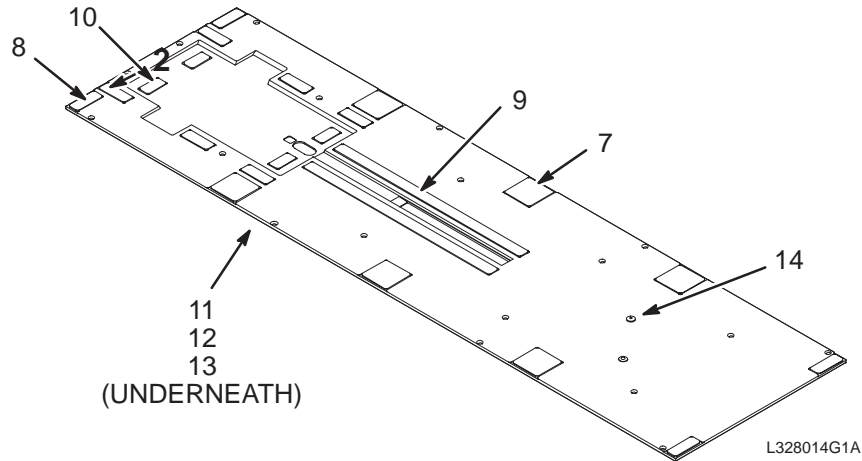
2144100-2 FRU 1

(PART OF M1087PA PAGE 11-80)

Item	Part Number	FRU	Name	Quantity	Description (Remarks)
2A	2144101-3	N	BOX	1	PELVIC ENCLOSURE ASM
2B	2144101-2	N	BOX	ALT	PELVIC ENCLOSURE ASM
3	46-328014G1	N	COVER PLT	1	BUCKY TRAY COVER PLATE ASSEMBLY (SEE PAGE 11-82)
13	46-307992P1	2	ARM	1	SLIDE PLATE ACTUATOR, DELRIN
14	46-307993P1	2	SPACER	1	.79"H X 1"W, 1/4" DELRIN, 6-32 HOLES
18	46-317449P1	2	COMFORT PAD	1	GREY NYLON FABRIC W/VELCRO HOOKS
19	46-317450P1	2	ENCL PAD	1	GREY NYLON FABRIC W/VELCRO HOOKS
26	46-307821G1	1	CABLE ASM	1	CABLE
27	46-317152P1	2	CABLE ASSEM	1	COILED CABLE, 2-COAX; 16-26, 15-25
28	46-317152P2	2	CABLE ASSEM	1	COILED CABLE, 2-COAX; 14-24, 13-23
31	46-317714P1	2	LABEL	1	"RAISE TABLE SIDE RAILS DURING EXAM"
33	46-288830G1	2	CIRCUIT BD	1	DUMMY INTERFACE BOARD FOR PROBE
36	2144806	1	CIRCUIT BOAR	1	1.5T PHASE ADJUST
41	46-208758P8	2	TY-RAP	6	5.50" X .140" SELF-LOCKING CABLE TIE
47	46-230007P5	2	SCREW	12	6-32 X 3/8" BIND HEAD SLOT, DELRIN
48	46-208921P22	2	SCREW	12	6-32 X 5/8", BRASS
49	46-230008P9	2	SCREW	10	4-40 X 5/8" LG FLAT HD, DELRIN
51	46-230008P1	2	SCREW	4	10-32 X 1/2", DELRIN
52	46-230008P11	2	SCREW	7	10-32 X 5/8" LG FLAT-HD, DELRIN
54	46-208921P5	2	SCREW	9	6-32 X 3/8", BRASS
55	46-208921P4	2	SCREW	2	6-32 X 1/4", BRASS
56	46-208921P6	2	SCREW	4	6-32 X 1/2", BRASS
57	46-208921P10	2	SCREW	2	10-32 X 7/8", BRASS
58	46-208913P26	2	SCREW	4	6-32 X 3/8" LG, SLOT FL HD BRS SCREW
59	46-208913P12	2	SCREW	3	10-32 X 1/2", SLOT FLAT-HEAD, BRASS
60	46-208913P9	2	SCREW	2	10-32 X 3/4" LG, SLOT FLAT-HD, BRASS
61	46-220184P41	2	SCREW	10	10-32 X 1/2" SLOT ROUND HEAD, BRASS

COVER PLATE ASM

46-328014G1



COVER PLATE ASM

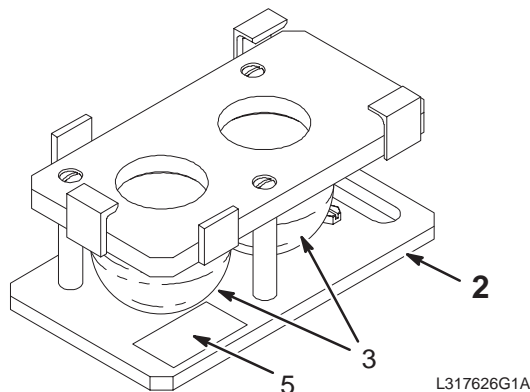
46-328014G1 FRU N

(PART OF 2144100 PAGE 11-81)
(PART OF 2104800 PAGE 11-105)

Item	Part Number	FRU	Name	Quantity	Description (Remarks)
7	46-317475P1	2	VELCRO LOOPS	6	2"W X 2"L, WHITE, ADHESIVE BACKED
8	46-317499P2	2	VELCRO LOOPS	10	3/4"W X 2"LG, ADHESIVE BACK, WHITE
9	46-317499P4	2	VELCRO LOOPS	2	3/4"W X 14.5"L, ADHESIVE BACK, WHITE
10	46-317500P1	2	VELCRO HOOKS	4	3/4"W X 1.5"LG, ADHESIVE BACK, WHITE
11	46-282610P1	2	RUBBER BAND	AR	#33 SIZE, PURE RUBBER, 3-1/2 X 1/8"
12	46-230008P10	2	SCREW,MACH	1	6-32 X 0.375 LG FL HD DELRIN
13	46-208921P15	2	SCREW,MACH	4	2-56 X 0.250 LG BIND HD BRASS
14	46-317713P1	2	CAPLUG	2	FOR 1/4" SOCKET HD CAP SCREW, .5 DIA

PROSTATE/UTERINE PHANTOM ASM

46-317626G1



P/U PHANTOM

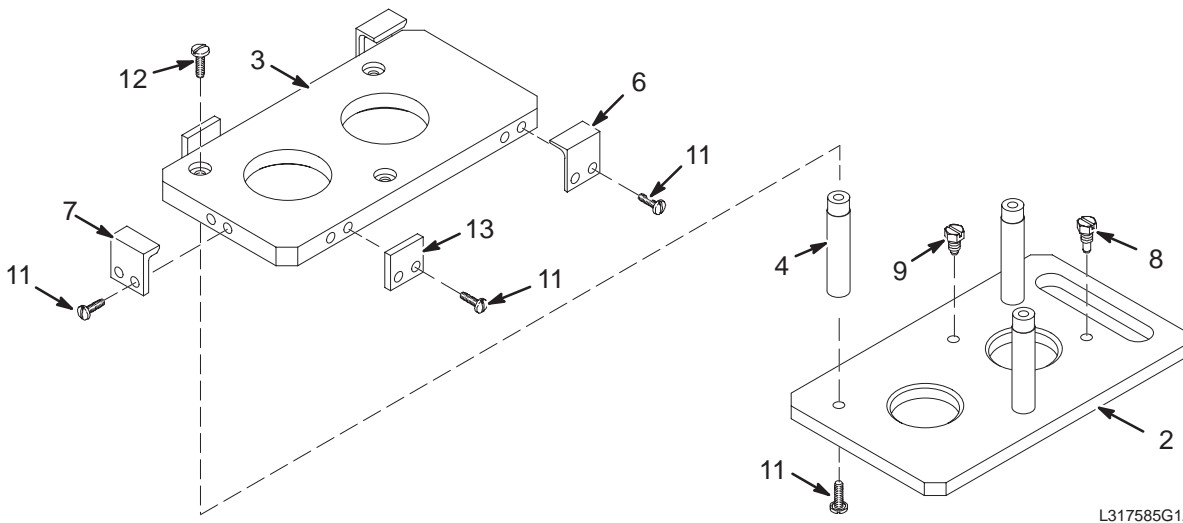
46-317626G1 FRU N

(PART OF M1087PA PAGE 11-80)
(PART OF M1887AC PAGE 11-104)

Item	Part Number	FRU	Name	Quantity	Description (Remarks)
2	46-317585G1	N	SNR PU PHANT	1	P/U PHANTOM HOLDER ASM (SEE PAGE 11-83)

P/U PHANTOM HOLDER ASM

46-317585G1



P/U PHANTOM HOLDER

46-317585G1 FRU N

(PART OF 46-317626G1 PAGE 11-83)

Item	Part Number	FRU	Name	Quantity	Description (Remarks)
2	46-317594P1	2	BASE PLATE	1	BASE PLATE
3	46-317593P1	2	TOP PLATE	1	TOP PLATE
4	46-317592P1	2	SPACER	3	SPACER
6	46-317590P1	2	L BRACKET	2	L BRACKE
7	46-317591P1	2	L BRACKET	1	L BRACKET
8	46-317589P1	2	SCREW	1	SCREW
9	46-317588P1	2	SCREW	1	SCREW
11	46-265486P14	2	SCREW,MACH	13	3/8-16 X 3/4" PAN HEAD SCREW, DELRIN
12	46-265486P15	2	SCREW,MACH	3	5/16-18 X 1 PAN HEAD DELRIN NATURAL
13	46-317742P1	2	SIDE PLATE	2	SIDE PLATE

CATALOG M1087PR FRU N 1.5T CARDIAC PERIPHERAL VASCULAR COIL

Item	Part Number	FRU	Name	Quantity	Description (Remarks)
1	2293676	N	COIL ASM	1	1.5T CVNV PV ARRAY COIL (SEE PAGE 11-84)

1.5T CARDIAC PV ARRAY COIL 2293676 FRU N (PART OF M1087PR PAGE 11-84)

Item	Part Number	FRU	Name	Quantity	Description (Remarks)
1	2293676-2	1	COIL ASM	1	1.5T CVNV PV ARRAY COIL ONLY
	2293676-3	1	FRU	1	1.5T CVNV PV ARRAY COIL SCABLE ONLY
2	2293676-4	1	COIL ASM	1	1.5T CVNV PV ARRAY COIL SNR PHANTOM
3	2192406-7	1	1.5T COIL	1	1.5T PV COIL—LOADING PHANTOM
4	2293676-6	1	COIL ASM	1	1.5T CVNV PV PHANTOM POSITIONER SET
5	2293676-7	N	COIL ASM	1	1.5T CVNV PV ARRAY COIL OPERATOR MAN
6	2293676-8	N	COIL ASM	1	1.5T CVNV PV ARRAY COIL SERVICE MAN
7	2293676-9	N	COIL ASM	1	1.5T CVNV PV COMFORT PAD (E8800SC)
8	2293676-10	N	COIL ASM	1	1.5T CVNV PV COIL RAMP PAD (E8800SA)
9	2285178-10	N	1.0T COIL	1	1.0T PA VASC VELCRO STRAP (E8800ZZ)
10	2293676-12	N	COIL ASM	1	1.5T CVNV PV CL FOAM BLOCK (E8800SD)
11	2285178-4	1	1.0T COIL	1	1.0T PA VASC PHANTOM STRAP

CATALOG M1087PW FRU N USAI 1.5T PERIPHERAL VASCULAR ARRAY COIL

Item	Part Number	FRU	Name	Quantity	Description (Remarks)
2	2192406	2	1.5T COIL	1	PERIPHERAL VASCULAR 1.5T
3	2192406-2	1		XXX	SIGNA 1.5T PV ARRAY CABLE ASM
4	2192406-12	1		XXX	1.5T PV COIL—PV ARRAY FRU
6	2192406-5	1		XXX	1.5T PV COIL—PIN DIODES
7	2192406-6	1		XXX	1.5T PV COIL—SNR PHANTOM
8	2192406-7	1		XXX	1.5T PV COIL—LOADING PHANTOM
10	2192406-9	1		XXX	1.5T PV COIL—PHANTOM POSITIONER SET
11	2192406-10	N		XXX	1.5T PV COIL—OPERATOR MANUAL
12	2192406-11	N		XXX	1.5T PV COIL—SERVICE MANUAL

CATALOG M1087SD FRU N MRID 1.5T SHOULDER ARRAY COIL

Item	Part Number	FRU	Name	Quantity	Description (Remarks)
2	2225252	N	PART	1	COIL, MR 1.5T SHOULDER P
3	2225252-7	1		XXX	SMALL COIL ASM.
4	2225252-6	1		XXX	LARGE COIL ASM.
5	2225252-5	2		XXX	BASEPLATE ASM.
6	E8800MD	2		XXX	PAD,COIL,SHOULDER PA
7	2225252-2	N		XXX	SHOULDER ARRAY OP MANUAL
8	2225252-3	N		XXX	SHOULDER ARRAY SERVICE MANUAL

CATALOG M1087SE FRU N USAI 1.5T SHOULDER COIL IMAGING OPTION

Item	Part Number	FRU	Name	Quantity	Description (Remarks)
1	U1-100256	N	ASSEMBLY	1	PHASED ARRAY SHOULDER COIL
2	U1-150350	N	PART	1	PATIENT PAD 1.5T SHOULDER COIL
3	U1-150325	N	ASSEMBLY	1	PACKING SET SHOULDER COIL 1.5T
4	2375136-6	N	SURFACE COIL	1	OPERATOR MANUAL
5	2375136-7	N	SURFACE COIL	1	SERVICE MANUAL
6	U1-997113	N	PART	1	CARTON LBL SHOULDER COIL INSTRUCTION
7	U1-997001	N	PART	2	CARTON LBL CE BLACK ON WHITE 2 12 X
8	U1-997002	N	PART	2	CARTON LBL TRANSPORT AND STORAGE
9	U1-997003	N	PART	2	CARTON LBL USAI LOGO
10	U1-150375	N	ASSEMBLY	1	STRAP SET TAL FIELD SHOULDER COIL
11	U1-997135	N	PART	2	MCAT PRODUCT ID LBL, GE 1.5T SHOULDE
12	U1-997136	N	PART	1	ICD CARD, GE 1.5T SHOULDER COIL
13	U1-997042	N	PART	2	ENCLOSURE ENVELOPE ICD CARD
14	U1-150412	N	ASSEMBLY	1	PHANTOM HOLDER TAL FIELD SHOULDER CO
15	U1-995025	N	PART	91.440	POLY TUBING 24 X 3 MIL

CATALOG M1087SH FRU N 1.5T SHOULDER PHASED ARRAY COIL

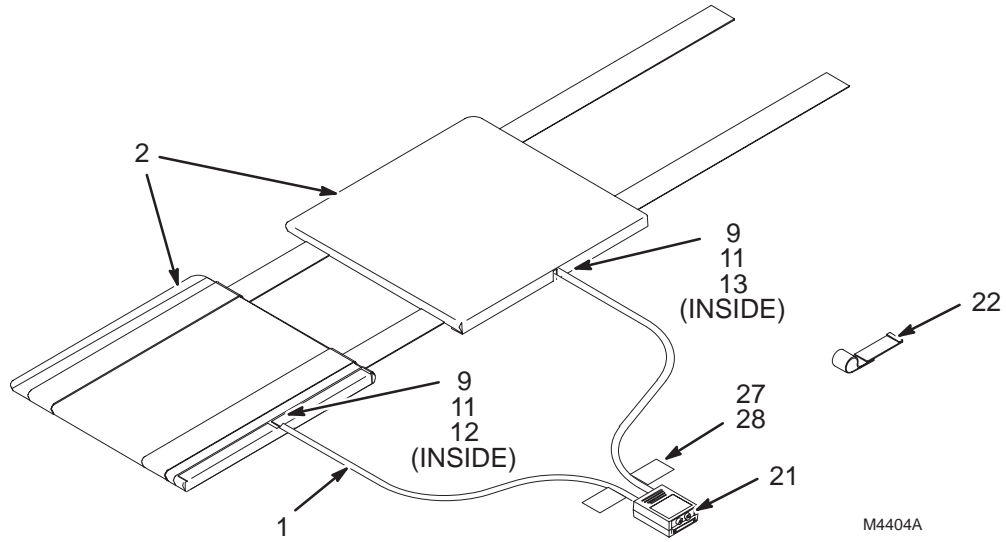
Item	Part Number	FRU	Name	Quantity	Description (Remarks)
3	2100937-17	1		XXX	MEDRAD 305002514 1.5T ANTERIOR W/CBL
4	2100937-18	2		XXX	MEDRAD 305002515 1.5T ANTERIOR CABLE
5	2100937-19	1		XXX	MEDRAD 305002516 1.5T POSTER'R W/CBL
6	2100937-20	2		XXX	MEDRAD 305002517 1.5T POSTERIOR CABL

CATALOG M1087SP FRU N USAI 1.5T CTL SPINE ARRAY COIL

Item	Part Number	FRU	Name	Quantity	Description (Remarks)
2	2225545	N	PART	1	COIL, MR, 1.5T CTL
3	2225545-6	1		XXX	1.5T CTL COIL W/CABLE & BRIDGE
4	2225545-2	1		XXX	CABLE ASM FRU FOR USAI CTL ARRAY;
5	2225545-3	2		XXX	PHANTOM, LOWER
6	2225545-4	2		XXX	PHANTOM, UPPER
7	2225545-5	N		XXX	OPERATOR MANUAL
8	2225545-8	1		XXX	ANTERIOR NECK COIL ASM 1.5T
9	2225545-9	1		XXX	C-SPINE ADAPTOR BLOCK, 1.5T
10	E8800PD	2		XXX	CTL FOAM PAD FOR 1.5T/1.0T COIL ASSY
11	E8800PE	2		XXX	PAD, C-SPINE, WEDGE
12	2225545-11	N		XXX	CTL SERVICE DIRECTION

1.5T TORSO PHASED ARRAY FLEX-COIL

M1087TA



CATALOG

M1087TA FRU N

1.5T TORSO PHASED ARRAY FLEX-COIL

Item	Part Number	FRU	Name	Quantity	Description (Remarks)
1	2104700-2	1	ARRAY ASM	1	1.5T TORSO PHASED ARRAY FLEX-COIL (SEE PAGE 11-86)
2	2106940	N	COVER SET	1	USE E8801S FOR REPLACEMENT COVERS
3	2108265	N	DIRECTION	1	SIGNA TORSO ARRAY COIL MANUAL
5	2129469-148	N	DIRECTION	1	TORSO ARRAY OP MAN - 6 LANGUAGES
7	2254932	1		XXX	GORE 1.5T TORSO ANT CABLE FRU KIT
8	2254933	1		XXX	GORE 1.5T TORSO POST CABLE FRU KIT

1.5T TORSO ARRAY

2104700-2 FRU 1

(PART OF M1087TA PAGE 11-86)

Item	Part Number	FRU	Name	Quantity	Description (Remarks)
9	46-208758P7	2	TY-RAP	2	8.00" X .130" SELF-LOCKING CABLE TIE
11	46-208913P26	2	SCREW	8	6-32 X 3/8" LG, SLOT FL HD BRS SCREW
12	2111763-7	2	LABEL	1	LABEL - BODY FLEX COIL-ANTERIOR 1.5T
13	2111763-8	2	LABEL	1	LABEL - BODY FLEX COIL-ANTERIOR 1.5T
21	46-282448P1	2	CONNECTOR	2	FEMALE FOR 1/4" PROBE, 15 A, WHITE
22	2106946-2	2	VELCRO TIE	2	VELCRO CABLE TIES
27	2146833	2	VINYL STRIP	1	WHITE VINYL STRIP, 1"X5", ADHES BACK
28	2146832	2	WARNING TAG	1	UFI WARNING TAG, ADHESIVE BACK

CATALOG

M1087TB FRU N

1.5T TORSO PHASED ARRAY COIL

Item	Part Number	FRU	Name	Quantity	Description (Remarks)
1	2230952	2	KIT OF PARTS	1	1.5T TORSO ARRAY PARTS COLLECTOR (SEE PAGE 11-87)

1.5T TORSO ARRAY PARTS

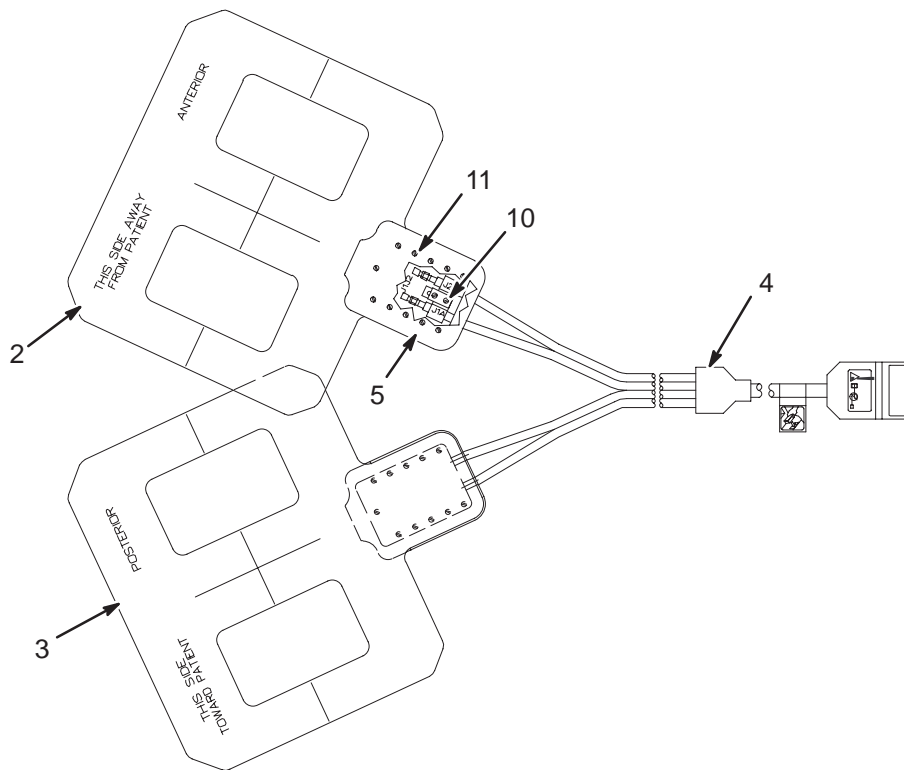
2230952 FRU 1

(PART OF M1087TB PAGE 11-87)

Item	Part Number	FRU	Name	Quantity	Description (Remarks)
1	2215261	1	ARRAY	1	TORSO ARRAY – 1.5T (SEE PAGE 11-87)
2	2218115	2	PART	1	HEAD END TORSO PAD – ORDER E8802C
3	2213746	2	PART	1	FOOT END CARDIAC/TORSO PAD – ORDER E8802CB
4	2211425	N	STRAP,ADJ.	2	6"W X 60" LONG POLYNAP STRAP – ORDER E8900AE (QTY 2)
100	2218411-148	N	OPERATOR MAN	1	TORSO ARRAY COIL MANUAL
101	2218805	N	DIRECTION	1	SIGNA TORSO PHASED ARRAY COIL

1.5T TORSO ARRAY COIL

2215261



1.5T TORSO ARRAY COIL

2215261 FRU 1

(PART 1 OF 2230952 PAGE 11-87)

Item	Part Number	FRU	Name	Quantity	Description (Remarks)
2	2215141	1	PART	1	1.5T TORSO ARRAY – ANTERIOR
3	2215141-2	1	PART	1	1.5T TORSO ARRAY – POSTERIOR
4	2215748-2	1	CABEL,ASSY.	1	CABLE ASSEMBLY FOR 1.5T TORSO COIL
5	2223669	2	COVER	2	CARDIAC ARRAY COVER
10	46-208922P4	2	SCREW	4	SCREW .0375" LONG
11	46-230008P14	2	SCREW	22	SCREW

CATALOG

M1087TP FRU N

1.5T TORSO PELVIS COIL

Item	Part Number	FRU	Name	Quantity	Description (Remarks)
1	2298043	N	COIL ASM	1	1.5T TORSO PELVIS COIL (SEE PAGE 11-88)

1.5T TORSO PELVIS COIL ASM

2298043 FRU N

(PART OF M1087TP PAGE 11-88)

Item	Part Number	FRU	Name	Quantity	Description (Remarks)
1	2298043-2	1	COIL ASM	1	1.5T TORSO PELVIS COIL ONLY
	2298043-3	1	FRU	XXX	1.5T TORSO PELVIS CABLE ASM
2	2298043-4	1	COIL ASM	1	1.5T TORSO PELVIS SNR PHANTOM ONLY
3	2298043-5	1	COIL ASM	1	1.5T TP PHANTOM POSITIONER SET ONLY
5	2298043-7	N	COIL ASM	1	1.5T TORSO PELVIS OPERATOR'S GUIDE
6	2298043-8	N	COIL ASM	1	1.5T TORSO PELVIS SERVICE MANUAL
7	2298043-9	N	COIL ASM	1	1.5T TORSO PELVIS ANTR PAD (E8800RB)
8	2298043-10	N	COIL ASM	1	1.5T TORSO PELVIS POST PAD (E8800RC)
9	2298043-11	N	COIL ASM	1	1.5T TORSO PELVIS VELCRO (E8800RA)

CATALOG M3087JA FRU N 1.5T 8 CHANNEL HIGH RES BRAIN IMAGING

Item	Part Number	FRU	Name	Quantity	Description (Remarks)
1	2317112	N	SURFACE COIL	1	1.5T 8CHANNEL HR BRAIN IMAGING OPT (SEE PAGE 11-89)

1.5T 8 CHANNEL HR BRAIN IMAGING 2317112 FRU N (PART OF M3087JA PAGE 11-89)

Item	Part Number	FRU	Name	Quantity	Description (Remarks)
2	2317112-2	1	SURFACE COIL	1	1.5T 8CHANNEL HR BRAIN CL/BASEPLATE
3	2317112-3	1	SURFACE COIL	1	1.5T 8CH HR BRAIN PHANTOM POSITIONER
4	2317112-4	N	SURFACE COIL	1	1.5T 8CH HR BRAIN OPERATOR MANUAL
5	2317112-5	N	SURFACE COIL	1	1.5T 8CH HR BRAIN SERVICE MANUAL
6	2317112-6	N	SURFACE COIL	1	1.5T 8CH HR BRAIN CL HD PAD E8801SE
7	2317112-7	N	SURFACE COIL	1	1.5T 8CH HR BRAIN SPACER PAD E8801SF
	2317112-8	1	FRU	XXX	1.5T 8 CHANNEL HR HEAD CABLE ASM
8	2317115-8	N	SURFACE COIL	2	1.5T 8 CHANNEL NV ARRAY WEDGE PAD
9	2317112-9	N	SURFACE COIL	1	1.5T 8CH HR BRAIN THICK HEAD PAD
10	2317112-10	N	SURFACE COIL	1	1.5T 8CH HR BRAIN THIN HEAD PAD
	2317112-12	1	FRU	XXX	1.5T 8 CHANNEL BRAIN LATCH KIT

CATALOG M3087JB FRU N 1.5T 8 CHANNEL NEUROVASCULAR ARRAY IMAGING

Item	Part Number	FRU	Name	Quantity	Description (Remarks)
1	2317115	N	SURFACE COIL	1	1.5T 8 CHANNEL NV ARRAY IMAGING OPT (SEE PAGE 11-89)

1.5T 8 CHANNEL NV ARRAY IMAGING 2317115 FRU N (PART OF M3087JB PAGE 11-89)

Item	Part Number	FRU	Name	Quantity	Description (Remarks)
2	2317115-2	1	SURFACE COIL	1	1.5T 8 CHANNEL NV ARRAY (SEE PAGE 11-89)
3	2317115-3	1	SURFACE COIL	1	8CH NV PHANTOM KIT
4	2317115-4	N	SURFACE COIL	1	1.5T 8CH NV ARRAY OPERATOR MANUAL
5	2317115-5	N	SURFACE COIL	1	1.5T 8CH NV ARRAY SERVICE MANUAL
6	2317115-6	N	SURFACE COIL	1	1.5T 8CH NV ARRAY HNC PAD E8801SG
7	2317115-8	N	SURFACE COIL	2	1.5T 8 CHANNEL NV ARRAY WEDGE PAD
	2317115-10	1	FRU	2	1.5T 8 CHANNEL RIGHT/LEFT LATCH KIT
	2317115-11	1	FRU	2	1.5T 8 CHANNEL SUPERIOR LATCH KIT

1.5T 8 CHANNEL NV ARRAY 2317115-2 FRU 1 (PART OF 2317115 PAGE 11-89)

Item	Part Number	FRU	Name	Quantity	Description (Remarks)
1	2317115-7	1	SURFACE COIL	1	1.5T 8 CHANNEL NV ARRAY CABLE ASM

CATALOG M3087JC FRU N 1.5T 8 CHANNEL CTL SPINE COIL

Item	Part Number	FRU	Name	Quantity	Description (Remarks)
1	2377426	N	SURFACE COIL	1	USAI 8CH CTL COIL IMAGING OPTION (SEE PAGE 11-90)

USAI 8CH CTL COIL IMAGING OPTION 2377426 FRU N (PART OF M3087JC PAGE 11-90)

Item	Part Number	FRU	Name	Quantity	Description (Remarks)
1	2377426-2	2	SURFACE COIL	1.0	USAI 8CH CTL COIL IMAGING OPTION
2	2377426-3	2	SURFACE COIL	1.0	USAI 8CH CTL COIL PHANTOM KIT
3	2377426-4	N	SURFACE COIL	1.0	USAI 8CH CTL COIL OPERATOR MANUAL
4	2377426-5	N	SURFACE COIL	1.0	USAI 8CH CTL COIL SERVICE MANUAL
5	2377426-6	N	SURFACE COIL	1.0	USAI 8CH CTL COIL PAD
6	2225545-9	2	OUT OF CATAL	1.0	C-SPINE ADAPTOR BLOCK, 1.5T
7	2377426-8	2	SURFACE COIL	1.0	USAI 8CH CTL CERVICAL BRIDGE
	2377426-7	1	FRU	XXX	USAI 8CH CTL COIL CABLE W/COIL ID
	2377426-10	N	FRU	XXX	USAI 8CH CTL COIL PREAMP, 1.5T

CATALOG M3087JD FRU N 1.5T 8 CHANNEL CARDIAC COIL

Item	Part Number	FRU	Name	Quantity	Description (Remarks)
1	2304255	N	COIL,SURFACE	1	8 CHANNEL CARDIAC ASSET ARRAY (SEE PAGE 11-90)

8 CHANNEL CARDIAC ASSET ARRAY 2304255 FRU N (PART OF M3087JD PAGE 11-90)

Item	Part Number	FRU	Name	Quantity	Description (Remarks)
1	2304255-2	2	COIL,SURFACE	1.0	8 CHANNEL CARDIAC ARRAY
2	2304255-4	N	COIL,SURFACE	1.0	8 CHANNEL CARDIAC ARRAY OP MANUAL
3	2304255-5	N	COIL,SURFACE	1.0	8 CHANNEL CARDIAC ARRAY SERVICE MANL
4	2304255-6	N	COIL,SURFACE	1.0	8 CHANNEL CARDIAC ARRAY CARDIAC PAD
5	2304255-3	2	COIL,SURFACE	1.0	8 CHANNEL CARDIAC ARRAY PHANTOM KIT
	2304255-7	1	FRU	XXX	8 CHANNEL CARDIAC ARRAY CABLE ASM
	2377426-10	N	FRU	XXX	USAI 8CH CTL COIL PREAMP, 1.5T

CATALOG M3087JE FRU N 1.5T 8 CHANNEL TORSO COIL

Item	Part Number	FRU	Name	Quantity	Description (Remarks)
1	2377425	N	TORSO ARRAY	1	USAI 8CH BODY COIL IMAGING OPTION (SEE PAGE 11-90)

USAI 8CH BODY COIL IMAGING OPTION 2377425 FRU N (PART OF M3087JE PAGE 11-90)

Item	Part Number	FRU	Name	Quantity	Description (Remarks)
1	2377425-2	2	TORSO ARRAY	1.0	USAI 8CH BODY ARRAY COIL, 1.5T
2	2377425-3	2	TORSO ARRAY	1.0	USAI 8CH BODY ARRAY PHANTOM KIT
3	2377425-4	N	TORSO ARRAY	1.0	USAI 8CH BODY ARRAY OPERATOR MANUAL
4	2377425-5	N	TORSO ARRAY	1.0	USAI 8CH BODY ARRAY SERVICE MANUAL
5	2377425-6	N	TORSO ARRAY	1.0	USAI 8CH BODY ARRAY BODY PAD KIT
	2377425-7	1	FRU	XXX	USAI 8CH BODY ARRAY CABLE ASM
	2377426-10	N	FRU	XXX	USAI 8CH CTL COIL PREAMP, 1.5T

11-7 SIGNA EXCITE 1.5T UPGRADES

CATALOG M3033KH FRU N ADAPTIVE PHASED ARRAY 2

Item	Part Number	FRU	Name	Quantity	Description (Remarks)
1	2316303	N	KIT	1	MR DRIVER SPLITTER UPGRADE KIT (SEE PAGE 11-91)
2	2329893	N	DIRECTION	1	APA-CTL UPGRADE INSTALLATION MANUAL

MR DRIVER SPLITTER UPGRADE KIT 2316303 FRU N (PART OF M3033KH PAGE 11-91)

Item	Part Number	FRU	Name	Quantity	Description (Remarks)
1	2308832	1	BOX	1	DRIVE SPLITTER ENCLOSURE
2	2308144	1	CABLE	1	APA2 MG2-A33-J7/RN861 TO MG3-A37-J2
3	2307994	1	CABLE	1	APA2 MG3-A36-J19 TO MG3-A37-J1
4	46-288510G4	1	CIRCUIT BD	1	LPCC 1.5T PREAMP PROTECTION ASM APA
5	2109873-12	N	SCREW	2	SCREW PAN HEAD Z M4X6 A2-70
6	2109874-23	N	SCREW	2	SCREW COUNTERSUNK HEA 6 MM 30 MM
8	46-220196P5	N	WASHER	2	WASHER,5/16" SCREW SIZE (0.313), SST
9	46-208946P1	N	NUT	2	5/16-18 1/2" HEX X .188 THK 18-8 SST
10	2308830	N	BRACKET	1	INSULATOR BRACKET
11	2308245	1	CABLE	1	MG2-A33-J12 TO MG3-A37-J2
12	46-208781P2	N	LABEL	1	WRITE-ON LABEL FOR MARKING CABLES
13	46-208932P11	N	SCREW	2	SCREW

CATALOG M3033KK FRU N APA2 FOR FORWARD PRODUCTION 1.5T

Item	Part Number	FRU	Name	Quantity	Description (Remarks)
1	2316303-2	N	KIT	1	MR DRIVER SPLITTER KIT FOR 1.5T (SEE PAGE 11-91)
2	2329893	N	DIRECTION	1	APA-CTL UPGRADE INSTALLATION MANUAL

MR DRIVER SPLITTER KIT FOR 1.5T 2316303-2 FRU N (PART OF M3033KK PAGE 11-91)

Item	Part Number	FRU	Name	Quantity	Description (Remarks)
1	2308832	1	BOX	1	DRIVE SPLITTER ENCLOSURE
2	2308144	1	CABLE	1	APA2 MG2-A33-J7/RN861 TO MG3-A37-J2
3	2307994	1	CABLE	1	APA2 MG3-A36-J19 TO MG3-A37-J1
5	2109873-12	N	SCREW	2	SCREW PAN HEAD Z M4X6 A2-70
6	2109874-23	N	SCREW	2	SCREW COUNTERSUNK HEA 6 MM 30 MM
8	2109878-3	N	WASHER	2	WASHER PLAIN - NORMAL 6.4 MM 12 MM
9	2109875-3	N	NUT	2	NUT HEXAGON M6 A2-70
10	2308830	N	BRACKET	1	INSULATOR BRACKET
11	2308245	1	CABLE	1	MG2-A33-J12 TO MG3-A37-J2
12	46-208781P2	N	LABEL	1	WRITE-ON LABEL FOR MARKING CABLES

CATALOG M3033KJ FRU N INFINITY IMAGE QUALITY PACKAGE

Item	Part Number	FRU	Name	Quantity	Description (Remarks)
1	2307608	N	KIT OF PARTS	1	BRM/CRM RADIAL SUPPORT FOR S SERIES (SEE PAGE 11-92)
2	2320728	N	KIT OF PARTS	1	RF SHIELD GROUNDING (SEE PAGE 11-92)
3	2319203	N	KIT OF PARTS	1	IQ BRIDGE UPGRADE KIT (SEE PAGE 11-92)
4	2329765	N	DIRECTION	1	IIQ HARDWARE INSTALLATION KIT

BRM/CRM RADIAL SUPPORT-S SERIES 2307608 FRU N (PART OF M3033KJ PAGE 11-92)

Item	Part Number	FRU	Name	Quantity	Description (Remarks)
1	2307607	N	PART	4	SPACER, BRM/CRM RADIAL SUPPORT FOR
2	2325862	N	HEX NUT	4	METRIC HEX NUT, NYLON
4	2293535	N	SET SCREW	4	SET SCREW-MTG.PAD
5	2131953-6	N	MTG PAD	4	MTG PAD, 1/8" THICK NEOPRENE FOR
6	2212715-2	2	BEARING SHIM	4	LCC BRM MOUNTING
7	2181231-2	N	PART	4	FILLER PAD CONQUEST-DIECUT INSERTS
8	2379255	N	FOAM	2	FOAM, GRAY TEXTURED SURFACE, 116"LG.
9	2319693	N	DIRECTION	1	SIGNA GRADIENT RADIAL SUPPORT U/G

RF SHIELD GROUNDING 2320728 FRU N (PART OF M3033KJ PAGE 11-92)

Item	Part Number	FRU	Name	Quantity	Description (Remarks)
1	2319685	N	DIRECTION	1	BRM RF SHIELD GROUNDING KIT
2	2320729	N	GROUND LEAD	1	GROUND LEAD FOR RF SHIELD GROUND KIT
3	2320730	N	HEX HD BOLT	1	GROUND LEAD STRAIN RELIEF, M10X15
4	46-208758P3	N	TY-RAP	8	7.31" X .184" SELF-LOCKING CABLE TIE
5	46-208759P6	N	TY-RAP	1	7.81" X .184" SELF-LOCKING CABLE TIE
6	46-252283P70	N	WRAP,TIE,TBG	4	CABLE TIE MOUNT, PANDUIT ABM3H-A-L
7	2109867-21	N	SCREW	1	SCREW HEX SOCKET CAP M10X16 A2-70
10	46-278535P1	N	ADHESIV	1	2-PART, SILVER EPOXY ADHESIVE.
11	2109873-16	N	SCREW	1	SCREW PAN HEAD Z M4X16 A2-70
13	2322944	N	TAPE,CLOTH	AR	CLOTH DUCT TAPE W/ SOLVENT RESISTANT
14	2326207	N	PART	1	HEAT PACK, MEDI-FIRST HOT COMPRESS
15	2326654	N	LEAD WIRE	1	EXTENSION WIRE, LONG BORE MAGNET
16	511A590P416	N	TERMINAL	1	AMP PART #35244 (BUTT SPLICE)
17	46-208737P47	N	SCREW	1	SCREW
18	2109875-7	N	NUT	1	NUT HEXAGON M8 A2-70

IQ BRIDGE UPGRADE KIT 2319203 FRU N (PART OF M3033KJ PAGE 11-92)

Item	Part Number	FRU	Name	Quantity	Description (Remarks)
2	2293379-2	N	PART	1	BRIDGE SUPPORT SPLIT BRDG
3	2109866-21	N	SCREW	2	SCREW HEXAGON HEAD 10 MM 30 MM
4	2109875-4	N	NUT	8	NUT HEXAGON M10 A2-70
5	2318948	N	PART	2	CUP, CAP SUPPORT
6	2318950	N	PART	2	CAP, SUPPORT
7	2318951	N	PART	4	BRIDGE SUPPORT STIFFENER, BLOCK
8	2226752-2	N	PART	2	FOAM GASKET, BRIDGE SUPPORT SPACER
9	2322944	N	TAPE,CLOTH	AR	CLOTH DUCT TAPE W/ SOLVENT RESISTANT
10	2116325-5	N	STUD, MAGNET	2	STUD SST M10 X 110MM
11	46-136374P37	N	RING	2	WIDTH .139 ID 0.734 DUROMETER A 70
12	46-282264P1	N	ADHESIV	1	2 OZ DUAL-PAK CARTRIDGE EPOXY, CLEAR
14	2318581	N	DIRECTION	1	CX/K4 WIDEOPEN BRIDGE SUPPORT INSTR

REV 14

DIRECTION 2138247

CATALOG

M3033MG FRU N

DELTA WORK STATION

Item	Part Number	FRU	Name	Quantity	Description (Remarks)
2	5117866-26	1	PDM PART	1	MR REPORTCARD WORKSTATION
3	M1000NT	N	CATALOG	1	19" COLOR LCD MONITOR (SEE PAGE 11-93)
4	2390365	N	COLLECTOR	1	DELTA HARDWARE COLLECTOR (SEE PAGE 11-93)
5	2392501	N	COLLECTOR	1	DELTA TECH PUB COLLECTOR

19" COLOR LCD MONITOR

M1000NT FRU N

(PART OF M3033MG PAGE 11-93)

Item	Part Number	FRU	Name	Quantity	Description (Remarks)
1	2295019	1	CABLE	1	13W3-DB15 RGB LCD STRAIGHT CONN CBL
2A	5117545	1	OUT OF CATAL	1	MONITOR, 19 INCH COLOR LCD, SILVER,
2B	2349792	1	OUT OF CATAL	ALT	18.1 IN LCD COLOR MONITOR BEIGE
4	2376768	1	CD-ROM	1	GAMMA PATCH CD-ROM FOR LCD MONITORS
5	5131642	N	PDM PART	1	11.0 M4 PATCH 0 CD

DELTA HARDWARE COLLECTOR

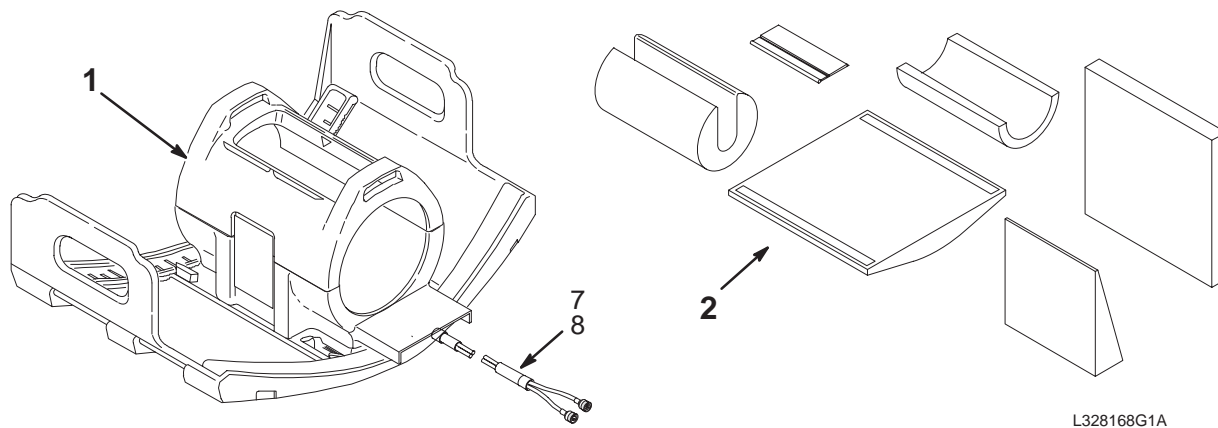
2390365 FRU N

(PART OF M3033MG PAGE 11-93)

Item	Part Number	FRU	Name	Quantity	Description (Remarks)
3	2166395	N	MOUSE PAD	1.0	MOUSE PAD FOR SIGNA HORIZON LX
4	2304737-2	N	OUT OF CATAL	1.0	CABLE, DVI VIDEO CABLE - OCTANE II
5	2215028-4	N	CABLE UTP CA	1.0	UTP CAT 5 PATCH CORD CABLE 5M LONG
6	46-208758P2	N	TY-RAP	1.0	5.5" X .140" SELF-LOCKING CABLE TIE.
8	2390369	N	SECURITY KEY	1.0	DELTA WORKSTATION OPTION KEY
9	5117866-29	N	PDM PART	1.0	US-ENGLISH PS2 KEYBOARD
10	5117866-30	N	PDM PART	1.0	FRENCH PS2 KEYBOARD
11	5117866-31	N	PDM PART	1.0	GERMAN PS2 KEYBOARD
12	5117866-32	N	PDM PART	1.0	SPANISH PS2 KEYBOARD
13	5117866-33	N	PDM PART	1.0	ITALIAN PS2 KEYBOARD
14	5117866-34	N	PDM PART	1.0	PORTUGUESE PS2 KEYBOARD
15	5117866-35	N	PDM PART	1.0	SWEDISH PS2 KEYBOARD
18	2390367-5	N	PDM COLLECTO	1.0	NMR REPORTCARD 2.0 M4 SOFTWARE COLL

11-8 SIGNA 1.0T COILS

1.0T EXTREMITY SURFACE COIL & CUSHIONS M1885AC

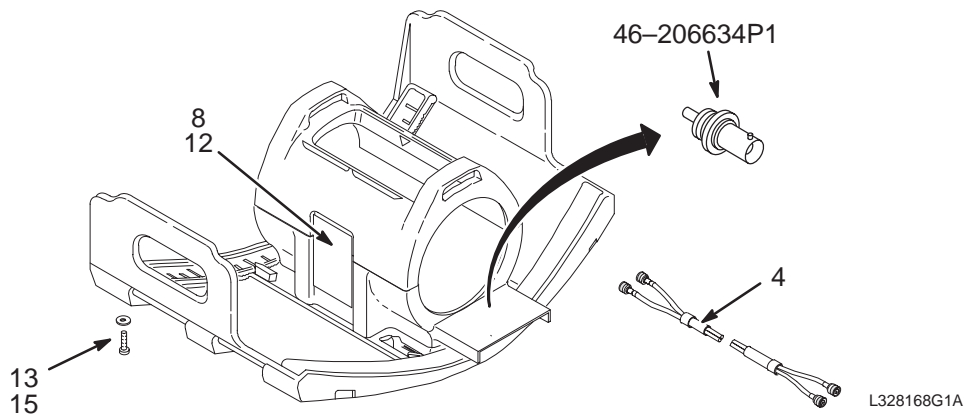


L328168G1A

CATALOG M1885AC FRU N 1.0T EXTREMITY SURFACE COIL & CUSHIONS

Item	Part Number	FRU	Name	Quantity	Description (Remarks)
1	46-328168G1	1	EXTREMITY CL	1	1.0T QUAD EXTREMITY COIL (SEE PAGE 11-94)
2	46-306571G1	N	CUSHION SET	1	GRAY CUSHION SET FOR EXTREMITY COIL (SEE PAGE 11-117)
7	46-317405P1	2	CABLE ASM		DETACHABLE CABLE, EXTREMITY COIL
8	46-230008P3	2	SCREW,MACH		00008-32 X 0.375 DELRIN

1.0T EXTREMITY COIL 46-328168G1

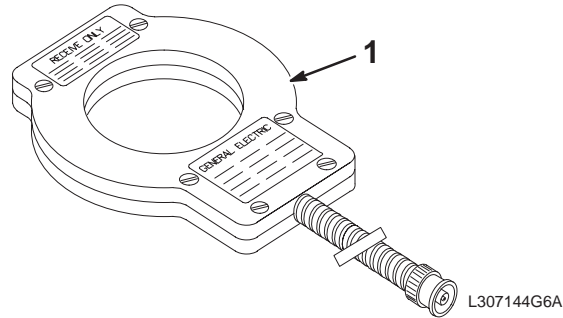


L328168G1A

1.0T EXTREMITY COIL 46-328168G1 FRU 1 (PART OF M1885AC PAGE 11-94)

Item	Part Number	FRU	Name	Quantity	Description (Remarks)
4	46-317405P1	2	CABLE ASM	1	DETACHABLE CABLE, EXTREMITY COIL
8	46-271203P1	2	DRAW LATCH	2	LATCH AND KEEPER SET, POLYPROPYLENE
12	46-208913P14	2	SCREW,MACH	8	00006-32 X 0.50 LG SLOT FH BRS
13	46-208921P33	2	SCREW,MACH	10	0010-32 X 0.500 LG BRASS
15	1000904P485	2	WASHER,FLAT	10	ID 0.219 OD 0.500 THK .032
	46-205634P1	2	CONNECTOR	1	BNC BULKHEAD RECPT. 50 OHM ISOLATED FRONT MOUNT

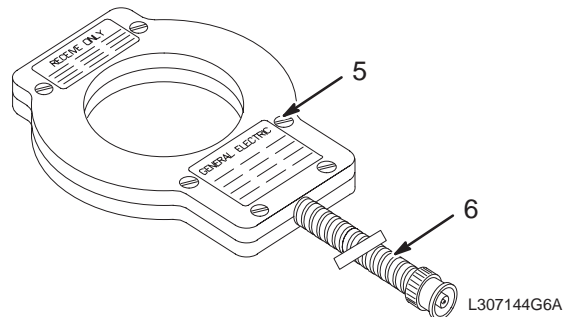
1.0T 3 INCH ROUND SURFACE COIL , M1885AG



CATALOG M1885AG FRU N 1.0T 3 INCH ROUND SURFACE COIL

Item	Part Number	FRU	Name	Quantity	Description (Remarks)
1	46-307144G6	1	3" RD COIL	1	1.0T 3" ROUND SURFACE COIL ASSEMBLY (SEE PAGE 11-95)

1.0T 3 INCH ROUND COIL, SMALL ANATOMY 46-307144G6

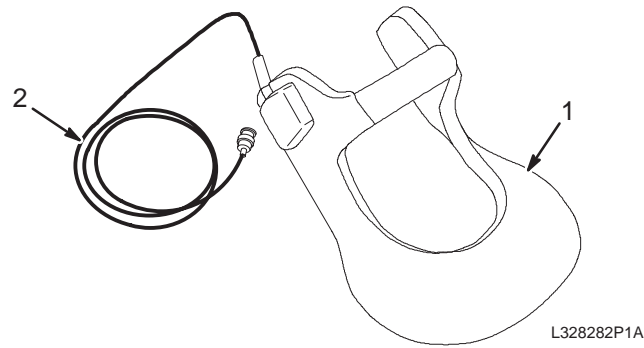


1.0T 3 INCH ROUND COIL 46-307144G6 FRU 1 (PART OF M1885AG PAGE 11-95) (PART OF 46-282728G6 PAGE 11-100)

Item	Part Number	FRU	Name	Quantity	Description (Remarks)
6	46-317287G1	2	COAXIAL CBL	1	3" ROUND COIL
7	46-230008P14	2	SCREW,MACH	6	#6-32 X 7/16 FLAT HEAD, WHITE DELRIN

1.0T ANTERIOR NECK COIL

M1885AK



CATALOG

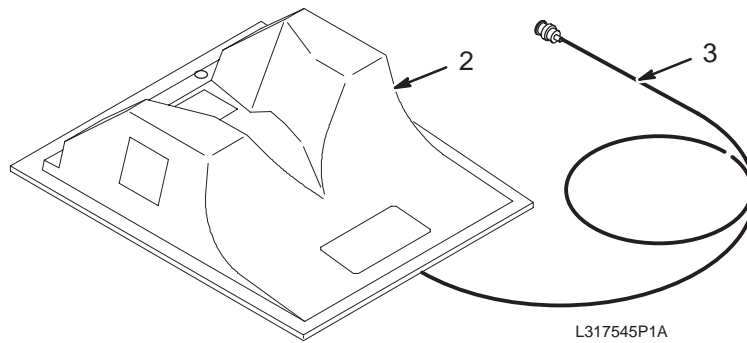
M1885AK FRU N

1.0T ANTERIOR NECK COIL

Item	Part Number	FRU	Name	Quantity	Description (Remarks)
2	46-328291P1	1	COIL FRU		MEDRAD 305000883 1.0T NECK COIL
3	2100937	2	MEDRAD FRU		MEDRAD 30523C07001 CABLE KIT

1.0T POSTERIOR CERVICAL SPINE COIL

M1885AM



CATALOG

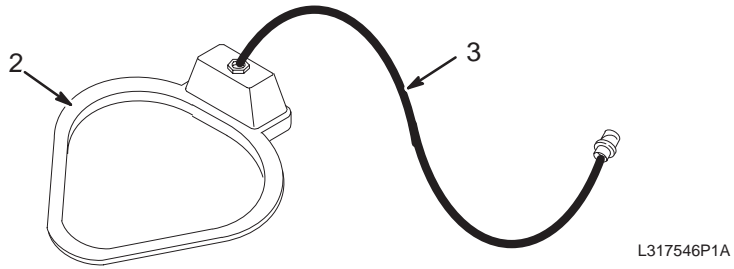
M1885AM FRU N

1.0T POSTERIOR CERVICAL SPINE COIL

Item	Part Number	FRU	Name	Quantity	Description (Remarks)
2	46-328292P1	1	COIL FRU		MEDRAD 305000884 1.0T C-SPINE COIL
3	2100937-2	2	MEDRAD FRU		MEDRAD 30523C30001 CABLE KIT

1.0T SHOULDER COIL

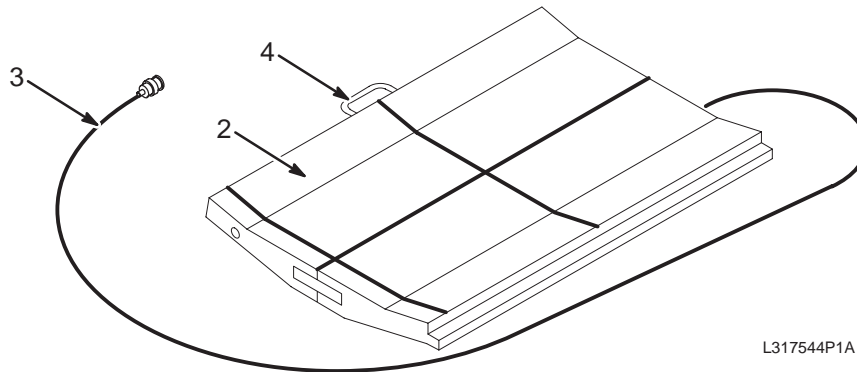
M1885AN



CATALOG M1885AN FRU N 1.0T SHOULDER COIL

Item	Part Number	FRU	Name	Quantity	Description (Remarks)
2	46-328299P1	1	COIL FRU		MEDRAD 305000886 1.0T SHOULDER COIL
3	2100937-7	2	MEDRAD FRU		MEDRAD 305000936 CABLE KIT

1.0T QUADRATURE T/L SPINE COIL WITH POSITIONER M1885AP

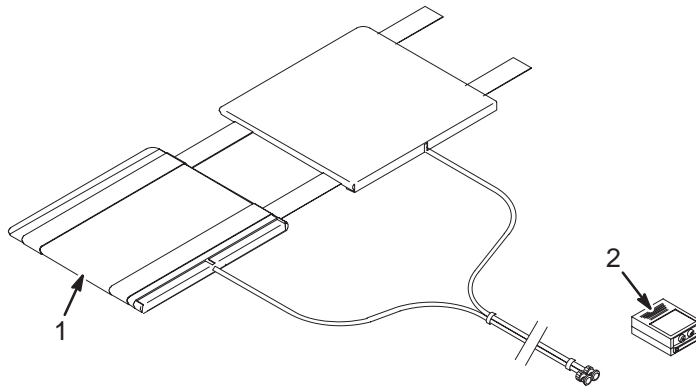


CATALOG M1885AP FRU N 1.0T QUADRATURE T/L SPINE COIL WITH POSITIONER

Item	Part Number	FRU	Name	Quantity	Description (Remarks)
2	46-328295P1	1	COIL FRU		MEDRAD 305000885 1.0T T/L SPINE COIL
3	2100937-4	2	MEDRAD FRU		MEDRAD 30523C17004 CABLE KIT
4	46-317047P1	2	POSITION FRU		MEDRAD 30523C17002 POSITIONER KIT

1.0T BODY FLEX COIL

M1885BE



CATALOG M1885BE FRU N 1.0T BODY FLEX COIL

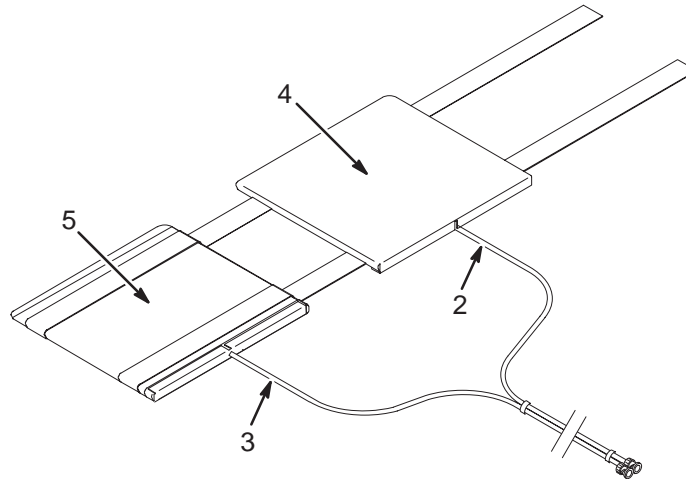
Item	Part Number	FRU	Name	Quantity	Description (Remarks)
1	2148689	N	COLLECTOR	1	1.0T SIGNA BODY FLEX COIL SHIP COLL (SEE PAGE 11-98)
2	46-328215P2	1	CONNECTOR	1	1.0T DUAL-COIL CONNECTOR AND SLEEVE

FLEX COIL COLLECTOR 2148689 FRU N (PART OF M1885BE PAGE 11-98)

Item	Part Number	FRU	Name	Quantity	Description (Remarks)
1	2148690-2	N	1.5T BODYFLX	1	1.0T SIGNA BODY FLEX COIL (SEE PAGE 11-98)

1.5T SIGNA BODY FLEX COIL

2148690

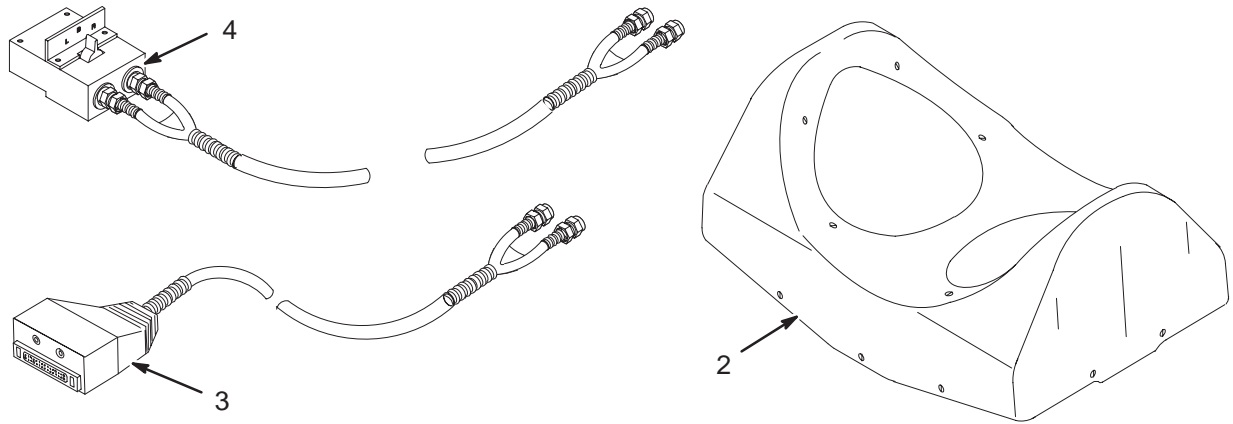


1.0T SIGNA BODY FLEX COIL 2148690-2 FRU N (PART OF 2148689 PAGE 11-98)

Item	Part Number	FRU	Name	Quantity	Description (Remarks)
2	2148696	1	1.5T COIL	1	1.0T ANTERIOR COIL W/CABLE
3	2148696-2	1	1.5T COIL	1	1.0T POSTERIOR COIL W/CABLE
4	2148692	N	COVER,ANTERI	1	ANTERIOR REPLACEMENT COVER (ORDER E8801TA)
5	2148692-2	N	COVER,POSTER	1	POSTERIOR REPLACEMENT COVER (ORDER E8801TB)

1.0T BILATERAL BREAST COIL

M1885BR



CATALOG

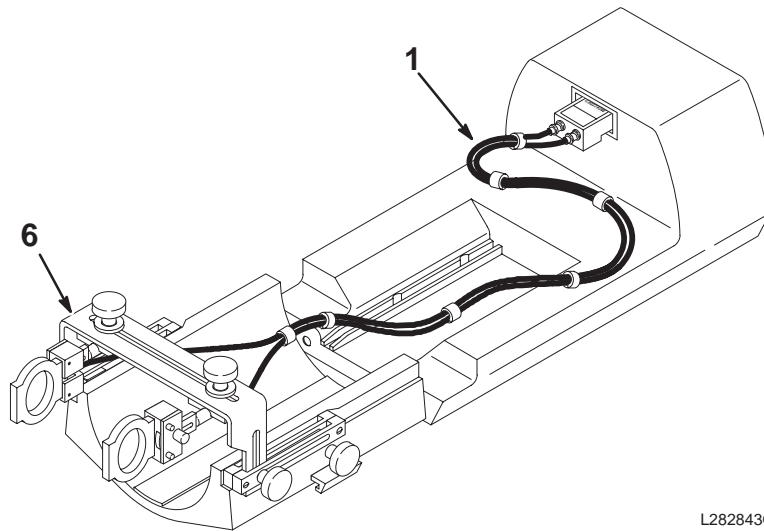
M1885BR FRU N

1.0T BILATERAL BREAST COIL

Item	Part Number	FRU	Name	Quantity	Description (Remarks)
2	46-328296P1	1	COIL FRU		MEDRAD 305000912 1.0T BREAST COIL
3	2100937-5	2	MEDRAD FRU		MEDRAD 305000858 BREAST COIL CABLE
4	2100937-6	2	MEDRAD FRU		MEDRAD 305000914 RECEIVER CABLE KIT

1.0T DUAL COIL TMJ KIT

M1885DG



CATALOG

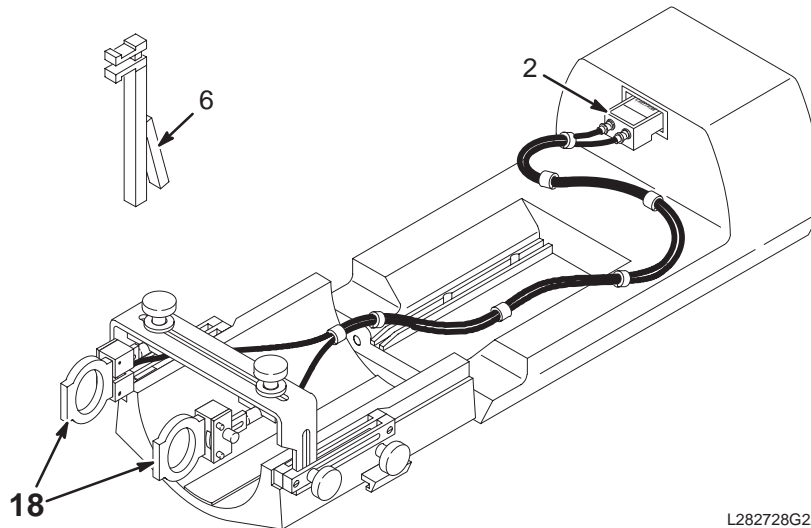
M1885DG FRU N

1.0T DUAL COIL TMJ KIT

Item	Part Number	FRU	Name	Quantity	Description (Remarks)
1	46-282728G6	N	DUAL SRF KIT	1	MR SURFACE COIL TMJ KIT FOR 1.0T (SEE PAGE 11-100)
6	46-258800G1	N	POSITIONER	1	SURFACE COIL POSITIONER/HEAD HOLDR (SEE PAGE 11-101)

DUAL SURFACE COIL COMBINER AND TMJ POSITIONING FOR QUAD HEAD COIL SITES

46-282728G6



1.0T DUAL TMJ COIL KIT

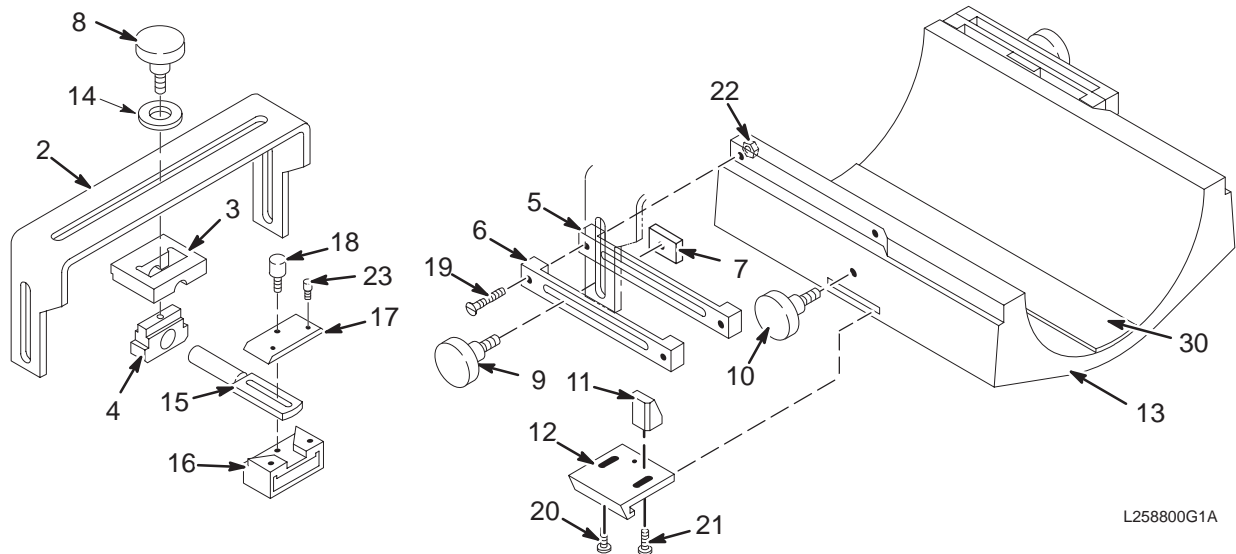
46-282728G6 FRU N

(PART OF M1885DG PAGE 11-100)

Item	Part Number	FRU	Name	Quantity	Description (Remarks)
2	46-317221G56	1	COIL ADAPTER	1	1.0T TMJ DUAL-COIL COMBINER
6	46-282765P1	2	TMJ POSITION	1	PATIENT JAW-OPENING POSITION DEVICE
18	46-307144G6	1	3" RD COIL	2	1.0T 3" ROUND SURFACE COIL ASSEMBLY (SEE PAGE 11-95)

COIL POSITIONER & HEAD HOLDER

46-258800G1



HEAD & COIL POSITIONER

46-258800G1 FRU N

(PART OF M1885DG PAGE 11-100)
(PART OF E8801CA PAGE 11-116)

Item	Part Number	FRU	Name	Quantity	Description (Remarks)
2	46-258791P1	2	SUPPORT TOP	1	SLOTTED-ADJUST COIL POSITION BRACKET
3	46-258792P1	2	SUPT HOLDER	2	COIL HOLDER SHAFT CLAMP BLOCK, DELRIN
4	46-258794P1	2	LOCK HOLDER	2	COIL HOLDER SHAFT SUPPORT, DELRIN
5	46-258795P1	2	SLIDE INNER	2	COIL POSITION BRACKET CLAMPING BAR
6	46-258796P1	2	SLIDE OUTER	2	SLOTTED EXTENSION ADJUST BRACKET
7	46-258797P1	2	NUT BLOCK	2	EXTENSION POSITION CLAMP NUT, 3/8-16
8	46-258799G1	2	CLAMP KNOB	2	COIL HOLDER LOCK KNOB, 3/8-16 X 5/8"
9	46-258799G2	2	CLAMP KNOB	2	EXTENSION LOCKING KNOB, 3/8-16 X 1/2
10	46-258799G3	2	CLAMP KNOB	1	CRADLE CLAMP LOCK KNOB, 3/8-16 X 1.5
11	46-258801P1	2	PUSH BLOCK	1	CRADLE CLAMP PUSHER BLOCK, DELRIN
12	46-258802P1	2	RAIL CLAMP	2	SLIDING CRADLE RAIL CLAMP
13	46-258832G1	2	HEAD HOLDER	1	HEAD HOLDER & COIL POSITIONER BASE
14	46-258833P1	2	WASHER	2	1" DIA. .44" HOLE, 1/8" THK, DELRIN
15	46-258824P1	2	HOLDER SHAFT	2	SURFACE COIL HOLDER PIVOT SHAFT
16	46-258825P1	2	COIL HOLDER	2	SURFACE COIL HOLDER, POLYCARBONATE
17	46-258826P1	2	HOLDER CLAMP	2	COIL HOLDER CLAMP PLATE, DELRIN
18	46-258837P1	2	CLAMP KNOB	2	SURFACE COIL CLAMP KNOB, 1/4-20 THRD
19	46-208914P8	2	SCREW, MACH	4	001/4-20 X 1.75 LG SLOT FLAT HD
20	46-208922P21	2	SCREW, MACH	4	001/4-20 X 0.500 NYLON
21	46-208922P20	2	SCREW, MACH	2	00010-24 X 0.500 NYLON
22	46-208943P4	2	NUT, HEX, MS	4	001/4-20 .438 HEX X .186 THK NYLON
23	46-221553P27	2	SCREW, CAP	4	001/4-20 X 1.000 LG HEX SOC HD NYLON
30	46-136246P14	2	TAPE FAST	1.333	2.000 WIDE X 25 YD, WHT, ADH BACK, LOOP
32	46-282819G1	2	FASTENER KIT	1	SURFACE COIL CABLE VELCRO KIT, QUAD

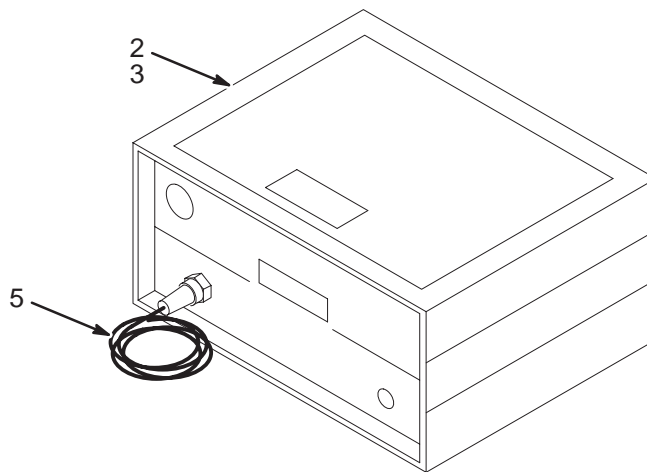
CATALOG M1885E REV 1 1.0T QUAD EXTREMITY KNEE/FOOT COIL

Item	Part Number	FRU	Name	Quantity	Description (Remarks)
2	2225478	N	COIL ASM	1	COIL,MR 1.0T QUAD KNEE/FT (SEE PAGE 11-102)

1.0T QUAD KNEE/FOOT COIL ASM 2225479 FRU N (PART OF M1885E PAGE 11-102)

Item	Part Number	FRU	Name	Quantity	Description (Remarks)
	2225478-7	1	FRU	1	VELCRO/LATCH REPAIR KIT
	2225479-8	1	FRU	1	1.0T EXTREMITY ASM WITH CABLE
	2225479-9	1	FRU	1	1.0T CABLE ONLY
	2225478-10	1	FRU	1	PHANTOM

1.0T AUTO TUNING DEVICE (ATD) II M1885EE

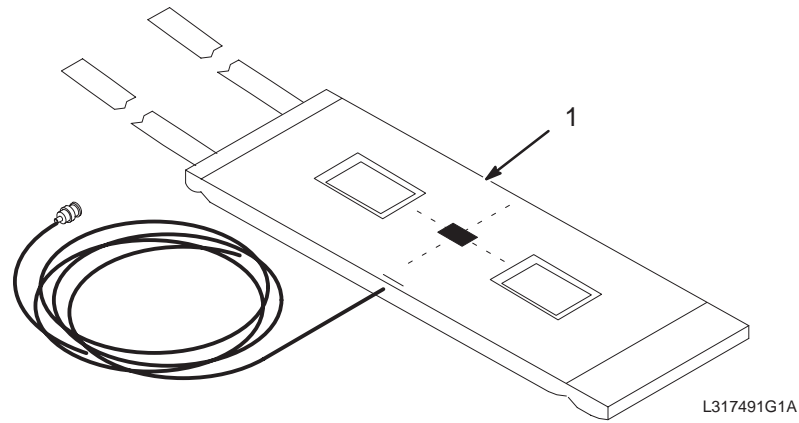


CATALOG M1885EE FRU N 1.0T AUTO TUNING DEVICE (ATD) II COIL

Item	Part Number	FRU	Name	Quantity	Description (Remarks)
2	46-328293P1	1	ATD-II FRU	X	MEDRAD 305000880 AUTO TUNE DEVICE-II
3	2100937-3	2	ATD-II FRU	X	MEDRAD 305000887 1.0T COIL SIMULATOR
5	2100937-8	2	MEDRAD FRU	X	MEDRAD 305001332 KIT, CABLE, ATD-II,

1.0T GENERAL PURPOSE FLEX COIL

M1885GP



CATALOG

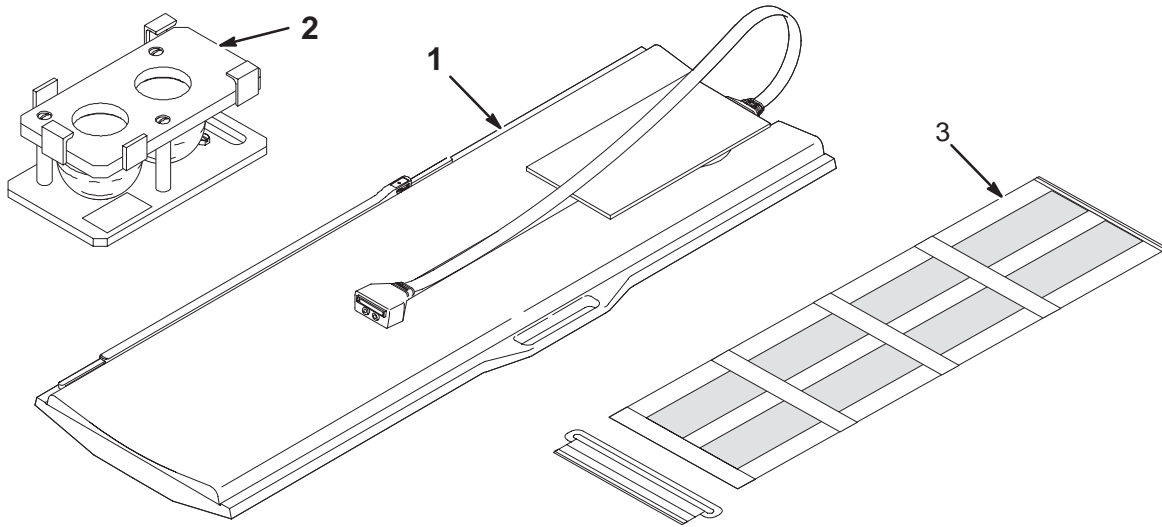
M1885GP FRU N

1.0T GENERAL PURPOSE FLEX COIL

Item	Part Number	FRU	Name	Quantity	Description (Remarks)
1	46-328527G1	1	1.0 FLEX ASM	1	GENERAL PURPOSE FLEXCOIL FOR 1.0T

1.0T PHASED ARRAY PELVIC COIL

M1887AC



CATALOG

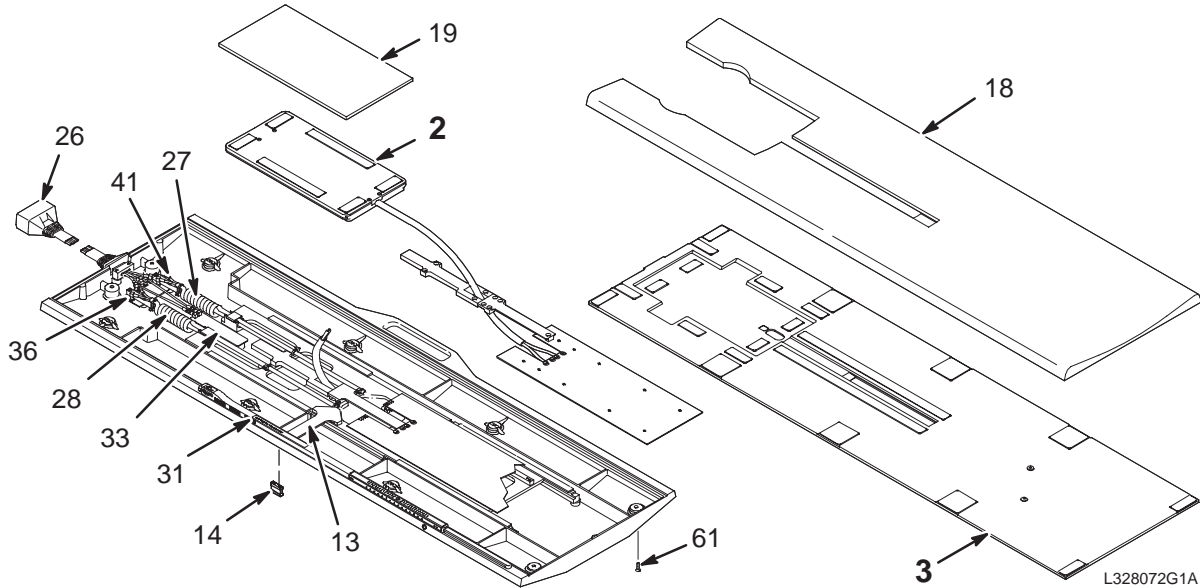
M1887AC FRU N

1.0T PHASED ARRAY PELVIC COIL

Item	Part Number	FRU	Name	Quantity	Description (Remarks)
1	2104800	1	P/U COIL	1	860-940408 1.0T P/U COIL RCV ONLY (SEE PAGE 11-105)
2	46-317626G1	2	P/U PHANTOM	1	PROSTATE/UTERINE PHANTOM ASM (SEE PAGE 11-83)
3	46-306594P1	N	WIDE STRAP	1	ORDER E8802MC FOR REPLACEMENT STRAP

1.0T PROSTATE/UTERINE COIL ASM

2104800



NOTE:

Replacement Pelvic Phased Array Coils contain the Dummy Probe Interface Board. It is necessary to remove the Probe Interface Board from your defective Pelvic Phased Array Coil and install it in the replacement Pelvic Phased Array Coil. The Dummy Probe Interface Board can be disposed of or saved.

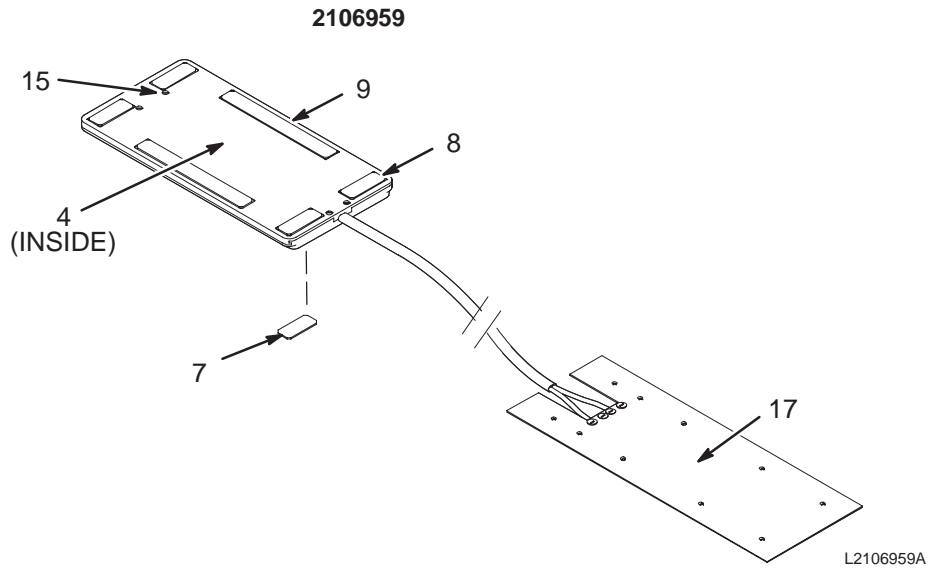
1.0T P/U COIL ASM

2104800 FRU 1

(PART OF M1887AC PAGE 11-104)

Item	Part Number	FRU	Name	Quantity	Description (Remarks)
2	2106959	N	1.0T CL ENC	1	1.0T PELVIC ENCLOSURE (SEE PAGE 11-106)
3	46-328014G1	N	COVER PLT	1	COVER PLATE ASSEMBLY (SEE PAGE 11-82)
13	46-307992P1	2	ARM	1	SLIDE PLATE ACTUATOR, DELRIN
14	46-307993P1	2	SPACER	1	.79"H X 1"W, 1/4" DELRIN, 6-32 HOLES
18	46-317449P1	2	COMFORT PAD	1	GREY NYLON FABRIC W/VELCRO HOOKS
19	46-317450P1	2	ENCL PAD	1	GREY NYLON FABRIC W/VELCRO HOOKS
26	2135994	2	PELVIC CABLE	1	0.5T/1.0T PELVIC CABLE
27	46-317152P1	2	CABLE ASSEM	1	COILED CABLE, 2-COAX; 16-26, 15-25
28	46-317152P2	2	CABLE ASSEM	1	COILED CABLE, 2-COAX; 14-24, 13-23
31	46-317714P1	2	LABEL	1	"RAISE TABLE SIDE RAILS DURING EXAM"
33	46-288830G1	2	CIRCUIT BD	1	DUMMY INTERFACE BOARD FOR PROBE
36	2106162	2	CIRCUIT BOAR	1	1.0T PELVIC ADJUST
41	46-208758P8	2	STRAP	6	5.50" X .140" SELF-LOCKING CABLE TIE
47	46-230007P5	2	SCREW,MACH	12	6-32 X 3/8" BIND HEAD SLOT, DELRIN
48	46-208921P22	2	SCREW,MACH	12	6-32 X 5/8", BRASS
49	46-230008P9	2	SCREW,MACH	10	4-40 X 5/8" LG FLAT HD, DELRIN
51	46-230008P1	2	SCREW,MACH	4	10-32 X 1/2", DELRIN
52	46-230008P11	2	SCREW,MACH	7	10-32 X 5/8" LG FLAT-HD, DELRIN
54	46-208921P5	2	SCREW,MACH	9	6-32 X 3/8", BRASS
55	46-208921P4	2	SCREW,MACH	2	6-32 X 1/4", BRASS
56	46-208921P6	2	SCREW,MACH	4	6-32 X 1/2", BRASS
57	46-208921P10	2	SCREW,MACH	2	10-32 X 7/8", BRASS
58	46-208913P26	2	SCREW,MACH	4	6-32 X 3/8" LG, SLOT FLAT-HEAD BRASS
59	46-208913P12	2	SCREW,MACH	3	10-32 X 1/2", SLOT FLAT-HEAD, BRASS
60	46-208913P9	2	SCREW,MACH	2	10-32 X 3/4" LG, SLOT FLAT-HD, BRASS
61	46-220184P41	2	SCREW MACH	10	10-32 X 1/2" SLOT ROUND HEAD, BRASS

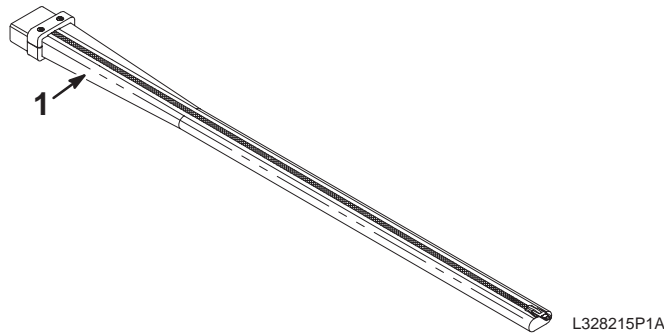
1.0T COIL ASM



1.0T COIL ASM 2106959 FRU N (PART OF 2104800 PAGE 11-105)

Item	Part Number	FRU	Name	Quantity	Description (Remarks)
4	2106157	2	CIRCUIT BOAR	1	1.0T PELVIC TOP
7	46-317499P1	2	VELCRO LOOPS	4	3/4"W X 1.5"LG, ADHESIVE BACK, WHITE
8	46-317499P2	2	VELCRO LOOPS	4	3/4"W X 2"LG, ADHESIVE BACK, WHITE
9	46-317499P3	2	VELCRO LOOPS	2	3/4"W X 6.12"L, ADHESIVE BACK, WHITE
15	46-230008P10	2	SCREW,MACH	4	6-32 X 0.375 LG FL HD DELRIN
17	2106160	2	CIRCUIT BOAR	1	1.0T PELVIC BOTTOM
18	1000904P333	2	WASHER,FLAT	1	ID 0.1285, OD 0.3125, THK 0.0313

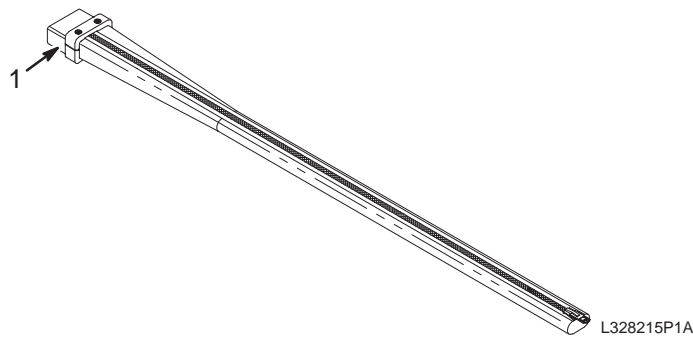
1.0T PHASED ARRAY DUAL-COIL ADAPTER M1887AD



CATALOG M1887AD FRU N 1.0T PHASED ARRAY DUAL COIL ADAPTER

Item	Part Number	FRU	Name	Quantity	Description (Remarks)
1	2102291-3	N	COLLECTOR	1	1.0T SIGNA DUAL ARRAY OPTION (SEE PAGE 11-107)

1.0T DUAL COIL ADAPTER 2102291-3

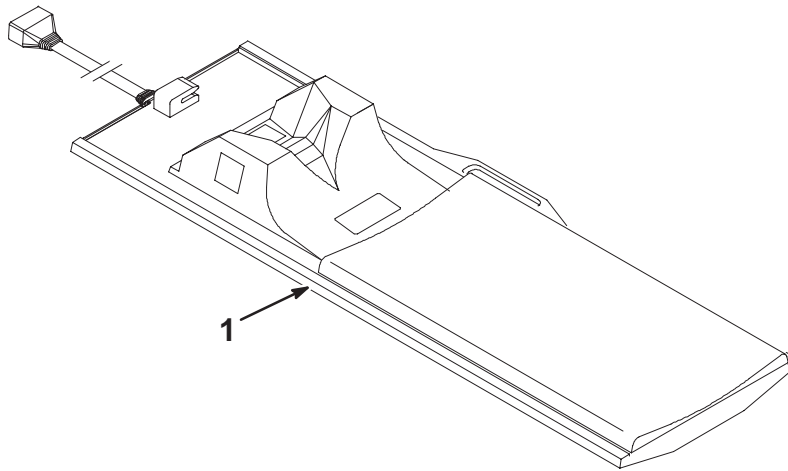


1.0T DUAL COIL ADAPTER 2102291-3 FRU N (PART OF M1887AD PAGE 11-107)

Item	Part Number	FRU	Name	Quantity	Description (Remarks)
1	46-328215P2	1	CONNECTOR	1	1.0T DUAL-COIL CONNECTOR AND SLEEVE

1.0T QUAD CERVICAL THORACIC LUMBAR (CTL) PHASED ARRAY COIL

M1887CT



CATALOG M1887CT FRU N 1.0T QUAD CTL PHASED ARRAY COIL

Item	Part Number	FRU	Name	Quantity	Description (Remarks)
1	2151178-4	1	1.0 QUAD CTL	1	1.0T SIGNA/HORIZON QUAD CTL ARRAY
2	46-328040G6	N	PRE AMP ASM	2	1.0T M/C PREAMP ASM W/MOUNT BLOCK (SEE PAGE 11-115)
3	46-317586G1	1	SPHERE W/SOL	6	4.38", SURFACE COIL, NICKEL CHLORIDE
4	2148283	1	LID U/G KIT	6	LID U/G KIT TO ADD ECCOSORB TO PREAMPLIFIERS
6	2100937-15	2		XXX	QUAD CTL CABLE KIT (FRU)
7	2100937-16	2		XXX	QUAD CTL PHANTOM HOLDER (FRU)
25	2212189	2	PRE AMP MOUN	2	PREAMP SUPPORT ASSEMBLY LPCC W/PA
28	2214665	2	CABLE	1	LPCC PREAMP #1 INPUT SHIELDED CABLE
29	2214665-8	2	CABLE	1	LPCC PREAMP #8 INPUT SHIELDED CABLE
14325	46-208758P3	2	TY-RAP	6	7.31" X .184" SELF-LOCKING CABLE TIE
18120	46-220184P42	2	SCREW	4	BRS SLOTTED RND HD SCR 10-32 X 5/8"
25864	46-208921P7	2	SCREW	4	SCREW

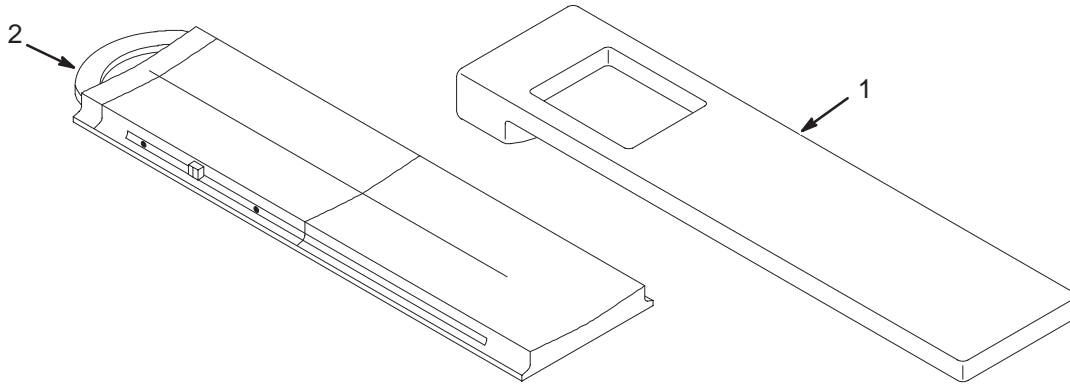
CATALOG M1887CY FRU N 1.0T SIGNA QUAD IMAGING PREAMP KIT

Item	Part Number	FRU	Name	Quantity	Description (Remarks)
2	46-328040G6	N	PRE AMP ASM	2	1.0T M/C PREAMP ASM W/MOUNT BLOCK (SEE PAGE 11-115)
25	2212189	2	PRE AMP MOUN	2	PREAMP SUPPORT ASSEMBLY LPCC W/PA
28	2214665	2	CABLE	1	LPCC PREAMP #1 INPUT SHIELDED CABLE
29	2214665-8	2	CABLE	1	LPCC PREAMP #8 INPUT SHIELDED CABLE
30	2238944	N	DIRECTION	1	SIGNA PRE-AMPLIFIER INSTALLATION
14325	46-208758P3	2	TY-RAP	6	7.31" X .184" SELF-LOCKING CABLE TIE
18120	46-220184P42	2	SCREW	4	BRS SLOTTED RND HD SCR 10-32 X 5/8"
25864	46-208921P7	2	SCREW	4	SCREW

CATALOG M1887DP FRU N 1.0T DUAL ARRAY SPINE PAD

Item	Part Number	FRU	Name	Quantity	Description (Remarks)
1	2124662	N	COMBIN COIL	1	COMBINATION COIL PAD (SEE PAGE 11-109)

COMBINATION COIL PAD 2124662



COMBINATION COIL PAD 2124662 FRU N (PART OF M1887DP PAGE 11-109)

Item	Part Number	FRU	Name	Quantity	Description (Remarks)
1	2121425	2	COIL PAD	1	DOW CANVAS PAD #71374-00
2	2121425-2	2	CBL PROTECTR	1	MEDRAD CABLE PROTECTOR W/TEMPLATE,

CATALOG M1887HW FRU N 1.0T HIGH RESOLUTION WRIST ARRAY COIL

Item	Part Number	FRU	Name	Quantity	Description (Remarks)
1	2293671	N	COIL ASM	1	1.0T HI RES WRIST ARRAY COIL (SEE PAGE 11-109)

1.0T HIGH RES WRIST ARRAY COIL 2293671 FRU N (PART OF M1887HW PAGE 11-109)

Item	Part Number	FRU	Name	Quantity	Description (Remarks)
1	2293671-2	1	COIL ASM	1	1.0T HI RES WRIST W/BASEPLATE ASM
2	2293670-3	1	COIL ASM	1	WRIST PHANTOM
3	2293670-4	1	COIL ASM	1	PHANTOM HOLDER
4	2293670-5	N	COIL ASM	1	OPERATOR MANUAL
5	2293670-6	N	COIL ASM	1	SERVICE MANUAL
6	2293670-7	N	COIL ASM	1	SMALL WRIST PAD A, PALM R, E8801W
7	2293670-8	N	COIL ASM	1	SMALL WRIST PAD B, BACK, E8801WA
8	2293670-9	N	COIL ASM	1	LARGE WRIST PAD A, PALM R, E8801WB
9	2293670-10	N	COIL ASM	1	LARGE WRIST PAD B, BACK, E8801WC
10	2293670-11	N	COIL ASM	1	BASEPLATE PAD, E8801WD

CATALOG M1887NB FRU N 1.0T NEUROVASCULAR ARRAY COIL W/NEW TOP

Item	Part Number	FRU	Name	Quantity	Description (Remarks)
1	2293669	N	COIL ASM	1	1.0T NV ARRAY W/NEW TOP (SEE PAGE 11-110)

1.0T NV ARRAY W/NEW TOP 2293669 FRU N (PART OF M1887NB PAGE 11-110)

Item	Part Number	FRU	Name	Quantity	Description (Remarks)
2	2293669-2	1	COIL ASM	1	1.0T NEUROVASCULAR ARRAY W/CABLE
3	2293668-3	N	COIL ASM	1	1.5T NEUROVASCULAR ARRAY OP MANUAL
4	2293668-4	N	COIL ASM	1	1.5T NEUROVASCULAR ARRAY SERVICE DIR
5	2293668-5	N	COIL ASM	1	NEUROVASCULAR ARRAY WEDGE PAD
6	2293668-6	N	COIL ASM	1	NEUROVASCULAR ARRAY PAD
7	2293668-7	1	COIL ASM	1	NEUROVASCULAR PHANTOM POSITIONER

CATALOG M1887PW FRU N 1.0T PERIPHERAL VASCULAR PHASED ARRAY COIL

Item	Part Number	FRU	Name	Quantity	Description (Remarks)
1	2285178	N	1.0T COIL	1	1.0T PHASED ARRAY PV COIL (SEE PAGE 11-110)

1.0T PV PHASED ARRAY COIL 2285178 FRU N (PART OF M1887PW PAGE 11-110)

Item	Part Number	FRU	Name	Quantity	Description (Remarks)
1	2285178-2	1	1.0T COIL	1	1.0T PA COIL ANTERIOR/POST HALVES
2	2285178-4	1	1.0T COIL	1	1.0T PA VASC PHANTOM STRAP
3	2285178-5	N	1.0T COIL	1	1.0T PA VASC OPERATOR MANUAL
6	2285178-8	N	1.0T COIL	1	1.0T PA VASC RAMP PAD (E8800ZT)
7	2285178-9	N	1.0T COIL	1	1.0T PA VASC FOAM BLOCK (E8800ZY)
8	2285178-10	N	1.0T COIL	1	1.0T PA VASC VELCRO STRAP (E8800ZZ)
9	2285178-11	N	1.0T COIL	1	1.0T PA VASC COMFORT PAD (E8800ZW)
10	2192406-11	N	1.5T COIL	1	1.5T PV COIL—SERVICE MANUAL
11	2192406-6	1	1.5T COIL	1	1.5T PV COIL—SNR PHANTOM
12	2192406-7	1	1.5T COIL	1	1.5T PV COIL—LOADING PHANTOM
13	2192406-9	1	1.5T COIL	1	1.5T PV COIL—PHANTOM POSITIONER SET
14	2285178-12	N	1.0T COIL	1	1.0T PA VASC SERVICE MANUAL

CATALOG

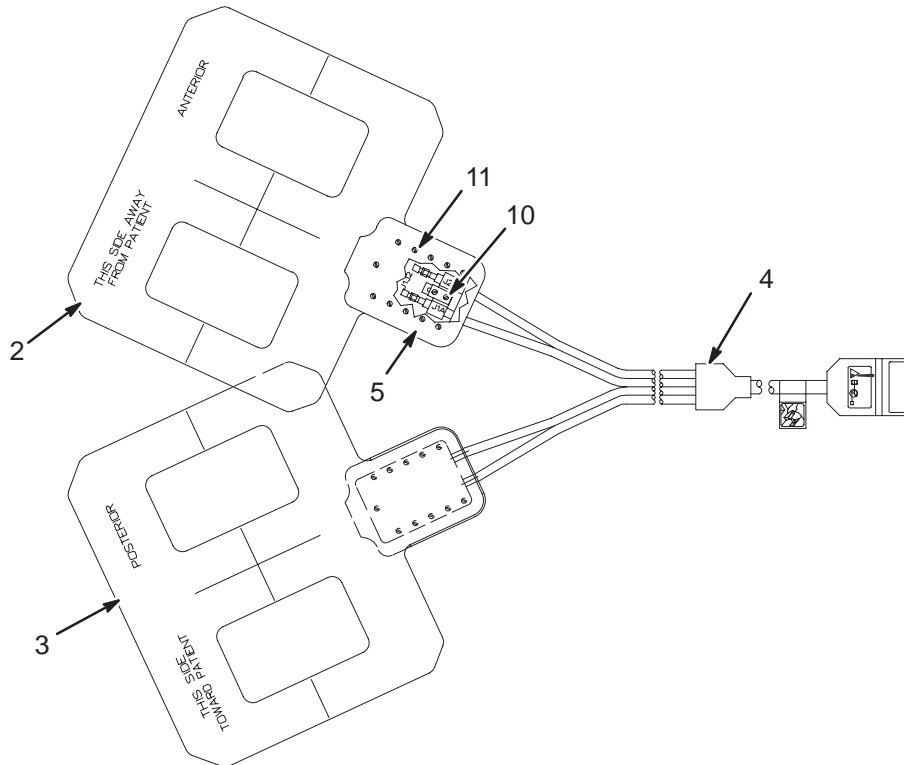
M1887TB FRU N

1.0T TORSO PHASED ARRAY COIL

Item	Part Number	FRU	Name	Quantity	Description (Remarks)
1	2215261-2	2	ARRAY	1	TORSO ARRAY ASSEMBLY – 1.0T (SEE PAGE 11-111)
2	2218115	2	PART	1	HEAD END TORSO PAD – ORDER E8802C
3	2213746	2	PART	1	FOOT END CARDIAC/TORSO PAD – ORDER E8802CB
4	2211425	N	STRAP,ADJ.	2	6"W X 60" LONG POLYNAP STRAP – ORDER E8900AE (QTY 2)
100	2218411-100	N	OPERATOR MAN	1	TORSO ARRAY COIL MANUAL
101	2218805	N	DIRECTION	1	SIGNA TORSO PHASED ARRAY COIL

1.0T TORSO ARRAY COIL

2215261-2



1.0T TORSO ARRAY COIL

2215261-2 FRU N

(PART 1 OF M1887TB PAGE 11-111)

Item	Part Number	FRU	Name	Quantity	Description (Remarks)
2	2215141-3	1	PART	1	1.0T TORSO ARRAY – ANTERIOR
3	2215141-4	1	PART	1	1.0T TORSO ARRAY – POSTERIOR
4	2215748-3	1	CABEL,ASSY.	1	CABLE ASSEMBLY FOR 1.0T TORSO COIL
5	2223669	2	COVER	2	COVER FOR CARDIAC ARRAY SURFACE COIL
10	46-208922P4	2	SCREW	4	SCREW, .0375" LONG
11	46-230008P14	2	SCREW	22	SCREW

11-9 SIGNA 1.0T UPGRADES

CATALOG M1890PB FRU N 1.0T 2 CHANNEL MULTICOIL FOR 5.5

Item	Part Number	FRU	Name	Quantity	Description (Remarks)
1	46-306974G6	N	SYS CAB KIT	1	1.0T SYS CAB PA2 KIT (SEE PAGE 11-113)
3	46-320990G7	N	MAG ENCL KIT	1	1.0T MAG ENC PA2 KIT (SEE PAGE 11-114)
4	2133922-2	N	FILTER PANEL	1	PLATE ASM. FOR MULTICOIL RETROFIT (SEE PAGE 11-48)
5	46-306978G1	N	CABLE KIT	1	SYSTEM CABLES FOR MULTI-COIL OPTION (SEE PAGE 11-39)

CATALOG M1890PC FRU N 1.0T 4 CHANNEL MULTICOIL FOR 5.5

Item	Part Number	FRU	Name	Quantity	Description (Remarks)
1	46-306974G7	N	SYS CAB KIT	1	1.0T SYS CAB PA4 KIT (SEE PAGE 11-113)
3	46-320990G6	N	MAG ENCL KIT	1	1.0T MULTI-COIL MAGNET ENCLOSURE KIT (SEE PAGE 11-114)
4	2133922-2	N	FILTER PANEL	1	PLATE ASM. FOR MULTICOIL RETROFIT (SEE PAGE 11-48)
5	46-306978G1	N	CABLE KIT	1	SYSTEM CABLES FOR MULTI-COIL OPTION (SEE PAGE 11-39)

CATALOG M1890PF FRU N 1.0T 4 CHANNEL MULTICOIL FOR LX

Item	Part Number	FRU	Name	Quantity	Description (Remarks)
1	2148760-3	N	ASSEMBLY	1	4 CHAN PHASED ARRAY 1.0T (SEE PAGE 11-40)
3	46-320990G6	N	MAG ENCL KIT	1	1.0T MULTI-COIL MAGNET ENCLOSURE KIT (SEE PAGE 11-114)
4	2133922-2	N	FILTER PANEL	1	PLATE ASM. FOR MULTICOIL RETROFIT (SEE PAGE 11-48)
5	46-306978G1	N	CABLE KIT	1	SYSTEM CABLES FOR MULTI-COIL OPTION (SEE PAGE 11-39)

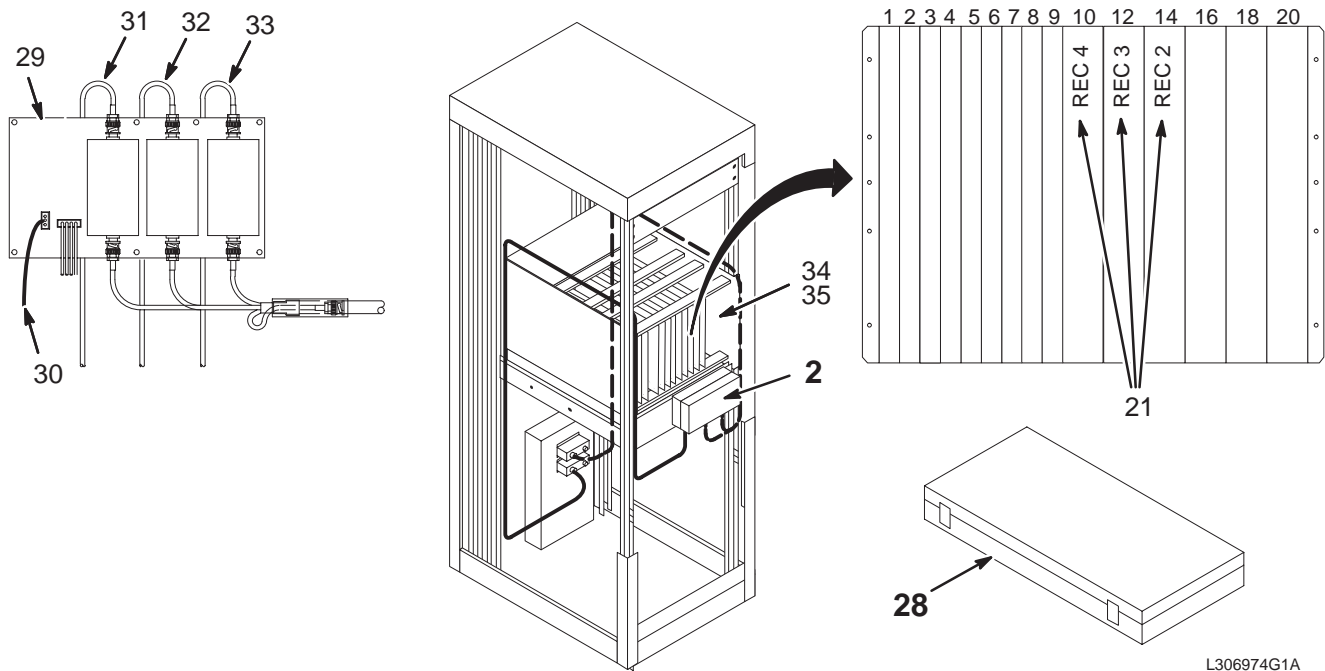
CATALOG M1890PH FRU N 1.0T 4 CHANNEL MULTICOIL FOR PRE-LX

Item	Part Number	FRU	Name	Quantity	Description (Remarks)
3	46-320990G6	N	MAG ENCL KIT	1	1.0T MULTI-COIL MAGNET ENCLOSURE KIT (SEE PAGE 11-114)
4	2133922-2	N	FILTER PANEL	1	PLATE ASM. FOR MULTICOIL RETROFIT (SEE PAGE 11-48)
5	46-306978G1	N	CABLE KIT	1	SYSTEM CABLES FOR MULTI-COIL OPTION (SEE PAGE 11-39)

CATALOG M1890PJ FRU N 1.0T 2 CHANNEL PRE-LX TO 4 CHANNEL MULTICOIL LX

Item	Part Number	FRU	Name	Quantity	Description (Remarks)
3	46-320990G8	N	MAG ENCL KIT	1	1.0T MAG ENC PA2 TO PA4 (SEE PAGE 11-114)

1.0T SYSTEM CABINET KIT FOR MULTI-COIL46-306974G6 & G7



L306974G1A

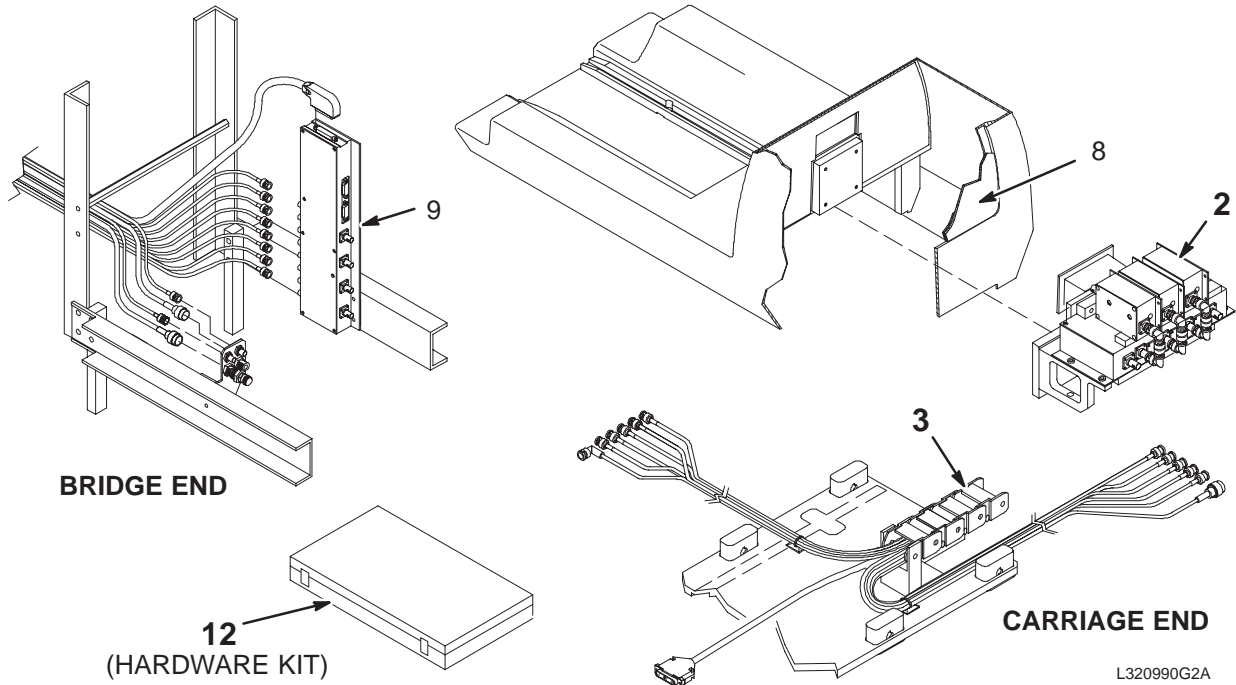
1.0T SYS CAB 2 CHANNEL KIT 46-306974G6 FRU N (PART OF M1890PB PAGE 11-112)

Item	Part Number	FRU	Name	Quantity	Description (Remarks)
2	46-307030G3	N	RF SPLITTER	1	1.5T RF SPLITTER MODULE, MR2-A17 (SEE PAGE 11-42)
21	46-287252G7	1	1.0T RECEIVR	1	1.0T SIGNA HORIZON TPS RECEIVER
28	2113828	N	BOX OF PARTS	1	0.5T SYSTEM CABINET HARDWARE BOX (SEE PAGE 11-43)
29	2114342-5	1	1.0T TNS 3CH	1	1.0T M/C TRANSIENT NOISE FILTER
30	2118110	2	PWR HARNESS	1	TNS POWER INTERCONNECT, 2-WIRE, 42"
31	2118109-3	2	BNC CABLE	1	MR2-A11-J8 TO MR2-A24-A2-A1-J8, 7 FT
32	2118109-4	2	BNC CABLE	1	MR2-A11-J9 TO MR2-A24-A2-A2-J9, 7 FT
33	2118109-5	2	BNC CABLE	1	MR2-A11-J10 TO MR2-A24-A2-A3-J10, 7'
34	46-287066G4	2	COVER AIR	1	9U X 400MM EURO-RACK, 4 SLOTS
35	2142808	2	COVER FRONT	1	COVER FRONT, 9U EUROCARD RACK

1.0T SYS CAB 4 CHANNEL KIT 46-306974G7 FRU N (PART OF M1890PC PAGE 11-112)

Item	Part Number	FRU	Name	Quantity	Description (Remarks)
2	46-307030G3	N	RF SPLITTER	1	1.5T RF SPLITTER MODULE, MR2-A17 (SEE PAGE 11-42)
21	46-287252G7	1	1.0T RECEIVR	3	1.0T SIGNA HORIZON TPS RECEIVER
28	2113828	N	BOX OF PARTS	1	0.5T SYSTEM CABINET HARDWARE BOX (SEE PAGE 11-43)
29	2114342-5	1	1.0T TNS 3CH	1	1.0T M/C TRANSIENT NOISE FILTER
30	2118110	2	PWR HARNESS	1	TNS POWER INTERCONNECT, 2-WIRE, 42"
31	2118109-3	2	BNC CABLE	1	MR2-A11-J8 TO MR2-A24-A2-A1-J8, 7 FT
32	2118109-4	2	BNC CABLE	1	MR2-A11-J9 TO MR2-A24-A2-A2-J9, 7 FT
33	2118109-5	2	BNC CABLE	1	MR2-A11-J10 TO MR2-A24-A2-A3-J10, 7'

1.0T MAGNET ENCLOSURE KIT FOR MULTI-COIL46-320990G6, G7, & G8



MAG ENCL 4 CHANNEL KIT **46-320990G6** **FRU N** **(PART OF M1890PC PAGE 11-112)**
(PART OF M1890PF PAGE 11-112)
(PART OF M1890PH PAGE 11-112)

Item	Part Number	FRU	Name	Quantity	Description (Remarks)
2	46-328167G6	N	1.0T PREAMPS	1	1.0T M/C SKINPACK ASM COLLECTOR (SEE PAGE 11-115)
3	46-328071G1	N	CABLE TRACK	1	CABLE TRACK W/MC CABLES PREINSTALLED (SEE PG 11-46)
8	46-317722P1	2	COVER	1	CARRIAGE COVER ACCESS PANEL, VENTED
9	46-288546G2	1	CIRCUIT BD	1	MULTI-COIL SELECT SWITCH MG3-A36
12	2113459	N	BOX OF PARTS	1	MAGNET ENCLOSURE MULTI-COIL PART KIT (SEE PG 11-47)

MAG ENCL 4 CHANNEL KIT **46-320990G7** **FRU N** **(PART OF M1890PB PAGE 11-112)**

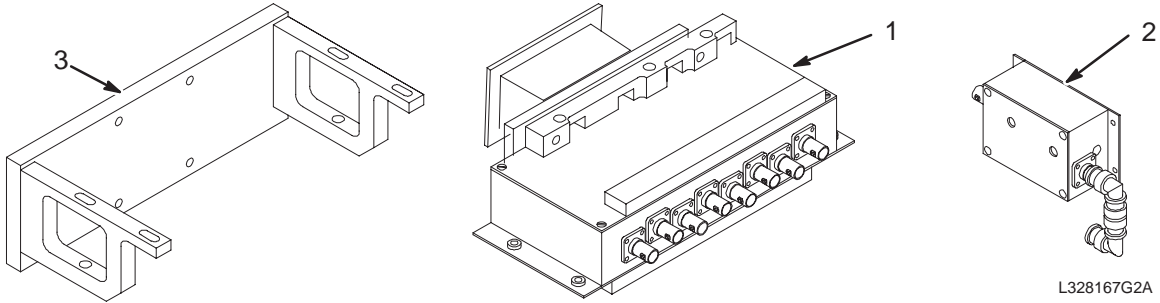
Item	Part Number	FRU	Name	Quantity	Description (Remarks)
2	46-328167G7	N	PREAMP COLL	1	SKINPACK ASSEMBLY COLLECTOR (SEE PAGE 11-115)
3	46-328071G1	N	CABLE TRACK	1	CABLE TRACK W/MC CABLES PREINSTALLED (SEE PG 11-46)
8	46-317722P1	2	COVER	1	CARRIAGE COVER ACCESS PANEL, VENTED
9	46-288546G2	1	CIRCUIT BD	1	MULTI-COIL SELECT SWITCH MG3-A36
12	2113459-2	N	BOX OF PARTS	1	MAGNET ENCLOSURE MULTI-COIL PART KIT (SEE PG 11-47)

MAG ENC 2 TO 4 CHANNEL KIT **46-320990G8** **FRU N** **(PART OF M1890PJ PAGE 11-112)**

Item	Part Number	FRU	Name	Quantity	Description (Remarks)
2	46-328040G6	N	PRE AMP ASM	4	1.0T M/C PREAMP ASM W/ MOUNT BLOCK (SEE PAGE 11-115)

1.0T PREAMP ASM

46-328167G6



1.0T 4 CHANNEL PREAMP ASM 46-328167G6 FRU N (PART OF 46-320990G6 PAGE 11-114)

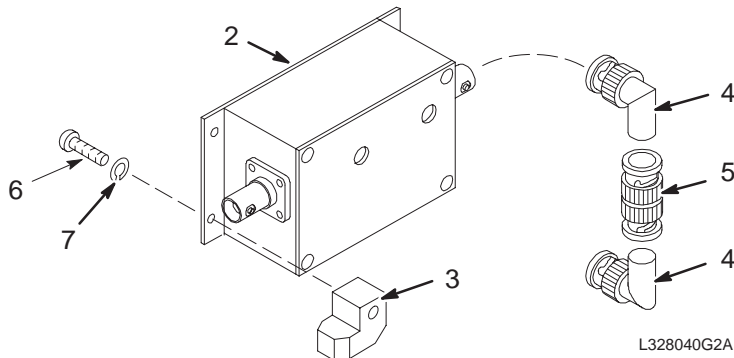
Item	Part Number	FRU	Name	Quantity	Description (Remarks)
1	46-328036G6	1	AMP PROTECT	1	1.0T MULTI-COIL PREAMP PROTECTION
2	46-328040G6	N	PRE AMP ASM	6	1.0T M/C PREAMP ASM W/ MOUNT BLOCK (SEE PAGE 11-115)
3	46-317257G1	2	SUPPORT ASM	1	FOR MULTI-COIL PREAMP/PREAMP-PROTECT

1.0T 2 CHANNEL PREAMP ASM 46-328167G7 FRU N (PART OF 46-320990G7 PAGE 11-114)

Item	Part Number	FRU	Name	Quantity	Description (Remarks)
1	46-328036G6	1	AMP PROTECT	1	1.0T MULTI-COIL PREAMP PROTECTION
2	46-328040G6	N	PRE AMP ASM	2	1.0T M/C PREAMP ASM W/ MOUNT BLOCK (SEE PAGE 11-115)
3	46-317257G1	2	SUPPORT ASM	1	FOR MULTI-COIL PREAMP/PREAMP-PROTECT

1.0T MULTI-COIL PREAMP W/ANGLE

46-328040G6



1.0T MULTI-COIL PREAMP 46-328040G6 FRU N (PART OF 46-320990G8 PAGE 11-114)
 (PART OF 46-328167G6 PAGE 11-115)
 (PART OF 46-328167G7 PAGE 11-115)
 (PART OF M1887CT PAGE 11-108)

Item	Part Number	FRU	Name	Quantity	Description (Remarks)
2	46-321338G3	1	PREAMP BOX	1	1.0T PREAMPLIFIER WITH DIODE FIX
3	46-317022P1	2	BLOCK LOCATO	1	MOUNTING FINGER, MOLDED WHITE ACETAL
4	46-233422P1	2	CONNECTOR	2	BNC JACK-PLUG, RIGHT ANGLE ADAPTER.
5	46-220427P2	2	CONNECTOR	1	BNC STRAIGHT PLUG-PLUG ADAPTOR.
6	46-220184P13	2	SCREW	1	BRS SLOTTED RND HD SCR 6-32 X 3/8"
7	46-221449P3	2	WASHER	1	#6 SCREW SIZE (0.138) SILICONE BRONZ

11-10 ACCESSORY PACKAGES

The following E-Catalog accessories are available for purchase with M-Catalog Options for Signa Release 5.x and 8.x Systems

CATALOG E6900CG FRU N MOBILE MOUNTING KIT FOR FLAT PANEL MONITOR

Item	Part Number	FRU	Name	Quantity	Description (Remarks)
2	2316656	N	PLATE	1	PLATE, MONITOR ADAPTER
3	2318499	N	PART	1	PIVOTHEAD BASE/HEAD 0/90 TILT
4	2318497	N	STAND	1	EXPRESS SERIES MNT FLAT BASE PLT_9"
6	46-328422P23	N	SCREW	3	SCREW COUNTERSUNK HEA M6 X 10 MM
7	2109880-3	N	WASHER	3	WASHER LOCK - SPRING 6.1 MM 11.8 MM
8	46-328426P2	N	NUT	3	NUT HEXAGON_THIN 6 MM

CATALOG E7014LA FRU N COLOR POSTSCRIPT PRINTER FOR A/W

Item	Part Number	FRU	Name	Quantity	Description (Remarks)
1	2112346	1	COLOR PRINTR	1	POSTSCRIPT COLOR NETWORK PRINTER

CATALOG E8001ND FRU N MOD OPTION FOR GENESIS

Item	Part Number	FRU	Name	Quantity	Description (Remarks)
1	2225979	N	MOD DRIVE KIT	1	MAGNETO-OPTICAL DISK DRV (SEE PAGE 11-116)

MAGNETO OPTICAL DISK DRIVE KIT 2225979 FRU N (PART OF E8001ND PAGE 11-116)

Item	Part Number	FRU	Name	Quantity	Description (Remarks)
1	2225923	1	MAGNETO-OPTI	1	MAGNETO-OPTICAL DISK DRIVE
2	2142726	2	MO MEDIA	50	DICOM MAGNETO OPTICAL DISK MEDIA
3	2225975	N	MOD DRIVE IN	1	MAGNETO-OPTICAL DISK DRV (SEE PAGE 11-116)

MAGNETO OPTICAL DISK DRIVE 2225975 FRU N (PART OF 2225979 PAGE 11-116)

Item	Part Number	FRU	Name	Quantity	Description (Remarks)
3	46-306624P1	2	BLANK PANEL	1	BLANK FILLER PANEL, OPTICAL DISK
4	46-302200P3	2	RATING PLATE	1	MODIFIED BY KIT, SERIAL #, MODEL#
5	46-208560P48	2	SCREW	2	SCREW
6	46-170012P36	2	NUT	2	6-32 HEX 5/16 NUT THK 7/64, KEPS
7	2233080	N	DIRECTION	1	MAXOPTIX INSTALLATION MANUAL
8	2233570-100	N	OPERATOR MAN	1	ADDENDUM FOR PIONEER REPLACEMENT

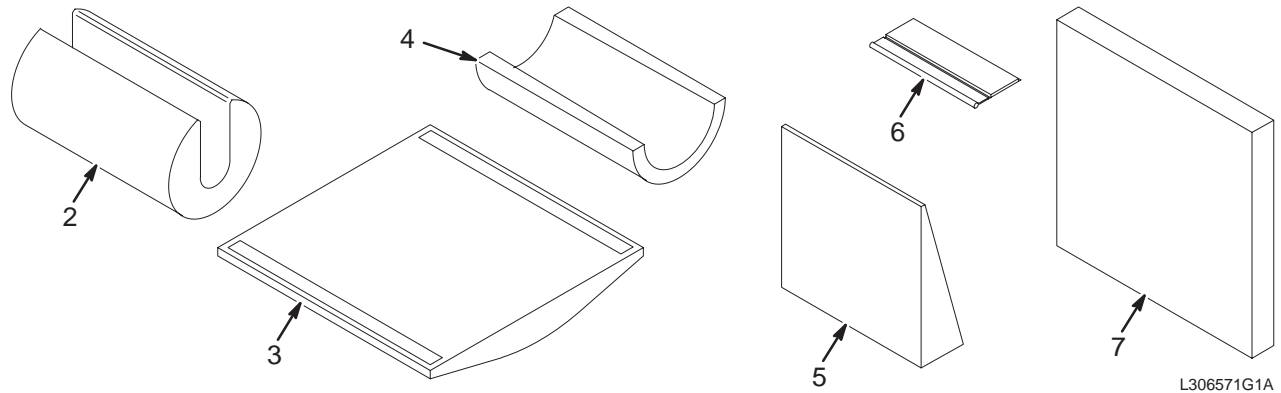
CATALOG E8801CA FRU N EYE/EAR SURFACE COIL HOLDER

Item	Part Number	FRU	Name	Quantity	Description (Remarks)
1	46-258800G1	N	POSITIONER	1	SURFACE COIL POSITIONER/HEAD HOLDR (SEE PAGE 11-101)

CATALOG E8801F FRU N EXTREMITY SURFACE COIL ACCESSORIES

Item	Part Number	FRU	Name	Quantity	Description (Remarks)
1	46-306571G1	N	CUSHION SET	1	GREY CUSHION SET FOR EXTREMITY COIL (SEE PAGE 11-117)

EXTREMITY COIL POSITIONING PACKAGE 46-306571G1



CUSHION SET 46-306571G1 FRU N

(PART OF M1085AC PAGE 11-59)
 (PART OF M1885AC PAGE 11-94)
 (PART OF E8801F PAGE 11-116)
 (PART OF E8801M PAGE 11-118)

Item	Part Number	FRU	Name	Quantity	Description (Remarks)
2	46-306579P1	2	FOOT CUSHION	1	GRAY FOAM PAD, 6.6" DIA X 11.25" LG
3	46-306582P1	2	CUSHION	4	15.5X15.5" GRAY CURVED FOAM W/VELCRO
4	46-306580P1	2	KNEE CUSHION	1	GRAY FOAM PAD, 6.6" WIDE X 11.25" LG
5	46-306575P4	N	TRI SPONGE	3	ORDER E8801FD FOR REPLACEMENT SPONGE
6	46-306581P1	2	CUSH LOCATE	8	CUSHION LOCATOR WHITE VINYL W/VELCRO
7	46-306574P1	2	RECTANGL PAD	2	GRAY RECTANGLE PAD, 1.25"X 14" X 14"

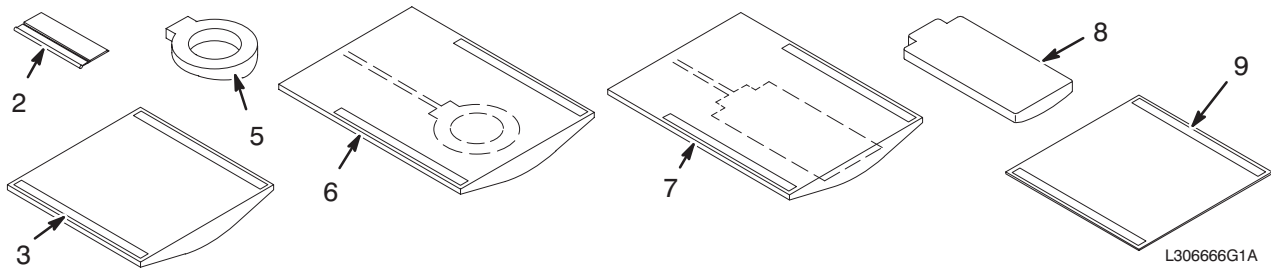
CATALOG E8801FD FRU 2 FOAM TRIANGLE SPONGE

Item	Part Number	FRU	Name	Quantity	Description (Remarks)
1	46-306575P4	N	TRI SPONGE	3	ORDER E8801FD FOR REPLACEMENT SPONGE

CATALOG E8801G FRU N SPINE COIL RESTRAINT SYSTEM

Item	Part Number	FRU	Name	Quantity	Description (Remarks)
1	46-306666G1	N	SURFACE CL PADS	1	GREY FLAT SURFACE COIL POSITION PADS (SEE PAGE 11-118)

SPINE SURFACE COIL POSITIONING PACKAGE 46-306666G1



SURFACE COIL PADS 46-306666G1 FRU N (PART OF E8801G PAGE 11-117)

Item	Part Number	FRU	Name	Quantity	Description (Remarks)
2	46-306581P1	2	CUSH LOCATE	10	CUSHION LOCATOR WHITE VINYL W/VELCRO
3	46-307407P1	2	POS CUSHION	2	GRAY PATIENT SUPPORT CUSHION 15 X 15
5	46-307083P1	2	PAD, FILLER	2	GRAY FILLER PAD, 5" ROUND COIL SHAPE
6	46-307085P1	2	CUSH, POSIT	1	GRAY 5" DIA COIL POSITION PAD 15X25"
7	46-307086P1	2	CUSH, POSIT	1	GRAY RECTANGLE COIL MOUNT PAD 21X15"
8	46-307084P1	2	PAD, FILLER	2	GRAY FILLER PAD, RECTANGLE COIL SIZE
9	46-307087P1	2	COVER, COIL	2	WHITE VINYL FABRIC W/VELCRO, 16"X16"

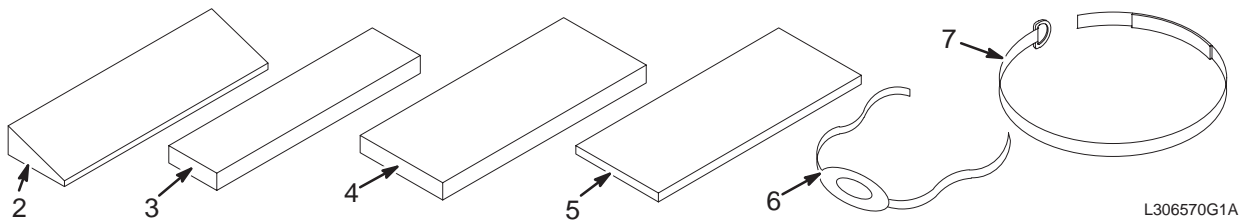
CATALOG E8801H FRU N QUAD HEAD COIL RESTRAINT SYSTEM

Item	Part Number	FRU	Name	Quantity	Description (Remarks)
1	46-306570G1	N	HD RESTRAINT	1	HEAD COIL RESTRAINT/PAD SET (E8801M) (SEE PAGE 11-118)
2	46-306578P1	N	HEAD CUSHION	1	ORDER E88101ME FOR REPLACEMENT PAD

CATALOG E8801M FRU 2 HEAD COIL RESTRAINT/PAD SET

Item	Part Number	FRU	Name	Quantity	Description (Remarks)
1	46-306570G1	N	HD RESTRAINT	1	HEAD COIL RESTRAINT/PAD SET (E8801M) (SEE PAGE 11-118)

HEAD RESTRAINT 46-306570G1



HEAD RESTRAINT 46-306570G1 FRU N (PART OF M1020BD PAGE 11-9) (PART OF E8801H PAGE 11-118) (PART OF E8801M PAGE 11-118)

Item	Part Number	FRU	Name	Quantity	Description (Remarks)
2	46-306575P4	N	TRI SPONGE	2	ORDER E8801FD FOR REPLACEMENT SPONGE
3	46-306574P2	2	RECTANGL PAD	2	GRAY RECTANGULAR SPONGE, 1X3X14.5"
4	46-306574P3	N	RECTANGL PAD	2	ORDER E8801MD FOR REPLACEMENT SPONGE
5	46-306574P4	N	RECTANGL PAD	2	ORDER E8801MD FOR REPLACEMENT SPONGE
6	46-306576P1	N	CHIN CUP	1	ORDER E8801MB FOR REPLACEMENT STRAP
7	46-306577P1	N	FOREHD STRAP	2	ORDER E8801MA FOR REPLACEMENT STRAP

REV 14

DIRECTION 2138247

CATALOG E8801MA FRU 2 FOREHEAD STRAPS

Item	Part Number	FRU	Name	Quantity	Description (Remarks)
1	46-306577P1	N	FOREHD STRAP	2	ORDER E8801MA FOR REPLACEMENT STRAP

CATALOG E8801MB FRU 2 CHIN STRAPS

Item	Part Number	FRU	Name	Quantity	Description (Remarks)
1	46-306576P1	N	CHIN CUP	2	ORDER E8801MB FOR REPLACEMENT STRAP

CATALOG E8801MD FRU 2 RECTANGULAR SPONGE SET

Item	Part Number	FRU	Name	Quantity	Description (Remarks)
1	46-306574P3	N	RECTANGL PAD	2	ORDER E8801MD FOR REPLACEMENT SPONGE
2	46-306574P4	N	RECTANGL PAD	2	ORDER E8801MD FOR REPLACEMENT SPONGE

CATALOG E8801ME FRU 2 QUAD HEAD CUSHION

Item	Part Number	FRU	Name	Quantity	Description (Remarks)
1	46-306578P1	N	HEAD CUSHION	1	ORDER E88101ME FOR REPLACEMENT PAD

CATALOG E8801ND FRU 2 RECTANGULAR COIL POSITINING CUSHION

Item	Part Number	FRU	Name	Quantity	Description (Remarks)
1	46-307084P1	2	PAD, FILLER	1	GRAY FILLER PAD, RECTANGLE COIL SIZE
2	46-307086P1	2	CUSH, POSIT	1	GRAY RECTANGLE COIL MOUNT PAD 21X15"
3	46-307087P1	2	COVER, COIL	1	WHITE VINYL FABRIC W/VELCRO, 16"X16"

CATALOG E8801PB FRU N GRAY RECTANBULAR PAD

Item	Part Number	FRU	Name	Quantity	Description (Remarks)
1	46-306574P1	2	RECTANGL PAD	2	GRAY RECTANGLE PAD, 1.25"X 14" X 14"

CATALOG E8802MC FRU 2 WIDE SECURITY STRAP

Item	Part Number	FRU	Name	Quantity	Description (Remarks)
1	46-306594P1	N	WIDE STRAP	1	ORDER E8802MC FOR REPLACEMENT STRAP

CATALOG E8802MD FRU 2 NARROW SECURITY STRAP

Item	Part Number	FRU	Name	Quantity	Description (Remarks)
1	46-306593P1	N	NARROW STRAP	1	ORDER E8802MD FOR REPLACEMENT STRAP

CATALOG E8802MG FRU 2 CRADLE PAD

Item	Part Number	FRU	Name	Quantity	Description (Remarks)
1	46-306582P2	N	CUSHION	1	ORDER E8802MG FOR NEW CRADLE PAD

CATALOG E8802P FRU N PATIENT POSITIONING SPONGE KIT

Item	Part Number	FRU	Name	Quantity	Description (Remarks)
1	46-306572G1	N	POSITION KT	1	PATIENT POSITIONING KIT (E8802P) (SEE PAGE 11-120)

POSITIONING KIT 46-306572G1 FRU N (PART OF M1020BD PAGE 11-9)
(PART OF E8802P PAGE 11-120)

Item	Part Number	FRU	Name	Quantity	Description (Remarks)
2	46-306574P5	2	RECTANGL PAD	1	GRAY RECTANGULAR SPONGE, 2.5X14X24"
3	46-306574P6	2	RECTANGL PAD	6	GRAY RECTANGULAR SPONGE, .88"X3"X5"
4	46-306575P1	2	TRI SPONGE	2	GRAY TRIANGULAR SPONGE, 3"X10"X10"
5	46-306575P2	2	TRI SPONGE	1	GRAY TRIANGULAR SPONGE, 10"X10"X14"
6	46-306575P3	2	TRI SPONGE	1	GRAY TRIANGULAR SPONGE, 3.78"X8"X10"
8	46-306584P1	2	KNEE REST	1	16X7.5" CHARCOAL GRAY FOAM KNEE REST
9	46-306592P1	2	NECK SPONGE	1	ROUNDED 7.25X3X2.5" GREY NECK SPONGE

CATALOG E8803AF FRU N 1.05 GB EXTERNAL HARD DRIVE FOR A/W

Item	Part Number	FRU	Name	Quantity	Description (Remarks)
1	36007265	1	DISC DRIVE	1	SCSI DISK 3.5" 1.05GB, SUN # X545A

CATALOG E8803AG FRU N 64MB SIMMS MEMORY FOR A/W (SPARC 10 ONLY)

Item	Part Number	FRU	Name	Quantity	Description (Remarks)
1	36007266	N	SIMM PACKAGE	1	USE 46-269548P115 AS 16MB REPLACEMNT

CATALOG E8803AM FRU N MOD DRIVE ARCHIVE FOR A/W

Item	Part Number	FRU	Name	Quantity	Description (Remarks)
1	2111662	N	A.W. ARCHIVE	1	ARCHIVING MOD OPTION FOR AW (SEE PAGE 11-120)

MOD DRIVE ARCHIVE 2111662 FRU N (PART OF E8803AM PAGE 11-120)

Item	Part Number	FRU	Name	Quantity	Description (Remarks)
1	2108048	1	EXTERNAL MOD	1	EXTERNAL MOD DRIVE W/ENCLOSURE
2	2110495	2	CABLE	1	SCSI 1 TO SCSI 2 ADAPTER CABLE
3	2110496	2	CABLE	1	SCSI 1 TO SCSI 1 CABLE, 5.5+/-0.5FT.
4	46-269601P5	1	TERMINATOR	1	"SLICK" CIRCUIT ACTIVE TERMINATOR
5	46-269578P1	N	MAG.OPT.MEDI	1	USE E8001P AS FIELD REPLACEMENT
6	2118476	1	ARCHIVE DISK	1	ADV WINDOWS ARCHIVE SECURITY KEY

CATALOG E8803AY FRU N MONITOR W/INTERNAL MAGNETIC SHIELD - A/W

Item	Part Number	FRU	Name	Quantity	Description (Remarks)
1	2111664	1	MONITOR	1	MAGNETICALLY SHIELDED MONITOR
2	2110497	1	CABLE	1	MONITOR ADAPTOR DB13W3 MALE TO BNC

CATALOG E8803AZ FRU N SCAN CONVERTER/VCR INTERFACE FOR A/W

Item	Part Number	FRU	Name	Quantity	Description (Remarks)
1	2118101	N	VCR I/F KIT	1	SCAN CONVERTER W/MONITOR CABLES (SEE PAGE 11-121)

SCAN CONVERTER W/CABLES 2118101 FRU N (PART OF E8803AZ PAGE 11-121)

Item	Part Number	FRU	Name	Quantity	Description (Remarks)
1	2118102	1	CONVERTER	1	SCAN CONVERTER FOR VCR, NTSC VERSION
2	2110497	1	CABLE	2	MONITOR ADAPTOR DB13W3 MALE TO BNC
4	2118699	1	CABLE	1	MONITOR ADAPTER DB13W3 FEMALE TO BNC

CATALOG E8803BD FRU N OPERATOR'S CONSOLE CHAIR WITH FOOT RING

Item	Part Number	FRU	Name	Quantity	Description (Remarks)
1	46-306635P4	N	CHAIR	1	USE E8803BD AS REPLACEMENT OC CHAIR

CATALOG E8803BE FRU N CONSOLE CHAIR WITH ARM RESTS

Item	Part Number	FRU	Name	Quantity	Description (Remarks)
1	46-306635P3	2	CHAIR	1	CONSOLE CHAIR WITH ARM RESTS-E8803BE

CATALOG E8807AA FRU 2 MR PATIENT LOG BOOK, SET OF SIX

Item	Part Number	FRU	Name	Quantity	Description (Remarks)
1	46-258172G1	N	LOGBOOK	6	ORDER E8807AA FOR PATIENT LOG BOOKS

CATALOG E8811EB FRU 2 FASTENER KIT FOR PATIENT LEADWIRE SET

Item	Part Number	FRU	Name	Quantity	Description (Remarks)
1	46-265845G1	N	FASTENER KIT	1	ORDER E8811EB FOR REPLACEMENT KIT

CATALOG E8811EC FRU N PATIENT ECG LEADWIRE SET

Item	Part Number	FRU	Name	Quantity	Description (Remarks)
1A	2219452	1	PAT. CABLE	1	HIGH IMPEDENCE ECG LEAD KIT
1B	46-306867G1	1	PAT. CABLE	1	PATIENT ECG CABLE ASM (E8811EC)

CATALOG E8811ED FRU 2 CARDIAC/RESPIRATORY BELLOWS ASSEMBLY

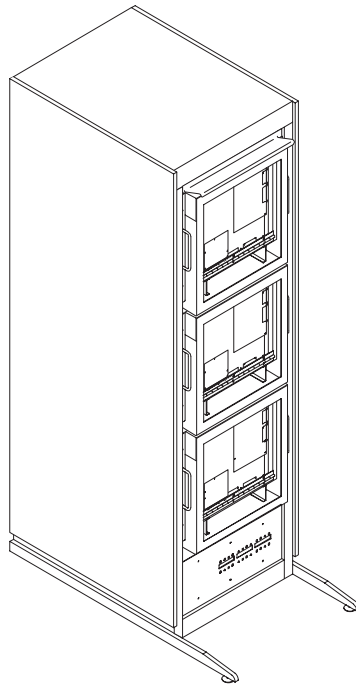
Item	Part Number	FRU	Name	Quantity	Description (Remarks)
1	46-265679G1	N	BELLOWS ASM	1	ORDER E8811ED WHEN REPLACING

CATALOG E8811PA FRU N PPG CABLES

Item	Part Number	FRU	Name	Quantity	Description (Remarks)
1	46-317903G1	2	CABLE F. O.	1	FIBER OPTIC PPG CABLE ASM (E8811PA)
2	46-317037P1	2	CLIP	1	PAC RETAINING CLIP FOR PPG CABLE ASM
3	46-317500P4	2	VELCR O HOOKS	2	WHITE 2" X 1" STRIP, ADHESIVE BACK

SECTION 12- GRAM CABINET

TABLE OF CONTENTS



<u>SECTION</u>	<u>PAGE</u>
12-1 GRAM CABINET	12-2
Contains information on GRAM Cabinet	

12-1 GRAM CABINET

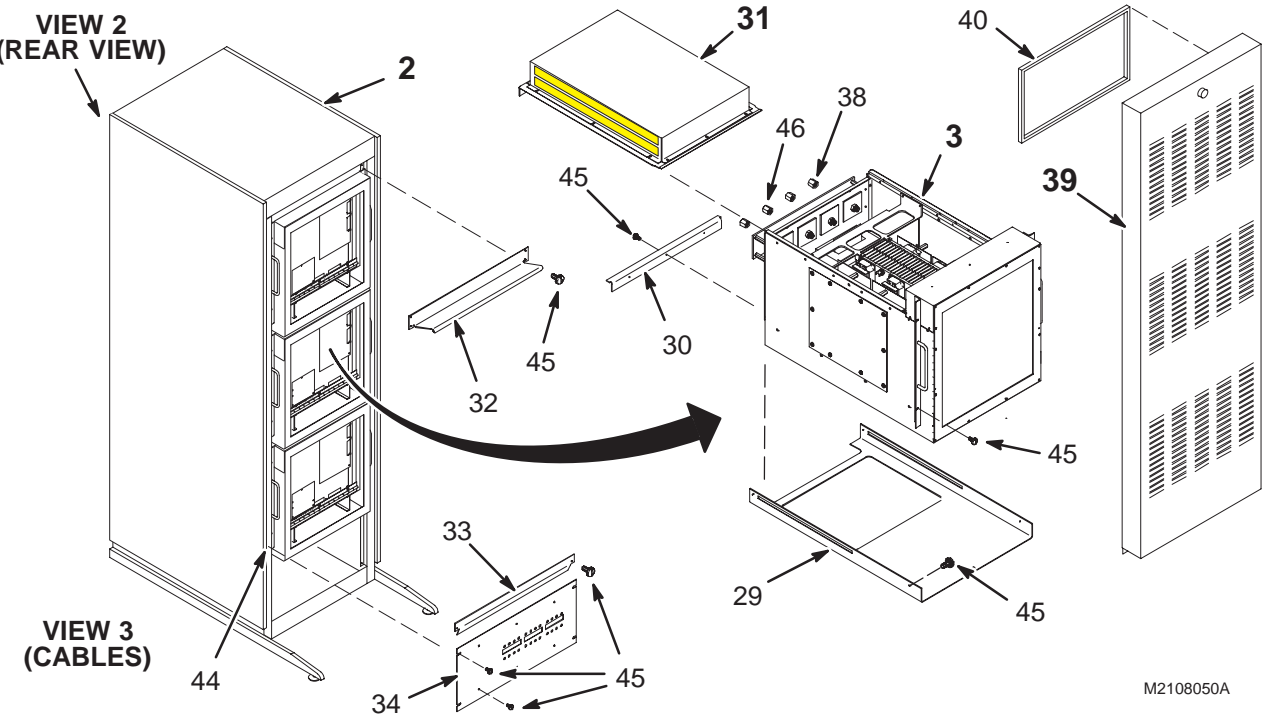
GRAM CABINET

2108050

MR7

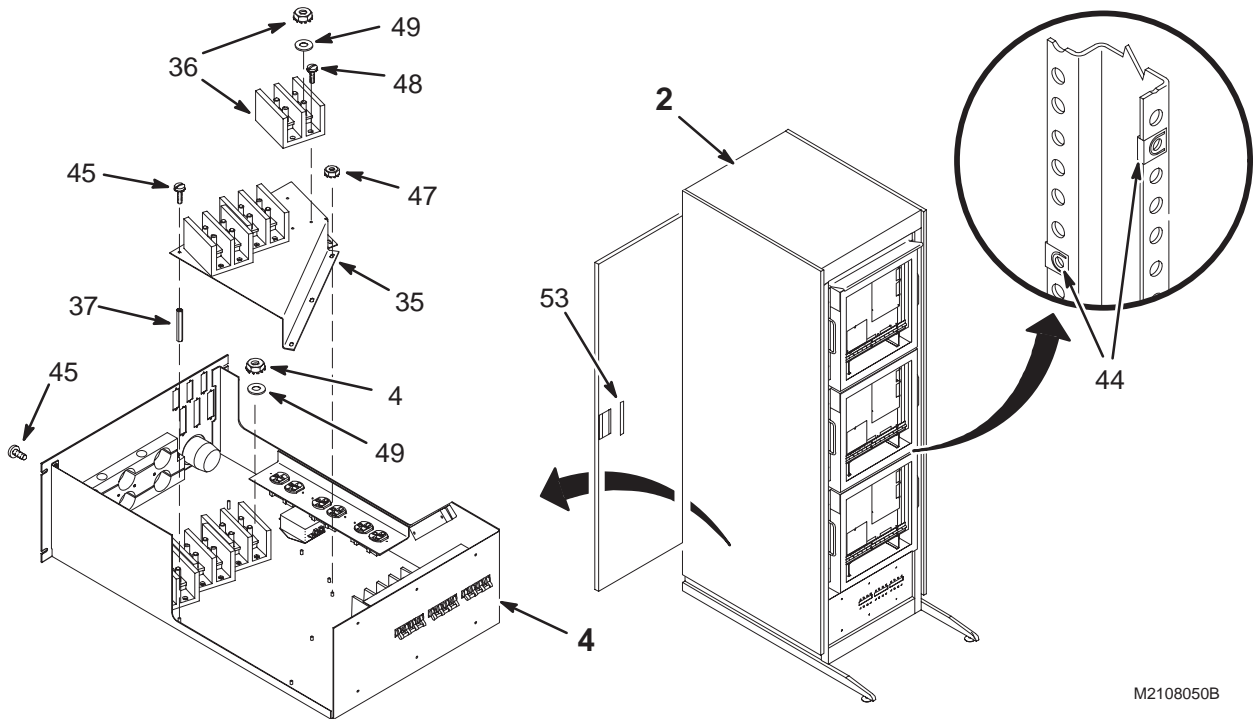
VIEW 2
(REAR VIEW)

VIEW 3
(CABLES)



M2108050A

VIEW 1



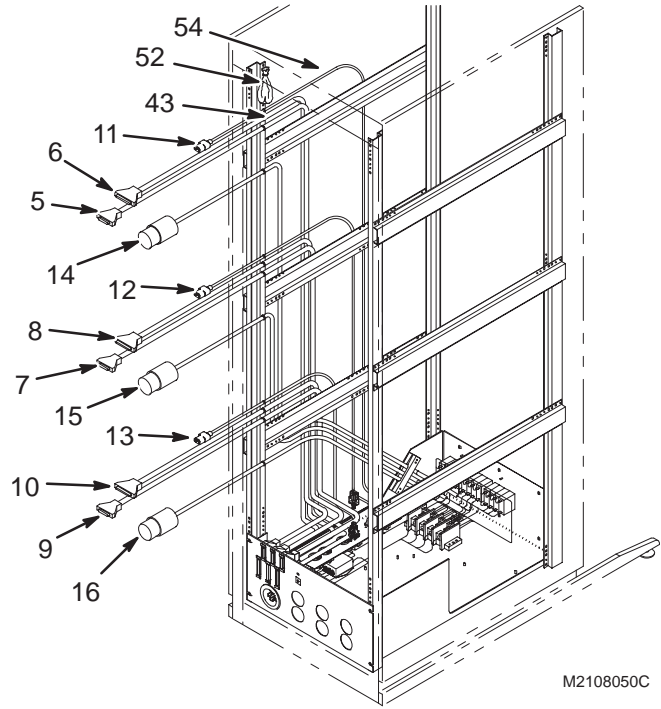
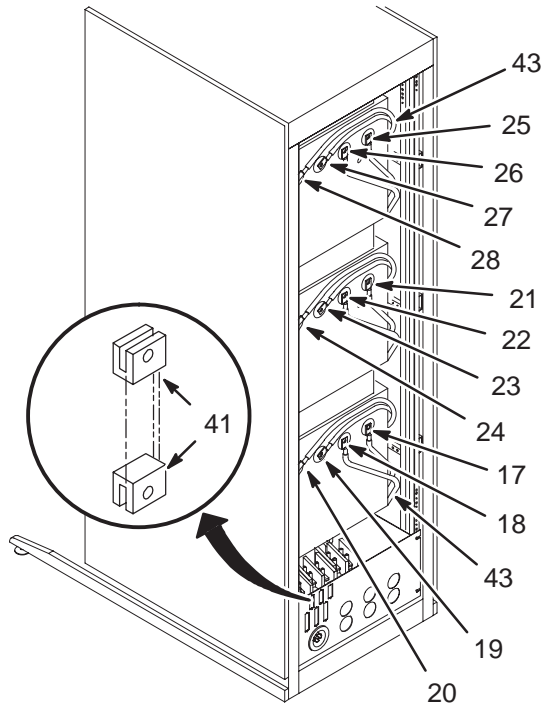
M2108050B

VIEW 2

GRAM CABINET

2108050

MR7



M2108050C

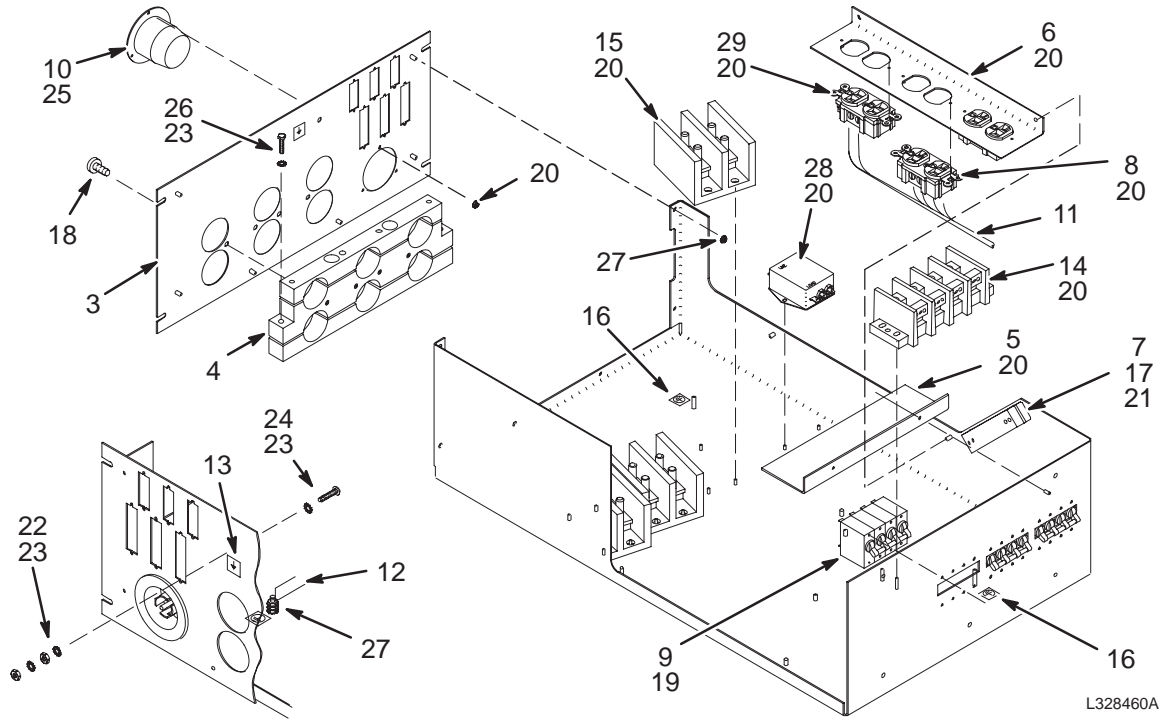
VIEW 3

GRAM CABINET 2108050 FRU N (PART OF 46-271000 SERIES - SECTION 1)

Item	Part Number	FRU	Name	Quantity	Description (Remarks)
2	2108234	N	AMCO CABINET	1	AMCO #S25313-A 1-BAY CABINET (TALL) (SEE PAGE 12-9)
3	46-320147G1	N	GRAM	3	USE 46-320147G2 AS FIELD REPLACEMENT (SEE PG 12-7)
4	46-328460G1	N	GRAM I/F PNL	1	GRAM INTERFACE PANEL (SEE PAGE 12-5)
5	46-328000G886	2	CABLE	1	MR7-A1-J7 TO MR7-A4-J1, 8FT, 25 COND
6	46-328000G887	2	CABLE	1	MR7-A1-J6 TO MR7-A4-J4, 8FT, 37 COND
7	46-328000G888	2	CABLE	1	MR7-A2-J7 TO MR7-A4-J2, 6FT, 25 COND
8	46-328000G889	2	CABLE	1	MR7-A2-J6 TO MR7-A4-J5, 6FT, 37 COND
9	46-328000G890	2	CABLE	1	MR7-A3-J7 TO MR7-A4-J3, 4 FT 25-COND
10	46-328000G891	2	CABLE	1	MR7-A3-J6 TO MR7-A4-J6, 4 FT 37-COND
11	46-328000G892	2	POWER CORD	1	MR7-A4-J14 TO MR7-A1-A1-J1, 3-#18 7'
12	46-328000G893	2	POWER CORD	1	MR7-A4-J15 TO MR7-A2-A1-J1, 3 #18 7'
13	46-328000G894	2	POWER CORD	1	MR7-A4-J16 TO MR7-A3-A1-J1 3-#18, 7'
14	2109431	2	POWER CORD	1	MR7-A1-J5 TO MR7-A4-CB1/TS1, 94 IN.
15	2109431-2	2	POWER CORD	1	MR7-A2-J5 TO MR7-A4-CB2/TS1, 72 IN.
16	2109431-3	2	POWER CORD	1	MR7-A3-J5 TO MR7-A4-CB3/TS1, 52 IN.
17	2109428	2	1/0AWG CABLE	1	MR7-A4-TS7-5 TO MR7-A3-J4, 37.5 IN.
18	2109428-2	2	1/0AWG CABLE	1	MR7-A4-TS7-6 TO MR7-A3-J3, 38.5 IN.
19	2109428-3	2	1/0AWG CABLE	1	MR7-A4-TS4-5 TO MR7-A3-J2, 44 IN.
20	2109428-4	2	1/0AWG CABLE	1	MR7-A4-TS4-6 TO MR7-A3-J1, 44 IN.
21	2109428-5	2	1/0AWG CABLE	1	MR7-A4-TS6-3 TO MR7-A2-J4, 57 IN.
22	2109428-6	2	1/0AWG CABLE	1	MR7-A4-TS6-4 TO MR7-A2-J3, 58.5 IN.
23	2109428-7	2	1/0AWG CABLE	1	MR7-A4-TS3-3 TO MR7-A2-J2, 61.5 IN.
24	2109428-8	2	1/0AWG CABLE	1	MR7-A4-TS3-4 TO MR7-A2-J1, 64 IN.
25	2109428-9	2	1/0AWG CABLE	1	MR7-A4-TS5-1 TO MR7-A1-J4, 79 IN.
26	2109428-10	2	1/0AWG CABLE	1	MR7-A4-TS5-2 TO MR7-A1-J3, 79.5 IN.
27	2109428-11	2	1/0AWG CABLE	1	MR7-A4-TS2-1 TO MR7-A1-J2, 88 IN.
28	2109428-12	2	1/0AWG CABLE	1	MR7-A4-TS2-2 TO MR7-A1-J1, 88 IN.
29	46-320640P1	2	SHELF	3	GRAM SUPPORT PLATE
30	46-320641P1	2	BRACKET	3	GRAM MODULE PULL-OUT STOP BAR
31	46-328311G1	2	FAN MODULE	3	GRAM CABINET AIR-COOLING MODULE (SEE PAGE 12-8)
32	46-301989P1	2	BRACKET	1	FRONT COVER "SLAM LATCH" RETAINER
33	46-307323P1	2	COVER STRIP	1	FILLER STRIP, CHARCOAL, 19" X 2.12"
34	46-320654P1	2	FRONT PLATE	1	GRAM CB1(X) CB2(Y) CB3(Z) PANEL
35	46-320657P1	2	BRACKET	1	TS2, TS3, TS4 MOUNTING PANEL (UPPER)
36	2111378	2	TERMINAL BLK	3	BARRIER TERMINAL BLOCK 4-STUD W/NUTS
37	46-320658P1	2	STAND OFF	1	BRASS, 0.44 HEX X 2.68 LG, 10-32 THD
38	46-320527P1	2	BRASS NUT	6	3/4" HEX 1/2-13 SPRIALOCK THREAD
39	2109575	2	COVER ASM	1	GRAM CABINET FRONT SLAM-LATCH COVER (SEE PG 12-9)
40	46-306565P1	2	AIR FILTER	3	RESEARCH PRODUCTS 10"EZ-CLEAN FILTER
41	46-265067P1	2	CABLE MOUNT	12	I/F PANEL CABLE SCREWLOCK CONNECTOR
43	46-208758P3	2	STRAP	50	7.31" X .184" SELF-LOCKING CABLE TIE
44	46-220288P1	2	NUT, CLIP	38	SELF-LOCKING 10-32 UNF
45	46-170015P21	2	SCR,SEMS	54	10-32 X 0.625 LG BIND HD STL EXT
46	46-320527P2	2	BRASS NUT	6	3/4" HEX 1/2-13 SPRIALOCK THD, W/TIP
47	46-170012P39	2	NUT,LOCK	5	10-32, 3/8" HEX KEPS NUT, 1/8" THICK
48	46-170015P27	2	SCR,SEMS	12	6-32 X 1/2" LG BIND HD STL EXT TOOTH
49	2127857	2	WASHER	24	BELLEVILLE TYPE COMPRESSION WASHER
52	2119596	2	FILTER ASM	1	SCOPE TRIGGER COMMON MODE FILTER
53	2128071	2	LABEL	1	CABINET LABEL: "CAUTION"
54	46-328000G930	2	CABLE ASM	1	MR1-A7-FILTERED OUTLET TO FILTERER

INTERFACE PANEL

46-328460G1



L328460A

INTERFACE PANEL

46-328460G1

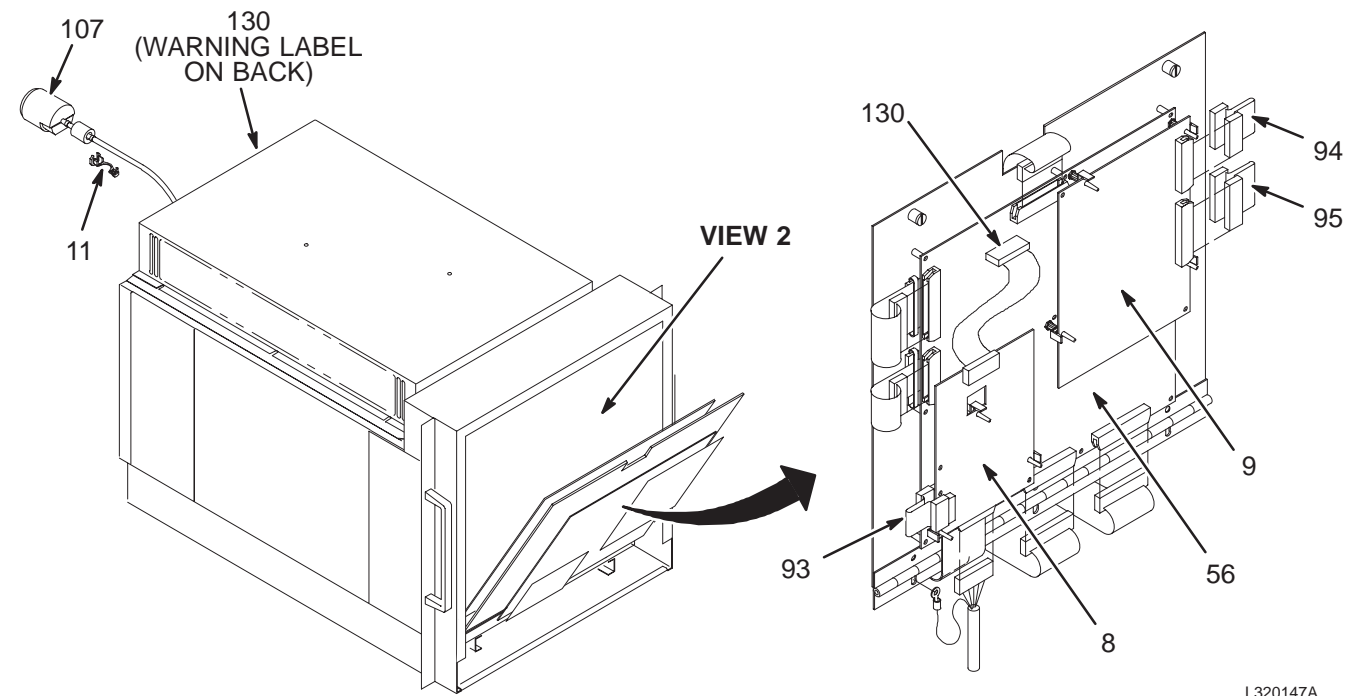
FRU N

(PART OF 2108050 PAGE 12-4)

Item	Part Number	FRU	Name	Quantity	Description (Remarks)
3	46-320652P1	2	PLATE, REAR	1	GRAM CABINET INTERFACE PANEL
4	46-320659P1	2	CABLE CLAMP	1	GRAM INPUT & OUTPUT 6-CABLE CLAMP
5	46-320656P1	2	COVER	1	TERMINAL BLOCK SHIELD 3" X 10" LEXAN
6	46-320655P1	2	OUTLET PANEL	1	POWER OUTLETS J14, J15, J16, SERVICE
7	46-243811P1	2	CABLE CLAMP	1	CABINET CABLE 2-PIECE CLAMP, 4 HOLES
8	46-287941P1	2	RECEPTACLE	2	20 AMP, 125V, DUPLEX RECEPTACLE,
9	46-271382P28	2	CIRCUIT BKR	3	CIRCUIT BREAKER 10 AMPS 250 VOLTS 65
10	46-317671P1	2	RECEPT,MALE	1	FLANGED INLET, 30A, 120/208 3-PHASE
11	46-320077G1	2	HARNESS	1	DISTRIBUTION BLOCK - CIRCUIT BREAKER
12	2109432	2	WIRE LEADS	1	SET OF TWELVE WIRES FOR GRAM PWR MOD
13	46-271110P5	2	LABEL	1	EQUIPOTENTIALITY
14	2111379	2	TERMINAL BLK	1	POWER DISTRIBUTION TERMINAL BLOCK
15	2111378	2	TERMINAL BLK	3	BARRIER TERMINAL BLOCK 4-STUD W/NUTS
16	46-271110P1	2	LABEL	2	PROTECTIVE EARTH (GROUND)
17	46-170015P6	2	SCR,SEMS	2	10-32 X 1/2 LG BIND HD STL EXT TOOTH
18	46-170015P7	2	SCR,SEMS	4	1/4-20 X 5/8" BIND HD STL EXT TOOTH
19	46-170015P10	2	SCR,SEMS	24	6-32 X 1/4" LG BIND HD STL EXT TOOTH
20	46-170012P35	2	NUT,LOCK	29	6-32, 1/4" HEX KEPS NUT, 3/32 THICK
21	46-170015P22	2	SCR,SEMS	2	10-32 X 7/8 LG BIND HD STL EXT TOOTH
22	46-208935P8	2	NUT,HEX,MS	2	1/4-20, 7/16" HEX X 3/16 THK, BRASS
23	46-208599P5	2	WASHER,LOCK	11	1/4" SCREW SIZE EXTERNAL TOOTH STEEL
24	46-220184P54	2	SCREW MACH	1	1/4-20 X 1" LG, RND HD SLOT, BRASS
25	46-170015P27	2	SCR,SEMS	3	6-32 X 1/2" LG BIND HD STL EXT TOOTH
26	46-208561P24	2	SCREW,CAP	8	1/4-20 X 1-1/2 LG HEX HD STL GRADE 5
27	46-170012P39	2	NUT,LOCK	14	10-32, 3/8" HEX KEPS NUT, 1/8" THICK
28	2118478	2	FILTER	1	AC LINE FILTER, 10A, ISOLATED GROUND
29	2118597	2	OUTLET	1	15A, 125V, DUPLEX, ISOLATED GROUND

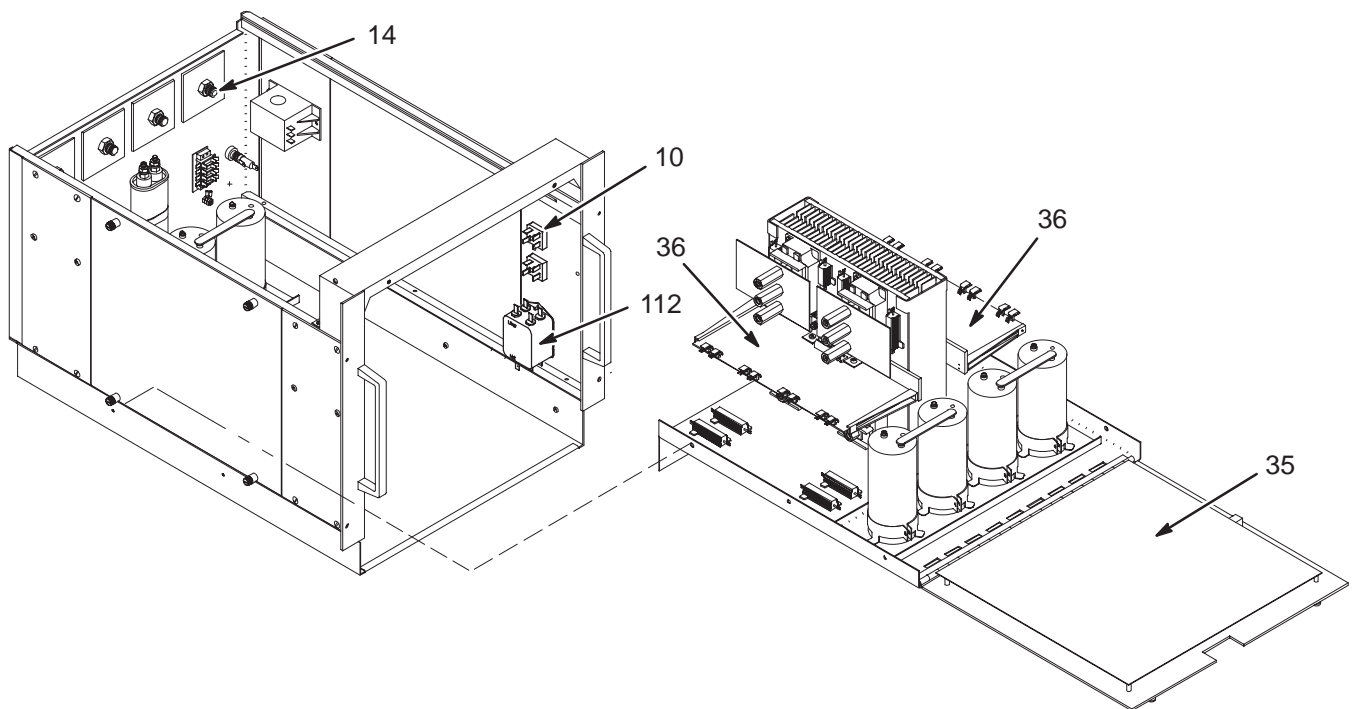
GRAM

46-320147G1



L320147A

VIEW 1



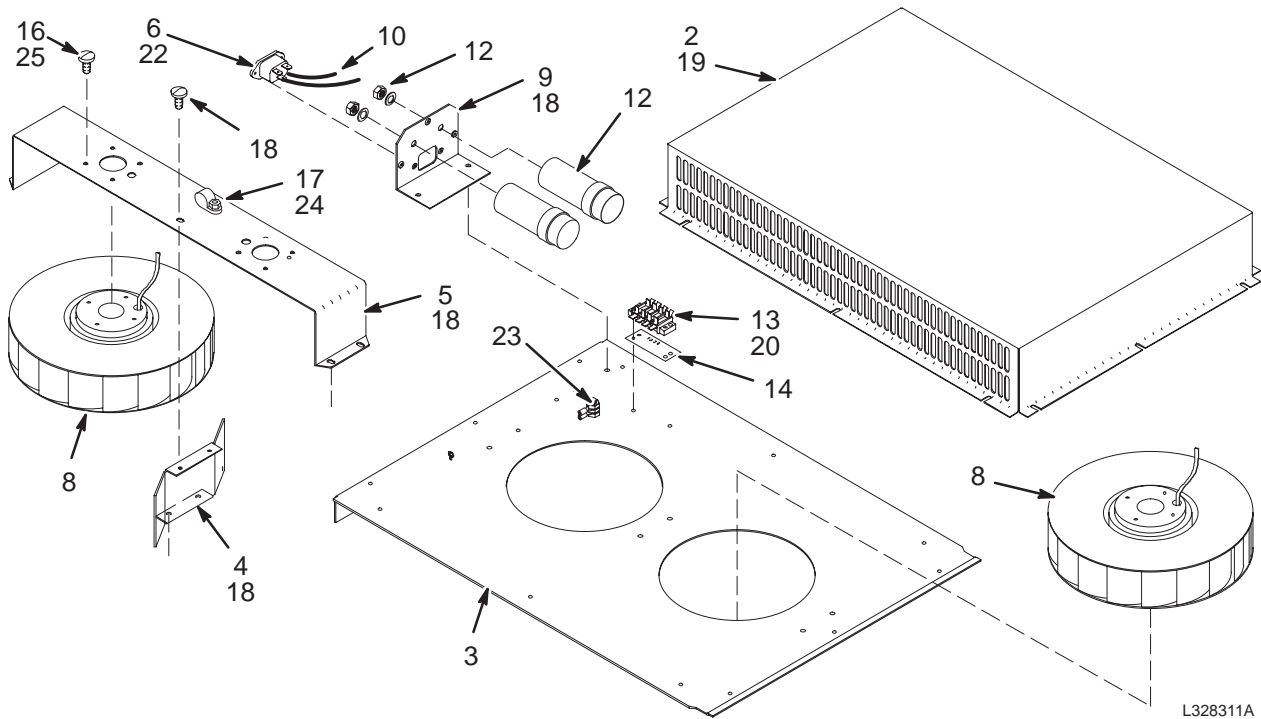
VIEW 2

GRAM 46-320147G1 FRU N (PART OF 2108050 PAGE 12-4)

Item	Part Number	FRU	Name	Quantity	Description (Remarks)
8	2120062	1	CIRCUIT BOAR	1	DIGITAL TUNING BOARD
9	2103294	1	CIRCUIT BD	1	GRAM ASM BOARD, MR7-A1(A2,A3)-A4
10	46-302362P2	2	SEMICONDUCTO	2	800 PIV, 30 A, 1.122" SQUARE PKG,
11	46-208697P61	2	BUSHING	1	HEYCO PART NO.1260 SR-8P-2 BLACK
14	46-320527P1	2	BRASS NUT	4	3/4" HEX 1/2-13 SPRIALOCK THREAD
35	46-288948G1	1	CIRCUIT BD	1	GRAM POWER SUPPLY BD.
36	46-288946G1	1	CIRCUIT BD	2	IGBT GATE DRIVER BD.
52	46-170365P1	2	MECHANICAL/M	AR	PENETROX A 8 OZ FOR ALUMINUM SEALING
56	46-288952G1	1	CIRCUIT BD	1	GRAM CONTROL BOARD
59	46-208908P46	2	SCREW	4	10-32 X 1/2" SLOT FLAT-HD F70B5A
62	2113550	N	INDUCTOR	1	INDUCTOR FOR GRAM
70	46-208599P4	2	WASHER	28	#10 SCREW SIZE, EXTERNAL TOOTH
72	46-220181P5	2	WASHER	44	#10 (0.190) SCREW, ZINC PLATED STEEL
73	2177260	2	LABEL	2	SGD DANGER LABEL
74	46-170212P2	2	MECHANICAL/M	AR	THERMAL JOINT COMPOUND, 8-OZ JAR
75	46-170686P1	2	ADHESIVE	AR	LOCTITE 242, 0.5CC TUBE
76	46-170015P6	2	SCREW	71	10-32 X 1/2 LG BIND HD STL EXT TOOTH
77	46-208560P41	2	SCREW	4	8-32 X 1/4" LG BIND HD, STL F70B5A
78	46-170015P10	2	SCREW	42	6-32 X 1/4" LG BIND HD STL EXT TOOTH
79	46-170015P16	2	SCREW	46	10-32 X 3/8 LG BIND HD STL EXT TOOTH
80	46-208758P3	2	TY-RAP	2	7.31" X .184" SELF-LOCKING CABLE TIE
81	12-496	2	WASHER	4	3/8" OD, #8 BODY HOLE, 0.031" THICK
82	46-170015P27	2	SCREW	18	6-32 X 1/2" LG BIND HD STL EXT TOOTH
83	46-170012P36	2	NUT	47	6-32 HEX 5/16 NUT THK 7/64, KEPS
84	46-170015P34	2	SCREW	84	4-40 X 3/8 LG BIND HD STL EXT TOOTH
85	46-170012P39	2	NUT	18	10-32, 3/8" HEX KEPS NUT, 1/8" THICK
86	46-170012P38	2	NUT	8	8-32 KEPS, HEX 5/16 NUT THK 7/64
87	1000904P425	2	WASHER	67	0.2 ID, 0.5 OD, .04 THK, B11H89C
88	46-208560P34	2	SCREW	44	10-32 X 5/8" LG BIND HD, STL F70B5A
89	46-208601P5	2	WASHER	16	#10 SCREW SIZE, INTERNAL TOOTH
93	46-244890P146	2	RIBBON CABLE	1	20 TO 20 PIN SOCKET, 1.5" LONG
94	46-244890P147	2	RIBBON CABLE	1	26 TO 26 PIN SOCKET, 1.5" LONG
95	46-244890P148	2	RIBBON CABLE	1	34 TO 34 PIN SOCKET, 1.5" LONG
107	2109429	2	POWER CORD	1	GRAM 3-PHASE POWER, 5-#16 WIRE, 3-FT
112	46-311476P1	2	LINE FILTER	1	FILTER, POWER LINE
113	46-170024P21	2	SCREW	2	SHLD DIA 0.2495 X SHLD LG 0.3755 THD
114	46-208718P6	2	CLAMP	1	.5625 ID LOOP TYPE TA MFG CO TA713D9
116	12-297	2	WASHER	26	ID 0.140 OD 0.312 THK .032 STL
117	46-220191P3	2	CLAMP	8	PANDUIT FCM2-A-C14 GRAY, FLAT CABLE
118	46-170015P24	2	SCREW	8	8-32 X 3/4" LG BIND HD STL EXT TOOTH
119	46-170015P37	2	SCREW	16	6-32 X 5/8" LG BIND HD STL EXT TOOTH
120	46-208750P1	2	VIBRATION IS	1	TIE ANCHOR PANDUIT TA158-M
121	46-208761P1	2	TY-RAP	50	NATURAL NYLON, LOCKING CABLE TIE.
122	46-136323P32	2	TUBING	1.700	BLACK EXPANDED ID .125
123	46-208747P1	2	VIBRATION IS	8	CABLE TIE,ADH.BACKED
124	46-170015P17	2	SCREW	11	10-32 X 1/4 LG BIND HD STL EXT TOOTH
125	46-221417P1	2	CONNECTOR	2	FEMALE SCREWLOCKS, TWO PER KIT
130	2139941	2	RIBBON CABLE	1	20 CONDUCTOR RIBBON CABLE
131	46-208761P1	2	TY-RAP	4	NATURAL NYLON, LOCKING CABLE TIE.

FAN MODULE

46-328311G1



L328311A

FAN MODULE

46-328311G1

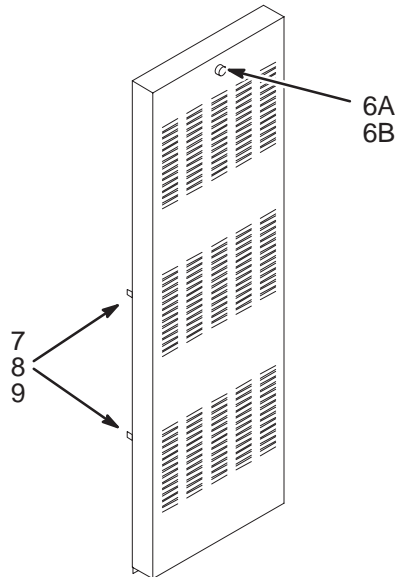
FRU N

(PART OF 2108050 PAGE 12-4)

Item	Part Number	FRU	Name	Quantity	Description (Remarks)
2	46-320211P1	2	BLOWER CAGE	1	IMPELLER AIR EXHAUST PLENUM
3	46-320216P1	2	FAN PLATE	1	IMPELLER INLET BASE PLATE
4	46-320649P1	2	BRACE	1	AIR DEFLECTOR BARRIER BRACKET
5	46-320648P1	2	BRACKET	1	IMPELLER MOUNTING BRIDGE
6	2111377	2	CONNECTOR	1	PANEL MOUNTED MALE AC RECEPTACLE
8	46-306703G1	1	IMPELLER ASM	2	IMPELLER FAN WITH TERMINALS ATTACHED
9	46-320298P1	2	BRACKET	1	CAPACITOR MOUNTING ANGLE BRACKET
10	2112992	2	WIRES	1	SET OF 4 WIRES FOR FAN MODULE
12	46-306702G1	2	CAP ASM	2	CAPACITOR WITH TERMINALS ATTACHED
13	46-221880P9	2	TERM. STRIP	1	4 TERMINALS 20 AMP, 3/8" CENTERS
14	514A350P307	2	MARKER STR	1	04 POSITION MARKER STRIP
16	46-208924P22	2	SCREW,MACH	8	M4 X 0.7 X 6 DIN 84 STL
17	46-208713P5	2	CLAMP	2	CABLE OD 3/8", RICHCO NO. E-6
18	46-170015P8	2	SCR,SEMS	9	8-32 X 1/4" LG BIND HD STL EXT TOOTH
19	46-170015P10	2	SCR,SEMS	15	6-32 X 1/4" LG BIND HD STL EXT TOOTH
20	46-170015P27	2	SCR,SEMS	2	6-32 X 1/2" LG BIND HD STL EXT TOOTH
22	46-170015P41	2	SCR,SEMS	2	4-40 X 1/4" LG BIND HD STL EXT TOOTH
23	46-170012P39	2	NUT,LOCK	2	10-32, 3/8" HEX KEPS NUT, 1/8" THICK
24	46-170015P14	2	SCR,SEMS	2	8-32 X 3/8 LG BIND HD STL EXT TOOTH
25	46-170686P1	2	SEALANT	AR	LOCTITE 242, 0.5CC TUBE

GRAM CABINET COVER ASM

2109575



GRAM CABINET COVER ASM 2109575 FRU 2 (PART OF 2108050 PAGE 12-4)

Item	Part Number	FRU	Name	Quantity	Description (Remarks)
6A	46-301852P1	2	LATCH	1	LATCH ASM FOR SLAM-LATCH COVERS
6B	46-301852P2	2	LATCH	ALT	LATCH
7	46-306566P1	2	BUMPER	4	FRONT COVER BUMPER, BLACK RUBBER
8	46-208560P13	2	SCREW	4	4-40 X 1/2 LG BIND HEAD, STEEL
9	46-170012P34	2	NUT	4	4-40, 1/4" HEX, 3/32 THICK KEPS NUT

AMCO GRAM CABINET 2108234 FRU N (PART OF 2108050 PAGE 12-4)

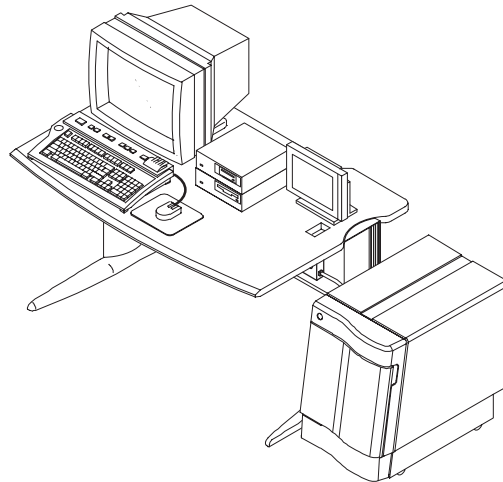
Item	Part Number	FRU	Name	Quantity	Description (Remarks)
	2108243-4	2	PANEL	2	AMCO S25313-16 SIDE PANEL, MIST
	2108243-6	2	CASTER	4	AMCO S2219-12 CASTER (400LB LOAD)
	2108243-7	2	LEGS	2	AMCO ATLE-30-1 ANTI-TIP LEGS
	2108243-10	2	DOOR	1	AMCO DFH61-19R-L REAR DOOR WITH LOCK

SECTION 13 – OPERATOR WORKSPACE

TABLE OF CONTENTS

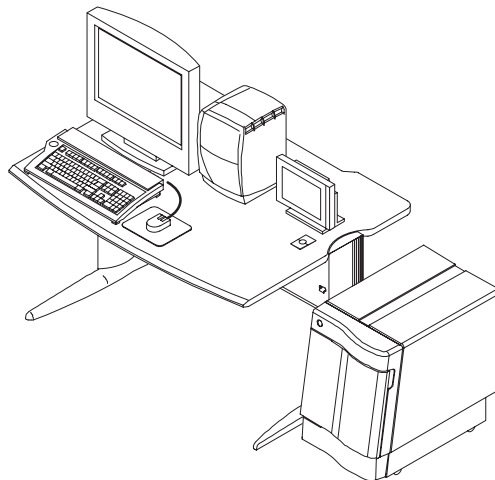
SECTION

PAGE



13-1 INDIGO COMPUTER 13-3
 Contains information on Indigo Computer, Cabinet and related components

INDIGO OPERATOR WORKSPACE TABLE COMPONENTS – BLACK & WHITE MONITOR 13-3
 INDIGO OPERATOR WORKSPACE TABLE COMPONENTS – COLOR MONITOR 13-3
 INDIGO OPERATOR WORKSPACE CABINET 13-7



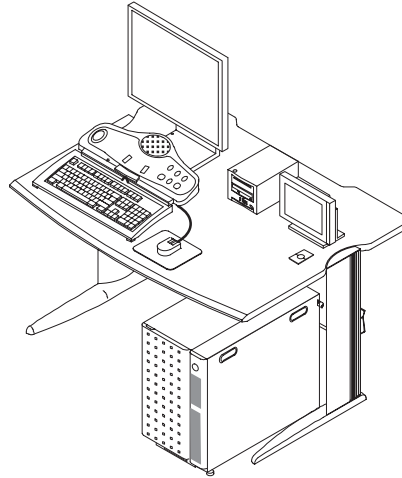
13-2 OCTANE COMPUTER 13-15
 Contains information on Octane and Octane II Computers, Cabinets and related components

OCTANE OPERATOR WORKSPACE TABLE COMPONENTS 13-15
 OCTANE OPERATOR WORKSPACE CABINET 13-16

TABLE OF CONTENTS (continued)

SECTION

PAGE



13-3 11.x EXCITE II with LINUX COMPUTER 13-40
Contains information on Linux Computer, GOC Cabinet and related components

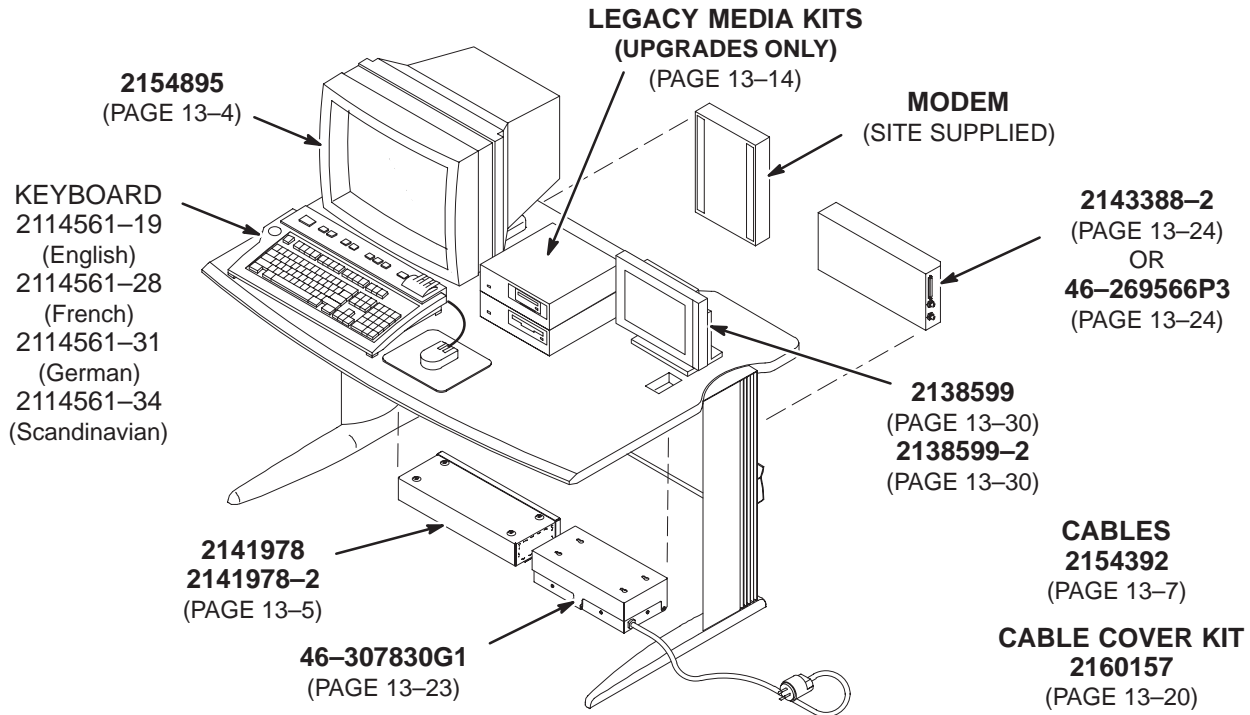
EXCITE II OPERATOR WORKSPACE TABLE COMPONENTS 13-41

GOC CABINET 13-42

13-1 INDIGO COMPUTER

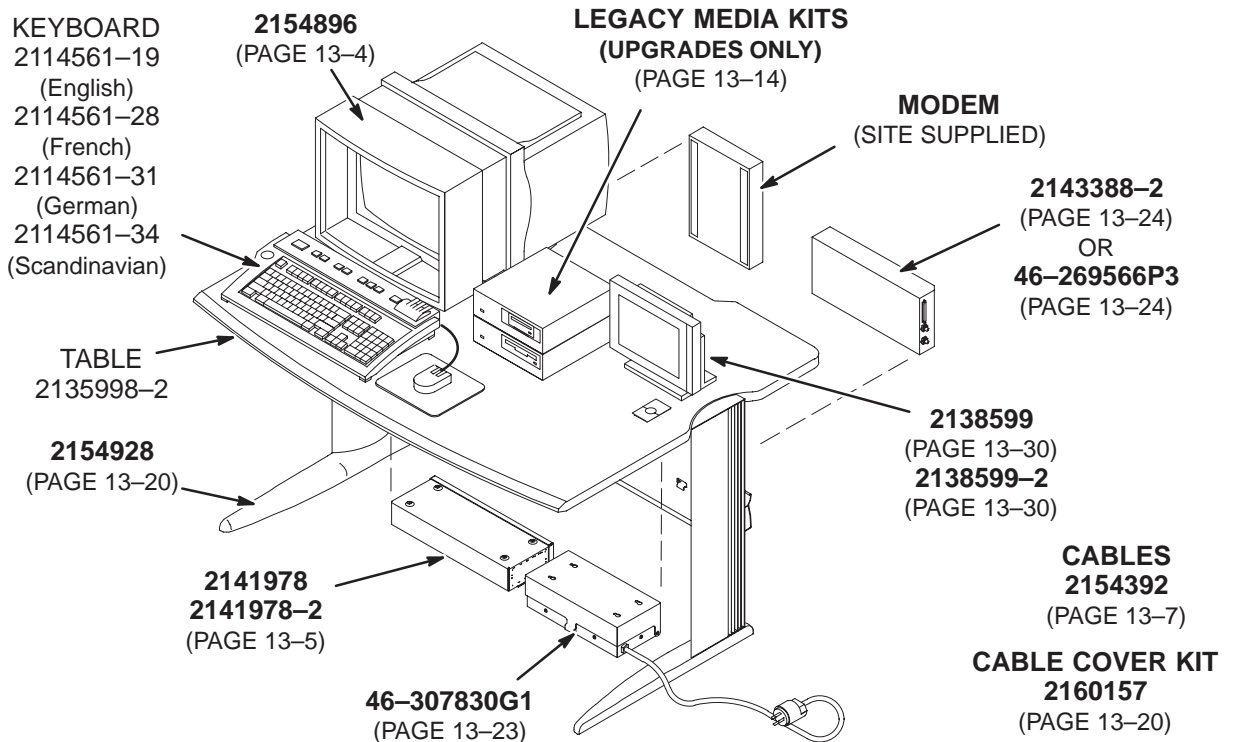
INDIGO OPERATOR WORKSPACE – BLACK & WHITE MONITOR

OW1 A1



INDIGO OPERATOR WORKSPACE – COLOR MONITOR

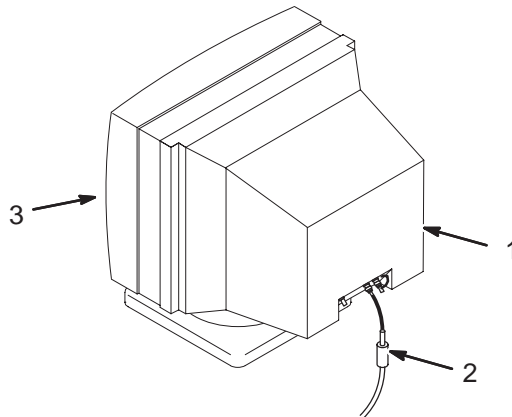
OW1 A1



8.x MONOCHROME MONITOR KIT

2154895

OW1 A1 A4



8.x MONOCHROME MONITOR KIT

2154895 FRU N

(PART OF M1000MY – SECTION 1)

Item	Part Number	FRU	Name	Quantity	Description (Remarks)
1	2133089	1	DISPLAY MNTR	1	SIGNA LIGHTNING DISPLAY MONITOR
2	2150533	1	CABLE ASM	1	(799) OW1A2A3 MONITOR TO OW1A4 VIDEO
3	46-328398G2	1	MON DISP KIT	1	LX MONITOR ADJUSTMENT KIT (SEE PAGE 13-4)

MONITOR ADJUSTMENT KIT

46-328398G2 FRU 1

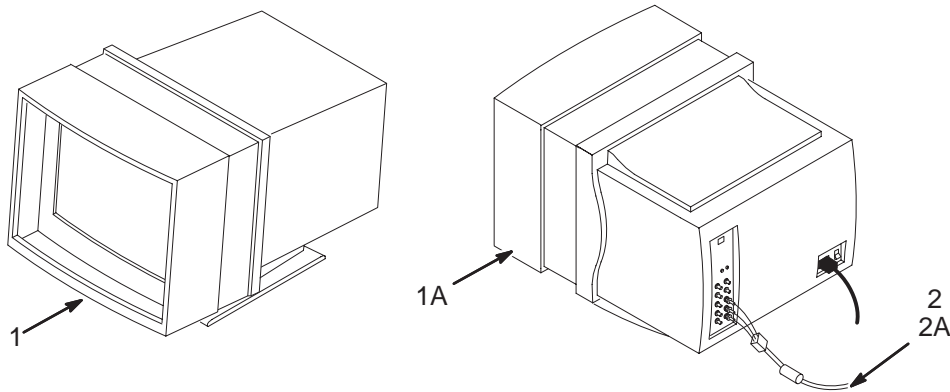
(PART OF 2154895 PAGE 13-4)

Item	Part Number	FRU	Name	Quantity	Description (Remarks)
2	46-328399P1	N	MAGNET,CERAM	20	CERAMIC MAGNET
3	46-328399P2	N	MAGNET,CERAM	20	2.00 LG X 1.00 HIGH X .187THK
4	46-170619P1	2	ADHESIVE	1	RTV SILICON RUBBER ADHESIVE SEALANT.

COLOR MONITOR KIT

2154896

OW1 A1 A6



COLOR MONITOR KIT

2154896 FRU N

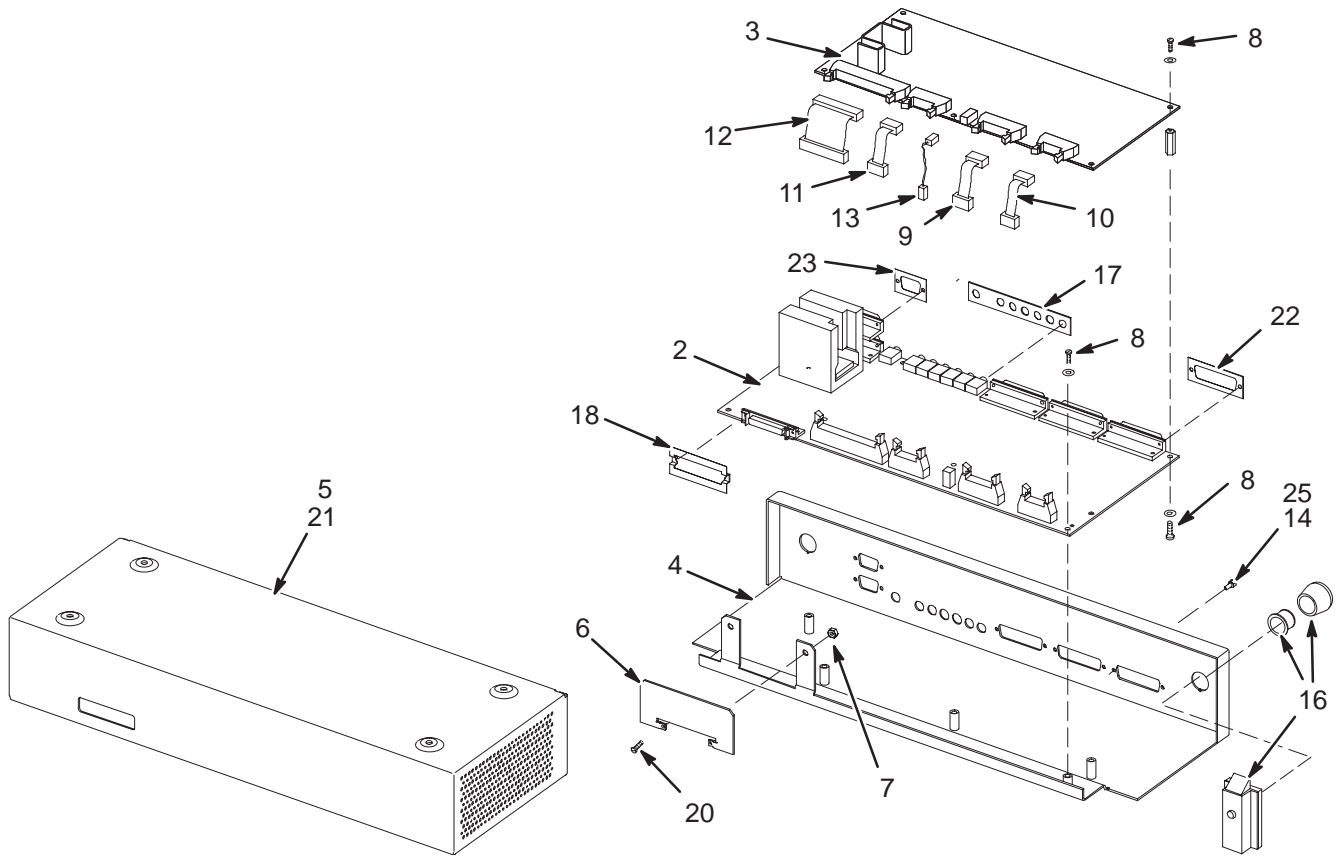
(PART OF M1000MZ – SECTION 1)

Item	Part Number	FRU	Name	Quantity	Description (Remarks)
1	2197655	1	MONITOR	1	BARCO COLOR MONITOR FOR LX2
1A	2141622	1	LX COLOR MON	ALT	LIGHTNING COLOR MONITOR
2	2150533-2	1	CABLE ASM	1	(821/798) OW1A2A3 MONITOR TO OW1A6R,G,B
2A	2177357	1	CABLE	ALT	COLOR VIDEO CABLE

8.x OPERATOR WORKSPACE INTERFACE MODULE

2141978

OW1 A1 A4



8.x OW INTERFACE MODULE

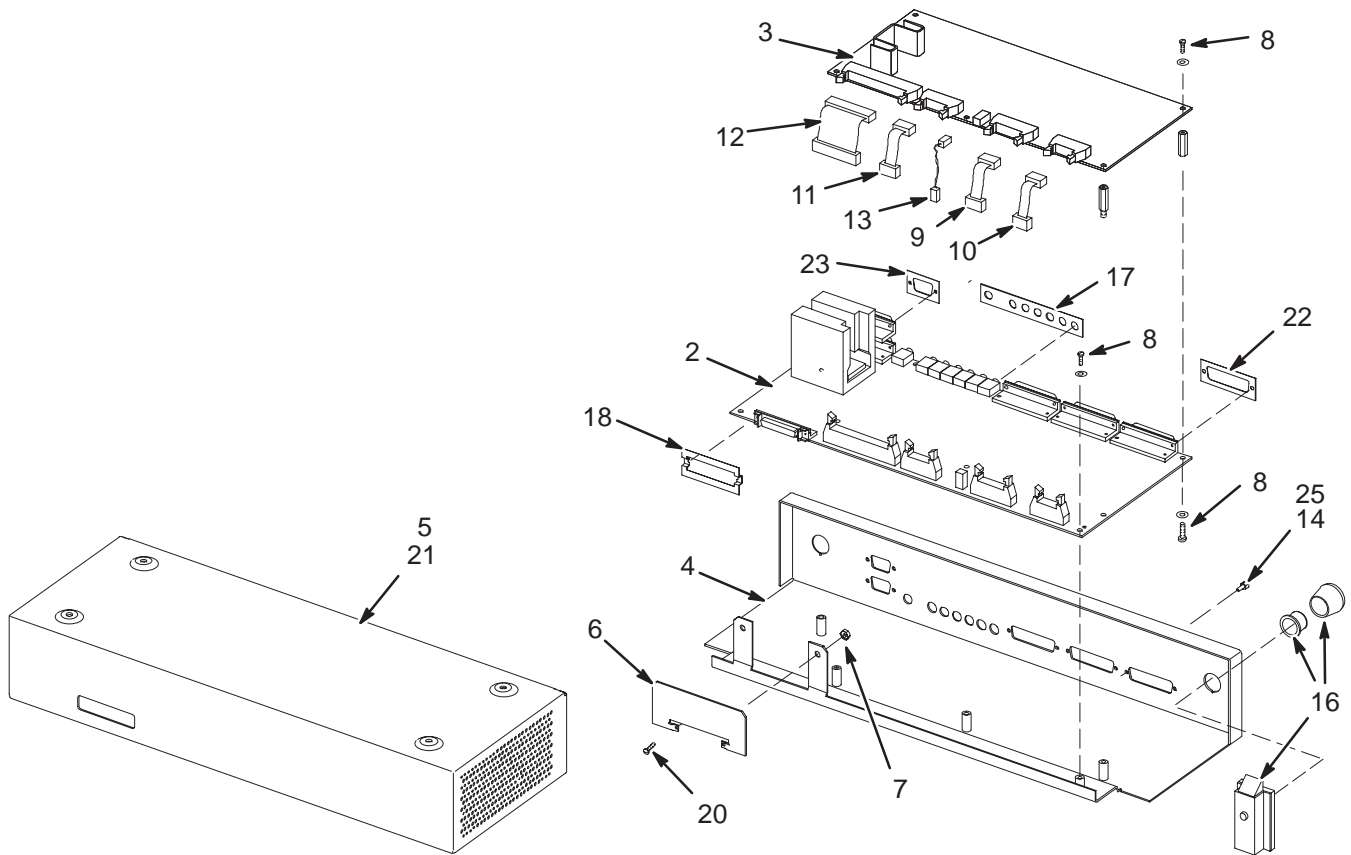
2141978 FRU 1

(PART OF M1000N & M1800N SERIES – SECTION 1)

Item	Part Number	FRU	Name	Quantity	Description (Remarks)
2	2141832	2	CIRCUIT BOAR	1	PERIPHERAL INTERFACE BOARD
3	2117167-4	1	CONSOLE INTE	1	CONSOLE INTERCOM PCB
4	2145691	2	I/F MOD COVR	1	INTERFACE MODULE COVER – BOARD MOUNT
5	2145690	2	I/F MOD COVR	1	INTERFACE MODULE COVER – DESK MOUNT
6	2145692	2	CLAMP	1	RETAINER CONNECTOR CLEARANCE HOLE
7	46-328425P1	2	NUT	2	NUT HEXAGON 4 MM
8	46-208924P6	2	MECHANICAL/M	10	DIN84 M4X0.7 X 8 STL F70B5A
9	2148299	2	CABLE ASM	1	LX I/F BD INTERCOM CABLE #4
10	2148298	2	CABLE ASM	1	LX I/F BD INTERCOM CABLE #3
11	2148297	2	CABLE ASM	1	LX I/F BD INTERCOM CABLE #2
12	2148296	2	CABLE ASM	1	LX I/F BD INTERCOM CABLE #1
13	2148301	2	CABLE ASM	1	LX I/F BD INTERCOM CABLE #5
14	46-221417P1	2	CONNECTOR	5	FEMALE SCREWLOCKS, TWO PER KIT
16	2105611	2	SLAM LATCH	2	HAND ACTUATED SLAM LATCH
17	2105758	N	AUDIO CONN	1	EMI SHIELD, AUDIO CONNECTORS
18	2105759	N	KEYBD CONN	1	EMI SHIELD, KEYBOARD CONNECTOR
20	46-170015P60	2	SCREW	2	00002-56 X 0.250 LG BIND HD STL INT
21	2152296	2	GASKET STRIP	1.260	EMI GASKET STRIP
22	46-221754P3	2	CONNECTOR	3	RFI GASKET USED WITH 25 PIN SUB-D
23	46-221754P1	2	CONNECTOR	2	RFI GASKET USED WITH 9 PIN SUB-D
25	46-170686P1	2	ADHESIVE	AR	LOCTITE 242, 0.5CC TUBE

8.x OPERATOR WORKSPACE INTERFACE MODULE 2141978-2

OW1 A1 A4



8.x OW INTERFACE MODULE

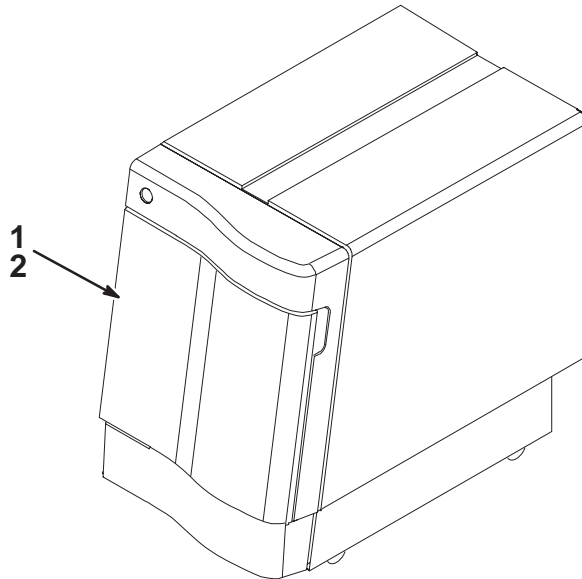
2141978-2 FRU 1

(PART OF M1000 & M1800 SERIES – SECTION 1)

Item	Part Number	FRU	Name	Quantity	Description (Remarks)
2	2141832-2	2	CIRCUIT BOAR	1	PERIPHERAL INTERFACE BOARD
3	2117167-4	1	CONSOLE INTE	1	CONSOLE INTERCOM PCB
4	2145691	2	I/F MOD COVR	1	INTERFACE MODULE COVER – BOARD MOUNT
5	2145690	2	I/F MOD COVR	1	INTERFACE MODULE COVER – DESK MOUNT
6	2145692	2	CLAMP	1	RETAINER CONNECTOR CLEARANCE HOLE
7	46-328425P1	2	NUT	2	NUT HEXAGON 4 MM
8	46-208924P6	2	MECHANICAL/M	10	DIN84 M4X0.7 X 8 STL F70B5A
9	2148299	2	CABLE ASM	1	LX I/F BD INTERCOM CABLE #4
10	2148298	2	CABLE ASM	1	LX I/F BD INTERCOM CABLE #3
11	2148297	2	CABLE ASM	1	LX I/F BD INTERCOM CABLE #2
12	2148296	2	CABLE ASM	1	LX I/F BD INTERCOM CABLE #1
13	2148301	2	CABLE ASM	1	LX I/F BD INTERCOM CABLE #5
14	46-221417P1	2	CONNECTOR	5	FEMALE SCREWLOCKS, TWO PER KIT
16	2105611	2	SLAM LATCH	2	HAND ACTUATED SLAM LATCH
20	46-170015P60	2	SCREW	2	00002-56 X 0.250 LG BIND HD STL INT
21	2152296	2	GASKET STRIP	1.260	EMI GASKET STRIP
22	46-221754P3	2	CONNECTOR	3	RFI GASKET USED WITH 25 PIN SUB-D
23	46-221754P1	2	CONNECTOR	2	RFI GASKET USED WITH 9 PIN SUB-D
25	46-170686P1	2	ADHESIVE	AR	LOCTITE 242, 0.5CC TUBE

INDIGO COMPUTER CABINET ASM WITH SOFTWARE 2163093

OW1 A2



INDIGO COMPUTER CAB W/ S/W 2163093-3 FRU N (PART OF 46-271000 8.x SERIES - SECTION 1)

Item	Part Number	FRU	Name	Quantity	Description (Remarks)
1	2136000-3	N	ASSEMBLY	1	SYSTEM COMPUTER (SEE PAGE 13-9)
2	2156158-7	2	COLLECTOR	1	LX LFC SOFTWARE COLLECTOR-M4 (SEE PAGE (13-7))

INDIGO LFC S/W COLLECTOR-M4 2156158-7 FRU 2 (PART OF 2163093 PAGE 13-7)

Item	Part Number	FRU	Name	Quantity	Description (Remarks)
1	2204244-4	1	LFC CDROM	1	APP S/W LFC - 8.2 M4 RELEASE
2	2204245-2	1	CD-ROM	1	LX IRIX OS RELEASE 6.2 M4
3	2204247	1	FLOPPY	1	LX2 PC BOOT FLOPPY M3 MEDIA
6	2202250	1	SOFTWARE	1	UPGRADE FOR WIN95 OPERATING SYS
10	2142726	2	MO MEDIA	2	DICOM MAGNETO OPTICAL DISK MEDIA (1.3GB)
11	2216271-2	1	MEDIA	1	LX MR PC CDROM APPS (M4)

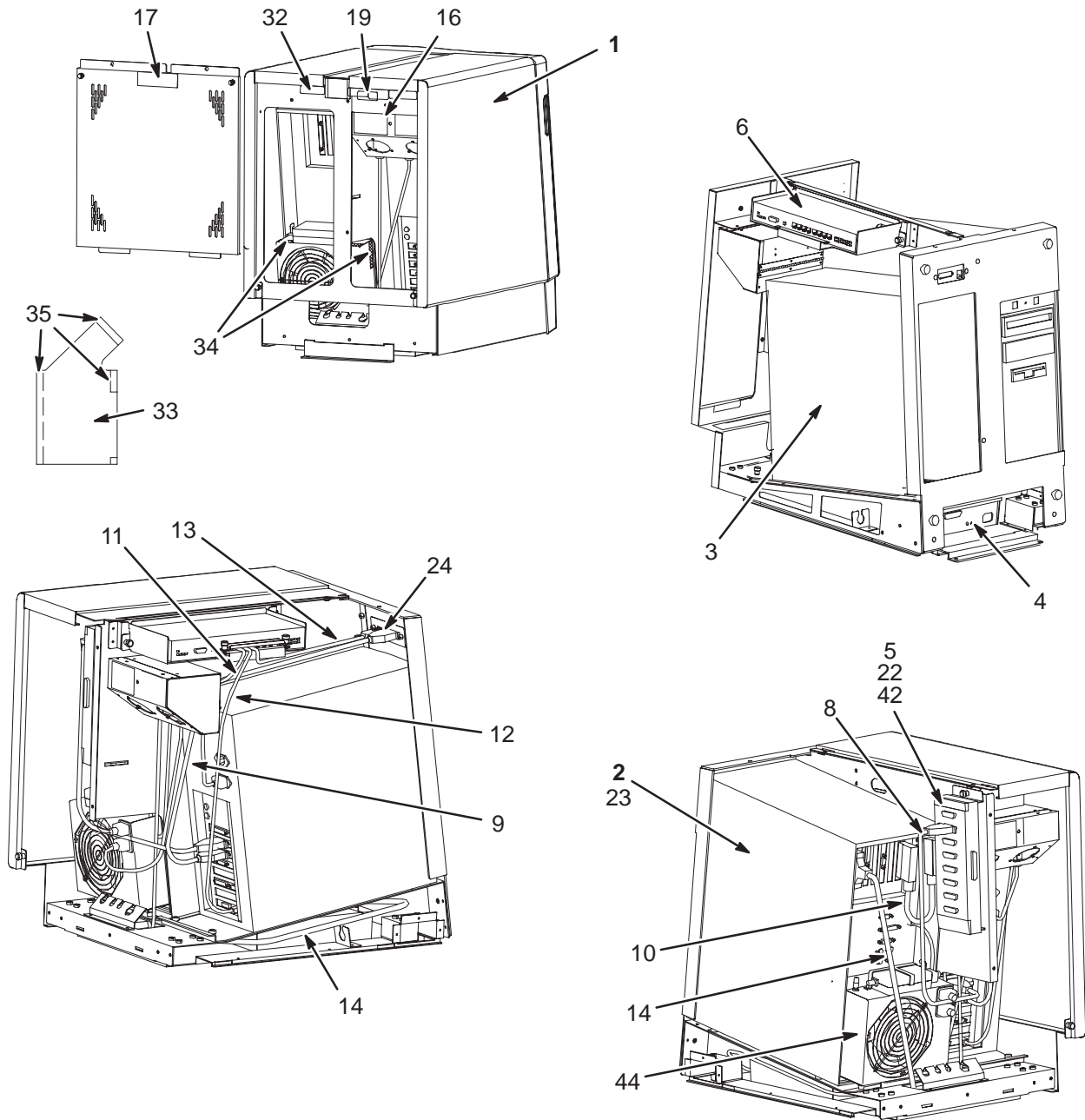
8.x INDIGO OW CABLES 2154392 FRU N (PART OF M1000N & M1800N SERIES - SECTION 1)

Item	Part Number	FRU	Name	Quantity	Description (Remarks)
2	2141980	2	CABLE	1	(796) OW1A1A4J8 TO OW1A2A3 KBD,MOUSE
4	2148289	2	CABLE	1	(793) OW1A1A4J9 TO OW1A2A1 KBD,MOUSE
6	2148293	2	CABLE	1	(795) OW1A1A4J17 TO OW1A2A3 PWR I/O
7	2153395	2	CABLE	1	(806) OW1A2A3 SER1 TO OW1A13 MODEM
8	2168505	2	CABLE	1	CERD SPIKE NOISE TEST CABLE

INDIGO SYSTEM COMPUTER CABINET

2136000-3

OW1 A2



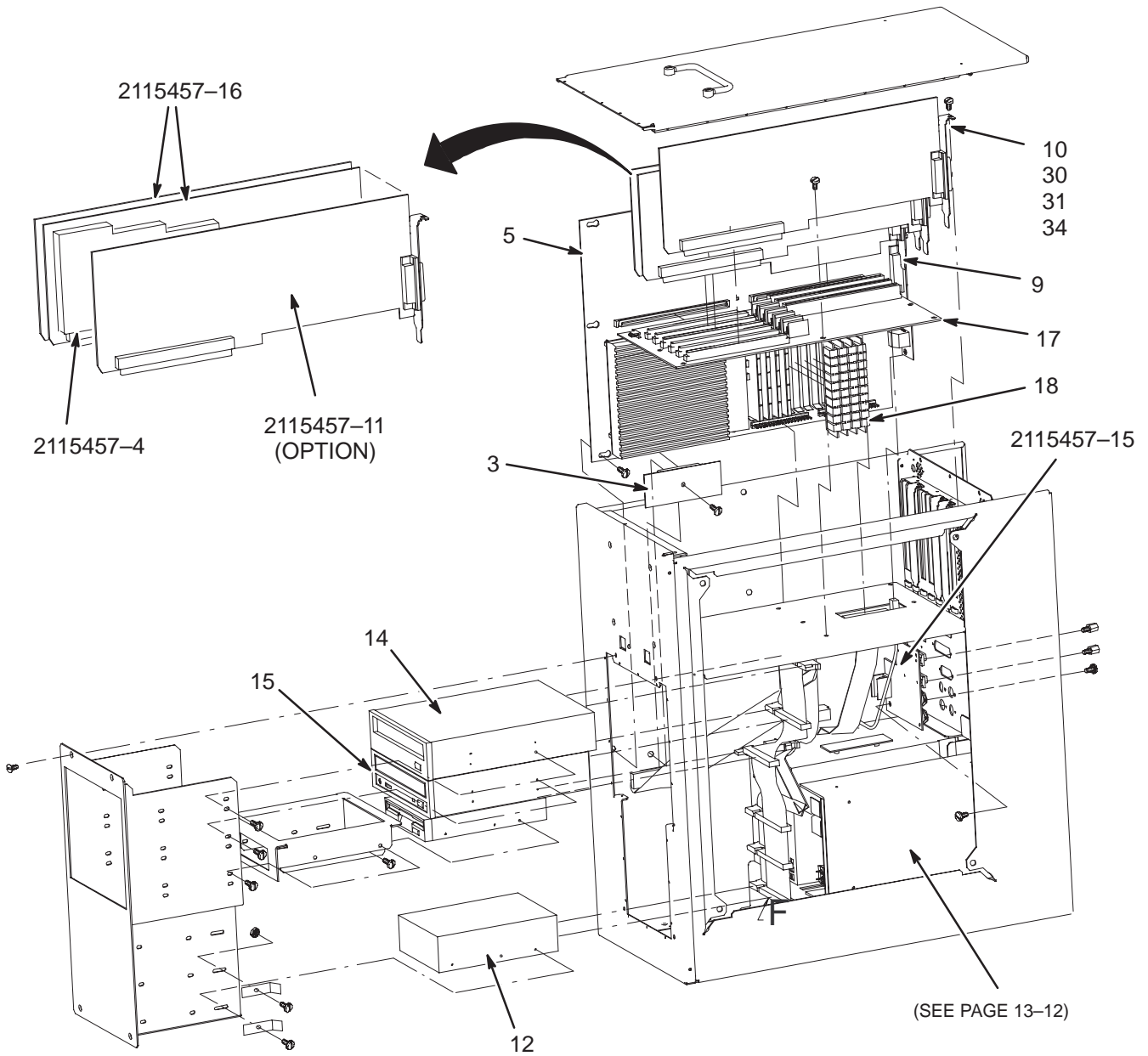
INDIGO SYSTEM COMPUTER CAB 2136000-3 FRU N (PART OF 2163093 PAGE 13-7)

Item	Part Number	FRU	Name	Quantity	Description (Remarks)
1	2135999	N	LX DUPLEX	1	COMPUTER CABINET FOR LIGHTNING (SEE PAGE 13-13)
2	2136001-2	N	LX BASE SYS	1	LIGHTNING HOST COMPUTER BASE SYST (SEE PAGE 13-11)
3	2137942	1	PC WORKSTATN	1	LIGHTNING PC WORKSTATION
4A	2149852	1	BIT 3 BOX	1	BIT 3 FIBER OPTIC INTERFACE 400-60
4B	2149852-3	1	BIT 3 BOX	ALT	BIT3 FIBEROPTIC I/F 400-60 REV M
5	2139035-5	1	SERIAL CARD	1	MTA(MODULAR TERMINAL ADAPTER) WITH 8 DB25 RS232 SERIAL PORTS
6	2142316	1	HUB	1	BAY NETWORKS, 800, 10BASE-T HUB
8	2148291	2	PART	1	LIGHTNING PC TO HOST SERIAL CABLE
9	2148292	2	PART	1	LIGHTNING PC SECURITY KEY CABLE
10	2151857	2	PART	1	CABLE, SERIAL PORT INTERCONNECT
11	2153396-2	2	PART	1	82 CM LX SHIELD LAN CABLE
12	2153396	2	PART	1	72 CM LX SHIELD LAN CABLE
13	2151181	2	CABLE	1	MODULAR JACK TO PLUG CABLE
14	2151277-3	2	CABLE	1	COPPER CONDUCTOR CABLE, 52"
16	2172316	2	WARNING LABE	1	DUPLEX POWER DISCONNECT WARNING LABL
17	2160390	2	WARNING LABE	1	DUPLEX POWER WARNING LABEL
19	2165323	2	LABEL	1	PDU ONLY POWER LABEL
22	2109873-15	2	SCREW	4	SCREW PAN HEAD 4 MM 12 MM
23	46-208908P49	2	SCREW	4	SCREW
24	2166263	2	SCREW	2	SCREW PAN HEAD 3 MM 8 MM
33	2175795-4	2	PART	1	BAFFLE, LX COMPUTER, W/O VELCRO
34	46-136246P11	2	TAPE	1	5/8" WIDE, BLK ADH BACK, VELCRO HOOK
35	46-136246P12	2	TAPE	1	0.625 WIDE X 25 YD,BLK,ADH BACK,LOOP
42	46-271920P3	2	CONNECTOR	1	CONNECTOR 25 CONTACTS 100 VOLTS 5 AM
44	2138601-8	2	HOST CPU CHS	1	FAN MODULE ASM

8.x HOST COMPUTER BASE SYSTEM

2136001

OW1 A2 A3



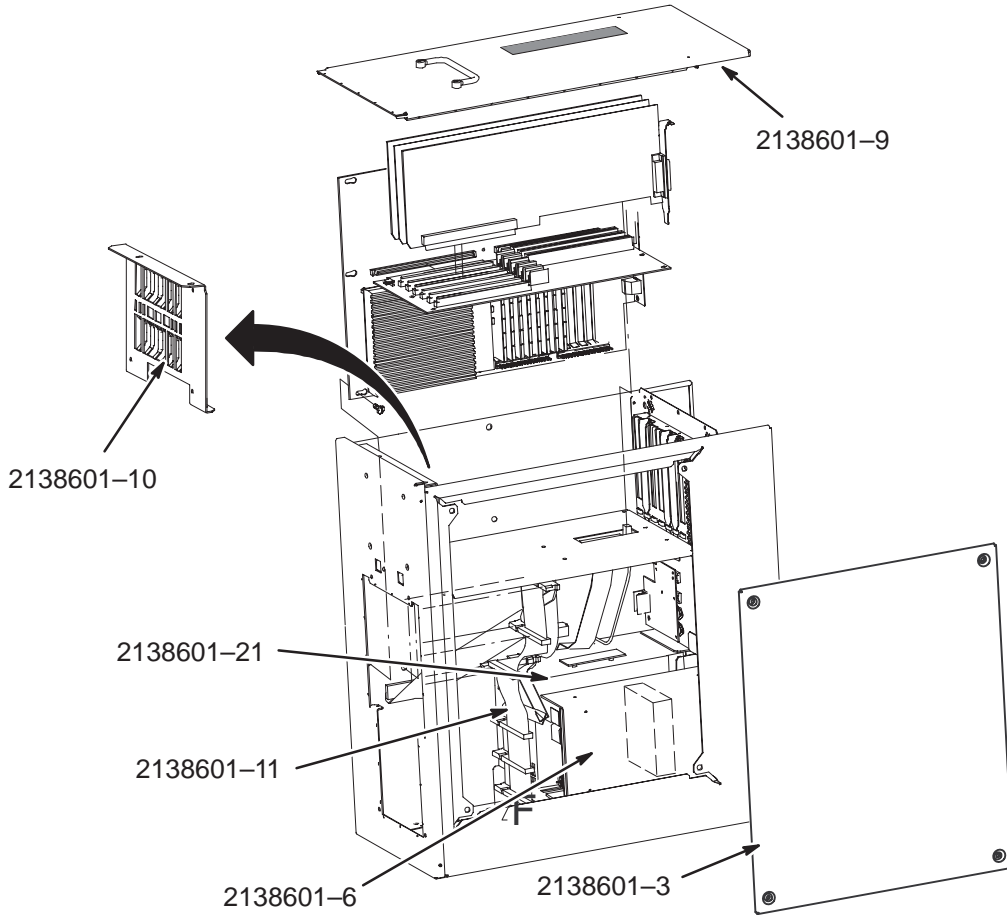
8.x HOST COMPUTER BASE SYSTEM 2136001 FRU N (PART OF 2136000 PAGE 13-9)

Item	Part Number	FRU	Name	Quantity	Description (Remarks)
3	2146710	1	CIRCUIT BOAR	1	LX SCSI IF BOARD
5	2115457-24	1	SGI SYS	1	MR STANDARD BUNDLED SYSTEM
9	2139035-2	1	SERIAL CARD	1	XIO EISA HALF-CARD FORM FACTOR
10	2124215-2	1	GIO 64 BIT3	1	GI064BUS CARD ADAPTER
12A	2185744	1	DISK DRIVE	1	QUANTUM ATLAS II 4.5 GIG ULTRA SCSI 3 DRIVE
12B	2180997	1	4GB DISK DRI	ALT	OC SYSTEM DISK
12C	2149866	1	HARD DISK	ALT	3.5" FULL HEIGHT 4.3GB SCSI-II HARD DISK
14	2140444-2	1	PART	1	MAGNETO OPTICAL DRIVE
15	2143385	1	CDROM DRIVE	1	RHAPSODE LFC/CBT DEVICE
17	2142755	1	MID-PLANE EX	1	MID-PLANE EXTENDER
18	2149503	1	MEMORY	4	MEMORY 60N SE; 72 SIM 8M X 36 BIT DYNAMIC RAM MODULE
21	2103585-2	2	SCREW	2	SCREW PAN HEAD 4 MM 10 MM
30	46-221754P3	2	CONNECTOR	2	RFI GASKET USED WITH 25 PIN SUB-D
31	46-221754P2	2	CONNECTOR	2	RFI GASKET USED WITH 15 PIN
34	46-221417P2	2	CONNECTOR	2	FEMALE SCREWLOCK FOR HD CONNECTORS
35	2209698	2	COVER	1	SLOTBLOCKER FOR SGI INDIGO COMPUTER
	2115457-4	1	BOARD PART	1	MARDI GRAS X,4 TRAM UPGRADE FOR M1,1 OR MG 2,1
	2115457-11	1	OPTION	1	VCR VIDEO: INDIGO2 MARDI GRAS VIDEO DAUGHTERBOARD
	2115457-15	1	CIRCUIT BOARD	1	FULLHOUSE I/O BOARD
	2115457-16	1	BOARD SET	1	MARDI GRAS 1,1 GRAPHICS BOARD (MG 1,1)
	2115457-21	1	POWER SUPPLY	1	MARDI GRAS POWER SUPPLY

HOST COMPUTER TOWER CHASSIS

2138601

OW1 A2 A3

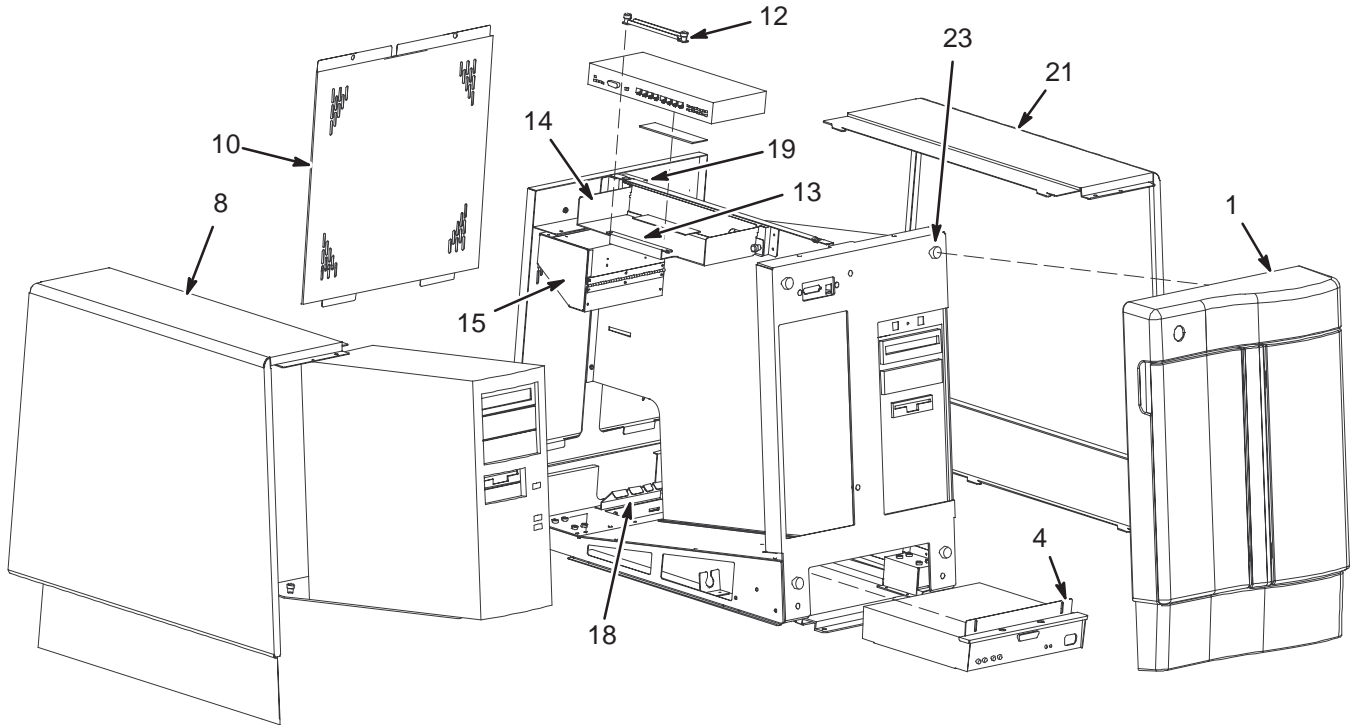


HOST COMPUTER TOWER CHASSIS 2138601 FRU N (PART OF 2136001 PAGE 13-11)

Item	Part Number	FRU	Name	Quantity	Description (Remarks)
	2138601-3	1	COVER	1	SIDE COVER
	2138601-5	1	PS	1	POWER SUPPLY ZYTEC
	2138601-6	1	PS	1	AUXILIARY POWER SUPPLY TODD
	2138601-9	2	COVER	1	THERMAL MODIFIED TOP COVER
	2138601-10	2	PART	2	PCB GUIDE ASM
	2138601-11	1	CABLE	1	SCSI CABLE

INDIGO COMPUTER CABINET

2135999



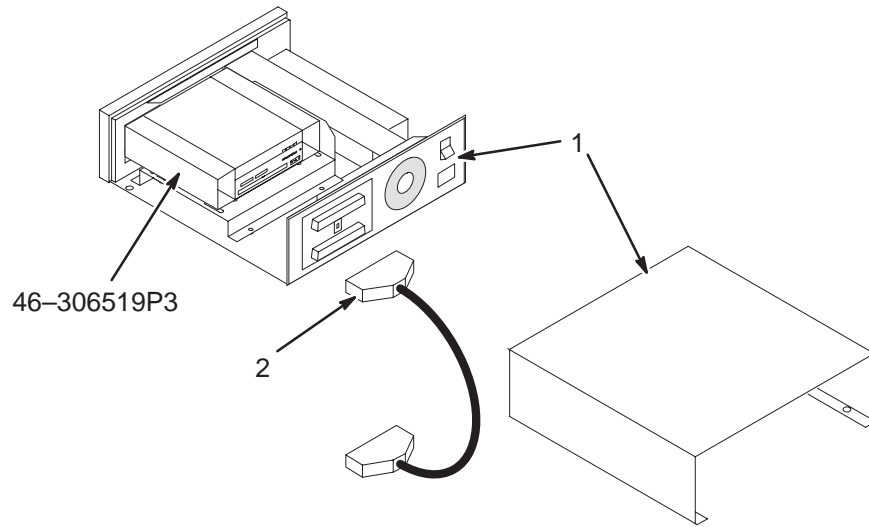
INDIGO COMPUTER CABINET 2135999 FRU N (PART OF 2136000 PAGE 13-9)

Item	Part Number	FRU	Name	Quantity	Description (Remarks)
1	2135999-2	2	PART	1	COMPUTER CABINET FRONT BEZEL
4	2135999-3	2	PART	1	COMPUTER CABINET BIT 3 BRACKET
8	2135999-4	2	PART	1	COMPUTER CABINET LEFT COVER
10	2135999-5	2	PART	1	COMPUTER CABINET REAR DRESS PANEL
12	2135999-6	2	PART	1	COMPUTER CABINET T HUB CLAMP
13	2135999-7	2	PART	1	COMPUTER CABINET T HUB GASKET
14	2135999-8	2	PART	1	COMPUTER CABINET T HUB BRACKET
15	2135999-9	2	PART	1	COMPUTER CABINET AC POWER DISTRIBUTION BOX
18	2135999-10	2	PART	1	COMPUTER CABINET CARD BRACKET
19	2135999-11	2	PART	1	COMPUTER CABINET EXPANSION BRACKET
20	2135999-12	2	PART	1	COMPUTER CABINET SGI MOUNTING PLATE
21	2135999-13	2	PART	1	COMPUTER CABINET RIGHT COVER
23	2135999-16	N	PART	4	COMPUTER CABINET TIMMERMAN BALL STUD
28	2135999-14	2	PART	1	COMPUTER CABINET FRONT SKID BRACKET
29	2135999-15	2	PART	1	COMPUTER CABINET REAR SKID BRACKET

DAT HOUSING W/DAT

2164737

OW1 A14



DAT HOUSING W/DAT

2164737 FRU 2

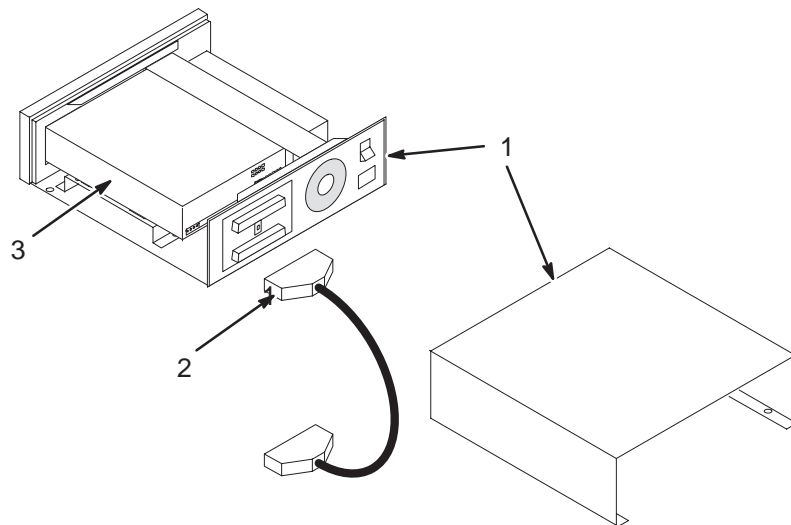
(PART OF M1090ML)

Item	Part Number	FRU	Name	Quantity	Description (Remarks)
1	2142293	1	MOD ENCLOSRE	1	MAGNETO OPTICAL DRIVE EXTERNAL ENCL
2	2110496-2	2	CABLE	1	SCSI CABLE - 1.5 FT

MOD CHASSIS W/DRIVE & CABLES

2164738

OW1 A14



MOD CHASSIS W/DRIVE & CABLES

2164738 FRU N

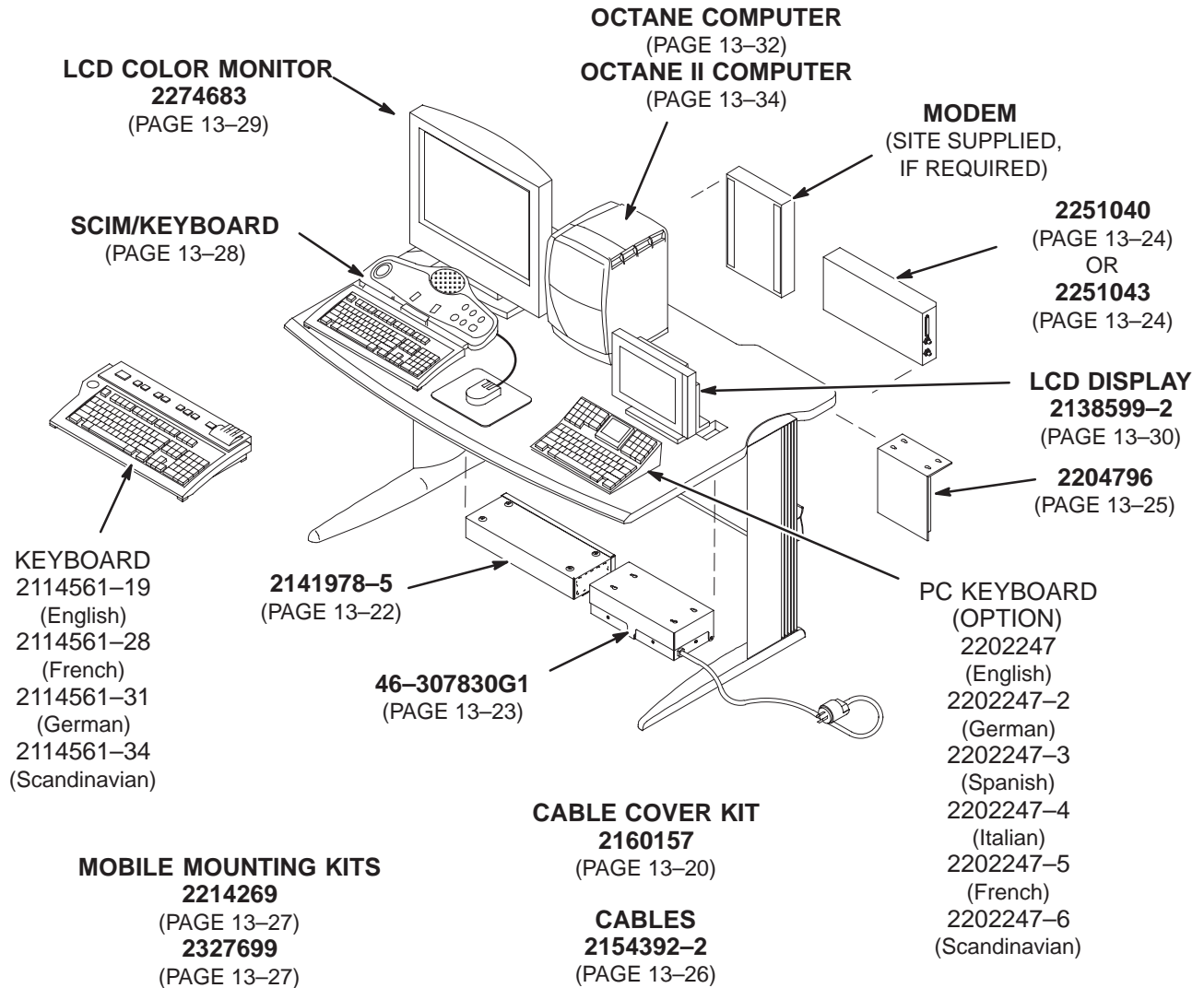
(PART OF M1000MN)

Item	Part Number	FRU	Name	Quantity	Description (Remarks)
1	2108048	1	EXTERNAL MOD	1	EXTERNAL MOD DRIVE W/ENCLOSURE
2	2110496-2	2	CABLE	1	SCSI CABLE - 1.5 FT
3	46-269578P1	N	MAG.OPT.MEDI	1	USE E8001P AS FIELD REPLACEMENT

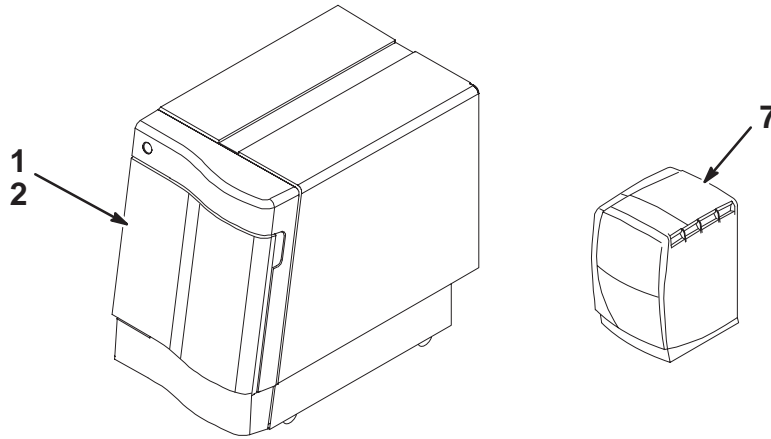
13-2 OCTANE COMPUTER

OCTANE OPERATOR WORKSPACE TABLE COMPONENTS

OW1 A1



OCTANE OPERATOR WORKSPACE SYSTEM with 8.x SOFTWARE



OCTANE OW SYSTEM W/8.x S/W 2207030 FRU N (PART OF 46-271000 LX2 SERIES – SECTION 1)

Item	Part Number	FRU	Name	Quantity	Description (Remarks)
1	2189500	N	ASSEMBLY	1	LX2 SYSTEM COMPUTER ASM (SEE PAGE 13-36)
2	2156158-14	2	COLLECTOR	1	LX2 S/W COLLECTOR—825 M4 (SEE PAGE 13-18)
7A	2198999-2	N	ASSEMBLY	1	OCTANE SYS COMP 225 MHZ (SEE PAGE 13-32)
7B	2198999	N	ASSEMBLY	ALT	SGI OCTANE COMPUTER SYSTEM (SEE PAGE 13-32)

OCTANE OW SYSTEM W/CRM S/W 2207030-2 FRU N (PART OF 46-271000G109 – SECTION 1)

Item	Part Number	FRU	Name	Quantity	Description (Remarks)
1	2189500	N	ASSEMBLY	1	LX2 SYSTEM COMPUTER ASM (SEE PAGE 13-36)
2	2156158-14	2	COLLECTOR	1	LX2 S/W COLLECTOR —825 M4 (SEE PAGE 13-18)
7A	2198999-2	N	ASSEMBLY	1	OCTANE COMPUTER SYSTEM 225 MHZ (SEE PAGE 13-32)
7B	2198999	N	ASSEMBLY	1	SGI OCTANE COMPUTER SYSTEM (SEE PAGE 13-32)

LX3 OCTANE OW W/8.3 S/W 2207030-3 FRU N (PART 10 OF 46-271000G111 THRU G216 – SECTION 1)

Item	Part Number	FRU	Name	Quantity	Description (Remarks)
1A	2189500-3	N	ASSEMBLY	1	LX3 SYST COMP ASM W/ 1/100 BASE-T HUB (SEE PAGE 13-37)
1B	2189500-2	N	ASSEMBLY	1	LX3 SYSTEM COMPUTER ASM (SEE PAGE 13-37)
2	2156158-17	2	COLLECTOR	1	LX3 S/W COLLECTOR—8.3 M5 (SEE PAGE 13-18)
7A	2198999-4	N	ASSEMBLY	1	ENCORE LX3 OCTANE R12K COMP 270MHZ (SEE PAGE 13-32)
7B	2198999-3	N	ASSEMBLY	ALT	LX3 OCTANE COMPUTER (SEE PAGE 13-32)

LX3 PULSAR OCTANE W/8.4 S/W 2207030-6 FRU N (PART 10 OF 46-271000G115 – SECTION 1)

Item	Part Number	FRU	Name	Quantity	Description (Remarks)
1	2189500-3	N	ASSEMBLY	1	LX3 SYS COMP ASM W/ 1/100 BASE-T HUB (SEE PAGE 13-37)
2	2156158-18	N	COLLECTOR	1	PULSAR S/W COLLECTOR—8.4 M4 (SEE PAGE 13-18)
7A	2198999-4	N	ASSEMBLY	1	OCTANE R12K COMP 270MHZ (SEE PAGE 13-32)
7B	2198999-3	N	ASSEMBLY	ALT	ENCORE LX3 OCTANE COMPUTER (SEE PAGE 13-32)

LX3 TWIN/ACGD OCTANE W/9.x S/W 2207030-13 FRU N (PART 10 OF 46-271000G151 - SECTION 1)

Item	Part Number	FRU	Name	Quantity	Description (Remarks)
1	2189500-3	N	ASSEMBLY	1	LX3 SYS COMP ASM W/ 1/100 BASE-T HUB (SEE PAGE 13-37)
2	2156158-28	1	COLLECTOR	1	LX 9.0 M4 S/W COLLECTOR (SEE PAGE 13-18)
7	2198999-8	N	ASSEMBLY	1	LX3 OCTN V10 R12KS 360MHZ_W/18GBHD (SEE PAGE 13-34)

LX3 CNV4 OCTANE S/W 2207030-14 FRU N (PART 10 OF 46-271000G22 - SECTION 1)

Item	Part Number	FRU	Name	Quantity	Description (Remarks)
1	2189500-3	N	ASSEMBLY	1	LX3 SYS COMP ASM W/ 1/100 BASE-T HUB (SEE PAGE 13-37)
2	2156158-29	N	COLLECTOR	1	CNV4 S/W COLLECTOR (SEE PAGE 13-18)
7A	2198999-4	N	ASSEMBLY	1	OCTANE R12K COMP 270MHZ (SEE PAGE 13-32)
7B	2198999-3	N	ASSEMBLY	ALT	ENCORE LX3 OCTANE COMPUTER (SEE PAGE 13-32)

LX3 ACGD OCTANE W/9.x S/W 2207030-16 FRU N (PART 10 OF 46-271000G14, 15, 16, 17 - SECTION 1)

Item	Part Number	FRU	Name	Quantity	Description (Remarks)
1A	2189500-3	N	ASSEMBLY	1	LX3 SYS COMP ASM W/ 1/100 BASE-T HUB (SEE PAGE 13-37)
1B	2189500-2	N	ASSEMBLY	ALT	LX3 SYS COMP ASM (SEE PAGE 13-37)
2	2156158-28	1	COLLECTOR	1	LX 9.0 M4 S/W COLLECTOR (SEE PAGE 13-18)
7	2198999-8	N	ASSEMBLY	1	LX3 OCTN V10 R12KS 360MHZ_W/18GBHD (SEE PAGE 13-34)

LX3 EXCITE OCTANE2 W/10.0 S/W 2207030-19 FRU N (PART 10 OF 46-271000G46, 47 - SECTION 1)

Item	Part Number	FRU	Name	Quantity	Description (Remarks)
1	2189500-3	N	ASSEMBLY	1	LX3 SYS COMP ASM W/ 1/100 BASE-T HUB (SEE PAGE 13-37)
2	2156158-34	N	COLLECTOR	1	S/W COLLECTOR EXCITE 10.0 M4
7	2198999-6	N	ASSEMBLY	1	MGD OCTANE V10 R12K COMP 360MHZ (SEE PAGE 13-35)

LX3 INFINITY 9.1 OCTANE S/W 2207030-22 FRU N (PART 10 OF M3000TA - SECTION 1)

Item	Part Number	FRU	Name	Quantity	Description (Remarks)
1	2189500-3	N	ASSEMBLY	1	LX3 SYS COMP ASM W/ 1/100 BASE-T HUB
2	2156158-36	1	COLLECTOR	1	S/W COLLECTOR—SIGNA INFINITY 9.1 M4
7	2198999-8	N	ASSEMBLY	1	LX3 OCTANE V10 R12KS 360MHZ_W/18GBHD

LX2 OCTANE SYS S/W-8.2.5 M4 2156158-14 FRU 2 (PART 2 OF 2207030 PAGE 13-16)
 (PART 2B OF 2207030-2 PAGE 13-16)

Item	Part Number	FRU	Name	Quantity	Description (Remarks)
1	2204244-9	1	LFC CDROM	1	APP S/W LFC - 8.2.5.9927C (M4)
2	2212597	1	CD-ROM	1	LX IRIX OS RELEASE 6.4
9	2214164	2	2.3GB MOD ME	1	5.25" 2.3GB 512 BYTES/SECTOR MOD

LX3 OCTANE SYS S/W-8.3 M5 2156158-17 FRU 2 (PART 2 OF 2207030-3 PAGE 13-16)

Item	Part Number	FRU	Name	Quantity	Description (Remarks)
1	2204244-11	1	LFC CDROM	1	APP S/W LFC FOR M5
2	2256092-3	1	MEDIA	1	SIGNA HORIZON LX IRIX 6.5 OS
9	2214164	2	2.3GB MOD ME	1	5.25" 2.3GB 512 BYTES/SECTOR MOD
10	2274462-2	1	MEDIA	1	8.3 POST M5 PATCH CD-ROM

LX3 PULSAR S/W-8.4 M4 2156158-18 FRU N (PART 2 OF 2207030-3 PAGE 13-16)

Item	Part Number	FRU	Name	Quantity	Description (Remarks)
1	2204244-14	1	LFC CDROM	1	APP S/W LFC FOR PULSAR 8.4
2	2256092-3	1	MEDIA	1	SIGNA HORIZON LX IRIX 6.5 OS
9	2214164	2	2.3GB MOD ME	1	5.25" 2.3GB 512 BYTES/SECTOR MOD

LX3 OCTANE S/W-9.0 M4 2156158-28 FRU 1 (PART 2 OF 2207030-13 PAGE 13-17)
 (PART 2 OF 2207030-16 PAGE 13-17)

Item	Part Number	FRU	Name	Quantity	Description (Remarks)
1	2204244-26	N	LFC CDROM	1	APP S/W LFC RELEASE 9.0 M4
2	2256092-5	N	MEDIA	1	SIGNA HORIZON LX IRIX OS OCTANE CDS
3	2283323-3	N	MEDIA	1	SIGNA HORIZON LX IRIX BOOT OCTANE
4	2214164	N	2.3GB MOD ME	1	5.25" 2.3GB 512 BYTES/SECTOR MOD
5	2323302-3	N	CD ROM	1	SIGNA HORIZON LX IRIX VCR/PRINTER
6	2327548-3	N	CD-ROM	1	SIGNA LX PATCH FOR 9.0 M4, SW004
7	2350782	N	CD-ROM	1	RELEASE 9.0 SRFD2 SUPPORT PATCH CD

LX3 CNV4 S/W 2156158-29 FRU N (PART 2 OF 2207030-14 PAGE 13-17)

Item	Part Number	FRU	Name	Quantity	Description (Remarks)
1	2204244-24	N	LFC CDROM	1	APP S/W LFC CNV4 S/W COLLECTOR
2	2256092-4	N	MEDIA	1	SIGNA HORIZON LX IRIX OS OCTANE CDS
9	2214164	2	2.3GB MOD ME	1	5.25" 2.3GB 512 BYTES/SECTOR MOD
10	2283323	N	MEDIA	1	SIGNA HORIZON LX IRIX BOOT OCTANE CD-ROM
13	2250664	1	MEDIA	1	SGD PERFORMANCE OPTION SOFTWARE MOD
14	2210001	1	MEDIA	1	ECHOSPEED OPTION KEY COLLECTOR

OW TABLE/DESKTOP KIT

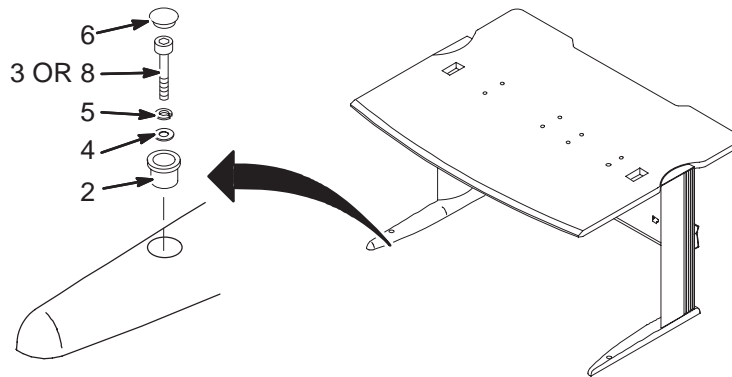
2321156 FRU N

(PART 16 OF M3000AB PAGE 1-49)
 (PART 16 OF M3000AC PAGE 1-49)
 (PART 16 OF M3000AD PAGE 1-49)
 (PART 16 OF M3000AE PAGE 1-49)
 (PART 16 OF M3800AA PAGE 1-56)
 (PART 16 OF M3800AB PAGE 1-56)
 (PART 16 OF M3800AD PAGE 1-56)
 (PART 16 OF M3000TA PAGE 1-72)

Item	Part Number	FRU	Name	Quantity	Description (Remarks)
1A	2141978-6	1	WKSP I/F MOD	1	LX WORKSPACE INTERFACE MODULE (SEE PAGE 13-22)
1B	2141978-5	1	WKSP I/F MOD	1	LX WORKSPACE INTERFACE MODULE (SEE PAGE 13-22)
2A	2363727	1	MONITOR	1	15" MONITOR W/VIDEO & PWR CABLE (SEE PAGE 13-30)
2B	2296617	1	MONITOR	1	12.1" MONITOR W/CABLE & PWR SUPPLY (SEE PAGE 13-30)
3	2154392-2	1	COLLECTOR	1	OPERATOR WORKSTATION CABLES/LX2 (SEE PAGE 13-26)
4	46-307830G1	N	POWER MODULE	1	POWER DISTRIBUTION BOX (SEE PAGE 13-23)
5	2160157	N	CABLE COVER	1	LIGHTNING CABLE COVER KIT
6	2204796	2	ASSEMBLY	1	CENTRAL DATA SERIAL EXPANSION & MTG (SEE PAGE 13-25)
7	2166395	N	MOUSE PAD	1	MOUSE PAD FOR SIGNA HORIZON LX
8	46-317758P1	2	ALERT SYSTEM	1	PNEUMATIC PATIENT ALERT SYSTEM (SEE PAGE 1-115)

COLOR MONITOR TABLE TIE DOWN KIT

2154928



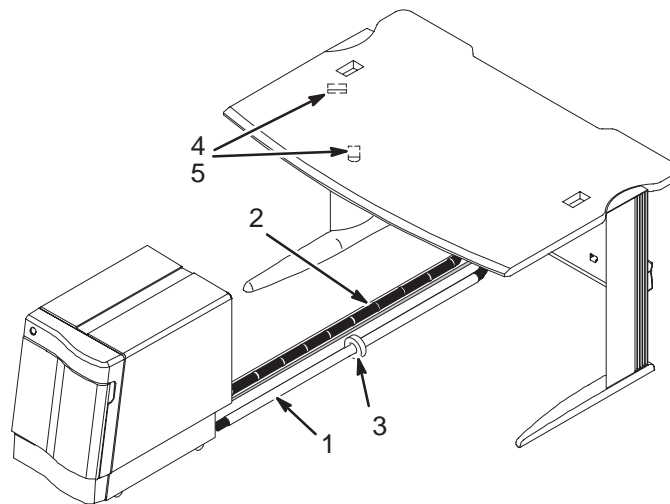
COLOR MONITOR TABLE TIE DOWN KIT 2154928 FRU 2

(PART OF M1000MW – SECTION 1)

Item	Part Number	FRU	Name	Quantity	Description (Remarks)
2	2151454	N	PART	2	STAINLESS STEEL 3/4" ROUND BUSHING
3	2168250	N	CAPSCREW	2	1/4-20 X 1 3/4 18-8 SST HEX SOCKET
4	2168251	N	FLAT WASHER	6	6.4M ID X 12.5 OD X 1.6 THK 18-8 SST
5	2168252	N	LOCK WASHER	2	.363 OD X .260 ID X .078 THK 18-8SST
6	2168253	N	ANCHOR	2	1/4-20 X .375 OD ZINC PLATED STEEL
7	2168254	N	PLUG .50 DIA	2	.500 HEYCO BLACK NYLON PLUG
8	2168780	N	PART	2	1/4-20X2" 18-8 SST HEX SOCKET CAPSCR
9	2168781	N	TOOL	1	SETTING TOOL FOR DROP-IN ANCHOR RAWL

8.x CABLE COVER KIT

2160157



8.x CABLE COVER KIT

2160157 FRU N

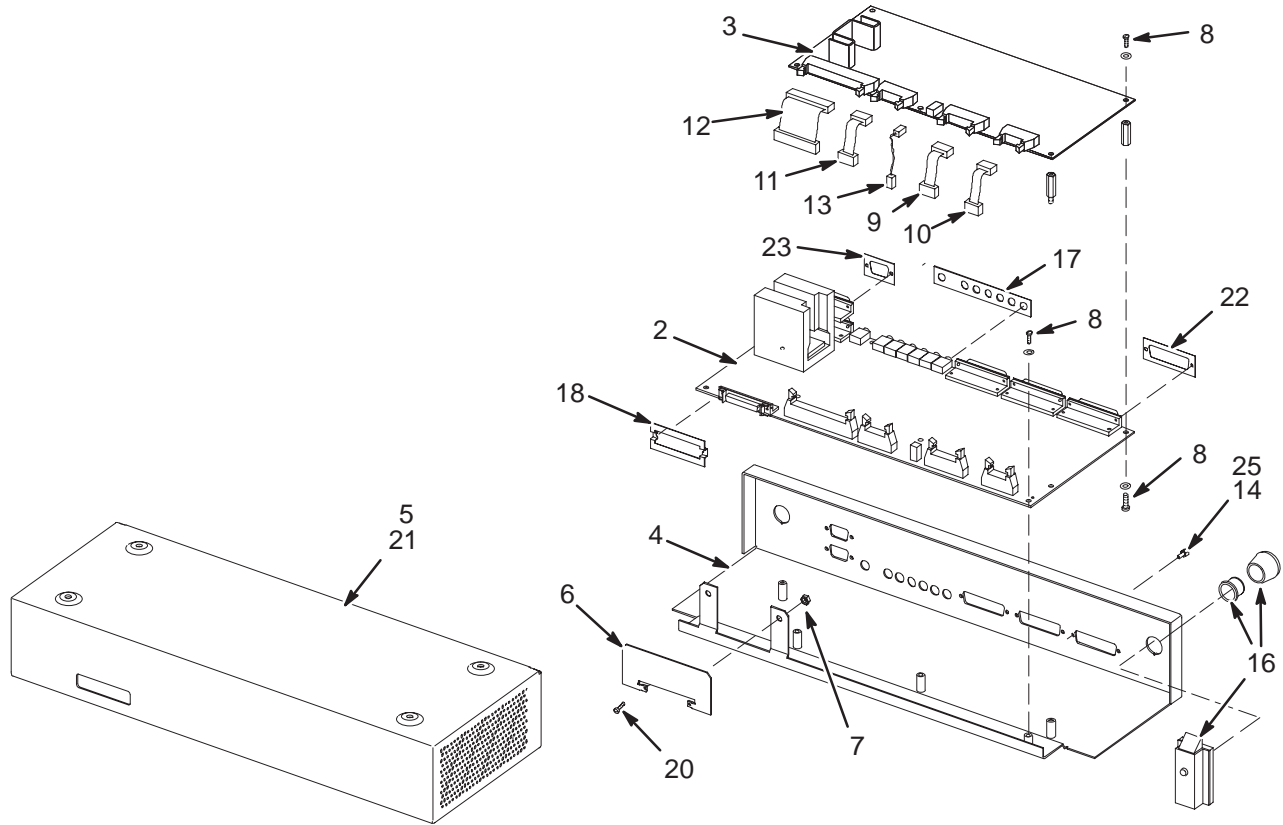
(PART OF M1000N & M1800N SERIES – SECTION 1)

Item	Part Number	FRU	Name	Quantity	Description (Remarks)
1	46-307872P1	2	CABLE COVER	2	CABLE COVER
2	46-208758P3	2	TY-RAP	20	7.31" X .184" SELF-LOCKING CABLE TIE
3	46-307873P1	2	CLAMP	2	CLAMP
4	2290671	2	CLAMP	2	ROUND CABLE CLAMP, ADJUSTABLE
5	2290672	2	SCREW	2	SCREW- INCH PAN HEAD .14 INCHES .58

8.x OPERATOR WORKSPACE INTERFACE MODULE

2141978-5

OW1 A1 A4



8.x OW INTERFACE MODULE

2141978-5 FRU 1

(PART 1 OF 2321156 PAGE 13-19)
(PART OF M1000 & M1800 - SECTION 1)

Item	Part Number	FRU	Name	Quantity	Description (Remarks)
2	2141832-5	2	CIRCUIT BOAR	1	PERIPHERAL INTERFACE BOARD
3A	2204382	1	CIRCUIT BOAR	1	CONSOLE INTERCOM BOARD
3B	2117167-4	1	CONSOLE INTE	ALT	CONSOLE INTERCOM PCB
4	2145691	2	I/F MOD COVR	1	INTERFACE MODULE COVER - BOARD MOUNT
5	2145690	2	I/F MOD COVR	1	INTERFACE MODULE COVER - DESK MOUNT
6	2145692	2	CLAMP	1	RETAINER CONNECTOR CLEARANCE HOLE
7	46-328425P1	2	NUT	2	NUT HEXAGON 4 MM
8	46-208924P6	2	SCREW	10	SCREW
9	2148299	2	CABLE ASM	1	LX I/F BD INTERCOM CABLE #4
10	2148298	2	CABLE ASM	1	LX I/F BD INTERCOM CABLE #3
11	2148297	2	CABLE ASM	1	LX I/F BD INTERCOM CABLE #2
12	2148296	2	CABLE ASM	1	LX I/F BD INTERCOM CABLE #1
13	2148301	2	CABLE ASM	1	LX I/F BD INTERCOM CABLE #5
14	46-221417P1	2	CONNECTOR	5	FEMALE SCREWLOCKS, TWO PER KIT
16	2105611	2	SLAM LATCH	2	HAND ACTUATED SLAM LATCH
20	46-170015P60	2	SCREW	2	SCREW
21	2152296	2	GASKET STRIP	1.260	EMI GASKET STRIP
22	46-221754P3	2	CONNECTOR	3	RFI GASKET USED WITH 25 PIN SUB-D
23	46-221754P1	2	CONNECTOR	2	RFI GASKET USED WITH 9 PIN SUB-D
25	46-170686P1	2	ADHESIVE	AR	LOCTITE 242, 0.5CC TUBE

LX OW INTERFACE MODULE

2141978-6 FRU 1

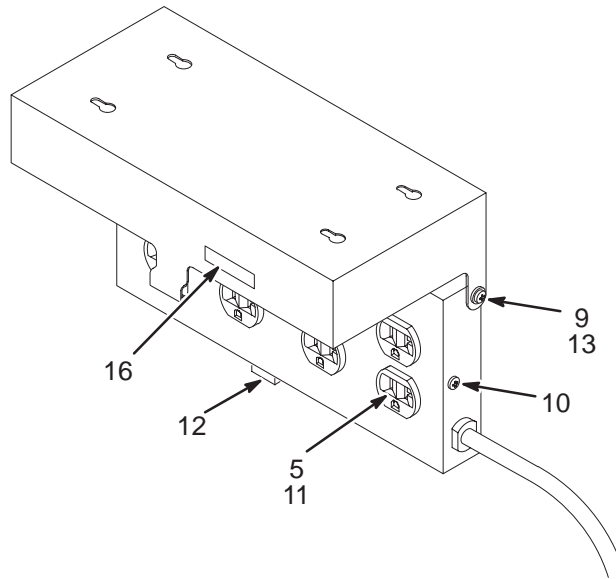
(PART 1 OF 2321156 PAGE 13-19)

Item	Part Number	FRU	Name	Quantity	Description (Remarks)
2	2141832-5	2	CIRCUIT BOAR	1	PERIPHERAL INTERFACE BOARD
3A	2204382	1	CIRCUIT BOAR	1	CONSOLE INTERCOM BOARD
3B	2117167-4	1	CONSOLE INTE	ALT	CONSOLE INTERCOM PCB
4	2145691	2	I/F MOD COVR	1	INTERFACE MODULE COVER - BOARD MOUNT
5	2145690	2	I/F MOD COVR	1	INTERFACE MODULE COVER - DESK MOUNT
6	2145692	2	CLAMP	1	RETAINER CONNECTOR CLEARANCE HOLE
7	46-328425P1	2	NUT	2	NUT HEXAGON 4 MM
8	46-208924P6	2	SCREW	10	SCREW
9	2148299	2	CABLE ASM	1	LX I/F BD INTERCOM CABLE #4
10	2148298	2	CABLE ASM	1	LX I/F BD INTERCOM CABLE #3
11	2148297	2	CABLE ASM	1	LX I/F BD INTERCOM CABLE #2
12	2385997	2	CABLE ASM	1	WIM CONTROL CABLE
13	2148301	2	CABLE ASM	1	LX I/F BD INTERCOM CABLE #5
14	46-221417P1	2	CONNECTOR	5	FEMALE SCREWLOCKS, TWO PER KIT
16	2105611	2	SLAM LATCH	2	HAND ACTUATED SLAM LATCH
20	46-170015P60	2	SCREW	2	SCREW
21	2152296	2	GASKET STRIP	1.260	EMI GASKET STRIP
22	46-221754P3	2	CONNECTOR	3	RFI GASKET USED WITH 25 PIN SUB-D
23	46-221754P1	2	CONNECTOR	2	RFI GASKET USED WITH 9 PIN SUB-D
25	46-170686P1	2	ADHESIVE	AR	LOCTITE 242, 0.5CC TUBE

8.x POWER DISTRIBUTION BOX

46-307830G1

OW1 A1 A1



8.x POWER DISTRIBUTION BOX

46-307830G1 FRU N

(PART 4 OF 2321156 PAGE 13-19)
(PART OF M1000 & M1800 SERIES - SECTION 1)

Item	Part Number	FRU	Name	Quantity	Description (Remarks)
5	46-287941P1	2	CONNECTOR	4	20 AMP, 125V, DUPLEX RECEPTACLE,
9	46-328421P13	2	SCREW	2	SCREW PAN 4 MM 8 MM
10	46-328421P22	2	SCREW	6	SCREW PAN 6 MM 8 MM
11	46-328425P1	2	NUT	8	NUT HEXAGON 4 MM
12	46-301852P1	2	LATCH	1	LATCH ASM FOR SLAM-LATCH COVERS
13	46-328431P1	2	WASHER	2	WASHER PLAIN - LARGE 4.3 MM
16	2165323	2	LABEL	1	LABEL ELECTRICAL

8.x DIGITAL DASM FILMING I/F 2143388-2 FRU 1 (PART OF M1000MK – SECTION 1)

Item	Part Number	FRU	Name	Quantity	Description (Remarks)
	2143388-3	1	DASM/LCAM	1	DASM/LCAM ONLY FOR CT/MR
	2143388-4	1	CABLE	1	50P/37P/25P Y-CABLE FOR CT/MR
	2163386	2	CABLE	1	SCSI CABLE (RUN 807)
	46-269601P5	1	TERMINATOR	1	SCSI TERMINATOR

8.x ANALOG DASM FILMING I/F 46-269566P3 FRU 1 (PART OF M1000MJ – SECTION 1)

Item	Part Number	FRU	Name	Quantity	Description (Remarks)
	46-269566P5		DASM/LCAM	1	REPLACEMENT DASM/VDB UNIT
	46-269566P7		CABLE	1	SCSI CABLE (RUN 807)
	46-269566P8		TERMINATOR	1	SCSI TERMINATOR
	46-269566P9		CABLE	1	25P/37P STUB CABLE

8.x ANALOG DASM II VDB 2251040 FRU N (PART OF M1000MJ – SECTION 1)

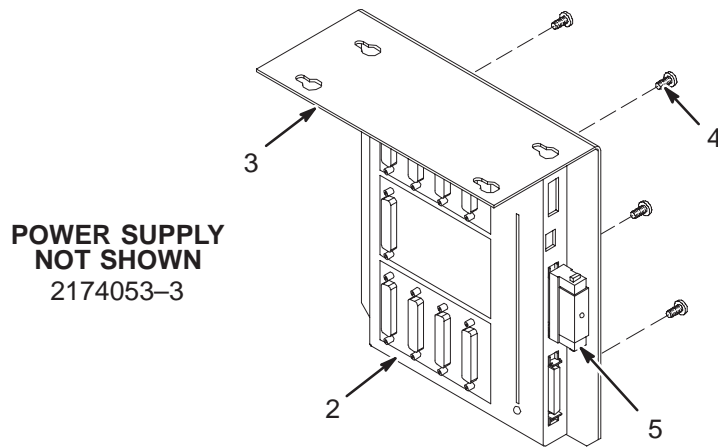
Item	Part Number	FRU	Name	Quantity	Description (Remarks)
1	2249894-3	1	DASM-2 VDB	1	ANALOG DASM II VDB WITH FIRMWARE
2	2163386	2	CABLE	1	(807) OW1A5 DASM TO OW1A2A3 HOST

8.x DIGITAL DASM II LCAM 2251043 FRU N (PART OF M1000MK – SECTION 1)

Item	Part Number	FRU	Name	Quantity	Description (Remarks)
1	2249895	1	DASM-II LCAM	1	DIGITAL DASM II CAM
2	2163386	2	CABLE	1	(807) OW1A5 DASM TO OW1A2A3 HOST
3	2150320	2	PART	1	37 PIN RS485 TYPE ADAPTEUR MALE/MALE

CENTRAL DATA SERIAL EXPANSION BOX ASM 2204796

OW1 A16



SERIAL EXPANSION BOX ASM

2204796 FRU N

(PART 6 OF 2321156 PAGE 13-19)
(PART OF M1000 & M1800 SERIES - SECTION 1)

Item	Part Number	FRU	Name	Quantity	Description (Remarks)
2	2189510	1	EXPANSION BOX	1	SCSI 8 PORT SERIAL EXPANSION BOX
	2174053-2	1	EXPANSION BOX	ALT	SERIAL PORT EXPANDER (SPE) MODULE ONLY SUPPLIED AS SPARE PART
	2170453-3	1	POWER CORD	1	SPARE SERIAL EXPANDER POWER SUPPLY
3	2198593	2	BRACKET	1	SERIAL EXPANSION BOX BRACKET
4	46-170015P48	2	SCREW	4	4-40 x 5/8 MACHINE SCREW
5	46-269601P6	1	TERMINATOR	1	HIGH DENSITY 50-PIN SLICK TERMINATOR

8.x OCTANE OW CABLES

2154392-2 FRU N

(PART 3 OF 2321156 PAGE 13-19)
 (PART OF M1000 & M1800 SERIES - SECTION 1)

Item	Part Number	FRU	Name	Quantity	Description (Remarks)
2	2141980-2	2	CABLE	1	(810) OW1A1A2J8 TO OW1A15 KBD,MOUSE
4	2196990	2	CABLE	1	(814) OW1A1A4J9 TO OW1A2A1 KBD,MOUSE
6	46-328000G958	2	ASSEMBLY	1	(817) OW1A1A2J17 TO OW1A2A5POWER I/O
7	2188746	2	CABLE	1	(812) OW1A15 TO MODEM LX2 MODEM CBL
8	2168505	2	CABLE	1	CERD SPIKE NOISE TEST CABLE
9	2188747	2	CABLE	1	(813) OW1A2A1COM2 TO OW1A15PORT7
10	2153396-3	2	PART	1	(811) OW1A2A4 TO OW1A15 365 CM LX2
11	2198995	2	CABLE	1	(819) OW1A15 TO OW1A2A7 LX2 SCSI
12	2198983	2	CABLE	1	(815) OW1A16 TO OW1A15 SCSI

MOBILE MR OW MOUNTING KIT 2214269 FRU 2 (PART OF LX INSTALLATIONS)

Item	Part Number	FRU	Name	Quantity	Description (Remarks)
1	2206260	2	MTG PAD	1	RUBBER MONITOR MOUNTING PAD
2	2204492	2	BRACKET	2	OCTANE MOBILE MOUNTING BRACKET
5	2212686	2	STRAP BRKT.	1	MOBILE MONITOR HOLD DOWN STRAP BRKT
6	2204498	2	BRACKET	1	MONITOR MOUNTING BRACKET
7	2296617-2	1	OUT OF CATAL	1	12.1" MONITOR MOBILE BASE
8	2363733	1	KIT OF PARTS	1	MONITOR BASE FOR MOBILE W HARDWARES
232769	4MR MOBILE KIT		9BOM 00		

MOBILE MR OW MOUNTING KIT 2327699 FRU N (PART OF LX INSTALLATIONS)

Item	Part Number	FRU	Name	Quantity	Description (Remarks)
2	5129339	N	PDM PART	2.0	PLATE, ADAPTER 15 INCH LCD MONITOR M
3	2318499	N	OUT OF CATAL	2.0	PIVOTHEAD BASE/HEAD 0/90 TILT
4	2318497	N	OUT OF CATAL	2.0	EXPRESS SERIES MNT FLAT BASE PLT_9"
5	2276109	N	OUT OF CATAL	2.0	LOCKING MULTI-MEDIA DRAWER
6	2109874-20	N	PDM PART	6.0	SCREW COUNTERSUNK HEA 6 MM 16 MM
7	2109880-3	N	PDM PART	6.0	WASHER LOCK - SPRING 6.1 MM 11.8 MM
8	46-328426P2	N	PDM PART	6.0	NUT HEXAGON_THIN 6 MM
9	2204492	N	BRACKET	2.0	OCTANE MOBILE MOUNTING BRACKET
13	2135839-3	2	OUT OF CATAL	6.0	T&B G2-12 TERMINAL, 1/2" RING, 2 AWG

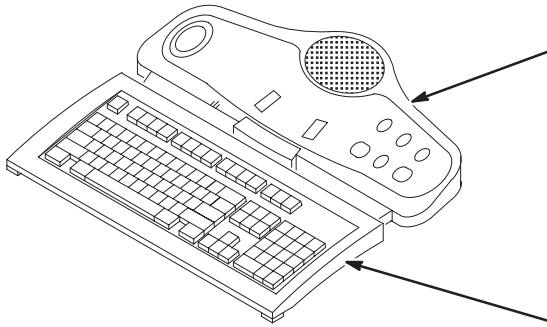
HDx MOBILE MR OW MOUNTING KIT 5160776 FRU N (PART OF HDx INSTALLATIONS)

Item	Part Number	FRU	Name	Quantity	Description (Remarks)
2	5161537	N	PDM PART	1.0	SUPPORT PLATE FOR MOBILE MONITOR KIT
3	2318499	N	OUT OF CATAL	1.0	PIVOTHEAD BASE/HEAD 0/90 TILT
4	5161539	N	PDM PART	1.0	STAND FOR 23 INCH MOBILE MONITOR
5	2276109	N	OUT OF CATAL	1.0	LOCKING MULTI-MEDIA DRAWER
6	2109874-20	N	PDM PART	3.0	SCREW COUNTERSUNK HEA 6 MM 16 MM
7	2109880-3	N	PDM PART	3.0	WASHER LOCK - SPRING 6.1 MM 11.8 MM
8	46-328426P2	N	PDM PART	3.0	NUT HEXAGON_THIN 6 MM
9	2204492	N	BRACKET	2.0	OCTANE MOBILE MOUNTING BRACKET
13	2135839-3	2	OUT OF CATAL	6.0	T&B G2-12 TERMINAL, 1/2" RING, 2 AWG
14	46-328422P15	N	PDM PART	4.0	SCREW COUNTERSUNK HEA 4 MM 12 MM

SCIM/KEYBOARD FRU'S 2307175

FRU N

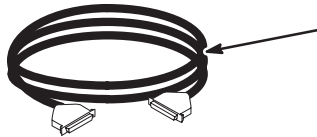
(PART OF M1000MN – SECTION 1)



- 2289697-2 SCIM ^W/ENGLISH OVERLAY
- 2289697-8 MR SCIM GLOBAL OVERLAY SET
(Contains French, German, Italian,
Portuguese, and Spanish)

KEYBOARDS ONLY:

- 2275756 (English)
- 2275756-2 (French)
- 2275756-3 (German)
- 2275756-4 (Scandinavian)
- 2275756-5 (Italian)
- 2275756-6 (Portuguese)
- 2275756-7 (Spanish)

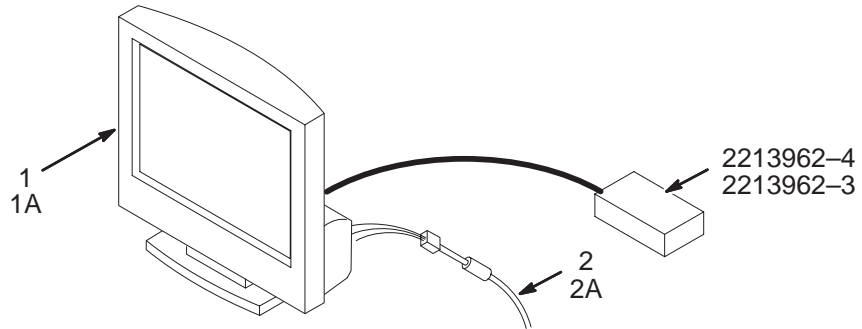


- 2262158-9 CABLE, 50 PIN SCIM KEYBOARD
OR
- 2114561-46 LX SCSI LONG CABLE – 63 INCH
(FOR EARLY VERSION KEYBOARDS)

20 INCH LCD COLOR MONITOR

2216029

OW1 A6



20 INCH LCD COLOR MONITOR

2216029 FRU N

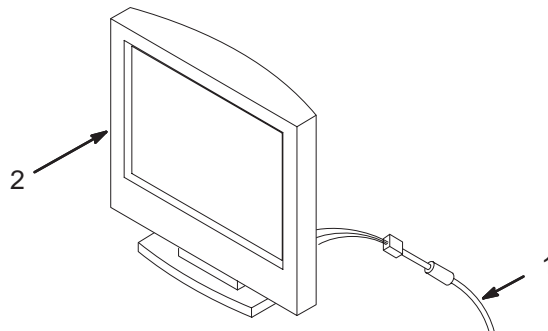
(PART OF M1000NZ – SECTION 1)

Item	Part Number	FRU	Name	Quantity	Description (Remarks)
1	2213962-2	1	MONITOR	1	LX LCD COLOR MONITOR 2
	2213962-4	1	PWR SUPPLY	1	LX LCD COLOR MONITOR 2 POWER SUPPLY
1A	2213962	1	MONITOR	ALT.	LX LCD COLOR MONITOR
	2213962-3	1	PWR SUPPLY	1	LX LCD COLOR MONITOR POWER SUPPLY
2	2150533-2	1	CABLE ASM	1	(821/798) OW1A2A3 MONITOR TO OW1A6R,G,B
2A	2177357	1	CABLE	ALT	COLOR VIDEO CABLE

18 INCH LCD COLOR MONITOR

2349792

OW1 A6



18 INCH LCD COLOR MONITOR*

2349792 FRU 1

(PART OF M1000NT – SECTION 1)

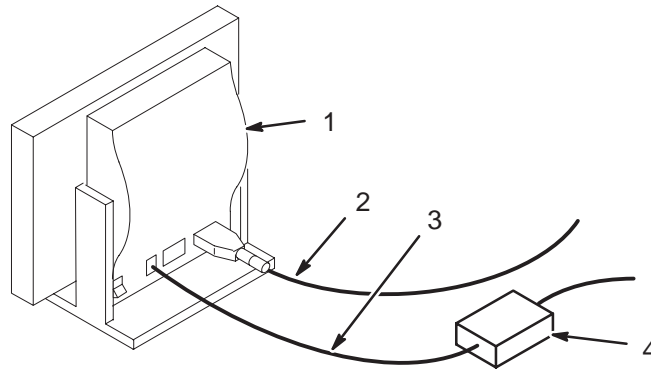
Item	Part Number	FRU	Name	Quantity	Description (Remarks)
1	2295019	1	CABLE	1	CABLE, 13W3-DB15 RGB LCD STRAIGHT CONNECTOR
2	2306872	1	MONITOR	ALT	18.1 INCH LCD MONITOR LCD

* For installation of LCD Flat Panel Monitor in Mobile, refer to E6900CG, page 11-116, for mounting parts & hardware.

LCD DISPLAY MONITOR

2138599, 2138599-2, 2296617, & 2363727

OW1 A3



8.x LCD DISPLAY MONITOR 2138599 FRU 1 (PART OF M1000 & M1800 SERIES – SECTION 1)

Item	Part Number	FRU	Name	Quantity	Description (Remarks)
1	2138599	1	MONITOR	1	LCD DISPLAY (640 X 480) WITH POWER CORD, VGA VIDEO CABLE AND ANY MOUNTING HARDWARE
2	2138599-3	1	CABLE	1	VGA VIDEO CABLE
3	2138599-4	2	CABLE	1	POWER CABLE AND EXTERNAL POWER SUPPLY
4	2138599-5	1	PWR SUPPLY	1	EXTERNAL POWER SUPPLY

8.x LCD DISPLAY MONITOR 2138599-2 FRU 1 (PART 2B OF 2321156 PAGE 13-19)
(PART OF M1000 & M1800 SERIES – SECTION 1)

Item	Part Number	FRU	Name	Quantity	Description (Remarks)
1	2138599-2	1	MONITOR	1	LCD DISPLAY (800X600) WITH POWER CORD, VGA VIDEO CABLE AND ANY MOUNTING HARDWARE
2	2138599-3	1	CABLE	1	VGA VIDEO CABLE
3	2138599-4	2	CABLE	1	POWER CABLE AND EXTERNAL POWER SUPPLY
4	2138599-5	1	PWR SUPPLY	1	EXTERNAL POWER SUPPLY

8.x LCD MONITOR w/CABLE & PWR SUP 2296617 FRU 1 (PART 2B OF 2321156 PAGE 13-19)
(PART OF M3000 & M3800 SERIES – SECTION 1)

Item	Part Number	FRU	Name	Quantity	Description (Remarks)
	2296617	1	MONITOR	1	12.1" MONITOR WITH 3 METER CABLE AND POWER SUPPLY
	2296617-2	1	MOUNTING	1	12.1" MONITOR MOBILE BASE
	2296617-3	1	PWR SUPPLY	1	12.1" MONITOR POWER SUPPLY
	2296617-4	1	CABLE	1	12.1" MONITOR VIDEO CABLE

15" LCD MONITOR w/CABLES 2363727 FRU 1 (PART 2A OF 2321156 PAGE 13-19)

Item	Part Number	FRU	Name	Quantity	Description (Remarks)
	2363727	1	MONITOR	1	15" MONITOR WITH VIDEO AND POWER CABLES
	2363727-2	1	CABLE	1	15" MONITOR POWER CABLE
	2363727-3	1	CABLE	1	15" MONITOR 3 METER VIDEO CABLE

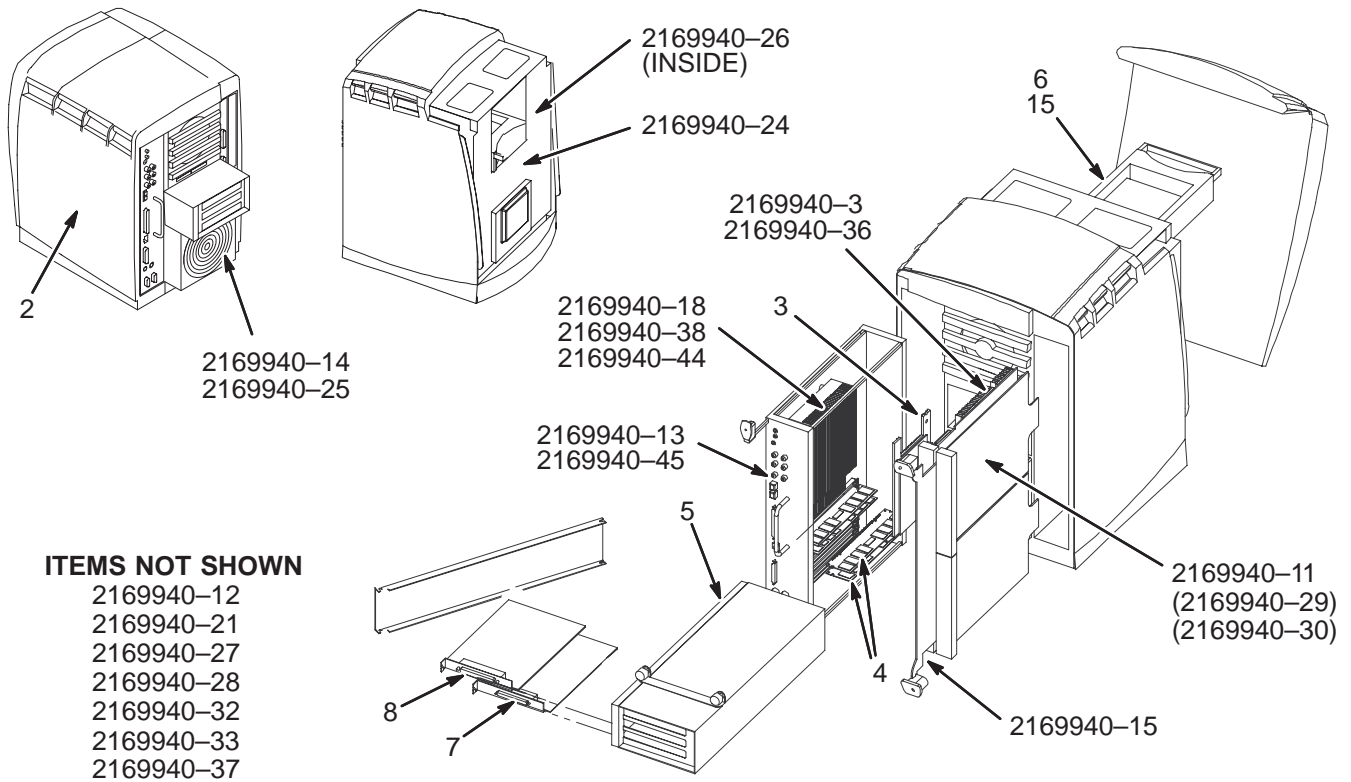
OCTANE-1 HOST COMPUTER

2198999 THRU 2198999-4

OW1 A15

WARNING!

**OCTANE-1 AND OCTANE-2 PARTS ARE NOT INTERCHANGEABLE.
EXCHANGING THEM WILL RESULT IN SOFTWARE AND HARDWARE DAMAGE**



ITEMS NOT SHOWN

- 2169940-12
- 2169940-21
- 2169940-27
- 2169940-28
- 2169940-32
- 2169940-33
- 2169940-37

195MHz OCTANE-1 COMPUTER 2198999 FRU N (PART 7B OF 2207030 PAGE 13-16)
 (PART 7B OF 2207030-2 PAGE 13-16)

Item	Part Number	FRU	Name	Quantity	Description (Remarks)
2	2169940	N	COMPUTER	1	CT/MR BASE OCTANE COMPUTER SYSTEM
3	2169940-4	1	COMPUTER	1	OPTION 4MB TEXTURE MEMORY
4	2199806-2	1	MEMORY MODUL	1	128 MB BANK FOR SGI OCTANE
5	2169940-82	1	OUT OF CATAL	1	OPTION PCI CARDCAGE - RIGID VHDM
6	2169940-10	1	COMPUTER	1	OPTION SECOND 4GB DISK DRIVE
7	2169940-9	1	COMPUTER	1	OPTION PCI SCSI CARD
8	2124215-8	1	BIT3 CRD SET	1	BIT3 617-1 PCI CARD FOR OCTANE

225MHz OCTANE-1 COMPUTER 2198999-2 FRU 2 (PART 7A OF 2207030 PAGE 13-16)
 (PART 7A OF 2207030-2 PAGE 13-16)

Item	Part Number	FRU	Name	Quantity	Description (Remarks)
2A	2169940-40	N	COMPUTER	1	BASE OCTANE 225MHZ/SE/4GB/256MB
2B	2247891	N	COMP SYSTEM	1	SGI 225MHZ OCTANE COMP+DATARAM 128MB
3	2169940-37	1	COMPUTER	1	4MB SE TEXTURE MEMORY OPTION/SPARE
5	2169940-82	1	OUT OF CATAL	1	OPTION PCI CARDCAGE - RIGID VHDM
6	2169940-10	1	COMPUTER	1	OPTION SECOND 4GB DISK DRIVE
7	2169940-9	1	COMPUTER	1	OPTION PCI SCSI CARD
8	2124215-8	1	BIT3 CRD SET	1	BIT3 617-1 PCI CARD FOR OCTANE

LX3 225MHZ OCTANE-1 COMPUTER 2198999-3 FRU N (PART 7B OF 2207030-3 PAGE 13-16)
 (PART 7A OF 2207030-6 PAGE 13-16)
 (PART 7A OF 2207030-14 PAGE 13-17)

Part Number	FRU	Name	Quantity	Description (Remarks)	
2	2169940-40	N	COMPUTER	1	BASE OCTANE 225MHZ/SE/4GB/256MB
2A	2247891	N	COMP SYSTEM	ALT	SGI 225MHZ OCTANE COMP+DATARAM 128MB
3	2169940-37	1	COMPUTER	1	4MB SE TEXTURE MEMORY OPTION/SPARE
4	2199806-5	1	MEMORY MODUL	1	2 X 128 MB OCTANE KIT/PAIR
5	2169940-82	1	OUT OF CATAL	1	OPTION PCI CARDCAGE - RIGID VHDM
6	2169940-10	1	COMPUTER	1	OPTION SECOND 4GB DISK DRIVE
7	2169940-9	1	COMPUTER	1	OPTION PCI SCSI CARD
8	2235744-3	1	BIT3 CRD SET	1	PCI ADAPTER CARD

LX3 270MHz OCTANE-1 COMPUTER 2198999-4 FRU N (PART 7A OF 2207030-3 PAGE 13-16)
 (PART 7A OF 2207030-6 PAGE 13-16)
 (PART 7A OF 2207030-14 PAGE 13-17)

Part Number	FRU	Name	Quantity	Description (Remarks)	
2	2169940-43	N	COMPUTER	1	R12K BASE CT/MR OCTANE COMPUTER
3	2169940-37	1	COMPUTER	1	4MB SE TEXTURE MEMORY OPTION/SPARE
4	2199806-5	1	MEMORY MODUL	1	2 X 128 MB OCTANE KIT/PAIR
5	2169940-82	1	OUT OF CATAL	1	OPTION PCI CARDCAGE - RIGID VHDM
7	2169940-9	1	COMPUTER	1	OPTION PCI SCSI CARD
8	2235744-3	1	BIT3 CRD SET	1	PCI ADAPTER CARD
15	2169940-12	1	COMPUTER	1	OPTION 9GB DISK DRIVE

LISTED BELOW ARE PARTS COMMON TO OCTANE-1

Item	Part Number	FRU	Name	Quantity	Description (Remarks)
	2169940-3	1	BOARD	1	GRAPHICS CARD
	2169940-4	1	PART	1	4MB TEXTURE MEMORY OPTION
	2169940-5	1	PART	1	64MB MEMORYOPTION
	2169940-6	1	PART	1	128MB MEMORY OPTION
	2169940-10	1	COMPUTER	1	SECOND 4GB DISK DRIVE OPTION
	2169940-11	N	COMPUTER	1	VIDEO OPTION KIT (REFER TO E8803FG)
	2169940-12	1	COMPUTER	1	9GB DISK DRIVE OPTION/SPARE
	2169940-13	1	COMPUTER	1	SYSTEM MODULE W/O PM (NO BRICK)
	2169940-14	1	COMPUTER	1	OCTANE POWER SUPPLY MODULE
	2169940-15	2	COMPUTER	1	XIO MODULE BLANK PANEL SPARE
	2169940-18	1	COMPUTER	1	SINGLE 195MHZ/1MB PM (BRICK ONLY)
	2169940-21	2	COMPUTER	1	XIO CONNECTOR PROTECTIVE CAP
	2169940-24	1	COMPUTER	1	FRONTPLANE MODULE ASM
	2169940-25	1	PART	1	FRONTPLANE FAN MODULE
	2169940-26	2	COMPUTER	1	SYSTEM ID MODULE SPARE
	2169940-27	2	COMPUTER	1	INTERNAL DRIVE BAY MODULE ASM
	2169940-28	1	COMPUTER	1	MOUSE
	2169940-29	1	BOARD	1	VIDEO I/O CARD (W/DAUGHTERBOARD)
	2169940-30	1	CAMERA	1	VIDEO CAM
	2169940-32	2	COMPUTER	1	LIGHTBAR MODULE ASM
	2169940-33	2	COMPUTER	1	SGI MICROPHONE

The following unique parts were added at the introduction of the 225Mhz/SE version of the host computer system. All other options and spares for the 225Mhz/SE version are the same as the 195Mhz/SI version listed previously.

- * The new 225Mhz/SE option/spare parts below are BACKWARD compatible with the 195Mhz/SI. The old 195Mhz/SI spare parts are NOT FORWARD compatible (due to speed of performance).

Item	Part Number	FRU	Name	Quantity	Description (Remarks)
	2169940-36	1	BOARD	1	DUAL HEAD GRAPHICS OPTION/SPARE (SE CARD)
	2169940-37	1	BOARD	1	4MB TEXTURE MEMORY OPTION/SPARE (FOR SE/SI CARD)
	2169940-38	1	COMPUTER	1	SINGLE 225MHZ/1MB L2 CACHE PROCESSR MODULE SPARE

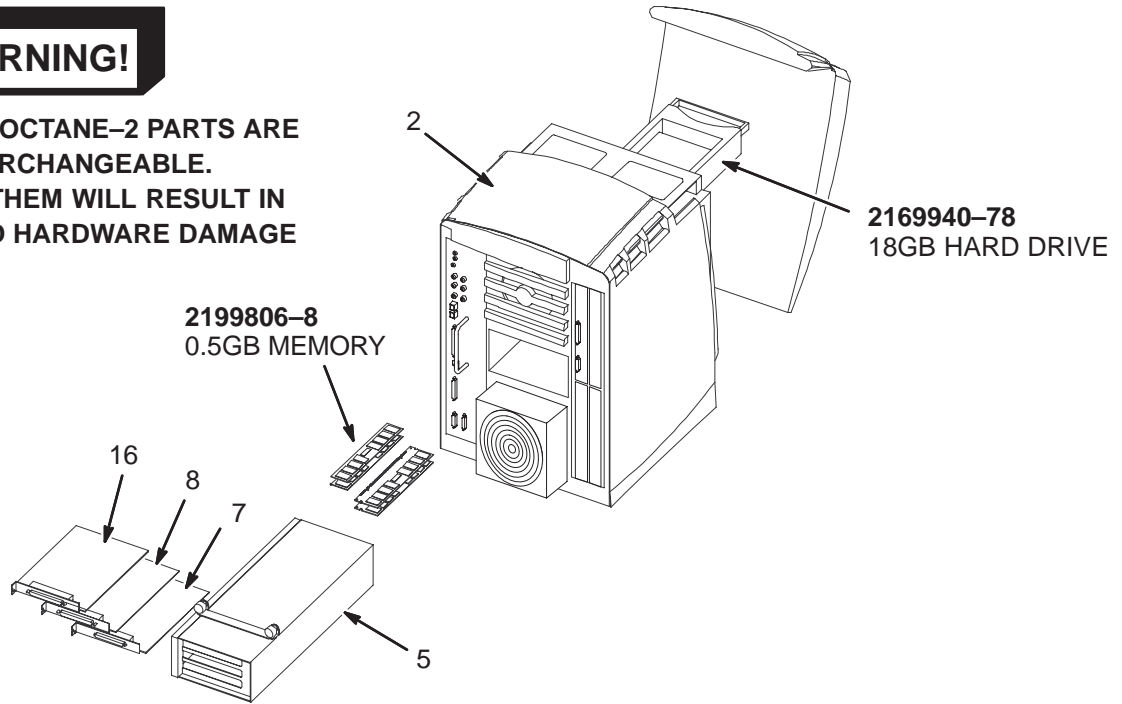
The following spare parts were added for the 270Mhz/SE R12K base system.

Item	Part Number	FRU	Name	Quantity	Description (Remarks)
	2169940-43	N	COMPUTER	1	R12K-270Mhz/SEBASE COMPUTER SYS w/9GB SYSTEM DISK
	2169940-44	1	COMPUTER	1	PCA R12K 270MHZ 2MB CACHE PROCESSOR MODULE
	2169940-45	1	COMPUTER	1	PCA REV F HEART 1P30 SYSTEM BOARD
	2169940-46	1	COMPUTER	1	PCA 9GB DISK DRIVE

LX3 V10 360MHz w/18GBHD OCTANE-2 COMPUTER 2198999-6 & 2198999-8



OCTANE-1 AND OCTANE-2 PARTS ARE NOT INTERCHANGEABLE. EXCHANGING THEM WILL RESULT IN SOFTWARE AND HARDWARE DAMAGE



MGD V10 360MHz w/18GBHD OCTANE2 2198999-6 FRU N

(PART 7 OF 2207030-19 PAGE 13-17)

Part Number	FRU	Name	Quantity	Description (Remarks)	
2A	2169940-75	N	COMPUTER	1	MR OCTANE 2 BASE (SEE 2300169-3 PAGE 13-35)
2B	2169940-60	N	COMPUTER	ALT	MR LX BASE OCTANE II BUY LEVEL
5	2169940-82	N	OUT OF CATAL	1	OPTION PCI CARD CAGE - RIGID VHDM
7	2169940-9	1	COMPUTER	1	OPTION PCI SCSI CARD
8	2235744-4	1	BIT3 CRD SET	1	PCI ADAPTER CARD (MGD) (IT HOST)
13	2245994	N	BRACKET	1	ENCORE FIBER OPTIC STRAIN RELIEF
14	46-208560P112	N	SCREW	2	SCREW, BHMS 4-40 X 3/8 SS
16	2169940-8	1	COMPUTER	1	OPTION PCI ETHERNET CARD
	2199806-6	1	COMPUTER	1	MEMORY, 2X256MB, LOW PROFILE
	2169940-78	1	COMPUTER	1	OCT2 18GB 10K RPM DRIVE

LX3 V10 360MHz w/18GBHD OCTANE2 2198999-8 FRU N

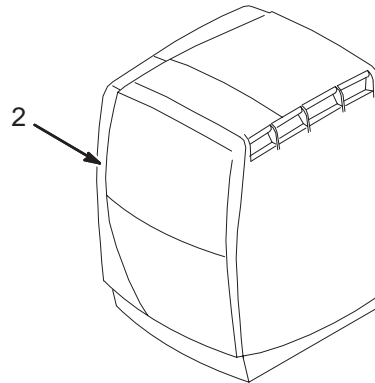
(PART 7 OF 2207030-13 PAGE 13-17)

(PART 7 OF 2207030-16 PAGE 13-17)

Part Number	FRU	Name	Quantity	Description (Remarks)	
2	2169940-75	N	COMPUTER	1	MR OCTANE 2 BASE (SEE 2300169-3 PAGE 13-35)
5	2169940-82	1	OUT OF CATAL	1	OPTION PCI CARD CAGE - RIGID VHDM
7	2169940-9	1	COMPUTER	1	OPTION PCI SCSI CARD
8	2235744-3	1	BIT3 CRD SET	1	PCI ADAPTER CARD
13	2245994	N	BRACKET	1	ENCORE FIBER OPTIC STRAIN RELIEF
14	46-208560P112	N	SCREW	2	SCREW, BHMS 4-40 X 3/8 SS
	2199806-6	1	COMPUTER	1	MEMORY, 2X256MB, LOW PROFILE
	2169940-78	1	COMPUTER	1	OCT2 18GB 10K RPM DRIVE

OCTANE2, MR SINGLE PROCESSOR UNIT, V10

2300169-3



OCTANE2, MR SINGLE PROC UNIT, V10 2300169-3 FRU 1

(PART 2 OF 2198999-6 PAGE 13-34)

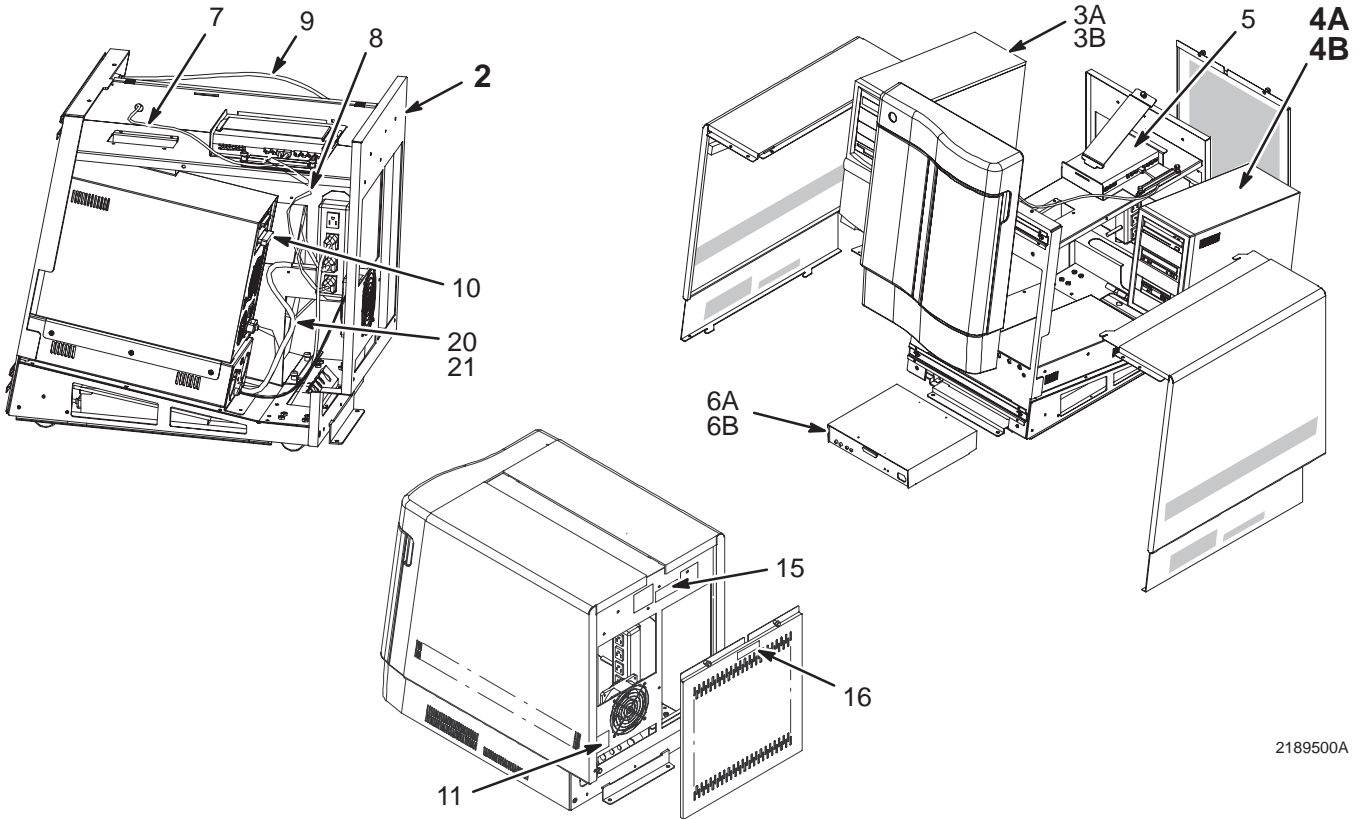
(PART 2 OF 2198999-8 PAGE 13-34)

Item	Part Number	FRU	Name	Quantity	Description (Remarks)
2	2169940-75	N	COMPUTER	1	MR OCTANE2 BASE – INCLUDES: SINGLE R12KS-360Mhz, 2Mb L2 CACHE, 512Mb (2 X 256) DIMM MEMMORY, SINGLE 18GB 10K RPM DISK, V10 GRAPHICS (32Mb). MOUSE, 120VAC POWER CORD, MICROPHONE EXCLUDES: CRT MONITOR, KEYBOARD, AND S/W CD'S.

OCTANE COMPUTER CABINET

2189500, 2189500-2, 2189500-3

OW1 A2



2189500A

LX2 OCTANE COMPUTER CABINET

2189500 FRU N

(PART 1 OF 2207030 PAGE 13-16)
(PART 1 OF 2207030-2 PAGE 13-16)

Item	Part Number	FRU	Name	Quantity	Description (Remarks)
2	2189501	2	ASSEMBLY	1	LIGHTNING 2 DUPLEX ASSEMBLY (SEE PAGE 13-38)
3A	2284297	1	PC WORKSTATION	1	MR OP WORKSPACE PC W/-2 BOOT FLOPPY
3B	2192746-3	1	PC WORKSTATION	1	LX3 BASE SYSTEM W/2192746-4 S/W
4A	2199817-13	N	BOX	1	DUPLEX SCSI EXPANSION BOX - DATALINK (SEE PAGE 13-39)
4B	2199817-14	N	BOX	1	DUPLEX SCSI EXPANSION BOX - GRANITE (SEE PAGE 13-39)
5	2189511	1	HUB	1	8 PORT 10BASE T NETWORK HUB FOR LX2
6A	2149852	1	BIT 3 BOX	1	BIT 3 FIBER OPTIC INTERFACE 400-60
6B	2149852-3	1	BIT 3 BOX	ALT	BIT 3 FIBER OPTIC INTERFACE 400-60 REV M
7	2151181	2	CABLE	1	MODULAR JACK TO PLUG CABLE
8	2153396	2	PART	1	72 CM LX SHIELD LAN CABLE
9	2148292	2	PART	1	LIGHTNING PC SECURITY KEY CABLE
10	46-269601P5	1	TERMINATOR	1	"SLICK" CIRCUIT ACTIVE TERMINATOR
11	2172316	2	LABEL	1	DUPLEX POWER DISCONNECT WARNING LABEL
15	2165323	2	LABEL	1	PDU ONLY POWER LABEL
16	2160390	2	WARNING LABEL	1	DUPLEX POWER WARNING LABEL
17	46-208758P3	2	TY-RAP	3	7.31" X .184" SELF-LOCKING CABLE TIE
18	46-208910P17	2	SCREW	6	SCREW
19	2166263	2	SCREW	2	SCREW PAN HEAD 3 MM 8 MM
20	46-208747P2	2	VIBRATION IS	2	CABLE TIE, ADHESIVE BACKED
21	46-208758P2	2	TY-RAP	3	5.5" X .140" SELF-LOCKING CABLE TIE.

LX3 SYSTEM COMPUTER ASM 2189500-2 FRU N (PART 1 OF 2207030-3 PAGE 13-16)

Item	Part Number	FRU	Name	Quantity	Description (Remarks)
2	2189501	2	ASSEMBLY	1	LIGHTNING 2 DUPLEX ASSEMBLY (SEE PAGE 13-38)
3A	2192746-3	1	PC WORKSTATI	1	LX3 BASE SYSTEM W/2192746-4 S/W
3B	2192746	1	PC WORKSTATI	ALT	LX2 PC WORKSTATION WITH MOD
4A	2199817-13	N	BOX	1	DUPLEX SCSI EXPANSION BOX - DATALINK (SEE PAGE 13-39)
4B	2199817-14	N	BOX	1	DUPLEX SCSI EXPANSION BOX - GRANITE (SEE PAGE 13-39)
5	2189511	1	HUB	1	8 PORT 10BASE T NETWORK HUB FOR LX2
7	2151181	2	CABLE	1	MODULAR JACK TO PLUG CABLE
8	2153396	2	PART	1	72 CM LX SHIELD LAN CABLE
9	2148292	2	PART	1	LIGHTNING PC SECURITY KEY CABLE
10	46-269601P5	1	TERMINATOR	1	"SLICK" CIRCUIT ACTIVE TERMINATOR
11	2172316	2	WARNING LABEL	1	DUPLEX POWER DISCONNECT WARNING LABEL
15	2165323	2	LABEL	1	PDU ONLY POWER LABEL
16	2160390	2	WARNING LABEL	1	DUPLEX POWER WARNING LABEL
17	46-208758P3	N	TY-RAP	3	7.31" X .184" SELF-LOCKING CABLE TIE
18	46-208910P17	N	SCREW	6	SCREW
19	2166263	N	SCREW	2	PHILIPS MACHINE SCREW, PAN HD
20	46-208747P2	N	VIBRATION IS	2	CABLE TIE, ADHESIVE BACKED
21	46-208758P2	N	TY-RAP	3	5.5" X .140" SELF-LOCKING CABLE TIE.

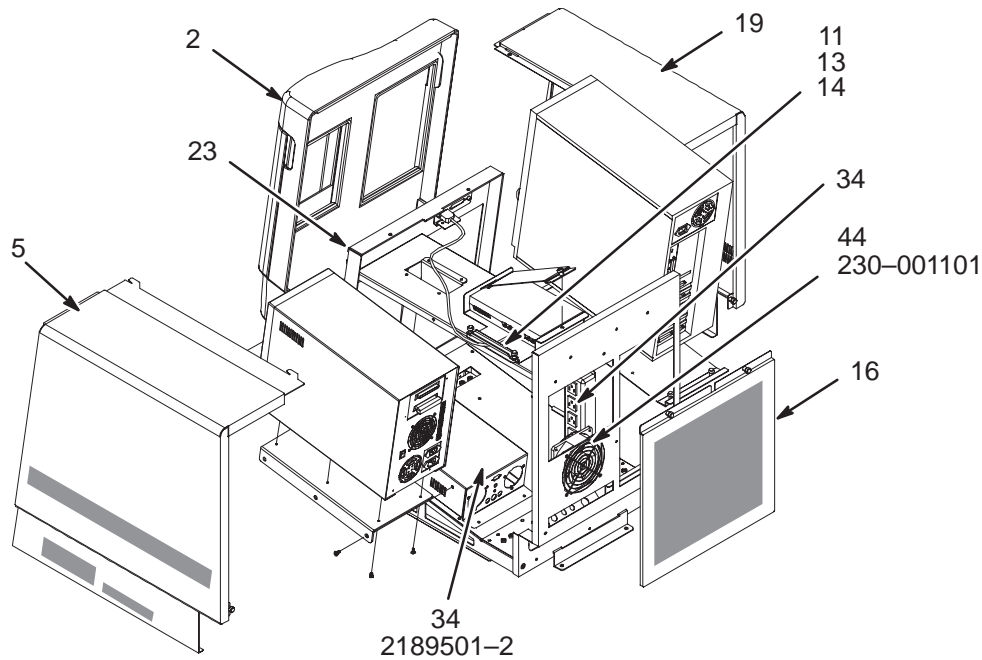
LX3 SYSTEM COMPUTER ASM 2189500-3 FRU N (PART 1 OF 2207030-6 PAGE 13-16)

Item	Part Number	FRU	Name	Quantity	Description (Remarks)
2	2189501-3	2	ASSEMBLY	1	LX2 DUPLEX ASM W/ 10/100 BASE-T HUB (SEE PAGE 13-38)
3A	2284297	1	PC COMPUTER	1	MR OP WORKSPACE PC W/-2 BOOT FLOPPY
3B	2192746-3	1	PC WORKSTATI	ALT	LX3 BASE SYSTEM W/2192746-4 S/W
4A	2199817-13	N	BOX	1	DUPLEX SCSI EXPANSION BOX - DATALINK (SEE PAGE 13-39)
4B	2199817-14	N	BOX	1	DUPLEX SCSI EXPANSION BOX - GRANITE (SEE PAGE 13-39)
5	2340663	1	HUB	1	SWITCH, ETHERNET, 8 PORT
7	2301294	2	CABLE	1	SHIELDED RJ45 BULKHEAD FEEDTHRU
8	2153396	2	PART	1	72 CM LX SHIELD LAN CABLE
9	2148292	2	PART	1	LIGHTNING PC SECURITY KEY CABLE
10	46-269601P5	1	TERMINATOR	1	"SLICK" CIRCUIT ACTIVE TERMINATOR
11	2172316	2	WARNING LABE	1	DUPLEX POWER DISCONNECT WARNING LABL
15	2165323	2	LABEL	1	LABEL - POWER FOR THIS DEVICE TO BE PROVIDED BY PDU
16	2160390	2	WARNING LABEL	1	DUPLEX POWER WARNING LABEL
17	46-208758P3	N	TY-RAP	3	7.31" X .184" SELF-LOCKING CABLE TIE
18	46-208910P17	N	SCREW	6	18-8 SST SCREW
19	2166263	N	SCREW	2	PHILIPS MACHINE SCREW, M3 X .5 X 8MM PAN HD
20	46-208747P2	N	VIBRATION IS	3	CABLE TIE MOUNT ADHESIVE BACKED

OCTANE COMPUTER CABINET ASSEMBLY

2189501

OW1 A2



LX2 OCTANE COMPUTER CABINET

2189501 FRU 2

(PART OF 2189500 PAGE 13-36)
 (PART 2 OF 2189500-2 PAGE 13-37)
 (PART 2 OF 2189500-3 PAGE 13-37)

LX3 OCTANE COMPUTER CABINET

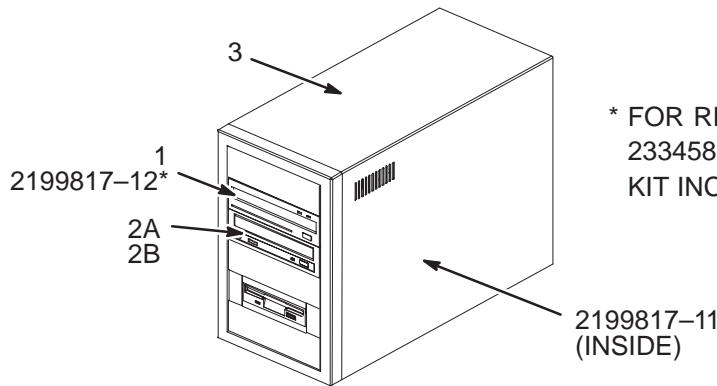
2189501-3 FRU 2

Item	Part Number	FRU	Name	Quantity	Description (Remarks)
2	2135999-2	2	PART	1	COMPUTER CABINET FRONT BEZEL
5	2135999-4	2	PART	1	COMPUTER CABINET LEFT COVER
11	2135999-7	2	PART	1	COMPUTER CABINET T HUB GASKET
13	2135999-6	2	PART	1	COMPUTER CABINET T HUB CLAMP
14	2135999-8	2	PART	1	COMPUTER CABINET T HUB BRACKET
16	2135999-5	2	PART	1	COMPUTER CABINET REAR DRESS PANEL
19	2135999-13	2	PART	1	COMPUTER CABINET RIGHT COVER
23	2135999-16	N	PART	4	COMPUTER CABINET TIMMERMAN BALL STUD
34	2135999-9	2	PART	1	COMPUTER CABINET POWER BOX ASM
	2189501-2	2	PART	1	POWER BOX ASM
44	2189501-4	1	PART	1	LX2 DUPLEX AC FAN
	230-001101	2	PART	1	FAN, COMAIR ROTRAN #WR2A1

SCSI EXPANSION BOX (DATALINK)

2199817-13

OW1 A7



* FOR REPLACEMENT OF MAXOPTIX, ORDER 2334581, MAXOPTIX TO SONY UPGRADE KIT. KIT INCLUDES SCSI CABLE 2199817-17.

SCSI EXPANSION BOX (DATALINK) 2199817-13 FRU N

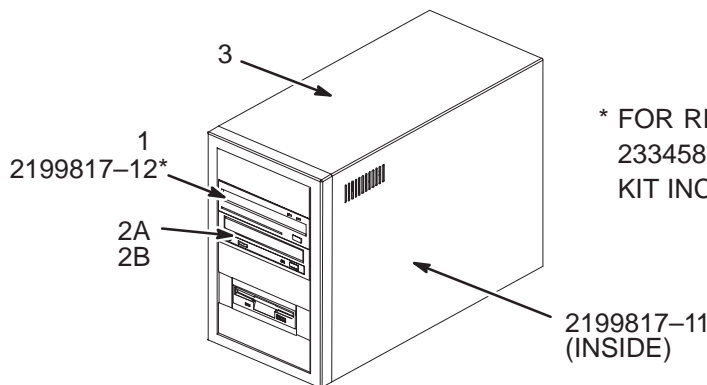
(PART 4A OF 2189500 PAGE 13-36)
 (PART 4A OF 2189500-2 PAGE 13-37)
 (PART 4A OF 2189500-3 PAGE 13-37)

Item	Part Number	FRU	Name	Quantity	Description (Remarks)
1	2318598	1	MOD	1	SONY MOD SMO-F551-SD
2A	2365675	1	DRIVE	1	DVD-ROM DRIVE SCSI INTERNAL 10X/40X
2B	2199817-7	1	BOX	ALT	DUPLEX SCSI EXP BOX HOST CD-ROM
3	2199817-5	1	BOX	1	DUPLEX SCSI EXP BOX CASE W/PS ONLY
	2199817-11	2	CABLE	1	SCSI CABLE
	2199817-12*	1	MODULE	1	T5-2600 STAR SERIES MOD REV H4.5 OR MOD FRMWARE A7.0

SCSI EXPANSION BOX (GRANITE)

2199817-14

OW1 A7



* FOR REPLACEMENT OF MAXOPTIX, ORDER 2334581, MAXOPTIX TO SONY UPGRADE KIT. KIT INCLUDES SCSI CABLE 2199817-17.

SCSI EXPANSION BOX (GRANITE) 2199817-14 FRU N

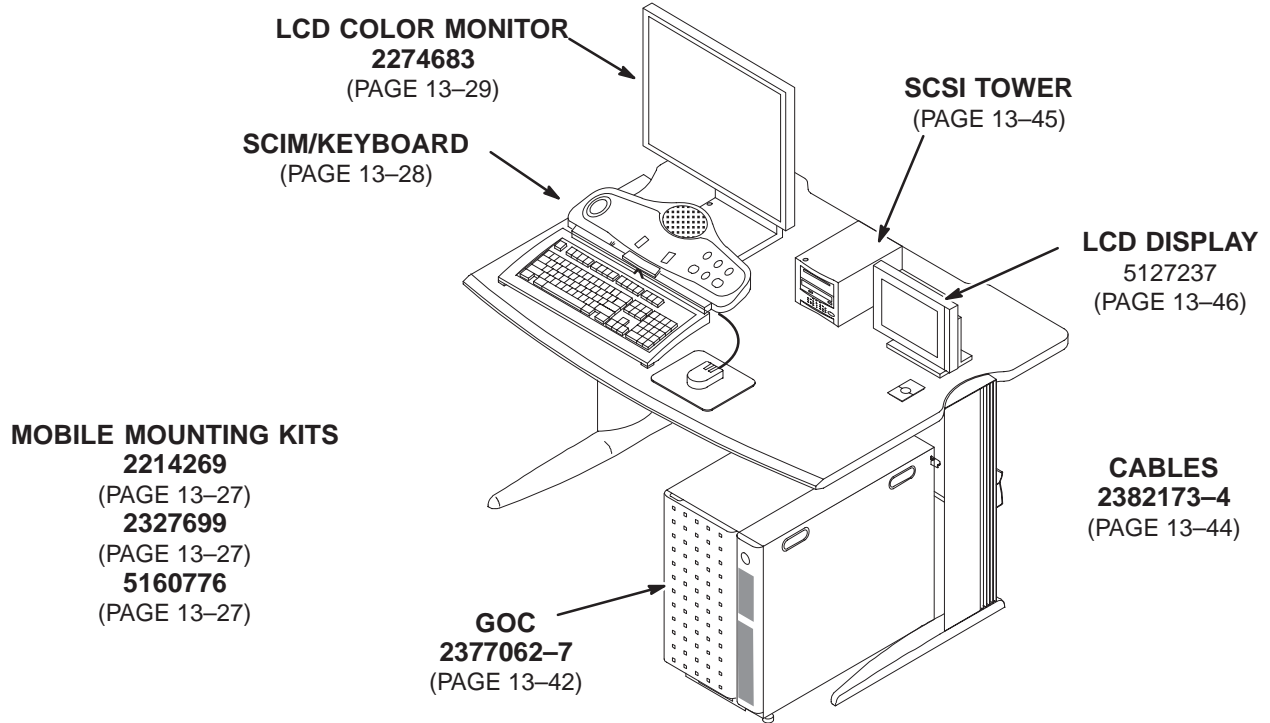
(PART 4B OF 2189500 PAGE 13-36)
 (PART 4B OF 2189500-2 PAGE 13-37)
 (PART 4B OF 2189500-3 PAGE 13-37)

Item	Part Number	FRU	Name	Quantity	Description (Remarks)
1	2318598	1	MOD	1	SONY MOD SMO-F551-SD
2A	2365675	1	DRIVE	1	DVD-ROM DRIVE SCSI INTERNAL 10X/40X
2B	2199817-7	1	BOX	ALT	DUPLEX SCSI EXP BOX HOST CD-ROM
3	2199817-5	1	BOX	1	DUPLEX SCSI EXP BOX CASE W/PS ONLY
	2199817-11	2	CABLE	1	SCSI CABLE
	2199817-12*	1	MODULE	1	T5-2600 STAR SERIES MOD REV H4.5 OR MOD FRMWARE A7.0

13-3 11.x EXCITE II with LINUX COMPUTER

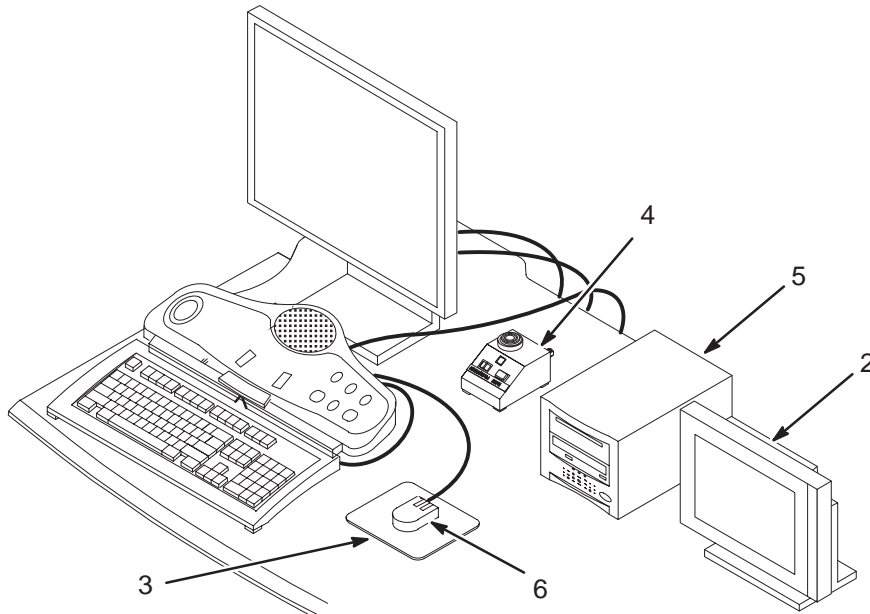
11.x EXCITE II OPERATOR WORKSPACE TABLE COMPONENTS

OW1



11.x EXCITE II OW TABLE/DESKTOP KIT

2321156-9



11.x EXCITE II OW TABLE/DESKTOP KIT 2321156-9 FRU N

(PART 16 OF M3000DB PAGE 1-60)
 (PART 16 OF M3000DC PAGE 1-60)
 (PART 16 OF M3000DD PAGE 1-60)

Item	Part Number	FRU	Name	Quantity	Description (Remarks)
2	5127237	1	PDM PART	1.0	15 INCH LCD DESKTOP MONITOR (SEE PAGE 13-46)
3	2166395	N	MOUSE PAD	1.0	MOUSE PAD FOR SIGNA HORIZON LX
4	46-317758P1	N	ALERT SYSTEM	1.0	PNEUMATIC PATIENT ALERT SYSTEM (SEE PAGE 1-115)
5	2381744	2	COLLECTOR	1.0	EXCITE II SCSI TOWER ASSY (SEE PAGE 13-45)
6	2368697-2	2	PC WORKSTATI	1.0	LINUX DDR WORKSTATION 3BUTTON PS2 MO
7	2156158-42	2	PDM COLLECTO	1.0	NMR 11.0 M4 SOFTWARE COLLECTOR (SEE PAGE 13-41)

11.x EXCITE S/W COLLECTOR

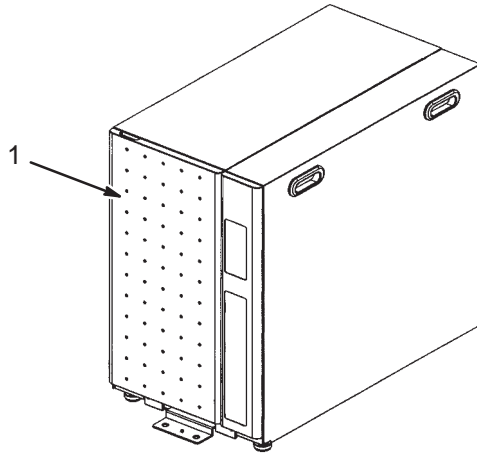
2156158-42 FRU N

(PART 7 OF 2321156-9 PAGE 13-41)

Item	Part Number	FRU	Name	Quantity	Description (Remarks)
1	5109575	N	PDM TECH PUB	1.0	NMR END USER LICENSE DOCUMENT.
2	2214164	1	OUT OF CATAL	1.0	5.25" 2.3GB 512 BYTES/SECTOR MOD
4	2396304-3	N	PDM PART	1.0	NMR CTT LINUX 1.8.9 OS
5	2385092-3	N	PDM SOFTWARE	1.0	NMR SIGNA EXCITELL APPLICATIONS CDRO
6	2391620-2	N	PDM SOFTWARE	1.0	NMR 9.1 AND 10.0 CONNECTIVITY PATC
8	2136115	2	STICKER,ADHS	1.0	HOLE COVER STICKERS UFI

EXCITE II 11.x GOC ASM

M20082BK



EXCITE 11.x GOC ASM

M20082BK FRU N

(PART 16 OF M3000DB PAGE 1-60)
 (PART 16 OF M3000DC PAGE 1-60)
 (PART 16 OF M3000DD PAGE 1-60)

Item	Part Number	FRU	Name	Quantity	Description (Remarks)
1	2377062-7	N	PDM ASSEMBLY	1	GOC W-GOC AA (SEE PAGE 13-42)

GOC CABINET

2377062-7 FRU N

(PART 1 OF M20082BK PAGE 13-42)

Item	Part Number	FRU	Name	Quantity	Description (Remarks)
1	2381885-8	N	PDM ASSEMBLY	1.0	PC ENCLO ASSY GOCAA W HD15V-CABLE (SEE PAGE 13-43)
2	2382984	N	ASSEMBLY	1.0	P9421AJ LINUX PC WITH DATABLIZZARD (SEE PAGE 13-42)

LINUX PC w/DATABLIZZARD

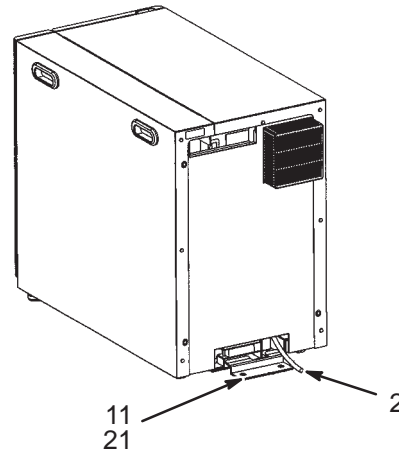
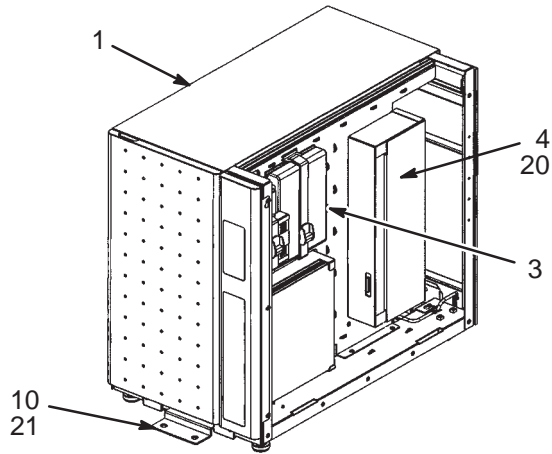
2382984 FRU N

(PART 2 OF 2377062-7 PAGE 13-42)

Item	Part Number	FRU	Name	Quantity	Description (Remarks)
2	2235744-5	2	OUT OF CATAL	1.0	PCI ADAPTER CARD EXCITE II(IT HOST)
6	2368697-4	2	PC WORKSTATI	0.0	LINUX WORKST'N 36GB 15K RPM 3.5" Ultra320 DISK DRIVE
8	2368697-8	2	PC WORKSTATI	1.0	LINUX DDR WORKSTATION - GEMS MR USA
11	5104925	N	PDM PART	1.0	GOC ADHESIVE COVER

PC ENCLOSURE ASM and CABLES

2381885-8



PC ENCLOSURE ASM and CABLES

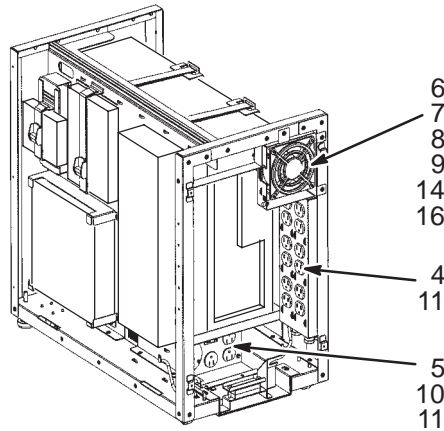
2381885-8 FRU N

(PART 1 OF 2377062-7 PAGE 13-42)

Item	Part Number	FRU	Name	Quantity	Description (Remarks)
1	2377730	N	ASSEMBLY	1.0	P9421AD PC BOX ASSY (SEE PAGE 13-44)
2	2382173-4	N	PDM COLLECTO	1.0	GOC CABLE ASSY W-AUDIO CBL (SEE PAGE 13-44)
3A	5139480	N	OUT OF CATAL	1.0	SWITCH HUB, GIGABIT ETHERNET, 8 PORT
3B	2340663	N	OUT OF CATAL	1.0	SWITCH, ETHERNET, 8 PORT
4	2395043	N	PART	1.0	GOC AUDIO BOX
10	2382770	N	PART	1.0	P9421GN SEISMIC MOUNT FRONT
11	2382769	N	PART	1.0	P9421GP SEISMIC MOUNT REAR
20	N9510HR	N	SCREW	4.0	SCREW TP
21	N9620ZX	N	PDM PART	4.0	SCREW HEXAGON SOCKET 12 MM 20 MM

PC BOX ASM

2377730



PC BOX ASM

2377730 FRU N

(PART 1 OF 2381885-8 PAGE 13-43)

Item	Part Number	FRU	Name	Quantity	Description (Remarks)
1	2376146	N	ASSEMBLY	1.0	P9421EA FRAME ASSY
2	2377015	N	PART	1.0	P9421FA ENCLOSURE ASSY
3	2377026	N	ASSEMBLY	1.0	P9421FG SV KEY BOX ASSY
4	2377734	N	ASSEMBLY	1.0	P9421FS PW STRIP 12 OUTLET ASSY
5	2381299	2	ASSEMBLY	1.0	P9421AE GOC PDU ASSY
6	2377751	2	ASSEMBLY	1.0	P9421FV REAR FAN ASSY
7	U0610AM	N	FAN ACCESSOR	2.0	FAN ACCESSORIES FINGER GUARD
8	2360644	N	PART	8.0	P9426LF WASHER
9	2383122	N	PDM PART	4.0	N9350JS_SCREW
10	N9408LK	N	PDM PART	2.0	SCREW PAN HEAD 4 MM 8 MM
11	N9408HR	N	SCREW	11.0	SCREW
14	N9301BS	2	PDM PART	4.0	NUT HEXAGON 3 MM
15	N9501BS	N	PDM PART	3.0	NUT HEXAGON 5 MM
16	N9510ZX	N	PDM PART	1.0	SCREW HEXAGON SOCKET 5 MM 10 MM
17	N9500SS	N	PART	3.0	WASHER

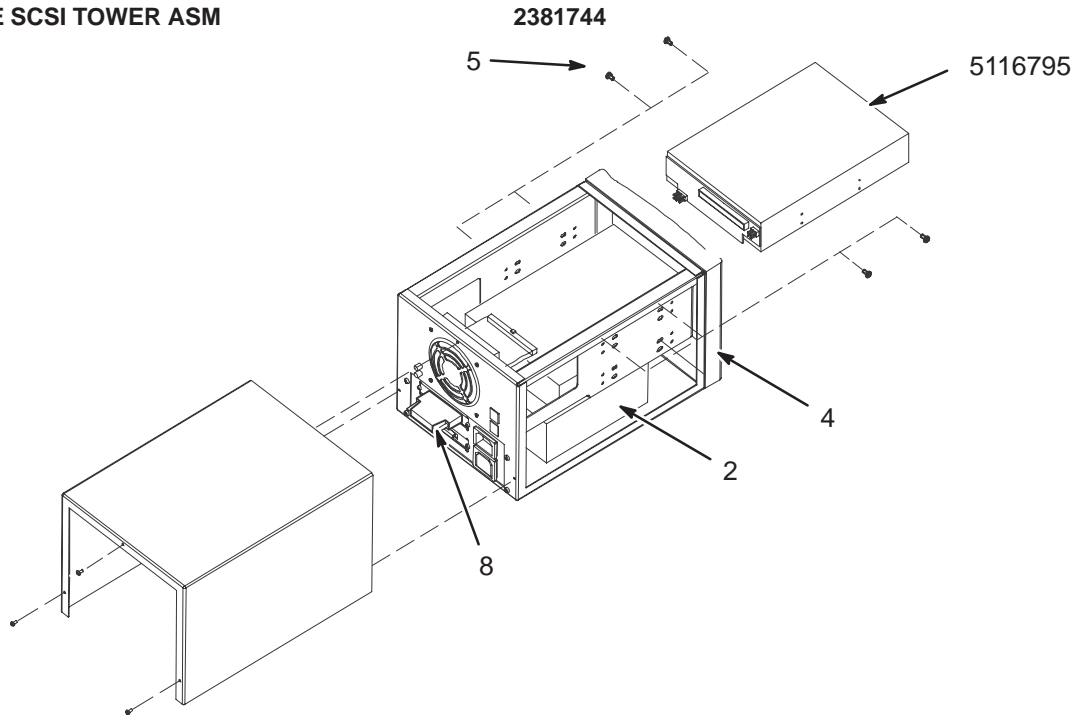
GOC CABLE COLLECTOR

2382173-4 FRU N

(PART 2 OF 2381885-8 PAGE 13-43)

Item	Part Number	FRU	Name	Quantity	Description (Remarks)
1	2379447	N	PART	1.0	(1071) HOST COMPUTER POWER CABLE
2	2378148	N	PART	1.0	(1070) SCSI MEDIA BAY POWER CABLE
3	2378149	N	PART	1.0	(1069) LCD DISPLAY POWER CABLE
4	2378150	N	PART	1.0	(1065) HOST MONITOR POWER CABLE
5	2378151	N	PART	1.0	(1067) OW1A15 SCSI2 TO OW1A5 DASM
6	2378152	2	PART	1.0	(1063) OW1A15 MONITOR1 TO OW1A6 MNTR
7	2378153	N	PART	1.0	(1055) OW1A15 USB TO A18 GOC FRONT
8	2378154	N	PART	1.0	(1056) OW1A17 LANHUB TO A12 GOC FRNT
9	2395735	2	CABLE ASSY	1.0	GOC SCIM-AUDIO CBL
10	2378156	N	PART	1.0	(1068) OW1A15 MNTR2 TO OW1A3 LCD
11	2378157	N	PART	1.0	(1064) OW1A15 SCSI1 TO OW1A16 MEDIA
12	2378158	N	PART	1.0	(1061) OW1A15 KYBD,MS TO OW1A21J8
13	2378159	N	PART	1.0	(1060) OW1A21J17 TO OW1A19J3 PWR CBL
14	2378160	N	PART	1.0	(1066) OW1A15 RS232 TO OW1A13 MODEM
15	2378161	N	PART	1.0	(1059) OW1A15 ETHERNET TO OW1A17 HUB
16	2382771	N	ASSEMBLY	1.0	CBL OW1A15 USB TO SERIAL ASM/RUN1076

EXCITE SCSI TOWER ASM



EXCITE SCSI TOWER ASM

2381744 FRU 2

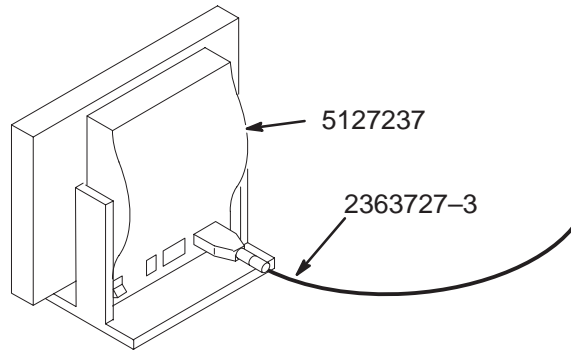
(PART 6 OF 2321156-9 PAGE 13-41)

Item	Part Number	FRU	Name	Quantity	Description (Remarks)
2	2318598	1	OUT OF CATAL	1	SONY MOD SMO-F551-SD
4	2315118	N	OUT OF CATAL	1	2 BAY EXTERNAL SCSI TOWER
5	46-328421P501	2	PDM PART	4	SCREW PAN HEAD 3 MM 5 MM
8	2350404	1	OUT OF CATAL	1	TERMINATOR, CENT50, ACTIVE
	5116795	2	OUT OF CATAL	1	SONY DVD-RW INTERNAL DRIVE

15 INCH LCD DISPLAY MONITOR

5127237

OW1 A3



15" LCD DISPLAY MONITOR

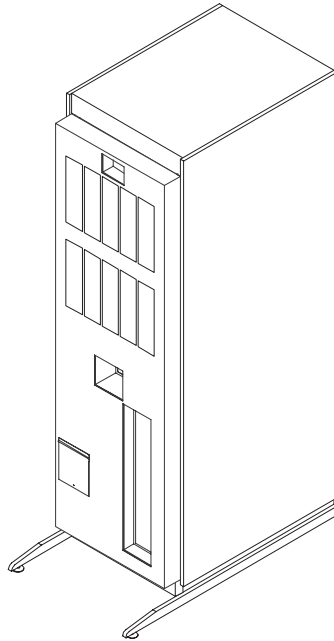
5127237 FRU 1

(PART 2 OF 2321156-9 PAGE 13-41)

Item	Part Number	FRU	Name	Quantity	Description (Remarks)
	2363727-3	1	CABLE	1	3 METER VGA CABLE FOR 15" MONITOR

SECTION 14 – RF/PDU CABINET

TABLE OF CONTENTS



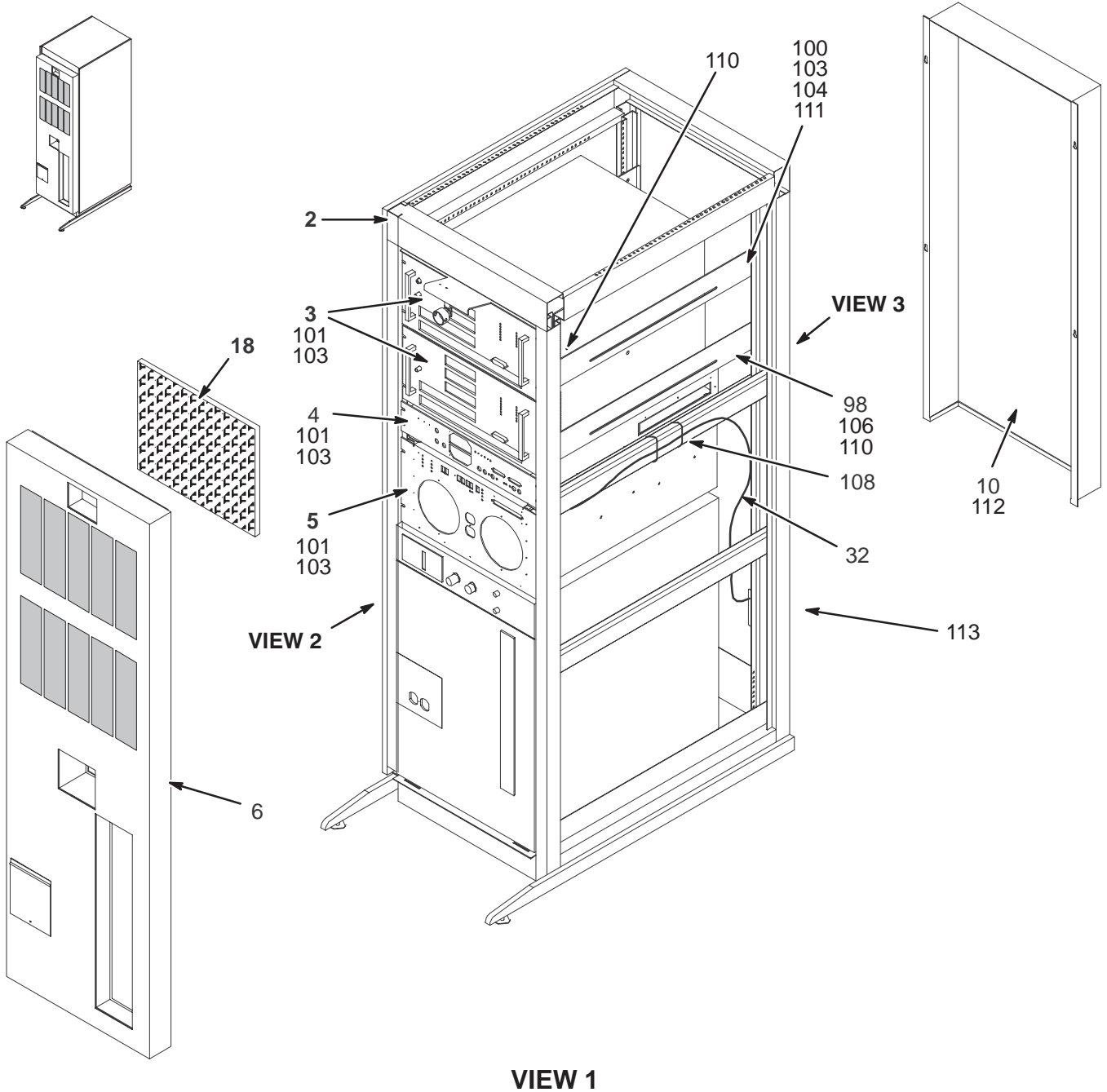
<u>SECTION</u>	<u>PAGE</u>
14-1 1.0T RF/PDU CABINET Contains information on 1.0T RF/PDU Cabinet	14-2
14-2 1.5T RF/PDU CABINET Contains information on 1.5T RF/PDU Cabinet	14-10

14-1 1.0T RF/PDU CABINET

1.0T RF/PDU CABINET

2174501

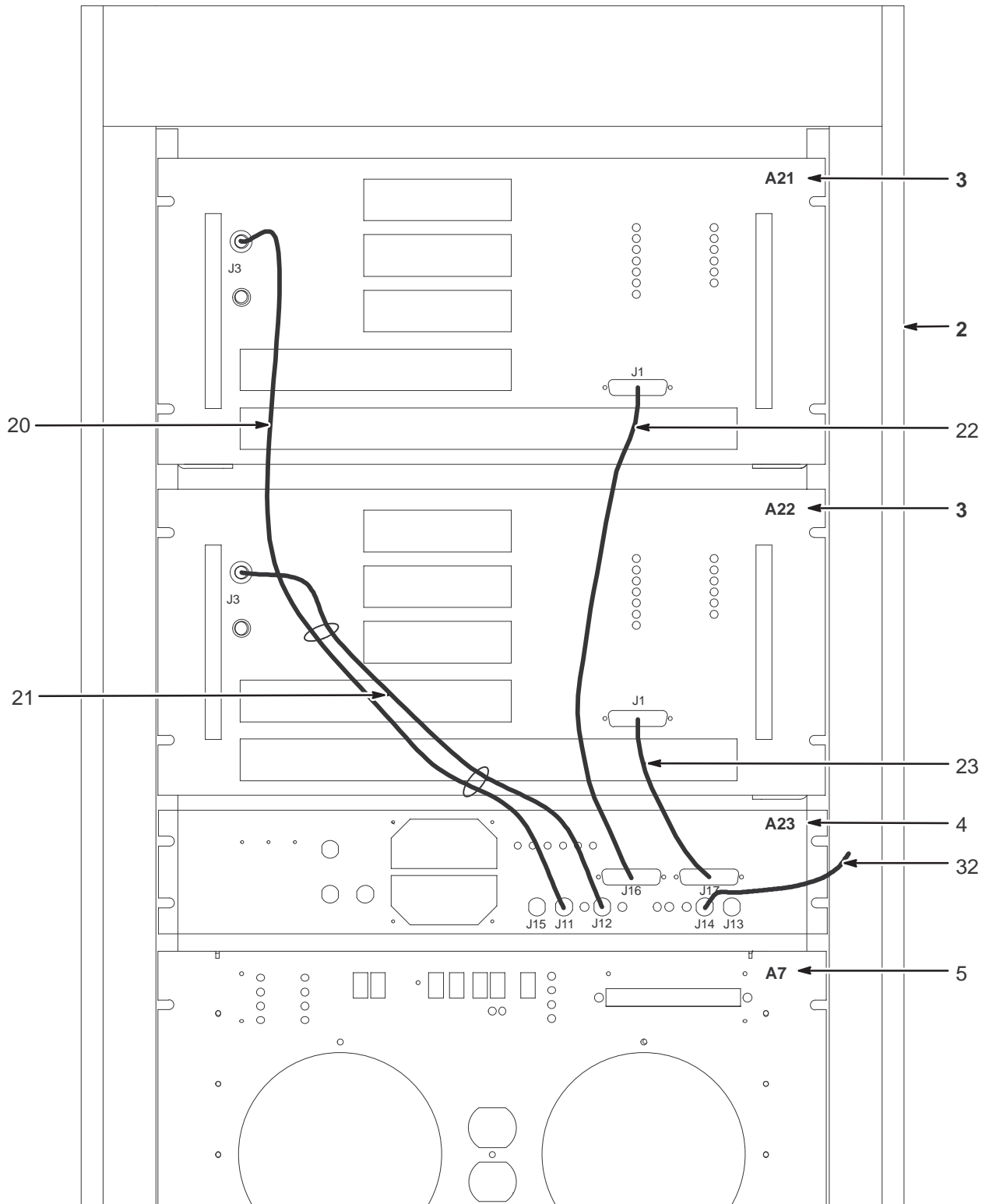
MR1



1.0T RF/PDU CABINET

2174501

MR1

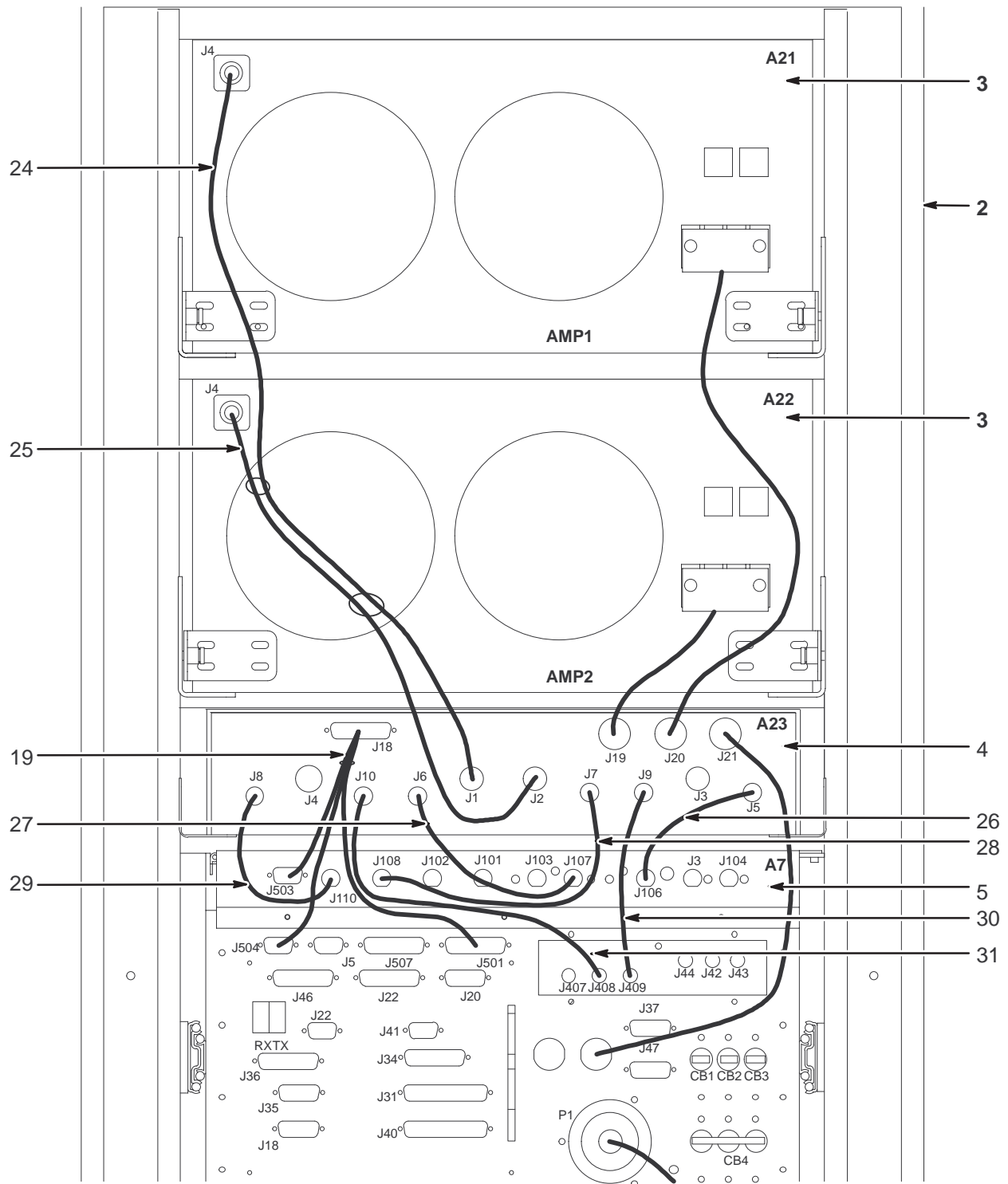


VIEW 2

1.0T RF/PDU CABINET

2174501

MR1



VIEW 3

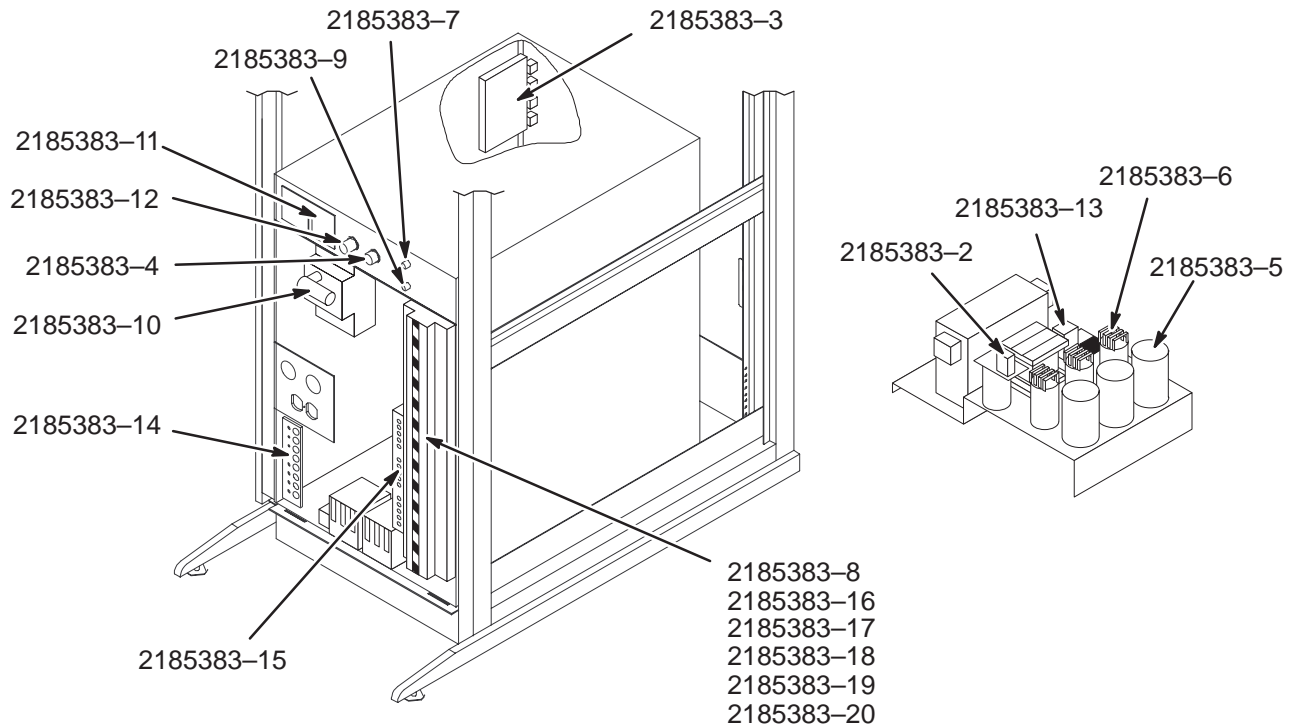
1.0T RF/PDU CABINET 2174501 FRU N (PART 5 OF 46-271000G209 THRU 212 - SECTION 1)

Item	Part Number	FRU	Name	Quantity	Description (Remarks)
2A	2224561	1	PDU	1	1.5T SCALABLE RF PDU (SEE PAGE 14-14)
2B	2185383	N	PDU	ALT	1.0T SCALABLE RF PDU (SEE PAGE 14-6)
3	2170783	1	POWER MODULE	2	RF AMPLIFIER POWER MODULE (SEE PAGE 14-7)
4	2194013	2	PART	1	RF INTERFACE SCALEABLE RF
5	2160200-43	2	RF/PEN CAB	1	ERBTEC #550020 SYST SUPPORT MODULE (SEE PAGE 14-9)
6	2196618	2	ASSEMBLY	1	FRT COVER ASM SCALEABLE RF CAB
10	2199635	2	PART	1	REAR DOOR SCALE-RF CAB
17	2201595	N	PART	1	FIBER OPTIC BRKT
18	46-306565P1	1	AIR FILTER	2	RESEARCH PRODUCTS 10"EZ-CLEAN FILTER
19	2197474	2	PART	1	CABLE
20	46-328000G961	2	ASSEMBLY	2	MR1-A23-J11 TO MR1-A21-J3
21	46-328000G962	2	ASSEMBLY	1	MR1-A23-J12 TO MR1-A22-J3
22	46-328000G963	2	ASSEMBLY	1	MR1-A23-J16 TO MR1-A21-J1
23	46-328000G964	2	ASSEMBLY	1	MR1-A23-J17 TO MR1-A22-J1
24	46-328000G965	2	ASSEMBLY	1	MR1-A23-J1 TO MR1-A21-J4
25	46-328000G966	2	ASSEMBLY	1	MR1-A23-J2 TO MR1-A22-J4
26	46-328000G967	2	ASSEMBLY	1	MR1-A23-J5 TO MR1-A7-J106
27	46-328000G968	2	ASSEMBLY	1	MR1-A23-J6 TO MR1-A7-J107
28	46-328000G969	2	ASSEMBLY	1	MR1-A23-J7 TO MR1-J7-J108
29	46-328000G970	2	ASSEMBLY	1	MR1-A23-J8 TO MR1-A7-J110
30	46-328000G971	2	ASSEMBLY	1	MR1-A23-J9 TO MR1-A7-J409
31	46-328000G972	2	ASSEMBLY	1	MR1-A23-J10 TO MR1-A7-J408
32	46-328000G973	2	ASSEMBLY	1	MR1-A23-J14 TO MR1-A24-J1
33	46-320252P1	2	TEST CABLE	1	RF AMPLIFIER SERIAL PORT INTERFACE
58	46-208758P5	2	TY-RAP	3	13.38" X .301" SELF-LOCKING CABLE TIE
98	46-279632P2	2	GROMMET	6	GROMMET
100	46-328421P13	2	SCREW	8	SCREW PAN HEAD 4 MM 8 MM
101	46-328421P16	2	SCREW	20	SCREW PAN HEAD 4 MM 16 MM
103	46-328431P1	2	WASHER	24	WASHER PLAIN - LARGE 4.3 MM 12 MM
104	46-328433P2	2	WASHER	8	WASHER LOCK - EXTERNAL 4.3 MM 8 MM
106	46-328421P22	2	SCREW	2	SCREW PAN HEAD 6 MM 8 MM
107	46-170015P14	2	SCREW	6	SCREW
108	46-208758P3	2	TY-RAP	2	7.31" X .184" SELF-LOCKING CABLE TIE
111	46-170686P2	2	ADHESIVE	AR	LOCTITE 242, 10CC
112	46-208560P102	2	SCREW	4	SCREW
113	46-208990P1	2	CONNECTOR	1	50 OHM BNC BULKHEAD ADAP'R JACK-JACK
114	46-208758P2	2	TY-RAP	AR	5.5" X .140" SELF-LOCKING CABLE TIE.

1.0T POWER DISTRIBUTION MODULE FRU'S

2185383

MR1PD1



1.0T PDM FRU'S

2185383 FRU N

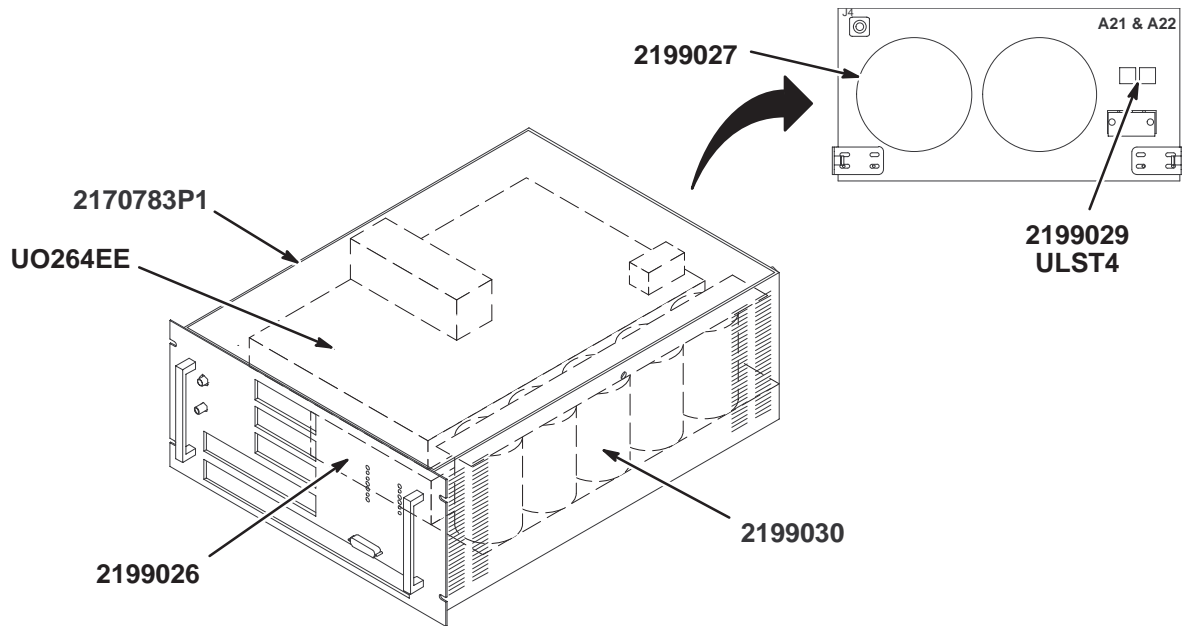
MR1PD1 (PART 2B OF 2174501 PAGE 14-5)

Item	Part Number	FRU	Name	Quantity	Description (Remarks)
	2185383-2	1	TEAL FRU	1	TEAL 4990259 CONTROL CIRCUIT REG(REG1)
	2185383-3	1	TEAL FRU	1	TEAL 4990260 CONTROL PC BOARD
	2185383-4	2	TEAL FRU	1	TEAL 4990261 EMERGENCY RESET SWITCH
	2185383-5	2	TEAL FRU	1	TEAL 4990262 FILTER CAPACITOR MAIN
	2185383-6	2	TEAL FRU	1	TEAL 4990263 FILTER CAPACITOR SNUBBER
	2185383-7	1	TEAL FRU	1	TEAL 4990264 FUSE PACKAGE(F1 & F2) MDA-2
	2185383-8	2	TEAL FRU	2	TEAL 4990272 CIRCUIT BREAKER 16A, 1 POLE
	2185383-9	2	TEAL FRU	1	TEAL 4990265 INPUT CIRCUIT BREAKER MODULE
	2185383-10	2	TEAL FRU	1	TEAL 4990266 INPUT CIRCUIT BREAKER SHUNT TRIP MOD
	2185383-11	1	TEAL FRU	1	TEAL 4990267 MOV MODULE
	2185383-12	1	TEAL FRU	1	TEAL 4990268 POWER OFF SWITCH
	2185383-13	1	TEAL FRU	1	TEAL 4990269 RELAY MODULE (RY1)
	2185383-14	2	TEAL FRU	1	TEAL 4990270 VOLTAGE DIVIDER PC BOARD
	2185383-15	2	TEAL FRU	1	TEAL 4990271 TAP SELECTION JUMPER WIRES
	2185383-16	2	TEAL FRU	2	TEAL 4990273 CIRCUIT BREAKER 63A, 3 POLE
	2185383-17	2	TEAL FRU	4	TEAL 4990274 CIRCUIT BREAKER 32A, 3 POLE
	2185383-18	2	TEAL FRU	1	TEAL 4990275 CIRCUIT BREAKER 25A, 3 POLE
	2185383-19	2	TEAL FRU	1	TEAL 4990276 CIRCUIT BREAKER 20A, 1 POLE
	2185383-20	2	TEAL FRU	2	TEAL 4990277 CIRCUIT BREAKER 16A, 2 POLE

RF AMPLIFIER POWER MODULE

2170783

MR1A21 & A22



RF AMPLIFIER POWER MODULE

2170783 FRU 1

(PART 3 OF 2174501 PAGE 14-5)

Item	Part Number	FRU	Name	Quantity	Description (Remarks)
	2170783P1	1	RF MODULE	1	RF AMPLIFIER POWER MODULE
	2199026	2	POWER SUPPLY	1	P9366LM POWER SUPPLY
	UO264EE	1	POWER SUPPLY	1	POWER SUPPLY EWS1500-48
	2199027	2	FAN ASSEMBLY	1	P9366LN FAN ASSEMBLY
	2199028	2	FUSE HOLDER	1	P9366LP FUSE HOLDER
	2199029	1	FUSE	1	P9366LQ FUSE 0.5A
	2199030	2	CAPACITOR	1	P9366LR CAPACITOR

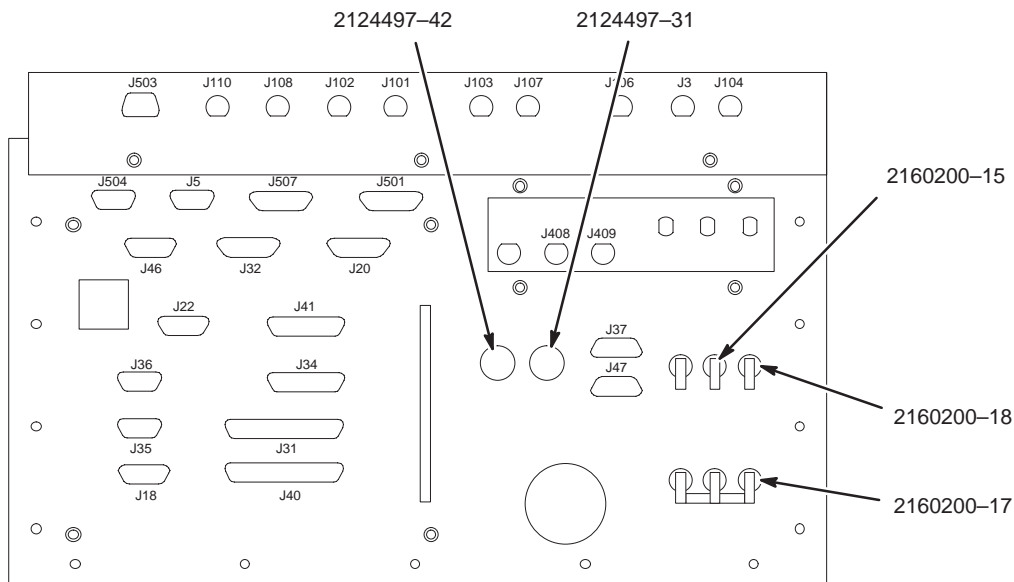
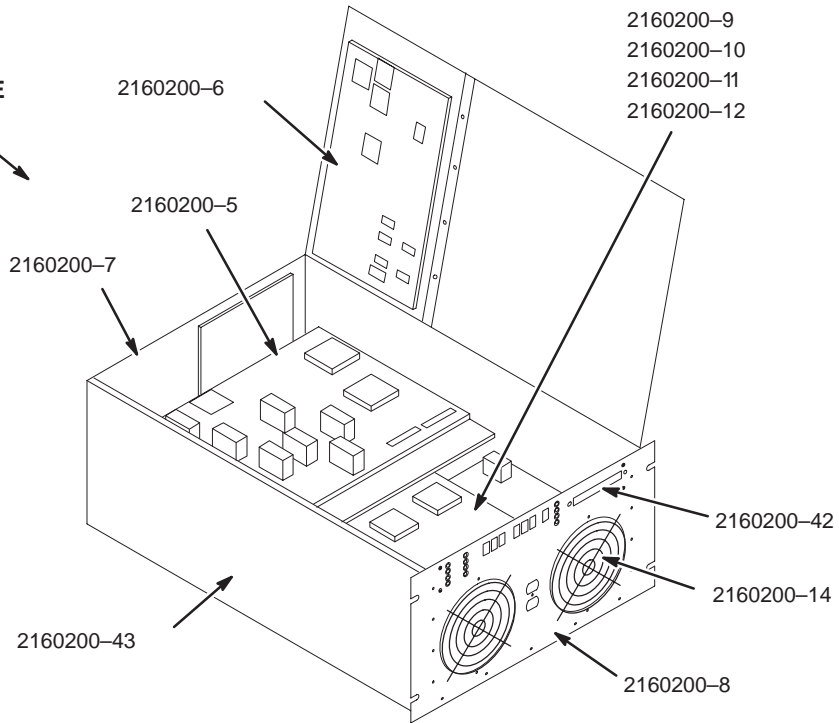
SYSTEM SUPPORT MODULE FRU'S

2160200-43

MR1A7

**PARTS LOCATED IN,
SYSTEM SUPPORT MODULE**

- 2160200-19
- 2160200-20
- 2160200-21
- 2160200-22
- 2160200-23
- 2160200-25
- 2160200-27
- 2160200-39
- 2160200-40
- 2160200-41



SYSTEM SUPPORT MODULE FRU'S 2160200-43 FRU 2

(PART 5 OF 2174501 PAGE 14-5)

(PART 5 OF 2224560 PAGE 14-13)

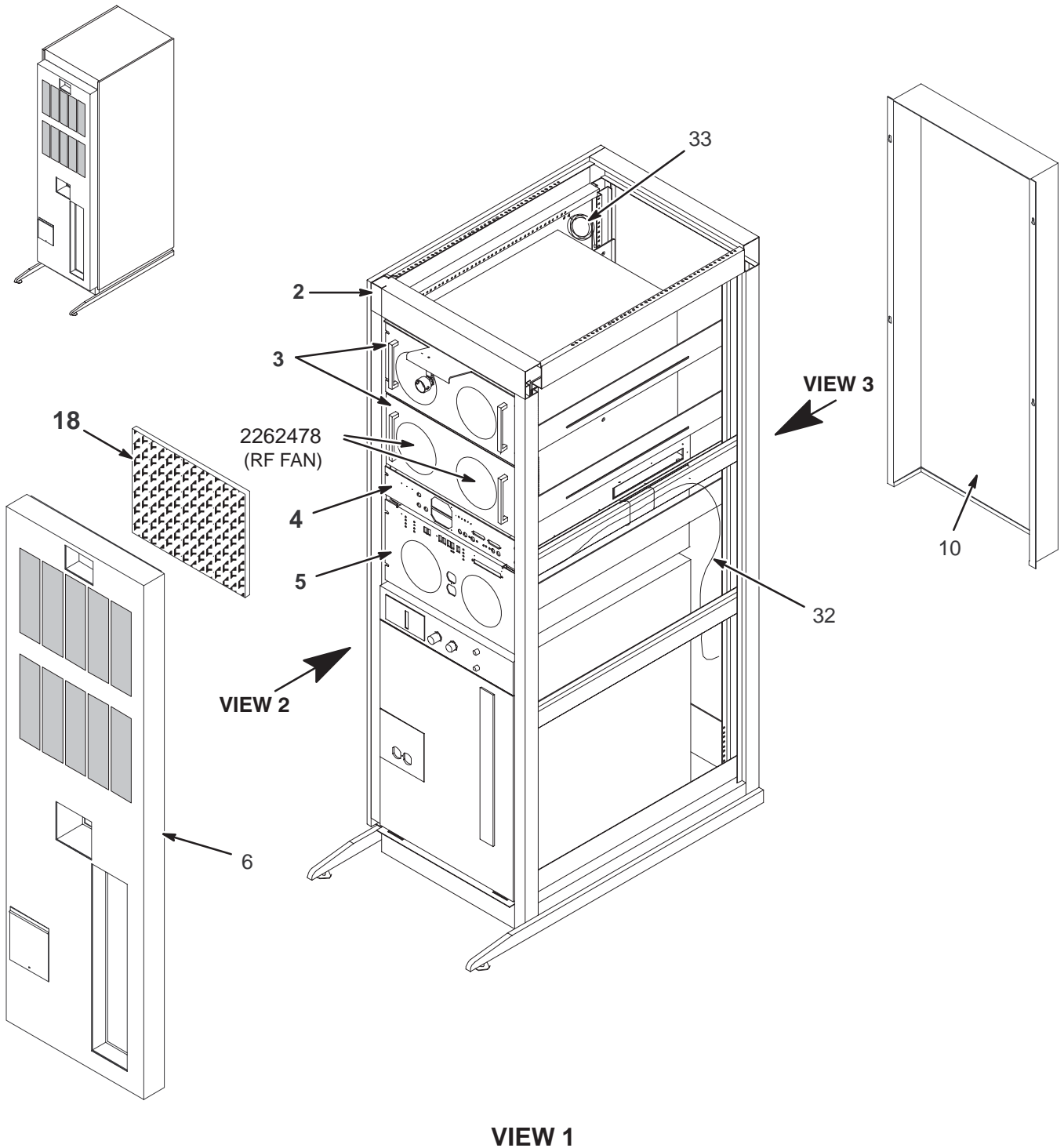
Item	Part Number	FRU	Name	Quantity	Description (Remarks)
	2160200-5	1	RF/PEN CAB	1	ERBTEC #550015 CPD MODULE FRU
	2160200-6	1	RF/PEN CAB	1	ERBTEC #550013 APM MODULE FRU
	2160200-7	1	RF/PEN CAB	1	ERBTEC #550016 REAR PANEL ASM FRU
	2160200-8	1	RF/PEN CAB	1	ERBTEC #550017 FRONT PANEL ASM FRU
	2160200-9	1	RF/PEN CAB	1	ERBTEC #550014 PWR SUPPLY (3 BD) FRU
	2160200-10	2	RF/PEN CAB	1	ERBTEC #550026 HV PWR SUPPLY BD FRU
	2160200-11	2	RF/PEN CAB	1	ERBTEC #550027 DOCK/LIGHT PS BD FRU
	2160200-12	2	RF/PEN CAB	1	ERBTEC #550028 BUCK BOOST PS BD FRU
	2160200-14	2	RF/PEN CAB	1	ERBTEC #3260009 FAN FRU
	2160200-15	2	RF/PEN CAB	1	ERBTEC #3280007 7.5 A CKT BRKR FRU
	2160200-17	2	RF/PEN CAB	1	ERBTEC #3280009 15 A CKT BRKR FRU
	2160200-18	2	RF/PEN CAB	1	ERBTEC #3280010 10 A CKT BRKR FRU
	2160200-19	2	RF/PEN CAB	1	ERBTEC #550009 SSM HARNESS FRU
	2160200-20	2	RF/PEN CAB	1	ERBTEC #550039 DOCK/REAR I/F CABLE
	2160200-21	2	RF/PEN CAB	1	ERBTEC #550047 DOCK/REAR I/F RIBBON
	2160200-22	2	RF/PEN CAB	1	ERBTEC #550018 RIBBON CABLE FRU
	2160200-23	2	RF/PEN CAB	1	ERBTEC #550019 DISPLAY RIB'N CBL FRU
	2160200-25	2	RF/PEN CAB	1	ERBTEC #550010 HV POWER CABLE FRU
	2160200-27	2	RF/PEN CAB	1	ERBTEC #550012 LOW VOLT PWR CBL FRU
	2160200-39	2	RF/PEN CAB	1	ERBTEC #550031 BUCK/HVPS CABLE
	2160200-40	2	RF/PEN CAB	1	ERBTEC #550032 BUCK/DOCK CABLE
	2160200-41	2	RF/PEN CAB	1	ERBTEC #550033 LOW CURRENT CABLE
	2160200-42	2	RF/PEN CAB	1	ERBTEC #510199 SSM LED COVER
	2160200-43	2	RF/PEN CAB	1	ERBTEC #550020 SYSTEM SUPPORT MODULE
	2124497-31	2	CORD	1	ERBTEC #450039 RF AMP POWER CORD FRU
	2124497-42	2	CORD	1	ERBTEC #450142 SPECTRO AMP PWR CORD

14-2 1.5T RF/PDU CABINET

1.5T RF/PDU CABINET ASSEMBLY

2224560

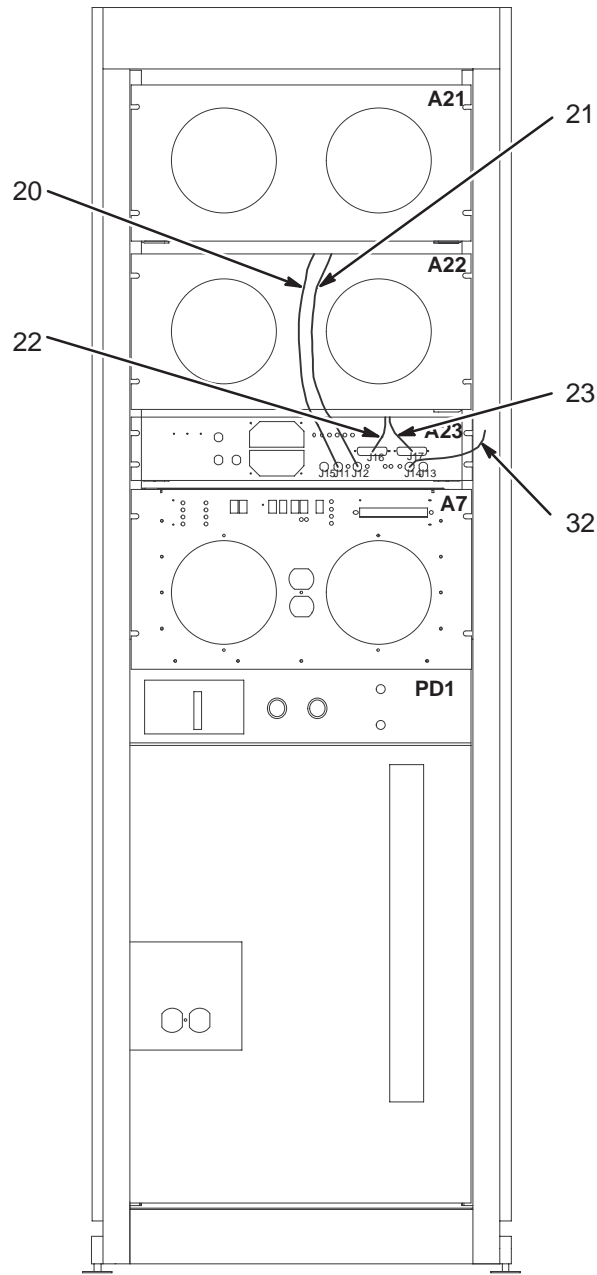
MR1



1.5T RF/PDU CABINET ASSEMBLY

2224560

MR1



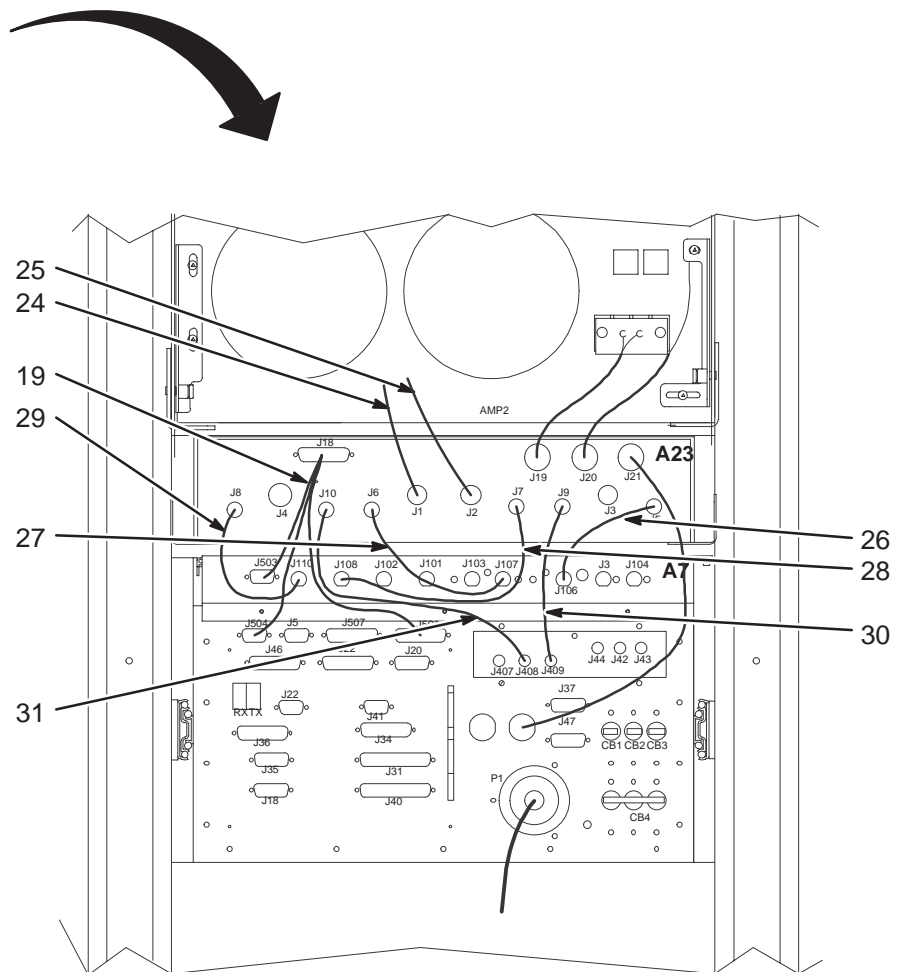
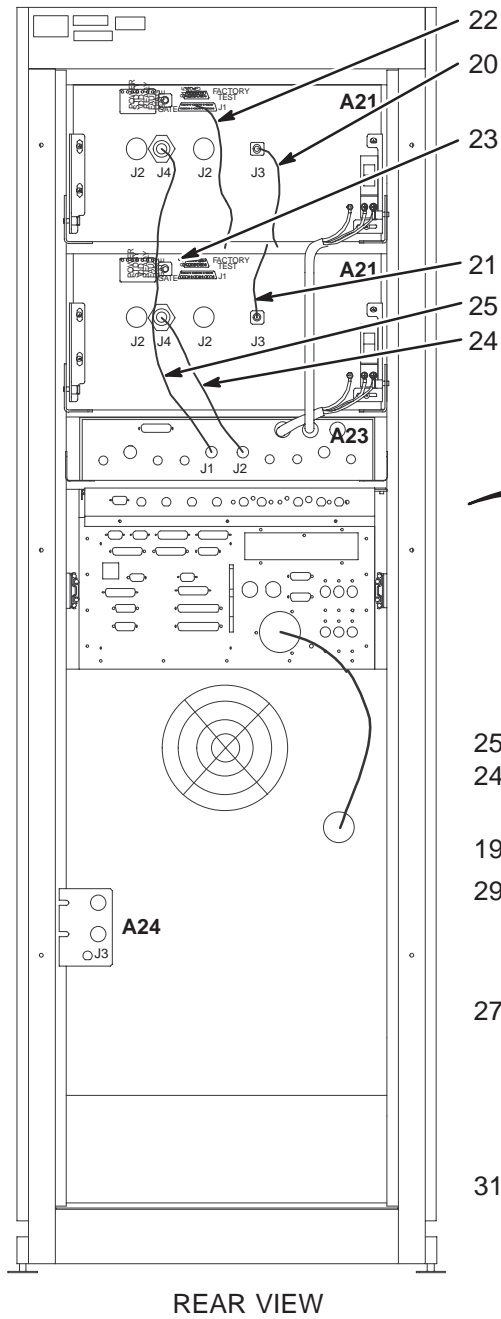
FRONT VIEW

VIEW 2

1.5T RF/PDU CABINET ASSEMBLY

2224560

MR1



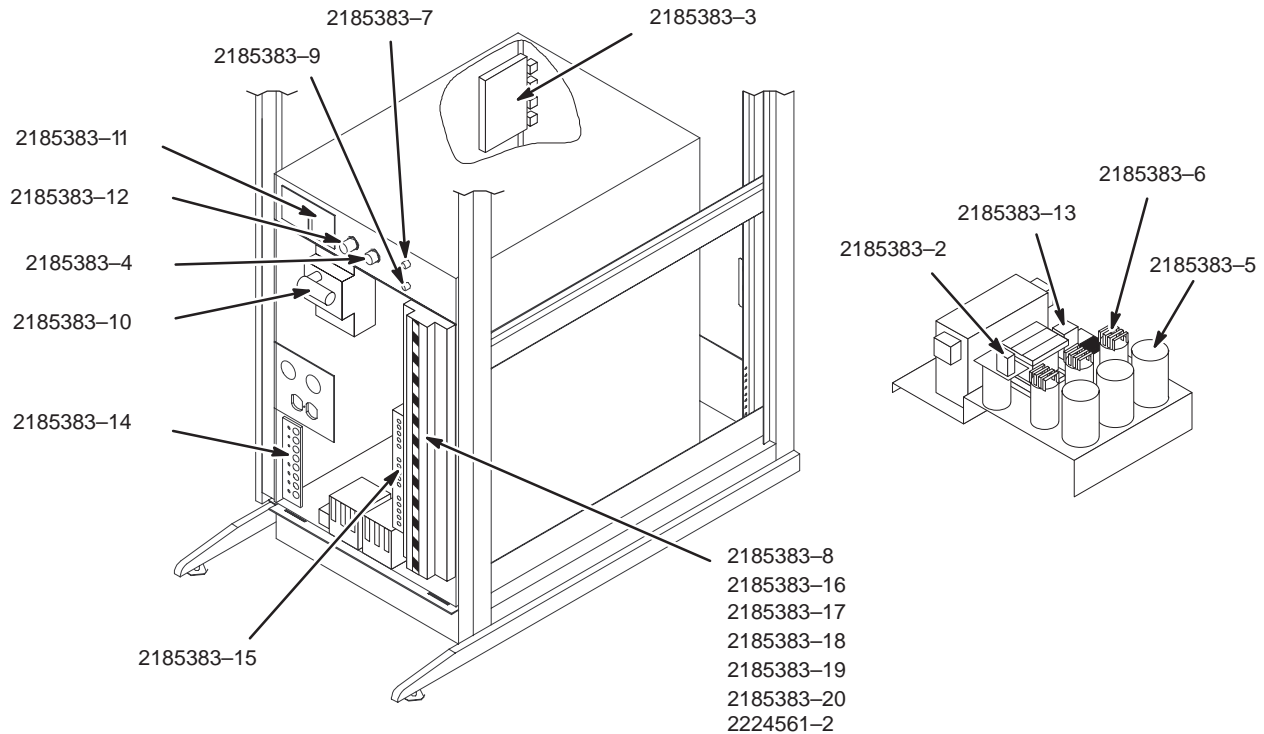
1.5T RF/PDU CABINET ASM 2224560 FRU N (PART 5 OF 46-271000G111 THRU 114 - SECTION 1)

Part Number	FRU	Name	Quantity	Description (Remarks)
2	2224561	N PDU	1	1.5T SCALABLE RF PD (SEE PAGE 14-16)
3	2224562	N POWER MODULE	2	1.5T RF AMPLIFIER POWER MODULE (SEE PAGE 14-15)
	2224562-2	1 FRU	1	1.5T RF AMP POWER MODULE W/FRU PACKAGING
4	2255388	N MODULE	1	1.5T RF INTERFACE MODULE
	2263188	1 FRU	1	1.5T INTERFACE MOD W/FRU PACKAGING (SEE PAGE 14-15)
5	2160200-43	2 RF/PEN CAB	1	ERBTEC #550020 SYST SUPPORT MODULE (SEE PAGE 14-9)
6	2196618	2 ASSEMBLY	1	FRT COVER ASM SCALEABLE RF CAB
10	2199635	2 PART	1	REAR DOOR SCALE-RF CAB
18	46-306565P1	1 AIR FILTER	2	RESEARCH PRODUCTS 10"EZ-CLEAN FILTER
19	2197474	2 PART	1	CABLE
20	46-328000G982	2 ASSEMBLY	1	MR1-A23-J11 TO MR1-A21-J3
21	46-328000G983	2 ASSEMBLY	1	MR1-A23-J12 TO MR1-A22-J3
22	46-328000G984	2 ASSEMBLY	1	MR1-A23-J16 TO MR1-A21-J1
23	46-328000G985	2 ASSEMBLY	1	MR1-A23-J17 TO MR1-A22-J1
24	46-328000G986	2 ASSEMBLY	1	MR1-A23-J1 TO MR1-A21-J4
25	46-328000G987	2 ASSEMBLY	1	MR1-A23-J2 TO MR1-A22-J4
26	46-328000G967	2 ASSEMBLY	1	MR1-A23-J5 TO MR1-A7-J106
27	46-328000G968	2 ASSEMBLY	1	MR1-A23-J6 TO MR1-A7-J107
28	46-328000G969	2 ASSEMBLY	1	MR1-A23-J7 TO MR1-J7-J108
29	46-328000G970	2 ASSEMBLY	1	MR1-A23-J8 TO MR1-A7-J110
30	46-328000G971	2 ASSEMBLY	1	MR1-A23-J9 TO MR1-A7-J409
31	46-328000G972	2 ASSEMBLY	1	MR1-A23-J10 TO MR1-A7-J408
32	46-328000G973	2 ASSEMBLY	1	MR1-A23-J14 TO MR1-A24-J1
33	46-320252P1	2 TEST CABLE	1	RF AMPLIFIER SERIAL PORT INTERFACE
	2262478	1 FAN	2	GRADIENT/RF FAN FRU

1.5T POWER DISTRIBUTION MODULE FRU'S

2224561

MR1PD1



1.5T PDM FRU'S

2224561 FRU 1

(PART 2A OF 2174501 PAGE 14-5)
(PART 2 OF 2224560 PAGE 14-13)

Item	Part Number	FRU	Name	Quantity	Description (Remarks)
	2185383-2	1	TEAL FRU	1	TEAL 4990259 CONTROL CIRCUIT REG(REG1)
	2185383-3	1	TEAL FRU	1	TEAL 4990260 CONTROL PC BOARD
	2185383-4	2	TEAL FRU	1	TEAL 4990261 EMERGENCY RESET SWITCH
	2185383-5	2	TEAL FRU	1	TEAL 4990262 FILTER CAPACITOR MAIN
	2185383-6	2	TEAL FRU	1	TEAL 4990263 FILTER CAPACITOR SNUBBER
	2185383-7	1	TEAL FRU	1	TEAL 4990264 FUSE PACKAGE(F1 & F2) MDA-2
	2185383-8	2	TEAL FRU	2	TEAL 4990272 CIRCUIT BREAKER 16A, 1 POLE
	2185383-9	2	TEAL FRU	1	TEAL 4990265 INPUT CIRCUIT BREAKER MODULE
	2185383-10	2	TEAL FRU	1	TEAL 4990266 INPUT CIRCUIT BREAKER SHUNT TRIP MOD
	2185383-11	1	TEAL FRU	1	TEAL 4990267 MOV MODULE
	2185383-12	1	TEAL FRU	1	TEAL 4990268 POWER OFF SWITCH
	2185383-13	1	TEAL FRU	1	TEAL 4990269 RELAY MODULE (RY1)
	2185383-14	2	TEAL FRU	1	TEAL 4990270 VOLTAGE DIVIDER PC BOARD
	2185383-15	2	TEAL FRU	1	TEAL 4990271 TAP SELECTION JUMPER WIRES
	2185383-16	2	TEAL FRU	2	TEAL 4990273 CIRCUIT BREAKER 63A, 3 POLE
	2185383-17	2	TEAL FRU	4	TEAL 4990274 CIRCUIT BREAKER 32A, 3 POLE
	2185383-18	2	TEAL FRU	1	TEAL 4990275 CIRCUIT BREAKER 25A, 3 POLE
	2185383-19	2	TEAL FRU	1	TEAL 4990276 CIRCUIT BREAKER 20A, 1 POLE
	2185383-20	2	TEAL FRU	2	TEAL 4990277 CIRCUIT BREAKER 16A, 2 POLE
	2224561-2	2	TEAL FRU	1	TEAL 0450496 CIRCUIT BREAKER 40A, 3POLE

1.5T RF AMPLIFIER POWER MODULE 2224562 FRU N (PART 3 OF 2224560 PAGE 14-13)

Item	Part Number	FRU	Name	Quantity	Description (Remarks)
	2224562-2	1	FRU	1	1.5T RF AMP POWER MODULE W/FRU PACKAGING
	2262478	1	FAN	2	GRADIENT/RF FAN FRU
	2224562-4	1	PART	2	50 OHM DUMMY LOAD

1.5T RF INTERFACE MODULE FRU KIT 2263188 FRU 1 (PART 4 OF 2224560 PAGE 14-13)

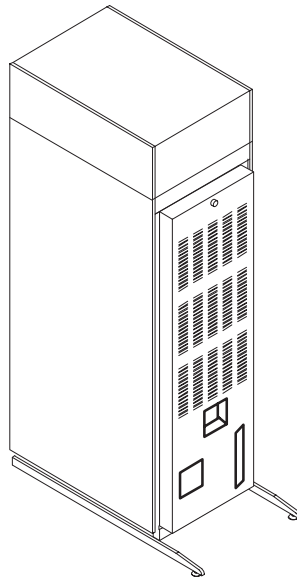
Item	Part Number	FRU	Name	Quantity	Description (Remarks)
1	2255388	N	MODULE	1	1.5T RF INTERFACE MODULE
2	2317095	N	CABLE	1	23", RG214 WITH HN CONNECTORS
3	2317095-2	N	CABLE	1	23", RG214 WITH HN CONNECTORS

SECTION 15 – ACGD/PDU CABINET

TABLE OF CONTENTS

SECTION

PAGE

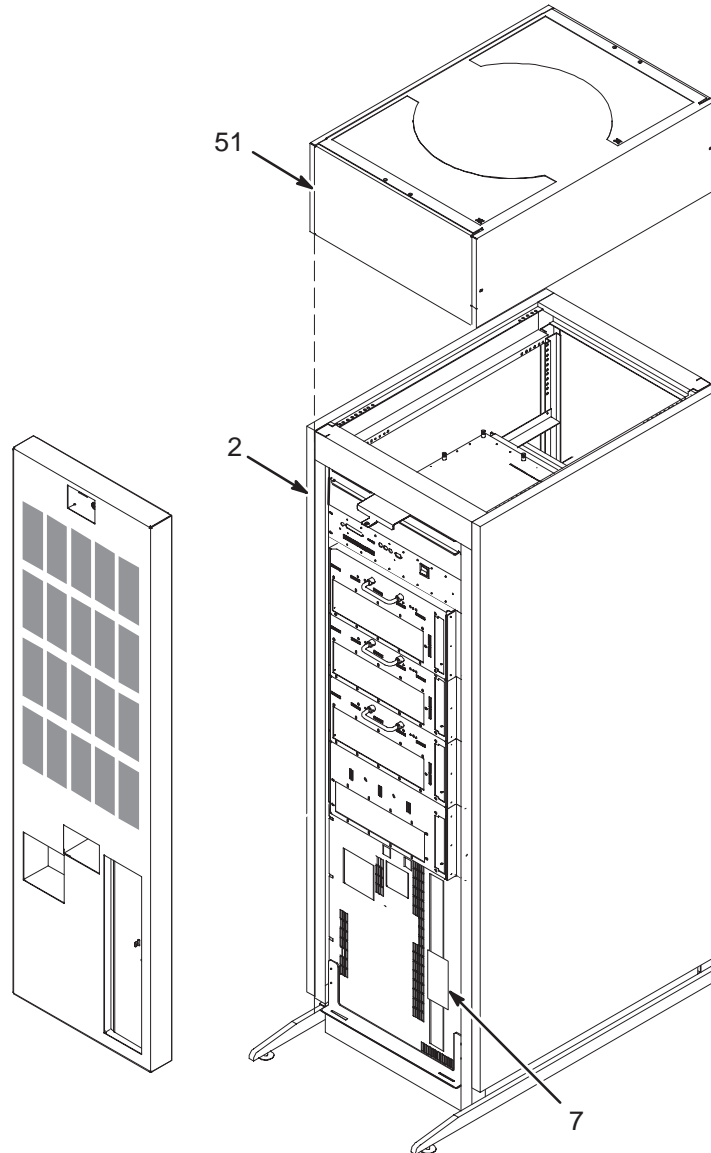


15-1 ACGD/PDU CABINET	15-2
Contains information on ACGD/PDU Cabinet	
ACGD/PDU CABINET	2284300 15-2
ACGD/PDU CABINET	2238915 15-4

15-1 ACGD/PDU CABINET

ACGD/PDU CABINET ASM

2284300



ACGD/PDU CABINET ASM

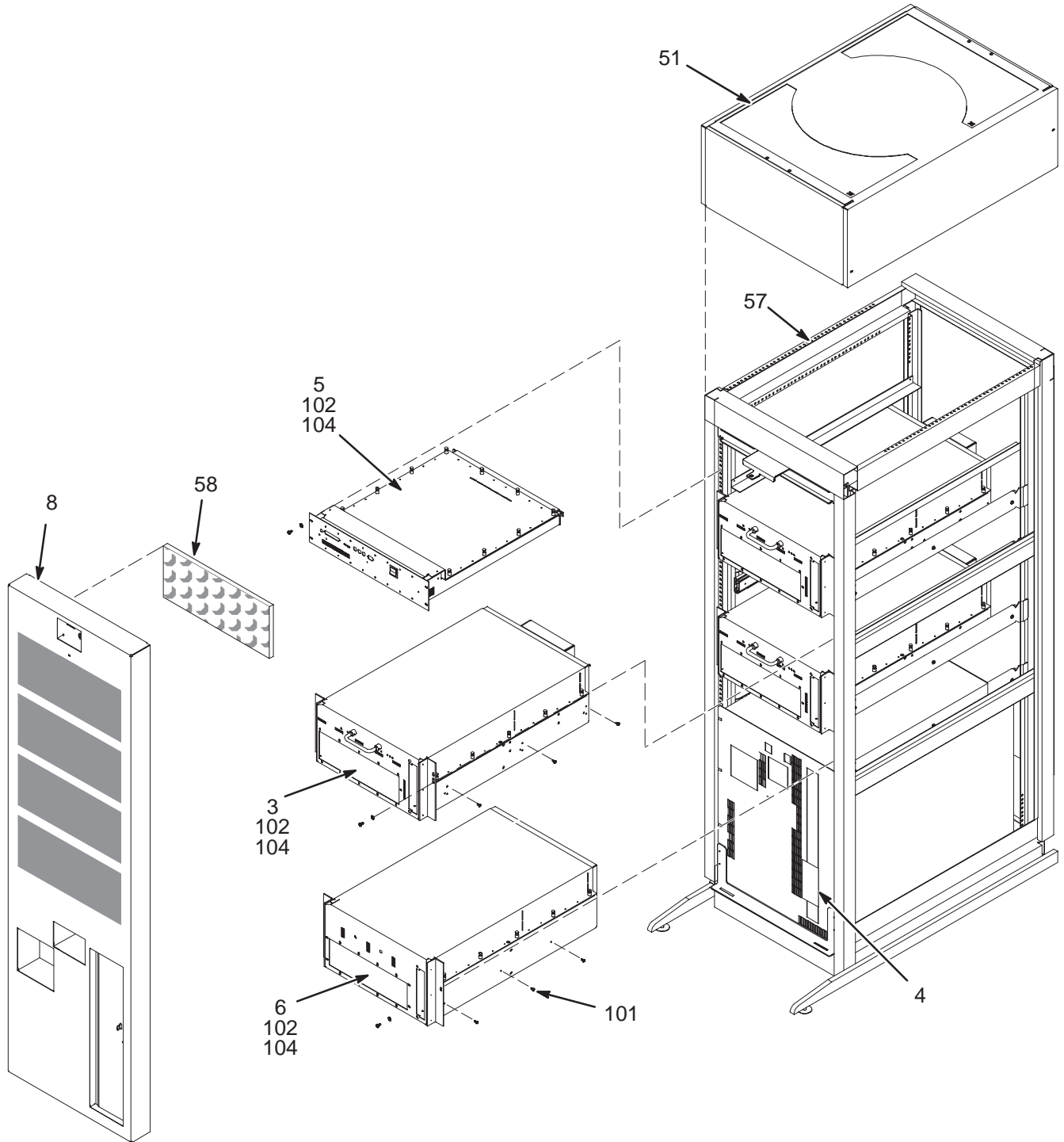
2284300 FRU N

(PART OF 2355992 PAGE 1-90)

Item	Part Number	FRU	Name	Quantity	Description (Remarks)
2	2284299	N	ASSEMBLY	1	GEMSPRO ACGD CABINET ASM (SEE PAGE 15-4)
7	2315641	N	TAG	1	ACGD INSTALLATION TAG
51A	2299215	1	FAN ASM	1	ACGD CABINET FAN ASSEMBLY (SEE PAGE 15-8)
51B	2173642-2	N	FAN ASSEMBLY	ALT	FAN ASSEMBLY FOR ACGD CABINET

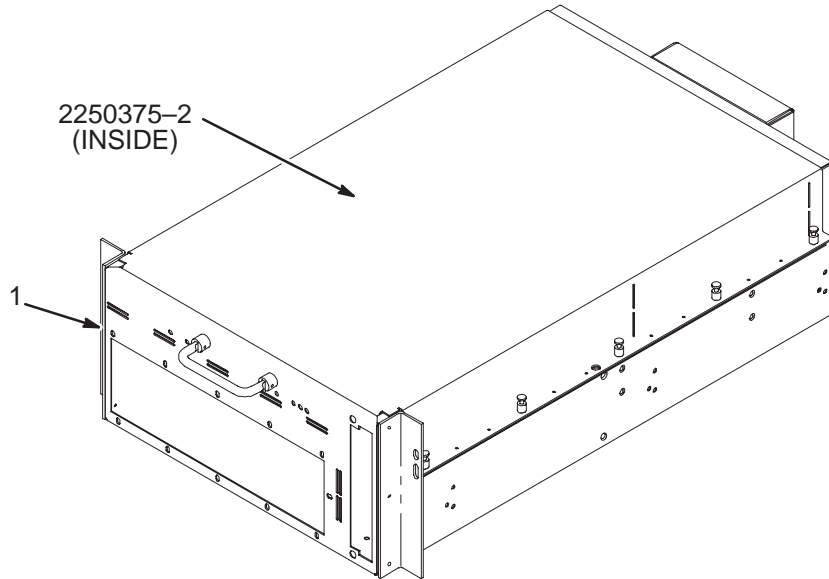
ACGD/PDU CABINET ASM

2238915 & 2284299



ACGD SGA MODULE

2270055-2



ACGD SGA MODULE

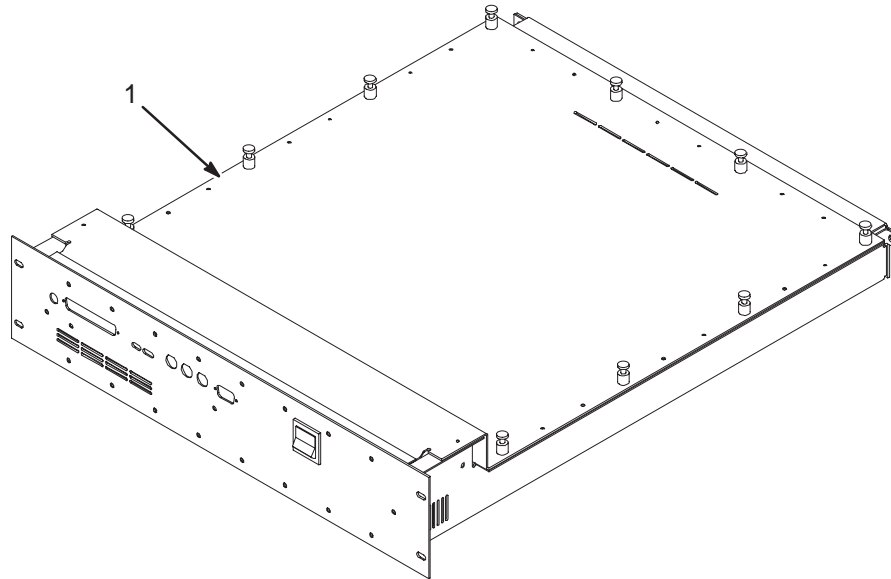
2270055-2 FRU 1

(PART 3 OF 2238915 PAGE 15-4)
(PART 3 OF 2284300 PAGE 15-4)

Item	Part Number	FRU	Name	Quantity	Description (Remarks)
1	2270055	2	PART	1	ACGD.SGA_ASSEMBLY
2	2190408-3	N	BOX	1	SHIPPING BOX FOR ACGD-SGA FRU
	2250375-2	1	BOARD	1	CONTROL BOARD ASSEMBLY SGA

GRADIENT PROCESSOR ASM MODULE (GP2)

2248992-4



GP2 MODULE

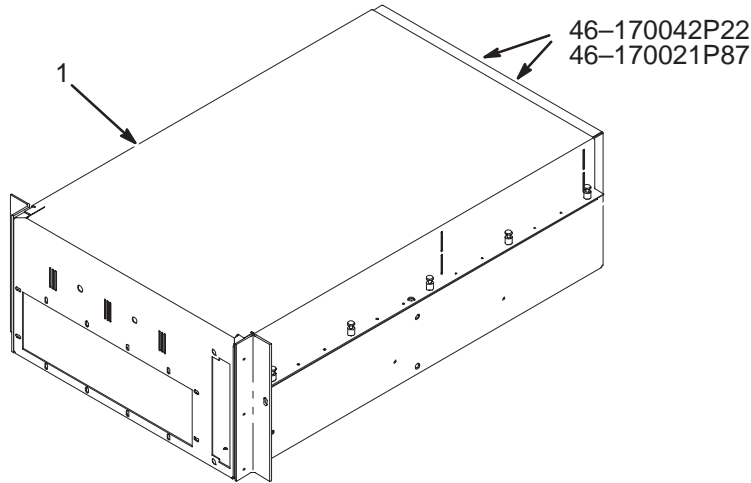
2248992-4 FRU 1

(PART 5 OF 2238915 PAGE 15-4)
 (PART 5 OF 2284300 PAGE 15-4)

Item	Part Number	FRU	Name	Quantity	Description (Remarks)
1	2248992-3	N	PART	1	GP2 ASSEMBLY FOR ACGD
2	2260402	N	FOAM	1	CORRUGATED/FOAM PACKAGING
3	2260403	N	BOX	1	CORRUGATED CONTAINER

SGA POWER SUPPLY ASSEMBLY

2334862-2 & 2317092-2



SGA POWER SUPPLY ASM

2334862-2 FRU 1

(PART 6A OF 2238915 PAGE 15-4)
(PART 6A OF 2284300 PAGE 15-4)

Item	Part Number	FRU	Name	Quantity	Description (Remarks)
1	2334862	N	POWER SUPPLY	1	POWER SUPPLY ASSEMBLY SGA ACGD
2	2190408-4	N	BOX	1	SHIPPING BOX FOR ACGD-SGA PS FRU
	46-170021P87	1	FUSE	2	0.1000A 600V CARTRIDGE FAST UL/C
	46-170042P22	1	FUSE	2	30A, 600V PANEL-MOUNTED FUSE

SGA POWER SUPPLY ASM

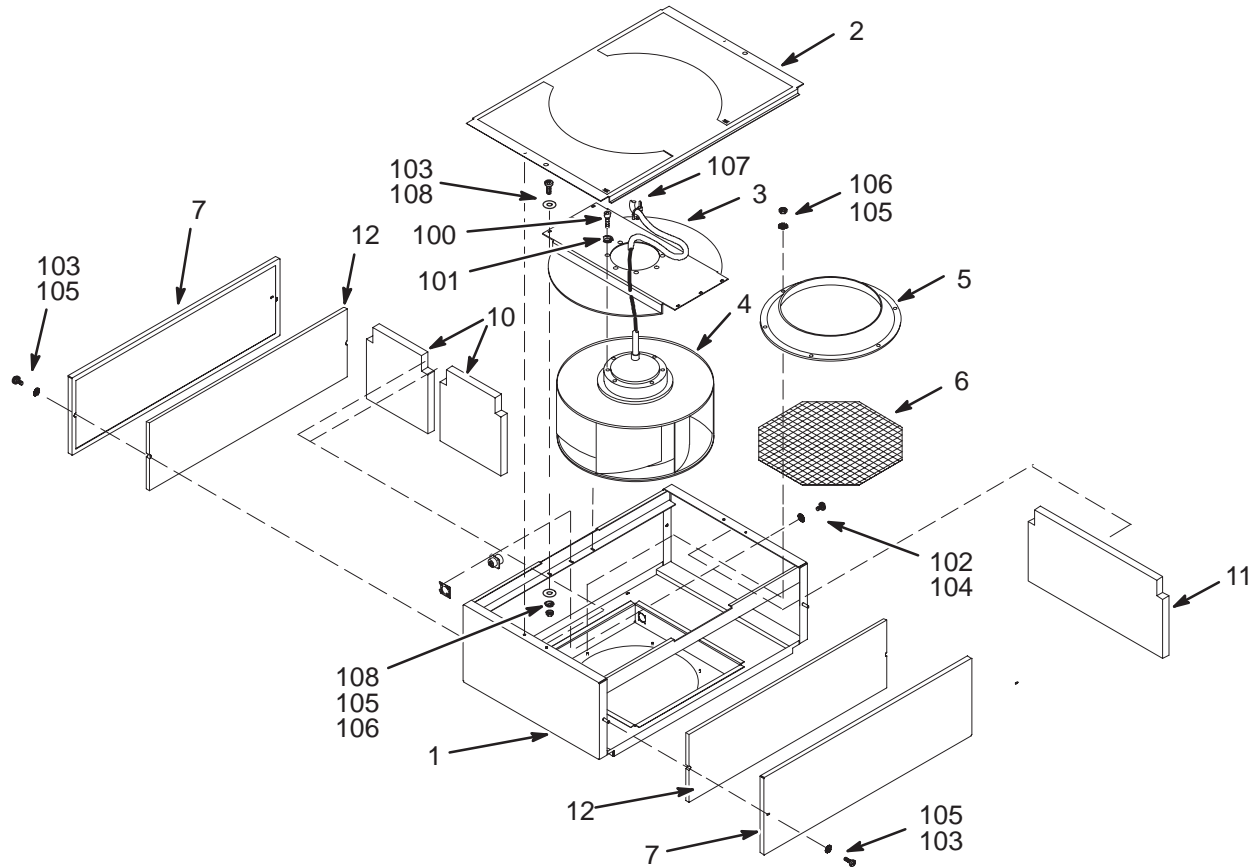
2317092-2 FRU 1

(PART 6B OF 2238915 PAGE 15-4)
(PART 6B OF 2284300 PAGE 15-4)

Item	Part Number	FRU	Name	Quantity	Description (Remarks)
1	2317092	N	POWER SUPPLY	1	SGA ACGD POWER SUPPLY ASSEMBLY
2	2190408-4	N	BOX	1	SHIPPING BOX FOR ACGD-SGA PS FRU
	46-170021P87	1	FUSE	2	0.1000A 600V CARTRIDGE FAST UL/C
	46-170042P22	1	FUSE	2	30A, 600V PANEL-MOUNTED FUSE

ACGD CABINET FAN ASSEMBLY

2299215



ACGD CABINET FAN ASSEMBLY

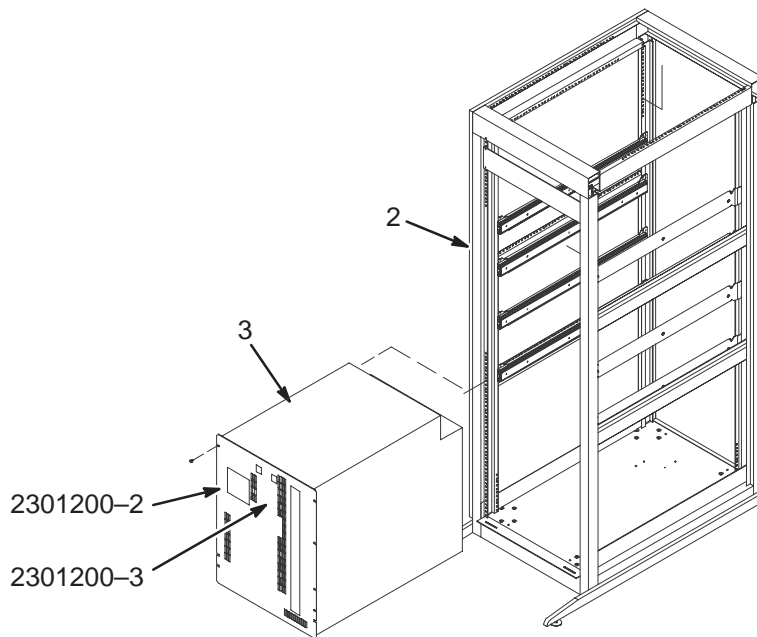
2299215 FRU 1

(PART 51 OF 2238915 PAGE 15-4)
 (PART 51 OF 2284300 PAGE 15-4)
 (PART OF M3000DB PAGE 1-60)
 (PART 1 OF 2381388 PAGE 1-90)

Item	Part Number	FRU	Name	Quantity	Description (Remarks)
1	2167400-2	N	CHASSIS	1	FAN CHASSIS ASSEMBLY—GE GRAY #4
2	2167402-2	N	COVER ASM	1	FAN TOP COVER ASSEMBLY—GE GRAY #4
3	2299212	N	BRACKET	1	ACGD FAN SUPPORT BRACKET
4	2299214	1	FAN, COOLING	1	ACGD CABINET FAN PURCHASE SPEC
5	2299213	N	RING, MTG	1	ACGD CABINET INLET RING FOR FAN
6	2179241	N	PART	1	SCREEN, FAN FINGER GUARD
7	2181133-2	N	COVER	2	SIDE COVER FOR FAN MODULE—GE GRAY#1
10	2181594	N	BARRIER	2	ACOUSTICAL FOAM BARRIER (FRONT)
11	2181594-2	N	BARRIER	1	ACOUSTICAL FOAM BARRIER (BACK)
12	2181595	N	BARRIER	2	ACOUSTICAL FOAM BARRIER (SIDES)
100	46-328417P21	N	SCREW	4	SCREW HEXAGON SOCKET 10 MM 16 MM
101	46-328432P4	N	WASHER	4	WASHER LOCK - SPRING 10.2 MM 18.1 MM
102	46-328421P6	N	SCREW	4	SCREW PAN HEAD 2.5 MM 10 MM
103	46-328421P16	N	SCREW	10	SCREW PAN HEAD 4 MM 16 MM
104	46-328433P1	N	WASHER	4	WASHER LOCK - EXTERNAL 2.7 MM 5.5 MM
105	46-328433P2	N	WASHER	16	WASHER LOCK - EXTERNAL 4.3 MM 8 MM
106	46-328425P1	N	NUT	12	NUT HEXAGON 4 MM
107	46-208758P2	N	TY-RAP	2	5.5" X .140" SELF-LOCKING CABLE TIE.
108	46-328430P2	N	WASHER	12	WASHER PLAIN - NORMAL 4.3MM 9MM

ACGD BASIC CABINET w/TEAL PDU

2309150



ACGD BASIC CABINET w/TEAL PDU

2309150 FRU 1

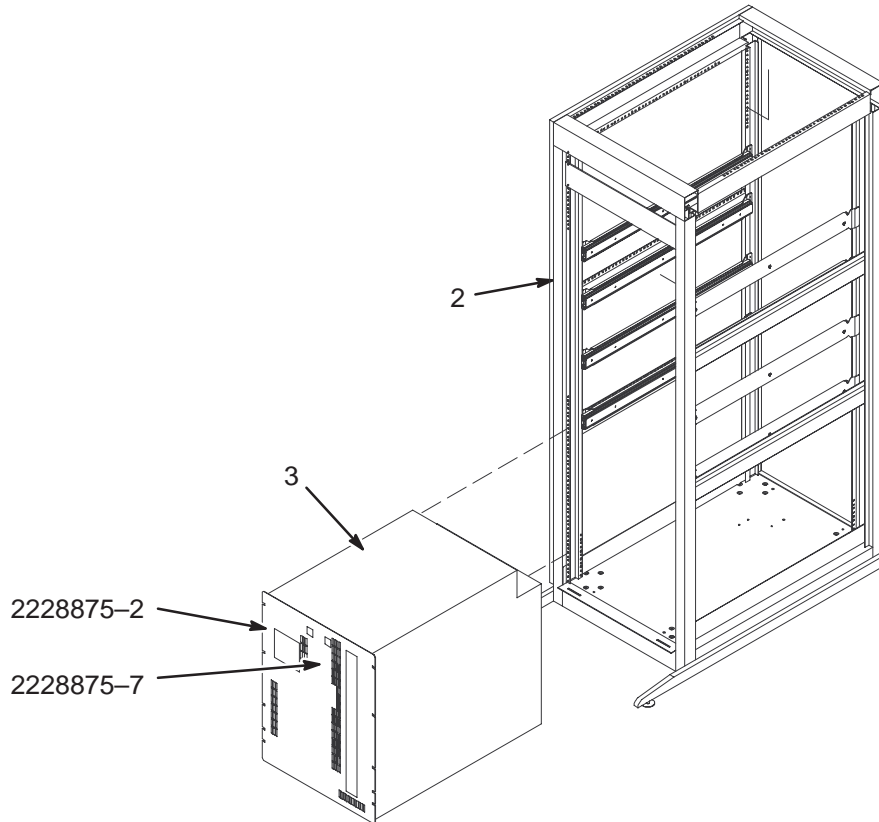
(PART 57 OF 2238915 PAGE 15-4)

(PART 57 OF 2284300 PAGE 15-4)

Item	Part Number	FRU	Name	Quantity	Description (Remarks)
2	2347720	N	CABINET ASM	1	ACGD CABINET ASM WITH RAILS
3	2301200	N	PDU	1	COST REDUCED ACGD PDU
14	2178851-6	N	CABLE	1	MR3PDU-GP TO MR3GP (208 VOLTS)
15	2178851-7	N	CABLE	1	MR3PDU-SGA-X TO MR3SGA-X-J6
16	2178851-8	N	CABLE	1	MR3PDU-SGA-Y TO MR3SGA-Y-J6
17	2178851-9	N	CABLE	1	MR3PDU-SGA-Z TO MR3SGA-Z-J6
19	2255765	N	PART	1	MR3SGAPS-J1 TO MR3SGA-X-J1
20	2255765-2	N	PART	1	MR3SGAPS-J4 TO MR3SGA-X-J4
21	2255765-3	N	PART	1	MR3SGAPS-J2 TO MR3SGA-Y-J1
22	2255765-4	N	PART	1	MR3SGAPS-J5 TO MR3SGA-Y-J4
23	2255765-5	N	PART	1	MR3SGAPS-J3 TO MR3SGA-Z-J1
24	2255765-6	N	PART	1	MR3SGAPS-J6 TO MR3SGA-Z-J4
26	46-328000G996	N	ASSEMBLY	1	MR3-GP-J8 TO MR3-SGA-Y-J5
27	46-328000G998	N	ASSEMBLY	1	MR3-SGAPS-J7 TO MR3-GP-J10
28	46-328000G997	N	ASSEMBLY	1	MR3-GP-J9 TO MR3-SGA-Z-J5
30	46-328000G995	N	ASSEMBLY	1	MR3-GP-J7 TO MR3-SGA-X-J5
37	2178853-7	N	CABLE	1	MR3PDUSGA-Z- TO MR3SGA-Z-J3
38	2178853-8	N	CABLE	1	MR3PDUSGA-Z+ TO MR3SGA-Z-J2
39	2178853-9	N	CABLE	1	MR3PDUSGA-Y- TO MR3SGA-Y-J3
40	2178853-10	N	CABLE	1	MR3PDUSGA-Y+ TO MR3SGA-Y-J2
41	2178853-11	N	CABLE	1	MR3PDUSGA-X- TO MR3SGA-X-J3
42	2178853-12	N	CABLE	1	MR3PDUSGA-X+ TO MR3SGA-X-J2
56	2180280-2	N	CABLE	1	ACGD FAN CABLE
57	2271643	N	LEAD DATA	1	ACGD CABINET GROUND LEADS
102	2279742-2	N	SCREW	18	SCREW PAN HEAD 5 MM 16 MM
114	2271045	N	CABLE	1	MR3PDUACGD TO MR3SGAPS-TS1
	2301200-2	1	BOARD	1	CONTROL PC BOARD
	2301200-3	1	MODULE	1	TVSS MODULE

ACGD BASIC CABINET w/PHOENIX PDU

2238916



ACGD BASIC CABINET w/PHOENIX PDU 2238916 FRU 1

(PART 57 OF 2238915 PAGE 15-4)

Item	Part Number	FRU	Name	Quantity	Description (Remarks)
2	2272201	N	CABINET ASM	1	ACGD CABINET ASM WITH RAILS
2A	2345227	N	CABINET	ALT	ACGD BASIC CABINET
3	2251117	N	PDU	1	GRFD PDU
	2228875-2	1	BOARD	1	CONTROL PC BOARD
	2228875-7	1	MODULE	1	TVSS MODULE
10	2270930	N	OUT OF CATAL	4.0	STEEL BALL BEARING SLIDE 28 IN 273LB
11	2270636	N	PART	8.0	BRACKET,SLIDE MOUNTING
14	2178851-6	N	CABLE	1.0	MR3PDU-GP TO MR3GP (208 VOLTS)
15	2178851-7	N	CABLE	1.0	MR3PDU-SGA-X TO MR3SGA-X-J6
16	2178851-8	N	CABLE	1.0	MR3PDU-SGA-Y TO MR3SGA-Y-J6
17	2178851-9	N	CABLE	1.0	MR3PDU-SGA-Z TO MR3SGA-Z-J6
19	2255765	N	PART	1.0	MR3SGAPS-J1 TO MR3SGA-X-J1
20	2255765-2	N	PART	1.0	MR3SGAPS-J4 TO MR3SGA-X-J4
21	2255765-3	N	PART	1.0	MR3SGAPS-J2 TO MR3SGA-Y-J1
22	2255765-4	N	PART	1.0	MR3SGAPS-J5 TO MR3SGA-Y-J4
23	2255765-5	N	PART	1.0	MR3SGAPS-J3 TO MR3SGA-Z-J1
24	2255765-6	N	PART	1.0	MR3SGAPS-J6 TO MR3SGA-Z-J4
26	46-328000G996	N	ASSEMBLY	1.0	MR3-GP-J8 TO MR3-SGA-Y-J5
27	46-328000G998	N	ASSEMBLY	1.0	MR3-SGAPS-J7 TO MR3-GP-J10
28	46-328000G997	N	ASSEMBLY	1.0	MR3-GP-J9 TO MR3-SGA-Z-J5

ACGD BASIC CABINET w/PHOENIX PDU 2238916 FRU 1

(Continued from previous page)

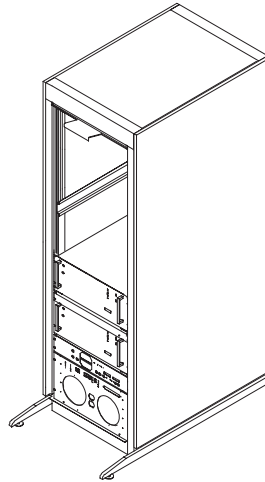
Item	Part Number	FRU	Name	Quantity	Description (Remarks)
30	46-328000G995	N	ASSEMBLY	1.0	MR3-GP-J7 TO MR3-SGA-X-J5
37	2178853-7	N	CABLE	1.0	MR3PDUSGA-Z- TO MR3SGA-Z-J3
38	2178853-8	N	CABLE	1.0	MR3PDUSGA-Z+ TO MR3SGA-Z-J2
39	2178853-9	N	CABLE	1.0	MR3PDUSGA-Y- TO MR3SGA-Y-J3
40	2178853-10	N	CABLE	1.0	MR3PDUSGA-Y+ TO MR3SGA-Y-J2
41	2178853-11	N	CABLE	1.0	MR3PDUSGA-X- TO MR3SGA-X-J3
42	2178853-12	N	CABLE	1.0	MR3PDUSGA-X+ TO MR3SGA-X-J2
55	2168691	N	BRACKET	2.0	MODULE SUPPORT BRACKET
56	2180280-2	N	CABLE	1.0	ACGD FAN CABLE
57	2271643	N	LEAD DATA	1.0	ACGD CABINET GROUND LEADS
100	2180698	N	NUT	8.0	NUT CLIP ON 4 MM
101	46-328421P15	N	PDM PART	28.0	SCREW PAN HEAD 4 MM 12 MM
102	2279742-2	N	SCREW	18.0	SCREW PAN HEAD 5 MM 16 MM
103	46-328421P23	N	PDM PART	32.0	SCREW PAN HEAD 6 MM 10 MM
105	46-328422P14	N	PDM PART	4.0	SCREW COUNTERSUNK HEA 4 MM 10 MM
110	46-170686P1	N	ADHESIVE	0.0	LOCTITE 242, 0.5CC TUBE
112	46-208758P3	N	TY-RAP	23.0	7.31" X .184" SELF-LOCKING CABLE TIE
113	2245686	N	COVER	1.0	BRACKET COVER
114	2271045	N	CABLE	1.0	MR3PDUACGD TO MR3SGAPS-TS1
115	2265503	N	PART	1.0	BRACKET,SLAM LATCH,ACGD
116	2180698-2	N	NUT	34.0	NUT CLIP ON 5 MM

SECTION 16 – SRF CABINET

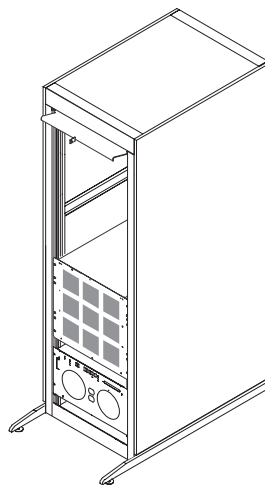
TABLE OF CONTENTS

SECTION

PAGE



16-1 SRF CABINET	16-2
Contains information on Solid State RF Cabinets	
1.5T SRF CABINET	2296300 16-2
1.0T SRF CABINET	2296300-2 16-2
1.5T SRF CABINET	2174500 16-4
1.0T SRF CABINET	2174500-2 16-7

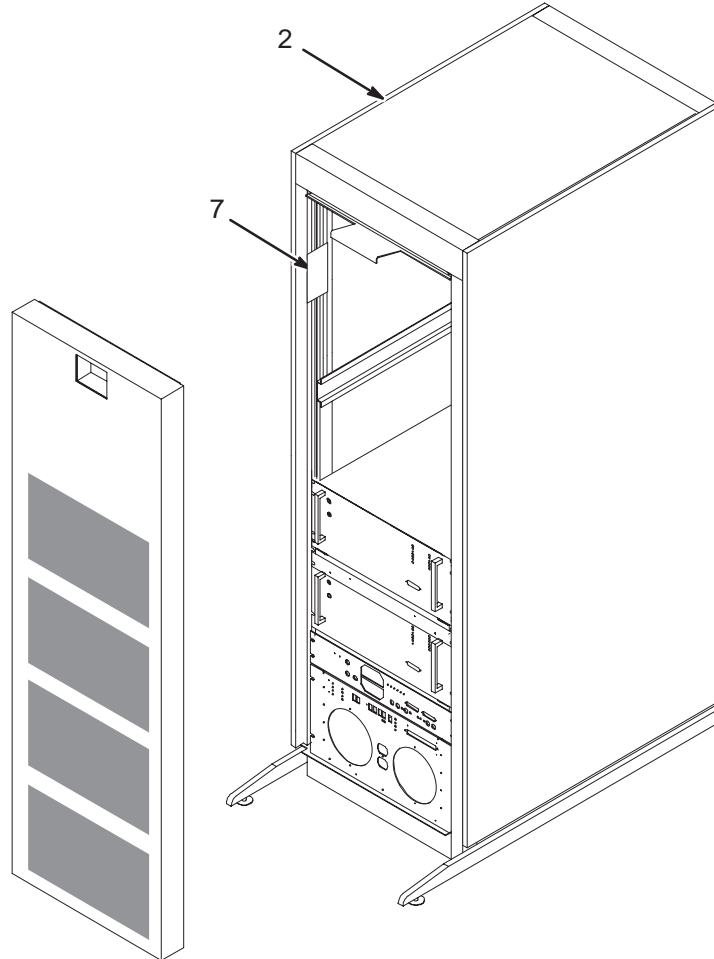


16-2 SRFD II CABINET	16-9
Contains information on Solid State RF Cabinets	
1.5T SRFD II CABINET	2275000 16-11

16-1 SRF CABINETS

SRF CABINET ASM

2296300 & 2296300-2



1.5T SRF CABINET ASM

2296300 FRU N

(PART OF 2355993 PAGE 1-62)

Item	Part Number	FRU	Name	Quantity	Description (Remarks)
2	2296299	N	CABINET	1	1.5T RF SOLID STATE CABINET (SEE PAGE 16-5)
7	2146243	N	UFI LABEL KT	1	MULTI-LINGUAL LABEL KIT (SEE PAGE 16-14)

1.0T SRF CABINET ASM

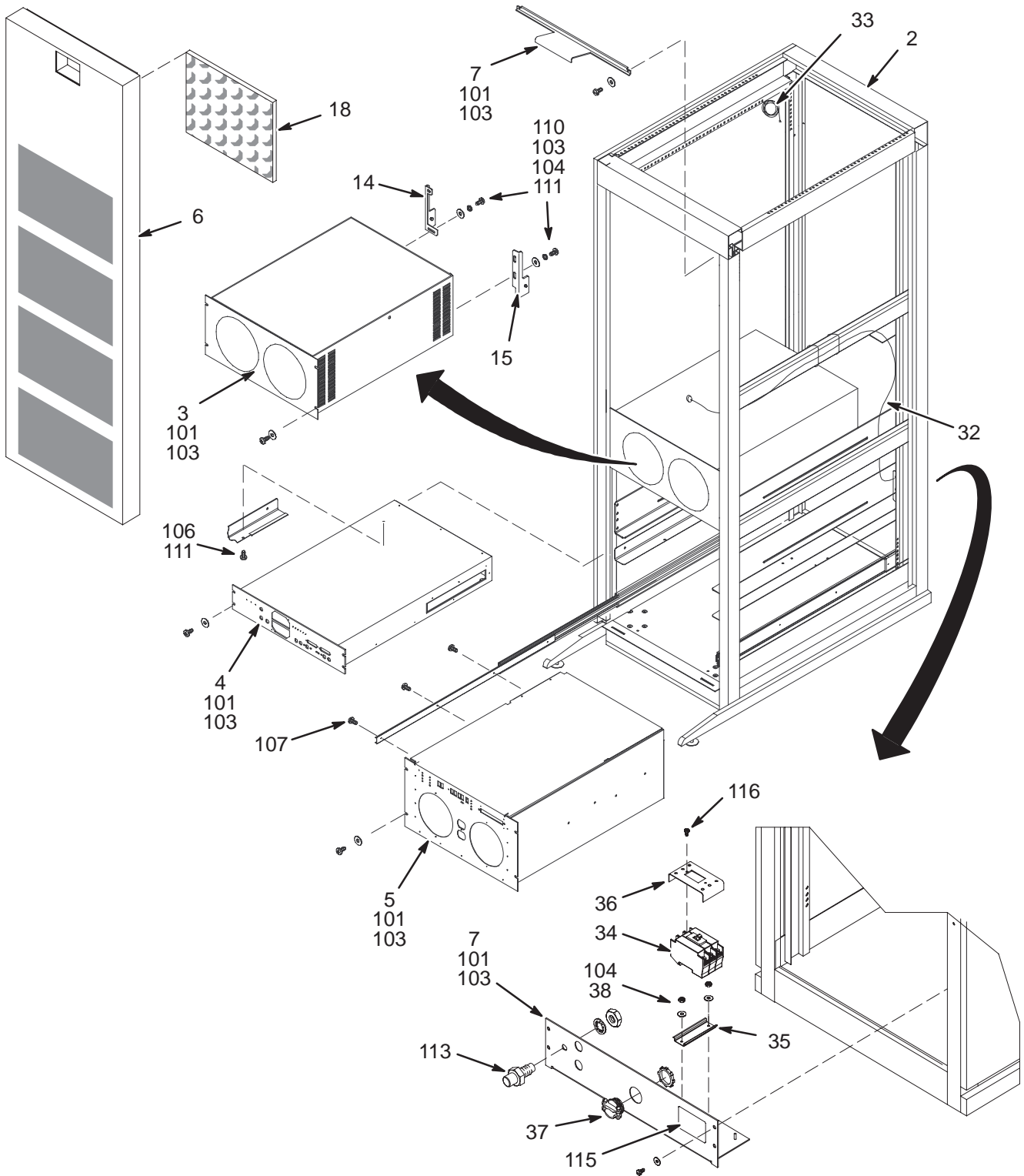
2296300-2 FRU N

(PART OF 2355994 PAGE 1-62)

Item	Part Number	FRU	Name	Quantity	Description (Remarks)
2	2296299-2	N	CABINET	1	1.0T RF SOLID STATE CABINET (SEE PAGE 16-8)
7	2146243	N	UFI LABEL KT	1	MULTI-LINGUAL LABEL KIT (SEE PAGE 16-14)

1.5T RF SOLID STATE CABINET

2174500 & 2296299



1.5T RF SOLID STATE CABINET

2174500 FRU N

(PART OF 2355993 PAGE 1-62)

Item	Part Number	FRU	Name	Quantity	Description (Remarks)
2	2277026	N	CABINET	1	ACGD SRF BASIC CABINET WITH RAILS
3	2224562	2	POWER MODULE	2	1.5T RF AMPLIFIER POWER MODULE
	2224562-2	1	FRU	1	1.5T RF AMPLIFIER POWER MODULE FRU (SEE PAGE 16-12)
4	2255388	N	MODULE	1	1.5T RF INTERFACE MODULE
	2263188	1	FRU	1	1.5T RF INTERFACE MODULE FRU (SEE PAGE 16-13)
5	2160200-43	1	RF/PEN CAB	1	ERBTEC #550020 SYSTEM SUPPORT MOD (SEE PAGE 16-13)
6	2265347	N	COVER ASM	1	FRT COVER SCALEABLE RF CAB W/O PDU
7	2195381	N	PART	1	DOOR BRKT SCALE RF
14	2229091	N	BRACKET	2	1.5T REAR RF AMP BRACKET, RH
15	2229092	N	BRACKET	2	1.5T REAR RF AMP BRACKET, LH
17	2273379	N	PART	1	RF CABINET AC PANEL
18A	2284074	1	FILTER	4	ALUMINUM AIR FILTER
18B	2160200-44	N	RF/PEN CAB	ALT	ERBTEC #510062 CAB COVER AIR FILTERS
19	2197474	N	PART	1	CABLE
20	46-328000G982	N	ASSEMBLY	1	MR1-A23-J11 TO MR1-A21-J3
21	46-328000G983	N	ASSEMBLY	1	MR1-A23-J12 TO MR1-A22-J3
22	46-328000G984	N	ASSEMBLY	1	MR1-A23-J16 TO MR1-A21-J1
23	46-328000G985	N	ASSEMBLY	1	MR1-A23-J17 TO MR1-A22-J1
24	2317095	N	CABLE	1	23", RG214 WITH HN CONNECTORS
25	2317095-2	N	CABLE	1	23", RG214 WITH HN CONNECTORS
26	46-328000G967	N	ASSEMBLY	1	MR1-A23-J5 TO MR1-A7-J106
27	46-328000G968	N	ASSEMBLY	1	MR1-A23-J6 TO MR1-A7-J107
28	46-328000G969	N	ASSEMBLY	1	MR1-A23-J7 TO MR1-J7-J108
29	46-328000G970	N	ASSEMBLY	1	MR1-A23-J8 TO MR1-A7-J110
30	46-328000G971	N	ASSEMBLY	1	MR1-A23-J9 TO MR1-A7-J409
31	46-328000G972	N	ASSEMBLY	1	MR1-A23-J10 TO MR1-A7-J408
32	46-328000G973	N	ASSEMBLY	1	MR1-A23-J14 TO MR1-A24-J1
33	46-320252P1	N	TEST CABLE	1	RF AMPLIFIER SERIAL PORT INTERFACE
34	2273399	1	PART	1	40 AMP CIRCUIT BREAKER
35	2273400	N	PART	1	DIN MOUNTING RAIL
36	2273401	N	PART	1	COVER,CIRCUIT BREAKER
37	2273402	N	PART	1	CABLE STRAIN RELIEF
38	46-328425P1	N	NUT	4	NUT HEXAGON 4 MM
39	2273403	N	PART	1	ACGD SRF CABINET LEAD DATA
56	2211994-2	N	PLUG CAP	9	PLASTIC COVER 9 MM I.D. POLYETHYLENE
58	46-208758P5	N	TY-RAP OLD	3	SELF LOCKING CABLE TIE
101	46-328421P16	N	SCREW	22	SCREW PAN HEAD 4 MM 16 MM
103	46-328431P1	N	WASHER	32	WASHER PLAIN - LARGE 4.3 MM 12 MM
104	46-328433P2	N	WASHER	10	WASHER LOCK - EXTERNAL 4.3 MM 8 MM
106	46-328421P22	N	SCREW	2	SCREW PAN HEAD 6 MM 8 MM
107	46-170015P14	N	SCREW	6	PAN HD SCREW 8-32 X 3/8
108	46-208758P3	N	TY-RAP OLD	2	7.31" X .184" SELF-LOCKING CABLE TIE
110	46-328421P15	N	SCREW	10	SCREW PAN HEAD 4 MM 12 MM
111	46-170686P2	N	ADHESIVE OLD	AR	LOCTITE 242, 10CC
113	46-208990P1	N	CONNECTOR	1	50 OHM BNC BULKHEAD ADAP'R JACK-JACK
114	46-208758P2	N	TY-RAP OLD	AR	5.5" X .140" SELF-LOCKING CABLE TIE.
115	2187457	N	LABEL	1	LABEL CAUTION (MORE THAN ONE SOURCE)
116	2281474	N	SCREW	2	SCREW PAN HEAD 3 MM 5 MM
117	2146243	N	UFI LABEL KT	1	MULTI-LINGUAL LABEL KIT (SEE PAGE 16-14)

1.5T RF SOLID STATE CABINET

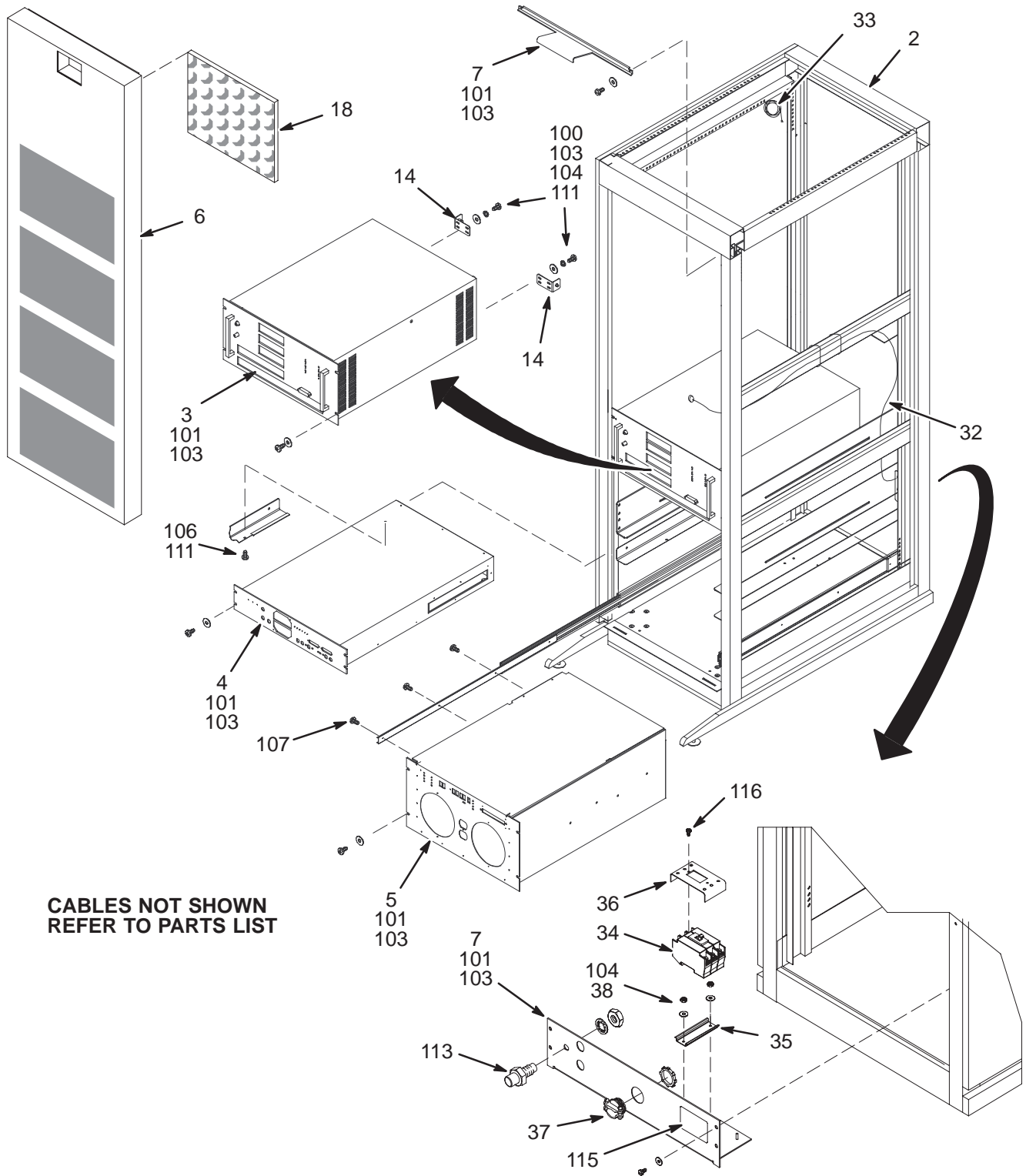
2296299 FRU N

(PART OF 2296300 PAGE 16-2)

Item	Part Number	FRU	Name	Quantity	Description (Remarks)
2	2277026	N	CABINET	1	ACGD SRF BASIC CABINET WITH RAILS
3	2224562	2	POWER MODULE	2	1.5T RF AMPLIFIER POWER MODULE
	2224562-2	1	FRU	1	1.5T RF AMPLIFIER POWER MODULE FRU (SEE PAGE 16-12)
4	2255388	N	MODULE	1	1.5T RF INTERFACE MODULE
	2263188	1	FRU	1	1.5T RF INTERFACE MODULE FRU (SEE PAGE 16-13)
5	2160200-43	1	RF/PEN CAB	1	ERBTEC #550020 SYSTEM SUPPORT MOD (SEE PAGE 16-13)
6	2265347	N	COVER ASM	1	FRT COVER SCALEABLE RF CAB W/O PDU
7	2195381	N	PART	1	DOOR BRKT SCALE RF
14	2229091	N	BRACKET	2	1.5T REAR RF AMP BRACKET, RH
15	2229092	N	BRACKET	2	1.5T REAR RF AMP BRACKET, LH
17	2273379	N	PART	1	RF CABINET AC PANEL
18	2284074	1	FILTER	4	ALUMINUM AIR FILTER
19	2197474	N	PART	1	CABLE
20	46-328000G982	N	ASSEMBLY	1	MR1-A23-J11 TO MR1-A21-J3
21	46-328000G983	N	ASSEMBLY	1	MR1-A23-J12 TO MR1-A22-J3
22	46-328000G984	N	ASSEMBLY	1	MR1-A23-J16 TO MR1-A21-J1
23	46-328000G985	N	ASSEMBLY	1	MR1-A23-J17 TO MR1-A22-J1
24	2317095	N	CABLE	1	23", RG214 WITH HN CONNECTORS
25	2317095-2	N	CABLE	1	23", RG214 WITH HN CONNECTORS
26	46-328000G967	N	ASSEMBLY	1	MR1-A23-J5 TO MR1-A7-J106
27	46-328000G968	N	ASSEMBLY	1	MR1-A23-J6 TO MR1-A7-J107
28	46-328000G969	N	ASSEMBLY	1	MR1-A23-J7 TO MR1-J7-J108
29	46-328000G970	N	ASSEMBLY	1	MR1-A23-J8 TO MR1-A7-J110
30	46-328000G971	N	ASSEMBLY	1	MR1-A23-J9 TO MR1-A7-J409
31	46-328000G972	N	ASSEMBLY	1	MR1-A23-J10 TO MR1-A7-J408
32	46-328000G973	N	ASSEMBLY	1	MR1-A23-J14 TO MR1-A24-J1
33	46-320252P1	N	TEST CABLE	1	RF AMPLIFIER SERIAL PORT INTERFACE
34	2273399	1	PART	1	40 AMP CIRCUIT BREAKER
35	2273400	N	PART	1	DIN MOUNTING RAIL
36	2273401	N	PART	1	COVER, CIRCUIT BREAKER
37	2273402	N	PART	1	CABLE STRAIN RELIEF
38	46-328425P1	N	NUT	4	NUT HEXAGON 4 MM
39	2273403	N	PART	1	ACGD SRF CABINET LEAD DATA
56	2211994-2	N	PLUG CAP	9	PLASTIC COVER 9 MM I.D. POLYETHYLENE
58	46-208758P5	N	TY-RAP OLD	3	SELF LOCKING CABLE TIE
101	46-328421P16	N	SCREW	22	SCREW PAN HEAD 4 MM 16 MM
103	46-328431P1	N	WASHER	32	WASHER PLAIN - LARGE 4.3 MM 12 MM
104	46-328433P2	N	WASHER	10	WASHER LOCK - EXTERNAL 4.3 MM 8 MM
106	46-328421P22	N	SCREW	2	SCREW PAN HEAD 6 MM 8 MM
107	46-170015P14	N	SCREW	6	PAN HD SCREW 8-32 X 3/8
108	46-208758P3	N	TY-RAP OLD	2	7.31" X .184" SELF-LOCKING CABLE TIE
110	46-328421P15	N	SCREW	10	SCREW PAN HEAD 4 MM 12 MM
111	46-170686P2	N	ADHESIVE OLD	AR	LOCTITE 242, 10CC
113	46-208990P1	N	CONNECTOR	1	50 OHM BNC BULKHEAD ADAP'R JACK-JACK
114	46-208758P2	N	TY-RAP OLD	AR	5.5" X .140" SELF-LOCKING CABLE TIE.
115	2187457	N	LABEL	1	LABEL CAUTION (MORE THAN ONE SOURCE)
116	2281474	N	SCREW	2	SCREW PAN HEAD 3 MM 5 MM

1.0T RF SOLID STATE CABINET

2174500-2 & 2296299-2



CABLES NOT SHOWN
REFER TO PARTS LIST

1.0T RF SOLID STATE CABINET 2174500-2 FRU N (PART OF 2355994 PAGE 1-62)

Item	Part Number	FRU	Name	Quantity	Description (Remarks)
2	2277026	N	CABINET	1	ACGD SRF BASIC CABINET WITH RAILS
3	2170783	1	POWER MODULE	2	RF AMPLIFIER POWER MODULE
	2170783-2	1	FRU	1	RF AMPLIFIER POWER MODULE FRU (SEE PAGE 16-12)
4	2194013	1	PART	1	RF INTERFACE SCALEABLE RF
5	2160200-43	1	RF/PEN CAB	1	ERBTEC #550020 SYSTEM SUPPORT MOD (SEE PAGE 16-13)
6	2265347	N	COVER ASM	1	FRT COVER SCALEABLE RF CAB W/O PDU
7	2195381	N	PART	1	DOOR BRKT SCALE RF
14	2195380	N	PART	4	PLUNGER BRKT ASM SCALE RF
17	2273379	N	PART	1	RF CABINET AC PANEL
18A	2284074	1	FILTER	4	ALUMINUM AIR FILTER
18B	2160200-44	N	RF/PEN CAB	ALT	ERBTEC #510062 CAB COVER AIR FILTERS
19	2197474	N	PART	1	CABLE
20	46-328000G961	N	ASSEMBLY	1	MR1-A23-J11 TO MR1-A21-J3
21	46-328000G962	N	ASSEMBLY	1	MR1-A23-J12 TO MR1-A22-J2
22	46-328000G963	N	ASSEMBLY	1	MR1-A23-J16 TO MR1-A21-J1
23	46-328000G964	N	ASSEMBLY	1	MR1-A23-J17 TO MR1-A22-J1
24	46-328000G965	N	ASSEMBLY	1	MR1-A23-J1 TO MR1-A21-J4
25	46-328000G966	N	ASSEMBLY	1	MR1-A23-J2 TO MR1-A22-J4
26	46-328000G967	N	ASSEMBLY	1	MR1-A23-J5 TO MR1-A7-J106
27	46-328000G968	N	ASSEMBLY	1	MR1-A23-J6 TO MR1-A7-J107
28	46-328000G969	N	ASSEMBLY	1	MR1-A23-J7 TO MR1-J7-J108
29	46-328000G970	N	ASSEMBLY	1	MR1-A23-J8 TO MR1-A7-J110
30	46-328000G971	N	ASSEMBLY	1	MR1-A23-J9 TO MR1-A7-J409
31	46-328000G972	N	ASSEMBLY	1	MR1-A23-J10 TO MR1-A7-J408
32	46-328000G973	N	ASSEMBLY	1	MR1-A23-J14 TO MR1-A24-J1
33	46-320252P1	N	TEST CABLE	1	RF AMPLIFIER SERIAL PORT INTERFACE
34	2273399	1	PART	1	40 AMP CIRCUIT BREAKER
35	2273400	N	PART	1	DIN MOUNTING RAIL
36	2273401	N	PART	1	COVER,CIRCUIT BREAKER
37	2273402	N	PART	1	CABLE STRAIN RELIEF
38	46-328425P1	N	NUT	4	NUT HEXAGON 4 MM
39	2273403	N	PART	1	ACGD SRF CABINET LEAD DATA
56	2211994-2	N	PLUG CAP	9	PLASTIC COVER 9 MM I.D. POLYETHYLENE
58	46-208758P5	N	TY-RAP OLD	3	SELF LOCKING CABLE TIE
100	46-328421P13	N	SCREW	8	SCREW PAN HEAD 4 MM 8 MM
101	46-328421P16	N	SCREW	30	SCREW PAN HEAD 4 MM 16 MM
103	46-328431P1	N	WASHER	38	WASHER PLAIN - LARGE 4.3 MM 12 MM
104	46-328433P2	N	WASHER	8	WASHER LOCK - EXTERNAL 4.3 MM 8 MM
106	46-328421P22	N	SCREW	2	SCREW PAN HEAD 6 MM 8 MM
107	46-170015P14	N	SCREW	6	PAN HD SCREW 8-32 X 3/8
108	46-208758P3	N	TY-RAP OLD	7	7.31" X .184" SELF-LOCKING CABLE TIE
111	46-170686P2	N	ADHESIVE OLD	AR	LOCTITE 242, 10CC
113	46-208990P1	N	CONNECTOR	1	50 OHM BNC BULKHEAD ADAP'R JACK-JACK
114	46-208758P2	N	TY-RAP OLD	AR	5.5" X .140" SELF-LOCKING CABLE TIE.
115	2187457	N	LABEL	1	LABEL CAUTION (MORE THAN ONE SOURCE)
116	2281474	N	SCREW	2	SCREW PAN HEAD 3 MM 5 MM
117	2146243	N	UFI LABEL KT	1	MULTI-LINGUAL LABEL KIT (SEE PAGE 16-14)

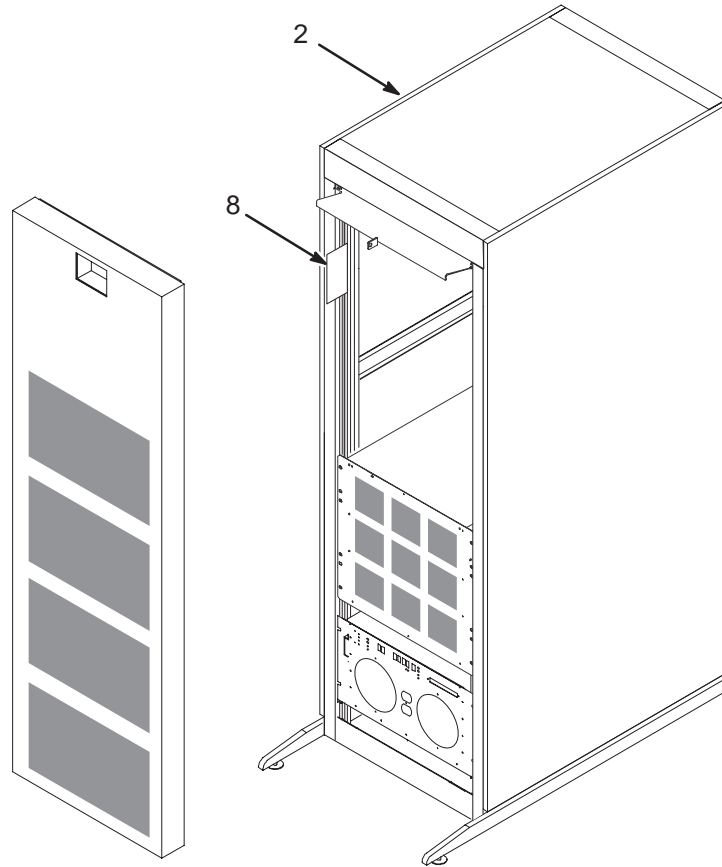
1.0T RF SOLID STATE CABINET 2296299-2 FRU N (PART OF 2296300-2 PAGE 16-2)

Item	Part Number	FRU	Name	Quantity	Description (Remarks)
2	2277026	N	CABINET	1	ACGD SRF BASIC CABINET WITH RAILS
3	2170783	N	POWER MODULE	2	RF AMPLIFIER POWER MODULE
	2170783-2	1	FRU	1	RF AMPLIFIER POWER MODULE FRU (SEE PAGE 16-12)
4	2194013	1	PART	1	RF INTERFACE SCALEABLE RF
5	2160200-43	1	RF/PEN CAB	1	ERBTEC #550020 SYSTEM SUPPORT MOD (SEE PAGE 16-13)
6	2265347	N	COVER ASM	1	FRT COVER SCALEABLE RF CAB W/O PDU
7	2195381	N	PART	1	DOOR BRKT SCALE RF
14	2195380	N	PART	4	PLUNGER BRKT ASM SCALE RF
17	2273379	N	PART	1	RF CABINET AC PANEL
18	2284074	1	FILTER	4	ALUMINUM AIR FILTER
19	2197474	N	PART	1	CABLE
20	46-328000G961	N	ASSEMBLY	1	MR1-A23-J11 TO MR1-A21-J3
21	46-328000G962	N	ASSEMBLY	1	MR1-A23-J12 TO MR1-A22-J2
22	46-328000G963	N	ASSEMBLY	1	MR1-A23-J16 TO MR1-A21-J1
23	46-328000G964	N	ASSEMBLY	1	MR1-A23-J17 TO MR1-A22-J1
24	46-328000G965	N	ASSEMBLY	1	MR1-A23-J1 TO MR1-A21-J4
25	46-328000G966	N	ASSEMBLY	1	MR1-A23-J2 TO MR1-A22-J4
26	46-328000G967	N	ASSEMBLY	1	MR1-A23-J5 TO MR1-A7-J106
27	46-328000G968	N	ASSEMBLY	1	MR1-A23-J6 TO MR1-A7-J107
28	46-328000G969	N	ASSEMBLY	1	MR1-A23-J7 TO MR1-J7-J108
29	46-328000G970	N	ASSEMBLY	1	MR1-A23-J8 TO MR1-A7-J110
30	46-328000G971	N	ASSEMBLY	1	MR1-A23-J9 TO MR1-A7-J409
31	46-328000G972	N	ASSEMBLY	1	MR1-A23-J10 TO MR1-A7-J408
32	46-328000G973	N	ASSEMBLY	1	MR1-A23-J14 TO MR1-A24-J1
33	46-320252P1	N	TEST CABLE	1	RF AMPLIFIER SERIAL PORT INTERFACE
34	2273399	1	PART	1	40 AMP CIRCUIT BREAKER
35	2273400	N	PART	1	DIN MOUNTING RAIL
36	2273401	N	PART	1	COVER,CIRCUIT BREAKER
37	2273402	N	PART	1	CABLE STRAIN RELIEF
38	46-328425P1	N	NUT	4	NUT HEXAGON 4 MM
39	2273403	N	PART	1	ACGD SRF CABINET LEAD DATA
56	2211994-2	N	PLUG CAP	9	PLASTIC COVER 9 MM I.D. POLYETHYLENE
58	46-208758P5	N	TY-RAP OLD	3	SELF LOCKING CABLE TIE
100	46-328421P13	N	SCREW	8	SCREW PAN HEAD 4 MM 8 MM
101	46-328421P16	N	SCREW	30	SCREW PAN HEAD 4 MM 16 MM
103	46-328431P1	N	WASHER	38	WASHER PLAIN - LARGE 4.3 MM 12 MM
104	46-328433P2	N	WASHER	8	WASHER LOCK - EXTERNAL 4.3 MM 8 MM
106	46-328421P22	N	SCREW	2	SCREW PAN HEAD 6 MM 8 MM
107	46-170015P14	N	SCREW	6	PAN HD SCREW 8-32 X 3/8
108	46-208758P3	N	TY-RAP OLD	7	7.31" X .184" SELF-LOCKING CABLE TIE
111	46-170686P2	N	ADHESIVE OLD	AR	LOCTITE 242, 10CC
113	46-208990P1	N	CONNECTOR	1	50 OHM BNC BULKHEAD ADAP'R JACK-JACK
114	46-208758P2	N	TY-RAP OLD	AR	5.5" X .140" SELF-LOCKING CABLE TIE.
115	2187457	N	LABEL	1	LABEL CAUTION (MORE THAN ONE SOURCE)
116	2281474	N	SCREW	2	SCREW PAN HEAD 3 MM 5 MM
201	2365023	N	FERRITE CORE	2	SNAP-ON TYPE FERRITE CORE

16-2 SRFD II CABINET

1.5T RF SRFD2 CABINET ASM

2275000



1.5T RF SRFD2 CABINET ASM

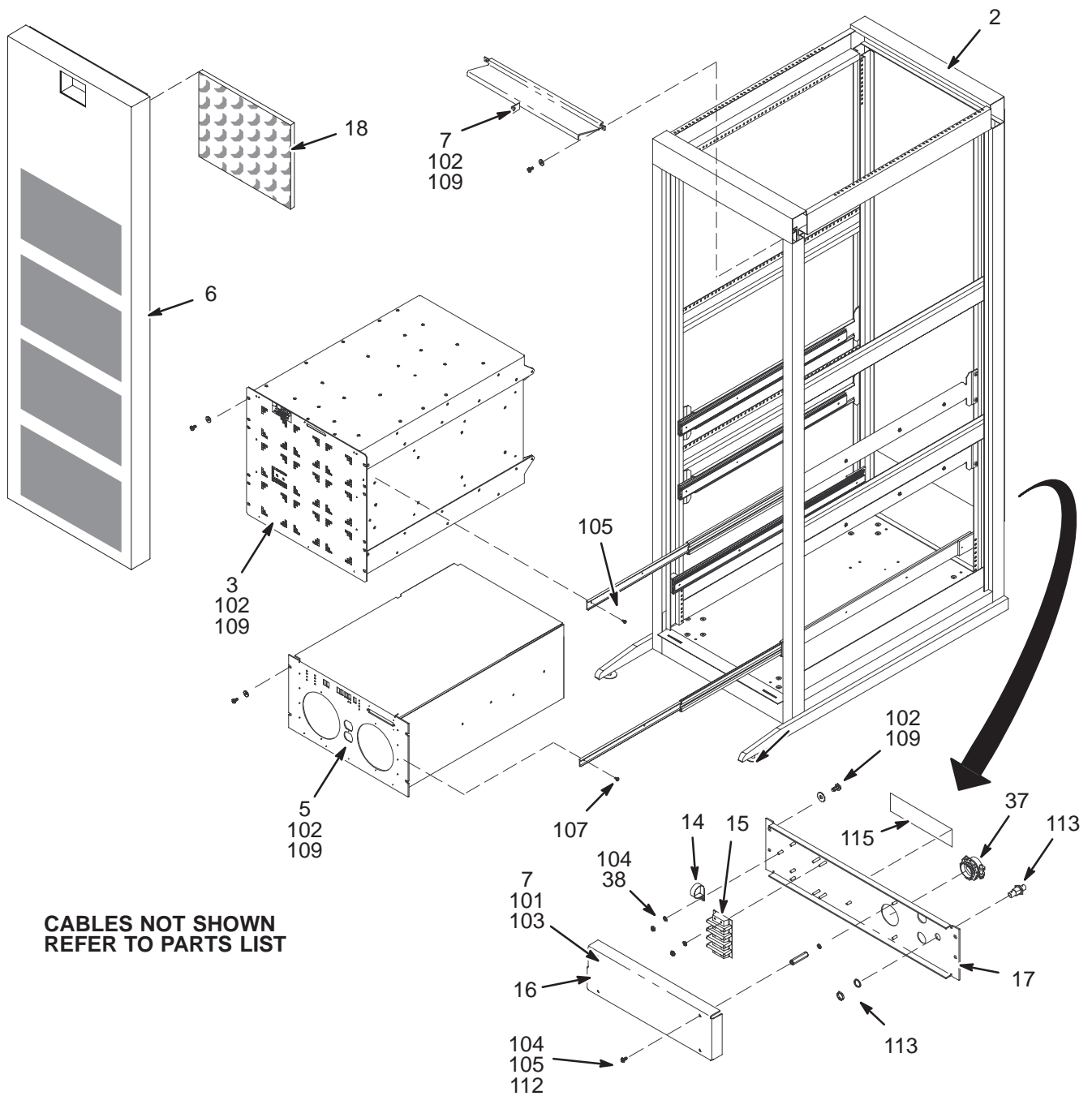
2275000 FRU N

(PART OF 2355992 PAGE 1-62)

Item	Part Number	FRU	Name	Quantity	Description (Remarks)
2	2315350	N	ASSEMBLY	1	1.5T RF SRFD2 CABINET (SEE PAGE 16-11)
8	2146243	N	UFI LABEL KT	1	MULTI-LINGUAL LABEL KIT (SEE PAGE 16-14)

1.0T RF SOLID STATE CABINET

2174500-2 & 2296299-2



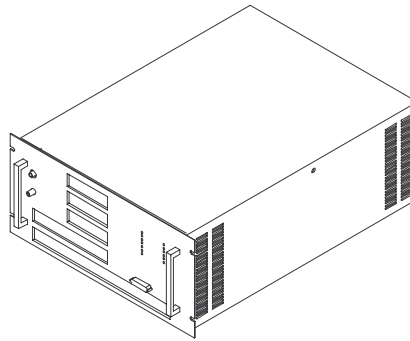
1.5T RF SRFD2 CABINET

2315350 FRU N

(PART OF 2275000 PAGE 16-9)

Item	Part Number	FRU	Name	Quantity	Description (Remarks)
2	2307999	N	ASSEMBLY	1	1.5T RF SRFD2 BASIC CABINET W/RAILS
3	2230683	N	RF AMP/INTER	1	SRFDII RF AMP AND INTERFACE
	2351573	1	FRU	1	SRFDII RF AMP AND INTERFACE FRU ASM (SEE PAGE 16-14)
5	2160200-43	1	RF/PEN CAB	1	ERBTEC #550020 SYSTEM SUPPORT MOD (SEE PAGE 16-13)
6	2265347	N	COVER ASM	1	FRT COVER SCALEABLE RF CAB W/O PDU
7	2195381	N	PART	1	DOOR BRKT SCALE RF
14	46-208718P10	N	CLAMP OLD	1	ID 0.8125 LOOP TYPE
15	2315703-2	N	STRIP	1	TERMINAL STRIP, 50A, 3POLE, 600V, W/
16	2323894	N	COVER	1	TERMINAL COVER
17	2327659	N	BRACKET	1	RF CABINET AC PANEL BRACKET
18	2284074	1	FILTER	4	ALUMINUM AIR FILTER
19	2197474-2	N	PART	1	CABLE
26	2263200-101	N	CABLE COLL	1	MR1-A25-J5 TO MR1-A7-J106
27	2263200-102	N	CABLE COLL	1	MR1-A25-J6 TO MR1-A7-J107
28	2263200-103	N	CABLE COLL	1	MR1-A25-J7 TO MR1-A7-J108
29	2263200-104	N	CABLE COLL	1	MR1-A25-J8 TO MR1-A7-J110
30	2263200-105	N	CABLE COLL	1	MR1-A25-J9 TO MR1-A7-J409
31	2263200-106	N	CABLE COLL	1	MR1-A25-J10 TO MR1-A7-J408
32	2263200-107	N	CABLE COLL	1	MR1-A25-J14 TO MR1-A24-J1
37	2273402-2	N	PART	1	CABLE STRAIN RELIEF, 1 1/4"
38	46-328425P1	N	NUT	7	NUT HEXAGON 4 MM
39	2273403-2	N	PART	1	ACGD SRF CABINET LEAD DATA
56	2211994-2	N	PLUG CAP	11	PLASTIC COVER 9 MM I.D. POLYETHYLENE
57	2211994-3	N	PLUG CAP	1	PLASTIC COVER 15MM I.D. POLYETHYLENE
58	46-208758P5	N	TY-RAP OLD	3	SELF LOCKING CABLE TIE
59	2211994-4	N	PLUG CAP	1	PLASTIC COVER 18MM I.D. POLYETHYLENE
102	2279742-2	N	SCREW	18	SCREW PAN HEAD 5 MM 16 MM
104	46-328433P2	N	WASHER	11	WASHER LOCK - EXTERNAL 4.3 MM 8 MM
105	2103585-2	N	SCREW	20	SCREW PAN HEAD 4 MM 10 MM
107	46-170015P14	N	SCREW	6	PAN HD SCREW 8-32 X 3/8
108	46-208758P3	N	TY-RAP OLD	7	7.31" X .184" SELF-LOCKING CABLE TIE
109	12-276	N	WASHER OLD	18	ID 0.2040 OD 0.5630 THK .0478
112	46-312766P39	N	THD HEX SPCR	4	M4 X 30MM LG (FEMALE THDS BOTH ENDS)
113	46-208990P1	N	CONNECTOR	1	50 OHM BNC BULKHEAD ADAP'R JACK-JACK
114	46-208758P2	N	TY-RAP OLD	16	5.5" X .140" SELF-LOCKING CABLE TIE.
115	2187457	N	LABEL	1	LABEL CAUTION (MORE THAN ONE SOURCE)

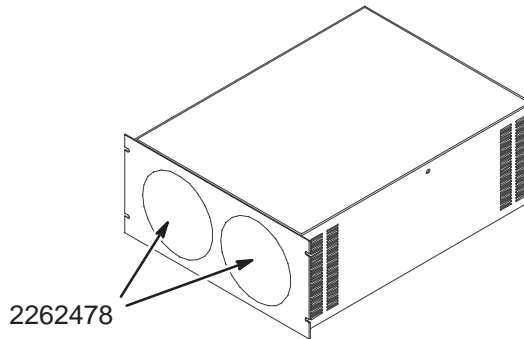
1.0T RF AMPLIFIER POWER MODULE FRU ASM 2170783-2



1.0T RF AMP POWER MODULE FRU 2170783-2 FRU 1 (PART OF 2174500-2 PAGE 16-7)
 (PART OF 2296299-2 PAGE 16-8)

Item	Part Number	FRU	Name	Quantity	Description (Remarks)
1	2170783	N	POWER MODULE	1	RF AMPLIFIER POWER MODULE
2	2209785	N	BOX	1	SHIPPING BOX FOR SRF AMP PWR MOD FRU

1.5T RF AMPLIFIER POWER MODULE FRU ASM 2224562-2

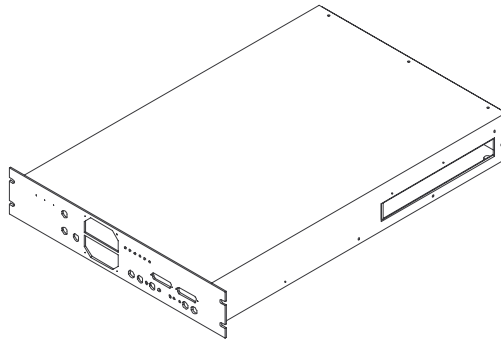


1.5T RF AMP POWER MODULE FRU 2224562-2 FRU 1 (PART OF 2174500 PAGE 16-4)
 (PART OF 2296299 PAGE 16-5)

Item	Part Number	FRU	Name	Quantity	Description (Remarks)
1	2224562	2	POWER MODULE	1	1.5T RF AMPLIFIER POWER MODULE
2	2224562-3	N	POWER MODULE	4	LIFTING BRACKET FOR SRFD AMPS
3	2239894	N	BOX	1	SHIP'G BOX FOR 1.5&0.7T SRFD AMP FRU
	2262478	1	FAN	2	RF FAN

1.5T RF INTERFACE MODULE FRU ASM

2263188



1.5T RF INTERFACE MODULE FRU

2263188 FRU 1

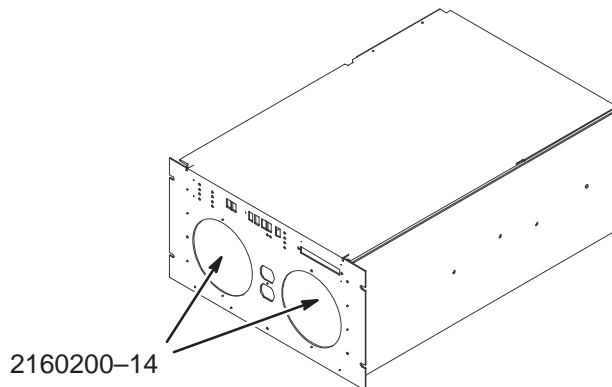
(PART OF 2174500 PAGE 16-4)

(PART OF 2296299 PAGE 16-5)

Item	Part Number	FRU	Name	Quantity	Description (Remarks)
1	2255388	N	MODULE	1	1.5T RF INTERFACE MODULE
2	2317095	N	CABLE	1	23", RG214 WITH HN CONNECTORS
3	2317095-2	N	CABLE	1	23", RG214 WITH HN CONNECTORS

SYSTEM SUPPORT MODULE

2160200-43



2160200-14

SYSTEM SUPPORT MODULE

2160200-43 FRU 1

(PART OF 2174500 PAGE 16-4)

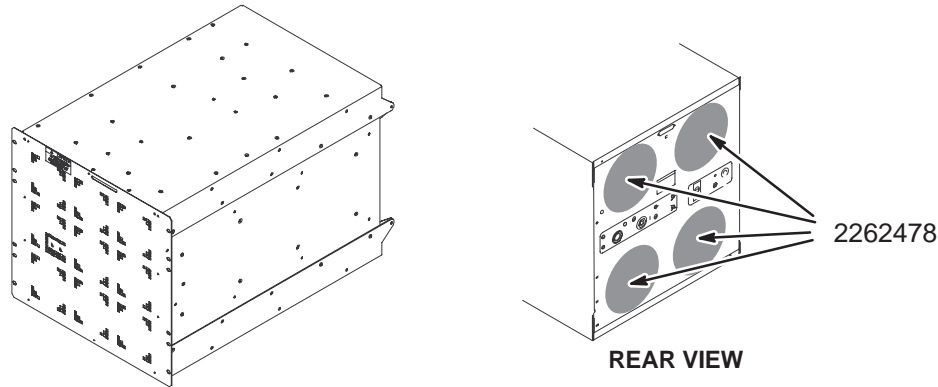
(PART OF 2296299 PAGE 16-5)

(PART OF 2315350 PAGE 16-11)

Item	Part Number	FRU	Name	Quantity	Description (Remarks)
	2160200-14	1	FAN	1	COOLING FAN

SRFD II RF AMPLIFIER FRU ASM

2351573



SRFD II RF AMP FRU ASM

2351573 FRU 1

(PART OF 2315350 PAGE 16-11)

Item	Part Number	FRU	Name	Quantity	Description (Remarks)
2	2230683	N	RF AMP/INTER	1	SRFDII RF AMP AND INTERFACE
3	2337527	N	PART	AR	DANGER LABEL
4	2344324	N	LABEL (WARN)	AR	LOCK-OUT, TAG-OUT WARNING LABEL
5	46-317258P1	N	CHANNEL	1	RAIL
6	2342113	N	CASE	1	1.5T SRFD2 REUSABLE FRU CASE
	2262478	1	FAN	4	COOLING FAN FRU

MULTI-LINGUAL LABEL KIT

2146243 FRU N

(PART OF 2296300 PAGE 16-2)
 (PART OF 2296300-2 PAGE 16-2)
 (PART OF 2174500 PAGE 16-4)
 (PART OF 2174500-2 PAGE 16-7)
 (PART OF 2275000 PAGE 16-9)

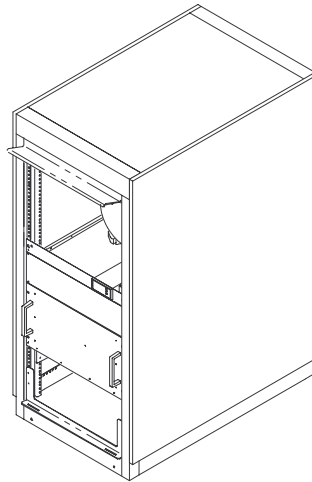
Item	Part Number	FRU	Name	Quantity	Description (Remarks)
2	2146833	2	VINYL STRIP	20	WHITE VINYL STRIP, 1"X5", ADHES BACK
3	2146832	2	WARNING TAG	20	UFI WARNING TAG, ADHESIVE BACK
4	2146831	2	WARN LABEL	2	UFI WARNING LABEL - ENGLISH
5	2146831-2	2	WARN LABEL	2	UFI WARNING LABEL - SPANISH
6	2146831-3	2	WARN LABEL	2	UFI WARNING LABEL - PORTUGUESE
7	2146831-4	2	WARN LABEL	2	UFI WARNING LABEL - ITALIAN
8	2146831-5	2	WARN LABEL	2	UFI WARNING LABEL - GERMAN
9	2146831-6	2	WARN LABEL	2	UFI WARNING LABEL - FRENCH
10	2146831-7	2	WARN LABEL	2	UFI WARNING LABEL - CHINESE
11	2146831-8	2	WARN LABEL	2	UFI WARNING LABEL - JAPANESE

SECTION 17 – TAC CABINET

TABLE OF CONTENTS

SECTION

PAGE

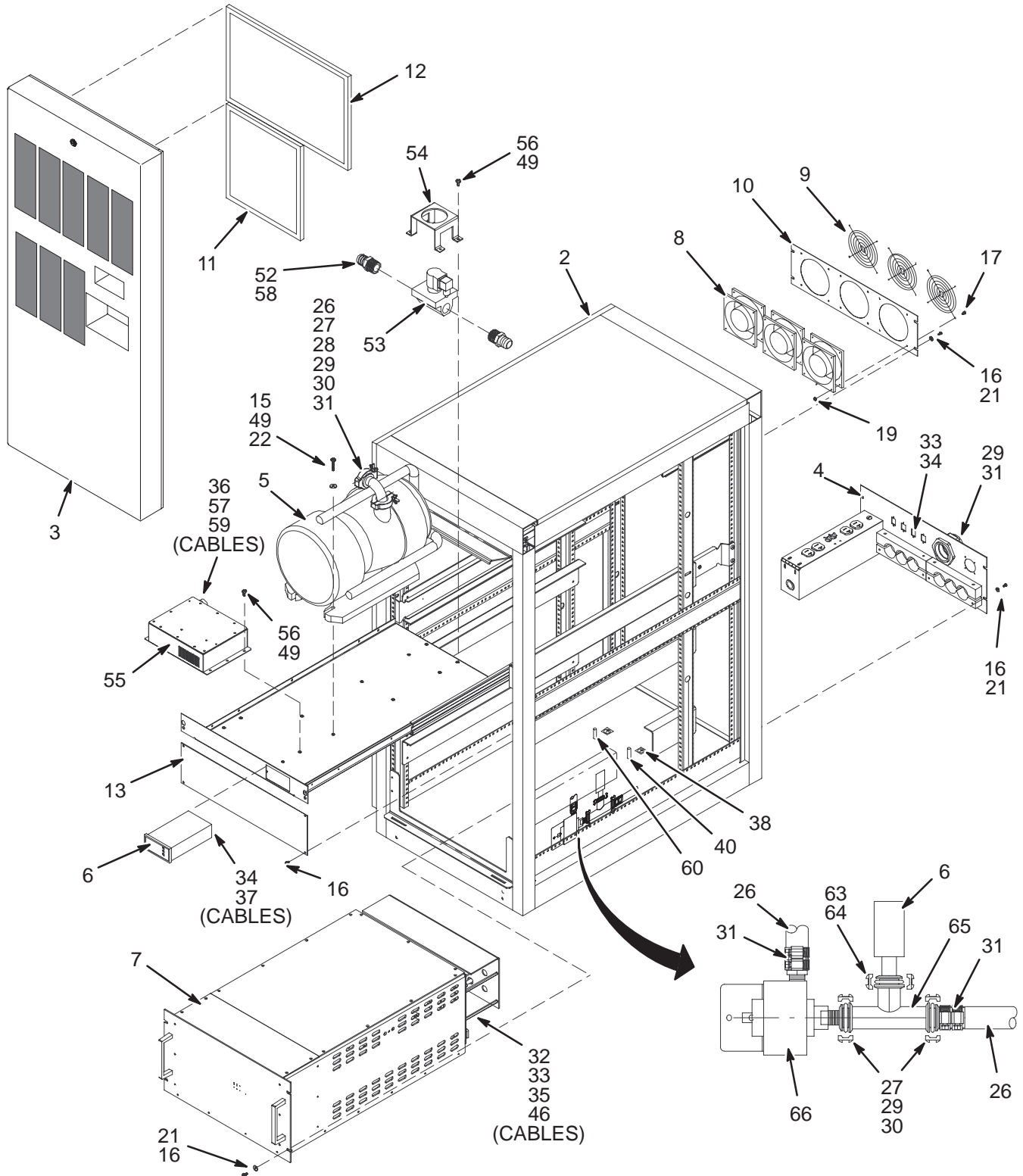


17-1	TwinSpeed ACCESSORY CABINET (TAC)	2239500	17-2
17-2	TwinSpeed ACCESSORY CABINET (TAC) w/SIMPLIFIED VACUUM REGULATOR	5116064	17-6

17-1 TAC CABINET

TWINSPEED ACCESSORY CABINET (TAC)

2239500



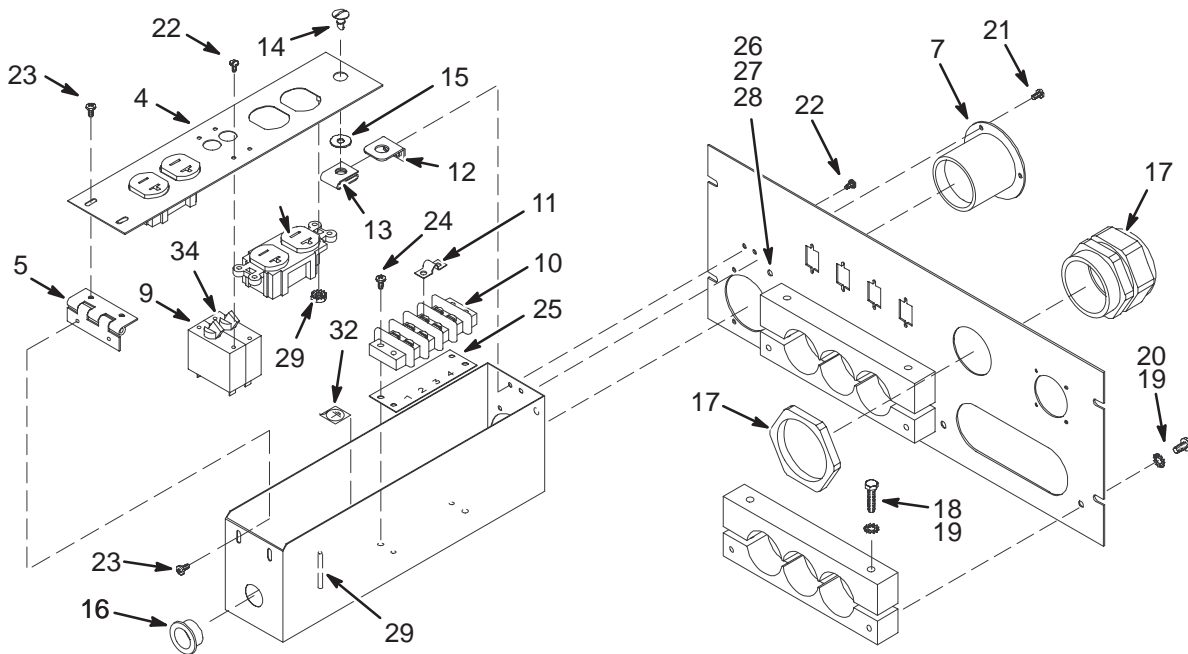
TwinSpeed ACCESSORY CABINET ASM 2239500 FRU N

(PART OF

Item	Part Number	FRU	Name	Quantity	Description (Remarks)
2	2251300	N	ASSEMBLY	1	TWIN ACCESSORY BASIC CABINET ASM
3	2292007	N	COVER ASM	1	TWIN CABINET FRONT COVER ASM
4	2292008	N	I/F PNL ASM	1	TWIN CABINET INTERFACE POWER PANEL (SEE PAGE 17-4)
5	2282045	1	PUMP	1	TWIN VACUUM PUMP SUPPLY
	2282045-2	1	FRU	1	TWIN VACUUM PUMP TIP SEAL KIT
6	2329620	N	GAGE	1	VACUUM SENSOR GAUGE (SEE PAGE 17-5)
7	2253466	1	BOX SIWTCH	1	TWIN GRAD SWITCH BOX
8	2293754	1	FAN,COOLING	3	TWIN COOLING FAN
9	2293755	N	GRILL, FAN	3	TWIN COOLING FAN GRILL
10	2292021	N	PLATE	1	TWIN CABINET MOUNTING PLATE
11	46-306565P1	1	AIR FILTER	1	RESEARCH PRODUCTS 10"EZ-CLEAN FILTER
12	46-306565P2	1	AIR FILTER	1	ALUMINUM MESH AIR FILTER 10 X 10
13	2142125-2	N	COVER	1	COVER FOR TWIN ACCESSORY CABINET
15	2109866-13	N	SCREW	4	SCREW HEXAGON HEAD 6 MM 25 MM
16	2279742-2	N	SCREW	18	SCREW PAN HEAD 5 MM 16 MM
17	2103585-5	N	SCREW	15	SCREW PAN HEAD 4 MM 16 MM
19	46-328425P1	N	NUT	12	NUT HEXAGON 4 MM
21	2109878-7	N	WASHER	12	WASHER PLAIN - NORMAL 5.3 MM 10 MM
22	2317283	N	WASHER, FLAT	4	M6 FIBERGLASS FLAT WASHER
23	46-265067P1	N	CABLE MOUNT	6	I/F PANEL CABLE SCREWLOCK CONNECTOR
26	2293607	N	HOSE,FLEXIBL	13	FLEXIBLE VACUUM HOSE
27	2293608	N	RING, CENTER	4	QF25 CENTERING RING W/O-RING
28	2293609	2	ELBOW	1	QF25 ELBOW (MACROVAC)
29	2293616	2	CONNECTORS	3	QF25 TO 1" HOSE CONNECTOR (MACROVAC)
30	2293618-2	2	CLAMP	4	QF25 CHAIN CLAMP
31	2294010-3	2	HOSE CLAMP	8	WORM DRIVE, 3/4 TO 1-1/2 DIA, SST
32	2283292	N	CABLE	1	(975) PC-RS232 TO TWIN GSW J6
33	2263200-92	N	CABLE COLL	1	TAC-J12 TO GSW-J5
34	2284301	2	CABLE	1	VAC GAUGE TO TAC CABLE
35	2296931-2	N	CABLES	1	GRADIENT SWITCH POWER CABLE
36	2296931-3	N	CABLES	1	VACUUM PUMP POWER CABLE
37	2296931-4	N	CABLES	1	VACUUM GAUGE POWER CABLE
38	46-271110P1	1	LABEL	2	LABEL, PROTECTIVE EARTH (GROUND)
40	46-328425P2	N	NUT	2	NUT HEXAGON 6 MM
41	46-208758P3	N	TY-RAP	10	7.31" X .184" SELF-LOCKING CABLE TIE
42	46-208758P5	N	TY-RAP	2	SELF LOCKING CABLE TIE
46	2290281	N	PART	1	TWIN GRADIENT GROUND WIRE
47	2302524	N	KIT OF PARTS	1	TRM ACCESS CABINET LABELS
49	46-170686P2	N	ADHESIVE	AR	LOCTITE 242, 10CC
51	2297760	N	MISCELLANEOU	AR	VACUUM GREASE MSDS# 8366442
52	2315708	N	FITTING	2	HOSE FITTING
53	2317288	N	VALVE, SOLEN	1	2-WAY, N.C. ZERO DIF SOLENOID VALVE
54	2316569	N	BRACKET	1	VALVE BRACKET
55	2309113	1	CHASSIS	1	VACUUM REGULATOR ASSEMBLY
56	2109873-24	N	SCREW	10	SCREW PAN HEAD 6 MM 12 MM
57	2316981	N	CABLE PT	1	VALVE CABLE
58	46-252065P19	N	MATERIALS	AR	TEFLON TAPE .50 WIDE
59	2317302	N	CABLE PT	1	CORDSET 10A
60	46-328425P12	N	NUT	3	NUT HEXAGON 8 MM
61	2318461	N	CLAMP	1	VACUUM HOIST CLAMP
62	2319180	N	SHACKLE	1	SST 3/16" ANCHOR SHACKLE
63	2293618	1	CLAMP	1	QF16 CHAIN CLAMP
64	2293608-2	1	RING, CENTER	1	QF16 CENTERING RING W/O-RING
65	2293617	1	TEE	1	QF25/25/16 REDUCING TEE (MACROVAC)
66	2356662	1	PART	1	MECHANICAL ABSOLUTE VACUUM REGULATOR

TAC INTERFACE POWER PANEL

2292008



TAC INTERFACE POWER PANEL

2292008 FRU N

(PART OF 2239500 PAGE 17-3)

Item	Part Number	FRU	Name	Quantity	Description (Remarks)
4	2292017	N	COVER	1	TWIN CABINET POWER BOX COVER
5	2287295	N	PART	1	HINGE, POWER BOX
6	2178952	N	CLAMP	2	CABLE CLAMP FOR SGD CABINET
7	2297667	1	HARNESS	1	HUBBELL RECEPTACLE WIRE HARNESS
8	46-287941P1	N	CONNECTOR	2	20 AMP, 125V, DUPLEX RECEPTACLE,
9	46-271382P6	1	CIRCUIT BREA	1	1 POLE, 15 AMP, STD TIME DELAY,
10	46-221880P4	N	TERMINAL	1	04 TERMINALS 50 AMP 1700 VOLTS
11	46-220492P4	N	TERMINAL	1	JUMPER WITH 0.69" CENTERS,
12	46-243709G1	N	BRACKET	1	COVER LATCH RETAINER MOUNT BRACKET
13	46-316410P1	N	FASTENER	1	RECEPTACLE CLIP-ON, SOUTHCO
14	46-220370P6	N	FASTENER	1	STUD, OVAL HD 1/4 TURN SOUTHCO
15	46-316411P1	N	FASTENER	1	RETAINER SPLIT RING TYPE
16	46-208695P61	N	BUSHING	1	HEYCO PART NO.2126 SB-875-11 BLACK
17	2293759	N	STRAIN RELIEF	1	TWIN VACUUM HOSE STRAIN RELIEF
18	46-328416P17	N	SCREW	4	SCREW HEXAGON HEAD 6 MM 50 MM
19	46-328433P3	N	WASHER	8	WASHER LOCK - EXTERNAL 6.4 MM 11 MM
20	46-328421P27	N	SCREW	4	SCREW PAN HEAD 6 MM 25 MM
21	46-328421P15	N	SCREW	3	SCREW PAN HEAD 4 MM 12 MM
22	46-170015P10	N	SCREW	6	SEMS, 6-32 X .25
23	2103585	N	SCREW	4	SCREW PAN HEAD 4 MM 8 MM
24	46-328421P17	N	SCREW	2	SCREW PAN HEAD 4 MM 20 MM
25	2304974	N	STRIP MARKER	1	1-4 HORIZONTAL READING MARKING STRIP
26	46-220184P54	N	SCREW	1	SCREW
27	46-208599P5	N	WASHER	1	1/4" SCREW SIZE EXTERNAL TOOTH STEEL
28	46-208935P8	N	NUT	2	1/4-20, 7/16" HEX X 3/16 THK, BRASS
29	46-312346P2	N	NUT	12	NUT, M4 X 0.7 HEX WITH LOCK WASHER
31	2297666	N	HARNESS	1	TAC PDU WIRE HARNESS
32	46-271110P1	1	LABEL	2	LABEL, PROTECTIVE EARTH (GROUND)
33	46-271110P5	N	LABEL	1	LABEL
34	46-271382P15	1	CIRCUIT BREA	1	1 POLE, 20 AMP, STD TIME DELAY,

VACUUM SENSOR GAUGE

2329620 FRU N

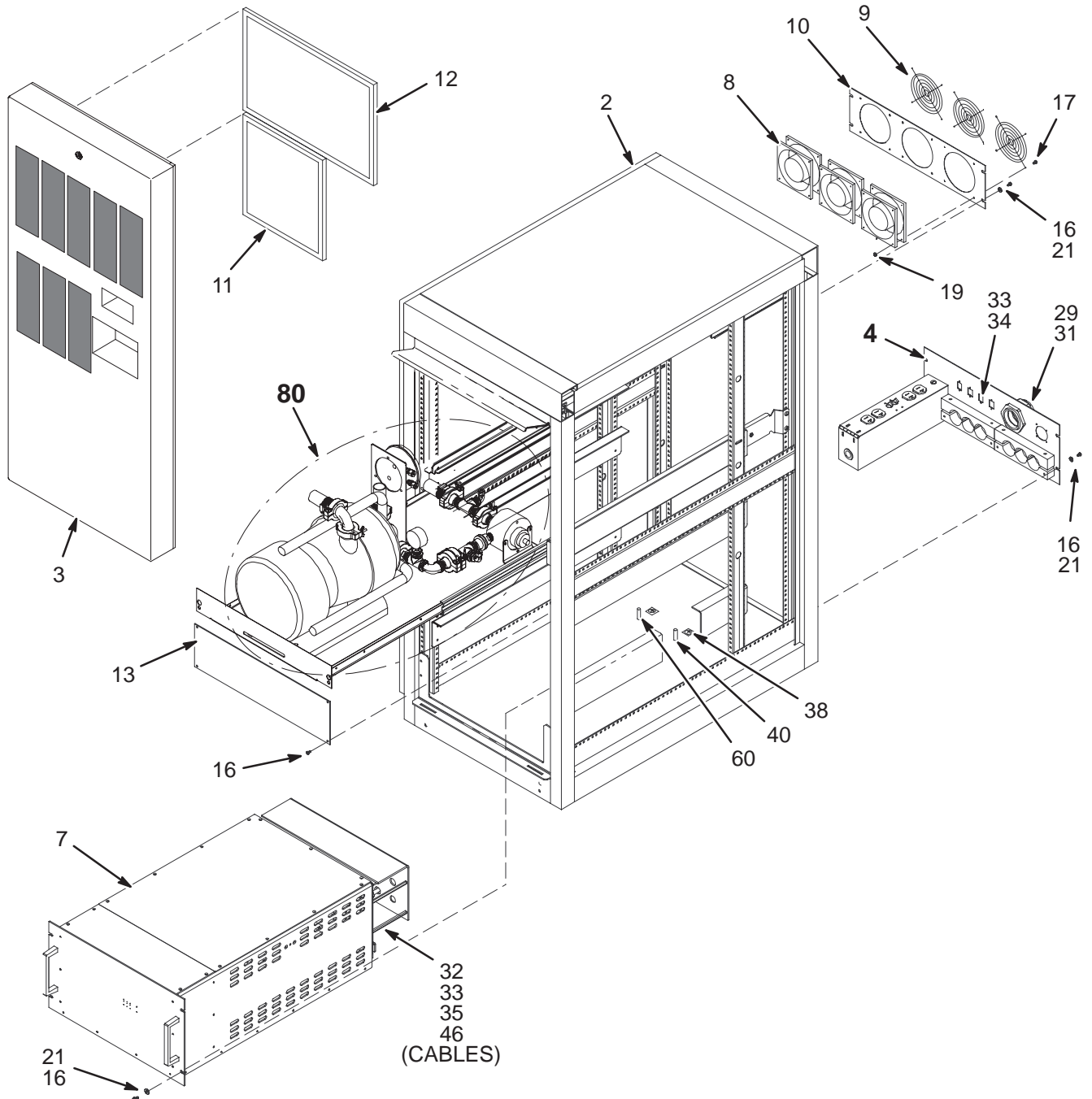
(PART 6 OF 2239500 PAGE 17-3)

Item	Part Number	FRU	Name	Quantity	Description (Remarks)
	2329620-2	1	PART	1	VACUUM GAUGE CONTROLLER
	2329620-3	1	PART	1	VACUUM SENSOR W/KF16 FLANGE
	2329620-4	1	PART	1	VACUUM, GAUGE CONTROLLER CABLE

17-2 TAC CABINET with SIMPLIFIED VACUUM REGULATOR

TWINSPEED ACCESSORY CABINET (TAC)

5116064



TwinSpeed ACCESSORY CABINET

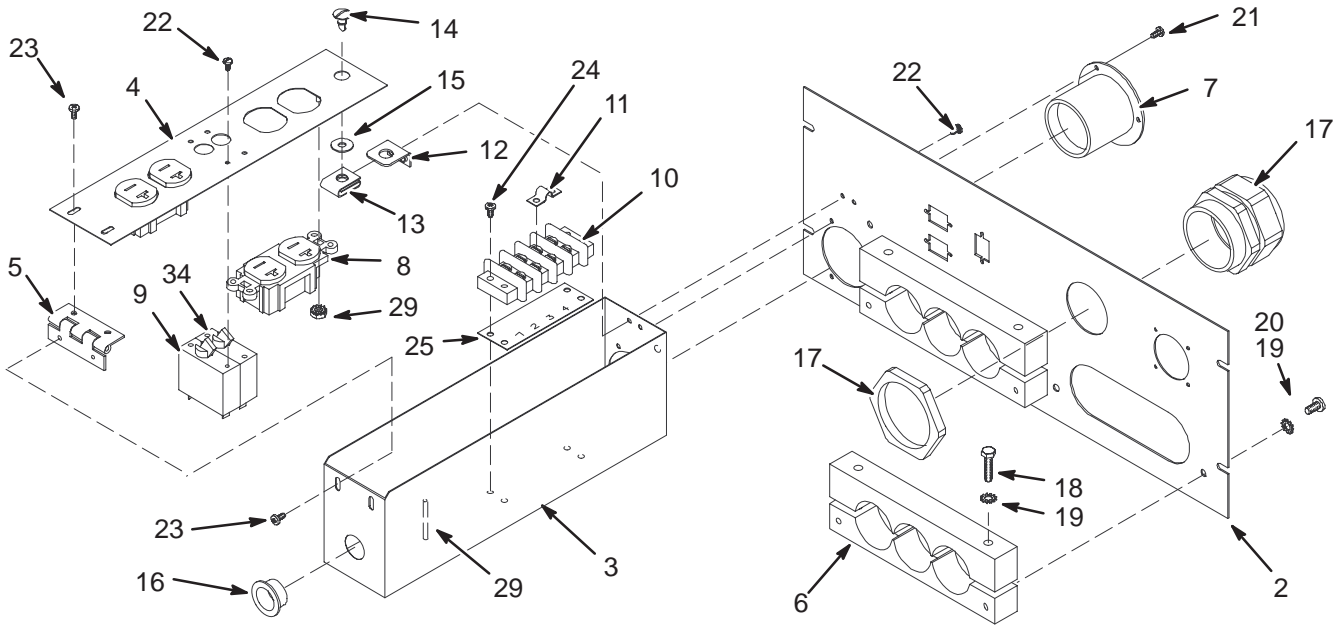
5116064 FRU N

(PART 72 OF M3000TD PAGE 1-76)

Item	Part Number	FRU	Name	Quantity	Description (Remarks)
2	5119232	N	PDM ASSEMBLY	1.0	NEW TWIN ACCESSORY BASIC CABINET ASM
3	2292007	N	COVER ASM	1.0	TWIN CABINET FRONT COVER ASM
4	5119228	N	PDM ASSEMBLY	1.0	INTERFACE POWER PANEL ASSEMBLY
7	2253466	N	BOX SIWTCH	1.0	TWIN GRAD SWITCH BOX
8	2293754	N	OUT OF CATAL	3.0	TWIN COOLING FAN
9	2293755	N	OUT OF CATAL	3.0	TWIN COOLING FAN GRILL
10	2292021	N	PLATE	1.0	TWIN CABINET MOUNTING PLATE
11	46-306565P1	N	AIR FILTER	1.0	RESEARCH PRODUCTS 10"EZ-CLEAN FILTER
12	46-306565P2	N	AIR FILTER	1.0	ALUMINUM MESH AIR FILTER 10 X 10
13	2142125-2	N	COVER	1.0	COVER FOR TWIN ACCESSORY CABINET
16	2279742-2	N	SCREW	16.0	SCREW PAN HEAD 5 MM 16 MM
17	2103585-5	N	PDM PART	15.0	SCREW PAN HEAD 4 MM 16 MM
19	46-328425P1	N	PDM PART	12.0	NUT HEXAGON 4 MM
21	2109878-7	N	PDM PART	12.0	WASHER PLAIN - NORMAL 5.3 MM 10 MM
23	46-265067P1	N	CABLE MOUNT	2.0	I/F PANEL CABLE SCREWLOCK CONNECTOR
32	2283292	N	CABLE	1.0	(975) PC-RS232 TO TWIN GSW J6
33	2263200-92	N	CABLE COLL	1.0	TAC-J12 TO GSW-J5
35	2296931-2	N	CABLES	1.0	GRADIENT SWITCH POWER CABLE
38	46-271110P1	N	PDM PART	2.0	LABEL, PROTECTIVE EARTH (GROUND)
40	46-328425P2	N	PDM PART	2.0	NUT HEXAGON 6 MM
41	46-208758P3	N	TY-RAP	14.0	7.31" X .184" SELF-LOCKING CABLE TIE
46	2290281	N	PART	1.0	TWIN GRADIENT GROUND WIRE
47	2302524	N	KIT OF PARTS	1.0	TRM ACCESS CABINET LABELS
48	46-328421P23	N	PDM PART	2.0	SCREW PAN HEAD 6 MM 10 MM
60	46-328425P12	N	PDM PART	3.0	NUT HEXAGON 8 MM
61	2318461	N	CLAMP	1.0	VACUUM HOIST CLAMP
62	2319180	N	OUT OF CATAL	1.0	SST 3/16" ANCHOR SHACKLE
80	5119169	N	PDM ASSEMBLY	1.0	VACUUM SYSTEM
81	46-208747P2	N	PDM PART	2.0	ADHESIVE MOUNT - CABLE TIE

TAC INTERFACE POWER PANEL

5119228



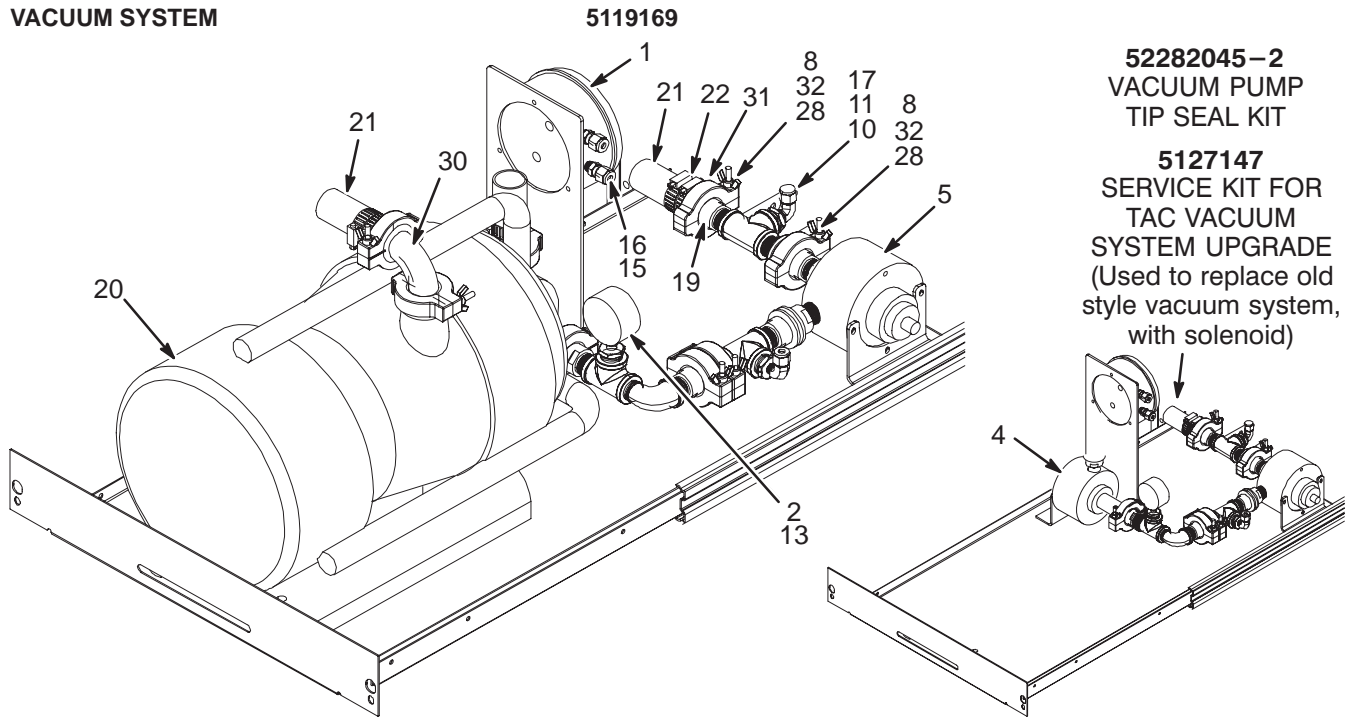
TAC INTERFACE POWER PANEL

5119228 FRU N

(PART 4 OF 5116064 PAGE 17-7)

Item	Part Number	FRU	Name	Quantity	Description (Remarks)
2	5116077	N	PDM PART	1.0	REAR ACCESS PANEL
3	2292016	N	BOX	1.0	TWIN CABINET ENCLOSURE POWER BOX
4	2292017	N	COVER	1.0	TWIN CABINET POWER BOX COVER
5	2287295	N	PART	1.0	HINGE, POWER BOX
6	2178952	N	CLAMP	2.0	CABLE CLAMP FOR SGD CABINET
7	2297667	1	HARNESS	1.0	HUBBELL RECEPTACLE WIRE HARNESS
8	46-287941P1	1	CONNECTOR	2.0	20 AMP, 125V, DUPLEX RECEPTACLE,
9	46-271382P6	1	CIRCUIT BREA	1.0	1 POLE, 15 AMP, STD TIME DELAY,
10	46-221880P4	2	TERMINAL	1.0	04 TERMINALS 50 AMP 1700 VOLTS
11	46-220492P4	2	TERMINAL	1.0	JUMPER WITH 0.69" CENTERS,
12	46-243709G1	N	BRACKET	1.0	COVER LATCH RETAINER MOUNT BRACKET
13	46-316410P1	N	PDM PART	1.0	RECEPTACLE CLIP-ON, SOUTHCO
14	46-220370P6	N	PDM PART	1.0	STUD, OVAL HD 1/4 TURN SOUTHCO
15	46-316411P1	N	PDM PART	1.0	RETAINER SPLIT RING TYPE
16	46-208695P61	2	PDM PART	1.0	HEYCO PART NO.2126 SB-875-11 BLACK
17	2293759	N	OUT OF CATAL	1.0	TWIN VACUUM HOSE STRAIN RELIEF
18	46-328416P17	N	PDM PART	4.0	SCREW HEXAGON HEAD 6 MM 50 MM
19	46-328433P3	N	PDM PART	8.0	WASHER LOCK - EXTERNAL 6.4 MM 11 MM
20	46-328421P27	N	PDM PART	4.0	SCREW PAN HEAD 6 MM 25 MM
21	46-328421P15	N	PDM PART	3.0	SCREW PAN HEAD 4 MM 12 MM
22	46-170015P10	N	PDM PART	6.0	SEMS, 6-32 X .25
23	2103585	N	PDM PART	4.0	SCREW PAN HEAD 4 MM 8 MM
24	46-328421P17	N	PDM PART	2.0	SCREW PAN HEAD 4 MM 20 MM
25	2304974	N	OUT OF CATAL	1.0	1-4 HORIZONTAL READING MARKING STRIP
26	46-220184P54	N	PDM PART	1.0	SCREW
27	46-208599P5	N	PDM PART	1.0	1/4" SCREW SIZE EXTERNAL TOOTH STEEL
28	46-208935P8	N	PDM PART	2.0	1/4-20, 7/16" HEX X 3/16 THK, BRASS
29	46-312346P2	N	PDM PART	12.0	NUT, M4 X 0.7 HEX WITH LOCK WASHER
31	2297666	N	HARNESS	1.0	TAC PDU WIRE HARNESS
32	46-271110P1	1	PDM PART	2.0	LABEL, PROTECTIVE EARTH (GROUND)
34	46-271382P15	1	CIRCUIT BREA	1.0	1 POLE, 20 AMP, STD TIME DELAY,

VACUUM SYSTEM



VACUUM SYSTEM

5119169 FRU N

(PART 80 OF 5116064 PAGE 17-7)

Item	Part Number	FRU	Name	Quantity	Description (Remarks)
1	5117422	2	OUT OF CATAL	1.0	PRESSURE DIFFERENTIAL GAGE
2	5117424	2	OUT OF CATAL	1.0	VACUUM GAGE
4	5117418	2	PDM ASSEMBLY	1.0	MECHANICAL REGULATOR 140 TORR
5	5117419	2	PDM ASSEMBLY	1.0	MECHANICAL REGULATOR 160 TORR
6	5118092	N	PDM PART	1.0	BRACKET FOR PRESSURE DIFFERENTIAL GA
8	5118818	N	OUT OF CATAL	8.0	CLAMP NW 20-25
9	5123084	N	OUT OF CATAL	2.8	THREAD SEALANT
10	5118819	N	OUT OF CATAL	3.0	FEMALE TEE, CAST RED BRASS NPT X NPT
11	5118820	N	OUT OF CATAL	2.0	HEX BUSHING MALE-FEMALE CAST BRASS
12	5118821	N	OUT OF CATAL	1.0	90 DEGREE ELBOW, MALE X FEMALE CAST
13	5124834	N	OUT OF CATAL	1.0	HEX BUSHING MALE-FEMALE CAST BRASS
15	5119175	N	OUT OF CATAL	0.7	HOSE FOR PRESSURE DIFFERENTIAL GAGE
16	5118915	N	OUT OF CATAL	2.0	COMPRESSION FITTING - STRAIGHT
17	5118916	N	OUT OF CATAL	2.0	COMPRESSION FITTING - ELBOW
19	5118640	N	OUT OF CATAL	6.0	FLANGE NW 25 X 1-2 MNPT
20	2282045	N	PUMP	1.0	TWIN VACUUM PUMP SUPPLY
21	2293607	N	OUT OF CATAL	9.2	FLEXIBLE VACUUM HOSE
22	2294010-3	N	OUT OF CATAL	8.0	WORM DRIVE, 3/4 TO 1-1/2 DIA, SST
23	2109866-13	N	PDM PART	4.0	SCREW HEXAGON HEAD 6 MM 25 MM
24	46-170686P2	N	ADHESIVE	0.05	LOCTITE 242, 10CC
25	2317283	N	WASHER, FLAT	4.0	M6 FIBERGLASS FLAT WASHER
27	46-328432P3	N	PDM PART	9.0	WASHER LOCK - SPRING 6.1 MM 11.8 MM
28	2297760	N	OUT OF CATAL	0.1	VACUUM GREASE MSDS# 8366442
29	46-220181P3	N	PDM PART	3.0	WASHER HELICAL#6 SCREW SIZE (0.138)
30	2293609	N	OUT OF CATAL	1.0	QF25 ELBOW (MACROVAC)
31	2293616	N	OUT OF CATAL	4.0	QF25 TO 1" HOSE CONNECTOR (MACROVAC)
32	2293608	N	OUT OF CATAL	8.0	QF25 CENTERING RING W/O-RING
33	46-328417P13	N	PDM PART	9.0	SCREW HEXAGON SOCKET 6 MM 16 MM
34	46-328431P2	N	PDM PART	9.0	WASHER PLAIN - LARGE 6.4 MM 18 MM