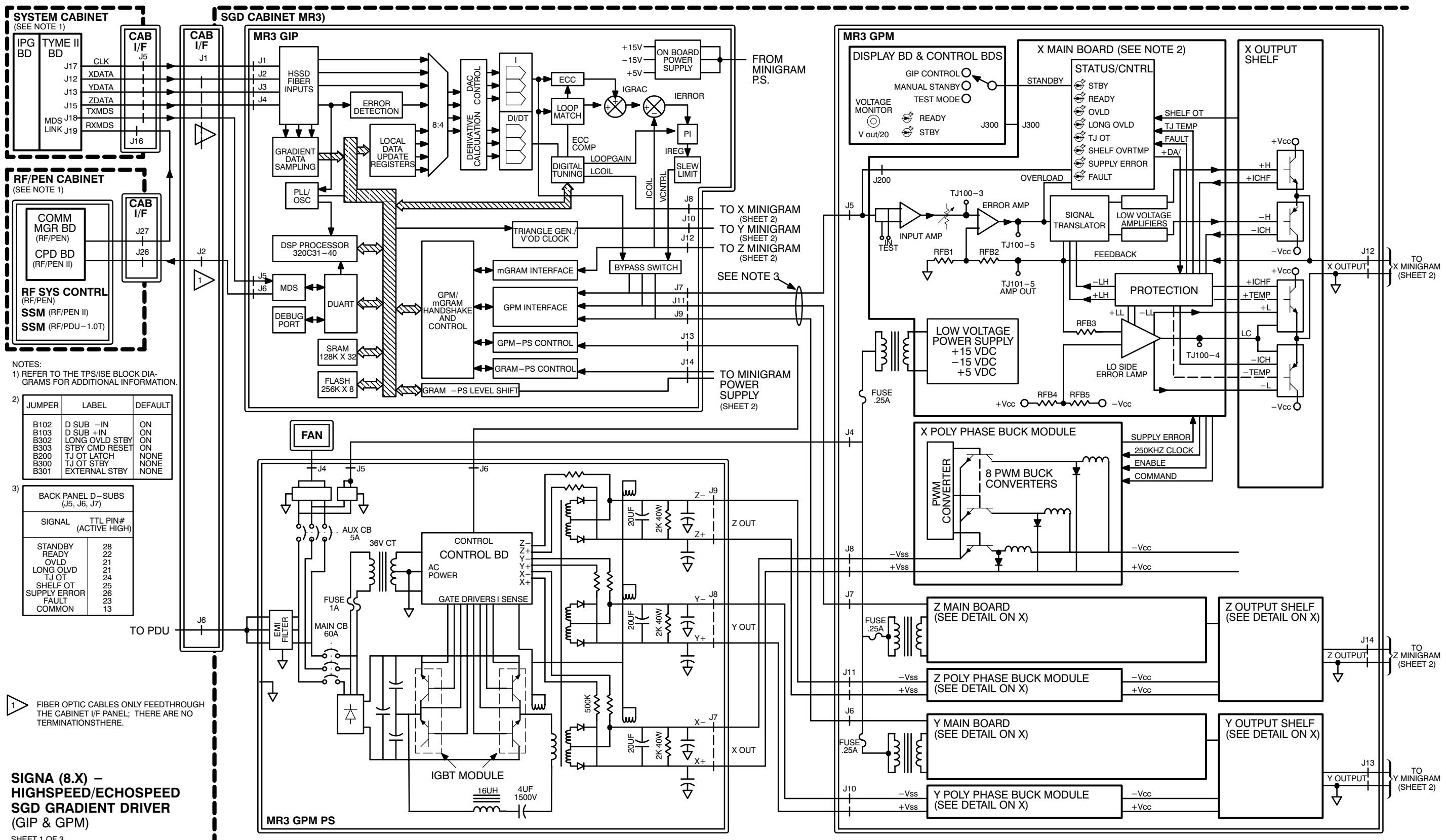


SIGNA RELEASE 8.X
BLOCK DIAGRAMS & SUPPLEMENTAL SCHEMATICS

GE MEDICAL SYSTEMS

REV 8

DIRECTION 2153389



NOTES:
1) REFER TO THE TPS/ISE BLOCK DIAGRAMS FOR ADDITIONAL INFORMATION.

2)

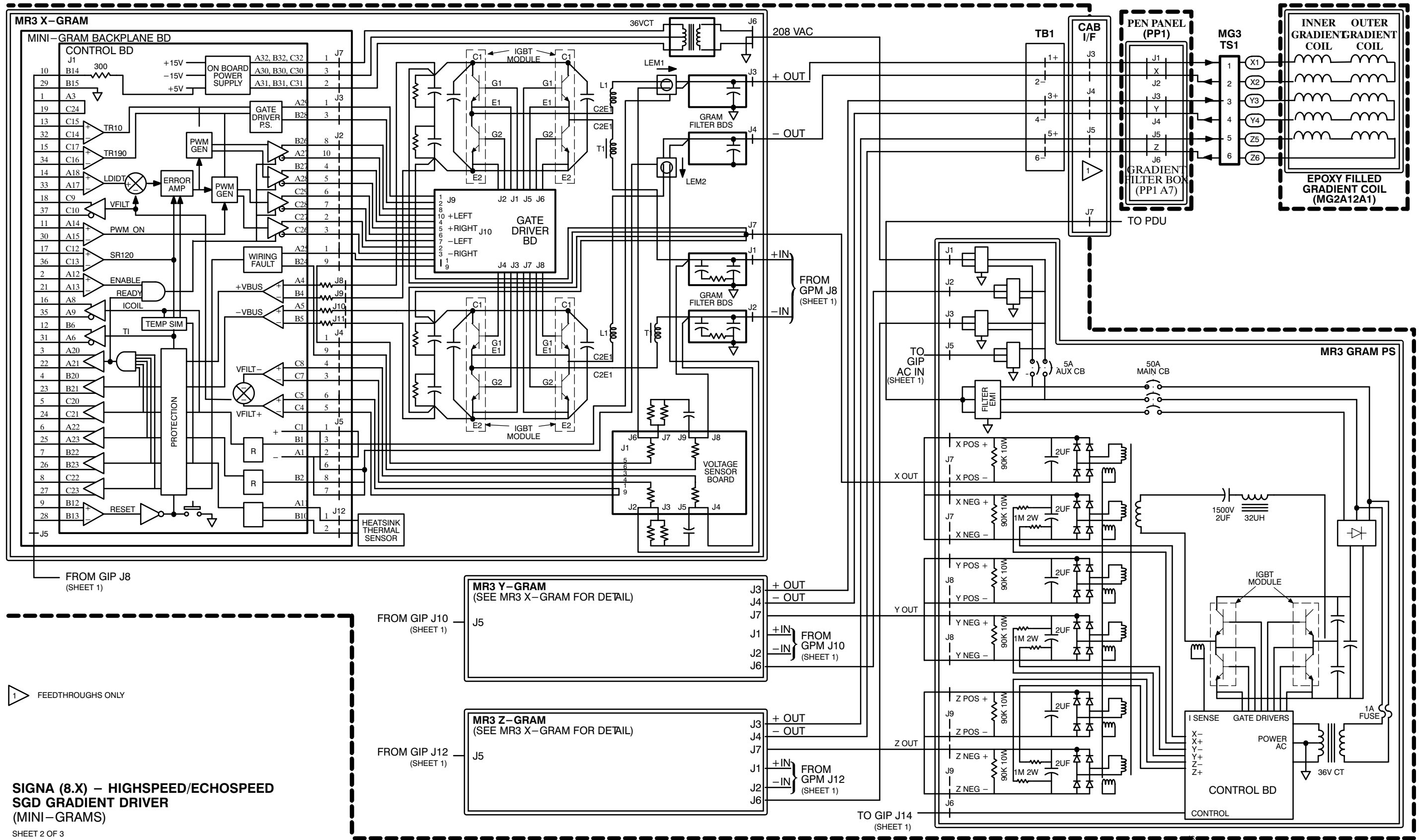
JUMPER	LABEL	DEFAULT
B102	D SUB -IN	ON
B103	D SUB +IN	ON
B302	LONG OVLD STBY	ON
B303	STBY CMD RESET	ON
B200	TJ OT LATCH	NONE
B300	TJ OT STBY	NONE
B301	EXTERNAL STBY	NONE

3)

BACK PANEL D-SUBS (J5, J6, J7)	
SIGNAL	TTL PIN# (ACTIVE HIGH)
STANDBY	28
READY	22
OVLD	21
LONG OVLD	24
TJ OT	21
SHELF OT	25
SUPPLY ERROR	26
FAULT	23
COMMON	13

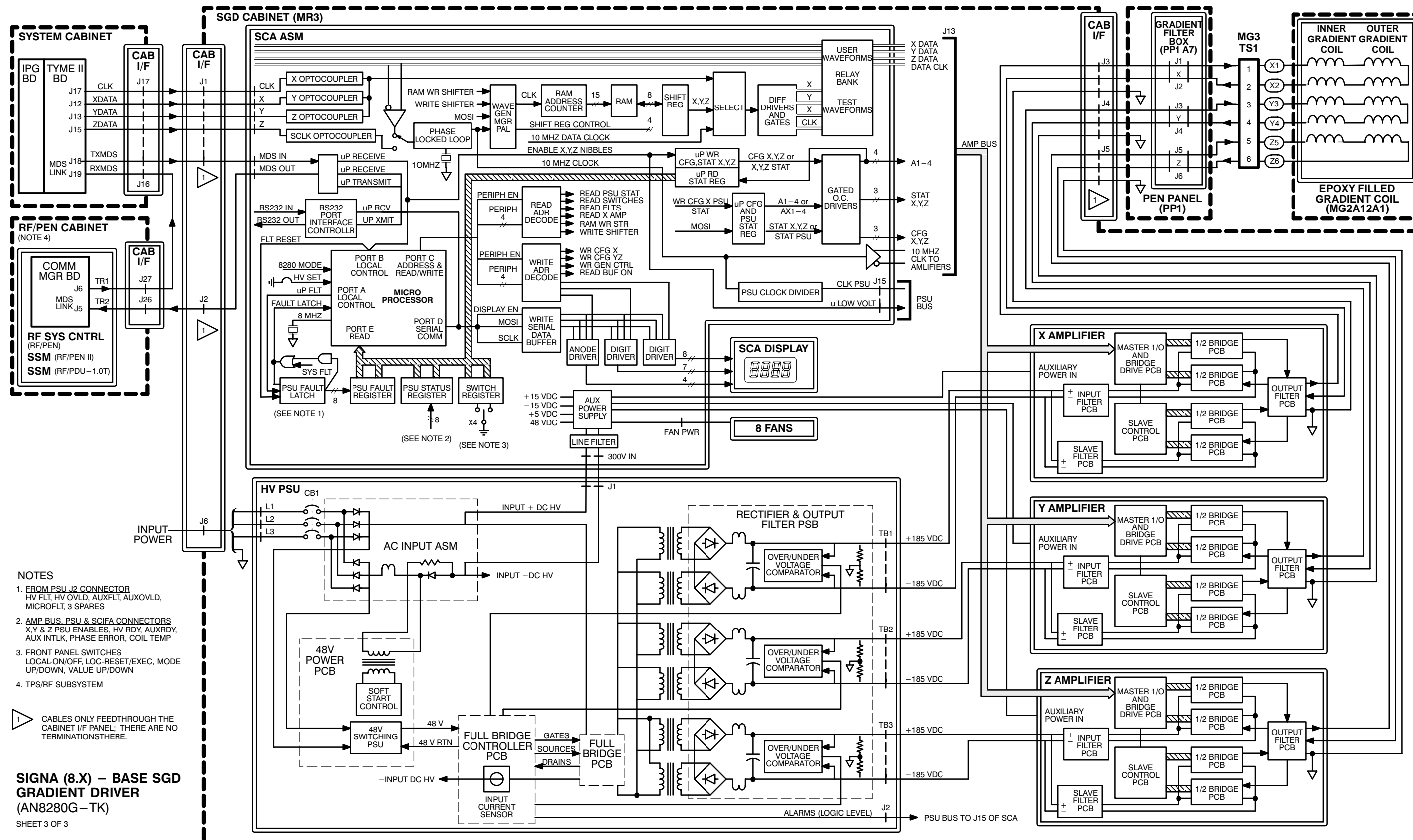
1 FIBER OPTIC CABLES ONLY FEEDTHROUGH THE CABINET I/F PANEL; THERE ARE NO TERMINATIONS THERE.

**SIGNA (8.X) -
HIGH SPEED/ECHOSPEED
SGD GRADIENT DRIVER
(GIP & GPM)**
SHEET 1 OF 3



**SIGNA (8.X) – HIGHSPEED/ECHOSPEED
SGD GRADIENT DRIVER
(MINI-GRAMS)**

SHEET 2 OF 3



- NOTES**
1. FROM PSU J2 CONNECTOR
HV FLT, HV OVLD, AUXFLT, AUXOVL, MICROFLT, 3 SPARES
 2. AMP BUS, PSU & SCIFA CONNECTORS
X, Y & Z PSU ENABLES, HV RDY, AUXRDY, AUX INTLK, PHASE ERROR, COIL TEMP
 3. FRONT PANEL SWITCHES
LOCAL-ON/OFF, LOC-RESET/EXEC, MODE UP/DOWN, VALUE UP/DOWN
 4. TPS/RF SUBSYSTEM

1 CABLES ONLY FEED THROUGH THE CABINET I/F PANEL; THERE ARE NO TERMINATIONS THERE.

SIGNA (8.X) – BASE SGD GRADIENT DRIVER (AN8280G – TK)
SHEET 3 OF 3