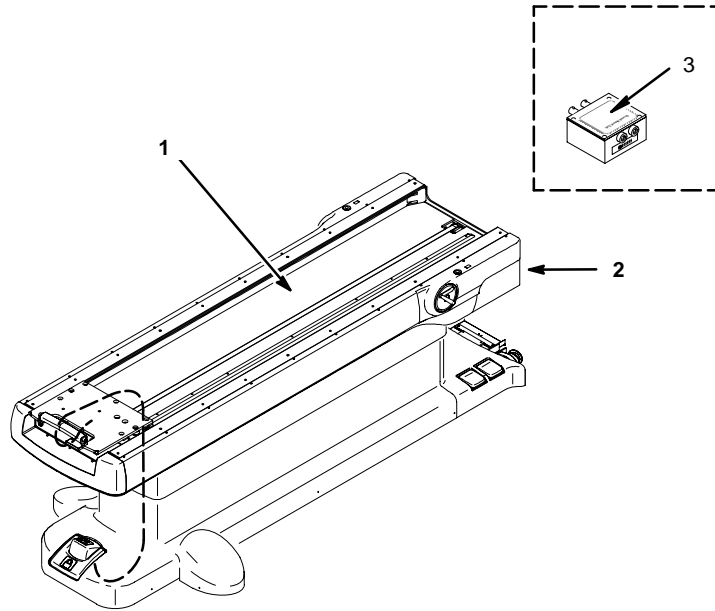


# SECTION TBL – TABLE

## PATIENT SUPPORT TABLE

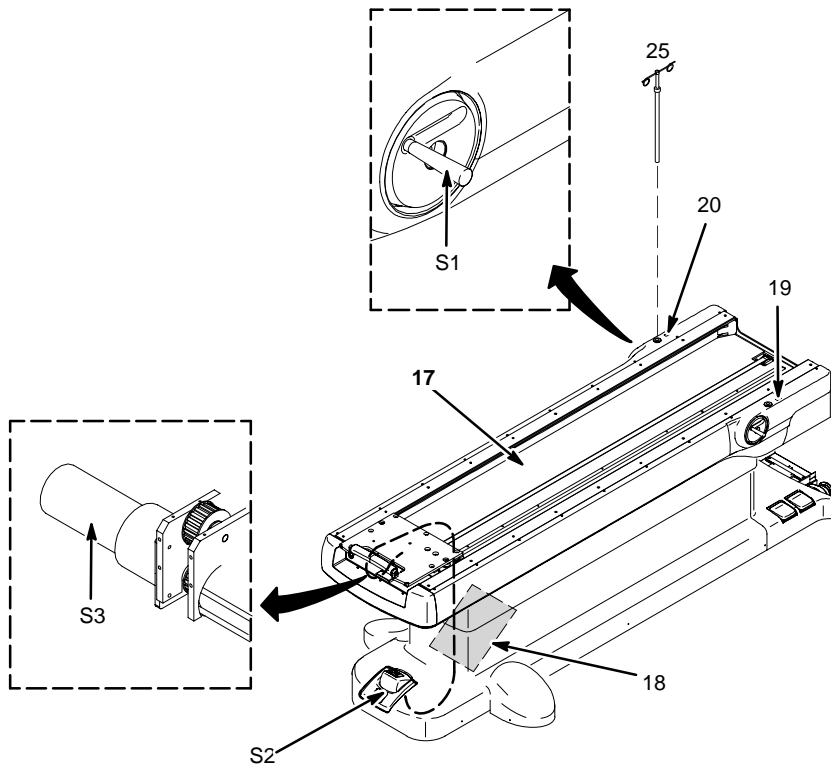


## PATIENT SUPPORT TABLE

1	2262700-2	N	TABLE	1	PATIENT SUPPORT TABLE <b>See Page TBL-2</b>
2	2218400-2	1	MSHS	1	MFO MR MOUSE HOUSE <b>See Page TBL-4</b>
3	2148308	1	CONN	1	HEAD COIL QUICK DISCONNECT

REV 2

PATIENT SUPPORT TABLE 2262700-2 REV 001



PATIENT SUPPORT TABLE 2262700-2 REV 001

Item	Part Number	FRU	Name	Quantity	Description (Remarks)
17	2292892-2	N	FRAME ASM	1	TABLE FRAME ASSEMBLY <b>See Page TBL-3</b>
18	2258719	1	BOARD	1	ELECTRONICS BOARD
19	2258719-2	1	BOARD	1	MASTER DISPLAY BOARD
20	2258719-3	1	BOARD	1	REMOTE DISPLAY BOARD
25	46-271551G1	1	IV SUPPORT	1	IV SUPPORT
46	2275695	N	CABLE KIT	1	TABLE CABLE COLLECTOR KIT
S1	2297674	1	HANDLE	1	WEN HFO TABLE CRANK HANDLE REPL. KIT
S2	2271765	1	SWITCH	1	WEN FOOT SWITCH
S3	2251519	1	MOTOR	1	WEN HFO LONG DRIVE MOTOR FRU ASSEMBLY

REV 2

TABLE FRAME ASSEMBLY 2292892-2 REV 001

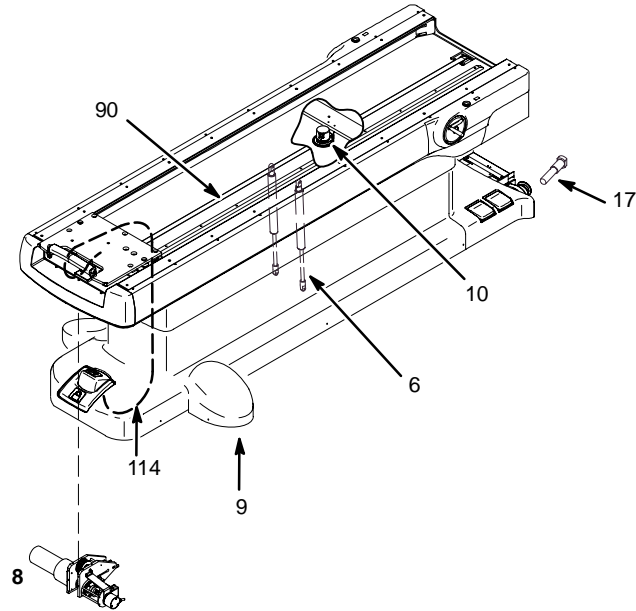
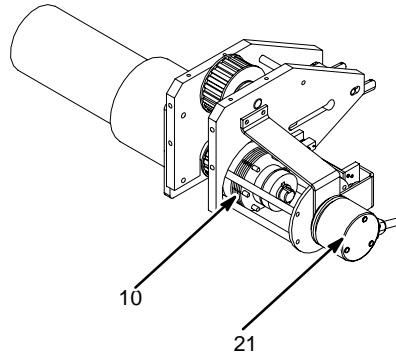


TABLE FRAME ASSEMBLY 2292892-2 REV 001

Item	Part Number	FRU	Name	Quantity	Description (Remarks)
6	2270862-2	1	GAS SPRING	2	GAS SPRING
8	2286250-2	1	DRIVER	1	LONGITUDINAL DRIVE ASSEMBLY-BGL <b>See Page TBL-4</b>
9	2270857	1	BRAKE	2	BRAKE ASM WHEELS
10	2271067	1	ENCODER	1	ENCODER W/CABLE
17	2252100	1	WHEEL	2	BOLT WHEEL
90	2251364	1	BELT	1	DRIVE BELT
114	46-256080P1	2	CABLE	5	BRAKE CABLE

REV 2

**LONGITUDINAL DRIVE –BGL 2286250–2 REV 002**



**LONGITUDINAL DRIVE –BGL 2286250–2 REV 002**

Item	Part Number	FRU	Name	Quantity	Description (Remarks)
10	2262000	1	CLUTCH	1	CLUTCH WITH PULLEY
21	46–282361P3	1	ENCODER	1	LONGITUDINAL ENCODER, MG3–A5–J7
56	2293048	1	CABLE	1	PHOTO REFLECTIVE SENSOR CABLE
57	2273727–2	1	CABLE	1	MG3–A5–J14 TO SRI EOT

**TABLE CABLE COLLECTOR KIT 2275695 REV 000**

Item	Part Number	FRU	Name	Quantity	Description (Remarks)
1	46–317220P19	1	CABLE	1	(875) MG3–A4–J6 TO PT1–J1
2	46–317220P20	1	CABLE	1	(876) MG3–A4–J7 TO PT1–J2
3	46–317220P21	1	CABLE	1	(877) MG3–A4–J8 TO PT1–J3
4	46–317220P22	1	CABLE	1	(878) MG3–A4–J5 TO PT1–J4
5	2262695	1	CABLE	1	(879) MG3–A4–J6 TO PT1–J5
6	2262696	1	CABLE	1	(881) MG3–A4–J6 TO PT1–J15
7	46–320888G3	1	CABLE	1	(891) MG3–A4–J1 TO PT1–J6
8	46–320888G4	1	CABLE	1	(892) MG3–A4–J10 TO PT1–J7
9	2262694	1	CABLE	1	(905) MG3–A4–J4 TO PT1–J10
10	2262694–2	1	CABLE	1	(880) MG3–A4–J9 TO PT1–J9

**MFO MR MOUSE HOUSE 2218400–2 REV 002**

Item	Part Number	FRU	Name	Quantity	Description (Remarks)
10	2252732–2	N	HEAD TR 0.35T	2	MFO HEAD T/R BOARD
19	2254924	1	STUD MOUNTIN	4	MOUSEHOUSE MOUNTING STUD
20	2258811	N	COVER ASM	1	MOUSEHOUSE COVER ASM – RIGHT
21	2258810	N	COVER ASM	1	MOUSEHOUSE COVER ASM – LEFT
34	2262869	N	LED	2	RED/GREEN/YELLOW MOUSEHOUSE LED

REV 2

**Revision History**

<b>Rev</b>	<b>Date</b>	<b>Author</b>	<b>Primary reasons for change</b>
0	May 23, 2001	M.Ikeda	Initial release
1	Jan. 31, 2002	M.Ikeda	Added renewal parts of patient table
2	Jul. 4, 2002	M.Ikeda	Added renewal parts of Longitudinal Drive