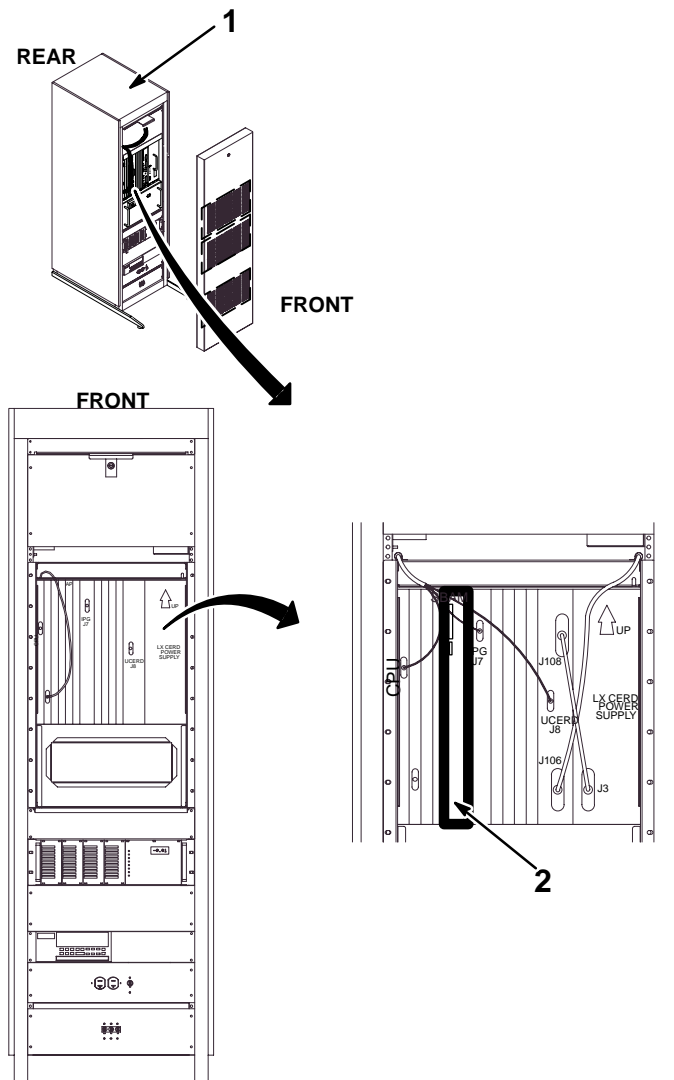


SECTION SC – SYSTEM CABINET

0.35T SYSTEM CABINET



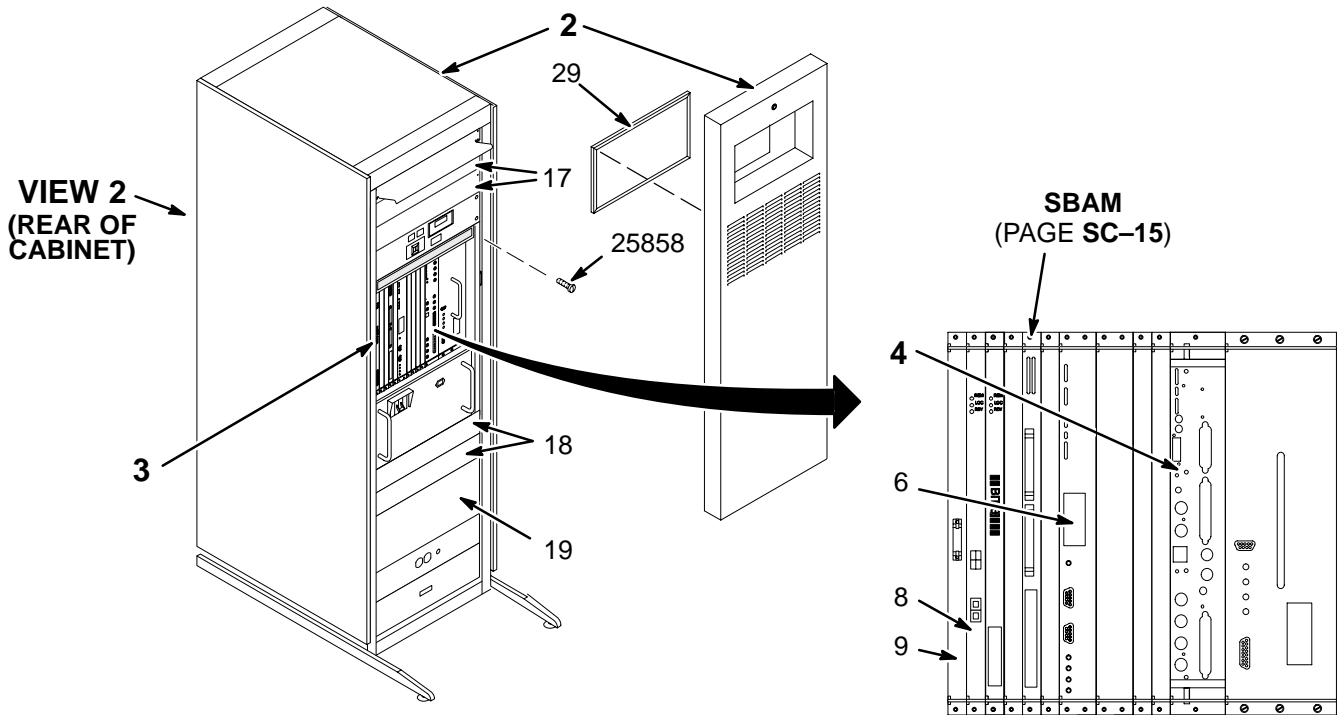
0.35T SYSTEM CABINET

Part Number	FRU	Name	Quantity	Description (Remarks)
1	2138300-32	N SYSTEM CABINET	1	0.35T SYSTEM CABINET (SEE PAGE SC-2)
2	2285506	N SBAM ASM	1	(SEE PAGE SC-15)

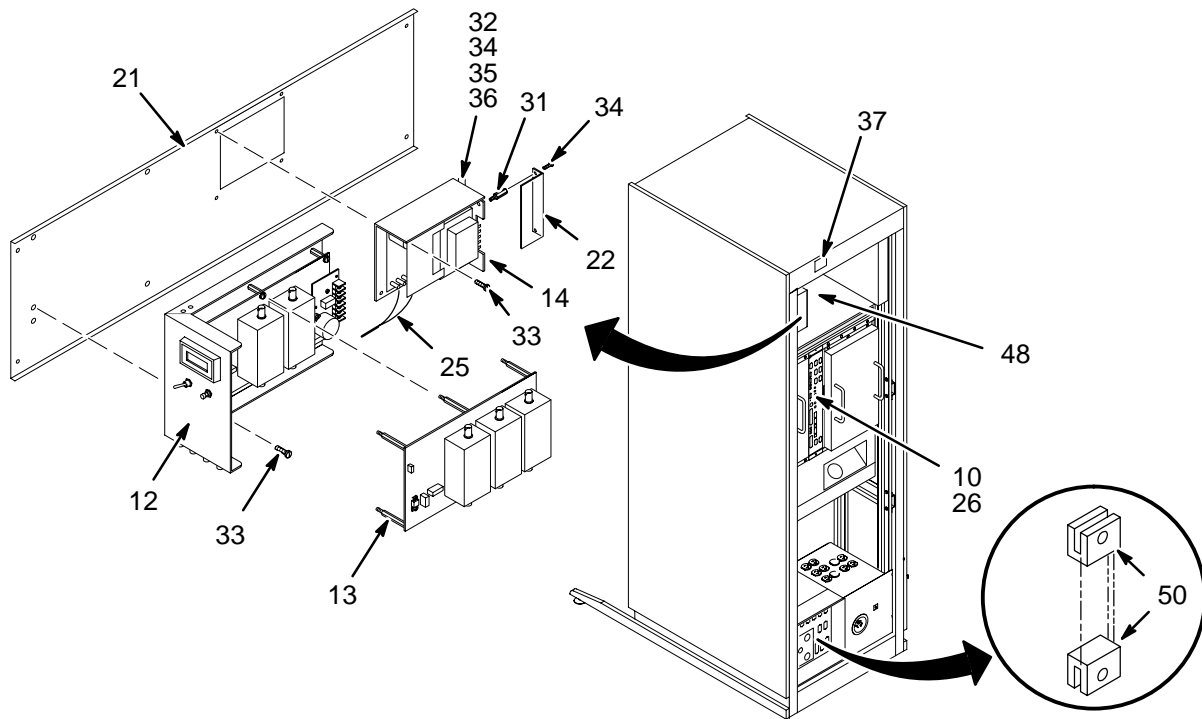
REV 1

0.35T SYSTEM CABINET

2138300-32



VIEW 1



VIEW 2

REV 1

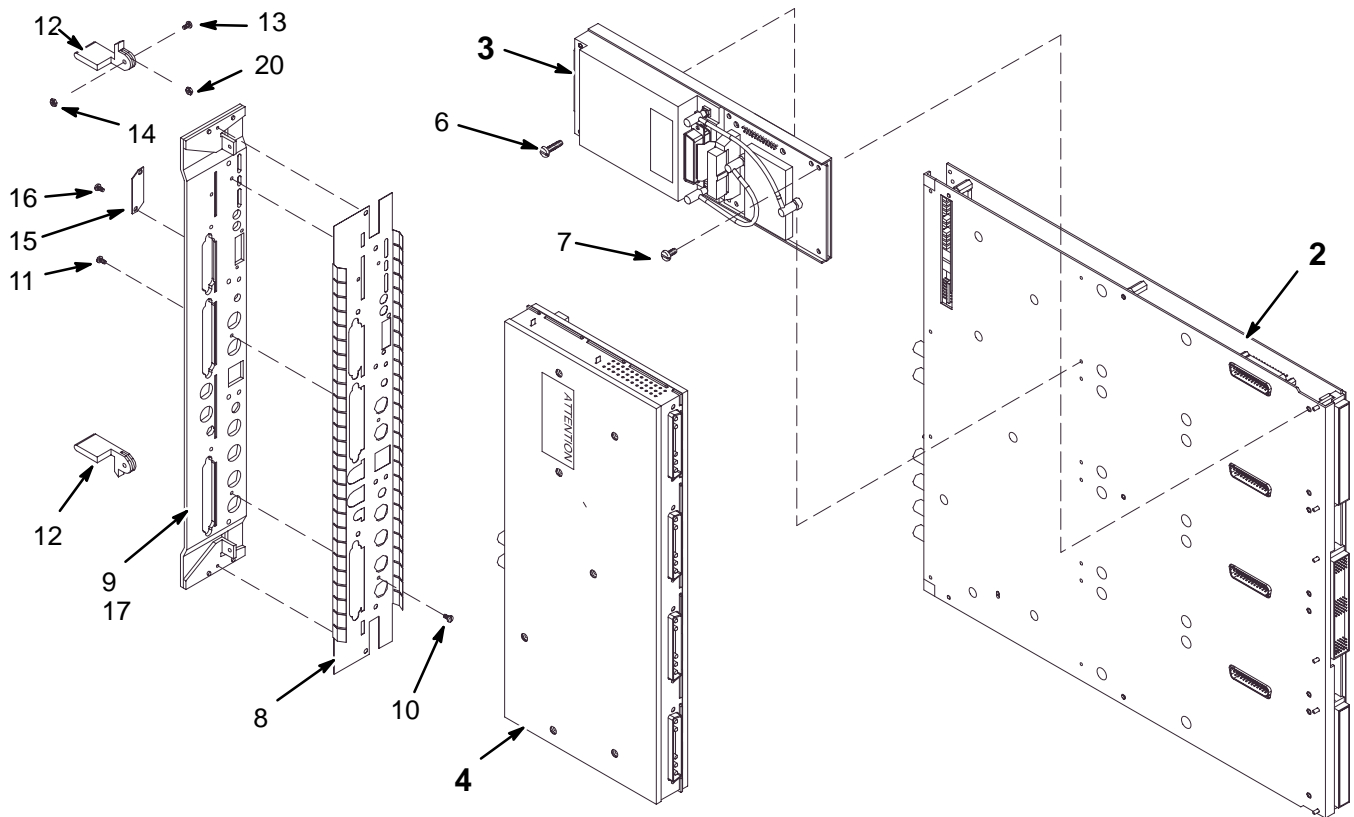
0.35T SYSTEM CABINET 2138300-32

Part Number	FRU	Name	Quantity	Description (Remarks)
2A	2297066	N	1	SYSTEM CABIN MR SYSTEM CABINET W/CABLES+SLIDES (SEE PAGE SC-8)
2B	2148375	N	1	SYSTEM CABIN HLB BASIC LX SYS CAB (SEE PAGE SC-7)
3	2138600-31	N	1	ISE CHASSIS 19" MOUNTABLE CARDRACK-UCERD (SEE PAGE SC-15)
4	2221400	N	1	ASSEMBLY UNIVERSAL CERD WITH PHASED ARRAY (SEE PAGE SC-4)
6	2160818-7	1	1	CIRCUIT BOAR IPGII SUN STYLE FRONT PANEL
8	2235744-2	1	1	BIT3 CRD SET VMEBUS ADAPTER CARD
9	2100968-2	1	1	MVME 162 CPU TPS MVME 162 SINGLE BD CONTROLLER
10	2115088-2	1	1	TYME II TYME II ASSEMBLY
12	2114342-2	1	1	1.0T TNS 2CH TRANSIENT NOISE FILTER ASM; 1.0T
13	2114342-5	1	1	1.0T TNS 3CH 1.0T M/C TRANSIENT NOISE FILTER
14	2149851	1	1	POWER SUPPLY POWER ONE 18VDC 1.5AMP PWR SUPPLY
17	46-306509P4	2	3	COVER PLATE FILLER PANEL, CHARCOAL, 19" X 3.44"
18	2142125	2	2	COVER COVER
19	2142705	2	1	COVER COVER
21	2155692	2	1	PART BRACKET
22	2146716	2	1	COVER COVER
25	2148702	2	1	HARNESS WIRE HARNESS
26	46-328000G941	2	1	ASSEMBLY MR2-A12-J5 TO MR2-A30-A23-J24
27	46-302200P4	N	1	RATING PLATE SERIAL#, MODEL#, VOLTS AMPS HZ, ETC
28	46-307233G12	N	1	POWER CORD 9 FT 3-#18 CORD, 1-#10 RING TERMINAL
29	46-306565P1	2	1	AIR FILTER RESEARCH PRODUCTS 10"EZ-CLEAN FILTER
31	46-208984P11	2	2	SPACER OLD HEX 0.250 THD EXT 6-32 INT 6-32
32	46-170012P35	2	4	NUT OLD 6-32, 1/4" HEX KEPS NUT, 3/32 THICK
33	2103585-2	2	8	SCREW SCREW PAN HEAD 4 MM 10 MM
34	46-170015P19	2	4	SCREW SCREW
35	46-208750P1	2	1	VIBRATION IS TIE ANCHOR PANDUIT TA158-M
36	46-208758P3	2	5	TY-RAP OLD 7.31" X .184" SELF-LOCKING CABLE TIE
37	2165323	2	1	LABEL LABEL OLD
38	46-306626P2	N	2	CLAMP OR CLI CLAMP OR CLIP
39	46-282047P2	N	1	HOLDER FOR INSERT OF 9"X12" DOOR DIAGRAM
45	2142857	N	1	ETL LABEL ETL LISTING LABEL FOR GLOBAL
48	46-287271G3	2	1	CABLE ASM MR2-A23-A1-J6 TO MR2-A3-J1
50	46-265067P1	2	2	CABLE MOUNT I/F PANEL CABLE SCREWLOCK CONNECTOR
60	46-271920P4	N	1	CONNECTOR CONNECTOR 37 CONTACTS 100 VOLTS 5 AM
61	2196827	N	2	JACKSCREW D-SUB ZINC PLATED STEEL 4-40 X .62
65	2207020	N	1	PART RUSSIA CERTIFICATE STICKER
67	46-282886P1	2	5	CONNECTOR BNC FEMALE/FEMALE COAXIAL ADAPTER
25858	46-208560P30	2	44	SCREW SCREW

REV 1

UNIVERSAL CERD with MULTICOIL

2221400



UNIVERSAL CERD with MULTICOIL 2221400 FRU N

Part Number	FRU	Name	Quantity	Description (Remarks)
2	2206099	1 ASSEMBLY	1	UNIVERSAL CERD DIGITAL
3	2206100	1 ASSEMBLY	4	UNIVERSAL CERD RECEIVER
4A	2221399-2	1 ASSEMBLY	1	UNIVERSAL CERD EXCITER
4B	2221399	1 ASSEMBLY	ALT	UNIVERSAL CERD EXCITER
6	46-312342P28	2 PHLPS PN HD	2	M3 X 0.5 X 30MM PHILLIPS CROSS
7	46-312342P24	2 PHLPS PN HD	8	M3 X 0.5 X 12MM PHILLIPS CROSS
8	2224576	2 PART	1	EMC FINGER CERD
9	2223312	2 PART	1	FRONT PANEL UCERD
10	46-328421P1	2 SCREW	3	SCREW PAN HEAD 2.5 MM 3 MM
11	46-328421P5	2 SCREW	8	SCREW PAN HEAD 2.5 MM 8 MM
12	46-327035P1	2 EJECTOR	1	EJECTOR, RIGHT HAND & LEFT HAND USED
13	46-312342P23	2 PHLPS PN HD	2	M3 X 0.5 X 10MM PHILLIPS CROSS
14	851352P205	2 NUT	2	NUT HEXAGON_THIN 3 MM
15	2123389	2 COVER	1	EMULATOR CONNECTOR ACCESS COVER
16	46-328421P505	2 SCREW	2	SCREW PAN HEAD 3 MM 4 MM
17	46-287657P1	2 (M)SCR COLLR	2	M2.5 X.45 CAPTIVE PANEL SCREW, BRASS
20	2238655	2 SPACER OLD	2	FIBERGLASS .062"THK .50"OD .142"ID

REV 1

UNIVERSAL CERD DIGITAL 2206099 REV 000

Item	Part Number	FRU	Name	Quantity	Description (Remarks)
31	46-328421P5	2	SCREW	2	SCREW PAN HEAD 2.5 MM 8 MM / ZINC PLATED, STEEL
40	2197663	2	FAB	1	CERD PROTECTOR
41	2109874-28	2	SCREW	6	SCREW COUNTERSUNK HEA 2,5MM 14 MM
45	2238392	2	CLIP SHIELD	1	SHIELD CLIP

REV 1

TYME II ASSEMBLY 2115088-2 REV 002

Item	Part Number	FRU	Name	Quantity	Description (Remarks)
2	2106170	N	TYME II BD	1	TYME II
3	2111668	N	TYPE2 DTR BD	1	TYME II DAUGHTER BOARD
7	46-327035P1	2	EJECTOR	1	EJECTOR, RIGHT HAND & LEFT HAND USE
9	46-136375P10	2	SPACER OLD	2	HEX 0.250 THD 4-40 LGTH 0.750 / ALUM
10	46-208560P23	2	SCREW	4	SCREW / SCREW OLD / F70B5A ZINC PL /
12	46-170012P60	2	NUT OLD	2	0004-40 HEX .250 NUT HT .140 / ALUM ANOD ESNA 68NM-40 /
13	46-208560P13	2	SCREW	2	SCREW / SCREW OLD / F70B5A ZINC PL /
15	46-221417P4	2	CONNECTOR	22	FEMALE SCREWLOCKS FOR HD CONNECTORS)
16	46-287657P1	2	(M)SCR COLLR	2	M2.5 X.45 CAPTIVE PANEL SCREW, BRAS / SCHROFF INC.

TYME II 2106170 REV 004

Item	Part Number	FRU	Name	Quantity	Description (Remarks)
U46	46-170033P8	2	OPTOELECTRONICS	1	OCI TRAN LED/
78	46-320596P1	2	SCREW OLD	6	TYPE BT 4-24 X .312 LG SLOTTED HEX
87	46-221417P5	1	CONNECTOR	1	FEMALE SCREWLOCKS FOR HD CONNECTORS

TYME II DAUGHTER BOARD 2111668 REV 002

Item	Part Number	FRU	Name	Quantity	Description (Remarks)
R2-13	46-136335P304	2	RESISTOR	14	RESISTOR 1.21k OHMS 1 % / (REV TK, 6/91). /
9	46-170012P34	2	NUT OLD	6	4-40, 1/4" HEX, 3/32 THICK KEPS NUT
FB1-3	46-251161G1	N	CHOKE	3	TWO FERRITE BEAD/WIRE CHOKE ASSEMBL /
22	516A770P406	2	SCREW-INCH	6	SCREW-INCH, #4-40 X .375" / SCREW OLD / F65D6B1 BLK OX /

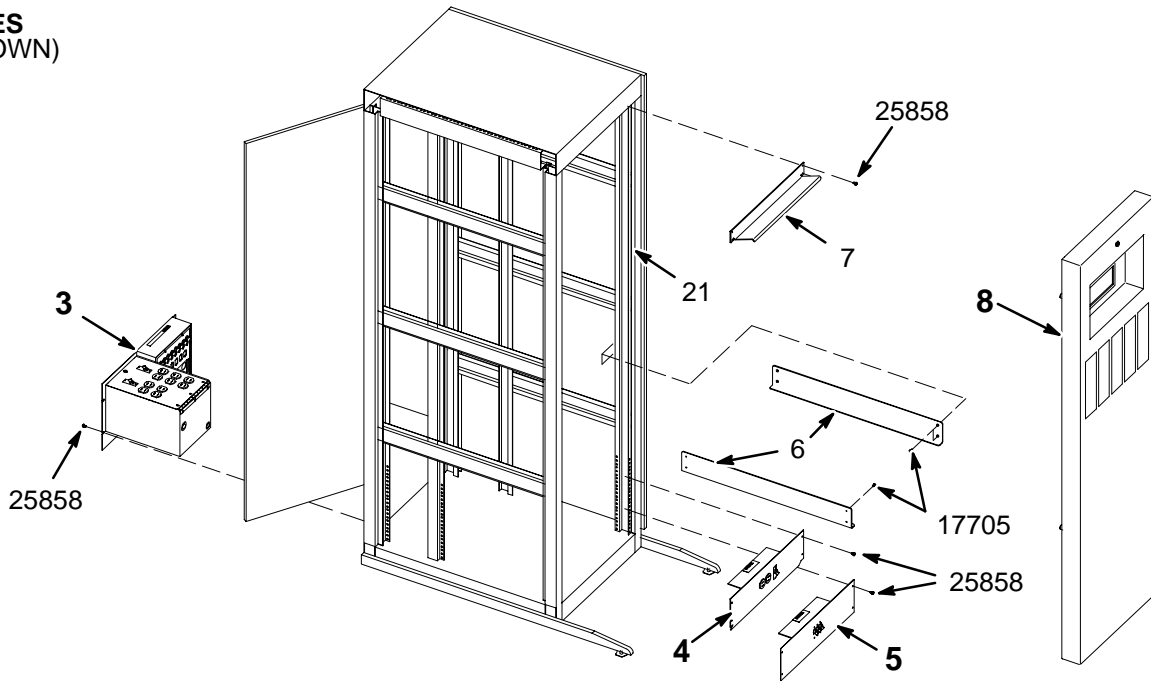
REV 1

8.x BASIC SYSTEM CABINET

2148375

CABLES
(NOT SHOWN)

- 9
- 10
- 11
- 12
- 13
- 14
- 15
- 16
- 17
- 18
- 19
- 20



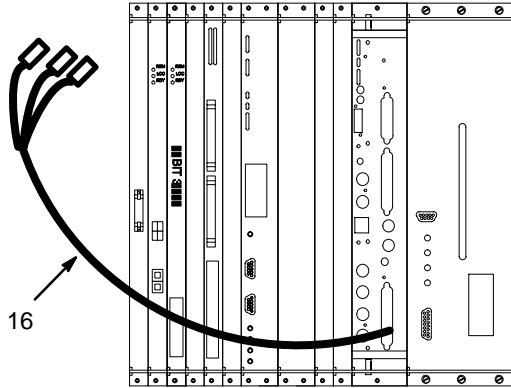
8.x BASIC SYSTEM CABINET

2148375 FRU N

Item	Part Number	FRU	Name	Quantity	Description (Remarks)
3	2138944	N	I/F PANEL	1	CABINET I/O PANEL & CABINET PDU BOX (SEE PAGE SC-12)
4	2148446	N	COVER ASM	1	COVER WITH DUPLEX RECEPTACLE & CB (SEE PAGE SC-13)
5	2148447	N	COVER ASM	1	COVER WITH 3P CIRCUIT BREAKER (SEE PAGE SC-14)
6	2143934	2	ANGLE SUPPRT	2	ANGLE
7	46-301989P1	2	BRACKET	1	FRONT COVER "SLAM LATCH" RETAINER
8	2155687	2	PART	1	COVER ASSEMBLY (SEE PAGE SC-10)
9	2118109	2	BNC CABLE	1	MR2-A11-J2 TO MR2-A24-A1-A1-J2, 7 FT
10	2118109-2	2	BNC CABLE	1	MR2-A11-J5 TO MR2-A24-A1-A2-J5, 7 FT
11	2118109-3	2	BNC CABLE	1	MR2-A11-J8 TO MR2-A24-A2-A1-J8, 7 FT
12	2118109-4	2	BNC CABLE	1	MR2-A11-J9 TO MR2-A24-A2-A2-J9, 7 FT
13	2118109-5	2	BNC CABLE	1	MR2-A11-J10 TO MR2-A24-A2-A3-J10, 7'
14	2144535-2	2	CABLE	1	J30 LX TNS PHONE MODULE TO I/F PANEL
15	2144523	2	CABLE ASM	1	TYME II TO I/F PANEL
16	2144525-2	2	CABLE ASM	1	UCERD TO TNS AND I/F PANEL
17	2144521	2	TWISTED PAIR	1	TNS MODULE TO I/F PANEL
18	2135997	2	CABLE ASM	1	9 COND. MALE-MALE SUB-D 8FT LONG
19	46-328000G942	2	ASSEMBLY	1	MR2-A24-A1-J1 TO MR2-A30-A13-J5
20	46-328000G935	2	CABLE ASM	1	MR2TYMEJ11 TO MR2CERDPSJ2
21	46-220288P1	2	FASTENER	86	SELF-LOCKING 10-32 UNF
22	46-265067P1	2	CABLE MOUNT	14	I/F PANEL CABLE SCREWLOCK CONNECTOR
23	46-208758P3	2	TY-RAP	10	7.31" X .184" SELF-LOCKING CABLE TIE
17705	46-208908P46	2	SCREW	8	10-32 X 1/2" SLOT FLAT-HD F70B5A
25858	46-208560P30	2	SCREW	16	10-32 X 1/2" LONG, BIND HEAD, STEEL

REV 1

MR SYSTEM CABINET W/CABLES+SLIDES 2297066 FRU N Only differential from 2148375 is indicated



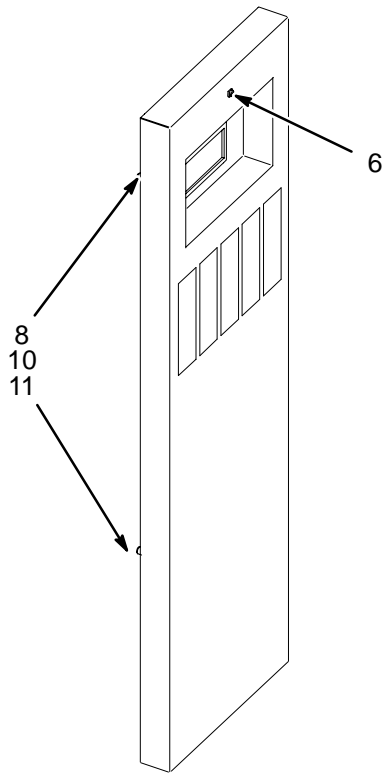
MR SYSTEM CABINET W/CABLES+SLIDES 2297066 FRU N Only differential from 2148375 is indicated

Item	Part Number	FRU	Name	Quantity	Description (Remarks)
16	2144525-2	1	CABLE ASM	1	MR2 CERD J109 TO INTERFACE PANEL

REV 1

COVER ASSEMBLY

2155687



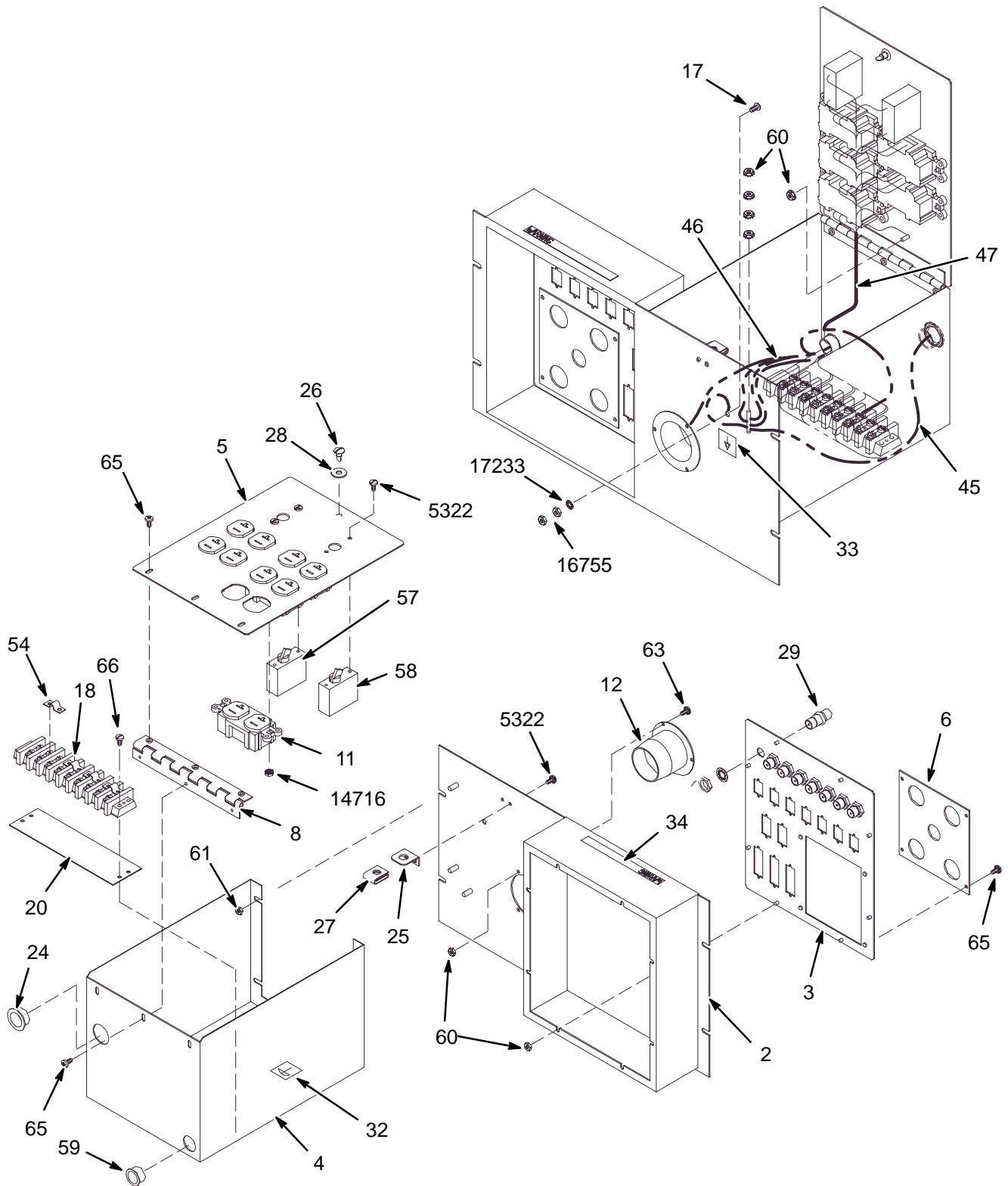
COVER ASSEMBLY

2155687 FRU 2

Item	Part Number	FRU	Name	Quantity	Description (Remarks)
6	46-301852P1	2	LATCH	1	LATCH ASM FOR SLAM-LATCH COVERS
8	46-328428P1	2	NUT	10	NUT HEXAGON 4 MM
10	2152298	2	BUMPER	4	BLACK RUBBER BUMPER
11	46-328421P16	2	SCREW	4	SCREW PAN 4 MM 16 MM

INTERFACE PANEL & PDU BOX

2138944



REV 1

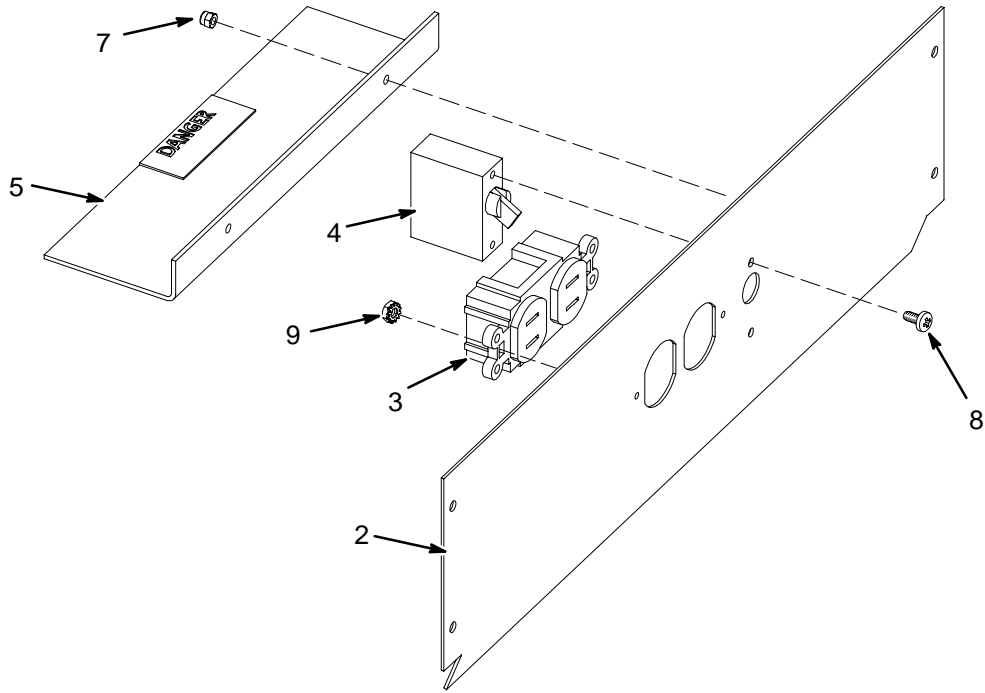
INTERFACE PANEL & PDU BOX 2138944 FRU N

Item	Part Number	FRU	Name	Quantity	Description (Remarks)
2	2137247	2	BOX	1	CABINET I/F ENCLOSURE
3	2137601	2	I/F PANEL	1	I/F PANEL, SYS CAB
4	2138943	2	BOX	1	ENCLOSURE, POWER MODULE BOX
5	2138942	2	COVER	1	COVER, POWER MODULE
6	2138597	2	ACCESS PLATE	1	ACCESS PLATE
11	46-287941P1	2	CONNECTOR	5	20 AMP, 125V, DUPLEX RECEPTACLE,
12	46-317671P1	2	CONNECTOR	1	FLANGED INLET, 30A, 120/208 3-PHASE
18	46-221880P22	2	TERMINAL	1	9 TERMINALS 50 AMP, 1700 VOLT,
20	514A350P305	2	TERMINAL	1	9 POSITION, 1 THRU 9, LEFT TO RIGHT
24	46-208695P61	2	BUSHING	1	HEYCO PART NO.2126 SB-875-11 BLACK
25	46-243709G1	2	BRACKET	1	COVER LATCH RETAINER MOUNT BRACKET
26	46-220370P6	2	FASTENER	1	STUD, OVAL HD 1/4 TURN SOUTHCO
27	46-316410P1	2	FASTENER	1	RECEPTACLE CLIP-ON, SOUTHCO
28	46-316411P1	2	FASTENER	1	RETAINER SPLIT RING TYPE
29	46-208990P1	2	CONNECTOR	8	50 OHM BNC BULKHEAD ADAP'R JACK-JACK
32	46-271110P1	2	MECHANICAL/M	1	PROTECTIVE EARTH (GROUND)
33	46-271110P5	2	LABEL	1	MECHANICAL/MATERIAL COMP
34	46-182519P1	2	MECHANICAL/M	1	WARNING-CERTAIN CIRCUITS IN THIS
45	2147457	2	POWER CORD	1	LX SYSTEMS POWER CORD
46	2147005	2	HARNESS	1	LX SYSTEM J1 POWER HARNESS
47	2147004	2	HARNESS	1	LX SYSTEMS PDU POWER HARNESS
54	46-220492P4	2	TERMINAL	4	JUMPER WITH 0.69" CENTERS,
57	46-271382P6	2	CIRCUIT BREA	1	1 POLE, 15 AMP, STD TIME DELAY,
58	46-271382P15	2	CIRCUIT BREA	1	1 POLE, 20 AMP, STD TIME DELAY,
59	46-208695P65	2	BUSHING	1	HEYCO PART NO.2160 SB-1093-13 BLACK
60	46-328428P1	2	NUT	16	NUT HEXAGON 4 MM
61	46-328428P2	2	NUT	6	NUT HEXAGON 6 MM
63	46-328421P15	2	SCREW	3	SCREW PAN 4 MM 12 MM
65	2103585	2	SCREW	10	SCREW PAN 4 MM 8 MM
66	46-328421P17	2	SCREW	2	SCREW PAN 4 MM 20 MM
5322	46-170015P10	2	SCREW	6	6-32 X 1/4" LG BIND HD STL EXT TOOTH
14716	46-170012P35	2	NUT	10	6-32, 1/4" HEX KEPS NUT, 3/32 THICK
16755	46-208935P8	2	NUT	2	1/4-20, 7/16" HEX X 3/16 THK, BRASS
17233	46-208599P5	2	WASHER	1	1/4" SCREW SIZE EXTERNAL TOOTH STEEL
17888	46-220184P54	2	SCREW	1	1/4-20 X 1" LG, RND HD SLOT, BRASS

REV 1

DUPLEX RECEPTACLE COVER

2148446



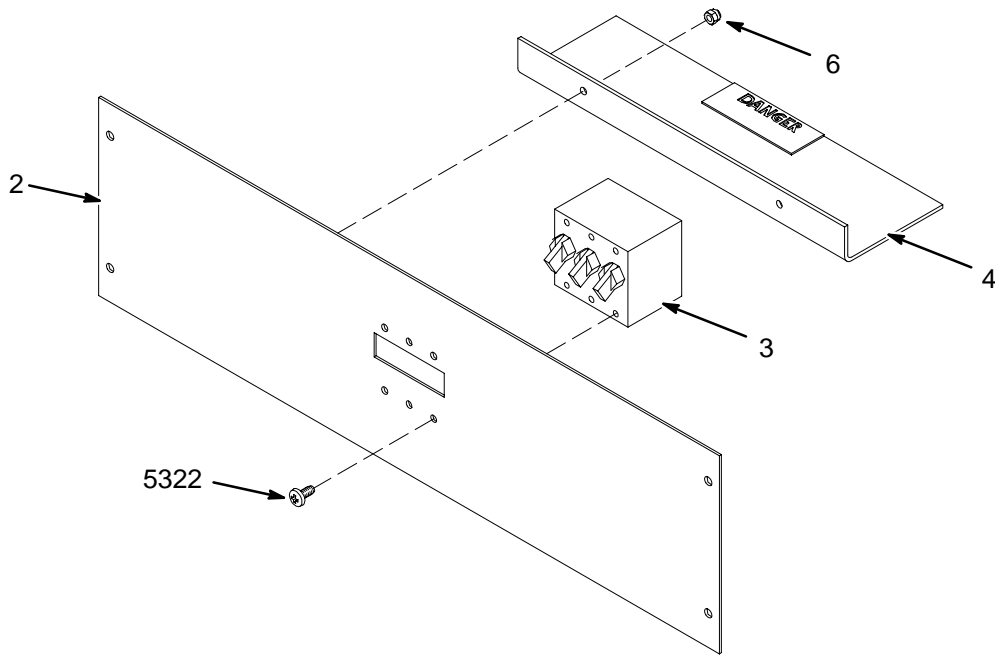
DUPLEX RECEPTACLE COVER 2148446 FRU N

Item	Part Number	FRU	Name	Quantity	Description (Remarks)
2	2142464	2	COVER	1	COVER
3	46-278446P1	2	CONNECTOR	1	15A, 125VAC, 2 POLE, 3 WIRE
4	46-271382P6	2	CIRCUIT BREA	1	1 POLE, 15 AMP, STD TIME DELAY,
5	46-320656P1	2	COVER	1	TERMINAL BLOCK SHIELD 3" X 10" LEXAN
7	46-328428P1	2	NUT	2	NUT HEXAGON 4 MM
8	46-170015P10	N	SCREW	2	6-32 X 1/4" LG BIND HD STL EXT TOOTH
9	46-170012P35	N	NUT	2	6-32, 1/4" HEX KEPS NUT, 3/32 THICK

REV 1

CIRCUIT BREAKER COVER

2148447



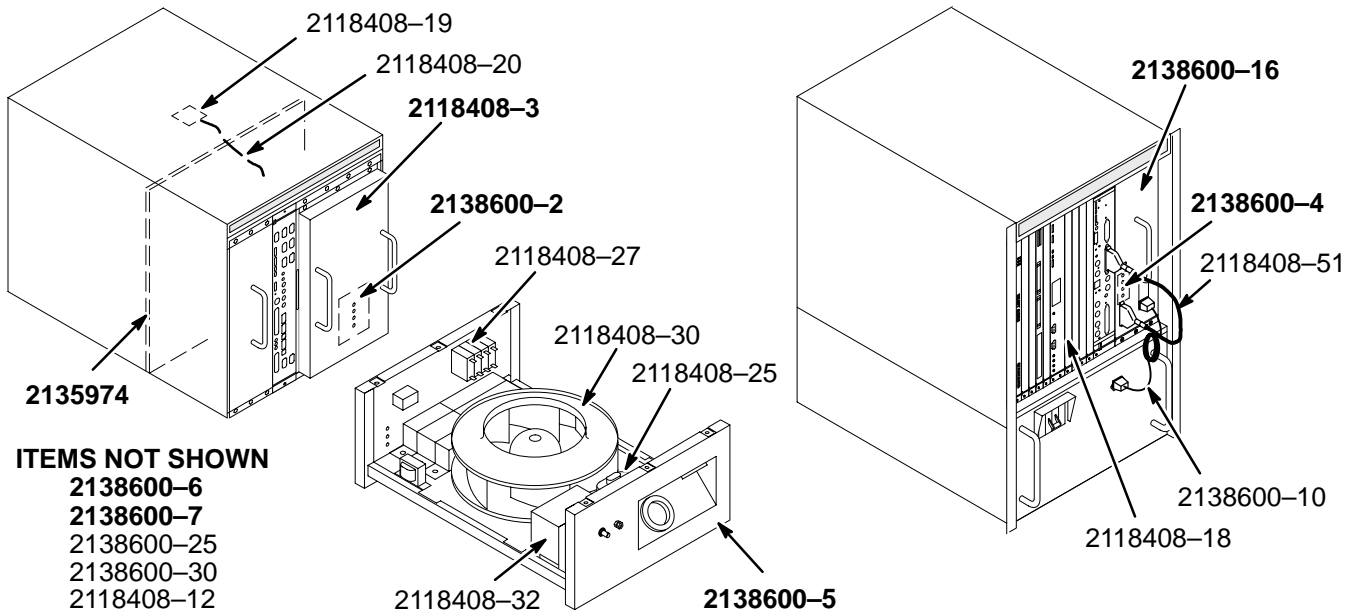
CIRCUIT BREAKER COVER 2148447 FRU N

Item	Part Number	FRU	Name	Quantity	Description (Remarks)
2	2142122	2	COVER	1	COVER, CIRCUIT BREAKER
3	46-271382P10	2	CIRCUIT BREA	1	3 POLE, 30 AMP, STD TIME DELAY,
4	46-320656P1	2	COVER	1	TERMINAL BLOCK SHIELD 3" X 10" LEXAN
6	46-328428P1	2	NUT	2	NUT HEXAGON 4 MM
5322	46-170015P10	2	SCREW	6	6-32 X 1/4" LG BIND HD STL EXT TOOTH

REV 1

8.x ISE CHASSIS

2138600-31



ITEMS NOT SHOWN

- 2138600-6
- 2138600-7
- 2138600-25
- 2138600-30
- 2118408-12

8.x ISE CHASSIS

2138600-31

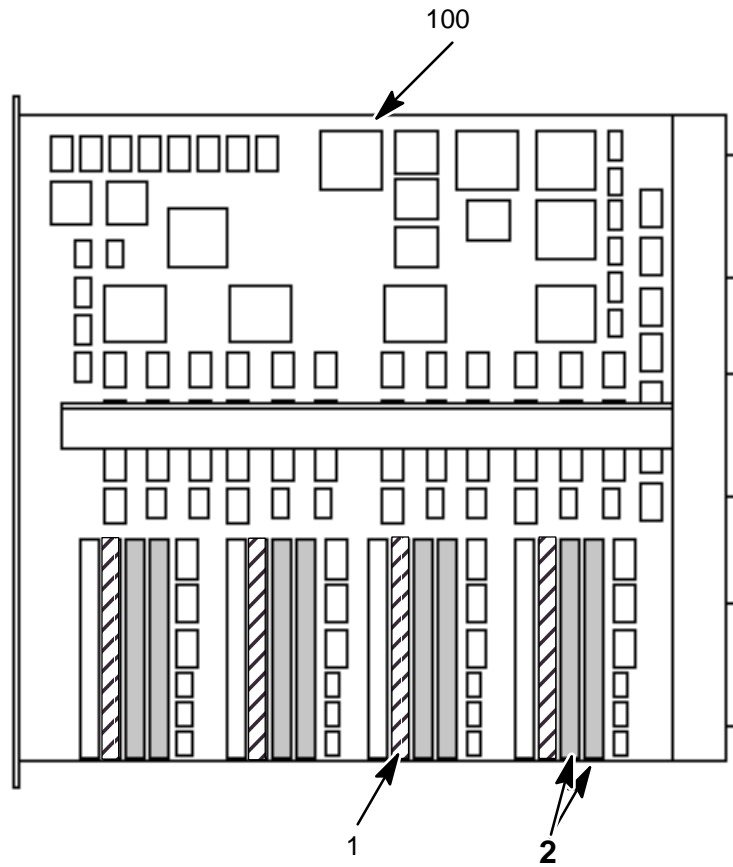
FRU N

Item	Part Number	FRU	Name	Quantity	Description (Remarks)
	2138600-2	1		1	MAIN POWER SUPPLY REMOTE ADJ PCB ASM
	2138600-16	1		1	ISE LX CERD POWER SUPPLY ASM
	2138600-4	1		1	LX CERD REMOTE ADJ PCB ASM
	2138600-5	1		1	LX FAN TRAY ASM
	2138600-6	1		1	SPECTRO LINEAR PSU ASM W/REMOTE ADJ (NOT SHOWN)
	2138600-7	1		1	SPECTRO PANEL (NOT SHOWN)
	2138600-10	2		1	CERD LINEAR POWER SUPPLY AC POWER CABLE ASM (EXT)
	2118408-18	2		1	SINGLE WIDE TYPE SLOT BLOCKER
	2118408-19	2		1	TEMPERATURE SENSOR BOARD
	2118408-20	2		1	THERMAL SENSE CABLE (INT)
	2118408-25	2		1	FAN MOTOR CAPACITOR, 15UF
	2118408-27	2		1	MAIN CIRCUIT BREAKER 4PL SP/2T
	2118408-30	2		1	FAN WITH HARNESS
	2118408-32	2		1	6.3 VAC TRANSFORMER WITH HARNESS
	2135974	1		1	ISE CHASSIS BACKPLANE
	2118408-3	1		1	ISE II MAIN POWER SUPPLY
	2118408-12	2		1	LINE TRIGGER CABLE (NOT SHOWN)
	2118408-51	2		1	CERD DC POWER CABLE ASM (EXT.)
	2138600-30	2		1	UCERD PSU DC POWER CABLE ASM (EXT.) (NOT SHOWN)
	2138600-32	2		1	TOLERANCE COMPENSATOR SPRINGSTRIP (CERD PS LeftSide)
	2138600-25	2		1	FAN TRAY AC PANEL CONNECTOR KIT (NOT SHOWN)
	2138600-27	2		1	OUTLET (PART OF 2138600-25)
	2138600-23	2		1	PLUG, TWIST LOCK 208VAC, 20A (PART OF 2138600-25)
	2138600-24	2		1	RECEPT. , TWIST LOCK, 208VAC, 20A (PART OF 2138600-25)
	2138600-26	2		1	HARNESS, FAN TRAY AC POWER (INT.)

REV 1

SBAM

2285506



SBAM

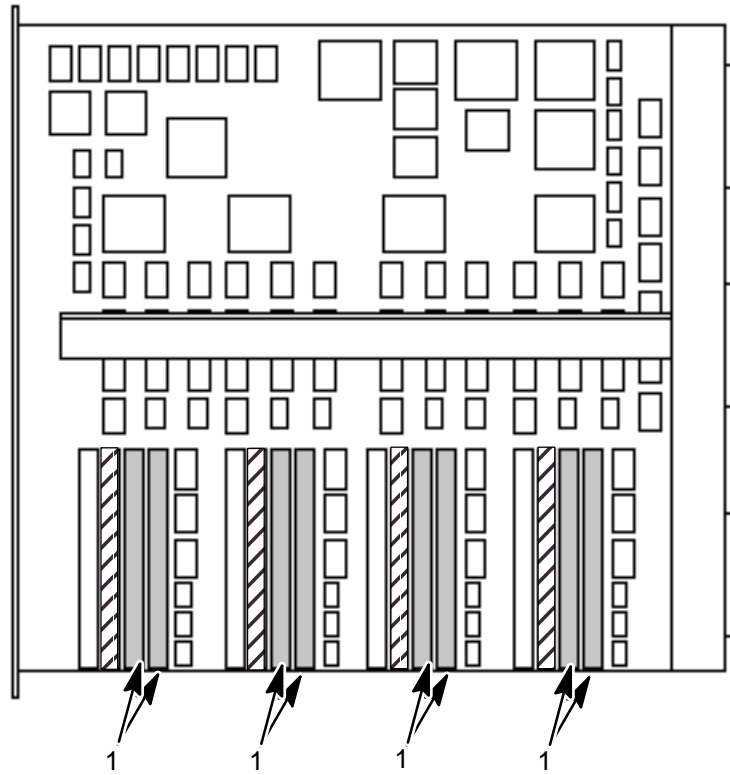
2285506

Item	Part Number	FRU	Name	Quantity	Description (Remarks)
1	2187728	1	16MB MEM	4	
2	2212996	N	MEMORY 128MB	2	128MB SIMM MEMORY FOR SBAM
100	2218270	1	SBAM BD	1	SBAM MOTHER

REV 1

MEMORY 128MB

2212996



MEMORY 128MB

2212996

Item	Part Number	FRU	Name	Quantity	Description (Remarks)
1	2209950	1	16MB MEM	4	MEMORY DRAM 256M BIT 32 BIT

REV 1

Revision History

Rev	Date	Author	Primary reasons for change
0	May 23, 2001	M.Ikeda	Initial release
1	Jan. 31, 2002	M.Ikeda	Added new cable 2304692