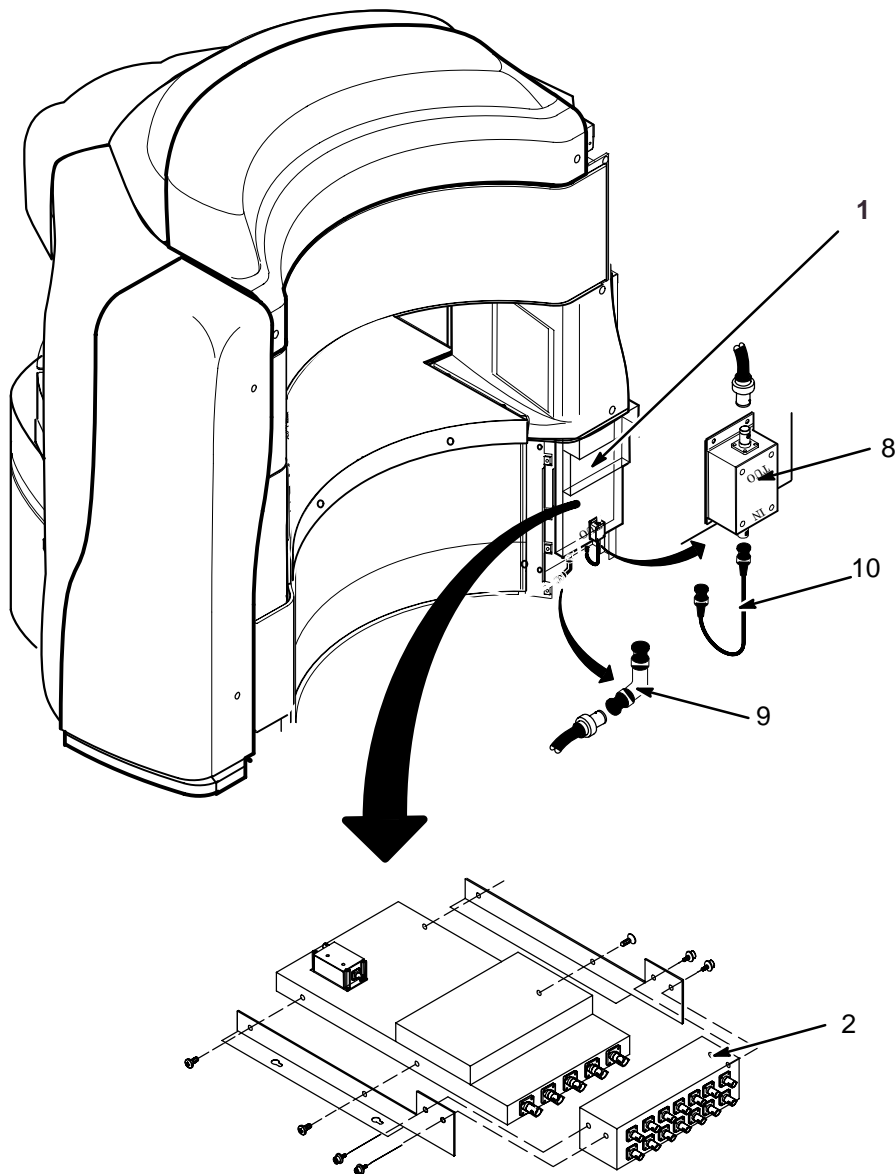


SECTION QHB – QUADRATURE HYBRID

P9423SB 0.35T QD HYBRID 2279780



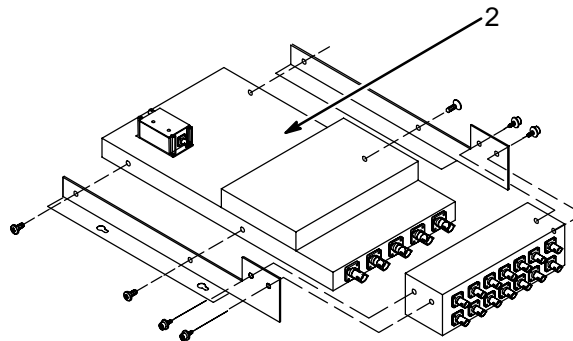
QHB-1

REV 2

P9423SB 0.35T QD HYBRID 2279780 REV 004

Item	Part Number	FRU	Name	Quantity	Description (Remarks)
1	2277115	N	QHB SPLITTER	1	P9423SA 0.35T HYBRID SPLITTER
2	2279781	1	BIAS BOX	1	P9423SE 0.35T OUTPUT BIAS BOX
3	2283505	N	QHB BRKT L	1	P9423HN QHB SPRT L
4	2283506	N	QHB BRKT R	1	P9423HP QHB SPRT R
6	U0438AA	2	SCREW	4	FLANGE SOCKET
7	2283278	1	BIAS CBL	4	P9423SF OUTPUT BIAS BOX CABLE
8	46-321338G5	1	PREAMP 0.35T	1	0.35T PREAMP W/MICROWAVE ABSORBER
9	U1046FD	2	CABLE	1	N-L ANGLE ADAPTER
10	2293722	1	CABLE	1	P9423SG QHB-PREAMP CABLE

P9423SA 0.35T HYBRID SPLITTER 2277115



P9423SA 0.35T HYBRID SPLITTER 2277115 REV 005

Item	Part Number	FRU	Name	Quantity	Description (Remarks)
2	2319498	1	BODY QHB ASSY	1	.P9426SH 0.35T TELI BODY HYBRID/TR

P9423SA 0.35T HYBRID SPLITTER 2277115 REV 004

Item	Part Number	FRU	Name	Quantity	Description (Remarks)
2	2244307-3	1	BODY QHB ASSY	1	.35T BODY HYBRID/TR ASSEMBLY

REV 2

Revision History

Rev	Date	Author	Primary reasons for change
0	May 23, 2001	M.Ikeda	Initial release
1	Oct. 31, 2001	M.Ikeda	General update
2	Jan. 31, 2002	M.Ikeda	Added renewal parts for Teli AMP