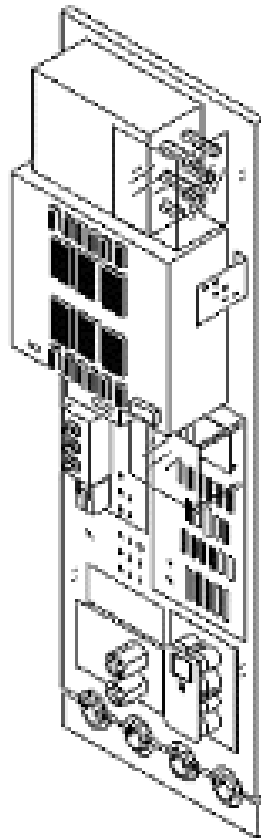
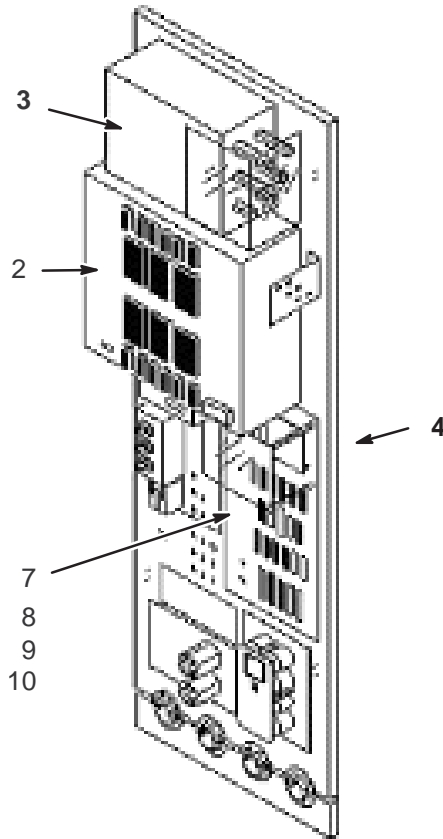


SECTION PEN – PENETRATION PANEL



REV 2

P9425AB MFO PANEL ASSY 2354164

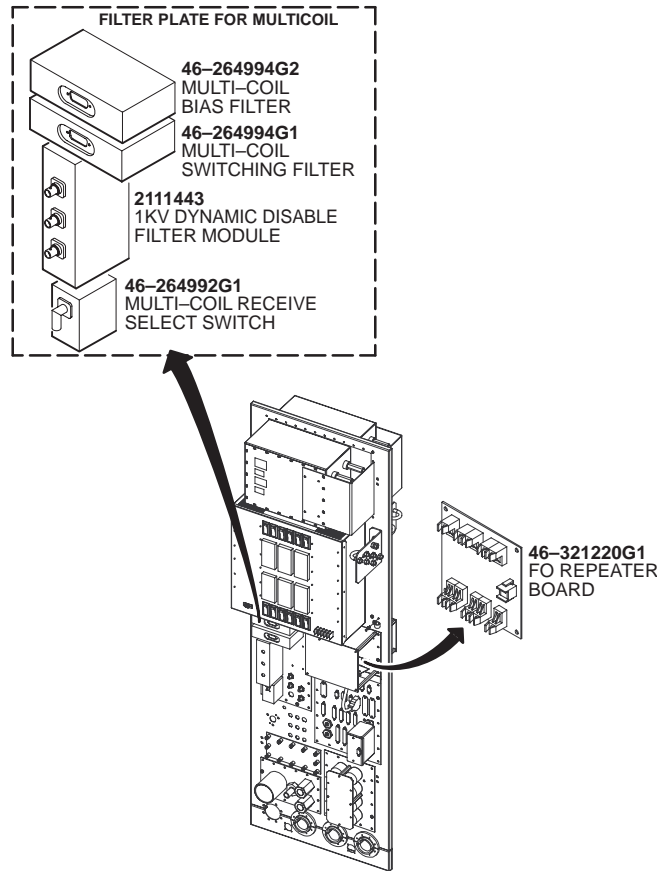


P9425AB MFO PANEL ASSY 2354164 REV 000

Item	Part Number	FRU	Name	Quantity	Description (Remarks)
1	2259620-4	N	PEN WALL ASM	1	
2	2294040	1	TCU ASM	0	
3	2284519	N	G-FLT ASM	1	
4	2318047	N	MA ASM	1	
5	2283431	N	HOSE PANEL	2	
6	N9520JM	N	SCREW	8	
7	2284770	1	DB9 FILTER	1	
8	2284771	1	DB15 FILTER	1	
9	2284772	1	DB25 FILTER	2	
10	2284773	1	DB37 FILTER	2	
11	N9520JM	N	SCREW	36	
12	U0205AC	N	BAND	2	
13	U0203AC	N	CLAMP	2	
14	2354168	N	RF CONNECTOR	1	
15	2294040	1	REPLACEMENT KIT	0	

REV 1

PEN PANEL ASSEMBLY, MFO 2259620-2



PEN PANEL ASSEMBLY, MFO 2259620-2 REV 000

Item	Part Number	FRU	Name	Quantity	Description (Remarks)
6	46-301385G4	N	BLOWER PANEL	1	SHIELD COOLER/BLOWER FILTER PANEL
33	2278717	N	ADAPTER PLATE	1	MULTICOIL ADAPTER PLATE ASSEMBLY
42	46-328039G1	2	REPEATER PANEL	1	REPEATER PANEL, PP1 A17

MULTICOIL ADAPTER PLATE ASSY 2278717 REV 000

Item	Part Number	FRU	Name	Quantity	Description (Remarks)
4	46-264992G1	1	MC RECEIVE SELECT SW	1	MULTI-COIL RECEIVE SELECT SW. PP1A1
5	46-264994G1	1	MC SWITCHING FILTER	1	MULTI-COIL SWITCHING FILTER, PP1-A1
11	46-264994G2	1	MC BIAS FILTER	1	MULTI-COIL BIAS FILTER, PP1-A16
20	2111443	1	FILTER MODULE	1	1KV DYNAMIC DISABLE FILTER MODULE

REPEATER PANEL 46-328039BOM1 REV 000

Item	Part Number	FRU	Name	Quantity	Description (Remarks)
10	46-321220G1	1	FO REPEATER BOARD	1	FO REPEATER BOARD

REV 1

P9425BB G-FILTER ASSY 2284519 REV 003

Item	Part Number	FRU	Name	Quantity	Description (Remarks)
1	2146405	1	G-FILTER	3	

P9425KB MA ASSY 2318047 REV 000 To be used with Teli AMP

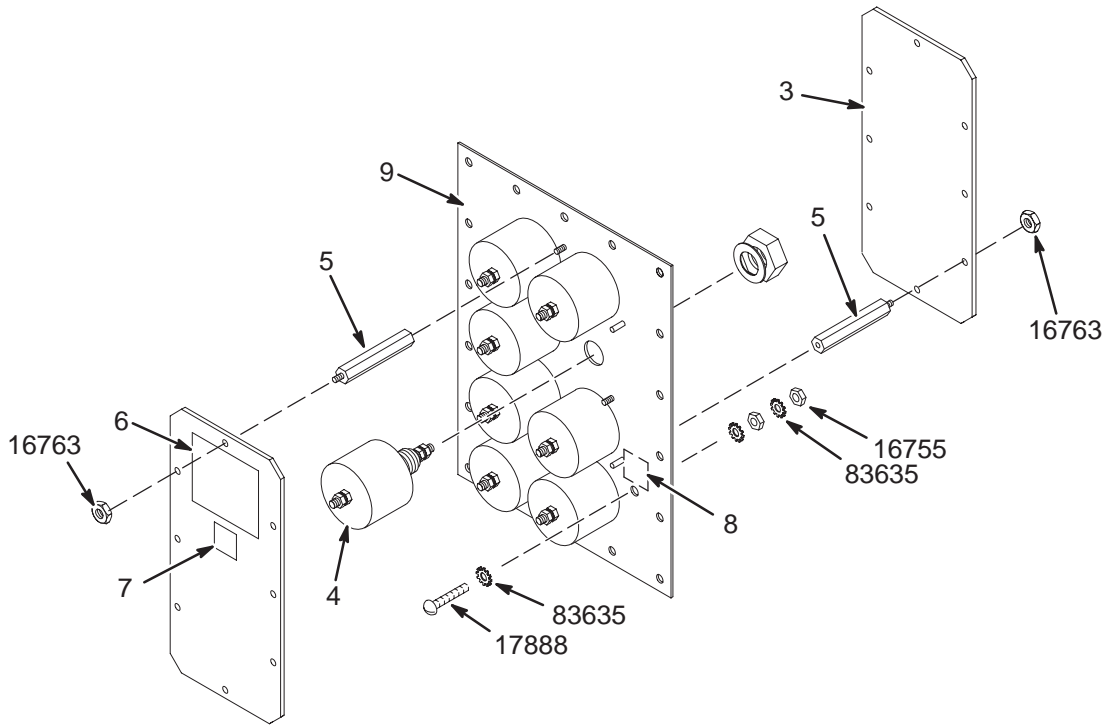
Item	Part Number	FRU	Name	Quantity	Description (Remarks)
1	2317566	N	MA MODULE	1	
2	2318051	1	AUX1 CBL ASM	1	
3	2318050	1	AUX2 CBL ASM	1	
4	2318049	1	AUX3 CBL ASM	1	
5	2318048	1	AUX4 CBL ASM	1	

P9425SN MA ASSY 2284216 REV 000

Item	Part Number	FRU	Name	Quantity	Description (Remarks)
1	2284217	1	MA MODULE	1	
2	2284408	N	AUX1 CBL ASM	1	
3	2284409	N	AUX2 CBL ASM	1	
4	2284410	N	AUX3 CBL ASM	1	
5	2284411	N	AUX4 CBL ASM	1	

REV 1

SHIELD COOLER/BLOWER FILTER PANEL 46-301385G4



SHIELD COOLER/BLOWER FILTER PANEL 46-301385G4

Item	Part Number	FRU	Name	Quantity	Description (Remarks)
2	2121531	2	PLATE	1	EMPTY 8-FILTER PLATE, F1 THROUGH F8
3	2121529	2	COVER PLATE	2	EIGHT EMI FILTER SAFETY COVER PLATE
4	46-282750P1	1	FILTER	8	250VAC/1000VDC EMI NOISE FILTER.
5	46-282751P1	2	STANDOFF	8	3/8" HEX X 2.25" SPACER, 6-32 THREAD
6	46-211345P1	2	LABEL	2	"WARNING HIGH VOLTAGE" .003 THK ALUM
7	46-271110P3	2	LABEL	2	DANGEROUS VOLTAGE GRAPHIC SYMBOL
8	46-271110P1	2	LABEL	2	PROTECTIVE EARTH (GROUND)
16755	46-208935P8	2	NUT,HEX,MS	4	1/4-20, 7/16" HEX X 3/16 THK, BRASS
16763	46-208936P1	2	NUT,HEX,MS	8	6-32, 1/4" HEX X .094 THICK, BRASS
17888	46-220184P54	2	SCREW MACH	2	1/4-20 X 1" LG, RND HD SLOT, BRASS
83635	46-208599P19	2	WASHER,LOCK	6	1/4 EXTERNAL TOOTH PHOS, BRONZE

REV 2

Revision History

Rev	Date	Author	Primary reasons for change
0	May 23, 2001	M.Ikeda	Initial release
1	Jan. 31, 2002	M.Ikeda	Added renewal parts for Teli AMP
2	Sep. 17, 2002	Y.Masumo	P2: Updated PEN PANEL Assy