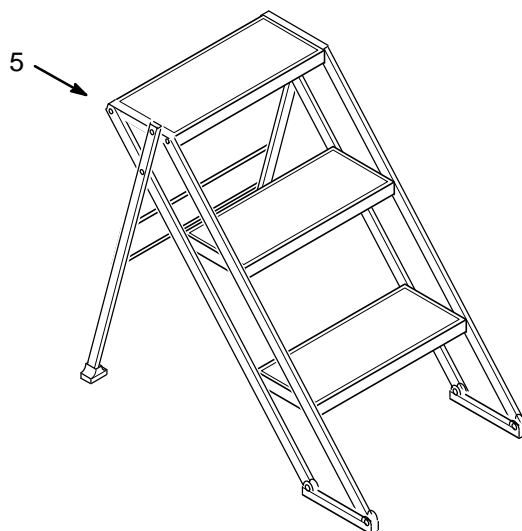
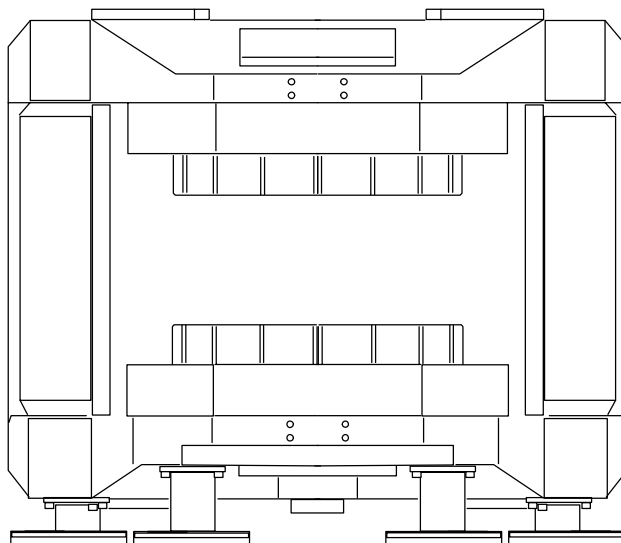


SECTION MAG – MAGNET

P9423AC MAGNET COLLECTOR 2300160



REV 0

P9423AC MAGNET COLLECTOR 2300160 REV 000

Item	Part Number	FRU	Name	Quantity	Description (Remarks)
1	2277303	1	Sensor-U ASM	1	P9423MC SENSOR_U ASSY
2	2277301	1	Heater	18	P9423MA HEATER
3	2277108	N	G-COIL 0.35T	1	P9423NA GRADIENT COIL
4	2282870	N	Insulator	1	P9423MT INSULATOR
5	2281610	1	LADDER	1	U0080BF STEP LADDER
6	2283272	1	G-COIL FRU	0	P9423QA GRADIENT COIL W/JIG (See page MAG-3)
7	2160989	N	LABEL	4	P9812PF MAG WARNING LABEL 1
8	2283086	1	DOCUMENT	1	P9027AG MFO MAG INST MANUAL
9	U0438AA	1	SCREW	650	FLANGE SOCKET
10	2148859	1	TAPE	1	TAPE
11	2152077	N	LABEL	6	P9363SD WARNING LABEL
12	2112666	N	LABEL	1	P9810AQ SHIPMENT LABEL
13	2111577	N	RATING PLATE	1	P9810AM RATING PLATE FILM
14	2284901	N	B0 COIL 0.35T	1	P9423NN B 0 COIL
15	2284848	N	INST TOOL	1	P9423MK MAG INSTALL JIG
16	2284847	N	MAG STUD	1	P9423ML MAG STUD
17	2284844	N	FRAME T	1	P9423MR MAG FRAME T
18	2284843	N	FRAME N	1	P9423MQ MAG FRAME N
19	2283720	1	SENSOR-L ASM	1	P9423ME SENSOR_L ASSY
20	2284841	N	FRAME B	1	P9423MN MAG FRAME B
21	2284840	N	FRAME A	1	P9423MM MAG FRAME A
22	2285773	N	SHIM HLDR UC	1	P9423NR SHIM HOLDER UC
23	2285774	N	SHIM HLDR UF	1	P9423NS SHIM HOLDER UF
24	2285775	N	SHIM HLDR UR	1	P9423NT SHIM HOLDER UR
25	2285776	N	SHIM HLDR BC	1	P9423NU SHIM HOLDER BC
26	2285777	N	SHIM HLDR BF	1	P9423NV SHIM HOLDER BF
27	2285778	N	SHIM HLDR BR	1	P9423NW SHIM HOLDER BR
28	2285784	N	RF SHIELD TOP	1	P9423NX RF SHIELD TOP
29	2285785	N	RF SHIELD BOT	1	P9423NY RF SHIELD BOTTOM
30	2285864	N	SPACER	8	P9423NJ MAG SPACER
39	U0444AA	N	SCREW	50	FLANGE SOCKET
48	2221725	N	THERMO SENSOR	2	P9363FL THERMO SENSOR ASSY (See page MAG-3)
49	2279302	1	SHIM KIT	0	P9423LJ PASSIVE SHIM KIT
50	2282837	1	SMST JCT CBL	1	P9423MX SMST JCT CBL
51	2282836	1	SENS JCT CBL	1	P9423MW SENS JCT CBL
52	2282835	1	HTR JCT CBL	1	P9423MV HTR JCT CBL
53	2284354	1	HTR CBL LOWR	1	P9423MY HEATER CBL
54	2282834	1	HTR CBL UPR	1	P9423MU HEATER CBL

REV 0

P9423QA GRADIENT COIL W/JIG2283272 REV 001

Item	Part Number	FRU	Name	Quantity	Description (Remarks)
1	2277108	N	G-COIL 0.35T	1	P9423NA GRADIENT COIL
2	2251440	N	HGCOIL TOOL ASSY	1	P9363KD HIGH G-COIL TOOL ASSY

P9363KD HIGH G-COIL TOOL ASSY 2251440 REV 001

Item	Part Number	FRU	Name	Quantity	Description (Remarks)
1	2190463	N	TOOL ASM	3	P9369ZG UPPER TOOL ASSY
2	2192912	N	U-BRACKET	2	P9369ZP BRACKET
3	2190466	N	L-HANDLE	4	P9369ZK HANDLE
4	2248596	N	SUP-BAR	1	K9363KB SUPPORT BAR
5	2248597	N	SUP-BRKT	2	K9363KC SUPPORT BRKT
6	U0438AA	1	SCREW	17	FLANGE SOCKET

P9369ZG UPPER TOOL ASSY 2190463 REV 001

Item	Part Number	FRU	Name	Quantity	Description (Remarks)
1	2190464	N	BRACKET	1	P9369ZH BRACKET
2	2190465	N	LEVER	1	P9369ZJ LEVER
3	2190468	N	SPACER	2	P9369ZM SPACER
4	2138514	N	SHAFT	2	P9373GQ SHAFT
5	N9700ET	N	E-RING	4	RETAINING RING E-RING 8 MM / E-RING M7 SUS
6	P9325NG	N	ROLLER	2	ROLLER

P9363FL THERMO SENSOR ASSY2221725 REV 001

Item	Part Number	FRU	Name	Quantity	Description (Remarks)
1	2221726	N	THERMO FIXER	1	P9363FM THERMO FIXER
2	2222204	1	THERMOSTAT ASSY	1	P9363SW THERMOSTAT ASSY(44.5DEG-C)
3	N9306JM	2	SCREW	2	SCREW PAN HEAD 3 MM 6 MM / SCREW M3X6 os
4	2224500	N	SILICONE	10	U0114BD SILICONE