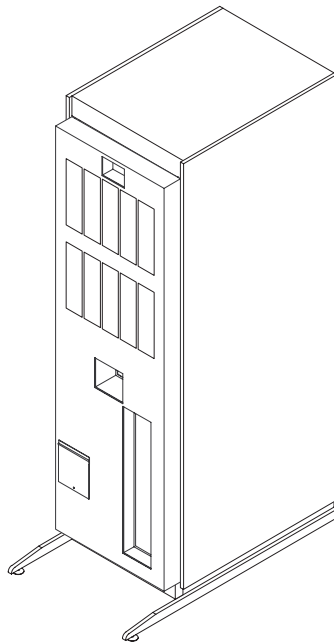


SECTION GRFD – GRFD CABINET

GRFD CABINET – 2211000-2

GRFD CABINET, MFO



GRFD CABINET, MFO

2211000-2

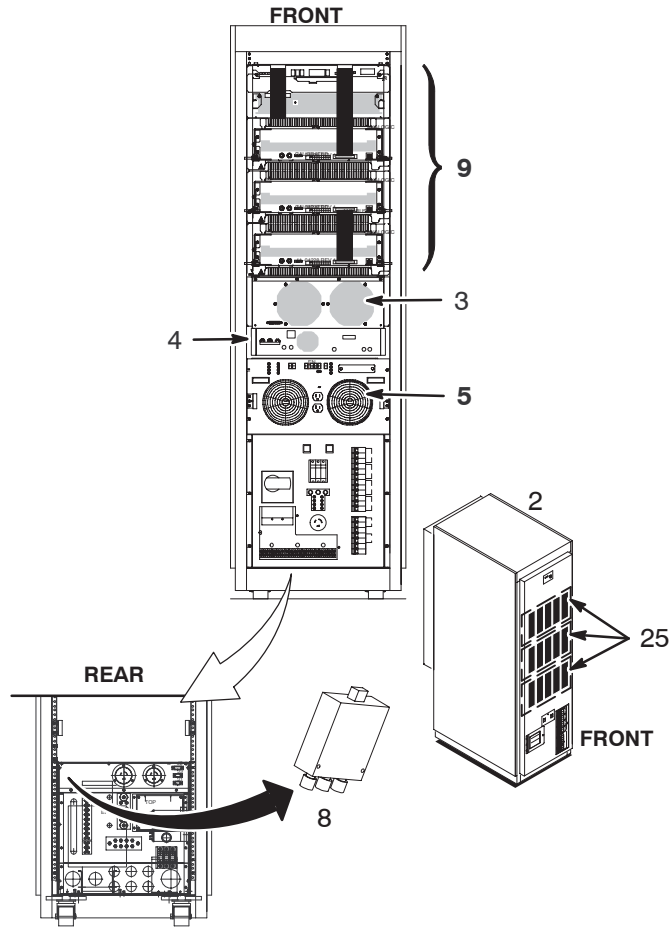
PAGE GRFD-2

REV 3

GRFD CABINET – 2211000–2 (continued)

GRFD CABINET, MFO

2211000–2



GRFD CABINET, MFO

2211000–2

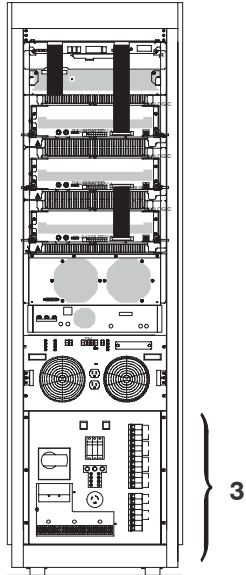
REV

Item	Part Number	FRU	Name	Quantity	Description (Remarks)
2	2251383	1	PDU W/CAB	1	See Page GRFD–3
3A	2320323	1	RF AMP TGA1046A–SV	1	FRU package of Teli RF Amp
3B	2271205–2	1	RF AMP 0.35T	1	FRU package with bracket
4	2271206	1	RFI 0.35T	1	
5	2160200–45	1	SSM	1	
6	2245707	N	FR COVER	1	See Page GRFD–4
8	2254635	1	RF TX SW	1	
9	2173178	N	8290 GPS ASM	1	See Page GRFD–5
25	46–306565P1	1	AIR FILTER	3	
S1	2199029	2	FUSE	1	FUSE ULST4 250V 0.5A for Teli Amp

REV 3

GRFD CABINET – 2211000–2 (continued)

.7T GRFD/PDU CABINET ASM 2251383



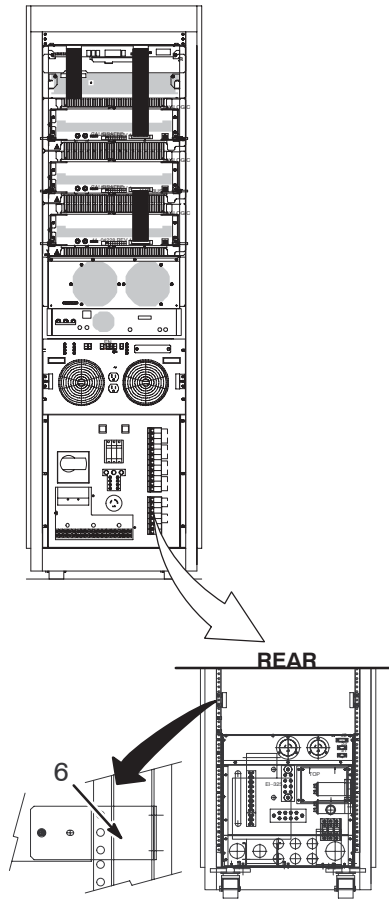
.7T GRFD/PDU CABINET ASM 2251383 REV 000

Item	Part Number	FRU	Name	Quantity	Description (Remarks)
3	2228875	N	PDU	1	See Page GRFD-4

REV 3

GRFD CABINET – 2211000–2 (continued)

GRAD RF DRIVER (GRFD) PDU 2228875



GRAD RF DRIVER (GRFD) PDU 2228875 REV 000

Item	Part Number	FRU	Name	Quantity	Description (Remarks)
1	2228875–2	1	PDU CONT	1	
6	2228875–7	1	TVSS ASM	1	

FRONT COVER ASSEMBLY 2245707 REV 000

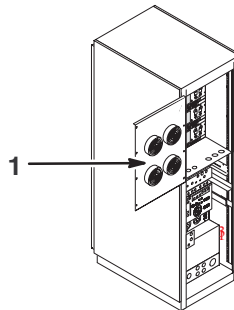
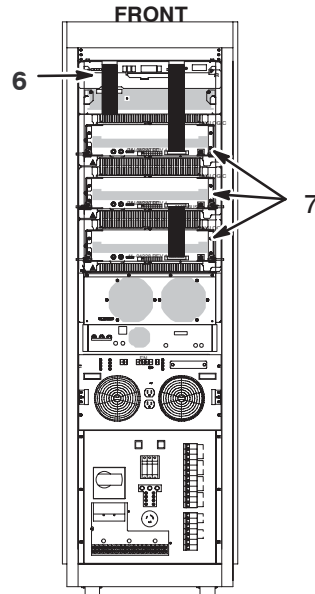
Item	Part Number	FRU	Name	Quantity	Description (Remarks)
14	46–301852P2	2	LATCH	1	

REV 3

GRFD CABINET – 2211000–2 (continued)

GPS

2173178 REV



GPS

2173178 REV

Item	Part Number	FRU	Name	Quantity	Description (Remarks)
1	2178381	N	FAN PANEL ASSY	1	See Page GRFD-6
6	2178379	N	SCA	1	See Page GRFD-6
7	2178378	1	G-AMP UNIT	3	See Page GRFD-7
8	2178375	N	CABLE ASM	1	See Page GRFD-7

REV 3

GRFD CABINET – 2211000–2 (continued)

G–AMP UNIT 2178378

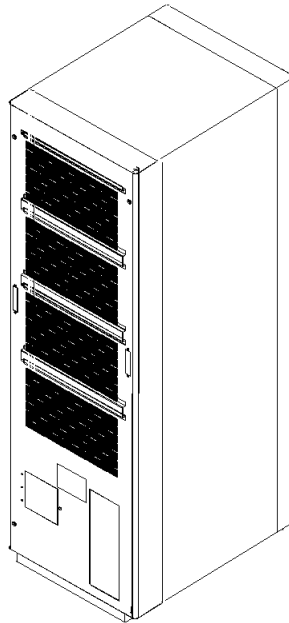
Item	Part Number	FRU	Name	Quantity	Description (Remarks)
	2178387	2	DIODE BRIDGE	1	

CABLE ASM 2178375

Item	Part Number	FRU	Name	Quantity	Description (Remarks)
	2178376	1	CBL AMP BUS	1	
	2178382	N	CBL AMP HVP	1	
	2178383	N	CBL AMP PS	1	
	2178384	N	FAN PNL CBL	1	
	2178385	1	CABLE ASM	1	300V UNREG DC CAB
	2176121	1	CABLE ASM	1	PSU BUS INTERCON
	2178386	1	CABLE ASM	1	48V AUX POWER CAB
	2176123	1	CABLE ASM	1	AMP TEST

GRFD CABINET – 2356272

GRFD CABINET, MFO



GRFD CABINET, MFO

2356272

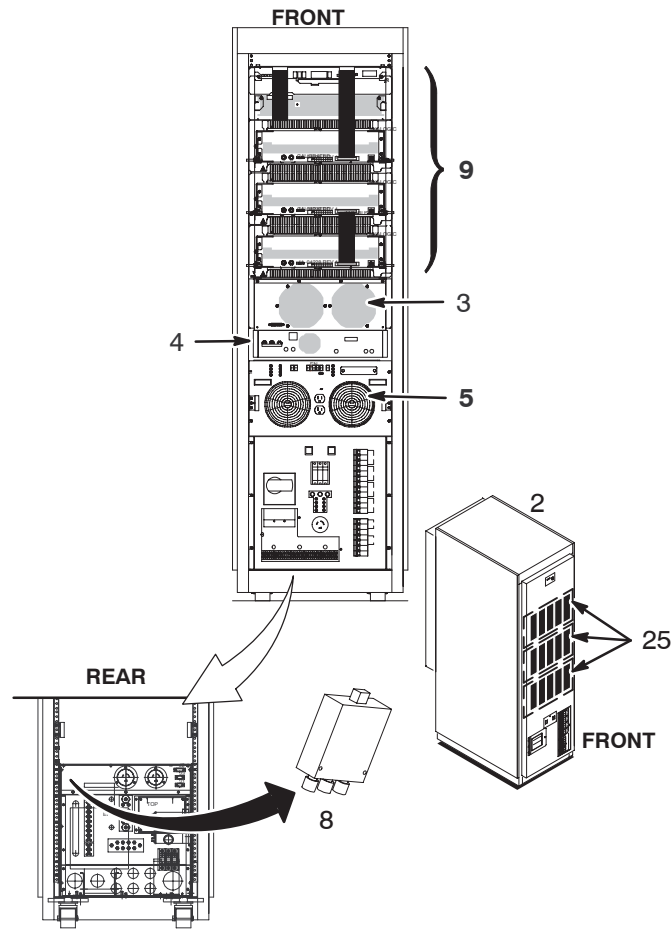
PAGE GRFD-9

REV 3

GRFD CABINET – 2356272 (continued)

GRFD CABINET, MFO

2356272



GRFD CABINET, MFO

2356272

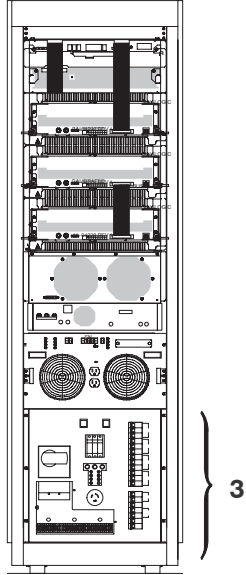
REV

Item	Part Number	FRU	Name	Quantity	Description (Remarks)
1	2340520	1	PDU W/CAB	1	See Page GRFD-10
3A	2357465	N	0.35T TELI RF AMP	1	FRU package of Teli RF Amp
4	2271206	1	RFI 0.35T	1	
5	2160200-45	1	SSM	1	
8	2254635	1	RF TX SW	1	
9	2173178	N	8290 GPS ASM	1	See Page GRFD-12
25	2358477	1	AIR FILTER FOAM	3	
26	2197474	2	CABLE	1	
27	46-328000G968	2	MR1-A23-J6 TO MR1-A7-J107		
28	46-328000G969	2	MR1-A23-J7 TO MR1-J7-J108		
S1	2199029	2	FUSE	1	FUSE ULST4 250V 0.5A for Teli Amp

REV 3

GRFD CABINET – 2356272 (continued)

GRFD/MFO PDU W/CABINET 2340520



GRFD/MFO PDU W/CABINET 22340520 REV 000

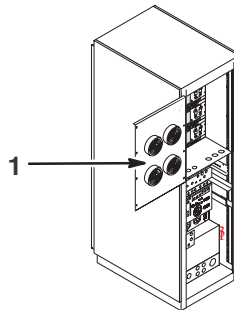
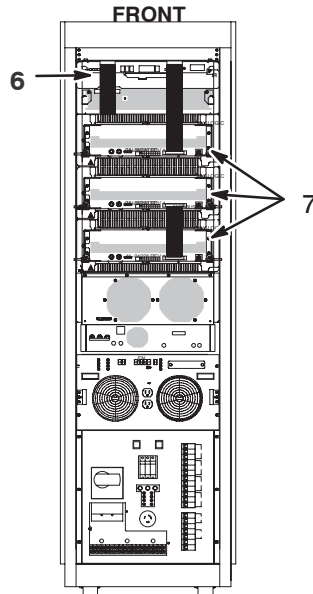
Item	Part Number	FRU	Name	Quantity	Description (Remarks)
1	2330230	1	CONTROL BOARD		
2	2330195	2	PUSH BUTTON		
3	2330180	2	MOULDED-CASE CIRCUIT BREAKER		
4	2330181	2	CONTACTOR		
5	2330194	2	INDICATOR		
6	2330182	2	CIRCUIT BRAKER		
7	2330183	2	CIRCUIT BRAKER		
8	2330184	2	CIRCUIT BRAKER		
9	2330185	2	CIRCUIT BRAKER		
10	2330186	2	CIRCUIT BRAKER		
11	2330187	2	CIRCUIT BRAKER		
12	2330196	2	TOGGLE SWITCH		

REV 3

GRFD CABINET – 2356272 (continued)

GPS

2173178 REV



GPS

2173178 REV

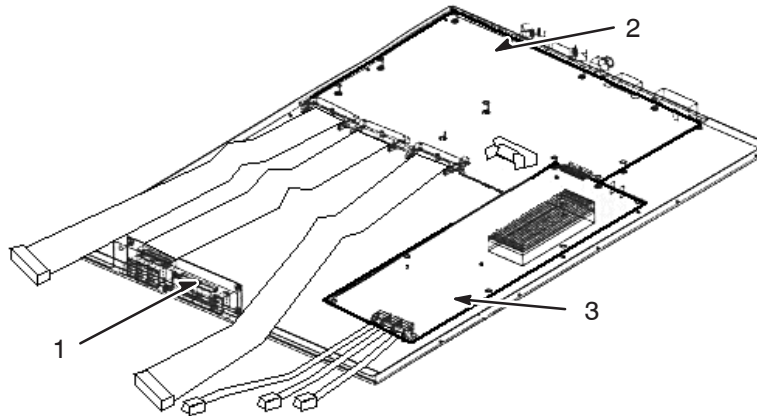
Item	Part Number	FRU	Name	Quantity	Description (Remarks)
1	2176114	1	FAN PANEL	1	See Page GRFD-11
6	2178379	2	SCA	1	See Page GRFD-12
7	2178378	1	G-AMP UNIT	3	See Page GRFD-13
8	2178376	1	CBL AMP BUS	1	
9	2178385	1	CABLE ASM	1	300V UNREG DC CAB
10	2176121	2	CABLE ASM	1	PSU BUS INTERCON

REV 3

GRFD CABINET – 2356272 (continued)

SCA

2178379



SCA

2178379

Item	Part Number	FRU	Name	Quantity	Description (Remarks)
1	2176110	1	FR PNL	1	
2	2178380	1	SCA PWA	1	
3	2178805	1	AUX PWA	1	

REV 3

GRFD CABINET – 2356272 (continued)

G-AMP UNIT **2178378**

Item	Part Number	FRU	Name	Quantity	Description (Remarks)
	2178387	2	DIODE BRIDGE	1	

REV 3

Revision History

Rev	Date	Author	Primary reasons for change
0	May 23, 2001	M.Ikeda	Initial release
1	Jan. 31, 2002	M.Ikeda	Added renewal parts for Teli RF Amp
2	Nov. 27, 2002	H.Hiwatashi	Added new GRFD Cabinet Assy
3	Apr. 21, 2009	Y.Masumo	Removed lower parts of SSM.