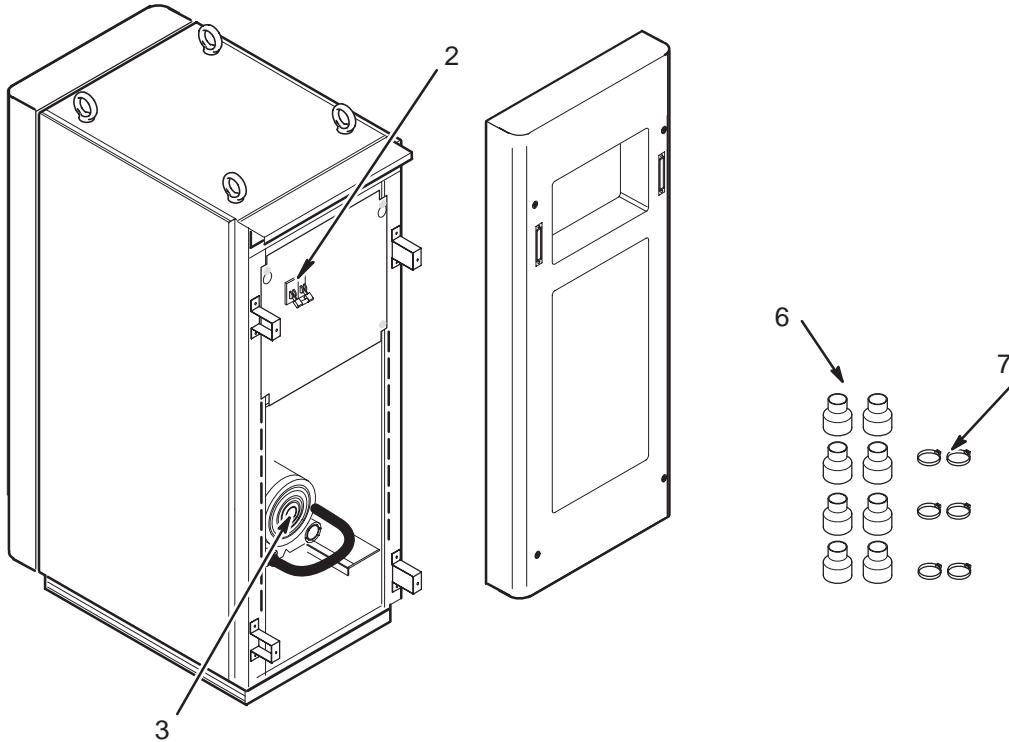


REV 2

SECTION COOL – COOLING CABINET (ONE BLOWER)

COOLING ASSY(One Blower) 2351403 REV 006



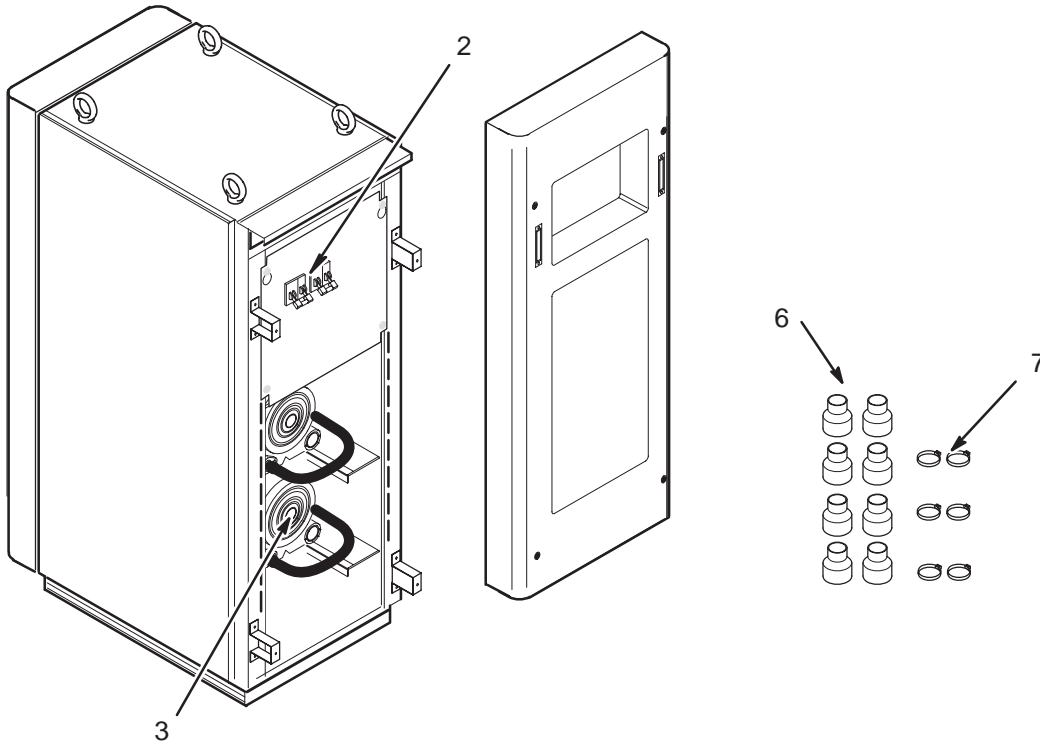
COOLING ASSY(One Blower) 2351403 REV 006

Item	Part Number	FRU	Name	Quantity	Description (Remarks)
1	2351404	N	COOLING CABINET	1	P9427EB COOLING CABINET
2	2351408	1	BREAKER ASSY	0	P9427FA BREAKER ASSY
3	2284910	1	BLOWER	0	P9427FB BLOWER
4	2293425	N	HOSE	1	P9427FC HOSE
6	U0475AK	2	CUFF	8	CUFF
7	U0477AK	2	HOSE CLAMP	3	HOSE CLAMP
8	2288250	N	HOSE CLAMP	5	U0080AC HOSE CLAMP
9	2111577	N	RATING PLATE FILM	1	P9810AM RATING PLATE FILM
10	2112666	N	SHIPMENT LABEL	1	P9810AQ SHIPMENT LABEL
11	2135339	N	ETL.ETL-C LABEL	1	P9524QE ETL.ETL-C LABEL

REV 2

SECTION COOL – COOLING CABINET (TWO BLOWER)

P9427EA COOLING ASSY 2275428 REV 004



P9427EA COOLING ASSY 2275428 REV 004

Item	Part Number	FRU	Name	Quantity	Description (Remarks)
1	2275429	N	COOLING CABINET	1	P9427EB COOLING CABINET
2	2284826	1	BREAKER ASSY	0	P9427FA BREAKER ASSY
3	2284910	1	BLOWER	0	P9427FB BLOWER
4	2293425	N	HOSE	2	P9427FC HOSE
6	U0475AK	2	CUFF	8	CUFF
7	U0477AK	2	HOSE CLAMP	6	HOSE CLAMP
8	2288250	N	HOSE CLAMP	2	U0080AC HOSE CLAMP
9	2111577	N	RATING PLATE FILM	1	P9810AM RATING PLATE FILM
10	2112666	N	SHIPMENT LABEL	1	P9810AQ SHIPMENT LABEL
11	2135339	N	ETL.ETL-C LABEL	1	P9524QE ETL.ETL-C LABEL

REV 2

Revision History

Rev	Date	Author	Primary reasons for change
0	May 23, 2001	M.Ikeda	Initial release
1	Oct. 31, 2001	M.Ikeda	Added illustration
2	Sep. 19, 2002	Y.Masumo	Added One Blower Type Cooling Cabinet