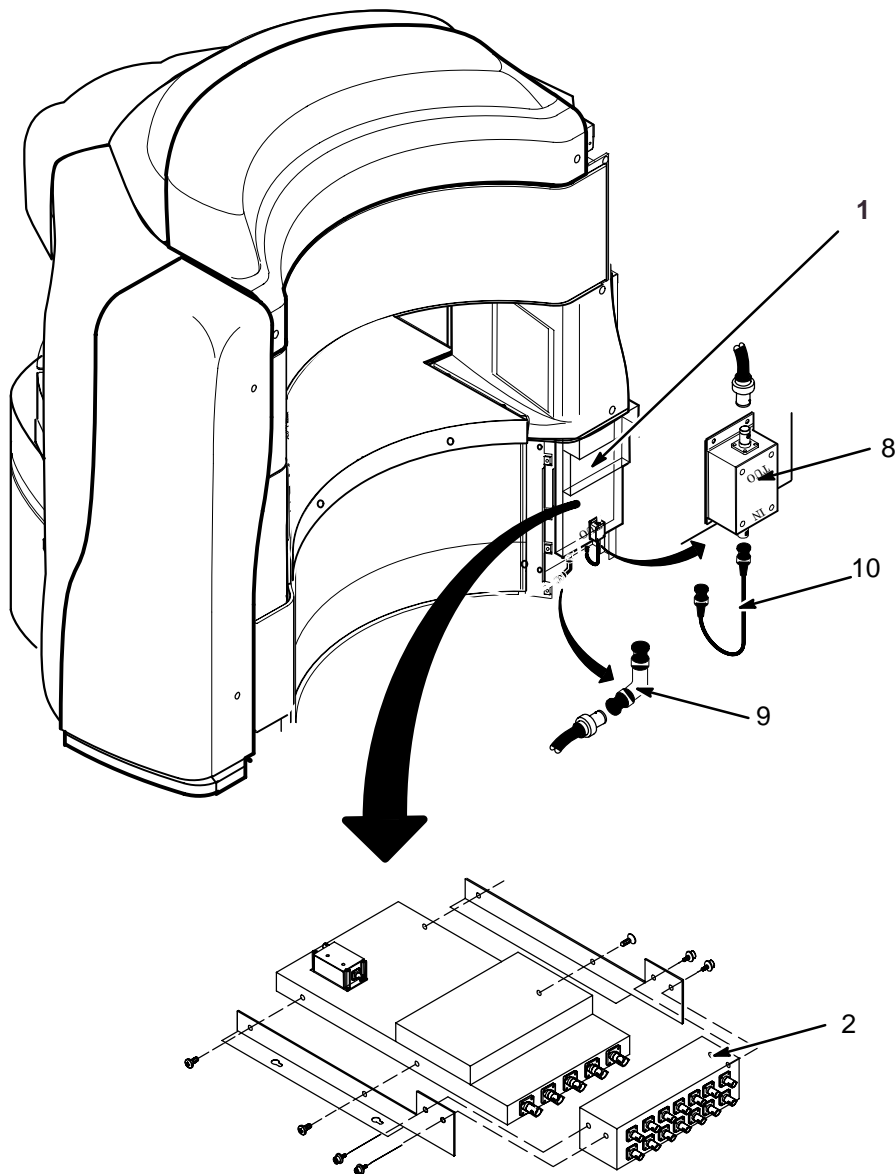


SECTION QHB – QUADRATURE HYBRID

P9423SB 0.35T QD HYBRID 2279780



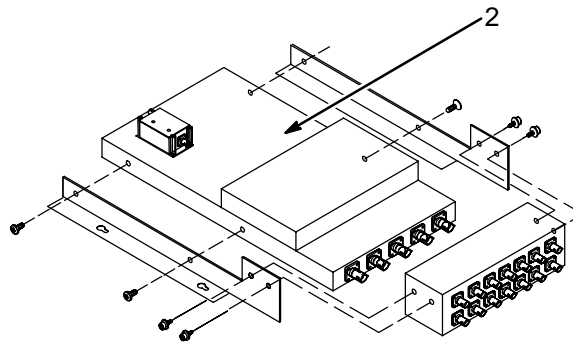
QHB-1

REV 2

P9423SB 0.35T QD HYBRID 2279780 REV 004

Item	Part Number	FRU	Name	Quantity	Description (Remarks)
1	2277115	N	QHB SPLITTER	1	P9423SA 0.35T HYBRID SPLITTER
2	2279781	1	BIAS BOX	1	P9423SE 0.35T OUTPUT BIAS BOX
3	2283505	N	QHB BRKT L	1	P9423HN QHB SPRT L
4	2283506	N	QHB BRKT R	1	P9423HP QHB SPRT R
6	U0438AA	2	SCREW	4	FLANGE SOCKET
7	2283278	1	BIAS CBL	4	P9423SF OUTPUT BIAS BOX CABLE
8	46-321338G5	1	PREAMP 0.35T	1	0.35T PREAMP W/MICROWAVE ABSORBER
9	U1046FD	2	CABLE	1	N-L ANGLE ADAPTER
10	2293722	1	CABLE	1	P9423SG QHB-PREAMP CABLE

P9423SA 0.35T HYBRID SPLITTER 2277115



P9423SA 0.35T HYBRID SPLITTER 2277115 REV 005

Item	Part Number	FRU	Name	Quantity	Description (Remarks)
2	2319498	1	BODY QHB ASSY	1	.P9426SH 0.35T TELI BODY HYBRID/TR

P9423SA 0.35T HYBRID SPLITTER 2277115 REV 004

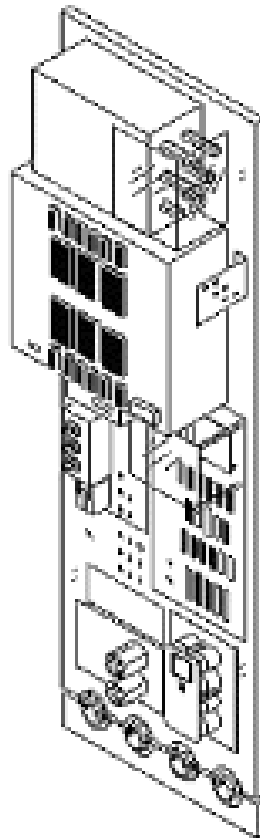
Item	Part Number	FRU	Name	Quantity	Description (Remarks)
2	2244307-3	1	BODY QHB ASSY	1	.35T BODY HYBRID/TR ASSEMBLY

REV 2

Revision History

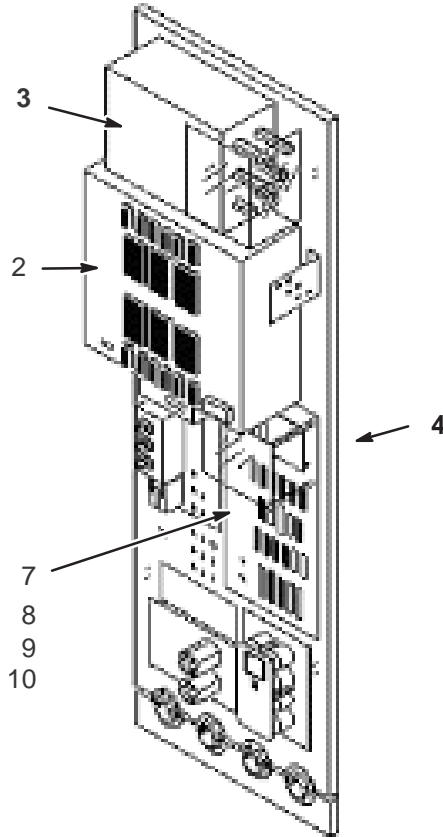
Rev	Date	Author	Primary reasons for change
0	May 23, 2001	M.Ikeda	Initial release
1	Oct. 31, 2001	M.Ikeda	General update
2	Jan. 31, 2002	M.Ikeda	Added renewal parts for Teli AMP

SECTION PEN – PENETRATION PANEL



REV 2

P9425AB MFO PANEL ASSY 2354164

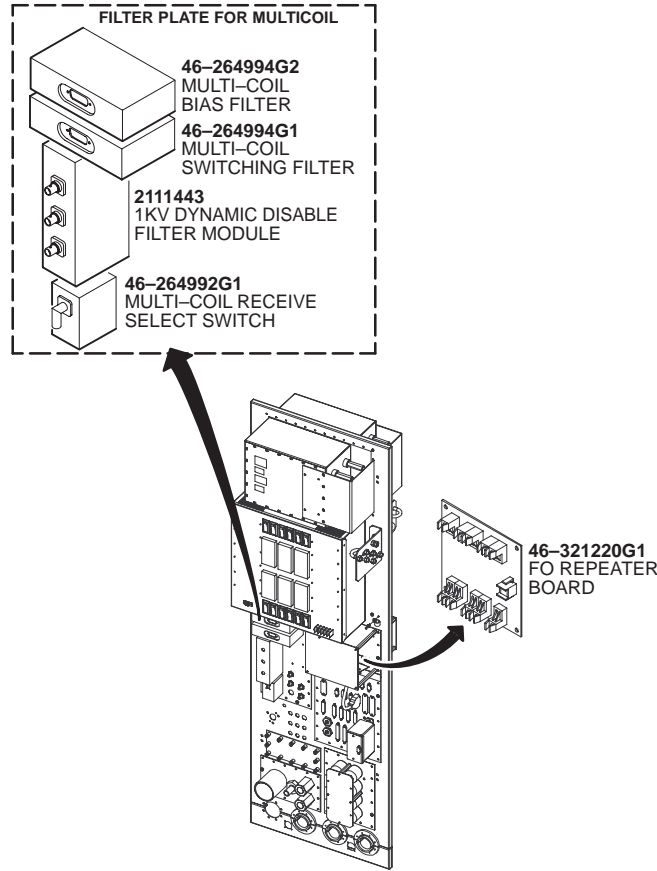


P9425AB MFO PANEL ASSY 2354164 REV 000

Item	Part Number	FRU	Name	Quantity	Description (Remarks)
1	2259620-4	N	PEN WALL ASM	1	
2	2294040	1	TCU ASM	0	
3	2284519	N	G-FLT ASM	1	
4	2318047	N	MA ASM	1	
5	2283431	N	HOSE PANEL	2	
6	N9520JM	N	SCREW	8	
7	2284770	1	DB9 FILTER	1	
8	2284771	1	DB15 FILTER	1	
9	2284772	1	DB25 FILTER	2	
10	2284773	1	DB37 FILTER	2	
11	N9520JM	N	SCREW	36	
12	U0205AC	N	BAND	2	
13	U0203AC	N	CLAMP	2	
14	2354168	N	RF CONNECTOR	1	
15	2294040	1	REPLACEMENT KIT	0	

REV 1

PEN PANEL ASSEMBLY, MFO 2259620-2



PEN PANEL ASSEMBLY, MFO 2259620-2 REV 000

Item	Part Number	FRU	Name	Quantity	Description (Remarks)
6	46-301385G4	N	BLOWER PANEL	1	SHIELD COOLER/BLOWER FILTER PANEL
33	2278717	N	ADAPTER PLATE	1	MULTICOIL ADAPTER PLATE ASSEMBLY
42	46-328039G1	2	REPEATER PANEL	1	REPEATER PANEL, PP1 A17

MULTICOIL ADAPTER PLATE ASSY 2278717 REV 000

Item	Part Number	FRU	Name	Quantity	Description (Remarks)
4	46-264992G1	1	MC RECEIVE SELECT SW	1	MULTI-COIL RECEIVE SELECT SW. PP1A1
5	46-264994G1	1	MC SWITCHING FILTER	1	MULTI-COIL SWITCHING FILTER, PP1-A1
11	46-264994G2	1	MC BIAS FILTER	1	MULTI-COIL BIAS FILTER, PP1-A16
20	2111443	1	FILTER MODULE	1	1KV DYNAMIC DISABLE FILTER MODULE

REPEATER PANEL 46-328039BOM1 REV 000

Item	Part Number	FRU	Name	Quantity	Description (Remarks)
10	46-321220G1	1	FO REPEATER BOARD	1	FO REPEATER BOARD

REV 1

P9425BB G-FILTER ASSY 2284519 REV 003

Item	Part Number	FRU	Name	Quantity	Description (Remarks)
1	2146405	1	G-FILTER	3	

P9425KB MA ASSY 2318047 REV 000 To be used with Teli AMP

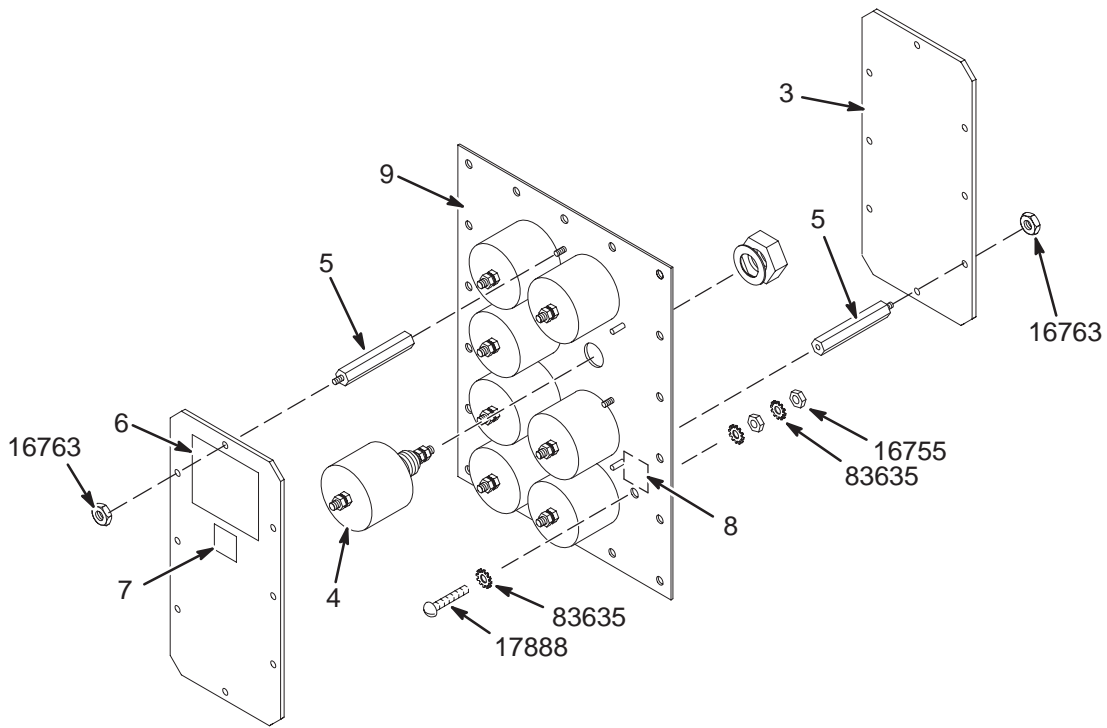
Item	Part Number	FRU	Name	Quantity	Description (Remarks)
1	2317566	N	MA MODULE	1	
2	2318051	1	AUX1 CBL ASM	1	
3	2318050	1	AUX2 CBL ASM	1	
4	2318049	1	AUX3 CBL ASM	1	
5	2318048	1	AUX4 CBL ASM	1	

P9425SN MA ASSY 2284216 REV 000

Item	Part Number	FRU	Name	Quantity	Description (Remarks)
1	2284217	1	MA MODULE	1	
2	2284408	N	AUX1 CBL ASM	1	
3	2284409	N	AUX2 CBL ASM	1	
4	2284410	N	AUX3 CBL ASM	1	
5	2284411	N	AUX4 CBL ASM	1	

REV 1

SHIELD COOLER/BLOWER FILTER PANEL 46-301385G4



SHIELD COOLER/BLOWER FILTER PANEL 46-301385G4

Item	Part Number	FRU	Name	Quantity	Description (Remarks)
2	2121531	2	PLATE	1	EMPTY 8-FILTER PLATE, F1 THROUGH F8
3	2121529	2	COVER PLATE	2	EIGHT EMI FILTER SAFETY COVER PLATE
4	46-282750P1	1	FILTER	8	250VAC/1000VDC EMI NOISE FILTER.
5	46-282751P1	2	STANDOFF	8	3/8" HEX X 2.25" SPACER, 6-32 THREAD
6	46-211345P1	2	LABEL	2	"WARNING HIGH VOLTAGE" .003 THK ALUM
7	46-271110P3	2	LABEL	2	DANGEROUS VOLTAGE GRAPHIC SYMBOL
8	46-271110P1	2	LABEL	2	PROTECTIVE EARTH (GROUND)
16755	46-208935P8	2	NUT,HEX,MS	4	1/4-20, 7/16" HEX X 3/16 THK, BRASS
16763	46-208936P1	2	NUT,HEX,MS	8	6-32, 1/4" HEX X .094 THICK, BRASS
17888	46-220184P54	2	SCREW MACH	2	1/4-20 X 1" LG, RND HD SLOT, BRASS
83635	46-208599P19	2	WASHER,LOCK	6	1/4 EXTERNAL TOOTH PHOS, BRONZE

REV 2

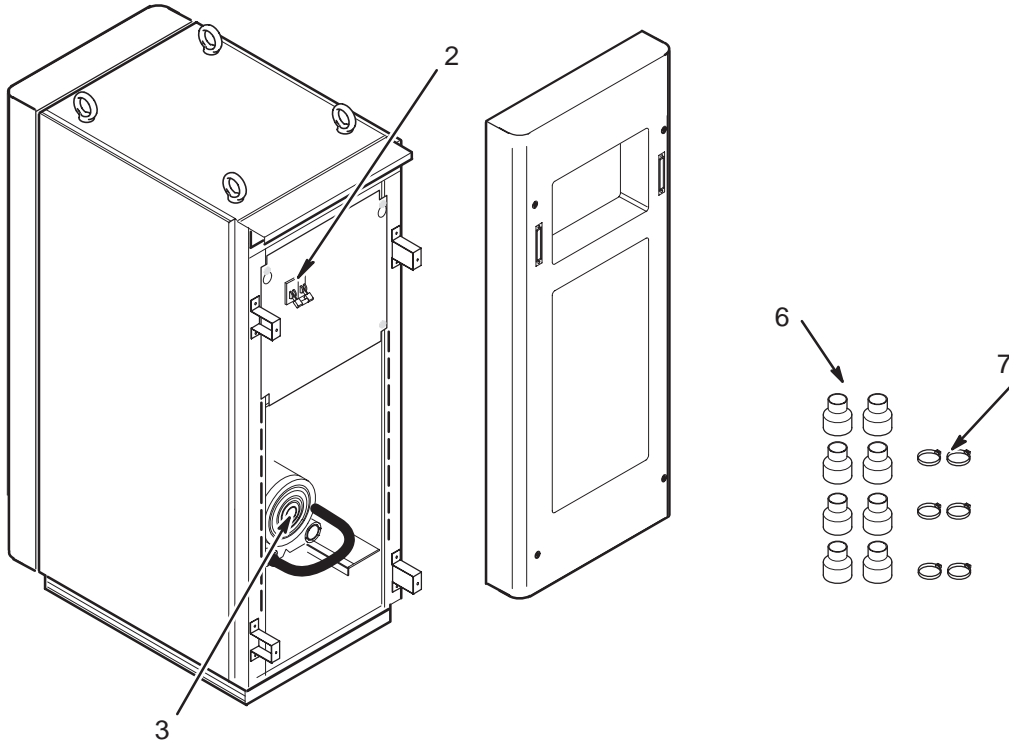
Revision History

Rev	Date	Author	Primary reasons for change
0	May 23, 2001	M.Ikeda	Initial release
1	Jan. 31, 2002	M.Ikeda	Added renewal parts for Teli AMP
2	Sep. 17, 2002	Y.Masumo	P2: Updated PEN PANEL Assy

REV 2

SECTION COOL – COOLING CABINET (ONE BLOWER)

COOLING ASSY(One Blower) 2351403 REV 006



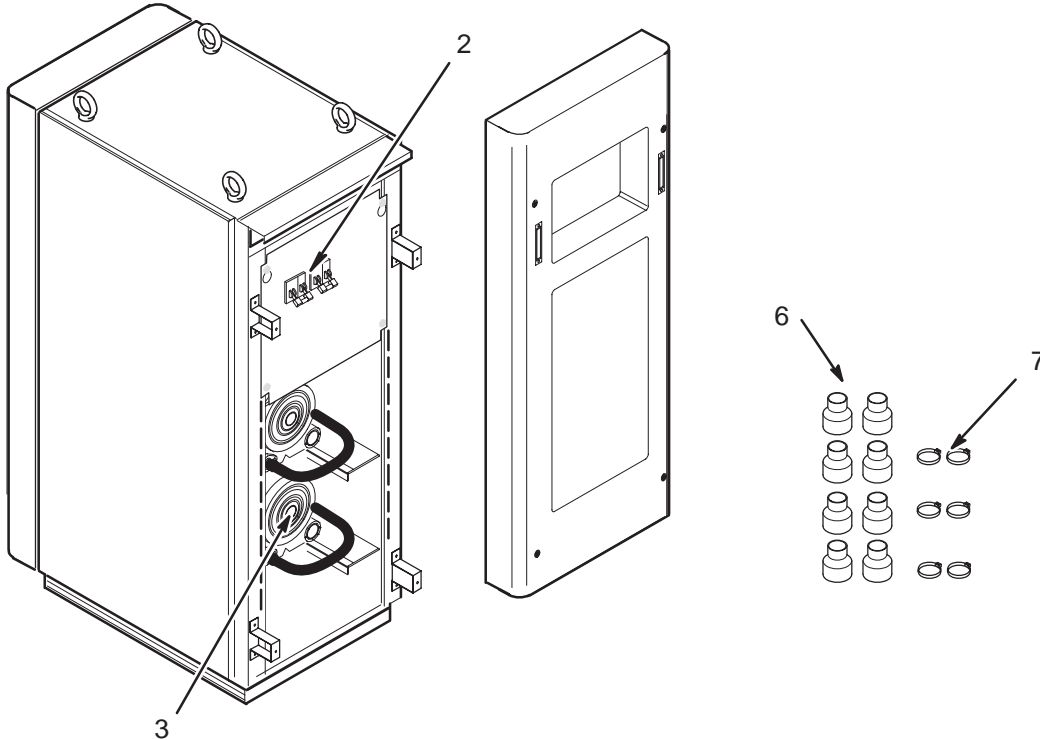
COOLING ASSY(One Blower) 2351403 REV 006

Item	Part Number	FRU	Name	Quantity	Description (Remarks)
1	2351404	N	COOLING CABINET	1	P9427EB COOLING CABINET
2	2351408	1	BREAKER ASSY	0	P9427FA BREAKER ASSY
3	2284910	1	BLOWER	0	P9427FB BLOWER
4	2293425	N	HOSE	1	P9427FC HOSE
6	U0475AK	2	CUFF	8	CUFF
7	U0477AK	2	HOSE CLAMP	3	HOSE CLAMP
8	2288250	N	HOSE CLAMP	5	U0080AC HOSE CLAMP
9	2111577	N	RATING PLATE FILM	1	P9810AM RATING PLATE FILM
10	2112666	N	SHIPMENT LABEL	1	P9810AQ SHIPMENT LABEL
11	2135339	N	ETL.ETL-C LABEL	1	P9524QE ETL.ETL-C LABEL

REV 2

SECTION COOL – COOLING CABINET (TWO BLOWER)

P9427EA COOLING ASSY 2275428 REV 004



P9427EA COOLING ASSY 2275428 REV 004

Item	Part Number	FRU	Name	Quantity	Description (Remarks)
1	2275429	N	COOLING CABINET	1	P9427EB COOLING CABINET
2	2284826	1	BREAKER ASSY	0	P9427FA BREAKER ASSY
3	2284910	1	BLOWER	0	P9427FB BLOWER
4	2293425	N	HOSE	2	P9427FC HOSE
6	U0475AK	2	CUFF	8	CUFF
7	U0477AK	2	HOSE CLAMP	6	HOSE CLAMP
8	2288250	N	HOSE CLAMP	2	U0080AC HOSE CLAMP
9	2111577	N	RATING PLATE FILM	1	P9810AM RATING PLATE FILM
10	2112666	N	SHIPMENT LABEL	1	P9810AQ SHIPMENT LABEL
11	2135339	N	ETL.ETL-C LABEL	1	P9524QE ETL.ETL-C LABEL

REV 2

Revision History

Rev	Date	Author	Primary reasons for change
0	May 23, 2001	M.Ikeda	Initial release
1	Oct. 31, 2001	M.Ikeda	Added illustration
2	Sep. 19, 2002	Y.Masumo	Added One Blower Type Cooling Cabinet

REV 1

GRADIENT LINE CABLE 2284769 REV

Item	Part Number	FRU	Name	Quantity	Description (Remarks)
1	2283335	1	CABLE ASM	1	P9420XA G-CABLE XC ASSY
2	2283336	1	CABLE ASM	1	P9420XB G-CABLE YC ASSY
3	2283337	1	CABLE ASM	1	P9420XC G-CABLE ZC ASSY
4	2283338	1	CABLE ASM	1	P9420XD G-CABLE XS ASSY
5	2283339	1	CABLE ASM	1	P9420XE G-CABLE YS ASSY
6	2283340	1	CABLE ASM	1	P9420XF G-CABLE ZS ASSY

REV 0

SECTION SCBL – SYSTEM CABLES

SYSTEM CABLES

Item	Part Number	FRU	Name	Quantity	Description (Remarks)
1	2283545	N	CABLE ASM	1	P9420SE MFO FIXED SITE DATA CABLES
2	2198993	1	CABLE (#818)	1	(818) MR2-A11-J31 TO OW1-
3	46-301125G807	1	CABLE (#701)	1	(701T) MR2-A11-J15 TO RF
4	46-258431G810	1	CABLE (#702)	1	(702M) MR2-A11-J18 TO MR1
5	46-258431G809	1	CABLE (#703)	1	(703M) MR2-A11-J23 TO MR1
6	46-301125G98	1	CABLE (#229)	1	(229T) MR2-A11-J1 TO MR1-
7	46-301125G100	1	CABLE (#231)	1	(231T) MR2-A11-J2 TO PP1
8	2263200	1	CABLE (#837)	1	(837) OW1-A17-J4 TO PP1-A
9	2263200-2	1	CABLE (#838)	1	(838) OW1-A17-J3 TO PP1-J
10	2263200-3	1	CABLE (#841)	1	(841) PT1-J5 TO PP1-J51
11	2263200-14	1	CABLE (#906)	1	(906) PT1-J11 TO PP1-J47
12	2263200-15	1	CABLE (#910)	1	(910)OW1-A17-J2 TO OW1-A
13	2263200-16	1	CABLE (#911)	1	(911)OW1-A17-J2 TO OW1-A
14	2263200-18	1	CABLE (#921)	1	(921)PT1-J8 TO PP1-J11
15	2263200-26	1	CABLE (#929)	1	(929)MR2-A11-J5 TO PP1-J
16	2263200-23	1	CABLE (#926)	1	(926) PP1-A15-J78 TO PT1-
17	2263200-24	1	CABLE (#927)	1	(927) PP1-A16-J77 TO PT1-
18	2263200-27	1	CABLE (#934)	1	(934) PP1-J8 TO MG3-A3-A5
19	46-328000G902	1	CABLE (#768)	1	(768TR) PP1-J20 TO MR1-A7
20	46-328000G905	1	CABLE (#771)	1	(771TR) PP1-J47 TO MR1-A7
21	46-328000G904	1	CABLE (#770)	1	(770) PP1-J11 TO MR1-A7-J
22	46-328000G903	1	CABLE (#769)	1	(769) PP1-J15 TO MR1-A7-J
23	46-258431G908	1	CABLE (#774)	1	(774M) MR2-A11-J25 TO MR1
24	46-258431G808	1	CABLE (#705)	1	(705M) MR2-a11-J14 TO PD1
25	46-328000G906	1	CABLE (#772)	1	(772) PP1-J14 TO MR1-A7-J
26	46-328000G907	1	CABLE (#773)	1	(773) PP1-A17-J1 TO MR1-A
27	46-317359G931	1	CABLE (#716)	1	(716TR) MG2-A11-A1-J2 TO
28	46-328000G915	1	CABLE (#775)	1	(775) MR1-A7-J42 TO PP1-A
29	46-301125G764	1	CABLE (#487)	1	(487T) MR1-A7-J20 TO TP PP1-
30	46-301125G765	1	CABLE (#488)	1	(488T) MR2-A11-J8 TO PP1-
31	46-301125G766	1	CABLE (#489)	1	(489T) MR2-A11-J9 TO PP1-
32	46-301125G767	1	CABLE (#490)	1	(490T) MR2-A11-J10 TO PP1
33	46-301125G831	1	CABLE (#726)	1	(726T) MR1-A7-J18 TO PP1-A
34	46-328000G937	1	CABLE (#788)	1	(788) PP1-J12 TO OW1-A1-A2
35	46-328000G938	1	CABLE (#789)	1	(789) MR2-A11-J26 TO OW1-A
36	46-328000G939	1	CABLE (#791)	1	(791) MR2-A11-J30 TO OW1-
37	46-271692G601	1	CABLE (#296)	1	(296T) PP1-J18 TO FACILITY DISCONN
38	46-271693G1	1	CABLE (#297)	1	RUN 297, EMERGENCY OFF SW TO PP1-J18
39	2283548	N	CABLE ASM	1	P9420SC MFO PDU CABLES
40	46-271364G517	1	CABLE (#030)	1	(030M) MR2-A12 TO PD1-A2

REV 0

Item	Part Number	FRU	Name	Quantity	Description (Remarks)
41	46-255947G607	1	CABLE (#037)	1	(037) MR2-A12-GND TO PD1-
42	2103427	1	CABLE (#040)	1	(040) MS1 TO RF COM GROUN
43	46-255947G9	1	CABLE (#044)	1	(044) MR1-A7-GND TO PP1-G
44	46-307832P4	1	CABLE (#047)	1	(047) OW1A2A5J1 TO PD1-A2
45	46-255947G11	1	CABLE (#048)	1	(048) OW1-GND TO PD1-GND
46	46-317249G39	N	CABLES F.O.	1	HFO FIXED SITE FIBEROPTIC
47	46-317076G602	2	FO CABLE ASM	1	(708T) MR2-A11-J16 TO MR1-A7-TX
48	46-307245P2	2	1/2" CONDUIT	0.2	100 FOOT ROLL, HEYCO #8431
49	46-301125G923	2	FO CABLE ASM	1	(708T-1) MR2-A23-A2-J5 TO MR1-A15-A1-
50	46-307564P12	N	FO CABLE ASM	1	41'0" +/- 6"
51	46-208781P2	2	LABEL OLD	2	WRITE-ON LABEL FOR MARKIN
52	46-221856P13	2	TAPE	AR	TAPE, ELECTRICAL, PVC, CO
53	46-221856P14	2	TAPE	AR	TAPE, ELECTRICAL, PVC, CO
54	46-221856P15	2	TAPE	AR	TAPE, ELECTRICAL, PVC, CO
55	46-230653P2	2	TUBING OLD	20	1/4" DIA. SPIRALLY CUT POLYETHYLENE
56	46-221856P13	2	TAPE OLD	AR	TAPE, ELECTRICAL, PVC, COLOR-BLUE
57	46-221856P14	2	TAPE OLD	AR	TAPE, ELECTRICAL, PVC, COLOR-GREEN
58	46-221856P15	2	TAPE OLD	AR	TAPE, ELECTRICAL, PVC, COLOR-ORANGE
59	46-317085G603	2	CABLE	1	(710T)MR2-A11-J17 TO MR3-
60	46-307245P3	2	3/4" CONDUIT	0.2	100 FOOT ROLL, HEYCO #8431
61	46-301125G952	2	CABLE	1	(710T-1)MR2-A15-A23-J13 O
62	46-307584P5	N	FO CABLE ASM	1	36'0" +/- 6"
63	46-208781P2	2	LABEL OLD	2	WRITE-ON LABEL FOR MARKIN
64	46-221856P11	2	TAPE OLD	AR	TAPE, ELECTRICAL, PVC, CO
65	46-221856P15	2	TAPE OLD	AR	TAPE, ELECTRICAL, PVC, CO
66	46-301125G953	2	CABLE	1	(710T-2)MR2-A15-A23-J15 O
67	46-307584P5	N	FO CABLE ASM	1	36'0" +/- 6"
68	46-208781P2	2	LABEL OLD	2	WRITE-ON LABEL FOR MARKIN
69	46-221856P11	2	TAPE OLD	AR	TAPE, ELECTRICAL, PVC, CO
70	46-221856P15	2	TAPE OLD	AR	TAPE, ELECTRICAL, PVC, CO
71	46-301125G954	2	CABLE	1	(710T-3)MR2-A15-A23-J17 O
72	46-307584P5	N	FO CABLE ASM	1	36'0" +/- 6"
73	46-208781P2	2	LABEL OLD	2	WRITE-ON LABEL FOR MARKIN
74	46-221856P11	2	TAPE OLD	AR	TAPE, ELECTRICAL, PVC, CO
75	46-221856P15	2	TAPE OLD	AR	TAPE, ELECTRICAL, PVC, CO
76	46-301125G955	2	CABLE	1	(710T-4)MR2-A15-A23-J14 O
77	46-307584P5	N	LABEL OLD	1	36'0" +/- 6"
78	46-208781P2	2	TAPE OLD	2	WRITE-ON LABEL FOR MARKIN
79	46-221856P11	2	TAPE OLD	AR	TAPE, ELECTRICAL, PVC, CO
80	46-221856P15	2	TAPE OLD	AR	TAPE, ELECTRICAL, PVC, CO
81	46-301125G956	2	CABLE	1	(710T-5)MR3-GIP-MDS-JS TO
82	46-307584P5	N	LABEL OLD	1	36'0" +/- 6"
83	46-208781P2	2	LABEL OLD	2	WRITE-ON LABEL FOR MARKIN
84	46-221856P11	2	TAPE OLD	AR	TAPE, ELECTRICAL, PVC, CO
85	46-221856P15	2	TAPE OLD	AR	TAPE, ELECTRICAL, PVC, CO
86	46-208781P4	2	LABEL OLD	2	WRITE-ON LABEL FOR MARKIN
87	46-230653P3	2	TUBING OLD	15	SPIRALLY CUT POLYETHYLENE
88	46-221856P11	2	TAPE OLD	AR	TAPE, ELECTRICAL, PVC, CO
89	46-221856P15	2	TAPE OLD	AR	TAPE, ELECTRICAL, PVC, CO
90	2126180	2	CONNECTOR KT	1	FIBER-OPTIC CONDUIT PANEL

REV 0

Item	Part Number	FRU	Name	Quantity	Description (Remarks)
91	46-307244P3	2	CONNECTOR	4	PANEL MOUNT FOR 1/2" F.O.
92	46-307244P4	2	CONNECTOR	3	PANEL MOUNT FOR 3/4" F.O.
93	508A865P5	N	PACKING	1	PACKING
94	2123149	N	DIRECTION	1	FIBER OPTIC CONNECTOR INS
95	46-220191P1	2	CLAMP OLD	2	CLAMP FOR FLAT CABLE
96	46-230653P2	2	TUBING OLD	3	1/4" DIA. SPIRALLY CUT PO
97	46-208758P2	2	TY-RAP OLD	9	5.5" X .140" SELF-LOCKING
98	46-328078G5	2	FO CABLE ASM	1	(711V/712V) MR2A11-J13 TO
99	46-328073P9	2	FO CABLE ASM	1	(712V-1) MR2-A15-A23-J9,1
100	46-328073P10	2	FO CABLE ASM	1	(711V-1) MR2-A15-A23-J6,7
101	46-328074P5	2	FO CABLE ASM	1	(711V-2) MR2-A15-A23-J8 T
102	46-230653P2	2	TUBING OLD	5.375	1/4" DIA. SPIRALLY CUT PO
103	46-307245P3	2	3/4" CONDUIT	0.4	100 FOOT ROLL, HEYCO #843
104	46-208781P4	2	LABEL OLD	2	WRITE-ON LABEL FOR MARKIN
105	46-221856P11	2	TAPE OLD	AR	TAPE, ELECTRICAL, PVC, CO
106	46-221856P15	2	TAPE OLD	AR	TAPE, ELECTRICAL, PVC, CO
107	46-328079G9	2	FO CABLE ASM	1	(711M/712M) PP1-J91 TO MG
108	46-328076P5	2	FO CABLE ASM	1	(711M-1) MG2-A33-J12 TO P
109	46-328077P5	2	FO CABLE ASM	1	(711M-2)MG2-A33-J13 TO PP
110	46-307245P3	2	3/4" CONDUIT	0.77	100 FOOT ROLL, HEYCO #843
111	46-208781P4	2	LABEL OLD	2	WRITE-ON LABEL FOR MARKIN
112	46-328075P9	2	FO CABLE ASM	1	PP1-A17-A1-J1,2 TO MG2-A1
113	46-230653P2	2	TUBING OLD	19	1/4" DIA. SPIRALLY CUT PO
114	46-221856P11	2	TAPE OLD	AR	TAPE, ELECTRICAL, PVC, CO
115	46-221856P13	2	TAPE OLD	AR	TAPE, ELECTRICAL, PVC, CO
116	2241052	2	FO CABLE ASM	1	(836) OW1A15-BIT3 TO MR2A
117	46-317185G1	2	SPEAKER BOX	1	PATIENT COMMUNICATION BOX
118	46-317177G1	2	HARNESS	1	MG3 A2 J8 TO MG2 A2 A1 J3
119	46-317184G1	2	HARNESS	1	MG3 A2 J7 TO MG2 A2 A1 J1
120	46-317184G2	2	HARNESS	1	MG3 A2 J9 TO MG2 A2 A1 J4
121	2288234	1	CABLE		P9420TL CABLE ASSY
122	2298512	1	CORE		
123	U0028MC	1	CORE		

REV 0

SECTION MENC – MAGNET ENCLOSURE

P9423CA ENCLOSURE ASSY 2282871 REV 008

Item	Part Number	FRU	Name	Quantity	Description (Remarks)
1	2284788	N	FLOOR ASM	1	P9423BA FLOOR ASSY
5	2284792	N	POST L ASM	1	P9423BE POST L ASSY
6	2284793	N	POST R ASM	1	P9423BF POST R ASSY
33	P9123PC	1	CAP	18	CAP /
34	2284919	1	CAP	6	U0255AE CAP
35	2284920	1	CAP	4	U0256AE CAP
36	2151637	1	CAP	8	RUBBER CAP
38	2290637	1	CAP	4	P9423JW CAP

P9423BA FLOOR ASSY 2284788 REV 002

Item	Part Number	FRU	Name	Quantity	Description (Remarks)
2	2283179	N	FRONT TS ASM	1	P9423VA FRONT TS ASSY

P9423VA FRONT TS ASSY 2283179 REV 003

Item	Part Number	FRU	Name	Quantity	Description (Remarks)
1	2284625	1	FR TS	4	P9423VC F TOUCH SENSOR
2	2284627	1	FR TS COVER	1	P9423VG F TS COVER

P9423BF POST R ASSY 2284793 REV 001

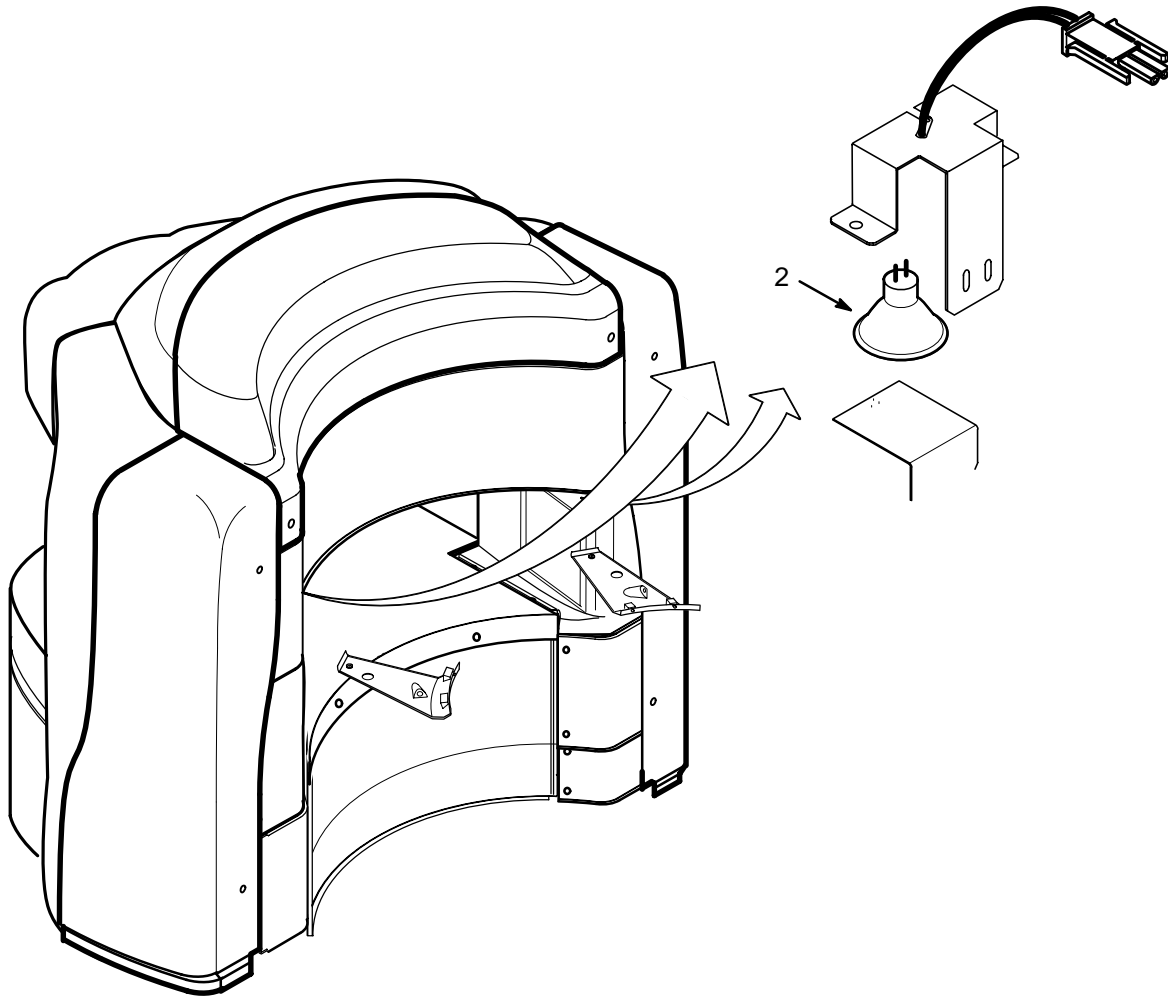
Item	Part Number	FRU	Name	Quantity	Description (Remarks)
2	2283180	1	SIDE TS ASM	1	P9423VB SIDE TS ASSY

REV 0

P9423EA FRAME ASSY

2282872

REV 007



P9423EA FRAME ASSY

2282872

REV 007

Item	Part Number	FRU	Name	Quantity	Description (Remarks)
2	2284778	1	LAMP 12V20W	2	P9423SY LAMP 12V20W
158	2291196	N	LIGHT BRKT	2	P9423BU LIGHT BRKT ASSY

P9423BU LIGHT BRKT ASSY

2291196

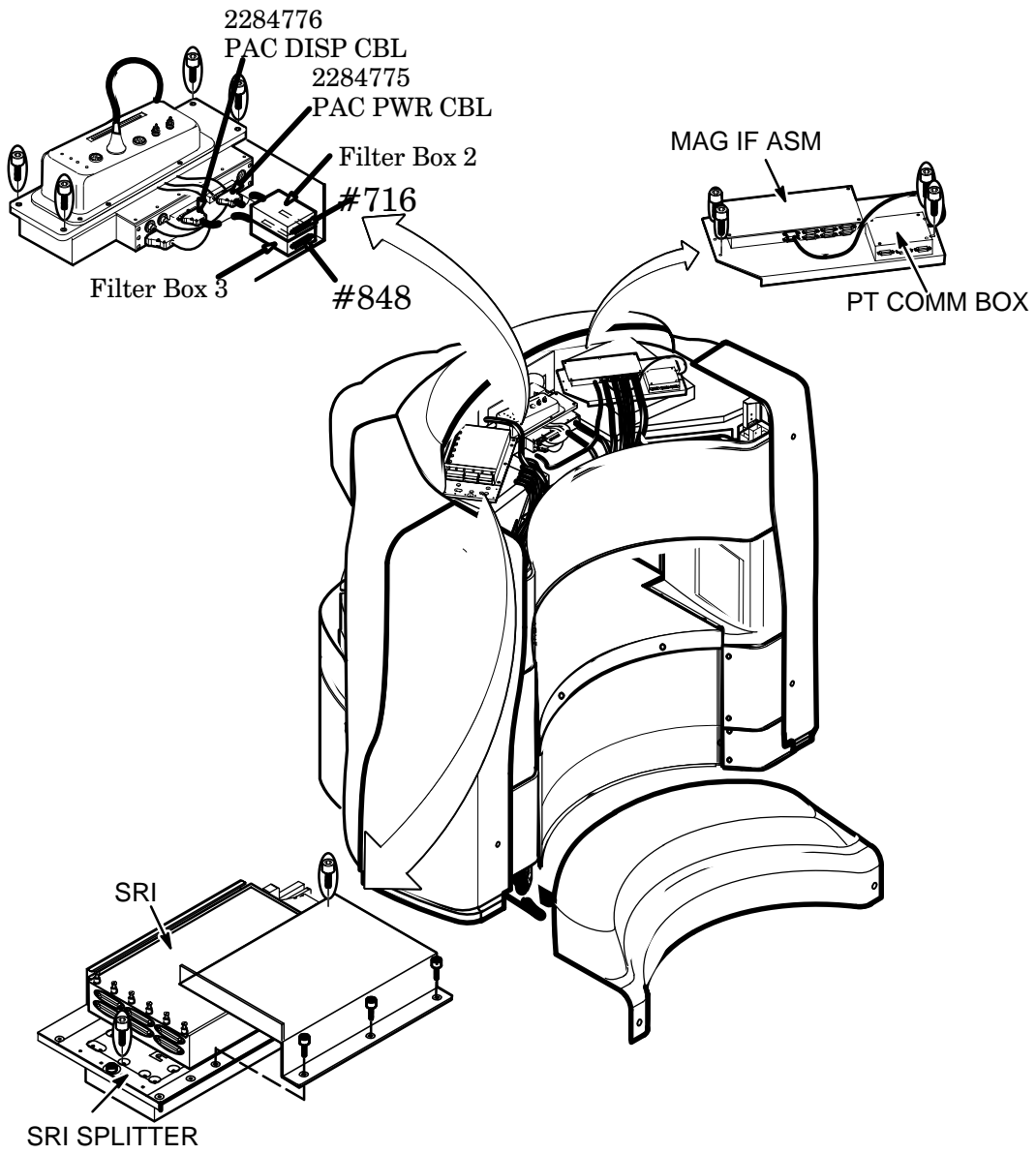
REV 000

Item	Part Number	FRU	Name	Quantity	Description (Remarks)
1	2284777	1	CABLE	1	P9423SX SOCKET CBL ASSY

SECTION MAG – MAGNET ELECTRONICS

REV 2

MAGNET ELECTRONICS ITEMS



REV 2

MAGNET ELECTRONICS ITEMS

Item	Part Number	FRU	Name	Quantity	Description (Remarks)
1	2284837	N	PAC FLT	1	P9423ST MFO PAC FILTER ASSY
2	2284838	1	CABLE	1	P9423SU CABLE ASSY
3	2282881	N	MAGNET ELEC	1	P9420BH 0.35T MAGNET ELECTRONICS
4	46-317185G1	2	PT COMM BOX	1	PATIENT COMMUNICATION BOX
5	2122268-7	1	PAC-II ASM	1	MFO PAC W/LONGER PPG CABLE ASM
6	46-287370G7	2	SRI ASM	1	SCAN ROOM INTERFACE (SRI)
7	2259621	2	SRI SPLITTER	1	SRI SPLITTER ASM
8A	2254366-2	1	MAG IF ASM	1	MAGNET I/F ASM W/NEW FIRMWARE
8B	2254366	1	MAG IF ASM	ALT	MAGNET INTERFACE ASSEMBLY
9	2227142-2	N	RMT PAC IF	1	MRHFO REMOTE PAC INTERFAC
10	46-317903G5	1	CABLE F. O.	1	FIBER OPTIC PPG CABLE ASM - 253" LG

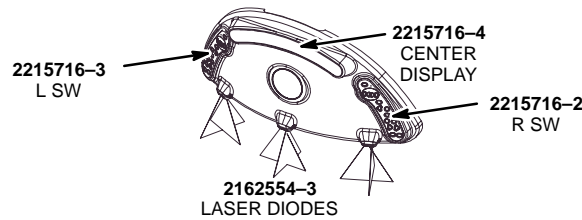
P9423ST MFO PAC FILTER ASSY 2284837 REV 001

Item	Part Number	FRU	Name	Quantity	Description (Remarks)
1	2225039	1	FLT BOX2	1	P9363RR FILTER BOX2 ASSY
2	2228335	1	FLT BOX3	1	P9363RU FILTER BOX3 ASSY
3	2284775	1	CABLE	1	P9423SV CABLE ASSY
4	2284776	1	CABLE	1	P9423SW CABLE ASSY

0.35T MAGNET ELECTRONICS 2282881 REV 000

Item	Part Number	FRU	Name	Quantity	Description (Remarks)
1	2285500	N	DISPLAY ASM	1	P9423WA MFO DISPLAY
2	2285501	N	PCM ASM	1	P9423WB MFO PCM

P9423WA MFO DISPLAY 2285500 REV 000



P9423WA MFO DISPLAY 2285500 REV 000

Item	Part Number	FRU	Name	Quantity	Description (Remarks)
1	2215716-2	1	R SW	1	MAESTRO MAGNET HOUSING RH DISPLAY / DISPLAY
2	2215716-3	1	L SW	1	MAESTRO MAGNET HOUSING LH DISPLAY / DISPLAY
3	2215716-4	1	C DISPLAY	1	MAESTRO MAGNET HOUSING CNTR DISPLAY / DISPLAY
4	2221465-2	N	MODULE	3	MAESTRO ALIGNMENT LIGHT MODULE_TOP
5	2162554-3	1	LASER	6	LASER FOR CONQUEST MAG FRT COVER AS
6	2269030-12	N	GE LOGO DECAL	1	ENCAPSULATED GE LOGO

REV 2

PCM RELATED ITEMS

REV 000

Item	Part Number	FRU	Name	Quantity	Description (Remarks)
1	2248337	N	AIR NOZZLE		
2	2248340	N	BEZEL		
3	2248341	N	PART		
4	2236511	N	PART		
5	2255647	N	PART		
6	2255646	N	PART		
7	2255648	N	PART		
8	2259693	N	PART		
9	2259696	N	PART		
10	46-221523P26	1	VENT PLUG		
11	46-221773P2	1	SPEAKER		
12	46-208560P111	N	SCREW		
13	46-136374P65	N	RING OLD		
14	46-317252G4	1	CABLE		
15	46-317157G6	1	CABLE		
16	46-317157G3	1	CABLE		
17	46-317134P1	1	MIKE HOUSING		
18	46-317135P1	1	CABLE CLAMP		

PT COMM BOX

46-317185BOM1

REV 004

Item	Part Number	FRU	Name	Quantity	Description (Remarks)
2	46-317137P1	2	PT COMM BOX	1	PATIENT COMMUNICATION BOX – EMPTY
6A	2204384	1	RMT INTCOM	1	REMOTE INTERCOM BOARD

SCAN ROOM INTERFACE (SRI)46-287370BOM7

REV

001

Item	Part Number	FRU	Name	Quantity	Description (Remarks)
3B	46-288016G8	1	SRI BD	ALT	SCAN ROOM INTERFACE BOARD

RMT PAC INTERFACE

2227142-2

REV 001

Item	Part Number	FRU	Name	Quantity	Description (Remarks)
2	2221024	2	CABLE	1	WIDE OPEN PAC HANGER CABLE INTERFAC
3	2222710	2	CABLE	2	WIDE OPEN PAC INTERFACE CLAMP BRCKT
4	2219096	2	CABLE	1	ECG EXTENSION CABLE_MG2A11-ECG
5	2219097	2	CABLE	1	EXTEN. CABLE_MG2A11 PERIPHERAL PULS
6	46-265651P1	2	COUPLING	2	COUPLING, PANEL MTG / COLDER PROD CO. #PMC 16-02 /
7	2221023	2	HANGER BAR	2	WIDE OPEN PAC HANGER BAR
9	46-328420P502	2	SCREW HEAD	4	SCREW BUTTON HEAD 3 MM 8 MM
12	46-265652P1	2	INSERT	2	COUPLING INSERT / COLDER PROD CO. #PMC 22-02 /
13	2109874-17	2	SCREW	1	SCREW COUNTERSUNK HEA 4 MM 40 MM
14	2238216-2	2	SCREW	4	SCREW HEXAGON SOCKET 6 MM 60 MM
15	2221024-2	2	CABLE	1	MRHFO PAC HANGER CABLE INTERFACE

REV 2

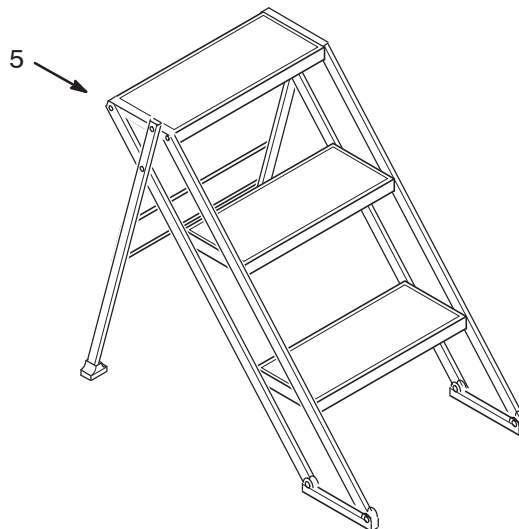
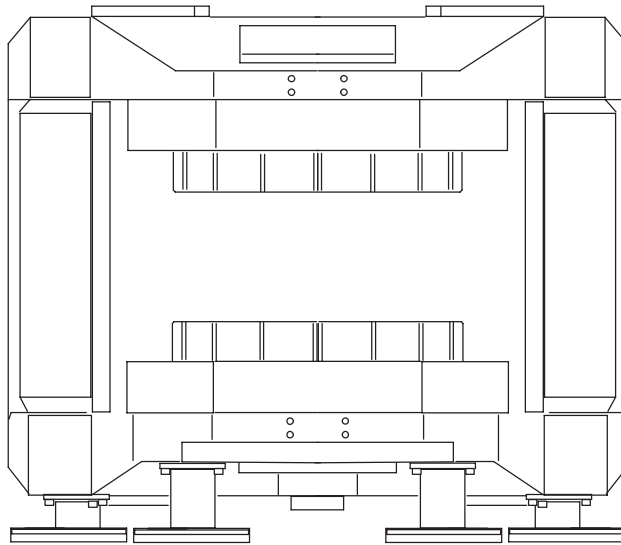
Revision History

Rev	Date	Author	Primary reasons for change
0	May 23, 2001	M.Ikeda	Initial release
1	Jan. 31, 2002	M.Ikeda	Added Renewal Parts for MFO2
2	Jul. 4, 2002	M.Ikeda	Updated PAC part number

SECTION MAG – MAGNET

P9423AC MAGNET COLLECTOR 2300160

■ P9423AD YD MAGNET COLLECTOR 2352124



REV 1

P9423AC MAGNET COLLECTOR 2300160 REV 000

Item	Part Number	FRU	Name	Quantity	Description (Remarks)
1	2277303	1	Sensor-U ASM	1	P9423MC SENSOR_U ASSY
2	2277301	1	Heater	18	P9423MA HEATER
3	2277108	N	G-COIL 0.35T	1	P9423NA GRADIENT COIL
4	2282870	N	Insulator	1	P9423MT INSULATOR
5	2281610	1	LADDER	1	U0080BF STEP LADDER
6	2283272	1	G-COIL FRU	0	P9423QA GRADIENT COIL W/JIG (See page MAG-3)
7	2160989	N	LABEL	4	P9812PF MAG WARNING LABEL 1
8	2283086	1	DOCUMENT	1	P9027AG MFO MAG INST MANUAL
9	U0438AA	1	SCREW	650	FLANGE SOCKET
10	2148859	1	TAPE	1	TAPE
11	2152077	N	LABEL	6	P9363SD WARNING LABEL
12	2112666	N	LABEL	1	P9810AQ SHIPMENT LABEL
13	2111577	N	RATING PLATE	1	P9810AM RATING PLATE FILM
14	2284901	N	B0 COIL 0.35T	1	P9423NN B 0 COIL
15	2284848	N	INST TOOL	1	P9423MK MAG INSTALL JIG
16	2284847	N	MAG STUD	1	P9423ML MAG STUD
17	2284844	N	FRAME T	1	P9423MR MAG FRAME T
18	2284843	N	FRAME N	1	P9423MQ MAG FRAME N
19	2283720	1	SENSOR-L ASM	1	P9423ME SENSOR_L ASSY
20	2284841	N	FRAME B	1	P9423MN MAG FRAME B
21	2284840	N	FRAME A	1	P9423MM MAG FRAME A
22	2285773	N	SHIM HLDR UC	1	P9423NR SHIM HOLDER UC
23	2285774	N	SHIM HLDR UF	1	P9423NS SHIM HOLDER UF
24	2285775	N	SHIM HLDR UR	1	P9423NT SHIM HOLDER UR
25	2285776	N	SHIM HLDR BC	1	P9423NU SHIM HOLDER BC
26	2285777	N	SHIM HLDR BF	1	P9423NV SHIM HOLDER BF
27	2285778	N	SHIM HLDR BR	1	P9423NW SHIM HOLDER BR
28	2285784	N	RF SHIELD TOP	1	P9423NX RF SHIELD TOP
29	2285785	N	RF SHIELD BOT	1	P9423NY RF SHIELD BOTTOM
30	2285864	N	SPACER	8	P9423NJ MAG SPACER
39	U0444AA	N	SCREW	50	FLANGE SOCKET
48	2221725	N	THERMO SENSOR	2	P9363FL THERMO SENSOR ASSY (See page MAG-3)
49	2279302	1	SHIM KIT	0	P9423LJ PASSIVE SHIM KIT
50	2282837	1	SMST JCT CBL	1	P9423MX SMST JCT CBL
51	2282836	1	SENS JCT CBL	1	P9423MW SENS JCT CBL
52	2282835	1	HTR JCT CBL	1	P9423MV HTR JCT CBL
53	2284354	1	HTR CBL LOWR	1	P9423MY HEATER CBL
54	2282834	1	HTR CBL UPR	1	P9423MU HEATER CBL

REV 1

P9423AD YD MAGNET COLLECTOR 2352124 REV000

Item	Part Number	FRU	Name	Quantity	Description (Remarks)
1	2283086	1	DOCUMENT	1	P9027AG MFO MAG INST MANUAL
2	2345552	1	HEATER	18	P9420TS HEATER ASSY II
3	2358770	1	G-COIL	0	P9423QF CU PLATE G-COIL W/JIG
4	2148859	1	TAPE	1	U0054BA TAPE
5	2281610	1	STEP LADDER	1	U0080BF STEP LADDER
6	2277303	1	SENSOR	1	P9423MC SENSOR-U ASSY
7	2283720	1	SENSOR	0	P9423ME SENSOR-L ASSY
8	2279302	1	SHIM KIT	1	P9423LJ PASSIVE SHIM KIT
9	2282837	1	CABLE	1	P9423MX SMST JCT CBL
10	2282836	1	CABLE	1	P9423MW SENS JCT CBL
11	2282835	1	CABLE	1	P9423MV HTR JCT CBL
12	2282834	1	CABLE	1	P9423MU HEATER CBL (UPPER)
13	2284354	1	CABLE	1	P9423MY HEATER CBL (LOWER)

REV 1

P9423QA GRADIENT COIL W/JIG2283272 REV 001

Item	Part Number	FRU	Name	Quantity	Description (Remarks)
1	2277108	N	G-COIL 0.35T	1	P9423NA GRADIENT COIL
2	2251440	N	HGCOIL TOOL ASSY	1	P9363KD HIGH G-COIL TOOL ASSY

P9423QF CU PLATE G-COIL W/JIG 2358770 REV 000 (for YD MAGNET COLLETOR)

Item	Part Number	FRU	Name	Quantity	Description (Remarks)
1	2352126	N	G-COIL 0.35T	1	P9423NB COPPER PLATE GRADIENT COIL
2	2251440	N	HGCOIL TOOL ASSY	1	P9363KD HIGH G-COIL TOOL ASSY

P9363KD HIGH G-COIL TOOL ASSY 2251440 REV 001

Item	Part Number	FRU	Name	Quantity	Description (Remarks)
1	2190463	N	TOOL ASM	3	P9369ZG UPPER TOOL ASSY
2	2192912	N	U-BRACKET	2	P9369ZP BRACKET
3	2190466	N	L-HANDLE	4	P9369ZK HANDLE
4	2248596	N	SUP-BAR	1	K9363KB SUPPORT BAR
5	2248597	N	SUP-BRKT	2	K9363KC SUPPORT BRKT
6	U0438AA	1	SCREW	17	FLANGE SOCKET

P9369ZG UPPER TOOL ASSY 2190463 REV 001

Item	Part Number	FRU	Name	Quantity	Description (Remarks)
1	2190464	N	BRACKET	1	P9369ZH BRACKET
2	2190465	N	LEVER	1	P9369ZJ LEVER
3	2190468	N	SPACER	2	P9369ZM SPACER
4	2138514	N	SHAFT	2	P9373GQ SHAFT
5	N9700ET	N	E-RING	4	RETAINING RING E-RING 8 MM / E-RING M7 SUS
6	P9325NG	N	ROLLER	2	ROLLER

P9363FL THERMO SENSOR ASSY2221725 REV 001

Item	Part Number	FRU	Name	Quantity	Description (Remarks)
1	2221726	N	THERMO FIXER	1	P9363FM THERMO FIXER
2	2222204	1	THERMOSTAT ASSY	1	P9363SW THERMOSTAT ASSY(44.5DEG-C)
3	N9306JM	2	SCREW	2	SCREW PAN HEAD 3 MM 6 MM / SCREW M3X6 os
4	2224500	N	SILICONE	10	U0114BD SILICONE

REV 0

SECTION MCBL – MAGNET ELEC CABLES

MAGNET ELEC CABLES

Item	Part Number	FRU	Name	Quantity	Description (Remarks)
1	2263200-4	1	CABLE (#842)	1	(842)MG2-A39-J7 TO PP1-J
2	2260535	1	CABLE (#843)	1	(843)MG2-A40-J6 TO PP1-J
3	2263200-5	1	CABLE (#849)	1	(849)MG2-A33-J4 TO MG2-A
4	2221945	1	CABLE (#848)	1	(848)MG2-A4-J5 TO MG2-A1
5	2263200-6	1	CABLE (#850)	1	(850)MG2-A33-J7 TO MG2-A
6	2263200-7	1	CABLE (#851)	1	(851)MG2-A33-J8 TO MG2-A
7	2263200-9	1	CABLE (#858)	1	(858)PT1-J15 TO MG2-A39-
8	2263200-10	1	CABLE (#859)	1	(859)PT1-J14 TO MG2-A33
9	2263200-11	1	CABLE (#860)	1	(860) PT1-J13 TO MG2-A33-
10	2221947-2	1	CABLE (#861)	1	(861) MG2-A4-J4 TO MG2-A3
11	2263200-12	1	CABLE (#866)	1	(866) PT1-J12 TO MG2-A40-
12	2261329	1	CABLE (#871)	1	(871) MG2-A40-J8 TO LASER
13	2263200-13	1	CABLE (#873)	1	(873) MG3-A2-J6 TO MG2-A4
14	2263200-17	1	CABLE (#920)	1	(920) MG2-A40-J2 TOPP1-J
15	2261328	1	CABLE (#864)	1	(864/865) MG2A15A2/A1 TO
16	2263200-34	1	CABLE (#944)	1	(944)MG2-A40-J4 TO JOINTO RUN 943
17	2221948-2	1	CABLE (#897)	1	(897) MG2-A4-J3 TO MG2-A3
18	2221946	1	CABLE (#862)	1	MG2-A4-J1/J2 TO MG2-A%-J1

REV 1

SECTION OPI – OPERATOR ITEMS

MFO OPERATOR ITEMS

Item	Part Number	FRU	Name	Quantity	Description (Remarks)
1	46-306635P3	2	CHAIR	1	CONSOLE CHAIR WITH ARM RE
2	2190378	1	SAFETY KIT	1	P9359ZS MAG SAFETY KIT

REV 1

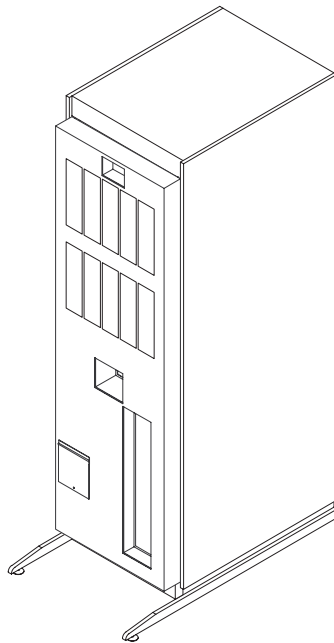
Revision History

Rev	Date	Author	Primary reasons for change
0	May 23, 2001	M.Ikeda	Initial release
1	Jan. 31, 2002	M.Ikeda	Deleted option software keys and moved them to Section OPSW

SECTION GRFD – GRFD CABINET

■ GRFD CABINET – 2211000–2

GRFD CABINET, MFO



GRFD CABINET, MFO

2211000–2

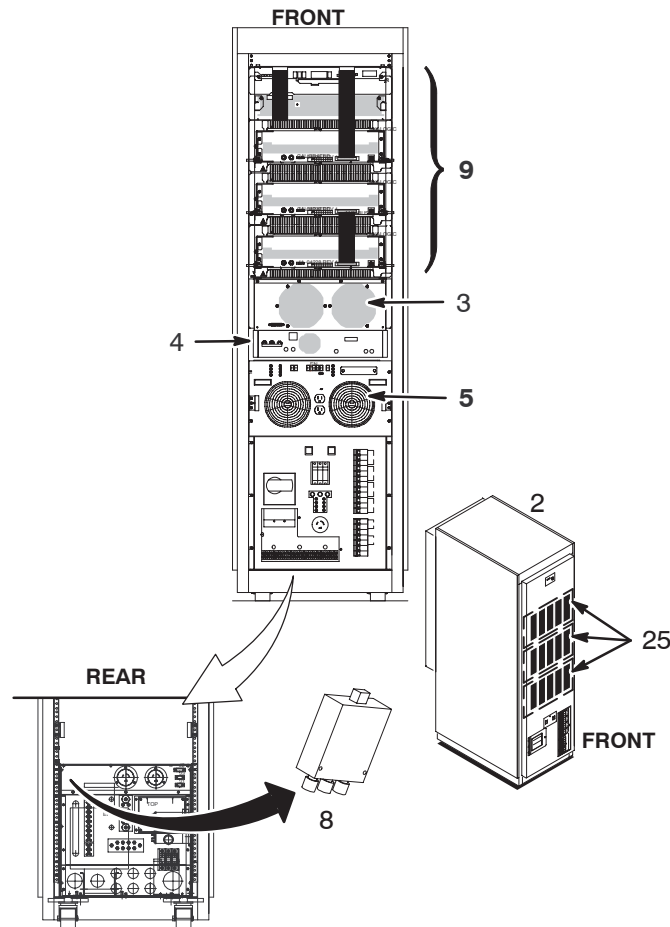
PAGE GRFD–2

REV 2

GRFD CABINET – 2211000–2 (continued)

GRFD CABINET, MFO

2211000–2



GRFD CABINET, MFO

2211000–2

REV

Item	Part Number	FRU	Name	Quantity	Description (Remarks)
2	2251383	1	PDU W/CAB	1	See Page GRFD–3
3A	2320323	1	RF AMP TGA1046A–SV	1	FRU package of Teli RF Amp
3B	2271205–2	1	RF AMP 0.35T	1	FRU package with bracket
4	2271206	1	RFI 0.35T	1	
5	2160200–45	1	SSM	1	See Page GRFD–2
6	2245707	N	FR COVER	1	See Page GRFD–4
8	2254635	1	RF TX SW	1	
9	2173178	N	8290 GPS ASM	1	See Page GRFD–5
25	46–306565P1	1	AIR FILTER	3	
S1	2199029	2	FUSE	1	FUSE ULST4 250V 0.5A for Teli Amp

SSM

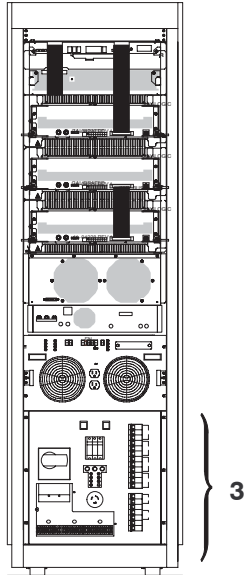
2160200–45

S1	2160200–5	1	CPD MODULE	1	
----	-----------	---	------------	---	--

REV 2

GRFD CABINET – 2211000–2 (continued)

.7T GRFD/PDU CABINET ASM 2251383



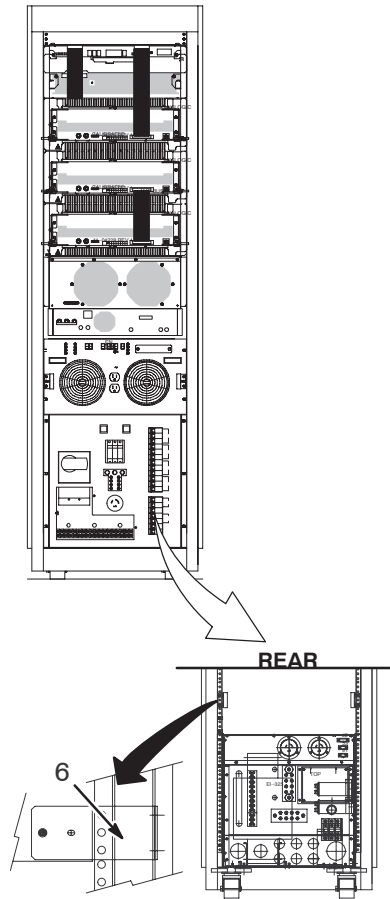
.7T GRFD/PDU CABINET ASM 2251383 REV 000

Item	Part Number	FRU	Name	Quantity	Description (Remarks)
3	2228875	N	PDU	1	See Page GRFD–4

REV 2

GRFD CABINET – 2211000–2 (continued)

GRAD RF DRIVER (GRFD) PDU 2228875



GRAD RF DRIVER (GRFD) PDU 2228875 REV 000

Item	Part Number	FRU	Name	Quantity	Description (Remarks)
1	2228875–2	1	PDU CONT	1	
6	2228875–7	1	TVSS ASM	1	

FRONT COVER ASSEMBLY 2245707 REV 000

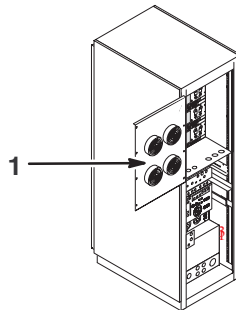
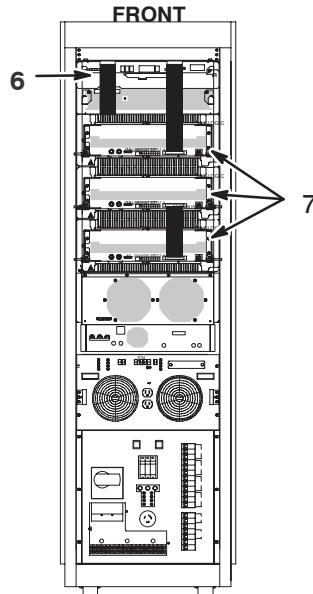
Item	Part Number	FRU	Name	Quantity	Description (Remarks)
14	46–301852P2	2	LATCH	1	

REV 2

GRFD CABINET – 2211000–2 (continued)

GPS

2173178 REV



GPS

2173178 REV

Item	Part Number	FRU	Name	Quantity	Description (Remarks)
1	2178381	N	FAN PANEL ASSY	1	See Page GRFD-6
6	2178379	N	SCA	1	See Page GRFD-6
7	2178378	1	G-AMP UNIT	3	See Page GRFD-7
8	2178375	N	CABLE ASM	1	See Page GRFD-7

REV 2

GRFD CABINET – 2211000–2 (continued)

G–AMP UNIT 2178378

Item	Part Number	FRU	Name	Quantity	Description (Remarks)
	2178387	2	DIODE BRIDGE	1	

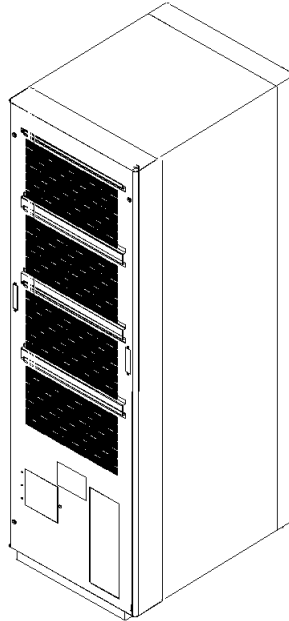
CABLE ASM 2178375

Item	Part Number	FRU	Name	Quantity	Description (Remarks)
	2178376	1	CBL AMP BUS	1	
	2178382	N	CBL AMP HVP	1	
	2178383	N	CBL AMP PS	1	
	2178384	N	FAN PNL CBL	1	
	2178385	1	CABLE ASM	1	300V UNREG DC CAB
	2176121	1	CABLE ASM	1	PSU BUS INTERCON
	2178386	1	CABLE ASM	1	48V AUX POWER CAB
	2176123	1	CABLE ASM	1	AMP TEST

REV 2

GRFD CABINET – 2356272

GRFD CABINET, MFO



GRFD CABINET, MFO

2356272

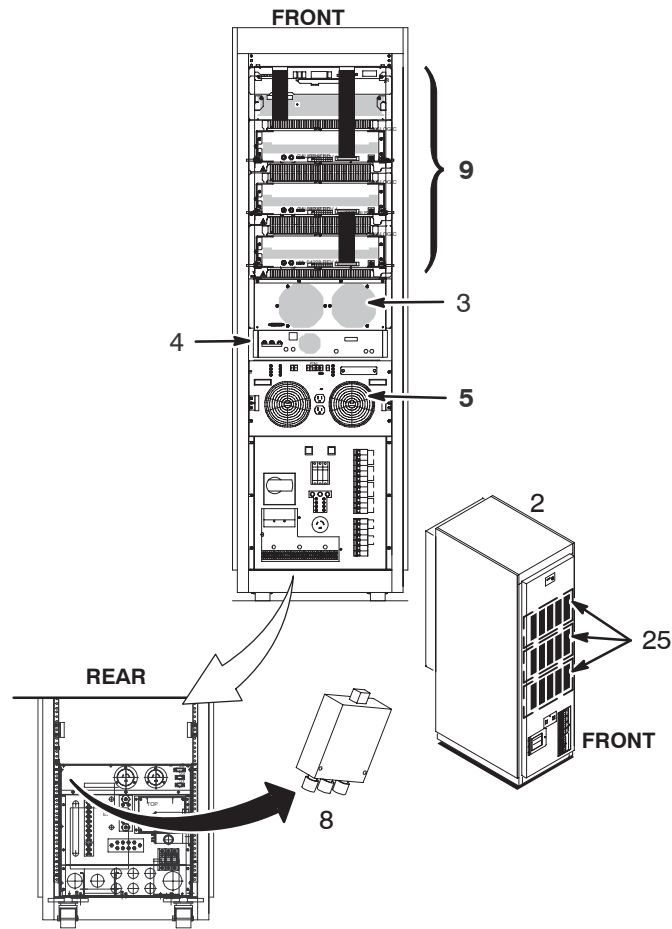
PAGE GRFD-9

REV 2

GRFD CABINET – 2356272 (continued)

GRFD CABINET, MFO

2356272



GRFD CABINET, MFO

2356272

REV

Item	Part Number	FRU	Name	Quantity	Description (Remarks)
1	2340520	1	PDU W/CAB	1	See Page GRFD-10
3A	2357465	N	0.35T TELI RF AMP	1	FRU package of Teli RF Amp
4	2271206	1	RFI 0.35T	1	
5	2160200-45	1	SSM	1	See Page GRFD-9
8	2254635	1	RF TX SW	1	
9	2173178	N	8290 GPS ASM	1	See Page GRFD-12
25	2358477	1	AIR FILTER FOAM	3	
26	2197474	2	CABLE	1	
27	46-328000G968	2	MR1-A23-J6 TO MR1-A7-J107		
28	46-328000G969	2	MR1-A23-J7 TO MR1-J7-J108		
S1	2199029	2	FUSE	1	FUSE ULST4 250V 0.5A for Teli Amp

REV 2

GRFD CABINET – 2356272 (continued)

SSM

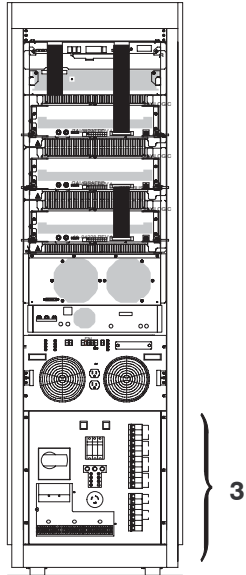
2160200-45

Item	Part Number	FRU	Name	Quantity	Description (Remarks)
1	2160200-5	1	CPD MODULE	1	
2	2160200-6	1	APM MODULE	1	
3	2160200-7	1	REAR PANEL ASSEMBLY	1	
4	2160200-8	1	FRONT PANEL ASSEMBLY	1	
5	2160200-9	1	IPS MODULE	1	

REV 2

GRFD CABINET – 2356272 (continued)

GRFD/MFO PDU W/CABINET 2340520



GRFD/MFO PDU W/CABINET 22340520 REV 000

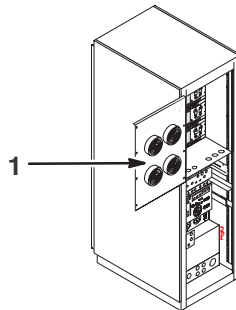
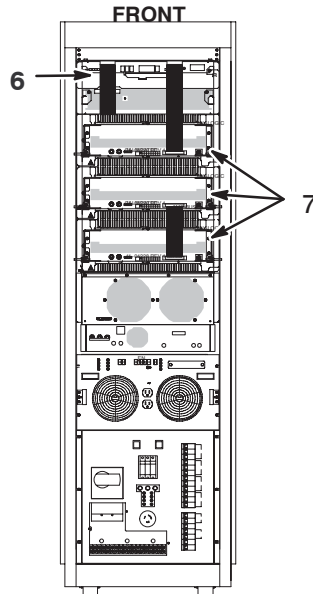
Item	Part Number	FRU	Name	Quantity	Description (Remarks)
1	2330230	1	CONTROL BOARD		
2	2330195	2	PUSH BUTTON		
3	2330180	2	MOULDED-CASE CIRCUIT BREAKER		
4	2330181	2	CONTACTOR		
5	2330194	2	INDICATOR		
6	2330182	2	CIRCUIT BRAKER		
7	2330183	2	CIRCUIT BRAKER		
8	2330184	2	CIRCUIT BRAKER		
9	2330185	2	CIRCUIT BRAKER		
10	2330186	2	CIRCUIT BRAKER		
11	2330187	2	CIRCUIT BRAKER		
12	2330196	2	TOGGLE SWITCH		

REV 2

GRFD CABINET – 2356272 (continued)

GPS

2173178 REV



GPS

2173178 REV

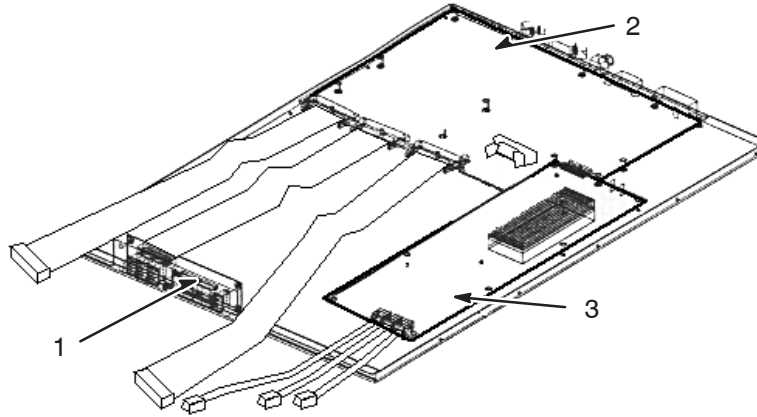
Item	Part Number	FRU	Name	Quantity	Description (Remarks)
1	2176114	1	FAN PANEL	1	See Page GRFD-11
6	2178379	2	SCA	1	See Page GRFD-12
7	2178378	1	G-AMP UNIT	3	See Page GRFD-13
8	2178376	1	CBL AMP BUS	1	
9	2178385	1	CABLE ASM	1	300V UNREG DC CAB
10	2176121	2	CABLE ASM	1	PSU BUS INTERCON

REV 2

GRFD CABINET – 2356272 (continued)

SCA

2178379



SCA

2178379

Item	Part Number	FRU	Name	Quantity	Description (Remarks)
1	2176110	1	FR PNL	1	
2	2178380	1	SCA PWA	1	
3	2178805	1	AUX PWA	1	

REV 2

GRFD CABINET – 2356272 (continued)

G-AMP UNIT 2178378

Item	Part Number	FRU	Name	Quantity	Description (Remarks)
	2178387	2	DIODE BRIDGE	1	

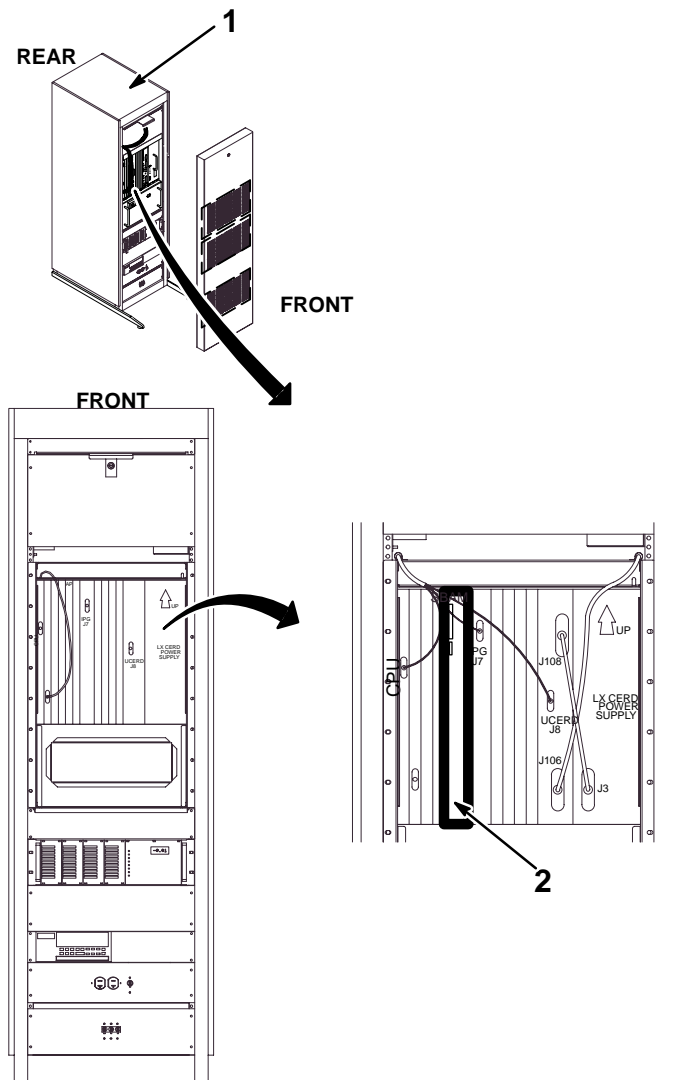
REV 2

Revision History

Rev	Date	Author	Primary reasons for change
0	May 23, 2001	M.Ikeda	Initial release
1	Jan. 31, 2002	M.Ikeda	Added renewal parts for Teli RF Amp
2	Nov. 27, 2002	H.Hiwatashi	Added new GRFD Cabinet Assy

SECTION SC – SYSTEM CABINET

0.35T SYSTEM CABINET



0.35T SYSTEM CABINET

Part Number	FRU	Name	Quantity	Description (Remarks)
1	2138300-32	N SYSTEM CABINET	1	0.35T SYSTEM CABINET (SEE PAGE SC-2)
2	2285506	N SBAM ASM	1	(SEE PAGE SC-15)

REV 1

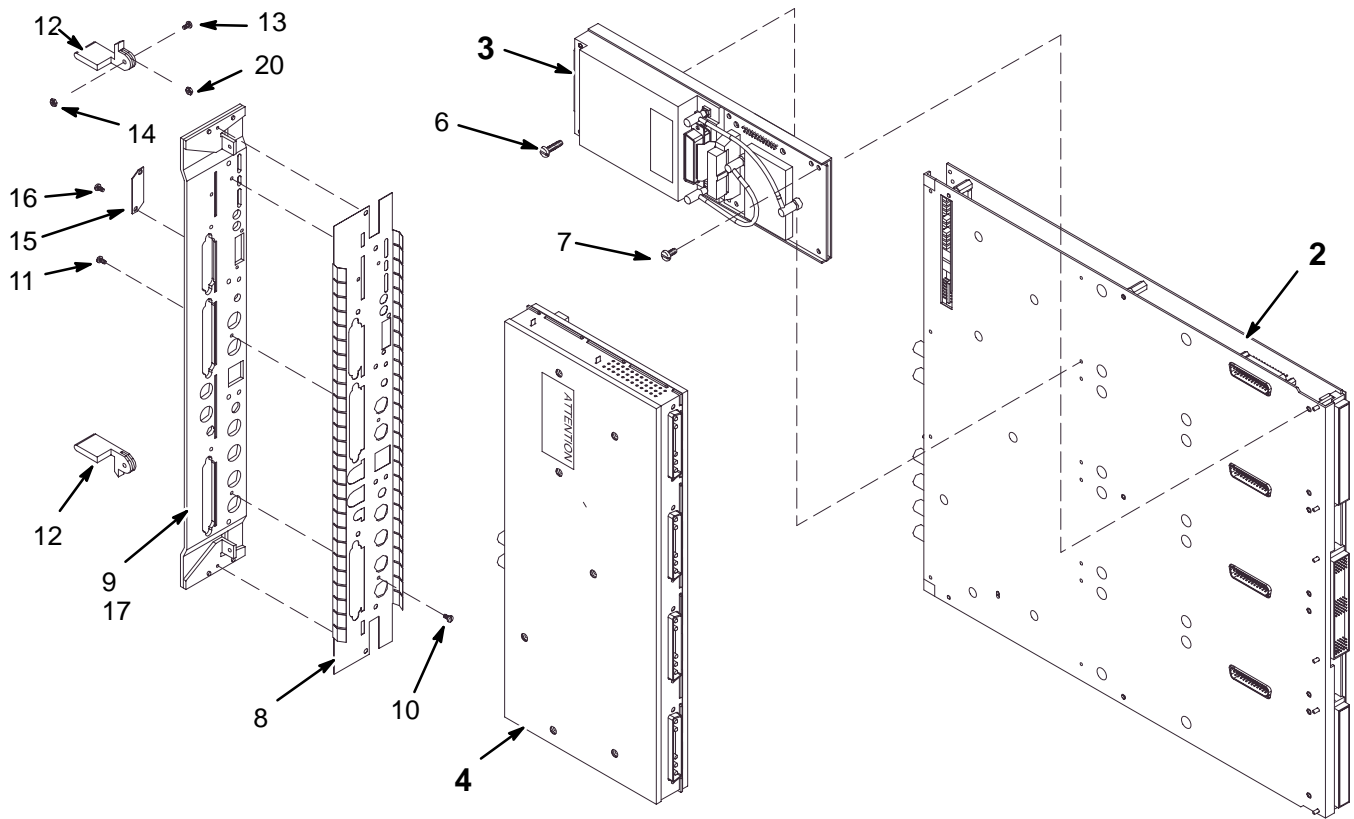
0.35T SYSTEM CABINET 2138300-32

Part Number	FRU	Name	Quantity	Description (Remarks)
2A	2297066	N	1	SYSTEM CABIN MR SYSTEM CABINET W/CABLES+SLIDES (SEE PAGE SC-8)
2B	2148375	N	1	SYSTEM CABIN HLB BASIC LX SYS CAB (SEE PAGE SC-7)
3	2138600-31	N	1	ISE CHASSIS 19" MOUNTABLE CARDRACK-UCERD (SEE PAGE SC-15)
4	2221400	N	1	ASSEMBLY UNIVERSAL CERD WITH PHASED ARRAY (SEE PAGE SC-4)
6	2160818-7	1	1	CIRCUIT BOAR IPGII SUN STYLE FRONT PANEL
8	2235744-2	1	1	BIT3 CRD SET VMEBUS ADAPTER CARD
9	2100968-2	1	1	MVME 162 CPU TPS MVME 162 SINGLE BD CONTROLLER
10	2115088-2	1	1	TYME II TYME II ASSEMBLY
12	2114342-2	1	1	1.0T TNS 2CH TRANSIENT NOISE FILTER ASM; 1.0T
13	2114342-5	1	1	1.0T TNS 3CH 1.0T M/C TRANSIENT NOISE FILTER
14	2149851	1	1	POWER SUPPLY POWER ONE 18VDC 1.5AMP PWR SUPPLY
17	46-306509P4	2	3	COVER PLATE FILLER PANEL, CHARCOAL, 19" X 3.44"
18	2142125	2	2	COVER COVER
19	2142705	2	1	COVER COVER
21	2155692	2	1	PART BRACKET
22	2146716	2	1	COVER COVER
25	2148702	2	1	HARNESS WIRE HARNESS
26	46-328000G941	2	1	ASSEMBLY MR2-A12-J5 TO MR2-A30-A23-J24
27	46-302200P4	N	1	RATING PLATE SERIAL#, MODEL#, VOLTS AMPS HZ, ETC
28	46-307233G12	N	1	POWER CORD 9 FT 3-#18 CORD, 1-#10 RING TERMINAL
29	46-306565P1	2	1	AIR FILTER RESEARCH PRODUCTS 10"EZ-CLEAN FILTER
31	46-208984P11	2	2	SPACER OLD HEX 0.250 THD EXT 6-32 INT 6-32
32	46-170012P35	2	4	NUT OLD 6-32, 1/4" HEX KEPS NUT, 3/32 THICK
33	2103585-2	2	8	SCREW SCREW PAN HEAD 4 MM 10 MM
34	46-170015P19	2	4	SCREW SCREW
35	46-208750P1	2	1	VIBRATION IS TIE ANCHOR PANDUIT TA158-M
36	46-208758P3	2	5	TY-RAP OLD 7.31" X .184" SELF-LOCKING CABLE TIE
37	2165323	2	1	LABEL LABEL OLD
38	46-306626P2	N	2	CLAMP OR CLI CLAMP OR CLIP
39	46-282047P2	N	1	HOLDER FOR INSERT OF 9"X12" DOOR DIAGRAM
45	2142857	N	1	ETL LABEL ETL LISTING LABEL FOR GLOBAL
48	46-287271G3	2	1	CABLE ASM MR2-A23-A1-J6 TO MR2-A3-J1
50	46-265067P1	2	2	CABLE MOUNT I/F PANEL CABLE SCREWLOCK CONNECTOR
60	46-271920P4	N	1	CONNECTOR CONNECTOR 37 CONTACTS 100 VOLTS 5 AM
61	2196827	N	2	JACKSCREW D-SUB ZINC PLATED STEEL 4-40 X .62
65	2207020	N	1	PART RUSSIA CERTIFICATE STICKER
67	46-282886P1	2	5	CONNECTOR BNC FEMALE/FEMALE COAXIAL ADAPTER
25858	46-208560P30	2	44	SCREW SCREW

REV 1

UNIVERSAL CERD with MULTICOIL

2221400



UNIVERSAL CERD with MULTICOIL 2221400 FRU N

Part Number	FRU	Name	Quantity	Description (Remarks)
2	2206099	1 ASSEMBLY	1	UNIVERSAL CERD DIGITAL
3	2206100	1 ASSEMBLY	4	UNIVERSAL CERD RECEIVER
4A	2221399-2	1 ASSEMBLY	1	UNIVERSAL CERD EXCITER
4B	2221399	1 ASSEMBLY	ALT	UNIVERSAL CERD EXCITER
6	46-312342P28	2 PHLPS PN HD	2	M3 X 0.5 X 30MM PHILLIPS CROSS
7	46-312342P24	2 PHLPS PN HD	8	M3 X 0.5 X 12MM PHILLIPS CROSS
8	2224576	2 PART	1	EMC FINGER CERD
9	2223312	2 PART	1	FRONT PANEL UCERD
10	46-328421P1	2 SCREW	3	SCREW PAN HEAD 2.5 MM 3 MM
11	46-328421P5	2 SCREW	8	SCREW PAN HEAD 2.5 MM 8 MM
12	46-327035P1	2 EJECTOR	1	EJECTOR, RIGHT HAND & LEFT HAND USED
13	46-312342P23	2 PHLPS PN HD	2	M3 X 0.5 X 10MM PHILLIPS CROSS
14	851352P205	2 NUT	2	NUT HEXAGON_THIN 3 MM
15	2123389	2 COVER	1	EMULATOR CONNECTOR ACCESS COVER
16	46-328421P505	2 SCREW	2	SCREW PAN HEAD 3 MM 4 MM
17	46-287657P1	2 (M)SCR COLLR	2	M2.5 X.45 CAPTIVE PANEL SCREW, BRASS
20	2238655	2 SPACER OLD	2	FIBERGLASS .062"THK .50"OD .142"ID

REV 1

UNIVERSAL CERD DIGITAL 2206099 REV 000

Item	Part Number	FRU	Name	Quantity	Description (Remarks)
31	46-328421P5	2	SCREW	2	SCREW PAN HEAD 2.5 MM 8 MM / ZINC PLATED, STEEL
40	2197663	2	FAB	1	CERD PROTECTOR
41	2109874-28	2	SCREW	6	SCREW COUNTERSUNK HEA 2,5MM 14 MM
45	2238392	2	CLIP SHIELD	1	SHIELD CLIP

REV 1

TYME II ASSEMBLY 2115088-2 REV 002

Item	Part Number	FRU	Name	Quantity	Description (Remarks)
2	2106170	N	TYME II BD	1	TYME II
3	2111668	N	TYPE2 DTR BD	1	TYME II DAUGHTER BOARD
7	46-327035P1	2	EJECTOR	1	EJECTOR, RIGHT HAND & LEFT HAND USE
9	46-136375P10	2	SPACER OLD	2	HEX 0.250 THD 4-40 LGTH 0.750 / ALUM
10	46-208560P23	2	SCREW	4	SCREW / SCREW OLD / F70B5A ZINC PL /
12	46-170012P60	2	NUT OLD	2	0004-40 HEX .250 NUT HT .140 / ALUM ANOD ESNA 68NM-40 /
13	46-208560P13	2	SCREW	2	SCREW / SCREW OLD / F70B5A ZINC PL /
15	46-221417P4	2	CONNECTOR	22	FEMALE SCREWLOCKS FOR HD CONNECTORS)
16	46-287657P1	2	(M)SCR COLLR	2	M2.5 X.45 CAPTIVE PANEL SCREW, BRAS / SCHROFF INC.

TYME II 2106170 REV 004

Item	Part Number	FRU	Name	Quantity	Description (Remarks)
U46	46-170033P8	2	OPTOELECTRONICS	1	OCI TRAN LED/
78	46-320596P1	2	SCREW OLD	6	TYPE BT 4-24 X .312 LG SLOTTED HEX
87	46-221417P5	1	CONNECTOR	1	FEMALE SCREWLOCKS FOR HD CONNECTORS

TYME II DAUGHTER BOARD 2111668 REV 002

Item	Part Number	FRU	Name	Quantity	Description (Remarks)
R2-13	46-136335P304	2	RESISTOR	14	RESISTOR 1.21k OHMS 1 % / (REV TK, 6/91). /
9	46-170012P34	2	NUT OLD	6	4-40, 1/4" HEX, 3/32 THICK KEPS NUT
FB1-3	46-251161G1	N	CHOKE	3	TWO FERRITE BEAD/WIRE CHOKE ASSEMBL /
22	516A770P406	2	SCREW-INCH	6	SCREW-INCH, #4-40 X .375" / SCREW OLD / F65D6B1 BLK OX /

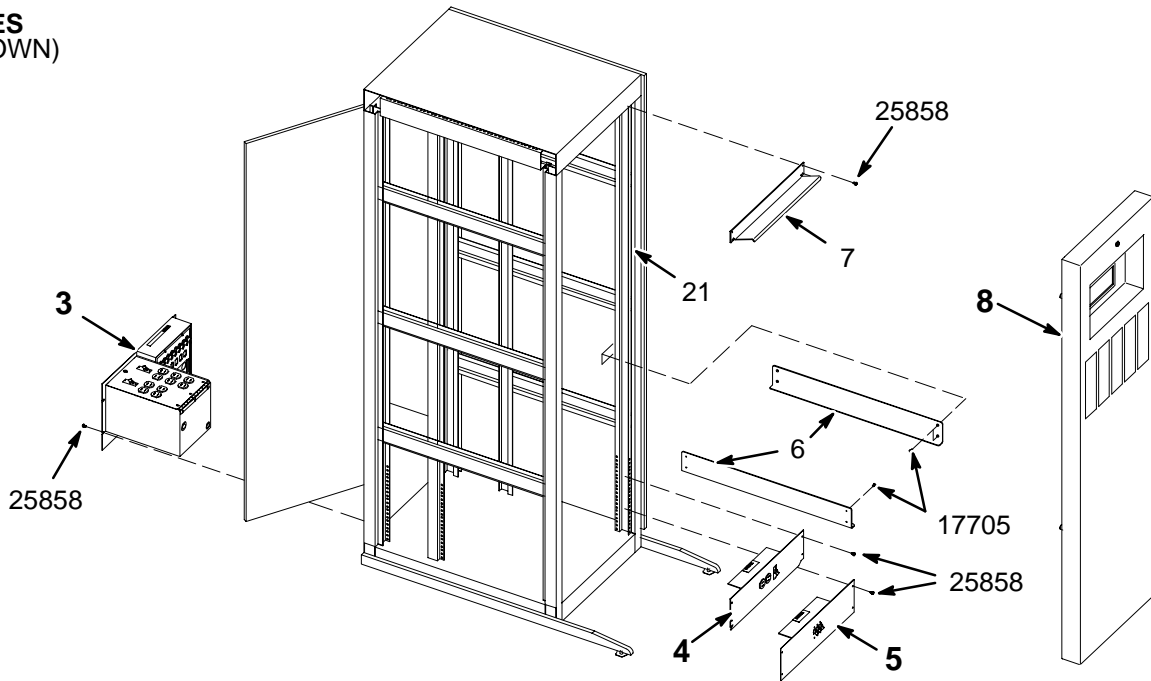
REV 1

8.x BASIC SYSTEM CABINET

2148375

CABLES
(NOT SHOWN)

- 9
- 10
- 11
- 12
- 13
- 14
- 15
- 16
- 17
- 18
- 19
- 20



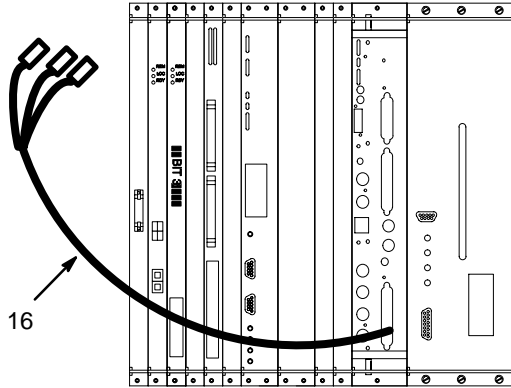
8.x BASIC SYSTEM CABINET

2148375 FRU N

Item	Part Number	FRU	Name	Quantity	Description (Remarks)
3	2138944	N	I/F PANEL	1	CABINET I/O PANEL & CABINET PDU BOX (SEE PAGE SC-12)
4	2148446	N	COVER ASM	1	COVER WITH DUPLEX RECEPTACLE & CB (SEE PAGE SC-13)
5	2148447	N	COVER ASM	1	COVER WITH 3P CIRCUIT BREAKER (SEE PAGE SC-14)
6	2143934	2	ANGLE SUPPRT	2	ANGLE
7	46-301989P1	2	BRACKET	1	FRONT COVER "SLAM LATCH" RETAINER
8	2155687	2	PART	1	COVER ASSEMBLY (SEE PAGE SC-10)
9	2118109	2	BNC CABLE	1	MR2-A11-J2 TO MR2-A24-A1-A1-J2, 7 FT
10	2118109-2	2	BNC CABLE	1	MR2-A11-J5 TO MR2-A24-A1-A2-J5, 7 FT
11	2118109-3	2	BNC CABLE	1	MR2-A11-J8 TO MR2-A24-A2-A1-J8, 7 FT
12	2118109-4	2	BNC CABLE	1	MR2-A11-J9 TO MR2-A24-A2-A2-J9, 7 FT
13	2118109-5	2	BNC CABLE	1	MR2-A11-J10 TO MR2-A24-A2-A3-J10, 7'
14	2144535-2	2	CABLE	1	J30 LX TNS PHONE MODULE TO I/F PANEL
15	2144523	2	CABLE ASM	1	TYME II TO I/F PANEL
16	2144525-2	2	CABLE ASM	1	UCERD TO TNS AND I/F PANEL
17	2144521	2	TWISTED PAIR	1	TNS MODULE TO I/F PANEL
18	2135997	2	CABLE ASM	1	9 COND. MALE-MALE SUB-D 8FT LONG
19	46-328000G942	2	ASSEMBLY	1	MR2-A24-A1-J1 TO MR2-A30-A13-J5
20	46-328000G935	2	CABLE ASM	1	MR2TYMEJ11 TO MR2CERDPSJ2
21	46-220288P1	2	FASTENER	86	SELF-LOCKING 10-32 UNF
22	46-265067P1	2	CABLE MOUNT	14	I/F PANEL CABLE SCREWLOCK CONNECTOR
23	46-208758P3	2	TY-RAP	10	7.31" X .184" SELF-LOCKING CABLE TIE
17705	46-208908P46	2	SCREW	8	10-32 X 1/2" SLOT FLAT-HD F70B5A
25858	46-208560P30	2	SCREW	16	10-32 X 1/2" LONG, BIND HEAD, STEEL

REV 1

MR SYSTEM CABINET W/CABLES+SLIDES 2297066 FRU N Only differential from 2148375 is indicated



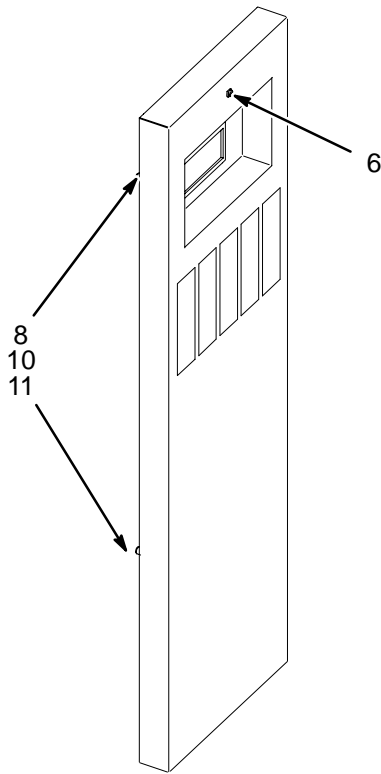
MR SYSTEM CABINET W/CABLES+SLIDES 2297066 FRU N Only differential from 2148375 is indicated

Item	Part Number	FRU	Name	Quantity	Description (Remarks)
16	2144525-2	1	CABLE ASM	1	MR2 CERD J109 TO INTERFACE PANEL

REV 1

COVER ASSEMBLY

2155687



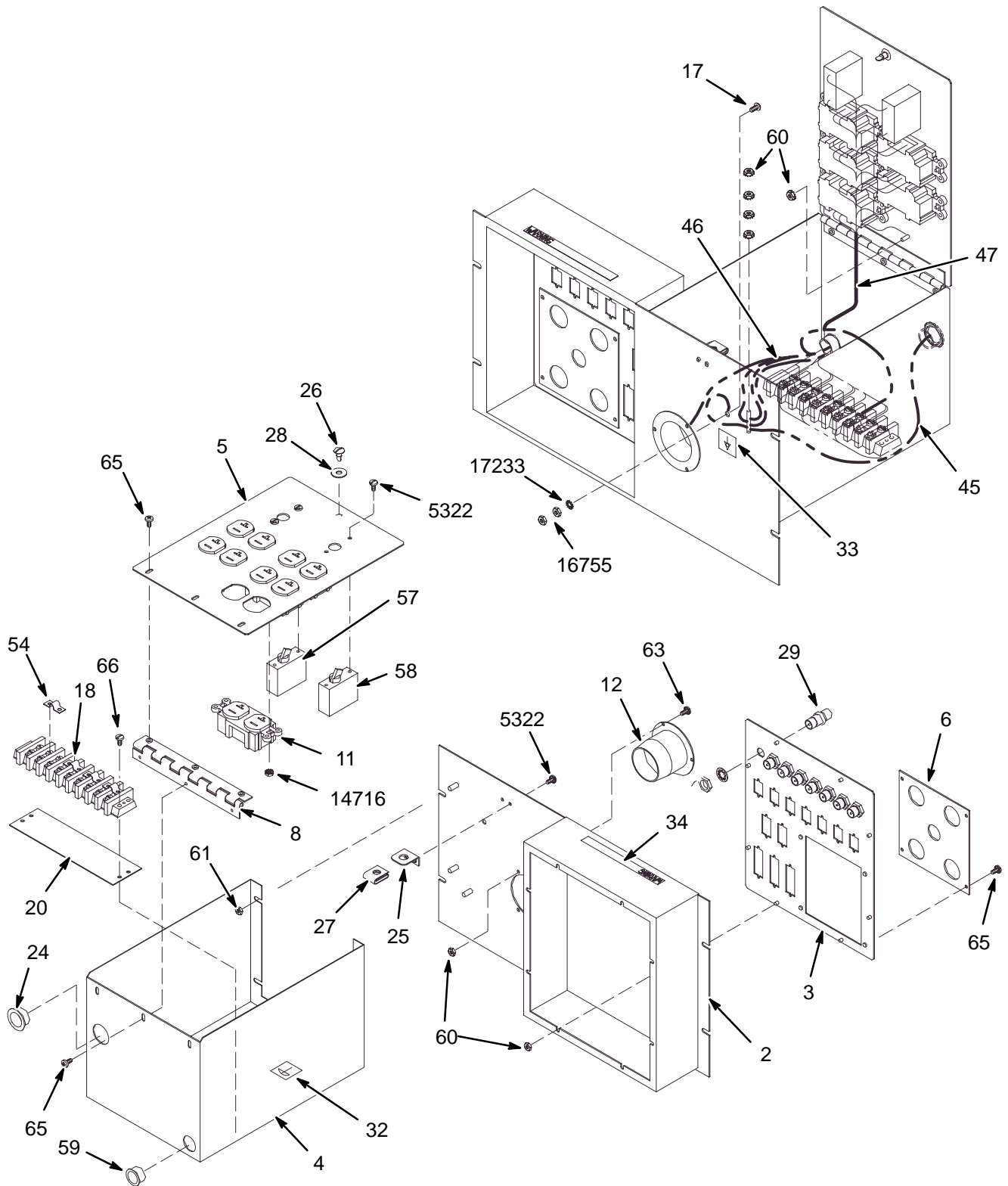
COVER ASSEMBLY

2155687 FRU 2

Item	Part Number	FRU	Name	Quantity	Description (Remarks)
6	46-301852P1	2	LATCH	1	LATCH ASM FOR SLAM-LATCH COVERS
8	46-328428P1	2	NUT	10	NUT HEXAGON 4 MM
10	2152298	2	BUMPER	4	BLACK RUBBER BUMPER
11	46-328421P16	2	SCREW	4	SCREW PAN 4 MM 16 MM

INTERFACE PANEL & PDU BOX

2138944



REV 1

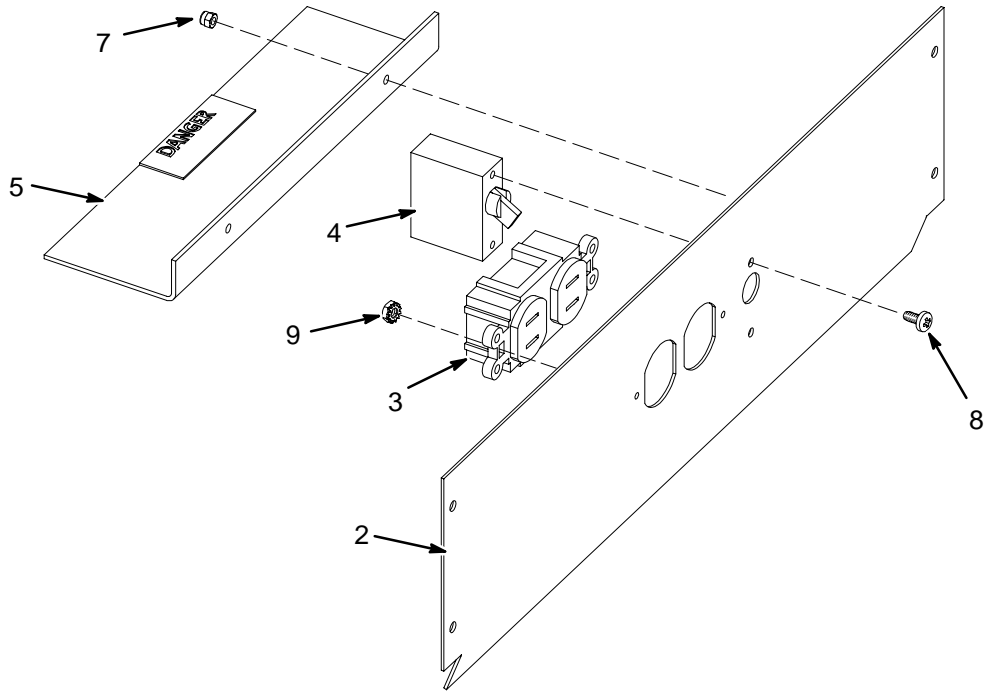
INTERFACE PANEL & PDU BOX 2138944 FRU N

Item	Part Number	FRU	Name	Quantity	Description (Remarks)
2	2137247	2	BOX	1	CABINET I/F ENCLOSURE
3	2137601	2	I/F PANEL	1	I/F PANEL, SYS CAB
4	2138943	2	BOX	1	ENCLOSURE, POWER MODULE BOX
5	2138942	2	COVER	1	COVER, POWER MODULE
6	2138597	2	ACCESS PLATE	1	ACCESS PLATE
11	46-287941P1	2	CONNECTOR	5	20 AMP, 125V, DUPLEX RECEPTACLE,
12	46-317671P1	2	CONNECTOR	1	FLANGED INLET, 30A, 120/208 3-PHASE
18	46-221880P22	2	TERMINAL	1	9 TERMINALS 50 AMP, 1700 VOLT,
20	514A350P305	2	TERMINAL	1	9 POSITION, 1 THRU 9, LEFT TO RIGHT
24	46-208695P61	2	BUSHING	1	HEYCO PART NO.2126 SB-875-11 BLACK
25	46-243709G1	2	BRACKET	1	COVER LATCH RETAINER MOUNT BRACKET
26	46-220370P6	2	FASTENER	1	STUD, OVAL HD 1/4 TURN SOUTHCO
27	46-316410P1	2	FASTENER	1	RECEPTACLE CLIP-ON, SOUTHCO
28	46-316411P1	2	FASTENER	1	RETAINER SPLIT RING TYPE
29	46-208990P1	2	CONNECTOR	8	50 OHM BNC BULKHEAD ADAP'R JACK-JACK
32	46-271110P1	2	MECHANICAL/M	1	PROTECTIVE EARTH (GROUND)
33	46-271110P5	2	LABEL	1	MECHANICAL/MATERIAL COMP
34	46-182519P1	2	MECHANICAL/M	1	WARNING-CERTAIN CIRCUITS IN THIS
45	2147457	2	POWER CORD	1	LX SYSTEMS POWER CORD
46	2147005	2	HARNESS	1	LX SYSTEM J1 POWER HARNESS
47	2147004	2	HARNESS	1	LX SYSTEMS PDU POWER HARNESS
54	46-220492P4	2	TERMINAL	4	JUMPER WITH 0.69" CENTERS,
57	46-271382P6	2	CIRCUIT BREA	1	1 POLE, 15 AMP, STD TIME DELAY,
58	46-271382P15	2	CIRCUIT BREA	1	1 POLE, 20 AMP, STD TIME DELAY,
59	46-208695P65	2	BUSHING	1	HEYCO PART NO.2160 SB-1093-13 BLACK
60	46-328428P1	2	NUT	16	NUT HEXAGON 4 MM
61	46-328428P2	2	NUT	6	NUT HEXAGON 6 MM
63	46-328421P15	2	SCREW	3	SCREW PAN 4 MM 12 MM
65	2103585	2	SCREW	10	SCREW PAN 4 MM 8 MM
66	46-328421P17	2	SCREW	2	SCREW PAN 4 MM 20 MM
5322	46-170015P10	2	SCREW	6	6-32 X 1/4" LG BIND HD STL EXT TOOTH
14716	46-170012P35	2	NUT	10	6-32, 1/4" HEX KEPS NUT, 3/32 THICK
16755	46-208935P8	2	NUT	2	1/4-20, 7/16" HEX X 3/16 THK, BRASS
17233	46-208599P5	2	WASHER	1	1/4" SCREW SIZE EXTERNAL TOOTH STEEL
17888	46-220184P54	2	SCREW	1	1/4-20 X 1" LG, RND HD SLOT, BRASS

REV 1

DUPLEX RECEPTACLE COVER

2148446



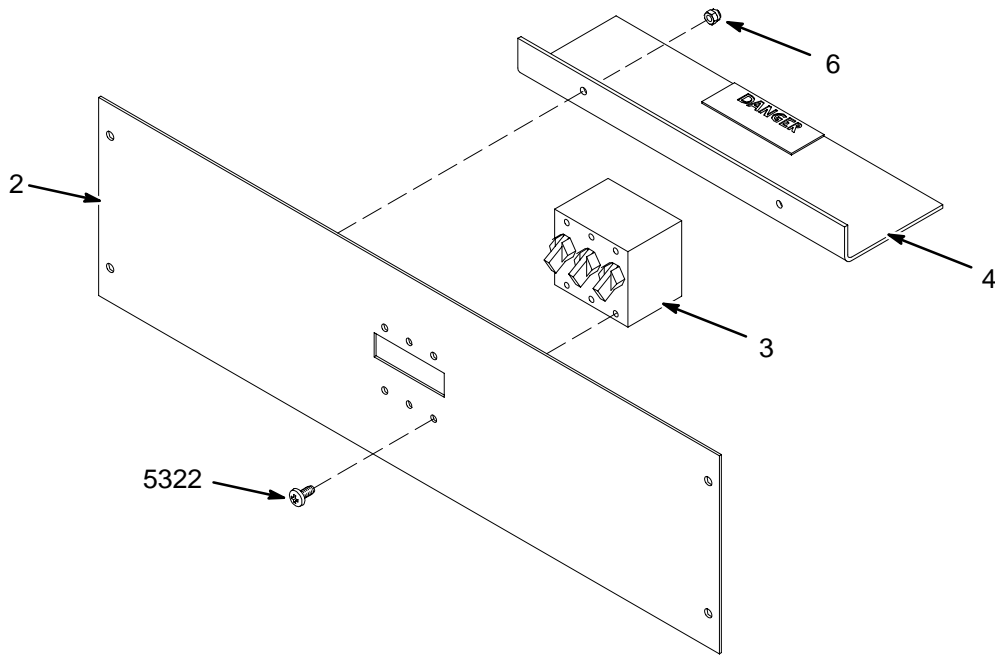
DUPLEX RECEPTACLE COVER 2148446 FRU N

Item	Part Number	FRU	Name	Quantity	Description (Remarks)
2	2142464	2	COVER	1	COVER
3	46-278446P1	2	CONNECTOR	1	15A, 125VAC, 2 POLE, 3 WIRE
4	46-271382P6	2	CIRCUIT BREA	1	1 POLE, 15 AMP, STD TIME DELAY,
5	46-320656P1	2	COVER	1	TERMINAL BLOCK SHIELD 3" X 10" LEXAN
7	46-328428P1	2	NUT	2	NUT HEXAGON 4 MM
8	46-170015P10	N	SCREW	2	6-32 X 1/4" LG BIND HD STL EXT TOOTH
9	46-170012P35	N	NUT	2	6-32, 1/4" HEX KEPS NUT, 3/32 THICK

REV 1

CIRCUIT BREAKER COVER

2148447



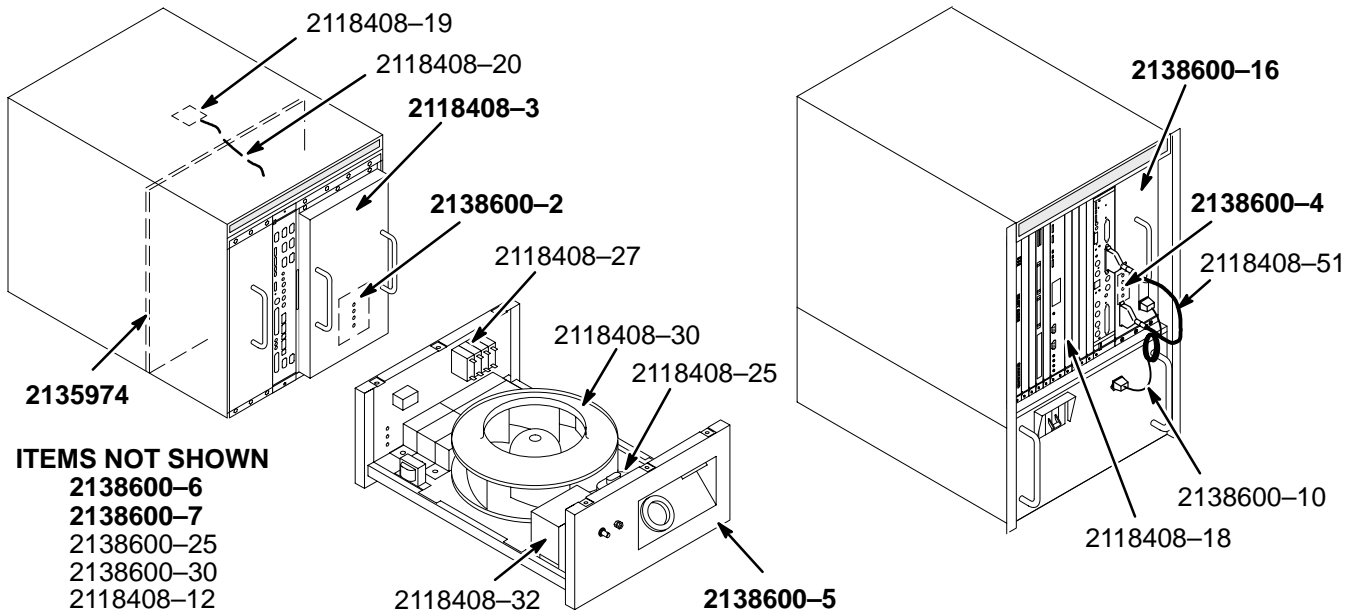
CIRCUIT BREAKER COVER 2148447 FRU N

Item	Part Number	FRU	Name	Quantity	Description (Remarks)
2	2142122	2	COVER	1	COVER, CIRCUIT BREAKER
3	46-271382P10	2	CIRCUIT BREA	1	3 POLE, 30 AMP, STD TIME DELAY,
4	46-320656P1	2	COVER	1	TERMINAL BLOCK SHIELD 3" X 10" LEXAN
6	46-328428P1	2	NUT	2	NUT HEXAGON 4 MM
5322	46-170015P10	2	SCREW	6	6-32 X 1/4" LG BIND HD STL EXT TOOTH

REV 1

8.x ISE CHASSIS

2138600-31



ITEMS NOT SHOWN

- 2138600-6
- 2138600-7
- 2138600-25
- 2138600-30
- 2118408-12

8.x ISE CHASSIS

2138600-31

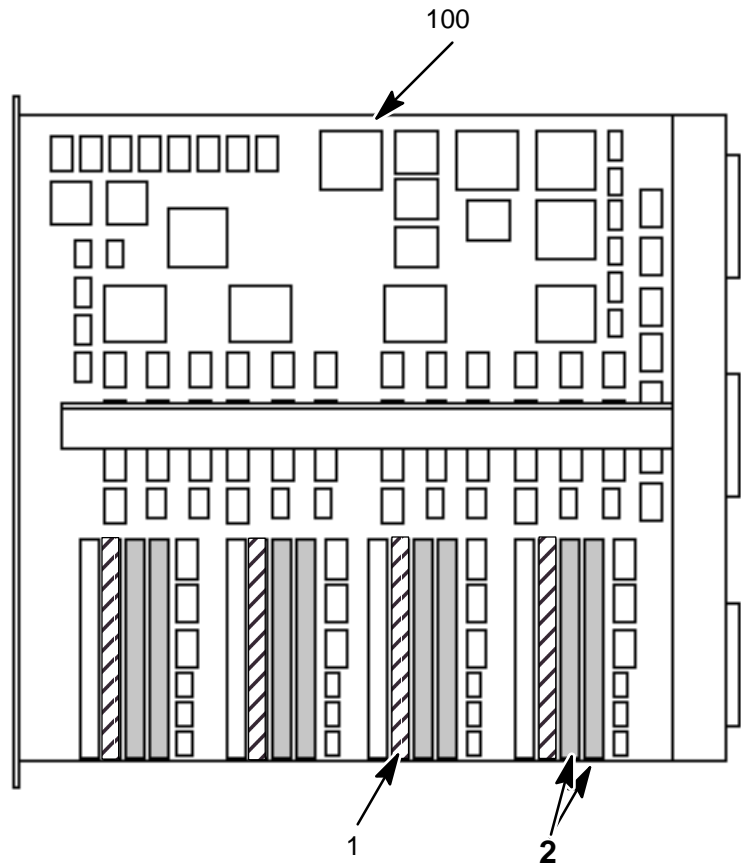
FRU N

Item	Part Number	FRU	Name	Quantity	Description (Remarks)
	2138600-2	1		1	MAIN POWER SUPPLY REMOTE ADJ PCB ASM
	2138600-16	1		1	ISE LX CERD POWER SUPPLY ASM
	2138600-4	1		1	LX CERD REMOTE ADJ PCB ASM
	2138600-5	1		1	LX FAN TRAY ASM
	2138600-6	1		1	SPECTRO LINEAR PSU ASM W/REMOTE ADJ (NOT SHOWN)
	2138600-7	1		1	SPECTRO PANEL (NOT SHOWN)
	2138600-10	2		1	CERD LINEAR POWER SUPPLY AC POWER CABLE ASM (EXT)
	2118408-18	2		1	SINGLE WIDE TYPE SLOT BLOCKER
	2118408-19	2		1	TEMPERATURE SENSOR BOARD
	2118408-20	2		1	THERMAL SENSE CABLE (INT)
	2118408-25	2		1	FAN MOTOR CAPACITOR, 15UF
	2118408-27	2		1	MAIN CIRCUIT BREAKER 4PL SP/2T
	2118408-30	2		1	FAN WITH HARNESS
	2118408-32	2		1	6.3 VAC TRANSFORMER WITH HARNESS
	2135974	1		1	ISE CHASSIS BACKPLANE
	2118408-3	1		1	ISE II MAIN POWER SUPPLY
	2118408-12	2		1	LINE TRIGGER CABLE (NOT SHOWN)
	2118408-51	2		1	CERD DC POWER CABLE ASM (EXT.)
	2138600-30	2		1	UCERD PSU DC POWER CABLE ASM (EXT.) (NOT SHOWN)
	2138600-32	2		1	TOLERANCE COMPENSATOR SPRINGSTRIP (CERD PS LeftSide)
	2138600-25	2		1	FAN TRAY AC PANEL CONNECTOR KIT (NOT SHOWN)
	2138600-27	2		1	OUTLET (PART OF 2138600-25)
	2138600-23	2		1	PLUG, TWIST LOCK 208VAC, 20A (PART OF 2138600-25)
	2138600-24	2		1	RECEPT. , TWIST LOCK, 208VAC, 20A (PART OF 2138600-25)
	2138600-26	2		1	HARNESS, FAN TRAY AC POWER (INT.)

REV 1

SBAM

2285506



SBAM

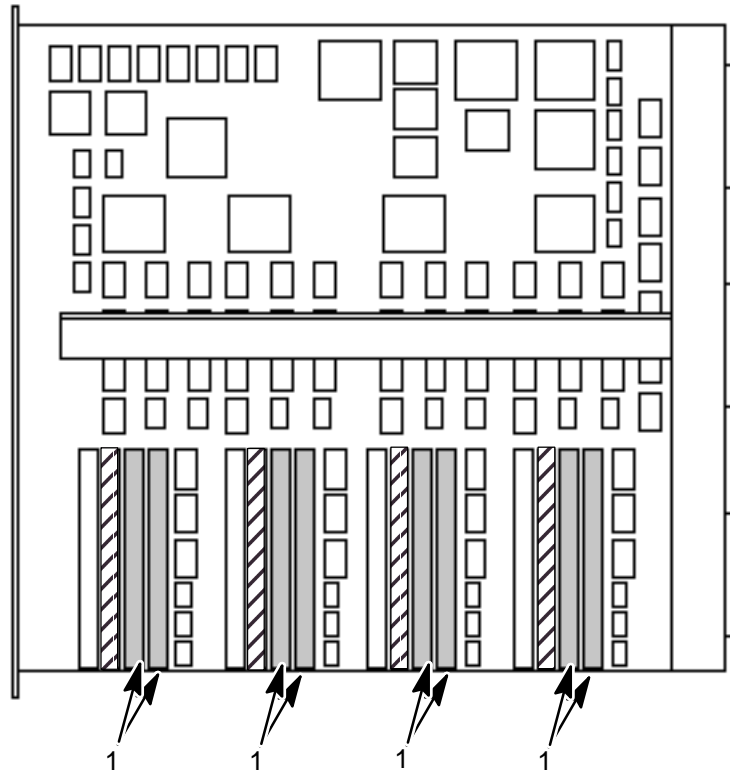
2285506

Item	Part Number	FRU	Name	Quantity	Description (Remarks)
1	2187728	1	16MB MEM	4	
2	2212996	N	MEMORY 128MB	2	128MB SIMM MEMORY FOR SBAM
100	2218270	1	SBAM BD	1	SBAM MOTHER

REV 1

MEMORY 128MB

2212996



MEMORY 128MB

2212996

Item	Part Number	FRU	Name	Quantity	Description (Remarks)
1	2209950	1	16MB MEM	4	MEMORY DRAM 256M BIT 32 BIT

REV 1

Revision History

Rev	Date	Author	Primary reasons for change
0	May 23, 2001	M.Ikeda	Initial release
1	Jan. 31, 2002	M.Ikeda	Added new cable 2304692

REV 5

SECTION OW – OPERATOR WORKSPACE

MFO OCTANE OW WITH SW 2207030-9 REV 001

Item	Part Number	FRU	Name	Quantity	Description (Remarks)
1	2189500-3	N	ASSEMBLY	1	LX3 SYS COMP ASM W/ 1/100 BASE-T HU
2	2283543-2	1	MFO SOFTWARE	1	P9422BA MFO SOFTWARE
3	46-269568P1	N	SOFTWARE	1	INFORMIX SOFTWARE-DATA BASE MANAGER
5	2186360	N	INSTRUCTIONS	1	OW CABINET UNLOADING INSTRUCTIONS
6	46-302200P11	N	RATING PLATE	2	MODEL NUMBER ONLY, NO SERIAL NUMBER
7	2198999-4	N	ASSEMBLY	1	ENCORE LX3 OCTANE R12K COMP 270MHZ
8	2240540	N	NETSCAPE LICENSE	1	NETSCAPE LICENSE
9	2249665	N	S/W LICENSE	1	CASTENET S/W LICENSE PACKAGE

P9422BA MFO SOFTWARE 2283543-2 REV 000

Item	Part Number	FRU	Name	Quantity	Description (Remarks)
2	2256092-3	1	IRIX 6.5 OS	1	SIGNA HORIZON LX IRIX 6.5 OS / INDIGO 2 AND OCTANE CD-ROMS
3	2214164	2	MOD	1	5.25" 2.3GB 512 BYTES/SECTOR MOD
4	2299158	1	APP S/W	1	P9422BC APP S/W FOR MFO 8.3.4 M4

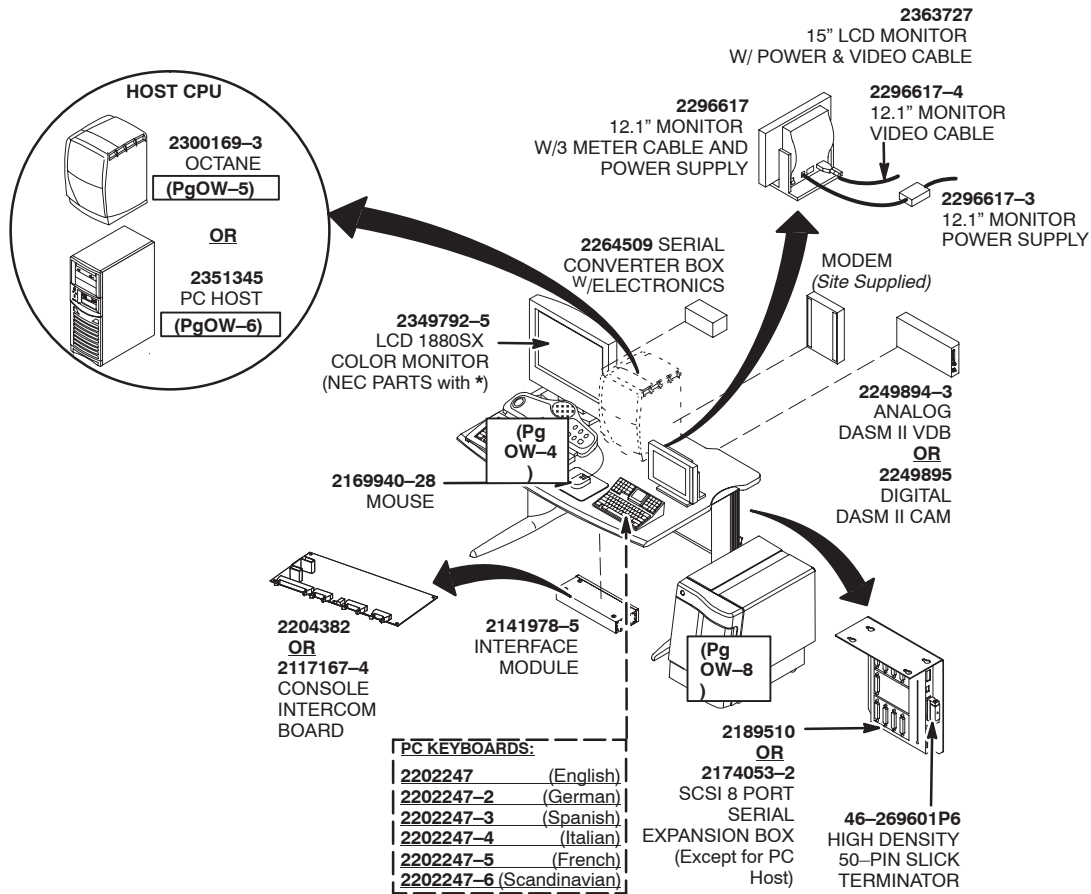
MFO OCTANE2 OW WITH SW2207030-17 REV 000

Item	Part Number	FRU	Name	Quantity	Description (Remarks)
1	2189500-3	N	ASSEMBLY	1	LX3 SYS COMP ASM W/ 1/100 BASE-T HU
2	2283543-3	1	MFO2 SOFTWARE	1	P9422BF MFO2 M3 S/W
3	46-269568P1	N	SOFTWARE	1	INFORMIX SOFTWARE-DATA BASE MANAGER
5	2186360	N	INSTRUCTIONS	1	OW CABINET UNLOADING INSTRUCTIONS
6	46-302200P11	N	RATING PLATE	2	MODEL NUMBER ONLY, NO SERIAL NUMBER
7A	2198999-5	N	ASSEMBLY	1	LX3 OCTANE2 V10 R12KS COMP 360MHZ
7B	2198999-4	N	ASSEMBLY	ALT	ENCORE LX3 OCTANE R12K COMP 270MHZ
8	2240540	N	NETSCAPE LICENSE	1	NETSCAPE LICENSE
9	2249665	N	S/W LICENSE	1	CASTENET S/W LICENSE PACKAGE

P9422BK MFO II M4 S/W 2283543-4 REV 001

Item	Part Number	FRU	Name	Quantity	Description (Remarks)
2	2256092-5	1	CDROM	1	SIGNA HORIZON LX IRIX OS OCTANE CDS
3	2283323-3	1	CDROM	1	SIGNA HORIZON LX IRIX BOOT OCTANE / CD-ROM
4	2214164	2	MOD	1	5.25" 2.3GB 512 BYTES/SECTOR MOD
5	2323302-3	1	CDROM	1	SIGNA HORIZON LX IRIX VCR/PRINTER OPTIONS
6	2347732	1	CDROM	1	P9422BM APP S/W FOR MFO II M4
	2349695	1	CDROM	1	P9422PC MFO2 M4 PATCH MR0008

APPENDIX- OPENSPEED FIELD REPLACEABLE UNITS (OW RELATED PARTS ONLY)



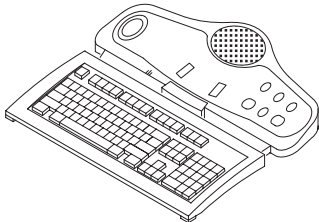
NOTE: The following parts are **not shown**.

2174053-3	SPARE SERIAL EXPANDER POWER SUPPLY
2156158-21	HFO/i S/W COLLECTOR 8.3.1 M4
2256092-3	SIGNA HORIZON LX IRIX 6.5 OS
2274462	8.3 M5 PATCH CD-ROM
2160200-5	CPD MODULE
*2350137	POWER CABLE
*2275928	VIDEO CABLE

OPERATOR WORKSPACE

APPENDIX–OPENSPEED FIELD REPLACEABLE UNITS (continued)

LATEST VERSIONS:



KEYBOARDS ONLY:

2275756 (English)
 *2275756-2 (French)
 *2275756-3 (German)
 *2275756-4 (Scandinavian)
 *2275756-5 (Italian)
 *2275756-6 (Portuguese)
 *2275756-7 (Spanish)

SCIM W/KEYBOARD & CABLE:

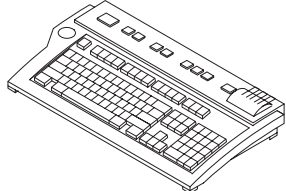
2307175 (English)
 *2307175-2 (French)
 *2307175-3 (German)
 *2307175-4 (Italian)
 *2307175-5 (Portuguese)
 *2307175-6 (Scandinavian)
 *2307175-7 (Spanish)

*** NOTE:**
 These types of Keyboard/SCIM Assemblies were not available at the time this book was released, see below for earlier types.

NOTE: The following parts are not shown.

2262158-9	CABLE, 50 PIN SCIM KEYBOARD
2289697-2	SCIM W/ENGLISH OVERLAY
2289697-8	MR SCIM GLOBAL OVERLAY SET

EARLY VERSIONS:



KEYBOARDS ONLY:

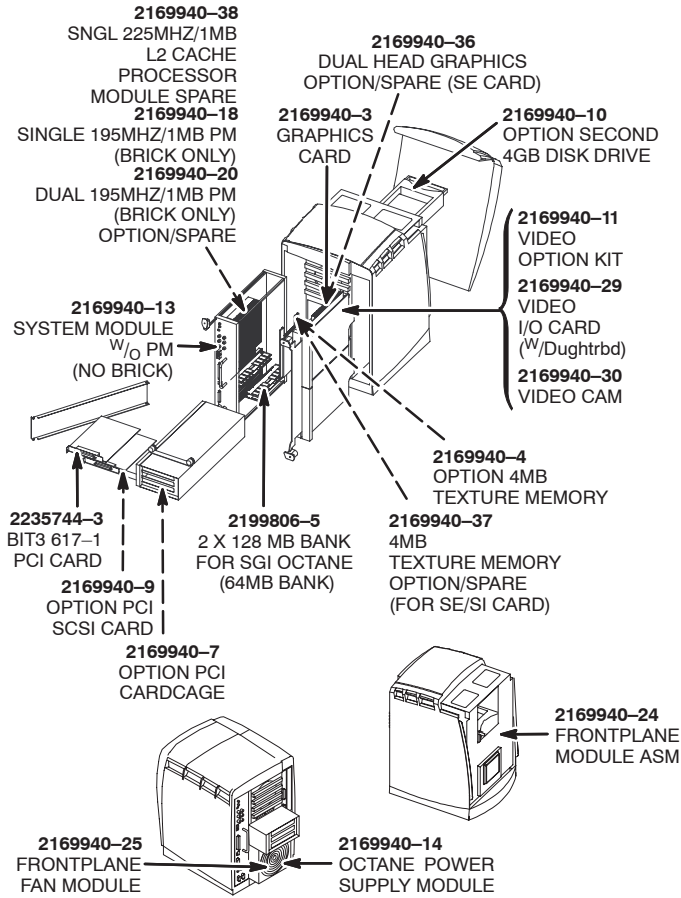
2114561-19 (English)
 2114561-28 (French)
 2114561-31 (German)
 2114561-34 (Scandinavian)
 2114561-43 (Italian)
 2114561-44 (Portuguese)
 2114561-45 (Spanish)

NOTE: The following part is not shown.

2114561-46	CABLE, LX SCSI LONG CABLE
------------	---------------------------

WORKSPACE SCIM AND KEYBOARDS

APPENDIX-OPENSPEED FIELD REPLACEABLE UNITS (continued)

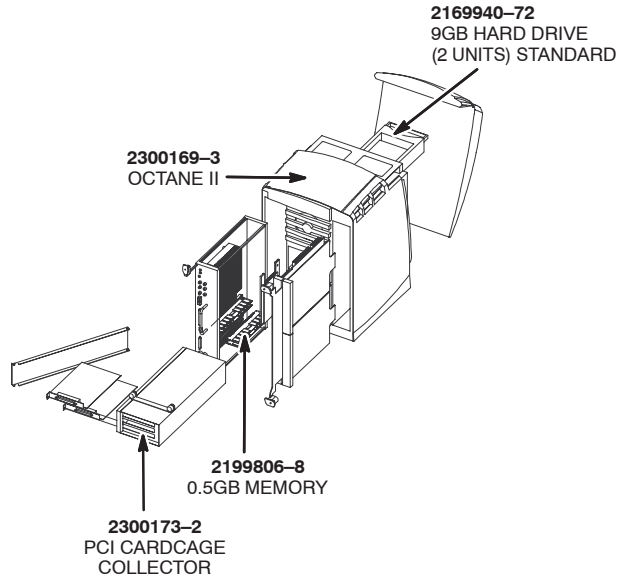


NOTE: The following parts are not shown.

2169940-12	9GB DISK DRIVE OPTION/SPARE
2169940-32	SPARE LIGHTBAR ASSEMBLY
2169940-33	SGI MICROPHONE
2295019	CABLE, VGA (MONITOR) to 13W3-DB15 RGB LCD STRAIGHT CONNECTOR (OCTANE or INDIGO 2)
2306872	LCD MONITOR

OCTANE HOST COMPUTER

APPENDIX-OPENSPEED FIELD REPLACEABLE UNITS (continued)

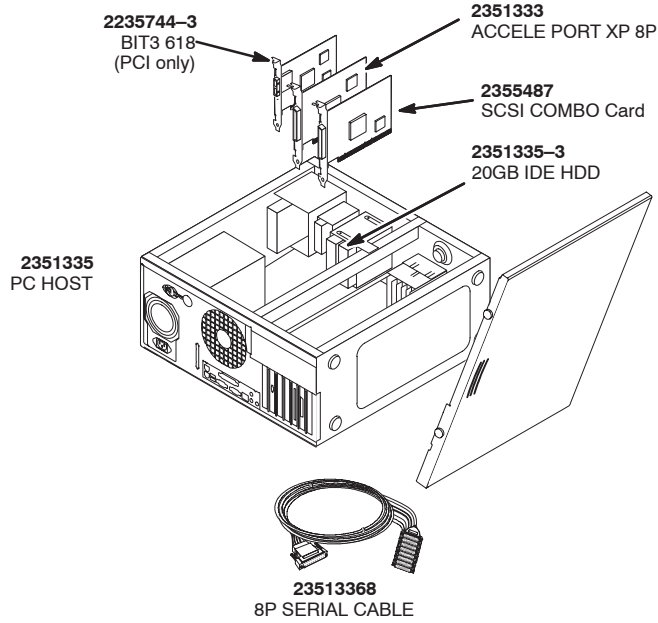


NOTE: The following parts are **not shown**.

2169940-32	SPARE LIGHTBAR ASSEMBLY
2169940-33	SPI MICROPHONE
2295019	CABLE, VGA (MONITOR) to 13W3 (OCTANE or INDIGO2)
2306872	LCD MONITOR

OCTANE II HOST COMPUTER

APPENDIX-OPENSPEED FIELD REPLACEABLE UNITS (continued)

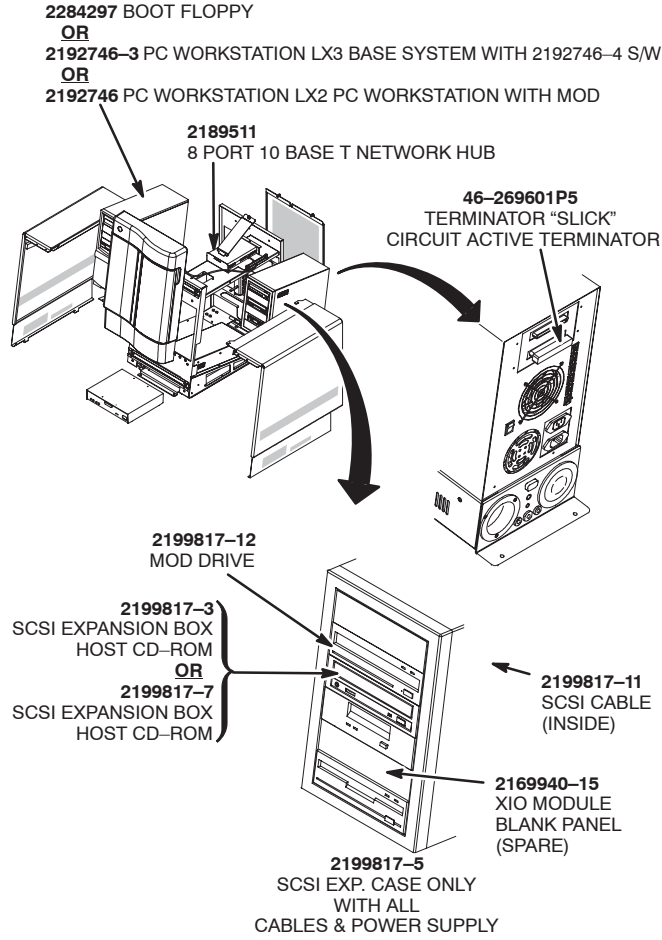


NOTE: The following parts are not shown.

Part Number	Part Name	QTY	Note
2355486	VHDCI SCSI CABLE	1	
2354418	DSUB9 COVER	1	
2356616	DVI/VGA CABLE	1	
2195827	JUMPER PLUG	5	Used in the MOD.
46-269601P5	ACTIVE TERMINATOR	1	
2350137	POWER CABLE	1	
2351335-6	IDE CABLE	0	
2351335-7	E-DIAG CD	0	

PC HOST COMPUTER

APPENDIX-OPENSPEED FIELD REPLACEABLE UNITS (continued)



NOTE: The following parts are **not shown**.

2169940-21	XIO CONNECTOR PROTECTIVE CAP
2169940-32	LIGHTBAR MODULE ASM
2169940-33	SGI MICROPHONE

OPERATOR WORKSPACE CABINET

New FRUs since Jan 2002 that should be added in OPENSPEED FIELD REPLACEABLE UNITS

Item	Part Number	FRU	Name	Quantity	Description (Remarks)
	2199817-15	1	MO DRIVE	1	SONY MOD 5.25 INCH
	2334581	1	KIT	1	MOD SERVICE KIT
	2338301	1	HARD DISK	1	18GB HARD DRIVE FRU BOM

REV 5

Revision History

Rev	Date	Author	Primary reasons for change
0	May 23, 2001	M.Ikeda	Initial release
1	Jan. 31, 2002	M.Ikeda	Added renewal parts for MFO2 and appendix
2	Jul. 4, 2002	M.Ikeda	Added renewal parts for MFO2 M4 Software, etc.
3	Sep. 27, 2002	H. Hiwatashi	Added renewal parts for MFO3 M3
4	Nov. 27, 2002	H. Hiwatashi	Added renewal parts for MFO3 M4
5	May 22, 2003	H. Hiwatashi	General updates.

SECTION OPSW – OPTION SOFTWARE

MFO OPERATOR ITEMS

Item	Part Number	FRU	Name	Quantity	Description (Remarks)
1	2286264	1	OP SW (MSMA)	1	MSMA OPTION SOFTWARE
2	2288965	1	LSDI	1	LSDI SOFTWARE
3	2288491	1	SMART PREP	1	SMART PREP SOFTWARE
4	2323589	1	OPTION MOD KEY	1	OVATION II EPI PACKAGE
5	2323590	1	OPTION MOD KEY	1	Ovation II FIESTA 2D/3D
6	2323591	1	OPTION MOD KEY	1	OVATION II RAPID FRAME
7	2323592	1	OPTION MOD KEY	1	OVATION II FAT/WATER SEPARATION
8	2323593	1	OPTION MOD KEY	1	OVATION II SCAN TOOL II
9	2323594	1	OPTION MOD KEY	1	OVATION II SW TOOL

MFO3 OPERATOR ITEMS

Item	Part Number	FRU	Name	Quantity
1	2354412		P9422CF MFO III SW COLLECTOR	1
2	2289420	1	MFO CLASS C CDROM	0
3	2283085	1	MFO CLASS M CDROM	0
4	2354826	1	EPI OPTION	1
5	2354827	1	FIESTA 2D/3D OPTION	1
6	2354828	1	FAT/WATER SEPARATION OPTION	1
7	2354829	1	RAPID FRAME OPTION	1
8	2354831	1	LSDI OPTION	1
9	2354832	1	SMART PREP OPTION	1
10	2354833	1	MSMA OPTION	1
11	2354834	1	SCAN TOOL OPTION	1
12	2354835	1	SW TOOLS OPTION	1
	2364229		P9422FS CONNECT PRO PLUS OPTION	
	2364230		P9422FV IDRIVE PRO PLUS OPTION	

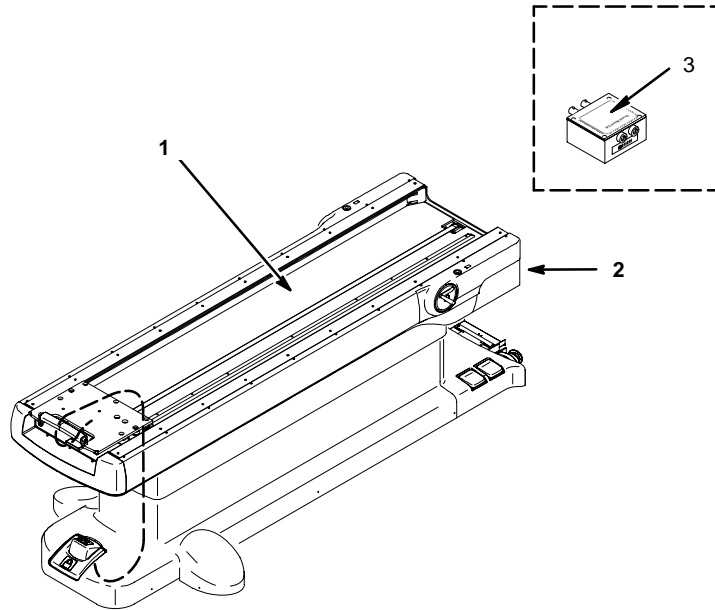
REV 2

Revision History

Rev	Date	Author	Primary reasons for change
0	Jan 31, 2002	M.Ikeda	Initial release
1	Sep 27, 2002	H. Hiwatashi	Added MFO3 related parts
2	May 22, 2003	H. Hiwatashi	General updates

SECTION TBL – TABLE

PATIENT SUPPORT TABLE

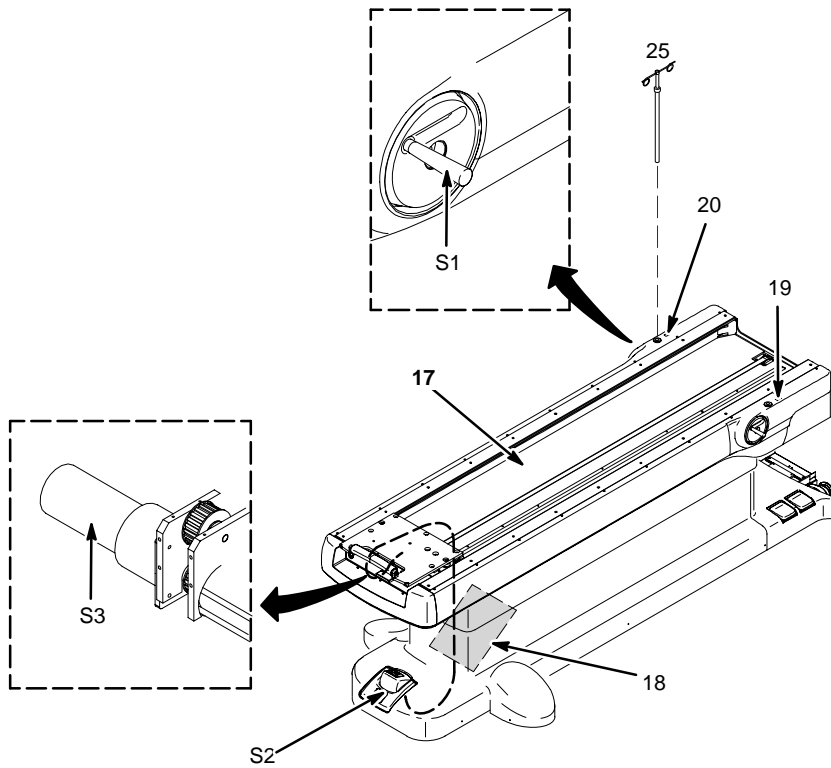


PATIENT SUPPORT TABLE

1	2262700-2	N	TABLE	1	PATIENT SUPPORT TABLE See Page TBL-2
2	2218400-2	1	MSHS	1	MFO MR MOUSE HOUSE See Page TBL-4
3	2148308	1	CONN	1	HEAD COIL QUICK DISCONNECT

REV 2

PATIENT SUPPORT TABLE 2262700-2 REV 001



PATIENT SUPPORT TABLE 2262700-2 REV 001

Item	Part Number	FRU	Name	Quantity	Description (Remarks)
17	2292892-2	N	FRAME ASM	1	TABLE FRAME ASSEMBLY See Page TBL-3
18	2258719	1	BOARD	1	ELECTRONICS BOARD
19	2258719-2	1	BOARD	1	MASTER DISPLAY BOARD
20	2258719-3	1	BOARD	1	REMOTE DISPLAY BOARD
25	46-271551G1	1	IV SUPPORT	1	IV SUPPORT
46	2275695	N	CABLE KIT	1	TABLE CABLE COLLECTOR KIT
S1	2297674	1	HANDLE	1	WEN HFO TABLE CRANK HANDLE REPL. KIT
S2	2271765	1	SWITCH	1	WEN FOOT SWITCH
S3	2251519	1	MOTOR	1	WEN HFO LONG DRIVE MOTOR FRU ASSEMBLY

REV 2

TABLE FRAME ASSEMBLY 2292892-2 REV 001

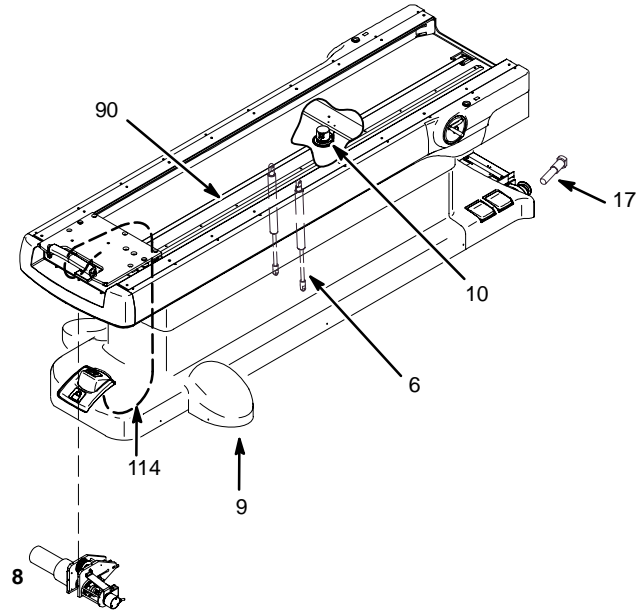
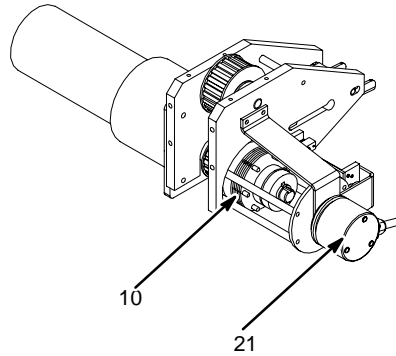


TABLE FRAME ASSEMBLY 2292892-2 REV 001

Item	Part Number	FRU	Name	Quantity	Description (Remarks)
6	2270862-2	1	GAS SPRING	2	GAS SPRING
8	2286250-2	1	DRIVER	1	LONGITUDINAL DRIVE ASSEMBLY-BGL See Page TBL-4
9	2270857	1	BRAKE	2	BRAKE ASM WHEELS
10	2271067	1	ENCODER	1	ENCODER W/CABLE
17	2252100	1	WHEEL	2	BOLT WHEEL
90	2251364	1	BELT	1	DRIVE BELT
114	46-256080P1	2	CABLE	5	BRAKE CABLE

REV 2

LONGITUDINAL DRIVE –BGL 2286250–2 REV 002



LONGITUDINAL DRIVE –BGL 2286250–2 REV 002

Item	Part Number	FRU	Name	Quantity	Description (Remarks)
10	2262000	1	CLUTCH	1	CLUTCH WITH PULLEY
21	46–282361P3	1	ENCODER	1	LONGITUDINAL ENCODER, MG3–A5–J7
56	2293048	1	CABLE	1	PHOTO REFLECTIVE SENSOR CABLE
57	2273727–2	1	CABLE	1	MG3–A5–J14 TO SRI EOT

TABLE CABLE COLLECTOR KIT 2275695 REV 000

Item	Part Number	FRU	Name	Quantity	Description (Remarks)
1	46–317220P19	1	CABLE	1	(875) MG3–A4–J6 TO PT1–J1
2	46–317220P20	1	CABLE	1	(876) MG3–A4–J7 TO PT1–J2
3	46–317220P21	1	CABLE	1	(877) MG3–A4–J8 TO PT1–J3
4	46–317220P22	1	CABLE	1	(878) MG3–A4–J5 TO PT1–J4
5	2262695	1	CABLE	1	(879) MG3–A4–J6 TO PT1–J5
6	2262696	1	CABLE	1	(881) MG3–A4–J6 TO PT1–J15
7	46–320888G3	1	CABLE	1	(891) MG3–A4–J1 TO PT1–J6
8	46–320888G4	1	CABLE	1	(892) MG3–A4–J10 TO PT1–J7
9	2262694	1	CABLE	1	(905) MG3–A4–J4 TO PT1–J10
10	2262694–2	1	CABLE	1	(880) MG3–A4–J9 TO PT1–J9

MFO MR MOUSE HOUSE 2218400–2 REV 002

Item	Part Number	FRU	Name	Quantity	Description (Remarks)
10	2252732–2	N	HEAD TR 0.35T	2	MFO HEAD T/R BOARD
19	2254924	1	STUD MOUNTIN	4	MOUSEHOUSE MOUNTING STUD
20	2258811	N	COVER ASM	1	MOUSEHOUSE COVER ASM – RIGHT
21	2258810	N	COVER ASM	1	MOUSEHOUSE COVER ASM – LEFT
34	2262869	N	LED	2	RED/GREEN/YELLOW MOUSEHOUSE LED

REV 2

Revision History

Rev	Date	Author	Primary reasons for change
0	May 23, 2001	M.Ikeda	Initial release
1	Jan. 31, 2002	M.Ikeda	Added renewal parts of patient table
2	Jul. 4, 2002	M.Ikeda	Added renewal parts of Longitudinal Drive

REV 4

SECTION SVI – SERVICE ITEMS

P9420MA MFO SV ITEM 2283333 REV 017

Item	Part Number	FRU	Name	Quantity	Description (Remarks)
2	2274392	N	NESTING PLATE	1	HFO SPT NESTING PLATE ASSM
3	2125244	N	SPT SHRT LDR	1	860–950118 SPT SHORT LOADER
4	2181788	2	DQA HLDR	1	P9360HP DQA HLDR
5	46–328501G1	1	DQA PHANTOM	1	DAILY QUALITY ASSURANCE PHANTOM
6	2274476	1	LV PTM IN	1	HFO LV SHIM PHANTOM INNER SPHERE
11	2284846	N	ASSEMBLY	1	P9423QC P–LIGHT JIG
12	2357005	N	ASSEMBLY	1	P9424WJ GRAFIDY COIL ASSY
13	Z9807PT	2	CABLE ASM	3	BNC135–20058A/U
14	U1027FD	2	CONNECTOR	2	CONNECTOR HARDWARE / BNC041
15	Z9807QA	2	50 OHM TM	1	PD003
16	2284525	1	TUNING CBL	1	P9424EX COIL TUNING CABLE1
17	2288849	1	TUNING CBL	1	P9424FG COIL TUNING CABLE1–2
18	2290503	1	FUSE	0	P9426SE 0.35T RFI FUSE
19	2271205–2	1	RF AMP FRU	0	P9426SD 0.35T RF AMP FRU PACKAGE
20	46–320688P4	2	SCREWDRIVER	1	PHILLIPS SCREWDRIVER #3 X 6" LG
21	2290842	2	PHANTOM BASE	1	P9425CZ SPT PHANTOM BASE
22	2292598	N	LEVEL	1	U0081BF LEVEL
23	46–265826G6	1	SPHERE W/SOL	1	TLT HEAD SPHERE WITH NICKLE CHLORIDE
25	2294345	N	MARKING PLATE	3	P9423KW MARKING PLATE
26	2297136	N	ADHESIVE	1	U0019BD ADHESIVE
27	2297137	N	MEASURE	1	U0064BF MEASURE
28	2297138	N	MEASURE	1	U0065BF MEASURE
29	P9333DW	2	SPACER	4	SPACER_M6 / SPACER M6
30	N9650UM	N	SCREW	4	SCREW
31	2319478	N	KNIFE	1	P9420ME KNIFE
32	2166300	1	EPI HLDR	1	P9350HF EPI HLDR
33	2326115	1	HOLDER BASE	1	P9420MF EPI HOLDER BASE
34	46–317586G1	1	SPHERE W/SOL	1	4.38", SURFACE COIL, NICKEL CHLORID
35	2326630	1	SCREW_DRIVER	1	U0071BF_SCREW_DRIVER
36	2283172	N	MAPPING JIG ASSY	1	P9423PA MAPPING JIG ASSY
37	2284845	N	TABLE RAIL JIG	1	P9423QB TABLE RAIL JIG

REV 4

P9423PA MAPPING JIG ASSY 2283172 REV A

Item	Part Number	FRU	Name	Quantity	Description (Remarks)
1	2284807	N	PART	1	P9423PB BASE PLATE
2	2141563	2	PART	1	P9363MC TOP PLATE
4	2141565	2	PART	2	P9363ME BEAM
5	2284808	N	PART	1	P9423PC POSITIONING BAR
6	2141567	2	PART	1	P9363MG GUIDE BLOCK
7	2141568	2	PART	1	P9363MH BOTTOM CONN PLATE
8	2284809	N	PART	1	P9423PD PROBE PLATE
9	2141570	2	PART	1	P9363MK TOP CONN PLATE
10	2141571	2	PART	1	P9363ML SHAFT
11	2141572	2	PART	2	P9363MM CLAMP
12	2141573	2	PART	1	P9363MN PIN
13	2141574	2	PART	1	P9363MP END BLOCK
14	2284810	N	PART	4	P9423PE ATTACHMENT BOLT
15	2141576	2	PART	1	P9363MR GEAR
16	2141577	2	PART	1	P9363MS INDEX ROD
17	2141578	2	PART	1	P9363MT STOPPER
18	2284811	N	PART	4	P9423PF SPACER
19	2284812	N	PART	14	P9423PG SPACER
21	2149984	2	PART	1	P9363MX GUIDE BLOCK 2
31	U0017AC	N	CLAMP OR CLIP	2	CLAMP / CLAMP ARC68-A-14
32	U0050AK	N	O RING	2	O-RING / O RING
33	N9306JN	N	SCREW	3	SCREW PAN HEAD 3 MM 6 MM
34	N9408JN	N	SCREW	8	SCREW PAN HEAD 4 MM 8 MM
35	N9416EN	N	SCREW	4	SCREW COUNTERSUNK HEA 4 MM 16 MM
36	N9425JN	N	SCREW	4	SCREW
37	N9512EN	N	SCREW	14	SCREW COUNTERSUNK HEA 5 MM 12 MM
39	U0202AC	N	BAND	1	CLAMP / CV-150 CLAMP

P9424WJ GRAFIDY COIL ASSY 2357005 REV 000

Item	Part Number	FRU	Name	Quantity	Description (Remarks)
1	2285528	1	GRAFIDY COIL	2	P9424WE 0.35T GRAFIDY COIL
2	2357004	N	GRAFIDY COIL	1	P9424WK GRAFIDY COIL HOLDER
3	Z9807RP	2	BOTTOM PHANTOM	2	BOTTOM PHANTOM
4	2285529	1	GRAFIDY BODY ASSY	1	P9424WF 0.35T GRAFIDY BODY ASSY
5	2285526	2	HOLDER	0	P9424WC HOLDER
6	2257007	2	RATING	0	RATING (60x40)W

46-328480BOM1 REV 001

Item	Part Number	FRU	Name	Quantity	Description (Remarks)
1	46-317586G1	1	NICKEL CHLORID	2	4.38", SURFACE COIL, NICKEL CHLORID
2	46-328383P1	2	PHANTOM HOLDER	1	UNIVERSAL PHANTOM HOLDER

REV 4

GLOBAL MODEM KIT M1000NW- REV 000

Item	Part Number	FRU	Name	Quantity	Description (Remarks)
1	2245794	1	GLOBAL MODEM KIT	1	GLOBAL MODEM KIT

GLOBAL MODEM KIT 2245794 REV 002

Item	Part Number	FRU	Name	Quantity	Description (Remarks)
3	2216697	2	CABLE,PHONE	1	CABLE, RJ11 MODULAR, 6-COND. 25FT.
5	2249450	2	TELCO ADAPTER KIT	1	ADAPTER ASSY GLOBAL MODEM FOR EUROP

5.5 SPARES KIT 46-271418BOM6 REV 001

Item	Part Number	FRU	Name	Quantity	Description (Remarks)
1	46-320738P3	N	CASE	1	EMPTY BOX
2	46-320709P2	N	COVER DIAGRM	1	COVER DIAGRAM
5	46-220253P6	2	CONNECTOR	2	BNC STRAIGHT PLUG, 50 OHM IMPEDANCE
6	46-170045P11	2	LAMP 28V	4	28V.04A WEDGE BASE T 1 3/4 TYPE /
7	46-282610P1	2	RUBBER BAND	0.1	#33 SIZE, PURE RUBBER, 3-1/2 X 1/8"
8	511A590P182	2	TERMINAL	18	PIN FOR CPC SERIES 2 & HD-20 /
9	46-230024P8	2	SCREW	4	SCREW / SCREW OLD /
10	46-265486P7	2	SCREW	4	SCREW / SCREW OLD /
11	46-287683P2	2	LABEL OLD	2	LABEL OLD / WHITE BACKGROUND
12	46-243737P1	2	SCREW	2	SCREW / SCREW OLD / GLASS-FILLED ACETAL ROD, COLOR WHIT /
13	46-230024P6	2	SCREW	4	SCREW / SCREW OLD
14	46-221735P1	2	DIODE	3	50V, 10W PIN DIODE (ANTENNA SWITCH)
15	46-243737P2	2	SCREW	4	SCREW / SCREW OLD
16	46-251784P1	2	KNOB PIN	2	1/8" DIAMETER X .88" LONG, ACETAL /
17	511A590P181	2	TERMINAL	20	SOCKET FOR CPC SERIES 2 & HD-20 /
18	46-243737P5	2	SCREW	2	SCREW / SCREW OLD
20	46-271581P1	2	CONNECTOR	1	BACKSHELL FOR 9-PIN SUB-D
21	46-271581P2	2	CONNECTOR	2	BACKSHELL FOR 15-PIN SUB-D
22	46-271581P3	2	CONNECTOR	2	BACKSHELL FOR 25-PIN SUB-D
23	46-271581P4	2	CONNECTOR	3	BACKSHELL FOR 37-PIN SUB-D
25	46-320923P1	N	FOAM	1	PACKAGING - FOAM INSERT
26	46-320946P1	N	FOAM	1	PACKAGING - TEMPLATE B
27	46-320119P1	N	TERMINAT KIT	1	F.O. CABLE INSTALLATION TERMINAL KI
28	46-320061P1	2	ADHESIVE	1	ADHESIVE / ADHESIVE, SILICON VALVE SEALANT. / 5.3 OZ TUBE
29	2118570	2	TOOL OLD	1	9/16" 12-POINT DEEP 3/8 DRIVE SOCKE
30	46-271323P1	1	LAMP 12V	2	HALOGEN LAMP BASE G4 12 VOLTS, 20 W /
31	46-230111P1	1	LAMP 12V	1	HALOGEN REFLECTOR LAMP 12V, 75W
39	46-305000P58	2	ERBTEC SCREW	10	ERBTEC 215-2265 8-32 X 3/8 SCREW / PHILIPS PAN-HEAD
180	46-170588P1	2	TAPE OLD	AR	DBL COAT POLYURETHANE,HIGH DENSITY

REV 4

46-301927BOM1 REV AF

Item	Part Number	FRU	Name	Quantity	Description (Remarks)
2	46-301549P5	2	COAX CABLE	3	5' RG188/U COAX, BNC MALE/SMB FEMAL / 50 OHM
3	46-301549P6	2	COAX CABLE	2	5' RG188/U COAX, BNC MALE/CANNON MK / 50 OHM
4	46-251993G1	2	COAX CABLE	1	8" RG174/U 50-OHM COAX W/SMB PLUGS
5	46-301549P14	2	COAX CABLE	4	6" RG188/U, CANNON MARK 1 RECEPTACL
6	46-301549P15	2	TPS KIT PART	1	DC BLOCK – 50 OHM BNC MALE/FEMALE
7	46-296817P1	1	CONNECTOR	1	50 OHM BNC TERMINATOR W/CHAIN
8	46-301928P1	N	CASE W/FOAM	1	PLASTIC MOLDED CARRYING CASE / WITH LATCHES AND FOAM
9	46-320263P1	N	LABEL,CASE	1	
10	46-220427P3	1	CONNECTOR	2	50 OHM BNC STRAIT JACK-JACK ADAPTOR
11	2168505	2	CABLE	1	CERD SPIKE NOISE TEST CABLE

OTHER Service RELATED PARTS

Item	Part Number	FRU	Name	Quantity	Description (Remarks)
	2285951-2	1	SCAN TOOLS	1	SCAN TOOLS SOFTWARE
	2292297	1	CLASS A DOC	1	SIGNA OVATION CLASS A DOC

REV 4

Revision History

Rev	Date	Author	Primary reasons for change
0	May 23, 2001	M.Ikeda	Initial release
1	Jan. 31, 2002	M.Ikeda	Added screw driver for Teli RF Amp
2	Jul. 4, 2002	M.Ikeda	Updated SV Items
3	Nov. 22, 2002	H. Hiwatashi	Updated Grafidy Coil Assy
4	May. 19, 2003	H. Hiwatashi	Updated SV Items

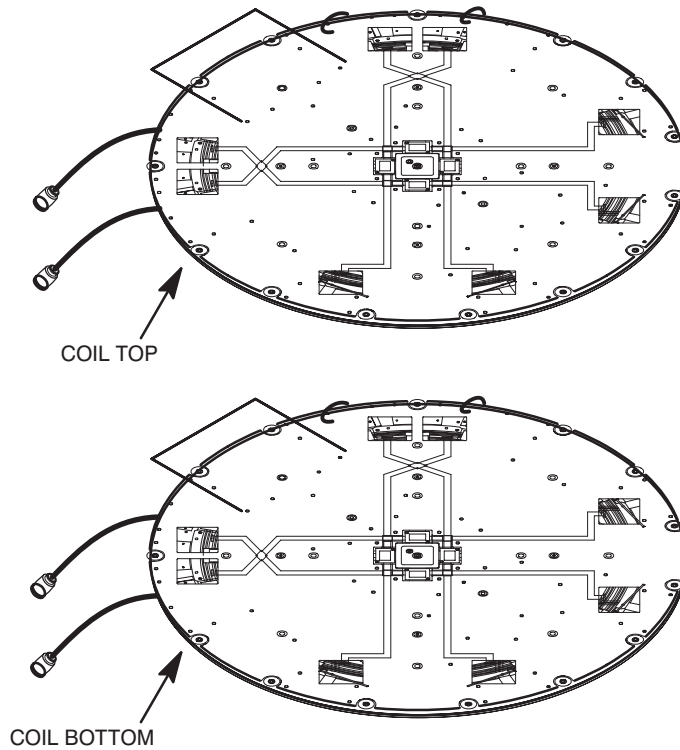
REV 2

SECTION COIL – BODY COIL

P9424BA BODY COIL ASSY 2276942-2 REV 0

Item	Part Number	FRU	Name	Quantity	Description (Remarks)
■ 1	2283072-2	1	Body Coil	1	P9424DA COIL ASSY
2	2283063	1	SV Kit	1	P9424DM TUNING TOOL
■ 3	2285783-2	1	JIG	1	P9424BG B COIL JIG

P9424DA COIL ASSY 2283072 REV 001



P9424DA COIL ASSY 2283072-2 REV 001

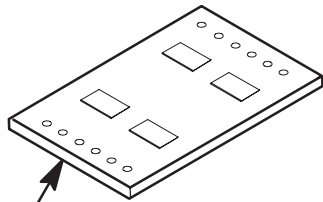
Item	Part Number	FRU	Name	Quantity	Description (Remarks)
■ 1	2283073-2	N	Coil Top	1	P9424DB TOP ASSY
2	2283075-2	N	Coil Bottom	1	P9424DC BOTTOM ASSY

REV 2

P9424DB TOP ASSY 2283073 REV 002

Item	Part Number	FRU	Name	Quantity	Description (Remarks)
1	2283102-2	N	P9424DK FTOP ASSY	1	P9424DK FTOP ASSY
4	2285779	1	AIR FILTER	0	P9424BC AIR FILTER
5	2285780	1	SEAL	0	P9424BD SEAL A
6	2285781	1	SEAL	0	P9424BE SEAL B
7	2285782	1	SEAL	0	P9424BF SEAL C
8	2285865	2	COVER	0	P9424BH CONDENSER COVER
9	2285866	1	COVER	0	P9424BJ FO BOARD COVER

P9424DM TUNING TOOL 2283063 REV 002



F0 Tune Board

2283173 consists of 4 series of F0 Tune Boards

P9424DM TUNING TOOL 2283063 REV 003

Item	Part Number	FRU	Name	Quantity	Description (Remarks)
1	Z9817BK	2	SHORT CONNECTER	3	SHORT CONNECTER
3	2283173	N	FO BRD ASSY	8	P9424CU FO BRD ASSY
4	Z9807DB	2	BNC-003	4	BNC-003
5	Z9807QA	2	PD003	2	PD003

REV 2

Revision History

Rev	Date	Author	Primary reasons for change
0	May 23, 2001	M.Ikeda	Initial release
1	Jan. 31, 2002	M.Ikeda	Corrected quantity of FO BRD ASSY
2	Sep. 19, 2002	Y.Masumo	Updated information for Body Coil Assy(2283072-2)

REV 0

SECTION ACC – ACCESSORY ITEMS

MFO ACCESSORY

Item	Part Number	FRU	Name	Quantity	Description (Remarks)
1	46-317999G2	N	PPG ACESSORY	1	PPG ACCESSORIES KIT
4	2271534	N	PADS	1	HFO SPECIFIC TABLE PADS
5	2274726	N	PADS	1	COLLECTION OF POSITIONER PADS
12	2219452	1	ECG LEADWIRE	1	HIGH IMPEDANCE ECG LEAD KIT
13	2148308	1	PART	1	QUICK DISCONNECT W/RESONANT SHIELD
16	46-317758P1	N	ALERT SYSTEM	1	PNEUMATIC PATIENT ALERT SYSTEM

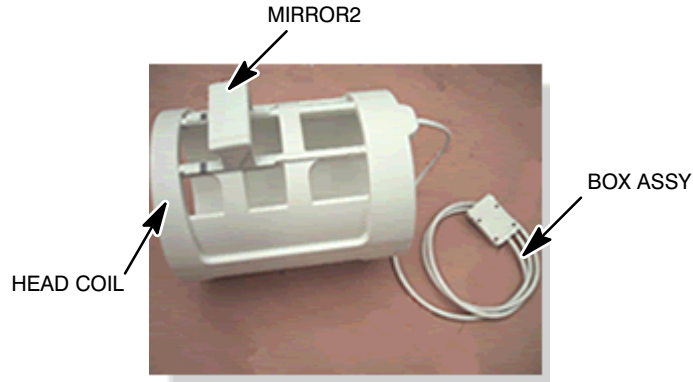
PAC ACCESSORIES KIT 46-317999BOM2 REV 000

Item	Part Number	FRU	Name	Quantity	Description (Remarks)
10	46-320104G1	DIA	PROBE ASM.	1	PLETHYSMOGRPH FINGER PROBE (E8811PB)
15	46-320114G1	DIA	GP HEAD ASM	1	GENERAL PURPOSE HEAD ASM (E8811PC)
21	46-317500P4	DIA	VELCRO HOOKS	2	VELCRO HOOKS
30	46-320455P1	DIA	VELCRO STRAP	2	VELCRO STRAP

PNEUMATIC PATIENT ALERT SYSTEM 46-317758P1

Item	Part Number	FRU	Name	Quantity	Description (Remarks)
	46-317758P7	1	ALARM UNIT.	1	ALARM UNIT CONTROL BOX

SECTION COIL – HEAD COIL



P9424EA HEAD COIL ASSY 2276966 REV 001

Item	Part Number	FRU	Name	Quantity	Description (Remarks)
1	2280068	1	HEAD COIL	1	P9424EC HEAD COIL
2	2284805	1	MIRROR2	1	P9424FD MIRROR 2
3	2284794	1	HEAD REST	1	P9424ED HEAD REST ASSY
4	P9140TE	DIA	CHIN BAND	2	CHIN BAND
5	P9140TD	DIA	HEAD BAND	2	HEAD BAND
6	2198920	DIA	COIL PAD	1	P9300UU COIL PAD
7	2198833	DIA	HEAD CUSHION2	1	P9360JP HEAD CUSHION 2

P9424EC HEAD COIL 2280068 REV 001

Item	Part Number	FRU	Name	Quantity	Description (Remarks)
12	U0432AE	2	CATCH	1	CATCH
16	2284524	N	HEAD COIL IN ASSY	1	P9424EU HEAD COIL IN ASSY

P9424EU HEAD COIL IN ASSY 2284524 REV 003

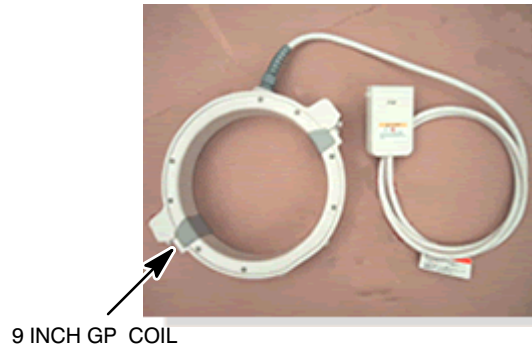
Item	Part Number	FRU	Name	Quantity	Description (Remarks)
107	U0201AC	2	CLAMP	4	CLAMP
202	2284523	1	BOX ASSY	1	P9424ET HEAD BOX ASSY

P9424ED HEAD REST ASSY 2284794 REV 002

Item	Part Number	FRU	Name	Quantity	Description (Remarks)
33	U0092AA	1	SCREW	2	SCREW

REV 0

SECTION COIL – 9INCH GP COIL



P9424LA 9 INCH GP ASSY 2269507-2 REV 000

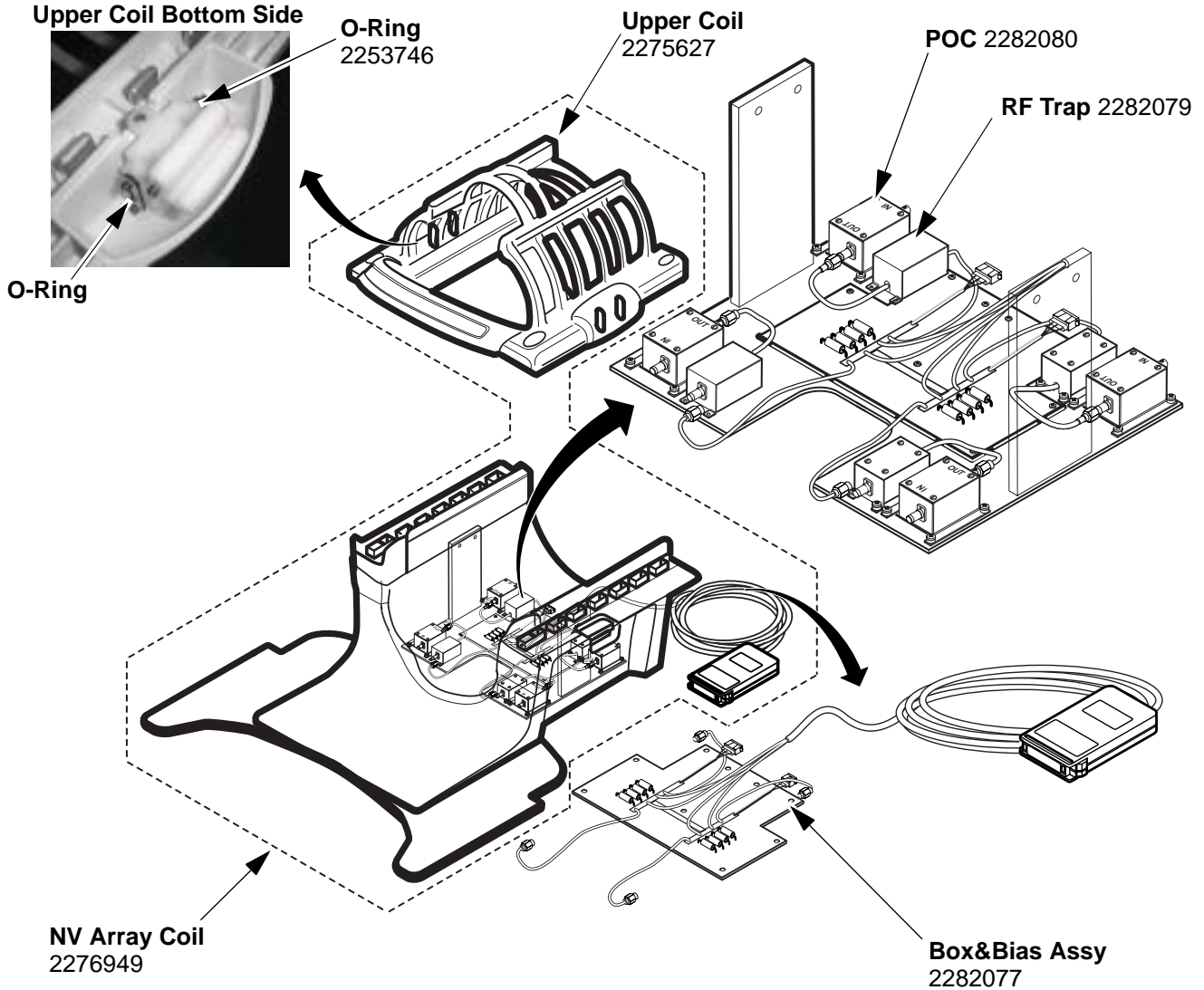
Item	Part Number	FRU	Name	Quantity	Description (Remarks)
1	2269510-2	1	9' GP Coil EXP	1	P9424LC 9 INCH GP COIL FOR JAPAN
6	2210268	1	9inch ITEM2	1	P9364RR 9INCH GP SV ITEM2
7	2198505	2	Coil Holder	1	P9369QA COIL HOLDER
8	2197185	DIA	PAD	1	P9369PN W-PAD-2
9	2198911	DIA	HEAD STRAP	2	P9369QW HEAD STRAP
10	2198912	DIA	CUSHION	1	P9369QX HEAD CUP CUSHION

P9424LB 9 INCH GP ASSY 2269508-2 REV 000

Item	Part Number	FRU	Name	Quantity	Description (Remarks)
1	2269512-2	1	9' GP Coil DOM	1	P9424LD 9 INCH GP COIL FOR OUTSIDE JAPAN
6	2210268	1	9inch ITEM2	1	P9364RR 9INCH GP SV ITEM2
7	2198505	2	Coil Holder	1	P9369QA COIL HOLDER
8	2197185	DIA	PAD	1	P9369PN W-PAD-2
9	2198911	DIA	HEAD STRAP	2	P9369QW HEAD STRAP
10	2198912	DIA	CUSHION	1	P9369QX HEAD CUP CUSHION

Rev 0

SECTION COIL - NEUROVASCULAR ARRAY COIL



Item	Parts Number	FRU	Name	Qty	Description	Reference
1	2276949	1	NV ARRAY COIL	1	P9424QB NV ARRAY COIL	Picture
2	2275627	1	UPPER COIL	1	P9367EG UPPER COIL	Picture
3	2275662	1	MIRROR	1	P9367GZ MIRROR	
4	2282077	2	BOX&BIAS ASSY	1	P9424QE BOX&BIAS ASSY	Picture
5	2282080	1	MFO POC ASSY	4	P9424QH MFO POC ASSY	Picture
6	2282079	1	MFO RF TRAP	4	P9424QG MFO RF TRAP	Picture
7	2253746	1	O-RING	4	P9364US O-RING	Picture
8	2275661	DIA	CUSHION	1	P9367GM CUSHION	
9	2198824	DIA	SIDE WEDGE	1	P9360JE SIDE WEDGE	
10	P9300VM	DIA	CABLE HOOK	1	P9300VM CABLE HOOK	
11	2223475	DIA	HEAD STRAP	1	P9364GX HEAD STRAP	
12	2223476	DIA	CHIN STRAP	1	P9364GY CHIN STRAP	

Rev 0

Revision History

Rev	Date	Author	Primary Reasons For Change
0	Mar 14, 2002	K.Tsumagari	Initial Version

REV 0

SECTION VC – VENDOR COIL

P9424PM OPEN BODY ASSY 2276970 REV 003

Item	Part Number	FRU	Name	Quantity	Description (Remarks)
1	2282853	1	COIL	1	OPEN BODY COIL (COIL)
2	2284558	1	BOX ASSY	1	CONNECTOR BOX ASSY (CABLE ASSEMBLY WITH QD BOX)
3	2281933	1	REPAIR PARTS	1	COMBINED REPAIR PARTS (ANTERIOR CONNECTOR AND LATCH SET)

P9424MM SHLDR ARRAY ASSY 2276968 REV 002



Item	Part Number	FRU	Name	Quantity	Description (Remarks)
3	2282851	1	COIL	1	SHOULDER ARRAY COIL (COIL)
4	2284553	1	CABLE ASSY	1	SHOULDER ARRAY CABLE ASSY (CABLE ASSEMBLY)
5	2264743-5	1	POSITIONER	1	SHOULDER ARAY CL PHANTM POSITNR (PHANTOM POSITIONER)

P9424PA KNEE SM/FOOT ASSY 2276965 REV 002

Item	Part Number	FRU	Name	Quantity	Description (Remarks)
3	2282858	1	COIL	1	KNEE SM/FOOT ARRAY COIL (STANDARD KNEE COIL AND FOOT ATTACHMENT)
4	2264543	1	CABLE ASSY	1	KNEE SM ARRAY CABLE ASSY (CABLE ASSEMBLY, STANDARD KNEE)
5	2264742-13	1	LATCH	1	EXTREMITY COIL LATCH PARTS (LATCH MECHANICS REPAIR KIT)
6	2284544	1	POSITIONER	1	KNEE SM PHANTOM POSITIONER (PHANTOM POSITIONER, STANDARD KNEE COIL)

GE MEDICAL SYSTEMS

SIGNA OVATION RENEWAL PARTS

7	2264742-8	1	PHANTOM	1	EXTREMITY COIL KNEE PHANTOM (PHANTOM, KNEE COIL)
8	2264742-4	1	PHANTOM	1	EXTREMITY COIL FOOT COIL PHANTM (PHANTOM, FOOT ATTACHMENT)

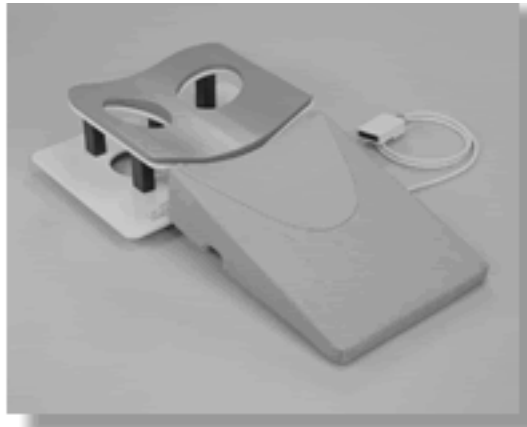
P9424LM CTL ARRAY ASSY 2276967 REV 002

Item	Part Number	FRU	Name	Quantity	Description (Remarks)
3	2282860	1	COIL	1	CTL ARRAY COIL (COIL)
4	2284645	1	CABLE ASSY	1	CTL ARRAY CABLE ASSY (CABLE ASSEMBLY WITH QD BOX)
5	2264744-7	1	PHANTOM	1	CTL ARRAY COIL CT PHANTOM (CT PHANTOM)
6	2264744-8	1	PHANTOM	2	CTL ARRAY COIL TL PHANTOM (TL PHANTOM)
7	2284647	1	TUNING CABLE	1	TUNING CABLE

P9424RP KNEE LG ARRAY COIL 2282855 REV 002

Item	Part Number	FRU	Name	Quantity	Description (Remarks)
3	2282855	1	COIL	1	KNEE LG ARRAY COIL (LARGE KNEE COIL)
4	2284537	1	CABLE ASSY	1	KNEE LG ARRAY CABLE ASSY (CABLE ASSEMBLY, LARGE KNEE)
5	2264742-13	1	LATCH	1	EXTREMITY COIL LATCH PARTS (LATCH MECHANICS REPAIR KIT)
6	2284657	1	POSITIONER	1	KNEE LG PHANTOM POSITIONER (PHANTOM POSITIONER, LARGE KNEE COIL)
7	2264742-8	1	PHANTOM	1	EXTREMITY COIL KNEE PHANTOM (PHANTOM, KNEE COIL)

P9424NM BREAST ARRAY ASSY 2276969 REV 002



Item	Part Number	FRU	Name	Quantity	Description (Remarks)
3	2282852	1	COIL	1	OPEN BREAST ARRAY COIL (0.35T OPEN BREAST COIL SYSTEM)
4	2284540	1	CABLE ASSY	1	BREAST ARRAY CABLE ASSY (SYSTEM CABLE, OPEN BREAST COIL 0.35T)
5	46-317586G1	2	PHANTOM	1	4.38", SURFACE COIL, NICKEL CHLORIDE (SPHERE PHANTOM)
6	2263556	2	PHANTOM HOLDER	1	BREAST ARRAY PHANTOM HLDR (PHANTOM HOLDER)

P9424NM BREAST ARRAY ASSY2276969 REV 002

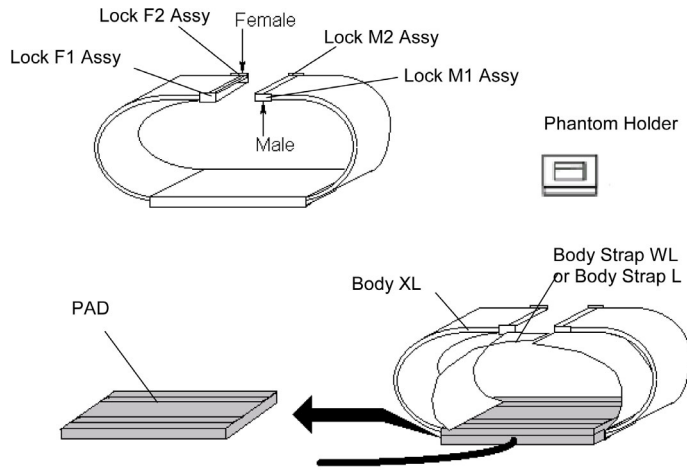
Item	Part Number	FRU	Name	Quantity	Description (Remarks)
3	2283061	1	COIL	1	WRIST ARRAY COIL (0.35T WRIST ARRAY COIL)
4	2261600	2	PHANTOM	1	WRIST ARRAY PHANTOM (PHANTOM)
5	2263557	2	PHANTOM HOLDER	1	WRIST ARRAY PHANTOM HLDR (PHANTOM POSITIONER)
6	2283062	1	BASE PLATE	1	BASE PLATE (0.35T BASEPLATE ASSY)
7	2284550	1	CABLE ASSY	1	BASE PLATE CABLE ASSY (0.35T BASEPLATE CABLE)
8	2275809	2	ADAPTER	1	4WAY ADAPTER (4 WAY BNC ADAPTER)
9	2275810	1	CAP	1	BNC SHORTING CAP (BNC SHORTING CAP)

REV 1

SECTION COIL – BODY XL COIL

P9424TA BODY XL COIL ASSY 2361024 REV 1

Item	Part Number	FRU	Name	Quantity	Description (Remarks)
■ 1	2360905-2	1	BODY COIL	1	P9424TB BODY XL W/BOX
2	2174976	2	STRAP	1	P9363PG BODY STRAP XLW ASSY
3	2275522	2	HOLDER	1	P9384LK BODY FLEX PHANTOM HOLDER
4	2148175	1	LOCK	0	P9364LQ LOCK M1 ASSY
5	2148176	1	LOCK	0	P9364LR LOCK M2 ASSY
6	2169786-2	1	LOCK	0	P9364NB LOCK F1 ASSY
7	2169787-2	1	LOCK	0	P9364NC LOCK F2 ASSY
■ 9	2361096	2	XL PAD	0	P9424TG XL PAD



REV 1

Revision History

Rev	Date	Author	Primary reasons for change
0	Nov 23, 2002	H. Hiwatashi	Initial release.
1	May 23, 2003	H. Hiwatashi	General updates.