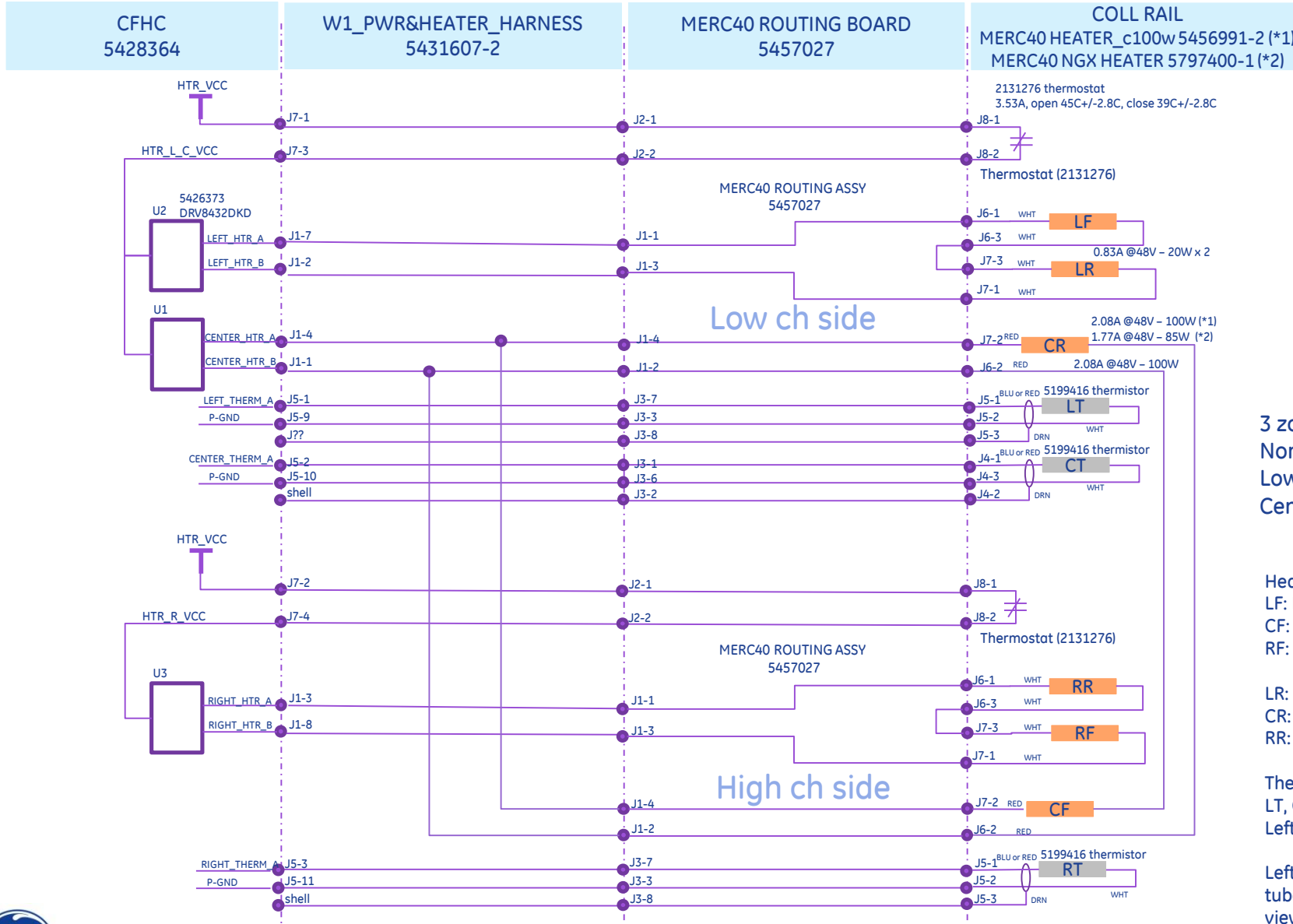


MERC40 CFHC- Heater, Thermistor and Thermostat connection

Note

(*1) MBU P/N 5503765 (wide detector type)

(*2) MBU P/N 5802793 (slim detector type)



3 zone heater
 Nominal Resistance:
 Low, High zone : 29 ohm
 Center zone : 23 ohm (*1)
 : 27 ohm (*2)

Heater :
 LF: Left Front (High ch, top)
 CF: Center Front (Center, top)
 RF: Right Front (Low ch, top)

LR: Left Rear (High ch, btm)
 CR: Center Rear (Center, btm)
 RR: Right Rear (Low ch, btm)

Thermistor : Front rail only
 LT, CT, RT :
 Left, Center, Right thermistor

Left and Right are under X-ray tube positioned 12 o'clock and viewing from the front side on which patient table be located.