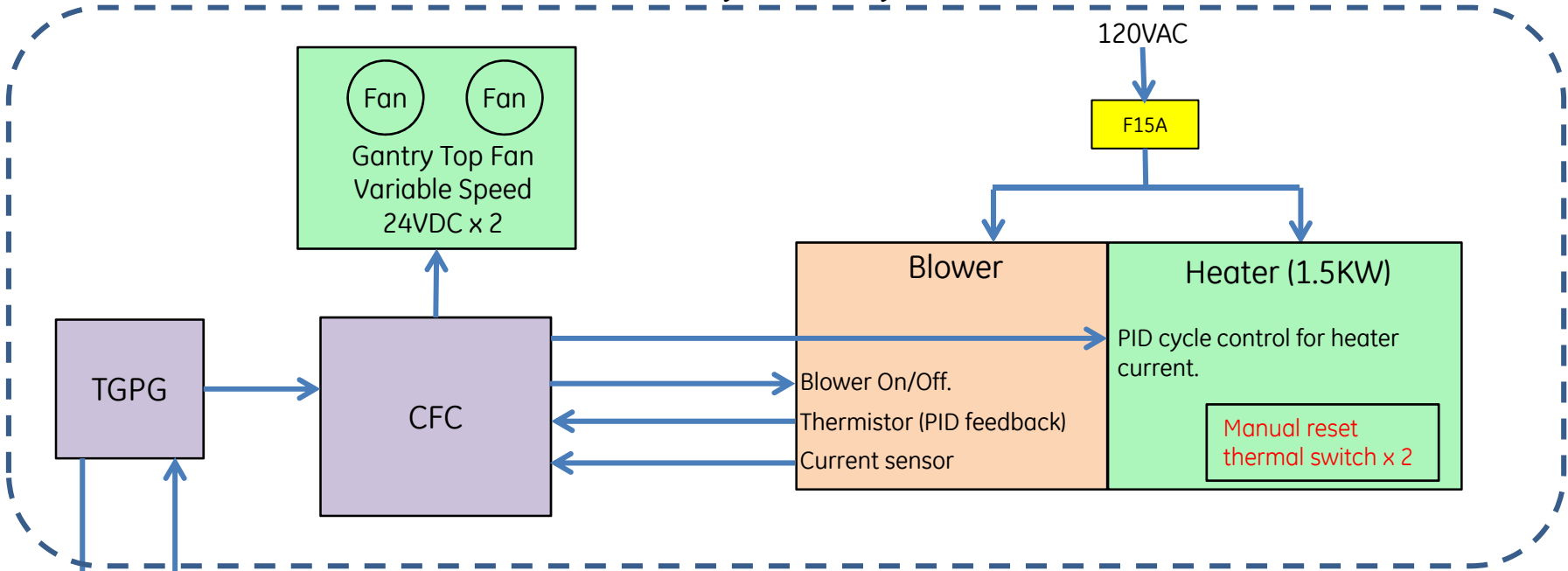


Gantry Stationary



Gantry Rotational

