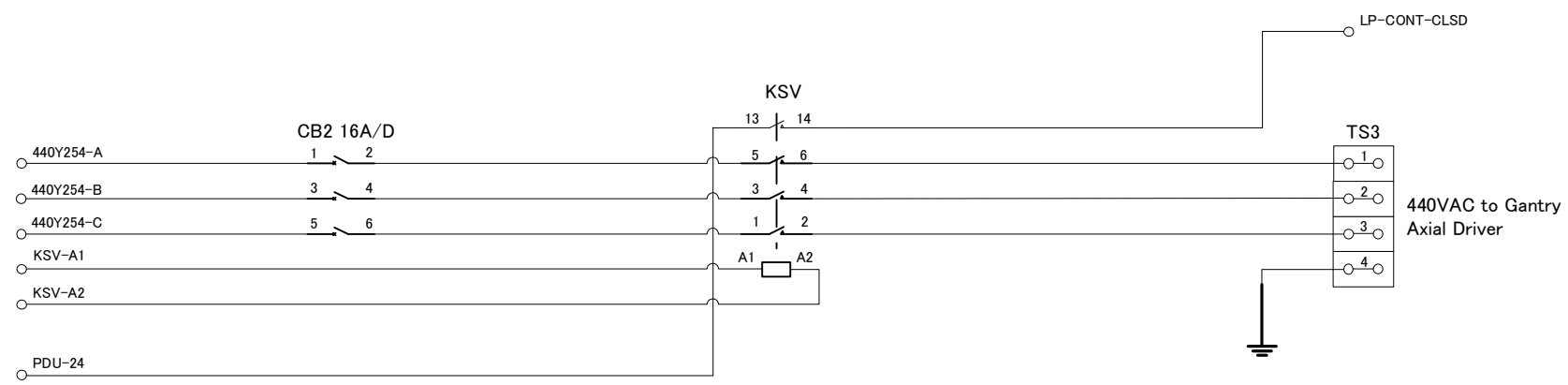


# Axial Driver Power Control



	△		--		DR.	Guo Hexin	NGPDU-81 Schematic Diagram	
	△		--		CH.			
	△		--		APP.	Yang Xuyong	2326492-81SCH	PAGE 5/7
REV.	ZONE		DATE	REV. BY				

SIZE A3 MICRO - -

State: RELEASE - Document is released and under formal Change Control. Changes are subject to the ECR/ECO Process. See the GEHC Myworkshop System to determine the status of this document.