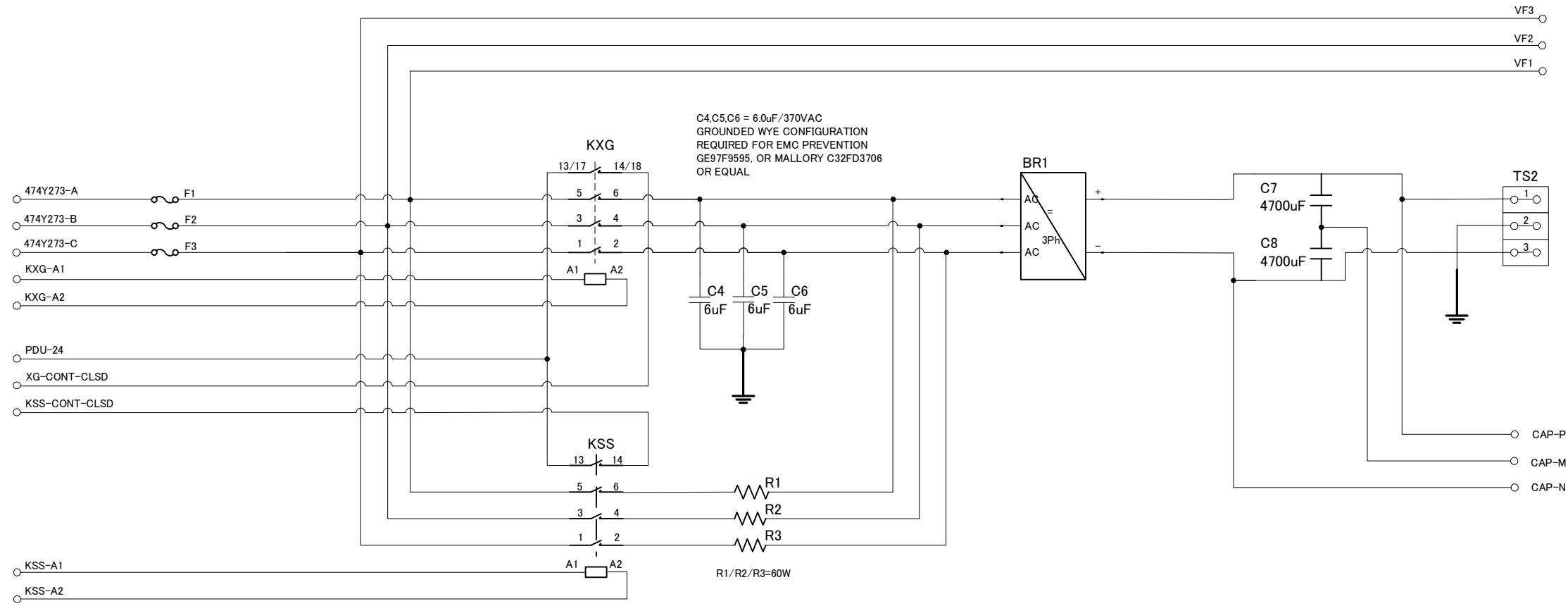


# HVDC Assembly



| △    |                                     | --      |         | DR.  | Guo Hexin   | NGPDU-81 Schematic Diagram |          |
|------|-------------------------------------|---------|---------|------|-------------|----------------------------|----------|
| △    |                                     | --      |         | CH.  |             |                            |          |
| 2    | Update KXG auxiliary contact number | 2018-10 |         | APP. | Yang Xuyong | 2326492-81SCH              | PAGE 4/7 |
| REV. | ZONE                                | DATE    | REV. BY |      |             |                            |          |

State: RELEASE - Document is released and under formal Change Control. Changes are subject to the ECR/ECO Process. See the GEHC Myworkshop System to determine the status of this document.

SIZE A3 MICRO