

1 2 3 4 5 6 7 8

A A

B B

C C

D D

E E

F F

SHEET NAME	SHEET NUMBER	REV
BLOCK	2	3
INPUT	3	1
HVDC	4	2
AXIAL DRIVER	5	1
LVAC	6	1
CUSTOMER I/O	7	1

Notes:

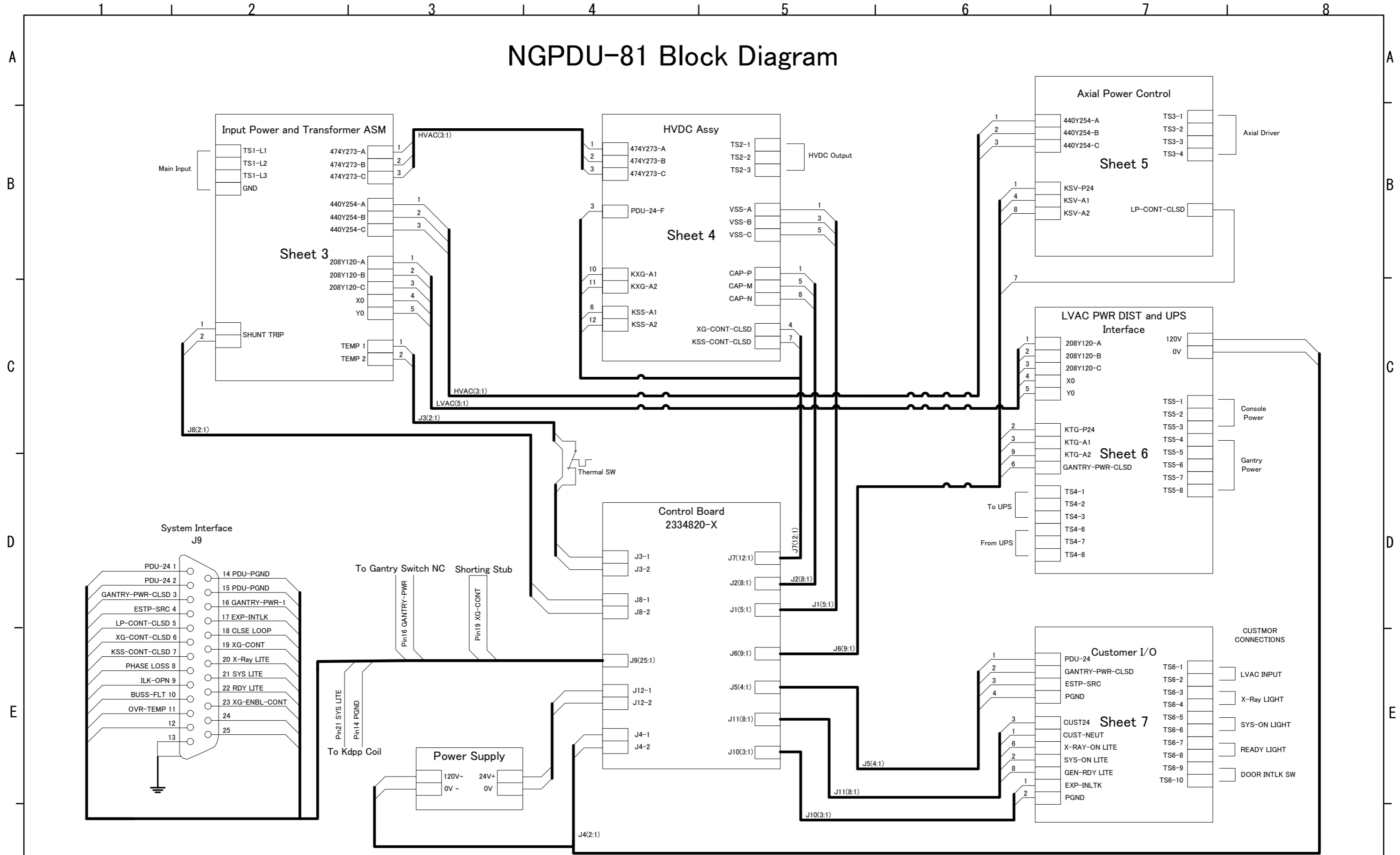
1. This cover sheet controls the revision status of the entire document.
2. Electronic signatures for both the schematic reviewers and approvers can be found within my workshop.

△		--		DR.	Guo Hexin	NGPDU-81 Schematic Diagram
△		--		CH.		
△		--		APP.	Yang Xuyong	2326492-81SCH
REV.	ZONE	DATE	REV. BY			

SIZE A3 MICRO - -

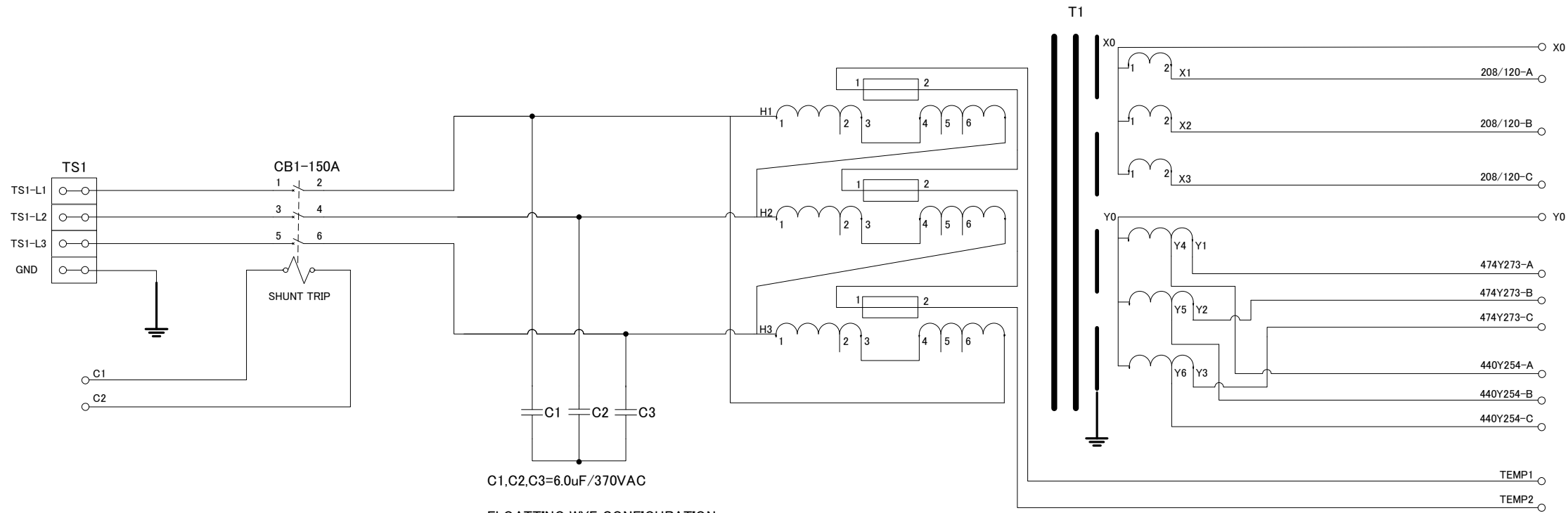
2 3 4 5 6 7 8

NGPDU-81 Block Diagram



△		- -		DR.	Guo Hexin	NGPDU-81 Schematic Diagram	PAGE 2/7
△		- -		CH.			
△	3	Update J6 information	2020-Aug	GuoHX	APP.	Yang Xuyong	2326492-81SCH
REV.	ZONE		DATE	REV. BY			

Input Power and Transformer Assy



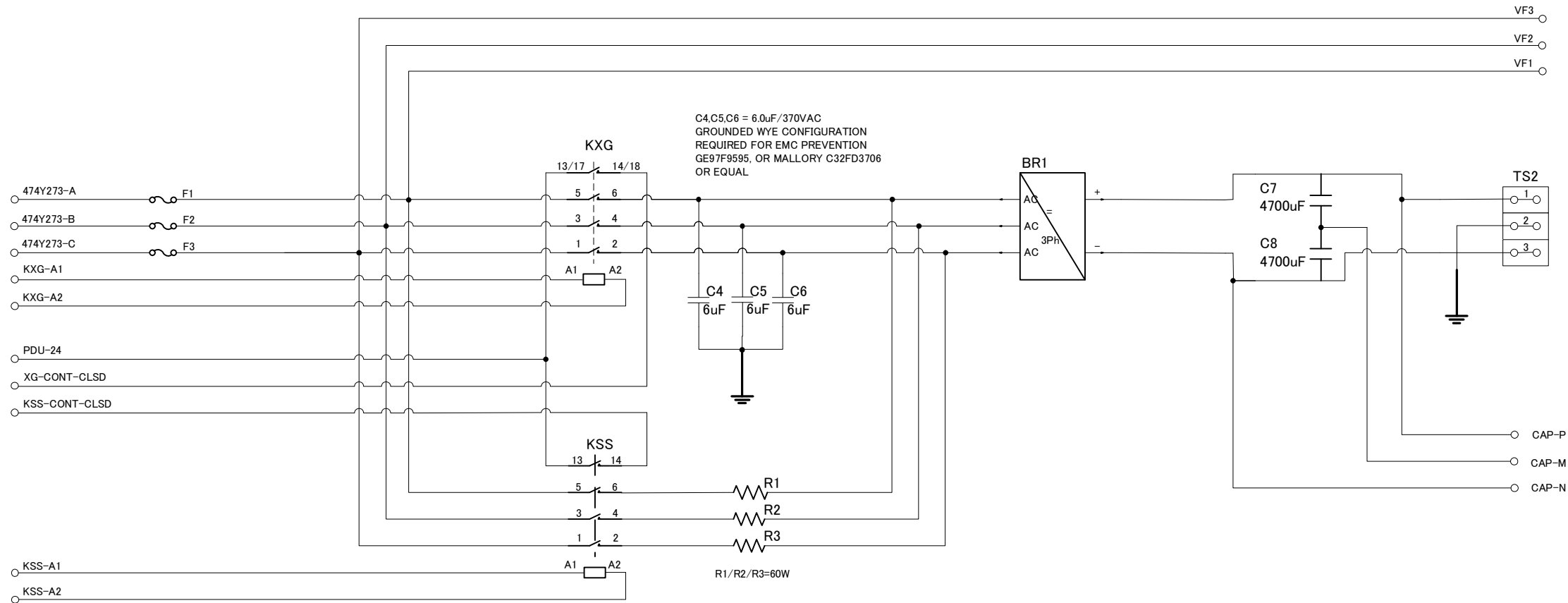
C1,C2,C3=6.0uF/370VAC
 FLOATING WYE CONFIGURATION
 REQUIRED FOR EMC PREVENTION
 GE97F9595, OR MALLORY C32FD3706 OR EQUAL

Jump Shown In 480V Connection

Voltage	Connection
200V	1-6
220V	1-5
240V	1-4
380V	2-6
400V	2-5
420V	2-4
440V	3-6
460V	3-5
480V	3-4

△		--		DR.	Guo Hexin	NGPDU-81 Schematic Diagram
△		--		CH.		
△		--		APP.	Yang Xuyong	2326492-81SCH
REV.	ZONE	DATE	REV. BY			PAGE 3/7

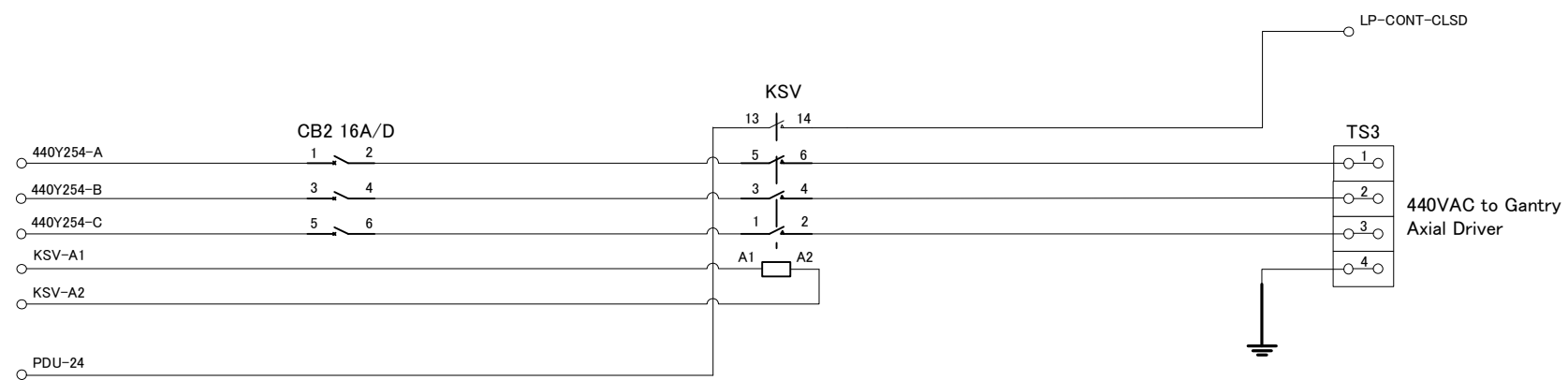
HVDC Assembly



△		--		DR.	Guo Hexin	NGPDU-81 Schematic Diagram	
△		--		CH.			
△	2	Update KXG auxiliary contact number	2018-10	APP.	Yang Xuyong	2326492-81SCH	PAGE 4/7
REV.	ZONE	DATE	REV. BY				

SIZE A3 MICRO

Axial Driver Power Control



△		--		DR.	Guo Hexin	NGPDU-81 Schematic Diagram	
△		--		CH.			
△		--		APP.	Yang Xuyong	2326492-81SCH	PAGE 5/7
REV.	ZONE	DATE	REV. BY				

SIZE A3 MICRO - -

UPS Power Interface

PDU shipped with jumpers A,B,C on TS4 as show

To connect three phase UPS:

1. Remove jumpers A,B,C
2. Connect UPS input power to TS4-1,2,3
3. Connect UPS output power to TS4-6,7,8
4. Connect input & output neutral & ground wires to TS4-4,9 & 5,10

To connect two phase UPS:

1. Remove jumpers A,C
2. Connect UPS input power to TS4-1,3
3. Connect UPS output power to TS4-6,8
4. Connect input & output neutral & ground wires to TS4-4,9 & 5,10

GANTRY-POW CLSD
KTG-P24

KTG-A1
KTG-A2

208Y120-A
208Y120-B
208Y120-C
SYSYLITE
PDU PGND

CB3 40A/D

LVAC Power Distribution

△		--		DR.	Guo Hexin	NGPDU-81 Schematic Diagram	
△		--		CH.			
△		--		APP.	Yang Xuyong	2326492-81SCH	PAGE 6/7
REV.	ZONE	DATE	REV. BY				

SIZE

A3

MICRO - -

2

3

4

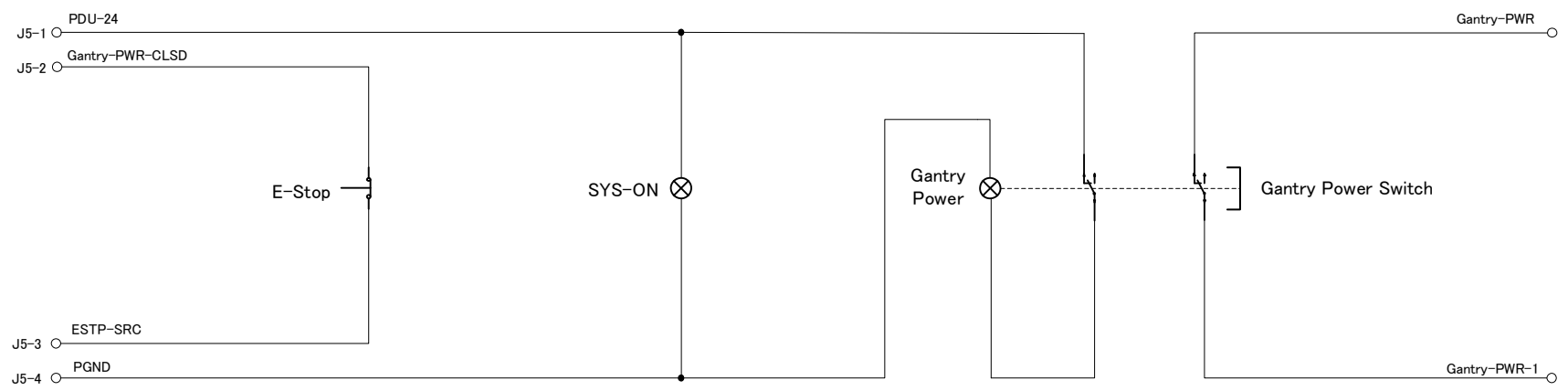
5

6

7

8

Customer I/O



△		--		DR.	Guo Hexin	NGPDU-81 Schematic Diagram	
△		--		CH.			
△		--		APP.	Yang Xuyong	2326492-81SCH	PAGE 7/7
REV.	ZONE	DATE	REV. BY				

SIZE A3 MICRO - -