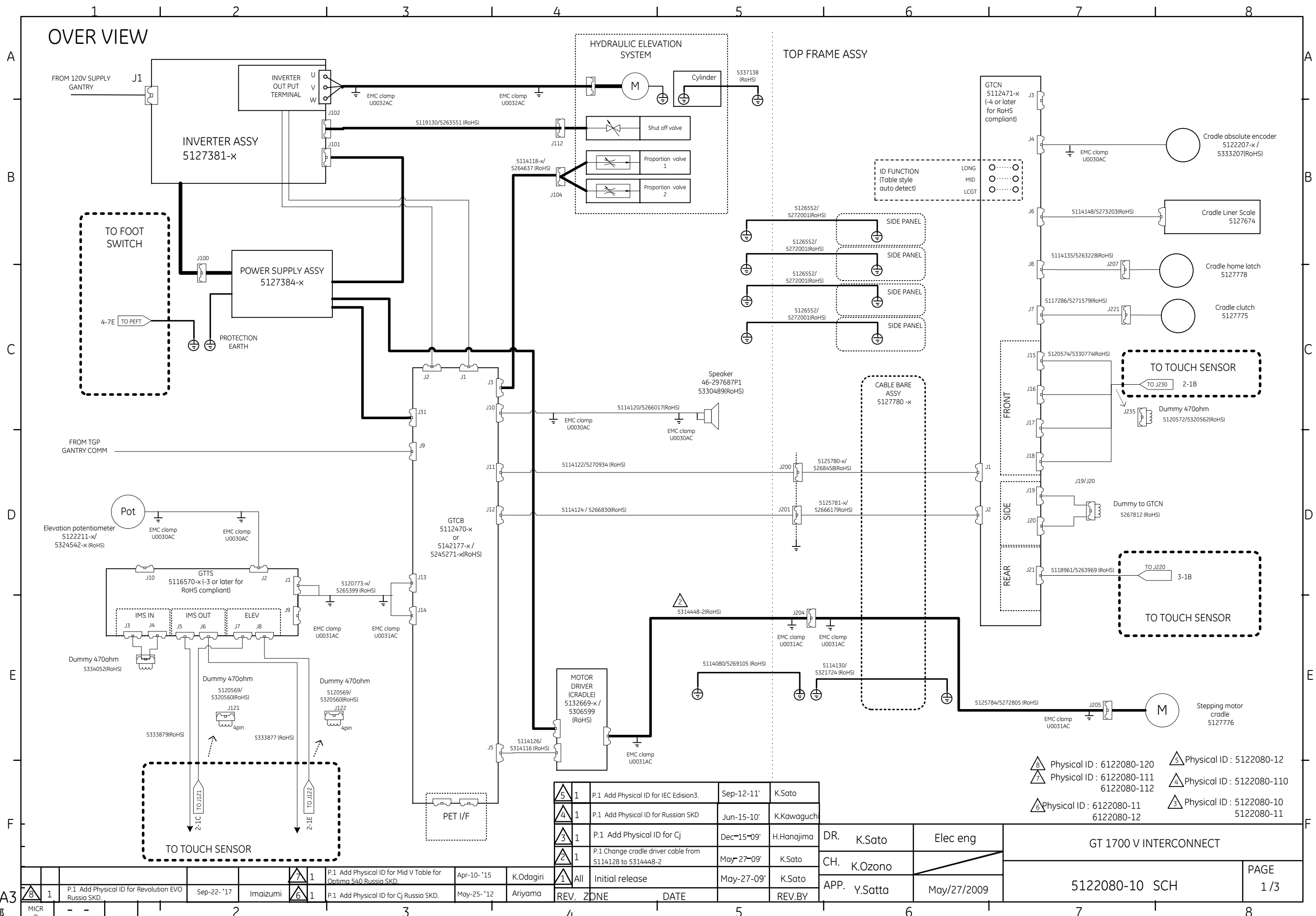


# OVER VIEW



5	1	P.1 Add Physical ID for IEC Edision3.	Sep-12-'11'	K.Sato
4	1	P.1 Add Physical ID for Russian SKD	Jun-15-'10'	K.Kawaguchi
3	1	P.1 Add Physical ID for Cj	Dec-15-'09'	H.Hanajima
2	1	P.1 Change cradle driver cable from 5114128 to 5314448-2	May-27-'09'	K.Sato
1	All	Initial release	May-27-'09'	K.Sato
REV.	ZONE	DATE	DATE	REV.BY

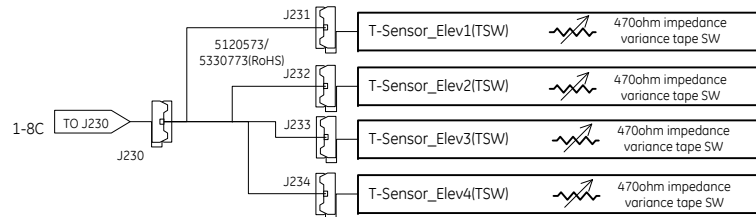
- 8 Physical ID : 6122080-120
- 7 Physical ID : 6122080-111
- 6 Physical ID : 6122080-11
- 5 Physical ID : 5122080-12
- 4 Physical ID : 5122080-110
- 3 Physical ID : 5122080-10

SIZE	A3	1	P.1 Add Physical ID for Revolution EVO Russia SKD.	Sep-22-'17	Imaizumi	1	6	1	P.1 Add Physical ID for Cj Russia SKD.	May-25-'12	Ariyama	DR.	K.Sato	Elec eng	GT 1700 V INTERCONNECT	PAGE 1/3	
MICR	O	-	-	-	-	-	-	-	-	-	REV.	K.Sato	CH.	K.Ozono			5122080-10 SCH
技術部	-	-	-	-	-	-	-	-	-	-	APP.	Y.Satta	May/27/2009				

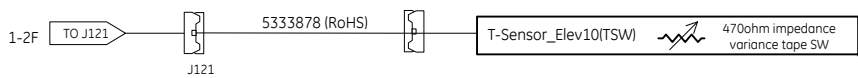
State: RELEASE - Document is released and under formal Change Control. Changes are subject to the ECR/ECO Process. See the GEHC Myworkshop System to determine the status of this document.

# TOUCH SENSOR

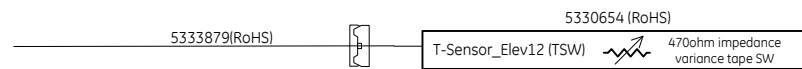
TOP COVER FRONT ASSY 5127465 - x



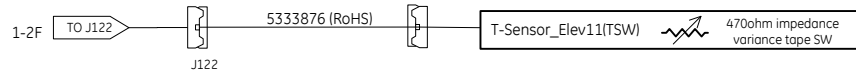
IMS LEFT SIDE COVER 5191722-10



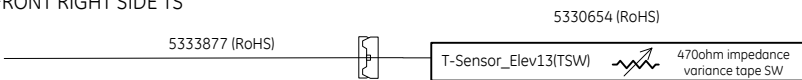
FRONT LEFT SIDE TS



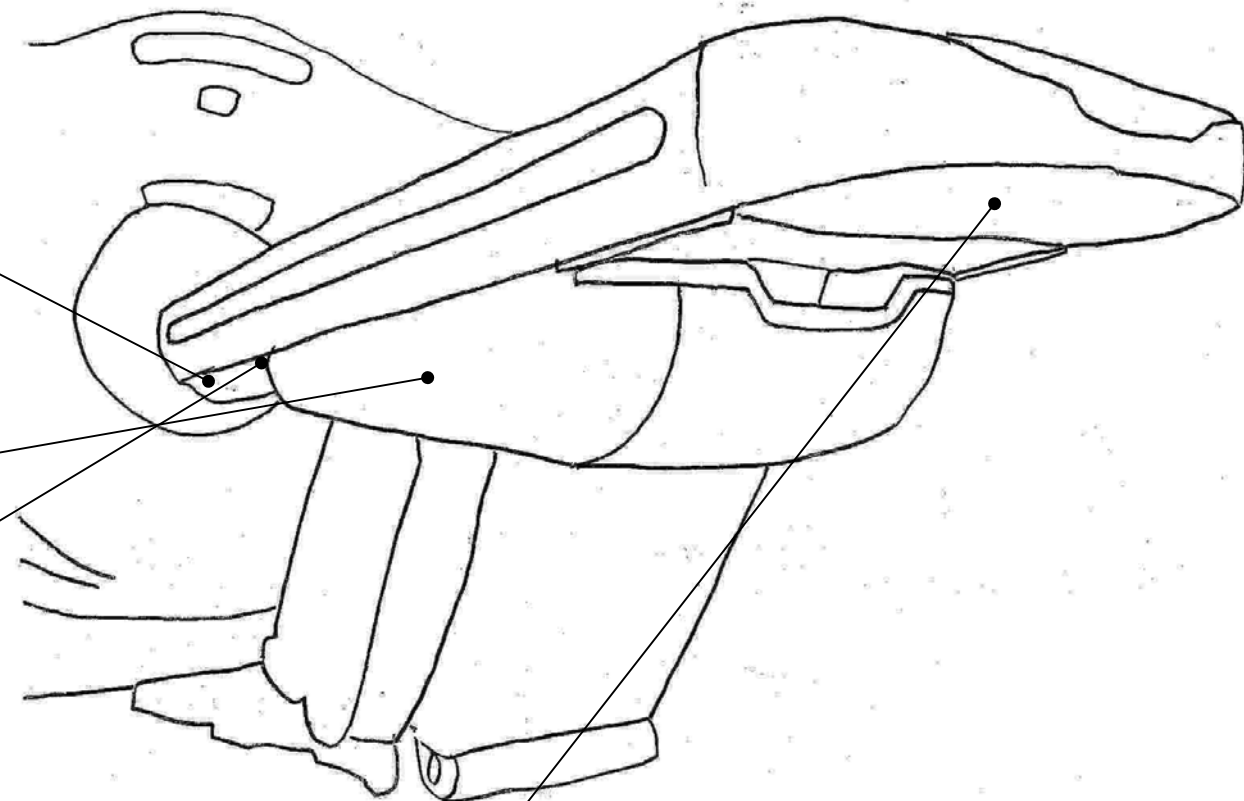
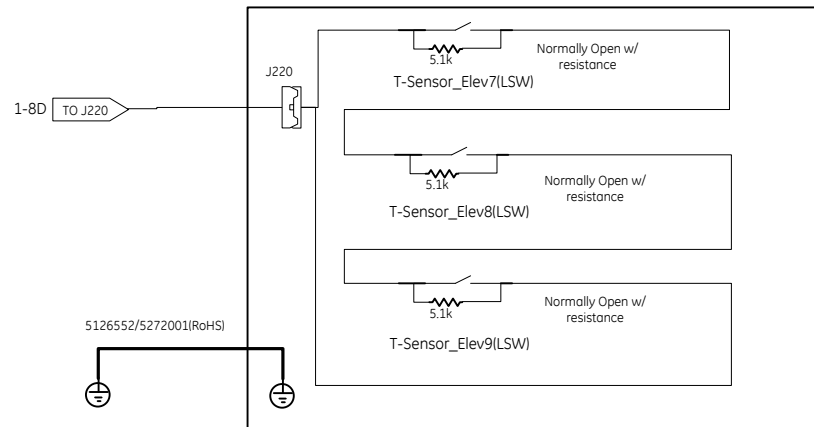
IMS RIGHT SIDE COVER 5191736-10



FRONT RIGHT SIDE TS



GT REAR TOUCH SWITCH 5125112



△		--		DR. K.Sato	Elec eng	GT 1700 V INTERCONNECT	
△		--		CH. K.Ozono		5122080-10 SCH	
△				APP. Y.Satta	May/27/2009	PAGE 2/	
REV.	ZONE	DATE		REV.BY			

SIZE A3

技術部

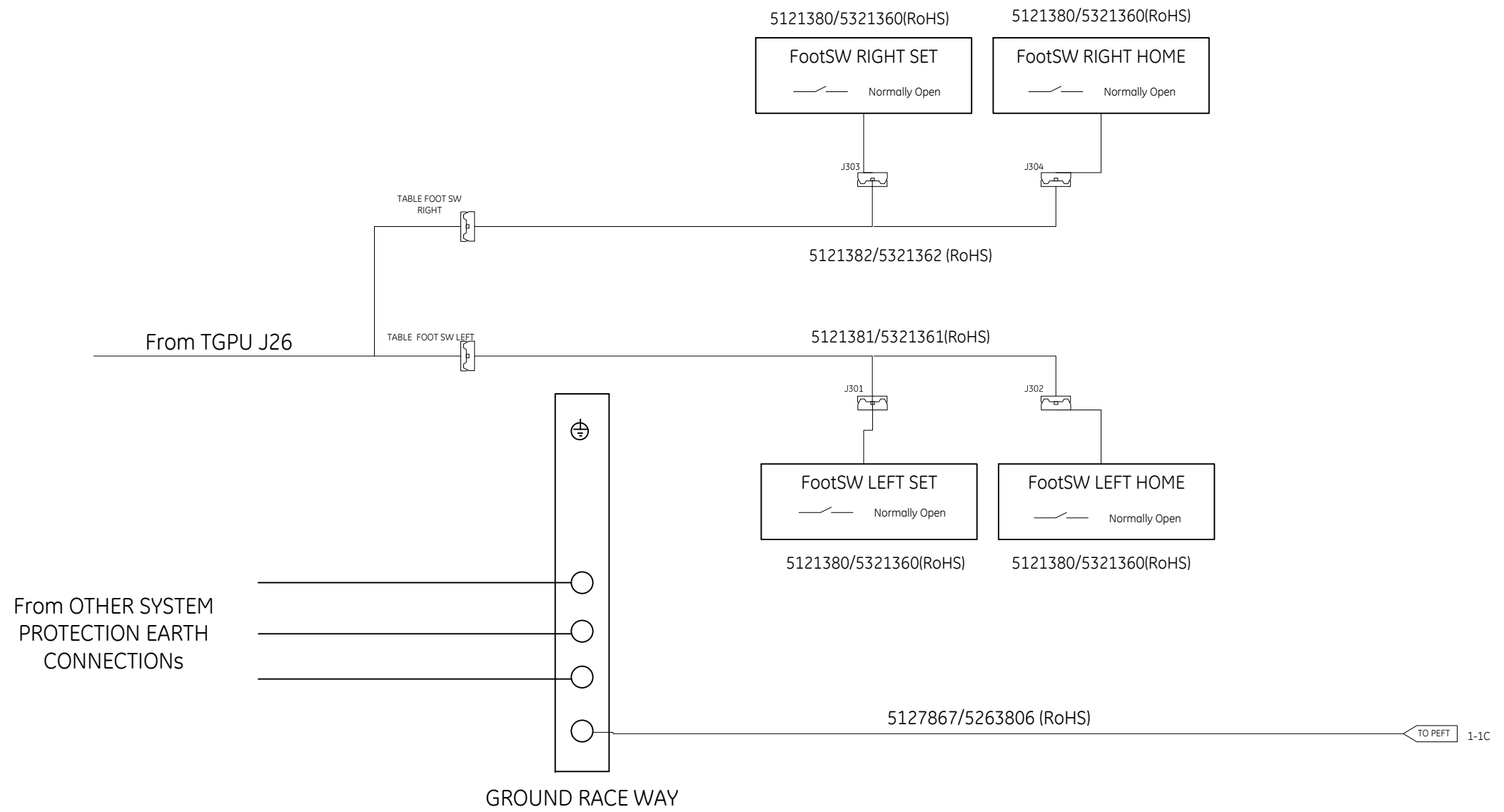
Form Y-13A-1

Approved Document - 5122080-10SCH\_r8.pdf Page 3 of 4

GE Healthcare

State: RELEASE - Document is released and under formal Change Control. Changes are subject to the ECR/ECO Process. See the GEHC Myworkshop System to determine the status of this document.

# FOOT SWITCH



△		--		DR. K.Sato	Elec eng	GT 1700 V INTERCONNECT	
△		--		CH. K.Ozono		5122080-10 SCH	
△				APP. Y.Satta	May/27/2009	PAGE 3/	
REV.	ZONE	DATE		REV.BY			

SIZE A3  
MICR O - -

State: RELEASE - Document is released and under formal Change Control. Changes are subject to the ECR/ECO Process. See the GEHC Myworkshop System to determine the status of this document.