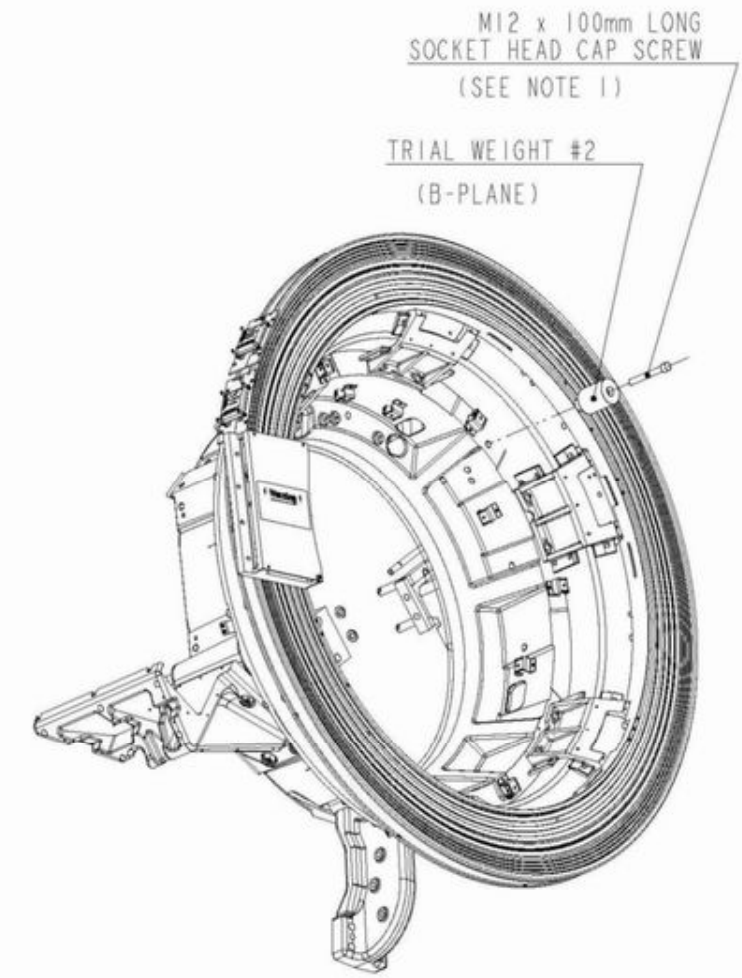
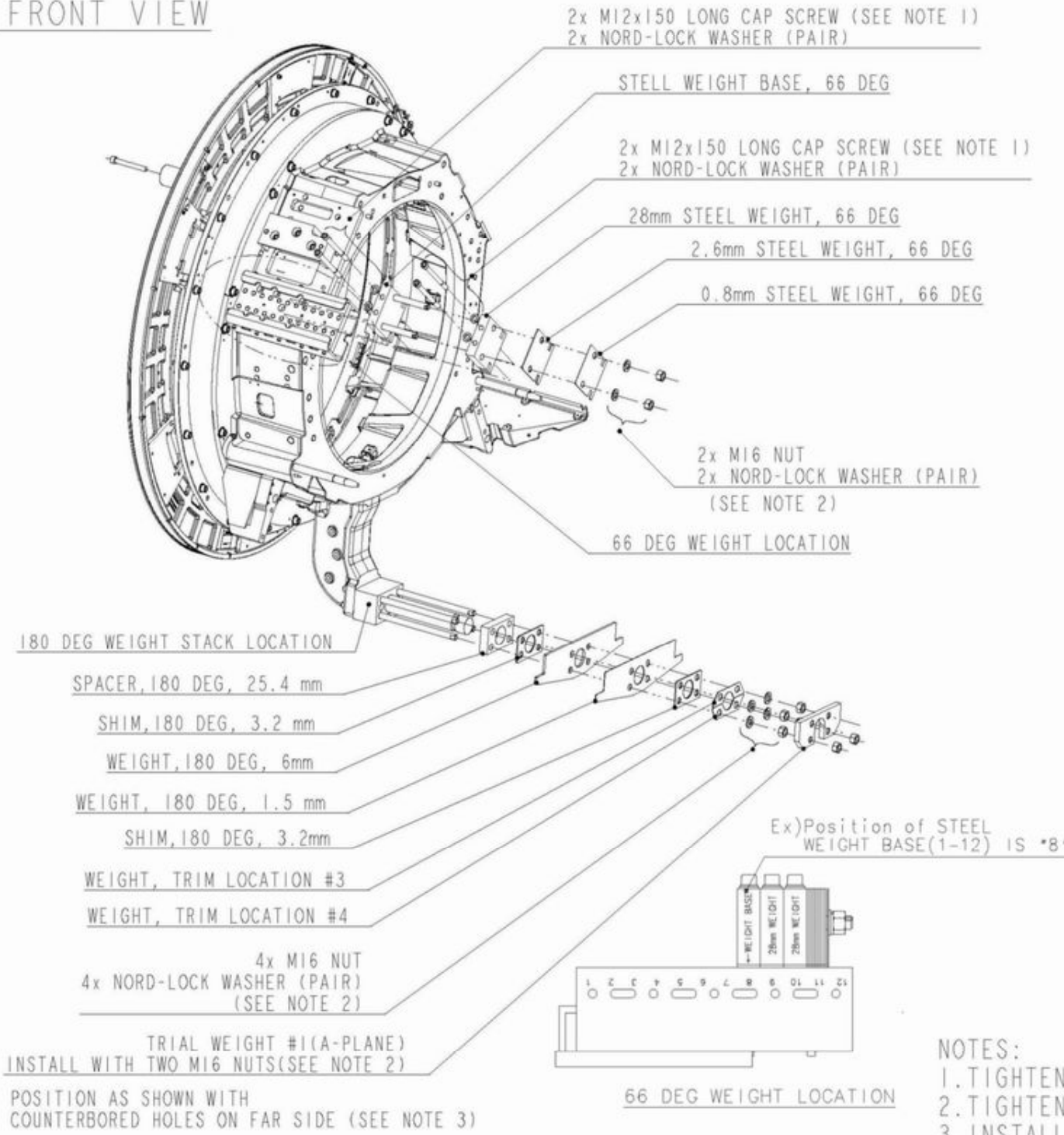


FRONT VIEW

REAR VIEW



- NOTES:
1. TIGHTEN M12 CAP SCREW TO 66.4 Nm.
 2. TIGHTEN ALL M16 NUTS TO 160 Nm.
 3. INSTALL WITH THIN SIDE TOWARD ISO CENTER AS SHOWN.