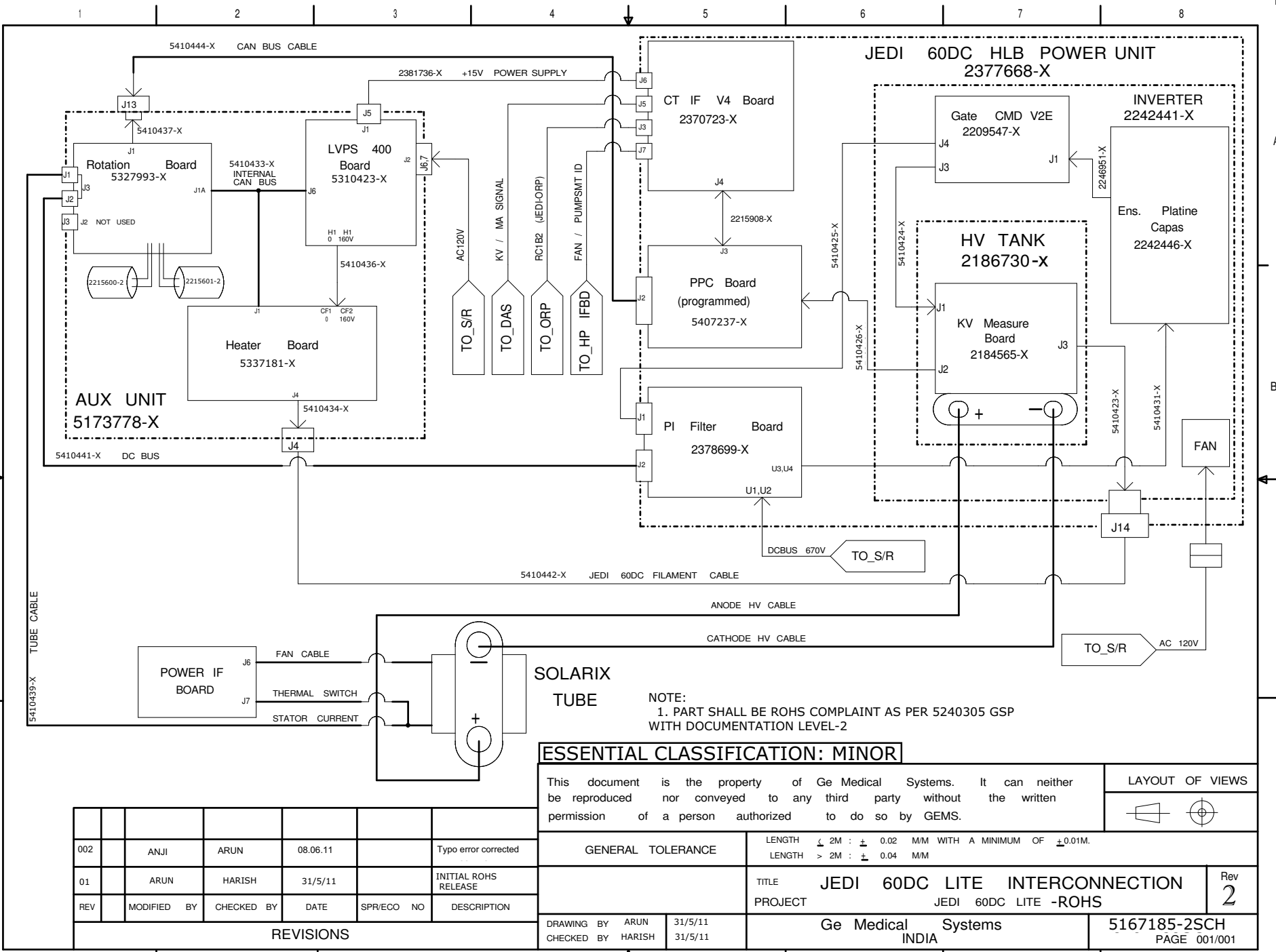


State: RELEASE - Document is released and under formal Change Control. Changes are subject to the ECR/ECO Process. See the GEHC Myworkshop System to determine the status of this document.



SOLARIX TUBE

NOTE:
1. PART SHALL BE ROHS COMPLAINT AS PER 5240305 GSP WITH DOCUMENTATION LEVEL-2

ESSENTIAL CLASSIFICATION: MINOR

This document is the property of Ge Medical Systems. It can neither be reproduced nor conveyed to any third party without the written permission of a person authorized to do so by GEMS.

LAYOUT OF VIEWS

REV	MODIFIED BY	CHECKED BY	DATE	SPR/ECO NO	DESCRIPTION
002	ANJI	ARUN	08.06.11		Typo error corrected
01	ARUN	HARISH	31/5/11		INITIAL ROHS RELEASE

GENERAL TOLERANCE		LENGTH ≤ 2M : ± 0.02 MM WITH A MINIMUM OF ±0.01M. LENGTH > 2M : ± 0.04 MM	
TITLE		JEDI 60DC LITE INTERCONNECTION	
PROJECT		JEDI 60DC LITE -ROHS	
DRAWING BY		ARUN 31/5/11	
CHECKED BY		HARISH 31/5/11	
Ge Medical Systems INDIA		5167185-2SCH	
		PAGE 001/001	