

# TWO PHASE UPS INTERCONNECT

(B7999ZA - 5169128)

SHEET NAME	SHT
UPS_IC BLOCK DIAGRAM	2
A1_DISC (E4502AB, AC, AE, AF)	3
A1_DISC (2305535)	4
A1_DISC (E4502AD OR EQUAL)	5
A1_DISC (FCA190-A OR EQUAL))	6
UPS_CNTL (2143207)	7
PDU (H2 PDU, NGPDU-X)	8
PDU (GLOBAL, CT COMPACT)	9
UPS (PW 9155-10GE)	10

\*  
\*  
\*  
\*  
\*

NOTES:

\* THESE SHEETS SHOWN FOR HISTORICAL REFERENCE.  
NOT INTENDED FOR NEW INSTALLATIONS.  
USE FOR RETROFIT TO INSTALLED BASE SYSTEMS.

ALL SHEETS OF THIS DOCUMENT ARE AT THE SAME REVISION.

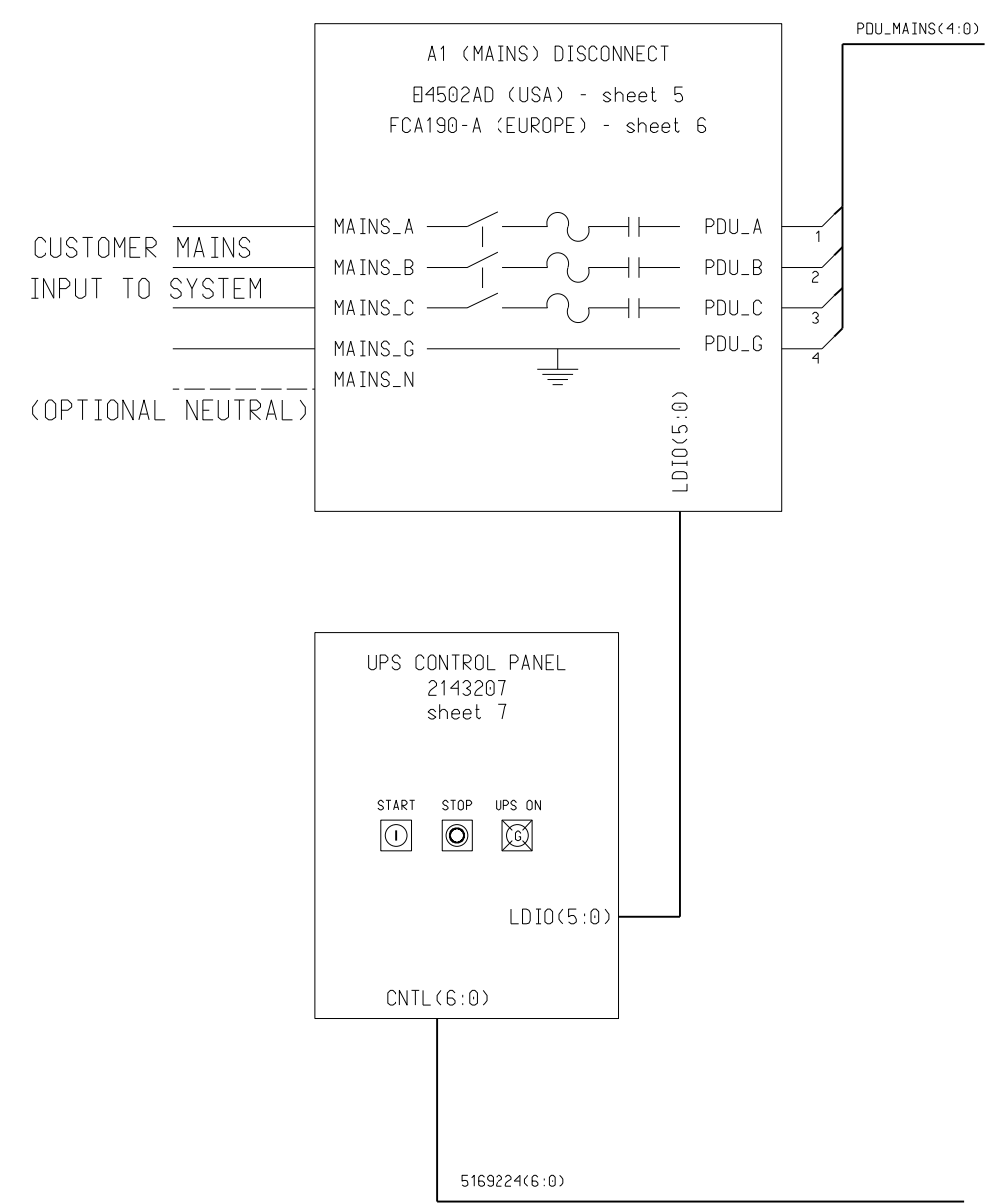
State: RELEASE - Document is released and under formal Change Control. Changes are subject to the ECR/ECO Process.  
 For the GEMS ePDM System to determine the status of this document.

BLOCK PATHNAME \$GEMS_CT_XRAY_GEN/INTERCONNECT/5169128_SCH/2PH_UPS_IC				BLOCK SHT 1 OF 2					
REV 2	PCN BCO 2026191	DESCRIPTION PRODUCTION RELEASE	MADE J.R. SCHMIDT	DATE 3-MAR-2006	GE HEALTHCARE MILWAUKEE, WI USA		DESIGN TITLE 2 PHASE UPS INTERCONNECT		
MADE BY J.R. SCHMIDT	DATE 9-MAR-2006	APPR BY	CHECK	DATE			FIRST MADE FOR GENERAL USE		
REV PCN	DESCRIPTION	APPR BY	APPR J.R. SCHMIDT	DATE 9-MAR-2006	DRAWING NO. 5169128SCH		REV 2	SIZE B	SHT/CONT. ON 1 / 2
MADE BY	DATE	OTHER	DATE	DATE					

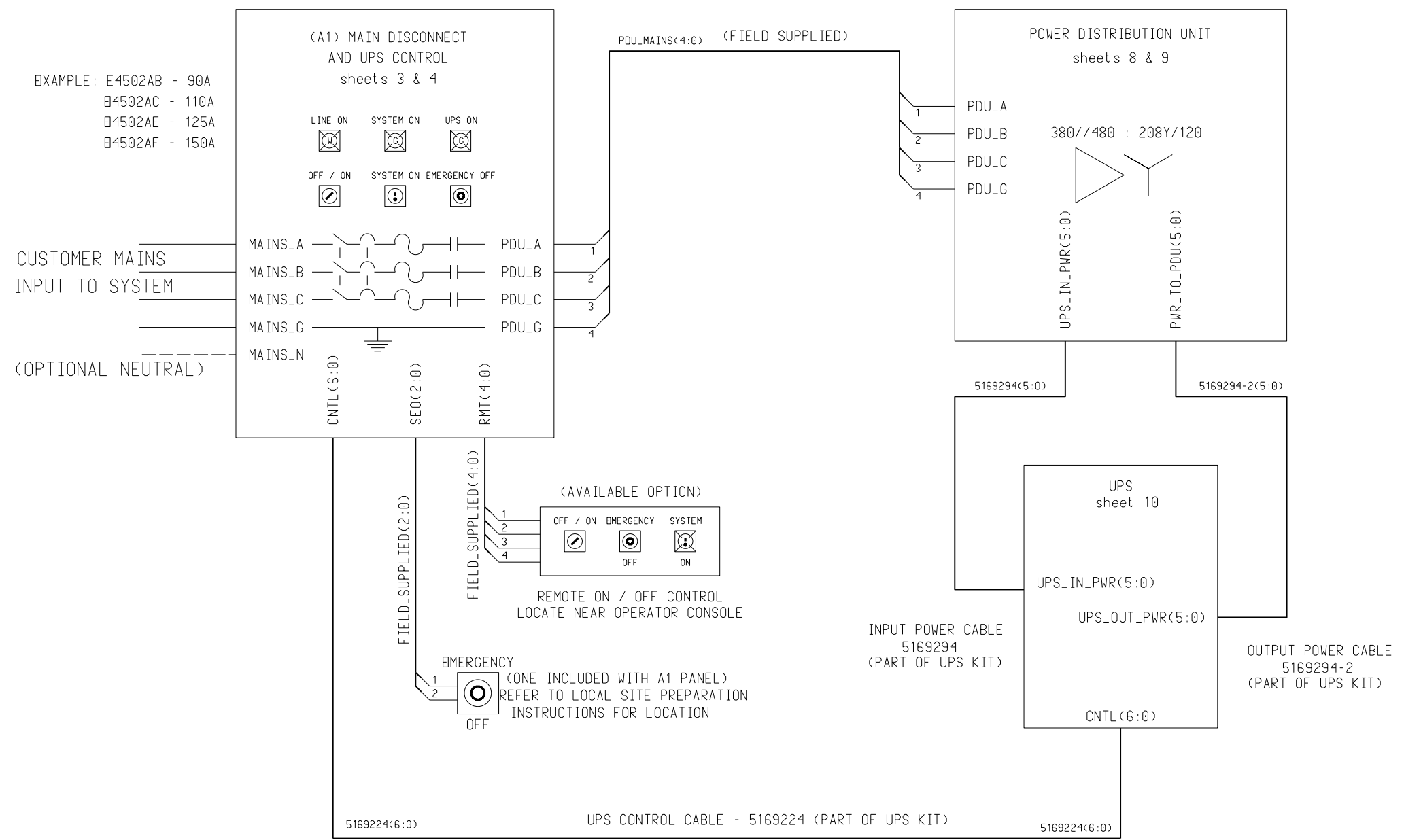
# TWO PHASE UPS INTERCONNECT

(B7999ZA - 5169128)

NOTE: ALTERNATE CONFIGURATION SHOWN TO FACILITATE RETROFIT TO INSTALLED BASE SYSTEMS.



NOTE: A1 PANEL SHOWN FOR INFORMATION ONLY. PURCHASE SEPARATELY PER SYSTEM REQUIREMENTS



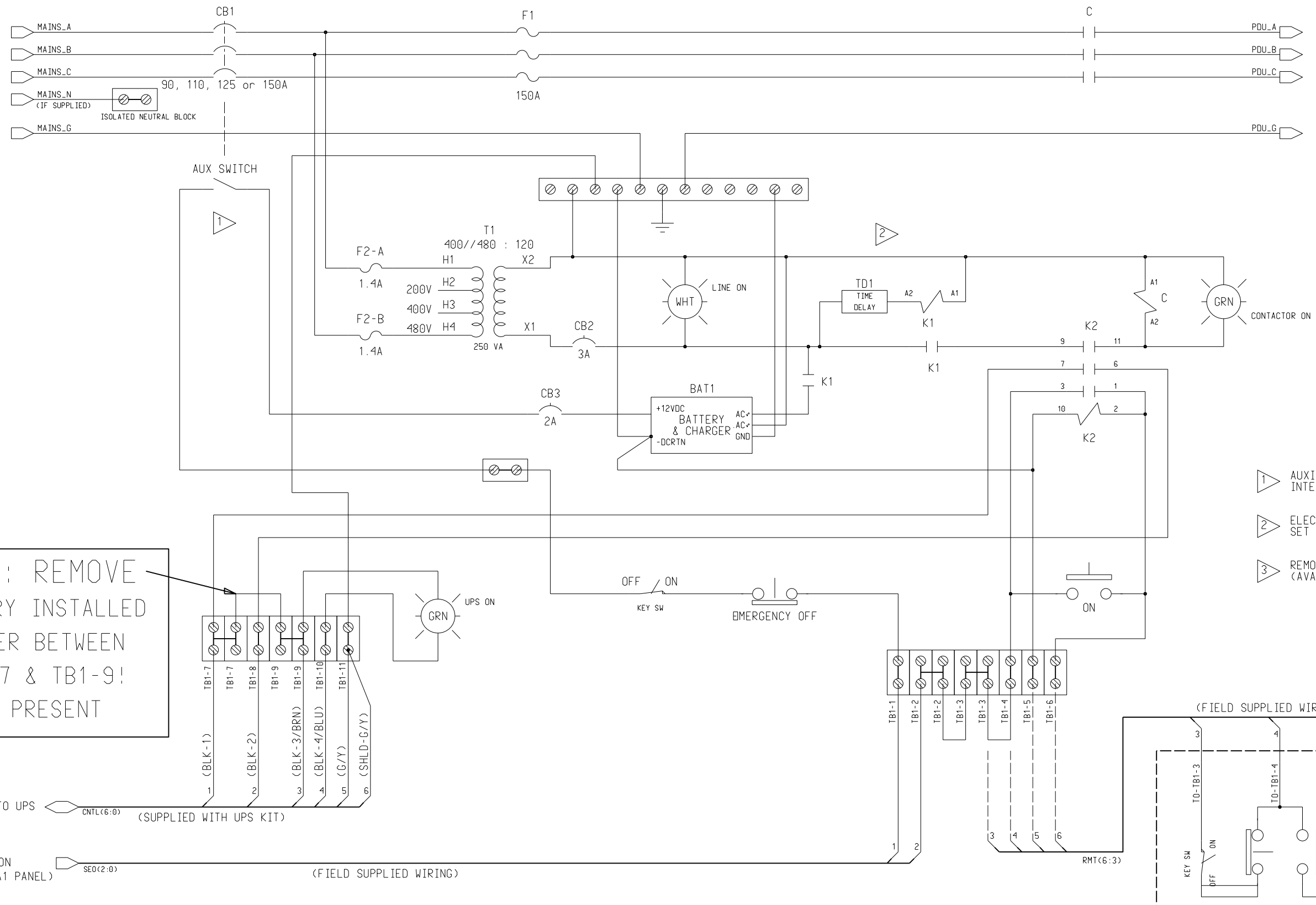
NOTE: UPS KIT 5169128 INCLUDES UPS, CABLES, AND INSTALLATION INSTRUCTIONS. PDU SUPPLIED WITH SYSTEM. FIELD WIRING SUPPLIED BY CUSTOMER. REFER TO SYSTEM INSTALLATION MANUAL FOR PROPER WIRE SIZES.

State: RELEASE - Document is released and under formal Change Control. Changes are subject to the ECR/ECO Process. For the GEMS ePDM System to determine the status of this document.

BLOCK PATHNAME \$GEMS_CT_XRAY_GEN/INTERCONNECT/5169128_SCH/2PH_UPS_IC				BLOCK SHT 2 OF 2			
REV 2	PCN BCO 2026191	DESCRIPTION PRODUCTION RELEASE	DATE	MADE J.R. SCHMIDT	DATE 3-MAR-2006	DESIGN TITLE 2 PHASE UPS INTERCONNECT	
MADE BY J.R. SCHMIDT	DATE 9-MAR-2006	APPR BY	DATE	CHECK		FIRST MADE FOR GENERAL USE	
REV PCN	DESCRIPTION	APPR BY	DATE	APPR J.R. SCHMIDT	DATE 9-MAR-2006	DRAWING NO. 5169128SCH	
MADE BY	DATE	APPR BY	DATE	OTHER	DATE	REV 2	SIZE B
						SHT/CONT. ON 2 / 3	

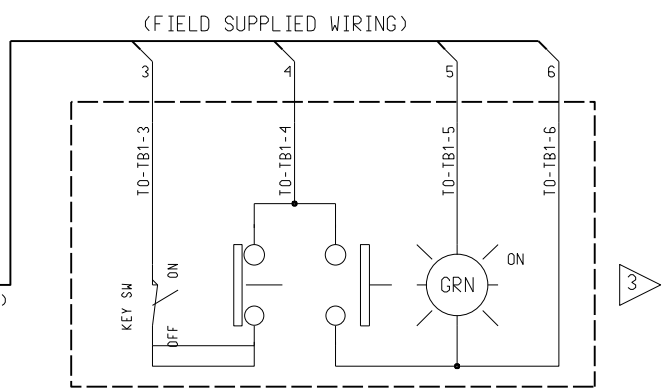
# (A1) MAIN DISCONNECT AND UPS CONTROL PANEL

2391993 (125A) / 2391993-2 (150A)  
2391993-3 (90A) / 2391993-4 (110A)



**NOTE: REMOVE  
FACTORY INSTALLED  
JUMPER BETWEEN  
TB1-7 & TB1-9!  
IF PRESENT**

- 1 AUXILIARY SWITCH INSTALLED  
INTERNAL TO MAIN CIRCUIT BREAKER
- 2 ELECTRONIC TIME DELAY DEVICE (TD1)  
SET TO NOMINAL 5 SECOND DELAY.
- 3 REMOTE ON / OFF CONTROL COMPONENTS  
(AVAILABLE OPTION -SEPERATE ORDER)



BLOCK PATHNAME \$GEMS_CT_XRAY_GEN/INTERCONNECT/5169128_SCH/2PH_UPS_IC/A1_DISC				BLOCK SHT 1 OF 2			
REV 2	PCN BCO 2026191	DESCRIPTION PRODUCTION RELEASE	DATE	MADE J.R. SCHMIDT	DATE 3-MAR-2006	DESIGN TITLE 2 PHASE UPS INTERCONNECT	
MADE BY J.R. SCHMIDT	DATE 9-MAR-2006	APPR BY	DATE	CHECK J.R. SCHMIDT	DATE 9-MAR-2006	FIRST MADE FOR GENERAL USE	
REV PCN	DESCRIPTION	DATE	APPR	OTHER	DATE	DRAWING NO. 5169128SCH	REV 2
MADE BY	APPR	DATE	APPR	OTHER	DATE	SIZE B	SHT/CONT. ON 3 / 4

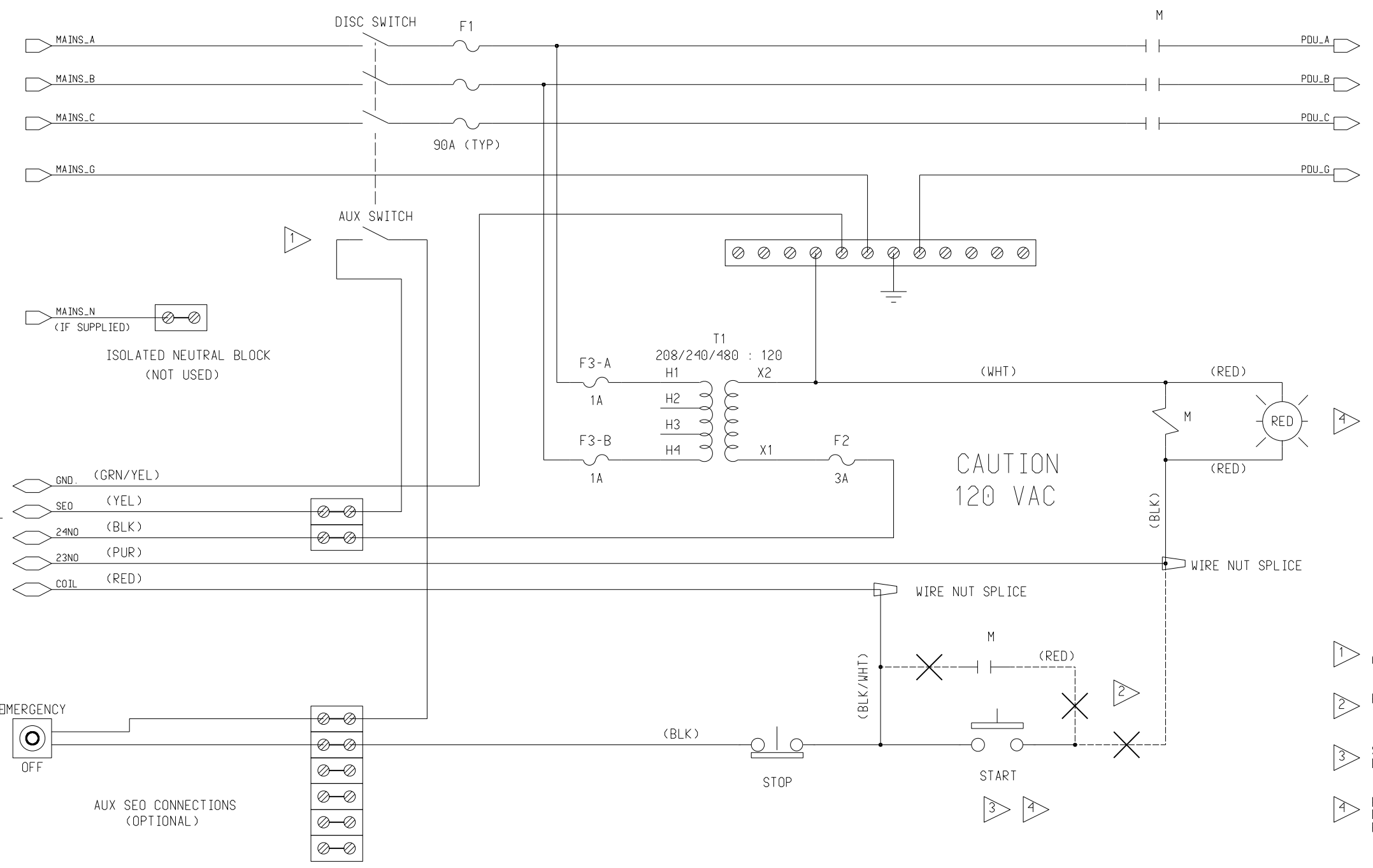
State: RELEASE - Document is released and under formal Change Control. Changes are subject to the ECR/ECO Process. See the GEMS ePDM System to determine the status of this document.



# A1 (MAINS) DISCONNECT

## B4502AD or EQUAL

ALT: THERMAL / MAGNETIC CIRCUIT BREAKER



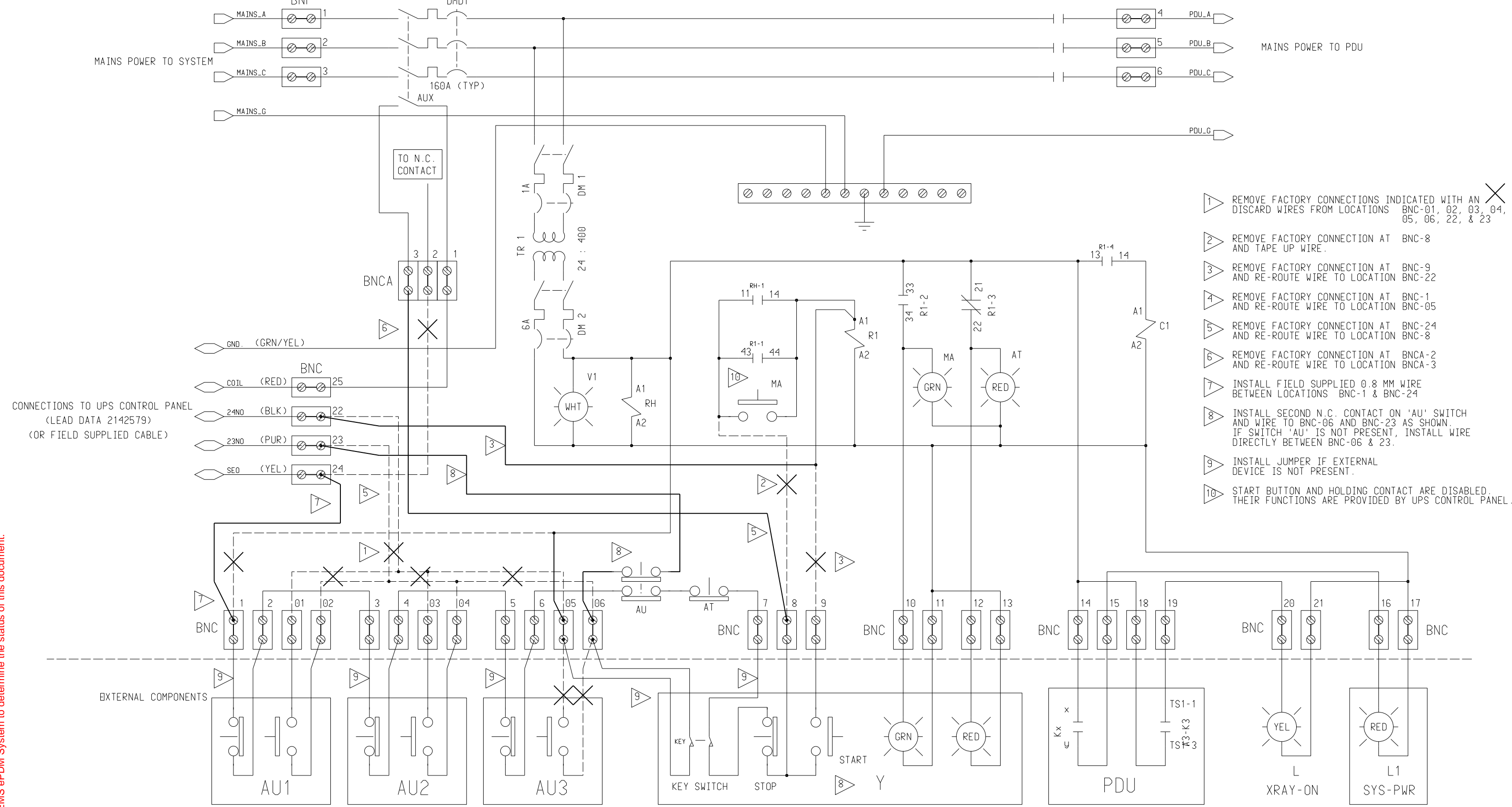
- 1 INSTALL NORMALLY OPEN AUXILIARY SWITCH ONTO MAIN DISCONNECT DEVICE
- 2 REMOVE FACTORY CONNECTIONS INDICATED WITH AN "X"
- 3 START BUTTON AND HOLDING CONTACT DISABLED. FUNCTION PROVIDED BY UPS CONTROL PANEL.
- 4 PANELS BUILT AFTER NOVEMBER 2002 USE COVER MOUNTED PUSHBUTTONS AND LIGHT. REFER TO DETAILED REWORK INSTRUCTIONS IN MANUAL.

State: RELEASE - Document is released and under formal Change Control. Changes are subject to the ECR/ECO Process. See the GEMS ePDM System to determine the status of this document.

BLOCK PATHNAME \$GEMS_CT_XRAY_GEN/INTERCONNECT/5169128_SCH/2PH_UPS_IC/A1_DISC_GEN				BLOCK SHT 1 OF 2			
REV 2	PCN ECO 2026191	DESCRIPTION PRODUCTION RELEASE	MADE BY J.R. SCHMIDT	DATE 3-MAR-2006	GE HEALTHCARE		DESIGN TITLE 2 PHASE UPS INTERCONNECT
MADE BY J.R. SCHMIDT	DATE 9-MAR-2006	APPR BY	CHECK J.R. SCHMIDT	DATE 9-MAR-2006	MILWAUKEE, WI USA		FIRST MADE FOR GENERAL USE
REV PCN	DESCRIPTION	APPR BY	APPR J.R. SCHMIDT	DATE 9-MAR-2006	DRAWING NO. 5169128SCH		REV 2
MADE BY	DATE	APPR BY	OTHER	DATE	SIZE B		SHT/CONT. ON 5 / 6

# A1 (MAINS) DISCONNECT FCA190-A or EQUAL

ALT: FUSED DISCONNECT MAY BE USED



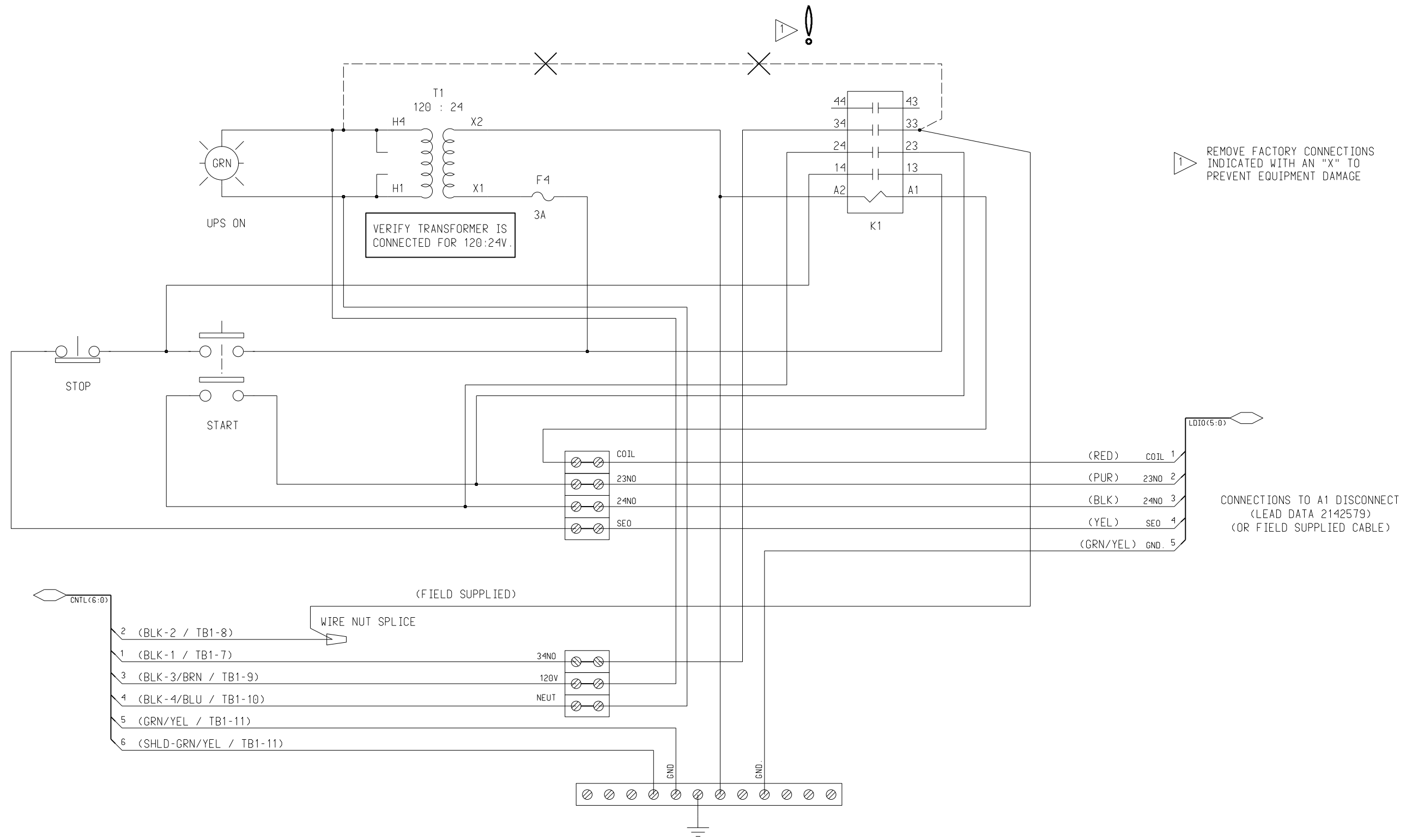
- 1 REMOVE FACTORY CONNECTIONS INDICATED WITH AN X DISCARD WIRES FROM LOCATIONS BNC-01, 02, 03, 04, 05, 06, 22, & 23
- 2 REMOVE FACTORY CONNECTION AT BNC-8 AND TAPE UP WIRE.
- 3 REMOVE FACTORY CONNECTION AT BNC-9 AND RE-ROUTE WIRE TO LOCATION BNC-22
- 4 REMOVE FACTORY CONNECTION AT BNC-1 AND RE-ROUTE WIRE TO LOCATION BNC-05
- 5 REMOVE FACTORY CONNECTION AT BNC-24 AND RE-ROUTE WIRE TO LOCATION BNC-8
- 6 REMOVE FACTORY CONNECTION AT BNCA-2 AND RE-ROUTE WIRE TO LOCATION BNCA-3
- 7 INSTALL FIELD SUPPLIED 0.8 MM WIRE BETWEEN LOCATIONS BNC-1 & BNC-24
- 8 INSTALL SECOND N.C. CONTACT ON 'AU' SWITCH AND WIRE TO BNC-06 AND BNC-23 AS SHOWN. IF SWITCH 'AU' IS NOT PRESENT, INSTALL WIRE DIRECTLY BETWEEN BNC-06 & 23.
- 9 INSTALL JUMPER IF EXTERNAL DEVICE IS NOT PRESENT.
- 10 START BUTTON AND HOLDING CONTACT ARE DISABLED. THEIR FUNCTIONS ARE PROVIDED BY UPS CONTROL PANEL.

State: RELEASE - Document is released and under formal Change Control. Changes are subject to the ECR/ECO Process. See the GEMS ePDM System to determine the status of this document.

BLOCK PATHNAME \$GEMS_CT_XRAY_GEN/INTERCONNECT/5169128_SCH/2PH_UPS_IC/A1_DISC_GEN				BLOCK SHT 2 OF 2			
REV 2	PCN ECO 2026191	DESCRIPTION PRODUCTION RELEASE	MADE BY J.R. SCHMIDT	DATE 3-MAR-2006	GE HEALTHCARE MILWAUKEE, WI USA		DESIGN TITLE 2 PHASE UPS INTERCONNECT
MADE BY J.R. SCHMIDT	DATE 9-MAR-2006	APPR BY	DATE	DATE 9-MAR-2006			FIRST MADE FOR GENERAL USE
REV PCN	DESCRIPTION	DATE	DATE	DATE	DRAWING NO. 5169128SCH	REV 2	SIZE B
MADE BY	APPR BY	DATE	DATE	DATE	SHT/CONT. ON 6 / 7		

# UPS CONTROL PANEL

(2143207 - INSTALLED BASE SYSTEMS ONLY)  
(HISTORICAL REFERENCE)



REMOVE FACTORY CONNECTIONS INDICATED WITH AN "X" TO PREVENT EQUIPMENT DAMAGE

VERIFY TRANSFORMER IS CONNECTED FOR 120:24V.

CONNECTIONS TO A1 DISCONNECT (LEAD DATA 2142579) (OR FIELD SUPPLIED CABLE)

CONTROL CABLE TO UPS (SUPPLIED WITH UPS KIT)

RE-LABEL AS FOLLOWS  
TB1-7 TO 34NO  
TB1-8 TO K1-33  
TB1-9 TO 120V  
TB1-10 TO NEUT  
TB1-11 TO GND

- 2 (BLK-2 / TB1-8)
- 1 (BLK-1 / TB1-7)
- 3 (BLK-3/BRN / TB1-9)
- 4 (BLK-4/BLU / TB1-10)
- 5 (GRN/YEL / TB1-11)
- 6 (SHLD-GRN/YEL / TB1-11)

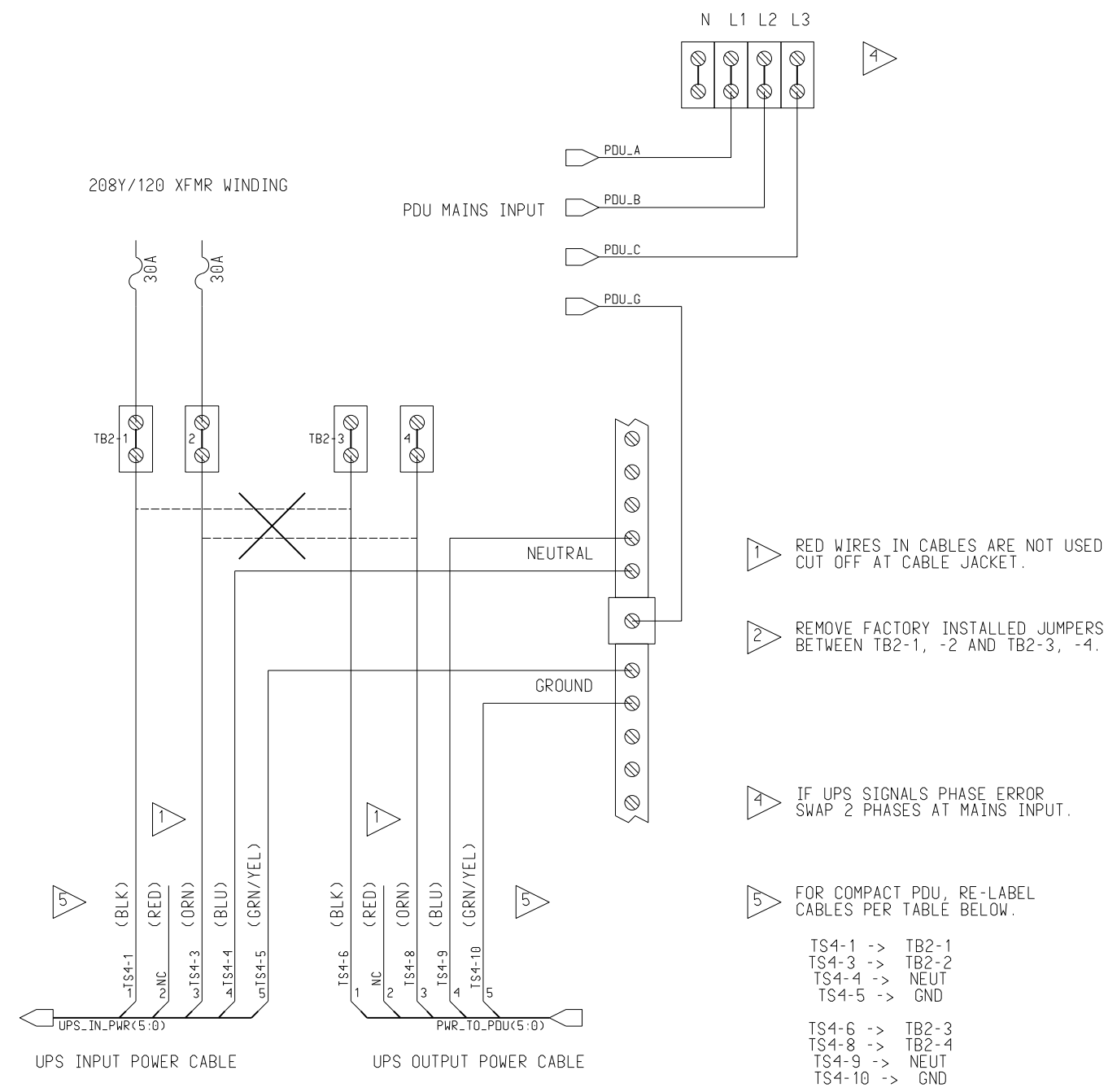
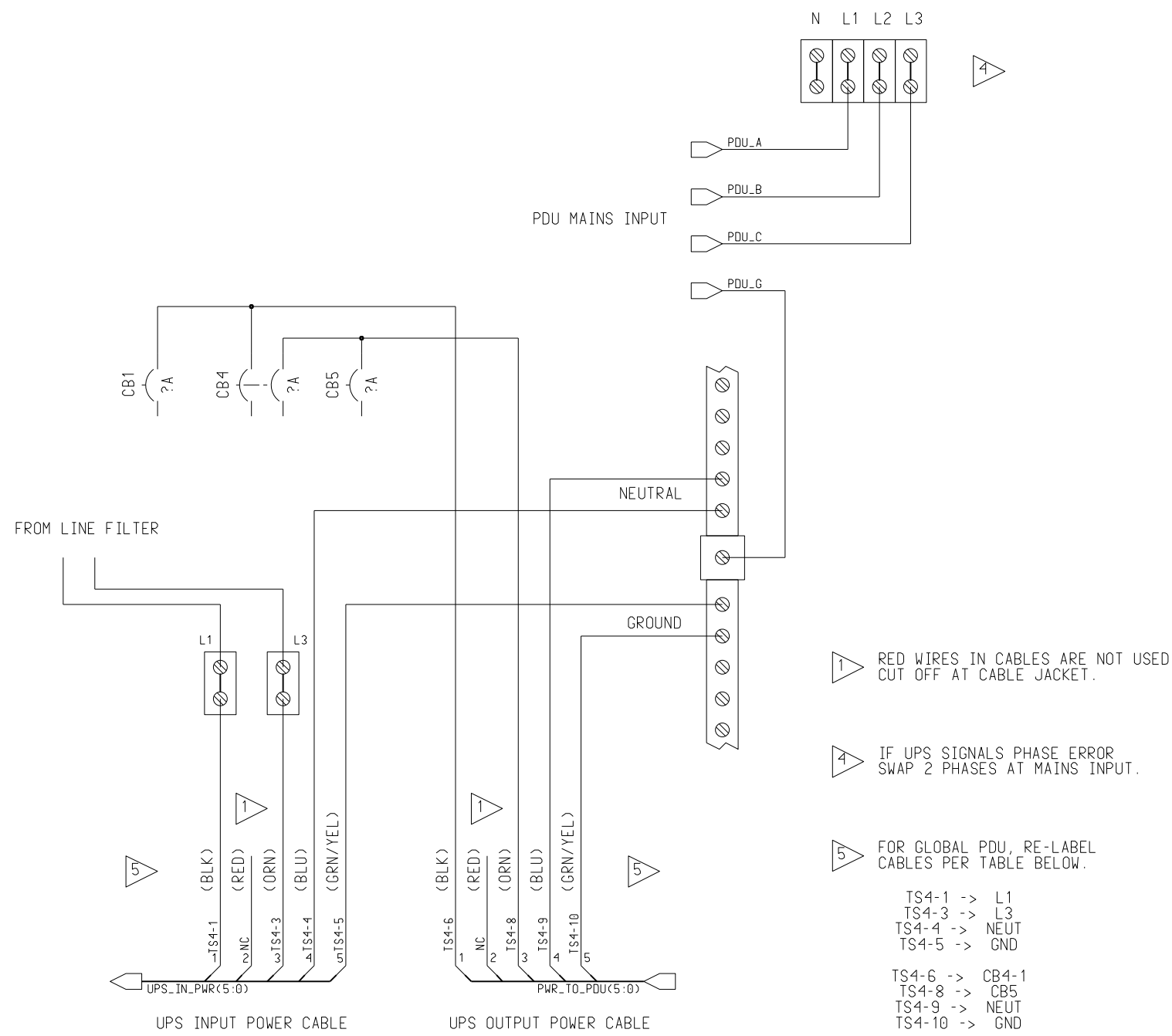
State: RELEASE - Document is released and under formal Change Control. Changes are subject to the ECR/ECO Process. See the GEMS ePDM System to determine the status of this document.

BLOCK PATHNAME \$GEMS_CT_XRAY_GEN/INTERCONNECT/5169128_SCH/2PH_UPS_IC/UPS_CNTRL				BLOCK SHT 1 OF 1					
REV 2	PCN ECO 2026191	DESCRIPTION PRODUCTION RELEASE	MADE J.R. SCHMIDT	DATE 3-MAR-2006	GE HEALTHCARE MILWAUKEE, WI USA		DESIGN TITLE 2 PHASE UPS INTERCONNECT		
MADE BY J.R. SCHMIDT	DATE 9-MAR-2006	APPR BY	CHECK	DATE			FIRST MADE FOR GENERAL USE		
REV PCN	DESCRIPTION	MADE BY	APPR BY	DATE	DATE	DRAWING NO. 5169128SCH	REV 2	SIZE B	SHT/CONT. ON 7 / 8



# GLOBAL PDU (2113764)

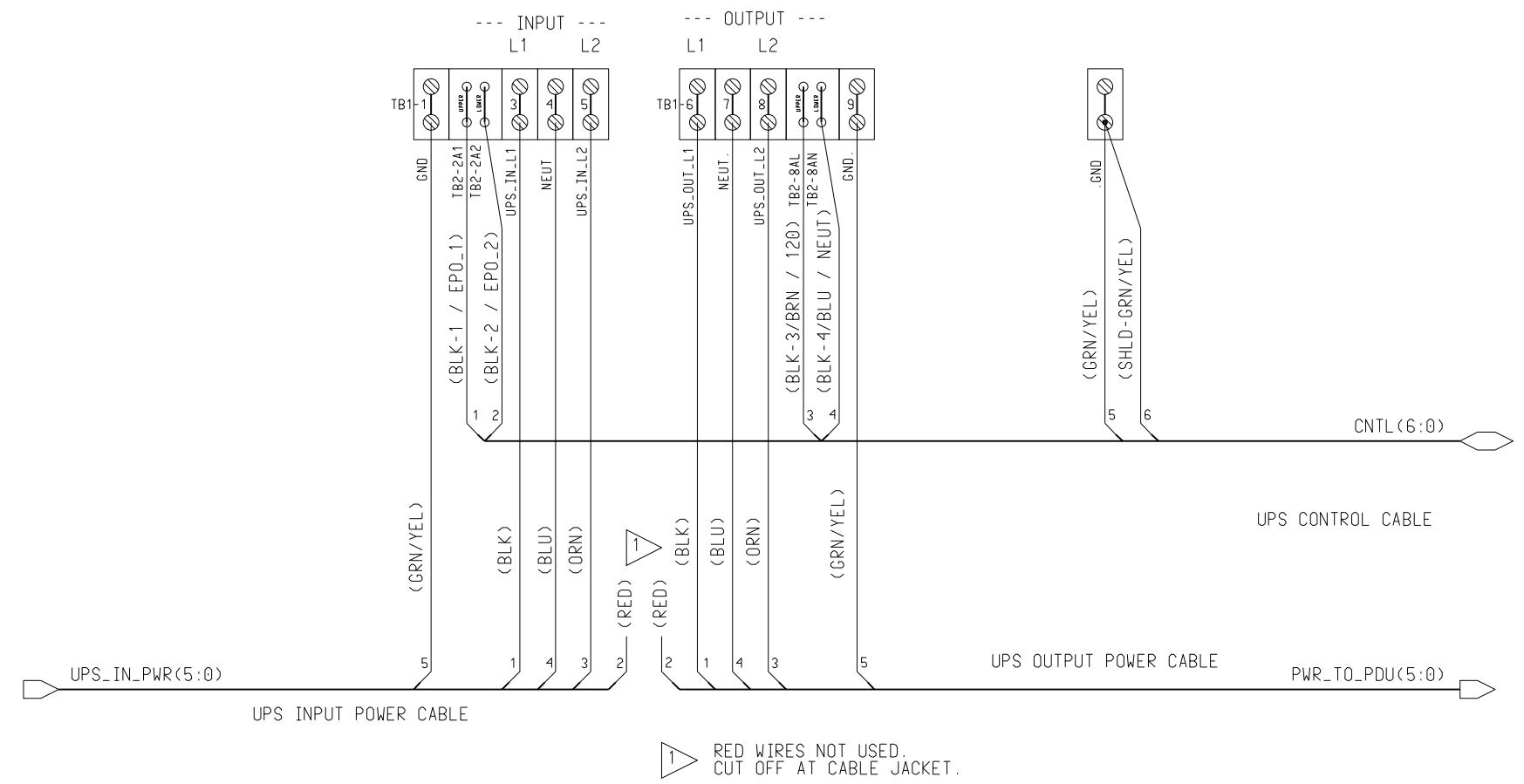
# CT COMPACT PDU (2133533)



State: RELEASE - Document is released and under formal Change Control. Changes are subject to the ECR/ECO Process. For the GEMS ePDM System to determine the status of this document.

BLOCK PATHNAME \$GEMS_CT_XRAY_GEN/INTERCONNECT/5169128_SCH/2PH_UPS_IC/PDU				BLOCK SHT 2 OF 2			
REV 2	PCN BCO 2026191	DESCRIPTION PRODUCTION RELEASE	DATE	MADE J.R. SCHMIDT	DATE 3-MAR-2006	DESIGN TITLE 2 PHASE UPS INTERCONNECT	REV 2
MADE BY J.R. SCHMIDT	DATE 9-MAR-2006	APPR BY	DATE	CHECK J.R. SCHMIDT	DATE 9-MAR-2006	FIRST MADE FOR GENERAL USE	SIZE B
REV PCN DESCRIPTION	DATE	APPR BY	DATE	OTHER	DATE	DRAWING NO. 5169128SCH	SHT/CONT. ON 9 / 10
MADE BY	DATE	APPR BY	DATE	OTHER	DATE		

# POWERWARE 9155-10GE SERIES UPS (5169350)



State: RELEASE - Document is released and under formal Change Control. Changes are subject to the ECR/ECO Process. See the GEMS ePDM System to determine the status of this document.

BLOCK PATHNAME \$GEMS_CT_XRAY_GEN/INTERCONNECT/5169128_SCH/2PH_UPS_IC/UPS				BLOCK SHT 1 OF 1			
REV 2	PCN ECO 2026191	DESCRIPTION PRODUCTION RELEASE	MADE J.R. SCHMIDT	DATE 3-MAR-2006	GE HEALTHCARE		DESIGN TITLE 2 PHASE UPS INTERCONNECT
MADE BY J.R. SCHMIDT	DATE 9-MAR-2006	APPR BY	CHECK	DATE	MILWAUKEE, WI USA		FIRST MADE FOR GENERAL USE
REV PCN	DESCRIPTION	APPR BY	APPR J.R. SCHMIDT	DATE 9-MAR-2006	DRAWING NO. 5169128SCH		REV 2
MADE BY	DATE	OTHER	DATE	DATE	SIZE B	SHT/CONT. ON 10 / -	