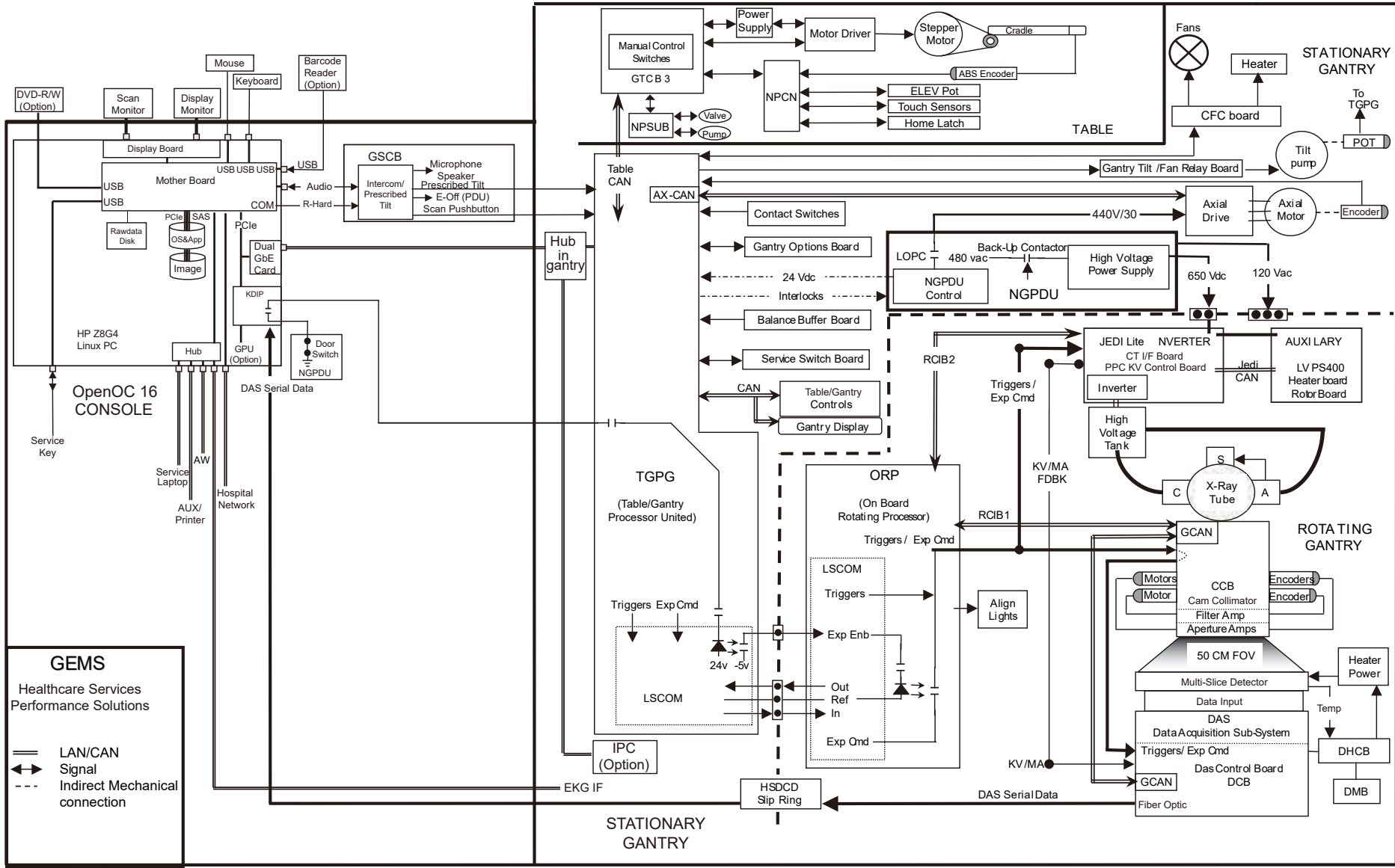
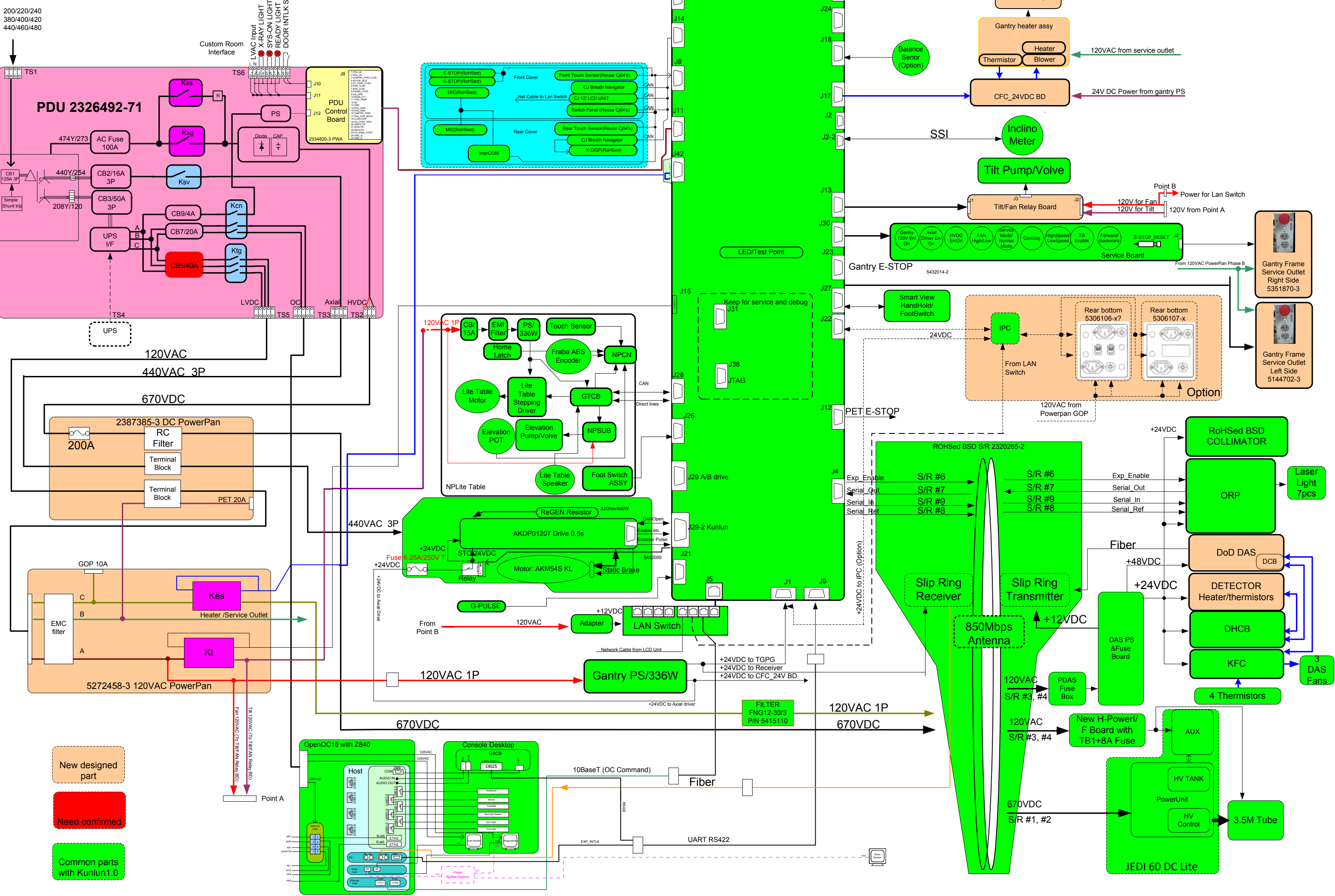


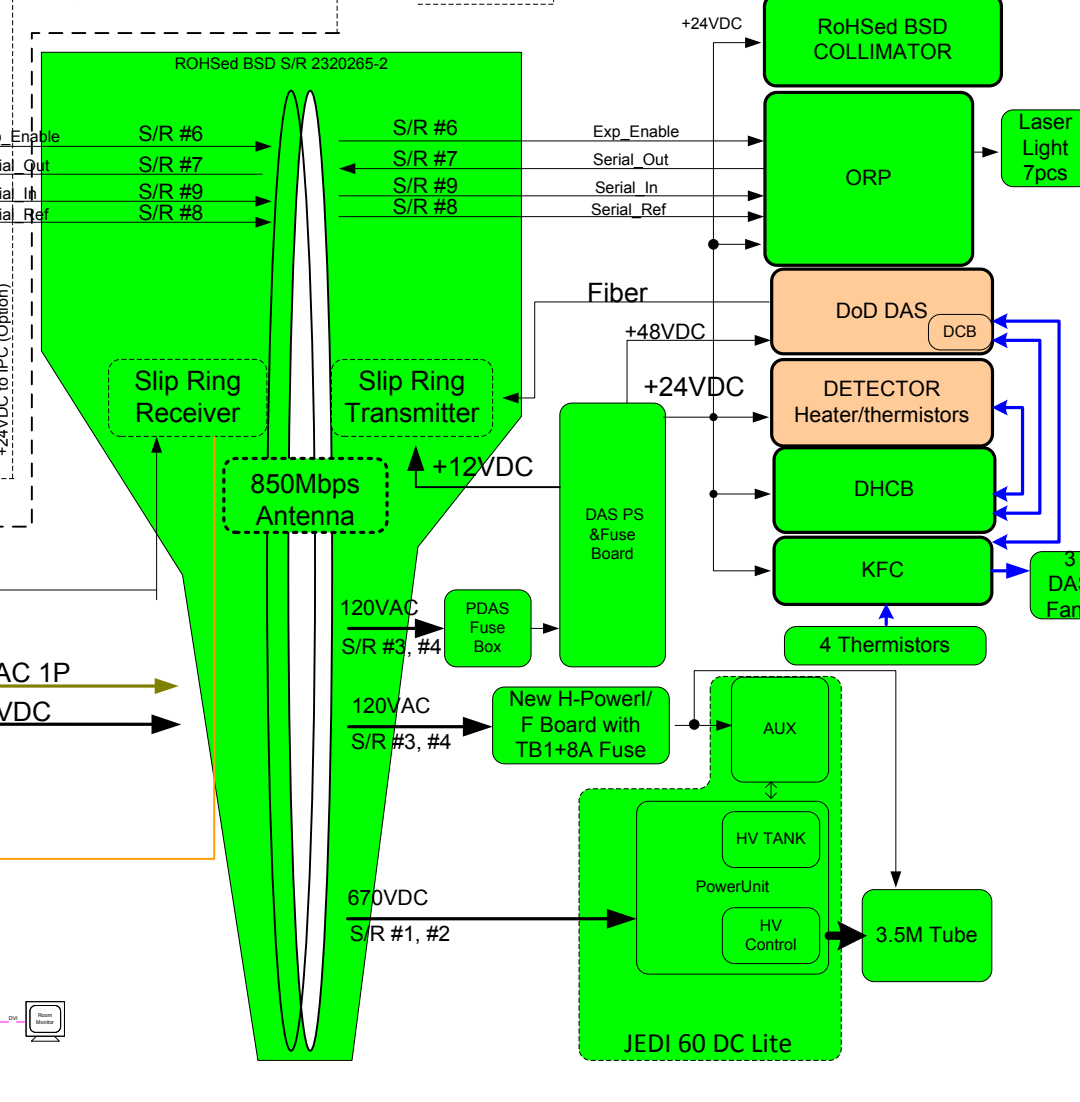
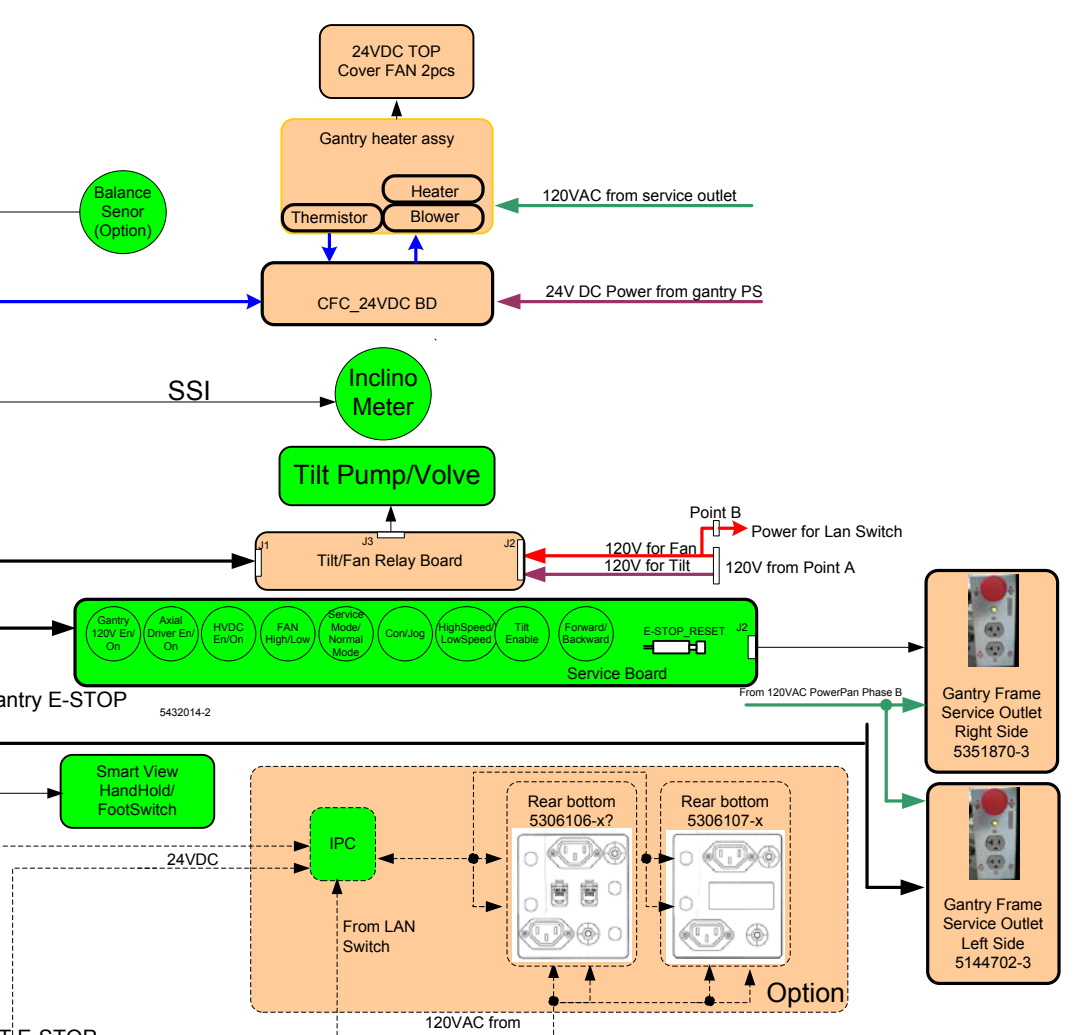
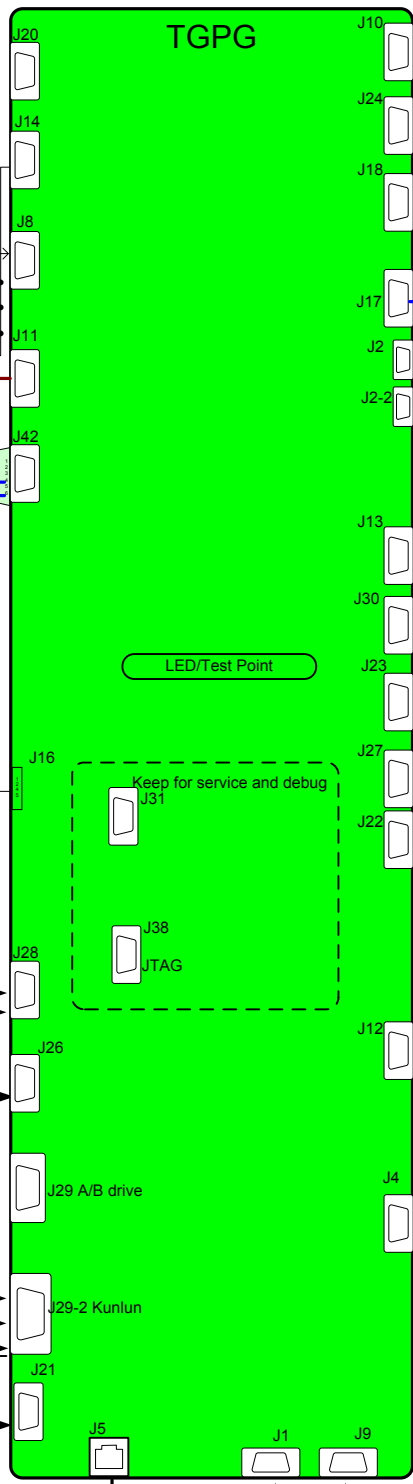
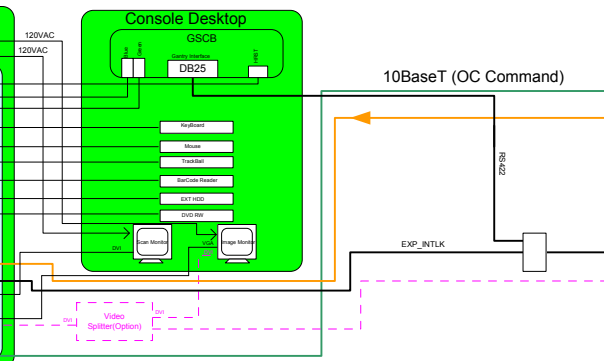
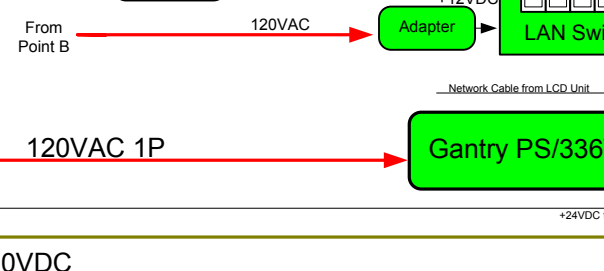
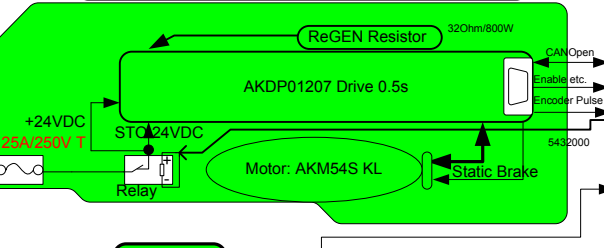
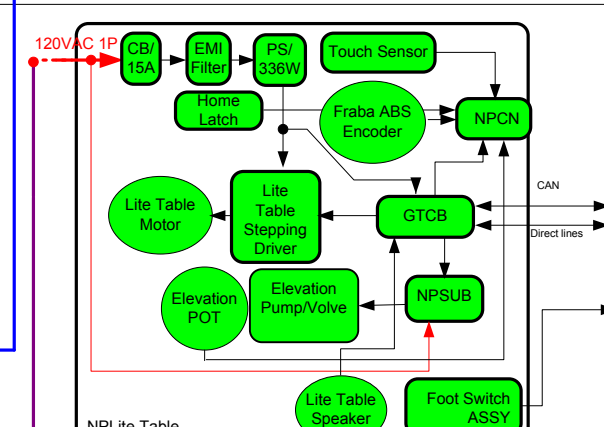
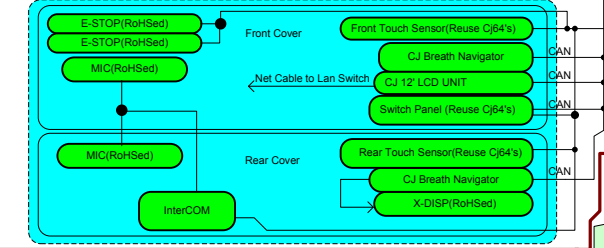
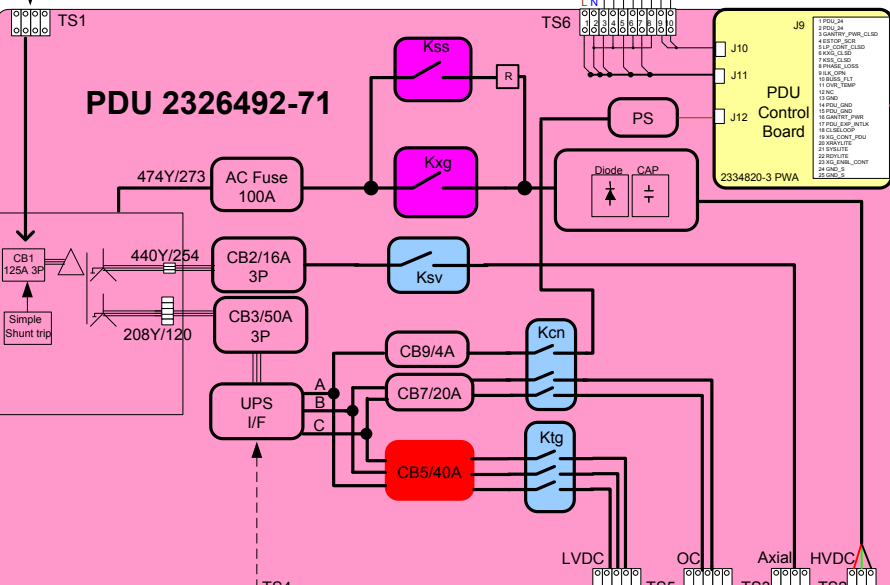
System with OpenOC16 (Z8G4) Block Diagram



KunLun 1.5 CT EE Architecture Diagram



200/220/240
380/400/420
440/460/480



- New designed part
- Need confirmed
- Common parts with Kunlun 1.0