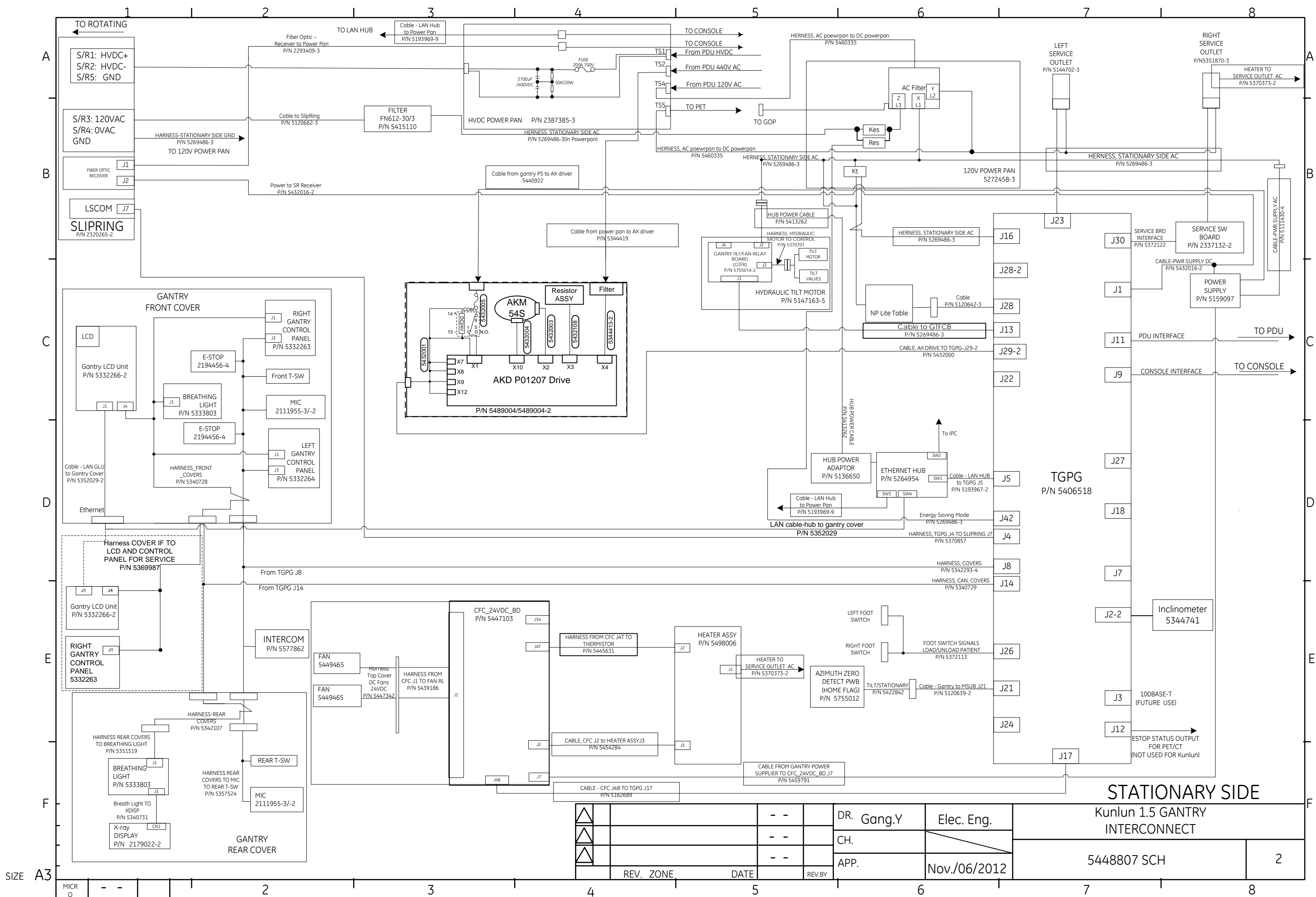
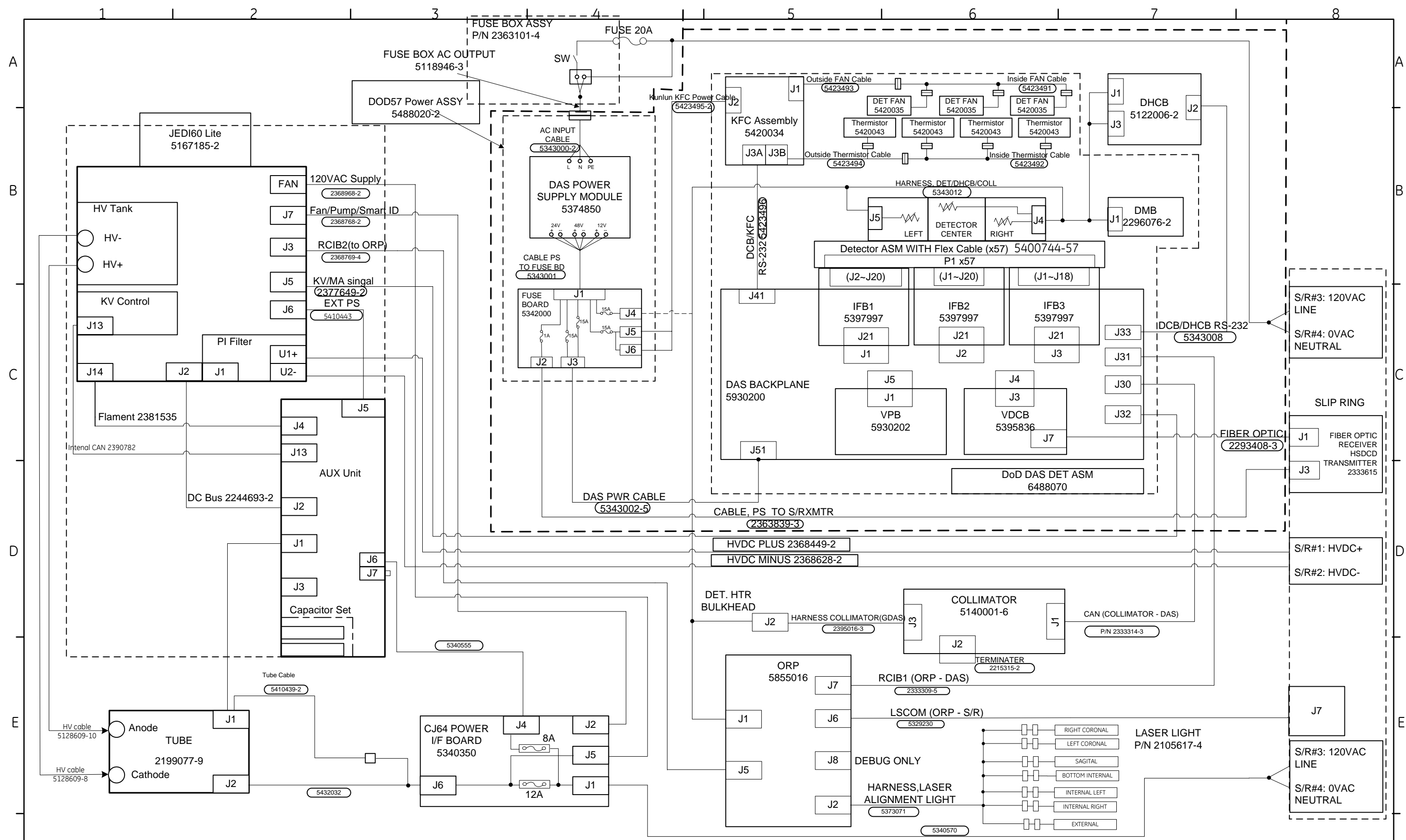


State: RELEASE - Document is released and under formal Change Control. Changes are subject to the ECR/ECO Process. See the GEHC Myworkshop System to determine the status of this document.



				DR. Gang.Y		Elec. Eng.		Kunlun 1.5 GANTRY INTERCONNECT	
				CH.				5448807 SCH	
				APP.		Nov./06/2012		2	
REV.	ZONE	DATE	REV.BY						

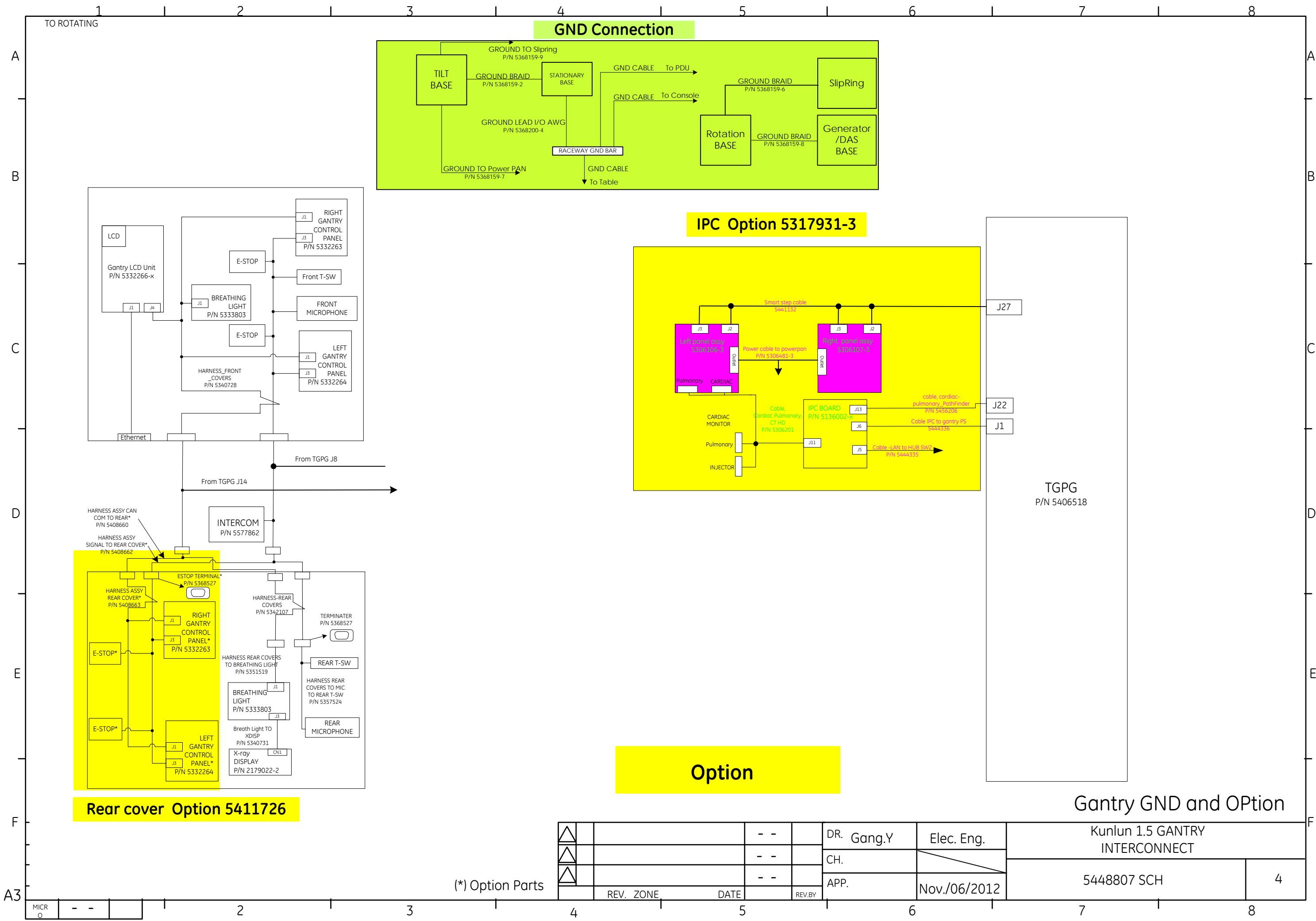
State: RELEASE - Document is released and under formal Change Control. Changes are subject to the ECR/ECO Process. See the GEHC Myworkshop System to determine the status of this document.



ROTATING SIDE

△				DR. Gang.Y	Elec. Eng.	Kunlun 1.5 GANTRY INTERCONNECT	
△				CH.		5448807 SCH	
△				APP.	Nov./06/2012	3	
	REV.	ZONE	DATE	REV.BY			

State: RELEASE - Document is released and under formal Change Control. Changes are subject to the ECR/ECO Process. See the GEHC Myworkshop System to determine the status of this document.



△		--		DR. Gang.Y	Elec. Eng.	Kunlun 1.5 GANTRY INTERCONNECT	
△		--		CH.		5448807 SCH	
△		--		APP.	Nov./06/2012	4	
	REV. ZONE	DATE	REV.BY				

(*) Option Parts