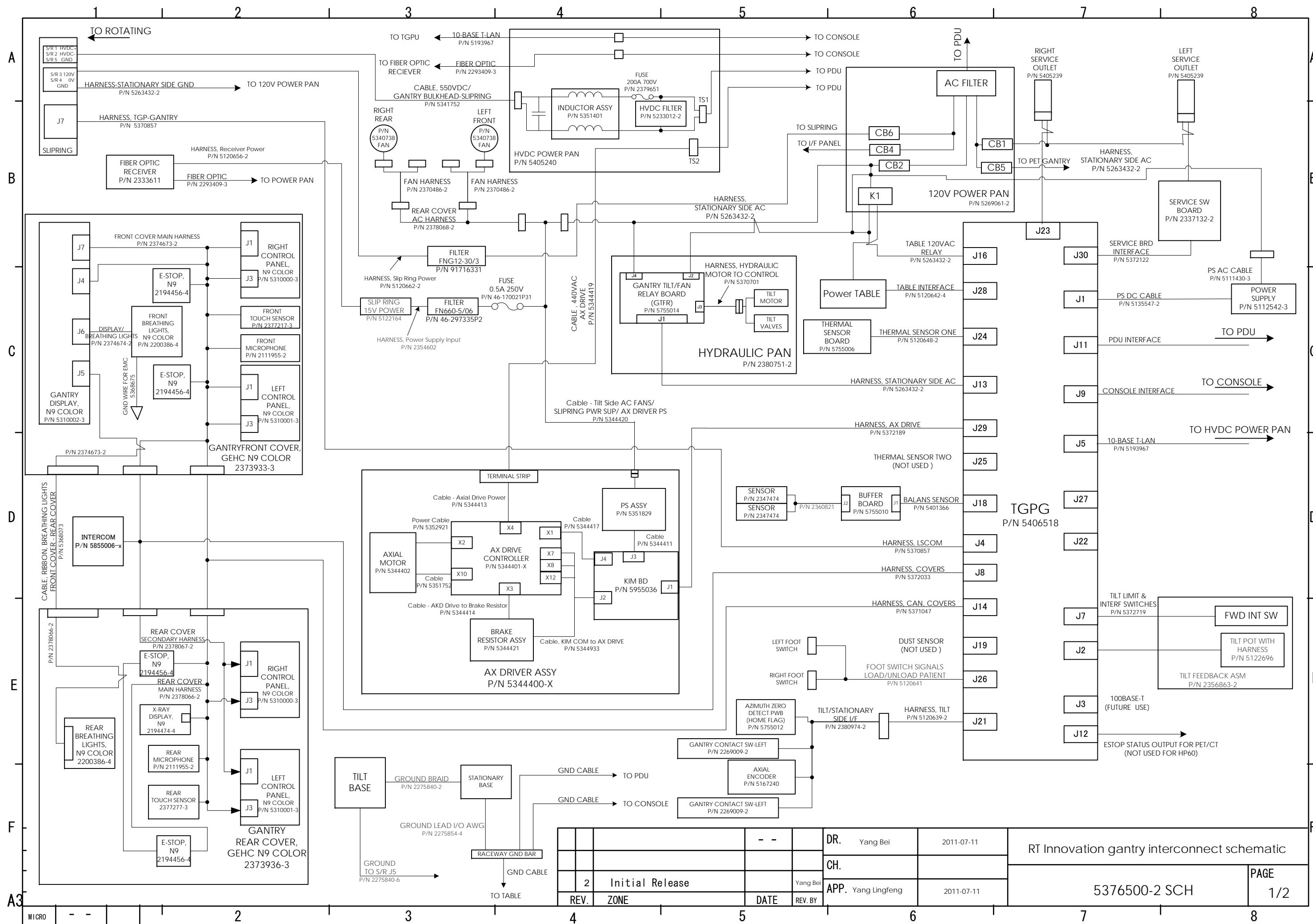
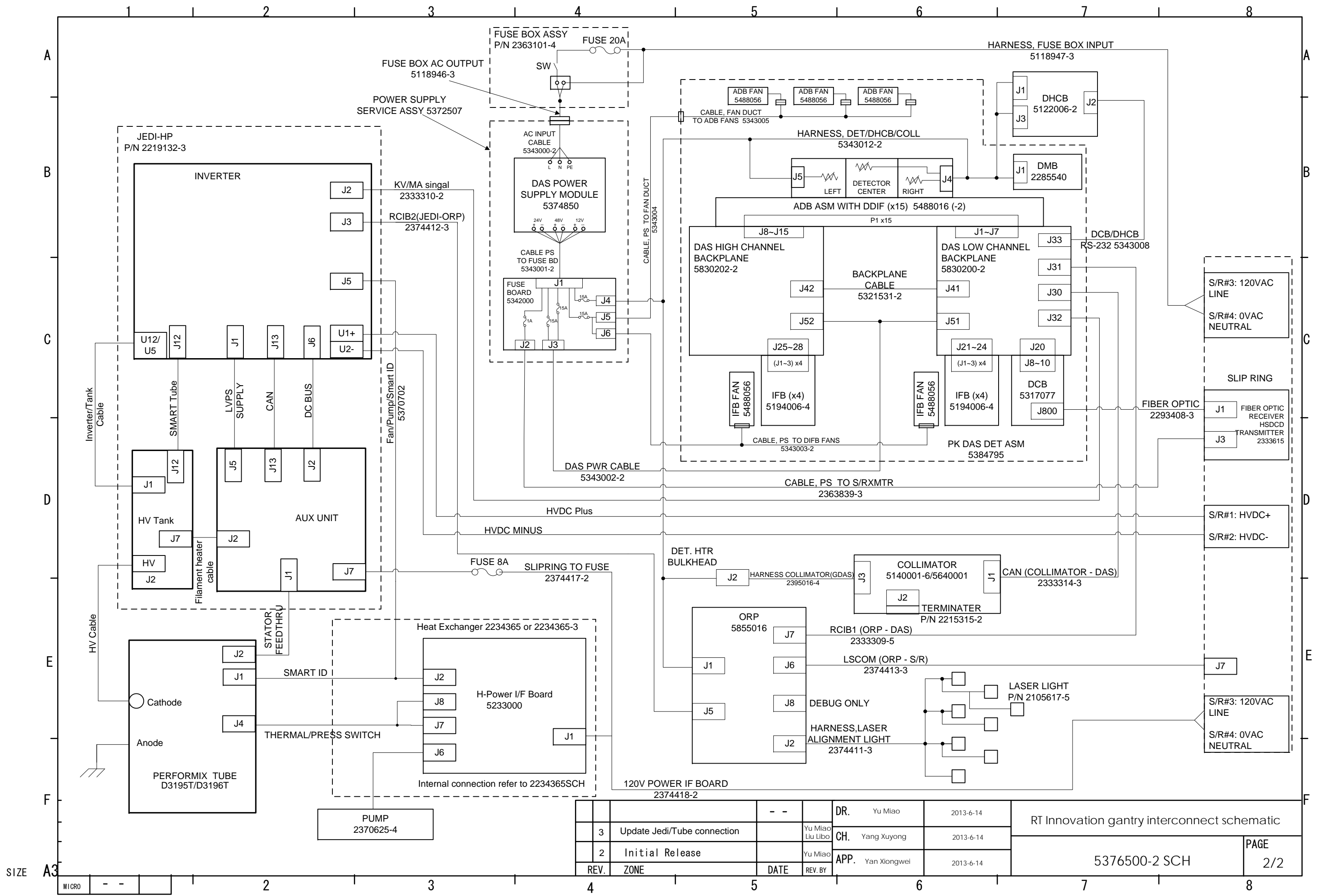


State: RELEASE - Document is released and under formal Change Control. Changes are subject to the ECR/ECO Process. See the GEHC Myworkshop System to determine the status of this document.



DR.	Yang Bei	2011-07-11	RT Innovation gantry interconnect schematic	
CH.				
APP.	Yang Lingfeng	2011-07-11	5376500-2 SCH	PAGE 1/2
REV.	ZONE	DATE	REV. BY	
2	Initial Release		Yang Bei	



REV.	ZONE	DATE	REV. BY	APP.	DATE	RT Innovation gantry interconnect schematic	
3			Yu Miao Liu Libo	CH.	2013-6-14	5376500-2 SCH	PAGE 2/2
2			Yu Miao	APP.	2013-6-14		
			Yu Miao		2013-6-14		

SIZE A3