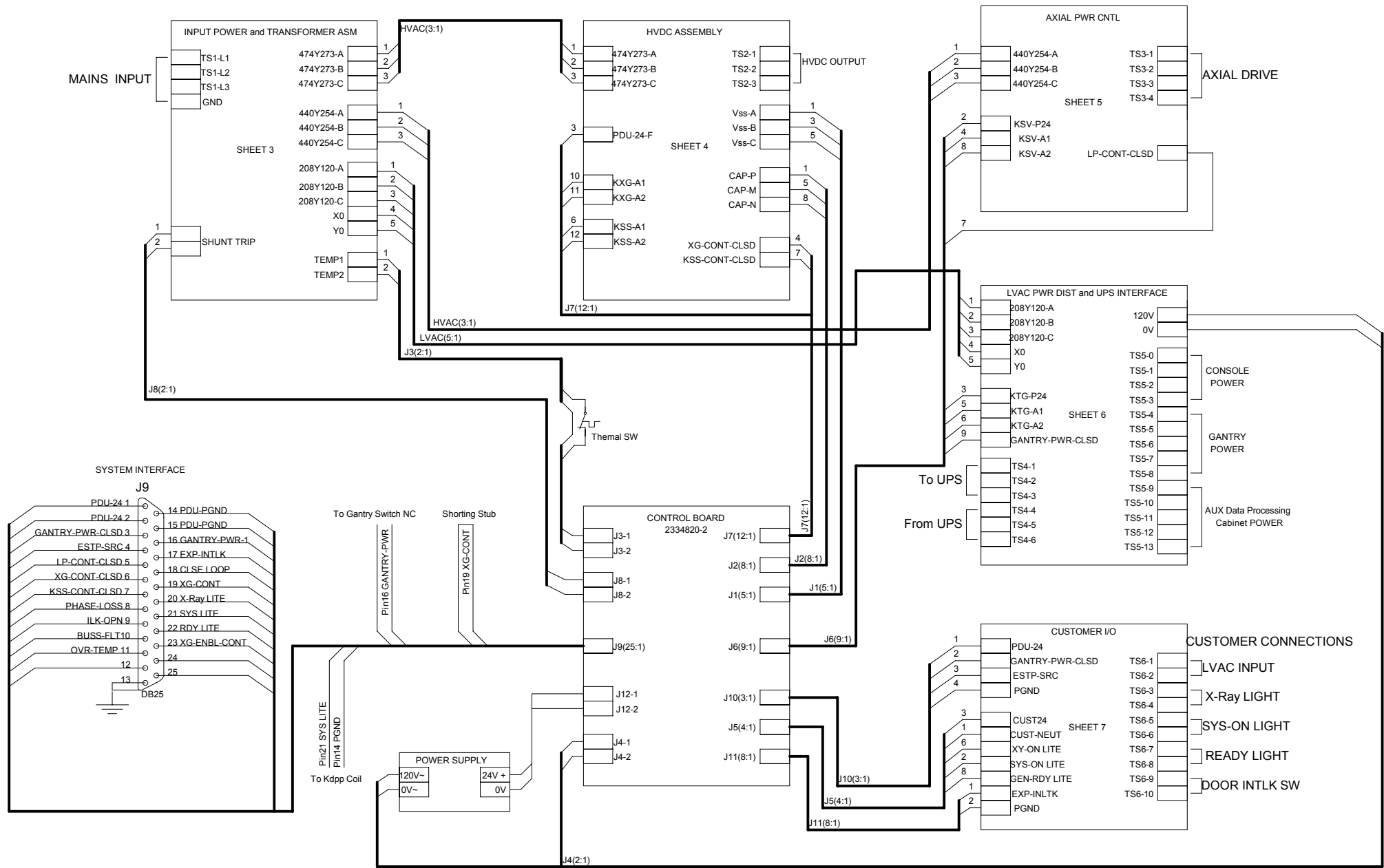


SHEET NAME	SHT_NUM	REV
BLOCK	2	2
INPUT	3	1
HVDC	4	1
AXIAL DRIVE	5	1
LVAC	6	1
CUSTOMER I/O	7	1

NOTES: 1, THIS COVER SHEET CONTROLS THE REVISION STATUS OF THE ENTIRE DOCUMENT.
 2, ELECTRONIC SIGATURES FOR BOTH THE SCHEMATIC REVIEWERS AND APPROVERS
 CAN BE FOUND WITHIN MY WORKSHOP.

State: RELEASE - Document is released and under formal Change Control. Changes are subject to the ECR/ECO Process. See the GEHC Myworkshop System to determine the status of this document.

NGPDU-6 BLOCK DIAGRAM

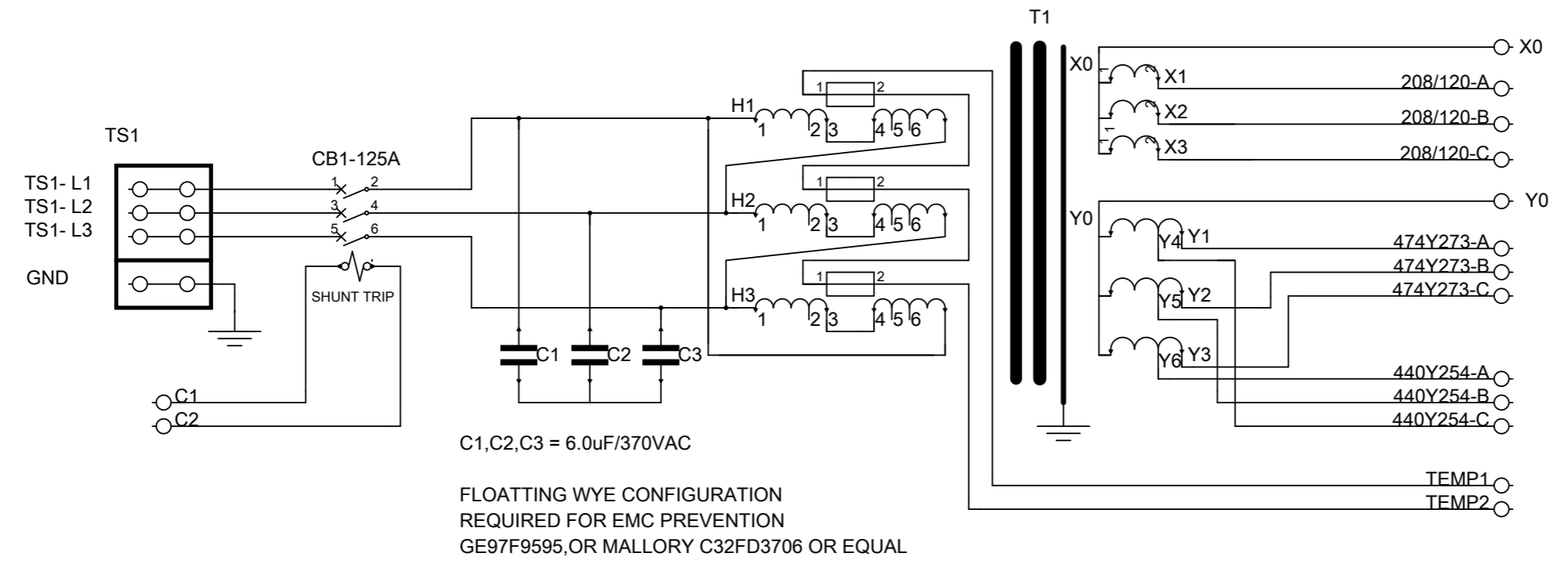


State-RELEASE-Document is released and under formal Change Control. Changes are subject to the ECR/ECO Process. See the GEHC Myworkshop System to determine the status of this document.

AP+ST1/01 =AP+ST1/07

GE Healthcare MI&CT ENG		NGPDU-6 Schematic Diagram		ED002		V=AP	
NGPDU						+ ST1	
Approved Document 2326492-6SCH 15.pdf Page 3 of 8		GEHW				页 02	
修正		日期		名称		7 页	

INPUT POWER AND TRANSFORMER ASSEMBLY



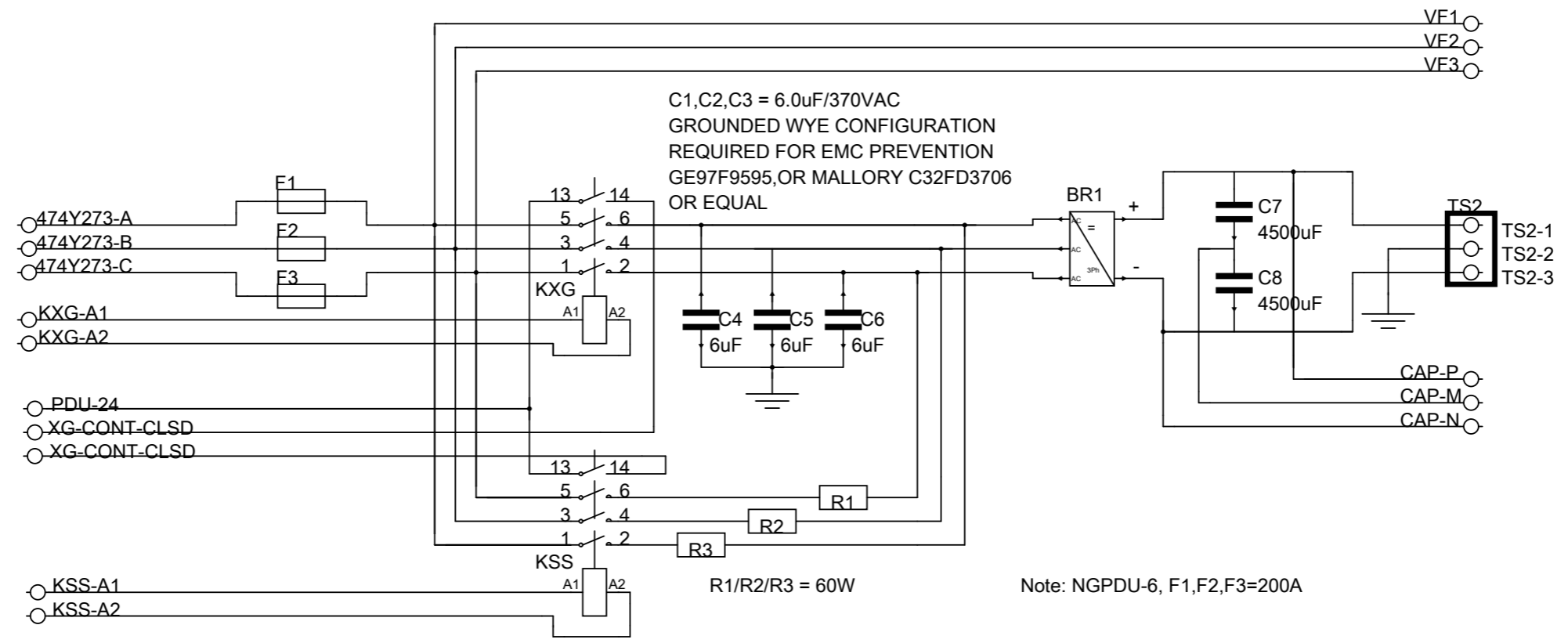
JUMP SHOWN IN 480V CONNECTION
=====

VOLTAGE	CONNECTION
200V	1-6
220V	1-5
240V	1-4
380V	2-6
400V	2-5
420V	2-4
440V	3-6
460V	3-5
480V	3-4

NOTE: 380/400/420/440/460/480V INPUT MAX POWER 150kVA
200/220/240V INPUT MAX POWER 90kVA

State: RELEASE - Document is released and under formal Change Control. Changes are subject to the ECR/ECO Process. See the GEHC Myworkshop System to determine the status of this document.

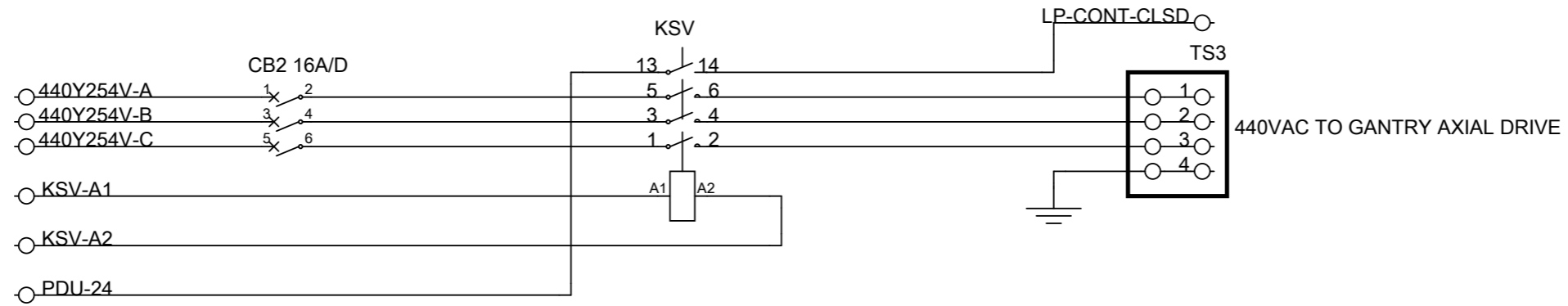
HVDC ASSEMBLY



State: RELEASE - Document is released and under formal Change Control. Changes are subject to the ECR/ECO Process. See the GEHC Myworkshop System to determine the status of this document.

AP+ST1/05								=AP+ST1/03	
日期	01/18/2008	GE Healthcare MI&CT ENG		NGPDU-6 Schematic Diagram				=AP	
编辑	305006483							+ ST1	
检查		GEHW				NGPDU		页 4 / 7	
修正	Approved Document 3326492-6SCH_r6.pdf Page 5 of 8	原点		由...创建				页	

AXIAL DRIVE POWER CONTROL



State: RELEASE - Document is released and under formal Change Control. Changes are subject to the ECR/ECO Process. See the GEHC Myworkshop System to determine the status of this document.

日期	01/18/2008	GE Healthcare MI&CT ENG	NGPDU-6 Schematic Diagram	=AP
编辑	305006483			+ ST1
检查		GEHW		
修正	Approved Document 326492-6SCH_r6.pdf Page 6 of 8	原点	由...创建	NGPDU
		为...创建		页 5 / 7
				页

State-RELEASE Document is released and under formal Change Control. Changes are subject to the ECR/ECO Process. See the GEHC Myworkshop System to determine the status of this document.

UPS POWER INTERFACE

=====

PDU SHIPPED WITH JUMPERS A,B,C ON TS4 AS SHOW

TO CINNECT THREE PHASE UPS:

1. REMOVE JUMPERS A,B,C
2. CONNECT UPS INPUT POWER TO TS-1,2,3
3. CONECT UPS OUTPUT POWER TO TS-6,7,8
4. CONNECT INPUT & OUTPUT NEUTRAL & GROUND WIRES TO TS-4,9 & 5,10.

○ GANTRY-PWR CLSD

○ KTG-P24

○ KTG-A1

○ KTG-A2

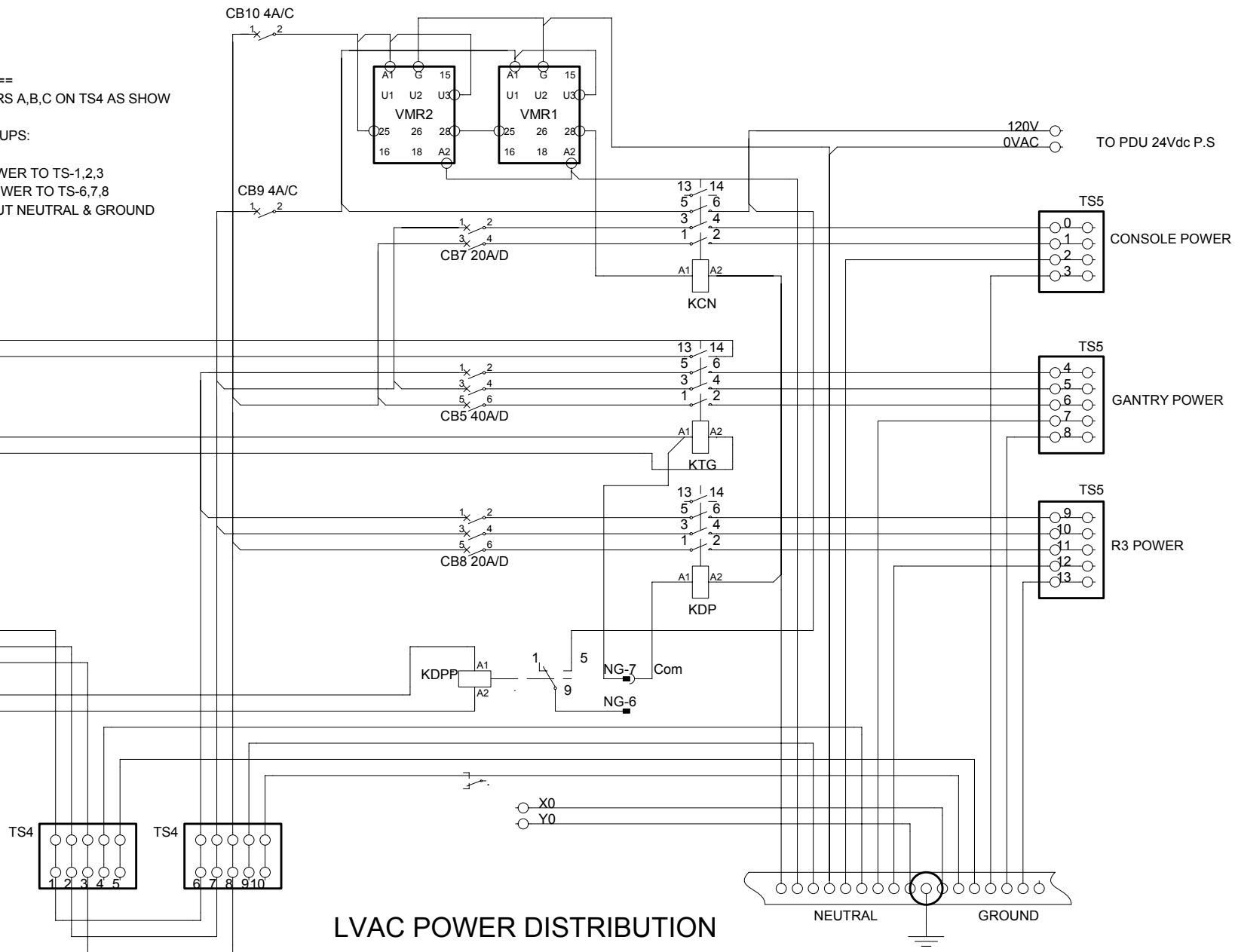
○ 208Y120-A

○ 208Y120-B

○ 208Y120-C

○ SYSYLITE

○ PDU PGND

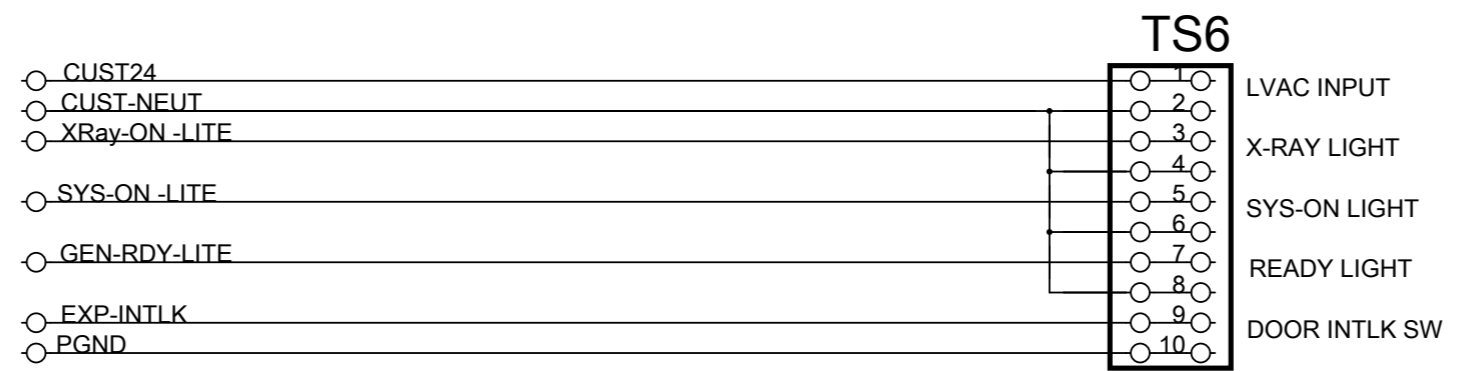
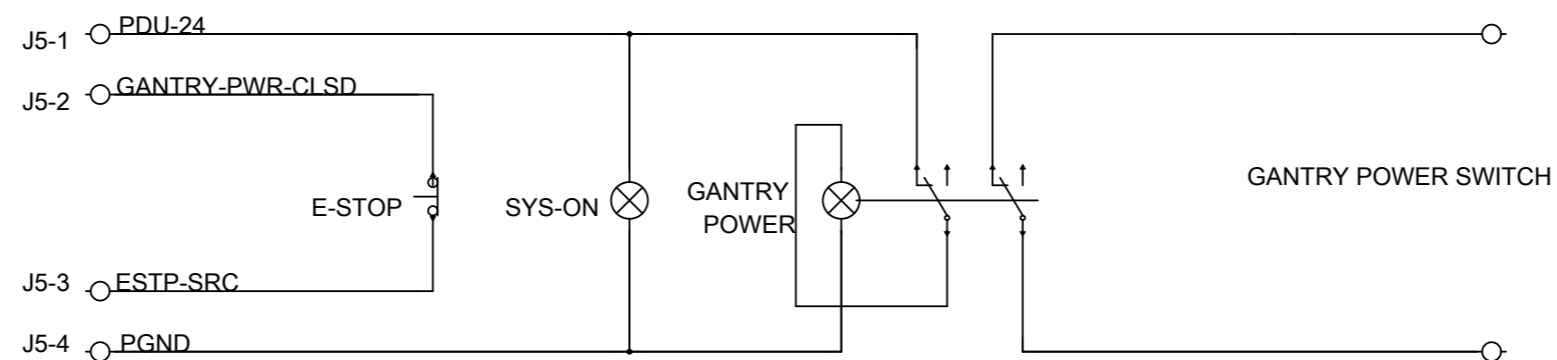


LVAC POWER DISTRIBUTION

NEUTRAL GROUND

日期	2010-10-22	E	GE Healthcare MI&CT ENG	NGPDU-6 Schematic Diagram	V=AP
编辑	305006483				+ ST1
GEHW					
修正	Approved Document 2326492-6SCH-5.pdf Page 7 of 8	为...创建	由...创建	NGPDU	页 06
					7 页

CUSTOMER I/O



Customer Room Interface

State: RELEASE - Document is released and under formal Change Control. Changes are subject to the ECR/ECO Process. See the GEHC Myworkshop System to determine the status of this document.