

1 2 3 4 5 6 7 8

A A

B B

C C

D D

E E

F F

SHEET NAME	SHEET NUMBER	REV
BLOCK	2	4
INPUT	3	2
HVDC	4	3
AXIAL DRIVER	5	2
LVAC	6	2
CUSTOMER I/O	7	2

Notes:

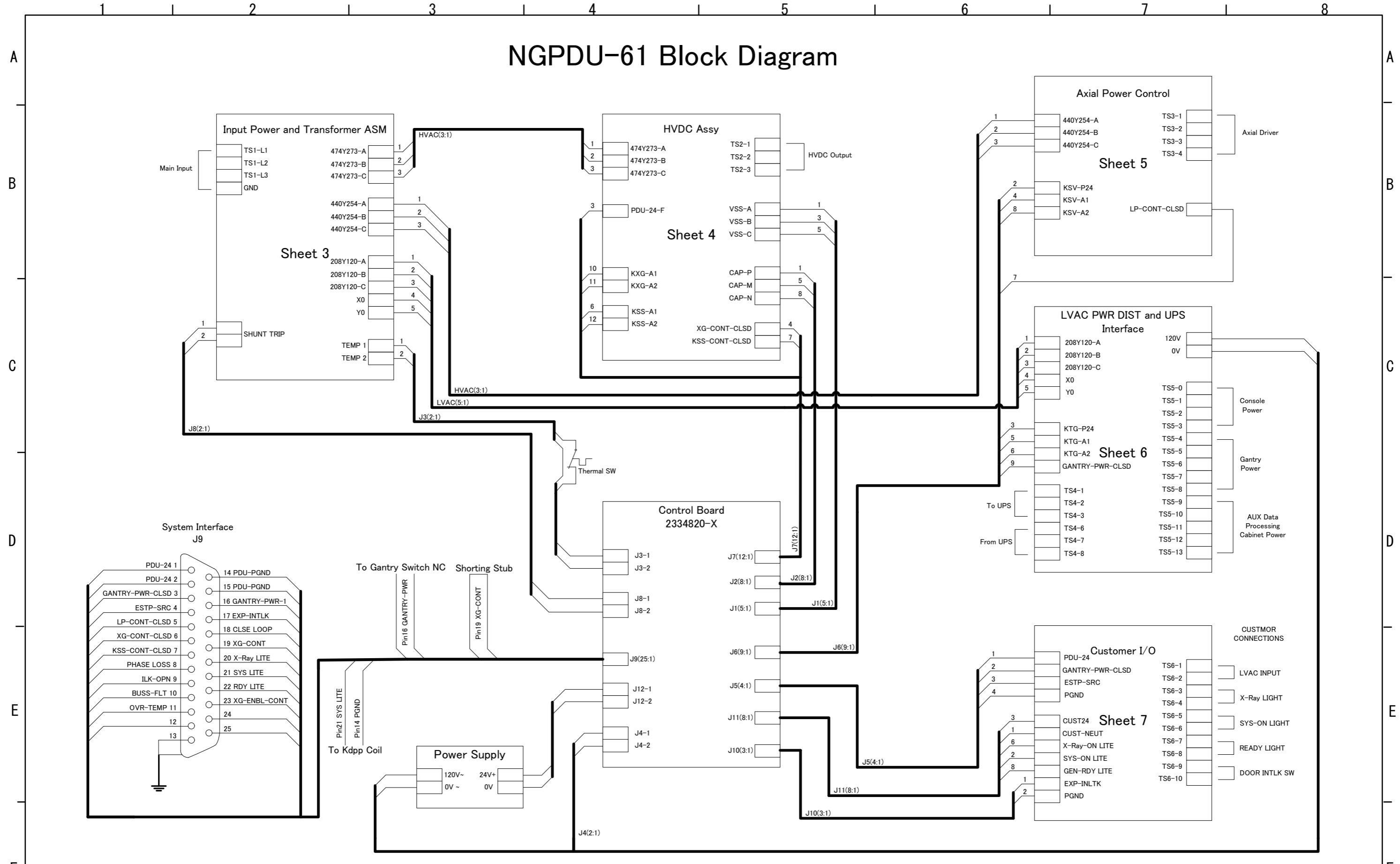
1. This cover sheet controls the revision status of the entire document.
2. Electronic signatures for both the schematic reviewers and approvers can be found within my workshop.

△		--		DR.	Guo Hexin	NGPDU-61 Schematic Diagram
△		--		CH.		
△		--		APP.	Yang Xuyong	2326492-61SCH
REV.	ZONE	DATE	REV. BY			

SIZE A3 MICRO - -

2 3 4 5 6 7 8

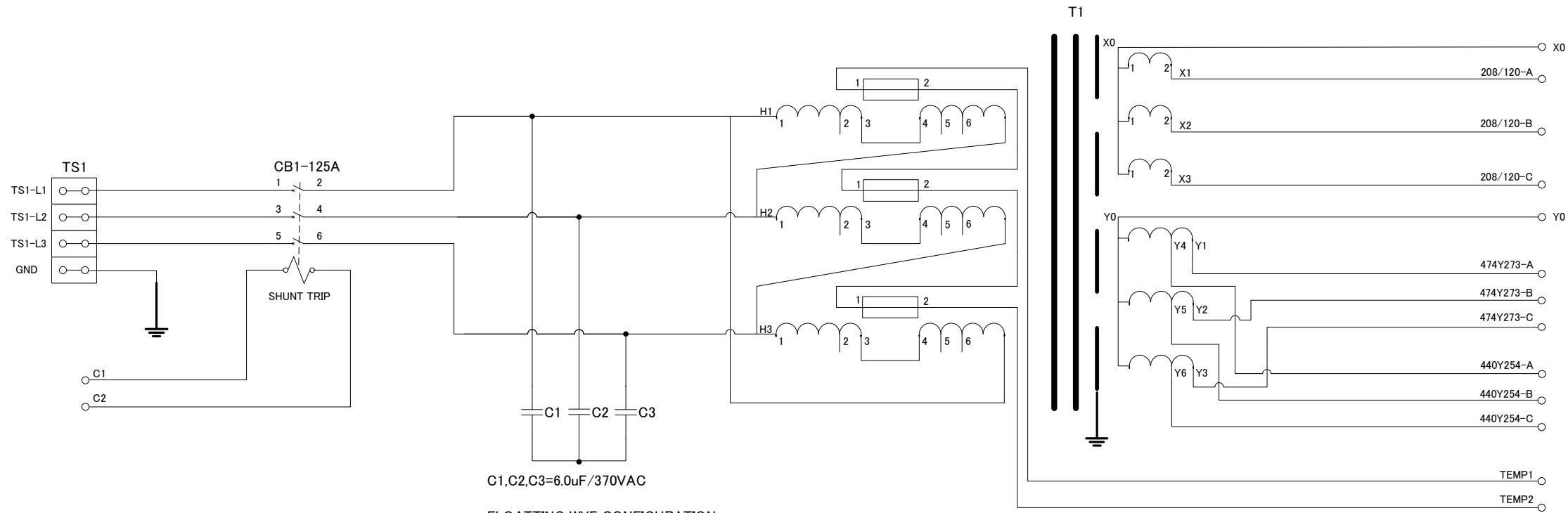
# NGPDU-61 Block Diagram



△		- -		DR.	Guo Hexin	NGPDU-61 Schematic Diagram	PAGE 2/7
△		- -		CH.			
△	4	Update J6 information	2020-Aug	GuoHX	APP.	2326492-61SCH	
△	REV.	ZONE	DATE	REV. BY			

SIZE A3 MICRO - - 2 3 4 5 6 7 8

# Input Power and Transformer Assy



C1,C2,C3=6.0uF/370VAC  
 FLOATING WYE CONFIGURATION  
 REQUIRED FOR EMC PREVENTION  
 GE97F9595, OR MALLORY C32FD3706 OR EQUAL

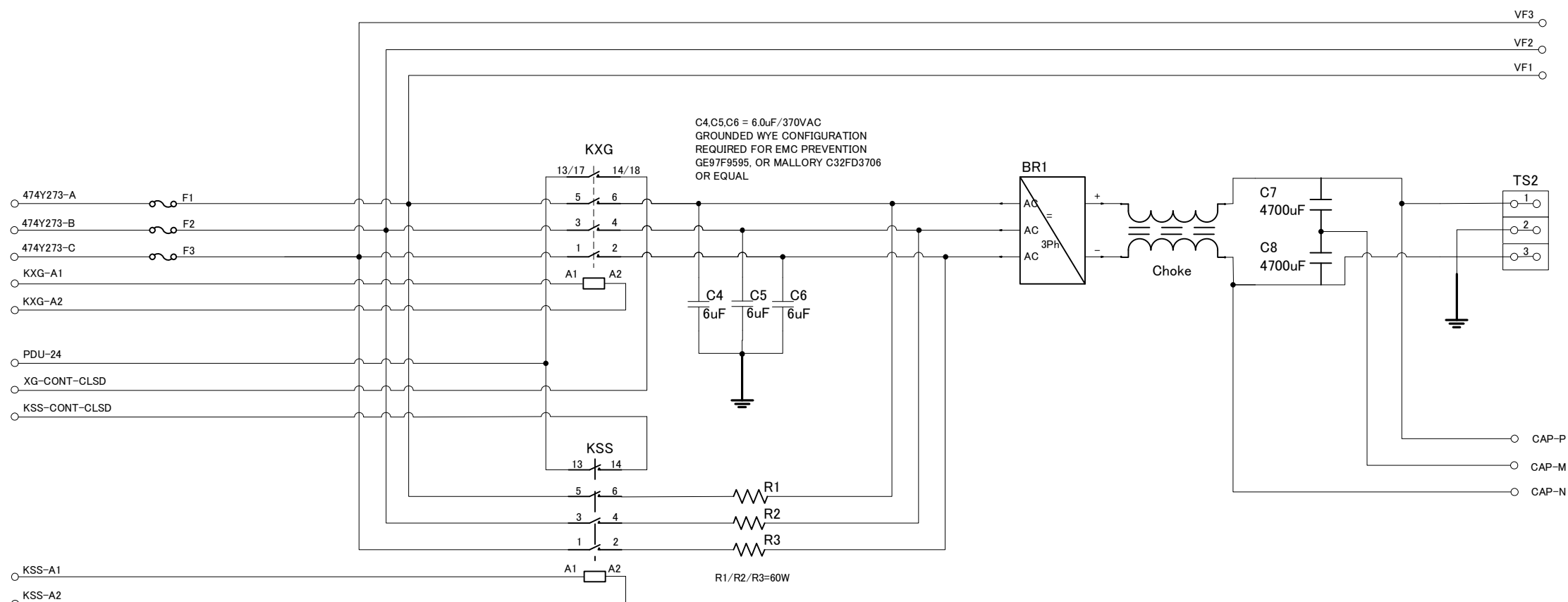
Jump Shown In 480V Connection

Voltage	Connection
380V	2-6
400V	2-5
420V	2-4
440V	3-6
460V	3-5
480V	3-4

Note: All Input Max Power 150KVA

△		--		DR.	Guo Hexin	NGPDU-61 Schematic Diagram
△		--		CH.		
△		--		APP.	Yang Xuyong	2326492-61SCH
REV.	ZONE	DATE	REV. BY			

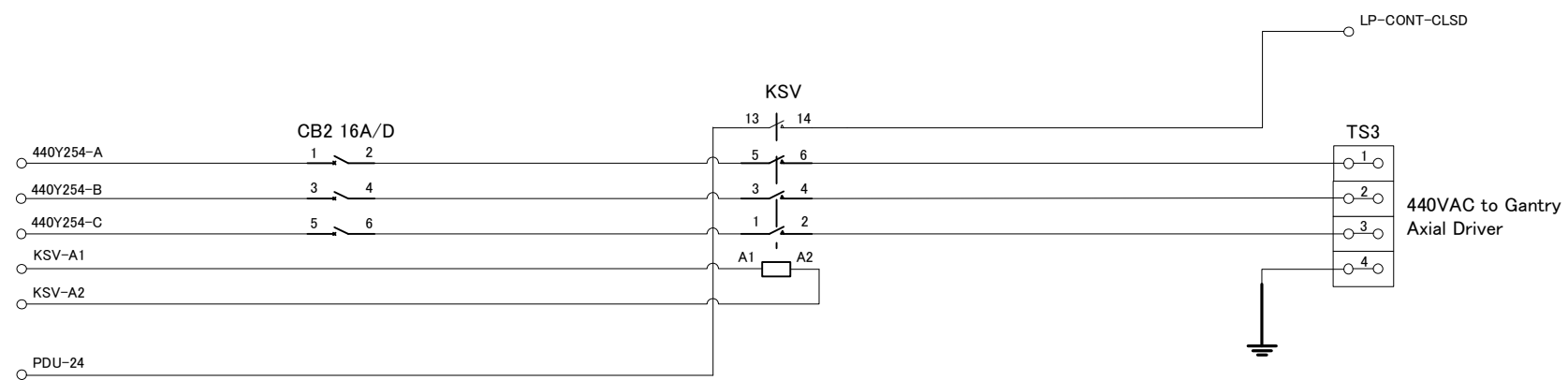
# HVDC Assembly



△		--		DR.	Guo Hexin	NGPDU-61 Schematic Diagram	
△		--		CH.			
△	3	Update KXG auxiliary contact number	2018-10	APP.	Yang Xuyong	2326492-61SCH	PAGE 4/7
REV.	ZONE	DATE	REV. BY				

SIZE A3 MICRO

# Axial Driver Power Control



△		--		DR.	Guo Hixin	NGPDU-61 Schematic Diagram	
△		--		CH.			
△		--		APP.	Yang Xuyong	2326492-61SCH	PAGE 5/7
REV.	ZONE	DATE	REV. BY				

**UPS Power Interface**

PDU shipped with jumpers A,B,C on TS4 as show

To connect three phase UPS:

1. Remove jumpers A,B,C
2. Connect UPS input power to TS4-1,2,3
3. Connect UPS output power to TS4-6,7,8
4. Connect input & output neutral & ground wires to TS4-4,9 & 5,10

To connect two phase UPS:

1. Remove jumpers A,C
2. Connect UPS input power to TS4-1,3
3. Connect UPS output power to TS4-6,8
4. Connect input & output neutral & ground wires to TS4-4,9 & 5,10

GANTRY-POW CLSD  
KTG-P24

KTG-A1  
KTG-A2

208Y120-A  
208Y120-B  
208Y120-C  
SYSYLITE  
PDU PGND

CB3 50A/K

TS4

TS4

# LVAC Power Distribution

△		--		DR.	Guo Hexin	NGPDU-61 Schematic Diagram	
△		--		CH.			
△		--		APP.	Yang Xuyong	2326492-61SCH	PAGE 6/7
REV.	ZONE	DATE	REV. BY				

SIZE

A3

MICRO

2

3

4

5

6

7

8

A

B

C

D

E

F

A

B

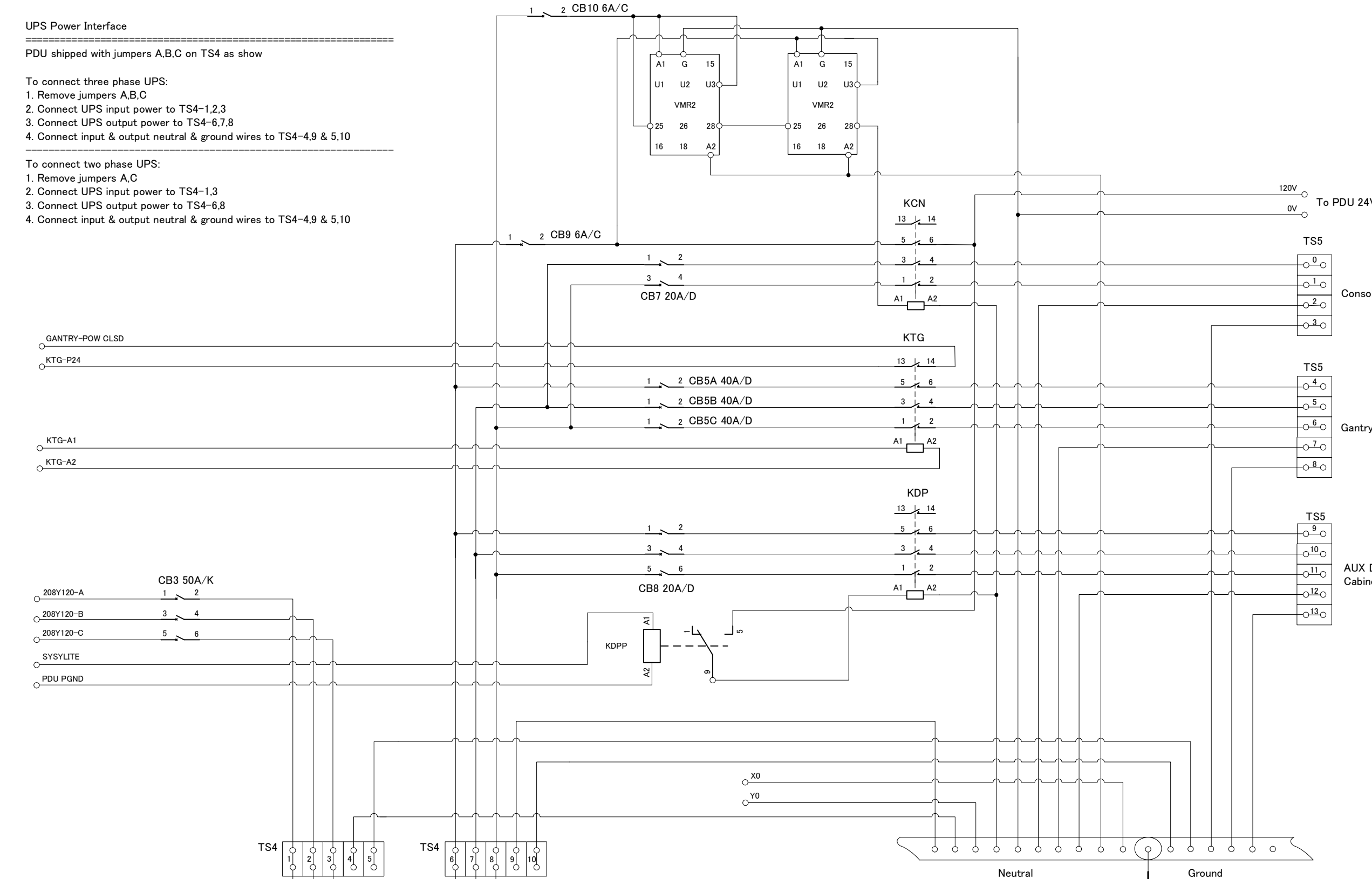
C

D

E

F

1 2 3 4 5 6 7 8



120V  
0V To PDU 24Vdc PS

TS5

0  
1  
2  
3

Console Power

TS5

4  
5  
6  
7  
8

Gantry Power

TS5

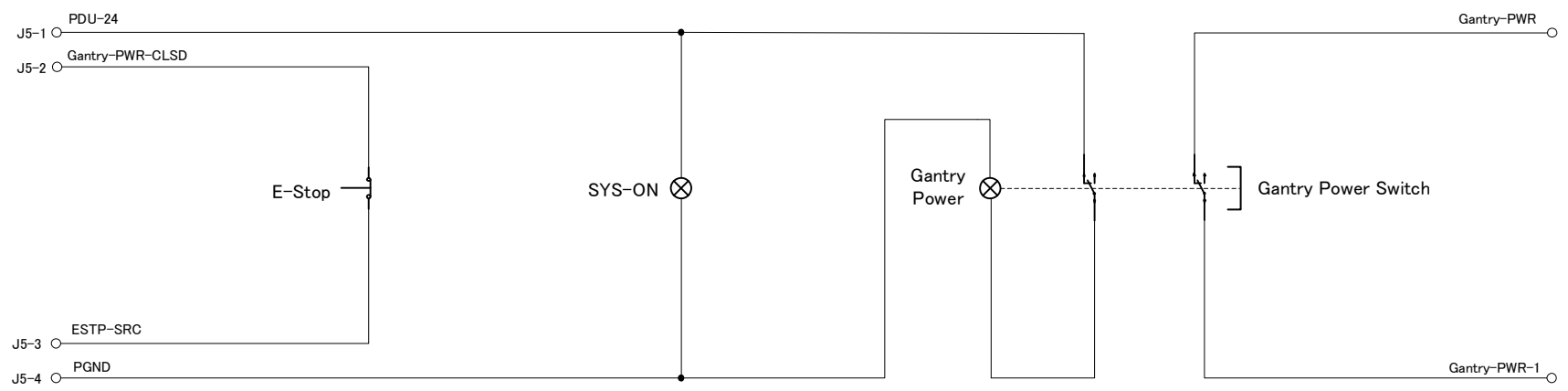
9  
10  
11  
12  
13

AUX Data Processing Cabinet Power

Neutral Ground

X0  
Y0

# Customer I/O



△			--		DR.	Guo Hexin	NGPDU-61 Schematic Diagram	
△			--		CH.			
△			--		APP.	Yang Xuyong		
REV.	ZONE	DATE	REV. BY				2326492-61SCH	PAGE 7/7

SIZE A3 MICRO - -