

SHEET NAME	SHT_NUM	REV
BLOCK	2	1
INPUT	3	1
HVDC	4	1
AXIAL DRIVE	5	1
LVAC	6	1
CUSTOMER I/O	7	1

NOTES: 1, THIS COVER SHEET CONTROLS THE REVISION STATUS OF THE ENTIRE DOCUMENT.
 2, ELECTRONIC SIGATURES FOR BOTH THE SCHEMATIC REVIEWERS AND APPROVERS CAN BE FOUND WITHIN MY WORKSHOP.

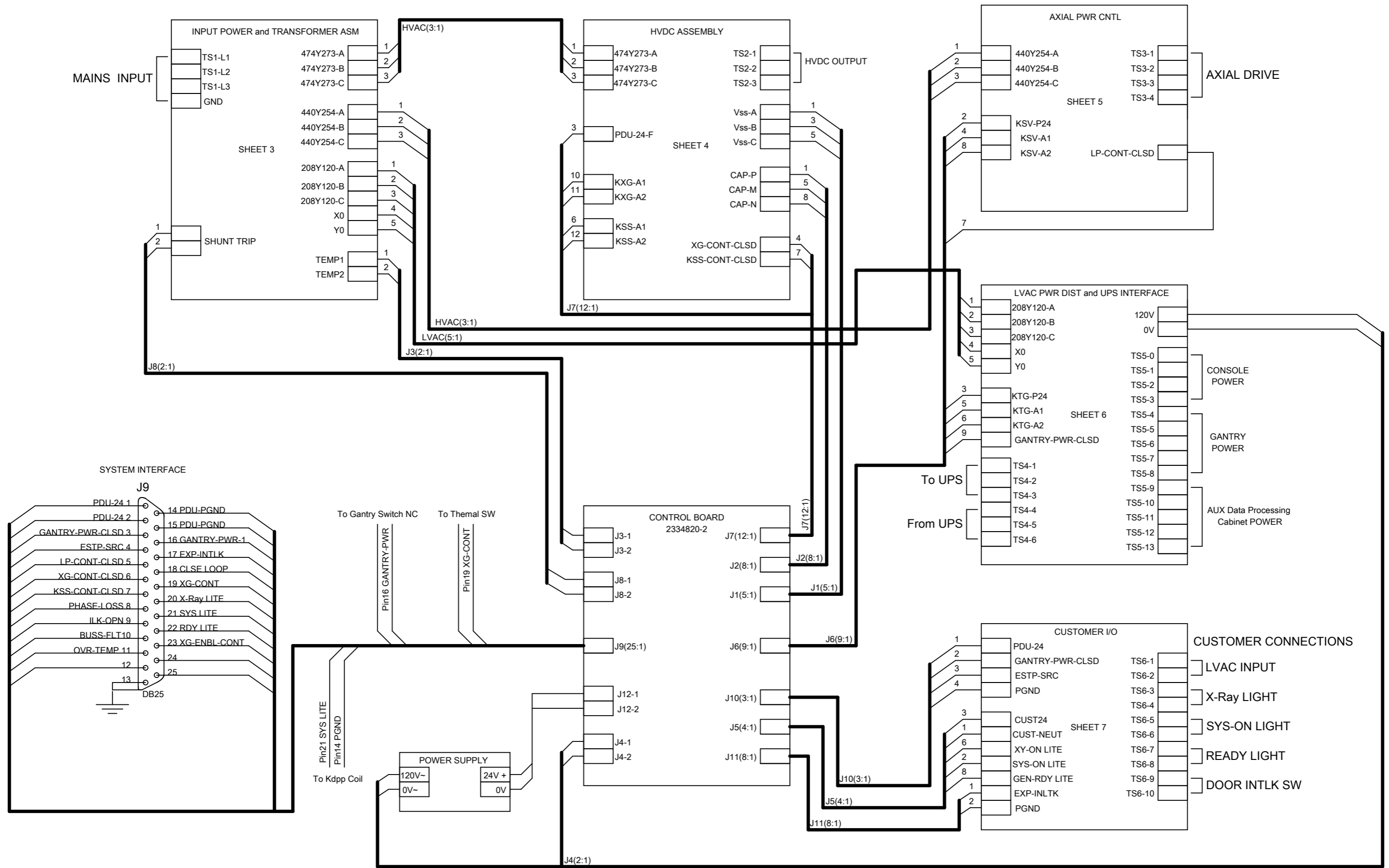
State: RELEASE - Document is released and under formal Change Control. Changes are subject to the ECR/ECO Process. See the GEHC Myworkshop System to determine the status of this document.

AP+ST1/27

=AP+ST1/02

日期	03/18/2008	GE Healthcare MI&CT ENG	NGPDU-6 Schematic Diagram	ED002	=AP + ST1
编辑	305006483				
检查					
名称	GEHW			NGPDU	页 1 / 7
修正	Approved Document 32642-6SCH_r4.pdf Page 2 of 8	原点	由...创建		页

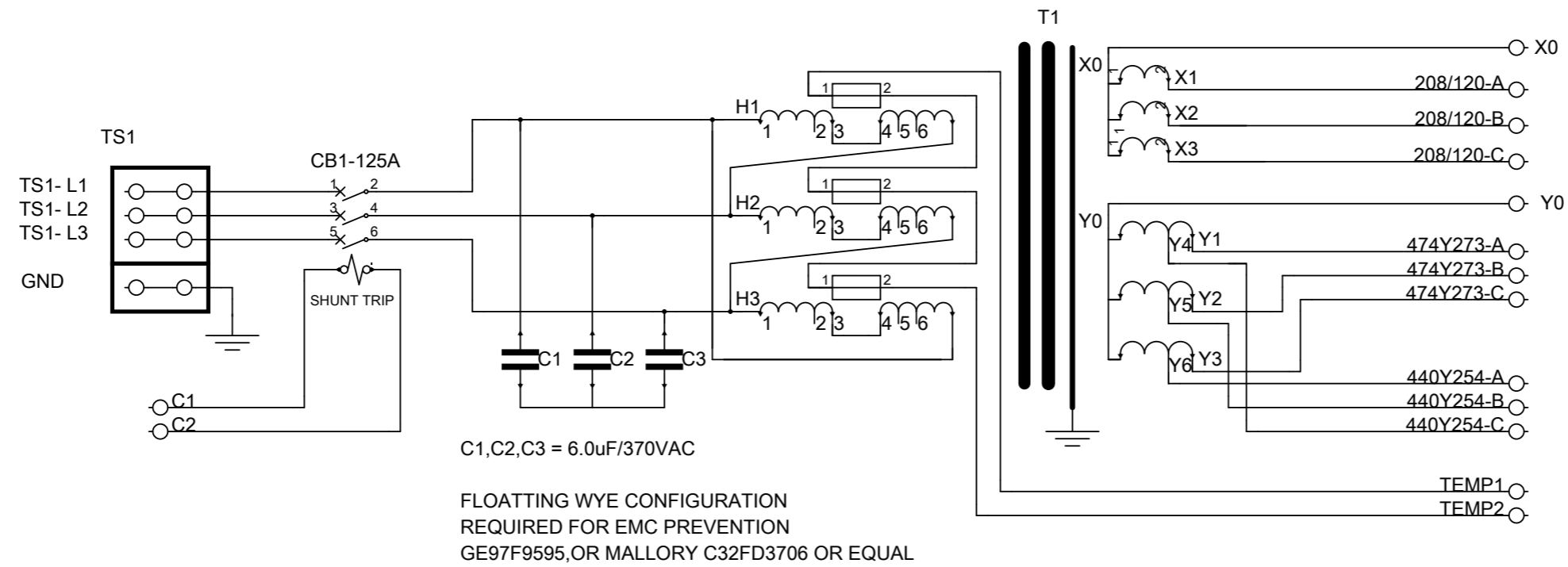
NGPDU-6 BLOCK DIAGRAM



State: RELEASE - Document is released and under formal Change Control. Changes are subject to the ECR/ECO Process. See the GEHC Myworkshop System to determine the status of this document.

日期	11/30/2007	GE Healthcare MI&CT ENG	NGPDU-6 Schematic Diagram	ED002	\=AP
编辑	305006483				+ ST1
检查		GEHW			
修正	Approved Document 3326492-6SCH_r4.pdf Page 3 of 8	原点	由...创建	NGPDU	页 2 / 7

INPUT POWER AND TRANSFORMER ASSEMBLY



JUMP SHOWN IN 480V CONNECTION
=====

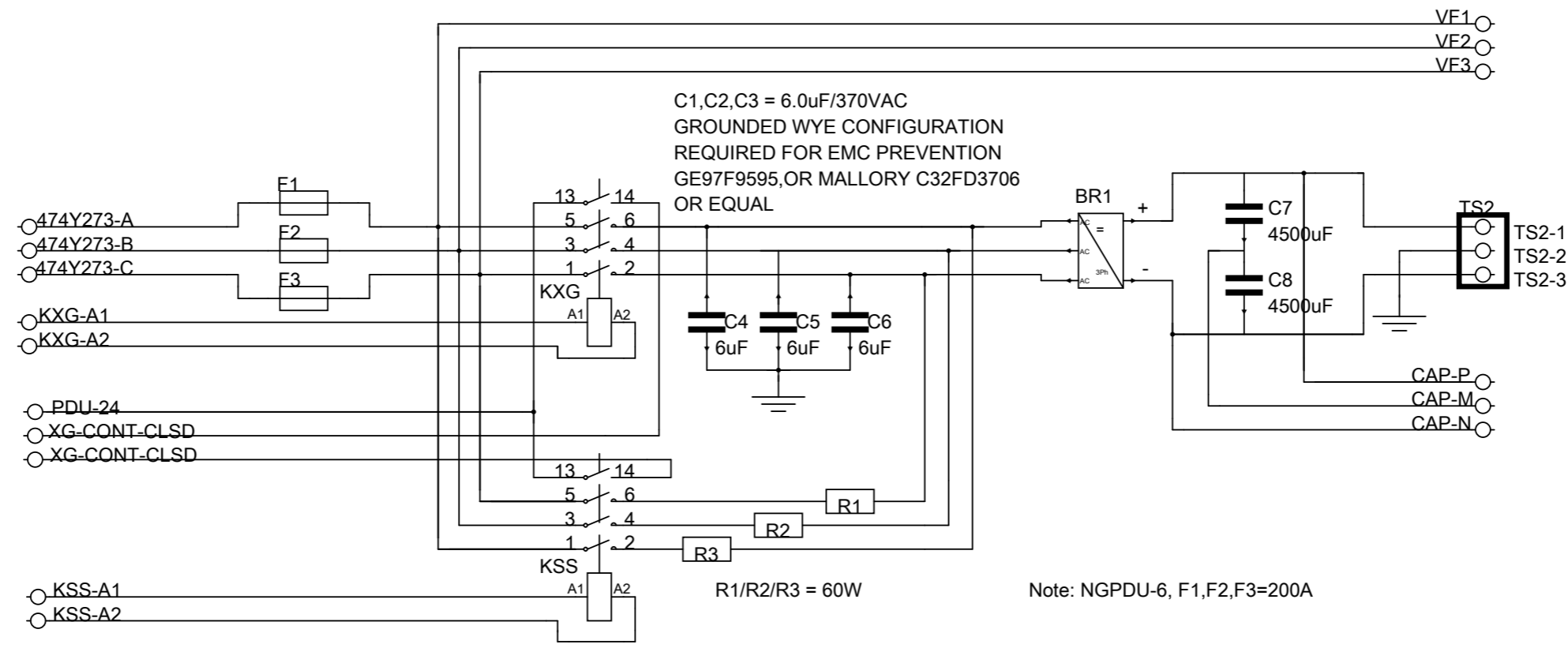
VOLTAGE	CONNECTION
200V	1-6
220V	1-5
240V	1-4
380V	2-6
400V	2-5
420V	2-4
440V	3-6
460V	3-5
480V	3-4

NOTE: 380/400/420/440/460/480V INPUT MAX POWER 150kVA
200/220/240V INPUT MAX POWER 90kVA

State: RELEASE - Document is released and under formal Change Control. Changes are subject to the ECR/ECO Process. See the GEHC Myworkshop System to determine the status of this document.

日期	11/20/2007	GE Healthcare MI&CT ENG	NGPDU-6 Schematic Diagram	=AP
编辑	305006483			+ ST1
检查		GEHW		
修正	Approved Document 326492-6SCH_r4.pdf Page 4 of 8	原点	由...创建	NGPDU
				页 3 / 7
				页

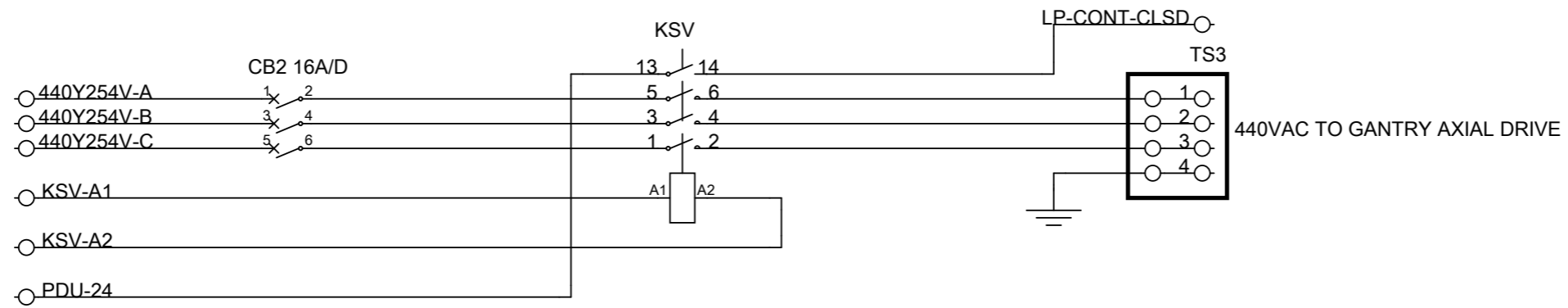
HVDC ASSEMBLY



State: RELEASE - Document is released and under formal Change Control. Changes are subject to the ECR/ECO Process. See the GEHC Myworkshop System to determine the status of this document.

AP+ST1/05								=AP+ST1/03	
日期	01/18/2008	GEHW		GE Healthcare MI&CT ENG		NGPDU-6 Schematic Diagram		=AP	
编辑	305006483							+ ST1	
检查								NGPDU	
修正	Approved Document 326492-6 SCH_r4.pdf Page 5 of 8	原点		由...创建				页 4 / 7	
								页	

AXIAL DRIVE POWER CONTROL



State: RELEASE - Document is released and under formal Change Control. Changes are subject to the ECR/ECO Process. See the GEHC Myworkshop System to determine the status of this document.

AP+ST1/07

=AP+ST1/04

日期	01/18/2008	GE Healthcare MI&CT ENG	NGPDU-6 Schematic Diagram	=AP
编辑	305006483			+ ST1
检查		GEHW		
修正	Approved Document 名称: 326492-6 SCH_r4.pdf Page 6 of 8	原点	由...创建	NGPDU
				页 5 / 7
				页

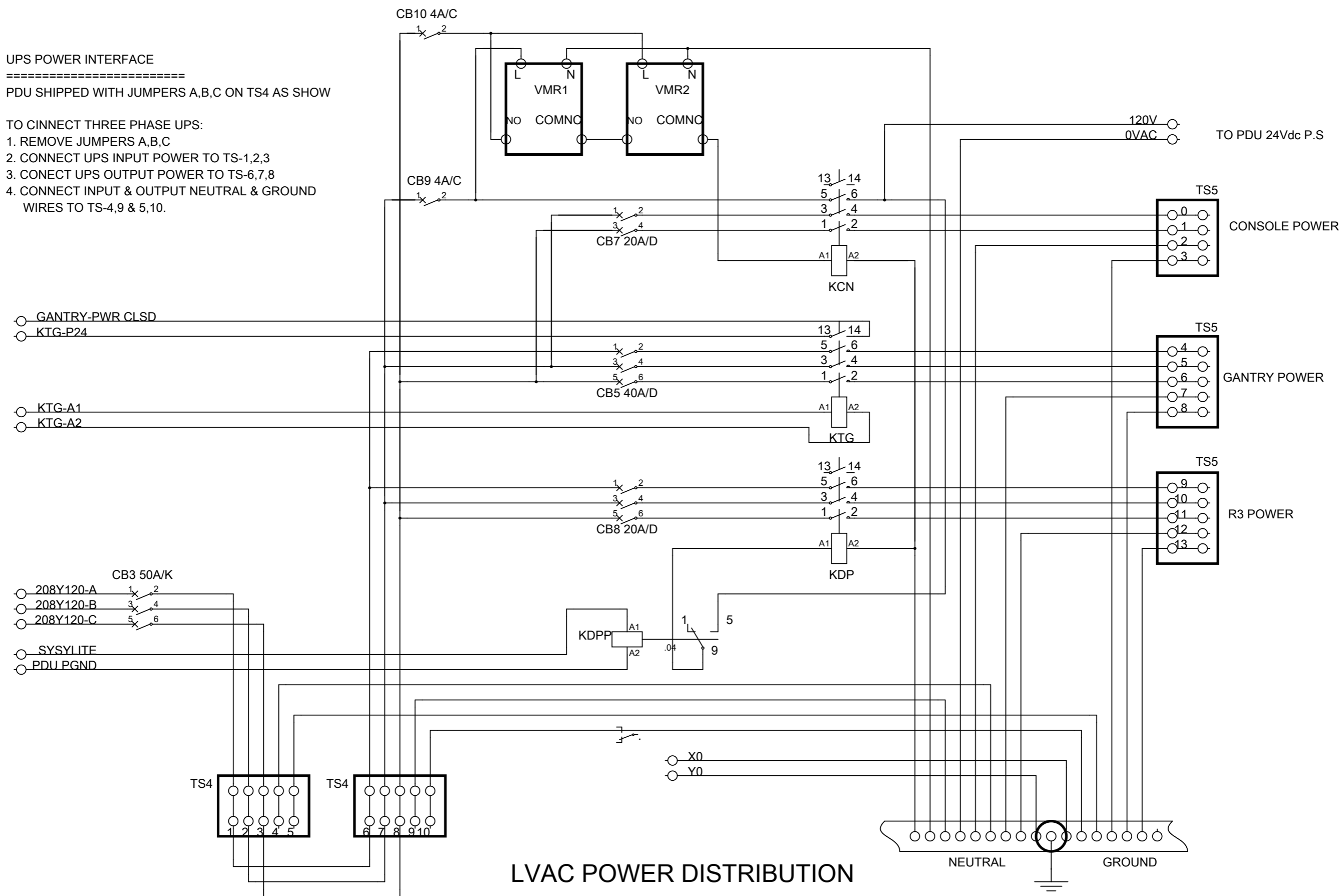
UPS POWER INTERFACE

=====

PDU SHIPPED WITH JUMPERS A,B,C ON TS4 AS SHOW

TO CINNECT THREE PHASE UPS:

1. REMOVE JUMPERS A,B,C
2. CONNECT UPS INPUT POWER TO TS-1,2,3
3. CONECT UPS OUTPUT POWER TO TS-6,7,8
4. CONNECT INPUT & OUTPUT NEUTRAL & GROUND WIRES TO TS-4,9 & 5,10.

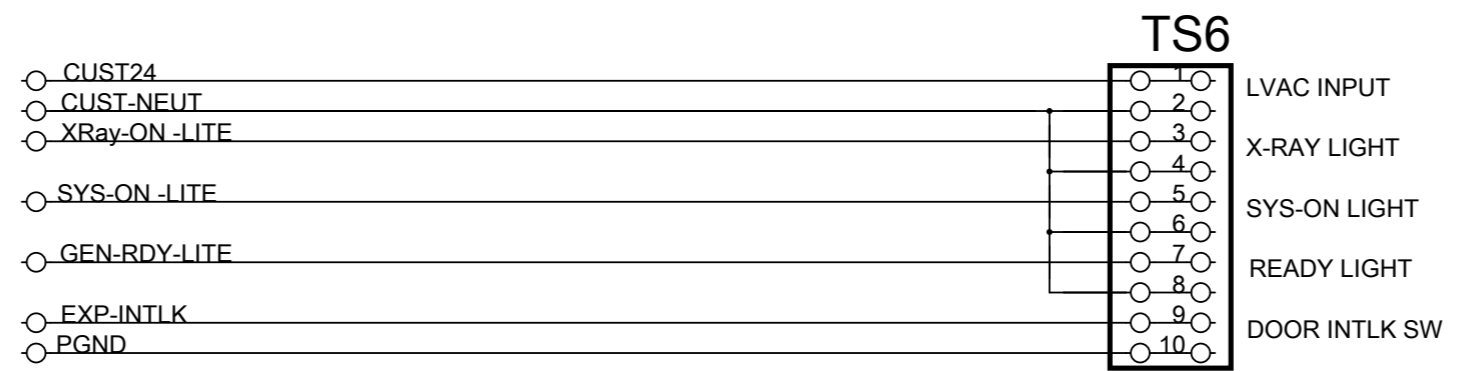
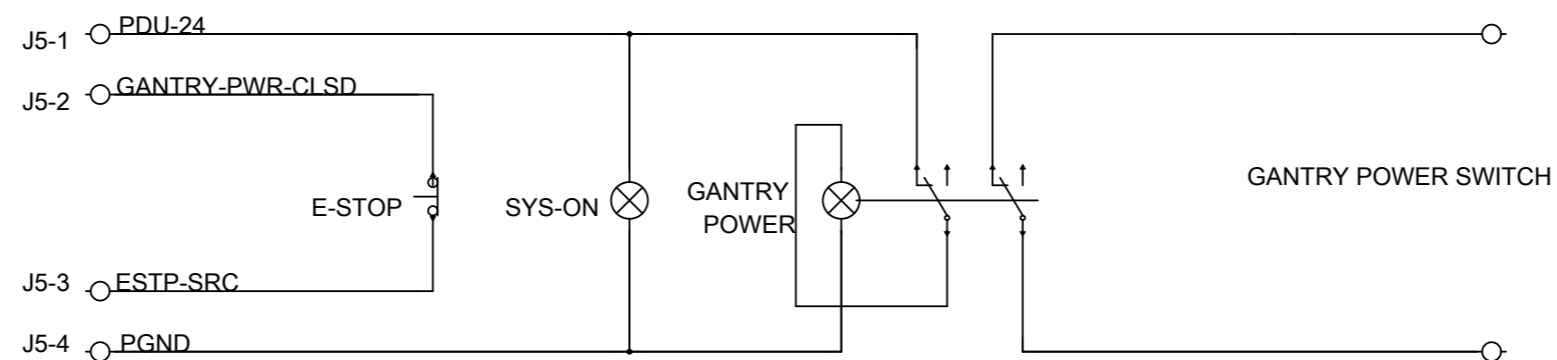


LVAC POWER DISTRIBUTION

日期	03/18/2008	GE Healthcare MI&CT ENG	NGPDU-6 Schematic Diagram	=AP
编辑	305006483			+ ST1
检查		GEHW		NGPDU
修正	Approved Document 名称: 326402-6SCH_r4.pdf Page 7 of 8	原点	由...创建	页 6 / 7

State: RELEASE - Document is released and under formal Change Control. Changes are subject to the ECR/ECO Process. See the GEHC Myworkshop System to determine the status of this document.

CUSTOMER I/O



Customer Room Interface

State: RELEASE - Document is released and under formal Change Control. Changes are subject to the ECR/ECO Process. See the GEHC Myworkshop System to determine the status of this document.