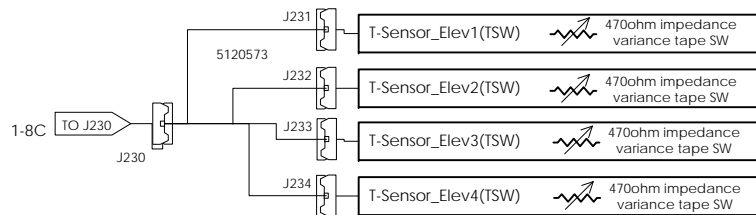
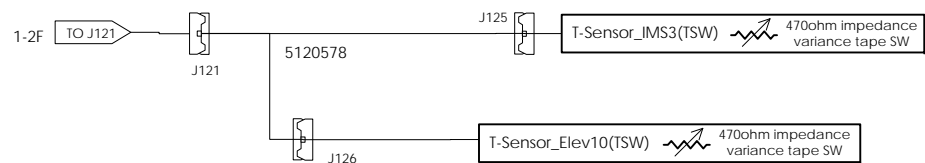


TOUCH SENSOR

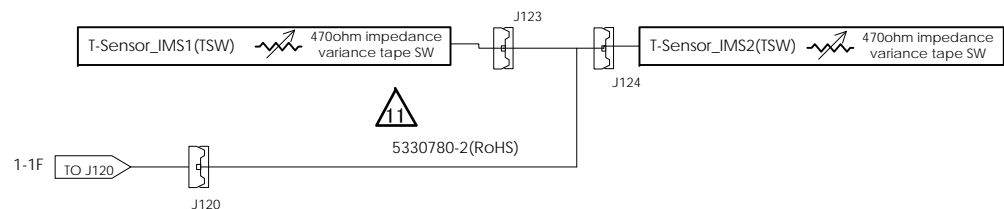
TOP COVER FRONT ASSY 5127465 - x



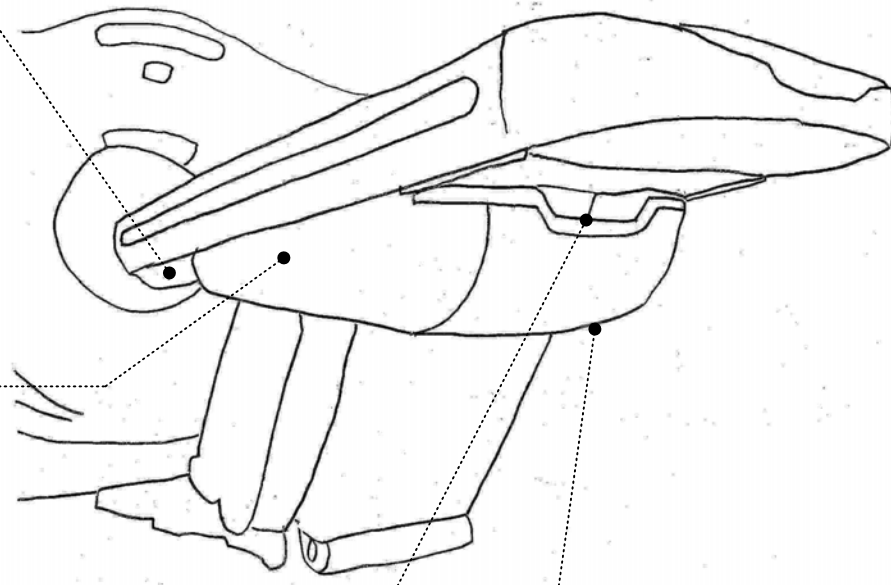
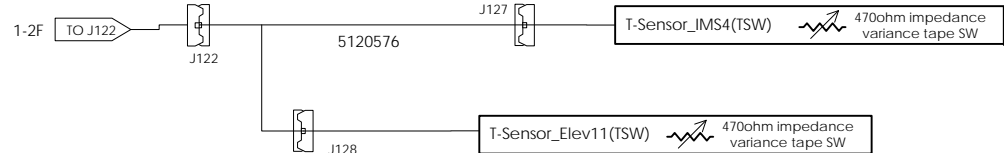
IMS LEFT SIDE COVER 5127463



IMS REAR UPPER COVER 5127462



IMS RIGHT SIDE COVER 5127464



△			--		DR. 有山	Elec eng	GLOBAL TABLE INTERCONNECT	
△11	1	Change TS cable from 5120580 to 5330780-2.	Aug/25/'09	今泉	CH. 高市		PAGE	
△8		Page1-4 A-5, Add Cylinder GND Cable. ALL, Addition part number for KittyHawk Table	Apr/16/'08	小田切	APP. 薩た	Nov/05/2004	5121647SCH	
REV.	ZONE		DATE	REV. BY			PAGE 2	

SIZE A3
技術部 MICRO - -

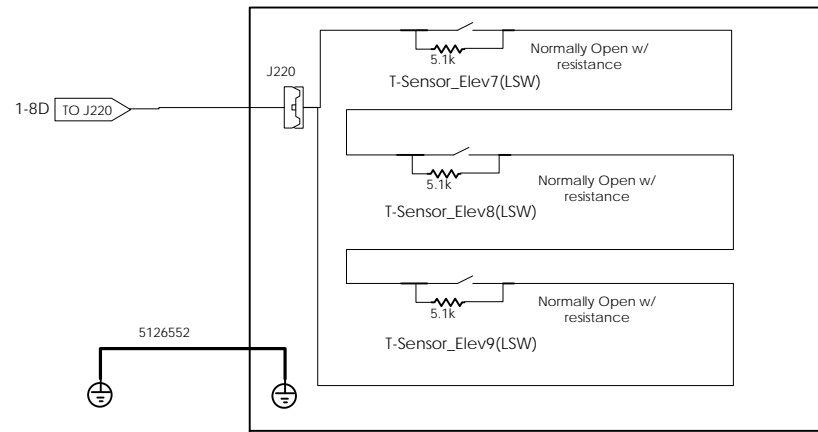
Form Y-13A-1

GE Healthcare

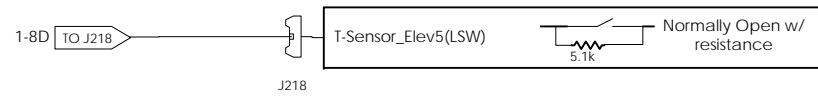
State: RELEASE - Document is released and under formal Change Control. Changes are subject to the ECR/ECO Process. See the GEHC Myworkshop System to determine the status of this document.

TOUCH SENSOR

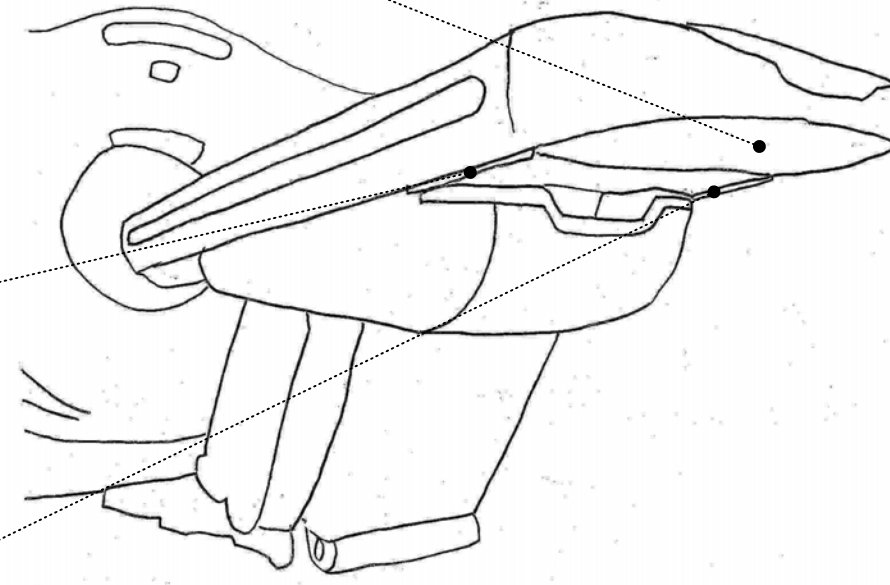
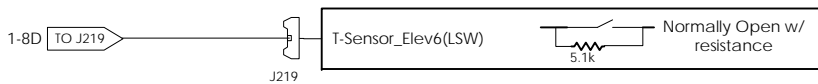
GT REAR TOUCH SWITCH 5125112



TOUCH SENSOR R ASSY 5127469 *



TOUCH SENSOR L ASSY 5127470 *



△		--		DR.	有山	Elec eng	GLOBAL TABLE INTERCONNECT		
△		--		CH.	高市		5121647SCH		
8	Page1-4 A-5. Add Cylinder GND Cable. ALL. Addition part number for KittyHawk Table	Apr/16/08	小田切	APP.	薩た	Nov/05/2004	PAGE 3		
REV.	ZONE	DATE	REV. BY						

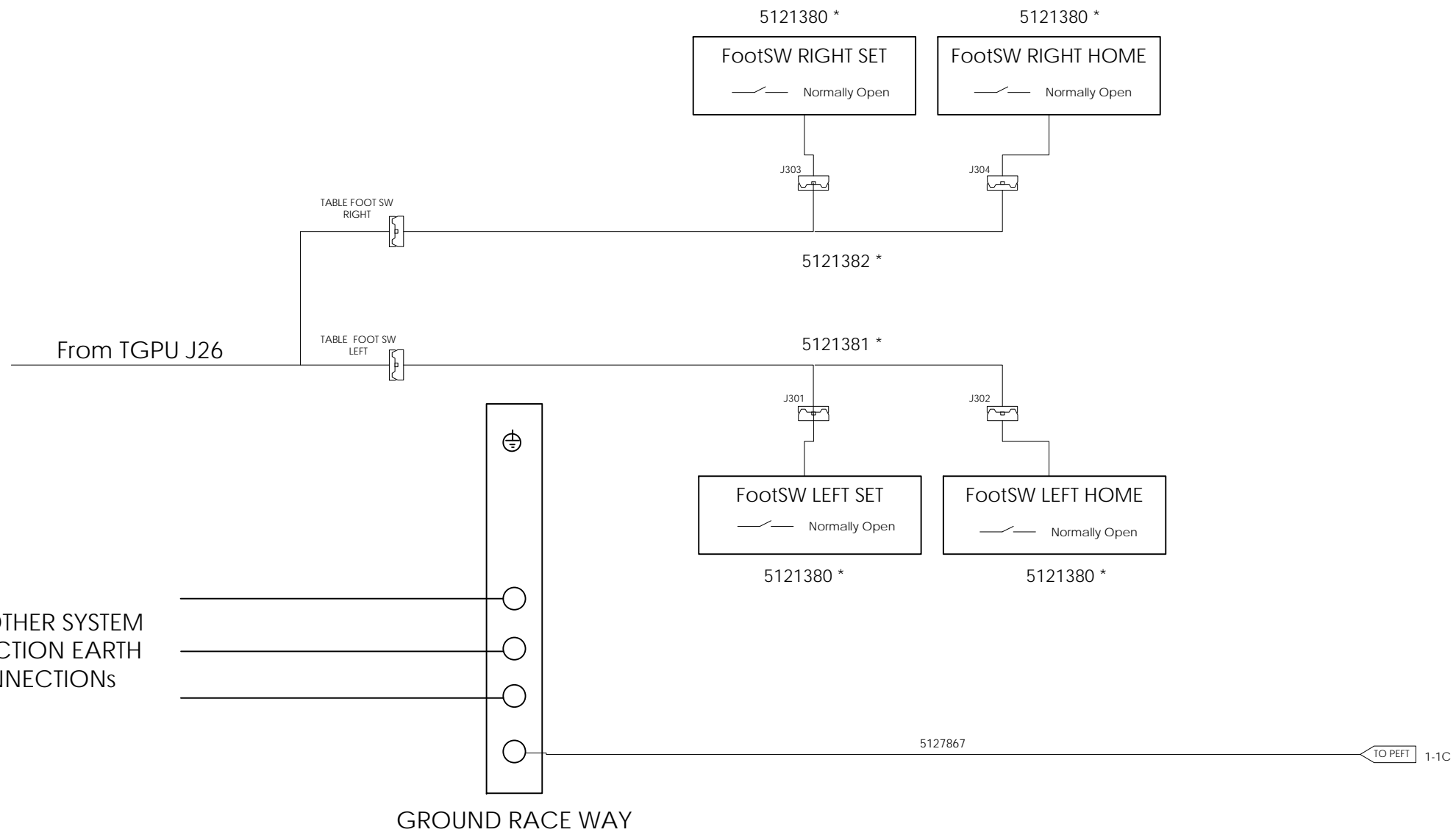
SIZE A3
技術部 MICRO - -

Form Y-13A-1

GE Helthcare

State: RELEASE - Document is released and under formal Change Control. Changes are subject to the ECR/ECO Process. See the GEHC Myworkshop System to determine the status of this document.

FOOT SWITCH



△		--		DR.	有山	Elec eng	GLOBAL TABLE INTERCONNECT	
△		--		CH.	高市		5121647SCH	
△	8	Page1-4 A-5, Add Cylinder GND Cable. ALL, Addition part number for KittyHawk Table	Apr/16/08	小田切	APP.	薩た	Nov/05/2004	PAGE 4
REV.	ZONE	DATE	REV. BY	APP.				

SIZE A3
技術部 MICRO - -

Form Y-13A-1

GE Helthcare

State: RELEASE - Document is released and under formal Change Control. Changes are subject to the ECR/ECO Process. See the GEHC Myworkshop System to determine the status of this document.