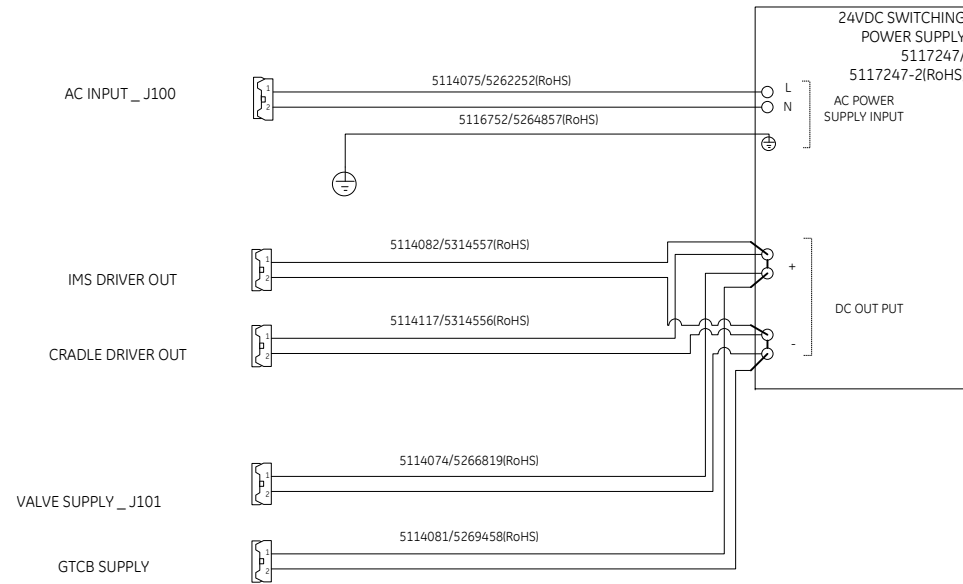
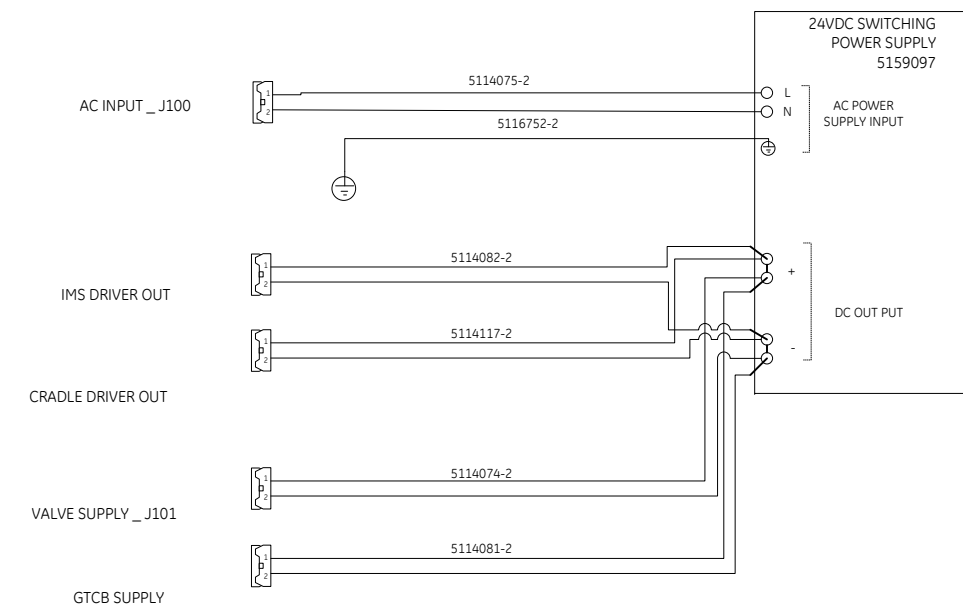


5127384 POWER SUPPLY ASSY



5127384-2 POWER SUPPLY ASSY

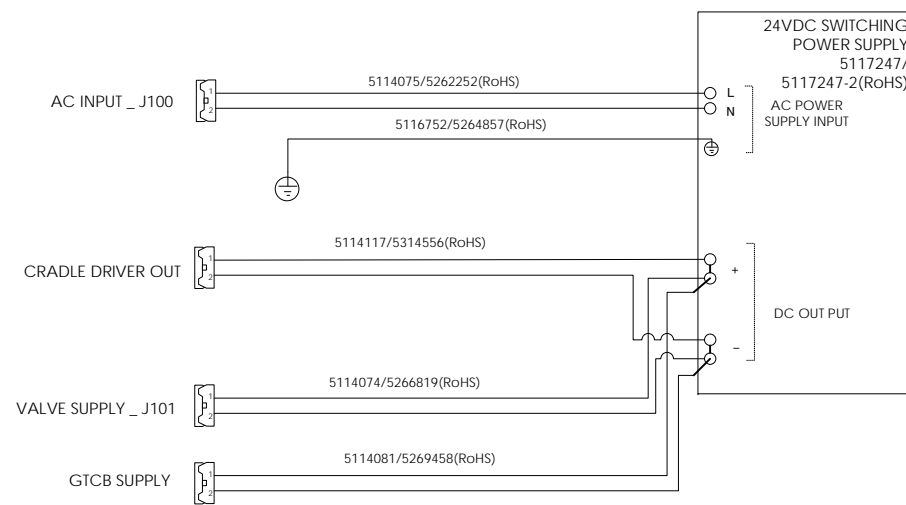


5	All	All sheet revised to add Physical ID and parts number for RoHS version. ECR 2112460	Mar/23/11	K.Sato	DR. 有山	Elec eng	POWER SUPPLY ASSY	
3	ALL	Add pin # on connectors.	Apr/21/06	有山	CH. 高市		PAGE 1 / 2	
2	D-4	P/N mistake correction.	Jan/23/06	有山	APP. 薩た	Dec/02/2005	5127384 SCH	
REV.	ZONE		DATE	REV.BY				

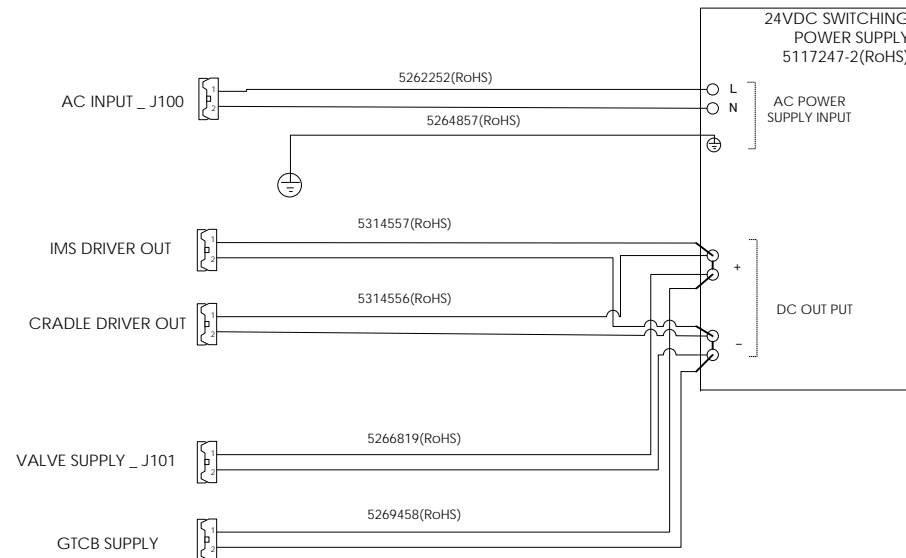
SIZE 3 MICR 0 - -

State: RELEASE - Document is released and under formal Change Control. Changes are subject to the ECR/ECO Process. See the GEHC Myworkshop System to determine the status of this document.

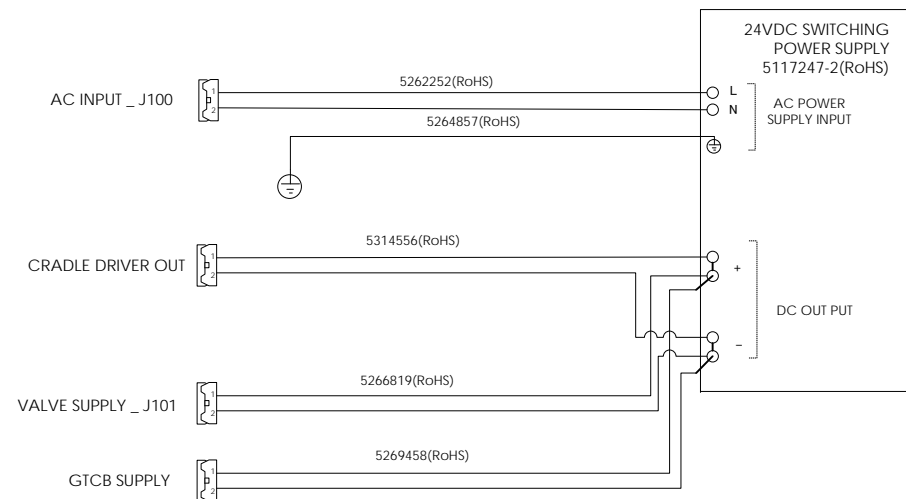
5127384-3 POWER SUPPLY ASSY



5127384-4(RoHS) POWER SUPPLY ASSY



5127384-5(RoHS) POWER SUPPLY ASSY



△				DR. 有山	Elec eng	POWER SUPPLY ASSY	
5	All	All sheet revised to add Physical ID and parts number for RoHS version. ECR 2112460	Mar/23/11	K. Sato	/	5127384 SCH	PAGE 2 / 2
4	P2	Add page for 5127384-3 diagram. ECR/ECO 2058631	May/12/08	Nozawa			Dec/02/2005
REV.	ZONE		DATE	REV.BY			

SIZE 3
MICR 0 - -

Form Y-13A-1

Approved Document - 5127384SCH_r5.pdf Page 3 of 3

GE Healthcare Japan Cooperation

State: RELEASE - Document is released and under formal Change Control. Changes are subject to the ECR/ECO Process. See the GEHC Myworkshop System to determine the status of this document.