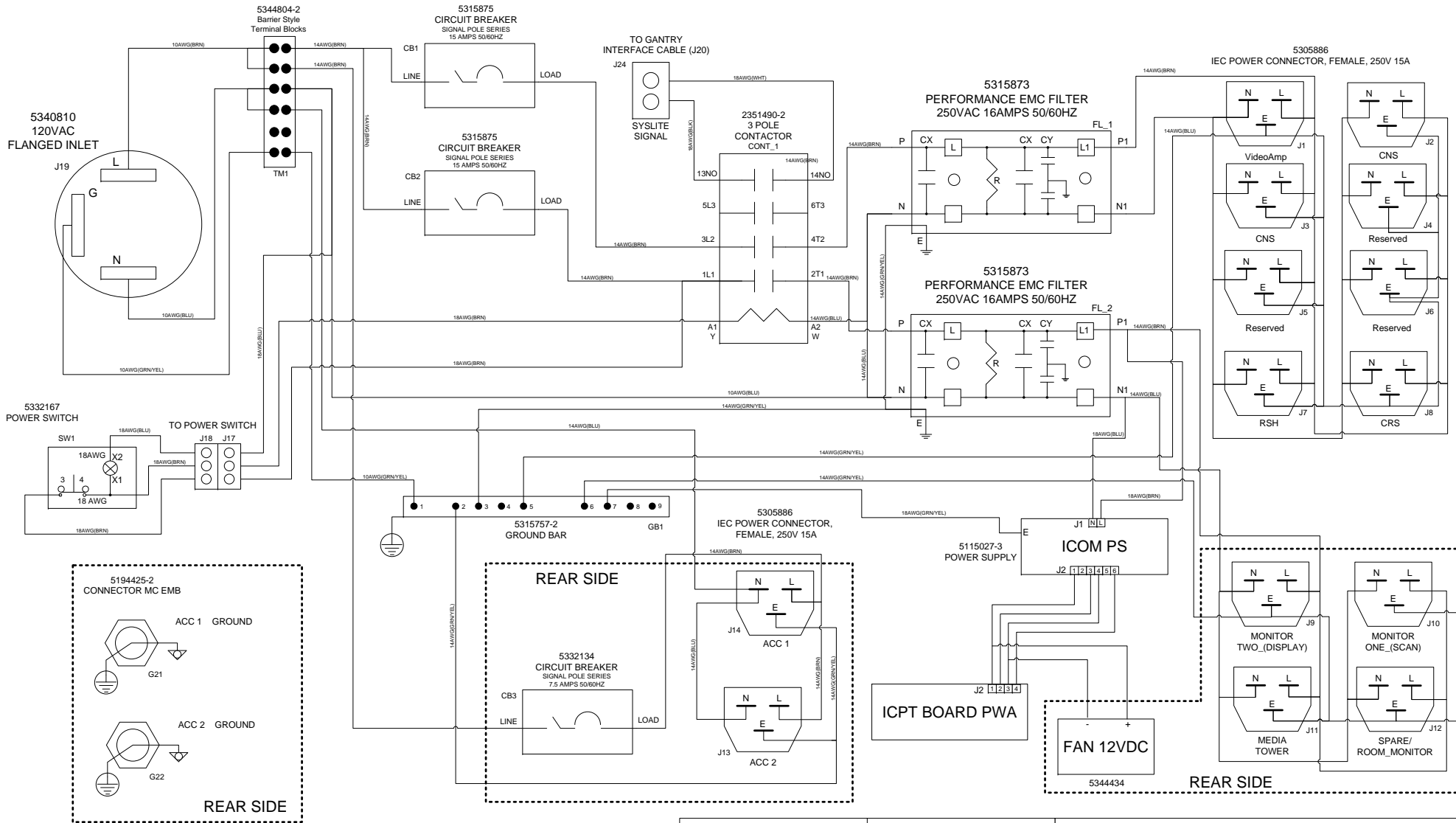


AC BOX HLB w_o ICOM SCHEMATIC

PART NUMBER 5343827



REV 1 ECO DESCRIPTION APP BY YUSUKE SATTA DATE 22-MAY-2009

MADE BY: KENICHI ODAGIRI
 DATE: 22-MAY-2009
 ELECTRONIC RELEASE PROCESS
 DESIGN RELEASED

GE Healthcare
 Japan Corporation

DESIGN TITLE AC BOX HLB w_o ICOM
 FIRST MADE FOR CJ PROGRAM
5343827SCH

REV 1 SIZE D SHEET 1 OF 1