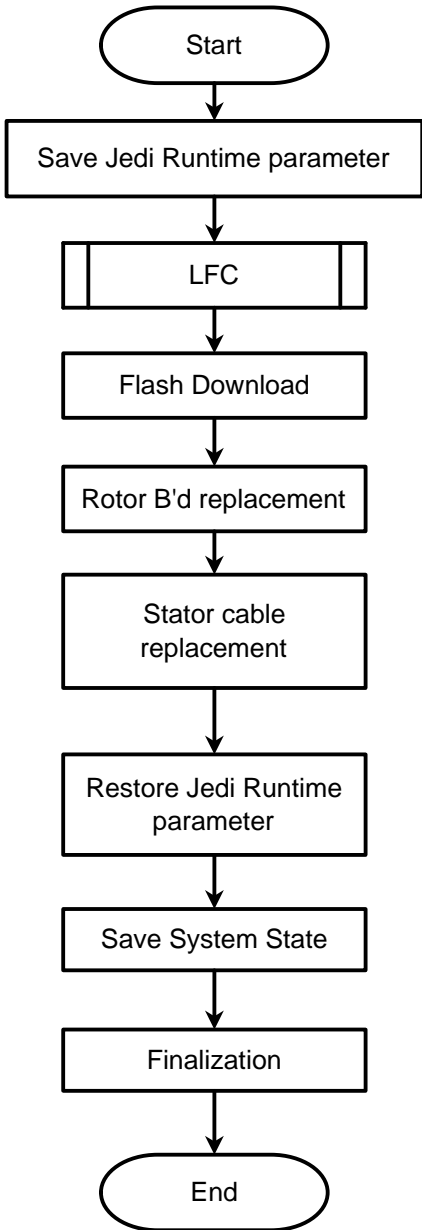


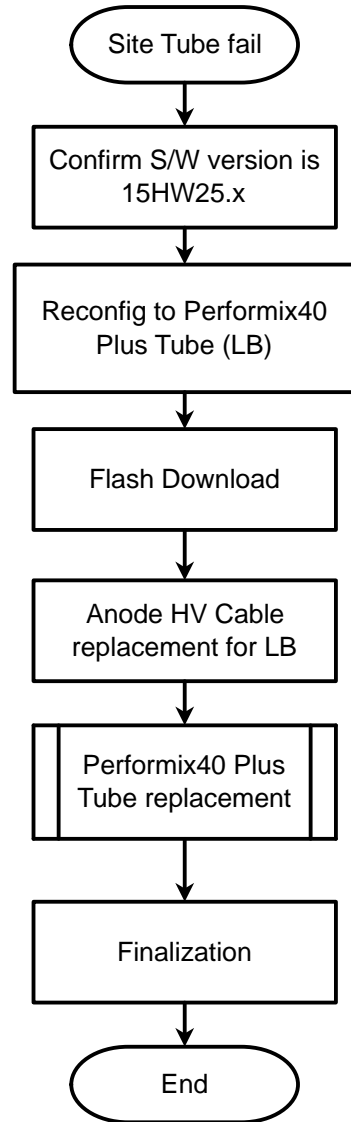
Step1

Proactive Upgrade to make the system ready to install the Performix40 Plus (LB) Tube.



Step2

Install Performix40 Plus (LB) Tube .



Tube replacement:
Including the followings:
Gantry Balance
Filament Calibration
System Calibration
IQ check
Save System State